

# RYOBI®

## RSH2545B

ORIGINAL INSTRUCTIONS  
TRADUCTION DES INSTRUCTIONS ORIGINALES  
ÜBERSETZUNG DER ORIGINALANLEITUNG  
TRADUCCIÓN DE LAS INSTRUCCIONES ORIGINALES  
TRADUZIONE DELLE ISTRUZIONI ORIGINALI  
VERTALING VAN DE ORIGINELE INSTRUCTIES  
TRADUÇÃO DAS INSTRUÇÕES ORIGINAIS  
OVERSÆTTELSE AF DE ORIGINALE INSTRUKTIONER  
ÖVERSÄTTNING AV DE URSPRUNGLIGA INSTRUKTIONERNA  
ALKUPERÄISTEN OHJEIDEN SUOMENOS  
OVERSETTELSE AV DE ORIGINALE INSTRUKSJONENE  
ПЕРЕВОД ОРИГИНАЛЬНЫХ ИНСТРУКЦИЙ  
TŁUMACZENIE INSTRUKCJI ORYGINALNEJ  
PŘEKLAD ORIGINÁLNÍCH POKYNŮ  
AZ EREDETI ÚTMUTATÓ FORDÍTÁSA  
TRADUCEREA INSTRUCȚIUNILOR ORIGIALE  
TULKOTS NO ORĪĢINĀLĀS INSTRUKCIJAS  
ORIGINALIŲ INSTRUKCIJŲ VERTIMAS  
ORIGINAALJUHENDI TÕLGE  
PRIJEVOD ORIGINALNIH UPUTA  
PREVOD ORIGINALNIH NAVODIL  
PREKLAD ORIGINÁLNYCH POKYNOV  
ПРЕВОД ОТ ОРИГИНАЛНИТЕ ИНСТРУКЦИИ  
ПЕРЕКЛАД ОРИГИНАЛЬНИХ ИНСТРУКЦІЙ



EN  
FR  
DE  
ES  
IT  
NL  
PT  
DA  
SV  
FI  
NO  
RU  
PL  
CS  
HU  
RO  
LV  
LT  
ET  
HR  
SL  
SK  
BG  
UK





<b>Important!</b>	It is essential that you read the instructions in this manual before assembling, maintaining and operating the product.
<b>Attention!</b>	Il est essentiel que vous lisiez les instructions contenues dans ce manuel avant d'assembler, d'entretenir et d'utiliser le produit.
<b>Achtung!</b>	Es ist wichtig, dass Sie vor Zusammenbau, Wartung und Benutzung des Produktes die Anweisungen in dieser Anleitung lesen.
<b>¡Atención!</b>	Resulta fundamental que lea este manual de instrucciones antes de realizar el montaje, el mantenimiento y de utilizar este producto
<b>Attenzione!</b>	E' importante leggere le istruzioni contenute nel presente manuale prima di montare il prodotto, svolgere le operazioni di manutenzione sullo stesso e metterlo in funzione.
<b>Let op!</b>	Het is van essentieel belang dat u de instructies in deze gebruiksaanwijzing leest voor u het product monteert, onderhoudt en gebruikt.
<b>Atenção!</b>	É fundamental que leia as instruções deste manual antes da montagem, manutenção e operação do aparelho.
<b>OBS!</b>	Det er vigtigt, at man læser instrukserne i denne brugsanvisning, inden man samler, vedligeholder og betjener produktet.
<b>Observera!</b>	Det är viktigt att du läser instruktionerna i manualen före montering, användning och underhåll av produkten.
<b>Huomio!</b>	On tärkeää, että luet tämän käsikirjan ohjeet ennen tuotteen kokoamista, huoltoa ja käyttöä.
<b>Advarsel!</b>	Det er viktig at du leser instruksjonene i denne manualen før sammensetning, vedlikehold og bruk av produktet
<b>Внимание!</b>	Необходимо прочитать инструкции в данном руководстве перед сборкой, обслуживанием и эксплуатацией этого изделия.
<b>Uwaga!</b>	Koniecznienależyprzeczytaćinstrukcjezawartewtym podręczniku przed montażem, obsługą oraz konserwacją produktu.
<b>Důležitost upozornění!</b>	Neinstalujte, neprovádějte údržbu ani nepoužívejte tento výrobek dříve, než si přečtete pokyny uvedené v tomto návodu.
<b>Figyelem!</b>	Fontos, hogy a termék összeszerelése, karbantartása és használatá elöttlolvassa a kézikönyvben található utasításokat.
<b>Atenție!</b>	Este esențial să citiți instrucțiunile din acest manual înainte de asamblare, efectuarea întreținerii și operarea produsului.
<b>Uzmanību!</b>	Ir svarīgi izlasīt šīs rokasgrāmatas instrukcijas pirms uzstādīšanas, apkopes un precas darbināšanas.
<b>Dėmesio!</b>	Prieš surenkant, prižiūrint ir naudojant gaminį, būtina perskaityti šiame vadove pateiktus nurodymus.
<b>Tähtis!</b>	Enne masina kokkupanekut, hooldamist ja kasutama hakkamist tuleb käesolevas juhendis esitatud juhised kindlasti läbi lugeda.
<b>Upozorenje!</b>	Vrlo je važno da ste prije sklapanja, održavanja i rada s ovim proizvodom pročitali upute u ovom priručniku.
<b>Pomembno!</b>	Pomembno je da pred montažo vzdrževanjem in uporabo tega izdelka preberete navodila v tem priročniku.
<b>Upozornenie!</b>	Je dôležité, aby ste si pred montážou, údržbou a obsluhou produktu prečítali pokyny v tomto návode.
<b>Важно!</b>	Исключительно важно е да прочетете инструкциите в настоящото ръководство, преди да преминете към сглобяване, поддръжка или работа с продукта.
<b>Важливо!</b>	Дуже важливо, щоб ви прочитали інструкції в цьому керівництві перед складанням, обслуговуванням та експлуатацією цієї машини.

Subject to technical modification | Sous réserve de modifications techniques | Technische Änderungen vorbehalten | Bajo reserva de modificaciones técnicas | Con riserva di eventuali modifiche tecniche | Technische wijzigingen voorbehouden | Com reserva de modificações técnicas | Med forbehold for tekniske ændringer | Med förbehåll för tekniska ändringar | Tekniset muutokset varataan | Med forbehold om tekniske endringer | могут быть внесены технические изменения | Z zastrzeżeniem modyfikacji technicznych | Změny technických údajů vyhrazeny | A műszaki módosítás jogát fenntartjuk | Sub rezerva modificățiilor tehnice | Paturam tiesības mainīt tehniskos raksturlielumus | Pasiliekan teisę daryti techninius pakeitimus | Tehnilised muudatused võimalikud | Подлежно техничким промјенама | Tehnične spremembe dopuščene | Právo na technické zmeny je vyhradené | Подлежи на технически модификации | Є об'єктом для технічних змін



Safety, performance, and dependability have been given top priority in the design of your electric impact shredder.

### INTENDED USE

The electric impact shredder is designed to reduce organic garden waste materials, such as branches, twigs and foliage into small pieces.

The product is intended for outdoor use in a stationary position, on firm level ground, by an operator standing at the same level as the base of the product.

The product is not intended for use by children or persons with reduced physical, mental or sensory capabilities.

The product is not intended for non-organic material, metal or any material which exceeds its maximum cutting capacity of 45 mm diameter.

The product must be mounted on the stand provided and must be used with the collection box provided. It is not intended to be mounted in any other way than described or shown in this manual.

### GENERAL SAFETY RULES

#### ⚠ WARNING

When using the product, basic safety precautions should be followed to reduce the risk of fire, electric shock and personal injury. Read all of these safety instructions carefully before operating the product. Make sure you are familiar with the controls and the proper and safe use of the product. Please keep these instructions safe for later use.

### TRAINING

- Read the instructions carefully. Be familiar with the controls and the correct use of the product.
- Never allow children or people unfamiliar with these instructions to use the product. Local regulations may restrict the age of the operator.
- Keep in mind, that the operator or user is responsible for accidents or hazards occurring to other people or their property.

### PREPARATION

- Wear ear protection and safety glasses at all times while operating the product.
- While operating the product, always wear substantial footwear and long trousers. Do not operate the product when barefoot or when wearing open sandals. Avoid wearing clothing that is loose fitting or that has hanging cords or ties.
- Operate the product in the recommended position and only on a firm, level surface.
- Do not operate the product on a paved or gravel surface where ejected material could cause injury.
- Before use, always inspect and ensure that the shredding means, bolts and other fasteners are secure, and that the housing, guards, and screens are undamaged and in place. Replace worn or damaged components in sets to preserve balance. Replace damaged or unreadable labels.
- Before use, check the supply and extension cord for signs of damage or aging. If the cord becomes damaged during use, disconnect the cord from the supply immediately. Do not touch the cord before disconnecting the supply. Do not use the product if the cord is damaged or worn.
- Never operate the product while people, especially children, or pets are nearby.

### ELECTRICAL SAFETY

- Read and understand all safety instructions before connecting the product to the mains supply.
- Power plugs must match the outlet. Never modify the plug in any way. Do not use any adapter plugs with earthed (grounded) power tools. Unmodified plugs and matching outlets will reduce risk of electric shock.
- Before connecting to the mains supply, make sure that the voltage is the same as that indicated on the rating plate of the product or in this manual. Connecting the product to any other power supply may cause injury or damage.
- The manufacturer recommends you connect to a power socket protected by an RCD with a trip of 30 mA or less.
- Keep the ventilation openings clear of debris and other accumulations to prevent

damage to the motor or possible fire.

- Keep the power cord away from heat, oil and sharp edges.
- If the supply cord is damaged, it must be replaced by a special cord or assembly available from the manufacturer or its service agent.
- If you need to use an extension cord ensure it is suitable for outdoor use and has a current capacity rating sufficient to supply your product. The extension cord cable should be marked with either "H05 RN-F" or "H05 VVF". Check it before every use for damage; always uncoil it during use because coiled cords can overheat. Damaged extension cords should not be repaired; they should be replaced with an equivalent type.
- Make sure the power cord is positioned so that it cannot be damaged by the cutting means and will not be stepped on, tripped over or otherwise subjected to damage or stress.
- A power spike during motor start-up causes voltage fluctuations which may affect other electrical products in the same power circuit. Connect the product to a power supply with an impedance equal to or less than  $0.404 \Omega$  to minimise voltage fluctuations. Contact your electric power supplier for further clarification.

## ELECTRIC IMPACT SHREDDER SAFETY RULES

### OPERATION

- Do not use the product in bad weather conditions especially when there is a risk of lightning.
- Before starting the product, make certain that the feeding chamber is empty.
- The product will not operate if the collection box is not properly fitted or the shredder housing is not properly closed and the shredder housing knob is not fully screwed in. The collection box and shredder housing are protected by safety interlocks that help to prevent accidental contact with moving parts that will result in serious injury.
- Keep your face and body away from the feed intake opening.
- Do not allow hands, any other part of the body, or clothing inside the feeding chamber, discharge chute, or near any moving part.
- Do not overreach. Keep proper balance and footing at all times. Never stand at a higher level than the base of the product when feeding material into it.
- Always stand clear of the discharge zone when operating the product.
- When feeding material into the product be extremely careful that pieces of metal, rocks, bottles, cans, or other foreign objects are not included.
- If the cutting mechanism strikes any foreign object or if the product starts making any unusual noise or vibration, immediately shut off the motor by pressing the off switch. Allow the product to stop and disconnect the product from the supply. Take the following steps before restarting and operating the product:
  - inspect for damage
  - replace or repair any damaged parts
  - check for and tighten any loose parts
- Do not allow processed material to build up in the discharge zone; this may prevent proper discharge and can result in kickback of material through the feed intake opening.
- If the product becomes clogged, stop the motor by pressing the OFF switch and disconnect the product from the mains supply. Ensure that all moving parts have stopped before opening the shredder housing or attempting to clear the blockage.
- Never operate the product with defective guards or shields or without safety devices, such as debris collector, in place.
- Keep the ventilation openings clear of debris and other accumulations to prevent damage to the motor or possible fire.
- Do not transport the product while the motor is running.
- Stop the product, disconnect from the power supply and ensure that all moving parts have come to a complete stop:
  - before emptying the collection box
  - before leaving the product unattended
  - before clearing blockages or unclogging chute
  - before checking, cleaning or working on the product

- Do not tilt the product while the motor is running.
- Keep clear of the feed intake after inserting material. The action of drawing the material into the product may cause sudden movement or twisting of the exposed material. Always wear eye protection when operating the product.
- If dust is created by the shredding process, wear a suitable dust mask to help prevent respiratory injury.
- Switch off the product and allow all moving parts to stop before removing the collection box.
- Do not modify product in any way or use parts and accessories which are not recommended by the manufacturer.
- Keep the power source clear of debris and other accumulations to prevent damage to the power source or possible fire.

### OVERLOAD PROTECTION DEVICE

The product has an overload protection device. When overloading is detected, the machine will automatically switch off. The overload protection button is located next to the ON/OFF switch. The button will pop up when overload protection is activated. Disconnect the product from the power supply and follow the instructions for clearing a blockage. Let the motor cool down for 3 to 5 minutes. After checking if there is no blockage, connect the power cord to the power supply and depress the overload protection reset button. Press the on switch to turn on the motor.

If the overload protection is activated and there is no blockage, the overload may have occurred when materials are fed into the product too quickly for too long, causing the motor to overheat. Allow the motor to cool down. Empty the collection box before restarting the product.

### CLEARING A BLOCKAGE

#### ⚠ WARNING

The blades are sharp and are likely to be hot. Always wear heavy-duty protective gloves when checking and clearing a blockage.

- If the product becomes clogged or blocked, or if the overload protection device is activated, follow these instructions:

- Turn off the product and disconnect it from the power supply.
- Make sure that all moving parts have stopped.
- Remove and empty the collection box.
- Remove any exposed material in the feeding chute.
- Unscrew the shredder housing knob and open the upper housing on its hinge to expose the cutting mechanism.
- Remove any debris blocking the feeding chamber by pulling it out from the inside.

#### ⚠ WARNING

The blades may still move even though the power is turned off. Exercise extreme caution around the area of the blades.

- Carefully remove debris around the blades with a suitable hand tool. Using the hand tool, move the metal plates holding the blades to check if blockage has been removed. Do not insert the hand tool into the sharp edges of the blades; doing so will damage the blades.
- If you cannot see the collection box when the cutting means rotate, you need to clear debris in that area. Use a tool to carefully clear the area.
- Once the blockage is cleared, close the upper housing and screw in the shredder housing knob to engage the safety interlock.
- If you are unable to successfully clear a blockage or if you find damage, bring the product to an authorised service centre for repair.

### TRANSPORTATION AND STORAGE

- Make sure that the product has been thoroughly cleaned before storing it in a clean, dry place, which is secure and out of the reach of children.
- Allow the product to adequately cool down before storing or transporting.
- When transporting the product, make sure it is secured against falling or movement within the vehicle.

## MAINTENANCE

- Before cleaning, inspecting or servicing the product, switch it off and allow the cutters to completely stop. Disconnect the product from the power supply.
- After some time of shredding, the cutting mechanism will become hot. Allow the cutting mechanism to adequately cool down before cleaning, inspecting, or turning the blades.

### ⚠ WARNING

The cutter blades are extremely sharp. To avoid injury, exercise extreme caution and care when cleaning or working near the blades, inside the opened enclosure or when the collection box is removed. Always wear heavy-duty protective gloves.

### ⚠ WARNING

The blades may still move even though the power is turned off. Exercise extreme caution around the area of the blades.

- To ensure the best performance, the product must be kept clean at all times.
- Always clean the product immediately after use. Wherever possible, use a stiff brush inside the feed and discharge chutes and a dry cloth on the outside of the product.
- For optimal shredding performance, do not allow any material to dry and harden on any of the product's surfaces, particularly on the blades.
- Make sure that the feeding chute and the ejection chute are kept clean and clear of all waste materials.
- The cutting blades fitted in the product have two cutting edges. The blades may be turned around by 180° if one edge is blunt. See page 175-176. Replace with original RYOBI parts if your blades are blunt, chipped, or cracked.
- Make sure that all nuts, bolts, and screws are tightened and secure, especially the blade screws.
- Always have any damaged or worn parts repaired or replaced by qualified personnel at an authorised service centre.
- Never attempt to bypass the safety interlock

switches on the upper shredder housing; this could lead to serious personal injury, including amputation.

### ⚠ WARNING

Do not at any time let brake fluids, gasoline, petroleum-based products and penetrating oils come in contact with plastic parts. Never use brake fluids, gasoline, petroleum-based products, or any solvents to clean tool. Most plastics are susceptible to damage from various types of commercial solvents and may be damaged by their use.

- You may perform maintenance tasks described in this manual. For other repairs or advice, seek the assistance of an authorised service centre.

## RESIDUAL RISK

Even when the product is used as prescribed, it is still impossible to completely eliminate certain residual risk factors. The following hazards may arise when using the product and the operator should pay special attention to avoid the following:

- Injury caused by noise
  - Wear ear protection and limit exposure.
- Injury caused by inhalation of dust and particles
  - Wear appropriate dust mask.
- Injury caused by contact with cutting means
  - Keep unprotected body parts away from the cutting means at all times.
- Injury caused by thrown debris
  - Wear eye protection at all times and keep body parts away from the area around the feeding chute.

## KNOW YOUR PRODUCT

See page 168.

1. Shredder housing
2. Feeding chute
3. Handle
4. Shredder housing knob
5. Overload protection reset button
6. On/off switch
7. Safety switch key
8. Cutting blade
9. Power cord
10. Metal frame

11. Collection container
12. Wheel
13. Plunger

## SHREDDING GUIDE

For best results when shredding, follow the guidelines shown in the table below.

MATERIAL	SHREDDING METHOD
Twigs up to 6 mm in diameter.	Feed into the feeding chute at a rate which the product will accept without overloading. Use the plunger provided to push the material into the chute if required.
Branches up to 45 mm in diameter.	Clip off all side growth with secateurs before feeding into the feeding chute. Use the plunger provided to push the material into the chute if required.
Bedding plants, weeds and shrubby growth.	Knock soil and stones off the roots to avoid damage to the blades.
Freshly cut foliage, hedge, and kitchen waste. (i.e. cabbage leaves, vegetable peelings etc.)	With any material having a high moisture content it is advised to feed in some drier sticks at regular intervals to help push the material through the cutting assembly and prevent it from clogging.
Dry sticks and twigs	By inserting these at the end of your shredding task, this will help to clean the moisture and plant sap from the inside of the product and the cutting assembly.

- Do not allow garden waste to accumulate before shredding as it will begin to compost, become too damp and clog the cutting assembly. Dry material will help most material to clear the ejection chute. Save some dry sticks until last to help clean the blade area.
- Frequently monitor the build up/collection of shredded material.
- The exit of the discharge chute must be

clear at all times to prevent blockages.

- When the collection box is full, turn the product Off before emptying.

### ⚠ WARNING

Do not put your hands up inside the shredder's discharge chute to clear away shredded material while the product is switched on or connected to the mains supply. The blades are sharp. Wear heavy-duty gloves and exercise extreme caution when cleaning and clearing blockages.

### ⚠ WARNING

When feeding long woody branches/stems into the product be careful of whip and vibrations as the materials get caught by the cutter. The operator must wear eye protection whenever using the product.

### ⚠ WARNING

The cutting device has a tendency to pull branches/stems into the product. Do not try to impede entry of the material being cut once feeding has started. Always wear gloves to prevent skin lacerations when feeding material into the product.

**NOTE:** In normal use, do not switch off the product until all of the shredded material has cleared the cutter assembly. If the product is switched off too quickly, remaining pieces of material may clog the blade assembly and stall the motor when the product is switched back on.

## SYMBOLS ON THE PRODUCT



Read and understand all instructions before operating the product, follow all warnings and safety instructions.

Beware of thrown or flying objects. Keep all bystanders, especially children and pets, at least 15 m away from the operating area



Danger - Rotating blades. Keep hands and feet out of openings while the product is running.



Switch off and remove plug from mains before maintenance or if cord is damaged.



Wear eye and ear protection.



Do not use as a step.



Wait until all machine components have completely stopped before touching them.



Wear non-slip, heavy duty gloves.



Keep hands away from blades



Conforms to all regulatory standards in the country in the EU where the product is purchased.



Ukrainian mark of conformity.



Waste electrical products should not be disposed of with household waste. Please recycle where facilities exist. Check with your local authority or retailer for recycling advice.



Class II tool, double insulation



The guaranteed sound power level is 107 dB



Press to reset



EurAsian Conformity Mark

## SYMBOLS IN THIS MANUAL



Connect to power outlet.



Disconnect from power outlet.



Parts or accessories sold separately



Waste electrical products should not be disposed of with household waste. Please recycle where facilities exist.



Note



Warning



Lock



Unlock

The following signal words and meanings are intended to explain the levels of risk associated with this product.

### ⚠ DANGER

Indicates an imminently hazardous situation, which, if not avoided, will result in death or serious injury.

### ⚠ WARNING

Indicates a potentially hazardous situation, which, if not avoided, could result in death or serious injury.

### ⚠ CAUTION

Indicates a potentially hazardous situation, which, if not avoided, may result in minor or moderate injury.

### CAUTION

Without safety alert symbol

Indicates a situation that may result in property damage.



La plus grande priorité a été donnée à la sécurité, aux performances et à la fiabilité de votre Broyeur Électrique à Impact lors de sa conception.

### UTILISATION PRÉVUE

Ce broyeur électrique à impact est destiné à réduire les déchets organiques du jardin, tels que branches, brindilles et feuilles en petits morceaux.

Le produit est conçu pour fonctionner à l'extérieur en position fixe, sur une surface dure et horizontale, manipulé par un opérateur se tenant debout au même niveau que la base du produit.

Ce produit ne doit pas être utilisé par des enfants ou par des personnes aux capacités physiques, sensorielles ou mentales diminuées.

Le produit ne convient pas aux matières non-organiques, aux métaux ou aux matières dépassant sa capacité de coupe maximale de 45 mm de diamètre.

Le produit doit être monté sur le pied fourni et utilisé avec le bac de collecte fourni. Il ne doit pas être monté d'une façon autre que celles décrites ou montrées dans ce manuel.

### RÈGLES GÉNÉRALES DE SÉCURITÉ

#### ⚠ AVERTISSEMENT

Lors de l'utilisation du produit, il convient de respecter certaines précautions de sécurité de base afin de réduire les risques d'incendie, de décharge électrique et de blessure. Lisez tous les avertissements de sécurité et toutes les instructions. Familiarisez-vous avec la manipulation des commandes et avec l'utilisation sûre et correcte du produit. Veuillez conserver ce manuel pour vous-y reporter dans le futur.

### ENTRAÎNEMENT

- Lisez attentivement les instructions. Familiarisez-vous avec les commandes du produit ainsi qu'avec son utilisation correcte.
- Ne laissez jamais les enfants ou les personnes non familiarisées avec ces instructions utiliser le produit. Les lois locales peuvent imposer un âge minimum à l'opérateur.

- Gardez à l'esprit que l'opérateur est responsable des accidents qui arrivent aux autres personnes présentes dans sa propriété.

### PRÉPARATION

- Portez une protection auditive et des lunettes de sécurité en permanence lorsque vous utilisez la machine.
- Lorsque vous utilisez le produit, portez toujours des chaussures adéquates ainsi que des pantalons longs. N'utilisez pas la machine pieds nus ou avec des sandales ouvertes. Evitez de porter des vêtements amples ou qui possèdent des cordons ou attaches qui pendent.
- Faites fonctionner le produit dans la position recommandée et uniquement sur une surface dure et horizontale.
- N'utilisez pas la machine sur une surface pavée ou gravillonnée, la projection de ces matériaux pouvant causer des blessures.
- Avant utilisation, vérifiez toujours que les éléments de broyage, les boulons et autres fixations sont bien serrés, et que les carter, protections, et écrans sont en place et en bon état. Remplacez les éléments usés ou endommagés par jeu complet pour conserver le bon équilibre. Remplacez toute étiquette endommagée ou illisible.
- Pour éviter danger avant utilisation, vérifiez que le câble d'alimentation n'est pas endommagé ou usé. Si le câble d'alimentation venait à être endommagé pendant utilisation, débranchez-le immédiatement du secteur. Ne touchez pas au câble avant d'avoir débranché l'alimentation. N'utilisez pas la machine si le câble est endommagé ou usé.
- N'utilisez jamais la machine si des personnes, en particulier des enfants, ou des animaux familiers se trouvent à proximité.

### SÉCURITÉ ÉLECTRIQUE

- Lisez attentivement ces instructions de sécurité électrique avant de brancher l'appareil sur le secteur.
- Les fiches secteur doivent correspondre à la prise de courant. Ne modifiez jamais la fiche secteur d'aucune façon. N'utilisez pas d'adaptateurs avec les outils électriques

reliés à la terre. L'utilisation de fiches secteur non modifiées et adaptées à la prise de courant réduit le risque de décharge électrique.

- Avant branchement sur le secteur, assurez-vous que sa tension est la même que celle indiquée sur la plaque signalétique du produit ou dans ce manuel. Le raccordement du produit à une autre source de courant est susceptible d'entraîner des blessures ou des dommages.
- Le fabricant vous recommande le branchement par un dispositif à courant différentiel résiduel (RCD), d'une sensibilité minimale de 30mA.
- Gardez les ouvertures de ventilation exemptes de débris et autres accumulations afin d'éviter tout dommage au moteur et un possible incendie.
- Gardez le câble d'alimentation éloigné de la chaleur, des graisses et des bords coupants.
- Au cas où le câble d'alimentation serait endommagé, remplacez-le par un câble spécial disponible auprès du fabricant ou de l'un de ses agents agréés.
- Si vous devez utiliser une rallonge électrique, assurez-vous qu'elle est prévue pour une utilisation à l'extérieur et que sa section est suffisante pour alimenter votre outil. Le câble de la rallonge électrique doit porter la mention "H05 RN F" ou "H05 VV F". Vérifiez le bon état de la rallonge avant chaque utilisation, déroulez-la toujours lorsque vous l'utilisez afin d'éviter qu'elle ne surchauffe. Les rallonges endommagées ne doivent pas être réparées, elles doivent être remplacées par un modèle équivalent.
- Assurez-vous que le câble chemine de façon qu'il ne puisse pas être coupé et que l'on ne puisse pas marcher dessus ou se prendre les pieds dedans, et qu'il ne peut pas être forcé ou endommagé.
- Une surconsommation temporaire pendant le démarrage du moteur provoque des variations de tension susceptibles d'affecter les autres appareils électriques branchés sur la même ligne d'alimentation. Branchez le produit sur une source d'alimentation électrique dont l'impédance est inférieure ou égale à  $0.404 \Omega$  afin de minimiser les variations de tension. Contactez votre compagnie de distribution d'électricité pour

de plus amples informations.

## RÈGLES DE SÉCURITÉ RELATIVES AU BROYEUR ÉLECTRIQUE À IMPACT

### UTILISATION

- Évitez d'utiliser le produit par mauvais temps, en particulier en cas de risque d'éclairs.
- Avant de démarrer le produit, assurez-vous que son conduit d'introduction est vide.
- Le produit ne fonctionnera pas si son bac de récupération n'est pas bien mis en place ou si le bouton du carter du broyeur n'est pas complètement serré. Le bac de récupération et le carter du broyeur sont protégés par des contacteurs de sécurité qui aident à éviter une entrée en contact accidentelle avec les éléments en mouvement, ce qui entraînerait de graves blessures.
- Gardez votre visage et votre corps éloignés de l'ouverture d'alimentation.
- N'approchez pas vos mains ou toute partie de votre corps ni vos vêtements de la chambre d'alimentation, de la sortie d'éjection, ou de tout élément en mouvement.
- Ne pas se précipiter. Garder une position et un équilibre adaptés à tout moment. Ne vous tenez jamais plus haut que la base de la machine lorsque vous introduisez des matières à broyer.
- Tenez-vous toujours à l'écart de la zone d'éjection lorsque vous utilisez cette machine.
- Lorsque vous introduisez des matières à broyer dans la machine, faites particulièrement attention qu'elles soient exemptes de morceaux de métal, de pierres, de bouteilles, de boîtes de conserves ou autres objets étrangers.
- Si le mécanisme de broyage heurte un objet étranger ou si le produit se met à émettre des bruits ou vibrations inhabituels, arrêtez immédiatement le moteur en appuyant sur l'interrupteur d'arrêt. Laissez le produit s'arrêter et débranchez-le du secteur. Suivez les étapes ci-dessous avant remise en marche et utilisation du produit :
  - vérifiez les dommages éventuels
  - remplacez ou réparez toute pièce

endommagée

- vérifiez l'absence d'éléments desserrés et resserrez-les au besoin
- Ne laissez pas les matières broyées s'entasser au niveau de la zone d'éjection; la bonne éjection des matières pourrait s'en trouver affectée et un retour des matières pourrait se produire par le tunnel d'alimentation.
- Si le produit se bouche, arrêtez le moteur en appuyant sur l'interrupteur d'arrêt et débranchez le produit du secteur. Assurez-vous que tous les éléments en mouvement sont bien arrêtés avant d'ouvrir le carter du broyeur ou de tenter de dégager l'obstruction.
- N'utilisez jamais un produit dont les carters ou les protections sont endommagés ou dont les éléments de sécurité, comme le collecteur de débris, ne sont pas en place.
- Gardez les ouvertures de ventilation exemptes de débris et autres accumulations afin d'éviter tout dommage au moteur et un possible incendie.
- Ne transportez pas le produit lorsque le moteur tourne.
- Arrêtez le produit, débranchez-le du secteur et assurez-vous que tous les éléments en mouvement se sont complètement arrêtés:
  - avant de vider la boîte de collection
  - lorsque vous laissez le produit sans surveillance
  - avant de dégager un blocage ou de débloquer l'évacuation,
  - avant de travailler sur le produit, de le vérifier ou de le nettoyer
- N'inclinez pas le produit lorsque le moteur tourne.
- Restez à l'écart du conduit d'introduction après avoir introduit des matières. Le fait de forcer les matières dans le produit est susceptible de provoquer un mouvement brusque ou une torsion des matières visibles. Portez toujours une protection oculaire lorsque vous utilisez le produit.
- Si le processus de broyage génère de la poussière, portez un masque anti-poussières adapté pour éviter toute atteinte respiratoire.
- Arrêtez le produit et laissez les éléments en mouvement s'arrêter complètement

avant de retirer le bac de récupération.

- Ne modifiez la machine d'aucune façon et n'utilisez pas de pièces ou accessoires non recommandés par le fabricant.
- Gardez le moteur exempt de débris et autre accumulation afin d'éviter tout dommage au moteur et un possible incendie.

## INTERRUPTEUR DE PROTECTION CONTRE LES SURCHARGES

Cet outil est équipé d'un dispositif de protection contre les surcharges. Lorsqu'une surcharge est détectée, l'outil s'arrête automatiquement. Le bouton de protection contre les surcharges est situé à côté de l'interrupteur MARCHE/ARRÊT. Le bouton jaillira lorsque la protection contre les surcharges sera déclenchée. Débranchez le produit du secteur et suivez les instructions relatives au dégagement d'un blocage. Laissez le moteur refroidir pendant 3 à 5 minutes. Après avoir vérifié qu'il n'existe aucun blocage, branchez le câble d'alimentation sur le secteur et enfoncez le bouton de remise à zéro de la protection. Appuyez l'interrupteur ON (marche) pour mettre le moteur en marche.

Si la protection contre les surcharges s'est déclenchée sans qu'il n'y ait de blocage, il est possible que les matières aient été introduites trop rapidement et pendant trop longtemps, entraînant une surchauffe du moteur. Laissez le moteur refroidir. Videz le bac de récupération avant de redémarrer le produit.

## DÉGAGEMENT D'UN BLOCAGE

### ⚠ AVERTISSEMENT

Les lames sont coupantes et susceptibles d'être très chaudes. Portez toujours des gants de protection épais lorsque vous vérifiez et dégagez un blocage.

- Si le produit se bouche ou se bloque, ou si la protection contre les surcharges s'est déclenchée, suivez ces instructions :
  - Arrêtez le produit et débranchez-le du secteur.
  - Assurez-vous que tous les éléments en mouvement se sont bien arrêtés.
  - Retirez et videz le bac de récupération.
  - Retirez toute matière visible du conduit d'introduction.
  - Dévissez le bouton du carter du broyeur

et ouvrez le carter supérieur par sa charnière pour accéder au mécanisme de coupe.

- Retirez tout débris bloquant la chambre d'introduction en le tirant par l'intérieur.

#### ⚠ AVERTISSEMENT

Les lames sont susceptibles de continuer de tourner même si l'alimentation a été coupée. Soyez particulièrement prudent autour de la zone des lames.

- Retirez avec soin les débris autour des lames à l'aide d'un outil à main adapté. À l'aide de l'outil à main, faites bouger les platines métalliques qui maintiennent les lames pour vérifier que le blocage a bien été dégagé. N'insérez pas l'outil à main du côté coupant des lames ; vous les endommageriez.
- Si vous ne parvenez pas à voir le bac de collecte lorsque les éléments de coupe sont en rotation, il vous faut retirer les débris dans cette zone. Utilisez un outil pour dégager cette zone avec soin.
- Une fois le blocage dégagé, refermez le carter supérieur et vissez le bouton du carter du broyeur afin d'actionner le contacteur de sécurité.
- Si vous ne parvenez pas à dégager un blocage ou si vous repérez un élément endommagé, apportez le produit à un service après-vente agréé pour le faire réparer.

#### TRANSPORT ET STOCKAGE

- Assurez-vous que le produit a été soigneusement nettoyé avant de le ranger dans un endroit sec et propre, hors de portée des enfants.
- Laissez le produit refroidir suffisamment avant de le ranger ou de le transporter.
- Lorsque vous transportez le produit, assurez-vous qu'il est bien arrimé et qu'il n'est pas susceptible de tomber ou de bouger dans le véhicule.

#### ENTRETIEN

- Avant de nettoyer, de vérifier ou d'entretenir le produit, arrêtez-le et laissez les lames s'arrêter complètement. Débranchez le produit de son alimentation électrique.

- Le mécanisme de coupe devient très chaud après un certain temps de fonctionnement. Laissez le mécanisme de coupe refroidir suffisamment avant de le nettoyer, de le vérifier ou de faire tourner les lames.

#### ⚠ AVERTISSEMENT

Les lames de coupe sont extrêmement coupantes. Pour éviter toute blessure, soyez extrêmement prudent lorsque vous nettoyez ou travaillez à proximité des lames ou à l'intérieur de la machine ouverte lorsque le bac de collecte a été retiré. Portez toujours des gants de protection épais.

#### ⚠ AVERTISSEMENT

Les lames sont susceptibles de continuer de tourner même si l'alimentation a été coupée. Soyez particulièrement prudent autour de la zone des lames.

- Pour assurer les meilleures performances au produit, il doit être gardé propre.
- Nettoyez toujours le produit immédiatement après utilisation. Chaque fois que possible, utilisez une brosse dure pour nettoyer les conduits d'introduction et de récupération et un chiffon sec pour l'extérieur du broyeur.
- Pour des performances de broyage optimales, ne laissez aucune matière sécher et durcir sur aucune des surfaces du produit, en particulier sur les lames.
- Assurez-vous que le conduit de récupération et que le conduit d'introduction restent propres et exempts de déchets.
- Les lames de coupes installées dans le produit possèdent deux bords coupants. Les lames peuvent être tournées de 180° si un des bords coupants est émoussé. Voir page 175-176. Si vos lames sont émoussées, fendues ou craquelées, remplacez-les par des pièces d'origine RYOBI.
- Assurez-vous que tous les écrous, boulons, et vis sont bien serrés, en particulier ceux des lames.
- Faites toujours réparer ou remplacer les éléments usés ou endommagés par du personnel qualifié auprès d'un service après-vente agréé.
- Ne tentez jamais de contourner la protection des interrupteurs de sécurité du

carter de protection supérieur, cela pourrait causer de graves blessures, voire une amputation.

### ⚠ AVERTISSEMENT

Ne laissez jamais du liquide de frein, de l'essence, des produits pétroliers, des huiles pénétrantes, etc. entrer en contact avec les parties en plastique. Ne le nettoyez jamais à l'aide de liquide de frein, de produits à base d'essence ou de solvants. La plupart des plastiques sont susceptibles d'être endommagés par un grand nombre de solvants du commerce.

- N'effectuez que les tâches décrites dans ce manuel. Pour d'autres réparations ou conseils, faites vous assister par un service après-vente agréé.

### RISQUES RÉSIDUELS

Même lorsque le produit est utilisé selon les prescriptions, il reste impossible d'éliminer totalement certains facteurs de risque résiduels. Les dangers suivants risquent de se présenter en cours d'utilisation et l'utilisateur doit faire particulièrement attention afin d'éviter ce qui suit :

- Blessures dues au bruit
  - Portez une protection auditive et limitez le temps d'exposition.
- Blessures provoquées par l'inhalation de poussières et particules
  - Portez un masque anti poussières.
- Blessures provoquées par l'entrée en contact avec les éléments de coupe
  - Gardez les parties non protégées du corps éloignées en permanence des éléments de coupe.
- Blessures provoquées par la projection de débris
  - Portez une protection oculaire en permanence et gardez les parties du corps éloignées de la zone entourant le conduit d'introduction.

### APPRENEZ À CONNAÎTRE VOTRE PRODUIT

Voir page 168.

1. Carter du broyeur
2. Goulotte d'éjection

3. Poignée
4. Bouton du carter du broyeur
5. Bouton de remise à zéro de la protection contre les surcharges
6. Bouton poussoir marche
7. Clé de l'interrupteur de sécurité
8. Lame de coupe
9. Câble d'alimentation
10. Cadre métallique
11. Bac de récupération
12. Roué
13. Poussoir

### GUIDE DE BROYAGE

Pour de meilleurs résultats de broyage, suivez les lignes directrices du tableau ci-dessous.

MATIÈRE	MÉTHODE BROYAGE	DE
Tiges jusqu'à 6 mm de diamètre	Introduisez les matières dans le conduit d'introduction à un rythme qui permet au broyeur de les accepter sans forcer. Utilisez le poussoir fourni pour pousser les matières dans le conduit, si nécessaire.	
Branches jusqu'à 45 mm de diamètre	Taillez toutes les pousses latérales à l'aide d'un sécateur avant de les introduire dans le conduit d'introduction. Utilisez le poussoir fourni pour pousser les matières dans le conduit, si nécessaire.	
Plants, mauvaises herbes et jeunes arbustes	Tapez les racines pour les débarrasser de la terre et des pierres, afin d'éviter d'endommager les lames.	
Feuillages et haies récemment coupés, et déchets de cuisine (par ex. feuilles de chou, épluchures, etc.)	Avec les matières ayant un fort taux d'humidité, il est conseillé d'introduire des bâtons secs à intervalles réguliers pour aider la progression des matières et empêcher tout bourrage.	

Bâtons et  
brindilles secs

En les introduisant à la fin de votre session de broyage, vous aiderez à éliminer l'humidité et l'accumulation de sève à l'intérieur du broyeur et sur les éléments de coupe.

- Ne laissez pas les déchets du jardin s'accumuler avant de les broyer car ils pourraient se décomposer, devenir trop humides et boucher le système de coupe. Des matières sèches aideront à dégager la goulotte d'éjection. Gardez quelques bâtons secs pour aider à nettoyer le système de coupe en fin de travail.
- Vérifiez régulièrement l'accumulation/le remplissage des matières broyées.
- Le conduit de récupération doit être dégagé en permanence afin de prévenir les bourrages.
- Lorsque le bac de collecte est plein, arrêtez le produit avant de le vider.

#### AVERTISSEMENT

N'introduisez pas vos mains sous la goulotte d'éjection dans le but de dégager les matières broyées lorsque le produit est en marche ou qu'il est raccordé au secteur. Les lames sont très affûtées. Portez des gants épais et soyez particulièrement prudent lors des opérations de nettoyage et de déblocage des bourrages.

#### AVERTISSEMENT

Lorsque vous introduisez de longues branches/tiges dans le produit, prenez garde aux vibrations et effets de fouet au moment où elles sont prises dans le système de coupe. L'opérateur doit porter une protection oculaire à chaque utilisation du produit.

#### AVERTISSEMENT

Le système de coupe a tendance à tirer les branches/tiges vers le produit. Ne tentez pas d'empêcher la pénétration des matières une fois que leur introduction a commencé. Portez toujours des gants afin d'éviter de vous écorcher les mains lorsque vous introduisez les matières dans le produit.

**REMARQUE:** En utilisation normale, n'arrêtez pas le produit avant que toutes les matières broyées n'aient été éjectées du dispositif de coupe. Si le produit est arrêté trop rapidement, des restes de matières sont susceptibles de bloquer le dispositif de coupe et de bloquer le moteur à la prochaine mise en marche.

#### SYMBOLES APPLIQUÉS SUR LE PRODUIT



Lisez et comprenez toutes les instructions avant d'utiliser le produit, respectez tous les avertissements et toutes les instructions de sécurité.



Prenez garde à la projection d'objets au sol et dans les airs. Gardez tous les passants, en particulier les enfants et les animaux, éloignés d'au moins 15 m de distance de la zone de travail.



Danger - Lames en rotation. Éloignez les mains et les pieds des ouvertures du produit en fonctionnement.



Coupez l'alimentation et débranchez la fiche secteur avant toute opération d'entretien ou si le câble est endommagé.



Portez une protection oculaire et auditive.



Ne pas utiliser comme marchepied.



Attendez que tous les éléments de la machine se soient complètement arrêtés avant de les toucher.



Portez des gants de protection solides et antidérapants.



Gardez vos mains à l'écart des lames.



Cet outil est conforme à l'ensemble des normes réglementaires du pays de l'UE où il a été acheté.



Marque de conformité ukrainienne



Les produits électriques hors d'usage ne doivent pas être jetés avec les ordures ménagères. Recyclez-les par l'intermédiaire des structures disponibles. Contactez les autorités locales pour vous renseigner sur les conditions de recyclage.



Outil de Classe II, isolation double



Le niveau de puissance sonore garanti est de 107 dB



Appuyez pour remettre à zéro



Marque de qualité EurAsian

## SYMBOLES DE CE MANUEL



Branchez sur le secteur.



Débranchez du secteur.



Pièces détachées et accessoires vendus séparément



Les produits électriques hors d'usage ne doivent pas être jetés avec les ordures ménagères. Recyclez-les par l'intermédiaire des structures disponibles.



Note



Avertissement



Verrouillage



Déverrouillage

différents niveaux de risques liés à l'utilisation de cet outil.

### **⚠ DANGER**

Situation potentiellement dangereuse qui, si l'on n'y prend garde, peut entraîner la mort ou des blessures graves.

### **⚠ AVERTISSEMENT**

Situation potentiellement dangereuse qui, si l'on n'y prend garde, peut entraîner la mort ou des blessures graves.

### **⚠ MISE EN GARDE**

Situation potentiellement dangereuse qui, si l'on n'y prend garde, peut entraîner des blessures moyennes ou légères.

### **MISE EN GARDE**

Sans symbole d'alerte de sécurité Indique une situation pouvant entraîner des dommages matériels.

EN

FR

DE

ES

IT

NL

PT

DA

SV

FI

NO

RU

PL

CS

HU

RO

LV

LT

ET

HR

SL

SK

BG

UK

Sicherheit, Leistung und Zuverlässigkeit hatten oberste Priorität bei der Entwicklung Ihres elektrischen Häckslers.

### VORGESEHENE VERWENDUNG

Der elektrische Häckslers wurde konstruiert, um organische Gartenabfälle, wie Äste, Zweige und Laub in kleine Stücke zu zerkleinern.

Das Produkt ist für die Benutzung im Freien an einem festen Standort, auf festem und ebenen Untergrund, durch einen Benutzer der auf der selben Höhe wie der Sockel des Produktes steht vorgesehen.

Dieses Produkt ist nicht für Kinder oder Personen mit verminderten physischen, geistigen oder sensorischen Fähigkeiten geeignet.

Das Produkt ist nicht für anorganisches Material, Metall oder Material dicker als die maximale Schnittleistung von 45 mm geeignet.

Das Produkt muss auf dem mitgelieferten Rahmen befestigt werden und mit dem mitgelieferten Sammelbehälter benutzt werden. Es darf nicht auf andere Weise als in dieser Bedienungsanleitung beschrieben oder gezeigt montiert werden.

### ALLGEMEINE SICHERHEITSGESETZE

#### ⚠️ WARNUNG

Bei der Verwendung des Produktes müssen immer einige grundlegenden Sicherheitsvorkehrungen getroffen werden, um die Gefahr von Feuer, Stromschlag und Verletzungen zu verringern. Lesen Sie vor dem Gebrauch dieser Maschine die Anweisungen in dieser Gebrauchsanweisung sorgfältig durch. Stellen Sie sicher, dass Sie mit der Steuerung und der ordnungsgemäßen und sicheren Benutzung dieses Produktes vertraut sind. Bitte bewahren Sie die Anweisungen zum späteren Nachschlagen auf.

### UNTERWEISUNG

- Lesen Sie die Anweisungen sorgfältig durch. Machen Sie sich mit den Bedienelementen und dem ordnungsgemäßen Gebrauch des Produktes vertraut.
- Erlauben Sie niemals Kindern oder

Personen, die mit diesen Anweisungen nicht vertraut sind, das Produkt zu benutzen. Die lokale Gesetzgebung regelt das Mindestalter des Benutzers.

- Es ist zu beachten, dass der Benutzer selbst für Unfälle oder Gefährdungen gegenüber anderen Personen oder deren Besitz verantwortlich ist.

### VORBEREITUNG

- Tragen Sie beim Betrieb dieser Maschine immer Gehörschutz und Sicherheitsbrille.
- Tragen Sie beim Betrieb des Produktes immer festes Schuhwerk und lange Hosen. Arbeiten Sie mit der Maschine niemals Barfuß oder mit offenen Sandalen. Vermeiden Sie lockere Kleidung oder Kleidung mit Schnüren oder Bändern zu tragen.
- Bedienen Sie das Produkt in der empfohlenen Position und nur auf einem festen, ebenen Untergrund.
- Betreiben Sie diese Maschine nicht auf gepflastertem Untergrund oder Schotter, wo ausgeworfenes Material zu Verletzungen führen könnte.
- Vor dem Einschalten der Maschine ist immer zu prüfen, ob das Häckselwerk, die Häckselwerk-Schrauben und andere Befestigungen gut gesichert sind, und dass die Schutzeinrichtungen und Schilde an Ort und Stelle sind. Ersetzen Sie abgenutzte oder beschädigte Teile satzweise, um Unwucht zu vermeiden. Abgenutzte oder beschädigte Aufkleber müssen ersetzt werden.
- Prüfen Sie vor der Benutzung Strom- und Verlängerungskabel auf Anzeichen von Beschädigung und Alterung. Trennen Sie das Kabel unverzüglich von der Stromversorgung, falls es während des Gebrauchs beschädigt werden sollte. Berühren Sie nicht das Netzkabel, bevor Sie die Stromzufuhr getrennt haben. Verwenden Sie die Maschine nicht falls das Kabel beschädigt oder abgenutzt ist.
- Betreiben Sie die Maschine niemals, wenn sich Personen, vor allem Kinder, oder Tiere in der Nähe befinden.

### ELEKTRISCHE SICHERHEIT

- Lesen Sie diese Sicherheitshinweise sorgfältig durch, bevor Sie das Produkt an



die Stromversorgung anschließen.

- Der Netzstecker muss in die Steckdose passen. Den Stecker niemals auf irgendeine Weise modifizieren. Verwenden Sie mit geerdeten Elektrowerkzeugen niemals Übergangsstecker. Nicht-modifizierte Stecker und passende Steckdosen reduzieren das Risiko von Stromschlägen.
- Vor dem Anschließen an das Stromnetz, stellen Sie sicher, dass die Spannung die selbe ist wie auf dem Typenschild des Produktes oder wie in der Bedienungsanleitung angegeben. Anschluss des Produktes an eine andere Stromversorgung kann Verletzungen oder Schäden verursachen.
- Der Hersteller empfiehlt, dass sie das Gerät an einen Stromkreis mit einer Fehlerstromschutzschaltung die bei 30 mA oder weniger auslöst anschließen.
- Halten Sie die Belüftungsöffnungen frei von Fremdkörpern oder anderen Ablagerungen um Schäden an dem Motor oder mögliches Feuer zu verhindern.
- Halten Sie das Netzkabel fern von Hitze, Öl, und scharfen Kanten.
- Falls das Stromkabel beschädigt sein sollte, muss es durch ein vom Hersteller oder seinem Kundendienst erhältlichen speziellem Kabel bzw. Baugruppe ausgetauscht werden.
- Wenn Sie ein Verlängerungskabel benutzen müssen, stellen Sie sicher, dass es für den Einsatz im Freien geeignet ist und ausreichend für die Strombelastung Ihres Werkzeugs ist. Das Verlängerungskabel sollte entweder mit "H05 RN F" oder "H05 VV F" gekennzeichnet sein. Überprüfen Sie es vor jeder Benutzung auf Schäden, wickeln Sie es während der Benutzung ab, aufgewickelte Kabel können überhitzen. Beschädigte Verlängerungskabel dürfen nicht repariert werden, sie müssen durch einen gleichwertigen Typ ersetzt werden.
- Stellen Sie sicher, dass das Stromkabel so liegt das es nicht von dem Schneidwerkzeug beschädigt wird, man nicht darauf tritt, darüber stolpert, oder es auf andere Weise Beschädigungen und Belastungen ausgesetzt wird.
- Eine Spannungsspitze beim Start kann Spannungsschwankungen verursachen und andere elektrische Produkte an dem

selben Stromkreis beeinflussen. Schließen Sie das Produkt an eine Stromversorgung mit einer Impedanz von  $0,404 \Omega$  an, um die Spannungsschwankungen zu minimieren. Kontaktieren Sie Ihren Stromlieferanten für weitere Erklärungen.

## SICHERHEITSREGELN FÜR ELEKTRISCHEN HÄCKSLER

### VERWENDUNG

- Vermeiden Sie es das Produkt bei schlechtem Wetter zu benutzen, besonders bei Gewittergefahr.
- Stellen Sie vor dem Start des Produktes sicher, dass die Zufuhrkammer leer ist.
- Das Produkt funktioniert nicht, wenn der Sammelbehälter nicht richtig montiert ist oder das Häckslergehäuse nicht richtig geschlossen ist und der Knopf des Häckslergehäuses nicht ganz eingeschraubt ist. Der Sammelbehälter und das Häckslergehäuse sind von Sicherheitsschaltern gesichert, die helfen den versehentlichen Kontakt mit sich bewegenden Teilen und resultierende Verletzungen zu verhindern.
- Halten sie Ihr Gesicht und Körper fern von der Zuführöffnung.
- Halten Sie nicht Ihre Hände oder andere Körperteile oder Kleidung in die Zufuhrkammer, den Auswurfschacht oder in die Nähe anderer sich bewegender Teile.
- Vermeiden Sie eine abnormale Körperhaltung. Sorgen Sie für einen sicheren Stand und halten Sie jederzeit das Gleichgewicht. Stellen Sie sich niemals auf eine höhere Ebene als der Ebene der Grundfläche der Maschine, wenn Sie Material zuführen.
- Halten Sie sich immer von dem Auswurfbereich fern, wenn Sie diese Maschine benutzen.
- Achten Sie beim Zuführen von Material in die Maschine besonders darauf, dass sich darin keine Metallteile, Steine, Flaschen, Dosen oder andere Fremdkörper befinden.
- Wenn der Schneidmechanismus auf einen Fremdkörper trifft oder die Maschine ungewöhnliche Geräusche macht, schalten Sie den Motor sofort aus. Lassen Sie das Produkt auslaufen und trennen das Produkt von der Stromversorgung. Führen

Sie folgenden Schritte aus, bevor Sie das Produkt wieder starten und benutzen:

- auf Schäden überprüfen
  - beschädigte Teile ersetzen oder reparieren
  - überprüfen Sie ob Teile locker sind und ziehen sie fest, wenn erforderlich
- Lassen Sie verarbeitetes Material sich nicht in dem Auswurfbereich ansammeln; das kann den ordentlichen Auswurf behindern und zum Rückschlag von Material durch die Zuführöffnung führen.
  - Wenn das Produkt verstopft ist, schalten Sie es aus, indem Sie den AUS Schalter drücken und trennen das Produkt von dem Stromnetz. Stellen Sie sicher, dass alle beweglichen Teile ausgelaufen sind, bevor Sie das Häckslergehäuse öffnen oder versuchen die Blockierung zu entfernen.
  - Betreiben Sie das Produkt niemals mit defekten Schutzvorrichtungen oder Abschirmungen, oder ohne Sicherheitsvorrichtungen, wie z.B. angebrachtem Sammelbehälter.
  - Halten Sie die Belüftungsöffnungen frei von Fremdkörpern oder anderen Ablagerungen um Schäden an dem Motor oder mögliches Feuer zu verhindern.
  - Transportieren Sie die Maschine nicht während der Motor läuft.
  - Stoppen Sie das Produkt, trennen es von der Stromversorgung und stellen sicher, dass alle beweglichen Teile vollständig ausgelaufen sind:
    - vor dem Entleeren des Sammelbehälters
    - wenn Sie das Produkt unbeaufsichtigt lassen
    - vor dem Entfernen von Blockaden oder Verstopfungen in den Kanälen,
    - Bevor Sie die Maschine prüfen, reinigen oder daran arbeiten,
  - Kippen Sie die Maschine nicht während der Motor läuft.
  - Halten Sie sich von der Zuführöffnung fern, nachdem Sie Material eingeführt haben. Der Vorgang des Einziehens von Material in das Produkt kann zu plötzlicher Bewegung oder Drehen des herausragenden Materials führen. Tragen Sie immer Augenschutz, wenn Sie dieses Produkt bedienen.

- Wenn Staub durch den Häckselvorgang entsteht, tragen Sie eine geeignete Staubmaske, um zu helfen Verletzungen der Atemwege zu verhindern.
- Schalten Sie das Produkt aus und lassen alle bewegte Teile stoppen, bevor Sie den Sammelbehälter entfernen.
- Verändern Sie die Maschine nicht auf irgendeine Weise oder verwenden Teile oder Zubehör die nicht vom Hersteller empfohlen sind.
- Halten Sie den Motor frei von Fremdkörpern oder anderen Ablagerungen um Schäden an dem Motor oder mögliche Feuer zu verhindern.

## ÜBERLASTUNGSSCHUTZ

Das Werkzeug ist mit einem Überlastungsschutz ausgestattet. Wenn eine Überlastung festgestellt wird, schaltet sich das Werkzeug automatisch aus. Der Überlastungsschutzknopf befindet sich direkt neben dem AN/AUS Schalter. Der Knopf springt heraus, wenn der Überlastungsschutz aktiviert ist. Trennen Sie das Produkt von der Stromversorgung und befolgen die Anweisungen zum Entfernen von Blockaden. Lassen Sie den Motor für 3 - 5 Minuten abkühlen. Nach Überprüfung, dass keine Blockierung vorhanden ist, schließen Sie das Produkt an die Stromversorgung an und drücken den Rückstellknopf des Überlastschutzes. Drücken Sie den Ein- / Ausschalter um den Motor zu starten.

Wenn der Überlastungsschutz aktiviert ist und keine Blockade besteht, kann die Überlastung entstanden sein während Material zu schnell über längere Zeit in das Produkt eingeführt wurde und zu Überhitzung des Motors führte. Lassen Sie den Motor abkühlen. Leeren Sie de Sammelbehälter, bevor Sie das Produkt wieder starten.

## ENTFERNUNG EINER BLOCKADE

### ▲ WARNUNG

Die Klingen sind scharf und wahrscheinlich heiß. Tragen Sie immer feste Schutzhandschuhe, wenn Sie eine Blockade überprüfen und entfernen.

- Wenn das Produkt verstopft oder blockiert ist oder der Überlastungsschutz aktiviert ist, befolgen Sie diese Anweisungen:



- Schalten Sie das Produkt aus und trennen es von der Stromversorgung.
- Stellen Sie sicher, dass alle beweglichen Teile vollständig ausgelaufen sind.
- Entfernen und leeren Sie den Sammelbehälter.
- Entfernen Sie herausragendes Material in dem Einfülltrichter.
- Lösen Sie den Knopf des Häckslergehäuses und öffnen das obere Gehäuse mit dem Scharnier, um den Schneidmechanismus freizulegen.
- Entfernen Sie alle Ablagerungen, die die Zufuhrkammer blockieren, indem Sie sie von innen herausziehen.

- Lassen Sie das Produkt ausreichend abkühlen, bevor Sie es lagern oder transportieren.
- Wenn Sie das Produkt transportieren, stellen Sie sicher, dass es gegen Umfallen oder Bewegen in dem Fahrzeug gesichert ist.

EN
FR
<b>DE</b>
ES
IT
NL
PT
DA
SV
FI
NO
RU
PL
CS
HU
RO
LV
LT
ET
HR
SL
SK
BG
UK

**⚠ WARNUNG**  
Die Klingen können immer noch bewegt werden, obwohl das Gerät ausgeschaltet ist. Seien Sie extrem vorsichtig in dem Bereich um die Klingen.

**WARTUNG UND PFLEGE**

- Bevor Sie das Produkt reinigen, inspizieren oder warten, schalten Sie es aus und lassen die Schneidwerkzeuge vollständig stoppen. Trennen Sie das Produkt von der Stromversorgung.
- Nach einiger Zeit häckseln werden die Schneidwerkzeuge heiß. Lassen Sie den Schneidmechanismus ausreichend abkühlen, bevor Sie die Klingen reinigen, überprüfen oder drehen.

- Entfernen Sie Ablagerungen um die Klingen vorsichtig mit einem geeigneten Handwerkzeug. Bewegen Sie die Metallplatten mit einem Handwerkzeug, um zu prüfen ob die Blockade entfernt ist. Stecken Sie das Handwerkzeug nicht in die scharfen Kanten der Klingen; dadurch werden die Klingen beschädigt.
- Wenn Sie den Sammelbehälter nicht sehen können, wenn das Schneidwerkzeug sich dreht, müssen Sie die Ablagerungen in diesem Bereich entfernen. Benutzen Sie ein Werkzeug, um den Bereich vorsichtig zu reinigen.
- Nachdem die Blockade entfernt ist, schließen Sie das obere Gehäuse und schrauben den Gehäuseknopf wieder ein, um den Sicherheitsschalter zu aktivieren.
- Wenn Sie nicht in der Lage sind die Blockierung erfolgreich zu entfernen oder Sie Beschädigungen finden, bringen Sie das Produkt zu einem autorisierten Kundendienst.

**⚠ WARNUNG**  
Die Messer sind extrem scharf. Seien Sie extrem vorsichtig, wenn sie in der Nähe der Klingen oder innerhalb des geöffneten Gehäuses mit entferntem Sammelbehälter reinigen oder arbeiten, um Verletzungen zu vermeiden. Tragen Sie immer feste Schutzhandschuhe.

**⚠ WARNUNG**  
Die Klingen können immer noch bewegt werden, obwohl das Gerät ausgeschaltet ist. Seien Sie extrem vorsichtig in dem Bereich um die Klingen.

**TRANSPORT UND LAGERUNG**

- Stellen Sie sicher, dass das Produkt gründlich gereinigt wurde, bevor Sie es an einem sauberen, trockenen Ort außer Reichweite von Kindern aufbewahren.

- Um die beste Leistung des Produktes zu gewährleisten, muss es sauber gehalten werden.
- Reinigen Sie das Produkt immer direkt nach der Benutzung. Wann immer möglich, benutzen Sie eine kräftige Bürste in den Zufuhr- und Auswurföffnungen und einen trockenen Lappen an der Außenseite des Produktes.
- Für die optimale Häckselleistung lassen Sie kein Material auf den Oberflächen des Produktes trocknen und verhärten, besonders auf den Klingen.
- Stellen Sie sicher, dass der Einfülltrichter und der Auswurfschacht sauber und frei von Abfall gehalten werden.



- Die in dem Produkt montierten Schneidklingen haben zwei Schneiden. Die Klingen können um 180° gedreht werden, wenn eine Schneide stumpf ist. Siehe Seite 175-176. Mit original YOB! Ersatzteile ersetzen, wenn Ihre Klingen stumpf, angeschlagen oder gerissen sind.
- Stellen Sie sicher, dass alle Muttern, Bolzen und Schrauben festgezogen und sicher sind, besonders die Schrauben der Klingen.
- Lassen Sie beschädigte oder abgenutzte Teile immer von qualifiziertem Personal eines autorisierten Kundendienstes reparieren oder ersetzen.
- Versuchen Sie niemals die Sicherheitsschalter des oberen Häckslergehäuses zu umgehen; das kann zu schweren Verletzungen, einschließlich Amputation führen.

### ⚠ WARNUNG

Lassen Sie niemals Bremsflüssigkeiten, Benzine, Produkte auf Erdölbasis, Rostlöser usw. mit den Plastikteilen in Kontakt geraten. Verwenden Sie nie Bremsflüssigkeit, Benzin, Produkte auf Erdölbasis oder Lösungsmittel um das Werkzeug zu reinigen. Die meisten Plastikteile können durch den Gebrauch der handelsüblichen Solventien beschädigt werden, was sich auch auf ihre Leistung auswirken kann.

- Sie dürfen die in dieser Bedienungsanleitung beschriebenen Wartungsarbeiten durchführen. Für andere Reparaturen oder Rat, ziehen Sie einen autorisierten Kundendienst hinzu.

### RESTRISIKEN:

Sogar wenn das Produkt wie vorgeschrieben benutzt wird, ist es unmöglich ein gewisses Restrisiko vollständig zu beseitigen. Die folgenden Gefahren können bei der Benutzung entstehen, und der Benutzer sollte besonders auf folgende Punkte achten:

- Durch Lärm verursachte Verletzungen.
  - Tragen Sie einen Gehörschutz und schränken Sie die Belastung ein.
- Verletzungen durch Inhalation von Staub und Teilchen
  - Tragen Sie eine Staubschutzmaske.

- Durch Kontakt mit dem Schneidwerkzeug verursachte Verletzung
  - Halten Sie ungeschützte Körperteile immer von dem Schneidmechanismus fern.
- Durch geschleuderte Objekte verursachte Verletzung
  - Tragen Sie immer einen Augenschutz und halten Sie Körperteile von dem Bereich um den Einfülltrichter fern.

### MACHEN SIE SICH MIT IHREM PRODUKT VERTRAUT

Siehe Seite 168.

1. Häckslergehäuse
2. Einfülltrichter
3. Griff
4. Knopf des Häckslergehäuses
5. Rückstellknopf des Überlastungsschutzes
6. Ein-/Ausschalter
7. Schlüssel für Sicherheitsschalter
8. Schneidmesser
9. Stromkabel
10. Metallrahmen
11. Sammelbehälter
12. Rad
13. Stößel

### HÄCKSELFÜHRUNG

Für beste Ergebnisse beim Häckseln, befolgen Sie die Richtlinien in der Tabelle unten.

MATERIAL	HÄCKSELMETHODE
Zweige mit Durchmesser bis 6 mm	Führen Sie Material in den Trichter mit einer Geschwindigkeit wie es der Häcksler ohne Überlastung verarbeiten kann. Benutzen Sie den mitgelieferten Stößel, um bei Bedarf das Material in den Trichter zu schieben.
Äste mit Durchmesser bis 45 mm	Schneiden Sie alle Seitentriebe mit einer Gartenschere ab, bevor Sie den Trichter befüllen. Benutzen Sie den mitgelieferten Stößel, um bei Bedarf das Material in den Trichter zu schieben.

Beetpflanzen,  
Unkraut und  
Gebüsch

Klopfen sie Erde  
und Steine von den  
Wurzeln, um Schäden  
der Klingen zu  
vermeiden.

Frisch  
geschnittene  
Pflanzen,  
Hecken und  
Küchenabfälle  
(d.h. Kohlblätter,  
Gemüseschalen  
usw.)

Bei jedem Material  
mit hohem  
Feuchtigkeitsgehalt  
wird es empfohlen  
regelmäßig einige  
trockenere Stöcke  
zuzuführen, um  
zu helfen das  
Material durch die  
Schneideinheit zu  
drücken und eine  
Verstopfung zu  
verhindern.

Trockene Äste  
oder Zweige

Wenn Sie diese  
am Ende Ihrer  
Häckselarbeit  
hineinschieben, hilft das  
den Innenbereich und  
die Schneidvorrichtung  
des Produktes von  
Feuchtigkeit und  
Pflanzensaft zu  
reinigen.

- Lassen Sie Gartenabfälle sich nicht vor dem Häckseln ansammeln, diese werden anfangen zu kompostieren und zu feucht zu werden, was zum Verstopfen des Schneidwerks führen kann. Trockenes Material wird helfen das meiste Material aus den Auswurftrichter zu entfernen. Heben Sie einige trockene Äste bis zum Schluss auf, um den Bereich der Klingen zu reinigen.
- Kontrollieren Sie öfters den Aufbau/die Ansammlung von gehäckselt Material.
- Der Auswurftrichter muss immer frei sein, um Blockierungen zu verhindern.
- Wenn der Sammelbehälter voll ist, muss das Produkt vor dem Leeren ausgeschaltet sein.

**⚠️ WARNUNG**

Stecken Sie Ihre Hände nicht in den Auswurftrichter des Häckslers oder entfernen gehäckselt Material während das Produkt angeschaltet oder mit der Stromversorgung verbunden ist. Die Klingen sind scharf. Tragen Sie feste Handschuhe und seien Sie extrem vorsichtig, wenn Sie Blockaden entfernen und reinigen.

**⚠️ WARNUNG**

Wenn Sie lange holzige Äste/Stämme in das Produkt zuführen, achten Sie auf Peitschenschläge und Vibrationen, während sie von dem Häcksler eingezogen werden. Der Benutzer muss einen Augenschutz tragen, wenn er das Produkt benutzt.

**⚠️ WARNUNG**

Das Schneidwerkzeug neigt dazu Äste/Stämme in das Produkt zu ziehen. Versuchen Sie nicht die Aufnahme von Material zu behindern nachdem die Zufuhr begonnen hat. Tragen Sie immer Handschuhe, um beim Einschieben von Material in das Produkt Hautverletzungen zu verhindern.

**HINWEIS:** Schalten Sie bei normaler Benutzung das Produkt nicht aus bis das gesamte gehäckselt Material die Schneideinheit durchlaufen hat. Wenn das Produkt zu schnell ausgeschaltet wird, kann restliches Material die Messereinheit verstopfen und den Motor blockieren, wenn das Produkt wieder angeschaltet wird.

**SYMBOLLE AUF DEM PRODUKT**



Lesen und verstehen Sie alle Anweisungen, bevor Sie das Produkt benutzen, befolgen Sie alle Warnungen und Sicherheitsanweisungen.



Achten Sie auf geschleuderte oder fliegende Objekte. Halten Sie alle Zuschauer, besonders Kinder und Haustiere, mindestens 15 m von dem Arbeitsbereich fern.



Gefahr - Rotierende Klingen. Halten Sie Hände und Füße von den Öffnungen fern während das Produkt in Betrieb ist.



Schalten Sie die Maschine aus und ziehen Sie den Netzstecker, bevor Sie Einstellungen vornehmen, die Maschine reinigen oder wenn das Kabel verwickelt oder beschädigt ist.



Tragen Sie Augen- und Gehörschutz.



Nicht als Stufe benutzen.



Warten Sie, bis alle Maschinenteile vollständig zum Stillstand gekommen sind, bevor Sie sie berühren.



Tragen Sie rutschfeste, strapazierfähige Handschuhe.



Halten Sie die Hände von den Klingen fern!



Dieses Gerät entspricht allen gesetzlichen Normen des Landes der europäischen Union, in dem es gekauft wurde.



Ukrainisches Prüfzeichen



Elektrische Geräte sollten nicht mit dem übrigen Müll entsorgt werden. Bitte entsorgen Sie diese an den entsprechenden Entsorgungsstellen. Wenden Sie sich an die örtliche Behörde oder Ihren Händler, um Auskunft über die Entsorgung zu erhalten.



Klasse II Werkzeug, doppelte Isolation



Der garantierte Schallleistungspegel beträgt 107 dB(A).



Drücken zum Zurückstellen



EurAsian Konformitätszeichen

### SYMBOLE IN DIESER BEDIENUNGSANLEITUNG



Anschließen an das Stromnetz



Trennen vom Stromnetz



Teile oder Zubehör getrennt erhältlich



Elektrische Geräte sollten nicht mit dem übrigen Müll entsorgt werden. Bitte entsorgen Sie diese an den entsprechenden Entsorgungsstellen.



Bitte beachten



Warnung



Schließen



Öffnen

Mit den folgenden Symbolen wird die Bedeutung der verschiedenen Risikostufen, die mit dem Produkt einhergehen, dargestellt.

#### **⚠ GEFAHR**

Weist auf eine unmittelbare gefährliche Situation hin, die bei Missachtung zu Tod oder ernsthafter Verletzung führen kann.

#### **⚠ WARNUNG**

⚠ Weist auf eine mögliche gefährliche Situation hin, die bei Missachtung zu Tod oder ernsthafter Verletzung führen kann.

#### **⚠ VORSICHT**

⚠ Weist auf eine mögliche gefährliche Situation hin, die bei Missachtung zu einer leichten oder mittleren Verletzung führen kann.

#### **VORSICHT**

Ohne Sicherheitswarnsymbol  
Bezeichnet eine Situation die zu  
Sachbeschädigungen führen kann.

EN  
FR  
**DE**  
ES  
IT  
NL  
PT  
DA  
SV  
FI  
NO  
RU  
PL  
CS  
HU  
RO  
LV  
LT  
ET  
HR  
SL  
SK  
BG  
UK

Seguridad, desempeño y fiabilidad, se les ha dado la máxima prioridad en el diseño de su trituradora de impacto eléctrica.

### USO PREVISTO

La trituradora de impacto eléctrica está diseñada para reducir los materiales de desecho orgánicos de jardín, tales como ramas, ramitas y cuchillas en trozos pequeños.

El producto está diseñado para su uso al aire libre en una posición estacionaria, sobre terreno plano firme, por un operador que se coloca en el mismo nivel que la base del producto.

Este producto no debe ser utilizado por niños o personas con discapacidad física, mental o sensorial.

El producto no está destinado a material no orgánico, metal o cualquier material que excede su capacidad máxima de corte de 45 mm de diámetro.

El producto debe de ser montado en el soporte suministrado e debe de ser usado con la caja de recogida suministrada. No está destinado a ser montado en cualquier otra forma que la descrita o mostrada en este manual.

### NORMAS GENERALES DE SEGURIDAD

#### ⚠ ADVERTENCIA

Al utilizar el aparato debe adoptar medidas básicas de seguridad para reducir el riesgo de incendio, choque eléctrico y lesiones. Lea y comprenda todas las instrucciones antes de manipular el producto, respete las advertencias y las instrucciones de seguridad. Asegure que conoce los controles y sabe cómo operar el aparato en seguridad. Guarde las instrucciones para usarlas en el futuro.

### APRENDIZAJE

- Lea las instrucciones cuidadosamente. Familiarícese con los controles y el uso adecuado del producto.
- Nunca permita que niños o personas no familiarizadas con las instrucciones utilicen este producto. Las regulaciones locales pueden restringir la edad del operario.
- Tenga presente que el operario o usuario es responsable de los accidentes o riesgos

que le puedan ocurrir a otras personas o a su propiedad.

### PREPARACIÓN

- Use protección auditiva y gafas de seguridad en todo momento durante el uso de la máquina.
- Mientras esté manipulando el producto, use siempre calzado sólido y pantalones largos. No utilice la máquina si está descalzo o lleva sandalias. Evite usar ropa suelta o de la que cuelguen cordones o lazos.
- Operar el producto en la posición recomendada y sólo en una superficie firme y nivelada.
- No haga funcionar la máquina en una superficie pavimentada o con grava donde el material eyectado pueda causar lesiones.
- Antes de usarlo, siempre inspeccione y asegure que los medios de trituración, pernos y otros sujetadores son seguros, y que los de vivienda, guardias, y las pantallas están en buen estado y en su lugar. Reemplace los componentes desgastados o dañados en grupos para preservar el equilibrio. Reemplace las etiquetas ilegibles o dañadas.
- Antes de utilizarla, compruebe que los cables de suministro y de extensión no estén dañados o gastados. Si el cable resulta dañado durante el uso, desconecte el cable de la fuente de alimentación de inmediato. No toque el cable antes de desconectar la corriente. No utilice la máquina si el cable está dañado o gastado.
- No haga funcionar la máquina mientras haya cerca personas, especialmente niños, o animales.

### SEGURIDAD ELÉCTRICA

- Lea estas instrucciones de seguridad con atención antes de conectar el producto a la alimentación eléctrica.
- Los enchufes deben ser adecuados para la toma de corriente. No modifique el enchufe de ninguna manera. No utilice ningún adaptador con herramientas eléctricas conectadas a tierra. Utilizar enchufes sin modificar y tomas correspondientes reducirán el riesgo de descargas eléctricas.
- Antes de conectar a la red eléctrica,





asegúrese de que la tensión es la misma que la indicada en la placa de características del producto o en este manual. Conexión del producto a cualquier otra fuente de alimentación puede causar lesiones o daños.

- El fabricante recomienda conectar a una toma de corriente protegida por un interruptor diferencial con voltaje de 30 mA o menos.
- Mantenga las aberturas de ventilación libres de detritos y otras acumulaciones para evitar daños en el motor o la posibilidad de incendio.
- Mantenga el cable eléctrico lejos de fuentes de calor, aceite y bordes afilados.
- Si el cable de suministro está dañado, deberá ser reemplazado por un cable especial u otra unidad disponible del fabricante o su centro de servicio autorizado.
- Si necesita utilizar un cable de prolongación asegúrese de que es adecuado para usarlo en el exterior y de que tiene una capacidad de corriente suficiente para su herramienta. El cable de prolongación deberá llevar la marca "H05 RN F" o "H05 VV F". Antes de cada utilización inspeccione el aparato para comprobar la existencia de daños; desenrolle siempre el cable durante la utilización porque los cables enrollados pueden sobrecalentarse. Los alargadores no deben repararse, deben sustituirse por otros que sean equivalentes.
- Asegúrese de que el cable de alimentación está situado de tal manera que no puede dañarse por cortes y no se pisará, estorbará ni estará sometido a daños o molestias.
- Un pico de potencia durante el arranque del motor origina fluctuaciones de tensión que pueden afectar a otros productos eléctricos en el mismo circuito de alimentación. Conectar el producto a una fuente de alimentación con una impedancia igual o inferior a 0.404 para minimizar las fluctuaciones de tensión. Contacte con su proveedor de energía eléctrica para obtener más aclaraciones.

## REGLAS DE SEGURIDAD DE LA TRITURADORA DE IMPACTO ELÉCTRICA

### UTILIZACIÓN

- Evite utilizar el aparato en malas condiciones atmosféricas, especialmente cuando haya riesgo de relámpago.
- Antes de arrancar el producto, asegúrese de que la cámara de alimentación está vacía.
- El producto no funcionará si la caja de recogida no está debidamente ajustada o la caja trituradora no está bien cerrada y el botón de la trituradora no se enrosca totalmente. La caja de recogida y trituradora están protegidas por dispositivos de seguridad que ayudan a evitar el contacto accidental con las piezas en movimiento que darán lugar a lesiones graves.
- Mantenga su rostro y cuerpo lejos de la apertura de alimentación.
- No permita que las manos o cualquier otra parte del cuerpo o la ropa acceda al interior de la cámara de alimentación, tubo de descarga, o esté cerca de cualquier parte móvil.
- No se extienda demasiado. Afírmese bien en sus piernas y no extienda demasiado el brazo. No se pare en un nivel superior a la base de la máquina cuando esté introduciendo material en ella.
- Manténgase siempre alejado de la zona de descarga al manejar esta máquina.
- Cuando esté alimentando la máquina con material, tenga especial cuidado en no incluir piezas de metal, piedras, botellas, latas u otros objetos extraños.
- Si el mecanismo de corte golpea cualquier objeto extraño o si el producto comienza a hacer ruido o vibración inusual, cierre inmediatamente el motor pulsando el interruptor de apagado. Deje que el producto se detenga y desconecte el producto del suministro. Siga los siguientes pasos antes de volver a arrancar y operar el producto:
  - inspeccionar los daños
  - cambie o repare las piezas dañadas
  - revise y apriete las piezas sueltas
- No permita que el material procesado se acumule en la zona de descarga; esto puede provocar una descarga inadecuada

EN  
FR  
DE  
ES

IT  
NL  
PT  
DA  
SV  
FI  
NO  
RU  
CS  
PL  
HU  
RO  
LV  
LT  
ET  
HR  
SL  
SK  
BG  
UK



y puede resultar en un contragolpe de material a través de la apertura de alimentación.

- Si el producto se obstruye, pare el motor pulsando el interruptor de apagado y desconecte el producto de la red eléctrica. Asegúrese de que todas las partes móviles se hayan detenido antes de abrir la caja trituradora o el intento de eliminar la obstrucción.
- No haga funcionar el producto con cubiertas o protecciones defectuosas, o sin dispositivos de seguridad, por ejemplo, sin el colector de desechos en su lugar.
- Mantenga las aberturas de ventilación libres de detritos y otras acumulaciones para evitar daños en el motor o la posibilidad de incendio.
- No transporte el producto, mientras que el motor está en marcha.
- Detenga el producto, desconecte de la red eléctrica y asegúrese que todas las partes móviles se hayan detenido por completo:
  - antes de vaciar la caja de colección
  - cuando deje el aparato desatendido
  - antes de eliminar bloqueos o desatascar la tolva,
  - antes de inspeccionar, limpiar o trabajar con el producto
- No incline el aparato con o motor en marcha.
- Manténgase alejado de la fuente de alimentación después de la inserción de material. La acción de dibujar el material en el producto puede causar el movimiento repentino o torsión del material expuesto. Use siempre protección para los ojos cuando utilice el producto.
- Si el polvo es creado por el proceso de trituración, use una máscara para el polvo adecuada para ayudar a prevenir lesiones respiratorias.
- Apague el producto y permita que todas las partes en movimiento se detengan antes de retirar la caja de colección.
- No modifique la herramienta de modo alguno ni utilice piezas o accesorios que no sean los recomendados por el fabricante.
- Mantenga la fuente de alimentación libre de residuos y otras acumulaciones para evitar daños a la fuente de alimentación o

un posible incendio.

## PROTECCIÓN CONTRA SOBRECARGA

La herramienta tiene un dispositivo de protección contra sobrecarga. Si detecta sobrecarga, la herramienta se apagará automáticamente. El botón de protección de sobrecarga se encuentra al lado del interruptor ON / OFF. El botón se abrirá cuando se activa la protección de sobrecarga. Desconecte el producto de la fuente de alimentación y siga las instrucciones para limpiar una obstrucción. Deje que el motor se enfríe de 3 a 5 minutos. Una vez comprobado que no existen bloqueos, conecte el cable de alimentación a la toma de corriente y pulse el botón de reinicio con protección de sobrecarga. Pulse el interruptor de encendido para arrancar el motor.

Si la protección de sobrecarga se activa y no hay obstrucción, la sobrecarga puede haber ocurrido cuando los materiales se introducen en el producto demasiado rápido durante mucho tiempo, haciendo que el motor se sobrecaliente. Deje que el motor se enfríe. Vacíe la caja de recogida antes de reiniciar el producto.

## ELIMINACIÓN DE UNA OBSTRUCCIÓN

### ⚠ ADVERTENCIA

Las cuchillas están afiladas y es probable que se calienten. Use siempre guantes de protección para trabajo pesado en la comprobación y limpieza de una obstrucción.

- Si el producto se obstruye o se bloquea, o si el dispositivo de protección de sobrecarga se activa, siga estas instrucciones:
  - Apague el producto y desconéctelo de la fuente de alimentación.
  - Asegúrese de que todas las partes móviles se hayan detenido.
  - Retirar y vaciar la caja de recogida.
  - Retire cualquier material expuesto en el conducto de alimentación.
  - Afloje la perilla de la trituradora y abra la carcasa superior sobre su bisagra para exponer el mecanismo de corte.
  - Retire cualquier residuo que obstruye la cámara de alimentación tirándolo desde el interior.

### ⚠ ADVERTENCIA

Las cuchillas pueden todavía moverse a pesar de que la energía está apagado. Ejercer extrema precaución alrededor de la zona de las cuchillas.

- Retire con cuidado los detritos alrededor de las palas con una herramienta manual adecuada. Al usar la herramienta de mano, mueva las placas de metal que sostienen las cuchillas para comprobar si la obstrucción se ha eliminado. No inserte la herramienta de mano en los bordes afilados de las cuchillas; Al hacerlo puede dañar las cuchillas.
- Si no puede ver la caja de recogida cuando los medios de corte giran, es necesario limpiar los detritos en esa zona. Utilice una herramienta para limpiar cuidadosamente el área.
- Una vez que el bloqueo está desactivada, cierre la carcasa superior y el tornillo en el botón de la trituradora para activar el bloqueo de seguridad.
- Si usted es incapaz de despejar correctamente una obstrucción o si encuentra daños, lleve el producto a un centro de servicio autorizado para su reparación.

### TRANSPORTE Y ALMACENAMIENTO

- Asegure que el producto fue bien limpio antes de guardarlo en un lugar limpio, seco y fuera del alcance de los niños.
- Deje o aparato enfriarse antes de guardarlo o transportarlo.
- Para transportar el producto, asegúrese de que está asegurado contra caída o movimiento dentro del vehículo.

### MANTENIMIENTO

- Antes de limpiar, inspeccionar o reparar el producto, apáguelo y espere que las cuchillas se detengan por completo. Conecte el cargador a la fuente de alimentación.
- Después de algún tiempo de trituración, el mecanismo de corte se calienta. Deje que el mecanismo de corte se enfríe adecuadamente antes de limpiar, inspeccionar o girar las cuchillas.

### ⚠ ADVERTENCIA

Las cuchillas son muy afiladas. Para evitar lesiones, tenga mucho cuidado y atención al limpiar o trabajar junto a las hojas o dentro del recinto abierto cuando retira la caja de recogida. Use siempre guantes de protección.

### ⚠ ADVERTENCIA

Las cuchillas pueden todavía moverse a pesar de que la energía está apagado. Ejercer extrema precaución alrededor de la zona de las cuchillas.

- Para garantizar el mejor desempeño del producto, este debe de estar siempre limpio.
- Limpie siempre el producto inmediatamente tras su utilización. Siempre que sea posible, utilice un cepillo duro dentro de los conductos de alimentación y descarga y un paño seco en el exterior del producto.
- Para un rendimiento óptimo de trituración, no permita que ningún material se seque y endurezca en cualquiera de las superficies del producto, sobre todo en las cuchillas.
- Asegúrese de que el conducto de alimentación y el conducto de eyección se mantienen limpios y libres de todos los materiales de desecho.
- Las cuchillas de corte montados en el producto tienen dos bordes de corte. Las cuchillas pueden girar en torno a 180° si uno de los bordes es contundente. Véase la página 175-176. Reemplazar con piezas originales RYOBI si sus cuchillas no recortan, están astilladas o agrietadas.
- Asegúrese de que todas las tuercas, pernos y tornillos están apretados y seguros, especialmente los tornillos de la cuchilla.
- Repare o sustituya siempre las piezas dañadas o partidas por personal cualificado en un centro de servicio autorizado.
- Nunca intente eludir los interruptores de seguridad en caja trituradora superior; esto podría dar lugar a lesiones personales graves, incluso la amputación.

### ⚠ ADVERTENCIA

No permita en ningún momento que las piezas de plástico entren en contacto con líquido de frenos, gasolina, productos derivados del petróleo, aceites penetrantes, etc. No la limpie nunca con líquido de frenos, productos a base de gasolina o disolventes. La mayoría de los plásticos son susceptibles a daños de varios tipos de solventes comerciales y pueden dañarse por su uso.

- Usted puede efectuar las tareas de mantenimiento que se describen en este manual. Para otras reparaciones o consejos, busque la ayuda de un centro de servicio autorizado.

### RIESGOS RESIDUALES:

Incluso cuando se utiliza el producto según las instrucciones, sigue siendo imposible eliminar por completo ciertos factores de riesgo residuales. Pueden surgir los siguientes riesgos durante el uso y el operador debe prestar especial atención para evitar lo siguiente:

- Lesiones a causa del ruido
  - Use protección para los oídos y limite el tiempo de exposición.
- Lesión causada por la inhalación de polvo y partículas
  - Utilice una máscara antipolvo.
- Lesión causada por el contacto con medios de recorte
  - Mantener las partes del cuerpo no protegidas lejos de los medios de corte en todo momento.
- Lesiones causadas por detritos lanzados
  - Use protección ocular en todo momento y mantenga partes del cuerpo lejos de la zona que rodea el conducto de alimentación.

### CONOZCA SU PRODUCTO

Véase la página 168.

1. Caja trituradora
2. Mango de alimentación
3. Mango
4. Botón del triturador
5. Sobrecarga del botón de reinicio de protección

6. Interruptor Marcha
7. Botón del interruptor de seguridad
8. Hoja de corte
9. Cable de alimentación
10. Estructura de metal
11. Contenedor de Recogida
12. Rueda
13. Émbolo

### GUÍA DE CORTE

Para obtener los mejores resultados al aparar siga as instrucciones enseñadas en la tabla abajo.

MATERIAL	MÉTODO DE CORTE
----------	-----------------

Ramas con diámetro hasta 6 mm.	Alimente en la tolva de alimentación a una velocidad que el producto acepte sin sobrecargar. Utilice el émbolo proporcionado para empujar el material en la tolva si es necesario.
--------------------------------	--

Ramas con diámetro hasta 45 mm.	Corte todo el crecimiento lateral con las tijeras de podar antes de la alimentación en la tolva de alimentación. Utilice el émbolo proporcionado para empujar el material en la tolva si es necesario.
---------------------------------	--

Plantas de cantero, hierbas y arbustos	Deshaga tierra y aleje piedras de las raíces para evitar daños en las hojas.
--	--

Hojas recién-cortadas, cobertura y residuos de cocina (es decir, hojas de col, cáscaras de legumbres, etc.)	Dado que algún material tiene un elevado contenido de humedad se aconseja dejar entrar algunos palos secos en intervalos regulares para ayudar a empujar el material a través del conjunto de corte y evitar su bloqueo.
---	--

Ramas secas y ramas  
Mediante la inserción de éstos al final de su tarea de trituración, esto ayudará a limpiar la humedad y la savia de la planta desde el interior del producto y el conjunto de corte.

- No permita la acumulación de residuos en el jardín antes de iniciar a operación de corte, ya que estos iniciarán la descomposición, quedarán húmedos e entupirán el conjunto de corte. El material seco ayudará la mayor parte del material a salir del mango de eyección. Guarde algunos palos secos hasta el final para ayudar a limpiar el área de la hoja.
- Vigile frecuentemente la acumulación/recogida de material cortado.
- La salida de la tolva de descarga debe estar libre en todo momento para evitar obstrucciones.
- Cuando la caja de recogida está llena, apague el aparato antes de vaciarla.

**⚠ ADVERTENCIA**  
No ponga las manos dentro del mango de descarga del aparador para remover material triturado cuando el producto está en marcha o conectado a electricidad. Las cuchillas están afiladas. Use guantes de protección y tenga mucho cuidado al limpiar y desbloquear.

**⚠ ADVERTENCIA**  
Al alimentar ramos/tallos largos en el aparato tenga cuidado con las batidas y vibraciones producidos a medida que estos se apañan por el cortador. El operador debe usar protección ocular cuando utilice el producto.

**⚠ ADVERTENCIA**  
El aparato de corte tiene tendencia a tirar las ramas/tallos hacia el aparato. No intente impedir la admisión de material en corte cuando la alimentación se inicia. Siempre use guantes para evitar laceraciones de la piel en el contacto del material con el producto.

**OBSERVACIÓN:** Durante la normal utilización, no apague el aparato antes que todo el material cortado salga del conjunto de corte. Si o producto se apaga demasiado rápido, las restantes piezas del material pueden bloquear el conjunto de hojas e bloquear el motor cuando se vuelva a conectar el producto.

**SÍMBOLOS EN EL PRODUCTO**



Lea y comprenda todas las instrucciones antes de manipular el producto, respete las advertencias y las instrucciones de seguridad.



Tenga cuidado con los objetos volátiles o lanzados. Mantenga a todos los espectadores, especialmente a los niños y las mascotas, por lo menos a 15 metros de la zona de trabajo.



Peligro - Rotación de cuchillas. Mantenga las manos y los pies apartados de las aberturas mientras el aparato está en funcionamiento.



Apague y retire el enchufe de alimentación antes de operaciones de mantenimiento o si el cable tiene algún tipo de daño.



Utilice protección ocular y auditiva.



No utilice como escalón.



Espere que todos los componentes de la máquina se detengan por completo antes de tocarlos.



Use guantes de trabajo resistentes, antideslizantes.



Mantenga las manos alejadas de las hojas.



Esta herramienta responde a todas las normas reglamentarias del país de la UE donde se ha comprado.



Marca de conformidad  
ucraniana



Los productos eléctricos de desperdicio no deben desecharse con desperdicios caseros. Por favor recíclelos donde existan dichas instalaciones. Compruebe con su autoridad local o minorista para reciclar.



Herramienta de tipo II, doble aislamiento



El mejor nivel de potencia sonora es de 107 dB



Pulse para reponer



Certificado EAC de conformidad

## SÍMBOLOS EN ESTE MANUAL



Conectar a la toma de corriente.



Desconectar de la toma de corriente.



Las piezas o accesorios se venden por separado



Los productos eléctricos de desperdicio no deben desecharse con desperdicios caseros. Por favor recíclelos donde existan dichas instalaciones.



Nota



Advertencia



Cierre



Desbloquear

este producto.

### ⚠ PELIGRO

Indica una situación potencialmente peligrosa que, de no evitarse, puede ocasionar la muerte o heridas de gravedad.

### ⚠ ADVERTENCIA

Indica una situación peligrosa que, de no evitarse, puede ocasionar la muerte o heridas de gravedad.

### ⚠ ADVERTENCIA

Indica una situación potencialmente peligrosa que, de no evitarse, puede ocasionar heridas leves.

### ADVERTENCIA

Sin símbolo de alerta de seguridad

Indica una situación que puede causar daños en las cosas.

Los siguientes símbolos y palabras detallan los niveles de cuidado necesarios para usar

E' stata data massima priorità a sicurezza, prestazioni e affidabilità nel design di questo trituratore elettrico a impatto.

### UTILIZZO RACCOMANDATO

Il trituratore elettrico a impatto è progettato per ridurre materiali organici da giardino di scarto come rami, ramoscelli e foglie in piccoli pezzi.

Il prodotto è progettato per essere utilizzato all'esterno in una posizione stabile, su una superficie ben bilanciata ed equilibrata, e deve essere messo in funzione da un operatore allo stesso livello della base del prodotto.

Prodotto non inteso per essere utilizzato da bambini o persone con ridotte capacità fisiche, mentali o sensoriali.

Il prodotto non è progettato per materiali non organici, metallo o qualsiasi altro materiale che superi la capacità massima di taglio del diametro di 45 mm.

Il prodotto deve essere montato sul supporto fornito e deve essere utilizzato con la scatola di raccolta inclusa. Il prodotto non deve essere montato in un modo diverso da quello indicato o raccomandato nel presente manuale.

### NORME DI SICUREZZA GENERALI

#### ⚠ AVVERTENZA

Quando si utilizza il prodotto si dovranno seguire precauzioni di sicurezza di base per ridurre il rischio di incendio, scosse elettriche e lesioni personali. Leggere e comprendere tutte le istruzioni prima di mettere in funzione il prodotto, seguire tutte le istruzioni e le avvertenze di sicurezza. Familiarizzare con i controlli e con l'utilizzo adeguato e sicuro del prodotto. Conservare le istruzioni per eventuali riferimenti futuri.

### UTILIZZO

- Leggere attentamente le istruzioni. Familiarizzare con i comandi e il corretto utilizzo del prodotto.
- Non lasciare che bambini o persone che non conoscono le istruzioni lo utilizzino. Leggi locali possono limitare l'età dell'operatore.
- Ricordare che l'operatore sarà responsabile di eventuali lesioni o danni a persone o cose.

### PREPARAZIONE

- Indossare sempre cuffie di protezione e occhiali di sicurezza mentre si mette in funzione l'utensile.
  - Mentre si mette in funzione il prodotto indossare sempre calzature resistenti e pantaloni lunghi. Non mettere in funzione l'utensile se scalzi o se si indossano sandali. Evitare di indossare abiti con parti svolazzanti o con cordicelle o lacci.
  - Mettere in funzione il prodotto nella posizione raccomandata e solo su una superficie ben bilanciata ed equilibrata.
  - Non mettere in funzione la macchina su superfici pavimentate o con ciottoli o materiali che potranno essere scagliati verso l'operatore ferendolo.
  - Prima dell'utilizzo, controllare sempre il dispositivo e assicurarsi che i dispositivi di triturazione, i bulloni, e altri dispositivi di chiusura siano correttamente inseriti, e che la sede, i paralame e gli schermi non siano danneggiati e siano montati come indicato. Sostituire i componenti consumati o danneggiati in gruppo per mantenere l'equilibrio. Sostituire le parti danneggiate o le etichette illeggibili.
  - Prima dell'uso controllare il cavo dell'alimentazione e la prolunga per individuare segni di danni o rotture. Nel caso in cui un cavo venga danneggiato durante l'utilizzo, scollegare il cavo dall'alimentazione immediatamente. Non toccare il cavo prima di scollegare l'utensile dall'alimentazione. Non utilizzare l'utensile se il cavo è danneggiato o usurato.
  - Non mettere mai in funzione l'utensile in presenza di osservatori, soprattutto bambini, o animali.
- ### SICUREZZA ELETTRICA
- Leggere le presenti istruzioni di sicurezza attentamente prima di collegare il prodotto all'alimentazione principale.
  - Le prese dell'alimentazione devono essere compatibili con la spina. Non modificare la spina in alcun modo. Non utilizzare spine adattatrici con elettroutensili con messa a terra (presa di terra). Spine non modificate e prese corrispondenti ridurranno il rischio di scosse elettriche.
  - Prima di collegare l'utensile all'alimentazione principale, assicurarsi

che il voltaggio sia lo stesso di quello indicato sulla piastra dell'alimentazione del prodotto o nel presente manuale. Collegare il prodotto a una qualsiasi altra fonte di alimentazione potrà causare lesioni alla persona o danni a cose.

- La ditta produttrice raccomanda di collegare il dispositivo a una presa di alimentazione protetta da un interruttore differenziale (RCD) con una soglia di scatto pari o inferiore a 30 mA.
- Rimuovere detriti e altri accumuli di materiale dalle griglie di ventilazione per prevenire danni al motore o incendi.
- Tenere il cavo lontano da fonti di calore, olio ed angoli appuntiti.
- Nel caso in cui un cavo venga danneggiato durante l'utilizzo, sostituirlo con un cavo speciale o gruppo disponibile dalla ditta produttrice o da un centro servizi autorizzato.
- Prima di utilizzare una prolunga assicurarsi che sia adatta all'utilizzo in esterni e che abbia la capacità nominale sufficiente per l'utensile. La prolunga dovrà essere marcata con "H05 RN F" o "H05 VV F". Controllare prima di ogni utilizzo per individuare eventuali danni, srotolare i cavi durante l'utilizzo dal momento che i cavi arrotolati potranno surriscaldarsi. Cavi di prolughe danneggiati non devono essere riparati, devono essere sostituiti con un tipo equivalente.
- Assicurarsi che il cavo dell'alimentazione sia posizionato in modo da non essere danneggiato dai dispositivi di taglio, in modo che non venga calpestato o da non causare inciampo né che venga sottoposto a danni o stress.
- Un picco di potenza durante l'avvio del motore potrà causare fluttuazioni di voltaggio che potranno influenzare altri prodotti elettrici collegati allo stesso circuito elettrico. Collegare il prodotto a una presa dell'alimentazione con una impedenza pari o inferiore a 0.404 per minimizzare le fluttuazioni di voltaggio. Contattare il proprio fornitore elettrico per avere maggiori chiarificazioni.

## NORME DI SICUREZZA TRITURATORE ELETTRICO A IMPATTO

### UTILIZZO

- Evitare di utilizzare il prodotto in cattive condizioni climatiche soprattutto in caso di rischi di fulmini.
- Prima di avviare il prodotto, assicurarsi che la camera di alimentazione materiale sia vuota.
- Il prodotto non funzionerà se la scatola di raccolta non è correttamente montata o se la sede del tritratore non è correttamente chiusa e la manopola della sede del tritratore non è completamente fissata. La scatola di raccolta e la sede del tritratore sono protette da dispositivi di blocco di sicurezza che aiutano a prevenire il contatto accidentale con le parti in movimento, il che potrà causare gravi lesioni.
- Tenere sempre il viso e il volto lontani dalla griglia dell'aria e dall'apertura dell'alimentazione.
- Non inserire mani, altre parti del corpo o abiti nella camera di alimentazione.
- Non protendersi. Rimanere bene in equilibrio sulle gambe e non distendere troppo lontano le braccia. Non posizionarsi a un livello più alto di quello della base della macchina quando si inserisce materiale al suo interno.
- Tenersi sempre lontani dalla zona di scarico quando si mette in funzione questa macchina.
- Quando si inserisce materiale nell'utensile evitare che pezzi di metallo, rocce, bottiglie, lattine o altri corpi estranei non vengano aspirati.
- Se il meccanismo di taglio colpisce dei corpi estranei o se il prodotto inizia a fare degli strani rumori o vibrazioni, arrestare immediatamente il motore premendo l'interruttore. Lasciare che il prodotto si arresti e scollegarlo dall'alimentazione. Seguire le fasi indicate di seguito prima di riavviare e mettere in funzione il prodotto:
  - controllare eventuali danni
  - sostituire o riparare le parti danneggiate
  - controllare e serrare le parti eventualmente allentate
- Rimuovere sempre scarti di materiale in eccesso dalla zona di scarico; ciò





permetterà uno scarico corretto dei materiali, evitando che la macchina scagli eventuali residui verso l'utente.

- Se il prodotto si blocca, arrestare il motore premendo l'interruttore OFF (Spento) e scollegarlo dall'alimentazione principale. Assicurarsi che tutte le parti in movimento si siano arrestate prima di aprire la sede del trituratore e di tentare di rimuovere il blocco.
- Non mettere in funzione il prodotto senza schermi o protezioni o senza dispositivi di sicurezza come per esempio sacchetti per la raccolta di detriti.
- Rimuovere detriti e altri accumuli di materiale dalle griglie di ventilazione per prevenire danni al motore o incendi.
- Non trasportare il prodotto se il motore è in funzione.
- Arrestare il prodotto, scollegarlo dall'alimentazione e assicurarsi che tutte le parti in movimento si siano completamente arrestate:
  - prima di svuotare la cassetta delle offerte
  - quando si lascia il prodotto incustodito
  - prima di rimuovere eventuali materiali che bloccano l'utensile o di sbloccare lo scarico
  - prima di svolgere le operazioni di controllo o pulizia sul prodotto o prima di utilizzarlo
- Non inclinare il prodotto mentre il motore è in funzione.
- Mantenere il tubo dell'alimentazione pulito dopo aver inserito il materiale. L'azione di spingere il materiale nel prodotto potrà causare un improvviso movimento o causare una torsione del materiale esposto. Indossare sempre occhiali di protezione mentre si mette in funzione il prodotto.
- Se si crea della polvere durante il processo di triturazione, indossare una maschera per la polvere idonea per aiutare a prevenire danni al sistema respiratorio.
- Arrestare il prodotto e lasciare che tutte le parti in movimento si arrestino prima di rimuovere il sacchetto di raccolta.
- Non modificare l'utensile in alcun modo né utilizzare parti e accessori non raccomandati dalla ditta produttrice.

- Rimuovere materiali in eccesso e altri accumuli per evitare danni all'alimentazione e incendi.

## PROTEZIONE SOVRACCARICO

L'utensile è dotato di un dispositivo di protezione di sovraccarico. In caso di sovraccarico, l'utensile si spegnerà automaticamente. Il tasto di protezione da sovraccarico si trova accanto all'interruttore ON/OFF (Acceso/Spento). Il tasto scatterà verso l'esterno quando la protezione da sovraccarico verrà attivata. Scollegare il prodotto dall'alimentazione e seguire le istruzioni per rimuovere un blocco. Lasciare che il motore si raffreddi per 3 -5 minuti. Dopo aver controllato la presenza di eventuali blocchi, collegare il cavo dell'alimentazione all'alimentazione principale e premere il tasto di reset protezione da sovraccarico. Premere l'interruttore ON (Acceso) per attivare il motore.

Se la protezione da sovraccarico viene attivata e non vi sono blocchi, il sovraccarico si potrà verificare quando i materiali vengono inseriti nel prodotto troppo velocemente per troppo tempo, causando al motore di surriscaldarsi. Lasciare raffreddare il motore. Svuotare il sacchetto di raccolta prima di riavviare il prodotto.

## RIMUOVERE UN BLOCCO

### ▲ AVVERTENZA

Le lame sono affilate e probabilmente calde. Indossare sempre guanti di protezione pesanti quando si controllano e rimuovono eventuali blocchi.

- Se il prodotto presenta ostruzioni o si blocca, o se il dispositivo di surriscaldamento viene attivato, seguire queste istruzioni:
  - Spegnerne il prodotto e scollegarlo dall'alimentazione.
  - Assicurarsi che tutte le parti in movimento si siano arrestate.
  - Rimuovere e svuotare il sacchetto di raccolta.
  - Rimuovere eventuale materiale rimasto esposto nel tubo dell'alimentazione.
  - Svitare la manopola della sede del trituratore e aprire lo sportello della sede superiore per esporre il meccanismo di



taglio.

- Rimuovere eventuali detriti che bloccano la camera di alimentazione estraendola dall'interno.

#### **⚠ AVVERTENZA**

Le lame potranno ancora muoversi anche se l'alimentazione viene spenta. Fare estrema attenzione attorno alla zona lame.

- Rimuovere attentamente i detriti attorno alle lame con un utensile a mano adeguato. Utilizzare l'utensile a mano, rimuovere le piastre di metallo che reggono le lame per controllare se il blocco è stato rimosso. Non inserire l'utensile a mano nelle estremità appuntite delle lame; in caso contrario si danneggeranno le lame.
- Nel caso in cui non si veda il sacchetto di raccolta quando le lame di taglio ruotano, rimuovere i detriti in quell'area. Utilizzare un utensile per pulire adeguatamente l'area.
- Una volta rimosso il blocco, chiudere la sede superiore e avvitare la manopola della sede del tritatore per inserire il dispositivo di blocco di sicurezza.
- Nel caso in cui non si riesca a rimuovere un blocco o se si identificano dei danni, portare il prodotto presso un centro servizi autorizzato per far svolgere le dovute riparazioni.

#### **TRASPORTO E RIPONIMENTO**

- Assicurarsi che il prodotto sia stato completamente pulito prima di riporlo in un luogo asciutto, pulito e lontano dalla portata dei bambini.
- Lasciare il prodotto raffreddarsi adeguatamente prima di riporre o trasportare.
- Quando si trasporta il prodotto, assicurarsi che sia assicurato da eventuali cadute o movimenti errati all'interno del veicolo.

#### **MANUTENZIONE**

- Prima di pulire, controllare o svolgere le operazioni di manutenzione sul prodotto, spegnerlo e lasciare che le lame di taglio si arrestino completamente. Scollegare il prodotto dall'alimentazione.

- Dopo che la macchina sarà stata attivata per un periodo di tempo, il meccanismo di taglio si surriscaldereà. Lasciare che il meccanismo di taglio si raffreddi adeguatamente prima di pulire, ispezionare o capovolgere le lame.

#### **⚠ AVVERTENZA**

Le lame di taglio sono estremamente affilate. Per evitare lesioni, fare estrema attenzione durante le operazioni di pulizia o lavoro in zone vicine alle lame o all'interno della sede quando la scatola di raccolta viene rimossa. Indossare sempre guanti da lavoro protettivi.

#### **⚠ AVVERTENZA**

Le lame potranno ancora muoversi anche se l'alimentazione viene spenta. Fare estrema attenzione attorno alla zona lame.

- Per assicurarsi prestazioni ottimali da parte del prodotto, mantenerlo sempre pulito.
- Pulire il prodotto immediatamente dopo l'utilizzo. Ove possibile, utilizzare una spazzola dura all'interno dei tubi di alimentazione o scarico e un panno asciutto sulla parte esterna del prodotto.
- Per prestazioni di tritatura ottimali, non lasciare che il materiale si asciughi o indurisca sulle superfici del prodotto, in modo particolare sulle lame.
- Assicurarsi che il tubo dell'alimentazione e il tubo di estrazione siano puliti e non presentino materiale di scarto.
- Le lame di taglio montate nel prodotto hanno due estremità di taglio. Le lame potranno essere capovolte di 180° se una estremità è consumata. Vedere pagina 175-176. Sostituire con parti originali RYOBI nel caso in cui le lame siano consumate, rotte o scheggiate.
- Assicurarsi che tutti i dadi, i bulloni e le viti siano serrati e assicurati, soprattutto le viti delle lame.
- Far riparare o sostituire sempre le parti danneggiate o consumate da personale qualificato presso un centro servizi autorizzato.
- Non tentare di bypassare gli interruttori di blocco di sicurezza sulla sede superiore del tritatore; ciò potrà causare gravi lesioni

alla persona, compreso amputazioni.

### **AVVERTENZA**

Evitare che sostanze come sostanze per freni, benzina, prodotti a base di petrolio, oli penetranti, ecc. entrino in contatto con parti in plastica. Nelle operazioni di pulizia non utilizzare mai liquido per freni, prodotti a base di benzina o solventi. La maggior parte dei materiali plastici è soggetta a danni di vario tipo da solventi commerciali e può essere danneggiata dal contatto con gli stessi.

- Sarà possibile svolgere le operazioni di manutenzione indicate nel presente manuale. Per altre riparazioni o consigli, rivolgersi a un centro servizi autorizzato.

### **RISCHI RESIDUI**

Anche quando il prodotto viene utilizzato come indicato, è impossibile eliminare completamente alcuni fattori di rischio residuo. Si potranno correre i seguenti rischi durante l'utilizzo e l'operatore dovrà fare particolare attenzione per evitare quanto segue:

- Lesioni causate dal rumore.
  - Indossare cuffie di protezione e limitare l'esposizione.
- Lesioni causate dall'inalazione di polvere e particelle.
  - Indossare una maschera per la polvere.
- Lesioni causate dal contatto con i dispositivi di taglio.
  - Tenere le parti del corpo non protette sempre lontane dai dispositivi di taglio.
- Lesioni causate da materiale triturato e scagliato verso l'operatore.
  - Indossare sempre una maschera di protezione per gli occhi e tenere le parti del corpo lontane dall'area attorno al tubo dell'alimentazione.

### **FAMILIARIZZARE CON IL PRODOTTO**

Vedere pagina 168.

1. Sede trituratore
2. Tubo di ingresso.
3. Manico
4. Manopola sede trituratore
5. Tasto di reset protezione da sovraccarico
6. Pulsante di messa in funzione

7. Chiave interruttore di sicurezza
8. Lama di taglio
9. Cavo di alimentazione
10. Struttura in metallo
11. Sacchetto di raccolta
12. Ruota
13. Stantuffo

### **GUIDA ALLA TRITURAZIONE**

Per i migliori risultati di triturazione, seguire le linee guida indicate nella tavola seguente.

#### **MATERIALE      METODO DI TRITURAZIONE**

Ramoscelli di un diametro fino a 6 mm.

Inserire nel tubo dell'alimentazione a una frequenza che non permetterà di sovraccaricare il prodotto. Utilizzare lo stantuffo fornito per spingere il materiale nel tubo se necessario.

Rami fino a 45 mm di diametro.

Tagliare i rametti laterali con delle cesoie prima di inserirli nel tubo dell'alimentazione. Utilizzare lo stantuffo fornito per spingere il materiale nel tubo se necessario.

Piante in aiuole, erbacce e arbusti vari.

Rimuovere terreno e pietre dalle radici per evitare danni alle lame.

Fogliame tagliato di fresco, siepi e rifiuti domestici (come per esempio foglie di cavoli, bucce vegetali, ecc).

Ricordare di inserire alcuni bastoncini secchi a intervalli regolari quando si utilizzano materiali ad alto contenuto di umidità per aiutarsi a spingere il materiale attraverso il gruppo di taglio.

Rami e rametti secchi

Inserire questi pistoni alla fine delle operazioni di triturazione, ciò aiuterà a rimuovere l'umidità e la linfa delle piante dall'interno del prodotto e dal gruppo di taglio.

- Non lasciare accumulare scarti di rifiuti organici prima di passare alle operazioni

di triturazione dal momento che gli stessi inizieranno a trasformarsi in compost e potranno diventare eccessivamente umidi e bloccando il dispositivo di taglio. Il materiale asciutto aiuterà a rimuovere la maggior parte di materiale dal tubo di scarico. Conservare alcuni bastoncini secchi per ultimi per pulire la zona lame.

- Monitorare frequentemente l'accumulo/ raccolta di materiali triturati.
- L'uscita del tubo di scarico deve essere sempre pulita per prevenire blocchi.
- Quando la scatola di raccolta è piena, spegnere il prodotto prima di svuotarla.

#### ⚠ AVVERTENZA

Non mettere le mani nel tubo di scarico del trituratore per rimuovere eventuali materiali triturati mentre il prodotto è acceso o collegato all'alimentazione principale. Le lame sono affilate. Indossare guanti da lavoro resistenti e fare estrema attenzione quando si svolgono le operazioni di pulizia e si rimuovono eventuali blocchi.

#### ⚠ AVVERTENZA

Quando si inseriscono lunghi rami/arbusti nell'utensile fare attenzione al rimbalzo e alle vibrazioni quando verranno risucchiati dalle lame di taglio. L'operatore deve indossare maschere di protezione per gli occhi quando utilizza il prodotto.

#### ⚠ AVVERTENZA

Il dispositivo di taglio ha la tendenza di risucchiare rami/arbusti nel prodotto. Non tentare di bloccare l'ingresso di materiali da tagliare una volta iniziate le operazioni di taglio. Indossare sempre guanti per prevenire lacerazioni alla pelle quando si inserisce del materiale nel prodotto.

**NOTA:** Durante il normale utilizzo, non spegnere il prodotto fino a che tutto il materiale da tritare non sia stato rimosso dal gruppo lame di taglio. Se il prodotto viene spento troppo velocemente, i rimanenti pezzi di materiale potranno bloccare il gruppo lame e ingolfare il motore quando il prodotto viene acceso si nuovo.

### SIMBOLI SUL PRODOTTO



Leggere e comprendere tutte le istruzioni prima di mettere in funzione il prodotto, seguire tutte le istruzioni e le avvertenze di sicurezza.



Fare attenzione ad oggetti scagliati o lanciati dall'utensile. Tenere lontani tutti gli osservatori, soprattutto bambini e animali, ad almeno 15 m dalla zona di funzionamento.



Pericolo – Lame rotanti Tenere mani e piedi lontani dalle aperture mentre il prodotto è in funzione.



Scollegare e rimuovere la presa dall'alimentazione prima di svolgere le operazioni di manutenzione o se il cavo è danneggiato.



Indossare protezione occhi e orecchie.



Non utilizzare come uno sgabello.



Attendere fino a che tutti i componenti dell'utensile si siano completamente arrestati prima di toccarli.



Indossare guanti anti-scivolo da lavoro.



Tenere le mani lontane dalle lame.



Questo apparecchio è conforme a tutte le norme vigenti nel paese dell'UE in cui è stato acquistato.



Marchio di conformità ucraino



I prodotti elettrici non devono essere smaltiti con i rifiuti domestici. Vi sono strutture per smaltire tali prodotti. Informarsi presso il proprio Comune o rivenditore di sicurezza per smaltire adeguatamente tali rifiuti.



Utensile di Classe II, isolamento doppio



Il livello di potenza sonora garantito è 107 dB



Premere per resettare



Marchio di conformità EurAsian

## SIMBOLI NEL PRESENTE MANUALE



Collegare alla presa dell'alimentazione.



Scollegare dalla presa dell'alimentazione.



Parti o accessori venduti separatamente



I prodotti elettrici non devono essere smaltiti con i rifiuti domestici. Vi sono strutture per smaltire tali prodotti.



Note



Avvertenze



Blocco



Sblocco

I seguenti simboli indicano i livelli di rischio associati a questo prodotto.

### **PERICOLO**

Indica una situazione pericolosa che, se non evitata attentamente, potrà causare gravi lesioni alla persona o morte.

### **AVVERTENZA**

Indica una situazione potenzialmente pericolosa che, se non evitata attentamente, potrà causare gravi lesioni alla persona o morte

### **ATTENZIONE**

Indica una situazione potenzialmente pericolosa che, se non evitata attentamente, potrà causare lesioni minori o moderate alla persona.

### **ATTENZIONE**

Senza simbolo di allerta di sicurezza  
Indica una situazione che potrà risultare in gravi danni a cose.

Veiligheid, prestaties en betrouwbaarheid kregen de topprioriteit in het ontwerp van uw elektrische impacthakselaar.

## VOORGESCHREVEN GEBRUIK

De elektrische impacthakselaar is ontworpen om organisch tuinafval, zoals takken, twijgen en bladeren in kleine stukken tot kleinere stukken te verkleinen.

Het product is bedoeld voor buitenshuis gebruik in een stilstaande positie, op een stevig en vlak oppervlak, door een gebruiker die op dezelfde hoogte staat als de basis van het product.

Het product is niet geschikt voor gebruik door kinderen of personen met verminderde fysieke, mentale of zintuigelijke vermogens.

Het product is niet bedoeld voor niet-organisch materiaal, metaal of enig ander materiaal dat de maximale zaagcapaciteit van 45 mm diameter overschrijdt.

Het product moet op de meegeleverde standaard worden gemonteerd en moet met de meegeleverde opvangbak worden gebruikt. Het is niet bedoeld om op enige andere manier te worden gemonteerd dan deze die in deze gebruiksaanwijzing is beschreven of getoond.

## ALGEMENE VEILIGHEIDSVOORSCHRIFTEN

### ⚠ WAARSCHUWING

Wanneer u het product gebruikt, moeten de basisveiligheidsvoorschriften worden nageleefd om het risico op brand, elektrische schok of letsels te verminderen. Lees en begrijp alle instructies voor u het product bedient, volg alle waarschuwingen en veiligheidsinstructies. Zorg ervoor dat u vertrouwd bent met de bedieningsknoppen en het correct en veilig gebruik van het product. Bewaar de instructies voor later gebruik.

## OPLEIDING

- Lees zorgvuldig de instructies. Wees vertrouwd met de bedieningen en het correct gebruik van het product.
- Laat kinderen of personen die niet vertrouwd zijn met deze instructies, het product gebruiken. De plaatselijke wetgeving kan beperkingen opleggen

i.v.m. de leeftijd van de bediener.

- Hou er rekening mee dat de bediener of gebruiker verantwoordelijk is voor ongevallen of gevaren t.o.v. anderen of hun eigendom.

## VOORBEREIDING

- Draag altijd gehoorbescherming en een veiligheidsbril terwijl u de machine gebruikt.
- Terwijl u het product bedient, draagt u altijd stevig schoeisel en een lange broek. Gebruik de machine wanneer u blootsvoets bent of open sandalen draagt. Draag geen loszittende kledij of kledij met loshangende snoeren of touwen.
- Gebruik het product in de aangewezen positie en uitsluitend op een stevig, vlak oppervlak.
- Gebruik de machine niet op een geasfalteerd of grintoppervlak waar uitgeworpen materiaal verwondingen kan veroorzaken.
- Voor gebruik controleert u de machine altijd en zorgt u ervoor dat het hakselmechanisme, bouten en andere verbinders stevig vast zitten en dat de behuizing, beschermers en schermen niet beschadigd zijn en op hun correcte plaats werden gemonteerd. Vervang versleten of beschadigde onderdelen in sets om het evenwicht te bewaren. Vervang beschadigde of onleesbare etiketten.
- Voor gebruik controleert u het stroom- en verlengsnoer op tekenen van schade of slijtage. Als het snoer tijdens het gebruik beschadigd raakt, trekt u onmiddellijk de stekker uit de contactdoos. Raak het snoer niet aan voor u de stroomtoevoer ontkoppelt. Gebruik de machine niet als het snoer versleten of beschadigd is.
- Gebruik de machine nooit wanneer zich mensen, in het bijzonder kinderen, en dieren in de buurt bevinden.

## ELEKTRISCHE VEILIGHEID

- Lees deze veiligheidsvoorschriften grondig voor u het product met de stroomtoevoer verbindt.
- De stekker moet overeenkomen met de contactdoos. Wijzig de stekker nooit. Gebruik geen adapters met geaarde elektrische werktuigen. Niet-gewijzigde stekkers en overeenkomstige contactdozen zullen het

risico op elektrische schok verminderen.

- Voor u de machine met de stroomvoorziening verbindt, zorgt u ervoor dat de spanning dezelfde is dan deze die op het kentekenplaatje van het product of in deze gebruiksaanwijzing is aangeduid. Als u dit product aan een andere stroomvoorziening aansluit, kan dit leiden tot verwondingen of schade.
- De fabrikant raadt aan dat u een contactdoos gebruikt die beschermd is door een aardlekschakelaar of met een zekering van 30 mA of minder.
- Houd de ventilatieopeningen vrij van afval en andere opstapelingen om schade aan de motor of brand te vermijden.
- Houd het stroomsnoer weg van hitte, olie en scherpe randen.
- Als het stroomsnoer beschadigd is, moet het worden vervangen door een speciaal snoer dat verkrijgbaar is bij de fabrikant of zijn onderhoudsagent.
- Als u een verlengsnoer moet gebruiken, zorgt u ervoor dat het geschikt is voor buitenshuis gebruik en een stroomvoercapaciteit heeft die volstaat om uw werktuig aan te drijven. Het verlengsnoer moet gemarkeerd zijn met "H05 RN F" of "H05 VV F". Controleer voor elk gebruik op schade, ontrol het snoer altijd tijdens gebruik aangezien een opgerold snoer kan oververhitten. Beschadigde verlengsnoeren mogen niet worden hersteld, maar moeten door een gelijkaardig type worden vervangen.
- Zorg ervoor dat het stroomsnoer zo is geplaatst dat het niet door de snijelementen kan worden beschadigd en men er niet kan op trappen, er over struikelen of op een andere manier beschadigen of onder druk brengen.
- Een stroomstoot tijdens het opstarten van de motor zorgt voor spanningsschommelingen die andere elektrische producten in hetzelfde stroomcircuit kunnen beïnvloeden. Verbind het product met een stroomvoorziening met een impedantie die kleiner of gelijk is dan 0,404 om spanningsschommelingen te minimaliseren. Neem contact op met uw energieleverancier voor meer informatie.

## VEILIGHEIDSVOORSCHRIFTEN ELEKTRISCHE IMPACTHAKSELAAR

### BEDIENING

- Vermijd gebruik van het product bij slecht weer, vooral als er gevaar voor bliksem bestaat.
- Voor u het product start, zorgt u ervoor dat de voedingskamer leeg is.
- Het product werkt niet als de opvangbak niet correct is geplaatst of de hakselaarbehuizing niet correct is gesloten en de hakselaarbehuizingknop niet volledig is ingeschroefd. De opvangbak en hakselaarbehuizing zijn beschermd door veiligheidsslots die accidenteel contact met de bewegende onderdelen, wat kan leiden tot ernstige verwondingen, helpen te vermijden.
- Houd uw gezicht en lichaam weg van de voedingsinlaatopening.
- Plaats uw handen of enig ander lichaamsdeel of kledingsstuk niet in de voedingskamer, uitlaatklep of in de buurt van een bewegend deel.
- Overrek u niet. Ga altijd stevig op uw benen staan en reik niet te ver weg met uw arm. Sta nooit hoger dan de machinevoet wanneer u de machine voedt.
- Sta niet in de uitlaatzone wanneer u de machine gebruikt.
- Wees uiterst voorzichtig wanneer u materiaal in de machine steekt dat deze geen stukken metaal, steen, flessen, blikjes of andere vreemde voorwerpen bevatten.
- Als het zaagmechanisme een vreemd voorwerp raakt of als het product een ongewoon geluid begint te maken of begint te trillen, legt u de motor onmiddellijk stil door op de "uit"-schakelaar te drukken. Laat het product tot stilstand komen en ontkoppel het van de stroomvoorziening. Neem de volgende stappen voor u de machine heropstart en opnieuw bedient:
  - controleer op schade
  - vervang of repareer alle beschadigde onderdelen
  - controleer op losse onderdelen en maak vast
- Vermijd dat verwerkt materiaal zich in de afvoerzone ophoopt; dit kan voorkomen dat het materiaal correct wordt afgevoerd en

kan ervoor zorgen dat materiaal terugslaat doorheen de voedingsinlaatopening.

- Als het product verstopt raakt, legt u de motor stil door op de UIT-knop te drukken en ontkoppelt u de machine van de stroomvoorziening. Zorg ervoor dat alle bewegende onderdelen tot stilstand zijn gekomen voor u de hakselaarbehuizing opent of de obstructie probeert te verwijderen.
- Gebruik het product nooit met een defecte beschermer of schild of zonder veiligheidsvoorzieningen, bijvoorbeeld een afvalcollector.
- Houd de ventilatieopeningen vrij van afval en andere opstapelingen om schade aan de motor of brand te vermijden.
- Transporteer het product niet terwijl de motor draait.
- Leg het product stil, ontkoppel het van de stroomvoorziening en zorg ervoor dat alle bewegende onderdelen volledig tot stilstand zijn gekomen:
  - voor het legen van de opvangbak
  - wanneer u het product onbeheerd achterlaat
  - voor u blokkages losmaakt of de uitlaatklep vrijmaakt,
  - voor u het product controleert, reinigt of aan het product werkt.
- Kantel het product niet terwijl de motor draait.
- Houd afstand van de voedingsinlaatrechter nadat u materiaal hebt ingevoegd. De handeling van het wegtrekken van materiaal in het product kan leiden tot een plotse beweging of plots draaien van het blootgestelde materiaal. Draag altijd gezichtsbescherming terwijl u het product bedient.
- Als het hakselproces stof veroorzaakt, draagt u een geschikte stofmasker om problemen met de luchtwegen te vermijden.
- Schakel het product uit en laat alle bewegende onderdelen tot stilstand komen voor u de opvangbak verwijdert.
- Het apparaat op geen enkele wijze aanpassen of reserveonderdelen gebruiken die niet worden aanbevolen door de fabrikant.
- Houd de aandrijfbron vrij van afval en

andere ophopingen om schade aan de aandrijfbron of een mogelijke brand te voorkomen.

## OVERBELASTINGSBESCHERMING

Het apparaat heeft een beveiliging tegen overbelasting. Wanneer overlading wordt gedetecteerd, zal de machine automatisch uitschakelen. De overbelastingsbeschermingsknop bevindt zich naast de AAN/UIT-schakelaar. De knop springt uit wanneer de overbelastingsbescherming is geactiveerd. Ontkoppel het product van de stroomvoorziening en volg de instructies voor het verwijderen van een obstructie. Laat de motor 3 tot 5 minuten afkoelen. Nadat u gecontroleerd hebt dat er geen obstructies zijn, verbindt u het stroomsnoer met de stroomtoevoer en drukt u op de overbelastingsresetknop. Druk op de knop AAN (ON) om de motor in te schakelen.

Als de overbelastingsbescherming is geactiveerd en er geen obstructie is, kan de overbelasting worden veroorzaakt wanneer er te snel materiaal in het product wordt gevoed, waardoor de motor oververhit. Laat de motor afkoelen. Maak de opvangbak leeg voor u het product heropstart.

## OBSTRUCTIE VERWIJDEREN

### ⚠ WAARSCHUWING

De snijmesses zijn scherp en warm. Draag altijd zware veiligheidshandschoenen wanneer u een obstructie controleert en vrijmaakt.

- Als het product verstopt of geblokkeerd raakt of als de overbelastingsbescherming is geactiveerd, volgt u deze instructies:
  - Schakel het product uit en ontkoppel het van de stroomvoorziening.
  - Zorg ervoor dat alle bewegende onderdelen zijn stilgevallen.
  - Verwijder de opvangbak en maak leeg.
  - Verwijder alle blootgestelde materiaal in de voedingstrechter.
  - Schroef de hakselaarbehuizingsknop los en open de bovenste behuizing aan de scharnieren om het hakselmechanisme bloot te leggen.
  - Verwijder alle afval dat de voedingskamer blokkeert door het vanaf de binnenkant



naar buiten te trekken.

#### **⚠ WAARSCHUWING**

De snijmessen kunnen nog steeds bewegen zelfs al is de stroom uitgeschakeld. Weest uiterst voorzichtig rond de snijmessen.

- Verwijder het afval rond de snijmessen voorzichtig met behulp van een geschikt handwerktuig. Met behulp van het handwerktuig, schuift u de metalen platen die de snijmesses vasthouden aan de kant om te zien of de obstructie is verdwenen. Plaats het handwerktuig niet in de scherpe randen van de snijmesses; dit beschadigt de snijmesses.
- Als u de opvangbak niet kunt zien wanneer de hakselmessen draaien, moet u het afval op deze plaats vrijmaken. Gebruik een werktuig om deze plaats vrij te maken.
- Als de obstructie is verwijderd, sluit u de bovenste behuizing en schroeft u de hakselaarbehuizingknop vast om de veiligheidsvergrendeling te activeren.
- Als u er niet in slaagt om de obstructie te verwijderen of als u schade aantreft, brengt u het product naar een geautoriseerd onderhoudscentrum voor herstel.

#### **TRANSPORT EN OPSLAG**

- Zorg ervoor dat het product grondig werd schoongemaakt voor u het op een schone, droge plaats bewaart, buiten het bereik van kinderen.
- Laat het product voldoende afkoelen voor u het opbergt of transporteert.
- Wanneer u het product transporteert, zorgt u ervoor dat het in het voertuig is beveiligd tegen vallen of bewegen.

#### **ONDERHOUD**

- Voor u het product reinigt, inspecteert of er onderhoudswerken aan uitvoert, schakelt u het uit en laat u de snijmesses volledig tot stilstand komen. Ontkoppel het product van de stroomtoevoer.
- Nadat u zekere tijd hebt gehakseld, wordt het snijmechanisme warm. Laat het snijmechanisme goed afkoelen voor u het reinigt, inspecteert of de snijmesses draait.

#### **⚠ WAARSCHUWING**

De snijmesses zijn uiterst scherp. Om letsels te voorkomen, dient u uiterst voorzichtig te zijn tijdens het onderhoud of wanneer u in de buurt van de snijbladen of in een geopende holte werkt wanneer de opvangbak is verwijderd. Draag altijd stevige veiligheidshandschoenen.

#### **⚠ WAARSCHUWING**

De snijmesses kunnen nog steeds bewegen zelfs al is de stroom uitgeschakeld. Weest uiterst voorzichtig rond de snijmesses.

- Om de beste prestaties van uw product te verzekeren, moet het schoon worden gehouden.
- Reinig het product altijd onmiddellijk na gebruik. Waar mogelijk, gebruikt u een harde borstel in de voedings- en uitlaatrechter en een droge doek aan de buitenkant van het product.
- Voor optimale hakselprestaties, laat u het materiaal niet drogen en hard worden op het oppervlak van het product, in het bijzonder op de snijbladen.
- Zorg ervoor dat de voedings- en uitlaatrechter schoon worden gehouden en vrij van afval.
- De snijmesses die in het product zijn geïnstalleerd, hebben twee snijranden. De snijmesses kunnen 180° worden gedraaid als een zijde bot is geworden. Zie pagina 175-176. Vervang door een origineel RYOBI-onderdeel als uw snijmesses bot, gebarsten of gekraakt zijn.
- Zorg ervoor dat alle moeren, bouten en schroeven stevig zijn aangespannen, in het bijzonder de snijmesseschroeven.
- Laat beschadigde of versleten onderdelen altijd herstellen of vervangen door gekwalificeerd personeel in een geautoriseerd onderhoudscentrum.
- Probeer de veiligheidsvergrendelknoppen op de bovenste hakselaarbehuizing nooit te overbruggen; dit kan leiden tot ernstige verwondingen, waaronder amputaties.

EN  
FR  
DE  
ES  
IT  
NL  
PT  
DA  
SV  
FI  
NO  
RU  
PL  
CS  
HU  
RO  
LV  
LT  
ET  
HR  
SL  
SK  
BG  
UK

## ⚠ WAARSCHUWING

Laat op geen elk moment remvloeistoffen, benzine, producten op petroleumbasis, penetrerende oliën, etc. in contact komen met kunststof onderdelen. Gebruik daarvoor nooit remvloeistoffen, producten op basis van benzine of sterke oplosmiddelen. De meeste soorten plastic zijn gevoelig voor schade, veroorzaakt door verschillende soorten commerciële oplosmiddelen en kunnen door hun gebruik worden beschadigd.

- U mag de onderhoudswerken uitvoeren die in deze gebruiksaanwijzing zijn beschreven. Voor andere herstellingen of advies, vraagt u hulp in een geautoriseerd onderhoudscentrum.

## RESTRISICO'S

Zelfs wanneer het product zoals voorgeschreven wordt gebruikt, is het nog steeds onmogelijk om bepaalde restrisico's volledig te elimineren. De volgende gevaren kunnen ontstaan tijdens het gebruik en de bediener moet bijzondere aandacht hebben om de volgende situaties te voorkomen:

- Verwondingen veroorzaakt door geluid.
  - Draag gehoorbescherming en beperk de blootstelling.
- Letsels veroorzaakt door het inhaleren van stof en deeltjes.
  - Draag een stofmasker.
- Letsels veroorzaakt door contact met het snijmechanisme.
  - Houd onbeschermde lichaamsdelen steeds weg van het snijmechanisme.
- Letsels veroorzaakt door rondvliegend afval
  - Draag steeds gezichtsbescherming en houd lichaamsdelen weg van de omgeving rond de voedingstrechter.

## KEN UW PRODUCT

Zie pagina 168.

1. Hakselaarbehuizing
2. Voedingsklep
3. Handvat
4. Hakselaarbehuizingssknop
5. Resetknop overbelastingsbescherming
6. Drukknop aan

7. Veiligheidssleutel
8. Snijblad
9. Stroomsnoer
10. Metalen kader
11. Opvangbak
12. Wiel
13. Stootnok

## VERHAKSELGIDS

Voor beste verhakselresultaten, volgt u de richtlijnen in de onderstaande tabel.

### MATERIAAL

### VERHAKSEL-METHODE

Twijgen met een diameter tot 6 mm.

Voed in de voedingstrechter aan een tempo dat het product aanvaardt zonder overbelast te raken. Gebruik de meegeleverde stootnok om het materiaal, indien nodig, in de trechter te duwen.

Takken met een diameter tot 45 mm.

Snij alle zijtakken met behulp van een snoeischaar af voor u het materiaal in de voedingstrechter steekt. Gebruik de meegeleverde stootnok om het materiaal, indien nodig, in de trechter te duwen.

Het perken van planten, onkruid en struikgewas.

Sla grond en stenen van de wortels om schade aan de snijbladen te voorkomen.

Vers gesnoeide bladeren, struiken en tuinafval (vb. koolbladeren, groentenschillen, etc.).

Met materiaal dat een hoge vochtigheidsgraad heeft, is het aangewezen om regelmatig drogere stokken te voeden om het materiaal door het snijmechanisme te helpen duwen en verstoppingen te voorkomen.

Droge stokken en twijgen

Door deze aan het einde van uw hakselwerk in te voeren, helpt dit om het vocht en plantensap aan de binnenkant van het product en snijmechanisme te reinigen.

- Laat tuinafval zich niet ophopen voor het verhakselen aangezien het zal beginnen composteren, te vochtig wordt en vastklit in het verhakselmechanisme. Droog materiaal zal helpen om ander materiaal uit de uitlaatklep te verwijderen. Bewaar enkele droge stokken tot het laatst om te helpen de snijbladen vrij te maken.
- Controleer regelmatig het ophopen/verzamelen van verhakselde materiaal.
- De uitlaat van de uitlaatrechter moet altijd vrij zijn om obstructies te vermijden.
- Wanneer de opvangbak vol is, schakelt u het product UIT voor u het leegmaakt.

### ⚠ WAARSCHUWING

Plaats uw handen nooit in de uitlaatopening van de verhandelaar om verhakselde materiaal te verwijderen terwijl het product ingeschakeld is of met de stroomtoevoer is verbonden. De zaagbladen zijn scherp. Draag stevige veiligheidshandschoenen en wees uiterst voorzichtig wanneer u blokkeringen vrijmaakt of tijdens het reinigen.

### ⚠ WAARSCHUWING

Wanneer u lange, houten takken/stammen in het product voedt, dient u voorzichtig te zijn voor zweepslagen en trillingen aangezien zij door de snijbladen worden vastgegrepen. De bediener moet gezichtsbescherming dragen wanneer hij het product gebruikt.

### ⚠ WAARSCHUWING

Het snijmechanisme heeft de neiging om takken/stammen in het product te trekken. Probeer materiaal dat wordt verhaksel niet tegen te houden eens het in de machine wordt gevoerd. Draag altijd handschoenen om snijwonden te voorkomen wanneer u materiaal in het product voedt.

**OPMERKING:** In de normale modus, schakelt u het product niet uit tot al het verhakselde materiaal uit de snijbladen is verwijderd. Als het product te snel wordt uitgeschakeld, kunnen overblijvende stukken materiaal de snijbladen verstoppen en de motor doen afslaan wanneer het product opnieuw wordt opgestart.

### SYMBOLEN OP HET PRODUCT



Lees en begrijp alle instructies voor u het product bedient, volg alle waarschuwingen en veiligheidsinstructies.



Houd rekening met weggeslingerde of rondvliegende voorwerpen. Houd alle omstanders, in het bijzonder kinderen en huisdieren, op tenminste 15m afstand van het werkgebied.



Gevaar - ronddraaiende snijbladen. Houd handen en voeten weg van openingen terwijl het product loopt.



Schakel het apparaat uit en trek het uit de contactdoos voor onderhoud of als het snoer beschadigd is.



Draag gezichts- en oorbescherming.



Gebruik niet als opstap.



Wacht tot alle machineonderdelen volledig tot stilstand zijn gekomen voor u ze aanraakt.



Draag zware, antislip handschoenen.



Houd handen weg van  
snijsbladen.



Dit apparaat voldoet aan alle  
geldende normen van Lid-  
Staat van de Europese Unie  
waar het werd gekocht.



Oekraïens  
conformiteitssymbool.



Elektrisch afval mag  
niet samen met ander  
huishoudafval worden  
weggegooid. Gelieve  
te recycleren indien de  
mogelijkheid bestaat.

Neem contact op met uw  
lokaal bestuur of handelaar  
om advies te krijgen over  
recyclage.



Klasse II-apparaat, dubbele  
isolatie



Het gegarandeerde  
geluidsniveau bedraagt 107  
dB.



Druk om te resetten



EurAsian-symbool van  
overeenstemming

## SYMBOLLEN IN DEZE GEBRUIKSAANWIJZING



Met een contactdoos  
verbinden.



Trek uit de contactdoos.



Onderdelen of accessoires  
afzonderlijk verkocht



Elektrisch afval mag niet samen  
met ander huishoudafval  
worden weggegooid. Gelieve  
te recycleren indien de  
mogelijkheid bestaat.



Opmerking



Waarschuwing



Vergrendeling



Ontgrendelen

De volgende kernwoorden en verklaringen  
zijn bedoeld om de gevaarniveaus die op dit  
toestel betrekking hebben, te verklaren.

### ⚠ **GEVAAR**

Wijst op een gevaarlijke situatie die, als ze  
niet wordt voorkomen, dodelijk kan zijn of  
ernstige verwondingen kan veroorzaken.

### ⚠ **WAARSCHUWING**

Wijst op een mogelijks gevaarlijke situatie  
die, als ze niet wordt voorkomen, dodelijk  
kan zijn of ernstige verwondingen kan  
veroorzaken.

### ⚠ **LET OP**

Wijst op een mogelijks gevaarlijke situatie  
die, als ze niet wordt voorkomen, kleine  
of middelmatige verwondingen kan  
veroorzaken.

### **LET OP**

Zonder veiligheidswaarschuwingssymbool  
Wijst op een situatie die kan leiden tot  
materiële schade.

Segurança, desempenho, fiabilidade foram as propriedades na concepção da sua trituradora de impacto eléctrica.

### USO PREVISTO

A trituradora de impacto eléctrica foi concebida para reduzir os resíduos orgânicos de jardim, tais como ramos, galhos e folhagens em pedaços pequenos.

O produto deve ser utilizado no exterior numa posição fixa, ao nível da superfície firme, por um operador em pé, ao mesmo nível que a base do produto.

O produto não deve ser utilizado por crianças nem por pessoas com capacidades físicas, mentais ou sensoriais reduzidas.

O produto não se destina a material não-orgânico, metal ou qualquer material que excede a sua capacidade máxima de corte de 45 mm de diâmetro.

O produto deve ser montado no suporte fornecido e deve ser usado com a caixa de recolha fornecida. Não se destina a ser montado de qualquer outro modo do que o descrito ou mostrado neste manual.

### NORMAS GERAIS DE SEGURANÇA

#### ⚠ ADVERTÊNCIA

Ao utilizar o dispositivo deve adoptar medidas básicas de segurança para reduzir o risco de incêndio, choque eléctrico e lesões. Leia e compreenda todas as instruções antes de manipular o produto, respeite os alertas e as instruções de segurança. Assegure-se que conhece os controlos e sabe como operar o aparelho em segurança. Guarde as instruções para usá-las no futuro.

### FORMAÇÃO

- Leia as instruções com atenção. Familiarize-se com os controlos e a utilização adequada do aparelho.
- Nunca permita que crianças ou pessoas que não estejam familiarizadas com estas instruções utilizem o produto. A legislação local pode restringir a idade do operador.
- Mantenha em mente que o operador ou o utilizador é responsável pelos acidentes ou perigos que ocorrem a outras pessoas ou

à sua propriedade.

### PREPARAÇÃO

- Use protecção auditiva e óculos de segurança em todo o momento durante o uso da máquina.
- Durante o funcionamento do produto, use sempre calçado forte e calças longas. Não opere a máquina se estiver descalço ou se usar sandálias. Evite usar roupa larga ou com cordões ou laços.
- Operar o produto na posição recomendada e apenas numa superfície firme e nivelada.
- Não ponha a máquina funcionar numa superfície pavimentada ou com gravilha onde o material ejectado possa causar lesões.
- Antes de usar, inspecione e garanta sempre que os meios de trituração, parafusos e outros elementos de fixação estão seguros, e que as casas, guardas e ecrãs não estão danificadas e no lugar. Substitua os componentes desgastados ou danificados em conjunto de modo a preservar o equilíbrio. Substitua as etiquetas ilegíveis ou danificadas.
- Antes de utilizar, verifique se existem sinais de danos ou envelhecimento no cabo de extensão e na tomada. Se o cabo ficar danificado durante a utilização, desconecte imediatamente o cabo da tomada. Não toque no cabo antes de o desligar da corrente. Não utilize a máquina se o cabo estiver danificado ou gasto.
- Nunca coloque a máquina a funcionar quando pessoas, especialmente crianças ou animais de estimação estão por perto.

### SEGURANÇA ELÉCTRICA

- Leia estas instruções de segurança com atenção antes de ligar o produto à alimentação eléctrica.
- As ligações devem ser adequadas para a tomada de corrente. Nunca altere a ficha seja de que maneira for. Não use quaisquer fichas adaptadoras com ferramentas de ligação com terra. As fichas não modificadas e tomadas compatíveis reduzirão o risco de choque eléctrico.
- Antes de ligar à corrente eléctrica, certifique-se de que a tensão é a mesma que a indicada na placa de classificação do produto ou neste manual. Ligar o produto a

qualquer outra fonte de alimentação pode causar ferimentos ou danos.

- O fabricante recomenda ligar a uma tomada de corrente protegida por um RCD com uma voltagem de 30 mA ou inferior.
- Mantenha as aberturas de ventilação livre de detritos e outras acumulações para evitar danos no motor ou eventual incêndio.
- Mantenha o cabo eléctrico afastado do calor, óleo e pontas afiadas.
- Se o cabo eléctrico estiver danificado deverá ser substituído por um cabo especial disponível junto do fabricante ou do seu agente de assistência.
- Se necessitar utilizar um cabo de prolongamento assegure-se de que é adequado para usá-lo no exterior e de que tem uma capacidade de corrente suficiente para a sua ferramenta. O cabo de prolongamento deverá levar a marca "H05 RN F" ou "H05 VV F". Antes de cada utilização inspecione o dispositivo para verificar a existência de danos; desembarace sempre o cabo durante a utilização porque os cabos enrolados podem sobreaquecer. Os alargadores não devem ser reparados, devem ser substituídos por outros que sejam equivalentes.
- Assegure-se de que o cabo de alimentação está situado de tal maneira que não pode ser danificado ou cortado e que não se pisará, estorvará nem estará submetido a danos ou incómodos.
- Um pico de energia durante o arranque do motor causa flutuações de tensão que podem afetar outros produtos eléctricos no mesmo circuito de alimentação. Ligue o produto a uma fonte de alimentação com uma impedância igual ou inferior a 0,404 para minimizar as flutuações de tensão. Contacte o seu fornecedor de energia eléctrica para mais esclarecimentos.

## REGRAS DE SEGURANÇA DA TRITURADORA DE IMPACTO ELÉTRICA

### UTILIZAÇÃO

- Evite utilizar o aparelho em más condições atmosféricas, especialmente quando houver risco de relâmpago.
- Antes de ligar o produto, certifique-se de que a câmara de alimentação está vazia.

- O produto não funcionará se a caixa de recolha não estiver devidamente ajustada ou a armação da trituradora não estiver bem fechada e o botão da trituradora não estiver totalmente enroscado. A caixa de recolha e trituradora são protegidas por bloqueios de segurança que ajudam a evitar o contato acidental com peças em movimento que irão resultar em ferimentos graves.
- Mantenha a sua cara e corpo longe da abertura de alimentação.
- Não permita que as mãos ou qualquer outra parte do corpo ou a roupa aceda ao interior da câmara de alimentação, tubo de descarga, ou esteja perto de qualquer parte móvel.
- Não se aproxime em demasia. Fique sempre bem apoiado nas pernas e não estique demasiado o braço. Não pare num nível superior à base da máquina quando estiver a introduzir material nela.
- Mantenha-se sempre afastado da zona de descarga ao manusear esta máquina.
- Quando estiver a alimentar a máquina com material, tenha especial cuidado em não incluir peças de metal, pedras, garrafas, latas ou outros objectos estranhos.
- Se o mecanismo de corte atingir qualquer objeto estranho ou se o produto começar a fazer qualquer ruído ou vibração anormal, pare imediatamente o motor pressionando o botão de desligar. Deixe o produto parar e desconecte o produto do fornecimento. Siga os seguintes passos antes de reiniciar e operar o produto:
  - inspeccionar os danos
  - substitua ou repare qualquer peça danificada
  - verifique e aperte as peças soltas
- Não permita que o material processado se acumule na zona de descarga; isto pode provocar uma descarga inadequada e pode resultar n um ricochete de material através da abertura de alimentação.
- Se o produto ficar obstruído, pare o motor, pressionando o interruptor e retire o produto da energia. Certifique-se de que todas as peças móveis pararam antes de abrir a caixa trituradora ou a tentativa de eliminar a obstrução.
- Nunca coloque o produto a funcionar com

proteções ou defesas defeituosas ou sem dispositivos de segurança, por exemplo coletor de detritos no sítio.

- Mantenha as aberturas de ventilação livre de detritos e outras acumulações para evitar danos no motor ou eventual incêndio.
- Não transporte o produto enquanto o motor está a funcionar.
- Pare o produto, retire da fonte de alimentação e garanta que todas as peças móveis pararam completamente:
  - antes de esvaziar a caixa de recolha
  - quando deixar o aparelho sem ninguém
  - antes de libertar bloqueios ou desentupir as calhas
  - antes de verificar, limpar ou funcionar com o produto
- Não incline o dispositivo com o motor em funcionamento.
- Mantenha-se afastado da fonte de alimentação após inserir o material. A ação de desenhar o material no produto pode causar movimento súbito ou torção do material exposto. Use sempre proteção para os olhos quando utiliza o produto.
- Se for criado pó pelo processo de trituração, use uma máscara de pó adequada para ajudar a prevenir lesões respiratórias.
- Desligue o produto e faça com que todas as partes móveis parem antes de remover a caixa de recolha.
- Não modifique a máquina em qualquer forma nem use peças e acessórios que não sejam recomendados pelo fabricante.
- Mantenha a fonte de alimentação livre de resíduos e outras acumulações para evitar danos na fonte de alimentação ou um possível incêndio.

## PROTEÇÃO CONTRA SOBRECARGA

A ferramenta possui um dispositivo de proteção de sobrecarga. Quando se detecta uma sobrecarga, a ferramenta desliga-se automaticamente. O botão de proteção contra sobrecarga está ao lado do interruptor ON / OFF. O botão irá aparecer quando a proteção contra sobrecarga é ativado. Desligue o produto da fonte de alimentação e siga as instruções para limpar uma obstrução. Deixe o motor arrefecer durante 3 a 5 minutos. Depois de verificar se existe algum bloqueio, ligue o cabo de alimentação à corrente elétrica

e prima o botão de reposição da proteção contra sobrecarga. Pressione o interruptor ON para ligar o motor.

Se a proteção de sobrecarga for ativada e não há nenhuma obstrução, a sobrecarga pode ter ocorrido quando os materiais são enviados para o produto muito rapidamente durante demasiado tempo, originando um sobreaquecimento do motor. Deixe que o motor arrefeça. Esvazie a caixa de recolha antes de reiniciar o produto.

## ELIMINAR UMA OBSTRUÇÃO

### ⚠ ADVERTÊNCIA

As lâminas são afiadas e são suscetíveis de ficarem quente. Use sempre luvas pesadas de proteção ao verificar e eliminar uma obstrução.

- Se o produto ficar entupido ou bloqueado, ou se o dispositivo de proteção contra sobrecarga é ativado, siga estas instruções:
  - Desligue o produto e desconecte-o da fonte de alimentação.
  - Certifique-se de que todas as peças móveis ter parado.
  - Remova e esvazie a caixa de recolha.
  - Remova todo o material exposto na calha de alimentação.
  - Desaperte o botão da trituradora e abra a caixa superior na sua dobradiça para expor o mecanismo de corte.
  - Remova qualquer obstáculo que bloqueia a câmara de alimentação, puxando-o para fora do interior.

### ⚠ ADVERTÊNCIA

As lâminas ainda se podem mover mesmo com a energia desligada. Muita cautela em torno da área das lâminas.

- Remova cuidadosamente os restos em torno das lâminas com uma ferramenta manual adequada. Usando a ferramenta manual, mova as placas de metal que prendem as lâminas para verificar se a obstrução foi removida. Não insira a ferramenta de mão nas bordas afiadas das lâminas; irá danificar as lâminas.
- Se não puder ver a caixa de recolha quando os meios de corte rodam, é

preciso retirar os detritos nessa área. Use uma ferramenta para limpar cuidadosamente a área.

- Uma vez que a obstrução está resolvida, feche a caixa superior e aperte o botão de trituradora para encaixar o bloqueio de segurança.
- Se for incapaz de limpar com sucesso um bloqueio ou se encontrar danos, leve o produto a um centro de serviço autorizado para reparação.

## TRANSPORTE E ARMAZENAMENTO

- Assegure-se que o produto foi bem limpo antes de o guardar num local limpo, seco e fora do alcance de crianças.
- Deixe o dispositivo arrefecer antes de o guardar ou transportar.
- Ao transportar o produto, verifique se está protegido contra a queda ou movimento dentro do veículo.

## MANUTENÇÃO

- Antes da limpeza, inspeção ou manutenção do produto, desligue-o e espere que as lâminas parem completamente. Conecte o carregador à fonte de alimentação.
- Depois de algum tempo de trituração, o mecanismo de corte vai ficar quente. Permita que o mecanismo de corte arrefeça suficientemente antes da limpeza, inspeção, ou virar as lâminas.

### ⚠ ADVERTÊNCIA

As lâminas são extremamente afiadas. Para evitar lesões, tenha muito cuidado e atenção ao limpar ou trabalhar junto às lâminas ou dentro do recinto aberto quando retira a caixa de recolha. Use sempre luvas de proteção.

### ⚠ ADVERTÊNCIA

As lâminas ainda se podem mover mesmo com a energia desligada. Muita cautela em torno da área das lâminas.

- Para garantir o melhor desempenho do produto, este deve ser mantido limpo.
- Limpe sempre o produto imediatamente após a utilização. Sempre que possível, use uma escova dura no interior das calhas

de alimentação e de descarga e um pano seco no exterior do produto.

- Para um desempenho ideal de trituração, não permita qualquer material para secar e endurecer em qualquer uma das superfícies do produto, em especial sobre as lâminas.
- Certifique-se de que a conduta de alimentação e de ejeção são mantidas limpos e sem resíduos.
- As lâminas de corte adaptadas ao produto têm duas arestas de corte. As lâminas podem ser viradas cerca de 180° se uma borda for contundente. Ver a página 175-176. Substitua por peças originais RYOBI se as suas lâminas já não cortam, estão partidas ou rachadas.
- Certifique-se de que todas as porcas, pernos e parafusos são apertados e seguros, especialmente os parafusos da lâmina.
- Repare ou substitua sempre as peças danificadas ou partidas por pessoal qualificado num centro de serviço autorizado.
- Nunca tente contornar os interruptores de segurança na trituradora superior; tal poderia levar a lesões pessoais graves, incluindo a amputação.

### ⚠ ADVERTÊNCIA

Nunca, em qualquer momento, deixe que fluidos de travagem, gasolina, produtos petrolíferos, óleos de perfuração, etc., entrem em contacto com as peças de plástico. Nunca limpe com líquido de travões, produtos à base de gasolina ou solventes. A maioria dos plásticos é susceptível de sofrer danos de vários tipos de solventes comerciais e podem ser danificados pelo seu uso.

- Pode efetuar as tarefas de manutenção que se descrevem neste manual. Para outros reparos ou conselhos, procurar a ajuda de um centro de serviço autorizado.

## RISCOS RESIDUAIS

Mesmo quando se utiliza o produto segundo as instruções, continua a ser impossível eliminar por completo certos fatores de risco residuais. Podem surgir os seguintes riscos



durante o uso e o operador deve prestar especial atenção para evitar o seguinte:

- Lesões devido ao ruído
  - Use proteção para os ouvidos e limite o tempo de exposição.
- Lesão causada pela inalação de poeira e partículas
  - Use máscara contra pó.
- Prejuízo causado pelo contato com os meios de corte
  - Manter as partes do corpo não protegidas à distância dos dispositivos de corte em todos os momentos.
- Prejuízo causado por detritos lançados
  - Use óculos de proteção em todos os momentos e mantenha partes do corpo longe da área em torno da calha de alimentação.

### CONHEÇA O SER APARELHO

Ver a página 168.

1. Caixa trituradora
2. Manga de alimentação
3. Manípulo
4. Botão da trituradora
5. Sobrecarga do botão de reset de proteção
6. Botão de premir Liga
7. Botão interruptor de segurança
8. Lâmina de corte
9. Cabo de alimentação
10. Estrutura de metal
11. Contentor de recolha
12. Roda
13. Êmbolo

### GUIA DE CORTE

Para obter os melhores resultados ao aparar siga as instruções que se mostram na tabela abaixo.

MATERIAL	MÉTODO DE CORTE
Galhos com diâmetro até 6 mm	Contribuir para a calha de alimentação a uma taxa que o produto venha a aceitar, sem sobrecarregar. Utilizar o êmbolo fornecido para empurrar o material para a calha, se necessário.
Ramos com diâmetro até 45 mm.	Corte todo o crescimento lateral com tesouras de podar antes da alimentação na calha de alimentação. Utilizar o êmbolo fornecido para empurrar o material para a calha, se necessário.
Plantas de canteiro, ervas e arbustos.	Desfaça terra e afaste pedras das raízes para evitar danos nas lâminas.
Folhas recém-cortadas, cobertura e resíduos de cozinha (isto é, folhas de couve, cascas de legumes, etc.).	Dado que algum material tem um elevado teor de humidade é aconselhável deixar entrar alguns paus secos em intervalos regulares para ajudar a empurrar o material através do conjunto de corte e evitar o bloqueio do mesmo.
Varas secas e galhos	Ao inseri-los no final da sua tarefa de trituração, irá ajudar a limpar a humidade e seiva da planta de dentro do produto e do conjunto de corte.

- Não permita a acumulação de resíduos no jardim antes de iniciar a operação de corte, dado que estes darão início à decomposição, ficarão húmidos e entupirão o conjunto de corte. O material seco ajudará a maior parte do material a sair da manga de ejeção. Guarde alguns paus secos até ao fim para ajudar a limpar a área da lâmina.
- Vigie frequentemente a acumulação/ recolha de material cortado.
- A saída do tubo de descarga deve ser limpa em todos os momentos para evitar obstruções.
- Quando a caixa de recolha estiver cheio, desligue o aparelho antes de o despejar.

### ⚠️ ADVERTÊNCIA

Não ponha as mãos dentro da manga de descarga do aparador para remover material triturado quando o produto estiver em funcionamento ou ligado à eletricidade. As lâminas estão afiadas. Use luvas de proteção e tenha muito cuidado ao limpar e desbloquear.

### ⚠️ ADVERTÊNCIA

Ao alimentar ramos/caules compridos no dispositivo tenha cuidado com os açoites e vibrações produzidos à medida que estes são apanhados pelo cortador. O operador deve usar óculos de proteção sempre que utilizar o produto.

### ⚠️ ADVERTÊNCIA

O dispositivo de corte tem tendência para puxar os ramos/caules para o aparelho. Não tente impedir a admissão de material em corte quando a alimentação se iniciar. Use sempre luvas para evitar lacerações na pele ao contactar o material com o produto.

**NOTA:** Durante a normal utilização, não desligue o dispositivo antes de todo o material cortado ter saído do conjunto de corte. Se o produto for desligado demasiado depressa, as restantes peças do material podem bloquear o conjunto de lâminas e bloquear o motor quando o produto voltar a ser ligado.

### SÍMBOLOS NO PRODUTO



Leia e compreenda todas as instruções antes de manipular o produto, respeite os alertas e as instruções de segurança.



Tenha cuidado com os objectos voláteis ou lançados. Mantenha todos os espectadores, especialmente crianças e animais de estimação, a pelo menos 15 m da área de funcionamento.



Perigo - lâminas rotativas. Mantenha as mãos e os pés afastados das aberturas enquanto o aparelho está em funcionamento.



Desligue e retire a ficha da alimentação antes de efetuar operações de manutenção ou se o cabo estiver danificado.



Utilize protecção ocular e auditiva.



Não utilize como degrau.



Espera até que todos os componentes da máquina tenham parado completamente antes de lhes tocar.



Use luvas de trabalho resistentes, antideslizantes.



Mantenha as mãos afastadas das lâminas.



Esta ferramenta obedece a todas as normas regulamentares do país da UE onde foi comprada.



Marca de conformidade ucraniana



Os aparelhos eléctricos antigos não devem ser eliminados juntamente com o lixo doméstico. Recicle onde existem instalações para o efeito. Verifique com as suas Autoridades Locais ou revendedor para obter informações sobre reciclagem.



Ferramenta de tipo II, duplo isolamento



O melhor nível de potência sonora é de 107 dB



Pressione para repor



Marca de conformidade EurAsian

### SÍMBOLOS NESTE MANUAL



Ligar à tomada de corrente.



Desligar da tomada de corrente.



As peças ou acessórios vendem-se separadamente



Os aparelhos eléctricos antigos não devem ser eliminados juntamente com o lixo doméstico. Recycle onde existem instalações para o efeito.



Nota



Aviso



Bloqueio



Abrir

As seguintes palavras de sinal e significados destinam-se a explicar os níveis de risco associados a este produto.

**⚠ PERIGO**

Indica uma situação perigosa iminente, que, se não evitada, poderá resultar em morte ou ferimentos graves.

**⚠ ADVERTÊNCIA**

Indica uma situação potencialmente perigosa, que, se não evitada, poderá conduzir à morte ou graves lesões.

**⚠ ADVERTÊNCIA**

Indica uma situação potencialmente perigosa, que, se não evitada, poderá resultar em pequenas ou moderadas lesões.

**ADVERTÊNCIA**

Sem símbolo de alerta de segurança  
Indica uma situação que pode resultar em danos de propriedade.

Sikkerhed, ydelse og driftssikkerhed har fået toprioritet i designet af din elektriske slagkværn.

### TILTÆNKT ANVENDELSESFORMÅL

Den elektriske slagkværn er designet til at reducere organiske haveaffaldsmaterialer såsom grene, kviste og blade til små stykker.

Produktet er beregnet til udendørs brug i en stationær position, på et fast, plant underlag, betjent af en operatør, der befinder sig på samme niveau som produktets underdel.

Produktet er ikke beregnet til at blive benyttet af børn eller personer med nedsatte fysiske, mentale eller sensoriske evner.

Produktet er ikke beregnet til uorganisk materiale, metal eller andet materiale, som overskrider kapaciteten på 45 mm i diameter.

Produktet skal monteres på den medfølgende fod og skal benyttes med den tilhørende opsamlingsboks. Det må ikke monteres på anden måde end den, der er beskrevet i denne brugsanvisning.

### GENERELLE SIKKERHEDSREGLER

#### ⚠ ADVARSEL

Ved brug af produktet bør man følge de grundlæggende sikkerhedsregler for at reducere risikoen for brand, elektrisk stød og personskade. Alle vejledninger skal læses og forstås, inden produktet benyttes; følg alle advarsler og sikkerhedsinstrukser. Sørg for at blive fortrolig med betjeningselementerne samt korrekt og sikker brug af produktet. Disse sikkerhedsregler skal opbevares med henblik på senere brug.

### UDDANNELSE

- Læs brugsanvisningen omhyggeligt. Sørg for at blive fortrolig med betjeningselementerne samt korrekt brug af produktet.
- Lad aldrig børn eller personer uden kendskab til denne brugsanvisning bruge produktet. Lokale love kan have indflydelse på den tilladte brugerage.
- Husk det er brugeren selv der er ansvarlig for ulykker eller farer andre folk bliver udsat for.

### FORBEREDELSE

- Bær altid høreværn og sikkerhedsbriller under anvendelse af maskinen.
- Under arbejdet med produktet skal man altid bære kraftigt fodtøj og lange bukser. Undlad at bruge maskinen barfodet eller med åbne sandaler. Undgå at bære løstsiddende tøj eller frit hængende snører eller slips.
- Produktet skal benyttes i den anbefalede position og kun på et fast, plant underlag.
- Maskinen må ikke anvendes på en stenlagt eller grusoverflade, hvor udslyngt materiale kan forårsage personskader.
- Før brug skal man altid inspicere og sikre sig, at kværnens redskaber, bolte og andre fastgørelsesanordninger er fastgjorte, og at hus og skærme er intakte og påmonteret. Udskift altid slidte eller beskadigede komponenter sætvis, så balancen opretholdes. Udskift beskadigede eller ulæselige mærkater.
- Inden ibrugtagning skal du kontrollere strømforsynings- og forlængerledninger for tegn på skader eller ældning. Hvis en ledning bliver beskadiget under brug, skal man straks trække stikket ud af lysnetkontakten. Undlad at røre ved kablet, før der er slukket for strømmen. Undlad at bruge maskinen, ledningen er beskadiget eller slidt.
- Brug aldrig maskinen, når der er personer, især børn, eller dyr i nærheden.

### ELEKTRISK SIKKERHED

- Disse sikkerhedsanvisninger skal læses grundigt igennem, inden produktet sluttes til lysnettet.
- Elværktøjets elstik skal passe til stikkontakten. Elstikket må aldrig modificeres på nogen som helst måde. Undlad brug af adapterstik til jordede (stelforbundne) elværktøjer. Umodificerede elstik og passende elnetkontakter reducerer faren for elektrisk stød.
- Inden tilslutning til lysnettet skal man sikre sig, at spændingen er den samme som angivet på produktets mærkeplade eller i denne brugsanvisning. Tilslutning af produktet til enhver anden strømforsyning kan forårsage (person)skader.
- Producenten anbefaler, at man tilslutter

produktet til en stikkontakt, der er beskyttet med en fejlstrømsafbryder, som udløser ved 30 mA eller mindre.

- Hold ventilationsåbningerne fri af affald og andre ophobninger for at forhindre skader på motoren eller evt. brand.
- Hold strømforsyningsledningen på afstand af varme, olie og skarpe kanter.
- Hvis strømforsyningsledningen beskadiges, skal den erstattes med en speciel ledning eller samling, der fås hos producenten eller serviceforhandleren.
- Hvis man skal bruge en forlængerledning, skal man sikre sig, at den er velegnet til udendørs brug og har en mærkekapacitet, der er tilstrækkelig til at forsyne værktøjet. Forlængerledningen skal være mærket med enten "H05 RN F" eller "H05 VV F". Kontrolleres for skader inden ibrugtagning; skal altid være rullet ud under brug, da oprullede ledninger kan blive overophedet. Beskadigede forlængerledninger må ikke repareres, men skal udskiftes med en tilsvarende type.
- Kontrollér, at strømforsyningskablet er positioneret, så det ikke kan blive beskadiget af skærende genstande, så ingen træder på det eller falder over det, eller så det ikke på anden måde udsættes for skade eller belastning.
- En kortvarig spændingsspids under motorens opstart forårsager spændingsudsving, hvilket kan påvirke andre elektriske produkter i samme strømkreds. Tilslut produktet til en strømforsyning med en impedans svarende til 0,404 Ω eller mindre for at minimere spændingsudsving. Kontakt dit elselskab for nærmere oplysninger.

## SIKKERHEDSREGLER VEDR. ELEKTRISK SLAGVÆRN

### VEKSELSTRØM

- Undlad at bruge produktet i dårligt vejr, især hvis der er fare for lynnedslag.
- Inden produktet startes, skal man sikre sig, at fødekammeret er tomt.
- Produktet vil ikke fungere, hvis opsamlingsbok sen ikke er korrekt monteret, eller hvis kværnhuset ikke er ordentligt lukket, og kværnhusets knap er ikke skruet helt i. Opsamlingsboksen og

kværnhuset er beskyttet af sikkerhedslåse, der medvirker til at forhindre utilsigtet kontakt med bevægelige dele, hvilket vil resultere i alvorlig personskade.

- Undgå at have ansigt og krop i nærheden af fødeåbningen.
- Hænder eller legemsdele i øvrigt eller beklædningsgenstande må aldrig komme ind i fødekammeret, udkastslisen eller nær andre bevægelige maskindele.
- Overstræk ikke. Sørg for altid at have godt fodfæste og god balance. Stå aldrig på et højere niveau end maskinens underdel, når der fødes materiale ind i den.
- Hold dig altid på afstand af udkastzonen, når du bruger denne maskine.
- Når man føder materiale ind i maskinen, skal man passe meget på, at der ikke medfølger stykker af metal, sten, flasker, dåser eller fremmedlegemer.
- Hvis skæremekanismen rammer et fremmedlegeme, eller hvis produktet begynder at afgive usædvanlig støj eller vibrationer, skal man straks slukke motoren ved at trykke på afbryderen. Vent, til produktet er helt stoppet, og kobl det fra strømforsyningen. Træf følgende forholdsregler, inden produktet genstartes og anvendes:
  - inspicér for skader
  - udskift eller reparér alle beskadigede dele
  - kontrollér og efterspænd evt. løse dele
- Sørg for, at der ikke ophobes bearbejdet materiale i udkastzonen; dette kan forhindre korrekt udkastning og kan medføre, at der kastes materiale tilbage gennem fødeåbningen.
- Hvis produktet bliver tilstoppet, skal man stoppe motoren ved at trykke på OFF-kontakten og koble produktet fra lysnettet. Man skal sikre sig, at alle bevægelige dele er standset, inden man åbner kværnhuset eller forsøger at fjerne tilstopningen.
- Brug aldrig produktet med defekte skærme, eller skjolde, eller uden påmonteret sikkerhedsudstyr, fx påmonteret affaldsopsamler.
- Hold ventilationsåbningerne fri af affald og andre ophobninger for at forhindre skader på motoren eller evt. brand.

- Undlad at transportere produktet, mens motoren kører.
- Stop produktet, kobl det fra strømforsyningen, og sørg for, at alle bevægelige dele er helt standset.
  - før tømning indsamlingsboks
  - når produktet efterlades uden opsyn
  - inden afhjælpning af blokeringer eller fjernelse af tilstopninger fra åbningen,
  - inden kontrol, rengøring eller arbejde på produktet
- Undlad at vippe produktet, mens motoren kører.
- Hold afstand til fødeåbningen, når du har ilagt materiale. Når materialet trækkes ind i produktet, kan der ske pludselige bevægelser eller vridning af det udragende materiale. Bær altid øjenværn under arbejdet med dette produkt.
- Hvis der dannes støv under kværneprocessen, skal man benytte passende støvmaske for at beskytte åndedrætsorganerne.
- Sluk produktet, og vent, til alle bevægelige dele er standset, inden opsamlingsboksen fjernes.
- Undgå at ændre ved maskinen på nogen som helst måde eller at bruge dele og tilbehør, som ikke anbefales af producenten.
- Hold strømkilden fri af affald og andre ophobninger for at forhindre skader på strømkilden eller evt. brand.

## OVERBELASTNINGSBESKYTTELSE

Skruemaskinen er udstyret med en overbelastningsbeskyttelse, hvilket betyder, at den stopper hvis spindlen er låst mens afbryderen er tændt. Når der detekteres en overbelastning, slukker værktøjet automatisk. Overbelastningsbeskyttelsesknappen findes ved siden af TÆND/SLUK-kontakten. Knappen vil springe op, når overbelastningsbeskyttelsen aktiveres. Kobl produktet fra strømforsyningen, og følg vejledningen til afhjælpning af en tilstopning. Lad motoren køle af i 3 til 5 minutter. Når man har sikret sig, at der ikke findes blokeringer, slutter man strømforsyningskablet til strømforsyningen og trykker på overlast-resetknappen. Start motoren ved at trykke på TÆND-kontakten (ON).

Hvis overbelastningsbeskyttelsen aktiveres, og der ikke er nogen tilstopning, kan det skyldes, at man har ilagt materialer i produktet for hurtigt for længe, hvilket har overophedet motoren. Lad motoren køle af. Tøm opsamlingsboksen, inden produktet genstartes.

## AFHJÆLPNING AF TILSTOPNING

### ⚠ ADVARSEL

Knivene er skarpe og kan blive varme. Benyt altid kraftige beskyttelseshandsker, når du kontrollerer og afhjælper en tilstopning.

- Hvis produktet bliver tilstoppet eller blokeret, eller hvis overbelastningsbeskyttelsesenheden aktiveres, skal du følge denne vejledning:
  - Sluk produktet, og kobl det fra strømforsyningen.
  - Kontrollér, at alle bevægelige dele er standset.
  - Fjern evt. tøm opsamlingsboksen.
  - Fjern evt. udragende materiale fra fødeskakten.
  - Skru kværnhusets knap af, og åbn huset i hængslerne for at få adgang til skæremekanismen.
  - Fjern det affald, der måtte blokere fødekammeret, ved at trække det ud indefra.

### ⚠ ADVARSEL

Knivene kan stadig bevæge sig, selv om strømmen er frakoblet. Vær ekstremt forsigtig omkring knivene.

- Fjern forsigtigt affaldet fra knivområdet med et passende redskab. Brug redskabet, og flyt de metalplader, der holder knivene, for at kontrollere, at tilstopningen er fjernet. Indlad at indføre redskabet mellem de skarpe knivkanter; man risikerer at beskadige knivene.
- Hvis man ikke kan se opsamlingsboksen, når knivene roterer, skal man fjerne affaldet fra dette område. Brug et redskab til forsigtigt at rydde området.
- Når tilstopningen er afhjulpet, lukker man det øverste hus og skruer kværnhusets knap ind, så sikkerhedslåsen går sikkert

i indgreb.

- Hvis man ikke selv kan fjerne en tilstopning/blokering, eller hvis man konstaterer skader, skal man indlevere produktet på et autoriseret servicecenter til reparation.

## TRANSPORT OG OPBEVARING

- Sørg for, at produktet er blevet grundigt rengjort, før det opbevares på et rent, tørt sted og sikret utilgængeligt for børn.
- Lad produktet køle tilstrækkeligt af inden opbevaring eller transport.
- Når man transporterer produktet, skal det sikres, så det ikke kan vælte eller flytte sig i køretøjet.

## VEDLIGEHOLDELSE

- Inden rengøring, inspektion eller vedligeholdelse af produktet skal man slukke det og vente, til knivene er helt standset. Afbryd strømmen til produktet.
- Når man har brugt kværnen et stykke tid, vil skæremekanismen blive varm. Lad skæremekanismen køle tilstrækkeligt af inden udførelse af rengøring, inspektion eller vending af knivene.

### ⚠ ADVARSEL

Knivene er ekstremt skarpe. For at undgå skader skal man udvise ekstrem forsigtighed og omhu ved rengøring eller arbejde i nærheden af knivene eller inde i den åbne indkapsling, når opsamlingsboksen er afmonteret. Bær altid kraftige beskyttelseshandsker.

### ⚠ ADVARSEL

Knivene kan stadig bevæge sig, selv om strømmen er frakoblet. Vær ekstremt forsigtig omkring knivene.

- Af hensyn til bedst mulig produktydelse skal det holdes rent.
- Produktet skal altid rengøres umiddelbart efter brug. Brug så vidt muligt en stiv børste inde i føde- og udkast-slisken og en tør klud på produktets yderside.
- For optimal kværnydelse må man ikke lade materiale tørre eller blive hårdt på nogen af produktets overflader, især på knivene.
- Sørg for, at fødeskakten og udkastslisken

altid holdes rene og fri for affaldsmateriale.

- Knivene i produktet har to skærekanter. Knivene kan vendes 180°, hvis den ene kant bliver uskarp. Se side 175-176. Udskiftning skal ske med originale RYOBI-dele, hvis knivene bliver uskarpe, kantede eller revner.
- Kontrollér, at alle møtrikker, bolte og skruer er spændte, især knivskruerne.
- Evt. beskadigede eller slidte dele skal altid repareres eller udskiftes af kvalificeret personale på et autoriseret servicecenter.
- Forsøg aldrig at omgå sikkerhedslåsene på det øverste kværnhaus; dette kan føre til alvorlig personskade, herunder amputation.

### ⚠ ADVARSEL

Sørg for, at bremsevæske, benzin, petroleumbaserede produkter, penetreringsolie, mv., aldrig kommer i kontakt med plastdele. Brug aldrig bremsevæske, benzin, petroleumbaserede produkter eller kraftige opløsningsmidler til rengøring af produktet. De fleste typer plastic kan tage skade ved brug af forskellige opløsemidler.

- Man kan udføre de vedligeholdelsesarbejder, der er beskrevet i denne brugsanvisning. For andre reparationer eller råd skal man søge assistance på et autoriseret servicecenter.

## UUNDGÅELIGE RISICI

Selv om produktet anvendes som foreskrevet, er det stadig umuligt at eliminere visse uundgåelige risikofaktorer fuldstændigt. Følgende risici kan opstå under brug, og operatøren bør være særligt opmærksom for at undgå følgende:

- Personskader forårsaget af støv
  - Benyt høreværn, og begræns eksponering.
- Personskade som følge af inhalering af støv og partikler
  - Bær støvmaske.
- Personskade som følge af kontakt med skærende dele
  - Ubeskyttede kropsdele skal altid holdes på afstand af de skærende dele.
- Personskade som følge af udslynget affald

- Benyt altid øjenværn, og hold legemsdele på afstand af området omkring fødeskakten.

## KEND PRODUKTET

Se side 168.

1. Kværnhaus
  2. Fødeskakt
  3. Håndtag
  4. Kværnhusets knap
  5. Reset-knap
- for
6. overbelastningsbeskyttelse
  7. Tænd/sluk-kontakt
  8. Sikkerhedskontakt
  9. Kniv
  10. Elledning
  11. Metalramme
  12. Opsamlingsbeholder
  13. Hjul
  13. Pressestempel

## KVÆRNE-GUIDE

For bedste resultater med kværnen skal man følge retningslinjerne i nedenstående tabel.

MATERIALE	KVÆRNE-METODE
Kviste op til 6 mm diameter.	Materialet skal kommes i fødeskakten i en hastighed, som produktet kan klare uden at blive overbelastet. Brug om nødvendigt det medfølgende pressestempel til at presse materialet ind i skakten.
Grene op til 45 mm i diameter.	Vækster beskæres fra alle sider med en beskærersaks, inden de kommes i fødeskakten. Brug om nødvendigt det medfølgende pressestempel til at presse materialet ind i skakten.
Bedplanter, ukrudt og buskads.	Bank jord og sten af rødderne for ikke at beskadige knivene.

Friskskårede blade, hæk og køkkenaffald (dvs. kålblade, grøntsagskræll osv.).

Med ethvert materiale, som har et højt fugtindhold, anbefales det at føde nogle tørre pinde med jævne mellemrum for at hjælpe med at skubbe materialet gennem skæreaggregatet og forhindre det i at tilstoppe.

Tørre grene og kviste

Det er en god ide at indsætte disse i slutningen af komposteringsarbejdet, da disse bidrager til at afrense fugt og plantesaft fra produktets indre og skæreeenheden.

- Lad ikke haveaffald ligge for længe, inden det kværnes, da det i så fald vil begynde at kompostere, bliver for fugtigt og tilstopper skæreaggregatet. Tørt materiale vil bidrage til at fjerne de fleste typer materialer fra udkastskakten. Gem nogle tørre grene til sidst til at rydde knivområdet.
- Hold hyppigt øje med ophobning/ansamling af kværnet materiale.
- Udkast-slikens åbning skal altid være fri for at forebygge tilstopning.
- Når opsamlingsboksen er fuld, skal man slukke for produktet, inden man tømmer boksen.

### ⚠ ADVARSEL

Undlad at føre hænderne op inde i kværnens udkastskakt for at fjerne kværnet materiale, mens produktet er tændt eller er tilsluttet lysnettet. Knivene er skarpe. Benyt kraftige handsker, og udvis ekstrem forsigtighed ved rengøring og rydning af blokeringer/tilstopninger.

### ⚠ ADVARSEL

Ved føddning af lange træagtige grene/stængler i produktet skal man være opmærksom på pisk og vibrationer, når de indfanges i skæreaggregatet. Operatøren skal benytte øjenværn, hver gang produktet benyttes.



## ⚠ ADVARSEL

Skæreindretningen har tendens til at trække grene/stængler ind i produktet. Undlad at forhindre føddning af materiale, som skal kværnes, når først føddningen er startet. Man skal altid benytte handsker for at forebygge hudlæsioner, når man kommer materiale i produktet.

**BEMÆRK:** Ved normal brug skal man undlade at slukke for produktet, før alt kværnet materiale har forladt knivaggregatet. Hvis produktet slukkes for hurtigt, kan de resterende stykker af materiale tilstoppe knivindretningen og blokere motoren, når produktet tændes igen.

## SYMBOLER PÅ PRODUKTET



Alle vejledninger skal læses og forstås, inden produktet benyttes; følg alle advarsler og sikkerhedsinstrukser.



Pas på udslyngede eller flyvende objekter. Sørg for, at tilskuere (især børn og dyr) er mindst 15 m fra arbejdsområdet.



Fare - roterende knive. Hold hænder og fødder på afstand af åbninger, mens produktet kører.



Sluk produktet, og tag stikket ud af lysnetkontakten inden udførelse af vedligeholdelsesarbejde, eller hvis ledningen er beskadiget.



Bær øjen- og høreværn.



Må ikke bruges som trappetrin.



Vent, til alle maskindele er fuldstændigt stoppet, inden der røres ved dem.



Brug friktionsfri, kraftige handsker.



Hold hænderne på afstand af knivene.



Dette redskab overholder alle lovkraft og standarder i det EU-land, hvor det er købt.



Ukrainsk overensstemmelsesmærke



Elektriske affaldsprodukter bør ikke afskaffes sammen med husholdningsaffald. Genbrug venligst hvor faciliteterne tillader dette. Tjek med din lokale kommune eller forhandler for genbrugsråd.



Klasse II-værktøj, dobbelt-isoleret



Det garanterede lydeffektniveau er 107 dB.



Tryk for at nulstille



EurAsian overensstemmelsesmærke

## SYMBOLER I DENNE BRUGSANVISNING



Tilslut til stikkontakt.



Træk stikket ud af stikkontakten.



Dele eller tilbehør, der sælges separat



Elektriske affaldsprodukter bør ikke afskaffes sammen med husholdningsaffald. Genbrug venligst hvor faciliteterne tillader dette.



Bemærk



Advarsel



Lås



Oplås

De følgende ikoner og betydninger er beregnet

til at forklare risikoen involveret i at anvende denne enhed.

**⚠ FARE**

Indikerer en meget farlig situation, som hvis ikke undgås, kan føre til alvorlige skader og i værste fald døden.

**⚠ ADVARSEL**

Indikerer en potentielt farlig situation, som hvis ikke undgås, kan føre til alvorlige skader og i værste fald døden.

**⚠ PAS PÅ**

Indikerer en potentielt farlig situation, som hvis ikke undgås, kan føre til mindre eller moderate skader.

**PAS PÅ**

Uden sikkerhedsadvarselssymbol

Indikerer en situation, som kan medføre materiel skade.

Säkerhet, prestanda och pålitlighet har alltid varit högsta prioritet vid design av din elektriska kompostkvarn.

## ANVÄNDNINGSSOMRÅDE

Den elektriska kompostkvarnen är designad för att mala ned organiskt trädgårdsavfall, som grenar, kvistar och buskverk till små bitar.

Produkten är avsedd för användning och fast placering utomhus på fast underlag; användaren ska befinna sig på samma nivå vid produktens bas.

Produkten är inte avsedd för användning av barn eller personer med fysiska, mentala eller emotionella funktionshinder.

Produkten är inte avsedd för icke organiskt materia, metall eller något material som överskrider produktens maximala skärkapacitet på 45 mm diameter.

Produkten måste monteras på det medföljande stativet och uppsamlingsboxen ska alltid användas. Den får inte monteras på annat sätt än vad som beskrivs eller visas i denna bruksanvisning.

## GENERELLA SÄKERHETSFORESKRIFTER

### ⚠ VARNING

När du använder produkten ska du alltid följa grundläggande säkerhetsföreskrifter för att minska risken för eldsvåda, elektrisk stöt och personskada. Läs igenom och var införstådd med alla instruktioner före användning av produkten, var uppmärksam på alla varningar och säkerhetsinstruktioner. Se till att du känner väl till reglagen och hur du sköter produkten korrekt och säkert. Förvara instruktionerna på ett säkert ställe för användning vid senare tillfälle.

## UTBILDNING

- Läs igenom instruktionerna noga. Bekanta dig med reglagen och rätt användning av produkten.
- Låt aldrig barn eller personer som inte känner till dessa instruktioner använda maskinen. Lokala regler kan åldersbegränsa användningen av gräsklipparen.
- Kom ihåg att användaren är ansvarig för

olyckor och faror som uppstår för andra människor och deras egendom.

## FÖRBEREDELSE

- Bär alltid hörselskydd och säkerhetsglasögon medan du hanterar maskinen.
- Vid användning av produkten ska du alltid använda ordentliga skodon och långa byxor. Använd inte maskinen barfota eller med öppna sandaler. Undvik att bära kläder som sitter löst eller som har hängande bälten och slips.
- Använd produkten i rekommenderat läge och enbart på fast, jämnt underlag.
- Kör inte maskinen på asfalterad eller grusad mark där utskjutet material skulle kunna orsaka skada.
- Före användning ska alltid produkten ses över och det ska säkerställas att malanordning, bultar och andra detaljer sitter ordentligt och att hölje, skydd och skärmar är oskadade och sitter på plats. Byt ut slitna eller skadade delar i hela sätser för att bibehålla balansen. Byt ut skadade eller oläsliga skyltar.
- Före användning ska kabel och förlängningskabel kontrolleras så att det inte finns tecken på skador eller åldring. Om kabeln skadas under användning ska den kopplas från eluttaget omedelbart. Rör inte vid kabeln innan strömförsörjningen är fränkopplad. Använd inte maskinen om kabeln är skadad eller sliten.
- Använd aldrig maskinen i närheten av människor, speciellt barn, eller husdjur.

## ELSÄKERHET

- Läs noga igenom dessa säkerhetsinstruktioner innan produkten ansluts till eluttag.
- Elverktygets kontakt måste passa i uttaget. Modifiera inte kontakten på något sätt. Använd inga adapterkontakter med jordade kraftverktyg. Omodifierade kontakter och matchande uttag minskar risken för elektrisk stöt.
- Kontrollera föra anslutning till eluttag att spänningen överensstämmer med produktens klassificeringsetikett eller denna bruksanvisning. Anslutning till annan strömkälla kan orsaka person- eller egendomsskador.

- Tillverkaren rekommenderar anslutning till eluttag som skyddas av säkring på max 30 mA.
- Se till att ventilationsöppningarna är rena från skräp och andra hinder för att förhindra skada på motorn eller risk för brand.
- Håll el-kabeln borta från värme, olja och skarpa kanter.
- Om elkabeln skadas ska den bytas ut mot specialkabel eller -sats från tillverkaren eller dess serviceombud.
- Om du måste använda förlängningskabel ska du kontrollera att den är för utomhusbruk och har kapacitet för att fungera med verktyget. Förlängningskabeln ska vara märkt med antingen "H05 RN F" eller "H05 VV F". Kontrollera om det finns skador inför varje användning, rulla ut den under användning eftersom hoprullade kablar kan överhettas. Skadade förlängningskablar får inte repareras, de ska ersättas med motsvarande typ.
- Se till att kabeln är placerad så att den inte kan skadas under arbetet och att ingen kliver på den, ingen snubblar på den och kabeln inte på något sätt utsätts för påfrestningar.
- En spänningstopp när motorn startar kan ge spänningsvariationer som påverkar andra elektriska produkter i samma elkrets. Anslut verktyget till strömkälla med motstånd motsvarande högst 0,404 för att minimera spänningsvariation. Kontakta din elleverantör för ytterligare klargöranden.

## SÄKERHETSFORESKRIFTER FÖR ELEKTRISK KOMPOSTKVERN

### ANVÄNDNING

- Använd inte produkten i dåligt väder, speciellt inte om det finns risk för åskoväder.
- Kontrollera att matningen är tom innan produkten startas.
- Produkten fungerar bara om uppsamlingsboxen är ordentligt fastsatt om kvarnkåpan är ordentligt stängd och vredet för kvarnkåpan är helt åtdraget. Uppsamlingsboxen och kvarnkåpan skyddas av säkerhetsspärrar för att hindra kontakt med rörliga delar av misstag vilket kan leda till allvarliga skador.
- Håll ansiktet och kroppen borta från

matningsöppningen.

- Håll aldrig händer eller andra kroppsdelar eller klädesdelar inuti matarkammaren, utblåsningsröret eller i närheten av någon rörlig del.
- Sträck dig inte. Ha alltid ett bra fötfäste och en god balans. Stå aldrig på en högre nivå än maskinens bas när du matar in material i den.
- Håll dig alltid borta från utkastområdet när du hanterar den här maskinen.
- När material matas in i maskinen måste man vara extremt försiktig så att metall, sten, flaskor, burkar och andra främmande föremål inte följer med.
- Om skärmekanismen kommer i kontakt med främmande föremål eller om produkten ger ifrån sig ovanliga ljud eller vibrationer ska du omedelbart stänga av motorn med strömbrytaren. Låt produkten stoppa helt och koppla bort den från elnätet. Vidta följande åtgärder före omstart och användning av produkten:
  - inspektera för ev. skador
  - byt ut eller reparera alla skadade delar
  - kontrollera och sätt fast ev. lösa delar
- Låt aldrig bearbetat material samlas i uttömningsområdet; detta kan förhindra ordentligt utblås av material och kan resultera i tillbakaflöde av material genom inmatningsöppningen.
- Om produkten blir igensatt sak du stoppa motorn med strömbrytaren och koppla bort produkten från elnätet. Se till att alla rörliga delar har stoppat innan du öppnar kvarnkåpan eller försöker rensa bort blockeringen.
- Använd aldrig verktyget med defekta skydd eller utan att säkerhetsanordningarna, som skräpuppsamlaren, är på plats.
- Se till att ventilationsöppningarna är rena från skräp och andra hinder för att förhindra skada på motorn eller risk för brand.
- Transportera inte produkten när motorn är igång.
- Stoppa produkten och koppla från elnätet, se till att alla rörliga delar har stoppat helt:
  - innan du tömmer uppsamlaren
  - när produkten lämnas utan övervakning
  - före rengöring av igensättningar eller upplösning av skräp,

- före kontroll av, rengöring av eller arbete med produkten
- Luta inte produkten när motorn är igång.
- Håll säkert avstånd till matningen efter att du stoppat i material. När material dras in i produkten kan det ge upphov till plötsliga slag eller vridningar av materialet. Bär alltid skyddsglasögon när produkten används.
- Om det bildas damm vid malningen ska du använda en passande dammask för att inte skada dina luftvägar.
- Stäng av produkten och se till att alla rörliga delar har stannat innan du tar bort uppsamlingsboxen.
- Modifiera inte maskinen på något sätt och använd inte delar eller tillbehör som inte rekommenderats av tillverkaren.
- Håll kraffällan ren från skräp och ansamlingar för att förhindra skada på kraffkällan och brandrisk.

### ÖVERBELASTNINGSSKYDD

Verktyget har ett överbelastningsskydd. Verktyget stängs automatiskt av när överbelastning upptäcks. Knappen för skydd mot överbelastning sitter bredvid strömbrytaren ON/OFF. Knappen skjuts ut när överbelastningsskyddet aktiveras. Koppla bort produkten från elnätet och följ instruktionerna för att rensa blockeringen. Låt motorn svalna i 3 till 5 minuter. Efter kontroll att det inte finns blockering kan strömkabeln anslutas till eluttag och återställningsknappen för överbelastningsskyddet tryckas ned. Tryck på ON för att starta motorn.

Om överbelastningsskyddet är aktiverat och det inte är någon blockering kan överbelastning uppkomma om material matas in i produkten alltför snabbt under för lång tid och på så sätt överhettas motorn. Låt motorn svalna. Töm uppsamlingsboxen innan produkten startas om.

### RENSA BLOCKERADE RÖR

**⚠ VARNING**

Bladen är vassa och sannolikt mycket heta. Använd alltid grova arbetshandskar vid kontroll av och rensning av blockering.

- Om produkten blir igensatt eller blockerad, eller om överbelastningsskyddet aktiveras ska du följa dessa instruktioner:

- Stäng av produkten och koppla bort den från elnätet.
- Se till att alla rörliga delar har stoppat helt.
- Ta loss och töm uppsamlingsboxen.
- Ta bort allt synligt material från matningen.
- Skruva loss vredet till kvarnkåpan och öppna övre kåpan så att skärmekanismen blir tillgänglig.
- Ta bort allt skräp som blockerar matningen genom att dra igenom det från insidan.

**⚠ VARNING**

Bladen kan fortfarande röra sig även om motorn har stängts av. Lakta extrem försiktighet i närheten av bladen.

- Ta försiktigt bort allt skräp runt bladen med ett passande verktyg. Använd verktyget för att flytta undan metallplattformarna som håller bladen för att kontrollera att allt är bortrensat. För inte in verktyget mot bladens vassa kanter eftersom det kan skada bladen.
- Om inte uppsamlingsboxen syns när bladen roterar behöver det rensas bort skräp från det området. Använd ett litet verktyg för att noga rensa området.
- När blockeringen är bortrensad stänger du övre kvarnkåpan och skruvar i dess vred så att säkerhetsspärren aktiveras.
- Om du inte lyckas rensa blockeringen eller om du upptäcker några skador ska du lämna produkten till ett auktoriserat servicecenter för reparation.

### TRANSPORT OCH FÖRVARING

- Se till att produkten är ordentligt rengjord innan den förvaras på en torr, ren plats utom räckhåll för barn.
- Låt produkten svalna ordentligt före transport eller förvaring.
- När du transporterar produkten ska du se till att den är säkrad så att den inte faller eller rör sig i fordonet.

### UNDERHÅLL

- Före rengöring, översyn eller servicearbete på produkten ska den stängas av och

bladen stanna helt. Koppla från produkten från strömförsörjning.

- Efter en tids malning blir skärmekanismen väldigt het. Låt skärmekanismen svalna ordentligt före rengöring, översyn eller att bladen roteras.

#### ⚠ VARNING

Skärbladen är extremt vassa. Undvik skador genom att vara extremt nogga och försiktig vid rengöring eller arbete i närheten av bladen eller i höljets öppning när uppsamlingsboxen är borttagen. Använd grova skyddshandskar.

#### ⚠ VARNING

Bladen kan fortfarande röra sig även om motorn har stängts av. Lakta extrem försiktighet i närheten av bladen.

- För att få bästa möjliga resultat från produkten måste den hållas ren.
- Rengör alltid produkten efter användning. Där det är möjligt ska du använda en styv borste i matningen och utkastet och en torr trasa för produktens utsida.
- För optimalt malningsresultat ska du inte låta material torka fast på någon del av produktens ytor, speciellt inte på bladen.
- Se till att matningen och utkastet är rena och fria från avfallsmaterial.
- Skärbladen som sitter i produkten har två vassa kanter. Bladen kan vändas 180 grader om någon kant skulle bli trubbig. Se sida 175-176. Byt ut mot original RYOBI-delar om bladen blir trubbiga, kantstötta eller spruckna.
- Se till att alla muttrar, bultar och skruvar är ordentligt åtdragna och säkrade, speciellt bladens skruvar.
- Se till att skadade delar repareras eller byts ut av kvalificerad personal på auktoriserat servicecenter.
- Försök aldrig kringgå säkerhetsspärrar på övre kvarnkåpan. Det kan orsaka allvarliga personskador inklusive amputation.

#### ⚠ VARNING

Låt aldrig bromsvätska, bensin, bensinbaserade produkter, penetrerande oljor, etc., komma i kontakt med plastdelarna. Använd aldrig bromsvätskor, bensin, petroleumbaserade produkter eller några lösningsmedel för att rengöra verktyget. De flesta plasterna är mottagliga för skador från olika varianter av kommersiella lösningsmedel och kan skadas om sådana används.

- Det är tillåtet att utföra sådant underhållsarbete som finns beskrivet i denna bruksanvisning. För andra reparationer eller för råd ska du alltid vända till auktoriserat servicecenter.

#### KVARSTÄENDE RISKER

Även om produkten används enligt instruktionerna går det inte att eliminera alla eventuella riskfaktorer. Följande risker kan uppstå vid användning och operatören ska vara extra uppmärksam för att undvika följande:

- Skador orsakade av damm
  - Använd hörselskydd och begränsa exponeringen.
- Skador orsakade av inandning av damm eller andra partiklar
  - Använd dammskydd.
- Skador orsakade av kontakt med skärbladen
  - Se till att oskyddade kroppsdelar aldrig kommer i närheten av skärbladen.
- Skador orsakade av kringkastade föremål
  - Använd alltid skyddsglasögon och håll alla kroppsdelar på säkert avstånd från området kring matningen.

#### LÄR KÄNNA PRODUKTEN

Se sida 168.

1. Kvarnkåpa
2. Inmatning
3. Handtag
4. Vred för kvarnkåpa
5. Återställningsknapp för överbelastningsskydd
6. Omkopplare av/på
7. Nyckel till säkerhetsbrytare
8. Skärblad
9. Strömssladd

10. Metallram
11. Uppsamlingsbox
12. Hjul
13. Stav

## MALNINGSGUIDE

För bästa resultat vid malning ska du följa riktlinjerna i tabellen nedan.

MATERIAL	MALNINGSMETOD
Grenar upp till 6 mm i diameter.	Fyll på i matningen i den takt som produkten accepterar utan att överbelastas. Använd staven för att trycka in material i matningen vid behov.
Grenar upp till 45 mm i diameter.	Klipp av all sidoväxtlighet med sekator före inmatning. Använd staven för att trycka in material i matningen vid behov.
Blomsterrabatter, buskage och vildvuxet.	Knacka bort jord och sten från rötter så att inte bladen skadas.
Nyklippt lövverk, häck och köksavfall (som salladsblad, grönsaksskal etc.).	Med material som har hög fukthalt rekommenderar vi regelbunden inmatning av några torra grenar för att driva igenom materialet genom skärmekanismen så att den inte sätts igen.
Torra pinnar och kvistar	Stoppar du i dessa i slutet av malningsarbetet hjälper det till att rensa ut fukt och växtsafter från produktens insida och skärmekanismen.

- Se till att trädgårdsavfall inte ansamlas före malning eftersom det kommer att börja komposteras, bli alltför fuktigt och sätta igen malningsmekanismen. Torrt material hjälper till att rensa bort från utblåset. Spara några torra grenar till slutet att använda för att rengöra bladen.
- Kontrollera regelbundet ansamling/ uppsamling av malet material.
- Utkastet måste alltid vara rensat för att

hindra blockeringar.

- När uppsamlingsboxen är full ska produkten slås av, "OFF", innan den töms.

### ⚠ VARNING

Stoppa inte in händerna i malningsutblåset för att rensa malet material när produkten är påslagen eller ansluten till strömkälla. Bladen är vassa. Använd grova arbetshandskar och iaktta extrem försiktighet vid rengöring och rensning av stopp.

### ⚠ VARNING

Vis inmatning av långa buskiga grenar i produkten ska du vara uppmärksam på pisksnärtar och vibrationer när de fångas upp av skärmekanismen. Operatören ska alltid bära skyddsglasögon vid användning av produkten.

### ⚠ VARNING

Skärenheten har en tendens att dra in grenar/stjälkar i produkten. Hindra inte inmatning av material som ska malas när matningen har påbörjats. Använd alltid handskar för att skydda huden mot rispor vid inmatning av material i produkten.

**ANMÄRKNING:** Under normal användning ska inte produkten stängas av innan allt malet material har gått igenom skärmekanismen. Om produkten stängs av för snabbt kan kvarvarande material sätta igen bladen och sedan stoppa motorn när produkten slås på igen.

## SYMBOLER PÅ PRODUKTEN



Läs igenom och var införstådd med alla instruktioner före användning av produkten, var uppmärksam på alla varningar och säkerhetsinstruktioner.



Se upp med kringkastade eller flygande föremål. Håll alla åskådare, barn och husdjur på minst 15 meters avstånd från arbetsområdet.



Fara - Roterande blad. Se till att hålla händer och fötter borta från öppningarna när produkten är igång.



Stäng av och ta ur kontakten ur eluttaget före underhåll eller om kabeln är skadad.



Bär skydd för ögon och öron.



Använd inte att stå på.



Vänta tills samtliga maskindelar har stannat helt innan du rör vid dem.



Används halkfria, grova skyddshandskar.



Håll händerna borta från bladen.



Detta verktyg uppfyller alla standarder i de EU-länder där det kan köpas.



Ukrainskt märke för överensstämmelse



Gamla elektroniska produkter ska inte kastas med hushållssoporna. Återvinn där sådana faciliteter finns. Kontrollera med din lokala myndighet eller säljaren för att få återvinningstips.



Klass II-verktyg, dubbelt isolerat



Garanterad ljudnivå är 107 dB



Tryck för att återställa



EurAsian överensstämmelsesymbol

## SYMBOLER I MANUALEN



Koppla den till ett väggurtag.



Urkoppling från väggurtag.



Delar och utrustning säljs separat



Gamla elektroniska produkter ska inte kastas med hushållssoporna. Återvinn där sådana faciliteter finns.



Notera



Varning



Lås



Lås upp

Följande signalord och betydelser är tänkta att förklara de olika risknivåerna som är associerade med denna produkt.

### ⚠ FARA

Indikerar en överhängande farlig situation som kan, om den inte undviks, resultera i dödsfall eller allvarlig skada.

### ⚠ VARNING

Indikerar en potentiellt farlig situation som kan, om den inte undviks, resultera i dödsfall eller allvarlig skada.

### ⚠ PÅMINNELSE

Indikerar en potentiellt farlig situation som kan, om den inte undviks, resultera i mindre eller medelstora skador.

### PÅMINNELSE

Utan säkerhetssymbol

Visar på en situation som kan orsaka skada på egendom.



Sähkökäyttöisen iskutilppurin suunnittelussa on pidetty etusijalla turvallisuutta, suorituskykyä ja luotettavuutta.

### KÄYTTÖTARKOITUS

Sähkökäyttöinen iskutilppuri on tarkoitettu silppuamaan orgaaninen puutarhajäte, kuten oksat, risut ja lehdet, pieniksi kappaleiksi.

Tuote on tarkoitettu käytettäväksi ulkotiloissa laitteen ollessa paikoillaan tukevalla maapinnalla käyttäjän seisoessa tuotteen alaosan tasolla.

Tuotetta ei ole tarkoitettu lasten eikä sellaisten ihmisten käytettäväksi, joiden ruumiin, aistien tai mielen suorituskyky on heikentynyt.

Tuotetta ei ole tarkoitettu epäorgaanisille aineille, metallille tai materiaaleille, jotka ylittävät laitteen 45 mm:n suurimman leikkuukyvyn.

Tuote on asennettava mukana toimitettuun telineeseen ja sitä on käytettävä mukana toimitettu kerän paikoillaan. Sitä ei ole tarkoitettu asennettavaksi muulla tavalla kuin mitä käsikirjassa esitetään tai näytetään.

### YLEISET TURVALLISUUSÄÄNNÖT

#### ⚠ VAROITUS

Tuotetta käytettäessä on ryhdyttävä varotoimiin tulipalon, sähköiskun ja loukkaantumisen välttämiseksi. Lue ja ymmärrä kaikki ohjeet ennen tuotteen käyttöä ja noudata kaikkia varoituksia ja turvallisuusohjeita. Varmista, että tunnet hallintalaitteet ja osaat käyttää tuotetta asianmukaisesti ja turvallisesti. Säilytä ohjeet tulevaa käyttöä varten.

### KOULUTUS

- Lue ohjeet huolella. Tutustu ohjaimiin ja tuotteen asianmukaiseen käyttöön.
- Älä anna lasten tai käyttöohjeita tuntemattomien ihmisten käyttää laitetta. Paikalliset säädökset saattavat asettaa rajoituksia käyttäjän iälle.
- Muista, että ruohonleikkurin käyttö on vastuunalainen vahingoista ja vaaroista, jotka hän aiheuttaa muille ihmisille ja heidän omaisuuksilleen.

### VALMISTELUT

- Käytä kuulosuojaimia ja suojalaseja aina laitetta käyttäessäsi.
- Käytä aina tuotetta käyttäessäsi asianmukaisia jalkineita ja pitkiä housuja. Älä käytä laitetta paljasjaloin tai avosandaaleissa. Älä käytä löysiä vaatteita tai vaatteita, joista riippuu nuoria tai siteitä.
- Käytä tuotetta suositellussa asennossa ja vain vakaalla tasapinnalla.
- Älä käytä laitetta päällystetyllä tai sorapinnalla, jossa singonneet materiaalit voivat aiheuttaa loukkaantumisen.
- Tarkista aina tuote ennen käyttöä ja varmista, että silppuriosat, pultit ja muut kiinnikkeet ovat tiukalla ja että kaikki kotelon suojuukset ja verkot ovat kunnossa ja paikoillaan. Vaihda kuluneet tai vioittuneet osat sarjoina säilyttäaksesi tasapainon. Vaihda vioittuneet ja lukukelvottomat kyliit.
- Tarkista sähkö- ja jatkojohto ennen käyttöä vaurioiden ja ikääntymisen varalta. Jos johto vioittuu käytön aikana, irrota se heti pistorasiasta. Älä kosketa johtoa, ennen kuin olet irrottanut sen pistorasiasta. Älä käytä laitetta, jos johto on vioittunut tai kulunut.
- Älä koskaan käytä laitetta, jos lähistöllä on ihmisiä, erityisesti lapsia, tai lemmikkejä.

### SÄHKÖTURVALLISUUS

- Lue nämä turvallisuusohjeet huolella ennen tuotteen kytkemistä sähköverkkoon.
- Pistokkeen on sovittava pistorasiaan. Älä koskaan muunna pistoketta millään tavalla. Älä käytä maadoitettujen sähkötyökalujen kanssa minkäänlaisia sovitinpistokkeita. Alkuperäiset pistokkeet ja niitä vastaavat pistorasiat pienentävät sähköiskun vaaraa.
- Ennen kuin kytket tuotteen verkkovirtaan, varmista että jännite vastaa tuotteen arvokilven tai tämän käyttöoppaan arvoja. Tuotteen kytkeminen mihinkään muuhun virtalähteeseen voi aiheuttaa loukkaantumisen tai vaurion.
- Valmistaja suosittelee, että laite kytketään pistorasiaan, joka on suojattu RCD:llä, jonka laukaisuvirta on enintään 30 mA.
- Pidä tuuletusaukot puhtaana roskista ja muista keräämistä, jotta moottori ei rikkoutuisi eikä aiheutuisi tulipaloa.
- Älä päästä virtajohtoa koskettamaan

kuumuuden lähteitä, öljyä tai teräviä reunoja.

- Jos virtajohto vioittuu, se on vaihdettava valmistajalta tai sen edustajalta saatavaan erikoisjohtoon tai kokoonpanoon.
- Jos sinun on käytettävä jatkojohtoa, varmista että se soveltuu ulkokäyttöön ja että sen luokitus riittää laitteelle. Jatkojohdossa tulisi olla merkintä "H05 RN F" tai "H05 VV F". Tarkista se ennen jokaista käyttökertaa vaurioiden varalta; avaa se käytön aikana sillä kelalla olevat johdot voivat ylikuumentua. Vaurioituneita jatkojohtoja ei saa korjata vaan ne tulee vaihtaa vastaavan tyyppisiin.
- Varmista, että virtajohto sijaitsee siten, että se ei voi leikkaantua ja että sen päälle ei astuta eikä siihen kompastuta eikä se muuten vioitu tai rasitu.
- Virtapiikki moottorin käynnistyessä aiheuttaa jännitteen heilahtelua, mikä voi vaikuttaa muihin samaan virtapiiriin kytkettyihin tuotteisiin. Minimoidaksesi jänniteheilahtelun kytke tuote pistorasiaan, jonka impedanssi on enintään 0,404 Ω. Lisätietoja saa sähkötyöiltä.

## SÄHKÖKÄYTTÖISEN ISKUSILPPURIN TURVALLISUUSÄÄNNÖT

### KÄYTTÖ

- Älä käytä tuotetta huonolla säällä, erityisesti kun on salamien vaara.
- Ennen kuin käynnistät tuotteen, katso syöttökammioon ja varmista, että se on tyhjä.
- Tuote ei toimi, jos keräintä ei ole asennettu oikein tai jos silppurin koteloa ei ole suljettu kunnolla ja silppurin kotelon nuppia ruuvattu täysin sisään. Keräin ja silppurin kotelo on suojattu interlock-laitteilla, jotka estävät liikkuvien osien tahattoman koskettamisen, mikä aiheuttaisi vakavan vamman.
- Pidä kasvosi ja vartalosi kaukana ottoaukosta.
- Älä päästä käsiä, muita ruumiinosia tai vaatteita pyörivien syöttökammioon, poistoaukkoon tai liikkuvien osien lähelle.
- Älä kurkota liian pitkälle. Pysyttele tukevasti jaloillasi äläkä kurkota käsivartta liian kauas. Älä koskaan seiso koneen alustaa korkeammalla, kun syötät siihen

materiaalia.

- Pysy aina poistoalueen ulkopuolella tätä konetta käyttäessäsi.
- Kun syötät materiaalia laitteeseen, varo että mukana ei mene metallinpaloja, kiviä, pulloja, purkkeja tai muita vierasesineitä.
- Jos leikkuumeکانismi iskee mitään vierasesinettä tai jos tuotteesta alkaa kuulua epätavallista melua tai se alkaa täräistä, sammuta moottori välittömästi painamalla OFF-kytkintä. Anna tuotteen pysähtyä ja irrota se pistorasiasta. Toimi tällöin seuraavasti ennen tuotteen käynnistämistä ja käyttöä:
  - tarkista vaurioiden varalta
  - vaihda tai korjaa kaikki vioittuneet osat
  - tarkista, onko jokin osa löysällä, ja kiristä tarvittaessa
- Älä anna käsitellyn materiaalin kerääntyä poistoalueelle; tämä voi estää asianmukaisen tyhjentymisen ja saada materiaalia sinkoamaan ulos syöttöaukosta.
- Jos tuotteessa on tukos, sammuta moottori painamalla OFF-kytkintä ja irrota tuote pistorasiasta. Tarkista, että kaikki liikkuvat osat ovat pysähtyneet, ennen kuin avaat silppurin kotelon tai yrität poistaa tukoksen.
- Älä koskaan käytä tuotetta, jos suojat tai suojuukset ovat epäkunnossa tai ilman suojalaitteita, kuten roskien kerääjää.
- Pidä tuuletusaukot puhtaana roskista ja muista keräämistä, jotta moottori ei rikkoutuisi eikä aiheutuisi tulipalao.
- Älä siirrä tuotetta moottorin ollessa käynnissä.
- Sammuta tuote, irrota se pistorasiasta ja varmista, että kaikki liikkuvat osat ovat pysähtyneet täysin:
  - ennen tyhjentämistä keräyslaatikon
  - kun jätät tuotteen valvomatta
  - ennen tukkeiden poistoa ja poistokuilun avaamista
  - ennen tuotteen tarkastusta, puhdistusta ja huoltoa
- Älä kallista tuotetta moottorin ollessa käynnissä.
- Pysy kaukana syöttöaukosta laitettuasi sinne materiaalia. Materiaalin vetäminen tuotteeseen voi saada materiaalin liikahtamaan tai kiertymään äkisti. Käytä

aina suojalaseja käyttäessäsi tuotetta.

- Jos silputtaessa syntyy pölyä, käytä asianmukaista pölynaamaria estääksesi hengitysteiden vauriot.
- Sammuta tuote ja anna kaikkien liikkuvien osien pysähtyä, ennen kuin irrotat keräimen.
- Älä muunna laitetta millään tavoin tai käytä osia tai lisävarusteita, jotka eivät ole valmistajan suosittelemia.
- Pidä virtalähde puhtaana roskista ja muista keräymistä, jotta virtalähde ei rikkoutuisi eikä aiheutuisi tulipaloa.

## YLIKUORMITUSSUOJAUS

Ruuviaivaimessa on ylikuormitukselta suojaava laite. Kun laitteessa havaitaan ylikuormitusta, se sammuu automaattisesti. Ylikuormitussuojauspainike sijaitsee ON/OFF-kytkimen vieressä. Painike ponnahtaa ylös, kun ylikuormitussuojaus aktivoituu. Irrota tuote pistorasiasta ja poista tukos ohjeiden mukaisesti. Anna moottorin jäähtyä 3-5 minuuttia. Kun olet tarkistanut laitteen tukosten varalta, kytke virtajohto pistorasiaan ja paina ylikuormitussuojauksen nollauspainiketta. Käynnistä moottori painamalla ON-kytkintä.

Jos ylikuormitussuojaus aktivoituu eikä tukosta löydy, ylikuormitus on saattanut syntyä, kun materiaalia syötettiin tuotteeseen liian nopeasti liian pitkän aikaa, mikä saa moottorin ylikuumentamaan. Anna moottorin jäähtyä. Tyhjennä keräin ennen tuotteen käynnistämistä uudelleen.

## TUKOKSEN POISTAMINEN

### ⚠ VAROITUS

Terät ovat teräviä ja todennäköisesti kuumia. Käytä aina paksuja suojakäsineitä etsiessäsi ja poistaessasi tukosta.

- Jos tuote tukkiutuu tai jos ylikuormitussuojaus aktivoituu, toimi seuraavasti:
  - Sammuta tuote ja irrota se pistorasiasta.
  - Varmista, että kaikki liikkuvat osat ovat pysähtyneet.
  - Irrota ja tyhjennä keräin.
  - Poista kaikki materiaali syöttösupilosta.
  - Ruuvaa silppurin kotelon nuppi auki ja avaa yläkotelo saranoiden varassa, jotta

pääset käsiksi leikkuumeکانismiin.

- Poista syöttökammion tukkivat roskat vetämällä ne ulos sisäpuolelta.

### ⚠ VAROITUS

Terät saattavat liikkua, vaikka virta olisi katkaistu. Ole erittäin varovainen ollessasi lähellä teriä.

- Poista roskat varoen terien ympäriltä sopivalla käsityökalulla. Liikuta käsityökalulla metallilevyjä, joihin terät on kiinnitetty, tarkistaaksesi että tukos on poistettu. Älä kosketa käsityökalulla terien teräviä reunoja; tämä voittaisi teriä.
- Jos et näe keräintä leikkuulaitteen pyöriessä, siltä alueelta on poistettava roskat. Tyhjennä alue varoen työkalulla.
- Kun tukos on poistettu, sulje yläkotelo ja ruuvaa silppurin kotelon nuppi sisään, jotta interlock kytketty päälle.
- Jos et pysty poistamaan tukosta tai jos havaitset vaurioita, vie tuote korjattavaksi valtuutettuun huoltoon.

## KULJETUS JA VARASTOITAESSA

- Varmista, että tuote puhdistetaan huolella ennen sen varastoimista puhtaaseen, kuivaan paikkaan pois lasten ulottuvilta.
- Anna tuotteen jäähtyä riittävästi ennen varastointia tai kuljetusta.
- Kun kuljetat tuotetta, varmista että se on kiinnitetty siten, että se ei pääse kaatumaan tai liikkumaan ajoneuvossa

## HUOLTO

- Sammuta tuote ja anna leikkurien pysähtyä täysin ennen puhdistusta, tarkastusta ja huoltoa. Irrota tuote virtalähteestä.
- Leikkuumeکانismi kuumenee, kun sillä on silputtu jonkun aikaa. Anna leikkuumeکانismin jäähtyä riittävästi ennen terien puhdistamista, tarkistamista tai kääntämistä.

### ⚠ VAROITUS

Terät ovat erittäin teräviä. Jotta välttyä loukkaantumiselta, ole erittäin varovainen puhdistaussasi teriä tai työskennellessäsi niiden lähellä tai avoimen kotelon sisäpuolella, kun keräin on irrotettu. Käytä aina raskaan käytön suojakäsineitä.

### ⚠ VAROITUS

Terät saattavat liikkua, vaikka virta olisi katkaistu. Ole erittäin varovainen ollessasi lähellä teriä.

- Jotta tuote toimisi parhaiten, se on pidettävä puhtaana.
- Puhdista tuote aina heti käytön jälkeen. Käytä aina kun mahdollista jäykkää harjaa syöttösuppilon ja poistokourun sisällä ja kuivaa liinaa tuotteen ulkopuolella.
- Jotta silppuaminen olisi mahdollisimman tehokasta, älä anna minkään materiaalin kuivua tai kovettua tuotteen millekään pinnalle, erityisesti terille.
- Varmista, että syöttösuppilo ja poistokuilu pidetään puhtaana ja roskattomana.
- Tuotteeseen asennetuissa leikkuuterissä on kaksi leikkaavaa reunaa. Terät voidaan kääntää 180°, jos toinen reunoista tylsyy. Katso sivu 175-176. Jos terät tylsyvät, lohkeilevat tai halkeilevat, vaihda ne alkuperäisiin RYOBI-osiin.
- Varmista, että kaikki mutterit, pultit ja ruuvit ovat kireällä ja kunnolla kiinni, erityisesti terän ruuvit.
- Korjauta tai vaihdata aina kaikki vioittuneet tai kuluneet osat pätevällä henkilöllä valtuutetussa huollossa.
- Älä koskaan yritä ohittaa silppurin yläkotelon interlock-kytkimiä; se voisi aiheuttaa vakavan vamman ja jopa amputaation.

### ⚠ VAROITUS

Älä koskaan päästä jarrunesteitä, bensiiniä, öljytuotteita, läpäiseviä öljyjä tms. kosketuksiin muoviosien kanssa. Älä koskaan puhdista sitä jarrunesteellä, bensiini- tai liuotepurasteilla aineilla. Suurin osa muoveista ei siedä markkinoilla olevia määrättyjä liuotteita, jotka vahingoittavat niitä.

- Käyttäjä saa suorittaa tässä käsikirjassa kuvatut ylläpitotoimet. Pyydä apua valtuutetusta huollosta muiden korjaus- tai neuvontarpeiden tapauksessa.

### KÄYTTÖÖN LIITTYVÄT RISKIT

Vaikka tuotetta käytettäisiin ohjeiden mukaisesti, ei ole mahdollista täysin eliminoida tiettyjä käyttöön liittyviä riskitekijöitä. Käytössä voi aiheutua seuraavia vaaroja, ja käyttäjän tulee kiinnittää erityistä huomiota niiden välttämiseen:

- Melun aiheuttama vamma
  - Käytä suojalaseja ja rajoita altistumista.
- Pölyn ja hiukkasten hengittämisestä aiheutunut vamma
  - Käytä pölynaamaria.
- Leikkuulaitteeseen koskettamisesta aiheutunut vamma
  - Pidä suojaamattomat ruumiinosat aina poissa leikkuumeکانismista.
- Sinkoutuneiden roskien aiheuttama vamma
  - Käytä aina suojalaseja ja pidä ruumiinosat kaukana syöttösuppilosta.

### TUNNE TUOTTEESI

*Katso sivu 168.*

1. Silppurin kotelo
2. Syöttösuppilo
3. Kädensija
4. Silppurin kotelon nappi
5. Ylikuormituksen nollauspainike
6. Virtakytkin
7. Suojakytkimen avain
8. Leikkuuterä
9. Virtajohto
10. Metallikehäys
11. Keräin
12. Pyörä
13. Työnnin

## SILPPUAMISOPAS

Noudata alla olevan taulukon ohjeita taataksesi parhaat silppuamistulokset.

MATERIAALI	SILPPUAMISTAPA
Enintään 6 mm paksut tikut.	Syötä syöttösuppilon nopeudella, jonka tuote pystyy käsittelemään ylikuormittumatta. Työnnä materiaalia tarvittaessa suppilon mukana toimitetulla työntimellä.
Enintään 45 mm paksut oksat.	Leikkaa kaikki sivukasvut pois leikkureilla ennen kuin syötät materiaalin syöttösuppilon. Työnnä materiaalia tarvittaessa suppilon mukana toimitetulla työntimellä.
Taimet, rikkaruohot ja pensaat.	Napauta maa ja kivet irti juurista, jotta terät eivät vioitu.
Vasta leikatut lehdet, pensasaidat ja keittiöjäte (kuten kaalinlehdet, vihannesleikkeet jne.).	Kun käsittelet kosteaa materiaalia, suositellaan että syötät säännöllisesti kuivempia tikkuja, jotta materiaali poistuu leikkuukokoonpanosta estäen sen tukkeutumisen.
Kuivat tikut ja risut	Kun jätät ne silppuamistyön loppuvaiheeseen, ne poistavat kosteutta ja kasvien mahlaa tuotteen sisältä ja leikkuukokoonpanosta.

- Älä päästä puutarhajätettä kerääntymään ennen silppuamista, sillä se alkaa kompostoitua, kastuu liiaksi ja tukkii leikkuukokoonpanon. Kuiva materiaali auttaa muuta materiaalia poistumaan poistokuilusta. Säädä muutama kuiva tikku viimeiseksi puhdistaaaksesi teräalueen.
- Tarkista säännöllisesti silputun materiaalin kerääntyminen.
- Poistokourun poistoaukon on oltava aina

esteetön, jotta vältetään tukkeumilta.

- Kun keräin täyttää, sammuta tuote ennen sen tyhjennystä.

### VAROITUS

Älä laita käsiäsi silppurin poistokuilun sisään puhdistaussasi silputtua materiaalia tuotteen ollessa käynnissä tai kytkettynä pistorasiaan. Terät ovat teräviä. Käytä rankkaan käyttöön tarkoitettuja käsineitä ja ole erittäin varovainen puhdistaussasi ja poistaessasi tukoksia.

### VAROITUS

Kun syötät tuotteeseen pitkiä puunoksia/varsia, varo niistä mahdollisesti aiheutuvaa iskua ja tärinää, kun ne tarttuvat leikkuriin. Käyttäjän on käytettävä suojalaseja aina tuotetta käyttäessään.

### VAROITUS

Leikkuulaite pyrkii vetämään oksia/varsia tuotteen sisään. Älä yritä estää leikkuumateriaalin kulkua syötön alettua. Käytä aina käsineitä estääksesi ihon leikkaantumisen syöttäessäsi materiaalia tuotteeseen.

**HUOMAUTUS:** Älä sammuta tuotetta normaalikäytössä, ennen kuin kaikki silputtu materiaali on poistunut leikkuukokoonpanosta. Jos tuote sammutetaan liian nopeasti, materiaali jäännökset voivat tukkia teräkokoonpanon ja jumittaa moottorin, kun tuote kytketään taas päälle.

### TUOTTEESSA OLEVAT SYMBOLIT



Lue ja ymmärrä kaikki ohjeet ennen tuotteen käyttöä ja noudata kaikkia varoituksia ja turvallisuusohjeita.



Varo sinkoutuneita ja muita lentäviä esineitä. Pidä kaikki sivulliset vähintään 15 metrin päässä toiminta-alueelta – erityisesti lapset ja lemmikit.



Vaara – pyöriäviä teriä Pidä kädet ja jalat poissa aukoista tuotteen käydessä.



Sammuta laite ja irrota pistoke pistorasiasta ennen huoltoa tai jos johto vioittuu.



Käytä näkö- ja kuulosuojausta.



Älä käytä astinlautana.



Anna laitteen kaikkien osien pysähtyä täysin, ennen kuin kosketat niitä.



Käytä luisumattomia raskaan käytön käsiineitä.



Pidä kädet kaukana teristä.



Tämä työkalu on sen EU-maan kaikkien sääntömääräisten standardien mukainen, josta se on ostettu.



Ukrainalainen säädöstenmukaisuusmerkintä



Käytöstä poistettavia sähkölaitteita ei pidä hävittää talousjätteiden mukana. Ne on mahdollisuuksien mukaan pantava kiertoon. Kierrätysohjeita antavat kunnan viranomaiset ja vähittäiskauppiat.



Luokan II laite, kaksoiseristetty



Taattu äänenteho on 107 dB.



Nollaa painamalla



EurAsian-vaatimustenmukaisuusmerkki

## TÄMÄN KÄSIKIRJAN SYMBOLIT



Kytke pistorasiaan.



Irrota pistorasiasta.



Osat ja lisävarusteet on hankittava erikseen



Käytöstä poistettavia sähkölaitteita ei pidä hävittää talousjätteiden mukana. Ne on mahdollisuuksien mukaan pantava kiertoon.



Huom



Varoitus



Lukko



Avaa

Seuraavat signaalisanat ja merkitykset on tarkoitettu selittämään tähän tuotteeseen liittyviä riskin tasoja.

### ⚠ VAARA

Ilmaisee välitöntä vaaratilannetta, joka ellei sitä vältetä, johtaa kuolemaan tai vakavaan loukkaantumiseen.

### ⚠ VAROITUS

Ilmaisee potentiaalisen vaaratilanteen, joka ellei sitä vältetä, johtaa kuolemaan tai vakavaan loukkaantumiseen.

### ⚠ HUOMAUTUS

Ilmaisee potentiaalisen vaaratilanteen, joka ellei sitä vältetä, saattaa johtaa pienempään tai keskivaikeaan loukkaantumiseen.

### HUOMAUTUS

Ilman turvallisuusvaroitussymbolia ilmoittaa tilanteesta, jossa omaisuutta saattaa vaurioitua.

Sikkerhet, ytelse og pålitelighet er gitt førsteprioritet ved konstruksjonen av din elektriske oppkappingsmaskin.

### TILTENKT BRUK

Den elektriske oppkappingsmaskinen er konstruert for å redusere organisk hageavfall som grener, kvister og løv til små biter.

Produktet er ment for utendørs bruk på en fast oppstillingsplass på fast og jevn grunn, med en operatør som står på samme nivå som produktets fundament.

Dette produktet er ikke ment å bli brukt av barn eller personer med nedsatte fysiske, mentale eller sensoriske evner.

Produktet er ikke ment for ikke-organiske materialer, metaller eller materialer som overskrider oppkappingskapasiteten på 45 mm diameter.

Produktet må settes på medfølgende stativ og må brukes med medfølgende oppsamler. Den er ikke ment å være montert på noe annen måte enn det som beskrives eller vises i denne manualen.

### GENERELLE SIKKERHETSREGLER

#### ⚠ ADVARSEL

Når man bruker produktet, skal man alltid følge grunnleggende sikkerhetstiltak for å minske faren for brann, elektrisk støt og personskade. Les og forstå alle instruksjoner før du tar i bruk produktet, følg alle advarsler og sikkerhetsanvisninger. Sjekk at du har lært styrefunksjonene og hvordan produktet brukes riktig og trygt. Vennligst ta vare på instruksjonene for fremtidig bruk.

### OPPLÆRING

- Les instruksjonsmanualen nøye. Gjør deg kjent med styringen og riktig bruk av produktet.
- Ikke tillat at barn eller personer som ikke er kjent med brukermanualen bruke produktet. Lokale forskrifter kan begrense en alder av operatøren.
- Husk at operatøren eller brukeren er ansvarlig for uhell og farer som andre personer og deres eiendom får påført.

### KLARGJØRING

- Benytt alltid hørselsvern og sikkerhetsbriller ved bruk av maskinen.
- Når du bruker produktet, ha alltid på gode sko og lange bukser. Ikke bruk maskinen uten sko eller med åpne sandaler. Unngå å bruke klær som er løstsittende eller som har hengende snorer eller belter.
- Bruk produktet kun i anbefalte posisjoner og bare på flate og faste overflater.
- Ikke bruk maskinen på asfaltert eller gruslagt overflate der utkastet materiale kan føre til skade.
- Før bruk må produktet alltid inspiseres og det må forsikres at kniver, bolter og annet festemateriell er forsvarlig tilstrammet, og at hus, vern og netting er uskadet og på plass. Erstatt slitte eller skadede komponenter i sett for å beholde balansen. Erstatt skadede eller uleselige merker/etiketter.
- Før bruk må den elektriske ledningen eller skjøteledningen kontrolleres for skade eller aldring. Hvis den elektriske ledningen skades under bruk, trekk støpslet umiddelbart ut av stikkkontakten. Ikke berør ledningen før strømtilførselen er avbrutt. Ikke bruk maskinen dersom den elektriske ledningen er slitt eller skadet.
- Ikke bruk maskinen dersom andre personer - og spesielt barn - eller dyr er i nærheten.

### ELEKTRISK SIKKERHET

- Les disse sikkerhetsanvisningene nøye før du kobler produktet til strømmettet.
- Strømpluggene må passe til kontaktene. Foreta aldri noen form for endringer av støpslet. Ikke bruk noen form for adapterstøpsel til jordet elektrisk verktøy. Umodifiserte støpsler og passende stikkontakter vil redusere risikoen for elektrisk støt.
- Før produktet koples til strømmettet må det forsikres at spenningen i anlegget er identisk med det som er beskrevet på produktets typeskilt eller i denne manualen. Tilkopling av produktet til noe annet strømmett kan føre til personskade og materielle ødeleggelse.
- Produsenten anbefaler at det koples til en elektrisk kontakt med en RCD med et utslag på 30 mA eller mindre.

- Hold ventilasjonsåpningene rene for avfall for å unngå skade på motoren og fare for brann.
- Hold ledningen vekke fra varme, olje og skarpe kanter.
- Dersom den elektriske ledningen skades, må den erstattes med en spesialledning eller ledningssett levert fra produsentens servicerepresentant.
- Hvis du har behov for å bruke en skjøteledning, sjekk at den er egnet til bruk utendørs og at den har en nominell strømkapasitet som er tilstrekkelig for å forsyne verktøyet ditt. Skjøteledningen må være merket med enten "H05 RN F" eller "H05 VV F". Sjekk før hver bruk for skader, rull alltid opp under bruk fordi opprullede ledninger kan bli overopphetet. Skader på skjøteledninger må ikke repareres med skiftes ut med tilsvarende type ledning.
- Sjekk at ledningen er lagt slik at den ikke kan bli skadet av kutteneheten og at ingen trækker eller snubler i den, eller at ledningen er utsatt for skade eller stress.
- En spenningstopp under start av motoren kan føre til spenningsvingninger som kan påvirke andre elektriske apparater koplet til samme strømkrets. Kople produktet til et strømuttak med en vekselstrømmotstand lik eller mindre enn 0.404 for å minimalisere spenningsvingninger. Kontakt det lokale energiverket for å få en ytterligere klargjøring.

## SIKKERHETSREGLER FOR ELEKTRISK OPPKAPPINGSMASKIN

### BETJENING

- Unngå å bruke produktet under dårlige værforhold, spesielt når det er fare for lynnedslag.
- Før produktet startes må det påses at matekammeret er tomt.
- Produktet vil ikke virke dersom oppsamlingsboksen er uriktig montert eller oppkappingshuset ikke er forsvarlig lukket og knotten på oppkappingshuset skrudd helt inn. Oppsamlingsbeholder og oppkappingshus er beskyttet av sikkerhetslåser som hindrer at operatøren får utilsiktet kontakt med bevegelige deler som kan resultere i alvorlig personskade.
- Hold ansikt og andre kroppsdeler vekk fra mateåpningen.
- Ikke la hender eller noen annen del av kroppen eller klær komme inn i matekammeret, utkastkurven eller i kontakt med noen bevegelig del.
- Ikke len deg for langt. Sørg for godt fotfeste og god balanse til enhver tid. Stå aldri høyere enn sokkelen til maskinen når du mater den med materialer.
- Stå alltid klar av utkastsonen når maskinen betjenes.
- Når du mater materialer inn i maskinen, påse at ikke metallbiter, steiner, flasker, bokser og andre fremmedlegemer følger med.
- Hvis oppkappingsmekanismen skulle treffe et fremmedlegeme eller produktet begynner å avgi uvanlige lyder eller vibrasjoner må motoren umiddelbart slås av ved å trekke støpslet ut av stikkkontakten. La produktet stanse og fjern støpslet fra stikkkontakten. Ta følgende skritt før produktet startes på nytt og brukes:
  - inspiser for skader
  - erstatt eller reparer enhver skadet del
  - undersøk og stram alle løse deler
- Ikke la behandlet materiale bygge seg opp i utkastsonen; det kan hindre korrekt utkast og resultere i tilbakeslag av materiale gjennom mateåpningen.
- Hvis produktet blir overfylt, stopp motoren ved å trykke inn off-knappen og trekk støpslet til strømledningen ut av stikkkontakten. Påse at alle bevegelige deler har stoppet før oppkappingshuset åpnes eller det gjøres forsøk på å fjerne blokkeringen.
- Du må aldri bruke produktet med ødelagte vern eller beskyttelser eller uten sikkerhetsanordninger, for eksempel hvis avfallsopsamleren ikke er på plass.
- Hold ventilasjonsåpningene rene for avfall for å unngå skade på motoren og fare for brann.
- Ikke transporter dette produktet mens motoren går.
- Stopp produktet, kople det fra strømmettet og påse at alle bevegelige deler har stoppet helt:
  - før tømning av samleboks
  - å la produktet stå uten tilsyn



- før fjerning av blokkeringer eller tilstopping av oppsamlerspen,
  - før kontroll, rensing og arbeider på produktet
- Ikke tipp produktet mens motoren er i gang.
- Hold avstand til mateåpningen når det er skjøvet inn materialer. Arbeidet med å skyve materialer inn i produktet kan føre til brå bevegelser eller vridninger av materiale som er utenfor produktet. Benytt alltid syns- og hørselvern når dette produktet brukes.
- Hvis det produseres støv i forbindelse med fragmenteringen må det benyttes støvmaske for å unngå skader på åndedretsorganene.
- Slå av produktet og påse at alle bevegelige deler har stoppet helt før oppsamlingsbeholderen fjernes.
- Du må ikke endre maskinen på noe måte eller bruke deler og tilbehør som ikke er anbefalt brukt av produsenten.
- Hold kraftkilden ren for avfall for å unngå skade på kraftkilden og fare for brann.

### OVERBELASTNINGSBESKYTTELSE

Verktøyet har en beskyttelsesinnretning mot overbelastning. Når overbelastning registreres vil verktøyet bli slått av. Knappen for overbelastningsbeskyttelsen er plassert ved siden av ON/OFF-bryteren. Knappen vil sprette opp når overbelastningsbeskyttelsen aktiveres. Koble produktet fra strømmettet og følg instruksjonene for fjerning av en blokkering. La motoren kjøle seg ned i 3 til 5 minutter. Etter at du ha sjekket at det ikke ligger noe fastklemt, koble strømledningen til strømmuttaket og trykk nullstillingsknappen for overbelastning. Trykk PA-bryteren for å starte motoren.

Hvis overbelastningsbeskyttelsen er aktivert og det ikke er noen blokkering kan overbelastningen ha skjedd da materiale ble matet inn i produktet for raskt eller over for lang tidsperiode slik at motoren er blitt overopphetet. La maskinen bli avkjølt. Tøm oppsamlingsbeholderen før motoren startes på nytt.

### FJERNING AV EN BLOKKERING

#### ⚠ ADVARSEL

Knivene er skarpe og vil trolig være varme. Bruk alltid kraftige arbeidshansker når en blokkering undersøkes og fjernes.

- Følg disse instruksjonene hvis produktet overfylles eller blir blokkert, eller hvis overbelastningsbeskyttelsen er aktivert:
  - Slå av produktet og trekk støpslet til den elektriske ledningen ut av stikkkontakten.
  - Påse at alle bevegelige deler har stoppet helt.
  - Fjern og tøm oppsamlingsbeholderen.
  - Fjern alt materiale som synes i mateåpningen.
  - Skru ut knotten på oppkappingshuset og åpne det øvre huset på hengslene slik at oppkappingsmekanismen kommer til syne.
  - Fjern alt materiale som blokkerer matekammeret ved å trekke det ut fra innsiden.

#### ⚠ ADVARSEL

Knivene kan fortsette å bevege seg selv etter at strømmen er slått av. Utvis ekstrem forsiktighet i området rundt knivene.

- Fjern forsiktig avfall rundt knivene med et passende håndverktøy. Bruk håndverktøyet og beveg metallplatene som holder knivene for å sjekke om blokkeringen er fjernet. Ikke la håndverktøyet få kontakt med de skarpe eggene på knivene; dette vil kunne ødelegge knivene.
- Hvis du ikke kan se oppsamlingsbeholderen når knivene roteres må du fjerne avfall fra dette området. Bruk et verktøy for forsiktig å tømme området.
- Når blokkeringen er fjernet må det øvre huset stenges og skruen i knotten på oppkappingshuset settes inn for å aktivere sikkerhetslåsen på nytt.
- Hvis du ikke er istand til å åpne en blokkering eller du oppdager skader må produktet bringes til et autorisert servicesenter for reparasjon.

## TRANSPORT OG LAGRING

- Påse at produktet er rengjort godt før du stuer det unna på et rent og tørt sted, trygt unna slik at barn ikke kan nå det.
- La produktet kjøle ned tilstrekkelig før lagring eller transport.
- Når produktet transporteres må det sørges for at det ikke kan komme i bevegelse eller falle inne i kjøretøyet.

## VEDLIKEHOLD

- Før rengjøring, inspeksjon eller ettersyn må motoren slås av og knivene stå helt stille. Koble produktet fra strømforsyningen.
- Etter noen tids fragmentering vil oppkappingsmekanismen bli varm. La oppkappingsmekanismen kjøles ned før det utføres rengjøring, inspeksjon eller dreining av knivene.

### ⚠ ADVARSEL

Kappeknivene er ekstremt skarpe. For å unngå personskade, vær meget forsiktig når du rengjør eller gjør annet nær bladene eller innvendig i åpningen, samt når oppsamleren er fjernet. Bruk alltid passende vernehansker.

### ⚠ ADVARSEL

Knivene kan fortsette å bevege seg selv etter at strømmen er slått av. Utvis ekstrem forsiktighet i området rundt knivene.

- For å sikre beste effekt fra maskinen, må den holdes ren.
- Rengjør produktet alltid rett etter bruk. Der hvor det er mulig må det brukes en stiv børste på innsiden av mateåpningen og i utkaståpningen og en tørr klut på utsiden av produktet.
- For optimale fragmenteringsytelser må materialer aldri gis mulighet for å tørke og stivne på produktets overflater, spesielt ikke på knivene.
- Påse at mateåpningen og utkaståpningen alltid holdes rene og uten oppsamling av materialer.
- Knivene som er montert i produktet har to egger. Knivene kan dreies 180 grader dersom en egg blir sløv. Se side 175-

176. Erstatt med originale RYOBI-deler hvis bladene blir sløve, sprukne eller opphakkede.

- Påse at alle muttere, bolter og skruer holdes forsvarlig tilstrammet. Dette gjelder spesielt skruene som holder fast knivene.
- Sørg alltid for at skadede deler skiftes eller repareres av kvalifiserte personer ved et autorisert servicesenter.
- Gjør aldri forsøk på å gå utenom sikkerhetslåsbryterne på det øvre oppkappingshuset; det kan føre til alvorlige personskader, inklusive amputering.

### ⚠ ADVARSEL

Ikke på noe tidspunkt må du la bremsevæske, bensin, petroleumbaserte produkter, rustoppløsende oljer og lignende komme i kontakt med plastdelene. Bruk aldri bremsevæske, bensin, petroleumbaserte produkter eller oppløsningsmidler for å rengjøre verktøyet. De fleste plastikkstoffene vil bli skadet dersom forskjellige tilgjengelige løsemiddel brukes på gressklipperen.

- Du kan utføre de vedlikeholdsoppgavene som er beskrevet i denne manualen. For andre typer reparasjoner eller råd anbefales det å kontakte et autorisert servicesenter.

## GJENVÆRENDE RISIKO

Selv om utstyret brukes som beskrevet er det ikke mulig å unngå enhver gjenværende risiko. Følgende faresituasjoner kan oppstå ved bruk, og operatøren må legge spesielt vekt på å unngå følgende:

- Skader skapt av støy.
  - Bruk hørselvern og begrensk eksponeringen.
- Skader som følge av inhalering av støv og partikler
  - Bruk støvmaske.
- Skader som følge av kontakt med oppkappingsutstyr
  - Hold tilenhardt ubeskyttede kroppsdeler vekke fra oppkappingsutstyret.
- Skade som følge av hageavfall som kastes gjennom luften
  - Anvend til enhver tid øyebeskyttelse og hold kroppsdeler på god avstand fra mateåpningen.

## KJENN PRODUKTET DITT

Se side 168.

1. Oppkappingshus
2. Matingsrenne
3. Håndtak
4. Knott på oppkappingshus
5. Tilbakestillingsknapp etter overbelastning
6. Av/PÅ-bryter
7. Nøkkel for sikkerhetsbryter
8. Kappekniver
9. Elektrisk ledning
10. Metallramme
11. Oppsamlingsbeholder
12. Hjul
13. Stempel

## KVERNEFØRING

Man oppnår best resultat når man kverner i samsvar med retningslinjene vist i tabellen under.

MATERIALER	KVERNEMETODE
Kvister på inntil 6 mm i diameter.	Skyv inn ved mateåpningen i en hastighet som produktet kan tåle uten å bli overbelastet. Bruk om nødvendig det medfølgende stemplet til å skyve materialet inn i mateåpningen.
Grener på inntil 45 mm i diameter.	Klipp av alle sidevekster med en beskæringssaks før grenen eller kvisten skyves inn i mateåpningen. Bruk om nødvendig det medfølgende stemplet til å skyve materialet inn i mateåpningen.
Planter i bed, ugress og buskas.	Bank løst jord og steiner fra røttene for å unngå at bladene skades.
Nykuttede blader, hekker og kjøkkenavfall (f.eks. kålblader, grønnsaksskrell osv.).	Er hageavfallet veldig fuktig anbefaler vi at du regelmessig mater inn noen tørre kvister for å hjelpe til at kvernet avfall går gjennom kutteenheten og slik hindrer at avfallet klumper seg.

Tørre pinner og kvister      Å sette disse inn på slutten av oppkappingsprosessen vil bidra til å fjerne fuktighet og plantesaft fra innsiden av produktet og klippeenheten.

- Ikke la hageavfall samle seg før du skal kverne det fordi det vil starte å kompostere seg, bli for fuktig og klumpe seg i kutteenheten. Tørt materiale vil hjelpe i de fleste tilfeller å rense utløpsrennen. Spar noen tørre pinner til slutt for å lette rengjøringen av knivbladenheten.
- Sjekk ofte om det har samlet seg opp mye kvernet materiale.
- Utkaståpningen må til enhver tid være åpen for å unngå blokkeringer.
- Når oppsamleren er full, skru av kvistkvernen før du tømmer den.

### ⚠ ADVARSEL

Ikke putt hendene inn i kutterens utløpsrenne for å rense unna ferdigkvernet materiale når produktet er skrudd på eller koblet til strømforsyningen. Bladene er skarpe. Bruk gode vernehansker og vær meget forsiktig når du renser og frigjør blokkeringer.

### ⚠ ADVARSEL

Når du mater lange treaktige grener / stilker inn i maskinen, vær forsiktig at de ikke pisker tilbake eller vibrerer når kvernen griper i de. Operatøren må anvende øyebeskyttelse når dette produktet brukes.

### ⚠ ADVARSEL

Kutteenheten har en tendens til å dra grener / stilker inn i produktet. Ikke prøv å hindre materiale i å bli trekt inn når matingen har startet. Bruk alltid hansker for å unngå å skrape opp huden når materiell skyves inn i produktet.

**MERK:** Ved vanlig bruk må du ikke skru av produktet før alt materialet som kvernes har gått gjennom kutteenheten. Hvis produktet skrues av for raskt, kan det bli liggende igjen biter som kan tette knivenheten og bremse motoren når produktet skrues på igjen.

## SYMBOLER PÅ PRODUKTET



Les og forstå alle instruksjoner før du tar i bruk produktet, følg alle advarsler og sikkerhetsanvisninger.



Vær oppmerksom på utkastede eller flygende gjenstander. Hold tilskuere, spesielt barn og dyr, på god avstand, det vil si minst 15 meter fra arbeidsområdet



Fare - roterende kniver. Hold hender og føtter unna åpninger mens produktet er i gang.



Skru av og fjern pluggen fra strømuttaket før vedlikehold eller hvis ledningen er ødelagt.



Bruke syns- og hørselsvern



Ikke bruk som gardintrapp.



Vent til alle maskinkomponenter har stanset helt før du tar på de.



Bruk kraftige, sklisisikre hansker.



Hold hendene vekke fra kniven.



Dette verktøyet overholder samtlige standarder i det EU-landet det er kjøpt i.



Ukrainsk merke for konformitet



Avfall fra elektriske produkter skal ikke kastes sammen med husholdningsavfall. Vennligst resirkulervedeksisterende avfallsbehandlingssted. Undersøk hos dine lokale myndigheter eller forhandler for råd om resirkulering.



Klasse II verktøy, dobbelisolasjon



Garantert lydnivå er 107 dB



Trykk for nullstilling



EurAsian Konformitetstegn

## SYMBOLER I DENNE MANUALEN



Tilkoble til strømkontakten.



Ta ut av strømkontakten.



Deler eller tilbehør solgt separat



Avfall fra elektriske produkter skal ikke kastes sammen med husholdningsavfall. Vennligst resirkulervedeksisterende avfallsbehandlingssted.



Nb



Advarsel



Lås



Låse opp

Følgende symboler og betydninger forklarer risikonivået som er assosiert med dette produktet.

### ⚠ FARE

Indikerer en øyeblikkelig farlig situasjon, som, hvis ikke unngås, kan resultere i død eller alvorlig personskade.

### ⚠ ADVARSEL

Indikerer en potensiell farlig situasjon, som, hvis ikke unngås, kan resultere i død eller alvorlig personskade.

### ⚠ FORSIKTIGHETSREGEL

Indikerer en potensiell farlig situasjon, som, hvis ikke unngås, kan resultere i mindre eller moderat personskade.

## FORSIKTIGHETSREGEL

Uten sikkerhetsvarselsymbol

Indikerer en situasjon som kan føre til skade på eiendom.

EN  
FR  
DE  
ES  
IT  
NL  
PT  
DA  
SV  
FI  
**NO**  
RU  
PL  
CS  
HU  
RO  
LV  
LT  
ET  
HR  
SL  
SK  
BG  
UK



При разработке этого электрического ударного измельчителя особое внимание уделялось безопасности, производительности и надежности.

### НАЗНАЧЕНИЕ

Электрический ударный измельчитель предназначен для измельчения органических садовых отходов, таких как ветви, побеги и листва.

Изделие должно использоваться на открытом воздухе на ровной поверхности, а оператор должен стоять на одном уровне с изделием.

Данное устройство не предназначено для использования детьми или лицами с ограниченными физическими, психическими или сенсорными возможностями.

Изделие не предназначено для неорганических материалов, металла или веток, диаметр которых превышает максимально допустимое значение 45 мм.

Устройство устанавливается на стойке и используется с мусоросборником, входящими в комплект поставки. Установка должна выполняться строго в соответствии с указаниями, описанными или нарисованными в данном руководстве.

### ОБЩИЕ ПРАВИЛА ТЕХНИКИ БЕЗОПАСНОСТИ

#### ▲ ОСТОРОЖНО

При работе с устройством необходимо соблюдать общие правила безопасности, чтобы уменьшить риск возгорания, поражения электрическим током и получения травм. Внимательно прочитайте все инструкции перед началом работы с продуктом, соблюдайте все предупреждения и инструкции по безопасности. Обязательно ознакомьтесь с элементами управления и правильным и безопасным использованием устройства. Сохраните данные инструкции для последующего использования.

### ОБУЧЕНИЕ

- Внимательно прочтите данные инструкции. Ознакомьтесь с

элементами управления и правильным использованием устройства.

- Никогда не позволяйте детям или людям, незнакомым с этими инструкциями, использовать данное изделие. Местные инструкции могут ограничить возраст оператора.
- Иметь в виду, что оператор или пользователь ответственны за несчастные случаи или опасности, встречающиеся другим людям или их собственности.

### ПОДГОТОВКА

- При работе с устройством всегда надевайте средства защиты органов слуха и защитные очки.
- Во время эксплуатации изделия всегда носите специальную обувь и длинные брюки. Не работайте с инструментом босиком или в открытых сандалиях. Не надевайте свободную одежду или одежду со свисающими шнурками или узлами.
- Работайте с устройством, занимая рекомендуемое положение и только на твердой, ровной поверхности.
- Не работайте с инструментом на мощной или покрытой гравием поверхности, так как при этом выбрасываемый материал может привести к телесным повреждениям.
- Перед использованием обязательно выполняйте визуальную проверку, чтобы убедиться в том, что измельчающие детали, болты и иные крепежные детали затянуты, корпус, защитные приспособления и экраны не повреждены и находятся на месте. Замените изношенные или поврежденные, чтобы обеспечить балансировку. Замените поврежденные или нечитаемые наклейки.
- Перед использованием проверьте кабель питания и удлинитель на отсутствие повреждений или износ. Если в процессе эксплуатации поврежден кабель питания, сразу же отключите вилку кабеля от сети питания. Не касайтесь кабеля при отключении его от сети питания. Не пользуйтесь инструментом, если кабель питания поврежден или изношен.



- Не работайте с устройством, если рядом присутствуют посторонние лица, особенно дети, а также домашние животные.

## ЭЛЕКТРОБЕЗОПАСНОСТЬ

- Внимательно прочитайте эти инструкции по технике безопасности перед подключением устройства к источнику питания.
- Вилка должна соответствовать розетке. Не подвергайте вилку кабеля каким-либо изменениям. Не используйте какие-либо переходники с электроинструментами с заземляющим проводом. Использование оригинальных штепсельных вилок и соответствующих розеток предотвращает опасность поражения электрическим током.
- Перед подключением к электросети убедитесь, что напряжение такое же, как указано на табличке изделия или в руководстве по эксплуатации. Подключение устройства к иному источнику питания может привести к травме или повреждению.
- Производитель рекомендует подключение к розетке, защищенной УЗО с током срабатывания не более 30 мА.
- Держите источник питания свободным от мусора и других накоплений для предотвращения повреждения двигателя или возможного пожара.
- Не раскладываете кабель питания вблизи источников тепла, емкостей с маслом и острых предметов.
- При повреждении кабеля питания его следует заменить специальным кабелем или комплектом, доступными у изготовителя или его сервисной службы.
- Если необходимо использовать удлинительный шнур, убедитесь, что он подходит для использования вне помещений, и допустимый ток достаточен для питания инструмента. Удлинительный шнур должен быть маркирован «H05 RN-F» или «H05 VV-F». Проверяйте его перед каждым использованием на предмет повреждений, всегда разматывайте его во время эксплуатации устройства, потому что спиральные шнуры могут

перегреться. Поврежденные удлинительные не подлежат ремонту, их следует заменять аналогичным устройством.

- Убедитесь, что шнур питания расположен так, что невозможно его порезать, наступить на него, споткнуться об него или повредить каким-либо иным способом.
- При запуске двигателя всплеск напряжения может повлиять на работу других электроприборов в той же цепи питания. Подключите устройство к источнику питания с полным сопротивлением, равным 0,404 Ом, для минимизации колебаний напряжения. За подробными разъяснениями обращайтесь к поставщику электроэнергии.

## МЕРЫ БЕЗОПАСНОСТИ ПРИ ЭКСПЛУАТАЦИИ ЭЛЕКТРИЧЕСКОГО УДАРНОГО ИЗМЕЛЬЧИТЕЛЯ

### ЭКСПЛУАТАЦИЯ

- Избегайте использования устройства в плохих погодных условиях, особенно когда существует риск попадания молнии.
- Перед запуском изделия убедитесь, что питающая камера пуста.
- Изделие не будет работать, если мусоросборник не будет правильно установлен, или если корпус измельчителя не будет правильно закрыт, а ручка корпуса не будет полностью затянута. Мусоросборник и корпус измельчителя защищены блокирующими выключателями, которые способствуют тому, чтобы не допустить непреднамеренного контакта с движущимися частями, который может привести к серьезной травме.
- Держите лицо и тело в стороне от входного отверстия.
- Не допускайте попадания рук и других частей тела или одежды в загрузочную камеру, выпускной лоток или в зону других движущихся частей.
- Не перенапрягайте. Старайтесь сохранять устойчивость и подыскивайте твердую опору. Не стойте на уровне выше основания устройства при загрузке в его материала.



- При работе с инструментом держитесь в стороне от зоны выпуска.
- При подаче материала в устройство будьте предельно внимательны, чтобы не допустить попадания в него металлических предметов, камней, бутылочного стекла, консервных банок и других посторонних предметов.
- Если режущий механизм ударяет по какому-либо постороннему предмету, или если изделие начинает издавать какие-либо необычные шумы или вибрировать, немедленно выключите двигатель нажатием кнопки ВЫКЛ. Дождитесь остановки изделия и отключите его от источника питания. Выполните следующие действия перед повторным запуском и эксплуатацией изделия:
  - осмотрите устройство на предмет повреждений
  - замените или отремонтируйте поврежденные детали
  - проверьте и, при необходимости, затяните ослабленные детали
- Не допускайте скопления обработанных материалов в зоне выпуска, так как это может препятствовать нормальному выпуску и привести к отскоку материала в отверстии подачи материала.
- Если необходимо осуществить очистку изделия от засора, остановите двигатель нажатием кнопки ВЫКЛ. и отключите изделие от электропитания. Убедитесь, что все движущиеся детали остановились, прежде чем открывать корпус измельчителя или пытаться очистить засорение.
- Запрещается эксплуатация продукта с неисправными защитными устройствами или щитками, а также без предохранительных устройств, например, без установленного мусоросборника.
- Держите источник питания свободным от мусора и других накоплений для предотвращения повреждения двигателя или возможного пожара.
- Не перевозите изделие во время работы двигателя.
- Остановите изделие, отключите от электропитания и убедитесь, что все движущиеся части полностью остановились:
  - Перед опорожнением копилку
  - оставляя продукт без присмотра
  - перед устранением засора или очисткой бункера,
  - перед проверкой, чисткой и техобслуживанием продукта;
- Не наклоняйте устройство во время работы двигателя.
- Держите загрузочный желоб чистым после подачи материала. Затягивание материала в изделие может вызвать неожиданное движение или вращение находящегося снаружи материала. Работайте в защитных очках при эксплуатации изделия.
- Если во время измельчения образуется пыль, надевайте подходящий респиратор для защиты дыхательных путей.
- Выключите изделие и дождитесь остановки движущихся частей перед извлечением мусоросборника.
- Запрещается каким-либо образом изменять конструкцию устройства или использования детали и принадлежности, не рекомендованные производителем.
- Во избежание повреждения двигателя или возгорания двигатель следует очищать от мусора и других накоплений.

## ЗАЩИТА ОТ ПЕРЕГРУЗОК

В инструменте имеется устройство защиты от перегрузок. При перегрузке инструмент автоматически выключается. Кнопка защиты от перегрузки расположена рядом с кнопкой Вкл./Выкл. Кнопка поднята, когда защита от перегрузки включена. Отключите изделие от источника питания и следуйте инструкциям по очистке от засорения. Дайте двигателю остыть 3-5 минут. Убедившись в отсутствии засорения, подключите шнур питания к источнику питания и нажмите кнопку сброса перегрузки. Нажмите кнопку ВКЛ для запуска двигателя.

Если защита от перегрузки включена, и отсутствует засорение, перегрузка может произойти, когда материалы поступают в продукт слишком быстро, слишком долго, вызывая перегрев двигателя.





Дайте двигателю остыть. Опустошите мусоросборник перед повторным запуском изделия.

## ОЧИСТКА ЗАСОРЕНИЯ

### ⚠ ОСТОРОЖНО

Лезвия острые и, скорее всего, горячие. Всегда надевайте специальные защитные перчатки при проверке и очистке засорения.

- Если изделие засорено или заблокировано, или если включено устройство защиты от перегрузки, выполните указанные ниже инструкции.
  - Выключите изделие и отсоедините его от источника электропитания.
  - Убедитесь, что все движущиеся части остановились.
  - Снимите и опустошите мусоросборник.
  - Удалите любой материал, не поместившийся в загрузочный желоб.
  - Отверните ручку корпуса измельчителя и откройте верхнюю часть корпуса, чтобы получить доступ к режущему механизму.
  - Удалите мусор, блокирующий загрузочную камеру, вытянув его наружу.

### ⚠ ОСТОРОЖНО

Лезвия все еще могут двигаться, даже если питание выключено. Проявляйте крайнюю осторожность возле лезвий.

- Тщательно уберите мусор вокруг лезвий подходящим ручным инструментом. Используя ручной инструмент, передвиньте металлические пластины, придерживая лезвия, чтобы удалить засорение. Не вставляйте ручной инструмент между острыми кромками лезвий, так как это может привести к повреждению лезвий.
- Если мусоросборник не виден во время вращения режущих приспособлений, необходимо очистить эту зону от мусора. Тщательно очистите эту зону с помощью инструмента.

- После очистки засорения закройте верхнюю часть корпуса и заверните ручку корпуса измельчителя, чтобы включить блокирующий выключатель.
- Если вы не можете устранить засорение, или если вы обнаружите повреждение, обратитесь в авторизованный сервисный центр для ремонта изделия.

## ТРАНСПОРТИРОВКА И ХРАНЕНИЕ

- Тщательно очистите устройство перед постановкой на хранение и храните его в хорошо проветриваемом, чистом и сухом помещении в недоступном для детей месте.
- Дайте устройству остыть перед постановкой на хранение или транспортировкой.
- При транспортировке изделия убедитесь, что оно защищено от падения или перемещения внутри транспортного средства

## ТЕХНИЧЕСКОЕ ОБСЛУЖИВАНИЕ

- Перед чисткой, проверкой и техническим обслуживанием изделия выключите его, отключите от источника электропитания и дайте режущим приспособлениям полностью остановиться. Отключите устройство от источника питания.
- Во время работы устройства режущий механизм становится горячим. Дайте режущему механизму остыть перед чисткой, проверкой и регулировкой лезвий.

### ⚠ ОСТОРОЖНО

Режущие лезвия чрезвычайно острые. Во избежание травм следует соблюдать предельную осторожность при чистке или работе вблизи лезвий или внутри устройства с открытым корпусом при снятом мусоросборнике. Всегда надевайте специальные прочные перчатки.

### ⚠ ОСТОРОЖНО

Лезвия все еще могут двигаться, даже если питание выключено. Проявляйте крайнюю осторожность возле лезвий.

- Чтобы достичь наилучших результатов работы устройства, его нужно поддерживать в чистоте.
- Всегда выполняйте чистку устройства сразу после использования. Всегда, когда это возможно, используйте жесткую щетку для чистки внутри загрузочного и разгрузочного желоба, а также сухую ткань для чистки изделия снаружи.
- Для обеспечения наилучшей производительности не допускайте засыхания материала на каких-либо поверхностях изделия, особенно на лезвиях.
- Следите за тем, чтобы загрузочный желоб и желоб выброса были чистыми и свободными от мусора.
- Режущие лезвия изделия имеют две режущих кромки. Лезвия можно перевернуть на 180°, если одна кромка затупилась. См. стр. 175-176. Если лезвия затупились, на них образовались зазубрины или трещины, выполните замену, используя оригинальные лезвия RYOBI.
- Убедитесь, что все гайки, болты и винты надежно затянуты, особенно винты, крепящие лезвие.
- Ремонт или замена поврежденных или изношенных деталей должны осуществляться квалифицированным персоналом в авторизованном сервисном центре.
- Никогда не ставьте переключку через защитные блокирующие выключатели на верхней части корпуса измельчителя, это может привести к серьезным травмам, включая ампутацию.

### **▲ ОСТОРОЖНО**

Не допускайте взаимодействия тормозных жидкостей, бензина, нефтепродуктов, пропиточных масел и т.п. с пластмассовыми деталями. Запрещается использовать для чистки устройства тормозные жидкости, бензин, нефтепродукты и другие растворители. Большинство пластмасс восприимчиво, чтобы повредиться от различных типов коммерческих растворителей и может быть повреждено их использованием.

- Вы можете выполнять работы по обслуживанию, описанные в данном руководстве. Для проведения других ремонтных работ или за получением рекомендаций обращайтесь в авторизованный сервисный центр.

### **БУДЬТЕ ВСЕГДА ОСТОРОЖНЫ**

Даже когда изделие используют согласно инструкциям, невозможно полностью устранить факторы риска. Следующие опасные факторы могут возникнуть в ходе использования, и оператор должен обращать особое внимание, чтобы избежать следующих опасностей:

- Травма, вызванная шумом.
  - Носите устройства защиты слуха и ограничивайте продолжительность шумового воздействия.
- Травмы, вызываемые вдыханием пыли и ворсинок
  - Надевайте пылезащитную маску.
- Травмы, вызываемые контактом с режущими приспособлениями
  - Всегда принимайте такое положение, чтобы незащищенные части тела не приближались к режущим деталям.
- Травмы, вызываемые отлетающим мусором
  - Обязательно носите устройства для защиты глаз и держитесь подальше от зоны вокруг загрузочного желоба.

### **ИЗУЧИТЕ УСТРОЙСТВО**

См. стр. 168.

1. Корпус измельчителя
2. Разгрузочный желоб
3. Рукоятка
4. Фиксатор корпуса измельчителя
5. Кнопка сброса для защиты от перегрузки
6. Выключатель ВКЛ/ВЫКЛ
7. Аварийный выключатель
8. Режущее лезвие
9. Кабель питания
10. Металлическая рама
11. Мусоросборник
12. Колеса
13. Поршень

## РУКОВОДСТВО ПО ИЗМЕЛЬЧЕНИЮ

Для наиболее эффективного использования измельчителя следуйте инструкциям, приведенным в таблице.

МАТЕРИАЛ	СПОСОБ ИЗМЕЛЬЧЕНИЯ
Ветки диаметром до 6 мм.	Загружайте материал в загрузочный желоб с такой скоростью, чтобы не допустить перегрузки изделия. Используйте поршень, входящий в комплект поставки, для проталкивания материала в желоб при необходимости.
Ветви диаметром до 45 мм.	Отсекайте все боковые ветви секатором перед подачей материала в загрузочный желоб. Используйте поршень, входящий в комплект поставки, для проталкивания материала в желоб при необходимости.
Клумбовые растения, сорняки или ростки кустарников.	Во избежание повреждения лезвий удалите почву и камни с корней растений.
Свежесрезанные растения, живая изгородь и пищевые отходы (например, листья капусты, овощные очистки и т. д.).	Для улучшения прохождения материала с повышенным содержанием влаги приспособление и предотвращения его засорения рекомендуется вместе с материалом периодически подавать сухие ветки.

Сухие палки и ветки

В конце работ поместите в измельчитель сухие палки или ветки, это поможет убрать влагу и сок растений внутри изделия и с режущего устройства.

- Избегайте скопления садового мусора перед измельчением, так как он становится слишком влажным, превращается в компост и засоряет режущие приспособления. Чтобы полностью извлечь весь материал из разгрузочного желоба, используйте сухой материал. Оставьте напоследок несколько сухих веток, чтобы очистить поверхность лезвий.
- Постоянно отслеживайте количество накопившегося измельченного материала.
- Держите выход из разгрузочного желоба чистым для предотвращения засоров.
- Выключите устройство, прежде чем выбросить мусор из наполненного мусоросборника.

### ▲ ОСТОРОЖНО

Не убирайте руками измельченный материал из разгрузочного желоба измельчителя, пока устройство не будет выключено или отключено от источника питания. Лезвия имеют острые кромки. Во избежание травм надевайте специальные перчатки и проявляйте крайнюю осторожность при чистке и удалении засоров.

### ▲ ОСТОРОЖНО

При подаче в устройство длинных деревянных веток/стеблей остерегайтесь рывков и вибраций, возникающих при захвате материала режущим приспособлением. Оператор должен носить средство защиты глаз во время эксплуатации изделия.

## ⚠ ОСТОРОЖНО

Режущее приспособление может втянуть ветку/стебель в устройство. Не препятствуйте подаче материала, после того как подача началась. Всегда надевайте перчатки, чтобы предотвратить порезы при подаче материала в изделие.

**ПРИМЕЧАНИЕ:** При нормальном использовании не выключайте устройство, пока режущие приспособления не освободятся от измельчаемого материала. Если выключить устройство очень быстро, то при повторном включении оставшиеся кусочки материала могут забить режущие лезвия и застопорить двигатель.

## УСЛОВНЫЕ ОБОЗНАЧЕНИЯ НА ПРОДУКТЕ



Внимательно прочитайте все инструкции перед началом работы с продуктом, соблюдайте все предупреждения и инструкции по безопасности.

Помните об опасности, которую представляют собой отбрасываемые устройством или вылетающие из-под него предметы. Не допускайте приближения посторонних лиц, особенно детей и домашних животных к рабочей зоне ближе чем на 15 м



Опасность - вращающиеся лезвия. Не приближайтесь к отверстиям во время работы устройства.



Перед проведением технического обслуживания или в случае повреждения шнура выключите устройство и извлеките вилку из розетки.



Надевайте средства защиты органов зрения и слуха.



Не становитесь на устройство.



Не прикасайтесь к деталям устройства, пока они полностью не остановятся.



Надевайте нескользящие перчатки для работы в тяжелых условиях.



Не касайтесь режущих полотен.



Настоящий инструмент отвечает всем официальным стандартам страны ЕС, в которой он был приобретен.



Украинский знак стандартизации

Отработанная электротехническая продукция должна уничтожаться вместе с бытовыми отходами. Утилизируйте, если имеется специальное техническое оборудование. По вопросам утилизации проконсультируйтесь с местным органом власти или предприятием розничной торговли.



Инструмент класса II, двойная изоляция



Гарантированный уровень звуковой мощности 107 дБ



Нажмите, чтобы сбросить



Знак Евразийского Соответствия  
Сертификат Соответствия № TC RU C-DE.AE61.B.06406  
Срок действия Сертификата Соответствия По 05.08.2020  
АНО Экспертизы и контроля качества – Центр сертификации «Евро-Тест»  
109147 РФ, город Москва, улица Малая Калитниковская дом 7

## УСЛОВНЫЕ ОБОЗНАЧЕНИЯ В ДАННОМ РУКОВОДСТВЕ.



Подключение к сетевой розетке.



Отсоединение от сетевой розетки.



Детали или принадлежности, приобретаемые отдельно



Отработанная электротехническая продукция должна уничтожаться вместе с бытовыми отходами. Утилизируйте, если имеется специальное техническое оборудование.



Примечание



Осторожно



Сцепить



Расцепить

Следующие сигнальные слова и значения предназначены, чтобы объяснить уровни риска, связанного с этим изделием.

### **ОПАСНО**

Указывает неизбежно опасную ситуацию, которая, если не избежать, кончится смертельным или серьезным ущербом.

### **ОСТОРОЖНО**

Указывает потенциально опасную ситуацию, которая, если не избежать, может кончиться смертельным или серьезным ущербом.

### **ПРЕДОСТЕРЕЖЕНИЕ**

Указывает потенциально опасную ситуацию, которая, если не избежать, может кончиться малым или уменьшенным ущербом.

### **ПРЕДОСТЕРЕЖЕНИЕ**

Употребляется без предупреждающего

знака

Указывает на ситуацию, которая может привести к повреждению имущества.

### Транспортировка:

Категорически не допускается падение и любые механические воздействия на упаковку при транспортировке.

При разгрузке/погрузке не допускается использование любого вида техники, работающей по принципу зажима упаковки.

### Хранение:

Необходимо хранить в сухом месте.

Необходимо хранить вдали от источников повышенных температур и воздействия солнечных лучей.

При хранении необходимо избегать резкого перепада температур.

Хранение без упаковки не допускается.

### Срок службы изделия:

Срок службы изделия составляет 5 лет.

Не рекомендуется к эксплуатации по истечении 5 лет хранения с даты изготовления без предварительной проверки.

**Дата изготовления** (код даты) отштампован на поверхности корпуса изделия.

Пример:

W17 Y2015, где Y2015 - год изготовления

W17 – неделя изготовления

Определить месяц изготовления можно согласно приведенной ниже таблице, на примере 2015 года.

**Обратите внимание!** Количество недель в месяце различается от года в год.

Месяц	Январь	Февраль	Март	Апрель	Май	Июнь	Июль	Август	Сентябрь	Октябрь	Ноябрь	Декабрь	Год
Неделя	01	05	09	14	18	22	27	31	36	40	44	49	2015
	02	06	10	15	19	23	28	32	37	41	45	50	
	03	07	11	16	20	24	29	33	38	42	46	51	
	04	08	12	17	21	25	30	34	39	43	47	52	
	05	09	13	18	22	26	31	35	40	44	48	53	
		14			27								



W przypadku tej elektrycznej rozdrabniarki udarowej zwrócono szczególną uwagę na zapewnienie bezpieczeństwa, wysokiej wydajności oraz niezawodności.

## PRZEZNACZENIE

Elektryczna rozdrabniarka udarowa jest przeznaczona do rozdrabniania organicznych odpadów ogrodowych, takich jak gałęzie i liści.

Produkt jest przeznaczony do użytku na zewnątrz pomieszczeń w stojącej pozycji na stabilnym gruncie i może być obsługiwany przez operatora stojącego na tym samym poziomie co podstawa produktu.

The product is not intended for use by children or persons with reduced physical, mental or sensory capabilities.

Produkt nie jest przeznaczony do rozdrabniania nieorganicznych materiałów, metalu lub materiału o średnicy przekraczającej dopuszczalny rozmiar przetwarzania urządzenia, który wynosi 45 mm.

Produkt musi być zamontowany na dostarczonej podstawie i musi być używany razem z dostarczonym koszem. Nie wolno montować produktu w inny sposób niż przedstawiono lub opisano w tym podręczniku.

## OGÓLNE ZASADY BEZPIECZEŃSTWA

### ⚠ OSTRZEŻENIE

Podczas używania produktu należy stosować podstawowe środki ostrożności ograniczające ryzyko pożaru, porażenia prądem lub obrażeń ciała. Należy przeczytać i zrozumieć wszystkie instrukcje przed rozpoczęciem obsługi produktu oraz przestrzegać wszystkich ostrzeżeń i instrukcji dotyczących bezpieczeństwa. Należy zapoznać się z elementami obsługowymi oraz zasadami prawidłowego i bezpiecznego użytkowania produktu. Niniejszą instrukcję należy przechowywać w bezpiecznym miejscu do późniejszego użytku.

## SZKOLENIE

- Przeczytać uważnie wszystkie instrukcje. Należy zapoznać się z przyrządami sterowania oraz zasadami prawidłowej obsługi produktu.

- Nigdy nie wolno pozwalać obsługiwać tego produktu dzieciom ani osobom nieznającym tych instrukcji. Przepisy lokalne mogą ograniczać dopuszczalny wiek operatora.
- Należy pamiętać, że operator lub użytkownik jest odpowiedzialny za spowodowanie wypadku lub zagrożenia bezpieczeństwa osób i mienia.

## PRZYGOTOWANIE

- Cały czas podczas obsługi maszyny zakładać środki ochrony słuchu i okulary ochronne.
- Podczas obsługi produktu zawsze należy nosić odpowiednie obuwie oraz długie spodnie. Nie wolno obsługiwać urządzenia będąc boso, lub mając założone lekkie obuwie typu sandały. Unikać zakładania luźnej odzieży, ze sznurkami lub krawatem.
- Produkt należy obsługiwać w rekomendowanej pozycji oraz jedynie na równej i stabilnej powierzchni.
- Nie uruchamiać maszyny na powierzchni zwirowej lub utwardzonej, gdzie wyrzucany materiał może spowodować zranienie.
- Przed użyciem zawsze należy sprawdzić, czy noże rozdrabniające, śruby oraz inne mocowania są dobrze dokręcone oraz czy obudowa, osłony oraz zabezpieczenia są sprawne i odpowiednio zamontowane. Zużyte lub uszkodzone elementy należy wymieniać całymi zestawami, aby zachować odpowiednie wyważenie. Wymienić uszkodzone lub nieczytelne etykiety.
- Przed rozpoczęciem użytkowania należy sprawdzić, czy kabel zasilania i przedłużacz nie są uszkodzone lub zużyte. W przypadku uszkodzenia przewodu zasilania podczas pracy, należy natychmiast wyjąć wtyczkę z gniazda zasilania. Nie dotykać przewodu zasilania przed odłączeniem zasilania. Nie używać urządzenia w przypadku uszkodzenia lub zużycia kabla zasilania.
- Nie wolno używać tego urządzenia, gdy w pobliżu znajdują się osoby postronne, szczególnie dzieci lub zwierzęta.

## ZASADY BEZPIECZEŃSTWA DOTYCZĄCE OBSŁUGI URZĄDZEŃ ELEKTRYCZNYCH

- Przed podłączeniem produktu do źródła zasilania należy dokładnie przeczytać te



instrukcje bezpieczeństwa.

- Wtyczka musi pasować do gniazda elektrycznego. Nie wolno modyfikować wtyczek w żaden sposób. Nie wolno używać żadnych przejściówek do podłączania urządzeń posiadających przewód zasilania z uzziemieniem. Stosowanie oryginalnych wtyczek i dopasowanych gniazd sieciowych zmniejsza ryzyko porażenia prądem.
- Przed podłączeniem produktu do źródła zasilania należy upewnić się, że napięcie zasilania jest takie same, jak podano na tabliczce znamionowej produktu lub w tym podręczniku. Podłączenie produktu do innego źródła zasilania może spowodować urazy ciała lub uszkodzenie produktu.
- Producent zaleca podłączenie produktu do gniazda elektrycznego ze zabezpieczeniem różnicowo-prądowym o wartości 30 mA lub niższej.
- Otwory wentylacyjne muszą być czyste i wolne od zanieczyszczeń, aby nie dopuścić do uszkodzenia silnika lub pożaru.
- Przewód zasilania trzymać z dala od źródeł ciepła, oleju i ostrych krawędzi.
- Uszkodzony przewód zasilania powinien zostać wymieniony na specjalny przewód lub zestaw naprawczy dostępny u producenta lub w autoryzowanym punkcie serwisowym.
- Jeśli konieczne jest użycie przedłużacza, należy upewnić się, że nadaje się on do stosowania na zewnątrz pomieszczeń oraz że ma parametry (moc podłączonych urządzeń) umożliwiające podłączenie danego urządzenia. Przedłużacz powinien mieć oznaczenie „H05 RN F” lub „H05 VV F”. Przed każdym użyciem należy sprawdzić, czy nie ma uszkodzeń i zawsze należy go rozwinąć, ponieważ zwinięty przewód może się przegrzewać. Nie wolno naprawiać uszkodzonych przedłużaczy. Należy wymienić je na produkt o takich samych parametrach.
- Należy upewnić się, że przewód zasilający jest umieszczony w taki sposób, że nie można go uszkodzić poprzez przecięcie, nie zostanie nadepnięty, zaczepiony lub uszkodzony lub narażony w inny sposób.
- Skok mocy podczas uruchamiania silnika powoduje wahania napięcia, które mogą oddziaływać na pracę innych urządzeń elektrycznych podłączonych do tego

samego obwodu elektrycznego. Podłączyć produkt do źródła zasilania o impedancji wynoszącej maks. 0,404  $\Omega$ , aby ograniczyć wahania napięcia. Skontaktuj się z dostawcą energii elektrycznej, aby uzyskać szczegółowe informacje.

## ZASADY BEZPIECZEŃSTWA DOTYCZĄCE ELEKTRYCZNEJ ROZDRABNIARKI UDAROWEJ

### SPOSÓB UŻYCIA

- Należy unikać używania produktu w złych warunkach pogodowych, szczególnie jeśli występuje ryzyko wyładowań atmosferycznych.
- Przed uruchomieniem produktu należy upewnić się, że komora podająca jest pusta.
- Produkt nie będzie działał, jeśli kosz na odpady nie będzie prawidłowo zamontowany lub obudowa rozdrabniarki nie zostanie prawidłowo zamknięta i pokrętko obudowy rozdrabniarki nie będzie całkowicie dokręcone. Kosz na odpady oraz obudowa rozdrabniarki są zabezpieczone blokadami zabezpieczającymi, które pomagają uniknąć przypadkowego kontaktu z ruchomymi częściami, co spowodowałoby poważne urazy ciała.
- Trzymać twarz i całe ciało z dala od otworu załadunkowego.
- Nie zbliżać rąk, stóp ani żadnej innej części ciała ani odzieży do komory załadunkowej, zsuwni ani żadnej ruchomej części.
- Nie sięgać zbyt daleko. Należy cały czas pewnie opierać stopy i utrzymywać równowagę. Nie wolno stać wyżej niż podstawa maszyny podczas załadunku materiału.
- Nie należy przebywać w strefie wyrzutu podczas obsługi tej maszyny.
- Podczas załadunku materiału do maszyny zachować szczególną ostrożność, aby elementy metalowe, kamienie, butelki, puszki lub inne przedmioty obce nie trafiły do maszyny.
- Jeśli mechanizm tnący uderzy w obcy obiekt lub gdy produkt zacznie wydawać nietypowe odgłosy lub wibracje, należy natychmiast wyłączyć silnik, naciskając wyłącznik. Należy odczekać aż produkt zatrzyma się i należy odłączyć go od źródła zasilania. Przed ponownym



uruchomieniem i obsługą produktu należy podjąć następujące działania:

- sprawdzić na oznaki uszkodzeń
  - wymienić lub naprawić wszystkie uszkodzone elementy
  - sprawdzić, czy nie ma obluzowanych elementów i w razie potrzeby dokręcić je
- Nie dopuścić do nagromadzenia materiału w strefie wyrzutu; może to zakłócić proces wyrzutu i spowodować odrzut materiału przez otwór podawania materiału.
  - Jeśli produkt ulegnie zablokowaniu, należy zatrzymać silnik, naciskając wyłącznik i odłączyć produkt od źródła zasilania. Przed otwarciem obudowy rozdrabniarki lub próbą usunięcia blokady należy upewnić się, że wszystkie ruchome części są zatrzymane.
  - Nigdy nie wolno używać tego produktu z uszkodzonymi osłonami lub zabezpieczeniami lub bez zabezpieczeń, np. bez założonej osłony.
  - Otwory wentylacyjne muszą być czyste i wolne od zanieczyszczeń, aby nie dopuścić do uszkodzenia silnika lub pożaru.
  - Nie przenosić produktu, gdy silnik pracuje.
  - Zatrzymać produkt, odłączyć od źródła zasilania i upewnić się, że wszystkie ruchome części zatrzymały się całkowicie:
    - przed opróżnieniem pole kolekcji
    - pozostawiając produkt bez nadzoru
    - przed usunięciem blokady lub odetkaniem rynny zsykowej,
    - przed sprawdzeniem, czyszczeniem i użytkowaniem produktu,
  - Nie przechylać produktu, gdy silnik pracuje.
  - Po włożeniu materiału nie należy zbliżać się do otworu wlotowego. Wciąganie materiału przez produkt może spowodować gwałtowne poruszenie lub przekreślenie wystającego materiału. Podczas obsługi produktu zawsze należy nosić środki ochrony oczu.
  - Jeśli na skutek rozdrabniania powstaje pył, należy nosić odpowiednią maskę przeciwpyłową, aby nie dopuścić do podrażnienia układu oddechowego.
  - Przed wyjęciem kosza na odpady należy wyłączyć produkt i odczekać, aż wszystkie ruchome części zatrzymają się całkowicie.
  - Nie należy modyfikować maszyny w żaden

sposób ani używać części i akcesoriów, które nie są zalecane przez producenta.

- Jednostka napędowa musi być wolna od zanieczyszczeń, aby uniknąć jej uszkodzenia lub pożaru.

## ZABEZPIECZENIE PRZECIĄŻENIOWE

Wkrętarka jest wyposażona w układ zabezpieczający przed przeciążeniem. W przypadku wykrycia przeciążenia, narzędzie zostanie automatycznie wyłączone. Przycisk zabezpieczenia przeciążeniowego znajduje się obok wyłącznika. Przycisk wyskoczy w chwili zadziałania zabezpieczenia przeciążeniowego. Odłączyć produkt od źródła zasilania i postępować zgodnie z instrukcjami dotyczącymi usuwania zablokowanego materiału. Należy odczekać od 3 do 5 minut aż silnik ostygnie. Po sprawdzeniu, czy nic nie blokuje urządzenia, należy podłączyć przewód zasilający do źródła zasilania i nacisnąć przycisk resetowania zabezpieczenia przeciążeniowego. Nacisnąć włącznik, aby włączyć silnik.

Jeśli włączy się zabezpieczenie przeciążeniowe, lecz produkt nie jest zablokowany, przeciążenie może być spowodowane zbyt szybkim wkładaniem materiału do produktu przez zbyt długi czas, powodując przegrzanie silnika. Należy odczekać, aż silnik ostygnie. Przed ponownym uruchomieniem produktu należy opróżnić kosz na odpady.

## USUWANIE ZABLOKOWANYCH ELEMENTÓW

### ▲ OSTRZEŻENIE

Ostrza są ostre i mogą być gorące. Przed sprawdzeniem stanu i usuwaniem zablokowanych materiałów zawsze należy zakładać grube rękawice ochronne.

- Jeśli produkt ulegnie zablokowaniu lub zapchaniu albo jeśli zadziała zabezpieczenie przeciążeniowe, należy wykonać następujące czynności:
  - Wyłączyć produkt i odłączyć go od źródła zasilania.
  - Należy upewnić się, że wszystkie ruchome części są całkowicie zatrzymane.
  - Wyjąć i opróżnić kosz na odpady.

- Wyjąć wszelkie wystające materiały z otworu wlotowego.
- Odkręcić pokrętko obudowy rozdrabniarki i otworzyć górną obudowę na zawiasie, aby uzyskać dostęp do mechanizmu tnącego.
- Usunąć wszelkie elementy blokujące komorę podawania, wyciągając je ze środka.

#### ⚠ OSTRZEŻENIE

Ostrza mogą poruszać się nawet po wyłączeniu zasilania. Należy zachować szczególną ostrożność w przypadku wykonywania czynności w pobliżu ostrzy.

- Ostrożnie usunąć pozostałości w pobliżu ostrzy przy użyciu odpowiedniego narzędzia ręcznego. Za pomocą narzędzia ręcznego poruszyć metalowe płytki mocujące ostrza, aby sprawdzić, czy mechanizm został odblokowany. Nie wkładać narzędzia ręcznego między ostre krawędzie ostrza, ponieważ może to spowodować uszkodzenie ostrzy.
- Jeśli nie widać kosza na odpady, gdy ostrza obracają się, należy usunąć obce materiały w tym miejscu. Wyczyścić to miejsce przy użyciu narzędzia.
- Po usunięciu zablokowanych materiałów zamknąć górną obudowę i przykręcić pokrętko obudowy rozdrabniarki, aby uruchomić blokadę zabezpieczającą.
- Jeśli nie można usunąć zablokowanego materiału lub w przypadku stwierdzenia uszkodzenia należy przekazać produkt do naprawy do autoryzowanego punktu serwisowego.

#### TRANSPORT I PRZECHOWYWANIE

- Należy upewnić się, że produkt został dokładnie wyczyszczony przed schowaniem w czystym, suchym miejscu; produkt musi być dobrze zabezpieczony przed dostępem dzieci.
- Przed schowaniem lub transportem produktu należy odczekać aż produkt ostygnie.
- W przypadku transportu produktu należy upewnić się, że jest on odpowiednio zabezpieczony przed przewróceniem lub przemieszczaniem się w pojeździe.

#### KONSERWACJA

- Przed czyszczeniem, kontrolą lub serwisowaniem produktu należy go wyłączyć i odczekać aż noże zatrzymają się całkowicie. Odłączyć produkt od źródła zasilania.
- Po pewnym czasie rozdrabniania mechanizm tnący stanie się gorący. Przed czyszczeniem, kontrolą lub obracaniem ostrzy należy odczekać, aż mechanizm tnący odpowiednio wystygnie.

#### ⚠ OSTRZEŻENIE

Ostrza są bardzo ostre. Aby uniknąć urazów ciała, należy zachować szczególną ostrożność i uwagę podczas czyszczenia lub wykonywania czynności w pobliżu ostrzy lub przy otwartej osłonie, gdy kosz jest zdemontowany. Zawsze należy nosić grube rękawice ochronne.

#### ⚠ OSTRZEŻENIE

Ostrza mogą poruszać się nawet po wyłączeniu zasilania. Należy zachować szczególną ostrożność w przypadku wykonywania czynności w pobliżu ostrzy.

- Aby zapewnić najwyższą wydajność pracy produktu, należy dbać o jego czystość.
- Produkt zawsze należy czyścić bezpośrednio po użyciu. Jeśli jest to możliwe, otwór podajnika i wylotu należy czyścić twardą szczotką, a zewnętrzne elementy produktu należy czyścić suchą szmatką.
- W celu zapewnienia optymalnej wydajności rozdrabniania nie należy dopuszczać do zasychania i stwardnienia materiału na powierzchni produktu, szczególnie na ostrzach.
- Należy dopilnować, aby otwór podajnika oraz otwór wlotowy były czyste i wolne od pozostałości.
- Ostrza tnące zamontowane w produkcie mają dwie krawędzie tnące. Jeśli jedna krawędź ostrza ulegnie stępieniu, ostrza można obrócić o 180°. Patrz str. 175-176. Stępione, wyszczerbione lub pęknięte ostrza należy wymienić na oryginalne części zamienne RYOBI.
- Należy upewnić się, że wszystkie nakrętki,

śruby i wkręty, a szczególnie wkręty ostrza, są dokręcone i dobrze zamocowane.

- Wszelkie uszkodzone lub zużyte części zawsze powinny być naprawiane lub wymieniane przez wykwalifikowany personel w autoryzowanych punktach serwisowych.
- Nie wolno usiłować pomijać urządzeń zabezpieczających górnej obudowy rozdrabniarki. Może to spowodować poważne urazy ciała, w tym amputację kończyn.

### **⚠ OSTRZEŻENIE**

Nie wolno dopuścić do kontaktu plastikowych części z płynem hamulcowym, benzyną, produktami ropopochodnymi, olejami penetrującymi itp. Do czyszczenia tego urządzenia nie używać płynów hamulcowych, benzyny, środków ropopochodnych ani rozpuszczalników. Większość plastików jest wrażliwa na rozmaite rozpuszczalniki dostępne w handlu i może ulec uszkodzeniu przez ich stosowanie.

- Użytkownik może przeprowadzać czynności konserwacyjne opisane w tej instrukcji. W przypadku innych napraw lub pytań należy zwrócić się o pomoc do autoryzowanego punktu serwisowego.

### **RYZIKO ZWIĄZANE Z UŻYTKOWANIEM:**

Nawet jeśli produkt jest używany zgodnie z zaleceniami, nadal nie jest możliwe wyeliminowanie określonych czynników ryzyka. Następujące zagrożenia mogą wystąpić podczas używania urządzenia i operator powinien zwracać szczególną uwagę na poniższe punkty:

- Urazy spowodowane hałasem.
  - Należy nosić środki ochrony uszu oraz ograniczyć poziom narażenia.
- Urazy spowodowane wdychaniem pyłu i kurzu
  - Noś maskę przeciwpyłową.
- Urazy spowodowane kontaktem z ostrzami
  - Niezabezpieczone części ciała zawsze powinny znajdować się z dala od ostrzy.
- Urazy spowodowane odrzucanymi odpadkami

- Należy przez cały czas nosić środki ochrony oczu i nie zbliżać części ciała do otworu podajnika.

### **ZAPOZNAJ SIĘ ZE SWOIM PRODUKTEM**

*Patrz str. 168.*

1. Obudowa rozdrabniarki
2. Otwór podawania
3. Rękojeść
4. Pokrętko obudowy rozdrabniarki
5. Przycisk resetowania zabezpieczenia przeciążeniowego
6. Wyłącznik WŁĄCZENIE/WYŁĄCZENIE
7. Wyłącznik awaryjny
8. Ostrze
9. Przewód zasilania
10. Metalowa rama
11. Kosz na odpady
12. Koło
13. Kołek

### **PROWADNICA ROZDRABNIANIA**

Aby uzyskać najlepsze efekty rozdrabniania, należy postępować zgodnie z zaleceniami podanymi w poniższej tabeli.

<b>MATERIAŁ</b>	<b>SPOSÓB ROZDRABNIANIA</b>
-----------------	-----------------------------

Gałęzie o średnicy do 6 mm.

Podawać materiał do otworu podajnika w takim tempie, aby przeciążać produktu. W razie potrzeby popychać materiał w otworze podajnika za pomocą dostarczonego kołka.

Gałęzie o średnicy do 45 mm.

Przyciąć wszystkie boczne gałęzie sekatorem przed włożeniem materiału do otworu podajnika. W razie potrzeby popychać materiał w otworze podajnika za pomocą dostarczonego kołka.

Rośliny okrywowe, chwasty i krzewy.

Usunąć ziemię i kamienie z korzeni, aby uniknąć uszkodzenia ostrzy.

Świeżo ścięte listowie, krzaki i odpady kuchenne (np. liście kapusty, obierki warzyw itp.).

W przypadku materiałów o wysokiej wilgotności zalecane jest regularne podawanie suchych patyków w celu przepchnięcia materiału przez zespół ostrzy i aby nie dopuścić do zablokowania produktu.

Suche patyki i gałęzie

Włożenie takich materiałów na końcu rozdrabniania pomoże usunąć wilgoć i soki roślinne z wnętrza rozdrabniarki oraz zespołu tnącego.

- Nie dopuszczać do nagromadzenia się odpadów przed rozdrabnianiem, ponieważ zaczną one gnić, staną się zbyt wilgotne i zablokują ostrza. Suchy materiał ułatwi usunięcie większości materiału z otworu wylotowego. Pozostawić suche patyki na koniec, aby ułatwić oczyszczanie ostrzy.
- Należy regularnie sprawdzać stopień nagromadzenia rozdrabnianego materiału.
- Aby nie doszło do zablokowania urządzenia, wylot otworu wyrzutowego zawsze musi być czysty.
- Gdy kosz jest pełny, przed jego opróżnieniem należy ustawić przełącznik zasilania produktu w położeniu Off (wył.).

#### ⚠ OSTRZEŻENIE

Nie wkładać rąk do otworu wyrzutnika w celu usuwania rozdrobnionego materiału, gdy produkt jest włączony lub podłączony do źródła zasilania. Ostrza są ostre. Przy czyszczeniu i usuwaniu zablokowanego materiału należy nosić grube rękawice i zachować szczególną ostrożność.

#### ⚠ OSTRZEŻENIE

Przy wkładaniu do produktu długich zdrewniałych gałęzi/todyg należy uważać na bicie i wibracje, gdy materiał zostanie pochwycony przez ostrza. Operator podczas obsługi produktu zawsze musi nosić okulary ochronne.

#### ⚠ OSTRZEŻENIE

Ostrze ma tendencję do wciągania gałęzi/todyg do produktu. Nie należy usiłować wyciągać materiału, który już został pochwycony przez maszynę. Zawsze należy nosić rękawice, aby nie dopuścić do skaleczenia rąk podczas wkładania materiału do produktu.

**OBJAŚNIENIE:** W przypadku normalnego użytkowania nie należy wyłączać produktu dopóki rozdrobniony materiał nie opuści strefy zespołu tnącego. Jeśli produkt zostanie wyłączony za szybko, pozostałe kawałki materiału mogą zablokować zespół ostrzy i mogą unieruchomić silnik przy ponownym załączeniu produktu.

#### SYMBOLE PRODUKTU



Należy przeczytać i zrozumieć wszystkie instrukcje przed rozpoczęciem obsługi produktu oraz przestrzegać wszystkich ostrzeżeń i instrukcji dotyczących bezpieczeństwa.



Uwaga na odrzucane przedmioty. Wszystkie osoby postronne, a szczególnie dzieci i zwierzęta, muszą znajdować się w odległości przynajmniej 15 metrów od miejsca pracy.



Niebezpieczeństwo – ruchome ostrza. Nie należy zbliżać rąk ani nóg do otworów podczas pracy produktu.



Wyłączyć i wyjąć wtyczkę z gniazda elektrycznego przed rozpoczęciem konserwacji lub jeśli przewód jest uszkodzony.



Zakładać środki ochrony wzroku i słuchu.



Nie używać jako stopnia.



Przed dotknięciem maszyny należy poczekać, aż wszystkie jej elementy zatrzymają się całkowicie.



Zakładać antypoślizgowe, grube rękawice ochronne.



Nie zbliżać rąk do ostrzy.



Narzędzie to spełnia wymogi wszystkich norm reglamentacji kraju UE, w którym było ono zakupione.



Ukraiński znak zgodności



Zużyte produkty elektryczne nie powinny być utylizowane z odpadami domowymi. Prosimy poddawać recyklingowi w odpowiednich miejscach. Informacje o właściwych metodach recyklingu można uzyskać u władz lokalnych lub sprzedawcy.



Narzędzie klasy II, podwójna izolacja



Gwarantowany poziom mocy akustycznej wynosi 107 dB



Nacisnąć, aby zresetować



Znak zgodności EurAsian



Ostrzeżenie



Blokada



Odkręcenie uchwytu

Poniższe symbole i nazwy które im nadano, pozwalają wyjaśnić różne poziomy ryzyka związanego z użytkowaniem tego narzędzia.

#### ⚠ NIEBEZPIECZEŃSTWO

Wskazuje na realne zagrożenie, które może spowodować śmierć lub poważne zranienie, jeżeli się nie uniknie tego niebezpieczeństwa.

#### ⚠ OSTRZEŻENIE

Wskazuje na potencjalne zagrożenie, które może spowodować śmierć lub poważne zranienie, jeżeli się nie uniknie tego niebezpieczeństwa.

#### ⚠ UWAGA

Wskazuje na potencjalne zagrożenie, które może spowodować mniejsze lub bardziej poważne zranienie, jeżeli się nie uniknie tego niebezpieczeństwa.

#### UWAGA

Bez symbolu ostrzeżenia  
Sytuacja, która może grozić uszkodzeniem mienia.

- EN
- FR
- DE
- ES
- IT
- NL
- PT
- DA
- SV
- FI
- NO
- RU
- PL**
- CS
- HU
- RO
- LV
- LT
- ET
- HR
- SL
- SK
- BG
- UK

### SYMBOLE W TYM PODRĘCZNIKU



Podłączyć do gniazda zasilania.



Odłączyć z gniazda zasilania.



Części lub akcesoria sprzedawane oddzielnie



Zużyte produkty elektryczne nie powinny być utylizowane z odpadami domowymi. Prosimy poddawać recyklingowi w odpowiednich miejscach.



Objaśnienie

Bezpečnost, výkon a spolehlivost byli hlavní prioritou při návrhu vašeho elektrického drtiče.

### ZAMÝŠLENÉ POUŽITÍ

Elektrický drtič je navržen pro redukci organického zahradního odpadního materiálu, jako jsou větve, proutí a listí na malé kousky.

Výrobek je určen pro venkovní použití ve stacionární poloze, na pevné úrovni terénu, kdy obsluha stojí na stejné úrovni jako spodní částí výrobku.

The product is not intended for use by children or persons with reduced physical, mental or sensory capabilities.

Tento výrobek je nevhodný pro drcení kovových materiálů nebo neorganického materiálu či materiálu, který přesahuje průměr 45 mm pro drcení.

Výrobek musí být namontován na dodaném stojanu a musí být používán se sběrným boxem. Nesmí být namontován jiným způsobem než je uvedeno v této příručce.

### OBECNÁ BEZPEČNOSTNÍ PRAVIDLA

#### ⚠ VAROVÁNÍ

Pokud výrobek používáte, měly by se dodržovat základní bezpečnostní předpisy za účelem snížení nebezpečí požáru, úrazu elektřinou a osobní újmy. Rádně si návod přečtěte, porozumějte veškerým pokynům a dodržujte všechny bezpečnostní pokyny a bezpečnostní varování. Seznamte se všemi ovládaními a řádným a bezpečným používáním tohoto zahradního drtiče. Tyto pokyny uschovejte pro příští použití.

### ZAŠKOLENÍ

- Návod si pečlivě přečtěte. Seznamte se s ovládaním a řádným používáním nástroje.
- Nenechte děti nebo osoby neseznámené s těmito pokyny pracovat s výrobkem. Místní předpisy mohou omezovat dobu obsluhy.
- Uživatel nebo obsluha tohoto zahradnického nástroje je zodpovědná za nehody nebo nebezpečí způsobená na jiné osobě nebo jejich majetku.

### PŘÍPRAVA

- Po celou dobu používání stroje noste ochranu sluchu a bezpečnostní brýle.
- Když s nástrojem pracujete, noste vždy pevnou obuv a dlouhé kalhoty. Se zařízením nepracujte, pokud máte obuty sandály s otevřenou špičkou, nebo pokud jste bosí. Zamezte nošení volných oděvů, nebo které mají vlající šňůrky nebo pásky.
- Výrobek provozujte pouze v doporučené poloze a pouze na pevném, rovném povrchu.
- Neprovozujte stroj na dlážděné nebo šterkové ploše, kdy by mohl vystřelený materiál způsobit poranění.
- Před použitím vždy zkontrolujte, a zajistěte, že drtičí prostředky, šrouby a jiné spojovací prvky jsou zabezpečeny, a že kryty, chrániče a přepážky jsou nepoškozené a na svém místě. Vyměňte opotřebované nebo poškozené díly, abyste zachovali rovnováhu. Vyměňte poškozené nebo nečitelné štítky.
- Před používáním zkontrolujte napájení a prodlužovací kabel na známky poškození nebo opotřebování. Pokud se kabel zničí během používání, odpojte kabel ihned z elektrické zásuvky. Nedotýkejte se kabelu před odpojením z elektrické zásuvky. Nepoužívejte nástroj, když je kabel poškozen nebo ve špatném stavu.
- Nikdy nepracujte s přístrojem, když jsou v blízkosti osoby, obzvláště děti nebo domácí zvířata.

### ELEKTRICKÁ BEZPEČNOST

- Před zapojením výrobku do elektrické sítě si prosím řádně přečtěte bezpečnostní pokyny.
- Elektrické zástrčky musí být shodné s elektrickou zásuvkou. Nepokoušejte se zástrčku jakýmkoliv způsobem upravovat. Nepoužívejte žádný adaptér zástrček se zemněným (uzemněným) elektricky poháněným nástrojem. Neupravené zástrčky a shodné zásuvky snižují nebezpečí elektrického úrazu.
- Před připojením k elektrické síti se ujistěte, že je napětí stejné jako na typovém štítku výrobku nebo v tomto návodu. Připojení výrobku k jinému zdroji napájení může způsobit poranění nebo škody.



- Výrobce doporučuje připojení k zásuvce chráněnou proudovým chráničem s vypínacím proudem 30 mA.
- Udržujte větrací otvory čisté od odřezků nebo jiných usazenin, zabráníte tím poškození zdroje napájení nebo nebezpečí požáru.
- Dávejte pozor, aby se napájecí kabel nedostal do kontaktu s horkem, olejem nebo ostrými hranami.
- Pokud je napájecí kabel poničen, musí být nahrazen speciálním kabelem nebo montážní sadou výrobce nebo jeho servisního pracovníka.
- Pokud potřebujete použít prodlužovací kabel, ujistěte se, že je vhodný pro venkovní použití a má dostatečnou proudovou kapacitu pro napájení nástroje. Prodlužovací kabel by měl být označen buď „H05 RN F“ nebo „H05 VV F“. Zkontrolujte před každým použitím na poškození, vždy během používání kabel plně rozviňte, smotaný kabel se může přehřívat. Poškozené napájecí kabely se nesmí opravovat, vždy vyměňte za stejný typ.
- Ujistěte se, zda je kabel umístěn tak, aby se nepoškodil, tedy aby se po něm nešlapalo, neklopýtalo se o něj a aby nebyl jiným způsobem vystaven možnému poškození či namáhání.
- Výkonové špičky během rozběhu motoru způsobují napěťovou fluktuaci, které mohou ovlivnit ostatní elektrické přístroje na stejném napájecím okruhu. Připojte výrobek ke zdroji napájení s impedancí rovné či menší jak 0,404 Ω pro minimalizaci napěťové fluktuace. Více informací vám poskytne váš dodavatel elektrické energie.

## BEZPEČNOSTNÍ PŘEDPISY PRO DRTIČ

### POUŽITÍ

- Nepožívejte stroj při špatném počasí, zejména, hrozí-li bouřky.
- Před spuštěním výrobku se ujistěte, že je vstupní komora prázdná.
- Sběrný box a kryt drtiče jsou chránění bezpečnostními zámkami, které zabraňují náhodnému kontaktu s pohyblivými částmi, které budou mít za následek vážná poranění. Sběrný box a kryt drtič jsou chránění bezpečnostními zámkami,

kteří zabraňují náhodnému kontaktu s pohyblivými částmi, které budou mít za následek vážná poranění.

- Udržujte obličej a tělo mimo vstupní otvor.
- Nenechávejte ruce nebo jakékoliv části těla nebo oděvu uvnitř vstupní komory, výsypného žlabu nebo v blízkosti pohyblivých částí.
- Nepřeceňujte se. Udržujte řádné postavení a rovnováhu po celou dobu práce. Nikdy nestůjte na vyšší úrovni, než je základna stroje, když vkládáte materiál k rozdrčení.
- Vždy se držte stranou výsypné zóny, když stroj funguje.
- Když vkládáte materiál do stroje, buďte velmi opatrní, aby se nepřímíchaly kusy kovu, kamenů, lahví, konvic nebo ostatních cizích předmětů.
- V případě, že řezací mechanismus narazí na cizí předměty, nebo pokud výrobek začne vydávat neobvyklé zvuky nebo vibrace, neprodleně vypněte motor stlačením vypínače. Nechte výrobek zastavit a odpojte výrobek od napájení. Proveďte následující kroky před opětovným použitím výrobku:
  - zjistěte škody
  - výměna a oprava všech poškozených dílů
  - zkontrolujte a utáhněte všechny volné části
- Nenechávejte kupit materiál ve výsypné části; toto může zabránit správnému vysypávání a může to způsobit odmrštění materiálu přes vstupní otvor.
- Pokud se výrobek ucpe, zastavte motor stlačením spínače vypnutí (OFF) a odpojte výrobek od elektrické sítě. Ujistěte se, že se všechny pohyblivé části zastavily před otevřením krytu drtiče nebo odstraněním příčiny ucpání.
- Nikdy neprovazujte nástroj s poškozenými chrániči nebo štíty nebo bez bezpečnostních zařízení, například lapačem úlomků.
- Udržujte větrací otvory čisté od odřezků nebo jiných usazenin, zabráníte tím poškození zdroje napájení nebo nebezpečí požáru.
- Nepřepřavujte výrobek, když je motor v chodu.
- Zastavte výrobek, odpojte od elektrické



sítě a ujistěte se, že se všechny pohyblivé části zcela zastavily:

- Před vyprázdněním pokladnice
  - je-li ponechán výrobek bez dozoru
  - před odstraněním ucpávky nebo před uvolněním násypky,
  - před kontrolou, čištěním nebo prací na nástroji,
- Nenaklánějte produkt, když motor běží.
  - Buďte v povzdálí po vložení materiálu k drcení. Působení vtahování materiálu do výrobku může způsobit náhlé pohyby nebo zkroucení exponovaného materiálu. Při provozu výrobku vždy používejte ochranu zraku.
  - Dochází-li při drcení k tvorbě prachu, noste vhodnou masku proti prachu pro ochranu dýchacího ústrojí.
  - Vypněte výrobek a nechejte všechny pohyblivé díly zastavit před vyjmutím sběrného boxu.
  - Nástroj nijak neupravujte nebo nepoužívejte příslušenství, jež nejsou doporučena výrobcem.
  - Udržujte zdroj napájení od odřezků nebo jiných usazenin, zabráníte tím poškození zdroje napájení nebo nebezpečí požáru.

## OCHRANA PROTI PŘETÍŽENÍ

Toto náradí je opatřeno ochranou proti přetížení. Pokud se zjistí přetížení, nástroj se automaticky vypne. Tlačítko ochrana před přetížením se nachází přímo u vypínače ON/OFF (ZAP/VYP). Tlačítko vyskočí, když je aktivována ochrana proti přetížení. Odpojte výrobek od napájení a postupujte podle pokynů pro čištění zablokování. Nechejte přístroj zchladit alespoň 3 až 5 minut. Po kontrole, zda nedošlo k zablokování, připojte napájecí kabel ke zdroji napájení a stiskněte tlačítko vynulování ochrany proti přetížení. Stiskněte spínač ON (ZAP) pro zapnutí motoru.

Pokud je ochrana před přetížením aktivována a není blokováno, mohlo dojít k přetížení, když se přiváděl materiál do výrobku příliš rychle a příliš dlouhý, což způsobuje přehřátí motoru. Nechte motor vychladnout. Před opětovným restartem výrobku vyprázdňte sběrný box.

## ODSTRANĚNÍ PŘÍČINY ZABLOKOVÁNÍ

### ⚠ VAROVÁNÍ

Čepele jsou ostré a je pravděpodobné, že budou horké. Vždy používejte odolné ochranné rukavice při kontrole a odstraňování ucpání.

- Pokud se výrobek ucpe nebo zablokuje, nebo je-li aktivována ochrana proti přetížení, postupujte podle následujících pokynů:
  - Vypněte produkt a odpojte jej od elektrické sítě.
  - Ujistěte se, že se všechny pohyblivé díly zastavily.
  - Vyjměte a vyprázdňte sběrný box.
  - Odstraňte veškerý exponovaný materiál v podávacím žlabu.
  - Povolte šroub krytu drtiče a otevřete horní kryt na jeho závěsu pro obnažení řezacího mechanismu.
  - Odstraňte veškeré nečistoty blokující vstupní komoru jejich vytažením zevnitř.

### ⚠ VAROVÁNÍ

Nože se mohou ještě pohybovat, i když je vypnuto napájení. Dbejte zvýšené opatrnosti v celé oblasti nožů.

- Opatrně odstraňte nečistoty kolem nožů vhodným ručním nástrojem. Ručním náradím přesuňte kovové destičky držící nože a zkontrolujte, zda byla příčina ucpání odstraněna. Nevkládejte ruční nástroj do ostré hrany lopatek; dojde tím k poškození nožů.
- Pokud nemůžete vidět sběrný box, když se řezné prostředky točí, musíte odstranit nečistoty v této oblasti. Pomocí nástroje pečlivě vyčistěte oblast.
- Po odstranění příčiny ucpání, zavřete horní kryt a zašroubujte šroub krytu drtiče, aby se aktivovalo bezpečnostní blokování.
- Pokud se vám nedaří úspěšně odstranit příčinu ucpání, nebo pokud zjistíte poškození, předejte výrobek autorizovanému servisnímu středisku k opravě.



## TRANSPORT A SKLADOVÁNÍ

- Ujistěte se, že byl výrobek před uložením na čisté, suché místo, mimo dosah dětí, řádně vyčištěn.
- Nechejte výrobek dostatečně zchladit před skladováním nebo přepravou.
- Při transportu drtiče jej zajistěte proti pádu či pohybu ve vozidle.

## ÚDRŽBA

- Před prohlídkou, čištěním nebo údržbou vypněte drtič, počkejte, až se všechny pohyblivé části zcela zastaví a odpojte z elektrické zásuvky. Odpojte výrobek od elektrické zásuvky.
- Po několika drceních se řezací mechanismus zahřeje. Nechte řezací mechanismus přiměřeně vychladnout před čištěním, kontrolou nebo otáčením nože.

### ⚠ VAROVÁNÍ

Řezací nože jsou velmi ostré. Pro zabránění poranění osob buďte velmi opatrní při čištění či práci v blízkosti nožů nebo v prostoru otevřeného krytu, když je sběrný box odebrán. Používejte vždy odolné ochranné rukavice.

### ⚠ VAROVÁNÍ

Nože se mohou ještě pohybovat, i když je vypnuto napájení. Dbejte zvýšené opatrnosti v celé oblasti nožů.

- Abyste zajistili nejlepší výkon výrobku, musí být stále čistý.
- Po použití vždy ihned výrobek vyčistěte. Vždy dle možností používejte tvrdý štětec ve vstupních a vyhazovacích otvorech a suchou utěrku na vnější povrch drtiče.
- Pro optimální výkon drcení nenechte materiál zaschnout a ztvrdnout na žádném z povrchů výrobku, zejména na nožích.
- Ujistěte se, že plnicí násypka a výsypaný žlab jsou stále čisté a bez odpadního materiálu.
- Řezací nože umístěné v produktu mají řezací hrany. Nože lze otočit o 180°, pokud je jediná hrana tupá. Viz strana 175. Nahradejte originálními díly RYOBI, pokud jsou vaše nože tupé, ozubené nebo popraskané.

- Ujistěte se, že všechny matice, šrouby a čepy jsou utaženy a zajištěny, především šrouby nožů.
- Jakékoliv poškozené nebo opotřebované součásti se musí opravovat nebo vyměňovat kvalifikovanou osobou v autorizovaném servisním středisku.
- Nikdy se nepokoušejte obejít bezpečnostní blokovací spínače na horním krytu drtiče; mohlo by to vést k vážnému poranění osob, včetně amputace.

### ⚠ VAROVÁNÍ

Nikdy nenechte přijít brzdové kapaliny, petroleje, výrobky založené na petroleji, pronikavé oleje, atd. do kontaktu s plastovými součástmi. Nikdy nepoužívejte brzdovou kapalinu, benzín, ropné výrobky ani rozpouštědla pro čištění nástroje. Mnoho plastů je citlivých na poškození různými typy komerčních rozpouštědel a mohou být jimi poškozeny.

- Vy sami můžete provádět úkony údržby popsané v tomto návodu k obsluze. Pro jiné opravy nebo poradenství, požádejte o pomoc autorizované servisní středisko.

## ZBYTKOVÁ RIZIKA

Dokonce, i když se výrobek provozuje jak je předepsáno, je stále nemožné zcela eliminovat veškeré zbytkové rizikové faktory. Následující nebezpečí mohou nastat při používání; vyhýbejte se:

- Zranění způsobené hlukem
  - Noste ochranu sluchu a omezte vystavení.
- Poranění způsobené inhalací prachu a částic
  - Noste respirátor.
- Poranění způsobená kontaktem s řeznými prostředky
  - Vždy udržujte všechny části těla mimo drtičí prostředky.
- Zranění způsobená odletujícími úlomky
  - Používejte ochranu zraku po celou dobu a držte části těla od oblasti kolem podávacího žlabu.

## POZNEJTE SVŮJ NÁSTROJ

Viz strana 168.

1. Kryt drtiče
2. Plnicí násypka
3. Rukojeť
4. Šroub krytu drtiče
5. Tlačítko resetu ochrany proti přetížení
6. Spínač ZAPNUTO/YPNUTO
7. Bezpečnostní spínací klíč
8. Žací nůž
9. Napájecí kabel
10. Kovový rám
11. Sběrný box
12. Kolo
13. Píst

## PRŮVODCE DRCENÍM

Pro nejlepší výsledky při drcení dodržujte pokyny v tabulce dole.

MATERIÁL	DRTÍCÍ METODA
Větve o průměru až 6 mm	Vkládejte do plnicí násypky při rychlosti kterou drtič akceptuje bez přetížení. Použijte palici pro zasunutí materiálu do komory, je-li nutno.
Větve o průměru až 45 mm.	Ostříhejte všechny boční porost zahradními nůžkami, než je vložíte do podávacího žlabu. Použijte palici pro zasunutí materiálu do komory, je-li nutno.
Rostliny, plevel a křoviny	Vyklepejte půdu a kameny z kořenů pro zamezení poškození nožů.
Čerstvě ostříhané listy, větve živého plotu a kuchyňský odpad (tj. listy salátu, slupky zeleniny atd.)	U materiálů, které mají vysokou vlhkost, je doporučeno vkládat s několika suchými kusy v pravidelných intervalech pro lepší zasunutí materiálu do řezacího ústrojí a zabránění ucpání.
Suché větve a pruty	Jejich vložení na konci drcení napomůže vyčistit vlhkost a mizu z větvi z nitra drtiče a drtící sestavy.

- Nenechávejte hromadit zahradní odpad

před drtičem, protože začne kompostovat, příliš zvlhne a ucpe drtící jednotku. Suchý materiál je nejlepší pro sykou drť. Odložte si některé suché kusy, aby vám pomohli ke konci drcení vyčistit oblast drcení.

- Často kontrolujte hromadění/tvorbu drceného materiálu.
- Zakončení vyhadzovacího otvoru musí být vždy čisté, aby se zabránilo blokacím.
- Když je sběrný box plný, výrobek vypněte před vyprázdněním.

### ⚠ VAROVÁNÍ

Nedávejte své ruce dovnitř výspného žlabu pro vyčištění nadrceného materiálu, když je výrobek zapnut nebo připojen ke zdroji napájení. Nože jsou velmi ostré. Noste odolné rukavice a buďte mimořádně opatrní při čištění a odstraňování příčin a vlastního blokování.

### ⚠ VAROVÁNÍ

Když vkládáte dlouhé větve/stonky do výrobku, připravte se na vibrace a cukání, když se zachytí v drtícím ústrojí. Během používání drtiče musí obsluha vždy nosit ochranu zraku.

### ⚠ VAROVÁNÍ

Drtící zařízení má tendenci vtahovat větve/stonky do výrobku. Nepokoušejte se bránit vstupování materiálu k sekání po zapnutí drtiče. Vždy noste rukavice při vkládání materiálu do drtiče pro ochranu pokožky před odřením.

**POZNÁMKA:** Při normálním používání nevypínejte výrobek, dokud všechny drcené materiály neopustí drtící jednotku. Pokud se výrobek vypne příliš rychle, zbytkové kusy materiálu mohou ucpat drtící jednotku a zastavit motor, když se výrobek znovu zapne.

## SYMBOLY NA VÝROBKU



Řádně si návod přečtěte, porozumějte veškerým pokynům a dodržujte všechny bezpečnostní pokyny a bezpečnostní varování.



Dávejte pozor na odmrštěné nebo odletující předměty. Všechny přihlízející, zvláště děti a zvířata udržujte ve vzdálenosti alespoň 15 m od pracovní oblasti.



Nebezpečí - Rotující nože. Mějte ruce a nohy mimo otvory, když nástroj běží.



Jakmile se poškodí nebo pořízne kabel, ihned vypněte a vytáhněte zástrčku ze zásuvky.



Ochrana očí a sluchu



Nepoužívejte jako schůdek k dosažení vyšších míst.



Než se dotknete součástí, počkejte, až se zcela zastaví všechny díly stroje.



Navlékněte si pevné neklouzavé rukavice.



Udržujte ruce mimo nože.



Toto náradí je v souladu se všemi normami a předpisy platnými v zemi EU, ve které bylo zakoupeno.



Ukrainian mark of conformity.



Odpad elektrických výrobků se nesmí likvidovat v domovním odpadu. Recyklujte prosím na sběrných místech. Ptejte se u místních úřadů nebo prodejce na postup při recyklaci.



Zařízení třídy II, dvojitě izolováno



Zaručená hladina akustického výkonu je 107 dB.



Stiskněte pro reset



Euroasijská značka shody

## SYMBOLY V NÁVODU



Zapojení do elektrické zásuvky



Odpojení od elektrické sítě



Díly nebo příslušenství jsou v prodeji samostatně



Odpad elektrických výrobků se nesmí likvidovat v domovním odpadu. Recyklujte prosím na sběrných místech.



Poznámka



Varování



Zamknuto



Odemknuto

Následující signální slova a významy jsou vhodné pro vysvětlení úrovně nebezpečí spojených s tímto výrobkem.

### ⚠ NEBEZPEČÍ

Označuje bezprostředně rizikovou situaci, které je třeba předejít, jinak bude jejím následkem smrt nebo vážné zranění.

### ⚠ VAROVÁNÍ

Označuje možnou rizikovou situaci, které je třeba předejít, jinak jejím následkem může být smrt nebo vážné zranění.

### ⚠ VAROVÁNÍ

Označuje možnou rizikovou situaci, které je třeba předejít, jinak jejím následkem může být smrt nebo vážné zranění.

### VAROVÁNÍ

Bez symbolu bezpečnostní výstrahy Určuje situaci, která může mít za následek vážné poškození.

Az elektromos aprító kifejlesztésekor a biztonságot, a teljesítményt és a megbízhatóságot tartottuk szem előtt.

## RENDELTETÉSSZERŰ HASZNÁLAT

Az elektromos aprító a szerves kerti hulladék, mint az ágak, gallyak és levelek apró darabokra vágására lett kifejlesztve.

A termék szabadban történő használatra készült, álló helyzetben, kemény és szilárd felületen, ahol a kezelő ugyanazon a szinten áll, mint a termék alapzata.

Ezt a terméket nem használhatják gyerekek és korlátozott fizikai, érzékelési vagy mentális képességekkel rendelkező személyek.

A termék nem alkalmas szervetlen anyagok, fémek vagy bármilyen, a 45 mm-es átmérővel meghatározott maximális vágási kapacitásnál nagyobb anyagok feldolgozására.

A terméket fel kell szerelni a mellékelt állványra, és használni kell a mellékelt gyűjtődobozt. Nem szabad a kézikönyvben ismertetett vagy bemutatott módtól eltérően felszerelni.

## ÁLTALÁNOS BIZTONSÁGI ELŐÍRÁSOK

### ▲ FIGYELMEZTETÉS

A termék használatakor a tűz, elektromos áramütés és a személyi sérülések veszélyének csökkentése érdekében az alapvető biztonsági óvintézkedéseket mindig be kell tartani. A termék használata előtt olvassa el és értse meg a kezelési útmutatóban leírtakat, és tartsa be az összes figyelmeztető és biztonsági utasítást. Győződjön meg róla, hogy ismeri a termék kezelőszerveit, valamint a gép megfelelő és biztonságos használatának módját. Tartsa meg a kézikönyvet, hátha a későbbiekben szüksége lehet rá.

## GYAKORLÁS

- Figyelmesen olvassa el az utasításokat. Legyen tisztában a termék kezelőszerveivel és helyes használatával.
- Ne hagyja, hogy gyerekek vagy a termék használatát nem ismerő felnőttek használják a terméket. A helyi előírások korlátozhatják a kezelő életkorát.
- Jegyezze meg, hogy a kezelő vagy a

felhasználó felelős a más embereknek vagy tulajdonuknak okozott veszélyekért vagy balesetekért.

## ELŐKÉSZÜLET

- A gép használata közben mindig viseljen fülvédőt és védőszemüveget.
- A termék működtetése közben mindig megfelelő lábbelit és hosszú nadrágot viseljen. Ne használja a gépet meztláb vagy nyitott szandálban. Kerülje a bő ruhák viseletét, vagy amelyből kábelek vagy madzagok lógnak ki.
- Csak a javasolt pozícióban és stabil, vízszintes felületen működtesse a terméket.
- Ne használja a gépet kavicsos vagy kövezett felületen, ahol a kidobott anyag sérülést okozhat.
- Használat előtt mindig vizsgálja át vizuálisan a terméket, és ellenőrizze az aprító eszközök, a csavarjaik és más kötőelemek rögzítését, a burkolat, a védőburkolatok és terelők épségét, és megfelelő felszerelését. Az egyensúly megtartása érdekében az elhasználdott vagy sérült alkatrészeket teljes készletben cserélje ki. A sérült vagy olvashatatlan címkéket cserélje ki.
- Használat előtt ellenőrizze a táp- és hosszabbító kábelt sérülések vagy elöregedés tekintetében. Ha használat közben a tápkábel megsérült, azonnal húzza ki a kábelt az elektromos hálózati aljzathoz. Az elektromos hálózatról való leválasztás előtt ne érjen a kábelhez. Ne használja a gépet, ha a tápkábel károsodott vagy elhasználdott.
- Soha ne működtesse a gépet, ha emberek - különösen gyerekek - vagy állatok vannak a közelben.

## ELEKTROMOS BIZTONSÁG

- Alaposan tanulmányozza át ezeket a biztonsági előírásokat, még mielőtt csatlakoztatja a terméket az elektromos hálózathoz.
- A dugasztnak illeszkednie kell az aljzathoz. Semmilyen módon ne módosítsa a dugaszt. A földelt elektromos gépekhez ne használjon adapter dugaszt. A nem módosított és illeszkedő dugasz csökkenti az áramütés kockázatát.



## AZ ELEKTROMOS APRÍTÓRA VONATKOZÓ BIZTONSÁGI ELŐÍRÁSOK

### HASZNÁLAT

- A terméknek az elektromos hálózatba való csatlakoztatása előtt ellenőrizze, hogy az adattábláján vagy a kézikönyvben feltüntetett feszültség és az elektromos hálózati feszültség megegyeznek. Bármilyen más áramforráshoz való csatlakoztatás sérülést vagy károsodást okozhat.
  - A gyártó azt javasolja, hogy a gépet csatlakoztassa egy 30 mA-es vagy kisebb kioldóáramú áram-védőkapcsolóval (RCD) ellátott aljzatba.
  - A motor károsodásának vagy tűz kialakulásának megelőzése érdekében a szellőzőnyílásokat tartsa lerakódástól és minden másfajta hulladéktól mentesen.
  - Hőtől, olajtól és éles szélektől tartsa távol a tápkábelt.
  - Ha a tápkábel sérült, azt a gyártótól vagy a szervizképviselőtől beszerezhető speciális kábellel vagy szerelvényvel kell kicserélni.
  - Ha hosszabbító kábelt kell használnia, ügyeljen arra, hogy az kültéri használatra alkalmas és a gép meghajtásához elégséges teljesítményű legyen. A hosszabbító kábelnek „H05 RN F” vagy „H05 VV F” jelöléssel kell rendelkeznie. Minden használat előtt ellenőrizze sérülések tekintetében, használat közben mindig tekerje szét, mert az összetekert kábel túlmelegedhet. A sérült hosszabbító kábeleket tilos megjavítani, azokat azonos típusúra kell kicserélni.
  - Ügyeljen rá, hogy a tápkábel úgy legyen elvezetve, hogy azt ne vágják el a vágószerszámok, arra ne lépjenek rá, ne botoljanak el benne, és más módon se károsítsák vagy feszítsék meg.
  - A motor indítása közbeni feszültségtüske ingadozásokat okozhat, ami az azonos áramkörbe kapcsolt más elektromos termékek működésére is hatással lehet. A terméket egy 0,404 vagy kisebb impedanciával rendelkező elektromos hálózati aljzatba csatlakoztassa, hogy minimalizálja a feszültségingadozásokat. További információkért forduljon az áramszolgáltatóhoz.
- Kerülje a termék használatát rossz időjárási feltételek mellett, különösen villámlás esetén.
  - A termék beindítása előtt mindig ellenőrizze, hogy az adagolókamra üres.
  - A termék nem fog működni, ha a gyűjtődoboz nem megfelelően van felszerelve vagy az aprító burkolata nem megfelelően zárt, és az aprító burkolat gombja nincs teljesen betekerve. A gyűjtődoboz és az aprító burkolata biztonsági reteszekkel van ellátva, melyek segítenek megakadályozni a mozgó részek véletlen megérintését és a súlyos sérüléseket.
  - Az arcát és a testét tartsa távol az etetőnyílástól.
  - Ne hagyja, hogy ruházata, kezei vagy bármilyen más testrésze az etetőcsúszdába, a kibóbcúszdába vagy bármilyen mozgó alkatrész közelébe kerüljön.
  - Ne hajoljon ki túlságosan. Mindig tartson megfelelő testtartást és egyensúlyt. Az anyagok beadagolásakor soha ne álljon a gép alappozitánál magasabbra.
  - A gép használatakor mindig álljon távol a kiürítési területtől.
  - Az anyagok a gépbe való adagolásakor különösen figyeljen oda, hogy fémdarabok, kövek, palackok, dobozok vagy más idegen tárgyak ne kerüljenek a gépbe.
  - Ha a vágómechanizmus bármilyen idegen tárgyat etalál, vagy ha a termék bármilyen szokatlan hangot vagy vibrációt kezd kibocsátani, a kikapcsoló megnyomásával azonnal állítsa le a motort. Hagyja megállni a terméket, és válassa le az elektromos hálózatról. Az újraindítás és a termék működtetése előtt végezze el a következő lépéseket:
    - vizsgálja át a gépet sérülések tekintetében
    - cserélje ki vagy javítsa meg a sérült alkatrészeket
    - ellenőrizze és húzza meg a meglazult alkatrészeket
  - Ne hagyja, hogy a felaprított anyag felgyűljön a kiürítési zónában; ez





meggátolhatja a megfelelő üritést, és az anyag visszalökődhet az etetőnyílásba.

- Ha a termék eltömődik, állítsa le a motort a KI kapcsoló megnyomásával, és válassza le a terméket az elektromos hálózatról. Ellenőrizze, hogy minden mozgó rész megállt, mielőtt kinyitná az aprító burkolatát vagy megkísérelné megszüntetni az eltömődést.
- Soha ne működtesse a terméket hibás védőburkolatokkal vagy védőlemezekkel, illetve biztonsági berendezések, például felhelyezett hulladékgyűjtő nélkül.
- A motor károsodásának vagy tűz kialakulásának megelőzése érdekében a szellőzőnyílásokat tartsa lerakódástól és minden másfajta hulladéktól mentesen.
- Ne szállítsa a terméket, amikor a motor jár.
- Az alábbi esetekben állítsa le a terméket, és válassza le azt az elektromos hálózatról, és várja meg, hogy az összes mozgó rész teljesen megálljon:
  - kiürítése előtt gyűjtőkosárba
  - a termék felügyelet nélkül hagyása esetén
  - eltömődés megszüntetése vagy az ürítőcsúszda kitisztítása előtt,
  - ellenőrzés, karbantartás vagy a gépen végzett bármilyen művelet megkezdése előtt;
- Ne döntse meg a terméket, amikor a motor jár.
- Az anyag beadagolása után tartsa tisztán az etetőnyílást. A feldolgozandó anyag a termékbe való behúzásakor hirtelen mozgást végezhet vagy megtekeredhet. A termék használatakor mindig viseljen szemvédőt.
- Ha az aprítás közben por képződik, vegyen fel pormaszkot, hogy ezzel segítse megelőzni a légutak károsodását.
- Kapcsolja ki a terméket, és a gyűjtődoboz eltávolításakor minden mozgó részt hagyjon megállni.
- Semmilyen módon ne módosítsa a gépet vagy használjon a gyártó által nem ajánlott alkatrészeket és tartozékokat.
- A hajtómű károsodásának vagy tűz kialakulásának megelőzése érdekében a hajtóművet tartsa lerakódástól és minden másfajta hulladéktól mentesen.

## TÜLTERHELÉS ELLENI VÉDELEM

A szerszám fel van szerelve egy túlterhelés elleni védőeszközzel. Túlterhelés érzékelése esetén a gép automatikusan kikapcsol. A túlterhelés elleni védelem gombja a BE/KI kapcsoló után található. A gomb felugrik, ha a túlterhelés elleni védelem bekapcsol. Válassza le a terméket a hálózatról, és kövesse az utasításokat az eltömődés megszüntetéséhez. 3–5 percig hagyja lehűlni a motort. Miután ellenőrizte, hogy nincs eltömődés, csatlakoztassa a tápkábelt az áramellátásba, és nyomja be a túlterhelés elleni védelem visszaállítása gombot. Nyomja be a BE kapcsolót a motor bekapcsolásához.

Ha a túlterhelés elleni védelem aktiválva van és nincs eltömődés, a túlterhelés akkor alakulhatott ki, amikor túl hosszú ideig és túl gyorsan adagolt a termékbe az anyagot, ami motor túlhevülését okozta. Hagyja lehűlni a motort. A termék újraindítása előtt ürítse ki a gyűjtődobozt.

## ELTÖMÖDÉS MEGSZÜNTETÉSE

### ▲ FIGYELMEZTETÉS

A kések élesek és valószínűleg forróak. Egy eltömődés ellenőrzésekor és megszüntetésekor mindig viseljen nehéz igénybevételre tervezett védőkesztyűt.

- Ha a termék eltömődik vagy elakad, vagy ha a túlterhelés elleni védelmi eszköz aktiválva van, kövesse az utasításokat:
  - Kapcsolja ki a terméket, és húzza ki a csatlakozót a hálózathoz.
  - Ellenőrizze, hogy minden forgó rész megállt.
  - Távolítsa el és ürítse ki a gyűjtődobozt.
  - Távolítsa el az etetőcsúszdában található anyagokat.
  - Tekerje ki az aprító burkolatának gombját, és nyissa ki a felső burkolatot a zsanérokra, hogy hozzáférjen a vágási mechanizmushoz.
  - Belülről kihúzva távolítsa el az adagolókamrát elzáró hulladékot.

### ▲ FIGYELMEZTETÉS

A kések még az áramellátás kikapcsolása után is mozoghatnak. Legyen rendkívül óvatos a kések körüli területen.





- Egy arra alkalmas kézi eszközzel óvatosan távolítsa el a hulladékot a kések körül. A kézi eszközzel mozgassa a késeket tartó fémlemezeket, hogy ellenőrizze az eltömődés megszűnését. Ne helyezze be a kézi eszközt a kések éles éléhez; ha ezt teszi, károsítja a kések életét.
- Ha nem látja a gyűjtődobozt a vágóeszközök forgásakor, el kell takarítania a hulladékot arról a területről. Egy eszközzel óvatosan tisztítsa meg a területet.
- Amikor megszüntette az eltömődést, zárja be a felső burkolatot, és tekerje be az aprító burkolatának gombját, hogy rögzítse a biztonsági reteszeket.
- Ha nem sikerült megszüntetnie az eltömődést, vagy ha sérülést észlel, javításra vigye el a terméket egy hivatalos szervizközpontba.

## SZÁLLÍTÁS ÉS TÁROLÁS

- Ügyeljen rá, hogy a termék tiszta, száraz és biztonságos, gyerekek által nem elérhető helyen való tárolása előtt alaposan meg legyen tisztítva.
- Tárolás vagy szállítás előtt hagyja megfelelően lehűlni a terméket.
- A termék szállításakor ügyeljen arra, hogy az leesés és elmozdulás ellen megfelelően rögzítve legyen a járműben.

## KARBANTARTÁS

- A termék tisztítás, átvizsgálás és szervizelés előtt kapcsolja ki, és várja meg, hogy a kések teljesen megálljanak. Disconnect the product from the power supply.
- Aprítás közben bizonyos idő után a vágó mechanizmus felmelegszik. Tisztítás, átvizsgálás vagy a kések forgatása előtt hagyja megfelelően lehűlni a vágómechanizmust.

### ▲ FIGYELMEZTETÉS

A vágókések különösen élesek. A sérülések elkerülésére legyen különösen óvatos és körültekintő, amikor a kések környezetét tisztítja vagy ott dolgozik, vagy a nyitott burkolatban végez valamilyen műveletet, amikor a gyűjtődoboz el van távolítva. Mindig viseljen nehéz igénybevételre tervezett védőkesztyűt.

### ▲ FIGYELMEZTETÉS

A kések még az áramellátás kikapcsolása után is mozoghatnak. Legyen rendkívül óvatos a kések körüli területen.

- A terméket a legjobb teljesítmény érdekében tisztán kell tartani.
- A használat után mindig azonnal tisztítsa meg a terméket. Amikor csak lehetséges, használjon kemény kefést az etető- és kidobócsúszda, és száraz törőruhát a termék külsejének tisztításakor.
- Az optimális aprítási teljesítményhez ne várja meg, hogy az anyag rászáradjon és megkeményedjen a termék valamely felületén, különösen ne a késeken.
- Ügyeljen rá, hogy az etetőcsúszda és a kidobócsúszda mindig tiszta és hulladékanyagtól mentes legyen.
- A termékbe szerelt vágókéseknek két vágóélük van. Ha az egyik él eltompul, a kések 180°-kal megfordíthatók. Lásd 175-176. oldal. Cserélje ki eredeti RYOBI alkatrészekre, ha a vágókések eltompultak, kicsorbultak vagy megrepedtek.
- Ellenőrizze, hogy a csavaranyák, csavarok és fejecsavarok meg vannak húzva, különösen a kések csavarjai.
- A sérült vagy elkopott alkatrészeket mindig szakképzett személlyel javíttassa meg vagy cseréltesse ki egy hivatalos szervizközpontban.
- Soha ne próbálja kiiktatni a biztonsági reteszelő kapcsolókat a felső aprító burkolaton; ez súlyos személyi sérüléshez vezethet, még akár testrészelevágáshoz is.



### ▲ FIGYELMEZTETÉS

A műanyag részek semmilyen körülmények között nem érintkezhetnek fékolajjal, benzinnel, petróleum alapú termékekkel, beszívódó olajokkal stb. Ne használjon fékfolyadékot, benzint, petróleum-alapú termékeket vagy bármilyen oldószert a szerszám tisztításához. A legtöbb műanyag érzékeny a különböző típusú kereskedelmi oldószerekre és azok használata esetén károsodhat.

- Elvégezheti a karbantartási feladatokat a kézikönyvben leírtak szerint. További javításokért vagy tanácsért kérjen segítséget egy hivatalos szervizközpontban.

### FENNMARADÓ KOCKÁZAT

Még a termék rendeltetésszerű használata esetén sem lehet teljesen kiküszöbölni minden kockázati tényezőt. A gép használata során a következő veszélyek merülhetnek fel, és a kezelőnek különösen oda kell figyelnie az alábbiak elkerülésére:

- Zaj okozta sérülések
  - Viseljen hallásvédőt és korlátozza a zajnak való kitettséget.
- Por és részecskék belélegzése okozta sérülés.
  - Viseljen pormaszkot.
- Vágóeszközökkel való érintkezés okozta sérülés
  - A védtelen testrészeit mindig tartsa távol a vágóeszközöktől.
- A gép által kidobott hulladék okozta sérülés
  - Mindig viseljen szemvédőt, és a testrészeit tartsa távol az etetőcsúszda területétől.

### ISMERJE MEG A TERMÉKET

Lásd 168. oldal.

1. Aprító burkolata
2. Etetőcsúszda
3. Fogantyú
4. Aprító burkolata gomb
5. Túlterhelés elleni védelem visszaállító gomb
6. BE/KI kapcsoló gomb
7. Biztonsági kapcsoló kulcs
8. Vágókés
9. Tápkábel

10. Fém keret
11. Gyújtótartály
12. Kerék
13. Dugattyú

### APRÍTÁSI ÚTMUTATÓ

A legjobb eredmény érdekében kövesse a lenti táblázatban látható útmutatásokat.

#### ANYAG APRÍTÁSI MÓDSZER

Gallyak 6 mm-es átmérőig.

Olyan tempóban adagolja az anyagot az etetőcsúszdába, amely még nem terheli túl a terméket. Ha szükséges, a mellékelt dugattyúval tömködjé az anyagot a csúszdába.

Ágak 45 mm-es átmérőig.

Metszőollóval csipkedje le az oldalsó hajtásokat, még az adagolócsúszdába való beadagolás előtt. Ha szükséges, a mellékelt dugattyúval tömködjé az anyagot a csúszdába.

Ágyazott palánták, gaz és sövényhajtások.

A kések sérülésének elkerülése érdekében a gyökerekről távolítsa el a talajt és a köveket.

Frissen vágott lomb, sövény és konyhai hulladék (pl. káposztamaradék, zöldségek héja stb.).

Bármilyen nagy nedvességtartalmú anyag esetében tanácsos rendszeresen száraz darabokat is beadagolni, ami segíti az anyag a vágószerelevényen való áthaladását és megakadályozza az eltömődést.



Száraz gallyak és ágak

Ha ilyeneket adagol a gépbe az aprítás végén, azzal segít eltávolítani a termék belsejéből és a vágószerelvényből a nedvességet és a növény nedveit.

- Ne hagyja, hogy az aprítás előtt a kerti hulladék összegyűljön és komposztálódni kezdjen, és így túl nedves legyen és eltömítse a vágószerelvényt. A száraz anyag segít a legtöbb anyag eltávolításában a kidobócsúszdából. Hagyjon néhány száraz fadarabot a végére a kések körüli terület tisztításához.
- Rendszeresen ellenőrizze az aprított anyag felgyülemelését/összetömörödését.
- Az ürítőcsúszda kimenetének az eltömődés megakadályozása érdekében mindig tisztának kell lennie.
- Amikor a gyűjtődoboz megtelt, kapcsolja ki a terméket a kiürítéshez.

#### ▲ FIGYELMEZTETÉS

Ne dugja a kezét az aprító kidobócsúszdájának belsejébe az aprított anyag eltakarításához, ha a termék be van kapcsolva vagy csatlakoztatva van az elektromos hálózatra. A kések élesek. Viseljen nehéz igénybevételhez tervezett kesztyűt, és legyen különösen óvatos a tisztításakor és az eltömődések tisztításakor.

#### ▲ FIGYELMEZTETÉS

Hosszú faágak/gallyak termékbe való adagolásakor figyeljen oda, mert a vágókés rángathatja és rezegtetheti azokat. A kezelőnek a termék használatakor mindig szemvédőt kell viselnie.

#### ▲ FIGYELMEZTETÉS

A vágóeszköz hajlamos behúzni az ágakat/gallyakat a termékbe. Ne próbálja meggátolni a vágandó anyag előrehaladását az adagolás megkezdése után. Mindig vegyen fel kesztyűt a termék adagolásakor, hogy megelőzze a bőre felhorzsolását.

**MEGJEGYZÉS:** Normál használatkor addig ne kapcsolja ki a terméket, amíg az összes

aprított anyag kinem ürült a vágószerelvényből. A termék túl gyors kikapcsolása esetén a visszamaradt anyagdarabok beakadhatnak a készszerelvénybe, és a termék újbóli bekapcsolásakor megakaszthatják a motort.

### SZIMBÓLUMOK A TERMÉKEN



A termék használata előtt olvassa el és értse meg a kezelési útmutatóban leírtakat, és tartsa be az összes figyelmeztető és biztonsági utasítást.



Figyeljen a kivetett vagy repülő tárgyakra. Az összes nézelődő, különösen a gyerekek és a háziállatok, legyenek legalább 15 m-es távolságra a használati területtől.



Veszély – Forgó kések. A termék működése közben a kezeit és a lábát tartsa távol a nyílásoktól.



Karbantartás előtt, vagy ha a kábel sérült, kapcsolja ki a gépet, és húzza ki a kábelt az elektromos hálózattól.



Viseljen szem- és fülvédőt.



Ne használja fellépőként.



Megérintésük előtt várja meg, amíg a gép összes alkarészé teljesen megáll.



Viseljen nem csúszós, nehéz igénybevételre tervezett kesztyűt.



Tartsa a kezeit távol a késektől.



Ez a szerszám minden, a vásárlás európai uniós országában hatályos szabványnak megfelel.



Ukrainai megfelelőségi nyilatkozat



A kiselejtezett elektromos termékeket nem szabad a háztartási hulladékkal együtt kidobni. Ezeket újra kell hasznosítani, ha van rá lehetőség. Az újrahasonosítással kapcsolatban érdeklődjön a helyi önkormányzatnál vagy a termék forgalmazójánál.



Class II gép, kettős szigetelés



A garantiált hangteljesítményszint 107 dB.



Nyomja meg a visszaállításhoz



Eurázsiai megfelelési jelzés

## A KÉZIKÖNYVBEN HASZNÁLT SZIMBÓLUMOK



Csatlakoztassa egy elektromos hálózati aljzathoz.



Húzza ki az elektromos hálózati aljzathból.



Külön értékesített alkatrészek és kiegészítők



A kiselejtezett elektromos termékeket nem szabad a háztartási hulladékkal együtt kidobni. Ezeket újra kell hasznosítani, ha van rá lehetőség.



Megjegyzés



Figyelem



Retesz



Szétnyitás

a termékkel kapcsolatos veszélyességi szinteket.

### ⚠ VESZÉLY

Egy bekövetkező veszélyes helyzetet jelez, ami, ha nem előzik meg, halált vagy komoly sérülést eredményez.

### ⚠ FIGYELMEZTETÉS

Egy potenciálisan bekövetkező veszélyes helyzetet jelez, amit, ha nem előznek meg, halált vagy komoly sérülést eredményezhet.

### ⚠ FIGYELEMFLHÍVÁS

Egy potenciálisan veszélyes helyzetet jelez, ami, ha nem előzik meg, kisebb vagy mérsékelt sérülést eredményezhet.

### FIGYELEMFLHÍVÁS

Biztonsági figyelmeztető szimbólum nélkül  
Egy olyan helyzetet jelez, ami anyagi kárt eredményezhet.

A következő jelölőszavak és jelentések arra szolgálnak, hogy megmagyarázzák



Au fost acordate priorități maxime asupra siguranței, performanței și fiabilității în proiectarea tocătorului dvs. electric cu impact.

### UTILIZARE PREVĂZUTĂ

Tocătorul electric cu impact este proiectat pentru reducerea deșeurilor organice de grădină, precum crengile, ramurile și frunzișul în bucăți mici.

Produsul este destinat pentru uzul exterior în poziție staționară, pe un sol ferm și drept, de către un operator în picioare la același nivel cu baza produsului.

Produsul nu este destinat a fi folosit de către copii sau persoane cu capacități fizice, mintale sau senzoriale reduse.

Produsul nu este destinat pentru materie non-organică, metale sau orice material ce depășește capacitatea maximă de tăiere de 45 mm în diametru.

Produsul trebuie montat pe un standul furnizat și trebuie folosit cu cutia de colectare furnizată. Nu este destinat a fi montat în orice alt fel decât cel descris sau arătat în acest manual.

### INSTRUCȚIUNI GENERALE DE SIGURANȚĂ

#### ▲ AVERTISMENT

Atunci când folosiți produsul trebuie urmate precauții de siguranță de bază pentru a reduce riscul de incendiu, electrocutare sau vătămare personală. Citiți și înțelegeți toate instrucțiunile înainte de operarea produsului, urmați toate avertizările și instrucțiunile de siguranță. Asigurați-vă că sunteți familiarizat cu comenzile și cu folosirea corespunzătoare și sigură a produsului. Vă rugăm să păstrați instrucțiunile într-un loc sigur pentru utilizare ulterioară.

### INSTRUIRE

- Citiți instrucțiunile cu atenție. Familiarizați-vă cu comenzile și folosirea corectă a produsului.
- Nu lăsați niciodată copiii sau persoanele nefamiliarizate cu aceste instrucțiuni să folosească produsul. Reglementările locale pot restricționa vârsta operatorului.
- Rețineți că operatorul sau utilizatorul este responsabil pentru accidente sau

pericolele ce pot avea loc asupra altor persoane sau proprietății lor.

### PREGĂTIRE

- Purtați protecții pentru urechi și ochelari de protecție permanent, când utilizați mașina.
- În timpul operării produsului purtați întotdeauna încălțăminte rezistentă și pantaloni lungi. Nu operați mașina când sunteți desculți sau purtați sandale deschise. Evitați să purtați de îmbrăcăminte largă sau care are cordoane sau șireturi libere.
- Operați produsul în poziția recomandată și doar pe o suprafață fermă și dreaptă.
- Nu folosiți mașina pe o suprafață pavată sau acoperită cu pietriș, unde materialul evacuat ar putea cauza vătămarea corală.
- Înainte de folosire, inspectați întotdeauna și asigurați-vă că mijloacele de tocure, șuruburile și alte cleme sunt fixe și că carcasa, apărătorile și ecranele sunt nedeteriorate și la locul lor. Înlocuiți componentele uzate sau deteriorate în seturi pentru a menține echilibrul. Înlocuiți etichetele deteriorate sau ilizibile.
- Înainte de utilizare, verificați cablurile de alimentare și de prelungire pentru semne de deteriorare sau de uzură. În cazul în care cablul este deteriorat în timpul utilizării, deconectați cablul de la priză imediat. Nu atingeți cablul de alimentare înainte de a-l deconecta de la sursa de alimentare. Nu utilizați mașina în cazul în care cablul este deteriorat sau uzat.
- Nu utilizați niciodată mașina în timp ce în apropiere se află persoane, în special copii sau animale de companie.

### SIGURANȚĂ ELECTRICĂ

- Citiți complet aceste instrucțiuni înainte de conectarea produsului la sursa de curent.
- Ștecherile trebuie să se potrivească cu prizele. Nu modificați niciodată ștecărul în nici un fel. Nu folosiți niciodată adaptoare de ștecăr cu uneltele electrice cu împământare. Ștecărele nemodificate și prizele potrivite reduc riscul de electrocutare.
- Înainte de conectarea la priza electrică, asigurați-vă că tensiunea este identică cu cea de pe plăcuța indicatoare a caracteristicilor produsului sau din acest





manual. Conectarea produsului la orice altă sursă de alimentare poate cauza vătămarea sau deteriorarea.

- Producătorul recomandă să conectați la o priză protejată împotriva curentului rezidual cu o cursă de 80 mA sau mai puțin.
  - Mențineți deschizăturile de aerisire libere de resturi și alte acumulări pentru a preveni deteriorarea motorului sau un posibil incendiu.
  - Păstrați cablul departe de căldură, ulei sau margini ascuțite.
  - În cazul în care cablul de alimentare este deteriorat, acesta trebuie înlocuit cu un cablu sau ansamblu special disponibil de la producător sau de la agentul său de service.
  - Dacă e nevoie să folosiți un cablu prelungitor asigurați-vă că este corespunzător pentru uzul în exterior și are o valoare nominală a curentului suficientă să vă alimenteze aparatul. Cablul prelungitor trebuie să fie marcat fie "H05 RN F", fie "H05 VV F". Verificați după fiecare folosire dacă este deteriorată, întotdeauna desfășurați cablul în timpul folosirii întrucât cablul înfășurat se poate supraîncălzi. Cablurile prelungitoare deteriorate nu trebuie reparate, ele trebuie înlocuite cu un model echivalent.
  - Asigurați-vă că poziționarea cablului de alimentare este în așa fel încât nu poate fi deteriorat prin mijloace de tăiere și că nu se va călca peste el, nu vă împiedicați de el sau să nu-l supuneți stresului.
  - O supratensiune în timpul pornirii motorului provoacă fluctuații ale tensiunii ce poate afecta alte produse electrice din același circuit electric. Conectați produsul la sursa de curent cu o impedanță egală cu sau mai mică de 0.404 pentru a minimaliza fluctuațiile de tensiune. Contactați furnizorul dvs de energie electrică pentru clarificări ulterioare.
- Produsul nu va funcționa dacă sacul de colectare nu este corect potrivit sau în cazul când carcasa tocătorului nu este corespunzător închisă și butonul rotativ a carcasei tocătorului nu este complet înșurubat. Sacul de colectare și carcasa tocătorului sunt protejate de blocaje de siguranță ce ajută la prevenirea contactului accidental cu părțile în mișcare care vor rezulta în vătămare gravă.
  - Țineți fața și corpul departe de deschiderea de alimentare.
  - Nu introduceți mâinile sau nicio altă parte a corpului sau hainele în interiorul camerei de alimentare, al jgheabului de evacuare sau în apropierea oricărei piese în mișcare.
  - Nu vă aplecați excesiv. În timpul operării dispozitivului, păstrați-vă în permanență echilibrul și stabilitatea. Nu stați mai sus decât baza mașinii când o alimentați cu material.
  - Stați întotdeauna departe de zona de evacuare când operați această mașină.
  - Aveți grijă ca, atunci când alimentați materialul în mașină, bucățile de metal, pietrele, sticlele, cutiile sau alte obiecte străine să nu fie incluse.
  - În cazul când mecanismul de tăiere lovește obiecte străine sau dacă produsul începe să facă un zgomot neobișnuit sau vibrează, opriți imediat motorul prin acționarea butonului de oprire. Lăsați produsul să se oprească și deconectați produsul de la priză. Urmați următorii pași înainte de repornirea și operarea produsului:
    - inspectați dacă există daune
    - înlocuiți sau reparați toate piesele deteriorate
    - verificați dacă există și strângeți orice piese desprinse
  - Nu lăsați materialul procesat să se acumuleze în zona de evacuare; aceasta poate împiedica evacuarea corectă și poate cauza reculul materialului prin deschiderea de alimentare.
  - Dacă produsul se înfundă, opriți motorul prin apăsarea în poziția OPRIT a întrerupătorului și deconectați produsul de la priza electrică. Asigurați-vă că toate părțile în mișcare s-au oprit înainte de a deschide carcasa tocătorului sau de a încerca să eliberați un blocaj.

## REGULI DE SIGURANȚĂ ALE TOCĂTORULUI ELECTRIC CU IMPACT

### UTILIZARE

- Evitați folosirea produsului în condiții de vreme rea în special când există risc de fulgere.
- Înainte de pornirea produsului, asigurați-vă că este goală camera de alimentare.



- Nu operați niciodată produsul cu apărătorile sau dispozitivele de protecție defecte, sau fără ele, de exemplu fără colectorul de resturi la locul său.
- Mențineți deschizăturile de aerisire libere de resturi și alte acumulări pentru a preveni deteriorarea motorului sau un posibil incendiu.
- Nu transportați produsul când motorul încă funcționează.
- Oprii produsul, deconectați-l de la priza electrică și asigurați-vă că toate părțile în mișcare s-au oprit complet:
  - Înainte de golire caseta de colectare
  - când lăsați produsul nesupravegheat
  - înainte de curățarea blocajelor sau de deblocarea jgheabului
  - înainte de a verifica, curăța sau lucra asupra produsului
- Nu înclinați produsul în timp ce motorul funcționează.
- Mențineți liberă admisia de alimentare după introducerea materialului. Acțiunea de tragere a materialului în produs poate cauza mișcarea sau răsucirea bruscă a materialului expus. Purtați întotdeauna protecție pentru ochi când operați produsul.
- Dacă în timpul procesului de tocare este creat praf, purtați o mască corespunzătoare împotriva prafului pentru a preveni problemele respiratorii.
- Oprii produsul și permiteți ca toate părțile în mișcare să se oprească înainte de îndepărtarea sacului de colectare.
- Nu modificați mașina în niciun fel sau să folosiți părți și accesorii ce nu sunt recomandate de către producător.
- Curățați sursa de alimentare de resturi și de alte depuneri pentru a preveni deteriorarea sursei de alimentare sau un posibil incendiu.

## PROTECȚIE LA SUPRASARCINĂ

Unealta este prevăzută cu un dispozitiv de protecție împotriva supraîncărcărilor. Atunci când este detectată o supraîncărcare, unealta se va opri în mod automat. Butonul de protecție la suprasarcină este localizat lângă întrerupătorul PORNIT/OPRIT. Butonul va sări atunci când este activată protecția la suprasarcină. Deconectați produsul de la priză și urmați instrucțiunile pentru eliberarea

unui blocaj. Lăsați motorul să se răcească între 3 și 5 minute. După ce ați verificat că nu există vreun blocaj, conectați cablul electric la priză și apăsați butonul de resetare protecție la supra-sarcină. Apăsați întrerupătorul pe PORNIT pentru a porni motorul.

Dacă protecția la suprasarcină este activată și nu există un blocaj, suprasarcina ar fi putut avea loc când materialul este alimentat în produs prea repede pentru prea mult timp, cauzând supraîncălzirea motorului. Lăsați motorul să se răcească. Goliți sacul de colectare înainte de repornirea produsului.

## ELIBERAREA UNUI BLOCAJ

### ⚠ AVERTISMENT

Lamele sunt ascuțite și foarte probabil fierbinți. Purtați întotdeauna mănuși de protecție rezistente atunci când verificați și eliberați un blocaj.

- Dacă produsul devine înfundat sau blocat, sau dacă dispozitivul de protecție la suprasarcină este activat urmați aceste instrucțiuni:
  - Oprii produsul și deconectați-l de la priză.
  - Asigurați-vă că toate părțile în mișcare s-au oprit.
  - Scoateți și goliți sacul de colectare.
  - Îndepărtați orice material expus în jgheabul de alimentare.
  - Deșurubați butonul rotativ al carcsei tocătorului și deschideți partea de sus a carcsei pentru a expune mecanismul de tăiere.
  - Îndepărtați orice resturi ce blochează camera de alimentare trăgându-le afară dinspre interior.

### ⚠ AVERTISMENT

Lamele ar putea încă să se miște chiar dacă curentul este oprit. Acordați atenție maximă în jurul zonei lamelor.

- Cu atenție îndepărtați resturile din jurul lamelor cu o sculă de mână potrivită. Folosind scula de mână, mutați plăcile de metal ce țin lamele pentru a verifica dacă blocajul a fost îndepărtat. Nu introduceți scula de mână în marginile ascuțite ale lamelor, făcând așa veți

deteriora lamele.

- Dacă nu puteți vedea sacul de colectare atunci când mijloacele de tăiere se rotesc, trebuie să curățați resturile din acea zonă. Folosiți o unealtă pentru a curăța cu atenție zona.
- Odată ce blocajul este eliberat, închideți partea de sus a carcasei și înșurubați butonul rotativ a carcasei tocătorului pentru a angaja blocarea de siguranță.
- Dacă nu puteți elibera cu succes un blocaj sau dacă descoperiți o deteriorare, duceți produsul la un centru service autorizat pentru reparații.

### TRANSPORTAREA ȘI DEPOZITAREA

- Asigurați-vă că produsul a fost curățat complet înainte de a-l depozita într-un loc curat, uscat și ferit de copii.
- Lăsați produsul să se răcească suficient înainte de a-l depozita sau transporta.
- Când transportați produsul, asigurați-vă că este prins împotriva căderii sau mișcării în interiorul vehiculului.

### ÎNTREȚINEREA

- Înainte de curățare, inspecție sau efectuarea service-ului, opriți produsul și lăsați cuțitele să se oprească complet. Deconectați produsul de la priza de curent.
- După un anumit timp de tocare, mecanismul de tăiere va deveni fierbinte. Lăsați mecanismul de tăiere să se răcească adecvat înainte de curățare, inspecție sau rotirea lamelor.

#### ⚠ AVERTISMENT

Lamele cuțitelor sunt extrem de ascuțite. Pentru a evita vătămarea, acordați maximă atenție atunci când curățați sau lucrați în jurul lamelor sau în interiorul incintei deschise atunci când este îndepărtată cutia de colectare. Purtați întotdeauna mănuși de protecție rezistente.

#### ⚠ AVERTISMENT

Lamele ar putea încă să se miște chiar dacă curentul este oprit. Acordați atenție maximă în jurul zonei lamelor.

- Pentru a asigura funcționarea optimă a

produsului, el trebuie menținut curat.

- Întotdeauna curățați imediat produsul după folosire. Oricând e posibil, folosiți o perie tare în interiorul jgheabului de alimentare și evacuare și o cârpă uscată pentru exteriorul produsului.
- Pentru o performanță de tocare optimă, nu lăsați niciun material să se usuce sau întărească pe nicio suprafață a produsului, în special pe lame.
- Asigurați-vă că jgheabul de alimentare și jgheabul de evacuare sunt menținute curate și libere de resturi.
- Lamele de tăiere fixate în produs au două margini de tăiere. Lamele pot fi rotite în jur de 180° dacă o margine este tocită. Vezi pagina 175-176. Înlocuiți cu piese originale RYOBI dacă lamele sunt tocite, ciobite sau crăpate.
- Asigurați-vă că toate piulițele și șuruburile sunt strânse și fixe, în special șuruburile lamelor.
- Întotdeauna lăsați personalul calificat al unui centru service autorizat să repare sau înlocuiască orice piese deteriorate sau uzate.
- Nu încercați niciodată să ocoliți întreprătoarele de blocare de siguranță pe partea de sus a carcasei tocătorului; acest lucru poate duce la vătămare personală gravă, inclusiv amputare.

#### ⚠ AVERTISMENT

Nu lăsați deloc lichidul de frână, benzina, produsele pe bază de petrol, uleiurile penetrante etc., să intre în contact cu piesele din plastic. Nu utilizați niciodată lichid de frână, benzină, produse petroliere sau orice fel de solvenți pentru a curăța aparatul. Majoritatea pieselor din plastic sunt susceptibile să se deterioreze de la tipurile diferite de solvenți comerciali și pot fi deteriorate.

- Puteți efectua întreținerea așa cum este descrisă în acest manual. Pentru alte reparații sau sfaturi, căutați asistență din partea unui centru service autorizat.

#### RISURI REZIDUALE

Chiar dacă produsul este folosit așa cum a fost prescris, este totuși imposibil să se



elimine complet anumiți factori de risc reziduali. Următoarele pericole pot apărea în timpul folosirii și operatorul trebuie să acorde o atenție specială pentru a evita următoarele:

- Vătămare cauzată de zgomet.
  - Purtați protecție pentru auz și limitați expunerea.
- Vătămarea cauzată de inhalarea de praf sau particule.
  - Purtați mască de praf.
- Vătămarea cauzată de mijloacele de tăiere.
  - Țineți părțile neprotejate ale corpului tot timpul ferite de mijloacele de tăiere.
- Vătămare cauzată de resturile aruncate
  - Purtați tot timpul protecție pentru ochi și țineți părțile corpului ferite de zona din jurul jgheabului de alimentare.

### CUNOAȘTEȚI-VĂ PRODUSUL

Vezi pagina 168.

1. Carcasă tocător
2. Jgheab de alimentare
3. Mâner
4. Buton rotativ carcasă tocător
5. Buton de resetare a protecției la suprasarcină
6. Întrerupător PORNIT/OPRIT
7. Cheie de acționare a siguranței
8. Lamă de tăiere
9. Cordon de alimentare
10. Cadru de metal
11. Recipient de colectare
12. Roată
13. Plonjor

### GHID DE TOCARE A MATERIALULUI

Pentru cele mai bune rezultate atunci când tocați material, urmăriți îndrumările arătate în tabelul de mai jos.

MATERIAL	METODĂ DE TOCARE A MATERIALULUI
----------	---------------------------------

Nuiele în diametru până în 6 mm.

Alimentați în jgheabul de alimentare într-un ritm pe care produsul îl va accepta fără supraîncărcare. Folosiți plonjorul furnizat pentru a împinge materialul în jgheab dacă e necesar.

Ramuri până în 45 mm diametru.

Tăiați toate părțile crescute pe margini ale crengilor cu o foarfecă înainte de alimentarea în jgheabul de alimentare. Folosiți plonjorul furnizat pentru a împinge materialul în jgheab dacă e necesar.

Creșteri de răsaduri de plante, iarbă și arbuști.

Desprindeți bulgării de pământ și pietrele de pe rădăcini pentru a nu deteriora lamele.

Frunziș proaspăt tăiat, gard viu, deșeuri casnice (de ex. frunze de varză, coji de legume etc.).

Cu orice material având un conținut ridicat de umiditate este recomandat să alimentați câteva bețe uscate la intervale regulate pentru a ajuta materialul să fie împins prin ansamblul de tăiere și pentru a preveni înfundarea lui.

Bețe uscate și nuiele

Prin introducerea la capătul operațiunii de tocare, va ajuta la eliminarea umezelii și a sevei plantelor din interiorul produsului și ansamblului de tăiere.

- Nu permiteți să se acumuleze deșeuri din grădină înainte de a le toca întrucât va începe să se transforme în compost, va deveni prea umed și va înfunda mecanismul de tăiere. Materialul uscat va ajuta mare parte din material să curețe jgheabul de evacuare. Salvați câteva bețe uscate până la final pentru a curăța zona lamei.
- Monitorizați frecvent acumularea/colectarea de material tocat.
- Leșirea la jgheabul de evacuare trebuie să fie liberă tot timpul pentru a preveni blocarea.
- Atunci când cutia de colectare este plină, opriți produsul înainte de a o goli.



### ⚠️ AVERTISMENT

Nu puneți mâinile în interiorul jgheabului de evacuare al tocătorului pentru a îndepărta orice material tocat cât timp produsul este pornit sau conectat la sursa de alimentare. Lamele sunt ascuțite. Purtați mănuși rezistente și acordați maximă atenție când curățați sau eliberați blocajele.

### ⚠️ AVERTISMENT

Atunci când alimentați ramuri/tulpini lemnoase lungi în produs fiți atent la mișcările bruște și la vibrații pe măsură ce sunt prinse de cuțite. Operatorul trebuie să poarte protecție pentru ochi oricând folosiți produsul.

### ⚠️ AVERTISMENT

Dispozitivul de tăiere are tendința să tragă ramurile/tulpinile în produs. Nu încercați să împiedicați intrarea materialului care va fi tăiat odată ce alimentarea materialului a început. Purtați întotdeauna mănuși pentru a preveni sfâșierea pielii când alimentați materialul în produs.

**OBSERVAȚIE:** Într-o utilizare normală, nu opriți produsul până când tot materialul tocat nu este ieșit din ansamblul de tăiere. Dacă produsul este oprit prea devreme, piesele de material rămase ar putea înfunda montajul cu lame și ar putea bloca motorul când produsul va fi repornit.

### SIMBOLURILE DE PE PRODUS.



Citiți și înțelegeți toate instrucțiunile înainte operării produsului, urmați toate avertizările și instrucțiunile de siguranță.



Feriți-vă de obiecte proiectate sau în zbor. Țineți toți trecătorii, în special copiii și animalele de companie la cel puțin 15 metri de zona de operare.



Pericol - lame rotative Țineți mâinile și picioarele în afara deschizăturilor cât timp produsul este în funcțiune.



Opriți și scoateți din priză înainte de a efectua întreținerea sau în cazul în care cablul este deteriorat.



Purtați protecție pentru ochi și urechi.



Nu îl folosiți ca și treaptă.



Așteptați până când toate componentele echipamentului s-au oprit complet înainte de a le atinge.



Purtați mănuși care nu alunecă, destinate pentru operațiuni grele.



Țineți mâinile departe de lame.



Acest aparat este conform cu ansamblul normelor reglementare din țara din UE în care a fost cumpărat.



Semn de conformitate ucrainean



Deșeurile produselor electrice nu trebuie scum înlăturate împreună cu deșeurile casnice. Vă rugăm reciclați acolo unde există facilități. Verificați la autoritatea dvs locală sau la vânzător pentru sfaturi privind reciclarea.



Aparat clasa II, izolație dublă.



Nivelul garantat de putere al sunetului este de 107 dB



Apăsăți pentru a reseta



Marcaj de conformitate EurAsian

### SIMBOLURI DIN ACEST MANUAL



Conectarea la priză.





Deconectați de la priză.



Piese sau accesorii vândute separat



Deșeurile produselor electrice nu trebuie să fie înlăturate împreună cu deșeurile casnice. Vă rugăm să reciclați acolo unde există facilități.



Notă



Avertisment



Piedică



Deblocare

rmătoarele cuvinte simbol și înțelesul lor au intenția de a explica nivelele de risc asociate cu acest produs.

#### **PERICOL**

Indică o situație periculoasă iminentă, care dacă nu este evitată va cauza decesul sau vătămarea gravă.

#### **AVERTISMENT**

Indică o situație periculoasă iminentă, care dacă nu este evitată poate rezulta în deces sau vătămare gravă.

#### **ATENȚIE**

Indică o situație potențial periculoasă, care dacă nu este evitată poate cauza vătămarea moderată sau ușoară.

#### **ATENȚIE**

Fără a simbolul de alertă privind siguranța  
Indică o situație care poate duce la pagube materiale.

EN

FR

DE

ES

IT

NL

PT

DA

SV

FI

NO

RU

PL

CS

HU

**RO**

LV

LT

ET

HR

SL

SK

BG

UK

Izstrādājot šo elektrisko zaru smalcinātāju, īpaša uzmanība veltīta drošībai, veiktspējai un uzticamībai.

## PAREDZĒTAIS LIETOJUMS

Elektriskais zaru smalcinātājs paredzēts organisku dārza atkritumu, piemēram, zaru un lapu, smalcināšanai.

Iekārta domāta izmantošanai ārpus telpām, stabilā stāvoklī uz līdzena pamata, tās lietotājam stāvot uz tā paša vai tāda paša augstuma pamata.

Ierīce nav paredzēta bērniem vai cilvēkiem ar samazinātām fiziskām, garīgām spējām vai maņu kustību traucējumiem.

Iekārta nav domāta neorganiska materiāla vai metāla smalcināšanai, nedz arī tāda materiāla, kas pārsniedz tās maksimālo cirstspēju (45 mm diametrā), smalcināšanai.

Izstrādājums jāuzstāda uz komplektā iekļautā statīva un jāizmanto ar komplektā iekļauto savākšanas kārbu. Tā ir uzstādāma tikai un vienīgi tādā veidā, kāds norādīts šajā lietošanas pamācībā.

## VISPĀRĒJIE DROŠĪBAS NOTEIKUMI

### ⚠ BRĪDINĀJUMS

Izmantojot izstrādājumu, jāievēro pamata drošības pasākumi, lai mazinātu aizdegšanās, elektrošoka un traumu risku. Pirms precēs darbināšanas izlasiet un izprotiet visus norādījumus, ievērojiet visus brīdinājumus un drošības norādījumus. Noteikti iepazīstieties ar izstrādājuma vadības elementiem un noskaidrojiet, kāda ir tā pareiza un droša lietošana. Lūdzu, glabājiet noteikumus drošā vietā vēlākai izmantošanai.

## APMĀCĪBA

- Uzmanīgi izlasiet norādījumus. Iepazīstieties ar ierīces vadīšanu un pareizu lietošanu.
- Nekad neļaujiet bērniem vai personām, kas nav iepazinušās ar instrukcijām, izmantot precī. Vietos īstatymai gali apriboti jremgimo operatoriaus amziu.
- Turēkīte omenyje, kad operatorius arba vartotojas yra atsakingas už nelaimingus atsitikimus arba kitiems asmenims ar jų

turtui sukeltą pavojų.

## SAGATAVOŠANA

- Lietojot ierīci, visu laiku valkājiet dzirdes aizsargapriekojumu un aizsargbrilles.
- Izmantojot ierīci, vienmēr lietojiet atbilstošus apavus un garās bikses. Neestrādājiet ar iekārtu, ja jums ir basas kājas vai vaļējas sandales. Nevelciet vaļīgu apģērbu vai apģērbu ar auklām un lentēm.
- Izmantojiet iekārtu norādītajā stāvoklī un tikai uz stabilas, līdzenas virsmas.
- Nelietojiet ierīci uz bruģētām vai grantētām virsmām, kur lidojoši priekšmeti var radīt ievainojumus.
- Pirms lietošanas vienmēr pārbaudiet un pārlicinieties, vai smalcināšanas rīki, skrūves un citi stiprinājumi ir droši pievilkti, un vai karkass, aizsargi un ekrāni ir savās vietās un nav bojāti. Nomainiet nodilušus vai bojātus elementus kā komplektu, lai saglabātu līdzsvaru. Nomainiet bojātas vai nesalasāmas uzlīmes.
- Pirms lietošanas pārbaudiet, vai barošanas un pagarinātāja vadi nav bojāti un novecojuši. Ja vads lietošanas laikā tiek sabojāts, nekavējoties atvienojiet to no barošanas avota. Nepieskarieties kabelim pirms strāvas atvienošanas. Nelietojiet iekārtu, ja tās vads ir bojāts vai nodilis.
- Nekad nelietojiet iekārtu, kamēr tuvumā atrodas cilvēki, it īpaši bērni, vai dzīvnieki.

## ELEKTRODROŠĪBA

- Pirms produkta pieslēgšanas elektrotīklam rūpīgi izlasiet šos drošības norādījumus.
- Kontaktdakšai ir jābūt tādai pašai kā elektrības izejai. Nekad nepārveidojiet kontaktdakšu. Sazemētiem elektroinstrumentiem nelietojiet pārejas līgzdas. Nepārveidotas kontaktdakšas un atbilstošas kontaktlīgzdas samazinās elektriskā trieciena risku.
- Pirms pieslēdzat strāvas padevi, pārlicinieties, vai spriegums atbilst uz iekārtas standartu plāksnītes vai šajā lietošanas pamācībā norādītajam. Iekārtas pieslēgšana neatbilstošam strāvas avotam var izraisīt bojājumus vai ievainojumus.
- Ražotājs iesaka pieslēgties kontaktlīgzdām, kuras aizsargā strāvas noplūdes automātslēdzis (RCD) ar jūtības sliekšni 30 mA vai zemāku.



- Ventilācijas atverēm jābūt brīvām un nenosprostotām, lai novērstu motora bojājumu vai aizdegšanās risku.
- Turiet elektrības vadu prom no siltuma avota, eļļas un asām šķautnēm.
- Ja barošanas vads ir bojāts, tas jānomaina ar speciālu vadu vai mezglu, kas pieejams no ražotāja vai tā servisa pārstāvja.
- Ja jums ir nepieciešamība lietot pagarinātāja vadu, pārliecinieties, ka tas ir derīgs lietošanai ārā un, ka tam ir atbilstoša jauda, lai spētu ar elektrību nodrošinātu jūsu darbarīku. Pagarinātājauklai ir jābūt apzīmētai ar "H05 RN F" vai "H05 VV F" Pirms katras lietošanas pārbaudiet, vai nav bojājumu, turklāt vadam lietošanas laikā vienmēr jābūt atītam, jo satīti vadi var pārkarst. Bojātu vada pagarinātāju nedrīkst labot, to jānomaina pret līdzvērtīgu.
- Pārliecinieties, ka strāvas vads ir novietots tā, ka to nevar bojāt sagriežot un ka uz tā nevar uzkāpt, paklupt vai to kā citādi bojāt vai nospriegot.
- Sprieguma svārstības motora iedarbināšanas laikā var ietekmēt citas pie tās pašas elektriskās ķēdes pieslēgtas elektroiekārtas. Sprieguma svārstību minimizēšanai, pieslēdzot iekārtu, izvēlieties strāvas avotu ar pilno pretestību 0,404 vai zemāku. Sazinieties ar savu elektroenerģijas piegādātāju, lai saņemtu plašāku informāciju.

## ELEKTRISKĀ ZARU SMALCINĀTĀJA DROŠĪBAS NORĀDĪJUMI

### EKSPLUATĀCIJA

- Nelietojiet ierīci sliktos laika apstākļos, it īpaši, kad pastāv zibens riski.
- Pirms iekārtas iedarbināšanas, pārliecinieties, vai ievadvertne ir tukša.
- Iekārta nedarbosies, ja savācējvertne nav pareizi pievienota, smalcinātāja karkass nav pilnībā aizvērts un karkasa nostiprinošais kļokis nav pilnībā ieskrūvēts. Savācējvertne un smalcinātāja karkass ir aprīkoti ar aizsargbloķētājiem, kas novērš nejaušu saskari ar kustīgajām daļām, tā pasargājot no nopietnām traumām.
- Netuviniet seju un ķermeni padeves atverei.
- Nepieļaujiet roku vai citu ķermeņa daļu, kā arī apģērba iekļūšanu padeves kamerā, izlādes kamerā vai kustīgu detaļu tuvumā.
- Nepersitempkite. Visu laiku stāviet stingri un stabili. Pieliekot ierīci pie apstrādājamās vietas, nekad nestāviet augstākā līmenī par ierīces pamatni.
- Lietojot ierīci, vienmēr ievērojiet drošu attālumu un netuvojieties izmešanas zonai.
- Pieliekot ierīci pie apstrādājamās vietas, uzmanīgi vērojiet, vai tur nav metāla daļas, akmeņi, pudeles, skārda tvertnes un citi svešķermeņi.
- Ja mehānisma cērtošā daļa saskaras ar svešķermeni, vai darbarīks sāk izdot nepierastu skaņu vai vibrēt, tūlīt izslēdziet motoru, nospiežot izslēgšanas pogu. Pagaidiet, līdz iekārta apstājas, un atvienojiet to no strāvas padeves. Veiciet šādas darbības pirms iekārtas atkārtotas iedarbināšanas un lietošanas:
  - pārbaudiet, vai nav bojājumu
  - nomainiet vai salabojiet bojātās daļas
  - pārbaudiet un pievelciet vajīgās detaļas
- Nepieļaujiet apstrādāta materiāla uzkrāšanos izmešanas zonā; tas var traucēt normālu izmešanu, kā rezultātā materiāls var atsisties atpakaļ pa padeves atveri.
- Ja iekārta nosprostojas, apturiet motoru, nospiežot izslēgšanas (OFF) pogu un atvienojiet to no strāvas padeves. Pirms atverat smalcinātāja karkasu vai uzsākat nosprostojuma novēršanu, pārliecinieties, vai visas kustīgās daļas ir apstājušās.
- Nekad neizmantojiet ierīci ar bojātiem aizsargiem vai vairogiem vai arī bez drošības ierīcēm, piemēram, grūžu savācēja.
- Ventilācijas atverēm jābūt brīvām un nenosprostotām, lai novērstu motora bojājumu vai aizdegšanās risku.
- Nepārvietojiet iekārtu, kad darbojas tās motors.
- Izslēdziet iekārtu, atvienojiet to no strāvas padeves un pārliecinieties, vai visas kustīgās daļas ir pilnībā apstājušās:
  - Pirms iztukšojot savākšanas kasti
  - kad atstājat ierīci bez uzraudzības
  - pirms nosprostojumu vai izvada attīrīšanas
  - pirms iekārtas pārbaudes, tīrīšanas vai



labošanas

- Nesasveriet izstrādājumu, kamēr darbojas motors.
- Pēc smalcināmā materiāla ievietošanas, lieki netuvojieties ievades atverei. Iekārtai ievēlot smalcināmo materiālu, tas var strauji kustēties vai sagriezties. Darbinot iekārtu, vienmēr izmantojiet aizsargbrilles.
- Ja smalcināšana rada putekļus, izmantojiet piemērotu respiratoru, lai mazinātu elpceļu bojājuma risku.
- Pirms savācējvertnes atvienošanas izslēdziet iekārtu un pagaidiet, līdz apstājas kustīgās daļas.
- Nepārveidojiet ierīci un nelietojiet detaļas un aksesuārus, kurus nav ieteicies ražotājs.
- Lai izvairītos no barošanas avota bojājumiem vai iespējamās aizdegšanās, neļaujiet barošanas avotam saskarties ar grūžiem un citiem sanešiem.

## PĀRSLODZES AIZSARDZĪBA

Instrumentam ir pārslodzes aizsargs. Kad tiek konstatēta pārslodze, instruments automātiski izslēdzas. Pārslodzes aizsardzības poga atrodas blakus ieslēgšanas / izslēgšanas (ON / OFF) slēdzim. Poga pacelsies, kad nostrādās pārslodzes aizsardzība. Atvienojiet iekārtu no strāvas padeves un ievērojiet nosprostojuma novēršanas norādes. Ļaujiet motoram atdzist 3-5 minūtes. Pēc tam, kad esat pārbaudījis, vai nav aizsprostojumu, pievienojiet elektrības vadu elektropadevei un nospiediet pārslodzes aizsardzības atiestatīšanas pogu. Nospiediet IESLĒGŠANAS slēdzi, lai ieslēgtu motoru.

Ja nostrādājusi pārslodzes aizsardzība un nosprostojuma nav, pārslodze var būt notikusi, ievadot smalcināmo materiālu iekārtā pārāk ātri, pārāk ilgu laiku, izraisot motora pārkaršanu. Ļaujiet dzinējam atdzist. Iztukšojiet savācējvertni pirms iekārtas atkārtotas iedarbināšanas.

## NOSPROSTOJUMA NOVĒRŠANA

### ▲ BRĪDINĀJUMS

Asmeņi ir asi un, iespējams, arī karsti. Pārbaudot un novēršot nosprostojumus, vienmēr izmantojiet izturīgus aizsargcimdus.

- Ja iekārta nosprostojas vai nobloķējas, vai nostrādā pārslodzes aizsardzības mehānisms, ievērojiet šīs norādes:

- Izslēdziet iekārtu un atvienojiet to no strāvas padeves.
- Pārļiecinieties, vai kustīgās daļas ir apstājušās.
- Noņemiet un iztukšojiet savācējvertni.
- Aizvāciet neievilkto smalcināmo materiālu no ievadatveres.
- Atskrūvējiet smalcinātāja karkasa nostiprinošo kloķi un atveriet karkasa augšdaļu, atsedzot cērtošo mehānismu.
- Izvāciet ievadtvertni nosprostojošo materiālu no iekšpusēs.

### ▲ BRĪDINĀJUMS

Asmeņi var turpināt griezties arī pēc strāvas atslēgšanas. Esiet ļoti uzmanīgi asmeņu tuvumā.

- Rūpīgi aizvāciet ap asmeņiem sakrājušos materiālu, izmantojot piemērotu rokas darbarīku. Ar darbarīku pakustiniet metāla plāksnes, kurām piestiprināti asmeņi, tā pārbaudot, vai nosprostojums ir novērsts. Neaiztieciet ar darbarīku asmeņu asās malas - tās var tā sabojāt.
- Ja cērtošajai daļai griežoties, caur to nav saskatāma savācējvertne, no tās ir jāizvāc liekais materiāls. Rūpīgi iztīriet lieko materiālu ar darbarīku.
- Pēc nosprostojuma novēršanas, aizveriet karkasa augšdaļu un ieskrūvējiet karkasa nostiprinošo kloķi, atspēkojot aizsargbloķejošo mehānismu.
- Ja neizdodas sekmīgi novērst nosprostojumu vai atrodāt bojājumu, nogādājiet iekārtu autorizētā servisa centrā remontam.

## TRANSPORTĒŠANA UN UZGLABĀŠANA

- Izstrādājumu glabājiet tīrā, sausā un bērniem nepieejamā vietā, pirms tam to rūpīgi notīrot.
- Pirms izstrādājuma uzglabāšanas vai transportēšanas ļaujiet tam pietiekami atdzist.
- Pārvadājot iekārtu, pārļiecinieties, vai tā ir nostiprināta tā, lai nekristu vai patvaļīgi nekustētos transportlīdzeklī.

## APKOPE

- Pirms iekārtas tīrīšanas, pārbaudes vai apkopes, izslēdziet to un pagaidiet, līdz pilnībā apstājas cērtošā daļa. Atvienojiet produktu no tā jaudas padeves.
- Smalcināšanas laikā cērtošais mehānisms kļūst karsts. Ļaujiet cērtošajam mehānismam pietiekami atdzist pirms tā tīrīšanas, pārbaudes vai asmeņu apgriešanas.

### ▲ BRĪDINĀJUMS

Cērtošie asmeņi ir ļoti asi. Lai izvairītos no traumām, rīkojieties ārkārtīgi uzmanīgi un rūpīgi, veicot tīrīšanu vai arī darbojoties asmeņu tuvumā vai atvērtā korpusā, kad savākšanas kārba ir noņemta. Vienmēr velciet lielai slodzei paredzētus aizsargcimdus.

### ▲ BRĪDINĀJUMS

Asmeņi var turpināt griezties arī pēc strāvas atslēgšanas. Esiet ļoti uzmanīgi asmeņu tuvumā.

- Lai izstrādājumam nodrošinātu labāko sniegumu, tas jāuztur tīrs.
- Vienmēr tūlīt pēc lietošanas iztīriet izstrādājumu. Kur vien iespējams, izmantojiet cietu suku, tīrot ievadatveres un izvadatveres, un sausu drānu iekārtas ārpusē.
- Ilgstoši labai smalcināšanai, nepieļaujiet materiāla žūšanu un piekalšanu uz iekārtas virsmām, īpaši uz asmeņiem.
- Pārliecinieties, vai ievadatveres un izvadatveres ir tīras un brīvas no smalcināmā materiāla.
- Iekārtā uzstādāmie cērtošie asmeņi ir abpusēji grieztīgi. Ja viena puse kļūst trula, asmeni iespējams apgriezt uz otru pusi. Skatīt 175-176. lappusi Ja asmeņi kļūst truli, saplīst vai aizlūzt, aizvietojiet tos ar oriģinālajām RYOBI rezerves daļām.
- Pārliecinieties, vai visi uzgriežņi un skrūves ir cieši pievilkti un droši, īpaši asmeņu skrūves.
- Bojātās vai nodilušās daļas vienmēr uzticiet labot vai aizvietot kvalificētiem darbiniekiem autorizētā servisa centrā.

- Nekad nemēģiniet apiet aizsargbloķējošo mehānismu smalcinātāja karkasa augšdaļā - tas var būt par iemeslu smagām traumām, tai skaitā amputācijai.

### ▲ BRĪDINĀJUMS

Neļaujiet bremžu šķidrums, benzīnam, naftas produktiem, smērvielām u.c. saskarties ar plastmasas detaļām. Instrumenta tīrīšanai nekad nelietojiet bremžu šķidrumus, benzīnu, produktus uz naftas bāzes vai šķīdinātājus. Komercinājamie tīrīkliai lengvai pažeidžia daugelj plastikiniu daliu paviršiu ir gali jas apgadinti.

- Jūs varat veikt šajā rokasgrāmatā aprakstītos apkopes darbus. Cita veida remontam vai konsultācijām, vērsieties pēc padoma autorizētā servisa centrā.

### OBJEKTĪVIE RISKI

Pat ka prece ir lietotā kā noteikts, nav iespējams pilnībā novērst noteiktus riska faktoros. Turpmāk norādītie riski var rasties lietošanas laikā un operatoram īpaša uzmanība jāpievērš, lai izvairītos no turpmāk minētā:

- Trokšņa radīti miesas bojājumi
  - Valkājiet ausu aizsargu un ierobežojiet saskarsmi.
- Putekļu un sīkdaļiņu ieelpošanas radīts veselības kaitējums
  - Valkājiet putekļu masku.
- Saskares ar cērtošo daļu izraisīts veselības kaitējums
  - Nekad netuviniet neaizsargātās ķermeņa daļas cērtošajam mehānismam.
- Strauji izsviesta materiāla radīts veselības kaitējums
  - Izmantojiet aizsargbrilles un netuviniet ķermeņa daļas ievadatverei.

### PAZĪSTIET SAVU IERĪCI

Skatīt 168. lappusi

1. Smalcinātāja karkass
2. Padeves tekne
3. Rokturis
4. Smalcinātāja karkasa nostiprinošais kļoklis
5. Pārslodzes aizsardzības atiestates poga
6. Slēdzis "ieslēgšana"/"apturēšana"

7. Drošības slēdzis
8. Cērtošais asmens
9. Strāvas vads
10. Metāla rāmis
11. Savācējvertne
12. Rītenis
13. Bīdnis

## SMALCINĀŠANAS VADOTNE

Lai smalcinot gūtu optimālus rezultātus, ievērojiet nākamajā tabulā ietvertās norādes.

MATERIĀLS	SMALCINĀŠANAS METODE
Zari līdz 6 mm diametram.	Lieciet ievadatverē tādos daudzumos, kādos iekārta spēj pieņemt bez pārslodzes. Ja nepieciešams, materiāla ievadei izmantojiet bīdni.
Zari līdz 45 mm diametram.	Nogrieziet sānu atzarojumus ar dārza šķērēm pirms ievadīšanas iekārtā. Ja nepieciešams, materiāla ievadei izmantojiet bīdni.
Dobes augi, nezāles un krūmi.	Nokratiet no saknēm augsni un akmeņus, lai nesabojātu asmeņus.
Nesen griezta lapotne, dzīvžogs un virtuves atkritumi (piemēram, kāpostlapas, dārzeņu mizas).	Kopā ar jebkuru materiālu, kuram ir augsts mitruma saturs, ieteicams regulāri ievietot dažus sausākus zarus, lai palīdzētu materiālu izbīdīt caur griešanas bloku un novērstu nosprostošanos.

Sausi zari un žagari Smalcinot tos kā pēdējos, tie savāgs lieko mitrumu un augu sulu iekārtas iekšienē un no cērtošās daļas.

- Neļaujiet dārza atkritumiem uzkrāties pirms smalcināšanas, jo sāk veidot kompostu, kļūst pārāk mitri un piesārņo griešanas bloku. Sausš materiāls palīdzēs iztīrīt no izgrūšanas teknes lielāko daļu materiāla. Dažus sausus kociņus saglabājiet līdz beigām, lai atvieglotu asmeņu zonas tīrīšanu.

- Bieži pārbaudiet sasmalcinātā materiāla uzkrāšanos/savākšanu.
- Izvadatveres izejai jābūt brīvai, lai novērstu nosprostošanos.
- Kad savākšanas kārba ir pilna, pirms iztukšošanas izslēdziet izstrādājumu.

## ▲ BRĪDINĀJUMS

Nelieciet rokas smalcinātāja izvades tehnē, lai iztīrītu sasmalcināto materiālu, ja izstrādājums ir ieslēgts vai pievienots strāvas padevei. Asmeņi ir asi. Tīrot un izņemot nosprostojumus, izmantojiet lielai slodzei paredzētus cimdus un rīkojieties īpaši uzmanīgi.

## ▲ BRĪDINĀJUMS

Ievietojot izstrādājumā garus koku zarus/kātus, uzmanieties no sitienu un vibrācijām, kad grieznis tos satver. Lietotājam darbā ar šo iekārtu jāizmanto aizsargbrilles.

## ▲ BRĪDINĀJUMS

Griešanas ierīcei ir tendence ievilk izstrādājumā zarus/kātus. Nemēģiniet ierobežot griežamā materiāla ievadīšanu, kad ir sāka padeve. Ievadot smalcināmo materiālu iekārtā, vienmēr izmantojiet cimdus ādas aizsardzībai.

**PIEZĪME:** Normālas izmantošanas laikā neizslēdziet izstrādājumu, līdz viss sasmalcinātais materiāls ir pārvietojies projām no griežņu bloka. Ja izstrādājums tiek pārāk ātri izslēgts, atlikušie materiāla gabaliņi var nosprostot asmens montāžu un apstādināt motoru, kad izstrādājums tiek atkal ieslēgts.

## UZ PRECES ESOŠIE SIMBOLI



Pirms preces darbināšanas izlasiet un izprotiet visus norādījumus, ievērojiet visus brīdinājumus un drošības norādījumus.

Sargieties no izmestiem vai lidojošiem priekšmetiem. Rūpējieties, lai visi tuvumā stāvošie, īpaši bērni un dzīvnieki atrastos vismaz 15 m attālumā no darba zonas



Bīstami - Rotējoši asmeņi.  
Kamēr ierīce darbojas, turiet  
rokas un kājas prom no  
spraugām.



Izslēdziet un izņemiet  
spraudni no tīkla pirms  
apkopes vai ja vads ir bojāts.



Lietojiet acu un ausu  
aizsargus.



Neizmantojiet kā pakāpienu.



Pirms pieskarties kādam  
iekārtas komponentam,  
pagaidiet, līdz tie ir pilnīgi  
apstājušies.



Valkājiet neslīdošus darba  
cimdus.



Neturiet rokas asmeņu  
tuvumā.



Darbarīks atbilst visām  
normām ES valstī, kurā tas ir  
iegādāts.



Ukrainas apstiprinājuma zīme



Izlietotie elektroprodukti  
nedrīkst tikt izmesti kopā  
ar mājtsaimniecības  
atkritumiem. Lūdzu, nododiet  
tos attiecīgajās atk ār  
totas izmantošanas vietās.  
Sazinieties ar savu vietējo  
varas pārstāvi vai izplatītāju,  
lai noskaidrotu, kur iespējama  
atkārtota pārstrāde.



2. klases instruments, dubulta  
izolācija



Garantētais skaņas jaudas  
līmenis ir 107 dB.



Nospiediet, lai atiestatītu



EurAsian atbilstības  
marķējums

## SIMBOLI ŠAJĀ ROKASGRĀMATĀ



Pievienojiet enerģijas avotam.



Atvienojiet no enerģijas avota.



Atsevišķi nopērkamās daļas vai  
piederumi



Izlietotie elektroprodukti  
nedrīkst tikt izmesti kopā ar  
mājtsaimniecības atkritumiem.  
Lūdzu, nododiet tos attiecīgajās  
atk ār totas izmantošanas  
vietās.



Piezīme



Brīdinājums



Bloķētājs



Atbloķēt

Lai izskaidrotu risku, kas saistīti ar  
izstrādājumu, līmeni, paredzēti šādi  
norādījuma vārdi un jēdzieni.

### ⚠ BĪSTAMI

Norāda draudošo bīstamo situāciju, kas, ja  
no tās neizvairās, var novest pie nāves vai  
nopietnas traumas.

### ⚠ BRĪDINĀJUMS

Norāda potenciālo bīstamo situāciju, kas,  
ja no tās neizvairās, var novest pie nāves  
vai nopietnas traumas.

### ⚠ UZMANĪBU

Norāda potenciālo bīstamo situāciju, kas,  
ja no tās neizvairās, var novest pie nelielas  
vai vidējas traumas.

### UZMANĪBU

Bez drošības brīdinājuma apzīmējuma  
Norāda uz situāciju, kas var radīt īpašuma  
bojājumus.



Projektuojant elektrinį smūginį smulkintuvą, didžiausias prioritetas suteiktas saugai, eksploatacinėms savybėms ir patikimumui.

### NAUDOJIMO PASKIRTIS

Elektrinis smūginis smulkintuvas skirtas smulkinti organines daržo atliekas, tokias kaip šakos, šakelės ir lapai.

Gaminys skirtas naudoti lauke, stacionarioje padėtyje, ant tvirto lygaus paviršiaus, operatoriui stovint viename lygyje su gaminio pagrindu.

Krūmapjovės negali naudoti vaikai ar asmenys su fiziniais, psichiniais ar jutiminiais sutrikimais.

Gaminys nėra skirtas smulkinti neorganines medžiagas, metalus ar kitas medžiagas, kurių maksimalus pjovimo skersmuo didesnis nei 45 mm.

Įrenginys turi būti montuojamas ant pateikto stovo ir naudojamas su pateikta surinkimo dėže. Jis neskirtas montuoti kitaip nei šiame vadove aprašytu būdu.

### BENDROS SAUGOS TAISYKLĖS

#### ⚠ ĮSPĖJIMAS

Naudojantis įrenginiu, reikia imtis pagrindinių apsaugos priemonių, siekiant sumažinti gaisro, elektros smūgio ir sužeidimo pavojų. Prieš naudodami įrenginį, atidžiai perskaitykite instrukcijas, laikykitės įspėjimų ir saugos nurodymų. Gerai susipažinkite su valdikliais ir kaip tinkamai bei saugiai naudoti įrenginį. Išsaugokite šią instrukciją ateičiai.

### APMOKYMAS

- Atidžiai perskaitykite instrukcijas. Gerai žinoti apie valdiklius ir tinkamą krūmapjovės naudojimą.
- Šiogaminio jokiubūdunegalimaleistinaudoti vaikams ar asmenims, nesusipažinusiems su šiomis instrukcijomis. Vietos įstatymai gali apriboti įrengimo operatoriaus amžių.
- Turėkite omenyje, kad operatorius arba vartotojas yra atsakingas už nelaimingus atsitikimus arba kitiems asmenims ar jų turtui sukeltą pavojų.

### PARUOŠIMAS

- Dirbdami su prietaisu visada dėvėkite ausų apsaugos priemones ir apsauginius akinius.
- Naudodami krūmapjovę, būtinai dėvėkite tinkamą avalynę ir mūvėkite kelnes ilgomis klešnėmis. Nedirbkite su šiuo prietaisu neapsiavę arba avėdami atvirus sandalus. Nedėvėkite laisvų drabužių arba drabužių su kabančiais raišteliais arba virvelėmis.
- Gaminį reikia naudoti pastatytą į rekomenduojamą padėtį ir tik ant tvirto, lygaus paviršiaus.
- Prietaiso nenaudokite ant grįstos ar žvyro dangos, kur išmestos medžiagos gali sukelti sužeidimus.
- Prieš naudojant, būtina patikrinti, ar pritvirtintos smulkinimo dalys, varžtai ir kiti tvirtinamieji elementai ir ar nepažeistas ir vietoje korpusas, apsauginiai įtaisai ir filtrai. Siekiant išlaikyti įrankio pusiausvyrą, nusidėvėjusias ar pažeistas dalis pakeiskite. Pakeiskite pažeistas ar neįskaitomas etiketes.
- Prieš naudodami šį prietaisą, patikrinkite, ar jo maitinimo ir ilginamasis laidai nepažeisti ar nenusidėvėję. Jei naudojimosi metu laidas pažeidžiamas, iš karto ištraukite jį iš maitinimo lizdo. Nelieskite laido tol, kol jo neatjungėte nuo maitinimo šaltinio. Jei laidas pažeistas ar nusidėvėjęs, prietaiso nenaudokite.
- Niekada nenaudokite šio prietaiso šalia esant kitiems asmenims, gyvūnams, o ypač vaikams.

### ELEKTROS SAUGA

- Prieš prijungdami įrenginį prie maitinimo iš tinklo, atidžiai perskaitykite saugos instrukcijas.
- Maitinimo kištukai turi atitikti lizdą. Niekada nekeiskite kištuko. Su įžemintais (įžeminimo) elektriniais įrankiais niekada nenaudokite kištukų adapterių. Nepakeisti kištukai ir atitinkantys lizdai sumažina elektros smūgio pavojų.
- Prieš jungiant į maitinimo tinklą, reikia patikrinti, ar tiekiamos elektros srovės įtampa tokia pat, kokia nurodyta gaminio nominalaus pajėgumo lentelėje arba šiame vadove. Jungiant gaminį į maitinimo tinklą, kurio įtampa neatitinka specifikacijų, galima patirti sužeidimą arba apgadinti gaminį.







- Gamintojas rekomenduoja jungti gaminį į maitinimo lizdą, apsaugotą likutinės srovės įtaisais (RCD) su 30 mA ar mažesnės srovės atskyrikliu.
- Ventilacijos angose negali būti susikaupę nuolaužų bei kitų nešvarumų, kad nesugestų variklis arba nekiltų gaisras.
- Saugokite maitinimo laidą nuo karščio, alyvos ir aštrių briaunų.
- Jeigu maitinimo laidas pažeistas, jį būtina pakeisti specialiu laidu ar jo korpusu, kurį galite įsigyti iš gamintojo ar jo techninės priežiūros atstovo.
- Jei reikia naudoti pailginimo laidą, patikrinkite, ar jis tinkamas naudoti lauko sąlygomis ir ar jo srovės parametrai tinkami įrankio maitinimui. Pailginimo laidas turi būti paženklintas „H05 RN F“ arba „H05 VV F“. Prieš kiekvieną naudojimą patikrinkite, ar nėra pažeidimų, naudojimo metu visuomet išvyniokite, nes suvynioti laidai gali perkaisti. Pažeistų pailginimo laidų nereikia taisyti: juos reikia keisti tolygaus tipo laidais.
- Patikrinkite, ar maitinimo laidas tokioje padėtyje, kad jo nepažeis pjovimo įrankiai, ant jo nebus galima užlipti, suklipti ar kitaip pažeisti ar susižeisti.
- Galios smailė paleidžiant variklį sukelia įtampos svyravimą, kurie gali pakenkti kitus toje pačioje elektros grandinėje sujungtus elektros įtaisus. Kad įtampos svyravimai būtų mažesni,junkite gaminį į maitinimo tinklą, kurio tariamoji varža mažesnė arba lygi 0,404. Dėl išsamesnės informacijos kreipkitės į elektros energijos tiekėją.

## ELEKTRINIO SMŪGINIO SMULKINTUVO SAUGOS TAISYKLĖS

### EKSPLOATAVIMAS

- Stengtis nenaudoti krūmapjovės blogomis oro sąlygomis, ypač, kai yra žaibavimo pavojus.
- Prieš paleidžiant gaminį, reikia patikrinti, ar padavimo kamera tuščia.
- Gaminys neveiks, jeigu surinkimo dėžė netinkamai įdėta arba smulkintuvo korpusas blogai uždarytas, o jo mygtukas-galvelė nevisiškai įsriegtas. Surinkimo dėžė ir smulkintuvo korpusas yra apsaugoti saugos blokavimo įtaisais, kurie padeda išvengti atsiktinio sąlyčio su judamosiomis

dalimis, dėl ko galima patirti patirti sunkią traumą.

- Veidas ir kūnas turi būti toliau nuo padavimo įleidimo angos.
- Stebėkite, kad prie padavimo kameros, išmetimo lataų ar kitų judančių detalių nepatektų rankos, ar kitos kūno dalys, arba drabužiai.
- Nepersitempkite. Visada tvirtai stovėkite ir išlaikykite pusiausvyrą. Paduodami medžiagas į prietaisą niekada nestovėkite aukščiau prietaiso apačios.
- Dirbdami su šiuo prietaisu visada stovėkite toliau nuo išmetimo zonos.
- Paduodami medžiagas į prietaisą būkite ypač atsargūs, kad metalo, akmens, butelių, skardinių ar kitų pašalinių objektų dalys ten nepatektų.
- Jeigu pjovimo mechanizmas atsitrenkia į pašalinį objektą arba gaminys pradeda skeisti neįprastą garsą ar vibruoti, reikia nedelsiant išjungti variklį, paspaudžiant išjungimo jungiklį. Reikia palaukti, kol gaminys visiškai sustoja ir išjungti jį iš maitinimo tinklo. Prieš paleidžiant iš naujo ir pradedant eksploatuoti gaminį, reikia atlikti šiuos veiksmus:
  - patikrinkite, ar jis neapgadintas
  - pakeiskite ar suremontuokite visas pažeistas dalis
  - patikrinkite, ar nėra atsilaisvusių detalių ir jas priveržkite
- Stebėkite, kad apdorotos medžiagos nesusikaupytų išmetimo zonoje; dėl to gali sutrikti išmetimo procesas ir medžiagos gali būti nusviestos atgal pro padavimo angą.
- Gaminiai užsikimšus, reikia sustabdyti variklį paspaudžiant IŠJUNGIMO jungiklį ir išjungti gaminį iš maitinimo tinklo. Prieš atidarant smulkintuvo korpusą ar mėginant pašalinti kamštį, reikia patikrinti, ar nebejuda nė viena judamoji dalis.
- Jokiu būdu nenaudokite krūmapjovės, jeigu apsauginiai įtaisai ar skydeliai pakenkti, arba be apsauginių įtaisų, pavyzdžiui, jei nėra sąnašų surinkimo įtaiso.
- Ventilacijos angose negali būti susikaupę nuolaužų bei kitų nešvarumų, kad nesugestų variklis arba nekiltų gaisras.
- Gaminio negalima transportuoti, kai veikia



variklis.

- Sustabdykite gaminį, išjunkite iš maitinimo tinklo ir patikrinkite, ar nebejuda nė viena judamoji dalis:
  - prieš ištuštinti surinkimo dėžę
  - kai paliekate krūmapjovę be priežiūros
  - prieš išvalydami užsikimšusias atliekas ar įleidimo angą,
  - prieš tikrindami ar valydami prietaisą arba prieš pradėdami juo pjauti žolę;
- Kai variklis veikia, nepakreipkite įrenginio.
- Įdedant smulkinamą medžiagą, padavimo priėmimo įrenginys turi neužsikimšti. Gaminiumi įtraukus medžiagos, išsikišusi jos dalis gali staiga pajudėti arba pasisukti. Naudojant gaminį, būtina dėvėti akių apsaugą.
- Jeigu smulkinant medžiagas susidaro dulkių, reikia užsimauti tinkamą dulkių kaukę, kad dulkės nepakenktų kvėpavimo takų.
- Prieš išimant surinkimo dėžę, reikia išjungti gaminį ir palaukti, kol nebejudės nė viena judamoji dalis.
- Niekaip nemodifikuokite prietaiso ir nemontuokite dalių bei priedų, kurias naudoti nepataria gamintojas.
- Įjungiklis turi būti švarus be atliekų ir kitų sancaupų, kad jo nesugadintumėte ir nesukeltumėte gaisro.

## APSAUGA NUO PERKROVOS

Šiame įrankyje yra įrengtas apsauginis įtaisas nuo perkrovos. Nustačius perkrovą įrankis automatiškai išsijungia. Apsaugos nuo perkrovos mygtukas įtaisytas prie ĮJ. / IŠJ. jungiklio. Įjungus apsaugą nuo perkrovos, iššoka mygtukas. Išjunkite gaminį iš maitinimo tinklo ir vadovaukitės kamščių šalinimo nurodymais. Reikia palaukti 3 - 5 minutes, kol variklis visiškai ataus. Patikrinus, ar nėra susidaręs kamštis, reikia įjungti maitinimo laidą į maitinimo šaltinį ir paspausti apsaugos nuo perkrovos nustatymo iš naujo mygtuką. Variklis įjungiamas paspaudus jungiklį ĮJUNGTI.

Jeigu apsauga nuo perkrovos įjungta ir gaminyje neužsikimšęs, perkrova gali susidaryti labai ilgai per greitai į gaminį paduodant medžiagas ir dėl to gali perkaisti variklis. Leiskite varikliui visiškai atvėsti. Prieš iš naujo paleidžiant gaminį, reikia ištuštinti

surinkimo dėžę.

## KAMŠČIO VALYMAS

### ⚠ ĮSPĖJIMAS

Geležties aštrios ir gali būti įkaitusios. Tikrinant, ar gaminyje neužsikimšęs bei šalinant kamštį, būtina dėvėti storas darbo pirštines.

- Gaminiumi užsikimšus arba įsijungus apsaugos nuo perkrovos įtaisu, reikia vadovautis šiais nurodymais:
  - Išjungti gaminį ir atjungti jį nuo maitinimo tinklo.
  - Patikrinti, ar nebejuda nė viena judamoji dalis.
  - Ištraukti ir ištuštinti surinkimo dėžę.
  - Iš padavimo lovelio ištraukti visas išsikišusias medžiagas.
  - Išsukti smulkintuvo korpuso mygtuką-galvelę ir ant jo šarnyro atidaryti viršutinę korpuso dalį, atidengiant pjovimo mechanizmą.
  - Ištraukiant padavimo kamerą, išimti iš jos visas ją užkimšusias nuolaužas.

### ⚠ ĮSPĖJIMAS

Net išjungus maitinimą, geležties kurį laiką dar gali judėti. Reikia būti ypatingai atsargiems dirbant ar esant netoli geležčių.

- Tinkamu rankiniu įrankiu rūpestingai išvalykite aplink geležtes susikaupusius nešvarumus. Prilaikydami geležtes, rankiniu įrankiu pajudinkite metalines plokšteles, patikrindami, ar kamštis pašalintas. Nevalykite rankiniu įrankiu aštrių geležčių briaunų, nes pažeisite ar sugadinsite geležtes.
- Jeigu pjovimo įtaisams sukantis nesimato surinkimo dėžės, toje vietoje reikia išvalyti nuolaužas. Kad gerai išvalytumėte šią vietą, pasitelkite įrankį.
- Pašalinus kamštį, reikia uždaryti viršutinę korpuso dalį ir įsriegti smulkintuvo korpuso mygtuką-galvelę, kad įsijungtų saugos blokavimo įtaisas.
- Jeigu neįmanoma pašalinti kamščio arba pastebėjus, jog gaminyje apgadintas, reikia jį nugabenti taisyti į įgaliotą techninio aptarnavimo centrą.

## GABENIMAS IR LAIKYMAS

- Prieš padedant įrenginį laikyti švarioje, sausoje vietoje, būtina jį gerai nuvalyti ir apsaugoti, kad nepasiektų vaikai.
- Prieš padėdami laikyti arba gabenti palaukite, kol įrenginys visiškai atvės.
- Gaminį transportuojant, reikia patikrinti, ar jis pritvirtintas transporto priemonėje ir iš jos neiškris ar nepajudės.

## PRIEŽIŪRA

- Prieš gaminį valant, apžiūrint ar taisant, jį reikia išjungti ir palaukti, kol pjovimo įtaisai liausis judėję. Išjunkite gaminį iš maitinimo.
- Smulkinant, po kurio laiko pjovimo mechanizmas įkaista. Prieš pjovimo mechanizmą valant, apžiūrint ar pasukant geležtes, reikia palaukti, kol jis tinkamai atvės.

**▲ ĮSPĖJIMAS**

Pjovimo įtaiso geležtės ypatingai aštrios. Siekdami išvengti sužeidimo, būkite ypač atsargūs ir rūpestingi valydami arba dirbdami prie geležčių, arba atidaryto priedo viduje, kai išimta surinkimo dėžė. Visuomet mūvėkite storas apsaugines pirštines.

**▲ ĮSPĖJIMAS**

Net išjungus maitinimą, geležtės kurį laiką dar gali judėti. Reikia būti ypatingai atsargiems dirbant ar esant netoli geležčių.

- Įrenginys geriausiai veikia, kai yra švarus.
- Baigę darbą, įrenginį tuoj pat išvalykite. Jeigu yra galimybė, medžiagų padavimo ir susmulkintų atliekų išbėrimo lovelį reikia valyti standžiu šepetėliu, o gaminio išorę – sauso audinio skiaute.
- Kad smulkintuvas kuo geriau veiktų, ant gaminio paviršių, o ypač ant geležčių negalima leisti sukietėti smukinamoms medžiagoms.
- Padavimo ir išbėrimo latakuose negali susikaupti smulkinamų atliekų bei nešvarumų.
- Gaminyje įtaisytos pjovimo geležtės yra su dviem pjovimo briaunomis. Atšipus vienai briaunai, geležtę galima pasukti 180° kampu. Žr. 175 psl. Atšipusias,

- aplūžusias ar įtrūkusias geležtes reikia keisti originaliomis RYOBI geležtėmis.
- Visos veržlės, varžtai ir sraigčiai, ypač geležčių, turi būti tinkamai ir tvirtai suveržti.
- Visas apgadintas ar susidėvėjęs dalis būtina atiduoti taisyti ar keisti tik kvalifikuotiems įgalioto techninio aptarnavimo centro darbuotojams.
- Jokių būdu negalima mėginti apeiti saugos blokavimo įtaiso jungiklių viršutinėje smulkintuvo korpuso dalyje: dėl to galima sunkiai susižeisti ir net gali reikėti amputuoti galūnes.

**▲ ĮSPĖJIMAS**

Neleiskite stabdžių skysčiams, benziniui, naftos produktams, persisunkiantiems tepalams ir kt. susiliesti su plastikinėmis dalimis. Prietaiso niekada nevalykite stabdžių skysčiu, benzinu, naftos produktais ar kitais tirpikliais. Komerčiai tirpikliai lengvai pažeidžia daugelį plastikinių dalių paviršių ir gali jas apgadinti.

- Galima atlikti šiame vadove aprašytus priežiūros darbus. Dėl kitų dalių taisymo ar pagalbos taisant reikia kreiptis į įgaliotą techninio aptarnavimo centrą.

## ŠALUTINIAI PAVOJAI

Net naudojant gaminį pagal nurodymus, neįmanoma visiškai atmesti visų pavojaus veiksnių. Naudojant gaminį gali kilti toliau išvardinti pavojai ir naudotojas turi kreipti ypatingą dėmesį, kad jų išvengtų:

- sužeidimai sukeliama triukšmo
  - Dėvėkite akių apsaugą ir ribokite poveikio trukmę.
- Sužeidimai, sukelti įkvėpus dulkių ir dalelių
  - Dėvėkite kaukę nuo dulkių.
- Sužeidimas, sukeltas sąlyčio su pjovimo įtaisais
  - Neapsaugotos kūno dalys visada turi būti atokiai nuo pjovimo įtaisų.
- Išsviestų nuolaužų sukeltas sužeidimas
  - Visada reikia dėvėti akių apsaugą ir būti atokiai nuo padavimo lovelio.

## PAŽINKITE SAVO GRANDINĮ PJŪKLĄ

Žr. 8 psl.  
1. Smulkintuvo korpusas

2. Padavimo piltuvus
3. Rankena
4. Smulkintuvo korpuso mygtukas-galvelė
5. Apsaugos nuo perkrovos mygtukas
6. ĮJUNGIMO/IŠJUNGIMO jungiklis
7. Saugos jungiklio mygtukas
8. Pjovimo geležtė
9. Maitinimo laidas
10. Metalinis rėmas
11. Surinkimo konteineris
12. Ratas
13. Plunžerinis stūmoklis

## SMULKINIMO KREIPTUVAS

Kad smulkindami gautumėte geriausius rezultatus, laikykitės toliau lentelėje pateiktų nurodymų.

### MEDŽIAGA SMULKINIMO BŪDAS

Šakelės iki 6 mm skersmens. Dėkite į padavimo lovelį greičiu, kuriuo gaminys gali veikti neįvykstant perkrovai. Jei reikia, įstumkite medžiagą į lovelį gaminio komplekte pateiktu plunžeriniu stūmokliu.

Šakos iki 45 mm skersmens. Prieš įdedant į padavimo lovelį, reikia sekatoriumi ar sodo žirkklėmis nukarpyti visą šoninę augmeniją. Jei reikia, įstumkite medžiagą į lovelį gaminio komplekte pateiktu plunžeriniu stūmokliu.

Gėlės, piktžolės ir krūmokšniai. Nuo šaknų nuvalykite akmenis ir žemes, kad nesugadintumėte geležčių.

Šviežiai nupjauti lapai, krūmai ir virtuvės atliekos (pvz., agurkų lapai, daržovių lupenos ir pan.). Smulkinant labai drėgną medžiagą, patartina tam tikrais laiko tarpais paduoti kelias sausas šakeles, kad smulkinama medžiaga būtų stumiama per pjovimo mazgą ir jo neužkimštų.

Sausi stagarai ir šakelės Juos įdėjus smulkinimo pabaigoje, iš gaminio bei pjovimo įtaisų išsivalys drėgmė ir augalų sultys bei sakai.

- Neleiskite sodo atliekoms kauptis iki smulkinimo, nes jos pradeda pūti, tampa pernelyg klampios ir užkemša pjaustymo mazgą. Sausa medžiaga padeda išstumti kitą medžiagą iš išmetimo latakų. Pasilikite kelias sausas lazdeles iki darbo pabaigos, kad jomis galėtumėte išvalyti geležtės zoną.
- Dažnai tikrinkite, ar nesusidarė susmulkintos medžiagos nuosėdų arba sankaujų.
- Išbėrimo lovelio angoje jokiū būdu negalima leisti susikaupti nuolaužų kamščiu.
- Kai surinkimo dėžė prisipildo, išjunkite įrenginį prieš ją ištuštinami.

### ⚠ ĮSPĖJIMAS

Nekiškite rankų į smulkintuvo išmetimo lataką norėdami išvalyti susmulkintas medžiagas, kai įrenginys įjungtas arba prijungtas prie elektros šaltinio. Geležtės aštrios. Valydami ir šalindami kamščius, dėvėkite storas pirštines ir būkite ypatingai atsargūs.

### ⚠ ĮSPĖJIMAS

Paduodami ilgas medžio šakas arba stiebus į įrenginį, saugokitės jų plaikstymosi arba vibracijos, kai šiuos pagauna pjovimo įtaisai. Naudodamas gaminį, operatorius būtinai privalo dėvėti akių apsaugą.

### ⚠ ĮSPĖJIMAS

Pjovimo įtaisais traukia šakas ir stiebus į įrenginį. Prasidėjus padavimui, nebandykite stabdyti smulkinti paduodamos medžiagos. Įdedant medžiagą į gaminį, būtina mūvėti pirštines, kad nesusidraskytų oda.

**PASTABA:** Įprastai naudodami, neišjunkite įrenginio, kol visa smulkinama medžiaga nepasišalina iš pjovimo mazgo. Jei įrenginys išjungiamas per greitai, likusios medžiagos dalys gali užkimšti geležtės mazgą ir užgesinti variklį, kai įrenginys įjungiamas vėl.

## SIMBOLIAI ANT ĮRENGINIO



Prieš naudodami įrenginį, atidžiai perskaitykite instrukcijas, laikykitės įspėjimų ir saugos nurodymų.



Saugokitės išmetamų arba skrendančių objektų. Visi pašaliniai asmenys, ypač vaikai ir naminiai gyvūnai, turi būti ne arčiau kaip 15 m nuo darbo vietos.



Pavojus -- besisukančios geležtės. Kai krūmaprovė veikia, laikykite rankas ir kojas atokiai nuo angų.



Prieš atlikdami techninę priežiūrą arba jei pažeistas laidas, išjunkite įrenginį ir ištraukite kištuką iš elektros lizdo.



Dėvėkite akių ir ausų apsaugą.



Nenaudokite vietoje laiptelio.



Prieš paliesdami įrenginio dalis palaukite, kol jos visiškai sustos.



Mūvėkite neslystančias, tvirtas apsaugines pirštines.



Rankas laikykite toliau nuo geležčių.



Šis prietaisas atitinka visas reglamentuotas normas ES šalies, kur jis buvo nupirktas.



Ukrainos atitikties ženklas



Elektrinių produktų atliekos neturi būti metamos kartu su namų ūkio atliekomis. Prašome perdirbkite jas ten, kur yra tokios perdirbimo bazės. Dėl perdirbimo patarimo kreipkitės į savo vietinę savivaldybę ar pardavėją.



II klasės įrankis, dviguba izoliacija



Garantuojama garso galia yra 107 dB



Paspauskite, norėdami paleisti iš naujo



„EurAsian“ atitikties ženklas

## SIMBOLIAI VADOVE



Pajunkite į maitinimo lizdą.



Išjunkite iš maitinimo lizdo.



Detalės arba priedai yra parduodami atskirai



Elektrinių produktų atliekos neturi būti metamos kartu su namų ūkio atliekomis. Prašome perdirbkite jas ten, kur yra tokios perdirbimo bazės.



Pastaba



Įspėjimas!



Blokėtąjs



Atrakinti

Šie signaliniai žodžiai yra skirti nurodyti su prietaiso naudojimu susijusio pavojaus lygį.

### ⚠ PAVOJUS

Reiškia ypač pavojingą padėtį, kurios neišvengus bus patirti sunkūs ar net mirtini sužeidimai.

### ⚠ ĮSPĖJIMAS

Reiškia potencialiai pavojingą situaciją, kurios neišvengus galimi sunkūs ar net mirtini sužeidimai.

### ⚠ ATSARGIAI

Reiškia potencialiai pavojingą situaciją, kurios neišvengus galimi lengvi ar vidutinio

sunkumo sužeidimai.

**ATSARGIAI**

Be įspėjamųjų simbolių

Reiškia nuosavybės žalos tikimybę.



Elektrilise löök-oksapurusti konstrueerimisel on peaeesmärgiks olnud toote ohutus, tootlikkus ja töökindlus.

### OTSTARBEKOHANE KASUTAMINE

Elektriline löök-oksapurusti on ette nähtud orgaaniliste aiapäätmete, nagu puude harud, oksad ja lehed tükeldamiseks väikesteks tükkideks.

Seade on ette nähtud kasutamiseks väljas seisvas asendis tugeval horisontaalsel maapinnal operatori poolt, kes seisab samal kõrgusel kui seadme alus.

Seade ei ole ette nähtud kasutamiseks laste või nende isikute poolt, kellel on piiratud füüsilised, vaimsed või sensoorsed võimed.

Toode ei ole ette nähtud mitteorgaaniliste materjalide, metallide ja jämedama materjali kui 45 mm tükeldamiseks.

Seade tuleb paigaldada komplektis olevale alusele ja kasutada komplektis olevat kogumiskasti. Seadet ei tohi paigaldada mitte mingil muul viisil kui käesolevas kasutusjuhendis kirjeldatud.

### ÜLDISED OHUTUSEESKIRJAD

#### ⚠ HOIATUS

Seadme kasutamisel tuleb järgida üldisi ohutusnõudeid, et vähendada tulekahjust ja elektrilöögist tingitud ohtu ning vältida kehavigastusi. Enne seadmega töö alustamist lugege kõiki juhised hoolikalt läbi ja pidage kinni hoiatustest ja ohutusega seotud juhustest. Õppige kõiki juhtseadisi ja õigeid kasutusvõtteid hoolikalt õigeks ja turvaliseks kasutamiseks tundma. Hoidke juhend edaspidiseks kasutamiseks alles.

### VÄLJAÕPE

- Lugege juhised hoolikalt läbi. Õppige tundma kõiki seadme juhtseadiseid ja kasutusnõudeid.
- Ärge laske kultivaatorit kasutada lastel ega neil, kes ei ole käesoleva juhendiga tutvunud. Kohalikud regulatsioonid võivad seada kasutaja vanusele piiranguid.
- Pidage meeles, et operaator või kasutaja on vastutav õnnetuste või ohuolukordade eest, mis võivad puudutada teisi inimesi või nende vara.

### ETTEVALMISTUSTOIMINGUD

- Kandke masina kasutamisel alati kuulmiskaitseid ja kaitseprille.
- Kandke seadmega töötamisel kinniseid jalanõusid ja pikki pükse. Ärge kasutage seadet paljajalu ega kandke töötamise ajal lahtisi sandaale. Väلتige selliste riiete kandmist, mis on lõdvad või millel on paelad või sidemed.
- Kasutage seadet soovitatud asendis ja töötage ainult tugeval horisontaalsel pinnal.
- Ärge kasutage masinat sillutatud või kruusaga kaetud pinnal, kus väljalastav materjal võib põhjustada vigastusi.
- Enne seadme kasutamist vaadake välise vaatluse teel üle purusti lõikenoad, poldid ja muud kinnitid pinguse suhtes ning kontrollige, et korpus, kaitsekatted ja varjed on vigastamata ning on oma kohtadel. Ärakulunud ja vigastatud osad tuleb asendada komplektis, et säilitada tasakaalustatus. Asendage vigastatud või mittelootavad sildid.
- Enne kasutamist kontrollige, et toite- ja pikendusjuhtmetel ei ole vigastusi ega vananemise märke. Kui juhe saab töötamise ajal vigastada, siis ühendage see kohe lahti. Ärge puudutage toitejuhet enne, kui see on vooluvõrgust lahti ühendatud. Kui juhe on vigastada saanud, siis ärge seadet kasutage.
- Ärge kasutage seadet, kui läheduses on teisi inimesi, eriti lapsi või lemmikloomi.

### ELEKTRIOHUTUS

- Lugege käesolevad ohutuseeskirjad läbi, enne kui seadme toitevõrku ühendate.
- Toitepistikud peavad pistikupessa sobima. Ärge püüdke pistiku konstruktsiooni mingil moel muuta. Ärge ühendage maanduskontaktiga (kordusmaandusega) elektritööriistu elektrivõrku läbi vahepistmike. Pistiku ja pistikupesa konstruktsiooni muutmise korral tekib elektrilöögi oht.
- Enne elektritoite ühendamist veenduge, et toitepinge vastab nimiaandmete plaadil või selles kasutusjuhendis näidatud pingele. Selle ühendamine mõnda muusse toitevõrku võib põhjustada kehavigastusi või kahjustusi.
- Tootja soovitab selle ühendada

EN
FR
DE
ES
IT
NL
PT
DA
SV
FI
NO
RU
CS
PL
HU
RO
LV
LT
<b>ET</b>
HR
SL
SK
BG
UK



pistikupessa, mis on kaitstud rikkevoolu-kaitselülitiga (RCD), mille rakendumisvool on kuni 30 mA.

- Hoidke ventilatsiooniavad puhtad prahist ja muust ladestisest, et mootori vigastumist või võimalikku tulekahju vältida.
- Hoidke toitejuhe eemal kuumusest, õlist ja teravatest servadest.
- Kui toitejuhe on vigastatud, siis tuleb see asendada sobiva juhtmega, mille saate tootjalt või teenindajalt.
- Kui teil on vaja kasutada pikendusjuhet, veenduge et see on välistingimuste jaoks sobiv ja teie tööriista jaoks piisava ristlõikega. Pikenduskaablitel peab olema markeering "H05 RN F" või "H05 VV F". Kontrollige seda iga kord enne kasutamist vigastuste suhtes, kerige see alati lahti, muidu võib juhe üle kuumeneda. Ärge hakake vigastatud pikendusjuhet parandama, vaid asendage teise sobivat tüüpi juhtmega.
- Veenduge, et toitejuhe asetseb nii, et see ei saa teravate esemete sisselõike tõttu vigastada, sellele ei saa peale astuda, komistada ja see ei saa mingil muul viisil vigastada ega sattuda tõmbepinge alla.
- Mootori käivitamise ajal tekkivad voolutõuked võivad mõjutada samasse toiteahelasse ühendatud elektriseadmete tööd. Ühendage seade toitevõrku, mille näivtakistus on 0,404  $\Omega$  või vähem, et pingekõikumisi minimeerida. Lisateabe saamiseks võtke ühendust oma elektritarbijaga.

## ELEKTRILINE LÖÖK-OXSAPURUSTI OHUTUSE ERINÕUDED

### KASUTAMINE

- Vältige seadme kasutamist halva ilmaga, eriti siis kui on äikese oht.
- Enne seadme käivitamist veenduge, et etteanderuim on tühi.
- Masin ei tööta, kui kogumiskast ei ole nõuetekohaselt kinnitatud või purusti korpus ei ole nõuetekohaselt suletud ja purusti korpuse nupp pole täielikult sisse keeratud. Kogumiskastil ja purusti korpusel on turvablokeeritud, mis aitavad vältida juhuslikku kontakti liikuvate osadega, mis võivad põhjustada raske kehavigastuse.

- Hoidke oma nägu ja keha eemal toiteavast.
- Ärge laske käsi ega muid kehaosadid või riietusesemeid etteandekambrisse, väljalaskerenni ega liikuvate osade lähedusse sattuda.
- Ärge kummardage. Hoidke end pidevalt jalgedel ja tasakaalus. Ärge seiske materjali sisselaadimise ajal masina alusest kõrgemal.
- Masina kasutamisel hoidke end väljalaadimise piirkonnast eemal.
- Masina täitmisel olge äärmiselt hoolas ja jälgige, et materjali hulka ei satu metallitükke, kive, pudeleid, purke ja muid võõrkehaseid.
- Kui lõikemehhanism tabab mõnda võõrkeha või hakkab seade tegema ebatavalist heli või vibreerima, lülitage mootor lüliti vajutamisega kohe välja. Laske seadmel seiskuda ja ühendage seade toitevõrgust lahti. Enne taaskäivitamist ja seadme edasi kasutamist tehke järgmised toimingud.
  - kontrollige üle vigastuste suhtes
  - asendage või parandage kõik vigastatud osad
  - kontrollige ja pingutage lõtvunud osad
- Ärge laske töödeldud materjalidel koguneda väljalaskepiirkonda; see võib nõuetekohast väljalaset tõkestada ning selle tagajärjeks võib olla materjali tagasilöökk etteandevasse.
- Kui seade ummistub, seisake mootor nupu VÄLJAS vajutamisega ja võtke pistik pistikupesast välja. Enne purusti korpuse avamist või ummistuse kõrvaldamise alustamist veenduge, et liikuvad osad on seiskunud.
- Ärge kasutage seadet, mille kaitsed või katted on vigastatud või ilma kaitseseadisteta, näiteks ilma prahikogurita.
- Hoidke ventilatsiooniavad puhtad prahist ja muust ladestisest, et mootori vigastumist või võimalikku tulekahju vältida.
- Ärge seadet mootori töötamise ajal liigutage.
- Seisake purusti ja ühendage lahti toitevõrgust ning veenduge, et kõik liikuvad osad on täielikult peatunud.
  - enne tühendamist kogumise kast
  - seadme jätmise järelvalveta
  - enne ummistumise kõrvaldamist või



väljalaskeava puhastamist,

- enne kontrollimist, puhastamist või teenindamist,
- Ärge seadet mootori töötamise ajal kallutage.
- Hoidke end pärast materjali sissepanekut etteandevast eemal. Materjali tõmbamine seadme sisse võib põhjustada väljaulatava materjali ootamatut liikumist või pöördumist. Kandke selle seadme kasutamisel alati silmakaitsevahendeid.
- Kui purustamise käigus tekib tolmu, kandke hingamisteede vigastamise vältimiseks sobivat tüüpi respiraatorit.
- Enne kogumiskasti eemaldamist lülitage seade välja ja laske liikuvatel osadel seiskuda.
- Ärge püüdke seadme konstruktsiooni mingil viisil muuta ega kasutage varuosi või tarvikud, mis pole tootja poolt soovitatud.
- Hoidke toiteallikas puhas prahist ja muust ladestisest, et toiteallika vigastumist või võimalikku tulekahju vältida.

## ÜLEKOORMUSE KAITSE

Tööriistal on seadis kaitsmiseks ülekoormuse eest. Kui ilmneb ülekoormus, lülitub tööriist automaatselt välja. Ülekoormuse kaitsenupp asub lüliti SEES/VÄLJAS kõrval. Kui ülekoormuskaitse rakendub, tõuseb ülekoormuse kaitsenupp üles. Ühendage seade elektritoite allikast lahti ja tehke ummistuse kõrvaldamiseks järgmised toimingud. Laske mootoril 3 kuni 5 minuti jooksul maha jahtuda. Kontrollige, et pole ummistust, seejärel ühendage toitejuhe pistikupessa ja vajutage ülekoormuskaitse lähtestusnuppu. Vajutage mootori sisse lülitamiseks nuppu SEES.

Kui ülekoormuskaitse on rakendunud ja ummistust pole täheldatud, võib see olla tingitud materjalide liiga kiirest või liiga pika materjali ette andmisest, mis põhjustab mootori üle kuumenemist. Laske masinal maha jahtuda. Enne seadme taaskäivitamist tühjendage kogumiskast.

## UMMISTUSE KÕRVALDAMINE

### ⚠ HOIATUS

Lõiketerad on väga teravad ja on kuumad. Seadme kontrollimisel ja ummistumisel kandke tugevdatud kaitsekindaid.

- Kui seade ummistub, kiilub kinni või on ülekoormuskaitse rakendunud, juhenduge järgmistest juhistest.
  - Lülitage seade välja ja ühendage toitevõrgust lahti.
  - Veenduge, et kõik liikuvad osad on seiskunud.
  - Võtke lahti ja tühjendage kogumiskast.
  - Eemaldage etteandekambri nähtav materjal.
  - Keerake purusti korpuse nupp lahti ja avage hingedel olev korpuse ülalpool, et lõikemehhanism nähtavaks teha.
  - Eemaldage etteandekambri kinni jäänud materjal seespoolt väljapoole lükates.

### ⚠ HOIATUS

Lõiketerad võivad siiski veel liikuda kui toide on välja lülitatud. Olge lõiketerade läheduses äärmiselt ettevaatlik.

- Eemaldage lõiketeradelt praht ettevaatlikult sobivat käsitööriista kasutades. Kasutades käsitööriista, eemaldage terade kohal olevad metallplaadid ja kontrollige, kas ummistus on eemaldatud. Ärge puudutage lõiketerade teravaid servasid käsitööriistaga, muidu võite lõiketerasid vigastada.
- Kui te kogumiskasti lõiketerade pöörlemise ajal ei näe, tuleb praht sellest kohast eemaldada. Kasutage tööriista, et see koht ettevaatlikult puhastada.
- Kui ummistus on kõrvaldatud, sulgege purusti korpuse ülalpool ja keerake purusti korpuse nupp kinni, et vabastada turvablokeerang.
- Kui te ei suuda ummistust kõrvaldada või leiate vigastuse, andke seade volitatud hoolduskeskusesse remondiks.

## TRANSPORTIMINE JA HOIUSTAMINE

- Kui tööriista ei kasutata, siis veenduge, et see on täielikult puhastatud, enne hoiustamist kuivas ja lastele mittekättesaadavas kohas.
- Laske seadmel enne hoiule panekut või transportimist maha jahtuda.
- Seadme transportimisel tagage, et see on kinnitatud autos kukkumise või liikuma hakkamise vastu.

## HOOLDUS

- Enne seadme puhastamist, kontrollimist ja hooldamist lülitage see välja ja laske lõiketeradel täielikult seiskuda. Ühendage seade elektritoitest lahti.
- Pärast mõne aja vältel töötamist hakkab lõikemehhanism kuumenema. Laske lõikemehhanismil enne puhastamist, üle vaatamist ja terade ümber pöörämist maha jahtuda.

### ⚠ HOIATUS

Lõikuri terad on väga teravad. Kehavigastuse vältimiseks olge äärmiselt ettevaatlik, kui seadet puhastate või lõiketerade läheduses või avatud korpuse sees töötate, kui kogumiskast on eemaldatud. Kandke alati tugevdatud kaitsekindaid.

### ⚠ HOIATUS

Lõiketerad võivad siiski veel liikuda kui toide on välja lülitatud. Olge lõiketerade läheduses äärmiselt ettevaatlik.

- Seadme parima tootluse tagamiseks tuleb seda hoida puhtana.
- Pärast töötamist puhastage seade alati viivitamatult. Puhastage sööteava ja väljalaskeava perioodiliselt jäikade harjastega harja abil ja kuivatage purusti sisemus kuiva lapiga.
- Parima tootluse saavutamiseks ärge laske materjalil purusti pindadel, eriti teradel kuivada ja kõveneda.
- Hoidke etteandekamber ja väljaheitetoru puhtad ja ärge laske neisse jäätmeid koguneda.
- Seadme lõiketeradel on kaks lõikeserva. Kui üks lõikeserv on nüri, võite lõiketera

180° ümber keerata. Vt leht 175-176. Kui lõiketera on nüri, kildunud või pragunenud, asendage see RYOBI originaalvaruosaga.

- Veenduge, et kõik mutrid, poldid ja kruvid on turvaliselt pingutatud, olge eriti tähelepanelik lõiketerade kinnituse suhtes.
- Laske kõik vigastatud või kulumud osad volitatud hooldustöökohas väljaõppinud töötajate poolt parandada või asendada.
- Ärge mingil juhul püüdke välja lülitada korpuse ülapoole turvablokeeringu lüliteid, see võib põhjustada kehavigastuse, kaasa arvatud ihuliikme kaotuse.

### ⚠ HOIATUS

Ärge laske plastosadel mitte mingil juhul sattuda kokkupuutesse auto pidurivedeliku, bensiini, bensiinipõhiste toodete, immutusõlidega või muude samalaadsete vedelikega. Ärge mingil juhul kasutage seadme puhastamiseks pidurivedelikke, bensiini, naftasaaduste-põhiseid puhastusvahendeid ega mingeid lahusteid. Enamik plastikuid on erinevat tüüpi poes müüdavate lahuste kahjustuste suhtes altd ja võivad saada neid kasutades kahjustatud.

- Võite teha ainult neid hooldustoiminguid, mida on kirjeldatud käesolevas kasutusjuhendis. Muude remonditööde tellimiseks ja abi saamiseks pöörduge volitatud hoolduskeskusesse.

## JÄÄKRISKID

Isegi siis, kui kultivaatorit kasutatakse kirjeldatud viisil, ei ole võimalik kõrvaldada kõiki jääriskide mõjureid. Töötamise ajal võivad tekkida järgmised ohud, millele operaator peab pöörama erilist tähelepanu.

- Mürast põhjustatud vigastus
  - Kandke kuulmiskaitsevahendeid ja piirake müraga kokkupuudet.
- Tolmu ja peenosakeste sisse hingamisest põhjustatud kehavigastus
  - Kandke tolumumaski.
- Lõikeorganitega kokkupuutesse sattumisest põhjustatud kehavigastus
  - Hoidke kaitsmata kehaosad lõikemehhanismist kogu aeg eemal.
- Väljapaiskunud prahist põhjustatud

vigastus

- Kandke kogu aeg silmakaitsevahendeid ja hoidke kehaosad eemal etteandekambri ümbrusest.

## ÕPPIGE OMA TOODET TUNDMA

Vt leht 168.

1. Purusti korpus
2. Väljalaskerenn
3. Käepide
4. Purusti korpuse nupp
5. Ülekoormuskaitse tagastusnupp
6. SISSE/VÄLJA lüliti
7. Turvalüliti nupp
8. Lõiketera
9. Toitejuhe
10. Metallraam
11. Kogumiskast
12. Ratas
13. Tõukur

## PURUSTAMISE JUHIS

Tõhusaks purustamiseks järgige allolevas tabelis esitatud nõuandeid.

### MATERJAL PURUSTAMISVIIS

Peenoksad läbimõelduga kuni 6 mm.	Andke materjali ette sellise kiirusega, mille puhul purusti on võimeline töötama ilma ülekoormuseta. Vajaduse korral lükake materjal kambrisse komplektis oleva tõukuri abil.
Oksad läbimõelduga kuni 45 mm.	Enne oksa sisestamist etteandekambrisse lõigake ära kõrvalharud. Vajaduse korral lükake materjal kambrisse komplektis oleva tõukuri abil.
Ilutaimed, umbrohi ja põõsaste võsud.	Lõiketerade vigastamise vältimiseks puhastage juured mullast ja kividest.

Värskelt lõigatud lehed, heki lõikmed ja köögiviljajäätmel (nt kapsalehed, köögiviljakoored jne).

Mingi väga niiske materjali purustamiseks on soovitatav aeg-ajalt ette anda mõni kuivem vars, et aidata materjalil läbida lõikesõlme ja vältida selle ummistumist.

Kuivad oksaraod ja oksad

Nende sisestamise purustamise lõpetamisel aitab purusti sisemusest ja lõikepealt eemaldada niiskuse ja aiaprahi.

- Ärge laske aiapäätmetel enne purustamist seista, sest siis hakkavad need lagunema, muutuvad niiskeks ja ummistavad lõikamise sõlme. Väljalaskerenni saab puhastada kuiva materjali abil. Purustamise lõpus pange purustajasse mõned kuivad puutükid, et lõikamissõlme pinnad puhastada.
- Jälgige regulaarselt purustatud materjali kuhjumist/kogunemist.
- Väljalaskerenni väljundava peab kogu aeg olema vaba, et ummistumist vältida.
- Kui kogumiskast on täitunud, lülitage seade enne tühendamist välja.

### ⚠ HOIATUS

Kui seade on sisse lülitatud või toiteallikale ühendatud, ärge pange oma käsi väljalaskerenni sisse, et puhastada seda purustatud materjalist. Lõiketerad on teravad. Kandke tugevdatud kindaid ja olge äärmiselt ettevaatlik puhastamisel ja ummistuste kõrvaldamisel.

### ⚠ HOIATUS

Kui annate seadmele ette pikki oksivarsi, olge ettevaatlik, sest need võivad pekselda ja väriseda, kui neid lõikuri poolt haaratakse. Operaator peab kandma selle seadme kasutamise ajal silmakaitsevahendeid.

## ⚠ HOIATUS

Lõikamissõlm püüab tõmmata oksitüvesid seadme sisse. Ärge püüdke materjali sisenemist takistada pärast seda kui etteanne on alanud. Kandke alati kindaid, et kaitsta end nahavigastuste eest materjali seadmesse sisse söötmise ajal.

**MÄRKUS.** Tavakasutamisel ärge lülitage seadet välja enne kui purustatud materjal on lõikesõlme läbinud. Kui seade liiga vara välja lülitada, siis võib seadme uuesti sisse lülitamisel lõikesõlm materjalijääkidega ummistuda ja mootor seiskuda.

## MASINAL OLEVAD SÜMBOLID



Enne seadmega töö alustamist lugege kõik juhised hoolikalt läbi ja pidage kinni hoiatustest ja ohutusega seotud juhistest.



Hoiduge ülespaisatud ja lendavate esemete eest. Hoidke kõik kõrvalseisjad, eriti lapsed ja lemmikloomad tööalalt vähemalt 15 meetri kaugusele.



Oht - Pöörlevad lõiketerad. Kui seade töötab, siis hoidke oma käed ja jalad avast eemale.



Kui toitejuhe on vigastatud, lülitage seade välja ja ühendage pistik vooluvõrgust enne parandamist lahti.



Kandke kaitseprille ja kõrvaklappe.



Ärge kasutage seadet astmena.



Enne seadme osade puudutamist oodake kuni need on täielikult seiskunud.



Kandke libisemiskindlaid, tugevdatud kaitsekindlaid.



Hoidke käed lõiketeradest eemal.



Vastab kõigile eeskirjadele EL-i liikmesriigis, kus toode on osetud.



Ukraina vastavusmargis



Mittekasutatavaid elektritooteid ei tohi visata olmejäätmete hulka. Vaid tuleb viia vastavasse kogumispunkti. Vajadusel küsige sellekohast nõu oma edasimüüjalt või vastavalt kohaliku omavalitsuse institutsioonilt.



Tööriista klass II, topeltisolatsiooniga



Garanteeritud helivõimsuse tase on 107 dB



Vajutage lähtestamiseks



Euraasia vastavusmärk

## KASUTUSJUHENDI SÜMBOLID



Ühendage pistikupesassa.



Võtke pistikupesast välja.



Eraldi ostetavad osad või tarvikud



Mittekasutatavaid elektritooteid ei tohi visata olmejäätmete hulka. Vaid tuleb viia vastavasse kogumispunkti.



Märkus



Hoiatus



Lukk



Lahtikeeramine

Järgnevad märguandesõnad ja tähendused on mõeldud selle toote kasutamisega seotud riskitasemete kirjeldamiseks.

**⚠ OHT.**

Viitab kohe tekkivale ohtlikule situatsioonile, mis, kui ei väldita, lõpeb surma või tõsise vigastusega.

**⚠ HOIATUS**

Viitab võimalikule ohtlikule situatsioonile, mis, kui ei väldita, võib lõppeda surma või tõsise vigastusega.

**⚠ ETTEVAATUST**

Viitab võimalikule ohtlikule situatsioonile, mis, kui ei väldita, võib lõppeda väiksemate või keskmiste vigastusega.

**ETTEVAATUST**

Ilma hoiatussümbolita

Osutab olukorrale, mis võib põhjustada varakahju.

EN
FR
DE
ES
IT
NL
PT
DA
SV
FI
NO
RU
PL
CS
HU
RO
LV
LT
<b>ET</b>
HR
SL
SK
BG
UK

U razvoju ove električne rezačice dati su maksimalni prioriteti sigurnosti, performansama i pouzdanosti.

## NAMJENA

Električna rezačica je namijenjena za rezanje organskih materijala na manje komade kao što su grane, šibe i lišće u male komadiće.

Proizvod je namijenjen za korištenje na otvorenom mu stacionarnom položaju, na čvrstoj podlozi od strane operatera koji stoji na istoj odlozi kao postolje proizvoda.

Ovaj proizvod nije namijenjen za korištenje od strane djece ili osoba sa smanjenim fizičkim, psihičkim ili mentalnim mogućnostima.

Proizvod nije namijenjen za neorganske materijale, metal ili materijal koji premašuje njegov maksimalni rezni kapacitet promjera od 45 mm.

Proizvod mora biti montiran na isporučeno postolje i mora se koristiti zajedno s ispuštenom kutijom za prikupljanje. Ne smije se ugraditi na drugačiji način osim kao što je prikazano ili opisano u ovom priručniku.

## OPĆA SIGURNOSNA PRAVILA

### ⚠ UPOZORENJE

Kako biste smanjili opasnost od požara, strujnog udara i osobnih ozljeda prilikom korištenja proizvoda, pridržavajte se osnovnih mjera opreza. Pročitajte i razumite sve upute prije rada s proizvodom, slijedite sva upozorenja i sigurnosne upute. Upoznajte se s upravljačkim elementima i pravilnoj te sigurnoj uporabi proizvoda. Molimo vas da čuvate ove upute radi kasnijeg korištenja.

## OBUKA

- Pažljivo pročitajte upute. Upoznajte se s upravljačkim elementima i pravilnim korištenjem proizvoda.
- Nikada nemojte dopustiti korištenje proizvoda djeci ili osobama koje nisu upoznate s uputama. Moguće je da lokalni propisi propisuju starosnu dob rukovatelja.
- Imajte na umu da je rukovatelj ili korisnik odgovoran za nezgode ili opasnosti koje nastanu drugim osobama ili njihovoj imovini.

## PRIPREMA

- Nosite zaštitu za sluh i zaštitne naočale cijelo vrijeme dok radite s uređajem.
- Tijekom rada s proizvodom uvijek nosite zaštitnu obuću i duge hlače. Nemojte raditi bosu ili u otvorenim sandalima. Izbjegavajte nositi odjeću koja je labava ili s nje visi konop ili kravata.
- Radite s proizvodom u preporučenom položaju i samo na čvrstoj, ravnoj površini.
- Nemojte raditi s uređajem na popločanim ili šljunčanim površinama gdje odbačeni materijal može uzrokovati ozljedu.
- Prije korištenja, uvijek provjerite i osigurajte da su vijci mehanizma za rezanje i drugi pričvršni elementi pritegnuti, da kućište nije oštećeno i da su štitnici i zasloni neoštećeni i na mjestu. Kako biste održali simetriju uređaja zamijenite istrošene ili oštećene komponente u sklopovima. Zamijenite oštećene ili nečitljive naljepnice.
- Prije korištenja provjerite kabele za napajanje i produžne kabele na znakove oštećenja i dotrajalosti. Ako se kabel ošteti tijekom korištenja, odmah ga odspojite iz napajanja. Nemojte dodirivati kabel prije nego ga isključite iz napajanja. Nemojte koristiti uređaj ako je kabel oštećen ili istrošen.
- Nikada ne radite s uređajem dok su u blizini ljudi, osobito djeca ili kućni ljubimci.

## ELEKTRIČNA SIGURNOST

- Prije priključivanja proizvoda na glavno napajanje temeljito pročitajte ove sigurnosne upute.
- Utikači moraju odgovarati utičnici. Nikada nemojte modificirati utikače ni na koji način. Nemojte koristiti nikakve adapter utikače s uzemljenim električnim alatima. Originalni utikači i odgovarajuće utičnice smanjuju opasnost od strujnog udara.
- Prije spajanja glavnog voda provjerite da je napon isti kao što je označeno na nazivnoj pločici proizvoda ili u ovom priručniku. Spajanje proizvoda na drugo napajanje može uzrokovati ozljede ili oštećenje.
- Proizvođač preporučuje da spojite na utičnicu zaštićenu RCD-om s osiguračem od 30 mA ili manje.
- Održavajte ventilacijske otvore čistim od ostataka i drugih nakupina kako biste



spriječili oštećenje na napajanju ili mogući požar.

- Držite kabel za napajanje podalje od topline, ulja i oštih rubova.
- Ako je kabel napajanja oštećen, mora ga se zamijeniti s posebnim kabelom ili sklopom koji je na raspolaganju od proizvođača ili njegovog servisnog agenta.
- Ako trebate koristiti produžni kabel, osigurajte da je prikladan za korištenje na otvorenom i da ima dovoljan kapacitet za napajanje alata. Produžni kabel treba imati oznaku „H05 RN F“ ili „H05 VV F“. Provjerite prije svakog korištenja na oštećenje, uvijek odmotajte tijekom korištenja jer se namotani kabel može pregrijati. Oštećene produžne kabele ne treba popravljati, treba ih zamijeniti s odgovarajućim tipom.
- Provjerite je li kabel za napajanje pravilno pozicioniran tako da ne može biti oštećen rezanjem i da se na njega ne može stati, zapeti ili drugim predmetima oštetiti ili naprezati.
- Vršna struja tijekom pokretanja motora uzrokuje fluktuacije napona i može utjecati na druge električne proizvode na istoj liniji napajanja. Spojite proizvod na izvor napajanja s impedancijom jednakom 0,404 Ω do minimalne fluktuacije napona. Obratite se dobavljaču električne energije za daljnje informacije.

## SIGURNOSNA PRAVILA ZA ELEKTRIČNU REZAČICU

### UPORABA

- Izbjegavajte korištenje proizvoda u lošim vremenskim uvjetima, posebice ako postoji opasnost od udara munje.
- Prije pokretanja proizvoda uvijek provjerite je usisna komora prazna.
- Proizvod neće raditi ako kutija za prikupljanje nije pravilno postavljena ili kućište rezačice nije pravilno zatvoreno, a gumb kućišta rezačice nije potpuno uvrnut. Kutija za prikupljanje i kućište rezačice su zaštićeni sigurnosnim blokadama kako bi se spriječilo slučajno dodirivanje s pokretnim dijelovima, što može rezultirati ozbiljnim ozljedama.
- Držite lice i tijelo dalje od otvora za usis.
- Nemojte postavljati ruke ili neki drugi dio

tijela ili odjeće unutar usisne komore, trake za pražnjenje ili bilo kojeg drugog pokretnog dijela.

- Ne sežite preko određene granice. Cijelo vrijeme držite pravilno uporište i ravnotežu. Nikada ne stojte na višoj razini od temelja uređaja kad ubacujete materijal u njega.
- Uvijek budite izvan zone izbacivanja tijekom rada s ovim uređajem.
- Kad umećete materijal u uređaj posebice pazite da komadi metala, kamenja, boca, konzervi ili drugi strani predmeti nisu uključeni.
- Ako rezni mehanizam udari u bilo kakve strane predmete ili ako proizvod počne raditi neuobičajenu buku ili vibracije, odmah isključite izvor napajanja i omogućite uređaju da se zaustavi. Omogućite proizvodu da se zaustavi te ga odspojite iz napajanja. Poduzmite sljedeće korake prije ponovnog pokretanja i rada uređaja:
  - provjerite ima li oštećenja
  - zamijenite ili popravite sve oštećene dijelove
  - provjerite ima li i pritegnite sve labave dijelove
- Nemojte dopustiti taloženje materijala u zoni ispuhivanja; ovo može spriječiti pravilno pražnjenje i može dovesti do povratnog udara materijala preko otvora za usis.
- Ako se proizvod začepi, zaustavite motor pritiskom sklopke OFF i odspojite proizvod iz glavnog napajanja. Osigurajte da su se svi pokretni dijelovi zaustavili prije otvaranja kućišta rezačice ili pokušaja čišćenja blokade.
- Nikada nemojte raditi s proizvodom s oštećenim pokrovima ili štitnicima, ili bez sigurnosnih uređaja, npr. postavljenog sakupljača krhotina.
- Održavajte ventilacijske otvore čistim od ostataka i drugih nakupina kako biste spriječili oštećenje na napajanju ili mogući požar.
- Nemojte transportirati proizvod dok je motor pokrenut.
- Zaustavite uređaj, odspojite iz napajanja i osigurajte da se svi pokretni dijelovi potpuno zaustave:
  - Prije pražnjenja kutiju





- kada ostavljate proizvod bez nadzora
- prije čišćenja začepjenosti ili odčepeljivanja trake za pražnjenje
- prije provjere, čišćenja ili rada na uređaju
- Nemojte naginjati proizvod dok je motor pokrenut.
- Držite čistim lijevak nakon umetanja materijala. Radnja uvlačenja materijala u proizvod može uzrokovati iznenadan moment ili uvijanje izloženog materijala. Prilikom rada s proizvodom uvijek nosite zaštitu za sluh.
- Ako tijekom postupka rezanja nastaje prašina, odjenite prikladnu masku kako biste pomogli spriječiti respiratorne povrede.
- Isključite uređaj i omogućite svim pokretnim dijelovima da se zaustave prije uklanjanja kutije za prikupljanje.
- Nemojte modificirati uređaj ni na koji način ili koristiti dijelove ili dodatni pribor koje nije preporučio proizvođač.
- Održavajte napajanje čistim od ostataka i drugih nakupina kako biste spriječili oštećenje na napajanju ili mogući požar.

## ZAŠTITA OD PREOPTEREĆENJA

Alat ima uređaj za zaštitu od preopterećenja. Kad je otkriveno propterećenje, alat se automatski isključuje. Gumb za zaštitu od preopterećenja nalazi se pored sklopke ON/OFF. Gumb će iskočiti kada se aktivira zaštita od preopterećenja. Odspojite proizvod iz napaanjanja i slijedite upute za čišćenje blokade. Pustite motor da se ohladi za 3 do 5 minuta. Nakon provjere da nema blokade, spojite kabel za napajanje na izvor napajanja i otpustite gumb za postavljanje zaštite od preopterećenja. Pritisnite gumb ON za uključivanje motora.

Ako je uređaj za zaštitu od preopterećenja aktiviran, a nema blokade, do preopterećenja je došlo kada su prebrzo u proizvod uvučeni materijali koji su predugački, što dovodi do pregrijavanja motora. Omogućite motoru da se ohladi. Prije pokretanja uređaja ispraznite kutiju za prikupljanje.

## ČIŠĆENJE BLOKADA

### ⚠ UPOZORENJE

Oštrice su oštre i vjerojatno vruće. Uvijek nosite zaštitne rukavice velike debljine kada provjeravate ili čistite blokirano.

- Ako se proizvod začepi ili blokira, ili ako je aktiviran uređaj za zaštitu od preopterećenja, slijedite ove upute:
  - Isključite proizvod i odspojite ga iz napajanja.
  - Provjerite da su se svi pokretni dijelovi zaustavili.
  - Uklonite i ispraznite kutiju za prikupljanje.
  - Uklonite sve izložene materijale u lijevku.
  - Odrvnite gumb kućišta rezačice i otvorite gornje kućište na njenim šarkama kako biste izložili mehanizam za rezanje.
  - Uklonite sve ostatke koji blokiraju uisnu komoru izvlačenjem van.

### ⚠ UPOZORENJE

Oštrice se još uvijek mogu pokretati iako je isključeno napajanje. Budite izuzetno oprezni oko područja oštrica.

- Pažljivo uklonite ostatke oko oštrica s prikladnim ručnim alatom. Korištenjem ručnog alata, uklonite metalne ploče koje drže oštrice kako biste provjerili je li blokada uklonjena. Nemojte umetati ručni alat u oštre rubove oštrice; to može oštetiti oštrice.
- Ako ne možete vidjeti kutiju za prikupljanje kada se oštrice okreću, trebate očistiti ostatke u tom području. Koristite alat za pažljivo čišćenje područja.
- Nakon što očistite blokadu, zatvorite gornje kućište i uvrnite gumb kućišta rezačice kako biste pritegnuli sigurnosnu bravu.
- Ako ne možete uspješno očistiti blokadu ili ako pronađete oštećenje, donesite proizvod u ovlaštenu servisnu centar na popravak.





## PRIJEVOZ I SKLADIŠTENJE

- Provjerite je li proizvod temeljito očišćen prije nego ga spremite na čisto, suho mjesto izvan dohvata djece.
- Omogućite proizvodu da se ohladi prije spremanja ili transporta.
- Kada transportirate proizvod, provjerite je li osiguran od pada ili pomicanja unutar vozila

## ODRŽAVANJE

- Prije čišćenja, pregleda ili servisiranja proizvoda, isključite ga i omogućite rezačima da se potpuno zaustave. Odspojite proizvod iz napajanja.
- Nakon određenog vremena rezanja, mehanizam za rezanje postaje vruć. Omogućite mehanizmu za rezanje da se adekvatno ohladi prije čišćenja, provjere ili okretanja oštrica.

### ⚠ UPOZORENJE

Rezne oštrice iznimno su oštre. Za izbjegavanje povreda, budite izričito oprezni i pažljivi kada čistite ili radite pored oštrica ili unutar otvorenog kućišta kada je uklonjena kutija za prikupljanje. Uvijek nosite zaštitne rukavice velike debljine.

### ⚠ UPOZORENJE

Oštrice se još uvijek mogu pokretati iako je isključeno napajanje. Budite izuzetno oprezni oko područja oštrica.

- Za osiguranje najbolje učinkovitosti proizvoda, morate ga održavati čistim.
- Uvijek očistite proizvod odmah nakon korištenja. Gdje je got moguće koristite čeličnu četku unutar uvodnika i trake za pražnjenje, te suhu krpu za vanjsku stranu rezačice.
- Za optimalan rad rezanja, nemojte pustiti materijalu da se osuši i otvrdne na bilo kojoj površini rezačice, posebice na oštricama.
- Provjerite jesu li lijevak i izlazna traka čisti i održavajte ih čistim od otpadnih materijala.
- Rezne oštrice postavljene u proizvodu imaju dva rezna ruba. Oštrice se mogu okrenuti za 180° ako se jedan rub istupi. Pogledajte stranicu 175-176. Zamijenite s

originalnim RYOBI dijelovima ako su vaše oštrice tupe, zarezane ili puknute.

- Provjerite jesu li sve matice, svornjaci i vijsci pritegnuti i sigurni, posebice vijci oštrica.
- Uvijek popravite sve oštećene ili istrošene dijelove ili neka ih zamijeni kvalificirano osoblje u ovlaštenom servisnom centru.
- Nikada nemojte pokušati zaobići prekidače sigurnosnih blokada na gornjem kućištu rezačice; ovo može dovesti do ozbiljnih osobnih ozljeda, uključujući amputacije.

### ⚠ UPOZORENJE

Nikada ne dopustite kontakt plastičnih dijelova s tekućinom za kočnice, benzinom, proizvodima na bazi petroleja, sredstvima za odmašćivanje, idr. Nikada ne koristite tekućine za kočnice, benzin, proizvode na bazi benzina ili neka druga otapala za čišćenje uređaja. Većina plastičnih dijelova osjetljiva je na oštećenje različitim vrstama komercijalnih vrsta otapala i mogu se odšteti njihovom uporabom.

- Možete izvesti zadatke održavanja opisane u ovom priručniku. Za ostale popravke ili savjete, potražite pomoć ovlaštenog servisnog centra.

### OSTALE OPASNOSTI

Čak i kad je proizvod korišten kao što je prethodno opisano, još uvijek nije moguće potpuno isključiti ostale čimbenike opasnosti. Može doći do sljedećih opasnosti tijekom korištenja i operater mora obratiti posebnu pozornost kako bi izbjegao sljedeće:

- Ozljede uzrokovane bukom
  - Nosite zaštitu za sluh i ograničite izloženost.
- Ozljede uzrokovane udisanjem prašine ili čestica
  - Nosite masku protiv prašine.
- Ozljede uzrokovane kontaktom s oštricama
  - Cijelo vrijeme držite nezaštićene dijelove tijela dalje od mehanizma za rezanje.
- Ozljede uzrokovane odbacivanjem ostataka
  - Cijelo vrijeme nosite zaštitu za oči i držite dijelove tijela dalje od područja oko lijevka.

## UPOZNAJTE SVOJ PROIZVOD

Pogledajte stranicu 168.

1. Kućište rezačice
2. Lijevak
3. Ručka
4. Gumb kućišta rezačice
5. Gumb za resetiranje zaštite od preopterećenja
6. Sklopka za UKLJUČIVANJE/ ISKLJUČIVANJE
7. Ključ za sigurnosnu sklopku
8. Nož za rezanje
9. Kabel za napajanje
10. Metalni okvir
11. Spremnik za prikupljanje
12. Kotač
13. Gurač grana

## SMJERNICE ZA REZANJE

Za najbolje rezultate rezanja, slijedite smjernice prikazane u tablici u nastavku.

MATERIJAL	NAČINI REZANJA
Šibe i do promjera od 6 mm.	Umećite u lijevak pri brzini koju rezačica može prihvatiti bez preopterećenja. Koristite isporučeni gurač grana za guranje materijala u lijevak ako je potrebno.
Grane i do 45 mm u promjeru.	Izrežite sve izrasline s jakim oreznim škarama prije umetanja u lijevak. Koristite isporučeni gurač grana za guranje materijala u lijevak ako je potrebno.
Savijeno bilje, korov i grmoliko raslinje.	Maknite tvrdu zemlju i kamenje s bila kako biste izbjegli oštećenje oštrice.
Svježe izrezano lišće, živica i kuhinjski otpad (npr. listovi kupusa, oguljene kore povrća).	Preporučujemo da zajedno s materijalom koji ima preveliki postotak vlage umetnete suhe šibe u pravilnim intervalima kako biste pomogli gurati materijal kroz sklop za rezanje i sprejčili začepljivanje.

Osušite štapove i šibe

Umetanjem ovog na kraju posla usitnjavanja, pomoći će u čišćenju vlage i biljnog soka s unutrašnjosti proizvoda i sklopa za rezanje.

- nemojte dopustiti da se nagomila vrtni otpad preje nego ga izrežete jer će postati kompost, postati prevlažan i sačepljivati sklop za rezanje. Suhi materijal pomaže većini materijala da iziđe iz rezačice. Spremite neke suhe štapove do kraja kako bi vam pomogli očistiti područje oštrice.
- Često nadzirite naslage/prikupljenja izrezanog materijala.
- Izlaz trake za pražnjenje mora biti čist, kako bi se spriječilo začepljenje.
- Kada je kutija za prikupljanje puna, isključite proizvod prije pražnjenja.

### ⚠ UPOZORENJE

Nemojte stavljati prste u traku za pražnjenje rezačice kako biste očistili izrezani materijal dok je proizvod uključen ili spojen na glavno napajanje. Noževi su oštri. Nosite zaštitne rukavice i budite posebice pažljivi kad čistite ili odčepljujete začepljenja.

### ⚠ UPOZORENJE

Kada umećete dugačke grane/stabiljke u proizvod pazite se poskakivanja i vibracija kako ih zahvaća nož. Operater mora nositi zaštitu za oči kad got koristi proizvod.

### ⚠ UPOZORENJE

Uređaj za rezanje ima tendenciju povlačenja grana/stabiljki u proizvod. Nemojte pokušavati spriječii ulaz materijala koji se počeo rezati. Uvijek nosite rukavice kako biste spriječili povrede kože kada ubacujete materijal u proizvod.

**NAPOMENA:** Prilikom normalnog korištenja, ne isključujet uređaj dok sav izrazani materijal ne iziđe iz sklopa za rezanje. Ako se proizvod brzo isključi, ostali komadi materijala mogu začeptiti sklop oštrice i zasuataviti materijal kao de proizvod ponovno uključi.

## SIMBOLI NA PROIZVODU



Pročitajte i razumite sve upute prije rada s proizvodom, slijedite sva upozorenja i sigurnosne upute.



Čuvajte se odbačenih ili letećih predmeta. Držite sve promatrače naročito djecu i kućne ljubimce, na udaljenosti najmanje 15 m od radnog područja.



Opasnost - oštrice se okreću. Držite ruke i stopala izvan otvora dok uređaj radi.



Isključite i uklonite utikač iz napajanja prije održavanja ili ako je kabel oštećen.



Nosite sredstva za zaštitu vida i sluha.



Nemojte koristiti kao stepenicu.



Pričekajte da se sve komponente uređaja potpuno zaustave prije nego što ih dodirujete.



Nosite zaštitne rukavice velike debljine koje se ne kližu.



Držite ruke dalje od oštrica.



Ovaj alat usklađen je sa svim normama i propisima zemlje Europske unije u kojoj je kupljen.



Ukrajinska oznaka za sukladnost



Otpadni električni proizvodi ne treba da se odlažu s otpadom iz domaćinstva. Molimo da reciklirate gdje je to moguće. Potražite savjet od lokalnih vlasti ili prodavca kako reciklirati.



Alat II razreda s dvostrukom izolacijom



Jamčena razina zvučne snage 107 dB.



Pritisnite za resetiranje



EurAsian znak konformnosti

## SIMBOLI U OVOM PRIRUČNIKU



Priključite u utičnicu za napajanje.



Isključite iz utičnice za napajanje.



Dijelovi ili pribor prodan odvojeno



Otpadni električni proizvodi ne treba da se odlažu s otpadom iz domaćinstva. Molimo da reciklirate gdje je to moguće.



Napomena



Upozorenje



Brava



Otključavanje

Slijedeće riječi upozorenja i značenja imaju namjeru da objasne nivo rizika u vezi s ovim proizvodom.

### ⚠ OPASNOST

Ukazuje na neposrednu opasnu situaciju, koja, ukoliko se ne izbjegne, može rezultirati smrću ili opasnim povredama

### ⚠ UPOZORENJE

Ukazuje na moguću opasnu situaciju, koja, ukoliko se ne izbjegne, može rezultirati smrću ili opasnim povredama

### ⚠ UPOZORENJE

Ukazuje na moguću opasnu situaciju, koja, ukoliko se ne izbjegne, može rezultirati

manjim ili blažim povredama

**UPOZORENJE**

Bez sigurnosnog simbola upozorenja

Naznačuje situaciju koja može rezultirati  
oštećenjem imovine.

Pri zasnovi električnega drobilnika vej smo največ pozornosti namenili varnosti, učinkovitosti in zanesljivosti.

## NAMEN UPORABE

Električni drobilnik vej je zasnovan tako, da organske vrtno odpadke, kot so večje in manjše veje ter listje, zdrobi na majhne delce.

Izdelek je le za zunanjo uporabo v mirujočem stanju na ravni podlagi, upravljavec pa mora stati na isti ravni, kot je spodnji del izdelka.

Izdelek ni namenjen za uporabo s strani otrok ali oseb z zmanjšanimi fizičnimi, duševnimi ali senzoričnimi zmožnostmi.

Izdelka ne uporabljajte za neorganski material, kovine ali kateri koli material, katerega debelina za rezanje presega 45 mm.

Izdelek je treba namestiti na stojalo, ki je priloženo, in ga je treba uporabljati skupaj s priloženo zbiralno posodo. Izdelek namestite le po navodilih, ki so opisani in prikazani v tem priročniku.

## SPLOŠNA VARNOSTNA PRAVILA

### ⚠ OPOZORILO

Pri uporabi izdelka je treba upoštevati osnovna varnostna navodila, da zmanjšate tveganje požara, električnega udara ali osebnih poškodb. Pred uporabo izdelka morate prebrati in razumeti vsa navodila, upoštevati vsa opozorila in varnostne napotke. Dobro morate biti seznanjeni s krmilniki in primerno ter varno uporabo izdelka. Prosimo, shranite ta navodila za kasnejšo rabo.

## URJENJE

- Pazljivo preberite navodila. Seznanite se s krmilnimi elementi in pravilno uporabo izdelka.
- Nikoli ne pustite, da bi izdelek uporabljali otroci ali osebe, ki niso seznanjene s temi navodili za uporabo. Lokalni predpisi se morda nanašajo tudi na minimalno starost upravitelja.
- Pomnite, da je upravitelj oz. uporabnik odgovoren za nesreče ali nevarnosti, ki se pripetijo ostalim ljudem ali njihovi lastnini.

## PRIPRAVA

- Med delom z napravo vedno nosite zaščito za ušesa in zaščitna očala.
- Med upravljanjem izdelka vedno nosite ustrezno obutev in dolge hlače. Naprave ne uporabljajte, če ste bos ali nosite odprte sandale. Ne nosite oblačil, ki so ohlapna ali z njih visijo trakovi.
- Izdelek upravljajte v priporočenem položaju in samo na ravni, trdni podlagi.
- Naprave ne uporabljajte na tlakovani ali peščeni podlagi, kjer bi lahko naokoli leteč material povzročil poškodbe.
- Pred uporabo vedno preverite in se zagotovite, da so rezila, vijaki in ostali pritrdilni elementi varno nameščeni, ter da so ohišje, zaščita in varovalni zaslon nepoškodovani ter na pravem mestu. Izrabljene ali poškodovane sestavne dele zamenjajte v kompletu in tako ohranite uravnoteženost naprave. Zamenjajte poškodovane ali neberljive oznake.
- Pred uporabo preverite napajalni kabel ali podaljšek glede poškodb ali staranja. Če se kabel med uporabo poškoduje, ga takoj odklopite iz električne vtičnice. Dokler kabla ne odklopite iz napajanja, se ga ne dotikajte. Če opazite, da je napajalni kabel poškodovan ali obrabljen, naprave ne uporabljajte.
- Če so v bližini ljudje, še posebej otroci ali domače živali, naprave ne uporabljajte.

## ELEKTRIČNA VARNOST

- Pozorno preberite ta varnostna navodila, preden izdelek priključite v električno napajanje.
- Vtiči električnih orodij se morajo prilegati vtičnicam. Vtiča nikoli in na noben način ne smete spreminjati. Z ozemljenimi električnimi orodji ne uporabljajte adapterjev vtiča. Nespremenjeni vtiči in ustrezne vtičnice zmanjšajo tveganje električnega udara.
- Pred priključitvijo na omrežno napajanje se prepričajte, da je napetost električnega toka enaka napetosti, označeni na plošči za tehnične navedbe na izdelku ali v priročniku. Priključitev izdelka na drugo napajanje lahko povzroči poškodbo ali škodo.
- Proizvajalec priporoča, da izdelek



priključite v vtičnico, ki ima zaščito FID z občutljivostjo 30 mA ali manj.

- Poskrbite, da v odprtine za prezračevanje ne pridejo ostanki ali drugi delci in s tem preprečite škodo na motorju ali možnost požara.
- Kabel držite proč od vročine, olja ali ostrih robov.
- Če je napajalni kabel poškodovan, ga je treba zamenjati s posebnim kablom, ki je na voljo pri proizvajalcu ali serviserju.
- Če morate uporabiti električni podaljšek, zagotovite, da je primeren za zunanjo uporabo in je zadostno zmogljiv za napajanje vašega orodja. Električni podaljšek mora biti označen z oznako "H05 RN F" ali "H05 VV F". Pred vsako uporabo preverite morebitno prisotnost poškodb, kabel za uporabo vedno odvijte, saj se lahko zviti kabli pregrejejo. Poškodovane podaljševalne kable ne smete popravljati, temveč jih zamenjajte s kablom enakovredne vrste.
- Prepričajte se, da je napajalni kabel napeljan tako, da ga rezila ne morejo poškodovati in da nanj nič ali nihče ne more pasti, stopiti, se obenj spotakniti ali ga kakor koli poškodovati.
- Pri zagonu motorja pride do napetostnih nihanj, ki lahko vplivajo na druge električne izdelke, ki so priključeni na isto napajanje. Izdelek priključite na napajanje z impedanco 0,404 ali manj, da zmanjšate napetostna nihanja. Za nadaljnja pojasnila se obrnite na svojega dobavitelja električne energije.

## **VARNOSTNI PREDPISI ZA UPORABO ELEKTRIČNEGA DROBILNIKA VEJ**

### **DELOVANJE**

- Izogibajte se uporabi izdelka v slabih vremenskih pogojih, še posebej, če obstaja nevarnost strele.
- Pred uporabo izdelka poskrbite, da je komora za zbiranje prazna.
- Izdelek ne bo deloval, če zbiralna posoda ni pravilno nameščena ali če ohišje drobilnika ni pravilno zaprto in gumb ohišja drobilnika ni pravilno pritrjen. Zbiralna posoda in ohišje drobilnika sta zaščitena z varnostno zaporo, ki omogoča preprečitev nenamernega stika s premičnimi deli, kar

lahko povzroči resno poškodbo.

- Obraz in telo držite proč od dovodne odprtine.
- Ne dovolite, da bi roke ali kateri koli drug del telesa ali oblačil zašel v dovajalno komoro, izmetalni žleb ali druge gibljive dele.
- Nesihajte preliš daleko. Pazite, da stojite stabilno in da imate ravnotežje. Nikoli ne stojte na višjem nivoju od osnove naprave, kadar vanjo vstavljate material.
- Zadržujte se proč od območja izmeta, ko delate s to napravo.
- Kadar material vstavljate v stroj, boste izredno pozorni, da ne boste zraven zajeli še koščkov kovine, kamenja, steklenic, konzerv ali drugega tujega materiala.
- Če v sistem rezil pridejo tuji delci ali če izdelek začne proizvajati nenavaden zvok ali se začne tresti, nemudoma ugasnite motor s pritiskom na stikalo za izklop. Počakajte, da se izdelek ustavi in ga izklopite z napajanja. Pred ponovnim zagonom in upravljanjem izdelka sledite naslednjim korakom:
  - preglejte za primer poškodb
  - zamenjajte ali popravite vse poškodovane dele
  - preverite, ali so kateri koli deli zrahljani in jih privijte
- Obdelan material naj se ne kopiči v območju izmeta; saj bi to okrnilo izmet in lahko povzročilo povratni udar materiala skozi dovajalno odprtino.
- Če pride do zamašitve, ustavite motor s pritiskom na stikalo za izklop in izklopite izdelek z omrežnega napajanja. Prepričajte se, da so se vsi premični deli ustavili, preden odprete ohišje ali poskusite odpraviti zamašitev.
- Nikoli ne upravljajte izdelka s poškodovanimi varovali ali zaščitami, brez varovalnih naprav kot na primer brez nameščenega zbiralca ostankov.
- Poskrbite, da v odprtine za prezračevanje ne pridejo ostanki ali drugi delci in s tem preprečite škodo na motorju ali možnost požara.
- Izdelka ne prevažajte, ko je motor prižgan.
- Izdelek ugasnite, izklopite z napajanja in se prepričajte, da so se vsi premični deli popolnoma ustavili:



- pred praznjenjem polje zbiranja
  - ko pustite izdelek brez nadzora
  - pred čiščenjem zamašitev ali odmaševanjem cevi,
  - pred preverjanjem in čiščenjem izdelka ali delom na njem,
- Izdelka ne nagibajte, ko motor teče.
  - Odprtini za dovajanje se ne približujte, potem ko ste vstavili material. Dovajanje materiala v izdelek lahko povzroči nenadne premike ali upogibe materiala, ki je v obdelavi. Med upravljanjem izdelka vedno uporabljajte zaščito za oči.
  - Če med drobljenjem nastaja prah, si nadenite primerno protiprašno masko, da preprečite poškodbe dihal.
  - Izklopite izdelek in počakajte, da se vsi premični deli ustavijo, preden odstranite zbiralno posodo.
  - Na noben način ne spreminjajte naprave ter ne uporabljajte delov in dodatkov, ki jih ne priporoča proizvajalec.
  - Na viru napajanje ne sme biti ostankov ali drugih nakopičenih stvari, da preprečite škodo na napajanju ali požar.

### ZAŠČITA PRED PREOBREMENITVIJO

Orodje ima napravo, ki ščiti pred preobremenitvijo. Če orodje zazna preobremenitev, se samodejno izključi. Gumb za zaznavo preobremenitve je poleg stikala za vklop/izklop. Gumb se bo pojavil, ko vključite zaznavo preobremenitve. Izklopite izdelek z napajanja in sledite navodilom za odpravljanje zamašitve. Počakajte 3 do 5 minut, da se motor ohladi. Ko preverite, da ni blokad, priključite električni kabel v električno omrežje in pritisnite gumb za ponastavitev zaščite pred preobremenitvijo. Pritisnite gumb za vklop, da vključite motor.

Če je zaščita za preobremenitev vključena, vendar ni prišlo do zamašitve, je vzrok preobremenitve lahko prehitro in predolgo dovajanje materiala, ki je povzročilo pregrevanje motorja. Počakajte, da se motor ohladi. Pred ponovnim zagonom izdelka izpraznite posodo za zbiranje.

### ODPRAVLJANJE ZAMAŠITVE

#### ▲ OPOZORILO

Rezila so ostra in verjetno vroča. Ko pregledujete in odpravljate zamašitev, vedno uporabljajte odporne zaščitne rokavice.

- Če pride do zamašitve ali blokade, ali če se vključi zaščitna naprava za preobremenitev, sledite naslednjim navodilom:
  - Izdelek izklopite in izključite z napajanja.
  - Prepričajte se, da so se vsi premični deli ustavili.
  - Odstranite in izpraznite posodo za zbiranje.
  - Odstranite preostali material v žlebu za dovajanje.
  - Odvijte gumb ohišja drobilnika in odprite zgornji del ohišja na tečajih, da lahko dostopate do sistema rezil.
  - Odstranite vse morebitne ostanke, ki blokirajo komoro za zbiranje.

#### ▲ OPOZORILO

Rezila se lahko še vedno premikajo, kljub temu da je napajanje izključeno. Bodite še posebej previdni, ko delate z rezili.

- Ostanke okoli rezil previdno odstranite s primernim ročnim orodjem. Z ročnim orodjem odstranite kovinske plošče z rezili in pregledjte, ali ste zamašitev odpravili. Ročnega orodja ne vstavljajte med ostre robove rezil, s tem boste poškodovali rezila.
- Če se posode za zbiranje ne vidi, medtem ko se rezila vrtijo, morate v tem delu odstraniti ostanke. Površino skrbno očistite z orodjem.
- Ko zamašitev odpravite, zaprite zgornji del ohišja in privijte gumb ohišja drobilnika, da vključite varnostno zaporo.
- Če zamašitve ne morete uspešno odpraviti ali če je izdelek poškodovan, ga peljite v pooblaščen storitveni center na popravilo.

### TRANSPORT IN SHRANJEVANJE

- Izdelek mora biti pred shranjevanjem temeljito očiščen, shranite ga pa na suho

mesto zunaj dosega otrok.

- Izdelek naj se dobro ohladi, preden ga shranite ali transportirate.
- Med prevozom izdelka zagotovite, da izdelek ne more pasti ali se premikati v vozilu.

## VZDRŽEVANJE

- Pred čiščenjem, pregledovanjem ali servisiranjem izdelka ga izklopite in počakajte, da se rezila popolnoma ustavijo. Izdelek izključite iz napajanja.
- Po določenem času drobljenja postane sistem rezil vroč. Počakajte, da se sistem rezil primerno ohladi, preden pričnete s čiščenjem, pregledovanjem ali obračanjem rezil.

### ▲ OPOZORILO

Rezila so izredno ostra. Da se izognete poškodbam, je treba biti izredno previden in pozoren pri čiščenju ali delih v bližini rezil ali v notranjosti ohišja, kadar je zbiralna posoda odstranjena. Vedno nosite trpežne zaščitne rokavice.

### ▲ OPOZORILO

Rezila se lahko še vedno premikajo, kljub temu da je napajanje izključeno. Bodite še posebej previdni, ko delate z rezili.

- Da zagotovite najboljše delovanje izdelka, mora biti izdelek čist.
- Izdelek po uporabi vedno očistite. Če je možno, uporabljajte trdo krtačo za notranjost komore in žleb za praznjenje ter suho krpo za zunanji del izdelka.
- Za najboljšo učinkovitost drobljenja poskrbite, da se material ne prisuši ali pritrdi na površino izdelka, še posebej ne na rezila.
- Poskrbite, da sta žlebova za dovajanje in praznjenje vedno čista ter brez odpadnega materiala.
- Rezila v izdelku imajo dva rezalna robova. Če je en rob na rezilu top, ga lahko obrnete za 180°. Glejte stran 175-176. Če postanejo rezila topa, odkrušena ali razpokana, jih nadomestite z izvornimi deli RYOBI.
- Poskrbite, da so vse matice in vijaki varno pritrdjeni, še posebej vijaki na rezilih.

- Poškodovane ali obrabljene dele naj vam popravi ali zamenja kvalificirano osebje v pooblaščenih storitvenih centrih.
- Nikoli ne poskusite prezreti stikala za varnostno zaporo na zgornjem delu ohišja drobilnika. To lahko vodi do resnih telesnih poškodb, vključno z amputacijo.

### ▲ OPOZORILO

Zavorna tekočina, gorivo, izdelki na osnovi nafte, prodirajoče olje ipd. nikoli ne smejo priti v stik s plastičnimi deli. Za čiščenje nikoli ne uporabljajte zavornih tekočin, bencina, izdelkov na osnovi petroleja ali katerih koli topil. Večina plastičnih delov je zelo dovzetna za poškodbe s strani različnih vrst raztopil.

- Izvajate lahko vzdrževalna dela, ki so opisana v tem priročniku. Za druga popravila ali nasvete se posvetujte s pooblaščenim storitvenim centrom.

## REZIDUALNA TVEGANJA

Tudi če izdelek uporabljate tako, kot je predpisano, še vedno ne moremo izključiti določenih preostalih dejavnikov tveganja. Med uporabo se lahko pojavijo naslednje nevarnosti, upravljavec pa naj bo pozoren na naslednje:

- Poškodbe, ki jih povzroči hrup
  - Nosite zaščito za sluh in omejite izpostavljenost.
- Poškodba zaradi vdihavanja prahu in delcev
  - Nosite protiprašno masko.
- Poškodba zaradi stika z rezili
  - Z nezaščitnimi deli telesa se nikoli ne približujte rezilom.
- Poškodba zaradi izvrženih ostankov
  - Uporabljajte zaščito za oči. Z deli telesa se ne približujte območju okoli žlebu za dovajanje.

## SPOZNAJTE SVOJ IZDELEK

*Glejte stran 168.*

1. Ohišje drobilnika
2. Dovajalni žleb
3. Ročaj
4. Gumb ohišja drobilnika
5. Gumb za zaznavo preobremenitve



6. Stikalo za vklop/izklop
7. Varnostno stikalo
8. Rezilo
9. Napajalni kabel
10. Kovinski okvir
11. Posoda za zbiranje
12. Kolo
13. Bat

### VODILO ZA DROBLJENJE

Za najboljše rezultate pri drobljenju upoštevajte smernice iz spodnje tabele.

MATERIAL	NAČIN DROBLJENJA
Veje do premera 6 mm.	Dovajajte v žleb za dovajanje s hitrostjo, ki jo izdelek dopušča, ne da bi ga preobremenili. Po potrebi uporabite priložen bat za dovajanje materiala.
Veje premera do 45 mm.	Pred dovajanjem v žleb za dovajanje z materiala obrežite stransko rastje z vrtnarskimi škarjami. Po potrebi uporabite priložen bat za dovajanje materiala.
Sajenje rastlin, semen in grmičevja.	Zemljo in kamne odstranite s korenin, da ne boste poškodovali rezil.
Sveže odrezano listje, živa meja in kuhinjski odpadki (tj. zeljni listi, zelenjavni odrezki ipd.).	Če ima material visoko vsebnost vlage, priporočamo, da vmes redno vstavljate suhe veje in tako pomagate potisniti material skozi rezilni sklop ter preprečite blokado.
Suhe palice in vejice	Vnašanje tega materiala na koncu drobljenja pomaga pri čiščenju vlage in rastlinskega soka iz notranjosti izdelka in z rezil.

- Pred drobljenjem naj se vrtni odpadki ne nabirajo, saj se bodo začeli kompostirati, postali preveč mokri ali bodo zamašili rezilni sklop. Suh material pripomore k praznjenju večine materiala iz odprtine za izmet. Nekaj suhih palic shranite do konca,

saj bodo v pomoč pri čiščenju predela rezila.

- Redno spremljajte nabiranje zdrobljenega materiala.
- Izhod žlebu za praznjenje mora biti vedno čist, da ne pride do zamašitve.
- Ko je zbiralna posoda polna, izdelek izključite, preden ga izpraznite.

### ⚠ OPOZORILO

Rok ne dajate v izmetalni žleb drobilnika, da bi odstranili zdrobljen material, medtem ko je izdelek vključen ali priključen v napajanje. Rezila so ostra. Nosite trpežne zaščitne rokavice in bodite izredno previdni pri čiščenju in odpravljanju blokad.

### ⚠ OPOZORILO

Pri vstavljanju dolgih olesenih vej/debel v izdelek, pazite na sunke in vibracije, ko se veje zataknejo v rezalnik. Upravljaev mora med uporabo tega izdelka vedno nositi zaščito za oči.

### ⚠ OPOZORILO

Rezalna naprava lahko vleče veje/debla v izdelek. Ne ovirajte vstopa rezanega materiala, ko se začne dovajanje. Ko dovajate material v izdelek, vedno uporabljajte zaščitne rokavice, da ne bi prišlo do kožnih raztrganin.

**OPOMBA:** Pri normalni uporabi izdelka ne izključite, dokler ni ves zdrobljen material odstranjen iz sklopa rezila. Če izdelek prezgodaj izključite, ostanki materiala lahko zamašijo sklop rezila in zaustavijo motor, ko izdelek znova vključite.

### SIMBOLI NA IZDELKU



Pred uporabo izdelka morate prebrati in razumeti vsa navodila, upoštevati vsa opozorila in varnostne napotke.



Pazite na izvržene ali leteče predmete. Prisotni (še posebej otroci in živali) naj bodo med obratovanjem oddaljeni vsaj 15 m od delovnega območja.



Nevarnost – Vrtljiva rezila. Medtem ko je izdelek v teku, imejte roke in noge izven odprtih.



Ugasnite izdelek in iz električnega omrežja izključite vtič, preden se lotite vzdrževalnih del ali če je kabel poškodovan.



Nosite zaščito za oči in ušesa.



Ne uporabljajte kot stopnico.



Počakajte, da se komponente izdelka popolnoma ustavijo, preden se jih dotaknete.



Nosite si nedrseče, močne delovne zaščitne rokavice.



Roke držite proč od rezil.



Ustreza vsem predpisanim standardom v državi članici EU, kjer je bil kupljen izdelek.



Ukrajinska oznaka za skladnost



Odpadne električne izdelke odlagajte skupaj z ostalimi gospodinjskimi odpadki. Reciklažo opravljajte na predpisanih mestih. Za reciklažni nasvet se obrnite na lokalne oblasti.



Orodje razreda II, dvojna izolacija



Zajamčena raven hrupa je 107 dB.



Pritisnite za ponastavitev



EurAsian oznaka o skladnosti

## SIMBOLI V TEM PRIROČNIKU



Priključite v vtičnico.



Izključite iz vtičnice.



Deli ali dodatki so na prodaj ločeno



Odpadne električne izdelke odlagajte skupaj z ostalimi gospodinjskimi odpadki. Reciklažo opravljajte na predpisanih mestih.



Opomba



Opozorilo



Uzamknutie



Odklep

Sledeče signalne besede in pomeni naj bi pojasnili ravni tveganja, ki so povezane s tem izdelkom.

### ⚠ NEVARNOST

Označuje neizbežno tvegano stanje, ki če se ji ne izognete lahko povzroči smrt ali resno poškodbo.

### ⚠ OPOZORILO

Označuje morebitno tvegano stanje, ki če se ji ne izognete lahko povzroči smrt ali resno poškodbo.

### ⚠ POZOR

Označuje morebitno tvegano stanje, ki če se mu ne izognete lahko povzroči manjšo ali srednje resno poškodbo.

### POZOR

Brez simbola za varnostno opozorilo Prikazuje situacijo, ki lahko povzroči materialno škodo.

Na dosiahnutie jednoduchej obsluhy a prevádzky boli pri navrhovaní tejto elektrickej nárazovej drvičky najvyššou prioritou bezpečnosť, výkon a spoľahlivosť.

### ÚČEL POUŽITIA

Táto elektrická nárazová drvička je určená na redukciu odpadového záhradného materiálu ako konárov, vetiev a lístia na menšie kúsky.

Tento produkt je určený na použitie v exteriéri na pevnom a rovnom povrchu osobou stojacou na rovnakej úrovni ako základňa produktu.

Produkt nie je určený na použitie deťmi alebo osobami so zníženými fyzickými, duševnými alebo zmyslovými schopnosťami.

Tento produkt nie je určený na neorganické materiály, kovy alebo materiály, ktoré prekračujú jeho reznú kapacitu priemeru 45 mm.

Produkt musí byť namontovaný na dodaný stojan a musí sa používať s dodanou zbernou kazetou. Nie je určený na montáž akýmkoľvek iným spôsobom, ako je uvedený v tejto príručke.

### VŠEOBECNÉ BEZPEČNOSTNÉ PRAVIDLÁ

#### ⚠ VAROVANIE

Pri používaní produktu je potrebné dodržiavať základné bezpečnostné opatrenia, aby sa znížilo riziko požiaru, zásahu elektrickým prúdom a poranenia osôb. Pred použitím produktu si s porozumením prečítajte všetky pokyny a dodržiavajte výstražné a bezpečnostné upozornenia. Oboznámte sa s ovládacími prvkami a správnym a bezpečným používaním produktu. Odložte si tento návod na neskoršie použitie.

### ŠKOLENIE

- Pozorne si prečítajte pokyny. Oboznámte sa s ovládacími prvkami a správnou obsluhou produktu.
- Nikdy nedovoľte používať produkt deťom ani osobám, ktoré nie sú oboznámené s týmto návodom. Miestne platné predpisy môžu obmedzovať dobu použitia kosačky.
- Užívateľ alebo obsluha stroja sú zodpovední za nehody alebo škody na majetku a za nebezpečenstvo vzniknuté

pri prevádzke stroja.

### PRÍPRAVA

- Pri práci so strojom používajte neustále chrániče sluchu a ochranné okuliare.
- Pri práci s produktom vždy používajte pevnú obuv a dlhé nohavice. Nepoužívajte nástroj bosí alebo v otvorených sandáloch. Nenoste odev, ktorý je voľný alebo má voľne visiace šnúrky či pútka.
- S produktom pracujte v odporúčanej polohe a len na pevnom a rovnom povrchu.
- Nepracujte so strojom na dláždenom alebo štrkovom povrchu, kde by vyražený materiál mohol spôsobiť poranenie.
- Pred použitím vždy skontrolujte drviace zariadenia, maticové skrutky drviaceho zariadenia a ostatné upínadlá sú zaistené, kryt je nepoškodený a či ochranné kryty a mriežky sú na svojom mieste. Opatrebované alebo poškodené komponenty vymieňajte v súpravách, aby sa zachovalo vyváženie. Poškodené alebo nečitateľné štítky vymeňte.
- Skontrolujte, napájací a predlžovací kábel, či nie sú poškodené alebo opotrebené. Ak sa kábel pri používaní poškodí, okamžite ho odpojte z elektrickej siete. Pred odpojením napájania sa nedotýkajte kábľa. Nástroj nepoužívajte, ak je kábel poškodený alebo opotrebovaný.
- Keď sa v blízkosti nachádzajú iné osoby, najmä deti alebo domáce zvieratá, nepoužívajte nástroj.

### ELEKTRICKÁ BEZPEČNOSŤ

- Pred pripojením zariadenia do elektrickej siete si prečítajte tieto bezpečnostné pokyny.
- Elektrické zástrčky musia zodpovedať zásuvke. Zástrčku nikdy žiadnym spôsobom neupravujte. S uzemnenými mechanickými nástrojmi nepoužívajte rozvodné zásuvky. Použitím neupravovaných zástrčiek a zodpovedajúcich zásuviek sa znižuje riziko úrazu elektrickým prúdom.
- Predtým, ako pripojíte zdroj napájania, skontrolujte, či je napätie rovnaké, ako je vyznačené na výkonnostnom štítku produktu alebo v tejto príručke. Pripojením produktu k akémukoľvek inému zdroju energie môže dôjsť k zraneniu alebo poškodeniu.



- Výrobca odporúča pripojiť zariadenie k elektrickej zásuvke s ochranou RCD s vypínacím prúdom 30 mA.
- Dbajte na to, aby sa na vetracích otvoroch nezhrmAžďovala sutina či iné nánosy, aby nedošlo k poškodeniu motora alebo vzniku požiaru.
- Napájací kábel nedávajte do blízkosti tepla, oleja alebo ostrých okrajov.
- Ak sa kábel poškodí, je potrebné ho vymeniť za špeciálny kábel alebo súpravu dostupnú od výrobcu alebo jeho servisného zástupcu.
- Ak potrebujete použiť predlžovací kábel, skontrolujte, či je vhodný na použitie v exteriéri a má a dostatočnú nominálnu prúdovú kapacitu na napájanie nástroja. Predlžovací kábel musí mať označenie „H05 RN F“ alebo „H05 VV F“. Pred každým použitím skontrolujte káble, či nedošlo k poškodeniu a počas používania ich vždy odvíte, lebo zavinuté káble sa môžu prehrievať. Poškodené predlžovacie káble sa nesmú opravovať, ale vymeniť za ekvivalentný typ.
- Dbajte na to, aby bol napájací kábel umiestnený tak, aby ho nebolo možné poškodiť prerezaním, aby naň nikto nestúpil, nezakopol oň, ani ho inak nepoškodil alebo nenamáhal.
- Napájacia špička pri štartovaní motora spôsobí fluktuácie napätia a môže mať vplyv na ostatné elektrické zariadenia na rovnakom elektrickom obvode. Produkt pripojte do elektrickej siete s impedanciou max. 0,404, minimalizujete tak fluktuácie napätia. Bližšie vysvetlenie žiadajte od vášho dodávateľa elektrickej energie.

## **ELEKTRICKÁ NÁRAZOVÁ DRVIČKA - BEZPEČNOSTNÉ PRAVIDLÁ**

### **PREVÁDZKA**

- Nepoužívajte produkt v zlom počasí, najmä ak existuje riziko vzniku bleskov.
- Pred spustením produktu vždy skontrolujte, či je podávacia komora prázdna.
- Produkt nebude fungovať, ak zberná kazeta ne je správne nasadená alebo kryt drvičky nie je správne zatvorený a tlačidlo krytu drvičky nie je úplne zaskrutkované. Zberná kazeta a kryt drvičky sú chránené bezpečnostnými poistkami, ktoré pomáhajú chrániť pred náhodným kontaktom s pohybujúcimi sa dielmi, ktorý by spôsobil závažné poranenie.
- Nedávajte tvár a telo do blízkosti vstupného otvoru.
- Dávajte pozor, sa dovnútra podávacej komory, vyprázdňovacieho žľabu alebo do blízkosti akéhokoľvek pohybujúceho sa dielu, nedostali ruky alebo akékoľvek iné časti tela či odevu.
- Nepreceňujte sa. Neustále zachovávajte pevnú oporu nôh a rovnováhu. Pri podávaní materiálu do stroja nikdy nestojte vyššie, ako je základňa stroja.
- Pri obsluhu tohto stroja vždy stojte mimo zóny vyprázdňovania.
- Pri podávaní materiálu do stroja dávajte veľký pozor, aby v tento materiál neobsahoval kúsky kovu, kamene fľaše, plechovky či iné cudzie predmety.
- Ak strihací mechanizmus zasiahne nejaký cudzí predmet alebo ak produkt začne vydávať akékoľvek nezvyčajný hluk alebo vibrácie, stlačením spínača ihneď vypnite motor. Zastavte produkt a odpojte ho z elektrickej siete. Pred opätovným spustením a použitím produktu vykonajte nasledujúce kroky:
  - skontrolujte poškodenia
  - všetky poškodené diely vymeňte alebo opravte
  - skontrolujte a utiahnite prípadne uvoľnené diely
- Nedovoľte, aby sa spracovaný materiál hromadil v zóne vyprázdňovania – mohol by brániť správne vyprázdňovaniu a následne spôsobiť spätný náraz materiálu cez otvor prívodu.
- Ak sa produkt upcháva, stlačením spínača OFF zastavte motor a odpojte produkt z elektrickej siete. Predtým, ako otvoríte kryt drvičky alebo sa pokúsite vyčistiť zablokovanie, skontrolujte, či sa všetky pohybujúce sa diely zastavili.
- Nikdy nepracujte so zariadením, ktoré má poškodené ochranné vodidlá alebo kryty alebo nemá nasadené bezpečnostné zariadenia, napríklad zberač sutiny.
- Dbajte na to, aby sa na vetracích otvoroch nezhrmAžďovala sutina či iné nánosy, aby nedošlo k poškodeniu motora alebo vzniku požiaru.





- Produkt neprepravujte, keď je motor spustený.
- Zastavte produkt, odpojte ho z elektrickej siete a skontrolujte, či sa všetky pohyblivé diely úplne zastavili.
  - pred vyprázdnením pokladnicu
  - pri ponechaní produktu bez dozoru
  - pred odstránením upchatia alebo uvoľnením žľabu
  - pred kontrolou, čistením alebo prácou na zariadení
- Produkt nenakláňajte, keď je motor spustený.
- Po vložení materiálu sa nezdržujte v blízkosti otvoru prívodu. Vtiahnutie materiálu do produktu môže spôsobiť náhly pohyb alebo skrútenie odkrytého materiálu. Pri práci s produktom vždy používajte chrániče zraku.
- Ak sa pri drvení vytvára prach, používajte vhodnú protiprachovú masku, aby nedošlo k poraneniu respiračného systému.
- Pred odstránením zbernej kazety vypnite produkt a počkajte, kým sa pohyblivé diely nezastavia.
- Zariadenie žiadnym spôsobom neupravujte ani nepoužívajte diely či príslušenstvo, ktoré neodporúča výrobca.
- Dbajte na to, aby sa na napájacom zdroje nezhrmAždžovala sutina či iné nánosy, aby nedošlo k jeho poškodeniu alebo vzniku požiaru.

## OCHRANA PROTI PREŤAŽENIU

Nástroj má zariadenie na ochranu pred preťažením. Pri detegovaní preťaženia sa nástroj automaticky vypne. Tlačidlo ochrany pred preťažením sa nachádza vedľa hlavného spínača. Toto tlačidlo vyskočí, keď aktivovaná ochrana pred preťažením. Pri čistení zablokovania odpojte produkt z elektrickej siete a postupujte podľa pokynov. Nechajte motor vychladnúť 3 to až 5 minút. Keď skontrolujete, či nedošlo k zablokovaniu, pripojte napájací kábel do elektrickej siete a stlačte tlačidlo vynulovania ochrany pred preťažením. Stlačením spínača zapnite motor.

Ak je aktivovaná ochrana pred preťažením a nedošlo k žiadnemu zablokovaniu, k preťaženiu môže dôjsť, keď sú materiály podávané do produktu dlhšiu dobu príliš rýchlo, čo spôsobí prehriatie motora. Nechajte

motor vychladnúť. Pred opätovným spustením produktu vyprázdnite zbernú kazetu.

## ODSTRÁNENIE UPCHATIA

### ⚠ VAROVANIE

Čepele sú ostré a pravdepodobne budú horúce. Pri kontrole a čistení zablokovania vždy používajte pevné ochranné rukavice.

- Ak sa produkt upchá alebo zablokuje alebo ak sa aktivuje ochrana pred preťažením, postupujte podľa nasledujúcich pokynov:
  - Vypnite produkt a odpojte ho z elektrickej siete.
  - Skontrolujte, či sa všetky pohyblivé diely zastavili.
  - Odstráňte a vyprázdňte zbernú kazetu.
  - Odstráňte všetok nechránený materiál vo vyprázdňovacom žľabe.
  - Odskrutkujte tlačidlo krytu drvičky a otvorte horný kryt na jeho pánte, čím sa obnaží rezný mechanizmus.
  - Odstráňte všetku sutinu z podávacej komory tak, že ju vytiahnete zvnútra.

### ⚠ VAROVANIE

Čepele sa môžu ešte pohybovať, aj keď je napájanie vypnuté. V blízkosti čepelí buďte mimoriadne opatrní.

- Opatrne odstráňte sutinu v okolí čepelí pomocou vhodného ručného nástroja. Pomocou ručného nástroja posuňte kovové doštičky, ktoré držia čepele, na kontrolu, či zablokovanie bolo odstránené. Nevkladajte ručný nástroj do ostrých okrajov čepelí, inak dôjde k poškodeniu čepelí.
- Ak nevidíte zbernú kazetu, keď sa rezné zariadenia otáčajú, musíte vyčistiť sutinu v tomto priestore. Pomocou nástroja dôkladne vyčistite tento priestor.
- Po vyčistení zablokovania zatvorte horný a zaskrutkujte tlačidlo krytu drvičky, čím sa aktivuje bezpečnostná poistka.
- Ak nie je možné úspešne vyčistiť zablokovanie alebo ak zistíte poškodenie, odneste produkt do autorizovaného servisu na opravu.



## PREPRAVA A SKLADOVANIE

- Dbajte na dôkladné vyčistenie produktu predtým, ako ho odložíte na čisté a suché miesto a zabezpečíte ho mimo dosahu detí.
- Pred uskladnením alebo prepravou nechajte produkt dostatočne vychladnúť.
- Pri preprave produktu dbajte na to, aby bol vo vozidle zabezpečený pred pádom alebo posunom

## ÚDRŽBA

- Pred čistením, kontrolou alebo servisovaním produkt vypnite a počkajte, kým sa nože úplne nezastavia. Odpojte produkt k zdroju energie.
- Po určitom čase drvenia bude rezací mechanizmus horúci. Pred čistením, kontrolou alebo otočením čepelí počkajte, kým rezací mechanizmu dostatočne nevychladne.

### ⚠ VAROVANIE

Rezné ostria sú veľmi ostré. Aby nedošlo k poraneniu, pri práci v blízkosti ostrí alebo vnútri otvoreného krytu buďte veľmi pozorní a opatrní, keď je zberná kazeta demontovaná. Vždy používajte pevné ochranné rukavice.

### ⚠ VAROVANIE

Čepele sa môžu ešte pohybovať, aj keď je napájanie vypnuté. V blízkosti čepelí buďte mimoriadne opatrní.

- Ak chcete zabezpečiť najlepší výkon zariadenia, musíte ho udržiavať v čistote.
- Produkt po použití bezodkladne vyčistite. Vždy, keď je to možné, pomocou tvrdej kefy vyčistite vnútro podávacích a vyprázdňovacích žľabov a pomocou suchej tkaniny vonkajšie plochy produktu.
- Nedovoľte, aby na akomkoľvek povrchu produktu, ale najmä na čepeliach, uschol alebo stvrdol nejaký materiál, dosiahnete tak optimálny výkon drvenia.
- Dbajte na to, aby podávací žľab a vyhadzovací žľab boli vždy čisté a bez odpadového materiálu.
- Rezacie čepele namontované v produkte

majú dve rezacie ostria. Ak sa jedno otrie zatupí, čepele možno otočiť o 180°. Pozrite stranu 175-176. Ak sú čepele otupené, vyštrbené alebo prasknuté, vymeňte ich za originálne diely RYOBI.

- Skontrolujte, či sú všetky matice, maticové skrutky a skrutky utiahnuté a zaistené, najmä skrutky čepelí.
- Všetky poškodené alebo opotrebované diely dajte ihneď opraviť alebo vymeniť kvalifikovanému personálu v autorizovanom servisnom centre.
- Nikdy sa nepokúšajte obísť bezpečnostné poistné spínače na hornom kryte drvičky. To by mohlo viesť k závažnému osobnému poraneniu, vrátane amputácie.

### ⚠ VAROVANIE

Dbajte na to, aby do kontaktu s plastovými dielmi nikdy neprišli do kontaktu brzdové kvapaliny, benzín, ropné produkty, prenikavé oleje a pod. Nikdy nepoužívajte brzdovú kvapalinu, benzín, ropné produkty alebo silné rozpúšťadlá na čistenie nástroja. Veľa plastov je citlivých na poškodenie rôznymi typmi komerčných rozpúšťadiel a môžu byť nimi poškodené.

- Môžete vykonávať úkony údržby popísané v tomto návode. Pri ostatných opravách alebo ak potrebujete radu, vyhľadajte pomoc v autorizovanom servisnom centre.

### ZVYŠKOVÉ RIZIKÁ

Aj keď sa nástroj používa podľa predpisu, nie je možné eliminovať určité zvyškové rizikové faktory. Pri použití vznikajú nasledujúce riziká a obsluhujúca osoba musí venovať zvláštnu pozornosť, aby nedošlo k nasledovnému:

- Zranenie spôsobené hlukom
  - Používajte ochranu sluchu a obmedzte expozíciu.
- Zranenie spôsobené vdýchnutím prachu a častíc
  - Používajte protiprachovú masku.
- Zranenie spôsobené kontaktom s rezacím mechanizmom
  - Nechránené časti tela nikdy nedávajte do blízkosti rezacieho mechanizmu.
- Zranenie spôsobené vymrštenou sutinou
  - Vždy používajte ochranu zraku a

časti dela nikdy nedávajte do blízkosti priestoru v okolí vyprázdňovacieho žlabu.

## OBOZNÁMTE SA S VAŠIM PRODUKTOM

Pozrite stranu 168.

1. Kryt drvičky
2. Podávaci žlab
3. Rúčka
4. Tlačidlo krytu drvičky
5. Tlačidlo nulovania ochrany pred preťažením
6. Spínač na zapnutie/vypnutie
7. Bezpečnostný spínací kľúč
8. Rezné ostrie
9. Napájací kábel
10. Kovový rám
11. Zberná nádoba
12. Koleso
13. Piest

## SPRIEVODCA DRVENÍM

Najlepšie výsledky drvenia dosiahnete, keď sa budete riadiť pokynmi v nasledujúcej tabuľke.

MATERIÁL	METÓDA DRVENIA
Konáre do priemeru 6 mm.	Do podávacieho žlabu podávajte materiál rýchlosťou, ktorú prijme produkt bez preťaženia. V prípade potreby pomocou pribaleného piestu tlačte materiál do žlabu.
Konáre do priemeru 45 mm.	Pred podaním do podávacieho žlabu s piestom odstrihnite bočné výrastky. V prípade potreby pomocou pribaleného piestu tlačte materiál do žlabu.
Vrstvenie rastlín, buriny a krovinatého porastu.	Korene oklepne od hliny a kamenia, aby nedošlo k poškodeniu ostri.

Čerstvo narezané lístie, kroviny a kuchynský odpad (napr. kapustné listy, zeleninové šupky a pod.).

Pri akomkoľvek materiáli s vysokým obsahom vlhkosti sa odporúča v pravidelných intervaloch podávať zopár suchých paličiek, ktoré pomôžu pretlačiť materiál cez rezaciu zostavu a zabrániť jej upchatiu.

Suché paličky a vetvy

Keď ich vložíte na konci drvenia, pomôžete tak vyčistiť vlhkosť a rastlinnú miazgu zvnútra produktu a rezacej jednotky.

- Dbajte na to, aby sa pred drvením nahromadil záhradný odpad, inak začne kompostovať, príliš zvlhne a upchá rezaciu zostavu. Suchý materiál pomôže vyčistiť vyhadzovací žlab od väčšiny materiálov. Na koniec si nechajte nejaké suché paličky, ktoré pomôžu vyčistiť priestor ostri.
- Pravidelne monitorujte hromadenie nadrveného materiálu.
- Výstup vyprázdňovacieho žlabu musí byť vždy voľný, aby nedochádzalo k upchatiu.
- Keď je zberná kazeta plná, pred vyprázdnením vypnite produkt.

### VAROVANIE

Nedávajte ruky dovnútra vyprázdňovacieho žlabu drvičky, keď chcete odstrániť rozdrvený materiál, kým je produkt zapnutý alebo pripojený k zdroju energie. Ostria sú ostré. Pri čistení a odstraňovaní upchaného materiálu používajte odolné rukavice a buďte veľmi opatrní.

### VAROVANIE

Pri podávaní dlhých drevených konárov či stoniek do produktu dávajte pozor na švihnutie a vibrácie, keď ich zachytí drvička. Obsluhujúci musí pri používaní produktu vždy používať ochranu zraku.

## ⚠ V AROVANIE

Rezacie zariadenie má tendenciu vťahovať konáre/stonky do produktu. Nepokúšajte sa brániť vstupu rezaného materiálu, keď už začalo podávanie. Vždy používajte rukavice, aby nedošlo k rozodratiu kože pri podávaní materiálu do produktu.

**POZNÁMKA:** Pri bežnom použití nevypínajte produkt, kým všetok nadrvený materiál neopustí zostavu nožov. Ak vypnete produkt príliš rýchlo, zvyšné kusy materiálu môžu upchať zostavu ostrí a zaseknúť motor, keď produkt znova zapnete.

## SYMBOLY NA PRODUKTE



Pred použitím produktu si s porozumením prečítajte všetky pokyny a dodržiavajte výstražné a bezpečnostné upozornenia.



Pozor na vymrštené alebo odletujúce objekty. Všetky okolostojace osoby (najmä deti a domáce zvieratá) musia stáť minimálne 15 m od miesta práce



Nebezpečenstvo – rotujúce ostria. Nedávajte ruky ani nohy do otvorov, keď je produkt spustený.



Pred údržbou alebo pri poškodení kábla vypnite zariadenia a odpojte zástrčku z elektrickej siete.



Používajte chrániče zraku a sluchu.



Nepoužívajte ako schod.



Predtým, ako sa budete dotýkať komponentov zariadenia, počkajte, kým sa úplne nezastavia.



Používajte protišmykové odolné rukavice.



Ruky nedávajte do blízkosti ostrí.



Vyhovuje všetkým regulačným normám v krajine EÚ, v ktorej bol výrobok zakúpený.



Ukrajinské označenie zhody



Opotrebované elektrické zariadenia by ste nemali odhadzovať do domového odpadu. Prosíme o recykláciu ak je možné. Kontaktujte miestne úrady, alebo predajcu pre viac informácií ohľadom ekologického spracovania.



Nástroj triedy II, dvojité izolácia



Garantovaná hladina akustického výkonu je 107 dB



Stlačením vynulujete



Euroázijská značka zhody

## SYMBOLY V TOMTO NÁVODE



Pripojte do elektrickej zásuvky.



Odpojte z elektrickej zásuvky.



Diely alebo príslušenstvo predávané samostatne



Opotrebované elektrické zariadenia by ste nemali odhadzovať do domového odpadu. Prosíme o recykláciu ak je možné.



Poznámka



Varovanie



Zamknuté



Odomknuté



Nasledujúce značky a významy vysvetľujú úroveň rizika spojeným s výrobkom.

**⚠ NEBEZPEČENSTVO**

Označuje bezprostredne nebezpečnú situáciu, ktorá môže vyústiť v smrť, alebo vážne zranenie.

**⚠ VAROVANIE**

Označuje potenciálne nebezpečnú situáciu, ktorá môže vyústiť v smrť, alebo vážne zranenie.

**⚠ VÝSTRAHA**

Označuje potenciálne nebezpečnú situáciu, ktorá môže vyústiť v ľahké, alebo stredne ťažké zranenie.

**VÝSTRAHA**

Bez symbolu bezpečnostného alarmu  
Označuje situáciu, ktorá môže zapríčiniť poškodenie majetku.

EN
FR
DE
ES
IT
NL
PT
DA
SV
FI
NO
RU
PL
CS
HU
RO
LV
LT
ET
HR
SL
<b>SK</b>
BG
UK

Безопасността, производителността и надеждността са аспектите, на които е отделен най-голям приоритет при проектирането на вашата електрическа ударна дробилка.

## ПРЕДНАЗНАЧЕНИЕ

Електрическата ударна дробилка е проектирана да раздробява на малки парчета органични градински отпадъци, като например клони, вейки и шума.

Продуктът е предназначен за употреба на открито, докато е поставен неподвижно върху стабилна и равна повърхност, а операторът стои изправен и краката му са стъпили на една височина с основата на продукта.

Продуктът не е предназначен за използване от деца или от лица с намалени физически, сетивни или умствени способности.

Продуктът не е предназначен за раздробяване на неорганични материали, метали или материали с диаметър над 45 мм, колкото е капацитетът на рязане на уреда.

Уредът трябва да бъде монтиран върху предоставената стойка и да бъде използван с предоставената кутия за раздробени материали. Сглобяването на продукта не трябва да се извършва по начин, различен от показания в настоящото ръководство.

## ОСНОВНИ ПРАВИЛА ЗА БЕЗОПАСНОСТ

### ⚠ ПРЕДУПРЕЖДЕНИЕ

При използване на уреда трябва винаги да се вземат основни мерки за безопасност, за да се намали рискът от пожар, токов удар или физическо нараняване. Прочетете и осмислете всички указания, преди да започнете работа с продукта; спазвайте всички предупреждения и инструкции за безопасност. Запознайте се добре с управлението на продукта и научете как да го използвате правилно и безопасно. Съхранявайте ръководството за експлоатация на сигурно място, за да можете да го ползвате и по-късно.

## ОБУЧЕНИЕ

- Прочете инструкциите внимателно. Запознайте се с контролите за

управление и правилното използване на продукта.

- Никога не позволявайте продуктът да бъде използван от деца или от лица, непознати с настоящите инструкции. Местните наредби могат да налагат ограничения за възрастта на оператора.
- Трябва да знаете, че операторът или потребителят е отговорен за причиняването на злополуки или щети на други лица или имущество.

## ПОДГОТОВКА

- Носете антифони и защитни очила всеки път, когато боравите с машината.
- Когато използвате продукта, винаги носете здрави затворени обувки и дълъг панталон. Не използвайте инструмента, ако сте боси или носите отворени сандали. Избягвайте носенето на широки дрехи или дрехи с висящи шнурове или вратовръзки.
- Заемайте правилна позиция при работа с продукта и винаги го поставяйте върху стабилна и равна повърхност.
- Не използвайте тази машина на павирана или чакълеста повърхност, където изхвърлен материал може да причини нараняване.
- Преди употреба винаги проверявайте дали раздробяващите механизми, болтовете и другите скрепителни елементи са надеждно поставени, а също и дали корпусът, предпазителите и екраните са по местата си и в изправно състояние. Заменете износените или повредените компоненти заедно, за да запазите баланса. Заменете повредените или нечетими етикети.
- Преди употреба проверете захранването и захранващия кабел за следи от щети и износване. Ако кабелът се повреди по време на работа, внимателно издърпайте кабела от електричеството. Не докосвайте кабела, преди да изключите захранването. Не използвайте инструмента, ако кабелът е повреден или износен.
- Никога не използвайте инструмента, докато наблизо има хора, особено деца или домашни любимци.



## ЕЛЕКТРИЧЕСКА БЕЗОПАСНОСТ

- Прочетете внимателно настоящите инструкции, преди да свържете продукта към електрическата мрежа.
- Щепселът на инструмента трябва да е съвместим с контакта. В никакъв случай не внасяйте изменения в конструкцията на щепсела. Когато работите със занулени електрически инструменти, не използвайте адаптери за щепсела. Използването на оригиналните щепсели и контакти намалява риска от токов удар.
- Преди включване на продукта в захранването се уверете, че електрическото напрежение на мрежата съответства на посоченото в настоящото ръководство или върху табелката с номинални стойности за продукта. Включването на продукта в различни електрозахранващи източници може да доведе до наранявания или повреди.
- Производителят препоръчва да включите продукта към контакт с прекъсвач за защитно изключване, който се задейства при 30 mA или по-малка сила на тока.
- Поддържайте вентилационните отвори чисти от отпадъци и други натрупвания, за да предотвратите повреждане на мотора или възникване на пожар.
- Дръжте захранващия кабел далече от топлина, масло и остри предмети.
- Ако захранващият кабел е повреден, той трябва да бъде заменен със специален кабел или механизъм, достъпни от производителя или негов сервизен представител.
- Ако е необходимо да използвате удължаващ кабел, проверете дали той е подходящ за работа на открито или дали захранващият му капацитет е достатъчен за захранване на вашия инструмент. Удължаващият кабел трябва да има маркировка „H05 RN F” или „H05 VV F”. Преди всяко използване проверявайте кабела за повреди, а при работа винаги го развивайте, защото неразвитите кабели могат да прегреят. Повредените удължителни кабели не трябва да се поправят, а да се сменят с такива от еквивалентен тип.
- Внимавайте захранващият кабел да

не е на места, където може да бъде повреден от режещите устройства, настъпен, прегазен или изложен по друг начин на повреда или напрежение.

- При стартиране на мотора може да възникне промяна в електрическото напрежение, която може да окаже влияние върху други електрически продукти в същата електрическа верига. Свържете продукта към електрозахранване с импеданс по-малък или равен на 0,404, за да сведете до минимум промените в напрежението. Свържете се с вашия доставчик на електроенергия за допълнителни разяснения.

## ПРАВИЛА ЗА БЕЗОПАСНА РАБОТА С ЕЛЕКТРИЧЕСКАТА УДАРНА ДРОБИЛКА

### РАБОТА

- Избягвайте да използвате продукта при лоши метеорологични условия, особено ако има риск от мъгливи дни.
- Преди стартиране на продукта се уверете, че захранващият улей е празен.
- Продуктът няма да се включи, ако кутията за раздробени материали не е поставена правилно, ако корпусът на дробилката не е надеждно затворен или ако врътката за корпуса на дробилката не е напълно завинтена. Кутията за раздробени материали и корпусът на дробилката за защитени от предпазни превключватели, спомагачи за предотвратяването на случаен контакт с движещите се части, който би довел до сериозни наранявания.
- Дръжте лицето и тялото си на безопасно разстояние от входящия отвор.
- Внимавайте ръцете или други части на тялото или дрехите ви да не попадат във фунията за пълнене или улея за изхвърляне, както и да не се доближават до движещите се елементи.
- Не се протягайте, за да работите на трудно достижими места. Винаги стъпвайте стабилно по време на работа и пазете равновесие. По време на пълнене с материал не стойте на ниво, по-високо от основата на машината.
- Когато работите с тази машина, се дръжте на разстояние от зоната на



изхвърляне.

- Когато подавате на електроинструмента материал за рязане, бъдете особено внимателни в него да не попаднат метални детайли, камъни, бутилки, кутии или други външни предмети.
- Ако режещият механизъм се удари във външен предмет или ако продуктът започне да шуми или вибрира неестествено, незабавно изключете мотора от превключвателя за изключване. Изчакайте продукта да спре и го изключете от захранването. Изпълнете следните стъпки, преди да рестартирате продукта и да го използвате отново:
  - огледайте повредата
  - заменете или ремонтирайте всички повредени детайли
  - проверете има ли незатегнати детайли и при необходимост ги затегнете
- Следете в зоната за изхвърляне да не се събира обработен материал; това пречатства работата на машината и може да доведе до изхвърляне в обратна посока на материала във фунията.
- Ако продуктът се запуши, спрете мотора от превключвателя OFF (ИЗКЛ.) и изключете продукта от електрозахранването. Уверете се, че всички движещи се части са спрели напълно, преди да отворите корпуса на дробилката или да опитате да отстраните запушването.
- Никога не използвайте продукта с повредени предпазители или странични екрани, както и без необходимите защитни устройства, например без монтиран чувал за отпадъци.
- Поддържайте вентилационните отвори чисти от отпадъци и други натрупвания, за да предотвратите повреждане на мотора или възникване на пожар.
- Не транспортирайте продукта, докато моторът е включен.
- Спрете продукта, изключете го от електрозахранването и се уверете, че всички движещи се части са спрели напълно:
  - Преди изпразване събирателната кутия

- когато оставяте продукта без надзор
- преди почистване на запушвания или отпушване на отвора,
- преди проверка, почистване или работа по уреда

- Не наклоняйте продукта, когато моторът е включен.
- Стойте далече от захранващия улей, след като сте поставили материалите за раздробяване. Поемането на материалите от продукта може да доведе до тяхното внезапно преместване или усукване. Винаги носете защитни средства за очите, когато работите с продукта.
- Ако в процеса на раздробяване се вдига прах, носете подходяща защитна маска, за да предотвратите наранявания на дихателните пътища.
- Изключете продукта и изчакайте всички движещи се части да спрат, преди да свалите кутията за раздробени материали.
- Не модифицирайте машината по никакъв начин и не използвайте части и принадлежности, които не са препоръчани от производителя.
- Поддържайте захранващия източник чист от остатъци от нарязания материал и други натрупвания, за да предотвратите повредата му или възникването на пожар.

## ЗАЩИТА ОТ ПРЕТОВАРВАНЕ

Този продукт е снабден с устройство за защита при претоварване. Когато бъде засечено претоварване, машината автоматично ще се изключи. Бутонът за защита от претоварване се намира до превключвателя ON/OFF (ВКЛ./ИЗКЛ.). Бутонът ще изскочи нагоре, когато се активира защитата от претоварване. Изключете продукта от захранването и следвайте инструкциите за отстраняване на запушвания. Оставете моторът да се охлади в рамките на 3 до 5 минути. Ако проверката ви не установи да има запушване, включете захранващия кабел в захранването и натиснете надолу бутона за защитно нулиране при претоварване. Натиснете превключвателя ON (ВКЛ.), за да включите мотора.

Ако защитата от претоварване се активира,



а няма запушване, претоварването вероятно се дължи на прекалено бързо и продължително подаване на материали за раздробяване в продукта, което е довело до прегряване на мотора. Изчакайте двигателя да се охлади. Изпразнете кутията за раздробени материали, преди да рестартирате продукта.

## ОТСТРАНЯВАНЕ НА ЗАПУШВАНЕ

### ⚠ ПРЕДУПРЕЖДЕНИЕ

Остриетата са остри, а вероятно са и нагорещени. Винаги носете здрави защитни ръкавици, когато проверявате за запушвания или отстранявате такива.

- Ако продуктът се запуши или блокира, а също и ако се активира устройството за защита от претоварване, следвайте тези инструкции:
  - Спрете продукта и го изключете от захранването.
  - Уверете се, че всички движещи се части са спрели.
  - Свалете кутията за раздробени материали и я изпразнете.
  - Махнете всякакви остатъчни материали от захранващия улей.
  - Развийте врътката за корпуса на дробилката и отворете горния корпус така, че той да виси на пантите си и да имате достъп до режещия механизъм.
  - Почистете всички отломки, които блокират захранващия улей, като ги избутате от вътрешната страна.

### ⚠ ПРЕДУПРЕЖДЕНИЕ

Остриетата могат да се движат дори когато захранването е изключено. Бъдете особено внимателни, когато боравите в зоната около остриетата.

- Внимателно почистете отломките около остриетата с помощта на подходящ ръчен инструмент. С ръчния инструмент бутнете металните пластини, държащи остриетата, за да проверите дали отпушването е отстранено. Не поставяйте ръчния инструмент между остриите ръбове на остриетата – така

ще повредите остриетата.

- Ако не виждате кутията за раздробени материали при въртенето на режещите механизми, трябва да почистите отпадъците в тази област. Използвайте инструмент, за да почистите внимателно тази област.
- След като почистите запушването, затворете горния корпус и завинтете врътката за корпуса на дробилката, за да се активира предпазният превключвател.
- Ако не успеете да отстраните запушване или установите някаква повреда, занесете продукта за поправка в оторизиран сервизен център.

## ТРАНСПОРТИРАНЕ И СЪХРАНЕНИЕ

- Почистете старателно продукта, преди да го приберете за съхранение на чисто и сухо място, което е недостъпно за деца.
- Изчакайте продуктът да се охлади достатъчно, преди да го транспортирате или приберете за съхранение.
- При транспортиране на продукта се уверете, че той е застопорен здраво, така че да не може да падне или да се движи свободно в превозното средство.

## ПОДДРЪЖКА

- Преди да извършвате дейности по почистване, инспектиране или поддръжка на продукта, винаги го спирайте и изчакайте режещите остриета да спрат напълно движението си. Изключете продукта от електрозахранването.
- След като известно време работите с продукта, режещият механизъм ще се нагорещи. Изчакайте режещият механизъм да се охлади достатъчно, преди да почистите, инспектирате или обръщате остриетата.



### ⚠ ПРЕДУПРЕЖДЕНИЕ

Режещите остриета са изключително остри. За да предотвратите наранявания, бъдете особено внимателни, когато почиствате или работите с остриетата или с други части в корпуса на машината, които са достъпни след сваляне на кутията за раздробени материали. Винаги носете здрави защитни ръкавици.

### ⚠ ПРЕДУПРЕЖДЕНИЕ

Остриетата могат да се движат дори когато захранването е изключено. Бъдете особено внимателни, когато боравите в зоната около остриетата.

- За да се гарантира най-добра производителност, продуктът трябва винаги да се поддържа почистен.
- Винаги почиствайте продукта след всяко използване. Когато е възможно, използвайте твърда четка, за да почистите захранващия и изходящия улей; използвайте суха кърпа за почистване на външните части на продукта.
- За оптимално раздробяване не позволявайте на материали да засъхват и да се втвърдяват върху повърхностите на продукта, особено върху остриетата.
- Поддържайте чисти от отпадъчни материали захранващия и изходящия улей.
- Режещите остриета на продукта имат два режещи ръба. Остриетата трябва да се обърнат на 180°, ако единият ръб е затъпен. Вж. стр. 175-176. Ако остриетата се затъпят, изпилят или напукат, трябва да ги замените с оригинални резервни остриета от RYOBI.
- Проверявайте дали всички гайки, болтове и винтове са затегнати здраво, особено винтовете на остриетата.
- Подмяната или ремонтът на повредени и износени части винаги трябва да се извършва от квалифицирани техници в оторизиран сервизен център.
- Никога не опитвайте да дезактивирате предпазните превключватели на горния корпус на дробилката – това може да доведе до сериозни наранявания,

включително ампутирание на крайници.

### ⚠ ПРЕДУПРЕЖДЕНИЕ

В никакъв случай не позволявайте пластмасовите части да влизат в контакт със спирачни течности, нефтени продукти, проникващи масла и т.н. В никакъв случай не използвайте спирачна течност, бензин, разтворители или продукти на петролна основа за почистването ѝ. Повечето пластмаси са чувствителни към различни видове разтворители и може да се повредят при използването на такива.

- Можете да извършвате дейностите по поддръжка, описани в настоящото ръководство. За други поправки или съвети потърсете съдействие от оторизиран сервизен център.

### НЕПРЕДВИДЕНИ РИСКОВЕ.

Дори когато продуктът се използва по предназначение, е невъзможно напълно да се ограничи влиянието на определени рискови фактори. Описаните по-долу опасности могат да възникнат по време на работа, като операторът трябва да внимава за избягването на следното:

- Наранявания, причинени от шум
  - Носете антифони и ограничете излагането.
- Наранявания, причинени от вдишване на прах и частици
  - Носете подходяща маска против прах.
- Наранявания, причинени от контакт с режещия механизъм
  - Винаги дръжте незащитените части на тялото си далече от режещия механизъм.
- Наранявания, причинени от отхвъркнали отломки
  - Винаги носете защитни средства за очите и дръжте частите на тялото си далече от областта на захранващия улей.

### ОПОЗНАЙТЕ ВАШИЯ ПРОДУКТ

Вж. страница 168.

1. Корпус на дробилката

2. Захранваща фуния
3. Ръкохватка
4. Врътка за корпуса на дробилката
5. Бутон за защитно нулиране при претоварване
6. Превключвател ПУСКАНЕ/СПИРАНЕ
7. Защитен превключвател
8. Режещо острие
9. Захранващ кабел
10. Метална рамка
11. Кутия за раздробените материали
12. Колело
13. Бутало

## РЪКОВОДСТВО ЗА РАЗДРОБЯВАНЕ

За да постигнете най-добри резултати при раздробяването, следвайте указанията в таблицата долу.

МАТЕРИАЛ	МЕТОД НА РАЗДРОБЯВАНЕ
Вейки с диаметър до 6 мм.	Подавайте ги в захранващия улей със скорост, която позволява на продукта да ги поема, без да се претоварва. При необходимост използвайте буталото, за да натикате материала за раздробяване в захранващия улей.
Клони с диаметър до 45 мм.	Подкастрете с градински ножици всички странични израстъци по материалите за раздробяване, преди да ги подадете в захранващия улей. При необходимост използвайте буталото, за да натикате материала за раздробяване в захранващия улей.
Слама, бурени и храсталаци	Изтръскайте пръстта и камъните от корените им, за да предпазите остриетата от повреда.

Прясно отрязана шума, градински плетове и кухненски отпадъци (напр. листа от зеле, обелки от зеленчуци и др.)

Ако раздробявате силно навлажнени материали, е препоръчително на равномерни интервали от време да подавате и по-сухи съчки; това ще спомогне преминаването на раздробяваните материали през режещия механизъм и ще го предпази от задръстване.

Суши клечки и вейки

Поставяйте ги в купчината за раздробяване накрая, когато планирате да приключите работа с дробилката – те помагат за почистване на влагата и растителните полепи от вътрешната част на продукта и от режещия механизъм.

- Не позволявайте градинските отпадъци да се натрупват, преди да ги раздробите, защото те ще започнат да гният, ще станат прекалено влажни и ще задръстят режещия механизъм. Сухият материал помага за почистване на улея за изхвърляне. Запазете малко сухи клонки за накрая, за да почистят режещия механизъм.
- Редовно наглеждайте големината на купчината раздробени материали.
- Изходът на изходящия улей трябва да е свободен по всяко време, за да се предотвратят запушвания.
- Когато кутията за раздробени материали се напълни, изключете уреда, преди да я изпразните.

### ⚠ ПРЕДУПРЕЖДЕНИЕ

Не пхайте ръцете си в улея за изхвърляне, за да почиствате раздробен материал, докато дробилката работи или е включена в електрозахранването. Остриетата са много остри. Носете здрави предпазни ръкавици и бъдете изключително внимателни, когато почиствате запушвания по уреда.

### ⚠ ПРЕДУПРЕЖДЕНИЕ

Когато подавате дълги клони/стебла в уреда, внимавайте за вибрации и камшични движения, тъй като те могат да бъдат поети от оператора. Операторът трябва да носи защитни средства за очите винаги когато работи с продукта.

### ⚠ ПРЕДУПРЕЖДЕНИЕ

Режещият механизъм е направен така, че да придърпва клонки/стебла в уреда. Не задържайте влизането на материал за раздробяване, след като веднъж е захванат. Винаги носете ръкавици, за да предотвратите наранявания на кожата, когато подавате материали за раздробяване към продукта.

**ЗАБЕЛЕЖКА:** При нормална работа с уреда той не трябва да бъде изключван, докато всички раздробени материали не са напуснали режещия механизъм. Ако уредът е спрял прекалено бързо, остатъчните парчета материал могат да задръстят режещия механизъм и да блокират мотора при следващото включване на дробилката.

### СИМВОЛИ НА ПРОДУКТА



Прочетете и осмислете всички указания, преди да започнете работа с продукта; спазвайте всички предупреждения и инструкции за безопасност.



Внимавайте за изхвърлени или летящи обекти. Не допускайте странични наблюдатели, особено деца и домашни животни, на по-малко от 15 м от работната зона.



Опасност – въртящи се остриета. Дръжте крайниците си далече от отворите, докато продуктът работи.



Изключете уреда и извадете щепсела от електрозахранването, ако кабелът е повреден и преди да извършвате дейности по поддръжка.



Носете средства за защита на зрението и слуха.



Не стъпвайте върху уреда.



Изчакайте пълното спиране на всички компоненти на машината, преди да ги докосвате.



Носете здрави ръкавици, пригодени против плъзгане.



Дръжте ръцете си далеч от остриетата.



Тази машина е в съответствие с нормативната уредба на държавата от ЕС, където е била закупена.



Украински знак за съответствие



Електрическите уреди не трябва да се изхвърлят заедно с битовите отпадъци. Рециклирайте, където има възможност. Обърнете се за съвет по рециклирането към местните власти или разпространителите.



Инструмент от клас II, двойна изолация



Гарантираното ниво на шум е 107 dB.



Натиснете, за да нулирате



EurAsian знак за съответствие



## СИМВОЛИ В НАСТОЯЩОТО РЪКОВОДСТВО



Свържете към електрически контакт.



Изключете от електрическия контакт



Частите или принадлежностите се продават отделно



Електрическите уреди не трябва да се изхвърлят заедно с битовите отпадъци. Рециклирайте, където има възможност.



Забележка



Предупреждение



Ключалка



Отключване

Следните сигнални думи и значенията им са предназначени да обяснят нивата на опасност, свързани с този продукт.

### ⚠ ОПАСНОСТ

Указва неминуемо опасна ситуация, която ако не бъде избегната, ще доведе до сериозни наранявания или смърт.

### ⚠ ПРЕДУПРЕЖДЕНИЕ

Указва потенциално опасна ситуация, която ако не бъде избегната, може да доведе до сериозни наранявания или смърт.

### ⚠ ВНИМАНИЕ

Указва потенциално опасна ситуация, която ако не бъде избегната, може да доведе до дребни или средни наранявания.

### ВНИМАНИЕ

Без предупредителен символ за безопасност

Указва ситуация, която може да доведе до имуществени щети.

Безпеці, продуктивності, надійності і був надан вищий пріоритет в дизайні вашого електричного ударного подрібнювача.

## ПРИЗНАЧЕННЯ

Електричний ударний подрібнювач призначений для зменшення органічних садових відходів, наприклад, відростків, гілок і листя на дрібні шматочки.

Продукт призначений для зовнішнього застосування в стаціонарному положенні, на твердій рівній поверхні, за допомогою оператора, що стоїть на тому ж рівні, що і основа продукту.

Продукт не призначений для використання дітьми або людьми з обмеженими фізичними, розумовими або сенсорними можливостями.

Продукт не призначений для подрібнення неорганічного матеріалу, металу або будь-якого матеріалу, який перевищує максимальну ріжучу здатність діаметром 45 мм.

Продукт повинен бути встановлений на стенді за умови і повинні бути використані з травозбірник наданою. Він не призначений для установки в будь-якій іншій формі, ніж описано або показано в цьому керівництві.

## ЗАГАЛЬНІ ПРАВИЛА БЕЗПЕКИ

### ⚠ ПОПЕРЕДЖЕННЯ

При використанні продукту, основні запобіжні заходи повинні дотримуватися, щоб знизити ризик виникнення пожежі, ураження електричним струмом та отримання травм. Прочитайте всі інструкції з техніки безпеки перед початком роботи з продуктом. Переконайтеся, що ви знайомі з управлінням та правильним та безпечним використанням продукту. Будь ласка, збережіть інструкції з безпеки для подальшого використання.

## ПІДГОТОВКА

- Уважно прочитайте інструкцію. Добре ознайомтеся з органами управління та правильним використанням машини.
- Ніколи не дозволяйте дітям або людям, не знайомим з цими інструкціями, використовувати продукт. Місцеве законодавство може обмежувати вік

оператора.

- Майте на увазі, що оператор або користувач несе відповідальність за нещасні випадки або ушкодження інших осіб або їх майна.

## ПІДГОТОВКА

- Користуйтеся засобами захисту слуху і захисними окулярами увесь час під час роботи продукту.
- Під час роботи з продуктом, завжди носіть міцне взуття і довгі брюки. Не працюйте з продуктом, коли босоніж або коли у відкритих сандалях. Уникайте носити вільний одяг, або з висякими шнурками або зав'язками.
- Використовуйте продукт в рекомендованій позиції, і тільки на твердій, рівній поверхні.
- Не працюйте з виобом на асфальтованому або гравійному покритті, де викинутий матеріал може привести до травми.
- Перед використанням завжди перевірте і переконайтеся, що пристрої подрібнювача, болти та інші кріпильні деталі зафіксовані, і що корпус, захист, і екрани не пошкоджені і знаходяться на місці. Замініть зношені або пошкоджені компоненти, для збереження балансу. Замініть пошкоджені або нечитабельні етикетки.
- Перед використанням перевірте дроти живлення і подовжувача на наявність пошкоджень або старіння. Якщо шнур пошкоджений під час використання, негайно вийміть шнур живлення з мережі. Не торкайтеся шнура перед відключенням від подачі. Не використовуйте продукт, якщо шнур пошкоджений або зношений.
- Ніколи не використовуйте продукт, коли люди, особливо діти, або домашні тварини знаходяться неподалік.

## ЕЛЕКТРОБЕЗПЕКА

- Читайте і зрозумійте всі інструкції з техніки безпеки перед підключенням пристрою до електромережі.
- Вилка живлення електроінструменту повинна відповідати розетці. Ніколи не змінюйте вилку. Не використовуйте ніякі вилки-перехідники

з заземленими (замкнутими на землю) електроінструментами. Не змінені вилки та відповідні розетки зменшують ризик ураження електричним струмом.

- Перед підключенням до електромережі, переконайтеся, що напруга та ж сама, що й вказана на табличці виробу або в цьому керівництві. Підключення виробу до будь якого іншого джерела живлення може привести до травмування або пошкодження.
- Виробник рекомендує підключення до гнізда живлення, з захищеною ПЗВ з переміщенням 30 мА або менше.
- Тримайте вентиляційні отвори вільними від сміття та інших накопичень, щоб запобігти пошкодженню двигуна або можливої пожежі.
- Тримайте шнур живлення далеко від тепла, масла і гострих країв.
- Якщо шнур живлення пошкоджений, він повинен бути замінений спеціальним шнуром або комплектом, який можна у виробника або його сервісного агента.
- Якщо вам потрібно використовувати подовжувач переконайтеся, що він підходить для використання на відкритому повітрі і має поточний рейтинг потужності достатньо для забезпечення вашого продукту. Подовжувач повинен бути відзначений "H05 RN-F" або "H05 VVF". Перевірте його перед кожним використанням на пошкодження; завжди розмотуйте його під час використання, тому що спіральний шнур може перегрітися. Пошкоджені подовжувачі не повинні бути відремонтовані; вони повинні бути замінені еквівалентним типом.
- Переконайтеся, що шнур живлення розташований таким чином, що він не може бути пошкоджений ріжучими засобами, ви неможете спіткнутися чи інакше пошкодити його.
- Сплеск потужність в пуск двигуна викликає коливання напруги, які можуть вплинути інші електричні продукти в той же ланцюга живлення. Підключіть пристрій до джерела живлення з опором, рівним або меншим, ніж 0,404, щоб мінімізувати коливання напруги. Зверніться до постачальника електроенергії для подальших роз'яснень.

## ПРАВИЛА БЕЗПЕКИ УДАРНОЇ ДРОБИЛКИ

### ФУНКЦІОНУВАННЯ

- Не використовуйте продукт в несприятливих погодних умовах, особливо коли існує ризик блискавки.
- Перед запуском продукту, переконайтеся, що камера подачі порожня.
- Продукт не працюватиме, якщо збиральне вікно не правильно встановлене або корпус дробилки не зачинене а ручка корпусу подрібнювача не повністю заклучена. Збірна коробка і корпус подрібнювача захищені блокуванням безпеки, яке допомагає запобігти випадкоумиконтакту з рухомими частинами, які приведуть до серйозних травм.
- Тримайте обличчя і тіло подалі від впускного отвору подачі.
- Не дозволяйте руки, будь-яку іншу частину тіла або одягу усередину камери подачі, розвантажувального жолоба, або біля рухомої частини.
- Не тягніться. Зберігайте правильну стійку і баланс весь час. Ніколи не стійте на більш високому рівні, ніж основа даного продукту, коли подаєте сировину в нього.
- Завжди стійте осторонь від зони викидання при експлуатації продукту.
- При подачі матеріалу в продукт будьте вкрай обережними, щоб не потрапили шматки металу, каміння, пляшок, банок та інші сторонні предмети.
- Якщо ріжучий механізм вражає будь-які сторонні предмети або, якщо продукт починає робити які-небудь незвичайні шуми або вібрацію, негайно вимкніть двигун натисканням вимикача. Дозвольте продукту та і відключіть пристрій від живлення. Виконайте наступні дії перед повторним запуском і використанням продукту:
  - перевірити на наявність пошкоджень
  - замінити або відремонтувати пошкоджені деталі
  - перевірити і затягнути послаблені частини
- Не дозволяйте оброблюваному

матеріалу скопичуватися в зоні викидання; це може перешкодити належному виконанню і може призвести до віддачі матеріалу через отвір подачі.

- Якщо продукт засмічується, зупиніть двигун, натиснувши вимикач і від'єднайте виріб від мережі електроживлення. Переконайтеся, що всі рухомі частини зупинилися перед відкриттям корпусу подрібнювача або спроба очистки блокування.
- Ніколи не працюйте з продуктом з дефектним захистом або щитками, або без захисних пристроїв, таких як колектор сміття, на місці.
- Тримайте вентиляційні отвори вільними від сміття та інших накопичень, щоб запобігти пошкодженню двигуна або можливої пожежі.
- Не переводьте продукт в той час як двигун працює.
- Зупиніть пристрій, від'єднайте від джерела живлення і забезпечте, щоб всі рухомі частини прийшли до повної зупинки:
  - перед спорожненням колектора
  - до того, як залишити продукт без нагляду
  - перед очищенням завалів або прочистити жолоба
  - перед перевіркою, чищенням, або роботі на продукті
- Не нахилийте пристрій під час роботи двигуна.
- Тримайте подалі від отвору подачі після вставки матеріалу. Дія малюнку матеріалу на продукт може призвести до раптового руху або скручування матеріалу. Завжди надягайте захисні окуляри при роботі з продуктом.
- Якщо пил створюється в процесі подрібнення, носіть підходящу маску від пилу, щоб допомогти запобігти травми дихальних шляхів.
- Вимкніть продукт щоб всі рухомі частини зупинилися, перш ніж знімати коробку для збору.
- Не змінюйте машину будь-яким чином та не використовуйте деталі та приладдя, не рекомендовані виробником.
- Тримайте джерело сміття, інші

скупчення, щоб запобігти пошкодженню джерела живлення або можливої пожежі.

## ПРИСТРІЙ ЗАХИСТУ ВІД ПЕРЕВАНТАЖЕННЯ

Продукт має пристрій захисту від перевантаження. При виявленню перевантаження, машина автоматично вимкнеться. Кнопка захисту від перевантаження знаходиться поруч з перемикачем УВІМК/ ВИМК. Кнопка з'явиться коли захист від перевантаження активується. Вимкніть пристрій від джерела живлення і дотримуйтеся інструкції по усуненню закупорки. Дайте двигуну охолонути протягом 3 - 5 хвилин. Після перевірки наявності блокування, підключіть шнур живлення до джерела живлення і натисніть кнопку звільнення захисту від перевантаження. Натисніть перемикач УВІМК, щоб включити двигун.

Якщо захист від перевантаження активується і немає блокування, може мати місце перевантаження, коли матеріали подаються в пристрій занадто швидко, занадто довго, в результаті чого трапляється перегрів двигуна. Дайте двигуну охолонути. Почистіть збиральну коробку перед перезапуском продукту.

## УСУНЕННЯ БЛОКУВАННЯ.

### ▲ ПОПЕРЕДЖЕННЯ

Леза ножі гострі і, швидше за все, будуть гарячими. Завжди носіть важкі захисні рукавички при перевірці і очищенні засмічення.

- Якщо продукт засмічується або заблокований, або якщо пристрій захисту від перевантаження активується, виконайте такі дії:
  - Вимкніть продукт і від'єднайте від джерела живлення.
  - Переконайтеся, що всі рухомі частини зупинилися.
  - Зняти і очистити збиральну коробку.
  - Видаліть любий перероблений матеріал з лотку подачі.
  - Відкрутіть ручку корпусу подрібнювача і відкрити верхній корпус на шарнірі, щоб відстатися ріжучого механізму.
  - Видаліть блокуюче сміття з камери

подачі, потягнувши її зсередини.

### **⚠ ПОПЕРЕДЖЕННЯ**

Лопасті можуть як і раніше рухатися, навіть коли живлення вимкнено. Проявляйте крайню обережність в районі лопастей.

- Ретельно прибріть сміття навколо лопастей за допомогою відповідного ручного інструменту. Використовуйте ручний інструмент, щоб перемістити металеві пластини, що кріплять леза, щоб перевірити, якщо блокування було знято. Не перевозіть інструмент за гострі кромоки лопатей; це призведе до пошкодження лопастей.
- Якщо ви не бачите вікно збору, коли ріжуче засіб повертається, необхідно очистити сміття в цьому місці. Використайте інструмент, щоб ретельно очистити область.
- Як тільки блокування очищено, закрийте верхню частину корпусу і загвинтіть ручку корпусу подрібнювача житла, щоб спрацювало блокування.
- Як тільки блокування очищено, закрийте верхню частину корпусу та зангвинтіть ручку корпусу подрібнювача, щоб спрацювало блокування.

### **ТРАНСПОРТУВАННЯ ТА ЗБЕРІГАННЯ**

- Переконайтеся, що продукт був ретельно очищений перед зберіганням його в чистому, сухому місці, яке безпечною і в недоступному для дітей місці.
- Дозвольте продукту адекватно охолонути перед зберіганням або транспортуванням.
- Під час транспортування упевніться, що продукт захищений від падіння або руху в автомобілі.

### **ОБСЛУГОВУВАННЯ**

- Перед чищенням, оглядом або обслуговуванням виробу, вимкніть його і дайте різакам повністю зупинитися. Вимкніть пристрій від джерела живлення.
- Через деякий час подрібнення, ріжучий механізм буде нагріватися. Дозвольте ріжучому механізму належним чином охолонути перед чищенням, перевіркою,

або поворотом лез.

### **⚠ ПОПЕРЕДЖЕННЯ**

Лопасті різака дуже гострі. Щоб уникнути травм, дотримуватися крайньої обережності і заботи при чищенні або роботі поряд з лопастями, всередині відкритого корпусу або коли колектор буде видалений. Завжди носіть міцні захисні рукавички.

### **⚠ ПОПЕРЕДЖЕННЯ**

Лопасті можуть як і раніше рухатися, навіть коли живлення вимкнено. Проявляйте крайню обережність в районі лопастей.

- Для забезпечення максимальної продуктивності, продукт повинен завжди утримуватися в чистоті.
- Завжди зразу ж після використання очистіть продукт. Скрізь, де можливо, використовуйте жорстку щітку всередині жолобу подачі і випуску і суху тканину на зовні продукту.
- Для забезпечення оптимальної продуктивності подрібнення, не дозволяйте будь-яому матеріалу висохнути і затвердіти на будь-якій з поверхонь продукту, особливо на лопатях.
- Переконайтеся, що жолоб подачі і викиду чистий і вільний від всіх відходів.
- Лопасті леза встановлені в продукті мають дві ріжучі кромки. Лопасті можуть обертатися на 180°, якщо один край тупий. Дивіться сторінки 175-176. Замініть оригінальні деталі RYOBI якщо ваші ножі тупі, відколоті, тріснути.
- Переконайтеся, що всі гайки, болти і гвинти затягнуті і безпечні, особливо гвинти ножів.
- Завжди майте будь-які пошкоджені або зношені частини відремонтовані або замінені кваліфікованим персоналом в авторизованому сервісному центрі.
- Ніколи не намагайтеся обійти блокувальні перемикачі на верхній частині корпусу подрібнювача; це може призвести до серйозних травм, у тому числі ампутації.

## ⚠ ПОПЕРЕДЖЕННЯ

Ніколи не дозволяйте гальмівній рідині, бензину, продуктам на основі нафти, і проникаючим маслам вступати в контакт з пластиковими деталями. Ніколи не використовуйте гальмівні рідини, бензин, продукти на основі нафти, або які-небудь розчинники для очищення інструменту. Більшість пластмас вразлива до різних видів комерційних розчинників і може бути пошкоджена їх використанням.

- Ви можете виконати завдання з обслуговування, описані в цьому посібнику. Для інших ремонтних робіт або поради, зверніться до авторизованого сервісного центру.

## ЗАЛИШКОВІ РИЗИКИ

Навіть коли продукт використовується як написано, залишається неможливим повністю усунути деякі залишкові чинники ризику. Наступні небезпеки можуть виникати при використанні продукту та оператору слід звернути особливу увагу, щоб уникнути наступного:

- Травми, викликані шумом
  - Користуйтеся засобами захисту слуху і обмежіть вплив.
- Травми, викликані вдиханням пилу і частинок
  - Носіть відповідну маску від пилу.
- Травми в результаті контакту з ріжучими засобами
  - Зберігайте незахищені частини тіла подалі від ріжучих засобів увесь час.
- Травми, викликані кинутим сміттям
  - Носіть захист для очей увесь час і тримайте частини тіла подалі від області навколо жолоба подачі.

## ЗНАЙТЕ СВІЙ ПРОДУКТ.

Дивіться сторінку 168.

1. Корпус подрібнювача
2. Жолоб подачі
3. Ручка
4. Кнопка корпусу подрібнювача
5. Кнопка захисту від перевантаження
6. Перемикач УВІМК/ВИМК
7. Перемикач безпеки
8. Ріжучий диск

9. Шнур живлення
10. Металевий каркас
11. Контейнер для збору
12. Колесо
13. Поршень

## КЕРІВНИЦТВО ДЛЯ ПОДРІБНЕННЯ

Для отримання найкращих результатів при подрібненні, дотримуйтесь рекомендацій, показаних в таблиці нижче.

МАТЕРІАЛ	МЕТОД	ПОДРІБНЕННЯ
----------	-------	-------------

Гарості і діаметром до 6 мм.

Подайте в жолоб подачі зі швидкістю, яку продукт буде приймати без перевантаження. Використовуйте плунжер, щоб штовхати матеріал в жолоб, якщо потрібно.

Гілки та до 45 мм в діаметрі.

Пдріжте усі сторони гілки секатором перед подачею в жолоб подачі. Використовуйте плунжер, щоб штовхати матеріал в жолоб, якщо потрібно.

Рослини, бур'яни і чагарникові зростання.

Уникайте горбистого ґрунту і каменів від коренів, щоб уникнути пошкодження лопастей.

Свіжозрізане листя, живопліт та кухонні відходи, такі як капустяне листя, рослинні очистки і т.д.

Будь-який матеріал, що має високий вміст вологи рекомендується подавати з деякими сухими паличками через регулярні проміжки часу, щоб допомогти підштовхнути матеріал через ріжучий вузол і запобігти його від засміченню.

Сухі палички і гілочки

Додання цього в кінці вашого подрібнення, допоможе очистити вологу і сік з рослин зсередини продукту і ріжучого вузла.

- Не дозволяйте садовим відходам накопичуватися перед знищенням, бо

воно почне компостувати, стане занадто сирим і забиватиме ріжучий вузол. Сухий матеріал допоможе очистити більшість матеріалу з викидного жолобу. Збережіть деякі сухі палиці до останнього, щоб допомогти очистити площу леза.

- Часто контролюйте накопичення/збирання подрібненого матеріалу.
- Вихід з розвантажувального жолоба повинен бути чистим увесь час, щоб запобігти засміченню.
- Коли колектор повний, вимкніть виріб перед очищенням.

#### ⚠ ПОПЕРЕДЖЕННЯ

Не дозволяйте рукам попадати всередину розвантажувального жолобу подрібнювача, для розчищення подрібненого матеріалу у той час як продукт включений або підключений до джерела живлення. Леза дуже гострі. Носіть важкі рукавички і проявляти крайню обережність при чищенні та очистці завалів.

#### ⚠ ПОПЕРЕДЖЕННЯ

При подачі довгих гілок дерев/стеблів в продукт будьте обережні батога і вібрації, коли матеріал захопиться різакom. Оператор повинен носити захист для очей, коли використовує продукт.

#### ⚠ ПОПЕРЕДЖЕННЯ

Ріжучий пристрій має тенденцію тягнути гілки/стебла в продукт. Не намагайтеся перешкоджати введенню матеріалу, коли подача почалась. Завжди носіть рукавички, щоб запобігти розривам шкіри при подачі матеріалу в продукт.

**ПРИМІТКА:** При звичайному використанні, не вимикайте продукт, поки увесь подрібнений матеріал не звільнить ріжучий вузол. Якщо продукт вимкнений занадто швидко, решта шматків матеріалу можуть засмітити вузол лез і гальмувати двигун, коли продукт знову включиться.

## СИМВОЛИ НА ПРОДУКТІ



Читайте і зрозумійте всі інструкції перед експлуатацією виробу, дотримуйтесь всіх вказівок і попереджень з техніки безпеки.



Остерігайтеся кинутих або літаючих об'єктів. Тримайте всіх перехожих, особливо дітей і домашніх тварин, принаймні 15 м від робочої зони.



Небезпека - обертові лопасті. Тримайте руки і ноги подалі від отворів у той час як продукт працює.



Вимкніть і видаліть штепсель з мережі перед обслуговуванням або якщо шнур пошкоджений.



Носіть захист очей і вух.



Не використовуйте в якості сходин.



Зачекайте, поки всі компоненти машини повністю не зупиняться перед тим, як торкатися їх.



Носіть неслизькі, надміцні рукавички.



Тримайте руки подалі від лез



Відповідає всім нормативним стандартам в країнах ЄС, де виріб було придбано.



Український знак відповідності



Відходи електротехнічної продукції не слід викидати разом із побутовими відходами. Будь ласка, переробляйте там, де наявне устаткування. Перевірте з вашим місцевим органом влади або продавцем для консультацій з приводу переробки.



Інструмент II класу, подвійна ізоляція



Гарантований рівень звукової потужності 107 дБ.



Натисніть, щоб скинути



Євразійський знак відповідності

## СИМВОЛИ В ЦЬОМУ КЕРІВНИЦТВІ



Підключення до електричної розетки.



Відключення від електричної розетки.



Запчастини та аксесуари, що продаються окремо



Відходи електротехнічної продукції не слід викидати разом із побутовими відходами. Будь ласка, переробляйте там, де наявне устаткування.



Примітка



Попередження



Блокувати



Розблокувати

### ⚠ НЕБЕЗПЕКА

Вказує на неминуче небезпечну ситуацію, яка, якщо її не уникнути, може призвести до смерті або серйозних травм.

### ⚠ ПОПЕРЕДЖЕННЯ

Вказує на потенційно небезпечну ситуацію, яка, якщо її не уникнути, може призвести до смерті або серйозних травм.

### ⚠ ПОПЕРЕДЖЕННЯ

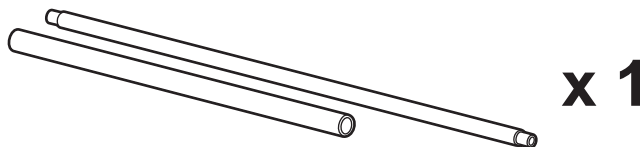
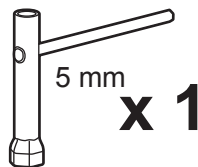
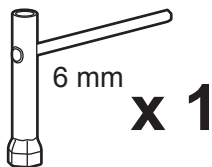
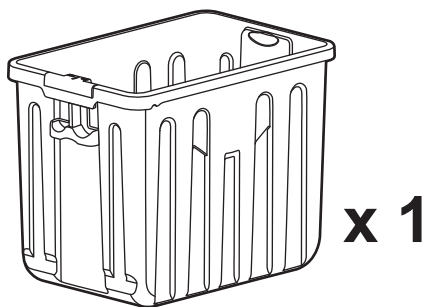
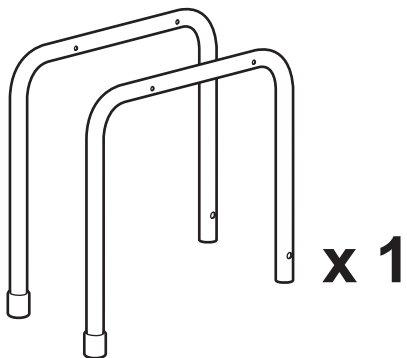
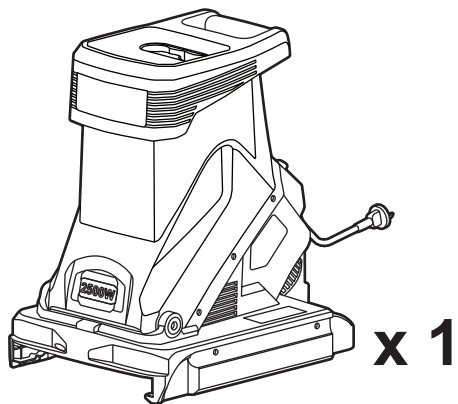
Вказує на потенційно небезпечну ситуацію, яка, якщо її не уникнути, може призвести до середньої або легкої травми.

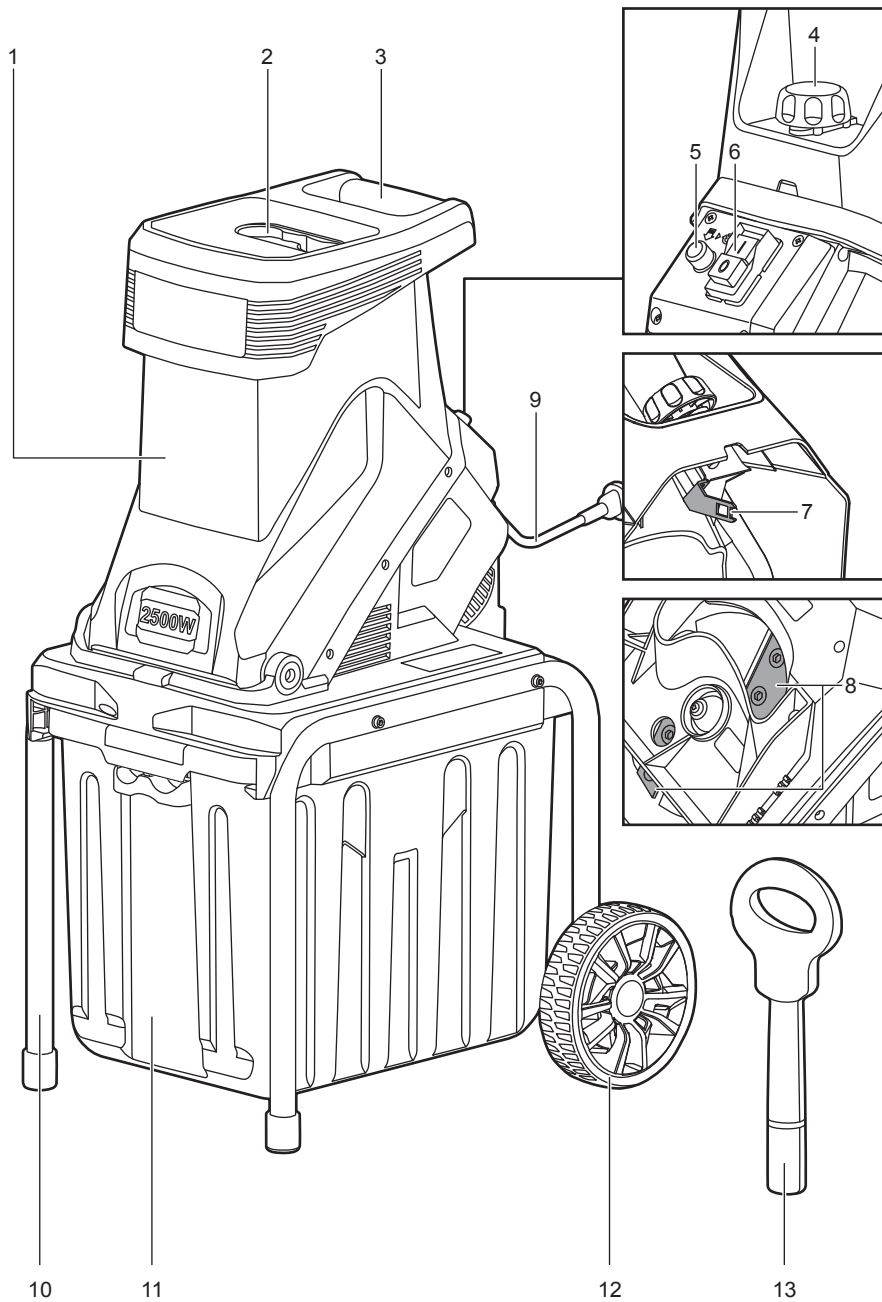
### ПОПЕРЕДЖЕННЯ

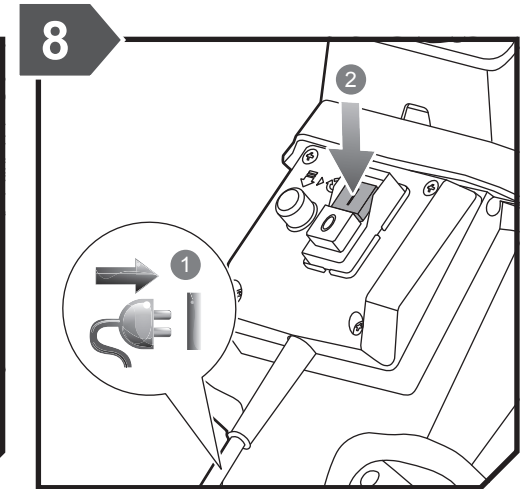
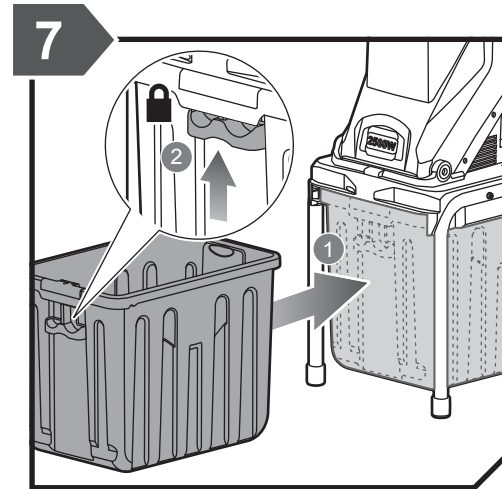
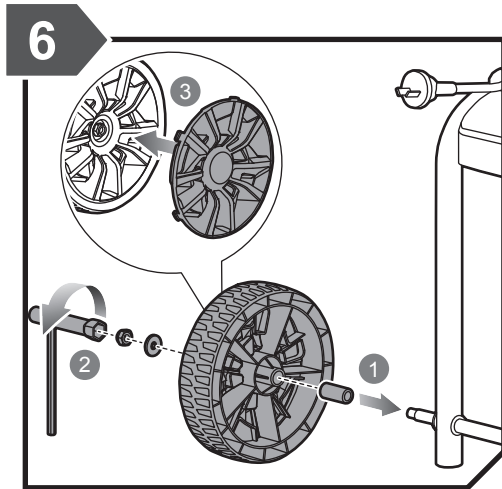
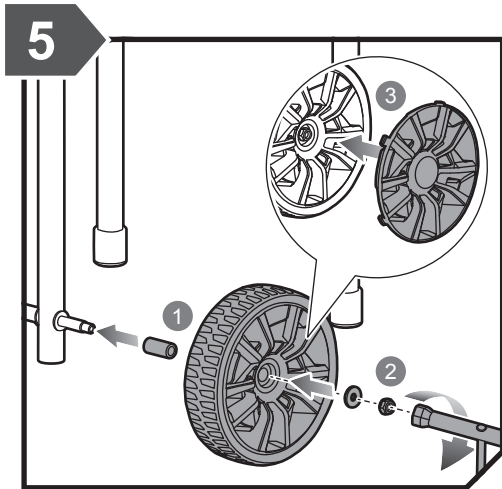
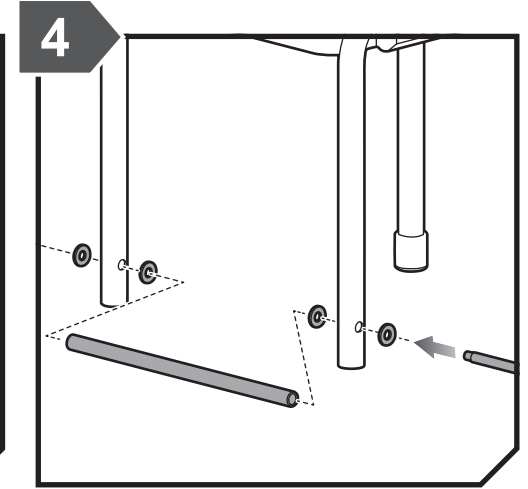
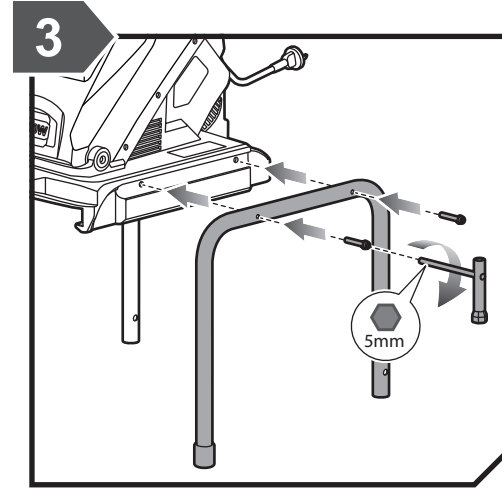
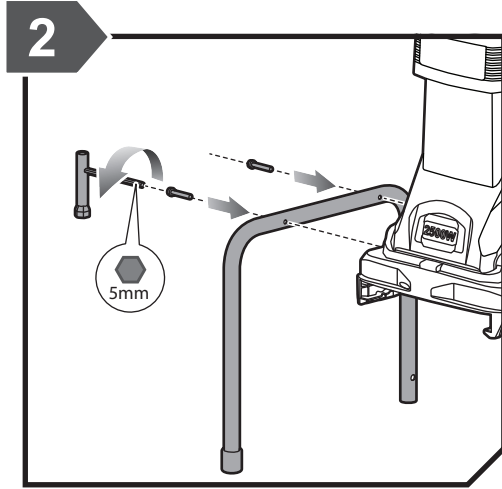
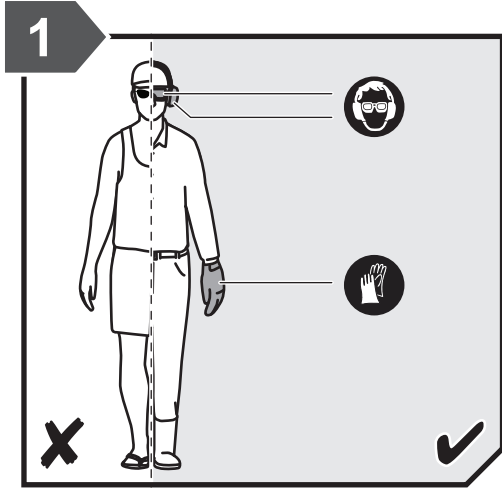
Без попереджуючих символів  
Вказує на ситуацію, яка може призвести до пошкодження майна.

Наступні сигнальні слова і змісти призначені для пояснення рівнів ризику, пов'язаних з продуктом.

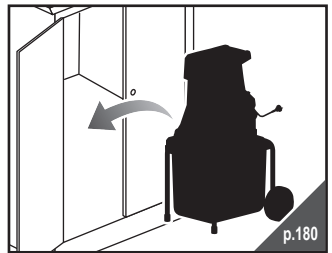
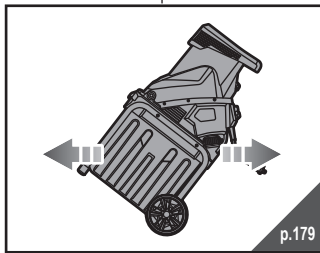
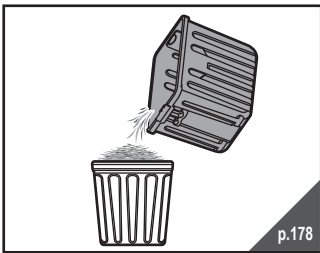
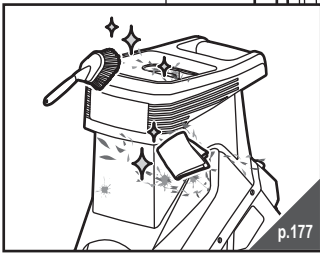
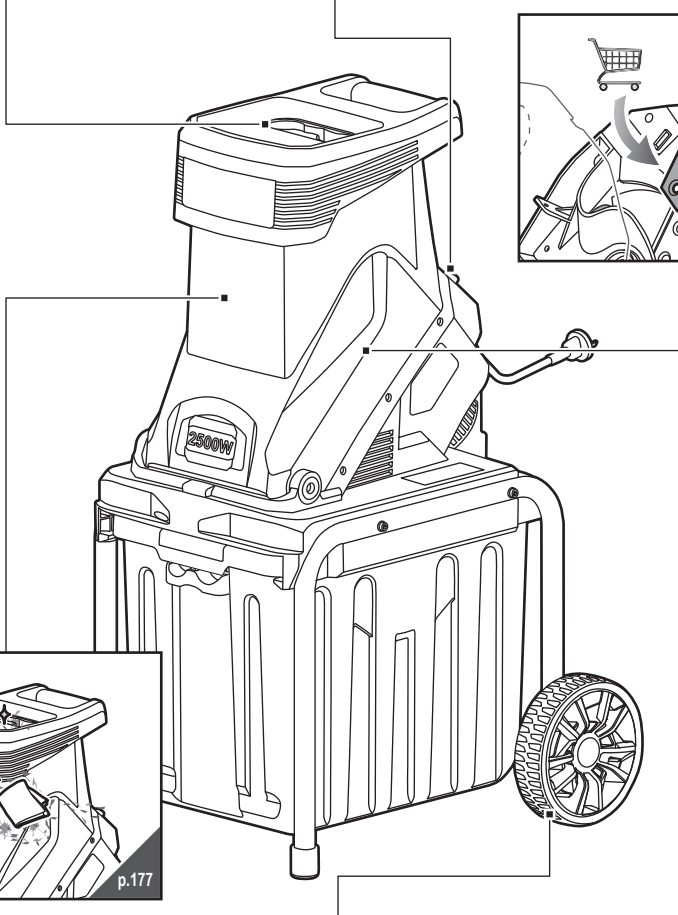
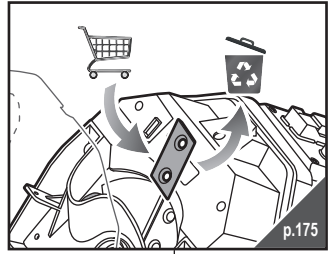
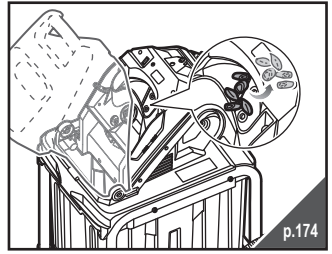
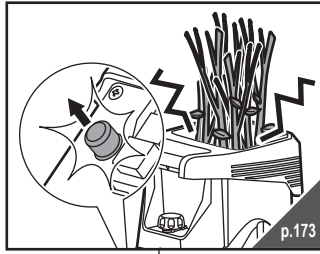
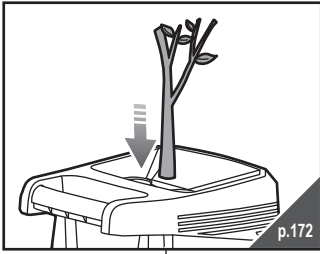


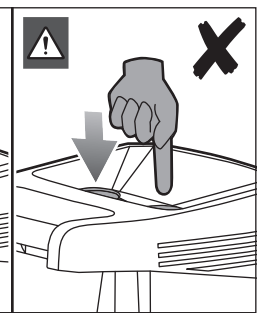
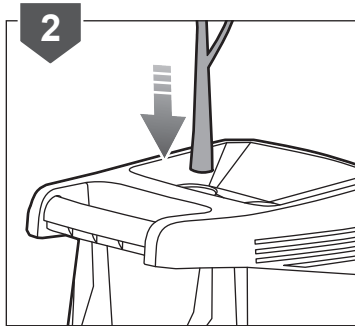
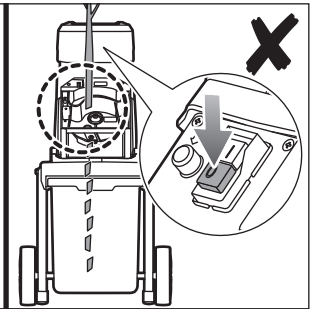
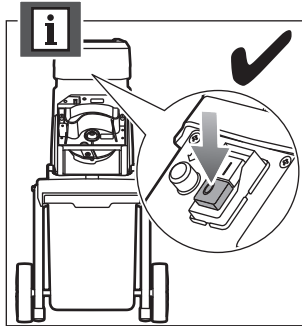
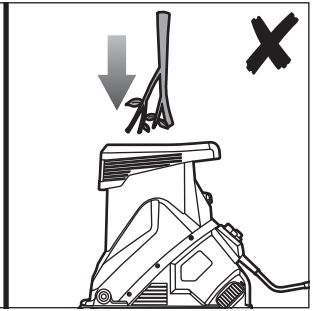
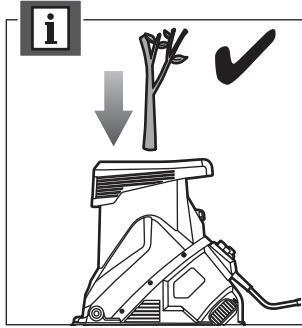
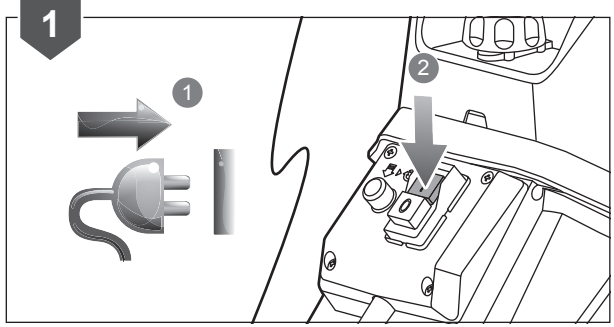
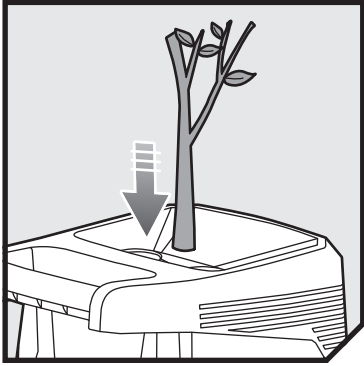






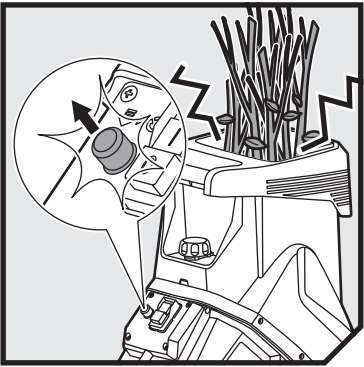
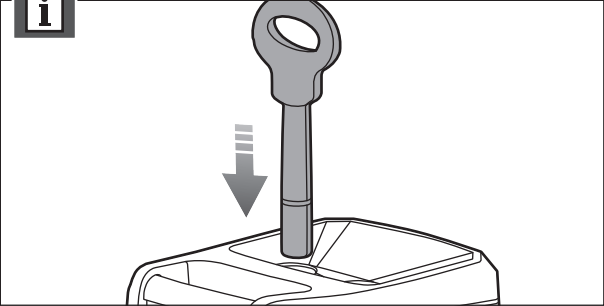




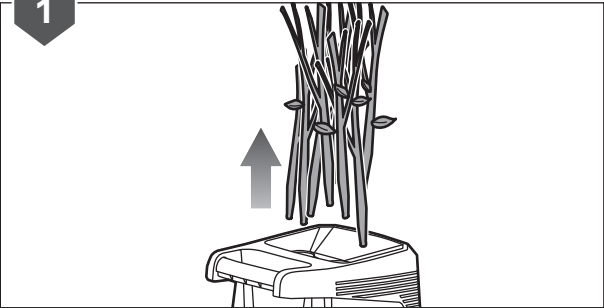




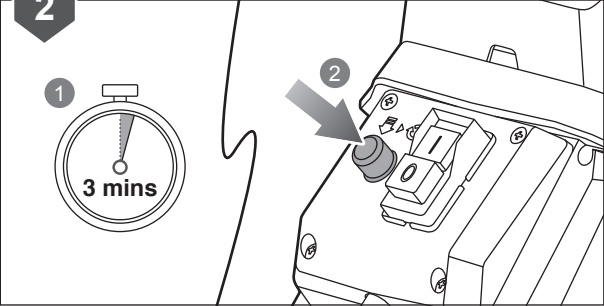
**i**



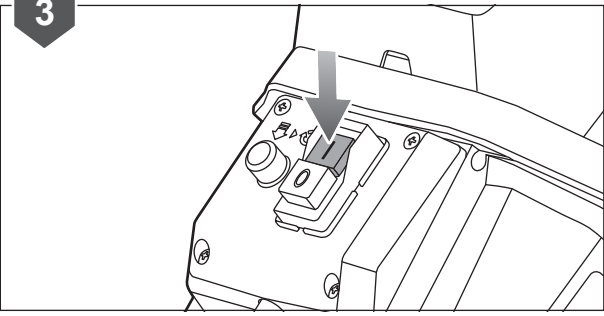
**1**

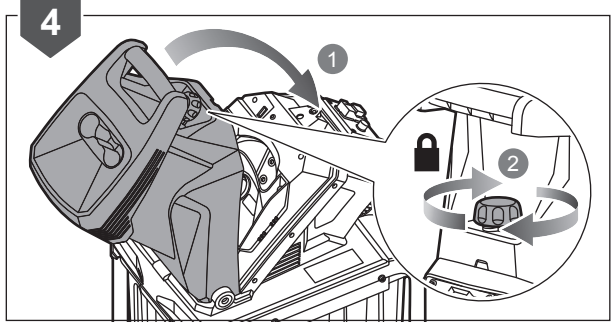
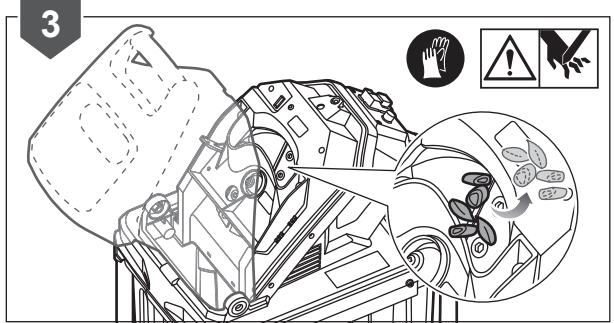
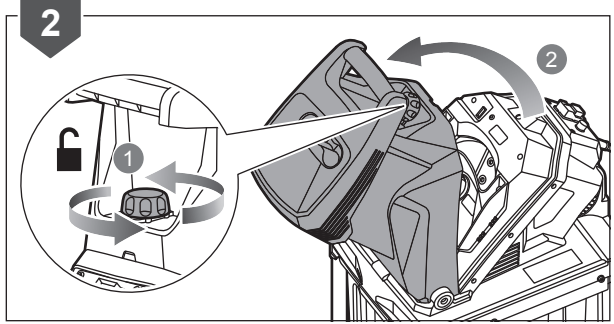
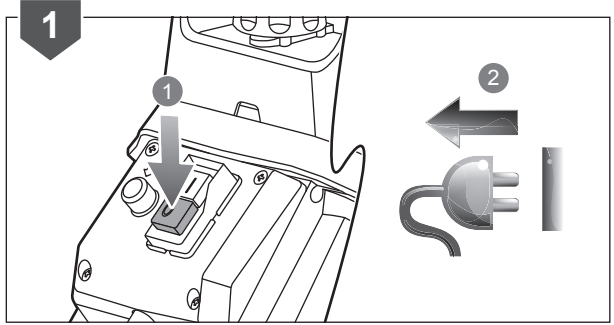
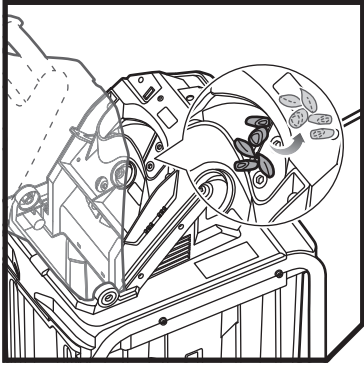


**2**

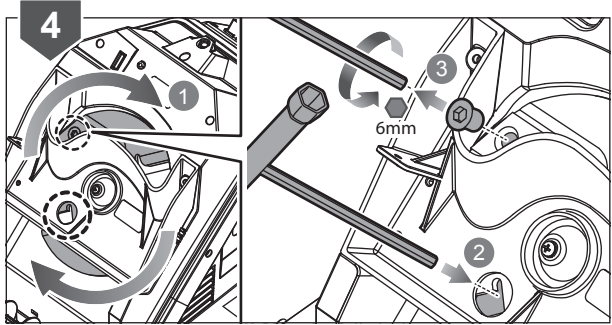
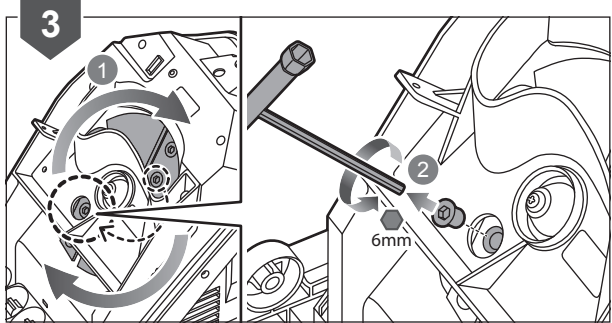
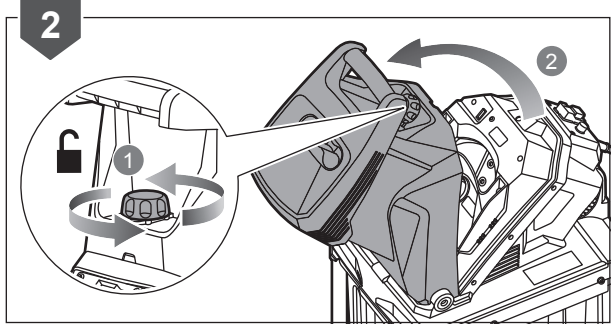
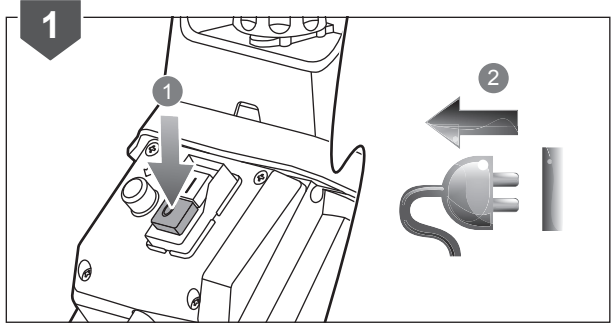
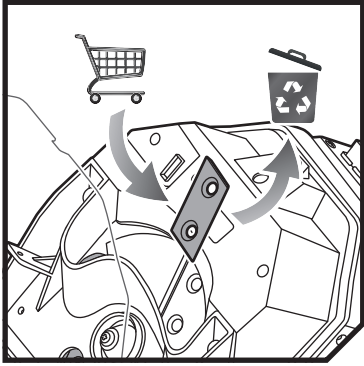


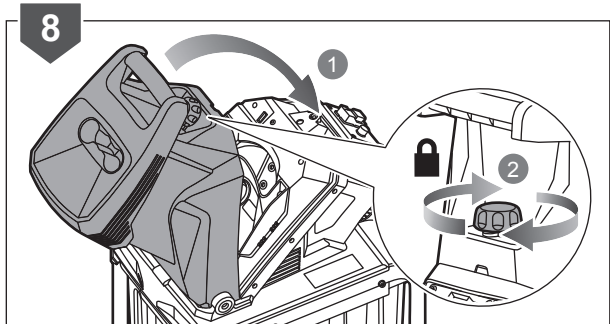
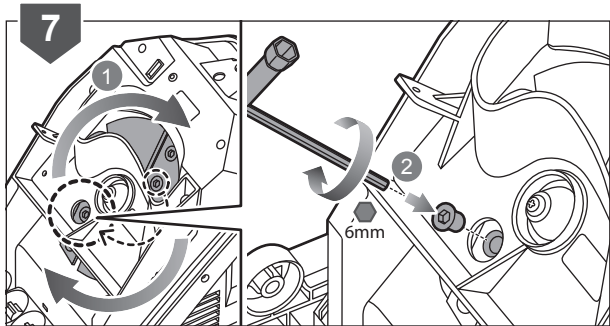
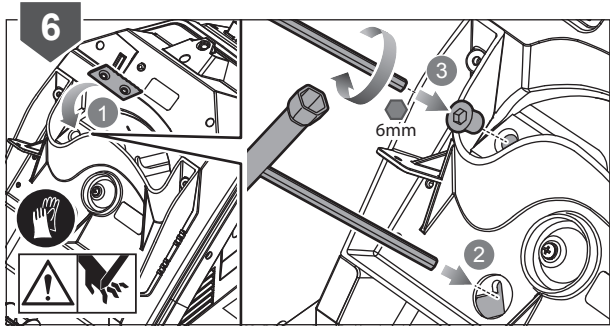
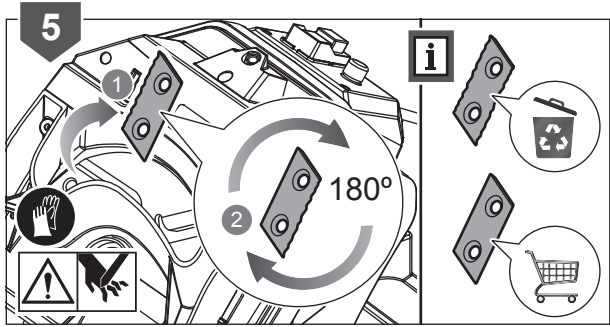
**3**

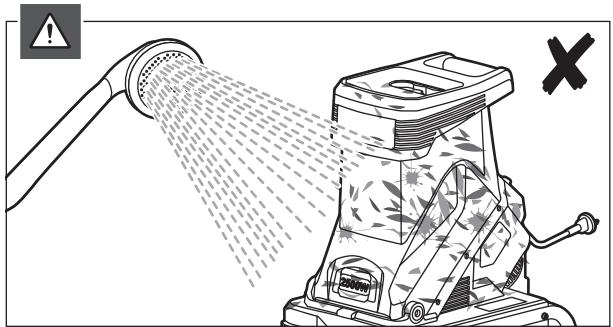
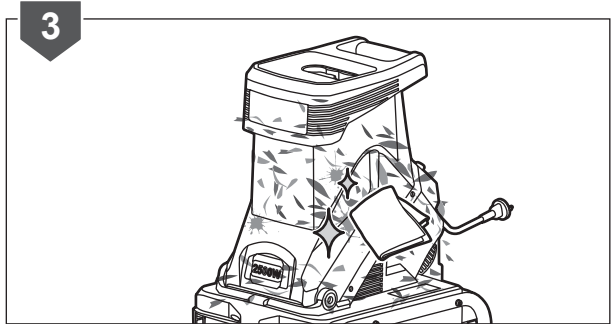
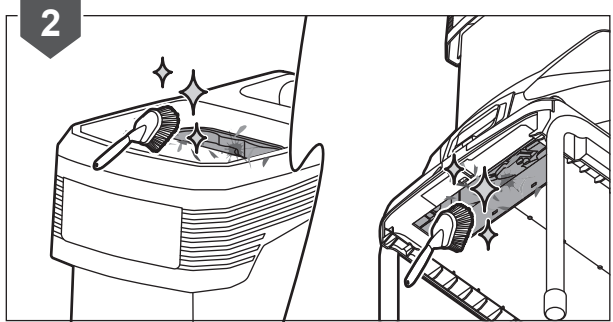
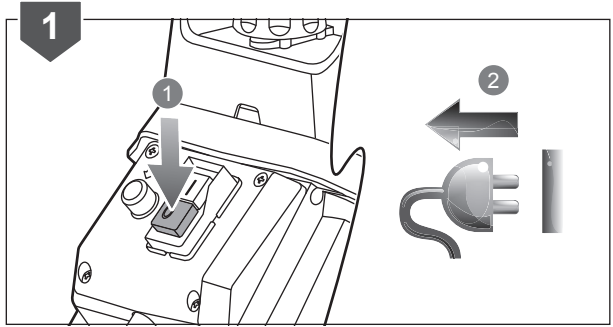
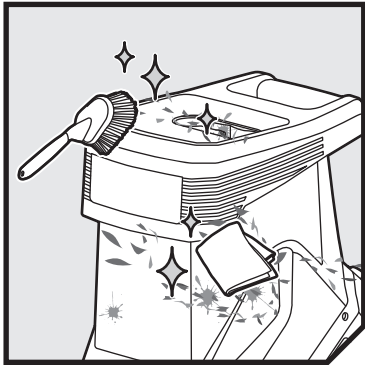


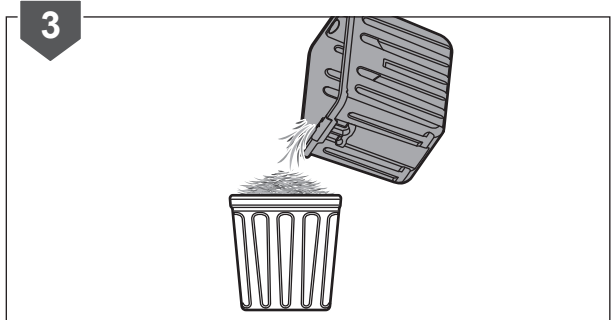
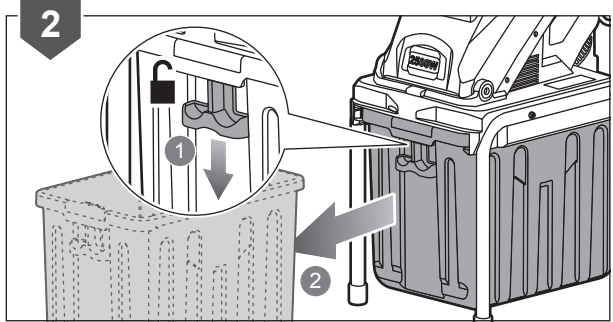
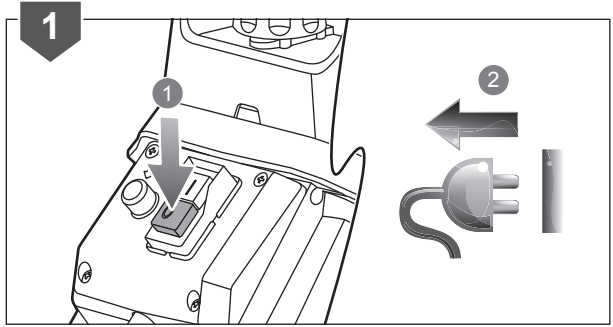
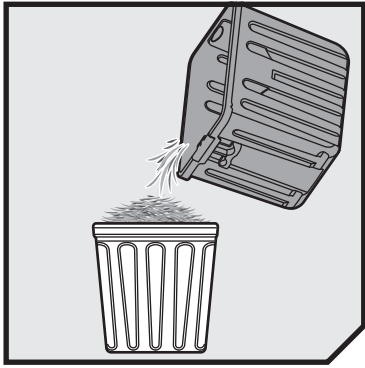


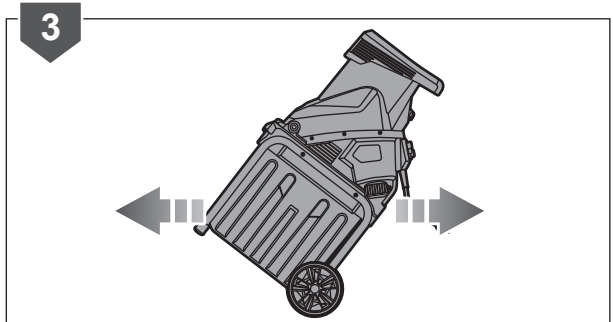
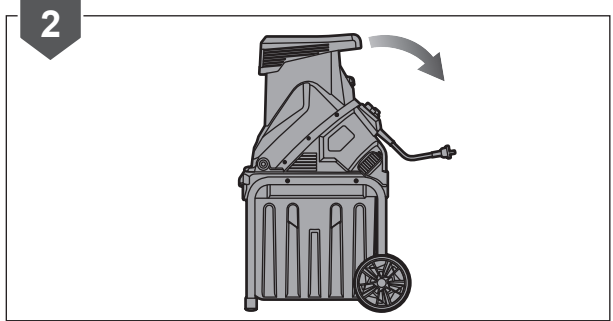
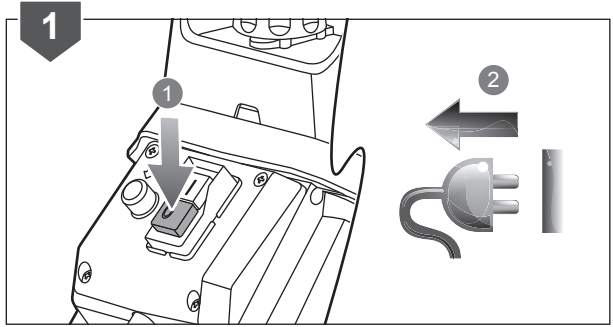
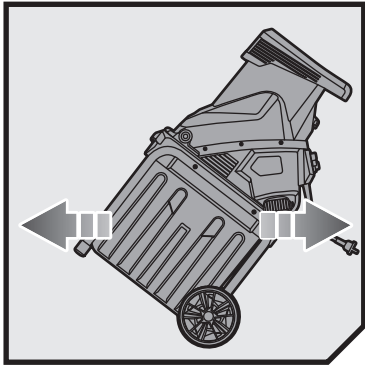


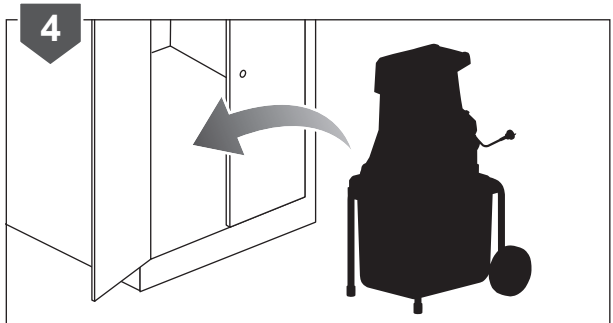
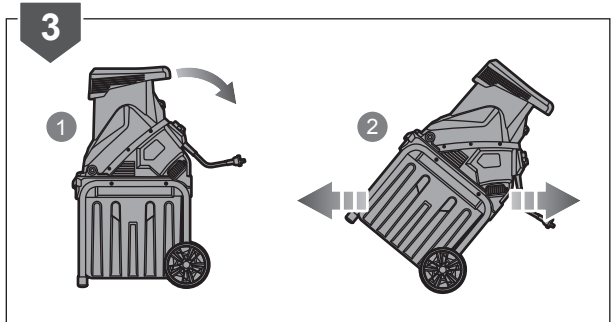
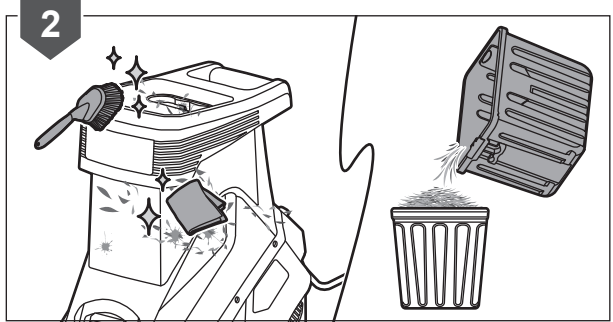
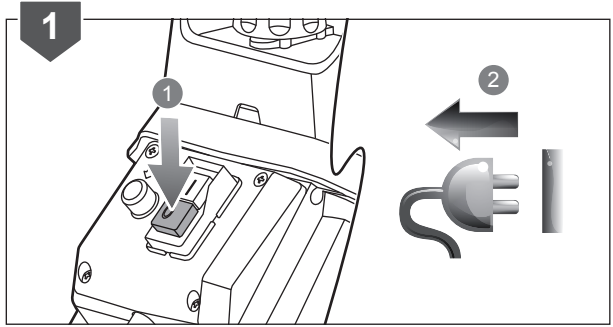
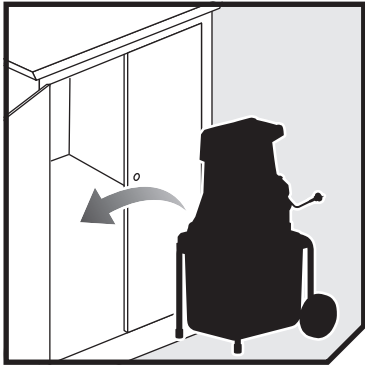














English

**TROUBLESHOOTING**

PROBLEM	CAUSE	ACTION
The motor does not run.	The overload protection is activated.	Follow the instructions in the "Overload protection device" section in this manual.
	Safety interlock switches are not engaged.	Check the safety interlock of the collection box and ensure it is properly fitted. Check and ensure the shredder housing is fully closed and the shredder housing knob is properly screwed in.
	Power failure	Check the power supply cable, plug, and the supply circuit breaker.
The material to be chopped is not drawn in.	The material is jammed in the feeding chute.	Immediately turn off the product and follow the instructions in the "Clearing a blockage" section of this manual.
	The cutting blades are blocked.	
Shredder produces abnormal noise or vibration		Immediately turn off the product and follow the instructions in the "Operation" section of this manual.

Français

**GUIDE DE DÉPANNAGE**

PROBLÈME	CAUSE POSSIBLE	SOLUTION
Le moteur ne fonctionne pas	La protection contre les surcharges s'est déclenchée.	Suivez les instructions du chapitre "Entretien du système de protection contre les surcharges" de ce manuel.
	Les contacts de sécurité ne sont pas enclenchés.	Vérifiez les contacteurs de sécurité du bac de récupération et assurez-vous que le bac est bien en place. Vérifiez que le carter du broyeur est bien fermé et que le bouton du carter est bien serré.
	Panne d'alimentation	Vérifiez le câble d'alimentation électrique, la fiche secteur, et le disjoncteur.
Les matières à broyer ne sont pas aspirées.	Les matières sont bloquées dans le conduit d'introduction. Les lames de coupe sont bloquées.	Arrêtez immédiatement le produit et suivez les instructions du chapitre "Dégagement d'un blocage" de ce manuel.
Le broyeur produit des bruits ou vibrations anormaux.		Arrêtez immédiatement le produit et suivez les instructions du chapitre "Utilisation" de ce manuel.

Deutsch

**FEHLERBEHEBUNG**

PROBLEM	MÖGLICHE URSACHE	LÖSUNG
Der Motor läuft nicht	Der Überlastungsschutz ist aktiviert.	Befolgen Sie die Anweisungen in dem Abschnitt "Überlastungsschutz" dieser Bedienungsanleitung.
	Die Sicherheitsschalter sind nicht aktiviert.	Überprüfen Sie den Sicherheitsschalter des Sammelbehälters und stellen sicher, dass er richtig befestigt ist. Überprüfen Sie und stellen sicher, dass das Häckslergehäuse ganz geschlossen ist und der Knopf des Häckslergehäuses richtig eingeschraubt ist.
	Kein Strom	Überprüfen Sie das Netzkabel und den Schutzschalter der Stromversorgung.
Das zu häckselnde Material wird nicht eingezogen.	Das Material ist in dem Einfülltrichter verklemmt.	Schalten Sie das Produkt sofort aus und befolgen die Anweisungen in dem Abschnitt "Entfernung einer Blockade" dieser Bedienungsanleitung.
	Die Schneidklingen sind blockiert.	
Der Häcksler entwickelt ungewöhnliche Geräusche oder Vibrationen.		Schalten Sie das Produkt sofort aus und befolgen die Anweisungen in dem Abschnitt "Bedienung" dieser Bedienungsanleitung.



## Español

### RESOLUCIÓN DE PROBLEMAS

PROBLEMA	CAUSA POSIBLE	SOLUCIÓN
El motor no funciona	La protección de sobrecarga se activa.	Siga las instrucciones de la sección "sobrecarga de dispositivo de protección" en este manual.
	Interruptores de de seguridad no están enganchados.	Compruebe el bloqueo de seguridad de la caja de recogida y asegúrese de que está correctamente instalado. Controle y asegúrese que la caja trituradora está totalmente cerrada y el botón de la trituradora se enrosca correctamente.
	Falla de energía	Compruebe el cable de alimentación, el conector y el interruptor de circuito de alimentación.
El material a ser cortado no se dibuja.	El material se ha atascado en el canal de alimentación.	Apague Inmediatamente el producto y siga las instrucciones en la sección "Solución de una obstrucción" de este manual.
	Las cuchillas de corte están obstruidas.	
La trituradora hace ruido o vibración anormal.		Apague Inmediatamente el producto y siga las instrucciones en la sección "Funcionamiento" de este manual.

## Italiano

### RISOLUZIONE DEI PROBLEMI

PROBLEMA	CAUSA	SOLUZIONE
Il motore non funziona	La protezione da sovraccarico è stata attivata.	Seguire le istruzioni nella sezione "Dispositivo di protezione dal sovraccarico" nel presente manuale.
	Gli interruttori di blocco di sicurezza non sono inseriti.	Controllare l'interruttore di blocco di sicurezza del sacchetto di raccolta e assicurarsi che sia correttamente montato. Controllare e assicurarsi che la sede del trituratore sia completamente chiusa e che la manopola del trituratore sia correttamente avvitata.
	Guasto all'alimentazione	Controllare il cavo dell'alimentazione, la presa e l'interruttore differenziale.
Il materiale da tagliare non viene risucchiato dalla macchina.	Il materiale è bloccato nell'imbuto dell'alimentazione.	Arrestare immediatamente il prodotto e seguire le istruzioni nella sezione "Rimuovere un blocco" nel presente manuale.
	Le lame sono bloccate.	
Il trituratore produce rumori o vibrazioni anormali.		Spegnere immediatamente il prodotto e seguire le istruzioni contenute nella sezione "Operazioni" del presente manuale.

## Nederlands

### PROBLEEMOPLOSSEN

PROBLEEM	MOGELIJKE OORZAAK	OPLOSSING
De motor werkt niet	De overbelastingsbescherming is geactiveerd.	Volg de instructies in het hoofdstuk "Overbelastingsbeschermingsmechanisme" in deze gebruiksaanwijzing.
	Veiligheidsvergrendelschakelaars zijn niet geactiveerd.	Controleer de veiligheidsvergrendeling van de opvangbak en zorg ervoor dat deze goed is bevestigd. Controleer en zorg ervoor dat de hakselaarbehuizing volledig gesloten is en de hakselaarbehuizingknop goed is ingeschroefd.
	Stroomfout	Controleer de stroomkabel, stekker en de voedingszekering.
Het te hakselen materiaal wordt niet ingetrokken.	Het materiaal zit in de voedingstrechter vast.	Leg het product onmiddellijk stil en volg de instructies in het hoofdstuk "Obstructie vrijmaken" in deze gebruiksaanwijzing.
	De snijmessen zijn geblokkeerd.	
Hakselaar produceert een abnormaal geluid of trilling.		Leg het product onmiddellijk stil en volg de instructies in het hoofdstuk "Bediening" van deze gebruiksaanwijzing.

Português

**RESOLUÇÃO DE PROBLEMAS**

PROBLEMA	POSSÍVEL CAUSA	SOLUÇÃO
O motor não funciona	A proteção contra sobrecarga é ativada.	Siga as instruções na secção “sobrecarga de dispositivo de proteção” neste manual.
	Interruptores de segurança não estão encaixados.	Verifique o bloqueio de segurança da caixa de recolha e garanta que está devidamente ajustado. Verifique e assegure-se que a caixa da trituradora está totalmente fechada e o botão da trituradora está bem apertado.
	Falha de energia	Verifique o cabo de alimentação, ficha, e o circuito de alimentação.
O material a ser cortado não é desenhado.	O material está encravado na calha de alimentação.	Desligue imediatamente o produto e siga as instruções na secção “Limpar uma obstrução” deste manual.
	As lâminas de corte estão bloqueadas.	
A trituradora produz ruído ou vibração anormal.		Desligue imediatamente o produto e siga as instruções na secção “Operação” deste manual.

Dansk

**FEJLFINDER**

PROBLEM	MULIG ÅRSAG	LØSNING
Motoren kører ikke	Overbelastningsbeskyttelsen er udløst.	Følg vejledningen i afsnittet “Overbelastningsbeskyttelses-enhed” i denne brugsanvisning.
	Sikkerhedsspærrekontakterne er ikke i indgreb.	Kontrollér sikkerhedsspærringen for opsamlingsboksen, og kontrollér, at den er monteret korrekt. Kontrollér, at kværnhuset er helt lukket, og at kværnhusets knap er korrekt skruet i.
	Strømsvigt	Kontrollér strømforsyningskablet, stikket og kredsløbsafbryderen.
Materialet trækkes ikke ind.	Materialet sidder fast i fødeskakten.	Sluk straks produktet, og følg vejledningen i “Afhjælpning af tilstopning” i denne brugsanvisning.
	Knivene er blokeret.	
Kværnen afgiver unormal støj eller vibrationer.		Sluk straks produktet, og følg vejledningen i “Betjening” i denne brugsanvisning.

Svenska

**FELSÖKNING**

PROBLEM	MÖJLIG ORSAK	LÖSNING
Motorn kör inte	Överbelastningsskyddet aktiveras.	Följ instruktionerna i avsnittet “Överbelastningsskydd” i denna bruksanvisning.
	Säkerhetsspärren är inte aktiverad.	Kontrollera säkerhetsspärren för uppsamlingsboxen och se till att den är ordentligt på plats. Kontrollera och säkerställ att kvarnkåpan är helt stängd och vredet för kvarnkåpan helt inskruvat.
	Strömfel	Kontrollera strömkabeln, kontakten och säkringen för nätuttaget.
Materialet som ska malas dras inte in.	Materialet har trasslat in sig i matningen.	Stäng omedelbart av produkten och följ instruktionerna i avsnittet “Rensa en blockering” i bruksanvisningen.
	Skärbladen är blockerade.	
Malningen ger ovanligt mycket buller och vibrationer.		Stäng omedelbart av produkten och följ instruktionerna i avsnittet “Användning” i bruksanvisningen.

## Suomi

VIANHAKU		
ONGELMA	MAHDOLLINEN SYY	RATKAISU
Moottori ei toimi	Ylikuormitussuoja aktivoituu.	Noudata tämän oppaan kappaleen "Ylikuormituksen suoja-aitte" ohjeita.
	Interlock-kytkimet eivät kytkeydy.	Tarkista keräimen interlock ja varmista, että se on asianmukaisesti paikoillaan. Tarkista, että silppurin kotelo on suljettu kunnolla ja että silppurin kotelon nuppi on ruuvattu sisään asianmukaisesti.
	Virtahäiriö	Tarkista virtajohto, pistoke ja sähköpiirin katkaisin.
Silputtava materiaali ei kulkeudu laitteen sisään.	Materiaalia on juuttunut syöttösuppilon.	Sammuta tuote välittömästi ja noudata tämän oppaan kappaleen "Tukoksen poistaminen" ohjeita.
	Leikkuuterät ovat tukossa.	
Silppurista kuuluu epätavallista ääntä tai se tärisee.		Sammuta tuote välittömästi ja noudata tämän oppaan kappaleen "Käyttö" ohjeita.

## Norsk

FEILSØKING		
PROBLEM	MULIG ÅRSAK	LØSNING
Motoren kjører ikke	Overbelastningsbeskyttelsen er aktivert.	Følg instruksjonene i seksjonen "Beskyttelsesutstyr for overbelastning" i denne manualen.
	Bryterne for sikkerhetslåsene er ikke tilkopleet.	Sjekk sikkerhetslåsen på, oppsamlingsbeholderen og påse at den er korrekt montert. Sjekk og påse at oppkappingshuset er helt lukket og at knotten på oppkappingshuset er skrudd helt inn.
	Strømfeil	Sjekk strømkabel, støpsel, stikkontakt og sikringen for strømkretsen som brukes.
Materialet som skal kappes opp blir ikke trukket inn i produktet.	Materialer er pakket tett sammen ved mateåpningen.	Slå umiddelbart av produktet og følg instruksjonene i seksjonen "Fjerning av en blokkering" i denne manualen.
	Kappeknivene er blokkert.	
Produktet gir fra seg abnorm støy eller vibrasjoner.		Slå umiddelbart av produktet og følg instruksjonene i seksjonen "Bruk" i denne manualen.

## Русский

ПОИСК НЕИСПРАВНОСТЕЙ		
ПРОБЛЕМА	ВОЗМОЖНЫЕ ПРИЧИНЫ	РЕШЕНИЕ
Мотор не работает.	Включена защита от перегрузки.	Следуйте инструкциям в разделе «Устройство защиты от перегрузки», описанным в настоящем руководстве.
	Защитные блокирующие выключатели не включены.	Проверьте блокирующий выключатель мусоросборника и убедитесь, что он правильно установлен. Убедитесь, что корпус измельчителя полностью закрыт, и а ручка корпуса не будет надлежащим образом затянута.
	Отключение электропитания	Проверьте кабель питания, вилку и предохранитель питания.
Материал для измельчения не заходит.	Материал застрял в загрузочном желобе.	Немедленно выключите изделие и следуйте инструкциям в разделе «Очистка засорения» настоящего руководства.
	Режущие лезвия заблокированы.	
Измельчитель производит необычный шум или вибрацию.		Немедленно выключите изделие и следуйте инструкциям в разделе «Эксплуатация» настоящего руководства.

Polski

ROZWIĄZYWANIE PROBLEMÓW

PROBLEM	MOŻLIWA PRZYCZYNA	ROZWIĄZANIE
Silnik nie działa	Zostało uruchomione zabezpieczenie przeciążeniowe.	Należy postępować zgodnie z instrukcjami z rozdziału „Zabezpieczenie przeciążeniowe” podanymi we wcześniejszej części tego podręcznika.
	Blokady zabezpieczające nie są włączone.	Sprawdź blokadę zabezpieczającą kosza na odpady i upewnij się, że jest prawidłowo zamocowana. Należy upewnić się, że obudowa rozdrabniarki jest całkowicie zamknięta i pokrętko obudowy rozdrabniarki jest dobrze dokręcone.
	Brak zasilania	Sprawdź kabel zasilający i wyłącznik automatyczny zasilania.
Materiał do rozdrabniania nie jest wciągany.	Materiał został zablokowany w otworze podajnika.	Natychmiast wyłączyć produkt i postępować zgodnie z instrukcjami podanymi w rozdziale „Usuwanie zablokowanego materiału” w tym podręczniku.
	Ostrza tnące są zablokowane.	
Rozdrabniarka wytwarza nietypowy dźwięk lub wibracje.		Natychmiast wyłączyć produkt i postępować zgodnie z instrukcjami podanymi w rozdziale „Obsługa” w tym podręczniku.

Čeština

ŘEŠENÍ PROBLÉMŮ

PROBLÉM	MOŽNÁ PŘÍČINA	ŘEŠENÍ
Nelze nastartovat motor	Ochrana proti přetížení je aktivována.	Postupujte podle pokynů v části „Ochrana proti přetížení” v této příručce.
	Bezpečnostní blokovací spínače nejsou aktivovány.	Zkontrolujte bezpečnostní blokování sběrného boxu a ujistěte se, že je správně upevněn. Zkontrolujte a ujistěte se, že je kryt drtiče je zcela uzavřen a šroub krytu drtiče je řádně zašroubován.
	Výpadek napájení	Zkontrolujte napájecí kabel, zástrčku a jistič napájecího obvodu.
Materiál k drcení není vtahován.	Materiál se zablokoval v podávacím žlabu.	Ihned vypněte výrobek a postupujte podle pokynů v části „Odstranění příčiny zablokování” v návodu.
	Řezací nože jsou zablokovány.	
Drtič produkuje abnormální hluk nebo vibrace.		Ihned vypněte výrobek a postupujte podle pokynů v části „Provoz” v návodu.

Magyar

HIBAELEHÉRTÉS

PROBLÉMA	LEHETSÉGES OK	MEGOLDÁS
A motor nem fog	A túlterhelés elleni védelem aktiválódott.	Kövesse a kézikönyv „Túlterhelés elleni védelmi eszköz” részében leírt utasításokat.
	A biztonsági reteszelő kapcsoló nincs bekapcsolva.	Ellenőrizze a gyűjtődoboz biztonsági reteszét, és biztosítsa annak megfelelő rögzítését. Ellenőrizze, hogy az aprító burkolata teljesen zárva van, és az aprító burkolat gombja megfelelően be van tekerve.
	Nincs áramellátás	Ellenőrizze a hálózati kábelt, a dugaszt és az áramkört megszakított.
Az összevágandó anyagot a gép nem húzza be.	Az anyag elakadt az etetőcsúszdában.	Azonnal kapcsolja ki a terméket, és kövesse a kézikönyv „Eltömődés megszüntetése” részében leírt utasításokat.
	A vágókések elakadtak.	
Az aprító szokatlan zajt vagy vibrációt produkál.		Azonnal kapcsolja ki a terméket, és kövesse a kézikönyv „Használat” részében leírt utasításokat.

## Română

### REMEDIEREA DEFECȚIUNILOR

PROBLEMĂ	CAUZĂ POSIBILĂ	SOLUȚIE
Motorul nu Funcționează	Protecția de supraîncărcare este activată.	Urmați instrucțiunile din secțiunea "Dispozitiv de protecție la supraîncărcare" din acest manual.
	Întreprătoarele de blocare de siguranță nu sunt activate.	Verificați blocarea de siguranță a sacului de colectare și asigurați-vă că e corespunzător montată. Verificați și asigurați-vă că este complet închisă carcasa tocătorului și că butonul rotativ a carcasei tocătorului este corespunzător înșurubat.
	Cădere de Tensiune	Verificați cablul de alimentare, ștecherul și întrerupătorul de alimentare.
Materialul care vine tocat nu este tras în produs.	Materialul este blocat în jgheabul de alimentare.	Oprți imediat produsul și urmați instrucțiunile din secțiunea "Eliminarea unui blocaj" din acest manual.
	Lamele de blocare sunt tăiate.	
Tocătorul produce un zgomot anormal sau vibrații.		Oprți imediat produsul și urmați instrucțiunile din secțiunea "Operarea" din acest manual.

## Latviski

### TRAUCĒJUMMEKLĒŠANA

PROBLĒMA	IESPĒJAMĀIS CĒĻONIS	RISINĀJUM
Motors negriežas	Pārslodzes aizsardzība ir nostrādājusi.	Ievērojiet norādes šīs lietošanas pamācības sadaļā "Pārslodzes aizsardzība".
	Drošības aizsargbloķētāji nav savā vietā.	Pārbaudiet savācējvertnes aizsargbloķētājus, pārliecinieties, vai tie ir savā vietā. Pārbaudiet, vai smalcinātāja karkass ir pilnībā aizvērts un tā nostiprinotais kloķis ir pilnībā ieskrūvēts.
	Strāvas trūkums	Pārbaudiet strāvas vadu, kontaktdakšu un automātslēdžus.
Smalcināmais materiāls netiek ievilkts.	Materiāls ir iestrēdzis ievadatverē.	Tūlīn pat izslēdziet iekārtu un ievērojiet norādes šīs lietošanas pamācības sadaļā "Nosprostojuma novēršana".
	Cērtošie asmeņi ir nobloķēti.	
Smalcinātājs nepareizi skan vai vibrē.		Tūlīn pat izslēdziet iekārtu un ievērojiet norādes šīs lietošanas pamācības sadaļā "Lietošana".

## Lietuviškai

### GEDIMŲ NUSTATYMAS

GEDIMAS	ĖALIMA PRIEŽASTIS	SPRENDIMAS
Neveikia variklis	Ijungta apsauga nuo perkrovo.	Vadovaukitės nurodymais, pateiktais šio vadovo skyriuje „Apsaugos nuo perkrovo įtaisas“.
	Saugos blokavimo įtaiso jungikliui neįjungti.	Patikrinkite, ar tinkamai įmontuotas surinkimo dėžės saugos blokavimo įtaisas. Patikrinkite, ar visiškai uždarytas smulkintuvo korpusas ir tinkamai įsriegtas jo mygtukas-galvelė.
	Dingo elektra	Patikrinkite maitinimo laidą, kištuką ir jungtuvą (srovės pertraukiklį).
Įtraukta medžiaga, kurią reikia smulkinti.	Padavimo lovelyje įstrigo medžiaga.	Nedelsdami išjunkite gaminį ir vadovaukitės nurodymais, pateiktais šio vadovo skyriuje „Kamščio šalinimas“.
	Užkištos pjovimo geležtės.	
Smulkintuvą skleidžia neįprastą garsą arba vibruoja.		Nedelsdami išjunkite gaminį ir vadovaukitės nurodymais, pateiktais šio vadovo skyriuje „Naudojimas“.

## Eesti

RIKKEOTSING		
PROBLEEM	VÕIMALIK PÕHJUS	LAHENDUS
Mootor ei taha töötada	Ülekoormuskaitse on rakendunud.	Järgige selle kasutusjuhendi jaotises "Ülekoormuskaitse" esitatud juhiseid.
	Turvablokeeringu lülitid ei ole rakendunud.	Kontrollige üle kogumiskasti turvablokeering ja veenduge, et kogumiskast on nõuetekohaselt oma kohale kinnitatud. Kontrollige, et purusti korpus on täielikult suletud ja purusti korpuse nupp on nõuetekohaselt sisse keeratud.
	Elektrikatkestus	Kontrollige üle toitekaabel, pistik ja toiteahela kaitaselüüti.
Purustatavat materjali ei tömmata sisse.	Materjal on etteandekambrisse kinni jäänud.	Lülitage seade kohe välja ja järgige juhiseid, mis on esitatud selle kasutusjuhendi jaotises "Ummistuste kõrvaldamine".
	Lõiketerad on kinni jäänud.	
Purusti teeb ebavastast häält ja vibreerib.		Lülitage seade kohe välja ja järgige juhiseid, mis on esitatud selle kasutusjuhendi jaotises "Kasutamine".

## Hrvatski

OTKLANJANJE SMETNJI		
PROBLEM	MOGUĆI UZROK	RJEŠENJE
Motor ne radi	Aktivirana je zaštitna od preopterećenja.	Slijedite upute u odjeljku „Uređaj za zaštitu od preopterećenja“ u ovom priručniku.
	Sklopka za blokiranje je uključena.	Provjerite sigurnosne blokade kutije za prikupljanje i provjerite je li pravilno postavljena. Provjerite i osigurajte da je kućište rezačice potpuno zatvoreno i da je gumb kućišta rezačice pravilno uvrnut.
	Strujni ispad	Provjerite kabel napajanja, utikač i prekidač strujnog kruga.
Materijal koje se usitnjava nije uvučen.	Materijal je zaglavljen u lijevku.	Odmah isključite proizvod i slijedite upute u odjeljku „Čišćenje blokade“ u ovom priručniku.
	Oštrice su blokirane.	
Rezačica proizvodi abnormalnu buku ili vibracije.		Odmah isključite proizvod i slijedite upute u odjeljku „Rad“ u ovom priručniku.

## Slovensko

ODPRAVLJANJE NAPAK		
PROBLEM	MOŽEN VZROK	REŠITEV
Motor ne teče	Vključena je zaščitna za zaznavo preobremenitve.	Sledite navodilom v poglavju priročnika Zaščitna naprava za zaznavo preobremenitve.
	Stikala za varnostno zaporo niso vključena.	Preglejte varnostno zaporo posode za zbiranje in poskrbite, da je primerno nameščena. Preglejte in poskrbite, da je ohišje drobilnika popolnoma zaprto ter da je gumb ohišja drobilnika pravilno pritrjen.
	Izpad elektrike	Preglejte napajalni kabel, vtič in varnostno stikalo za napajanje.
Material za drobljenje se ne dovaja.	Material se je zagozdil v žlebu za dovajanje.	Izdelek nemudoma izklopite in sledite navodilom v poglavju priročnika Odpravljanje zamašitve.
	Rezila so blokirana.	
Drobnik proizvaja neobičajen zvok ali se tresne.		Izdelek nemudoma izklopite in sledite navodilom v poglavju priročnika Delovanje.

## Slovenčina

RIEŠENIE PROBLÉMOV		
PROBLÉM	MOŽNÁ PRÍČINA	RIEŠENIE
Motor nebeží	Je aktivovaná ochrana proti preťaženiu.	Postupujte podľa pokynov v sekcii "Zariadenie na ochranu pred preťažením" v tejto príručke.
	Ochranné poistné spínače nie sú aktivované.	Skontrolujte bezpečnostnú poistku zbernej kazety a overte, či je správne nasadená. Skontrolujte, či je kryt drvičky úplne zatvorený a či tlačidlo krytu drvičky je správne zaskrutkované.
	Výpadok prúdu	Skontrolujte napájací kábel, zástrčku a istič.
Drvený materiál nie je vťahovaný dnu.	Materiál je zaseknutý v podávacom žľabe.	Okamžite vypnite produkt a postupujte podľa pokynov v sekcii "Odstránenie zablokovania" v tejto príručke.
	Rezacie čepele sú zablokované.	
Drvička vytvára neštandardný hluk alebo vibrácie.		Okamžite vypnite produkt a postupujte podľa pokynov v sekcii "Obsluha" v tejto príručke.

## България

ОТСТРАНЯВАНЕ НА ПРОБЛЕМИ		
ПРОБЛЕМ	ВЪЗМОЖНА ПРИЧИНА	РЕШЕНИЕ
Моторът не работи	Активирана е защитата от претоварване.	Следвайте инструкциите в раздела "Устройство за защита от претоварване" в настоящото ръководство.
	Предпазните преклювачатели не са активирани.	Проверете предпазния преклювачател на кутията за раздробени материали и се уверете, че е поставен правилно. Проверете дали корпусът на дробилката е добре затворен и дали врътката на корпуса е добре завинтена.
	Проблем със захранването	Проверете захранващия кабел, щепсела и електрическия прекъсвач.
Материалите за раздробяване не се поемат от дробилката.	Материалите за раздробяване са заседнали в захранващия улей.	Незабавно изключете продукта и следвайте инструкциите от раздела "Отстраняване на запушване" в настоящото ръководство.
	Режещите остриета са блокирани.	
Дробилката шуми или вибрира неестествено при работа.		Незабавно изключете продукта и следвайте инструкциите от раздела "Работа с продукта" в настоящото ръководство.

## Українська

ВИРІШЕННЯ ПРОБЛЕМ		
ПРОБЛЕМА	Причина	Дія
Двигун не запускається	Захист від перевантаження активований.	Слідуйте інструкціям в розділі "Захист від перевантаження пристрою" в даному керівництві.
	Перемкачі безпеки не включені.	Перевірте захисне блокування коробки для збору і переконайтеся, що він правильно встановлений. Перевірте і переконайтеся, що корпус подрібнювача повністю закрит, а ручка корпуса подрібнювача правильно загвинчена.
	Збій подачі живлення	Перевірте кабель живлення, вилку і вимикач живлення.
Матеріал для нарізання не входить.	Матеріал застряг в жолобі подачі.	Негайно вимкніть продукт і дотримуйтесь інструкцій у розділі "Усунення блокування" даного керівництва.
	Ріжучі леза заблоковані.	
Подрібнювач виробляє ненормальний шум або вібрацію.		Негайно вимкніть продукт і дотримуйтесь інструкцій в розділі "Операції" цього керівництва.



English	Français	Deutsch	Español	Italiano	Nederlands
<b>Product specifications</b>	<b>Caractéristiques produit</b>	<b>Produkt-Spezifikationen</b>	<b>Especificaciones del producto</b>	<b>Caratteristiche del prodotto</b>	<b>Productgegevens</b>
Electric Impact Shredder	Broyeur Électrique à Impact	Elektrischer Häcksler	Trituradora de impacto eléctrica	Trituratore elettrico a impatto	Elektrische impacthakselaar
Model	Modèle	Model	Modelo	Modello	Model
Rated power	Puissance nominale	Nennaufnahmeleistung	Potencia clasificada	Alimentazione	Vermogen
Rated voltage	Tension nominale	Nennspannung	Tensión nominal	Voltaggio nominale	Toegekende spanning
Maximum cutting diameter	Diamètre maximum de coupe	maximaler Schneiddurchmesser	Diámetro máximo de corte	Diametro massimo di taglio	Maximum snijdiameter
No-load speed	Vitesse de rotation	Leerlaufdrehzahl	Velocidad sin carga	Velocità senza carico	Snelheid zonder lading
Weight	Poids	Gewicht	Peso	Peso	Gewicht
Noise emission level (in accordance with EN 50434:2014 Annex FF)	Niveau d'émission sonore (selon l'Annexe FF de EN 50434:2014)	Geräuschemission (entspricht Anhang FF von EN 50434:2014)	Nivel de emisión de ruido (según el Anexo FF de EN 50434:2014)	Livello di emissione rumori (Secondo quanto indicato dall'Allegato FF di EN 50434:2014)	Niveau geluidsemisie (in overeenstemming met bijlage FF van EN 50434:2014)
A-weighted sound pressure level at operator's position	Niveau de pression sonore pondéré A au niveau de l'opérateur	A-bewerteter Schalldruckpegel an der Position des Benützers	Nivel de presión sonora ponderado A en la posición del operario	Livello di pressione sonora ponderata A alla posizione dell'operatore	A-gewogen geluidsrukniveau bij positie van gebruiker
Uncertainty of measurement	Incertitude de la mesure	Unsicherheit der Messung	Incertidumbre de medición	Incertezza della misurazione	Onzekerheid bij meting
A-weighted sound power level	Niveau de puissance sonore pondéré-A	A-bewerteter Schalleistungspegel	Nivel de potencia acústica ponderada en A	Livello di potenza sonora pesato A	A-gewogen geluidsniveau
Uncertainty of measurement	Incertitude de la mesure	Unsicherheit der Messung	Incertidumbre de medición	Incertezza della misurazione	Onzekerheid bij meting

**NOTE:**

- The S6(40%) indicates a load profile of 4 minutes load and 6 minutes idle time. For practical application, (i.e. collecting waste and shredding) continuous operation is permitted.
- The maximum cutting diameter depends on the hardness of the wood.

**REMARQUE:**

- S6(40%) indique une utilisation pendant 4 min en charge suivie de 6 min à vide. Pour des applications habituelles (par ex. collecte et broyage de déchets), une utilisation en continu est permise.
- Le diamètre maximal de coupe dépend de la dureté du bois.

**HINWEIS:**

- S6(40%) steht für ein Ladeprofil von 4 Min. Ladezeit und 6 Min. Leerlaufzeit. Für praktische Anwendungen (z.B. Sammeln von Abfall und Häckseln) ist der Dauerbetrieb zulässig.
- Der max. Schnittdurchmesser hängt von der Holzhärte ab.

**NOTA:**

- S6(40%) indica un perfil de carga de 4 minutos de carga y 6 minutos de tiempo de reposo. Para una aplicación práctica (p. ej. recogida de residuos y triturado) se permite un funcionamiento continuo.
- El diámetro de corte máximo dependerá de la dureza de la madera.

**NOTA:**

- La percentuale S6(40%) indica un profilo di carico di 4 minuti di carico e 6 minuti di riposo. In caso di applicazioni pratiche (come raccogliere materiali triturati e scarti) l'utensile è in grado di funzionare di continuo.
- Il Diametro Massimo di Taglio dipende dalla durezza del legno.

**OPMERKING:**

- De S6(40%) wijst op een laadprofiel van 4 min. laden en 6 min. stationair draaien. Voor praktische toepassingen (vb. het verzamelen van afval en versnipperen), is continu gebruik toegestaan.
- De maximale snoeidiameter hangt af van de hardheid van het hout.

English	Français	Deutsch	Español	Italiano	Nederlands
Replacement part	Pièce de rechange	Ersatzteil	Pieza de repuesto	Ricambio	Vervangonderdeel
Blade	Lame	Messer	Hoja	Lama	Zaagblad







Português	Dansk	Svenska	Suomi	Norsk	Русский	
<b>Características do aparelho</b>	<b>Produktspecifikationer</b>	<b>Produktspecifikationer</b>	<b>Tuotteen tekniset tiedot</b>	<b>Produktspecificasjoner</b>	<b>Характеристики изделия</b>	
Trituradora de impacto elétrica	Elektrisk slagkværn	Elektrisk kompostkværn	Sähkökäyttöinen iskusiipuri	Elektrisk oppkappingsmaskin	Электрический ударный измельчитель	
Modelo	Model	Modell	Malli	Modell	Модель	RSH2545B
Potência nominal	Strøm	Effekt	Moottoriteho	Oppgitt ytelse	Номинальная сила	2500W(S6, 40%), 2200W(S1)
Tensão nominal	Mærkespænding	Spänning	Nimellisännite	Nominell spenning	Номинальное напряжение	230-240V ~ 50Hz
Diâmetro máximo de corte	Max skærediameter	Max skärdiameter	Suurin leikkusuäde	Maksimum kappediameter	Максимальный диаметр измельчаемого материала	45 mm
Velocidade sem carga	Tomgangshastighed	Hastighet utan belastning	Nopeus ilman kuormaa	Tomgangshastighet	Холостая скорость	4500 min <sup>-1</sup>
Peso	Vægt	Vikt	Paino	Vekt	Вес	13.4 kg
Nível de emissão de ruído (segundo o Anexo FF da norma EN 50434:2014)	Støjemissionsniveau (i henhold til bilag FF til EN 50434:2014)	Bullernivå (enligt Annex FF i EN 50434:2014)	Melutaso (EN 50434:2014 -standardin liitteen FF mukaan)	Støyemisjonsnivå (i samsvar med Tillegg FF til EN 50434:2014)	Уровень шума (в соответствии с Приложением FF стандарта EN 50434:2014)	
Nível de potência sonora ponderada A na posição do operador	A-vægtet lydtryksniveau ved operatørens position	A-viktad ljudtrycksnivå vid operatörsplats	A-painotettu käyttäjään kohdistuva äänenpainetaso	Støynivåvekting ved operatørens posisjon	Амплитудно-взвешенный уровень звукового давления в рабочем месте оператора	98.6 dB(A)
Incerteza de medições	Målingsusikkerhed	Osäkerhet i mätningar	Mittausten epätarkkuus	Usikkerhet ved måling	Погрешность измерения	3.0 dB
Nível de potência sonora ponderada A	A-vægtet lydeffektniveau	A-vägd ljudeffektsnivå	A-painotettu äänenteho	A-vektet lydeffektivå	Уровень А-взвешенной звуковой мощности	106.45 dB(A)
Incerteza de medições	Målingsusikkerhed	Osäkerhet i mätningar	Mittausten epätarkkuus	Usikkerhet ved måling	Погрешность измерения	0.49 dB

**NOTA:**

- O S6(40%) indica um perfil de carga de 4 minutos de carga e 6 minutos em pausa. Para uma aplicação prática (isto é, recolher resíduos e aparar) é permitida a operação contínua.
- O Diâmetro Máximo de Corte depende da consistência da madeira.

**Obs:**

- S6(40%) antyder en ladeprofil af 4 min ladning and 6 min tomgangs tid. Til praktisk brug (dvs. opsamling af affald og flis) er kontinuerlig drift tilladt.
- Maks skærings diameter afhænger af hårdheden af træet.

**NOTERA:**

- S6(40%) indikerer en belastningsprofil på 4 minuters belastning och 6 minuters obelastad tid. För praktisk användning (exempelvis skräpsamling och malning), kan kontinuerlig användning tillåtas.
- Den maximala avklippningsdiametern beror på hårdheten hos träet.

**HUOMAUTUS:**

- S6(40%) osoittaa 4 minuutin kuormituksen ja 6 minuutin seison-ta-ajan kuormitusprofiilin. Käytännössä (eli kerättäessä jätettä tai silputtaessa) laitetta voidaan käyttää jatkuvasti.
- Maksimaalinen leikkuuhalkaisija riippuu puun kovuudesta.

**MERK:**

- S6(40%) antyder en ladeprofil af 4 min ladning and 6 min tomgangs tid. Ved praktisk bruk (f.eks. søppelsamling og kverning), er det tillatt med konstant bruk.
- Maks skærings diameter afhænger af hårdheden af træet.

**ПРИМЕЧАНИЕ:**

- S6(40%) указывает профиль нагрузки 4 минуты и 6 минуты праздного времени. Для практического применения (т.е. сбора отходов и измельчения) не прерывная эксплуатация разрешается.
- Максимальный Диаметр Резки зависит от твердости древесины.

Português	Dansk	Svenska	Suomi	Norsk	Русский	
Peça de substituição	Reservedel	Ersättningsdel	Varaosat	Erstatningsdel	Заменяемые детали	
Lâmina	Klinge	Blad	Terä	Blad	Пильное полотно	RAC351





Polski	Čeština	Magyar	Română	Latviski	Lietuviškai
<b>Parametry techniczne</b>	<b>Technické údaje produktu</b>	<b>Termék műszaki adatai</b>	<b>Specificațiile produsului</b>	<b>Produkta specifikācijas</b>	<b>Gaminio techninės savybės</b>
Elektryczna rozdrabniarka udarowa	Elektrický dříč	Elektromos aprító	Tocător electric cu impact	Elektriskais zaru smalcinātājs	Elektrinis smūginis smulkintuvas
Model	Model	Tipus	Model	Modelis	Modelis
Moc znamionowa	Jmenovitý výkon	Névleges teljesítmény	Putere nominală	Nominālā jauda	Nominalus galingumas
Napięcie znamionowe	Jmenovité napětí	Névleges feszültség	Tensiunea nominală	Nominālais spriegums	Nominali įtampa
Maksymalna średnica przecinanego materiału	Maximální drcený průměr	Maximális vágási átmérő	Diametru maxim de tăiere	Maksimālais griešanas diametrs	Didžiausias pjovimo skersmuo
Prędkość obrotowa bez obciążenia	Rychlost naprázdno	Üresjárati fordulatszám	Viteză fără sarcină	Greitis be apkrovimo	Greitis be apkrovimo
Ciężar	Hmotnost	Gépsúly	Greutate	Svars	Svoris
Poziom drgań (zgodnie z aneksem FF normy EN 50434:2014)	Úroveň vibrací (v souladu s přílohou FF normy EN 50434:2014)	Vibrációs szint (az EN 50434:2014 FF. függeléke szerinti)	Nivelul vibrațiilor (în conformitate cu anexa FF din EN 50434:2014)	Vibrācijas līmenis (saskaņā ar EN 50434:2014 pielikumu FF)	Vibracijos lygis (pagal EN 50434:2014 standarto FF priedą.)
Poziom ciśnienia akustycznego w pozycji operatora	Hladina akustického výkonu vážená funkcí A v poloze obsluhy	A-súlyozott hangteljesítményszint a kezelő helyén	Un nivel de presiune al sunetului mai tare la poziția operatorului.	Lietotāja pozīcijā ir ar A novērtēts skaņas jaudas līmenis.	A lygio svorinis garso slėgis operatoriaus padėtyje.
Niepevnosc pomiaru	Nejistota mēreni	Mérés bizonytalansága	Incertitudine a măsurării.	Mērījuma mainīgums	Matmenų paklaida
A-ważony poziom natężenia hałasu	Hladina akustického výkonu vážená funkcí A	A-súlyozott hangteljesítményszint	Nivel de putere acustică ponderată A	A-līmeņa skaņas jaudas līmenis	A svertinis garso lygis
Niepevnosc pomiaru	Nejistota mēreni	Mérés bizonytalansága	Incertitudine a măsurării.	Mērījuma mainīgums	Matmenų paklaida

**UWAGA:**

- Oznaczenie S6(40%) oznacza charakterystykę obciążenia: 4 minuty załadunku i 6 minut bezczynności. Praca cieciga jest dopuszczalna w przypadku zastosowań praktycznych (tj. zbieranie odpadów i rozdrabnianie).
- Maksymalna średnica cieciga zależy od stopnia twardości drewna.

**Poznámka:**

- S6(40%) značí profil zatížení 4 min. zatížení a 6 min. běhu naprázdno. Pro praktickou aplikaci (tj. sběr odpadu a drcení) je neustálá funkce povolena.
- Max. průměr k řezání závisí na tvrdosti dřeva.

**MEGJEGYZÉS:**

- Az S6(40%) a 4 perc terhelés és 6 perc üresjárat terhelési profil jelzi. Gyakorlati alkalmazásokhoz (pl. hulladékgyűjtéshez vagy aprításhoz) engedélyezett a készülék folyamatos működetése.
- A maximális vágási átmérő a fa keménységétől függ.

**NOTE:**

- S6(40%) indică un profil de sarcină de 4 minute și timp de funcționare în gol de 6 minute. Pentru aplicații practice (de ex. colectarea resturilor și a bucăților mărunțite) este permisă operarea continuă.
- Diametrul maxim de tăiere depinde de duritatea lemnului.

**PIEZĪME:**

- S6(40%) norāda slodzes profilu ar 4 minūtēm slodzes un 6 minūtēm tukšgaitas laika. Praktiskai lietošanai (piem. atkritumu savākšanai un smalcināšanai) ir pieļaujama nepārtraukta darbība.
- Maksimālais griešanas diametrs ir atkarīgs no koka cietības.

**PASTABA:**

- S6(40%) reiškia 4 minučių apkrovos būdą ir 6 minučių tuščiosios eigos veikimo laiką. Siekiant darbą atlikti praktiškai, (t. y. renkant atliekas ir supjaustytas smulkias dalis) prietaisą galima naudoti be pertraukos.
- Didžiausias pjovimo skersmuo priklauso nuo medžio kietumo.

Polski	Čeština	Magyar	Română	Latviski	Lietuviškai
Części zamienne	Náhradní díl	Cserealkatrész	Specificațiile produsului	Piesā de schimb	Atsarginė dalis
Ostrze	Nůž	Kés	Lamă	Āsmens	Geležė





Eesti	Hrvatski	Slovensko	Slovenčina	България	Українська	
<b>Toote tehnilised andmed</b>	<b>Spetsifikacije proizvoda</b>	<b>Spetsifikacije izdelka</b>	<b>Špecifikácie produktu</b>	<b>Технически характеристики</b>	<b>Технічні характеристики продукту</b>	
Elektriline lõik-oksapuruusti	Električna rezačica	Električni drobilnik vej	Električná nárazová drvička	Електрическа ударна дробилка	Електричний ударний подрібнювач	
Mudel	Model	Model	Modelis	Модел	Модель	RSH2545B
Nimivõimsus	Nazivna snaga	Omejena moč	Menovitý výkon	Номинална мощност	Номинальна потужність	2500W(S6, 40%), 2200W(S1)
Nimipinge	Nazivni napon	Nazivna napetost	Menovité napätie	Номинален волтаж	Номинальна напруга	230-240V ~ 50Hz
Maksimaalne lõikeläbimõõt	Maksimalni promjer rezanja	Največji premer rezanja	Maximálne rezný priemer	Максимален диаметър на рязане	Максималний діаметр різання	45 mm
Tühikäiguikiirus	Brzina bez opterećenja	Hitrost neobremenjenega motorja	Rýchlosť naprázdno	Скорост в ненатоварен режим	Швидкість без навантаження	4500 min <sup>-1</sup>
Kaal	Težina	Teža	Hmotnosť	Тегло	Вага	13.4 kg
Vibratsioonitase (vastavalt standardi EN 50434:2014 lisale FF)	Razina vibracije (u skladu s Dodatkom FF EN 50434:2014)	Raven vibracij (v skladu z aneksom FF v EN 50434:2014)	Úroveň vibrácií (v súlade s Dodatkom FF normy EN 50434:2014)	Ниво на вибрация (в съответствие с приложение FF на EN 50434:2014)	Рівень шуму (відповідно до EN 50434:2014 Annex FF)	
A-kaalutud müraemissiooni rõhu tase operaatori kõõkohaal	A-ponderirana razina zvučnog tlaka u položaju operatera	A-izmerjena raven zvočnega tlaka pri položaju upravljavca	Vážená A hladina akustického tlaku na pozícii obsluhujúcej osoby.	Равнище А на нивото на шумовото налягане на мястото на оператора.	А-зважений рівень звукового тиску на робочому місці оператора	98.6 dB(A)
Mõõtmismääramatus	Neodređenost mjerenja	Negotovost meritev	Nespolahlivost meranj	Несигурност на измерването	Невизначеність вимірювання	3.0 dB
A-kaalutud helivõimsuse tase	Ponderirana razina zvučne snage	A-izmerjena raven zvočne moči	Vážená A hladina akustického výkonu	Ниво на силата на шума с равнище А	А-зважений рівень звукової потужності	106.45 dB(A)
Mõõtmismääramatus	Neodređenost mjerenja	Negotovost meritev	Nespolahlivost meranj	Несигурност на измерването	Невизначеність вимірювання	0.49 dB

**MÄRKUS:**

- Tähis S6(40%) näitab koormusrežiimi, mille puhul võib seda koormata järjest 4 minutit, millele järgneb 6 minutit vabakäiku. Tegelikult töös (st prugi kogumine ja purustamine) on lubatav pidev töötamine.
- Lõikamise maksimaalläbimõõt sõltub puidu kõvadusest.

**NAPOMENA:**

- S6(40%) naznačuje učitane profila od 4 minute opterećenja i 6 minuta praznog hoda. Radi praktične primjene (npr. skupljanje otpada i ustinjavanje) dozvoljen je neprekidan rad.
- Maksimalni promjer rezanja ovisi o tvrdoći drveta.

**OPOMBA:**

- S6(40%) označuje profil nalaganja za 4-minutni nalaganje in 6-minutni prosti tek. Za namene praktičnosti (npr. zbiranje odpadnih materialov) je dovoljena neprekinjena uporaba.
- Največji premer rezanja je odvisen od trdote lesa.

**POZNÁMKA:**

- S6(40%) signalizuje zatažovací profil volnobehu 6 minút. Pre praktické použitie (napr. zber odpadu a drevnie) je prípustná nepretržitá prevádzka.
- Maximálny rezný priemer závisí od tvrdosti dreva.

**ЗАБЕЛЕЖКА:**

- S6(40%) указва на профил натоварване от 4 и 6 минути време на работа на празен ход. При работа в реални условия (напр. събиране и раздробяване на отпадък) е допустимо непрекъснато натоварване.
- Максималния диаметър на рязане зависи от твърдостта на дървесината.

**Примітка:**

- S6 (40%) вказує на навантаження на профіль і 6 хвилин простою. Для практичного застосування, (тобто збору відходів та подрібнення) дозволяється безперервна робота.
- Максимальний діаметр різання залежить від твердості деревини.

Eesti	Hrvatski	Slovensko	Slovenčina	България	Українська	
Varuosa	Zamjenski dijelovi	Nadomestni deli	Náhradné diely	Резервна част	Змінна частина	
Saeleht	Oštrica	Rezilo	Ostrie	Острие	лезо	RAC351



## EN GUARANTEE

In addition to any statutory rights resulting from the purchase, this product is covered by a guarantee as stated below.

1. The guarantee period is 24 months for consumers and commences on the date when the product was purchased. This date has to be documented by an invoice or other proof of purchase. The product is designed and dedicated to consumer and private use only. So there is no guarantee provided in case of professional or commercial use.
2. There is, in some cases (i.e. promotion, range of tools), a possibility to extend the warranty period over the period described above using the registration on the [www.ryobitools.eu](http://www.ryobitools.eu) website. The eligibility of the tool is clearly displayed in stores and/or on packaging. The end user needs to register his/her newly-acquired tools online within 8 days from the date of purchase. The end user may register for the extended warranty in his country of residence if listed on the online registration form where this option is valid. Furthermore, end users must give their consent to the storage of the data which are required to enter online and they have to accept the terms and conditions. The registration confirmation receipt, which is sent out by e-mail, and the original invoice showing the date of purchase will serve as proof of the extended warranty. Your statutory rights remain unaffected.
3. The guarantee covers all defects of the product during the warranty period due to defaults in workmanship or material at the purchase date. The guarantee is limited to repair and/or replacement and does not include any other obligations including but not limited to incidental or consequential damages. The warranty is not valid if the product has been misused, used contrary to the instruction manual, or being incorrectly connected. This guarantee does not apply to
  - any damage to the product that is the result of improper maintenance
  - any product that has been altered or modified
  - any product where original identification (trade mark, serial number) markings have been defaced, altered or removed
  - any damage caused by non-observance of the instruction manual
  - any non CE product
  - any product which has been attempted to be repaired by an non-qualified professional or without prior authorization by Techtronic Industries
  - any product connected to improper power supply (amps, voltage, frequency)
  - any product used with inappropriate fuel mixture (fuel, oil, percentage of oil)
  - any damage caused by external influences (chemical, physical, shocks) or foreign substances
  - normal wear and tear of spare parts
  - inappropriate use, overloading of the tool
  - use of non-approved accessories or parts
  - carburettor after 6 months, carburettor adjustments after 6 months
  - components (parts and accessories) subject to natural wear and tear, including but not limited to bump knobs, drive belts, clutch, blades of hedge trimmers or lawn mowers, harness, cable throttle, carbon brushes, power cord, tines, felt washers, hitch pins, blower fans, blower and vacuum tubes, vacuum bag and straps, guide bars, saw chains, hoses, connector fittings, spray nozzles, wheels, spray wands, inner reels, outer spools, cutting lines, spark plugs, air filters, gas filters, mulching blades, etc.
4. For servicing, the product must be sent or presented to a RYOBI authorized service station listed for each country in the following list of service station addresses. In some countries your local RYOBI dealer undertakes to send the product to the RYOBI service organisation. When sending a product to a RYOBI service station, the product should be safely packed without any dangerous contents such as petrol, marked with sender's address and accompanied by a short description of the fault.
5. A repair/replacement under this guarantee is free of charge. It does not constitute an extension or a new start of the guarantee period. Exchanged parts or tools become our property. In some countries delivery charges or postage will have to be paid by the sender.
6. This guarantee is valid in the European Community, Switzerland, Iceland, Norway, Liechtenstein, Turkey and Russia. Outside these areas, please contact your authorized RYOBI dealer to determine if another warranty applies.

### AUTHORISED SERVICE CENTRE

To find an authorised service centre near you, visit <http://uk.ryobitools.eu/header/service-and-support/service-agents>.

## FR GARANTIE

En plus des droits statutaires liés à l'achat, ce produit est couvert par une garantie telle que décrite ci-dessous.

1. La durée de la garantie accordée au consommateur est de 24 mois à partir de la date d'achat. Cette date doit être authentifiée par une facture ou tout autre preuve d'achat. Le produit a été conçu en vue d'une utilisation strictement privée. Aucune garantie ne s'applique donc en cas d'utilisation professionnelle ou commerciale.
2. Il existe, dans certains cas (par exemple promotion, gamme d'outils), une possibilité d'étendre la période de garantie au-delà de la période précédemment décrite en utilisant le formulaire d'enregistrement présent sur le site Internet [www.ryobitools.eu](http://www.ryobitools.eu). L'éligibilité d'un outil est clairement affichée dans les points de vente et/ou sur l'emballage. L'utilisateur final doit enregistrer son/ses outil(s) nouvellement acheté(s) en ligne dans les 8 jours qui suivent la date d'achat. L'utilisateur a la possibilité de s'enregistrer pour l'extension de garantie dans son pays de résidence si celui-ci est listé dans le formulaire d'enregistrement en ligne où cette option est valide. L'utilisateur final doit donner son consentement pour l'enregistrement des données requises pour accéder au site et doit accepter les termes et conditions. La confirmation d'enregistrement, envoyée par courrier électronique, ainsi que la facture originale mentionnant la date d'achat serviront de preuve de l'extension de garantie. Vos droits statutaires restent inchangés.
3. La garantie couvre les défauts des pièces et de main d'oeuvre du produit pendant la période de garantie à partir de la date d'achat. La garantie n'inclut aucune autre obligation, tel que, mais sans s'y limiter, les dommages accessoires ou indirects. La garantie est non valable en cas de mauvaise utilisation du produit, d'utilisation contraire aux instructions du mode d'emploi, ou en cas de branchement incorrect. Cette garantie ne s'applique pas pour :
  - tout dommage au produit résultant d'un mauvais entretien
  - tout produit ayant été altéré ou modifié
  - tout produit dont les marquages originaux d'identification (marque, numéro de série) ont été dégradés, altérés ou retirés
  - tout dommage causé par le non-respect des instructions du mode d'emploi
  - tout produit non CE
  - tout produit ayant subi une tentative de réparation par du personnel non qualifié ou sans autorisation préalable de Techtronic Industries
  - tout produit raccordé à une alimentation secteur non conforme (ampérage, voltage, fréquence)
  - tout produit utilisé avec un mélange inapproprié (essence, huile, pourcentage d'huile)
  - tout dommage causé par des influences extérieures (chimiques, physiques, chocs) ou par des substances étrangères
  - l'usure normale des pièces consommables
  - une utilisation inappropriée, une surcharge de l'outil
  - l'utilisation de pièces ou accessoires non agréés
  - les carburateurs après plus de 6 mois à compter de la date d'achat, également les réglages du carburateur après plus de 6 mois à compter de la date d'achat
  - les composants (pièces et accessoires) sujets à une usure naturelle, incluant de façon non exhaustive les têtes de fil à frapper, les courroies de transmission, les embrayages, les lames des taille-haies ou des tondeuses à gazon, les harnais, les câbles d'accélérateur, les charbons, les cordons d'alimentation, les fraises de cultivateurs, les rondelles feutre, les goupilles de fraise, les turbines et lame de broyage des souffleurs, les tubes de soufflage et d'aspiration des souffleurs, les sacs de souffleurs et leurs lanières, les guides-chaîne, les chaînes de tronçonneuses, les tuyaux et raccords, les buses et lances de nettoyeurs haute pression, les roues, les recharges de fil des têtes de coupe, les têtes de coupe, le fil de coupe, les bougies d'allumage, les filtres à air, les filtres à essence, etc.
4. Si le produit doit être réparé, envoyez-le à un service après-vente agréé RYOBI dont vous trouverez ci-dessous la liste pour chaque pays. Dans certains pays, votre revendeur RYOBI se chargera d'envoyer le produit à un centre de réparation RYOBI. Lorsque vous envoyez un produit à un service après-vente RYOBI, celui-ci doit être correctement emballé, sans contenir aucun produit dangereux tel que de l'essence, et vous devez indiquer votre adresse ainsi qu'une courte description du problème.
5. Une réparation / un remplacement sous garantie est gratuit(e). Ceci ne constituera pas une extension de garantie ni un nouveau départ de la période de garantie. Les pièces ou les outils remplacés deviennent notre propriété. Dans certains pays, les frais de port devront être assumés par l'expéditeur.
6. Cette garantie est valable au sein de l'Europe, de la Suisse, de l'Islande, de la Norvège, du Liechtenstein, de la Turquie, de la Russie. En dehors de ces zones, veuillez contacter votre distributeur agréé RYOBI pour déterminer si une autre garantie s'applique.

### SERVICE APRÈS-VENTE AGRÉÉ

Pour trouver le service après-vente agréé le plus proche, rendez-vous sur <http://fr.ryobitools.eu/header/service-and-support/service-agents>.

## DE GARANTIE

Zusätzlich zu den aufgrund des Kaufs entstehenden gesetzlichen Rechten, ist dieses Produkt von der unten aufgeführten Garantie abgedeckt.

- Die Garantiezeit für Endverbraucher beträgt 24 Monate für und beginnt ab dem Kaufdatum des Produktes. Dieses Datum muss durch eine Rechnung oder einen anderen Kaufbeleg dokumentiert sein. Das Produkt ist ausschließlich für den Privatgebrauch entwickelt und bestimmt. Deshalb wird keine Garantie im Fall von professionellem oder kommerziellem Einsatz angeboten.
- In einigen Fällen (z.B. Promotion, auf eine bestimmte Produktpalette oder auf bestimmte Produkte begrenzt) besteht die Möglichkeit die Garantiezeit über den oben genannten Zeitraum, durch Registrierung auf der Webseite [www.ryobitools.eu](http://www.ryobitools.eu), zu verlängern. Der verlängerte Garantieanspruch für ein bestimmtes Produkt wird deutlich in den Geschäften und/oder auf der Verpackung des Produktes gezeigt. Der Endverbraucher muss seine neu verkauften Produkte innerhalb von 8 Tagen ab Kaufdatum registrieren. Der Endverbraucher kann sich für die erweiterte Garantie im Land seines permanenten Wohnsitzes registrieren, wenn diese Möglichkeit in dem Online-Formular gegeben ist. Des weiteren müssen die Endverbraucher ihr Einverständnis zur Speicherung der online angegebenen Daten geben und die Geschäftsbedingungen annehmen. Die per E-Mail verschickte Bestätigung der Registrierung und die Originalrechnung mit Kaufdatum dienen als Nachweis für die verlängerte Garantie. Ihre gesetzlichen Rechte bleiben unangetastet.
- Die Garantie deckt während der Garantiezeit ab Kaufdatum alle Produktmängel aufgrund von Material- oder Herstellungsmängeln ab. Diese Garantie ist auf Reparatur und/oder Ersatz beschränkt und enthält keine weiter Verpflichtungen einschließlich aber nicht beschränkt auf beiläufige oder resultierende Schäden. Die Garantie ist nicht gültig, wenn das Produkt missbräuchlich oder entgegen der Bedienungsanleitung benutzt, oder falsch angeschlossen wurde. Diese Garantie gilt nicht für:
  - Jegliche Schäden die an dem Produkt aufgrund falscher Wartung entstehen.
  - Jedes Produkt das verändert oder modifiziert wurde.
  - Jedes Produkt an dem die originale Identifizierung (Markenzeichen, Seriennummer) verunstaltet, verändert oder entfernt wurden.
  - Jede Beschädigung die durch Nichtbeachtung der Bedienungsanleitung verursacht wurde.
  - Jedes Produkt ohne CE Zeichen.
  - Jedes Produkt das von einer unqualifizierten Person oder ohne vorherige Genehmigung von Techtronic Industries versucht wurde zu reparieren.
  - Jedes Produkt das an eine falsche Stromversorgung (Ampere, Spannung, Frequenz) angeschlossen wurde.
  - Jedes Produkt das mit einer falschen Treibstoffmischung (Treibstoff, Öl, Prozentanteil von Öl) betrieben wurde.
  - Jede Beschädigung die von äußeren Einflüssen (chemisch, physisch, Stöße) oder fremden Substanzen verursacht wurde.
  - Normaler Verschleiß und Abnutzung von Ersatzteilen.
  - Zweckwidrige Benutzung, Überlastung des Werkzeugs.
  - Benutzung von nicht zugelassenem Zubehör oder Teilen.
  - Den Vergaser nach 6 Monaten, die Vergasereinstellung nach 6 Monaten.
  - Teile (Teile und Zubehörteile) die normalem Verschleiß unterliegen, einschließlich aber nicht beschränkt auf Fadenköpfe, Antriebsriemen, Kupplungen, Klingen von Heckenschneidern oder Rasenmähern, Gurtzeug, Gaszügen, Kohlebürsten, Netzkabel, Zinken, Filzunterlegscheiben, Anhangstifte, Gebläse, Gebläse- und Saugschläuche, Saugbeutel und Riemen, Führungsschienen, Sägeketten, Schläuche, Anschlüsse, Sprühdüsen, Räder, Sprühdüsen, innere Rollen, äußere Spulen, Schneidfäden, Zündkerzen, Luftfilter, Treibstofffilter, Mulchmesser usw.
- Zur Wartung muss das Produkt eingeschickt werden oder einem für jedes Land in der folgenden Liste aufgeführten autorisierten RYOBI Kundendienst gebracht werden. In einigen Ländern schickt Ihr örtlicher RYOBI Händler das Produkt an den RYOBI Kundendienst. Wenn ein Produkt an den RYOBI Kundendienst geschickt wird, sollte es sicher verpackt werden, ohne gefährlichen Inhalt, wie Treibstoff, mit der Absenderadresse versehen sein und eine kurze Beschreibung des Fehlers enthalten.
- Reparatur/Ersatz unter dieser Garantie sind kostenfrei. Das stellt keine Verlängerung oder Neustart der Garantiezeit dar. Ausgewechselte Teile oder Werkzeuge treten in unseren Besitz über. In einigen Ländern müssen Lieferkosten oder Postgebühren von dem Absender getragen werden.
- Diese Garantie gilt in der Europäische Gemeinschaft, Schweiz, Island, Norwegen, Liechtenstein, Türkei und Russland. Bitte kontaktieren Sie Ihren autorisierten RYOBI-Händler, um herauszufinden ob eine andere Gewährleistung außerhalb dieser Gebiete gültig ist.

### AUTORISIERTER KUNDENDIENST

Besuchen Sie <http://de.ryobitools.eu/header/service-and-support/service-agents>, um einen autorisierten Kundendienst in Ihrer Nähe zu finden.

## ES GARANTÍA

Además de cualquier derecho estatutario derivado de la compra, este producto está cubierto con la siguiente garantía.

- El período de garantía es de 24 meses para los consumidores y comienza a partir de la fecha de compra del producto. Esta fecha debe demostrarse con una factura u otra prueba de compra. El producto está diseñado y destinado al consumidor y únicamente para uso privado. Por tanto, no se ofrece ninguna garantía en caso de uso profesional o comercial.
- En algunos casos (como promociones o un conjunto de herramientas) existe la posibilidad de ampliar el período de garantía hasta el período descrito anteriormente mediante el registro en el sitio web [www.ryobitools.eu](http://www.ryobitools.eu). La elegibilidad de la herramienta se muestra claramente en las tiendas o en el embalaje. El usuario final debe registrar sus herramientas recién adquiridas en línea en los 8 días siguientes a la fecha de compra. El usuario final podrá registrarse para ampliar la garantía en su país de residencia si éste aparece en el formulario de registro en línea en que esta opción es válida. Además, los usuarios finales deben dar su consentimiento para que se guarden los datos que se solicitan para entrar en línea y aceptar los términos y condiciones. El recibo de la confirmación de registro, que se enviará por correo electrónico, y la factura original que muestre la fecha de compra servirán como prueba de la ampliación de la garantía. Sus derechos estatutarios permanecerán intactos.
- La garantía cubre, durante el período de garantía, todos los defectos del producto que se deban a fallos de la mano de obra o a fallos del material en la fecha de compra. La garantía tiene un límite de reparación o sustitución y no incluye ninguna otra obligación se deba a, aunque sin limitarse a ello, daños accidentales o incidentales. La garantía no es válida si se ha hecho un uso inadecuado del producto, si no se ha usado siguiendo el manual de instrucciones o si se ha conectado incorrectamente. Esta garantía no se aplica a:
  - cualquier daño del producto derivado de un mantenimiento inadecuado
  - cualquier producto que haya sido alterado o modificado
  - cualquier producto en el que las marcas de identificación originales (marca comercial, número de serie) hayan sido borradas, modificadas o eliminadas
  - cualquier daño causado por el incumplimiento del manual de instrucciones
  - cualquier producto que no sea CE
  - cualquier producto que haya intentado reparar un profesional no cualificado o sin una autorización previa de Techtronic Industries
  - cualquier producto conectado a un suministro eléctrico inadecuado (amperios, tensión, frecuencia)
  - cualquier producto utilizado con una mezcla de combustible inadecuada (combustible, aceite, porcentaje de aceite)
  - cualquier daño causado por influencias externas (de productos químicos, daños físicos, descarga eléctrica) o sustancias extrañas
  - desgaste o rotura normal de las piezas de repuesto
  - uso inadecuado, sobrecarga de la herramienta
  - uso de accesorios o piezas no homologados
  - carburador después de 6 meses, ajustes del carburador después de 6 meses
  - componentes (piezas y accesorios) sujetos a un desgaste o rotura natural, incluyendo, aunque sin limitarse a ello, las perillas de las bombas, correas de transmisión, embrague, cuchillas de cortasetos o cortacéspedes, arnés, acelerador, escobillas de carbón, cable de alimentación, horquillas, arandelas de fieltro, pasadores de enganche, ventiladores, tubos de ventilador y de vacío, correas y bolsas de vacío, barras de guía, sierras de cadena, mangueras, accesorios de conexión, boquillas pulverizadoras, ruedas, varas rioradoras, carretes interiores y exteriores, hilos de corte, bujías, filtros de aire, filtros de gas, cuchillas de trituración, etc.
- Para el servicio, el producto debe enviarse o entregarse en un punto de servicio técnico autorizado RYOBI enumerado para cada país en la siguiente lista de direcciones de servicio técnico. En algunos países su distribuidor local RYOBI se encarga de enviar el producto a la organización del servicio de RYOBI. Al enviar un producto a un punto de servicio técnico RYOBI, el producto debe embalarse de forma segura sin que contenga ninguna sustancia peligrosa como petróleo, debe llevar la dirección del remitente e ir acompañado de una breve descripción del fallo.
- Una reparación/sustitución dentro de esta garantía se realiza de forma gratuita. No constituye una ampliación ni un reinicio del período de garantía. Las piezas o herramientas que se cambian pasan a ser de nuestra propiedad. En algunos países los gastos de envío o del franqueo deberán pagarlos el remitente.
- Esta garantía es válida en la Comunidad Europea, Suiza, Islandia, Noruega, Liechtenstein, Turquía y Rusia. Fuera de estas zonas, póngase en contacto con su distribuidor autorizado RYOBI para determinar si se aplica otra garantía.

### SERVICIO TÉCNICO AUTORIZADO

Para encontrar el servicio técnico autorizado más cercano, visite <http://uk.ryobitools.eu/header/service-and-support/service-agents>.



## IT GARANZIA

Oltre ai legittimi diritti derivanti dall'acquisto del prodotto, quest'ultimo è coperto da garanzia come indicato nei seguenti punti.

- Il periodo di garanzia per il consumatore è di 24 mesi ed ha inizio dalla data in cui il prodotto è stato acquistato. Questa data deve essere documentata da una ricevuta o da altra prova d'acquisto. Il prodotto è stato disegnato e progettato solo per l'utilizzo privato del consumatore. La garanzia viene invalidata in caso di utilizzo professionale o commerciale.
- In alcuni casi (per esempio promozioni e gamme di prodotti) esiste la possibilità di estendere il periodo di garanzia oltre il periodo indicato sopra registrandosi sul sito web [www.ryobitools.eu](http://www.ryobitools.eu). L'idoneità del prodotto a rievolvere tale estensione viene indicata chiaramente nei punti vendita e/o sull'imballo. L'utente finale deve registrare il suo prodotto appena acquistato online entro 8 giorni dalla data d'acquisto. L'utente finale può accedere all'offerta nel suo paese quando la stessa è valida e qualora si sia registrato online. Inoltre, gli utenti finali devono dare il proprio consenso all'archiviazione dei dati che si inseriscono online indicando che i termini e le condizioni sono stati accettati. La ricezione della conferma della registrazione verrà inviata via email e la fattura originale indicante la data d'acquisto verrà utilizzata come prova della garanzia estesa. I diritti legittimi dell'utente rimarranno invariati.
- La garanzia copre tutti i difetti di fabbricazione del prodotto durante il periodo di garanzia a causa di guasti di fabbricazione o di materiale alla data di acquisto. La garanzia è limitata alla riparazione e/o alla sostituzione e non include altri obblighi compreso ma non limitato a danni incidentali o consequenziali. La garanzia non è valida se il prodotto non è stato utilizzato come indicato nel manuale di istruzioni o se è stato collegato in maniera non corretta. La garanzia non si applica a:
  - qualsiasi danno al prodotto che sia il risultato di una scorretta manutenzione
  - qualsiasi prodotto che sia stato alterato o modificato
  - qualsiasi prodotto sul quale l'identificazione originale (marchio registrato, numero di serie) sia stata resa illegibile, sia stata danneggiata o alterata
  - qualsiasi danno causato dalla non osservanza del manuale d'istruzioni
  - qualsiasi prodotto non contrassegnato con il marchio CE
  - qualsiasi prodotto che una persona non qualificata abbia tentato di riparare o che si è tentato di riparare senza l'autorizzazione delle Techtronisianoc Industries
  - qualsiasi prodotto collegato a un'alimentazione non corretta (per amp, voltaggio, frequenza)
  - qualsiasi prodotto utilizzato con la miscela scorretta di carburante (carburante, olio, percentuale d'olio)
  - qualsiasi danno causato da agenti esterni (chimici, fisici o shock) o da sostanze estranee
  - normale usura di parti di ricambio
  - utilizzo non appropriato, sovraccaricamento di utensili
  - utilizzo non approvato di accessori o parti
  - carburatore dopo 6 mesi, regolazioni al carburatore dopo 6 mesi
  - componenti (parti e accessori) soggetti alla normale usura, compreso ma non limitato a manopole di avviamento a spinta, cinghie di trasmissione, frizione, lame di sfondatori o tagliaerba, cablaggio, cavo dell'acceleratore, spazzole al carbonio, cavi dell'alimentazione, lancette, rondelle in feltro, perni di aggancio, ventole del soffiatore, tubi del soffiatore e dell'aspirapolvere, sacchetti e cinghie dell'aspirapolvere, barre di guida, catene della motosega, tubi, raccordi del connettore, ugelli a spruzzo, ruote, bacchette a spruzzo, bobine interne, bobine esterne, fili di taglio, candele, filtri dell'aria, filtri del gas, lame di triturazione, ecc.
- Per servizi di manutenzione, il prodotto dovrà essere mandato o presentato presso un punto di servizio clienti autorizzato RYOBI indicato nella seguente lista. In alcune nazioni il rivenditore RYOBI si occuperà di inviare il prodotto al più vicino servizio clienti RYOBI. Quando si invia un prodotto a un servizio clienti RYOBI, il prodotto dovrà essere correttamente imballato senza eventuali contenuti pericolosi quali carburanti, e contrassegnato con l'indirizzo della persona che lo ha inviato e accompagnato da una breve descrizione del problema riscontrato.
- Si garantisce una riparazione/sostituzione gratuita quando il prodotto è coperto da garanzia. Questa sostituzione o riparazione non costituisce una estensione o un nuovo inizio di un periodo di garanzia. Le parti o l'utensile cambiati sono di proprietà della ditta. In alcune nazioni i costi di consegna o invio dovranno essere pagati dalla persona che spedisce.
- Questa garanzia è valida all'interno della Comunità Europea, in Svizzera, Islanda, Norvegia, Liechtenstein, Turchia e Russia. Al di fuori di queste aree, si prega di contattare il proprio gestore autorizzato RYOBI per determinare se si applica un'altra garanzia.

### CENTRO SERVIZI AUTORIZZATO

Per individuare il più vicino centro servizi autorizzato, visitare il sito <http://uk.ryobitools.eu/header/service-and-support/service-agents>.

## NL GARANTIE

Bovenop de statutaire rechten als gevolg van de aankoop, wordt dit product gedekt door een garantie, zoals deze hieronder wordt beschreven.

- De garantieperiode bedraagt 24 maanden voor consumenten en begint vanaf de datum waarop het product werd aangekocht. Deze datum moet worden gedocumenteerd door een factuur of ander aankoopbewijs. Het product is uitsluitend ontworpen en bedoeld voor particuliere gebruikers. De garantie vervalt bij professioneel of commercieel gebruik.
- In enkele gevallen (vb. promotie, gereedschapsaanbod) bestaat er een mogelijkheid om de garantieperiode te verlengen met dezelfde periode als deze hierboven beschreven met behulp van de registratie op de website [www.ryobitools.eu](http://www.ryobitools.eu). Of het product al of niet in aanmerking komt, is duidelijk aangegeven in winkels en/of de verpakking. De eindgebruiker dient zijn/haar nieuw werktuig binnen de 8 dagen na de aankoopdatum online registreren. De eindgebruiker kan zich aanmelden voor de uitgebreide garantie in zijn verblijfsland als dit op het online registratieformulier is opgenomen wanneer deze optie geldig is. Bovendien moet de eindgebruiker zijn toestemming geven om informatie te gebruiken die nodig is om toegang te krijgen tot de website en dient de algemene voorwaarden te accepteren. Het ontvangstbewijs van dit registratieformulier, dat via e-mail wordt verzonden, en de originele factuur die de aankoopdatum vermeldt dienen als bewijs van de uitgebreide garantie. Uw statutaire rechten blijven onveranderd.
- De garantie dekt alle defecten van het product gedurende de garantieperiode als gevolg van fouten in het werk of materiaal op de aankoopdatum. De garantie is beperkt tot de reparatie en/of vervanging en omvat geen andere verplichtingen waaronder, maar niet beperkt tot, incidentele of gevolgschade. De garantie is niet geldig als het product werd misbruikt, in tegenspraak met de gebruiksaanwijzing werd gebruikt of foutief werd verbonden. Deze garantie geldt niet voor:
  - schade aan het product als gevolg van foutief onderhoud
  - als het product op enigerlei wijze werd gewijzigd
  - als originele markeringen ter identificatie (handelsmerk, serienummer) van het product werden verwijderd of gewijzigd
  - voor schade als gevolg van het niet in acht nemen van deze gebruiksaanwijzing
  - een niet EC-product
  - een product, waaraan een niet-gekwalificeerde vakman reparaties uitvoerde of waaraan reparaties werden uitgevoerd zonder voorafgaande toestemming van Techtronic Industries
  - een product dat werd aangesloten aan een foutieve krachtbron (amps, spanning, frequentie)
  - een product dat met een ongeschikt brandstofmengsel (brandstof, olie, oliepercentage) werd gebruikt
  - schade veroorzaakt door externe invloeden (chemische, fysieke schokken) of vreemde stoffen
  - normale slijtage van reserve-onderdelen
  - foutief gebruik, overbelasting van het werktuig
  - gebruik van niet-goedgekeurde accessoires of onderdelen
  - de carburator na 6 maanden, carburatorafstellingen na 6 maanden
  - componenten (onderdelen en accessoires) die onderworpen zijn aan slijtage, met inbegrip van, maar niet beperkt tot stookknoppen, aandrijfriemen, koppeling, snijbladen van heggentrimmers of grasmaaimachines, harnassen, versnellingskabels, koolborstels, stroomsnoeren, tanden, viltrepen, trekpenen, ventilatoren, blazer- en vacuümhuizen, stofzuigzakken en -riemen, geleiders, zaagkettingen, slangen, connectoren, sproeimodellen, wielen, sproeiërs, inwendige spoelen, uitwendige spoelen, maaialijnen, bougies, luchtfilters, gasfilters, struikruimbladen, etc.
- Voor onderhoud moet het product naar een geautoriseerd RYOBI-onderhoudsstation worden gestuurd of gebracht. Een lijst met de adressen van deze stations per land is hier opgenomen. In bepaalde landen verzendt uw plaatselijke RYOBI-verdeler het product naar de RYOBI-onderhoudsorganisatie. Als een product naar een RYOBI-onderhoudsstation wordt gezonden, moet het product veilig zijn verpakt zonder gevaarlijke inhoud, zoals benzine, met aanduiding van het adres van de verzender en met inbegrip van een korte beschrijving van de fout.
- Een reparatie/vervanging onder deze garantie is gratis. Dit heeft geen gevolgen voor de duur van deze garantie of betekent niet dat de garantie wordt verlengd of opnieuw begint. Vervangen onderdelen of werktuigen worden onze eigendom. In bepaalde landen moeten verzendings- of leveringskosten door de verzender worden betaald.
- Deze garantie is geldig in de Europese Unie, Zwitserland, IJsland, Noorwegen, Liechtenstein, Turkije en Rusland. Buiten deze landen neemt u contact op met uw geautoriseerde RYOBI-verdeler om te bepalen of er een andere garantie geldt is.

### GEAUTORISEERD ONDERHOUDSCENTRUM

Om een geautoriseerd onderhoudscentrum in uw buurt te vinden, surf u naar <http://uk.ryobitools.eu/header/service-and-support/service-agents>.



## PT GARANTIA

Além de qualquer direito estatutário derivado da compra, este produto está coberto com a seguinte garantia.

- O período de garantia é de 24 meses para os consumidores e começa a partir da data de compra do produto. Esta data deve ser comprovada com uma factura ou outra prova de compra. O produto foi desenhado e destinado ao consumidor e apenas para uso privado. Portanto, não se oferece qualquer garantia em caso de uso profissional ou comercial.
- Em alguns casos (como promoções ou um conjunto de ferramentas) existe a possibilidade de ampliar o período de garantia até ao período descrito anteriormente através do registo no website [www.ryobitools.eu](http://www.ryobitools.eu). A elegibilidade da ferramenta mostra-se claramente nas lojas ou na embalagem. O utilizador final deve registar as suas ferramentas recém-adquiridas on-line nos 8 dias seguintes à data de compra. O utilizador final poderá registar-se para ampliar a garantia no seu país de residência se este aparecer no formulário de registo on-line em que esta opção é válida. Além disso, os utilizadores finais devem dar o seu consentimento para se guardarem os dados que se solicitam para entrar on-line e aceitar os termos e condições. A confirmação de registo, que será enviada por correio electrónico, e a factura original que mostre a data de compra servirão como prova da ampliação da garantia. Os seus direitos estatutários permanecerão intactos.
- A garantia cobre, durante o período de garantia, todos os defeitos do produto que se devam a falhas da mão-de-obra ou a falhas do material na data de compra. A garantia tem um limite de reparação ou substituição e não inclui qualquer outra obrigação que se deva a, embora sem se limitar a tal, danos acidentais ou incidentais. A garantia não é válida se se fez um uso inadequado do produto, se não se usou seguindo o manual de instruções ou se foi ligado incorrectamente. Esta garantia não se aplica a:
  - qualquer dado do produto derivado de uma manutenção inadequada
  - qualquer produto que tenha sido alterado ou modificado
  - qualquer produto em que as marcas de identificação originais (marca comercial, número de série) tenham sido apagadas, modificadas ou eliminadas
  - qualquer dano causado por incumprimento do manual de instruções
  - qualquer produto que não seja CE
  - qualquer produto que um profissional não qualificado tenha tentado reparar ou sem uma autorização prévia de Techtronic Industries
  - qualquer produto ligado a um fornecimento eléctrico inadequado (amperios, tensão, frequência)
  - qualquer produto utilizado com uma mistura de combustível inadequada (combustível, óleo, percentagem de óleo)
  - qualquer dano causado por influências externas (de produtos químicos, danos físicos, descarga eléctrica) ou substâncias estranhas
  - desgaste ou ruptura normal das peças de substituição
  - uso inadequado, sobrecarga da ferramenta
  - uso de acessórios ou peças não homologadas
  - carburador após 6 meses, ajustes do carburador após 6 meses
  - componentes (peças e acessórios) sujeitos a um desgaste ou ruptura natural, incluindo, embora sem se limitar a tal, os botões de embate, correias de transmissão, embraiagem, lâminas de corta-arbustos ou corta-relvas, ameses, acelerador, escovas de carvão, cabo de alimentação, forquilhas, anilhas de feltro, passadores de gancho, ventiladores, tubos de ventilador e de vácuo, correias e bolsas de vácuo, barras de guia, serras de cadeia, mangueiras, acessórios de ligação, boquilhas pulverizadoras, rodas, varas borrifadoras, carretes interiores e exteriores, fios de corte, velas, filtros de ar, filtros de gás, lâminas de trituração, etc.
- Para o serviço, o produto deve ser enviado ou entregue num ponto de serviço técnico autorizado RYOBI enumerado para cada país na seguinte lista de moradas de serviço técnico. Em alguns países o seu distribuidor local RYOBI encarrega-se de enviar o produto para a organização do serviço de RYOBI. Ao enviar um produto a um ponto de serviço técnico RYOBI, o produto deve ser embalado de forma segura sem que contenha qualquer substância perigosa como petróleo, deve levar a morada do remetente e ir acompanhado de uma breve descrição da falha.
- Uma reparação/substituição dentro desta garantia realiza-se de forma gratuita. Não constitui uma ampliação nem um reinício do período de garantia. As peças o ferramentas que se alterem passam a ser da nossa propriedade. Em alguns países os gastos de envio ou da franquia deverá pagá-los o remetente.
- Esta garantia é válida na Comunidade Europeia, Suíça, Islândia, Noruega, Liechtenstein, Turquia e Rússia. Fora destas zonas, entre em contacto com o seu distribuidor autorizado RYOBI para determinar se se aplica outra garantia.

### CENTRO DE ASSISTÊNCIA AUTORIZADO

Para encontrar um centro de assistência autorizado próximo de si, visite <http://uk.ryobitools.eu/header/service-and-support/service-agents>.

## DA GARANTI

Ud over de lovbestemte rettigheder ved køb, er dette produkt dækket af en garanti som angivet nedenfor.

- Garantien er 24 måneder for forbrugerne og træder i kraft den dato, hvor produktet bliver købt. Denne dato skal dokumenteres af en faktura eller andet købsbevis. Produktet er designet og beregnet til privat brug. Så der er ingen garanti i tilfælde af erhvervs-mæssig brug.
- Der er i visse tilfælde (f.eks. kampagner eller udvalgt produkter) mulighed for at forlænge garantien i perioden beskrevet ovenfor ved at registrere produktet på [www.ryobitools.dk](http://www.ryobitools.dk). Berettigelsen af produktet vises tydeligt i butikker og / eller på emballagen. Slutbrugeren skal registrere hans/hendes nyhvervede produkter online indenfor 8 dage fra købsdatoen. Slutbrugeren kan tilmelde sig den udvidede garanti i sit bopælsland, hvis det er opført på den online tilmeldingsformular. Desuden skal slutbrugere give deres samtykke til lagring af de data, der er nødvendige for at komme ind på nettet, og de er nødt til at acceptere vilkår og betingelser. Kvittingen på modtagelsen af registreringen, som udsendes via e-mail, og den originale faktura, der angiver købsdatoen, fungerer som bevis på den udvidede garanti. Dine lovbestemte rettigheder forblive uændret.
- Garantien dækker alle fejl ved produktet i løbet af garantiperioden, som kan føres tilbage til fabriktions- eller materialefejl på købsdatoen. Garantien begrænser sig til reparation og/eller udskidning og omfatter ikke andre forpligtelser inklusiv, men ikke begrænset til, skader eller følgeskader. Garantien er ikke gyldig, hvis produktet har været udsat for misbrug, anvendelse i strid med brugsanvisningen eller har været tilsluttet forkert. Denne garanti dækker ikke:
  - Enhver skade på produktet som følge af ukorrekt vedligeholdelse
  - Ethvert produkt, som er blevet ændret eller modificeret
  - Ethvert produkt, hvor de originale identifikationsmærker (varemærke, serienummer) er blevet ødelagt, ændret eller fjernet
  - Enhver skade, der skyldes manglende overholdelse af brugsanvisningen
  - Ethvert produkt uden CE-mærkning
  - Ethvert produkt, som har været udsat for forsøg på reparation af en uautoriseret fagmand eller uden accept fra Techtronic Industries
  - Ethvert produkt, der har været sluttet til forkert strømforsyning (ampere, spænding, frekvens)
  - Ethvert produkt, der har været anvendt med forkert brændstofblanding (brændstof, olie, olieforhold)
  - Enhver skade, der skyldes udefra kommende påvirkninger (kemisk, fysisk, stød) eller fremmedlegemer
  - Normal slitage på reservedele
  - Forkert anvendelse, overbelastning af produktet
  - Brug af ikke-godkendt tilbehør eller (reserve)dele
  - Karburator efter 6 måneder, karburatorjusteringer efter 6 måneder
  - komponenter (dele og tilbehør), der har været udsat for naturlig slitage, inklusiv, men ikke begrænset til, afstandsknopper, drivremme, kobling, klinger på hækkeklippere eller plæneklippere, seler, gaskabel, kulbørster, strømforsyningskabel, knive, filtknive, låsestifte, blæseventilatorer, blæse- og indsgningsrør, sugepose og stropper, styresværd, savkæder, slanger, tilslutningsfittings, sprøjtedyser, hjul, sprøjtetave, indvendige hjul, udvendige spoler, skæretråd, tændrør, luftfiltre, gasfiltre, bioklip-klinger, mv.
- Til servicering skal produktet indleveres til eller forevises et autoriseret RYOBI serviceværksted for det pågældende land. I nogle lande vil din lokale RYOBI-forhandler sende produktet til RYOBI's serviceorganisation. Når et produkt indleveres til et RYOBI serviceværksted, skal det emballeres forsvarligt uden farligt indhold (som f.eks. benzin), være forsynet med afsenderadresse og ledsaget af en kort beskrivelse af fejlen.
- Reparation/udskifning i henhold til denne garanti er gratis. Den medfører ikke forlængelse eller ny start af garantiperioden. Udskiftede dele eller værktøjer overgår til vores ejendom. I nogle lande skal leveringsomkostninger eller porto betales af afsenderen.
- Denne garanti er gyldig i EU, Schweiz, Island, Norge, Liechtenstein, Tyrkiet og Rusland. Uden for disse områder bedes man venligst kontakte sin autoriserede RYOBI-forhandler for at få opklaret, om evt. andre garantier er gældende.

### AUTORISERED SERVICE/VERKSTEDER

Find nærmeste autoriserede serviceværksted på <http://dk.ryobitools.eu/header/service-and-support/service-agents>.

## SV GARANTI

Förutom de lagstadgade rättigheter som följer köpet omfattas denna produkt av en garanti som anges nedan.

- Garantitiden är 24 månader för konsumenter och börjar den dag då produkten köptes. Detta datum måste kunna dokumenteras av en faktura eller annat inköpsbevis. Produkten är utformad och avsedd för konsumenter och ska endast användas för privat bruk. Det innebär att ingen garanti lämnas vid yrkesmässig eller kommersiell användning.
- I vissa fall (t.ex. marknadsföring, sortiment av verktyg), finns det en möjlighet att förlänga garantitiden under den period som beskrivs ovan genom registrering på hemsidan [www.ryobitools.eu](http://www.ryobitools.eu). De verktyg det gäller för framgår tydligt i butikern och/eller på förpackningen. Slut användaren måste registrera sitt nyinköpta verktyg på nätet inom 8 dagar från inköpsdatum. Slut användaren kan registrera sig för den utökade garantitiden i sitt hemland om det framgår på registreringsformuläret online där detta alternativ är giltigt. Dessutom måste slut användarna ge sitt samtycke till lagring av de uppgifter som krävs för att komma in på nätet och de måste godkänna villkoren. Registreringens mottagningsbevis som skickas ut via e-post och den ursprungliga fakturan som visar inköpsdatum fungerar som bevis på förlängd garantitid. Dina lagstadgade rättigheter påverkas inte.
- Garantin täcker alla fel på produkten under garantitiden som beror på fel i utförande eller material vid inköpsdatumet. Garantin är begränsad till reparation och/eller utbyte och inkluderar inte några andra åtaganden, inklusive men inte begränsat till oförutsedda skador eller följdskador. Garantin gäller inte om produkten har använts på fel sätt, använts på ett sätt som inte följer användarhandboken eller som har anslutits på ett felaktigt sätt. Denna garanti gäller inte för:
  - skador på produkten som beror på felaktigt underhåll
  - om produkten har ändrats eller modifierats
  - en produkt där den ursprungliga identifieringen (varumärke, serienummer) har förstörts, ändrats eller tagits bort
  - skador som orsakas av att användarhandboken inte har följts
  - alla produkter som inte följer CE-bestämmelser
  - en produkt som en icke-kvalificerad yrkesperson eller en person som inte har behörighet från Technonic Industries har försökt att reparera
  - en produkt som ansluts till eluttaget (ampere, spänning, frekvens) på fel sätt
  - en produkt som används med olämplig bränsleblandning (bränsle, olja, procent av olja)
  - skador som orsakas av yttre påverkan (kemiska, fysikaliska, stötar) eller främmande ämnen
  - normalt slitage av reservdelar
  - felaktig användning, överbelastning av verktyget
  - användning av icke-godkända tillbehör eller delar
  - förgasare efter 6 månader, justering av förgasare efter 6 månader
  - komponenter (delar och tillbehör) med förbehåll för normalt slitage, inklusive men inte begränsat till stötknappar, drivremmar, koppling, blad av häcksaxar eller gräsklippare, sele, kabelhållare, kolborstar, nätkabel, pinnar, filtbrickor, hitchkopplingar, blåsfåtkar, fläkt- och vakuurmör, vakuumväska och remmar, ledskenor, sågkedjor, slangar, anslutningar, sprutmunstycken, hjul, sprayanordningar, inre spolar, yttre spolar, skärande linjer, tändstift, luftfilter, gasfilter, marktäckningsblad, osv.
- För service, måste produkten skickas eller presenteras till en RYOBI-godkänd servicestation som anges för varje land i följande lista med adresser. I vissa länder ombesörjer den lokala RYOBI-återförsäljaren att skicka produkten till RYOBI-serviceorganisationen. När en produkt skickas till en RYOBI-servicestation, ska produkten förpackas på ett säkert sätt utan farligt innehåll som bensin, märkt med avsändarens adress tillsammans med en kort som beskriver felet.
- En reparation/utbyte som sker under denna garanti är gratis. Den utgör inte en förlängning eller en ny start på garantitiden. Utbyts delar eller verktyg blir vår egendom. I vissa länder måste leveranskostnader eller porto betalas av avsändaren.
- Denna garanti gäller i EU, Schweiz, Island, Norge, Liechtenstein, Turkiet och Ryssland. Utanför dessa områden ska du kontakta din auktoriserade RYOBI-återförsäljare för att avgöra om en annan garanti gäller.

## AUKTORISERAT SERVICECENTER

Du hittar närmaste auktoriserade servicecenter genom att gå till <http://uk.ryobitools.eu/header/service-and-support/service-agents>.

## FI TAKUU

Hankinnasta kuitioivien laillisten oikeuksien lisäksi tätä tuotetta hallitsee alla kuvattu takuu.

- Takuukausi on 24 kuukautta kuluttajille ja alkaa tuotteen ostopäivästä. Tämän päivän on oltava merkitty kuittiin tai muuhen todisteseen hankinnasta. Tämä tuote on suunniteltu ja tarkoitettu ainoastaan kuluttajien yksityiskäyttöön. Ammatti- ja kaupalliseen käyttöön ei näin ollen ole takuuta.
- Joissain tapauksissa (kuten tarjous, laitesarja) takuukautta voidaan pidentää kuvattua kautta pidemmäksi rekisteröimällä tuote osoitteessa [www.ryobitools.eu](http://www.ryobitools.eu). Takuun pidentymismahdollisuus ilmoitetaan selkeästi kaupassa jätai pakkauksessa. Loppukäyttäjän on rekisteröitävä uusi laitteensa online 8 päivän sisällä sen hankkimisesta. Loppukäyttäjän voi rekisteröityä saadakseen jatkettun takuun asuinmaassaan, jos se mainitaan online-rekisteröintilomakkeessa. Lisäksi, loppukäyttäjän on annettava suostumuksensa tallentaa syötetyt tiedot online, ja hänen on hyväksyttävä ehdot. Sähköpostitse lähetettävä rekisteröintivahvistus ja alkuuperäinen kuitti, josta ilmenee hankintapäivä, toimivat todistena takuun jatkamisesta. Lailliset oikeudet eivät muutu.
- Takuu kattaa takuuaikana kaikki tuotteen viat, jotka johtuvat valmistus- tai materiaaliavista hankintapäivänä. Takuu rajoittuu korjaukseen ja/ tai vaihtoon eikä sisällä mitään muita velvoitteita, mukaan lukien mm. satunnaiset ja seuraamukselliset vauriot. Takuu ei ole voimassa, jos tuotetta on väärinkäytetty tai käytetty käyttöoppaan vastaisesti tai se on kytketty virheellisesti. Takuu ei kata seuraavia:
  - tuotteelle koitunee vahingot, jotka johtuvat virheellisestä ylläpidosta
  - tuote, jota on muunneltu
  - tuote, jossa alkuuperäiset tunnisteen (tavaramerkki, sarjanumero) ovat turmeltuneet tai niitä on muutettu tai ne on poistettu
  - käyttöoppaan laiminlyönnistä johtuvat vauriot
  - ei-EC-tuotteet
  - tuotteet, jolla on yrittänyt korjata ei-pätevä asentaja tai jonka korjaukselle ei ole saatu Technonic Industriesiltä hyväksyntää etukäteen
  - tuotteet, jotka on kytketty vääränlaiseen virtalähteeseen (virta, jännite, taajuus)
  - tuote, jossa on käytetty virheellistä polttoaineseosta (polttoaine, öljy, öhlyn osuus)
  - vauriot, jotka johtuvat ulkoisista syistä (kemikaalit, fyysiset tekijät, iskut) tai vieraista aineista
  - normaalit varaosien kuluminen
  - virheellinen käyttö, laitteen ylikuormitus
  - muiden kuin hyväksytyjen lisävarusteiden ja osien käyttö
  - kaasutin 6 kuukauden jälkeen, kaasuttimen säätö 6 kuukauden jälkeen
  - komponentit (osat ja lisävarusteet), joihin kohdistuu luonnollista kulumista, mukaan lukien mm. napautusnupit, vetohihnat, kytin, pensastrimmeridien ja ruohonleikkurien terät, valjaat, kaapelikaasutin, hiilijarhat, virtajohto, piikit, huopavälilevyt, sokat, puhallimet, puhallin- ja imuputket, polynimurin pussit ja hihnat, terälevyt, teräketjut, letkut, liittimet, suuttimet, pyörät, suihkuputket, sisäkelat, ulkoiset kelat, leikkusuimat, syytystulpat, ilmansuodattimet, polttoainesuodattimet, silppuriterät jne.
- Huollon saaminen edellyttää, että tämä tuote lähetetään tai viedään RYOBI:n valtuuttamaan huoltoon, jotka luetaan maittain seuraavassa huoltojen osoiteluettelossa. Joissain maissa paikallinen RYOBI-jälleenmyyjä hoitaa tuotteen lähettämisen RYOBI-huoltoon. Kun tuote lähetetään RYOBI-huoltoon, se on pakattava turvallisesti ilman mitään vaarallista sisältöä, kuten bensiniä, siihen on merkittävä lähettäjän osoite ja sen mukana on lähetettävä vian kuvaus.
- Tämän takuun puitteissa tapahtuva korjaaminen/vaihto on ilmaista. Se ei merkitse takuujakson jatkamista tai uuden kauden alkua. Vaihdetuista osista ja laitteista tulee meidän omaisuuttamme. Joissain maissa lähettäjän on maksettava toimituskulut tai postimaksu.
- Tämä takuu on voimassa Euroopan Yhteisössä, Sveitsissä, Islannissa, Norjassa, Liechtensteinissa, Turkissa ja Venäjällä. Jos olet näiden alueiden ulkopuolella, ota yhteys valtuutettuun RYOBI-jälleenmyyjään, joka voi kertoa, onko joku muu takuu voimassa.

## VALTUUTETTU HUOLTO

Valitse lähimmän valtuutetun huollon sivulta <http://fi.ryobitools.eu/header/service-and-support/service-agents>.



## NO GARANTI

I tillegg til enhver lovbestemt rettighet som følge av dette kjøpet er dette produktet dekket av en garanti som beskrevet nedenfor.

- Garantitiden er 24 måneder for forbrukere, og starter på produktets kjøpsdato. Denne datoen må dokumenteres av faktura eller annet kjøpsbevis. Produktet er konstruert og beregnet på forbrukere og kun privat bruk. Det gis ingen garanti ved profesjonell eller kommersiell bruk.
- Det er, i noen tilfeller, (dvs. markedsføring, serie av verktøy), mulig å utvide garantien ut over den perioden som er nevnt ovenfor ved bruk av registrering på nettstedet [www.ryobitools.eu](http://www.ryobitools.eu). Verktøys garantibrettet vises klart i butikkene og/eller på emballasjen. Sluttbruker må registrere sitt nylig innkjøpte verktøy på nettet innen 8 dager etter kjøpsdatoen. Sluttbruker kan registrere seg for utvidet garanti i det landet hvor vedkommende bor hvis dette landet er ført opp på nettregistreringsskjemaet hvor dette alternativet er gyldig. Sluttbruker må også gi sin tillatelse til lagring av de data som er påkrevet å registrere på nettet, og må akseptere vilkår og betingelser. Registreringsbekrefnelsen, som sendes som epost, og den originale kvitteringen som viser kjøpsdatoen, vil gjelde som bevis på den utvidede garantien. Dine lovbestemte rettigheter vil fortsatt gjelde.
- Garantien gjelder alle defekter på produktet i garantitiden som følge av feil på arbeid eller materialer på kjøpsdatoen. Garantien er begrenset til reparasjon og/eller utskifting av produktet, og inkluderer ingen annen forpliktelse, inklusive men ikke begrenset til tilfældige eller direkte eller indirekte følgeskader. Garantien gjelder ikke dersom produktet er misbrukt, brukt i strid med brukermanualens instruksjoner eller vært feilaktig tilkoblet. Denne garantien gjelder ikke:
  - enhver skade på produktet som følge av utilstrekkelig vedlikehold
  - et produkt som er endret eller modifisert
  - ethvert produkt hvor original identifikasjonsmerke (varemerke, serienummer) er tildekket, endret eller fjernet
  - enhver skade som følge av at instruksjoner i brukermanualen ikke er fulgt
  - ethvert ikke-CE-produkt
  - ethvert produkt som er forsøkt reparert av en ukvalifisert person, eller uten forutgående tillatelse av Techtronic Industries
  - ethvert produkt som er tilkoblet uriktig strømkilde (ampere, spenning, frekvens)
  - ethvert produkt som er brukt med feil drivstoffblanding (drivstoff, olje, prosentvis andel olje)
  - enhver skade forårsaket av eksterne påvirkninger (kjemiske, fysiske eller slag) eller fremmede substanser
  - normal slitasje på reservedeler
  - feilaktig bruk, overbelastning av verktøyet
  - bruk av ikke godkjent tilbehør eller reservedeler
  - forgasser etter 6 måneder, forgasserjusteringer etter 6 måneder
  - komponenter (deler og tilbehør) gjenstand for naturlig slitasje, inklusive men ikke begrenset til dunkeknotter, drivreimer, clutch, kniver på hekklippere eller gressklippere, seler, gasswire, karbonborster, elektriske ledninger, tenner, filtpakninger, skaftpinner, blåseviser, blåse- og sugeslangar, oppsamlingsposer, motorsagsverd, sagkjeder, slanger, tilkoblingsdeler, sprøytedyser, hjul, sprøytestaver, innvendige ruller, utvendige spoler, klippesnorer, tennplugger, luftfiltere, gassfiltere, oppkappingsblader, etc.
- For ettersyn og reparasjoner må produktet leveres til et RYOBI-autorisert servicesenter ført opp for det enkelte land i følgende liste av servicesjastionsadresser. I noen land vil din lokale RYOBI-forhandler sørge for å sende produktet til RYOBI's serviceorganisasjon. Når et produkt sendes til en RYOBI servicesjastion må produktet være forsvarlig emballert uten farlig innhold som bensin, merket med senders navn og adresse og medsendt en kort beskrivelse av feilen.
- En reparasjon/utskifting i henhold til denne garantien er gratis. Den representerer ikke en forlengelse av garantiperioden eller en ny start på garantiperioden. Utskiftede deler eller verktøy blir vår eiendom. I noen land vil leveringskostnader eller porto måtte betales av sender.
- Denne garantien er gyldig i EU, Sveits, Island, Norge, Liechtenstein, Tyrkia og Russland. Utenfor disse områdene ber vi om at du kontakter en autorisert RYOBI-forhandler for å finne ut om en annen garanti gjelder.

## AUTORISERT SERVICESENTER

For å finne et autorisert servicesenter i nærheten, gå til <http://no.ryobitools.eu/header/service-and-support/service-agents>.

## RU ГАРАНТИЯ

В дополнение к законным правам, вытекающим из факта покупки, на данный продукт распространяются следующие гарантийные обязательства.

- Гарантийный период составляет 24 месяца для покупателей и начинается с даты приобретения продукта. Дата приобретения подтверждается документально товарным чеком или другим доказательством покупки. Данный продукт предназначен для использования только в личных целях. Гарантия не предоставляется в случае профессионального или коммерческого использования данного продукта.
- В некоторых случаях (например, при продвижении продукта, приобретении некоторых видов инструментов) возможно продление гарантийного срока при регистрации продукта на веб-сайте [www.ryobitools.eu](http://www.ryobitools.eu). Применительно продукта разъясняется в магазинах при продаже и/или на упаковке продукта. Конечному пользователю следует зарегистрировать вновь приобретенный инструмент через Интернет в течение 8 дней с даты покупки. Конечный пользователь может зарегистрировать продукт для получения расширенной гарантии в стране проживания, если данная возможность предоставляется интернет-формой регистрации. Также, конечный пользователь должен дать свое согласие на хранение данных, требуемых при заполнении формы через Интернет, и принять условия соглашения. Уведомление о подтверждении регистрации, отправляемое по электронной почте, и оригинальный товарный чек с датой покупки служат доказательством расширенной гарантии. Законные права потребителя при этом остаются в силе.
- Данная гарантия распространяется на все дефекты продукта, связанные с производственным браком или браком материалов в момент приобретения, в течение гарантийного периода. Данная гарантия ограничивается ремонтом и/или заменой и не включает другие обязательства, в том числе, связанные с побочным или косвенным ущербом. Гарантия недействительна в случае ненадлежащего использования, использования с нарушением инструкций руководства по эксплуатации или неправильного подключения продукта. Гарантия недействительна, если:
  - повреждение продукта вызвано ненадлежащим техническим обслуживанием
  - продукт подвергся изменениям или был модифицирован
  - оригинальная маркировка (товарный знак, заводской номер) неудобочитаема, изменена или удалена
  - повреждение вызвано несоблюдением инструкций данного руководства
  - отсутствует маркировка CE
  - была попытка отремонтировать продукт неквалифицированным лицом или без предварительного согласования с компанией Techtronic Industries
  - продукт подключался к ненадлежащему источнику питания (ненадлежащая сила тока, напряжение, частота)
  - продукт использовался с недопустимой топливной смесью (топливо, масло, процент содержания масла)
  - повреждение вызвано внешним воздействием (химические, физические, удары) или посторонними веществами
  - это связано с нормальным износом заменяемых деталей
  - это связано с ненадлежащим использованием, перегрузкой инструмента
  - это связано с использованием нереккомендованных принадлежностей или деталей
  - карбюратор использовался свыше 6 месяцев, регулировка карбюратора после 6 месяцев
  - компоненты (детали и принадлежности) подверженные естественному износу, в том числе, коллочки, приводные ремни, муфта, режущие полотна шпалерных ножиц или газонокосилок, крепежные ремни, тросик дроссельной заслонки, угольные щетки, кабель питания, фрезы, фетровые прокладки, шпильки, крыльчатки, выпускные и всасывающие трубки, мешок для мусора и решетки, пыльные шины, пыльные щели, шланги, соединительные фитинги, распылительные насадки, колеса, распылители, внутренние бобины, внешние бобины, режущие струны, свечи зажигания, воздушные фильтры, газовые фильтры, механизмы для мульчирования и т.п.
- Для проведения технического обслуживания продукт следует представить в официальный центр технического обслуживания компании RYOBI в соответствии со списком по каждой стране. В некоторых странах дилерам компании RYOBI требуется пересылка продукта в соответствующий сервисный центр компании RYOBI. При отправке продукта в центр технического обслуживания RYOBI, продукт следует упаковать надлежащим образом без содержания любых опасных веществ (таких как бензин) с указанием адреса отправителя и кратким описанием неисправности.
- Ремонт/замена продукта по условиям данной гарантии осуществляются бесплатно. В данном случае не предусмотрено продление срока гарантии или начало нового гарантийного периода. Заменяемые детали или инструмент становятся собственностью компании. В некоторых странах оплата доставки и почтовые расходы ложатся на отправителя.
- Данная гарантия действительна в странах ЕС, Швейцарии, Исландии, Норвегии, Лихтенштейне, Турции и России. Для получения информации о применении данной гарантии в других регионах обращайтесь к официальному дилеру компании RYOBI.

## УПОЛНОМОЧЕННЫЙ СЕРВИСНЫЙ ЦЕНТР

Чтобы найти ближайший уполномоченный сервисный центр, обратитесь к веб-сайту <http://uk.ryobitools.eu/header/service-and-support/service-agents>.

## PL GWARANCJA

Oprócz wszelkich praw ustawowych wynikających z zakupu, ten produkt jest objęty gwarancją jak podano poniżej.

- Okres gwarancji wynosi 24 miesiące dla konsumentów i rozpoczyna się w dniu, w którym produkt został zakupiony. Ta data musi być udokumentowana przez fakturę lub inny dowód zakupu. Produkt został zaprojektowany i jest przeznaczony wyłącznie do użytku konsumenckiego i prywatnego. W związku z tym gwarancja nie jest udzielana w przypadku zastosowań profesjonalnych i komercyjnych.
- Nie ma, w niektórych przypadkach (promocja tj. zakres narzędzi), możliwość przedłużenia okresu gwarancji w okresie opisanym powyżej przy rejestracji na stronie internetowej [www.ryobitools.eu](http://www.ryobitools.eu). Kwalifikowalność narzędzia jest wyraźnie określona w sklepaciu oraz/lub na opakowaniu. Użytkownik końcowy musi zarejestrować swoje nowe zakupione narzędzia online w ciągu 8 dni od daty zakupu. Użytkownik końcowy może zarejestrować się w celu rozszerzenia gwarancji w swoim kraju zamieszkania, jeśli jest on wymieniony w formularzu rejestracji online, kiedy ta opcja jest ważna. Ponadto użytkownicy końcowi muszą wyrazić zgodę na przechowywanie danych, które są wymagane do zalogowania online oraz muszą zaakceptować regulamin. Otrzymanie potwierdzenia rejestracji, które jest wysyłane na adres e-mail oraz oryginalna faktura z podaną datą zakupu będą służyć jako dowód przedłużonej gwarancji. Twoje prawa ustawowe pozostają nienaruszone.
- Gwarancja obejmuje wszystkie wady produktu w okresie gwarancyjnym, spowodowane usterekami w wykonaniu lub materiale w chwili nabycia. Gwarancja jest ograniczona do naprawy oraz/lub wymiany i nie obejmuje żadnych innych obowiązków w tym m.in. odpowiedzialności za szkody przypadkowe lub wtórne. Gwarancja nie jest ważna, jeśli produkt był użytkowany w niewłaściwy sposób, był wykorzystywany w sposób niezgodny z instrukcją obsługi lub był nieprawidłowo podłączony. Ta gwarancja nie obejmuje:
  - uszkodzenia produktu, które jest wynikiem nieprawidłowej konserwacji
  - produktu, który został przerobiony lub zmodyfikowany
  - produktu, w którym zniekształcono, zmieniono lub usunęto oryginalne oznaczenia (nazwę handlową, numer seryjny)
  - uszkodzeń spowodowanych nieprzebraniem instrukcji obsługi produktu bez certyfikatu CE
  - produktu, który był naprawiany przez niewykwalifikowaną osobę lub bez uprzedniej autoryzacji firmy Techtronic Industries
  - produktu podłączonego do nieprawidłowego źródła zasilania (napięcie, napięcie, czystość)
  - produktu używanego z nieprawidłową mieszanką paliwa (paliwo, olej, zawartość procentowa oleju)
  - uszkodzeń spowodowanych przez czynniki zewnętrzne (chemiczne, fizyczne, uderzenia) lub obce substancje
  - normalnego zużycia części zamiennych
  - niewłaściwego użytkowania, przecięcia narzędzia
  - stosowania niezatwierdzonych akcesoriów lub części
  - gaźnika po 6 miesiącach, regulacji gaźnika po 6 miesiącach
  - elementów (części i akcesoriów) podlegających naturalnemu zużyciu, m.in. gałek odbojnikowych, pasów napędowych, sprężki, ostrej nożyc do żywopłotów lub kosiarce, uprząży, przepustnicy, szczołek węglowych, przewodu zasilającego, zębów, podkładek filcowych, sworzniki zaczepu, wentylatorów dmuchawy, przewodów dmuchawy i podciśnieniowych, worków próżniowych i pasków, prowadnic, łańcuchów pilarki, przewodów, mocowań złączy, dyszy rozpylających, kółek, lancy rozpylających kat., dmuchawy, dmuchawy i rury próżniowe, torebki próżniowe i paski, prowadnice, bębnowe wewnętrznych, szpulki zewnętrznych, żyłki tnącej, świec zapłonowych, filtrów powietrza, filtrów gazu, ostrej do ściółkowania itp.
- W celu serwisowania produktu należy wysłać lub okazać w autoryzowanym centrum serwisowym RYOBI wymienionym dla każdego kraju na poniższej liście adresów stacji serwisowych. W niektórych krajach lokalny dealer firmy RYOBI zobowiązuje się wysłać produkt do centrum serwisowego firmy RYOBI. W przypadku wysyłki produktu do centrum serwisowego RYOBI, produkt należy dobrze zapakować, bez umieszczenia żadnych niebezpiecznych rzeczy, tj. paliwa i oznaczyć adresem nadawcy oraz krótkim opisem usterek.
- Naprawa/wymiana w ramach tej gwarancji jest bezpłatna. Nie stanowi to przedłużenia lub nowego rozporządzenia okresu gwarancji. Wymieniane części lub narzędzia stają się naszą własnością. W niektórych krajach koszty wysyłki lub pocztowe będą musiały być opłacone przez nadawcę.
- Ta gwarancja obowiązuje na terytorium Wspólnoty Europejskiej, Szwajcarii, Islandii, Norwegii, Liechtenstein, Turcji i Rosji. Poza tymi obszarami należy skontaktować się z autoryzowanym dealerem RYOBI aby sprawdzić, czy dostępna jest jeszcze inna gwarancja.

## AUTORYZOWANY PUNKT SERWISOWY

Najbliższy autoryzowany punkt serwisowy można wyszukać w witrynie internetowej <http://uk.ryobitools.eu/header/service-and-support/service-agents>.

## CS ZÁRUKA

Navíc k zákonným právam, které vznikají nákupem, je k výrobku poskytována záruka.

- Záruka je období 24 měsíců pro spotřebitele a začíná běžet datem nákupu produktu. Toto datum musí být zadokumentováno fakturou nebo jiným důkazem o koupi. Tento výrobek je určen a vyhrazen jen pro domácí a soukromé používání. Záruka se tedy nepoukazuje pro profesionální ani komerční používání.
- Existuje, v některých případech (tj. propagace, určité nástroje), možnost prodloužení doby záruky nad výše uvedené období pomocí registrace na stránkách [www.ryobitools.eu](http://www.ryobitools.eu). Vhodnost nástroje je jasně vyobrazena v prodejních a/nebo na obalu. Koncový uživatel musí zaregistrovat své nové pořízené nástroje online během 8 dní od data nákupu. Koncový uživatel se může zaregistrovat k prodloužení doby záruky v zemi jeho trvalého bydliště, pokud je uvedeno v online registračním formuláři, kde je tato možnost platná. Navíc musí koncový uživatel poskytnout souhlas s uchováním údajů, které jsou zapotřebí do online registru a musí přijmout podmínky smlouvy. Přijetí potvrzení o registraci, odeslané e-mailem, a originální faktura udávající datum nákupu slouží jako důkaz prodloužené záruky. Vaše zákonná práva zůstávají nedotčena.
- Záruka pokrývá veškeré vady produktu během záruky způsobené vadami při zpracování nebo v materiálu v době nákupu. Záruka se omezuje na opravu a/nebo výměnu a nezahrnuje žádné jiné závazky včetně, ale ne omezeně na související nebo následné škody. Záruka neplatí, pokud, pokud se produkt nesprávně používal, používal v rozporu s návodem nebo byl nesprávně zapojen. Záruka nelze uplatnit v následujících případech:
  - jakákoliv škoda na výrobku v důsledku nesprávné údržby
  - jakýkoliv výrobek byl pozměněn či modifikován
  - jakýkoliv výrobek, kde byly původní identifikační značky (obchodní značka, výrobní číslo) odstraněny, pozměněny či modifikovány
  - jakákoliv škoda způsobená nedodržováním návodu k obsluze
  - výrobek nemá značku CE
  - každý výrobek, kde došlo k pokusu jej opravit nekvalifikovanou osobou nebo bez předchozího souhlasu společnosti Techtronic Industries
  - každý výrobek byl připojen nesprávnému napájení (proud, napětí, frekvence)
  - každý výrobek, který se používal s nesprávnou palivovou směsí (palivo, olej, podíl oleje)
  - veškeré škody byly způsobeny externími vlivy (chemické, fyzické, nárazy) či cizími látkami
  - běžné opotřebení a spotřební náhradní díly
  - nevhodné používání, přetěžování nástroje
  - použití neschválených doplňků nebo dílů
  - karburátor po 6 měsících, seřízení karburátoru po 6 měsících
  - komponenty (díly a doplňky) podléhající běžnému opotřebení, včetně, ale ne omezeně, nárazových tlačítek, hnacích řemenů, spojky, nožů plotostříhu či sekaček trávy, postroje, lanka škrtící klapky, uhlikových kartáčů, napájecího kabelu, plechů, plstěných podložek, závlaček, ventilátorů fukaru, hadic fukaru a vysavače, vaku vysavače a popruhu, vodičích lišt, pilových řetězů, hadic, spojovacích tvarovek, rozprašovačích trysek, kol, střikací trubice, vnitřních, vnějších cívek, sekacích strun, zapalovačích svíček, vzduchových filtrů, spalňových filtrů, umíčovacích nožů atd.
- Pro servis výrobku je třeba zaslat nebo předložit pověřenému servisnímu středisku RYOBI dle seznamu adres servisních středisek. V některých zemích váš místní prodejce RYOBI provádí odeslání výrobku servisní organizaci RYOBI. Při zasílání výrobku servisnímu středisku RYOBI by se měl výrobek bezpečně zabalit bez nebezpečného obsahu jako benzin, označit adresu odesílatele a přiložit list krátkým popisem vady.
- Oprava/výměna během záruky je bezplatná. Neznamená prodloužení ani začátek nového záručního období. Vyměněné díly či nástroje se stávají naším vlastnictvím. V některých zemích doručení či poštovné platí odesílatele.
- Záruka je platná v Evropské unii, Švýcarsku, Islandu, Norsku, Lichtenštejnsku, Turecku a Rusku. U ostatních oblastí prosím kontaktujte pověřeného prodejce RYOBI pro upřesnění, zda platí jiná záruka.

## POVĚŘENÉ SERVISNÍ STŘEDISKO

Pro nalezení nejbližšího pověřeného servisního střediska navštivte <http://uk.ryobitools.eu/header/service-and-support/service-agents>.

## HU GARANCIA

A vásárlással összefüggő esetleges törvény adta jogok mellett a termékre az alábbiakban részletezett garancia vonatkozik.

1. A garancia időtartama a fogyasztók számára 24 hónap, ami a termék megvásárlásának napjától számítódik. Ezt a dátumot számlával vagy a vásárlást igazoló más dokumentummal kell igazolni. A terméket kizárólag a vevő által, személyes célokra való használatra tervezték és készítették. Ezért a garancia nem vonatkozik a profik általi vagy üzleti célokra való használatra.
2. Egyes esetekben (pl. promóció, bizonyos termékcsaládok) lehetőség van a garancia időtartamának a fent leírt garanciaperióduson túli meghosszabbítására a [www.ryobitools.eu](http://www.ryobitools.eu) webhelyen történő regisztrációval. Az, hogy egy adott gép jogosult-e erre, egyértelműen fel van tüntetve a boltokban és/vagy a csomagoláson. A végfelhasználónak a vásárlás napjától számított 8 napon belül regisztrálnia kell az újonnan beszerzett gépet. A végfelhasználó a kiterjesztett garanciáért a lakóhelye szerinti országban regisztrálhat, ha az szerepel az online regisztrációs űrlapon. Emellett a végfelhasználónak hozzá kell járulnia az online belépéshez szükséges adatai tárolásához és el kell fogadnia a szerződési feltételeket. A regisztráció e-mailedben küldött visszaigazolása, valamint a vásárlást igazoló eredeti számla szolgálják a kiterjesztett garancia érvényesítésére. A törvény adta jogai nem sérülnek.
3. A garancia a garancia időtartama alatt a termék összes olyan hibájára kiterjed, amelyek a vásárlás napján is fennálló gyártási vagy anyaghiba miatt következnek be. A garancia javításra és/vagy cserére korlátozódik, és nem tartalmaz további kötelezettséget, beleértve, de nem kizárólag a véletlenszerű vagy következetes károkra vonatkozó kötelezettségeket sem. A garancia nem érvényes a termék helytelen használatára, a használati utasításban leírtakkal ellentétes használatára vagy hibás csatlakoztatása esetén. A garancia nem vonatkozik a következőkre:
  - a termék helytelen karbantartásból eredő esetleges károsodásokra
  - átalakított vagy módosított termékekre
  - olyan termékre, melyen az eredeti azonosító jelöléseket (védjegy, sorozatszám) megrongálták, átalakították vagy eltávolították
  - a használati utasítás be nem tartásával összefüggő károkra
  - a CE minősítéssel nem rendelkező termékre
  - a nem képzett szakember által vagy a Technronic Industries előzetes jóváhagyása nélküli javított termékre
  - a nem megfelelő tápforrásokhoz (áramerősség, feszültség, frekvencia) csatlakoztatott termékre
  - a nem megfelelő üzemanyag-keverékkel (üzemanyag, olaj, olajárány) használt termékre
  - külső hatások (vegyi, fizikai, ütés) vagy idegen anyagok által okozott károsodásokra
  - a cserealkatrészek normál kopására és elhasználódására
  - helytelen használatra, a szerszám túlterhelésére
  - nem jóváhagyott tartozékok vagy alkatrészek használatára
  - a karburátorra 6 hónap elteltével, a karburátor beállításaira 6 hónap elteltével
  - Természetes elhasználódásnak és kopásnak kitett összetevőkre (alkatrészek és tartozékok), beleértve de nem kizárólag az ütközőgombokra, hajtószíjakra, tengelykapcsolóra, sóvényvágó vagy fűnyíró keéseire, vezetékkezelekre, gázkábelekre, szénkefékre, tápkábeleire, kapákra, nemez alátétkarikákra, sasszegekre, fűvágó ventilátoraira, fűvő és vákuumszívókra, fűvászókákra és szíjakra, lánccvetőkre, fűrészlánccokra, tömítőkre, csatlakozókra, szűrőfejekre, kerekkekre, lánzdákra, belső orsókra, külső orsókra, vágószálakra, gyújtógyertyákra, légszűrőkre, üzemanyagszűrőkre, tömörítő kapákra stb.
4. A szervizeléshez a terméket el kell küldeni vagy be kell mutatni valamelyik hivatalos RYOBI szervizközpontban, melyek elérhetősége az egyes országokban az alábbiakban van megadva. Egyes országokban a RYOBI kereskedő vállalja, hogy elküldi a terméket a RYOBI szervizbe. A terméknek a RYOBI szervizlátnak való küldésekor a termék biztonságosan be kell csomagolni, mindenféle veszélyes anyagot, pl. üzemanyagot el kell távolítani belőle, meg kell adni a feladó címét és a hiba rövid leírását.
5. A garancia keretében végzett javítás/cseréje ingyenes. Ugyanakkor ez nem jelenti a garancia időtartamának kiterjesztését vagy új garanciaperiódus kezdetét. A kicserélt alkatrészek vagy szerszámok a mi tulajdonunkban maradnak. Egyes országokban a szállítási vagy a postaköltségeket a feladó fizeti.
6. Ez a garancia az Európai Közösségekben, Svájcban, Izlandon, Norvégiában, Liechtensteinben, Törökországban és Oroszországban érvényes. Ezen területeken kívül az érvényes garancia-feltételeket illetően lépjen kapcsolatba a hivatalos RYOBI forgalmazóval.

## HIVATALOS SZERVIZKÖZPONT

A legközelebbi hivatalos szervizközpont megtalálásához látogasson el a <http://uk.ryobitools.eu/header/service-and-support/service-agents>.

## RO GARANȚIE

În plus față de alte drepturi statutare rezultând din achiziție, produsul este acoperit de o garanție ca cea menționată mai jos.

1. Perioada de garanție este de 24 de luni pentru consumatorii și începe de la data la care produsul a fost achiziționat. Această dată trebuie să fie dovedită de o factură sau altă dovadă de cumpărare. Produsul este proiectat și dedicat pentru consumator și doar pentru uz privat. Ca urmare nu există nicio garanție asigurată în caz de folosire profesională sau comercială.
2. Există, în anumite cazuri (de ex. promoții, game de produse) o posibilitate de a prelungi perioada de garanție peste perioada descrisă mai sus folosind înregistrarea pe site-ul [www.ryobitools.eu](http://www.ryobitools.eu). Eligibilitatea aparatului este afișată clar în magazine și/sau ambalaj. Utilizatorul final se poate înregistra pentru o garanție extinsă în țara sa de reședință dacă e listat pe formularul de înregistrare online acolo unde opțiunea este validă. Mai mult, utilizatorii finali trebuie să-și dea consimțământul cu privire la păstrarea datelor ce sunt cerute a fi introduse online și trebuie să accepte termenii și condițiile. Notificarea de confirmare a înregistrării, ce este trimisă prin email, și factura originală ce arată data achiziționării vor servi ca dovadă a garanției extinse. Drepturile dvs statutare rămând neafectate.
3. Garanția acoperă toate defectele produsului în timpul perioadei de garanție cauzate de defecte din procesul de producție sau ale materialului la data achiziționării. Garanția este limitată la reparație și/sau înlocuire și nu include alte obligații incluzând dar nelimitându-se la pagube incidentale sau secundare. Garanția nu este validă dacă produsul a fost folosit greșit, folosit contrar instrucțiunilor din manual sau a fost conectat incorect. Această garanție nu se aplică la:
  - orice defecțiune a produsului ca rezultat a întreținerii necorespunzătoare
  - orice produs ce a fost schimbat sau modificat
  - orice produs unde marcajul original de identificare (marcă comercială, număr serie) a fost deteriorat, schimbat sau modificat
  - orice defecțiune cauzată de nerespectarea manualului de instrucțiuni
  - orice produs non CE
  - orice produs care a fost încercat să fie reparat de către o persoană necalificată sau fără autorizare în prealabil de către Technronic Industries
  - orice produs conectat necorespunzător la sursa de curent (amperi, voltaj, frecvență)
  - orice produs folosit cu amestec necorespunzător de combustibil (combustibil, ulei, procentaj de ulei)
  - orice defecțiune cauzată de influențe externe (chimice, fizice, șocuri) sau substanțe străine
  - uzura normală a pieselor de schimb
  - folosire necorespunzătoare, suprasolicitare a sculei
  - folosire de accesorii și părți neaprobate
  - carburator după 6 luni, reglări ale carburatorului după 6 luni
  - componente (părți și accesorii) subiect a uzurii naturale, incluzând dar nelimitându-se la butoane rotative, curele de distribuție, ambreiaj, lame ale aparatelor de bordurat și tuns iarba, hamuri, cabluri de accelerație, perii de carbon, cabluri electrice, dinți ale furcii, șaibe de păsli, ventilatoare și tuburi de absorbtie, sac vacuum și chingi, bare de ghidare, ferăstraie cu lanț, furtune, fitinguri de conectare, vergele de pulverizat, duze de pulverizat, roți, vergele de pulverizat, bobine interioare, bobine exterioare, fire pentru tăiat, bujii, filtre de aer, filtre de gaz, lame protectoare, etc
4. Pentru service, produsul trebuie să fie trimis sau prezentat la un punct service RYOBI autorizat listat pentru fiecare țară în următoarea listă cu adrese ale punctelor service. În anumite țări reprezentantul dvs local RYOBI se angajează să trimită produsul la un punct de service RYOBI. Atunci când se trimite un produs la un punct service RYOBI, produsul trebuie să fie împachetat cu grijă fără a conține produse periculoase precum benzină, marcat cu adresa expeditorului și însoțit de o scurtă descriere a defecțiunii.
5. Repararea/inlocuirea în timpul garanției este fără niciun cost. Nu constituie o prelungire sau un nou început a perioadei de garanție. Părțile sau aparatele schimbate devin proprietatea noastră. În anumite țări taxele de expediere trebuie să fie plătite de către expeditor.
6. Garanția este valabilă în Uniunea Europeană, Elveția, Islanda, Norvegia, Lichtenstein, Turcia și Rusia. În afara acestor zone, vă rugăm contactați reprezentantul dvs local autorizat RYOBI pentru a determina dacă se aplică altă garanție.

## CENTRU DE SERVICE AUTORIZAT

Pentru a găsi un centru de service autorizat lângă dvs., vizitați <http://uk.ryobitools.eu/header/service-and-support/service-agents>.

## LV GARANTĪJA

Papildus visām likumā paredzētajām tiesībām saistībā ar iegādi šim izstrādājumam ir turpinājuma izklāstīta garantija.

1. Garantijas periods patērētājiem ir 24 mēneši, un tas sākas izstrādājuma iegādes dienā. Šim datumam ir jābūt dokumentētām rēķinā vai citā iegādi apliecinošā dokumentā. Šis izstrādājums ir izgatavots un paredzēts vienīgi patērētājam un privātai lietošanai. Profesionālais vai komerciālais lietošanas gadījumā garantija nav spēkā.
2. Atsevišķos gadījumos (piem., akcija, vairāki instrumenti) pastāv iespēja pagarināt garantijas periodu virs seīti minētā perioda, reģistrējot to [www.ryobitools.eu](http://www.ryobitools.eu) vietnē. Instrumenta pielietojums ir skaidri norādīts veikalos un/vai uz iepakojuma. Lietotājiem ir jāreģistrē savj jauniegūtie instrumenti tiešsaistē 8 dienu laikā no iegādes datuma. Lietotājs var reģistrēties pagarinātajai garantijai savā dzīvesvietas valstī, ja tā ir norādīta tiešsaistes reģistrācijas veidlapā, kur pieejama šī iespēja. Turklāt lietotājiem ir jāievada dati tiešsaistē, jādod piekrišana šo datu uzglabāšanai un jāpiekrīt noteikumiem. Saņemtais reģistrācijas apstiprinājums, kas izsūtīts pa e-pastu, un rēķina oriģināls, kurā redzams iegādes datums, ir pagarinātās garantijas pierādījums. Jūsu likumā paredzētās tiesības netiek ietekmētas.
3. Garantija attiecas uz visiem izstrādājuma bojājumiem, kas radušies garantijas perioda laikā iegādes dienā esošo izgatavošanas vai materiāla defektu dēļ. Garantija ir ierobežota līdz remontam un/vai nomaigai un neietver citus pienākumus, ieskaitot, bet neaprobežojoties ar nejausiem vai netiesiem zaudējumiem. Garantija nav spēkā, ja izstrādājums ir liets nepareizi vai neievērojot rokasgrāmatas norādījumus vai ticis nepareizi savienots. Garantija netiecas uz:
  - izstrādājuma bojājumiem, kas radušies nepareizas apkopes dēļ;
  - izstrādājumiem, kas tikusi pielāgoti vai pārveidoti;
  - izstrādājumiem, kuru oriģinālais identifikācijas marķējums (preču zīme, sērijas numurs) ticis sabojāts, pārveidots vai noņemts;
  - bojājumiem, kurus izraisījis rokasgrāmatas norādījumu neievērošana;
  - izstrādājumiem bez CE marķējuma;
  - izstrādājumiem, kurus ir mēģinājis remontēt nekvalificēts speciālists vai kuri remontēti bez Technonic Industries atļaujas;
  - izstrādājumiem, kas tikusi pievienoti neatbilstošai energopadevei (apmēri, spriegums, frekvence);
  - izstrādājumiem, kuros izmantots nepareizs degvielas maisījums (degviela, eļļa, eļļas daudzums);
  - bojājumiem, kurus izraisījis ārēja iedarbība (ķīmiska, fiziska, triecieni) vai svešas vielas;
  - nomaļu detaļu nolietojumu un nodilumu;
  - instrumenta nepareizu lietošanu, pārslogoji;
  - neapstiprinātu detaļu un piederumu lietošanu;
  - karburatoru pēc 6 mēnešiem, karburatora regulējumiem pēc 6 mēnešiem;
  - komponentiem (detaļām un piederumiem), kas ir pakļauti dabiskam nodilumam un nolietojumam, ietverot, bet neaprobežojoties ar darbināšanas pogām, piedziņas siksnām, dzīvzoģa trimeru un zāles plāvēji asmeņiem, plecu turētāju, kabeļa droseļi, ogļekļa sukām, elektrības vadu, tapām, filca starplikām, sakabes tapām, pūteja ventilatoriem, pūteja un vakuuma caurulēm, vakuuma maisiem un lencēm, virzošajiem stieņiem, zāģa ķēdēm, šļūtenēm, savienotāja stiprinājumiem, smidzināšanas sprauslām, riteņiem, smidzināšanas nūjām, iekšējiem ruļļiem, ārējām spolēm, griešanas auklām, aizdedzes svečēm, gaisa filtriem, gāzes filtriem, mulčēšanas asmeņiem u. c.;
4. Ja nepieciešams veikt remontu, izstrādājums jānosūta vai jānodod RYOBI pilnvarotam servisa centram, kas norādīts pie attiecīgās valsts servisa centru adrešu sarakstā. Atsevišķs valstis vietējais RYOBI dīleris uzņemas nosūtīt izstrādājumu RYOBI servisa organizācijai. Nosūtot izstrādājumu RYOBI servisa centram, izstrādājuma jābūt droši iepakotam bez bīstama satura, piemēram, degvielas, marķētam ar sūtītāja adresi un kopā ar īsu aprakstu par defektu.
5. Remonts/nomaigā šīs garantijas ietvaros ir bez maksas. Tas nepagarina un neuzsāk jaunu garantijas periodu. Nomainītās detaļas un instrumenti nonāk mūsu īpašumā. Atsevišķs valstis piegādes maksa un pasta izdevumi jāsedz sūtītājam.
6. Šī garantija ir derīga Eiropas Kopienā, Šveicē, Islandē, Norvēģijā, Lihtenšteinā, Turcijā un Krievijā, Ārpus šiem reģioniem, lūdzu, sazinieties ar savu pilnvaroto RYOBI dīleri, lai noskaidrotu, vai ir spēkā cita garantija.

## AUTORIZĒTS APKALPOŠANAS CENTRS

Lai atrastu tuvāko autorizēto apkalpošanas centru, apmeklējiet <http://uk.ryobitools.eu/header/service-and-support/service-agents>.

## LT GARANTĪJA

Be įstatymais nustatyty teisių, įgyjamų nusipirkus šį produktą, produktui taikoma toliau nurodyta garantija.

1. Pirkėjams galiojantis garantinis periodas yra 24 mėnesiai ir prasideda nuo produkto pirkimo datos. Data turi būti nurodyta sąskaitoje-faktūroje arba kitame pirkimą įrodančiame dokumente. Produktas sukurtas ir skirtas tik naudotojui ir tik asmeniniam naudojimui. Todėl garantija netaikoma produktą naudojančiam profesionaliam ar komerciniam tikslams.
2. Kai kuriais atvejais yra galimybė pratęsti garantinį laikotarpį iki toliau nurodyto laikotarpio, prieš tai užsiregistruvus [www.ryobitools.eu](http://www.ryobitools.eu) svetainėje. Įrankio tinkamumo aiškiai parodytas parduotuvėse ir (arba) ant pakuotės. Galutinis naudotojas turi užregistruoti savo naujai įsigytus įrankius internetu per 8 dienas nuo jų pirkimo datos. Galutinis naudotojas gali užsiregistruoti dėl garantijos pratęsimo savo šalyje, jei ši pateikta registracijos internetu formoje, kurioje galimas šis pasirinkimas. Be to, galutinai naudotojai privalo duoti savo sutikimą laikyti duomenis, kuriuos reikia įvesti internete, ir jie turi sutikti su sąlygomis ir nuostatomis. Registracijos patvirtinimo pranešimas, išsiunčiamas el. paštu, ir originali sąskaita faktūra, kurioje nurodyta pirkimo data, įrodo pratęstą garantiją. Jūsų įstatymuose nustatytioms teisėms nebus pakenkta.
3. Garantiniu laikotarpiu garantija taikoma visiems produkto trūkumams, atsiradusiems dėl prastos darbo kokybės arba prastu produkto medžiagų pirkimo dieną. Garantija taikoma tik taisymsi ir (arba) pakeltimui ir joje nenumatyti jokie kiti įsipareigojimai, įskaitant, bet neapsinbojant atsitiktine ar susijusia žala. Garantija negalioja produktą netinkamai naudojant, priešingai vadove nurodytoms instrukcijoms, arba netinkamai prijungus. Garantija netaikoma šiais atvejais:
  - produktui padaryti žalai netinkamai atliekamam produkto techninė priežiūra;
  - pakeistam arba modifikuotam produktui;
  - bet kokiems produktams, kurių originalios identifikacijos (prekės ženklas, serijos numeris) žymės buvo sugadintos, pakeistos ar pašalintos;
  - bet kokiai žalai, patirtai nesaikant naudojimo vadovo;
  - bet kokiam CE nepaženklintam produktui;
  - bet kokiam produktui, kurį bandė taisyti nekvalifikuotas specialistas, arba iš anksto negavus „Technonic Industries“ leidimo;
  - bet kokiam produktui, įjungtam į netinkamą maitinimo tinklą (amperai, įtampa, dažnis);
  - bet kokiam produktui, naudojamam su netinkamu degalų mišiniu (degalai, alyva, alyvos procentinis kiekis);
  - bet kokiai žalai, kilusiai dėl išorinio poveikio (cheminis, fizinis poveikis, smūgiai) arba pašaliniių medžiagų;
  - įprastam atsarginių dalių dėvėjimuisi;
  - produktą netinkamai naudojant arba jį perkrovus;
  - naudojant nepatvirtintus priedus arba dalis;
  - karbiuratoriu po 6 mėnesių, karbiuratoriaus reguliavimui po 6 mėnesių;
  - komponentams (dalims ir priedams), kurie dėvisi savaime, įskaitant, bet neapsinbojant iškiliais mygtukais, diržinėmis pavaromis, sankaba, gyvatvorės žirklių arba vejos pjovimo mašinų asmenimis, diržais, kabeļo droseļiu, anglies šepetėliais, maitinimo laidu, virbams, veltinio poveržlėmis, traukimo kaiščiais, pūtimo ventilatoriais, pūstuvu ir siurblio vamzdžiais, siurblio maišeliu ir dirželiais, kreipiamaisiais strypais, pjūklų grandinėmis, žarnelėmis, jungtimis, purkštukais, ratais, purškimo lazdelėmis, vidiniais sukutvais, išorinėmis ritėmis, mulktintuvais, uždegimo žvakėmis, oro filtrais, dujų filtrais, mulčiavimo asmenimis ir t. t.;
4. Norint atlikti techninį aptarnavimą, produktą reikia nusiųsti arba pristatyti į vieną iš RYOBI įgaliotų techninio aptarnavimo punktų, esančių kiekvienoje šalyje toliau pateiktame aptarnavimo punktų adrešu sąraše. Kai kuriose šalyse jūsų vietinis RYOBI pardavėjas gali nusiųsti produktą į RYOBI techninio aptarnavimo punktą. Siunčiant produktą į RYOBI techninio aptarnavimo punktą, produktą reikia saugiai supakuoti, prieš tai iš jo pašalinus pavojingas medžiagas, pavyzdžiui, benzina, nurodyti siuntėjo adresą ir pridėti trumpą gedimo aprašymą.
5. Pagal šią garantiją taisymo ar keitimo darbai atliekami nemokamai. Garantijoje nenumatytas garantijos pratęsimas ar naujo garantinio laikotarpio pradėjimas. Pakeistos dalys arba įrankiai tampa mūsų nuosavybe. Kai kuriose šalyse pristatymo ar siuntimo paštu išlaidas turi padengti siuntėjas.
6. Ši garantija taikoma Europos bendrijoje, Šveicarijoje, Islandijoje, Norvegijoje, Lichtenšteine, Turkiijoje ir Rusijoje. Kitose šalyse kreipkitės į savo įgaliotą RYOBI pardavėją, norėdami sužinoti, ar taikoma kita garantija.

## ĮGALIOTAS TECHINIS PRIEŽIŪROS CENTRAS

Jei norite surasti įgaliotą techninės priežiūros centrą netoli Jūsų, apsilankykite interneto svetainėje <http://uk.ryobitools.eu/header/service-and-support/service-agents>.

## ET GARANTIID

Lisaks ostu puhul kaasnevate seadusjärgsetele õigustele kehtib tootele allpool esitatud tingimustega garantiid.

- Ostja poolt ostetud tootele on kehtestatud garantiiperiood 24 kuud ja see hakkab kehtima toote ostmise kuupäeval. See kuupäev on märgitud arvele või muule ostu lõendavale dokumendile. Toode on ette nähtud ostjale ainult isiklikuks kasutamiseks. Kui toodet kasutatakse ametialasel või ärilistel eesmärkidel, siis garantiid ei kehti.
- Mõnel juhul (nt reklaam, seadmete seeria) on võimalik pikendada garantiiperioodi pikemaks ajaks kui ülal mainitud, kui kasutatakse registreerimist veebisaidil [www.ryobitools.eu](http://www.ryobitools.eu) kaudu. Registreerimise tingimused on välja pandud kauplustesse ja/või on pakendil. Lõppkasutaja peab oma uued tüüristad veebis registreerima 8 päeva jooksul alates ostukuupäevast. Lõppkasutaja võib registreerida end pikendatud garantiis oma asukohamaal, kui see on esitatud veebis registreerimise loendil, seal kus see vaik on olemas. Peale selle, lõppkasutajad peavad andma nõusoleku enda andmete salvestamiseks, mida vajatakse veebi sisenumiseks ja nõustuma esitatud tingimustega. Pikendatud garantiid kehtivust lõendab e-postiga saadetud registreerimise kinnitusteade ja algupärane arve, millel on ostukuupäev. Teie seadusjärgsed õigused jäävad mõjutamata.
- Garantiid kehtib kõiki ostukuupäevast kehtima hakkaval garantiiperioodil ilmnenuid rikete suhtes, mis on tingitud töötlemis- või materjalivigadest. Garantiid on piiratud remondi ja/või asendamise ja ei sisalda muid kohustusi, kuid mitte ainult, kaasneva või tuleneva kahju eest. Garantiid ei kehti, kui toodet on väärkasutatud, kasutusjuhendis nimetatud otstarbele mittevastavalt kasutatud või toode on ebaõigesti ühendatud. See garantiid ei rakendu järgmistel juhtudel:
  - tootel on mingi vigastus, mis on põhjustatud ebaõigest kasutamisest,
  - toodet on mingil viisil ümber ehitatud või muudetud,
  - toote algupärane tuvastusmarkering (kaubamärk, seerianumber) on kahjustatud, ümber tehtud või eemaldatud,
  - tootel on mingi vigastus, mis on tingitud kasutusjuhendi mittejälgimisest,
  - toode ei ole CE-märgisega,
  - toodet on püüdnud parandada ebadepve spetsialist või seda on tehtud ilma Techtronic Industries volitusteta,
  - toode on ühendatud selleks mitteetennatud elektritoitevõrguga (väär voolu tugevus, pinge või sagedus),
  - tootes on kasutatud mitteetennatud kütusesegu (kütus, õli, väär õli vahetork),
  - tootel on vigastus välistõmõjudest (keemilised või füüsilised mõjud või löögid),
  - toote varuosadel ilmneb tavapärane kulumine,
  - toodet on ebaõigesti kasutatud või üle koormatud,
  - tootel on kasutatud mitteetennatud tarvikuid või osi,
  - toote karburaator pärast 6 kuu mõõdumist, toote karburaatori sätteid pärast 6 kuu mõõdumist,
  - toote koostesadel (osad ja tarvikud) ilmneb tavapärane kulumine järgmistel detailidel (kuid mitte ainult): etteandenu, ajamirihmad, sidur, hekiõikuri või muruniiduki terad, rakmed, gaasitross, süsinikharjad, toitejuhe, piid, viitseidid, vedrutihvid, puhumisventilaatorid, puhuri ja imuri torud, imisüsteemi kotid ja ribad, juhtvardad, saeketid, voolikud, õhendusliitmikud, düüsid, rattad, pihustustorud, siseturmid, välispoolid, lõikeõhvid, süüteküünlad, õhufiltrid, gaasifiltrid, multšimisterad jne.
- Hooldamiseks tuleb toode saata või tuua mõnda RYOBI volitatud hoolduspunkti, mis on esitatud loendis iga riigi jaoks ja milles on hoolduspunkti aadressid. Mõnes riigis kohustub RYOBI edasimüüja saatma toote RYOBI hooldusasutusse. Kui toode saadetakse RYOBI hooldusasutusse, tuleb toode turvaliselt ära pakkida ilma, et sellesse jääks ohtlikku sisu, näiteks bensiini ja pakendile tuleb märkida saatja aadress ja riike lühikirjeldus.
- Selle garantiid alusel tehtud remont/asendus on tasuta. Sellega ei kaasne garantiiperioodi pikendamine või uue garantiiperioodi algus. Asendatud osad ja tüüristad jäävad meie omandusse. Mõnes riigis tuleb saate- või postikulud tasuda saatja poolt.
- See garantiid kehtib Euroopa Liidus, Šveitsis, Islandil, Norras, Liechtensteinis, Türgis ja Venemaal. Väljaspool neid riike võtke ühendust Ryobi volitatud edasimüüjaga, et teada saada teistsuguste garantiid kehtivust.

## VOLITATUD HOOLDUSKESKUS

Oma volitatud hoolduskeskuse leiate veebisaidil <http://uk.ryobitools.eu/header/service-and-support/service-agents>.

## HR JAMSTVO

U dodatku svih zakonskih prava koja proizlaze kao rezultat kupnje, ova proizvod pokriven je jamstvom kao što je utvrđeno u nastavku.

- Jamstveno razdoblje je 24 mjeseca za korisnike, a započinje na datum kupnje proizvoda. Ovaj datum treba biti dokumentiran računom ili nekim drugim dokazom o kupnji. Proizvod je dizajniran i namijenjen samo za korisnike i osobno korištenje. Stoga nema omogućenog jamstava u slučaju profesionalnog ili komercijalnog korištenja.
- U nekim slučajevima (primjerice promocije, paleta alata) postoji mogućnost produženog jamstvenog razdoblja preko gore navedenog razdoblja korištenjem registracije na web mjestu [www.ryobitools.eu](http://www.ryobitools.eu). Sukladnost alata jesno je prikazana u trgovini i/ili na pakiranju. Krajnji korisnik treba registrirati svoje novo pribavljene alate na mreži unutar 8 dana od datuma kupnje. Krajnji korisnik može se registrirati za produženo trajanje jamstva u svojoj zemlji stanovanja ako je navedena na mrežnom obrascu za registraciju gdje je ova opcija valjana. Nadalje, krajnji korisnici moraju dati svoje odobrenje za spremanje podataka koji su potrebni za unos na mreži i moraju prihvatiti uvjete i odredbe. Primatku potvrde o registraciji, koja se šalje e-poštom i originalni račun koji prikazuje datum kupnje služe kao dokaz produženog jamstva. Vaša zakonska prava ostaju nepromijenjena.
- Jamstvo pokriva sve kvarove proizvoda tijekom jamstvenog razdoblja zbog pogreški u izradi ili materijalu na datum kupnje. Jamstvo je ograničeno na popravak i/ili zamjenu i ne uključuje nikakve druge obveze uključujući no ne ograničavajući se na slučajne ili posljedične štete. Jamstvo nije valjano ako je proizvod pogrešno korišten, korišten suprotno od korisničkog priručnika ili je nepravilno priključen. Ovo jamstvo se ne primjenjuje na:
  - svako oštećenje proizvoda koje je rezultat nepravilnog održavanja
  - svaki proizvod koji je izmijenjen ili modificiran
  - svaki proizvod gdje su originalne identifikacijske oznake (zaštitni znak, serijski broj) izbrisane, zamijenjene ili uklonjene
  - svako oštećenje uzrokovano neprikladnim korištenjem korisničkog priručnika
  - svaki proizvod koji nije CE
  - svaki proizvod koji je pokušao popraviti neovlašten profesionalac ili bez prethodnog odobrenja od strane Techtronic Industries
  - svaki proizvod priključen na nepravilno napajanje energijom (amperi, napon, frekvencija)
  - Svaki proizvod korišten s neodgovarajućom mješavinom (gorivo, ulje, postotak ulja)
  - svako oštećenje uzrokovano vanjskim utjecajima (kemijsko, fiziko, udar) ili stranim stvarima
  - normalno trošenje i habanje rezervnih dijelova
  - nepravilno korištenje, preopterećenje alata
  - korištenje neodobrenog dodatnog pribora ili dijelova
  - rasplinjača nakon 6 mjeseci, podešavanje rasplinjača nakon 6 mjeseci
  - komponente (dijelovi i dodatni pribor) koji su predmet prirodnog trošenja i habanja, uključujući no ne ograničavajući se na gumbce za otpuštanje, pogonske remene, spojku, oštrice trimera za grmlje ili kosilicu, kope, sajle gasa, ugljene četke, kabele za napajanje, noževe, podloške, ztkice za zgubnu vezu, ventilatore puhalice, cijevi za ispuhivanje i usisavanje, vakuumske vrećice i trake, vodilice, lance pile, crijeva, priključene elemente, mlaznice za raspršivanje, kotače, kopljica za raspršivanje, unutartrajne kolute, vanjske kaleme, flaksove, svječice, filtre za zrak, filtre za plin, oštrice za usitnjavanje itd.
- Za servisiranje, proizvod se mora poslati ili predati ovlaštenoj stanici za servis tvrtke RYOBI navedenoj za svaku zemlju u sljedećem popisu adresa stanica za servis. U nekim zemljama vaši lokalni RYOBI zastupnik obavezan je poslati proizvod u servisnu organizaciju tvrtke RYOBI. Prilikom slanja proizvoda u stanicu za servis tvrtke RYOBI, proizvod treba biti sigurno pakiran bez ikakvog opasnog sadržaja poput benzina, s označenom adresom pošiljatelja i pripadajućim kratkim opisom pogreške.
- Popravak/zamjena pod ovim jamstvom se ne naplaćuje. Ne produžuje zakonsko ili ne započinje novo jamstveno razdoblje. Zamijenjeni dijelovi ili alati postaju naše vlasništvo. U nekim zemljama pošiljatelj plaća poštarinu.
- Ovo jamstvo je valjano u Europskoj zajednici, Švicarskoj, Islandu, Norveškoj, Lichtenštajnu, Turskoj i Rusiji. Izvan ovih područja molimo vas da kontaktirate vašeg ovlaštenog zastupnika RYOBI kako biste odredili ako se primjenjuje druga jamstva.

## OVLAŠTENI SERVISNI CENTAR

Za pronalaženje ovlaštenog servisnog centra pored vas posjetite <http://uk.ryobitools.eu/header/service-and-support/service-agents>.

## SL GARANCIJA

Poleg kakršnih koli zakonskih pravic, ki jih pridobite z nakupom, za ta izdelek velja tudi garancija, kot je opisano spodaj.

1. Garancijsko obdobje je 24 mesecev za potrošnike in se začne z datumom nakupa. Ta datum mora biti dokumentiran z računom ali drugim dokazilom o nakupu. Izdelek je namenjen in posevčen le potrošniški in zasebni uporabi. Zato garancija ne velja za profesionalno ali komercialno uporabo.
2. V nekaterih primerih (npr. promocija, obseg orodij) obstaja možnost podaljšanja garancijskega obdobja prek zgoraj opisanega obdobja, kar je mogoče storiti z registracijo na spletnem mestu [www.ryobitools.eu](http://www.ryobitools.eu). Namen orodja je jasno označen v trgovinah in/ali na embalaži. Končni uporabnik mora svoje novo orodje registrirati prek spleta v 8 dneh od datuma nakupa. Končni uporabnik se lahko registrira za podaljšano garancijo v svoji državi, kjer ima stalno prebivališče, če je država vključena na seznam v obrazcu za registracijo, kjer je ta možnost veljavna. Poleg tega mora končni uporabnik odobriti shranjevanje podatkov, ki so potrebni za spletni vstop, in morajo sprejeti pogoje in določila. Potrdilo o registraciji, ki se pošlje po e-pošti, ter originalni račun, na katerem je naveden datum nakupa, veljata kot dokazilo o podaljšani garanciji. Vaše zakonske pravice ostanejo nespremenjene.
3. Garancija krje vse okvare izdelka med garancijskim obdobjem zaradi napak v izdelavi ali materialu na datum nakupa. Garancija je omejena na popravilo/zamenjavo in ne vključuje drugih obveznosti, med drugim ne vključuje obveznosti zaradi nenamerne ali posledične škode. Garancija ni veljavna, če je bil izdelek zlorabljen, uporabljen v nasprotju z navodili za uporabo ali nepravilno priključen. Garancija ne velja:
  - za kakršno koli poškodbo izdelka, ki je posledica neprimernege vzdrževanja,
  - če je bil izdelek spremenjen ali modificiran,
  - če so originalne identifikacijske oznake (blagovna znamka, serijska številka) na izdelku poškodovane, spremenjene ali odstranjene,
  - če je do poškodbe prišlo zaradi neupoštevanja navodil za uporabo,
  - za katere koli izdelke, ki niso skladni z oznako CE,
  - če je izdelek poskusil opraviti neusposobljen strokovnjak ali brez predhodne odobritve družbe Techtronic Industries,
  - če je bil izdelek priključen na neustrezno električno omrežje (jakost, napetost, frekvenca),
  - če je bil izdelek uporabljen z neustrezno mešanico goriva (gorivo, olje, odstotek olja),
  - če je do poškodbe prišlo zaradi zunanjih vplivov (kemični, fizični, udarci) ali tujih snovi,
  - za normalno obrabo nadomestnih delov,
  - neustrezne uporabe, preobremenitve orodja,
  - uporabe neodobrenih dodatkov ali delov,
  - za uplinjač po 6 mesecih, prilagoditve uplinjača po 6 mesecih,
  - za sestavne dele (dele in dodatke), ki so podvrženi normalni obrabi, med drugim za vzmetne gume, pogonske jermene, sklopko, rezila obrezovalnikov ali kosilnic, nosilni trak, kabelske dušilke, karbonskih krtačk, napajalnega kabla, zobovje, polstene podložke, varnostne zatiče, ventilatorje, puhalne in sesalne cevi, sesalne vreče in trakove, vodila, verige za žage, gibljive cevi, nastavke priključkov, pršilne šobe, kolesa, pršilne palice, notranje kolote, zunanja vretena, rezalne nitke, vžigalne svečke, zračne filtre, plinske filtre, drobilna rezila itd.,
4. Za servisiranje je treba izdelek poslati ali prinesiti v pooblaščen servisni center RYOBI, ki je za vsako državo naveden na naslednjem seznamu z naslovi servisnih centrov. V nekaterih državah pošiljanje izdelka servisnemu centru RYOBI prevzame lokalni trgovec z izdelki RYOBI. Za pošiljanje servisnemu centru RYOBI mora biti izdelek varno zapakiran, brez kakršnih koli nevarnih snovi, npr. gorivo, označen z naslovom pošiljatelja, priložen pa mora biti kratek opis napake.
5. Popravilo/nadomestilo v sklopu te garancije je brezplačno. Ne pomeni podaljšanja ali novega začetka garancijskega obdobja. Zamenjani deli ali orodja postanejo naša last. V nekaterih državah mora stroške pošiljanja ali dostave poravnati pošiljatelj.
6. Ta garancija je veljavna v Evropski skupnosti, Šviciji, na Islandiji, Norveškem, v Liechtensteinu, Turčiji in Rusiji. Izven teh področij stopite v stik s pooblaščenim trgovcem RYOBI, da ugotovite, ali velja katera druga garancija.

### POOBLAŠČEN SERVISNI CENTER

Pooblaščen servisni center blizu vas poiščite na <http://uk.ryobitools.eu/header/service-and-support/service-agents>.

## SK ZÁRUKA

Okrem zákonných práv vyplývajúcich zo zakúpenia je tento produkt pokrytý zárukou, ako je uvedené nižšie.

1. Záručná doba pre spotrebiteľov je 24 mesiacov a začína dňom zakúpenia produktu. Tento dátum musí byť zdokumentovaný faktúrou alebo iným dokladom o kúpe. Tento produkt je navrhnutý a určený len na potrebné a osobné použitie. Takže v prípade profesionálneho alebo komerčného použitia neplatí žiadna záruka.
2. V niektorých prípadoch (napr. reklamná akcia, rad produktov) existuje možnosť predĺženia záručnej doby nad dobu uvedenú vyššie pomocou registrácie na webovej stránke [www.ryobitools.eu](http://www.ryobitools.eu). Spôsobilosť nástroja je zreteľne zobrazená v obchodoch a ha obale. Koncový používateľ si musí zaregistrovať svoje novonadobudnuté nástroje online do 8 dní odo dňa zakúpenia. Koncový používateľ sa môže zaregistrovať za účelom získania predĺženej záruky vo svojej krajine, ak je uvedená v online registračnom formulári, kde je táto možnosť platná. Okrem toho musia koncoví používatelia poskytnúť súhlas k uloženiu údajov, ktoré sa zadávajú online a musia súhlasiť so zmluvnými podmienkami. Doklad s potvrdením o registrácii, ktorý posielame prostredníctvom e-mailu a originál faktúry s uvedeným dátumom zakúpenia slúžia ako dôkaz predĺženej záruky. Vaše zákonné práva ostávajú nedotknuté.
3. Táto záruka pokrýva všetky poruchy produktu počas záručnej doby, ktoré vznikli následkom nedostatkov vo vypracovaní alebo materiáli v deň zakúpenia. Táto záruka je omezená na opravu alebo výmenu a nezahŕňa ďalšie povinnosti, napríklad vedľajšie alebo následné škody. Táto záruka je neplatná, ak bol produkt požívaný nesprávne, používaný v rozpore s návodom na použitie alebo nesprávne pripojený. Táto záruka sa nevzťahuje na:
  - akékoľvek poškodenie produktu, ku ktorému došlo následkom nesprávnej údržby
  - akýkoľvek produkt, ktorý bol pozmenený alebo upravený
  - akýkoľvek produkt, na ktorom boli poškodené pozmenené alebo odstránené originálne identifikačné znaky (obchodná známka, sériové číslo)
  - akékoľvek poškodenie spôsobené následkom neododržania návodu na použitie
  - akýkoľvek produkt iný ako CE
  - akýkoľvek produkt, o ktorého opravu sa pokúšal nekvalifikovaný odborník alebo v prípade opravy bez predchádzajúceho oprávnenia od spoločnosti Techtronic Industries
  - akýkoľvek produkt pripojený k nesprávnejmu napájaciemu zdroju (prúd, napätie, frekvencia)
  - akýkoľvek produkt používaný s nevhodnou palivovou zmesou (palivo, olej, percento oleja)
  - akékoľvek poškodenie spôsobené vonkajšími vplyvmi (chemické, fyzické, nárazy) alebo cudzími látkami
  - bežné opotrebenie náhradných dielov
  - nesprávne používanie a pretážovanie nástroja
  - používanie neschváleného príslušenstva alebo dielov
  - karburátor po 6 mesiacoch, úpravy karburátora po 6 mesiacoch
  - komponenty (diely a príslušenstvo), ktoré podliehajú prirodzenému opotrebeniu, napríklad pružinové tlačidlá, hnacie remene, spojka, ostria strihača živého plotu alebo kosačky trávy, postroj, ťahadlo škrťacej klapky, uhlikové kefky, napájaci kábel, končeky, plstené podložky, kolký s háčikom, ventilátory dýchadla, rúrky dýchadla a vysávača, vrecko a remene vysávača, vodiace lišty, pilové reťaze, hadice, konektorové armatúry, rozprašovače trysky, kolieska, striekacie tyče, vnútorné navijaky, vonkajšie cievy, rezné drôty, zapalovače sviečky, vzduchové filtre, benzínové filtre, mulčovacie ostria a pod.
4. Na servis sa musí produkt odoslať alebo predložiť autorizovanému servisnému centru RYOBI uvedenému pre každú krajinu v nasledujúcom zozname adres servisných staníc. V niektorých krajinách pošle produkt do servisnej organizácie RYOBI váš miestny predajca produktov RYOBI. Pri odoslaní produktu do servisnej stanice RYOBI musí byť produkt bezpečne zabalený bez akéhokoľvek nebezpečného obsahu, napríklad paliva, označený adresou odosielateľa a musí byť k nemu priložený krátky popis poruchy.
5. Oprava či výmena v rámci tejto záruky je bezplatná. Nevplyvá na nej predĺženie či nový začiatok záručnej doby. Vymenené diely alebo nástroje sa stávajú našim majetkom. V niektorých krajinách doručovací poplatok alebo poštovné platí odosielateľ.
6. Táto záruka je platná v Európskej únii, Švajčiarsku, na Islande, v Nórsku, Lichtenštajnsku, Turecku a Rusku. Mimo týchto oblastí kontaktujte autorizovaného predajcu spoločnosti Ryobi, u ktorého zisľíte, či platí nejaká iná záruka.

### AUTORIZOVANÉ SERVISNÉ CENTRUM

Ak chcete nájsť najbližšie autorizované servisné centrum, navštívte stránku <http://uk.ryobitools.eu/header/service-and-support/service-agents>.

## BG ГАРАНЦИЯ

В допълнение към законоустановените права, произтичащи от покупката, този продукт е обхванат от гаранция, както е изложено по-долу.

- Гаранционният срок е 24 месеца за клиенти и започва да тече от деня на закупуване на продукта. Тази дата трябва да се докаже с фактура или друго доказателство за покупка. Продуктът е изработен и предназначен само за потребителска и лична употреба. Следователно не се дава гаранция в случай на използване от професионалисти или с търговска цел.
- В някои случаи (като промоция, гама инструменти) съществува възможност за удължаване на гаранционния срок след изтичането на описания тук чрез регистрация на уеб сайта [www.yobitools.eu](http://www.yobitools.eu). Дали инструментът отговаря на условията за такова удължаване, ясно е показано в магазини и/или върху опаковката. Крайният потребител трябва да регистрира своите новопридобити инструменти онлайн в рамките на 8 дни от датата на покупка. Крайният потребител може да се регистрира за удължена гаранция в държавата си на пребиваване, ако е посочена във формуляра за онлайн регистрация като място, където тази опция е валидна. Освен това крайният потребител трябва да даде съгласието си за съхранение на данните, които са задължителни за ползване онлайн, и трябва да приемат общите условия. Полученото потвърждение за регистрация, изпратено по имейл, и оригиналната фактура, показваща датата на покупка, ще служат като доказателство за удължената гаранция. Законоустановените Ви права остават незаосенати.
- Гаранцията покрива всички дефекти на продукта по време на гаранционния срок, които се дължат на проблеми в изработката или материалите към момента на покупката. Гаранцията е ограничена до ремонт и/или замяна и не включва други задължения, включително, но не само, случайни или закономерни щети. Гаранцията е невалидна, ако продуктът е използван неправилно или в противоречие с ръководството с инструкции, както и ако е свързан неправилно. Тази гаранция не важи за:
  - щети по продукта в резултат на неправилна профилировка;
  - продукти, които са били изменени или модифицирани;
  - продукт, при който оригиналните маркировки за идентификация (търговска марка, серийн номер) са изтрети, променени или премахнати;
  - повреда, причинена от неспазване на ръководството с инструкции;
  - продукт без CE маркировка;
  - продукт, за който е направен опит за ремонт от невалифициран специалист или без предварително разрешение от Techtronic Industries;
  - продукт, свързан към неподходящо електрохранване (ампераж, волтаж, честота);
  - продукт, използван с неподходяща горивна смес (гориво, масло, процент масло);
  - щети, причинени от външни влияния (химични, физични, удари) или чужди вещества;
  - нормално износване на резервни части;
  - неподходяща употреба, претоварване на инструмента;
  - използване на неодобрени аксесоари или части;
  - карбуратора след 6 месеца, настройки на карбуратора след 6 месеца;
  - компоненти (част и аксесоари), подложени на естествено износване, включително, но не само, кошчета за тласкане, задвижващи ремъци, съединител, остриета на ножници за жив плет, косачки, самар, кабелен дросел, карбонови четки, защитна кабели, остриета, фицови шайби, осигурителни цифрове, вентилатори на уреди за обдухване, тръби за обдухване и всмукване, торба за отпадъци и ремъци, водеща шпера, вериги за триони, маркучи, фитинги на конектори, дюзи, копела, пръскалки, вътрешни и външни макари, рещесто влакно, запалителни свещи, въздушни филтри, горивни филтри, остриета за мултиране и т.н.
- За обслужване продуктът трябва да се изпрати или занесе на авторизиран сервис на RYOBI, посочен за всяка държава в следния списък с адреси на сервиси. В някои държави местният търговец на RYOBI поема да изпрати продукта до сервисен център на RYOBI. При изпращане на продукт до сервис на RYOBI продуктът трябва да е опакован безопасно без опасност съдържане, като бензин, да е маркиран с адреса на подателя и придружен от кратко описание на повредата.
- Ремонтът или замяната по силата на тази гаранция са безплатни. Те не водят до удължаване или подновяване на гаранционния срок. Менените части или инструменти стават наша собственост. В някои държави таксите за доставка или изпращане трябва да се платят от подателя.
- Тази гаранция е валидна в Европейската общност, Швейцария, Исландия, Норвегия, Лихтенщайн, Турция и Русия. Извън тези области се свържете с упълномощения търговец на RYOBI, за да се установи дали са приложими други гаранции.

### УПЪЛНОМОЩЕН СЕРВИСЕН ЦЕНТЪР

За да намерите упълномощен сервисен център близо до вас, посетете <http://uk.yobitools.eu/header/service-and-support/service-agents>.

## UK ГАРАНТИЯ

На додаток до любих законних прав, що випливають з покупки, цей продукт покривається гарантією, як зазначено нижче.

- Гарантійний термін складає 24 місяці для споживачів і, починається з дати придбання продукту. Ця дата повинна бути задокументована рахунком або іншим документом, що підтверджує покупку. Продукт розроблений і призначений для споживача і тільки для приватного використання. Таким чином, немає ніякої гарантії, у разі професійного або комерційного використання.
- Наведені деякі випадки (наприклад, підтримка, ряд інструментів), можливості розширення гарантійного терміну протягом періоду, описаного вище, з використанням реєстрації на сайті [www.yobitools.eu](http://www.yobitools.eu). Придатність інструменту чітко відображається в магазинах та / або на упаковці. Кінцевий користувач повинен зареєструвати його / її ново придбаний інструмент онлайн протягом 8 днів з моменту покупки. Кінцевий користувач може зареєструватися на розширену гарантію у своїй країні проживання, якщо ця країна є в онлайн формі реєстрації, де ця опція діє. Крім того, якщо користувач повинні дати свою згоду на зберігання даних, які необхідні для онлайн входу і вони повинні прийняти терміни та умови. Квитанція підтвердження реєстрації, яка розсилається по електронній пошті, та оригінал рахунку-фактури із зазначенням дати покупки будуть служити доказом розширеної гарантії. Ваші законні права залишаються в силі.
- Гарантія покриває всі дефекти продукту протягом гарантійного періоду, пов'язані з недоліками виготовлення або матеріалу на дату покупки. Гарантія обмежується ремонтом та / або заміною, і не покриває будь-які інші зобов'язання, включаючи, але не обмежуючись випадковими або непрямими збитками. Гарантія не діє, якщо продукт неправильно використовувався всупереч інструкції, або був неправильно підключений. Ця гарантія не поширюється на:
  - будь-яке пошкодження продукту, яке є результатом неправильного технічного обслуговування
  - будь-який продукт, який був модифікований або модифікований
  - будь-який продукт, де оригінальні ідентифікаційні (торгова марка, серийний номер) маркування були зіпсовані, змінені або видалені
  - будь-який збиток, заподіяний в результаті недотримання керівництва з експлуатації
  - будь-який не CE продукт
  - будь-який виріб, який був відремонтований невалифікованим спеціалістом або без попереднього дозволу Techtronic Industries
  - будь-який продукт підключений до ненаалежного живлення (підсилювачі, напруга, частота)
  - будь-який збиток, заподіяний зовнішнім впливом (хімічними, фізичними, ударами) або стороннім речовинами
  - передбачене зношення запасних частин
  - неправильне використання, перевантаження інструменту
  - використання незатверджених запасних частин або аксесуарів
  - карбуратор через 6 місяців, коригування карбуратора після 6 місяців
  - аксесоари електроінструменту надані з інструментом або куплені окремо. Такі винятки включають, але не обмежуються гвинтовою викруткою, свердлами, абразивними дисками, наждачним шпером і лезами, бичним спрямованим пристроєм
  - компоненти (частини та аксесоари), схильні до природного зносу, в тому числі, але не обмежуючись щіткою, патроном, шнуром живлення, додатковою рукояткою, шліфувальними пластинами, мішком для пилу, витяжною трубою
- Для обслуговування виріб має бути відправлено або представлено в уповноважений RYOBI центр технічного обслуговування, перерахований для кожної країни в наступному списку адресів технічних центрів. У деяких країнах місцевий дилер RYOBI зобов'язується відправити виріб в сервісній організації RYOBI. При відправці продукту до станції технічного обслуговування RYOBI, продукт повинен бути надійно упакований, без жодного небезпечного вмісту, такого як бензин, відмічений адресною відправника і супроводжуватися коротким описом несправності.
- Ремонт / заміна по гарантії безкоштовні. Це не розширює або не починає новий гарантійний термін. Замінені частини або інструменти стають нашою власністю. У деяких країнах вартість доставки або відсилки повинні бути оплачені відправником.
- Ця гарантія дієсна в Європейському Співтоваристві, Швейцарії, Ісландії, Норвегії, Лихтенштейні, Туреччині та Росії. За межами цих областей, будь ласка, зв'яжіться з офіційним дилером RYOBI, щоб визначити, якщо поширюється інша гарантія

### АВТОРИЗОВАНІ СЕРВІСНІ ЦЕНТРИ

Для отримання оновленого переліка авторизованих сервісних центрів, відвідайте <http://uk.yobitools.eu/header/service-and-support/service-agents>

**EN** EC DECLARATION OF CONFORMITY

Techtronic Industries GmbH  
Max-Eyth-Straße 10, 71364 Winnenden, Germany

Herewith we declare that the product

Electric Impact Shredder  
Brand: Ryobi  
Model number: RSH2545B  
Serial number range: 44456901000001 - 44456901999999

is in conformity with the following European Directives and harmonised standards

2006/42/EC, 2004/108/EC (until 19 April 2016), 2014/30/EU (from 20 April 2016), 2000/14/EC, 2005/88/EC, 2011/65/EU, EN 55014-1:2006+A1:2009+A2:2011, EN 55014-2:1997+A1:2001+A2:2008, EN 61000-3-2:2014, EN 61000-3-11:2000, EN 60335-1:2012+A11:2014, EN 50434:2014, EN 50581:2012

Measured sound power level: 106.45 dB(A)  
Guaranteed sound power level: 107 dB(A)  
Conformity assessment method to Annex V Directive 2000/14/EC amended by 2005/88/EC.

Andrew John Eyre (BEng, CEng, MIET)  
Vice President, Regulatory & Safety  
Winnenden, Sep. 12, 2015

Authorised to compile the technical file:  
Alexander Krug, Managing Director  
Techtronic Industries GmbH  
Max-Eyth-Straße 10, 71364 Winnenden, Germany

CE

**DE** EC KONFORMITÄTSERKLÄRUNG

Techtronic Industries GmbH  
Max-Eyth-Straße 10, 71364 Winnenden, Germany

Hiermit erklären wir, dass die Produkte

Elektrischer Häcksler  
Marke: Ryobi  
Modellnummer: RSH2545B  
Seriennummernbereich: 44456901000001 - 44456901999999

mit den folgenden europäischen Richtlinien und harmonisierten Normen entspricht

2006/42/EC, 2004/108/EC (bis 19 April 2016), 2014/30/EU (ab 20 April 2016), 2000/14/EC, 2005/88/EC, 2011/65/EU, EN 55014-1:2006+A1:2009+A2:2011, EN 55014-2:1997+A1:2001+A2:2008, EN 61000-3-2:2014, EN 61000-3-11:2000, EN 60335-1:2012+A11:2014, EN 50434:2014, EN 50581:2012

Gemessener Schalleistungspegel: 106.45 dB(A)  
Garantierter Schalleistungspegel: 107 dB(A)  
Konformitätsbeurteilungsmethode zu Anhang V Richtlinie 2000/14/EC wie durch 2005/88/EC.

Andrew John Eyre (BEng, CEng, MIET)  
Vizepräsident, Vorschriften und Sicherheit  
Winnenden, Sep. 12, 2015

Autorisiert die technische Datei zu erstellen:  
Alexander Krug, Geschäftsführer  
Techtronic Industries GmbH  
Max-Eyth-Straße 10, 71364 Winnenden, Germany

CE

**FR** DÉCLARATION DE CONFORMITÉ EC

Techtronic Industries GmbH  
Max-Eyth-Straße 10, 71364 Winnenden, Germany

Declarons par la présente que le produit

Broyeur Électrique à Impact  
Marque: Ryobi  
Numéro de modèle: RSH2545B  
Étendue des numéros de série: 44456901000001 - 44456901999999

est conforme aux Directives Européennes et Normes Harmonisées suivantes

2006/42/EC, 2004/108/EC (jusqu'au 19 April 2016), 2014/30/EU (à partir du 20 April 2016), 2000/14/EC, 2005/88/EC, 2011/65/EU, EN 55014-1:2006+A1:2009+A2:2011, EN 55014-2:1997+A1:2001+A2:2008, EN 61000-3-2:2014, EN 61000-3-11:2000, EN 60335-1:2012+A11:2014, EN 50434:2014, EN 50581:2012

Niveau de puissance sonore mesuré: 106.45 dB(A)  
Niveau de puissance sonore garanti: 107 dB(A)  
Méthode d'évaluation de conformité de l'annexe V Directive 2000/14/EC modifiée 2005/88/EC.

Andrew John Eyre (BEng, CEng, MIET)  
Vice-Président, Réglementation & Sécurité  
Winnenden, Sep. 12, 2015

Autorisé à rédiger le dossier technique:  
Alexander Krug, Directeur Général  
Techtronic Industries GmbH  
Max-Eyth-Straße 10, 71364 Winnenden, Germany

CE

**ES** DECLARACIÓN EC DE CONFORMIDAD

Techtronic Industries GmbH  
Max-Eyth-Straße 10, 71364 Winnenden, Germany

Por la presente declaramos que los productos

Trituradora de impacto eléctrica  
Marca: Ryobi  
Número de modelo: RSH2545B  
Intervalo del número de serie: 44456901000001 - 44456901999999

se encuentra en conformidad con las siguientes Directivas Europeas y normas armonizadas

2006/42/EC, 2004/108/EC (hasta 19 April 2016), 2014/30/EU (desde 20 April 2016), 2000/14/EC, 2005/88/EC, 2011/65/EU, EN 55014-1:2006+A1:2009+A2:2011, EN 55014-2:1997+A1:2001+A2:2008, EN 61000-3-2:2014, EN 61000-3-11:2000, EN 60335-1:2012+A11:2014, EN 50434:2014, EN 50581:2012

Nivel de potencia acústica medido: 106.45 dB(A)  
Nivel de potencia acústica garantizado: 107 dB(A)  
Método de evaluación de conformidad con el anexo V Directiva 2000/14/EC modificada por la 2005/88/EC.

Andrew John Eyre (BEng, CEng, MIET)  
Vicepresidente, Director General de Normativa y Seguridad  
Winnenden, Sep. 12, 2015

Autorizado para elaborar la ficha técnica:  
Alexander Krug, Administrador Ejecutivo  
Techtronic Industries GmbH  
Max-Eyth-Straße 10, 71364 Winnenden, Germany

CE



**IT DICHIARAZIONE DI CONFORMITÀ EC**

Technronic Industries GmbH  
Max-Eyth-Straße 10, 71364 Winnenden, Germany

Si dichiara con la presente che il prodotto

Trituratore elettrico a impatto  
Marca: Ryobi  
Numero modello: RSH2545B  
Gamma numero seriale: 44456901000001 - 4445690199999

è conforme alle seguenti Direttive Europee e ai seguenti standard armonizzati

2006/42/EC, 2004/108/EC (fino a 19 Aprile 2016), 2014/30/EU (fino a 20 Aprile 2016), 2000/14/EC, 2005/88/EC,  
2011/65/EU, EN 55014-1:2006+A1:2009+A2:2011, EN  
55014-2:1997+A1:2001+A2:2008, EN 61000-3-2:2014,  
EN 61000-3-11:2000, EN 60335-1:2012+A11:2014, EN 50434:2014, EN  
50581:2012

Livello di potenza acustica misurato: 106.45 dB(A)

Livello di potenza sonora garantita: 107 dB(A)

Metodo di valutazione sulla conformità all'allegato V Direttiva 2000/14/EC modificata con la 2005/88/EC.

Andrew John Eyre (BEng, CEng, MIET)  
Vice-Presidente, Dipartimento Regolazioni & Sicurezza  
Winnenden, Sep. 12, 2015

Autorizzato per compilare il file tecnico:

Alexander Krug, Direttore Amministrativo  
Technronic Industries GmbH  
Max-Eyth-Straße 10, 71364 Winnenden, Germany

**PT DECLARAÇÃO EC DE CONFORMIDADE**

Technronic Industries GmbH  
Max-Eyth-Straße 10, 71364 Winnenden, Germany

Pelo presente declaramos que os produtos

Trituradora de impacto elétrica  
Marca: Ryobi  
Número do modelo: RSH2545B  
Intervalo do número de série: 44456901000001 - 4445690199999

se encontra em conformidade com as seguintes Directivas Europeias e normas harmozizadas

2006/42/EC, 2004/108/EC (até 19 Abril 2016), 2014/30/EU (desde 20 Abril 2016), 2000/14/EC, 2005/88/EC,  
2011/65/EU, EN 55014-1:2006+A1:2009+A2:2011, EN  
55014-2:1997+A1:2001+A2:2008, EN 61000-3-2:2014,  
EN 61000-3-11:2000, EN 60335-1:2012+A11:2014, EN 50434:2014, EN  
50581:2012

Nível de potência sonora medido: 106.45 dB(A)

Nível de potência sonora garantido: 107 dB(A)

Método de avaliação de conformidade para o anexo V Directiva 2000/14/EC alterada por 2005/88/EC.

Andrew John Eyre (BEng, CEng, MIET)  
Vice-Presidente, Regulação e Segurança  
Winnenden, Sep. 12, 2015

Autorizado para compilar o ficheiro técnico:

Alexander Krug, Administrador Executivo  
Technronic Industries GmbH  
Max-Eyth-Straße 10, 71364 Winnenden, Germany

**NL EC CONFORMITEITSVERKLARING**

Technronic Industries GmbH  
Max-Eyth-Straße 10, 71364 Winnenden, Germany

Hierbij verklaren wij dat het product

Elektrische impacthakelaar  
Merk: Ryobi  
Modelnummer: RSH2545B  
Serienummerbereik: 44456901000001 - 4445690199999

is in overeenstemming met de volgende Europese Richtlijnen en geharmoniseerde normen

2006/42/EC, 2004/108/EC (tot 19 April 2016), 2014/30/EU (vanaf 20 April 2016), 2000/14/EC, 2005/88/EC,  
2011/65/EU, EN 55014-1:2006+A1:2009+A2:2011, EN  
55014-2:1997+A1:2001+A2:2008, EN 61000-3-2:2014,  
EN 61000-3-11:2000, EN 60335-1:2012+A11:2014, EN 50434:2014, EN  
50581:2012

Gemeten geluidsniveau: 106.45 dB(A)

Gegarandeerd geluidsniveau: 107 dB(A)

Evaluatiemethode conformiteit volgens bijlage V Richtlijn 2000/14/EC gewijzigd door 2005/88/EC.

Andrew John Eyre (BEng, CEng, MIET)  
Vice-president, Regelgeving en Veiligheid  
Winnenden, Sep. 12, 2015

Afgevaardigde voor het samenstellen van de technische fiche:

Alexander Krug, Directeur  
Technronic Industries GmbH  
Max-Eyth-Straße 10, 71364 Winnenden, Germany

**DA EC OVERENSSTEMMELSEERKLÆRING**

Technronic Industries GmbH  
Max-Eyth-Straße 10, 71364 Winnenden, Germany

Vi erklærer hermed, at produktet

Elektrisk slagkværn  
Brand: Ryobi  
Modelnummer: RSH2545B  
Serienummerområde: 44456901000001 - 4445690199999

er i overensstemmelse med følgende EU-direktiver og harmoniserede standarder

2006/42/EC, 2004/108/EC (indtil 19 April 2016), 2014/30/EU (fra 20 April 2016), 2000/14/EC, 2005/88/EC,  
2011/65/EU, EN 55014-1:2006+A1:2009+A2:2011, EN  
55014-2:1997+A1:2001+A2:2008, EN 61000-3-2:2014,  
EN 61000-3-11:2000, EN 60335-1:2012+A11:2014, EN 50434:2014, EN  
50581:2012

Målt støjniveau: 106.45 dB(A)

Garanteret støjniveau: 107 dB(A)

Overensstemmelsesvurderingsmetode til bilag V Direktiv 2000/14/EC ændret ved 2005/88/EC.

Andrew John Eyre (BEng, CEng, MIET)  
Vicepræsident, Regler og Sikkerhed  
Winnenden, Sep. 12, 2015

Bemyndiget til at udarbejde det tekniske kartotek:

Alexander Krug, Administrerende Direktør  
Technronic Industries GmbH  
Max-Eyth-Straße 10, 71364 Winnenden, Germany

## SV EC-KONFORMITETSDEKLARATION

Techtronic Industries GmbH  
Max-Eyth-Straße 10, 71364 Winnenden, Germany

### Härmed deklarerar vi att produkterna

Elektrisk kompostkvarn  
Märke: Ryobi  
Modellnummer: RSH2545B  
Serienummerintervall: 44456901000001 - 44456901999999

### är i enlighet med följande EU-direktiv och harmoniserade standarder

2006/42/EC, 2004/108/EC (till och med 19 April 2016), 2014/30/EU (från och med 20 April 2016), 2000/14/EC, 2005/88/EC, 2011/65/EU, EN 55014-1:2006+A1:2009+A2:2011, EN 55014-2:1997+A1:2001+A2:2008, EN 61000-3-2:2014, EN 61000-3-11:2000, EN 60335-1:2012+A11:2014, EN 50434:2014, EN 50581:2012

Uppmått ljudeffektnivå: 106.45 dB(A)  
Garanterad ljudeffektnivå: 107 dB(A)  
Konformitetsbedömning gjord enligt metod i V Direktiv 2000/14/EC samt tilläggen i 2005/88/EC.

Andrew John Eyre (BEng, CEng, MIET)  
Vice President, Regelverk och Säkerhet  
Winnenden, Sep. 12, 2015

Godkänd att sammanställa den tekniska filen:  
Alexander Krug, VD  
Techtronic Industries GmbH  
Max-Eyth-Straße 10, 71364 Winnenden, Germany

## NO EC-SAMSVARERKLÆRING

Techtronic Industries GmbH  
Max-Eyth-Straße 10, 71364 Winnenden, Germany

### Herved erklærer vi at produktet

Elektrisk oppkappingsmaskin  
Märke: Ryobi  
Modellnummer: RSH2545B  
Serienummerserie: 44456901000001 - 44456901999999

### er i samsvar med følgende europeiske direktiver og harmoniserte standarder

2006/42/EC, 2004/108/EC (til 19 April 2016), 2014/30/EU (fra 20 April 2016), 2000/14/EC, 2005/88/EC, 2011/65/EU, EN 55014-1:2006+A1:2009+A2:2011, EN 55014-2:1997+A1:2001+A2:2008, EN 61000-3-2:2014, EN 61000-3-11:2000, EN 60335-1:2012+A11:2014, EN 50434:2014, EN 50581:2012

Målt lydteffektnivå: 106.45 dB(A)  
Garantert lydteffektnivå: 107 dB(A)  
Metode for vurdering av konformitet til Tillegg V Direktiv 2000/14/EC endret ved 2005/88/EC.

Andrew John Eyre (BEng, CEng, MIET)  
Visepresident, Forskrifter og Sikkerhet  
Winnenden, Sep. 12, 2015

Autorisert til å sette sammen den tekniske filen:  
Alexander Krug, Administrerende Direktør  
Techtronic Industries GmbH  
Max-Eyth-Straße 10, 71364 Winnenden, Germany

## FI EC-SÄÄNNÖSTEN NOUDATTAMINEN

Techtronic Industries GmbH  
Max-Eyth-Straße 10, 71364 Winnenden, Germany

### Ilmoitamme täten, että tuotteet

Sähkökäyttöinen iskusilppuri  
Tuotemerkki: Ryobi  
Mallinumero: RSH2545B  
Sarjanumerosalue: 44456901000001 - 44456901999999

### noudattaa seuraavia EU-direktiivejä ja harmonoituja standardeja

2006/42/EC, 2004/108/EC (19 April 2016 saakka), 2014/30/EU (20 April 2016 alkaen), 2000/14/EC, 2005/88/EC, 2011/65/EU, EN 55014-1:2006+A1:2009+A2:2011, EN 55014-2:1997+A1:2001+A2:2008, EN 61000-3-2:2014, EN 61000-3-11:2000, EN 60335-1:2012+A11:2014, EN 50434:2014, EN 50581:2012

Mitattu äänenteho: 106.45 dB(A)  
Taattu ääniteho: 107 dB(A)  
Säännösten noudattaminen tarkastettu direktiivin 2000/14/EC liitteen V mukaisesti muunnettu direktiivillä 2005/88/EC.

Andrew John Eyre (BEng, CEng, MIET)  
Varatoimitusjohtaja, Säästöstenmukaisuus ja Turvallisuus  
Winnenden, Sep. 12, 2015

Valtuutettu kokoamaan tekninen tiedosto:  
Alexander Krug, Toimitusjohtaja  
Techtronic Industries GmbH  
Max-Eyth-Straße 10, 71364 Winnenden, Germany

## RU ЗАЯВЛЕНИЕ О СООТВЕТСТВИИ ТРЕБОВАНИЯМ ЕС

Techtronic Industries GmbH  
Max-Eyth-Straße 10, 71364 Winnenden, Germany

### Настоящим мы заявляем, что данный продукт

Электрический ударный измельчитель  
Марка: Ryobi  
Номер модели: RSH2545B  
Диапазон заводских номеров: 44456901000001 - 44456901999999

соответствует требованиям следующих Директив ЕС и согласованных стандартов  
2006/42/EC, 2004/108/EC (до 19 апреля 2016), 2014/30/EU (с 20 апреля 2016), 2000/14/EC, 2005/88/EC, 2011/65/EU, EN 55014-1:2006+A1:2009+A2:2011, EN 55014-2:1997+A1:2001+A2:2008, EN 61000-3-2:2014, EN 61000-3-11:2000, EN 60335-1:2012+A11:2014, EN 50434:2014, EN 50581:2012

Измеренный уровень звуковой мощности: 106.45 dB(A)  
Гарантируемый уровень звуковой мощности: 107 dB(A)  
Способ оценки соответствия, приложение V к директиве 2000/14/EC с изменениями 2005/88/EC.

Andrew John Eyre (BEng, CEng, MIET)  
Вице-Президент По Технике Безопасности И Стандартам  
Winnenden, Sep. 12, 2015

Лицо, ответственное за подготовку технической документации:  
Alexander Krug, Директор  
Techtronic Industries GmbH  
Max-Eyth-Straße 10, 71364 Winnenden, Germany

**PL** DEKLARACJA ZGODNOŚCI EC

Techtronic Industries GmbH  
Max-Eyth-Straße 10, 71364 Winnenden, Germany

*Niniejszym deklarujemy, że produkty*

Elektryczna rozdrabniarka udarów

Marka: Ryobi

Numer modelu: RSH2545B

Zakres numerów seryjnych: 44456901000001 - 44456901999999

*jest zgodny z następującymi dyrektywami europejskimi i zharmonizowanymi normami*

2006/42/EC, 2004/108/EC (do 19 April 2016), 2014/30/EU (od 19 April 2016),

2000/14/EC, 2005/88/EC,

2011/65/EU, EN 55014-1:2006+A1:2009+A2:2011, EN

55014-2:1997+A1:2001+A2:2008, EN 61000-3-2:2014,

EN 61000-3-11:2000, EN 60335-1:2012+A11:2014, EN 50434:2014, EN

50581:2012

Zmierzony poziom natężenia hałasu: 106.45 dB(A)

Maksymalny poziom natężenia hałasu: 107 dB(A)

Metoda ocena zgodności zgodnie z aneksem V Dyrektywa 2000/14/EC zmieniona przez dyrektywę 2005/88/EC.

Andrew John Eyre (BEng, CEng, MIET)

Wiceprezes ds. Zgodności Prawnej i Bezpieczeństwa

Winnenden, Sep. 12, 2015

Osoba upoważniona do sporządzenia dokumentu technicznego:

Alexander Krug, Dyrektor Zarządzający

Techtronic Industries GmbH

Max-Eyth-Straße 10, 71364 Winnenden, Germany

**HU** EC MEGFELELŐSÉGI NYILATKOZAT

Techtronic Industries GmbH  
Max-Eyth-Straße 10, 71364 Winnenden, Germany

*Ezúton kijelentjük, hogy a termékek*

Elektromos aprító

Márka: Ryobi

Típusszám: RSH2545B

Sorozatszám tartomány: 44456901000001 - 44456901999999

*megfelel az alábbi Európai Irányelvek és harmonizált szabványok vonatkozó rendelkezéseinek*

2006/42/EC, 2004/108/EC (2016 April 19-ig), 2014/30/EU (2016 April 19-től),

2000/14/EC, 2005/88/EC,

2011/65/EU, EN 55014-1:2006+A1:2009+A2:2011, EN

55014-2:1997+A1:2001+A2:2008, EN 61000-3-2:2014,

EN 61000-3-11:2000, EN 60335-1:2012+A11:2014, EN 50434:2014, EN

50581:2012

Mért hangteljesítményszint: 106.45 dB(A)

Garantált hangteljesítményszint: 107 dB(A)

A megfelelőségi értékelési eljárás a 2000/14/EC irányelv V. függeléke szerint történt által módosított 2005/88/EC irányelv.

Andrew John Eyre (BEng, CEng, MIET)

Alelnök, Megfelelőségi és Biztonsági Területek

Winnenden, Sep. 12, 2015

A műszaki dokumentáció összeállítására felhatalmazott:

Alexander Krug, Ügyvezető Igazgató

Techtronic Industries GmbH

Max-Eyth-Straße 10, 71364 Winnenden, Germany

**CS** PROHLÁŠENÍ O SHODĚ EC

Techtronic Industries GmbH  
Max-Eyth-Straße 10, 71364 Winnenden, Germany

*Tímto prohlašujeme, že výrobky*

Elektrický dříč

Značka: Ryobi

Číslo modelu: RSH2545B

Rozsah sériových čísel: 44456901000001 - 44456901999999

*že tento výrobek je v souladu s evropskými a harmonizovanými standardy*

2006/42/EC, 2004/108/EC (do 19 April 2016), 2014/30/EU (od 20 April 2016),

2000/14/EC, 2005/88/EC,

2011/65/EU, EN 55014-1:2006+A1:2009+A2:2011, EN

55014-2:1997+A1:2001+A2:2008, EN 61000-3-2:2014,

EN 61000-3-11:2000, EN 60335-1:2012+A11:2014, EN 50434:2014, EN

50581:2012

Změřená hladina akustického výkonu: 106.45 dB(A)

Zaručená hladina akustického výkonu: 107 dB(A)

Soulad s metodou určování pro přílohu V směrnice 2000/14/EC upravená 2005/88/EC.

Andrew John Eyre (BEng, CEng, MIET)

Viceprezident, Normy a Bezpečnost

Winnenden, Sep. 12, 2015

Pověření ke kompilaci technického souboru:

Alexander Krug, Generální Reditel

Techtronic Industries GmbH

Max-Eyth-Straße 10, 71364 Winnenden, Germany

**RO** DECLARAȚIE DE CONFORMITATE EC

Techtronic Industries GmbH  
Max-Eyth-Straße 10, 71364 Winnenden, Germany

*Prin prezenta, declarăm că produsele*

Tocător electric cu impact

Marcă: Ryobi

Număr serie: RSH2545B

Gamă număr serie: 44456901000001 - 44456901999999

*este în conformitate cu următoarele Directive Europene și standarde armonizate*

2006/42/EC, 2004/108/EC (până la 19 April 2016), 2014/30/EU (de la 20 April

2016), 2000/14/EC, 2005/88/EC,

2011/65/EU, EN 55014-1:2006+A1:2009+A2:2011, EN

55014-2:1997+A1:2001+A2:2008, EN 61000-3-2:2014,

EN 61000-3-11:2000, EN 60335-1:2012+A11:2014, EN 50434:2014, EN

50581:2012

Nivelul măsurat al puterii acustice: 106.45 dB(A)

Nivel garantat al puterii acustice: 107 dB(A)

Metoda de evaluare a conformității cu Anexa V Directiva 2000/14/EC modificată prin 2005/88/EC.

Andrew John Eyre (BEng, CEng, MIET)

Vicepreședinte, Reglementare și Siguranță

Winnenden, Sep. 12, 2015

Autorizat să completeze fișa tehnică:

Alexander Krug, Director General

Techtronic Industries GmbH

Max-Eyth-Straße 10, 71364 Winnenden, Germany

**LV EC ATBILSTĪBAS DEKLARĀCIJA**

Techtronic Industries GmbH  
Max-Eyth-Straße 10, 71364 Winnenden, Germany

*Ar šo paziņojam, ka produkti*

Elektriskais zaru smalcinātājs  
Zīmols: Ryobi  
Modeļa numurs: RSH2545B  
Sērijas numura intervāls: 44456901000001 - 44456901999999

*atbilst šādām Eiropas direktīvām un saskaņotajiem standartiem*

2006/42/EC, 2004/108/EC (Izdz 19 April 2016), 2014/30/EU (no 20 April 2016),  
2000/14/EC, 2005/88/EC,  
2011/65/EU, EN 55014-1:2006+A1:2009+A2:2011, EN  
55014-2:1997+A1:2001+A2:2008, EN 61000-3-2:2014,  
EN 61000-3-11:2000, EN 60335-1:2012+A11:2014, EN 50434:2014, EN  
50581:2012

Izmērītās skaņas jaudas līmenis: 106.45 dB(A)  
Garantētās skaņas intensitātes līmenis: 107 dB(A)

Atbilstības novērtēšanas metode pielikumam V Direktīvai 2000/14/EC labota  
2005/88/EC.

Andrew John Eyre (BEng, CEng, MIET)  
Viceprezidents, Darba Drošības Notoelumi  
Winnenden, Sep. 12, 2015

Pilnvarots sastādīt tehnisko failu:

Alexander Krug, Izpilddirektors  
Techtronic Industries GmbH  
Max-Eyth-Straße 10, 71364 Winnenden, Germany

CE

**ET EC VASTAVUSDEKLARATSIOON**

Techtronic Industries GmbH  
Max-Eyth-Straße 10, 71364 Winnenden, Germany

*Kinnitame, et see toode*

Elektriline lõök-oksapuruusti  
Mark: Ryobi  
Modeli number: RSH2545B  
Seerianumbri vahemik: 44456901000001 - 44456901999999

*vastab järgmistele Euroopa direktiividele ja harmoniseeritud standarditele*

2006/42/EC, 2004/108/EC (kuni 19 April 2016), 2014/30/EU (alates 19 April  
2016), 2000/14/EC, 2005/88/EC,  
2011/65/EU, EN 55014-1:2006+A1:2009+A2:2011, EN  
55014-2:1997+A1:2001+A2:2008, EN 61000-3-2:2014,  
EN 61000-3-11:2000, EN 60335-1:2012+A11:2014, EN 50434:2014, EN  
50581:2012

Möödetud helivõimsuse tase: 106.45 dB(A)  
Garanteeritud helivõimsuse tase: 107 dB(A)

Vastavushindamine vastavalt lisale V direktiivis 2000/14/EC muudetud direktiiviga  
2005/88/EC.

Andrew John Eyre (BEng, CEng, MIET)  
Asepresident Standardiseerimise Ja Ohutuse Alal  
Winnenden, Sep. 12, 2015

Tehnilise faili koostamiseks volitatud isik:

Alexander Krug, Tegevdirektor  
Techtronic Industries GmbH  
Max-Eyth-Straße 10, 71364 Winnenden, Germany

CE

**LT EC ATITIKTIKIES DEKLARACIJA**

Techtronic Industries GmbH  
Max-Eyth-Straße 10, 71364 Winnenden, Germany

*Mes pareiškiame, kad šie produktai*

Elektrinis smūginis smulkintuvas  
Prekės ženklas: Ryobi  
Modelio numeris: RSH2545B  
Serijinio numerio diapazonas: 44456901000001 - 44456901999999

*pagamintas laikantis toliau nurodytųjų Europos Direktyvų ir darniųjų standartų*

2006/42/EC, 2004/108/EC (iki 2016 m. April 19 d.), 2014/30/EU (nuo 2016  
m. April 20 d.), 2000/14/EC, 2005/88/EC,  
2011/65/EU, EN 55014-1:2006+A1:2009+A2:2011, EN  
55014-2:1997+A1:2001+A2:2008, EN 61000-3-2:2014,  
EN 61000-3-11:2000, EN 60335-1:2012+A11:2014, EN 50434:2014, EN  
50581:2012

Išmatuotas akustinis lygis: 106.45 dB(A)

Garantuotas akustinis lygis: 107 dB(A)

Atitikties įvertinimo metodas pagal direktyvos 2000/14/EC, V Priedą su pataisomis  
2005/88/EC.

Andrew John Eyre (BEng, CEng, MIET)  
Kontrolės Ir Saugos Viceprezidentas  
Winnenden, Sep. 12, 2015

[galiotas sudaryti techninį failą:

Alexander Krug, Generalinis Direktorius  
Techtronic Industries GmbH  
Max-Eyth-Straße 10, 71364 Winnenden, Germany

CE

**HR EC IZJAVA O USKLADENOSTI**

Techtronic Industries GmbH  
Max-Eyth-Straße 10, 71364 Winnenden, Germany

*Ovim izjavljujemo da su proizvodi*

Električna rezačica  
Marka: Ryobi  
Broj modela: RSH2545B  
Raspon serijskog broja: 44456901000001 - 44456901999999

*usklađeni sa sljedećim Europskim Direktivama i usklađenim normama*

2006/42/EC, 2004/108/EC (do 19 April 2016), 2014/30/EU (da 20 April 2016),  
2000/14/EC, 2005/88/EC,  
2011/65/EU, EN 55014-1:2006+A1:2009+A2:2011, EN  
55014-2:1997+A1:2001+A2:2008, EN 61000-3-2:2014,  
EN 61000-3-11:2000, EN 60335-1:2012+A11:2014, EN 50434:2014, EN  
50581:2012

Izmjerena razina zvučne snage: 106.45 dB(A)

Jamčena razina zvučne snage: 107 dB(A)

Metoda procjene usklađenosti prema Dodatku V Direktive 2000/14/EC navedeno  
u 2005/88/EC.

Andrew John Eyre (BEng, CEng, MIET)  
Potpredsjednik za Pravila i Sigurnost  
Winnenden, Sep. 12, 2015

Ovlašten da sastavi tehničku datoteku:

Alexander Krug, Direktor Upravljanja  
Techtronic Industries GmbH  
Max-Eyth-Straße 10, 71364 Winnenden, Germany

CE

**SL** IZJAVA EC O SKLADNOSTI

Techtronic Industries GmbH  
Max-Eyth-Straße 10, 71364 Winnenden, Germany

*Izjavljamo, da je izdelek*

Električni drobilnik vej  
Znamka: Ryobi  
Številka modela: RSH2545B  
Razpon serijskih števil: 44456901000001 - 4445690199999

*v skladu s sledečimi evropskimi direktivami in harmoniziranimi standardi*  
2006/42/EC, 2004/108/EC (do 19 April 2016), 2014/30/EU (od 20 April 2016),  
2000/14/EC, 2005/88/EC,  
2011/65/EU, EN 55014-1:2006+A1:2009+A2:2011, EN  
55014-2:1997+A1:2001+A2:2008, EN 61000-3-2:2014,  
EN 61000-3-11:2000, EN 60335-1:2012+A11:2014, EN 50434:2014, EN  
50581:2012

Izmerjena raven zvočne moči: 106.45 dB(A)  
Zajamčena raven zvočne moči: 107 dB(A)  
Način ugotavljanja skladnosti z aneksom V direktive 2000/14/EC ki je bila spremenjena z 2005/88/EC.

Andrew John Eyre (BEng, CEng, MIET)  
Podpredsednik, Zakonodajne In Varnostne Zadeve  
Winnenden, Sep. 12, 2015

Pooblaščenca oseba za sestavo tehnične dokumentacije:  
Alexander Krug, Izvršni Direktor  
Techtronic Industries GmbH  
Max-Eyth-Straße 10, 71364 Winnenden, Germany

**BG** ЕС ДЕКЛАРАЦИЯ НА ЗА СЪОТВЕТСТВИЕ

Techtronic Industries GmbH  
Max-Eyth-Straße 10, 71364 Winnenden, Germany

С настоящето декларираме, че продуктите

Електрическа ударна дробилка  
Марка: Ryobi  
Номер на модела: RSH2545B  
Обхват на серийни номера: 44456901000001 - 4445690199999

отговаря на следните директиви на ЕС и хармонизирани стандарти  
2006/42/EC, 2004/108/EC (до 19 April 2016), 2014/30/EU (от 20 April 2016),  
2000/14/EC, 2005/88/EC,  
2011/65/EU, EN 55014-1:2006+A1:2009+A2:2011, EN  
55014-2:1997+A1:2001+A2:2008, EN 61000-3-2:2014,  
EN 61000-3-11:2000, EN 60335-1:2012+A11:2014, EN 50434:2014, EN  
50581:2012

Измерено ниво на шум: 106.45 dB(A)  
Гарантирано ниво на шум 107 dB(A)  
Метод за оценяване на съответствието с приложение V Директива 2000/14/EC,  
изменена от 2005/88/EC.

Andrew John Eyre (BEng, CEng, MIET)  
Вицепрезидент, Правни Услуги И Безопасност  
Winnenden, Sep. 12, 2015

Упълномощено лице за съставяне на техническия файл:  
Alexander Krug, Изпълнителен Директор  
Techtronic Industries GmbH  
Max-Eyth-Straße 10, 71364 Winnenden, Germany

**SK** PREHLÁSENIE O ZHODE EC

Techtronic Industries GmbH  
Max-Eyth-Straße 10, 71364 Winnenden, Germany

*Týmto vyhlasujeme, že výrobok*

Elektrická nárazová drvička  
Značka: Ryobi  
Číslo modelu: RSH2545B  
Rozsah sériových čísel: 44456901000001 - 4445690199999

*je v súlade s nasledujúcimi Európskymi smernicami a harmonizovanými normami*  
2006/42/EC, 2004/108/EC (do 19 April 2016), 2014/30/EU (od 20 April 2016),  
2000/14/EC, 2005/88/EC,  
2011/65/EU, EN 55014-1:2006+A1:2009+A2:2011, EN  
55014-2:1997+A1:2001+A2:2008, EN 61000-3-2:2014,  
EN 61000-3-11:2000, EN 60335-1:2012+A11:2014, EN 50434:2014, EN  
50581:2012

Nameraná úroveň hluku: 106.45 dB(A)  
Garantovaná úroveň hluku: 107 dB(A)  
Spôsob určenia zhody podľa Dodatku V Smernica 2000/14/EC doplnená o 2005/88/EC.

Andrew John Eyre (BEng, CEng, MIET)  
Viceprezident, Regulácia a Bezpečnosť  
Winnenden, Sep. 12, 2015

Oprávnená osoba na zostavenie technického súboru:  
Alexander Krug, Generálny Riaditeľ  
Techtronic Industries GmbH  
Max-Eyth-Straße 10, 71364 Winnenden, Germany

**UK** ЕС ДЕКЛАРАЦИЯ ПРО ВІДПОВІДНІСТЬ

Techtronic Industries GmbH  
Max-Eyth-Straße 10, 71364 Winnenden, Germany

*При цьому ми заявляємо, що продукт*

Електричний ударний подрібнювач  
Марка: Ryobi  
Номер моделі: RSH2545B  
Діапазон серійного номеру: 44456901000001 - 4445690199999

*у відповідності з наступними європейськими директивами та гармонізованими стандартами*  
2006/42/EC, 2004/108/EC (до 19 квітня 2016), 2014/30/EU (від 20 квітня 2016),  
2000/14/EC, 2005/88/EC,  
2011/65/EU, EN 55014-1:2006+A1:2009+A2:2011, EN  
55014-2:1997+A1:2001+A2:2008, EN 61000-3-2:2014,  
EN 61000-3-11:2000, EN 60335-1:2012+A11:2014, EN 50434:2014, EN  
50581:2012

Вимірний рівень звукової потужності: 106.45 dB(A)  
Гарантований рівень звукової потужності: 107 dB(A)  
Метод оцінки відповідності Annex V Directive 2000/14/EC з поправками,  
внесеними 2005/88/EC.

Andrew John Eyre (BEng, CEng, MIET)  
Віце-президент, регулювання і безпека  
Winnenden, Sep. 12, 2015

Дозвіл на складання технічного файла:  
Alexander Krug, керуючий Директор  
Techtronic Industries GmbH  
Max-Eyth-Straße 10, 71364 Winnenden, Germany







**Techtronic Industries GmbH**  
Max-Eyth-Straße 10,  
71364 Winnenden, Germany



## **ОФИЦИАЛЬНЫЙ ДИЛЕР В УКРАИНЕ:**

[storgom.ua](http://storgom.ua)

## **ГРАФИК РАБОТЫ:**

Пн. – Пт.: с 8:30 по 18:30

Сб.: с 09:00 по 16:00

Вс.: с 10:00 по 16:00

## **КОНТАКТЫ:**

+38 (044) 360-46-77

+38 (066) 77-395-77

+38 (097) 77-236-77

+38 (093) 360-46-77

Детальное описание товара:

<https://storgom.ua/product/izmelchitelsadovyryobirsh25-5b51330025-2.html>

Другие товары: <https://storgom.ua/izmelchiteli-vetok.html>