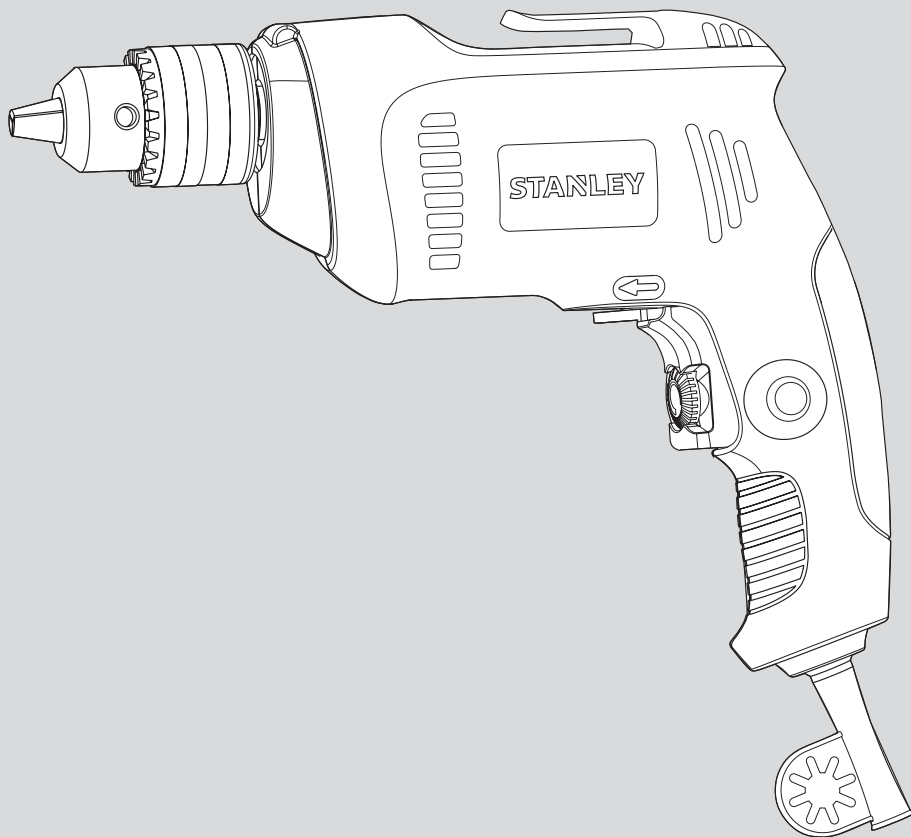
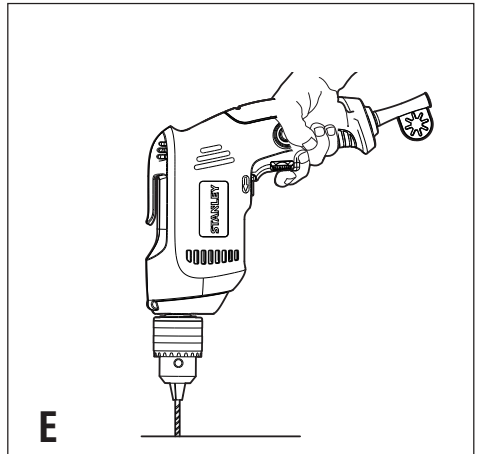
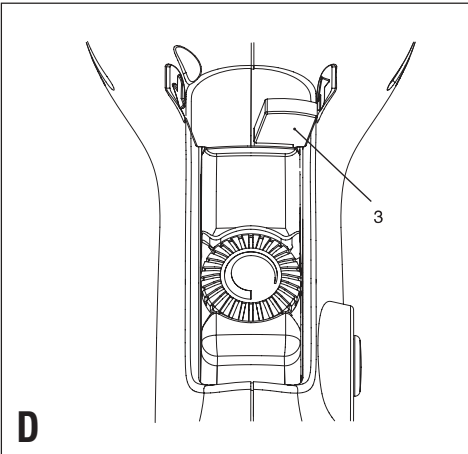
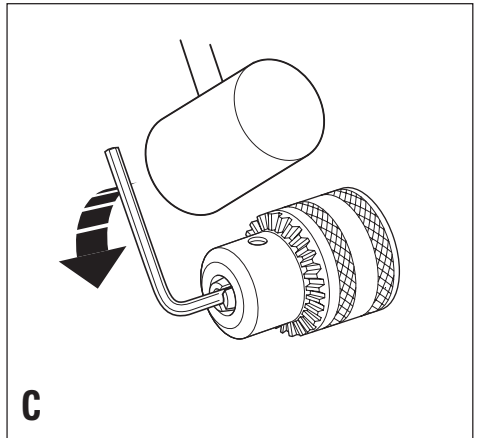
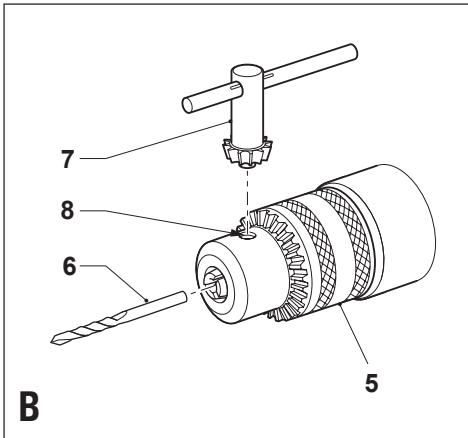
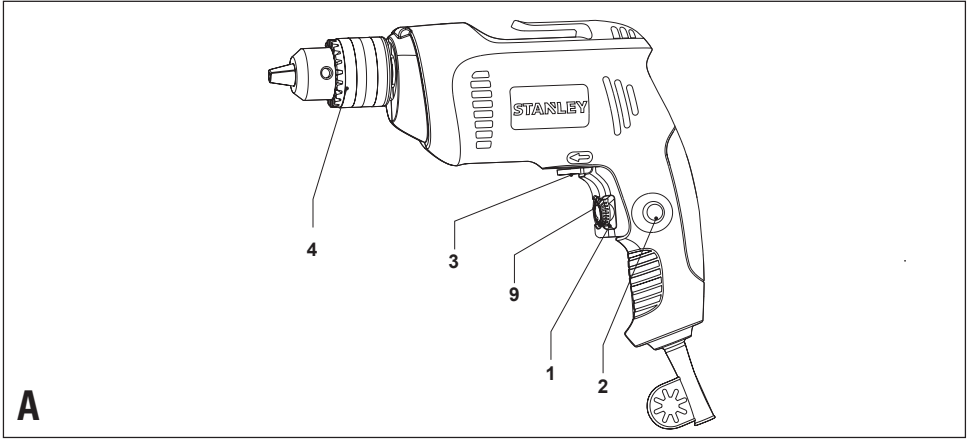


STANLEY



STDR5510

English	Page 3
French	Page 7
Portuguese	Page 11
Russian	Page 15
Ukrainian	Page 24
Arabic	Page 31



Intended use

Your STANLEY rotary drill has been designed for drilling in wood, metal and plastic. This tool is intended for consumer use only.

Original Instruction

General Power Tool Safety Warnings



Warning! Read all safety warnings and all instructions. Failure to follow the warnings and instructions may result in electric shock, fire and/or serious injury.

Save all warnings and instructions for future reference.

The term "power tool" in the warnings refers to your mains-operated (corded) power tool or battery-operated (cordless) power tool.

1. Work area safety

- a. **Keep work area clean and well lit.** Cluttered or dark areas invite accidents.
- b. **Do not operate power tools in explosive atmospheres, such as in the presence of flammable liquids, gases or dust.** Power tools create sparks which may ignite the dust or fumes.
- c. **Keep children and bystanders away while operating a power tool.** Distractions can cause you to lose control.

2. Electrical safety

- a. **Power tool plugs must match the outlet. Never modify the plug in any way. Do not use any adapter plugs with earthed (grounded) power tools.** Unmodified plugs and matching outlets will reduce risk of electric shock.
- b. **Avoid body contact with earthed or grounded surfaces, such as pipes, radiators, ranges and refrigerators.** There is an increased risk of electric shock if your body is earthed or grounded.
- c. **Do not expose power tools to rain or wet conditions.** Water entering a power tool will increase the risk of electric shock.
- d. **Do not abuse the cord. Never use the cord for carrying, pulling or unplugging the power tool. Keep cord away from heat, oil, sharp edges or moving parts.** Damaged or entangled cords increase the risk of electric shock.

- e. **When operating a power tool outdoors, use an extension cord suitable for outdoor use.** Use of a cord suitable for outdoor use reduces the risk of electric shock.
 - f. **If operating a power tool in a damp location is unavoidable, use a residual current device (RCD) protected supply.** Use of an RCD reduces the risk of electric shock.
- ### 3. Personal safety
- a. **Stay alert, watch what you are doing and use common sense when operating a power tool. Do not use a power tool while you are tired or under the influence of drugs, alcohol or medication.** A moment of inattention while operating power tools may result in serious personal injury.
 - b. **Use personal protective equipment. Always wear eye protection.** Protective equipment such as dust mask, non-skid safety shoes, hard hat, or hearing protection used for appropriate conditions will reduce personal injuries.
 - c. **Prevent unintentional starting. Ensure the switch is in the off-position before connecting to power source and/or battery pack, picking up or carrying the tool.** Carrying power tools with your finger on the switch or energising power tools that have the switch on invites accidents.
 - d. **Remove any adjusting key or wrench before turning the power tool on.** A wrench or a key left attached to a rotating part of the power tool may result in personal injury.
 - e. **Do not overreach. Keep proper footing and balance at all times.** This enables better control of the power tool in unexpected situations.
 - f. **Dress properly. Do not wear loose clothing or jewellery. Keep your hair, clothing and gloves away from moving parts.** Loose clothes, jewellery or long hair can be caught in moving parts.
 - g. **If devices are provided for the connection of dust extraction and collection facilities, ensure these are connected and properly used.** Use of dust collection can reduce dust-related hazards.

4. Power tool use and care

- a. **Do not force the power tool. Use the correct power tool for your application.** The correct power tool will do the job better and safer at the rate for which it was designed.
- b. **Do not use the power tool if the switch does not turn it on and off.** Any power tool that cannot be controlled with the switch is dangerous and must be repaired.
- c. **Disconnect the plug from the power source and/or the battery pack from the power tool before making any adjustments, changing accessories, or storing power tools.** Such preventive safety measures reduce the risk of starting the power tool accidentally.
- d. **Store idle power tools out of the reach of children and do not allow persons unfamiliar with the power tool or these instructions to operate the power tool.** Power tools are dangerous in the hands of untrained users.
- e. **Maintain power tools. Check for misalignment or binding of moving parts, breakage of parts and any other condition that may affect the power tools operation. If damaged, have the power tool repaired before use.** Many accidents are caused by poorly maintained power tools.
- f. **Keep cutting tools sharp and clean.** Properly maintained cutting tools with sharp cutting edges are less likely to bind and are easier to control.
- g. **Use the power tool, accessories and tool bits etc. in accordance with these instructions, taking into account the working conditions and the work to be performed.** Use of the power tool for operations different from those intended could result in a hazardous situation.










5. Service

- a. **Have your power tool serviced by a qualified repair person using only identical replacement parts.** This will ensure that the safety of the power tool is maintained.

- **Hold power tool by insulated gripping surfaces, when performing an operation where the cutting accessory may contact hidden wiring or its own cord.** Cutting accessory contacting a "live" wire may make exposed metal parts of the power tool "live" and could give the operator an electric shock.
- Use clamps or another practical way to secure and support the workpiece to a stable platform. Holding the work by hand or against your body leaves it unstable and may lead to loss of control.
- Before drilling into walls, floors or ceilings, check for the location of wiring and pipes.
- Avoid touching the tip of a drill bit just after drilling, as it may be hot.
- This tool is not intended for use by persons (including children) with reduced physical, sensory or mental capabilities, or lack of experience and knowledge, unless they have been given supervision or instruction concerning use of the appliance by a person responsible for their safety. Children should be supervised to ensure that they do not play with the appliance.
- The intended use is described in this instruction manual. The use of any accessory or attachment or performance of any operation with this tool other than those recommended in this instruction manual may present a risk of personal injury and/or damage to property.

Labels on tool

The label on your tool may include the following symbols:

	Read Instructions Manual	Hz Hertz		Class II Construction
	Use Eye Protection	W Watts		Earthing Terminal
	Use Ear Protection	min minutes		Safety Alert Symbol
		 Alternating Current		Revolutions or Reciprocation per minute
		 Direct Current		
V Volts		n_0 No-Load Speed		
A Amperes				

Additional power tool safety warnings



Warning! Drill safety warnings

- **Wear ear protectors when impact drilling.** Exposure to noise can cause hearing loss.
- **Use auxiliary handle(s), if supplied with the tool.** Loss of control can cause personal injury.

Position of date barcode

The Date Code, which also includes the year of manufacture, is printed into the housing.

Example:

2014 XX JN
Year of manufacturing

Electrical safety



This tool is double insulated; therefore no earth wire is required. Always check that the power supply corresponds to the voltage on the rating plate.

- If the supply cord is damaged, it must be replaced by the manufacturer or an authorised STANLEY Service Centre in order to avoid a hazard.

Using an extension cable

- Always use an approved extension cable suitable for the power input of this tool (see technical data). Before use, inspect the extension cable for signs of damage, wear and ageing. Replace the extension cable if damaged or defective. When using a cable reel, always unwind the cable completely. Use of an extension cable not suitable for the power input of the tool or which is damaged or defective may result in a risk of fire and electric shock.

Features

This tool includes some or all of the following features.

1. Variable speed switch
2. Lock-on button
3. Forward/reverse slider
4. Chuck
5. Sleeve
6. Bit Shaft
7. Speed dial
8. Hole
9. Speed dial

Assembly

Warning! Before assembly, make sure that the tool is switched off and unplugged.

Keyed chuck (fig. B)

- Open the chuck by turning the sleeve (5) counterclockwise.
- Insert the bit shaft (6) into the chuck.
- Insert the chuck key (7) into each hole (8) in the side of the chuck and turn clockwise until tight.

Removing and refitting the chuck (fig. C)

- Open the chuck as far as possible.

- Remove the chuck retaining screw, located in the chuck, by turning it clockwise using a screwdriver.
- Tighten an Allen key into the chuck and strike it with a hammer as shown.
- Remove the Allen key.
- Remove the chuck by turning it counterclockwise.
- To refit the chuck, screw it onto the spindle and secure it with the chuck retaining screw.

Use

Warning! Let the tool work at its own pace. Do not overload.

Warning! Before drilling into walls, floors or ceilings, check for the location of wiring and pipes.

Selecting the direction of rotation (fig. D)

For drilling and for tightening screws, use forward (clockwise) rotation. For loosening screws or removing a jammed drill bit, use reverse (counterclockwise) rotation.

- To select forward rotation, push the forward/reverse slider (3) to the left position.
- To select reverse rotation, push the forward/reverse slider to the right.

Viewed when holding the drill in the operating position. After any reversing operations, return slider (3) to forward position.

Warning! Never change the direction of rotation while the motor is running.

Switching on and off

- To switch the tool on, press the variable speed switch (1). The tool speed depends on how far you press the switch.
- For continuous operation, press the lock-on button (2) and release the variable speed switch. This option is available only at full speed.
- To switch the tool off, release the variable speed switch. To switch the tool off when in continuous operation, press the variable speed switch once more and release it.
- Based on the different applications, turn around the speed dial (9) to control the maximum speed.

Proper Hand Position (fig.E)



Warning! To reduce the risk of serious personal injury, ALWAYS use proper hand position as shown in figure E.



Warning! To reduce the risk of serious personal injury, **ALWAYS** hold securely in anticipation of a sudden reaction.

Drilling in metal

Start drilling with slow speed and increase to full power while applying firm pressure on the tool. A smooth even flow of metal chips indicates the proper drilling rate. Use a cutting lubricant when drilling metals. The exceptions are cast iron and brass which should be drilled dry.

Note: Large [5/16" (8 mm)] holes in steel can be made easier if a pilot hole [5/32" (4 mm)] is drilled first.

Drilling in wood

Start drilling with slow speed and increase to full power while applying firm pressure on the tool. Holes in wood can be made with the same twist drills used for metal. These bits may overheat unless pulled out frequently to clear chips from the flutes. Work that is apt to splinter should be backed up with a block of wood.

Accessories

The performance of your tool depends on the accessory used. STANLEY accessories are engineered to high quality standards and designed to enhance the performance of your tool. By using these accessories you will get the very best from your tool.

Maintenance

Your tool has been designed to operate over a long period of time with a minimum of maintenance. Continuous satisfactory operation depends upon proper tool care and regular cleaning.

Warning! Before performing any maintenance, switch off and unplug the tool.

- Regularly clean the ventilation slots in your tool using a soft brush or dry cloth.
- Regularly clean the motor housing using a damp cloth. Do not use any abrasive or solvent-based cleaner.

Remarks

- STANLEY's policy is one of continuous improvement to our products and as such, we reserve the right to modify product specifications without prior notice.
- Standard equipment and accessories may vary by country.
- Product specifications may differ by country.
- Complete product range may not be available in all countries. Contact your local STANLEY dealers for range availability.

Technical data

STDR5510		
POWER	W	550
VOLTAGE	V	220-240
FREQUENCY	Hz	50/60
NO-LOAD SPEED	/min	0-2800
REVERSE		YES
LOCK ON		YES
MAX DRILLING CAPACITY		
STEEL	mm	10
WOOD	mm	25
CHUCK CAPACITY	mm	1.5-10

Protecting the environment



Separate collection. This product must not be disposed of with normal household waste.

Should you find one day that your STANLEY product needs replacement, or if it is of no further use to you, do not dispose of it with household waste. Make this product available for separate collection.



Separate collection of used products and packaging allows materials to be recycled and used again. Re-use of recycled materials helps prevent environmental pollution and reduces the demand for raw materials.

Local regulations may provide for separate collection of electrical products from the household, at municipal waste sites or by the retailer when you purchase a new product. STANLEY provides a facility for the collection and recycling of STANLEY products once they have reached the end of their working life. To take advantage of this service please return your product to any authorised repair agent who will collect them on our behalf.

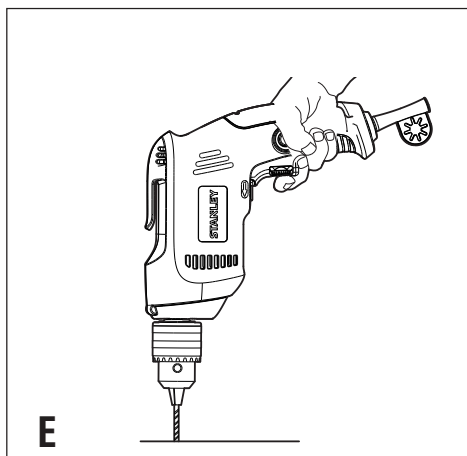
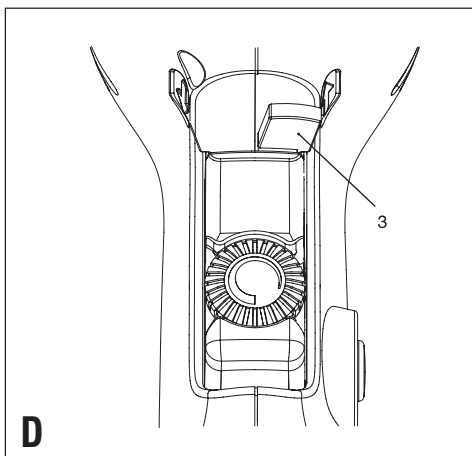
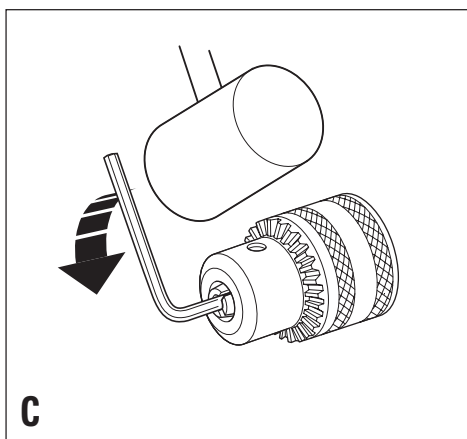
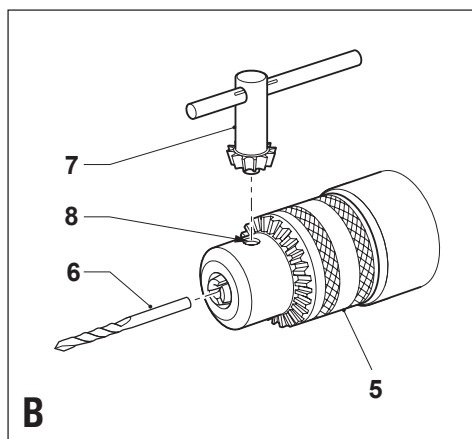
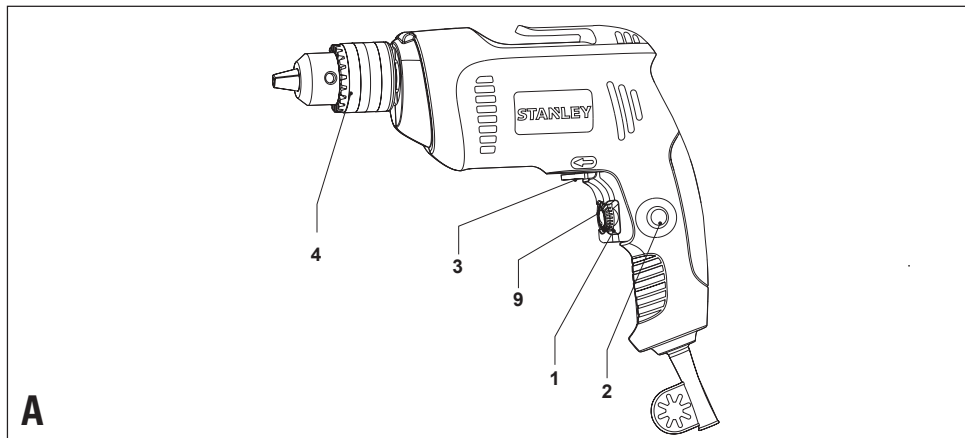
You can check the location of your nearest authorised repair agent by contacting your local STANLEY office at the address indicated in this manual. Alternatively, a list of authorised STANLEY repair agents and full details of our after-sales service and contacts are available on the Internet at: www.2helpU.com

Two years full warranty

If your STANLEY product becomes defective due to faulty materials or workmanship within 24 months from the date of purchase, STANLEY Europe guarantees to replace all defective parts free of charge or – at our discretion – replace the unit free of charge provided that:

- The product has not been misused and has been used in accordance with the instruction manual.
- The product has been subject to fair wear and tear;
- Repairs have not been attempted by unauthorised persons;
- Proof of purchase is produced.
- The STANLEY product is returned complete with all original components

If you wish to make a claim, contact your seller or check the location of your nearest authorised STANLEY repair agent in the STANLEY catalogue or contact your local STANLEY office at the address indicated in this manual. A list of authorised STANLEY repair agents and full details of our after sales service is available on the internet at: www.stanleytools.com



Utilisation

Votre perceuse électrique STANLEY a été conçue pour percer le bois, le métal et le plastique. Cet outil est pour un usage personnel uniquement.

Instructions générales

Consignes générales de sécurité concernant les outils électroportatifs



Attention! Lire avec attention tous les avertissements et toutes les instructions. Le non-respect des avertissements et des instructions indiquées ci-dessous peut entraîner un choc électrique, un incendie et/ou des blessures graves

Conservez ces consignes et ces instructions pour référence ultérieure.

La notion "d'outil électroportatif" mentionnée par la suite se rapporte à des outils électriques raccordés au secteur (avec câble) ou fonctionnant avec piles (sans fil).

1. Sécurité de la zone de travail
 - a. **Maintenir la zone de travail propre et bien éclairée.** Un lieu de travail en désordre ou mal éclairé augmente le risque d'accidents.
 - b. **Ne pas utiliser d'outils électroportatifs dans un environnement présentant des risques d'explosion ni en présence de liquides, gaz ou poussières inflammables.** Les outils électroportatifs génèrent des étincelles risquant d'enflammer les poussières ou les vapeurs.
 - c. **Pendant l'utilisation d'un outil électroportatif, les enfants et autres personnes présentes doivent rester éloignés.** En cas d'inattention, vous risquez de perdre le contrôle de l'outil.
2. Sécurité électrique
 - a. **La fiche de l'outil électrique doit être compatible avec la prise d'alimentation. Ne modifiez la fiche en aucun cas. N'utilisez pas d'adaptateurs avec des outils ayant une prise de terre.** Le respect de ces consignes réduit le risque de choc électrique.
 - b. **Éviter le contact physique avec des surfaces mises à la terre telles que tuyaux, radiateurs, fours et réfrigérateurs.** Le risque de choc électrique augmente si votre corps est relié à la terre.
 - c. **Ne pas exposer les outils électroportatifs à la pluie ou à l'humidité.** La pénétration d'eau dans un outil électroportatif augmente le risque de choc électrique.
 - d. **Ne pas maltraiter le câble d'alimentation. Ne jamais utiliser le câble pour porter l'outil, et ne le tirez pas pour débrancher l'outil. Maintenir le câble éloigné**
 - e. **des sources de chaleur, de la graisse, des bords coupants et des pièces en rotation.** Un câble endommagé ou emmêlé augmente le risque de choc électrique.
 - f. **Lorsque vous utilisez l'outil électroportatif à l'extérieur, utilisez une rallonge homologuée pour une utilisation à l'extérieur.** L'utilisation d'une rallonge électrique homologuée pour les travaux à l'extérieur réduit le risque de choc électrique.
 - g. **Si l'outil doit être utilisé dans un endroit humide, utilisez un dispositif différentiel à courant résiduel (DDR).** L'utilisation d'un tel dispositif réduit le risque de choc électrique.
3. Sécurité personnelle
 - a. **Restez vigilant, surveillez ce que vous faites et faites preuve de bon sens quand vous utilisez un outil. N'utilisez pas un outil électroportatif lorsque vous êtes fatigué ou après avoir consommé de l'alcool ou pris des médicaments.** Un moment d'inattention en utilisant l'outil peut entraîner de graves blessures.
 - b. **Portez un équipement de protection. Portez toujours des lunettes de protection. Selon le travail à effectuer, le port d'un équipement de protection tel que masque anti-poussières, chaussures de sécurité antidérapantes, casque ou protection auditive, réduit le risque de blessures.**
 - c. **Évitez tout démarrage imprévu. L'interrupteur de l'outil doit être en position d'arrêt (off) avant d'effectuer le branchement à l'alimentation et/ou au bloc batterie, de ramasser l'outil ou de le porter.** Porter ou brancher un outil électrique dont l'interrupteur est en position Marche (on) est une invite à l'accident.
 - d. **Retirez les outils ou les clés de réglage avant de mettre l'outil en marche.** Une clé ou un outil se trouvant sur une partie en rotation peut causer des blessures.
 - e. **Adoptez une position confortable. Adoptez une position stable et gardez votre équilibre en permanence.** Vous contrôlerez mieux l'outil dans des situations inattendues.
 - f. **Portez des vêtements appropriés. Ne portez pas de vêtements amples ou de bijoux. N'approchez pas les cheveux, vêtements ou gants des pièces en mouvement.** Les vêtements amples, les bijoux ou les cheveux longs peuvent s'accrocher dans les pièces en mouvement.
 - g. **En cas d'utilisation d'appareils servant à aspirer ou à recueillir les poussières, assurez-vous qu'ils sont correctement raccordés et utilisés.** L'utilisation de tels dispositifs réduit les dangers dus aux poussières.

4. Utilisation des outils électroportatifs et précautions
- Respectez la capacité de l'outil. Utilisez l'outil approprié pour le travail à effectuer. Avec un outil approprié, vous travaillerez mieux et en toute sécurité.
 - N'utilisez pas un outil électroportatif dont l'interrupteur marche/arrêt est défectueux. Un outil électroportatif qui ne répond pas à la commande marche/arrêt est dangereux et doit être réparé.
 - Retirez la fiche de la prise de courant et/ou débranchez le bloc-batterie avant d'effectuer des réglages, de changer les accessoires ou de ranger l'outil. Cette mesure de précaution empêche de mettre l'outil en marche accidentellement.
 - Rangez les outils électroportatifs hors de la portée des enfants et les personnes ne connaissant pas l'outil ne doivent en aucun cas l'utiliser. Les outils électroportatifs sont dangereux lorsqu'ils sont utilisés par des personnes non initiées.
 - Entretenez les outils électroportatifs. Vérifiez que les parties en mouvement fonctionnent correctement et qu'elles ne sont pas coincées. Vérifiez qu'il n'y a pas de pièces cassées ou endommagées susceptibles de nuire au bon fonctionnement de l'outil. S'il est endommagé, faites réparer l'outil avant de l'utiliser. De nombreux accidents sont la conséquence d'outils mal entretenus.
 - Les outils de coupe doivent toujours être aiguisés et propres. Des outils soigneusement entretenus avec des bords tranchants bien aiguisés se coincent moins souvent et peuvent être guidés plus facilement.
 - Utilisez votre outil électrique, les accessoires et les forets etc. conformément à ces instructions, en tenant compte des conditions de travail et de la tâche à accomplir. L'utilisation de l'outil électrique pour des usages différents de ceux pour lesquels il est conçu peut entraîner une situation dangereuse.
5. Réparations
- Faites réparer votre outil électroportatif uniquement par du personnel qualifié et seulement avec des pièces de rechange appropriées. Cela garantira le maintien de la sécurité de votre outil.

Consignes de sécurité supplémentaires pour un outil électrique



Attention! Consignes de sécurité

- Portez des protecteurs auditifs quand vous utilisez une perceuse à percussion. L'exposition au bruit peut causer une perte de l'acuité auditive.
- Utilisez la ou les poignées auxiliaires, si fournies avec l'outil. Vous risquez de vous blesser si vous perdez le contrôle.

- Tenez l'outil électrique par les surfaces de prise isolées quand l'accessoire de coupe risque d'entrer en contact avec un fil électrique caché ou son propre cordon. Si l'accessoire de coupe entre en contact avec un fil sous tension il peut « électricifier » les parties métalliques exposées de l'outil et donner une décharge électrique.
- Utilisez un outil de serrage ou tout autre dispositif pratique pour assurer et maintenir la pièce à travailler sur une plateforme stable. Si vous tenez la pièce à travailler à la main ou contre votre corps elle ne sera pas stable et vous risquez de perdre le contrôle.
- Avant de percer un mur, un sol ou un plafond, vérifiez l'emplacement des câbles électriques et des tuyaux.
- Évitez de toucher la pointe du foret juste après l'avoir utilisé pour percer, car il peut être brûlant.
- Cet outil n'est pas fait pour être utilisé par des personnes (y compris les enfants) avec des capacités physiques, sensorielles ou mentales réduites, ou un manque d'expérience et de connaissances, sauf si elles bénéficient, par l'intermédiaire d'une personne responsable de leur sécurité, d'une supervision ou d'instructions concernant l'utilisation de l'appareil. Les enfants doivent être surveillés pour s'assurer qu'ils ne jouent pas avec l'appareil.
- L'usage pour lequel cet outil est conçu est décrit dans ce manuel d'instructions. Si vous utilisez un accessoire ou un attachement avec cet outil, ou si vous faites des travaux autres que ceux recommandés dans ce manuel, vous risquez de vous blesser et/ou causer des dommages matériels.

Étiquettes apposées sur l'outil

L'étiquette apposée sur votre outil peut contenir les symboles suivants:

	Lire le manuel d'instructions	Hz Hertz	 Construction de classe II
	Utiliser une protection oculaire	W Watts	 Borne de terre
	Utiliser des protections auditives	min minutes	 Symbole d'alerte de sécurité
		/min..	Rotations par minute
	 Courant alternatif		
		----- Courant continu		
V	Volts	n ₀	Vitesse à vide	
A	Ampères			

Position of date barcode

Le code de la date, comprenant aussi l'année de fabrication, est imprimé sur le boîtier de l'outil.

Exemple:

2014 XX JN
Année de fabrication

Sécurité électrique



Cet outil électrique est doublement isolé, il n'y a donc pas besoin de mise à la terre. Vérifiez toujours si la tension de l'alimentation électrique correspond à la tension indiquée sur la plaque signalétique.

- Si le fil électrique est endommagé, il doit être remplacé par le fabricant ou un centre de réparation agréé par STANLEY afin d'éviter tout danger.

Utilisation d'une rallonge

- Utilisez toujours une rallonge électrique aux normes, adéquate pour la tension d'alimentation électrique de cet outil (voir fiche technique). Avant de vous en servir, vérifiez que la rallonge n'est pas endommagée et ne montre pas de signes d'usure ou de vétusté. Remplacez la rallonge électrique si elle est abîmée ou défectueuse. Quand vous utilisez une rallonge avec enrouleur, veillez à toujours dérouler le câble complètement. Si vous utilisez une rallonge électrique qui ne convient pas à la tension électrique de l'outil, ou si elle est abîmée ou défectueuse, vous courez le risque de provoquer un incendie et de recevoir une décharge électrique.

Caractéristiques

Cet outil comprend certaines ou toutes les caractéristiques suivantes.

1. Interrupteur à vitesse variable
2. Bouton de verrouillage
3. Curseur avant/arrière
4. Mandrin
5. Manchon
6. Axe de foret
7. Cadran des vitesses
8. Trou
9. Cadran des vitesses

Montage

Attention ! Avant le montage, assurez-vous que l'outil est hors tension et débranché.

Mandrin à clé (fig. B)

- Ouvrez le mandrin en tournant le manchon (5) dans le sens antihoraire.
- Insérez l'axe du foret (6) dans le mandrin.
- Insérez la clé du mandrin (7) dans chaque trou (8) sur le côté du mandrin et tournez dans le sens horaire en serrant à fond.

Enlever et remettre le mandrin (fig. C)

- Ouvrez le mandrin le plus loin possible.
- Enlevez la vis de retenue du mandrin, située dans le mandrin, en la tournant dans le sens horaire avec un tournevis.
- Serrez une clé à six pans dans le mandrin et tapez sur la clé avec un marteau comme illustré.
- Enlevez la clé à six pans.
- Enlevez le mandrin en le faisant tourner dans le sens antihoraire.
- Pour remettre le mandrin, vissez-le sur la broche et fixez-le avec la vis de retenue du mandrin.

Utilisation

Attention ! Laissez l'outil tourner à son propre rythme. N'imposez pas de surcharge au moteur.

Attention ! Avant de percer un mur, un sol ou un plafond, vérifiez l'emplacement des câbles électriques et des tuyaux.

Sélection de la direction de rotation (fig. D)

Pour percer des trous et pour serrer des vis, choisissez la rotation avant (sens horaire). Pour desserrer des vis ou enlever un foret bloqué, choisissez la rotation arrière (sens antihoraire).

- Pour sélectionner la rotation avant, poussez le curseur avant/arrière (3) vers la gauche.
- Pour sélectionner la rotation arrière, poussez le curseur avant/arrière vers la droite.

Vue quand la perceuse est tenue en position opérationnelle. Après toute opération en position arrière, remettez le curseur (3) sur la position avant.

Attention ! Ne changez jamais la direction de rotation quand le moteur tourne.

Marche / Arrêt

- Pour démarrer l'outil, appuyez sur l'interrupteur à vitesse variable (1). La vitesse de l'outil dépend de combien vous enfoncez le bouton.
- Pour une opération continue, appuyez sur le bouton de verrouillage (2) et relâchez l'interrupteur à vitesse variable. Cette option n'est disponible qu'à la vitesse maximum.
- Pour arrêter l'outil, relâchez l'interrupteur à vitesse variable. Pour arrêter l'outil quand il est en opération continue, appuyez de nouveau sur l'interrupteur à vitesse variable puis relâchez-le.

- Suivant les différentes applications, tournez le cadran des vitesses (9) pour régler la vitesse maximum.

Position correcte des mains (fig.E)



Attention! Pour réduire le risque de se blesser, Placez TOUJOURS vos mains dans la bonne position comme illustré à la figure E.



Attention! Pour réduire le risque de blessures graves, tenez TOUJOURS fermement la perceuse en anticipation d'une réaction soudaine.

Percer le métal

Commencez à percer à vitesse lente puis augmentez à la puissance maximum tout en donnant une pression ferme sur l'outil. Le rejet régulier et uniforme de copeaux de métal indique une vitesse de perçage adéquate. Utilisez un lubrifiant de coupe quand vous percez des métaux. Les exceptions sont la fonte et le cuivre qui doivent être percés à sec.

Nota: Dans l'acier les gros trous [8 mm (5/16 po.)] peuvent être faits plus facilement si vous faites d'abord un trou de guidage [4 mm (5/32 po.).]

Percer le bois

Commencez à percer à vitesse lente puis augmentez à la puissance maximum tout en donnant une pression ferme sur l'outil. Vous pouvez faire les trous dans le bois avec les mêmes forets hélicoïdaux utilisés pour le métal. Ces forets vont chauffer s'ils ne sont pas retirés du trou foré pour enlever les copeaux accumulés dans les cannelures. Les ouvrages qui sont aptes à se fendre doivent être soutenus par un bloc de bois.

Accessoires

La performance de votre outil dépend de l'accessoire utilisé. Les accessoires STANLEY sont fabriqués à un haut standard de qualité et conçus pour la performance de votre outil. En utilisant ces accessoires vous obtiendrez le maximum de votre outil.

Entretien

Votre outil a été conçu pour fonctionner longtemps avec un minimum d'entretien. Un fonctionnement continu satisfaisant de l'outil dépend de son utilisation appropriée et d'un nettoyage régulier.

Attention! Avant de faire l'entretien, mettez l'outil hors tension et débranchez la fiche.

- Nettoyez régulièrement les fentes de ventilation de votre outil avec une brosse douce ou un chiffon sec.
- Nettoyez régulièrement le boîtier du moteur avec un chiffon humide. Ne pas utiliser de produit nettoyant abrasif ou à base de solvant.

Remarques

- La politique de STANLEY est l'amélioration constante de nos produits et en conséquence, nous réservons le droit de modifier les spécifications du produit sans avis préalable.
- L'équipement et les accessoires standard peuvent varier suivant le pays.
- Les spécifications du produit peuvent varier suivant le pays.
- La gamme complète de produits n'est peut-être pas proposée dans tous les pays. Contactez vos représentants STANLEY locaux pour la disponibilité des produits de la gamme.

Fiche technique

		STDR5510
PUISSANCE	W	550
TENSION	V	220-240
FRÉQUENCE	Hz	50/60
Vitesse à vide	/min	0-2800
arrière		OUI
VERROUILLAGE		OUI
CAPACITÉ MAXI de forage		
ACIER	mm	10
BOIS	mm	25
CAPACITÉ DU MANDRIN	mm	1,5-10

Protection de l'environnement



Collecte sélective. Ne pas jeter cet appareil avec les ordures ménagères.

Si vous devez remplacer un appareil Stanley ou si vous ne l'utilisez plus, ne le jetez pas avec les ordures ménagères, mais dans les conteneurs de collecte sélective.



La collecte sélective des produits et des emballages usagés permet de recycler et de réutiliser leurs matériaux. La réutilisation de matériaux recyclés aide à protéger l'environnement contre la pollution et à réduire la demande en matières premières.

Les réglementations locales peuvent proposer la collecte sélective des appareils électriques ménagers, dans des déchetteries municipales ou par le revendeur lorsque vous achetez un nouvel appareil. Stanley dispose d'installations pour la collecte et le recyclage des produits Stanley en fin de vie. Pour profiter de ce service, veuillez rapporter votre appareil auprès d'un centre de réparation agréé qui se chargera de le collecter en notre nom.

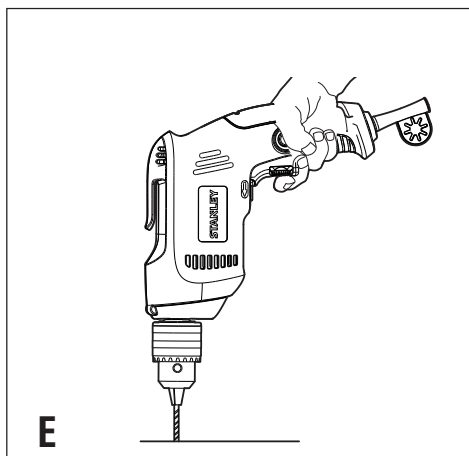
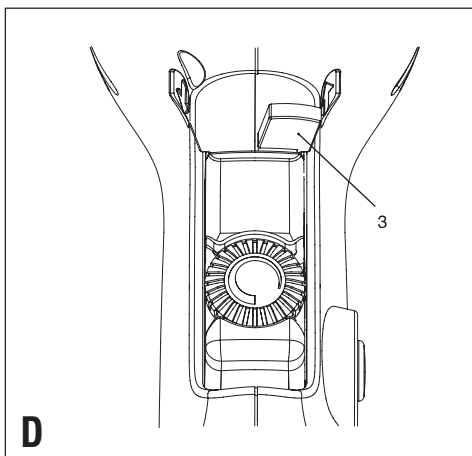
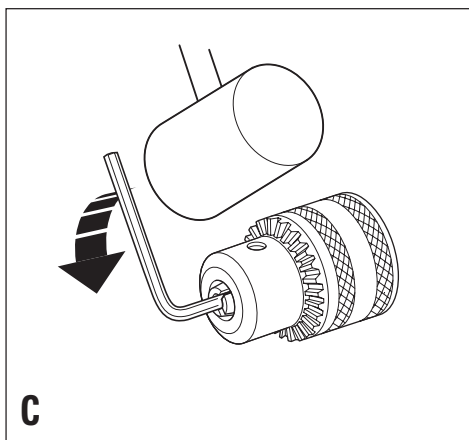
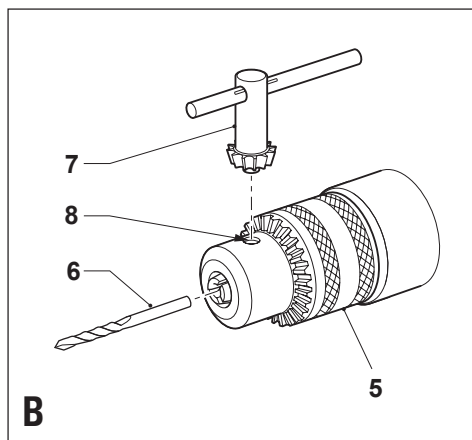
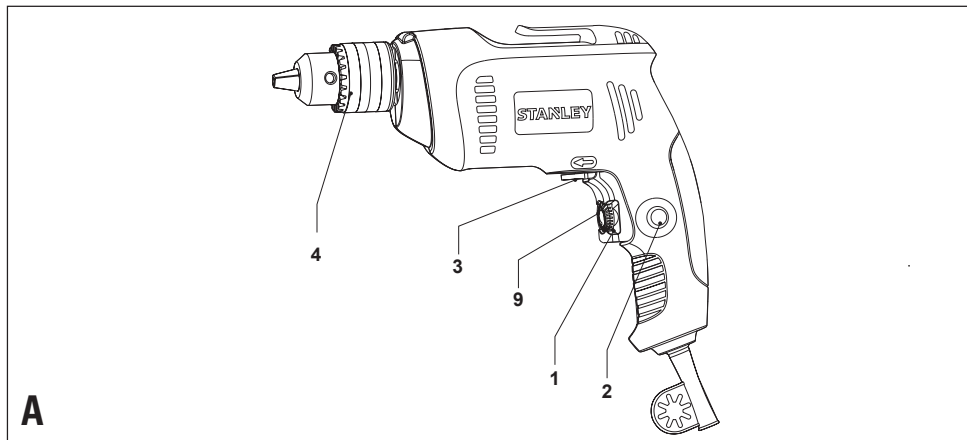
Pour connaître l'adresse d'un centre de réparation agréé près de chez vous, contactez votre distributeur Stanley à l'adresse indiquée dans ce manuel, ou consultez la liste des centres de réparation agréés Stanley et tout renseignement complémentaire sur notre service après-vente sur le site internet à l'adresse: www.2helpU.com.

Garantie deux

Si votre appareil STANLEY s'avère défectueux en raison d'un vice de matériau ou de fabrication dans les 24 mois à compter de sa date d'achat, STANLEY Europe garantit le remplacement gratuit de toute pièce défectueuse ou – à notre entière discrétion – le remplacement gratuit de l'appareil, à condition que:

- L'appareil n'ait pas été utilisé avec négligence et qu'il ait été utilisé en suivant les instructions contenues dans ce manuel.
- L'appareil ait été soumis à une usure normale;
- Aucune réparation n'ait été effectuée par du personnel non autorisé;
- Une preuve d'achat soit fournie.
- L'appareil STANLEY soit retourné complet, avec l'ensemble de ses composants originaux.

Pour avoir recours à la garantie, contactez votre revendeur ou consultez l'emplacement du centre de réparation agréé Stanley le plus proche dans le catalogue, ou contactez le service clientèle Stanley à l'adresse indiquée dans ce manuel. Une liste des centres de réparation agréés Stanley et tout détail complémentaire concernant notre service après-vente sont à votre disposition sur notre site internet : www.stanleytools.com



Utilização prevista

A sua furadora rotativa STANLEY foi concebida para furar madeira, metal e plástico. Esta ferramenta destina-se somente para utilização do consumidor.

Instrução original

Aviso de segurança geral de ferramenta elétrica



Aviso! Ler e compreender todas as instruções. A falha em seguir todas as instruções listadas em baixo podem resultar em choque, incêndio e/ou grave lesão pessoal.

Guarde todos estes avisos para futura consulta.

O termo "ferramenta elétrica" em todos os avisos em baixo listados refere-se aos meios operados (por cabo) da ferramenta elétrica ou ferramenta elétrica alimentada a bateria (sem fios).

1. Segurança de área de trabalho

- a. **Manter a área de trabalho limpa e bem iluminada.** Áreas desordenadas ou escuras são propícias a acidentes.
- b. **Não operar as ferramentas elétricas em atmosferas explosivas, tais como na presença de materiais, gases ou poeiras.** Ferramentas elétricas podem causar faíscas que acendam a poeira ou fumos.
- c. **Manter as crianças e transeuntes longe quando operar uma ferramenta elétrica.** Distrações podem-no fazer perder o controlo.

2. Segurança elétrica

- a. **As fichas das ferramentas elétricas devem ser iguais às das tomadas. Nunca modifique de qualquer forma a ficha. Não usar quaisquer fichas com ferramentas elétricas com ligação à terra (terra).** Fichas não modificadas e tomadas condizentes reduziram o risco de choque elétrico.
- b. **Evite o contacto físico com superfícies ligadas à terra tais como tubos, radiadores, conteúdos e frigoríficos.** Existe um risco maior de choque elétrico se o seu corpo estiver ligado à terra ou chão.
- c. **Não exponha as ferramentas elétricas a condições chuvosas ou húmidas.** Água que entre numa ferramenta elétrica aumentará o risco de choque elétrico.
- d. **Não abuse do fio. Nunca use o fio para carregar, puxar ou desligar a ferramenta elétrica. Mantenha o**

fio longe do calor, óleo, pontas afiadas ou partes móveis. Fios danificados ou entrelaçados aumentam o risco de choque elétrico.

- e. **Quando operar uma ferramenta elétrica no exterior, use um fio de extensão adequado para uso exterior.** O uso de um fio apropriado para uso exterior reduz o risco de choque elétrico.
 - f. **Se o uso de uma ferramenta elétrica num local húmido não for inevitável, use uma fonte protegida de dispositivo de corrente residual (DCR).** O uso de DCR reduz o risco de choque elétrico.
- #### 3. Segurança pessoal
- a. **Esteja atento, tenha atenção ao que está a fazer e use o senso comum quando operar uma ferramenta elétrica. Não use ferramentas elétricas quando estiver cansado ou sob influência de drogas, álcool ou medicação.** Uma desatenção enquanto opera uma ferramenta elétrica pode causar graves danos pessoais.
 - b. **Use equipamento de proteção pessoal. Use sempre proteção ocular.** Equipamento protetor tal como máscara de poeiras, calçado anti derrapagem, capacete, ou proteção auditiva usada para as condições apropriadas de poeiras, calçado anti derrapagem, capacete, ou proteção auditiva usada para as condições apropriadas reduzirá o risco de lesões pessoais.
 - c. **Previna arranque indesejado. Assegure-se que o interruptor está na posição "off" antes de ligar à fonte de energia e/ou pilhas, ao pegar ou carregar a ferramenta.** Carregar ferramentas elétricas com o seu dedo no interruptor ou alimentar ferramentas elétricas que têm o interruptor ligado propiciam os acidentes.
 - d. **Remova qualquer chave de ajuste ou chave antes de ligar a ferramenta elétrica.** Uma chave deixada presa à peça em rotação pode resultar em lesões pessoais.
 - e. **Não se exceda. Mantenha sempre a posição de pés adequada e equilíbrio.** Isto permite um melhor controlo da ferramenta elétrica em situações inesperadas.
 - f. **Vista-se apropriadamente. Não use roupas largas ou joias. Mantenha o seu cabelo, vestuário e luvas longe das partes em movimento.** Vestuário largo, joias ou cabelo comprido podem ficar presos nas peças em movimento.
 - g. **Se são fornecidos dispositivos para a coleção ou extração de poeiras e instalações de coleção, assegure-se que estes estão ligados e são usados apropriadamente.** Uso da recolha de poeira pode reduzir o risco de perigos relacionados com a poeira.

4. **Uso e cuidado da ferramenta elétrica**

- a. **Não forçar a ferramenta elétrica. Use a ferramenta elétrica correta para a sua tarefa.** A ferramenta elétrica correta fará o trabalho melhor de forma mais segura à medida para a qual foi desenhada.
- b. **Não use a ferramenta elétrica se o interruptor não a ligar ou desligar.** Qualquer ferramenta elétrica que não possa ser controlada com o interruptor é perigosa e deve ser reparada.
- c. **Desligue a ficha da fonte de energia e/ou pilha da ferramenta elétrica antes de fazer qualquer ajuste mudar acessórios ou guardar as ferramentas elétricas.** Tais medidas preventivas reduzem o risco de ligar a ferramenta elétrica acidentalmente.
- d. **Guarde ferramentas elétrica inativas fora do alcance das crianças e não permita a pessoas não familiarizadas com as ferramentas elétricas a operar a ferramenta elétrica.** Ferramentas elétricas são perigosas nas mãos de utilizadores não preparados.
- e. **Reveja as ferramentas elétricas. Verifique se há desalinhamento ou ligação das peças móveis, se as peças quebraram e quaisquer outras condições que possam afetar a operação das ferramentas elétricas.** Muitos acidentes são causados por ferramentas elétricas mal revistas.
- f. **Mantenha as ferramentas de corte afiadas e limpas.** Ferramentas de corte devidamente revistas com superfícies de corte afiadas têm menos probabilidades de ligar e mais fáceis de controlar.
- g. **Utilize a ferramenta elétrica, os acessórios e as brocas, etc., de acordo com estas instruções e tendo em atenção as condições de trabalho e o trabalho a ser executado.** A utilização da ferramenta elétrica para diferentes operações das indicadas pode causar uma situação perigosa.

5. **Manutenção**

- a. **Mantenha a sua ferramenta elétrica revista por uma pessoa especializada de reparações usando só peças de substituição idênticas.** Isto assegurará que a segurança da ferramenta elétrica está mantida.

Avisos de segurança adicionais para a ferramenta elétrica



Aviso! Avisos de segurança de furação

- **Utilize proteção auricular com as furadoras de impacto.** A exposição ao ruído pode causar perda de audição.
- **Utilize a(s) pegas auxiliares fornecidas com a ferramenta.** A perda de controlo pode causar lesões pessoais.

- **Mantenha a ferramenta elétrica em superfícies aderentes isoladas quando efetuar uma operação em que o acessório de corte possa entrar em contacto com fios escondidos ou com o seu próprio cabo.** O acessório de corte, ao entrar em contacto com um fio sob tensão pode expor peças de metal da ferramenta elétrica à tensão e provocar um choque elétrico no utilizador.
- Utilize grampos ou outra maneira prática de segurar e apoiar a peça de trabalho numa plataforma estável. Segurar a peça na mão ou contra o seu corpo torna-a instável e pode provocar perda de controlo.
- Antes de furar as paredes, chãos ou tetos, verifique a localização de fios e tubos.
- Evite tocar na ponta da broca após furar, pois pode estar quente.
- Esta ferramenta não se destina a ser utilizado por pessoas (incluindo crianças) com deficiência física ou mental ou falta de experiência e conhecimento, salvo se receberem supervisão ou instruções relativas à utilização do aparelho por parte da pessoa responsável pela sua segurança. As crianças deverão ser vigiadas de modo a garantir que não brincam com o aparelho.
- A utilização prevista está descrita neste manual de instruções. A utilização de qualquer acessório ou peça anexa ou a realização de quaisquer operações com esta ferramenta que não as recomendadas neste manual de instruções podem representar um risco de lesões pessoais e/ou danos na propriedade.

Etiquettes apposées sur l'outil

L'étiquette apposée sur votre outil peut contenir les symboles suivants:

	Lire le manuel d'instructions	Hz Hertz	 Construction de classe II
	Utiliser une protection oculaire	W Watts	 Borne de terre
	Utiliser des protections auditives	min minutes	 Symbole d'alerte de sécurité
		/min.	Rotations par minute
V Volts		n_0 Vitesse à vide		
A Ampères				

Position of date barcode

Le code de la date, comprenant aussi l'année de fabrication, est imprimé sur le boîtier de l'outil.

Exemple:

2014 XX JN
Année de fabrication

Segurança elétrica



Esta ferramenta tem duplo isolamento; assim, não é necessário nenhum fio terra. Verifique sempre se a tensão de alimentação corresponde à tensão na placa de características.

- Se o cabo está danificado, deve ser substituído pelo fabricante ou por um Centro de Assistência Técnica autorizado STANLEY de modo a evitar um perigo.

Utilizando um cabo de extensão

- Utilize sempre um cabo de extensão aprovado e adequado para a potência de entrada desta ferramenta (consultar dados técnicos). Antes de utilizar, verifique o cabo de alimentação quanto a sinais de danos, desgaste e idade. Substitua o cabo de extensão se danificado ou defeituoso. Quando utilizar uma bobina de cabo, desenrole sempre o fio completamente. Utilizar um cabo de extensão que não é adequado à potência de entrada da ferramenta ou que está danificado ou defeituoso pode resultar num risco de incêndio e choque elétrico.

Características

Esta ferramenta inclui algumas ou todas das seguintes características.

1. Interruptor de velocidade variável
2. Interruptor de bloqueio
3. Corrediça para a frente/inversão
4. Bucha
5. Manga
6. Ponta do eixo
7. Marcação rápida
8. Orifício
9. Marcação rápida

Montagem

Aviso! Antes de montar, certifique-se que a ferramenta está desligada e retirada da tomada.

Chave de aperto (fig. B)

- Abra a bucha girando a manga (5) no sentido anti-horário
- Insira o eixo da broca (6) na bucha.
- Coloque a chave da bucha (7) em cada orifício (8) no lado da bucha e rode no sentido horário até apertar.

Remoção e colocação de novo da bucha (fig. C)

- Abra a bucha o máximo possível.
- Retire o parafuso de retenção da bucha, localizado na bucha, girando no sentido horário utilizando uma chave de parafusos.

- Aperte uma chave Allen na bucha e dê-lhe um toque ligeiro com um martelo conforme é indicado.
- Remova a chave Allen.
- Remova a bucha girando no sentido contrário aos ponteiros do relógio.
- Para recolocar a bucha, aperte-a na árvore e segure-a com o parafuso de retenção da bucha.

Utilização

Aviso! Permita que a ferramenta funcione ao seu próprio ritmo. Não sobrecarregue.

Aviso! Antes de furar as paredes, chão ou tetos, verifique a localização de fios e tubos.

Selecionar a direção de rotação (fig. D)

Para furar e para apertar parafusos, utilize a rotação para a frente (sentido dos ponteiros do relógio). Para desaparafusar os parafusos ou remover uma broca bloqueada, utilize a rotação para trás (sentido contrário ao dos ponteiros do relógio).

- Para selecionar a rotação para a frente, empurre a corrediça para a frente/inversão (3) para a posição esquerda.
- Para selecionar a rotação inversa, empurre a corrediça para a frente/inversão (2) para a direita.

Visto ao segurar a broca na posição de operação. Depois de quaisquer operações de inversão, voltar a corrediça (3) à posição para a frente.

Aviso! Nunca altere a direção da rotação enquanto o motor está a funcionar.

Ligar e desligar

- Para ligar a ferramenta, pressione o interruptor de velocidade variável (1). A velocidade da ferramenta depende do quanto pressiona o interruptor.
- Para o funcionamento contínuo, pressione o interruptor de bloqueio (2) e solte o interruptor de velocidade variável. Esta opção só está disponível na velocidade total.
- Para desligar a ferramenta, solte o interruptor de velocidade variável. Para desligar a ferramenta quando em funcionamento contínuo, pressione o interruptor de velocidade variável mais uma vez e solte-o
- Com base nas diferentes aplicações, rode a marcação rápida (9) para controlar a velocidade máxima.

Posição da mão adequada (Fig. E)



Aviso! Para reduzir o risco de ferimentos graves, utilize SEMPRE a posição da mão adequada como mostrado na figura E.



Aviso! Para reduzir o risco de ferimentos pessoais graves, segure **SEMPRE** com segurança em antecipação a uma reação súbita.

Furar em metal

Comece a furação com velocidade lenta e aumente para a potência máxima enquanto aplica uma pressão firme na ferramenta. Um fluxo de aparas de metal mesmo suave indica o índice de furação adequado. Utilize um lubrificante de corte quando furar metais. As exceções são o ferro fundido e o latão que devem ser perfurados a seco.

Nota: Furos com a largura de [5/16" (8 mm)] em aço pode ser facilmente realizado se orifício piloto de [5/32" (4 mm)] for furado antes.

Furar em madeira

Comece a furação com velocidade lenta e aumente para a potência máxima enquanto aplica uma pressão firme na ferramenta. Os furos em madeira podem ser realizados com as mesmas brocas helicoidais utilizadas para metal. Estas pontas podem sobreaquecer a menos que as tire com frequência para limpar as aparas das navalhas. O trabalho que é apto a lascar-se deve ser apoiado com um bloco de madeira.

Acessórios

O desempenho da sua ferramenta depende do acessório utilizado. Os acessórios STANLEY são projetados para altos padrões de qualidade e projetados para melhorar o desempenho da sua ferramenta. Ao utilizar estes acessórios obterá o melhor da sua ferramenta.

Manutenção

A sua ferramenta foi concebida para operar durante um longo período de tempo com um mínimo de manutenção. Um funcionamento satisfatório contínuo depende de um cuidado adequado da ferramenta e de uma limpeza regular.

Aviso! Antes de efetuar qualquer manutenção, desligue a ferramenta, inclusive da tomada.

- Limpe regularmente as ranhuras de ventilação da sua ferramenta utilizando uma escova macia ou um pano seco.
- Limpe regularmente a caixa do motor com um pano húmido. Não utilize nenhum agente de limpeza abrasivo ou à base de solvente.

Observações

- A política da STANLEY é de um melhoramento contínuo dos nossos produtos e, como tal, reservamos o direito de alterar as características do produto sem aviso prévio.
- O equipamento standard e os acessórios podem variar por país.

- As características do produto podem diferir por país.
- A gama completa de produtos pode não estar disponível em todos os países. Contacte o seu revendedor STANLEY local para a disponibilidade da gama.

Dados técnicos

STDR5510		
POTÊNCIA	W	550
TENSÃO	V	220-240
FREQUÊNCIA	Hz	50/60
VELOCIDADE SEM CARGA	/min	0-2800
INVERSO		SIM
BLOQUEAR		SIM
CAPACIDADE DE FURAÇÃO MAX.		
AÇO	mm	10
MADEIRA	mm	25
CAPACIDADE DA BUCHA	mm	1,5-10

Protegendo o ambiente



Recolha separada. Este produto não deve ser descartado com o resto do lixo caseiro normal.

Se encontrar que um dia o seu produto Stanley precisa de substituição, ou se já não tem mais uso para si, não o descarte com o resto de lixo caseiro normal. Disponibilize este produto para recolha separada.



Recolha separada dos produtos usados e embalagens permite que os materiais sejam reciclados e usados de novo. Reutilizar materiais reciclados ajuda a prevenir poluição ambiental e reduz a necessidade de matéria-prima.

Leis locais podem fornecer recolha separada de produtos elétricos das casas, em sítios de resíduos municipais ou no vendedor quando você compra um novo produto. Stanley oferece uma instalação para a recolha e reciclagem de produtos Stanley uma vez que estes atingiram o fim da sua vida útil. Para desfrutar deste serviço por favor devolva o seu produto a qualquer agente autorizado de reparações que os recolherá em nosso nome.

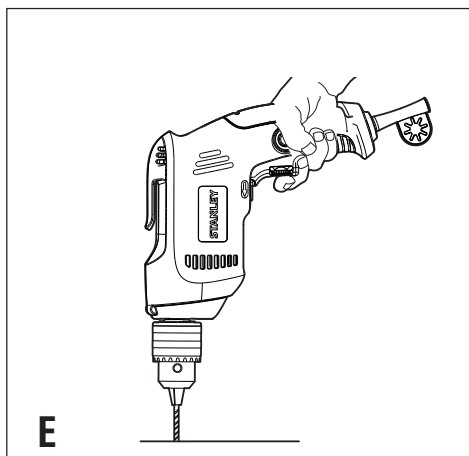
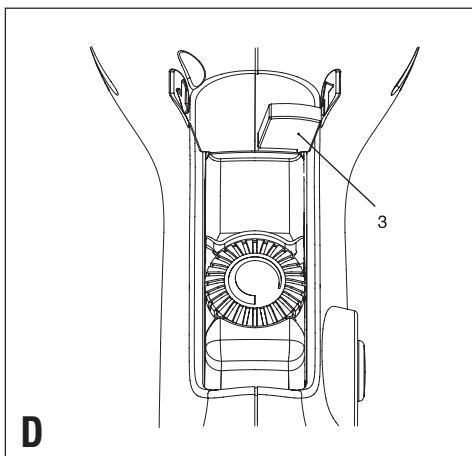
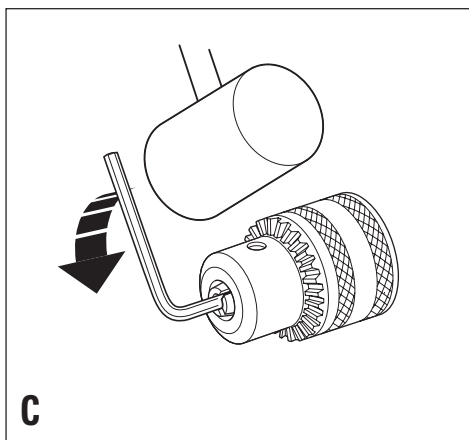
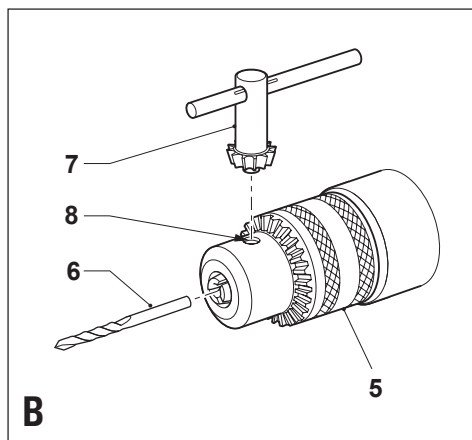
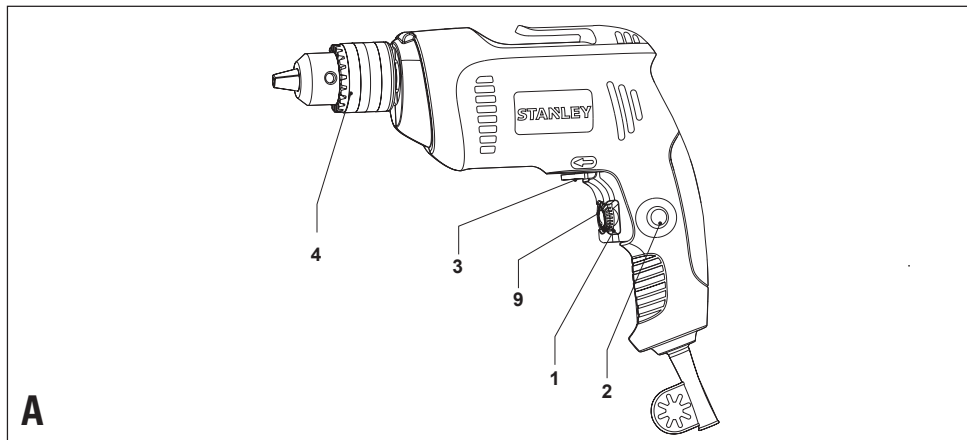
Você pode verificar a localização do seu agente de reparações autorizado mais próximo contactando o seu escritório local Stanley no endereço indicado neste manual. Alternativamente, uma lista de agentes de reparações autorizados pela Stanley e detalhes completos dos nossos serviços pós-venda e contactos estão disponíveis na Internet em: www.2helpU.com

dois ano de garantia total

Se o seu produto STANLEY ficar defeituoso devido a materiais ou mão-de-obra defeituosos em 24 meses a contra da data da compra, STANLEY Europe garante a substituição de todas as peças defeituosas sem custos – por nossa conta – substitui a unidade sem custos dado que:

- O produto não foi mal usado e foi usado de acordo com o manual de instruções.
- O produto foi sujeito a uso e desgaste justo;
- Não foram tentadas reparações feitas por pessoas não autorizadas;
- É fornecida um comprovativo de compra.
- O produto STANLEY é devolvido com todos os seus componentes originais.

Se quiser apresentar uma reclamação, contacte o seu vendedor ou verifique a localização do agente de reparações Stanley autorizado no catálogo ou contacte com o seu escritório local nos endereços indicados neste manual. Uma lista de agentes autorizados de reparação Stanley e detalhes completos dos nossos serviços pós-venda estão disponíveis na internet em: www.stanleytools.com



Использование по назначению

Ваша дрель STANLEY для вращательного сверления была разработана для сверления отверстий в древесине, металле и пластике. Этот инструмент предназначен только для бытового использования.

Оригинальные инструкции

Общие предупреждения по технике безопасности электроинструментов



Внимание! Ознакомьтесь со всеми правилами безопасности и инструкциями.

Несоблюдение предупреждений и инструкций, указанных ниже, может привести к поражению электрическим током, пожару и/или серьезной травме.

Сохраните все предупреждения и инструкции для будущего использования.

Термин "электроинструмент" во всех предупреждениях, указанных ниже, относится к вашему сетевому (с кабелем) электроинструменту или аккумуляторному электроинструменту (без кабеля питания).

1. Безопасность рабочего места

- a. **Содержите рабочее место в чистоте и хорошо освещенным.** Беспорядок на рабочем месте или отсутствие освещения рабочего места может привести к аварии.
- b. **Не работайте с электроинструментом в месте хранения взрывоопасных материалов, например, в присутствии огнеопасных жидкостей, газов или пыли.** Электрические инструменты создают искры, которые могут воспламенить пыль или пары.
- c. **Дети и посторонние лица должны находиться как можно дальше во время работы с электроинструментом.** Вы можете отвлечься и потерять контроль.

2. Электробезопасность

- a. **Вилка электроинструмента должна соответствовать розетке. Никогда не модифицируйте вилку каким-либо образом. Не используйте никакие вилки-переходники с заземленными (замкнутыми на землю)**

электроинструментами. Вилки и розетки, которые не подвергались никаким изменениям снижают риск поражения электрическим током.

- b. **Избегайте контакта тела с заземленными поверхностями, такими как трубы, радиаторы, плиты и холодильники.** Существует повышенный риск поражения электрическим током, если ваше тело заземлено.
- c. **Избегайте любого воздействия дождя или влаги на электроинструменты.** Вода, попавшая в электроинструмент, увеличивает риск поражения электрическим током.
- d. **Аккуратно обращайтесь со шнуром питания. Никогда не используйте шнур питания для переноски, перемещения или извлечения вилки из розетки. Держите шнур вдали от источников тепла, масла, острых краев или движущихся частей.** Поврежденные или запутанные шнуры увеличивают риск поражения электрическим током.
- e. **При работе с электроинструментом на улице, используйте удлинитель, подходящий для наружного использования.** Использование кабеля, пригодного для использования на открытом воздухе, снижает риск поражения электрическим током.
- f. **При необходимости работы с электроинструментом во влажной среде, используйте устройство защитного отключения (УЗО).** Использование УЗО снижает риск поражения электрическим током. Примечание: Термин "устройство защитного отключения (УЗО)" может быть заменен на "аварийный прерыватель заземления" или "автоматический выключатель тока утечки".

3. Личная безопасность

- a. **Будьте внимательны, смотрите, что вы делаете, используйте здравый смысл при работе с электроинструментом. Не используйте электроинструмент, если вы устали или находитесь под влиянием наркотиков, алкоголя или лекарств.** Малейшая неосторожность при работе с электроинструментом может привести к серьезным травмам.
- b. **Используйте средства индивидуальной защиты. Всегда надевайте защитные очки. Другое защитное оборудование, включая респиратор, ботинки на нескользящей подошве, защитный шлем или средства защиты органов слуха, используемые в надлежащих условиях, уменьшат риск получения травмы.**

- c. Для предотвращения случайного запуска, убедитесь, что переключатель находится в выключенном положении перед подключением к источнику питания и/или аккумуляторной батарее, поднятия или переноски инструмента. Не переносите электроинструмент с пальцем на выключателе и не включайте питание на инструмент с включенным выключателем, что может привести к несчастному случаю.
- d. Перед включением электроинструмента снимайте регулировочный или гаечный ключ. Гаечный или регулировочный ключ, оставленный на вращающейся части электроинструмента, может привести к травме.
- e. Не тянитесь. Сохраняйте правильную стойку и баланс все время. Это позволяет лучше контролировать инструмент в неожиданных ситуациях.
- f. Одевайтесь правильно. Не надевайте свободную одежду или украшения. Держите волосы, одежду и перчатки вдали от движущихся частей. Свободная одежда, украшения или длинные волосы могут попасть в движущиеся части.
- g. Если имеются устройства для подключения пылесборника или вытяжки, убедитесь в том, что они подсоединены и используются правильно. Использование пылесборника снижает вероятность возникновения рисков, связанных с пылью.
- #### 4. Использование и уход за электроинструментом
- a. Не перегружайте электроинструмент. Используйте подходящий электрический инструмент для соответствующего применения. Правильно подобранный электроинструмент позволит выполнить работу лучше и безопаснее при скорости, для которой он был разработан.
- b. Не используйте электроинструмент, если переключатель не может его включить и выключить. Любой электроинструмент, который нельзя контролировать с помощью переключателя, опасен и должен быть отремонтирован.
- c. Отключите кабель питания от источника питания и/или аккумуляторный блок от электрического инструмента перед выполнением любых регулировок, замены принадлежностей или при хранении электроинструмента. Такие профилактические меры безопасности уменьшают риск непреднамеренного запуска электрического инструмента.
- d. Храните неиспользуемые электроинструменты в недоступном для детей месте и не позволяйте лицам, не знакомым с электроинструментом или данными инструкциями, работать с электроинструментом. Электроинструменты опасны в руках неопытных пользователей.
- e. Поддержание электроинструмента. Проверяйте разрегулированность или соединение подвижных частей, поломки частей и любые другие условия, которые могут повлиять на работу электроинструмента. При наличии повреждения, отремонтируйте электроинструмент перед использованием. Многие несчастные случаи являются следствием плохого ухода за электроинструментом.
- f. Держите режущий инструмент острым и чистым. Хорошо ухоженный режущий инструмент с острыми режущими кромками легче контролировать.
- g. Используйте этот электроинструмент, аксессуары и насадки в соответствии с данными инструкциями, принимая во внимание условия работы и те работы, которые должны быть выполнены. Использование электроинструмента для операций, отличающихся от тех, для которых он предназначен, может привести к опасной ситуации.
- #### 5. Обслуживание
- a. Обеспечьте, чтобы обслуживание и ремонт вашего электроинструмента проводился в авторизованном сервисном центре по ремонту с использованием только оригинальных запасных частей. Это станет гарантией безопасности электроинструмента.

Дополнительные меры безопасности для электроинструментов



Правила техники безопасности при работе с дрелью

- Надевайте защитные наушники при сверлении. Воздействие шума может привести к потере слуха.
- Используйте дополнительные рукоятки, если они входят в комплект поставки инструмента. Потеря контроля может привести к травме.
- Держите инструмент за изолированные поверхности во время работы, при которой режущий инструмент может задеть скрытую проводку или собственный кабель. При контакте режущего аксессуара с «живым» проводом или открытыми металлическими частями электроинструмента оператора может ударить электрическим током.

- Используйте тиски или другое подходящее приспособление для обеспечения и поддержания обрабатываемого изделия на устойчивой платформе. Проведение работы по направлению руки или против вашего тела, лишает устойчивости и может привести к потере контроля.
- Перед сверлением стен, полов и потолков, проверьте местоположение электропроводки и труб.
- Не прикасайтесь к кончику сверла сразу после окончания сверления, так как оно может быть горячим.
- Этот инструмент не предназначен для использования лицами (включая детей) с ограниченными физическими, чувствительными или умственными способностями или с недостатком опыта или знаний, если они не были под контролем и руководством лица, контролирующего использование инструмента или лицом, ответственным за их безопасность. Дети должны быть под присмотром взрослых, чтобы не допустить никаких игр с инструментом.
- Назначение инструмента описывается в данном руководстве. Использование любых аксессуаров или приспособлений, выполнение любых операций с помощью этого инструмента, не рекомендованных в данном руководстве, может представлять опасность получения травм и/или повреждения имущества.

6. Этикетки на инструменте

Этикетка на вашем инструменте может включать следующие символы:



Читайте инструкции по эксплуатации



Используйте средства защиты глаз



Используйте средства защиты органов слуха

Гц Герц

Вт Ватт

мин..... минуты

~ Переменный ток

—..... Постоянный ток

V Вольт

A Ампер

n_0 Скорость без нагрузки



..... Конструкция класса II



..... Терминал заземления



..... Символ предупреждения об опасности



...мин.. обороты или возвратно-поступательное движение в минуту

Электрическая безопасность



Этот инструмент защищен двойной изоляцией, поэтому заземляющий провод не требуется. Всегда проверяйте, чтобы напряжение сети соответствовало напряжению, указанному на заводской табличке. Никогда не пытайтесь заменить зарядный блок стандартным сетевым штепселем.

- Если шнур питания поврежден, он должен быть заменен производителем или уполномоченным сервисным центром STANLEY для того, чтобы избежать опасности.

Использование удлинителя

- Всегда используйте утвержденный удлинительный кабель, подходящий для входной мощности данного инструмента (см. технические данные). Перед использованием проверьте удлинительный кабель на наличие признаков повреждения, старения и износа. Замените удлинительный кабель, если он поврежден или неисправен. При использовании кабельного барабана, всегда разматывайте кабель полностью. Использование удлинителя не подходящего для входной мощности инструмента или поврежденного или неисправного кабеля, может привести к риску возникновения пожара или поражения электрическим током.

Характеристики

Этот инструмент отличается следующими характеристиками:

- Переключатель плавного хода
- Фиксатор клавиши
- Ползунок вперед/назад
- Зажимной патрон
- Рукав
- Хвостовик сверла
- Быстрый набор
- Отверстие
- Быстрый набор

Сборка

Предостережение! Перед сборкой, пожалуйста, убедитесь, что электроинструмент выключен и вилка шнура питания инструмента отключена от источника питания.

Положение даты штрих-кода

Дата кода, который также включает год изготовления, печатается на корпусе.

Пример:

2014 XX JN

Год изготовления

Кнопочный патрон (рис. В)

- Откройте сверлильный патрон, повернув рукав (5) против часовой стрелки.
- Поместите хвостовик сверла (6) в патрон.
- Поместите ключ зажимного патрона (7) в каждое отверстие (8) в боковой части патрона и поверните по часовой стрелке до упора.

Демонтаж и монтаж патрона (рис. С)

- Открыть патрон, насколько это возможно.
- Снимите винт, фиксирующий патрон расположенный в патроне, повернув его по часовой стрелке с помощью отвертки.
- Затяните шестигранный ключ в патроне и ударьте по нему молотком, как показано на рисунке.
- Снимите ключ-шестигранник.
- Снимите патрон, повернув его против часовой стрелки.
- Для повторной установки патрона, закрепите его на шпindelе и затяните его с помощью стопорного винта.

Использование

Внимание! Дайте инструменту работать в своем собственном темпе. Не перегружайте его.

Внимание! Перед сверлением стен, полов и потолков, проверьте местоположение электропроводки и труб.

Выбор направления вращения (рис. D)

Для сверления и заворачивания винтов, используйте вращение вперед (по часовой стрелке). Для ослабления шурупов или извлечения застрявшего сверла используйте обратное вращение (против часовой стрелки).

- Чтобы выбрать прямое вращение, нажмите ползунок вперед/назад (3) влево.
- Чтобы выбрать обратное вращение, нажмите ползунок вперед/назад вправо.

Держите сверло в рабочем положении. После любых реверсивных операций, верните слайдер (3) в переднее положение.

Внимание! Никогда не меняйте направление вращения при работающем двигателе.

Включение и выключение

- Чтобы включить инструмент, нажмите переключатель плавного хода (1). Скорость инструмента зависит от того, насколько вы нажмете выключатель.
- Для непрерывной работы нажмите фиксатор клавиши (2) и отпустите переключатель плавного хода. Эта опция доступна только на полной скорости.
- Чтобы выключить инструмент, отпустите клавишу переключателя плавного хода еще раз и отпустите его. Чтобы выключить инструмент при работе в непрерывном режиме, нажмите клавишу переключателя плавного хода еще раз и отпустите его.
- В зависимости от применения, поверните ручку быстрого набора (9) для достижения максимальной скорости.

Правильное положение рук (рис. E)



Предупреждение: Чтобы уменьшить риск получения серьезной травмы, ВСЕГДА держите руки в правильном положении, как показано на рисунке E.



Предупреждение: Чтобы уменьшить риск получения серьезной травмы, ВСЕГДА надежно удерживайте инструмент для предупреждения внезапной реакции.

Сверление в металле

Начинайте сверление с низкой скоростью, постепенно увеличивая мощность и применяя сильное надавливание на инструмент. Спокойный, ровный выход металлической стружки указывает на правильную частоту сверления. Используйте режущую смазку при сверлении металлов. Исключения составляют чугун и латунь, которые необходимо сверлить сухими.

Примечание: Отверстия большего диаметра [5/16" (8 мм) до 1/2" (13 мм)] в стали легче просверлить, если сначала сделать пилотное отверстие [5/32" (4 мм), 3/16" (5 мм)].

Сверление в дереве

Начинайте сверление с низкой скоростью, постепенно увеличивая мощность и применяя сильное надавливание на инструмент. Отверстия в дереве могут быть сделаны теми же сверлами, которые используются для металла. Сверла могут перегреваться, периодически вынимайте их из отверстия. Заготовки, от которых могут лететь осколки, должны быть усилены блоком древесины.

Аксессуары

Производительность электроинструмента зависит от его аксессуаров. Аксессуары STANLEY разработаны в соответствии с высокими стандартами качества, чтобы повысить производительность электроинструмента. Использование этих аксессуаров может помочь вам удобно работать с инструментом.

Обслуживание

Ваш инструмент был разработан для использования в течение длительного времени при минимальном техническом обслуживании. Последовательное удовлетворительное использование зависит от надлежащего технического обслуживания и регулярной чистки инструмента.

Предостережение! Перед выполнением любых работ по техобслуживанию выключите питание инструмента.

- Регулярно очищайте вентиляционные отверстия вашего инструмента, используя мягкую щетку или сухую тряпку.
- Регулярно очищайте корпус двигателя, используя влажную тряпку. Не используйте абразивные чистящие средства или чистящие средства на основе растворителей.

Примечания

- Политика STANLEY является процессом непрерывного совершенствования нашей продукции и, таким образом, мы оставляем за собой право изменять спецификацию продукта без предварительного уведомления.
- Стандартное оборудование и аксессуары могут варьировать в зависимости от страны.
- Характеристики изделий могут различаться в зависимости от страны.

- Полный ассортимент продукции может варьировать в зависимости от страны. Свяжитесь с вашим местным дилером STANLEY для получения информации о наличных моделях.

Технические данные

		STDR5510
Мощность	W	550
Напряжение	V	220-240
Частота	Hz	50/60
Скорость без нагрузки	/мин	0-2800
Обороты назад		Да
Блокировка		Да
Максимальный диаметр сверления		
Сталь	мм	10
Дерево	мм	25
Диаметр патрона	мм	1,5-10

Защита окружающей среды



Раздельный сбор и утилизация. Этот продукт не следует утилизировать вместе с бытовым мусором.

Если вы поймете, что ваш продукт Stanley нуждается в замене, или если он не имеет никакого дальнейшего применения для вас, не выбрасывайте его вместе с бытовыми отходами. Предоставьте этот продукт для раздельного сбора/утилизации.



Раздельный сбор продуктов и упаковок позволяет осуществить их переработку и использовать их повторно. Повторное использование переработанных материалов помогает защищать окружающую среду от загрязнения и снижает расход сырьевых материалов.

Местное законодательство может обеспечить сбор старых электроинструментов отдельно от бытового мусора на муниципальных свалках отходов или в торговом предприятии при покупке нового изделия. Stanley обеспечивает возможность для сбора и утилизации продуктов Stanley, как только они достигли конца своего срока службы. Для того чтобы воспользоваться этой услугой, вы можете сдать ваше изделие в любой авторизованный сервисный центр, который собирает их по нашему поручению.

Вы можете узнать место нахождения вашего ближайшего авторизованного сервисного центра, обратившись в местное отделение Stanley по адресу, указанному в данном руководстве. Кроме того, список авторизованных ремонтных агентов Stanley и полную информацию о нашем послепродажном обслуживании и контактах вы можете найти в Интернете: www.2helpU.com10

Два год полной гарантии

Если ваш продукт STANLEY выходит из строя из-за дефектных материалов или изготовления в течение 24 месяцев с даты покупки, STANLEY Europe гарантирует замену всех неисправных деталей бесплатно или - по своему усмотрению - замену продукта бесплатно при условии, что:

- Продукт использовался правильно, его эксплуатация проводилась строго в соответствии с инструкцией по эксплуатации.
- Продукт подвергался естественному износу;
- Ремонт не проводился посторонними лицами;
- Представлены документы, подтверждающие покупку.
- Продукт STANLEY возвращается в полном комплекте со всеми оригинальными компонентами

Если вы хотите сделать заявку, свяжитесь с продавцом или узнайте место нахождения вашего ближайшего авторизованного сервисного агента Stanley в каталоге Stanley или обратитесь в местное представительство Stanley по адресу, указанному в данном руководстве. Список авторизованных сервисных агентов Stanley и полную информацию о нашем послепродажном обслуживании можно найти в Интернете по адресу: www.stanleytools.com

STANLEY

Гарантийные условия

Уважаемый покупатель!

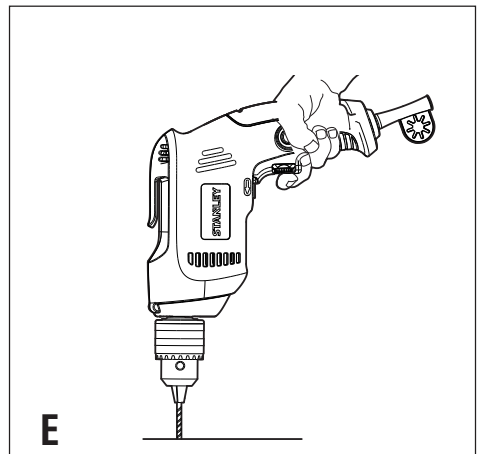
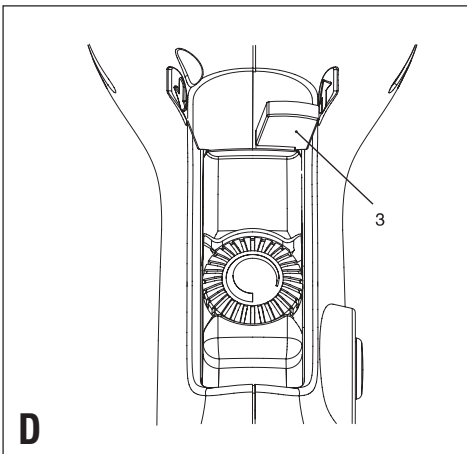
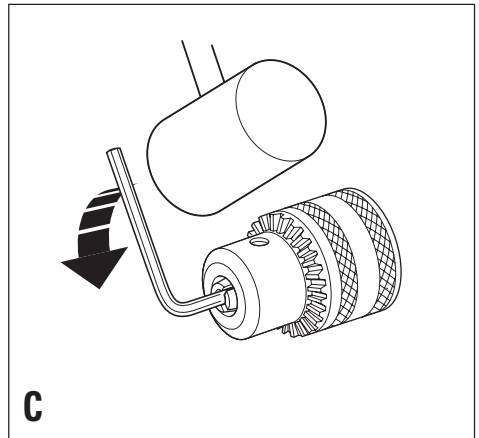
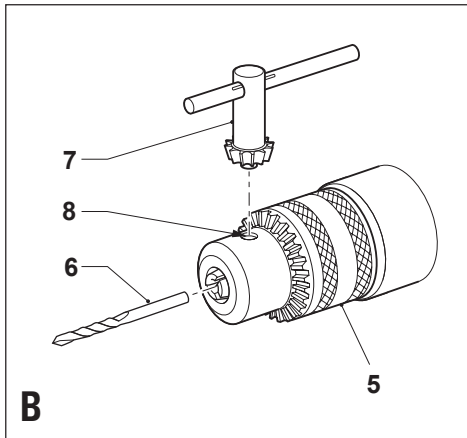
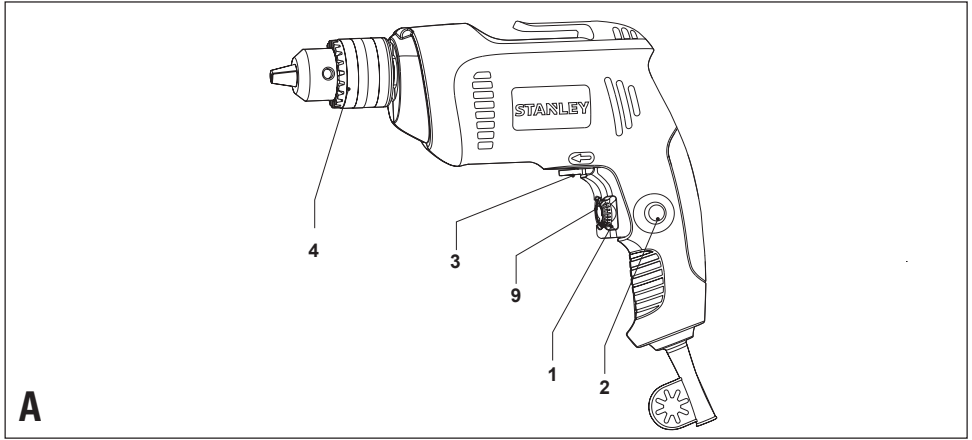
1. Поздравляем Вас с покупкой высококачественного изделия STANLEY и выражаем признательность за Ваш выбор.
2. При покупке изделия требуйте проверки его комплектности и исправности в Вашем присутствии, инструкцию по эксплуатации и заполненный гарантийный талон на русском языке.
В гарантийном талоне должны быть внесены: модель, дата продажи, серийный номер, дата производства инструмента; название, печать и подпись торговой организации. При отсутствии у Вас правильно заполненного гарантийного талона, а также несоответствия указанных в нем данных мы будем вынуждены отклонить Ваши претензии по качеству данного изделия.
3. Во избежание недоразумений убедительно просим Вас перед началом работы с изделием внимательно ознакомиться с инструкцией по его эксплуатации. Правовой основой настоящих гарантийных условий является действующее Законодательство. Гарантийный срок на данное изделие составляет 24 месяца и исчисляется со дня продажи. В случае устранения недостатков изделия, гарантийный срок продлевается на период его нахождения в ремонте. Срок службы изделия составляет 5 лет со дня продажи.
4. В случае возникновения каких-либо проблем в процессе эксплуатации изделия рекомендуем Вам обратиться только в уполномоченные сервисные центры STANLEY, адреса и телефоны которых Вы сможете найти в гарантийном талоне, на сайте www.2helpU.com или узнать в магазине. Наши сервисные станции - это не только квалифицированный ремонт, но и широкий ассортимент запчастей и принадлежностей.
5. Производитель рекомендует проводить периодическую проверку и техническое обслуживание изделия в уполномоченных сервисных центрах.



Изготовитель

Блэк энд Деккер Холдингс ГмБХ
Германия, 65510, Идштайн,
ул. Блэк энд Деккер, 40

6. Наши гарантийные обязательства распространяются только на неисправности, выявленные в течение гарантийного срока и вызванные дефектами производства и/или материалов.
7. **Гарантийные условия не распространяются на неисправности изделия, возникшие в результате:**
 - 7.1. Несоблюдения пользователем предписаний инструкции по эксплуатации изделия, применения изделия не по назначению, неправильного хранения, использования принадлежностей, расходных материалов и запчастей, не предусмотренных производителем.
 - 7.2. Механического повреждения (скопы, трещины и разрушения) внутренних и внешних деталей изделия, основных и вспомогательных рукояток, сетевого электрического кабеля, вызванного внешним ударным или любым иным воздействием
 - 7.3. Попадания в вентиляционные отверстия и проникновение внутрь изделия посторонних предметов, материалов или веществ, не являющихся отходами, сопровождающими применение изделия по назначению, такими как: стружка, опилки, песок, и пр.
 - 7.4. Воздействий на изделие неблагоприятных атмосферных и иных внешних факторов, таких как дождь, снег, повышенная влажность, нагрев, агрессивные среды, несоответствие параметров питающей электросети, указанных на инструменте.
 - 7.5. Стихийного бедствия. Повреждение или утрата изделия, связанное с непредвиденными бедствиями, стихийными явлениями, в том числе вследствие действия непреодолимой силы (пожар, молния, потоп и другие природные явления), а так же вследствие перепадов напряжения в электросети и другими причинами, которые находятся вне контроля производителя.
8. **Гарантийные условия не распространяются:**
 - 8.1. На инструменты, подвергавшиеся вскрытию, ремонту или модификации вне уполномоченного сервисного центра.
 - 8.2. На детали и узлы, имеющие следы естественного износа, такие как: приводные ремни и колеса, угольные щетки, смазка, подшипники, зубчатое зацепление редукторов, резиновые уплотнения, сальники, направляющие ролики, муфты, выключатели, бойки, толкатели, стволы, и т.п.
 - 8.3. На сменные части: патроны, цанги, зажимные гайки и фланцы, фильтры, аккумуляторные батареи, ножи, шлифовальные подошвы, цепи, звездочки, пыльные шины, защитные кожухи, пилки, абразивы, пыльные и абразивные диски, фрезы, сверла, буры и т.п.
 - 8.4. На неисправности, возникшие в результате перегрузки инструмента (как механической, так и электрической), повлекшей выход из строя одновременно двух и более деталей и узлов, таких как: ротора и статора, обеих обмоток статора, ведомой и ведущей шестерни редуктора или других узлов и деталей. К безусловным признакам перегрузки изделия относятся, помимо прочих: появление цветов побежалости, деформация или оплавление деталей и узлов изделия, потемнение или обугливание изоляции проводов электродвигателя под воздействием высокой температуры.



Використання за призначенням

Ваша дрель STANLEY для обертального свердління була розроблена для свердління отворів в деревині, металі і пластику. Цей інструмент призначений тільки для побутового використання.

Оригінальні інструкції

Загальні попередження з техніки безпеки електроінструментів



Увага! Ознайомтеся з усіма правилами безпеки та інструкціями. Недотримання

попереджень та інструкцій, зазначених нижче, може призвести до ураження електричним струмом, пожежі та/або серйозної травми.

Збережіть всі попередження та інструкції для майбутнього використання.

Термін "електроінструмент" у всіх попередженнях, зазначених нижче, відноситься до мережевого (з кабелем) електроінструменту або акумуляторної батареї (без кабелю живлення).

1. Безпека робочого місця

- a. **Утримуйте робоче місце в чистоті і добре освітленим.** Безлад на робочому місці або відсутність освітлення робочого місця може призвести до аварії.
- b. **Не працюйте з електроінструментом в місці зберігання вибухонебезпечних матеріалів, наприклад, у присутності легкозаймистих рідин, газів або пилу.** Електричні інструменти створюють іскри, що можуть запалити пил або пари.
- c. **Діти і сторонні особи повинні знаходитися якнайдалі під час роботи з електроприладами.** Ви можете відволіктися і втратити контроль.

2. Електробезпека

- a. **Вилка електроінструмента повинна відповідати розетці. Ніколи не змінюйте вилку будь-яким чином. Не використовуйте ніякі вилки-перехідники з заземленими (замкнутими на землю) електроінструментами.** Вилки і розетки, які не піддавалися ніяким змінам знижують ризик ураження електричним струмом.
- b. **Уникайте контакту тіла з заземленими поверхнями, такими як труби, радіатори, плити та**

холодильники. Існує підвищений ризик ураження електричним струмом, якщо ваше тіло заземлене.

- c. **Уникайте будь-якого впливу дощу або вологи на електроінструменти.** Вода, що потрапила в електроінструмент, збільшує ризик ураження електричним струмом.
 - d. **Обережно поведіться зі шнуром живлення. Ніколи не використовуйте шнур живлення для перенесення, переміщення або вилучення вилки з розетки. Тримайте шнур подалі від джерел тепла, масла, гострих країв або рухомих частин.** Пошкоджені або заплутані шнури збільшують ризик ураження електричним струмом.
 - e. **При роботі з електроінструментом на вулиці, використовуйте подовжувач, відповідний для зовнішнього використання.** Використання кабелю, придатного для використання на відкритому повітрі, знижує ризик ураження електричним струмом.
 - f. **При необхідності роботи з електроінструментом у вологому середовищі, використовуйте пристрій захисного відключення (ПЗВ).** Використання ПЗВ знижує ризик ураження електричним струмом.
- #### 3. Особиста безпека
- a. **Будьте уважні, дивіться, що ви робите, використовуйте здоровий глузд при роботі з електроприладами. Не використовуйте електроінструмент, якщо ви втомилися або перебуваєте під впливом наркотиків, алкоголю або ліків.** Найменша необережність при роботі з електроінструментом може призвести до серйозних травм.
 - b. **Використовуйте засоби індивідуального захисту. Завжди надягайте захисні окуляри.** Інше захисне обладнання, включаючи респіратор, черевки на нековзній підшві, захисний шолом або засоби захисту органів слуху, використовувані в належних умовах, зменшать ризик отримання травми.
 - c. **Для запобігання випадкового запуску, переконайтеся, що перемикач знаходиться у вимкненому положенні перед підключенням до джерела живлення та/або акумуляторної батареї, підняття або перенесення інструменту.** Не переносьте електроінструмент з пальцем на вимикачі і не включайте електроживлення на інструмент з увімкненим вимикачем, що може призвести до нещасного випадку.

- d. **Перед включенням електроінструменту знімайте регульовальний або гайковий ключ.** Гайковий або регульовальний ключ, залишений на обертовій частині електроінструменту, може призвести до травми.
 - e. **Не тягніться.** Зберігайте правильну стійку і баланс весь час. Це дозволяє краще контролювати інструмент в несподіваних ситуаціях.
 - f. **Одягайтеся правильно.** Не надягайте вільний одяг або прикраси. Тримайте волосся, одяг і рукавички далеко від рухомих частин. Вільний одяг, прикраси або довге волосся можуть потрапити в рухомі частини.
 - g. **Якщо є пристрій для підключення пилозбірника або витяжки, переконайтеся в тому, що вони під'єднані і використовуються правильно.** Використання пилозбірника знижує ймовірність виникнення ризиків, пов'язаних з пилом.
- 4. Використання та догляд за електроінструментом**
- a. **Не перевантажуйте електроінструмент.** Використовуйте відповідний електричний інструмент для відповідного застосування. Правильно підібраний електроінструмент дозволить виконати роботу краще і безпечніше при швидкості, для якої він був розроблений.
 - b. **Не використовуйте електроінструмент, якщо перемикач не може його включити і вимкнути.** Будь-який електроінструмент, який не можна контролювати за допомогою перемикача, є небезпечний і повинен бути відремонтований.
 - c. **Від'єднайте кабель живлення від джерела живлення та/або акумулятора від електричного інструменту перед виконанням будь-яких регулювань, заміни приладдя або при зберіганні електроінструменту.** Такі профілактичні заходи безпеки зменшують ризик ненавмисного запуску електричного інструменту.
 - d. **Зберігайте електроприлади в недоступному для дітей місці і не дозволяйте особам, які не знайомі з електричним інструментом або даними інструкціями, працювати з електроприладами.** Електроінструменти небезпечні в руках недосвідчених користувачів.
 - e. **Підтримання електроінструменту.** Перевіряйте **регульованість або з'єднання рухомих частин, полочки частин і будь-які інші умови, які можуть вплинути на роботу електроінструменту.** При наявності пошкодження, відремонтуйте електроінструмент перед використанням. Багато нещасних випадків є наслідком поганого догляду за електроінструментом.
 - f. **Тримайте ріжучий інструмент гострим і чистим.** Добре доглянутий ріжучий інструмент з гострими ріжучими крайками легше контролювати.
 - g. **Використовуйте електроінструмент, аксесуари і насадки відповідно до даних інструкцій, зважаючи на умови роботи, і ті роботи, які мають бути виконані.** Використання електроінструменту для операцій, що відрізняються від тих, для яких він призначений, може привести до небезпечної ситуації.
- 5. Обслуговування**
- a. **Забезпечте, щоб обслуговування і ремонт вашого електроінструменту проводився в авторизованому сервісному центрі по ремонту з використанням тільки оригінальних запасних частин.** Це стане гарантією безпеки електроінструменту.

Додаткові заходи безпеки для електроінструментів



Застереження! Правила техніки безпеки при роботі з дрилем

- **Одягайте захисні навушки при роботі з ударними дрелями.** Вплив шуму може призвести до втрати слуху.
- **Використовуйте додаткові ручки, що поставляються з інструментом.** Втрата контролю може призвести до травми.
- **Тримайте інструмент за ізольованій поверхні при виконанні операцій, коли ріжучий інструмент може зачепити приховану проводку.** Ріжучі аксесуари при контакті з «живим» проводом, можуть відкрити металеві частини електроінструменту і вдарити оператора електричним струмом.

- Використовуйте лещата або інший відповідний спосіб, щоб забезпечити і підтримувати оброблюваний виріб на стійкій платформі. Проведення роботи по напрямку руки або проти вашого тіла, позбавляє стійкості і може призвести до втрати контролю.
- Перед свердлінням стін, підлог і стель, перевірте розташування трубопроводів і електропроводки.
- Намагайтеся не доторкатися до кінчика свердла відразу ж після закінчення свердління, так як він може бути гарячим.
- Цей інструмент не призначений для використання особами (включаючи дітей) з обмеженими фізичними, чутливими або розумовими здібностями або з браком досвіду чи знань, якщо вони не були під контролем і керівництвом особи, яка контролює використання приладу або особою, відповідальною за їх безпеку. Діти повинні бути під наглядом дорослих, щоб не допустити ніяких ігор з приладом.
- Призначення приладу описується в цьому посібнику. Використання будь-яких речей або пристосувань, виконання будь-яких операцій за допомогою цього інструменту, які не рекомендовані в цьому посібнику, можуть становити небезпеку отримання травм та/або пошкодження майна.

Етикетки на інструменті

Етикетки на вашому інструменті можуть включати такі символи:



Читайте інструкції з експлуатації



Використовуйте засоби захисту очей



Використовуйте засоби захисту органів слуху

V Вольт
A Ампер

Гц Герц
Вт Ватт

мін хвилини

Змінний струм

Постійний струм
п₀ Швидкість без навантаження



..... Конструкція класу II



..... Термінал заземлення



..... Символ попередження про небезпеку



хв.. обороти або зворотно-поступальний рух в хвилину

Електрична безпека



Ваш зарядний пристрій захищено подвійною ізоляцією, тому заземлюючий провід не потрібен. Завжди перевіряйте, щоб напруга мережі відповідала напрузі, вказаній на табличці. Ніколи не намагайтеся замінити зарядний блок стандартним мережевим штепселем.

- Якщо шнур живлення пошкоджений, він повинен бути замінений виробником або уповноваженим сервісним центром STANLEY для того, щоб уникнути небезпеки.

Використання подовжувача

- Завжди використовуйте затверджений подовжувач, відповідний для вхідної потужності даного інструменту (див. технічні дані). Перед використанням перевірте подовжувач на наявність ознак пошкодження, старіння та зносу. Замініть подовжувач, якщо він пошкоджений або несправний. При використанні кабельного барабана, завжди розмотуйте кабель повністю. Використання подовжувача не придатних для вхідної потужності інструменту або пошкодженого або несправного кабелю, може призвести до ризику виникнення пожежі або ураження електричним струмом.

Характеристики

Цей інструмент відрізняється наступними характеристиками:

1. Перемикач плавного ходу
2. Фіксатор клавіші
3. Повзунок вперед/назад
4. Затискний патрон
5. Рукав
6. Хвостовик свердла
7. Бистрий набір
8. Отвір
9. Бистрий набір

Положення дати штрих-коду

Дата коду, який також включає рік виготовлення, друкується на корпусі.

Приклад:

2014 XX JN
Рік виготовлення

Збірка

Застереження! Перед складанням, будь ласка, переконайтеся, що електроінструмент вимкнений і вилка шнура живлення інструменту відключена від джерела живлення.

Кнопковий патрон (рис. В)

- Відкрийте патрон, повернувши рукав (5) проти годинникової стрілки.
- Помістіть хвостовик свердла (6) в патрон.
- Помістіть ключ затискного патрона (7) в кожен отвір (8) в бічній частині патрона і поверніть за годинниковою стрілкою до упору.

Демонтаж і монтаж патрона (мал. С)

- Відкрийте патрон, наскільки це можливо.
- Зніміть гвинт, що фіксує патрон розташований в патроні, повернувши його за годинниковою стрілкою за допомогою викрутки.
- Затягніть шестигранний ключ в патроні і вдарте по ньому молотком, як показано на малюнку.
- Зніміть ключ-шестигранник.
- Зніміть патрон, повернувши його проти годинникової стрілки.
- Для повторної установки патрона, закріпіть його на шпindelі і затягніть його за допомогою стопорного гвинта.

Використання

Увага! Дайте інструменту працювати у своєму власному темпі. Не перевантажуйте його.

Увага! Перед свердлінням стін, підлог і стель, перевірте розташування електропроводки і труб.

Вибір напрямлення вращення (рис. D)

Для свердління й загвинчування гвинтів, використовуйте обертання вперед (за годинниковою стрілкою). Для

ослаблення шурупів або вилучення застряглого свердла використовуйте зворотне обертання (проти годинникової стрілки).

- Щоб вибрати пряме обертання, натисніть повзунок вперед/назад (3) вліво.
- Щоб вибрати зворотне обертання, натисніть повзунок вперед/назад вправо.

Тримайте свердло в робочому положенні. Після будь-яких реверсивних операцій, поверніть слайдер (3) в переднє положення.

Увага! Ніколи не міняйте напрям обертання при працюючому двигуні.

Вмикання і вимкнення

- Щоб включити інструмент, натисніть перемикач плавного ходу (1). Швидкість інструменту залежить від того, наскільки ви натиснете перемикач.
- Для безперервної роботи натисніть фіксатор клавіші (2) і відпустіть перемикач плавного ходу. Ця опція доступна тільки на повній швидкості.
- Щоб вимкнути інструмент, відпустіть клавішу перемикача плавного ходу ще раз і відпустіть його. Щоб вимкнути інструмент при роботі в безперервному режимі, натисніть клавішу перемикача плавного ходу ще раз і відпустіть його.
- Залежно від застосування, поверніть ручку швидкого набору (9) для досягнення максимальної швидкості.

Правильне положення рук (мал. E)



Попередження: Щоб зменшити ризик отримання серйозної травми, ЗАВЖДИ тримайте руки в правильному положенні, як показано на малюнку E.



Попередження: Щоб зменшити ризик отримання серйозної травми, ЗАВЖДИ надійно утримуйте інструмент для попередження раптової реакції.

Свердління в металі

Починайте свердління з низькою швидкістю, поступово збільшуючи потужність і застосовуючи сильне натискання на інструмент. Спокійний, рівний вихід металевої стружки вказує на правильну частоту свердління. Використовуйте мастило при свердлінні металів. Винятки становлять чавун і латунь, які необхідно свердлити сухими.

Примітка: Отвори більшого діаметру [5/16 "(8 мм) до 1/2" (13 мм)] у сталі легше просвердлити, якщо спочатку зробити пілотний отвір [5/32 "(4 мм), 3/16" (5 мм)].

Свердління в дереві

Починайте свердління з низькою швидкістю, поступово збільшуючи потужність і застосовуючи сильне натискання на інструмент. Отвори в дереві можуть бути зроблені тими ж свердлами, які використовуються для металу. Свердла можуть перегріватися, періодично виймайте їх з отвору. Заготовки, від яких можуть летіти осколки, повинні бути посилені блоком деревини.

Акcesуари

Продуктивність електроінструменту залежить від його акcesуарів. Акcesуари STANLEY розроблені у відповідності з високими стандартами якості, щоб підвищити продуктивність електроінструменту. Використання цих акcesуарів може допомогти вам зручно працювати з інструментом.

Обслуговування

Ваш інструмент був розроблений для використання протягом тривалого часу при мінімальному технічному обслуговуванні. Послідовне задовільне використання залежить від належного технічного обслуговування і регулярного чищення інструменту.

Застереження! Перед виконанням будь-яких робіт з техобслуговування вимкніть живлення інструменту.

- Регулярно очищайте вентиляційні отвори вашого інструменту, використовуючи м'яку щітку або суху ганчірку.

- Регулярно очищайте корпус двигуна, використовуючи вологу ганчірку. Не використовуйте абразивні чистячі засоби або чистячі засоби на основі розчинників.

Примітки

- Політика STANLEY є процесом безперервного вдосконалення нашої продукції і, таким чином, ми залишаємо за собою право змінювати специфікацію продукту без попереднього повідомлення.
- Стандартне обладнання та акcesуари можуть варіюватися залежно від країни.
- Характеристики можуть відрізнятися в залежності від країни.
- Повний асортимент продукції може варіюватися залежно від країни. Зв'яжіться з вашим місцевим дилером STANLEY для отримання інформації про моделі, що є в наявності.

Технічні дані

		STDR5510
Потужність	W	550
Напруга	V	220-240
Частота	Hz	50/60
Швидкість без навантаження	/хвил.	0-2800
Обороти назад		Так
Блокування		Так
Максимальний діаметр свердління		
Сталь	мм	10
Дерево	мм	25
Діаметр патрона	мм	1,5-10

Захист навколишнього середовища



Роздільний збір і утилізація. Цей продукт не слід утилізувати разом з побутовим сміттям.

Якщо ви зрозумієте, що ваш продукт Stanley потребує заміни, або якщо він не має ніякого подальшого застосування для вас, не викидайте його разом з побутовими відходами. Надайте цей продукт для роздільного збору/утилізації.



Роздільний збір продуктів і упаковок дозволяє здійснити їх переробку і використати їх повторно. Повторне використання перероблених матеріалів допомагає захищати довкілля від забруднення і знижує витрату сировинних матеріалів.

Місьцеве законодавство може забезпечити збір старих електроінструментів окремо від побутового сміття на муніципальних звалищах відходів або в торговому підприємстві при купівлі нового виробу. Stanley забезпечує можливість для збору і утилізації продуктів Stanley, як тільки вони досягли кінця свого терміну служби. Для того, щоб скористатися цією послугою, ви можете здати ваш виріб у будь-який авторизований сервісний центр, який збирає їх за нашим дорученням.

Ви можете упізнати місце знаходження вашого найближчого авторизованого сервісного центру, звернувшись в місцеве відділення Stanley за адресою, вказаною в цьому керівництві. Крім того, список авторизованих ремонтних агентів Stanley і повну інформацію про наше післяпродажне обслуговування і контакти ви можете знайти в Інтернеті: www.2helpu.com10

Два рік повної гарантії

Якщо ваш продукт STANLEY виходить з ладу із-за дефектних матеріалів або виготовлення впродовж 24 місяців з дати купівлі, STANLEY Europe гарантує заміну усіх несправних деталей безкоштовно або - на власний розсуд - заміну продукту безкоштовно за умови, що:

- Продукт використовувався правильно, його експлуатація проводилася строго відповідно до інструкції з експлуатації.
- Продукт піддавався звичайному зносу;
- Ремонт не проводився сторонніми особами;
- Представлені документи, що підтверджують купівлю.
- Продукт STANLEY повертається в повному комплекті з усіма оригінальними компонентами

Якщо ви хочете зробити заявку, зв'яжіться з продавцем або з'ясуйте місце знаходження вашого найближчого авторизованого сервісного агента Stanley в каталозі Stanley або зверніться в місцеве представництво Stanley за адресою, вказаною в цьому посібнику. Список авторизованих сервісних агентів Stanley і повну інформацію про наше післяпродажне обслуговування можна знайти в Інтернеті за адресою: www.stanleytools.com

STANLEY

Гарантійні умови

Шановний покупець!

1. Вітаємо Вас з покупкою високоякісного виробу STANLEY і висловлюємо вдячність за Ваш вибір.
2. При покупці виробу вимагайте перевірки його комплектності і справності у Вашій присутності, інструкцію з експлуатації та заповнений гарантійний талон українською мовою.
В гарантійному талоні повинні бути внесені: модель, дата продажу, серійний номер, дата виробництва інструменту; назва, печатка і підпис торгової організації. За відсутності у Вас правильно заповненого гарантійного талону, а також при невідповідності зазначених у ньому даних ми будемо змушені відхилити Ваші претензії щодо якості даного виробу.
3. Щоб уникнути непорозумінь, переконливо просимо Вас перед початком роботи з виробом уважно ознайомитися з інструкцією з його експлуатації. Правовою основою справжніх гарантійних умов є чинне Законодавство. Гарантійний термін на даний виріб складає 24 місяці і обчислюється з дня продажу. У разі усунення недоліків виробу, гарантійний строк продовжується на період його перебування в ремонті. Термін служби виробу становить 5 років з дня продажу.
4. У разі виникнення будь-яких проблем у процесі експлуатації виробу рекомендуємо Вам звертатися тільки в уповноважені сервісні центри STANLEY, адреси та телефони яких Ви зможете знайти в гарантійному талоні, на сайті www.2helpU.com або дізнатися в магазині. Наші сервісні станції - це не тільки кваліфікований ремонт, але і широкий асортимент запчастин і аксесуарів.
5. Виробник рекомендує проводити періодичну перевірку і технічне обслуговування виробу в уповноважених сервісних центрах.
6. Наші гарантійні зобов'язання поширюються тільки на несправності, виявлені протягом гарантійного терміну і викликані дефектами виробництва та \ або матеріалів.
7. Гарантійні умови не поширюються на несправності виробу, що виникли в результаті:
 - 7.1 Недотримання користувачем приписів інструкції з експлуатації виробу, застосування виробу не за призначенням, неправильного зберігання, використання приладдя, витратних матеріалів і запчастин, що не передбачені виробником.
 - 7.2 Механічного пошкодження (відколи, тріщини і руйнування) внутрішніх і зовнішніх деталей виробу, основних і допоміжних рукояток, мережевого кабелю, що викликані зовнішнім ударним або будь-яким іншим впливом

- 7.3 Потраплення у вентиляційні отвори та проникнення всередину виробу сторонніх предметів, матеріалів або речовин, що не є відходами, які супроводжують застосування виробу за призначенням, такими як: стружка, тирса, пісок, та ін.
- 7.4 Впливу на виріб несприятливих атмосферних і інших зовнішніх факторів, таких як дощ, сніг, підвищена вологість, нагрівання, агресивні середовища, невідповідність параметрів електромережі, що зазначені на інструменті.
- 7.5 Стихійного лиха. Пошкодження або втрати виробу, що пов'язані з непередбаченими лихами, стихійними явищами, у тому числі внаслідок дії непереборної сили (пожежа, блискавка, потоп і інші природні явища), а також внаслідок перепадів напруги в електромережі та іншими причинами, які знаходяться поза контролем виробника.
8. Гарантійні умови не поширюються:
 - 8.1 На інструменти, що піддавались розкриттю, ремонту або модифікації поза уповноваженим сервісним центром.
 - 8.2 На деталі, вузли та матеріали, що мають сліди природного зносу, такі як: приводні ремені і колеса, вугільні щітки, мастило, підшипники, зубчасті зчеплення редукторів, гумові ущільнення, сальники, направляючі ролики, муфти, вимикачі, бойки, штовхачі, стволи тощо.
 - 8.3 На змінні частини: патрони, цанги, затискні гайки і фланці, фільтри, акумуляторні батареї, ножі, шліфувальні підшови, ланцюги, зірочки, пильні шини, захисні кожухи, пилки, абразиви, пильні і абразивні диски, фрези, свердла, бури тощо
 - 8.4 На несправності, що виникли в результаті перевантаження інструменту (як механічного, так і електричного), що спричинили вихід з ладу одночасно двох і більше деталей і вузлів, таких як: ротора і статора, обох обмоток статора, веденої і ведучої шестерень редуктора або інших вузлів і деталей. До безумовних ознак перевантаження виробу відносяться, крім інших: поява кольорів мінливості, деформація або оплавлення деталей і вузлів виробу, потемніння або обвуглювання ізоляції проводів електродвигуна під впливом високої температури.



Виробник:
"Stanley Black & Decker Deutschland GmbH" Black-&-Decker Str.40, D-65510 Idstein, Німеччина

حماية البيئة

فرز النفايات. يجب عدم وضع هذا المنتج مع النفايات المنزلية العادية.



إذا وجدت في يوم ما أنك بحاجة إلى استبدال منتج ستانلي، أو إذا لم تعد بحاجة إلى استخدامه، فلا تتخلص منه مع النفايات المنزلية، وقم بإتاحته للفرز.

يتيح فرز المنتجات المستخدمة وتغليفها بإعادة تدوير المواد واستخدامها مرة أخرى. حيث يساعد إعادة استخدام المواد المعاد تدويرها في منع التلوث البيئي ويقلل من الطلب على المواد الخام.



وقد تنص اللوائح المحلية على فرز المنتجات الكهربائية عن النفايات المنزلية في مواقع نفايات البلدية أو بواسطة بائع التجزئة عند شراء منتج جديد. وتوفر ستانلي مرافق جمع وإعادة تدوير منتجات ستانلي حينما تصل إلى نهاية عمرها الافتراضي للعمل. للاستفادة من هذه الخدمة، برجاء إعادة المنتج إلى أي وكيل إصلاح معتمد يقوم بجمعها نيابة عنا.

يمكنك التحقق من موقع أقرب وكيل إصلاح معتمد من خلال الاتصال بـ مكتب ستانلي المحلي على العنوان المشار إليه في الدليل. وبدلاً من ذلك، توجد قائمة بوكلاء الإصلاح المعتمدين من ستانلي وبياناتهم الكاملة خدمات ما بعد البيع وبيانات اتصالاتهم على موقع الإنترنت: www.helpU.com.

ضمان شامل لعام اثنان

إذا وجد في منتج ستانلي عيوب تصنيع أو عيوب مواد في غضون 24 شهراً من تاريخ الشراء، تضمن لك ستانلي يوروب استبدال كافة الأجزاء المعيبة دون مقابل أو - وفقاً لتقديرنا - استبدال الوحدة دون مقابل شريطة:

- عدم إساءة استخدام الجهاز وأن يكون الجهاز قد تم استخدامه وفقاً لدليل التعليمات؛
- تعرض الجهاز لبلبي العادي بالاستعمال؛
- عدم القيام بأي إصلاحات بواسطة أشخاص غير معتمدين؛
- تقديم إثبات للشراء؛
- إعادة منتج ستانلي مكتملاً مع كافة مكوناته الأصلية

إذا كنت ترغب في إقامة دعوى، اتصل بالبائع أو خذ من موقع أقرب وكيل إصلاح معتمد من ستانلي في دليل ستانلي أو اتصل بـ مكتب ستانلي المحلي على العنوان المشار إليه في الدليل. توجد قائمة بوكلاء الإصلاح المعتمدين من ستانلي وبياناتهم الكاملة خدمات ما بعد البيع على موقع الإنترنت: www.stanleytools.com.

الملحقات

يعتمد أداء الجهاز على نوع الملحقات المستخدمة. وتم تصميم ملحقات ستانلي وتصنيعها وفقاً لمعايير عالية الجودة لتحسين استخدامك للجهاز. ويمكن لاستخدام هذه الملحقات أن يساعدك في تشغيل الجهاز بسهولة وبسر.

الصيانة

تم تصميم الجهاز للعمل لفترات طويلة بأقل صيانة ممكنة. ويتوقف الاستخدام المرصق للجهاز على إجراء الصيانة والتنظيف الدوري للجهاز وفق ما هو مطلوب.

خديراً! قبل إجراء أي أعمال صيانة للجهاز، قم بإيقاف تشغيل الجهاز وقصه من مصدر التيار الكهربائي.

- استخدم فرشاة ناعمة أو قطعة قماش جافة لتنظيف فتحة تهوية الجهاز بانتظام.
- استخدم قطعة قماش رطبة لتنظيف المحرك بانتظام. يُرجى عدم استخدام أي منظفات كاشطة أو مذيبة.

ملاحظات

- تعتمد سياسة ستانلي على تحسين منتجاتنا باستمرار. وبناءً على ذلك فإننا نحفظ بحقنا في تغيير مواصفات المنتج دون إشعار مسبق.
- قد تختلف المعدات والملحقات القياسية حسب البلد.
- قد تختلف مواصفات المنتج حسب البلد.
- قد لا تتوفر تشكيلة المنتجات الكاملة في كافة الدول. يرجى التواصل مع موزعي ستانلي للتحقق من توافر المنتجات.

البيانات الفنية

STDR5510	
القدرة	550 واط
الجهد الكهربائي	220-240 فولط
التردد	50/60 هرتز
السرعة بدون حمل	0 إلى 2800 لفة في الدقيقة
الدوران للخلف	نعم
القفل	نعم
القدرة القصوى	
الصلب	10 ملم
الخشب	25 ملم
سعة الظرف	1.5 إلى 10 ملم

الخصائص

يحتوي هذا الجهاز على كل أو بعض الخصائص التالية.

- الدوران للخلف (في عكس اتجاه عقارب الساعة).
- لتحديد الدوران للأمام، ادفع المفتاح المنزلق الخاص بالدوران للأمام / الخلف (٣) إلى ناحية اليسار.
- لتحديد الدوران للخلف، ادفع المفتاح المنزلق الخاص بالدوران للأمام / الخلف إلى ناحية اليمين.
- يتضح ذلك عند حمل المثقاب في وضع التشغيل، وبعد أي عمليات دوران للخلف، أعد المفتاح المنزلق (٣) إلى وضع الدوران للأمام.
- **تحذير!** لا تغير اتجاه الدوران مطلقاً عندما يكون المحرك في وضع التشغيل.

التشغيل وإيقاف التشغيل

- لتشغيل الجهاز، اضغط على مفتاح السرعة المتغيرة (١). وتتوقف سرعة الجهاز على مقدار ضغطك على المفتاح.
- لتشغيل المستمر، اضغط على زر القفل (٢) وحرر مفتاح السرعة المتغيرة، ويتوفر هذا الخيار فقط في وضع السرعة الكاملة.

- لإيقاف تشغيل الجهاز، حرر مفتاح السرعة المتغيرة، وإيقاف تشغيل الجهاز عندما يكون في وضع التشغيل المستمر. اضغط على مفتاح السرعة المتغيرة مرة أخرى وحرره.

- بناءً على مختلف عمليات الاستخدام، قم بلف بكرة تغيير السرعة (٩) للتحكم في الحد الأقصى للسرعة.

الوضع الصحيح لليد (الشكل هـ)

- **تحذير!** لتقليل مخاطر التعرض لإصابات شخصية خطيرة، استخدم دائماً الوضع الصحيح لليد كما هو موضح في الشكل هـ.

تحذير! لتقليل مخاطر التعرض لإصابات شخصية خطيرة، امسك الجهاز بشكل آمن وكن دائماً على استعداد لأي رد فعل مفاجئ.



الثقب في المعادن

ابدأ الثقب بسرعة منخفضة، وقلل من سرعة الدوران مع زيادة السرعة إلى الطاقة الكاملة. مع الضغط بقوة ثابتة على الجهاز، يُشير التدفق السلس والمتساوي للشظايا المعدنية إلى معدل الثقب الصحيح. استخدم زيت تزييق خاص بالقطع عند ثقب المعادن، يُستثنى من ذلك الحديد الزهر والنحاس الأصفر التي يتم ثقبها على الجاف.

ملحوظة: يمكن عمل الثقوب الكبيرة [١١/٥ بوصة (٨ ملم)] بسهولة في المعادن عند عمل ثقب دلالي [٣٢/٥ بوصة (٤ ملم)] أولاً.

الثقب في الخشب

ابدأ الثقب بسرعة منخفضة، وقلل من سرعة الدوران مع زيادة السرعة إلى الطاقة الكاملة. مع الضغط بقوة ثابتة على الجهاز، يمكن الثقب في الخشب باستخدام نفس لقم الثقب المستخدمة للمعادن. قد ترتفع درجة حرارة هذه اللقم، ما لم يتم سحبها بشكل متكرر لإزالة الشظايا من الأخاديد، يجب دعم قطع العمل التي تميل إلى التشظي بقطعة من الخشب.

١. مفتاح متغير السرعات

٢. زر قفل

٣. مفتاح منزلق للدوران للأمام / الخلف

٤. ظرف

٥. جلية

٦. عمود اللقم

٧. بكرة تغيير السرعة

٨. فتحة

٩. بكرة تغيير السرعة

التجميع

تحذير! قبل التجميع، يُرجى التأكد من إيقاف تشغيل الجهاز وفصله من المقبس.

الطرف المزود بمفتاح (الشكل ب)

- افتح الطرف بندوير الجلية (٩) في عكس اتجاه عقارب الساعة.
- ادخل عمود اللقم (٦) في الطرف.
- ادخل مفتاح الطرف (٧) في كل فتحة (٨) موجودة على جانب الطرف، وقلل بلف المفتاح في اتجاه عقارب الساعة إلى أن يتم إحكام الربط.

فك وإعادة تركيب الطرف (الشكل ج)

- افتح الطرف قدر الإمكان.
- فك بفك برغي تثبيت الطرف. الموجود داخل الطرف، بلفه في اتجاه عقارب الساعة باستخدام مفك براغي.
- احكم تثبيت مفتاح مسدس (آلان كيه) في الطرف واضربه بطريقة كما هو موضح.
- قم بإزالة المفتاح المسدس (آلان كيه).
- قم بفك الطرف بلفه في عكس اتجاه عقارب الساعة.
- لإعادة تركيب الطرف، قم بربطه على محور الدوران وإحكام تثبيته باستخدام برغي تثبيت الطرف.

الاستخدام

تحذير! دع الجهاز يعمل بسرعته العادية، لا تفرط في التحميل عليه.

تحذير! قبل الحفر في الجدران أو الأرضيات أو الأسقف، تحقق من موضع الأسلاك والمواسير.

تحديد اتجاه الدوران (الشكل د)

للتعبير وربط البراغي، استخدم الدوران للأمام (في اتجاه عقارب الساعة). ولفك البراغي أو إزالة لقمة ثقب محسنة، استخدم

- غرض الاستخدام المذكور في دليل التعليمات هذا. إن استخدام أي ملحوق أو أداء أي عمل باستخدام هذا الجهاز غير الاستخدام الموصى به في دليل التعليمات قد يلحق الضرر بالأشخاص و/أو الممتلكات.

الرموز الموجودة على الجهاز

قد تتضمن العلامات الموجودة على الأداة الرموز التالية:

عزل مزدوج من الفئة ٢		هرتز	Hz	اقرأ دليل التعليمات	
طرف أرضي		واط	W	استخدم واقى العين	
رمز تنبيه الأمان		دقيقة تيار متردد	min	استخدم واقى الأذن	
عدد الدورات أو الترددات في الدقيقة		تيار مستمر	min	فولط	V
				مبير	A
				السرعة بدون حمل	N ₀

مكان رمز الباركود الخاص بالتاريخ

يوجد رمز الباركود الخاص بالتاريخ. بما في ذلك سنة الصنع. مطبوعاً على التبيطة.
على سبيل المثال:

XX JN ٢٠١٤
سنة الصنع

السلامة الكهربائية

هذا الجهاز مزدوج العزل. لذا ليست هناك حاجة لسلك أرضي. احرص دوماً على التحقق من مطابقة الجهد الكهربائي لموصل الطاقة مع الجهد الكهربائي الموجود على لوحة التقنين.

- في حالة تلف كابل الطاقة، يجب استبداله بواسطة الشركة المصنعة أو مركز خدمة معتمد من ستانلي لتجنب الضرر أو الإصابة.

استخدام كابل تمديد

- احرص دوماً على استخدام كابل تمديد معتمد مطابق للجهد الكهربائي الداخلي لهذا الجهاز (انظر البيانات الفنية). وقبل استخدام كابل التمديد، قم بفحص الكابل للتأكد من خلوه من أي علامات تدل على التلف والبلي والتقدم. استبدل كابل التمديد إذا كان به تلف أو عيب. وعند استخدام بكرة كابل، تأكد دائماً من سحب الكابل بالكامل. قد يؤدي استخدام كابل تمديد غير مناسب للجهد الكهربائي الداخلي للجهاز أو به تلف أو عيب إلى مخاطر نشوب حريق أو التعرض لصدمة كهربائية.

أخرى قد تؤثر على تشغيل الأجهزة. في حالة تعرض الأجهزة للتلف، قم بإصلاح الأجهزة قبل استخدامها. حيث تقع العديد من الحوادث بسبب الصيانة الرديئة للأجهزة.

- احرص على حدة ونظافة أدوات القطع. من النادر أن تتسبب أدوات القطع المحفوظة بشكل مناسب مع الحفاظ على حدة حواف القطع، في إعاقة الحركة فضلاً عن سهولة التحكم فيها.

ز. احرص على استخدام الجهاز الكهربائي والملحقات ولقم الجهاز وما إلى ذلك وفق هذه التعليمات، مع الأخذ في الاعتبار ظروف العمل والعمل المطلوب تنفيذه. قد يؤدي استخدام الجهاز الكهربائي في عمليات غير المخصص من أجلها إلى وقوع مخاطر.

الصيانة

- أ. قم بإصلاح وصيانة الجهاز بواسطة شخص مؤهل باستخدام الأجزاء البديلة المطابقة فقط. وسوف يضمن ذلك الحفاظ على سلامة الجهاز الكهربائي.

تحذيرات إضافية للسلامة عند استخدام الجهاز الكهربائي

تحذير! تحذيرات للسلامة عند استخدام المثقاب الكهربائي



- ارتد واقيات الأذن عند الثقب باستخدام المثقاب الكهربائي الدقيق. قد يؤدي التعرض للضوضاء إلى فقدان السمع.
- استخدم المقابض الإضافية المتوفرة مع الجهاز. يمكن أن يتسبب عدم القدرة على التحكم في وقوع إصابة شخصية.
- امسك الجهاز بواسطة الأسطح المعزولة فقط عند العمل بالجهاز عند وجود احتمالية تلامس ملحوق القطع مع الأسلاك المخفية أو سلك الجهاز نفسه. واعلم بأن ملامسة ملحوق القطع للأسلاك "التي يسري بها التيار" قد توصل التيار إلى الأجزاء المعدنية المكشوفة. ما قد يعرض المشغل إلى مخاطر الإصابة بالصدمة الكهربائية.

- استخدم ملزمة أو أي طريقة عملية أخرى لوضع قطعة العمل وتثبيتها على سطح ثابت. إمساك قطعة العمل باليد أو في مقابل الجسم يجعلها غير مستقرة وقد يؤدي إلى فقدان التحكم.
- قبل الحفر في الجدران أو الأرضيات أو الأسقف. تحقق من موضع الأسلاك والمواسير.

- لا تلمس طرف لقمة الثقب بعد الثقب مباشرة. فقد تكون ساخنة للغاية.

- هذا الجهاز غير مخصص للاستخدام من قبل الأشخاص (بما في ذلك الأطفال) الذين يعانون من قصور بدني أو حسي أو ذهني، أو يفتقدون للخبرة والعرفية، ما لم يتم الإشراف عليهم أو توجيههم فيما يتعلق بكيفية استخدام الجهاز من قبل شخص مسؤول عن سلامتهم، ويجب مراقبة الأطفال لضمان عدم عبثهم بالجهاز.

الغرض من الاستخدام

تم تصميم جهاز المثقاب الدوار من ستانلي للثقوب في الخشب والمعادن والخرسانة. وهذا الجهاز مخصص للاستخدام المنزلي فقط.

التعليمات الأصلية

تحذيرات عامة عند استخدام الأجهزة الكهربائية

تحذير! اقرأ كافة التعليمات وكافة تحذيرات السلامة. قد يؤدي عدم اتباع التعليمات والتحذيرات الواردة أدناه إلى حدوث صدمة كهربية أو حرق وأو إصابة شخصية خطيرة.



احفظ كافة التحذيرات والتعليمات للرجوع إليها في المستقبل

تشير كلمة "الجهاز الكهربائي" في كافة التحذيرات الواردة أدناه إلى الجهاز الكهربائي الذي يعمل (بواسطة أسلاك) بواسطة الموصلات الرئيسية أو الجهاز الكهربائي الذي يعمل بواسطة بطارية (بدون أسلاك).

١. سلامة منطقة العمل

أ. احرص على نظافة وإضاءة منطقة العمل بشكل جيد. حيث تؤدي المناطق غير المنظمة والمظلمة إلى وقوع حوادث.

ب. لا تشغل الجهاز في أجواء قابلة للاحتراق، مثلاً عند وجود سوائل أو غازات أو غبار قابل للاشتعال. فالفأجرة الكهربائية تطلق شرراً قد يؤدي إلى اشتعال الغبار أو الدخان.

ج. احرص على إبعاد الأطفال والمتواجدين في منطقة العمل عن الجهاز الكهربائي، فقد يتسبب الإلتهاء في فقدانك للسيطرة.

٢. السلامة الكهربائية

أ. يجب أن تتطابق مقابس الجهاز الكهربائي مع المنفذ. لا تقم بتعديل المقبس بأي حال. لا تستخدم أي مقابس مهيئات مع أجهزة كهربائية (مورضة). سوف تؤدي المقابس غير المعدلة والمنافذ المطابقة إلى تقليل خطر حدوث صدمة كهربائية.

ب. تجنب ملامسة الجسد للأسطح المورضة مثل الأنابيب والمشعاع والثلاجات. فإذا تلامس الجسد بسطح مؤرض. فسوف يزداد خطر حدوث صدمة كهربية.

ج. لا تعرض الأجهزة الكهربائية للمطر أو لظروف رطبة. فإن دخول الماء إلى الجهاز الكهربائي يؤدي إلى زيادة خطر حدوث صدمة كهربية.

د. لا تسئ استخدام السلك. لا تستخدم السلك في حمل أو سحب الجهاز الكهربائي أو نزع من المقبس. احرص على إبعاد السلك عن الحرارة والنفط والحواف الحادة أو الأجزاء المتحركة. حيث إن الأسلاك التالفة أو التشابكة تزيد من خطر حدوث صدمة كهربائية.

هـ. عند تشغيل الجهاز في الخارج، استخدم سلك تمديد مناسب للاستخدام الخارجي. حيث إن استخدام سلك مناسب للاستخدام الخارجي يقلل من خطر حدوث صدمة كهربائية.

و. إذا كان يجب تشغيل الجهاز الكهربائي في مكان رطب، فاستخدم موصل محمي لقاطع الدورة (RCD). إن استخدام قاطع الدورة يقلل من خطر حدوث صدمة كهربية.

٣. السلامة الشخصية

أ. توخ الحذر وراقب ما تقوم به واستخدم حسك العام عند تشغيل جهاز كهربائي. لا تستخدم أي جهاز كهربائي حينما تكون مرهقا أو تحت تأثير المخدرات أو الكحول أو الدواء. قد تؤدي لحظة عدم انتباه واحدة أثناء تشغيل الأجهزة الكهربائية إلى وقوع إصابة شخصية خطيرة.

ب. استخدم معدات الحماية الشخصية. احرص دوماً على ارتداء واقي العينين. إن استخدام معدات الحماية مثل قناع الأتربة وأحذية السلامة المقاومة للانزلاق والخوذة الصلبة وواقي الأذن في الظروف المناسبة يقلل من وقوع الإصابات الشخصية.

ج. تجنب التشغيل العرضي. احرص على أن يكون مفتاح التشغيل في وضع الإيقاف قبل توصيله بمصدر الطاقة و/أو علبه البطارية أو قبل التقاط الجهاز أو حمله. قد تقع حوادث نتيجة حمل الأجهزة الكهربائية مع وضع الأصبع على مفتاح التشغيل أو توصيل الأدوات الكهربائية بالمقبس حينما يكون مفتاح التشغيل على وضع التشغيل.

د. قم بإزالة أي مفتاح ضبط أو مفتاح ربط قبل تشغيل الجهاز. فقد يؤدي ترك مفتاح الربط أو المفتاح عالقا في الجزء الدوار بالجهاز إلى وقوع إصابات شخصية.

هـ. لا تمد يديك بالجهاز لمسافة بعيدة. ضع قدميك في موضع مناسب واحفظ بالتوازن المناسب في جميع الأوقات. حيث ينجب لك ذلك إمكانية التحكم بشكل أفضل في الجهاز في المواقف غير المتوقعة.

و. ارتد ملابس مناسبة. لا ترتد الملابس الفضفاضة أو الحلي. احرص على إبقاء شعرك وملابسك وقفاذك بعيدة عن الأجزاء المتحركة. فقد تسحب الأجزاء الدوارة الملابس الفضفاضة أو الحلي أو الشعر الطويل.

ج. إذا كانت الأجهزة معدة للتوصيل بوسائل إزالة أو تجميع الأتربة، فأحرص على توصيلها واستخدامها بشكل مناسب. حيث إن استخدام وسائل جمع الأتربة قد يقلل من المخاطر المرتبطة بها.

٤. استخدام الجهاز الكهربائي والعناية به

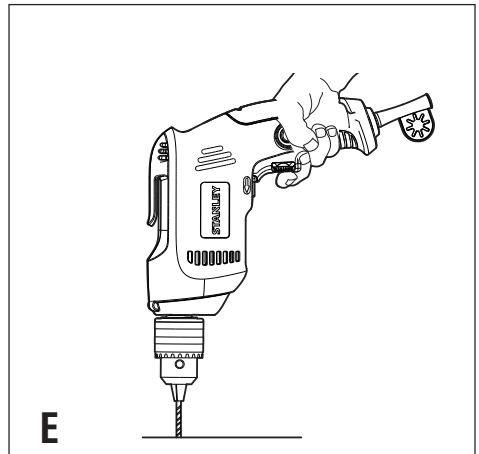
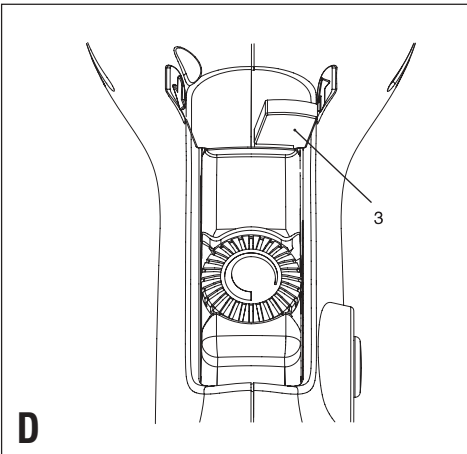
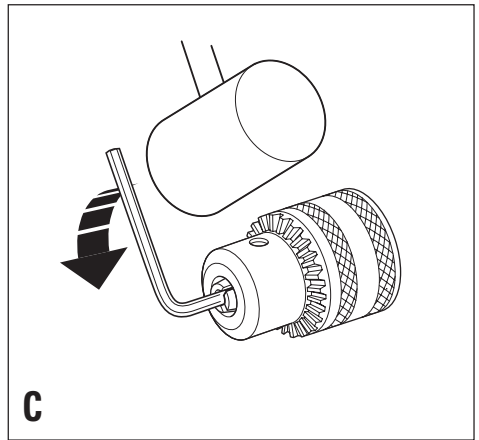
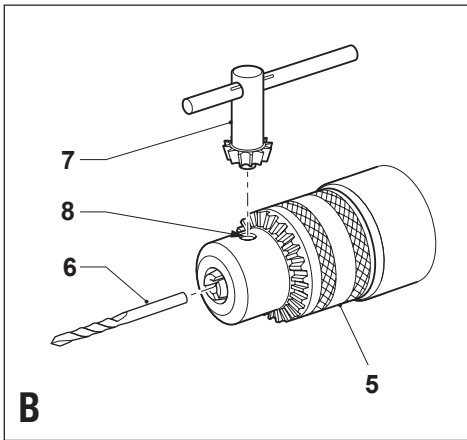
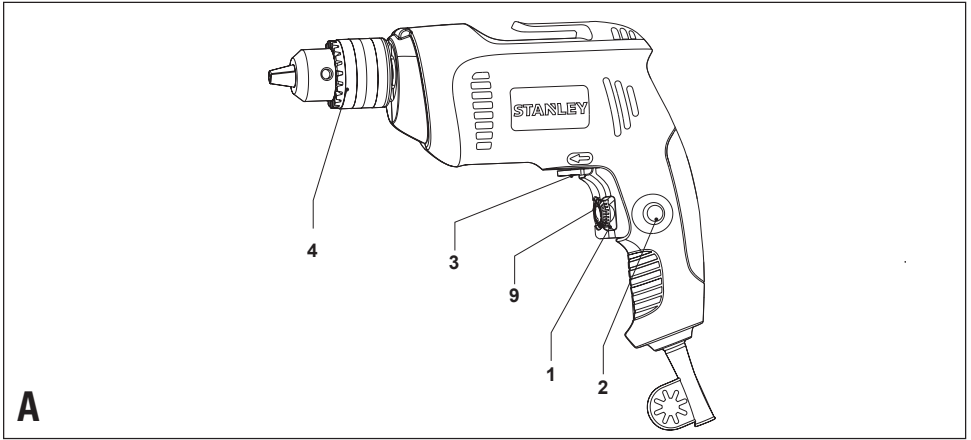
أ. لا تضغط على الجهاز الكهربائي. استخدم الجهاز الكهربائي المناسب لاستعمالك. حيث إن استخدام الجهاز الكهربائي يؤدي المهمة بشكل أفضل وأكثر أماناً بالسرعة التي تم تصميمه من أجلها.

ب. لا تستخدم الجهاز الكهربائي إذا كان المفتاح لا يقرم بالتشغيل أو الإيقاف. حيث إن أي جهاز كهربائي لا يمكن التحكم فيه باستخدام مفتاح التشغيل/الإيقاف يكون خطيراً ويجب إصلاحه.

ج. أفضل المقبس من مصدر الطاقة و/أو علبه البطارية من الجهاز الكهربائي قبل إجراء أي تعديلات أو تغيير أي ملحقات أو تخزين الجهاز الكهربائي. حيث تقلل تدابير السلامة الوقائية هذه من خطر تشغيل الجهاز دون قصد.

د. قم بتخزين الأجهزة غير المستخدمة بعيداً عن متناول الأطفال ولا تسمح للأشخاص غير المتعاملين مع الأجهزة الكهربائية أو غير المطلعين على هذه التعليمات بتشغيل الجهاز الكهربائي. حيث يمثل وجود الأجهزة الكهربائية في أيدي المستخدمين غير المدربين خطراً عليهم.

هـ. قم بصيانة الأجهزة الكهربائية. تحقق من أي اختلاف أو عائق في الأجزاء المتحركة أو كسر في الأجزاء أو أي حالة



Names & Addresses for STANLEY Service Concessionaries - MIDDLE EAST & AFRICA

ALGERIA: Sarl Outillage Corporation, 08 Rue Med Boudiaf - Cheraga - Algiers, Algeria. Tel: (213-21) 375130, Fax: (213-21) 369667. **ANGOLA:** Angoferraria, Lda., Rua Robert Shields, No. 61, Luanda, Angola. Tel: 00244-222-395837 / 222-395034, Fax: 00244-222-394790. **AZERBAIJAN:** Royalton Holdings Ltd. 41 Khagani St. Apt. 47 AZ 1001, Baku. Tel: (994-12) 4935544, Fax: (994-12) 5980378. **BAHRAIN:** Kavalani & Sons W.L.L., P.O. Box 71, Sitra, Manama, Tel: (973) 17732888, Fax: (973) 17737379. Alfouz Services Co. W.L.L., P.O. Box 26562, Tubli, Manama. Tel: (973) 17783562, Fax: (973) 17783479. **EGYPT:** El Farab S.A.E., 15-Nabil El Wakkad Street, Dokki, Giza, Egypt. Tel: 00202-37603946 / 002-010-2582544, Fax: 00202-33352796. **ETHIOPIA:** Seif Tewfik Sherif, Arada Sub-City, Kebele 01/02, Global Insurance Building, 2nd Floor, Room 43, P.O. Box 2525, Addis Ababa, Ethiopia. Tel: (251-11) 1563968/ 1563969, Fax: (251-11) 1558009. **IRAQ:** Financial Links, Kazzaz Building Ararat Al-Hindia Block No: 629 Street: 31 Building No: 1 Baghdad - Iraq. Tel: 00964 (0)780 195 2223/ 00964 (0)781 3763044. Al Sard Co. for General Trading Ltd. Jbara Bldg. 3Flr, Al Rasheed St. Baghdad. Tel: (964) 18184102. Sakhar Group, Arrasat al-hindya Al Masbah, Baghdad. (964) 7400144446. **JORDAN:** Palestine Bldg. (Bashiti Hardware), 93 King Abdullah 2nd Street. Opp. ELBA House, P.O. Box 3005, Amman 11953, Tel: (962-6) 5349098, Fax: (962-6) 5330731. **KENYA:** Dextron Tools Ltd., P.O. Box 20121-00200, Shariff House, Kimathi Street, Nairobi. Tel: (254-20) 6905000/ 2358021, Fax: (254-20) 6905111/ 6905112. **KUWAIT:** Al Omar Technical Co., P.O. Box 4062, 13041 Safat, Kuwait. Tel: (965) 24848595/ 24840039, Fax: (965) 24845652. Fawaz Al Zayani Establishment, P.O. Box 42426, Shop No. 18, Al Humaizi Commercial Complex, Khalifa Al Jassim, Shuwaikh, Kuwait. Tel: (965) 24828710, Fax: (965) 24828716. Fawaz Al Zayani Establishment, P.O. Box 42426, Shop No.18, Al Humaizi Commercial Complex, Khalifa Al Jassim, Shuwaikh, Kuwait. Tel: (965) 24828710, Fax: (965) 24828716. **LEBANON:** Est. Shaya & Azar S.A.R.L., Boulevard Jdeideh - Mar Takla - Bouchrieh, P.O. Box 90545 Jdeideh.Beirut - Lebanon. Tel: 00961 1 872305 / 306 , Fax: 00961 1 872303. **LIBYA:** North Africa Trading (El Ghoul Brothers), AlHilal Service Center Tawergha St. Misurata. Tel: 00218-091-3221408. **(Benghazi)** Sniydal st., Amr Ibn El-Aas Rd. Tel: (+218) 92 5771120. **(Tripoli)** Al Barniq Service Center, Mokhazin elskur st., ElFallah. Tel: (+218) 21 4808019. **(Misrata)** Al Hilal Service Center, Tawergha st. Tel: (+218) 51 2626743. **MAURITIUS:** Robert Le Marie Limited, Old Moka Road, Bell Village, P.O. Box 161, Port Louis, Tel: 00230-212 1865/ 212 2847, Fax: 00230-2080843. **MOROCCO:** Ets Louis Guillaud & Cie, 149, Quartier Industriel, Moulay Rachid, Casablanca, Postal Code 20450, Morocco. Tel: 00212-522729233, Fax: 00212-522729096. **NIGERIA:** Meridian Power Tools Ltd., Gr.Floor, #1 Alhaji Masha Rd, Next to Teslim Balogun Stadium, Near National Stadium Surulere, Lagos, Nigeria. Tel: 00234-1-7740431 / 7740410, Fax: 00234-1-7913798. **OMAN:** Al Jizzi Company LLC, P.O. Box 1704, PC 112 Ruwi, Oman. Tel: (968) 24832618/ 24835153, Fax: (968) 24831334/24836460. Al Hassan Technical & Construction Supplies Co. LLC, P.O. Box 1948, P.C. 112, Ruwi, Tel: (968) 24810575 / 24837054, Fax: (968) 24810287/ 24833080. Oman Hardware Co. LLC, P.O. Box 635, Ruwi Postal Code 112, Te. (968) 24815131, Fax: (968) 24816491. Khimji Ramdas, P.O. Box 19, Post Code 100, Ghala, Muscat, Oman. Tel: (968) 24595906/ 907, Fax: (968) 24852752. Oman Marketing & Service Co. (Omasco), P.O. Box 2734, Behind Honda Showroom, Wattayah, Oman. Tel: (968) 24560232/ 24560255, Fax: (968) 24560993. Oman Marketing & Service Co. (Omasco), Al Ohi, Sohar, Oman. Tel: (968) 26846379, Fax: (968) 26846379. Oman Marketing & Service Co. (Omasco), Sanaya, Salalah, Oman. Tel: (968) 23212290, Fax: (968) 23210936. **PAKISTAN:** ZIT Co - Nasir & Bros., 2nd Floor, Qadri Center, Chokwal Dargan Railway Road, Lahore, Pakistan. Tel: 0092 42 37670839, Fax: 0092 42 37652989. Ammar Service & Spares, 60-Bank Arcade, Serai Road, Karachi, Pakistan. Tel: (92-21) 32426905, Fax: (92-21) 32427214. **QATAR:** Teyseer Industrial Supplies & Services Co. W.L.L, 55, Al Wakalat St. (Between St. 18 & 19) Salwa Industrial Area, P.O. Box 40523 Doha, Qatar. Tel: (974) 44581536, Fax: (974) 44682024. Shaheen Electrical Works & Trading Co. W.L.L, Gate 34, St. 44 Industrial Area P.O. Box 9756, Doha, Qatar. Tel: (974) 44600230 / 44600525, Fax: (974) 44601338. Al Mufthah Service Centre, Al Wakrah Road, P.O. Box 875, Doha, Qatar. Tel: (974) 44650880/ 44650110/ 44446868, Fax: (974) 44441415 / 44662599. **SAUDI ARABIA: (Al Bahr)** Mohamed Ahmed Bin Afif Est., P.O. Box 530, Yanbu, Al Bahr. Tel: (966-4) 3222626/ 3228867, Fax: (966-4) 3222210. **(Al Khobar)** Fawaz Ibrahim Al Zayani Trading Est., P.O. Box 76026, Al Khobar # 31952, Tel: (966-3) 8140914, Fax: (966-3) 8140824. MSS (Al-Mojil Supply & Services) P.O. Box 450, Jubail 31951, Opp. Gulf Bridge Library & Riyadh House. Tel: (966-3) 3612850/ 3624487/ 3621729, Fax: (966-3) 3623589/ 3620783. **(Dammam)** MSS (Al-Mojil Supply & Services), P.O. Box 450, Jubail 31951, Opp-Gulf Bridge Library & Riyadh House. Tel: (966-3) 3612850 / 3624487 / 3621729, Fax: (966-3) 3623589 / 3620783. **(Al Bawardi Tools & Hardware)**, P.O. Box 112, Dammam, Tel: (966-3) 8330780 Ext.24 / 8348585 Ext. 24 / +966-3-8335555, Fax: (966-3) 8336303. **(Al Hassa)** Mutawa Trading & Gen. Services, Maliki road Hafuf city, Al Hassa, KSA. Tel: (966) 502846275 **(Jeddah)** Al Bawardi Tools & Hardware, P.O. Box 16905, Jeddah 21474, Tel: (966-2) 6444547 / 6439035 / 6456095, Fax: (966-2) 6439024. EAC (Al Yousef Contg. & Trdg. Est.), P.O. Box 30377, Jeddah -21477, Tel: (966-2) 6519912, Fax: (966-2) 6511153. **(Madina)** Garziz Trading for Bldg Mat & Decoration, P.O. Box 3364, Madina. Tel: (966-4) 826 14 90 / 8227636, Fax: (966-4) 8265741. **(Riyadh)** Industrial Material Organization (IMO), P.O. Box 623, Rld Street ,Riyadh, Tel: (966-1) 4028010 Ext 26 / 8001245757, Fax: (966-1) 4037970. Sultan Garment Factory (RSC), P.O. Box 29912, Riyadh 11467, KSA, Tel: (966-1) 4055148 / 4042889, Fax: (966-1) 4055148. Al Bawardi Tools & Hardware, P.O. Box 68, Riyadh 11411, Tel: (966-1) 4484999, Fax: (966-1) 4487877. **(Yanbu)** Fawaz Ibrahim Al Zayani, Opposite to Al Fouzan, Jeddah highway or King Abdul Aziz road, Yanbu. Tel: (966-4) 3960980, Fax: (966-4) 3961980. Mohamed Ahmed Bin Afif Est., P.O. Box 530, Yanbu, Al Bahr, Tel: (966-4) 3222626/ 3228867, Fax: (966-4) 3222210. **SOUTH AFRICA:** Stanley Black & Decker - RSA, 199 Winetree Drive Stormill Exit 9 Roodoepoort. Tel: (2711) 472 0454, Fax: (2711) 472 0482. Trevco Power Tool Service 14 Steenbok Street, Koedoespoort, 0186, Pretoria, South Africa. Tel: (27-86) 1873826, Fax: (27-86) 5001771. **TANZANIA:** General Motors investment Ltd., P.O. Box 16541, 14 Nyerere Road, Vingunguti, Dar-es-Salaam. Tel: (255 22) 2862661/ 2865022, Fax: (255 22) 2862667. **TUNISIA:** Societe Tunisienne De Maintenance (STM), Rue de la Physique. Nouvelle Zone Industrielle Ben Arous, 2013 Ben Arous, Tunisia. Tel: (+216) 79 389687, Fax: (+216) 71 385154. **UAE: (Abu Dhabi)** Light House Electrical, P.O. Box 120, Abu Dhabi. Tel: (971-2) 6726131, Fax: (971-2) 6720667. Galaxy Equipment Trading, Madinat Zayed (Baada Zaid), Abu Dhabi P.C. 58910, Tel: (971-2) 8844279, Fax: (971-2) 8844297 **(Ajman)** Al Sukoon Gen. Trdg. Co. LLC, P.O. Box 2975, Ajman. Tel: (971-6) 7435725/ 7438317, Fax: (971-6) 7437350, Al Sukoon Gen. Trdg. Co. LLC, P.O. Box 2975, Ajman, Tel: (971-6) 7435725 / 7438317, Fax: (971-6) 7437350 **(Al Ain)** Zillion Equipment and Spare Parts Trading LLC, P.O. Box 19740, Opp. Bin Sada/ Trimix Redymy Sanaiya, Al Ain. Tel: (971-3) 7216690, Fax: (971-3) 7216103. **(Dubai)** Black & Decker (Overseas) GmbH, P.O. Box 5420, Dubai. Tel: (971-4) 8127400/ 8127406, Fax: (971-4)2822765. Ideal Star Workshop Eqp't.Trading LLC, P.O. Box 37116, Al Quoz, Dubai. Tel: (971-4) 3474160, Fax: (971-4) 3474157, Fine Tools, P.O.Box 30139, Al Quoz, Dubai, Tel: (971-4) 3385240, Fax: (971-4) 3385239, Albreah Engineering Service, P.O. Box 78954, Al Qusais , Dubai. Tel: (971-4) 2850044, Fax: (971-4) 2844802. **(Musafah)** Light House Electrical, P.O. Box 120, Abu Dhabi. Tel: (971-2) 5548315, Fax: (971-2) 5540461. **(Sharjah)** Mc Coy Middle East LLC, P.O. Box 25793, Sharjah. Tel: (971-6) 5395931, Fax: (971-6) 5395932. Burj Al Madeena, Industrial Area No.1, Opp. Pakistani Masjid, P.O. Box 37635, Sharjah. Tel: (971-6) 5337747, Fax: (971-6) 5337719. Burj Al Madeena , Industrial Area No 1, opp Pakistani Masjid P.O. Box 37635, Sharjah, Tel: (971-6) 5337747, Fax: (971-6) 5337719 **(Ras Al Khaimah)** Mc Coy Middle East LLC, P.O. Box 10584, Ras Al Khaimah. Tel: (971-7) 2277095, Fax: (971-7) 2277096. **UGANDA:** The Building Center (U) Ltd., 52 Station Road, Kitgum House, P.O. Box 7436, Kampala, Uganda. Tel: (256-41) 4234567/ 4259754, Fax: (256-41) 4236413. **YEMEN: (Aden)** Middle East Trad. Co. Ltd. (METCO), Mualla Dakka, Aden, Yemen. Tel: (967-2) 222670, Fax: (967-2) 222670. **(Sana'a)** Middle East Trad. Co. Ltd. (METCO), Hayel St., Sana'a, Yemen. Tel: (967-1) 204201, Fax: (967-1) 204204. **(Taiz)** Middle East Trading Co. (METCO), P.O. Box 12363, 5th Flr, Hayel Saeed Anam Bldg, Al-Mugamma St. Taiz, Yemen. Tel: (967-4) 213455, Fax: (967-4) 219869.

Names & Addresses for STANLEY Service Concessionaries - MIDDLE EAST & AFRICA

ALGERIA: Sarl Outillage Corporation, 08 Rue Med Boudiaf - Cheraga - Algiers, Algeria. Tel: (213-21) 375130, Fax: (213-21) 369667. **ANGOLA:** Angoferraria, Lda., Rua Robert Shields, No. 61, Luanda, Angola. Tel: 00244-222-395837 / 222-395034, Fax: 00244-222-394790. **AZERBAIJAN:** Royalton Holdings Ltd. 41 Khagani St. Apt. 47 AZ 1001, Baku. Tel: (994-12) 4935544, Fax: (994-12) 5980378. **BAHRAIN:** Kavalani & Sons W.L.L., P.O. Box 71, Sitra, Manama, Tel: (973) 17732888, Fax: (973) 17737379. Alfouz Services Co. W.L.L., P.O. Box 26562, Tubli, Manama. Tel: (973) 17783562, Fax: (973) 17783479. **EGYPT:** El Farab S.A.E., 15-Nabil El Wakkad Street, Dokki, Giza, Egypt. Tel: 00202-37603946 / 002-010-2582544, Fax: 00202-33352796. **ETHIOPIA:** Seif Tewfik Sherif, Arada Sub-City, Kebele 01/02, Global Insurance Building, 2nd Floor, Room 43, P.O. Box 2525, Addis Ababa, Ethiopia. Tel: (251-11) 1563968/ 1563969, Fax: (251-11) 1558009. **IRAQ:** Financial Links, Kazzaz Building Ararat Al-Hindia Block No: 629 Street: 31 Building No: 1 Baghdad - Iraq. Tel: 00964 (0)780 195 2223/ 00964 (0)781 3763044. Al Sard Co. for General Trading Ltd. Jbara Bldg. 3Flr, Al Rasheed St. Baghdad. Tel: (964) 18184102. Sakhar Group, Arrasat al-hindya Al Masbah, Baghdad. (964) 7400144446. **JORDAN:** Palestine Bldg. (Bashiti Hardware), 93 King Abdullah 2nd Street. Opp. ELBA House, P.O. Box 3005, Amman 11953, Tel: (962-6) 5349098, Fax: (962-6) 5330731. **KENYA:** Dextron Tools Ltd., P.O. Box 20121-00200, Shariff House, Kimathi Street, Nairobi. Tel: (254-20) 6905000/ 2358021, Fax: (254-20) 6905111/ 6905112. **KUWAIT:** Al Omar Technical Co., P.O. Box 4062, 13041 Safat, Kuwait. Tel: (965) 24848595/ 24840039, Fax: (965) 24845652. Fawaz Al Zayani Establishment, P.O. Box 42426, Shop No. 18, Al Humaizi Commercial Complex, Khalifa Al Jassim, Shuwaikh, Kuwait. Tel: (965) 24828710, Fax: (965) 24828716. Fawaz Al Zayani Establishment, P.O. Box 42426, Shop No.18, Al Humaizi Commercial Complex, Khalifa Al Jassim, Shuwaikh, Kuwait. Tel: (965) 24828710, Fax: (965) 24828716. **LEBANON:** Est. Shaya & Azar S.A.R.L., Boulevard Jdeideh - Mar Takla - Bouchrieh. P.O. Box 90545 Jdeideh.Beirut - Lebanon. Tel: 00961 1 872305 / 306 , Fax: 00961 1 872303. **LIBYA:** North Africa Trading (El Ghoul Brothers), AlHilal Service Center Tawergha St. Misurata. Tel: 00218-091-3221408. **(Benghazi)** Sniydal st., Amr Ibn El-Aas Rd. Tel: (+218) 92 5771120. **(Tripoli)** Al Barniq Service Center, Mokhazin elskar st., ElFallah. Tel: (+218) 21 4808019. **(Misrata)** Al Hilal Service Center, Tawergha st. Tel: (+218) 51 2626743. **MAURITIUS:** Robert Le Marie Limited, Old Moka Road, Bell Village, P.O. Box 161, Port Louis, Tel: 00230-212 1865/ 212 2847, Fax: 00230-2080843. **MOROCCO:** Ets Louis Guillaud & Cie, 149, Quartier Industriel, Moulay Rachid, Casablanca, Postal Code 20450, Morocco. Tel: 00212-522729233, Fax: 00212-522729096. **NIGERIA:** Meridian Power Tools Ltd., Gr.Floor, #1 Alhaji Masha Rd, Next to Teslim Balogun Stadium, Near National Stadium Surulere, Lagos, Nigeria. Tel: 00234-1-7740431 / 7740410, Fax: 00234-1-7913798. **OMAN:** Al Jizzi Company LLC, P.O. Box 1704, PC 112 Ruwi, Oman. Tel: (968) 24832618/ 24835153, Fax: (968) 24831334/24836460. Al Hassan Technical & Construction Supplies Co. LLC, P.O. Box 1948, P.C. 112, Ruwi, Tel: (968) 24810575 / 24837054, Fax: (968) 24810287/ 24833080. Oman Hardware Co. LLC, P.O. Box 635, Ruwi Postal Code 112, Te. (968) 24815131, Fax: (968) 24816491. Khimji Ramdas, P.O. Box 19, Post Code 100, Ghalia, Muscat, Oman. Tel: (968) 24595906/ 907, Fax: (968) 24852752. Oman Marketing & Service Co. (Omasco), P.O. Box 2734, Behind Honda Showroom, Wattayah, Oman. Tel: (968) 24560232/ 24560255, Fax: (968) 24560993. Oman Marketing & Service Co. (Omasco), Al Ohi, Sohar, Oman. Tel: (968) 26846379, Fax: (968) 26846379. Oman Marketing & Service Co. (Omasco), Sanaya, Salalah, Oman. Tel: (968) 23212290, Fax: (968) 23210936. **PAKISTAN:** ZIT Co - Nasir & Bros., 2nd Floor, Qadri Center, Chokwal Dargan Railway Road, Lahore, Pakistan. Tel: 0092 42 37670839, Fax: 0092 42 37652989. Ammar Service & Spares, 60-Bank Arcade, Serai Road, Karachi, Pakistan. Tel: (92-21) 32426905, Fax: (92-21) 32427214. **QATAR:** Teyseer Industrial Supplies & Services Co. W.L.L, 55, Al Wakalat St. (Between St. 18 & 19) Salwa Industrial Area, P.O. Box 40523 Doha, Qatar. Tel: (974) 44581536, Fax: (974) 44682024. Shaheen Electrical Works & Trading Co. W.L.L, Gate 34, St. 44 Industrial Area P.O. Box 9756, Doha, Qatar. Tel: (974) 44600230 / 44600525, Fax: (974) 44601338. Al Mufah Service Centre, Al Wakrah Road, P.O. Box 875, Doha, Qatar. Tel: (974) 44650880/ 44650110/ 44446868, Fax: (974) 44441415 / 44662599. **SAUDI ARABIA: (Al Bahr)** Mohamed Ahmed Bin Afif Est., P.O. Box 530, Yanbu, Al Bahr. Tel: (966-4) 3222626/ 3228867, Fax: (966-4) 3222210. **(Al Khobar)** Fawaz Ebrahim Al Zayani Trading Est., P.O. Box 76026, Al Khobar # 31952, Tel: (966-3) 8140914, Fax: (966-3) 8140824. MSS (Al-Mojil Supply & Services) P.O. Box 450, Jubail 31951, Opp. Gulf Bridge Library & Riyadh House. Tel: (966-3) 3612850/ 3624487/ 3621729, Fax: (966-3) 3623589/ 3620783. **(Dammam)** MSS (Al-Mojil Supply & Services), P.O. Box 450, Jubail 31951, Opp-Gulf Bridge Library & Riyadh House. Tel: (966-3) 3612850 / 3624487 / 3621729, Fax: (966-3) 3623589 / 3620783. **(Al Bawardi Tools & Hardware)**, P.O. Box 112, Dammam, Tel: (966-3) 8330780 Ext.24 / 8348585 Ext. 24 / +966-3-8335555, Fax: (966-3) 8336303. **(Al Hassa)** Mutawa Trading & Gen. Services, Maliki road Hafuf city, Al Hassa, KSA. Tel: (966) 50286275 **(Jeddah)** Al Bawardi Tools & Hardware, P.O. Box 16905, Jeddah 21474, Tel: (966-2) 6444547 / 6439035 / 6456095, Fax: (966-2) 6439024. EAC (Al Yousef Contg. & Trdg. Est.), P.O. Box 30377, Jeddah -21477, Tel: (966-2) 6519912, Fax: (966-2) 6511153. **(Madina)** Garziz Trading for Bldg Mat & Decoration, P.O. Box 3364, Madina. Tel: (966-4) 826 14 90 / 8227636, Fax: (966-4) 8265741. **(Riyadh)** Industrial Material Organization (IMO), P.O. Box 623, Rial Street, Riyadh, Tel: (966-1) 4028010 Ext 26 / 8001245757, Fax: (966-1) 4037970. Sultan Garment Factory (RSC), P.O. Box 29912, Riyadh 11467, KSA, Tel: (966-1) 4055148 / 4042889, Fax: (966-1) 4055148. Al Bawardi Tools & Hardware, P.O. Box 68, Riyadh 11411, Tel: (966-1) 4484999, Fax: (966-1) 4487877. **(Yanbu)** Fawaz Ebrahim Al Zayani, Opposite to Al Fouzan, Jeddah highway or King Abdul Aziz road, Yanbu. Tel: (966-4) 3960980, Fax: (966-4) 3961980. Mohamed Ahmed Bin Afif Est., P.O. Box 530, Yanbu, Al Bahr, Tel: (966-4) 3222626/ 3228867, Fax: (966-4) 3222210. **SOUTH AFRICA:** Stanley Black & Decker - RSA, 199 Winetree Drive Stormill Exit 9 Rooodepoort. Tel: (2711) 472 0454, Fax: (2711) 472 0482. Trevco Power Tool Service 14 Steenbok Street, Koedoespoort, 0186, Pretoria, South Africa. Tel: (27-86) 1873826, Fax: (27-86) 5001771. **TANZANIA:** General Motors investment Ltd., P.O. Box 16541, 14 Nyerere Road, Vingunguti, Dar-es-Salaam. Tel: (255 22) 2862661/ 2865022, Fax: (255 22) 2862667. **TUNISIA:** Societe Tunisienne De Maintenance (STM), Rue de la Physique. Nouvelle Zone Industrielle Ben Arous., 2013 Ben Arous, Tunisia. Tel: (+216) 79 389687, Fax: (+216) 71 385154. **UAE: (Abu Dhabi)** Light House Electrical, P.O. Box 120, Abu Dhabi. Tel: (971-2) 6726131, Fax: (971-2) 6720667. Galaxy Equipment Trading, Madinat Zayed (Baada Zaid), Abu Dhabi P.C. 58910, Tel: (971-2) 8844279, Fax: (971-2) 8844297 **(Ajman)** Al Sukoon Gen. Trdg. Co. LLC, P.O. Box 2975, Ajman. Tel: (971-6) 7435725/ 7438317, Fax: (971-6) 7437350, Al Sukoon Gen. Trdg. Co. LLC, P.O. Box 2975, Ajman, Tel: (971-6) 7435725 / 7438317, Fax: (971-6) 7437350 **(Al Ain)** Zillion Equipment and Spare Parts Trading LLC, P.O. Box 19740, Opp. Bin Sada/ Trimix Redymy Sanaiya, Al Ain. Tel: (971-3) 7216690, Fax: (971-3) 7216103. **(Dubai)** Black & Decker (Overseas) GmbH, P.O. Box 5420, Dubai. Tel: (971-4) 8127400/ 8127406, Fax: (971-4)2822765. Ideal Star Workshop Eqp't.Trading LLC, P.O. Box 37116, Al Quoz, Dubai. Tel: (971-4) 3474160, Fax: (971-4) 3474157, Fine Tools, P.O.Box 30139, Al Quoz, Dubai, Tel: (971-4) 3385240, Fax: (971-4) 3385239, Albreah Engineering Service, P.O. Box 78954, Al Qusais, Dubai. Tel: (971-4) 2850044, Fax: (971-4) 2848402. **(Musafah)** Light House Electrical, P.O. Box 120, Abu Dhabi. Tel: (971-2) 5548315, Fax: (971-2) 5540461. **(Sharjah)** Mc Coy Middle East LLC, P.O. Box 25793, Sharjah. Tel: (971-6) 5395931, Fax: (971-6) 5395932. Burj Al Madeena, Industrial Area No.1, Opp. Pakistani Masjid, P.O. Box 37635, Sharjah. Tel: (971-6) 5337747, Fax: (971-6) 5337719. Burj Al Madeena , Industrial Area No 1, opp Pakistani Masjid P.O. Box 37635, Sharjah. Tel: (971-6) 5337747, Fax: (971-6) 5337719 **(Ras Al Khaimah)** Mc Coy Middle East LLC, P.O. Box 10584, Ras Al Khaimah. Tel: (971-7) 2277095, Fax: (971-7) 2277096. **UGANDA:** The Building Center (U) Ltd., 52 Station Road, Kitgum House, P.O. Box 7436, Kampala, Uganda. Tel: (256-41) 4234567/ 4259754, Fax: (256-41) 4236413. **YEMEN: (Aden)** Middle East Trad. Co. Ltd. (METCO), Mualla Dakka, Aden, Yemen. Tel: (967-2) 222670, Fax: (967-2) 222670. **(Sana'a)** Middle East Trad. Co. Ltd. (METCO), Hayel St., Sana'a, Yemen. Tel: (967-1) 204201, Fax: (967-1) 204204. **(Taiz)** Middle East Trading Co. (METCO), P.O. Box 12363, 5th Flr, Hayel Saeed Anam Bldg, Al-Mugamma St. Taiz, Yemen. Tel: (967-4) 213455, Fax: (967-4) 219869.

ОФИЦИАЛЬНЫЙ ДИЛЕР В УКРАИНЕ:

storgom.ua

ГРАФИК РАБОТЫ:

Пн. – Пт.: с 8:30 по 18:30

Сб.: с 09:00 по 16:00

Вс.: с 10:00 по 16:00

КОНТАКТЫ:

+38 (044) 360-46-77

+38 (066) 77-395-77

+38 (097) 77-236-77

+38 (093) 360-46-77

Детальное описание товара:

<https://storgom.ua/product/drel-bezudarnaya-stanley-stdr5510c.html>

Другие товары: <https://storgom.ua/setevye-dreli.html>