

RYOBI®

R18TR

ORIGINAL INSTRUCTIONS
TRADUCTION DES INSTRUCTIONS ORIGINALES
ÜBERSETZUNG DER ORIGINALANLEITUNG
TRADUCCIÓN DE LAS INSTRUCCIONES ORIGINALES
TRADUZIONE DELLE ISTRUZIONI ORIGINALI
VERTALING VAN DE ORIGINELE INSTRUCTIES
TRADUÇÃO DAS INSTRUÇÕES ORIGINAIS
OVERSÆTTELSE AF DE ORIGINALE INSTRUKTIONER
ÖVERSÄTTNING AV DE URSPRUNGLIGA INSTRUKTIONERNA
ALKUPERÄISTEN OHJEIDEN SUOMENNO
OVERSETTELSE AV DE ORIGINALE INSTRUKSJONENE
ПЕРЕВОД ОРИГИНАЛЬНЫХ ИНСТРУКЦИЙ
TŁUMACZENIE INSTRUKCJI ORYGINALNEJ
PŘEKLAD ORIGINÁLNÍCH POKYNŮ
AZ EREDETI ÚTMUTATÓ FORDÍTÁSA
TRADUCEREA INSTRUCȚIUNILOR ORIGINALE
TULKOTS NO ORIGINĀLĀS INSTRUKCIJAS
ORIGINALIŲ INSTRUKCIJŲ VERTIMAS
ORIGINAALJUHENDI TÕLGE
PRIJEVOD ORIGINALNIH UPUTA
PREVOD ORIGINALNIH NAVODIL
PREKLAD ORIGINÁLNYCH POKYNOV
ПРЕВОД ОТ ОРИГИНАЛНИТЕ ИНСТРУКЦИИ
PEREKŁAD ORYGINALNYCH INSTRUKCJI
ORIJ NAL TALIMATLARIN TERCÜMESI
ΜΕΤΑΦΡΑΣΗ ΤΩΝ ΠΡΩΤΟΤΥΠΩΝ ΟΔΗΓΙΩΝ



EN
FR
DE
ES
IT
NL
PT
DA
SV
FI
NO
RU
PL
CS
HU
RO
LV
LT
ET
HR
SL
SK
BG
UK
TR
EL





- Important!** It is essential that you read the instructions in this manual before assembling, maintaining and operating the product.
- Attention!** Il est essentiel que vous lisiez les instructions contenues dans ce manuel avant d'assembler, d'entretenir et d'utiliser le produit.
- Achtung!** Es ist wichtig, dass Sie vor Zusammenbau, Wartung und Benutzung des Produktes die Anweisungen in dieser Anleitung lesen.
- ¡Atención!** Resulta fundamental que lea este manual de instrucciones antes de realizar el montaje, el mantenimiento y de utilizar este producto
- Attenzione!** È importante leggere le istruzioni contenute nel presente manuale prima di montare il prodotto, svolgere le operazioni di manutenzione sullo stesso e metterlo in funzione.
- Let op!** Het is van essentieel belang dat u de instructies in deze gebruiksaanwijzing leest voor u het product monteert, onderhoudt en gebruikt.
- Atenção!** É fundamental que leia as instruções deste manual antes da montagem, manutenção e operação do aparelho.
- OBS!** Det er vigtigt, at man læser instrukserne i denne brugsanvisning, inden man samler, vedligeholder og betjener produktet.
- Observera!** Det är viktigt att du läser instruktionerna i manualen före montering, användning och underhåll av produkten.
- Huomio!** On tärkeää, että luet tämän käsikirjan ohjeet ennen tuotteen kokoamista, huoltoa ja käyttöä.
- Advarsel!** Det er vigtigt at du leser instruksjonene i denne manualen før sammensetning, vedlikehold og bruk av produktet
- Внимание!** Необходимо прочитать инструкции в данном руководстве перед сборкой, обслуживанием и эксплуатацией этого изделия.
- Uwaga!** Koniecznie należy przeczytać instrukcje zawarte w tym podręczniku przed montażem, obsługą oraz konserwacją produktu.
- Důležité upozornění!** Neinstalujte, neprovádějte údržbu ani nepoužívejte tento výrobek dřív, než si přečtete pokyny uvedené v tomto návodu.
- Figyelem!** Fontos, hogy a termék összeszerelése, karbantartása és használatá elött elolvassa a kézikönyvben található utasításokat.
- Atenție!** Este esențial să citiți instrucțiunile din acest manual înainte de asamblare, efectuarea întreinerii și operarea produsului.
- Uzmanību!** Ir svarīgi izlasīt šīs rokasgrāmatas instrukcijas pirms uzstādīšanas, apkopes un preces darbināšanas.
- Dėmesio!** Prieš surenkant, prižiūrint ir naudojant gaminį, būtina perskaityti šiam vadove pateiktus nurodymus.
- Tähtis!** Enne masina kokkupanekut, hooldamist ja kasutama hakkamist tuleb käesolevas juhendis esitatud juhised kindlasti läbi lugeda.
- Upozorenie!** Vrlo je važno da ste prije sklapanja, održavanja i rada s ovim proizvodom pročitali upute u ovom priručniku.
- Pomembno!** Pomembno je da pred montažo vzdrževanjem in uporabo tega izdelka preberete navodila v tem priručniku.
- Upozornenie!** Je dôležité, aby ste si pred montážou, údržbou a obsluhou produktu prečítali pokyny v tomto návode.
- Важно!** Исключительно важно е да прочетете инструкциите в настоящото ръководство, преди да преминете към сглобяване, поддръжка или работа с продукта.
- Важливо!** Дуже важливо, щоб ви прочитали інструкції в цьому керівництві перед складанням, обслуговуванням та експлуатацією цієї машини.
- Dikkat!** Ürünün montajını, bakımını yapmadan ve ürünü çalıştırmadan önce bu kılavuzda yer alan talimatları okumanız önemlidir.
- Προσοχή!** Είναι πολύ σημαντικό να διαβάσετε τις οδηγίες στο παρόν εγχειρίδιο πριν συναρμολογήσετε, συντηρήσετε ή λειτουργήσετε το προϊόν.

Subject to technical modification | Sous réserve de modifications techniques | Technische Änderungen vorbehalten | Bajo reserva de modificaciones técnicas | Con riserva di eventuali modifiche tecniche | Technische wijzigingen voorbehouden | Com reserva de modificações técnicas | Med forbehold for tekniske ændringer | Med förbehåll för tekniska ändringar | Tekniset muutokset varataan | Med forbehold om tekniske endringer | могут быть внесены технические изменения | Z zastrzeżeniem modyfikacji technicznych | Změny technických údajů vyhrazeny | A műszaki módosítás jogát fenntartjuk | Sub rezerva modifiцаiilor tehnice | Paturam tiesības mainīt tehnisko raksturlielumus | Pasiilikant teise daryti techninius pakeitimus | Tehnilised muudatused võimalikud | Podloženo tehničkim promjenama | Tehnične spremembe dopuščene | Právo na technické zmeny je vyhradené | Подлежи на технически модификации | Є об'єктом для технічних змін | Teknik değişiklik hakkı saklıdır | Υπό την επιφύλαξη τεχνικών τροποποιήσεων



Safety, performance, and dependability have been given top priority in the design of your trim router.

INTENDED USE

The trim router is intended for precision woodworking tasks. The trim router is ideal for shaping the edge onto wood and trimming laminates.

Do not use the product in any way other than those stated for intended use.

⚠ WARNING

Read all safety warnings and all instructions. Failure to follow the warnings and instructions may result in electric shock, fire and/or serious injury.

Save all warnings and instructions for future reference.

TRIM ROUTER SAFETY WARNINGS

- **Use clamps or another practical way to secure and support the workpiece to a stable platform.** Holding the work by your hand or against the body leaves it unstable and may lead to loss of control.
- **Hold power tool by insulated gripping surfaces, when performing an operation where the cutting accessory may contact hidden wiring.** Cutting accessory contacting a "live" wire may make exposed metal parts of the power tool "live" and could give the operator an electric shock.
- **Always use bits of the correct shank diameter that are suitable for the speed of the product.**
- **Know your power tool. Read operator's manual carefully. Learn its applications and limitations, as well as the specific potential hazards related to this power tool.** Following this rule will reduce the risk of electric shock, fire, or serious injury.
- **Always wear safety glasses with side shields.** Everyday glasses have only impact resistant lenses. They are NOT safety glasses. Following this rule will reduce the risk of eye injury.
- **Protect your lungs. Wear a face or dust mask if the operation is dusty.** Following this rule will reduce the risk of serious personal injury.
- **Protect your hearing. Wear hearing protection during extended periods of operation.** Following this rule will reduce the risk of serious personal injury.
- **Battery tools do not have to be plugged into an electrical outlet; therefore, they are always in operating condition. Be aware of possible hazards when not using your battery tool or when changing accessories.** Following this rule will reduce the risk of electric shock, fire, or serious personal injury.
- **Do not place battery tools or their batteries near fire or heat.** This will reduce the risk of explosion and possibly injury.
- **Do not crush, drop or damage battery pack. Do not use a battery pack or charger that has been**

dropped or received a sharp blow. A damaged battery is subject to explosion. Properly dispose of a dropped or damaged battery immediately.

- **Batteries can explode in the presence of a source of ignition, such as a pilot light.** To reduce the risk of serious personal injury, never use any cordless product in the presence of open flame. An exploded battery can propel debris and chemicals. If exposed, flush with water immediately.
- **Do not charge battery tool in a damp or wet location.** Following this rule will reduce the risk of electric shock.
- **For best results, your battery tool should be charged in a location where the temperature is more than 10°C but less than 38°C. Do not store outside or in vehicles.**
- **Under extreme usage or temperature conditions, battery leakage may occur. If liquid comes in contact with your skin, wash immediately with soap and water. If liquid gets into your eyes, flush them with clean water for at least 10 minutes, then seek immediate medical attention.** Following this rule will reduce the risk of serious personal injury.
- **Save these instructions.** Refer to them frequently and use them to instruct others who may use this tool. If you loan someone this tool, loan them these instructions also.

⚠ WARNING

Always feed the product into the workpiece against the rotation direction of the bit. If feeding with the rotation direction of the bit, the rotational force of the spinning bit will tend to throw the tool away from the workpiece. This could result in loss of control of the product.

TRANSPORTING LITHIUM BATTERIES

Transport the battery in accordance with local and national provisions and regulations.

Follow all special requirements on packaging and labelling when transporting batteries by a third party. Ensure that no batteries can come in contact with other batteries or conductive materials while in transport by protecting exposed connectors with insulating, non-conductive caps or tape. Do not transport batteries that are cracked or leaking. Check with the forwarding company for further advice.

RESIDUAL RISKS

Even when the product is used as prescribed, it is still impossible to completely eliminate certain residual risk factors. The following hazards may arise and the operator should pay special attention to avoid the following:

- Injury caused by vibration
 - Limit exposure. See Risk Reduction.
- Injury caused by flying debris
 - Wear eye protection at all times.
- Injury caused by dust

- Wear appropriate dust mask with suitable filters that can protect against particles from the material of the workpiece. Do not eat, drink, or smoke in the work area. Ensure adequate ventilation and use the dust extraction accessories provided.
- Injury from contact with the cutting bits
 - The bits are sharp and will become hot during use. Wear gloves when changing bits. Keep hands away from the cutting area at all times. Never hold the workpiece being cut in your hands or across your leg. Secure the workpiece whenever possible.

RISK REDUCTION

It has been reported that vibrations from handheld tools may contribute to a condition called Raynaud's Syndrome in certain individuals. Symptoms may include tingling, numbness, and blanching of the fingers, usually apparent upon exposure to cold. Hereditary factors, exposure to cold and dampness, diet, smoking, and work practices are all thought to contribute to the development of these symptoms. There are measures that can be taken by the operator to possibly reduce the effects of vibration:

- Keep your body warm in cold weather. When operating the product, wear gloves to keep the hands and wrists warm. It is reported that cold weather is a major factor contributing to Raynaud's Syndrome.
- After each period of operation, exercise to increase blood circulation.
- Take frequent work breaks. Limit the amount of exposure per day.

If you experience any of the symptoms of this condition, immediately discontinue use and see your doctor about these symptoms.

⚠ WARNING

Injuries may be caused or aggravated by prolonged use of a tool. When using any tool for prolonged periods, ensure you take regular breaks.

ASSEMBLY

⚠ WARNING

Do not use this product if it is not completely assembled or if any parts appear to be missing or damaged. Use of a product that is not properly and completely assembled or with damaged or missing parts could result in serious personal injury.

⚠ WARNING

Do not attempt to modify this product or create accessories or attachments not recommended for use with this product. Any such alteration or modification is misuse and could result in a hazardous condition leading to possible serious personal injury.

KNOW YOUR PRODUCT

See page 87.

1. On/off switch
2. Battery port
3. Zero reset
4. Micro depth adjustment knob
5. Motor housing
6. Depth scale
7. Removable base
8. Motor release lever
9. Quick release lever
10. Spindle lock
11. 6.35 mm collet
12. Collet nut
13. Square subbase
14. Wrench
15. 6 mm collet
16. Straight bit
17. Guide bars
18. Edge guide

MAINTENANCE

⚠ WARNING

The product should never be connected to a power supply when you are assembling parts, making adjustments, cleaning, performing maintenance, or when the product is not in use. Disconnecting the product will prevent accidental starting that could cause serious injury.

- When servicing, use only original manufacturer's replacement parts. Use of any other parts may create a hazard or cause product damage.

⚠ WARNING

For greater safety and reliability, all repairs should be performed by an authorised Ryobi service centre.

GENERAL

Avoid using solvents when cleaning plastic parts. Most plastics are susceptible to various types of commercial solvents and may be damaged by their use. Use clean cloths to remove dirt, carbon dust, etc.

⚠ WARNING

Do not, at any time, let brake fluids, gasoline, petroleum-based products, and penetrating oils, come in contact with plastic parts. They contain chemicals that can damage, weaken, or destroy plastic.

The dust from plaster and wall board is abrasive and may cause premature failure of the product if it is allowed to enter the motor area. Always use the dust extraction accessory connected to a vacuum. Thoroughly clean the product after use by using a brush and a vacuum. Take care not to push dirt into the ventilation openings. Beware of using compressed air to clean the product because dust and grit can cause serious eye injury.

LUBRICATION

All of the bearings in the product are lubricated with a sufficient amount of high grade lubricant for the life span of the product under normal operating conditions. Therefore, no further lubrication is required.

ENVIRONMENTAL PROTECTION



Recycle raw materials instead of disposing of as waste. The machine, accessories and packaging should be sorted for environment-friendly recycling.

SYMBOLS ON THE PRODUCT



Safety alert



CE conformity



No-load speed



Volts



Direct current



Revolutions or reciprocations per minute



EurAsian Conformity Mark



Please read the instructions carefully before starting the machine.



Ukrainian mark of conformity



Waste electrical products should not be disposed of with household waste. Please recycle where facilities exist. Check with your local authority or retailer for recycling advice.

SYMBOLS IN THIS MANUAL



Note



Parts or accessories sold separately



Unlock



Lock

The following signal words and meanings are intended to explain the levels of risk associated with this product:

⚠ DANGER

Indicates an imminently hazardous situation, which, if not avoided, will result in death or serious injury.

⚠ WARNING

Indicates a potentially hazardous situation, which, if not avoided, could result in death or serious injury.

⚠ CAUTION

Indicates a potentially hazardous situation, which, if not avoided, may result in minor or moderate injury.

CAUTION

(Without Safety Alert Symbol) Indicates a situation that may result in property damage.



Votre rogneuse à toupie a été conçue en donnant priorité à la sécurité, à la performance et à la fiabilité.

UTILISATION PRÉVUE

La rogneuse à toupie a été conçue pour les projets d'ouvrage sur bois de précision. Ce produit est idéal pour façonner le bord d'un objet en bois et rogner des bois stratifiés.

Ne vous servez pas de ce produit pour d'autres utilisations que celles décrites au chapitre des utilisations prévues.

⚠ AVERTISSEMENT

Lisez tous les avertissements de sécurité et toutes les instructions. Le non-respect des avertissements et instructions peut entraîner une décharge électrique, un incendie et/ou de graves blessures.

Conservez tous les avertissements et toutes les instructions pour pouvoir vous y reporter ultérieurement.

AVERTISSEMENTS DE SECURITEE CONCERNANT LA ROGNEUSE A TOUPIE

- **Utilisez des serre-joints ou autre dispositif pratique pour bloquer et maintenir la pièce à usiner sur un support stable.** Le maintien de la pièce à usiner à la main ou contre le corps est instable et peut entraîner une perte de contrôle.
- **Lorsque vous effectuez une opération où l'accessoire de coupe risque d'entrer en contact avec un câble électrique caché, maintenez l'outil par ses surfaces isolées.** Un accessoire de coupe qui entre en contact avec un câble «sous tension» est susceptible de véhiculer le courant électrique vers les parties métalliques de l'outil et de provoquer une décharge électrique à l'opérateur.
- **Utilisez toujours des éléments au diamètre de tige correct, adaptés à la vitesse du produit.**
- **Apprenez à connaître votre outil. Lisez avec attention le manuel d'utilisation. Prenez connaissance des applications et des limitations de l'appareil ainsi que des risques potentiels spécifiques qui lui sont attachés.** Vous réduirez ainsi les risques de décharge électrique, d'incendie ou de blessure grave.
- **Portez toujours des lunettes de sécurité avec écrans de protection latéraux.** Les lunettes ordinaires ont seulement des verres résistants aux impacts. Ce ne sont PAS des lunettes de sécurité. Le respect de cette règle réduira les risques de blessure oculaire.
- **Protégez vos poumons. Portez un écran facial ou un masque anti-poussière si le travail génère de la poussière.** Le respect de cette règle réduit les risques de blessures graves.
- **Protégez votre audition. Portez une protection auditive pendant les longues périodes d'utilisation.** Le respect de cette règle réduit les risques de blessures graves.

- **Les appareils alimentés par batterie n'ont pas à être branchés sur le secteur; ils sont donc en permanence en état de fonctionner. Soyez conscient des risques éventuels lorsque vous n'utilisez pas votre appareil alimenté par batterie ou lorsque vous en changez des accessoires.** Vous réduirez ainsi les risques de décharge électrique, d'incendie ou de blessure grave.
- **Ne mettez pas les appareils alimentés par batterie ni leur batterie à proximité du feu ou d'une source de chaleur.** Vous réduirez ainsi les risques d'explosion et de blessures.
- **N'écrasez pas, ne laissez pas tomber et n'endommagez pas le bloc de batterie. N'utilisez pas un bloc de batterie ou un chargeur qui serait tombé ou qui aurait reçu un choc sévère.** Un bloc de batterie endommagé risque d'exploser. Éliminez immédiatement et de façon appropriée toute batterie endommagée ou qui serait tombée.
- **Les batteries sont susceptibles d'exploser en présence d'une source d'embrasement, telle qu'une veilleuse.** Pour réduire le risque de graves blessures, n'utilisez aucun appareil sans fil en présence d'une flamme nue. Une batterie qui explose peut projeter des éclats et des produits chimiques. En cas de contact, rincez immédiatement à grande eau.
- **Ne rechargez pas un appareil alimenté par batterie en milieu humide ou mouillé.** Vous réduirez ainsi les risques de décharge électrique.
- **Pour de meilleurs résultats, la batterie doit être chargée dans un endroit où la température est supérieure à 10°C mais inférieure à 38°C. Ne la rangez pas à l'extérieur de véhicules.**
- **Sous des conditions d'utilisation ou de température extrêmes, la batterie est susceptible de fuir. Si du liquide entre en contact avec votre peau, lavez-la immédiatement au savon et à l'eau. Si du liquide pénètre dans vos yeux, rincez-les à l'eau claire pendant au moins 10 minutes, puis contactez immédiatement un médecin.** Le respect de cette règle réduit les risques de blessures graves.
- **Conservez ces instructions.** Reportez-vous-y fréquemment et utilisez-le pour renseigner les autres utilisateurs susceptibles d'utiliser cet outil. Si vous prêtez cet outil à quelqu'un, prêtez-lui également ce manuel.

⚠ AVERTISSEMENT

Faites toujours avancer l'outil dans la pièce à usiner de façon que le mouvement de rotation de la fraise soit en opposition avec le mouvement d'avance. Si on amène le matériau dans le sens de rotation de l'élément, la force de rotation de l'élément tournant aura tendance à écarter l'outil de la pièce à usiner. Cela peut entraîner une perte de contrôle de l'appareil.





EN
FR
DE
ES
IT
NL
PT
DA
SV
FI
NO
RU
PL
CS
HU
RO
LV
LT
ET
HR
SL
SK
BG
UK
TR
EL

TRANSPORT DES BATTERIES AU LITHIUM

Transportez les batteries en conformité avec les dispositions et règlements locaux et nationaux.

Respectez toutes les exigences légales particulières concernant l'emballage et l'étiquetage des batteries lorsque vous confiez leur transport à un tiers. Assurez-vous qu'aucune batterie ne puisse entrer en contact avec une autre batterie ou avec des matériaux conducteurs lors de son transport en isolant les bornes électriques avec du ruban adhésif ou des capuchons isolants. Ne transportez pas une batterie qui serait fendue ou qui fuirait. Demandez conseil au transporteur pour de plus amples informations.

RISQUES RESIDUELS

Même lorsque le produit est utilisé selon les prescriptions, il reste impossible d'éliminer totalement certains facteurs de risque résiduels. Les dangers suivants risquent de se présenter en cours d'utilisation et l'utilisateur doit prêter particulièrement garde aux points suivants :

- Blessures dues aux vibrations
 - Limitez l'exposition. Voir «Réduction Des Risques».
- Blessures provoquées par la projection de débris
 - Portez en permanence une protection oculaire.
- Blessures dues à la poussière
 - Portez un masque anti-poussière approprié équipé de filtres adaptés capables de vous protéger contre les poussières en provenance du matériau sur lequel vous travaillez. Ne mangez pas, ne buvez pas, et ne fumez pas dans l'espace de travail. Assurez une ventilation adéquate et utilisez les accessoires d'aspiration de la poussière fournis.
- Blessures dues à l'entrée en contact avec les fraises
 - Les fraises sont très coupantes et deviennent très chaudes en cours de fonctionnement. Portez des gants lorsque vous changez de fraise. Gardez en permanence vos mains éloignées de la zone de coupe. Ne tenez JAMAIS la pièce à usiner avec votre main ou entre vos jambes. Fixer la pièce de bois à chaque fois que cela est possible.

REDUCTION DES RISQUES

Il a été reporté que les vibrations engendrées par les outils tenus à main peuvent contribuer à l'apparition d'un état appelé le syndrome de Raynaud chez certaines personnes. Les symptômes peuvent comprendre des fourmillements, un engourdissement et un blanchiment des doigts, généralement par temps froid. Des facteurs héréditaires, l'exposition au froid et à l'humidité, le régime alimentaire, le tabagisme et les habitudes de travail peuvent contribuer au développement de ces symptômes. Certaines mesures peuvent être prises par l'utilisateur pour aider à réduire les effets des vibrations :

- Gardez votre corps au chaud par temps froid. Lorsque vous utilisez l'appareil, portez des gants afin de garder vos mains et vos poignets au chaud. Le temps froid est considéré comme un facteur contribuant très largement à l'apparition du syndrome de Raynaud.
- Après chaque session de travail, pratiquez des exercices qui favorisent la circulation sanguine.

- Faites des pauses fréquentes. Limitez la quantité d'exposition journalière.

Si vous ressentez l'un des symptômes associés à ce syndrome, arrêtez immédiatement le travail et consultez votre médecin pour lui en faire part.

⚠ AVERTISSEMENT

L'utilisation prolongée d'un outil est susceptible de provoquer ou d'aggraver des blessures. Assurez-vous de faire des pauses de façon régulière lorsque vous utilisez tout outil de façon prolongée.

MONTAGE

⚠ AVERTISSEMENT

N'utilisez pas le produit s'il n'a pas été complètement assemblé ou si un quelconque de ses éléments semble manquant ou endommagé. L'utilisation d'un appareil qui n'aurait pas été assemblé de façon complète et correcte ou dont certains éléments seraient endommagés ou manquants pourrait entraîner de graves blessures.

⚠ AVERTISSEMENT

Ne tentez pas de modifier ce produit ou de créer des accessoires dont l'utilisation n'est pas recommandée avec ce produit. Toute altération ou modification de la sorte constitue un mésusage et peut entraîner des situations risquées pouvant entraîner de graves blessures.

APPRENEZ A CONNAITRE VOTRE PRODUIT

Voir la page 87.

1. Interrupteur marche/arrêt
2. Réceptacle de la batterie
3. Remise à zéro
4. Bouton de réglage micrométrique
5. Logement moteur
6. Échelle de profondeur
7. Base amovible
8. Levier de débrayage moteur
9. Levier de fixation rapide de la lame
10. Bouton de verrouillage de l'arbre
11. Douille de serrage 6,35 mm
12. Écrou du mandrin
13. Assise carrée
14. Clé de service
15. Douille de serrage 6 mm
16. Embout droit
17. Barres de guidage
18. Guide de coupe parallèle



ENTRETIEN

⚠ AVERTISSEMENT

Le produit ne doit jamais être branché à une source de courant lorsque vous y montez des pièces, lorsque vous effectuez des réglages, lorsque vous le nettoyez, lorsque vous l'entretenez, ou lorsque vous ne l'utilisez pas. Le fait de débrancher le produit évitera toute mise en marche accidentelle susceptible de provoquer de graves blessures.

- N'effectuez les opérations de réparation et d'entretien qu'avec des pièces détachées d'origine constructeur. L'utilisation de toute autre pièce est susceptible de présenter un danger ou d'endommager votre outil.

⚠ AVERTISSEMENT

Pour plus de sécurité et de fiabilité, toutes les réparations doivent être effectuées par un service après-vente Ryobi agréé.

GENERALITES

Évitez d'utiliser des solvants pour nettoyer les parties en plastique. La plupart des plastiques sont susceptibles d'être endommagés par les solvants disponibles dans le commerce. Utilisez un chiffon propre pour essuyer les impuretés, la poussière, etc.

⚠ AVERTISSEMENT

Les éléments en plastique ne doivent jamais entrer en contact avec du liquide de frein, de l'essence, des produits à base de pétrole, des huiles pénétrantes, etc. Ces produits chimiques contiennent des substances qui peuvent endommager, fragiliser ou détruire le plastique.

La poussière de plâtre et des panneaux muraux est abrasive et peut entraîner un dysfonctionnement prématuré du produit si elle pénètre dans le moteur. Utilisez toujours l'accessoire d'extraction des poussières relié à un aspirateur. Nettoyez soigneusement le produit après utilisation à l'aide d'un pinceau et d'un aspirateur. Prenez garde de ne pas pousser la poussière dans les ouvertures de ventilation. N'utilisez pas d'air comprimé pour nettoyer le produit car les poussières et les particules peuvent entraîner de graves blessures oculaires.

LUBRIFICATION

Tous les roulements de ce produit sont lubrifiés avec une quantité suffisante d'huile de haute qualité pour toute sa durée de vie dans des conditions d'utilisation normales. Par conséquent, aucune lubrification supplémentaire n'est nécessaire.

PROTECTION DE L'ENVIRONNEMENT



Recyclez les matières premières au lieu de les jeter avec les ordures ménagères. Pour protéger l'environnement, l'outil, les accessoires et les emballages doivent être triés.

SYMBOLES APPLIQUES SUR LE PRODUIT



Alerte de sécurité



Conformité CE



Vitesse à vide



Volts



Courant continu



Nombre de tours ou de mouvements par minute



Marque de conformité d'Eurasie



Veillez lire attentivement le mode d'emploi avant de démarrer la machine.



Marque de conformité ukrainienne



Les produits électriques hors d'usage ne doivent pas être jetés avec les ordures ménagères. Recyclez-les par l'intermédiaire des structures disponibles. Contactez les autorités locales ou votre distributeur pour vous renseigner sur les conditions de recyclage.

SYMBOLES PRESENTS DANS LE MANUEL



Remarque



Pièces détachées et accessoires vendus séparément



Déverrouillage



Verrouillage

Les symboles suivants, et les noms qui leur sont associés, permettent d'expliquer les différents niveaux de risques liés à l'utilisation de cet outil.

 **DANGER**

Imminence d'un danger qui, si l'on n'y prend garde, peut entraîner des blessures graves voire mortelles.

 **AVERTISSEMENT**

Situation potentiellement dangereuse qui, si l'on n'y prend garde, peut entraîner des blessures graves voire mortelles.

 **ATTENTION**

Situation potentiellement dangereuse qui, si l'on n'y prend garde, peut entraîner des blessures moyennes ou légères.

ATTENTION

(Sans symbole de sécurité) Indique une situation pouvant provoquer des dommages matériels.

Sicherheit, Leistung und Zuverlässigkeit hatten oberste Priorität bei der Entwicklung Ihrer Kantenfräse.

BESTIMMUNGSGEMÄSSE VERWENDUNG

Die Kantenfräse ist für Präzisionsarbeiten in der Holzbearbeitung bestimmt. Das Produkt eignet sich ideal zum Fräsen von Holzkanten und Bearbeiten von Schichtwerkstoffen.

Benutzen Sie das Produkt nicht für andere Aufgaben, als die genannten bestimmungsgemäßen Verwendungen.

⚠️ WARNUNG

Lesen Sie alle Sicherheitshinweise und Anweisungen. Versäumnisse bei der Einhaltung der Sicherheitshinweise und Anweisungen können elektrischen Schlag, Brand und/oder schwere Verletzungen verursachen.

Bewahren Sie alle Sicherheitshinweise und Anweisungen für die Zukunft auf.

SICHERHEITSWARNUNGEN FÜR DIE KANTENFRÄSE

- **Befestigen und sichern Sie das Werkstück mittels Zwingen oder auf andere Art und Weise an einer stabilen Unterlage.** Wenn Sie das Werkstück nur mit der Hand oder gegen Ihren Körper halten, bleibt es labil, was zum Verlust der Kontrolle führen kann.
- **Halten Sie das Werkzeug bei Arbeiten, bei denen das Schneidwerkzeug in Kontakt mit versteckten Drähten geraten könnte, an den isolierten Griffteilen fest.** Der Kontakt mit einer spannungsführenden Leitung kann auch metallene Geräteteile unter Spannung setzen und zu einem elektrischen Schlag führen.
- **Verwenden Sie immer Fräser mit dem richtigen Schaftdurchmesser, die für die Drehzahldes Produkts geeignet sind.**
- **Machen Sie sich mit dem Werkzeug vertraut. Lesen Sie die Bedienungsanleitung aufmerksam durch. Machen Sie sich mit den Funktionen und Einschränkungen, sowie den besonderen potenziellen Gefahren in Verbindung mit diesem Werkzeug, vertraut.** Das Risiko von elektrischen Schlägen, Bränden oder schweren Verletzungen wird dadurch reduziert.
- **Tragen Sie immer eine Sicherheitsbrille mit Seitenschutz.** Herkömmliche Brillen verfügen nur über schlagfeste Gläser. Dies sind keine Schutzbrillen. Das Einhalten dieser Regel verringert das Risiko von Augenverletzungen.
- **Schützen Sie Ihre Lungen! Tragen Sie einen Gesichtsschutz oder eine Staubschutzmaske, wenn beim Arbeiten Staub entsteht.** Das Befolgen dieser Regel verringert die Gefahr schwerer Verletzungen.
- **Schützen Sie Ihr Gehör! Tragen Sie während längerer Anwendungszeiträume Gehörschutz.** Das

Befolgen dieser Regel verringert die Gefahr schwerer Verletzungen.

- **Batteriebetriebene Produkte müssen nicht an eine Stromsteckdose angeschlossen werden; sie sind daher jederzeit betriebsbereit. Achten Sie bei dem Nichtgebrauch des batteriebetriebenen Produkts und beim Zubehöртаusch auf mögliche Gefahren.** Das Risiko von elektrischen Schlägen, Bränden oder schweren Verletzungen wird dadurch reduziert.
- **Halten Sie batteriebetriebene Produkte bzw. deren Akkus von Feuer und Hitze fern.** Dies verringert das Explosions- und Verletzungsrisiko.
- **Zerdrücken oder beschädigen Sie den Akku nicht und lassen Sie ihn nicht fallen. Verwenden Sie niemals Akkus oder Ladegeräte, die auf den Boden gefallen sind, oder einem starken Schlag ausgesetzt waren.** Ein beschädigter Akku kann explodieren. Entsorgen Sie einen auf den Boden gefallenen oder beschädigten Akku unverzüglich und ordnungsgemäß.
- **Batterien können bei Vorhandensein einer Zündquelle, wie z. B. eine Zündflamme, explodieren.** Verwenden Sie daher zur Verringerung der Gefahr schwerer Verletzungen niemals ein Akku-Produkt bei Vorhandensein offenen Lichts. Ein explodierender Akku kann Trümmerteile und Chemikalien streuen. Falls betroffen, sofort mit Wasser abspülen.
- **Laden Sie das akkubetriebene Gerät nicht an feuchten oder nassen Orten auf.** Das Risiko von elektrischen Schlägen wird dadurch reduziert.
- **Für die besten Ergebnisse sollte Ihr Batterieprodukt an einem Ort geladen werden, an dem die Temperatur höher als 10°C und niedriger als 38°C ist. Lagern Sie das Gerät nicht im Freien oder in einem Fahrzeug.**
- **Unter extremen Anwendungs- oder Temperaturbedingungen kann ein Auslaufen auftreten. Wenn Ihre Haut in Kontakt mit Flüssigkeit kommt, sofort mit Seife und Wasser waschen. Falls die Flüssigkeit in die Augen gerät, spülen Sie diese mindestens 10 Minuten lang mit sauberem Wasser aus und nehmen Sie dann umgehend ärztliche Hilfe in Anspruch.** Das Befolgen dieser Regel verringert die Gefahr schwerer Verletzungen.
- **Bewahren Sie diese Anleitung auf.** Lesen Sie darin regelmäßig nach und verwenden Sie sie zur Einweisung andere Personen die dieses Werkzeug benutzen könnten. Sollten Sie dieses Werkzeug jemandem leihen, geben Sie dieser Person auch diese Anleitung.



⚠️ WARNUNG

Führen Sie das Produkt immer gegen die Drehrichtung des Fräasers in das Werkstück. Wenn die Vorschubbewegung in der Drehrichtung des Fräasers erfolgt, besteht die Gefahr, dass das Werkzeug vom Werkstück aufgrund der Drehbewegung des sich drehenden Fräasers weggestoßen wird. Dies könnte zu einem Kontrollverlust über das Produkt führen.

TRANSPORT VON LITHIUM AKKUS

Transportieren Sie den Akku gemäß Ihren örtlichen und nationalen Bestimmungen und Regeln.

Befolgen Sie alle besonderen Anforderungen für Verpackung und Beschriftung, wenn Sie Akkus von Dritten transportieren lassen. Stellen Sie sicher, dass beim Transport kein Akku in Kontakt mit anderen Akkus oder leitenden Materialien kommt, indem Sie die freien Anschlüsse mit Isolierband, nichtleitenden Kappen oder Kleband schützen. Beschädigte oder auslaufende Akkus dürfen nicht transportiert werden. Befragen Sie Ihre Transportfirma nach weiteren Informationen.

RESTRISIKEN

Sogar wenn das Produkt wie vorgeschrieben benutzt wird, ist es unmöglich ein gewisses Restrisiko vollständig auszuschließen. Die folgenden Gefahren können bei der Benutzung entstehen, und der Benutzer sollte besonders auf folgende Punkte achten:

- Durch Vibrationen verursachte Verletzungen.
 - Begrenzen Sie die Belastung. Siehe "Risikoverringerung".
- Durch geschleuderte Objekte verursachte Verletzung
 - Tragen Sie immer einen Augenschutz.
- Durch Staub verursachte Verletzungen.
 - Tragen Sie eine angemessene Staubschutzmaske mit geeigneten Filtern, die Sie vor dem Staub des bearbeiteten Materials schützt. Essen, trinken oder rauchen Sie nicht in dem Arbeitsbereich. Stellen Sie sicher, dass ausreichende Belüftung vorhanden ist und benutzen Sie das mitgelieferte Zubehör zur Staubabsaugung.
- Verletzungen durch Kontakt mit dem Schneidwerkzeug.
 - Die Schneidwerkzeuge sind sehr scharf und werden bei Benutzung heiß. Tragen Sie Handschuhe beim Wechseln von Schneidwerkzeugen. Halten Sie Ihre Hände immer von dem Fräsbereich fern. Halten Sie das Werkstück NIEMALS mit Ihrer Hand oder zwischen Ihren Beinen. Sichern Sie das Werkstück nach Möglichkeit.

RISIKOVERRINGERUNG

Vibrationen von in der Hand gehaltenen Werkzeugen können bei einigen Personen zu einem Zustand, der Raynaud-Syndrom genannt wird, führen. Symptome sind u.a. Kribbeln, Taubheitsgefühl und episodische Weißfärbung der Finger und treten normalerweise bei Kälte auf. Man geht davon aus, dass ererbte Faktoren,

Kälte und Feuchtigkeit, Essgewohnheiten, Rauchen und Arbeitsweise zur Entwicklung dieser Symptome beitragen. Der Anwender kann Maßnahmen ergreifen, um die Auswirkungen der Vibrationen möglicherweise zu verringern:

- Halten Sie den Körper bei Kälte warm. Tragen Sie beim Betrieb des Geräts Handschuhe, um Hände und Handgelenke warm zu halten. Berichten zu Folge ist kaltes Wetter ein wesentlicher Faktor, der zum Raynaud Syndrom beiträgt.
- Betätigen Sie sich nach jedem Einsatz körperlich, um den Blutkreislauf zu steigern.
- Machen Sie regelmäßig Pausen. Beschränken Sie die Beanspruchung pro Tag.

Sollten bei Ihnen eines der zuvor beschriebenen Symptome / Zustände auftreten, stellen Sie unverzüglich den Betrieb ein und suchen Sie bezüglich der Symptome einen Arzt auf.

⚠️ WARNUNG

Verletzungen können durch lange Benutzung eines Werkzeugs entstehen oder verschlimmert werden. Machen Sie regelmäßig Pause, wenn Sie ein Werkzeug für lange Zeit benutzen.

ZUSAMMENBAU

⚠️ WARNUNG

Benutzen Sie das Produkt nicht, wenn es nicht vollständig montiert ist, oder wenn Teile fehlen oder beschädigt sind. Die Benutzung eines Produktes das nicht ordnungsgemäß und vollständig montiert ist oder mit beschädigten oder fehlenden Teilen kann zu schweren Verletzungen führen.

⚠️ WARNUNG

Versuchen Sie nicht dieses Werkzeug zu verändern, oder Zubehörteile, deren Verwendung nicht für dieses Werkzeug empfohlen ist, zu benutzen. Jede solche Änderung oder Umbau ist missbräuchlich, und könnte zu einer gefährlichen Situation mit möglichen schweren Verletzungen führen.

MACHEN SIE SICH MIT IHREM PRODUKT VERTRAUT

Siehe Seite 87.

1. Ein-/Ausschalter
2. Akku-Aufnahmeschacht
3. Nullstellung
4. Tiefen-Feineinstellung
5. Motorgehäuse
6. Frästiefenskala
7. Entfernbares Untergestell
8. Entriegelung Motor
9. Schnellverschluss Klemmung

EN
FR
DE
ES
IT
NL
PT
DA
SV
FI
NO
RU
PL
CS
HU
RO
LV
LT
ET
HR
SL
SK
BG
UK
TR
EL



10. Spindelarreterierung
11. Spannzange 6,35 mm
12. Mutter für Spannzange
13. Quadratische Bodenplatte
14. Gabelschlüssel
15. Spannzange 6 mm
16. Gerader Fräser
17. Führungsschienen
18. Parallelanschlag

WARTUNG UND PFLEGE

⚠️ WARNUNG

Das Produkt darf niemals an die Stromversorgung angeschlossen sein, wenn Sie Teile zusammenbauen, Einstellungen vornehmen, Reinigen, Wartungsarbeiten durchführen, oder wenn das Produkt nicht benutzt wird. Trennen des Produktes der Stromversorgung verhindert ein unbeabsichtigtes Einschalten, das schwere Verletzungen verursachen könnte.

- Verwenden Sie zur Wartung ausschließlich Original-Ersatzteile des Herstellers. Der Einsatz von anderen Teilen kann eine Gefahr verursachen oder das Produkt beschädigen.

⚠️ WARNUNG

Alle Reparaturen sollten zur besseren Sicherheit und Zuverlässigkeit von einem autorisierten Kundendienst durchgeführt werden.

ALLGEMEIN

Vermeiden Sie beim Reinigen der Plastikteile den Einsatz von Lösungsmitteln. Die meisten Kunststoffe können durch im Handel erhältliche Lösungsmittel beschädigt werden. Verwenden Sie einen sauberen Lappen für die Reinigung von Verschmutzungen, Karbonstaub usw.

⚠️ WARNUNG

Die Kunststoffelemente dürfen niemals mit Bremsflüssigkeit, Benzin, Produkten auf Petroleumbasis, eindringende Öle usw. in Kontakt kommen. Diese chemischen Produkte enthalten Substanzen, die den Kunststoff beschädigen, schwächen oder zerstören können.

Der Staub von Gipskarton oder Wandtafeln ist aggressiv und kann vorzeitiges Versagen des Produktes verursachen, wenn er in den Motorbereich eindringen kann. Benutzen Sie immer die an einen Staubsauger angeschlossene Staubabsaugung. Reinigen Sie das Produkt gründlich mit Bürste und Staubsauger nach der Benutzung. Achten Sie darauf keinen Schmutz in die Belüftungsöffnungen zu drücken. Benutzen Sie keine Druckluft, um das Produkt zu reinigen, weil Staub und Schmutz schwere Augenverletzungen verursachen können

ÖLEN

Alle Lagerelemente in dem Produkt sind mit genug qualitativ hochwertigem Schmiermittel für die gesamte Lebensdauer des Produktes unter normalen Betriebsbedingungen geölt. Es ist daher keine zusätzliche Schmierung erforderlich.

UMWELTSCHUTZ



Recyceln Sie die Rohstoffe, anstatt sie im Haushaltsabfall zu entsorgen. Zum Schutz der Umwelt müssen das Gerät, die Zubehörteile und die Verpackungen getrennt entsorgt werden.

SYMBOLE AUF DEM PRODUKT



Sicherheitswarnung



CE Konformität



Leerlaufdrehzahl



Volt



Gleichstrom

min⁻¹

Anzahl Umdrehungen oder Bewegungen pro Minute



EurAsian Konformitätszeichen



Bitte lesen Sie die Anweisungen sorgfältig, bevor Sie das Gerät einschalten.



Ukrainisches Prüfzeichen



Elektrische Geräte sollten nicht mit dem übrigen Müll entsorgt werden. Bitte entsorgen Sie diese an den entsprechenden Entsorgungsstellen. Wenden Sie sich an die örtliche Behörde oder Ihren Händler, um Auskunft über die Entsorgung zu erhalten.

SYMBOLE IN DER BEDIENUNGSANLEITUNG



Hinweis



Teile oder Zubehör getrennt erhältlich



Öffnen



Sperren



Mit den folgenden Symbolen wird die Bedeutung der verschiedenen Risikostufen, die mit dem Produkt einhergehen, dargestellt.

 **GEFAHR**

Bezeichnet eine unmittelbare Gefahrensituation, die, falls nicht vermieden, zum Tode oder schweren Verletzungen führen kann.

 **WARNUNG**

Bezeichnet eine mögliche Gefahrensituation, die, falls nicht vermieden, zum Tode oder schweren Verletzungen führen kann.

 **ACHTUNG**

Bezeichnet eine mögliche Gefahrensituation, die, falls nicht vermieden, zu kleineren und mittleren Verletzungen führen kann.

ACHTUNG

(Ohne Warnsymbol) weist auf eine Situation hin, die zu Sachschaden führen kann.

EN
FR
DE
ES
IT
NL
PT
DA
SV
FI
NO
RU
PL
CS
HU
RO
LV
LT
ET
HR
SL
SK
BG
UK
TR
EL





La seguridad, el rendimiento y la fiabilidad han sido las máximas prioridades a la hora de diseñar esta fresadora.

USO PREVISTO

Esta fresadora se ha diseñado para su uso en trabajos de precisión sobre madera. Este producto es ideal para dar forma a los bordes de madera y para cortar/perfilear laminados.

Utilice el producto exclusivamente para el uso para el que fue diseñado.

⚠ ADVERTENCIA

Lea todas las instrucciones y advertencias de seguridad. No seguir las advertencias e instrucciones correctamente puede provocar descargas eléctricas, incendios y/o daños graves.

Guarde todas estas advertencias e instrucciones para futuras referencias.

ADVERTENCIAS DE SEGURIDAD DE LA FRESADORA

- **Utilice cárceles u otros métodos prácticos para asegurar y sujetar la pieza de trabajo sobre una plataforma estable.** Si sujeta la pieza con la mano o la apoya contra el cuerpo puede ser inestable, lo que puede hacerle perder el control.
- **Sujete la herramienta eléctrica por las superficies de sujeción aislantes cuando realice una operación en la que el accesorio de corte pueda entrar en contacto con el cableado oculto.** El accesorio de corte que esté en contacto con un cable "vivo" puede transmitir corriente a las piezas metálicas de la herramienta que estén expuestas y el operador podría sufrir una descarga eléctrica.
- **Utilice siempre brocas con un diámetro de espiga correcto y que sean adecuadas para la velocidad del producto.**
- **Conozca su herramienta. Lea detenidamente el manual de utilización. Aprenda las aplicaciones y las limitaciones del producto, así como los posibles peligros específicos relacionados con él.** Si cumple estrictamente estas consignas reducirá la posibilidad de recibir una descarga eléctrica, de incendio o de heridas graves.
- **Utilice siempre gafas de seguridad con protección lateral.** Las gafas de uso diario solo tienen lentes resistentes a los impactos. NO son gafas de seguridad. Con el cumplimiento de esta norma se reducirá el riesgo de sufrir lesiones oculares.
- **Proteja sus pulmones. Póngase una pantalla facial o una mascarilla antipolvo si la operación que está realizando lo requiere.** Si sigue esta norma reducirá el riesgo de lesiones graves.
- **Proteja su audición. Use protectores auditivos durante largos periodos de operación.** Si sigue esta norma reducirá el riesgo de lesiones graves.

- **Los productos de batería no necesitan estar enchufados a una toma de corriente; por lo tanto, están siempre en condiciones de funcionamiento. Sea consciente de los posibles riesgos cuando no utilice el producto a batería o al cambiar accesorios.** Si cumple estrictamente estas consignas reducirá la posibilidad de recibir una descarga eléctrica, de incendio o de heridas graves.
- **No coloque los productos de batería o las pilas cerca del fuego o fuentes de calor.** Esto reducirá el riesgo de explosiones y posiblemente lesiones.
- **No aplaste, golpee o dañe la batería. No utilice una batería o un cargador que se haya caído o haya recibido un golpe fuerte.** Una batería dañada podría explotar. Deseche correctamente y de forma inmediata una batería que haya caído o que esté dañada.
- **Las baterías pueden explotar en presencia de una fuente de ignición, como un piloto.** Para reducir el riesgo de lesiones personales graves, nunca use un producto inalámbrico en presencia de una llama expuesta. Si una batería explotase podría despedir desechos y productos químicos. Si se expusiera a estos, debería enjuagar las zonas expuestas con agua inmediatamente.
- **No cargue el producto de batería en un lugar húmedo o mojado.** Cumple estrictamente estas consignas reducirá la posibilidad de recibir una descarga eléctrica.
- **Para obtener los mejores resultados, la batería debe cargarse en un lugar cuya temperatura sea superior a 10 °C e inferior a 38°C. No guardar en exterior ni en vehículos.**
- **Bajo condiciones extremas de funcionamiento y temperatura, podrían ocurrir fugas en la batería. Si el líquido entra en contacto con la piel, enjuáguela inmediatamente con agua y jabón. Si el líquido entra en sus ojos, lávelos con agua limpia durante al menos 10 minutos, y luego acuda a su médico.** Si sigue esta norma reducirá el riesgo de lesiones graves.
- **Guarde estas instrucciones.** Consúltelas con frecuencia y utilícelas para instruir a otras personas que puedan utilizar esta herramienta. Si presta esta herramienta, facilite también estas instrucciones.

⚠ ADVERTENCIA

Introduzca siempre el producto en la pieza de trabajo en dirección contraria a la dirección de rotación de la broca. Si el suministro de la pieza de trabajo coincide con el sentido de giro de la broca, la fuerza de rotación de la broca en funcionamiento tenderá a alejar la herramienta de la pieza de trabajo. Esto podría provocar la pérdida de control del producto.

TRANSPORTE DE BATERÍAS DE LITIO

Transporte la batería de conformidad con las disposiciones y las normativas locales y nacionales.

Cuando las baterías sean transportadas por un tercero,



cumpla los requisitos especiales relativos al embalaje y etiquetado. Asegúrese de que ninguna batería entra en contacto con otra batería o con materiales conductores durante el transporte, proteja los conectores expuestos con tapones o tapas aislantes no conductoras. No transporte baterías con fisuras o fugas. Para más asesoramiento, póngase en contacto con la empresa de distribución.

RIESGOS RESIDUALES

Incluso cuando se utiliza el producto según las instrucciones, sigue siendo imposible eliminar por completo ciertos factores de riesgo residuales. Pueden surgir los siguientes riesgos durante el uso y el operador debe prestar especial atención para evitar lo siguiente:

- Lesiones por vibración
 - Limite la exposición. Consulte el apartado "Reducción De Riesgos".
- Lesiones causadas por detritos lanzados
 - Use siempre protección para los ojos.
- Lesiones causadas por el polvo
 - Use las correspondientes mascarillas antipolvo con filtros adecuados que puedan protegerlo contra el polvo del material de trabajo. No comer, beber o fumar en el área de trabajo. Asegúrese de que hay una ventilación adecuada y de usar los accesorios de extracción de polvo suministrado.
- Lesiones debido al contacto con la broca de corte
 - Las brocas están muy afiladas y se calientan con el uso. Use guantes para cambiar las brocas. Mantenga siempre las manos apartadas de la zona de corte. No sujete NUNCA la pieza trabajada con la mano o entre las piernas. Fije la pieza de trabajo siempre que sea posible.

REDUCCIÓN DEL RIESGO

Se ha informado de que las vibraciones de las herramientas manuales pueden contribuir a una enfermedad llamada síndrome de Raynaud en ciertos individuos. Los síntomas pueden incluir hormigueo, entorpecimiento y decoloración de los dedos, generalmente aparentes cuando tiene lugar una exposición al frío. Se considera que los factores hereditarios, exposición al frío y a la humedad, dieta, tabaquismo y prácticas de trabajo contribuyen al desarrollo de estos síntomas. Existen medidas que pueden ser tomadas por el operador para reducir los efectos de vibración:

- Mantenga su cuerpo caliente durante el tiempo frío. Al manipular la unidad, utilice guantes para mantener las manos y las muñecas calientes. Hay informes que indican que el tiempo frío es un gran factor que contribuye al síndrome de Raynaud.
- Después de cada período de funcionamiento, realice ejercicios para aumentar la circulación sanguínea.
- Haga pausas de trabajo frecuentes. Limite la cantidad de exposición por día.

Si siente alguno de los síntomas de esta enfermedad, interrumpa inmediatamente el uso y consulte a su médico estos síntomas.

⚠ ADVERTENCIA

El uso prolongado de la herramienta puede provocar o agravar lesiones. Al utilizar cualquier herramienta durante períodos prolongados asegúrese de tomar descansos regulares.

MONTAJE

⚠ ADVERTENCIA

No use este producto si no está completamente montado o en caso de que falte o esté dañada alguna de las piezas. El uso de un producto que no está debida y completamente montado o al que le falten piezas o estén dañadas podría resultar en graves lesiones personales.

⚠ ADVERTENCIA

No intente modificar esta herramienta o crear accesorios no recomendados para utilizar con esta herramienta. Cualquier alteración o modificación supone un uso indebido y podría provocar condiciones peligrosas que conduzcan a posibles lesiones personales graves.

CONOZCA EL PRODUCTO

Consulte la página 87.

1. Interruptor de encendido/apagado
2. Puerto de la batería
3. Restablecimiento a cero
4. Control de microajuste de la profundidad
5. Carcasa del motor
6. Escala de profundidad
7. Base extraíble
8. Palanca de desbloqueo del motor
9. Palanca de sujeción rápida de la hoja
10. Botón de bloqueo del eje
11. Mordaza de 6,35 mm
12. Tuerca de retención
13. Base secundaria cuadrada
14. Llave de servicio
15. Mordaza de 6 mm
16. Fresa cilíndrica
17. Barras de guía
18. Guía de corte paralelo

MANTENIMIENTO

⚠ ADVERTENCIA

El aparato nunca debe estar conectado a una fuente eléctrica mientras se estén montando las piezas, realizando ajustes, limpiando, llevando a cabo el mantenimiento o cuando no esté en uso. Apagar el aparato evitará que se ponga en marcha accidentalmente y cause lesiones graves.

- En las operaciones de reparación, utilice solo piezas de repuesto originales del fabricante. El uso de otras piezas puede ocasionar riesgos o daños en el producto.

⚠ ADVERTENCIA

Para una mayor seguridad y fiabilidad, todas las reparaciones deben ser realizadas por un centro de servicio autorizado Ryobi.

GENERAL

Evite el uso de disolventes para limpiar las piezas de plástico. La mayor parte de los plásticos pueden resultar dañados con los disolventes que se venden en el mercado. Utilice un paño limpio para quitar las impurezas, el polvo, etc.

⚠ ADVERTENCIA

Los elementos de plástico nunca deben estar en contacto con líquido de frenos, gasolina, productos derivados de petróleo, aceites penetrantes, etc. Estos productos químicos contienen sustancias que pueden deteriorar, debilitar o destruir el plástico.

El polvo del yeso y de la pared es abrasivo y puede causar un fallo prematuro del producto si se le permite entrar en la zona del motor. Utilice siempre el accesorio de extracción de polvo conectado a un vacío. Limpie a fondo el producto después de su uso mediante el uso de un cepillo y una aspiradora. Tenga cuidado para no empujar la suciedad en las aberturas de ventilación. No use aire comprimido para limpiar el producto, ya que el polvo y las impurezas podrían causar graves lesiones en los ojos.

LUBRICACIÓN

Todos los cojinetes de este producto están lubricados con una cantidad suficiente de lubricante de alta calidad para la vida del producto en condiciones normales de funcionamiento. Por lo tanto, no es menester prever ninguna lubricación adicional.

PROTECCIÓN DEL MEDIO AMBIENTE



Recicle las materias primas en lugar de tirarlas a la basura doméstica. Para proteger el medio ambiente, debe separar la herramienta, los accesorios y los embalajes.

SÍMBOLOS EN EL PRODUCTO



Alerta de seguridad



Conformidad CE



Velocidad sin carga



Voltios



Corriente directa



Número de revoluciones o movimientos por minuto



Certificado EAC de conformidad



Por favor lea las instrucciones detenidamente antes de arrancar la máquina.



Marca de conformidad ucraniana



Los productos eléctricos de desperdicio no deben desecharse con desperdicios caseros. Por favor recíclelos donde existan dichas instalaciones. Compruebe con su autoridad local o minorista para reciclar.

SÍMBOLOS EN ESTE MANUAL



Nota



Las piezas o accesorios se venden por separado



Desbloquear



Bloquear

Los siguientes símbolos y palabras detallan los niveles de cuidado necesarios para usar este producto.

⚠ PELIGRO

Indica una situación inminente de peligro que, si no se evita, provocará la muerte o lesiones graves.

⚠ ADVERTENCIA

Indica una situación potencialmente peligrosa que, si no se evita, podría causar la muerte o lesiones graves.

⚠ PRECAUCIÓN

Indica una situación potencialmente peligrosa que, si no se evita, puede provocar lesiones leves o moderadas.

PRECAUCIÓN

(Sin símbolo de seguridad) Indica una situación que podría ocasionar daños materiales.



La progettazione di questa fresatrice rifilatrice è stata effettuata dando massima priorità a criteri di sicurezza, prestazioni e affidabilità.

UTILIZZO

La fresatrice rifilatrice è destinata a lavorazioni di precisione del legno. È ideale per dare forma ai bordi del legno e per rifilare i laminati.

Non utilizzare il prodotto in modi diversi da quelli indicati.

⚠ AVVERTENZE

Leggere tutti gli avvertimenti e le istruzioni di sicurezza. La mancata osservanza delle avvertenze e delle istruzioni potrà causare scosse elettriche, incendi e/o gravi lesioni personali.

Conservare tutte le istruzioni e le avvertenze per eventuali riferimenti futuri.

AVVERTENZE DI SICUREZZA PER LA FRESATRICE RIFILATRICE

- **Utilizzare morsetti o altri pratici sistemi per ancorare il pezzo sul quale si sta lavorando a una superficie stabile.** Reggere il pezzo sul quale si sta lavorando con le mani o poggiarlo contro il corpo lo renderà instabile e ciò potrà causare una perdita di controllo dell'utensile.
- **Reggere l'utensile dalle superfici isolate quando si svolge un'operazione nella quale le lame potrebbero toccare dei cavi nascosti.** Se la lama taglia un cavo "vivo" le parti esposte dell'elettrotensile potrebbero fare da conduttore e causare scosse elettriche.
- **Usare sempre una punta del diametro giusto e idonea per la velocità del prodotto.**
- **Familiarizzare con l'utensile. Leggere attentamente il presente manuale d'uso. Imparare a conoscere le applicazioni e limitazioni del prodotto come pure i rischi potenziali specifici correlati allo stesso.** Il rispetto di tali norme limita il rischio di scosse elettriche, incendi o lesioni gravi.
- **Indossare sempre occhiali di sicurezza con schermi laterali.** Le lenti degli occhiali di uso quotidiano sono solo resistenti agli impatti. Tali occhiali NON sono di sicurezza. Seguendo questa regola si riduce il rischio di lesioni agli occhi.
- **Proteggere i polmoni. Se l'utilizzo dell'apparecchio produce polvere, indossare una maschera facciale o una maschera antipolvere.** Seguire questa norma ridurrà il rischio di gravi lesioni alla persona.
- **Proteggere l'udito. Indossare cuffie di protezione durante lunghi periodi di funzionamento.** Seguire questa norma ridurrà il rischio di gravi lesioni alla persona.
- **I prodotti a batteria non devono essere collegati a una presa elettrica; perciò sono sempre in grado di funzionare. Fare attenzione agli eventuali rischi che si corrono quando non si utilizza il prodotto o quando si caricano gli accessori.** Il rispetto di tali

norme limita il rischio di scosse elettriche, incendi o lesioni gravi.

- **Non posizionare i prodotti a batteria o le loro batterie vicino a fuoco o fonti di calore.** Ciò ridurrà il rischio di esplosione e lesioni alla persona.
- **Non schiacciare, far cadere o danneggiare il gruppo batterie. Non utilizzare un gruppo batterie o un caricatore se gli stessi sono caduti o sono danneggiati.** Una batteria danneggiata può esplodere. Smaltire correttamente una batteria caduta o danneggiata.
- **Le batterie possono esplodere in presenza di una fonte di accensione come una luce pilota.** Per ridurre il rischio di gravi lesioni personali, non utilizzare prodotti senza cavi in presenza di una fiamma viva. In caso di esplosione le batterie perderanno liquidi e potranno scagliare in aria parti. Nel caso di contatto con il liquido delle batterie, lavarsi immediatamente.
- **Non ricaricare il prodotto a batteria in luoghi umidi o bagnati.** Il rispetto di tali norme limita il rischio di scosse elettriche.
- **Per risultati ottimali, la batteria deve essere collocata in un ambiente con una temperatura superiore a 10 °C e inferiore a 38°C. Non conservare all'esterno o all'interno di veicoli.**
- **In condizioni di utilizzo o a temperature estreme, la batteria potrà perdere liquidi.** Nel caso in cui il liquido entri in contatto con la pelle, lavarsi immediatamente con acqua e sapone. Nel caso in cui il liquido entri in contatto con gli occhi, lavarsi con acqua pulita per almeno 10 minuti, quindi rivolgersi immediatamente a un medico. Seguire questa norma ridurrà il rischio di gravi lesioni alla persona.
- **Conservare queste istruzioni.** Far spesso riferimento alle istruzioni e utilizzarle per istruire altri operatori che potranno utilizzare l'utensile. Prestare l'utensile sempre assieme a queste istruzioni.

⚠ AVVERTENZE

Spingere sempre l'utensile nel materiale da lavorare nella direzione inversa a quella di rotazione della punta. Se si spinge il pezzo nel senso di rotazione della punta, la forza rotante della punta stessa tende a spingere l'utensile lontano dal pezzo. Il risultato può essere la perdita di controllo del prodotto.

TRASPORTARE BATTERIE AL LITIO

Trasportare la batteria secondo quanto indicato dalle norme e regolamentazioni locali e nazionali.

Seguire tutte le istruzioni speciali riportate sulla scatola e sull'etichetta quando si fanno trasportare batterie da eventuali terzi. Assicurarsi che le batterie non entrino in contatto con altre batterie o materiali conduttivi durante il trasporto proteggendo i connettori esposti con tappi isolanti, non conduttivi o nastro adesivo. Non trasportare batterie rotte o che perdono liquidi. Rivolgersi alla ditta distributrice per ulteriori consigli.

EN
FR
DE
ES
IT
NL
PT
DA
SV
FI
NO
RU
PL
CS
HU
RO
LV
LT
ET
HR
SL
SK
BG
UK
TR
EL



RISCHI RESIDUI

Anche quando il prodotto viene utilizzato come indicato, sarà ancora impossibile eliminare completamente alcuni fattori di rischio residuo. Si potranno verificare i seguenti rischi e l'operatore dovrà prestare particolare attenzione per evitare quanto segue:

- Lesioni causate da vibrazioni
 - Limitare l'esposizione. Vedere "Riduzione Rischio".
- Lesioni causate da detriti volanti
 - Indossare sempre protezioni per gli occhi.
- Lesioni causate dalla polvere
 - Indossare un'adeguata maschera per il controllo della polvere con filtri che siano in grado di proteggere dalla polvere prodotta dal materiale sul quale si sta lavorando. Non mangiare, bere, né fumare nell'area di lavoro. Assicurarsi un'adeguata ventilazione e utilizzare gli accessori per l'estrazione della polvere forniti.
- Lesioni da contatto con le punte di taglio
 - Le punte sono molto affilate e si surriscaldano durante l'utilizzo. Indossare guanti quando si cambiano le punte. Tenere sempre le mani lontane dalle zone di taglio. Non tenere MAI il pezzo da lavorare con la mano o tra le gambe. Fissare il pezzo da lavorare ogniqualvolta sia possibile.

RIDUZIONE DEL RISCHIO

E' stato fatto presente che le vibrazioni da utensili a mano potrebbero contribuire a una condizione chiamata Sindrome di Raynaud in alcuni individui. I sintomi, comprendenti formicolio, intorpidimento e perdita di colore alle dita, si verificano di solito quando ci si espone al freddo. Fattori ereditari, esposizione a freddo e umidità, una dieta scorretta, fumo e condizioni di lavoro non sicure potranno contribuire allo sviluppo di questi sintomi. È possibile prendere delle precauzioni per ridurre le vibrazioni:

- Tenere il corpo al caldo a basse temperature. Quando si utilizza l'utensile, indossare guanti e tenere le mani e i polsi caldi. Le basse temperature contribuiscono a causare la Sindrome di Raynaud.
- Dopo aver utilizzato l'utensile per un certo periodo, fare degli esercizi per stimolare la circolazione del sangue.
- Fare spesso delle pause. Limitare la quantità di esposizione giornaliera.

Nel caso in cui si provino i sintomi di questa condizione, interrompere immediatamente l'utilizzo dell'utensile e consultare un dottore.

⚠ AVVERTENZE

L'utilizzo prolungato dell'utensile potrà causare o aggravare lesioni già esistenti. Quando si utilizza questo utensile per periodi di tempo prolungati, assicurarsi di fare sempre delle pause regolari.

MONTAGGIO

⚠ AVVERTENZE

Non utilizzare il prodotto se non viene montato completamente o se manca di alcune parti o è danneggiato. Utilizzare un prodotto non adeguatamente e correttamente montato o con parti danneggiate o mancanti potrà causare gravi lesioni personali.

⚠ AVVERTENZE

Non tentare di modificare l'utensile o creare accessori non raccomandati per l'utilizzo con questo utensile. Tali modifiche equivalgono a un utilizzo non consentito e possono causare situazioni pericolose in grado di provocare gravi lesioni fisiche.

FAMILIARIZZARE CON IL PRODOTTO

Vedere a pagina 87.

1. Interruttore On/Off (Acceso/Spento)
2. Porta batterie
3. Azzeramento
4. Manopola microregolazioni di profondità
5. Alloggiamento del motore
6. Scala di profondità
7. Base removibile
8. Leva sblocco motore
9. Leva di fissaggio rapido della lama
10. Pulsante di bloccaggio dell'albero
11. Anello metallico da 6,35 mm
12. Dado del mandrino
13. Sottobase quadrata
14. Chiave di servizio
15. Anello metallico da 6 mm
16. Punta dritta
17. Barre guida
18. Guida di taglio parallela

MANUTENZIONE

⚠ AVVERTENZE

Questo prodotto non dovrà mai essere collegato all'alimentazione mentre si montano le sue parti, svolgono regolazioni, operazioni di pulizia e manutenzione o quando il prodotto non viene utilizzato. Scollegare il prodotto per prevenire l'avvio accidentale che potrà causare gravi lesioni.

- Quando si svolgono le operazioni di manutenzione, utilizzare solo parti di ricambio originali della ditta produttrice. Utilizzare parti di ricambio diverse potrebbe causare rischi o danneggiare il prodotto.

⚠ AVVERTENZE

Per una maggior sicurezza e affidabilità, tutte le riparazioni dovranno essere svolte da un centro servizi autorizzato Ryobi.

GENERALE

Evitare di utilizzare solventi quando si puliscono le parti in plastica. La maggior parte dei materiali plastici rischia di essere danneggiata dall'uso dei solventi disponibili in commercio. Utilizzare un panno pulito per rimuovere lo sporco, la polvere, ecc.

⚠ AVVERTENZE

Gli elementi in plastica non devono mai entrare a contatto con liquido dei freni, benzina, prodotti a base di petrolio, oli penetranti, ecc. Tali prodotti chimici contengono sostanze che possono danneggiare, indebolire o distruggere la plastica.

La polvere prodotta da cartongesso e pannelli è abrasiva e potrà non far funzionare il prodotto correttamente nel caso in cui riuscirà a entrare nella zona del motore. Utilizzare sempre l'accessorio di estrazione polvere collegato a un aspirapolvere. Pulire attentamente il prodotto dopo l'utilizzo con una spazzola e un aspirapolvere. Non spingere lo sporco nelle griglie di ventilazione. Non utilizzare aria compressa per pulire il prodotto dal momento che polvere e granelli di sabbia potranno causare gravi lesioni agli occhi.

LUBRIFICAZIONE

Tutti i cuscinetti in questo prodotto sono stati lubrificati con una quantità di lubrificante ad alto indice di viscosità per tutta la durata del prodotto nelle normali condizioni di funzionamento. Di conseguenza, non è necessario effettuare alcuna lubrificazione supplementare.

TUTELA DELL'AMBIENTE



Riciclare le materie prime anziché gettarle tra i rifiuti domestici. Per tutelare l'ambiente, l'apparecchio, gli accessori e gli imballaggi devono essere smaltiti separatamente.

SIMBOLI SUL PRODOTTO



Indicazioni sicurezza



Conformità CE



Velocità a vuoto



Volt



Corrente diretta



Numero di giri o di movimenti al minuto



Marchio di conformità EurAsian



Leggere attentamente le istruzioni prima di avviare l'utensile.



Marchio di conformità ucraino



I prodotti elettrici non devono essere smaltiti con i rifiuti domestici. Vi sono strutture per smaltire tali prodotti. Informarsi presso il proprio Comune o rivenditore di sicurezza per smaltire adeguatamente tali rifiuti.

SIMBOLI NEL MANUALE



Note



Parti o accessori venduti separatamente



Sblocco



Blocco

I seguenti simboli indicano i livelli di rischio associati a questo prodotto.

⚠ PERICOLO

Indica una situazione immediatamente pericolosa che, se non evitata, potrà causare gravi lesioni o morte.

⚠ AVVERTENZE

Indica una situazione potenzialmente pericolosa che, se non evitata potrà causare gravi lesioni o morte.

⚠ ATTENZIONE

Indica una situazione potenzialmente pericolosa che, se non evitata, potrà causare lesioni minori o moderate.

ATTENZIONE

(Senza simbolo di allarme in materia di sicurezza) Indica una situazione che può provocare danni materiali.



Bij het ontwerp van uw kantenfrees hebben veiligheid, prestaties en betrouwbaarheid de hoogste prioriteit gekregen.

BEOOGD GEBRUIK

De kantenfrees is bestemd voor nauwkeurige houtbewerkingstaken. Het product is ideaal voor het bewerken van houtranden en laminaat.

Gebruik het product niet voor andere doeleinden dan waarvoor het is bestemd.

⚠ WAARSCHUWING

Lees alle veiligheidswaarschuwingen en instructies. Wanneer u deze en de instructies niet opvolgt, kan dit leiden tot electrocutie, brand en/of ernstige letstels.

Bewaar alle waarschuwingen en instructies voor toekomstig gebruik.

VEILIGHEIDSWAARSCHUWING VOOR DE KANTENFREES

- **Gebruik klemmen of andere praktische manieren om het werkstuk aan een stabiel platform vast te maken en te ondersteunen.** Als u het werktuig met de hand of tegen het lichaam vasthoudt, blijft het onstabiel en kunt u de controle verliezen.
- **Houd de machine aan de geïsoleerde handvatten vast wanneer u werkt op plaatsen waar de accessoire een verborgen snoer kan raken.** Wanneer de accessoire een spanningvoerende leiding raakt, kunnen de blootgestelde onderdelen van de machine onder spanning komen waardoor de gebruiker wordt geëlectrocuteerd.
- **Gebruik altijd boren met de juiste schachtdiameter, die geschikt zijn voor de snelheid van het product.**
- **Ken uw werktuig.** Lees zorgvuldig de gebruikshandleiding. Leer de toepassingen en beperkingen van het product en de specifieke mogelijke gevaren die met ermee zijn verbonden. Zo kunt u het gevaar voor elektrische schokken, brand of ernstig lichamelijke letsel beperken.
- **Draag altijd een veiligheidsbril met zijdelingse bescherming.** Gewone brillen voor dagelijks gebruik hebben alleen schokbestendige glazen. Het zijn GEEN veiligheidsbrillen. Door dit voorschrift op te volgen, vermindert u het risico op oogletsel.
- **Bescherm uw longen. Draag een gezichtsmasker of een stofmasker bij werkzaamheden waarbij stofdeeltjes vrijkomen.** Wanneer u deze regel opvolgt, vermindert dit het risico op ernstige letstels.
- **Bescherm uw gehoor. Draag gehoorbescherming tijdens langere periodes van gebruik.** Wanneer u deze regel opvolgt, vermindert dit het risico op ernstige letstels.
- **Accuproducten moeten niet met een contactdoos zijn verbonden; daarom zijn ze altijd gebruiksklaar. Let op mogelijke gevaren wanneer u accuproducten**

niet gebruikt of wanneer u accessoires oplaadt. Zo kunt u het gevaar voor elektrische schokken, brand of ernstig lichamelijke letsel beperken.

- **Plaats geen accuproducten of hun accu's in de buurt van vuur of hitte.** Dit zal het gevaar op explosie en mogelijke letstels verminderen.
- **Verbijzel accupacks niet, laat ze niet vallen of beschadig ze niet. Gebruik geen accupack of lader die in de grond viel of een sterke slag ontving.** Een beschadigde accu kan ontploffen. Gooi gevallen of beschadigde accu's onmiddellijk weg op de geschikte manier.
- **Accu's kunnen ontploffen wanneer een ontstekingsbron, zoals een waakvlam, aanwezig is.** Om het risico op ernstige letstels te verminderen, nooit een snoerloos product gebruiken in de aanwezigheid van een open vlam. Een ontplofte accu kan brokstukken en chemicaliën rondslingeren. Indien u met de accu in contact komt, spoelt u onmiddellijk met water.
- **Laad geen accuaangedreven producten op een vochtige of natte plaats op.** Zo kunt u het gevaar voor elektrische schokken beperken.
- **Voor het beste resultaat, moet uw batterijproduct worden opgeladen op een plaats waar de temperatuur hoger is dan 10°C, maar lager dan 38°C. Niet buitenshuis of in voertuigen opslaan.**
- **Onder extreme omstandigheden is het mogelijk dat de accu lekt. Als vloeistof in contact komt met uw huid, wast u onmiddellijk uit met water en zeep. Als de vloeistof in uw ogen raakt, spoelt u deze met schoon water gedurende tenminste 10 minuten en raadpleeg u onmiddellijk medische hulp.** Wanneer u deze regel opvolgt, vermindert dit het risico op ernstige letstels.
- **Bewaar deze instructies.** Raadpleeg ze regelmatig en gebruik dit om anderen doe dit werktuig mogelijk gebruiken, te instrueren. Als u dit werktuig aan iemand uitleent, leen hem dan deze instructies ook uit.

⚠ WAARSCHUWING

Voed het product altijd in het werkstuk tegen de draairichting van de frees. Als u met de draairichting van de boor mee werkt, kan de draaikracht van de boor het gereedschap van het werkstuk afstoten. Dit kan tot gevolg hebben dat u de controle over het product verliest.

VERVOEREN VAN LITHIUM BATTERIJEN

Vervoer de accu in overeenstemming met de plaatselijke en nationale voorzieningen en regelgevingen.

Volg alle speciale vereisten op de verpakking en etiketten bij het vervoeren van batterijen door een derde partij. Zorg dat de batterijen tijdens het vervoer niet in contact komen met andere batterijen of geleidende materialen door de blootliggende aansluitpunten te beschermen met een isolerende, niet-geleidende dop of tape. Geen gekraakte of



lekkende accu's vervoeren. Controleer bij het doorsturende bedrijf voor verder advies.

RESTRISICO'S

Zelfs wanneer het product zoals voorgeschreven wordt gebruikt, blijft het onmogelijk om alle restrisico's te voorkomen. De volgende gevaren kunnen optreden bij gebruik en de gebruiker dient speciaal op te letten om het volgende te voorkomen:

- Letsel veroorzaakt door trillingen
 - Beperk blootstelling. Zie "Risico's Beperken".
- Letsels veroorzaakt door rondvliegend afval
 - Draag altijd gezichtsbescherming.
- Verwonding veroorzaakt door stof
 - Draag een geschikt stofmasker met aangepaste filters die bescherming kunnen bieden tegen het materiaal dat wordt bewerkt. Eten, drinken of roken verboden in het werkgebied. Zorg voor voldoende ventilatie en gebruik de stofafzuigaccessoires die zijn meegeleverd.
- Letsels door contact met de frezen
 - De frezen zijn heel scherp en worden tijdens gebruik warm. Draag handschoenen wanneer u de frezen vervangt. Houd steeds de handen weg van het zaagbereik. Houd het werkstuk NOOIT met uw hand of tussen uw benen vast. Zet het te bewerken stuk hout vast indien mogelijk.

RISICOBEPERKING

Vibraties van handgereedschap kan in bepaalde individuele gevallen leiden tot het syndroom van Raynaud. Symptomen kunnen ondermeer tintelingen, gevoelloosheid en bleek worden van de vingers omvatten, wat normaal gezien duidelijk wordt bij blootstelling aan koude. Erfelijke factoren, blootstelling aan koude en vocht, dieet, roken en werkroutine kunnen allemaal bijdragen tot de ontwikkeling van deze symptomen. Er kunnen door de bediener maatregelen worden genomen om de gevolgen van de trillingen te beperken:

- Houd bij koud weer uw lichaam warm. Draag handschoenen wanneer u de machine gebruikt om handen en polsen warm te houden. Men neemt aan dat koud weer een belangrijke factor is die bijdraagt tot het Syndroom van Raynaud.
- Doe oefeningen om de bloeddoorstroming te bevorderen na elke periode van gebruik.
- Neem regelmatig een pauze. Beperk het aantal uren dat u per dag wordt blootgesteld.

Wanneer u enige van de symptomen van deze aandoening ervaart, stop dan onmiddellijk met het gebruik van het toestel en raadpleeg uw dokter

⚠ WAARSCHUWING

Letsels kunnen optreden of verergeren door langdurig gebruik van een gereedschap. Als u een werktuig gedurende langere periodes gebruikt, neem dan regelmatig pauze.

MONTAGE

⚠ WAARSCHUWING

Gebruik het product niet als het niet volledig is gemonteerd of als er onderdelen ontbreken of beschadigd zijn. Het gebruik van een product dat niet correct of volledig is gemonteerd of met beschadigde of ontbrekende onderdelen kan leiden tot ernstige verwondingen.

⚠ WAARSCHUWING

Verander niets aan de machine en gebruik geen accessoires die niet worden aanbevolen. Dergelijke wijzigingen of aanpassingen zijn misbruik en kunnen gevaarlijke situaties opleveren en mogelijk ernstig lichamelijk letsel veroorzaken.

KEN UW PRODUCT

Zie pagina 87.

1. Aan-/uitschakelaar
2. Accupoort
3. Nul reset
4. Aanpasknop microdiepte
5. Motorbehuizing
6. Schaalverdeling
7. Verwijderbare basis
8. Ontgrendelingshendel motor
9. Hendel van de snelklem van het zaagje
10. Asvergrendeling
11. Spantang van 6,35 mm
12. Spanmoer
13. Vierkante onderbasis
14. Speciale sleutel
15. Spantang van 6 mm
16. Rechte boor
17. Geleidingsstangen
18. Parallelgeleider

ONDERHOUD

⚠ WAARSCHUWING

Het product mag nooit worden aangesloten op de netvoeding bij het aansluiten van onderdelen, maken van afstellingen, schoonmaken, uitvoeren van onderhoud of als het product niet wordt gebruikt. Ontkoppelen van het product voorkomt accidenteel opstarten, wat ernstig letsel kan veroorzaken.

- Gebruik voor het onderhoud uitsluitend originele vervangonderdelen van de fabrikant. Gebruik van niet originele onderdelen kan gevaar opleveren of schade aan de machine veroorzaken.

⚠ WAARSCHUWING

Voor meer veiligheid en betrouwbaarheid, moeten alle herstellingen door een geautoriseerd Ryobi onderhoudscentrum worden uitgevoerd.

ALGEMEEN

Voorkom het gebruik van oplosmiddelen wanneer u kunststof onderdelen reinigt. De meeste kunststoffen kunnen worden beschadigd door de in de handel zijnde oplosmiddelen. Gebruik een schone doek om vuil of stof te verwijderen.

⚠ WAARSCHUWING

Voorkom dat remvloeistoffen, benzine, petroleumproducten, kruipolie enz. in contact komen met kunststof onderdelen. Deze chemicaliën bevatten namelijk stoffen die kunststof kunnen beschadigen, verzwakken of aantasten.

Het stof van gips of gipsplaat is hard en kan tot een defect van het product leiden als het in de motor van het product raakt. Gebruik het stofverzamelaccessoire altijd in verbinding met een stofzuiger. Reinig het product grondig na gebruik met behulp van een borstel en stofzuiger. Wees voorzichtig om het vuil niet in de ventilatieopeningen te duwen. Geen perslucht gebruiken om het product schoon te maken aangezien stof en grind ernstige oogletsels kunnen veroorzaken.

SMERING

Alle lagers in het product zijn gesmeerd met voldoende kwalitatief smeermiddel voor de gehele levensduur van het product bij normale gebruiksomstandigheden. Extra smering is daarom niet noodzakelijk.

MILIEUBESCHERMING



Zorg dat grondstoffen worden gerecycled in plaats van weggegooid als afval. Om het milieu te beschermen moeten de machine, de accessoires en de verpakking gesorteerd bij een erkend recyclingcentrum worden aangeleverd.

SYMBOLEN OP HET PRODUCT



Veiligheidswaarschuwing



EG conformiteit



Onbelast toerental



Volt



Gelijkstroom



Aantal toeren of omwentelingen per minuut



EurAsian-symbool van overeenstemming



Lees de instructies zorgvuldig voordat u de machine in gebruik neemt.



Oekraïens conformiteitsymbool



Elektrisch afval mag niet samen met ander huishoudafval worden weggegooid. Gelieve te recyclen indien de mogelijkheid bestaat. Neem contact op met uw gemeente of handelaar om advies te krijgen over recycling.

SYMBOLEN IN DE GEBRUIKSAANWIJZING



Opmerking



Onderdelen of accessoires afzonderlijk gekocht



Ontgrendeling



Vergrendeling

De volgende kernwoorden en verklaringen zijn bedoeld om de gevaarniveaus die op dit toestel betrekking hebben, te verklaren.

⚠ GEVAAR

Wijst op een gevaarlijke situatie die, indien ze niet wordt vermeden, kan leiden tot ernstige verwondingen of de dood.

⚠ WAARSCHUWING

Wijst op een mogelijk gevaarlijke situatie die, indien ze niet wordt vermeden, kan leiden tot ernstige verwondingen of de dood.

⚠ LET OP

Wijst op een mogelijk gevaarlijke situatie die, indien ze niet wordt vermeden, kan leiden tot lichte of middelmatige verwondingen.

LET OP

(Zonder veiligheidssymbool) Geeft een situatie aan die materiële schade zou kunnen veroorzaken.



Na concepção da sua tupa foi dada a máxima prioridade à segurança, ao desempenho e à fiabilidade.

UTILIZAÇÃO PREVISTA

A tupa destina-se a trabalhos de precisão em madeira. O produto é ideal para dar forma a rebordos em madeira e para fazer remates em laminados.

Utilize o produto exclusivamente para o uso para o qual foi concebido.

AVISO

Leia todos os avisos de segurança e todas as instruções. O incumprimento em seguir os s e as instruções pode ter como consequências o choque eléctrico, incêndio e/ou lesões graves.

Guarde todos os avisos e instruções para futuras consultas.

AVISOS DE SEGURANÇA DA TUPIA

- **Use tornos ou outros métodos práticos para assegurar e fixar a peça de trabalho sobre uma plataforma estável.** Se segurar a peça com a mão ou a apoiar contra o corpo pode ficar instável, o que pode fazer perder o controlo.
- **Segure a ferramenta eléctrica pelas superfícies de pega isoladas, ao realizar uma operação em que o acessório possa entrar em contacto com fios eléctricos escondidos.** O acessório de corte que entre em contacto com um fio "ligado" pode tornar as peças de metal da ferramenta eléctrica condutivas e tal pode causar um choque eléctrico ao operador.
- **Use sempre brocas com haste do diâmetro correcto e que sejam adequadas para a velocidade do produto.**
- **Conheça a sua ferramenta. Leia com atenção o manual de utilização. Aprenda as aplicações e as limitações do produto, assim como os possíveis perigos específicos relacionados com o mesmo.** Reduz assim os riscos de choque eléctrico, de incêndio ou de ferimentos graves.
- **Use sempre óculos de segurança com protectores laterais.** Os óculos do dia-a-dia apenas têm lentes resistentes ao impacto. NÃO são óculos de segurança. O cumprimento desta regra irá reduzir o risco de ferimentos nos olhos.
- **Proteja os seus pulmões. Use uma protecção facial ou uma máscara anti-poeiras se o trabalho provocar poeiras.** O respeito por esta norma reduzirá o risco de lesões graves.
- **Proteja a sua audição. Use protecção auricular durante períodos prolongados de operação.** O respeito por esta norma reduzirá o risco de lesões graves.
- **Os produtos com bateria não têm que estar ligadas a uma tomada eléctrica, por conseguinte, estarão sempre em estado de funcionamento. Esteja ciente**

dos possíveis perigos ao utilizar o seu aparelho com bateria ou ao mudar os acessórios. Reduz assim os riscos de choque eléctrico, de incêndio ou de ferimentos graves.

- **Não coloque aparelhos com bateria ou as respectivas baterias perto de fogo ou fontes de calor.** Esta operação irá reduzir o risco de explosão e possíveis lesões.
- **Não esmague, nem deixe cair ou estragar a bateria. Não utilize a bateria ou o carregador que tenha caído ou recebido um forte golpe.** Uma bateria danificada está sujeita a explosão. Destrua devidamente uma bateria que caiu ou foi danificada de imediato.
- **As baterias podem explodir na presença de uma fonte de ignição, como uma chama piloto.** De forma a reduzir o risco de lesões graves pessoais, nunca utilize qualquer aparelho com bateria na presença de uma chama acesa. Uma bateria que tenha explodido pode libertar detritos e químicos. Em caso de exposição, lave imediatamente com água.
- **Não carregue o produto com bateria num local húmido ou molhado.** Reduz assim os riscos de choque eléctrico.
- **Para obter os melhores resultados possíveis, o seu produto alimentado a baterias deve ser carregado em locais onde a temperatura seja superior a 10 °C mas inferior a 38°C. Não guarde o produto ao ar livre nem dentro de veículos.**
- **Sob condições de muita utilização ou temperaturas extremas, pode ocorrer fuga de bateria. Caso algum líquido entre em contacto com a sua pele, lave imediatamente com água e sabão. Se o líquido entrar em contacto com os seus olhos, lave-os com água limpa durante pelo menos 10 minutos e depois procure ajuda médica de imediato.** O respeito por esta norma reduzirá o risco de lesões graves.
- **Guarde estas instruções.** Consulte as instruções de forma frequente e utilize-as para instruir outras pessoas que possam utilizar esta ferramenta. Se emprestar esta ferramenta, assegure-se de que o novo utilizador recebe também estas instruções.

AVISO

Introduza sempre o produto na peça de trabalho contra o sentido de rotação da broca. Se a inserção for feita no mesmo sentido que a rotação da broca, a força de rotação da broca ao girar irá ter a tendência para afastar a ferramenta da peça de trabalho. Isso poderá causar a perda de controlo do produto.

TRANSPORTE DE BATERIAS DE LÍTIU

Transporte a bateria em conformidade com as disposições e os regulamentos locais e nacionais.

Respeite os requisitos especiais que existam na embalagem e a etiquetagem durante o transporte de baterias por terceiros. Assegure-se que não há risco de uma bateria entrar em contacto com outra bateria nem com





materiais condutores durante o transporte, protegendo os conectores expostos com tampas ou fita isoladoras e não condutoras. Não transporte baterias com fissuras ou fugas. Contacte a empresa transitária para mais aconselhamento.

RISCOS RESIDUAIS

Mesmo quando se utiliza o produto segundo as instruções, continua a ser impossível eliminar por completo certos fatores de risco residuais. Podem surgir os seguintes riscos durante o uso e o operador deve prestar especial atenção para evitar o seguinte:

- Lesões por vibração
 - Limite a exposição. Consulte o ponto “Redução De Riscos”.
- Urazy spowodowane odrzucanymi odpadkami
 - Use sempre proteção para os olhos.
- Prejuízo causado pela poeira
 - Use uma máscara de controlo de poeiras adequada com os filtros certos para proteção contra a poeira e partículas libertadas pelo material a ser trabalhado. Não coma, beba ou fume na área de trabalho. Należy zapewnić odpowiednią wentylację i stosować dostarczone akcesoria do użycia pyłu.
- Urazy ciała spowodowane kontaktem z frezami
 - Frezy bardzo ostre i podczas pracy są gorące. Podczas wymiany frezów należy nosić rękawice. Mantenha sempre as mãos afastadas da área de corte. NUNCA segure a peça a trabalhar com a mão ou entre as pernas. Sempre que possível, fixe a peça de trabalho em segurança.

REDUÇÃO DO RISCO

Informe-se que as vibrações das ferramentas manuais podem contribuir para uma doença chamada síndrome de Raynaud em certos indivíduos. Os sintomas podem incluir formigamento, entorpecimento e empalidecimento dos dedos, habitualmente visível aquando da exposição ao frio. Estima-se que os fatores hereditários, exposição ao frio e humidade, dieta, tabagismo e práticas de trabalho contribuem todos para o desenvolvimento destes sintomas. Existem medidas que podem ser tomadas pelo operador para possivelmente reduzir os efeitos da vibração:

- Mantenha o seu corpo quente durante o tempo frio. Ao operar a unidade, use luvas para manter as mãos e os pulsos quentes. Encontra-se reportado que o tempo frio é um grande factor que contribui para o Síndrome de Raynaud.
- Após cada período de operação, exercite para aumentar a circulação sanguínea.
- Faça pausas frequentes no trabalho. Limite o tempo de exposição por dia.

Caso sinta algum dos sintomas desta doença, interrompa de imediato a sua utilização e consulte o seu médico sobre estes sintomas.

⚠ AVISO

As lesões podem ser causadas ou agravadas pelo uso prolongado de uma ferramenta. Ao usar qualquer ferramenta durante períodos prolongados, assegure-se que faz intervalos regulares.

MONTAGEM

⚠ AVISO

Não use este produto se não estiver completamente montado ou caso pareça que existem algumas peças em falta ou danificadas. A utilização de um produto que não está devida e completamente montado ou com peças danificadas ou em falta poderia resultar em graves lesões pessoais.

⚠ AVISO

Não tente modificar esta ferramenta ou criar acessórios não recomendados para utilizar com esta ferramenta. Quaisquer destas alterações ou modificações representam um uso indevido e pode resultar em condições perigosas ocasionando eventuais ferimentos graves pessoais.

CONHEÇA O SEU PRODUTO

Consulte a página 87.

1. Interruptor desligado/ligado
2. Orifício da bateria
3. Reposição a zero
4. Botão de micro-ajuste da profundidade
5. Carcaça do motor
6. Escala de profundidade
7. Base amovível
8. Manípulo de libertação do motor
9. Alavanca de fixação rápida da lâmina
10. Botão de bloqueio do eixo
11. Bucha de pinças de 6,35 mm
12. Porca do mandril
13. Sub-base quadrada
14. Chave de serviço
15. Bucha de pinças de 6 mm
16. Broca direita
17. Barras de guia
18. Guia de corte paralelo

MANUTENÇÃO

⚠ AVISO

O produto não deve nunca ligado à corrente elétrica durante a montagem de peças, a realização de ajustes, limpeza, operações de manutenção ou quando não está em uso. Ao deligar o produto estará a evitar um arranque acidental que pode causar lesões graves.

- Na reparação só devem ser utilizadas peças sobresselentes do fabricante. O uso de quaisquer



outras peças pode criar perigo ou causar danos ao aparelho.

AVISO

Para uma maior segurança e fiabilidade, todas as reparações devem ser realizadas por um centro de assistência autorizado Ryobi.

GERAL

Evite usar solventes ao limpar as peças de plástico. A maioria dos plásticos pode ser danificada pelos solventes vendidos no comércio. Utilize um pano limpo para remover as sujidades, o pó, etc.

AVISO

Os elementos de plástico nunca devem entrar em contacto com líquido de travões, gasolina, produtos à base de petróleo, óleos penetrantes, etc. Estas substâncias contêm produtos químicos que podem danificar, enfraquecer ou destruir o plástico.

A poeira da placa de gesso e a parede é abrasiva e pode causar falha prematura do produto se tiver permissão para entrar na área do motor. Use sempre o acessório de aspiração de pó conectado a um vácuo. Limpe bem o produto após o uso, utilizando uma escova e um aspirador. Tome cuidado para não empurrar o lixo nas aberturas de ventilação. Não use ar comprimido para limpar o produto, dado que o pó e as impurezas podem causar graves lesões nos olhos.

LUBRIFICAÇÃO

Todos os rolamentos deste produto estão lubrificados com um montante suficiente de lubrificante de elevado nível, de acordo com a duração de vida do produto em condições normais de funcionamento. Por conseguinte, não requer nenhuma lubrificação suplementar.

PROTECÇÃO DO AMBIENTE



Recicle os materiais em vez de pô-los directamente no lixo doméstico. Para proteger o ambiente, a ferramenta, os acessórios e as embalagens devem ser seleccionados.

SÍMBOLOS NO PRODUTO



Alerta de segurança



Conformidade CE



Velocidade em vazio



Volts



Corrente directa

min⁻¹

Número de rotações ou movimentos por minuto



Marca de conformidade EurAsian



Agradecemos que leia atentamente as instruções antes de iniciar a máquina.



Marca de conformidade ucraniana



Os aparelhos eléctricos antigos não devem ser eliminados juntamente com o lixo doméstico. Recicle onde existem instalações para o efeito. Verifique com as suas Autoridades Locais ou revendedor para obter informações sobre reciclagem.

SÍMBOLOS NESTE MANUAL



Nota



As peças ou acessórios vendem-se separadamente



Abrir



Bloqueio

As seguintes palavras de sinal e significados destinam-se a explicar os níveis de risco associados a este produto.

PERIGO

Indica uma situação de perigo iminente, a qual, se não for evitada, pode resultar em morte ou ferimentos graves.

AVISO

Indica uma situação potencialmente perigosa que, se não for evitada, pode resultar em morte ou ferimentos graves.

CAUTELA

Indica uma situação potencialmente perigosa que, se não for evitada, pode resultar em ferimentos leves ou moderados.

CAUTELA

(Sem símbolo de segurança) Indica uma situação que pode provocar danos materiais.

Sikkerhed, præstation og pålidelighed har udgjort højeste prioritet i designet af din trim router.

TILTÆNK ANVENDELSESMÅL

Trim routeren er beregnet til snedkerarbejdsopgaver med stor præcision. Produktet er ideelt til at forme kanten på træ og beskæring af laminatplader.

Produktet må kun bruges til de formål, der er angivet under formålsbestemt/korrekt brug.

⚠ ADVARSEL

Alle sikkerhedsadvarsler og alle anvisninger skal læses. Hvis advarslen og instruktionerne ikke følges, kan det medføre elektrisk stød og/eller alvorlig personskade.

Gem alle advarsler og brugsanvisninger til senere brug.

TRIM ROUTER SIKKERHEDSADVARSLER

- Brug skruestik eller lignende til at fastgøre og understøtte emnet til en stabil overflade. Holdes emnet i hænderne eller ind mod kroppen, bliver det ustabil, og man risikerer at miste kontrollen.
- Hold maskinværktøjet i de isolerede gribeoverlader, når der arbejdes på steder, hvor man kan komme til at skære i skjulte ledninger. Hvis der skæres i en strømførende ledning, kan det gøre udsatte metaldele af maskinværktøjet strømførende og give operatøren elektrisk stød.
- Brug altid bits med korrekt skaftdiameter, der er egnet til produktets hastighed.
- Bliv fortrolig med elværktøjet. Læs brugervejledningen omhyggeligt. Bliv bekendt med produktets anvendelsesområder og begrænsninger samt de specifikke potentielle faremomenter i forbindelse med produktet. Derved formindskes risikoen for elektrisk stød, brand og alvorlige personskader.
- Brug altid sikkerhedsbriller med sideskjolde. Almindelige briller har kun slagfaste glas. De er IKKE sikkerhedsbriller. Overholdelse af denne regel vil reducere risikoen for øjenskader.
- Beskyt dine lunger. Brug ansigtsskærm eller støvmaske, hvis der dannes støv under arbejdet. Overholdelse af denne regel, reduceres faren for alvorlige personskader.
- Beskyt din hørelse. Bær høreværn ved længere tids brug. Overholdelse af denne regel, reduceres faren for alvorlige personskader.
- Batteriprodukter skal ikke nødvendigvis forbindes til en stikkontakt; de er således altid klar til brug. Vær opmærksom på evt. faremomenter, når batteriproduktet ikke bruges, eller når der skiftes tilbehør. Derved formindskes risikoen for elektrisk stød, brand og alvorlige personskader.
- Batteriprodukter eller de tilhørende batterier må

ikke anbringes nær ild eller varme. Herved reduceres faren for eksplosion og evt. personskader.

- Batteriet må ikke mases, tabes eller beskadiges. Et batteri eller en oplader, som har været udsat for et hårdt slag eller et fald, må ikke anvendes. Et beskadiget batteri risikerer at eksplodere. Et tabt eller beskadiget batteri skal straks bortskaffes iht. gældende (miljø)regler.
- Batterier kan eksplodere, hvis de kommer i nærheden af en antændelseskilde som fx et vågeblus. For at reducere faren for alvorlige personskader må man aldrig anvende et batteriprodukt i nærheden af åben ild. Et eksploderende batteri kan udslynge materialerester og kemikalier. Bliver man ramt, skylls straks med vand.
- Batteriproduktet må ikke oplades i fugtige eller våde omgivelser. Derved formindskes risikoen for elektrisk stød.
- For at få de bedste resultater skal dit batteriprodukt oplades et sted, hvor temperaturen er over 10°C, men under 38°C. Opbevar ikke produktet udenfor eller i køretøjer.
- Under ekstreme anvendelses- eller temperaturforhold kan det ske, at batteriet lækker. Hvis man får væske på huden, skylls omgående med vand og sæbe. Hvis man får væske i øjnene, skylls øjnene med rent vand i mindst 10 minutter, derefter søges omgående læge. Overholdelse af denne regel, reduceres faren for alvorlige personskader.
- Gem denne brugsanvisning. Slå hyppigt op i den, og brug den til at instruere andre, som evt. skal benytte dette værktøj. Hvis man låner dette værktøj ud, skal brugsanvisningen følge med.

⚠ ADVARSEL

Man skal altid føre produktet ind i emnet imod bittens rotationsretning. Ved indføring i bittens roterende retning vil den drejende bits rotationskraft have tendens til at kaste værktøjet væk fra arbejdsområdet. Dette kan medføre, at man mister kontrollen over produktet.

TRANSPORT AF LITHIUM-BATTERIER

Batteriet skal transporteres i henhold til lokale og nationale forskrifter og love.

Når batterier skal transporteres af tredjepart, skal alle specielle krav til emballering og mærkning efterleves. Man skal sikre sig, at ingen batterier kan komme i kontakt med andre batterier eller ledende materialer under transporten ved at beskytte blottede konnektorer med isolerende, ikke-ledende hætter eller tape. Undlad at transportere batterier med revner eller utætheder. Rådfør dig desuden hos speditøren.

UUNDGÅELIGE RISICI

Selv om produktet anvendes som foreskrevet, er det stadig umuligt at eliminere visse uundgåelige risikofaktorer fuldstændigt. Følgende risici kan opstå under brug, og operatøren bør være særligt opmærksom for at undgå



følgende:

- Personskader forårsaget af vibration
 - Begræns eksponering. Se "Risikoreduktion".
- Personskade pga. flyvende affaldspartikler
 - Der skal altid benyttes øjenværn.
- Personskader forårsaget af støv
 - Benyt passende støvmaske med egnede filtre, der kan beskytte mod støv fra det materiale, der arbejdes med. Undlad at spise, drikke eller ryge i arbejdsområdet. Tilvejebring tilstrækkelig ventilation, og brug det medfølgende støvudsugningsudstyr.
- Personskade pga. kontakt med fræserbits.
 - Bitsene er meget skarpe og bliver varme under brug. Benyt handsker, når der skiftes bits. Hænderne skal altid holdes på afstand af skæreområdet. Hold ALDRIG arbejdsstykket med hånden eller mellem benene. Træstykket skal fastgøres når muligt

RISIKOREDUKTION

Der er rapporteret om, at vibrationer fra håndholdte værktøjer kan være medvirkende til en lidelse kaldet Raynauds syndrom hos visse personer. Symptomerne herpå kan være prikken, følelsesløshed og blegning af fingrene, der normalt viser sig ved kuldepåvirkning. Faktorer som arvelighed, udsættelse for kulde og fugt, kost, rygning og arbejdsvaner menes alle at medvirke til udviklingen af disse symptomer. Der findes forholdsregler, som operatøren kan træffe for at begrænse påvirkningen fra vibrationer:

- Hold kroppen varm i koldt vejr. Brug handsker, så hænder og vriste holdes varme under arbejdet. Der er rapporteret om, at koldt vejr er en væsentlig faktor til Raynauds syndrom.
- Motionér efter hver arbejdsperiode for at øge blodcirkulationen.
- Hold hyppige arbejdspauser. Begræns eksponeringen for vibrationer pr. dag.

Hvis du mærker nogen af symptomerne på denne tilstand, skal du straks ophøre med arbejdet og søge læge.

⚠ ADVARSEL

Længere tids brug af et værktøj kan forårsage - eller forværre - personskader. Når man bruger et værktøj i længere perioder ad gangen, skal man huske at holde hyppige pauser.

MONTERING

⚠ ADVARSEL

Undgå at bruge produktet, hvis det ikke er helt samlet, eller hvis det ser ud som, der mangler dele, eller at dele er beskadiget. Brug af et produkt, som er forkert eller ikke helt samlet, eller som har beskadigede eller manglende dele, kan forårsage alvorlige personskader.

⚠ ADVARSEL

Forsøg ikke at foretage ændringer på dette værktøj eller at fremstille tilbehør, som ikke anbefales til brug med dette værktøj. Enhver sådan ændring er misbrug og kan medføre farlige situationer med mulig alvorlig personskade til følge.

KEND PRODUKTET

Se side 87.

1. Tænd/Sluk-kontakt
2. Batteriåbning
3. Ingen nulstilling
4. Justeringshåndtag mikrodybde
5. Motorhus
6. Dybdeskala
7. Fjernbar base
8. Motor løftestang
9. Klingehurtigspændegreb
10. Aksellåseknop
11. 6,35 mm culette
12. Patronmøtrik
13. Firkantet underlag
14. Servicenøgle
15. 6 mm culette
16. Lige bor
17. Styrestænger
18. Parallelsavestyr

VEDLIGEHOVELSE

⚠ ADVARSEL

Produktet må aldrig sluttes til en strømforsyning, mens man er i færd med at samle dele, foretage justeringer, rengøre, udføre vedligeholdelsesarbejde, eller når produktet ikke anvendes. Ved at afbryde forbindelsen til strømforsyningen forhindrer man utilsigtet start af produktet, hvilket kan medføre alvorlige personskader.

- Brug kun originale reservedele fra maskinproducenten i forbindelse med servicearbejde. Brug af alternative dele kan forårsage farlige situationer eller ødelægge produktet.

⚠ ADVARSEL

Af hensyn til større sikkerhed og pålidelighed skal alt reparationsarbejde udføres på et autoriseret Ryobi-servicecenter.

GENERELT

Undgå brug af opløsningsmidler til rengøring af plastdele. De fleste plasttyper bliver ødelagt, hvis de renses med almindelige gængse opløsningsmidler. Fjern snavs, støv m.v. med en ren klud.



⚠ ADVARSEL

Plastelementerne må aldrig komme i berøring med bremsevæske, benzin, olie- eller petroleumsbaserede produkter, rustløsnende olie o. lign. Disse kemiske produkter indeholder stoffer, som kan beskadige, mørne eller ødelægge plastmaterialet.

Støvet fra gips- og væglplader er skurende og kan forårsage førtidig svigt af produktet, hvis det kommer ind i motorområdet. Brug altid støvudsugningsudstyr tilsluttet et udsugningsanlæg. Rengør produktet grundigt efter brug ved hjælp af en børste og en støvsuger. Pas på ikke at presse snavs ind i ventilationsåbningerne. Undlad at bruge trykluft til at rengøre produktet, fordi støv og grus kan forårsage alvorlige øjenskader.

SMØRING

Alle lejerne i produktet er smurt for produktets levetid under normale driftsbetingelser med en tilstrækkelig mængde højkvalitetssmøremiddel. Det er derfor ikke nødvendigt med yderligere smøring.

MILJØBESKYTTELSE



Råmaterialerne skal genbruges og ikke bortskaffes som almindeligt affald. Af hensyn til miljøet skal redskab, tilbehør og emballage sorteres.

SYMBOLER PÅ PRODUKTET



Sikkerhedsadvarsel



CE-overensstemmelse



Tomgangshastighed



Volt



Direkte strøm

min⁻¹

Antal omdrejninger eller bevægelser pr. Minut



EurAsian overensstemmelsesmærke



Læs venligst vejledningen grundigt igennem før maskinen tages i brug.



Ukrainsk overensstemmelsesmærke



Elektriske affaldsprodukter bør ikke afskaffes sammen med husholdningsaffald. Genbrug venligst hvor faciliteterne tillader dette. Tjek med din lokale kommune eller forhandler for genbrugsråd.

SYMBOLER I BRUGSANVISNINGEN



Bemærk



Dele eller tilbehør, der sælges separat



Oplås



Lås

De følgende ikoner og betydninger er beregnet til at forklare risikoen involveret i at anvende denne enhed.

⚠ FARE

Indikerer en umiddelbart farlig situation, som - hvis den ikke afværges - vil medføre dødsfald eller alvorlig personskade.

⚠ ADVARSEL

Indikerer en potentielt farlig situation, som - hvis den ikke afværges - kan medføre dødsfald eller alvorlig personskade.

⚠ VÆR OPMÆRKSOM

Indikerer en potentielt farlig situation, som - hvis den ikke afværges - kan medføre mindre eller middelsvær personskade.

VÆR OPMÆRKSOM

(Uden sikkerhedssymbol) indikerer en situation som kan føre til skade af personlig ejendom.

Säkerhet, prestanda och pålitlighet har fått högsta prioritet vid utformningen av din handöverfräs.

ANVÄNDNINGSMOMRÅDE

Handöverfräsen är avsedd för precisionsarbete i trä. Produkten är perfekt för att forma kanten på trä och trimma laminat.

Använd inte produkten på något annat sätt än vad som är avsett.

⚠ VARNING

Läs alla säkerhetsvarningar och anvisningar. Att inte följa en och instruktionerna kan resultera i elstöt, brand och/eller allvarlig skada.

Behåll dessa varningar och anvisningar för framtida referens.

SÄKERHETSVARNINGAR HANDÖVERFRÄS

- Använd klämmor eller något annat sätt för att säkra och stödja arbetsstycket på stabilt underlag. Att hålla arbetsstycket i handen eller mot kroppen gör det instabilt och kan göra att kontrollen förloras.
- Greppa verktyget i dess isolerade delar när du utför arbeten där maskinen kan komma i kontakt med dolda elkablar. Vid kontakt med en strömförande kabel kan de exponerade delarna på verktyget bli strömförande och ge användaren en elektrisk stöt.
- Använd alltid bitar med korrekt skaftdiameter och som passar för produktens hastighet.
- Känn till ditt verktyg. Läs noga igenom bruksanvisningen. Lär dig användningsområdena och begränsningarna hos produkten och de specifika risker som hör till. Du minskar därmed riskerna för elstöt, brand eller allvarliga skador.
- Bär alltid skyddsglasögon med sidoglas. Vanliga glasögon har glas som endast skyddar mot stötar. De är INTE säkerhetsglasögon. Att följa denna regel minskar risken för ögonskador.
- Skydda dina lungor. Använd en hel ansiktsmask eller en mask som skyddar mot damm, om arbetet alstrar mycket damm. Om du följer dessa anvisningar minskar du risken att skadas allvarligt.
- Skydda din hörsel. Bär hörselskydd under längre exponeringar. Om du följer dessa anvisningar minskar du risken att skadas allvarligt.
- Batteriprodukter behöver inte vara inkopplade till ett eluttag för att fungera; de är därför alltid redo att användas. Var uppmärksam på möjliga faror när du inte använder din batteriprodukt och när du byter tillbehör. Du minskar därmed riskerna för elstöt, brand eller allvarliga skador.
- Placera inte batteriprodukter eller deras batterier i närheten av eld eller värme. Detta minskar risken för explosion och skada.
- Krossa, tappa eller skada inte batteripacket.

Använd inte ett batteripack eller en batteriladdare som har tappats i marken eller fått ett hårt slag. Ett skadat batteri kan explodera. Ta hand om batterier som har tappats eller skadats på ett korrekt sätt.

- Batterier kan explodera när en antändningskälla, exempelvis en indikeringslampa, är i närheten. För att minska risken för allvarlig skada ska du aldrig använda någon sladdlös produkt i närheten av en öppen låga. Ett exploderande batteri kan kasta iväg skräp och kemikalier. Skölj omedelbart med vatten om du utsätts.
- Återuppladda inte en batteriprodukt på en fuktig eller våt plats. Du minskar därmed riskerna för elstöt.
- För bästa resultat skall din batteridrivna produkt förvaras på en plats med en temperatur mellan 10 °C och 38°C. Förvara inte utomhus eller i fordon.
- Under extrem användning eller extrema temperaturförhållanden kan batteriläckage uppstå. Om vätska kommer i kontakt med huden ska huden omedelbart tvättas med tvål och vatten. Om vätska kommer i kontakt med ögonen ska de sköljas med rent vatten i minst 10 minuter och läkare måste sedan uppsökas omedelbart. Om du följer dessa anvisningar minskar du risken att skadas allvarligt.
- Spara dessa anvisningar. Titta i dem ofta och använd dem för att instruera andra som ska använda det här verktyget. Om du lånar ut verktyget till någon ska du även låna ut instruktionerna.

⚠ VARNING

Mata in produkten i arbetsstycket motsatt rotationsriktningen för bits. Om du matar i bitens rotationsriktning tenderar rotationskraften hos biten att stöta bort verktyget från arbetsstycket. Det kan resultera i att du förlorar kontrollen över produkten.

TRANSPORTERA LITIUMBATTERIER.

Transportera batteriet enligt lokala och nationella lagar och regleringar.

Följ alla specifika krav på förpackning och etiketter när batteri transporteras av tredje part. Se till att batteriet inte kommer i kontakt med andra batterier eller ledande material genom att skydda exponerade kontakter med isolerande, icke ledande skydd eller tejp. Transportera inte batterier som är spruckna eller läcker. Kontrollera med vidarebefordrande företag för mer information.

RESIDUALRISK

Även om produkten används enligt instruktionerna går det inte att eliminera alla eventuella riskfaktorer. Följande risker kan uppstå vid användning och operatören ska vara extra uppmärksam för att undvika följande:

- Skador orsakad av vibrationer
 - Begränsa exponeringen. Se "Riskreducering".
- Skador orsakade av kringkastad skräp
 - Använd alltid lämpligt ögonskydd.

- Skador orsakade av damm
 - Använd lämplig dammask med passande filter som skyddar mot damm från materialet som bearbetas. Åt, drick eller rök inte på arbetsområdet. Se till att det finns ordentlig ventilation och använd de dammsamlartillbehör som medföljer.
- Skador vid kontakt med fräsbits
 - Bits är mycket vassa och blir heta under användning. Använd handskar vid byte av bits. Håll alltid händerna på säkert avstånd från sågområdet. Håll ALDRIG arbetsstycket med handen eller mellan benen. Säkra alltid arbetsstycket när det är möjligt.

RISKMINSKNING

Det finns rapporter om att vibrationer från handhållna produkter kan bidra till ett tillstånd som kallas Raynauds syndrom för vissa personer. Symptomen brukar vara att det sticker i fingrarna och att de domnar bort; fingrarna kan också bli vita, särskilt vid kyla. Ärftliga faktorer, kyla och fukt, diet, rökning och arbetsrutiner tros alla bidra till att orsaka dessa symptom. Det finns förebyggande åtgärder som du kan vidta för att försöka minska vibrationernas påverkan:

- Håll dig varm när du arbetar i kallt väder. Använd handskar för att hålla kvar värmen i händer och handleder. Kyla har rapporterats som en viktig del i utvecklandet av Raynauds syndrom.
- Träna och rör på dig efter varje användningstillfälle för att öka blodcirkulationen.
- Ta ofta pauser från arbetet. Begränsa tiden du utsätter dig varje dag.

Upphör omedelbart om du upplever några av dessa symptom och uppsök din läkare.

⚠ VARNING

Risk för person- eller slitageskador vid användning av verktyget under lång tid. Om verktyget används under längre perioder krävs regelbundna pauser.

HOPSÄTTNING

⚠ VARNING

Använd inte produkten om den inte är helt monterad eller om några delar verkar saknas eller är skadade. Användning av produkt som inte är korrekt eller komplett monterad eller har skadade delar eller delar som saknas kan leda till allvarlig personskada.

⚠ VARNING

Försök inte att modifiera detta verktyg eller skapa tillbehör till det som inte är rekommenderade. Alla sådana förändringar eller modifikationer anses vara felanvändning och kan resultera i en farlig situation som kan leda till allvarig personskada.

LÄR KÄNNA DIN PRODUKT

Se *sidan 87*.

1. Av/på-knapp
2. Batteriport
3. Återställare till noll
4. Justeringsknapp för mikrodjup
5. Motorhus
6. Skala för höjdställning
7. Löstagbar bas
8. Frigöringspak för motor
9. Spak för fastsättning av sågklingan
10. Låsknapp för axeln
11. 6,35 mm-hylsa
12. Mutter för chuck
13. Kvadratisk underlagsbas
14. Servicenyckel
15. 6 mm-hylsa
16. Rak bit
17. Guidestavar
18. Parallellanslag

UNDERHÅLL

⚠ VARNING

Produkten får aldrig anslutas till strömkälla under montering, justeringar, rengöring, underhåll eller när produkten inte används. Frånkoppling av produkten förhindrar uppstart av misstag vilket kan orsaka allvariga skador.

- Under servicearbete ska enbart tillverkarens originaltillbehör användas. Användning av andra delar kan orsaka fara eller produktskada.

⚠ VARNING

För säkerhet och pålitlighet ska alla reparationer utföras av auktoriserat Ryobi reparationscenter.

ALLMÄNT

Undvik att använda lösningsmedel vid rengöring av plastdelar. Flertalet plaster kan skadas vid användning av vissa lösningsmedel som säljs i affärerna. Använd en ren tygrasa för att torka bort smuts, damm, osv.

⚠ VARNING

Se till att plastdelarna aldrig kommer i kontakt med bromsvätska, bensin, produkter med petroleumbas, penetrerande oljor, osv. Dessa ämnen innehåller kemiska produkter som kan skada, försvaga eller förstöra plasten.

Damm från gips och väggskivor slipar och kan orsaka för tidigt slitage på produkten om det kommer in i motordelen. Använd alltid dammsugningstillbehöret anslutet till dammsugare. Rengör produkten noga efter användning med borste och dammsugare. Var noga med att inte få in smuts i ventilationshålen. Använd inte komprimerad luft

för att rengöra produkten då damm och grus kan orsaka allvarliga skador.

SMÖRJNING

Alla lager i produkten har smorts med tillräcklig mängd högklassig smörjmedel för produktens livslängd under normala driftförhållanden. Därför behövs ingen ytterligare smörjning.

MILJÖSKYDD



Råmaterialen ska återvinnas i stället för att kastas i hushållsavfallet. För att skona miljön ska verktyget, tillbehören och emballagen sorteras.

SYMBOLER PÅ PRODUKTEN



Säkerhetsvarning



CE-överensstämmelse



Tomgångshastighet



Volt



Likström



Antal varv eller rörelser per minut



EurAsian överensstämmelsesymbol



Läs instruktionerna ordentligt innan start av maskinen.



Ukrainskt märke för överensstämmelse



Gamla elektroniska produkter ska inte kastas med hushållssoporna. Återvinn där sådana faciliteter finns. Kontrollera med din lokala myndighet eller säljaren för att få återvinningstips.

SYMBOLER I MANUALEN



Notera



Delar och utrustning säljs separat



Läs upp



Lås

Följande signalord och betydelser är tänkta att förklara de olika risknivåerna som är associerade med denna produkt.

FARA

Visar på en direkt riskfylld situation som, om den inte undviks, kan orsaka dödsfall eller allvarig personskada.

VARNING

Visar på en potentiellt riskfylld situation som, om den inte undviks, kan orsaka dödsfall eller allvarig personskada.

FÖRSIKTIGHET

Visar på en potentiellt riskfylld situation som, om den inte undviks, kan orsaka mindre eller måttlig personskada.

FÖRSIKTIGHET

(Utän säkerhetssymbolen) Indikerar en situation som kan leda till egendomsskada.

Turvallisuus, tehokkuus ja käyttövarmuus ovat käsijärsimemme tärkeimpiä ominaisuuksia.

KÄYTTÖTARKOITUS

Käsijärsin on tarkoitettu tarkkoihin puuntyöstötehtäviin. Tuote soveltuu ihanteellisesti puun reunan muotoiluun ja laminaattien järsintään.

Älä käytä tätä tuotetta millään muulla tavalla kuin mihin se on tarkoitettu.

VAROITUS

Lue kaikki turvallisuusvaroitukset ja ohjeet. Ten ja ohjeiden laiminlyönnistä voi seurata sähköisku, tulipalo ja/tai vakava loukkaantuminen.

Säästä kaikki varoitukset ja ohjeet tulevaa käyttöä varten.

KÄSIJÄRSIMEN TURVALLISUUSVAROITUKSET

- **Kiinnitä työkalu ja tue se vakaaseen paikkaan puristimilla tai muilla käytännöllisillä keinoilla.** Jos työkalua pidetään kädessä tai kehoa vasten, se on epävakaava ja voi aiheuttaa hallinnan menetyksen.
- **Pidä kiinni sähkötyökälistä vain kahvasta jossa tartuntapinta, erityisesti kun työstät materiaalia, jossa on mahdollisesti piilossa olevia johtoja.** Jos leikkuri koskettaa sähköistettyä johtoa, työkalun metalliosat voivat sähköistyä ja aiheuttaa käyttäjälle sähköiskun.
- **Käytä aina poranteriä, joiden varren läpimitta on oikeanlainen ja jotka soveltuvat laitteen nopeuteen.**
- **Tunne sähkötyökälistä.** Lue käyttäjän käsikirja huolellisesti. Opi tuotteen käyttötarkoitukset ja rajoitukset sekä siihen liittyvät mahdolliset vaarat. Vähennät sähköisku-, tulipalo- ja loukkaantumisvaaraa.
- **Käytä aina suojalaseja, joissa on sivusuojaimet.** Tavallisissa laseissa on vain iskunkestävät linssit. Ne EIVÄT ole suojalaseja. Tämän säännön noudattaminen vähentää silmävaurioiden vaaraa.
- **Suojele keuhkojasi.** Käytä kasvonsuojusta tai kasvonaamaria, mikäli työstä syntyy pölyä. Tämän säännön noudattaminen pienentää vakavan loukkaantumisen riskiä.
- **Suojele kuuloasi.** Käytä pitkäaikaisessa käytössä kuulosuojaimia. Tämän säännön noudattaminen pienentää vakavan loukkaantumisen riskiä.
- **Akkukäyttöisiä tuotteita ei tarvitse kytkeä pistorasiaan; ne ovat näin ollen aina käyttövalmiita.** Ole tietoinen mahdollisista vaaroista, kun et käytä akkutuotetta tai kun vaihdat lisävarusteita. Vähennät sähköisku-, tulipalo- ja loukkaantumisvaaraa.
- **Älä aseta akkukäyttöisiä tuotteita tai niiden akkuja lähelle tulta tai lämmönlähdettä.** Näin pienennät räjähdys- ja loukkaantumisen vaaraa.
- **Älä murskaa, pudota tai vioita akkua.** Älä käytä akkua tai laturia, joka on pudonnut tai saanut

kovan iskun. Vioittunut akku saattaa räjähtää. Hävität pudonneet ja vioittuneet akut heti asianmukaisesti.

- **Paristot voivat räjähtää, jos lähellä on tulenlähde, kuten sytytysliekki.** Jotta loukkaantumisen riski pienenee, älä koskaan käytä langattomia tuotteita avotulen lähellä. Räjähtävä akku voi singota ympärilleen roskia ja kemikaaleja. Jos joudut räjähdyskohteeksi, huuhtelee itsesi heti vedellä.
- **Älä lataa akkua kosteassa tai märässä ympäristössä.** Vähennät sähköiskuvaaraa.
- **Parhaan lataustuloksen takaamiseksi laite tulee ladata tilassa, jossa lämpötila on yli 10 °C mutta alle 38°C.** Älä säilytä ulkona tai ajoneuvoissa.
- **Akkua saattaa vuotaa äärimmäisen rankassa käytössä tai ääriämpötiloissa.** Jos iholle valuu nestettä, pese se välittömästi saippualla ja vedellä. Jos nestettä joutuu silmiin, huuhtelee niitä puhtaalla vedellä vähintään 10 minuuttia ja hakeudu sitten lääkärin hoidettavaksi. Tämän säännön noudattaminen pienentää vakavan loukkaantumisen riskiä.
- **Säilytä nämä ohjeet.** Viittaa niihin säännöllisesti ja käytä niitä kouluttaessasi muita laitteen mahdollisia käyttäjiä. Jos lainaat laitteen, lainaa mukana myös ohjeet.

VAROITUS

Syötä tuote työkaluun aina terän kiertosuuntaan vastaan. Jos syöttö tapahtuu poranterän pyörimissuuntaan, pyörivän poranterän pyörimisvoima saa työkalun sinkoutumaan pois työkalusta. Tämä voi johtaa laitteen hallinnan menettämiseen.

LITIUMAKKIJEN KULJETTAMINEN

Kuljeta akkua paikallisten ja kansallisten ehtojen ja säädösten mukaisesti.

Noudata kaikkia pakkaamista ja nimeämistä koskevia erikoissäädöksiä, kun kolmas osapuoli kuljettaa akkuja. Varmista, että mikään akku ei kosketa muita akkuja tai johtavaa materiaalia kuljetuksen aikana suojaamalla paljaat navat eristävillä, johtamattomilla korkeilla tai teipillä. Älä kuljeta akkuja, jotka ovat halkeilleet tai vuotavat. Kysy välitysyrikseltä lisäneuvoja.

KÄYTÖN RISKIT

Vaikka tuotetta käytettäisiin ohjeiden mukaisesti, ei ole mahdollista täysin eliminoida tiettyjä käyttöön liittyviä riskitekijöitä. Käytössä voi aiheutua seuraavia vaaroja, ja käyttäjän tulee kiinnittää erityistä huomiota niiden välttämiseen:

- Tärinän aiheuttama vamma
 - Vältä altistumista. Katso kohta Riskien Vähentäminen.
- Lentävien roskien aiheuttama vamma
 - Käytä aina suojalaseja.
- Pölyn aiheuttama vamma

- Käytä asianmukaista pölynaamaria, jossa on asianmukaiset suodattimet, jotka suojaavat työmateriaalista irtoavalta pölyltä sekä hiomalaikan hankaavilta hiukkasilta. Älä syö, juo tai tupakoi työalueella. Varmista riittävä tuuletus ja käytä ohaisia pölynpoistolaitteita.
- Leikkuuterien koskettamisesta aiheutuva vamma
 - Terät ovat hyvin teräviä ja kuumenevat käytössä. Käytä käsineitä vaihtaessasi teriä. Pidä kädet aina poissa leikkuualueelta. Älä KOSKAAN pidä työkalua käsin tai reisien välissä. Kiinnitä työkalupale aina kun mahdollista.

RISKIEN VÄHENTÄMINEN

Raporttien mukaan käsityökalujen tärinä voi joidenkin kohdalla myötävaikuttaa Raynaudin oireen ilmenemiseen. Oireita ovat pistely, turtuus ja sormien kalpeneminen, yleensä kylmässä ilmassa. Perinnölliset tekijät, kylmyys ja kosteus, ruokavalio, tupakointi sekä työtavat voivat kaikki myötävaikuttaa näiden oireiden ilmenemiseen. Käyttäjä voi ehkäistä tärinän aiheuttamia vaikutuksia seuraavasti:

- Pidä itsesi lämpimänä kylmällä säällä. Käytä laitteen käytön aikana käsineitä, jotta kätesi ja ranteesi pysyvät lämpöisinä. Raporttien mukaan kylmä ilma on tärkeä tekijä Raynaud's Syndromen (Raunaudin oireiden) ilmenemisessä.
- Harjoita kunkin käyttöjakson jälkeen liikuntaa, jotta verenkierto lisääntyisi.
- Pidä työn aikana säännöllisesti taukoja. Rajoita päivittäisen tärinän määrä.

Jos mitään yllä mainittuja oireita ilmenee, lopeta heti laitteen käyttö ja kerro oireista lääkärille.

VAROITUS

Laitteen pitkittynyt käyttö voi aiheuttaa tai vaikeuttaa vammoja. Kun käytät mitä tahansa laitetta pitkiä aikoja, muista pitää säännöllisiä taukoja.

KOKOAMINEN

VAROITUS

Älä kytä tuotetta, jos sitä ei ole täysin koottu tai jos osia näyttää puuttuvan tai jokin osa vaikuttaa vahingoittuneelta. Sellaisen tuotteen käyttö, jota ei ole koottu asianmukaisesti ja täysin tai josta puuttuu osia tai jonka osat ovat vioittuneet, voi aiheuttaa vakavan vamman.

VAROITUS

Älä yritä tehdä muutoksia työkaluun tai liittää siihen lisävarusteita, joita ei ole suositeltu sen kanssa käytettäväksi. Tällainen muuntelu on vääriä käyttöä ja saattaa johtaa vaaratilanteeseen, joka saattaa aiheuttaa mahdollisen vakavan vamman.

TUNNE TUOTTEESI

Katso sivu 87.

1. Käynnistys/sammutuskytkin
2. Akkutila
3. Nollaus
4. Syvyyden mikrosäätönappi
5. Moottorin kotelo
6. Syvyyssasteikko
7. Irrotettava alusta
8. Moottorin irrotusvipu
9. Terän pikakiinnitysvipu
10. Akselin lukintanappi
11. 6,35 mm:n holkki
12. Istukan mutteri
13. Nelionmuotoinen alustatuki
14. Säätövain
15. 6 mm:n holkki
16. Suora kappale
17. Ohjaustangot
18. Reunaohjain

HUOLTO

VAROITUS

Tuotetta ei tule koskaan kytkeä pistorasiaan osia koottaessa, säätöjä tehtäessä, puhdistettaessa, huollon aikana tai kun tuotetta ei aiota käyttää. Tuotteen irrottaminen pistorasiasta estää sitä käynnistymättä vahingossa, jolloin vältetään mahdollisilta vakavilta vammoilta.

- Käytä huollossa ainoastaan alkuperäisiä valmistajan tuottamia varaosia. Muunlaisten osien käyttö voi aiheuttaa vaaran tai vioittaa laitetta.

VAROITUS

Jotta laite toimisi turvallisesti ja luotettavasti, kaikki korjaukset tulee antaa valtuutetun Ryobi-huoltopisteen hoidettavaksi.

YLEISTÄ

Älä puhdistu muoviosia liuottimilla. Suurin osa muoveista ei siedä markkinoilla olevia määrättyjä liuotteita, jotka vahingoittavat niitä. Käytä puhdasta riepua lian, pölyn jne. puhdistukseen.

VAROITUS

Muoviosat eivät saa koskaan joutua kosketukseen jarrunesteeseen, bensiiniin, öljytuotteita, ruosteenirrotusöljyn jne. kanssa. Nämä kemialliset aineet voivat vaurioittaa, heikentää tai tuhota muovin.

Kipsistä ja seinälevyistä syntyvä pöly on hankaavaa ja saattaa aiheuttaa tuotteen ennenaikaisen rikkoutumisen, jos sitä pääsee moottoritilaan. Käytä aina pölynimuriin kytkettyä pölynpoistovarustetta. Puhdista tuote huolella käytön jälkeen harjalla ja imurilla. Varo, ettet työnnä pölyä

tuuletusaukkoihin. Älä puhdista tuotetta paineilmalla, sillä pöly ja roskat voivat aiheuttaa vakavan silmävamman.

VOITELU

Tuotteen laitteen laakerit on voideltu laitteen eliniäksi normaaliolosuhteissa riittävällä määrällä korkealaatuista voiteluainetta. Tästä syystä työkalu ei kaipaa lisävoitelua.

YMPÄRISTÖNSUOJELU



Älä hävitä raaka-aineita jätteinä vaan vie ne kierrätykseen. Ympäristönsuojelun kannalta työkalu, lisäksi r usteet ja pakkausmateriaali on lajiteltava.

TUOTTEESSA OLEVAT SYMBOLIT



Turvallisuusvaroitus



Todistus CE-sääntöjen noudattamisesta



Tyhjäkäyntinopeus



Voltti



Tasavirta



Kierrosten tai liikkeiden määrä minuutissa



EurAsian-vaatimustenmukaisuusmerkki



Lue ohjeet huolellisesti ennen laitteen käynnistämistä.



Ukrainalainen säädöstenmukaisuusmerkintä



Käytöstä poistettavia sähkölaitteita ei pidä hävittää talousjätteiden mukana. Ne on mahdollisuuksien mukaan pantava kiertoon. Kierrätysohjeita antavat kunnan viranomaiset ja vähittäiskauppiat.

KÄSIKIRJAN SYMBOLIT



Huom



Osat ja lisävarusteet on hankittava erikseen



Avaa



Lukko

Seuraavat signaalisanat ja merkitykset on tarkoitettu selittämään tähän tuotteeseen liittyviä riskin tasoja.

VAARA

Ilmoittaa välittömästä vaaratilanteesta, joka saattaa aiheuttaa kuoleman tai vakavan vamman.

VAROITUS

Ilmoittaa mahdollisesta vaaratilanteesta, joka saattaa aiheuttaa kuoleman tai vakavan vamman.

VAROITUS

Ilmoittaa mahdollisesta vaaratilanteesta, joka saattaa aiheuttaa pienen tai kohtalaisen vamman.

VAROITUS

(Ilman varoitusmerkkiä) Tilanne, joka voi aiheuttaa materiaalista vahinkoa.



Sikkerhet, ytelse og pålitelighet har hatt topp prioritet ved konstruksjonen av denne formkutteren.

TILTENKT BRUK

Formkutteren er ment for nøyaktige trebehandlingsoppgaver. Produktet er perfekt for å forme kanten på treet og finpusse laminater.

Ikke bruk produktet på noe annen måte enn det som er beskrevet som tiltenkt bruk.

⚠ ADVARSEL

Les alle sikkerhetsadvarslene og alle instruksjonene. Dersom man ikke holder seg til advarsler og instruksjoner kan det føre til elektrisk støt, brann og/eller alvorlig personskade.

Ta vare på alle advarsler og anvisninger for senere bruk.

SIKKERHETSADVARSLER PÅ FORMKUTTEREN

- **Bruk tvinger og andre praktiske hjelpemidler for å sikre og støtte arbeidsstykket på en stabil plattform.** Å holde arbeidsstykket i håden eller trykket mot kroppen kan gjøre det ustabil og føre til tap av kontroll.
- **Hold det elektriske verktøyet på de isolerte gripeflatene når du foretar arbeid der skjæreredskapen kan få kontakt med skjulte strømførende elektriske ledninger.** Skjæreredskap som får kontakt med strømførende elektriske ledninger kan føre til at metalldelene på verktøyet blir strømførende og at brukeren kan få støt.
- **Bruk alltid stempeldiameteren som passer til produktets hastighet.**
- **Gjør deg kjent med verktøyet. Les bruksanvisningen nøye. Gjør deg kjent med tilpasningene og utstyrets begrensninger og de potensielle spesifikke farene som knytter seg til produktet.** Du reduserer dermed faren for elektrisk støt, brann og alvorlige kroppsskader.
- **Bruk alltid beskyttelsesbriller med sidebeskyttelse.** Hverdagsbrillene har bare lenser som tåler påvirkning. Dette er IKKE sikkerhetsbriller. Risikoen for øyeskade reduseres hvis denne regelen følges.
- **Beskytt lungene dine. Bruk ansiktsskjerm eller støvmaske dersom sagingen er støvdannende.** Å følge disse reglene vil redusere risikoen for alvorlig personskade.
- **Beskytt hørselen din. Bruk hørselsvern ved sammenhengende langvarig bruk.** Å følge disse reglene vil redusere risikoen for alvorlig personskade.
- **Batteriprodukter behøver ikke å kobles til en elektrisk kontakt; derfor er de alltid klare til bruk. Vær klar over potensielle farer når du ikke bruker batteriproduktet eller når du skifter eventuelt tilbehør.** Du reduserer dermed faren for elektrisk støt, brann og alvorlige kroppsskader.
- **Plasser ikke batteriprodukter eller deres batterier**

nær åpen flamme eller sterk varme. Dette vil redusere risikoen for eksplosjoner og mulige skader.

- **Ikke klem sammen, dropp eller påfør batteripakken skader. Ikke bruk en batteripakke eller en lader som har vært utsatt for fall eller et kraftig slag.** Et skadet batteri kan eksplodere. Sørg for umiddelbar og forsvarlig avhending av batterier som har falt i gulvet eller vært påført skade.
- **Batterier kan eksplodere dersom det finnes en antenningskilde, som for eksempel en pilotflamme.** For å redusere risikoen for alvorlig personskade bruk aldri noen form for trådløse produkter når det finnes en åpen flamme i nærheten. Et batteri som eksploderer kan slynge ut materialer og kjemikalier. Hvis man får kjemikalier på huden, sørg for umiddelbar skylning med vann.
- **Ikke lad batteridrevet utstyr på fuktige eller våte steder.** Du reduserer dermed faren for elektrisk støt.
- **For de beste resultatene skal batteriproduktet lades på et sted der temperaturen er høyere enn 10, men lavere enn 38°C. Ikke oppbevar lyskasteren utendørs eller i en bil.**
- **Under ekstreme bruks- eller temperaturforhold kan det oppstå lekkasje fra batteriet. Hvis du får hudkontakt med batterivæske, vask umiddelbart med såpe og vann. Hvis væske kommer inn i øynene må de skylles med store mengder rent vann i minst 10 minutter, dernest må lege oppsøkes.** Å følge disse reglene vil redusere risikoen for alvorlig personskade.
- **Ta vare på disse instruksjonene.** Les dem regelmessig og bruk dem for å instruere andre som kan komme til å bruke verktøyet. Hvis du låner noen dette verktøyet, la dem også få låne brukermanualen.

⚠ ADVARSEL

Sett produktet alltid på arbeidsemne mot rotasjonsretningen av fresen. Hvis noe legges inn i roteringsretningen til hastigheten, kan du risikere at verktøyet faller av arbeidsstykket. Dette kan føre til at du mister kontrollen over produktet.

TRANSPORTERE LITUM-BATTERIER

Transporter batteriet i samsvar med lokale og nasjonale forskrifter og bestemmelser.

Følg alle spesielle krav når det gjelder pakking og merking når tredje part skal transportere batteriene. Pass på at batteriene ikke kan komme i kontakt med andre batterier eller ledende materialer når de transporteres ved at du beskytter åpne koblinger med isolerende, ikkeledende hetter eller tape. Ikke transportert batterier som har sprekker eller lekket. Sjekk med transportfirmaet for ytterligere råd.

GJENVÆRENDE RISIKO

Også når produktet brukes som beskrevet, er det ikke mulig å utelukke risiko for brukere eller personer i nærheten. Følgende farer kan oppstå ved bruk og operatøren bør

EN
FR
DE
ES
IT
NL
PT
DA
SV
FI
NO
RU
PL
CS
HU
RO
LV
LT
ET
HR
SL
SK
BG
UK
TR
EL



være spesielt oppmerksom på å unngå/sikre følgende:

- Personskader pga. vibrasjon
 - Begrense eksponering. Se "Farereduksjon".
- Personskade pga. smuss som slenges ut
 - Bruk til enhver tid øyebeskyttelse.
- Skader skapt av støv.
 - Bruk en adekvat støvmaske med passende filtre som kan beskytte mot støvet som genereres av arbeidsemne. Ikke spis, drikk eller røyk i arbeidsområdet. Påse å ha adekvat luffing og bruk tilbehøret for støvavtrekk som fulgte med.
- Personskade ved kontakt med fresene
 - Fresene er meget skarpe og blir meget varme ved bruk. Bruk hansker når du skifter fresene. Hold hendene til enhver tid unna kutteområdet. Hold ALDRI arbeidsstykket med hånden din eller mellom bena. Se til at arbeidsstykket er sikkert

FAREREDUKSJON

Det har blitt rapportert at vibrasjonene fra håndholdt verktøy kan bidra til en tilstand som heter Raynauds syndrom hos enkelte. Symptomene kan omfatte følelseløshet og gjøre fingrene bleke, vanligvis synlig ved eksponering til lave temperaturer. Arvelige faktorer, eksponering mot lave temperaturer og fuktighet, diett, røyking og arbeidspraksis blir alle ansett for å kunne bidra til å utvikle disse symptomene. Brukeren kan iverksette tiltak for mulig å redusere virkningene av vibrasjonene:

- Hold kroppen din varm i kaldt vær. Bruk hansker og hold hender og vrister varme ved bruk av gressklipperen. Det er rapportert at kaldt vær er en viktig faktor som bidrar til Raynauds Syndrome.
- Etter hver arbeidsperiode bør det utføres øvelser for å øke blodsirkulasjonen.
- Ta ofte pauser fra arbeidet som utføres. Begrens mengden av eksponering pr. dag.

Hvis du opplever noen av symptomene på denne tilstanden må du øyeblikkelig avbryte arbeidet og oppsøke en lege med disse symptomene.

⚠ ADVARSEL

Skader kan oppstå eller forsterkes ved forlenget bruk av et verktøy. Når du bruker et verktøy over en lenger tidsperiode, husk å ta regelmessige pauser.

MONTERING

⚠ ADVARSEL

Ikke bruk produktet dersom det ikke er fullstendig montert eller hvis det virker som om en del mangler eller er skadet. Bruk av produkt som ikke er korrekt og fullstendig montert eller som mangler eller har skadede deler kan føre til alvorlig personskade.

⚠ ADVARSEL

Ikke gjør forsøk på å endre dette verktøyet eller lage tilbehør som ikke er anbefalt brukt sammen med verktøyet. Enhver slik endring eller modifikasjon regnes som misbruk og kan føre til farlige situasjoner som kan ha alvorlige personskader til følge.

KJENN DITT PRODUKT.

Se side 87.

1. Av/På-bryter
2. Batteridor
3. Nullinnstilling
4. Justeringsknapp for mikrodybde
5. Motorhus
6. Dybdeskala
7. Avtakbar hoveddel
8. Spak for motorutslipp
9. Hendel til rask bladfeste
10. Spindellåseknapp
11. 6,35 mm justeringsring
12. Spenntangens mutter
13. Firkantet fundament
14. Skrunøkkel
15. 6 mm justeringsring
16. Rettformet del
17. Visningsindikatorer
18. Parallellanslag

VEDLIKEHOLD

⚠ ADVARSEL

Produktet skal aldri kobles til en strømforsyning mens du monterer på deler, gjør justeringer, rengjør, utfører vedlikehold eller når produktet ikke er i bruk. Ved å koble fra produktet hindrer man utilsiktet start som kan forårsake alvorlig personskade.

- Bruk bare produsentens originale reservedeler til reparasjoner og vedlikehold. Bruk av andre deler kan skape fare eller føre til skade på produktet.

⚠ ADVARSEL

Før store sikkerhet og pålitelighet, bør alle reparasjoner utføres av et autorisert Ryobi servicesenter.

GENERELT

Unngå bruk av løsemidler når du rengjør plastdelene. De fleste plastmaterialene kan skades ved bruk av løsningsmidlene som fås i handelen. Bruk en ren klut til å tørke bort smuss, støv osv.

⚠ ADVARSEL

Plastdeler må aldri komme i kontakt med bremsevæske, bensin, petroleumsholdige produkter, penetrerende oljer, osv. Slike kjemiske produkter inneholder stoffer som kan skade, svekke eller ødelegge plasten.

Støv fra gips og veggplater har en slipende effekt og vil kunne føre til at produktet havarerer dersom støvet trenger inn i motoren. Bruk alltid en støvoppsamler koplet til en støvsuger. Rengjør verktøyet grundig etter hver gangs bruk med børste eller støvsuger. Påse at urenheter ikke presses inn i ventilasjonsåpningene. Ikke bruk trykkluft for å rengjøre produktet fordi støv og grus kan forårsake alvorlig øyeskade.

SMØRING

Alle lager i dette produktet skal smøres med en tilstrekkelig mengde med et høyverdig smøremiddel for å sikre lang levetid under normale driftsforhold. Det er derfor nødvendig med tilleggsmøring.

MILJØVERN



Resirkuler råmaterialer istedenfor å kaste dem i søppelen. Verktøyet, tilbehørene og emballasjen bør sorteres for miljøvennlig resirkulering.

SYMBOLER PÅ PRODUKTET



Sikkerhetsadvarsel



CE samsvarserklæring



Hastighet ubelastet



Volt



Likestrøm



Antall omdreininger eller bevegelser pr. Minutt



EurAsian Konformitetstegn



Vennligst les instruksjonene nøye før du starter maskinen.



Ukrainsk merke for konformitet



Avfall fra elektriske produkter skal ikke kastes sammen med husholdningsavfall. Vennligst resirkulere vedeksisterende avfallsbehandlingssted. Undersøk hos dine lokale myndigheter eller forhandler for råd om resirkulering.

SYMBOLER I MANUALEN



Nb



Deler eller tilbehør solgt separat



Låse opp



Lås

Følgende symboler og betydninger forklarer risikonivået som er assosiert med dette produktet.

⚠ FARE

Indikerer en umiddelbart farlig situasjon, som, dersom den ikke unngås, kan føre til alvorlig personskade eller død.

⚠ ADVARSEL

Indikerer en potensiell farlig situasjon, som, dersom den ikke unngås, kan føre til alvorlig personskade eller død.

⚠ ADVARSEL

Indikerer en potensiell farlig situasjon, som, dersom den ikke unngås, kan føre til mindre eller moderate skader.

ADVARSEL

(Uten sikkerhetssymbol) Indikerer en situasjon som kan resultere i skader på eiendom.



В основе конструкции вашего фрезерного станка лежат принципы безопасности, продуктивности и надежности.

НАЗНАЧЕНИЕ

Фрезерный станок предназначен для выполнения точных задач по деревообработке. Инструмент идеально подходит для формирования кромки на деревянных изделиях и для резки ламината.

Используйте устройство строго по назначению, указанному в настоящем руководстве.

⚠ ОСТОРОЖНО

Прочтите все указания и инструкции по технике безопасности. Несоблюдение предостережений и инструкций может привести к поражению электрическим током, возгоранию и/или серьезным травмам.

Сохраните все предупреждения и инструкции для дальнейшего использования.

ТЕХНИКА БЕЗОПАСНОСТИ ПРИ ИСПОЛЬЗОВАНИИ ФРЕЗЕРНОГО СТАНКА

- Используйте зажимы или другие приспособления для закрепления и удержания обрабатываемой детали в устойчивом положении. Удерживая деталь рукой или прижимая ее телом, вы не обеспечите ее устойчивости и это может привести к потере контроля.
- При работе держите инструмент за рукоятки с электроизолирующим покрытием, так как пыльное полотно может наткнуться на скрытую электропроводку. В результате контакта полотна с проводом, находящимся под напряжением, металлические части инструмента также могут оказаться под напряжением, что приведет к поражению работающего электрическим током.
- Используйте только насадки подходящего диаметра с учетом частоты работы изделия.
- Ознакомьтесь с работой инструмента. Внимательно прочтите настоящее руководство по эксплуатации. Ознакомьтесь со всеми случаями применения изделия и ограничениями в его применении, а также со списком потенциально опасных ситуаций, которые могут возникнуть при работе с ним. Таким образом, можно избежать удара током, пожара и тяжелых травм.
- Всегда надевайте защитные очки с боковыми щитками. Очки для повседневного ношения должны иметь только ударопрочные линзы. Это НЕ защитные очки. Такая мера предосторожности снижает риск травмирования глаз.
- Предохраняйте легкие. При пыльных работах также пользуйтесь защитным забралом и респиратором. Соблюдение этого указания поможет предотвратить получение тяжелых телесных повреждений.
- Предохраняйте органы слуха. При длительной работе с устройством надевайте средства защиты органов слуха. Соблюдение этого указания поможет предотвратить получение тяжелых телесных повреждений.
- Батареи не требуется подключать к сети питания, поэтому они всегда находятся в рабочем состоянии. Не забывайте о возможных опасностях, которые могут возникнуть, если аккумуляторные батареи не используются продолжительное время или при их зарядке. Таким образом, можно избежать удара током, пожара и тяжелых травм.
- Не размещайте батареи рядом с источниками огня или тепла. Это предотвратит опасность взрыва и телесных повреждений.
- Не разрушайте, не роняйте и не повреждайте аккумуляторную батарею. Не используйте аккумуляторную батарею или зарядное устройство, которые случайно упали или подверглись сильному удару. Поврежденная аккумуляторная батарея может взорваться. Сразу же надлежащим образом утилизируйте упавшую или поврежденную аккумуляторную батарею.
- Батареи могут взорваться при наличии источника искрения, например, индикаторной лампы. Во избежание тяжелых телесных повреждений не пользуйтесь беспроводными устройствами вблизи источников открытого огня. При взрыве батареи может произойти выброс осколков и химикалий. При взрыве аккумуляторной батареи немедленно залейте ее водой.
- Не заряжайте аккумуляторную батарею в условиях повышенной влажности или сырости. Таким образом, можно избежать удара током.
- Для наилучшего результата батареи следует заряжать в помещении, в котором температура выше 10°C, но меньше 38°C. Не храните прибор вне помещений или в транспортных средствах.
- При использовании в экстремальных условиях или при экстремальных температурах батарейки могут протечь. Если жидкость попадет на вашу кожу, промойте ее немедленно мылом и водой. При попадании жидкости в глаза промойте их чистой водой не менее 10 минут, а затем обратитесь за медицинской помощью. Соблюдение этого указания поможет предотвратить получение тяжелых телесных повреждений.
- Сохраните данные инструкции. Чаще обращайтесь к ним и используйте для инструктажа других возможных пользователей инструмента. Если вы временно передаете кому-либо данный инструмент, передайте вместе с ним и данные инструкции.





⚠ ОСТОРОЖНО

Подавайте изделие в обрабатываемое изделие строго против направления вращения фрезы. При подаче по ходу вращения насадки сила вращения насадки будет отбрасывать инструмент от обрабатываемой детали. Это может привести к потере контроля над изделием.

ТРАНСПОРТИРОВКА ЛИТЯВЫХ БАТАРЕЙ

Транспортируйте аккумуляторную батарею в соответствии с местными и государственными правилами и положениями.

При транспортировке батарей третьей стороной соблюдайте все специальные требования по упаковке и маркировке. Проверьте, чтобы аккумуляторные батареи не вступали в контакт с другими батареями или проводимыми материалами при транспортировке, для этого защитите оголенные разъемы изоляцией, изолирующими колпачками или лентами. Не переносите батареи с повреждениями или утечками. За дальнейшими консультациями обратитесь в транспортно-экспедиционную компанию.

ОСТАТОЧНЫЕ РИСКИ

Даже когда изделие используют согласно инструкциям, невозможно полностью устранить факторы риска. Следующие опасности могут возникнуть во время его использования, и во избежание их рабочий должен обратить особое внимание на следующее:

- Травмы, вызываемые вибрацией
 - Ограничивайте воздействие. См "Снижение Риска".
- Травмы, вызываемые разлетающимися частицами
 - Обязательно носите устройства для защиты глаз.
- Травмы, вызываемые пылью
 - Носите респиратор с надлежащими фильтрами, которые могут защитить от пыли, источником которой является обрабатываемый материал и абразивные частицы. Не ешьте, не пейте и не курите в рабочей зоне. Обеспечивайте надлежащую вентиляцию и используйте детали, предназначенные для пылеулавливания.
- Травма от контакта с режущими фрезами
 - Фрезы будут нагреваться во время использования. Выполняйте замену фрез в перчатках. Не допускайте попадания рук в зону резания. Никогда не поддерживайте отпиливаемый материал. Закрепляйте обрабатываемую деталь, насколько это возможно.

СНИЖЕНИЕ РИСКА

Сообщалось, что вибрация ручных электроинструментов у отдельных лиц может способствовать состоянию, которое называется синдром Рейно. К симптомам могут относиться покалывание, онемение и побеление пальцев (как при переохлаждении). Считают, что

наследственные факторы, охлаждение и влажность, диета, курение и практический опыт способствуют развитию этих симптомов. Ниже приводятся меры, которые может принять оператор для снижения воздействия вибрации:

- Одевайтесь теплее в холодную погоду. При работе с устройством пользуйтесь перчатками, чтобы руки и запястья были в тепле. Считается, что холодная погода является основным фактором, способствующим возникновению болезни Рейно (Raynaud's Syndrome).
- После каждого этапа работы выполните упражнения для усиления кровообращения.
- Чаще делайте перерывы в работе. Сократите длительность ежедневного пребывания на открытом воздухе.

При появлении каких-либо из указанных симптомов сразу же прекратите работу и обратитесь по их поводу к врачу.

⚠ ОСТОРОЖНО

Продолжительное использование инструмента без перерыва может привести к травмам. При использовании инструмента в течение длительного времени делайте регулярные перерывы.

СБОРКА

⚠ ОСТОРОЖНО

Не используйте прибор, если он не полностью собран или если какая-либо из его деталей отсутствует или повреждена. Использование неправильно или не полностью собранного или поврежденного или неукomплектованного прибора может привести к тяжелым травмам.

⚠ ОСТОРОЖНО

Не пытайтесь модифицировать данный инструмент или создавать вспомогательные приспособления, не рекомендуемые для использования с данным инструментом. Любые такие изменения или модификации являются злоупотреблением и могут привести к опасным ситуациям и серьезным физическим травмам.

ИЗУЧИТЕ ИЗДЕЛИЕ

Стр 87.

1. Тумблер включения/выключения
2. Гнездо подключения батареи
3. Установка на ноль
4. Ручка микрорегулировки глубины
5. Корпус двигателя
6. Глубина масштаба
7. Съёмное основание
8. Рычаг отключения двигателя



9. Быстрый рычаг
10. Блокировка шпинделя кнопки
11. Патрон 6,35 мм
12. Гайка патрона
13. Квадратная опорная пластина
14. Гаечный ключ
15. Патрон 6 мм
16. Прямая фреза
17. Направляющие
18. Руководство пограничного

ТЕХНИЧЕСКОЕ ОБСЛУЖИВАНИЕ

⚠ ОСТОРОЖНО

Прибор ни в коем случае не должен подсоединяться к источнику питания, когда вы разбираете его компоненты, выполняете регулировку, очистку, проводите техническое обслуживание, или когда прибор не используется. Отсоединение прибора позволит защитить инструмент от случайного запуска, чреватого серьезными физическими травмами.

- При выполнении технического обслуживания используйте только оригинальные запчасти от производителя. Использование других запчастей может представлять опасность или повредить изделия.

⚠ ОСТОРОЖНО

Для большей безопасности и надежности все ремонтные работы должны выполняться в авторизованном сервисном центре Ryobi.

ОБЩИЕ УКАЗАНИЯ

Избегайте использования растворителей во время чистки пластмассовых частей. Многие пластмассы чувствительны к воздействию различных бытовых растворителей и в результате их использования могут разрушиться. Для снятия грязи, пыли и пр. пользуйтесь чистой тряпкой.

⚠ ОСТОРОЖНО

Пластмассовые детали нельзя чистить тормозной жидкостью, бензином, нефтепродуктами, едкими маслами и т.д. Эти химикаты содержат вещества, которые могут испортить, ослабить или разрушить пластмассу.

Пыль от гипсокартона и штукатурки является абразивной и может стать причиной преждевременного выхода изделия из строя, она попадет в двигатель. Всегда используйте пылеуловитель, подключенный к пылесосу. Тщательно очищайте изделие после использования с помощью щетки или пылесоса. Следите за тем, чтобы грязь не попала в вентиляционные отверстия. Не пользуйтесь сжатым воздухом для очистки изделия, так как вылетающие пыль и песчинки могут привести к травме глаз.

СМАЗКА

Все подшипники в изделии смазаны достаточным количеством высокосортной смазки для продолжительной эксплуатации изделия в нормальных рабочих условиях. Поэтому дополнительная смазка не требуется.

ЗАЩИТА ОКРУЖАЮЩЕЙ СРЕДЫ



Утилизируйте как сырье, а не выбрасывайте как мусор. Машина, аксессуары и упаковка должны быть отсортированы.

УСЛОВНЫЕ ОБОЗНАЧЕНИЯ НА ПРОДУКТЕ



Сигнал опасности



Соответствие требованиям CE



Скорость на холостом ходу



Вольт



Постоянный ток



Оборотов или возвратно-поступательных движений в минуту



Знак Евразийского Соответствия
Сертификат Соответствия
№ TC RU C-DE.PC52.B.00815
Срок действия Сертификата Соответствия

По 05.12.2021

ООО «Региональный центр оценки соответствия»

123060 г. Москва ул. Маршала Рыбалко
дом 2 корпус 9 помещение 638



Перед использованием прибора внимательно ознакомьтесь с данной инструкцией.



Украинский знак стандартизации



Отработанная электротехническая продукция должна уничтожаться вместе с бытовыми отходами. Утилизируйте, если имеется специальное техническое оборудование. По вопросам утилизации проконсультируйтесь с местным органом власти или предприятием розничной торговли.

ОБОЗНАЧЕНИЯ В РУКОВОДСТВЕ



Примечание



Детали или принадлежности,
приобретаемые отдельно



Расцепить



Зафиксировать

Следующие сигнальные слова и значения предназначены, чтобы объяснить уровни риска, связанного с этим изделием.

⚠ ОПАСНО

Указывает на потенциально опасную ситуацию, которая, если ее не избежать, приведет к летальному исходу или серьезной травме.

⚠ ОСТОРОЖНО

Указывает на потенциально опасную ситуацию, которая, если ее не избежать, может привести к летальному исходу или серьезной травме.

⚠ ВНИМАНИЕ

Указывает на потенциально опасную ситуацию, которая, если ее не избежать, может привести к травме легкой или средней тяжести.

ВНИМАНИЕ

(Без Символа Тревоги Безопасности) Указывает ситуацию, которая может кончиться повреждением собственности.

Транспортировка:

Категорически не допускается падение и любые механические воздействия на упаковку при транспортировке.

При разгрузке/погрузке не допускается использование любого вида техники, работающей по принципу зажима упаковки.

Хранение:

Необходимо хранить в сухом месте.

Необходимо хранить вдали от источников повышенных температур и воздействия солнечных лучей.

При хранении необходимо избегать резкого перепада температур.

Хранение без упаковки не допускается.

Срок службы изделия:

Срок службы изделия составляет 5 лет.

Не рекомендуется к эксплуатации по истечении 5 лет хранения с даты изготовления без предварительной проверки.

Дата изготовления (код даты) отштампован на поверхности корпуса изделия.

Пример:

W17 Y2015, где Y2015 - год изготовления

W17 – неделя изготовления

Определить месяц изготовления можно согласно приведенной ниже таблице, на примере 2015 года.

Обратите внимание! Количество недель в месяце различается от года в год.

Месяц	Январь	Февраль	Март	Апрель	Май	Июнь	Июль	Август	Сентябрь	Октябрь	Ноябрь	Декабрь	Год
Неделя	01	05	09	14	18	22	27	31	36	40	44	49	2015
	02	06	10	15	19	23	28	32	37	41	45	50	
	03	07	11	16	20	24	29	33	38	42	46	51	
	04	08	12	17	21	25	30	34	39	43	47	52	
	05	09	13	18	22	26	31	35	40	44	48	53	
			14			27							



Bezpieczeństwo, efektywność i niezawodność były czynnikami o najwyższym priorytecie w trakcie projektowania Państwa ręcznej frezarki wykańczającej.

PRZEZNACZENIE

Ta ręczna frezarka wykańczająca przeznaczona jest do precyzyjnego wykańczania drewna. Produkt idealnie nadaje się do kształtowania krawędzi elementów drewnianych oraz wykańczania elementów wykonanych z laminatów.

Nie należy używać tego produktu niezgodnie z przeznaczeniem.

⚠ OSTRZEŻENIE

Zapoznaj się ze wszystkimi zasadami bezpieczeństwa i instrukcjami. Nieprzestrzeganie instrukcji i zasad bezpieczeństwa zawartych w ostrzeżeniach grozi porażeniem prądem elektrycznym, pożarem lub poważnymi obrażeniami.

Zachowaj wszystkie ostrzeżenia i instrukcje do wykorzystania w przyszłości.

RĘCZNA FREZARKA WYKAŃCZAJĄCA – OSTRZEŻENIA DOTYCZĄCE BEZPIECZEŃSTWA

- **Należy stosować zaciski lub inne praktyczne metody mocowania obrabianego materiału do stabilnej platformy.** Przytrzymywanie obrabianego materiału ręką lub dociskanie go do ciała powoduje niestabilność materiału i może doprowadzić do utraty kontroli.
- **Urządzenie elektryczne należy trzymać za izolowany uchwyt, gdy zachodzi ryzyko przewiercenia przewodu pod napięciem.** Kontakt z przewodem pod napięciem może spowodować przepływ prądu przez metalowe elementy urządzenia i porażenie operatora.
- **Należy zawsze używać frezów o odpowiedniej średnicy trzpienia kompatybilnych z prędkością produktu.**
- **Zapoznać się z obsługiwanym elektronarzędziem.** Przeczytajcie dokładnie niniejszą instrukcję obsługi. Zapoznać się z przeznaczeniem i ograniczeniem zastosowania urządzenia oraz z zagrożeniami, jakie są związane z jego użytkowaniem. W ten sposób zmniejszycie zagrożenie porażenia prądem elektrycznym, pożaru czy poważnych ran.
- **Podczas pracy należy mieć założone okulary ochronne z osłonami bocznymi.** Jeśli użytkownik zdecyduje się założyć noszone na co dzień okulary, muszą one mieć szkła odporne na uderzenia. Należy pamiętać, że typowe okulary NIE są okularami ochronnymi. Przestrzeganie tej zasady pozwoli ograniczyć ryzyko urazu oczu.
- **Chronić układ oddechowy. Załóżcie ochronę na twarz lub maskę przeciwpyłową w wypadku gdy przy pracy wydziela się pył.** Przestrzeganie tej zasady ograniczy ryzyko poważnych urazów ciała.

- **Chronić słuch. W przypadku dłuższego czasu pracy, zakładać środki ochrony słuchu.** Przestrzeganie tej zasady ograniczy ryzyko poważnych urazów ciała.
- **Urządzenia akumulatorowe nie muszą być podłączone do sieci energetycznej i zawsze są w stanie gotowym do uruchomienia. Należy pamiętać o potencjalnym zagrożeniu występującym nawet wtedy, gdy urządzenie nie jest używane lub podczas wymiany akcesoriów.** W ten sposób zmniejszycie zagrożenie porażenia prądem elektrycznym, pożaru czy poważnych ran.
- **Nie umieszczać urządzeń akumulatorowych ani samych akumulatorów w pobliżu ognia lub źródeł ciepła.** Przestrzeganie tego zalecenia pozwoli zmniejszyć ryzyko eksplozji i zranienia.
- **Nie dopuścić do zgniecenia, upuszczenia ani innego uszkodzenia akumulatora. Nie wolno używać akumulatora ani ładowarki w przypadku ich upuszczenia lub mocnego uderzenia.** Uszkodzona bateria grozi eksplozją. Upuszczony lub uszkodzony akumulator należy odpowiednio zutylizować.
- **Akumulator może eksplodować w pobliżu źródła ognia takiego jak np. płomień pilota pieca gazowego.** Aby zmniejszyć ryzyko poważnych obrażeń, nie wolno używać urządzeń akumulatorowych w pobliżu otwartych źródeł ognia. W przypadku eksplozji, części akumulatora i substancje chemiczne zostają rozrzucone z dużą siłą. Miejsce kontaktu należy niezwłocznie przepłukać wodą.
- **Nie ładować urządzenia akumulatorowego w warunkach mokrych lub wilgotnych.** W ten sposób zmniejszycie ryzyko porażenia prądem elektrycznym.
- **Najlepsze efekty ładowania można uzyskać przy temperaturze otoczenia w zakresie od 10°C do 38°C. Nie przechowywać poza zabudowaniami lub w pojazdach.**
- **W przypadku silnego obciążenia lub skrajnych temperatur może dojść do wycieku elektrolitu. Jeśli płyn zetknie się ze skórą, należy umyć ją natychmiast wodą z mydłem. W przypadku, gdy elektrolit dostanie się do oczu, należy je przemywać czystą wodą przez przynajmniej 10 minut, następnie zwrócić się niezwłocznie o pomoc medyczną.** Przestrzeganie tej zasady ograniczy ryzyko poważnych urazów ciała.
- **Zachować ten podręcznik.** Należy do niego systematycznie powracać i używać go do przeszkolenia innych osób, które mogą korzystać z tego narzędzia. Wypożyczając komuś narzędzie, należy dołączyć również ten podręcznik.

⚠ OSTRZEŻENIE

Narzędzie zawsze należy przesuwając względem obrabianej powierzchni w kierunku przeciwnym do obrotów frezu. W przypadku posuwu w kierunku obrotu frezu, siła obrotowa wirującego frezu spowoduje odrzucenie narzędzia od obrabianego materiału. Może to prowadzić do utraty kontroli nad urządzeniem.





TRANSPORTOWANIE AKUMULATORÓW LITOWYCH

Akumulatory należy transportować zgodnie z lokalnymi i krajowymi przepisami i regulacjami.

Należy postępować zgodnie z wszystkimi specjalnymi wymaganiami dotyczącymi pakowania i etykietowania akumulatorów podczas transportu przez stronę trzecią. Upewnij się, że żadne akumulatory nie zetkną się z innymi akumulatorami lub materiałami przewodzącymi podczas transportu. W tym celu należy zabezpieczyć odkryte złącza nieprzewodzącymi nakładkami izolacyjnymi lub taśmą izolacyjną. Nie należy transportować pękniętych ani nieszczelnych akumulatorów. Szczegółowe porady można uzyskać w firmie spedycyjnej.

RYZIKO ZWIĄZANE Z UŻYTKOWANIEM

Nawet jeśli produkt jest używany zgodnie z zaleceniami, nadal nie jest możliwe wyeliminowanie określonych czynników ryzyka. Następujące zagrożenia mogą wystąpić podczas używania urządzenia i operator powinien zwracać szczególną uwagę na poniższe punkty:

- Urazy ciała spowodowane przez wibracje
 - Ograniczyć narażenie na kontakt. Patrz "Ograniczenie Ryzyka".
- Urazy spowodowane odrzucanymi odpadkami
 - Stosować przez cały czas środki ochrony oczu.
- Urazy ciała spowodowane pyłem
 - Należy nosić odpowiednią maskę przeciwpyłową z odpowiednimi filtrami, chroniącą przed pyłem z obrabianego materiału. Nie jeść, nie pić i nie palić w miejscu pracy. Należy zapewnić odpowiednią wentylację i stosować dostarczone akcesoria do usuwania pyłu.
- Urazy ciała spowodowane kontaktem z frezami
 - Frezy bardzo ostre i podczas pracy są gorące. Podczas wymiany frezów należy nosić rękawice. Przez cały czas należy trzymać ręce z dala od obszaru cięcia. NIGDY nie trzymajcie obrabianego przedmiotu ręką czy między nogami. Zawsze, gdy będzie to możliwe, mocować element obrabiany.

OGRANICZENIE RYZYKA

Znane są przypadki wywołania u niektórych osób objawu Raynauda spowodowanego wibracjami ręcznych narzędzi. Typowe objawy to mrowienie, drętwienie i blednięcie palców, widoczne zwykle po wystawieniu na działanie zimna. Uważa się, że czynniki dziedziczne, wystawienie na działanie zimna i wilgoci, dieta, palenie papierosów i przyjęte zwyczaje przyczyniają się do rozwoju tych objawów. Istnieją środki zaradcze, które może podjąć operator narzędzia, aby zmniejszyć efekt wibracji:

- Zadbaj w niskich temperaturach o ciepłość własnego ciała, zakładając odpowiednie ubranie. Podczas obsługi urządzenia należy nosić rękawice, aby dłonie i nadgarstki były ciepłe. Wiadomo, że niskie temperatury są główną przyczyną powstawania objawu Raynauda.
- Podczas przerw w pracy należy wykonywać ćwiczenia poprawiające krążenie krwi..

- Podczas pracy robić częste przerwy. Ograniczyć ekspozycję w ciągu dnia.

W razie doświadczenia dowolnego z wymienionych objawów, należy niezwłocznie zaprzestać użytkowania tego urządzenia i skontaktować się z lekarzem.

⚠ OSTRZEŻENIE

Długotrwałe użytkowanie narzędzia może spowodować obrażenia ciała lub nasilić dolegliwości zdrowotne. W przypadku używania narzędzia przed dłuższy czas należy pamiętać o regularnych przerwach.

MONTAŻ

⚠ OSTRZEŻENIE

Nie należy używać tego produktu, jeśli nie jest całkowicie zmontowany lub jeśli brakuje części lub występują oznaki uszkodzenia. Używanie produktu, który nie jest prawidłowo lub całkowicie zmontowany lub posiada uszkodzone lub brakujące części, może spowodować poważne urazy ciała.

⚠ OSTRZEŻENIE

Nie próbujcie modyfikować tego narzędzia czy też tworzyć akcesorii, których zastosowanie z tym narzędziem nie jest zalecane. Dokonanie zmian konstrukcyjnych lub modyfikacji jest postępowaniem niezgodnym z przeznaczeniem i może być przyczyną zagrożenia bezpieczeństwa prowadzącego do poważnych obrażeń.

INFORMACJE O PRODUKCIE

Patrz strona 87.

1. Przełącznik Wł-Wył
2. Gniazdo akumulatora
3. Zerowanie
4. Pokrętko do mikroregulacji głębokości
5. Obudowa silnika
6. Skala głębokości
7. Zdejmowana podstawa
8. Dźwignia zwalniania silnika
9. Dźwignia szybkomocująca brzeszczotu
10. Przycisk blokady wrzeczona
11. Tuleja zaciskowa 6,35 mm
12. Nakrętka uchwyty narzędziowego
13. Kwadratowa podstawa dolna
14. Kluczyk
15. Tuleja zaciskowa 6 mm
16. Frez prosty
17. Prowadnice
18. Równoległy prowadnik cięcia



KONSERWACJA

⚠ OSTRZEŻENIE

Produkt nigdy nie może być podłączony do źródła zasilania podczas montażu części, regulacji, czyszczenia, konserwacji lub gdy nie jest używany. Odłączenie produktu zapobiegnie przypadkowemu uruchomieniu, które mogłoby spowodować poważne obrażenia ciała.

- Do serwisowania należy stosować wyłącznie oryginalne części zamienne producenta. Użycie jakiegokolwiek innej części mogłoby spowodować zagrożenie lub też uszkodzić wasze narzędzie.

⚠ OSTRZEŻENIE

Dla większego bezpieczeństwa i lepszej pewności, wszystkie naprawy powinny być wykonywane w Autoryzowanym Punkcie Serwisowym Ryobi.

OGÓLNE

Nie stosować rozpuszczalników do czyszczenia elementów plastikowych. Większość tworzyw sztucznych, mogłyby zostać uszkodzone przez użycie rozpuszczalników dostępnych w sprzedaży. Używajcie czystej szmatki do mycia zabrudzeń, pyłu, itd.

⚠ OSTRZEŻENIE

Elementy plastikowe nigdy nie powinny być w kontakcie z płynem hamulcowym, benzyną, czy produktami na bazie ropy naftowej, przenikliwymi olejami itd. Substancje te zawierają produkty chemiczne, które mogłyby uszkodzić, osłabić lub zniszczyć plastik.

Pył z tynku oraz płyt ściennych ma właściwości ścieme i może powodować przedwczesną usterkę produktu, jeśli dostanie się do silnika. Zawsze należy używać akcesoriów do odciągania pyłu podłączonych do odkurzacza. Po użyciu produkt należy dokładnie wyczyścić przy użyciu szczotki i odkurzacza. Należy zwrócić uwagę, aby zanieczyszczenia nie przedostały się do otworów wentylacyjnych. Nie używać sprężonego powietrza do czyszczenia produktu, ponieważ pył i zanieczyszczenia mechaniczne mogą spowodować poważne urazy oczu.

SMAROWANIE

Wszystkie łożyska produktu są smarowane przy użyciu odpowiedniej ilości wysokiej jakości smaru na cały okres eksploatacji produktu przy uwzględnieniu normalnych warunków roboczych. W wyniku czego, nie zachodzi potrzeba dodatkowego smarowania.

OCHRONA ŚRODOWISKA



Surowce należy oddawać do powtórnego przetworzenia zamiast wyrzucać je na śmieci. Z myślą o ochronie środowiska, narzędzie, akcesoria i opakowania powinny być sortowane.

SYMBOLE PRODUKTU



Uwaga dotycząca bezpieczeństwa



Zgodność CE



Prędkość bez obciążenia



Wolt



Prąd stały



Ilość obrotów czy ruchów na minutę



Znak zgodności EurAsian



Przed uruchomieniem urządzenia prosimy uważnie przeczytać instrukcję



Ukraiński znak zgodności



Zużyte produkty elektryczne nie powinny być utylizowane z odpadami domowymi. Prosimy poddawać recyklingowi w odpowiednich miejscach. Informacje o właściwych metodach recyklingu można uzyskać u władz lokalnych lub sprzedawcy.

SYMBOLE W INSTRUKCJI



Uwaga



Części lub akcesoria sprzedawane oddzielnie



Odkręcenie uchwytu



Blokada

Poniższe symbole i nazwy które im nadano, pozwalają wyjaśnić różne poziomy ryzyka związanego z używaniem tego narzędzia.

**NIEBEZPIECZEŃSTWO**

Oznacza bezpośrednio niebezpieczną sytuację, która, jeśli nie zostanie uniknięta, spowoduje śmierć lub poważne urazy ciała.

**OSTRZEŻENIE**

Oznacza potencjalnie niebezpieczną sytuację, która, jeśli nie zostanie uniknięta, może spowodować śmierć lub poważne urazy ciała.

**UWAGA**

Oznacza potencjalnie niebezpieczną sytuację, która, jeśli nie zostanie uniknięta, może spowodować niewielkie lub umiarkowane urazy ciała.

UWAGA

(Bez symbolu bezpieczeństwa) Wskazuje na sytuację mogącą spowodować straty materialne.



Při návrhu této horní frézky byl kladen obzvláštní důraz na bezpečnost, výkon a spolehlivost.

ZAMÝŠLENÉ POUŽITÍ

Tato horní frézka je určena pro precizní práci se dřevem. Výrobek je ideální pro tvarování hrany na dřevě a zastříhávání laminátů.

Nepoužívejte výrobek jinak než je uvedeno v určeném použití.

VAROVÁNÍ

Přečtěte si všechny pokyny a bezpečnostní varování. Nedodržování upozornění a těchto pokynů může vést k úrazu elektrickým proudem, ke vzniku požáru nebo vážnému zranění.

Uchovejte si všechny pokyny a varování pro budoucí nahlédnutí.

BEZPEČNOSTNÍ POKYNY

- **Používejte svorky nebo jiné pomůcky pro zabezpečení a podporu obrobku ke stabilní platformě.** Držením obrobku vaší rukou nebo proti tělu vzniká nestabilita a může to vést ke ztrátě kontroly.
- **Držte elektricky poháněný nástroj za izolované úchopové plochy, když nástroj používáte s vrtacím příslušenstvím, které může přijít do styku se skrytými vodiči.** Kontakt s „živým“ vodičem způsobí, že kovové části elektricky poháněného nástroje se stanou také „živými“ a způsobí elektrický úraz obsluze.
- **Vždy používejte vrtáky se správným průměrem stopky, který odpovídá rychlosti produktu.**
- **Seznamte se důkladně se svým nářadím. Pozorně si přečtěte tento návod k obsluze. Důkladně si přečtěte informace týkající se používání přístroje, jeho omezení a seznamte se s možným nebezpečím, kterého je nutné se vyvarovat.** Tyto pokyny důsledně dodržujte, aby nedošlo ke vzniku požáru, úrazu elektrickým proudem nebo zranění.
- **Vždy noste bezpečnostní brýle s postranními štítky.** Každodenní brýle mají skla odolná pouze proti nárazu. Nejedná se o bezpečnostní brýle. Dodržování tohoto požadavku sníží poranění očí.
- **Chraňte Vaše plíce. Při práci používejte obličejový štít nebo protiprašný respirátor, pokud při práci vznikají jemné odpadové piliny.** Dodržte-li toto, snížíte nebezpečí poranění.
- **Chraňte svůj sluch. V průběhu dlouhodobého používání se doporučuje ochrany sluchu.** Dodržte-li toto, snížíte nebezpečí poranění.
- **Přístroje na akumulátory se nepřipojují do elektrické sítě; proto jsou vždy v provozním stavu. Nezapomeňte na možná rizika spojená s používáním přístroje na akumulátory nebo s výměnou příslušenství.** Tyto pokyny důsledně dodržujte, aby nedošlo ke vzniku požáru, úrazu elektrickým proudem nebo zranění.

- **Neumísťujte přístroje na baterie nebo jeho baterie blízko ohně nebo tepla.** Tím se sníží riziko výbuchu a možného poranění.
- **Nemačkejte, nevyhazujte nebo neničte akumulátorový modul. Nepoužívejte akumulátorový modul nebo nabíječku, která upadla, nebo bylo do ní naraženo ostrým předmětem.** Poškozená baterie může vybuchnout. Ihned řádně zlikvidujte upadnutou nebo poškozenou baterii.
- **Akumulátory mohou explodovat v přítomnosti zdroje zapalování, například hořáků.** Pro snížení nebezpečí vážného poranění osob nikdy nepoužívejte žádný bezdrátový výrobek v blízkosti plamene. Vybuchnutá baterie může vyvrstít úlomky a chemikálie. Pokud dojde k náhodnému kontaktu, omyjte ihned vodou.
- **Výrobek na baterie nenabíjejte ve vlhkých ani mokřích prostředích.** Omezíte tak riziko úrazu elektrickým proudem.
- **Pro nejlepší výsledky je nutno dobíjet baterii zařízení v místě, kde se teplota pohybuje v rozmezí od 10°C do 38°C.** Neskladujte venku ani ve vozidlech.
- **Při náročném používání nebo teplotních podmínkách může baterie vytéci.** Dojde-li ke kontaktu s kůží, ihned opláchnete zasažené části důkladně vodou se saponátem. Budou-li vaše oči zasaženy elektrolytem, vyplachujte je čistou vodou alespoň 10 minut, pak okamžitě vyhledejte lékařskou pomoc. Dodržte-li toto, snížíte nebezpečí poranění.
- **Uchovejte si tyto pokyny.** Dívejte se na ně často a používejte je pro poučení ostatních, kteří budou používat tento nástroj. Uchovejte si tento návod, abyste se k němu mohli v budoucnosti vrátit.

VAROVÁNÍ

Vždy posouvajte zařízením v obrobku proti směru otáčení bitu. Pokud přistavujete ve směru otáčení vrtáku, točivá síla otáčejícího se vrtáku bude mít tendenci nástroj od obrobku odhodit. To by mohlo způsobit ztrátu kontroly nad výrobkem.

TRANSPORT LITHIOVÝCH BATERÍÍ

Přenos baterie dle místních a národních opatření a předpisů.

Dodržujte všechny zvláštní požadavky na balení a značení při transportu baterií třetí stranou. Zajistěte, aby žádné baterie nepřišly do kontaktu s jinými bateriemi nebo vodivými materiály při transportu pomocí ochrany nekrytých kontaktů prostřednictvím izolace, nevodivých krytek či lepicích pásek. Nepřepravujte prasklé nebo baterie s unikajícím elektrolytem. Ptejte se u zásilkové společnosti na další radu.

ZBYTKOVÁ RIZIKA

Dokonce, i když se výrobek provozuje jak je předepsáno, je stále nemožné zcela eliminovat veškeré zbytkové rizikové





faktory. Následující nebezpečí mohou nastat při používání; vyhýbejte se:

- Poranění způsobené vibracemi
 - Limit expozice. Viz "Snížení Rizik".
- Zranění způsobená odletujícími úlomky
 - Vždy noste adekvátní ochranu zraku.
- Zranění způsobené prachem
 - Používejte vhodnou masku proti prachu s vhodnými filtry, které mohou chránit proti prachu z materiálu. V pracovní oblasti výrobku nejíst, nepít, ani nekouřit. Postarejte se o dostatečné větrání a používejte dodávané příslušenství pro odsávání prachu.
- Zranění z kontaktu s feznými bity
 - Bity jsou velmi ostré a během používání se zahřívají. Při výměně bitů noste ochranné rukavice. Udržujte vždy ruce v bezpečné vzdálenosti od fezného prostoru. Opracovávaný kus NIKDY nepřidržíte rukou v oblasti řezu a ani jej nedržte mezi nohama. Kdykoli to jen bude možné, obrobek upevněte.

SNÍŽENÍ RIZIKA

Bylo zjištěno, že vibrace z nástrojů mohou u některých osob přispívat ke stavu tzv Raynaud's Syndrome (Raynaudovu syndromu). Mezi jeho příznaky patří brnění, necitlivost a zblednutí prstů, patrně obvykle po pobytu v chladu. Vědci se domnívají, že k rozvoji těchto příznaků přispívají dědičné faktory, pobyt v chladu a vlhku, strava, kouření a pracovní návyky. Uživatel může omezit případné působení vibrací použitím vhodných opatření:

- Za chladného počasí se teple oblečte. Při práci s nástrojem si navlékněte rukavice, abyste udrželi ruce a zápěstí v teple. Bylo zjištěno, že chladné počasí je hlavním faktorem přispívajícím k Raynaud's Syndrome (Raynaudovu syndromu).
- Během práce si v pravidelných intervalech zacvičte, abyste zvýšili krevní oběh.
- Zařazujte časté pracovní přestávky. Omezte dobu práce za den.

Jakmile pocítíte některý z výše uvedených příznaků tohoto syndromu, okamžitě přerušete práci a vyhledejte lékaře.

VAROVÁNÍ

Poranění mohou být způsobena, či zhoršena, prodlouženým používáním nástroje. Když používáte jakýkoliv nástroj delší dobu, dělejte pravidelné přestávky.

MONTÁŽ

VAROVÁNÍ

Nepoužívejte výrobek, pokud není plně sestaven nebo některé díly chybí nebo jsou poškozeny. Použití výrobku, který není řádně a kompletně smontován nebo je poškozen nebo chybí části, může mít za následek vážné zranění.

VAROVÁNÍ

Nepokoušejte se nepokoušejte upravovat ani nevytvářejte žádné příslušenství, které není doporučeno pro toto nářadí. Jakékoliv úpravy nebo přestavby znamenají nesprávné používání, což může mít za následek nebezpečné podmínky vedoucí k vážným poraněním osob.

SEZNAMTE SE S VÝROBKEM

Viz strana 87.

1. Spínač On/Off (Zapnuto/Vypnuto)
2. Otvor pro baterie
3. Vynulování
4. Nastavitelný knoflík na mikro hloubku
5. Kryt motoru
6. Stupnice pro nastavení hloubky řezu
7. Odnímatelný podstavec
8. Páčka na uvolnění motoru
9. Páčka rychloupínacího systému
10. Tlačítko pro aretaci vřetene
11. 6,35mm kleština
12. Matice upínacích kleštín
13. Čtvercová podsada
14. Servisní utahovací klíč
15. 6 mm kleština
16. Rovný vrták
17. Vodicí tyče
18. Vodicíto paralelního řezu

ÚDRŽBA

VAROVÁNÍ

Výrobek nikdy nepřipojujte ke zdroji napájení, když se montují díly, provádí seřizování, čištění, údržba nebo když se nepoužívá. Odpojením produktu předejdete náhodnému spuštění a tím vážnému osobnímu poranění.

- Při údržbě používejte pouze původní náhradní díly výrobce. Použití jakýchkoliv jiných dílů může vytvořit nebezpečí nebo způsobit poškození výrobku.

VAROVÁNÍ

Pro větší bezpečnost a spolehlivost by veškeré opravy měly být prováděny autorizovaným servisním střediskem Ryobi.

OBECNĚ

Vyhnete se používání rozpouštědel, když čistíte plastové díly. Většina ředidel běžně dostupných v obchodní síti se nehodí k čištění plastových částí, neboť narušuje povrch plastů. K odstranění nečistot, prachu apod. použijte čistý hadr.



VAROVÁNÍ

Plastové části nářadí nesmí nikdy přijít do styku s brzdovou kapalinou, benzínem, produkty na bázi ropy, regenerovanými maznými oleji apod. Tyto výrobky obsahují chemikálie, které mohou poškodit, oslabit nebo zničit plastové části, případně snížit jejich životnost.

Prach z omítky a z desek stěn palubě je abrazivní a může způsobit předčasné selhání výrobku nebo se může dostat do prostoru motoru. Vždy používejte příslušenství pro odsávání připojené k vysavači. Po použití výrobek důkladně očistěte kartáčem a vysavačem. Dávejte pozor, aby se nečistoty nedostaly do ventilačních otvorů. Nepoužívejte stlačený vzduch k čištění produktu, protože prach a drt může způsobit vážné zranění očí.

MAZÁNÍ

Veškerá ložiska nářadí byla výrobcem namazána dostatečným množstvím vysoce účinného maziva, které stačí na celou dobu životnosti produktu při normálních podmínkách používání. Žádné další mazání nářadí není nutné.

OCHRANA ŽIVOTNÍHO PROSTŘEDÍ



V rámci možností neodhazujte vysloužilé nářadí do domovního odpadu a upřednostněte jeho recyklaci. V souladu s předpisy na ochranu životního prostředí odkládejte vysloužilé nářadí, příslušenství i obalový materiál do tříděného odpadu.

SYMBOLY NA VÝROBKU



Bezpečnostní výstraha



Shoda CE



Otáčky naprázdno

V

Napětí



Stejnoseměrný proud

min⁻¹

Počet otáček nebo pohybů (kmitů) za minutu



Euroasijská značka shody



Před spuštěním přístroje si řádně přečtěte pokyny.



Ukrajinská značka shody



Odpad elektrických výrobků se nesmí likvidovat v domovním odpadu. Recyklujte prosím na sběrných místech. Ptejte se u místních úřadů nebo prodejce na postup při recyklaci.

SYMBOLY POUŽITÉ V NÁVODU



Poznámka



Díly nebo příslušenství jsou v prodeji samostatně



Odemknuto



Zamknuto

Následující signální slova a významy jsou vhodné pro vysvětlení úrovně nebezpečí spojených s tímto výrobkem.

NEBEZPEČÍ

Upozorňuje na bezprostředně nebezpečnou situaci, která vede k usmrcení nebo těžkému zranění.

VAROVÁNÍ

Upozorňuje na možnou nebezpečnou situaci, která by mohla vést ke smrtelnému úrazu nebo k závažnému zranění.

POZOR

Upozorňuje na možnou nebezpečnou situaci, která může vést k menšímu nebo lehkému zranění.

POZOR

(Bez bezpečnostního výstražného symbolu) Určuje situaci, která může mít za následek vážné poškození.



Az élmaró kialakítása során elsődleges szempont volt a biztonság, a teljesítmény és a megbízhatóság.

RENDELTESSZERŰ HASZNÁLAT

Az élmaró nagy pontosságú fagegmunkálási feladatokra szolgál. A termék ideális a fán az él kiképezéséhez és a rétegek leSORJÁZÁSÁHOZ.

Ne használja a terméket a rendeltetésétől eltérő célra.

▲ FIGYELEM

Olvassa el az összes biztonsági figyelmeztetést és utasítást. A figyelmeztetések és előírások be nem tartása elektromos áramütést, tüzet és/vagy súlyos sérülést eredményezhet.

A jövőbeli felhasználásra őrizze meg az összes figyelmeztetést és útmutatót.

AZ ÉLMARÓ BIZTONSÁGI FIGYELMEZTETÉSEI

- **A munkadarabot szorítókkal vagy más módon rögzítse egy megfelelő megtámasztást is biztosító stabil felületen.** Ha a munkadarabot a kezébe fogja, vagy a testének támasztja, az instabil marad és a gép irányíthatatlanná válásához vezethet.
- **A szerszámgépet a szigetelt felületén fogja, ha olyan műveletet végez vele, melynek során rejtett, feszültség alatt lévő vezetékét is elvághat.** A feszültség alatt lévő vezetékekkel történő érintkezés során a szerszám fém alkatrészei áram alá kerülhetnek, minek következtében a kezelőt áramütés érheti.
- **Mindig megfelelő átmérőjű szárazakat használjon, amik megfelelnek a termék sebességének.**
- **Ismerje meg a gépet.** Olvassa el figyelmesen a használati útmutatót. Ismerje meg a termék alkalmazási módjait és korlátait, valamint a termékkel kapcsolatos specifikus potenciális veszélyeket is. Ezen előírás betartása jelentősen csökkenti az áramütés-, a tűz- és a súlyos sérüléssel járó balesetek veszélyét.
- **Mindig viseljen oldalellenzővel rendelkező védősisakot.** A hétköznapi szemüvegnek csak ütésálló lencséje lehet. Az NEM védőszemüveg. A szabály betartása csökkenti a szemkárosodás veszélyét.
- **Védje a tüdejét.** Amennyiben a munkálatok során por termelődik, használjon arc- vagy porvédő álarcot is. Ezen előírás betartása csökkenti a súlyos sérülések veszélyét.
- **Védje a hallását.** Hosszabb idejű használat közben viseljen fülvédőt. Ezen előírás betartása csökkenti a súlyos sérülések veszélyét.
- **Az akkumulátoros termékeket nem kell az elektromos hálózathoz csatlakoztatni, azok mindig készen állnak a használatra. Legyen tisztában a lehetséges veszélyekkel, amikor az akkumulátoros terméket használaton kívül van, vagy a tartozékokat cseréli.** Ezen előírás betartása jelentősen csökkenti az áramütés-, a tűz- és a súlyos sérüléssel járó balesetek

veszélyét.

- **Az akkumulátoros termékeket vagy az akkumulátort ne tegye tűz vagy hőforrás közelébe.** Ezzel csökkenti a robbanás és az esetleges sérülés kockázatát.
- **Ne törje össze, ne dobja le és ne károsítsa az akkumulátort. Ne használja az akkumulátort vagy töltőt, ha leesett vagy erős ütés érte.** A sérült akkumulátor felrobbanhat. A leejtett vagy megsérült akkumulátort azonnal dobja ki, odafigyelve az erre vonatkozó előírásokra.
- **Az akkumulátorok lángforrás, például gyújtóláng jelenlétében felrobbanhatnak.** A súlyos személyi sérülések veszélyének csökkentése érdekében ne használja az akkumulátoros termékeket nyílt láng jelenlétében. A felrobbanó akkumulátorból szilánkok és vegyszerek repülhetnek ki. Felrobbanáskor azonnal locsolja le vízzel.
- **Az akkumulátoros terméket ne töltsé nedves vagy vizes helyeken.** Ezáltal csökkentheti az áramütés veszélyét.
- **A lehető legjobb eredmény érdekében a terméket olyan helyen töltsé, ahol a hőmérséklet 10 °C és 38 °C között van.** Szabadtéren, illetve járműben tárolni tilos.
- **Különösen nagy igénybevétel vagy extrém hőmérsékleti körülmények esetén az akkumulátor szivároghat.** Ha a folyadék érintkezésbe lép a bőrével, azonnal mossa le vízzel és szappannal. Ha a folyadék a szembe kerül, öblítse ki tiszta vízzel legalább 10 percig, ezután azonnal forduljon orvoshoz. Ezen előírás betartása csökkenti a súlyos sérülések veszélyét.
- **Őrizze meg ezt az útmutatót.** Időnként olvassa el és használja a szerszámot esetleg használó más személyek betanításakor. Ha kölcsönadja valakinek a gépet, adja hozzá a használati utasítást is.

▲ FIGYELEM

Mindig a betét forgásirányával ellentétesen vezesse be a terméket a munkadarabra. Ha a szárat a forgásirányban helyezi be, a forgó szár forgási ereje az eszközt a munkadarabtól el fogja tolni, ami azt eredményezheti, hogy elveszti a termék feletti uralmat.

LÍTIUM AKKUMULÁTOROK SZÁLLÍTÁSA

Az akkumulátorokat a helyi és nemzeti előírásokkal és szabályokkal összhangban szállítsa.

Az elemek külső fél általi szállításakor kövesse a csomagolásra és a címkézésre vonatkozó speciális előírásokat. Ügyeljen arra, hogy az akkumulátorok ne érhessenek más akkumulátorokhoz vagy vezető anyagokhoz szállítás közben; ehhez a szabadon maradt csatlakozókat védje szigetelő fedéllel vagy szalaggal. Ne szállítson repedt vagy szivárgó akkumulátorokat. További információért vegye fel a kapcsolatot a továbbítást végző céggel.



VISSZAMARADÓ KOCKÁZATOK

Még a termék rendeltetésszerű használata esetén sem lehet teljesen kiküszöbölni minden kockázati tényezőt. A gép használata során a következő veszélyek merülhetnek fel, és a kezelőnek különösen oda kell figyelnie az alábbiak elkerülésére:

- Vibráció okozta sérülések
 - Korlátozza a kitettséget. Lásd "Kockázatsökkentés".
- Repülő hulladék okozta sérülés
 - Mindig viseljen szemvédőt.
- Por okozta sérülések
 - Viseljen megfelelő szűrőkkel ellátott porvédő maszkot, ami meg tudja óvni a megmunkált anyagból származó portól és a leváló szemcséktől. Ne egyen, igyon vagy dohányozzon a munkaterületen. Biztosítson megfelelő szellőzést, és használja a mellékelt por kivezető tartozékokat.
- Maróbetétek érintése okozta sérülés
 - A betétek nagyon élesek és a használat közben felforrósodnak. A betétek cseréjekor viseljen kesztyűt. A kezét mindig tartsa távol a vágási területtől. SOHA ne tartsa a munkadarabot kézzel ill. a lábai közé szorítva. Ahol csak lehetséges, rögzítse a munkadarabot.

KOCKÁZATCSÖKKENTÉS

Ismert, hogy a kézi szerszámgépek használata során fellépő vibráció bizonyos személyeknél hozzájárulhat az úgynevezett Raynaud-szindróma (Raynaud's Syndrome) nevű állapot kialakulásához. A tünetei lehetnek: az ujjak zsibbadása, elfehéredése, szúrások érzése, amelyek hidegnek kitéve gyakran felerősödnek. Az öröklődő tényezők, a hidegnek kitettség és verejtékezés, a diéta, a dohányzás és munka közben alkalmazott fogások valószínűleg mind hozzájárulhatnak ezen tünetek megjelenéséhez. A vibráció hatásainak csökkentése érdekében a kezelőnek be kell tartani az alábbi óvintézkedéseket:

- Hideg időben tartsa melegen a testét. A gép használatakor viseljen kesztyűt a kéz és a csukló melegen tartásához. Arról számoltak be, hogy a hideg időjárásnak fontos szerepe van a Raynaud-szindróma kialakulásában.
- Bizonyos időtartamú használat után mindig végezzen gyakorlatokat a vérkeringés javításához.
- Gyakran tartson munkaszünetet. Korlátozza a napi munkaidőt.

Ha ezen állapot bármelyik tünetét tapasztalja, azonnal hagyja abba a munkát, és tájékoztassa az orvosát a tünetekről.

▲ FIGYELEM

A gép hosszabb idejű folyamatos használata sérüléseket okozhat vagy súlyosbíthatja a tüneteket. Ha a gépet hosszú időn át kell használnia, tartson gyakran szünetet.

ÖSSZESZERELÉS

▲ FIGYELEM

Ne használja a terméket, ha nincs teljesen összeszerelve, vagy ha bármilyen része hiányzik vagy sérült. Egy nem megfelelően és nem teljesen összeszerelt termék, vagy a sérült vagy hiányzó alkatrészrel használt készülék súlyos személyi sérüléshez vezethet.

▲ FIGYELEM

Ne próbálja átalakítani a szerszámot, sem pedig olyan kiegészítőket alkalmazni, amelyeknek szerszámmal való használata nem javasolt. Az ilyen módosítás vagy megváltoztatás helytelen használatnak minősül és veszélyes körülményeket eredményezhet, amelyek komoly személyi sérüléshez vezethetnek.

ISMERJE MEG A TERMÉKET

87. oldal.

1. Be/ki kapcsoló
2. Akkumulátornyílás
3. Visszaállítás nullára
4. Mikromélység-beállító gomb
5. Motorház
6. Vágásmélység mérce
7. Eltávolítható alap
8. Motorkioldó kar
9. Fűrészlap gyorsrögzítő kar
10. Főtengely gátló gomb
11. 6,35 mm hüvely
12. Befogópatron csavaranya
13. Négyzetes talpazat
14. Szorítókulcs
15. 6 mm hüvely
16. Egyenes fűrő
17. Vezetőkarok
18. Párhuzamvezető

KARBANTARTÁS

▲ FIGYELEM

Alkatrészek szerelésekor, beállítások végzésekor, tisztításkor, karbantartás végzésekor, illetve használaton kívül mindig húzza ki a gépet az elektromos hálózatról. A termék hálózatról történő leválasztása megakadályozza a véletlen bekapcsolódást, ami súlyos sérülést okozhat.

- Szervizelőskor csak eredeti, a gyártó által biztosított cserealkatrészeket használjon. Bármilyen más alkatrész használata veszélyes és a termék károsodását okozhatja.

▲ FIGYELEM

A nagyobb biztonság és megbízhatóság érdekében minden javítást hivatalos Ryobi szervizközpontban kell elvégeztetni.

ÁLTALÁNOS

A műanyag részek tisztításakor tartózkodjon a tisztítószeresek használatától. A kereskedelmi forgalomban kapható oldószerek rongáló hatással vannak a műanyagból készült elemek többségére. A por és egyéb szennyeződések stb. tisztítására használjon egy tiszta ruhadarabot.

FIGYELEM

A műanyag részek semmilyen körülmények között nem érintkezhetnek fékolajjal, benzinnel, petróleum alapú termékekkel, beszívódó olajokkal, stb. Ezen anyagok olyan vegyületeket tartalmaznak, amelyek károsíthatják, meggyengíthetik vagy tönkretelthetik a műanyagot.

A gipszkartonból és farostlemből származó por csiszoló hatású és a termék idő előtti meghibásodását okozhatja, ha bejut a motorterületre. Egy elszívó berendezéshez csatlakoztatva mindig használja a porkivezető tartozékot. Használat után egy kefével és porszívóval alaposan tisztítsa meg a terméket. Ügyeljen rá, hogy ne nyomja be a koszt a szellőzőnyílásokba. Ne használjon sűrített levegőt a termék tisztításához, mert a por és a szemcsék súlyos szemsérülést okozhatnak.

KENÉS

A termékben lévő összes csapágy a termék teljes élettartamára elegendő kenőanyaggal van feltöltve, normál körülmények közötti használat esetén. Ebből kifolyólag nincs szükség arra, hogy a gép belső részeit kenje.

KÖRNYEZETVÉDELEM



Segítse elő az alapanyagok újrahasznosítását azzal, hogy nem helyezi el őket a háztartási szemétkben. Környezetvédelmi megfontolásból az elhasznált gépet és tartozékokat, valamint a csomagolóanyagokat szelektív módon kell gyűjteni.

SZIMBÓLUMOK A TERMÉKEN



Biztonsági figyelmeztetés



CE megfelelés



Üresjárat fordulat/szám



Volt



Egyenáram



Fordulatok ill. löketek száma percenként



Eurázsiai megfelelési jelzés



A gép bekapcsolása előtt figyelmesen olvassa el az útmutatót.



Ukrainai megfelelési nyilatkozat



A kiselejtezett elektromos termékeket nem szabad a háztartási hulladékkal együtt kidobni. Ezeket újra kell hasznosítani, ha van rá lehetőség. Az újrahasznosítással kapcsolatban érdeklődjön a helyi önkormányzatnál vagy a termék forgalmazójánál.

A KÉZIKÖNYVBEN HASZNÁLT SZIMBÓLUMOK



Megjegyzés



Külön értékesített alkatrészek és kiegészítők



Szétnyitás



Retesz

A következő jelölőszavak és jelentések arra szolgálnak, hogy megmagyarázzák a termékkel kapcsolatos veszélyességi szinteket.

VESZÉLY

Egy bekövetkező veszélyes helyzetet jelez, ami, ha nem előzik meg, halált vagy komoly sérülést eredményez.

FIGYELEM

Egy potenciálisan bekövetkező veszélyes helyzetet jelez, ami, ha nem előzik meg, halált vagy súlyos sérülést eredményezhet.

VIGYÁZAT

Egy potenciálisan veszélyes helyzetet jelez, ami, ha nem előzik meg, kisebb vagy mérsékelt súlyos sérülést eredményezhet.

VIGYÁZAT

(Biztonsági figyelmeztető szimbólum nélkül) Egy olyan helyzetet jelez, ami anyagi kárt eredményezhet.



Siguranța, performanța și fiabilitatea au constituit principalele noastre preocupări la proiectarea mașinii dvs. de frezat verticale.

DOMENIU DE APLICAȚII

Mașina de frezat verticală este destinată prelucrării de precizie a lemnului. Produsul este ideal pentru formarea muchiilor și prelucrarea laminatelor din lemn.

Nu folosiți produsul în niciun alt fel decât cel menționat pentru folosirea lui destinată.

⚠ AVERTISMENT

Citiți toate avertismentele și instrucțiunile de siguranță. Neurmarea avertizării și instrucțiunilor ar putea cauza electrocutare, incendiu și/sau vătămare gravă.

Salvați toate avertizările și instrucțiunile pentru o consultare ulterioară.

AVERTISMENTE DE SIGURANȚĂ PRIVIND MAȘINA DE FREZAT VERTICALĂ

- **Folosiți cleme sau alte metode practice pentru a fixa și sprijini piesa de lucru pe o platformă stabilă.** Ținerea piesei de lucru în mână sau lipită de corp o face instabilă și poate duce la pierderea controlului.
- **În cazul în care efectuați operații în locuri în care accesoriul de tăiere poate intra în contact cu cabluri ascunse, țineți unealta electrică de suprafețele de prindere izolate.** Accesoriul de tăiere ce intră în contact cu un cablu sub curent ar putea alimenta electric părțile metalice expuse ale unelei electrice și ar putea expune operatorul la un șoc electric.
- **Utilizați întotdeauna freze de diametru corect, adecvate pentru turația produsului.**
- **Familiarizați-vă cu scula dumneavoastră electrică. Citiți cu mare atenție manualul de utilizare. Învățați utilizările și limitările, precum și riscurile potențiale specifice legate de acest produs.** Reduceți astfel riscurile de electrocutare, de incendiu și de răniri grave.
- **Întotdeauna purtați ochelari de protecție cu apărători laterale.** Ochelarii obișnuiți au doar lentilele rezistente la impact. Aceștia NU sunt ochelari de protecție. Respectarea acestei reguli va reduce riscul producerii unor leziuni oculare.
- **Protejați-vă plămânii. Purtați un ecran facial sau o mască antipraf dacă tăierea generează praf.** Respectarea acestei reguli va reduce riscul de vătămări corporale grave.
- **Protejați-vă auzul. Purtați antifoane atunci când operați produsul pe perioade lungi de timp.** Respectarea acestei reguli va reduce riscul de vătămări corporale grave.
- **Produsele cu acumulator nu trebuie conectate la o sursă de curent; de aceea, acestea sunt permanent în stare de funcționare. Fiți atent la posibilele pericole atunci când nu vă utilizați produsul cu**

acumulatori sau atunci când schimbați accesoriile. Reduceți astfel riscurile de electrocutare, de incendiu și de răniri grave.

- **Nu lăsați produsele cu acumulatori sau acumulatorii acestora în apropierea focului sau a surselor de căldură.** Acest lucru va reduce riscul producerii de explozii sau răniri.
- **Nu loviți, nu scăpați și nu deteriorați acumulatorul. Nu utilizați un acumulator sau încărcător care a fost scăpat sau care a primit o lovitură puternică.** Un acumulator deteriorat poate exploda. Eliminați corespunzător imediat un acumulator care a fost scăpat sau deteriorat.
- **Acumulatorii pot exploda în prezența surselor de aprindere, precum o lampă de semnalizare.** Pentru a reduce riscul producerii de răniri personale grave, nu utilizați niciodată un produs fără fir în prezența flăcărilor. Un acumulator care a explodat poate propulsa reziduuri și substanțe chimice. Dacă a explodat, spălați imediat cu apă.
- **Nu încărcăți produsul cu acumulatori în condiții de mezeală.** Reduceți astfel riscurile de electrocutare.
- **Pentru rezultate optime, acumulatorul dvs. trebuie încărcat într-un loc cu temperatura între 10°C și 38°C. Nu depozitați produsul în aer liber sau într-un vehicul.**
- **În condiții de temperaturi și utilizare extreme, pot apărea scurgeri ale acumulatorului. Dacă pielea dvs. vine în contact cu lichid, spălați-vă imediat cu apă și săpun. Dacă lichidul vă pătrunde în ochi, spălați-vă cu apă curată cel puțin 10 apoi adresați-vă imediat unui medic.** Respectarea acestei reguli va reduce riscul de vătămări corporale grave.
- **Păstrați aceste instrucțiuni.** Consultați-le frecvent și folosiți-le pentru a instrui alți utilizatori ai acestei unele. Dacă împrumutați această sculă unei alte persoane, împrumutați-i de asemenea și aceste instrucțiuni.

⚠ AVERTISMENT

Alimentați întotdeauna produsul în piesa de lucru în direcția inversă de rotire a burghiului. Dacă introduceți unealta în piesa de prelucrat în direcția de rotație a frezei, forța de rotație a acesteia va tinde să arunce unealta spre exterior. În această situație riscați să pierdeți controlul produsului.

TRANSPORTAREA ACUMULATORILOR PE LITIU

Transportați bateria în conformitate cu prevederile și reglementările locale și naționale.

Urmați toate cerințele speciale de pe ambalaj și etichete atunci când transportați acumulatorii la o parte terță. Asigurați-vă că în timpul transportului nicio baterie nu vine în contact cu alte baterii sau materiale conducătoare de electricitate prin protejarea bornelor expuse cu bandă sau capace izolatoare non conducătoare de electricitate. Nu transportați acumulatori ce sunt crăpați sau au scurgeri. Verificați cu compania de transport pentru sfaturi ulterioare.



RISCURI REZIDUALE

Chiar dacă produsul este folosit așa cum este descris, este totuși imposibil să se elimine complet anumiți factori de risc reziduali. Următoarele pericole ar putea apărea în timpul folosirii iar operatorul trebuie să acorde o atenție specială pentru a evita următoarele:

- Vătămare cauzată de vibrații.
 - Limitați expunerea. Vezi "Reducerea Riscului"
- Vătămare cauzată de resturile aruncate.
 - Purtați întotdeauna protecție pentru ochi.
- Vătămare cauzată de praf.
 - Purtați mască de protecție împotriva prafului cu filtre corespunzătoare ce vă pot proteja de praful de la materialul la care se lucrează. Nu mâncați, beți sau fumați în zona de lucru. Asigurați o ventilație adecvată și folosiți accesoriile de extragere a prafului furnizate.
- Vătămare de la contactul cu burghiile de frezare.
 - Burghiile foarte ascuțite și vor deveni fierbinți în timpul folosirii. Purtați mănuși la schimbarea burghiilor. Țineți întotdeauna ferite mâinile de zona de tăiere. Nu țineți NICIODATĂ piesa de prelucrat cu mâna sau între picioare. Asigurați piesa de prelucrat întotdeauna când acest lucru este posibil.

REDUCEREA RISCULUI

S-a reținut că vibrațiile de la sculele de mână pot contribui la starea numită Sindromul lui Raynaud, la anumite persoane. Simptomele pot include furnicături, amorțeală și albirea degetelor, care apare, de obicei, după expunerea la frig. Factori ereditari, expunerea la frig și umiditate, dieta, fumatul și practicile de muncă contribuie la dezvoltarea acestor simptome. Există măsurători care pot fi efectuate de către operator pentru a reduce efectele de vibrațiilor:

- Păstrați-vă temperatura corporală ridicată pe vreme rece. Când operați unitatea purtați mănuși pentru a vă menține mâinile și încheieturile la căldură. S-a constatat că vremea rece este un factor major care contribuie la sindromul Raynaud.
- După fiecare perioadă de operare, trebuie făcute exerciții pentru a crește circulația sângelui.
- Trebuie făcute pauze la intervale de timp regulate. Limitați expunerea zilnică.

Dacă sunt experimentate oricare dintre simptomele acestei afecțiuni, trebuie întreruptă utilizarea și consultat un medic.

⚠ AVERTISMENT

Poti fi cauzate, sau agravate vătămări prin folosirea prelungită a sculei. Atunci când folosiți o sculă pentru perioade prelungite, asigurați-vă că luați pauze regulate.

ASAMBLAREA

⚠ AVERTISMENT

Nu folosiți produsul dacă nu este complet asamblat sau dacă orice părți lipsesc sau sunt deteriorate. Folosirea unui produs care nu este corespunzător și complet asamblat sau care este deteriorat sau cu părți lipsă poate rezulta în vătămare personală gravă.

⚠ AVERTISMENT

Nu încercați să modificați această unealtă sau să creați accesorii nerecomandate a fi utilizate cu aceasta. Orice astfel de alterare sau modificare reprezintă o utilizare necorespunzătoare și poate rezulta în crearea de condiții periculoase ce pot conduce la rănirea dumneavoastră gravă.

CUNOAȘTEȚI-VĂ PRODUSUL.

Salt la pagina nr. 87.

1. Întrerupător pornire/oprire
2. Port acumulator
3. Resetare la zero
4. Buton rotativ de ajustare micrometrică a adâncimii
5. Carcasă motor
6. Scală de adâncime
7. Bază demontabilă
8. Pârghie de decuplare a motorului
9. Levier de fixare rapidă a lamei
10. Buton De Blocare A Axului
11. Soclu de 6,35 mm
12. Piulița mandrinei
13. Sub-bază pătrată
14. Cheie de serviciu
15. Soclu de 6 mm
16. Bit drept
17. Bare de ghidare
18. Ghid de tăiere paralelă

ÎNTREȚINEREA

⚠ AVERTISMENT

Produsul nu trebuie conectat niciodată la priză atunci când asamblați părțile, faceți reglaje, curățați sau faceți întreținerea, sau atunci când produsul nu este folosit. Deconectarea produsului va preveni pornirea accidentală ce poate cauza vătămare gravă.

- La efectuarea service-lui folosiți doar piese de schimb originale ale producătorului. Utilizarea altor piese poate crea situații periculoase sau poate conduce la deteriorarea produsului.

⚠ AVERTISMENT

Pentru o siguranță și fiabilitate sporită, toate reparațiile trebuie să fie efectuate la un centru service Ryobi autorizat.

GENERALITĂȚI

Evitați utilizarea solvenților atunci când curățați piesele din plastic. Majoritatea materialelor plastice pot să fie deteriorate prin utilizarea unor solvenți vânduți în comerț. Utilizați o cârpă curată pentru a curăța murdăriile, praful etc.

⚠ AVERTISMENT

Elementele din plastic nu trebuie să intre niciodată în contact cu lichid de frână, benzină, produse petroliere, uleiuri minerale etc. Aceste produse chimice conțin substanțe care pot afecta, slăbi sau distruge plasticul.

Praful de la gipscarton și tencuială este abrazivă și poate cauza defectarea prematură a produsului dacă este premis să intre în zona motorului. Folosiți întotdeauna accesoriul de extragere a prafului conectat la aspirator. Curățați complet produsul după folosire folosind o perie și aspiratorul. Fiți atent să nu împingeți mizeria în deschizăturile de ventilare. Nu folosiți aer comprimat pentru a curăța produsul întrucât praful și nisipul pot cauza vătămare serioasă a ochilor.

LUBRIFIEREA

Toți rulmenții din interiorul produsului sunt lubrifiați cu o cantitate suficientă de lubrifianț de calitate înaltă pentru durata produsului în condiții normale de folosire. În consecință, nici o ungere suplimentară nu este necesară.

PROTECȚIA MEDIULUI ÎNCONJURĂTOR



Reciclați materiile prime în loc să le aruncați la gunoi, împreună cu deșeurile menajere. Pentru a proteja mediul înconjurător, mașina, accesoriile acesteia și ambalajele trebuie triate.

SIMBOLURILE DE PE PRODUS.



Alertă de siguranță



Conformitate CE



Viteză în gol



Volți



Curent continuu



Număr de rotații sau de mișcări pe minut



Marcaj de conformitate EurAsian



Vă rugăm citiți instrucțiunile cu atenție înainte de pornirea aparatului.



Semn de conformitate ucrainean

10 066



Deșeurile produselor electrice nu trebuie săsc înlăturate împreună cu deșeurile casnice. Vă rugăm reciclați acolo unde există facilități. Verificați la autoritatea dvs locală sau la vânzător pentru sfaturi privind reciclarea.

SIMBOLURILE DIN MANUAL



Notă



Piese sau accesorii vândute separat



Deblocare



Piedică

Rmătoarele cuvinte simbol și înțelesul lor au intenția de a explica nivelele de risc asociate cu acest produs.

⚠ PERICOL

Indică o situație imediată de pericol, care dacă nu este evitată va rezulta în deces sau rănire gravă.

⚠ AVERTISMENT

Indică o situație potențială de pericol, care dacă nu este evitată poate rezulta în deces sau rănire gravă.

⚠ PRECAUȚIE

Indică o situație potențial periculoasă, care dacă nu este eviată, poate rezulta în vătămare minoră sau moderată.

PRECAUȚIE

(Fără simbol de alertă de siguranță) Indică o situație ce poate rezulta în distrugerea proprietății.

Radot jūsu virsfrēzi, drošībai, veiktspējai un uzticamībai ir pievērsta vislielākā vērība.

PAREDZĒTĀ LIETOŠANA

Viršfrēze ir paredzēta precīziem kokapstrādes darbiem. Izstrādājums ir piemērots malu apstrādei kokam un laminātu frēzēšanai.

Neizmantojiet ierīci citiem mērķiem, bet tikai tam paredzētajiem.

⚠ BRĪDINĀJUMS

Izlasiet visus drošības brīdinājumus un visas instrukcijas. Brīdinājumu un instrukciju neievērošana var izraisīt elektrošoku, aizdegšanos un/vai nopietnus ievainojumus.

Visus brīdinājumus un norādījumus saglabājiet turpmākām uziņām.

VIRŠFRĒZES DROŠĪBAS BRĪDINĀJUMI

- Izmantojiet skavu vai citus praktiskus veidus kā nodrošināt un nostiprināt darba rīku uz stabilas virsmas. Turot darbarīku rokās vai tuvu ķermenim, padara to nestabilu un var novest pie uzmanības zaudēšanas.
- Darbos, kuros instruments var saskarties ar slēptiem vadiem, turiet instrumentu aiz izolētajām satveršanas virsmām. Griezējinstrumenta saskare ar strāvu vadošajām vietām var padarīt arī atklātās metāla daļas vadošas un radīs operatoram elektrisko triecienu.
- Vienmēr izmantojiet uzgaļus ar pareizo kakliņa diametru, kas ir piemēroti izstrādājuma griešanās ātrumam.
- Iepazīstiet savu elektroinstrumentu. Rūpīgi izlasiet lietotāja rokasgrāmatu. Noskaidrojiet produkta lietošanas veidus un ierobežojumus, kā arī ar to saistīto specifisko potenciālo risku. Šī noteikuma ievērošana mazinās elektriskā trieciena, aizdegšanās un nopietnu traumu risku.
- Vienmēr nēsājiet aizsargbrilles ar sānu aizsargiem. Ikdienas brillēm ir tikai pret triecieniem izturīgas lēcas. Tās NAV drošības brilles. Ievērojot šo noteikumu, tiks samazināti acu ievainojumu riski.
- Aizsargājiet plaušas. Ja darbs ir putekļains, valkājiet putekļu masku. Šī noteikuma ievērošana samazinās smaga ievainojuma risku.
- Aizsargājiet dzirdi. Ilgāku darbības periodu laikā izmantojiet dzirdes aizsargapriekojumu. Šī noteikuma ievērošana samazinās smaga ievainojuma risku.
- Akumulatora izstrādājumi nav jāpieslēdz elektrotīklam; tādējādi tie vienmēr ir lietošanas gatavībā. Ņemiet vērā, ka riski pastāv arī tīkmēr, kamēr akumulatora izstrādājums netiek lietots un kamēr jūs maināt piederumus. Šī noteikuma ievērošana mazinās elektriskā trieciena, aizdegšanās un nopietnu traumu risku.

- **Nenovietojiet akumulatoru izstrādājumus vai to akumulatorus uguns vai karstuma avotu tuvumā.** Tas mazinās eksploziju un traumu risku.
- **Nespiediet, nemetiet un nebojājiet akumulatoru komplektu. Nelietojiet akumulatoru komplektu vai lādētāju, kas nokritis zemē vai saņēmis spēcīgu triecienu.** Bojāts akumulators var uzsprāgt. Nokritis vai bojāts akumulators nekavējoties pareizi jāutilizē.
- **Akumulatori var uzsprāgt, ja tuvumā ir aizdegšanās ierosinātājs, piemēram, signāllampīna.** Lai mazinātu nopietnu traumu risku, nelietojiet bezvadu izstrādājumus atklātās liesmas tuvumā. Eksplozējis akumulators var izdalīt neīrsumus un ķīmiskās vielas. Saskares gadījumā nekavējoties nomazgājiet ar ūdeni.
- **Nelādējiet akumulatora izstrādājumu mitrā vietā.** Šī noteikuma ievērošana mazinās elektriskā trieciena.
- **Labāku rezultātu sasniegšanai jūsu akumulatora izstrādājumu ir jālādē vietā, kurā temperatūra ir augstāka par 10°C, bet zemāka par 38°C.** Neuzglabājiet ārpus telpām vai transportlīdzekļos.

- Izmantojot ekstrēmos apstākļos vai temperatūrās, akumulatoram var rasties noplūde. Ja šķidrums no baterijām nonāk uz jūsu ādas, nekavējoties mazgājiet ar ziepēm un ūdeni. Ja šķidrums iekļūst acīs, skalojiet tās ar tīru ūdeni vismaz 10 minūtes, pēc tam nekavējoties meklējiet medicīnisko palīdzību. Šī noteikuma ievērošana samazinās smaga ievainojuma risku.
- **Saglabājiet šīs instrukcijas.** Bieži pārlasiet šos norādījumus un izmantojiet tos citu iespējamo lietotāju instruēšanai. Ja kādam aizdodat šo instrumentu, aizdodiet arī šos norādījumus.

⚠ BRĪDINĀJUMS

Vienmēr padodiet precī pret rīpas rotācijas virzienu. Ja padeve notiek darba uzgaļa griešanās virzienā, tā griešanās rotācijas spēks centīsies atgrūst instrumentu nost no apstrādājamā materiāla. Tas var izraisīt kontroles pār izstrādājumu zaudēšanu.

LITIJA AKUMULATORU PĀRVADĀŠANA

Pārvadājiet akumulatoru saskaņā ar vietējiem un valsts nosacījumiem un noteikumiem.

Ja akumulatoru pārvadāšanu veic trešā puse, ievērojiet visas īpašās prasības par iepakojšanu un marķēšanu. Transportējot nodrošiniet, lai akumulatori nesaskaras ar citiem akumulatoriem vai vadošiem materiāliem, atsegtos savienotājus aizsargājot ar izolējošiem, nevadošiem vāciņiem vai lenti. Nepārvietojiet akumulatorus, kas ir iekļūti vai ar noplūdi. Konsultējieties ar pārsūtīšanas uzņēmumu.

PALIEKOŠIE RISKI

Pat tad, ja ierīce tiek lietota, kā aprakstīts, joprojām nav iespējams pilnībā novērst atsevišķus riska faktorus. Lietošanas laikā var rasties šādas briesmas un strādniekam īpaša uzmanība jāpievērš šim:



- Vibrācijas radīti bojājumi
 - Ierobežojiet iedarbību. Skatīt "Risku Samazināšana".
- Lidojošu atkritumu izraisīti savainojumi.
 - Vienmēr nēsājiet acu aizsardzību.
- Putekļu izraisītas traumas
 - Valkājiet atbilstošu putekļu aizsargmasku ar piemērotiem filtriem, kas var pasargāt no putekļiem. Darba vietā neēdiet, nedzeriet un nesmēķējiet. Nodrošiniet atbilstošu ventilāciju un izmantojiet putekļu savākšanai paredzētos pievienotos piederumus.
- Miesas bojājumi no saskares ar griezējasmēni
 - Asmeņi ir ļoti asi un lietošanas laikā uzkarst. Asmeņu nomaināšanas laikā valkājiet cimdus. Vienmēr turiet rokas drošā attālumā no griešanas vietas. Nekādā gadījumā neturiet zāgējamo sagatavi rokās vai pāri kājām. Nostipriniet apstrādājamo materiālu, kad vien iespējams.

RISKA SAMAZINĀŠANA

Ir ziņots, ka rokās turamu preču vibrācijas dažām personām var veicināt „Reino sindromu”. Simptomi var ietvert pirkstu tīkšķēšanu, nejutīgumu un nobālēšanu, parasti aukstā laikā. Tiek uzskatīts, ka tradicionālie faktori, aukstums un mitrums, uzturs, smēķēšana un darba prakse sekmē šo simptomu attīstību. Operators var veikt pasākumus, lai iespējami samazinātu vibrācijas efektu:

- Aukstā laikā ķermenim jābūt siltam. Darbinot ierīci, nēsājiet cimdus, lai rokas un plaukstas locītavas būtu siltas. Ir pētījumi, ka auksts laiks ir galvenais faktors, kas veicina Reino sindromu.
- Ik pēc laika apturiet darbu un veiciet vingrinājumus, kas uzlabo asins cirkulāciju.
- Strādājot jābūt biežiem pārtraukumiem. Ierobežojiet iedarbības ilgumu dienā.

Ja jūs izjūtat kādu no šiem simptomiem, nekavējoties apturiet ierīces lietošanu un sazinieties ar ārstu par šiem simptomiem.

⚠ BRĪDINĀJUMS

Ilgstoša instrumenta lietošana var izraisīt traumas vai pasliktināt veselības stāvokli. Ilgstoši lietojot jebkuru instrumentu, pārliecinieties, ka tiek veikti regulāri pārtraukumi.

MONTĀŽA

⚠ BRĪDINĀJUMS

Produktu nedrīkst lietot, ja tas nav pilnīgi samontēts, vai šķietami trūkst detaļas vai tās ir bojātas. Ja produkts nav pareizi vai pilnīgi samontēts, vai, ja tam trūkst vai ir bojātas detaļas, tā lietošana var izraisīt nopietnus miesas bojājumus.

⚠ BRĪDINĀJUMS

Nemēģiniet modificēt šo instrumentu vai izveidot piederumus, kas nav paredzēti lietošanai ar šo rīku. Jebkādas šādas izmaiņas vai modifikācijas ir lietošanas noteikumu pārkāpums, kas var radīt nopietnu traumu risku.

IERĪCES IEPAZĪŠANA

Skatīt 87. lpp.

1. Ieslēgšanas/izslēgšanas slēdzis
2. Akumulatora savienojuma ligzda
3. Sākuma (nulles) iestatīšana
4. Smalkā dziļuma regulēšanas poga
5. Motora korpusi
6. Dziļuma skala
7. Noņemama pamatne
8. Motora atbrīvošanas svira/Motor release lever
9. Atrās atbrīvošanas svira
10. Vārpstas bloķēšanas poga
11. 6,35 mm ietvars
12. Patronas uzgrieznis
13. Kvadrātveida apakšējā pamatne
14. Uzgrieznis
15. 6 mm ietvars
16. Taisnā frēze
17. Vadulu stiepi
18. Malas vadotne

APKOPE

⚠ BRĪDINĀJUMS

Produktu nekad nedrīkst pievienot barošanas padevei, veicot daļu montāžu, regulēšanu, tīrīšanu vai apkopi, kā arī laikā, kad tas netiek izmantots. Atvienojot produktu, tiek novērsta nejauša ieslēgšanās, kas var izraisīt nopietnu traumu.

- Veicot apkopi, izmantojiet tikai oriģinālās ražotāja rezerves daļas. Jebkādi citu detaļu izmantošana var izraisīt bīstamību vai produkta bojājumus.

⚠ BRĪDINĀJUMS

Lielākai drošībai un uzticamībai, visus remontdarbus jāveic Ryobi pilnvarotam servisa centram.

VISPĀRĪGI

Tīrot plastmasas daļas, izvairieties no šķīdinātāju lietošanas. Vairums plastmasu ir jutīgas pret dažāda veida pārdošanā esošajiem šķīdinātājiem un to izmantošanas rezultātā var tikt bojātas. Izmantojiet tīru drānu, lai notīrītu netīrumus, ogļekļa putekļus utt.

EN
FR
DE
ES
IT
NL
PT
DA
SV
FI
NO
RU
PL
CS
HU
RO
LV
LT
ET
HR
SL
SK
BG
UK
TR
EL



⚠ BRĪDINĀJUMS

Nekad neļaujiet bremžu šķidrums, benzīnam, naftas produktiem, piesūcināšanas eļļām, utt., nonākt kontaktā ar plastmasas detaļām. Ķīmiskā iedarbība var sabojāt, novājināt vai iznīcināt plastmasas detaļas.

Putekļi, kas rodas no ģipša un sienām, ir abrazīvi un, iekļūstot motora korpusā, var izraisīt priekšlaicīgu ierīces sabojāšanos. Vienmēr izmantojiet putekļu savācēju, kas pievienots putekļu sūcējam. Pēc lietošanas rūpīgi notīriet ierīci ar birsti vai putekļu sūcēju. Uzmanieties, lai neiestumtu putekļus ventilācijas atverēs. Neizmantojiet saspieztu gaisu, lai tīrītu precī, jo putekļi un smiltis var radīt nopietnus acu savainojumus.

EĻĻOŠANA

Visi izstrādājuma gultņi tiek eļļoti ar pietiekamu augstas kvalitātes smērvielas daudzumu, lai nodrošinātu produkta kalpošanas laiku normālos lietošanas apstākļos. Tāpēc papildu eļļošana nav nepieciešama.

VIDES AIZSARDZĪBA



Tā vietā, lai izejmateriālus izmetu atkritumos, nododiet tos otrreizējai pārstrādei. Mašīna, aksesuāri un iepakojums ir jāsašķiro un jānodod videi draudzīgā atkārtotas pārstrādes vietā.

UZ PRECES ESOŠIE SIMBOLI



Drošības brīdinājums



CE atbilstība



Apgriezieni bez slodzes



Volti



Līdzstrāva



Apgriezieni minūtē



EurAsian atbilstības marķējums



Pirms iedarbināt mašīnu, lūdz rūpīgi izlasiet instrukcijas.



Ukrainas apstiprinājuma zīme

TR 066



Izlietotie elektroprodukti nedrīkst tikt izmesti kopā ar mājtsaimniecības atkritumiem. Lūdz, nododiet tos attiecīgajās atkārtotās izmantošanas vietās. Sazinieties ar savu vietējo varas pārstāvi vai izplatītāju, lai noskaidrotu, kur iespējama atkārtota pārstrāde.

SIMBOLI ROKASGRĀMATĀ



Piezīme



Atsevišķi nopērkamās daļas vai piederumi



Atbloķēt



Bloķētājs

Lai izskaidrotu risku, kas saistīti ar izstrādājumu, līmeni, paredzēti šādi norādījuma vārdi un jēdzieni.

⚠ BĪSTAMI

Norāda uz nenovēršami bīstamu situāciju, kas, ja netiks novērsta, izraisīs nāvi vai nopietnus miesas bojājumus.

⚠ BRĪDINĀJUMS

Norāda uz potenciāli bīstamu situāciju, kas, ja netiks novērsta, var izraisīt nāvi vai nopietnus miesas bojājumus.

⚠ UZMANĪBU

Norāda uz potenciāli bīstamu situāciju, kas, ja netiek novērsta, var izraisīt vieglus vai vidējus miesas bojājumus.

UZMANĪBU

(Bez drošības trauksmes simbola), kas norāda, uz situāciju, kas var novest pie īpašuma bojājuma.



Kuriant briaunų frezavimo įrenginio konstrukciją, didžiausia pirmenybė buvo skiriama saugai, našumui ir patikimumui.

NAUDOJIMO PASKIRTIS

Briaunų frezavimo įrenginys skirtas tiksliems medienos apdirbimo darbams atlikti. Šis gaminys idealiai tinka medinių dirbinių kraštams formuoti ir laminatų briaunoms frezuoti.

Gaminį galima naudoti tik pagal paskirtį.

ĮSPĖJIMAS

Perskaitykite visus saugos įspėjimus ir visą instrukciją. Įspėjimų ir instrukcijų nesilaikymas gali sukelti elektros smūgį, gaisrą ir (ar) sunkius sužeidimus.

Kad tinkamai naudotumėte įrankį, žr. visus perspėjimus ir nurodymus.

BRIAUNŲ FREZAVIMO ĮRENGINIO NAUDOJIMO SAUGOS Taisyklės

- Spaustuvais ar kitu praktiniu būdu pritvirtinkite ir atremkite ruošinį prie stabilaus paviršiaus. Ruošinį laikant ranka ar atrėmus į savo kūną, ruošinys yra nestabilus, todėl galite jo nesuvaldyti.
- Elektrinį įrankį laikykite už izoliuotų paviršių, kad darbo metu pjovimo įrankio priedas nesusiliestų su paslėptais laidais. Pjovimo metu priedas, prisilietęs prie laido, prijungto prie maitinimo šaltinio, gali aktyvuoti metalines elektrinio įrankio detales ir sukelti operatoriui elektros smūgį.
- Visuomet naudokite tinkamo koto skersmens grąžtus, atitinkančius produkto greitį.
- Pažinkite savo elektrinį įrankį. Atidžiai perskaitykite vartotojo vadovą. Susipažinkite su įrankio naudojimo paskirtimis ir apribojimais, o taip pat ir su įrankiu susijusiais specialiais galimais pavojais. Laikantis šių nurodymų, sumažinamas elektros smūgio, gaisro ar sunkių sužeidimų pavojus.
- Visada dėvėkite apsauginius akinius su šonine apsauga. Įprasti akiniai turi tik smūgiams atsparius stiklus. Jie NĖRA apsauginiai akiniai. Vadovaudamiesi šia taisykle, sumažinsite pavojų susižaloti akis.
- Saugokite plaučius. Dėvėkite kaukę nuo dulkių, jei tektų dirbti ten, kur išsiskiria dulkės. Laikantis šio nurodymo, sumažinamas sunkių sužeidimų pavojus.
- Saugokite klausą. Dirbdami ilgesnį laiką, dėvėkite klausos apsaugos priemones. Laikantis šio nurodymo, sumažinamas sunkių sužeidimų pavojus.
- Baterinių įrankių prie maitinimo šaltinio prijungti nereikia, todėl jie visuomet paruošti naudoti. Kai baterinio produkto nenaudojate ar keičiate jo priedus, nepamirškite apie galimą pavojų. Laikantis šių nurodymų, sumažinamas elektros smūgio, gaisro ar sunkių sužeidimų pavojus.
- Baterinių įrankių ar jų baterijų nelaikykite prie ugnies ar karščio. Taip sumažinsite sprogoimo ir

sužeidimų pavojų.

- **Niekada nebandykite baterijos paketo suspausti, numesti ar pažeisti.** Numesto ar aštriu daiktu pažeisto baterijos paketo ar kroviklio nenaudokite. Pažeista baterija gali sprogti. Nedelsdami numestą ar pažeistą bateriją tinkamai pašalinkite.
- **Baterijos gali sprogti esant uždegimo šaltiniui, pvz. kontrolinei lemputei.** Siekiant sumažinti rimtų sužeidimų pavojų, esant atvirai liepsnai niekada nenaudokite jokių bevielių prietaisų. Sprogusi baterija gali išmesti į orą atliekas ir chemikalus. Jiems patekus ant kūno, nedelsdami jį plaukite vandeniu.
- **Produkto nekraukite drėgnose ar šlapiose vietose.** Laikantis šių nurodymų, sumažinamas elektros smūgio pavojus.
- **Siekiant geriausių rezultatų, akumuliatorių reikia įkrauti vietoje, kurioje temperatūra aukštesnė nei 10 °C, bet žemesnė nei 38°C.** Nelaikykite lauke ar transporto priemonėse.
- **Naudojant prietaisą ekstremaliomis sąlygomis ar netinkamoje temperatūroje, baterija gali pradėti tekėti.** Ant odos patekus skysčio, jį reikia nedelsiant nuplauti muilu ir vandeniu. Skysčiui patekus į akis, jas plaukite švariu vandeniu bent 10 minučių ir nedelsiant kreipkitės į gydytojus pagalbos. Laikantis šio nurodymo, sumažinamas sunkių sužeidimų pavojus.
- **Išsaugokite šias instrukcijas.** Dažnai perskaitykite instrukciją, panaudokite ją kitiems, su prietaisu dirbantiems asmenims apmokyti. Jeigu kam nors paskolinatė šį įrankį, tai kartu perduokite ir vartotojo instrukciją.

ĮSPĖJIMAS

Įtaisą reikia dėti ant ruošinio priešinga pjovimo antgalio sukimuisi kryptimi. Gaminiai susilietus su besisukančiu grąžtu, išcentrinė sukimosi jėga įrankį gali nublokšti į šoną. Taip galima prarasti produkto kontrolę.

LIČIO BATERIJŲ GABENIMAS

Gabenkite bateriją pagal įmonės ir valstybinius reikalavimus ir taisykles.

Gabendama baterijas, trečioji šalis privalo vadovautis ant pakuotės ar etikečių nurodytais specialiaisiais reikalavimais. Pasirūpinkite, kad gabenant baterijos nesusiliestų su kitomis baterijomis ar laidžiomis medžiagomis: ant jungiamųjų elementų uždėkite izoliuojančius, nelaidžius apsauginius dangtelius arba šiuos elementus apvyniokite juosta. Negabenkite įtrūkusių ar pratekančių baterijų. Išsamesnio patarimo kreipkitės į gabentojo įmonę.

ŠALUTINIS PAVOJUS

Net naudojant gaminį griežtai pagal paskirtį neįmanoma visiškai atmesti kai kurių liktinių rizikos veiksnių. Naudojant gali kilti toliau nurodyti pavojai ir naudotojas turi būti ypatingai atsargus, kad išvengtų šių pavojų:

- Vibracijos sukeltami pažeidimai
 - Ribokite buvimą darbo aplinkoje. Žr. "Rizikos



Veiksnių Mažinimas“.

- Iššokančių nuolaužų sukeliama trauma
– Būtinai dėvėti akių apsaugą.
- Dulkių sukeliama žala
– Dėvėkite tinkamą dulkių apsauginę kaukę su specialiais filtrais, galinčiais apsaugoti nuo dulkių, kurias sukelia apdirbama medžiaga. Darbo vietoje negalima valgyti, gerti ar rūkyti. Patalpa turi būti tinkamai vėdinama, įjungiant įrenginio komplekte pateikiamą dulkių ištraukimo įrangą.
- Sužeidimai prisilietus prie pjovimo antgalių
– Antgaliai labai aštrūs ir pjaunant įkaista. Keičiant antgalius, reikia mūvėti pirštines. Rankas būtinai reikia laikyti atokiai nuo pjovimo srities. Niekada pjaunamo ruošinio nelaikykite rankose ar ant kojų. Įtvirtinkite ruošinį, jei tik tai įmanoma.

RIZIKOS MAŽINIMAS

Pranešama, kad rankinių įrankių keliamos vibracijos kai kuriems asmenims gali paskatinti Reino sindromo vystymąsi. Šios ligos požymiai yra pirštų dilgčiojimas, nutirpimas ir pabalimas, paprastai pasireiškiantis nuo šalčio. Šie simptomai vystosi dėl paveldimų veiksnių, nesisaugant nuo šalčio ir drėgmės, dėl mitybos, rūkymo ir darbo praktikos. Operatorius gali imtis šių priemonių, kurios gali sumažinti vibracijos poveikį:

- Apsirenkite kuo šilčiau šaltu oru. Dirbant šiuo prietaisu mūvėkite pirštines, kad plaštakos ir riešai būtų laikomi šiltai. Turime pranešimų, kad Raynaud sindromas labiausiai vystosi nuo šalto oro sąlygų.
- po darbo kiekvieną kartą pasportuokite, kad pagerėtų kraujo apytaka;
- dažnai darykite darbo pertraukas. Apribokite darbo laikotarpį per dieną.

Jei jums pasireiškia kokie nors šios būklės simptomai, nedelsdami nutraukite darbą ir kreipkitės į gydytoją.

⚠ ĮSPĖJIMAS

Ilgai naudojant įrankį, galima susižaloti arba pakenkti sveikatai. Ilgiau naudojant įrankius, reikia reguliariai daryti pertraukas.

MONTAVIMAS

⚠ ĮSPĖJIMAS

Negalima naudoti gaminio, jeigu jis ne visiškai surinktas arba trūksta jo dalių ar jos pažeistos. Naudojant netinkamai ar ne visiškai surinktą arba su pažeistomis ar trūkstamomis dalimis gaminį, galima patirti sunkių traumų.

⚠ ĮSPĖJIMAS

Nerekomenduojama keisti šio įrankio ar jam pritaikyti papildomų detalių, kurios su šiuo įrankiu naudoti nerekomenduojamos. Bandytas jas keisti ar modifikuoti laikoma netinkamu naudojimu, galinčiu sukelti pavojingą situaciją ir jus sunkiai sužeisti.

GERAI IŠMANYKITE APIE GAMINĮ

Žiūrėti 87 psl.

1. Įjungimo / išjungimo mygtukas
2. Baterijos gnybtas
3. Nulio atitaisymo nuostata
4. Itin tikslaus gylio nustatymo rankenėlė
5. Variklio korpusas
6. Gylio skalė
7. Nuimamas pagrindas
8. Variklio atlaisvinimo svirtis
9. Greito atleidimo svirtis
10. Ašies užrakinimo mygtukas
11. 6,35 mm įvorė
12. Žiedo veržlė
13. Kvadratinis papildomas pagrindas
14. Veržliaraktis
15. 6 mm įvorė
16. Tiesusis antgalis
17. Kreipiamosios
18. Krašto kreiptukas

PRIEŽIŪRA

⚠ ĮSPĖJIMAS

Perforatoriaus jokių būdu negalima jungti į maitinimo šaltinį montuojant dalis, reguliuojant, valant, atliekant priežiūros darbus ar jo nenaudojant. Atjungus perforatorių, jis nepasileis atsitiktinai: atsitiktinai pasileidęs, šis įrankis gali sunkiai sužaloti.

- Atliekant techninės priežiūros darbus, galima naudoti tik gamintojo atsargines dalis. Kitų detalių naudojimas gali sukelti pavojų ar sugadinti įrankį.

⚠ ĮSPĖJIMAS

Siekiant užtikrinti didesnę saugumą ir patikimumą, visus taisymo darbus turi atlikti įgaliotas "Ryobi" techninio aptarnavimo centras.

PAGRINDINIAI

Valydami plastines detales, nenaudokite tirpiklių. Daugelis plastikų jautrūs įvairių tipų komerciniams tirpikliams ir juos naudojant galima pažeisti plastines detales. Valydami purvą, anglies dulkes ir kt. naudokite švarią šluostę.

⚠ ĮSPĖJIMAS

Būkite atsargūs, kad ant plastikinių detalių nepatektų stabdžių skysčio, benzino, naftos turinčių produktų, tepalo ir pan. Juose yra chemikalų, kurie gali sugadinti, pažeisti arba susilpninti plastiką.

Tinko ar gipskartonio dulkės šiuurkščios ir patekusios į variklio skyrelį gali sugadinti gaminį, nepasibaigus jo naudojimo laikui. Būtinai naudokite dulkių ištraukimo įtaisą, prijungtą prie dulkių siurblio. Panaudojus gaminį, jį reikia kruopščiai išvalyti šepetiu ir dulkių siurbliu. Būkite atsargūs, kad valant dulkių nepatektų į ventiliacijos angas. Gaminio negalima valyti suspaustu oru, nes dulkės ir smiltys gali sunkiai sužeisti akis.

SUTEPIMAS

Kad įprastomis darbo sąlygomis perforatorius ilgai nesusidėvėtų, visi jo guoliai sutepti reikiamu kiekiu aukštos klasės tepalo. Todėl daugiau jo tepti nebereikia.

APLINKOS APSAUGA



Žaliavines medžiagas perdirbkite pakartotinai, o ne išmeskite kaip atliekas. Mechanizmas, priedai ir pakuotės turi būti laikomi pakartotinai perdirbti aplinkai nekenksmingu būdu.

SIMBOLIAI ANT ĮRENGINIO



Saugos perspėjimas



CE atitiktis



Greitis be apkrovimo



Voltai



Nuolatinė srovė



Apsukos ar judėjimas per minutę



„EurAsian“ atitikties ženklas



Atidžiai perskaitykite instrukcijas prieš pradėdami naudoti mechanizmą.



Ukrainos atitikties ženklas



Elektrinių produktų atliekos neturi būti metamos kartu su namų ūkio atliekomis. Prašome perdirbkite jas ten, kur yra tokios perdirbimo bazės. Dėl perdirbimo patarimo kreipkitės į savo vietinę savivaldybę ar pardavėją.

SIMBOLIAI VADOVE



Pastaba



Detalės arba priedai yra parduodami atskirai



Atrakinti



Bloškėtąjs

Šie signaliniai žodžiai yra skirti nurodyti su prietaiso naudojimu susijusio pavojaus lygį.

⚠ PAVOJUS

Rodo grėšiančią pavojingą situaciją, kurios neišvengus galima patirti mirtiną arba sunkų sužalojimą,

⚠ ĮSPĖJIMAS

Rodo potencialiai pavojingą situaciją, kurios neišvengus galima patirti mirtiną arba sunkų sužalojimą.

⚠ ATSARGIAI

Rodo potencialiai pavojingą situaciją, kurios neišvengus galima patirti nesunkų arba vidutinio sunkumo sužalojimą.

ATSARGIAI

(Be įspėjamojo šauktuko) Reiškia situaciją, kurioje galima sugadinti turtą.



Profilifreesi juures on peetud esmatähtsaks ohutust, töövõimet ja töökindlust.

OTSTARBEKOHANE KASUTAMINE

Profilifrees on mõeldud täpsust nõudvate puidutööde jaoks. Toode sobib suurepäraselt puiduserva vormimiseks ja laminaadi trimmimiseks.

Ärge kasutage seadet ühelgi muul viisil kui mainitud sihtstarbeks.

HOIATUS

Lugege kõik ohuhoiatused ja juhised läbi. Hoiatuse ja juhiste eiramise puhul on oht saada elektrilööki või raskeid kehavigastusi ning/või põhjustada tulekahju.

Hoidke kõik hoiatused ja juhised edaspidiseks juhendumiseks alles.

PROFIILFREESI OHUTUSJUHISED

- **Kinnitage toorik kindlale alusele kasutades pitskruvi või muu kinnitiga kinnitamist.** Tooriku käega kinnihoimisel või enda keha vastas hoimisel ei ole see kindlalt paigal ja võib põhjustada kontrolli kaotamise tööriista üle.
- **Töötamisel kohtades, kus löikeriist võib kokku puutuda varjatud elektrijuhtmetega, hoidke tööriista kinni ainult isoleeritud käepidemetest.** Kui kinnitusdetail või puur satub kontakti pingele all olevate juhtmetega, jäävad tööriista isoleerimata metallosad pingele alla ja kasutaja võib saada elektrilöögi.
- **Kasutage alati vart, mille läbimõõt sobib toote kiirusega.**
- **Õppige oma tööriista tundma.** Lugege kasutusjuhend tähelepanelikult läbi. Õppige tundma seadme kasutusalasid ja piiranguid ning nendega seotud eriohtusid. Juhiste jälgimine vähendab elektrilöögi, tulekahju ja raske kehavigastuse ohtu.
- **Kasutage alati kaitseprille, mis kaitsevad silmi ka külgedelt.** Tavalistel prillidel on vaid löögikindluse läätsed. Need EI ole kaitseprillid. Selle reegli järgimine vähendab silmade kahjustamise riski.
- **Kaitske oma hingamisorganeid.** Tolmustes kohtades töötamisel kandke näomaski või respiraatorit. Selle juhise järgimine vähendab raske kehavigastuse ohtu.
- **Kaitske oma kuulmist.** Pikaajalisel töötamisel kasutage kuulmiskaitsevahendeid. Selle juhise järgimine vähendab raske kehavigastuse ohtu.
- **Akutoitega seadmeid ei pea pingestamiseks vooluvõrgu pistikupessa ühendama – need on pingele all kogu aeg.** Akutoitega seadme kasutamisel või selle tarvikute vahetamisel olge võimaliku ohu vältimiseks väga ettevaatlik. Juhiste jälgimine vähendab elektrilöögi, tulekahju ja raske kehavigastuse ohtu.

- **Ärge jätke akusid või toiteelemente lahtise tule lähedusse või kuuma kohta.** Selle juhise järgimine vähendab plahvatuse ja võimaliku kehavigastuse ohtu.
- **Ärge akupaketile lööge, ärge laske seda maha kukkuda ega vigastage muul moel.** Ärge kasutage akut või laadijat, mis on maha kukkunud või tugeva löögi saanud. Vigastatud aku võib plahvatada. Andke mahakukkunud või vigastatud aku kohe üle jäätmekäitlusettevõttele.
- **Aku võib süüteallika toimel, näiteks süüteleegist plahvatada.** Raske kehavigastuse vältimiseks ärge kasutage akutoitega seadet kunagi lahtise leegi läheduses. Plahvatavast akut võivad tükid ja kemikaalid välja paiskuda. Kokkupuutumisel peske need veega maha.
- **Ärge laadige akut niiskes või märjas kohas.** Selle juhise järgimine vähendab elektrilöögi ohtu.
- **Parima tulemuse saamiseks peab akut laadima kohas, kus temperatuur jääb vahemikku +10 °C kuni 38 °C.** Ärge hoiustage väljas ega sõidukites.
- **Aku kasutamisel äärmuslikes tingimustes või piirtemperatuuridel võib aku lekkima hakata.** Kui akuvedelik satub nahale, siis peske see vee ja seebiga maha. Kui akuvedelik satub silma, loputage silmi vähemalt 10 minuti jooksul puhta veega ja pöörduge seejärel näivitatult arsti poole. Selle juhise järgimine vähendab raske kehavigastuse ohtu.
- **Hoidke käesolev juhend alles.** Lugege juhend aeg-ajalt uuesti läbi ja kasutage seda teiste juhendamiseks, kes võivad seda tööriista kasutada. Kui tööriista välja laenate, siis andke käesolev kasutusjuhend kaasa.

HOIATUS

Juhtige ülafreesi toorikusse vastu freesimisotsaku pöörlemissuunda. Kui pealeandmine toimub tüki pöörlemissuunas, võib pöörleva tüki pöörlemisjõud tööriista detailist eemale tõugata. See võib põhjustada toote kontrolli alt väljumise.

LITIUMAKUDE TEISALDAMINE

Akude transportimisel juhendage kasutuskohas kehtivatest ja riiklikest määrustest ja eeskirjadest.

Akude transportimisel allettevõtjate poolt järgige kõiki spetsiaalseid pakkimise ja tähistamise nõudeid. Veenduge, et akud ei satu kokkupuutesse teiste akude ega voolu juhtivate materjalidega, transportimise ajal kaitske klemme voolu mittejuhtivate isoleerkatete või teibiga. Ärge transportige pragunenud või lekkivaid akusid. Küsige lisateavet transportettevõtelt.

JÄÄKRISKID

Isegi siis, kui seadet kasutatakse kirjeldatud viisil, ei ole võimalik kõrvaldada kõiki jääkriskide mõjureid. Töötamise ajal võivad tekkida järgmised ohud, millele operaator peab pöörama erilist tähelepanu.

- Vibratsioonist põhjustatud kehavigastus



- Piirake kokkupuudet. Consulte el apartado “Reducción De Riesgos”.
- Väljapaiskunud prahist põhjustatud vigastus
 - Kandke alati silmakaitsevahendeid.
- Tolmust põhjustatud kehavigastus
 - Kandke tolmutmaski, millel on ettenähtud filtrid, mis kaitsevad materjalist tekkiva tolmu ja abrasiivmaterjalide peenosakeste eest. Ärge töökohal sööge, jooge ega suitsetage. Tagage piisav ventilatsioon ja kasutage tolmu eraldamise tarvikud, mis on seadme kompleksis.
- Freesimisotsakuga kokkupuutest tingitud kehavigastus.
 - Freesimisotsakud on väga teravad ja kuumenevad kasutamise ajal. Kandke freesimisotsakute vahetamise ajal kaitsekindaid. Hoidke käed alati lõikamispiirkonnast eemal. Ärge mingil juhul hoidke lõigatavat detaili oma käes või jala peal. Võimaluse korral kinnitage töödeldav detail.

RISKI ALANDAMINE

Teadaolevalt võib käsitööriistade kasutamine põhjustada mõnedel inimestel seisundit, mida nimetakse Raynaud' sündroomiks. Los síntomas pueden incluir hormigueo, entorpecimiento y decoloración de los dedos, generalmente aparentes cuando tiene lugar una exposición al frío. Nende sümptomite puhul tuleb hoiduda külmast ja niiskusest, dieedist ning suitsetamisest ja kasutada õigeid töövõtteid. Vibratsiooni mõju vähendamiseks tuleb rakendada järgmisi abinõusid.

- Külma ilmaga hoidke oma keha soe. Kandke kindaid, et hoida oma käed ja randmed soojad. Uuringud näitavad, et Raynaud's Syndrome ilmneb põhiliselt külma ilmaga.
- Pärast külmas töötamist tehke harjutusi, et verevarustust kiirendada.
- Tehke regulaarselt töövaheaegasid. Piirake tööperioodi pikkust.

Kui ilmnevad haigustunnused, lõpetage kohe töö ja pöörduge arsti poole.

⚠ HOIATUS

Seadme pikaajalisel kasutamisel võite saada kehavigastusi või vigastused võivad süveneda. Seadme kasutamisel pika aja jooksul tuleb teha korralisi vaheaegasid.

KOKKUPANEK

⚠ HOIATUS

Ärge kasutage seadet, kui see pole lõplikult paigaldatud, mõni osa puudub või on vigastatud. Ebaõigesti paigaldatud, puudulikult kokku pandud, vigastatud või puuduvate osadega seadme kasutamine võib põhjustada raske kehavigastuse.

⚠ HOIATUS

Ärge püüdke ümber ehitada ega luua lisaseadmeid, mida pole soovitatud selle tööriistaga koos kasutada. Igasugune konstruktsiooni muutmine või ümberehitamine on väärkasutamine ja põhjustab ohtliku olukorra, mis võib tekitada raske kehavigastuse.

ÕPPIGE OMA TOODET TUNDMA

Vt lk 87.

1. „Sisse/välja“-lülitid
2. Aku ühenduspesa
3. Nullseade
4. Lõikesügavuse täppisreguleerimise nupp
5. Mootori korpus
6. Sügavusskaala
7. Eemaldatav alus
8. Mootori vabastushoob
9. Kiirvabastushoob
10. Spindli lukustusnupp
11. 6,35 mm tsang
12. Tsangi mutter
13. Ruudukujuline alus
14. Võti
15. 6 mm tsang
16. Sirgfrees
17. Juhtlatid
18. Servajuhik

HOOLDUS

⚠ HOIATUS

Seade ei tohi mingil juhul olla toitepinge all sel ajal kui kinnitate selle osi, teete reguleerimistoiminguid, puhastate või hooldate seadet ning siis kui seda ei kasutata. Seadme elektrivõrgust lahtiühendamine väldib selle tahtmatu käivitumise, mis võib põhjustada raske kehavigastuse.

- Kasutage hooldamisel ainult tootja originaalvaruosi. Muude osade kasutamine võib tekitada ohuolukorra ja põhjustada seadme vigastumise.

⚠ HOIATUS

Kõik remonttööd tuleb lasta teha Ryobi volitatud hoolduskeskuses, et tagada masina ohutus ja töövõime.

ÜLDKIRJELDUS

Vältige plastosade puhastamisel lahustite kasutamist. Enamik plaste on tundlikud kaubandusvõrgust saadaolevate lahustite suhtes ja võivad nende mõjul oma omadusi kaotada. Tolmust, õlist, määrdest ja muust mustusest puhastamiseks kasutage puhast riidelappi.

⚠ HOIATUS

Ärge lubage mitte kunagi pidurivedelikel, bensiinil, petrooleumist valmistatud toodetel, immutusõlidel jne puutuda kokku plastikosadega. Kemikaalid võivad kahjustada, nõrgendada või hävitada plastiku.

Kipsplaadi ja seinaplaatide tolm on abrasiivne ja võib põhjustada seadme tõrkeid, kui sellel lasta mootori sisemusse sattuda. Kasutage alati tolmueemalduse tarvikuid, mis on ühendatud imuriga. Puhastage seade pärast kasutamist põhjalikult harja või imuriga. Olge ettevaatlik, et mustus ei pääseks puhastamise ajal ventilatsioonivädesse. Ärge kasutage seadme puhastamiseks suruõhku, sest tolm ja kübemed võivad põhjustada raskeid silmavigastusi.

MÄÄRIMINE

Kõik selle tööriista laagrid on tehases täidetud piisava hulga kvaliteetse määrdega, mis tagab tavatingimustes nende tööväime kogu kasutusea jooksul. Seetõttu ei ole täiendav määrimine vajalik.

KESKKONNAKAITSE



Taaskasutage materjale nende jäätmekäitluse andmise asemel. Masin, selle lisaseadmed ja pakend tuleb jäätmekäitluseks keskkonnasõbralikult sorteerida.

MASINAL OLEVAD SÜMBOLID



Ouhuoiatus



CE-vastavus



Kiirus ilma koormuseta



Volt



Alalisvool



Pöörete või löökide arv minutis



Euraasia vastavusmärk



Enne seadme kasutamist lugege palun kasutusjuhend hooliga läbi.



Ukraina vastavusmärgis



Mittekasutatavaid elektritooteid ei tohi visata olmejäätmete hulka. Vaid tuleb viia vastavasse kogumispunkti. Vajadusel küsige sellekohast nõu oma edasimüüjalt või vastavalt kohaliku omavalitsuse institutsioonilt.

KASUTUSJUHENDIS KASUTATUD SÜMBOLID



Märkus



Eraldi ostetavad osad või tarvikud



Lahtikeeramine



Lukk

Järgnevad märguandesõnad ja tähendused on mõeldud selle toote kasutamiseга seotud riskitasemetega kirjeldamiseks.

⚠ OHT.

Osutab ähvardavale ohuolukorrale, mille mittevältimine lõpeb surma või tõsise vigastusega.

⚠ HOIATUS

Osutab võimalikule ohuolukorrale, mille mittevältimine võib lõppeda surma või tõsise kehavigastusega.

⚠ ETTEVAATUST

Osutab võimalikule ohuolukorrale, mille mittevältimine võib lõppeda väiksemate või mõõdukate kehavigastustega.

ETTEVAATUST

(Ilma ohutussümbolita) Viitab olukorrale, mis võib põhjustada kahjustusi varale.



Vodeću ulogu u dizajnu vaše glodalice za rubove imaju sigurnost, performanse i pouzdanost.

NAMJENA

Glodalica za rubove namijenjena je preciznoj obradi drva. Proizvod je idealan za oblikovanje rubova na drvetu i rezanje rubova laminata.

Nemojte koristiti proizvod na bilo koji drugi način od onog za koji je namijenjen.

⚠ UPOZORENJE

Pročitajte sva sigurnosna upozorenja i sve upute. Nepodržavanje upozorenja i uputa navedenih u nastavku može dovesti do električnog udara, požara i/ili ozbiljnih tjelesnih ozljeda.

Spremite sva upozorenja i upute za buduće korištenje.

SIGURNOSNA UPOZORENJA ZA GLODALICU ZA RUBOVE

- Koristite spojnice ili na neki drugi način osigurajte i poduprite izradak na stabilnoj površini. Držanje izratka rukom ili tijelom omogućuje nestabilnost i može dovesti do gubitka kontrole.
- Kad izvodite radove na mjestima gdje pribor za rezanje može doći u kontakt sa skrivenim ožičenjem ili svojim vlastitim kabelom, držite alat za izoliranu površinu za hvatanje. Dodirivanje „žive“ žice priborom za rezanje može izložiti metalne dijelove alata električnoj energiji i može dovesti do strujnog udara na operatera.
- Uvijek koristite svrdla ispravnog promjera koja odgovaraju brzini i okretnom momentu proizvoda.
- Upoznajte svoj električni alat. Pažljivo pročitajte ovaj Korisnički priručnik. Saznajte primjenu i ograničenja uređaja kao i određene potencijalne opasnosti vezane za ovaj uređaj. Tako ćete izbjeći opasnost od strujnog udara, požara i teških ozljeda.
- Uvijek nosite zaštitne naočale s bočnim štitnicima. Obične naočale imaju samo leće otporne na udar. One NISU sigurnosne zaštitne naočale. Poštujući ovo pravilo smanjit ćete rizik od ozljede očiju.
- Zaštitite svoja pluća. Ako se pri korištenju stvara prašina, dobro je da nosite zaštitu za lice ili masku. Slijedite li ovo pravilo smanjit ćete opasnost od ozbiljnih ozljeda.
- Zaštitite svoj sluh. Tijekom produljenih razdoblja rada nosite zaštitu za sluh. Slijedite li ovo pravilo smanjit ćete opasnost od ozbiljnih ozljeda.
- Uređaje na baterije nije potrebno priključivati u električne utičnice, stoga su uvijek u radnom stanju. Imajte na umu moguće opasnosti kad na koristite svoj uređaj ili kada mijenjate dodatni pribor. Tako ćete izbjeći opasnost od strujnog udara, požara i teških ozljeda.
- Ne postavljajte uređaje na baterije ili njihove

baterije pored plamena ili topline. Ovo će smanjiti opasnost od eksplozije i moguće ozljede.

- Nemojte razbijati, ispustiti ili oštetiti bateriju. Nemojte koristiti bateriju ili punjač koji su pali na tlo ili primili oštar udarac. Oštećena baterija može eksplodirati. Odmah pravilno zbrinite bateriju koja je ispala ili je oštećena.
- Baterije mogu eksplodirati u prisutnosti izvora paljenja kao što je signalna lampica. Kako biste smanjili opasnost od ozbiljnih osobnih ozljeda nikada nemojte koristiti uređaj na baterija u prisutnosti otvorenog plamena. Eksplozivna baterija raspršuje krhotine i kemikalije. Ako ste tome izloženi, odmah se isperite s vodom.
- Ne puniti uređaj na baterije u vlažnim ili mokrim mjestima. Tako ćete izbjeći opasnost od strujnog udara.
- Za najbolje rezultate, bateriju proizvoda puniti na lokaciji na kojoj je temperatura viša od 10°C, ali manja od 38°C. Nemojte pohranjivati i čuvati vani ili u vozilu.
- Pod ekstremnim uvjetima korištenja ili temperaturom, može doći do curenja baterije. Ako tekućina dođe u dodir s vašom kožom odmah je isperite sa sapunom. Ako tekućina dospje u vaše oči, ispirite ih čistom vodom najmanje 10 minuta, potom odmah potražite liječničku pomoć. Slijedite li ovo pravilo smanjit ćete opasnost od ozbiljnih ozljeda.
- Sačuvajte ove upute. Često ih pogledajte i koristite ih da obučite druge koji mogu koristiti ovaj alat. Ako nekome posudite ovaj alat, posudite mu isto tako i ove upute.

⚠ UPOZORENJE

Uvijek umetnite proizvod u izradak suprotno do smjera okretanja svrdla. Ako ulažete materijal u smjeru rotacije svrdla, okretni moment svrdla u vrtni bit će takav da će nastojati odbaciti alat od radnog komada. Ovo može uzrokovati gubitak kontrole nad proizvodom.

TRANSPORTIRANJE LITIJUMSKIH BATERIJA

Transportirajte bateriju u skladu s lokalnim i nacionalnim pravilima i zakonima.

Slijedite sve specijalne zahtjeve na pakiranju i naljepnicama prilikom transporta baterije od treće strane. Osigurajte da baterija ne može doći u kontakt s drugim baterijama ili provodnim materijalima tijekom transporta tako da zaštitite izložene priključke s izolacijom, kapticama koje ne provode energiju ili trakom. Nemojte transportirati baterije koje su polomljene ili cure. Provjerite kod kompanije koja transportira za daljnju pomoć.

PREOSTALE OPASNOSTI

Čak i kad je proizvod korišten kao što je prethodno opisano, još uvijek nije moguće potpuno isključiti ostale čimbenike opasnosti. Može doći do sljedećih opasnosti prilikom korištenja i operater mora obratiti posebnu pozornost kako bi izbjegao sljedeće:



- Ozljede uzrokovane vibracijom
 - Ograničite izloženost. Pogledajte „Smanjenje Opasnosti”.
- Ozljede uzrokovane odbacivanjem ostataka
 - Cijelo vrijeme nosite sredstva za zaštitu očiju.
- Ozljede uzrokovane prašinom
 - Nosite odgovarajuću masku s prikladnim filterima koji štite od prašine. Nemojte jesti, piti ili pušiti u radom području. Osigurajte odgovarajuću ventilaciju i koristite dodatni pribor za izvlačenje prašine.
- Povrede od kontakta s reznim svrdlima
 - Svrdla su vrlo oštra i postaju vrlo vruća tijekom korištenja. Nosite rukavice tijekom izmjene svrdala. Držite ruke dalje od područja rezanja. Učvrstite ga na stabilni nosač. Kada god je to moguće, učvrstite radni komad.

SMANJENJE OPASNOSTI

Prijavljeno je da vibracije alata kod određenih pojedinaca mogu doprinijeti stanju pod nazivom Raynaud's Syndrome. Simptomi mogu uključivati trnce, ukočenost i bjelinu prstiju, obično uočljivo po izlaganju hladnoći. Smatra se da nasljedne osobine, izlaganje hladnoći i vlazi, dijeta, pušenje i radni postupci pridonose razvoju ovih simptoma. Postoje mjere koje operator može poduzeti kako bi smanjio moguće učinke vibracije:

- Održavajte svoje tijelo toplim u hladnim vremenskim uvjetima. Kad radite s uređajem nosite rukavice kako biste ruke i zglobove održavali toplima. Prijavljeno je da je hladnoća glavni čimbenik koji doprinosi Raynaud's Syndrome.
- Nakon svakog perioda rada vježbajte kako biste povećali cirkulaciju krvi.
- Uzimajte česte stanke u radu. Ograničite količinu izlaganja po danu.

Ako osjetite neke od simptoma ovog stanja, odmah prekinite korištenje i obratite se svome liječniku vezano uz ove simptome.

⚠ UPOZORENJE

Ozljede mogu biti uzrokovane ili izazvane produljenim vremenskim razdobljem korištenja alata. Kada koristite bilo koji alat dulje vremena, osigurajte da uzimate povremene stanke.

SASTAVLJANJE

⚠ UPOZORENJE

Nemojte koristiti ovaj proizvod ako nije potpuno sastavljen ili ako izgleda da neki dio nedostaje ili je oštećen. Korištenje proizvoda koji nije pravilno i potpuno sklopljen ili s oštećenim ili dijelovima koji nedostaju može dovesti do ozbiljnih osobnih ozljeda.

⚠ UPOZORENJE

Nemojte pokušavati modificirati ovaj alat ili izraditi dodatni pribor koji nije preporučen za korištenje uz ovaj alat. Svaki takav dodatak ili modifikacija je pogrešna uporaba i može rezultirati opasnim stanjem dovodeći do mogućih ozbiljnih osobnih ozljeda.

UPOZNAJTE SVOJ PROIZVOD

Pogledajte stranicu 87.

1. Sklopka za Uklj./isklj. (ON/OFF)
2. Ulaz za bateriju
3. Poništavanje na nulu
4. Gumb za mikro podešavanje dubine
5. Kućište motora
6. Mjerač dubine
7. Uklonjivo podnožje
8. Ručica za otpuštanje motora
9. Brzo otpuštanje poluge
10. Gumb za zaključavanje osovine
11. Stezna čahura od 6,35 mm
12. Matica stezne glave
13. Kvadratično pod-postolje
14. Iščašenje
15. Stezna čahura od 6 mm
16. Ravni nastavak
17. Šipke vodilica
18. Edge Vodič

ODRŽAVANJE

⚠ UPOZORENJE

Proizvod nikad ne smije biti priključen na izvor napajanja kada sastavljate dijelove, vršite podešenja, čistite, izvodite održavanje ili kada se proizvod ne koristi. Iskapčanje proizvoda sprječava slučajno pokretanje koje može dovesti do ozbiljnih osobnih ozljeda.

- Prilikom servisiranja, koristite samo originalne zamjenske dijelove od proizvođača. Korištenje nekih drugih dijelova može dovesti do opasnosti ili uzrokovati oštećenje alat.

⚠ UPOZORENJE

Radi veće sigurnosti i pouzdanosti, sve popravke treba izvoditi ovlašteni Ryobi servisni centar.

OPĆENITO

Prilikom čišćenja plastičnih dijelova izbjegavajte koristiti kemijska sredstva. Većina plastika je podložna različitim vrstama komercijalnih kemijskih sredstava za čišćenje i mogu se oštetiti prilikom njihovog korištenja. Za uklanjanje nečistoća, prašine, ulja masti i drugog upotrebljavajte čistu krpu.

⚠ UPOZORENJE

Plastični dijelovi nikad ne smiju doći u dodir s kočionom tekućinom, benzinom, proizvodima na bazi nafte, uljima itd. Ti kemijski proizvodi sadrže tvari koje mogu oštetiti, oslabiti ili uništiti plastiku.

Prašina iz žbuke i zidne ploče je abrazivna i može uzrokovati kvar proizvoda ako dođe u prostor motora. Uvijek koristite pribor za usisavanje prašine spojen na usisavač. Temeljito očistite proizvod nakon korištenja četki i usisavača. Pazite da ne gurate prljavštinu u ventilacijske otvore. Nemojte koristiti komprimirani zrak za čišćenje proizvoda jer prašina i zrnca mogu dovesti do ozbiljnih povreda oka.

PODMAZIVANJE

Svi ležajevi u ovom proizvodu podmazani su s dovoljnom količinom visokokvalitetnog sredstva za podmazivanje za životni vijek proizvoda u normalnim radnim uvjetima. Stoga nije potrebno daljnje podmazivanje.

ZAŠTITA OKOLIŠA



Sirovine reciklirajte, umjesto da ih odlažete kao otpad. Kako biste zaštitili okoliš, alat, dodatke i ambalažu treba odvojeno bacati u otpad.



SIMBOLI NA PROIZVODU



Sigurnosno upozorenje



CE usklađenost



Brzina bez opterećenja



Volti



Istosmjerna struja



Broj okreta ili pokreta u minuti



EurAsian znak konformnosti



Molimo da pažljivo pročitate upute prije pokretanja stroja.



Ukrajinska oznaka za sukladnost



Otpadni električni proizvodi ne treba da se odlažu s otpadom iz domaćinstva. Molimo da reciklirate gdje je to moguće. Potražite savjet od lokalnih vlasti ili prodavca kako reciklirati.

SIMBOLI U PRIRUČNIKU



Napomena



Dijelovi ili pribor prodan odvojeno



Otključavanje



Brava

Slijedeće riječi upozorenja i značenja imaju namjeru da objasne nivo rizika u vezi s ovim proizvodom.

⚠ OPASNOST

Naznačuje prijeteću opasnu situaciju, koja ako se ne izbjegne dovodi do smrti ili ozbiljnih ozljeda.

⚠ UPOZORENJE

Naznačuje potencijalno opasnu situaciju, koja ako se ne izbjegne dovodi do smrti ili ozbiljnih ozljeda.

⚠ OPREZ

Naznačuje potencijalno opasnu situaciju, koja ako se ne izbjegne dovodi do lakših ili srednjih ozljeda.

OPREZ

(Bez simbola upozorenja sigurnosti) Označava situaciju koja može izazvati oštećenje imovine



Obrezovalni rezalnik je zasnovan in izdelan za zagotavljanje najvišje ravni varnosti, učinkovitosti in zanesljivosti delovanja.

NAMEN UPORABE

Obrezovalni rezalnik se uporablja za natančno obdelavo lesa. Ta izdelek je popoln za oblikovanje robov lesa in obrezovanje laminata.

Izdelka ne uporabljajte na noben način, ki ni predpisan za to napravo.

⚠ OPOZORILO

Preberite vsa varnostna opozorila in navodila. Neupoštevanje opozoril in navodil lahko privede do električnega udara, požara in/ali resnih poškodb.

Vsa opozorila in vsa navodila shranite za bodočo referenco.

VARNOSTNA OPOZORILO ZA OBREZOVALNI REZALNIK

- Uporabite sponke ali na drug način zavarujte obdelovanec na stabilno podlago in ga podprite. Če obdelovanec držite z roko ali s telesom, ne bo stabilen in lahko izgubite nadzor.
- Električno orodje držite pri delu za izolirane držalne površine. Če se pripomočki za rezanje dotaknejo žice, ki je pod električno napetostjo, lahko izpostavljeni kovinski deli električnega orodja povzročijo električni udar.
- Vedno uporabite rezkarje s pravim premerom stebela, ki so primerni za hitrost izdelka.
- Spoznajte svoje električno orodje. Natančno preberite uporabniški priročnik. Poučite se o uporabi in omejitvah izdelka, pa tudi o specifičnih potencialnih nevarnostih, ki so povezane z uporabo. Če boste upoštevali vsa pravila, boste zmanjšali možnost električnega udara, požara in hudih telesnih poškodb.
- Vedno nosite zaščitna očala s stranskimi ščitniki. Navadna očala vsebujejo izključno leče, odporne na udarce. To NISO zaščitna očala. Če to upošteвате, boste zmanjšali nevarnost za poškodbe oči.
- Zaščitite pljuča. Če se pri delu dviguje prah, nosite tudi zaščito za obraz oziroma protiprašno masko. Če sledite temu navodilu, boste zmanjšali tveganje pred hudimi poškodbami.
- Zaščitite sluh. Med dolgotrajno uporabo nosite zaščito za sluh. Če sledite temu navodilu, boste zmanjšali tveganje pred hudimi poškodbami.
- Baterijskih izdelkov ni potrebno vključiti v električno vtičnico, zato so vedno v stanju delovanja. Pazite na morebitne nevarnosti, kadar izdelka ne uporabljate ali kadar menjavate dodatke. Če boste upoštevali vsa pravila, boste zmanjšali možnost električnega udara, požara in hudih telesnih poškodb.

- **Baterijskih izdelkov ali baterij ne postavljajte v bližino ognja ali vročine.** To zmanjša nevarnost eksplozije ter telesnih poškodb.
- **Baterij ne uničite, mečite ali poškodujte. Baterije ali polnilnika, ki je padel ali prejel močan udarec, ne uporabljajte.** Poškodovana baterija lahko eksplodira. Poškodovane ali izpraznjene baterije takoj odstranite, kot je predpisano.
- **Blizu vira vžiga, kot je močan reflektor, baterija lahko eksplodira.** Za zmanjšanje nevarnosti resnih telesnih poškodb nikoli ne uporabljajte baterijsko napajanih naprav blizu odprtega ognja. Baterija ob eksploziji lahko odda leteče delce in kemične snovi. Če pridete v stik z njimi, takoj izperite z vodo.
- **Baterij ne polnite v vlažnih ali mokrih pogojih.** Če boste upoštevali vsa pravila, boste zmanjšali možnost električnega udara.
- **Za optimalne rezultate baterijski izdelek uporabljajte na mestu, kjer temperatura ni nižja od 10 °C in višja od 38°C.** Ne shranjujte je na prostem ali v vozilih.
- **V ekstremnih temperaturnih pogojih lahko pride do puščanja baterij.** Če tekočina pride v stik z vašo kožo, jo takoj izperite z milom in vodo. Če tekočina pride v stik z očmi, jih najmanj 10 minut izpirajte s čisto vodo, nato pa takoj poiščite zdravniško pomoč. Če sledite temu navodilu, boste zmanjšali tveganje pred hudimi poškodbami.
- **Shranite ta navodila.** Redno se sklicujte nanje in jih uporabljajte pri poučevanju drugih morebitnih uporabnikov tega orodja. Če napravo komu posodite, priložite zraven tudi ta navodila.

⚠ OPOZORILO

Izdelek v obdelovanec vedno vodite v nasprotni smeri vrtenja vrtnalne konice. Če obdelovanec dodajate v smeri vrtenja rezkarja, bo rotacijska sila rezkarja odbijala orodje stran od obdelovanca. To lahko privede do izgube nadzora nad izdelkom.

PREVAŽANJE LITIJEVIH AKUMULATORJEV

Akumulator prevažajte v skladu z lokalnimi in državnimi uredbami in predpisi.

Upošteвайте vse posebne zahteve glede pakiranja in označevanja, kadar prevoz opravlja tretja oseba. Zagotovite, da akumulatorji med prevozom ne morejo priti v stik z drugimi akumulatorji ali prevodnimi materiali, tako da zaščitite izpostavljene konektorje z neprevodnimi izolacijskim pokrovčki ali trakom. Ne prevažajte poškodovanih akumulatorjev oz. akumulatorjev, ki puščajo. Za nadaljnje informacije se obrnite na posredništvo.

PREOSTALA TVEGANJA

Nekateri preostalih dejavnikov tveganja ni mogoče povsem odpraviti, tudi če ta izdelek uporabljate v skladu z navodili. Med uporabo se lahko pojavijo nekatere nevarnosti, upravljaavec pa naj bo pozoren na naslednje:



- Poškodbe zaradi vibracij
 - Omejite izpostavljenost. Glejte »Zmanjševanje Tveganj«.
- Poškodbe zaradi letečih delcev
 - Vedno nosite zaščito za oči.
- Poškodbe zaradi prahu
 - Nosite ustrezno masko za zaščito pri izpostavljenosti prahu, ki lahko zaščiti pred prahom, ki nastaja pri obdelovanju materiala. V delovnem območju je prepovedano jesti, piti in kaditi. Zagotavljajte primerno zračenje in uporabljajte priložene dodatke za izločevanje prahu.
- Poškodbe zaradi stika z vrtnalnimi konicami
 - Vrtnalne konice so zelo ostre in med uporabo postanejo vroče. Ko zamenjujete vrtnalne konice, nosite rokavice. Z rokami nikoli ne posegajte v območje rezanja. Kosa, ki ga režete, nikoli ne držite v rokah ali preko noge. Obdelovanca pritrдите vedno, ko je to mogoče.

ZMANJŠANJE TVEGANJA

Poročali so že, da lahko vibracije ročnih orodij pri nekaterih posameznikih pripomorejo k razvoju Raynaudovega sindroma. Simptomi so lahko mravljinči, otrplost in pobeljeni prsti, kar je običajno vidno, kadar je oseba izpostavljena mrazu. Dedni dejavniki, izpostavljenost mrazu in vlagi, dieta, kajenje in delovne navade naj bi pripomogle k razvoju teh simptomov. Za zmanjšanje učinkov vibracij lahko upravljavec upošteva naslednja navodila:

- Poskrbite, da bo vaše telo na mrazu toplo. Med upravljanjem nosite rokavice in tako ohranjajte toploto vaših dlani in zapestij. Kot poročajo, je mraz glavni dejavnik, ki prispeva k Raynaudovemu sindromu.
- Po vsakem obdobju upravljanja naprave telovadite in tako pospešite krvni obtok.
- Pogosto si vzemite odmor. Omejite dnevno količino izpostavljenosti.

Če zaznavate kakršnekoli simptome takšnega stanja, takoj prenehajte z uporabo naprave in se posvetujte z zdravnikom.

⚠ OPOZORILO

Zaradi daljše uporabe orodja lahko pride do poškodb oz. se morebitne poškodbe poslabšajo. Kadar orodje uporabljate dalj časa, si večkrat vzemite odmor.

MONTAŽA

⚠ OPOZORILO

Tega izdelka ne uporabljajte, če ni v celoti sestavljena ali če kateri koli del manjka oziroma je poškodovan. Če uporabljate nepravilno in nepopolno sestavljen izdelek oziroma s poškodovanimi ali manjkajočimi deli, lahko povzročite hude telesne poškodbe.

⚠ OPOZORILO

Tega orodja ne spreminjajte in ne izdelujte dodatkov, ki niso priporočljivi za uporabo s tem orodjem. Vsako tako spreminjanje je zloraba in lahko privede do tveganj, ta pa do hudih osebnih poškodb.

SPOZNAJTE SVOJ IZDELEK

Glej stran 87.

1. Stikalo za vklop/izklop
2. Priklop za bateriji
3. Ponastavitev začetnih nastavitev
4. Gumb za prilagoditev mikro globine
5. Ohišje motorja
6. Merilo globine
7. Snemljiv podstavek
8. Ročica za sprostitvev motorja
9. Ročica za hitro sprostitvev
10. Gumb za blokado vretena
11. Vpenjalna puša 6,35 mm
12. Matica vpenjalne čeljusti
13. Kvadratna osnova podstavka
14. Ključ
15. Vpenjalna puša 6 mm
16. Raven sveder
17. Vodila
18. Stransko vodilo

VZDRŽEVANJE

⚠ OPOZORILO

Ko sestavljate dele, prilagajate, čistite ali vzdržujete orodje, ali ko izdelka ne uporabljate, ga nikoli ne imejte priključenega na vir napajanja. Če izdelek odklopite, preprečite nenameren zagon, ki bi lahko povzročil hude poškodbe.

- Za servisiranje uporabljajte samo nadomestne dele originalnega proizvajalca. Uporaba drugih delov lahko pomeni tveganje ali povzroči škodo na izdelku.

⚠ OPOZORILO

Za večjo varnost in zanesljivost mora vsa popravila izvesti pooblaščen servisni center Ryobi.

SPLOŠNO

Pri čiščenju plastičnih delov se izogibajte toplim. Večina vrst plastik se lahko pri uporabi različnih komercialnih toplih poškoduje. Za odstranjevanje umazanije, saj in podobnega uporabljajte čisto krpo.

⚠ OPOZORILO

Ne dovolite, da bi zavorne tekočine, gorivo, izdelki, ki vsebujejo petrolej, penetracijska olja in podobno kadarkoli prišli v stik s plastičnimi deli. Kemikalije lahko poškodujejo, oslabijo ali uničijo plastiko.

Mavčni prah in prah stenskih plošč je abraziven in lahko povzroči prezgodnjo okvaro izdelka, če vstopi v območje motorja. Vedno uporabljajte dodatek za odvajanje prahu, ki naj bo priključen na sesalnik. Temeljito očistite izdelek po uporabi s krtačko in sesalnikom. Pazite, da ne potisnete umazanije v odprtine za prezračevanje. Za čiščenje izdelka ne uporabljajte stisnjenega zraka, ker lahko prah in pesek povzročita resne poškodbe oči.

MAZANJE

Vsi ležaji na napravi so namazani z dovolj kakovostnega maziva, tako da mazanje naprave ob normalni uporabi do konca življenjske dobe naprave ni več potrebno. Zato dodatno mazanje ni potrebno.

ZAŠČITA OKOLJA



Namesto, da napravo zavržete, reciklirajte surovine. Napravo, pribor in embalažo je treba sortirati za okolju prijazno recikliranje.

SIMBOLI NA IZDELKU



Varnostno opozorilo



Skladnost CE



Hitrost brez obremenitve



Volti



Enosmerni tok



Vrtljajev ali nihajev na minuto



EurAsian oznaka o skladnosti



Prosimo, da si pred zagonom naprave pozorno preberete navodila



Ukrajinska oznaka za skladnost



Odpadne električne izdelke ne odlagajte skupaj z ostalimi gospodinjskimi odpadki. Reciklažo opravljajte na predpisanih mestih. Za nasvet se obrnite na lokalne oblasti.

SIMBOLI V PRIROČNIKU



Opomba



Deli ali dodatki so na prodaj ločeno



Odklenjeno



Zaklenjeno

Sledeče signalne besede in pomeni naj bi pojasnili ravni tveganja, ki so povezane s tem izdelkom.

⚠ NEVARNOST

Označuje neizogibno nevarno stanje, ki lahko povzroči smrt ali hude poškodbe, če ga ne preprečite.

⚠ OPOZORILO

Označuje morebitno nevarno stanje, ki bi lahko povzročilo smrt ali hude poškodbe, če ga ne preprečite.

⚠ POZOR

Označuje morebitno nevarno stanje, ki lahko povzroči manjše ali zmerne poškodbe, če se ga ne preprečite.

POZOR

(Brez simbola Varnostni alarm) Označuje stanje, ki lahko privede do poškodovanja lastnine.



Pri návrhu vašej hornej frézy boli maximálnou prioritou bezpečnosť, výkon a spoľahlivosť.

ÚČEL POUŽITIA

Horná fréza je určená na presné opracovanie dreva. Výrobok je určený na tvarovanie hrán dreva a frézovanie laminátu.

Tento produkt nepoužívajte žiadnym iným spôsobom, ako je uvedené v účele použitia.

VAROVANIE

Prečítajte si všetky bezpečnostné výstrahy a pokyny. Ak nerespektujete a inštrukcie, môže to mať za následok úraz elektrickým prúdom, požiar a/alebo vážne zranenie.

Odložte všetky výstrahy a pokyny pre budúce použitie.

BEZPEČNOSTNÉ VÝSTRAHY PRE HORNÚ FRÉZU

- **Pomocou svoriek alebo inými praktickým spôsobmi zaistíte a podoprite obrobok na stabilnej podložke.** Keď držíte obrobok rukou alebo oproti telu, obrobok bude nestabilný a môže dôjsť k strate kontroly.
- **Pri vykonávaní operácie, kedy môže rezacie príslušenstvo prísť do kontaktu so skrytým vedením, držte nástroj za izolované úchopné miesta.** Pri kontakte rezacieho príslušenstva so „živým“ vodičom by mohli byť obnažené kovové diely pod prúdom a spôsobiť obsluhujúcemu úder elektrickým prúdom.
- **Vždy používajte nadstavce so správnym priemerom dierku, ktoré sú vhodné pre rýchlosť výrobu.**
- **Oboznámte sa s vašim elektrickým nástrojom.** Dôkladne si prečítajte návod na použitie. Naučte sa použitia a obmedzenia produktu, ako aj špecifické potenciálne riziká s ním spojené. Dodržiavaním tohto pravidla znižujete riziko úrazu elektrickým prúdom, požiaru alebo závažného poranenia.
- **Vždy noste bezpečnostné okuliare s bočnými chráničmi.** Okuliare na každodenné používanie majú sklá odolné len proti nárazom. NIE sú to ochranné okuliare. Dodržiavanie tohto pravidla zníži riziko poranenia očí.
- **Chráňte si pľúca.** Ak pri práci vzniká prach, používajte tvárovú alebo protiprachovú masku. Pri dodržaní tohto pravidla znižujete riziko závažného poranenia.
- **Chráňte si sluch.** Pri dlhších obdobiach používania používajte chránič sluchu. Pri dodržaní tohto pravidla znižujete riziko závažného poranenia.
- **Akumulátorové nástroje nemusia byť zapojené do elektrickej siete, preto sú neustále v prevádzkovom stave.** Uvedomte si možné riziká, keď nepoužívate akumulátorový produkt alebo pri výmene príslušenstva. Dodržiavaním tohto pravidla znižujete riziko úrazu elektrickým prúdom, požiaru alebo závažného poranenia.

- **Nedávajte akumulátorové zariadenia ani ich akumulátory do blízkosti ohňa alebo tepla.** Znížite tak riziko explózie a možného poranenia.
- **Jednotku akumulátora nedrvtvte, nezhoďte na zem ani inak nepožiadajte.** Nepoužívajte jednotku akumulátora alebo nabíjačku, ktoré spadli alebo dostali prudkú ranu. Poškodený akumulátor môže explodovať. Spadnutý alebo poškodený akumulátor ihned zlikvidujte.
- **Akumulátory môžu v prítomnosti zdroja zapalovania, napríklad signálnej žiarovky, explodovať.** Na zníženie rizika závažného osobného poranenia nikdy nepoužívajte bezkáblový produkt v prítomnosti otvoreného ohňa. Explodovaný akumulátor môže vrhať trosky a chemikálie. V prípade zasiahnutia okamžite opláchnite vodou.
- **Akumulátorové zariadenie nenabíjajte vo vlhkom alebo mokrom prostredí.** Dodržiavaním tohto pravidla znižujete riziko úrazu elektrickým prúdom.
- **Na dosiahnutie najlepších výsledkov je výrobok na batérie potrebné nabíjať na mieste s teplotou viac než 10 °C no menej než 38°C.** Neskladujte vonku alebo vo vozidlách.
- **Pri extrémnom prevádzkových alebo teplotných podmienkach môže dôjsť k vytečeniu akumulátora.** Ak tekutina zasiahne pokožku, ihned ju umyte mydlom a vodou. Ak tekutina zasiahne oči, umývajte ich čistou vodou minimálne 10 minút a potom okamžite vyhľadajte lekársku pomoc. Pri dodržaní tohto pravidla znižujete riziko závažného poranenia.
- **Uschovajte si tieto inštrukcie.** Často do neho nahliadajte a používajte ho na poučenie ostatných užívateľov, ktorí by mohli používať tento nástroj. Ak niekomu nástroj požičiate, priložte k nemu aj tento návod.

VAROVANIE

Produkt vždy posúvajte do obrobku oproti smeru otáčania hrotu. Pri posúvaní v smere otáčania nadstavca bude mať rotačná sila otáčajúceho sa nadstavca tendenciu odhodiť náradie smerom od obrobku. To by mohlo spôsobiť stratu kontroly nad výrobkom.

PREPRAVA LÍTIOVÝCH AKUMULÁTOROV

Akumulátor prepravujte v súlade s miestnymi smernicami a nariadeniami.

Keď akumulátory prepravuje tretia strana, dodržiavajte všetky požiadavky na balení a označení. Zabezpečte, aby počas prepravy akumulátory neprišli do kontaktu s inými akumulátormi ani vodivými materiálmi – chráňte obnažené konektory pomocou izolácie, nevodivými viečkami alebo páskou. Neprepravujte akumulátory, ktoré sú prasknuté alebo vytekajú. Ďalšie pokyny zistíte u nasledujúcej spoločnosti.

EN
FR
DE
ES
IT
NL
PT
DA
SV
FI
NO
RU
PL
CS
RO
HU
LV
LT
ET
HR
SL
SK
BG
UK
TR
EL



ZVYŠKOVÁ RIZIKOVOSŤ

Aj keď sa nástroj používa podľa predpisu, nie je možné eliminovať určité zvyškové rizikové faktory. Pri použití vznikajú nasledujúce riziká a obsluhujúca osoba musí venovať zvláštnu pozornosť, aby nedošlo k nasledovnému:

- Zranenie spôsobené vibráciami
 - Obmedzte expozíciu. Pozrite časť "Znižovanie Rizika".
- Zranenie spôsobené odletujúcou sutinou
 - Neustále používajte ochranu zraku.
- Zranenie spôsobené prachom
 - Používajte primeranú masku na zachytávanie prachu s vhodnými filtrami, ktoré dokážu chrániť pred prachom z opracúvaného materiálu. Na pracovisku nejedzte, nepite ani nefajčite. Zaisťte dostatočné vetranie a používajte vybavenie na odsávanie prachu, ktoré je k dispozícii.
- Zranenie pri kontakte s reznými hrotmi
 - Hroty sú veľmi ostré a pri práci budú veľmi horúce. Pri výmene hrotov používajte rukavice. Držte ruky neustále mimo dosahu priestoru rezania. Nikdy nedržte rezaný kus materiálu rukami alebo krížom na nohách. Ak je to možné, obrobok vždy zaisťte.

OBMEDZENIE RIZIKA

Boli hlásené prípady, kedy vibrácie z ručných nástrojov u niektorých osôb prispeli k stavu nazývanému Raynaudov syndróm. K symptómom patria: trpnutie, znecitlivenie a blednutie prstov, zvyčajne zjavné po vystavení zime. Je známe, že k vývoju týchto symptómov prispievajú: dedičné faktory, vystavovanie zime a vlhkosti, diéta, fajčenie a pracovné návyky. Opatrenia, ktoré môže vykonať obsluhujúca osoba na možné zníženie účinkov vibrácií:

- V studenom počasí udržiavajte svoje telo v teple. Pri práci so zariadením noste rukavice, aby ste mali ruky a zápästia v teple. Boli hlásené prípady, kedy hlavným faktorom prispievajúcim k Raynaudovmu syndrómu bolo studené počasie.
- Po každom určitom časovom úseku prevádzky cvičte, aby ste zlepšili krvný obeh.
- Počas práce si doprajte časté prestávky. Obmedzte počet vystavení za deň.

Ak zistíte ktorýkoľvek zo symptómov tohto stavu, okamžite prerušte používanie zariadenia, navštívte svojho lekára a povedzte mu o symptómoch.

VAROVANIE

Dlhodobé používanie nástroja môže spôsobiť alebo zhoršiť poranenia. Pri používaní nástroja príliš dlhé obdobia si vždy doprajte pravidelné prestávky.

MONTÁŽ

VAROVANIE

Ne používajte produkt, pokiaľ nie je úplne zmontovaný alebo ak sa zdá, že nejaká časť chýba alebo je poškodená. Pri používaní produktu, ktorý nie je správne a kompletne zmontovaný alebo má poškodené alebo chýbajúce diely, môže dôjsť k závažnému osobnému poraneniu.

VAROVANIE

Nepokúšajte sa modifikovať produkt, alebo vytvoriť príslušenstvo, ktoré nie je odporučené pre použitie s týmto produktom. Akékoľvek takéto úpravy sú zneužitím a môžu mať za následok nebezpečný stav, ktorý môže viesť k možnému vážnemu zraneniu osôb.

OBOZNÁMTE SA S VAŠIM PRODUKTOM

Vid' strana 87.

1. Hlavný spínač
2. Otvor na akumulátor
3. Nastavenie nuly
4. Gombík na nastavenie mikro hĺbky
5. Motorová skriňa
6. Stupnica hĺbky
7. Základňa s možnosťou demontáže
8. Páčka na uvoľnenie motora
9. Páčka na rýchle uvoľnenie
10. Tlačidlo blokovania vretena
11. 6,35 mm objímka
12. Matica puzdra
13. Štvorcová pomocná základňa
14. Kľúč
15. 6 mm objímka
16. Rovný nástroj
17. Vodiace tyče
18. Vodič okolo okraja

ÚDRŽBA

VAROVANIE

Tento produkt sa nikdy nesmie pripájať do elektrickej siete, keď montujete diely, vykonávate úpravy, čistíte alebo vykonávate údržbu, alebo keď produkt nepoužívate. Odpojením produktu zabránite náhodnému spusteniu, ktoré by mohlo spôsobiť závažné poranenie.

- Pri servise používajte len originálne náhradné diely výrobcu. Použitie iných dielov môže predstavovať riziko alebo spôsobiť poškodenie produktu.

VAROVANIE

Pre vyššiu bezpečnosť a spoľahlivosť sa musia všetky opravy vykonávať v autorizovanom servisnom centre Ryobi.

VŠEOBECNÉ

Vyhýbajte sa použitiu rozpúšťadiel pri čistení plastových častí. Veľšina plastických materiálov je občuttľivá na različné vrste komerčialno dostupných topilín iných z nich z njihovo uporabo lahko poškodujúemo. Na odstránenie špiny, uhlíkového prachu a pod. použite čisté tkaniny.

VAROVANIE

Dbajte na to, aby do kontaktu s plastovými dielmi nikdy neprišli do kontaktu brzdové kvapaliny, benzín, ropné produkty, prenikavé oleje a pod. Chemikálie môžu poškodiť, oslabiť či zničiť plast.

Prach zo sadrokartónu a stenových dosiek je abrazívny a môže spôsobiť predčasnú poruchu produktu, pokiaľ prenikne do priestoru motora. Vždy používajte príslušenstvo na odsávanie prachu pripojené k vysávaču. Produkt po použití dôkladne vyčistite pomocou kefy a vysávača. Dávajte pozor, aby ste nezatlačili nečistoty do vetracích otvorov. Na čistenie produktu nepoužívajte stlačený vzduch, lebo prach a štrk môže spôsobiť závažné poranenie zraku.

MAZANIE

Všetky ložiská v produkte sú namazané dostatočným množstvom mazivom vysokej akosti na celú životnosť produktu pri bežných prevádzkových podmienkach. Preto nie je potrebné žiadne ďalšie mazanie.

OCHRANA ŽIVOTNÉHO PROSTREDIA



Surové materiály recyklujte, nelikvidujte ich ako odpad. Stroj, príslušenstvo a obaly by sa mali triedene recyklovať spôsobom šetrným k životnému prostrediu.

SYMBOLY NA PRODUKTE



Bud'te ostražití



Zhoda CE



Otáčky bez zataženia



Napätie



Jednosmerný prúd



Počet otáčok za minútu



Euroázijská značka zhody



Pred zapnutím zariadenia si prosím prečítajte inštrukcie



Ukrajinské označenie zhody



Opatrebované elektrické zariadenia by ste nemali odhadzovať do domového odpadu. Prosíme o recykláciu ak je možné. Kontaktujte miestne úrady, alebo predajcu pre viac informácií o hľadom ekologického spracovania.

SYMBOLY V NÁVODE



Poznámka



Diely alebo príslušenstvo predávané samostatne



Odomknuté



Zamknuté

Nasledujúce značky a významy vysvetľujú úroveň rizika spojeným s výrobkom.

NEBEZPEČENSTVO

Označuje bezprostredne nebezpečnú situáciu, ktorá, ak jej nepredídete, spôsobí usmrtenie alebo vážne poranenie.

VAROVANIE

Označuje potenciálne nebezpečnú situáciu, ktorá, ak jej nepredídete, môže spôsobiť usmrtenie alebo vážne poranenie.

UPOZORNENIE

Označuje potenciálne nebezpečnú situáciu, ktorá, ak jej nepredídete, môže spôsobiť menšie alebo stredne závažné poranenie.

UPOZORNENIE

(Bez výstražnej značky s výkričníkom) Označuje situáciu, ktorá môže zapríčiniť škody na majetku.



Безопасността, работните характеристики и надеждността имат най-висок приоритет при проектирането на Вашата оберфреза.

ПРЕДНАЗНАЧЕНИЕ

Оберфрезата е предназначена за прецизни задачи за дървообработка. Изделието е идеално за профилиране на ръбове на дървесен материал и разкрояване на ламинати.

Не използвайте продукта по начини, различни от посочените.

⚠ ПРЕДУПРЕЖДЕНИЕ

Прочетете всички предупреждения относно безопасността и всички инструкции. Неспазването на предупрежденията и инструкциите може да доведе до токов удар, пожар и/или сериозни наранявания.

Съхранявайте всички предупреждения и инструкции за бъдещи справки.

ПРЕДУПРЕЖДЕНИЯ ЗА БЕЗОПАСНОСТ НА ОБЕРФРЕЗАТА

- Използвайте скоби или други практични начини за закрепване и поддържане на обработвания детайл към стабилна платформа. Като държите обработвания детайл с ръката си или срещу тялото си, го оставяте нестабилен и може да доведе до загуба на управление.
- Дръжте електрическия инструмент за изолираните повърхности за хващане, когато извършвате операция, при която режещият аксесоар може да влезе в контакт със скрити проводници. Режещ аксесоар, който влезе в контакт с проводник, по който тече ток, може да доведе до протичането на ток по неизолираните метални части на електрическия инструмент и да причини токов удар на оператора.
- Винаги използвайте фрези с правилен диаметър на опашката, които са подходящи за скоростта на изделието.
- Опознайте своя електрически инструмент. Прочетете внимателно ръководството за оператора. Научете за приложението и недостатъците му, както и за специфичните потенциални опасности, свързани с използването му. Спазването на това правило ще намали опасността от токов удар, пожар или сериозни физически наранявания.
- Винаги по време на работа носете защитни очила със странични екрани. Всекидневните очила имат само удароустойчиви лещи. Те НЕ са защитни очила. Ще намалите опасността от наранявания на окото, като следвате това правило.
- Предпазвайте белите си дробове. Носете маска за лице или противопрахова маска, ако

операцията е прашна. Като следвате това правило ще намалите опасността от сериозни наранявания.

- Предпазвайте слуха си. Носете предпазни средства за слуха при продължителни периоди на работа. Като следвате това правило ще намалите опасността от сериозни наранявания.
- Не е нужно инструментите с батерии да бъдат включвани в електрически контакт; следователно те винаги са в работно състояние. Внимавайте за възможни опасности, когато не използвате своя инструмент с батерия или сменяте принадлежности. Спазването на това правило ще намали опасността от токов удар, пожар или сериозни физически наранявания.
- Не оставяйте инструменти с батерии или техните батерии близо до огън или топлина. Това ще намали опасността от експлозия и вероятността за наранявания.
- Пазете батерията от силни удари, падане или повреди. Не използвайте батерия или зарядно устройство, които са били изпуснати или силно ударени. Повредената батерия може да причини експлозия. Изхвърляйте незабавно на подходящите места батерии, които са били изпуснати или повредени.
- Батериите могат да експлодират в присъствието на запалителни източници, като например пилотна лампа. За да намалите опасността от сериозни физически наранявания, никога не използвайте каквито и да било безжични продукти в присъствието на открит огън. Експлодиралата батерия може да отдели отломки и химикали. При контакт с подобни незабавно измийте засегнатото място с вода.
- Никога не презареждайте инструмент с батерии на мокри или влажни места. Като следвате това правило ще намалите опасността от електрически удар.
- За най-добри резултати трябва да зареждате своя инструмент с батерии на място, където температурата е над 10°C, но под 38°C. Не съхранявайте на открито или в превозни средства.
- При използването в екстремни условия или температури батерията може да протече. Ако течност влезе в контакт с кожата Ви, незабавно измийте със сапун и вода. Ако течността влезе в контакт с очите Ви, промийте ги с чиста вода за поне 10 минути, след което незабавно потърсете медицинска помощ. Като следвате това правило ще намалите опасността от сериозни наранявания.
- Запазете това ръководство. Препрочитайте го редовно и ги използвайте, когато трябва да инструктирате други лица, които може да използват този инструмент. Ако заемате на някого инструмента, предайте му също и тези инструкции.



⚠ ПРЕДУПРЕЖДЕНИЕ

Винаги подавайте изделието в детайла срещу посоката на въртене на фрезата. При подаване по посоката на въртене на фрезата, въртящата сила на фрезата ще се стреми да изтласка инструмента настрана от детайла. Това може да доведе до загуба на контрол над изделието.

ТРАНСПОРТИРАНЕ НА ЛИТИЕВИ БАТЕРИИ

Транспортирайте батериите в съответствие с местните и национални постановления и разпоредби.

Спазвайте всички специални изисквания за пакетиране и етикетирание, когато транспортирате батерии чрез трето лице. Уверете се, че батериите не влизат в контакт с други батерии или проводими материали по време на транспортиране, като предпазите откритите конектори с изолация, непроводими капачета или лента. Не транспортирайте батерии, които са спукани или имат текат. Свържете се със следната компания за допълнителен съвет.

НЕПРЕДВИДЕНИ РИСКОВЕ.

Дори когато продуктът се използва по предназначение, е невъзможно напълно да се ограничи влиянието на определени рискови фактори. Могат да възникнат следните опасности и операторът трябва да обърне особено внимание, за да ги избегне:

- Нараняване, причинено от вибрация.
 - Ограничете излагането. Вижте „Намаляване на опасността“.
- Наранявания, причинени от летящи отпадъци
 - По всяко време носете защитни средства за очите.
- Наранявания, причинени от прах
 - Носете маска против прах с подходящи филтри, която може да ви предпази от частици от материала, върху който работите. Не употребявайте храни, напитки или цигари в зоната на работа. Осигурете подходяща вентилация и използвайте предоставените принадлежности за прахоулавяне.
- Наранявания от контакт с режещи накрайници
 - Накрайниците са остри и ще стават горещи по време на използване. Носете ръкавици, когато сменяте накрайниците. Дръжте ръцете си далече от зоната на рязане през цялото време. Никога не дръжте материала, който режете, в ръце или през краката си. Закрепвайте обработвания детайл, когато е възможно.

ΜΕΙΩΣΗ ΚΙΝΔΥΝΟΥ

Известно е, че вибрациите, произвеждани от ръчни инструменти може да предизвикат у някои индивиди заболяване, наречено Синдром на Рейнолд (Raynaud's Syndrome). Симптомите може да включват изтръпване, схващане и избледняване на пръстите, обикновено се забелязват при излагане на студ. Смята се, че наследствените фактори, излагането на студ и влага,

диетите, пушенето и някои работни навици допринасят за развитието на тези симптоми. Могат да се вземат някои мерки, които могат да се предприемат от оператора, за да се намалят ефектите от вибрациите:

- Поддържайте телесната температура в студено време. Когато работите с продукта, носете ръкавици, за да поддържате ръцете и китките си топли. Според изследвания главният фактор, допринасящ за развитието на Raynaud's Syndrome, е студено време.
- Правете упражнения за активизиране на кръвообращението след всеки работен цикъл.
- Редовно излизайте в почивка. Ограничете излагането на вибрации на ден.

При поява на някой от симптомите на това заболяване, незабавно прекратете употребата на инструмента и посетете лекар.

⚠ ПРЕДУПРЕЖДЕНИЕ

Продължителното използване на инструмента може да доведе до наранявания или влошаване. При използване на инструмента за продължителни периоди от време правете чести почивки.

СГЛОБЯВАНЕ

⚠ ПРЕДУПРЕЖДЕНИЕ

Не използвайте това изделие, ако то не е напълно сглобено или ако някои части вероятно липсват или са повредени. Използване на изделие, което не е правилно и напълно сглобено или е с повредени или липсващи части може да доведе до сериозни наранявания

⚠ ПРЕДУПРЕЖДЕНИЕ

Не опитвайте да промените този инструмент или да създавате аксесоари, които не са препоръчителни за употреба с него. Всяка подобна поправка или промяна е некоректна употреба и може да създаде опасни условия и да нанесе сериозни физически наранявания.

ОПОЗНАЙТЕ ВАШИЯ ПРОДУКТ

Вж. страница 87.

1. Превключвател ПУСКАНЕ/СПИРАНЕ
2. Гнездо за батерията
3. Нулиране
4. Копче за микро настройка на дълбочината
5. Корпус на мотора
6. Машаб на дълбочината
7. Отстраняма основа
8. Лост за изключване на електродвигателя
9. Лост за бързо изключване
10. Заклучване на шпиндела
11. Цангов патронник 6,35 mm

12. Гайка на пръстена
13. Квадратна основна подставка
14. Гаечен ключ
15. Цангов патронник 6 mm
16. Прав профилен накрайник
17. Шина
18. Водач за ръбове

ПОДДРЪЖКА

⚠ ПРЕДУПРЕЖДЕНИЕ

Продуктът не трябва никога да се включва в захранване, когато сглобявате части, правите настройки, почиствате, извършвате поддръжка или когато не го използвате. Изключването на продукта от захранването ще предотврати случайно стартиране, което би могло да причини сериозни наранявания.

- При извършване на сервизни дейности използвайте само оригинални резервни части от производителя. Използването на други части може да ви постави в опасност или да повреди продукта.

⚠ ПРЕДУПРЕЖДЕНИЕ

За по-голяма безопасност и надеждност всички ремонти трябва да се извършват от оторизиран сервиз на Ryobi.

ОБЩА ИНФОРМАЦИЯ

Избягвайте използването на разтворители при почистването на пластмасовите части. Повечето пластмаси са чувствителни към различни видове разтворители и може да се повредят при използването на такива. Използвайте меки кърпи за отстраняване на замърсявания, въглероден прах и др.

⚠ ПРЕДУПРЕЖДЕНИЕ

В никакъв случай не позволявайте пластмасовите части да влизат в контакт със спирални течности, нефтени продукти, проникващи масла и т.н. Те съдържат химически вещества, които могат да повредят, отслабят или разрушат пластмасата.

Прахът от мазилка и стенна замазка е абразивен и може да предизвика преждевременна повреда на изделието, ако навлезе в зоната на електродвигателя. Винаги използвайте принадлежност за екстракция на прах, свързана към вакуум. След използване старателно почиствайте изделието с помощта на четка и вакуум. Внимавайте да не вкарате мръсотия във вентилационните отвори. Избягвайте използването на състен въздух за почистване на изделието, защото прах и песъчинки могат да предизвикат сериозни очни наранявания.

СМАЗВАНЕ

Всички лагери в този продукт за смазани с достатъчно количество висококачествено масло, което трябва да стигне за целия експлоатационен живот на инструмента при нормални работни условия. Затова не е необходимо допълнително смазване.

ОПАЗВАНЕ НА ОКОЛНАТА СРЕДА



Рециклиране на суровини, вместо за обезвреждане като отпадък. Машината, допълнителните приспособления и опаковките трябва да бъдат подложени на подходяща преработка за оползотворяване на съдържащите се в тях вторични суровини.

СИМВОЛИ НА ПРОДУКТА



Предупреждение относно безопасността



CE съответствие



Скорост на празен ход



Напрежение



Постоянен ток



Обороти или възвратно-постъпателни движения в минута



EurAsian знак за съответствие



Прочетете инструкциите внимателно, преди да стартирате машината.



Украински знак за съответствие



Електрическите уреди не трябва да се изхвърлят заедно с битовите отпадъци. Рециклирайте, където има възможност. Обърнете се за съвет по рециклирането към местните власти или разпространителите.

СИМВОЛИ В НАСТОЯЩОТО РЪКОВОДСТВО



Забележка



Частите или принадлежностите се продават отделно



Отключване



Ключалка

Следните сигнални думи и значенията им са предназначени да обяснят нивата на опасност, свързани с този продукт.

ОПАСНОСТ

Указва неминуемо опасна ситуация, която ако не бъде избегната, ще доведе до сериозни наранявания или смърт.

ПРЕДУПРЕЖДЕНИЕ

Указва потенциално опасна ситуация, която ако не бъде избегната, може да доведе до сериозни наранявания или смърт.

ВНИМАНИЕ

Указва потенциално опасна ситуация, която ако не бъде избегната, може да доведе до дребни или средни наранявания.

ВНИМАНИЕ

(Без предупредителен символ за безопасност) Указва ситуация, която може да доведе до имуществени щети.



Головними міркуваннями при розробці цієї підрівнюючої фрези були безпека, ефективність та надійність.

ПРИЗНАЧЕННЯ

Підрівнююча фреза призначена для точних завдань з деревообробки. Пристрій ідеально підходить для формування краю деревини та відшарування.

Для довбання та свердлення кам'яної кладки, може бути використаний режим молотка.

⚠ ПОПЕРЕДЖЕННЯ

Читайте всі правила безпеки та інструкції. Недотримання попереджень та інструкцій може призвести до ураження електричним струмом, пожежі та / або серйозної травми.

Збережіть всі інструкції і вказівки для майбутнього використання.

ЗАУВАЖЕННЯ З БЕЗПЕКИ ВИКОРИСТАННЯ ПІДРІВНЮЮЧОЇ ФРЕЗИ

- Використовуйте затискачі або інший практичний спосіб забезпечити і підтримувати заготовку на стійкій платформі. Тримання заготовки рукою або проти тіла, залишає її нестабільною і може призвести до втрати контролю.
- Тримайте інструмент за ізольовані поверхні при виконанні дій, при яких ріжучий інструмент може зачепити приховану проводку. Ріжучі приладдя при контакті з проводом під напругою можуть зробити незахищені металеві частини електроінструменту під напругою і можуть вдарити оператора електричним струмом.
- Завжди використовуйте долото відповідного діаметру стрижня, що є відповідним до швидкості пристрою.
- Інформація щодо електроінструменту. Прочитайте посібник оператора. Вивчіть призначення та обмеження для цього виробу, а також специфічні потенціальні небезпеки, пов'язані з ним. Слідування цьому правилу знизить ризик ураження електричним струмом, пожежі або серйозної травми.
- Завжди носіть захисні окуляри з бічними щитками. Повсякденні окуляри мають лінзи, що не захищають від зовнішнього впливу. Вони НЕ Є захисними окулярами. Дотримання цього правила знизить ризик травмування очей.
- Захистіть ваші легені. Носіть маску для обличчя або маску від пилу, якщо операція курна. Дотримання цього правила знизить ризик отримання серйозної травми.
- Захистити органи слуху. Під час тривалої експлуатації надавайте засоби для захисту органів слуху. Дотримання цього правила знизить ризик отримання серйозної травми.

- Акумуляторні інструменти не потрібно підключати до електричної розетки. Внаслідок цього вони завжди знаходяться у робочому стані. Усвідомлюйте можливі небезпеки під час використання акумуляторного пристрою, або коли міняєте його аксесуари. Слідування цьому правилу знизить ризик ураження електричним струмом, пожежі або серйозної травми.
- Не розміщуйте акумуляторні інструменти або їх акумулятори поблизу вогню або джерела тепла. Виконання цього правила знизить ризик вибуху та можливість травми.
- Не розбивайте, не упускайте та не пошкоджуйте акумуляторну батарею. Ніколи не використовуйте акумуляторну батарею або зарядний пристрій, який падав або піддавався сильному удару. Пошкоджений акумулятор може вибухнути. Правильно позбудьтесь упущеної або пошкодженої батареї.
- Акумулятори можуть вибухнути, якщо поруч є джерело запалювання, наприклад, малий паяльник. Для зменшення ризику серйозної травми ніколи не використовуйте бездротові вироби поріч з відкритим полум'ям. Під час вибуху акумулятора можуть відлітати уламки та виділятися хімічні речовини. В разі вибуху негайно залийте його водою.
- Не заряджайте акумуляторний інструмент у сирому або вологому місці. Слідування цьому правилу знизить ризик ураження електричним струмом.
- Для ефективної зарядки, пристрій має заряджатись у приміщенні де температура вища за 10°C та менша ніж 38°C. Не зберігайте його на відкритому повітрі або у транспортних засобах.
- При надмірному використанні або під дією екстремальних температур може відбутися витікання кислоти з акумулятора. В разі контакту кислоти зі шкірою негайно помийте її водою з милом. Якщо кислота потрапляє в очі, промийте їх чистою водою впродовж мінімум 10 хвилин, потім негайно зверніться до лікаря. Дотримання цього правила знизить ризик отримання серйозної травми.
- Збережіть ці інструкції. Частіше звертайтеся до них, та використовуйте їх, щоб інструктувати інших, хто може використовувати цей пристрій. Якщо ви позичаєте комусь цей інструмент, передавайте йому також цю інструкцію.

⚠ ПОПЕРЕДЖЕННЯ

Завжди подавайте продукт в заготовку проти напрямку обертання фрези. Зусилля обертання долота, відштовхуватиме пристрій від заготовки, якщо воно збігається з напрямком обертання долота. Це може спричинити втрату контролю над пристроєм.





ТРАНСПОРТУВАННЯ ЛІТІСВИХ БАТАРЕЙ

Транспортуйте батарею відповідно до місцевих та національних положень та правил.

Дотримуйтеся усіх спеціальних вимог щодо пакування та маркування при транспортуванні батареї третьою стороною. Переконайтеся, що батареї не можуть вступати в контакт з іншими батареями або провідними матеріалами при транспортуванні, захищаючи відкриті роз'єми ізоляційними непроводячими кришками або стрічкою. Не перевозити батареї, які мають тріщини або протечки. Консультуйтеся з експедиторською компанією для подальших консультацій.

ЗАЛИШКОВІ РИЗИКИ

Навіть коли продукт використовується як написано, залишається неможливим повністю усунути деякі залишкові чинники ризику. Наступні небезпеки можуть виникнути і оператор повинен звернути особливу увагу, щоб уникнути наступного:

- Травми, викликані вібрацією
 - Лімітуйте вплив. Дивіться «ЗНИЖЕННЯ РИЗИКУ».
- Травмування спричинені летючими частками
 - Увесь час носить захист для очей.
- Травми, викликані пилом.
 - Носить відповідну захисну маску від пилу з підходящими фільтрами, які можуть захистити від частинок оброблюваного матеріалу. Не їжте, не пийте і не паліть в робочій зоні. Забезпечіть достатню вентиляцію і використовуйте передбачені приладдя для відводу пилу.
- Травми від контакту з ріжучими фрезами
 - Фрези дуже гострі і нагріватимуться під час використання. Одягайте рукавички, коли замінюєте фрези. Тримайте руки увесь час подалі від зони різання. Ніколи не відрізайте заготовку в ваших руках або через вашу ногу. Закріплюйте заготовку, кожен раз, коли це можливо.

ЗНИЖЕННЯ РИЗИКУ

Повідомлялося, що вібрації від ручних інструментів у певних осіб можуть сприяти стану, який називається синдромом Рейно. Симптоми можуть включати поколювання, оніміння і збліднення пальців, як правило, очевидні при впливі холоду. Спадкові фактори, вплив холоду і вологості, діста, куріння і робоча практика, всі ці чинники роблять свій внесок у розвиток цих симптомів. Ці заходи можуть бути прийняті оператором, щоб можливо зменшити вплив вібрації:

- Тримайте тіло в теплі в холодну погоду. При експлуатації приладу, одягайте рукавички, щоб тримати руки і зап'ястя у теплі. Повідомлялося, що холодна погода є основним чинником, що сприяє синдрому Рейно.
- Після кожного періоду роботи, здійснюйте вправи для підвищення кровообігу.

- Робіть часті перерви в роботі. Зробіть обмеження кількості впливу на день.

Якщо ви відчуваєте будь-які з симптомів цього стану, негайно припиніть використання і зверніться до лікаря з ціми симптомами.

⚠ ПОПЕРЕДЖЕННЯ

Тривале використання інструменту може викликати або посилити травми. При використанні інструменту протягом тривалого періоду, робіть регулярні перерви.

ЗБИРАННЯ

⚠ ПОПЕРЕДЖЕННЯ

Не використовуйте цей виріб, якщо він не повністю зібраний або якщо відсутні або пошкоджені деякі його деталі. Використання пристрою, зібраним неналежним чином та непевністю, або з пошкодженими частинами може спричинити серйозні травми.

⚠ ПОПЕРЕДЖЕННЯ

Не намагайтеся змінити цей інструмент або зробити приладдя, не рекомендовані для використання з цим інструментом. Будь-яка така зміна або модифікація - це неправильне використання і може призвести до небезпечної ситуації, що призводить до можливих серйозних травм.

ЗНАЙТЕ СВІЙ ПРОДУКТ.

Див. стор. 87.

1. Перемикач включення/вимикання
2. Гніздо для акумулятора
3. Скидання на нуль
4. Ручка регулювання мікроглибини
5. Корпус двигуна
6. Шкала глибини
7. Зйомна основа
8. Важіль розмикання двигуна
9. Важіль швидкого спуску
10. Зажим шпінделя
11. 6.35 мм фланець
12. Гайка цанги
13. Квадратна підоснова
14. Гайковий ключ
15. 6 мм фланець
16. Пряма фреза
17. Напрямні стрижні
18. Напрямна краю деталі



ОБСЛУГОВУВАННЯ

⚠ ПОПЕРЕДЖЕННЯ

Продукт не повинен бути підключений до джерела живлення, коли ви збираєте деталі, регулюєте, чистите, проводите технічне обслуговування або коли продукт не використовується. Відключення продукту допоможе уникнути випадкового запуску, який може призвести до серйозних травм.

- При обслуговуванні використовуйте тільки оригінальні запасні частини виробника. Використання будь-яких інших деталей може створити небезпеку або спричинити пошкодження продукту.

⚠ ПОПЕРЕДЖЕННЯ

Для більшої безпеки і надійності, всі ремонтні роботи повинні виконуватися уповноваженим Ryobi сервісним центром.

ЗАГАЛЬНІ

Не використовуйте розчинники для очищення пластмасових деталей. Більшість пластмас вразлива до різних видів комерційних розчинників і може бути пошкоджена їх використанням. Використовуйте чисті ганчірки для видалення бруду і вугільного пилу.

⚠ ПОПЕРЕДЖЕННЯ

Ніколи не дозволяйте гальмівній рідині, бензину, продуктам на основі нафти, і проникаючим маслам вступати в контакт з пластиковими деталями. Вони містять хімічні речовини, які можуть зашкодити, послабити або знищити пластик.

Пил від шпательки і стінної дошки абразивний і може призвести до передчасного виходу виробу з ладу, якщо дозволити його попадання в зону двигуна. Завжди використовуйте підключене до пилососу пилвидалююче приладдя. Ретельно очистіть продукт після використання за допомогою щітки і пилососу. Дбайте, щоб не штовхнути бруд у вентиляційні отвори. Будьте обережні, використовуючи стиснене повітря для очистки продукту, тому що пил і пісок можуть призвести до серйозних травм очей.

ЗМАЩУВАННЯ

Всі підшипники в продукті змащені достатньою кількістю високоякісного мастила для всього терміну служби продукту при нормальних умовах експлуатації. Таким чином, додаткове змащення не потрібно.

ЗАХИСТ НАВКОЛИШНЬОГО СЕРЕДОВИЩА.



Переробляйте сировину замість утилізації в якості відходів. Машини, обладнання та упаковка повинні бути відсортовані для дружньої для навколишнього середовища утилізації.

СИМВОЛИ НА ПРОДУКТІ



Попередження безпеки



СЕ відповідність



Швидкість без навантаження



Вольти



Постійний струм



Оберти або зворотно-поступальні рухи у хвилину



Євразійський знак відповідності



Будь ласка, уважно прочитайте інструкцію перед запуском продукту.



Український знак відповідності



Відходи електротехнічної продукції не слід викидати разом із побутовими відходами. Будь ласка, переробляйте там, де наявне устаткування. Перевірте з вашим місцевим органом влади або продавцем для консультацій з приводу переробки.

СИМВОЛИ В ЦІЄЙ ІНСТРУКЦІЇ З ЕКСПЛУАТАЦІЇ



Примітка



Запасні деталі або приналежності продаються окремо



Розблокувати



Блокувати

Нижчезказані попереджальні слова та символи пояснюють рівень ризику при роботі з цим приладом.

НЕБЕЗПЕКА

Вказує на неминуче небезпечну ситуацію, яка, якщо її не уникнути, може призвести до смерті або серйозних травм.

ПОПЕРЕДЖЕННЯ

Вказує на потенційно небезпечну ситуацію, яка, якщо її не уникнути, може призвести до смерті або серйозних травм.

УВАГА

Вказує на потенційно небезпечну ситуацію, яка, якщо її не уникнути, може призвести до середньої або легкої травми.

УВАГА

(Без Символу попередження про безпеку) Вказує на ситуацію, яка може привести до матеріальних збитків.

EN
FR
DE
ES
IT
NL
PT
DA
SV
FI
NO
RU
PL
CS
HU
RO
LV
LT
ET
HR
SL
SK
BG
UK
TR
EL

Kenar yönlendiricinizin tasarımında emniyet, performans ve güvenilirliğe öncelik verilmiştir.

KULLANIM AMACI

Kenar yönlendirici hassas ahşap işleme görevleri için tasarlanmıştır. Ürün, ahşapta kenar şekillendirme ve lamineleri kırma için idealdir.

Bu ürünü belirtilen kullanım amacı dışında herhangi bir amaçla kullanmayın.

⚠ UYARI

Tüm güvenlik uyarılarını ve talimatlarını okuyun. Uyarıların ve talimatların yerine getirilmemesi elektrik çarpması, yangın ve/veya ciddi yaralanmalara yol açabilir.

Tüm uyarıları ve talimatları daha sonra başvurmak üzere saklayın.

KENAR YÖNLENDİRİCİ GÜVENLİK UYARILARI

- **Çalışan parçayı sabit bir platforma sabitlemek için mengene veya diğer pratik yöntemleri kullanın.** Çalışan parçayı el ile veya vücuda dayalı olarak tutmak aletin dengesini bozarak kontrolü kaybetmenize yol açabilir.
- **Kesici aksesuarlar gizli kablo tesisatını kesebileceği için, matkapla çalışırken izolasyonlu tutma yüzeylerinden tutun.** Kesici aksesuarın elektrik geçen kabloyla temas etmesi, elektrikli aletin metal parçalarının elektrikle yüklenmesine ve kullanıcının elektrikle çarpılmasına neden olabilir.
- **Her zaman ürünün hızına uygun doğru mil çapına sahip uçları kullanın.**
- **Elektrikli aletinizi tanıyın. Kullanım kılavuzunu dikkatle okuyunuz.** Ürünün uygulamalarını ve sınırlamalarını ve buna ilave olarak bunlara ilişkin belirli olası tehlikeleri öğrenin. Böylece elektrik çarpması, yangın ya da ciddi yaralanma riskini önleyeceksiniz.
- **Daima yan siperlere sahip koruyucu gözlükler kullanın.** Günlük gözlüklerin sadece darbeye dayanıklı camları vardır. Emniyet gözlükleri DEĞİLDİRLER. Bu kurala uymak göz yaralanması riskini azaltır.
- **Akciğerlerinizi koruyun. Çalışma toz çıkartıyorsa, yüz koruyucusu ya da toz maskesi kullanınız.** Bu kurala uyulması ciddi yaralanma riskini azaltacaktır.
- **Kulaklarınızı koruyun. Uzun süreli işlemler esnasında kulak koruyucu kullanın.** Bu kurala uyulması ciddi yaralanma riskini azaltacaktır.
- **Pilli cihazların prize takılmasına gerek yoktur, her zaman çalışır durumdadır. Pilli cihazı kullanmadığınız zaman ya da aksesuarları değiştirirken olası tehlikeleri unutmayın.** Böylece elektrik çarpması, yangın ya da ciddi yaralanma riskini önleyeceksiniz.
- **Şarjlı aletleri ya da bataryalarını ateşin veya ısı kaynaklarının yakınına koymayın.** Bu önlem patlama

ve olası yaralanma riskini azaltacaktır.

- **Batarya kutusunu sıkıştırmayın, düşürmeyin veya hasar vermeyin. Düşürülmüş ya da sert darbe almış batarya kutularını veya şarj cihazlarını kullanmayın.** Hasar görmüş bir pilin patlama ihtimali vardır. Düşen ya da hasar gören bataryayı hemen uygun şekilde elden çıkarın.
- **Pilot alevi gibi ateşleme kaynağının olması durumunda piller patlayabilir.** Ciddi kişisel yaralanma riskini azaltmak için, açık ateşin bulunduğu yerlerde kablosuz cihazları asla kullanmayın. Patlayan bir pil kalıntı ve kimyasallar salgılayabilir. Maruz kaldığında derhal suyla yıkanmalıdır.
- **Nemli ya da ıslak ortamlarda bataryalı cihazları şarj etmeyin.** Böylece, elektrik çarpması riskini azaltırsınız.
- **En iyi sonuçlar için bataryanız, sıcaklığın 10°C ila 38°C arasında olan yerlerde şarj edilmelidir. Dış mekan ya da araçların içinde depolamayın.**
- **Aşırı kullanma ve sıcaklık koşulları altında batarya akması meydana gelebilir. Eğer sıvı cildinize temas ederse derhal sabun ve su ile yıkayın. Akan sıvı gözüne kaçarsa en az 10 dakika süreyle temiz suyla yıkayın, ardından hemen bir doktora danışın.** Bu kurala uyulması ciddi yaralanma riskini azaltacaktır.
- **Bu talimatı saklayın.** Sık aralıklarla talimatlara bakın ve diğerleri bu cihazı kimin kullanabileceği konusunda bilgilendirmek için kullanın. Bu cihazı birisine ödünç olarak verirsiniz aynı zamanda bu talimatları da kendisine verin.

⚠ UYARI

Ürünü iş parçasına doğru her zaman ucun dönüş yönünün aksine besleyin. Ucun dönüş yönünde ilerliyorsanız, dönen ucun dönüş kuvveti aleti iş parçasından fırlatacaktır. Bu ürünün kontrolünü kaybetmenizle sonuçlanabilir.

LİTYUM PİLLERİN NAKLİYESİ

Pili yerel ve ulusal hükümlere ve yönetmeliklere göre nakledin.

Piller üçüncü bir şahıs tarafından nakledilirken ambalaj ve etiket üzerindeki tüm özel gereksinimlere uyun. Açıktaki konektörleri iletken olmayan yalıtım başlıkları veya bant ile koruyarak pillerin nakliye sırasında diğer pillerle veya iletken materyallerle temas etmediğinden emin olun. Çatlak veya sızıntı yapan pilleri nakletmeyin. Daha fazla bilgi için nakliye şirketinize danışın.

ARDIL RİSKLER

Ürün belirtildiği şekilde kullanıldığı zaman bile belirli artk risk faktörlerinin tamamen ortadan kaldırılması mümkün değildir. Kullanım sırasında aşağıdaki tehlikeler ortaya çıkabilir ve operatör bunlardan kaçınmak için özellikle dikkat etmelidir:

- **Titreşim kaynaklı yaralanma**
 - Maruziyet seviyesini sınırlandırın. Bkz. "Risk Azaltma".

- Fırlayan parçalar nedeniyle yaralanma riski
 - Her zaman göz koruyucu takın.
- Toz kaynaklı yaralanmalar
 - İşlenen malzemeden çıkabilecek aşındırıcı parçacıklardan korunmaya uygun filtreli, doğru toz kontrol maskesi kullanın. Çalışma alanı içinde bir şey yemeyin, içmeyin veya sigara içmeyin. Uygun şekilde havalandırduğunuzdan emin olun ve ürünle birlikte verilen toz giderme aksesuarlarını kullanın.
- Kesme uçlarına temas nedeniyle yaralanma
 - Uçlar çok keskindir ve kullanım sırasında ısınır. Uçları değiştirirken eldiven takın. Ellerinizi her zaman kesme alanından uzak tutun. Sabit bir desteğin üzerine koyunuz. Mümkünse iş parçasını sabitleyin.

RİSK AZALTMA

El aletlerinden kaynaklanan titreşimlerin belirli kişilerde Raynaud Sendromu olarak adlandırılan bir durumu etkileyebileceği rapor edilmiştir. Karıncalanma, hissizlik ve parmakların sararması gibi genelde soğuğa maruz kaldıktan sonra görülen semptomlar oluşabilir. Kalıtsal faktörler, soğuğa ve ıslaklığa maruz kalmak, diyet, sigara içmek ve fiziksel yorgunluk gibi etkenlerin hepsinin bu semptomların ortaya çıkmasına zemin hazırlayabileceği bildirilmiştir. Titreşimin etkilerini azaltmak için operatör tarafından alınabilecek önlemler bulunmaktadır:

- Soğuk havalarda vücudunuzu sıcak tutun. Ürünü çalıştırırken elleri ve bilekleri sıcak tutmak için eldiven takın. Soğuk havanın Raynaud Sendromunun ana tetikleyicilerinden olduğu bildirilmiştir.
- Her operasyon sürecinden sonra kan dolaşımını arttırmak için egzersiz yapın.
- Sık sık işe ara verin. Günlük maruziyet miktarını sınırlandırın.

Bu rahatsızlığın semptomlarından herhangi birini görürseniz, aleti kullanmayı derhal bırakın ve bir doktora görünün.

⚠ UYARI

Bir aletin uzun süre kullanılması nedeniyle yaralanmalar olabilir veya mevcut yaraların durumu kötüleşebilir. Herhangi bir aleti uzun bir süre boyunca kullanırken düzenli olarak ara vermeyi ihmal etmeyin.

MONTAJ

⚠ UYARI

Doğru bir şekilde monte edilmediyse ya da herhangi bir parçası eksikse ya da hasar görmüşse ürünü kullanmayın. Doğru ya da tam monte edilmeyen ya da eksik ya da hasarlı parçaları bulunan ürünün kullanımı ciddi kişisel yaralanmalara neden olabilir.

⚠ UYARI

Değişiklik yapmayın ya da bu aletle kullanılması tavsiye edilmeyen aksesuarları kullanmayın. Bu tipteki değişiklikler hatalı kullanıma girer ve olası ciddi kişisel yaralanmalara neden olacak tehlikeli durumlara yol açabilir.

ÜRÜNÜZÜ TANIYIN

Sayfa 87'ya bakın.

1. Açma/kapama anahtarı
2. Pil bağlantı noktası
3. Sıfırlama
4. Mikro derinlik ayar düğmesi
5. Motor yatağı
6. Derinlik cetveli
7. Çıkartılabilir taban
8. Motor açma kolu
9. Bıçak hızlı takma kolu
10. Mil kilitleme düğmesi
11. 6,35 mm kovan
12. Torna kavrağı civata somunu
13. Kare alt tabla
14. Servis anahtarı
15. 6 mm kovan
16. Düz uç
17. Kılavuz çubukları
18. Paralel kesim kılavuzu (opsiyon)

BAKIM

⚠ UYARI

Parçaları monte ederken, ayar, temizlik, bakım çalışması yaparken veya ürün kullanılmadığı zaman ürünü asla güç kaynağına bağlamayın. Ürünün bağlantısının kesilmesi ciddi yaralanmalara neden olabilecek kazara çalışmayı önleyecektir.

- Uygulama sırasında yalnızca üreticinin orijinal yedek parçalarını kullanın. Diğer parçaları kullanmak tehlike yaratabilir ya da hasara neden olabilir.

⚠ UYARI

Daha yüksek güvenlik ve güvenilirlik için tüm onarım çalışmaları yetkili bir Ryobi servis merkezi tarafından yapılmalıdır.

GENEL

Plastik parçaları temizlerken solventleri kullanmaktan kaçınınız. Plastiklerin çoğu ticari kullanımlı uçucu maddeler karşı hassastır. Lekeleri, tozu, vb. temizlemek için temiz bir bez kullanınız.

⚠ UYARI

Plastik unsurlar asla fren sıvısı, benzin, petrol bazı ürünler, nüfuz edici yağlar, vb ile temas etmemelidir. Bu kimyasal ürünler, plastiğe zarar verebilecek, kırılır hale getirebilecek ya da yok edebilecek maddeler içermektedir.

Alçı ve duvar kaplamasından çıkan toz aşındırıcıdır ve motor bölgesine girmesine izin verilirse ürünün zamanından önce arızalanmasına neden olabilir. Her zaman bir elektrikli süpürgeye bağlı toz giderme aksesuarı kullanın. Ürünü kullandıktan sonra bir fırça ve elektrikli süpürge kullanarak iyice temizleyin. Kiri havalandırma deliklerinin içine doğru itmemeye dikkat edin. Toz ve iri taneli kum, ciddi göz yaralanmalarına neden olabileceğinden ürünü temizlemek için basınçlı hava kullanmayın.

YAĞLAMA

Üründeki tüm yataklar normal çalışma koşullarında ürünün hizmet ömrü boyunca yeterli miktarda yüksek kalite yağ ile yağlanır. Buna göre, fazladan yağlama yapılmasına gerek yoktur.

ÇEVRENİN KORUNMASI



Ham maddeleri çöp olarak atmak yerine geri dönüştürün. Çevreyi korumak için, alet, aksesuarlar ve ambalajlar tasnif edilmelidir.

ÜRÜN ÜZERİNDEKİ SEMBOLLER



Güvenlik ikazı



CE uygunluğu



Bota hız



Volt



Doğru akım



Saniyede devir veya hareket sayısı



EurAsian Uyumluluk işareti



Makineyi çalıştırmadan talimatları dikkatlice okuyun.



Ukrayna uygunluk işareti



Atık elektrikli ürünler evsel atıklarla birlikte atılmamalıdır. Tesis bulunuyorsa lütfen geri dönüşüme verin. Geri dönüşümle ilgili tavsiye için Yerel Makamlarla veya bayi ile irtibat kurun.

KİTAPÇIKTAKİ SEMBOLLER



Not



Parçalar ya da aksesuarlar ayrı olarak satılır.



Kilidi açma



Kilit

Aşağıdaki işaret sözcükleri ve anlamları, bu ürünle ilişkili risk seviyelerini açıklamaya yöneliktir:

⚠ TEHLİKE

Önlenmemesi durumunda ölüm veya ciddi yaralanma ile sonuçlanacak, tehdit edici tehlikeli bir durumu gösterir.

⚠ UYARI

Önlenmemesi durumunda ölüm veya ciddi yaralanma ile sonuçlanabilecek potansiyel olarak tehlikeli bir durumu gösterir.

⚠ DİKKAT

Önlenmemesi durumunda önemsiz veya orta derece yaralanma ile sonuçlanabilecek potansiyel olarak tehlikeli bir durumu gösterir.

DİKKAT

(Güvenlik uyarı simgesi) maddi hasarla sonuçlanabilecek bir durum belirtir.



Κατά το σχεδιασμό του ρούτερ περιθωρίων δόθηκε ιδιαίτερη προτεραιότητα στην ασφάλεια, την απόδοση και την αξιοπιστία του.

ΠΡΟΟΡΙΖΟΜΕΝΗ ΧΡΗΣΗ

Το ρούτερ περιθωρίων προορίζεται για ξυλουργικές εργασίες ακριβείας. Το μηχανήμα είναι ιδανικό για τη διαμόρφωση άκρων σε ξύλο και τη λείανση laminate.

Μην χρησιμοποιείτε το προϊόν με τρόπο διαφορετικό από αυτόν που αναφέρεται για τη χρήση του.

⚠ ΠΡΟΕΙΔΟΠΟΙΗΣΗ

Διαβάστε όλες τις συστάσεις ασφαλείας και τις οδηγίες. Αν δεν τηρηθούν οι προειδοποιήσεις και οδηγίες, υπάρχει κίνδυνος ηλεκτροπληξίας, φωτιάς και / ή σοβαρού τραυματισμού.

Φυλάσσετε όλες τις προειδοποιήσεις και οδηγίες για μελλοντική χρήση.

ΠΡΟΕΙΔΟΠΟΙΗΣΕΙΣ ΑΣΦΑΛΕΙΑΣ ΓΙΑ ΤΟ ΡΟΥΤΕΡ ΠΕΡΙΘΩΡΙΩΝ.

- Χρησιμοποιείτε συσφιξεις ή άλλους πρακτικούς τρόπους για την ασφάλιση και υποστήριξη του τεμαχίου επεξεργασίας σε μια σταθερή πλατφόρμα. Κρατώντας το τεμάχιο επεξεργασίας με το χέρι ή στηρίζοντας προς το σώμα, το τεμάχιο επεξεργασίας θα είναι ασταθές και μπορεί να συμβεί απώλεια του ελέγχου.
- Κρατάτε το εργαλείο από τις μονωμένες επιφάνειες λαβής όταν εκτελείτε εργασίες όπου το εξάρτημα κοπής μπορεί να έρθει σε επαφή με κρυφές καλωδιώσεις. Η επαφή του εξαρτήματος κοπής με «ζωντανό» καλώδιο (ηλεκτροφόρο) μπορεί να μεταφέρει τον ηλεκτρισμό στα εκτεθειμένα μεταλλικά εξαρτήματα του εργαλείου, προκαλώντας ηλεκτροπληξία στον χειριστή.
- Χρησιμοποιείτε πάντοτε μύτες διαμέτρου κατάλληλης για την ταχύτητα λειτουργίας του μηχανήματος.
- Εξοικειωθείτε με το μηχανοκίνητο εργαλείο σας. Διαβάστε προσεκτικά το εγχειρίδιο χρήσης. Μάθετε τις εφαρμογές και τους περιορισμούς του προϊόντος, καθώς και τους πιθανούς κινδύνους που σχετίζονται με τη χρήση του. Θα μειώσετε έτσι τον κίνδυνο ηλεκτροπληξίας, πυρκαγιάς ή σοβαρού τραυματισμού.
- Φοράτε πάντα προστατευτικά γυαλιά με πλευρική προστασία. Τα συνηθισμένα γυαλιά διαθέτουν φακούς ανθεκτικούς μόνο στις κρούσεις. ΔΕΝ είναι γυαλιά ασφαλείας. Ακολουθήστε τον παρακάτω κανόνα για να μειώσετε τον κίνδυνο τραυματισμού στα μάτια.
- Προστατεύστε τους πνευμένους σας. Φορέστε προστατευτική προσωπίδα ή μάσκα κατά της σκόνης αν η εργασία δημιουργεί σκόνη. Ακολουθώντας αυτόν τον κανόνα, μειώνετε τον κίνδυνο σοβαρού τραυματισμού.
- Προστατεύστε την ακοή σας. Φοράτε προστατευτικά αυτιών σε περιόδους παρατεταμένης χρήσης.

Ακολουθώντας αυτόν τον κανόνα, μειώνετε τον κίνδυνο σοβαρού τραυματισμού.

- Τα προϊόντα μπαταρίας δεν χρειάζεται να συνδεθούν σε ηλεκτρική πρίζα, επομένως είναι πάντα σε κατάσταση λειτουργίας. Προσέχετε τους πιθανούς κινδύνους όταν δεν χρησιμοποιείτε το προϊόν ή όταν αλλάζετε εξαρτήματα. Θα μειώσετε έτσι τον κίνδυνο ηλεκτροπληξίας, πυρκαγιάς ή σοβαρού τραυματισμού.
- Μην τοποθετείτε τα προϊόντα που λειτουργούν με μπαταρίες ή τις μπαταρίες τους κοντά σε φωτιά ή θερμότητα. Έτσι μειώνετε τον κίνδυνο έκρηξης και πιθανού τραυματισμού.
- Μην πιέζετε, ρίχνετε ή φθείρετε την μπαταρία. Μην χρησιμοποιείτε μπαταρίες ή φορτιστές που έχουν πέσει ή δεχθεί δυνατό χτύπημα. Οι φθαρμένες μπαταρίες μπορεί να προκαλέσουν έκρηξη. Απορρίψτε κατάλληλα μπαταρίες που έχουν πέσει ή φθαρεί αμέσως.
- Οι μπαταρίες μπορούν να προκαλέσουν έκρηξη αν υπάρχει εστία ανάφλεξης, όπως φλόγα εναύσματος. Για να μειώσετε τον κίνδυνο σοβαρού τραυματισμού, μην χρησιμοποιείτε ποτέ ασύρματα προϊόντα όταν υπάρχει ανοιχτή φλόγα. Αν η μπαταρία εκραγεί, μπορεί να εκτινάξει υπολείμματα και χημικά. Σε περίπτωση επαφής με αυτά, ξεπλύνετε αμέσως με νερό.
- Μην φορτίζετε το προϊόν μπαταρίας σε υγρές τοποθεσίες ή συνθήκες υγρασίας. Θα μειώσετε έτσι τον κίνδυνο ηλεκτροπληξίας.
- Για βέλτιστη απόδοση, η φόρτιση της μπαταρίας θα πρέπει να πραγματοποιείται σε χώρους με θερμοκρασία μεταξύ 10°C και 38°C. Μην αποθηκεύετε το προϊόν σε εξωτερικό χώρο ή μέσα σε οχήματα.
- Σε συνθήκες ακραίας χρήσης ή σε ακραίες θερμοκρασίες, μπορεί να προκληθεί διαρροή μπαταρίας. Αν το υγρό της μπαταρίας έρθει σε επαφή με το δέρμα σας, πλυθείτε αμέσως με σαπούνι και νερό. Αν το υγρό έρθει σε επαφή με τα μάτια σας, ξεπλύνετε τα με καθαρό νερό για τουλάχιστον 10 λεπτά και ζητήστε άμεση ιατρική βοήθεια. Ακολουθώντας αυτόν τον κανόνα, μειώνετε τον κίνδυνο σοβαρού τραυματισμού.
- Φυλάξτε αυτα τις οδηγίες. Συμβουλευτείτε συχνά τις οδηγίες και χρησιμοποιήστε τις για να ενημερώσετε άλλα άτομα που μπορεί να χρησιμοποιήσουν το εργαλείο. Αν δανείσετε σε κάποιον το εργαλείο, δώστε μαζί και αυτές τις οδηγίες.

⚠ ΠΡΟΕΙΔΟΠΟΙΗΣΗ

Τροφοδοτείτε πάντα το προϊόν προς το τεμάχιο εργασίας, κόντρα στην κατεύθυνση περιστροφής του προσαρτήματος. Εάν η τροφοδοσία γίνεται κατά τη φορά περιστροφής της μύτης, η ροπή της περιστρεφόμενης μύτης θα τείνει να ντύνει το εργαλείο μακριά από το τεμάχιο εργασίας. Αυτό μπορεί να επιφέρει απώλεια ελέγχου του μηχανήματος.





ΜΕΤΑΦΟΡΑ ΜΠΑΤΑΡΙΩΝ ΛΙΘΙΟΥ

Μεταφέρετε τη μπαταρία σε συμφωνία με τις τοπικές εθνικές διατάξεις και τους κανονισμούς.

Τηρείτε όλες τις ειδικές απαιτήσεις στη συσκευασία και στην ετικέτα κατά τη μεταφορά των μπαταριών από τρίτους. Εξασφαλίστε ότι δεν θα έρχονται σε επαφή οι μπαταρίες με άλλες μπαταρίες ή με αγώγιμα υλικά κατά τη διάρκεια της μεταφοράς, προστατεύοντας τους εκτεθειμένους συνδέσμους με μόνωση, μη αγώγιμα πώματα ή ταινία. Μη μεταφέρετε μπαταρίες που έχουν χτυπήματα ή διαρροή. Ενημερωθείτε από τη πρακτορεία μεταφορών για περαιτέρω ειδοποιήσεις.

ΆΛΛΟΙ ΚΙΝΔΥΝΟΙ

Ακόμη και όταν το προϊόν χρησιμοποιείται σύμφωνα με τις οδηγίες, δεν είναι δυνατή η απόλυτη απαλειφή συγκεκριμένων παραγόντων κινδύνου. Κατά τη χρήση μπορεί να προκύψουν οι ακόλουθοι κίνδυνοι και ο χειριστής πρέπει να δίδει ιδιαίτερη προσοχή προς αποφυγή των εξής:

- Τραυματισμοί από τον κραδασμό
 - Περιορίστε την έκθεση. Βλ. "Μειωση Κινδύνου".
- Κίνδυνος τραυματισμού από εκπινασσόμενα υπολείμματα
 - Να φοράτε συνέχεια, προστατευτικά γυαλιά.
- Τραυματισμός που προκαλείται από τη σκόνη
 - Φοράτε κατάλληλη μάσκα προστασίας με τα σωστά φίλτρα που προστατεύουν από τη σκόνη που προέρχεται από το υλικό εργασίας. Μην τρώτε, πίνετε ή καπνίζετε στον χώρο εργασίας. Βεβαιωθείτε ότι υπάρχει επαρκής εξαερισμός και χρησιμοποιήστε τα παρεχόμενα εξαρτήματα εξαγωγής σκόνης.
- Τραυματισμός από επαφή με τα προσαρτήματα κοπής
 - Τα προσαρτήματα είναι πολύ αιχμηρά και θερμαίνονται κατά τη χρήση. Φοράτε γάντια όταν αλλάζετε προσαρτήματα. Διατηρείτε συνεχώς τα χέρια σας μακριά από την περιοχή κοπής. Στερεώστε το σε μια σταθερή βάση. Ασφαλίστε το τεμάχιο εργασίας όποτε αυτό είναι δυνατό.

ΜΕΙΩΣΗ ΚΙΝΔΥΝΟΥ

Έχει αναφερθεί ότι οι κραδασμοί των χειροκίνητων εργαλείων μπορεί να συμβάλλει σε μια πάθηση γνωστή ως Σύνδρομο Raynaud σε ορισμένα άτομα. Τα συμπτώματα περιλαμβάνουν κνησμό, μούδιασμα και λευκότητα των δακτύλων, που εμφανίζονται συνήθως μετά την έκθεση σε κρύο. Κληρονομικοί παράγοντες, έκθεση σε κρύο και υγρασία, η διατροφή, το κάπνισμα και οι εργασιακές πρακτικές θεωρείται ότι συμβάλλουν στην ανάπτυξη αυτών των συμπτωμάτων. Υπάρχουν μέτρα που μπορούν να ληφθούν από τον χειριστή για να μειωθούν πιθανώς οι επιδράσεις των κραδασμών:

- Διατηρείτε το σώμα σας ζεστό όταν ο καιρός είναι ψυχρός. Κατά τη λειτουργία του προϊόντος φοράτε γάντια ώστε να διατηρείτε τα χέρια και τους καρπούς ζεστά. Ο ψυχρός καιρός είναι κύριος παράγοντας που συμβάλλει στην εκδήλωση του συνδρόμου Raynaud.
- Μετά από κάθε περίοδο λειτουργίας, κάνετε ασκήσεις για να αυξάνετε την κυκλοφορία αίματος.
- Κάνετε τακτικά διαλείμματα κατά την εργασία. Περιορίζετε το σύνολο έκθεσης ανά ημέρα.

Αν παρουσιάσετε οποιοδήποτε σύμπτωμα αυτής της πάθησης, διακόψτε αμέσως τη χρήση και συμβουλευτείτε τον γιατρό σας για τα συμπτώματα.

ΠΡΟΕΙΔΟΠΟΙΗΣΗ

Υπάρχει κίνδυνος πρόκλησης ή επιδείνωσης τραυματισμού, από την παρατεταμένη χρήση εργαλείου. Όταν χρησιμοποιείτε το εργαλείο για μεγάλες περιόδους, κάνετε τακτικά διαλείμματα.

ΣΥΝΑΡΜΟΛΟΓΗΣΗ

ΠΡΟΕΙΔΟΠΟΙΗΣΗ

Μην χρησιμοποιείτε το προϊόν εάν δεν είναι πλήρως συναρμολογημένο ή εάν φαίνεται να απουσιάζουν ή να έχουν υποστεί φθορές εξαρτήματά του. Η χρήση προϊόντος που δεν είναι κατάλληλα ή σωστά συναρμολογημένο ή όπου απουσιάζουν ή έχουν υποστεί φθορές τα εξαρτήματά του, μπορεί να προκαλέσει σοβαρό τραυματισμό.

ΠΡΟΕΙΔΟΠΟΙΗΣΗ

Μην προσπαθήσετε να τροποποιήσετε το εργαλείο σας ή να προσθέσετε εξαρτήματα η χρήση των οποίων δε συνιστάται. Κάθε τέτοια τροποποίηση ή αλλαγή αποτελεί κατάχρηση και μπορεί να οδηγήσει σε επικίνδυνες συνθήκες και σε πιθανό σοβαρό τραυματισμό.

ΓΝΩΡΙΣΤΕ ΤΟ ΠΡΟΪΟΝ ΣΑΣ

Βλέπε σελίδα 87.

1. Διακόπτης ενεργοποίησης/απενεργοποίησης (on/off)
2. Θύρα μπαταρίας
3. Επαναφέρετε στις αρχικές ρυθμίσεις.
4. Μικρομοχλός ρύθμισης βάθους
5. Περιβλήμα μοτέρ
6. Κλίμακα βάθους
7. Αφαιρούμενη βάση
8. Μοχλός ανοίγματος μοτέρ
9. Μοχλός γρήγορης στερέωσης της λάμας
10. Διακόπτης ασφάλισης του άξονα
11. Δακτύλιος 6,35 χιλ.
12. Παξιμάδι του τσοκ
13. Τετράγωνη υποβάση
14. Κλειδί
15. Δακτύλιος 6 χιλ.
16. Ίσιο τρυπάνι
17. Οδηγός
18. Οδηγός παράλληλης κοπής (προαιρετικά)

ΣΥΝΤΗΡΗΣΗ

ΠΡΟΕΙΔΟΠΟΙΗΣΗ

Το προϊόν δεν πρέπει ποτέ να συνδέεται σε παροχή ισχύος όταν συναρμολογείτε εξαρτήματα, όταν διεξάγετε ρυθμίσεις, καθαρισμό, συντήρηση ή όταν το προϊόν δε χρησιμοποιείται. Μια απουσία του προϊόντος θα εμποδίσει τυχαία εκκίνηση, η οποία θα μπορούσε να προκαλέσει σοβαρό τραυματισμό.



- Στις εργασίες σέρβις χρησιμοποιείτε μόνο αυθεντικά ανταλλακτικά του κατασκευαστή. Η χρήση οποιουδήποτε άλλου ανταλλακτικού μπορεί να παρουσιάσει κίνδυνο ή να προκαλέσει ζημιά στο εργαλείο σας.

ΠΡΟΕΙΔΟΠΟΙΗΣΗ

Για μεγαλύτερη ασφάλεια και αξιοπιστία, όλες οι επισκευές πρέπει να εκτελούνται από εξουσιοδοτημένο κέντρο σέρβις της Ryobi.

ΓΕΝΙΚΑ

Αποφύγετε τη χρήση διαλυτών κατά τον καθαρισμό πλαστικών εξαρτημάτων. Τα περισσότερα πλαστικά μπορούν να υποστούν ζημιά από τη χρήση ορισμένων διαλυτών που διατίθενται στο εμπόριο. Χρησιμοποιήστε ένα καθαρό πανάκι για να καθαρίσετε τις ακαθαρσίες, τη σκόνη, κλπ.

ΠΡΟΕΙΔΟΠΟΙΗΣΗ

Τα πλαστικά τμήματα δεν πρέπει ποτέ να έρχονται σε επαφή με υγρά φρένων, βενζίνη, προϊόντα με βάση το πετρέλαιο, έλαια, κλπ. Τα προϊόντα αυτά περιέχουν χημικές ουσίες που μπορούν να προξενήσουν ζημιά, να μειώσουν ή να καταστρέψουν το πλαστικό.

Η σκόνη από γύψο και γυψοσανίδες είναι λειαντική και μπορεί να προκαλέσει πρόωρη βλάβη του προϊόντος, αν μπορέσει να μπει στον χώρο του κινητήρα. Να χρησιμοποιείτε πάντα το εξάρτημα απομάκρυνσης της σκόνης συνδεδεμένο με σκούπα. Καθαρίστε καλά το προϊόν μετά τη χρήση, χρησιμοποιώντας ένα πινέλο και ηλεκτρική σκούπα. Προσέξτε να μην σπρώξετε βρωμιά μέσα στα ανοίγματα εξαερισμού. Μη χρησιμοποιείτε πεπιεσμένο αέρα για τον καθαρισμό του προϊόντος, αφού η σκόνη και τα υπολείμματα μπορούν να προκαλέσουν σοβαρούς οφθαλμολογικούς τραυματισμούς.

ΛΙΠΑΝΣΗ

Όλα τα έδρανα στο προϊόν έχουν λιπανθεί με επαρκή ποσότητα λιπαντικού υψηλής ποιότητας για όλη τη διάρκεια ζωής του προϊόντος, υπό φυσιολογικές συνθήκες λειτουργίας. Συνεπώς, δε χρειάζεται καμία επιπλέον λιπανση.

ΠΡΟΣΤΑΣΙΑ ΤΟΥ ΠΕΡΙΒΑΛΛΟΝΤΟΣ



Ανακυκλώνετε τις πρώτες ύλες αντί να τις πετάτε ως απορρίμματα. Για την προστασία του περιβάλλοντος, πρέπει να γίνεται ι διαλογή του εργαλείου, των εξαρτημάτων και των συσκευασιών του.

ΣΥΜΒΟΛΑ ΣΤΟ ΠΡΟΪΟΝ



Προειδοποίηση ασφαλείας



Συμμόρφωση CE

 Ταύτητα στ κεν

 ΒΛΤ

 Συνεχές ρεύμα

 min⁻¹ Αριθμός στρών ή κινήσεων ανά λεπτό



EurAsian σήμα πιστότητας



Παρακαλούμε διαβάστε τις οδηγίες προσεκτικά πριν ξεκινήσετε το μηχάνημα.



Ουκρανικό σήμα συμμόρφωσης



Τα ηλεκτρικά προϊόντα προς απόρριψη δεν θα πρέπει να απορρίπτονται μαζί με τα οικιακά απόβλητα. Παρακαλούμε ανακυκλώστε όπου υπάρχουν οι αντίστοιχες εγκαταστάσεις. Μιλήστε με τις τοπικές αρχές ή τον πωλητή για να σας ενημερώσουν σχετικά με τα προγράμματα ανακύκλωσης.

ΣΥΜΒΟΛΑ ΣΤΟ ΕΓΧΕΙΡΙΔΙΟ



Σημείωση



Ανταλλακτικά και εξαρτήματα πωλούνται χωριστά



Ξεκλειδωμά



Κλειδωμά

Οι ακόλουθες προειδοποιητικές λέξεις και έννοιες προορίζονται να εξηγήσουν τα επίπεδα κινδύνου που συνδέονται με αυτό το προϊόν:

ΚΙΝΔΥΝΟΣ

Υποδεικνύει μια επικείμενη επικίνδυνη κατάσταση, η οποία, αν δεν αποφευχθεί, θα οδηγήσει σε θάνατο ή σοβαρό τραυματισμό.

ΠΡΟΕΙΔΟΠΟΙΗΣΗ

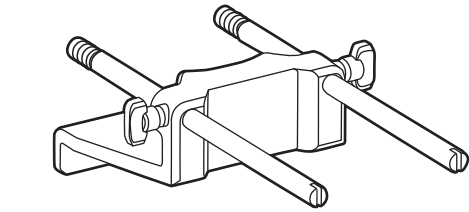
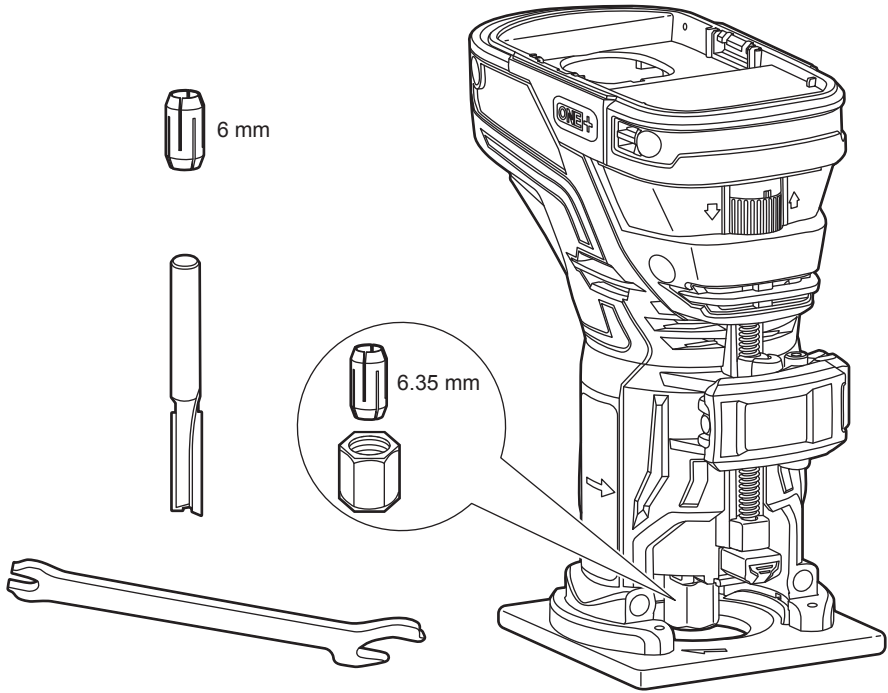
Υποδεικνύει μια δυνητικά επικίνδυνη κατάσταση, η οποία, αν δεν αποφευχθεί, θα οδηγήσει σε θάνατο ή σοβαρό τραυματισμό.

ΠΡΟΣΟΧΗ

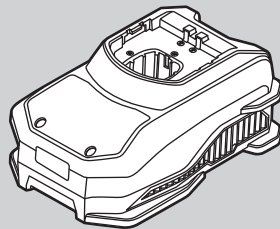
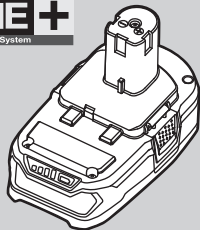
Υποδεικνύει μια δυνητικά επικίνδυνη κατάσταση, η οποία, αν δεν αποφευχθεί, ενδέχεται να οδηγήσει σε ελαφρύ ή μέτριο τραυματισμό.

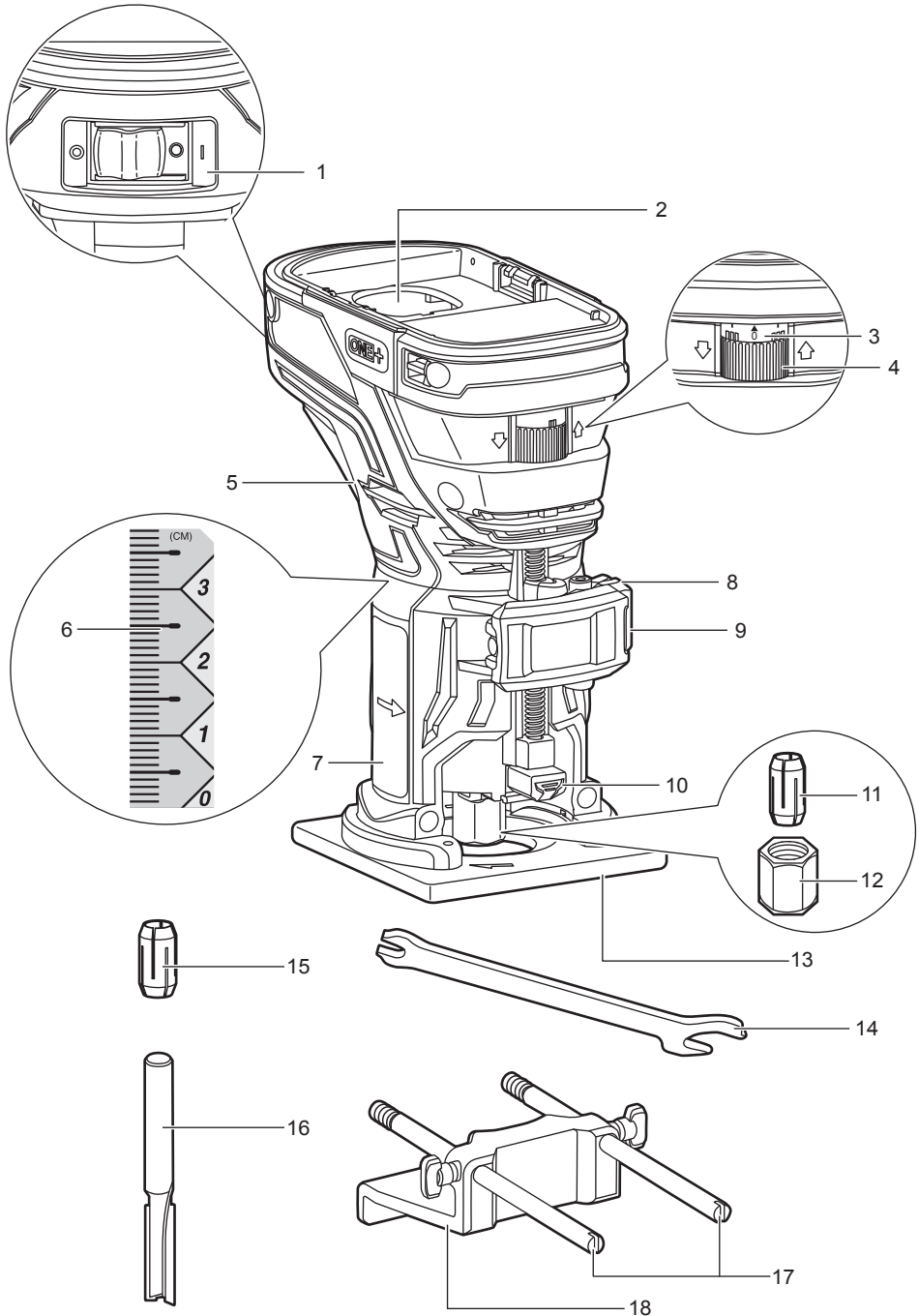
ΠΡΟΣΟΧΗ

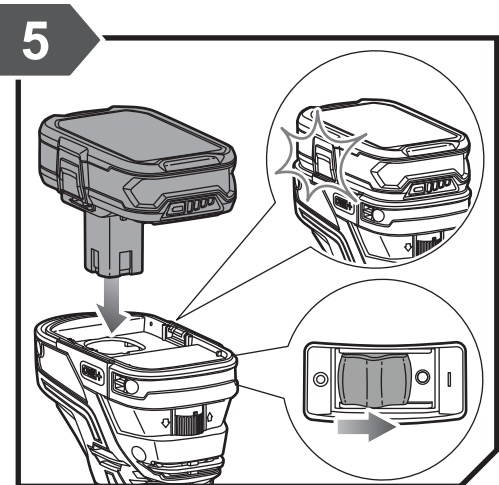
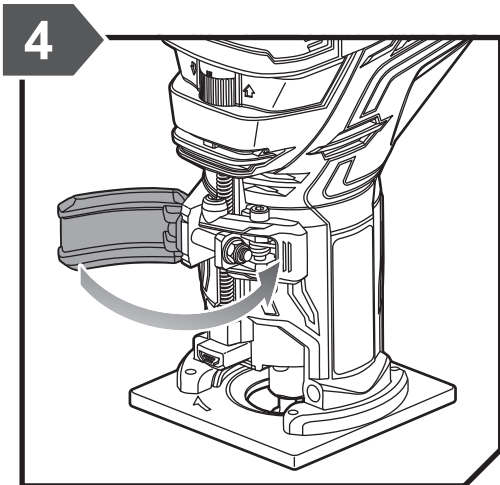
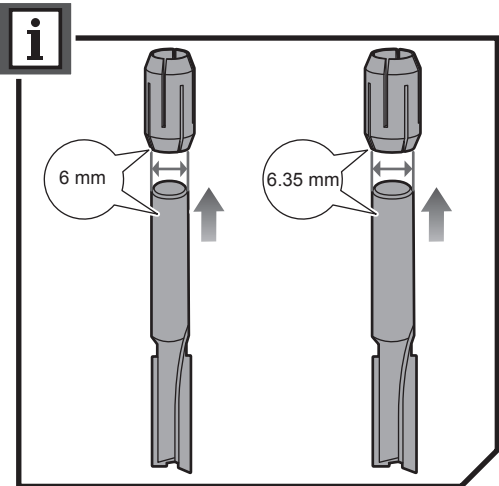
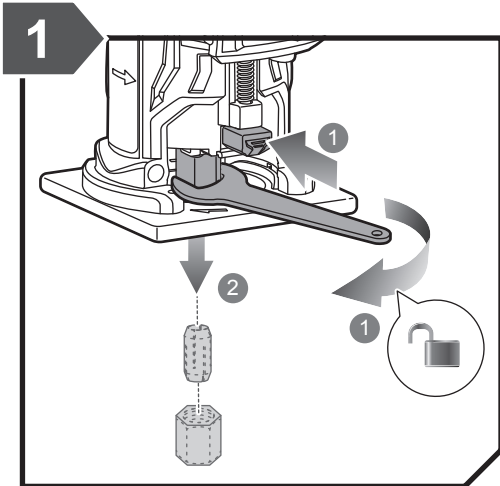
(Χωρίς προειδοποιητικό σύμβολο) Επισημαίνει μια κατάσταση που ενδέχεται να προκαλέσει υλικές ζημιές.



RYOBI ONE+
18V System

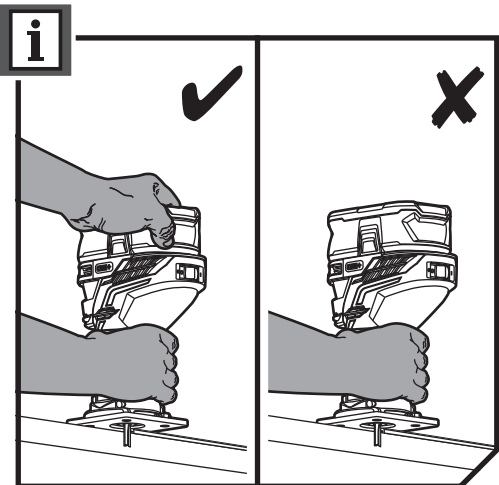
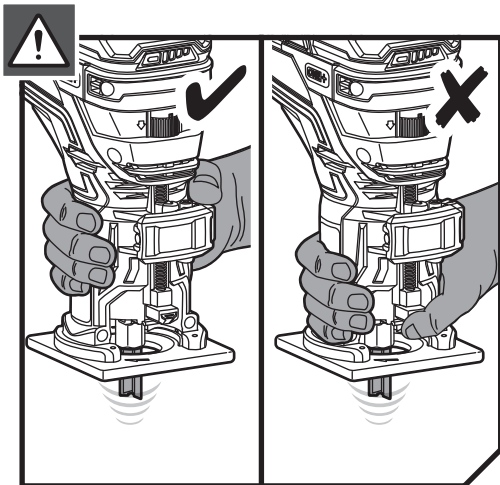
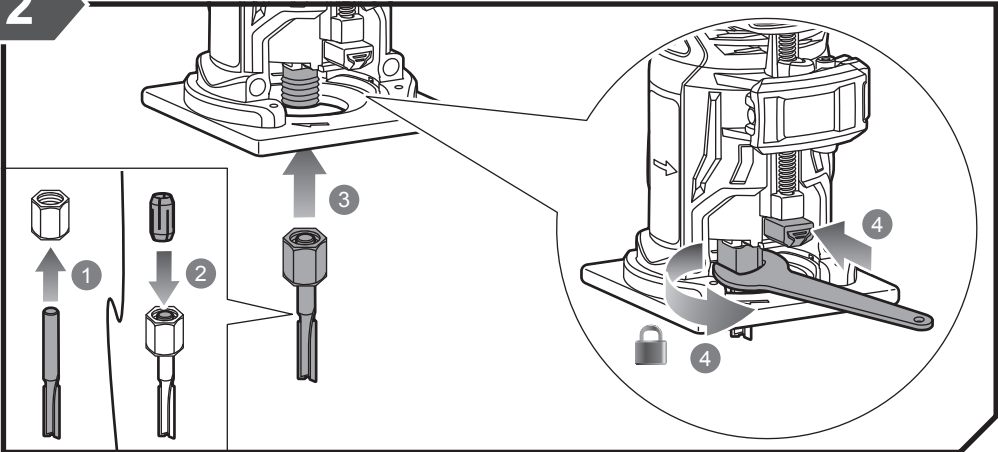






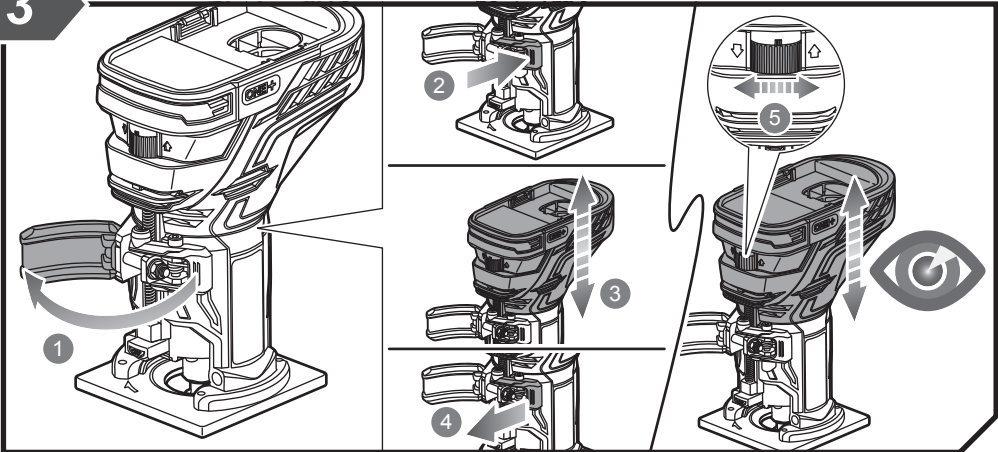


2

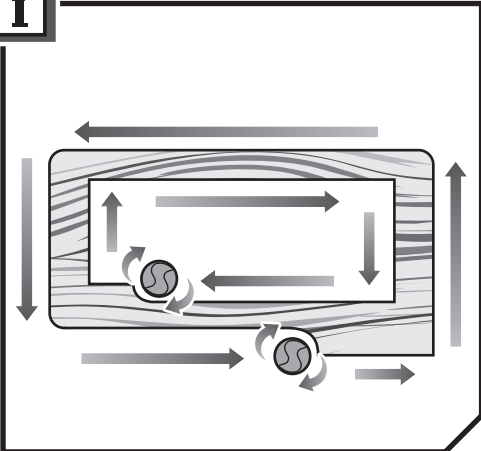




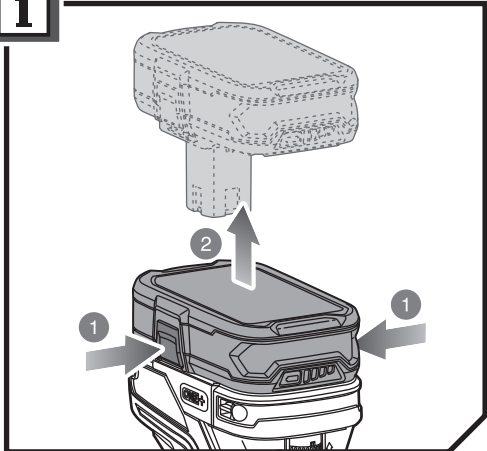
3



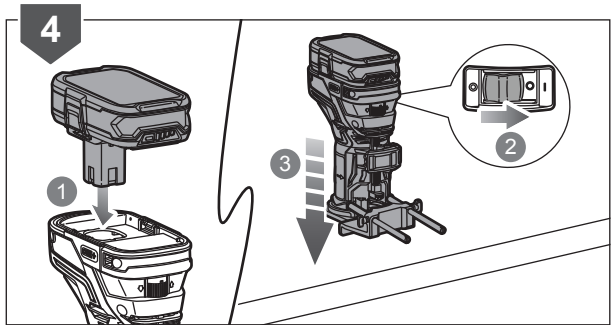
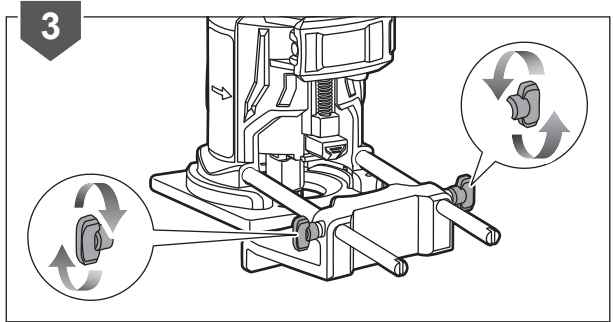
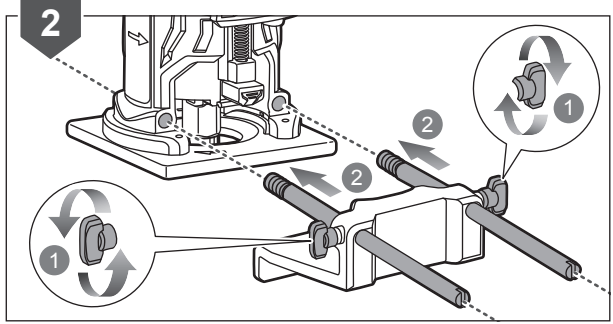
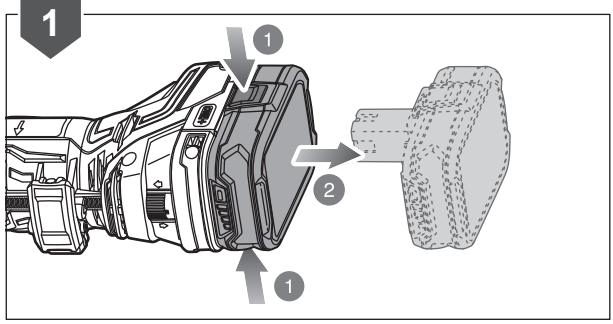
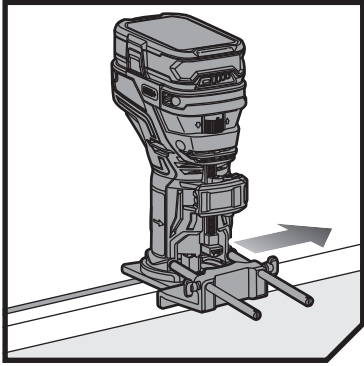
i

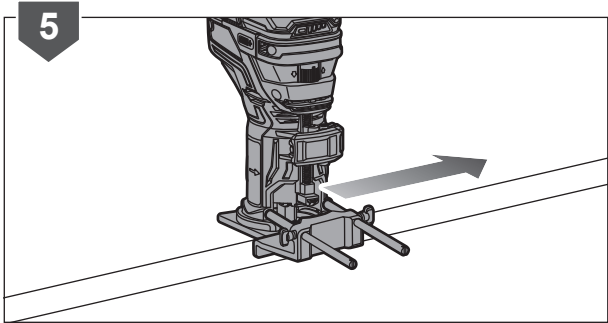


i











English	Français	Deutsch	Español	Italiano	Nederlands	Português
Product specifications	Caractéristiques de l'appareil	Produkt-Spezifikationen	Especificaciones del producto	Specifiche prodotto	Productspecificaties	Especificações do produto
Trim router	Rogneuse à toupie	Kantenfräse	Fresadora	Fresatrice rifilatrice	Kantenfrees	Tupia
Model	Modèle	Modell	Modelo	Modello	Model	Modelo
Voltage	Tension	Spannung	Tensión	Voltaggio	Spanning	Voltagem
No-load speed	Vitesse à vide	Leerlaufdrehzahl	Velocidad sin carga	Velocità a vuoto	Onbelast toerental	Velocidade em vazio
Collet size	Diamètre du mandrin	Spannzangen Durchmesser	Diámetro del mandril	Diametro del mandrino	Capaciteit spatang	Diâmetro do mandril
Weight - excluding battery pack	Poids - sans batterie	Gewicht - ohne Akkupack	Peso - Excluyendo conjunto de batería	Peso - Senza gruppo batteria	Gewicht - exclusief accupack	Peso - excluindo conjunto de bateria
Weight According to EPTA-Procedure 01/2003	Poids Selon la procédure EPTA 01/2003	Gewicht Gemäß EPTA-Verfahren 01/2003	Peso Según el procedimiento EPTA 01/2003	Peso Secondo quanto indicato dalla EPTA-Procedure 01/2003	Gewicht Overeenkomstig de EPTA-procedure 01/2003	Peso De acordo com o Procedimento EPTA 01/2003
Measured sound values determined according to EN 60745:	Valeurs du son mesuré déterminées selon EN 60745:	Gemäß EN 60745: gemessene Schallwerte	Valores medidos del sonido en función de la norma EN 60745:	Valori del suono misurati determinati secondo lo standard EN 60745:	Gemeten geluidswaarden bepaald in overeenstemming met EN 60745:	Valores medidos do som em função da norma EN 60745:
A-weighted sound pressure level	Niveau de pression sonore pondéré A	A-bewerteter Schalldruckpegel	Nivel de presión acústica ponderada en A	Livello di pressione sonora pesato A	A-gewogen geluidsdrukniveau	Nível de pressão sonora ponderada A
Uncertainty K	Incertitude K	Unsicherheit K	Incertidumbre K	Incertezza K	Onzekerheid K	Incerteza K
A-weighted sound power level	Niveau de puissance sonore pondéré A	A-bewerteter Schalleistungspegel	Nivel de potencia acústica ponderada en A	Livello di potenza sonora pesato A	A-gewogen geluidsniveau	Nível de potência sonora ponderada A
Uncertainty K	Incertitude K	Unsicherheit K	Incertidumbre K	Incertezza K	Onzekerheid K	Incerteza K
Wear ear protectors.	Portez une protection acoustique.	Tragen Sie Gehörschutz.	Utilice protección auditiva!	Indossare protezioni acustiche adeguate.	Draag oorbeschermers.	Sempre use a protecção dos ouvidos.
The vibration total values (triaxial vector sum) determined according to EN 60745:	La valeur totale des vibrations (somme vectorielle triaxiale) a été déterminée selon EN 60745:	Schwingungsgesamtwerte (Vektorsumme dreier Richtungen) ermittelt entsprechend EN 60745:	Los valores de vibración total (suma de vectores triax.), determinado según la norma EN60745:	I valori totali delle vibrazioni (somma di vettori in tre direzioni) sono misurati conformemente alla norma EN60745:	De totale trillingswaarden (triaxiale vectorsom) vastgesteld in overeenstemming met EN60745:	Os valores totais de vibração (soma do vector triax) são determinados em conformidade com a:
Cutting grooves in wood	Coupe de rainures dans le bois	Fräsen von Schlitzten in Holz	Corte de ranuras en madera	Fare solchi nel legno	Groeven snijden in hout	Corte de ranhuras em madeira
Uncertainty K	Incertitude K	Unsicherheit K	Incertidumbre K	Incertezza K	Onzekerheid K	Incerteza K
Replacement parts	Pièces de rechange	Ersatzteile	Piezas de repuesto	Parti di ricambio	Vervangonderdelen	Peças de substituição
Collet (6 mm)	Mandrin (6 mm)	Spannfutter (6 mm)	Boquilla (6 mm)	Mandrino (6 mm)	Spatang (6 mm)	Mandril (6 mm)
Collet (6.35 mm)	Mandrin (6.35 mm)	Spannfutter (6.35 mm)	Boquilla (6.35 mm)	Mandrino (6.35 mm)	Spatang (6.35 mm)	Mandril (6.35 mm)
Collet nut	Écrou du mandrin	Mutter für Spannzange	Tuerca de retención	Dado del mandrino	Spanmoer	Porca do mandril
Edge guide	Guide de coupe parallèle	Parallelanschlag	Guía de corte paralelo	Guida di taglio parallela	Parallelgeleider	Guia de corte paralelo





Dansk	Svenska	Suomi	Norsk	Русский	Polски	
Produktspecifikationer	Produktspecifikationer	Tuotteen tekniset tiedot	Produktspesifikasjoner	Характеристики изделия	Parametry techniczne	
Trim router	Handöverfräs	Käsijyrsin	Forkutter	Фрезерный станок	Ręczna frezarka wykułcząca	
Model	Modell	Mailli	Modell	Модель	Model	R18TR
Spænding	Spänning	Jännite	Spenning	Напряжение	Napięcie	18 V
Tomgangshastighed	Tomgångshastighet	Tyhjäkäyntinopeus	Hastighet ubelastet	Скорость на холостом ходу	Prędkość bez obciążenia	29000 min ⁻¹
Patronens diameter	Chuckdiameter	Istukan halkaisija	Spennangens diameter	Диаметр цанги патрона	Średnica wrzeciona	6 / 6.35mm
Vægt - Batteri medfølger ikke	Vikt - Batteri medfølger ej	Paino - ilman akkua	Vekt - uten batteripakke	Вес - без аккумуляторной батареи	Waga - bez akumulatora	1,3 kg
Vægt I henhold til EPTA-procedure 01/2003	Vikt Enligt EPTA 01/2003	Paino EPTA-menetelmän 01/2003 mukaan	Vekt I henhold til EPTA-prosedyre 01/2003	Вес Соответствует требованиям EPTA-Procedure 01/2003	Waga Zgodnie z procedurą EPTA 01/2003	1,7 kg
Målte lydverdier bestemt iht. EN 60745:	Uppmåta ljudvärden enligt EN 60745:	Mitatut arvot määritetty EN 60745: standardin mukaan:	Målte lydverdier bestemt iht. EN 60745:	Измеренные значения параметров звука определены в соответствии с EN 60745:	Zmierzono wartości akustyczne zgodnie z normą EN 60745:	
A-vægtet lydtryksniveau	A-vägd ljudtrycksnivå	A-painotettu äänenpainetaso	A-vektet lydtrykknivå	Уровень А-взвешенного звукового давления	A-ważony poziom ciśnienia hałasu	$L_{pA} = 78,5$ dB(A)
Usikkerhed K	Osäkerhet K	Epätarkkuus K	Usikkerhet K	Разброс K	Niepewność pomiaru K	3 dB
A-vægtet lydeffektniveau	A-vägd ljudeffektsnivå	A-painotettu äänenheho	A-vektet lydeffektnivå	Уровень А-взвешенной звуковой мощности	A-ważony poziom natężenia hałasu	$L_{WA} = 89,5$ dB(A)
Usikkerhed K	Osäkerhet K	Epätarkkuus K	Usikkerhet K	Разброс K	Niepewność pomiaru K	3 dB
Bær høreværn.	Bär hörselskydd.	Käytä korvasuojia.	Bruk hørselsvern.	Используйте наушники!	Stosować środki ochrony słuchu!	
Totale vibrationsværdier (triax vector sum) afgøres ifølge EN60745:	Det totala vibrationsvärdet (treaxelvektorsumma) är framtaget enligt EN60745:	Tärinän kokonaisarvot (kolmiakselinen vektorisumma) määritettyä standardin EN60745 mukaisesti:	De totale vibrasjonsverdiene (triax vektor-sum) er fastsatt i henhold til EN60745:	суммарное значение вибрации (векторная сумма по трем координатам) определено в соответствии со стандартом EN60745:	Wartości sumaryczne drgań (suma wektorowa przyspieszeń mierzona czujnikiem typu triax) określone zgodnie z normą EN60745:	
Skæring af riller i træ	Skår spår i trä	Leikkuu-urat puussa	Skjæring av furer i tre	Вырезание пазов в древесине	Żłobienie w drewnie	$a_n = 4,8$ m/s ²
Usikkerhed K	Osäkerhet K	Epätarkkuus K	Usikkerhet K	Разброс K	Niepewność pomiaru K	1,5 m/s ²
Reserve dele	Utbytesdelar	Varaosat	Reservedeler	Запасные части	Części zamienne	
Patron (6 mm)	Chuck (6 mm)	Istukka (6 mm)	Spennlang (6 mm)	Патрон (6 mm)	Uchwyt narzędziowy (6 mm)	5131040765
Patron (6.35 mm)	Chuck (6.35 mm)	Istukka (6.35 mm)	Spennlang (6.35 mm)	Патрон (6.35 mm)	Uchwyt narzędziowy (6.35 mm)	5131040766
Patronmøtrik	Mutter för chuck	Istukan mutteri	Spennlangens mutter	Гайка патрона	Nakrętka uchwytu narzędziowego	5131040767
Parallelsavestyr	Parallellanslag	Reunaohjain	Parallellanslag	Руководство пограничного	Równoległy prowadnik cięcia	5131040768





Čeština	Magyar	Română	Latviski	Lietuviškai	Eesti
Technické údaje produktu	Termék műszaki adatai	Specificațiile produsului	Produkta specifikācijas	Gaminio techninės savybės	Toote tehnilised andmed
Horní fréžka	Élmaró	Mașină de frezat verticală	Virsfrēze	Briaunų frezavimo įrenginys	Profiilifrees
Model	Típus	Model	Modelis	Modelis	Mudeli tähis
Elektrické napětí	Feszültség	Tensiune	Spriegums	Įtampa	Pinge
Otáčky naprázdno	Üresjárati fordulatszám	Viteză în gol	Apgriezieni bez slodzes	Greitis be apkrovimo	Kiirus ilma koormuseta
Průměr upínacích kleštin	Befogópatron átmérő	Diametrul mandrinei	Patronas izmērs	Žiedo dydis	Tsangi läbimõõt
Hmotnost - bez baterie	Tömeg - akkumulátor nélkül	Greutate - exclusiv acumulatorul	Svars - izņemot akumulatora iepakojumu	Svoris - neįskaitant baterijos paketo	Mass - välja arvatud akupakett
Hmotnost Dle protokolu EPTA 01/2003	Tömeg A 01/2003 EPTA-eljárás szerint	Greutate în conformitate cu Procedura EPTA din 01/2003	Svars Saskaņā ar EPTA procedūru 01/2003	Svoris Pagal Europos elektrinių įrankių asociacijos (EPTA) nustatytą tvarką 01/2003	Mass Vastavalt EPTA-protseduurile 01/2003
Naměřené hodnoty hluku zjištěné dle EN 60745:	A hang értékek meghatározása az EN 60745: szerint történt:	Valori de sunet măsurate determinate în conformitate cu EN 60745:	Izmēritās skaņas vērtības ir noteiktas saskaņā ar EN 60745:	Išmatuotos garso vertės nustatytos pagal EN 60745:	Mõõteväärtused on kindlaks määratud vastavalt standardile EN 60745:
Hladina akustického tlaku vážená funkcí A	A-súlyozott hangnyomásszint	Nivel de presiune acustică ponderată A	A-līmeņa skaņas spiediena līmenis	A svertinis garso slėgio lygis	A-kaalutud helirõhu tase
Nejistota K	Bizonytalanság K	Incertitudine K	Kļūdas vērtība K	Nepastovumas K	Mõõtemääramatus K
Hladina akustického výkonu vážená funkcí A	A-súlyozott hangteljesítményszint	Nivel de putere acustică ponderată A	A-līmeņa skaņas jaudas līmenis	A svertinis garso galios lygis	A-kaalutud helivõimsuse tase
Nejistota K	Bizonytalanság K	Incertitudine K	Kļūdas vērtība K	Nepastovumas K	Mõõtemääramatus K
Používejte chrániče sluchu.	Viseljen hallásvédő.	Purtaj aparatoure de urechi.	Lietojiet dzirdes aizsargus.	Naudokite ausų apsaugos priemonės.	Kasutage kuulmiskaitsevahendeid.
Celkové hodnoty vibrací (třísosy vektorový součet) určené v souladu s EN60745:	Vibráció teljes értékei (háromtengelyű vektorösszeg), az EN 60745 szerint meghatározva:	Valorile totale ale vibrațiilor (suma vectorială a trei direcții) au fost determinate conform EN60745:	Vibrāciju kopējās vērtības (trīsasu vektoru summa) tiek noteiktas atbilstoši EN60745:	Bendros vibracijos vertės (trikampio vektorių suma) nustatomos pagal EN60745:	Vibratsiooni koguväärtused (kolme suuna vektorsumma) on vastavalt standardile EN 60745 määratud järgmiselt:
Řezání drážek do dřeva	Hornyok vágása fába	Efectuează caneluri în lemn	Rievu griešana kokā	Pjovimo grioveliai medyje	Soonte lõikamine puidu sisse
Nejistota K	Bizonytalanság K	Incertitudine K	Kļūdas vērtība K	Nepastovumas K	Mõõtemääramatus K
Náhradní díly	Cserealkatrészek	Piese de schimb	Rezerves daļas	Atsarginės detalės	Asendusosad
Upínací kleština (6 mm)	Befogópatron (tokmány) (6 mm)	Mandrină (6 mm)	Patrona (6 mm)	Žiedas (6 mm)	Tsang (6 mm)
Upínací kleština (6.35 mm)	Befogópatron (tokmány) (6.35 mm)	Mandrină (6.35 mm)	Patrona (6.35 mm)	Žiedas (6.35 mm)	Tsang (6.35 mm)
Matice upínacích kleštin	Befogópatron csavaranya	Piulița mandrinei	Patronas uzgrieznis	Žiedo veržlė	Tsangi mutter
Vodítko paralelního řezu	Párhuzamvezető	Ghid de tăiere paralelă	Malas vadotne	Krašto kreiptuvas	Servajuhik





Hrvatski	Slovensko	Slovenčina	България	українська мова	Türkçe	Ελληνικά	
Specifikacije proizvoda	Specifikacije izdelka	Špecifikácie produktu	Технически характеристики	Технічні характеристики продукту	Ürün Özellikleri	Προδιαγραφές Προϊόντος	
Globalca za rubove	Obrezovalni rezalnik	Horná fréza	Оберфреза	Підріваюча фреза	Kenar Yönlendirici	Ρούτερ περιθωρίων	
Model	Model	Model	Модел	Марка	Model	Μοντέλο	R18TR
Napon	Napetost	Napätie	Напряжение	Напряжение	Gerilim	Τάση	18 V $\overline{\text{---}}$
Brzina bez opterećenja	Hitrost brez obremenitve	Otáčky bez zaťaženia	Скорост на празен ход	Швидкість без навантаження	Bota hız	Ταύτητα στ кеv	29000 min ⁻¹
Promjer stezne glave	Velikost vpenjalne čeljusti	Veľkosť puzdra	Размер на цанговия патронник	Розмір цанги	Torna kavrağı çarı	Διάμετρος του τσοκ	6 / 6.35mm
Težina - baterija nije uključena	Teža - razen baterij	Hmotnosť - okrem jednotky akumulátora	Тегло - без батерията	Вага - без аккумулятора	Ağırlık - Harici batarya takımı	Βάρος - χωρίς μπαταρία	1,3 kg
Težina Prema EPTA-postupkom 01/2003	Teža Skladno s postopkom EPTA 01/2003	Hmotnosť Podľa EPTA-Procedure 01/2003	Тегло (съответствие с EPTA 01/2003)	Вага (відповідно до процедури EPTA 01/2003)	Ağırlık EPTA-Prosedürü 01/2003'e göre	Βάρος Σύμφωνα με την Διαδικασία EPTA 01/2003	1,7 kg
Mjerena vrijednost zvuka određena je prema EN 60745:	Izmerjene zvočne vrednosti določene v skladu s standardom EN 60745:	Namerané hodnoty určené podľa EN 60745:	Измерените стойности на звука са определени в съответствие с EN 60745:	Измеренные значения параметров звука определены в соответствии с EN 60745:	EN 60745: e göre hesaplanmış ses değerleri:	Μετρημένες τιμές ήχου σύμφωνα με το EN 60745:	
Ponderirana razina tlaka zvuka	A-izmerjena raven zvočnega tlaka	Vážená A hladina akustického tlaku	Ниво на шумово налягане с равнище A	A-зважений рівень звукового тиску	A ağırlıklı ses basıncı seviyesi	A-σταθμισμένο επίπεδο πίεσης ήχου	$L_{pa} = 78,5$ dB(A)
Neodređenost K	Nedoloč. K	Odhýlka K	Променливост (K)	Невизначеність K	Belirsizlik K	Αβεβαιότητα K	3 dB
Ponderirana razina zvučne snage	A-izmerjena raven zvočne moči	Vážená A hladina akustického výkonu	Ниво на силата на шума с равнище A	A-зважений рівень звукової потужності	A ağırlıklı ses gücü seviyesi	A-σταθμισμένο επίπεδο έντασης ήχου	$L_{wa} = 89,5$ dB(A)
Neodređenost K	Nedoloč. K	Odhýlka K	Променливост (K)	Невизначеність K	Belirsizlik K	Αβεβαιότητα K	3 dB
Nosite štitnike za uši.	Nosite ščitnike za ušesa.	Používajte chrániče sluchu.	Носете антифони	Діаметр ріжучої лінії.	Kulak koruyucu kullanın.	Φοράτε ωτοασπίδες.	
Ponderirana energetska vrijednost	Skupna vrednost vibracij (vektorska vsota treh smeri) določena v skladu z EN60745:	Celkové hodnoty vibrácií (súhm triaxiálneho vektora) určuje norma EN60745:	Общата стойност на вибрациите (триосна векторна сума) е определена в съответствие с EN 60745:	Суммарное значение вибрации (сумма векторов по трем координатным осям) определено в соответствии со стандартом EN 60745:	EN 60745 normuna uygun olarak belirlenmiş titreşim toplama değerleri (triaks vektör toplamı):	Συνολικές αξίες κραδασμών (τρισδιάστατικό διασματικό άθροισμα) σύμφωνα με EN60745:	
Rezanje drveta u šumi	Rezanje utorov v les	Rezanie drážok v dreve	Рязане на жлеbove в дърво	Прорізання пазиv в деревині	Ahşapta oluk açma	Κοπή αυλακίων σε ξύλο	$a_h = 4,8$ m/s ²
Neodređenost K	Nedoloč. K	Odhýlka K	Променливост (K)	Невизначеність K	Belirsizlik K	Αβεβαιότητα K	1,5 m/s ²
Zamjena dijelova	Nadomestni deli	Náhradné diely	Резервни части	Запасні частини	Yedek parçalar	Ανταλλακτικά	
Stezna glava (6 mm)	Vpenjalna čeljust (6 mm)	Puzdro (6 mm)	Пръстен (6 mm)	фланець (6 mm)	Torna kavrağı (6 mm)	Τσοκ (6 mm)	5131040765
Stezna glava (6.35 mm)	Vpenjalna čeljust (6.35 mm)	Puzdro (6.35 mm)	Пръстен (6.35 mm)	фланець (6.35 mm)	Torna kavrağı (6.35 mm)	Τσοκ (6.35 mm)	5131040766
Matica stezne glave	Matica vpenjalne čeljusti	Matica puzdra	Гайка на пръстена	Муфта цанги	Torna kavrağı civata somunu	Παξιμάδι του τσοκ	5131040767
Edge Vodič	Stransko vodilo	Vodič okolo okraja	Водач за ръбове	Напряма краю деталі	Paralel kesim kılavuzu (opsiyon)	Οδηγός παράλληλης κοπής (προαιρετικά)	5131040768



English	Français	Deutsch	Español	Italiano	Nederlands	Português
Battery and charger	Batterie et chargeur	Akku und Ladegerät	Batería y cargador	Batteria e caricatore	Accu en lader	Bateria e carregador
Compatible battery pack (not included)	Pack batterie compatible (non compris)	Kompatible Akkus (nicht im Lieferumfang enthalten)	Packs de Batería compatibles (no incluido)	Gruppo batterie compatibile (non incluso)	Compatibel accupack (niet inbegrepen)	Baterias compatíveis (não incluída)
Lithium-ion	Lithium-ion	Lithium-Ionen	ión-litio	ioni di litio	Lithium-ion	lão-Lítio
Compatible charger (not included)	Chargeur compatible (non compris)	Kompatibles Ladegerät (nicht im Lieferumfang enthalten)	Cargador compatible (no incluido)	Caricatore compatibile (non incluso)	Compatibele oplader (niet inbegrepen)	Carregador compatível (não incluída)

Čeština	Magyar	Română	Latviski	Lietuviškai	Eesti
Baterie a nabíječka	Akkumulátor és töltő	Baterie și încărcător	Akumulators un lādētājs	Baterija ir įkroviklis	Aku ja laadija
Kompatibilní akumulátor (nepřibalen)	Kompatibilis akkumulátor (nem tartozék)	Acumulatori compatibili (neinclus)	Saderīgu akumulatoru komplekts (nav kompl.)	Suderinamas baterijos paketas (nepriedama)	Ühilduvad akupaketid (ei ole komplektis)
Lithium iontový akumulátor	Lítiumion	Litiu-ion	Litija-jonu	Litis-jonas	Liitiumioon
Kompatibilní nabíječka (nepřibalen)	Kompatibilis töltő (nem tartozék)	Încărcător compatibil (neinclus)	Saderīgs lādētājs (nav kompl.)	Tinkamas įkroviklis (nepriedama)	Kasutatav laadija (ei ole komplektis)



Dansk	Svenska	Suomi	Norsk	Русский	Polски	
Batteri og oplader	Batteri och laddare	Akku ja laturi	Batteri og lader	Батарея и зарядное устройство	Akumulator i ładowarka	
Kompatibelt batteri (medfølger ikke)	Kompatibelt batteripack (inte inkluderat)	Yhteensopiva akku (ei mukana)	Kompatible batteripakker (ikke inkluderet)	Совместимая аккумуляторная батарея (не входит в комплект поставки)	Pasujące akumulatory (nie dołączona)	
Lithium-ion	Litiumjon	Litiumioni	Litium-Ion	Литий-ионная аккумуляторная батарея	Li-Ion	RB18L13 RB18L15 RB18L20 RB18L25 RB18L40 RB18L50
Kompatibel oplader (medfølger ikke)	Passande laddare (inte inkluderat)	Yhteensopiva laturi (ei mukana)	Kompatibel lader (ikke inkluderet)	Совместимое зарядное устройство (не входит в комплект поставки)	Odpowiednia ładowarka (nie dołączona)	BCS618 BCL14181H BCL14183H RC18150 RC18627 RC18120



Hrvatski	Slovensko	Slovenčina	България	українська мова	Türkçe	Ελληνικά	
Baterija i punjač	Baterija in polnilnik	Akumulátor a nabíjačka	Батерия и зарядно устройство	Акумулятор і зарядний пристрій	Batarya ve şarj aleti	Μπαταρία και φορτιστής	
Kompatibilno pakiranje baterija (nije uključeno)	Združljive baterije (ni priložen)	Kompatibilná jednofáza akumulátorov (nie je súčasťou balenia)	Съвместима акумулаторна батерия (не е включена в комплекта)	Сумісний акумулятор (не входить в комплект)	Uyumlu pil takımı (dahil değildir)	Συμβατή μπαταρία (δεν περιλαμβάνεται)	
Litij-ion	Litij-ionska	Lítium-iónová	Литиево-ионна	Літій-іонний	Lityum-Iyon	Λιθίου-Ιόντων	RB18L13 RB18L15 RB18L20 RB18L25 RB18L40 RB18L50
Kompatibilni punjač (nije uključeno)	Združljiv polnilec (ni priložen)	Kompatibilná nabíjačka (nie je súčasťou balenia)	Съвместимо зарядно устройство (не е включено в комплекта)	Сумісний зарядний пристрій (не входить в комплект)	Uyumlu şarj cihazı (dahil değildir)	Συμβατος φορτιστρος (δεν περιλαμβάνεται)	BCS618 BCL14181H BCL14183H RC18150 RC18627 RC18120





EN WARNING

The vibration emission level given in this information sheet has been measured in accordance with a standardised test given in EN 60745 and may be used to compare one tool with another. It may be used for a preliminary assessment of exposure. The declared vibration emission level represents the main applications of the tool. However if the tool is used for different applications, with different accessories or poorly maintained, the vibration emission may differ. This may significantly increase the exposure level over the total working period.

An estimation of the level of exposure to vibration should also take into account the times when the tool is switched off or when it is running but not actually doing the job. This may significantly reduce the exposure level over the total working period. Identify additional safety measures to protect the operator from the effects of vibration such as: maintain the tool and the accessories, keep the hands warm, organisation of work patterns.

FR AVERTISSEMENT

Le niveau d'émission des vibrations indiqué dans cette feuille d'information a été mesuré en concordance avec un test normalisé fourni par EN60745 et peut être utilisé pour comparer un outil à un autre. Il peut être utilisé pour une évaluation préliminaire de l'exposition. Le niveau déclaré d'émission des vibrations s'applique à l'utilisation principale de l'outil. Toutefois, si l'outil est utilisé pour des applications différentes, avec des accessoires différents, ou mal entretenu, l'émission de vibrations peut être différente. Le niveau d'exposition peut en être augmenté de façon significative tout au long de la période de travail.

Une estimation du niveau d'exposition aux vibrations doit aussi prendre en compte les périodes où l'outil est arrêté ainsi que les périodes où il fonctionne sans vraiment travailler. Le niveau d'exposition pendant la durée totale du travail peut en être réduit de façon significative. Prenez en considération les mesures additionnelles de sécurité à prendre pour protéger l'opérateur des effets des vibrations telles que: maintien de l'outil et de ses accessoires, maintien des mains au chaud, organisation du travail.

DE WARNUNG

Der in diesem Informationsblatt genannte Schwingungspegel wurde entsprechend dem standardisierten Test von EN60745 gemessen und kann benutzt werden um das Werkzeug mit anderen zu vergleichen. Er kann benutzt werden, um eine vorausgehende Einschätzung der Exposition durchzuführen. Der genannte Schwingungspegel repräsentiert den Haupteinsatzbereich des Werkzeugs. Jedoch kann das Werkzeug für verschiedene Einsatzbereiche benutzt werden. Mit unterschiedlichen Zusatzgeräten oder bei schlechter Wartung kann der Schwingungspegel unterschiedlich sein. Dadurch kann die Expositionshöhe über die gesamte Arbeitszeit signifikant erhöht werden.

Eine Einschätzung der Exposition zu Schwingungen sollte auch die Zeiten wenn das Werkzeug ausgeschaltet ist, oder wenn es angeschaltet aber nicht in Betrieb ist, in Betracht ziehen. Dadurch kann die Expositionshöhe über die gesamte Arbeitszeit signifikant reduziert werden. Identifizieren Sie zusätzliche Sicherheitsmaßnahmen um die Bedienungsperson vor den Effekten der Schwingungen zu schützen, wie zum Beispiel: Das Werkzeug und Zusatzgeräte warten, Hände warmhalten und Organisation der Arbeitszeiten.

ES ADVERTENCIA

El nivel de emisión de las vibraciones que figura en esta hoja de información se ha medido según una prueba estandarizada que figura en EN60745 y puede ser utilizado para comparar una herramienta con otra. Puede ser utilizado para una evaluación preliminar de la exposición. El nivel de emisión de las vibraciones declarado representa las principales aplicaciones de la herramienta. No obstante, si la herramienta se utiliza para diferentes aplicaciones, con diferentes accesorios o no recibe el mantenimiento adecuado, la emisión de las vibraciones puede ser diferente. Esto puede aumentar significativamente el nivel de exposición durante el período de trabajo total.

Una estimación del nivel de exposición a la vibración también debe tener en cuenta el tiempo en el que la herramienta está desconectada o cuando está conectada pero no está realizando ningún trabajo. Esto puede reducir significativamente el nivel de exposición durante el período de trabajo total. Identificar las medidas de seguridad adicionales para proteger al operador de los efectos de las vibraciones, tales como: mantenimiento de la herramienta y de los accesorios, y la organización de los patrones de trabajo.

IT AVVERTENZE

Il livello di vibrazioni indicato in questo foglio informativo è stato misurato seguendo un test svolto secondo i requisiti indicati dallo standard EN60745 e potrà essere utilizzato per paragonare un utensile con un altro. Potrà essere utilizzato per una valutazione preliminare dell'esposizione a vibrazioni. Il livello dichiarato di emissioni di vibrazioni viene indicato tenendo conto delle applicazioni principali dell'utensile. Comunque se l'utensile viene utilizzato per applicazioni diverse con accessori diversi o non viene correttamente conservato, il livello delle vibrazioni potrà variare. Ciò potrà significativamente aumentare il livello di esposizione alle vibrazioni durante il periodo di lavoro totale.

Una valutazione del livello di esposizione alle vibrazioni dovrà inoltre prendere in considerazione i tempi in cui l'utensile viene spento o è acceso ma non viene utilizzato. Ciò potrà significativamente ridurre il livello di esposizione in un periodo totale di funzionamento. Ulteriori misure di sicurezza per proteggere l'operatore dagli effetti delle vibrazioni come: conservare correttamente l'utensile e i suoi accessori, tenere le mani calde e organizzare i tempi di lavoro.

NL WAARSCHUWING

Het trillingsemissieniveau dat op dit informatieblad wordt gegeven, is gemeten in overeenstemming met een gestandaardiseerde test, vastgelegd in EN60745 en mag worden gebruikt om machines met elkaar te vergelijken. Het verklaarde trillingsemissieniveau geeft de hoofdtoepassing van het gereedschap weer. Als de machine echter voor andere toepassingen of met andere accessoires wordt gebruikt of slecht wordt onderhouden, kan de trillingsemissie verschillen. Dit kan de blootstelling gedurende de gehele werkduur aanzienlijk verhogen.

Bij een schatting van het niveau van blootstelling aan trillingen moet ook rekening worden gehouden met het aantal keren dat de machine wordt uitgeschakeld of draait, maar niet wordt gebruikt. Dit kan het niveau van blootstelling gedurende de gehele werkduur aanzienlijk verlagen. Stel bijkomende veiligheidsmaatregelen op om de gebruiker tegen de gevolgen van trillingen te beschermen: zoals onderhoud het gereedschap en de accessoires, houd de handen warm, de organisatie van werktijden.

PT AVISO

O nível de emissão de vibrações fornecido nesta folha de informações foi medido em conformidade com o teste uniformizado descrito em EN60745 e pode ser usado para comparar uma ferramenta com outra. Este pode ser usado para uma avaliação preliminar da exposição. O nível de emissão de vibração declarado refere-se à aplicação principal da ferramenta. Contudo, se a ferramenta for usada para aplicações diferentes, com acessórios diferentes ou não for devidamente mantida, a emissão de vibrações pode diferir. Isto pode fazer aumentar significativamente o nível de exposição ao longo do período de trabalho total.

Uma estimativa do nível de exposição às vibrações deve ter, também, em consideração o tempo durante o qual a ferramenta está desligada ou em que está ligada mas não está a realizar qualquer trabalho. Isto pode reduzir significativamente o nível de exposição durante o período total de trabalho. Identifique medidas adicionais de segurança que protejam o operário dos efeitos da vibração como a manutenção da ferramenta e dos acessórios, a manutenção das mãos quentes e a organização de padrões de trabalho.

DA ADVARSEL

Det angivne niveau for vibrationsemission på denne oplysningsside er blevet målt iht. en standardtest ifølge EN60745 og kan bruges til at sammenligne værktøjer indbyrdes. Det kan bruges til en foreløbig eksponeringsvurdering. Det opgivne niveau for vibrationsemission gælder, når værktøjet bruges til sit hovedformål. Men hvis værktøjet bruges til andre formål, med forskelligt eller med dårligt vedligeholdt ekstraudstyr, kan vibrationsemissionen variere. Dette kan medføre en betragtelig stigning i eksponeringsniveauet set over hele arbejdsperioden.

Et skøn over niveauet for vibrationsemission bør også tage højde for de perioder, hvor værktøjet er slukket, eller hvor det er tændt uden faktisk at være i brug. Dette kan medføre en betragtelig reduktion i eksponeringsniveauet set over hele arbejdsperioden. Træf ekstra sikkerhedsforanstaltninger til beskyttelse af operatøren mod virkningerne fra vibrationen som fx: vedligehold værktøj og ekstraudstyr, holde hænderne varme, organisere arbejdsmonstre.





SV VARNING

Vibrationsnivåerna som uppges i det här dokumentet har uppmäts i enlighet med ett standardiserat test som beskrivs i EN60745 och som kan användas för att jämföra verktyg. Det kan användas som en preliminär bedömning av den vibration som användaren utsätts för. De deklarerade vibrationsvärdena motsvarar de som uppstår när verktyget används i sitt huvudsyfte. Om verktyget används i andra syften, med andra tillbehör eller om verktyget är dåligt underhållet kan vibrationsnivåerna vara annorlunda. Det kan kraftigt öka vibrationsnivåerna över den totala arbetsperioden.

En uppskattning av vibrationsnivåerna som användaren utsätts för ska också ta hänsyn till de stunder då verktyget är avstängt och när det går på tomgång. Detta kan kraftigt minska vibrationsnivåerna över den totala arbetsperioden. Andra säkerhetsåtgärder som kan skydda användaren från effekterna av vibrationer är: underhållning av verktyget och tillbehören, hålla händerna varma och organisera arbets sättet.

FI VAROITUS

Tämän tiedotteen tärinäso on mitattu EN60745-standardien mukaisilla testeillä, ja niitä voidaan käyttää verrattaessa laitetta toiseen. Sitä voidaan käyttää arvioitaessa tärinävaikutusta. Ilmoitettu tärinäso vastaa laitteen pääasiallista käyttötarkoitusta. Jos laitetta kuitenkin käytetään muuhun tarkoitukseen, muilla lisälaitteilla tai huonosti huollettuina, tärinäso saattaa poiketa ilmoitetusta arvosta. Tämä voi kasvatata kokonaisaltistumista huomattavasti koko työjakson kuluessa.

Tärinän altistumistasoa arvioitaessa tulee huomioida ajat, jolloin laite on sammutettu tai kun se on käynnissä, mutta sitä ei käytetä varsinaiseen työskentelyyn. Tämä voi vähentää kokonaisaltistumista huomattavasti koko työjakson kuluessa. Käytä muitakin suojakeinoja turvataksesi käyttäjän tärinävaikutukselta, kuten: huolla laite ja lisälaitteet, pidä kätesi lämpiminä, organisoi työnkulku.

NO ADVARSEL

Vibrasjonsnivået som oppgis på dette informasjonsarket er målt i henhold til en standardisert test gitt i EN60745 og kan brukes til å sammenligne ett verktøy med et annet. Det kan brukes til en foreløpig vurdering av eksponering. Det erklærte vibrasjonsnivået representerer hovedanvendelsen for verktøyet. Dersom verktøyet brukes for andre anvendelser, med forskjellige tilbehør eller med dårlig vedlikehold, vil vibrasjonsnivået kunne være annerledes. Det kan gi en betydelig økning av eksponeringsnivået over den totale arbeidsperioden.

En beregning av nivået for eksponering til vibrasjoner må også ta hensyn til den tiden verktøyet er slått av eller er i gang men ikke i faktisk bruk for å utføre den tiltenkte oppgaven. Dette kan gi en betydelig økning av eksponeringsnivået over den totale arbeidsperioden. Identifiser ytterligere sikkerhetstiltak for å beskytte den som bruker verktøyet fra virkningen av vibrasjoner, tiltak som: Vedlikehold verktøyet og tilbehøret, hold hendene varme, organiser arbeidsmetodene.

RU ОСТОРОЖНО!

Уровень вибрации, приведенный в данном справочном листе, измерен согласно стандартизованным испытаниям, определенным в EN60745 и может использоваться для сравнения различных инструментов. Значение уровня может использоваться для предварительной оценки влияния вибрации. Заявленный уровень вибрации действителен для основного применения инструмента. Однако, если инструмент используется для других целей, с другими приспособлениями, или плохо обслуживается, уровень вибрации может отличаться от указанного. Это может значительно увеличить величину воздействия за общее время работы.

При оценке уровня воздействия вибрации следует также принять во внимание время простоя и холостой ход (когда инструмент выключен и когда включен, но работа не производится). Эти факторы могут значительно уменьшить величину воздействия вибрации за общее время работы. Определите дополнительные меры безопасности, защищающие работающего от влияния вибрации: техническое обслуживание инструмента и принадлежностей, недопущение охлаждения рук, соответствующие приемы и распорядок работы.

PL OSTRZEŻENIE

Deklarowany poziom drgań został zmierzony za pomocą standardowej metody pomiaru określonej normą EN60745 i jego wyniki mogą służyć do porównywania tego urządzenia z innymi. Deklarowana wartość drgań może służyć do wstępnej oceny narażenia operatora na drgania. Deklarowany poziom drgań dotyczy podstawowych zastosowań urządzenia. Jednak w przypadku użycia urządzenia do innych zastosowań, z innymi przystawkami lub w przypadku niewłaściwego stanu technicznego urządzenia poziom drgań może odbiegać od deklarowanego. Może być to przyczyną zwiększenia stopnia narażenia operatora na drgania w całym okresie wykonywania pracy.

Podczas oceny narażenia na drgania należy również uwzględnić czas wyłączenia urządzenia oraz czas, w którym urządzenie jest włączone, jednak praca nie jest wykonywana. Czasy te mogą znacznie zmniejszyć stopień narażenia operatora na drgania w całym okresie wykonywania pracy. Należy określić dodatkowe środki ochrony operatora przed skutkami drgań, przykładowo: dbać o stan techniczny urządzenia i przystawek, dbać o zachowanie ciepłoty dłoni, odpowiednio zorganizować harmonogram wykonywania prac.

CS VAROVÁNÍ

Hodnota vibračních emisí uvedená v tomto informačním listu byla naměřena standardizovaným testem podle EN60745 a ji použít k porovnání s hodnotami jiných nástrojů. Může se používat k předběžnému odhadu vystavování vibračím. Uznaná hodnota vibračních emisí reprezentuje hlavní použití nástroje. Nicméně pokud se nástroj používá pro jiné použití, s různými doplňky nebo se nedostatečně neudržuje, mohou se vibrační emise lišit. Toto může výrazně zvýšit úroveň vystavení nad celkové pracovní období.

Odhad úrovně vystavení vibračím by měl vzít taktéž v potaz časy, kdy je chvění vypnuté, nebo když přístroj běží, ale nevykonává práci. Toto může výrazně snížit úroveň vystavení nad celkové pracovní období. Určete doplňující bezpečnostní opatření pro ochranu obsluhy před různými vibracemi, například: Udržujte nástroj a doplňky, udržujte ruce v teple, organizujte pracovní schéma.

HU FIGYELMEZTÉTES

A vibráció-kibocsátás adattal megadott értéke az EN60745 által meghatározott szabványosított mérési eljárás szerint lett megmértve, amely lehetővé teszi a különböző szerszámok összehasonlítását. Használható a kitettség előzetes felmérésére is. A nyilatkozatban szereplő kibocsátási érték a szerszám főbb alkalmazási területeire vonatkozik. Ugyanakkor, ha a szerszámot más alkalmazásokra, más kiegészítőket használják vagy rosszul tartják karban, a vibráció-kibocsátás értéke ettől eltérő is lehet. Ez jelentősen növelheti a kitettség szintjét a gép teljes használati időtartama során.

A vibrációnak való kitettség szintjének becslésekor figyelembe kell venni azokat az időintervallumokat is, amikor a szerszám ki van kapcsolva, vagy működik, de nem végeznek munkát vele. Ez jelentősen csökkentheti a kitettség szintjét a gép teljes használati időtartama során. Tegyén további óvintézkedéseket a kezelő vibrációval szembeni megvédése érdekében: tartsa karban a szerszámot és a tartozékokat, tartsa melegen a kezét, tervezzé meg a munkafolyamatot.

RO AVERTISMENT

Nivelul emisiilor de vibrații prezentat în cadrul acestei fișe cu informații a fost măsurat în conformitate cu un test standardizat furnizat în EN60745 și poate fi folosit la a compara o unealtă cu o alta. Poate fi folosit la o evaluare preliminară a expunerii. Nivelul declarat al emisiilor de vibrații reprezintă aplicațiile principale ale uneltei. Cu toate acestea, în cazul în care unealta este utilizată pentru aplicații diferite, cu accesorii diferite sau întreținute necorespunzător, emisiile de vibrații pot diferi. Acestea pot crește semnificativ nivelul de expunere pe întreaga perioadă de lucru.

O estimare a nivelului de expunere la vibrații trebuie, de asemenea, să țină cont de tălile în care unealta este oprită sau de tălile în care aceasta funcționează fără a efectua propriu-zis sarcina de lucru. Acestea pot reduce semnificativ nivelul de expunere pe întreaga perioadă de lucru. Identificați măsuri de siguranță suplimentare pentru a proteja operatorul de efectele vibrațiilor, precum: întreținerea uneltei și a accesoriilor, păstrarea mâinilor calde, organizarea de modele de lucru.





LV BRĪDINĀJUMS

Šajā datu lapā dotā vibrāciju emisijas vērtība ir mērīta saskaņā ar standartizēto testu, kas dots EN60745 un kuru var izmantot, lai salīdzinātu vienu instrumentu ar citu. To var izmantot aptuvenam ekspozīcijas novērtējumam. Deklarētais vibrāciju emisijas līmenis atbilst galvenajiem instrumenta pielietojumiem. Tomēr, ja instrumentu lieto citiem pielietojumiem, ar citiem piederumiem vai tas tiek slikti apkopts, vibrāciju emisijas vērtība var atšķirties. Tas var ievērojami palielināt ekspozīcijas līmeni visā darba periodā.

Vibrāciju ekspozīcijas līmeņa novērtējumam jāņem vērā laiks, kad instruments ir izslēgts vai ir ieslēgts, bet nevis nekādu darbu. Tas var ievērojami samazināt ekspozīcijas līmeni visā darba periodā. Identificējiet papildu drošības pasākumus, lai aizsargātu operatoru no vibrāciju iedarbības, piemēram, veiciet instrumenta un piederumu apkopi, turiet rokas siltas un pielāgojiet darba grafiku.

LT ĮSPĖJIMAS

Šiame lape nurodytas vibracijos emisijos lygis buvo išmatuotas pagal standartinį testą, aprašytą EN60745, ir gali būti naudojamas vieno įrankio su kitu palyginimui. Jis gali būti naudojamas preliminariam pavojaus įvertinimui. Deklaruotas vibracijos emisijos lygis priskiriamas pagrindinėms įrankio taikymo sritims. Tačiau, jei įrankis naudojamas kitiems tikslams, su kitokiais priedais ar įrankis prastai prižiūrimas, vibracijos emisija gali skirtis. Per visą darbo laikotarpį tai gali žymiai padidinti vibracijos keliamą pavojų.

Nustatant vibracijos keliamą pavojų taip pat būtina atsižvelgti į tai, kiek kartų įrankis yra išjungtas ar kai jis veikia, bet juo iš tikrųjų nedirbama. Per visą darbo laikotarpį tai gali žymiai sumažinti vibracijos keliamą pavojų. Naudokite papildomas apsaugos priemones dirbančiam asmeniui apsaugoti nuo vibracijos poveikio, pvz.: prižiūrėti įrankį ir jo priedus, rankas laikyti šiltai, organizuoti darbo sesijas.

ET HOIATUS

Sellel infolehel esitatud vibratsioonitaseme väärtus on mõõdetud standardis EN60745 kirjeldatud katsemeetodiga ja seda võib kasutada tööriistade omakehiseks võrdlemiseks. Seda võib kasutada vibratsioonimõju eelhindamiseks. Deklareeritud vibratsioonitaseme väärtus kehtib tööriista tavakasutamisel. Kui aga kasutate tööriista muudeks kasutusotstarveteks, eriolestarbeliste tarvikutega või kui tööriist on puudulikult hooldatud, siis võib vibratsiooniväärtus erineda. Sellistel juhtudel võib tööperioodi summaarne vibratsioonitaseme suureneda märgatavalt.

Vibratsiooniväärtuse taset tuleb arvesse võtta ka sel ajal, kui tööriist on välja lülitatud või kui tööriist tööle, kuid ei tee tööoperatsiooni. Sellistel juhtudel võib tööperioodi ajal summaarne vibratsioonitaseme väheneda märgatavalt. Määrake kindlaks täiendavad ohutusmeetmed, et kaitsa operaatorit vibratsioonimõjude eest – tööriistade ja tarvikute hooldamine, käte soojas hoidmine ja töväheluste organiseerimine.

HR UPOZORENJE

Razina vrijednosti vibracija data u ovoj tablici s informacijama mjerena je skladno normiranom testu pruženom u EN60745 i može se koristiti za usporedbu jednog alata s drugim. Može se koristiti u početnom usklađivanju izloženosti. Objavljena razina vrijednosti vibracija predstavlja glavnu primjenu alata. Međutim, ako se alat koristi za druge primjene, s različitim dodatnim priborom ili je slabo održavan, vrijednost vibracija može se razlikovati. Ovo može značajno povećati razinu izloženosti tijekom ukupnog radnog razdoblja.

U procjeni razine izloženosti na vibraciju također treba uzeti u obzir vrijeme kada je alat isključen ili kada je pokrenut no ne i stvarno vrijeme rada. Ovo može značajno smanjiti razinu izloženosti tijekom ukupnog radnog razdoblja. Odredite dodatne sigurnosne mjere za zaštitu operatera od učinaka vibracije poput: održavanje alata i pribora, održavanje toplih ruku, organizacija obrazaca za rad.

SL OPOZORILO

Nivo emisij vibracij, naveden v tem informacijskem listu, je bil izmerjen v skladu s standardiziranim testom, ki je podan v EN60745, podatke pa se lahko uporablja za primerjavo enega orodja z drugim. Uporablja se ga lahko za predhodno oceno izpostavljenosti. Navedeni nivo emisij vibracij predstavlja glavne uporabe orodja. Vendar, če se orodje uporablja v druge namene in z različnimi nastavitvi oz. če je orodje slabo vzdrževano, se lahko emisije vibracij razlikujejo. To lahko občutno poveča nivo izpostavljenosti v skupnem delovnem času.

Ocena nivoja izpostavljenosti vibracijam bi morala prav tako upoštevati, koliko krat je orodje bilo izključeno ali je v delovanju in pravzaprav ne opravlja svojega dela. To lahko občutno zmanjša nivo izpostavljenosti v skupnem delovnem času. Upoštevajte dodatne varnostne ukrepe, da bi upravljavca zaščitili pred vplivom vibracij, kot je: vzdržujte orodje in nastavke, pazite, da so roke tople, organizirajte delovne vzorce.

SK VAROVANIE

Úroveň emisie vibrácií, uvedená v tomto informačnom hárku bola nameraná v súlade so štandardizovaným testom, daný normou EN60745 a môže sa použiť na porovnanie jedného nástroja s druhým. Môže sa použiť na predbežné určenie miery vystavenia sa vibráciám. Uvedená úroveň emisie vibrácií predstavuje hlavné aplikácie nástroja. Avšak keď sa nástroj používa na iné aplikácie, s rôznym príslušenstvom alebo má zlé údržbu, úroveň vibrácií sa môže líšiť. Týmto sa môže výrazne zvýšiť úroveň vystavenia sa vibráciám počas celkového času práce.

Odhad úrovne vystavenia sa vibráciám by sa mal brať tiež do úvahy, vždy, keď sa nástroj vypne, alebo potom, keď beží ale v skutočnosti sa nevykonáva práca. Týmto sa môže výrazne znížiť úroveň vystavenia sa vibráciám počas celkového času práce. Nasledovné doplnujúce bezpečnostné opatrenia pomáhajú chrániť operátora od účinkov vibrácií: údržba nástroja a príslušenstva, udržiavanie teplých držadiel, organizácia práce.

BG ВНИМАНИЕ

Посоченото в тези инструкции ниво на вибрациите е измерено в съответствие със стандартизиран в EN 60745 измервателен метод и може да се използва за сравнение на електрически инструменти помежду им. Подходящ е и за временна оценка на вибрационното натоварване. Посоченото ниво на вибрациите представя основните приложения на електрическия инструмент. Ако обаче електрическият инструмент се използва с друго предназначение, с различни сменяеми инструменти или при недостатъчна техническа поддръжка, нивото на вибрациите може да е различно. Това чувствително може да увеличи вибрационното натоварване по време на целия работен цикъл.

За точната оценка на вибрационното натоварване трябва да се вземат предвид и периодите от време, в които уредът е изключен или работи, но в действителност не се използва. Това чувствително може да намали вибрационното натоварване по време на целия работен цикъл. Определете допълнителни мерки по техника на безопасност в защита на обслужващия работник от въздействието на вибрациите като например: техническа поддръжка на електрическия инструмент и сменяемите инструменти, поддръжане на ръцете топли, организация на работния цикъл.

UK ПОПЕРЕДЖЕННЯ

Рівень вібрації, зазначений у цьому інформаційному листку, був розрахований відповідно зі стандартизованим випробуванням, наведеним в EN 60745 і може використовуватися для порівняння одного інструмента з іншим. Він може бути використаний для попередньої оцінки впливу. Зазначений рівень вібрації представляє основні застосування інструменту. Тим не менш, якщо інструмент використовується для різних додатків, з різними аксесуарами і недоглянутий, рівень вібрації може відрізнятись. Це може значно підвищити рівень впливу протягом усього робочого періоду.

При оцінюванні рівня впливу вібрації необхідно також враховувати час, коли інструмент вимкнений або коли він працює, але насправді не виконує ніякої роботи. Це може значно зменшити рівень впливу протягом усього робочого періоду. Для захисту оператора від впливу вібрації, визначте додаткові заходи безпеки, такі як: ретельний догляд за інструментом і приладдям, тримання рук в теплі, і організація схеми роботи.





TR UYARI

Bu bilgi sayfasında verilen titreşim emisyon seviyesi, EN60745 standardında belirtilen standartlaştırılmış bir teste uygun olarak ölçülmüş ve bir aleti diğeriyle karşılaştırmak için kullanılabilir. On maruz kalma tespiti için kullanılabilir. Beyan edilen titreşim emisyon seviyesi aletin asıl uygulamalarını temsil etmektedir. Ancak alet, farklı aksesuarlarla veya yetersiz bakımlı olarak farklı uygulamalar için kullanılırsa titreşim emisyonu değişebilir. Bu durum toplam çalışma süresi boyunca maruz kalma seviyesini önemli ölçüde artırır.

Titreşime maruz kalma seviyesinin değerlendirilmesi aynı zamanda alet kapalı ve ardından çalışır ancak gerçek anlamda iş yapmadığı zamanlar da göz önünde bulundurulmalıdır. Bu durum toplam çalışma süresi boyunca maruz kalma seviyesini önemli ölçüde azaltır. Operatörü titreşimin etkilerinden korumak için ilave güvenlik önlemleri belirleyin, örneğin: aletin ve aksesuarlarının bakımını yapmak, operatörün ellerini sıcak tutmak, çalışma modellerini organize etmek.

EL ΠΡΟΕΙΔΟΠΟΙΗΣΗ

Τα επίπεδα εκπομπών κραδασμών που παρέχονται στο παρόν ενημερωτικό φυλλάδιο, έχουν μετρηθεί βάσει τυποποιημένης δοκιμής που προβλέπεται στο EN60745 και μπορούν να συγκριθούν για τη σύγκριση του εργαλείου με άλλα. Μπορούν επίσης να χρησιμοποιηθούν για προκαταρκτική αξιολόγηση της έκθεσης. Τα δηλωμένα επίπεδα εκπομπών κραδασμών αφορούν τις βασικές εφαρμογές του εργαλείου. Ωστόσο, αν το εργαλείο χρησιμοποιείται για διαφορετικές εφαρμογές, με διαφορετικά εξαρτήματα ή με κακή συντήρηση, η εκπομπή κραδασμών μπορεί να διαφέρει. Αυτό μπορεί να αυξήσει σημαντικά το επίπεδο έκθεσης στη συνολική περίοδο εργασίας.

Η εκτίμηση των επιπέδων έκθεσης σε κραδασμούς θα πρέπει επίσης να λαμβάνει υπόψη τις χρονικές περιόδους κατά τις οποίες το εργαλείο είναι απενεργοποιημένο ή λειτουργεί χωρίς να χρησιμοποιείται σε συγκεκριμένη εργασία. Αυτό μπορεί να μειώσει σημαντικά το επίπεδο έκθεσης στη συνολική περίοδο εργασίας. Εφαρμόστε επιπρόσθετα μέτρα ασφαλείας για την προστασία του χειριστή από τις επιπτώσεις των κραδασμών, όπως τα εξής: συντηρείτε το εργαλείο και τα εξαρτήματα, διατηρείτε τα χέρια ζεστά, οργανώστε μοτίβα εργασίας.



EN RYOBI® WARRANTY APPLICATION CONDITIONS

In addition to any statutory rights resulting from the purchase, this product is covered by a warranty as stated below.

1. The warranty period is 24 months for consumers and commences on the date the product was purchased. This date has to be documented by an invoice or other proof of purchase. The product is designed and dedicated to consumer and private use only. So there is no warranty provided in case of professional or commercial use. This warranty applies only on new products.
2. There is a possibility to extend for a part of the range of power tools (AC/DC) the warranty period over the period described above using the registration on the www.ryobitools.eu website. The eligibility of products for extended warranty is clearly displayed in stores and / or on packaging and is contained within the product documentation. The end user is required to register his/her newly-acquired products online within 30 days from the date of purchase. The end user may register for the extended warranty in his/her country of residence if listed on the online registration form where this option is valid. Furthermore, end users must give their consent to the storage of their personal data that is required to be entered online. They must also accept the terms and conditions. The registration confirmation receipt, which is sent out by e-mail, and the original invoice showing the date of purchase will serve as proof of the extended warranty.
3. The warranty covers all defects of the product during the warranty period due to faults in workmanship or material at the purchase date. The warranty is limited to repair and/or replacement and does not include any other obligations including but not limited to incidental or consequential damages. The warranty is not valid if the product has been misused, used contrary to the instruction manual, or has been incorrectly connected to a power supply. This warranty does not apply to:
 - any damage to the product that is the result of improper or lack of maintenance
 - any product that has been altered or modified
 - any product where original identification (trade mark, serial number) markings have been defaced, altered or removed
 - any damage caused by non-observance of the instruction manual
 - any product not displaying the CE approval mark on the rating plate
 - any product that has been attempted to be repaired by a non-authorized warranty service centre or without prior authorisation by Techtronic Industries
 - any product connected to improper power supply (amps, voltage, frequency)
 - any damage caused by external influences (water, chemical, physical, shocks) or foreign substances
 - normal wear and tear spare parts
 - inappropriate use, overloading of the tool
 - use of non-approved accessories or parts
 - Power tool accessories provided with the tool or purchased separately, including but not limited to screw driver bits, drill bits, abrasive discs, sand paper and blades, lateral guide, etc.
 - Components (parts and accessories) subject to natural wear and tear, including but not limited to service & maintenance kits, carbon brushes, bearings, chuck, SDS drill bit attachment or reception, power cord, auxiliary handle, transport carry case, sanding plate, dust bag, dust exhaust tube, felt washers, impact wrench pins & springs, etc.
4. For servicing, the product must be sent or presented to a RYOBI authorised service station listed for each country in the following list of service station addresses. In some countries your local RYOBI dealer undertakes to send the product to the RYOBI service organisation. When sending a product to a RYOBI service station, the product should be safely packed without any dangerous contents such as petrol, marked with sender's address and accompanied by a short description of the fault.
5. A repair / replacement under this warranty is free of charge. It does not constitute an extension or a new start of the warranty period. Exchanged parts or products become our property. In some countries delivery charges or postage will have to be paid by the sender. Your statutory rights arising from the purchase of the product remain unaffected.
6. This warranty is valid in the European Community, Switzerland, Iceland, Norway, Liechtenstein, Turkey and Russia. Outside these areas, please contact your authorised RYOBI dealer to determine if another warranty applies.

AUTHORISED SERVICE CENTRE

To find an authorised service centre near you, visit <http://en.ryobitools.eu/header/service-and-support/service-agents>

FR RYOBI® CONDITIONS D'APPLICATION DE LA GARANTIE

En plus des droits statutaires liés à l'achat, ce produit est couvert par une garantie telle que décrite ci-dessous.

1. La durée de la garantie accordée au consommateur est de 24 mois à partir de la date d'achat. Cette date doit être authentifiée par une facture ou toute autre preuve d'achat. Le produit a été conçu en vue d'une utilisation strictement privée. Aucune garantie ne s'applique donc en cas d'utilisation professionnelle ou commerciale.
2. Il existe pour une partie de la gamme d'outils électroportatifs (AC/DC), une possibilité d'étendre la période de garantie au-delà de la période précédemment décrite en utilisant le formulaire d'enregistrement présent sur le site Internet www.ryobitools.eu. L'éligibilité d'un outil est clairement affichée dans les points de vente et/ou sur l'emballage et la documentation. L'utilisateur final doit enregistrer son/ses outil(s) nouvellement acheté(s) en ligne dans les 30 jours qui suivent la date d'achat. L'utilisateur a la possibilité de s'enregistrer pour l'extension de garantie dans son pays de résidence si celui-ci est listé dans le formulaire d'enregistrement en ligne où cette option est valide. L'utilisateur final doit donner son consentement pour l'enregistrement des données requises pour accéder au site et doit accepter les termes et conditions. La confirmation d'enregistrement, envoyée par courrier électronique, ainsi que la facture originale mentionnant la date d'achat serviront de preuve de l'extension de garantie.
3. La garantie couvre pendant la période de garantie les défauts des produits liés à la fabrication et aux matériaux à la date d'achat. La garantie est limitée à la réparation et/ou au remplacement et n'inclut aucune autre obligation, tel que, mais sans s'y limiter, les dommages accessoires ou indirects. La garantie est non valable en cas de mauvaise utilisation du produit, d'utilisation contraire aux instructions du mode d'emploi, ou en cas de branchement incorrect. Cette garantie ne s'applique pas pour :
 - tout dommage au produit résultant d'un mauvais entretien
 - tout produit ayant été altéré ou modifié
 - tout produit dont les marquages originaux d'identification (marque, numéro de série) ont été dégradés, altérés ou retirés
 - tout dommage causé par le non-respect des instructions du mode d'emploi
 - tout produit non CE
 - tout produit ayant subi une tentative de réparation par du personnel non qualifié ou sans autorisation préalable de Techtronic Industries
 - tout produit raccordé à une alimentation secteur non conforme (ampérage, voltage, fréquence)
 - tout dommage causé par des influences extérieures (chimiques, physiques, chocs) ou par des substances étrangères
 - l'usure normale des pièces consommables
 - une utilisation inappropriée, une surcharge de l'outil
 - l'utilisation de pièces ou accessoires non agréés
 - accessoires de l'outil électrique fournis avec l'outil ou achetés séparément. Cela comprend notamment les embouts de vissage, les forets de perceuse, les disques abrasifs, le papier de verre et les lames, le guide latéral
 - Les composants (pièces et accessoires) sujets à l'usure naturelle, ceci incluant notamment les mandrins, les charbons, adaplateurs SDS, les cordons d'alimentation, les poignées auxiliaires, les mallettes de transport, les plateaux de ponçage, les sacs collecteurs de poussière, les tubes d'extraction de poussière, les carrés de clé à choc, etc.
4. Si le produit doit être réparé, envoyez-le à un service après-vente agréé RYOBI dont vous trouverez ci-dessous la liste pour chaque pays. Dans certains pays, votre revendeur RYOBI se chargera d'envoyer le produit à un centre de réparation RYOBI. Lorsque vous envoyez un produit à un service après-vente RYOBI, celui-ci doit être correctement emballé, sans contenir aucun produit dangereux tel que de l'essence, et vous devez indiquer votre adresse ainsi qu'une courte description du problème.
5. Une réparation / un remplacement sous garantie est gratuit(e). Ceci ne constituera pas une extension de garantie ni un nouveau départ de la période de garantie. Les pièces ou les outils remplacés deviennent notre propriété. Dans certains pays, les frais de port devront être assumés par l'expéditeur. Vos droits statutaires restent inchangés.
6. Cette garantie est valable au sein de l'Europe, de la Suisse, de l'Islande, de la Norvège, du Liechtenstein, de la Turquie, de la Russie. En dehors de ces zones, veuillez contacter votre distributeur agréé RYOBI pour déterminer si une autre garantie s'applique.

SERVICE APRÈS-VENTE AGRÉÉ

Pour trouver le service après-vente agréé le plus proche, rendez-vous sur <http://fr.ryobitools.eu/header/service-and-support/service-agents>.

DE RYOBI® GARANTIEBEDINGUNGEN

Zusätzlich zu den gesetzlichen Rechten aus dem Kauf gilt für dieses Produkt die nachstehend aufgeführte Garantie.

- Der Garantiezeitraum beträgt für Verbraucher 24 Monate und beginnt mit dem Datum des Kaufs. Dieses Datum muss durch eine Rechnung oder einen anderen Kaufbeleg dokumentiert werden. Dieses Produkt wurde ausschließlich zur privaten Nutzung durch Verbraucher entwickelt. Für den Fall einer professionellen bzw. kommerziellen Nutzung besteht daher keine Garantie.
- Es besteht die Möglichkeit, für einen Teil des Sortiments der Elektrogeräte (AC/DC) den Garantiezeitraum über den oben genannten Zeitraum hinaus zu verlängern, indem der Verbraucher die Registrierung auf der Website www.ryobitools.eu durchführt. Die Berechtigung der Werkzeuge für die Garantieverlängerung ist deutlich im Geschäft und/oder auf der Verpackung beschrieben und in der Produktdokumentation erwähnt. Der Verbraucher muss das neu erworbene Gerät online innerhalb von 30 Tagen ab dem Kaufdatum registrieren. Der Verbraucher kann das Gerät zwecks Garantieverlängerung in seinem Wohnsitzland/Heimatland registrieren, wenn dieses Land auf dem Online-Registrierungsformular aufgeführt ist und die Option gültig ist. Darüber hinaus muss der Verbraucher seine Zustimmung zur Speicherung der Daten geben, die online eingegeben werden müssen, und er muss die allgemeinen Geschäftsbedingungen akzeptieren. Die Bestätigung der Registrierung, die per E-Mail versandt wird, und die Originalrechnung mit dem Kaufdatum gelten als Beleg für die Garantieverlängerung.
- Die Garantie deckt alle Defekte des Geräts während des Garantiezeitraums ab, die auf zum Zeitpunkt des Kaufs bestehende Verarbeitungs- oder Materialfehler zurückzuführen sind. Die Garantie beschränkt sich auf Reparatur und/oder Ersatz und beinhaltet keine anderen Verpflichtungen, insbesondere keinen Schadenersatz für Folge- oder Nebenschäden. Die Garantie gilt nicht, wenn das Gerät fehlerhaft eingesetzt wurde, gegenseitlich zur Bedienungsanleitung eingesetzt wurde oder falsch angeschlossen wurde. Die Garantie gilt nicht für Folgendes:
 - Schäden am Gerät, die auf unkorrekte Wartung zurückzuführen sind
 - Geräte, an denen Veränderungen vorgenommen wurden
 - Produkte, bei denen die ursprüngliche Identifizierung (Handelsmarke, Seriennummer) unleserlich gemacht, verändert oder entfernt wurde
 - Schäden durch Nichtbeachtung der Bedienungsanleitung
 - nicht-CE-zertifizierte Geräte
 - Geräte, an denen durch nicht-qualifizierte Personen oder ohne vorherige Genehmigung von Techtronic Industries Reparaturversuche vorgenommen wurden
 - Geräte, die an unkorrekte Energiequellen (Ampere, Volt, Frequenz) angeschlossen wurden
 - Schäden durch äußere Einflüsse (chemisch, physisch, Stöße) oder Fremdstoffe
 - normaler Verschleiß von Ersatzteilen
 - unangemessene Nutzung, Überlastung des Geräts
 - Nutzung nicht genehmigter Zubehörteile oder Ersatzteile
 - mit dem Gerät gelieferte oder separat erworbene Zubehörteile. Dieser Ausschuss beinhaltet, ist aber nicht beschränkt auf Schraubendreher-Bits, Bohreinsätze, Schleifscheiben, Sandpapier und Klingen, Seitenführungen
 - Komponenten (Ersatzteile und Zubehörteile), die natürlichen und normalen Verschleißerscheinungen unterworfen sind, einschließlich aber nicht beschränkt auf: Service- und Wartungssätze, Kohlebürsten, Lager, Spannfutter, SDS-Bohreraufnahme /Bit-Adapter, Netzkabel, Zusatzhandgriff, Transportkoffer, Schleifteller, Staubbeutel, Staubabsaugrohr, Filzunterlegscheiben, Bolzen und Federn von Schlagschraubern usw.
- Zum Service muss das Gerät zu einer von RYOBI autorisierten Servicestation gebracht oder dorthin gesendet werden. Die Servicestationen für die einzelnen Länder sind in der folgenden Liste aufgeführt. In einigen Ländern sendet Ihr RYOBI-Händler vor Ort das Gerät an das RYOBI-Serviceunternehmen. Beim Einsenden an die RYOBI-Servicestation sollte das Gerät sicher verpackt sein, ohne gefährliche Inhalte wie Benzin, und es sollte mit der Adresse des Absenders und einer kurzen Beschreibung des Fehlers versehen sein.
- Eine Reparatur bzw. ein Ersatz gemäß dieser Garantie ist kostenlos. Hieraus ergibt sich weder eine Garantieverlängerung noch der Beginn eines neuen Garantiezeitraums. Die ausgetauschten Ersatzteile oder Werkzeuge gehen in unser Eigentum über. In einigen Ländern müssen die Zustellgebühren oder die Versandkosten vom Absender gezahlt werden. Ihre gesetzlichen Rechte aus dem Kauf des Geräts bleiben hiervon unberührt.
- Diese Garantie gilt in der Europäischen Union, der Schweiz, Island, Norwegen, Liechtenstein, der Türkei und Russland. Bitte wenden Sie sich außerhalb dieser Gebiete an Ihren autorisierten RYOBI-Händler, um festzustellen, ob eine andere Garantie gilt.

AUTORISIERTER KUNDENDIENST

Besuchen Sie <http://de.ryobitools.eu/header/service-and-support/service-agents>, um einen autorisierten Kundendienst in Ihrer Nähe zu finden.

ES CONDICIONES DE APLICACIÓN DE LA GARANTÍA DE RYOBI®

Además de cualquier derecho legal derivado de la compra, este producto está cubierto por una garantía que se indica a continuación.

- El periodo de garantía es de 24 meses para consumidores y comienza a la fecha en que se comprara el producto. Dicha fecha debe documentarse con una factura u otro comprobante de compra. El producto está diseñado y concebido únicamente para el uso privado del consumidor. Por lo tanto, no se ofrece garantía en caso de uso profesional o comercial.
- Existe la posibilidad de ampliar el periodo de garantía respecto a una parte de la gama de herramientas eléctricas (CA/CC) durante el periodo descrito más arriba y mediante el registro en el sitio web www.ryobitools.eu. La elegibilidad de las herramientas para que se amplíe el periodo de garantía se muestra claramente en las tiendas o en el embalaje y está incluida en la documentación del producto. El usuario final tiene que registrar en línea sus herramientas recientemente adquiridas en un plazo de 30 días a partir de la fecha de compra. El usuario final podrá registrarse para obtener la garantía ampliada en su país de residencia si este aparece en la lista del formulario de registro en línea cuando esta opción sea válida. Además, los usuarios finales deberán dar su consentimiento al almacenamiento de los datos necesarios para el acceso en línea y tienen que aceptar los términos y condiciones. El recibo de confirmación de registro, que se envía por correo electrónico, y la factura original que muestra la fecha de compra servirán como comprobante para la garantía ampliada.
- La garantía cubre todos los defectos del producto durante el periodo de garantía debido a fallos de mano de obra o material en la fecha de compra. La garantía se limita a la reparación o sustitución y no incluye ninguna otra obligación como, por ejemplo, daños accidentales o consecuentes. La garantía no es válida si se ha usado mal el producto, se ha usado contraviniendo el manual de instrucciones o se ha conectado de forma incorrecta. Esta garantía no es aplicable a:
 - ningún daño en el producto que sea consecuencia de un mantenimiento inadecuado
 - ningún producto que haya sido alterado o modificado
 - ningún producto en el que los marcados de identificación originales (marca comercial, número de serie) se hayan borrado, modificado o eliminado
 - ningún daño provocado por no seguir el manual de instrucciones
 - ningún producto que no sea CE
 - ningún producto que haya sufrido un intento de reparación por parte de un profesional no cualificado o sin la autorización previa de Techtronic Industries.
 - ningún producto conectado a un suministro eléctrico inadecuado (amperios, voltaje, frecuencia)
 - ningún daño causado por influencias externas (químicas, físicas, impactos) o sustancias extrañas
 - desgaste normal de piezas de repuesto
 - uso inadecuado, sobrecarga de la herramienta
 - uso de accesorios o piezas no aprobados
 - Accesorios de herramientas eléctricas proporcionados con la herramienta o comprados por separado. Tales exclusiones incluyen, entre otros, brocas de destornilladores, brocas de taladro, discos abrasivos, papel de lija y cuchillas, y guías laterales
 - Componentes (piezas y accesorios) sujetos a un desgaste natural, que incluyen, entre otros, equipos de servicio y mantenimiento, escobillas de carbono, cojinetes, pinzas, accesorio o recepción de broca de taladro SDS, cable eléctrico, manillar auxiliar, bolsa de transporte, hoja lijadora, bolsa de polvo, tubo de escape de polvo, disco de fieltro, pasadores y resortes de llave de impacto, etc.
- Para su mantenimiento, el producto debe enviarse o presentarse a una estación de servicio de RYOBI autorizada que figure en la siguiente lista de direcciones de estaciones de servicio por países. En algunos países, su distribuidor RYOBI local se responsabiliza de enviar el producto a la compañía de servicio de RYOBI. Cuando se envíe un producto a una estación de servicio de RYOBI, este debe estar empaquetado de forma segura sin contenidos peligrosos como gasolina, marcado con la dirección del remitente y acompañado de una breve descripción del fallo.
- Una reparación / sustitución con esta garantía es gratuita. No constituye una ampliación ni un nuevo comienzo del periodo de garantía. Las piezas o herramientas intercambiadas pasan a ser de nuestra propiedad. En algunos países, los gastos de envío o correo tendrán que pagarlos el remitente. Sus derechos legales derivados de esta compra de la herramienta no se verán afectados.
- Esta garantía es válida en la Unión Europea, Suiza, Islandia, Noruega, Liechtenstein, Turquía y Rusia. Fuera de estas zonas, póngase en contacto con su distribuidor de RYOBI autorizado para determinar si es aplicable otra garantía.

SERVICIO TÉCNICO AUTORIZADO

Para encontrar el servicio técnico autorizado más cercano, visite <http://es.ryobitools.eu/header/service-and-support/service-agents>

IT CONDIZIONI DI VALIDITÀ DELLA GARANZIA RYOBI®

In aggiunta ai diritti di legge risultanti dall'acquisto, il prodotto è coperto dalla garanzia sotto descritta.

- Il periodo di garanzia è di 24 mesi per i consumatori, a decorrere dalla data di acquisto del prodotto. La data deve essere documentata da una fattura o altra prova d'acquisto. Il prodotto è progettato e destinato solo all'utilizzo privato dei consumatori. Pertanto non viene fornita alcuna garanzia in caso di uso professionale o commerciale.
- Per una serie di utensili elettrici (CA/CC) è possibile prolungare il periodo di garanzia oltre quello descritto, registrandosi sul sito web www.ryobitools.eu. Gli utensili per i quali è possibile prolungare il periodo di garanzia sono chiaramente indicati nei negozi e/o sulle confezioni e nella documentazione dei prodotti. L'utente deve registrare online l'utensile acquistato entro 30 giorni dalla data di acquisto. L'utente può registrarsi per la garanzia prolungata nel proprio paese di residenza, se questo è elencato nel modulo di registrazione online dove questa opzione sia valida. Inoltre gli utenti devono fornire il proprio consenso alla conservazione dei dati da immettere online e devono accettare le condizioni generali. La conferma di registrazione, inviata tramite e-mail, e la fattura originale indicante la data di acquisto, costituiscono la prova della garanzia prolungata.
- La garanzia copre tutti i difetti del prodotto durante il periodo di garanzia, risultati da manodopera o materiali alla data di acquisto. La garanzia è limitata alla riparazione e/o sostituzione e non include alcun altro obbligo quali, a mero titolo esemplificativo, i danni incidentali o consequenziali. La garanzia non è valida se il prodotto è stato usato scorrettamente, in modo contrario al manuale di istruzioni o se è stato collegato in modo errato. La garanzia non è valida per:
 - qualsiasi danno al prodotto dovuto a manutenzione errata;
 - qualsiasi prodotto che sia stato alterato o modificato;
 - qualsiasi prodotto le cui marcature di identificazione originali (marchi di fabbrica, numero di serie) siano state cancellate, alterate o rimosse;
 - qualsiasi danno causato dalla non osservanza delle istruzioni del manuale;
 - qualsiasi prodotto privo di omologazione CE;
 - qualsiasi prodotto che sia stato sottoposto a un tentativo di riparazione da parte di un professionista non qualificato oppure senza la previa autorizzazione di Techtronic Industries;
 - qualsiasi prodotto collegato a un'alimentazione errata (per ampere, tensione, frequenza);
 - qualsiasi danno causato da influenze esterne (chimiche, fisiche, urti) o sostanze estranee;
 - la normale usura delle parti di ricambio;
 - uso inappropriato, sovraccarico dell'utensile;
 - uso di accessori o parti non omologate;
 - accessori per utensili elettrici forniti con l'utensile o acquistati separatamente. Questa esclusione comprende, a mero titolo esemplificativo, punte per cacciaviti, punte per trapani, dischi abrasivi, carta vetrata, lame e guide laterali;
 - componenti (parti e accessori) soggetti alla normale usura compresi, a mero titolo esemplificativo, kit di servizio e manutenzione, spazzole al carbonio, cuscinetti, mandrini, attacchi per punte a vite autopoterforante, cavi di alimentazione, maniglie ausiliarie, custodie di trasporto, piastre di levigatura, sacchetti per la polvere, tubi di scarico della polvere, rondelle di feltro, perni e molle per avvitatori ecc.
- Per la manutenzione il prodotto dev'essere spedito o portato presso uno dei centri assistenza autorizzati RYOBI elencati per ogni paese nel seguente elenco di indirizzi dei centri. In alcuni paesi il rivenditore locale RYOBI si incarica di inviare il prodotto all'organizzazione di assistenza RYOBI. Quando si invia un prodotto a un centro assistenza RYOBI, imballarlo in modo sicuro senza contenuti pericolosi come la benzina, apporre l'indirizzo del mittente e accompagnarlo da una breve descrizione del guasto.
- La riparazione/sostituzione ai sensi della presente garanzia è gratuita. Non costituisce un prolungamento o un nuovo inizio del periodo di garanzia. Le parti o gli utensili scambiati diventano di nostra proprietà. In alcuni paesi i costi di consegna o di spedizione postale devono essere pagati dal mittente. I diritti di legge derivanti dall'acquisto dell'utensile rimangono inalterati.
- La presente garanzia è valida in Unione Europea, Svizzera, Islanda, Norvegia, Liechtenstein, Turchia e Russia. Al di fuori di tali aree contattare il rivenditore autorizzato RYOBI per sapere se è valida un'altra garanzia.

CENTRO SERVIZI AUTORIZZATO

Per individuare il più vicino centro servizi autorizzato, visitare il sito <http://it.ryobitools.eu/header/service-and-support/service-agents>.

NL RYOBI® GARANTIEVOORWAARDEN

Naast de wettelijke rechten die voortvloeien uit de aankoop, wordt dit product gedekt door een garantie, zoals hieronder staat vermeld.

- De garantietermijn voor consumenten bedraagt 24 maanden en gaat in op de datum waarop het product is gekocht. Deze datum moet worden gedocumenteerd met een factuur of een ander aankoopbewijs. Het product is uitsluitend ontworpen en bedoeld voor persoonlijk gebruik door consumenten. Er wordt dus geen garantie gegeven voor professioneel of commercieel gebruik.
- Voor een deel van ons aanbod van elektrische gereedschappen (AC/DC) is het mogelijk om de garantietermijn te verlengen over de boven beschreven termijn, met behulp van de website www.ryobitools.eu. De gereedschappen die in aanmerking komen voor de verlenging van de garantietermijn wordt duidelijk weergegeven in winkels en/of verpakkingen en staat beschreven in de productdocumentatie. De eindgebruiker moet zijn/haar nieuw gekochte gereedschappen binnen 30 dagen na aankoop online registreren. De eindgebruiker kan zich registreren voor de verlengde garantietermijn als zijn woonland staat vermeld op het online registratieformulier waar deze optie geldt is. Bovendien moeten eindgebruikers toestemming geven voor de opslag van de gegevens die online ingevuld moeten worden en moeten ze de algemene voorwaarden accepteren. Het ontvangstbewijs van de registratie, dat per e-mail wordt verzonden en de oorspronkelijke factuur met de aankoopdatum vormt het bewijs van de verlengde garantietermijn.
- De garantie dekt tijdens de garantietermijn alle gebreken van het product vanwege defecten in vakmanschap of materiaal op de aankoopdatum. De garantie is beperkt tot reparatie en/of vervanging en bevat geen andere verplichtingen, waaronder maar niet beperkt tot incidentele of gevolgschade. De garantie is niet geldig als het product is misbruikt, in strijd met de gebruiksaanwijzing wordt gebruikt of onjuist is aangesloten. Deze garantie geldt niet voor:
 - alle schade aan het product die het gevolg is van onjuist onderhoud
 - elk product dat is veranderd of aangepast
 - elk product waar de oorspronkelijke identificatie (handelsmerk, serienummer) is beschadigd, gewijzigd of verwijderd
 - alle schade die is veroorzaakt door het niet opvolgen van de gebruiksaanwijzing
 - elk niet-CE-product
 - elk product waar een poging tot reparatie is gedaan door een niet-erkende professional of zonder voorafgaande toestemming door Techtronic Industries.
 - elk product dat is verbonden met een verkeerde voeding (amperage, spanning, frequentie)
 - alle schade die is veroorzaakt door externe invloeden (chemisch, fysisch, schokken) of vreemde stoffen
 - normale slijtage van reserveonderdelen
 - ongepast gebruik, overbelasting van het gereedschap
 - gebruik van niet-goedgekeurde accessoires of onderdelen
 - gereedschapsaccessoires die bij het gereedschap worden geleverd of afzonderlijk zijn aangeschaft. Zulke uitzonderingen bevatten, maar niet beperkt tot schroevendraaierbits, boorbits, slijpschijven, schuurpapier en zagen, laterale geleiding
 - Componenten (onderdelen en accessoires) die onderhevig zijn aan natuurlijke slijtage, waaronder maar niet beperkt tot service-onderhoudsets, koolstofborstels, lagere, boorkoppen, SDS boorbitbevestigingen of ontvangers, stroomsoeren, hulpprepen, transporttassen, schuurplateaus, stofzakken, stofafvoerbuizen, viltlingen, pennen en veren van slagmoersleutels, etc.
- Voor onderhoud moet het product worden verzonden of gebracht naar een erkend servicecenter van RYOBI die voor elk land staan vermeld in de volgende lijst met adressen voor servicecentra. In sommige landen zal uw lokale RYOBI-dealer het product verzenden naar de RYOBI-serviceorganisatie. Wanneer u het product naar een servicecenter van RYOBI verzendt, moet het product veilig worden verpakt zonder enige gevaarlijke inhoud, zoals benzine, met het adres van de afzender en vergezeld van een korte beschrijving van het defect.
- Een reparatie/vervanging die onder deze garantie valt is gratis. Het vormt geen verlenging of een nieuwe start van de garantietermijn. Verwisselde onderdelen of gereedschappen worden ons eigendom. In sommige landen moeten de verzendkosten door de afzender worden betaald. Uw wettelijke rechten die voortvloeien uit de aankoop van het gereedschap blijven onaangetaast.
- Deze garantie is geldig in de Europese Gemeenschap, Zwitserland, Usland, Noorwegen, Liechtenstein, Turkije en Rusland. Buiten deze gebieden moet u contact opnemen met uw erkende RYOBI-dealer om vast te stellen of er een andere garantie van toepassing is.

GEAUTORISEERD ONDERHOUDSCENTRUM

Om een geautoriseerd onderhoudscentrum in uw buurt te vinden, surf u naar <http://nl.ryobitools.eu/header/service-and-support/service-agents>.

PT CONDIÇÕES DE APLICAÇÃO DA GARANTIA RYOBI®

Para além de quaisquer direitos previstos por lei resultantes da compra, este produto está coberto por uma garantia conforme descrição abaixo.

- O período da garantia é de 24 meses para consumidores particulares e inicia-se na data de compra do produto. Esta data tem de ser documentada por uma factura ou por outra prova de compra. O produto foi concebido para e destina-se apenas a consumidores particulares e uso privado. Assim, não é dada garantia em caso de utilização por profissionais ou uso comercial.
- Para uma parte da gama de ferramentas eléctricas (AC/DC) existe a possibilidade de prolongamento do período da garantia para além do período descrito acima, mediante registo no Web site www.ryobitools.eu. A elegibilidade das ferramentas para prolongamento do período da garantia é claramente visível nas lojas e/ou nas embalagens e está contida na documentação do produto. O utilizador final tem de fazer o registo online das suas ferramentas recém-adquiridas no prazo de 30 dias após a data de compra. O utilizador final pode fazer o registo para prolongamento da garantia no seu país de residência, desde que esteja listado no formulário de registo online e para os casos em que esta opção seja válida. Para além disso, os utilizadores finais têm de autorizar o armazenamento dos dados cujo preenchimento lhes for solicitado online e têm de aceitar os termos e as condições. O recibo de confirmação do registo é enviado por e-mail e, em conjunto com a factura original ostentando a data de compra, servirá de prova do prolongamento da garantia.
- A garantia cobre todos os defeitos do produto durante o período da garantia devidos a defeitos de fabrico ou de material à data da compra. A garantia está limitada à reparação e/ou substituição e não inclui quaisquer outras obrigações, incluindo mas não se limitando a, perdas complementares ou indirectas. A garantia não é válida se o produto tiver sido utilizado incorrectamente, utilizado de forma contrária ao Manual de Instruções ou se as respectivas ligações tiverem sido feitas incorrectamente. Esta garantia não se aplica ao seguinte:
 - quaisquer danos ao produto que sejam resultado de manutenção incorrecta
 - qualquer produto que tenha sido alterado ou modificado
 - qualquer produto cujas marcações de identificação de origem (marca comercial, número de série) tiverem sido apagadas, alteradas ou retiradas
 - quaisquer danos causados pelo incumprimento do Manual de Instruções
 - qualquer produto que não seja da Comunidade Europeia
 - qualquer produto ao qual tenha sido feita, ou tentada fazer, uma reparação por outra pessoa que não um profissional habilitado ou sem autorização prévia da Techtronic Industries.
 - qualquer produto ligado a uma fonte de alimentação eléctrica incorrecta (Amperes, Voltagem e Frequência)
 - qualquer dano causado por influências externas (químicas, físicas, impactos) ou substâncias estranhas
 - desgaste e degradação normal de sobresselentes
 - utilização incorrecta, sobrecarga da ferramenta
 - utilização de acessórios ou peças não aprovados
 - acessórios para ferramentas eléctricas fornecidos com a ferramenta ou comprados em separado. Estas exclusões incluem mas não se limitam a, pontas de aparafusadora, brocas, discos abrasivos, papel de lixa e lâminas, guia lateral
 - Componentes (peças e acessórios) sujeitos a desgaste e degradação natural, incluindo mas não se limitando a, Kits de Assistência e Manutenção, escovas de carvão, roletamentos, bucha, acessórios ou recepções de brocas SDS, cabos eléctricos, pegas auxiliares, estojos de transporte, placas de lixagem, sacos de poeiras, tubos de saída de poeiras, anilhas de feltro, pinos e molas da aparafusadora de impacto, etc.
- Para assistência, o produto tem de ser enviado para, ou apresentado em, um posto de assistência autorizado RYOBI, conforme listado para cada país na lista de moradas de postos de assistência seguinte. Nalguns países, o seu concessionário RYOBI local encarrega-se de enviar o produto para a organização de assistência RYOBI. Quando enviar um produto para um posto de assistência RYOBI, o produto deve ser embalado de forma segura, sem conter nenhuns conteúdos perigosos (por exemplo, gasolina), marcado com o endereço do remetente e acompanhado por uma breve descrição da avaria.
- Uma reparação/substituição ao abrigo desta garantia é gratuita. Não constitui um prolongamento a, nem um novo início de, o período da garantia. As peças ou ferramentas substituídas tornam-se propriedade nossa. Nalguns países, o remetente terá de pagar os custos de entrega ou a remessa postal. Os seus direitos previstos por lei resultantes da compra da ferramenta mantêm-se inalterados
- Esta garantia é válida na Comunidade Europeia, Suíça, Islândia, Noruega, Liechtenstein, Turquia e Rússia. Fora destas áreas, entre em contacto com o seu concessionário autorizado RYOBI para determinar se existe outra garantia aplicável.

CENTRO DE ASSISTÊNCIA AUTORIZADO

Para encontrar um centro de assistência autorizado próximo de si, visite <http://pt.ryobitools.eu/header/service-and-support/service-agents>.

DA RYOBI® BETINGELSER FOR GARANTI

Udover lovbestemte rettigheder, som resulterer af købet, er dette produkt dækket af en garanti, som anført herunder.

- Garantiperioden er 24 måneder for forbrugere og begynder på den dato, som produktet blev købt. Denne dato skal dokumenteres af en faktura eller andet bevis for køb. Produktet er udelukkende designet og dedikeret til forbrugere og privat brug. Så der ydes ingen garanti i tilfælde af professionel eller kommerciel brug.
- Der er en mulighed for at forlænge garantiperioden for en del af udvalget af elværktøj (AC/DC), hen over den ovenfor beskrivne periode vha. registrering på hjemmesiden www.ryobitools.eu. Bortsettelse af værktøjet til forlængelse af garantiperioden er tydeligt vist i butikker og/eller på emballage/og indeholdt i produktokumentationen. Slutbrugeren skal registrere hans/hendes nyligt indkøbte værktøj online indenfor 30 dage efter købsdatoen. Slutbrugeren kan registrere sig for den forlængede garanti i sit land, hvis han/hun er opført på den online registreringsformular, hvor denne mulighed er gyldig. Derudover skal slutbrugere give deres samtykke til at opbevare data, som er påkrævet at indtaste online, og de er nødt til at acceptere vilkår og betingelser. Registreringsbekræftelseskvitteringen, som sendes ud på e-mail, og den originale faktura, som viser købsdatoen, vil fungere som bevis for den forlængede garanti.
- Garanti dækker alle defekter, som et produkt måtte have i løbet af garantiperioden, og som skyldes produktionsfejl eller materialefejl på købsdatoen. Garantien er begrænset til reparation og/eller udfiskning og inkluderer ikke andre forpligtelser, inklusiv men ikke begrænset til tilfældige skader eller følgeskader. Garantien er ugyldig, hvis produktet er blevet misbrugt, brugt uden at overholde vejledningen, eller det er blevet forkert tilsuttet. Denne garanti gælder ikke:
 - Beskadigelse af produktet, som er et resultat af uegnet vedligeholdelse
 - Et produkt der er blevet ændret eller modificeret
 - Et produkt hvor de originale identifikationsmærkninger (varemærke, serienummer) er blevet ødelagt, ændret eller fjernet.
 - Enhver beskadigelse forårsaget af manglende overholdelse af vejledningen
 - Ethvert ikke CE-produkt
 - Ethvert produkt som er blevet forsøgt repareret af en ukvalificeret professionel eller uden tidligere autorisation af Techtronic Industries.
 - Ethvert produkt som er tilsuttet uegnet strømforsyning (ampere, spænding, frekvens)
 - Enhver skade forårsaget af ekstern påvirkning (kemisk, fysisk, chok) eller fremmedelementer
 - Normal slid på reservedele
 - Uegnet brug, overbelastning af værktøjet
 - Brug af ikke-godkendt tilbehør eller dele
 - Elværktøjstilbehør som leveres med værktøjet eller købes separat. Sådanne undtagelser inkluderer men er ikke begrænset til skruetrækkerbits, bor, bits, slibeværk, sandpapir og klinger, sidestyrt
 - Komponenter (dele og tilbehør) som er udsat for naturligt slid og ælde, inklusiv men ikke begrænset til Service- og vedligeholdelsessæt, kulbrøster, lejer, bøsninger, påsætning eller modtagelse af SDS-bor, El ledning, hjælpehåndtag, transporttaske, sandplade, støvpose, støvudstødningslange, filtskiver, nåle og fjedre slagngøle etc.
- For eftersyn skal produktet sendes til eller præsenteres for en RYOBI-autoriseret service værksted, som er oplyst for hvert land i den følgende liste over service værksted adresser. I nogle lande påtager din lokale RYOBI-forhandler sig ansvaret for at sende produktet til RYOBI-serviceorganisationen. Når et produkt sendes til en RYOBI-service værksted, skal det pakkes sikkert ind uden noget farligt indhold som benzin, mærkes med afsenderens adresse og med en kort beskrivelse af fejlen.
- En reparation/erstatning under denne garanti er gratis. Den udgør ikke en forlængelse eller en ny start på garantiperioden. Udvekslede dele eller værktøjer bliver vores ejendom. I nogle lande skal leveringsafgifter eller porto betales af afsenderen. Dine lovbestemte rettigheder i forbindelse med købet forbliver uanfægtede
- Denne garanti gælder i EU, Schweiz, Island, Norge, Liechtenstein, Tyrkiet og Rusland. Udenfor disse områder bedes du kontakte din autoriserede RYOBI-forhandler for at afgøre, om en anden garanti gælder.

AUTORISEREDE SERVICE/VERKSTEDER

Find nærmeste autoriserede serviceværksted på <http://dk.ryobitools.eu/header/service-and-support/service-agents>.

SV RYOBI® ANVÄNDNINGSVILLKOR FÖR GARANTI

Förutom eventuella lagstadgade rättigheter som uppstår genom köpet, täcks den här produkten av en garanti som anges nedan.

1. Garantiperioden är 24 månader för konsumenter och börjar gälla från det datum då produkten köptes. Detta datum måste dokumenteras på en faktura eller annat köpbevis. Produkten är utformad och avsedd för konsumenter och privat bruk. Därmed tillhandahålls ingen garanti vid yrkesmässigt eller kommersiellt bruk.
2. Det finns möjlighet att förlänga garantiperioden för en del av utbudet för elverktyg (AC/DC) under den period som anges ovan genom att använda registreringen på webbplatsen www.ryobitools.eu. De verktyg som är berättigade till en förlängning av garantiperioden visas tydligt i butiker och/eller på förpackningen/och anges i produktdokumentationen. Slut användaren behöver registrera hans/hennes nyförvävade verktyg online inom 30 dagar från köpdatumet. Slut användaren kan registrera sig för den förlängda garantin i det land där han/hon bor om landet finns angivet i registreringsformuläret online och där detta alternativ är giltigt. Dessutom måste slut användaren ge sitt medgivande till lagring av data vilket krävs vid registrering online samt acceptera villkoren. Bekräftelsekvittot för registreringen som skickas ut via e-post och originalfakturan som visas köpdatumet kommer att gälla som bevis för den förlängda garantin.
3. Garantin täcker alla produktdefekter under garantiperioden som beror på brister i utförande eller material vid köpdatumet. Garantin är begränsad gällande reparation och/eller utbyte och inkluderar inte några skyldigheter inklusive men inte begränsat till oförutsedda skador eller följskador. Garantin är inte giltig om produkten har missbrukats, använts i strid med bruksanvisningen eller inte anslutits på rätt sätt. Denna garanti täcker inte:
 - eventuella skador på produkten som uppstått till följd av felaktigt underhåll
 - produkter som har ändrats eller modifierats
 - produkter där ursprungliga identifieringsmärkningar (varumärke, serienummer) har målats över, ändrats eller tagits bort
 - eventuella skador som uppstått till följd av att bruksanvisningen inte efterföljts
 - alla icke CE-produkter
 - eventuella produkter som har försökts repareras av en icke-kvalificerad yrkesman eller utan föregående medgivande från Technronic Industries.
 - eventuella produkter som anslutits till felaktig strömförsörjning (ampere, volt, frekvens)
 - eventuella skador som uppstått till följd av yttre påverkan (kemisk, fysisk, stöt) eller främmande ämnen
 - normalt slitage av reservdelar
 - olämplig användning, överbelastning av verktyget
 - användningen av icke-godkända tillbehör eller delar
 - tillbehör till elverktyg som medföljde verktyget eller köpts separat. Sådana undantag inkluderar men är inte begränsat till skruvmejselbits, borrbits, slipsivor, sandpapper, blad och sidoskena
 - Komponenter (delar och tillbehör) är föremål för naturligt slitage, inklusive men inte begränsat till service- och underhållsatsar, kolborstar, kullager, chuck, tillbehör eller tillhörande SDS-borrbitt, strömladd, hjälphandtag, transportväska, slipplatta, damppåse, dammtullblåsar, filterbrickor, stift och fjädrar till mutterdragare osv.
4. Vid service måste produkten skickas eller uppvisas för en RYOBI- auktoriserad servicestation som står angiven för varje land i följande adresslista över servicestationer. I vissa länder tar din lokala RYOBI- återförsäljare på sig ansvaret att skicka produkten till RYOBI- serviceorganisationen. När en produkt skickas till en RYOBI- servicestation, ska produkten paketeras säkert utan något farligt innehåll såsom bensin, markeras med avsändarens adress samt en kort beskrivning av felet.
5. En reparation/ett utbyte under denna garanti är kostnadsfri. Det utgör inte en förlängning eller förnyelse av garantiperioden. Utbyta delar eller verktyg blir vår egendom. I vissa länder måste leveranskostnader eller porto betalas av avsändaren. Dina lagstadgade rättigheter som härrör från köpet av verktyget förblir opåverkade
6. Denna garanti är giltig i Europeiska gemenskapen: Schweiz, Island, Norge, Liechtenstein, Turkiet och Ryssland. Utanför dessa länder, kontakta din auktoriserade RYOBI-återförsäljare för att avgöra om en annan garanti gäller.

AUKTORISERAT SERVICECENTER

Du hittar närmaste auktoriserade servicecenter genom att gå till <http://se.ryobitools.eu/header/service-and-support/service-agents>.

FI RYOBI®-TAKUUN SOVELTAMISEHDOT

Tällä tuotteella on oston luomien lakisäästeiden oikeuksien ohella alla mainitun mukainen takuu.

1. Takuun kesto on kuluttajille 24 kuukautta ja takuuaika alkaa tuotteen ostohetkestä. Tämän päivämäärän tulee lukea laskussa tai muussa ostotositteessa. Tuote on suunniteltu ja tarkoitettu vain kuluttajien ja yksityiseen käyttöön. Takuu ei siis kata ammatti- eikä kaupallista käyttöä.
2. Joidenkin sähkötyökalujen (AC/DC) takuun kesto on mahdollista laajentaa yllä mainittua kestoä pidemmäksi verkkosivuston www.ryobitools.eu rekisteröinnin kautta. Työkalujen kelppisuutta takuujakson laajennukseen näkyy selkeästi myymälöissä ja/tai pakkauksissa ja/ tai tämä tieto sisältyy tuotedokumentaation. Loppukäyttäjän täytyy rekisteröidä vasta hankitut työkalut internetissä 30 päivän kuluessa ostopäivämäärästä. Loppukäyttäjät voi rekisteröidä laajennetun takuun kotimaassaan, jos se on luetteluna online-rekisteröintilomakkeessa, jossa mainitaan, missä tämä vaihtoehto on voimassa. Loppukäyttäjien täytyy lisäksi hyväksyä tietojen tallennus, jotka heidän täytyy antaa online-tilassa sekä ehdot. Rekisteröinnin vahvistuskuitti, joka lähetetään sähköpostitse, ja alkuperäinen ostopäivämäärän ilmaiseva lasku toimivat laajennetun takuun tositteina.
3. Takuu kattaa kaikki tuotteeseen takuuaikana tulevat viat, joiden aiheuttajina ovat tuotteessa ostopäivänä olleet valmistus- tai materiaali- viat. Takuu on rajoitettu korjaukseen ja/tai vaihtoon eikä se sisällä mitään muuta velvoitetta mukaan lukien satunnais- ja seuranaisvahinkoja, mutta rajoittumatta niihin. Takuu ei päde, jos tuotetta on käylytty väärin, käyttöohjeen vastaisesti tai jos se on liitetty virheellisesti. Tämä takuu ei kata:
 - virheellisestä huollosta johtuvia vaurioita
 - muunnettua tai muutettua tuotetta
 - tuotetta, jonka alkuperäiset tunnistemerkinnät (tavaramerkki, sarjanumero) on turmeltu, muutettu tai poistettu
 - tämän käyttöoppaan laiminlyönnistä johtuvia vaurioita
 - ei-CE-tuotetta
 - tuotetta, jota on yrittänyt korjata epäpätevä ammattilainen tai joka on korjattu ilman Technronic Industriesin ennakkolupa.
 - tuotetta, joka on liitetty virheelliseen teholähteeseen (ampeirit, jännite, taajuus)
 - ulkoisten vaikutusten (kemiallinen, fyysinen, iskut) tai vieraiden aineiden aiheuttamaa vauriota
 - normaaleja kuluvia vaurioita
 - virheellistä käyttöä, työkalun ylikuormitusta
 - ei-hyväksytyjen tarvikkeiden tai osien käyttöä
 - sähkötyökalun tarvikkeita, jotka on toimitettu työkalun mukana tai ostettu erikseen. Poissuljettuja osia ovat ruuvausterät, poranterät, hiomalaikat, hiekkapaperi ja terät, sivuohjain, näihin kuitenkaan rajoittumatta
 - Luonnollisesti kuluvia komponentteja (osia tai tarvikkeita), joihin sisältyvät huolto- ja kunnossapitoset, hiiliharjat, laakerit, terästäkat, SDS-porien kiinnitin tai istukka, virtajohto, apukahva, kuljetuskotelo, hiomalaikka, pölypussi, pölynpoistoputki, huopatiivisteet, iskunvääntimen pultit ja jouset yms. näihin kuitenkaan rajoittumatta.
4. Tuote on lähetettävä huollettavaksi valtuutettuun RYOBI-huoltoon tai näyteltävä siellä. Niiden osoitteet kussakin maassa löytyvät seuraavasta luettelosta. Joissakin maissa paikallinen RYOBI-jälleenmyyjä huolehtii tuotteen lähetyksestä RYOBI-huolto-organisaatioon. Kun tuote lähetetään RYOBI-huoltoon, se täytyy pakata hyvin ilman vaarallisia aineita, kuten polttoainetta, ja pakkaukseen täytyy merkitä lähettäjän nimi sekä vain lyhyt kuvaus.
5. Takuun kattama korjaus/vaihto on maksuton. Se ei tarkoita takuuaajan laajennusta tai alkamista alusta. Vaihdetut osat tai työkalut siirtyvät valmistajan omistukseen. Joissakin maissa lähettäjän täytyy maksaa lähetyksustannukset tai postikulut. Työkalun oston luomat lakisäästeiset oikeudet pysyvät koskemattomina
6. Tämä takuu on voimassa Euroopan yhteisössä, Sveitsissä, Islannissa, Norjassa, Liechtensteinissä, Turkissa ja Venäjällä. Ota näiden alueiden ulkopuolella yhteyttä omaan valtuutettuun RYOBI-jälleenmyyjään ja selvitä, onko jotain muuta takuuta.

VALTUUTETTU HUOLTO

Voit etsiä lähimmän valtuutetun huollon sivulta <http://fi.ryobitools.eu/header/service-and-support/service-agents>.

NO RYOBI® GARANTIBETINGELSER

I tillegg til eventuelle lovbestemte rettigheter som følger av kjøpet, er dette produktet dekket av en garanti som angitt nedenfor.

1. Garantiperioden er 24 måneder for konsumenter og gjelder fra den datoen som produktet ble kjøpt. Denne datoen skal dokumenteres med en faktura eller annet kjøpsbevis. Produktet er designet og beregnet kun til konsument- og privat bruk. Så det gis ingen garanti ved profesjonell eller kommersiell bruk.
2. For en del av utvalget av elektriske verktøy (AC/DC) er det mulighet til å utvide garantiperioden i den perioden som er beskrevet ovenfor ved bruk av registreringer på nettsidene www.ryobitools.eu. Kvalifisering av verktøyene for en utvidelse av garantiperioden er tydelig vist i butikker og/eller på pakningen / og finnes innen produktdokumentasjonen. Sluttbrukeren må registrere sine nylig anskaffede verktøy online innen 30 dager etter kjøpsdato. Sluttbrukeren kan registrere seg for den utvidede garantien i sitt land hvis det er opplistet på online registreringsskjemaet der dette alternativet er gyldig. Videre må sluttbrukere gi sitt samtykke til oppbevaring av dataene som kreves for å gå online, og de må godta vilkår og betingelser. Registreringsbekreftelsen, som sendes ut på e-post, og den originale fakturaen som viser kjøpsdato, vil tjene som bevis for den utvidede garantien.
3. Garantien dekker alle defekter i produktet under garantiperioden på grunn av defekter i utførelse eller materiale på kjøpsdato. Garantien er begrenset til å reparere og/eller erstatte og inkluderer ikke noen andre forpliktelser, inkludert, men ikke begrenset til, tilfældige eller følgesmessige skader. Garantien er ikke gyldig hvis produktet har blitt misbrukt, brukt på annen måte enn det som beskrives i bruksanvisningen eller er koblet til på feil måte. Denne garantien gjelder ikke for:
 - enhver skade på produktet som er resultat av utlitterkkelig vedlikehold
 - ethvert produkt som har blitt endret eller modifisert
 - ethvert produkt der de originale identifiseringsmerkene (varemerke, serienummer) har blitt uleselig, er endret eller fjernet
 - enhver skade som forårsakes av ikke-overholdelse av instruksjonsboken
 - ethvert ikke-CE-produkt
 - ethvert produkt som har blitt forsøkt reparert eller av en ikke-kvalifisert fagperson eller uten tidligere autorisasjon fra Techtronic Industries.
 - ethvert produkt tilkoblet feil strømforsyning (ampere, spenning, frekvens)
 - enhver skade som er forårsaket av eksterne påvirkninger (kjemiske, fysiske, støt) og fremmede stoffer
 - normal slitasje og sliresesvedeler
 - feil bruk, overbelastning av verktøyet
 - bruk av ikke-godkjent tilbehør eller deler
 - Elektrisk verktøytilbehør levert med verktøyet eller kjøpt separat. Slike ekskluderinger, inkludert, men ikke begrenset til skrutrekkerbits, drillbits, slipedisker, sandpapir og blader, lateral føring
 - Komponenter (deler og tilbehør) som er utsatt for naturlig slitasje, inkludert, men ikke begrenset til service- og vedlikeholdssett, karbonborster, lagre, chuck, SDS-borrbifeste eller -mottak, strømledning, hjelpehåndtak, transportbæreskive, sandingsplate, støvpose, støvutslippsrør, filtpakninger, støtnøkkelpinner og fjær, osv.
4. For service må produktet sendes eller fremlegges for en RYOBI-autorisert servicestasjon opplistet for hvert land i den følgende listen over servicestasjonsadresser. I noen land sender den lokale RYOBI-forhandleren produktet til RYOBI serviceorganisasjonen. Ved å sende et produkt til en RYOBI servicestasjon skal produktet være sikkert pakket uten noe farlig innhold, slik som bensin, merket med senderens adresse og fulgt av en kort beskrivelse av feilen.
5. En reparasjon/erstatning under denne garantien er gratis. Den utgjør ingen forlengelse eller en ny start av garantiperioden. Utvekslede deler eller verktøy blir vår eiendom. I noen land vil leveringskostnader eller frankering måtte betales av senderen. Dine lovbestemte rettigheter som oppstår fra kjøp av verktøyet forblir uberørt.
6. Denne garantien er gyldig i EU, Sveits, Island, Norge, Liechtenstein, Tyrkia og Russland. Utenfor disse områdene ta kontakt med din autoriserte RYOBI-forhandler om en annen garanti gjelder.

AUTORISERT SERVICESENTER

For å finne et autorisert servicecenter i nærheten, gå til <http://no.ryobitools.eu/header/service-and-support/service-agents>.

RU УСЛОВИЯ ПРИМЕНЕНИЯ ГАРАНТИИ НА ПРОДУКЦИЮ RYOBI®

Помимо законных прав, возникающих при покупке, данное изделие покрывается гарантией в соответствии с приведенными ниже пунктами.

1. Гарантийный период для покупателя составляет 24 месяца с даты покупки изделия. Дата покупки должна быть подтверждена полностью заполненным гарантийным талоном и чеком о покупке. Данное изделие предназначено только для частного использования покупателем. Поэтому гарантия не распространяется на использование в профессиональных или коммерческих целях.
2. Предусмотрена возможность продления для части изделий линейки электроинструментов (AC/DC) гарантийного периода с помощью регистрации на сайте www.ryobitools.eu. Право инструмента на продление гарантийного периода четко указано в магазинах и / или на упаковке / и содержится в сопутствующей инструменту документации. Конечный пользователь должен зарегистрировать свой приобретенный инструмент в течение 30 дней с даты покупки. Конечный пользователь может зарегистрировать свой инструмент на продление гарантии в стране своего проживания, если она указана в форме онлайн-регистрации. Кроме того, конечный пользователь должен дать свое согласие на хранение данных, которые необходимо ввести в онлайн-форму и принять правила и условия. Подтверждение регистрации, которое вы получите по электронной почте, заполненный гарантийный талон и оригинальный чек, в котором указана дата покупки, будут служить доказательством продленной гарантии.
3. Гарантия покрывает в течение гарантийного периода все дефекты качества или материала изделия на дату покупки. Гарантия ограничена ремонтом и / или заменой и не включает никакие другие обязательства, включая, но не ограничиваясь случайными или косвенными убытками. Гарантия становится недействительной, если изделие использовалось не по назначению, вопреки инструкциям, данным в Руководстве пользователя или было неправильно подключено. Настоящая гарантия не распространяется на:
 - любые повреждения изделия в результате неправильного технического обслуживания или недостаточного ухода за инструментом
 - любые изделия, подвергшиеся изменениям и модификации
 - любые изделия, оригинальные идентификационные отметки которого (торговая марка, серийный номер) были повреждены, изменены или удалены
 - любые повреждения, вызванные несоблюдением инструкций Руководства пользователя
 - любые изделия, не сертифицированные маркировкой "CE" для продажи в Европейском союзе
 - любые изделия, подвергшиеся попыткам ремонта неквалифицированным работником или без предварительного утверждения компанией Techtronic Industries.
 - любые изделия, подключенные к неправильному источнику питания (сила тока, напряжение, частота)
 - любые повреждения, вызванные внешними воздействиями (химические, физические, удары) или посторонними веществами
 - естественный износ запасных деталей
 - несоответствующее использование, перегрузка инструмента
 - использование неутвержденных аксессуаров и неофициальных запасных деталей
 - аксессуары электроинструментов, поставляемые с инструментом или приобретаемые отдельно. К этому списку относятся, но не исчерпывают его: сверла шуруповертов, дрелей, абразивные диски, наждачную бумагу, лезвия и боковые направляющие компоненты (детали и аксессуары), подверженные естественному износу и разрыву, включая, но не ограничиваясь наборы для технического обслуживания, угольные щетки, подшипники, патроны, переходники SDS, кабели питания, дополнительные ручки, футляры для транспортировки, шифовальные подошвы, пылесборники, трубки для отвода пыли, войлочные шайбы, штыри и пружины ударных ключей и др.
4. Для проведения технического обслуживания изделие следует направлять в авторизованные сервисные центры RYOBI, указанные для каждой страны в приведенном ниже списке адресов станций сервисного обслуживания. В некоторых странах местные дилеры RYOBI отправляют изделия в сервисные организации RYOBI. При отправке изделия в сервисный центр RYOBI, изделие должно быть безопасно упаковано и не содержать никаких опасных веществ, таких как бензин, должен быть подписан адрес отправителя и сопровождаться кратким описанием неисправности.
5. Ремонт / замена проводится в рамках настоящей гарантии бесплатно. Он не продлевает гарантию и не начинает новый гарантийный период. Заменяемые детали и инструменты становятся нашей собственностью. В некоторых странах отправитель должен оплачивать стоимость отправки. Ваши законные права, возникшие при покупке инструмента, остаются неизменными.
6. Данная гарантия действительна в Европейском Союзе, Швейцарии, Исландии, Норвегии, Лихтенштейне, Турции и России. Вне указанных территорий обращайтесь к своему авторизованному дилеру RYOBI, чтобы узнать, применяются ли условия каких-либо других гарантий.

УПОЛНОМОЧЕННЫЙ СЕРВИСНЫЙ ЦЕНТР

Чтобы найти ближайший уполномоченный сервисный центр, обратитесь к веб-сайту <http://ru.ryobitools.eu/header/service-and-support/service-agents>.

PL WARUNKI GWARANCJI RYOBI®

Oprócz praw ustawowych wynikających z zakupu produkt jest objęty gwarancją, której warunki podano poniżej.

1. Okres gwarancyjny wynosi 24 miesiące dla konsumentów i rozpoczyna się w dniu zakupu produktu. Datę zakupu należy udokumentować fakturą lub innym dowodem zakupu. Produkt został zaprojektowany i jest przeznaczony do użytku konsumenckiego i prywatnego. W związku z tym gwarancja nie obejmuje zastosowań profesjonalnych i komercyjnych.
2. Istnieje możliwość wydłużenia okresu gwarancyjnego dla części asortymentu narzędzi ręcznych z napędem mechanicznym (AC/DC) poprzez zarejestrowanie produktu na stronie internetowej www.ryobitools.eu. Kwalifikowalność narzędzi do wydłużenia okresu gwarancyjnego jest wyraźnie określona w sklepach i/lub na opakowaniu oraz w dokumentacji produktu. Użytkownik końcowy musi zarejestrować nowo kupione narzędzia online w ciągu 30 dni od daty zakupu. Użytkownik końcowy może zarejestrować się w celu przedłużenia gwarancji w swoim kraju zamieszkania, jeżeli jest on wymieniony w formularzu rejestracji online, gdzie opcja ta obowiązuje. Ponadto użytkownicy końcowi muszą wyrazić zgodę na przechowywanie danych, wprowadzanych na stronie internetowej i zaakceptować regulamin. Dowodem wydłużenia gwarancji jest wysłane pocztą elektroniczną potwierdzenie rejestracji i oryginalny faktury potwierdzającej datę zakupu.
3. Gwarancja obejmuje wszystkie wady produktu ujawnione w okresie gwarancyjnym wynikające usterek wykonania lub materiału obecnego w dniu zakupu. Gwarancja jest ograniczona do naprawy i/lub wymiany i nie obejmuje żadnych innych zobowiązań, w tym między innymi odpowiedzialności za szkody przypadkowe lub wtórne. Gwarancja nie obowiązuje, jeżeli produkt był nieprawidłowo używany, używany niezgodnie z instrukcją lub nie był prawidłowo podłączony. Gwarancja nie obejmuje:
 - uszkodzenia produktu wynikającego z nieprawidłowej konserwacji,
 - produktu, który został zmieniony lub zmodyfikowany,
 - produktu, którego oryginalne oznaczenie (znak towarowy, numer seryjny) zostało zniszczone, zmienione lub usunięte,
 - jakiegokolwiek uszkodzeń wynikających z nieprzestrzegania instrukcji,
 - jakiegokolwiek produktu bez certyfikatu CE,
 - jakiegokolwiek produktu, który próbowano naprawić z pomocą niewykwalifikowanej osoby lub bez uzyskania wcześniejszej zgody firmy Techtronic Industries.
 - jakiegokolwiek produktu podłączonego nie prawidłowego źródła zasilania (nieprawidłowe napięcie prądu, napięcie, częstotliwość),
 - jakiegokolwiek uszkodzeń spowodowanych wpływem czynników zewnętrznych (chemicznych, fizycznych, drgań) lub substancji obcych,
 - normalnego zużycia części zamiennych,
 - nieprawidłowego użycia, przeciążenia narzędzia,
 - stosowania niezatwierdzonych akcesoriów lub części,
 - akcesoriów narzędzi ręcznych z napędem mechanicznym dostarczonych z narzędziem lub kupionych oddzielnie. Takie wykluczenia obejmują, między innymi, wymienne ostrza wkrętaka, wiertła, tarcze cierne, papier ścierny i ostrza, prowadnicę boczną.
 - elementów (części i akcesoriów) podlegających naturalnemu zużyciu obejmujących, między innymi, zestawy do konserwacji i serwisu, szczotki węglowe, łożyska, uchwyty, przystawkę wiertła SDS, gniazdo, przewód zasilania, uchwyty pomocnicze, skrzynię transportową, płytę szlifierską, worek pyłowy, rurę odprowadzania pyłu, podkładki filcowe, kolki i sprężyny klucza udarowego itp.
4. W celu serwisowania produkt należy wysłać lub okazać w autoryzowanym punkcie serwisowym RYOBI znajdującym się na przedstawionym poniżej wykazie punktów serwisowych w poszczególnych krajach. W niektórych krajach lokalny dystrybutor produktów RYOBI podejmuje się wysyłki produktu do centrum serwisowego RYOBI. W przypadku wysyłki do punktu serwisowego RYOBI produkt — pozbawiony jakiegokolwiek niebezpiecznych substancji, na przykład benzyny — należy bezpiecznie zapakować i dołączyć adres nadawcy oraz krótki opis usterek.
5. Naprawa/wymiana w ramach niniejszej gwarancji jest bezpłatna. Nie stanowi jednak o przedłużeniu lub rozpoczęciu od nowa biegu okresu gwarancyjnego. Wymienione części lub narzędzia stają się naszą własnością. W przypadku niektórych krajów nadawca będzie musiał uregulować koszty dostawy lub opłaty pocztowe. Prawa ustawowe wynikające z zakupu narzędzia pozostają niezmienione.
6. Niniejsza gwarancja obowiązuje w Unii Europejskiej, Szwajcarii, Islandii, Norwegii, Liechtensteinie, Turcji i Rosji. Poza tymi obszarami należy skontaktować się z autoryzowanym dostawcą produktów RYOBI i ustalić, czy obowiązuje inna gwarancja.

AUTORYZOWANY PUNKT SERWISOWY

Najbliższy autoryzowany punkt serwisowy można wyszukać w witrynie internetowej <http://pl.ryobitools.eu/header/service-and-support/service-agents>.

CS ZÁRUČNÍ PODMÍNKY RYOBI®

Kromě zákonných práv vyplývajících z koupě výrobku se na tento výrobek vztahuje také níže uvedeně záruka.

1. Záruční doba pro spotřebitele je 24 měsíců a začíná datem nákupu výrobku. Datum musí být zaznamenáno na fakturě nebo jiném dokladu o koupi. Tento výrobek je navržen a určen pouze pro soukromé účely spotřebitelů. Záruka se tedy nevztahuje na profesionální nebo komerční využití výrobku.
2. U některých elektrických nástrojů (AC/DC) je možné záruční dobu prodloužit. K tomu je nutná registrace na stránkách www.ryobitools.eu. Možnost prodloužení záruční doby výrobků je jasně uvedena v prodejních, popř. na obalech nebo v dokumentech o výrobku. Koncový uživatel musí svůj nový nástroj zaregistrovat online do 30 dnů od data nákupu. Koncový uživatel se může k prodloužení záruční doby zaregistrovat v zemi trvalého pobytu, pokud je tato uvedena na internetovém registračním formuláři u výrobku, kde je tato možnost dostupná. Koncový uživatel musí dále souhlasit s uložením osobních údajů, která musí zadat na internetu, a přijmout obchodní podmínky. E-mail s původní registrací a původní faktura s datem koupě poslouží jako důkaz o prodloužení záruce.
3. Záruka se vztahuje na veškeré vady na výrobku v rámci záruční doby způsobené výrobními vadami nebo vadami materiálu v době koupě. Záruka je omezena na opravu, popřípadě výměnu a nezahrnuje žádné další povinnosti, včetně mimo jiné vedlejších či následných odškodnění. Záruka neplatí při použití výrobku k nevhodným účelům, v rozporu s uživatelskou příručkou nebo při nesprávném zapojení. Záruka se nevztahuje na:
 - veškeré škody na výrobku způsobené nesprávnou údržbou
 - veškeré produkty, které byly pozměněny nebo upraveny
 - veškeré produkty, kde byly původní identifikační prvky (obchodní značka, sériové číslo) poničeny, pozměněny nebo odstraněny
 - veškeré škody způsobené nedodržením pokynů uživatelské příručky
 - veškeré produkty bez CE certifikace
 - veškeré produkty, které se pokusil opravit nekvalifikovaný odborník nebo opravy bez předchozího svolení společnosti Techtronic Industries.
 - veškeré produkty zapojené do nesprávného elektrického zdroje (proud, napětí, frekvence)
 - veškeré škody způsobené externími vlivy (chemickými, fyzickými, nárazy) nebo cizími látkami
 - běžné opotřebování dílů
 - nevhodné použití, přetěžování nástroje
 - použití neschválených příslušenství nebo dílů
 - příslušenství k elektrickému nástroji poskytnuté s nástrojem nebo zakoupené samostatně. Tyto výjimky se vztahují mimo jiné na šroubovací bity, vrátky, brusné disky, brusný papír a čepele, postranní vodič lišty
 - komponenty (díly a příslušenství) podléhající přirozenému opotřebování, včetně mimo jiné servisních sad, karbonových kartáčů, ložisek, sklíčidla, SDS nástavce na vrtačí bity, napájecího kabelu, pomocné rukojeti, přepravního pouzdra, brusné desky, prachového vaku, výfukové prachové trubice, plstěných podložek, západek a pružin rážového utahávkového trudu.
4. K provedení servisu musí být výrobek zaslán nebo předán do autorizovaného servisního centra společnosti RYOBI, jejichž adresy jsou uvedeny podle zemi v seznamu servisních center. V některých zemích z vás výrobek pošle servisní organizaci RYOBI sám prodejce výrobků této značky. Při zasílání výrobku do servisního centra RYOBI je potřeba výrobek bezpečně zabalit bez nebezpečného obsahu jako benzín, opatřit adresou odesílatele a přiložit krátký popis závady.
5. Oprava, popř. výměna v rámci této záruky je zdarma. Neznamená to prodloužení nebo začátek nové záruční lhůty. Vyměněné díly nebo nástroje přejdou do našeho vlastnictví. V některých zemích platí poštovné odesílatele. Vaše zákonná práva vyplývající z koupě tohoto nástroje zůstávají nedotčena.
6. Tato záruka platí v Evropském Společenství, Švýcarsku, Norsku, Lichtenštejnsku, Turecku, Rusku a na Islandu. Mimo tuto území kontaktujte autorizovaného prodejce značky RYOBI, který zjistí, zda se na výrobek vztahuje jiná záruka.

POVĚŘENÉ SERVISNÍ STŘEDISKO

Pro nalezení nejbližšího pověřeného servisního střediska navštivte <http://cz.ryobitools.eu/header/service-and-support/service-agents>.

HU A RYOBI® GARANCIA ALKALMAZÁSÁNAK FELTÉTELEI

A vásárlásból adódó törvényben rögzített jogok mellett a termékre az alábbi garancia vonatkozik.

1. A fogyasztói garancia tartama 24 hónap, mely a termék vásárlásának napjával kezdődik. Ezt a dátumot számlával vagy a vásárlást igazoló egyéb dokumentummal kell bizonyítani. A termék rendeltetése csak fogyasztói és magáncéllú használathoz. Ezért professzionális vagy kereskedelmi használat esetén a garancia nem érvényes.
2. A szerszámgépek (egyenáramú/váltóáramú) egy részénél a garancia időtartama a www.ryobitools.eu weblapon regisztrálva meghosszabbítható. Az áruházakban, a csomagolásban, illetve a termék dokumentációjában egyértelműen jelezzük, hogy az adott termék garanciája meghosszabbítható-e. A végfelhasználónak a vásárlás dátumától számított 30 napon belül regisztrálnia kell az újonnan vásárolt szerszámot. A végfelhasználó akkor regisztrálhatja a kiterjesztett garanciára, ha az ország, ahol lakik, fel van sorolva az online regisztrációs űrlapon azon országok között, ahol választható ez az opció. Ezenkívül a végfelhasználónak bele kell egyeznie az online regisztrálás során szükséges adatok tárolásába, és el kell fogadnia a felhasználási feltételeket. A kiterjesztett garanciát a regisztráció beérkezésétől e-mailben küldött visszaigazolás és a vásárlás dátumát tartalmazó eredeti számla igazolja.
3. A garancia a termék vásárlásakor fennálló, a gyártás során keletkezett hibákra és anyaghibákra érvényes a garanciális időtartamon belül. A garancia csak a javításra/cserére korlátozódik, és nem terjed ki semmilyen egyéb kötelezettségre, nem kizárólagosan ideértve a véletlen vagy szándékos rongálást. A garancia nem érvényes, ha a terméket nem megfelelően, a használati utasításban foglaltakkal ellentétben, illetve nem megfelelően csatlakoztatva használták. A garancia nem vonatkozik:
 - a terméket a nem megfelelő karbantartás következtében ért károsodásra
 - megváltoztatott vagy átalakított termékre
 - olyan termékre, melyen az eredeti azonosítókat (védjegy, sorozatszám) megrongálták, megváltoztatták vagy eltávolították
 - a használati utasítás be nem tartásából eredő kárra
 - CE jelöléssel nem rendelkező termékekre
 - olyan termékre, melyet nem képzett, illetve a Techtronic Industries által nem fejlesztett szerelvény javított
 - nem megfelelő (áramerősségű, feszültségű, frekvenciájú) áramforrásra csatlakoztatott termékre
 - külső (fizikai, ütés) hatásokból vagy idegen anyagokból eredő károkkra
 - a cserélhető alkatrészek természetes kopására és elhasználódására
 - a szerszám helytelen használatára, túlterhelésére
 - nem jóváhagyott tartozékok és alkatrészek használatára
 - A szerszámmal adott vagy külön megvásárolt tartozékokra. Ilyenek például (de nem kizárólag) a csavarhűzőfejek, fúrószárak, csiszolókorongok, csiszolópapír, kések, oldallirányú terelő.
 - A természetes kopásnak, elhasználódásnak kitett alkatrészek és kiegészítők, például (de nem kizárólag) szerviz- és karbantartókészletek, szénkefék, csapagyak, tokmány, SDS fúrószár csatlakozója, tápkábel, segédfogantyú, szállítók, csiszolólap, porzsák, porelvezető cső, filcaltátek, ütműves csavarbehajtó gép csapszege és rugója stb.
4. A terméket javításra el kell vinni egy meghatalmazott RYOBI szervizbe; ezeket az egyes országokhoz a következő listában találja. Egyes országokban a helyi RYOBI kereskedő vállalja a termék kiszállítását a RYOBI szervizbe. A terméket veszélyes tartalom, például benzín nélkül csomagolja, a feladó címét feltüntetve, a hiba rövid leírásával együtt küldje el a RYOBI szervizbe.
5. A jelen garancia hatálya alatt végzett javítás, illetve csere ingyenes. Nem jelenti a garanciális időtartam újraindulását. A kicserélt alkatrészek és szerszámok a mi tulajdonunkba kerülnek. Egyes országokban a szállítás vagy postázás költségét a feladó viseli. A vevőnek a szerszám megvásárlásából adódó törvényes jogai nem változnak.
6. Jelen garancia az Európai Közösségben, Svájcban, Izlandon, Norvégiában, Liechtensteinben, Törökországban és Oroszországban érvényes. E területeken kívül kérdezze meg a RYOBI forgalmazót, hogy milyen garancia van érvényben.

HIVATALOS SZERVIZKÖZPONT

A legközelebbi hivatalos szervizközpont megtalálásához látogasson el a <http://hu.ryobitools.eu/header/service-and-support/service-agents>.

RO CONDIȚII DE APLICARE A GARANȚIEI PENTRU PRODUSELE RYOBI®

În plus față de condițiile statutare rezultate din achiziționarea acestui produs, acesta este acoperit de garanția stipulată mai jos.

1. Perioada de garanție este de 24 de luni pentru consumatori și începe de la data achiziționării produsului. Data de începere a garanției trebuie demonstrată cu o factură sau altă dovadă a cumpărării produsului. Produsul este destinat și conceput doar pentru utilizare în scopuri personale. Din acest motiv, nu se oferă garanție pentru utilizarea sa în scop profesional sau comercial.
2. Există posibilitatea de a extinde a perioadei de garanție pentru gama de unelte electrice (de CA/CC) peste perioada stipulată mai sus prin înscrierea produsului pe [website-ul www.ryobitools.eu](http://www.ryobitools.eu). Eligibilitatea pentru perioada de extindere a garanției este afișată în mod clar în magazinele de vânzare și/sau pe ambalaj sau este inclusă în documentația livrată împreună cu produsul. Utilizatorul final este obligat să-și înregistreze produsul online în termen de maxim 30 de zile de la data achiziției acestuia. Utilizatorul final poate înregistra produsul pentru garanția extinsă oferită în țara sa de rezidență dacă aceasta este listată în formularul de înregistrare online și dacă această opțiune este validă. În plus, utilizatorul final trebuie să-și dea acordul pentru stocarea datelor personale solicitate la înregistrarea online și trebuie să accepte termenii și condițiile. Mesajul de confirmare a înregistrării, trimis prin e-mail și factura originală cu data achiziției vor dovedi perioada de garanție extinsă.
3. Garanția acoperă toate defecțiunile produsului survenite în perioada de garanție datorate defectelor de execuție sau materialelor folosite, începând cu data achiziției acestuia. Garanția este limitată la reparare și/sau înlocuire și nu include alte obligații, inclusiv, dar fără a se limita la daune accidentale sau rezultate pe cale de consecință. Garanția își pierde valabilitatea dacă produsul este utilizat necorespunzător, utilizat neconform cu instrucțiunile de utilizare din manualul cu instrucțiuni sau conectat incorect. Garanția nu se aplică în cazul:
 - oricărei defecțiuni survenite în urma întreținerii necorespunzătoare a produsului
 - oricărui produs alterat sau modificat
 - oricărui produs la care inscripțiile cu datele de identificare (marca comercială, numărul de serie) au fost șterse, modificate sau îndepărtate
 - oricărei defecțiuni datorate neconformării cu instrucțiunile din manualul de utilizare
 - oricărui produs necertificat CE
 - oricărui produs asupra căruia au fost efectuate tentative de reparare de către personal necertificat sau fără autorizație prealabilă din partea Techtronic Industries.
 - oricărui produs conectat la o sursă de alimentare necorespunzătoare (curent, tensiune, frecvență)
 - oricărui defecțiuni datorate unor influențe externe (chimice, fizice, socuri) sau substanțe străine
 - uzurii și fisurării normale a pieselor de rezervă
 - utilizării neadecvate, suprasolicitării uneltei
 - utilizării de piese și accesorii neaprobate
 - accesorilor pentru unelți furnizate odată cu acestea sau achiziționate separat. Acestea sunt excluse și aplică, dar fără a se limita la următoarele: burghie, biți de șurubelniță, discuri abrazive, hărte abrazive și lame de tăiere, ghidaje laterale
 - Componentele (piese și accesorii) supuse uzurii normale, care includ, fără a se limita la, kituri de întreținere și service, perle de carbon, rulmenți, mandrină, adaptor pentru burghie SDS, cordon de alimentare, mâner auxiliare, cutie de transport, placă pentru șlefuit, suport praf, tub pentru evacuarea prafului, discuri de păsă, adaptoare și resorturi pentru cheile de strângere prin vibrație, etc.
4. Pentru efectuarea reparațiilor, produsul trebuie trimis sau adus la un centru de reparații autorizat RYOBI din lista următoare de centre de reparații prezentate pentru fiecare țară. În anumite țări, reprezentantul local RYOBI va trimite produsul spre reparare la sediul central de reparații RYOBI. Atunci când trimiteți produsul spre reparare la un centru de reparații RYOBI, acesta trebuie ambalat în siguranță, fără conținut periculos (cum ar fi benzina), marcat cu adresa expeditorului și însoțit de o scurtă descriere a defectului.
5. Repararea/inlocuirea în perioada de garanție este gratuită. Aceasta nu este însoțită de o prelungire sau o reinițiere a perioadei de garanție. Piesele sau uneltele schimbate devin proprietatea dvs. În anumite țări, taxele de expediție sau poștale vor fi suportate de expeditor. Drepturile dvs. statutare rezultate din achiziția produsului rămân neschimbate
6. Această garanție este valabilă în Comunitatea Europeană, Elveția, Islanda, Norvegia, Liechtenstein, Turcia și Rusia. În afara acestor zone, vă rugăm să contactați reprezentantul dvs. local RYOBI pentru a determina dacă se aplică alt tip de garanție.

CENTRU DE SERVICE AUTORIZAT

Pentru a găsi un centru de service autorizat lângă dvs., vizitați <http://en.ryobitools.eu/header/service-and-support/service-agents>.

LV RYOBI® GARANTIJAS PIEMĒROŠANAS NOSACĪJUMI

Papildus jebkādam likumiskajām tiesībām, kuras rodas, veicot pirkumu, izstrādājums tiek nodrošināts ar tālāk tekstā noteikto garantiju.

1. Garantijas periods patērētājiem ir 24 mēneši, tā atskaitē tiek sākta no datuma, kurā veikta izstrādājuma iegāde. Šim datumam jābūt dokumentētam rēķinā vai citā pirkumu apliecināšā dokumentā. Izstrādājums ir radīts un paredzēts tikai patērētāja privātai lietošanai. Saistībā ar iepriekšminēto, garantija netiek nodrošināta profesionālas vai komerciālas lietošanas gadījumā.
2. Pastāv iespēja pagarināt daļas no elektroinstrumentu klāsta (Mainstrāvas/akumulatoru) garantiju ilgāk par iepriekš minēto periodu, izmantojot reģistrāciju interneta vietnē www.ryobitools.eu. Instrumenti, kas pakļauti garantijas perioda pagarināšanai, tiek skaidri apzīmēti veikalos un/vai uz iepakojuma un izstrādājumu komplektējošajā dokumentācijā. Gala lietotājam nepieciešams reģistrēt tālruni jauno instrumentu 30 dienu laikā no pirkuma datuma. Gala lietotājs var reģistrēties pagarinātajai garantijai savā mītnes valstī, ja tā minēta tiesaistes reģistrācijas veidlapā, kurā šī iespēja ir aktīva. Bez tam, gala lietotājam ir jāsniedz pierādīšana tiesaistes ievadīšanai nepieciešamo datu glabāšanai un jāpiekrīt noteikumiem un nosacījumiem. Reģistrācijas apstiprinājums, kas tiek nosūtīts, izmantojot e-pastu, un rēķina oriģināls, kurā norādīts iegādes datums, kalpo kā pagarinātās garantijas apstiprinājums.
3. Garantija attiecas uz visiem izstrādājuma defektiem garantijas periodā, kas saistīti ar ražošanas vai materiālu defektiem no pirkuma datuma. Šī garantija tiek ierobežota ar remontu un/vai nomaiņu un neietver jebkādas citas saistības, tajā skaitā, (bet ne tikai), cēloņsakarīgos vai saistītos bojājumus. Garantija nav spēkā, ja izstrādājums ir nepareizi lietots, izmantots pretēji norādēm lietošanas rokasgrāmatā vai bijis nepareizi pieslēgts. Šī garantija netiek attiecināta uz:
 - jebkādiem izstrādājuma bojājumiem, kas radušies nepareizas uzturēšanas rezultātā
 - jebkuru izstrādājumu, kas ticis pārveidots vai mainīts
 - jebkuru izstrādājumu, kura oriģinālās identifikācijas (preču zīme, sērijas numurs) marķējums ir ticis nodzēsts, mainīts vai noņemts
 - jebkādiem bojājumiem, kuri radušies neievērojot norādes lietošanas rokasgrāmatā
 - jebkādam izstrādājumam bez CE sertifikācijas
 - jebkuru izstrādājumam, kura remontu mēģinājis veikt nekvalificēts personāls vai bez Technronic Industries iepriekšējas autorizācijas.
 - jebkuru izstrādājumam, kurš bijis pieslēgts neatbilstošu parametru (strāvas, sprieguma, frekvences) sprieguma avotam
 - jebkuriem bojājumiem, kuri radušies ārējas iedarbības (ķīmiskas, fiziskas, triecieni) vai vielu ietekmē
 - detaļu normāla lietošanas nodiluma rezultātā
 - nepareizas lietošanas vai instrumentu pārslodzes rezultātā
 - neapstiprinātu detaļu vai aprīkojuma lietošanas rezultātā
 - elektroinstrumentu aksesuāriem, kas atrodas instrumenta komplektācijā vai ir iegādāti atsevišķi. Šis izņēmums attiecināms uz, bet neaprobežojoties ar, skrūvgrīvju uzgaļiem, urbjiem, abrazīvajiem diskkiem, smilšpapīru un asmeņiem, sānu vadotnēm
 - komponentiem (daļām un aksesuāriem), kas pakļauti normālam nodilumam, ieskaitot, bet neaprobežojoties ar Servisa un apkopju komplekti, oglekļa sukuks, gultņi, patrona, SDS urbju uztverējiem vai uzlikas, elektrības vads, papildus rukturis, transportēšanas un pārnēsāšanas kaste, stipmašīnas plāksne, putekļu maisis, putekļu izvadišanas caurule, paplākšņi, triecienatslēgu tapas un atsperes, u.t.t.
4. Servisa nodrošināšanai, izstrādājums ir jānodod pilnvarotā RYOBI servisa centrā, kas norādīts katrai valstij tālāk minētajā servisa centru adresu sarakstā. Dažas valstīs jūsu vietējais RYOBI izplatītājs uzņemas izstrādājuma nosūtīšanu uz RYOBI servisa organizāciju. Nosūtot izstrādājumu uz RYOBI servisa centru, izstrādājuma jābūt droši iepakotam, tas nedrīkst saturēt bīstamas vielas kā degvielu, sūtfūjumam jābūt marķētam ar sūtfūta adresi un īsu kļūmes aprakstu.
5. Remonts/nomaiņa šīs garantijas ietvaros ir bezmaksas. Tas nerada garantijas perioda pagarināšanu vai jaunu garantiju. Nomaiņās daļas vai instrumentu kļūst par mūsu īpašumu. Dažas valstīs piegādes vai pasta izmaksas būs jāapmaksā sūtfūtam. Jūsu likumiskās tiesības, kas nodibinās, iegādājoties instrumentu, paliek nemainīgas
6. Šī garantija ir spēkā Eiropas Kopienā, Šveicē, Islandē, Norvēģijā, Līhtenšteinā, Turcijā un Krievijā. Ārpus šīm teritorijām, lūdzu, sazinieties ar jūsu pilnvaroto RYOBI izplatītāju, lai noteiktu, vai ir piemērojama cita garantija.

AUTORIZĒTS APKALPOŠANAS CENTRS

Lai atrastu tuvāko autorizēto apkalpošanas centru, apmeklējiet <http://en.ryobitools.eu/header/service-and-support/service-agents>.

LT „RYOBI®“ GARANTIJOS TAIKYMO SĄLYGOS

Papildant bet kokias įstatybose numatytas perkanat atsiřandančias teises, šiam įrenginiui taikoma toliau nurodyta garantija.

1. Vartotojams suteikiama 24 mėnesių trukmės garantija nuo įrenginio įsigijimo datos. Ši data turi būti nurodyta sąskaitoje faktūroje ar kitame pirkimą įrodančiame dokumente. Šis įrenginys skirtas tik vartotojų rinkai ir asmeniniam naudojimui. Todėl garantija netaikoma, jei įrenginys naudojamas profesiniams ar komerciniams reikmėms.
2. Įsigijus tam tikrus elektrinius įrenginius (AC/DC), suteikiama galimybė pratęsti garantiją, kad ji galiojūt ilgiau, nei nurodyta pirmiau, naudojantis registracija interneto svetainėje www.ryobitools.eu. Ar galima pratęsti įrenginio garantinį laikotarpį, aiškiai nurodoma parduotuvėse ir (arba) ant įrenginio pakuočės, ir (arba) įrenginio dokumentuose. Galutinis naudotojas turi užregistruoti savo naujai įsigytą įrenginį per 30 dienų nuo įsigijimo datos. Galutinis naudotojas gali registruotis išplėstinei garantijai savo gyvenamojoje šalyje, jei ji nurodyta internetinėje registracijos formoje, kurioje siūloma tokia galimybė. Be to, galutiniai naudotojai turi sutikti su duomenų, kuriuos reikia įvesti internetu, saugojimu ir sveatinės naudojimo sąlygomis. Kaip išplėstinės garantijos įrodymas naudojamas registracijos patvirtinimo kvitas, atsiunčiamas el. paštu, ir originali sąskaita faktūra, kurioje nurodyta įsigijimo data.
3. Ši garantija apima visus garantiniu laikotarpiu aptiktus įrenginio trūkumus, atsiradusius dėl gamybos arba medžiaginių defektų nuo įsigijimo datos. Ši garantija nįbjoama remontu ir (arba) pakeitimu, jei neapima jokių kitų įsipareigojimų, įskaitant (bet tuo neapsiribojant) šaltininius arba antrinius nuostolius. Garantija anuliuojama, jei įrenginys buvo naudojamas netinkamai, naudojamas ne pagal naudojimo instrukciją arba netinkamai prijungtas. Ši garantija netaikoma:
 - jokiai įrenginiui padarytai žalai, kurią lemė netinkama techninė priežiūra;
 - jokiam įrenginiui, kuris buvo keičiamas ar modifikuojamas;
 - jokiam įrenginiui, kurio originalūs identifikavimo ženklai (prekės ženklas, serijos numeris) buvo sugadinti, pakeisti arba pašalinti;
 - jokiai žalai, kurią lemė naudojimo instrukcijos nesilaikymas;
 - jokiems CE ženklų nepažymėtiems įrenginiams;
 - jokiam įrenginiui, kurį bandė remontuoti nekvalifikuoti asmenys arba kuris buvo remontojamas be „Technronic Industries“ leidimo;
 - jokiam įrenginiui, kuris buvo prijungtas prie netinkamo maitinimo tinklo (netinkamos srovės, įtampos, dažnio);
 - jokiai žalai, kurią lemė išorinis poveikis (cheminis, fizinis, smūgiai) arba pašalinės medžiagos;
 - dėvimosioms dalims;
 - netinkamam naudojimui, įrenginio perkrovai;
 - nepatvirtintų priedų arba dalių naudojimui;
 - su įrenginiu pateiktiems arba atskirai įsigytiems elektrinio įrenginio priedams. Šios išimty apima (tuo neapsiribojant) atsektuvų angalius, gražtų angalius, šlifavimo diskus, švitrinį popierių ir geležtes, šoninį kreiptuvą;
 - komponentams (dalims ir priedams), kurie natūraliai dėviis, įskaitant (bet tuo neapsiribojant) įprastines ir technines priežiūros rinkinius, anglinius šepetėlius, guolius, laikiklį, SDS gražtų angalių priedą arba lizdą, maitinimo kabelį, pagalbini rankena, neįsijomo dėklį, šlifavimo diską, maišelį dulkmėms, dulkių ištraukimo vamzdelį, fetro poveržles, smūginio veržliarakčio kaiščius ir spyruokles ir pan.
4. Prireikus atlikti priežiūros darbus, įrenginį reikia siųsti arba atvežti RYOBI įgaliotajam priežiūros centrui, nurodytam kiekvienos šalies priežiūros centrų adresų sąrašė. Kai kuriose šalyse vietinis RYOBI atstovas siunčia įrenginį RYOBI priežiūros organizacijai. Siunčiant įrenginį RYOBI priežiūros centrui, reikia saugiai įj supakuoti pašalinant visas pavojingas medžiagas, pvz., benzina, nurodyti ant pakuočės siuntytojo adresą ir pridėti trumpą gedimo aprašymą.
5. Pagal šią garantiją remontas / keitimas atliekami nemokamai. Tokie veiksmai netaikomi garantijos pratęsimu arba naujo garantinio laikotarpio pradžia. Dalys arba įrenginiai, kuriuos pakeitėme, tampa mūsų nuosavybe. Kai kuriose šalyse pristatymo ir pašto išlaidas turi padengti siuntėjas. Įstatybose numatytos Europos teisės, atsiřandantys perkanat įrenginį, lieka nepakeistos
6. Ši garantija galioja Europos bendrijoje, Šveicarijoje, Islandijoje, Norvegijoje, Lichtenšteinė, Turkijoje ir Rusiyoje. Jei gyvenate ne šiose šalyse, kreipkitės į įgaliotąjį RYOBI atstovą ir sužinokite, ar jums taikoma kita garantija.

ĮGALIOTOS TECHNINĖS PRIEŽIŪROS CENTRAS

Jei norite surasti įgaliotą techninės priežiūros centrą netoli Jūsų, apsilankykite interneto svetainėje <http://en.ryobitools.eu/header/service-and-support/service-agents>.

ET RYOBI® GARANTIIINGIMUSED

Lisaks toote ostust tulenevatele seadusjärgsetele õigustele, kehtib tootele ka alitooldud garantiiga.

1. Tarbijatele on garantiiaeg 24 kuud ja algab sellel kuupäeval, mil toode osteti. Selle kuupäeva tõestuseks on vaja arvet või mõnda teist tõendit ostu sooritamise kohta. Toode on mõeldud eratarbijatele ainult isiklikuks kasutamiseks. Seega ei kehti garantii ostu kasutamisel kutsetegevuses või kaubanduslikel eesmärkidel.
2. Teatud osale elektrilistele (vahelduvvoolu/alalisvoolu) tööriistadele on võimalik pikendada tõestuseks tooldud garantiieaga, kasutades registreerimist veebilehel www.ryobitools.eu. Teave tööriista võimaliku pikendatud garantiiaja kohta on selgelt esile toodud poodides ja/või pakendil / ning see sisaldub toote dokumentatsioonis. Lõpptarbijaja peab registreerima oma uued tööriistad interneti teel 30 päeva jooksul pärast ostmise päeva. Lõppkasutaja võib registreerida pikendatud garantiiaja saamise oma elukohariigis, kui veebis olevas registreerimisvormis on see valik lubatud. Lisaks peavad kasutajad andma oma nõusoleku veebis nõutud sisestatavate andmete säilitamiseks ning nad peavad nõustuma tingimustega. E-posti teel saadetav registreerimise kinnitus ja arve originalid, kus on näha ostu sooritamise kuupäev, on pikendatud garantiiaja tõestuseks.
3. Garantii katab kõik defektid toote garantiiaja jooksul, kui ostu kuupäeval ilmnevad talitlus- või materjalivead. Garantii piirub toote remondi ja/või väljavahetamisega ning ei sisalda muid kohustusi, muu hulgas ettenägematuid või kaudseid kahjusid. Garantii ei kehti, kui toodet ei ole kasutatud sihtotstarbelselt või kooskõlas kasutusjuhendiga või see on valesti ühendatud. Garantii ei kehti järgmistel põhjustel:
 - toode on kahjustatud vale hoolituse tõttu
 - toodet on muudetud
 - toote algupäraseid identifitseerimisnumbreid (kaubamärk, seerianumber) on rikutud, muudetud või eemaldatud
 - kahju on tekkinud kasutusjuhendi mittejärgmisest
 - tootel puudub CE-märgis
 - toodet on püüdnud remontida vastavat kvalifikatsiooni mitte omav isik või ilma firma Techtronic Industries eelneva loata.
 - toode on ühendatud valesse toiteallikasse (voolutugevus, pinge, sagedus)
 - välismõjude (keemilised, füüsilised, elektrilöögid) või võrkehade tekitatud kahju
 - tavapärase kulumine ja katkised varuosad
 - ebaõige kasutamine, tööriista ülekoormamine
 - heakskiitmata tarvikute või osade kasutamine
 - koos tööriistaga saadud või eraldi ostetud elektriliste tööriistade tarvikud. Need erandid puudutavad muu hulgas kruvikeeraja otsakuid, puuriterasid, lihvkettaid, lihvpaberit ja -tald, küljühikuid
 - Komponendid (osad ja tarvikud), mida iseloomustab kulumine ja vananemine, muu hulgas remondi- ja hoolduskomplektid, süsinikharjad, laagrid, padrunid, SDS-puuriterade tarvikud, toitejuhtid, lisakäepide, transpordikott, lihvplaat, tolmuokt, tolmu väljalasketoru, vildist seibid, löökmutrivõtme võliid ja vedrud jne.
4. Hoolduseks peab toote saatma või viima RYOBI volitatud teenindusse, mille aadressi leiata järgnevat teeninduspunkti nimekirjast vastava riigi alt. Mõnedes riikides võtab kohalik RYOBI edasimüüja enda kanda kohustuse saata toode RYOBI teenindusorganisatsiooni. Toote saatmisel RYOBI teenindusse peab toode olema ohutult pakitud ja ei tohi sisaldada ohtlikke aineid (nt bensini), kirjas peab olema saatja aadress ja lisatud vea lühikirjeldus.
5. Garantii alusel tehtavad remonditööd / asendamine on tasuta. See ei pikenda garantii kehtivusaega ega tähista uue garantiiaja algust. Väljavahetatud osad või tööriistad kuuluvad meile. Mõnedes riikides maksab kätetoimetamis- ja postikulud saatja. Teile jäävad kehtima tööriista ostust tulenevad seadusjärgsed õigused
6. See garantii kehtib Euroopa Ühenduse territooriumil, Šveitsis, Islandil, Norras, Liechtensteinis, Türgis ja Venemaal. Väljaspool neid piirkondi võtke ühendust volitatud RYOBI edasimüüjaga, et teha kindlaks kas kehtib mõni teine garantii.

VOLITATUD HOOLDUSKESKUS

Oma volitatud hoolduskeskuse leiate veebisaidilt <http://en.ryobitools.eu/header/service-and-support/service-agents>.

HR UVJETI PRIMJENE JAMSTVA TVRTKE RYOBI®

Osim svim zakonskim pravima koja proizlaze iz kupnje, ovaj je proizvod pokriven jamstvom kako je navedeno u nastavku.

1. Jamstveno razdoblje za potrošače traje 24 mjeseca i počinje s datumom na koji je proizvod kupljen. Taj datum mora se dokumentirati računom ili drugim dokazom o kupnji. Proizvod je konstruiran i namijenjen samo za privatnu upotrebu korisnika. Stoga se jamstvo ne daje u slučaju profesionalne ili komercijalne uporabe.
2. Postoji mogućnost da se za dio asortimana električnih alata pokretanih izmjeničnom strujom (AC/DC) produži gore navedeno jamstveno razdoblje putem registriranja na mrežnom mjestu www.ryobitools.eu. Uvjeti koje je potrebno zadovoljiti kako bi se produžilo jamstveno razdoblje jasno su istaknuti u prodavaonicama i / ili na pakiranju / i nalaze se unutar dokumentacije proizvoda. Krajnji korisnik mora registrirati svoje novo kupljene alate na mreži u roku od 30 dana od datuma kupnje. Krajnji korisnik može se registrirati za produženo jamstvo u svojoj zemlji boravišta ako se nalazi na popisu u mrežnom obrascu za registraciju gdje je ta opcija važeća. Nadalje, krajnji korisnici moraju dati svoj pristanak na pohranu podataka koji su potrebni za mrežni ulazak i moraju prihvatiti odredbe i uvjete. Potvrda o prijemu registracije, koja se šalje putem e-pošte, kao i originalni račun s vidljivim datumom kupnje poslužit će kao dokaz produženog jamstva.
3. Jamstvo pokriva sve nedostatke proizvoda tijekom jamstvenog razdoblja koji su nastali zbog neispravnosti prilikom izrade ili materijala s datumom kupnje. Jamstvo je ograničeno na popravak i/ili zamjenu i ne obuhvaća nikakve druge obveze, uključujući, ali ne ograničavajući se na slučajne ili posljedične štete. Jamstvo ne vrijedi ako je proizvod bio zlorabljeno, korišten u suprotnosti s priručnikom s uputama ili ako je pogrešno spojen. Ovo jamstvo ne primjenjuje se na:
 - svaku štetu koja je na proizvodu nastala kao rezultat nepravilnog održavanja
 - svaki proizvod koji je promijenjen ili izmijenjen
 - svaki proizvod na kojem su izvorne identifikacijske oznake (žig, serijski broj) bile oštećene, izmijenjene ili uklonjene
 - svaku štetu prouzročenu neprimjerenim priručnika s uputama
 - svaki proizvod koji nema oznaku CE
 - svaki proizvod koji je pokušao popraviti ne kvalificirani profesionalac ili onaj koji je popravljao bez prethodnog odobrenja tvrtke Techtronic Industries.
 - svaki proizvod koji je spojen na neprikladan izvor električnog napajanja (neodgovarajuća amperaza, napon, frekvencija)
 - svaku štetu prouzročenu unutarnjim utjecajima (kemijskim, fizikalnim, udarima) ili stranim tvarima
 - normalno habanje i trošenje rezervnih dijelova
 - neodgovarajuću uporabu, preopterećenje alata
 - upotrebu neodobrenog pribora ili dijelova
 - dodatnu opremu električnog alata isporučenu s alatom ili kupljenu odvojeno. Takvi izuzetci uključuju ali nisu ograničeni na vrhove odvijачa, svrdla bušilice, abrazivne diske, brusni papir i noževe, bočnu vodilicu
 - Komponente (dijelovi i pribor) podložne prirodnom trošenju i habanju, što uključuje, ali nije ograničeno na komplecte za servisiranje i održavanje, ugljične četkice, ležajeve, steznu glavu, nastavak ili priključak za svrdla za SDS bušilicu, priključni kabel, pomoćnu ručku, transportne torbe, brusnu ploču, vreću za prašinu, ispušnu cijev za prašinu, podloške od filca, udami ključ, zatici i opruge, itd.
4. Za potrebe servisiranja, proizvod se mora poslati ili odnijeti u ovlaštenu servisnu postaju tvrtke RYOBI navedenu na sljedećem popisu s adresama servisnih postaja u svakoj zemlji. U nekim zemljama, vaš lokalni RYOBI zastupnik obvezuje se da će poslati proizvod u servisnu organizaciju tvrtke RYOBI. Kada se proizvod šalje u neku servisnu postaju tvrtke RYOBI, proizvod se mora sigurno pakirati bez jednog od opasnih sadržaja kao što je benzin, na njemu mora pisati adresa pošiljatelja i mora biti popraćen kratkim opisom kvara.
5. Popravak / zamjena pod ovim jamstvom su besplatni. Oni ne predstavljaju produženje ili novi početak jamstvenog razdoblja. Zamijenjeni dijelovi ili alati postaju vaše vlasništvo. U nekim državama troškove isporuke ili poštarinu mora platiti pošiljatelj. Vaša zakonska prava koja proizlaze iz kupnje alata ostaju nepromijenjena
6. Ovo jamstvo vrijedi u Europskoj uniji, Švicarskoj, Islandu, Norveškoj, Lihtenštajnu, Turskoj i Rusiji. Izvan tih područja vas molimo da se obratite svojem ovlaštenom zastupniku tvrtke RYOBI kako biste utvrdili primjenjuje li se drugo jamstvo.

OVLAŠTENI SERVISNI CENTAR

Za pronalazjenje ovlaštenog servisnog centra pored vas posjetite <http://en.ryobitools.eu/header/service-and-support/service-agents>.

SL POGOJI ZA VELJAVNOST GARANCIJE RYOBI®

Poleg morebitnih zakonsko določenih pravic, ki izvirajo iz nakupa, za ta izdelek velja spodaj navedena garancija.

- Garancijsko obdobje je za potrošnike 24 mesecev in začne teči z dnem nakupa izdelka. Ta datum mora biti dokumentiran z računom ali drugim dokazilom o nakupu. Izdelek je zasnovan in namenjen izključno za potrošniško zasebno uporabo. V primeru strokovne oziroma komercialne uporabe izdelka garancija ne velja.
- Obstaja možnost podaljšanja garancije na del naše ponudbe električnih orodij (AC/DC) prek obdobja garancije, opisanege zgoraj, s pomočjo registracije na spletnem mestu www.ryobitools.eu website. Ustreznost orodij za podaljšanje garancijskega obdobja je jasno prikazana v trgovinah in/ali na embalaži oziroma je navedena v dokumentaciji izdelka. Končni uporabnik mora registrirati svoje novo orodje na spletu v 30 dneh po datumu nakupa. Končni uporabnik lahko registrira podaljšano garancijo v svoji državi bivanja, če je na obrazcu spletne registracije navedeno, da ta možnost velja za njegovo državo. Poleg tega morajo končni uporabniki podati svoje soglasje za shranjevanje podatkov, ki so potrebni za spletni dostop in morajo sprejeti pogoje in določila uporabe spletnega mesta. Potrdilo o registraciji, ki ga pošljemo prek e-pošte, in originalni račun, ki prikazuje datum nakupa, služita kot dokazilo o podaljšani garanciji.
- Garancija krije vse okvare izdelka, do katerih pride v garancijskem obdobju zaradi napak v izdelavi ali materialu, ki so bile prisotne ob datumu nakupa. Garancija je omejena na popravilo in/ali zamenjavo in ne vključuje nobenih drugih obveznosti, med drugim vključno z naključno ali posledično škodo. Garancija ne velja, če je bil izdelek napačno uporabljen, uporabljen v nasprotju z navodili iz priročnika za uporabo ali če ni bil pravilno povezan. Ta garancija ne velja za:
 - škodo na izdelku, ki je posledica neustreznega vzdrževanja
 - spremenjen ali prilagojen izdelek
 - izdelek, katerega originalna identifikacijska oznaka (blagovna znamka, serijska številka) je bil poškodovan, spremenjena ali odstranjena
 - škodo, ki je posledica neupoštevanja navodil iz priročnika za uporabo izdelka, ki nima oznake CE
 - izdelek, ki ga je poskušal opraviti nequalificiran strokovnjak ali ki je bil popraviljen brez predhodne odobritve s strani družbe Techtronic Industries.
 - izdelek, ki je bil povezan na neustrezno napajanje (amperska moč, napetost, frekvenca)
 - škodo, ki jo povzročijo zunanji vplivi (kemični, fizični, mehanski) ali tuje snovi
 - rezervne dele, ki so podvrženi običajni uporabi
 - neprimerno uporabo, preobremenitev orodja
 - uporabo neodobrenih dodatkov ali delov
 - Dodatno električno orodje, priloženo orodju ali kupljeno ločeno. Take izjeme so med drugim nastavki za izvijače, svedri, abrazivni diski, brusni papir in rezila, stranska vodila.
 - Komponente (sestavni in rezervni deli), ki so podvrženi običajni obrabi, med drugim vključno s kompleti za servisiranje in vzdrževanje, oglikovimi krtačkami, ležaji, vpenjali, svedrni priključki SDS ali sprejemnimi odprtini zanje, napajalnimi kablji, pomožnimi ročajji, prenosnimi kovčki, brusnimi ploščami, vreckami za prah, cevmi za izpuh prahu, tesnilni iz filca, iglami in vzmetni udamega ključa itd.
- Za servisiranje morate izdelek poslati ali prinesiti v pooblaščen servisni center družbe RYOBI, ki je naveden za vsako državo na naslednjem seznamu naslovov servisnih centrov. V nekaterih državah se vaš lokalni posrednik družbe RYOBI obveže, da bo poslal izdelek na servis družbe RYOBI. Ko pošiljate izdelek v servisni center družbe RYOBI, mora biti izdelek varno zapakiran in ne sme vsebovati nobenih nevarnih snovi, kot je npr. bencin, opremljen pa mora biti z naslovom pošiljatelja in vsebovati kratek opis napake.
- Popravilo/zamenjava v skladu s to garancijo sta brezplačni storitvi. To pa ne predstavlja podaljšanja ali ponovnega začetka garancijskega obdobja. Zamenjani deli ali orodja postanejo naša last. V nekaterih državah stroške dostave ali poštno plača pošiljatelj. Vaše zakonsko določene pravice, ki izvirajo iz nakupa orodja, ostajajo nespremenjene.
- Ta garancija velja v Evropski skupnosti, Švici, Islandiji, na Norveškem, v Lichtenštajnu, v Turčiji in Rusiji. Izven teh območij se obrnite na svojega pooblaščenega posrednika izdelkov RYOBI, dealer ki vam bo povedal, ali velja kakšna druga garancija.

POOBLAŠČEN SERVISNI CENTER

Pooblaščen servisni center blizu vas poiščite na <http://en.ryobitools.eu/header/service-and-support/service-agents>.

SK ZÁRUČNÉ PODMIENKY RYOBI®

Na tento výrobok sa okrem všetkých zákonných práv, vyplývajúcich z nákupu, vzťahuje záruka v nasledovnom znení.

- Záručná doba pre spotrebiteľa je 24 mesiacov a začína plynúť odo dňa, kedy bol výrobok zakúpený. Tento dátum musí byť doložený faktúrou alebo iným dokladom o zakúpení. Výrobok je navrhnutý a určený pre spotrebiteľov a ten na súkromné používanie. Preto sa záruka sa neposkytuje v prípade použitia na profesionálne a komerčné účely.
- V prípade elektrického náradia (na striedavý/jednosmerný prúd AC/DC), existuje možnosť predĺženia záručnej doby oproti záručnej dobe, uvedenej vyššie, s využitím on-line registrácie na webovej stránke www.ryobitools.eu. Označenie na náradí o nároku na predĺženie záručnej doby je zreteľne uvedené v obchodoch a/alebo na obale a je uvedené v dokumentácii k výrobku. Koncový používateľ musí zaregistrovať svoje novozískané náradie on-line do 30 dní odo dňa nákupu. Koncový používateľ sa môže zaregistrovať na predĺženie záruky v krajine svojho bydliska, ak je v on-line registračnom formulári uvedená táto možnosť. Ďalej musia koncoví používatelia ešte dať svoj súhlas k uchovávaniu údajov, ktoré je potrebné zadať on-line a musia súhlasiť s podmienkami. Potvrdenie o prijatí registrácie, ktoré je zasielané e-mailom a originálny faktúra, v ktorej je uvedený dátum nákupu, slúžia ako dôkaz o predĺženej záruke.
- Záruka sa vzťahuje na všetky poruchy výrobku v záručnej dobe, spôsobené chybami materiálů alebo spracovania k dátumu nákupu. Táto záruka je obmedzená na opravu a/alebo výmenu a nezahŕňa ďalšie povinnosti, vrátane, okrem iných, náhodné alebo následné škody. Táto záruka je neplatná, ak bol výrobok nesprávne používaný, bol používaný v rozpore s návodom na použitie alebo bol nesprávne zapojený. Táto záruka sa nevzťahuje na:
 - akékoľvek poškodenie výrobku, ktoré bolo spôsobené nesprávnou obsluhou
 - akýkoľvek výrobok, ktorý bol zmenený alebo upravený
 - akýkoľvek výrobok, na ktorom bolo poškodené, upravené alebo odstránené identifikačné označenie (ochranná známka, výrobné číslo)
 - akékoľvek škody, spôsobené nedodržaním návodu na obsluhu
 - akýkoľvek výrobok, ktorý neobsahuje označenie CE
 - akýkoľvek výrobok, ktorý sa pokúšal opraviť nequalifikovaný odborník alebo bol opravovaný bez predchádzajúceho súhlasu zo strany spoločnosti Techtronic Industries.
 - akýkoľvek výrobok, pripojený k nesprávnemu napájaciemu zdroju (ampéry, napätie, frekvencia)
 - akékoľvek poškodenia, spôsobené vonkajšími vplyvmi (chemickými, fyzikálnymi, nárazmi) alebo cudzorodnými látkami
 - bežné opotrebovanie náhradných dielov
 - nevhodné používanie, preťažovanie nástroja
 - používanie neschváleného príslušenstva a dielov
 - príslušenstvo k elektrickému náradia, dodávané spolu s náradím alebo zakúpené oddelene. Takéto vylúčenia sa vzťahujú, okrem iného, na nástady skrutkovačov, vrtáky, brusne kotúče, brusný papier a čepele, bočné vodiace lišty
 - Súčiastky (diely a príslušenstvo), ktoré podliehajú prirodzenému opotrebovaniu, okrem iného súpravy na servis a údržbu, uhliky, ložiská, skľučovadlá, SDS vrtáky a príslušenstvo, príloh alebo prijímanie, napájací kábel, pomocná rukoväť, prepravná skriňa, brusna doska, pracovové vrecko, výfuková trubica, pistené podložky, kotlíky a pružiny na rázový uťahovač atď.
- Na opravu musí byť výrobok odoslaný alebo doručený do autorizovaného servisného strediska RYOBI, uvedeného pre každú krajinu v nasledovnom zozname adries servisných stredísk. V niektorých krajinách miestny zástupca RYOBI preberá na seba záväzok zaslať tovar do servisnej organizácie RYOBI. Pri odoslaní výrobku do servisného strediska RYOBI je potrebné výrobok bezpečne zabaliť bez akéhokoľvek nebezpečného obsahu, ako je bencín, s vyznačením adresy odosielateľa, s krátkym popisom poruchy.
- Oprava/výmena je vrámci tejto záruky bezplatná. Neznamená to predĺženie záruky alebo spustenie novej záručnej doby. Vymenené diely alebo nástroje sa stávajú našim vlastníctvom. V niektorých krajinách náklady na odoslanie alebo poštovné musí zaplatiť odosielateľ. Vaše zákonné práva, vyplývajúce z nákupu náradia, zostávajú nedotknuté.
- Táto záruka platí v Európskej únii, Švajčiarsku, Islande, Nórsku, Lichtenštajnsku, Turesku a Rusku. Ak sa nachádzate mimo týchto oblastí, obráťte sa na autorizovaného predajcu RYOBI na určenie, či sa dá uplatniť iná záruka.

AUTORIZOVANÉ SERVISNÉ CENTRUM

Ak chcete nájsť najbližšie autorizované servisné centrum, navštívte stránku <http://en.ryobitools.eu/header/service-and-support/service-agents>.

BG УСЛОВИЯ ЗА ВАЛИДНОСТ НА ГАРАНЦИЯТА НА RYOBI®

В допълнение към законоустановените права, произтичащи от покупката, този продукт е обхванат от гаранцията, както е изложено по-долу.

- Гаранционният срок е 24 месеца за клиенти и започва да тече от деня на закупуване на продукта. Тази дата трябва да се докаже с фактура или друго доказателство за покупка. Продуктът е изработен и предназначен само за потребителска и лична употреба. Следователно не се дава гаранция в случай на използване от професионалисти или с търговска цел.
- Съществува възможност за удължаване на гаранционния срок за част от диалогана на гаранцията на електрически инструменти (AC/DC) след изтичането на описания тук чрез регистрация на уеб сайта www.ryobitools.eu. В магазините и/или на опаковката или вътре в документацията на продукта е показано ясно дали инструментът отговаря на условията за такова удължаване на гаранционния срок. Крайният потребител трябва да регистрира своите новопридобити инструменти онлайн в рамките на 30 дни от датата на покупка. Крайният потребител може да се регистрира за удължена гаранция в държавата си на пребиваване, ако е посочена във формуляра за онлайн регистрация като място, където тази опция е валидна. Освен това крайните потребители трябва да дадат съгласието си за съхранение на данните, които са задължителни за ползване онлайн, и трябва да приемат общите условия. Полученото потвърждение за регистрация, изпратено по електронна поща, и оригиналната фактура, показваща датата на покупка, ще служат като доказателство за удължената гаранция.
- Гаранцията покрива всички дефекти на продукта по време на гаранционния срок, които се дължат на проблеми в изработката или материалите към момента на покупката. Гаранцията е ограничена до ремонт и/или замяна и не включва други задължения, включително, но не само, случайни или косвени щети. Гаранцията е невалидна, ако продуктът е използван неправилно или в противоречие с ръководството с инструкции, както и ако е свързан неправилно. Тази гаранция не важи за:
 - щети по продукта в резултат на неправилна профилактика
 - продукти, които са били изменени или модифицирани
 - продукт, при който оригиналните маркировки за идентификация (търговска марка, серийен номер) са изтрети, променени или премахнати
 - повреда, причинена от неспазване на ръководството с инструкции
 - продукт без CE маркировка
 - продукт, за който е направен опит за ремонт от неквалифициран специалист или без предварително разрешение от Techtronic Industries.
 - продукт, свързан към неподходящо електрохранване (ампераж, волтаж, честота)
 - щети, причинени от външни влияния (химични, физични, удари) или чужди вещества
 - нормално износване на резервни част
 - неподходяща употреба, претоварване на инструмента
 - използване на неободбени аксесоари или части
 - Аксесоарите за електрически инструмент са предоставени с инструмента или се кулват отделно. Тези изключения включват, но не само, накрайници за отвертка, свердела, абразивни дискове, шкурка и остриета, страничен водач
 - Компоненти (части и аксесоари), подложени на естествено износване, включително, но не само, комплекти за обслужване и поддръжка, карбонови четки, лагери, патронник, приставка със средло SDS или приемно устройство, захранващ кабел, спомогателна ръкохватка, кутия за транспортиране, шлифовъчна пластина, торба за прах, тръба за отвеждане на прах, филцови шаблони, цифрове и пружини за винтоверти и др.
- За обслужване продуктът трябва да се изпрати или занесе на авторизиран сервиз на RYOBI, посочен за всяка държава в следния списък с адреси на сервиси. В някои държави местният търговец на RYOBI поема отговорността да изпрати продукта до сервизен център на RYOBI. При изпращане на продукт до сервиз на RYOBI той трябва да е опакован безопасно без опасо съдържание, напр. бензин, да е маркиран с адреса на подателя и придружен от кратко описание на повредата.
- Ремонтът/замяната по силата на тази гаранция са безплатни. Те не водят до удължаване или подновяване на гаранционния срок. Сменените части или инструменти стават наша собственост. В някои държави таксите за доставка или изпращане трябва да се платят от подателя. Законоустановените ни права, произтичащи от закупуването на инструмента, остават незасегнати.
- Тази гаранция е валидна в Европейската общност, Швейцария, Исландия, Норвегия, Лихтенщайн, Турция и Русия. Извън тези области се свържете с упълномощения търговец на RYOBI, за да се установи дали е приложима друга гаранция.

УПЪЛНОМОЩЕН СЕРВИЗЕН ЦЕНТЪР

За да намерите упълномощен сервизен център близо до вас, посетете <http://en.ryobitools.eu/header/service-and-support/service-agents>.

UK ГАРАНТИЙНИ УМОВИ ДЛЯ RYOBI®

Окрім загалом установлених законом прав, що стосуються покупки, цей пристрій покривається гарантією, що зазначено нижче.

- Гарантійний період для споживачів складає 24 місяці і починається з моменту придбання цього пристрою. Ця дата повинна бути задокументована у гарантійному талоні або чеку. Цей пристрій був розроблений і призначений тільки для споживчого та приватного використання. У разі професійного або комерційного використання цього пристрою, він втрачає гарантію.
- Існує можливість продовжити гарантійний період для частини лінійки електричних інструментів (перемінного/постійного струму), понад період описаний вище за допомогою реєстрації на сайті www.ryobitools.eu. Пристрої, які мають право на продовження гарантійного періоду, мають чіткі позначки щодо цього в магазинах і / або на упакуванні / та документації до пристрою. Кінцевий користувач повинен зареєструвати його/її новопридбаний пристрій онлайн протягом 30 днів з дати покупки. Кінцевий користувач може зареєструватися для продовження гарантійного періоду в своїй країні постійного перебування, якщо вона є доступною у відповідній опції онлайн форми реєстрації. Крім того, кінцеві користувачі повинні дати свою згоду на зберігання даних, які необхідні для ведення онлайн, а також вони повинні прийняти правила та умови. Отримання підтвердження реєстрації, яке відправляється на адресу електронної пошти, та оригінал гарантійного талона і зазначеною датою покупки буде слугувати доказом продовженої гарантії.
- Гарантія поширюється на всі дефекти пристрою протягом гарантійного терміну щодо недотримання стандартів виробництва або матеріалів на дату придбання. Гарантія обмежується ремонтом та/або заміною, та не включає в себе будь-яких інших зобов'язань, в тому числі, але необмежена у разі випадкових та подальших пошкоджень. Гарантія не діє, якщо пристрій використовувався незалежним чином, всупереч інструкції з експлуатації або був неправильно підключений до мережі. Дана гарантія не поширюється на:
 - пристрої, що були пошкоджені у результаті неправильного технічного обслуговування;
 - пристрої, що були видозміннені або модифіковані;
 - пристрої, оригінальні ідентифікаційні (товарний знак, серійний номер) маркування яких було пошкоджене, змінене або видалено;
 - будь-які пошкодження, заподіяні недотриманням інструкції з експлуатації;
 - пристрої, що не мають маркування CE;
 - пристрої, що були відремонтовані некваліфікованим фахівцем або за відсутності попереднього дозволу від Techtronic Industries;
 - пристрої, підключені до невідповідного джерела живлення (сила току, напруження, частота);
 - будь-які пошкодження спричинені зовнішнім впливом (хімічним, фізичним, стрибком напруги) або сторонніми речовинами;
 - нормальну амортизацію запасних частин;
 - невідповідне використання, перевантаження пристрою;
 - використання не підтверджених запасних частин або аксесуарів;
 - приладдя до електронного інструменту, що постачається разом з пристроєм або купуються окремо. Такі винятки враховують але не є обмеженнями для наконечників викруток, свердел, абразивних дисків, наждачного паперу та лез, бічних напрямних – компоненти(частини та приладдя) з урахуванням нормального зношування, враховуючи, але без обмеження на комплекти профілактики та технічного обслуговування, вугільні шітки, підшипники, патрони, кріплення або прийом SDS свердел, кабелі живлення, додаткові рукоятки, чохла для транспортування, шлифувальні пластини, мішки для збору пилу, трубки виплопу, фетрові кільця, штирі і пружини гайковерту і т.д.
- Для обслуговування пристрій має бути відправлений або поданий до одного з авторизованих сервісних центрів RYOBI, які перелічені для кожної країни у наступному переліку адрес сервісних центрів. У деяких країнах місцевий дилер RYOBI зобов'язується відправити пристрій до сервісного центру RYOBI. При відправленні пристрою до сервісного центру RYOBI, пристрій має бути надійно упакуваний без будь-якого небезпечного вмісту, наприклад бензину, з позначеною адресою відправника та супроводжуватися коротким описом несправності.
- Ремонт / заміна відповідно до цієї гарантії здійснюється безкоштовно. Це не є основою для продовження або початку нового гарантійного періоду. Замінені частини або прилади переходять до власності компанії. У деяких країнах вартість доставки або поштові витрати повинні бути сплачені відправником. Загально встановлені права покупця на пристрій залишаються незмінними.
- Ця гарантія діє в Європейському Союзі, Швейцарії, Ісландії, Норвегії, Лихтенштейні, Туреччині та Росії. За межами цих зон, будь ласка, зверніться до офіційного дилера RYOBI, щоб визначити, чи застосовується інша гарантія.

АВТОРИЗОВАНІ СЕРВІСНІ ЦЕНТРИ

Для отримання оновленого переліка авторизованих сервісних центрів, відвідайте <http://en.ryobitools.eu/header/service-and-support/service-agents>.

TR RYOBI® GARANTİ UYGULAMA KOŞULLARI

Alımdan kaynaklanan yasal haklara ek olarak, ürün aşağıda belirtilen garanti kapsamındadır.

1. Tüketiciler için 24 ay olan garanti süresi, ürünün satın alındığı tarihte başlar. Bu tarihin bir fatura ya da alım kanıtıyla belgelenmesi gerekir. Ürün sadece tüketim ve özel kullanım için geliştirilmiş ve adanmıştır. Bu nedenle, profesyonel ya da ticari kullanım halinde garanti kapsamı sağlanmaz.
2. Elektrikli el aletlerinin bir bölümü (AC/DC) için www.ryobitools.eu sayfasındaki kayıt işlemini kullanarak garantinin belirtilen süresinin ötesine uzatılma imkanı mevcuttur. Aletlerin garanti süresinin uzatılmasına uygun olup olmadığı mağazalarda ve / veya ambalajda açıkça belirtilmiş olup, ürün dokümantasyonunda gösterilir. Son kullanıcının yeni aldığı aletleri satın alma tarihini izleyen 30 gün içinde kaydetmesi gerekir. Son kullanıcı ikamet ettiği ülkede, bu seçeneğin geçerli olduğu çevrimiçi kayıt formunda belirtilmişse, uzatılmış garanti süresi için kayıt yapılabilir. Dahası, son kullanıcıların çevrimiçi giriş için gerekli verilerin kaydedilmesine izin vermek ve hüküm ve koşulları kabul etmelidir. E-posta ile gönderilen kayıt teyit makbuzu ve alım tarihini gösteren orijinal fatura uzatılmış garantinin kanıtı olarak değerlendirilir.
3. Garanti, ürünün alım tarihindeki işçilik ve malzeme kusurları nedeniyle garanti süresi içinde oluşacak bütün arızaları kapsar. Bu garanti onarım ve değiştirilmeyle sınırlı olup, tasadufi ya da dolaylı hasarlar da dahil, ancak bunlarla kısıtlı olmayan başka hiçbir tahahhüdü kapsamaz. Garanti, ürünün kötü, kullanıcı kılavuzuna aykırı kullanımıyla ya da yanlış bağlanmış olması halinde geçerli değildir. Bu garanti aşağıdakileri kapsamaz:
 - üründe, yanlış bakımдан kaynaklanan herhangi bir hasar
 - değiştirilmiş ya da modifiye edilmiş herhangi bir ürün
 - orijinal tanıtmış işaretleri (ticari marka, seri numarası) silinmiş, değiştirilmiş ya da kaldırılmış herhangi bir ürün
 - kullanma kılavuzuna uymamaktan kaynaklanmış herhangi bir hasar
 - herhangi bir AT dışı ürün
 - kalifiye olmamış personel tarafından ya da önceden Techtronic Industries onayı alınmadan onarılmış herhangi bir ürün.
 - uygunsuz güç kaynağına (amper, voltaj, frekans) bağlanmış herhangi bir ürün
 - harici etkenlerden (kimyasal, fiziksel, darbe) veya yabancı cisimlerden kaynaklanan her türlü hasar
 - normal aşınır ve yıpranır aksam
 - uygunsuz kullanım, aletin aşırı yüklenmesi
 - onaysız aksesuar veya parça kullanımı
4. Aletle birlikte sağlanmış ya da ayrıca alınmış elektrikli alet aksesuarları. Tornavida uçları, matkap uçları, aşındırıcı diskler, zımpara kağıdı ve bıçakları, yanal kılavuz gibi aksamı içeren, ancak bunlarla sınırlı olmayan eklentiler
5. Servis ve Bakım kitiyle, kömür fırçalar, yataklar, kovanlar, SDS matkap ucu bağlantısı ya da yuvaları, güç kablosu, yedek tutamak, nakliye ve taşıma kutusu, kuşlama plakası, toz torbası, toz egzoz borusu, keçe rondelalar, Darbeli Tornavida Pim ve yayları vb. gibi parçaları kapsayan, ancak bunlarla sınırlı olmayan, aşınma ve yıpranmaya tabi bileşenler (aksam ve aksesuarlar).
4. Ürünün servis için her ülkede aşağıdaki servis istasyonları adres listesinde yer alan yetkili bir RYOBI servis istasyonuna gönderilmesi ya götürülmesi gereklidir. Bazı ülkelerde, yerel RYOBI distribütörünüz ürünü RYOBI servis tesisine göndermeyi üstlenir. Bir ürün bir RYOBI servis istasyonuna gönderilirken, ürünün güvenli bir biçimde ambalajlanması, benzin gibi tehlikeli maddeler içermemesi, gönderinen adresini taşıması ve arızanın kısa bir açıklamasını içermesi gerekir.
5. Bu garanti kapsamında yapılacak onarım / değişiklik ücretsizdir. Garanti süresinin uzatılması ya da yeniden başlatılması anlamına gelmez. Değiştirilmiş parçalar veya aletler bize ait olur. Bazı ülkelerde teslimat ücretleri veya posta giderlerini gönderici tarafından ödenmesi gerekir. Alımdan kaynaklanan yasal haklarının etkilenmez
6. Bu Garanti Avrupa Topluçuluğu, İsviçre, İzlanda, Norveç, Liechtenstein, Türkiye ve Rusya'da geçerlidir. Bu alanların dışında, başka bir garantinin geçerli olup olmadığını belirlemek için lütfen yetkili RYOBI distribütörünüzle irtibata geçin.

YETKİLİ SERVİS MERKEZİ

En yakın yetkili servis merkezini öğrenmek için <http://en.ryobitools.eu/header/service-and-support/service-agents> sitesine girin.

EL ΟΡΟΙ ΕΦΑΡΜΟΓΗΣ ΤΩΝ ΠΡΟΫΠΟΘΕΣΕΩΝ ΕΓΓΥΗΣΗΣ ΤΗΣ RYOBI®

Εκτός από τα νόμιμα δικαιώματα, τα οποία προκύπτουν από την αγορά, το προϊόν καλύπτεται από εγγύηση, λεπτομέρειες της οποίας ακολουθούν στη συνέχεια.

1. Η διάρκεια της εγγύησης για τους καταναλωτές είναι 24 μήνες και αρχίζει από την ημερομηνία αγοράς. Η ημερομηνία θα πρέπει να αναγράφεται στην απόδειξη ή σε άλλο αποδεικτικό αγοράς. Το προϊόν έχει σχεδιαστεί και προορίζεται αποκλειστικά για οικιακή χρήση από καταναλωτές. Συνεπώς, δεν παρέχεται εγγύηση σε περίπτωση επαγγελματικής ή εμπορικής χρήσης.
2. Υπάρχει η δυνατότητα επέκτασης της εγγύησης για ορισμένα ηλεκτρικά εργαλεία (AC/DC), πέραν του παραπάνω αναφερόμενου χρονικού διαστήματος, μέσω εγγραφής στο δικτυακό τόπο www.ryobitools.eu. Η επιλεξιμότητα των εργαλείων με δυνατότητα επέκτασης της περιόδου εγγύησης αναγράφεται ρητά στα καταστήματα και/ή επάνω στη συσκευασία, ενώ περιέχεται στην τεκμηρίωση του προϊόντος. Το τελικό χρήστη θα πρέπει να καταχωρήσει τα προσωπικά αποκτηθέντα εργαλεία online, εντός 30 ημερών από την ημερομηνία αγοράς. Ο τελικός χρήστης μπορεί να εγγραφεί για την επέκταση εγγύησης επί χώρα κατοικίας, εφόσον αυτή περιλαμβάνεται στο online έντυπο εγγραφής, εάν υπάρχει η δυνατότητα επέκτασης. Επιπλέον, οι τελικοί χρήστες θα πρέπει να παρέχουν τη συγκατάθεσή τους για την αποθήκευση των στοιχείων τους, τα οποία οφείλουν να καταχωρούνται online, όπως και να αποθηκεύονται του όρους και τις προϋποθέσεις. Η απόδειξη επιβεβαίωσης της εγγραφής, η οποία αποστέλλεται μέσω email, και η πρωτότυπη απόδειξη αγοράς, η οποία αναφέρεται στην ημερομηνία αγοράς, αποτελούν αποδεικτικά της παρατεταμένης εγγύησης.
3. Η εγγύηση καλύπτει όλα τα ελαττώματα του προϊόντος, κατά τη διάρκεια της περιόδου εγγύησης, λόγω κατασκευαστικών ελαττωμάτων ή αστοχίας υλικού κατά την ημερομηνία αγοράς. Η εγγύηση περιορίζεται στην επισκευή και/ή την αντικατάσταση και δεν περιλαμβάνει καμία άλλη υποχρέωση, συμπεριλαμβανομένων, ενδεικτικά, συμπληρωματικών ή παρεπόμενων ζημιών. Η εγγύηση δεν ισχύει εφόσον, έχει σημειωθεί κακομεταχείριση του προϊόντος, δεν έχουν τηρηθεί οι οδηγίες του εγχειριδίου οδηγιών ή το προϊόν έχει συνδεθεί λανθασμένα. Η εγγύηση δεν ισχύει για:
 - οποιαδήποτε ζημία στο προϊόν, η οποία είναι αποτέλεσμα κακής συντήρησης
 - οποιοδήποτε προϊόν, το οποίο έχει αλλοιωθεί ή τροποποιηθεί
 - οποιοδήποτε προϊόν, στο οποίο έχει αλλοιωθεί, τροποποιηθεί ή αφαιρεθεί το γνήσιο αναγνωριστικό (σήμα κατατεθέν, σειριακός αριθμός)
 - οποιαδήποτε ζημία προκλήθει λόγω μη τήρησης του εγχειριδίου οδηγιών
 - οποιοδήποτε προϊόν χωρίς σήμανση CE
 - οποιοδήποτε προϊόν, στο οποίο έχει γίνει προσπάθεια επισκευής από μη καταρτισμένο επαγγελματία ή χωρίς την προηγούμενη έγκριση της Techtronic Industries.
 - οποιοδήποτε προϊόν, το οποίο έχει συνδεθεί σε ακατάλληλη παροχή ρεύματος (αμπερ, ισχύ, συχνότητα)
 - οποιαδήποτε ζημία έχει προκληθεί από εξωτερικές επιδράσεις (χημικές, φυσικές, κλιματιομετρικές) ή ξένες ουσίες
 - φυσιολογική φθορά και ρήξη ανταλλακτικών
 - ακατάλληλη χρήση, υπερφόρτωση του εργαλείου
 - χρήση μη ενδεδειγμένων εξαρτημάτων ή ανταλλακτικών
 - Εξαρτήματα ηλεκτρικών εργαλείων που παρασχεθήκαν με το εργαλείο ή αγοράστηκαν ξεχωριστά. Τέτοιες εξαρτήματα περιλαμβάνουν, ενδεικτικά, μύτες καταβίβησης, τρυπάνια, δίσκους λείανσης, γυαλόχαρτο και λειπίδες, πλευρικό οδηγό
 - Εξαρτήματα (ανταλλακτικά και αξεσουάρ) που υποκείμενα σε φυσική φθορά και θραύση, συμπεριλαμβανομένων, ενδεικτικά, σετ επισκευής & συντήρησης, ψηκτρών άνθρακα, εφεδράνων, τσoκ, εξαρτημάτων ή υποδοχών τρυπάνιων SDS, καλωδίων ισχύος, βοηθητικής λαβής, βαλίτσας μεταφοράς, βάσης τριβείου, σακούλας συλλογής σκόνης, σωλήνα εξαναγκαστικής σκόνης, ροδελών τόδoς, μωτών και ελατηρίων κροστικού κλειδιού κοχλιών, κτλ.
4. Το προϊόν θα πρέπει να αποσταλεί ή να παραδοθεί για επισκευή ή συντήρηση σε εξουσιοδοτημένο σημείο σέρβις της RYOBI που περιλαμβάνεται στον ακόλουθο κατάλογο διευθύνσεων για κάθε χώρα. Σε ορισμένες χώρες, το τοπικό σημείο πώλησης της RYOBI αναλαμβάνει την αποστολή του προϊόντος στο κεντρικό σέρβις της RYOBI. Κατά την αποστολή ενός προϊόντος σε σημείο σέρβις της RYOBI, αυτό θα πρέπει να είναι ασφαλώς συσκευασμένο, χωρίς επικίνδυνα περιεχόμενο, όπως, πετρέλαιο, να φέρει τη διευθύνση του αποστολέα και να συνοδεύεται από σύντομη περιγραφή της βλάβης.
5. Η επιδιόρθωση / αντικατάσταση υπό την παρούσα εγγύηση παρέχεται δωρεάν. Δε συνιστά παράταση της περιόδου εγγύησης ή εκκίνηση νέας περιόδου εγγύησης. Τα μέρη που αντικαθίστανται περιέχονται στην κυρίαρχη μιάς. Σε ορισμένες χώρες, τα ενδεχόμενα έξοδα παραδοσης ή μεταφοράς βεβαιώνουν τον αποστολέα. Τα νόμιμα δικαιώματά σας, τα οποία απορρέουν από την αγορά του εργαλείου, δεν θίγονται.
6. Η παρούσα εγγύηση ισχύει στην Ευρωπαϊκή Κοινότητα, την Ελβετία, την Ισπανία, τη Νορβηγία, το Λιχτενστάιν, την Τουρκία και την Ρωσία. Εκτός των παραπάνω περιοχών, σας παρακαλούμε να επικοινωνήσετε με εξουσιοδοτημένο κατάστημα πώλησης της RYOBI, προκειμένου να διαπιστωθεί εάν ισχύει κάποια άλλη εγγύηση.

ΕΞΟΥΣΙΟΔΟΤΗΜΕΝΟ ΚΕΝΤΡΟ ΣΕΡΒΙΣ

Για να εντοπίσετε ένα εξουσιοδοτημένο κέντρο σέρβις στην περιοχή σας, επισκεφτείτε τη σελίδα <http://en.ryobitools.eu/header/service-and-support/service-agents>.



EN EC declaration of conformity

Techtronic Industries GmbH
Max-Eyth-Straße 10, 71364 Winnenden, Germany

Herewith we declare that the product
Trim router
Brand: Ryobi
Model number: R18TR
Serial number range: 46226901000001 - 46226901999999

is in conformity with the following European Directives and harmonised standards
2006/42/EC, 2014/30/EU, 2011/65/EU,
EN 55014-1:2006+A1:2009+A2:2011, EN55014-2:2015,
EN 60745-1:2009+A11:2010, EN 60745-2-17:2010

RoHS documentation is compiled according to EN 50581:2012


Andrew John Eyre (BEng, CEng, MIET)
Vice President, Regulatory & Safety
Winnenden, Mar. 08, 2017



Authorised to compile the technical file:
Alexander Krug, Managing Director
Techtronic Industries GmbH
Max-Eyth-Straße 10, 71364 Winnenden, Germany

FR DÉCLARATION DE CONFORMITÉ EC

Techtronic Industries GmbH
Max-Eyth-Straße 10, 71364 Winnenden, Germany

Déclarons par la présente que le produit
Rogneuse à toupie
Marque: Ryobi
Numéro de modèle: R18TR
Étendue des numéros de série: 46226901000001 - 46226901999999

est conforme aux Directives Européennes et Normes Harmonisées suivantes
2006/42/EC, 2014/30/EU, 2011/65/EU,
EN 55014-1:2006+A1:2009+A2:2011, EN55014-2:2015,
EN 60745-1:2009+A11:2010, EN 60745-2-17:2010

La documentation RoHS a été dressée d'après EN 50581:2012


Andrew John Eyre (BEng, CEng, MIET)
Vice-Président, Réglementation & Sécurité
Winnenden, Mar. 08, 2017



Autorisé à rédiger le dossier technique:
Alexander Krug, Directeur Général
Techtronic Industries GmbH
Max-Eyth-Straße 10, 71364 Winnenden, Germany

DE EC KONFORMITÄTSERKLÄRUNG

Techtronic Industries GmbH
Max-Eyth-Straße 10, 71364 Winnenden, Germany

Hiermit erklären wir, dass die Produkte
Kantenfräse
Marke: Ryobi
Modellnummer: R18TR
Seriennummernbereich: 46226901000001 - 46226901999999

den folgenden europäischen Richtlinien und harmonisierten Normen entspricht
2006/42/EC, 2014/30/EU, 2011/65/EU,
EN 55014-1:2006+A1:2009+A2:2011, EN55014-2:2015,
EN 60745-1:2009+A11:2010, EN 60745-2-17:2010

RoHS Dokumentation ist gemäß EN 50581:2012 zusammengestellt


Andrew John Eyre (BEng, CEng, MIET)
Vizepräsident, Vorschriften und Sicherheit
Winnenden, Mar. 08, 2017



Autorisiert die technische Datei zu erstellen:
Alexander Krug, Geschäftsführer
Techtronic Industries GmbH
Max-Eyth-Straße 10, 71364 Winnenden, Germany


ES DECLARACIÓN EC DE CONFORMIDAD

Techtronic Industries GmbH
Max-Eyth-Straße 10, 71364 Winnenden, Germany

Por la presente declaramos que los productos
Fresadora
Marca: Ryobi
Número de modelo: R18TR
Intervalo del número de serie: 46226901000001 - 46226901999999

se encuentra en conformidad con las siguientes Directivas Europeas y normas armonizadas
2006/42/EC, 2014/30/EU, 2011/65/EU,
EN 55014-1:2006+A1:2009+A2:2011, EN55014-2:2015,
EN 60745-1:2009+A11:2010, EN 60745-2-17:2010

Documentación sobre restricción de sustancias peligrosas (RoHS) recopilada según la norma EN 50581:2012


Andrew John Eyre (BEng, CEng, MIET)
Vicepresidente, Director General de Normativa y Seguridad
Winnenden, Mar. 08, 2017



Autorizado para elaborar la ficha técnica:
Alexander Krug, Administrador Ejecutivo
Techtronic Industries GmbH
Max-Eyth-Straße 10, 71364 Winnenden, Germany

IT DICHIARAZIONE DI CONFORMITÀ EC

Techtronic Industries GmbH
Max-Eyth-Straße 10, 71364 Winnenden, Germany

Si dichiara con la presente che il prodotto
Fresatrice filatrice
Marca: Ryobi
Numero modello: R18TR
Gamma numero seriale: 46226901000001 - 46226901999999

è conforme alle seguenti Direttive Europee e ai seguenti standard armonizzati
2006/42/EC, 2014/30/EU, 2011/65/EU,
EN 55014-1:2006+A1:2009+A2:2011, EN55014-2:2015,
EN 60745-1:2009+A11:2010, EN 60745-2-17:2010

La documentazione RoHS è stata compilata come indicato dalle norme EN 50581:2012


Andrew John Eyre (BEng, CEng, MIET)
Vice-Presidente, Dipartimento Regolazioni e Sicurezza
Winnenden, Mar. 08, 2017



Autorizzato per compilare il file tecnico:
Alexander Krug, Direttore Amministrativo
Techtronic Industries GmbH
Max-Eyth-Straße 10, 71364 Winnenden, Germany

NL EC CONFORMITEITSVERKLARING

Techtronic Industries GmbH
Max-Eyth-Straße 10, 71364 Winnenden, Germany

Hierbij verklaren wij dat het product
Kantenfrees
Merk: Ryobi
Modelnummer: R18TR
Seriennummervereik: 46226901000001 - 46226901999999

is in overeenstemming met de volgende Europese Richtlijnen en geharmoniseerde normen

2006/42/EC, 2014/30/EU, 2011/65/EU,
EN 55014-1:2006+A1:2009+A2:2011, EN55014-2:2015,
EN 60745-1:2009+A11:2010, EN 60745-2-17:2010

RoHS-documentatie is samengesteld in overeenstemming met EN 50581:2012


Andrew John Eyre (BEng, CEng, MIET)
Vice-president, Regelgeving en Veiligheid
Winnenden, Mar. 08, 2017



Afgevaardigde voor het samenstellen van de technische fiche:
Alexander Krug, Directeur
Techtronic Industries GmbH
Max-Eyth-Straße 10, 71364 Winnenden, Germany



PT DECLARAÇÃO EC DE CONFORMIDADE

Techtronic Industries GmbH
Max-Eyth-Straße 10, 71364 Winnenden, Germany

Pelo presente declaramos que os produtos

Tupia
Marca: Ryobi
Número do modelo: R18TR
Intervalo do número de série: 46226901000001 - 46226901999999

se encontra em conformidade com as seguintes Directivas Europeias e normas harmonizadas

2006/42/EC, 2014/30/EU, 2011/65/EU,
EN 55014-1:2006+A1:2009+A2:2011, EN55014-2:2015,
EN 60745-1:2009+A11:2010, EN 60745-2-17:2010

Documentação sobre restrição de substâncias perigosas (RoHS) compilada segundo a norma EN 50581:2012

Andrew John Eyre (BEng, CEng, MIET)
Vice-Presidente, Regulação & Segurança
Winnenden, Mar. 08, 2017

Autorizado para compilar o ficheiro técnico:
Alexander Krug, Administrador Executivo
Techtronic Industries GmbH
Max-Eyth-Straße 10, 71364 Winnenden, Germany

CE

DA EC OVERENSSTEMMELSEERKLÆRING

Techtronic Industries GmbH
Max-Eyth-Straße 10, 71364 Winnenden, Germany

Vi erklærer hermed, at produktet

Trim router
Brand: Ryobi
Modelnummer: R18TR
Serienummerområde: 46226901000001 - 46226901999999

er i overensstemmelse med følgende EU-direktiver og harmoniserede standarder

2006/42/EC, 2014/30/EU, 2011/65/EU,
EN 55014-1:2006+A1:2009+A2:2011, EN55014-2:2015,
EN 60745-1:2009+A11:2010, EN 60745-2-17:2010

RoHS-dokumentation er udarbejdet i henhold til EN 50581:2012

Andrew John Eyre (BEng, CEng, MIET)
Vicepræsident, Regler og Sikkerhed
Winnenden, Mar. 08, 2017

Bemyndiget til at udarbejde det tekniske kartotek:
Alexander Krug, Administrerende Direktør
Techtronic Industries GmbH
Max-Eyth-Straße 10, 71364 Winnenden, Germany

CE

SV EC-KONFORMITETSDEKLARATION

Techtronic Industries GmbH
Max-Eyth-Straße 10, 71364 Winnenden, Germany

Härmed deklarerar vi att produkterna

Handöverfräs
Märke: Ryobi
Modellnummer: R18TR
Serienummerintervall: 46226901000001 - 46226901999999

är i enlighet med följande EU-direktiv och harmoniserade standarder

2006/42/EC, 2014/30/EU, 2011/65/EU,
EN 55014-1:2006+A1:2009+A2:2011, EN55014-2:2015,
EN 60745-1:2009+A11:2010, EN 60745-2-17:2010

RoHS-dokumentation sammanställd enligt EN 50581:2012

Andrew John Eyre (BEng, CEng, MIET)
Vice President, Regelverk och Säkerhet
Winnenden, Mar. 08, 2017

Godkänd att sammanställa den tekniska filen:
Alexander Krug, VD
Techtronic Industries GmbH
Max-Eyth-Straße 10, 71364 Winnenden, Germany

CE

FI EC-SÄÄNNÖSTEN NOUDATTAMINEN

Techtronic Industries GmbH
Max-Eyth-Straße 10, 71364 Winnenden, Germany

Ilmoitamme täten, että tuotteet

Käsiyrsin
Tuotemerkki: Ryobi
Mallinumero: R18TR
Sarjanumeroalue: 46226901000001 - 46226901999999

noudattaa seuraavia EU-direktiivejä ja harmonoituja standardeja

2006/42/EC, 2014/30/EU, 2011/65/EU,
EN 55014-1:2006+A1:2009+A2:2011, EN55014-2:2015,
EN 60745-1:2009+A11:2010, EN 60745-2-17:2010

RoHS-dokumentointi on koottu standardin EN 50581:2012 mukaisesti

Andrew John Eyre (BEng, CEng, MIET)
Varatoimitusjohtaja, Säädöstenmukaisuus ja Turvallisuus
Winnenden, Mar. 08, 2017

Valtuutettu kokoamaan tekninen tiedosto:
Alexander Krug, Toimitusjohtaja
Techtronic Industries GmbH
Max-Eyth-Straße 10, 71364 Winnenden, Germany

CE

NO EC-Samsvarserklæring

Techtronic Industries GmbH
Max-Eyth-Straße 10, 71364 Winnenden, Germany

Herved erklærer vi at produktet

Formkutter
Merke: Ryobi
Modellnummer: R18TR
Serienummerserie: 46226901000001 - 46226901999999

er i samsvar med følgende europeiske direktiver og harmoniserte standarder

2006/42/EC, 2014/30/EU, 2011/65/EU,
EN 55014-1:2006+A1:2009+A2:2011, EN55014-2:2015,
EN 60745-1:2009+A11:2010, EN 60745-2-17:2010

RoHS dokumentasjonen er skrevet i samsvar med EN 50581:2012

Andrew John Eyre (BEng, CEng, MIET)
Visepresident, Forskrifter og Sikkerhet
Winnenden, Mar. 08, 2017

Autorisert til å sette sammen den tekniske filen:
Alexander Krug, Administrerende Direktør
Techtronic Industries GmbH
Max-Eyth-Straße 10, 71364 Winnenden, Germany

CE

RU ЗАЯВЛЕНИЕ О СООТВЕТСТВИИ ТРЕБОВАНИЯМ ЕС

Techtronic Industries GmbH
Max-Eyth-Straße 10, 71364 Winnenden, Germany

Настоящим мы заявляем, что данный продукт

фрезерный станок
Марка: Ryobi
Номер модели: R18TR
Диапазон заводских номеров: 46226901000001 - 46226901999999

соответствует требованиям следующих Директив ЕС и согласованных стандартов

2006/42/EC, 2014/30/EU, 2011/65/EU,
EN 55014-1:2006+A1:2009+A2:2011, EN55014-2:2015,
EN 60745-1:2009+A11:2010, EN 60745-2-17:2010

Документация RoHS соответствует стандарту EN 50581:2012

Andrew John Eyre (BEng, CEng, MIET)
Вице-Президент По Технике Безопасности И Стандартам
Winnenden, Mar. 08, 2017

Лицо, ответственное за подготовку технической документации:
Alexander Krug, Директор
Techtronic Industries GmbH
Max-Eyth-Straße 10, 71364 Winnenden, Germany

CE

**(PL) DEKLARACJA ZGODNOŚCI EC**

Techtronic Industries GmbH
Max-Eyth-Straße 10, 71364 Winnenden, Germany

Niniejszym deklarujemy, że produkt

Ręczna frezarka wykańczająca
Marka: Ryobi
Numer modelu: R18TR
Zakres numerów seryjnych: 46226901000001 - 46226901999999

jest zgodny z następującymi dyrektywami europejskimi i zharmonizowanymi normami
2006/42/EC, 2014/30/EU, 2011/65/EU,
EN 55014-1:2006+A1:2009+A2:2011, EN55014-2:2015,
EN 60745-1:2009+A11:2010, EN 60745-2-17:2010

Dokumentacja RoHS została opracowana zgodnie z normą EN 50581:2012

Andrew John Eyre (BEng, CEng, MIET)
Wiceprezes ds. Zgodności Prawnej i Bezpieczeństwa
Winnenden, Mar. 08, 2017

CE

Osoba upoważniona do sporządzenia dokumentu technicznego:

Alexander Krug, Dyrektor Zarządzający
Techtronic Industries GmbH
Max-Eyth-Straße 10, 71364 Winnenden, Germany

(RO) DECLARAȚIE DE CONFORMITATE EC

Techtronic Industries GmbH
Max-Eyth-Straße 10, 71364 Winnenden, Germany

Prin prezenta, declarăm că produsele

Mașină de frezat verticală
Marca: Ryobi
Număr serie: R18TR
Gamă număr serie: 46226901000001 - 46226901999999

este în conformitate cu următoarele Directive Europene și standarde armonizate
2006/42/EC, 2014/30/EU, 2011/65/EU,
EN 55014-1:2006+A1:2009+A2:2011, EN55014-2:2015,
EN 60745-1:2009+A11:2010, EN 60745-2-17:2010

Documentația RoHS este întocmită în conformitate cu EN 50581:2012

Andrew John Eyre (BEng, CEng, MIET)
Vicepreședinte, Reglementare & Siguranță
Winnenden, Mar. 08, 2017

CE

Autorizat să completeze fișa tehnică:

Alexander Krug, Director General
Techtronic Industries GmbH
Max-Eyth-Straße 10, 71364 Winnenden, Germany

(CS) PROHLÁŠENÍ O SHODĚ ET

Techtronic Industries GmbH
Max-Eyth-Straße 10, 71364 Winnenden, Germany

Tímto prohlašujeme, že výrobky

Horní frézka
Značka: Ryobi
Číslo modelu: R18TR
Rozsah sériových čísel: 46226901000001 - 46226901999999

že tento výrobek je v souladu s evropskými a harmonizovanými standardy

2006/42/EC, 2014/30/EU, 2011/65/EU,
EN 55014-1:2006+A1:2009+A2:2011, EN55014-2:2015,
EN 60745-1:2009+A11:2010, EN 60745-2-17:2010.

RoHS dokumentace sestavena dle EN 50581:2012

Andrew John Eyre (BEng, CEng, MIET)
Viceprezident, Normy a Bezpečnost
Winnenden, Mar. 08, 2017

CE

Pověření ke kompilaci technického souboru:

Alexander Krug, Generální Ředitel
Techtronic Industries GmbH
Max-Eyth-Straße 10, 71364 Winnenden, Germany

(LV) EC Atbilstības deklarācija

Techtronic Industries GmbH
Max-Eyth-Straße 10, 71364 Winnenden, Germany

Ar šo paziņojam, ka produkti

Virsfrēze
Modeļa numurs: R18TR
Zīmols: Ryobi
Sērijas numura intervāls: 46226901000001 - 46226901999999

atbilst šādām Eiropas direktīvām un saskaņotajiem standartiem

2006/42/EC, 2014/30/EU, 2011/65/EU,
EN 55014-1:2006+A1:2009+A2:2011, EN55014-2:2015,
EN 60745-1:2009+A11:2010, EN 60745-2-17:2010

RoHS dokumentācija ir izstrādāta saskaņā ar EN 50581:2012

Andrew John Eyre (BEng, CEng, MIET)
Viceprezidents, Darba Drošības Noteikumi
Winnenden, Mar. 08, 2017

CE

Pilnvarots sastādīt tehnisko failu:

Alexander Krug, Izpildītorekts
Techtronic Industries GmbH
Max-Eyth-Straße 10, 71364 Winnenden, Germany

(HU) EC IZJAVA O USKLADENOSTI

Techtronic Industries GmbH
Max-Eyth-Straße 10, 71364 Winnenden, Germany

Ezúton kijelentjük, hogy a termékek

Élmáró
Márka: Ryobi
Típuszám: R18TR
Sorozatszám tartomány: 46226901000001 - 46226901999999

megfelel az alábbi Európai Irányelvek és harmonizált szabványok vonatkozó rendelkezésének

2006/42/EC, 2014/30/EU, 2011/65/EU,
EN 55014-1:2006+A1:2009+A2:2011, EN55014-2:2015,
EN 60745-1:2009+A11:2010, EN 60745-2-17:2010

A RoHS dokumentáció összeállítására az EN 50581:2012 szerint történt

Andrew John Eyre (BEng, CEng, MIET)
Alelnök, Megfelelőségi és Biztonsági Területek
Winnenden, Mar. 08, 2017

CE

A műszaki dokumentáció összeállítására felhatalmazott:

Alexander Krug, Ügyvezető Igazgató
Techtronic Industries GmbH
Max-Eyth-Straße 10, 71364 Winnenden, Germany

(LT) EC ATITIKTIES DEKLARACIJA

Techtronic Industries GmbH
Max-Eyth-Straße 10, 71364 Winnenden, Germany

Mes pareiškiame, kad šie produktai

Briaunų frezavimo įrenginys
Prekės ženklas: Ryobi
Modelio numeris: R18TR
Serijinio numerio diapazonas: 46226901000001 - 46226901999999

pagamintas laikantis toliau nurodytųjų Europos Direktyvų ir darniųjų standartų

2006/42/EC, 2014/30/EU, 2011/65/EU,
EN 55014-1:2006+A1:2009+A2:2011, EN55014-2:2015,
EN 60745-1:2009+A11:2010, EN 60745-2-17:2010

Tam tikrų pavojingų medžiagų naudojimo elektros ir elektroninėje įrangoje apri bojimo dokumentai sudaryti pagal standartą EN 50581:2012

Andrew John Eyre (BEng, CEng, MIET)
Kontrolės Ir Saugos Viceprezidentas
Winnenden, Mar. 08, 2017

CE

Igaliotas sudaryti techninį failą:

Alexander Krug, Generalinis Direktorius
Techtronic Industries GmbH
Max-Eyth-Straße 10, 71364 Winnenden, Germany



(ET) EC VASTAVUSDEKLARATSIOON

Techtronic Industries GmbH
Max-Eyth-Straße 10, 71364 Winnenden, Germany

Kinnitame, et see toode

Briaunų frezavimo įrenginys
Mark: Ryobi
Mudelių number: R18TR
Seerianumbri vahemik: 46226901000001 - 46226901999999

vastab järgmistele Euroopa direktiividele ja harmoniseeritud standarditele
2006/42/EC, 2014/30/EU, 2011/65/EU,
EN 55014-1:2006+A1:2009+A2:2011, EN55014-2:2015,
EN 60745-1:2009+A11:2010, EN 60745-2-17:2010

RoHS dokumendid on koostatud vastavuses standardi EN 50581:2012 nõuetele.



Andrew John Eyre (BEng, CEng, MIET)
Asepresident Standardiseerimise Ja Ohutuse Alal
Winnenden, Mar. 08, 2017

Tehnilise faili koostamiseks volitatud isik:

Alexander Krug, Tegevdirektor
Techtronic Industries GmbH
Max-Eyth-Straße 10, 71364 Winnenden, Germany


(SK) PREHLÁSENIE O ZHODE EC

Techtronic Industries GmbH
Max-Eyth-Straße 10, 71364 Winnenden, Germany

Týmto vyhlasujeme, že výrobok

Horná fréza
Značka: Ryobi
Číslo modelu: R18TR
Rozsah sériových čísel: 46226901000001 - 46226901999999

je v súlade s nasledujúcimi Európskymi smernicami a harmonizovanými normami
2006/42/EC, 2014/30/EU, 2011/65/EU,

EN 55014-1:2006+A1:2009+A2:2011, EN55014-2:2015,
EN 60745-1:2009+A11:2010, EN 60745-2-17:2010

Dokumentácia RoHS je zostavená podľa EN 50581:2012



Andrew John Eyre (BEng, CEng, MIET)
Viceprezident, Regulácia a Bezpečnosť
Winnenden, Mar. 08, 2017

Oprávnená osoba na zostavenie technického súboru:

Alexander Krug, Generálny Riaditeľ
Techtronic Industries GmbH
Max-Eyth-Straße 10, 71364 Winnenden, Germany


(HR) EC IZJAVA O USKLADENOSTI

Techtronic Industries GmbH
Max-Eyth-Straße 10, 71364 Winnenden, Germany

Ovime izjavljujemo da su proizvodi

Glodalica za rubove
Marka: Ryobi
Broj modela: R18TR
Raspon serijskog broja: 46226901000001 - 46226901999999

usklađeni sa sljedećim Europskim Direktivama i usklađenim normama

2006/42/EC, 2014/30/EU, 2011/65/EU,
EN 55014-1:2006+A1:2009+A2:2011, EN55014-2:2015,
EN 60745-1:2009+A11:2010, EN 60745-2-17:2010

RoHS dokumentacija sukladna je EN 50581:2012



Andrew John Eyre (BEng, CEng, MIET)
Potpredsjednik za Pravila i Sigurnost
Winnenden, Mar. 08, 2017

Ovlašten da sastavi tehničku datoteku:

Alexander Krug, Direktor Upravljanja
Techtronic Industries GmbH
Max-Eyth-Straße 10, 71364 Winnenden, Germany


(BG) ДЕКЛАРАЦИЯ НА ЗА СЪОТВЕТСТВИЕ

Techtronic Industries GmbH
Max-Eyth-Straße 10, 71364 Winnenden, Germany

Снастоящото декларираме, че продуктите

Оберфреза
Марка: Ryobi
Номер на модела: R18TR
Обхват на серийни номера: 46226901000001 - 46226901999999

отговаря на следните директиви на ЕС и хармонизирани стандарти

2006/42/EC, 2014/30/EU, 2011/65/EU,
EN 55014-1:2006+A1:2009+A2:2011, EN55014-2:2015,
EN 60745-1:2009+A11:2010, EN 60745-2-17:2010

Документацията за RoHS е съставена в съответствие с EN 50581:2012.



Andrew John Eyre (BEng, CEng, MIET)
Вицепрезидент, Правни Услуги и Безопасност
Winnenden, Mar. 08, 2017

Упълномощено лице за съставяне на техническия файл:

Alexander Krug, Изпълнителен Директор
Techtronic Industries GmbH
Max-Eyth-Straße 10, 71364 Winnenden, Germany


(SL) IZJAVA EC O SKLADNOSTI

Techtronic Industries GmbH
Max-Eyth-Straße 10, 71364 Winnenden, Germany

Izjavljamo, da je izdelek

Obrezovalni rezalnik
Znamka: Ryobi
Številka modela: R18TR
Razpon serijskih števil: 46226901000001 - 46226901999999

v skladu s sledečimi evropskimi direktivami in harmoniziranimi standardi

2006/42/EC, 2014/30/EU, 2011/65/EU,
EN 55014-1:2006+A1:2009+A2:2011, EN55014-2:2015,
EN 60745-1:2009+A11:2010, EN 60745-2-17:2010

Dokumentacija RoHS je sestavljena skladno s standardom EN 50581:2012



Andrew John Eyre (BEng, CEng, MIET)
Podpredsednik, Zakonodajne In Varnostne Zadeve
Winnenden, Mar. 08, 2017

Pooblaščen oseba za sestavo tehnične dokumentacije:

Alexander Krug, Izvršni Direktor
Techtronic Industries GmbH
Max-Eyth-Straße 10, 71364 Winnenden, Germany


(UK) Декларация про відповідність

Techtronic Industries GmbH
Max-Eyth-Straße 10, 71364 Winnenden, Germany

При цьому ми заявляємо, що продукт

Гідриуюча фреза
Марка: Ryobi
Номер моделі: R18TR
Діапазон серійного номеру: 46226901000001 - 46226901999999

у відповідності з наступними європейськими директивами та гармонізованими стандартами

2006/42/EC, 2014/30/EU, 2011/65/EU,
EN 55014-1:2006+A1:2009+A2:2011, EN55014-2:2015,
EN 60745-1:2009+A11:2010, EN 60745-2-17:2010

Документація RoHS складена відповідно до EN 50581:2012



Andrew John Eyre (BEng, CEng, MIET)
Вице-президент, регулювання і безпека
Winnenden, Mar. 08, 2017

Дозвіл на складання технічного файла:

Alexander Krug, Керуючий директором
Techtronic Industries GmbH
Max-Eyth-Straße 10, 71364 Winnenden, Germany



TR EC Uygunluk beyanı

Techtronic Industries GmbH
Max-Eyth-Straße 10, 71364 Winnenden, Germany

Böylelikle beyan ederiz ki; ürün
Kenar Yönlendirici
Marka: Ryobi
Model numarası: R18TR
Seri numarası aralığı: 46226901000001 - 46226901999999

aşağıdaki Avrupa Direktifleri ve uyumlaştırılmış standartlara uygundur
2006/42/EC, 2014/30/EU, 2011/65/EU,
EN 55014-1:2006+A1:2009+A2:2011, EN55014-2:2015,
EN 60745-1:2009+A11:2010, EN 60745-2-17:2010
RoHS belgeleri EN 50581:2012 uyarınca derlenmiştir



Andrew John Eyre (BEng, CEng, MIET)
Başkan Vekili, Düzenleme ve Güvenlik
Winnenden, Mar. 08, 2017

CE

Teknik dosya hazırlamaya yetkilidir:
Alexander Krug, Genel Müdür
Techtronic Industries GmbH
Max-Eyth-Straße 10, 71364 Winnenden, Germany

EL EK Δήλωση συμμόρφωσης

Techtronic Industries GmbH
Max-Eyth-Straße 10, 71364 Winnenden, Germany

Δια του παρόντος δηλώνουμε ότι το προϊόν
Ρούτερ περιθωρίων
Μάρκα: Ryobi
Αριθμός μοντέλου: R18TR
Εύρος σειριακών αριθμών: 46226901000001 - 46226901999999

είναι σύμφωνο με τις παρακάτω Ευρωπαϊκές Οδηγίες και εναρμονισμένα πρότυπα
2006/42/EC, 2014/30/EU, 2011/65/EU,
EN 55014-1:2006+A1:2009+A2:2011, EN55014-2:2015,
EN 60745-1:2009+A11:2010, EN 60745-2-17:2010
Τα έγγραφα RoHS συντάσσονται σύμφωνα με το EN 50581:2012



Andrew John Eyre (BEng, CEng, MIET)
Αντιπρόεδρος, Τμήμα Ρυθμίσεων & Ασφάλειας
Winnenden, Mar. 08, 2017

CE

Εξουσιοδοτημένο άτομο για σύνταξη τεχνικού αρχείου:
Alexander Krug, Διευθύνων Σύμβουλος
Techtronic Industries GmbH
Max-Eyth-Straße 10, 71364 Winnenden, Germany







Techtronic Industries GmbH
Max-Eyth-Straße 10,
71364 Winnenden, Germany

961152705-01

ОФИЦИАЛЬНЫЙ ДИЛЕР В УКРАИНЕ:

storgom.ua

ГРАФИК РАБОТЫ:

Пн. – Пт.: с 8:30 по 18:30

Сб.: с 09:00 по 16:00

Вс.: с 10:00 по 16:00

КОНТАКТЫ:

+38 (044) 360-46-77

+38 (066) 77-395-77

+38 (097) 77-236-77

+38 (093) 360-46-77

Детальное описание товара:

<https://storgom.ua/product/frezer-ryobi-r18tr-0-kromochnyy-bez-akb-i-zu-5133002917.html>

Другие товары: <https://storgom.ua/akkumulyatornye-frezery.html>