

RYOBI®

RBGL650G

ORIGINAL INSTRUCTIONS

TRADUCTION DES INSTRUCTIONS ORIGINALES
ÜBERSETZUNG DER ORIGINALANLEITUNG
TRADUCCIÓN DE LAS INSTRUCCIONES ORIGINALES
TRADUZIONE DELLE ISTRUZIONI ORIGINALI
VERTALING VAN DE ORIGINELE INSTRUCTIES
TRADUÇÃO DAS INSTRUÇÕES ORIGINAIS
OVERSÆTTELSE AF DE ORIGINALE INSTRUKTIONER
ÖVERSÄTTNING AV DE URSPRUNGLIGA INSTRUKTIONERNA
ALKUPERÄISTEN OHJEIDEN SUOMENNOS
OVERSETTELSE AV DE ORIGINALE INSTRUKSJONENE
ПЕРЕВОД ОРИГИНАЛЬНЫХ ИНСТРУКЦИЙ
TŁUMACZENIE INSTRUKCJI ORYGINALNEJ
PŘEKLAD ORIGINÁLNÍCH POKYNŮ
AZ EREDETI ÚTMUTATÓ FORDÍTÁSA
TRADUCEREA INSTRUCȚIUNILOR ORIGINALE
ORIGINALIŲ INSTRUKCIJŲ VERTIMAS
ORIGINAALJUHENDI TÖLGE
PRIJEVOD ORIGINALNIH UPUTA
PREVOD ORIGINALNIH NAVODIL
PREKLAD ORIGINÁLNYCH POKYNOV
ΜΕΤΑΦΡΑΣΗ ΤΩΝ ΠΡΩΤΟΤΥΠΩΝ ΟΔΗΓΙΩΝ
ORIJINAL TALIMATLARIN TERCÜMESİ
ПЕРЕКЛАД ОРИГІНАЛЬНИХ ІНСТРУКЦІЙ

EN
FR
DE
ES
IT
NL
PT
DA
SV
FI
NO
RU
PL
CS
HU
RO
LV
LT
ET
HR
SL
SK
EL
TR
UK





Important!	It is essential that you read the instructions in this manual before assembling, maintaining and operating the product.
Attention!	Il est essentiel que vous lisiez les instructions contenues dans ce manuel avant d'assembler, d'entretenir et d'utiliser le produit.
Achtung!	Es ist wichtig, dass Sie vor Zusammenbau, Wartung und Benutzung des Produktes die Anweisungen in dieser Anleitung lesen.
¡Atención!	Resulta fundamental que lea este manual de instrucciones antes de realizar el montaje, el mantenimiento y de utilizar este producto
Attenzione!	E' importante leggere le istruzioni contenute nel presente manuale prima di montare il prodotto, svolgere le operazioni di manutenzione sullo stesso e metterlo in funzione.
Let op!	Het is van essentieel belang dat u de instructies in deze gebruiksaanwijzing leest voor u het product monteert, onderhoudt en gebruikt.
Atenção!	É fundamental que leia as instruções deste manual antes da montagem, manutenção e operação do aparelho.
OBS!	Det er vigtigt, at man læser instrukserne i denne brugsanvisning, inden man samler, vedligeholder og betjener produktet.
Observera!	Det är viktigt att du läser instruktionerna i manualen före montering, användning och underhåll av produkten.
Huomio!	On tärkeää, että luet tämän käsikirjan ohjeet ennen tuotteen kokoamista, huoltoa ja käyttöä.
Advarsel!	Det er viktig at du leser instruksjonene i denne manualen før sammensetting, vedlikehold og bruk av produktet
Внимание!	Необходимо прочитать инструкции в данном руководстве перед сборкой, обслуживанием и эксплуатацией этого изделия.
Uwaga!	Koniecznienależyprzeczytaćinstrukcjezawartewtym podręczniku przed montażem, obsługą oraz konserwacją produktu.
Důležitost upozornění!	Neinstalujte, neprovádějte údržbu ani nepoužívejte tento výrobek dříve, než si přečtete pokyny uvedené v tomto návodu.
Figyelem!	Fontos, hogy a termék összeszerelése, karbantartása és használatá elöttl elolvassa a kézikönyvben található utasításokat.
Atenție!	Este esențial să citiți instrucțiunile din acest manual înainte de asamblare, efectuarea întreținerii și operarea produsului.
Uzmanību!	Ir svarīgi izlasīt šīs rokasgrāmatas instrukcijas pirms uzstādīšanas, apkopes un precēs darbināšanas.
Dėmesio!	Prieš surenkant, prižiūrint ir naudojant gaminį, būtina perskaityti šiame vadove pateiktus nurodymus.
Tähtis!	Enne masina kokkupanekut, hooldamist ja kasutama hakkamist tuleb käesolevas juhendis esitatud juhised kindlasti läbi lugeda.
Upozorenje!	Vrlo je važno da ste prije sklapanja, održavanja i rada s ovim proizvodom pročitali upute u ovom priručniku.
Pomembno!	Pomembno je da pred montažo vzdrževanjem in uporabo tega izdelka preberete navodila v tem priročniku.
Upzornenie!	Je dôležité, aby ste si pred montážou, údržbou a obsluhou produktu prečítali pokyny v tomto návode.
Προσοχή!	Είναι πολύ σημαντικό να διαβάσετε τις οδηγίες στο παρόν εγχειρίδιο πριν συναρμολογήσετε, συντηρήσετε ή λειτουργήσετε το προϊόν.
Dikkat!	Ürünün montajını, bakımını yapmadan ve ürünü çalıştırmadan önce bu kılavuzda yer alan talimatları okumanız önemlidir.
Важливо!	Дуже важливо, щоб ви прочитали інструкції в цьому керівництві перед складанням, обслуговуванням та експлуатацією цієї машини.

Subject to technical modification | Sous réserve de modifications techniques | Technische Änderungen vorbehalten | Bajo reserva de modificaciones técnicas | Con riserva di eventuali modifiche tecniche | Technische wijzigingen voorbehouden | Com reserva de modificações técnicas | Med forbehold for tekniske ændringer | Med förbehåll för tekniska ändringar | Tekniset muutokset varataan | Med forbehold om tekniske ændringer | могут быть внесены технические изменения | Z zastrzeżeniem modyfikacji technicznych | Změny technických údajů vyhrazeny | A műszaki módosítás jogát fenntartjuk | Sub rezerva modificărilor tehnice | Paturam tiesības mainīt tehniskos raksturlielumus | Pasiliekan teisę daryti techninius pakeitimus | Tehnilised muudatused võimalikud | Podloženo tehničkim promjenama | Tehnične spremembe dopuščene | Právo na technické zmeny je vyhradené | Υπό την επιφύλαξη τεχνικών τροποποιήσεων | Teknik değışiklik hakkı saklıdır | Є об'єктом для технічних змін





Safety, performance, and dependability have been given top priority in the design of your grinder sander.

INTENDED USE

- This grinder sander is intended for grinding and shaping metal. It can be used to sharpen metal hand tools (e.g., chisels, axes and knives) or drill bits, remove burrs or sharp edges.
- With the proper accessories, the product can be used for cleaning metal surfaces using a wire brush or for buffing and polishing using a cloth wheel.
- Never use the product for cut-off operations.

GENERAL SAFETY WARNINGS

WARNING

When using electric tools, basic safety precautions should always be followed to reduce the risk of fire, electric shock and personal injury. Read all these instructions before attempting to operate this product and save these instructions.

- **Keep work area clear.** Cluttered areas and benches invite injuries.
- **Consider work area environment.** Do not expose tools to rain. Do not use tools in damp or wet locations. Keep work area well lit. Do not use tools in the presence of flammable liquids or gases.
- **Guard against electric shock.** Avoid body contact with earthed or grounded surfaces (e.g., pipes, radiators, ranges, refrigerators).
- **Keep other persons away.** Do not let persons, especially children, be involved in the work, touch the tool or the extension cord, and keep them away from the work area.
- **Store idle tools.** When not in use, tools should be stored in a dry locked-up place, out of reach of children.
- **Do not force the tool.** It will do the job better and safer at the rate for which it was intended.
- **Use the right tool.** Do not force small tools to do the job of a heavy duty tool. Do not use tools for purposes not intended, for example, do not use circular saws to cut tree limbs or logs.
- **Dress properly.** Do not wear loose clothing or jewellery, they can be caught in moving parts. Non-skid footwear is recommended when working outdoors. Wear protective hair covering to contain long hair.
- **Use protective equipment.** Use safety glasses. Use face or dust mask if working operations create dust.
- **Connect dust extraction equipment.** If the tool is provided for the connection of dust extraction and collecting equipment, ensure these are connected and properly used.
- **Do not abuse the cord.** Never yank the cord to

disconnect it from the socket. Keep the cord away from heat, oil and sharp edges.

- **Secure work.** Where possible, use clamps or a vice to hold the work. It is safer than using your hand.
- **Do not overreach.** Keep proper footing and balance at all times.
- **Maintain tools with care.** Keep cutting tools sharp and clean for better and safer performance. Follow instruction for lubricating and changing accessories. Inspect tool cords periodically and if damaged, have them repaired by an authorized service facility. Inspect extension cords periodically and replace if damaged. Keep handles dry, clean and free from oil and grease.
- **Disconnect tools.** When not in use, before servicing and when changing accessories such as blades, bits and cutters, disconnect tools from the power supply.
- **Remove adjusting keys and wrenches.** Form the habit of checking to see that keys and adjusting wrenches are removed from the tool before turning it on.
- **Avoid unintentional starting.** Ensure switch is in "off" position when plugging in.
- **Use outdoor extension leads.** When the tool is used outdoors, use only extension cords intended for outdoor use and so marked.
- **Stay alert.** Watch what you are doing, use common sense and do not operate the tool when you are tired, under the influence of any drugs, alcohol, or medication that could affect your ability to use the tool properly.
- **Check damaged parts.** Before further use of tool, it should be carefully checked to determine that it will operate properly and perform its intended function. Check for alignment of moving parts, binding of moving parts, breakage of parts, mounting and any other conditions that may affect its operation. A guard or other part that is damaged should be properly repaired or replaced by an authorized service centre unless otherwise indicated in this instruction manual. Have defective switches replaced by an authorized service centre.
- **Do not use the tool if the switch does not turn it on and off.**
- **Warning.** The use of any accessory or attachment other than the one recommended in this instruction manual may present a risk of personal injury.
- **Have your tool repaired by a qualified person.** This electric tool complies with the relevant safety rules. Repairs should only be carried out by qualified persons using original spare parts otherwise this may result in considerable danger to the user.

GRINDER SANDER SAFETY WARNINGS

- The plug must be plugged into a matching outlet that is properly installed and grounded in accordance with all local codes and ordinances. If you are not sure, have a certified electrician check the receptacle.



- Mount the grinder sander firmly to the workbench, grinding stand or other rigid frame before operation. An unsecured grinder sander is unstable and may move during operation. This may result in damage or injury.
- Provide adequate general or localized lighting to prevent stroboscopic effect and hazards.
- Prior to operation, inspect the components and any accessories of the grinder sander to ensure there are no conditions that may affect proper operation. Tighten grinding wheel lock nuts, securing bolts and all clamps and guards.
- Prior to each start up, inspect the grinding wheel for damage. Do not use damaged or misshapen wheels. Replace any damaged grinding wheel according to the instructions.
- Check that the wheel rotates freely prior to each start up. With the grinder sander unplugged and the switch turned to OFF, carefully spin the wheel by hand. The wheel should not contact any components of the bench grinder, and there should be no binding or other conditions that may affect proper operation.
- During each start-up, stand to one side of the grinder sander and switch it ON. Let the grinder sander operate at full speed for one minute so that any undetected flaws or cracks of the wheel will become apparent. Do not contact the wheel with the work piece until the grinder sander has reached full speed.
- Keep hands and body parts clear of grinding wheels. Contacting the rotating wheel may cause injury.
- Always use guards and eye shields. Keep all guards in place and in working order. Operating the grinder sander without guards or with damaged guards may result in injury.
- Avoid burns. Grinding may cause items and the grinding wheel to become hot. Do not touch the grinding wheel or items that may be hot.
- Do not use the grinder sander to work on small items or items which cannot be held properly. The item may be thrown and result in injury.
- Never grind on the side of the wheel. The wheel will shatter. Grind on the face of the wheel only.
- Never leave a running tool unattended. Turn the power switch to OFF. The grinding wheels continue to rotate after the tool is switched off. Do not leave the tool until it has come to a complete stop.
- Never reach behind or beneath the grinding wheels.
- Use ear protection, such as plugs or muffs, during extended periods of operation.
- Remove the plug before carrying out any adjustment, servicing or maintenance. The power cord must remain unplugged whenever you are maintaining your grinder sander.
- Adjust tool rests whenever necessary to keep the distance between the work rests and the grinding wheels as small as possible. This distance should be less than or equal to 2 mm. As the diameter of

the grinding wheel decreases with use, maintain the maximum tool rest distance by adjusting it.

- Adjust spark arrestors whenever necessary to keep the distance between the spark arrestors and the grinding wheels as small as possible. This distance should be less than or equal to 2 mm. As the diameter of the grinding wheel decreases with use, maintain the maximum spark arrestor distance by adjusting it.
- If the work rest becomes worn or damaged, replace it with an identical replacement from the authorised service centre.
- When fitting a new grinding wheel, always check that the stated maximum RPM meets or exceeds that stated on the grinder sander. Ensure the wheel diameter and arbor size meet that stated on the specifications. Also check the new wheel for damage, such as flaws or cracks.

GRINDING WHEEL SAFETY INSTRUCTIONS

⚠ WARNING

To reduce the risk of injury, user must read and comply with instructions, warnings and operator's manual before starting to use this grinding wheel. Failure to heed these warnings can result in wheel breakage and serious personal injury. Save these instructions.

- The use of any wheel other than the one recommended in the machine instruction manual may present a risk of personal injury. Use only grinding wheels which have marked speed equal or greater to that marked on the machine.
- Never use grinding wheel that is too thick to allow outer flange to engage with the flats on the spindle. Larger wheels will come in contact with the wheel guards, while thicker wheels will prevent the bolt from securing the wheel on the spindle. Either of these situations could result in a serious accident and can cause serious personal injury.
- This wheel is for grinding and shaping metal. Do not attempt to do cut-off operation.
- This grinding wheel is only suitable for dry grinding.
- Do not use damaged grinding wheels, do not use wheels that are chipped, cracked or otherwise defective.
- Ensure that the abrasive grinding wheel is correctly fitted and tightened before use.
- Machine should never be connected to power supply when you are installing or removing grinding wheels.
- Store your spare grinding wheel carefully.
 - Keep the wheel inside the original package if possible.
 - Store the wheel in a dry area at room temperature.
 - Wheels may be stored vertically on a shelf.
 - Do not allow the wheels to fall or suffer any impact.



Information available on the grinding wheel label

The information on the wheel label is important. Read and check it carefully to ensure you are selecting the correct type of wheel.

1. Manufacturer, supplier, importer or trade mark.
2. Nominal dimensions of grinding wheel, in particular the diameter of the bore.
3. Abrasive type, grain size, grade or hardness, type of bond and use of reinforcement.
4. Maximum operation speed in metres per second.
5. Maximum permissible speed of rotation in 1/min.
6. For declaration of conformity, the abrasive products shall be marked with EN 12413.
7. Restriction of use and safety warning symbols.
8. Traceability code, eg. A production/batch number, expiry date or series number.

RESIDUAL RISKS

Even when the product is used as prescribed, it is still impossible to completely eliminate certain residual risk factors. The following hazards may arise in use and the operator should pay special attention to avoid the following:

- Risk of contact with unguarded parts of the rotating wheel.
- Burn hazard from contact with hot wheel or work piece.
- Damage to respiratory system if effective dust mask is not worn.
- Damage to hearing if effective hearing protection is not worn.

KNOW YOUR PRODUCT

See page 107.

1. Spark shield
2. Spark arrestor
3. Wheel guard
4. Wheel dressing tool
5. Work rest
6. Work lamp
7. Sanding belt adjustment knob
8. Sanding belt
9. Work rest
10. Work rest lock knob
11. Water tray
12. On/off switch
13. Mounting hole
14. Sanding belt guard
15. Sander guard

MAINTENANCE

- Do not modify the product in any way or use accessories not approved by the manufacturer. Your safety and that of others may be compromised.
- Do not use the product if any switches, guards or other functions does not work as intended. Return to an authorised service centre for professional repair or adjustment.

- Do not make any adjustments whilst the product is running.
- Always make sure the power plug has been removed from the mains power source before making adjustments, lubricating or when doing any maintenance on the product.
- Before and after each use, check the product for damage or broken parts. Keep the product in top working condition by immediately replacing parts with spares approved by the manufacturer.
- Clean out accumulated dust using a brush or vacuum cleaner. Do not use compressed air.
- To assure safety and reliability, all repairs, including changing brushes, should be performed by an authorised service centre.
- If the power supply cord is damaged, it must be replaced only by the manufacturer or by an authorised service centre to prevent damage to the grinder sander or risk of electrocution.

⚠ WARNING

For greater safety and reliability, all repairs should be performed by an Authorised Ryobi Service Centre.

TRANSPORTATION AND STORAGE

- When storing the product, disconnect the power cord. Store the product in a secure place that is not accessible to children.
- Clean the product using a brush and vacuum cleaner before storage.

ENVIRONMENTAL PROTECTION



Recycle raw materials instead of disposing of as waste. The machine, accessories and packaging should be sorted for environmental-friendly recycling.

SYMBOLS ON THE PRODUCT



Safety alert



CE conformity



Please read the instructions carefully before starting the machine.



Wear ear protection



Wear eye protection



Not for wet grinding or cutting



Do not use chipped, cracked or defective grinding wheel.



Wear safety gloves.



Size and speed of grinding wheel



Size and speed of sanding belt



Waste electrical products should not be disposed of with household waste. Please recycle where facilities exist. Check with your Local Authority or retailer for recycling advice.

⚠ WARNING

Indicates a potentially hazardous situation, which, if not avoided, could result in death or serious injury.

⚠ CAUTION

Indicates a potentially hazardous situation, which, if not avoided, may result in minor or moderate injury.

CAUTION

(Without Safety Alert Symbol) Indicates a situation that may result in property damage.

SYMBOLS IN THIS MANUAL



Plug in the product.



Unplug the product.



Waiting time for the product to reach full speed



Parts or accessories sold separately

The following signal words and meanings are intended to explain the levels of risk associated with this product:

⚠ DANGER

Indicates an imminently hazardous situation, which, if not avoided, will result in death or serious injury.



Votre ponceuse-meuleuse a été conçue en donnant priorité à la sécurité, à la performance et à la fiabilité.

UTILISATION PRÉVUE

- Cette ponceuse-meuleuse est conçue pour meuler et mettre en forme le métal. Ce produit peut être utilisé pour affûter les outils manuels en métal (par ex. burins, haches, ciseaux) et les forets et éliminer les bavures et les bords tranchants.
- Avec les bons accessoires, ce produit peut être utilisé pour nettoyer les surfaces en métal avec une brosse en métal ou pour polir et lustrer avec un disque de tissu.
- N'utilisez jamais le produit pour les tâches de découpe.

AVERTISSEMENTS GÉNÉRAUX DE SÉCURITÉ

⚠ AVERTISSEMENT

Lors de l'utilisation d'appareils électriques, il convient de respecter certaines précautions de sécurité de base afin de réduire les risques d'incendie, de décharge électrique et de blessure. Lisez toutes les instructions avant de tenter d'utiliser l'appareil et conservez ce manuel.

- **Gardez la zone de travail propre.** Les établis et les zones de travail encombrés sont propices aux blessures.
- **Prenez en considération l'environnement de travail.** N'exposez pas les outils à la pluie. N'utilisez pas d'outils en environnement humide ou mouillé. Gardez la zone de travail bien éclairée. N'utilisez pas d'outils en présence de gaz ou de liquides inflammables.
- **Protégez-vous des décharges électriques.** Évitez que votre corps entre en contact avec des surfaces reliées à la terre (par ex. tuyaux, radiateurs, cuisinières, réfrigérateurs).
- **Éloignez les autres personnes.** Ne laissez pas d'autres personnes, en particulier des enfants, intervenir dans votre travail ou toucher l'outil ou son câble d'alimentation, et éloignez-les de la zone de travail.
- **Rangez les outils inutilisés.** Les outils non utilisés doivent être rangés en un endroit sec, verrouillé et hors de portée des enfants.
- **Ne faites pas forcer l'outil.** Il effectuera un meilleur travail dans de meilleures conditions de sécurité s'il est utilisé dans les limites de ses capacités.
- **Utilisez un outil approprié.** Ne forcez pas sur un petit outil dans le but de lui faire effectuer un travail pour lequel un outil de plus grande puissance serait mieux adapté. N'utilisez pas un outil pour un usage pour lequel il n'a pas été conçu, par exemple, ne tentez pas de couper des branches ou des bûches à l'aide d'une scie circulaire.
- **Habilitez-vous de manière adaptée.** Ne portez pas de vêtements ou de bijoux amples, ils pourraient être happés par des pièces en mouvement. Il est recommandé de porter des chaussures antidérapantes lorsque vous travaillez à l'extérieur. Contenez les cheveux longs avec une protection adaptée.
- **Utilisez des équipements de protection.** Portez des lunettes de sécurité. Portez un masque facial ou un masque anti-poussière si l'opération produit de la poussière.
- **Connectez un dispositif d'aspiration des poussières.** Si un outil est prévu pour être relié à un dispositif d'aspiration et de collecte des poussières, assurez-vous que ce dispositif est en place et qu'il est utilisé de façon correcte.
- **Ne maltraitez pas le cordon.** Ne tirez jamais sur le câble d'alimentation pour le débrancher du secteur. Tenez le câble d'alimentation éloigné de la chaleur, des graisses et des bords coupants.
- **Sécurisez le travail.** Lorsque cela est possible, bloquez la pièce à travailler dans un étai ou avec des serre-joints. Ceci est plus sûr que d'utiliser votre main.
- **Ne travaillez pas en extension.** Gardez une position et un équilibre adaptés à tout moment.
- **Entretenez soigneusement les outils.** Gardez les outils de coupe propres et bien affûtés pour de meilleures performances et une sécurité accrue. Suivez les instructions concernant la lubrification et le changement d'accessoires. Vérifiez périodiquement les câbles d'alimentation des outils et faites-les remplacer par un service après-vente agréé en cas de dommage. Vérifiez régulièrement les rallonges électriques et remplacez-les en cas de dommage. Gardez les poignées propres, sèches, et exemptes d'huile et de graisse.
- **Débranchez les outils.** Débranchez les outils du secteur lorsque vous ne les utilisez pas, avant de les entretenir et lorsque vous en changez des accessoires tels que lames, forets et accessoires de coupe.
- **Retirez les clés et outils de réglage.** Prenez l'habitude de vérifier que les clés et outils de réglage ont été retirés de l'outil avant de le mettre en marche.
- **Prévenez les mises en marche accidentelles.** Assurez-vous que l'interrupteur est en position « off » (arrêt) avant de brancher l'outil.
- **Utilisez des rallonges prévues pour un usage extérieur.** Lorsque vous utilisez un outil à l'extérieur, n'utilisez que des rallonges prévues pour être utilisées à cet effet et marquées comme telles.
- **Restez vigilant.** Regardez ce que vous faites et faites preuve de bon sens. N'utilisez pas d'outils lorsque vous êtes sous l'influence de la drogue, de l'alcool ou de médicaments.
- **Vérifiez qu'aucune pièce n'est endommagée.** Avant de continuer à utiliser l'outil, vérifiez-le avec soin pour vous assurer qu'il peut fonctionner correctement et remplir sa fonction initiale. Vérifiez que les pièces en mouvement sont bien alignées et non tordues,



qu'aucune pièce n'est cassée ou mal montée, et qu'aucun autre problème n'est susceptible d'affecter le bon fonctionnement de l'appareil. Une protection ou toute autre pièce endommagée doit être correctement remplacée ou réparée par un service après-vente agréé sauf avis contraire dans ce manuel utilisateur. Faites remplacer les interrupteurs défectueux par un service après-vente agréé.

- **N'utilisez pas l'outil si son interrupteur marche/arrêt est inopérant.**
- **Avertissement.** L'utilisation d'accessoires ou d'additifs autres que ceux recommandés dans ce manuel peut entraîner un risque de blessures.
- **Faites réparer votre outil par du personnel qualifié.** Cét outil électrique est conforme aux règles de sécurité le concernant. Les réparations ne doivent être effectuées que par du personnel qualifié utilisant des pièces de rechange d'origine; dans le cas contraire, l'utilisateur s'exposerait à de graves dangers.

AVERTISSEMENTS DE SÉCURITÉ PONCEUSE-MEULEUSE

- La fiche doit être branchée dans une prise secteur correctement installée et reliée à la terre en accord avec les lois et codes locaux. Si vous n'êtes pas sûr de vous, faites vérifier la prise par un électricien agréé.
- Fixez le produit sur le plan de travail, le support de meulage ou un autre cadre rigide avant utilisation. Un produit non sécurisé n'est pas stable et peut bouger pendant le service. Cela peut entraîner un dommage ou une blessure.
- Fournissez un éclairage général ou ponctuel adéquat de manière à éviter les effets stroboscopiques et leurs dangers.
- Avant l'opération, inspectez les composants et les accessoires du produit afin de vous assurer qu'aucune condition ne peut affecter leur bon fonctionnement. Serrez les écrous de verrouillage du disque de meulage, les boulons de sécurité, toutes les broches et les protections.
- Avant chaque démarrage, vérifiez que le disque de meulage n'est pas endommagé. N'utilisez pas de disques endommagés ou déformés. Remplacez les disques de meulage endommagés conformément aux instructions.
- Vérifiez que le disque tourne librement avant chaque démarrage. Avec le produit débranché et l'interrupteur sur ARRÊT, faites tourner prudemment le disque à la main. Le disque ne doit entrer en contact avec aucun autre composant de la meule d'établi et il ne doit y avoir aucun colmatage ou autre condition pouvant affecter le bon fonctionnement.
- Pendant chaque démarrage, mettez-vous d'un côté du produit et appuyez sur MARCHE. Laissez la ponceuse-meuleuse fonctionner à pleine vitesse pendant une minute de sorte que les défauts ou craquelures non détectées du disque deviennent apparents. Ne faites pas entrer en contact le disque avec la pièce à usiner avant que le produit n'ait atteint sa vitesse maximale.
- Maintenez les mains et les parties du corps éloignées des disques de meulage. Tout contact avec le disque en rotation peut entraîner des blessures.
- Utilisez toujours des protections et des lunettes de sécurité. Laissez les protections en place et en état de fonctionner. Utiliser le produit sans protection ou avec des protections endommagées peut entraîner des blessures.
- Évitez les brûlures. Le meulage peut faire chauffer les éléments et le disque. Ne touchez pas le disque de meulage ou les éléments pouvant être chauds.
- N'utilisez pas le produit pour travailler sur des petits éléments ou des éléments ne pouvant pas être maintenus correctement. L'élément pourrait être projeté et provoquer une blessure.
- Ne meulez jamais sur le côté du disque. Cela briserait le disque. Meulez uniquement sur la face du disque.
- Ne laissez jamais la machine fonctionner sans surveillance. Arrêtez l'outil. Attention, la meule tourne par inertie après l'arrêt de l'outil. Ne vous éloignez pas de l'outil avant son arrêt complet.
- N'intervenez jamais derrière ou à côté des roues de meulage.
- Utilisez une protection auditive comme des bouchons ou des cache-oreilles pendant des périodes d'utilisation prolongées.
- Débranchez la fiche secteur avant d'effectuer tout réglage et toute opération d'entretien et de nettoyage. Le câble d'alimentation doit rester débranché lorsque vous entretenez votre produit.
- Ajustez les supports d'outil lorsque cela est nécessaire pour respecter une distance aussi courte que possible entre les supports de travail et les disques de meulage. Cette distance doit être inférieure ou égale à 2 mm. Le diamètre du disque de meulage diminuant avec l'utilisation, conservez la distance maximale du support de l'outil en la réglant.
- Ajustez les pare-étincelles lorsque cela est nécessaire pour respecter une distance aussi courte que possible entre les pare-étincelles et les disques de meulage. Cette distance doit être inférieure ou égale à 2 mm. Le diamètre du disque de meulage diminuant avec l'utilisation, conservez la distance maximale du pare-étincelles en la réglant.
- Si le support de l'outil est usé ou endommagé, remplacez-le par un support identique du centre de service après-vente autorisé.
- Lorsque vous mettez en place un nouveau disque de meulage, vérifiez toujours que les tours par minute maximum correspondent ou dépassent ceux indiqués sur le produit. Assurez-vous que le diamètre du disque et la taille de l'arbre sont conformes aux spécifications. Vérifiez toujours l'absence de détériorations sur le nouveau disque, telles que vue des défauts ou des craquelures.



INSTRUCTIONS DE SÉCURITÉ RELATIVES AU DISQUE DE MEULAGE

⚠ AVERTISSEMENT

Pour réduire le risque de blessure, l'utilisateur doit lire et respecter les instructions, les avertissements et le manuel d'utilisation avant de commencer à utiliser le disque de meulage. Le non-respect de ces avertissements pourrait entraîner le bris du disque, ce qui pourrait provoquer de graves blessures. Conservez ces instructions.

- L'utilisation de tout disque autre que le disque recommandé dans le manuel de la machine peut impliquer un risque de blessure. Utilisez uniquement des disques de meulage avec une vitesse supérieure ou égale à celle marquée sur la machine.
- N'utilisez jamais de disque de meulage trop épais qui empêcherait la bride extérieure de s'insérer dans la partie aplatie de l'axe de broche. Les disques de grand diamètre entreraient en contact avec les protections, tandis que les disques trop épais empêcheraient le boulon de bien bloquer le disque sur la broche. N'importe laquelle de ces situations peut entraîner de graves accidents.
- Ce disque est uniquement conçu pour meuler et former du métal. Ne l'utilisez pas pour la découpe.
- Ce disque de meulage est uniquement conçu pour le meulage à sec.
- N'utilisez de disques endommagés, dégradés, craquelés ou défectueux.
- Assurez-vous que le disque de meulage abrasif est bien fixé et serré avant utilisation.
- La machine ne doit jamais être raccordée à l'alimentation électrique lorsque vous installez ou retirez des disques de meulage.
- Rangez correctement votre disque de meulage de rechange.
 - Si possible, conservez-le dans son emballage original.
 - Rangez le disque dans un endroit sec à température ambiante.
 - Les disques peuvent être rangés à la verticale sur une étagère.
 - Ne permettez pas aux disques de chuter ou d'avoir un choc.

Informations disponibles sur l'étiquette du disque de meulage

Les informations sur l'étiquette du disque sont importantes. Lisez-les et vérifiez-les prudemment afin de garantir que vous sélectionnez le bon type de disque.

1. Fabricant, fournisseur, importateur ou marque commerciale.

2. Dimensions nominales du disque de meulage, notamment le diamètre du trou.
3. Type d'abrasion, taille du grain, degré ou dureté du grain, type de liant et utilisation de renfort.
4. Vitesse maximale de service en mètres par seconde.
5. Vitesse admissible maximale en 1/min.
6. Pour la déclaration de conformité, les produits abrasifs doivent être marqués EN 12413.
7. Symboles de restriction d'utilisation et d'avertissements de sécurité.
8. Code de traçabilité, par ex. un numéro de production/lot, numéro de série.

RISQUES RÉSIDUELS

Même lorsque le produit est utilisé selon les prescriptions, il reste impossible d'éliminer totalement certains facteurs de risque résiduels. Les dangers suivants risquent de se présenter en cours d'utilisation et l'utilisateur doit prêter particulièrement garde aux points suivants :

- Risque de contact avec les parties non protégées du disque en rotation.
- Risque de brûlure en cas de contact avec le disque ou la pièce de travail chaude.
- Atteinte au système respiratoire en cas de non-port d'un masque anti-poussière.
- Atteinte à l'audition en cas de non-port d'une protection auditive.

APPRENEZ À CONNAÎTRE VOTRE PRODUIT

Voir la page 107.

1. Écran anti-étincelles
2. Pare-étincelles
3. Carter de protection du disque
4. Outil de dressage de disque
5. Support de travail
6. Lampe de travail
7. Bouton d'ajustement de la courroie de ponçage
8. Bande abrasive
9. Support de travail
10. Bouton de verrouillage du support de travail
11. Bac d'eau
12. Interrupteur marche/arrêt
13. Trou de montage
14. Protection de bande de ponçage
15. Protection de ponceuse

ENTRETIEN

- Ne modifiez le produit d'aucune façon et n'utilisez aucun accessoire non recommandé par le fabricant. Votre sécurité et celle des autres pourrait en être affectée.
- N'utilisez pas le produit si un de ses interrupteurs, une de ses protections ou autre élément de fonctionne pas correctement. Retournez-le à un service après-vente agréé pour le faire remplacer ou réparer de façon professionnelle.



- N'effectuez aucun réglage lorsque le produit est allumé.
- Assurez-vous toujours que la prise a été débranchée du secteur avant d'effectuer des réglages, de procéder à une lubrification ou d'effectuer toute opération d'entretien sur le produit.
- Avant et après chaque utilisation du produit, vérifiez l'absence de dommages et d'éléments abîmés. Gardez le produit en parfait état de fonctionnement en remplaçant immédiatement les pièces avec des pièces détachées agréées par le fabricant.
- Retirez la sciure accumulée à l'aide d'un pinceau ou d'un aspirateur. N'utilisez pas de l'air comprimé.
- Pour plus de sécurité et de fiabilité, toutes les réparations, changement des charbons compris, doivent être effectuées par un service après-vente agréé.
- Si le câble d'alimentation est endommagé, il ne doit être remplacé que par le fabricant ou par un service après-vente agréé, afin d'éviter d'endommager la meule et tout risque d'électrocution.

⚠ AVERTISSEMENT

Pour plus de sécurité et de fiabilité, toutes les réparations doivent être effectuées par un service après-vente agréé Ryobi.

TRANSPORT ET STOCKAGE

- Lors du stockage du produit, débranchez le câble d'alimentation. Rangez le produit dans un endroit sûr, hors de portée des enfants.
- Nettoyez le produit à l'aide d'un pinceau ou d'un aspirateur avant de le ranger.

PROTECTION DE L'ENVIRONNEMENT



Recyclez les matières premières au lieu de les jeter avec les ordures ménagères. Pour protéger l'environnement, l'outil, les accessoires et les emballages doivent être triés.

SYMBOLES APPLIQUÉS SUR LE PRODUIT



Alerte de sécurité



Conformité CE



Veillez lire attentivement le mode d'emploi avant de démarrer la machine.



Portez une protection auditive



Portez une protection oculaire



Ne convient pas au meulage ou à la découpe à l'eau



N'utilisez pas de meule ébréchée, fendue ou défectueuse



Portez des gants de sécurité



Taille et vitesse du disque de meulage



Taille et vitesse de la bande de ponçage



Les produits électriques hors d'usage ne doivent pas être jetés avec les ordures ménagères. Recyclez-les par l'intermédiaire des structures disponibles. Contactez les autorités locales ou votre distributeur pour vous renseigner sur les conditions de recyclage.

SYMBOLES PRÉSENTS DANS LE MANUEL



Branchez le produit.



Débranchez le produit.



Durée d'atteinte de la vitesse maximale du produit



Pièces détachées et accessoires vendus séparément

Les symboles suivants, et les noms qui leur sont associés, permettent d'expliquer les différents niveaux de risques liés à l'utilisation de cet outil.

⚠ DANGER

Imminence d'un danger qui, si l'on n'y prend garde, peut entraîner des blessures graves voire mortelles.

⚠ AVERTISSEMENT

Situation potentiellement dangereuse qui, si l'on n'y prend garde, peut entraîner des blessures graves voire mortelles.

⚠ ATTENTION

Situation potentiellement dangereuse qui, si l'on n'y prend garde, peut entraîner des blessures moyennes ou légères.

ATTENTION

(Sans symbole de sécurité) Indique une situation pouvant provoquer des dommages matériels.



Sicherheit, Leistung und Zuverlässigkeit hatten oberste Priorität bei der Entwicklung Ihres Schleifbocks.

BESTIMMUNGSGEMÄSSE VERWENDUNG

- Dieser Bandschleifer wurde zum Schleifen und Formen von Metall entwickelt. Das Gerät kann eingesetzt werden, um Handwerkzeuge aus Metall zu schärfen (z. B. Meißel, Äxte und Messer) oder um Grate oder scharfe Kanten zu entfernen.
- Mit dem richtigen Zubehör kann das Gerät genutzt werden, um Metalloberflächen mit einer Drahtbürste zu reinigen oder mit einer Stoffscheibe zu polieren.
- Nutzen Sie das Gerät niemals zum Abschneiden von Gegenständen.

ALLGEMEINE SICHERHEITSWARNUNGEN

WARNUNG

Bei der Verwendung elektrischer Werkzeuge sollten immer einige grundlegende Sicherheitsvorkehrungen getroffen werden, um die Gefahr von Feuer, Stromschlag und Verletzungen zu verringern. Lesen Sie vor der Benutzung des Produkts die Anleitung vollständig durch und bewahren Sie die Anleitung auf.

- **Halten Sie den Arbeitsbereich frei.** Unordentliche Bereiche und Werkbänke können zu Unfällen führen.
- **Beachten Sie die Arbeitsumgebung.** Setzen Sie Werkzeuge nicht dem Regen aus. Verwenden Sie Werkzeuge nicht an feuchten oder nassen Orten. Beleuchten Sie den Arbeitsbereich gut. Benutzen Sie Werkzeuge nicht in der Nähe von brennbaren Flüssigkeiten oder Gasen.
- **Schutz vor Stromschlag.** Vermeiden Sie Körperkontakt mit geerdeten Oberflächen (z.B. Rohre, Heizkörper, Herde, Kühlschränke).
- **Halten Sie andere Personen fern.** Lassen Sie keine anderen Personen, insbesondere Kinder, sich an der Arbeit beteiligen, das Werkzeug oder Verlängerungskabel berühren, und halten Sie sie von dem Arbeitsbereich fern.
- **Aufbewahrung unbenutzter Werkzeuge.** Das Werkzeug sollte an einem trockenen und verschlossenen Ort außerhalb der Reichweite von Kindern aufbewahrt werden, wenn es nicht benutzt wird.
- **Betätigen Sie das Werkzeug nicht mit Gewalt.** Es wird die Arbeit mit der Geschwindigkeit, für die es ausgelegt wurde, besser und sicherer erledigen.
- **Benutzen Sie das richtige Werkzeug.** Verwenden Sie keine kleinen Werkzeuge mit Gewalt um Arbeiten auszuführen, für die ein leistungsstärkeres Werkzeug besser geeignet wäre. Verwenden Sie Werkzeuge nicht für Zwecke, für die sie nicht vorgesehen sind, zum Beispiel, benutzen Sie Kreissägen nicht um Äste oder Baumstämme zu sägen.
- **Tragen Sie geeignete Kleidung.** Tragen Sie keine lockere Kleidung oder Schmuck; diese könnten sich in beweglichen Teilen verfangen. Rutschfestes Schuhwerk wird für die Arbeit im Freien empfohlen. Tragen Sie eine schützende Haarbedeckung zum Zurückhalten langer Haare.
- **Benutzen Sie Schutzausrüstung.** Benutzen Sie eine Schutzbrille. Benutzen Sie eine Sicherheits- oder Staubmaske, wenn die Arbeitsbedingungen Staub erzeugen.
- **Schließen Sie ein Gerät zur Staubabsaugung an.** Wenn das Werkzeug über einen Anschluss zu Geräten zur Staubabsaugung und -sammlung verfügt, stellen Sie sicher, dass diese Geräte angeschlossen sind und ordentlich eingesetzt werden.
- **Das Stromkabel nicht überstrapazieren.** Ziehen Sie niemals am Kabel und den Stecker aus der Steckdose zu ziehen. Halten Sie das Kabel fern von Hitze, Öl, und scharfen Kanten.
- **Sichern Sie das Werkstück.** Benutzen Sie wenn möglich Klemmen oder einen Schraubstock um das Werkstück zu halten. Es ist sicherer, als Ihre Hand zu benutzen.
- **Vermeiden Sie eine abnormale Körperhaltung.** Sorgen Sie für einen sicheren Stand und halten Sie jederzeit das Gleichgewicht.
- **Pflegen Sie Werkzeuge.** Halten Sie Schneidwerkzeuge für eine bessere und sicherere Leistung scharf und sauber. Befolgen Sie die Anweisungen zum Ölen und dem Austausch von Zubehörteilen. Überprüfen Sie das Werkzeug regelmäßig und lassen es von einem autorisierten Kundendienst reparieren. Überprüfen Sie Verlängerungskabel regelmäßig und tauschen Sie sie bei Beschädigung aus. Halten Sie die Griffe trocken, sauber und frei von Öl und Schmierstoffen.
- **Trennen Sie die Werkzeuge von der Stromquelle.** Trennen Sie Werkzeuge vom Stromnetz, wenn sie nicht benutzt werden und Zubehörteile wie Klingen, Bits und Messer gewechselt werden.
- **Entfernen Sie Einstellhilfen und Schraubenschlüssel.** Machen Sie es sich zur Gewohnheit, vor Einschalten des Geräts zu prüfen, ob alle Einstellhilfen und Schraubenschlüssel etc. von dem Werkzeug entfernt wurden.
- **Vermeiden Sie unabsichtliches Starten.** Stellen Sie vor dem Einstecken des Steckers, das der Schalter in der "Aus" Position ist.
- **Benutzen Sie Verlängerungskabel, die zur Benutzung im Freien geeignet sind.** Verwenden Sie bei der Arbeit mit diesem Werkzeug im Freien nur Verlängerungskabel, die auch zum Gebrauch im Freien geeignet und entsprechend gekennzeichnet sind.
- **Bleiben Sie wachsam.** Achten Sie auf das, was sie tun, und setzen Sie Ihren gesunden Menschenverstand ein. Verwenden Sie Ihr Gerät nicht, wenn Sie unter dem Einfluss von Alkohol oder Drogen stehen, oder wenn Sie Medikamente einnehmen.





- **Überprüfen Sie beschädigte Teile.** Vor der weiteren Benutzung des Werkzeugs sollte es sorgfältig überprüft werden, um festzustellen, dass es ordnungsgemäß funktioniert und die vorgesehene Funktion erfüllt. Überprüfen Sie die Ausrichtung beweglicher Teile, ob bewegliche Teile klemmen, Beschädigungen von Teilen, Befestigungen und andere Umstände, die sich auf den Betrieb auswirken könnten. Eine Schutzvorrichtung oder ein anderes Teil, das beschädigt ist, muss, sofern in dieser Gebrauchsanweisung nichts anderes angegeben ist, durch den autorisierten Kundendienst ordnungsgemäß repariert oder ausgetauscht werden. Lassen Sie defekte Schalter durch einen autorisierten Kundendienst austauschen.
- **Verwenden Sie das Produkt nicht, falls es sich durch den Schalter nicht ein- und ausschalten lässt.**
- **Warnung.** Die Verwendung von anderen als den in diesen Anweisungen empfohlenen Zubehörteilen kann eine Gefahr von Körperverletzungen bedeuten.
- **Lassen Sie Ihr Werkzeug von einer qualifizierten Person reparieren.** Dieses Elektrowerkzeug erfüllt die entsprechenden Sicherheitsregeln. Reparaturen sollten nur von qualifizierten Personen mit Originalersatzteilen durchgeführt werden, sonst können beträchtliche Gefahren für den Benutzer entstehen.

SICHERHEITSHINWEISE FÜR DEN BANDSCHLEIFER

- Der Stecker muss in eine entsprechende Steckdose, die ordnungsgemäß installiert und gemäß sämtlicher regionaler Vorschriften und Verordnungen geerdet ist, gesteckt werden. Wenn Sie nicht sicher sind, lassen Sie die Steckdose von einem Elektriker prüfen.
- Befestigen Sie das Gerät vor der Benutzung sicher auf der Werkbank, einem Schleifstand oder einem anderen starren Rahmen. Wenn das Gerät nicht gesichert wird, ist es instabil und kann sich während des Betriebs bewegen. Dies kann zu Beschädigungen und Verletzungen führen.
- Sorgen Sie für ausreichend allgemeine und punktuelle Beleuchtung, um Stroboskopeffekt und Gefahren zu verhindern.
- Prüfen Sie vor dem Betrieb die Komponenten und Zubehörteile des Geräts, um sicherzustellen, dass der korrekte Betrieb nicht eingeschränkt wird. Ziehen Sie die Sicherungsmuttern der Schleifscheibe, die Sicherungsbolzen und alle Klemmen und Schutze fest.
- Untersuchen Sie die Schleifscheibe vor jedem Arbeitsbeginn auf Schäden. Verwenden Sie keine beschädigten oder deformierten Schleifscheiben. Ersetzen Sie alle beschädigten Schleifscheiben gemäß Anleitung.
- Prüfen Sie vor jedem Start, dass die Schleifscheibe frei läuft. Schalten Sie das Gerät AUS, unterbrechen Sie die Stromzufuhr und drehen Sie die Scheibe dann vorsichtig mit der Hand. Die Scheibe sollte die Teile des Schleifbocks nicht berühren, und sie sollte sich weder festfressen noch sollten andere Umstände bestehen, die den korrekten Betrieb beeinträchtigen können.
- Stellen Sie sich bei jedem Starten neben das Gerät und schalten Sie es EIN. Lassen Sie den Schleifbock eine Minute lang bei höchster Geschwindigkeit laufen, sodass alle unerkannten Fehler oder Probleme offensichtlich werden. Berühren Sie die Schleifscheibe erst dann mit dem Werkstück, wenn die Höchstgeschwindigkeit erreicht ist.
- Halten Sie die Hände und alle anderen Körperteile von der Schleifscheibe fern. Das Berühren der rotierenden Scheibe kann zu Verletzungen führen.
- Nutzen Sie immer Schutzvorrichtungen und einen Augenschutz. Behalten Sie die Abdeckungen an Ort und Stelle und funktionsfähig. Das Benutzen des Geräts ohne Schutzvorrichtungen oder mit beschädigten Schutzvorrichtungen kann zu Verletzungen führen.
- Vermeiden Sie Verbrennungen. Das Schleifen kann dazu führen, dass Gegenstände und die Schleifscheibe heiß werden. Berühren Sie die Schleifscheibe und Gegenstände, die heiß sein können, nicht.
- Nutzen Sie das Gerät nicht zur Bearbeitung von kleinen Gegenständen oder Gegenständen, die nicht korrekt gehalten werden können. Der Gegenstand kann fallengelassen werden, und dies kann zu Verletzungen führen.
- Schleifen Sie niemals seitlich an der Scheibe. Die Scheibe bricht dann. Schleifen Sie ausschließlich an der Oberfläche der Scheibe.
- Lassen Sie das Werkzeug während es sich in Betrieb befindet niemals unbeaufsichtigt. Schalten Sie das Werkzeug aus. Beachten Sie, dass die Schleifscheibe nach dem Ausschalten erst nach einigen Momenten zu einem vollständigen Stillstand kommt. Verlassen Sie das Werkzeug nicht, bis es vollständig angehalten ist.
- Greifen Sie niemals hinter oder neben die Schleifscheibe.
- Nutzen Sie bei längeren Arbeitsvorgängen einen Gehörschutz wie Ohrstöpsel oder einen Gehörschutz.
- Ziehen Sie den Stecker aus der Steckdose bevor Sie Einstellungen vornehmen oder Wartungsarbeiten durchführen. Wenn Sie das Gerät warten, muss die Stromzufuhr unterbrochen sein.
- Stellen Sie die Werkstückauflage bei Bedarf nach, damit die Entfernung zwischen Auflage und Schleifscheibe möglichst gering ist. Dieser Abstand sollte maximal 2 mm betragen. Wenn der Durchmesser der Schleifscheibe durch die Nutzung abnimmt, behalten Sie den maximalen Abstand zur Werkstückauflage durch Nachstellen bei.
- Stellen Sie die Funkenfänger bei Bedarf nach, damit die Entfernung zwischen den Funkenfängern und der Schleifscheibe möglichst gering ist. Dieser Abstand sollte maximal 2 mm betragen. Wenn der Durchmesser der Schleifscheibe durch die Nutzung



abnimmt, behalten Sie den maximalen Abstand zum Funkenfänger durch Nachstellen bei.

- Wenn die Werkstückauflage verschlissen oder beschädigt wird, ersetzen Sie sie durch eine identische Auflage aus dem autorisierten Servicecenter.
- Wenn Sie eine neue Schleifscheibe einsetzen, prüfen Sie immer, dass die angegebene Geschwindigkeit in RPM der des Geräts entspricht oder höher ist. Stellen Sie sicher, dass der Durchmesser der Scheibe und die Achselgröße den in den Spezifikationen angegebenen Maßen entsprechen. Prüfen Sie auch die neue Scheibe auf Beschädigungen wie Fehler oder Risse.

SICHERHEITSHINWEISE FÜR DIE SCHLEIFSCHEIBE

⚠ WARNUNG

Um das Verletzungsrisiko zu minimieren, muss der Benutzer die Anleitungen und Warnungen sowie die Bedienungsanleitung vor der Nutzung der Schleifscheibe lesen und sie einhalten. Die Nichtbeachtung dieser Warnungen kann zu Bruch der Scheibe und schweren Verletzungen führen. Bewahren Sie diese Anleitung auf.

- Die Nutzung einer anderen als der in der Bedienungsanleitung angegebenen Schleifscheibe kann zu einem Verletzungsrisiko führen. Verwenden Sie ausschließlich Schleifscheiben, die mit einer Geschwindigkeit gekennzeichnet sind, die der des Geräts entspricht bzw. höher ist.
- Verwenden Sie außerdem niemals eine Trennscheibe die für den Außenflansch zu dick ist um in den flachen Bereich der Spindel zu greifen. Größere Trennscheiben geraten in Kontakt mit der Schutzabdeckung, während dickere Trennscheiben verhindern, dass die Trennscheibe sicher mit der Schraube an der Spindel befestigt werden kann. Diese Situationen können zu schweren Unfällen mit schweren Verletzungen führen.
- Diese Schleifscheibe ist zum Schleifen und Formen von Metall geeignet. Schneiden Sie mit dieser Scheibe keine Gegenstände.
- Diese Schleifscheibe ist nur zum trockenen Schleifen geeignet.
- Verwenden Sie keine beschädigten Schleifscheiben oder Scheiben, die gesprungen, rissig oder auf andere Art defekt sind.
- Stellen Sie vor der Nutzung sicher, dass die abrasive Schleifscheibe korrekt eingesetzt und festgezogen ist.
- Das Gerät sollte niemals an die Stromzufuhr angeschlossen sein, während Sie Schleifscheiben installieren oder entfernen.
- Bewahren Sie Ihre Ersatz-Schleifscheibe sorgfältig auf.
 - Bewahren Sie die Scheibe möglichst in der Originalverpackung auf.

- Bewahren Sie die Scheibe bei Zimmertemperatur in einem trockenen Bereich auf.
- Die Scheiben können vertikal auf einem Regal gelagert werden.
- Die Scheiben sollten weder fallen noch Stöße erleiden.

Auf dem Etikett der Schleifscheibe vorhandene Informationen

Die Informationen auf dem Etikett der Schleifscheibe sind wichtig. Lesen und prüfen Sie sie aufmerksam, um sicherzustellen, dass Sie die richtige Schleifscheibe auswählen.

1. Hersteller, Lieferant, Importeur oder Markenzeichen
2. Die Nenngröße der Schleifscheibe, insbesondere der Durchmesser der Bohrung
3. Abrasionstyp, Körnungsgröße, Grad oder Härte, Art der Bindung und Nutzung einer Verstärkung
4. Maximale Betriebsgeschwindigkeit in Metern pro Sekunde
5. Maximale Drehzahl in Umdrehungen pro Minute
6. Für Konformitätserklärungen werden die abrasiven Produkte mit EN 12413 gekennzeichnet.
7. Verwendungsbeschränkung und Warnsymbole
8. Rückverfolgbarkeitscode, z.B. eine Produktions-/Chargennummer, Seriennummer

RESTRISIKEN

Sogar wenn das Produkt wie vorgeschrieben benutzt wird, ist es unmöglich ein gewisses Restrisiko vollständig auszuschließen. Die folgenden Gefahren können bei der Benutzung entstehen, und der Benutzer sollte besonders auf folgende Punkte achten:

- Risiko bei Berührung mit ungeschützten Teilen der rotierenden Scheibe
- Verbrennungsgefahr beim Kontakt mit der heißen Schleifscheibe oder dem Werkstück.
- Verletzung des Atemsystems, wenn eine wirksame Staubmaske nicht getragen wird.
- Schäden am Gehör, wenn ein wirksamer Gehörschutz nicht getragen wird.

MACHEN SIE SICH MIT IHREM PRODUKT VERTRAUT

Siehe Seite 107.

1. Funkenschutz
2. Funkenfänger
3. Schutzabdeckung
4. Werkzeug zum Abrichten der Schleifscheibe
5. Werkstückauflage
6. Arbeitslampe
7. Schleifband Einstellknopf
8. Schleifband
9. Werkstückauflage
10. Sperrknopf für die Werkstückauflage
11. Wasserschale



- 12. Ein-/Ausschalter
- 13. Befestigungsloch
- 14. Schleifbandschutz
- 15. Schleifgeräteschutz

WARTUNG UND PFLEGE

- Verändern Sie das Produkt nicht auf irgendeine Weise oder verwenden Zubehör das nicht vom Hersteller empfohlen ist. Ihre Sicherheit und die anderer könnte beeinträchtigt sein.
- Benutzen Sie das Produkt nicht, wenn irgendwelche Schalter oder andere Funktionen nicht wie vorgesehen funktionieren. An einen autorisierten Kundendienst zur professionellen Reparatur oder Einstellung zurückgeben.
- Verändern Sie die Einstellungen nicht, während das Gerät läuft.
- Stellen Sie sicher, dass der Netzstecker aus der Steckdose gezogen ist, bevor Sie Einstellungen vornehmen, schmieren oder andere Wartungsarbeiten an dem Produkt durchführen.
- Überprüfen Sie das Produkt vor und nach jeder Benutzung auf Schäden und beschädigte Teile. Halten Sie das Produkt in optimalem Betriebszustand, indem sie Teile sofort mit vom Hersteller empfohlenen Ersatzteilen ersetzen.
- Reinigen Sie angesammelten Staub mit einer Bürste oder Staubsauger. Nutzen Sie keine Druckluft.
- Alle Reparaturen, einschließlich dem Wechseln der Bürsten, sollten zur besseren Sicherheit und Zuverlässigkeit von einem autorisierten Kundendienst durchgeführt werden.
- Wenn das Netzkabel beschädigt ist darf es nur vom Hersteller oder einem autorisierten Kundendienst ersetzt werden, um Gefahren zu vermeiden.

⚠️ WARNUNG

Für eine höhere Sicherheit und Zuverlässigkeit müssen alle Reparaturen von einem autorisierten Ryobi-Kundendienst durchgeführt werden.

TRANSPORT UND AUFBEWAHRUNG

- Trennen Sie das Netzkabel, wenn Sie das Produkt lagern. Lagern Sie das Produkt an einem sicheren Ort, der für Kinder nicht zugänglich ist.
- Reinigen Sie das Produkt mit einer Bürste und einem Staubsauger, bevor Sie es einlagern.

UMWELTSCHUTZ



Recyceln Sie die Rohstoffe, anstatt sie im Haushaltsabfall zu entsorgen. Zum Schutz der Umwelt müssen das Gerät, die Zubehörteile und die Verpackungen getrennt entsorgt werden.

SYMBOLE AUF DEM PRODUKT



Sicherheitswarnung



CE Konformität



Bitte lesen Sie die Anweisungen sorgfältig, bevor Sie das Gerät einschalten.



Gehörschutz tragen



Augenschutz tragen



Nicht für nasses Schleifen oder Schneiden



Benutzen Sie keine angeschlagene, gebrochene oder defekte Schleifscheibe



Tragen Sie Sicherheitshandschuhe



Größe und Geschwindigkeit der Schleifscheibe



Größe und Geschwindigkeit des Schleifbands



Elektrische Geräte sollten nicht mit dem übrigen Müll entsorgt werden. Bitte entsorgen Sie diese an den entsprechenden Entsorgungsstellen. Wenden Sie sich an die örtliche Behörde oder Ihren Händler, um Auskunft über die Entsorgung zu erhalten.



EN
FR
DE
ES
IT
NL
PT
DA
SV
FI
NO
RU
PL
CS
HU
RO
LV
LT
ET
HR
SL
SK
EL
TR
UK

SYMBOLE IN DER BEDIENUNGSANLEITUNG



Verbinden Sie das Gerät mit dem Stromnetz.



Stecken Sie das Werkzeug aus.



Wartezeit, bis das Gerät die Arbeitsgeschwindigkeit erreicht



Teile oder Zubehör getrennt erhältlich

Mit den folgenden Symbolen wird die Bedeutung der verschiedenen Risikostufen, die mit dem Produkt einhergehen, dargestellt.

⚠ GEFAHR

Bezeichnet eine unmittelbare Gefahrensituation, die, falls nicht vermieden, zum Tode oder schweren Verletzungen führen kann.

⚠ WARNUNG

Bezeichnet eine mögliche Gefahrensituation, die, falls nicht vermieden, zum Tode oder schweren Verletzungen führen kann.

⚠ ACHTUNG

Bezeichnet eine mögliche Gefahrensituation, die, falls nicht vermieden, zu kleineren und mittleren Verletzungen führen kann.

ACHTUNG

(Ohne Warnsymbol) weist auf eine Situation hin, die zu Sachschaden führen kann.



La seguridad, el rendimiento y la fiabilidad han sido las máximas prioridades a la hora de diseñar esta lijadora amoladora.

USO PREVISTO

- Esta lijadora amoladora está concebida para amolar y moldear metal. Se puede utilizar para afilar herramientas manuales metálicas (p. ej. cinceles, hachas y cuchillos) o brocas, y eliminar rebabas o bordes afilados.
- Con los accesorios adecuados, el producto se puede utilizar para limpiar superficies metálicas utilizando un cepillo metálico o para pulir y abrillantar utilizando un disco de tela.
- Nunca utilice el producto para operaciones de corte.

ALERTA DE SEGURIDAD GENERAL

⚠ ADVERTENCIA

Cuando use herramientas eléctricas, siempre deben seguirse las precauciones básicas de seguridad para reducir el riesgo de incendio, descarga eléctrica y lesiones personales. Lea todas las instrucciones antes de utilizar el producto y guarde estas instrucciones.

- **Mantenga el área de trabajo limpia.** Las áreas y los bancos de trabajo desordenados propician los daños corporales.
- **Tenga en cuenta el entorno del área de trabajo.** No exponga las herramientas a la lluvia. No utilice herramientas en lugares húmedos o mojados. Mantenga limpia el área de trabajo. No utilice las herramientas en presencia de líquidos o gases inflamables.
- **Protección contra descargas eléctricas.** Evite el contacto corporal con superficies conectadas a tierra (por ejemplo, tuberías, radiadores, estufas y refrigeradores).
- **Mantenga a otras personas alejadas.** No deje que otras personas, especialmente niños, participen en el trabajo, toquen la herramienta o el alargador, y manténgalos alejados del área de trabajo.
- **Guarde las herramientas inactivas.** Cuando no esté en uso, la herramienta debe guardarse en un lugar seco, bajo llave, fuera del alcance de los niños.
- **No fuerce la herramienta.** Realizará un trabajo mejor y más seguro a la velocidad para la que ha sido diseñada.
- **Utilice la herramienta adecuada.** No utilice herramientas pequeñas para realizar el trabajo de una grande. No utilice las herramientas para otros fines distintos de los previstos, por ejemplo, no utilice sierras circulares para cortar ramas o troncos de árboles.
- **Vístase adecuadamente.** No utilice ropa holgada o joyas, ya que pueden quedar atrapados en las piezas móviles. Para trabajos exteriores se recomienda calzado antideslizante. Use cobertura de protección para el cabello para amarrar el cabello largo.
- **Utilice un equipo de protección.** Utilice gafas de seguridad. Utilice una mascarilla para la cara o contra el polvo en caso de que el trabajo origine polvo.
- **Conecte el equipo aspirador de polvo.** Si existe una herramienta para la conexión de accesorios de recogida y extracción de polvo, asegúrese de que está conectada y que se utilizan adecuadamente.
- **Utilice correctamente el cable.** Nunca tire del cable para desenchufarlo. Mantenga el cable lejos de fuentes de calor, aceite y bordes afilados.
- **Fije la pieza de trabajo.** Si es posible, utilice abrazaderas o un torno de banco para sujetar el trabajo. Es más seguro que utilizar la mano.
- **No realice sobreesfuerzos.** Mantenga un equilibrio adecuado en todo momento.
- **Utilice las herramientas con cuidado.** Mantenga las herramientas de corte afiladas y limpias para que realicen un trabajo mejor y más seguro. Siga las instrucciones de lubricación y cambio de accesorios. Inspeccione periódicamente los cables y si están dañados llévelos a un centro de servicio autorizado. Revise las prolongaciones periódicamente y sustitúyalas si están dañadas. Mantenga las asas secas, limpias y libres de aceite y grasa.
- **Desconecte las herramientas.** Desenchufe las herramientas cuando no se encuentren en uso, antes de realizar cualquier reparación y cuando cambie accesorios como hojas, puntas y cuchillas.
- **Retire las llaves de ajuste.** Compruebe siempre que las llaves de ajuste no se encuentran en la herramienta antes de encenderla.
- **Evite el arranque accidental de la herramienta.** Asegúrese de que el interruptor se encuentra en la posición "off" cuando enchufe la herramienta.
- **Utilice alargadores para exterior.** Cuando utilice una herramienta al aire libre, utilice únicamente cables de extensión que estén destinados para uso en exteriores y que así lo indiquen.
- **Manténgase alerta.** Fíjese siempre en lo que está haciendo y utilice el sentido común. No use su herramienta si está bajo los efectos del alcohol o de drogas, o si toma medicamentos.
- **Compruebe que no haya piezas dañadas.** Antes de seguir utilizando la herramienta, esta deberá ser minuciosamente comprobada para determinar si va a funcionar adecuadamente y realizar su función prevista. Compruebe la alineación y el acoplamiento de las piezas móviles, la rotura de piezas, el montaje y cualquier otro problema que pueda afectar a su funcionamiento. Una protección u otra parte que esté dañada debería ser debidamente reparada o sustituida en el centro de servicio autorizado a menos que se indique lo contrario en este manual de instrucciones. Los enchufes defectuosos deben ser sustituidos por un centro de reparación autorizado.



- **No utilice la herramienta si el interruptor no enciende ni apaga.**
- **Advertencia.** El uso de cualquier accesorio o complemento no recomendado en este manual de instrucciones puede suponer un riesgo de lesión personal.
- **La herramienta deberá ser reparada por personal cualificado.** Esta herramienta eléctrica cumple con las normas de seguridad correspondientes. Las reparaciones sólo deberán ser realizadas por personal cualificado y utilizando recambios originales, en caso contrario podría producirse un grave peligro para el usuario.

ADVERTENCIAS DE SEGURIDAD DE LA LIJADORA AMOLADORA

- El enchufe debe estar conectado a la toma correspondiente que está instalada adecuadamente y que se una toma de tierra según todos los códigos y ordenanzas locales. Si no está seguro, solicite a un electricista certificado que revise el receptáculo.
- Monte el producto firmemente en el banco de trabajo, el soporte de molienda u otra estructura rígida antes de ponerlo en funcionamiento. Un producto sin fijar es inestable y puede desplazarse durante el funcionamiento. Esto puede provocar daños o lesiones.
- Proporcione una iluminación general y localizada adecuada a fin de evitar efectos estroboscópicos y otros peligros.
- Antes de ponerlo en marcha, inspeccione los componentes y los accesorios del producto para garantizar que no haya condiciones que puedan afectar su correcto funcionamiento. Apriete las tuercas de bloqueo de la muela, los pernos de fijación y todas las abrazaderas y protectores.
- Antes de cada puesta en marcha, inspeccione la muela en busca de daños. No utilice muelas dañadas o deformes. Sustituya las muelas dañadas de conformidad con las instrucciones.
- Verifique que la muela rota libremente antes de cada puesta en marcha. Con el producto desconectado y el interruptor en OFF, haga girar la muela con la mano. La muela no debe entrar en contacto con ningún componente de la amoladora de banco y no debe haber ninguna unión ni otras condiciones que puedan afectar el correcto funcionamiento.
- Durante cada puesta en marcha, permanezca a un lado de la máquina y accione el interruptor ON. Deje que la amoladora funcione a su máxima velocidad durante un minuto para que aparezcan defectos o grietas no detectados. No ponga en contacto la muela con la pieza de trabajo hasta que el producto haya alcanzado su máxima velocidad.
- Mantenga las manos y las partes del cuerpo alejadas de las muelas. Entrar en contacto con la muela giratoria puede causar lesiones.
- Utilice siempre protectores y viseras protectoras. Mantenga las protecciones en su lugar y en perfecto estado. Utilizar el producto sin protectores o con protectores dañados puede provocar lesiones.
- Evite quemaduras. La molienda puede provocar que los componentes y la muela se calienten. No toque la muela ni los componentes que puedan estar calientes.
- No utilice el producto para trabajar con componentes pequeños o componentes que no se puedan sostener correctamente. El componente puede salir proyectado y provocar lesiones.
- No amuele nunca en el lateral de la muela. La muela se desmenuzará. Amuele únicamente en la cara de la muela.
- Nunca deje desatendida una herramienta en funcionamiento. Apague la herramienta. Atención, la muela sigue girando por inercia después de que se pare la herramienta. No suelte la herramienta hasta que se detenga por completo.
- Nunca alcance detrás o debajo de las muelas.
- Utilice protectores auditivos, como tapones u orejeras, durante periodos prolongados de uso.
- Desenchufe la herramienta antes de realizar cualquier ajuste, reparación o tarea de mantenimiento. El cable de alimentación debe permanecer desconectado siempre que realice trabajos de mantenimiento en el producto.
- Ajuste los soportes de herramientas cuando sea necesario para mantener la menor distancia posible entre los soportes de trabajo y las muelas. Esta distancia debe ser inferior o igual a 2 mm. Como el diámetro de la muela disminuye con el uso, mantenga la distancia máxima de soporte de la herramienta ajustándola.
- Ajuste los protectores de chispas cuando sea necesario para mantener la menor distancia posible entre los soportes de trabajo y las muelas. Esta distancia debe ser inferior o igual a 2 mm. Como el diámetro de la muela disminuye con el uso, mantenga la distancia máxima de los protectores de chispas ajustándola.
- Si el soporte de trabajo se desgasta o daña, sustitúyalo por una pieza de recambio idéntica de un centro de servicio autorizado.
- Cuando coloque una nueva muela, compruebe siempre que las RPM máximas indicadas alcanzan o superan las indicadas en el producto. Asegúrese de que el diámetro de la muela y el tamaño del árbol cumplen lo establecido en las indicaciones. También debe verificar la nueva muela en busca de daños, como defectos o grietas.



INSTRUCCIONES DE SEGURIDAD DE LA MUELA

⚠ ADVERTENCIA

Para reducir el riesgo de lesiones, el usuario debe leer y cumplir las instrucciones, las advertencias y el manual para operadores antes de empezar a utilizar esta muela. No prestar atención a esta advertencia podría causar daños personales. Guarde estas instrucciones.

- El uso de cualquier muela que no sea la recomendada en el manual de instrucciones de la máquina puede suponer un riesgo de lesión personal. Utilice únicamente muelas que hayan indicado una velocidad igual o superior a la indicada en la máquina.
- No use un disco que sea demasiado grueso para dejar que el reborde entre en contacto con las marcas del eje. Los discos más grandes entrarán en contacto con los protectores del disco, mientras que los discos más gruesos evitarán que el tornillo se afloje en el eje. Cualquiera de estas situaciones podría resultar en un accidente grave y causar lesiones personales graves.
- Esta muela está concebida para amolar y moldear metal. No intente realizar operaciones de corte.
- Esta muela solo es adecuada para la molienda en seco.
- No utilice muelas dañadas, astilladas, agrietadas o defectuosas.
- Asegúrese de que la muela abrasiva está correctamente colocada y apretada antes de utilizarla.
- La máquina no debe conectarse nunca a la fuente de alimentación cuando esté instalando o retirando muelas.
- Guarde la muela de recambio cuidadosamente.
 - Mantenga la muela dentro del envase original, si es posible.
 - Guarde la muela en un lugar seco a temperatura ambiente.
 - Las muelas se pueden guardar en posición vertical en una estantería.
 - No deje que las muelas se caigan o sufran un impacto.

Información disponible en la etiqueta de la muela

La información contenida en la etiqueta de la muela es importante. Léala y revísela cuidadosamente para asegurarse de que selecciona el tipo de muela correcto.

1. fabricante, proveedor, importador o marca registrada
2. Dimensiones nominales de la muela, en concreto, el diámetro del punzón.
3. Tipo abrasivo, tamaño de la veta, grado o dureza, tipo de adherencia y uso de refuerzo.
4. Velocidad máxima de funcionamiento en metros por segundo.
5. velocidad de rotación máxima permitida en 1/min
6. Para la declaración de conformidad, los productos abrasivos se deben marcar con EN 12413.

7. símbolos relativos al uso restrictivo y advertencias de seguridad
8. código de trazabilidad, por ejemplo, el número de producción/lote, número de serie

RIESGOS RESIDUALES

Incluso cuando se utiliza el producto según las instrucciones, sigue siendo imposible eliminar por completo ciertos factores de riesgo residuales. Pueden surgir los siguientes riesgos durante el uso y el operador debe prestar especial atención para evitar lo siguiente:

- Riesgo de contacto con las partes no protegidas de la muela rotatoria.
- Riesgo de quemaduras en contacto con la muela o pieza de trabajo caliente.
- Existe el riesgo de lesiones en el sistema respiratorio en caso de que no se utilice una mascarilla antipolvo eficaz.
- Daños auditivos si no se utiliza una protección auditiva eficaz.

CONOZCA EL PRODUCTO

Consulte la página 107.

1. Pantalla contra chispas
2. Protector de chispas
3. Protección de la muela
4. Rectificadora de muela
5. Soporte de trabajo
6. Lámpara de trabajo
7. Perilla de ajuste de la banda lijadora
8. Lijadora de banda
9. Soporte de trabajo
10. Perilla de bloqueo del soporte de trabajo
11. Bandeja de agua
12. Interruptor de encendido/apagado
13. Orificio de montaje
14. Protector de la banda de lijado
15. Protector de la lijadora

MANTENIMIENTO

- No modifique el producto de ningún modo ni utilice accesorios no aprobados por el fabricante. Su seguridad y la de los demás pueden verse amenazadas.
- No utilice el producto si alguno de los interruptores, protecciones u otras funciones no funcionan según lo previsto. Vaya a un centro de servicio autorizado para ajustes o reparaciones profesionales.
- No realice ajustes mientras la máquina esté en funcionamiento.
- Asegúrese siempre de que el cable de alimentación ha sido retirado de la red eléctrica antes de realizar cualquier ajuste u operaciones de lubricación o al realizar operaciones de mantenimiento en el producto.
- Antes y después de cada uso, compruebe que no hay daños ni piezas rotas en el producto. Mantenga



el producto en las mejores condiciones de trabajo sustituyendo de inmediato las piezas por repuestos aprobados por el fabricante.

- Limpie el polvo acumulado utilizando un cepillo o aspirador. No utilice aire comprimido.
- Para garantizar la seguridad y fiabilidad, todas las reparaciones, incluyendo el cambio de escobillas, deben ser realizadas por un centro de servicio autorizado.
- Si el cable de alimentación está dañado, debería ser reemplazado únicamente por el fabricante o por un centro de servicio autorizado para evitar peligro.

⚠ ADVERTENCIA

Para más seguridad y fiabilidad, todas las reparaciones deben ser efectuadas por un Centro de Servicio Habilitado Ryobi.

TRANSPORTE Y ALMACENAMIENTO

- Desconecte el cable de alimentación al guardar el producto. Guarde el producto en un lugar seguro que no sea accesible a los niños.
- Limpie el producto con un cepillo y un aspirador antes de su almacenamiento.

PROTECCIÓN DEL MEDIO AMBIENTE



Recicle las materias primas en lugar de tirarlas a la basura doméstica. Para proteger el medio ambiente, debe separar la herramienta, los accesorios y los embalajes.

SÍMBOLOS EN EL PRODUCTO



Alerta de seguridad



Conformidad CE



Por favor lea las instrucciones detenidamente antes de arrancar la máquina.



Utilice dispositivos de protección para los oídos



Utilice gafas de seguridad



No apto para cortar o moler en mojado



No utilice una rueda de esmeril picada, rajada o defectuosa



Utilice guantes de seguridad



Dimensiones y velocidad de la muela



Dimensiones y velocidad de la banda de lijado



Los productos eléctricos de desperdicio no deben desecharse con desperdicios caseros. Por favor recíclelos donde existan dichas instalaciones. Compruebe con su autoridad local o minorista para reciclar.

SÍMBOLOS EN ESTE MANUAL



Enchufe la máquina



Desenchufe la herramienta.



Tiempo de espera para que el producto alcance la velocidad máxima



Las piezas o accesorios se venden por separado

Los siguientes símbolos y palabras detallan los niveles de cuidado necesarios para usar este producto.

⚠ PELIGRO

Indica una situación inminente de peligro que, si no se evita, provocará la muerte o lesiones graves.

⚠ ADVERTENCIA

Indica una situación potencialmente peligrosa que, si no se evita, podría causar la muerte o lesiones graves.

⚠ PRECAUCIÓN

Indica una situación potencialmente peligrosa que, si no se evita, puede provocar lesiones leves o moderadas.

PRECAUCIÓN

(Sin símbolo de seguridad) Indica una situación que podría ocasionar daños materiales.



La seguridad, el rendimiento y la fiabilidad han sido las máximas prioridades a la hora de diseñar esta lijadora amoladora.

UTILIZZO

- Esta lijadora amoladora está concebida para amolar y moldear metal. Se puede utilizar para afilar herramientas manuales metálicas (p. ej. cinceles, hachas y cuchillos) o brocas, y eliminar rebabas o bordes afilados.
- Con los accesorios adecuados, el producto se puede utilizar para limpiar superficies metálicas utilizando un cepillo metálico o para pulir y abrillantar utilizando un disco de tela.
- Nunca utilice el producto para operaciones de corte.

AVVERTENZE GENERALI DI SICUREZZA

⚠ AVVERTENZE

Quando si utilizzano elettro utensili, si dovranno sempre seguire precauzioni di base di sicurezza per ridurre il rischio di incendi, scosse elettriche e lesioni personali. Leggere tutte le istruzioni prima di tentare di mettere in funzione il prodotto e conservare queste istruzioni.

- **Tenere l'area di lavoro libera.** Zone e banchi di lavoro in disordine possono causare incidenti.
- **Tenere in considerazione l'area di lavoro.** Non esporre gli utensili a pioggia. Non utilizzare gli utensili in luoghi umidi o bagnati. Mantenere l'area di lavoro ben illuminata. Non utilizzare in presenza di liquidi infiammabili o gas.
- **Dispositivo contro scosse elettriche.** Evitare il contatto del corpo con superfici con messa a terra (per esempio, tubi, radiatori, stufe, refrigeratori).
- **Tenere lontane tutte le altre persone.** Tenere eventuali osservatori, soprattutto bambini a distanza di sicurezza, evitare che tocchino l'utensile o la prolunga e tenerli lontani dall'area di lavoro.
- **Riporre gli utensili che non vengono utilizzati.** Quando non si utilizza l'utensile, riporlo in un luogo chiuso e asciutto, lontano dalla portata dei bambini.
- **Non forzare l'utensile.** Svolgerà il lavoro per il quale è stato progettato in maniera migliore e più sicura.
- **Utilizzare l'utensile adatto.** Non utilizzare piccoli attrezzi per lavori pesanti. Non utilizzare gli utensili per scopi per i quali non sono stati progettati, per esempio non utilizzare le motoseghe circolari per tagliare rami o tronchi.
- **Vestirsi adeguatamente.** Non indossare abiti con parti svolazzanti o gioielli che potrebbero rimanere impigliati nelle parti in movimento. Si raccomanda di indossare calzature anti-scivolo quando si lavora all'esterno. Indossare una rete di protezione per capelli per contenere eventuali capelli lunghi.
- **Utilizzare attrezzatura di protezione.** Utilizzare occhiali di sicurezza. Utilizzare una maschera antipolvere per il viso se si lavora in ambienti polverosi.
- **Cleggare l'attrezzatura per estrarre polvere.** Se l'utensile viene fornito con l'accessorio per l'estrazione e la raccolta della polvere, assicurarsi che tali accessori siano correttamente collegati e utilizzati.
- **Non sottoporre il cavo a stress.** Non tirare mai il cavo per scollegarlo dalla presa. Tenere il cavo lontano da calore, olio e parti affilate.
- **Assicurare il pezzo sul quale si sta lavorando.** Ove possibile utilizzare staffe o morsetti per reggere il pezzo sul quale si sta lavorando. È più sicuro che utilizzare le proprie mani.
- **Non protendersi.** Mantenere sempre l'equilibrio e un punto di appoggio sicuro.
- **Svolgere sempre le dovute manutenzioni sull'utensile.** Tenere le lame affilate e pulite per garantire prestazioni migliori e sicure. Seguire le istruzioni per lubrificare e cambiare gli accessori. Ispezionare i cavi dell'utensile periodicamente e, se danneggiati, farli riparare da un centro servizi autorizzato. Ispezionare periodicamente la prolunga e sostituirla se danneggiata. Tenere i manici asciutti e puliti e rimuovere dagli stessi eventuali tracce di sporco e olio.
- **Scollegare gli utensili.** Quando non si utilizza l'utensile, prima di svolgere eventuale manutenzione e quando si cambiano accessori come lame, punte e dispositivi di taglio, scollegare gli utensili dall'alimentazione.
- **Rimuovere tutte le chiavi di regolazione.** Controllare sempre che le chiavi e i dispositivi di regolazione siano stati rimossi dall'utensile prima di avviarlo.
- **Evitare l'avvio accidentale.** Assicurarsi che l'interruttore si trovi su "off" (spento) prima di collegare l'utensile.
- **Utilizzare prolunghe per esterni.** Quando si utilizza l'utensile all'interno, utilizzare solo prolunghe adatte a tale utilizzo e contrassegnate come tali.
- **Conservare sempre la massima attenzione.** Prestare la massima attenzione a quello che si sta facendo e utilizzare buon senso. Non utilizzare l'apparecchio sotto l'effetto di alcol o di droghe oppure se si stanno assumendo medicinali.
- **Controllare eventuali parti danneggiate.** Prima di utilizzare ulteriormente l'utensile, controllarlo attentamente per capire se funzionerà correttamente e svolgerà le funzioni per le quali è stato progettato. Controllare l'allineamento delle parti in movimento, l'eventuale blocco delle parti, le eventuali parti rotte, il montaggio ed altre condizioni che potranno influenzare le operazioni. Un paralame o un'altra parte danneggiata deve essere riparata o sostituita da un centro servizi autorizzato a meno che non sia indicato diversamente sul manuale d'istruzioni. Far sostituire gli interruttori difettosi da un centro servizi autorizzato.
- **Non utilizzare l'utensile se non si accende o spegne.**



- **Avvertenze.** L'utilizzo di qualsiasi accessorio o dispositivo diverso da quelli raccomandati nel manuale d'istruzioni potrà causare rischi di gravi lesioni personali.
- **Far riparare l'utensile da personale qualificato.** Questo utensile elettrico rispetta le norme di sicurezza corrispondenti. Le riparazioni dovranno essere svolte da persone qualificate utilizzando le parti originali altrimenti ciò potrebbe causare gravi lesioni all'utente.

ADVERTENCIAS DE SEGURIDAD DE LA LIJADORA AMOLADORA

- La spina deve essere inserita in una presa idonea correttamente installata e collegata seguendo tutte le norme locali. Si non está seguro, solicite a un electricista certificado que revise el receptáculo.
- Monte el producto firmemente en el banco de trabajo, el soporte de molienda u otra estructura rígida antes de ponerlo en funcionamiento. Un producto sin fijar es inestable y puede desplazarse durante el funcionamiento. Esto puede provocar daños o lesiones.
- Fare in modo che la zona di lavoro sia adeguatamente illuminata in maniera generale o localizzata per evitare effetti e rischi causati da luci stroboscopiche.
- Antes de ponerlo en marcha, inspeccione los componentes y los accesorios del producto para garantizar que no haya condiciones que puedan afectar su correcto funcionamiento. Apriete las tuercas de bloqueo de la muela, los pernos de fijación y todas las abrazaderas y protectores.
- Antes de cada puesta en marcha, inspeccione la muela en busca de daños. No utilice muelas dañadas o deformes. Sustituya las muelas dañadas de conformidad con las instrucciones.
- Verifique que la muela rota libremente antes de cada puesta en marcha. Con el producto desconectado y el interruptor en OFF, haga girar la muela con la mano. La muela no debe entrar en contacto con ningún componente de la amoladora de banco y no debe haber ninguna unión ni otras condiciones que puedan afectar el correcto funcionamiento.
- Durante cada puesta en marcha, permanezca a un lado de la máquina y accione el interruptor ON. Deje que la amoladora funcione a su máxima velocidad durante un minuto para que aparezcan defectos o grietas no detectados. No ponga en contacto la muela con la pieza de trabajo hasta que el producto haya alcanzado su máxima velocidad.
- Mantenga las manos y las partes del cuerpo alejadas de las muelas. Entrar en contacto con la muela giratoria puede causar lesiones.
- Utilice siempre protectores y viseras protectoras. Installare sempre le protezioni e fare in modo che siano in ottime condizioni. Utilizar el producto sin protectores o con protectores dañados puede provocar lesiones.
- Evite quemaduras. La molienda puede provocar que los componentes y la muela se calienten. No toque la muela ni los componentes que puedan estar calientes.

- No utilice el producto para trabajar con componentes pequeños o componentes que no se puedan sostener correctamente. El componente puede salir proyectado y provocar lesiones.
- No amuele nunca en el lateral de la muela. La muela se desmenuzará. Amuele únicamente en la cara de la muela.
- Non lasciare mai l'utensile incustodito. Arrestare l'utensile. Attenzione: Dopo l'arresto dell'apparecchio, la mola continua a girare per inerzia. Non lasciare l'utensile fino a che non si ferma completamente.
- Nunca alcance detrás o debajo de las muelas.
- Utilice protectores auditivos, como tapones u orejas, durante periodos prolongados de uso.
- Scollegare la spina prima di svolgere eventuali regolazioni e operazioni di manutenzione. El cable de alimentación debe permanecer desconectado siempre que realice trabajos de mantenimiento en el producto.
- Ajuste los soportes de herramientas cuando sea necesario para mantener la menor distancia posible entre los soportes de trabajo y las muelas. Questa distanza deve essere minore o uguale a 2 mm. Poiché il diametro della mola diminuisce con l'uso, mantenere la distanza massima della base di appoggio dell'utensile eseguendo le opportune regolazioni.
- Ajuste los protectores de chispas cuando sea necesario para mantener la menor distancia posible entre los soportes de trabajo y las muelas. Questa distanza deve essere minore o uguale a 2 mm. Poiché il diametro della mola diminuisce con l'uso, mantenere la distanza massima del parascintille eseguendo le opportune regolazioni.
- Si el soporte de trabajo se desgasta o daña, sustitúyalo por una pieza de recambio idéntica de un centro de servicio autorizado.
- Cuando coloque una nueva muela, compruebe siempre que las RPM máximas indicadas alcanzan o superan las indicadas en el producto. Asegúrese de que el diámetro de la muela y el tamaño del árbol cumplen lo establecido en las indicaciones. También debe verificar la nueva muela en busca de daños, como defectos o grietas.

ISTRUCCIONES DE SEGURIDAD DE LA MUELA

⚠ AVVERTENZE

Para reducir el riesgo de lesiones, el usuario debe leer y cumplir las instrucciones, las advertencias y el manual para operadores antes de empezar a utilizar esta muela. Si no presta atención a estas advertencias la rueda podría romperse y provocar lesiones físicas. Conservare queste istruzioni.

- El uso de cualquier muela que no sea la recomendada en el manual de instrucciones de la máquina puede suponer un riesgo de lesión personal. Utilice



únicamente muelas que hayan indicado una velocidad igual o superior a la indicada en la máquina.

- Non utilizzare una ruota troppo spessa per fare in modo che la flangia esterna sia allineata con i fori sull'albero. Ruote più grandi entreranno in contatto con pararuote, mentre ruote più spesse non permetteranno al bullone di bloccare la ruota sull'albero. Queste situazioni potranno causare gravi incidenti e gravi lesioni personali.
- Esta muela está concebida para amolar y moldear metal. No intente realizar operaciones de corte.
- Esta muela solo es adecuada para la molienda en seco.
- No utilice muelas dañadas, astilladas, agrietadas o defectuosas.
- Asegúrese de que la muela abrasiva está correctamente colocada y apretada antes de utilizarla.
- La máquina no debe conectarse nunca a la fuente de alimentación cuando esté instalando o retirando muelas.
- Guarde la muela de recambio cuidadosamente.
 - Mantenga la muela dentro del envase original, si es posible.
 - Guarde la muela en un lugar seco a temperatura ambiente.
 - Las muelas se pueden guardar en posición vertical en una estantería.
 - No deje que las muelas se caigan o sufran un impacto.

Información disponible en la etiqueta de la muela

La información contenida en la etiqueta de la muela es importante. Léala y revísela cuidadosamente para asegurarse de que selecciona el tipo de muela correcto.

1. produttore, fornitore, importatore o marchio registrato
2. Dimensiones nominales de la muela, en concreto, el diámetro del punzón.
3. Tipo abrasivo, tamaño de la veta, grado o dureza, tipo de adherencia y uso de refuerzo.
4. Velocidad máxima de funcionamiento en metros por segundo.
5. velocità massima di rotazione permessa in 1/min
6. Para la declaración de conformidad, los productos abrasivos se deben marcar con EN 12413.
7. restricción dei simboli di utilizzo e avvertenze di sicurezza
8. codice di tracciabilità, per esempio numero di produzione/partita, numero di serie.

RISCHI RESIDUI

Anche quando il prodotto viene utilizzato come indicato, sarà ancora impossibile eliminare completamente alcuni fattori di rischio residuo. Si potranno verificare i seguenti rischi e l'operatore dovrà prestare particolare attenzione per evitare quanto segue:

- Riesgo de contacto con las partes no protegidas de la muela rotatoria.

- Riesgo de quemaduras en contacto con la muela o pieza de trabajo caliente.
- Dañi al sistema respiratorio nel caso in cui non si indosserà una maschera per la polvere.
- Dañi all'udito nel caso in cui non si indossino cuffie.

FAMILIARIZZARE CON IL PRODOTTO

Vedere a pagina 107.

1. Pantalla contra chispas
2. Protector de chispas
3. Pararuote
4. Rectificadora de muela
5. Soporte de trabajo
6. Lámpara de trabajo
7. Manopola di regolazione levigatrice a nastro
8. Nastro di levigatura
9. Soporte de trabajo
10. Perilla de bloqueo del soporte de trabajo
11. Bandeja de agua
12. Interruptore On/Off (Acceso/Spento)
13. Foro di supporto
14. Protector de la banda de lijado
15. Protector de la lijadora

MANUTENZIONE

- Non modificare il prodotto in alcun modo né utilizzare accessori non approvati dalla ditta produttrice. La sicurezza dell'utente e quella degli altri potrà essere compromessa.
- Non utilizzare il prodotto se interruttori, paralame o altre applicazioni non funzionano come dovrebbero. Riportare presso un centro servizi autorizzato per riparazioni professionali o regolazioni.
- No realice ajustes mientras la máquina esté en funcionamiento.
- Assicurarsi sempre che il cavo dell'alimentazione sia stato rimosso dall'alimentazione principale prima di svolgere le dovute regolazioni, prima di lubrificare o quando si svolgono operazioni di manutenzione sul prodotto.
- Prima e dopo ogni utilizzo, controllare eventuali danni o parti rotte sull'utensile. Tenere il prodotto in condizioni di funzionamento ottimali sostituendo parti con ricambi approvati dalla ditta produttrice.
- Pulire la polvere accumulata utilizzando una spazzola o un aspirapolvere. No utilice aire comprimido.
- Per assicurarsi sicurezza e affidabilità, tutte le riparazioni compreso il cambio delle spazzole, dovranno essere svolte da un centro servizi autorizzato.
- Se il cavo dell'alimentazione viene danneggiato, deve essere sostituito da una ditta produttrice o da un centro servizi autorizzato per evitare rischi alla sicurezza.



**AVVERTENZE**

Per maggiore sicurezza ed affidabilità, effettuare tutte le riparazioni presso un Centro di Assistenza Autorizzato Ryobi.

TRASPORTO E RIPONIMENTO

- Quando si ripone il prodotto, scollegare la corda dell'alimentazione. Riporre il prodotto in un luogo sicuro non accessibile ai bambini.
- Pulire il prodotto con una spazzola e un aspirapolvere prima di riporlo.

TUTELA DELL'AMBIENTE

Riciclare le materie prime anziché gettarle tra i rifiuti domestici. Per tutelare l'ambiente, l'apparecchio, gli accessori e gli imballaggi devono essere smaltiti separatamente.

SIMBOLI SUL PRODOTTO

Indicazioni sicurezza



Conformità CE



Leggere attentamente le istruzioni prima di avviare l'utensile.



Indossare cuffie di protezione



Indossare occhiali di protezione



No apto para cortar o moler en mojado



Non utilizzare ruote smerigliatrici consumate, rotte o difettose



Indossare guanti di sicurezza



Dimensiones y velocidad de la muela



Dimensiones y velocidad de la banda de lijado



I prodotti elettrici non devono essere smaltiti con i rifiuti domestici. Vi sono strutture per smaltire tali prodotti. Informarsi presso il proprio Comune o rivenditore di sicurezza per smaltire adeguatamente tali rifiuti.

SIMBOLI NEL MANUALE

Collegare la macchina.



Scollegare l'utensile.



Tiempo de espera para que el producto alcance la velocidad máxima



Parti o accessori venduti separatamente

I seguenti simboli indicano i livelli di rischio associati a questo prodotto.

PERICOLO

Indica una situazione immediatamente pericolosa che, se non evitata, potrà causare gravi lesioni o morte.

AVVERTENZE

Indica una situazione potenzialmente pericolosa che, se non evitata potrà causare gravi lesioni o morte.

ATTENZIONE

Indica una situazione potenzialmente pericolosa che, se non evitata, potrà causare lesioni minori o moderate.

ATTENZIONE

(Senza simbolo di allarme in materia di sicurezza) Indica una situazione che può provocare danni materiali.



Bij het ontwerp van uw slijp-/schuurmachine hebben veiligheid, prestaties en betrouwbaarheid de hoogste prioriteit gekregen.

BEOOGD GEBRUIK

- Deze slijp-/schuurmachine is bedoeld voor het slijpen en vormen van metaal. Het kan worden gebruikt voor het slijpen van metalen handgereedschappen (bijvoorbeeld beitels, bijlen en messen) of boorbitsjes, het verwijderen van bramen of scherpe randen.
- Met de juiste accessoires kan het product worden gebruikt voor het reinigen van metalen oppervlakken met behulp van een staalborstel of polijsten en polijsten met een polijstschijf.
- Gebruik het product nooit voor het afsnijden van materiaal.

ALGEMENE VEILIGHEIDSWAARSCHUWINGEN

⚠ WAARSCHUWING

Wanneer u elektrisch gereedschap gebruikt, moeten de basisveiligheidsvoorzieningen altijd worden gevolgd om het risico op brand, elektrische schokken en letsels te verminderen. Lees alle instructies voor u probeert het product te gebruiken en bewaar deze instructies.

- **Houd het werkgebied schoon.** Rommelige ruimtes en werkbanken kunnen tot ongevallen leiden.
 - **Houd rekening met het werkgebied.** Stel het gereedschap niet bloot aan regen. Gebruik het gereedschap niet in vochtige of natte plaatsen. Houd de werkplaats goed verlicht. Gebruik het gereedschap niet in de aanwezigheid van ontvlambare stoffen of gassen.
 - **Bescherming tegen elektrische schokken.** Vermijd lichaamscontact met geaarde oppervlakken (b.v. buizen, radiatoren, kookfornuizen, koelkasten).
 - **Houd andere personen weg.** Betrek geen andere personen, in het bijzonder kinderen, bij het werk, laat hen de machine of het verlengsnoer niet aanraken en houd hen weg van het werkgebied.
 - **Berg niet-gebruikte werktuigen op.** Wanneer u het gereedschap niet gebruikt, moeten deze op een droge, afgesloten plaats worden bewaard, buiten het bereik van kinderen.
 - **Forceer de machine niet.** Het zal de taak beter en veiliger uitvoeren aan het tempo waarvoor het werd ontworpen.
 - **Gebruik het juiste gereedschap.** Forceer licht gereedschap niet om taken van zwaar gereedschap uit te voeren. Gebruik het gereedschap niet voor doeleinden waarvoor het niet is bedoeld; gebruik bijvoorbeeld geen cirkelzaagmachines om boomtakken of houtblokken te zagen.
 - **Draag aangepaste kleding.** Draag geen loszittende kledij of juwelen, zij kunnen in de bewegende delen
- **wastraken.** Antislipschoenen zijn aangewezen voor werk buitenhuis. Draag haarbescherming om lang haar samen te houden.
 - **Gebruik beschermuitrusting.** Gebruik een veiligheidsbril. Gebruik een gezichts- of stofmasker als de werkomstandigheden stof veroorzaken.
 - **Verbind de stofafzuiginstallatie.** Als gereedschap van stofafzuiging-en opvanginstallatie is voorzien, zorg er dan voor dat deze zijn verbonden en goed worden gebruikt.
 - **Misbruik het snoer niet.** Trek nooit aan het snoer om het uit de contactdoos te trekken. Houd het snoer weg van hitte, olie en scherpe randen.
 - **Maak het werkstuk vast.** Gebruik klemmen of een bankschroef om het werkstuk vast te houden. Het is veiliger dan uw hand te gebruiken.
 - **Overrek u niet.** Houd steeds een goed evenwicht en sta stevig met beide voeten op de grond.
 - **Onderhoud de werktuigen met zorg.** Houd snijgereedschap scherp en schoon voor betere en veiligere prestaties. Volg de instructies voor het smeren en vervangen van accessoires. Inspecteer regelmatig de gereedschapsnoeren en laat deze, indien beschadigd, door een geautoriseerde onderhoudsdienst repareren. Inspecteer de verlengsnoeren regelmatig en vervang deze indien beschadigd. Houd de handvatten droog, schoon en vrij van olie en vet.
 - **Ontkoppel de werktuigen.** Ontkoppel het gereedschap van het stroomnet wanneer u accessoires, zoals maaiblades, boorstiften en snijders niet gebruikt, onderhoudt of vervangt.
 - **Verwijder sleutels.** Maak er een gewoonte van om te controleren of sleutels van het gereedschap zijn voor u het inschakelt.
 - **Vermijd ongewild starten.** Zorg ervoor dat de schakelaar in de uit-stand (off) staat wanneer u het met het stroomnet verbindt.
 - **Verlengsnoeren voor buitenshuis gebruik.** Wanneer het gereedschap buitenshuis wordt gebruikt, gebruikt dan uitsluitend verlengsnoeren die geschikt en gemarkeerd zijn voor buitenshuis gebruik.
 - **Blijf alert.** Kijk naar wat u doet en gebruik uw gezond verstand. Gebruik het apparaat nooit wanneer u onder invloed bent van drank of drugs, of wanneer u medicijnen gebruikt.
 - **Controleer beschadigde onderdelen.** Voor u het werktuig verder gebruikt, moet u grondig controleren om te zien dat het goed zal functioneren en volgens het voorgeschreven gebruik zal werken. Controleer de lijning van de bewegende delen, controleer of bewegende delen niet verstrikt zijn geraakt, controleer of defecte onderdelen, bevestigingsbeugels of andere delen die de werking in gevaar kunnen brengen. Ieder onderdeel dat is beschadigd, moet correct worden gerepareerd of vervangen door een geautoriseerd onderhoudscentrum, tenzij in de gebruiksaanwijzing anders is vermeld. Laat defecte schakelaars door een



geautoriseerd onderhoudscentrum vervangen.

- **Gebruik het gereedschap niet als de aan-/uitschakelaar het gereedschap niet aan of uit schakelt.**
- **Waarschuwing.** Het gebruik van een andere accessoire of hulpstuk dan in deze handleiding beschreven, kan risico inhouden voor persoonlijk letsel.
- **Laat uw gereedschap door een gekwalificeerd persoon repareren.** Deze elektrische machine is gefabriceerd volgens de geldende veiligheidsregels. Laat reparaties alleen door een gekwalificeerd persoon met originele vervangonderdelen uitvoeren. Anders kan dit leiden tot aanzienlijk gevaar voor de gebruiker.

VEILIGHEIDSWAARSCHUWINGEN VOOR DE SLIJP-/SCHUURMACHINE

- De stekker moet met een overeenkomstige wandcontactdoos worden verbonden die correct is geïnstalleerd en geaard in overeenstemming met de plaatselijke voorschriften en regels. Als u twijfelt laat dan een bevoegde monteur het stopcontact controleren.
- Monteer het product stevig aan de werkbank, slijpsteun of andere stijf frame voordat u begint. Een onbeveiligd product is instabiel en kan tijdens de werking verschuiven. Dit kan leiden tot schade of letsel.
- Zorg voor voldoende algemene of plaatselijke verlichting om stroboscoopeffect en gevaren te vermijden.
- Inspecteer voor het gebruik de onderdelen en alle accessoires van het product om ervoor te zorgen dat er geen omstandigheden zijn die de juiste werking kunnen beïnvloeden. Maak de borgmoeren van het slijpwielt, de bouten en alle klemmen en beschermingselementen vast.
- Inspecteer het slijpwielt vóór het opstarten op schade. Gebruik geen beschadigde of vervormde wielen. Vervang een beschadigd slijpwielt conform de instructies.
- Controleer telkens voor het opstarten dat het wiel vrij draait. Draai het wiel voorzichtig met de hand rond, met het product losgekoppeld en de schakelaar in de stand UIT. Het wiel mag geen contact maken met onderdelen van de slijpmachine en er mogen geen bindende of andere omstandigheden zijn die een juiste werking kunnen beïnvloeden.
- Ga bij elke start aan de zijkant van het product staan en zet hem aan. Laat de slijpmachine een minuut op volle snelheid draaien zodat alle onopgemerkte gebreken of scheuren van het wiel aan het licht komen. Maak geen contact tussen het wiel en het werkstuk tot het product op volle snelheid is.
- Houd handen en lichaamsdelen uit de buurt van de slijpwielen. Contact met het draaiende wiel kan letsel veroorzaken.
- Gebruik altijd beschermingselementen en oogbescherming. Houd de beschermers op hun plaats en in een goede werktoestand. Het gebruik van

het product zonder beschermingselementen of met beschadigde beschermingselementen kan leiden tot letsel.

- Voorkom brandwonden. Slijpen kan ervoor zorgen dat voorwerpen en het slijpwielt heet worden. Raak nooit het slijpwielt of voorwerpen aan als die heet kunnen zijn.
- Gebruik het product niet om te werken aan kleine voorwerpen of voorwerpen die niet goed vastgehouden kunnen worden. Het voorwerp kan worden weggegooid, wat letsel kan veroorzaken.
- Slijp nooit aan de zijkant van het wiel. Het wiel zal breken. Slijp uitsluitend op het wieloppervlak.
- Laat de machine nooit onbeheerd draaien. Schakel het werktuig uit. Pas op: door inertie draait de schijf na uitschakeling van het apparaat nog een tijdje door. Laat het apparaat niet alleen voordat deze volledig stil staat.
- Kom nooit met uw handen achter of onder het slijpwielt.
- Gebruik gehoorbescherming, zoals oordoppen of -kappen, wanneer u de machine langer gebruikt.
- Verwijder de stekker voor u de machine afstelt of onderhoud. Het stroomsnoer moet losgekoppeld blijven wanneer u onderhoud van uw product uitvoert.
- Stel indien nodig de gereedschapssteunen af om de afstand tussen de werksteunen en de slijpwielen zo klein mogelijk te houden. Deze afstand moet kleiner dan of gelijk zijn aan 2 mm. Aangezien de diameter van het slijpwielt vanwege het gebruik afneemt zult u de maximale afstand van de gereedschapssteun moeten aanhouden door hem aan te passen.
- Stel indien nodig de vonkenvangers af om de afstand tussen de vonkenvangers en de slijpwielen zo klein mogelijk te houden. Deze afstand moet kleiner dan of gelijk zijn aan 2 mm. Aangezien de diameter van het slijpwielt vanwege het gebruik afneemt zult u de maximale afstand van de vonkenvanger moeten aanhouden door hem aan te passen.
- Als de werksteun versleten of beschadigd raakt moet het worden vervangen met een identieke vervanging van een bevoegd onderhoudscentrum.
- Bij het monteren van een nieuw slijpwielt moet u altijd controleren dat het genoemde maximale toerental gelijk of hoger is aan wat op het product is vermeld. Zorg ervoor dat de wioldiameter en houdergrootte conform de vermelde specificaties zijn. Controleer het nieuwe wiel ook op beschadigingen, zoals gebreken of scheuren.

VEILIGHEIDSinSTRUCTIES VAN HET SLIJPWIEL

⚠ WAARSCHUWING

Om de kans op letsel te verkleinen moet de gebruiker de instructies, waarschuwingen en handleiding lezen en opvolgen, alvorens het slijpwielt wordt gebruikt. Het niet naleven van deze waarschuwingen kan leiden tot het breken van de schijf en ernstig persoonlijk letsel. Bewaar deze instructies.



- Het gebruik van een ander wiel dan het wiel dat is aanbevolen in de instructiehandleiding van de machine kan het risico van persoonlijk letsel met zich meebrengen. Gebruik uitsluitend slijpwielen die een aangegeven snelheid hebben die even hoog of hoger is dan op de machine is aangegeven.
- Gebruik nooit een wiel dat te dik is om de buitenste flens aan het plaatstaal op de as te koppelen. Grotere wielen komen in contact met de wielbeschermers, terwijl dickere wielen vermijden dat het wiel op de as wordt vastgemaakt. Deze situaties kunnen leiden tot een ernstig ongeval en ernstig persoonlijk letsel veroorzaken.
- Dit wiel is bedoeld voor het slijpen en vormen van metaal. Probeer niets met het wiel af te snijden.
- Dit slijp wiel is alleen geschikt voor droog slijpen.
- Gebruik geen beschadigde slijpwielen, gebruik geen wielen die zijn versplinterd, gescheurd of anderszins defect zijn.
- Controleer vóór gebruik dat het slijp wiel correct is gemonteerd en vastgemaakt.
- Als u de slijpwielen monteert of verwijdert mag de machine nooit op een stroomvoorziening zijn aangesloten.
- Bewaar uw reserveslijp wiel zorgvuldig.
 - Bewaar het wiel indien mogelijk in de originele verpakking.
 - Bewaar het wiel op een droge plek bij kamertemperatuur.
 - Wielen kunnen verticaal op een plank worden opgeslagen.
 - Laat wielen niet vallen of stoten.

Beschikbare informatie op het etiket van het slijp wiel

De informatie op het wietiket is belangrijk. Lees en controleer het zorgvuldig om ervoor te zorgen dat u het juiste type wiel kiest.

1. fabrikant, leverancier, importeur of handelsmerk
2. Nominale afmetingen van het slijp wiel, met name de diameter van de boring.
3. Schuurtype, korrelgrootte, kwaliteit of hardheid, bindingssoort en gebruik van versteviging.
4. Maximale bedrijfsnelheid in meter per seconde.
5. maximale toegestane draaisnelheid in 1/min
6. Voor de verklaring van overeenstemming moet schuurproducten zijn gemarkeerd met EN 12413.
7. symbolen voor beperking van gebruik en veiligheidswaarschuwingen
8. traceerbaarheidsscode, bijv. Een product-/batchnummer, serienummer

RESTRISCO'S

Zelfs wanneer het product zoals voorgeschreven wordt gebruikt, blijft het onmogelijk om alle restrisco's te voorkomen. De volgende gevaren kunnen optreden bij gebruik en de gebruiker dient speciaal op te letten om het volgende te voorkomen:

- Gevaar voor contact met onbeschermde delen van het draaiende wiel.
- Brandgevaar door contact met een heet wiel of het werkstuk.
- Schade aan de luchtwegen als er geen effectief mondmasker wordt gedragen.
- Gehoorschade bij het niet dragen van een efficiënte gehoorbescherming.

KEN UW PRODUCT

Zie pagina 107.

1. Vonkschild
2. Vonkenvangner
3. Wielbeschermner
4. Wielbewerkingsgereedschap
5. Werksteun
6. Werkklamp
7. Instelknop schuurband
8. Schuurriem
9. Werksteun
10. Vergrendelknop voor de werksteun
11. Waterbakje
12. Aan-/uitschakelaar
13. Montageopening
14. Beschermingselement van de schuurband
15. Beschermingselementen van de schuurmachine

ONDERHOUD

- Wijzig het product niet op een manier die niet door de fabrikant is goedgekeurd en gebruik geen accessoires die niet door de fabrikant zijn goedgekeurd. Uw veiligheid en deze van anderen kan in gevaar worden gebracht.
- Gebruik het product niet als de schakelaars, beschermers of andere functies niet naar behoren werken. Breng naar een geautoriseerd onderhoudscentrum voor professionele herstellingen of afstellingen.
- Maak geen aanpassingen terwijl het product in bedrijf is.
- Zorg er altijd voor dat de stekker uit de contactdoos is verwijderd voor u het werktuig afstelt, smeert of onderhoudswerken aan het product uitvoert.
- Voor en na elk gebruik controleert u het product op schade of gebroken onderdelen. Bewaar het product in een uitstekende conditie door onderdelen onmiddellijk te vervangen door vervangonderdelen die door de fabrikant zijn goedgekeurd.
- Verwijder het opgehoopte stof met behulp van een borstel of stofzuiger. Gebruik geen perslucht.
- Om de veiligheid en betrouwbaarheid te garanderen, moeten alle herstellingen, met inbegrip van het vervangen van borstels, door een geautoriseerd onderhoudscentrum worden uitgevoerd.



- Als het stroomsnoer is beschadigd, mag het uitsluitend worden vervangen door de fabrikant of door een geautoriseerd onderhoudscentrum om veiligheidsrisico's te vermijden.

WAARSCHUWING

Alle reparaties moeten worden uitgevoerd door een Erkend Ryobi Servicecentrum teneinde de veilige en betrouwbare werking van de machine te garanderen.

TRANSPORT EN OPSLAG

- Wanneer u het product opbergt, ontkoppelt u het stroomsnoer van de stroomtoevoer. Bewaar het product op een veilige plaats die niet toegankelijk is voor kinderen.
- Reinig het product met behulp van een borstel en stofzuiger voor u het opbergt.

MILIEUBESCHERMING



Zorg dat grondstoffen worden gerecycleerd in plaats van weggegooid als afval. Om het milieu te beschermen dient de machine, de accessoires en de verpakking gesorteerd bij een erkend recyclingcentrum te worden aangeleverd.

SYMBOLEN OP HET PRODUCT



Veiligheidswaarschuwing



EG conformiteit



Lees de instructies zorgvuldig voordat u de machine in gebruik neemt.



Draag gehoorbescherming



Draag gezichtsbescherming



Niet voor nat slijpen of snijden



Gebruik geen gebroken, gebarsten of defect slijpwiël



Draag veiligheidshandschoenen



Afmetingen en snelheid van het slijpwiël



Afmetingen en snelheid van de schuurband



Elektrisch afval mag niet samen met ander huishoudafval worden weggegooid. Gelieve te recycleren indien de mogelijkheid bestaat. Neem contact op met uw gemeente of handelaar om advies te krijgen over recyclage.

SYMBOLEN IN DE GEBRUIKSAANWIJZING



Verbind de machine met de wandcontactdoos.



Trek de machine uit de contactdoos.



Wachttijd totdat het product op volle snelheid is



Onderdelen of accessoires afzonderlijk gekocht

De volgende kernwoorden en verklaringen zijn bedoeld om de gevaarniveaus die op dit toestel betrekking hebben, te verklaren.

GEVAAR

Wijst op een gevaarlijke situatie die, indien ze niet wordt vermeden, kan leiden tot ernstige verwondingen of de dood.

WAARSCHUWING

Wijst op een mogelijk gevaarlijke situatie die, indien ze niet wordt vermeden, kan leiden tot ernstige verwondingen of de dood.

LET OP

Wijst op een mogelijk gevaarlijke situatie die, indien ze niet wordt vermeden, kan leiden tot lichte of middelmatige verwondingen.

LET OP

(Zonder veiligheidssymbool) Geeft een situatie aan die materiële schade zou kunnen veroorzaken.



Na concepção do seu esmerilador lixadora foi dada a máxima prioridade à segurança, ao desempenho e à fiabilidade.

UTILIZAÇÃO PREVISTA

- Este esmerilador lixadora destina-se a esmerilar e a dar forma a metal. Pode ser utilizado para afiar ferramentas metálicas manuais (por exemplo, formões, machados e facas) ou brocas, e para retirar rebarbas e embotar arestas cortantes.
- Com os acessórios correctos, o produto pode ser utilizado para limpar superfícies metálicas usando uma escova de arame, ou para dar lustro ou polimento utilizando uma roda de pano.
- Nunca use o produto para operações de corte.

AVISOS GERAIS DE SEGURANÇA

⚠ AVISO

Ao utilizar ferramentas eléctricas, devem seguir-se sempre precauções básicas de segurança para minimizar o risco de incêndio, choque eléctrico e lesões. Leia todas as instruções antes de utilizar o produto e conserve-as.

- **Mantenha a área de trabalho limpa.** As áreas e os bancos de trabalho desordenados são mais susceptíveis de causar ferimentos.
 - **Tenha em atenção o ambiente da área de trabalho.** Não exponha ferramentas à chuva. Não use as ferramentas em locais húmidos ou molhados. Mantenha a área de trabalho adequadamente limpa. Mantenha as ferramentas ao abrigo de líquidos ou gases inflamáveis.
 - **Proteja contra choques eléctricos.** Evite o contacto do corpo com superfícies com ligação terra ou enterradas (tais como tubos, radiadores, fogões e frigoríficos).
 - **Mantenha as outras pessoas afastadas.** Não deixe que as pessoas, especialmente crianças, sejam envolvidas no trabalho, toquem na ferramenta ou no cabo de extensão, e mantenha-as afastadas da área de trabalho.
 - **Guarde as ferramentas inactivas.** Quando não estiver em uso, as ferramentas devem ser guardadas num local seco, com chave, fora do alcance de crianças.
 - **Não force a ferramenta.** Realizará um trabalho melhor e mais seguro à velocidade para a qual foi destinada.
 - **Utilize a ferramenta adequada.** Não force as ferramentas de pequeno porte a realizarem o trabalho de uma ferramenta de trabalho pesado. Não use ferramentas para finalidades às quais não se destina, por exemplo, não use serras circulares para cortar ramos de árvores ou troncos.
 - **Vista-se adequadamente.** Não use roupas largas ou jóias; podem ficar presas nas partes móveis.
- Recomenda-se a utilização de calçado anti-deslizante ao trabalhar em exteriores. Use cobertura de protecção para o cabelo para prender o cabelo comprido.
- **Use equipamento de protecção.** Use óculos de segurança. Use uma máscara de rosto para se proteger do pó caso trabalhe em operações que criem pó.
 - **Conecte o equipamento de extracção de pó.** Se é fornecida a ferramenta para a ligação de espaços de extracção e recolha de pó, assegure-se de que estes se encontram conectados e usados correctamente.
 - **Não puxe pelo cabo.** Nunca puxe o cabo para o desconectar da tomada. Mantenha o cabo afastado do calor, óleo e pontas afiadas.
 - **Fixe a peça de trabalho.** Quando possível, use braçadeiras ou um torno para fixar o trabalho. É mais seguro do que utilizar a sua mão.
 - **Não se aproxime em demasia.** Mantenha sempre o equilíbrio e a posição dos pés adequada.
 - **Utilize as ferramentas com cuidado.** Mantenha as ferramentas de corte afiadas e limpas para que realizem um trabalho melhor e mais seguro. Siga as instruções de lubrificação e mudança de acessórios. Inspeccione periodicamente os cabos e, se estiverem danificados, leve-os a um centro de assistência autorizado. Inspeccione os cabos de extensão periodicamente e substitua-os, se danificados. Mantenha os manipuladores secos, limpos e livres de óleo e graxa.
 - **Desligue as ferramentas.** Quando não estiver em utilização, antes de realizar a manutenção e ao mudar os acessórios tais como as lâminas, brocas e cortadores, desconecte as ferramentas da fonte de alimentação.
 - **Retire as chaves de porcas.** Habitue-se a verificar se as chaves de ajuste e as chaves inglesas foram retiradas da ferramenta antes de a ligar.
 - **Evite o arranque involuntário.** Certifique-se de que o interruptor se encontra na posição "off" ao ligar a ficha.
 - **Use cabos de extensão no exterior.** Quando uma ferramenta é usada no exterior, use apenas cabos de extensão que se destinem a ser utilizados ao ar livre e estejam assim assinalados.
 - **Mantenha-se alerta.** Observe o que está a fazer e utilize o senso comum. Não utilize a ferramenta se estiver sob a influência de bebidas alcoólicas ou de drogas ou se tomar medicamentos.
 - **Verifique se existem peças danificadas.** Antes de mais qualquer utilização da ferramenta, esta deve ser verificada cuidadosamente para determinar se funcionará adequadamente e realizará a função a que se destina. Confirme o alinhamento das peças móveis, a união das peças móveis, a ruptura de peças, montagem e quaisquer outras condições que possam afectar o funcionamento. Uma protecção ou outra peça que esteja danificada deve ser adequadamente reparada ou substituída por um centro de assistência autorizado salvo indicação contrária neste manual de instruções. Leve os interruptores defeituosos



para serem substituídos num centro de assistência autorizado.

- **Não use a ferramenta caso o interruptor não a ligue ou desligue.**
- **Aviso.** O uso de qualquer acessório ou extra para além dos recomendados neste manual de instruções pode implicar um risco de lesão pessoal.
- **Leve a sua ferramenta para ser reparado por uma pessoa qualificada.** Esta ferramenta eléctrica cumpre com as normas de segurança relevantes. As reparações só devem ser realizadas por pessoas qualificadas utilizando peças de substituição originais, caso contrário poderá resultar em perigo considerável para o utilizador.

AVISOS DE SEGURANÇA DO ESMERILADOR LIXADORA

- A fi cha deve ser inserida numa tomada correspondente devidamente instalada e com ligação à terra em conformidade com todos os códigos e regulamentos locais. Se não tiver a certeza, peça a um electricista certificado para verificar a tomada de rede eléctrica.
- Antes da operação, monte o produto com firmeza na bancada de trabalho, no cavaletto do esmerilador ou noutra estrutura rígida. Um produto que não esteja fixado em segurança é instável e pode deslocar-se durante a utilização. Isto poderá resultar em danos ou ferimentos.
- Forneça iluminação geral ou localizada adequada de modo a evitar efeitos estroboscópicos e perigos.
- Antes da operação, inspeccione os componentes e quaisquer acessórios do produto, para se certificar de que não há nenhuma condição que possa afectar a operação correcta. Dê aperto às contraporcas da roda de esmeril, fixando em segurança os parafusos e todos os grampos e guardas.
- Antes de cada arranque, inspeccione a roda de esmeril, procurando danos. Não use rodas que tenham danos ou que tenham perdido a forma. Substitua qualquer roda de esmeril que esteja danificada, de acordo com as instruções.
- Antes de cada vez que for utilizar o esmerilador, certifique-se de que a roda gira livremente. Com a fi cha do cabo eléctrico do produto desencaixada da tomada da rede eléctrica, e com o interruptor na posição de Desligado (OFF), faça girar a roda à mão, cuidadosamente. A roda não deve entrar em contacto com nenhuns componentes do esmerilador de bancada, e não deve prender, nem deve haver outras condições que possam afectar a operação correcta.
- Sempre que for dar arranque ao produto, ponha-se junto a um dos lados do produto e ponha o interruptor na posição de Ligado (ON). Deixe o esmerilador funcionar à velocidade máxima durante 1 minuto, para que se tornem visíveis quaisquer defeitos ou rachas da roda por detectar. Não ponha a peça de trabalho em contacto com a roda enquanto o produto não tiver atingido a velocidade máxima.
- Mantenha as mãos e outras partes do corpo afastadas das rodas de esmeril. Entrar em contacto com a roda rotativa pode causar ferimentos.
- Use sempre as guardas e os escudos para os olhos. Mantenha as protecções no lugar e operacionais. Operar o produto sem as guardas ou com as guardas danificadas pode causar ferimentos.
- Evite queimaduras. O esmerilamento pode fazer com que as peças de trabalho e a roda de esmeril fiquem quentes. Não toque na roda de esmeril nem nas peças de trabalho que possam estar quentes.
- Não use o produto para trabalhar em peças pequenas, ou em peças que não possam ser agarradas correctamente. A peça de trabalho pode ser projectada e causar ferimentos.
- Nunca esmerile no lado da roda. A roda irá fragmentar-se. Esmerile apenas na face da roda.
- Nunca deixe uma ferramenta em funcionamento sem vigilância. Desligue a ferramenta. Atenção, o disco gira por inércia durante alguns momentos depois da paragem da ferramenta. Não deixe a ferramenta até que se detenha totalmente.
- Nunca tente chegar com a mão à parte de trás ou à parte de baixo das rodas de esmeril.
- Durante períodos de operação prolongados, use protecção para os ouvidos (por exemplo, tampões ou auriculares).
- Desligue a ferramenta da tomada antes de realizar qualquer ajuste, reparação ou tarefa de manutenção. Quando estiver a fazer manutenção ao produto, a fi cha do cabo eléctrico tem de estar desencaixada da tomada da rede eléctrica.
- Ajuste os encostos de ferramenta sempre que necessário, para manter a distância entre os encostos de ferramenta e as rodas de esmeril o mais pequena possível. No máximo, esta distância deverá ser de 2 mm. À medida que o diâmetro da roda de esmeril for diminuindo com o uso, vá ajustado a distância do encosto de ferramenta, para não exceder a distância máxima.
- Ajuste os tapa-faixas sempre que necessário, para manter a distância entre os tapa-faixas e as rodas de esmeril o mais pequena possível. No máximo, esta distância deverá ser de 2 mm. À medida que o diâmetro da roda de esmeril for diminuindo com o uso, vá ajustado a distância do tapa-faixa, para não exceder a distância máxima.
- Se um encosto de ferramenta ficar torcido ou danificado, substitua-o por um sobreselente idêntico, fornecido por um centro de assistência técnica autorizado.
- Quando montar uma roda de esmeril nova, certifique-se sempre de que o número máximo de rotações (RPM) declarado é igual ou superior ao número de rotações declarado no produto. Certifique-se de que o diâmetro da roda e o tamanho da haste correspondem às especificações técnicas. Para além disso, inspeccione



a nova roda, procurando danos (por exemplo, defeitos ou rachas).

INSTRUÇÕES DE SEGURANÇA PARA A RODA DE ESMERIL

⚠ AVISO

Para reduzir o risco de ferimentos, o utilizador tem de ler e cumprir as instruções, os avisos e o Manual de Instruções antes de começar a utilizar esta roda de esmeril.

Se não prestar atenção a estas advertências a roda poderá partir e provocar lesões físicas. Guarde estas instruções.

- A utilização de qualquer outra roda sem ser a recomendada no Manual de Instruções da máquina pode causar risco de ferimentos pessoais. Use apenas rodas de esmeril cuja velocidade marcada seja igual ou superior à velocidade marcada na máquina.
- Nunca use uma roda que seja demasiado grossa para permitir que a flange exterior engate com as abas no eixo. Rodas maiores entrarão em contacto com as protecções da roda, enquanto rodas mais grossas impedirão o parafuso de fixar a roda ao eixo. Qualquer destas situações pode resultar num acidente grave e causar lesões pessoais graves.
- Este roda destina-se a esmerilar e dar forma a metal. Não tente fazer operações de corte.
- Esta roda de esmeril é adequada apenas para esmerilamento a seco.
- Não use rodas de esmeril danificadas – não use rodas que estejam lascadas, rachadas ou que tenham outros defeitos.
- Antes da utilização, certifique-se de que a roda de esmeril abrasiva está correctamente montada e que tem o aperto correcto.
- A máquina nunca deve estar ligada à corrente eléctrica quando estiver a montar ou a desmontar as rodas de esmeril.
- Guarde as suas rodas de esmeril sobresselentes cuidadosamente.
 - Se possível, mantenha a roda dentro da embalagem de origem.
 - Guarde a roda numa área seca, à temperatura ambiente.
 - As rodas podem ser guardadas à vertical, numa prateleira.
 - Não deixe que as rodas caiam, nem que sofram impactos.

Informação disponível no rótulo da roda de esmeril

As informações no rótulo da roda são importantes. Leia as informações e verifique-as com atenção, para se certificar de que está a escolher o tipo correcto de roda.

1. fabricante, fornecedor, importador ou marca registada
2. As dimensões nominais da roda de esmeril, em

especial o diâmetro do furo central.

3. Tipo de abrasivo, tamanho do grão, grau ou dureza, tipo de aglutinante e utilização de reforço.
4. Velocidade máxima de operação, em metros por segundo.
5. velocidade de rotação máxima permitida em 1/min
6. Para a declaração de conformidade, as marcações dos produtos abrasivos estão em conformidade com a norma EN 12413.
7. símbolos relativos ao uso restritivo e advertências de segurança
8. código de rastreabilidade, por exemplo, o número de produção/lote, número de série

RISCOS RESIDUAIS

Mesmo quando se utiliza o produto segundo as instruções, continua a ser impossível eliminar por completo certos fatores de risco residuais. Podem surgir os seguintes riscos durante o uso e o operador deve prestar especial atenção para evitar o seguinte:

- Risco de contacto com partes desprotegidas da roda em rotação.
- Risco de queimadura por contacto com roda quente ou peça de trabalho quente.
- Existe o risco de lesões para o sistema respiratório caso não se use uma máscara contra o pó eficaz.
- Danos para a audição caso não se utilize protecção auditiva eficaz.

CONHEÇA O SEU PRODUTO

Consulte a página 107.

1. Escudo contra faíscas
2. Tapa-faíscas
3. Protecção da roda
4. Ferramenta de reparação da roda
5. Encosto de ferramenta
6. Candeeiro de trabalho
7. Maçaneta de ajuste da cinta de lixagem
8. Lixadora mecânica de cinta
9. Encosto de ferramenta
10. Manípulo de bloqueio do encosto de ferramenta
11. Tabuleiro de água
12. Interruptor desligado/ligado
13. Orifício de montagem
14. Guarda da cinta de lixa
15. Guarda da lixadora

MANUTENÇÃO

- Não modifique o produto de nenhum modo nem utilize acessórios não aprovados pelo fabricante. A sua segurança e a dos demais pode ver-se ameaçada.
- Não utilize o produto se algum dos interruptores, protecções ou outras funções não funcionam conforme o previsto. Dirija-se a um centro de serviço autorizado para ajustes ou reparações profissionais.
- Não faça nenhuns ajustes enquanto o produto estiver



em funcionamento.

- Assegure-se sempre que o cabo de alimentação foi retirado da rede elétrica antes de realizar qualquer ajuste ou operações de lubrificação ou ao realizar operações de manutenção no produto.
- Antes e depois de cada uso, verifique se há danos ou partes partidas no produto. Mantenha o produto nas melhores condições de trabalho substituindo de imediato as peças por peças sobresselentes aprovadas pelo fabricante.
- Limpe o pó acumulado utilizando uma escova ou aspirador. Não use ar comprimido.
- Para garantir a segurança e fiabilidade, todas as reparações, incluindo a substituição de escovas, devem ser realizadas por um centro de serviço autorizado.
- Se o cabo de alimentação estiver danificado, deverá ser substituído unicamente pelo fabricante ou por um centro de serviço autorizado para evitar perigos.

⚠ AVISO

Para mais segurança e fiabilidade, todas as reparações devem ser feitas por um Centro de Serviço Autorizado Ryobi.

TRANSPORTE E ARMAZENAMENTO

- Desconecte o cabo de alimentação ao guardar o produto. Guarde o produto num local seguro que não seja acessível às crianças.
- Limpe o produto com uma escova e um aspirador antes do seu armazenamento.

PROTECÇÃO DO AMBIENTE



Recicle os materiais em vez de pô-los directamente no lixo doméstico. Para proteger o ambiente, a ferramenta, os acessórios e as embalagens devem ser seleccionados.

SÍMBOLOS NO PRODUTO



Alerta de segurança



Conformidade CE



Agradecemos que leia atentamente as instruções antes de iniciar a máquina.



Use protecção para os ouvidos



Use protecção para os olhos



Não é adequado para cortar ou moer no molhado



Não use uma mó lascada, rachada ou com defeito



Use luvas de segurança



Tamanho e velocidade da roda de esmeril



Tamanho e velocidade da cinta de lixa



Os aparelhos eléctricos antigos não devem ser eliminados juntamente com o lixo doméstico. Recicle onde existem instalações para o efeito. Verifique com as suas Autoridades Locais ou revendedor para obter informações sobre reciclagem.

SÍMBOLOS NESTE MANUAL



Ligue a ficha da máquina à tomada.



Desligue a ferramenta.



Tempo de espera até o produto atingir a velocidade máxima



As peças ou acessórios vendem-se separadamente

As seguintes palavras de sinal e significados destinam-se a explicar os níveis de risco associados a este produto.

⚠ PERIGO

Indica uma situação de perigo iminente, a qual, se não for evitada, pode resultar em morte ou ferimentos graves.

⚠ AVISO

Indica uma situação potencialmente perigosa que, se não for evitada, pode resultar em morte ou ferimentos graves.

⚠ CAUTELA

Indica uma situação potencialmente perigosa que, se não for evitada, pode resultar em ferimentos leves ou moderados.

CAUTELA

(Sem símbolo de segurança) Indica uma situação que pode provocar danos materiais.



Ved udformningen af din sliber/pudser har vi givet topprioritet til sikkerhed, gode resultater og driftssikkerhed.

TILTÆNKT ANVENDELSESFORMÅL

- Denne sliber/pudser er beregnet til slibning og formning af metal. Produktet kan anvendes til at slibe håndværktøj i metal (f.eks. mejsler, økser og knive) eller borekroner, fjerne boregrater eller skarpe kanter.
- Med det rigtige tilbehør kan produktet anvendes til at rengøre metaloverflader ved hjælp af en stålbørste eller til at pudse og polere ved hjælp af en pudseskive.
- Anvend aldrig produktet til afskæringshandlinger.

GENERELLE SIKKERHEDSADVARSLER

ADVARSEL

Ved brug af elværktøjer bør man altid følge de grundlæggende sikkerhedsregler for at reducere risikoen for brand, elektrisk stød og personskade. Læs hele brugsanvisningen, inden du forsøger at betjene dette produkt - og gem brugsanvisningen.

- **Hold arbejdsområdet rent og ryddeligt.** Rodede områder og borde inviterer til personskader.
- **Vær opmærksom på miljøet i arbejdsområdet.** Undgå at udsætte værktøjer for regn. Brug ikke værktøjer på fugtige eller våde steder. Arbejdsområdet skal være godt oplyst. Brug ikke værktøjer i nærheden af brændbare væsker eller gasser.
- **Beskyt dig mod elektrisk stød.** Undgå kropskontakt med jordede eller stelforbundne overflader (fx rør, radiatorer, komfurer og køleskabe).
- **Hold andre personer på afstand.** Lad ikke personer, især børn, deltage i arbejdet, røre ved værktøjet eller forlængerledningen, og sørg for at holde dem ude af arbejdsområdet.
- **Opbevar ubenyttede værktøjer.** Når værktøjer ikke bruges, skal de opbevares på et tørt, aflåst sted utilgængeligt for børn.
- **Undlad at tvinge værktøjet.** Produktet klarer opgaven bedre og sikrere med den hastighed, det er beregnet til.
- **Brug det rigtige værktøj.** Undlad at tvinge mindre værktøjer til at udføre arbejdsopgaver, der kræver værktøjer. Undlad at bruge værktøj til ikke-formålsbestemte opgaver; brug fx ikke en rundsav til at skære i grene eller træstammer.
- **Vær ordentligt klædt på.** Undlad at bære løstsiddende tøj eller smykker; sådanne kan hænge fast i bevægelige maskindele. Ved arbejde udendørs anbefales brug af skridsikert fodtøj. Brug beskyttende håret eller lign. til sikring af langt hår.
- **Brug værnemidler.** Brug sikkerhedsbriller. Brug ansigts- eller støvmaske, hvis arbejdsopgaven genererer støv.
- **Tilslut støvudsugningsudstyr.** Hvis værktøjet er beregnet til tilslutning af støvudsugnings- og -opsamlingsudstyr, skal dette tilsluttes og anvendes korrekt.
- **Undlad at misbruge ledningen.** Træk aldrig stikket ud af stikkontakten ved at rykke i ledningen. Hold ledningen på afstand af varme, olie og skarpe kanter.
- **Fastgør emnet.** Brug så vidt muligt skruevinge eller skruestik til fastholdning af emnet. Det er sikrere end at bruge hånden.
- **Læn dig aldrig for langt frem.** Sørg for altid at have godt fodfæste og god balance.
- **Værktøjer skal vedligeholdes med omhu.** Skæreværktøjerne skal holdes skarpe og rene for bedre og sikrere ydelse. Følg vejledningen for smøring og udskiftning af tilbehørsdele. Inspicér værktøjsledningerne regelmæssigt, og - hvis de beskadiges - få dem repareret på et autoriseret serviceværksted. Inspicér forlængerledningerne regelmæssigt, og udskift dem, hvis de beskadiges. Hold håndtagene tørre, rene og fri for olie og fedt.
- **Afbryd strømmen til værktøjerne.** Når værktøjet ikke bruges, inden det serviceres, og når der skiftes tilbehør som fx knive, bits og fræsere, skal strømforsyningen afbrydes til værktøjet.
- **Fjern svensknøgler og faste nøgler.** Gør det til en vane at kontrollere, at faste nøgler og svensknøgler er fjernet fra værktøjet, inden der tændes for det.
- **Undgå utilsigtet start.** Kontrollér, at kontakten er i pos. "off" (=slukket), inden stikket sættes i kontakten.
- **Brug udendørs forlængerledninger.** Når værktøjet bruges udendørs, må der kun bruges forlængerledninger, der er beregnet (og mærket) til udendørs brug.
- **Vær agtpågivende.** Hold øje med, hvad du gør, og brug sund fornuft. Værktøjet må aldrig bruges, hvis man er påvirket af spiritus eller narkotika eller tager medicin.
- **Kontrollér beskadigede dele.** Inden værktøjet tages i brug, skal man undersøge det nøje for at sikre sig, at det fungerer korrekt og er i stand til at opfylde den tiltænkte funktion. Kontrollér, at de bevægelige dele er indjusteret korrekt, at de ikke binder; for brud på dele, montering samt enhver anden tilstand, der kan påvirke delenes funktion. En beskadiget skærm eller anden del skal repareret ordentligt eller udskiftes på et autoriseret servicecenter, med mindre andet fremgår af den brugsanvisning. Få defekte kontakter udskiftet på et autoriseret servicecenter.
- **Værktøjet må ikke tages i brug, hvis TÆND/SLUK-kontakten ikke virker.**
- **Advarsel.** Brug af udstyr eller tilbehør, som ikke er anbefalet i denne brugsanvisning, kan medføre fare for personskader.
- **Få kun værktøjet repareret af en kvalificeret person.** Dette elværktøj opfylder alle relevante sikkerhedsregler. Reparationer må kun udføres af kvalificerede personer og med originale reservedele; ellers kan der opstå



betydelige risici for brugeren.

SIKKERHEDSADVARSLER OM SLIBER/PUDSER

- Stikket skal sættes i en passende lysnetkontakt, som er korrekt installeret og jordet iht. Hvis du ikke er sikker, skal du få en autoriseret elektriker til at kontrollere vekselstrømmen.
- Monter produktet fast til arbejdsbænken, høvlebænken eller anden fast enhed før betjening. Et ikke-sikret produkt er ustabil og kan bevæge sig under betjening. Dette kan resultere i skader eller personskader.
- Tilvejebring passende generel eller målrettet belysning for at forhindre stroboskopiske virkninger og faremomenter.
- Før betjeningen skal du efterse komponenter og alt tilbehør til produktet for at sikre, at der ikke er nogen forhold, der kan påvirke en korrekt betjening. Stram slibehjulets låsemøtrikker, sikr bolte og alle klemmer og afskærmninger.
- Før hver opstart efterses slibehjulet for skader. Anvend ikke beskadigede eller uslebne hjul. Udskift ethvert beskadiget slibehjul i overensstemmelse med instruktionerne.
- Kontroller, at hjulet roterer frit før hver opstart. Efter produktet er trukket ud af stikkontakten, og kontakten er slukket, skal du forsigtigt dreje hjulet med hånden. Hjulet må ikke have kontakt til nogen af bænksliberens komponenter, og der bør ikke være nogen elementer, der går imod hinanden, eller andre forhold, der kunne påvirke korrekt drift.
- Under hver opstart skal du stå på den ene side af produktet og tænde det. Lad sliberen køre ved fuld hastighed i et minut, så enhver uopdaget fejl eller revner på hjulet vil kunne afsløres. Lad ikke arbejdsemnet komme i kontakt med hjulet, før produktet har nået fuld hastighed.
- Hold hænder og kropsdele væk fra slibehjulene. Kontakt med det roterende hjul kan forårsage personskader.
- Brug altid afskærmninger og øjenværn. Skærmene skal altid være monteret og i god stand. Hvis produktet betjenes uden afskærmninger eller med beskadigede afskærmninger, kan det resultere i personskader.
- Undgå forbrændinger. Slibning kan få emner og slibehjulet til at blive varmt. Rør ikke slibehjulet eller emner, der kan være varme.
- Anvend ikke produktet til at arbejde på små emner eller emner, som ikke kan holdes ordentlig på plads. Emnet kan blive kastet og resultere i personskader.
- Slib aldrig på siden af hjulet. Hjulet vil blive ødelagt. Slib kun på hjulets front.
- Lad aldrig værktøjet køre uden opsyn. Sluk værktøjet. Pas på! Slibeskiven bliver ved med at dreje rundt, efter værktøjet er slukket, på grund af inertien. Efterlad ikke værktøjet, før det er stoppet fuldstændigt.
- Ræk aldrig hen over eller under slibehjulene.
- Brug hørebekskyttelse, som f.eks. ørepropper eller

høreværn, under forlængende betjeningsperioder.

- Træk stikket ud inden påbegyndelse af indstilling, servicering eller vedligeholdelse. Strømledningen skal forblive trukket ud af stikkontakten, når som helst du vedligeholder dit produkt.
- Juster værktøjsstøtter, når det er nødvendigt, for at holde afstanden mellem arbejdsstøtter og slibehjul så kort som muligt. Denne afstand bør være mindre end eller lig med 2 mm. Da diameteren på slibehjulet bliver mindre ved brug, skal du opretholde den maksimale afstand for værktøjsstøtten ved at justere den.
- Juster gnistfangere, når det er nødvendigt, for at holde afstanden mellem arbejdsstøtter og gnistfangere så kort som muligt. Denne afstand bør være mindre end eller lig med 2 mm. Da diameteren på slibehjulet bliver mindre ved brug, skal du opretholde den maksimale afstand for gnistfangeren ved at justere den.
- Hvis arbejdsstøtten bliver slidt eller beskadiget, skal du udskifte den med en identisk erstatning fra et autoriseret servicecenter.
- Når du monterer et nyt slibehjul, skal du altid kontrollere, at den angivne maksimale RPM imødekommer eller overgår det, der er angivet på produktet. Sørg for, at hjulets diameter og skaffets størrelse er i overensstemmelse med de angivne specifikationer. Kontroller også det nye hjul for skader, som f.eks. fejl eller revner.

SIKKERHEDSINSTRUKTIONER OM SLIBEHJUL

⚠ ADVARSEL

For at reducere risikoen for personskader skal brugeren læse og overholde instruktioner, advarsler og betjeningsvejledningen, før dette slibehjul tages i brug. Manglende iagttagelse af disse advarsler kan medføre brud på skiven og alvorlig personskade. Gem denne brugsanvisning.

- Anvendelse af ethvert andet hjul end det, der er anbefalet i brugervejledningen, kan udgøre en risiko for personskade. Anvend kun slibehjul, som har markeret den samme eller større hastighed i forhold til den, der er markeret på maskinen.
- Der må aldrig bruges en skive, der er for tyk til, at yderflangen kan gå i indgreb med den flade del af spindlen. Større skiver vil røre ved skiveskærmene, mens tykkere skiver vil forhindre boltene i at låse skiven ordentligt fast til spindlen. Enhver af disse situationer kan medføre alvorlige uheld og kan forårsage alvorlige personskader.
- Dette hjul er til slibning og formning af metal. Forsøg ikke at lave afskæringshandlinger.
- Slibehjulet er kun egnet til tørslibning.
- Undlad at anvende et beskadiget slibehjul, anvend ikke hjul, der er flækkede, revnede eller på anden måde defekte.



- Sørg for at slibehjulet er korrekt tilpasset og strammet før brug.
 - Maskinen må aldrig tilsluttes strømforsyningen, mens du installerer eller fjerner slibehjulene.
 - Opbevar dine reserveslibehjul omhyggeligt.
 - Kom hjulet i den originale emballage, hvis det er muligt.
 - Opbevar hjulet i et tørt område ved stuetemperatur.
 - Hjul kan opbevares lodret på en hylde.
 - Tillad ikke, at hjulene falder ned eller bliver udsat for stød.
12. Tænd/Sluk-kontakt
 13. Monteringshul
 14. Afskærmning til slibebånd
 15. Afskærmning til pudser

VEDLIGEHOLDELSE

- Undlad at ændre produktet på nogen måde eller bruge tilbehør, som ikke er godkendt af producenten. Det kan gå ud over din og andres sikkerhed.
- Undlad at bruge produktet, hvis kontakter, skærme eller andre funktioner ikke fungerer efter hensigten. Indlever på autoriseret servicecenter til professionel reparation eller justering.
- Foretag ingen justeringer, mens produktet kører.
- Sørg altid for, at stikket er trukket ud af lysnetkontakten, inden der foretages indstillinger, smøring eller andet arbejde, herunder vedligeholdelse, på produktet.
- Inden og efter hver brug skal produktet kontrolleres for skader eller afbrækkede dele. Hold altid produktet i god stand ved straks at udskifte dele med reservedele, der er godkendt af producenten.
- Fjern ophobet støv med en børste eller støvsuger. Anvend ikke trykluft.
- For bedre sikkerhed og pålidelighed skal alt reparationsarbejde, inkl. udskiftning af børster, udføres på et autoriseret servicecenter.
- Hvis strømforsyningsledningen bliver beskadiget, må den af sikkerhedshensyn kun udskiftes af producenten eller på et autoriseret servicecenter.

Der er oplysninger tilgængeligt på slibehjulets mærkat

Oplysningerne på slibehjulet er vigtige. Læs, og kontroller dem nøje for at sikre, at du vælger den korrekte type hjul.

1. producent, leverandør, importør eller varemærke
2. Nominelle mål for slibehjulet, særligt boringsdiameter.
3. Slibetype, kornet størrelse, kvalitet eller hårdhed, type af bånd og brug af forstærkning.
4. Maksimal betjeningshastighed i meter per sekund.
5. max tilladt rotationshastighed i 1/min
6. I overensstemmelseserklæringen skal slibeproduktet være mærket med EN 12413.
7. begrænsning af brugs- og sikkerhedsadvarselssymboler
8. sporingskode, fx produktions-/batchnummer, serienummer

UUNDGÅELIGE RISICI

Selv om produktet anvendes som foreskrevet, er det stadig umuligt at eliminere visse uundgåelige risikofaktorer fuldstændigt. Følgende risici kan opstå under brug, og operatøren bør være særligt opmærksom for at undgå følgende:

- Risiko for kontakt med uafskærmede dele fra det roterende hjul.
- Brandulykker fra kontakt med et varmt hjul eller arbejdsemne.
- Skader på åndedrætssystem ved manglende brug af effektiv støvmaske.
- Skader på hørelse ved manglende brug af effektivt høreværn.

KEND PRODUKTET

Se side 107.

1. Gnistaafskærmning
2. Gnistfanger
3. Hjulskærm
4. Afretteværktøj
5. Arbejdsstøtte
6. Arbejdslampe
7. Justeringsknap til slibebånd
8. Slibebånd
9. Arbejdsstøtte
10. Låseknap til arbejdsstøtte
11. Vandbakke

⚠ ADVARSEL

Af hensyn til brugersikkerheden og drifts- sikkerheden skal reparation udføres på et autoriseret Ryobi serviceværksted.

TRANSPORT OG OPBEVARING

- Når produktet stilles til opbevaring, skal man frakoble strømforsyningskablet. Opbevar produktet på et sikkert sted, der er utilgængeligt for børn.
- Rengør produktet med en børste og støvsuger, inden det stilles til opbevaring.

MILJØBESKYTTELSE



Råmaterialerne skal genbruges og ikke bortskaffes som almindeligt affald. Af hensyn til miljøet skal redskab, tilbehør og emballage sorteres.



SYMBOLER PÅ PRODUKTET



Sikkerhedsadvarsel



CE-overensstemmelse



Læs venligst vejledningen grundigt igennem før maskinen tages i brug.



Benyt hørevern



Benyt øjenværn



Ikke til vådslibning eller -skæring



Undgå at bruge krakelerede, revnede eller defekte slibeskiver



Bær sikkerhedshandsker



Størrelse og hastighed for slibehjul



Størrelse og hastighed for slibebånd



Elektriske affaldsprodukter bør ikke afskaffes sammen med husholdningsaffald. Genbrug venligst hvor faciliteterne tillader dette. Tjek med din lokale kommune eller forhandler for genbrugsråd.

SYMBOLER I BRUGSANVISNINGEN



Tilslut maskinen til lysnetkontakten.



Træk værktøjets stik ud af stikkontakten.



Ventetid for produktet i forhold til at nå fuld hastighed



Dele eller tilbehør, der sælges separat

De følgende ikoner og betydninger er beregnet til at forklare risikoen involveret i at anvende denne enhed.

FARE

Indikerer en umiddelbart farlig situation, som - hvis den ikke afværges - vil medføre dødsfald eller alvorlig personskade.

ADVARSEL

Indikerer en potentielt farlig situation, som - hvis den ikke afværges - kan medføre dødsfald eller alvorlig personskade.

VÆR OPMÆRKSOM

Indikerer en potentielt farlig situation, som - hvis den ikke afværges - kan medføre mindre eller middelsvær personskade.

VÆR OPMÆRKSOM

(Uden sikkerhedssymbol) indikerer en situation som kan føre til skade af personlig ejendom.



Säkerhet, prestanda och hållbarhet har fått högsta prioritet vid utformningen av din slip- och polermaskin.

ANVÄNDNINGSMÅL

- Denna slip- och polermaskin är avsedd för att slipa och forma metall. Den kan användas för att slipa handverktyg av metall (t.ex. mejslar, yxor, knivar) och borrar, och för att avlägsna ojämnheter och skarpa kanter.
- Med rätt tillbehör kan produkten användas för rengöring av metalltytor med hjälp av en stålborste eller för att glanspolera med en tygskiva.
- Använd aldrig produkten för att kapa.

ALLMÄNNA SÄKERHETSFORESKRIFTER

⚠ VARNING

Grundläggande säkerhetsåtgärder ska alltid följas för att minska risken för brand, elektrisk stöt och personskada när du använder elektriska verktyg. Läs alla instruktioner innan du försöker använda den här produkten och spar instruktionerna för senare bruk.

- **Se till att arbetsplatsen är ren och välstädad.** Röriga och smutsiga arbetsplatser och arbetsbord utgör en risk för personskador.
- **Besiktiga arbetsplatsen.** Utsätt inte verktygen för regn. Använd inte verktygen på fuktiga eller blöta platser. Håll arbetsområdet väl upplyst. Använd inte verktygen i närheten av brännbara vätskor eller gaser.
- **Skydda dig mot elektriska stötar.** Undvik kroppskontakt med jordade ytor (så som rör, element, spisar och kylskåp).
- **Se till att andra personer håller sig på behörigt avstånd.** Låt inte andra personer, i synnerhet barn, utföra någon del av arbetet eller röra verktyget eller förlängningssladden; se också till att de håller sig på behörigt avstånd från arbetsplatsen.
- **Förvara verktyg avstängda.** När verktygen inte används ska de förvaras på en torr plats med lås där inte barn kan komma åt dem.
- **Använd inte kraft mot verktyget.** Verktyget fungerar bäst och mest effektivt om du jobbar i den takt som det är avsett för.
- **Använd korrekt verktyg.** Försök inte göra jobb som bäst utförs med stora och kraftiga verktyg med små verktyg. Använd endast verktygen för de ändamål som de är avsedda för; försök till exempel inte kapa kvistar eller stockar med en cirkelsåg.
- **Klä dig korrekt.** Bär inga löst åtsittande kläder eller smycken som kan fastna i rörliga delar. Användning av skor med halkskydd rekommenderas vid arbete utomhus. Bär hårskydd som skyddar långt hår.
- **Använd skyddsutrustning.** Använd skyddsglasögon.

Använd en ansikts- eller dammask om arbetsuppgiften producerar mycket damm.

- **Anslut utrustning för dammsugning.** Om tillbehör för dammsug och dammsugning finns tillgängliga för verktyget, kontrollera att dessa är monterade korrekt och används på rätt sätt.
- **Skada inte sladden.** Dra i kontakten när du drar ut elsladden ur vägguttaget, aldrig i själva sladden. Håll sladden borta från värme och vassa kanter.
- **Säkert arbets sätt.** När det är möjligt, använd alltid klämmor eller skruvstäd för att hålla fast arbetsstycket. Det är säkrare än att använda händerna.
- **Sträck dig inte.** Ha alltid ett bra fotfäste och en god balans.
- **Underhåll verktyget försiktigt.** Se till att hålla skärverktyget vasst och verktyget rent för ett bättre och säkrare arbete. Följ instruktionerna för smörjning och byte av tillbehör. Besiktiga verktygens elsladdar regelbundet och lämna in dem för reparation hos ett auktoriserat servicecenter om du upptäcker skador på dem. Kontrollera förlängningssladden regelbundet och byt ut om den är skadad. Håll handtagen torra, rena och fria från olja och fett.
- **Koppla bort verktyg.** Alla verktyg ska slås av och deras elsladdar dras ut ur vägguttagen när de inte används, innan service eller när någon del ska bytas ut, t.ex. tillbehör, kapskiva, bits, skäransordningar.
- **Ta bort justeringsnycklar och -verktyg.** Ta för vana att kontrollera att nycklar och skiftnycklar är bortplockade från verktyget innan det startas.
- **Undvik oavsiktlig start.** Försäkra dig om att huvudströmbrytaren står i läget "off" (av) när du sätter i kontakten.
- **Använd endast förlängningssladdar som har godkänts för utomhusbruk.** När verktyget används utomhus ska endast förlängningssladdar som är anpassade och märkta för utomhusbruk användas.
- **Var på din vakt.** Se upp med vad du gör och använd sunt förnuft. Använd inte verktyget om du är påverkad av alkohol eller droger eller om du tar mediciner.
- **Kontrollera delarna för att upptäcka eventuella skador.** Innan ytterligare användning av verktyget sker ska det noggrant kontrolleras för att avgöra om det kan fungera och fylla sin funktion fullt ut. Kontrollera att rörliga delar sitter som de ska och kan röra sig obehindrat och att inga delar eller fästen är trasiga; kontrollera även andra saker som kan påverka användningen. Ett skydd eller en annan del som är skadad måste repareras ordentligt eller bytas ut av ett auktoriserat servicecenter om ingenting annat anges i den här handboken. Låt ett auktoriserat servicecenter byta ut trasiga strömbrytare.
- **Använd inte verktyget om du inte kan stänga av och sätta på det med strömbrytaren.**
- **Varning.** Användning av några andra typer av tillbehör än de som rekommenderas i denna användarhandbok kan innebära risk för personskador.



- **Om verktyget måste repareras bör detta göras av en kvalificerad person.** Detta elverktyg uppfyller alla viktiga säkerhetsbestämmelser. Reparationer får endast utföras av kvalificerad personal som använder originalreservdelar; i annat fall kan användaren utsättas för stora risker.

SÄKERHETSANVISNINGAR FÖR SLIP- OCH POLERMASKIN

- Stickkontakten måste stoppas in i ett vägguttag där den passar, vägguttaget måste vara korrekt installerat och jordat i enlighet med lokala lagar och bestämmelser. Om du inte är säker, låt en utbildad elektriker kontrollera uttaget.
- Montera produkten stadigt på en arbetsbänk, slipställning eller på någon annan styv ram före användning. En produkt som inte fästs säkert är instabil och kan förflyttas sig under drift. Detta kan leda till skador och olycksfall.
- Ha tillräckligt med allmän belysning eller punktbelysning så att du slipper stroboskopeffekter och risker.
- Före drift, inspektera komponenterna och eventuella tillbehör till produkten för att säkerställa att det inte föreligger omständigheter som påverkar korrekt drift. Dra åt slipskivans låsmuttrar, säkra alla bultar, klämmor och skydd.
- Kontrollera slipskivan avseende skador före varje start. Använd inte skadade eller deformerade skivor. Ersätt en skadad slipskiva i enlighet med anvisningarna.
- Kontrollera att skivan roterar fritt före varje start. Vrid försiktigt skivan för hand, med produkten fränkopplad från strömkällan och brytaren ställd på OFF. Skivan får inte komma i kontakt med några av bänkslipens komponenter, och det får inte förekomma någon inklemning eller andra omständigheter som kan påverka korrekt drift.
- Vid varje start, stå på ena sidan om produkten och ställ brytaren på ON. Låt slipen arbeta med full hastighet under en minut, så att eventuella oupptäckta fel eller sprickor i skivan blir tydliga. Sätt inte arbetsstycket i kontakt med skivan innan produkten har uppnått full hastighet.
- Håll händer och kroppsdelar borta från slipskivorna. Att komma åt den roterande skivan kan leda till skador.
- Använd alltid skydd och ögonskydd. Se till att alla skydd sitter på plats och att de är i fungerande skick. Att använda produkten utan skydd eller med skadade skydd kan leda till olycksfall.
- Undvik brännskador. Slipning kan hetta upp arbetsstycket och slipskiva. Vidrör inte slipskivan eller arbetsstycket som kan vara varma.
- Använd inte produkten för arbete på små föremål eller föremål som inte kan hållas fast ordentligt. Arbetsstycket kan kastas ut och leda till olycksfall.
- Slipa aldrig på skivans sida. Skivan kan då brytas sönder. Slipa endast på skivans framsida.

- Lämna aldrig ett verktyg som är igång. Slå av verktyget. Lägg märke till att slipskivan fortsätter att rotera en stund efter att verktyget stängts av. Lämna inte verktyget förrän det har stannat helt.
- Stick aldrig in handen bakom eller under slipskivorna.
- Använd hörselskydd, som öronpluggar eller öronmuffar, vid längre driftperioder.
- Koppla bort kontakten innan du utför några justeringar, service eller underhåll. Strömsladden måste kopplas ur närhelst du utför underhåll av din produkt.
- Justera verktygsstöd vid behov för att hålla avståndet mellan verktygsstöden och slipskivorna så små som möjligt. Detta avstånd ska vara mindre än eller lika med 2 mm. Allt eftersom slipskivans diameter minskar med användningen, håll verktygsstödet maximala avstånd genom att justera detta.
- Justera gnistfångare vid behov för att hålla avståndet mellan gnistfångarna och slipskivorna så små som möjligt. Detta avstånd ska vara mindre än eller lika med 2 mm. Allt eftersom slipskivans diameter minskar med användningen, håll gnistfångarnas maximala avstånd genom att justera detta.
- Om stödet för arbetsstycket blir slitet eller skadat, ersätt det med en identisk komponent från ett auktoriserat servicecenter.
- Vid montering av en ny slipskiva, kontrollera alltid att det angivna maximala varvtalet motsvarar eller överstiger det som anges på produkten. Säkerställ att skivans och spindelens storlek motsvarar vad som anges i specifikationerna. Kontrollera också den nya skivan avseende skador, som fel eller sprickor.

SÄKERHETSANVISNINGAR FÖR SLIPSKIVA

VARNING

För att minska risken för olycksfall måste användaren läsa och följa instruktioner, varningar och användarmanual före användning av denna slipskiva. Om inte denna varning hörsammas kan det leda till att skivan går sönder och allvarlig personskada. Spara dessa anvisningar.

- Användning av någon annan slipskiva än vad som rekommenderas i maskinens instruktionsmanual kan utgöra en risk för personskador. Använd endast slipskivor som har en hastighetsmärkning motsvarande eller högre än den som finns angiven på maskinen.
- Använd aldrig en klinga som är så tjock att den yttre flänsen inte kan fästas mot spindeln. Större klingor kommer i kontakt med skyddsanordningen och tjockare klingor hindrar fästbulten att fästa klingan på spindeln. Dessa situationer kan resultera i en allvarlig olycka och orsaka allvarliga personskador.
- Denna slipskiva är avsedd för att slipa och forma metall. Försök inte att använda den för kapning.
- Denna slipskiva är endast lämplig för torr slipning.



- Använd inte skadade slipskivor, skivor som har hack, sprickor eller andra fel.
 - Säkerställ att skipskivan är korrekt monterad och åtdragen före användning.
 - Maskinen ska aldrig vara ansluten till strömkällan när du monterar eller avlägsnar slipskivor.
 - Förvara din extra slipskiva med omsorg.
 - Förvara om möjligt slipskivan i sin originalförpackning.
 - Förvara skivan i ett torrt utrymme vid rumstemperatur.
 - Slipskivor kan förvaras vertikalt placerade på en hylla.
 - Låt inte skivorna falla ned eller utsättas för stötar.
9. Stöd för arbetsstycke
 10. Låsknapp för arbetsstyckets stöd
 11. Vattenbehållare
 12. Av/på-knapp
 13. Monteringshåll
 14. Slippremskydd
 15. Slipenhetskydd

UNDERHÅLL

- Modifiera inte produkten på något sätt och använd inga tillbehör som inte godkänts av tillverkaren. Din och andras säkerhet kan vara i fara.
- Använd inte produkten om brytare, skydd eller andra funktioner inte fungerar som avsett. Lämna den till auktoriserat servicecenter för reparation eller justering.
- Utför inte justeringar medan produkten är i drift.
- Se alltid till att kontakten har tagits ur eluttaget före justeringar, smörjning eller om underhåll ska göras på produkten.
- Före och efter användning ska produkten kontrolleras så det inte finns skadade eller trasiga delar. Håll produkten i gott skick genom att omedelbart ersätta delar med reservdelar som tillhandahålls av tillverkaren.
- Rensa bort damm som ansamlats med en borste eller dammsugare. Använd inte tryckluft.
- För säkerhet och pålitlighet ska alla reparationer, inklusive byte av borstar, utföras av auktoriserat reparationscenter.
- Om strömkabeln har skadats får den enbart bytas ut av tillverkaren eller auktoriserat servicecenter för att undvika säkerhetsrisk.

Information som finns på slipskivans etikett

Informationen på slipskivans etikett är viktig. Läs och kontrollera den noggrant för att försäkra dig om att du väljer rätt typ av slipskiva.

1. tillverkare, leverantör, importör eller varumärke
2. Nominella mått för slipskivan, särskilt håldiametern.
3. Typ av slipmaterial, kornstorlek, klass eller hårdhet, typ av bindemedel och användning av förstärkning.
4. Maximal drifhastighet i meter per sekund.
5. max tillåten rotationshastighet per minut
6. För överensstämmelsedeklaration ska slipprodukterna vara märkta med EN 12413.
7. begränsningar för användning och säkerhetssymboler
8. spårbarhetskod, exempelvis produktions-/batchnummer, serienummer

RESIDUALRISK

Även om produkten används enligt instruktionerna går det inte att eliminera alla eventuella riskfaktorer. Följande risker kan uppstå vid användning och operatören ska vara extra uppmärksam för att undvika följande:

- Risk för kontakt med oskyddade delar av den roterande skivan.
- Risk för brännskada genom kontakt med varm skiva eller arbetsstycke.
- Skador på andningsvägarna om inte dammskydd för ansiktet används.
- Skada på hörseln om ett effektivt hörselskydd inte används.

LÄR KÄNNA DIN PRODUKT

Se sidan 107.

1. Gnistskydd
2. Gnistfångare
3. Slipskydd
4. Rengöringsverktyg för skivan
5. Stöd för arbetsstycke
6. Arbetslampa
7. Justeringsknapp för sliprem
8. Sandpapperbälte

⚠ VARNING

Av säkerhetsskäl är det viktigt att alla reparationer utförs på en serviceverkstad som godkänts av Ryobi.

TRANSPORT OCH FÖRVARING

- Strömkabeln ska kopplas ur vid förvaring. Förvara produkten på säker plats där inga barn kan komma åt den.
- Rengör produkten med en borste eller dammsugare före förvaring.

MILJÖSKYDD



Råmaterialen ska återvinnas i stället för att kastas i hushållsavfallet. För att skona miljön ska verktyget, tillbehören och emballagen sorteras.



SYMBOLER PÅ PRODUKTEN



Säkerhetsvarning



CE-överensstämmelse



Läs instruktionerna ordentligt innan start av maskinen.



Bär hörselskydd.



Använd skyddsglasögon



Ej avsedd för våtslipning eller kapning.



Använd aldrig hackade, spruckna eller defekta slipskivor



Använd skyddshandskar



Slipskivans storlek och hastighet



Slipremmens storlek och hastighet



Gamla elektroniska produkter ska inte kastas med hushållssoporna. Återvinn där sådana faciliteter finns. Kontrollera med din lokala myndighet eller säljaren för att få återvinningstips.

SYMBOLER I MANUALEN



Sätt in maskinens stickkontakt i vägguttaget.



Koppla bort verktyget från eluttaget.



Väntetid innan produkten når full hastighet



Delar och utrustning säljs separat

Följande signalord och betydelser är tänkta att förklara de olika risknivåerna som är associerade med denna produkt.

FARA

Visar på en direkt riskfylld situation som, om den inte undviks, kan orsaka dödsfall eller allvarig personskada.

VARNING

Visar på en potentiellt riskfylld situation som, om den inte undviks, kan orsaka dödsfall eller allvarig personskada.

FÖRSIKTIGHET

Visar på en potentiellt riskfylld situation som, om den inte undviks, kan orsaka mindre eller måttlig personskada.

FÖRSIKTIGHET

(Utan säkerhetssymbolen) Indikerar en situation som kan leda till egendomsskada.



Turvallisuus, tehokkuus ja käyttövarmuus ovat penkki- ja nauhahiomakoneemme tärkeimpiä ominaisuuksia.

KÄYTTÖTARKOITUS

- Tämä penkki- ja nauhahiomakone on tarkoitettu metallin hiomiseen ja muotoiluun. Sillä voi teroittaa metallisia käsityökaluja (esim. talttoja, kirveitä ja veitsiä) tai poranteriä, tai poistaa valupurseet ja tasoittaa terävät reunat.
- Asianmukaisilla lisävarusteilla konetta voi käyttää metallipintojen puhdistamiseen teräsharjalla tai hiomiseen ja kiillottamiseen kangaslaikalla.
- Älä koskaan käytä konetta leikkaamiseen.

YLEISET TURVALLISUUSVAROITUKSET

⚠ VAROITUS

Sähkötyökaluja käytettäessä on aina ryhdyttävä varotoimiin tulipalon, sähköiskun ja loukkaantumisen välttämiseksi. Lue kaikki ohjeet ennen tuotteen käyttöä, ja säilytä nämä ohjeet.

- **Pidä työalue esteettömänä.** Sotkuiset alueet ja pöydät voivat aiheuttaa loukkaantumisen.
- **Ota työalue huomioon.** Älä jätä työkaluja sateeseen. Älä käytä laitetta kosteassa tai märässä paikassa. Pidä työalue valoisana. Älä käytä laitetta helposti syttyvien nesteiden tai kaasujen läheisyydessä.
- **Suojaudu sähköiskulta.** Älä kosketa maadoitettuihin pintoihin (kuten putkiin, lämpöpattereihin, helloihin tai jääkaappeihin).
- **Pidä sivulliset etäällä.** Älä anna ulkopuolisten, erityisesti lasten, osallistua työhön tai koskettaa laitetta tai jatkojohtoa, ja pidä heidät poissa työalueelta.
- **Varastoi käyttämättömät työkalut.** Käyttämättömän laitteen tulee olla varastoitu kuivaan paikkaan ja pois lasten ulottuvilta.
- **Älä pakota laitetta.** Se hoitaa työt paremmin ja turvallisemmin sillä vauhdilla, jota varten se on tarkoitettu.
- **Käytä oikeaa työkalua.** Älä pakota pientä työkalua tekemään järeää työkalua vaativaa työtä. Älä käytä laitetta muuhun kuin sille tarkoitettuun käyttöön; esimerkiksi, älä sahaa pyörösahalla oksia tai tukkeja.
- **Pukeudu asianmukaisesti.** Älä käytä löysiä vaatteita tai koruja, sillä ne voivat tarttua liikkuviin osiin. Ulkotöissä suositellaan käytettävän luistamattomia suojakenkiä. Suojaa pitkät hiukset peittämällä ne.
- **Käytä suojavälineitä.** Käytä suojalaseja. Käytä kasvo- tai pölysuojainta tehdessäsi pölyistä työtä.
- **Kytke pölynimuri.** Jos laitetta varten on pölynpoistaja keräyslaite, kytke se asianmukaisesti ja käytä sitä oikein.
- **Pidä huolta sähköjohdosta.** Älä koskaan irrota laitetta pistorasiasta vetämällä johdosta. Älä päästä johtoa koskettamaan kuumuuden lähteitä, öljyä tai teräviä reunoja.
- **Kiinnitä työkappale.** Kiinnitä työkappale puristimilla tai ruuvipenkillä aina, kun mahdollista. Se on turvallisempaa kuin käden käyttö.
- **Älä kurkota liian kauas.** Säilytä aina kunnollinen jalansija ja tasapaino.
- **Huolla laite huolella.** Pidä leikkuutyökalut terävinä ja puhtaina, jotta ne toimisivat paremmin ja turvallisemmin. Noudata voitelua ja lisävarusteiden vaihtoa koskevia ohjeita. Tarkista laitteen sähköjohdot säännöllisesti, ja jos ne ovat vioittuneet, korjauta ne valtuutetussa huoltopisteessä. Tarkista jatkojohto säännöllisesti ja vaihda se, jos se on vioittunut. Pidä kädensijat kuivina ja puhtaina liasta, öljystä ja rasvasta.
- **Irrota laitteet.** Irrota pistoke, kun laitetta ei käytetä, ennen huoltoa ja vaihtaessasi lisävarusteita, kuten teriä ja leikkureita.
- **Poista säätöavaimet ja kiintoavaimet.** Opi tarkistamaan, että kaikki avaimet ja muut työkalut on poistettu laitteesta ennen sen käynnistämistä.
- **Älä anna koneen käynnistyä vahingossa.** Tarkista laitetta pistorasiaan kytkiessäsi, että se on "off"-asennossa.
- **Käytä ulkokäyttöön tarkoitettuja jatkojohtoja.** Kun laitetta käytetään ulkona, käytä sen kanssa ainoastaan jatkojohtoja, jotka on tarkoitettu ulkokäyttöön ja jotka on niin merkitty.
- **Ole valpas.** Katso mitä teet ja käytä maalaisjärkeä. Älä käytä työkalua mikäli olet alkoholiin tai huumeiden vaikutuksen alainen tai mikäli olet lääkekuurilla.
- **Tarkista vioittuneet osat.** Ennen kuin painepesurin käyttöä jatketaan, se tulee tarkistaa huolella jotta voidaan olla varmoja, että ne toimivat kunnolla ja asianmukaisesti. Tarkista, että liikkuvat osat on kohdistettu oikein ja että ne liikkuvat kunnolla, että osia ei ole rikkoutunut, että osat on asennettu oikein ja että mikään muu seikka ei haittaa koneen toimintaa. Valtuutetun huoltopisteen on korjattava tai vaihdettava vioittunut suoja tai muu osa, ellei näissä käyttöohjeissa toisin mainita. Vaihdata vialliset katkaisimet valtuutetussa huoltopisteessä.
- **Älä käytä laitetta, jos se ei käynnisty ja sammu katkaisimesta.**
- **Varoitus.** Muun kuin tässä käsikirjassa suositellun lisälaitteen tai lisävarusteen käyttäminen voi aiheuttaa loukkaantumisvaaran.
- **Anna laite pätevän henkilön korjattavaksi.** Tämä sähkölaite noudattaa asianmukaisia turvallisuusäädoksiä. Laitteen saa korjata vain pätevä henkilö käyttäen alkuperäisiä varaosia; muutoin korjauksesta voi aiheutua huomattava vaara käyttäjälle.



PENKKI- JA NAUHAHIOMAKONEEN TURVALLISUUSVAROITUKSET

- Pistoke on kytkettävä sitä vastaavaan pistorasiaan, joka on asennettu asianmukaisesti ja maadoitettu kaikkien paikallisten koodien ja säädösten mukaisesti. Jos et ole varma, pyydä sähköasentajaa tarkistamaan runkoliitin.
- Asenna kone ennen käytön aloittamista lujasti työpenkkiin tai muuhun tukevaan alustaan. Suojaamaton kone on epävaka ja voi liikkua käytön aikana. Siitä voi olla seurauksena koneen vahingoittuminen tai henkilövahinko.
- Järjestä riittävä yleis- tai kohdevalaistus, joka ei aiheuta stroboskooppi-ilmiötä eikä vaaroja.
- Tarkista ennen käyttöä koneen kaikki osat ja lisävarusteet varmistaaksesi, että mikään ei häiritse koneen moitteetonta toimintaa. Kiristä hiomalaikan lukitusmutterit, turvapultit sekä kaikki kiinnittimet ja suojalaitteet.
- Tarkista aina ennen käynnistystä, että hiomalaikka on moitteettomassa kunnossa. Älä käytä vääntyneitä tai muulla tapaa viallisia laikkoja. Vaihda vioittunut hiomalaikka ohjeiden mukaisesti.
- Tarkista aina ennen käyttöä, että laikka pyörii esteettä. Kytke kone irti virtalähteestä, käännä katkaisija OFF-asentoon ja pyöritä sitten laikkaa varovasti kädellä. Laikka ei saa koskettaa mitään penkkihiomakoneen osaa eikä mikään muukaan seikka saa häiritä koneen moitteetonta toimintaa.
- Aina kun käynnistät koneen, seiso sen sivulla ja paina ON-kytkintä. Anna hiomakoneen käydä täydellä nopeudella minuutin ajan, jotta laikan mahdollinen huomaamatta jäänyt viallisuus käy ilmi. Älä aloita työkappaleen työstämistä ennen kuin kone on saavuttanut täyden nopeutensa.
- Pidä kädet ja muut kehonosat loitolla hiomalaikasta. Kosketus pyörivään laikkaan voi aiheuttaa henkilövamman.
- Käytä aina suojalaitteita ja suojalaseja. Pidä suojat paikoillaan ja kunnossa. Koneen käyttö ilman suojalaitteita tai viallisilla suojalaitteilla saattaa johtaa henkilövammaan.
- Vältä palovammat. Hionta voi lennättää irtonaista materiaalia ja hiomalaikka voi kuumentua. Älä koske hiomalaikkaan tai hiottavaan työkappaleeseen, sillä ne voivat olla kuumia.
- Älä työstä koneella pieniä työkappaleita tai kappaleita, joista ei voi kunnolla pitää kiinni. Hiottava työkappale voi sinkoutua ja aiheuttaa henkilövahingon.
- Älä koskaan hio laikan syrjällä. Laikkaan saattaa tulla murtumia. Hio ainoastaan laikan etuosalla.
- Älä koskaan jätä käynnissä olevaa laitetta vartioimatta. Sammuta laite. Hiomalaikka jatkaa pyörimistä inertian avulla työkalun sammutuksen jälkeen. Älä jätä laitetta yksin, ennen kuin se on pysähtynyt täysin.
- Älä koskaan siirry hiomalaikkojen taakse tai alapuolelle.

- Käytä kuulosuojaimia, kuten korvatulppia tai kupusuojaimia, jos työ on erittäin pitkäkestoinen.
- Irrota pistoke ennen säätöä, huoltoa ja ylläpitoa. Virtajohdon on oltava poiskytkettynä virtalähteestä aina kun koneeseen tehdään huoltotoimenpiteitä.
- Säädä työkalutuki tarvittaessa siten, että työtuen ja hiomalaikan keskinäinen etäisyys on mahdollisimman pieni. Etäisyyden tulee olla 2 mm tai pienempi. Työkalutuen etäisyyttä on säädettävä aika ajoin, koska hiomalaikan läpimitta pienenee ajan oloon kulumisen seurauksena.
- Säädä kipinälevy tarvittaessa siten, että kipinälevyn ja hiomalaikan keskinäinen etäisyys on mahdollisimman pieni. Etäisyyden tulee olla 2 mm tai pienempi. Kipinälevyn etäisyyttä on säädettävä aika ajoin, koska hiomalaikan läpimitta pienenee ajan oloon kulumisen seurauksena.
- Jos työtuki kuluu tai vahingoittuu, hanki tilalle täysin samanlainen valtuutetusta huoltoliikkeestä.
- Kun kiinnität uuden hiomalaikan, tarkista aina, että siihen merkitty maksimikierronnopeus (RPM) on koneeseen merkityn mukainen tai suurempi. Varmista, että laikan läpimitta ja tuuman koko ovat eritelmissä mainitun mukaiset. Tarkista myös uusi laikka vikojen varalta.

HIOMALAIKAN TURVALLISUUSVAROITUKSET

⚠ VAROITUS

Henkilövahingon välttämiseksi käyttäjän tulee ennen hiomalaikan käytön aloittamista lukea ohjeet, varoitukset ja käyttäjän opas huolellisesti ja noudattaa annettuja ohjeita. Näiden varoitusten laiminlyönti voi johtaa laikan rikkoutumiseen ja vakavaan loukkaantumiseen. Säilytä nämä ohjeet.

- Muun kuin koneen käyttöoppaassa suositellun laikan käyttäminen saattaa johtaa henkilövahinkoon. Käytä ainoastaan hiomalaikkoja, joihin merkitty nopeus on sama tai suurempi kuin koneeseen merkitty.
- Älä koskaan käytä laikkaa, joka on niin paksu, että ulkolaippa ei kosketa karan tasaista osaa. Suuremmat laikat koskettavat laikansuojuksia ja paksummat laikat estävät pulttia kiinnistämästä laikkaa karaan. Kummassakin tapauksessa seuraus voi olla vakava onnettomuus ja vakava loukkaantuminen.
- Tämä laikka on tarkoitettu metallin hiontaan ja muotoiluun. Älä yritä tehdä katkaisuja.
- Tämä hiomalaikka sopii ainoastaan kuivahiontaan.
- Älä käytä kolhiintuneita, halkeilleita tai muulla tavoin viallisia hiomalaikkoja.
- Varmista ennen käyttöä, että hiomalaikka on kiinnitetty oikein ja kiristetty tiukkaan.
- Kone ei koskaan saa olla kytkettynä virtalähteeseen silloin kun hiomalaikkoja asennetaan tai irrotetaan.



- Säilytä varalla olevia hiomalaikkoja huolellisesti.
 - Jos mahdollista, säilytä laikkaa alkuperäispakkauksessaan.
 - Säilytä laikkaa kuivassa paikassa huoneenlämmössä.
 - Laikkoja voi säilyttää hyllyssä pystyasennossa.
 - Estä laikkoja putoamasta tai kolhiintumasta.

Hiomalaikan tuotetarratieto

Hiomalaikan tuotetarratieto on tärkeää. Lue ja tarkista tieto huolellisesti, jotta valitset varmasti oikeantyyppisen laikan.

1. valmistaja, toimittaja, maahantuojaja tai tavaramerkki
2. Hiomalaikan nimellismitat, erityisesti reiän halkaisija.
3. Hiontatyyppi, karkeus, kovuus, sideaineen tyyppi ja lujuuteen käyttö.
4. Maksimikäyttönopeus metreinä per sekunti.
5. suurin sallittu pyörimisnopeus 1/min
6. Hiontaan tarkoitettujen tuotteiden vaatimustenmukaisuusvakuutuksessa on oltava merkintä EN 12413.
7. käyttörajoitukset ja turvallisuusvaroitusten symbolit
8. jäljityskoodi, esim. tuotanto/eränumero, sarjanumero

KÄYTÖN RISKIT

Vaikka tuotetta käytettäisiin ohjeiden mukaisesti, ei ole mahdollista täysin eliminoida tiettyjä käyttöön liittyviä riskitekijöitä. Käytössä voi aiheutua seuraavia vaaroja, ja käyttäjän tulee kiinnittää erityistä huomiota niiden välttämiseen:

- Pyörivän laikan suojaamattomien osien kanssa kosketuksiin joutumiseen liittyy onnettomuusriski.
- Kuumentuneeseen laikkaan tai työkaluun koskeminen voi aiheuttaa palovamman.
- Hengitystiehyevauriot, jos ei käytetä tehokasta pölysuojainta.
- Kuulovamma, jos ei käytetä tehokkaita kuulosuojaimia.

TUNNE TUOTTEESI

Katso sivu 107.

1. Kipinälasia
2. Kipinälevy
3. Laikansuojus
4. Laikan oikaisu työkalu
5. Työtuki
6. Työlamppu
7. Hiomahihnan säätönappi
8. Hiomakoneen hihna
9. Työtuki
10. Työtuen lukitusnappi
11. Vesisäiliö
12. Käynnistys/sammutuskytkin
13. Asennusreikä
14. Hiomanauhan suojus
15. Hiomakoneen suojus

HUOLTO

- Älä muuntele tuotetta millään tavoin tai käytä muita kuin valmistajan hyväksymiä lisävarusteita. Sinun ja muiden turvallisuus saattaa vaarantua.
- Älä käytä tuotetta, jos jokin kytkin, suojaus tai muu toiminto ei toimi tarkoitettulla tavalla. Palauta se valtuutettuun huoltoon ammattilaisen korjattavaksi tai säädettäväksi.
- Älä tee mitään säätöjä koneen käydessä.
- Varmista aina, että pistoke on irrotettu pistorasiasta, ennen kuin teet säätöjä, voitelet tuotetta tai suoritat sen huoltoa.
- Tarkista tuote vaurioiden ja rikkoutuneiden osien varalta ennen jokaista käyttökertaa ja niiden jälkeen. Pidä tuote huippukunnossa vaihtamalla osat välittömästi valmistajan hyväksymiin varaosiin.
- Siivoa kerääntynyt pöly harjalla tai pölynimurilla. Älä käytä paineilmaa.
- Jotta laite toimisi turvallisesti ja luotettavasti, kaikki korjaukset, mukaan lukien harjojen vaihto, tulee antaa valtuutetun huoltopisteen hoidettavaksi.
- Jos virtajohto vioittuu, se on vaihdettava ainoastaan valmistajalla tai valtuutetussa huollossa, jotta vältytään vaurioilta.

VAROITUS

Lisäturvallisuuden ja luotettavuuden takaamiseksi kaikki korjaustyöt on annettava valtuutetun Ryöbi-huoltokeskuksen tehtäväksi.

KULJETUS JA SÄILYTYS

- Kun varastoit tuotteen, irrota virtajohto. Säilytä tuotetta turvallisessa paikassa, johon lapset eivät pääse.
- Puhdista tuote harjalla tai pölynimurilla ennen tuotteen varastoimista.

YMPÄRISTÖSUOJELU



Älä hävitä raaka-aineita jätteinä vaan vie ne kierrätykseen. Ympäristönsuojelun kannalta työkalu, lisävara-usteet ja pakkausmateriaali on lajiteltava.

TUOTTEESSA OLEVAT SYMBOLIT



Turvallisuusvaroitus



Todistus CE-sääntöjen noudattamisesta



Lue ohjeet huolellisesti ennen laitteen käynnistämistä.



Käytä kuulosuojaimia



Käytä suojalaseja



Märkähionta tai leikkuu ei ole sallittu



Älä käytä lohkeilleita, haljenneita tai viallisia hiomalaikkoja



Käytä suojakäsineitä



Hiomalaikan koko ja nopeus



Hiomanauhan koko ja nopeus



Käytöstä poistettavia sähkölaitteita ei pidä hävittää talousjätteiden mukana. Ne on mahdollisuuksien mukaan pantava kiertoon. Kierrätysohjeita antavat kunnan viranomaiset ja vähittäiskauppiat.

Seuraavat signaalisanat ja merkitykset on tarkoitettu selittämään tähän tuotteeseen liittyviä riskin tasoja.

VAARA

Ilmoittaa välittömästä vaaratilanteesta, joka saattaa aiheuttaa kuoleman tai vakavan vamman.

VAROITUS

Ilmoittaa mahdollisesta vaaratilanteesta, joka saattaa aiheuttaa kuoleman tai vakavan vamman.

VAROITUS

Ilmoittaa mahdollisesta vaaratilanteesta, joka saattaa aiheuttaa pienen tai kohtalaisen vamman.

VAROITUS

(Ilman varoitusmerkkiä) Tilanne, joka voi aiheuttaa materiaalista vahinkoa.

KÄSIKIRJAN SYMBOLIT



Kytke laitteen pistoke pistorasiaan.



Irrota laite sähköverkosta.



Aika, joka koneelta menee täyden nopeuden saavuttamiseen



Osat ja lisävarusteet on hankittava erikseen



Sikkerhet, ytelse og pålitelighet hadde topp prioritet under utformingen av denne slipemaskinen.

TILTENKT BRUK

- Denne slipemaskinen er beregnet på å slippe og forme metall. Den kan brukes til å slippe håndverktøy av metall (f.eks. meisler, økser og kniver) og bor samt å fjerne hakk og skarpe kanter.
- Med riktig tilbehør kan produktet brukes til å rengjøre metallflater med en vajerbørste eller polere dem med et stoffhjul.
- Bruk aldri produktet til å dele/skjære opp ting.

GENERELLE SIKKERHETSADVARSLER

ADVARSEL

Når du bruker elektrisk verktøy må visse grunnleggende forholdsregler alltid tas for å redusere risikoen for brann, elektrisk støt og personskade. Les alle instruksjonene før du gjør forsøk på å bruke produktet, og ta godt vare på disse instruksjonene.

- **Hold arbeidsområdet rent.** Rotete områder og arbeidsbenker inviterer til ulykker.
- **Vurder det fysiske arbeidsmiljøet.** Ikke utsett verktøyet for regn. Ikke bruk utstyret på fuktige eller våte steder. Hold arbeidsområdet godt opplyst. Ikke bruk elektrisk verktøy på steder hvor det finnes brennbare væsker eller gass.
- **Beskytt deg mot elektriske støt.** Unngå kroppskontakt med jordede overflater (som vannrør, radiatorer, kokeapparater og kjøleaggregater).
- **Hold andre personer vekk.** Ikke la personer, og spesielt barn, ta del i arbeidet, berøre verktøyet eller en skjøteledning, og hold dem vekk fra arbeidsområdet.
- **Lagre verktøy som ikke brukes.** Når det ikke er i bruk må verktøyet oppbevares tørt og innelåst slik at det er utlignelig for barn.
- **Ikke press verktøyet.** Det vil gjøre jobben bedre og tryggere med den hastigheten det var konstruert for.
- **Bruk det rette verktøyet.** Ikke tving et lite verktøy til å utføre en oppgave som var tiltenkt et større og kraftigere verktøy. Ikke bruk verktøy for oppgaver det ikke var tiltenkt, bruk for eksempel ikke en sirkelsag til å kappe grener eller trestammer.
- **Kle deg riktig.** Bruk ikke løstsittende klær eller smykker, de kan hekte seg fast i bevegelige deler på verktøyet. Sklisikkert fotføy anbefales ved arbeid utendørs. Bruk lue eller hatt til å dekke langt hår.
- **Bruk verneutstyr.** Bruk vernebriller. Bruk ansikts- eller støvmaske dersom arbeidet skaper støv.
- **Tilkobl støvavsugsutstyr.** Hvis det finnes tilkoblingsmuligheter for oppsugnings- og oppsamlingsutstyr for støv, sørg for at dette blir tilkoblet

og brukt på riktig måte.

- **Ikke misbruk den elektriske ledningen.** Trekk aldri i den elektriske ledningen for å frigjøre støpslet fra stikkkontakten. Hold ledningen vekk fra varme, olje og skarpe kanter.
- **Trygt arbeid.** Der det er mulig, bruk klemmer eller tvinger til å holde fast arbeidsstykket. Det er tryggere enn å bruke hånden din.
- **Ikke len deg for langt frem.** Sørg for godt fotfeste og god balanse til enhver tid.
- **Vedlikehold verktøyet med omtanke.** Hold verktøyet skarpt og rent for å oppnå bedre og tryggere ytelser. Følg instruksjonene for smøring og skifte av tilbehør. Inspiser verktøyets strømledning regelmessig og sørg for at den skiftes ved et autorisert servicecenter dersom den er skadet. Inspiser regelmessig eventuell skjøteledning og skift dersom den har skader. Hold håndtak tørre, rene og fri for olje og fett.
- **Frakoble verktøy.** Når verktøyet ikke er i bruk, før servicearbeider og i forbindelse med skifting av tilbehør som blader, bits og skjæreutstyr må verktøyet frakobles den elektriske kontakten.
- **Fjern justeringsnøkler og fastnøkler.** Gjør det til en vane å kontrollere at justeringsnøkler er fjernet fra verktøyet før det startes.
- **Unngå utilsikt start.** Påse at bryteren er i posisjon "off" når verktøyets støpsel settes inn i en stikkontakt.
- **Bruk kun utendørs skjøteledning.** Når verktøyet brukes, bruk bare skjøteledning som er ment for utendørs bruk og merket tilsvarende.
- **Vær våken.** Se hva du gjør og bruk fornuft. Bruk ikke verktøyet hvis du er påvirket av alkohol eller narkotika, eller hvis du tar medisiner.
- **Se etter deler som er skadet.** Før ytterligere bruk av verktøyet må det undersøkes nøye for å kunne fastslå at det vil virke tilfredsstillende og utføre sin tiltenkte funksjon. Sjekk tilpasningen av bevegelige deler, kontakt mellom bevegelige deler og om alle deler er korrekt montert og enhver annen tilstand som kan påvirke bruken av verktøyet. Et deksel eller en annen del som er skadet må repareres forskriftmessig eller skiftes av et autorisert serviceverksted dersom ikke annet er angitt i denne Brukermanualen. Sørg for at ødelagte brytere skiftes av et autorisert servicecenter.
- **Ikke bruk produktet hvis bryteren ikke slår det på og av.**
- **Advarsel.** Bruk av andre tilkoblinger eller annet tilbehør enn det som anbefales i denne brukermanualen kan føre til personskade.
- **Sørg for at verktøyet repareres av en kvalifisert person.** Dette elektriske verktøyet innfrir relevante sikkerhetsforskrifter. Reparasjoner må bare utføres av kvalifiserte personer som bruker originale reservedeler, i motsatt fall kan brukeren bli utsatt for betydelig fare.

**SIKKERHETSADVARSLER FOR SLIPEMASKIN**

- Støpslet må være forbundet til en kontakt som er korrekt installert og jordet i henhold til alle lokale regler og forskrifter. Hvis du ikke er sikker, må du få en elektriker til å sjekke etuiet.
- Monter produktet fast til arbeidsbenken, slipestativet eller en annen stiv ramme før bruk. Et usikret produkt er ustabil og kan bevege seg under bruk. Dette kan føre til skader på personer og eiendom.
- Sørg for riktig lys både i taket og over arbeidsområde for å hindre stroboskopeffekt og farer.
- Før bruk må du inspisere komponentene og tilbehøret til produktet for å kontrollere at det ikke finnes problemer som kan påvirke bruken negativt. Stram låsemutterne for slipehjulet, fest boltene og alle klemmer og deksler.
- Inspiser slipehjulet og se etter skader hver gang før det startes. Bruk ikke skadde eller misformede slipehjul. Bytt ut skadde slipehjul i henhold til instruksjonene.
- Kontroller at slipehjulet kan rotere fritt hver gang før det startes. Trekk ut stikkkontakten, sett bryteren til OFF (AV) og drei så forsiktig på slipehjulet med hånden. Slipehjulet må ikke komme i kontakt med komponentene til benkesliperen, det skal ikke henge seg opp og det skal ikke finnes andre forhold som kan påvirke bruken negativt.
- Hver gang produktet startes skal du stå på den ene siden av produktet når du slår det på. La slipehjulet spinne på full hastighet i ett minutt, slik at eventuelle skjulte feil eller sprekker i slipehjulet vil avdekkes. Berør ikke slipehjulet med arbeidsstykket før produktet har nådd full hastighet.
- Hold hender og andre kroppsdeler unna slipehjulene. Kontakt med de roterende slipehjulene kan føre til skader.
- Bruk alltid sikkerhetsdeksler og beskyttelsesbriller. Hold deksler på plass og i god stand. Bruk av produktet uten sikkerhetsdeksler eller med skadde sikkerhetsdeksler kan føre til skader.
- Unngå brannskader. Sliping kan føre til at gjenstander og slipehjulet blir varmt. Berør ikke slipehjulet eller andre gjenstander som kan være varme.
- Bruk ikke produktet til å jobbe med små gjenstander eller gjenstander som ikke kan holdes ordentlig fast. Gjenstanden kan bli kastet ut og forårsake skade.
- Slip aldri på siden av slipehjulet. Slipehjulet kommer til å sprekke. Slip kun på den flate forsiden av slipehjulet.
- La aldri sagen gå uten betjening. Slå av verktøyet. Pass opp, slipeskiven går rundt av seg selv etter at verktøyet har stanset. Ikke forlat verktøyet før det har stoppet helt.
- Strøk aldri fingre eller annet inn under eller bak slipehjulene.
- Bruk ørebeskyttelse, som f.eks. ørepropper eller øreklokker, hvis du bruker produktet over lenger tid.
- Ta støpslet ut av stikkkontakten før det foretas justeringer, service eller vedlikehold. Strømledningen

skal alltid være frakoblet når du vedlikeholder produktet.

- Juster verktøystøtter ved behov slik at avstanden mellom arbeidsstykketøtten og slipehjulet er så liten som mulig. Denne avstanden skal være maksimalt 2 mm. Diameteren til slipehjulet vil reduseres over tid og med bruk. Juster arbeidsstykketøtten for å opprettholde maksavstanden.
- Juster gnistfangerne ved behov slik at avstanden mellom gnistfangerne og slipehjulet er så liten som mulig. Denne avstanden skal være maksimalt 2 mm. Diameteren til slipehjulet vil reduseres over tid og med bruk. Juster gnistfangerne for å opprettholde maksavstanden.
- Hvis arbeidsstykketøtten blir slitt eller skadet, må du bytte den ut med en identisk erstatningsdel fra det autoriserte servicesenteret.
- Når du installerer et nytt slipehjul, må du alltid sjekke at angitt maks omdreiningshastighet er lik eller høyere enn det som kreves for produktet. Sørg for at diameteren til slipehjulet og akselhullet tilsvarer det som står i spesifikasjonene. Inspiser også det nye slipehjulet for å se etter skader, som lyter eller sprekker.

SIKKERHETSINSTRUKSJONER FOR SLIPEHJUL**⚠ ADVARSEL**

For å redusere risikoen for skade, må brukeren lese og følge instruksjonene, advarslene og brukerhåndboken før bruk av dette slipehjulet. Hvis denne advarselen ikke følges, kan det føre til at skiven knekker og alvorlig personskade. Ta vare på disse instruksjonene.

- Bruk av andre slipehjul en de som anbefales i maskinens instruksjonshåndbok kan føre til personskader. Bruk kun slipehjul som er godkjent for minst like høye hastigheter som oppstår i maskinen.
- Bruk aldri et hjul som er for tykt til at den ytre flensen ikke får kontakt med spindelplaten. Større hjul vil komme i kontakt med hjuldekslet, mens tykkere skjæreblader vil hindre skruen fra å feste hjulet forsvarlig på spindelen. Begge disse situasjonene kan føre til en alvorlig ulykke og kan resultere i alvorlig personskade.
- Dette slipehjulet er beregnet på sliping og forming av metall. Bruk ikke slipehjulet til å skjære over / kappe av gjenstander.
- Dette slipehjulet kan kun brukes til tørr sliping.
- Bruk ikke skadde slipehjul, og bruk ikke slipehjul med skader eller sprekker eller som er skadet på andre måter.
- Sørg for at slipehjulet er satt riktig på plass og godt festet før bruk.
- Maskinen må aldri være koblet til strømforsyningen når du installerer eller fjerner slipehjul.
- Lagre reserve-slipehjulet trygt.



- Oppbevar slipehullet inne i emballasjen hvis det er mulig.
- Lagre slipehullet i tørre omgivelser ved romtemperatur.
- Slipehjulene kan lagres vertikalt på en hylle.
- Ikke utsett slipehjulene for fall eller andre støt og slag.

Informasjonen på slipehullets etikett

Informasjonen på slipehullets etikett er viktig. Les og kontroller den nøye for å sikre at du velger riktig type slipehjul.

1. produsent, leverandør, importør eller varemerke
2. Nominelle dimensjoner på slipehullet, spesielt diameteren på akselhullet.
3. Slipetype, kornstørrelse, grad eller hardhet, bindingstype og bruk av forsterkning.
4. Maks driftshastighet i meter per sekund.
5. maks tillatt hastighet på rotasjon i 1/min
6. For konformitetsdeklarasjonen skal slipeprodukter være merket EN 12413.
7. symboler for bruksbegrensning og sikkerhetsadvarsel
8. sporingskode, f.eks. A produksjons/batch nummer, serienummer

GJENVÆRENDE RISIKO

Også når produktet brukes som beskrevet, er det ikke mulig å utelukke risiko for brukere eller personer i nærheten. Følgende farer kan oppstå ved bruk og operatøren bør være spesielt oppmerksom på å unngå/sikre følgende:

- Risiko for kontakt med utildekkede deler av det roterende slipehullet.
- Brannfare ved kontakt med slipeskiven eller arbeidsstykket.
- Fare for skade på pusteorganene dersom man ikke bruker en adekvat støvmaske.
- Skader på hørselen dersom ikke effektivt hørselsvern brukes.

KJENN DITT PRODUKT.

Se side 107.

1. Gnistvern
2. Gnistfanger
3. Hjulskjerm
4. Hjuljusteringsverktøy
5. Arbeidsstykkestøtte
6. Arbeidslampe
7. Justeringsknast for slipebelte
8. Sandpapirbelte
9. Arbeidsstykkestøtte
10. Låseknot for arbeidsstykkestøtte
11. Vannbrett
12. Av/På-bryter
13. Monteringshull
14. Slipebeltevern
15. Slipevern

VEDLIKEHOLD

- Ikke modifier produktet på noen måte eller bruk tilbehør som ikke er godkjent av produsenten. Din og andres sikkerhet vil kunne påvirkes negativt.
- Ikke bruk produktet hvis noen av bryterne, beskyttelsesutstyret eller andre funksjoner ikke virker som de skal. Oppsøk et autorisert servicesenter for profesjonelle reparasjoner eller justeringer.
- Gjør ikke justeringer mens produktet er i bruk.
- Sørg for at den elektriske kontakten alltid er fjernet fra det elektriske støpslet før det utføres justeringer, smøring eller vedlikehold på produktet.
- Før og etter hver gangs bruk må produktet inspiseres for skader eller ødelagte deler. Hold produktet i topp stand ved umiddelbart å erstatte deler med reservedeler som er godkjent av produsenten.
- Rengjør og samle opp støv med en børste eller støvsuger. Bruk ikke komprimert luft.
- For å sikre sikkerhet og pålitelighet må alle reparasjoner, inklusive skifte av børster, utføres ved et autorisert servicesenter.
- Dersom strømledningen er skadet, må den skiftes av produsenten eller et autorisert serviceverksted for å unngå sikkerhetsfarer.

⚠ ADVARSEL

For større sikkerhet og pålitelighet skal alle reparasjoner foretas av et godkjent Ryobi serviceverksted.

VEDLIKEHOLD OG OPPBEVARING

- Når produktet skal lagres må strømledningen frakoples. Oppbevar maskinen på et trygt sted der barn ikke har tilgang.
- Rengjør produktet med en børste eller støvsuger før det settes bort for lagring.

MILJØVERN



Resirkuler råmaterialer istedenfor å kaste dem i søppelen. Verktøyet, tilbehørene og emballasjen bør sorteres for miljøvennlig resirkulering.

SYMBOLER PÅ PRODUKTET



Sikkerhetsadvarsel



CE samsvarserklæring



Vennligst les instruksjonene nøye før du starter maskinen.



Bruk hørselsvern



Bruk øyebeskyttelse



Ikke for våtsliping eller våtkutting



Ikke bruk sprukne eller på annen måte skadede slipehjul



Bruk sikkerhetshansker



Slipehjulets størrelse og hastighet



Slipebeltets størrelse og hastighet



Avfall fra elektriske produkter skal ikke kastes sammen med husholdningsavfall. Vennligst resirkulervedeksisterende avfallsbehandlingssted. Undersøk hos dine lokale myndigheter eller forhandler for råd om resirkulering.

SYMBOLER I MANUALEN



Sett maskinens støpsel i strømkontakten.



Trekk ut verktøyets støpsel.



Ventetid før produktet når topphastigheten



Deler eller tilbehør solgt separat

Følgende symboler og betydninger forklarer risikonivået som er assosiert med dette produktet.

FARE

Indikerer en umiddelbart farlig situasjon, som, dersom den ikke unngås, kan føre til alvorlig personskade eller død.

ADVARSEL

Indikerer en potensiell farlig situasjon, som, dersom den ikke unngås, kan føre til alvorlig personskade eller død.

ADVARSEL

Indikerer en potensiell farlig situasjon, som, dersom den ikke unngås, kan føre til mindre eller moderate skader.

ADVARSEL

(Uten sikkerhetssymbol) Indikerer en situasjon som kan resultere i skader på eiendom.



В основе конструкции вашего ленточно-шлифовального станка лежат принципы безопасности, продуктивности и надежности.

НАЗНАЧЕНИЕ

- Данный ленточно-шлифовальный станок предназначен для шлифовки металла. Изделие можно использовать для заточки металлических инструментов (таких как долота, топоры и ножи) и сверл, для удаления неровностей и острых краев.
- С определенными аксессуарами, данное изделие можно использовать для очистки металлических поверхностей с использованием металлической щетки, или для шлифовки и полировки с использованием шлифовального круга с тканевыми полосками.
- Не пользуйтесь инструментом для выполнения разрезов.

ОБЩИЕ ПРАВИЛА БЕЗОПАСНОСТИ

⚠ ОСТОРОЖНО

При использовании электрических инструментов следует соблюдать основные правила технической безопасности для снижения опасности возгорания, поражения электрическим током и получения травм. Перед использованием инструмента прочитайте все инструкции и сохраните их для использования в будущем.

- **Содержите рабочую зону в чистоте.** Загромождение рабочей зоны может привести к телесным повреждениям.
- **Принимайте во внимание условия работы.** Не пользуйтесь инструментом под дождем. Не пользуйтесь инструментом в условиях повышенной влажности. Работайте при хорошем освещении. Не пользуйтесь инструментом в присутствии огнеопасных жидкостей или газов.
- **Защита от поражения электрическим током.** Избегайте контакта с заземленными поверхностями (трубами, батареями отопления, кухонными плитами, холодильниками).
- **Не допускайте в рабочую зону посторонних лиц.** Не допускайте к работе посторонних лиц, особенно детей, не позволяйте им касаться инструмента или кабеля питания, не допускайте их в рабочую зону.
- **Неиспользуемые инструменты убирайте на хранение.** Неиспользуемый инструмент следует хранить в сухом защищенном месте, недоступном для детей.
- **Не увеличивайте скорость работы инструмента.** Это позволит выполнить работу лучше и безопаснее с номинальной скоростью.
- **Используйте надлежащий инструмент.** Не

пользуйтесь небольшим инструментом для выполнения трудоемких операций. Не используйте инструмент для непредназначенных для него целей, например, не используйте циркулярную пилу для обрезки ветвей деревьев или бревен.

- **Одевайтесь соответствующим образом.** Не надевайте свободную одежду или украшения, так как они могут попасть в движущиеся части. При наружных работах рекомендуется надевать нескользящую обувь. Воспользуйтесь защитным головным покрытием, чтобы прикрыть длинные волосы.
- **Используйте средства защиты.** Пользуйтесь защитными очками. Если при работе образуется пыль, надевайте пылезащитную маску.
- **Используйте устройство удаления пыли.** Если инструмент предусматривает использование устройство сбора и удаления пыли, обязательно его используйте.
- **Не допускайте неправильного обращения с кабелем.** Не держите кабель питания для отключения его от сети. Предохраняйте кабель питания от источников повышенного тепловыделения, масляных участков и острых предметов.
- **Зафиксируйте обрабатываемую заготовку.** При возможности всегда используйте зажимы или тиски для крепления заготовки. Это безопаснее, чем пользоваться руками.
- **Не прикладывайте чрезмерных усилий.** Старайтесь сохранять устойчивость и подыскивайте твердую опору.
- **Заботливо обращайтесь с инструментами.** Для лучшего и безопасного применения поддерживайте режущий элемент в чистоте и наточенном состоянии. При смазке и замене принадлежностей следуйте инструкциям. Регулярно проверяйте исправность кабелей, при их повреждении обращайтесь для ремонта в специализированный сервисный центр. Регулярно осматривайте удлинительные кабели и заменяйте поврежденные из них. Содержите ручки в сухом и чистом виде, очищайте их от масла и смазки.
- **Отключите инструменты.** Перед операциями технического обслуживания, замене принадлежностей (режущие полотна, насадки, резак) отключите инструмент от сети питания.
- **Удалите ключи для выполнения настройки и регулировки.** Возьмите себе за правило проверять перед включением инструмента отсутствие на нем гаечных и регулировочных ключей.
- **Не допускайте непреднамеренного запуска.** При подключении к сети питания убедитесь, что выключатель находится в положении «выключено».
- **При наружных работах используйте электроудлинитель.** При наружных работах используйте электрический удлинитель, предназначенный для наружного использования.



- **Будьте внимательны.** Будьте внимательны во время работы и руководствуйтесь здравым смыслом. Не пользуйтесь инструментом в состоянии алкогольного или наркотического опьянения, а также под воздействием медикаментов.
- **Проверяйте поврежденные детали.** Перед дальнейшим использованием инструмента тщательно проверьте его надлежащую работу и выполнение предназначенных ему функций. Проверьте регулировку движущихся частей, их соединение, отсутствие повреждений, надежность крепления и другие условия, которые могут повлиять на работу инструмента. Поврежденное защитное устройство или другую деталь следует отремонтировать или заменить в сервисном центре, если иное не указано в данном руководстве по эксплуатации. Неисправные выключатели заменяйте в специализированном центре обслуживания.
- **Не пользуйтесь инструментом с неисправным выключателем питания.**
- **Осторожно.** Использование любых других принадлежностей, кроме рекомендованных в данных инструкциях, может привести к телесным повреждениям.
- **Для ремонта инструмента обращайтесь к квалифицированному специалисту.** Данный электроинструмент соответствует основным требованиям техники безопасности. Во избежание угроз здоровью ремонт инструмента следует поручать только квалифицированным специалистам с использованием оригинальных запасных деталей.

ТРЕБОВАНИЯ БЕЗОПАСНОСТИ ПРИ РАБОТЕ С ЛЕНТОЧНО-ШЛИФОВАЛЬНЫМ СТАНКОМ

- Вилка должна подключаться к заземленной розетке, установленной в соответствии со всеми действующими в данном регионе нормами. Если вы не уверены, пригласите электрика для проверки розетки.
- Перед выполнением работы закрепите станок на верстаке, подставке или другом жестком каркасе. При отсутствии фиксации инструмент неустойчив и может двигаться при выполнении работы. Это может привести к травме.
- Обеспечить надлежащее общее или местное освещение, чтобы предотвратить стробоскопический эффект и факторы риска.
- Перед началом работы проверьте наличие необходимых деталей и аксессуаров, чтобы убедиться, что нет препятствий к нормальному выполнению работы. Закрутите гайки, фиксирующие шлифовальный круг, фиксирующие болты и все зажимы и ограничители.
- Перед каждым запуском проверяйте шлифовальный круг на наличие повреждений. Не используйте поврежденные шлифовальные круги или круги неправильной формы. В случае повреждения шлифовального круга, замените его в соответствии с инструкцией.
- Перед каждым запуском проверяйте свободное вращение круга. Выключив инструмент и отключив его от источника питания, осторожно покрутите шлифовальный круг. Круг не должен касаться деталей шлифовального станка, не должно быть залипания и других препятствий, которые могут повлиять на четкий порядок выполнения операции.
- При каждом запуске станка встаньте сбоку от инструмента и включите его. Станок должен поработать на полной скорости в течение 1 минуты, чтобы было видно упущенные трещины или дефекты. Шлифовальный круг не должен касаться детали до достижения максимальной скорости.
- Не подносите руки и части тела к шлифовальному кругу. Не допускайте контакта конечностей с вращающимся шлифовальным кругом, это может привести к травме.
- Всегда пользуйтесь защитными устройствами и экранами. Держите защитные приспособления под рукой и в рабочем состоянии. Работа на станке без защитных устройств или с поврежденными защитными устройствами может привести к травме.
- Избегайте ожогов. При шлифовке шлифовальный круг и деталь могут быть очень горячими. Не касайтесь шлифовального круга и деталей, которые могут быть горячими.
- Не используйте станок для обработки маленьких деталей или таких деталей, которые невозможно крепко удерживать. При шлифовке деталь может быть отброшена, что может привести к травме.
- При шлифовке никогда не стойте на стороне шлифовального круга. Шлифовальный круг может расколоться. Шлифуйте только передней частью шлифовального круга.
- Никогда не оставляйте инструмент работающим без присмотра. Выключите инструмент. Круги продолжать вращаться после того, инструмент выключен. Не оставляйте инструмент до его полного останова.
- Никогда не касайтесь задней или нижней части шлифовального круга.
- При выполнении длительных операций пользуйтесь средствами защиты слуха, такими как пробки или беруши.
- Перед выполнением каких-либо настроек, текущего ремонта или технического обслуживания удалите телесельную вилку. При выполнении технического обслуживания станка, он должен быть отключен от электросети.
- При необходимости, отрегулируйте подручники, чтобы между ними и шлифовальным кругом был минимальный интервал. Интервал должен быть не более 2 мм. Так как диаметр шлифовального круга сокращается по мере использования,



поддерживайте максимальный интервал, регулируя его.

- При необходимости, отрегулируйте искрогасители, чтобы между ними и шлифовальным кругом был минимальный интервал. Интервал должен быть не более 2 мм. Так как диаметр шлифовального круга сокращается по мере использования, поддерживайте максимальный интервал, регулируя его.
- При износе или повреждении подручников, замените их в авторизованном сервисном центре.
- При установке нового шлифовального круга всегда проверяйте, чтобы максимальная скорость, указанная на нем не была ниже скорости, указанной на станке. Диаметр шлифовального круга и размер оси должны соответствовать указанным в спецификации размерам. Также проверьте новый шлифовальный диск на наличие трещин или дефектов.

ТРЕБОВАНИЯ БЕЗОПАСНОСТИ ПРИ РАБОТЕ СО ШЛИФОВАЛЬНЫМ КРУГОМ

⚠ ОСТОРОЖНО

Для снижения риска травматизма, пользователь должен прочитать и четко следовать инструкциям, предупреждениям и руководству пользователя до начала работы со шлифовальным кругом. Несоблюдение данных предупреждений может привести к поломке круга и к тяжелым травмам. Сохраните данные инструкции.

- Использование шлифовального круга, не указанного в руководстве пользователя, может привести к получению травмы. Используйте шлифовальные круги только с маркированной скоростью, величина которой равна или больше указанной на инструменте.
- Никогда не используйте слишком толстый отрезной круг, чтобы внешний фланец совпал с фасками шпинделя. Режущие круги большего диаметра будут задевать за ограждение круга, а круги большей, чем требуется, толщины могут помешать креплению диска на шпинделе болтом крепления. Любая из этих ситуаций может стать причиной несчастного случая и в результате этого серьезного травмирования.
- Шлифовальный круг предназначен для шлифовки и придания формы металлическим деталям. Не предпринимайте попыток выполнить разрезы.
- Данный шлифовальный круг предназначен только для сухой шлифовки.
- Не пользуйтесь поврежденными или треснувшими шлифовальными кругами, а также кругами с какими-либо дефектами.

- Перед использованием проверьте, надежно ли закреплен абразивный шлифовальный круг.
- При установке или снятии шлифовального круга инструмент должен быть отключен от электросети.
- Запасные шлифовальные круги следует хранить с осторожностью.
 - Если это возможно, храните шлифовальные круги в заводской упаковке.
 - Храните шлифовальные круги в сухом помещении при комнатной температуре.
 - Шлифовальные круги можно хранить на полке в вертикальном положении.
 - Шлифовальные круги не должны подвергаться падению или другому воздействию.

Информация на табличке шлифовального круга

Информация, представленная на табличке шлифовального круга, очень важна. Внимательно прочитайте ее, чтобы убедиться, что выбран правильный тип шлифовального круга.

1. Производитель, поставщик, импортер или заводская марка
2. Номинальные размеры шлифовального круга, в частности, внутренний диаметр.
3. Тип абразивного материала, зернистость, жесткость, тип связующего вещества и использование армирующих добавок.
4. Максимальная скорость в метрах в секунду.
5. Максимальная допустимая скорость вращения в об/мин
6. Для декларации соответствия абразивные изделия должны быть маркированы в соответствии со стандартом EN 12413.
7. Ограничения в использовании и символы предупреждений относительно безопасности
8. Код прослеживаемости, например, номер партии/производства, серийный номер

ОСТАТОЧНЫЕ РИСКИ

Даже когда изделие используют согласно инструкциям, невозможно полностью устранить факторы риска. Следующие опасности могут возникнуть во время его использования, и во избежание их рабочий должен обратить особое внимание на следующее:

- Риск контакта с незащищенными деталями крутящегося круга.
- Риск ожога при контакте с горячим шлифовальным кругом или заготовкой.
- Возможно повреждение дыхательных путей, если не используется эффективный респиратор.
- Травмирование органов слуха вследствие игнорирования соответствующих средств защиты.

**ИЗУЧИТЕ ИЗДЕЛИЕ**

Стр 107.

1. Искровая защита
2. Искрогаситель
3. Защитное устройство отрезного круга
4. Инструмент правки шлифовального круга
5. Подручник
6. Подсветка
7. Ручка регулировки шлифовальной ленты
8. Абразивная лента
9. Подручник
10. Ручка фиксации подручников
11. Водоотводный поддон
12. Тумблер включения/выключения
13. Монтажное отверстие
14. Предохранительный щиток шлифовальной ленты
15. Крышка шлифовальной ленты

ТЕХНИЧЕСКОЕ ОБСЛУЖИВАНИЕ

- Запрещается каким-либо образом изменять конструкцию изделия или использовать аксессуары, не рекомендованные производителем. Ваша безопасность и безопасность других людей может быть нарушена.
- Не используйте изделие, если выключатели, защитные приспособления или другие компоненты не функционируют должным образом. обратитесь в авторизованный сервисный центр для ремонта или регулировки.
- Нельзя выполнять настройки при движущейся детали.
- Перед выполнением регулировки, смазки или технического обслуживания изделия всегда проверяйте, вынута ли вилка из розетки.
- Проверяйте изделие на предмет повреждения или поломки деталей перед и после каждого использования. Держите изделие в хорошем рабочем состоянии, своевременно заменяя изношенные детали, используя запасные части, рекомендуемые производителем.
- Удаляйте накопленную пыль с помощью зубной щетки или пылесоса. Не используйте сжатый воздух.
- Для обеспечения безопасности и надежности все ремонтные работы, включая замену щеток, должны выполняться в авторизованном сервисном центре.
- Если шнур питания поврежден, он должен быть заменен только производителем или авторизованным сервисным центром во избежание опасности.

⚠ ОСТОРОЖНО

Для большей безопасности и надежности, все ремонтные работы должны быть выполнены Ryobi авторизованный сервисный центр.

ТРАНСПОРТИРОВКА И ХРАНЕНИЕ

- При хранении изделия отсоедините шнур питания. Храните изделие в безопасном недоступном для детей месте.
- Перед постановкой изделия на хранение очищайте его, используя щетку или пылесос.

ЗАЩИТА ОКРУЖАЮЩЕЙ СРЕДЫ

Утилизируйте как сырье, а не выбрасывайте как мусор. Машина, аксессуары и упаковка должны быть отсортированы.

УСЛОВНЫЕ ОБОЗНАЧЕНИЯ НА ПРОДУКТЕ

Сигнал опасности



Соответствие требованиям CE



Перед использованием прибора внимательно ознакомьтесь с данной инструкцией.



Применяйте средства защиты органов слуха



Применяйте средства защиты органов зрения



Не предназначено для шлифования или резки с охлаждением



Не используйте бракованные шлифовальные диски или диски со сколами или трещинами



Надевайте защитные перчатки



Размер и скорость шлифовального круга



Размер и скорость шлифовальной ленты



Отработанная электротехническая продукция должна уничтожаться вместе с бытовыми отходами. Утилизируйте, если имеется специальное техническое оборудование. По вопросам утилизации проконсультируйтесь с местным органом власти или предприятием розничной торговли.



ОБОЗНАЧЕНИЯ В РУКОВОДСТВЕ



Подключите устройство к электросети.



Отключите инструмент от электросети.



Время ожидания до достижения станком максимальной скорости



Детали или принадлежности, приобретаемые отдельно

Следующие сигнальные слова и значения предназначены, чтобы объяснить уровни риска, связанного с этим изделием.

ОПАСНО

Указывает на потенциально опасную ситуацию, которая, если ее не избежать, приведет к летальному исходу или серьезной травме.

ОСТОРОЖНО

Указывает на потенциально опасную ситуацию, которая, если ее не избежать, может привести к летальному исходу или серьезной травме.

ВНИМАНИЕ

Указывает на потенциально опасную ситуацию, которая, если ее не избежать, может привести к травме легкой или средней тяжести.

ВНИМАНИЕ

(Без Символа Тревоги Безопасности) Указывает ситуацию, которая может кончиться повреждением собственности.



Bezpieczeństwo, efektywność i niezawodność były czynnikami o najwyższym priorytecie w trakcie projektowania Państwa szlifierki taśmowo-tarczowej.

PRZEZNACZENIE

- Ta szlifierka taśmowo-tarczowa przeznaczona jest do szlifowania i kształtowania elementów metalowych. Można jej używać do ostrzenia narzędzi ręcznych (np. dług, siekier lub noży) oraz wiertel, a także do usuwania zadziorów lub ostrych krawędzi.
- Pod warunkiem zastosowania właściwych akcesoriów produktu można używać do czyszczenia metalowych powierzchni tarczą drucianą lub do polerowania tarczą tekstylną.
- Nigdy nie używać produktu do odcinania.

OGÓLNE OSTRZEŻENIA DOTYCZĄCE BEZPIECZEŃSTWA

OSTRZEŻENIE

Podczas używania jakichkolwiek urządzeń elektrycznych należy zachowywać podstawowe środki ostrożności. Pozwoli to uniknąć niebezpieczeństwa pożaru, porażenia prądem lub zranienia. Przed rozpoczęciem pracy zapoznać się ze wszystkimi instrukcjami i zachować je do późniejszego użytku.

- **Miejsce pracy utrzymywać w czystości.** Zagracone miejsce pracy lub warsztat to częsta przyczyna zranień.
- **Oceniać warunki panujące w miejscu pracy.** Nie wolno wystawiać tego urządzenia na działanie deszczu. Nie wolno używać narzędzi w warunkach mokrych lub wilgotnych. Miejsce pracy musi być dobrze oświetlone. Nie używać narzędzi w obecności palnych płynów lub gazów.
- **Chronić się przed ryzykiem porażenia prądem elektrycznym.** Unikać kontaktu ciała z ziemią lub uziemionymi powierzchniami (rury, instalacje grzewcze i chłodnicze).
- **Osoby postronne utrzymywać z dala od miejsca pracy.** Nie dopuszczać do miejsca pracy innych osób, szczególnie dzieci ani nie zezwalać na dotykanie narzędzia lub przedłużacza lub na wykonywanie prac za pomocą narzędzia.
- **Nieużywane narzędzia należy odpowiednio przechowywać.** Nieużywane narzędzia należy przechowywać w suchym, zamkniętym miejscu, niedostępnym dla dzieci.
- **Nie używać siły podczas obsługi narzędzia.** Najlepsze efekty pracy, przy zachowaniu pełnego bezpieczeństwa, zapewni używanie tego narzędzia w zakresie parametrów znamionowych i stosownie do jego przeznaczenia.
- **Używać odpowiednich narzędzi.** Nie stosować niewielkich narzędzi do wykonywania prac

odpowiednich dla narzędzi przystosowanych do pracy przy dużych obciążeniach. Nie wolno używać żadnych narzędzi do celów, do których nie są przeznaczone: np. pił tarczowych do odcinania gałęzi lub cięcia kłody drewna.

- **Należy zakładać odpowiednią odzież ochronną.** Nie wolno zakładać luźnej biżuterii ani ubrań - mogą zostać wciągnięte przez ruchome elementy urządzenia. Podczas pracy na zewnątrz zaleca się zakładać obuwie antypoślizgowe. Nosić ochronne zabezpieczenie włosów, aby spiąć i osłonić dłuższe włosy.
- **Stosować środki ochrony osobistej.** Zakładać okulary ochronne. Zastosuj maskę na twarz lub maskę przeciwpylową w przypadku wykonywania prac, podczas których powstaje dużo pyłu.
- **Stosować urządzenia wyciągowe.** Jeśli używane narzędzie posiada przyłącznie do wyciągu i gromadzenia kurzu, należy go stosować.
- **Nie rozciągać nadmiernie przewodu.** Nie ciągnąć za przewód w celu wyjęcia wtyczki z gniazda sieciowego. Przewód zasilania trzymać z dala od źródeł ciepła, oleju i ostrych krawędzi.
- **Zabezpieczyć obrabiany przedmiot.** Obrabiany przedmiot zabezpieczyć w zacisku lub imadle, o ile to możliwe. Jest to bardziej bezpieczne niż używanie dłoni.
- **Nie sięgać zbyt daleko.** Należy cały czas pewnie opierać stopy i utrzymywać równowagę.
- **Narzędzia konserwować z zachowaniem ostrożności.** Utrzymywać narzędzia tnące w czystości i naostrzone, co umożliwi uzyskanie lepszej wydajności i większego bezpieczeństwa. Przestrzegać instrukcji smarowania i wymiany przystawek i akcesoriów. Systematycznie kontrolować stan przewodów zasilających, a w przypadku stwierdzenia ich uszkodzenia, niezwłocznie dokonać naprawy w autoryzowanym serwisie. Przedłużacze należy systematycznie kontrolować i wymieniać w przypadku uszkodzenia. Rękojeści utrzymywać w czystości, muszą być zawsze suche, wolne od oleju i smarów.
- **Odłączać nieużywane narzędzia.** Gdy narzędzie nie jest używane, ma być serwisowane, przed zmianą przystawek lub akcesoriów, takich jak ostrza, noże, osłony itp., należy je odłączyć od zasilania.
- **Usunąć z miejsca pracy wszelkie klucze i narzędzia.** Konieczne jest wypracowanie nawyku sprawdzania, czy wszystkie narzędzia użyte do montażu akcesoriów lub regulacji, zostały usunięte przed rozpoczęciem pracy.
- **Unikać możliwości przypadkowego uruchomienia urządzenia.** Przed podłączeniem urządzenia do prądu należy upewnić się, że wyłącznik jest w pozycji wyłączzonej.
- **Używać przedłużaczy przeznaczonych do użytku na zewnątrz pomieszczeń.** W przypadku używania urządzenia na zewnątrz, ewentualne przedłużacze muszą być do tego przystosowane i odpowiednio oznaczone.





- **Zachować ostrożność i przytomność umysłu.** Obserwować miejsce pracy i wykonywane czynności, zachować zdrowy rozsądek. Nie należy używać narzędzia pod wpływem alkoholu, narkotyków czy lekarstw.
- **Kontrolować stan techniczny poszczególnych elementów.** Przed dalszym użyciem urządzenia należy je dokładnie sprawdzić, upewniając się, że działa prawidłowo i zgodnie z przeznaczeniem. Sprawdzić wyrównanie elementów ruchomych, sprawdzić, czy wirują/poruszają się swobodnie, sprawdzić czy nie ma jakichkolwiek uszkodzeń, czy montaż jest poprawny, należy uwzględnić wszystkie aspekty mające wpływ na bezpieczną pracę urządzenia. Uszkodzone elementy należy naprawić lub wymienić w autoryzowanym serwisie, o ile nie podano inaczej w tej instrukcji. Wymienić uszkodzone wyłączniki w autoryzowanym punkcie serwisowym.
- **Nie wolno używać tego urządzenia, jeśli wyłącznik nie pracuje poprawnie.**
- **Ostrzeżenie.** Stosowanie jakichkolwiek przystawek, akcesoriów lub innych elementów, które nie zostały wymienione w tej instrukcji grozi wypadkiem.
- **Narzędzia muszą być naprawiane przez wykwalifikowany personel.** Elektronarzędzie, którego dotyczy ta instrukcja, spełnia odpowiednie wymogi w zakresie bezpieczeństwa. Naprawy mogą być przeprowadzane wyłącznie przez wykwalifikowany personel, z użyciem oryginalnych części zamiennych, w przeciwnym wypadku może dojść do zagrożenia bezpieczeństwa użytkownika urządzenia.

SZLIFIERKA TAŚMOWO-TARCZOWA – OSTRZEŻENIA DOTYCZĄCE BEZPIECZEŃSTWA

- Wtyczka musi być podłączona do odpowiedniego gniazda sieciowego, które zostało poprawnie zamontowane i uziemione zgodnie ze wszystkimi obowiązującymi przepisami lokalnymi. W przypadku braku pewności zleć sprawdzenie gniazda uprawnionemu elektrykowi.
- Przed rozpoczęciem pracy dokładnie zamocować produkt na stole roboczym, stojaku do szlifierki lub innej sztywnej ramie. Niezamocowany produkt jest niestabilny i może przemieszczać się w trakcie pracy. Może to prowadzić do szkód lub obrażeń.
- Należy zapewniać odpowiednie ogólne lub punktowe oświetlenie, w celu wyeliminowania efektu stroboskopowego i innych zagrożeń.
- Przed rozpoczęciem pracy sprawdzić komponenty oraz akcesoria produktu w celu upewnienia się, czy nie występują warunki, które mogłyby niekorzystnie wpływać na prawidłowe działanie. Dokręcić nakrętki mocujące tarczy szlifierskiej, mocując śruby oraz wszystkie zaciski i osłony.
- Przed każdym rozruchem sprawdzić tarczę szlifierską pod kątem braku uszkodzeń. Nie stosować tarcz uszkodzonych ani wypaczonych. Wymienić wszelkie uszkodzone tarcze szlifierskie zgodnie z zaleceniami.
- Przed każdym rozruchem sprawdzić, czy tarcza może się swobodnie obracać. Po odłączeniu produktu i ustawieniu wyłącznika w położeniu OFF ostrożnie obrócić tarczę ręką. Tarcza nie powinna stykać się z żadnymi komponentami szlifierki stołowej, a ponadto nie powinny występować zakleszczenia lub inne warunki niekorzystnie wpływające na prawidłowe działanie.
- W trakcie każdego rozruchu stanąć z boku produktu i włączyć go. Przed rozpoczęciem pracy należy włączyć urządzenie i odczekać 1 minutę, tak by zwiększyć prawdopodobieństwo ujawnienia wszelkich dotychczas niewykrytych wad lub pęknięć. Nie dotykać elementu obrabianego tarczą, dopóki nie osiągnie ona pełnej prędkości.
- Nie zbliżać dłoni ani innych części ciała do tarcz szlifierskich. Kontakt z obracającą się tarczą może powodować obrażenia ciała.
- Zawsze stosować osłony, w tym osłony oczu. Osłony bezpieczeństwa muszą być na swoim miejscu i w dobrym stanie technicznym. Obsługa produktu bez osłon lub z uszkodzonymi osłonami może prowadzić do obrażeń ciała.
- Unikać poparzeń. Szlifowanie może prowadzić do nagrzewania się elementów obrabianych i tarczy szlifierskiej do wysokiej temperatury. Nie dotykać tarczy szlifierskiej lub elementów obrabianych, które mogą być gorące.
- Nie stosować produktu do obróbki małych elementów lub elementów, których nie można należycie trzymać. Może dojść do wyrzutu elementu obrabianego i obrażeń ciała.
- Nigdy nie szlifować za pomocą bocznej powierzchni tarczy. Może to doprowadzić do rozpadu tarczy. Do szlifowania służy wyłącznie powierzchnia czołowa tarczy.
- Nie wolno zostawiać maszyny podczas pracy bez nadzoru. Wylączyć narzędzie. Uwaga, tarcza szlifierska obraca się bezwład-nościowo po wyłączeniu narzędzia. Nie odkładać narzędzia, aż do całkowitego zatrzymaniaruchutarczy.
- Nigdy nie sięgać za tarcze szlifierskie lub poniżej nich.
- W trakcie długotrwałej pracy stosować ochronę słuchu, taką jak zatyczki lub nauszniki.
- Przed przystąpieniem do regulacji, serwisu lub konserwacji należy wyjąć wtyczkę z gniazda sieciowego. W trakcie konserwacji produktu przewód zasilający nie może pozostawać w gnieździe.
- W razie potrzeby regulować podpórki narzędzi, aby utrzymywać możliwie jak najmniejszą odległość między podpórki roboczymi a tarczami szlifierskimi. Odległość ta nie powinna przekraczać 2 mm. Ponieważ średnica tarczy szlifierskiej zmniejsza się w miarę używania, utrzymywać maksymalną dopuszczalną odległość podpórki narzędzi, regulując ją.



- W razie potrzeby regulować chwytacze iskier, aby utrzymywać możliwie jak najmniejszą odległość między chwytaczami iskier a tarczami szlifierskimi. Odległość ta nie powinna przekraczać 2 mm. Ponieważ średnica tarczy szlifierskiej zmniejsza się w miarę używania, utrzymywać maksymalną dopuszczalną odległość łapacz iskier, regulując go.
- Jeśli podpórka robocza ulegnie zużyciu lub uszkodzeniu, wymienić ją na identyczną w autoryzowanym centrum serwisowym.
- W trakcie zakładania nowej tarczy należy zawsze sprawdzać, czy podana maksymalna prędkość obrotowa nie jest mniejsza od podanej na produkcie. Sprawdzać, czy średnica tarczy i rozmiar trzpienia są zgodne ze specyfikacjami. Sprawdzać również nowe tarcze pod kątem braku uszkodzeń, takich jak wady lub pęknięcia.

ZALECENIA DOTYCZĄCE BEZPIECZEŃSTWA TARCZY SZLIFERSKIEJ

OSTRZEŻENIE

W celu ograniczenia ryzyka wystąpienia obrażeń przed rozpoczęciem użytkowania tej tarczy szlifierskiej użytkownik musi zapoznać się z zaleceniami, ostrzeżeniami i podręcznikiem użytkownika oraz zastosować się do nich. Niezastosowanie się do tych ostrzeżeń może spowodować pęknięcie tarczy i poważne obrażenia ciała. Zachować ten podręcznik.

- Stosowanie tarcz innych niż zalecane w podręczniku użytkownika maszyny może wiązać się z ryzykiem wystąpienia obrażeń ciała. Należy stosować wyłącznie tarcze szlifierskie, na których podano prędkość nie mniejszą od podanej na maszynie.
- Nie wolno stosować zbyt grubych ściernic, kołnierz ściernicy musi mieścić się na spłaszczeniu wrzeciona. Większe tarcze będą kolidować z osłonami, grubsze tarcze uniemożliwią prawidłowe zabezpieczenie na wrzecionie za pomocą śruby. Każda z tych sytuacji może doprowadzić do poważnego wypadku i spowodować poważne uszkodzenia lub obrażenia.
- Ta tarcza przeznaczona jest do szlifowania i kształtowania elementów metalowych. Tarcza nie służy do odcinania.
- Ta tarcza szlifierska przeznaczona jest wyłącznie do szlifowania na sucho.
- Nie stosować uszkodzonych tarcz szlifierskich ani tarcz, które się rozpadają, są pęknięte lub z innego powodu wadliwe.
- Przed rozpoczęciem pracy sprawdzić, czy ścierna tarcza szlifierska jest prawidłowo założona i zamocowana.
- Maszyny nigdy nie należy podłączać do zasilania w trakcie zakładania lub zdejmowania tarcz szlifierskich.

- W trakcie składowania zapasowej tarczy szlifierskiej należy obchodzić się z nią ostrożnie.
 - W miarę możliwości należy przechowywać tarczę w oryginalnym opakowaniu.
 - Przechowywać tarczę w suchym miejscu w temperaturze pokojowej.
 - Tarcze można przechowywać w pionie na półce.
 - Nie dopuszczać do upadków tarczy ani narażania ich na innego rodzaju uderzenia.

Informacje podane na etykiecie tarczy szlifierskiej

Informacje znajdujące się na etykiecie tarczy są istotne. Należy dokładnie się z nimi zapoznać, aby uzyskać pewność, że dobrana zostanie tarcza właściwego typu.

1. producent, dostawca, importer lub znak handlowy
2. Wymiary nominalne tarczy szlifierskiej, a w szczególności średnica otworu.
3. Typ materiału ściernego, wielkość ziarna, klasa lub twardość, tym spoiwa oraz zastosowanie wzmocnienia.
4. Maksymalna prędkość robocza w metrach na sekundę.
5. maksymalna dopuszczalna prędkość obrotowa w 1/min
6. Dla celów deklaracji zgodności produkty ścierne powinny być oznaczone symbolem normy EN 12413.
7. ograniczenia użycia oraz symbole ostrzegawcze dot. bezpieczeństwa
8. kod identyfikacji, np. numer produkcji/serii, numer serii

RYZYKO ZWIĄZANE Z UŻYTKOWANIEM

Nawet jeśli produkt jest używany zgodnie z zaleceniami, nadal nie jest możliwe wyeliminowanie określonych czynników ryzyka. Następujące zagrożenia mogą wystąpić podczas używania urządzenia i operator powinien zwracać szczególną uwagę na poniższe punkty:

- Ryzyko kontaktu z nieosłoniętymi częściami obracającej się tarczy.
- Ryzyko oparzenia w rezultacie kontaktu z gorącą tarczą lub elementem obrabianym.
- Uszkodzenie układu oddechowego w przypadku braku maski przeciwpyłowej.
- Uszkodzenie słuchu w przypadku braku odpowiednich środków ochrony słuchu.

INFORMACJE O PRODUKCIE

Patrz strona 107.

1. Osłona przeciwiskrowa
2. Chwytnacz iskier
3. Osłona tarczy tnącej
4. Narzędzie do czyszczenia tarczy
5. Podpórka robocza
6. Lampa robocza
7. Gałka regulacji taśmy szlifierskiej
8. Pas ścierny
9. Podpórka robocza
10. Pokrętko blokujące podpórki roboczej
11. Tacka na wodę
12. Przełącznik Wł-Wył





13. Otwór montażowy
14. Osłona tarczy szlifierskiej
15. Osłona taśmy szlifierskiej

KONSERWACJA

- Nie należy modyfikować produktu w żaden sposób ani nie używać akcesoriów, które nie są zalecane przez producenta. Może dojść do obniżenia poziomu bezpieczeństwa użytkownika oraz innych osób.
- Nie używać produktu, jeśli dowolny przycisk, osłona lub inna funkcja nie pracują prawidłowo. Przekazać urządzenie do autoryzowanego centrum serwisowego do naprawy lub regulacji.
- Nie regulować produktu w trakcie pracy.
- Zawsze należy upewnić się, że wtyczka zasilania została wyjęta z gniazda elektrycznego przed rozpoczęciem regulacji, smarowania lub konserwacji produktu.
- Przed o po każdym użyciu należy sprawdzić, czy produkt i jego części nie są uszkodzone. Produkt należy utrzymywać w najlepszej kondycji roboczej, wymieniając natychmiast części na części zamienne zatwierdzone przez producenta.
- Wyczyścić nagromadzony pył za pomocą szczotki lub odkurzacza. Nie stosować sprężonego powietrza.
- Aby zapewnić bezpieczeństwo i niezawodność pracy, wszystkie naprawy, w tym wymiana szczotek, powinny być przeprowadzane przez autoryzowany punkt serwisowy.
- Jeśli przewód zasilający zostanie uszkodzony, aby uniknąć ryzyka związanego z bezpieczeństwem, jego wymianę należy powierzyć wyłącznie producentowi lub autoryzowanemu serwisowi.

⚠ OSTRZEŻENIE

Dla większego bezpieczeństwa i lepszej pewności, wszystkie naprawy powinny być wykonywane w Autoryzowanym Punkcie Serwisowym Ryobi.

TRANSPORT I PRZECHOWYWANIE

- Podczas przechowywania produktu należy odłączyć przewód z gniazda elektrycznego. Produkt należy przechowywać w bezpiecznym miejscu, które jest niedostępne dla dzieci.
- Przed schowaniem produktu należy wyczyścić go za pomocą szczotki lub odkurzacza.

OCHRONA ŚRODOWISKA



Surowce należy oddawać do powtórnego przetworzenia zamiast wyrzucać je na śmieci. Z myślą o ochronie środowiska, narzędzie, akcesoria i opakowania powinny być sortowane.

SYMBOLE PRODUKTU



Uwaga dotycząca bezpieczeństwa



Zgodność CE



Przed uruchomieniem urządzenia prosimy uważnie przeczytać instrukcję



Stosować środki ochrony słuchu



Stosować środki ochrony wzroku



Narzędzie nie jest przeznaczone do cięcia ani szlifowania na mokro.



Nie należy używać tarczy szlifierskiej, która jest wyszczerbiona, pęknięta (zarysowana) lub w inny sposób uszkodzona



Zakładać rękawice ochronne



Rozmiar i prędkość tarczy szlifierskiej



Rozmiar i prędkość taśmy szlifierskiej



Zużyte produkty elektryczne nie powinny być utylizowane z odpadami domowymi. Prosimy poddawać recyklingowi w odpowiednich miejscach. Informacje o właściwych metodach recyklingu można uzyskać u władz lokalnych lub sprzedawcy.

**SYMBOLE W INSTRUKCJI**

Podłączyć urządzenie do prądu.



Odłączyć urządzenie z gniazda sieciowego.



Czas oczekiwania na osiągnięcie pełnej prędkości przez produkt



Części lub akcesoria sprzedawane oddzielnie

Poniższe symbole i nazwy które im nadano, pozwalają wyjaśnić różne poziomy ryzyka związanego z używaniem tego narzędzia.

 NIEBEZPIECZEŃSTWO

Oznacza bezpośrednio niebezpieczną sytuację, która, jeśli nie zostanie uniknięta, spowoduje śmierć lub poważne urazy ciała.

 OSTRZEŻENIE

Oznacza potencjalnie niebezpieczną sytuację, która, jeśli nie zostanie uniknięta, może spowodować śmierć lub poważne urazy ciała.

 UWAGA

Oznacza potencjalnie niebezpieczną sytuację, która, jeśli nie zostanie uniknięta, może spowodować niewielkie lub umiarkowane urazy ciała.

UWAGA

(Bez symbolu bezpieczeństwa) Wskazuje na sytuację mogącą spowodować straty materialne.



Při konstrukci této pískové brusky hrály hlavní roli bezpečnost, výkon a spolehlivost.

ZAMÝŠLENÉ POUŽITÍ

- Tato písková bruska je určena pro broušení a tvarování kovů. Je možné ji použít pro ostření ručních kovových nástrojů (např. dláta, sekery, nože) a vrtacích bitů a odstraňování otěrů nebo ostrých hran.
- S vhodným příslušenstvím lze výrobek použít pro čištění kovových povrchů pomocí drátěného kartáče nebo pro broušení pomocí kola s hadrem.
- Výrobek nikdy nepoužívejte k řezání.

VŠEOBECNÁ BEZPEČNOSTNÍ VAROVÁNÍ

⚠ VAROVÁNÍ

Pokud používáte elektrické nástroje, měly by být dodržovány základní bezpečnostní předpisy za účelem snížení nebezpečí požáru, elektrického úrazu a osobní újmy. Dříve než výrobek poprvé použijete, důkladně si přečtěte tyto pokyny a poté je uschovejte.

- **Udržujte pracoviště čisté.** Zaházené oblasti a ponky vedou k poraněním.
- **Berte ohled na pracovní oblast.** Chraňte nástroje před deštěm. Nástroj nepoužívejte ve vlhkých ani mokrych prostředích. Mějte pracoviště dobře osvětleno. Nepoužívejte nástroje v přítomnosti hořlavých kapalin nebo plynů.
- **Chraňte se před zásahem elektrickým proudem.** Předcházejte tělesnému kontaktu s uzemněnými nebo zemněnými povrchy (například trubky, radiátory, sporáky, lednice).
- **Udržujte ostatní přihlízející v povzdálí.** Nenechte osoby, obzvláště děti, aby se zapojovaly do práce, dotýkat se nástroje nebo prodlužovací kabelu a udržujte je mimo pracovní oblast.
- **Ukládejte nevyužívané nástroje.** Nástroj vždy po použití skladujte na suchém místě a mimo dosah dětí.
- **Nepoužívejte nadměrnou sílu na nástroj.** Nástroj bude svou práci provádět lépe a bezpečněji při určeném přísunu materiálu, pro který byl navržen.
- **Používejte správný nástroj.** Nepoužívejte nadměrnou sílu na malé nástroje, abyste vykonali práci jako se silnějším nástrojem. Nepoužívejte nástroj pro práce, pro které není určen, například nepoužívejte rotační pilu pro řezání větví stromu nebo kmenů.
- **Správně se oblékejte.** Nenoste volné oblečení nebo šperky, mohou se zachytit do pohyblivých částí přístroje. Noste neklouzavou obuv, která je doporučena pro venkovní práce. Máte-li dlouhé vlasy, noste pokrývku hlavy.
- **Používejte ochrannou výbavu.** Používejte bezpečnostní brýle. Při práci používejte obličejový štít nebo protiprašný respirátor, pokud při práci vzniká prach.

- **Připojte příslušenství pro odsávání prachu.** Pokud je nástroj vybaven přípojkou pro odsávání prachu a sběrným zařízením, ujistěte se, že jsou zařízení správně připojena k nástroji, a že se správně používají.
- **Nepoškoďte napájecí kabel.** Nikdy nevytrhávejte kabel ze zásuvky. Udržujte kabel mimo horké plochy, olej a ostré hrany.
- **Bezpečná práce.** Používejte svorky nebo svěrák pro přidržení obrobku. Je to bezpečnější než použití vašich rukou.
- **Nepřeceňujte se.** Udržujte řádné postavení a rovnováhu po celou dobu práce.
- **Přístroje pečlivě udržujte.** Řezací nástroje udržujte ostré a čisté, abyste dosáhli lepšího a bezpečnějšího výkonu. Postupujte dle pokynů pro mazání a výměnu příslušenství. Pravidelně kontrolujte kabely přístroje, a pokud jsou poškozeny, nechejte je vyměnit v autorizovaném servisu. Pravidelně prohlížejte napájecí kabel a vyměňujte jej, pokud je poškozený. Udržujte rukojeti suché, čisté a bez mastnot a oleje.
- **Odpojte nástroje.** Před servisem, při nepoužívání nebo při výměně příslušenství, jako kotoučů, nástrojů, nožů, se musí nástroje odpojovat ze sítě.
- **Odstraňte seřizovací klíče a nástroje.** Zvykněte si, abyste vždy pohledem zkontrolovali, zda jsou z přístroje před jeho zapnutím odstraněny všechny klíče a seřizovací klíče.
- **Zabraňte náhodnému spuštění.** Zkontrolujte, zda je před zapojením do zásuvky spínač napájení v poloze „off“ (vypnuto).
- **Používejte prodlužovací kabely pro venkovní prostředí.** Pokud používáte nástroje venku, používejte správné prodlužovací kabely určené pro použití venku a také tak označené.
- **Buďte ve střehu.** Sledujte to, co děláte a používejte cit. Nepoužívejte nářadí, pokud jste pod vlivem alkoholu, drog nebo užíváte léky, které snižují pozornost.
- **Zkontrolujte, zda nejsou nějaké díly poškozeny.** Před dalším použitím přístroje je potřeba jej pozorně zkontrolovat, abyste určili, zda bude správně fungovat a vykonávat činnost, na kterou je určen. Zkontrolujte seřazení pohyblivých částí, spojení pohyblivých částí, rozbité části upevňovačů a další jiné podmínky, které mohou ovlivnit chod nástroje. Kryt nebo jiný díl, který se poškodí, je potřeba správně opravit nebo vyměnit v autorizovaném servisním opravě, pokud to není určeno jinak v tomto návodu k obsluze. Poškozené spínače smí vyměnit pouze pověřené servisní středisko.
- **Nástroj nepoužívejte, pokud přepínač nezapíná nebo nevypíná.**
- **Varování.** Používání jiného než v této příručce doporučeného příslušenství nebo doplňků může vést k poranění osob.
- **Nástroj nechávejte opravit u kvalifikované osoby.** Tento elektrický nástroj je v souladu s příslušnými bezpečnostními předpisy. Je potřeba, aby opravy vykonávali jen kvalifikované osoby pomocí originálních



náhradních dílů, nedodržení pokynu může způsobit značné ohrožení uživatele.

BEZPEČNOSTNÍ VAROVÁNÍ PÍSKOVÉ BRUSKY

- Zástrčka se smí zasouvat pouze do zásuvky, která je správně nainstalována a uzemněna v souladu se všemi místními zákony a pravidly. Pokud si nejste jistí, nechejte certifikovaného elektrikáře zkontrolovat zásuvku.
- Výrobek před provozem upevněte na pracovní lavici, do brusného stojanu nebo pevného rámu. Nezabezpečený výrobek je nestabilní a může se během provozu pohnout. Díky tomu se může poškodit nebo způsobit zranění.
- Poskytněte vhodné prostorové či bodové osvětlení, aby se zabránilo stroboskopickému efektu a nebezpečím.
- Před samotným provozem zkontrolujte komponenty a jakékoliv příslušenství k výrobku, abyste zajistili, že nenastanou situace, které by mohly ovlivnit správné fungování. Utáhněte uchyvací šrouby brusného kotouče, bezpečnostní šrouby a všechny svorky a pojistky.
- Před každým spuštěním zkontrolujte zda brusný kotouč není poškozený. Nepoužívejte poškozené kotouče. Jakýkoliv poškozený kotouč vyměňte dle pokynů.
- Před každým spuštěním zkontrolujte, že se kotouč otáčí volně. Při výrobku vypojeném z elektrické zásuvky a hlavním vypínači v poloze OFF opatrně protočte kotoučem rukou. Kotouč se nesmí dotýkat žádných komponent brusky a nesmí existovat žádné uchycení nebo zábrana, která by mohla ovlivnit provoz.
- Při každém spuštění stůjte od výrobku na straně a stiskněte spínač na ON. Ponechte brusku v plném provozu po dobu jedné minuty tak, že jakékoliv neobjevené chyby nebo praskliny kotouče se projeví. Dokud výrobek nedosáhne plné rychlosti neuvádějte jej do kontaktu s opracovávaným předmětem.
- Ruce i jiné části těla udržujte mimo dosah brusného kotouče. Kontakt s rotujícím kotoučem může způsobit zranění.
- Vždy používejte chrániče a ochranné brýle. Mějte chrániče na svém místě a udržujte je v provozuschopném stavu. Provoz bez chráničů nebo s poškozenými chrániči může způsobit zranění.
- Vyhněte se spáleninám. Broušení může způsobit, že předměty a brusnou kotouče se velmi zahřejí. Nedotýkejte se brusného kotouče nebo potenciálně horkých předmětů.
- Výrobek nepoužívejte pro práci s malými předměty nebo s předměty, které nelze správně uchytit. Předmět může být vymrštěn a způsobit zranění.
- Nikdy nebruste na straně kotouče. Kotouč se bude otřásat. Vždy bruste pouze hranou kotouče.
- Nikdy nenechávejte činný nástroj bez dozoru. Vypněte nástroj. Vlivem setrvačnosti se kotouč ještě chvilku otáčí i po vypnutí nářadí. Neodcházejte od nástroje,

dokud se zcela nezastaví.

- Nikdy nesahejte pod nebo za brusný kotouč.
- Při dlouhodobém používáním používejte ochranu uší - špunty nebo sluchátka.
- Odstraňte napájecí zástrčku ze zásuvky, než provedete jakákoliv nastavení, opravy nebo údržbu. Napájení musí zůstat odpojené, kdykoliv budete provádět údržbu.
- Kdykoliv to bude nutné, upravte opěrky nástrojů, aby byla vzdálenost mezi nimi a brusnými kotouči co nejmenší. Tato vzdálenost by měla být maximálně 2 mm. Když se bude při používání poloměr brusného kotouče zmenšovat, udržujte maximální vzdálenost od zařízení úpravou vymezení.
- Kdykoliv to bude nutné, upravte pohlcovače jisker, aby byla vzdálenost mezi nimi a brusnými kotouči co nejmenší. Tato vzdálenost by měla být maximálně 2 mm. Když se bude při používání poloměr brusného kotouče zmenšovat, udržujte jejich maximální vzdálenost úpravou vymezení.
- Pokud bude opěrka opotřebovaná nebo poškozená, vyměňte ji za identickou z autorizovaného servisního centra.
- Při osazování nového brusného kotouče vždy zkontrolujte, zda uvedené maximální otáčky za minutu (RPM) jsou shodné nebo vyšší než uvedení na výrobku. Ujistěte se, že velikost brusného kotouče splňuje minimální požadavky. Také zkontrolujte, zda se v novém kotouči nenachází chyby nebo praskliny.

BEZPEČNOSTNÍ POKYNY PRO BRUSNÝ KOTOUČ

⚠ VAROVÁNÍ

Pro minimalizaci rizika zranění si uživatel musí přečíst a splňovat pokyny, varování a provozní příručku než začne používat brusný kotouč. Nedodržení tohoto varování může způsobit zlomení kotouče a vážné osobní poranění. Uchovejte si tyto pokyny.

- Použití jiného brusného kotouče než doporučeného v provozní příručce k zařízení může představovat riziko zranění osob. Používejte pouze kotouče se stejnou nebo vyšší rychlostí než je uvedena na přístroji.
- Nikdy nepoužívejte řezný kotouč, který je příliš silný, příruba kotouče by jej pak nezajistila k ploše vřetena. Větší kotouče by přišly do kontaktu s krytem kotouče, zatímco silnější kotouče budou bránit šroubu v zajištění kotouče na vřeteno. Kterákoliv událost by mohla vést k vážné nehodě a může způsobit vážný úraz.
- Tento kotouč je na broušení a tvarování kovu. Nepokoušejte se s ním fezat.
- Tento brusný kotouč je vhodný pouze pro suché broušení.
- Nepoužívejte poškozené brusné kotouče, nepoužívejte brusné kotouče s vrypem, prasklinou nebo s jinou vadou.



- Před použitím se ujistěte, že abrazivní brusný kotouč je správně uchycen a připevněn.
- Při montáži nebo odstraňování brusných kotoučů nesmí nikdy přístroj být v provozu.
- Opatrně uchovávejte vaše brusné kotouče.
 - Je-li to možné uchovávejte kotouč v původním balení.
 - Kotouč uchovávejte v suchu při pokojové teplotě.
 - Kotouče je možné na polici skladovat vertikálně.
 - Zabraňte jejich pádu nebo aby na ně něco dopadlo.

Informace jsou k dispozici v tabulce brusných kotoučů

Informace na štítku brusného kotouče je důležitá. Přečtěte si ji a zkontrolujte, abyste si byli jisti, že vybíráte správný typ kotouče.

1. výrobce, dodavatel, importér či obchodní značka
2. Nominální rozměry brusného kotouče, především vnitřní průměr.
3. Abrazivní typ, velikost zrna, třída nebo tvrdost, typ vazby a použití výztuže.
4. Maximální provozní rychlost v metrech za sekundu.
5. maximální přípustná rychlost v otáčkách za 1/min
6. V prohlášení o shodě by abrazivní výrobky měly být označeny normou EN 12413.
7. omezení použití a symboly bezpečnostních varování
8. kód výsledovatelnosti, například číslo produkce/dávky, číslo série

ZBYTKOVÁ RIZIKA

Dokonce, i když se výrobek provozuje jak je předepsáno, je stále nemožné zcela eliminovat veškeré zbytkové rizikové faktory. Následující nebezpečí mohou nastat při používání; vyhýbejte se:

- Riziko kontaktu nechráněných částí s rotujícím kotoučem.
- Riziko spálení při kontaktu s horkým kotoučem.
- Poškození plic, pokud se nenosí účinný respirátor.
- Poškození sluchu, pokud se nenosí účinná ochrana sluchu.

SEZNAMTE SE S VÝROBKEM

Viz strana 107.

1. Ochrana před jiskrami
2. Pohlčovač jisker
3. Kryt kotouče
4. Náastroj pro potahování kotouče
5. Pracovní podložka
6. Pracovní lampa
7. Otočný regulátor nastavení brusného pásu
8. Brusný pás
9. Pracovní podložka
10. Zamykací knoflík pracovní podložky
11. Táč na vodu
12. Spínač On/Off (Zapnuto/Vypnuto)
13. Montážní otvor

14. Ochrana pískovacího pásu
15. Ochrana pískovače

ÚDRŽBA

- Nepoužívejte s výrobkem příslušenství nebo doplňky, jež nejsou schváleny výrobcem. Vaše bezpečnost i bezpečnost osob, které se nacházejí v blízkosti, může být ohrožena.
- Nepoužívejte výrobek, pokud nějaké přepínače, kryty nebo jiné funkce nefungují tak, jak bylo zamýšleno. Odevzdejte nejbližšímu servisnímu středisku k profesionální opravě.
- Při běhu výrobku neprovádějte žádné úpravy.
- Vždy zajistěte, aby byla zástrčka stroje odpojena od zdroje napájení před provedením úprav, mazání nebo při provádění údržby na výrobku.
- Před každým použitím zkontrolujte výrobek na poškození nebo zničené části. Udržujte výrobek ve špičkovém provozním stavu neprodlenou výměnou dílů za náhradní díly schválené výrobcem.
- Vyčistěte nahromaděný prach pomocí štětce nebo vysavače. Nepoužívejte stlačený vzduch.
- Pro lepší bezpečnost a bezporuchovost by mělo všechny opravy, včetně výměny kartáčů, provádět pověřené autorizované servisní středisko.
- Pokud je napájecí kabel poškozen, musí být nahrazen pouze výrobcem nebo pověřeným servisním střediskem za účelem odstranění bezpečnostního rizika.

VAROVÁNÍ

Z bezpečnostních důvodů a pro zajištění spolehlivosti nářadí musí být veškeré opravy prováděny v autorizované servisní opravě výrobků Ryobi.

PŘEPRAVA A SKLADOVÁNÍ

- Při skladování výrobku, odpojte napájecí kabel. Skladujte výrobek do bezpečném místě, které není přístupné dětem.
- Vyčistěte výrobek před uskladněním pomocí štětce a vysavače.

OCHRANA ŽIVOTNÍHO PROSTŘEDÍ



V rámci možností neodhazujte vysloužilé nářadí do domovního odpadu a upřednostněte jeho recyklaci. V souladu s předpisy na ochranu životního prostředí odkládejte vysloužilé nářadí, příslušenství i obalový materiál do tříděného odpadu.



SYMBOLY NA VÝROBKU



Bezpečnostní výstraha



Shoda CE



Před spuštěním přístroje si řádně přečtěte pokyny.



Noste ochranu sluchu



Noste ochranu očí



Nevhodné pro vlhké broušení a řezání



Nepoužívejte kotouč s prasklinami, otřepy nebo vadami



Požívejte ochranné rukavice



Velikost a rychlost brusného kotouče



Velikost a rychlost pískovacího pásu



Odpad elektrických výrobků se nesmí likvidovat v domovním odpadu. Recyklujte prosím na sběrných místech. Ptejte se u místních úřadů nebo prodejce na postup při recyklaci.

SYMBOLY POUŽITÉ V NÁVODU



Zapojte do přístroje.



Odpojte nástroj.



Čekací doba než výrobek dosáhne plné rychlosti



Díly nebo příslušenství jsou v prodeji samostatně

Následující signální slova a významy jsou vhodné pro vysvětlení úrovně nebezpečí spojených s tímto výrobkem.

⚠ NEBEZPEČÍ

Upozorňuje na bezprostředně nebezpečnou situaci, která vede k usmrcení nebo těžkému zranění.

⚠ VAROVÁNÍ

Upozorňuje na možnou nebezpečnou situaci, která by mohla vést ke smrtelnému úrazu nebo k závažnému zranění.

⚠ POZOR

Upozorňuje na možnou nebezpečnou situaci, která může vést k menšímu nebo lehkému zranění.

POZOR

(Bez bezpečnostního výstražného symbolu) Určuje situaci, která může mít za následek vážné poškození.



A köszörű-csiszológép tervezése során elsődleges szempont volt a biztonság, a teljesítmény és a megbízhatóság.

RENDELTESSZERŰ HASZNÁLAT

- A köszörű-csiszológép fém köszörülésére és profilozására használható. Fém kéziszerszámok (pl. vésők, fejszék és kések) vagy fűrészárak élezésére, sorja vagy éles szegélyek leszedésére használható.
- Megfelelő kiegészítővel a termék egyéb célokra is használható: drótkéfével fémfelületek tisztítására, illetve posztótárcsával polírozásra és fényezésre.
- A terméket ne használja vágásra.

ÁLTALÁNOS BIZTONSÁGI FIGYELMEZTETÉSEK

⚠ FIGYELEM

Elektromos szerszámok használatakor a tűz, elektromos áramütés és a személyi sérülés veszélyének csökkentése érdekében az alapvető biztonsági óvintézkedéseket mindig be kell tartani. Mielőtt a termék használatával próbálkozik, olvassa el az összes utasítást, és őrizze meg a későbbi használatra.

- **Tartsa tisztán a munkaterületet.** A rendetlen munkafelület balesetveszélyes.
- **Vizsgálja át a munkaterületet.** Ne tegye ki a gépeket esőnek. Nedves vagy vizes területeken ne használja a gépeket. Jól világlátsa meg a munkaterületet. Gyúlékony folyadékok vagy gázok jelenlétében ne használja a gépeket.
- **Védekezzen az áramütés ellen.** Kerülje a testi érintkezést földelt felületekkel (pl. csövekkel, rádiátorokkal, hűtőkkel).
- **Tartson távol másokat a munkaterülettől.** Ne hagyja, hogy más személyek, különösen gyerekek részt vegyenek a munkában, megérintsék a szerszámot vagy a hosszabbító kábelt, és tartsa távol őket a munkaterülettől.
- **Tegye el a gépet, ha nem használja.** Használaton kívül a szerszámgepeket valamilyen száraz, zárt helyen, gyerekektől elzárva kell tárolni.
- **Ne erőltesse a gépet.** A gép jobban teljesít és biztonságosabban dolgozik olyan sebesség használatokor, amilyenre azt tervezték.
- **A megfelelő szerszámot használja.** Ne erőltesse a kisméretű géppel való munkát olyan esetekben, ahol a feladatot egy nagyobb szerszámmal könnyebb elvégezni. Ne használja a rendeltetésének nem megfelelő célra a gépet.
- **Viseljen megfelelő ruházatot.** Ne viseljen laza ruházatot vagy ékszereket, amelyek beakadhatnak a mozgó alkatrészekbe. Kültéri munkához csúszásmentes lábbeli viselete javasolt. Ha hosszú a haja, viseljen hajvédőt.
- **Használjon védőfelszerelést.** Viseljen védőszemüveget. Viseljen arcvédőt vagy pormaszkot, ha a munka során por keletkezik.
- **Csatlakoztassa a porkivezető berendezést.** Ha a gép el van látva porkivezető vagy gyűjtő berendezésekhez való csatlakozási lehetőséggel, akkor ügyeljen arra, hogy ezeket csatlakoztassák és megfelelően használják.
- **Ne rongálja meg a kábelt.** Ne rántsa meg a kábelt a hálózatból való lecsatlakoztatáskor. Hőtől, olajtól és éles szélektől tartsa távol a kábelt.
- **Rögzítse a munkadarabot.** Ahol lehetséges, használjon szorítókat vagy satut a munkadarab rögzítésére. Biztonságosabb, mintha a kezét használná.
- **Ne hajoljon ki túlságosan.** Mindig tartson megfelelő testtartást és egyensúlyt.
- **A szerszámok karbantartását kellő alaposággal végezze.** A vágószerszámokat tartsa élesen és tisztán, hogy teljesítményük jobb és biztonságosabb legyen. Tartozékcseréje és kenés esetén kövesse az útmutatóban leírtakat. Rendszeresen ellenőrizze a gép kábeleit, és sérülés esetén egy hivatalos szervizközpontban javíttassa meg. Rendszeresen ellenőrizze a hosszabbító kábelt, és cserélje ki, ha sérült. A fogantyúkat tartsa szárazon, tisztán, olajtól és kenőzsírtól mentesen.
- **Csatlakoztassa le a gépeket a hálózathoz.** Használaton kívül, szervizelés előtt, valamint a tartozékok, például kések, bitek és vágók cseréjekor csatlakoztassa le a gépet az elektromos hálózatról.
- **Távolítsa el a beállító kulcsokat és csavarkulcsokat.** Bekapcsolás előtt szokásszerűen ellenőrizze, hogy a csavarkulcsokat és a beállító kulcsokat eltávolította a gépről.
- **Kerülje el a véletlen bekapcsolást.** A hálózathoz való csatlakoztatáskor ellenőrizze, hogy a kapcsoló "ki" állásban van.
- **Kültéri használatra való kábeleket használjon.** A szerszám kültéri használatára csak kültéri használatra is alkalmas és így is jelölt hosszabbító kábeleket használjon.
- **Legyen mindig éber.** Figyeljen arra, amit csinál, és használja az összes érzékszervét. Ne használja a szerszámot, ha alkohol vagy kábítószert hatása alatt áll, illetve ha orvosságot szed.
- **Ellenőrizze a sérült alkatrészeket.** A készüléket a további használat előtt ellenőrizni kell, hogy képes megfelelően működni és ellátni a funkcióját. Ellenőrizze a mozgó alkatrészek elrendezését, összekapcsolódását, az alkatrészek törését, rögzítését és minden más körülményt, ami hatással lehet a működésre. Ha egy védőlemez vagy más alkatrész megsérült, azt egy hivatalos szervizközpontban kell megjavíttatni vagy kicseréltetni, hacsak a kezelői útmutató másként nem rendel. A hibás csatlakozókat egy hivatalos szervizközpontban ki kell cseréltetni.



- **Ne használja a gépet, ha a kapcsoló nem kapcsolja be vagy ki.**
- **Figyelem.** A használati utasításban nem javasolt tartozékok vagy kiegészítők használata személyi sérülés veszélyét jelentheti.
- **A gépet képzett szakemberrel kell megjavítani.** Ez az elektromos szerszám gép megfelel a vonatkozó biztonsági szabályoknak. A javításokat csak képzett szakember végezheti el eredeti cserealkatrészek használatával, máskülönben ez jelentős veszélyt eredményezhet a felhasználó számára.

BIZTONSÁGI FIGYELMEZTETÉSEK A KÖSZÖRŰ- CSISZOLÓGÉPHEZ

- A dugaszt egy megfelelően felszerelt és földelt aljzathoz kell csatlakoztatni, a helyi előírásokat és rendelkezéseket szem előtt tartva. Kétség esetén kérjen meg egy képzett villanyszerelőt, hogy ellenőrizze a dugaszolóaljazatot.
- A terméket működtetés előtt erősen rögzítse munkapadra, csiszolóállványra vagy más szilárd állványra. Ha a terméket nem rögzíti, nem áll stabilan, és működés közben elmozdulhat. Ez anyagi kárhoz vagy sérüléshez vezethet.
- Biztosítson megfelelő általános vagy helyi világítást, hogy elkerülje a stroboszkóp hatást és a veszélyeket.
- Működtetés előtt vizsgálja meg a termék alkatrészeit és kiegészítőit, hogy nincs-e a megfelelő működést akadályozó valamilyen probléma. Húzza meg a csiszolókorong záróanyáit, rögzítőcsavarjait, valamint minden szorítót és védőelemet.
- Indítás előtt mindig ellenőrizze le, nem sérült-e meg a csiszolókorong. De használjon sérült vagy deformálódott korongot. A sérült csiszolókorongot az utasításoknak megfelelően cserélje ki.
- Indítás előtt mindig ellenőrizze, hogy a korong szabadon forog-e. A termék ne legyen bedugva az elektromos aljzatba és a kapcsoló legyen KI állásban. Kézzel figyelmesen forgassa el a korongot. A korong nem érhet hozzá az asztali köszörűgép egyetlen alkatrészéhez sem, és nem akadhat, illetve semmilyen más, a megfelelő működtetést akadályozó állapot nem állhat fenn.
- Indításkor álljon a termék valamelyik oldalára és kapcsolja BE. Teljes sebességen működtesse a köszörűgépet egy percig, hogy ha van a korongban bármilyen hiba vagy repedés, melyet esetleg nem észlelt, az észrevehetővé váljon. Addig ne érintse hozzá a munkadarabot a koronghoz, míg a termék el nem érte a teljes sebességet.
- Ügyeljen, hogy a keze és egyéb testrészei ne érjenek hozzá a köszörűkorongokhoz. Ha hozzáér a forgó koronghoz, ez sérülést okozhat.
- Mindig használjon védőelemeket és szemvédőt. A védőberendezések legyenek a helyükön, működő állapotban. Ha a terméket védőelemek nélkül vagy sérült védőelemekkel működteti, ez sérülést okozhat.

- Vigyázzon, hogy meg ne égesse magát. Készülék közben a munkadarab és a köszörűkorong felforrósodhat. Ne érintse meg a köszörűkorongot és a munkadarabot, mert ezek forrók lehetnek.
- Ne használja a terméket kis munkadarabokon vagy olyan munkadarabokon, melyeket nem lehet megfelelően rögzíteni. A munkadarab elrepülhet, ami sérülést okozhat.
- A korong oldalán ne köszörüljön. Ettől a korong szétrebban. Csak a korong felszínén köszörüljön.
- Soha ne hagyja felügyelet nélkül a működő gépet. Kapcsolja ki a gépet. A sarokcsiszoló kikapcsolása után a korong még lendületből forog pár másodpercig. Ne hagyja ott a gépet, amíg az teljesen meg nem állt.
- Soha ne nyúljon a köszörűkorongok mögé vagy alá.
- Ha hosszú ideig használja a berendezést, használjon fülvédő eszközt, például fül dugót vagy fülvédőt.
- Bármilyen beállítás, szervizelés vagy karbantartás előtt húzza ki a dugaszt a hálózatról. A termék karbantartása előtt a tápkábelből húzza ki.
- Szükség esetén állítsa be a szerszámtartót, hogy a munkadarabtartó és a köszörűkorongok között a lehető legkisebb távolság legyen. Ez a távolság legfeljebb 2 mm legyen. Ahogy a köszörűkorong átmérője a használat során csökken, állítsa be újra a legnagyobb szerszámtartó-távolságot.
- Szükség esetén állítsa be a szikrafogókat, hogy a szikrafogók és a köszörűkorongok között a lehető legkisebb távolság legyen. Ez a távolság legfeljebb 2 mm legyen. Ahogy a köszörűkorong átmérője a használat során csökken, állítsa be újra a legnagyobb szikrafogó-távolságot.
- Ha a munkadarabtartó elkopik vagy megsérül, cserélje ki a hivatalos szervizközpontból beszerzett azonos cseredarabbal.
- Ha új csiszolókorongot szerel fel, mindig ellenőrizze, hogy a koronghoz feltüntetett fordulatszám/perc érték eléri vagy meghaladja a termékhez feltüntetett értéket. Ellenőrizze, hogy a korong átmérője és a főtengely mérete megfelel a műszaki előírásoknak. Azt is ellenőrizze, hogy az új korong nem sérült-e, nincsenek-e rajta hibák vagy repedések.

BIZTONSÁGI ELŐÍRÁSOK KÖSZÖRŰKORONGOKHOZ

FIGYELEM

A sérülésveszély csökkentésére a felhasználó csak akkor kezdje meg a köszörűkorong használatát, ha elolvasta és betartja az utasításokat, figyelmeztetéseket és a felhasználói kézikönyvben foglaltakat. Ezen figyelmeztetések figyelmen kívül hagyása a tárcsa törését és súlyos személyi sérülést eredményezhet. Őrizze meg ezt az útmutatót.





- Ha a gép kézikönyvében ajánlottól eltérő korongot használ, ez személyi sérülés veszélyét okozhatja. Csak olyan köszőrúkorongot használjon, amelyen a feltüntetett sebesség eléri vagy meghaladja a gépen feltüntetett sebességet.
- Ne használjon olyan tárcsát, amelyik elég vastag ahhoz, hogy a külső pereme beakadjon a tengely lapos részébe. A nagyobb méretű tárcsák érintkezhetnek a tárcsavédőkkel, a vastagabb tárcsák pedig megakadályozhatják a csavar felcsavarását a tengelyre. Ezen okok bármelyike súlyos balesetet eredményezhet, és súlyos személyi sérülést okozhat.
- A korong fém köszörülésére és profilozására használható. Ne próbáljon vele vágni.
- A köszőrúkorong csak száraz köszörülésre alkalmas.
- Ne használjon sérült, csorba, repedt vagy más módon hibás köszőrúkorongot.
- Használat előtt bizonyosodjon meg arról, hogy a csiszoló-köszőrúkorongot megfelelően felszerelte és rögzítette.
- A gép ne legyen áram alatt, ha köszőrúkorongot szerel fel vagy le.
- A tartalék köszőrúkorongot gondosan tárolja.
 - A korongot lehetőleg tartsa az eredeti csomagolásban.
 - A korongot száraz, szobahőmérsékletű helyen tárolja.
 - A korongokat függőleges helyzetben, polcon is tárolhatja.
 - Ügyeljen, hogy a korongok ne essenek le, illetve ne érje őket erős ütés.

A köszőrúkorong címkéjén található információk

A korong címkéjén fontos információk találhatóak. Gondosan olvassa el és ellenőrizze, hogy a megfelelő fajtájú korongot választotta ki.

1. gyártó, szállító, importőr és védjegy
2. A köszőrúkorong névleges méretei, különösen a furat átmérője.
3. A csiszolóanyag fajtája, szemcsemérete, besorolása vagy keménysége, a kötés fajtája és hogy tartalmaz-e erősítőanyagot.
4. Legnagyobb működési sebesség méter per másodpercben.
5. maximális megengedett fordulatszám, 1/perc
6. A megfelelőségi nyilatkozathoz a csiszolásra alkalmas termékeket EN 12413 jelöléssel kell ellátni.
7. használat korlátozása és biztonsági figyelmeztetés szimbólumok
8. nyomon követhetőségi kód, pl. gyártási/kötegszám, sorozatszám

VISSZAMARADÓ KOCKÁZATOK

Még a termék rendeltetészerű használata esetén sem lehet teljesen kiküszöbölni minden kockázati tényezőt. A gép használata során a következő veszélyek merülhetnek

fel, és a kezelőnek különösen oda kell figyelnie az alábbiak elkerülésére:

- Közvetlen kapcsolat veszélye a korong szabadon álló részeivel.
- Égési veszély a forró koronggal vagy munkadarabbal való érintkezés miatt.
- A légzőrendszer károsodása léphet fel, ha nem viselnek hatékony pormaszkot.
- Halláskárosodás a fül viseletének elmulasztása miatt.

ISMERJE MEG A TERMÉKET

107. oldal.

1. Szikravédó
2. Szikrafogó
3. Tárcsavédő
4. Koronglehúzó szerszám
5. Munkadarab-tartó
6. Munkalámpa
7. Csiszolószij állítógomb
8. Csiszolószalag
9. Munkadarab-tartó
10. Munkadarab-tartó rögzítógombja
11. Vízálca
12. Be/ki kapcsoló
13. Rögzítőfurat
14. Csiszolószij-védő
15. Csiszolóvédő

KARBANTARTÁS

- Semmilyen módon ne módosítsa a terméket, és ne használjon a gyártó által nem jóváhagyott tartozékokat. Az Ön és mások biztonsága veszélybe kerülhet.
- Ne használja a terméket, ha valamelyik kapcsoló, védőburkolat vagy egyéb funkció nem rendeltetészerűen működik. Szakszerű javításhoz vigye a gépet egy hivatalos szervizközpontba.
- A termék üzemelése közben ne végezzen beállításokat.
- A terméken végrehajtott beállítások, kenés vagy karbantartás előtt mindig ellenőrizze, hogy a dugasz ki lett húzva a hálózatból.
- Károsodás vagy törött alkatrészek tekintetében minden egyes használat előtt ellenőrizze a terméket. Tartsa a terméket kiváló működési állapotban, azonnal cserélje le az alkatrészeket a gyártó által biztosított cserealkatrészekre.
- Egy kefével vagy porszívóval tisztítsa ki a felgyülemltet port. Ne használjon sűrített levegőt.
- A biztonság és megbízhatóság érdekében minden javítást, beleértve a kefék cseréjét is, hivatalos szervizközpontban kell elvégeztetni.
- Ha a tápkábel sérült, azt a veszélyek elkerülése érdekében csak a gyártó vagy annak hivatalos szervizközpontja cserélheti ki.



**▲ FIGYELEM**

A nagyobb biztonság és megbízhatóság érdekében minden javítást hivatalos Ryobi szervizközpontban kell elvégeztetni.

SZÁLLÍTÁS ÉS TÁROLÁS

- A termék tárolásakor húzza ki a tápkábelt. Gyerekektől elzárt helyen tárolja a terméket.
- Tárolás előtt egy kefével vagy porszívóval tisztítsa meg a terméket.

KÖRNYEZETVÉDELEM

Segítse elő az alapanyagok újrahasznosítását azzal, hogy nem helyezi el őket a háztartási szemétkosárba. Környezetvédelmi megfontolásból az elhasználandó gépet és tartozékokat, valamint a csomagolóanyagokat szelektív módon kell gyűjteni.

SZIMBÓLUMOK A TERMÉKEN

Biztonsági figyelmeztetés



CE megfelelés



A gép bekapcsolása előtt figyelmesen olvassa el az útmutatót.



Viseljen fülvédőt



Viseljen szemvédőt



Nem használható nedves csiszolásra és vágásra



Ne használjon kicsorbult, repedt vagy hibás csiszolókorongot



Viseljen védőkesztyűt



A csiszolókorong mérete és sebessége



A csiszolószalag mérete és sebessége



A kiselejtezett elektromos termékeket nem szabad a háztartási hulladékkal együtt kidobni. Ezeket újra kell hasznosítani, ha van rá lehetőség. Az újrahasznosítással kapcsolatban érdeklődjön a helyi önkormányzatnál vagy a termék forgalmazójánál.

A KÉZIKÖNYVBEN HASZNÁLT SZIMBÓLUMOK

Dugja be a gépet a hálózatba.



Húzza ki a gépet az elektromos hálózatból.



Várakozási idő a teljes sebesség eléréséig



Külön értékesített alkatrészek és kiegészítők

A következő jelölőszavak és jelentések arra szolgálnak, hogy megmagyarázzák a termékkel kapcsolatos veszélyességi szinteket.

▲ VESZÉLY

Egy bekövetkező veszélyes helyzetet jelez, ami, ha nem előzik meg, halált vagy komoly sérülést eredményez.

▲ FIGYELEM

Egy potenciálisan bekövetkező veszélyes helyzetet jelez, ami, ha nem előzik meg, halált vagy súlyos sérülést eredményezhet.

▲ VIGYÁZAT

Egy potenciálisan veszélyes helyzetet jelez, ami, ha nem előzik meg, kisebb vagy mérsékelt súlyos sérülést eredményezhet.

VIGYÁZAT

(Biztonsági figyelmeztető szimbólum nélkül) Egy olyan helyzetet jelez, ami anyagi kárt eredményezhet.



La conceperea acestui polizor șlefuitor s-au avut în vedere în primul rând siguranța, performanța și fiabilitatea în exploatare.

DOMENIU DE APLICAȚII

- Acest polizor șlefuitor este conceput pentru polizarea pieselor de metal. Produsul poate fi utilizat pentru ascuțirea uneltelor manuale din metal (de ex. dălți, topoare, cuțite), dar și pentru ascuțirea burghiilor, îndepărtarea bavurilor și netezirea marginilor ascuțite.
- Cu accesoriile adecvate, produsul poate fi utilizat și pentru curățarea suprafețelor metalice (cu ajutorul unei perii de sârmă) sau pentru lustruire (cu ajutorul unui disc textil).
- Nu utilizați niciodată produsul pentru operații de tăiere.

AVERTISMENTE GENERALE PRIVIND SIGURANȚA

AVERTISMENT

Atunci când utilizați unelte electrice, întotdeauna trebuie luate minime măsuri de siguranță pentru a reduce riscul producerii de incendii, șocuri electrice sau leziuni. Citiți toate instrucțiunile înainte de a încerca să operați produsul și păstrați aceste instrucțiuni.

- **Păstrați curățenia la locul de muncă.** Zonele și bancurile de lucru dezordonate favorizează accidentele.
- **Țineți cont de mediul de lucru.** Nu expuneți uneltele la ploaie. Nu utilizați uneltele în locuri umede sau cu apă. Păstrați spațiul de lucru bine luminat. Nu utilizați uneltele în prezența lichidelor sau a gazelor inflamabile.
- **Protecție împotriva electrocutării.** Evitați contactul corpului cu suprafețele conectate la pământ sau la masă (de ex. conducte, radiatoare, mașini de gătit, frigidere).
- **Nu lăsați alte persoane să se apropie.** Nu lăsați persoanele, în special copii, să se implice în lucrare, să atingă unealta sau cablul prelungitor și nu le permiteți să se apropie de zona de lucru.
- **Depozitați uneltele inactice.** Când nu este utilizată, unealta trebuie depozitată într-un loc uscat prevăzută cu încuietoare și nu trebuie lăsată la îndemâna copiilor.
- **Nu forțați unealta.** Acesta va realiza operația mai bine și mai sigur, la viteza pentru care a fost conceput.
- **Utilizați unealta potrivit.** Nu utilizați uneltele cu capacitate mică pentru lucrări destinate uneltelor cu capacitate mare. Nu utilizați unelte pentru alte scopuri decât cele destinate, de exemplu, nu utilizați ferăstrăul circular pentru a tăia crengi sau trunchiuri de copac.
- **Îmbrăcați-vă corespunzător.** Nu purtați haine prea largi sau bijuterii, acestea pot fi prinse în piesele mobile. Când lucrați afară este recomandată încălțăminte anti-alunecare. Purtați protecție care acoperă părul, pentru a proteja părul lung.
- **Utilizați echipament de protecție.** Utilizați ochelari de protecție. Utilizați o mască de gaze sau o mască antipraf, dacă se creează praf în timpul lucrărilor.
- **Conectați echipamentul de extracție a prafului.** Dacă unealta este prevăzută pentru conectarea echipamentului de extracție și de colectare a prafului, asigurați-vă că acestea sunt conectate și utilizate corect.
- **Nu forțați cablul.** Nu trageți niciodată de cablu pentru a-l deconecta de la priză. Țineți cablul la distanță de căldură, ulei și muchiiile ascuțite.
- **Securizați lucrarea.** Când este posibil, utilizați dispozitive de fixare sau o menghină pentru a fixa piesa de lucru. Este mai sigur decât să vă utilizați mâinile.
- **Nu vă întindeți excesiv.** În timpul operării dispozitivului, păstrați-vă în permanentă echilibrul și stabilitatea.
- **Întrețineți unealta cu grijă.** Păstrați uneltele de tăiere ascuțite și curate, pentru performanță mai bună și mai sigură. Urmați instrucțiunile pentru lubrifierea și schimbarea accesoriilor. Verificați cablurile uneltei periodic și, dacă sunt deteriorate, acestea trebuie reparate de un centru de service autorizat. Inspectați cordoanele de racord în mod periodic și înlocuiți-le dacă sunt deteriorate. Păstrați mânerul uscat, curat și fără pete de ulei și vaselină.
- **Deconectați uneltele.** Când nu sunt utilizate, înainte de revizie și când schimbați accesoriile, precum lame, burghie și cuțite, deconectați uneltele de la alimentarea electrică.
- **Îndepărtați cheile de reglare.** Formați-vă obiceiul de a verifica dacă ați scos toate cheile și duliile de reglare din unealtă înainte de pornirea acesteia.
- **Evitați pornirea accidentală.** Asigurați-vă că comutatorul este în poziția "off" (oprit) la conectarea la priza electrică.
- **Utilizați cabluri prelungitoare pentru exterior.** Când unealta este utilizată în exterior, utilizați doar cabluri de prelungire destinate pentru exterior și marcate corespunzător.
- **Fiți vigilenți.** Fiți atenți la ceea ce faceți și folosiți-vă simțul practic. Nu utilizați mașina dacă ați băut alcool sau ați consumat droguri sau dacă luați medicamente.
- **Verificați părțile deteriorate.** Înainte de utilizarea uneltei, aceasta trebuie verificată cu atenție, pentru a determina dacă va funcționa corect și dacă își va îndeplini funcția destinată. Verificați alinierea pieselor mobile, lipirea pieselor mobile, spargerea pieselor, montarea și orice alte stări care pot afecta funcționarea acestora. O protecție sau altă piesă care este deteriorată trebuie reparată sau înlocuită în mod corect de un centru de service autorizat, dacă nu se indică altfel în acest manual de instrucțiuni. Comutatoarele defecte trebuie înlocuite de un centru de service autorizat.
- **Nu utilizați unealta, în cazul în care comutatorul nu o poate porni și opri.**



- **Avertisment.** Utilizarea oricărui accesoriu sau dispozitiv atașabil, cu excepția celor care sunt recomandate de acest manual de instrucțiuni poate prezenta risc de vătămare corporală.
- **Unealta trebuie reparată de o persoană calificată.** Această unealtă electrică respectă regulile de siguranță relevante. Reparațiile trebuie efectuate doar de persoane calificate, utilizând piese de schimb originale, în caz contrar există pericole considerabile pentru utilizator.

AVERTISMENTE DE SIGURANȚĂ PRIVIND POLIZORUL ȘLEFUITOR

- Fișa trebuie conectată la o priză corespunzătoare care trebuie să fi e instalată și împământată conform codurilor și ordonanțelor locale. Dacă nu sunteți sigur, apelați la un electrician calificat pentru a verifica priza.
- Înainte de utilizare, montați produsul ferm pe bancul de lucru, stativul sau cadrul rigid ales. Un produs nefixat este instabil și se poate deplasa în timpul funcționării. Astfel se pot produce daune materiale sau accidentări.
- Asigurați iluminare generală adecvată sau localizată pentru a preveni efectul stroboscopic și pericolele.
- Înainte de utilizare, inspectați componentele și accesoriile produsului pentru a vă asigura că nu există elemente care ar putea afecta funcționarea corespunzătoare. Strângeți piulițele de blocare a pietrei, șuruburile de protecție, clemele și apărătoarele.
- Înainte de pornire, inspectați piatra în căutarea eventualelor defecte. Nu utilizați discuri deteriorate sau deformatate. Înlocuiți pietrele deteriorate conform instrucțiunilor.
- Asigurați-vă că piatra se rotește liber înainte de pornirea mașinii. Cu produsul deconectat de la priză și comutatorul pe poziția Oprit, rotiți piatra cu mâna. Piatra nu trebuie să intre în contact cu niciuna dintre componentele polizorului de banc și nu trebuie să existe alte elemente care să afecteze funcționarea corespunzătoare.
- La pornire, poziționați-vă alături de produs și porniți-l. Permiteți polizorului să ruleze la viteza maximă timp de aprox. 1 minut pentru ca eventualele defecte sau crăpături ale pietrei să devină evidente. Nu aduceți piesa de prelucrat în contact cu piatra polizorului înainte ca aceasta să ajungă la viteza maximă.
- Nu apropiați mâinile sau alte părți ale corpului de pietrele polizorului. Contactul cu piatra aflată în mișcare poate provoca leziuni grave.
- Utilizați întotdeauna protecții și ochelari. Păstrați elementele de protecție în poziție și în bună stare de funcționare. Utilizarea polizorului fără apărători sau cu apărătorile defecte crește riscul de accidentare.
- Evitați arsurile. Polizarea poate face ca piesele prelucrate și pietrele polizorului să se încălzească puternic. Nu atingeți piatra sau piesele care pot fi fierbinți.
- Nu utilizați polizorul pentru a prelucra piese mici sau articole care nu pot fi ținute ferm în mână. Piesa poate fi smulsă și proiectată, cauzând accidente grave.
- Nu polizați niciodată pe lateralul pietrei. Piatra se va sparge. Polizați întotdeauna pe muchie.
- Nu lăsați niciodată unealta să funcționeze nesupravegheată. Opriti unealta. Polizorul se învâрте din inerție după oprirea utilajului. Nu părăsiți unealta până când nu se oprește complet.
- Nu puneți mâinile niciodată în spatele sau sub discurile polizorului.
- Utilizați protecții pentru urechi - de ex. dopuri sau căști - atunci când folosiți polizorul pentru perioade lungi de timp.
- Îndepărtați fișa înainte de a efectua orice fel de operațiuni de reglare, service sau întreținere. Cablul de alimentare trebuie să fie deconectat atunci când efectuați operații de întreținere asupra produsului.
- Ajustați suporturile polizorului atunci când este necesar, pentru ca distanța dintre acestea și discurile polizorului să fie cât mai mică posibil. Această distanță nu trebuie să depășească 2 mm. Deoarece diametrul pietrei scade odată cu utilizarea, ajustați distanța suportului față de piatră astfel încât să nu depășească valoarea maximă indicată.
- Ajustați arestoarele de scântei atunci când este necesar, pentru ca distanța dintre acestea și pietrele polizorului să fie cât mai mică posibil. Această distanță nu trebuie să depășească 2 mm. Deoarece diametrul pietrei scade odată cu utilizarea, ajustați distanța arestorului față de piatră astfel încât să nu depășească valoarea maximă indicată.
- Dacă suporturile se uzează sau se deteriorează, înlocuiți-le cu suporturi de același tip la un centru de service autorizat.
- Atunci când montați o piatră de polizare nouă, verificați întotdeauna dacă turația maximă indicată pe aceasta este mai mare sau egală cu turația maximă indicată pe produs. Asigurați-vă că diametrul pietrei și dimensiunea axului respectă specificațiile. De asemenea, verificați piatra nouă, asigurându-vă că nu prezintă defecte (fisuri sau crăpături).

INSTRUCȚIUNI DE SIGURANȚĂ PRIVIND PIATRA POLIZORULUI

▲ AVERTISMENT

Pentru a reduce riscul de accidentare, utilizatorul trebuie să citească și să respecte instrucțiunile, avertismentele și manualul de utilizare. Neurmarea acestor avertisări poate rezulta în ruperea discului și vătămare personală gravă. Păstrați aceste instrucțiuni.

- Utilizarea altor pietre decât cele recomandate în manualul cu instrucțiuni al mașinii poate cauza



accidente grave. Utilizați doar pietre care au viteză maximă marcată mai mare sau egală cu viteză maximă indicată pe mașină.

- Nu folosiți niciodată un disc prea gros pentru a permite flanșei exterioare să se cupleze cu porțiunile plate de pe ax. Discurile mai mari vor veni în contact cu apărătorile de roți, în timp ce discurile mai groase vor împiedica șurubul să fixeze discul pe ax. Oricare dintre aceste situații poate conduce la un accident grav și poate provoca rănirea gravă.
- Această piatră este concepută doar pentru polizarea și prelucrarea pieselor metalice. Nu încercați să o folosiți la operații de tăiere.
- Această piatră este concepută doar pentru polizare uscată.
- Nu utilizați pietre de polizare ciobite, crăpate sau deteriorate în orice alt mod.
- Asigurați-vă că piatra abrazivă este montată și strânsă corect înainte de utilizare.
- Mașina nu trebuie să fie conectată la priza de alimentare în timp ce montați sau demontați pietrele de polizare.
- Depozitați cu atenție pietrele de polizare de rezervă.
 - Păstrați pietrele în ambalajul original, dacă este posibil.
 - Păstrați pietrele într-un loc uscat, la temperatura camerei.
 - Pietrele pot fi stocate în poziție verticală pe un raft.
 - Nu permiteți pietrelor să cadă sau să fie supuse la impacturi.

Informațiile de pe eticheta pietrei de polizare

Informațiile de pe eticheta pietrei sunt importante. Citiți cu atenție aceste informații pentru a vă asigura că alegeți tipul de piatră corect.

1. producător, furnizor, importator sau deținător marcă înregistrată.
2. Dimensiunile nominale ale pietrei, în special diametrul orificiului central.
3. Tipul materialului abraziv, granulația, duritatea, tipul liantului și materialul de ranforsare utilizat.
4. Viteza de funcționare maximă, în metri pe secundă.
5. viteză maximă permisibilă de rotație în 1 minut
6. Din punctul de vedere al declarației de conformitate, produsele abrazive trebuie să fie marcate cu standardul EN 12413.
7. restricții de folosire și simboluri avertizări de siguranță
8. cod de identificare, de ex. Un număr de producție/serie, numere de serie

RISCURI REZIDUALE

Chiar dacă produsul este folosit așa cum este descris, este totuși imposibil să se elimine complet anumiți factori de risc reziduali. Următoarele pericole ar putea apărea în timpul folosirii iar operatorul trebuie să acorde o atenție specială pentru a evita următoarele:

- Risc de contact cu părțile neprotejate ale discului în mișcare.
- Pericol de arsură în urma contactului cu discul sau piesa de prelucrat
- Dăunare a sistemului respirator dacă nu se poartă mască împotriva prafului.
- Afecțiuni ale auzului, dacă nu este purtată protecție pentru auz.

CUNOAȘTEȚI-VĂ PRODUSUL.

Salt la pagina nr. 107.

1. Apărătoare anti-scânteii
2. Arestor de scânteii
3. Apărătoare de disc
4. Unealtă de rectificarea a pietrei
5. Suport piesă de prelucrat
6. Lampă de lucru
7. Buton rotativ de ajustare a benzii de șlefuire
8. Bandă de șlefuire
9. Suport piesă de prelucrat
10. Buton rotativ de reglare a suportului piesei de prelucrat
11. Tavă cu apă
12. Întrerupător pornire/oprire
13. Gaură de montare
14. Protecție pentru curea de șlefuit
15. Protecție pentru șlefuitor

ÎNȚREȚINEREA

- Nu modificați produsul în niciun fel sau să folosiți accesorii neaprobate de producător. Siguranța dvs. și a celorlalți poate fi periclitată.
- Nu folosiți produsul dacă oricare din întrerupătoare, apărători sau alte funcții nu funcționează corespunzător. Returnați la un centru service autorizat pentru reparare profesională sau reglare.
- Nu realizați ajustări în timp ce aparatul funcționează.
- Asigurați-vă întotdeauna că ștecherul a fost îndepărtat din priză, înainte de a face orice reglări, de a-l lubrifia sau când efectuați întreținerea produsului.
- Înainte și după fiecare folosire, verificați produsul de deteriorare sau piese rupte/crăpate. Mențineți produsul în condiții optime de funcționare prin înlocuirea imediată a pieselor cu piese de schimb aprobate de producător.
- Curățați praful acumulat folosind o perie sau un aspirator. Nu utilizați aer comprimat.
- Pentru a asigura siguranța și fiabilitatea, toate reparațiile, incluzând schimbarea periiilor, trebuie îndeplinite la un centru service autorizat.
- În cazul în care cablul de alimentare este deteriorat trebuie înlocuit de către producător sau la un centru service autorizat pentru a evita pericolul la siguranța dvs.

**AVERTISMENT**

Pentru o siguranță și fiabilitate sporită, toate reparațiile trebuie să fie efectuate la un centru service Ryobi autorizat.

TRANSPORTARE ȘI DEPOZITARE

- Atunci când depozitați produsul, deconectați cablul de alimentare. Depozitați produsul într-un loc sigur ce nu este accesibil copiilor.
- Curățați produsul folosind o perie sau aspiratorul înainte de a-l depozita.

PROTECȚIA MEDIULUI ÎNCONJURĂTOR

Reciclați materiile prime în loc să le aruncați la gunoi, împreună cu deșeurile menajere. Pentru a proteja mediul înconjurător, mașina, accesoriile acesteia și ambalajele trebuie triate.

SIMBOLURILE DE PE PRODUS.

Alertă de siguranță



Conformitate CE



Vă rugăm citiți instrucțiunile cu atenție înainte de pornirea aparatului.



Purtați echipamente de protecție a auzului



Purtați echipamente de protecție a vederii



Nu este pentru polizare sau tăiere la umed.



Nu folosiți disc de șlefuire ciobit, crăpat sau defect



Purtați mănuși de protecție



Dimensiunea și viteza pietrei de polizat



Dimensiunea și viteza benzii de șlefuit



Deșeurile produselor electrice nu trebuie să fie eliminate împreună cu deșeurile casnice. Vă rugăm reciclați acolo unde există facilități. Verificați la autoritatea dvs locală sau la vânzător pentru sfaturi privind reciclarea.

SIMBOLURILE DIN MANUAL

Conectați dispozitivul.



Deconectați unealta.



Timpul de așteptare necesar pentru ca produsul să ajungă la viteza maximă



Piese sau accesorii vândute separat

Rămănoarele cuvinte simbol și înțelesul lor au intenția de a explica nivelele de risc asociate cu acest produs.

PERICOL

Indică o situație imediată de pericol, care dacă nu este evitată va rezulta în deces sau rănire gravă.

AVERTISMENT

Indică o situație potențială de pericol, care dacă nu este evitată poate rezulta în deces sau rănire gravă.

PRECAUȚIE

Indică o situație potențial periculoasă, care dacă nu este evitată, poate rezulta în vătămare minoră sau moderată.

PRECAUȚIE

(Fără simbol de alertă de siguranță) Indică o situație ce poate rezulta în distrugerea proprietății.



Radot jūsu kombinēto slīpmašīnu, drošībai, veiktspējai un uzticamībai ir pievērsta vislielākā vērība.

PAREDZĒTĀ LIETOŠANA

- Šī kombinētā slīpmašīna ir paredzēta metāla slīpēšanai un asināšanai. To var izmantot metāla rokas instrumentu (kalnu, cirvju, nažu) un urbju asināšanai, kā arī asu malu un atskabargu noņemšanai.
- Ar atbilstošiem papildpiederumiem, izstrādājumu var izmantot metāla virsmu tīrīšanai ar stieplu birsti vai pulēšanai un spodrināšanai ar filca ripu.
- Nekad neizmantojiet izstrādājumu griešanas darbībām.

VISPĀRĪGIE DROŠĪBAS BRĪDINĀJUMI

BRĪDINĀJUMS

Izmantojot elektroinstrumentus, vienmēr jāievēro drošības vienmēr, lai samazinātu aizdegšanās, elektriskās strāvas trieciena un personiskās traumas risku. Pirms mēģināt izmantot šo produktu, izlasiet un saglabājiet šos norādījumus.

- Darba vietai jābūt tīrai.** Nekārtīgas darba zonas un darbgaldi var būt traumu iemesls.
- Pārdomājiet darba zonas vidi.** Nepakļaujiet instrumentus lietus iedarbībai. Nelietojiet instrumentus mitrās vietās. Darba vietai jābūt labi apgaismotai. Neizmantojiet instrumentus ugunsnedrošu šķidrumu vai gāzu klātbūtnē.
- Sargieties no elektriskās strāvas trieciena.** Ķermenis nedrīkst pieskarties zemētām virsmām (piemēram, caurulēm, radiatoriem, plītim, ledusskapjiem).
- Citām personām ir jāatrodas pietiekamā atstumā.** Neļaujiet nepiederošām personām, it īpaši bērniem, iesaistīties darbā, pieskarties instrumentam vai pagarinātājkabeļim un atrasties darba zonā.
- Glabājiet nelietojamus instrumentus.** Kad instrumenti netiek lietoti, tie jāglabā sausā, slēgtā, bērniem nepieejamā vietā.
- Nepārslodojiet instrumentu.** Tas darbosies labāk un drošāk ar paredzētajiem apgrīzieniem.
- Izmantojiet pareizo instrumentu.** Nelieciet maziem instrumentiem veikt spēcīgu instrumentu darbu. Neizmantojiet instrumentus citiem nolūkiem, izņemot paredzētos, piemēram, nelietojiet ripzāģus koku zaru vai baļķu griešanai.
- Apģērbieties pareizi.** Nevalkājiet valģīgas drēbes vai brīvi krītošas rotaslietas, jo tās var aizķerties aiz kustīgajām daļām. Strādājot ārā, ieteicams izmantot neslīdošus apavus. Aizsargājiet garus matus, uzliekot galvas apsegu.
- Izmantojiet aizsargaprīkojumu.** Izmantojiet aizsargbrilles. Ja darba laikā rodas putekļi, izmantojiet sejas vai putekļu masku.

- Pievienojiet putekļu ekstrakcijas aprīkojumu.** Ja instrumentam var pievienot putekļu nosūkšanas un savākšanas ierīces, tās jāpievieno un pareizi jālieto.
- Izmantojiet barošanas vadu tikai pareizi.** Nekādā gadījumā nevelciet aiz vada, lai atvienotu no kontaktligzdas. Turiet vadu atstātus no karstuma, eļļas un asām malām.
- Strādājiet droši.** Ja iespējams, darba saturēšanai izmantojiet skavas vai skrūvspīles. Tas ir drošāk nekā manuāli.
- Nesniedzieties tam pāri.** Visu laiku stāviet stingri un stabili.
- Rūpīgi veiciet instrumentu apkopi.** Lai darbs būtu labāks un drošāks, griežējinstrumentiem jābūt asiem un tīriem. Izpildiet eļļošanas un piederumu maiņas norādījumus. Regulāri pārbaudiet instrumenta vadus un bojājumu gadījumā lieciet tos salabot pilnvarotā servisa iestādē. Regulāri pārbaudiet un bojājumu gadījumā nomainiet pagarinājuma kabeļus. Rokturiem ir jābūt sausiem un tīriem, bez eļļas un smērvielām.
- Atvienojiet instrumentus.** Kad instrumenti netiek lietoti, pirms apkopes un piederumu, piemēram, asmeņu, urbju un griežņu maiņas, atvienojiet instrumentus no barošanas padeves.
- Neņemiet regulācijas atslēgas un uzgriežņu atslēgas.** Pirms instrumenta ieslēgšanas vienmēr pārbaudiet, vai no tā ir noņemtas atslēgas un regulēšanas uzgriežņu atslēgas.
- Nepieļaujiet nejašu iedarbināšanu.** Pieslēdzot pārliecinieties, vai slēdzis ir izslēgšanas pozīcijā.
- Izmantojiet āra pagarinātājkabeļus.** Kad instruments tiek lietots ārā, izmantojiet tikai pagarinātājus, kas ir paredzēti lietošanai ārā un ir atbilstoši marķēti.
- Esiet uzmanīgs.** Vērojiet savu darbu un rīkojieties saskaņā ar veselo saprātu. Neizmantojiet šo instrumentu, lietojot narkotikas, alkoholu vai medikamentus.
- Pārbaudiet bojātās daļas.** Pirms instrumenta lietošanas tas ir uzmanīgi jāpārbauda, lai konstatētu, vai tas darbojas pareizi un veic paredzēto funkciju. Pārbaudiet kustīgo daļu iestatījumus, vai tās neķeras, vai daļas nav salūzušas, stiprinājums un visus citus apstākļus, kas var ietekmēt darbību. Bojāts aizsargs vai cita daļa pareizi jāsaņemontē vai jānomaina pilnvarotā servisa centrā, ja šajā instrukciju rokasgrāmatā nav norādīts citādi. Nomainiet bojātus slēdzus pilnvarotā servisa centrā.
- Neizmantojiet instrumentu, ja nedarbojas slēdzis.**
- Brīdinājums.** Ja tiek izmantots cits piederums vai pierīce, izņemot instrukcijā norādīto, tas var izraisīt personiskas traumas risku.
- Instrumenti ir jāņemontē kvalificētam speciālistam.** Šis elektroinstrumenti atbilst attiecīgajiem drošības noteikumiem. Remontu drīkst veikt tikai kvalificēti speciālisti, izmantojot oriģinālās rezerves daļas, citādi lietotājs var gūt nopietnas traumas.



KOMBINĒTĀS SLĪPMAŠĪNAS DROŠĪBAS BRĪDINĀJUMI

- Kontaktspraudni jāpieslēdz piemērotai ligzdai, kas ir pareizi instalēta un zemēta atbilstoši visiem vietējiem noteikumiem. Ja neesat pārliecināts, lieciet sertificētam elektriķim pārbaudīt kontaktus.
- Uzstādiēt izstrādājumu stabili uz darbagalda, slīpēšanas statīva vai cita nekustīga rāmja, pirms lietošanas. Nenostiprināts izstrādājums ir nestabils un darba laikā var kustēties. Tas var izraisīt bojājumus vai ievainojumus.
- Nodrošiniet atbilstošu vispārēju vai vietēju apgaismojumu, lai novērstu stroboskopa efektu un bojājumus.
- Pirms lietošanas, pārbaudiet izstrādājuma daļas un piederumus, lai nodrošinātu, ka nepastāv apstākļi, kas var ietekmēt pareizu lietošanu. Pielieciet slīpripu fiksācijas uzgriežņus, drošības skrūves un visas spaiļas un aizsargus.
- Pirms katras iedarbināšanas pārbaudiet vai slīpripām nav bojājumi. Neizmantojiet bojātas vai nepareizas formas ripas. Nomainiet bojātās slīpripas saskaņā ar norādēm.
- Pirms katras iedarbināšanas pārliecinieties, ka riteņi griežas brīvi. Kad sprieguma vads nav pieslēgts un slēdzis ir izslēgts, uzmanīgi pagrieziet ripu ar roku. Ripa nedrīkst pieskarties nevienai no slīpmašīnas daļām, tā nedrīkst vibrēt, nevar pastāvēt citi apstākļi, kas var ietekmēt pareizu lietošanu.
- Katras palaišanas laikā, stāviet iesāņus uz vienu pusi no slīpmašīnas un nospiediet slēdzi ON. Lieciet slīpmašīnai darboties pilnā ātrumā vienu minūti, lai jebkādas nepamanītas nepilnības vai plaisas kļūtu redzamas. Nepieskarieties ripai ar apstrādājamo priekšmetu, līdz tā nav sasniegusi pilnus apgriezienus.
- Turiet rokas un ķermeņa daļas atstatu no slīpripām. Saskarsme ar rotējošu slīpripu var radīt ievainojumus.
- Vienmēr izmantojiet aizsargus un acu aizsegus. Aizsargiem ir jābūt vietā un darba kārtībā. Izstrādājuma lietošana bez aizsargiem vai ar bojātiem aizsargiem var izraisīt ievainojumus.
- Izvairieties no apdegumiem. Slīpēšana var likt priekšmetiem un slīpripai sakarst. Nepieskarieties slīpripai vai priekšmetam, kas var būt karsti.
- Neizmantojiet izstrādājumu mazu priekšmetu apstrādei, kuru nevar kārtīgi noturēt. Priekšmets var tikt nomests un izraisīt ievainojumus.
- Nekad neslīpējiet uz slīpripas sāna. Slīpripa var splīst. Slīpējiet tikai uz ripas slīpēšanas virsmas.
- Nekad neatstājiet darbojošos instrumentu bez uzraudzības. Izslēdziet instrumentu. Slīpripas turpina rotēt arī pēc instrumenta izslēgšanas. Neatstājiet instrumentu, līdz tas nav pilnībā apstājies.
- Nekad nesniedzieties aiz vai zem slīpripām.

- Izmantojiet ausu aizsargus kā ausiņas vai aizbāžņus ilgstošas izmantošanas laikā.
- Pirms regulācijas, apkopes un uzturēšanas darbu veikšanas atvienojiet spraudni. Sprieguma padeves vadam jābūt atvienotam, ja jūs veicat sava instrumenta apkopi.
- Noregulējiet instrumentu atbalstus ikreiz, kad nepieciešams, lai saglabātu attālumu starp darba balstiem un slīpripām pēc iespējas mazāku. Šim attālumam ir jābūt vienādam vai mazākam par 2 mm. Sakarā ar to ka slīpripas diametrs lietojot samazinās, turpiniet uzturēt maksimālu atbalsta attālumu, veicot tā regulēšanu.
- Noregulējiet dzirksteļu slāpētājus ikreiz, kad nepieciešams, lai saglabātu attālumu starp dzirksteļu slāpētājiem un slīpripām pēc iespējas mazāku. Šim attālumam ir jābūt vienādam vai mazākam par 2 mm. Sakarā ar to ka slīpripas diametrs lietojot samazinās, turpiniet uzturēt maksimālo dzirksteļu ierobežotāja attālumu, veicot tā regulēšanu.
- Ja darba atbalsts kļūst nodilis vai bojāts, nomainiet to ar identisku aizvietošanas detaļu no pilnvarota servisa centra.
- uzstādot jaunu slīpripu, vienmēr pārbaudiet vai maksimālie apgriezieni, kas norādīti uz slīpripas atbilst vai pārsniedz norādītos uz slīpmašīnas. Nodrošiniet ka slīpripas diametrs un ass urbuma lielums atbilst specifikācijās norādītajiem. Pārbaudiet arī jauno slīpripu, vai nav bojājumu kā robu vai plaisu.

SLĪPIPAS DROŠĪBAS NORĀDES

▲ BRĪDINĀJUMS

Lai samazinātu ievainojumu riski, lietotājam ir jāizlasa un jāievēro norādes, brīdinājumu un lietošanas norādes, pirms sākt izmantot slīpripu. Šo brīdinājumu neievērošana var novest pie diska bojājuma un nopietniem ievainojumiem. Saglabājiet šīs instrukcijas.

- Jebkuras citas slīpripas, kā vien ierīces specifikācijā norādīts, izmantošana ierīcē var radīt personīgu ievainojumu risku. Izmantojiet tikai slīpripas, kuru ātrums markējumā atzīmētajā ir vienāds vai lielāks ar uz ierīces norādīto.
- Nekad nelietojiet ripu, kas ir pārāk bieza, lai atļautu ārējam atlokam saskarties ar plāksnēm uz darbvirspas. Lielākas ripas nonāks saskarē ar ripas aizsargiem, bet biezākas ripas neļaus skrūvei piestiprināt ripu pie darbvirspas. Jebkurā no šīm situācijām var notikt nopietns negadījums un rasties nopietna personiskā trauma.
- Šī slīpripa ir paredzēta metāla slīpēšanai un veidošanai. Nemēģiniet veikt griešanas darbības.
- Šī slīpripa ir paredzēta tikai sausai slīpēšanai.
- Neizmantojiet bojātās slīpripas, neizmantojiet slīpripas ar iesitumiem, plaisām vai citiem defektiem.





- Nodrošiniet ka abrazīvā slīpriņa ir pareizi uzstādīta un nostiprināta, pirms to izmantot.
- Slīpmašīna nekad nedrīkst būt pieslēgta spriegumam, veicot slīpriņa uzstādīšanu vai noņemšanu.
- Glabājiet rezerves slīpriņas piesardzīgi.
 - Ja iespējams, glabājiet slīpriņu oriģinālajā iepakojumā.
 - Glabājiet slīpriņu sausā vietā istabas temperatūrā.
 - Slīpriņas plauktā var glabāt vertikāli.
 - Neļaujiet slīpriņām nokrist vai ciest no citiem triecieniem.

Informācija ir pieejama uz slīpriņas etiķetes

Informācija uz slīpriņas etiķetes ir svarīga. Izlasiet un pārbaudiet to rūpīgi, lai nodrošinātu, ka izvēlaties pareiza tipa slīpriņu.

1. ražotājs, piegādātājs, importētājs vai prečzīme
2. Nominālie slīpriņas izmēri, it īpaši centra atveres diametrs.
3. Abrazīva veida, grauda lielums, klase vai cietība, saistvielas veids un pastiprinājuma izmantošana.
4. Maksimālais lietošanas ātrums metros sekundē.
5. Maksimālais pieļaujamais rotācijas ātrums 1/min.
6. Atbilstības deklarācijai abrazīvajiem izstrādājumiem jābūt marķētiem ar EN 12413.
7. Lietošanas aizliegums un drošības brīdinājuma simboli
8. izsekojamības kods, piem., ražošanas/partijas numurs, sērijas numurs.

PALIEKOŠIE RISKI

Pat tad, ja ierīce tiek lietota, kā aprakstīts, joprojām nav iespējams pilnībā novērst atsevišķus riska faktorus. Lietošanas laikā var rasties šādas briesmas un strādniekam paša uzmanība jāpievērš šim:

- Risks saskarties ar rotējošas slīpriņas neaizsargātajām daļām.
- Apdegumu briesmas no saskarsmes ar slīpriņu vai apstrādājamo gabalu.
- Bojājumi elpošanas sistēmai, ja netiek valkāta putekļu aizsardzības maska.
- Dzirdes bojājums, ja nelietojat efektīvu dzirdes aizsargu.

IERĪCES IEPAZĪŠANA

Skatīt 107. lpp.

1. Dzirksteļu aizsargs
2. Dzirksteļu slāpētājs
3. Diska aizsargs
4. Slīpriņas taisnošanas ierīce
5. Darba atbalsts
6. Darba apgaismojums
7. Smilšpapīra lentas regulēšanas poga
8. Slīplente
9. Darba atbalsts

10. Darba atbalsta fiksācijas poga
11. Ūdens tvertne
12. Ieslēgšanas/izslēgšanas slēdzis
13. Uzstādīšanas caurums
14. Slīpēšanas lentes aizsargs
15. Slīpriņas aizsargs

APKOPE

- Nepārveidojiet ierīci jebkādā veidā, kā arī nelietojiet piederumus, kas nav ražotāja apstiprināti. Jūsu un citu drošība var tikt apdraudēta.
- Neizmantojiet ierīci, ja slēdži, aizsargi vai citas funkcijas nestrādā kā paredzēts. Vērsieties pilnvarotā servisa centrā, lai saņemtu profesionālu remontu vai pielāgojumus.
- Neveiciet nekādus regulējumus, kamēr izstrādājums darbojas.
- Vienmēr pārliecinieties, ka ierīce ir atslēgta no strāvas padeves, pirms veicat pielāgojumus, ieeļļošanu vai veicat jebkādu ierīces apkopi.
- Pirms un pēc katras lietošanas reizes, pārbaudiet vai ierīce un tās detaļas nav bojātas. Uzturiet ierīci vislabākajā tehniskajā stāvoklī, nekavējoties nomainot bojātās detaļas ar ražotāja ieteiktām rezerves daļām.
- Izīriet sakrājušos putekļus ar otīņu vai putekļu sūcēju. Neizmantojiet saspiestu gaisu.
- Lai nodrošinātu drošību un uzticamību, visus remontus, ieskaitot birstes maiņu, būtu jāveic pilnvarotā servisa centrā.
- Ja elektrības vads ir bojāts, to drīkst nomainīt vienīgi ražotājs vai pilnvarots servisa centrs, lai izvairītos no bīstamām situācijām.

▲ BRĪDINĀJUMS

Lai nodrošinātu drošību un uzticamību, visi remontdarbi jāveic PILNVAROTĀ SERVISĀ CENTRĀ vai citā KVALIFICĒTĀ SERVISĀ ORGANIZĀCIJĀ.

TRANSPORTĒŠANA UN UZGLABĀŠANA

- Uzglabājot ierīci, atvienojiet to no strāvas avota. Glabājiet ierīci drošā vietā, kas nav pieejama bērniem.
- Pirms uzglabāšanas, noīriet ierīci ar otīņu vai putekļu sūcēju.

VIDES AIZSARDZĪBA



Tā vietā, lai iezemmateriālus izmestu atkritumos, nododiet tos atsevišķi pārstrādei. Mašīna, aksesuāri un iepakojums ir jāsašķiro un jānodod videi draudzīgā atkārtotas pārstrādes vietā.





UZ PRECES ESOŠIE SIMBOLI



Drošības brīdinājums



CE atbilstība



Pirms iedarbināt mašīnu, lūdzu rūpīgi izlasiet instrukcijas.



Lietojiet dzirdes aizsargus



Valkājiet acu aizsarglīdzekļus



Nav paredzēts mitrai slīpēšanai vai griešanai



Neizmantot saplīsušus, ieplaisājušus un bojātus slīpēšanas diskus



Valkājiet aizsargcimdus



Slīpripas izmērs un ātrums



Slīpēšanas lentes izmērs un ātrums



Izlietotie elektroprodukti nedrīkst tikt izmesti kopā ar mājtsaimniecības atkritumiem. Lūdzu, nododiet tos attiecīgajās atk ār totas izmantošanas vietās. Sazinieties ar savu vietējo varas pārstāvi vai izplatītāju, lai noskaidrotu, kur iespējama atkārtota pārstrāde.

SIMBOLI ROKASGRĀMATĀ



Pieslēdziet ierīci.



Atslēdziet instrumentu.



Gaidīšanas laiks, līdz izstrādājums sasniedz pilnus apgriezienus



Atsevišķi nopērkamās daļas vai piederumi

Lai izskaidrotu risku, kas saistīti ar izstrādājumu, līmeni, paredzēti šādi norādījuma vārdi un jēdzieni.

⚠ BĪSTAMI

Norāda uz nenovēršami bīstamu situāciju, kas, ja netiks novērsta, izraisīs nāvi vai nopietnus miesas bojājumus.

⚠ BRĪDINĀJUMS

Norāda uz potenciāli bīstamu situāciju, kas, ja netiks novērsta, var izraisīt nāvi vai nopietnus miesas bojājumus.

⚠ UZMANĪBU

Norāda uz potenciāli bīstamu situāciju, kas, ja netiek novērsta, var izraisīt vieglus vai vidējus miesas bojājumus.

UZMANĪBU

(Bez drošības trauksmes simbola), kas norāda, uz situāciju, kas var novest pie īpašuma bojājuma.



Gaminant šį šlifavimo įrenginį didžiausia svarba buvo teikiama jo saugai, efektyvumui ir patikimumui.

NAUDOJIMO PASKIRTIS

- Šis šlifavimo įrenginys skirtas metalui šlifuoti ir formuoti. Juo naudojantis galima galėsti metalinius įrankius (pvz., kirstukus, kirvius ir peilius) ar gręžimo antgalius, taip pat šalinti šerpetas ar galąsti ašmenis.
- Naudojant tinkamus priedus, šiuo įrenginiu galima valyti metalinius paviršius vieliniu šepėčiu arba poliuruoti ir gludinti naudojant medžiaginį diską.
- Nenaudokite šio gaminio pjovimui.

BENDRIEJI SAUGOS ĮSPĖJIMAI

ĮSPĖJIMAS

Naudojant elektrinius įrankius būtina atsižvelgti į elementarias saugumo priemones, kad sumažintumėte gaisro, elektros smūgio ar sužeidimų riziką. Prieš naudodami šį įrankį, perskaitykite visas instrukcijas bei jas išsaugokite.

- **Darbo vieta turi būti švari.** Netvarkinga aplinka ar darbo vieta skatina nelaimingus atsitikimus.
- **Atsižvelkite į darbo vietos aplinką.** Saugokite įrankius nuo lietaus. Nenaudokite įrankių drėgnoje arba šlapijoje vietoje. Darbo vieta turi būti gerai apšviesta. Nenaudokite įrankių, jei šalia yra degūs skysčiai ar dujos.
- **Saugokitės elektros smūgių.** Stenkitės nesiliesti prie įžemintų ar įžeminimo paviršių (pvz. vamzdžių, radiatorių, grandinių/viryklių, šaldytuvų).
- **Pašaliniai asmenys turi būti toliau nuo darbo vietos.** Neleiskite kitiems asmenims, ypač vaikams, dalyvauti atliekant darbą, liesti įrankį ar ilginamąjį laidą bei stebėkite, kad jie būtų toliau nuo darbo zonos.
- **Nenaudojamus įrankius saugokite.** Nenaudojamus įrankius reikia laikyti sausoje, uždakintoje ir vaikams nepasiekiamoje vietoje.
- **Nenaudokite įrankio jėga.** Naudodami pagal paskirtį pagamintą tinkamą įrankį, darbą atliksite geriau ir saugiau.
- **Naudokite tinkamą atliekamam darbui įrankį.** Nenaudokite mažų įrankių, norėdami atlikti darbą, kuriam reikia galingesnio įrankio. Nenaudokite įrankių ne pagal jų paskirtį, pavyzdžiui, nenaudokite diskinių pjūklų pjauti medžių šakų ar rąstų.
- **Dėvėkite tik darbui tinkamus drabužius.** Nedėvėkite laisvų neprigludusių drabužių ir juvelyrinių dirbinių, kurie gali įsipainioti į judančias prietaiso detales. Dirbant lauke rekomenduojama avėti avalynę neslidžiais padais. Jei turite ilgus plaukus, dėvėkite apsauginį galvos apdangalą.
- **Naudokite apsaugos įrangą.** Dėvėkite apsauginius akinius. Dėvėkite veido kaukę ar kaukę nuo dulkių, jei

pjovimo metu išsiskiria dulky.

- **Prijunkite dulkių surinkimo įrangą.** Jei įrankis skirtas prijungti prie dulkių ištraukimo ir surinkimo įrenginių, įsitikinkite, kad jie prijungti ir naudojami tinkamai.
- **Laidą naudokite pagal jo paskirtį.** Niekada netraukite už laido, norėdami atjungti įrankį nuo maitinimo šaltinio. Laidą laikykite toliau nuo įkaitusių vietų, tepalų ir aštrių briaunų.
- **Ruošinį pritvirtinkite.** Jei įmanoma, ruošinį prispauskite gnybtais ar spaustuvu. Tai saugiau nei laikyti ranka.
- **Nesiekite per toli.** Visada tvirtai stovėkite ir išlaikykite pusiausvyrą.
- **Įrankius prižiūrėkite rūpestingai.** Siekiant geresnių rezultatų ir kad darbas būtų atliktas saugiai, pjovimo įrankiai turi būti aštrūs ir švarūs. Laikykites tepimo ir papildomų detalių keitimo instrukcijų. Reguliariai patikrinkite įrankio laidus, jei jie apgadinti, juos remontuoti pristatykite tik įgaliotą techninės priežiūros centrą. Pastoviai patikrinkite ilginamuosius laidus ir pakeiskite juos, jei jie pažeisti. Rankenas reikia visada sausai nuvalyti, kad jos nebūtų suteptos alyva ir tepalais.
- **Atjunkite įrankius nuo maitinimo šaltinio.** Kai įrankiai nenaudojami, prieš atliekant techninės priežiūros darbus, keičiant jų priedus, pvz. geležtes, antgalius ir pjoviklius, juos būtina atjungti nuo maitinimo šaltinio.
- **Pašalinkite iš įrankio reguliavimo raktus ir veržliarakčius.** Įpraskite prieš įjungdami įrankį patikrinti, ar iš jo pašalinti raktai ir veržliarakčiai.
- **Saugokitės, kad įrankis netyčia neužsivestų.** Prieš prijungdami įrankį prie maitinimo šaltinio, patikrinkite, ar jo jungiklis yra „OFF“ (išjungtoje) padėtyje.
- **Naudokite darbui lauke skirtus ilginamuosius laidus.** Kai įrankiu dirbate lauke, naudokite tik ilginamuosius laidus, skirtus bei paženklintus darbui lauke.
- **Būkite budrus.** Stebėkite, ką darote ir vadovaukitės sveika nuovoka. Nenaudokite įrankio paveikti kvaišalių, alkoholio ar vaistų.
- **Patikrinkite, ar nėra pažeistų detalių.** Prieš toliau naudojant įrankį, būtina atidžiai patikrinti, ar jis tinkamai veiks ir atliks reikiamą darbą. Patikrinkite judančių dalių centravimą, sukibimą, sulūžusias dalis, sumontavimą ir kita, kas galėtų turėti neigiamos įtakos darbui. Jei apsauginis įrenginys ar kita detalė yra pažeista, ją pakeisti ar sutaisyti privalo tik įgaliotas techninės priežiūros centras, nebent šioje instrukcijoje nurodyta kitaip. Sugedusius jungiklius gali pakeisti tik įgalioti techninės priežiūros centro darbuotojai.
- **Jei jungiklis blogai veikia, prietaiso nenaudokite.**
- **Įspėjimas.** Kitų, šiame naudojimo vadove nerekomenduojamų priedų ar papildomų detalių naudojimas gali kelti sužalojimų pavojų.
- **Įrankį turi remontuoti tik kvalifikuotas specialistas.** Šis elektrinis įrankis atitinka susijusius saugos reikalavimus. Įrankį remontuoti turi tik kvalifikuotas



asmuo, naudojantis originalias atsargines dalis; priešingu atveju, įrankis jį naudojančiam asmeniui gali kelti didelį pavojų.

ŠLIFAVIMO ĮRENGINIO NAUDOJIMO SAUGOS ĮSPĖJIMAI

- Kištuką reikia įkišti į jį atitinkantį lizdą, kuris būtų tinkamai instaliuotas ir įžemintas pagal vietos kodus ir tvarką. Jei abejojate, iškvieskite kvalifikuotą elektriką, kad patikrintų lizdą.
- Prieš darbą reikia patikimai pritvirtinti įrenginį prie darbastalio, šlifavimo stovo ar kito standaus rėmo. Neįtvirtintas gaminys yra nestabilus ir dirbant gali pajudėti. Kyla turtinės žalos ir sužeidimų pavojus.
- Pjovimo staklių nenaudokite be stalo tarpiklio.
- Prieš darbą patikrinkite įrenginio komponentus ir visus priedus, įsitikinkite, kad nėra jokių problemų, galinčių trukdyti tinkamam darbui. Priveržkite šlifavimo disko tvirtinimo varžles, tvirtinimo varžtus ir visus spaustuvus bei apsauginius įtaisus.
- Prieš kiekvieną įjungimą tikrinkite šlifavimo disko sveikumą. Nenaudokite sugadintų arba netinkamos formos diskų. Sugadintą šlifavimo diską pakeiskite vadovaudamiesi instrukcijomis.
- Prieš kiekvieną įjungimą tikrinkite, ar diskas laisvai sukasi. Įrenginį išjungę ir atjungę nuo maitinimo tinklo, atsargiai sukite diską ranka. Diskas turi neliesti jokių stalinio šlifavimo komponentų, jis turi nestrigti, turi nebūti jokių kitų problemų, galinčių trukdyti tinkamam darbui.
- Prieš kiekvieną paleidimą atsistokite šalia įrenginio ir tada įjunkite. Vieną minutę leiskite šlifavimui veikti visu greičiu, kad išaiškėtų visi neaptikti trūkumai ar disko įtrūkimai. Nelleskite disko ruošiniu, kol įrenginys nepasiekė viso greičio.
- Rankas ir kitas kūno dalis laikykite atokiai nuo šlifavimo diskų. Palietę besisukančią diską, galite susižeisti.
- Būtinai naudokite apsauginius įtaisus ir užsidėkite apsauginius akinius. Apsauginiai gaubtai turi būti savo vietoje ir gerai veikti. Naudojant gaminį be apsauginių įtaisų arba su sugadintais apsauginiais įtaisais kyla sužeidimo pavojus.
- Saugokitės nudegimų. Šlifuojant, ruošiniai ir šlifavimo diskas gali įkaisti. Nelleskite šlifavimo disko ar ruošinių, kurie gali būti įkaitę.
- Nenaudokite įrenginio šlifuoti mažoms detalėms arba ruošiniams, kurių negalima tinkamai laikyti. Ruošins gali būti išsviestas ir sužeisti.
- Niekada nešlifukite disko šonu. Diskas gali suskilti. Šlifukite tik briauniniu disko paviršiumi.
- Niekada nepalikite veikiančio įrankio be priežiūros. Išjunkite įrankį. Įrankį išjungus, šlifavimo diskas ir toliau sukasi. Neatsitraukite nuo įrankio, kol jis visiškai nesustoja.
- Niekada neikiškite rankų už šlifavimo diskų ar po jais.

- Jei dirbate ilgai, naudokite klausos apsaugos priemonės, pvz., kištukus ar ausines.
- Prieš reguliuodami įrankį, atlikdami techninės priežiūros darbus visada ištraukite kištuką iš maitinimo lizdo. Atliekant įrenginio priežiūros darbus maitinimo laidas turi būti atjungtas nuo maitinimo tinklo.
- Prireikus reguliuokite įrankių atramas, kad atstumas tarp darbinį atramų ir šlifavimo diskų būtų kuo mažesnis. Šis atstumas turi būti 2 mm ar mažesnis. Laikui bėgant šlifavimo disko skersmuo mažėja, todėl reikia reguliuoti maksimalų įrankio atramos atstumą.
- Prireikus reguliuokite kibirkščių stabdiklius, kad atstumas tarp kibirkščių stabdiklių ir šlifavimo diskų būtų kuo mažesnis. Šis atstumas turi būti 2 mm ar mažesnis. Laikui bėgant šlifavimo disko skersmuo mažėja, todėl reikia reguliuoti maksimalų kibirkščių stabdiklių atstumą.
- Jei darbinė atrama nusidėvi arba sugadinama, pakeiskite ją identiška atrama, kurią galite įsigyti įgaliotajame priežiūros centre.
- Montuodami naują šlifavimo diską būtinai tikrinkite, ar nurodyta maksimali aps./min. vertė yra lygi nurodytajai ant įrenginio arba didesnė. Įsitikinkite, kad disko skersmuo ir tvirtinimo detalės dydis atitinka nurodytuosius specifikacijoje. Taip pat tikrinkite, ar naujas diskas nesugadintas, pvz., ar nėra įtrūkimų ar kitų trūkumų.

ŠLIFAVIMO DISKO NAUDOJIMO SAUGOS INSTRUKCIJOS

⚠ ĮSPĖJIMAS

Kad sumažėtų pavojus susižeisti, prieš naudodamas šį šlifavimo diską naudotojas privalo perskaityti nurodymus, įspėjimus ir naudojimo instrukciją bei jomis vadovautis. Nesilaikant šių perspėjimų, gali sulūžti diskas ir sunkiai susižeisti darbuotojai. Išsaugokite šias instrukcijas.

- Naudojant bet kokį kitą diską nei rekomenduojama įrenginio naudojimo instrukcijoje, kyla pavojus susižeisti. Naudokite tik šlifavimo diskus, ant kurių nurodytas greitis yra lygus nurodytajam ant įrenginio arba didesnis.
- Niekada nenaudokite per storo pjovimo disko, dėl kurio išorinė disko jungė negali sukibti su ašies plokštumomis. Didesni diskai liečiasi į disko apsauginius gaubtus, o storesni diskai neleidžia jo varžtui tvirtai priveržti disko ant ašies. Bet kuri iš šių situacijų gali sukelti nelaimingą atsitikimą bei jus sunkiai sužeisti.
- Šis diskas skirtas metalui šlifuoti ir formuoti. Nebandykite atlikti pjovimo darbų.
- Šis šlifavimo diskas tinka tik sausam šlifavimui.
- Nenaudokite sugadintų šlifavimo diskų, nenaudokite nesukų, kurie yra atsilupe, įtrūkę ar netinkami dėl kitų priežasčių.



- Prieš naudodami patikrinkite, ar abrazyvinis šlifavimo diskas yra tinkamai uždėtas ir priveržtas.
- Uždedant arba nuimant šlifavimo diskus įrenginys turi būti atjungtas nuo maitinimo tinklo.
- Atsarginį šlifavimo diską laikykite tinkamai.
 - Laikykite diską originalioje pakuotėje, jei įmanoma.
 - Laikykite diską sausoje vietoje kambario temperatūroje.
 - Diskus galima laikyti vertikaliai ant lentynos.
 - Saugokite diskus nuo kritimo ar smūgių.

Informacija, nurodyta šlifavimo disko etiketėje

Disko etiketėje nurodyta informacija yra svarbi. Atidžiai ją perskaitykite ir įsitinkinkite, kad pasirinkote tinkamo tipo diską.

1. gamintojas, tiekėjas, importuotojas arba prekyženklis
2. Vardiniai šlifavimo disko matmenys, ypač angos skersmuo.
3. Šlifuojamosios medžiagos tipas, grūdėlių dydis, klasė ar kietumas, klįjavimo tipas ir ar naudojamos tvirtinimo priemonės.
4. Maksimalus naudojimo greitis metrais per sekundę.
5. maksimalus galimas sukimosi greitis 1/min
6. Atitiktis deklaracijoje abrazyviniai produktai pažymimi pagal EN 12413.
7. naudojimo apribojimas ir saugos perspėjamieji simboliai
8. atsekamumo kodas, pvz., gaminio / partijos numeris, serijos numeris

ŠALUTINIS PAVOJUS

Net naudojant gaminį griežtai pagal paskirtį neįmanoma visiškai atmesti kai kurių liktinių rizikos veiksnių. Būkite budrus atlikdami priežiūros ar valymo darbus: po įrankio naudojimo geležtę kurį laiką išlieka įkaitusi.

- Pavojus paliesti neapsaugotas besisukančio rato dalis.
- Pavojus nudegti palietus įkaitusį diską arba ruošinį.
- Nedėvint veiksmingos priešdulkinės puskaukės, pakenkiama kvėpavimo sistema.
- Jei nedėvima tinkama ausų apsauga – pakenkimas klausai.

GERAI ĮSMANYKITE APIE GAMINĮ

Žiūrėti 107 psl.

1. Skydas nuo kibirkščių
2. Kibirkščių stabdiklis
3. Disko apsauginis gaubtas
4. Disko galandimo įrankis
5. Darbinė atrama
6. Darbinė lempa
7. Šlifavimo diržo reguliavimo rankenėlė
8. Šlifavimo juosta
9. Darbinė atrama
10. Darbinės atramos fiksavimo rankenėlė
11. Dėklas vandeniui
12. Įjungimo / išjungimo mygtukas

13. Montavimo anga
14. Šlifavimo juostos apsauginis įtaisas
15. Šlifautuvo apsauginis įtaisas

PRIEŽIŪRA

- Gaminio negalima modifikuoti arba naudoti gamintojo neparvirtintus priedus. Gali kilti pavojus jūsų bei kitų asmenų saugai.
- Gaminio negalima naudoti, jeigu netinkamai veikia jungikliai, apsauginiai įtaisai ar kitos dalys. Nugabenkite į įgaliotą techninio aptarnavimo centrą, kad sutaisytų ar sureguliuotų specialistai.
- Neatlikite jokių reguliavimo darbų, kai įrenginys veikia.
- Prieš atliekant gaminio reguliavimo, tepimo ar priežiūros darbus, būtina reikia patikrinti, ar kištukas ištrauktas iš maitinimo tinkle lizdo.
- Kiekvieną kartą prieš gaminį naudojant ir jį panaudojus reikia patikrinti, ar nėra pažeistų ar sugedusių dalių. Turi būti palaikoma geriausia gaminio darbo būklė; netinkamas dalis reikia nedelsiant pakeisti gamintojo patvirtintomis atsarginėmis dalimis.
- Susikaupusias dulkes reikia nubraukti šepėčiu arba susiurbti dulkių siurbliu. Nenaudokite suslėgto oro.
- Siekiant užtikrinti saugą ir patikimumą, visi remonto darbai, įskaitant šepėčių keitimą, turi būti atliekami įgaliotame techninio aptarnavimo centre.
- Jeigu maitinimo laidas pažeistas, kad nekiltų pavojus saugai jį privalo pakeisti tik gamintojas arba gamintojo įgaliotas techninio aptarnavimo centras.

⚠ ĮSPĖJIMAS

Siekiant užtikrinti saugumą ir įrankio patikimumą, visi remonto darbai turi būti atliekami ĮGALIOTAME TECHNINĖS PRIEŽIŪROS CENTRE ar kitoje KVALIFIKUOTOJE TECHNINĖS PRIEŽIŪROS ĮMONEJE.

GABENIMAS IR LAIKYMAS

- Padedant gaminį į saugyklą, reikia atjungti maitinimo laidą. Laikykite gaminį saugioje, vaikams nepasiekiamoje vietoje.
- Prieš padedant laikyti, gaminį reikia išvalyti šepėčiu arba dulkių siurbliu.

APLINKOS APSAUGA



Žaliavines medžiagas perdirbkite pakartotinai, o ne išmeskite kaip atliekas. Mechanizmas, priedai ir pakuotės turi būti laikomi pakartotinai perdirbti aplinkai nekenksmingu būdu.



SIMBOLIAI ANT ĮRENGINIO



Saugos perspėjimas



CE atitiktis



Atidžiai perskaitykite instrukcijas prieš pradėdami naudoti mechanizmą.



Dėvėkite klausos apsaugos priemones



Dėvėkite akių apsaugos priemones



Neskirtas šlifavimui ar pjovimui drėgnuoju būdu



Nenaudokite nuskilusio, įskilusio ar pažeisto šlifavimo disko



Mūvėkite apsaugines pirštines



Galandimo disko dydis ir greitis



Šlifavimo disko dydis ir greitis



Elektrinių produktų atliekos neturi būti metamos kartu su namų ūkio atliekomis. Prašome perdirbkite jas ten, kur yra tokios perdirbimo bazės. Dėl perdirbimo patarimo kreipkitės į savo vietinę savivaldybę ar pardavėją.

SIMBOLIAI VADOVE



Prijunkite prietaisą prie maitinimo šaltinio.



Atjunkite įrankį nuo maitinimo šaltinio.



Laikas, per kurį įrenginyje pasiekiamas visas greitis



Detalės arba priedai yra parduodami atskirai

Šie signaliniai žodžiai yra skirti nurodyti su prietaiso naudojimu susijusio pavojaus lygį.

⚠ PAVOJUS

Rodo grėšiančią pavojingą situaciją, kurios neišvengus galima patirti mirtiną arba sunkų sužalojimą.

⚠ ĮSPĖJIMAS

Rodo potencialiai pavojingą situaciją, kurios neišvengus galima patirti mirtiną arba sunkų sužalojimą.

⚠ ATSARGIAI

Rodo potencialiai pavojingą situaciją, kurios neišvengus galima patirti nesunkų arba vidutinio sunkumo sužalojimą.

ATSARGIAI

(Be įspėjamojo šauktuko) Reiškia situaciją, kurioje galima sugadinti turtą.



Lauakäi-lintlihvija juures on peetud esmatähtsaks ohutust, töövõimet ja töökindlust.

OTSTARBEKOHANE KASUTAMINE

- See lauakäi-lintlihvija on mõeldud metalli lihvimiseks ja vormimiseks. Seda saab kasutada metallist käsitööriistade (nt peitlid, kirved ja noad) või puuriistakute teritamiseks, kidade või teravate servade eemaldamiseks.
- Sobivate tarvikutega on toodet võimalik kasutada metallpindade puhastamiseks (kasutades metallharja) või poleerimiseks (kasutades poleerimisketast).
- Ärge kunagi kasutage toodet löikamiseks.

OHUTUSE ÜLDESKIRJAD

⚠ HOIATUS

Elektritööriistade kasutamisel tuleb alati järgida üldisi ohutusnõudeid, et vähendada tulekahjust ja elektrilöögist tingitud ohtu ning vältida kehavigastusi. Lugege enne toote kasutama hakkamist kõik juhised läbi ja hoidke need alles.

- **Hoidke töökoht puhas.** Korratu ümbrus ja tööpink tingivad õnnetusi.
- **Võtke arvesse töökeskkonda.** Ärge jätke elektrilisi tööriistu vihma käes või niiskes kohas. Hoidke töökoht hästi valgustatud. Ärge kasutage tööriista kohtades, kus on kergsüttivaid vedelikke või gaase.
- **Kaitske end elektrilöögi eest.** Töötamisel hoiduge kehalisest kontaktist maandatud pindadega (näiteks torude, radiaatorite, elektripliitide ja külmikutega).
- **Hoidke kõrvalised isikud eemal.** Ärge laske teistel, eriti lastel, kes on töösse kaasatud, tööriista või pikendusjuhet puudutada ja hoidke nad tööpiirkonnast eemal.
- **Hoidke mittekasutatavaid tööriistu hoiukohas.** Kui tööriista ei kasutata, siis tuleb seda hoida kuivas, lukustatud ruumis, lastele kättesaamatus kohas.
- **Ärge kasutage töötamisel liigset jõudu.** Õigesti valitud tööriist töötab paremini ja ohutumalt selles võimsuspiirkonnas, millele on see ette nähtud.
- **Kasutage õigeid löikeriistu.** Ärge kasutage väiketööriistu tööks, mis nõuavad tugevdatud konstruktsiooniga tööriistu. Ärge kasutage muudeks otstarveteks, kui see on ette nähtud, näiteks ärge kasutage ketasaagi puuokste või ümarpuidu saagimiseks.
- **Kandke tööks sobivat riietust.** Ärge kandke lõtvu riietusesemed või ehteid, sest need võivad haakuda liikuvate osade külge. Väljas töötades on soovitatav kanda libisemiskindlaid jalatseid. Kandke peakatet, mis hoiab pikad juuksed kinni.
- **Kasutage isikukaitsevahendeid.** Kandke kaitseprille. Kui saagimisoperatsiooni eraldub tolmu, siis kandke näo- või tolumumaski.
- **Ühendage tolmüärastamise süsteem.** Kui tööriistal tuleb kasutada tolmu eraldamis- või kogumiseadisi, siis veenduge, et need on ühendatud ja nõuetekohases kasutuses.
- **Ärge kasutage toitejuhet nõuetevastaselt.** Ärge mingil juhul kasutage toitejuhet pistiku pesast väljatõmbamiseks. Hoidke toitejuhe eemale kuumusest, õlist ja teravatest servadest.
- **Kinnitage toorik.** Kui võimalik, kinnitage toorik pitskruvidega või kruustangide vahele. See on ohutum kui käte kasutamine.
- **Ärge küünitage end töötamisel liigselt välja.** Hoidke end pidevalt jalgedel ja tasakaalus.
- **Hooldage tööriistu hoolikalt.** Ohutuks töötamiseks hoidke löikeketas terava ja puhtana. Järgige määrimise ja tarvikute vahetamise juhiseid. Kontrollige tööriista toitejuhe perioodiliselt üle ja kui avastate selle vigastuse, siis laske see pädevas hooldusasutuses ära parandada. Kontrollige pikendusjuhtmed perioodiliselt üle ja asendage kui need on vigastatud. Hoidke tööriista käepidemed kuivana, puhtana ja ärge laske neile sattuda õli või märet.
- **Ühendage tööriistad lahti.** Kui tööriista ei kasutata, enne kui seda hakatakse teenindama või tarvikuid näiteks löiketerasid, otsakuid ja freese vahetama, ühendage seadme toide välja.
- **Kõrvaldage reguleerimisrakised ja mutrivõtmed.** Kujundage endas harjumus enne sae käivitamist kontrollida, et kõik reguleerimiseadised ja mutrivõtmed on eemaldatud.
- **Vältige tahtmatut käivitumist.** Veenduge, et lüliti on enne pistikupespa ühendamist väljalülitatud asendis.
- **Kasutage välistingimusteks ettenähtud pikendusjuhtmeid.** Kasutage vaid välistingimustes kasutamiseks lubatud ja vastavalt markeeritud pikendusjuhtmeid.
- **Olge töötamisel tähelepanelik.** Jälgige mida teete ja kasutage tervet mõistust. Ärge kasutage freesmasinat, kui olete uimastite, alkoholi või ravimite mõju all.
- **Kontrollige vigastatud osad üle.** Enne vigastatud osaga tööriista edasist kasutamist tuleb see hoolikalt üle kontrollida ja kindlaks teha, kas see töötab õigesti ning täidab ettenähtud funktsiooni. Kontrollige liikuvate osade tsentreeritust, vaba liikumist, vigastusi, kinnituskohti ja muud, mis võivad tööd mõjustada. Vigastatud kaitseeadised ja osad tuleb lasta parandada või asendada pädeval hooldajal, kui kasutusjuhendis ei ole teisiti mainitud. Laske rikkis lülitid asendada volitatud teeninduskeskuses.
- **Ärge kasutage seadet, kui lüliti ei lülita seda sisse ja välja.**
- **Hoiatus.** Kasutusjuhendis soovimatata tarvikute või lisaseadmete kasutamine võib põhjustada tõsise kehavigastuse ohtu.



- **Laske oma tööriist parandada päeval töötajal.** See elektritööriist vastab asjassepuutuvatele ohutusreeglitele. Remonttööd tohib teha ainult kvalifitseeritud isik, kasutades sealjuures originaalvaruosi, vastasel juhul võib ilmnedas kasutajale märkimisväärne oht.

LAUAKÄI-LINTLIHVIVA OHUTUSJUHISED

- Pistikut tohib ühendada sobivasse pistikupessa, mis on õigesti paigaldatud ja maandatud ning vastab siseriiklikele seadustele ja määrustele. Kui te ei ole kindel, laske atesteeritud elektrikul pistikut kontrollida.
- Enne töö alustamist paigaldage toode kindlalt tööpingile, alusele või mõnele teisele stabiilsele raamile. Kinnitamata toode on ebastabiilne ja võib töötamise ajal liikuda. See võib põhjustada kahjustusi või vigastusi.
- Tagage piisav üld- ja kohtvalgustus, et vältida stroboskoopilist efekti ja riske.
- Enne töötamise algust kontrollige toote osasid ja tarvikuid ning veenduge, et miski ei sega korralikku töötamist. Keerake kinni käiakivi lukustusnupud ja -poldid ning kõik klambrid ja kaitsed.
- Iga kord enne käivitamist kontrollige, kas käiakivil on vigastusi. Ärge kasutage kahjustatud ega moondunud lihvketast. Vahetage kahjustatud käiakivi välja vastavalt juhistele.
- Iga kord enne käivitamist kontrollige, kas käiakivi pöörleb vabalt. Kui toode on vooluvõrgust välja lülitatud ja lüliti on asendis OFF, keerutage käiakivi ettevaatlikult käega. Käiakivi ei tohi kokku puutuda lauakäia ühegi osaga ning tagatud peavad olema kõik tingimused, et tagada toote korrektne töötamine.
- Käivitamisel seiske alati toote kõrval ja vajutage lüliti asendisse ON. Laske käial töötada täiskiirusel ühe minuti jooksul, et ilmneksid käiakivi varjatud vead ja praod. Ärge pange töödetaali vastu käiakivi pinda, enne kui toode on saavutanud täiskiiruse.
- Hoidke käed ja kehaosad käiakividest eemal. Kokkupuude pöörleva käiakiviga võib põhjustada vigastusi.
- Kasutage alati kaitseid ja silmakaitseid. Hoidke kaitsekatted oma kohtadel ja nõutavas korras. Toote kasutamine ilma kaitsete või kahjustunud kaitsetega võib põhjustada vigastusi.
- Vältige põletusi. Lihvimise käigus võivad esemed ja käiakivi kuumaks minna. Ärge puudutage käiakivi ega esemeid, mis võivad olla kuumad.
- Ärge töödelge väikesi esemeid või esemeid, millest ei ole võimalik korralikult kinni hoida. Ese võib õhku paiskuda ja põhjustada vigastusi.
- Ärge kunagi lihvige käiakivi servaga. Käiakivi puruneb. Kasutage lihvimiseks ainult käiakivi esikülge.
- Ärge jätke masinat pöörlema järelevalveta. Lülitage tööriist välja. Lihvketas pöörleb edasi ka siis, kui tööriist on välja lülitatud. Ärge lahkuge masina juurest enne, kui see on täielikult seiskunud.

- Ärge küünitage kunagi käiakivide taha või alla.
- Pikaajalisel töötamisel kasutage kõrvakaitsmeid (nt kõrvatropid või -muhvid).
- Enne reguleerimist, hooldamist, teenindamist või hooldamist tõmmake pistik välja. Ühendage toode vooluvõrgust lahti alati, kui teostate hooldustööd.
- Vajadusel reguleerige detailitugesid, et vahemaa detailitoe ja käiakivi vahel oleks võimalikult väike. See vahemaa peab olema kas 2 mm või väiksem. Kuna käiakivi läbimõõt kasutades väheneb, reguleerige detailituge, et säilitada selle maksimaalne vahemaa.
- Vajadusel reguleerige sädemesuunajaid, et vahemaa sädemesuunaja ja käiakivi vahel oleks võimalikult väike. See vahemaa peab olema kas 2 mm või väiksem. Kuna käiakivi läbimõõt kasutades väheneb, reguleerige sädemekaitset, et säilitada selle maksimaalne vahemaa.
- Kui detailitugi kulub läbi või on kahjustunud, asendage see volitatud teenidusest saadud identse varuosaga.
- Uue lihvketta paigaldamisel kontrollige alati, et lihvketale märgitud maksimaalne pöörlemiskiirus on sama või suurem kui seadmel. Veenduge, et käiakivi läbimõõt ja vööli suurus vastavad spetsifikatsioonis toodud näitudele. Kontrollige ka uut kivi, et sellel ei esine kahjustusi (nt täkkesid või mõrasid).

KÄIAKIVI OHUTUSJUHISED

⚠ HOIATUS

Vigastusteohu vähendamiseks peab kasutaja enne lihvmasina kasutamist läbi lugema kasutusjuhendi ja järgima selles antud juhiseid ja hoiatusi. Nende hoiatuste eiramine võib põhjustada tõsise kehavigastuse. Hoidke käesolev juhend alles.

- Mõne teise lihvketta kasutamine, mida ei ole soovitatud masina tehnilises juhendis, võib põhjustada kehalis vigastusi. Kasutage ainult neid lihvketaid, mille kiirus on sama või suurem kui masinal.
- Ärge mingil juhul kasutage liiga paksu lõikeketast, mida ei saa spindli kinnitusaärkide vahele kinnitada. Liiga suure läbimõõduga lõikekettad satuvad kokkupuutesse kettakaitsega ja paksemad saekettad ei võimalda kinnitamist tööpingi spindlile. Mõlemad nendest olukordadest võivad põhjustada raske õnnetuse ja põhjustada raske kehavigastuse.
- See käiakivi on metalli lihvimiseks ja vormimiseks. Ärge proovige sellega lõigata.
- See käiakivi sobib vaid kuivilhvimiseks.
- Ärge kasutage kahjustatud käiakive; ärge kasutage kettaid, millel on täkkesid, mõrad või mis on muul viisil vigased.
- Enne kasutamist veenduge, et käiakivi on õigesti paigaldatud ja kinnitatud.



- Masin ei tohi kunagi olla toitevõrku ühendatud, kui te paigaldate või eemaldate käiakive.
- Hoiustage varukäiakivi hoolikalt.
 - Võimalusel hoidke käiakivi originaalpakendis.
 - Hoiustage käiakivi kuivas keskkonnas toatemperatuuril.
 - Käiakivisid võib hoiustada riuilil vertikaalasendis.
 - Hoidke käiakivisid kukkumise ja löögi eest.

Käiakivi etiketil olev teave

Käiakivi etiketil olev teave on tähtis. Lugege ja kontrollige seda hoolikalt, et valiksite õiget tüüpi kivi.

1. tootja, tarnija, importija või kaubamärk
2. Käiakivi nimimõõtmed, eriti ava läbimõõt.
3. Lihvimise tüüp, tera suurus, klass või kõvadus, haakumise tüüp ja jäikuse kasutamine.
4. Maksimaalne töökiirus m/sek.
5. suurim lubatav pöörlemiskiirus, 1/min
6. Vastavusdeklaratsioonis märgitakse lihvimistoodete vastavus standardiga EN 12413.
7. kasutuspiirangud ja ohuhoiatuse sümbolid
8. jälgimiskood, nt toote / partii number, seerianumber

JÄÄKRISKID

Isegi siis, kui seadet kasutatakse kirjeldatud viisil, ei ole võimalik kõrvaldada kõiki jääkriskide mõjureid. Töötamise ajal võivad tekkida järgmised ohud, millele operaator peab pöörama erilist tähelepanu.

- Kokkupuute oht pöörleva käiakivi kaitsmata osadega.
- Põletuse oht kokkupuutel tulise käiakivi või töödetailiga.
- Hingamisteede kahjustused, kui ei kanta nõutava kaitsevõimega tolumumaski.
- Kuulmiskahjustused, kui ei kanta nõutava kaitsevõimega kuulmiskaitset.

ÕPPIGE OMA TOODET TUNDMA

Vt lk 107.

1. Sädemekaitse
2. Sädemesuunaja
3. Kettakaitse
4. Lihvketta tasandi
5. Detailitugi
6. Töövalgusti
7. Lihvimislindi reguleerimisnupp
8. Lihvlint
9. Detailitugi
10. Detailitoe lukustusnupp
11. Veeanum
12. „Sisse/välja“-lülit
13. Kinnitusava
14. Lihvlindi kaitse
15. Lihvija kaitse

HOOLDUS

- Ärge püüdke seadme konstruktsiooni mingil viisil muuta ega kasutage varuosi või tarvikud, mis pole tootja poolt soovitatud. Teie ja kõrvalolijate turvalisus võib olla ohustatud.
- Ärge kasutage seadet kuni mõni lülit, kaitsekate või funktsioon ei tööta nagu ette nähtud. Andke need volitatud hoolduskeskusesse remondiks või reguleerimiseks.
- Ärge tehke mingeid reguleerimistöid, kui masin töötab.
- Enne reguleerimist, määrimistöde või muude masina hooldustööde alustamist veenduge, et pistik on pistikupesast välja võetud.
- Kontrollige seade enne ja pärast kasutamist vigastuste ning purunenud osade suhtes üle. Hoidke seadet heas töökorras, selleks asendage osad nende varuosadega, mis on tootja poolt heaks kiidetud.
- Pühkige ära kogunenud tolm harjaga või tolmuimejaga. Ärge kasutage suruõhku.
- Kõik remonttööd, kaasa arvatud mootori kontaktharjade vahetamine, tuleb lasta teha volitatud hoolduskeskuses, et tagada masina ohutus ja tööväime.
- Kui toitejuhe on vigastatud, siis tuleb see lasta asendada tootjal või volitatud teeninduskeskuses, et turvariski vältida.

⚠ HOIATUS

Ohutuse ja töökindluse tagamiseks tuleb parandustööd lasta teha VOLITATUD HOOLDUSKESKUSES või MUUS PÄDEVAS HOOLDUSETTEVÕTTES.

TRANSPORTIMINE JA HOIUSTAMINE

- Seadme hoiustamise ajaks ühendage toitejuhe lahti. Hoidke seadet kaitstud kohas, mis on lastele juurdepääsmatu.
- Enne hoiustamist puhastage seade harja või tolmuimejaga.

KESKKONNAKAITSE



Taaskasutage materjale nende jäätmekäitluse andmise asemel. Masin, selle lisaseadmed ja pakend tuleb jäätmekäitluseks keskkonnasõbralikult sorteerida.



MASINAL OLEVAD SÜMBOLID



Ohuhoiatus



CE-vastavus



Enne seadme kasutamist lugege palun kasutusjuhend hoolega läbi.



Kandke kuulmise kaitsevahendeid



Kandke silmade kaitsevahendeid



Ei ole ette nähtud märjalt lihvimiseks ega lõikamiseks



Ärge kasutage kildunud, pragunenud ja rikutud kettaid



Kandke turvakindaid



Lihvketta suurus ja kiirus



Lihvlindi suurus ja kiirus



Mittekasutatavaid elektritooteid ei tohi visata olmejäätmete hulka. Vaid tuleb viia vastavasse kogumispunkti. Vajadusel küsige sellekohast nõu oma edasimüüjalt või vastavalt kohaliku omavalitsuse institutsioonilt.

KASUTUSJUHENDIS KASUTATUD SÜMBOLID



Pange toitejuhtme pistik pistikupesassa.



Tõmmake pistik pistikupesast välja.



Aeg, mis kulub tootel täiskiiruse saavutamiseks



Eraldi ostetavad osad või tarvikud

Järgnevad märguandesõnad ja tähendused on mõeldud selle toote kasutamiseiga seotud riskitasemete kirjeldamiseks.

⚠ OHT.

Osutab ähvardavale ohuolukorrale, mille mittevältimine lõpeb surma või tõsise vigastusega.

⚠ HOIATUS

Osutab võimalikule ohuolukorrale, mille mittevältimine võib lõppeda surma või tõsise kehavigastusega.

⚠ ETTEVAATUST

Osutab võimalikule ohuolukorrale, mille mittevältimine võib lõppeda väiksemate või möödukate kehavigastustega.

ETTEVAATUST

(Ilma ohutussümbolita) Viitab olukorrale, mis võib põhjustada kahjustusi varale.



U dizajnu vaše brusilice - polirke vodeću ulogu imaju sigurnost, performanse i pouzdanost.

NAMJENA

- Ova brusilica - polirka namijenjena je brušenju i oblikovanju metala. Može se koristiti za oštrenje metalnih ručnih alata (npr. dljetja, sjekira i noževa) ili svrdla za bušenje te za uklanjanje srhova ili oštrih rubova.
- Korištenjem pravih dodataka, ovaj proizvod se može koristiti i za čišćenje metalnih površina (pomoću žičane četke) ili za fino brušenje i poliranje (pomoću ploča za poliranje).
- Nikada nemojte koristiti ovaj proizvod za rezanje.

OPĆA SIGURNOSNA PRAVILA

⚠ UPOZORENJE

Kako biste smanjili opasnost od požara, strujnog udara i osobnih ozljeda prilikom korištenja električnih alata, uvijek se valja pridržavati osnovnih mjera opreza. Prije pokušaja korištenja ovog uređaja pročitajte i spremite sve upute.

- **Održavajte radno područje čistim.** Zatrpana radna područja i stolovi dovode do ozljeda.
- **Uzmite u obzir radno okruženje.** Alat nemojte izlagati kiši. Nemojte koristiti alate u vlažnim ili mokrim mjestima. Držite radni prostor dobro osvijetljen. Nemojte koristiti alate u prisutnosti zapaljivih tekućina ili plinova.
- **Zaštitite se od strujnog udara.** Izbjegavajte kontakt tijela s uzemljenim površinama (poput cijevi, radijatora, štednjaka i hladnjaka).
- **Držite podalje ostale osobe.** Nemojte dopustiti osobama, posebice djeci, da se uključe u rad, dodiruju alat ili produžni kabel, te ih držite dalje od područja rada.
- **Skladištite prazne alate.** Kada se ne koristi, alat treba skladištiti na suhom i zaključanom mjestu izvan dosega djece.
- **Nemojte alat koristiti iznad njegovih mogućnosti.** Uređaj će bolje i sigurnije raditi na brzini za koju je konstruiran.
- **Koristite pravi alat.** Nemojte forsirati male alate da rade poslove teških alata za rad. Nemojte koristiti alate za svrhe za koje nisu namijenjeni, primjerice, nemojte koristiti cirkularnu pilu za rezanje grana balvana ili trupaca.
- **Pravilno se odjenite.** Nemojte nositi široku odjeću ili nakit; mogu biti zahvaćeni pokretnim dijelovima. Preporuča se da prilikom rada na otvorenom nosite opću sa zaštitom od klizanja. Nosite i zaštitu za kosu kako biste pokrili dugu kosu.
- **Koristite zaštitnu opremu.** Koristite zaštitne naočale. Ako rad stvara prašinu koristite zaštitnu masku za lice.
- **Priključite sustav za izbacivanje prašine.** Ako su alati opremljeni s priključkom aparata za odvajanje i prikupljanje prašine, osigurajte da su oni priključeni i pravilno korišteni.
- **Nemojte zlorabiti kabel.** Nikada ne povlačite kabel za isključivanje iz utičnice. Držite kabel podalje od topline, ulja i oštrih rubova.
- **Siguran rad.** Kad je moguće, koristite spojnice ili škrip za držanje izratka. Sigurnije je nego korištenje vaše ruke.
- **Nemojte se naginjati preko rubova.** Cijelo vrijeme držite pravilno uporište i ravnotežu.
- **Pažljivo održavajte alat.** Držite alat za rezanje naoštrenim i čistim radi boljeg i sigurnijeg rada. Slijedite upute za podmazivanje i promjenu dodatnog pribora. Povremeno provjerite kabele alata i ako su oštećeni neka ih popravi ovlašteni servisni centar. Povremeno provjerite i zamijenite produžne kabele ako su oštećeni. Održavajte ručke suhim, čistim i da na njima nema ulja i masti.
- **Isključite alate.** Kada nije u upotrebi, prije servisiranja ili kada mijenjate priključke poput oštrica, svrdla i rezača, isključite alate iz napajanja.
- **Uklonite ključeve za ugađanje i ključeve.** Zbog navike provjeravanja pogledajte da li su ključevi i ključevi za ugađanje uklonjeni s alata prije nego što ga uključite.
- **Izbjegavajte slučajno pokretanje.** Provjerite je li prekidač u položaju "off" (isključeno) prilikom uključivanja.
- **Koristite produžne kabele za korištenje na otvorenom.** Prilikom korištenja alata na otvorenom, rabite samo produžne kabele koji su namijenjeni za korištenje na otvorenom i tako su označeni.
- **Budite na oprezu.** Gledajte to što radite i pri radu s alatom koristite zdrav razum. Ne koristite se alatom ako ste pod utjecajem alkohola ili droga ili ako uzimate lijekove.
- **Zamijenite oštećene dijelove.** Prije daljnjeg korištenja alata treba se pažljivo provjeriti da se odredi da li će pravilno raditi i izvoditi njihovu namjensku funkciju. Provjerite spojeve pokretnih dijelova, povezanost pokretnih dijelova, puknuća dijelova, montiranost i bilo koje druge uvjete koji mogu utjecati na njihov rad. Štitnik ili drugi dio koji je oštećen treba pravilno popraviti ili zamijeniti od strane ovlaštenog servisnog centra osim ako drugačije nije naznačeno u ovim uputama za rukovanje. Sklopku u kvaru zamijenite u ovlaštenom servisnom centru.
- **Nemojte koristiti alat ako ga sklopka pravilno ne uključuje i isključuje.**
- **Upozorenje.** Korištenje bilo kakvog dodatnog pribora ili priključka osim preporučenih u ovim uputama za upotrebu može dovesti do opasnosti od osobnih ozljeda.
- **Neka vaš alat servisira kvalificirana osoba.** Ovaj električni alat u skladu je s relevantnim pravilima



o sigurnosti. opravke treba izvoditi samo ovlašteni serviser korištenjem originalnih rezervnih dijelova, u suprotnom ovo može rezultirati zabrinjavajućom opasnošću po korisnika.

SIGURNOSNA UPOZORENJA ZA BRUSILICU - POLIRKU

- Utikač mora biti umetnut u odgovarajuću utičnicu koja je pravilno instalirana i uzemljena u skladu s lokalnim propisima i uredbama. Ako niste sigurni, pozovite ovlaštenog električara da provjeri utičnicu.
- Prije rada proizvod pričvrstite i montirajte na radni stol, stalak za brušenje ili neki drugi kruti okvir. Neučvršćen proizvod nije stabilan i može se pomicati za vrijeme rada. Ovo može dovesti do oštećenja stroja ili do tjelesnih ozljeda.
- Omogućite odgovarajuću opću ili rasvjetu na licu mjesta kako biste spriječili efekt stoboskopa i opasnosti.
- Prije samog rada pregledajte komponente i dodatke proizvoda kako biste se uvjerali da na njima nema stanja koja mogu utjecati na pravilan rad stroja. Zategnite protumatice brusne ploče i sigurnosne vijke te sve stezaljke i štitnike.
- Prije svakog pokretanja stroja provjerite brusnu ploču na oštećenja. Nemojte koristiti oštećene ili deformirane ploče. Zamijenite oštećene brusne ploče prema uputama.
- Prije svakog pokretanja provjerite može li se ploča slobodno okretati. Isključite proizvod s napona, postavite prekidač za paljenje u ISKLJUČENI položaj i pažljivo rukom zavrtite brusnu ploču. Brusna ploča ne smije dodirivati niti jednu komponentu stolne brusilice, ne smije biti zalijepljena te ne smiju postojati nikakvi drugi uvjeti koji mogu utjecati na pravilan rad stroja.
- Prilikom svakog pokretanja stanite sa strane stroja i uključite prekidač za paljenje u položaj UKLJUČENO. Pustite da brusilica radi na punoj brzini jednu minutu kako biste mogli uočiti eventualne pukotine ili greške brusne ploče. Nemojte stavljati obradak u kontakt s brusnom pločom sve dok proizvod ne postigne punu brzinu rada.
- Ruke i dijelove tijela držite dalje od brusnih ploča. Dodirivanje brusne ploče koja se okreće može uzrokovati tjelesne ozljede.
- Uvijek koristite štitnike i zaštitu za oči (zaštitne naočale ili vizor). Držite štitnike na mjestu i ispravne za rad. Rad s proizvodom bez sigurnosnih štitnika ili s oštećenim štitnicima može rezultirati tjelesnim ozljedama.
- Izbjegavajte vruće površine i opeklina. Brušenje može značajno povisiti temperaturu obradaka i brusne ploče. Nemojte dodirivati brusnu ploču ili obratke koji mogu biti vrući.
- Nemojte koristiti proizvod za rad na malim radnim komadima koje nije moguće pravilno držati. Može doći do izbacivanja predmeta sa stroja i time do fizičkih ozljeda.
- Nikada nemojte brusiti bočnom stranom brusne ploče. To će uništiti brusnu ploču. Brusite samo na licu brusne ploče.
- Nikada ne ostavljajte alat da radi bez nadzora. Isključite alat. Pažnja, brus se zbog inercije okreće i kad isključite stroj. Ne ostavljajte alat dok se potpuno ne zaustavi.
- Nikada nemojte posezati iza ili ispod brusnih ploča.
- Za vrijeme produljenog rada na stroju koristite zaštitu za sluh, kao što su primjerice čepovi za uši ili zaštitne slušalice.
- Prije izvođenja podešavanja, servisiranja ili održavanja uklonite utikač. Naponski vod mora biti isključen za vrijeme održavanja proizvoda.
- Nosače alata podešavajte kad god je to potrebno kako biste udaljenost između nosača radnog komada i brusnih ploča održali najmanjom mogućom. Ova udaljenost mora biti manja od ili jednaka 2 mm. Kako se promjer brusne ploče smanjuje uporabom, provjeravajte i podešavajte udaljenost nosača radnog komada.
- Hvatače iskri podešavajte kad god je to potrebno kako biste udaljenost između hvatača iskri i brusnih ploča održali najmanjom mogućom. Ova udaljenost mora biti manja od ili jednaka 2 mm. Kako se promjer brusne ploče smanjuje uporabom, provjeravajte i podešavajte udaljenost hvatača iskri.
- Ako se nosač radnog komada istroši ili ošteti, zamijenite ga identičnim zamjenskim nosačem iz ovlaštenog servisnog centra.
- Prilikom ugradnje nove brusne ploče uvijek provjerite odgovara li maksimalan broj okretaja u minuti (RPM) vrijednosti naznačenoj na proizvodu. Promjer brusne ploče i dimenzije vretena moraju zadovoljavati dimenzije naznačene u specifikacijama. Nove brusne ploče također provjerite na oštećenja, kao što su proizvodne greške ili pukotine.

SIGURNOSNE UPUTE ZA BRUSNE PLOČE

⚠ UPOZORENJE

Kako biste smanjili rizik od ozljeda, obavezno prije korištenja pročitajte i poštujujte sve upute, upozorenja i korisnički priručnik za operatera. Nepoštivanje ovih upozorenja može dovesti do puknuća rezne ploče i ozbiljnih osobnih ozljeda. Sačuvajte ove upute.

- Korištenje bilo koje druge brusne ploče od one koja se preporučuje u uputama za upotrebu stroja može stvoriti rizik od tjelesnih ozljeda. Koristite isključivo one brusne ploče koje imaju oznaku brzine jednaku ili veću od oznake na stroju.
- Nikada nemojte koristiti reznu ploču koja je predebelo kako bi se omogućilo da se pribubica rezne ploče aretiru sa zaravnanjem na osovini. Velike rezne ploče dolaze u kontakt sa štitnicima rezne ploče, dok će deblja rezna ploča spriječiti vijak rezne ploče da pričvrsti ploču



na osovinu. Svaka od ovih situacija dovodi do ozbiljnih nesreća i mogu uzrokovati ozbiljne osobne ozljede.

- Ova brusna ploča namijenjena je brušenju i oblikovanju metala. Nemojte pokušavati rezati pomoću ove ploče.
- Ovaj brusni ploča pogodan je isključivo za brušenje.
- Nemojte koristiti oštećene brusne ploče, okrhnete, napuknute ili na bilo koji drugi način oštećene ploče.
- Prije upotrebe provjerite je li brusna ploča pravilno postavljena i zategnuta.
- Stroj nikada ne smije biti priključen na dovod napona dok montirate ili skidate brusne ploče.
- Pažljivo pohranite svoju rezervnu brusnu ploču.
 - Ako je to moguće, držite brusne ploče u originalnoj ambalaži.
 - Brusnu ploču pohranite na suhom mjestu i na sobnoj temperaturi.
 - Brusne ploče je moguće složiti okomito na policu.
 - Brusne ploče ne smiju pasti ili pretrpjeti udar.

Informacije na naljepnici brusne ploče

Informacije na naljepnici brusne ploče su bitne. Pročitajte ih i pažljivo provjerite kako biste bili sigurni da se odabrali ispravnu vrstu brusne ploče.

1. proizvođač, dobavljač, uvoznik ili trgovačka marka
2. Nazivne dimenzije brusne ploče, posebice promjer provrta.
3. Tip abrazivne površine, veličina zrna, klasa tvrdoće, vrsta veziva i korištenje ojačanja.
4. Maksimalna radna brzina u metrima u sekundi.
5. maksimalna dopuštena brzina rotacije u 1/min
6. Za deklaraciju sukladnosti abrazivni proizvodi se označavaju s EN 12413.
7. simboli ograničenja korištenja i sigurnosnih upozorenja
8. kod za praćenje, npr. broj proizvoda/serije, serijski broj

PREOSTALE OPASNOSTI

Čak i kad je proizvod korišten kao što je prethodno opisano, još uvijek nije moguće potpuno isključiti ostale čimbenike opasnosti. Može doći do sljedećih opasnosti prilikom korištenja i operater mora obratiti posebnu pozornost kako bi izbjegao sljedeće:

- Rizik od dodira s nezaštićenim dijelovima rotirajuće brusne ploče.
- Opasnost od opekline zbog kontakta s vrućom brusnom pločom ili radnim komadom.
- Oštećenja na respiratornim organima ako se ne nosi učinkovita zaštitna maska.
- Oštećenja na sluhu ako se ne nosi učinkovita zaštita za sluh.

UPOZNAJTE SVOJ PROIZVOD

Pogledajte stranicu 107.

1. Štitnik od iskri
2. Hvatač iskri

3. Štitnik rezne ploče
4. Alat za izravnavanje brusne površine ploče
5. Nosač radnog komada
6. Radno svjetlo
7. Okretni gumb za podešavanje brusnog remena
8. Brusna traka
9. Nosač radnog komada
10. Gumb za blokiranje nosača radnog komada
11. Posuda za vodu
12. Sklopka za Uklj./isklj. (ON/OFF)
13. Otvor za montažu
14. Štitnik brusne trake
15. Štitnik brusilice-polirke

ODRŽAVANJE

- Nemojte modificirati proizvod ni na koji način ili koristiti dodatni pribor koji nije odobren od strane proizvođača. Može doći u pitanje vaša i sigurnost ostalih.
- Nemojte koristiti proizvod ako neki prekidači, štitnici ili druge funkcije ne rade po namjeni. Vratite u ovlaštenu servisni centar radi profesionalnog popravka ili zamjene.
- Nemojte vršiti nikakva podešavanja na stroju dok stroj radi.
- Uvijek provjerite da li je utikač uklonjen iz izvora glavnog napajanja prije podešavanja, podmazivanja ili kod bilo kakvog rada ili održavanja na proizvodu.
- Prije i nakon svakog korištenja, provjerite proizvod na oštećenja ili polomljene dijelove. Držite proizvod u vrhunskom radnom stanju na način da odmah zamjenjujete dijelove s rezervnim dijelovima odobrenim od proizvođača.
- Očistite nakupljenu prašinu korištenjem četke ili usisavača. Nemojte koristiti komprimirani zrak.
- Radi veće sigurnosti i pouzdanosti, sve popravke, uključujući zamjene četki, treba izvoditi ovlaštenu servisni centar.
- Ako je kabel napajanja oštećen, mora ga zamijeniti samo proizvođač ili ovlaštenu servis, kako bi se izbjegle opasnosti po sigurnost.

▲ UPOZORENJE

Za maksimalnu sigurnost i pouzdanost, sve popravke treba obaviti u ovlaštenom Ryobi servisu.

TRANSPORT I SKLADIŠTENJE

- Kada skladištite proizvod, odspojite kabel za napajanje. Skladištite proizvod na dobro osiguranom mjestu koje nije pristupačno djeci.
- Očistite proizvod korištenjem četke i usisavača prije spremanja.

**ZAŠTITA OKOLIŠA**

Sirovine reciklirajte, umjesto da ih odlažete kao otpad. Kako biste zaštitili okoliš, alat, dodatke i ambalažu treba odvojeno baciti u otpad.

SIMBOLI NA PROIZVODU

Sigurnosno upozorenje



CE usklađenost



Molimo da pažljivo pročitate upute prije pokretanja stroja.



Nosite zaštitu za sluh



Nosite zaštitu za vid



Nije za mokro brušenje ili rezanje



Nemojte koristiti zarezanu, puknutu ili oštećenu brusnu ploču



Nosite zaštitne rukavice



Veličina i brzina brusne ploče



Veličina i brzina brusne trake



Otpadni električni proizvodi ne treba da se odlažu s otpadom iz domaćinstva. Molimo da reciklirate gdje je to moguće. Potražite savjet od lokalnih vlasti ili prodavca kako reciklirati.

SIMBOLI U PRIRUČNIKU

Uključite uređaj.



Odspojite alat.



Vrijeme koje je potrebno da proizvod postigne punu brzinu



Dijelovi ili pribor prodan odvojeno

Slijedeće riječi upozorenja i značenja imaju namjeru da objasne nivo rizika u vezi s ovim proizvodom.

⚠ OPASNOST

Naznačuje prijeteću opasnu situaciju, koja ako se ne izbjegne dovodi do smrti ili ozbiljnih ozljeda.

⚠ UPOZORENJE

Naznačuje potencijalno opasnu situaciju, koja ako se ne izbjegne dovodi do smrti ili ozbiljnih ozljeda.

⚠ OPREZ

Naznačuje potencijalno opasnu situaciju, koja ako se ne izbjegne dovodi do lakših ili srednjih ozljeda.

OPREZ

(Bez simbola upozorenja sigurnosti) Označava situaciju koja može izazvati oštećenje imovine



Kombinirani brusilnik je zasnovan in izdelan za zagotavljanje najvišje ravni varnosti, učinkovitosti in zanesljivosti delovanja.

NAMEN UPORABE

- Ta kombinirani brusilnik je namenjen brušenju in oblikovanju kovine. Uporablja se za ostrenje kovinskega ročnega orodja (npr. dlet, sekir, nožev) ali brusov ter glajenje nazobčanih ali ostrih robov.
- Z ustreznimi dodatki lahko brusilnik uporabljate tudi za čiščenje kovinskih površin s kovinsko krtačko ali loščenje in poliranje s polirnimi kolutom.
- Tega izdelka nikoli ne uporabljajte za razrez.

SPLOŠNA VARNOSTNA OPOZORILA

⚠ OPOZORILO

Pri uporabi električnih orodij morate vedno upoštevati osnovna varnostna opozorila, saj le tako lahko zmanjšate nevarnost požara, električnega udara ali telesnih poškodb. Pred uporabo tega izdelka preberite vsa navodila in shranite priročnik.

- **Delovno območje naj bo vedno čisto.** Neurejeni prostori in delovne mize privabljajo nesreče.
- **Preglejte delovno območje.** Orodja ne izpostavljajte dežju. Orodja ne uporabljajte v mokrih ali vlažnih okoljih. Delovno območje naj bo vedno dobro osvetljeno. Nikoli ne uporabljajte orodja blizu vnetljivih tekočin ali plinov.
- **Zaščita pred električnim udarom.** Izogibajte se telesnemu stiku z ozemljenimi površinami, kot so cevi, radiatorji, kuhalniki in hladilniki.
- **Drugih oseb ne spuščajte zraven.** Tretje osebe, predvsem otroci, orodja ne smejo uporabljati in se orodja ter podaljševalnega kabla ne smejo dotikati; zadrževati se morajo zunaj delovnega območja.
- **Orodja, ki jih ne uporabljate, shranite.** Ko orodja ne uporabljate, ga shranite na suho mesto in zaklenite, da otroci ne bodo imeli dostopa.
- **Orodja ne preobremenjujte.** Nalogo bo opravilo bolje in varneje, če ga uporabite za namen, za katerega je namenjen.
- **Uporabljajte ustrezno orodje.** Z malimi orodji orodji ne opravljajte del, ki so predvidena za večja orodja. Orodja ne uporabljajte za dela, za katera ni namenjeno – krožnih žag na primer ne uporabljajte za rezanje vej in debel.
- **Bodite primerno oblečeni.** Ne nosite ohlapnih oblačil ali nakita; saj bi se lahko zagozdili v premikajoče se dele orodja. Pri delu na prostem je priporočljiva uporaba nedrsečih čevljev. Če imate dolge lase, nosite tudi zaščitno pokrivalo.
- **Uporabljajte zaščitno opremo.** Uporabljajte zaščitna očala. Če pri delu nastaja prah, nosite obrazne maske ali maske proti prahu.
- **Priključite opremo za sesanje prahu.** Če je orodje namenjeno priključitvi na opremo za sesanje in zbiranje prahu, se prepričajte, da so ti priključeni in ustrezno uporabljeni.
- **Kabla ne uporabljajte za neustrezne namene.** Nikoli ne povlecite za kabel, kadar izklapljate vtičač iz vtičnice. Kabel držite proč od vročine, olja ali ostrih robov.
- **Varno delo.** Kjer je to mogoče, uporabljajte sponko ali primež. To je varneje kot uporaba rok.
- **Ne segajte preko dosega.** Pazite, da stojite stabilno in da imate ravnotežje.
- **Orodja vzdržujte nežno.** Za boljše in varnejše delovanje naj bodo rezalna orodja nabrušena in čista. Sledite navodilom za mazanje in menjavo dodatkov. Redno preverjajte napajalne kable orodja in jih v primeru poškodb dajte v popravilo pooblaščenemu servisu. Redno preverjajte podaljške in jih v primeru poškodb zamenjajte z novimi. Ročaji naj bodo suhi, čisti in brez madežev olja ali masti.
- **Odklopite orodja.** Kadar orodja ne uporabljate oz. pred servisiranjem in med menjavo dodatkov (kot so rezila, svetri ipd.), orodja odklopite iz napajanja.
- **Ostranite nastavljive ključe in zatiče.** Pred vklopom orodja preverite, da so zatiči in nastavljivi ključki odstranjeni iz orodja.
- **Preprečite nehoten zagon.** Ko orodje priklapljate na električno omrežje, mora biti stikalo v položaju za izklop (off).
- **Uporabljajte podaljške za zunanjo uporabo.** Kadar orodje uporabljate zunaj, uporabljajte le podaljške za zunanjo uporabo.
- **Bodite pozorni.** Bodite pozorni kaj delate in uporabljajte občutek. Ne uporabljajte orodja, če ste utrujeni ali pod vplivom drog, alkohola ali zdravil.
- **Preverite, ali so kje poškodovani deli.** Pred nadaljnjo uporabo pazorno preglejte orodje in zagotovite, da orodje pravilno in ustrezno deluje. Preverite nastavitve premikajočih se delov, njihove povezave, morebitne lome, namestitvev in druge pogoje, ki bi lahko vplivali na delovanje naprave. Varovalo ali drug poškodovan del morate ustrezno popraviti ali zamenjati pri pooblaščenem serviserju, razen če ni drugače navedeno v navodilih za uporabo. Okvarjena stikala mora zamenjati pooblaščen servisni center.
- **Orodja ne uporabljajte, če ga ne morete vklopiti ali izklopiti s stikalom.**
- **Opozorilo.** Uporaba katerih koli dodatkov ali priključkov, ki niso priporočeni v teh navodilih za uporabo, lahko predstavljajo tveganje za osebne poškodbe.
- **Orodje naj popravi pooblaščen oseba.** To električno orodje izpolnjuje ustrezne varnostne kriterije. Popravila lahko izvaja le pooblaščen oseba, ki uporablja originalne rezervne dele; v nasprotnem primeru bi bil uporabnik lahko v nevarnosti.



VARNOSTNA OPOZORILA ZA KOMBINIRANI BRUSILNIK

- Vtič morate vstaviti v ustrezno vtičnico, ki je primerno nameščena in ozemljena v skladu z lokalnimi predpisi. V primeru dvomov naj vtičnico pregled pooblaščen električar.
- Brusilnik pred uporabo namestite fiksno na delovno mizo, stojalo za brušenje ali drugo robustno ogrodje. Nezavarovan izdelek ni stabilen in se lahko med delovanjem premakne. To lahko privede do materialnih ali telesnih poškodb.
- Zagotovite ustrezno splošno in lokalno osvetljavo, da preprečite stroboskopski učinek in nevarnosti.
- Pred začetkom uporabe preglejte sestavne dele in morebitne dodatke izdelka, da se prepričate, da njihovo stanje ne bo negativno vplivalo na pravilno delovanje. Privijte zaklepne matice, varnostne vijake ter vse sponke in varovala brusilnega diska.
- Pred vsakim zagonom se prepričajte, da na brusilnem disku niso prisotne poškodbe. Ne uporabljajte poškodovanih ali slabo oblikovanih kolotov. Morebitne poškodovane brusilne diske menjajte skladno z navodili.
- Pred vsakim zagonom se prepričajte, da se disk prosto vrti. Ko je izdelek izključen iz napajanja in je stikalo v položaju OFF (IZKLOP), z roko previdno zavrtite disk. Disk se pri tem ne sme dotakniti nobenega sestavnega dela brusilnika, prav tako pa ne smejo obstajati nobeni pogoji, ki bi lahko omejevali ali kako drugače negativno vplivali na njegovo pravilno delovanje.
- Med vsakim zagonom stojte na bočni strani brusilnika in ga vklopite (ON). Pustite, da brusilnik eno minuto deluje pri polni hitrosti, da se pokažejo morebitne neodkrita napake ali razpoke v disku. Dokler izdelek ne doseže polne hitrosti delovanja, obdelovanca ne potiskajte proti kolotu.
- Z rokami in telesnimi deli ne posegajte v bližino brusilnih kolotov. Stik z vrtečim se kolotom lahko privede do poškodb.
- Vedno uporabljajte varovala in vizirje. Varovala hranite na svojem mestu in v stanju pripravljenosti na uporabo. Uporaba izdelka brez varoval ali s poškodovanimi varovali lahko privede do telesnih poškodb.
- Izogibajte se opeklinam. Pri brušenju se lahko predmeti in brusilni kolot segrejejo. Ne prijemajte brusilnega koluta ali predmetov, ki so lahko segreti.
- Izdelka ne uporabljajte za delo na majhnih predmetih ali predmetih, ki jih ne morete trdno prijeti. Predmet lahko odskoči in povzroči poškodbe.
- Nikoli ne brusite s stranskim delom koluta. Kolot se lahko uniči. Brusite samo s sprednjo stranjo koluta.
- Orodje nikoli ne pustite teči brez nadzora. Izklopite orodje. Brusni koloti se vrtijo tudi po tem, ko ste orodje že izklopili. Orodja ne zapustite, dokler se ta popolnoma ne ustavi.
- Nikoli ne segajte za brusilni kolot ali pod njega.

- Med daljšimi obdobji uporabe uporabljajte zaščito za ušesa, kot so čepki ali glušniki.
- Odstranite vtič, preden se lotite kakršnega koli prilagajanja, servisiranja ali vzdrževanja naprave. Napajalni kabel ne sme biti priključen med vzdrževanjem stroja.
- Podpore za orodje prilagodite, kadar morate zagotoviti čim manjšo razdaljo med delovnimi podporami in brusilnimi koluti. Ta razdalja mora biti enaka 2 mm ali manjša. Ker se premer brusilnega koluta med uporabo manjša, ohranjajte največjo razdaljo s podporo za orodja tako, da jo ustrezno prilagajate.
- Lovilce isker prilagodite, kadar morate zagotoviti čim manjšo razdaljo med lovilci isker in brusilnimi koluti. Ta razdalja mora biti enaka 2 mm ali manjša. Ker se premer brusilnega koluta med uporabo manjša, ohranjajte največjo razdaljo med lovilci isker tako, da jo ustrezno prilagajate.
- Če se lovilci isker obrabijo ali poškodujejo, jih posredujte pooblaščenemu servisnemu centru, da ji menjajo z enakim lovilcem isker.
- Pri nameščanju novega brusilnega koluta se vedno prepričajte, da je vrednost najvišjih vrtljajev na minuto enaka navedeni ali jo presegajo. Zagotovite, da premera koluta in izvrtine ustrežata navedbam v tehničnih zahtevah. Prepričajte se tudi, da na kolotu ni poškodb, kot so napake ali razpoke.

VARNOSTNA NAVODILA ZA BRUSILNI KOLUT

⚠ OPOZORILO

Uporabnik mora za zmanjšanje nevarnosti poškodb pred začetkom uporabe tega brusilnega koluta prebrati in upoštevati navodila, opozorila in priročnik za uporabnika. Če navodil ne boste upoštevali, lahko plošča počí, kar lahko povzroči hude telesne poškodbe. Shranite ta navodila.

- Uporaba kolotov, ki niso priporočeni v uporabniškem priročniku stroja, lahko privede do nevarnosti telesnih poškodb. Uporabljajte samo brusilne kolote z nazivno hitrostjo, ki je enaka ali večja od hitrosti, navedene na oznaki stroja.
- Nikoli ne uporabljajte predebelega koluta, ker se zunanja prirobnica ne bi pritrčila na površino vretena. Večji koloti pridejo v stik z varovalni kolotom, medtem ko debelejši koloti povzročijo, da vijaka ni mogoče dobro pritrčiti na vreteno. Katera koli izmed teh situacij se lahko nesrečno konča in povzroči hude telesne poškodbe.
- Ta kolot je namenjen brušenju in oblikovanju kovine. Ne uporabljajte ga za rezanje.
- Ta brusilni kolot je primeren samo za suho brušenje.
- Ne uporabljajte poškodovanih, okrušenih, razpokanih ali kako drugače poškodovanih brusilnih kolotov.



- Pred uporabo se prepričajte, da je abrazivni brusilni kolot pravilno nameščen in privit.
- Med nameščanjem ali odstranjevanjem brusilnih kolotov stroj ne sme biti nikoli priključen na električno napajanje.
- Previdno shranite nadomestni brusilni kolot.
 - Če je mogoče, kolot shranite v izvorni ovojnini.
 - Kolot shranite na suhem mestu pri sobni temperaturi.
 - Kolote lahko shranite tako, da jih zložite na polico v pokončnem položaju.
 - Pazite, da koloti ne padajo na tla ali da so izpostavljeni udarcem.

Podatki na oznaki brusilnega koluta

Podatki in oznaki koluta so pomembni. Preberite jih in jih natančno preverite, da zagotovite, da ste izbrali ustrezno vrsto koluta.

1. proizvajalec, dobavitelj, uvoznik ali blagovna znamka.
2. Nazivne mere brusilnega koluta, zlasti premera vrtine.
3. Tip abrazivnosti, zrnatost, razred ali trdota, tip lepila in uporabljena ojačitev.
4. Najvišja hitrost delovanja v metrih na sekundo.
5. največje dovoljeno število vrtljajev na minuto.
6. Za izjavo o skladnosti bodo abrazivni izdelki nosili oznako EN 12413.
7. omejitve uporabe in varnostni simboli
8. koda sledljivosti, npr. proizvodna/serijska številka, številka tipa.

PREOSTALA TVEGANJA

Nekateri preostalih dejavnikov tveganja ni mogoče povsem odpraviti, tudi če ta izdelek uporabljate v skladu z navodili. Med uporabo se lahko pojavijo nekatere nevarnosti, upravljavec pa naj bo pozoren na naslednje:

- Nevarnost stika z nezavarovanimi deli vrtečega se koluta.
- Nevarnost opeklin ob stiku z vročim kolutom ali obdelovancem.
- Nevarnost poškodb pljuč, če ne nosite maske proti prahu.
- Okvare sluha, če ne nosite učinkovite zaščite za sluh.

SPOZNAJTE SVOJ IZDELEK

Glej stran 107.

1. Zaščita pred iskrjenjem
2. Lovilec isker
3. Varovalo kolesa
4. Gladilno orodje za kolot
5. Delovna podpora
6. Delovna luč
7. Gumb za prilagoditev brusnega traku
8. Brusilni trak
9. Delovna podpora
10. Gumb za zaklep delovne podpore

11. Pladenj za vodo
12. Stikalo za vklop/izklop
13. Luknja za pritrditev
14. Varovalo brusilnega traku
15. Varovalo brusilnika

VZDRŽEVANJE

- Tega izdelka na noben način ne spreminjajte ali uporabljajte dodatkov, ki jih ni odobril proizvajalec. Vaša varnost in varnost drugih sta morda ogroženi.
- Izdelka ne uporabljajte, če stikala, zaščite ali druge funkcije ne delujejo, kot je bilo predvideno. Za profesionalno popravilo ali zamenjavo se obrnite na pooblaščen servis.
- Med delovanjem izdelka ne izvajajte nobenih prilagoditev.
- Pred izvajanjem nastavitvev, mazanjem ali vzdrževanjem izdelka se vedno prepričajte, da je vtič stroja odstranjen iz električne vtičnice.
- Pred in po vsaki uporabi preverite, ali je izdelek poškodovan oz. ali ima pokvarjene dele. Izdelek ohranjajte v vrhunskem stanju tako, da nemudoma zamenjate dele z nadomestnimi deli, ki jih je odobril proizvajalec.
- Očistite nakopičeni prah s pomočjo krtače ali sesalca. Ne uporabljajte stisnjenega zraka.
- Da bi zagotovili varnost in zanesljivost, mora vsa popravila, vključno z menjavo ščetk, stroja opraviti pooblaščen servisni center.
- Če je napajalni kabel poškodovan, ga mora zamenjati izključno proizvajalec ali pooblaščen servisler v izogib nevarnostim.

⚠ OPOZORILO

Za večjo varnost in zanesljivost morajo vsa popravila izvajati v pooblaščenem servisnem centru Ryobi.

TRANSPORT IN SKLADIŠČENJE

- Med shranjevanjem izdelka izklopote napajalni kabel. Izdelek shranjujte v varnem prostoru izven dosega otrok.
- Izdelek pred skladiščenjem očistite s pomočjo krtače in sesalca.

ZAŠČITA OKOLJA



Namesto, da napravo zavržete, reciklirajte surovine. Napravo, pribor in embalažo je treba sortirati za okolju prijazno recikliranje.



SIMBOLI NA IZDELKU



Varnostno opozorilo



Skladnost CE



Prosimo, da si pred zagonom naprave pozorno preberete navodila



Nosite zaščito za ušesa



Nosite zaščito za oči



Ni za mokro brušenje ali rezanje



Ne uporabljajte odkrušenih, počenih ali poškodovanih brusilnih kolutov



Nosite zaščitne rokavice



Velikost in hitrost brusilnega koluta



Velikost in hitrost brusilnega traku



Odpadne električne izdelke ne odlagajte skupaj z ostalimi gospodinjskimi odpadki. Reciklažo opravljajte na predpisanih mestih. Za nasvet se obrnite na lokalne oblasti.

SIMBOLI V PRIROČNIKU



Priključite napravo.



Izklopite orodje.



Čas do polne hitrosti izdelka



Deli ali dodatki so na prodaj ločeno

Sledeče signalne besede in pomeni naj bi pojasnili ravni tveganja, ki so povezane s tem izdelkom.

⚠ NEVARNOST

Označuje neizogibno nevarno stanje, ki lahko povzroči smrt ali hude poškodbe, če ga ne preprečite.

⚠ OPOZORILO

Označuje morebitno nevarno stanje, ki bi lahko povzročilo smrt ali hude poškodbe, če ga ne preprečite.

⚠ POZOR

Označuje morebitno nevarno stanje, ki lahko povzroči manjše ali zmerne poškodbe, če se ga ne preprečite.

POZOR

(Brez simbola Varnostni alarm) Označuje stanje, ki lahko privede do poškodovanja lastnine.



Bezpečnosť, efektívnosť a spoľahlivosť boli prvoradáce pri navrhovaní vašej kombinovanej pásovej a kotúčovej brúsky.

ÚČEL POUŽITIA

- Táto kombinovaná pásová a kotúčová brúska je určená na brúsenie a tvarovanie kovu. Môže používať na naostrenie ručného kovového náradia (napr. dlát, sekier a nožov), alebo vrtných korúnok, na odstránenie drsných okrajov alebo ostrých hrán.
- S vhodným príslušenstvom je možné výrobok použiť na čistenie kovových povrchov pomocou drôtenej kefy alebo na leštenie a voskovanie s použitím látkového kotúča.
- Nikdy nepoužívajte výrobok na rezanie.

VŠEOBECNÉ BEZPEČNOSTNÉ VÝSTRAHY

⚠ VAROVANIE

Pri používaní elektrických nástrojov je potrebné dodržiavať základné bezpečnostné opatrenia, aby sa znížilo riziko požiaru, úrazu elektrickým prúdom a poranenia osôb. Pred prácou s produktom si prečítajte všetky pokyny a odložte si tento návod.

- **Pracovisko udržiavajte v čistote.** Zaprášané plochy a stoly priťahujú poranenia.
- **Dbajte na vaše pracovné prostredie.** Nevystavujte nástroje dažďu. Nepoužívajte nástroje vo vlhkom alebo mokrom prostredí. Dbajte, aby bolo pracovisko dobre osvetlené. Nástroje nepoužívajte v blízkosti horľavých kvapalín ani plynov.
- **Chráňte sa pred úrazom elektrickým prúdom.** Vyhýbajte sa telesnému kontaktu s uzemnenými povrchmi (napríklad rúrami, radiátormi, sporákmi, chladničkami).
- **Nedovoľte, aby sa približovali iné osoby.** Nedovoľte iným osobám, najmä deťom, aby pracovali s nástrojom, dotýkali sa nástroja alebo predžvociaceho kábla a nedovoľte, aby vstupovali do pracovného prostredia.
- **Nástroje odkladajte mimo dosahu detí a iných nezaškolených osôb.** Keď sa nástroje nepoužívajú, odložte ich na suché uzamknuté miesto mimo dosahu detí.
- **Na nástroj nevyvíjajte silu.** Vykoná svoju prácu lepšie a bezpečnejšie pri určenom zaťažení.
- **Používajte správny nástroj.** Nepoužívajte malé nástroje nasilu na prácu určenú pre nástroje s veľkým zaťažením. Nepoužívajte nástroje na iné ako určené účely, napríklad kotúčové píly na odvetvovanie alebo pilenie polien.
- **Prímerane sa oblečte.** Nenoste voľný odev ani šperky – môžu sa zachytiť do pohybujúcich sa dielov. Pri práci v exteriéri sa odporúča používať protišmykovú obuv. Ak máte dlhé vlasy, noste ochrannú pokrývku vlasov.
- **Používajte ochranné pomôcky.** Používajte ochranné okuliare. Ak pri práci vzniká prach, použite tvárovú alebo protiprachovú masku.
- **Používajte zariadenie na odsávanie prachu.** Ak je nástroj vybavený pripojením na prostriedky na odsávanie a zber prachu, zaistíte, aby boli správne pripojené a primerane sa používali.
- **Kábel nenamáhajte.** Kábel zo zásuvky neodpájajte trhnutím. Kábel nedávajte do blízkosti tepla, oleja alebo ostrých okrajov.
- **Zabezpečte obrobok.** Na pridržanie obrobku použite podľa možností svorky alebo zverák. Je to bezpečnejšie, ako použiť ruku.
- **Nesiahajte príliš ďaleko.** Neustále zachovávajte pevnú oporu nôh a rovnováhu.
- **Údržbu nástrojov vykonávajte opatrne.** Udržujte rezné nástroje ostré a čisté pre lepšiu a bezpečnejšiu výkon. Dodržiavajte pokyny na mazanie a výmenu príslušenstva. Pravidelne kontrolujte káble nástroja a v prípade ich poškodenia ho nechajte opraviť v autorizovanom servisnom stredisku. Pravidelne skontrolujte predžvociacie káble v prípade ich poškodenia ich vymeňte. Rukoväte udržiavajte suché a čisté, bez zvyškov oleja či maziva.
- **Odpojte nástroje.** Keď sa nástroj nepoužíva, pred servisom a pri výmene príslušenstva, napríklad kotúčov, vrtákov a nožov, odpojte nástroj z elektrickej siete.
- **Odstráňte nastavovacie klíny a kľúče.** Vytvorte si návyk vizuálnej kontroly odstránenia nastavovacích kľúčov z nástroja pred jeho zapnutím.
- **Dbajte na to, aby nedochádzalo k neúmyselnému spusteniu.** Pri zapájaní nástroja skontrolujte, či je spínač vo vypnutej polohe.
- **Používajte predžvociacie káble určené pre exteriéry.** Keď sa nástroj používa, používajte len predžvociacie káble určené pre exteriéry s príslušným označením.
- **Buďte opatrní.** Sledujte, čo robíte a používajte zdravý rozum. S nástrojom nepracujte pod vplyvom drog, alkoholu alebo liekov.
- **Skontrolujte všetky poškodené časti.** Pred ďalším použitím tohto nástroja je nevyhnutné dôkladne skontrolovať, či funguje správne a vykonáva funkciu, na ktorú je určený. Skontrolujte zarovnanie pohyblivých dielov, zaseknutie pohyblivých dielov, poškodenie dielov, montáž a akékoľvek iné podmienky, ktoré by mohli ovplyvniť prevádzku nástroja. Ochranný kryt alebo iné poškodené diely treba riadne opraviť alebo vymeniť v autorizovanom servisnom stredisku, pokiaľ nie je v návode uvedené inak. Chybné spínače sa musia vymeniť v autorizovanom servisnom centre.
- **Nástroj nepoužívajte, ak spínač nezapína a nevypína nástroj.**
- **Varovanie.** Používanie akéhokoľvek príslušenstva alebo doplnku, ktorý nie je odporúčaný v tomto návode na použitie, môže predstavovať riziko osobného poranenia.



- **Opravu nástroja zverte kvalifikovanej osobe.** Tento elektrický nástroj spĺňa platné bezpečnostné pravidlá. Opravy môžu vykonávať len kvalifikované osoby pomocou originálnych náhradných dielov, inak by mohlo vzniknúť značné riziko pre používateľa.

BEZPEČNOSTNÉ VÝSTRAHY PRE KOMBINOVANÚ PÁSOVÚ A KOTÚČOVÚ BRÚSKU

- Zástrčka sa musí zapojiť do vhodnej zásuvky, ktoré je správne namontovaná a uzemnená v súlade s miestnymi kódmi a nariadeniami. Ak si nie ste istí, zavolajte si na kontrolu zásuvky kvalifikovaného elektrikára.
- Namontujte výrobok pevne k pracovnému stolu, stojanu na brúsku alebo na iný pevný rám ešte predtým, ako ho začnete používať. Nezabezpečené výrobok je nestabilný a môže sa pohybovať počas prevádzky. Toto môže spôsobiť poškodenie alebo zranenie.
- Zabezpečte primerané všeobecné alebo lokálne osvetlenie, aby nevznikli stroboskopické efekty a riziká.
- Pred spustením do prevádzky skontrolujte súčasť výrobku a celé príslušenstvo, aby ste zabezpečili podmienky pre riadnu prevádzku. Dotiahnite matice brúsneho kotúča, zaistite skrutky a všetky svorky a ochranné kryty.
- Pred každým spustením skontrolujte, či nie je brúsny kotúč poškodený. Nepoužívajte poškodené alebo zdeformované kotúče. Každý poškodený brúsny kotúč vymeňte podľa pokynov.
- Pred spustením skontrolujte, či sa brúsny kotúč voľne otáča. Opatrne otočte kotúč rukou na odpojenom a VYPNUTOM výrobku. Kotúč by sa nemal dotýkať žiadnej súčasti stolovej brúsky a nemali by byť prítomné žiadne zablokovania alebo iné podmienky, ktoré by mohli ovplyvniť riadnu prevádzku.
- Počas každého spustenia sa postavte na jednu stranu výrobku a ZAPNITE ho. Nechajte brúsku sa roztočiť na plné otáčky pod dobu jednej minúty, aby mohli byť odhalené všetky nezistené kazy alebo trhliny kotúča. Nedotýkajte sa kotúča s obrobkom, kým výrobok nedosiahne plné otáčky.
- Držte ruky a iné časti tela z dosahu brúsnych kotúčov. Kontakt s otáčajúcim sa kotúčom môže spôsobiť zranenie.
- Vždy používajte ochranné kryty a chrániče očí. Chrániče majte na svojom mieste a v prevádzkyschopnom stave. Používanie výrobku bez ochranných krytov alebo s poškodenými krytmi môže spôsobiť poranenie.
- Vyhýbajte sa popáleninám. Brúsenie môže spôsobiť, že brúsené predmety a brúsny kotúč sa stanú horúce. Nedotýkajte sa brúsneho kotúča alebo predmetov, ktoré môžu byť horúce.
- Nepoužívajte výrobok na opracovanie malých predmetov alebo predmetov, ktoré sa nedajú poriadne uchýtiť. Predmet môže byť vymrštený a spôsobiť poranenie.

- Nikdy nebrúste na bočnej strane kotúča. Kotúč sa rozbije. Brúste iba na prednej strane kotúča.
- Stroj nikdy nenechajte spustený bez dozoru. Vypnite nástroj. Brúsne kotúče sa ďalej točia aj po vypnutí nástroja. Neodchádzajte od nástroja, kým sa úplne nezastaví.
- Nikdy nesiahajte za alebo pod brúsne kotúče.
- Pri dlhšie trvajúcej prevádzke používajte ochranné prostriedky, ako sú zátky do uší alebo slúchadlá.
- Pred vykonaním akýchkoľvek úprav, servisu alebo údržby odpojte zástrčku. Napájaci kábel musí ostať odpojený vždy, keď vykonávate údržbu výrobku.
- Nastavte opierky nástroja vždy, keď je to potrebné na udržanie čo najmenšej vzdialenosti medzi opierkami obrobru a brúsny kotúčmi. Táto vzdialenosť by mala byť menšia ako 2 mm. Keďže sa používaním znižuje priemer brúsneho kotúča, je potrebné, aby ste podľa toho udržiavali a upravovali maximálnu vzdialenosť opierky nástroja.
- Nastavte lapače iskier vždy, keď je to potrebné na udržanie čo najmenšej vzdialenosti medzi lapačmi iskier a brúsny kotúčmi. Táto vzdialenosť by mala byť menšia ako 2 mm. Keďže sa používaním znižuje priemer brúsneho kotúča, je potrebné, aby ste podľa toho udržiavali a upravovali maximálnu vzdialenosť lapača iskier.
- V prípade, že opierka obrobru je opotrebovaná alebo poškodená, vymeňte ju za rovnakú náhradu z autorizovaného servisného strediska.
- Pri nasadení nového brúsneho kotúča vždy skontrolujte, či uvedené maximálne otáčky sú rovnaké alebo vyššie ako tie, ktoré sú uvedené na výrobku. Zabezpečte, aby priemer kotúča a rozmer vretena zodpovedali rozmerom, uvedeným v technických podmienkach. Skontrolujte aj nový kotúč, či nie je poškodený, nemá trhliny alebo praskliny.

BEZPEČNOSTNÉ POKYNY PRE BRÚSNY KOTÚČ

⚠ VAROVANIE

Aby sa znížilo riziko úrazu, používateľ si musí prečítať a dodržiavať pokyny, výstrahy a návod na použitie ešte pred začiatkom používania tohto brúsneho kotúča. Pri nerespektovaní týchto výstrah môže dôjsť k prasknutiu kotúča a vážnemu poraneniu osôb. Uschovajte si tieto inštrukcie.

- Používanie akéhokoľvek brúsneho kotúča, iného, aký je odporúčaný v návode na obsluhu stroja, môže príviesť k riziku zranenia osôb. Používajte iba brúsne kotúče, na ktorých je vyznačená rýchlosť rovnaká alebo vyššia ako tá, ktorá je vyznačená na stroji.
- Nikdy nepoužívajte kotúč, ktorý je príliš hrubý a mohlo by umožniť prírubu kotúča zachytiť sa o plošky na vretene. Väčšie kotúče sa dostanú do kontaktu s krytmi kotúča, zatiaľ čo hrubšie kotúče zabránia maticovej



skrutke zaisťujú kotúč na vretene. Každá z týchto operácií by mohla mať za následok vážnu nehodu a mohla zapríčiniť poranenie osôb.

- Tento kotúč je určený na brúsenie a tvarovanie kovu. Nepokúšajte sa s kotúčom rezať.
- Tento brúsny kotúč je vhodný iba na brúsenie.
- Nepoužívajte poškodené brúsne kotúče, nepoužívajte kotúče, ktoré sú vyštrbené, prasknuté alebo inak poškodené.
- Pred použitím sa ubezpečte, že je brúsny kotúč správne namontovaný a utiahnutý.
- Stroj nesmie byť nikdy zapojený do elektrickej siete pri montáži alebo demontáži brúsnych kotúčov.
- Náhradný brúsny kotúč starostlivo uskladnite.
 - Pokiaľ je to možné, nechávajte kotúč vnútri v originálnom obale.
 - Uskladňujte kotúč na suchom mieste pri izbovej teplote.
 - Kotúče môžu byť uskladnené zvisle na polici.
 - Nedovoľte, aby kotúče spadli alebo akokoľvek narazili.

Informácie sú dostupné na etikete na brúsnom kotúči.

Informácia na etikete na kotúči je dôležitá. Prečítajte a starostlivo skontrolujte, aby ste sa uistili, že ste vybrali správny typ kotúča.

1. výrobca, dodávateľ, importér alebo obchodná známka
2. Menovité rozmery brúsneho kotúča, najmä priemer otvoru.
3. Typ brusiva, veľkosť zrna, stupeň tvrdosti, typ pojiva a použitie vystuženia.
4. Maximálna prevádzková rýchlosť v metroch za sekundu.
5. maximálna povolená rýchlosť otáčania v 1/min.
6. Vo vyhlásení o zhode musia byť brúsne výrobky označené normou EN 12413.
7. obmedzenie použitia a symboly bezpečnostných výstrah
8. stopovací kód, napr. číslo produkcie/dávky, číslo série

ZVYŠKOVÁ RIZIKOVOSŤ

Aj keď sa nástroj používa podľa predpisu, nie je možné eliminovať určité zvyškové rizikové faktory. Pri použití vznikajú nasledujúce riziká a obsluhujúca osoba musí venovať zvláštnu pozornosť, aby nedošlo k nasledovnému:

- Nebezpečenstvo kontaktu s nechránenými časťami rotujúceho kotúča.
- Riziko popálenia pri kontakte s horúcim kotúčom alebo obrobkom.
- Poškodenie respiračného systému pri nepoužívaní účinnej protiprachovej masky.
- Poškodenie sluchu pri nepoužívaní účinnej ochrany sluchu.

OBOZNÁMTE SA S VAŠÍM PRODUKTOM

Vid' strana 107.

1. Štít proti iskrám
2. Lapač iskier
3. Kryt kotúča
4. Otočné koliesko na čistenie
5. Opierka obrobku
6. Pracovné svetidlo
7. Nastavovací gombík brúsneho pásu
8. Leštiaci pás
9. Opierka obrobku
10. Zaisťovací gombík opierky obrobku
11. Zásobník na vodu
12. Hlavný spínač
13. Montážny otvor
14. Ochranný kryt brúsneho pásu
15. Ochranný kryt brúsky

ÚDRŽBA

- Produkt žiadnym spôsobom neupravujte ani nepoužívajte príslušenstvo, ktoré neschválil výrobca. Môže dôjsť k narušeniu bezpečnosti vás i iných osôb.
- Produkt nepoužívajte, ak akékoľvek spínače, ochranné kryty či iné funkcie nefungujú podľa ich účelu. Odovzdajte zariadenie do autorizovaného servisného centra na profesionálnu opravu alebo úpravu.
- Nevykonávajte žiadne nastavenia, pokiaľ je výrobok spustený.
- Pred vykonaním úprav, mazaním alebo vykonaním akejkoľvek údržby na produkte vždy skontrolujte, či bola zástrčka odpojená z elektrickej zásuvky.
- Pred a po každom použití skontrolujte, či produkt nie je poškodený alebo nemá zlomené diely. Produkt udržiavajte v špičkovom prevádzkovom stave – okamžite vymeňte súčasti za náhradné diely schválené výrobcom.
- Nahromadený prah vyčistite pomocou kefy alebo vysávača. Nepoužívajte stlačený vzduch.
- Na zabezpečenie bezpečnosti a spoľahlivosti musí všetky opravy, vrátane výmeny kefiiek, vykonávať autorizované servisné centrum.
- Aby nedošlo k ohrozeniu bezpečnosti, v prípade poškodenia musí napájací kábel vymeniť výrobca alebo autorizované servisné centrum.

VAROVANIE

Na zaistenie bezpečnosti a spoľahlivosti musí všetky opravy vykonávať **AUTORIZOVANÉ SERVISNÉ STREDISKO** alebo **KVALIFIKOVANÁ SERVISNÁ ORGANIZÁCIA**.

**PREPRAVA A SKLADOVANIE**

- Pri uskladnení produktu odpojte napájací kábel. Odložte zariadenie na bezpečné miesto, na ktoré nemajú prístup deti.
- Pred uskladnením vyčistite produkt pomocou kefy alebo vysávača.

OCHRANA ŽIVOTNÉHO PROSTREDIA

Surové materiály recyklujte, nelikvidujte ich ako odpad. Stroj, príslušenstvo a obaly by sa mali triedene recyklovať spôsobom šetrným k životnému prostrediu.

SYMBOLY NA PRODUKTE

Buďte ostražití



Zhoda CE



Pred zapnutím zariadenia si prosím prečítajte inštrukcie



Noste ochranu sluchu



Noste ochranu zraku



Nie je určené na mokré brúsenie alebo rezanie



Nepoužívajte vyštrbený, prasknutý alebo poškodený brúsny kotúč



Používajte ochranné rukavice



Rozmer a rýchlosť brúsneho kotúča



Rozmer a rýchlosť brúsneho pásu



Opatrebované elektrické zariadenia by ste nemali odhadzovať do domového odpadu. Prosíme o recykláciu ak je možné. Kontaktujte miestne úrady, alebo predajcu pre viac informácií ohľadom ekologického spracovania.

SYMBOLY V NÁVODE

Pripojte stroj.



Náradie odpojte zo zásuvky.



Doba, ktorú je treba počkať, kým výrobok dosiahne plnú rýchlosť



Diely alebo príslušenstvo predávané samostatne

Nasledujúce značky a významy vysvetľujú úroveň rizika spojeným s výrobkom.

⚠ NEBEZPEČENSTVO

Označuje bezprostredne nebezpečnú situáciu, ktorá, ak jej nepredídete, spôsobí usmrtenie alebo vážne poranenie.

⚠ VAROVANIE

Označuje potenciálne nebezpečnú situáciu, ktorá, ak jej nepredídete, môže spôsobiť usmrtenie alebo vážne poranenie.

⚠ UPOZORNENIE

Označuje potenciálne nebezpečnú situáciu, ktorá, ak jej nepredídete, môže spôsobiť menšie alebo stredne závažné poranenie.

UPOZORNENIE

(Bez výstražnej značky s výkričníkom) Označuje situáciu, ktorá môže zapríčiniť škody na majetku.



Κατά το σχεδιασμό του τριβείου δόθηκε ιδιαίτερη προτεραιότητα στην ασφάλεια, την απόδοση και την αξιοπιστία του.

ΠΡΟΟΡΙΖΟΜΕΝΗ ΧΡΗΣΗ

- Το παρόν τριβείο προορίζεται για την τριβή και τη διαμόρφωση μετάλλων. Το μηχάνημα μπορεί να χρησιμοποιηθεί για το ακόνισμα μεταλλικών εργαλείων χειρός (π.χ. καλέμια, τσεκούρια, μαχαίρια) κεφαλών τρυπανίων καθώς και για την αφαίρεση γρεζιών και αιχμηρών ακρών.
- Με τα κατάλληλα εξαρτήματα, το μηχάνημα μπορεί να χρησιμοποιηθεί για τον καθαρισμό των μεταλλικών επιφανειών με μεταλλική βούρτσα ή για λείανση και στίλβωση χρησιμοποιώντας έναν υφασμάτινο τροχό.
- Ποτέ μην χρησιμοποιείτε το μηχάνημα για εργασίες κοπής

ΓΕΝΙΚΕΣ ΠΡΟΕΙΔΟΠΟΙΗΣΕΙΣ ΑΣΦΑΛΕΙΑΣ

ΠΡΟΕΙΔΟΠΟΙΗΣΗ

Όταν χρησιμοποιείτε ηλεκτρικά εργαλεία, θα πρέπει να τηρούνται πάντα βασικές προφυλάξεις για μείωση του κινδύνου φωτιάς, ηλεκτροπληξίας και τραυματισμού. Διαβάστε όλες τις οδηγίες πριν χρησιμοποιήσετε το προϊόν και φυλάξτε τις.

- **Διατηρείτε καθαρό τον χώρο εργασίας.** Οι ακατάστατοι χώροι και πάγκοι εργασίας προκαλούν ατυχήματα.
- **Εξετάστε τον χώρο εργασίας.** Μην εκθέτετε τα εργαλεία σε βροχή. Μην χρησιμοποιείτε τα εργαλεία σε βρεγμένο χώρο ή σε συνθήκες υγρασίας. Να δουλεύετε σε καλά φωτισμένη περιοχή. Μην χρησιμοποιείτε τα εργαλεία όταν υπάρχουν εύφλεκτα υγρά ή αέρια.
- **Προστατευτικό από ηλεκτροπληξία.** Αποφύγετε την επαφή με γειωμένες επιφάνειες (π.χ. σωλήνες, καλοριφέρ, εστίες, ψυγεία).
- **Διατηρείτε μακριά τους παριστάμενους.** Μην αφήνετε άλλα άτομα και ιδιαίτερα παιδιά να εμπλέκονται στην εργασία, να αγγίζουν το εργαλείο ή την προέκταση και διατηρείτε τους παριστάμενους μακριά από τον χώρο εργασίας σας.
- **Φυλάσσετε τα εργαλεία που δεν χρησιμοποιείτε.** Όταν δεν χρησιμοποιούνται, τα εργαλεία πρέπει να φυλάσσονται σε στεγνό και κλειδωμένο χώρο, μακριά από παιδιά.
- **Μην πιέζετε υπερβολικά το εργαλείο.** Η δουλειά θα γίνει καλύτερα και ασφαλέστερα με τον ρυθμό για τον οποίο προορίζεται.
- **Χρησιμοποιείτε το σωστό εργαλείο.** Μην πιέζετε μικρά εργαλεία να κάνουν τη δουλειά εργαλείων βαριάς χρήσης. Μην χρησιμοποιείτε εργαλεία για μη επιθυμητούς σκοπούς, π.χ. μην χρησιμοποιείτε κυκλικούς κόπτες για να κόψετε κλαδιά δέντρων ή κόσουρα.
- **Ντυθείτε κατάλληλα.** Μην φοράτε χαλαρά ρούχα ή κοσμήματα γιατί μπορεί να πιαστούν στα κινούμενα εξαρτήματα. Προτείνονται αντλιοσθητικά υποδήματα όταν εργάζεστε σε εξωτερικούς χώρους. Καλύπτετε τα μαλλιά σας αν είναι μακριά.
- **Χρησιμοποιείτε προστατευτικό εξοπλισμό.** Χρησιμοποιείτε γυαλιά ασφαλείας. Χρησιμοποιείτε μάσκα προσώπου ή κατά της σκόνης όταν οι εργασίες παράγουν σκόνη / πριονίδια.
- **Συνδέστε τον εξοπλισμό απομάκρυνσης σκόνης / πριονιδιού.** Αν το εργαλείο διαθέτει σύνδεση απομάκρυνσης σκόνης / πριονιδιού και εξοπλισμό συλλογής, βεβαιωθείτε ότι έχουν συνδεθεί και χρησιμοποιούνται σωστά.
- **Προσέχετε στη χρήση του καλωδίου.** Μην τραβάτε ποτέ το καλώδιο για να το αποσυνδέσετε από την πρίζα. Διατηρείτε το καλώδιο μακριά από θερμότητα, λάδι και αιχμηρές γωνίες.
- **Ασφαλής εργασία.** Όπου είναι δυνατό, χρησιμοποιήστε σφικτήρες ή μέγγενη για να συγκρατήσετε το τεμάχιο εργασίας. Είναι ασφαλέστερο από το να χρησιμοποιείτε το χέρι σας.
- **Μην τεντώνεστε.** Διατηρείτε σταθερό πάτημα και ισορροπία συνεχώς.
- **Συντηρείτε προσεκτικά τα εργαλεία.** Διατηρείτε τα εργαλεία κοπής αιχμηρά και καθαρά για καλύτερη και ασφαλέστερη απόδοση. Ακολουθήστε τις οδηγίες για τη λίπανση και αλλαγή εξαρτημάτων. Ελέγχετε τακτικά τα καλώδια του εργαλείου και αν έχουν φθαρεί, επισκευάστε τα πηγαίνοντάς τα σε εξουσιοδοτημένη εγκατάσταση σέρβις. Ελέγχετε τακτικά τα καλώδια προέκτασης και προχωρήστε σε αντικαταστάσεις εάν έχουν φθαρεί. Διατηρείτε τις λαβές στεγνές, καθαρές και χωρίς λάδι και γράσο.
- **Αποσυνδέστε τα εργαλεία.** Όταν δεν χρησιμοποιούνται, πριν το σέρβις και κατά την αλλαγή εξαρτημάτων όπως λεπίδες, μικρά εξαρτήματα και κόπτες, αποσυνδέετε τα εργαλεία από το ρεύμα.
- **Αφαιρέστε κλειδιά προσαρμογής και άλλα κλειδιά.** Ελέγχετε πάντα ότι τα κλειδιά και τα κλειδιά προσαρμογής έχουν αφαιρεθεί από το εργαλείο πριν το ενεργοποιήσετε.
- **Αποφύγετε τις τυχαίες εκκινήσεις.** Βεβαιωθείτε ότι ο διακόπτης βρίσκεται στη θέση "off" όταν συνδέετε το εργαλείο.
- **Χρησιμοποιείτε προεκτάσεις καλωδίων για εξωτερικούς χώρους.** Όταν το εργαλείο χρησιμοποιείται σε εξωτερικό χώρο, χρησιμοποιείτε μόνο καλώδια προέκτασης κατάλληλα για εξωτερική χρήση και με την αντίστοιχη σήμανση.
- **Παραμείνετε σε εγρήγορση.** Προσέχετε τι κάνετε και χρησιμοποιείτε την κοινή λογική. Μην χρησιμοποιείτε το εργαλείο σας αν είστε υπό την επήρεια οινοπνεύματος ή ναρκωτικών ή αν παίρνετε φάρμακα.
- **Ελέγξτε για φθαρμένα εξαρτήματα.** Πριν χρησιμοποιήσετε άλλο το εργαλείο, θα πρέπει να ελεγχθεί προσεκτικά για να βεβαιωθεί ότι λειτουργεί



σωστά και εκτελεί την επιθυμητή λειτουργία. Ελέγξτε την ευθυγράμμιση των κινούμενων εξαρτημάτων, τυχόν πάσιμο αυτών, σπασίματα, στρέωση και άλλες καταστάσεις που μπορεί να επηρεάζουν τη λειτουργία του εργαλείου. Προστατευτικά ή άλλα εξαρτήματα που έχουν φθαρεί θα πρέπει να συντηρούνται κατάλληλα ή να αντικαθίστανται από εξουσιοδοτημένο κέντρο σέρβις, εκτός αν αναφέρεται άλλως στο παρόν εγχειρίδιο χρήσης. Επισκευάζετε τους ελαττωματικούς διακόπτες σε εξουσιοδοτημένο κέντρο σέρβις.

- **Μην χρησιμοποιείτε το εργαλείο αν δεν ενεργοποιείται και απενεργοποιείται.**
- **Προειδοποίηση.** Η χρήση οποιουδήποτε εξαρτήματος ή προσαρτήματος εκτός του προτεινόμενου σε αυτές τις οδηγίες, μπορεί να αποτελεί κίνδυνο τραυματισμού.
- **Επισκευάζετε το εργαλείο πηγαίνοντάς το σε ειδικευμένους τεχνικούς.** Το παρόν ηλεκτρικό εργαλείο συμμορφώνεται με τους σχετικούς κανόνες ασφάλειας. Οι επισκευές θα πρέπει να διενεργούνται μόνο από ειδικευμένα άτομα με χρήση αυθεντικών ανταλλακτικών, διαφορετικά μπορεί να προκύψει σημαντικός κίνδυνος για τον χρήστη.

ΠΡΟΕΙΔΟΠΟΙΗΣΕΙΣ ΑΣΦΑΛΕΙΑΣ ΤΡΙΒΕΙΟΥ.

- Το βύσμα πρέπει να συνδεθεί σε αντίστοιχη πρίζα που είναι σωστά εγκατεστημένη και γειωμένη, σύμφωνα με τους τοπικούς κώδικες και κανόνες. Εάν δεν είστε βέβαιοι, ζητήστε από έναν πιστοποιημένο ηλεκτρολόγο να εξετάσει το δοχείο.
- Στερεώστε το μηχάνημα στον πάγκο εργασίας, τη βάση τριβείου ή άλλο στερεό πλαίσιο πριν από την χρήση. Εάν το μηχάνημα δεν είναι στερεωμένο καλά, είναι ασταθές και μπορεί να μετακινηθεί κατά τη λειτουργία του. Αυτό μπορεί να προκαλέσει ζημιά ή τραυματισμό.
- Παρέχετε επαρκή γενικό ή τοπικό φωτισμό για να αποφεύγονται τα στροβοσκοπικά αποτελέσματα και οι κίνδυνοι.
- Πριν από τη λειτουργία, επιθεωρήστε τα τμήματα και τυχόν άλλα εξαρτήματα του μηχανήματος για να διασφαλίζεται ότι δεν υπάρχουν συνθήκες που μπορεί να επηρεάσουν τη σωστή λειτουργία. Βιδώστε καλά τα παξιμάδια κλειδώματος του τροχού λείανσης, τα ασφαλιστικά μπουλόνια και όλους τους σφικτήρες και τους προφυλακτήρες.
- Πριν από κάθε χρήση του μηχανήματος, ελέγχετε τον τροχό λείανσης για φθορές. Μην χρησιμοποιείτε φθαρμένους ή παραμορφωμένους τροχούς. Αντικαταστήστε τυχόν χαλασμένους τροχούς λείανσης σύμφωνα με τις οδηγίες.
- Πριν από κάθε χρήση του μηχανήματος, ελέγξτε εάν ο τροχός στρέφεται ελεύθερα. Με τον διακόπτη λειτουργίας στη θέση OFF και το μηχάνημα εκτός παροχής ρεύματος, στρέψτε τον τροχό προσεκτικά με το χέρι. Ο τροχός δεν θα πρέπει να ακουμπά κανένα τμήμα του τριβείου πάγκου και δεν θα πρέπει να υπάρχει καμία εμπλοκή που να επηρεάζει τη σωστή λειτουργία.
- Σε κάθε εκκίνηση του μηχανήματος, σταθείτε στο πλάι του και ανοίξτε το διακόπτη στο ON. Αφήστε το τριβείο να λειτουργήσει στη μέγιστη ταχύτητα για ένα λεπτό έτσι ώστε να εμφανιστούν τυχόν μη εντοπιζόμενα ελαττώματα ή ρωγμές του τροχού. Μην ακουμπάτε τον τροχό στο τεμάχιο εργασίας μέχρι το μηχάνημα να έχει αποκτήσει τη μέγιστη του ταχύτητα.
- Κρατήστε το χέρι και τα μέλη του σώματός σας μακριά από τους τροχούς λείανσης. Τυχόν επαφή με τον περιστρεφόμενο τροχό μπορεί να προκαλέσει τραυματισμό.
- Χρησιμοποιείτε πάντοτε προστατευτικά ματιών και τους προφυλακτήρες. Κρατήστε τις ασφάλειες στη θέση τους και σε λειτουργία. Η λειτουργία του μηχανήματος χωρίς προφυλακτήρες ή με φθαρμένους προφυλακτήρες μπορεί να επιφέρει τραυματισμό.
- Αποφυγή εγκαυμάτων. Η διαδικασία λείανσης μπορεί να επιφέρει αύξηση της θερμοκρασίας σε τυχόν αντικείμενα και ο τροχός λείανσης μπορεί να γίνει καυτός. Μην αγγίζετε τον τροχό λείανσης ή τυχόν αντικείμενα ενώ είναι καυτά.
- Μην χρησιμοποιείτε το μηχάνημα για κατεργασία μικρών τεμαχίων που δεν μπορούν να κρατηθούν εύκολα. Μπορεί να αναγκαστείτε να πετάξετε κάποιο αντικείμενο και προκληθεί τραυματισμός.
- Ποτέ μην εργάζεστε με την πλάινη πλευρά του τροχού. Ο τροχός θα σπάσει. Να εργάζεστε μόνο με την μπροστινή πλευρά του τροχού.
- Μην αφήνετε ποτέ το εργαλείο να λειτουργεί χωρίς την επίβλεψή σας. Απενεργοποιήστε το εργαλείο. Προσοχή, ο δίσκος περιστρέφεται με τη δύναμη της αδράνειας μετά τη στάση του εργαλείου. Μην αφήνετε το εργαλείο μέχρι να σταματήσει τελείως.
- Μην αγγίζετε πίσω ή κάτω από τους τροχούς λείανσης.
- Χρησιμοποιείτε προστατευτικά αυτιών, όπως ηχοασπίδες ή ακουστικά στην περίπτωση παρατεταμένων εργασιών.
- Αφαιρέστε το βύσμα πριν κάνετε οποιαδήποτε προσαρμογή, εργασία σέρβις ή συντήρηση. Το καλώδιο τροφοδοσίας πρέπει να είναι εκτός της παροχής ρεύματος ενόσω πραγματοποιείτε συντήρηση του μηχανήματος.
- Ρυθμίστε τις λαβές συγκράτησης όποτε είναι απαραίτητο έτσι ώστε να διατηρείτε την απόσταση των εξαρτημάτων έδρασης και των τροχών λείανσης όσο το δυνατόν μικρότερη. Η απόσταση αυτή θα πρέπει να είναι μικρότερη ή ίση με 2 χιλ.. Επειδή η διάμετρος του τροχού λείανσης μικραίνει με τη χρήση, διατηρήστε τη μέγιστη απόσταση της λαβής συγκράτησης.
- Ρυθμίστε τα αντισπινθηρικά όποτε είναι απαραίτητο έτσι ώστε να διατηρείτε την απόσταση με τους τροχούς λείανσης όσο το δυνατόν μικρότερη. Η απόσταση αυτή θα πρέπει να είναι μικρότερη ή ίση με 2 χιλ.. Επειδή η διάμετρος του τροχού λείανσης μικραίνει με τη χρήση, διατηρήστε τη μέγιστη απόσταση των αντισπινθηρικών
- Εάν η επιφάνεια εργασίας έχει φθαρεί ή υποστεί ζημιά, αντικαταστήστε τη με μια όμοια από το εξουσιοδοτημένο





κέντρο επισκευής.

- Κατά την εγκατάσταση νέου τροχού λείανσης, ελέγχετε πάντα εάν ο αναγραφόμενος αριθμός στροφών ανά λεπτό (RMP) συμφωνεί ή υπερβαίνει τον αντίστοιχο αριθμό που αναγράφεται στο μηχανήμα. Βεβαιωθείτε ότι η διάμετρος του τροχού και το μέγεθος του άξονα συμφωνούν με τα μεγέθη που υποδεικνύονται στις προδιαγραφές. Επίσης, ελέγχετε κάθε νέο τροχό λείανσης για βλάβες όπως ελαττώματα ή ρωγμές.

ΟΔΗΓΙΕΣ ΑΣΦΑΛΕΙΑΣ ΓΙΑ ΤΟΝ ΤΡΟΧΟ ΛΕΙΑΝΣΗΣ

▲ ΠΡΟΕΙΔΟΠΟΙΗΣΗ

Για να ελαχιστοποιηθεί ο κίνδυνος τραυματισμού, οφείλετε να διαβάσετε και να συμμορφώσετε με τις οδηγίες, τις προειδοποιήσεις και τις οδηγίες λειτουργίας πριν αρχίσετε να χρησιμοποιείτε αυτόν τον τροχό λείανσης. Αμέλεια τήρησης αυτών των προειδοποιήσεων μπορεί να προκαλέσει σπάσιμο του τροχού και σοβαρό ατομικό τραυματισμό. Φυλάξτε αυτές τις οδηγίες.

- Η χρήση άλλου από τον τροχό που συνιστούν οι οδηγίες του μηχανήματος ενέχει τον κίνδυνο προσωπικού τραυματισμού. Χρησιμοποιείτε μόνο τροχούς λείανσης με ένδειξη ταχύτητας ίση ή μεγαλύτερη από αυτή που αναγράφεται στο μηχανήμα
- Μην χρησιμοποιείτε τροχούς που είναι τόσο μεγάλοι ώστε δεν επιτρέπουν στην εξωτερική φλάντζα να κλειδώσει με την άτρακτο. Οι μεγαλύτεροι τροχοί έρχονται σε επαφή με τα προστατευτικά ενώ οι πιο παχιοί δεν αφήνουν το μπουλόνι να ασφαλίσει τον τροχό στην άτρακτο. Όλες αυτές οι καταστάσεις μπορούν να προκαλέσουν σοβαρά ατυχήματα και τραυματισμούς.
- Ο τροχός αυτός προορίζεται για τη λείανση και τη διαμόρφωση μετάλλων. Μην επιχειρείτε εργασίες κοπής.
- Αυτός ο τροχός λείανσης είναι κατάλληλος μόνο για ξηρή λείανση.
- Μη χρησιμοποιείτε τροχούς λείανσης με φθορές, κοψίματα, ρωγμές ή άλλα ελαττώματα.
- Βεβαιωθείτε ότι ο τροχός λείανσης έχει τοποθετηθεί και στερεωθεί σωστά πριν από τη χρήση.
- Κατά την εγκατάσταση ή την αφαίρεση των τροχών λείανσης, το μηχανήμα δεν θα πρέπει να είναι συνδεδεμένο στο ρεύμα.
- Αποθηκεύστε προσεκτικά τον ανταλλακτικό τροχό λείανσης.
 - Διατηρήστε τον τροχό λείανσης στη συσκευασία του εφόσον αυτό είναι δυνατό.
 - Αποθηκεύστε τον τροχό σε θερμοκρασία δωματίου και ξηρό περιβάλλον.
 - Οι τροχοί μπορούν να τοποθετούνται όρθιοι σε ράφι.
 - Μην επιτρέπετε στους τροχούς να πέφτουν ή να υφίστανται οποιαδήποτε πρόσκρουση.

Πληροφορίες παρέχονται στην ετικέτα του τροχού λείανσης.

Οι πληροφορίες στην ετικέτα του τροχού είναι σημαντικές. Διαβάστε προσεκτικά και βεβαιωθείτε ότι επιλέγετε τον σωστό τύπο τροχού.

- Κατασκευαστής, προμηθευτής, εισαγωγέας ή εμπορικό σήμα
- Ονομαστικές διαστάσεις τροχού λείανσης, ιδιαίτερα η διάμετρος της σπής.
- Τύπος λειαντικού, μέγεθος κόκκου, βαθμίδα ή σκληρότητα, τύπος ένωσης και χρήση ενίσχυσης.
- Μέγιστη ταχύτητα λειτουργίας σε μέτρα ανά δευτερόλεπτο.
- Μέγιστη επιτρεπόμενη ταχύτητα περιστροφής σε 1/min
- Προς δήλωση πιστότητας, τα λειαντικά προϊόντα πρέπει να φέρουν τη σήμανση EN 12413.
- Περιορισμός χρήσης και σύμβολα προειδοποίησης ασφαλείας
- Κωδικός ανιχνευσιμότητας, π. χ. αριθμός παραγωγής/ παρτίδας, αριθμός σειρών

ΆΛΛΟΙ ΚΙΝΔΥΝΟΙ

Ακόμη και όταν το προϊόν χρησιμοποιείται σύμφωνα με τις οδηγίες, δεν είναι δυνατή η απόλυτη απαλειφή συγκεκριμένων παραγόντων κινδύνου. Κατά τη χρήση μπορεί να προκύψουν οι ακόλουθοι κίνδυνοι και ο χειριστής πρέπει να δίδει ιδιαίτερη προσοχή προς αποφυγή των εξής:

- Προσοχή στην επαφή με μη προστατευμένα τμήματα του περιστρεφόμενου τροχού.
- Κίνδυνος εγκαύματος σε περίπτωση επαφής με τον τροχό ή το τεμάχιο εργασίας λόγω πολύ υψηλής θερμοκρασίας.
- Βλάβες στο αναπνευστικό σύστημα όταν δεν χρησιμοποιούνται αποτελεσματικά μάσκες προστασίας από τα πριονίδια.
- Βλάβες στην ακοή αν δεν χρησιμοποιούνται αποτελεσματικά προστατευτικά ακοής.

ΓΝΩΡΙΣΤΕ ΤΟ ΠΡΟΪΟΝ ΣΑΣ

Βλέπε σελίδα 107.

- Προστατευτικό σπινθήρων
- Αντισπινθηρικά
- Προστατευτικό τροχού
- Εργαλείο αναγέννησης τροχού
- Επιφάνεια εργασίας
- Φως εργασίας
- Μοχλός ρύθμισης ταινίας τριβής
- Ταινία λείανσης
- Επιφάνεια εργασίας
- Μοχλός κλειδώματος επιφάνειας εργασίας
- Δίσκος νερού
- Διακόπτης ενεργοποίησης/απενεργοποίησης (on/off)
- Τρύπα τοποθέτησης
- Προστατευτικό ταινίας λείανσης
- Προστατευτικό τριβείου

**ΣΥΝΤΗΡΗΣΗ**

- Μην τροποποιήσετε το προϊόν με οποιονδήποτε τρόπο ή χρησιμοποιήσετε αξεσουάρ που δεν είναι εγκεκριμένα από τον κατασκευαστή. Η ασφάλεια σας και η ασφάλεια των άλλων μπορεί να υποβαθμιστεί.
- Μην χρησιμοποιείτε το προϊόν εάν υπάρχουν διακόπτες, προφυλακτήρες ή άλλες λειτουργίες που δεν λειτουργούν όπως θα έπρεπε. Επιστρέψτε το σε ένα εξουσιοδοτημένο κέντρο επισκευών για επαγγελματική επισκευή ή ρύθμιση.
- Μην κάνετε ρυθμίσεις όταν το μηχάνημα είναι σε λειτουργία.
- Να βεβαιώνετε πάντα ότι το φως έχει βγει από τη πρίζα πριν από κάνετε προσαρμογές, λίπανση ή όταν κάνετε οποιαδήποτε συντήρηση του προϊόντος.
- Πριν και μετά από κάθε χρήση, ελέγξτε το προϊόν για ζημιές ή χαλασμένα μέρη. Διατηρήστε το προϊόν σε άριστη κατάσταση λειτουργίας με την άμεση αντικατάσταση εξαρτημάτων με ανταλλακτικά εγκεκριμένα από τον κατασκευαστή.
- Καθαρίστε τη συσσωρευμένη σκόνη με μια βούρτσα ή ηλεκτρική σκούπα. Μη χρησιμοποιείτε συμπιεσμένο αέρα.
- Για να εξασφαλιστεί η ασφάλεια και η αξιοπιστία, όλες οι επισκευές, συμπεριλαμβανομένης της αλλαγής βουρτσών, θα πρέπει να γίνονται από εξουσιοδοτημένο κέντρο επισκευών.
- Αν το καλώδιο παροχής ρεύματος υποστεί φθορές, θα πρέπει να αντικατασταθεί από τον κατασκευαστή ή από εξουσιοδοτημένο κέντρο σέρβις για την αποφυγή κινδύνων ασφάλειας.

ΠΡΟΕΙΔΟΠΟΙΗΣΗ

Για μεγαλύτερη ασφάλεια και αξιοπιστία, όλες οι επιδιορθώσεις πρέπει να πραγματοποιούνται από εγκεκριμένο Κέντρο Τεχνικής Εξυπηρέτησης Ryobi.

ΜΕΤΑΦΟΡΑ ΚΑΙ ΑΠΟΘΗΚΕΥΣΗ

- Κατά την αποθήκευση του προϊόντος, αποσυνδέστε το καλώδιο τροφοδοσίας. Αποθηκεύστε το προϊόν σε ένα ασφαλές μέρος που δεν είναι προσίτο στα παιδιά.
- Καθαρίστε το προϊόν με μια βούρτσα και ηλεκτρική σκούπα πριν από την αποθήκευση.

ΠΡΟΣΤΑΣΙΑ ΤΟΥ ΠΕΡΙΒΑΛΛΟΝΤΟΣ

Ανακυκλώνετε τις πρώτες ύλες αντί να τις πετάτε ως απορρίμματα. Για την προστασία του περιβάλλοντος, πρέπει να γίνεται η διαλογή του εργαλείου, των εξαρτημάτων και των συσκευασιών του.

ΣΥΜΒΟΛΑ ΣΤΟ ΠΡΟΪΟΝ

Προειδοποίηση ασφαλείας



Συμμόρφωση CE



Παρακαλούμε διαβάστε τις οδηγίες προσεκτικά πριν ξεκινήσετε το μηχάνημα.



Φοράτε προστατευτικά αυτιών



Φοράτε προστατευτικά ματιών



Ακατάλληλο για εργασίες λείανσης ή κοπής σε συνθήκες υγρασίας



Μην χρησιμοποιείτε λειαντικούς τροχούς που έχουν ξεφλουδίσει, ραγίσει ή είναι ελαττωματικοί



Φοράτε γάντια ασφαλείας



Μέγεθος και ταχύτητα τροχού λείανσης



Μέγεθος και ταχύτητα ταινίας λείανσης



Τα ηλεκτρικά προϊόντα προς απόρριψη δεν θα πρέπει να απορρίπτονται μαζί με τα οικιακά απόβλητα. Παρακαλούμε ανακυκλώστε όπου υπάρχουν οι αντίστοιχες εγκαταστάσεις. Μιλήστε με τις τοπικές αρχές ή τον πωλητή για να σας ενημερώσουν σχετικά με τα προγράμματα ανακύκλωσης.

ΣΥΜΒΟΛΑ ΣΤΟ ΕΓΧΕΙΡΙΔΙΟ

Συνδέστε τη συσκευή στο ρεύμα.



Αποσυνδέστε από το ρεύμα το εργαλείο.



Χρόνος επίτευξης της μέγιστης ταχύτητας του μηχανήματος



Ανταλλακτικά και εξαρτήματα πωλούνται χωριστά

Οι ακόλουθες προειδοποιητικές λέξεις και έννοιες προορίζονται να εξηγήσουν τα επίπεδα κινδύνου που συνδέονται με αυτό το προϊόν:

ΚΙΝΔΥΝΟΣ

Υποδεικνύει μια επικείμενη επικίνδυνη κατάσταση, η οποία, αν δεν αποφευχθεί, θα οδηγήσει σε θάνατο ή σοβαρό τραυματισμό.

ΠΡΟΕΙΔΟΠΟΙΗΣΗ

Υποδεικνύει μια δυνητικά επικίνδυνη κατάσταση, η οποία, αν δεν αποφευχθεί, θα οδηγήσει σε θάνατο ή σοβαρό τραυματισμό.

ΠΡΟΣΟΧΗ

Υποδεικνύει μια δυνητικά επικίνδυνη κατάσταση, η οποία, αν δεν αποφευχθεί, ενδέχεται να οδηγήσει σε ελαφρύ ή μέτριο τραυματισμό.

ΠΡΟΣΟΧΗ

(Χωρίς προειδοποιητικό σύμβολο) Επισημαίνει μια κατάσταση που ενδέχεται να προκαλέσει υλικές ζημιές.



Taşıma ve zımpara makinenizin tasarımında güvenlik, performans ve güvenilirliğe en yüksek öncelik verilmiştir.

KULLANIM AMACI

- Bu taşıma ve zımpara makinesi metal zımparalayıcı biçimlendirmek için geliştirilmiştir. Metal el aletlerini (örn. keskinler, baltalar ve bıçaklar) ya da matkap uçlarını bilemek, çapak ve keskin kenarları gidermek için kullanılabilir.
- Ürün uygun aksesuarlarla tel fırçayla metal yüzeyleri temizliğinde ya da kumaş bir diskle cilalama ve parlatmak için kullanılabilir.
- Ürünü asla kesme işlemlerinde kullanmayın.

GENEL EMNİYET UYARILARI

⚠ UYARI

Elektrikli aletleri kullanırken, yangın, elektrik çarpması, yanma ve diğer yaralanma risklerini azaltmak için bazı temel güvenlik tedbirleri dikkate alınmalıdır. Ürünü çalıştırmayı denemeden önce tüm talimatları okuyun ve saklayın.

- Çalışma alanını temiz tutun.** Karmaşık alanlar ve tezgahlar, yaralanmalara davetiye çıkarır.
- Çalışma ortamını inceleyin.** Aletleri yağmura maruz bırakmayın. Aletleri ıslak ya da nemli ortamlarda kullanmayın. Çalışma alanını iyi ışıklandırın. Aleti, yanıcı sıvıların veya gazların bulunduğu ortamda kullanmayın.
- Elektrik çarpmasına karşı koruma sağlayın.** Şaşılmalı veya topraklanmış yüzeylere temas etmekten kaçının (borular, radyatörler, ocaklar, buzdolapları vs.).
- Başka insanları yaklaştırmayın.** İnsanların, özellikle de çocukların işe müdahil olmasına, alete veya uzatma kablosuna dokunmasına asla müsaade etmeyin; çalışma alanından uzak tutun.
- Boşta duran aletler.** Kullanılmadıkları zamanlarda, aletleri kuru, kilitli ve çocukların ulaşamayacağı bir yerde saklayın.
- Alete güç uygulamayın.** İşin, amacına uygun seviyede kaliteli ve emniyetli yapılmasını sağlayacaktır.
- Doğru cihaz kullanın.** Küçük aletleri, ağır iş aletleriyle yapılması gereken zorlu işlerde kullanmayın. Aletleri kullanım amaçlarının dışında kullanmayın; örneğin, yuvralak testereleri açığa dallarını veya kütükleri kesmede kullanmayın.
- Uygun giysiler giyin.** Bol kıyafet giymeyin, ziynet eşyası takmayın; hareketli parçalara kapılabilir. Açık mekanlarda çalışırken kaymaz ayakkabı giymeniz tavsiye edilir. Şaçınızı tamamen kapatacak koruyucu saç bonesi takın.
- Koruyucu ekipman kullanın.** Emniyet gözlükleri takın. Çalışma ortamında toz çıkıyorsa, yüz veya toz maskesi takın.
- Toz çekme ekipmanını bağlayın.** Toz atma ya da toplama ekipmanı bağlantısı da aletle kullanılıyorsa, bunların doğru bağlandığından ve kullanıldığından emin olun.
- Elektrik kablosunu kötü kullanmayın.** Kabloyu soketten çıkarmak için asla sertçe çekmeyin. Kabloyu ısıdan, yağdan ve keskin nesnelere uzak tutun.
- İş emniyete alın.** Mümkünse, çalışmaya ara verdiğinizde kelepçe veya mengeneyle sabitleme yapın. Ellerinizi kullanmaktan daha güvenlidir.
- Aşırı derecede uzanmayın.** Her zaman güvenli ve dengede durun.
- Aletlere özenle bakım yapın.** Daha iyi performans ve daha yüksek güvenlik için, kesme aletlerini keskin ve temiz tutun. Aksesuar yağlama ve aksesuar değiştirme için, mutlaka talimatlara uyun. Alet kablolarını periyodik olarak kontrol edin, hasarlı olanların yetkili serviste onarılmasını sağlayın. Uzatma kablosunu düzenli aralıklarla kontrol edin ve hasar görmüşse değiştirin. Kolların kuru, temiz ve yağdan/gresten arınmış olmasına özen gösterin.
- Aletlerin fişini çekin.** Kullanılmadıkları zamanlarda, bıçaklar, matkap uçları ve kesiciler gibi aletlere bakım yapmadan veya değiştirmeden önce, mutlaka aletlerin fişini çekin.
- Ayarlama anahtarlarını ve somun anahtarlarını çıkarın.** Aleti çalıştırmadan önce anahtarların ve ayar anahtarlarının aletten çıkarıldığını kontrol etmeyi alışkanlık haline getirin.
- İstemsiz çalıştırmalardan kaçının.** Aletin fişini takarken, düğmenin "off (kapalı)" konumunda olduğundan emin olun.
- Açık mekan için uygun uzatma uçları kullanın.** Alet dış mekanda kullanılıyorsa, sadece dış mekan için üretilmiş ve bu özelliği üzerinde belirtilmiş uzatma kablolarını kullanın.
- Her zaman tetikte olun.** Ne yaptığınıza dikkat edin ve sağduyunuzu kullanın. Alkol veya uyuşturucu yada ilaç aldığımızda elektrikli aletinizi kullanmayınız.
- Hasarlı parçalara karşı kontrol edin.** Aleti kullanmaya devam etmeden önce, doğru ve amacına uygun bir şekilde kullanılıp kullanılmayacağını dikkatlice kontrol edin. Hareketli parçaların hizalamasını, yüzeye yapışıp yapışmadığını, parçalarda kırılma olup olmadığını, montaj konumunu ve aletin çalışmasını etkileyebilecek diğer koşulların bulunup bulunmadığını kontrol edin. Hasar gören bir koruma ya da başka bir parça, aksi bu kullanım kılavuzunda belirtilmedikçe yetkili servis merkezi tarafından onarılmalı ya da değiştirilmelidir. Arızalı anahtarlar yetkili servis tarafından değiştirilmelidir.
- Alt düğmeyle açılıp kapatılmıyorsa, aleti kullanmayın.**
- Uyarı.** Bu kullanım kılavuzunda tavsiye edilenler dışında aksesuar veya ataşman kullanılması, kişisel yaralanma riskine neden olur.



- **Alet mutlaka yetkili teknisyen tarafından onarılmalıdır.** Bu elektrikli alet, yürürlükteki emniyet normlarına uygundur. Onarım işleri, sadece orijinal parçaları kullanan kalifiye teknisyenler tarafından yapılmalıdır; aksi takdirde kullanıcı ciddi biçimde zarar görebilir.

TAŞLAMA VE ZIMPARA MAKİNESİ GÜVENLİK UYARILARI

- Fiş, tüm yerel kurallara ve yasalara uygun doğru olarak takılmış ve topraklanmış uygun bir prize takılmalıdır. Emin değilseniz, prizi yetkili bir elektrikçiye kontrol ettirin.
- Çalıştırmadan önce ürünü tezgah, zımpara ayağı ya da sert bir şasi üzerine sağlamca tespit edin. Tespit edilmemiş bir ürün dengesizdir ve çalışma sırasında hareket edebilir. Bu durum hasar veya yaralanmaya yol açabilir.
- Stroboskopik etkileri ve tehlikeleri önlemek için yeterli miktarda genel ve bölgesel aydınlatma oluşturun.
- Çalıştırmadan önce, ürünün düzgün işlemlerini etkileyebilecek koşullar olup olmadığını görmek için bileşenlerini ve aksesuarlarını kontrol edin. Zımpara taşının kilit somunlarını, emniyet civatalarını ve tüm kelepçe ve korkuluklarını sıkıştırın.
- Her başlangıçtan önce zımpara taşını hasar açısından kontrol edin. Hasarlı veya biçimi bozulmuş zımpara taşları kullanmayın. Hasarlı zımpara taşlarını talimatlara uygun olarak değiştirin.
- Her başlangıçtan önce, zımpara taşının serbestçe döndüğünden emin olun. Ürün prizden çıkarılmış, anahtar OFF konumuna getirilmişken, zımpara taşını elinizle dikkatlice döndürün. Zımpara taşı tezgah üstü zımparanın hiçbir bileşenine temas etmemeli ve düzgün çalışmasını etkileyecek hiçbir bükülme ya da benzeri durum olmamalıdır.
- Her başlangıç sırasında, ürünün bir tarafında durup anahtarı ON konumuna getirin. Zımpara taşında fark edilmemiş arıza veya çatlakların görülebilmesi için zımparayı tam hızla bir dakika çalıştırın. Ürün tam hıza erişinceye kadar zımpara taşını iş parçasına değdirmeyin.
- Ellerinizi ve vücudunuzu zımpara taşlarına yaklaştırmayın. Dönen taşla temas yaralanmaya neden olabilir.
- Her zaman korkuluk ve göz maskesi kullanın. Muhafazaların yerinde ve görev yapar durumda olmasını sağlayın. Ürünü korkuluksuz ya da hasarlı korkuluklarla çalıştırmak yaralanmaya neden olabilir.
- Yanıklardan kaçının. Zımpara işlemi parçaların ve zımpara taşının ısınmasına neden olabilir. Zımpara taşına ve sıcak olabilecek aksama dokunmayın.
- Ürünü küçük parçaları ya da gerektiği gibi tutulamayacak parçaları işlemek için kullanmayın. Parça fırlatılıp yaralanmaya neden olabilir.

- Zımpara taşının yanı sıra zımpara yapmayın. Zımpara taşı parçalanır. Sadece taşın yüzüyle zımparalayın.
- Aleti asla çalışır durumdayken gözetimsiz bırakmayın. Aleti kapatın. Dikkat, taş alet durduktan sonra da biraz döner. Tamamen durmadan aleti yere bırakmayın.
- Elinizi zımpara taşlarının altına ya da arkasına uzatmayın.
- Uzun çalışma sürelerinde tıkaç ya da kulaklık gibi koruyucu donanım kullanın.
- Herhangi bir ayarlama, tamir veya bakım gerçekleştirmeden önce fişi prizden çekin. Ürünüze bakım yaptığınız zaman güç kablosu prizden çıkarılmış olmalıdır.
- İş dayanaklarıyla zımpara taşlarının arasındaki aralığın olabildiğince az olması için gerektiğinde alet dayanaklarını ayarlayın. Bu aralığın 2 mm ya da daha az olması gerekir. Zımpara taşlarının çapı kullandıkça azaldığından, azami alet dayanak aralığını ayarlama yoluyla sabit tutun.
- Kıvılcım önleyicilerle zımpara taşlarının arasındaki aralığın olabildiğince az olması için gerektiğinde kıvılcım önleyicileri ayarlayın. Bu aralığın 2 mm ya da daha az olması gerekir. Zımpara taşlarının çapı kullandıkça azaldığından, azami kıvılcım önleyici aralığını ayarlama yoluyla sabit tutun.
- İş dayanağı aşınır ya da hasar görürse, yetkili bir servis merkezinden benzer bir parçayla değiştirin.
- Yeni bir zımpara taşı takarken, belirtilen azami devir/dak. hızının ürün üzerindeki hıza eşit ya da daha yüksek olmasına dikkat edin. Zımpara taşı çapının ve mil boyunun teknik özelliklerde belirtilenlere uygunluğundan emin olun. Yeni zımpara taşını hata veya çatlak açısından da kontrol edin.

ZIMPARA TAŞI GÜVENLİK TALİMATLARI

⚠ UYARI

Kullanıcı yaralanma riskini azaltmak için bu zımpara aletini kullanmadan önce talimatlar, uyarılar ve operatör el kitabını okumalı ve bunlara uygun davranmalıdır. Bu uyarıları göz ardı etmek çarkın kırılmasına ve ciddi yaralanmalara yol açabilir. Bu talimatı saklayın.

- Makine talimat el kitabında tavsiye edilen dışında herhangi bir zımpara taşı kullanmak kişisel yaralanma riski taşıyabilir. Sadece belirlenen hızı makinede belirlenen hızla eşit ya da daha yüksek zımpara taşları kullanın.
- Dış flanşların mile sabitlenmesini engelleyebilecek kalınlıkta diskler kullanmayın. Alete daha büyük diskler takarsanız disk korumalarına çarpar, daha kalın diskler ise civatanın kesme diskini sabitlemesine engel olur. Bu her iki durum da ciddi kazalara ve ciddi kişisel yaralanmalara neden olabilirler.
- Bu taş metal zımparalamak ve biçimlendirmek içindir. Kesme işlemi yapmayı denemeyin.



- Bu zımpara taşı sadece kuru zımparalamaya uygundur.
- Hasarlı, çentikli, çatlak ya da benzer hasarlı zımpara taşlarını kullanmayın.
- Kullanmadan önce, aşındırıcı zımpara taşının doğru takılıp sıkıldığından emin olun.
- Zımpara taşı takılır ya da değiştirilirken makine kesinlikle güç kaynağına bağlı olmamalıdır.
- Yedek zımpara taşınızı dikkatle saklayın.
 - Mükünse, taşı orijinal ambalajında muhafaza edin.
 - Taşı oda ısısında, kuru bir mekanda saklayın.
 - Taşlar bir rafta, dikey olarak depolanabilir.
 - Taşların düşmesine ya da darbe görmesine izin vermeyin.

Zımpara taşı etiketinde bulunan bilgiler

Taş etiketinin üzerindeki bilgiler önemlidir. Doğru taş türünü seçtiğinizden emin olmak için etiketi dikkatle okuyup kon trol edin.

1. İmalatçı, tedarikçi, ithalatçı veya ticari marka
2. Zımpara taşının nominal boyutları, özellikle delik çapı.
3. Aşındırıcı tipi, tanecek boyutu, kalite ya da sertlik, yapıştırıcı tipi ve takviye kullanımı.
4. Saniyede metre cinsinden azami çalışma hızı.
5. 1/dk'da azami izin verilebilir dönüş hızı
6. Uygunluk beyanı açısından, aşındırıcı ürünler EN 12413 ile işaretlenir.
7. kullanım kısıtlaması ve güvenlik ikaz işaretleri
8. İzlenebilirlik kodu, örneğin, Bir üretim/parti numarası, seri numarası

ARDIL RİSKLER

Ürün belirtildiği şekilde kullanıldığı zaman bile belirli artık risk faktörlerinin tamamen ortadan kaldırılması mümkün değildir. Kullanım sırasında aşağıdaki tehlikeler ortaya çıkabilir ve operatör bunlardan kaçınmak için özellikle dikkat etmelidir:

- Dönen taşın korumasız bölümleriyle temas tehlikesi.
- Sıcak taş veya iş parçasıyla temas sonucu yanık tehlikesi.
- Etkili bir toz maskesi kullanılmazsa solunum sistemi zarar görebilir.
- Uygun tipte kulak koruyucusu kullanılmadığında işitme duyusunun zarar görmesi.

ÜRÜNÜZÜ TANIYIN

Sayfa 107'ya bakın.

1. Kıvılcım kalkanı
2. Kıvılcım önleyici
3. Çark koruma
4. Taş dolgu aleti
5. İş dayanağı
6. Çalışma lambası
7. Kumlama kuşağı ayar topuzu
8. Zımpara şeridi

9. İş dayanağı
10. İş dayanağı kilit düğmesi
11. Su tepsisi
12. Açma/kapama anahtarı
13. Montaj deliği
14. Zımpara kayışı korkuluğu
15. Zımpara korkuluğu

BAKIM

- Ürünü herhangi bir şekilde değiştirmeyin veya üretici tarafından onaylanmamış aksesuarlar kullanmayın. Sizin ve diğer kişilerin güvenliği tehlikeye girebilir.
- Herhangi bir şalter, koruma veya başka bir fonksiyon amaçlandığı şekilde çalışmıyorsa ürünü kullanmayın. Profesyonel onarım veya ayar işlemi için yetkili bir servis merkezine gönderin.
- Ürün çalışırken herhangi bir ayar yapmayın.
- Ayar ve yağlama çalışmalarından önce veya ürün üzerinde herhangi bir bakım çalışması yaparken her zaman elektrik fişinin şebeke güç kaynağından ayrıldığından emin olun.
- Her kullanımdan önce ve sonra ürünü hasara veya kırık parçalara karşı kontrol edin. Hasarlı parçaları hemen üretici tarafından onaylanan yedek parçalarla değiştirerek ürünü en iyi çalışma durumunda tutun.
- Bir fırça veya elektrikli süpürge kullanarak biriken tozu temizleyin. Basıncılı hava kullanmayın.
- Güvenli ve güvenilir olmasını sağlamak için fırçaların değiştirilmesi de dahil tüm onarım çalışmaları yetkili bir servis merkezi tarafından gerçekleştirilmelidir.
- Güç kaynağı kablosu hasarlıysa, güvenlik riskini önlemek için yalnızca üretici veya yetkili bir servis merkezi tarafından değiştirilmelidir.

⚠ UYARI

Daha fazla güvenlik için, tüm onarımlar Ryobi Yetkili Servis Merkezinde gerçekleştirilmelidir.

TAŞIMA VE SAKLAMA

- Ürünü depolarken güç kablosunu ayırın. Ürünü çocukların erişemeyeceği güvenli bir yerde saklayın.
- Depolamadan önce ürünü bir fırça ve elektrikli süpürge kullanarak temizleyin.

ÇEVRENİN KORUNMASI



Ham maddeleri çöp olarak atmak yerine geri dönüştürün. Çevreyi korumak için, alet, aksesuarlar ve ambalajlar tasnif edilmelidir.

ÜRÜN ÜZERİNDEKİ SEMBOLLER



Güvenlik ikazı



CE uygunluğu



Makineyi çalıştırmadan talimatları dikkatlice okuyun.



Koruyucu kulaklık kullanın



Koruyucu gözlük kullanın



Islak taşlama veya kesim işlemlerine uygun değildir



Kırık, çatlak ya da arızalı taşlama çarkını kullanmayın



Emniyet eldivenleri giyin



Zımpara taşının boyutu ve hızı



Zımpara kayışının boyutu ve hızı



Atık elektrikli ürünler evsel atıklarla birlikte atılmamalıdır. Tesis bulunuyorsa lütfen geri dönüşüme verin. Geri dönüşümle ilgili tavsiye için Yerel Makamlarla veya bayi ile irtibat kurun.

KİTAPÇIKTAKİ SEMBOLLER



Makineyi prize takın.



Aletin fişini prizden çekin.



Ürünün tam hıza ulaşması için bekleme süresi



Parçalar ya da aksesuarlar ayrı olarak satılır.

Aşağıdaki işaret sözcükleri ve anlamları, bu ürünle ilişkili risk seviyelerini açıklamaya yöneliktir:

⚠ TEHLİKE

Önlenmemesi durumunda ölüm veya ciddi yaralanma ile sonuçlanacak, tehdit edici tehlikeli bir durumu gösterir.

⚠ UYARI

Önlenmemesi durumunda ölüm veya ciddi yaralanma ile sonuçlanabilecek potansiyel olarak tehlikeli bir durumu gösterir.

⚠ DİKKAT

Önlenmemesi durumunda önemsiz veya orta derece yaralanma ile sonuçlanabilecek potansiyel olarak tehlikeli bir durumu gösterir.

DİKKAT

(Güvenlik uyarı simgesiz) maddi hasarla sonuçlanabilecek bir durum belirtir.



Головними міркуваннями при розробці цього настільного точноно-шліфувального верстату були безпека, ефективність та надійність

ПРИЗНАЧЕННЯ

- Цей точноно-шліфувальний верстат призначений для шліфування і формування металу. Він може бути використаний для загострення металевих ручних інструментів (наприклад, зубила, сокири та ножі) і свердла, прибирання зазублин і гострих країв.
- З використанням належного приладдя, пристрій може бути використаний для очищення металевих поверхонь за допомогою дротяної щітки або для шліфування і полірування з використанням суконого диска.
- Ніколи не використовуйте пристрій для різання.

ЗАГАЛЬНІ ПРАВИЛА БЕЗПЕКИ

⚠ ПОПЕРЕДЖЕННЯ

При використанні електричних інструментів слід завжди дотримуватися загальних правил техніки безпеки, щоб знизити ризик виникнення пожежі, ураження електричним струмом та отримання травм. Прочитайте ці інструкції перед початком роботи з цим продуктом і збережіть ці інструкції.

- Тримайте робочу зону чистою.** Засмітнені області та верстати створюють травми.
- Враховуйте робоче навколишнє середовище.** Бережіть інструмент від дощу. Не використовуйте інструменти в сирих або вологих місцях. Робоче місце повинно бути добре освітлено. Не використовуйте інструменти у присутності легкозаймистих рідин або газів.
- Захист від ураження електричним струмом.** Уникайте контакту тіла з заземленими поверхнями, такими як труби, радіатори, плити та холодильники.
- Тримайте інших осіб подалі.** Не дозволяйте особам, особливо дітям, бути залученими в роботу, торкатися інструменту або подовжувача, і тримайте їх подалі від робочої зони.
- Зберігайте невикористовувані інструменти.** Якщо не у використанні, інструменти повинні зберігатися в сухому закритому місці, поза досяжністю дітей.
- Не перевантажувати інструмент.** Він буде виконувати роботу краще і безпечніше при швидкості, для якої він призначений.
- Використовуйте правильний інструмент.** Не примушуйте невеликі інструменти, щоб зробити роботу інструменту важкого режиму. Не використовуйте інструменти для не призначених цілей, наприклад, не використовуйте циркулярну пилку для різання гілок або коріння дерев.
- Одягайтеся правильно.** Не носіть вільний одяг або прикраси, вони можуть потрапити в рухомі частини. Неслизьке взуття рекомендується при роботі на відкритому повітрі. Носіть захисний волоссяний покрив, щоб вкрити довге волосся.
- Використовуйте захисне обладнання.** Використовуйте маску або респіратор, якщо робочі операції створюють пил.
- Підключіть витяжку для пилу.** Якщо передбачено підключення до інструменту обладнання для збору та видалення пилу, переконайтеся, що воно під'єднане і використовується правильно.
- Не зловжуйте шнур.** Ніколи не смікайте за шнур, щоб від'єднати його від розетки. Тримайте шнур подалі від джерел тепла, мастила і гострих кромок.
- Безпечна робота.** Де це можливо, використовуйте затискачі або лещата для проведення робіт. Це безпечніше, ніж використовувати руки.
- Не тягніться.** Зберігайте правильну стійку і баланс весь час.
- Обережно ставтесь до інструментів.** Тримайте ріжучий інструмент гострим і чистим для кращої та безпечної роботи. Дотримуйтесь інструкцій по змащенню й заміні аксесуарів. Періодично перевіряйте шнури інструменту, і, якщо вони пошкоджені, відремонтуйте їх в авторизованому сервісному центрі. Періодично оглядайте подовжувачі і замініть, якщо вони пошкоджені. Тримайте ручки сухими, чистими і вільними від масла і мастила.
- Вимикайте електроінструмент.** Якщо не використовується, перед техобслуговуванням і при зміні приладдя, такого, як леза, свердла і різакі, від'єднайте інструменти від джерела живлення.
- Видалити регулювальні й гайкові ключі.** Сформуйте звичку перевіряти, що регулювальні ключі і гайкові ключі прибрані з інструменту перед його включенням.
- Уникайте ненавмисного запуску.** Переконайтеся, що вимикач знаходиться в положенні «вимкнено» при підключенні.
- Використовуйте подовжувачі дроти для відкритого повітря.** Коли інструмент використовується на вулиці, використовуйте тільки шнури, призначені подовжувачі для використання на відкритому повітрі і так помічені.
- Будьте пильні.** Працюйте дуже уважно і керуйтеся здоровим глуздом. Не використовуйте електроінструмент, якщо Ви втомилися або перебуваєте під впливом наркотиків, алкоголю або ліків.
- Перевіряйте ушкоджені частини.** Перед подальшим використанням інструменту, він повинен бути ретельно перевірений, щоб визначити, що він буде правильно працювати і виконувати свої функції. Перевірте вирівнювання рухомих частин, з'єднання



рухомих частин, поломки частин, монтаж та будь-які інші умови, які можуть вплинути на його роботу. Запобіжник або інша частина, яка пошкоджена, повинні бути правильно відремонтовані або замінені в авторизованому сервісному центрі, якщо інше не зазначено в цьому посібнику. Несправні вимикачі повинні замінюватися в авторизованому сервісному центрі.

- **Не використовуйте електроінструмент, якщо перемикач не включає та вимикає його.**
- **Попередження.** Використання будь-якого приладдя або пристосувань, крім рекомендованих у цьому посібнику, може становити небезпеку отримання травм.
- **Ремонтуйте інструмент за допомогою кваліфікованого фахівця.** Цей електричний інструмент відповідає відповідним правилам безпеки. Ремонт повинен проводитися тільки кваліфікованими фахівцями з використанням оригінальних запасних частин, в іншому випадку це може призвести до серйозної небезпеки для користувача.

ПОПЕРЕДЖЕННЯ З ТЕХНІКИ БЕЗПЕКИ ПІД ЧАС РОБОТИ З ТОЧИЛЬНО-ШЛІФОВАЛЬНИМ ВЕРСТАТОМ

- Вилка повинна бути підключена до відповідної розетки, яка встановлена належним чином і заземлена відповідно до всіх місцевих нормативів і правил. Якщо ви невпевнені, то кваліфікований електрик повинен перевірити штепсельну розетку.
- Перш ніж приступити до роботи міцно змонтуйте пристрій у верстаті, на підставці для шліфування або на іншу жорстку раму. Незакріплений точильно-шліфувальний верстат є нестабільним і може перемищатися під час роботи. Це може призвести до пошкодження та травмування.
- Забезпечте достатню загальне або локалізоване освітлення, щоб запобігти стробоскопічному ефекту і небезпеці.
- Перед роботою, перевірте компоненти і будь-яке приладдя, щоб гарантувати, що немає ніяких умов, які можуть вплинути на нормальну роботу. Затягніть контргайки шліфувального диска, болти, все фіксатори і захисне приладдя.
- Перед початком кожного запуску, перевірте шліфувальний круг на наявність пошкоджень. Ніколи не використовуйте пошкоджені або деформовані диски. Замініть пошкоджений шліфувальний диск згідно з інструкцією.
- Перед кожним запуском переконайтеся, що диск обертається вільно. Після відключення від живлення та коли перемикач у вимкненому положенні, обережно обертайте диск вручну. Диск не повинен контактувати з будь-якими компонентами точильно-шліфувального верстата, і не повинно бути ніяких інших умов, які можуть вплинути на нормальну роботу.
- Під час кожного запуску, при вмиканні слід стояти з одного боку від пристрою. Дайте пристрою попрацювати на повній швидкості протягом однієї хвилини, щоб виявилися будь-які дефекти або тріщини диска. Не торкайтеся оброблюваної деталі, поки пристрій не досяг повної швидкості.
- Не торкайтеся шліфувального диску руками або іншими частинами тіла. Контакт з диском, що обертається може привести до травмування.
- Завжди одягайте захисне спорядження та захисні окуляри. Захисні окуляри повинні бути встановлені на місце та бути у доброму робочому стані. Експлуатація пристрою без захисного обладнання або з пошкодженим обладнанням може призвести до травм.
- Уникайте опіків. Шліфування може спричинити значне нагрівання деталей та шліфувального диску. Не торкайтеся шліфувального диску або деталей, які можуть бути гарячими.
- Не використовуйте пристрій для роботи з маленькими деталями, або з деталями, які незручно тримати. Деталь може відскочити та стати причиною травмування.
- Ніколи не шліфуйте гранями диску. Диск може розколотися. Шліфуйте тільки лицевою частиною диску.
- Ніколи не залишайте працюючий пристрій без нагляду. Вимикайте живлення. Круг продовжує обертатися після того, як прилад вимкнено. Не залишайте інструмент, доки він не зупиниться повністю.
- Ніколи не беріть шліфувальні диски знизу або ззаду.
- Використовуйте засоби захисту слуху, наприклад навушники-вкладиші або накладні, під час тривалого періоду експлуатації.
- Вийміть вилку перед проведенням будь-яких робіт з регулювання, обслуговування і огляду. Під час обслуговування пристрою завжди відключайте його з електромережі.
- У разі потреби відрегулюйте підпірки інструменту, щоб дистанція між підпірками і шліфувальними дисками була якомога менша. Ця відстань має дорівнювати 2 мм або бути менша. Оскільки діаметр шліфувального диску зменшується під час використання, підтримуйте максимальну відстань до підпірок, регулюючи їх.
- У разі потреби відрегулюйте іскрогасники, щоб дистанція між іскрогасниками і шліфувальними дисками була якомога менша. Ця відстань має дорівнювати 2 мм або бути менша. Оскільки діаметр шліфувального диску зменшується під час використання, підтримуйте максимальну відстань до підпірок, регулюючи їх.
- Якщо опора зношена або пошкоджена, замініть її на ідентичну у авторизованому сервісному центрі.



- При установленні нового шліфувального диска, завжди перевіряйте, щоб зазначена максимальна частота обертання відповідала або перевершувала, вказану на верстаті. Переконайтеся, щоб діаметр диска і розмір осі відповідали зазначеним у специфікації. Також перевірте новий диск на наявність пошкоджень, таких як дефекти або тріщини.

ВКАЗІВКИ З ТЕХНІКИ БЕЗПЕКИ ПІД ЧАС РОБОТИ ЗІ ШЛІФУВАЛЬНИМ ДИСКОМ

▲ ПОПЕРЕДЖЕННЯ

Щоб зменшити ризик отримання травм, користувач повинен прочитати і дотримуватися інструкції, попереджень і інструкції з експлуатації, перш ніж почати використовувати цей шліфувальний диск. Невиконання цієї вказівки може привести до пошкодження круга та серйозної травми. Збережіть ці інструкції.

- Використання круга, відмінного від рекомендованого у цієї інструкції з експлуатації машини може становити небезпеку для отримання травм. Використовуйте тільки шліфувальні диски, чия вказана швидкість дорівнює або більше той, що зазначена на верстаті.
- Ніколи не використовуйте занадто товстий круг, щоб зовнішній фланець торкався поверхню шпинделя. Великі круги будуть торкатися захисного кожуха круга, в той час як більш товсті круги захищають болт від кріплення круга на шпинделі. У будь-якої з цих ситуацій це може призвести до серйозної аварії і серйозних травм.
- Цей диск призначений для шліфування і формування металу. Не намагайтеся різати за допомогою нього.
- Цей шліфувальний диск підходить тільки для сухого шліфування.
- Ніколи не використовуйте пошкоджені шліфувальні диски, не використовуйте диски, які мають відколи, тріщини або інші дефекти.
- Переконайтеся, що абразивний шліфувальний диск встановлений належним чином і добре зафіксований перед використанням.
- Під час встановлення або демонтажу шліфувальних дисків заборонено підключати верстат до джерела живлення.
- Ретельно зберігайте запасний шліфувальний диск.
 - Тримайте диск у оригінальній упаковці, якщо це можливо.
 - Зберігайте диск в сухому місці при кімнатній температурі.
 - Диски можна зберігати у вертикальному положенні на полиці.
 - Уникайте падіння чи пошкодження дисків.

Інформація вказана на етикетці шліфувального диска

Інформація, вказана на етикетці круга ВАЖЛИВА. Прочитайте і обережно перевірте його, щоб переконатися, що ви обираєте правильний тип диска.

1. Виробник, постачальник, імпортер або товарний знак
2. Номінальні розміри шліфувального диска, зокрема, діаметр отвору.
3. Тип абразиву, розмір зерна, клас або твердість, тип зв'язку і використання підтримки.
4. Максимальна робоча швидкість у м за сек.
5. Максимально допустима швидкість обертання 1/хв або об/хв
6. Для декларації відповідності, абразивні вироби повинні мати маркування EN 12413
7. Обмеження використання і попереджувальні знаки безпеки.
8. Ідентифікація простежування товарів, напр. Номер виробу/ партії, дата закінчення терміну дії або серійний номер

ЗАЛИШКОВІ РИЗИКИ

Навіть коли продукт використовується як написано, залишається неможливим повністю усунути деякі залишкові чинники ризику. Наступні небезпеки можуть виникнути і оператор повинен звернути особливу увагу, щоб уникнути наступного:

- Небезпека контакту з незахищеними частинами диска, що обертається.
- Небезпека опіку від контакту з гарячим диском або заготівкою.
- Пошкодження дихальної системи виникнуть, якщо не носити ефективну маску від пилу.
- пошкодження слуху, якщо ефективний захист слуху не одягнутий.

ЗНАЙТЕ СВІЙ ПРОДУКТ.

Див. стор. 107.

1. Захист від іскор
2. Блокування полум'я
3. Захисний щиток диску
4. Інструмент правки шліфувального диска
5. Опора для заготівки
6. Робоча лампа
7. Ручка регулювання шліфувальної стрічки
8. Шліфувальна стрічка
9. Опора для заготівки
10. Кнопка блокування опори для заготівки
11. Лоток для води
12. Перемикач включення/вимикання
13. Монтажний отвір
14. Захисний щиток шліфувального ремня
15. Захисний щиток шліфувального верстата

**ОБСЛУГОВУВАННЯ**

- Не змінюйте пристрій будь-яким способом або не використовуйте приладдя, не схвалені виробником. Ваша та інших безпека може бути порушена.
- Не використовуйте продукт, якщо які-небудь перемикачі, кожухи або інші функції не працюють належним чином. Поверніться в авторизований сервісний центр для професійного ремонту або налаштування.
- Не робіть жодних налаштувань під час роботи пристрою.
- Завжди переконайтесь, що шнур живлення був видалений з мережі джерела живлення перед проведенням регулювань, змащуванням або при виконанні технічного обслуговування на продукті.
- До і після кожного використання, перевірте продукт на предмет пошкоджень або зламаних деталей. Тримайте продукт в доброму робочому стані, негайно замініть деталі запчастинами, що затверджені виробником.
- Очистіть накопичившийся пил за допомогою щітки або пилососа. Не використовуйте стиснене повітря.
- Для забезпечення безпеки і надійності всі ремонтні роботи, у тому числі зміна щіток, повинні виконуватися в авторизованому сервісному центрі.
- Якщо шнур живлення пошкоджений, він повинен бути замінений тільки виробником або в авторизованому сервісному центрі, щоб уникнути небезпеки.

⚠ ПОПЕРЕДЖЕННЯ

Для більшої безпеки і надійності, всі ремонтні роботи повинні виконуватися уповноваженим Ryobi сервісним центром.

ТРАНСПОРТУВАННЯ ТА ЗБЕРІГАННЯ

- При зберіганні продукту, від'єднайте шнур живлення. Зберігайте продукт в надійному місці, недоступному для дітей.
- Очистіть продукт, використовуючи щітку та пилосос перед зберіганням.

ЗАХИСТ НАВКОЛИШНЬОГО СЕРЕДОВИЩА.

Переробляйте сировину замість утилізації в якості відходів. Машини, обладнання та упаковка повинні бути відсортовані для дружньої для навколишнього середовища утилізації.

СИМВОЛИ НА ПРОДУКТІ

Попередження безпеки



CE відповідність



Будь ласка, уважно прочитайте інструкцію перед запуском продукту.



Носіть захист слуху



Носіть захист для очей



Не для мокрого шліфування або різання.



Не використовуйте шліфувальний круг, якщо він пошкоджений або має відколи, тріщини.



Надягати захисні рукавиці.



Розмір і швидкість шліфувального диска



Розмір і швидкість шліфувального ремня



Відходи електротехнічної продукції не слід викидати разом із побутовими відходами. Будь ласка, переробляйте там, де наявне устаткування. Перевірте з вашим місцевим органом влади або продавцем для консультації з приводу переробки.

СИМВОЛИ В ЦІЄЇ ІНСТРУКЦІЇ З ЕКСПЛУАТАЦІЇ

Підключіть продукт.



Відключіть продукт.



Час досягнення пристроєм повної швидкості



Запасні деталі або принадлежности продаються окремо

Нижчезказані попереджальні слова та символи пояснюють рівень ризику при роботі з цим приладом.

НЕБЕЗПЕКА

Вказує на неминуче небезпечну ситуацію, яка, якщо її не уникнути, може призвести до смерті або серйозних травм.

ПОПЕРЕДЖЕННЯ

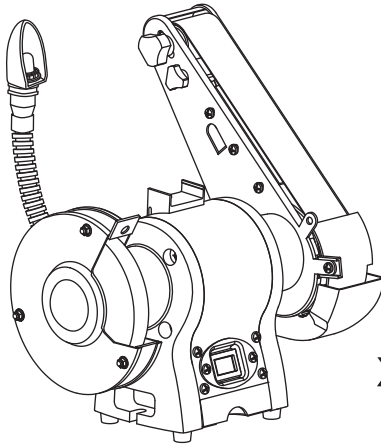
Вказує на потенційно небезпечну ситуацію, яка, якщо її не уникнути, може призвести до смерті або серйозних травм.

УВАГА

Вказує на потенційно небезпечну ситуацію, яка, якщо її не уникнути, може призвести до середньої або легкої травми.

УВАГА

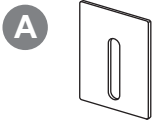
(Без Символу попередження про небезпеку) Вказує на ситуацію, яка може привести до матеріальних збитків.



x 1



x 1



x 1



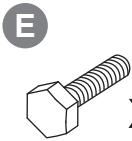
x 1



x 1



x 1



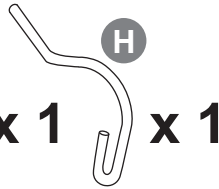
x 1



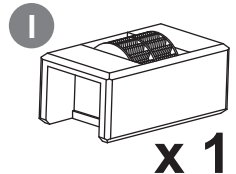
x 1



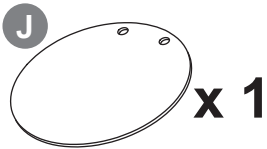
x 1



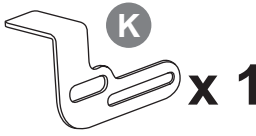
x 1



x 1



x 1



x 1



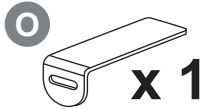
x 1



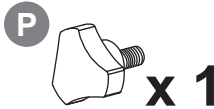
x 1



x 1



x 1



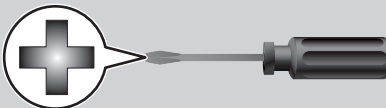
x 1

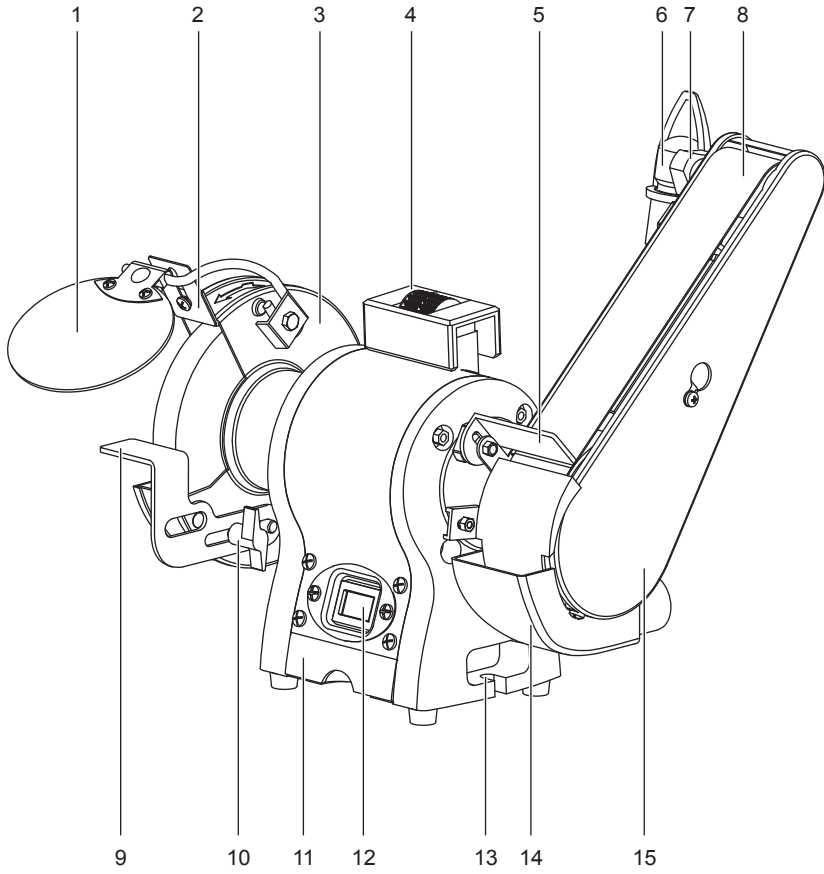


x 1



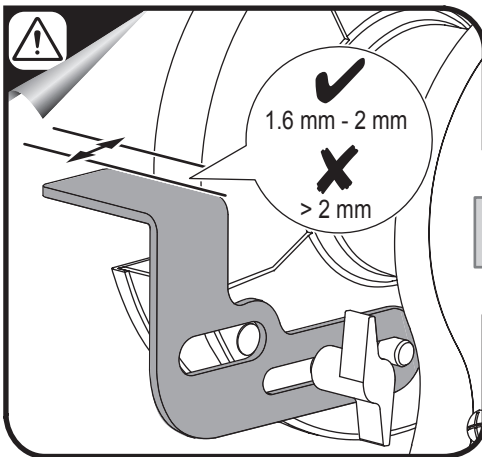
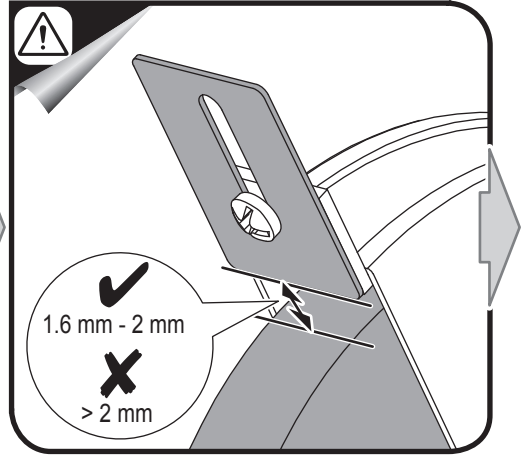
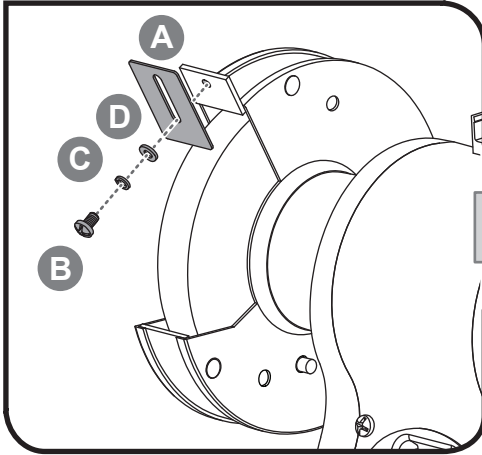
x 1



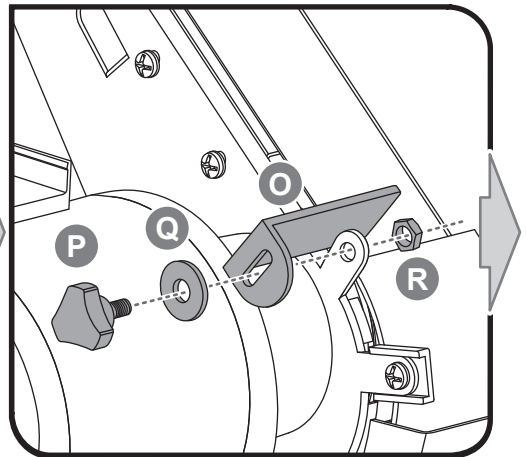




1

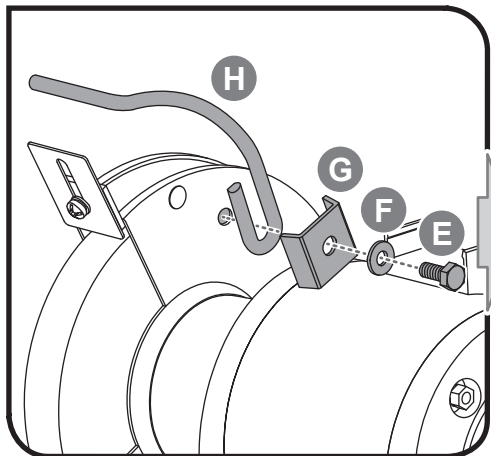


5

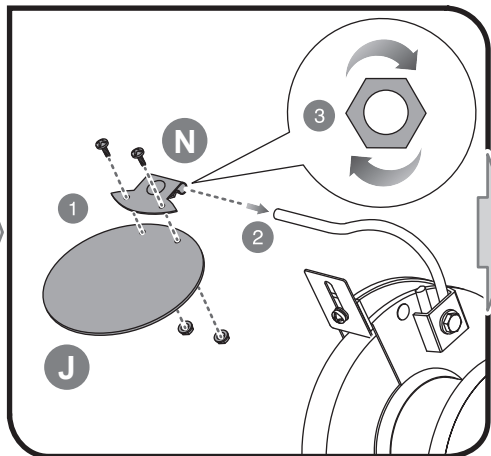




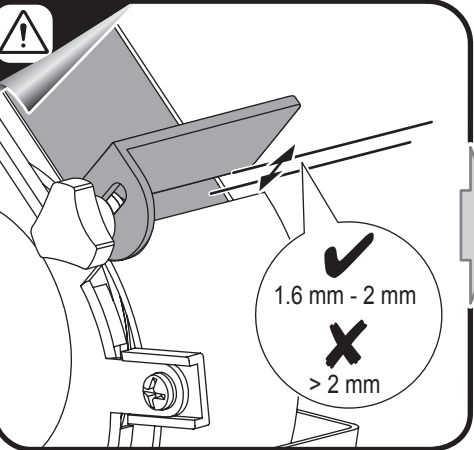
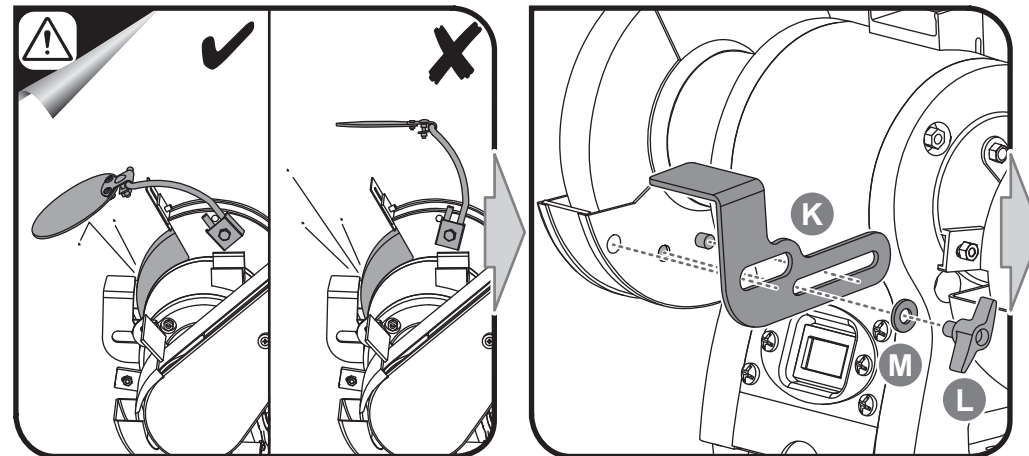
2



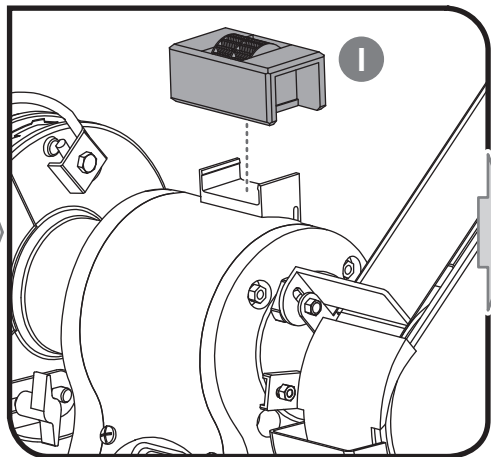
3



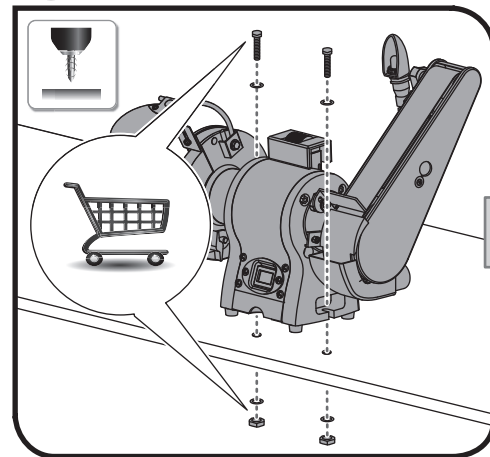
4



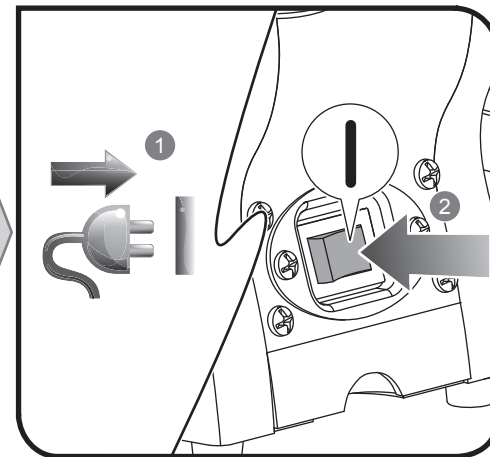
6



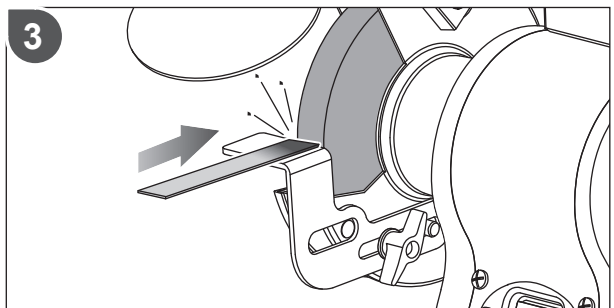
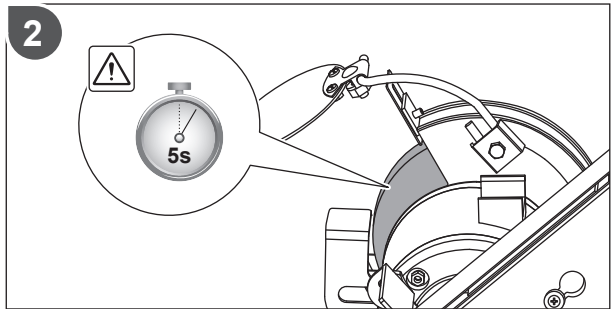
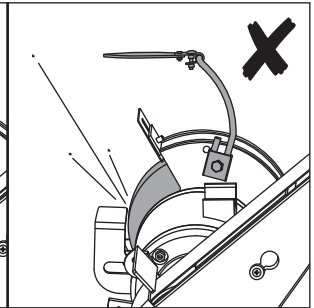
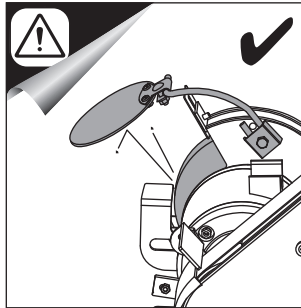
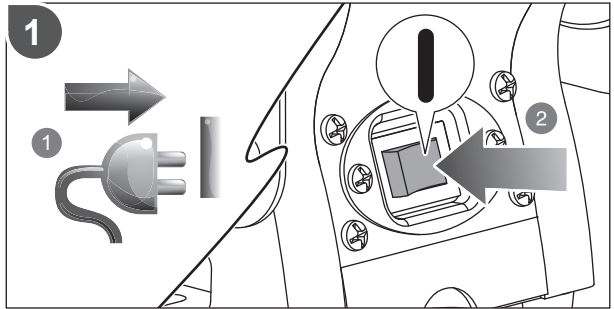
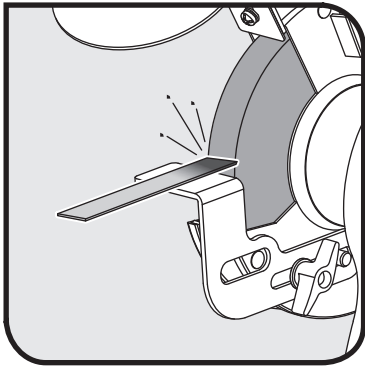
7

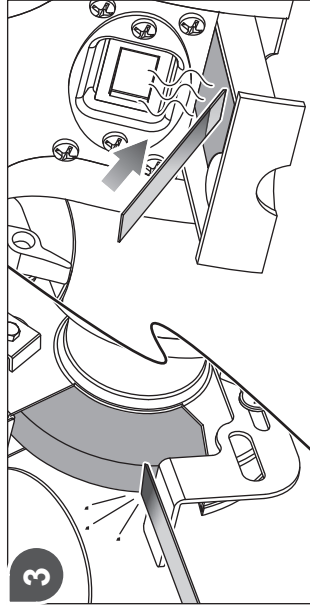
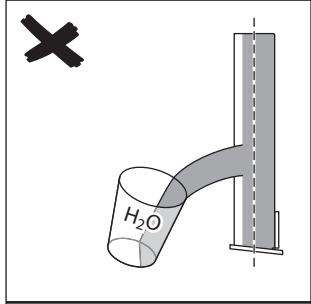
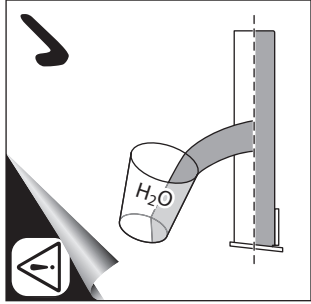
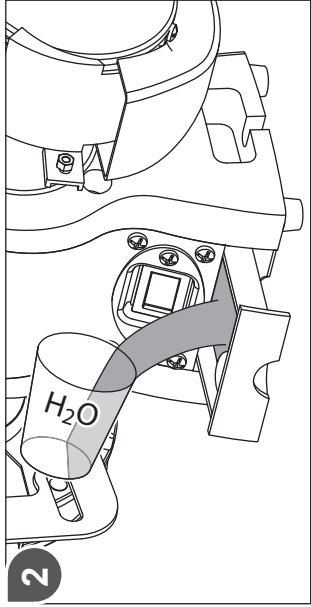
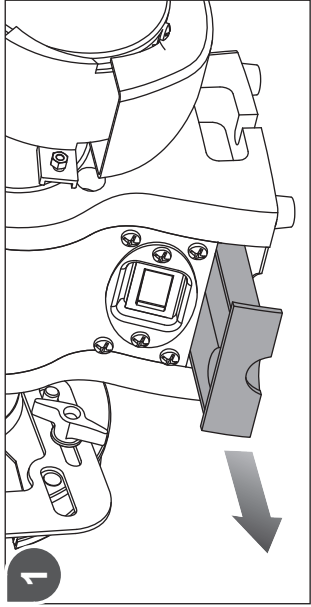
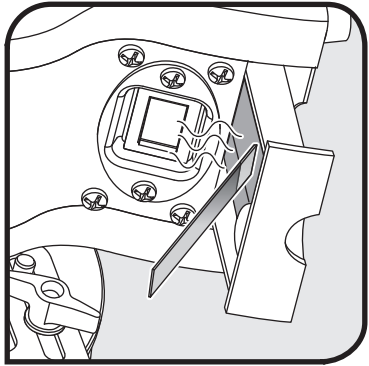


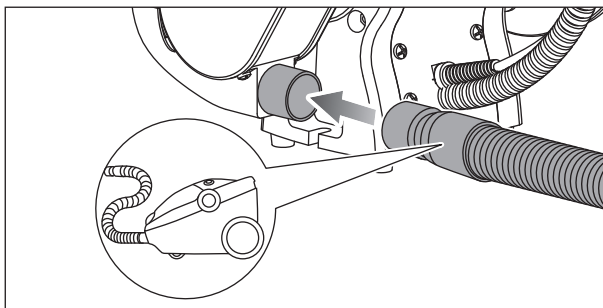
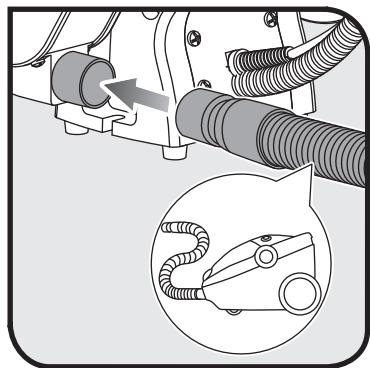
8

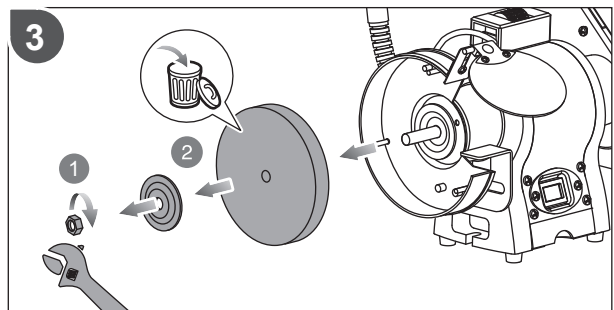
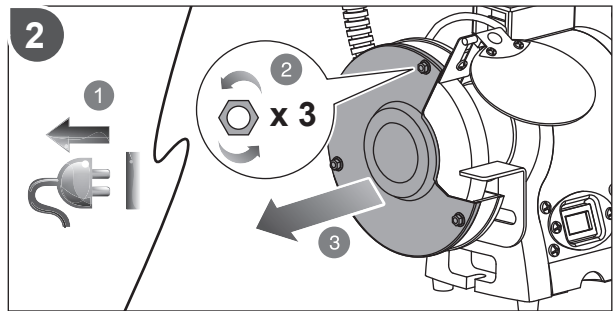
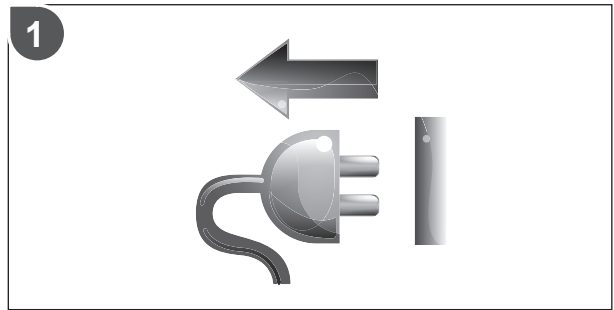
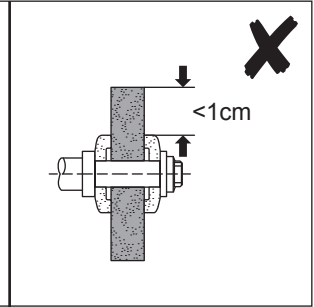
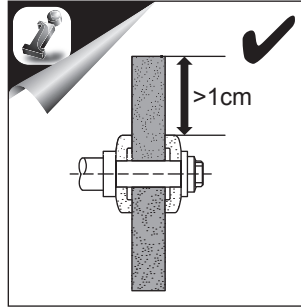
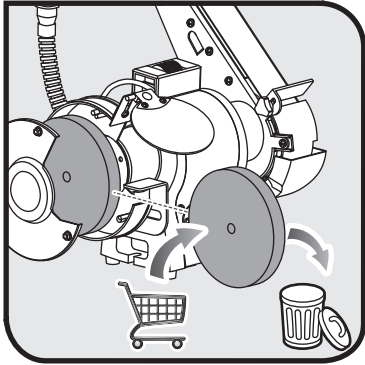


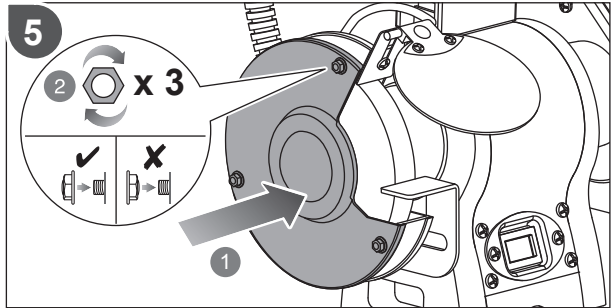
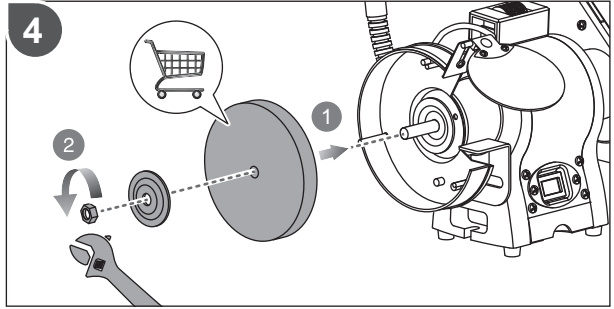


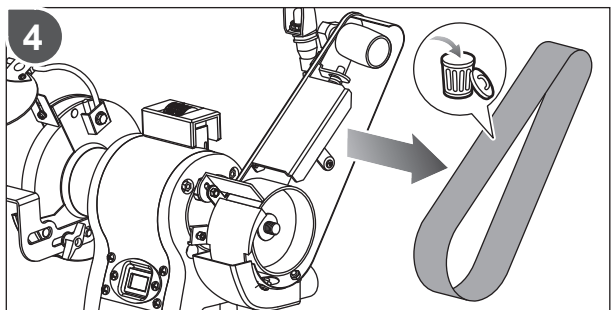
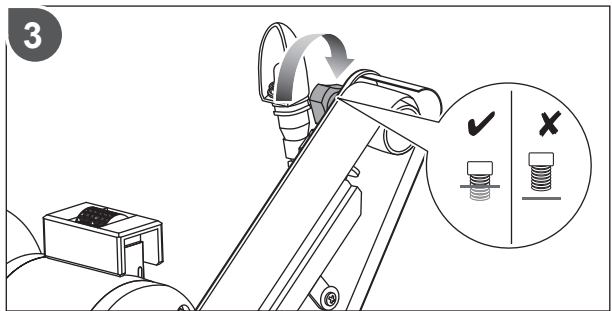
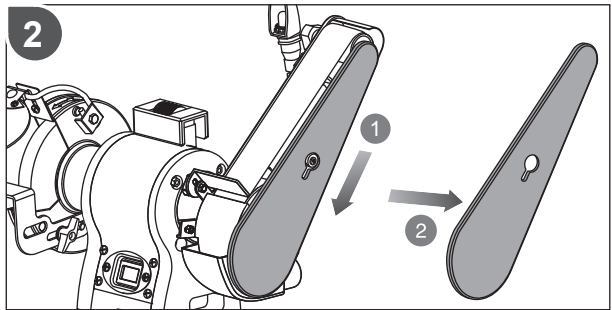
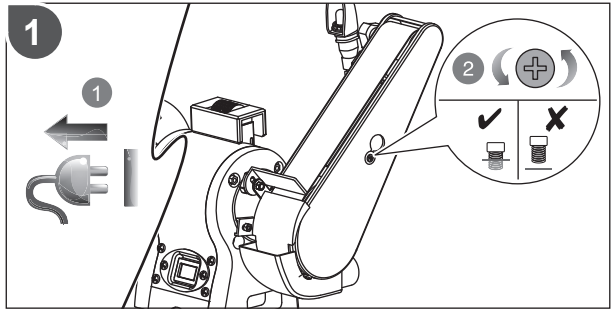
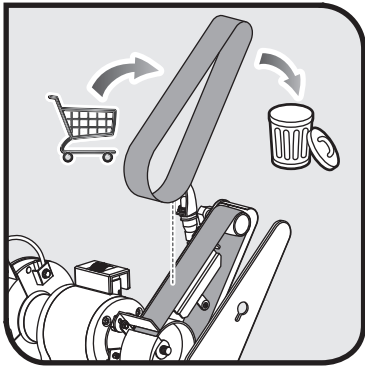


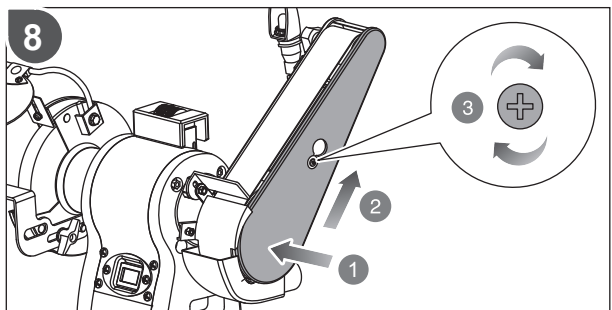
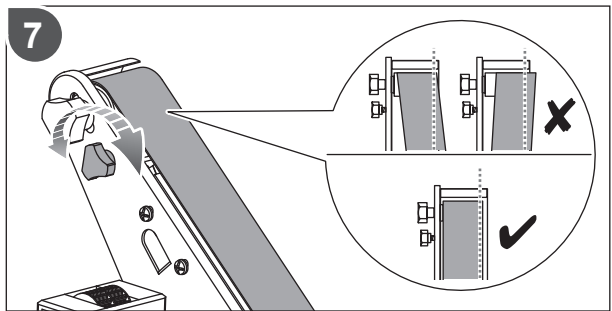
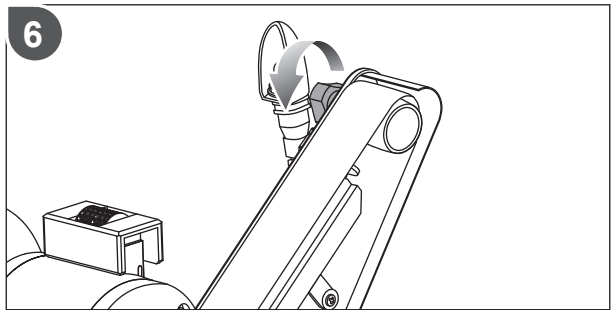
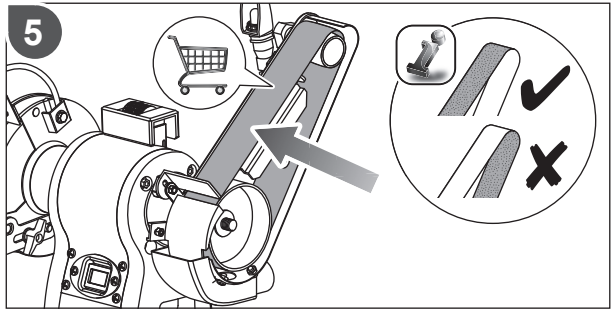


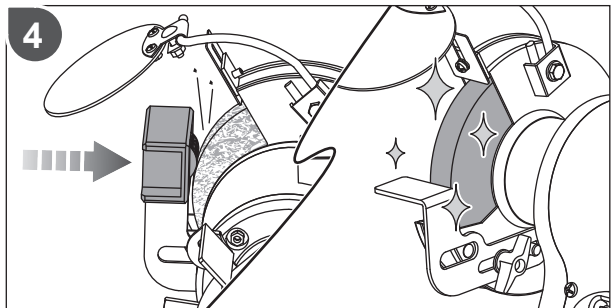
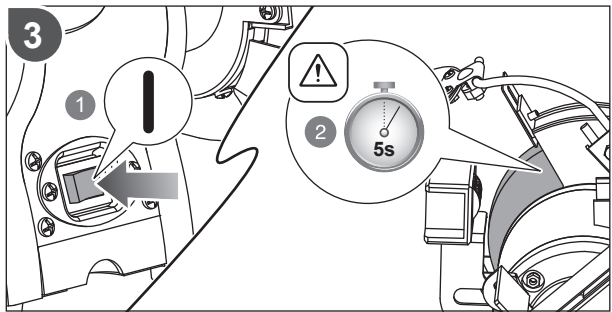
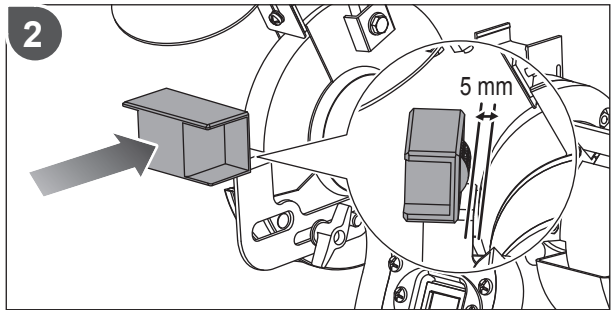
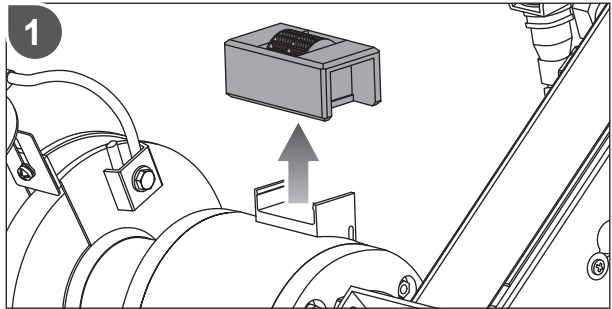
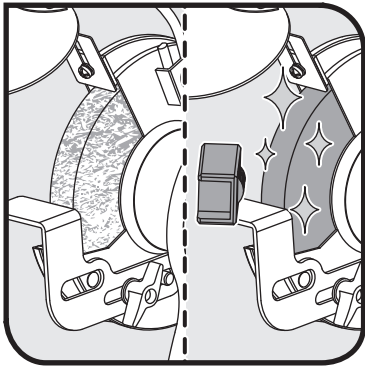


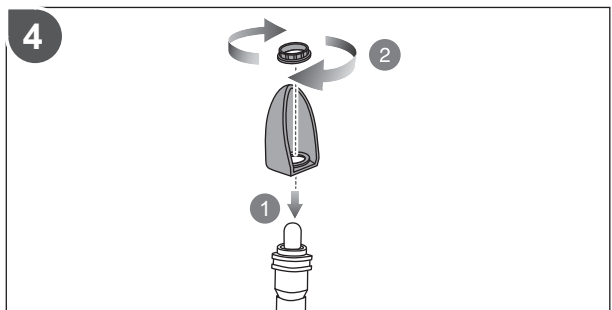
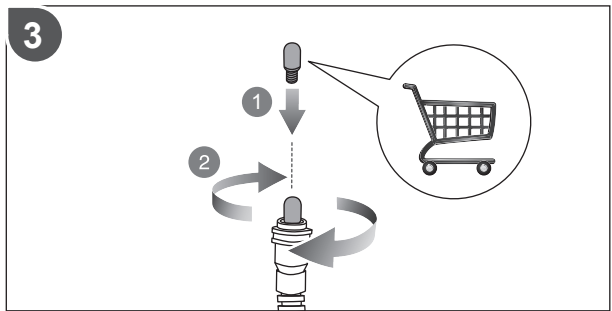
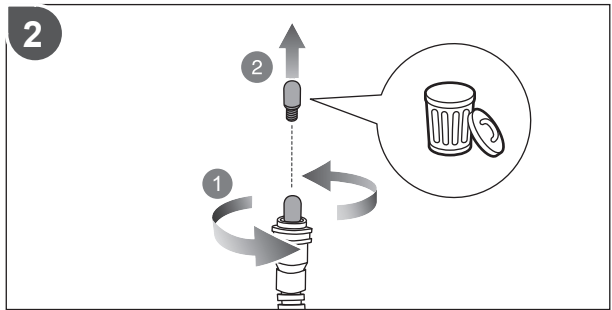
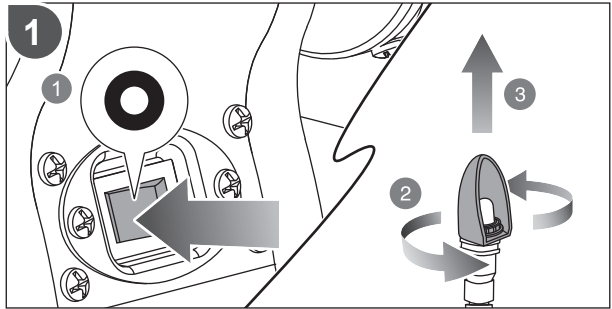
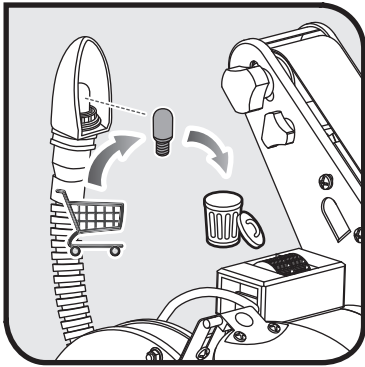


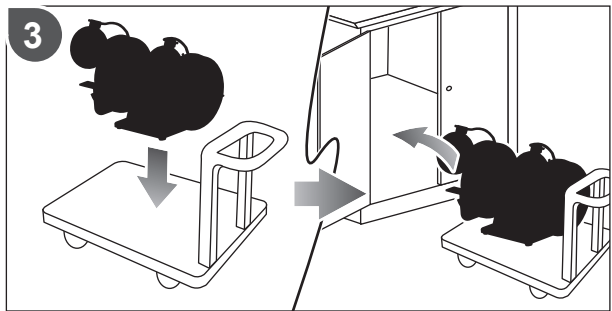
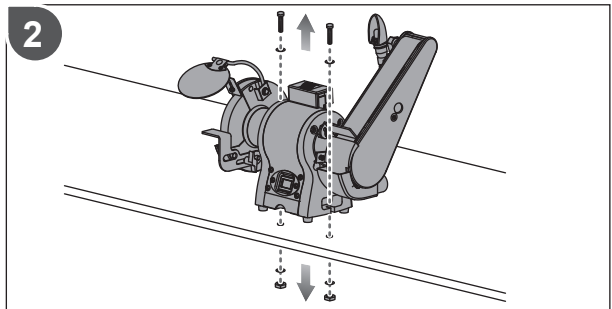
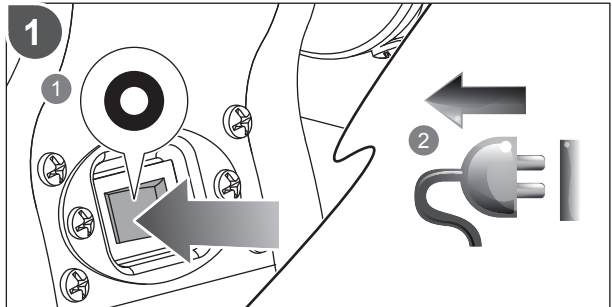














English	Français	Deutsch	Español	Italiano	Nederlands
Product specifications	Caractéristiques de l'appareil	Produkt-Spezifikationen	Especificaciones del producto	Specifiche prodotto	Productspecificaties
Grinder Sander	Ponceuse-meuleuse	Bandschleifer	Lijadora de la amoladora	Smerigliatrice levigatrice	Schuur- en slijpmachine
Model	Modèle	Modell	Modelo	Modello	Model
Motor Type	Type de moteur	Art des Motors	Tipo de motor	Tipo di motore	Motortype
Induction	Induction	Induktion	Inducción	Induzione	Inductie
Motor Ratings	Puissances du moteur	Nennwerte des Motors	Características del motor	Potenza del motore	Motorvermogen
Rated power (S2 30 mins)	Puissance nominale (S2 30 mins)	Nennleistung (S2 30 mins)	Potencia nominal (S2 30 mins)	Potenza nominale (S2 30 min)	Nominale vermogen (S2 30 min)
Wheel diameter	Diamètre de la meule	Durchmesser der Schleifscheibe	Diámetro de la muela	Diametro della mola	Schijf-diameter
Wheel Width	Largeur du disque	Scheibenbreite	Ancho de rueda	Larghezza ruota	Wieldiameter
Bore diameter	Diamètre du trou	Innendurchmesser	Diámetro interior	Diametro foro	Boorgatdiameter
Belt size	Taille de bande	Bandgröße	Tamaño de la correa	Dimensioni nastro	Bandmaat
No-load speed r/min. (RPM)	Vitesse à vide tr/min. (tr.min ⁻¹)	Leerlaufdrehzahl U/min	Velocidad sin carga r/min. (RPM)	Velocità a vuoto r/min. (RPM)	Onbelast toerental t/min. (TPM)
Wheel Grits	Grains des meules	Schleifscheibenkörnung	Gravilla de la rueda	Grane della ruota	Wielgrit
36 (Coarse)	36 (épais)	36 (grob)	36 (grueso)	36 (Grossolana)	36 (grof)
Net weight	Poids net	Nettogewicht	Peso neto	Peso netto	Netto gewicht
Measured values determined according to EN 61029 A-weighted sound pressure level	Valeurs mesurées obtenues selon EN 61029 Niveau de pression sonore pondérée-A	Gemäß EN 61029 gemessene Werte A-bewerteter Schalldruckpegel	Valores medidos determinados de acuerdo con EN 61029 Nivel de presión acústica ponderada en A	Valori misurati determinati in accordo con lo standard EN 61029 Livello di pressione sonora pesato A	Valeurs mesurées obtenues selon EN 61029 A-gewogen geluidsdrukniveau
Uncertainty K	Incertitude K	Unsicherheit K	Incertidumbre K	Incertezza K	Onzekerheid K
Measured values determined according to EN 61029 A-weighted sound power level	Valeurs mesurées obtenues selon EN 61029 Niveau de puissance sonore pondérée-A	Gemäß EN 61029 gemessene Werte A-bewerteter Schalleistungspegel	Valores medidos determinados de acuerdo con EN 61029 Nivel de potencia acústica ponderada en A	Valori misurati determinati in accordo con lo standard EN 61029 Livello di potenza sonora pesato A	Valeurs mesurées obtenues selon EN 61029 A-gewogen geluidsniveau
Uncertainty K	Incertitude K	Unsicherheit K	Incertidumbre K	Incertezza K	Onzekerheid K
NOTE: (S2 30 mins) indicates short-time operation. Operate the product at working load for 30 minutes. Then allow the product to cool down to room temperature.	REMARQUE: (S2 30 mins) indique un service de courte durée. Utilisez le produit à une charge de travail pendant 30 minutes. Laissez ensuite refroidir le produit de refroidir à température ambiante.	HINWEIS: (S2 30 mins) gibt die Dauer des Kurzzeitbetriebs an. Betreiben Sie das Gerät mit der Arbeitslast für 30 Minuten. Lassen Sie das Gerät dann auf Zimmertemperatur abkühlen.	NOTA: (S2 30 mins) indica un corto periodo de operación. Opera el producto en carga de trabajo durante 30 minutos. A continuación, permite al producto enfriarse a temperatura ambiente.	NOTE: (S2 30 min) indica funzionamento di breve durata. Utilizzare il prodotto con carico di lavoro per 30 minuti. Far raffreddare il prodotto a temperatura ambiente.	OPMERKING: (S2 30 min) geeft een korte werkingsduur aan. Gebruik het product 30 minuten bij operationele belasting. Laat het product daarna afkoelen naar kamertemperatuur.



Português	Dansk	Svenska	Suomi	Norsk	Русский	
Especificações do produto	Produktspecifikationer	Produktspecifikationer	Tuotteen tekniset tiedot	Produktspecificasjoner	Характеристики изделия	
Esmeriladora Lixadora	Sliber/pudser	Slip- och polermaskin	Penkki- ja nauhihamakone	Sandslipemaskin	Ленточно-шлифовальный станок	
Modelo	Model	Modell	Malli	Modell	Модель	RBGL650G
Tipo de Motor	Motor type	Motor typ	Moottorin tyyppi	Motor type	Тип двигателя	
Indução	Induktion	Induktion	Induktio	Induksjon	Индукционный	
Alimentação Eléctrica do Motor	Motor klassifisering	Motor karakteristika	Moottorin arvot	Motor verdier	Мощность двигателя	230V - 240V - 50 Hz
Polência nominal (S2 30 mins)	Nominal effekt (S2 30 minutter)	Nominal effekt (S2 30 min)	Nimellisteho (S2 30 min)	Nominal effekt (S2 30 mins)	Номинальная мощность (S2 30 мин)	370 W
Diâmetro do disco	Slibeskivens diameter	Slipskivans diameter	Hiomalaikan halkaisija	Slipeskivens diameter	Диаметр колеса	150 mm
Largura da Roda	Hjulbredde	Skivbredde	Laikan paksuus	Skivebredde	Ширина шлифовального круга	20 mm
Diâmetro interno	Borediameter	Håldiameter	Sisähalkaisija	Hulldiameter	Диаметр расточки	12,7 mm
Tamanho da cinta	Båndstørrelse	Remstørlek	Hiomanauhan koko	Reimstørrelse	Размер ленты	50 mm x 686 mm
Velocidade em vazio r/min. (RPM)	Tomgangshastighed omdr./min. (RPM)	Tomgangshastighet v/min (varv per minut)	Tyhjäkäyntinopeus kierr/min (RPM)	Hastighet ubelastet o/min. (RPM)	Скорость на холостом ходу об/мин	2850
Grão da Roda	Slibestenshjul	Kornighet på skivor	Laikan karkeus	Skivekorning	Зернистость шлифовального круга	
36 (Grosso)	36 (grov)	36 (grov)	36 (karkea)	36 (grov)	36 (крупнозернистый)	
Peso líquido	Nettovægt	Nettovikt	Kokonaispaino	Nettovekt	Вес нетто	10,3 kg
Valores medidos calculados de acordo com EN 61029 Nivel de potência sonora ponderada A	Målte værdier bestemmes i henhold til EN 61029 A-vægtet lydtryksniveau	Värden uppmätta enligt EN 61029 A-vägd ljudtrycksnivå	Mitatut arvot määritetty EN 61029 -standardin mukaan A-painotettu äänenpainetaso	Målte verdier i samsvar med EN 61029 A-vekter lydtryknivå	Измеренные значения определены в соответствии с EN 61029 Уровень A-взвешенного звукового давления	$L_{pA} = 78,0 \text{ dB(A)}$
Incerteza K	Usikkerhed K	Osäkerhet K	Epätarkkuus K	Usikkerhet K	Разброс K	3 dB
Valores medidos calculados de acordo com EN 61029 Nivel de potência sonora ponderada A	Målte værdier bestemmes i henhold til EN 61029 A-vægtet lydeffektniveau	Värden uppmätta enligt EN 61029 A-vägd lydeffektsnivå	Mitatut arvot määritetty EN 61029 -standardin mukaan A-painotettu äänenhe	Målte verdier i samsvar med EN 61029 A-vekter lydeffektnivå	Измеренные значения определены в соответствии с EN 61029 Уровень A-взвешенной звуковой мощности	$L_{wA} = 87,0 \text{ dB(A)}$
Incerteza K	Usikkerhed K	Osäkerhet K	Epätarkkuus K	Usikkerhet K	Разброс K	3 dB
NOTA: (S2 30 mins) indica operação por pouco tempo. Opere o produto à carga de trabalho durante 30 minutos. Em seguida, deixe o produto arrefecer até ficar à temperatura ambiente.	BEMERK: (S2 30 minutter) angiver kortidsbetjening. Betjen produktet ved arbejdsbelastning i 30 minutter. Lad derefter produktet køle ned til stuetemperatur.	NOTERA: (S2 30 min) indikerar korttidsdrift. Driv produkten med arbetsbelastning under 30 minuter. Låt sedan produkten svalna till rumtemperatur.	HUOM: (S2 30 min) ilmaisee lyhytaikaisen käytön. Käytä laitetta työkuormituksella 30 minuuttia. Anna laitteen sen jälkeen jäähtyä huoneenlämpöön.	NB: (S2 30 mins) indikerer korttidsdrift. Bruk produktet ved arbeidsbelastning i 30 minutter. La deretter produktet avkjøles til romtemperatur.	ПРИМЕЧАНИЕ: (S2 30 мин) показывает кратковременный режим работы. Обрабатывайте изделие при рабочей нагрузке в течение 30 минут. Затем охладите изделие до комнатной температуры.	





Polski	Čeština	Magyar	Română	Latviski	Lietuviškai
Parametry techniczne	Technické údaje produktu	Termék műszaki adatai	Specificajile produsului	Produkta specifikācijas	Gaminio techninės savybės
Szifierka taśmowo-tarczowa	Bruska	Köszörü-csiszológép	Polizor șlefufitor	Lentas slīpmašīna	Šlifavimo įrenginys
Model	Model	Tipus	Model	Modelis	Modelis
Typ silnika	Typ motoru	Motor tipusa	Tip motor	Motora veids	Vanĳklio tipas
Indukcyjny	Indukce	Indukciós	Inducție	Indukcijas	Indukcinis
Parametry silnika	Parametry motoru	Motor névleges jellemzői	Specificaiji motor	Motora raksturielumi	Vanĳklio parametrai
Moc znamionowa	Jmenovitý výkon	Névleges teljesítmény	Putere nominală	Nominālā jauda	Vardinė galia
Średnica tarczy	Průměr brusného kotouče	Korong átmérője	Diametrul polizorului	Diska diametrs	Disko skersmuo
Szerokość tarczy	Šifka kotouče	Korong szélessége	Diametru disc	Ripas platumis	Disko plotis
Średnica otworu	Průměr vrtání	Furatátmérő	Diametru orificiu	Centra diametrs	Angos skersmuo
Rozmiar taśmy	Rozměr pásu	Szalag mérete	Dimensiune curea	Lentes izmērs	Juosios dydis
Prędkość bez obciążenia obr./min. (RPM)	Otáčky naprázdno ot./min. (RPM)	Üresjárati fordulatszám ford./perc (RPM)	Viteză în gol rot/min. (RPM)	Agriezieni bez slodzes agr./min. (RPM)	Greitis be apkrovimo aps./min. (apsukų per minutę)
Ziarno mat. ściernego	Rastry kotouče	Korong szemcsézettsége	Granulație disc	Ripas raupjums	Disko šlifuojamasis paviršius
36 (grube)	36 (hrubý)	36 (durva)	36 (mare)	36 (Rupjā)	36 (stambus)
Masa netto	Čistá hmotnost	Nettó tömeg	Greutate netă	Svars neto	Neto svoris
Zmierzone wartości określone wg EN 61029 A-ważony poziom ciśnienia hałasu	Naměřené hodnoty zjištěné dle EN 61029 Hladina akustického tlaku vážená funkcí A	A mért értékek meghatározása az EN 61029 szerint történt A-súlyozott hangnyomásszint	Valori măsurate determinate în conformitate cu EN 61029 Nivel de presiune acustică ponderată A	Izmērlās vērtības saskaņā ar EN 61029 A-Ilmeņa skaņas spiediena līmenis	Išmatuotosios vertės nustatytos pagal EN 61029 A svertinis garso slėgio lygis
Niepewność pomiaru K	Nejistota K	Bizonytalanság K	Incertitudine K	Kļūdas vērtība K	Nepastovumas K
Zmierzone wartości określone wg EN 61029 A-ważony poziom natężenia hałasu	Naměřené hodnoty zjištěné dle EN 61029 Hladina akustického výkonu vážená funkcí A	A mért értékek meghatározása az EN 61029 szerint történt A-súlyozott hangteljesítményszint	Valori măsurate determinate în conformitate cu EN 61029 Nivel de putere acustică ponderată A	Izmērlās vērtības saskaņā ar EN 61029 A-Ilmeņa skaņas jaudas līmenis	Išmatuotosios vertės nustatytos pagal EN 61029 A svertinis garso galios lygis
Niepewność pomiaru K	Nejistota K	Bizonytalanság K	Incertitudine K	Kļūdas vērtība K	Nepastovumas K
UWAGA: (S2 30 min) oznacza pracę krótkotrwałą. Produkt należy używać przy obciążeniu roboczym przez 30 minut. Następnie należy poczekać, aż urządzenie ostygnie do temperatury pokojowej.	POZNÁMKA: (S2 30 min.) značí krátkodobý provoz. S produktem pracujte při pracovní zátěži 30 minut. Poté nechte produkt při pokojové teplotě vychladnout.	MEGJEGYZÉS: (S2 30 perc) rövid idejű működést jelöl. 30 percig működtesse a terméket munkaterheléssel. Ezután hagyja lehűlni szobahőmérsékletre.	NOTĂ: (S2 30 min.) indică utilizarea pe o durată scurtă. Utilizați produsul în sarcină timp de 30 min. Apoi permiteți produsului să se răcească la temperatura camerei.	PIEZĪME: (S2 30 minūtes) norāda īslaicīgu darbu. Lietojiet izstrādājumu ar darba slodzi 30 minūtes. Tad ļaujiet izstrādājumam atdzīst līdz istabas temperatūrai.	PASTABA: (S2 30 min.) rodo trumpalaikį darbą. Naudokite gaminį darbine apkrova 30 minučių. Tada palaukite, kol jis atvės iki kambario temperatūros.





Eesti	Hrvatski	Slovensko	Slovenčina	Ελληνικά	Türkçe	українська мова	
Toote tehnilised andmed	Spetsifikacije proizvoda	Spetsifikacije izdelka	Spetsifikácia	Προδιαγραφές Προϊόντος	Ürün Özellikleri	Технічні характеристики продукту	
Lauakäi-lintihviija	Brusilica za brušenje i poliranje	Kombinovaná pásová a kotúčová bruska	Kombinirani brusilnik	Τριβείο	Taşlama ve Zımpara Makinesi	Шлифовальная машина	
Mudeli tähis	Model	Model	Model	Μοντέλο	Model	Модель	RBGL650G
Motori tüüp	Vrsta motora	Typ motora	Tip motorja	Τύπος μοτέρ	Motor Tipi	Тип двигателя	
induktsioon	Indukcijski	Indukčný	Indukcijski	Επαγωγή	Endüksiyon	Індукція	
Motori võimsus	Nazivne vrijednosti motora	Technické parametre motora	Nazivne moči motorja	Στοιχεία μοτέρ	Motor Gücü	Рейтинг двигунів	230V - 240V - 50 Hz
Arvutuslik võimsus	Nazivna snaga	Menovitý výkon	Nazivna moč	Ονομαστική ισχύς	Anpa Gücü	Номинальна потужність	370 W
Ketta läbimõõt	Promjer kotača	Premjer koluta	Priemer kotuča	Διάμετρος δίσκου	Taşın çapı	Диаметр диска	150 mm
Lihvketta paksus	Širina diska	Šírka kotúča	Širina diska	Πλάτος τροχού	Disk Genişliği	Ширина диска	20 mm
Lihvkettaava läbimõõt	Promjer provrta	Priemer otvoru	Priemer vrtine	Διάμετρος εδράνου	Delik Çapı	Внутрішній діаметр	12,7 mm
Lihvlindi moodud	Dimenzije trake	Rozmery brúsneho pásu	Dolžina traku	Μέγεθος ταινίας	Kayış ebadı	Розмір стрічки	50 mm x 686 mm
Kiirus ilma koormuseta p/min. (pömin)	Brzina bez opterećenja o/min. (OKR/MIN)	Hlitosť brez obremenitve vrt./min. (RPM)	Rýchlosť bez záťaž. ot./min. (RPM)	Ταύτητα στ. κεν. r/min. (RPM)	Bota hız d/dak. (DDS)	Швидкість без навантаження Об/хв. (Оборотів за хвилину)	2850
Lihvketta teralisus	Brusne površine	Zmitosť kotúča	Brusna zna	Δίσκοι λείανσης	Disk Tanecliği	Зернистість диска	
36 (jäme)	36 (grubo)	36 (hrubá)	36 (grob)	36 (Χονδρός)	36 (Kaba)	36 (Грубий)	
Netomass	Neto težina	Neto teža	Netto hmotnosť	Καθαρό βάρος	Net ağırlık	Вага нетто	10,3 kg
Mõõteväärtused on kindlaks määratud vastavalt standardile EN 61029 A-kaalutud helirõhu tase	Mjerene vrijednosti određene su prema EN 61029 Ponderirana razina tlaka zvuka	Izmerjene vrednosti določene v skladu s standardom EN 61029 A-izmerjena raven zvočnega tlaka	Namerane hodnoty určene podľa EN 61029 Vážená A hladina akustického tlaku	Οι υπολογισμένες τιμές καθορίστηκαν σύμφωνα με το EN 61029 Α-σταθμισμένο επίπεδο πίεσης ήχου	EN 61029 ile uyumlu olarak belirlenen ölçülen değerler A ağırlıklı ses basınç seviyesi	Вимірні значення шуму визначаються відповідно до EN 61029: А-зважений рівень звукового тиску	$L_{pA} = 78,0 \text{ dB(A)}$
Mõõtemääramatus K	Neodređenost K	Nedoloč. K	Odchýlka K	Αβεβαιότητα K	Belirsizlik K	Невизначеність K	3 dB
Mõõteväärtused on kindlaks määratud vastavalt standardile EN 61029 A-kaalutud helivõimsuse tase	Mjerene vrijednosti određene su prema EN 61029 Ponderirana razina zvučne snage	Izmerjene vrednosti določene v skladu s standardom EN 61029 A-izmerjena raven zvočne moči	Namerane hodnoty určene podľa EN 61029 Vážená A hladina akustického tlaku	Οι υπολογισμένες τιμές καθορίστηκαν σύμφωνα με το EN 61029 Α-σταθμισμένο επίπεδο έντασης ήχου	EN 61029 ile uyumlu olarak belirlenen ölçülen değerler A ağırlıklı ses gücü seviyesi	Вимірні значення шуму визначаються відповідно до EN 61029: А-зважений рівень звукової потужності	$L_{WA} = 87,0 \text{ dB(A)}$
Mõõtemääramatus K	Neodređenost K	Nedoloč. K	Odchýlka K	Αβεβαιότητα K	Belirsizlik K	Невизначеність K	3 dB
MÄRKUS: (S2 30 min) näitab lühiajalist töötamist. Kasutage toodet töökoormusel 30 minuti. Seejärel laske tootel loomaperatuurini maha jahtuda.	NAPOMENA: (S2 30 min.) označava rad na kratko vrijeme. Proizvodom radite do 30 minuta. Tada pustite da se uređaj ohladi na sobnu temperaturu.	OPOMBA: (S2 30 min) označuje krátkodobú prevádzku. Používajte výrobok pri prevádzkovom zaťažení po dobu 30 minút. Potom nechajte výrobok vychladnúť na izbovú teplotu.	POZNÁMKA: (S2 30 min) nakazuje kratek čas delovanja. Priporoček lahko pri delovnih obremenitvah uporabljate 30 minut. Nato počakajte, da se ohladi na sobno temperaturo.	ΣΗΜΕΙΩΣΗ: (S2 30 λεπτά) δηλώνει σύντομη λειτουργία. Χρησιμοποιήστε το μηχανήμα με φορτίο λειτουργίας για 30 λεπτά. Στη συνέχεια, αφήστε το μηχανήμα να επανέλθει σε θερμοκρασία διαμέτρου.	NOT: (S2 30 dak.) kısa süreli çalışma ifade eder. Ürünü çalıştırırken 30 dakika yükünde 30 dakika çalıştırın. Ardından, ürünü oda ısısına kadar soğumasına izin verin.	ПРИМІТКА: (S2 30 mins) вказує на короткострокову операцію. Використовуйте прилад при робочому навантаженні протягом 30 хвилин. Після цього дозволять йому охолонути до кімнатної температури.	



EN RYOBI® WARRANTY APPLICATION CONDITIONS

In addition to any statutory rights resulting from the purchase, this product is covered by a warranty as stated below.

- The warranty period is 24 months for consumers and commences on the date when the product was purchased. This date has to be documented by an invoice or other proof of purchase. The product is designed and dedicated to consumer and private use only. So there is no warranty provided in case of professional or commercial use.
- There is a possibility to extend for a part of the range of power tools (AC/DC) the warranty period over the period described above using the registration on the www.ryobitools.eu website. The eligibility of the tools for extension of the warranty period is clearly displayed in stores and / or on packaging / and contained within the product documentation. The end user needs to register his/her newly-acquired tools online within 30 days from the date of purchase. The end user may register for the extended warranty in his country of residence if listed on the online registration form where this option is valid. Furthermore, end users must give their consent to the storage of the data that are required to be entered online, and they have to accept the terms and conditions. The registration confirmation receipt, which is sent out by e-mail, and the original invoice showing the date of purchase will serve as proof of the extended warranty.
- The warranty covers all defects of the product during the warranty period due to defaults in workmanship or material at the purchase date. The warranty is limited to repair and/or replacement and does not include any other obligations including but not limited to incidental or consequential damages. The warranty is not valid if the product has been misused, used contrary to the instruction manual, or being incorrectly connected. This warranty does not apply to:
 - any damage to the product that is the result of improper maintenance
 - any product that has been altered or modified
 - any product where original identification (trade mark, serial number) markings have been defaced, altered or removed
 - any damage caused by non-observance of the instruction manual
 - any non CE product
 - any product that has been attempted to be repaired by a non-qualified professional or without prior authorization by Technronic Industries
 - any product connected to improper power supply (amps, voltage, frequency)
 - any product used with inappropriate fuel mixture (fuel, oil, percentage of oil)
 - any damage caused by external influences (chemical, physical, shocks) or foreign substances
 - normal wear and tear spare parts
 - inappropriate use, overloading of the tool
 - use of non-approved accessories or parts
 - Power tool accessories provided with the tool or purchased separately. Such exclusions including but not limited to screw driver bits, drill bits, abrasive discs, sand paper and blades, lateral guide
 - Components (parts and accessories) subject to natural wear and tear, including but not limited to Service & Maintenance Kits, carbon brushes, bearings, chuck, SDS drill bit attachment or reception, power cord, auxiliary handle, transport carry case, sanding plate, dust bag, dust exhaust tube, felt washers, impact wrench pins & springs, etc.
- For servicing, the product must be sent or presented to a RYOBI authorized service station listed for each country in the following list of service station addresses. In some countries your local RYOBI dealer undertakes to send the product to the RYOBI service organisation. When sending a product to a RYOBI service station, the product should be safely packed without any dangerous contents such as petrol, marked with sender's address and accompanied by a short description of the fault.
- A repair / replacement under this warranty is free of charge. It does not constitute an extension or a new start of the warranty period. Exchanged parts or tools become our property. In some countries delivery charges or postage will have to be paid by the sender. Your statutory rights arising from the purchase of the tool remain unaffected
- This warranty is valid in the European Community, Switzerland, Iceland, Norway, Liechtenstein, Turkey and Russia. Outside these areas, please contact your authorized RYOBI dealer to determine if another warranty applies.

AUTHORISED SERVICE CENTRE

To find an authorised service centre near you, visit <http://uk.ryobitools.eu/header/service-and-support/service-agents>.

FR RYOBI® CONDITIONS D'APPLICATION DE LA GARANTIE

En plus des droits statutaires liés à l'achat, ce produit est couvert par une garantie telle que décrite ci-dessous.

- La durée de la garantie accordée au consommateur est de 24 mois à partir de la date d'achat. Cette date doit être authentifiée par une facture ou toute autre preuve d'achat. Le produit a été conçu en vue d'une utilisation strictement privée. Aucune garantie ne s'applique donc en cas d'utilisation professionnelle ou commerciale.
- Il existe pour une partie outils électriques (AC/DC), une possibilité d'étendre la période de garantie au-delà de la période précédemment décrite en utilisant le formulaire d'enregistrement présent sur le site Internet www.ryobitools.eu. L'éligibilité d'un outil est clairement affichée dans les points de vente et/ou sur l'emballage et la documentation. L'utilisateur final doit enregistrer son/ses outil(s) nouvellement acheté(s) en ligne dans les 30 jours qui suivent la date d'achat. L'utilisateur a la possibilité de s'enregistrer pour l'extension de garantie dans son pays de résidence si celui-ci est listé dans le formulaire d'enregistrement en ligne où cette option est valide. L'utilisateur final doit donner son consentement pour l'enregistrement des données requises pour accéder au site et doit accepter les termes et conditions. La confirmation d'enregistrement, envoyée par courrier électronique, ainsi que la facture originale mentionnant la date d'achat serviront de preuve de l'extension de garantie.
- La garantie couvre pendant la période de garantie les défauts des produits liés à la fabrication et aux matériaux à la date d'achat. La garantie est limitée à la réparation et/ou au remplacement et n'inclut aucune autre obligation, tel que, mais sans s'y limiter, les dommages accessoires ou indirects. La garantie est non valable en cas de mauvaise utilisation du produit, d'utilisation contraire aux instructions du mode d'emploi, ou en cas de branchement incorrect. Cette garantie ne s'applique pas pour :
 - tout dommage au produit résultant d'un mauvais entretien
 - tout produit ayant été altéré ou modifié
 - tout produit dont les marquages originaux d'identification (marque, numéro de série) ont été dégradés, altérés ou retirés
 - tout dommage causé par le non-respect des instructions du mode d'emploi
 - tout produit non CE
 - tout produit ayant subi une tentative de réparation par du personnel non qualifié ou sans autorisation préalable de Technronic Industries
 - tout produit raccordé à une alimentation secteur non conforme (ampérage, voltage, fréquence)
 - tout produit utilisé avec un mélange inapproprié (essence, huile, pourcentage d'huile)
 - tout dommage causé par des influences extérieures (chimiques, physiques, chocs) ou par des substances étrangères
 - l'usure normale des pièces consommables
 - une utilisation inappropriée, une surcharge de l'outil
 - l'utilisation de pièces ou accessoires non agréés
 - accessoires de l'outil électrique fournis avec l'outil ou achetés séparément. Cela comprend notamment les forets de tournevis, les forets de perceuse, les disques abrasifs, le papier de verre et les lames, le guide latéral
 - Les composants (pièces et accessoires) sujets à l'usure naturelle, ceci incluant notamment, les kits de service et de maintenance, les brosses carbonées, les paliers, les mandrins, les fixations ou logements de foret SDS, les cordons d'alimentation, les leviers auxiliaires, les mallettes de transport, les plaques de ponçage, les sacs collecteurs de poussière, le tube d'extraction de poussière, les rondelles en feutre, les broches de clé à choc et les ressorts etc.
- Si le produit doit être réparé, envoyez-le à un service après-vente agréé RYOBI dont vous trouverez ci-dessous la liste pour chaque pays. Dans certains pays, votre revendeur RYOBI se chargera d'envoyer le produit à un centre de réparation RYOBI. Lorsque vous envoyez un produit à un service après-vente RYOBI, celui-ci doit être correctement emballé, sans contenir aucun produit dangereux tel que de l'essence, et vous devez indiquer votre adresse ainsi qu'une courte description du problème.
- Une réparation / un remplacement sous garantie est gratuit(e). Ceci ne constituera pas une extension de garantie ni un nouveau départ de la période de garantie. Les pièces ou les outils remplacés deviennent notre propriété. Dans certains pays, les frais de port devront être assumés par l'expéditeur. Vos droits statutaires restent inchangés.
- Cette garantie est valable au sein de l'Europe, de la Suisse, de l'Islande, de la Norvège, du Liechtenstein, de la Turquie, de la Russie. En dehors de ces zones, veuillez contacter votre distributeur agréé RYOBI pour déterminer si une autre garantie s'applique.

SERVICE APRÈS-VENTE AGRÉÉ

Pour trouver le service après-vente agréé le plus proche, rendez-vous sur <http://fr.ryobitools.eu/header/service-and-support/service-agents>.

DE RYOBI® GARANTIEBEDINGUNGEN

Zusätzlich zu den obligatorischen Rechten aus dem Kauf gilt für dieses Produkt die nachstehend aufgeführte Garantie.

- Der Garantiezeitraum beträgt für Verbraucher 24 Monate und beginnt mit dem Datum des Kaufs. Dieses Datum muss durch eine Rechnung oder einen anderen Kaufbeleg dokumentiert werden. Dieses Produkt wurde ausschließlich zur privaten Nutzung durch Verbraucher entwickelt. Für den Fall einer professionellen bzw. kommerziellen Nutzung besteht daher keine Garantie.
- Es besteht die Möglichkeit, für einen Teil des Sortiments der Elektrogeräte (AC/DC) den Garantiezeitraum über den oben genannten Zeitraum hinaus zu verlängern, indem der Verbraucher die Registrierung auf der Website www.ryobitools.eu durchführt. Die Berechtigung der Werkzeuge für die Garantieverlängerung ist deutlich im Geschäft und/oder auf der Verpackung beschrieben und in der Produktdokumentation erwähnt. Der Verbraucher muss das neu erworbene Gerät online innerhalb von 30 Tagen ab dem Kaufdatum registrieren. Der Verbraucher kann das Gerät zwecks Garantieverlängerung in seinem Residenzland registrieren, wenn dieses Land auf dem Online-Registrierungsformular aufgeführt ist und die Option gültig ist. Darüber hinaus muss der Verbraucher seine Zustimmung zur Speicherung der Daten geben, die online eingegeben werden müssen, und er muss die allgemeinen Geschäftsbedingungen akzeptieren. Die Bestätigung der Registrierung, die per E-Mail versandt wird, und die Originalrechnung mit dem Kaufdatum gelten als Beleg für die Garantieverlängerung.
- Die Garantie deckt alle Defekte des Geräts während des Garantiezeitraums ab, die auf zum Zeitpunkt des Kaufs bestehende Verarbeitungs- oder Materialfehler zurückzuführen sind. Die Garantie beschränkt sich auf Reparatur und/oder Ersatz und beinhaltet keine anderen Verpflichtungen, einschließlich, aber nicht begrenzt auf Schadenersatz für Folge- oder Nebenschäden. Die Garantie gilt nicht, wenn das Gerät fehlerhaft eingesetzt wurde, gegensätzlich zur Bedienungsanleitung eingesetzt wurde oder falsch angeschlossen wurde. Die Garantie gilt nicht für Folgendes:
 - Schäden am Gerät, die auf unkorrekte Wartung zurückzuführen sind
 - Geräte, an denen Veränderungen vorgenommen wurden
 - Produkte, bei denen die ursprüngliche Identifizierung (Handelsmarke, Seriennummer) unleserlich gemacht, verändert oder entfernt wurde
 - Schäden durch Nichtbeachtung der Bedienungsanleitung
 - nicht-CE-zertifizierte Geräte
 - Geräte, an denen durch nicht-qualifizierte Personen oder ohne vorherige Genehmigung von Techtronic Industries Reparaturversuche vorgenommen wurden
 - Geräte, die an unkorrekte Energiequellen (Ampere, Volt, Frequenz) angeschlossen wurden
 - Geräte, die mit einer fehlerhaften Treibstoffmischung (Treibstoff, Öl, Ölanteil) betrieben wurden
 - Schäden durch äußere Einflüsse (chemisch, physisch, Stöße) oder Fremdstoffe
 - normaler Verschleiß von Ersatzteilen
 - unangemessene Nutzung, Überlastung des Geräts
 - Nutzung nicht genehmigter Zubehörteile oder Ersatzteile
 - mit dem Gerät gelieferte oder separat erworbene Zubehörteile. Dieser Ausschluss beinhaltet, ist aber nicht beschränkt auf Schraubendreher-Bits, Bohrsensätze, Schleifscheiben, Sandpapier und Kleingeln, Seitenführungen
 - Komponenten (Ersatzteile und Zubehörteile), die natürlichem Verschleiß unterliegen, einschließlich, aber nicht begrenzt auf Service- und Wartungssets, Kohlebürsten, Lager, Spanvorrichtungen, SDS-Bohrbit-Anschlüsse oder -Aufnahmeverrichtungen, Stromkabel, Hilfsgriffe, Transportkoffer, Schleifplatten, Staubbeutel, Staubabführungen, Filzunterlegscheiben, Bolzen und Federn von Schlagschraubern usw.
- Zum Service muss das Gerät zu einer von RYOBI autorisierten Servicestation gebracht oder dorthin gesendet werden. Die Servicestationen für die einzelnen Länder sind in der folgenden Liste aufgeführt. In einigen Ländern sendet Ihr RYOBI-Händler vor Ort das Gerät an das RYOBI-Serviceunternehmen. Beim Einsenden an die RYOBI-Servicestation sollte das Gerät sicher verpackt sein, ohne gefährliche Inhalte wie Benzin, und es sollte mit der Adresse des Absenders und einer kurzen Beschreibung des Fehlers versehen sein.
- Eine Reparatur bzw. ein Ersatz gemäß dieser Garantie ist kostenlos. Hieraus ergibt sich weder eine Garantieverlängerung noch der Beginn eines neuen Garantiezeitraums. Die ausgetauschten Ersatzteile oder Werkzeuge gehen in unser Eigentum über. In einigen Ländern müssen die Zustellgebühren oder die Versandkosten vom Absender gezahlt werden. Ihre gesetzlichen Rechte aus dem Kauf des Geräts bleiben hiervon unberührt.
- Diese Garantie gilt in der Europäischen Union, der Schweiz, Island, Norwegen, Liechtenstein, der Türkei und Russland. Bitte wenden Sie sich außerhalb dieser Gebiete an Ihren autorisierten RYOBI-Händler, um festzustellen, ob eine andere Garantie gilt.

AUTORISIERTER KUNDENDIENST

Besuchen Sie <http://de.ryobitools.eu/header/service-and-support/service-agents>, um einen autorisierten Kundendienst in Ihrer Nähe zu finden.

ES CONDICIONES DE APLICACIÓN DE LA GARANTÍA DE RYOBI®

Además de cualquier derecho legal derivado de la compra, este producto está cubierto por una garantía que se indica a continuación.

- El periodo de garantía es de 24 meses para consumidores y comienza en la fecha en que se comprara el producto. Dicha fecha debe documentarse con una factura u otro comprobante de compra. El producto está diseñado y concebido únicamente para el uso privado del consumidor. Por lo tanto, no se ofrece garantía en caso de uso profesional o comercial.
- Existe la posibilidad de ampliar el periodo de garantía respecto a una parte de la gama de herramientas eléctricas (CA/CC) durante el periodo descrito más arriba y mediante el registro en el sitio web www.ryobitools.eu. La elegibilidad de las herramientas para que se amplíe el periodo de garantía se muestra claramente en las tiendas o en el embalaje y está incluida en la documentación del producto. El usuario final tiene que registrar en línea sus herramientas recientemente adquiridas en un plazo de 30 días a partir de la fecha de compra. El usuario final podrá registrarse para obtener la garantía ampliada en su país de residencia si este aparece en la lista del formulario de registro en línea cuando esta opción sea válida. Además, los usuarios finales deberán dar su consentimiento al almacenamiento de los datos necesarios para el acceso en línea y tienen que aceptar los términos y condiciones. El recibo de confirmación de registro, que se envía por correo electrónico, y la factura original que muestra la fecha de compra servirán como comprobante para la garantía ampliada.
- La garantía cubre todos los defectos del producto durante el periodo de garantía debido a fallos de mano de obra o material en la fecha de compra. La garantía se limita a la reparación o sustitución y no incluye ninguna otra obligación como, por ejemplo, daños accidentales o consecuentes. La garantía no es válida si se ha usado mal el producto, se ha usado contraviniendo el manual de instrucciones o se ha conectado de forma incorrecta. Esta garantía no es aplicable a:
 - ningún daño en el producto que sea consecuencia de un mantenimiento inadecuado
 - ningún producto que haya sido alterado o modificado
 - ningún producto en el que los marcados de identificación originales (marca comercial, número de serie) se hayan borrado, modificado o eliminado
 - ningún daño provocado por no seguir el manual de instrucciones
 - ningún producto que no sea CE
 - ningún producto que haya sufrido un intento de reparación por parte de un profesional no cualificado o sin la autorización previa de Techtronic Industries.
 - ningún producto conectado a un suministro eléctrico inadecuado (amperios, voltaje, frecuencia)
 - ningún producto usado con una mezcla de combustible inadecuada (combustible, aceite, porcentaje de aceite)
 - ningún daño causado por influencias externas (químicas, físicas, impactos) o sustancias extrañas
 - desgaste normal de piezas de repuesto
 - uso inadecuado, sobrecarga de la herramienta
 - uso de accesorios o piezas no aprobados
 - Accesorios de herramientas eléctricas proporcionados con la herramienta o comprados por separado. Tales exclusiones incluyen, entre otros, brocas de destornilladoras, brocas de taladro, discos abrasivos, papel de lija y cuchillas, y guías laterales
 - Componentes (piezas y accesorios) sujetos a un desgaste natural, que incluyen, entre otros, equipos de servicio y mantenimiento, escobillas de carbono, cojinetes, pinzas, accesorio o recepción de broca de taladro SDS, cable eléctrico, manillar auxiliar, bolsa de transporte, hoja lijadora, bolsa de polvo, tubo de escape de polvo, disco de fieltro, pasadores y resortes de llave de impacto, etc.
- Para su mantenimiento, el producto debe enviarse o presentarse a una estación de servicio de RYOBI autorizada que figure en la siguiente lista de direcciones de estaciones de servicio por países. En algunos países, su distribuidor RYOBI local se responsabiliza de enviar el producto a la compañía de servicio de RYOBI. Cuando se envíe un producto a una estación de servicio de RYOBI, este debe estar empaquetado de forma segura sin contenidos peligrosos como gasolina, marcado con la dirección del remitente y acompañado de una breve descripción del fallo.
- Una reparación / sustitución con esta garantía es gratuita. No constituye una ampliación ni un nuevo comienzo del periodo de garantía. Las piezas o herramientas intercambiadas pasan a ser de nuestra propiedad. En algunos países, los gastos de envío o correo tendrá que pagarlos el remitente. Sus derechos legales derivados de esta compra de la herramienta no se verán afectados.
- Esta garantía es válida en la Unión Europea, Suiza, Islandia, Noruega, Liechtenstein, Turquía y Rusia. Fuera de estas zonas, póngase en contacto con su distribuidor de RYOBI autorizado para determinar si es aplicable otra garantía.

SERVICIO TÉCNICO AUTORIZADO

Para encontrar el servicio técnico autorizado más cercano, visite <http://uk.ryobitools.eu/header/service-and-support/service-agents>.



IT CONDIZIONI DI VALIDITÀ DELLA GARANZIA RYOBI®

In aggiunta ai diritti di legge risultanti dall'acquisto, il prodotto è coperto dalla garanzia sotto descritta.

- Il periodo di garanzia è di 24 mesi per i consumatori, a decorrere dalla data di acquisto del prodotto. La data deve essere documentata da una fattura o altra prova d'acquisto. Il prodotto è progettato e destinato solo all'utilizzo privato dei consumatori. Pertanto non viene fornita alcuna garanzia in caso di uso professionale o commerciale.
- Per una serie di utensili elettrici (CA/CC) è possibile prolungare il periodo di garanzia oltre quello descritto, registrandosi sul sito web www.ryobitools.eu. Gli utensili per i quali è possibile prolungare il periodo di garanzia sono chiaramente indicati nei negozi e/o sulle confezioni e nella documentazione dei prodotti. L'utente deve registrare online l'utensile acquistato entro 30 giorni dalla data di acquisto. L'utente può registrarsi per la garanzia prolungata nel proprio paese di residenza, se questo è elencato nel modulo di registrazione online dove questa opzione sia valida. Inoltre gli utenti devono fornire il proprio consenso alla conservazione dei dati da immettere online e devono accettare le condizioni generali. La conferma di registrazione, inviata tramite e-mail, e la fattura originale indicante la data di acquisto, costituiranno la prova della garanzia prolungata.
- La garanzia copre tutti i difetti del prodotto durante il periodo di garanzia, risultati da manodopera o materiali alla data di acquisto. La garanzia è limitata alla riparazione e/o sostituzione e non include alcun altro obbligo quali, a mero titolo esemplificativo, i danni incidentali o consequenziali. La garanzia non è valida se il prodotto è stato usato scorrettamente, in modo contrario al manuale di istruzioni o se è stato collegato in modo errato. La garanzia non è valida per:
 - qualsiasi danno al prodotto dovuto a manutenzione errata;
 - qualsiasi prodotto che sia stato alterato o modificato;
 - qualsiasi prodotto le cui marcature di identificazione originali (marchi di fabbrica, numero di serie) siano state cancellate, alterate o rimosse;
 - qualsiasi danno causato dalla non osservanza delle istruzioni del manuale;
 - qualsiasi prodotto privo di omologazione CE;
 - qualsiasi prodotto che sia stato sottoposto a un tentativo di riparazione da parte di un professionista non qualificato oppure senza la previa autorizzazione di Techtronic Industries;
 - qualsiasi prodotto collegato a un'alimentazione errata (per ampere, tensione, frequenza);
 - qualsiasi prodotto usato con una miscela di carburante errata (carburante, olio, percentuale di olio);
 - qualsiasi danno causato da influenze esterne (chimiche, fisiche, urti) o sostanze estranee;
 - la normale usura delle parti di ricambio;
 - uso inappropriato, sovraccarico dell'utensile;
 - uso di accessori o parti non omologate;
 - accessori per utensili elettrici forniti con l'utensile o acquistati separatamente. Questa esclusione comprende, a mero titolo esemplificativo, punte per cacciaviti, punte per trapani, dischi abrasivi, carta vetrata, lame e guide laterali;
 - componenti (parti e accessori) soggetti alla normale usura compresi, a mero titolo esemplificativo, kit di servizio e manutenzione, spazzole al carbonio, cuscinetti, mandrini, attacchi per punte a vite autoporforante, cavi di alimentazione, maniglie ausiliarie, custodie di trasporto, piastre di levigatura, sacchetti per la polvere, tubi di scarico della polvere, rondelle di feltro, perni e molle per avvitatori ecc.
- Per la manutenzione il prodotto dev'essere spedito o portato presso uno dei centri assistenza autorizzati RYOBI elencati per ogni paese nel seguente elenco di indirizzi dei centri. In alcuni paesi il rivenditore locale RYOBI si incarica di inviare il prodotto all'organizzazione di assistenza RYOBI. Quando si invia un prodotto a un centro assistenza RYOBI, imballarlo in modo sicuro senza contenuti pericolosi come la benzina, apporre l'indirizzo del mittente e accompagnarlo da una breve descrizione del guasto.
- La riparazione/sostituzione ai sensi della presente garanzia è gratuita. Non costituisce un prolungamento o un nuovo inizio del periodo di garanzia. Le parti o gli utensili scambiati diventano di nostra proprietà. In alcuni paesi i costi di consegna o di spedizione postale devono essere pagati dal mittente. I diritti di legge derivanti dall'acquisto dell'utensile rimangono inalterati.
- La presente garanzia è valida in Unione Europea, Svizzera, Islanda, Norvegia, Liechtenstein, Turchia e Russia. Al di fuori di tali aree contattare il rivenditore autorizzato RYOBI per sapere se è valida un'altra garanzia.

CENTRO SERVIZI AUTORIZZATO

Per individuare il più vicino centro servizi autorizzato, visitare il sito <http://uk.ryobitools.eu/header/service-and-support/service-agents>.

NL RYOBI® GARANTIEVOORWAARDEN

Naast de wettelijke rechten die voortvloeien uit de aankoop, wordt dit product gedekt door een garantie, zoals hieronder staat vermeld.

- De garantietermijn voor consumenten bedraagt 24 maanden en gaat in op de datum waarop het product is gekocht. Deze datum moet worden gedocumenteerd met een factuur of een ander aankoopbewijs. Het product is uitsluitend ontworpen en bedoeld voor persoonlijk gebruik door consumenten. Er wordt dus geen garantie gegeven voor professioneel of commercieel gebruik.
- Voor een deel van ons aanbod van elektrische gereedschappen (AC/DC) is het mogelijk om de garantietermijn te verlengen over de boven beschreven termijn, met behulp van de website www.ryobitools.eu. De gereedschappen die in aanmerking komen voor de verlenging van de garantietermijn wordt duidelijk weergegeven in winkels en/of verpakkingen en staat beschreven in de productdocumentatie. De eindgebruiker moet zijn/haar nieuw gekochte gereedschappen binnen 30 dagen na aankoop online registreren. De eindgebruiker kan zich registreren voor de verlengde garantietermijn als zijn woonland staat vermeld op het online registratieformulier waar deze optie geldig is. Bovendien moeten eindgebruikers toestemming geven voor de opslag van de gegevens die online ingevuld moeten worden en moeten ze de algemene voorwaarden accepteren. Het ontvangsbewijs van de registratie, dat per e-mail wordt verzonden en de oorspronkelijke factuur met de aankoopdatum vormt het bewijs van de verlengde garantietermijn.
- De garantie dekt tijdens de garantietermijn alle gebreken van het product vanwege defecten in vakmanschap of materiaal op de aankoopdatum. De garantie is beperkt tot reparatie en/of vervanging en bevat geen andere verplichtingen, waaronder maar niet beperkt tot incidentele of gevolgschade. De garantie is niet geldig als het product is misbruikt, in strijd met de gebruiksaanwijzing wordt gebruikt of onjuist is aangesloten. Deze garantie geldt niet voor:
 - alle schade aan het product die het gevolg is van onjuist onderhoud
 - elk product dat is veranderd of aangepast
 - elk product waar de oorspronkelijke identificatie (handelsmerk, serienummer) is beschadigd, gewijzigd of verwijderd
 - alle schade die is veroorzaakt door het niet opvolgen van de gebruiksaanwijzing
 - elk niet-CE-product
 - elk product waar een poging tot reparatie is gedaan door een niet-erkend professional of zonder voorafgaande toestemming door Techtronic Industries.
 - elk product dat is verbonden met een verkeerde voeding (amperage, spanning, frequentie)
 - elk product dat wordt gebruikt met een verkeerd brandstofmengsel (brandstof, olie, oliegehalte)
 - alle schade die is veroorzaakt door externe invloeden (chemisch, fysisch, schokken) of vreemde stoffen
 - normale slijtage van reserveonderdelen
 - ongepast gebruik, overbelasting van het gereedschap
 - gebruik van niet-goedgekeurde accessoires of onderdelen
 - gereedschapsaccessoires die bij het gereedschap worden geleverd of afzonderlijk zijn aangeschaft. Zulke uitzonderingen bevatten, maar niet beperkt tot schroevendraaierbits, boorbits, slijpschijven, schuurpapier en zagen, laterale geleiding
 - Componenten (onderdelen en accessoires) die onderhevig zijn aan natuurlijke slijtage, waaronder maar niet beperkt tot service- en onderhoudssets, koolstofborstels, lagers, boorkoppen, SDS boorbitbevestigingen of ontvangers, stroomsoenen, hulpgrepen, transporttassen, schuurplateaus, stofzakken, stofafvoerbuizen, viltlingen, pennen en veren van slagmoersleutels, etc.
- Voor onderhoud moet het product worden verzonden of gebracht naar een erkend servicestation van RYOBI die voor elk land staan vermeld in de volgende lijst met adressen voor servicestations. In sommige landen zal uw lokale RYOBI-dealer het product verzenden naar de RYOBI-serviceorganisatie. Wanneer u het product naar een servicestation van RYOBI verzendt, moet het product veilig worden verpakt zonder enige gevaarlijke inhoud, zoals benzine, met het adres van de afzender en vergezeld van een korte beschrijving van het defect.
- Een reparatie/vervangende die onder deze garantie valt is gratis. Het vormt geen verlenging of een nieuwe start van de garantietermijn. Verwisselde onderdelen of gereedschappen worden ons eigendom. In sommige landen moeten de verzendkosten door de afzender worden betaald. Uw wettelijke rechten die voortvloeien uit de aankoop van het gereedschap blijven onaangetast.
- Deze garantie is geldig in de Europese Gemeenschap, Zwitserland, IJsland, Noorwegen, Liechtenstein, Turkije en Rusland. Buiten deze gebieden moet u contact opnemen met uw erkende RYOBI-dealer om vast te stellen of er een andere garantie van toepassing is.

GEAUTORISEERD ONDERHOUDSCENTRUM

Om een geautoriseerd onderhoudscentrum in uw buurt te vinden, surf u naar <http://uk.ryobitools.eu/header/service-and-support/service-agents>.



PT CONDIÇÕES DE APLICAÇÃO DA GARANTIA RYOBI®

Para além de quaisquer direitos previstos por lei resultantes da compra, este produto está coberto por uma garantia conforme descrição abaixo.

- O período da garantia é de 24 meses para consumidores particulares e inicia-se na data de compra do produto. Esta data tem de ser documentada por uma factura ou por outra prova de compra. O produto foi concebido para e destina-se apenas a consumidores particulares e uso privado. Assim, não é dada garantia em caso de utilização por profissionais ou uso comercial.
- Para uma parte da gama de ferramentas eléctricas (AC/DC) existe a possibilidade de prolongamento do período da garantia para além do período descrito acima, mediante registo no Web site www.ryobitools.eu. A elegibilidade das ferramentas para prolongamento do período da garantia é claramente visível nas lojas e/ou nas embalagens e está contida na documentação do produto. O utilizador final tem de fazer o registo online das suas ferramentas recém-adquiridas no prazo de 30 dias após a data de compra. O utilizador final pode fazer o registo para prolongamento da garantia no seu país de residência, desde que esteja listado no formulário de registo online e para os casos em que esta opção seja válida. Para além disso, os utilizadores finais têm de autorizar o armazenamento dos dados cujo preenchimento lhes for solicitado online e têm de aceitar os termos e as condições. O recibo de confirmação do registo é enviado por e-mail e, em conjunto com a factura original ostentando a data de compra, servirá de prova do prolongamento da garantia.
- A garantia cobre todos os defeitos do produto durante o período da garantia devidos a defeitos de fabrico ou de material à data da compra. A garantia está limitada à reparação e/ou substituição e não inclui quaisquer outras obrigações, incluindo mas não se limitando a, perdas complementares ou indirectas. A garantia não é válida se o produto tiver sido utilizado incorrectamente, utilizado de forma contrária ao Manual de Instruções ou se as respectivas ligações tiverem sido feitas incorrectamente. Esta garantia não se aplica ao seguinte:
 - quaisquer danos ao produto que sejam resultado de manutenção incorrecta
 - qualquer produto que tenha sido alterado ou modificado
 - qualquer produto cujas marcações de identificação de origem (marca comercial, número de série) tiverem sido apagadas, alteradas ou retiradas
 - quaisquer danos causados pelo incumprimento do Manual de Instruções
 - qualquer produto que não seja da Comunidade Europeia
 - qualquer produto ao qual tenha sido feita, ou tentada fazer, uma reparação por outra pessoa que não um profissional habilitado ou sem autorização prévia da Techtronic Industries.
 - qualquer produto ligado a uma fonte de alimentação eléctrica incorrecta (Amperes, Voltagem e Frequência)
 - qualquer produto utilizado com uma mistura de combustível incorrecta (combustível, óleo, percentagem de óleo)
 - qualquer dano causado por influências externas (químicas, físicas, impactos) ou substâncias estranhas
 - desgaste e degradação normal de sobresselentes
 - utilização incorrecta, sobrecarga da ferramenta
 - utilização de acessórios ou peças não aprovados
 - acessórios para ferramentas eléctricas fornecidos com a ferramenta ou comprados em separado. Estas exclusões incluem mas não se limitam a, pontas de aparafusadora, brocas, discos abrasivos, papel de lixa e lâminas, guia lateral
 - Componentes (peças e acessórios) sujeitos a desgaste e degradação natural, incluindo mas não se limitando a, Kits de Assistência e Manutenção, escovas de carbono, rolamentos, bucha, acessórios ou receptores de brocas SDS, cabos eléctricos, pegas auxiliares, estojos de transporte, placas de lixagem, molas de poeiras, tubos de saída de poeiras, anilhas de feltro, pinos e sacos da aparafusadora de impacto, etc.
- Para assistência, o produto tem de ser enviado para, ou apresentado em, um posto de assistência autorizado RYOBI, conforme listado para cada país na lista de moradas de postos de assistência seguinte. Nalguns países, o seu concessionário RYOBI local encarrega-se de enviar o produto para a organização de assistência RYOBI. Quando enviar um produto para um posto de assistência RYOBI, o produto deve ser embalado de forma segura, sem conter nenhuns conteúdos perigosos (por exemplo, gasolina), marcado com o endereço do remetente e acompanhado por uma breve descrição da avaria.
- Uma reparação/substituição ao abrigo desta garantia é gratuita. Não constitui um prolongamento a, nem um novo início de, o período da garantia. As peças ou ferramentas substituídas tornam-se propriedade nossa. Nalguns países, o remetente terá de pagar os custos de entrega ou a remessa postal. Os seus direitos previstos por lei resultantes da compra da ferramenta mantêm-se inalterados
- Esta garantia é válida na Comunidade Europeia, Suíça, Islândia, Noruega, Liechtenstein, Turquia e Rússia. Fora destas áreas, entre em contacto com o seu concessionário autorizado RYOBI para determinar se existe outra garantia aplicável.

CENTRO DE ASSISTÊNCIA AUTORIZADO

Para encontrar um centro de assistência autorizado próximo de si, visite <http://uk.ryobitools.eu/header/service-and-support/service-agents>.

DA RYOBI® BETINGELSER FOR GARANTI

Udover lovbestemte rettigheder, som resulterer af købet, er dette produkt dækket af en garanti, som anføres herunder.

- Garantiperioden er 24 måneder for forbrugere og begynder på den dato, som produktet blev købt. Denne dato skal dokumenteres af en faktura eller andet bevis for køb. Produktet er udelukkende designet og dedikeret til forbrugere og privat brug. Så der ydes ingen garanti i tilfælde af professionel eller kommerciel brug.
- Der er en mulighed for at forlænge garantiperioden for en del af udvalget af elværktøj (AC/DC), hen over den ovenfor beskrevne periode vha. registrering på hjemmesiden www.ryobitools.eu. Berettigelsen af værktøjet til forlængelse af garantiperioden er tydeligt vist i butikker og/eller på emballage/og indeholdt i produktokumentationen. Slutbrugeren skal registrere hans/hendes nyligt indkøbte værktøj online indenfor 30 dage efter købsdatoen. Slutbrugeren kan registrere sig for den forlængede garanti i sit land, hvis han/hun er opført på den online registreringsformular, hvor denne mulighed er gyldig. Derudover skal slutbrugere give deres samtykke til at opbevare data, som er påkrævet at indtaste online, og de er nødt til at acceptere vilkår og betingelser. Registreringsbekræftelseskvitteringen, som sendes ud på e-mail, og den originale faktura, som viser købsdatoen, vil fungere som bevis for den forlængede garanti.
- Garantien dækker alle defekter, som et produkt måtte have i løbet af garantiperioden, og som skyldes fejl i håndværk eller materiale på købsdatoen. Garantien er begrænset til reparation og/eller udfiskning og inkluderer ikke andre forpligtelser, inklusiv men ikke begrænset til tilfældige skader eller følgeskader. Garantien er ugyldig, hvis produktet er blevet misbrugt, brugt uden at overholde vejledningen, eller det er blevet forkert tilslettet. Denne garanti gælder ikke:
 - Beskadigelse af produktet, som er et resultat af uegnet vedligeholdelse
 - Et produkt der er blevet ændret eller modificeret
 - Et produkt hvor de originale identifikationsmærkninger (varemærke, serienummer) er blevet ødelagt, ændret eller fjernet.
 - Enhver beskadigelse forårsaget af manglende overholdelse af vejledningen
 - Ethvert CE-produkt
 - Ethvert produkt som er blevet forsøgt repareret af en ukvalificeret professionel eller uden tidligere autorisation af Techtronic Industries.
 - Ethvert produkt som er tilslettet uegnet strømforsyning (ampere, spænding, frekvens)
 - Ethvert produkt som bruges med uegnet brændstofblandning (brændstof, olie, procentdel olie)
 - Enhver skade forårsaget af ekstern påvirkning (kemisk, fysisk, chok) eller fremmedlegemer
 - Normal slid på reservedele
 - Uegnet brug, overbelastning af værktøjet
 - Brug af ikke-godkendt tilbehør eller dele
 - Elværktøjstilbehør som leveres med værktøjet eller købes separat. Sådanne undtagelser inkluderer men er ikke begrænset til skruetrækkerbits, borebits, slibeskiver, sandpapir og klinger, sidestyr
 - Komponenter (dele og tilbehør) som er udsat for naturligt slid og ælde, inklusiv men ikke begrænset til Service- og vedligeholdelsessæt, kulbørster, lejer, bøsninger, påsætning eller modtagelse af SDS-borrit, strømledning, hjælpehåndtag, transporttaske, sandplade, støvpose, støvsugningslange, filtskiver, nåle og fjedre slagnagle etc.
- For eftersyn skal produktet sendes til eller præsenteres for en RYOBI-autoriseret servicestation, som er oplyst for hvert land i den følgende liste over servicestationsadresser. I nogle lande påtager din lokale RYOBI-forhandler sig ansvaret for at sende produktet til RYOBI-serviceorganisationen. Når et produkt sendes til en RYOBI-servicestation, skal det pakkes sikkert ind uden noget farligt indhold som benzín, mærkes med afsenders adresse og med en kort beskrivelse af fejlen.
- En reparation/erstatning under denne garanti er gratis. Den udgør ikke en forlængelse eller en ny start på garantiperioden. Udvekslede dele eller værktøjer bliver vores ejendom. I nogle lande skal leveringsafgifter eller porto betales af afsenderen. Dine lovbestemte rettigheder i forbindelse med købet forbliver uanfægtede
- Denne garanti gælder i EU, Schweiz, Island, Norge, Liechtenstein, Tyrkiet og Rusland. Udenfor disse områder bedes du kontakte din autoriserede RYOBI-forhandler for at afgøre, om en anden garanti gælder.

AUTORISEREDE SERVICE/ÆRKSTEDER

Find nærmeste autoriserede serviceværksted på <http://dk.ryobitools.eu/header/service-and-support/service-agents>.

SV RYOBI® ANVÄNDNINGSVILLKOR FÖR GARANTI

Förutom eventuella lagstadgade rättigheter som uppstår genom köpet, täcks den här produkten av en garanti som anges nedan.

1. Garantiperioden är 24 månader för konsumenter och börjar gälla från det datum då produkten köptes. Detta datum måste dokumenteras på en faktura eller annat köpbevis. Produkten är utformad och avsedd för konsumenter och privat bruk. Därmed tillhandahålls ingen garanti vid yrkesmässigt eller kommersiellt bruk.
2. Det finns möjlighet att förlänga garantiperioden för en del av utbudet för elverktyg (AC/DC) under den period som anges ovan genom att använda registreringen på webbplatsen www.ryobitools.eu. De verktyg som är berättigade till en förlängning av garantiperioden visas tydligt i butiker och/eller på förpackningen/och anges i produktdokumentationen. Slut användaren behöver registrera hans/hennes nyförvärvade verktyg online inom 30 dagar från köpdatumet. Slut användaren kan registrera sig för den förlängda garantin i det land där han/hon bor om landet finns angivet i registreringsformuläret online och där detta alternativ är giltigt. Dessutom måste slut användaren ge sitt medgivande till lagring av data vilket krävs vid registrering online samt acceptera villkoren. Bekräftelsekvittot för registreringen som skickas ut via e-post och originalfakturan som visar köpdatumet kommer att gälla som bevis för den förlängda garantin.
3. Garantin täcker alla produktdefekter under garantiperioden som beror på brister i utförande eller material vid köpdatumet. Garantin är begränsad gällande reparation och/eller utbyte och inkluderar inte några skyldigheter inklusive men inte begränsat till oförutsedda skador eller följdskador. Garantin är inte giltig om produkten har missbrukats, använts i strid med bruksanvisningen eller inte anslutits på rätt sätt. Denna garanti täcker inte:
 - eventuella skador på produkten som uppstått till följd av felaktigt underhåll
 - produkter som har ändrats eller modifierats
 - produkter där ursprungliga identifieringsmärkning (varumärke, serienummer) har målats över, ändrats eller tagits bort
 - eventuella skador som uppstått till följd av att bruksanvisningen inte efterföljts
 - alla icke CE-produkter
 - eventuella produkter som har försökts repareras av en icke-kvalificerad yrkesman eller utan föregående medgivande från Techtronic Industries.
 - eventuella produkter som anslutits till felaktig strömförsörjning (ampere, volt, frekvens)
 - eventuella produkter som använts med olämplig bränsleblandning (bränsle, olja, oljeprocent)
 - eventuella skador som uppstått till följd av yttre påverkan (kemisk, fysisk, stötar) eller främmande ämnen
 - normalt slitage av reservdelar
 - olämplig användning, överbelastning av verktyget
 - användningen av icke-godkända tillbehör eller delar
 - tillbehör till elverktyg som medföljde verktyget eller köpts separat. Sådana undantag inkluderar men är inte begränsat till skruvmejselbits, borrarbiter, slipskivor, sandpapper, blad och sidoskena
 - Komponenter (delar och tillbehör) är föremål för naturligt slitage, inklusive men inte begränsat till service- och underhållsatsar, kolborstar, kullager, chuck, tillbehör eller tillhörande SDS-borrbiter, strömsladd, hjälphandtag, transportväska, slipplatta, dammpåse, dammtubbläsor, filterbrickor, stift och fjädrar till mullerdragare osv.
4. Vid service måste produkten skickas eller uppvisas för en RYOBI- auktoriserad servicestation som står angiven för varje land i följande adresslista över servicestationer. I vissa länder tar din lokala RYOBI- återförsäljare på sig ansvaret att skicka produkten till RYOBI- serviceorganisationen. När en produkt skickas till en RYOBI- servicestation, ska produkten paketeras säkert utan något farligt innehåll såsom bensin, markeras med avsändarens adress samt en kort beskrivning av felet.
5. En reparation/ett utbyte under denna garanti är kostnadsfri. Det utgör inte en förlängning eller förnyelse av garantiperioden. Utbyta delar eller verktyg blir vår egendom. I vissa länder måste leveranskostnader eller porto betalas av avsändaren. Dina lagstadgade rättigheter som härrör från köpet av verktyget förblir opåverkade
6. Denna garanti är giltig i Europeiska gemenskapen: Schweiz, Island, Norge, Liechtenstein, Turkiet och Ryssland. Utanför dessa länder, kontakta din auktoriserade RYOBI-återförsäljare för att avgöra om en annan garanti gäller.

AUKTORISERAT SERVICECENTER

Du hittar närmaste auktoriserade servicecenter genom att gå till <http://uk.ryobitools.eu/header/service-and-support/service-agents>.

FI RYOBI®-TAKUUN SOVELTAMISEHDOT

Tällä tuotteella on oston luomien lakisääteisten oikeuksien ohella alla mainitun mukainen takuu.

1. Takuun kesto on kuluttajille 24 kuukautta ja takuu-aika alkaa tuotteen ostohetkestä. Tämän päivämäärän tulee lukea laskussa tai muussa ostotositteessa. Tuote on suunniteltu ja tarkoitettu vain kuluttajien ja yksityiseen käyttöön. Takuu ei siis kata ammatti- eikä kaupallista käyttöä.
2. Joidenkin sähkötyökalujen (AC/DC) takuun kestoa on mahdollista laajentaa yllä mainittua kestoa pidemmäksi verkkosivuston www.ryobitools.eu rekisteröinnin kautta. Työkalujen kelpoisuus takuujakson laajennukseen näkyy selkeästi myymälöissä ja/tai pakkauksissa ja/tai tämä tieto sisältyy tuotedokumentaation. Loppukäyttäjän täytyy rekisteröidä vasta hankitut työkalut internetissä 30 päivän kuluessa ostopäivämäärästä. Loppukäyttäjää voi rekisteröidä laajennetun takuun kotimaassaan, jos se on luettuna online-rekisteröintilomakkeessa, jossa mainitaan, missä tämä vaihtoehto on voimassa. Loppukäyttäjien täytyy lisäksi hyväksyä tietojen tallennus, jotka heidän täytyy antaa online-tilassa sekä ehdot. Rekisteröinnin vahvistuskuiti, joka lähetetään sähköpostitse, ja alkupeirän ostopäivämäärän ilmaiseva lasku toimivat laajennetun takuun tositteina.
3. Takuu kattaa kaikki tuotteeseen takuu-aikana tulevat vikat, joiden aiheuttajana ovat tuotteessa ostopäivänä olleet valmistus- tai materiaaliaviat. Takuu on rajoitettu korjaukseen ja/tai vaihtoon eikä se sisällä mitään muita velvoitteita mukaan lukien satunnaisia- ja seurannaisvaihkoja, mutta rajoittumatta niihin. Takuu ei päde, jos tuotetta on käyretty väärin, käyttöohjeen vastaisesti tai jos se on liitetty virheellisesti. Tämä takuu ei kata:
 - virheellisestä huollosta johtuvia vaurioita
 - muunnettua tai muutettua tuotetta
 - tuotetta, jonka alkupeiräiset tunnistemerkinnät (tavaramerkki, sarjanumero) on turmeltu, muutettu tai poistettu
 - tämän käyttöoppaan laiminlyöntiä johtuvia vaurioita
 - ei-CE-tuotetta
 - tuotetta, jota on yrittänyt korjata epäpätevä ammattilainen tai joka on korjattu ilman Techtronic Industriesin ennakkolupaa.
 - tuotetta, joka on liitetty virheelliseen teholahteeseen (ampeirit, jännite, taajuus)
 - tuotetta, jossa on käyretty väärää polttoaineseosta (polttoaine, öljy, öljyprosentti)
 - ulkoisten vaikutusten (kemiallinen, fyysinen, iskut) tai vieraiden aineiden aiheuttamaa vauriota
 - normaaleja kuluvia varaosia
 - virheellistä käyttöä, työkalun ylikuormitusta
 - ei-hyväksytyjen tarvikkeiden tai osien käyttöä
 - sähkötyökalun tarvikkeita, jotka on toimitettu työkalun mukana tai ostettu erikseen. Poissuljettuja osia ovat ruuvausterät, poranterät, hiomalaikat, hiekkapaperi ja terät, sivuohjain, näihin kuitenkaan rajoittumatta
 - Luonnollisesti kuluvia komponentteja (osia tai tarvikkeita), joihin sisältyvät huolto- ja kunnossapitosefit, hiiliharjat, laakerit, teräistukat, SDS-porien kiinnitin tai istukka, virtajohto, apukahva, kuljetuskotelo, hiomalaikka, pölypussi, näölypoistoputki, huopatiivistet, iskunvääntimen pultit ja jouset yms. näihin kuitenkaan rajoittumatta.
4. Tuote on lähetettävä huollettavaksi valtuutettuun RYOBI-huoltoon tai näytettävä siellä. Niiden osoitteet kussakin maassa löytyvät seuraavasta luettelosta. Joissakin maissa paikallinen RYOBI-jälleenmyyjä huolehtii tuotteen lähetyksestä RYOBI-huolto-organisaatioon. Kun tuote lähetetään RYOBI-huoltoon, se täytyy pakata hyvin ilman vaarallisia aineita, kuten polttoainetta, ja pakkaukseen täytyy merkitä lähittäjän nimi sekä vian lyhyt kuvaus.
5. Takuun kattama korjaus/vaihto on maksuton. Se ei tarkoita takuujakson laajennusta tai alkamista alusta. Vaihdetut osat tai työkalut siirtyvät valmistajan omistukseen. Joissakin maissa lähittäjän täytyy maksaa lähetyskustannukset tai postikulut. Työkalun oston luomat lakisääteiset oikeudet pysyvät koskemattomina
6. Tämä takuu on voimassa Euroopan yhteisössä, Sveitsissä, Islannissa, Norjassa, Liechtensteinissa, Turkissa ja Venäjällä. Ota näiden alueiden ulkopuolella yhteyttä omaan valtuutettuun RYOBI-jälleenmyyjään ja selvitä, onko jotain muuta takuuta.

VALTUUTETTU HUOLTO

Voit etsiä lähimmän valtuutetun huollon sivulta <http://fi.ryobitools.eu/header/service-and-support/service-agents>.

NO RYOBI® GARANTIBETINGELSER

I tillegg til eventuelle lovbestemte rettigheter som følger av kjøpet, er dette produktet dekket av en garanti som angitt nedenfor.

1. Garantiperioden er 24 måneder for konsumenter og gjelder fra den datoen som produktet ble kjøpt. Denne datoen skal dokumenteres med en faktura eller annet kjøpsbevis. Produktet er designet og beregnet kun til konsument- og privat bruk. Så det gis ingen garanti ved profesjonell eller kommersiell bruk.
2. For en del av utvalget av elektriske verktøy (AC/DC) er det mulighet til å utvide garantiperioden i den perioden som er beskrevet ovenfor ved bruk av registreringer på nettsidene www.ryobitools.eu. Kvalifiseringsen av verktøyene for en utvidelse av garantiperioden er tydelig vist i butikker og Teller på pakningen / og finnes innen produktdokumentasjonen. Slutbrukeren må registrere sine nylig anskaffede verktøy online innen 30 dager etter kjøpsdato. Slutbrukeren kan registrere seg for den utvidede garantien i sitt land hvis det er opplistet på online registreringsskjemaet der dette alternativet er gyldig. Videre må slutbrukere gi sitt samtykke til oppbevaring av dataene som kreves for å gå online, og de må godta vilkår og betingelser. Registreringsbekräftelsen, som sendes ut e-post, og den originale fakturaen som viser kjøpsdato, vil tjene som bevis for den utvidede garantien.
3. Garantien dekker alle defekter i produktet under garantiperioden på grunn av defekter i utførelse eller materiale på kjøpsdato. Garantien er begrenset til å reparere og/eller erstatte og inkluderer ikke noen andre forpliktelser, inkludert, men ikke begrenset til, tilfeldig eller følgesmessige skader. Garantien er ikke gyldig hvis produktet har blitt misbrukt, brukt på annen måte enn det som beskrives i bruksanvisningen eller er koblet til på feil måte. Denne garantien gjelder ikke for:
 - enhver skade på produktet som er resultat av uflakstrekkelig vedlikehold
 - ethvert produkt som har blitt endret eller modifisert
 - ethvert produkt der de originale identifiseringsmerkene (varemerke, serienummer) har blitt uleselig, er endret eller fjernet
 - enhver skade som forårsakes av ikke-overholdelse av instruksjonshåndboken
 - ethvert ikke-CE-produkt
 - ethvert produkt som har blitt forsøkt reparert eller av en ikke-kvalifisert fagperson eller uten tidligere autorisasjon fra Technonic Industries.
 - ethvert produkt tilkoblet feil strømforsyning (ampere, spenning, frekvens)
 - ethvert produkt som brukes med feil drivstoffblanding (drivstoff, olje, prosentandel olje)
 - enhver skade som er forårsaket av eksterne påvirkninger (kjemiske, fysiske, støt) eller fremmede stoffer
 - normal slitasje og slitereservedeler
 - feil bruk, overbelastning av verktøyet
 - bruk av ikke-godkjent tilbehør eller deler
 - Elektrisk verktøytilbehør levert med verktøyet eller kjøpt separat. Slike ekskluderinger, inkludert, men ikke begrenset til skrutrekkerbits, drillbits, slipedisker, sandpapir og blader, lateral føring
 - Komponenter (deler og tilbehør) som er utsatt for naturlig slitasje, inkludert, men ikke begrenset til service- og vedlikeholdssett, karbonborer, lagre, chuck, SDS-borblifester eller -mottak, strømledning, hjelpéhåndtak, transportbæreske, sandingsplate, støvpose, støvutslipprør, filtpakninger, støtnøkkelpinner og fjær, osv.
4. For service må produktet sendes eller fremlegges for en RYOBI- autorisert servicestasjon opplistet for hvert land i den følgende listen over servicestasjonsadresser. I noen land sender den lokale RYOBI-forhandleren produktet til RYOBI serviceorganisasjonen. Ved å sende et produkt til en RYOBI servicestasjon skal produktet være sikkert pakket uten noe farlig innhold, slik som bensin, merket med senderens adresse og fulgt av en kort beskrivelse av feilen.
5. En reparasjon/erstatning under denne garantien er gratis. Den utgjør ingen forlengelse eller en ny start av garantiperioden. Utskiftede deler eller verktøy blir vår eiendom. I noen land vil leveringskostnader eller fraktering måtte betales av senderen. Dine lovbestemte rettigheter som oppstår fra kjøp av verktøyet forblir uberørt.
6. Denne garantien er gyldig i EU, Sveits, Island, Norge, Liechtenstein, Tyrkia og Russland. Utenfor disse områdene ta kontakt med din autoriserte RYOBI-forhandler om en annen garanti gjelder.

AUTORISERT SERVICESENTER

For å finne et autorisert servicecenter i nærheten, gå til <http://no.ryobitools.eu/header/service-and-support/service-agents>.

RU УСЛОВИЯ ПРИМЕНЕНИЯ ГАРАНТИИ НА ПРОДУКЦИЮ RYOBI®

Помимо законных прав, возникающих при покупке, данное изделие покрывается гарантией в соответствии с приведенными ниже пунктами.

1. Гарантийный период для покупателя составляет 24 месяца с даты покупки изделия. Дата покупки должна быть подтверждена счетом или другим свидетельством покупки. Данное изделие предназначено только для частного использования покупателем. Поэтому гарантия не распространяется на использование в профессиональных или коммерческих целях.
2. Предусмотрена возможность продления для части изделий линейки электроинструментов (AC/DC) гарантийного периода с помощью регистрации на сайте www.ryobitools.eu. Право инструмента на продление гарантийного периода четко указано в магазинах и / или на упаковке / и содержится в сопутствующей инструменту документации. Конечный пользователь должен зарегистрировать свой приобретенный инструмент в течение 30 дней с даты покупки. Конечный пользователь может зарегистрировать свой инструмент на продление гарантии в стране своего проживания, если она указана в форме онлайн-регистрации. Кроме того, конечный пользователь должен дать свое согласие на хранение данных, которые необходимо ввести в онлайн-форму и принять правила и условия. Подтверждение регистрации, которое вы получите по электронной почте и оригинальный чек, в котором указана дата покупки, будут служить доказательством продленной гарантии.
3. Гарантия покрывает в течение гарантийного периода все дефекты качества или материала изделия на дату покупки. Гарантия ограничена ремонтом и / или заменой и не включает никакие другие обязательства, включая, но не ограничиваясь случайными или косвенными убытками. Гарантия становится недействительной, если изделие использовалось не по назначению, вопреки инструкциям, данным в Руководстве пользователя или было неправильно подложено. Настоящая гарантия не распространяется на:
 - любые повреждения изделия в результате неправильного технического обслуживания
 - любые изделия, подвергшиеся изменениям и модификации
 - любые изделия, оригинальные идентификационные отметки которого (торговая марка, серийный номер) были повреждены, изменены или удалены
 - любые повреждения, вызванные несоблюдением инструкций Руководства пользователя
 - любые изделия, не относящиеся к CE
 - любые изделия, подвергшиеся попыткам ремонта неквалифицированным работником или без предварительного утверждения компанией Technonic Industries.
 - любые изделия, подключенные к неправильному источнику питания (сила тока, напряжение, частота)
 - любые изделия, в которых использовались несоответствующие топливные смеси (топливо, масло, процент масла)
 - любые повреждения, вызванные внешними воздействиями (химические, физические, удары) или посторонними веществами
 - нормальный износ и разрыв запасных деталей
 - несоответствующее использование, перегрузка инструмента
 - использование неутвержденных аксессуаров и запасных деталей
 - аксессуары электроинструментов, поставляемые с инструментом или приобретаемые отдельно. Такие исключения включают, но не ограничиваются сверла шуруповертов, дрелей, абразивные диски, наждачную бумагу, лезвия и боковые направляющие
 - компоненты (детали и аксессуары), подверженные естественному износу и разрыву, включая, но не ограничиваясь наборы для технического обслуживания, угольные щетки, подшипники, патроны, насадки сверл SDS, кабели питания, дополнительные ручки, футляры для транспортировки, шифровальные плиты, пылеприемники, трубки для отсасывания пыли, войлочные шайбы, штыри и пружины ударных ключей и др.
4. Для проведения технического обслуживания изделие следует направлять в авторизованные сервисные центры RYOBI, указанные для каждой страны в приведенном ниже списке адресов станций сервисного обслуживания. В некоторых странах местные дилеры RYOBI отправляют изделия в сервисные организации RYOBI. При отправке изделия в сервисный центр RYOBI, изделие должно быть безопасно упаковано и не содержать никаких опасных веществ, таких как бензин, должен быть подписан адрес отправителя и сопровождаться кратким описанием неисправности.
5. Ремонт / замена проводится в рамках настоящей гарантии бесплатно. Он не продлевает гарантию и не начинает новый гарантийный период. Замененные детали и инструменты становятся нашей собственностью. В некоторых странах отправитель должен оплачивать стоимость отправки. Ваши законные права, возникающие при покупке инструмента, остаются неизменными
6. Данная гарантия действительна в Европейском Сообществе, Швейцарии, Исландии, Норвегии, Лихтенштейне, Турции и России. Вне указанных территорий обращайтесь к своему авторизованному дилеру RYOBI, чтобы узнать, применяются ли условия каких-либо других гарантий.

УПОЛНОМОЧЕННЫЙ СЕРВИСНЫЙ ЦЕНТР

Чтобы найти ближайший уполномоченный сервисный центр, обратитесь к веб-сайту <http://uk.ryobitools.eu/header/service-and-support/service-agents>

PL WARUNKI GWARANCJI RYOBI®

Oprócz praw ustawowych wynikających z zakupu produkt jest objęty gwarancją, której warunki podano poniżej.

- Okres gwarancyjny wynosi 24 miesiące dla konsumentów i rozpoczyna się w dniu zakupu produktu. Datę zakupu należy udokumentować fakturą lub innym dowodem zakupu. Produkt został zaprojektowany i jest przeznaczony do użytku konsumpcyjnego i prywatnego. W związku z tym gwarancja nie obejmuje zastosowań profesjonalnych i komercyjnych.
- Istnieje możliwość wydłużenia okresu gwarancyjnego dla części asortymentu narzędzi ręcznych z napędem mechanicznym (AC/DC) poprzez zarejestrowanie produktu na stronie internetowej www.ryobitools.eu. Kwalifikowalność narzędzi do wydłużenia okresu gwarancyjnego jest wyraźnie określona w sklepach i/lub na opakowaniu oraz w dokumentacji produktu. Użytkownik końcowy musi zarejestrować nowo kupione narzędzia online w ciągu 30 dni od daty zakupu. Użytkownik końcowy może zarejestrować się w celu przedłużenia gwarancji w swoim kraju zamieszkania, jeżeli jest on wymieniony w formularzu rejestracji online, gdzie opcja ta obowiązuje. Ponadto użytkownicy końcowi muszą wyrazić zgodę na przechowywanie danych, wprowadzanych na stronie internetowej i zaakceptować regulamin. Dowodem wydłużenia gwarancji jest wysłane połączoną elektroniczną potwierdzenie rejestracji i oryginał faktury potwierdzającej datę zakupu.
- Gwarancja obejmuje wszystkie wady produktu ujawnione w okresie gwarancyjnym wynikające z usterki wykonania lub materiału obecnego w dniu zakupu. Gwarancja jest ograniczona do naprawy i/lub wymiany i nie obejmuje żadnych innych zobowiązań, w tym między innymi odpowiedzialności za szkody przypadkowe lub wtórne. Gwarancja nie obowiązuje, jeżeli produkt był nieprawidłowo używany, używany niezgodnie z instrukcją lub nie był prawidłowo podłączony. Gwarancja nie obejmuje:
 - uszkodzenia produktu wynikającego z nieprawidłowej konserwacji,
 - produktu, który został zmieniony lub zmodyfikowany,
 - produktu, którego oryginalne oznaczenie (znak towarowy, numer seryjny) zostało zniszczone, zmienione lub usunięte,
 - jakichkolwiek uszkodzeń wynikających z nieprzestrzegania instrukcji,
 - jakiegokolwiek produktu bez certyfikatu CE,
 - jakiegokolwiek produktu, który próbowano naprawić z pomocą niewykwalifikowanej osoby lub bez uzyskania wcześniejszej zgody firmy Techtronic Industries.
 - jakiegokolwiek produktu podłączonego nie prawidłowego źródła zasilania (nieprawidłowe nateżenie prądu, napięcie, częstotliwość),
 - jakiegokolwiek produktu, który był używany z nieprawidłową mieszanką paliwową (paliwo, olej, procentowy udział oleju),
 - jakichkolwiek uszkodzeń spowodowanych wpływem czynników zewnętrznych (chemicznych, fizycznych, drgań) lub substancji obcych,
 - normalnego zużycia części zamiennych,
 - nieprawidłowego użycia, przecięcia narzędzia,
 - stosowania niezatwierdzonych akcesoriów lub części,
 - akcesoriów narzędzi ręcznych z napędem mechanicznym dostarczonych z narzędziem lub kupionych oddzielnie. Takie wykluczenia obejmują, między innymi, wymienne ostrza wkrętaka, wiertła, tarcze ciętne, papier ścierny i ostrza, przewodnicząc boczna.
 - elementów (części i akcesoriów) podlegających naturalnemu zużyciu obejmujących, między innymi, zestawy do konserwacji i serwisu, szczotki węglowe, łożyska, uchwyty, przystawkę wiertła SDS, gniazdo, przewód zasilania, uchwyty pomocnicze, skrzynię transportową, płytę szlifarską, worek pyłowy, rurę odprowadzania pyłu, podkładki filcowe, kółki i sprężyny klucza udarowego itp.
- W celu serwisowania produkt należy wysłać lub okazać w autoryzowanym punkcie serwisowym RYOBI znajdującym się na przedstawionym poniżej wykazie punktów serwisowych w poszczególnych krajach. W niektórych krajach lokalny dystrybutor produktów RYOBI podejmuje się wysyłki produktu do centrum serwisowego RYOBI. W przypadku wysyłki do punktu serwisowego RYOBI produkt — pozbawiony jakichkolwiek niebezpiecznych substancji, na przykład benzyny — należy bezpiecznie zapakować i dołączyć adres nadawcy oraz krótki opis usterki.
- Naprawa/wymiana w ramach niniejszej gwarancji jest bezpłatna. Nie stanowi jednak o przedłużeniu lub rozpoczęciu od nowa biegu okresu gwarancyjnego. Wymienione części lub narzędzia stają się naszą własnością. W przypadku niektórych krajów nadawca będzie musiał uregulować koszty dostawy lub opłaty pocztowe. Prawa ustawowe wynikające z zakupu narzędzia pozostają niezmienione.
- Niniejsza gwarancja obowiązuje w Unii Europejskiej, Szwajcarii, Islandii, Norwegii, Liechtensteinie, Turcji i Rosji. Poza tymi obszarami należy skontaktować się z autoryzowanym dostawcą produktów RYOBI i ustalić, czy obowiązuje inna gwarancja.

AUTORYZOWANY PUNKT SERWISOWY

Najbliższy autoryzowany punkt serwisowy można wyszukać w witrynie internetowej <http://uk.ryobitools.eu/header/service-and-support/service-agents>.

CS ZÁRUČNÍ PODMÍNKY RYOBI®

Kromě zákonných práv vyplývajících z koupě výrobku se na tento výrobek vztahuje také níže uvedené záruka.

- Záruční doba pro spotřebitele je 24 měsíců a začíná datem nákupu výrobku. Datum musí být zaznamenáno na fakturě nebo jiném dokladu o koupi. Tento výrobek je navržen a určen pouze pro soukromé účely spotřebitelů. Záruka se tedy nevztahuje na profesionální nebo komerční využití výrobku.
- U některých elektrických nástrojů (AC/DC) je možné záruční dobu prodloužit. K tomu je nutná registrace na stránkách www.ryobitools.eu. Možnost prodloužení záruční doby výrobků je jasně uvedena v prodejních, popř. na obalech výrobku v dokumentech o výrobku. Koncový uživatel musí svůj nový nástroj zaregistrovat online do 30 dnů od data nákupu. Koncový uživatel se může k prodloužení záruční doby zaregistrovat v zemi trvalého pobytu, pokud je tato uvedena na internetovém registračním formuláři u výrobku, kde je tato možnost dostupná. Koncoví uživatelé musí dále souhlasit s uložením osobních údajů, která musí zadat na internetu, a přijmout obchodní podmínky. E-mail s potvrzením registrace a původní faktura s datem koupě poslouží jako důkaz o prodloužení záruče.
- Záruka se vztahuje na veškeré vady na výrobku v rámci záruční doby způsobené výrobními vadami nebo vadami materiálu v době koupě. Záruka je omezena na opravu, popřípadě výměnu a nezahrnuje žádné další povinnosti, včetně mimo jiné vedlejších či následných odškodnění. Záruka neplatí při použití výrobku k nevhodným účelům, v rozporu s uživatelskou příručkou nebo při nesprávném zapojení. Záruka se nevztahuje na:
 - veškeré škody na výrobku způsobené nesprávnou údržbou
 - veškeré produkty, které byly pozměněny nebo upraveny
 - veškeré produkty, kde byly původní identifikační prvky (obchodní značka, sériové číslo) poničeny, pozměněny nebo odstraněny
 - veškeré škody způsobené nedodržováním pokynů uživatelské příručky
 - veškeré produkty bez CE certifikace
 - veškeré produkty, které se pokusil opravit nequalifikovaný odborník nebo opravu bez předchozího svolení společnosti Techtronic Industries.
 - veškeré produkty zapojené do nesprávného elektrického zdroje (proud, napětí, frekvence)
 - veškeré produkty používané s nevhodnou palivovou směsí (paliwo, olej, procento oleje)
 - veškeré škody způsobené externími vlivy (chemickými, fyzickými, nárazy) nebo cizími látkami
 - běžné opotřebování dílů
 - nevhodné použití, přetěžování nástroje
 - použití neschválených příslušenství nebo dílů
 - příslušenství k elektrickému nástroji poskytnuté s nástrojem nebo zakoupené samostatně. Tyto výjimky se vztahují mimo jiné na šroubovací vrtáky, brusné disky, brusný papír a čepele, postranní vodič lišty
 - komponenty (díly a příslušenství) podléhající přirozenému opotřebování, včetně mimo jiné servisních sad, karbonových kartáčů, ložisek, sklíčidla, SDS nástavce na vrtací vrti, napájecího kabelu, pomocné rukovjeti, přepravního pouzdra, brusné desky, prachového vaku, výfukové prachové trubice, plstěných podložek, západek a pruzin rázového utahováku atd.
- K provedení servisu musí být výrobek zaslán nebo předán do autorizovaného servisního centra společnosti RYOBI, jejichž adresy jsou uvedeny podle země v seznamu servisních center. V některých zemích za vás výrobek pošle servisní organizaci RYOBI sám prodejce výrobků této značky. Při zaslání výrobku do servisního centra RYOBI je potřeba výrobek bezpečně zabalit bez nebezpečného obsahu jako benzín, opatřit adresou odesílatele a připojit krátký popis závady.
- Oprava, popř. výměna v rámci této záruky je zdarma. Neznamá na prodloužení nebo začátek nové záruční lhůty. Vyměněné díly nebo nástroje přejdou do našeho vlastnictví. V některých zemích platí poštovné odesílatele. Vaše zákonná práva vyplývající z koupě tohoto nástroje zůstávají neotčená.
- Tato záruka platí v Evropském Společenství, Švýcarsku, Norsku, Lichtenštejnsku, Turecku, Rusku a na Islandu. Mimo tato území kontaktujte autorizovaného prodejce značky RYOBI, který zjistí, zda se na výrobek vztahuje jiná záruka.

POVĚŘENÉ SERVISNÍ STŘEDISKO

Pro nalezení nejbližšího pověřeného servisního střediska navštivte <http://uk.ryobitools.eu/header/service-and-support/service-agents>.

HU A RYOBI® GARANCIA ALKALMAZÁSÁNAK FELTÉTELEI

A vásárlásból adódó törvényben rögzített jogok mellett a termékre az alábbi garancia vonatkozik.

1. A fogyasztói garancia tartama 24 hónap, mely a termék vásárlásának napjával kezdődik. Ezt a dátumot számlával vagy a vásárlást igazoló egyéb dokumentummal kell bizonyítani. A termék rendeltetése csak fogyasztói és magánéleltel használat. Ezért professzionális vagy kereskedelmi használat esetén a garancia nem érvényes.
2. A szerszámgépek (egyenáramú/váltóáramú) egy részénél a garancia időtartama a www.ryobitools.eu weblapon regisztrálva meghosszabbítható. Az áruházakban, a csomagoláson, illetve a termék dokumentációjában egyértelműen jelezzé van, hogy az adott termék garanciája meghosszabbítható-e. A végfelhasználónak a vásárlás dátumától számított 30 napon belül regisztrálnia kell az újonnan vásárolt szerszámot. A végfelhasználó akkor regisztrálhat a kiterjesztett garanciára, ha az ország, ahol lakik, fel van sorolva az online regisztrációs űrlapon azon országok között, ahol választható ez az opció. Ezenkívül a végfelhasználónak bele kell egyeznie az online regisztrálás során szükséges adatok tárolásába, és el kell fogadnia a felhasználási feltételeket. A kiterjesztett garanciát a regisztráció beérkezésétől e-mailben küldött visszaigazolás és a vásárlás dátumát tartalmazó eredeti számla igazolja.
3. A garancia a termék vásárlásakor fennálló, a gyártás során keletkezett hibákra és anyaghibákra érvényes a garanciális időtartamon belül. A garancia csak a javításra/cserére korlátozódik, és nem terjed ki semmilyen egyéb kötelezettségre, nem kizárólagosan ideértve a véletlen vagy szándékos rongálást. A garancia nem érvényes, ha a terméket nem megfelelően, a használati utasításban foglaltakkal ellentétesen, illetve nem megfelelően csatlakoztatva használták. A garancia nem vonatkozik:
 - a terméket a nem megfelelő karbantartás következtében ért károsodásra
 - megváltoztatott vagy átalakított termékre
 - olyan termékre, melyen az eredeti azonosítókat (védjegy, sorozatszám) megrongálták, megváltoztatták vagy eltávolították
 - a használati utasítás be nem tartásából eredő kárra
 - CE jelöléssel nem rendelkező termékekre
 - olyan termékre, melyet nem képzett, illetve a Techtronic Industries által nem feljogosított szerelő javított
 - nem megfelelő (áramerősségű, feszültségű, frekvenciájú) áramforrásra csatlakoztatott termékre
 - nem megfelelő üzemenyag-keverékkel (üzemenyag, olaj, olaj aránya) használt termékre
 - külső (vegyi, fizikai, ütés) hatásokból vagy idegen anyagokból eredő károkra
 - a cserélhető alkatrészek természetes kopására és elhasználódására
 - a szerszám helytelen használatára, túlterhelésére
 - nem jóváhagyott tartozékok és alkatrészek használatára
 - A szerszámmal adott vagy külön megvásárolt tartozékokra. Ilyenek például az (de nem kizárólag) a csavarhúzófejek, fúrószárak, csiszolókorongok, csiszolópapír, kések, oldalirányú terelő.
 - A természetes kopásnak, elhasználódásnak kitett alkatrészek és kiegészítők, például (de nem kizárólag) szerviz- és karbantartókészletek, szénkéfék, csapágyak, tokmány, SDS fúrószár csatlakozója, tápkábel, segédfogantyú, szállítók, csiszolólap, porzsák, porelvezető cső, filcáláték, ütőműves csavarbehajító gép csapszege és rugója stb.
4. A terméket javításra el kell vinni egy meghatalmazott RYOBI szervizbe; ezeket az egyes országokhoz a következő listában találja. Egyes országokban a helyi RYOBI kereskedő vállalja a termék elszállítását a RYOBI szervizbe. A terméket veszélyes tartalom, például benzín nélkül csomagolva, a feladó címét feltüntetve, a hiba rövid leírásával együtt küldje el a RYOBI szervizbe.
5. A jelen garancia hatálya alatt végzett javítás, illetve csere ingyenes. Nem jelenti a garanciális időtartam újraindulását. A kicserélt alkatrészek és szerszámok a mi tulajdonunkba kerülnek. Egyes országokban a szállítás vagy postázás költségét a feladó viseli. A vevőnek a szerszám megvásárlásából adódó törvényes jogai nem változnak.
6. Jelen garancia az Európai Közösségben, Svájcban, Izlandon, Norvégiában, Liechtensteinben, Törökországban és Oroszországban érvényes. E területen kívül kérdezze meg a RYOBI forgalmazót, hogy milyen garancia van érvényben.

HIVATALOS SZERVIZKÖZPONT

A legközelebbi hivatalos szervizközpont megtalálásához látogasson el a <http://uk.ryobitools.eu/header/service-and-support/service-agents>.

RO CONDIȚII DE APLICARE A GARANȚIEI PENTRU PRODUSELE RYOBI®

În plus față de condițiile statutare rezultate din achiziționarea acestui produs, acesta este acoperit de garanția stipulată mai jos.

1. Perioada de garanție este de 24 de luni pentru consumatorii și începe de la data achiziționării produsului. Data de începere a garanției trebuie demonstrată cu o factură sau altă dovadă a cumpărării produsului. Produsul este destinat și conceput doar pentru utilizare în scopuri personale. Din acest motiv, nu se oferă garanție pentru utilizarea sa în scop profesional sau comercial.
2. Există posibilitatea de extindere a perioadei de garanție pentru gama de unelte electrice (de CA/CC) peste perioada stipulată mai sus prin înscrierea produsului pe website-ul www.ryobitools.eu. Eligibilitatea pentru perioada de extindere a garanției este afișată în mod clar în magazinele de vânzare și/sau pe ambalaj sau este inclusă în documentația livrată împreună cu produsul. Utilizatorul final este obligat să-și înregistreze produsul online în termen de maxim 30 de zile de la achiziția acestuia. Utilizatorul final poate înregistra produsul pentru garanția extinsă oferită în țara sa de rezidență dacă aceasta este listată în formularul de înregistrare online și dacă această opțiune este validă. În plus, utilizatorii finali trebuie să-și dea acordul pentru stocarea datelor personale solicitate la înregistrarea online și trebuie să accepte termenii și condițiile. Mesajul de confirmare a înregistrării, trimis prin e-mail și factura originală cu data achiziției vor dovedi perioada de garanție extinsă.
3. Garanția acoperă toate defecțiunile produsului survenite în perioada de garanție datorate defectelor de execuție sau materialelor folosite, începând cu data achiziției acestuia. Garanția este limitată la reparare și/sau înlocuire și nu include alte obligații, inclusiv, dar fără a se limita la daune accidentale sau rezultate pe cale de consecință. Garanția își pierde valabilitatea dacă produsul este utilizat necorespunzător, utilizat neconform cu instrucțiunile de utilizare din manualul cu instrucțiuni sau conectat incorect. Garanția nu se aplică în cazul:
 - oricărei defecțiuni survenite în urma întreținerii necorespunzătoare a produsului
 - oricărui produs alterat sau modificat
 - oricărui produs la care inscripțiile cu datele de identificare (marca comercială, numărul de serie) au fost șterse, modificate sau îndepărtate
 - oricărei defecțiuni datorate neconformării cu instrucțiunile din manualul de utilizare
 - oricărui produs necertificat CE
 - oricărui produs asupra căruia au fost efectuate tentative de reparare de către personal necalificat sau fără autorizația prealabilă din partea Techtronic Industries.
 - oricărui produs conectat la o sursă de alimentare necorespunzătoare (curent, tensiune, frecvență)
 - oricărui produs utilizat cu un amestec de carburant necorespunzător (combustibil, ulei, proporții de adaos ulei)
 - oricăror defecțiuni datorate unor influențe externe (chimice, fizice, șocuri) sau substanțe străine
 - uzurii și fisurării normale a pieselor de rezervă
 - utilizării neadecvate, suprasolicitării uneltei
 - utilizării de piese și accesorii neaprobate
 - accesoriilor pentru unelată furnizate odată cu aceasta sau achiziționate separat. Acestea excluderi se aplică, dar fără a se limita la următoarele: burghie, biți de șurubelniță, discuri abrazive, hârtie abrazivă și lame de tăiere, ghidaje laterale
 - Componentele (piese și accesorii) supuse uzurii normale, care includ, fără a se limita la, kituri de întreținere și service, perii de cărbune, rulmenți, mandrină, adaptor pentru burghie SDS, cordon de alimentare, mâner auxiliare, cutie de transport, placă pentru șlefuit, sac pentru praf, tub pentru evacuarea prafului, discuri de păsă, adaptoare și resorturi pentru cheile de strângere prin vibrație, etc.
4. Pentru efectuarea reparațiilor, produsul trebuie trimis sau adus la un centru de reparații autorizat RYOBI din lista următoare de centre de reparații prezentate pentru fiecare țară. În anumite țări, reprezentatul local RYOBI va trimite produsul spre reparare la sediul central de reparații RYOBI. Atunci când trimiteți produsul spre reparare la un centru de reparații RYOBI, acesta trebuie ambalat în siguranță, fără conținut periculos (cum ar fi benzină), marcat cu adresa expeditorului și însoțit de o scurtă descriere a defectului.
5. Repararea/înlocuirea în perioada de garanție este gratuită. Aceasta nu este însoțită de o prelungire sau o reinițiere a perioadei de garanție. Piesele sau uneltele schimbate devin proprietatea dvs. În anumite țări, taxele de expediție sau poștale vor fi suportate de expeditor. Drepturile dvs. statutare rezultate din achiziția produsului rămân neschimbate
6. Această garanție este valabilă în Comunitatea Europeană, Elveția, Islanda, Norvegia, Liechtenstein, Turcia și Rusia. În afara acestor zone, va rugăm să contactați reprezentantul dvs. local RYOBI pentru a determina dacă se aplică alt tip de garanție.

CENTRU DE SERVICE AUTORIZAT

Pentru a găsi un centru de service autorizat lângă dvs., vizitați <http://uk.ryobitools.eu/header/service-and-support/service-agents>.

LV RYOBI® GARANTIJAS PIEMĒROŠANAS NOSACĪJUMI

Papildus jebkādam likumiskajām tiesībām, kuras rodas, veicot pirkumu, izstrādājums tiek nodrošināts ar tālāk tekstā noteikto garantiju.

1. Garantijas periods patērētājiem ir 24 mēneši, tā atskaite tiek sākta no datuma, kurā veikta izstrādājuma iegāde. Šim datumam jābūt dokumentētam rēķinā vai citā pirkumu apliecināšā dokumentā. Izstrādājums ir radīts un paredzēts tikai patērētājam privātai lietošanai. Saistībā ar iepriekšminēto, garantija netiek nodrošināta profesionālās vai komerciālās lietošanas gadījumā.
2. Pastāv iespēja pagarināt daļas no elektroinstrumentu klāsta (Mainstrāvas/akumulatoru) garantiju ilgāk par iepriekš minēto periodu, izmantojot reģistrāciju interneta vietnē www.ryobitools.eu. Instrumenti, kas pakļauti garantijas perioda pagarināšanai, tiek skaidri apzīmēti veikalos un/vai uz iepakojuma un izstrādājumu komplektējošajā dokumentācijā. Gala lietotājam nepieciešams reģistrēt tā iegādāto jauno instrumentu 30 dienu laikā no pirkuma datuma. Gala lietotājs var reģistrēties pagarinātajai garantijai savā mītnes valstī, ja tā minētās tiesiskās reģistrācijas veidlapā, kurā šī iespēja ir aktīva. Bez tam, gala lietotājam ir jānodrošina piekrišana tiesiskās ievadīšanai nepieciešamo datu glabāšanai un jāpiekrīt noteikumiem un nosacījumiem. Reģistrācijas apstiprinājums, kas tiek nosūtīts, izmantojot e-pastu, un rēķina oriģināls, kurā norādīts iegādes datums, kalpo kā pagarinātās garantijas apstiprinājums.
3. Garantija attiecas uz visiem izstrādājuma defektiem garantijas periodā, kas saistīti ar ražošanas vai materiālu defektiem no pirkuma datuma. Šī garantija tiek ierobežota ar remontu un/vai nomaiņu un neietver jebkādas citas saistības, tajā skaitā, bet ne tikai, cēloņsakarīgas vai saistītas bojājumus. Garantija nav spēkā, ja izstrādājums ir nepareizi lietots, izmantots pretēji norādēm lietošanas rokasgrāmatā vai bijis nepareizi pieslēgts. Šī garantija netiek attiecināta uz:
 - jebkādiem izstrādājuma bojājumiem, kas radušies nepareizas uzstādīšanas rezultātā
 - jebkuru izstrādājumu, kas ticis pārveidots vai mainīts
 - jebkuru izstrādājumu, kura oriģinālās identifikācijas (preču zīme, sērijas numurs) marķējums ir ticis nodzēsts, mainīts vai noņemts
 - jebkādiem bojājumiem, kuri radušies neievērojot norādes lietošanas rokasgrāmatā
 - jebkādam izstrādājumam bez CE sertifikācijas
 - jebkurai izstrādājuma, kura remontu mēģinājis veikt nekvalificēts personāls vai bez Technonic Industries iepriekšējās autorizācijas
 - jebkurai izstrādājuma, kurš bijis pieslēgts neatbilstošu parametru (strāvas, sprieguma, frekvences) sprieguma avotam
 - jebkurai izstrādājumam, kurš bijis izmantots ar nepareizu degvielas maisījumu (degviela, eļļa, eļļas procentuālais saturs)
 - jebkuriem bojājumiem, kuri radušies ārējas iedarbības (ķīmiskas, fiziskas, triecieni) vai vielu ietekmē
 - detaļu normāla lietošanas nodiluma rezultātā
 - nepareizas lietošanas vai instrumentu pārslodzes rezultātā
 - neapstiprinātu detaļu vai aprīkojuma lietošanas rezultātā
 - elektroinstrumentu aksesuāriem, kas atrodas instrumenta komplektācijā vai ir iegādāti atsevišķi. Šis izņēmums attiecināms uz, bet neaprobežojoties ar, skrūvgrēznu uzgaliem, urbjiem, abrazīvajiem diskiem, smilšpapīru un asmeņiem, sānu vadotnēm
 - komponentiem (daļām un aksesuāriem), kas pakļauti normālam nodilumam, ieskaitot, bet neaprobežojoties ar Servisa un apkoju komplekti, oglekļa suku, guļņi, patrona, SDS urbiņu uztvērējiem vai uzlika, elektrības vads, papildus rokturis, transportēšanas un pārnēsāšanas kaste, slīpmašīnas plāksne, putekļu maiss, putekļu izvadsīšanas caurule, paplākšņi, triecienslēgu tapas un atsperes, u.t.t.
4. Servisa nodrošināšanai, izstrādājums ir jānodod pilnvarotā RYOBI servisa centrā, kas norādīts katrai valstij tālāk minētajā servisa centru adrešu sarakstā. Dažās valstīs jūsu vietējais RYOBI izplatītājs uzņemas izstrādājuma nosūtīšanu uz RYOBI servisa organizāciju. Nosūtot izstrādājumu uz RYOBI servisa centru, izstrādājuma jābūt droši iepakotam, tas nedrīkst saturēt bīstamas vielas kā degvielu, sūtiņumam jābūt marķētam ar sūtītāja adresi un īsu kļūmes aprakstu.
5. Remonts/nomaiņa šīs garantijas ietvaros ir bezmaksas. Tas nerada garantijas perioda pagarināšanu vai jaunu garantiju. Nomaiņās daļas vai instrumentu kļūst par mūsu īpašumu. Dažās valstīs piegādes vai pasta izmaksas būs jāapmaksā sūtītājam. Jūsu likumiskās tiesības, kas nodibinās, iegādājoties instrumentu, paliek nemainīgas
6. Šī garantija ir spēkā Eiropas Kopienā, Šveicē, Islandē, Norvēģijā, Līhtenšteinā, Turcijā un Krievijā. Ārpus šīm teritorijām, lūdzu, sazinieties ar jūsu pilnvaroto RYOBI izplatītāju, lai noteiktu, vai ir piemērojama cita garantija.

AUTORIZĒTS APKALPOŠANAS CENTRS

Lai atrastu tuvāko autorizēto apkalpošanas centru, apmeklējiet <http://uk.ryobitools.eu/header/service-and-support/service-agents>.

LT „RYOBI®“ GARANTIJOS TAIKĀMO SĀLYGOS

Papildant bet kokias įstatymuose numatytas perkant atsiirandancias teises, šiam įrenginiui taikoma toliau nurodyta garantija.

1. Vartotojams suteikiama 24 mėnesių trukmės garantija nuo įrenginio įsigijimo datos. Ši data turi būti nurodyta sąskaitoje faktūroje ar kitame pirkimą įrodančiame dokumente. Šis įrenginys skirtas tik vartotojų rinkai ir asmeniniam naudojimui. Todėl garantija netaikoma, jei įrenginys naudojamas profesinėms ar komercinėms reikmėms.
2. Įsigijus tam tikrus elektrinius įrenginius (AC/DC), suteikiama galimybė pratęsti garantiją, kad ji galiojot ilgiau, nei nurodyta pirmiau, naudojantis registracija interneto svetainėje www.ryobitools.eu. Ar galima pratęsti įrenginio garantinį laikotarpį, aiškiai nurodoma parduotuvėse ir (arba) ant įrenginio pakutės, ir (arba) įrenginio dokumentuose. Galutinis naudotojas turi užregistruoti savo naujai įsigytą įrenginį per 30 dienų nuo įsigijimo datos. Galutinis naudotojas gali registruotis išplėstinei garantijai savo gyvenamojoje šalyje, jei ji nurodyta internetinėje registracijos formoje, kurioje siūloma tokia galimybė. Be to, galutinai naudotojai turi sutikti su duomenų, kuriuos reikia įvesti internetu, saugojimu ir svetainės naudojimo sąlygomis. Kaip išplėstinės garantijos įrodymas naudojamos registracijos patvirtinimo kvitas, atsiunčiamas el. paštu, ir originali sąskaita faktūra, kurioje nurodyta įsigijimo data.
3. Ši garantija apima visus garantiniu laikotarpiu aptiktus įrenginio trūkumus, atsiradusius dėl gamybos arba medžiaginių defektų nuo įsigijimo datos. Ši garantija ribojama remontu ir (arba) pakeitimu, jei neapima jokių kitų įsipareigojimų, įskaitant (bet tuo neapsiribojant) šalutinius arba antrinius nuostolius. Garantija anuluojama, jei įrenginys buvo naudojamas netinkamai, naudojamas ne pagal naudojimo instrukciją arba netinkamai prijungtas. Ši garantija netaikoma:
 - jokiai įrenginiui padarytai žalai, kurią lėmė netinkama techninė priežiūra;
 - jokiam įrenginiui, kuris buvo keičiamas ar modifikuojamas;
 - jokiam įrenginiui, kurio originalūs identifikavimo ženklai (prekės ženklas, serijos numeris) buvo sugadinti, pakeisti arba pašalinti;
 - jokiai žalai, kurią lėmė naudojimo instrukcijos nesilaikymas;
 - jokiems CE ženklu nepažymėtiems įrenginiams;
 - jokiam įrenginiui, kurį bandė remontuoti nekvalifikuoti asmenys arba kuris buvo remontojuamas be „Technonic Industries“ leidimo;
 - jokiam įrenginiui, kuris buvo prijungtas prie netinkamo maitinimo tinklo (netinkamos srovės, įtampos, dažnio);
 - jokiam įrenginiui, kuris buvo naudojamas su netinkamu degalų mišiniu (degalai, alyva, maišymo santykis);
 - jokiai žalai, kurią lėmė išorinis poveikis (cheminis, fizinis, smūgiai) arba pašalinės medžiagos;
 - dėvimosioms dalims;
 - netinkamam naudojimui, įrenginio perkrovai;
 - nepatvirtintų priedų arba dalių naudojimui;
 - su įrenginiu pateiktiems arba atskirai įsigytiems elektrinio įrenginio priedams. Šios išimties apima (tuo neapsiribojant) atsuktuvį antgalius, gražtų antgalius, šlifavimo diskus, švitrinį popierių ir geležtes, šoninį kreiptuvą.
4. Komponentams (dalims ir priedams), kurie natūraliai dėvisi, įskaitant (bet tuo neapsiribojant) prastines ir technines priežiūros rinkinius, anglinius šepetėlius, guolius, laikiklį, SDS gražtų antgalių priedą arba lizdą, maitinimo kabelį, pagalbine rankena, nešiojimo dėklą, šlifavimo diską, maišėjų dulkmės, dulkių ištraukimo vamzdelį, fetro poveržles, smūginio veržlirakčio kaiščius ir spyruokles ir pan.
4. Prireikus atlikti priežiūros darbus, įrenginį reikia siųsti arba atvežti RYOBI įgaliotam priežiūros centrui, nurodytam kiekvienos šalies priežiūros centrų adrešu sąraše. Kai kuriose šalyse vietinis RYOBI atstovas siunčia įrenginį RYOBI priežiūros organizacijai. Siunčiant įrenginį RYOBI priežiūros centrui, reikia saugiai jį supakuoti pašalinant visas pavojingas medžiagas, pvz., benzina, nurodyti ant pakutės siuntėjo adresą ir pridėti trumpą gedimo aprašymą.
5. Pagal šią garantiją remontas / keitimas atliekami nemokamai. Tokie veiksmai netaikomi garantijos pratęsimui arba naujo garantinio laikotarpio pradžiai. Dalys arba įrenginiai, kuriuos pakeitėme, tampa mūsų nuosavybe. Kai kuriose šalyse pristatymo ir pašto išlaidas turi padengti siuntėjas. Įstatymuose numatytos jūsų teisės, atsiirandancias perkant įrenginį, lieka nepakeistos
6. Ši garantija galioja Europos bendrijoje, Šveicarijoje, Islandijoje, Norvegijoje, Lichtenšteine, Turkiijoje ir Rusijoje. Jei gyvenate ne šiose šalyse, kreipkitės į įgaliotąjį RYOBI atstovą ir susitikite, ar jums taikoma kita garantija.

ĮGALIOTAS TECHININIS PRIEŽIŪROS CENTRAS

Jei norite surasti įgaliotą techninės priežiūros centrą netoli Jūsų, apsilankykite interneto svetainėje <http://uk.ryobitools.eu/header/service-and-support/service-agents>.

ET RYOBI® GARANTIINGIMUSED

Lisaks toote ostust tulenevatele seadusjärgsetele õigustele, kehtib tootele ka alltoodud garantiia.

1. Tarbijatele on garantiiaeg 24 kuud ja algab sellel kuupäeval, mil toode osteti. Selle kuupäeva tõestuseks on vaja arvat või mõnda teist tõendit ostu sooritamise kohta. Toode on mõeldud eratarbijatele ainult isiklikuks kasutamiseks. Seega ei kehti garantii ostu kasutamisel kutsetegevuses või kaubanduslikel eesmärkidel.
2. Teatud osale elektrilistele (vahelduvvoolu/alisvoolu) tööriistadele on võimalik pikendada eespool toodud garantiiaega, kasutades toote registreerimist veebilehel www.ryobitools.eu. Teave tööriista võimaliku pikendatud garantiiaja kohta on selgelt esile toodud poodides ja/või pakendil / ning see sisaldub toote dokumentatsioonis. Lõpptarbijaja peab registreerima oma uued tööriistad interneti teel 30 päeva jooksul pärast ostupäeva. Lõppkasutaja võib registreerida pikendatud garantiiaja saamise oma elukohariigis, kui veebis olemas registreerimisvormis on see valik lubatav. Lisaks peavad kasutajad andma oma nõusoleku veebis nõutud sisestatavate andmete säilitamiseks ning nad peavad nõustuma tingimustega. E-posti teel saadetak registreerimise kinnitus ja arve originaal, kus on näha ostu sooritamise kuupäev, on pikendatud garantiiaja tõestuseks.
3. Garantii katab kõik defektid toote garantiiaja jooksul, kui ostu kuupäeval ilmnevad talitus- või materjalivaad. Garantii piirub toote remondi ja/ või väljavahetamisega ning ei sisalda muid kohustusi, muu hulgas ettenägematuid või kaudseid kahjusid. Garantii ei kehti, kui toodet ei ole kasutatud sisetarbeliselt või kooskõlas kasutusjuhendiga või see on valesti ühendatud. Garantii ei kehti järgmistel põhjustel:
 - toode on kahjustatud vale hoolduse tõttu
 - toodet on muudetud
 - toote algupäraseid identifitseerimismärke (kaubamärk, seerianumber) on rikutud, muudetud või eemaldatud
 - kahju on tekkinud kasutusjuhendi mittejärgimisest
 - tootel puudub CE-märgis
 - toodet on püüdnud remontida vastavalt kvalifikatsiooni mitte omav isik või ilma firma Technronic Industries eelneva loata.
 - toode on ühendatud valesse toiteallikasse (voolutugevus, pinge, sagedus)
 - tootega kasutati sobimatut kütusesegu (kütus, õli, õli protsent)
 - välismõjude (keemilised, füüsikalised, elektriõhõid) või võõrkehade tekitatud kahju
 - tavapärase kulumine ja katkised varuosad
 - ebaõige kasutamine, tööriista ülekoormamine
 - heakskiitmata tarvikute või osade kasutamine
 - koos tööriistaga saadud või eraldi ostetud elektriliste tööriistade tarvikud. Need erandid puudutavad muu hulgas kruvikeeraja otsakuid, puuriterasid, lihvkettaid, lihvpaberit ja -tald, küljühikuid
 - Komponendid (osad ja tarvikud), mida iseloomustab kulumine ja vananemine, muu hulgas remondi- ja hoolduskomplektid, sinusincharjad, laagrid, padrunid, SDS-puuriterade tarvikud, toitejuhe, lisakäepide, transpordikott, lihvpiaat, tolmukott, tolmua väljalasketoru, vidlid seibid, löökmutterivõtme võllid ja vedrud jne.
4. Hoolduseks peab toote saatma või viima RYOBI volitatud teenindusse, mille aadressi leiab järgnevast teeninduspunktidest nimekirjast vastava riigi alt. Mõnedes riikides võtab kohalik RYOBI edasimüüja enda kanda kohustuse saata toode RYOBI teenindusorganisatsiooni. Toote saatmisel RYOBI teenindusse peab toode olema ohutult pakitud ja ei tohi sisaldada ohtlikke aineid (nt bensiin), kirjas peab olema saatja aadress ja lisatud vea lühikirjeldus.
5. Garantii alusel tehtavad remonditööd / asendamine on tasuta. See ei pikenda osadeti kehtivusaega ega tähistu uue garantiiaja algust. Väljavahetatud osad või tööriistad kuuluvad meile. Mõnedes riikides maksab kätetoimetamis- ja postikulud saatja. Teile jäävad kehtima tööriista ostust tulenevad seadusjärgsed õigused
6. See garantii kehtib Euroopa Ühenduse territooriumil, Šveitsis, Islandil, Norras, Liechtensteinis, Türgis ja Venemaal. Väljaspool neid piirkondi võtke ühendust volitatud RYOBI edasimüüjaga, et teha kindlaks kas kehtib mõni teine garantii.

VOLITATUD HOOLDUSKESKUS

Oma volitatud hoolduskeskuse leiate veebisaidilt <http://uk.ryobitools.eu/header/service-and-support/service-agents>.

HR UVJETI PRIMJENE JAMSTVA TVRTKE RYOBI®

Osim svim zakonskim pravima koja proizlaze iz kupnje, ovaj je proizvod pokriven jamstvom kako je navedeno u nastavku.

1. Jamstveno razdoblje za potrošače traje 24 mjeseca i počinje s datumom na koji je proizvod kupljen. Taj datum mora se dokumentirati računom ili drugim dokazom o kupnji. Proizvod je konstruiran i namijenjen samo za privatnu upotrebu korisnika. Stoga se jamstvo ne daje u slučaju profesionalne ili komercijalne upotrebe.
2. Postoji mogućnost da se za dio asortimana električnih alata pokretanih izmjeničnom strujom (AC/DC) produži gore navedeno jamstveno razdoblje putem registriranja na mrežnom mjestu www.ryobitools.eu. Uvjeti koje je potrebno zadovoljiti kako bi se produžilo jamstveno razdoblje jasno su istaknuti u prodavaonicama i / ili na pakiranju / i nalaze se unutar dokumentacije proizvoda. Krajnji korisnik mora registrirati svoje novo kupljene alate na mreži u roku od 30 dana od datuma kupnje. Krajnji korisnik može se registrirati za produženo jamstvo u svojoj zemlji boravišta ako se nalazi na popisu u mrežnom obrascu za registraciju gdje je ta opcija važeća. Nadalje, krajnji korisnici moraju dati svoj pristanak na pohranu podataka koji su potrebni za mrežni ulazak i moraju prihvatiti odredbe i uvjete. Potvrda o prijemu registracije, koja se šalje putem e-pošte, kao i originalni račun s vidljivim datumom kupnje poslužiti će kao dokaz produženog jamstva.
3. Jamstvo pokriva sve nedostatke proizvoda tijekom jamstvenog razdoblja koji su nastali zbog neispravnosti prilikom izrade ili materijala s datumom kupnje. Jamstvo je ograničeno na popravak i/ili zamjenu i ne obuhvaća nikakve druge obveze, uključujući, ali ne ograničavajući se na slučajne ili posljednje štete. Jamstvo ne vrijedi ako je proizvod bio zlorabljivan, korišten u suprotnosti s priručnikom s uputama ili ako je pogrešno spojen. Ovo jamstvo ne primjenjuje se na:
 - svaku štetu koja je na proizvodu nastala kao rezultat nepravilnog održavanja
 - svaki proizvod koji je promijenjen ili izmijenjen
 - svaki proizvod na kojem su izvorne identifikacijske oznake (žig, serijski broj) bile oštećene, izmijenjene ili uklonjene
 - svaku štetu prouzročenu neprirodnošću priručnika s uputama
 - svaki proizvod koji nema oznaku CE
 - svaki proizvod koji je pokušao popraviti nekvalificirani profesionalac ili onaj koji je popravljivan bez prethodnog odobrenja tvrtke Technronic Industries.
 - svaki proizvod koji je spojen na neprikladan izvor električnog napajanja (neodgovarajuća amperaža, napon, frekvencija)
 - svaki proizvod korišten s neodgovarajućom mješavinom goriva (neodgovarajuće gorivo, ulje, postotak ulja)
 - svaku štetu prouzročenu unutarnjim utjecajima (kemijским, fizikalnim, udarima) ili stranim tvarima
 - normalno habanje i trošenje rezervnih dijelova
 - neodgovarajuću uporabu, preopterećenje alata
 - upotrebu neodobrenog pribora ili dijelova
 - dodatnu opremu električnog alata isporučenu s alatom ili kupljenu odvojeno. Takvi izuzeci uključuju ali nisu ograničeni na vrhove odvijčača, sardva bušilice, abrazivne diskove, brusni papir i noževe, bočnu vodilicu
 - Komponente (dijelovi i pribor) podložne prirodnom trošenju i habanju, što uključuje, ali nije ograničeno na komplecte za servisiranje i održavanje, ugljične četkice, ležajeve, steznu glavu, nastavak ili priključak za svrdla za SDS bušilicu, priključni kabel, pomoćnu ručku, transportne torbe, brusnu ploču, vreću za prašinu, ispušnu cijev za prašinu, podloške od filca, udarni klič, zatici i opruge, itd.
4. Za potrebe servisiranja, proizvod se mora poslati ili odnijeti u ovlaštenu servisnu postaju tvrtke RYOBI navedenu na sljedećem popisu s adresama servisnih postaja u svakoj zemlji. U nekim zemljama, vaši lokalni RYOBI zastupnik obvezuje se da će poslati proizvod u servisnu organizaciju tvrtke RYOBI. Kada se proizvod šalje u neku servisnu postaju tvrtke RYOBI, proizvod se mora sigurno pakirati bez ijednog od opasnih sadržaja kao što je benzin, na njemu mora pisati adresa pošiljatelja i mora biti popraćen kratkim opisom kvara.
5. Popravak / zamjena pod ovim jamstvom su besplatni. Oni ne predstavljaju produženje ili novi početak jamstvenog razdoblja. Zamijenjeni dijelovi ili alati postaju naše vlasništvo. U nekim državama troškove isporuke ili poštarinu mora platiti pošiljatelj. Vaša zakonska prava koja proizlaze iz kupnje alata ostaju nepromijenjena
6. Ovo jamstvo vrijedi u Europskoj uniji, Švicarskoj, Islandu, Norveškoj, Lihtenštajnu, Turskoj i Rusiji. Izvan tih područja vas molimo da se obratite svojem ovlaštenom zastupniku tvrtke RYOBI kako biste utvrdili primjenjive li se drugo jamstvo.

OVLASŦENI SERVISNI CENTAR

Za pronalaženje ovlaštenog servisnog centra pored vas posjetite <http://uk.ryobitools.eu/header/service-and-support/service-agents>.

SL POGOJI ZA VELJAVNOST GARANCIJE RYOBI®

Poleg morebitnih zakonsko določenih pravic, ki izvirajo iz nakupa, za ta izdelek velja spodaj navedena garancija.

- Garancijsko obdobje je za potrošnike 24 mesecev in začne teči z dnem nakupa izdelka. Ta datum mora biti dokumentiran z računom ali drugim dokazilom o nakupu. Izdelek je zasnovan in namenjen izključno za potrošniškovo zasebno uporabo. V primeru strokovne oziroma komercialne uporabe izdelka garancija ne velja.
- Obstaja možnost podaljšanja garancije na del naše ponudbe električnih orodij (AC/DC) prek obdobja garancije, opisanega zgoraj, s pomočjo registracije na spletnem mestu www.ryobitools.eu website. Ustreznost orodij za podaljšanje garancijskega obdobja je jasno prikazana v trgovinah in/ali na embalaži oziroma je navedena v dokumentaciji izdelka. Končni uporabnik mora registrirati svoje novo orodje na spletu v 30 dneh po datumu nakupa. Končni uporabnik lahko registrira podaljšano garancijo v svoji državi bivanja, če je na obrazcu spletne registracije navedeno, da ta možnost velja za njegovo državo. Poleg tega morajo končni uporabniki podati svoje soglasje za shranjevanje podatkov, ki so potrebni za spletni dostop in morajo sprejeti pogoje in določila uporabe spletnega mesta. Potrdilo o registraciji, ki ga pošljemo prek e-pošte, in originalni račun, ki prikazuje datum nakupa, služita kot dokazilo o podaljšanju garanciji.
- Garancija krije vse okvare izdelka, do katerih pride v garancijskem obdobju zaradi napak v izdelavi ali materialu, ki so bile prisotne ob datumu nakupa. Garancija je omejena na popravilo in/ali zamenjavo in ne vključuje nobenih drugih obveznosti, med drugim vključno z naključno ali posledično škodo. Garancija ne velja, če je bil izdelek napačno uporabljen, uporabljen v nasprotju z navodili iz priročnika za uporabo ali če ni bil pravilno povezan. Ta garancija ne velja za:
 - škodo na izdelku, ki je posledica neustreznega vzdrževanja
 - spremenjen ali prilagojen izdelek
 - izdelek, katerega originalna identifikacijska oznaka (blagovna znamka, serijska številka) je bil poškodovan, spremenjena ali odstranjena
 - škodo, ki je posledica neupoštevanja navodil iz priročnika za uporabo
 - izdelek, ki nima oznake CE
 - izdelek, ki ga je poskušal opraviti ne kvalificiran strokovnjak ali ki je bil popravljen brez predhodne odobritve s strani družbe Techtronic Industries.
 - izdelek, ki je bil povezan na neustrezno napajanje (amperska moč, napetost, frekvenca)
 - izdelek, ki je bil uporabljen z neustrezno mešanico goriva (gorivo, olje, odstotek olja)
 - škodo, ki jo povzročijo zunanji vplivi (kemični, fizični, mehanski) ali tuje snovi
 - rezervne dele, ki so podvrženi običajni uporabi
 - neprimerno uporabo, preobremenitev orodja
 - uporabo neodobrenih dodatkov ali delov
 - Dodatno električno orodje, priloženo orodju ali kupljeno ločeno. Take izjeme so med drugim nastavki za izvijače, svedri, abrazivni diski, brusni papir in rezila, stranska vodila.
 - Komponente (sestavni in rezervni deli), ki so podvrženi običajni obrabi, med drugim vključno s kompleti za servisiranje in vzdrževanje, ogljikovimi krtačkami, ležaji, vpenjali, svedni priključki SDS ali sprejemnimi odprtini zanje, napajalnimi kablji, pomožnimi orodji, prenosnimi kovčki, brusnimi ploščami, vreckami za prah, cevmi za izpuh prahu, tesnilni iz filca, iglami in vzmetni udarnega ključa itd.
- Za servisiranje morate izdelek poslati ali prinesiti v pooblaščen servisni center družbe RYOBI, ki je naveden za vsako državo na naslednjem seznamu naslovov servisnih centrov. V nekaterih državah se vaš lokalni posrednik družbe RYOBI obveže, da bo poslal izdelek na servis družbe RYOBI. Ko pošiljate izdelek v servisni center družbe RYOBI, mora biti izdelek varno zapakiran in ne sme vsebovati nobenih nevarnih snovi, kot je npr. bencin, opremljen pa mora biti z naslovom pošiljatelja in vsebovati kratek opis napake.
- Popravilo/zamenjava v skladu s to garancijo sta brezplačni storitvi. To pa ne predstavlja podaljšanja ali ponovnega začetka garancijskega obdobja. Zamenjani deli ali orodja postanejo naša last. V nekaterih državah stroške dostave ali poštnino plača pošiljatelj. Vaše zakonsko določene pravice, ki izvirajo iz nakupa orodja, ostajajo nespremenjene.
- Ta garancija velja v Evropski skupnosti, Švici, Islandiji, na Norveškem, v Lichtenštajnu, v Turčiji in Rusiji. Izven teh območij se obrnite na svojega pooblaščenega posrednika izdelkov RYOBI, dealer ki vam bo povedal, ali velja kakšna druga garancija.

POOBLAŠČEN SERVISNI CENTER

Pooblaščen servisni center blizu vas poiščite na <http://uk.ryobitools.eu/header/service-and-support/service-agents>.

SK ZÁRUČNÉ PODMIENKY RYOBI®

Na tento výrobok sa okrem všetkých zákonných práv, vyplývajúcich z nákupu, vzťahuje záruka v nasledovnom znení.

- Záručná doba pre spotrebiteľa je 24 mesiacov a začína plynúť odo dňa, kedy bol výrobok zakúpený. Tento dátum musí byť doložený faktúrou alebo iným dokladom o zakúpení. Výrobok je navrhnutý a určený pre spotrebiteľa a len na súkromné používanie. Preto sa záruka sa neposkytuje v prípade použitia na profesionálne a komerčné účely.
- V prípade elektrického náradia (na striedavý/jednosmerný prúd AC/DC), existuje možnosť predĺženia záručnej doby oproti záručnej dobe, uvedenej vyššie, s využitím on-line registrácie na webovej stránke www.ryobitools.eu. Označenie na náradí o nároku na predĺženie záručnej doby je zreteľne uvedené v obchodoch a/alebo na obale a je uvedené v dokumentácii k výrobku. Koncový používateľ musí zaregistrovať svoje novozískané náradie on-line do 30 dní odo dňa nákupu. Koncový používateľ sa môže zaregistrovať na predĺženie záruky v krajine svojho bydliska, ak je v on-line registračnom formulári uvedená táto možnosť. Ďalej musia koncoví používatelia ešte dať svoj súhlas k uchovávaniu údajov, ktoré je potrebné zadať on-line a musia súhlasiť s podmienkami. Potvrdenie o prijatí registrácie, ktorý je zaslané e-mailom a originálny faktúra, v ktorej je uvedený dátum nákupu, slúžia ako dôkaz o predĺžení záruky.
- Záruka sa vzťahuje na všetky poruchy výrobku v záručnej dobe, spôsobené chybami materiálů alebo spracovania k dátumu nákupu. Táto záruka je obmedzená na opravu a/alebo výmenu a nezaťahuje ďalšie povinnosti, vrátane, okrem iných, náhodné alebo následné škody. Táto záruka je neplatná, ak bol výrobok nesprávne používaný, bol používaný v rozpore s návodom na použitie alebo bol nesprávne zapojený. Táto záruka sa nevzťahuje na:
 - akékoľvek poškodenie výrobku, ktoré bolo spôsobené nesprávnou obsluhou
 - akýkoľvek výrobok, ktorý bol zmenený alebo upravený
 - akýkoľvek výrobok, na ktorom bolo poškodené, upravené alebo odstránené identifikačné označenie (ochranná známka, výrobné číslo)
 - akékoľvek škody, spôsobené neodržaním návodu na obsluhu
 - akýkoľvek výrobok, ktorý neobsahuje označenie CE
 - akýkoľvek výrobok, ktorý sa pokúšal opraviť nekvalifikovaný odborník alebo bol opravovaný bez predchádzajúceho súhlasu zo strany spoločnosti Techtronic Industries.
 - akýkoľvek výrobok, pripojený k nesprávnemu napájacímu zdroju (ampéry, napätie, frekvencia)
 - akýkoľvek výrobok, používaný s nesprávnou palivovou zmesou (palivo, olej, percento oleja)
 - akékoľvek poškodenia, spôsobené vonkajšími vplyvmi (chemickými, fyzikálnymi, nárazmi) alebo cudzorodými látkami
 - bežné opotrebovanie náhradných dielov
 - nevhodné používanie, preťažovanie nástroja
 - používanie neschváleného príslušenstva a dielov
 - príslušenstvo k elektrickému náradíu, dodávané spolu s náradím alebo zakúpené oddelene. Takéto vylúčenia sa vzťahujú, okrem iného, na nášady skrutkovačov, vrtáky, brusne kotúče, brusny papier a čepele, bočné vodiace lišty
 - Súčiastky (diely a príslušenstvo), ktoré podliehajú prirodzenému opotrebeniu, okrem iného súpravy na servis a údržbu, uhličky, ložiská, skľučovadlá, SDS vrtáky a príslušenstvo, príloh alebo prijímanie, napájací kábel, pomocná rukoväť, prepravná skriňa, brusna doska, pracovné vrecko, výfuková trubica, pístene podložky, koľky a pružiny na rázový utahovač atd.
- Na opravu musí byť výrobok odoslaný alebo doručený do autorizovaného servisného strediska RYOBI, uvedeného pre každú krajinu v nasledovnom zozname adries servisných stredísk. V niektorých krajinách miestny zástupca RYOBI preberá na seba záväzok zaslať tovar do servisnej organizácie RYOBI. Pri odosielaní výrobku do servisného strediska RYOBI je potrebné výrobok bezpečne zabaliť bez akéhokoľvek nebezpečného obsahu, ako je bencín, s vyznačením adresy odosielateľa, s krátkym popisom poruchy.
- Oprava/výmena je vrámcí tejto záruky bezplatná. Neznamená to predĺženie záruky alebo spustenie novej záručnej doby. Vymenené diely alebo nástroje sa stávajú našim vlastníctvom. V niektorých krajinách náklady na odoslanie alebo poštovné musí zaplatiť odosielateľ. Vaše zákonné práva, vyplývajúce z nákupu náradia, zostávajú nedotknuté
- Táto záruka platí v Európskej únii, Švajčiarsku, Islande, Nórsku, Lichtenštajnsku, Turesku a Rusku. Ak sa nachádzate mimo týchto oblastí, obráťte sa na autorizovaného predajcu RYOBI na určenie, či sa dá uplatniť iná záruka.

AUTORIZOVANÉ SERVISNÉ CENTRUM

Ak chcete nájsť najbližšie autorizované servisné centrum, navštívte stránku <http://uk.ryobitools.eu/header/service-and-support/service-agents>.

BG УСЛОВИЯ ЗА ВАЛИДНОСТ НА ГАРАНЦИЯТА НА RYOBI®

В допълнение към законоустановените права, произтичащи от покупката, този продукт е обхванат от гаранция, както е изложено по-долу.

- Гаранционният срок е 24 месеца за клиенти и започва да тече от деня на закупуване на продукта. Тази дата трябва да се докаже с фактура или друго доказателство за покупка. Продуктът е изработен и предназначен само за потребителска и лична употреба. Следователно не се дава гаранция в случай на използване от професионалисти или с търговска цел.
- Съществува възможност за удължаване на гаранционния срок за част от диапазона на гаранцията на електрически инструменти (AC/DC) след изтичането на описания тук чрез регистрация на уеб сайта www.ryobitools.eu. В магазините и/или на опаковката или вътре в документацията на продукта е показано ясно дали инструментът отговаря на условията за такова удължаване на гаранционния срок. Крайният потребител трябва да регистрира своите новопридобити инструменти онлайн в рамките на 30 дни от датата на покупка. Крайният потребител може да се регистрира за удължена гаранция в държавата си на пребиваване, ако е посочена във формуляра за онлайн регистрация като място, където тази опция е валидна. Освен това крайните потребители трябва да дадат съгласието си за съхранение на данните, които са задължителни за съпъване онлайн, и трябва да приемат общите условия. Получено потвърждение за регистрация, изпратено по електронна поща, и оригиналната фактура, показваща датата на покупка, ще служат като доказателство за удължената гаранция.
- Гаранцията покрива всички дефекти на продукта по време на гаранционния срок, които се дължат на проблеми в изработката или материалите към момента на покупката. Гаранцията е ограничена до ремонт и/или замяна и не включва други задължения, включително, но не само, случайни или косвени щети. Гаранцията е невалидна, ако продуктът е използван неправилно или в противоречие с ръководството с инструкции, както и ако е свързан неправилно. Тази гаранция не важи за:
 - щети по продукта в резултат на неправилна профилактика
 - продукти, които са били изменени или модифицирани
 - продукт, при който оригиналните маркировки за идентификация (тъловска марка, сериен номер) са изтрети, променени или премахнати
 - повреда, причинена от неспазване на ръководството с инструкции
 - продукт без CE маркировка
 - продукт, за който е направен опит за ремонт от неквалифициран специалист или без предварително разрешение от Techtronic Industries.
 - продукт, свързан към неподходящо електрозахранване (ампераж, волтаж, честота)
 - продукт, използван с неподходяща горивна смес (гориво, масло, процент масло)
 - щети, причинени от външни влияния (химични, физични, удари) или чужди вещества
 - нормално износване на резервни части
 - неподходяща употреба, претоварване на инструмента
 - използване на неодобрени аксесоари или части
 - Аксесоарите за електрически инструмент са предоставени с инструмента или се купуват отделно. Тези изключения включват, но не само, найкрайници за отвертка, свердела, абразивни дискове, шкурка и остриета, страничен водач
 - Компоненти (части и аксесоари), подложени на естествено износване, включително, но не само, комплекти за обслужване и поддръжка, карбонови четки, лагери, патронник, приставка със свердело SDS или приемно устройство, захранващ кабел, спомагателна ръкохватка, кутия за транспортиране, шлифовъчна пластина, торба за прах, торба за отвеждане на прах, филцови шаблони, щифтове и пружини за винтоверти и др.
- За обслужване продуктът трябва да се изпрати или занесе на авторизиран сервиз на RYOBI, посочен за всяка държава в следния списък с адреси на сервиси. В някои държави местният търговец на RYOBI поема отговорността да изпрати продукта до сервизен център на RYOBI. При изпращане на продукт до сервиз на RYOBI той трябва да е опакован безопасно без опасно съдържание, напр. бензин, да е маркиран с адреса на подателя и придружен от кратко описание на повредата.
- Ремонтът/замяната по силата на тази гаранция са безплатни. Те не водят до удължаване или подновяване на гаранционния срок. Сменените части или инструменти стават наша собственост. В някои държави таксите за доставка или изпращане трябва да се платят от подателя. Законоустановените ви права, произтичащи от закупуването на инструмента, остават незасегнати
- Тази гаранция е валидна в Европейската общност, Швейцария, Исландия, Норвегия, Лихтенщайн, Турция и Русия. Извън тези области се свържете с упълномощения търговец на RYOBI, за да се установи дали е приложима друга гаранция.

УПЪЛНОМОЩЕН СЕРВИЗЕН ЦЕНТЪР

За да намерите упълномощен сервизен център близо до вас, посетете <http://uk.ryobitools.eu/header/service-and-support/service-agents>.

UK ГАРАНТИЙНИ УМОВИ ДЛЯ RYOBI®

Окрім загалом установлених законом прав, що стосуються покупки, цей пристрій покривається гарантією, що зазначено нижче.

- Гарантійний період для споживачів складає 24 місяці і починається з моменту придбання цього пристрою. Ця дата повинна бути задокументована у накладній або іншому документі, що підтверджує покупку. Цей пристрій був розроблений і призначений тільки для споживачого та приватного використання. У разі професійного або комерційного використання цього пристрою, він втрачає гарантію.
- Існує можливість подовжити гарантійний період для частини лінійки електроінструментів (перемінного/постійного струму), понад період описаний вище за допомогою реєстрації на сайті www.ryobitools.eu. Пристрої, які мають право на подовження гарантійного періоду, мають чіткі позначки щодо цього в магазинах і / або на упаковці / та документі до пристрою. Кінцевий користувач повинен зареєструвати його/її новопридбаний пристрій онлайн протягом 30 днів з дати покупки. Кінцевий користувач може зареєструвати для подовження гарантійного періоду в своїй країні постійного перебування, якщо вона є доступною у відповідній опції онлайн форми реєстрації. Крім того, кінцевий користувач повинні дати згоду щодо на зберігання даних, які необхідні для введення онлайн, а також вони повинні прийняти правила та умови. Отримання підтвердження реєстрації, яке відправляється на адресу електронної пошти, та оригінал накладної із зазначеною датою покупки буде слугувати доказом подовженої гарантії.
- Гарантія поширюється на всі дефекти пристрою протягом гарантійного терміну щодо недотримання стандартів виробництва або матеріалів на дату придбання. Гарантія обмежується ремонтом та/або заміною, та не включає в себе будь-яких інших зобов'язань, в тому числі, але не обмежена у разі випадкових та подальших пошкоджень. Гарантія не діє, якщо пристрій використовувався неналежним чином, як супереч інструкції з експлуатації або був неправильно підключений до мережі. Дана гарантія не поширюється на:
 - пристрої, що були пошкоджені у результаті неправильного технічного обслуговування;
 - пристрої, що були видозмінени або модифіковані;
 - пристрої, оригінальні ідентифікаційні (товарний знак, серійний номер) маркування яких було пошкоджене, змінене або видалено;
 - будь-які пошкодження, заподіяні недотриманням інструкції з експлуатації;
 - пристрої, що не мають маркування CE;
 - пристрої, що були відремонтовані некваліфікованим фахівцем або за відсутності попереднього дозволу від Techtronic Industries;
 - пристрої, підключені до невідповідного джерела живлення (сила току, напруження, частота);
 - пристрої, що використовувались із невідповідною паливною сумішшю (паливом, оливою, відсотковою часткою оливи);
 - будь-які пошкодження спричинені зовнішнім впливом (хімічними, фізичними, стрибком напруги) або сторонніми речовинами;
 - нормальну амортизацію запасних частин;
 - невідповідне використання, перевантаження пристрою;
 - використання невідтверджених запасних частин або аксесуарів;
 - приладдя до електроінструменту, що постачається разом з пристроєм або купуються окремо. Такі винятки враховують але не є обмеженими на наконечники викруток, свердел, абразивних дисків, наждачного паперу та лез, бічних напрямних
 - компоненти (частини та приладдя) з урахуванням нормального зношування, враховуючи, але без обмеження на комплекти профілактики та технічного обслуговування, вугільні щітки, підшипники, патрони, кріплення або прийом SDS свердел, кабелі живлення, додаткові рукоятки, чохла для транспортування, шліфувальні пластини, мішки для збору пилу, трубки вихлопу, фетрові кильця, штирі і пружини гайковерту і т.д.
- Для обслуговування, пристрій має бути відправлений або поданий до одного з авторизованих сервісних центрів RYOBI, які перелічені для кожної країни у наступному переліку адрес сервісних центрів. У деяких країнах місцевий дилер RYOBI зобов'язується відправити пристрій до сервісного центру RYOBI. При відправленні пристрою до сервісного центру RYOBI, пристрій має бути надійно упакований без будь-якого небезпечного вмісту, наприклад бензину, з позначеною адресою відправника та супроводжуватися коротким списком несправності.
- Ремонт / заміна відповідно до цієї гарантії здійснюється безкоштовно. Це не є основою для подовження або початку нового гарантійного періоду. Замінені частини або прилади переходять до власності компанії. У деяких країнах вартість доставки або поштові витрати повинні бути сплачені відправником. Загально встановлені права покупця на пристрій захищаються незмінними
- Ця гарантія діє в Європейському Союзі, Швейцарії, Ісландії, Норвегії, Лихтенштейні, Туреччині та Росії. За межами цих зон, будь ласка, зверніться до офіційного дилера RYOBI, щоб визначити, чи застосовується інша гарантія.

АВТОРИЗОВАНІ СЕРВІСНІ ЦЕНТРИ

Для отримання оновленого переліка авторизованих сервісних центрів, відвідайте <http://uk.ryobitools.eu/header/service-and-support/service-agents>

TR RYOBI® GARANTİ UYGULAMA KOŞULLARI

Alımdan kaynaklanan yasal haklara ek olarak, ürün aşağıda belirtilen garanti kapsamındadır.

- Tüketiciler için 24 ay olan garanti süresi, ürünün satın alındığı tarihte başlar. Bu tarihin bir kuru ya da alım kanıtıyla belgelenmesi gerekir. Ürün sadece tüketim ve özel kullanımlar için geliştirilmiştir ve adanmıştır. Bu nedenle, profesyonel ya da ticari kullanım halinde garanti kapsamı sağlanmaz.
- Elektrikli el aletlerinin bir bölümü (AC/DC) için www.ryobitools.eu sayfasındaki kayıt işlemini kullanarak garantinin belirlenmesi üzerine ötesine uzatma imkanı mevcuttur. Aletlerin garanti süresinin uzatılmasına uygun olup olmadığı mağazalarda ve / veya ambalajda açıkça belirtilmiş olup, ürün dokümantasyonunda gösterilir. Son kullanıcının yeni aldığı aletleri satın alma tarihini izleyen 30 gün içinde kaydettirmesi gerekir. Son kullanıcı ikamet ettiği ülkede, bu seçeneğin geçerli olduğu çevrimiçi kayıt formunda belirtilmişse, uzatılmış garanti süresi için kayıt yaptırabilir. Dahası, son kullanıcıların çevrimiçi giriş için gerekli verileri kaydedilmesi izin vermek ve hüküm ve koşulları kabul etmelidir. E-posta ile gönderilen kayıt teyit mabzusu ve alım tarihini gösteren orijinal fatura uzatılmış garantinin kanıtı olarak değerlendirilir.
- Garanti, ürünün alım tarihindeki işçilik ve malzeme kusurları nedeniyle garanti süresi içinde oluşacak bütün arızalarını kapsar. Bu garanti onarım ve değiştirmeyle sınırlı olur, tesadüfî ya da dolaylı hasarlar da dahil, ancak bunlarla kısıtlı olmayan başka hiçbir taahhüdü kapsamaz. Garanti, ürünün kötü, kullanıcı klavuzuna aykırı kullanımı ya da yanlış bağlanmış olması halinde geçerli değildir. Bu garanti aşağıdakileri kapsamaz:
 - üründe, yanlış bakımın kaynaklanan herhangi bir hasar
 - değiştirilmiş ya da modifiye edilmiş herhangi bir ürün
 - orijinal tanıtım işaretleri (ticari marka, seri numarası) silinmiş, değiştirilmiş ya da kaldırılmış herhangi bir ürün
 - kullanma klavuzuna uymamaktan kaynaklanmış herhangi bir hasar
 - herhangi bir AT dışı ürün
 - kalifiye olmayan personel tarafından ya da önceden Techtronic Industries onayı alınmadan onarılmış herhangi bir ürün.
 - uygunsuz güç kaynağına (amper, voltaj, frekans) bağlanmış herhangi bir ürün
 - uygunsuz bir yakıt karışımıyla (yakıt, yağ, yap özdesi) kullanılmış herhangi bir ürün
 - harici etkenlerden (kimyasal, fiziksel, darbe) veya yabancı cisimlerden kaynaklanan her türlü hasar
 - normal aşınır ve yıpranır aksam
 - uygunsuz kullanım, aletin aşırı yüklenmesi
 - onaysız aksesuar veya parça kullanımı
 - Alette birlikte sağlanmış ya da ayrıca alınmış elektrikli alet aksesuarları. Tornavida uçları, matkap uçları, aşındırıcı diskler, zımpara kağıdı ve bıçakları, yanıl klavuz gibi aksamı içeren, ancak bunlarla sınırlı olmayan eklentiler
 - Servis ve Bakım kitiyle, kömür fırçalar, yataklar, kovanlar, SDS matkap ucu bağlantısı ya da yuvaları, güç kablosu, yedek tutamak, nakliye ve taşıma kutusu, kumlamla plakası, toz torbası, toz egzoz borusu, keçe rondelalar, Darbeli Tornavida Pim ve yayları vb. gibi parçaları kapsayan, ancak bunlarla sınırlı olmayan, aşınma ve yıpranmaya tabi bileşenler (aksam ve aksesuarlar).
- Ürünün servis için her ülkede aşağıdaki servis istasyonları adres listesinde yer alan yetkili bir RYOBI servis istasyonuna gönderilmesi ya götürülmesi gereklidir. Bazı ülkelerde, yerel RYOBI distribütörünüz ürünü RYOBI servis teşkilatına göndermeyi üstlenir. Bir ürün bir RYOBI servis istasyonuna gönderilirken, ürünün güvenli bir biçimde ambalajlanması, benzin gibi tehlikeli maddeler içermemesi, gönderinin adresini taşıması ve anızın kısa bir açıklamasını içermesi gerekir.
- Bu garanti kapsamında yapılacak onarım / değişiklik ücretsizdir. Garanti süresinin uzatılması ya da yeniden başlatılması anızın zamanı almaz. Değiştirilmiş parçalar veya aletler bize ait olur. Bazı ülkelerde teslimat ücretleri veya posta giderlerinin gönderici tarafından ödemesi gerekir. Alımdan kaynaklanan yasal haklarınıza etkilenmez
- Bu Garanti Avrupa Topluluğu, İsviçre, İzlanda, Norveç, Liechtenstein, Türkiye ve Rusya'da geçerlidir. Bu alanların dışında, başka bir garantinin geçerli olup olmadığını belirlemek için lütfen yetkili RYOBI distribütörünüze irtibata geçin.

YETKİLİ SERVİS MERKEZİ

En yakın yetkili servis merkezini öğrenmek için <http://uk.ryobitools.eu/header/service-and-support/service-agents> sitemize girin.

EL OROFI ΕΦΑΡΜΟΓΗΣ ΤΩΝ ΠΡΟΪΟΤΕΣΕΩΝ ΕΓΓΥΗΣΗΣ ΤΗΣ RYOBI®

Εκτός από τα νόμιμα δικαιώματα, τα οποία προκύπτουν από την αγορά, το προϊόν καλύπτεται από εγγύηση, λεπτομέρειες της οποίας ακολουθούν στη συνέχεια.

- Η διάρκεια της εγγύησης για τους καταναλωτές είναι 24 μήνες και αρχίζει από την ημερομηνία αγοράς. Η ημερομηνία θα πρέπει να αναγράφεται στην αποδείξη ή σε άλλο αποδεικτικό αγοράς. Το προϊόν έχει σχεδιαστεί και προορίζεται αποκλειστικά για οικιακή χρήση από καταναλωτές. Συνεπώς, δεν παρέχεται εγγύηση σε περίπτωση επαγγελματικής ή εμπορικής χρήσης.
- Υπάρχει η δυνατότητα επέκτασης της εγγύησης για ορισμένα ηλεκτρικά εργαλεία (AC/DC), πέραν του παραπάνω αναφερόμενου χρονικού διαστήματος, μέσω εγγραφής στο δικτυακό τόπο www.ryobitools.eu. Η επιλεξιμότητα των εργαλείων με δυνατότητα επέκτασης της περιόδου εγγύησης αναγράφεται ρητά στα καταστήματα και/ή επάνω στη συσκευασία, ενώ περιέχεται στην τεκμηρίωση του προϊόντος. Το τελικό χρήστη θα πρέπει να καταχωρίσει τα προσωπικά αποκτηθέντα εργαλεία online, εντός 30 ημερών από την ημερομηνία αγοράς. Ο τελικός χρήστης μπορεί να εγγραφεί για την επέκταση εγγύησης στη χώρα κατοικίας εφόσον αυτή περιλαμβάνεται στο online έντυπο εγγραφής, εάν υπάρχει η δυνατότητα επέκτασης. Επιπλέον, οι τελικοί χρήστες θα πρέπει να παρέχουν τη συγκατάθεσή τους για την αποθήκευση των στοιχείων τους, τα οποία οφείλουν να καταχωρούνται online, όπως και να αποδεχθούν του όρους και τις προϋποθέσεις. Η αποδείξη επιβεβαίωσης της εγγραφής, η οποία αποστέλλεται μέσω email, και η πρωτότυπη αποδείξη αγοράς, η οποία αναγράφει την ημερομηνία αγοράς, αποτελούν αποδεικτικά της παρατεταμένης εγγύησης.
- Η εγγύηση καλύπτει όλα τα ελαττώματα του προϊόντος, κατά τη διάρκεια της περιόδου εγγύησης, λόγω κατασκευαστικών ελαττωμάτων ή αστοχίας υλικού κατά την ημερομηνία αγοράς. Η εγγύηση περιορίζεται στην επισκευή και/ή την αντικατάσταση και δεν περιλαμβάνει καμία άλλη υποχρέωση, συμπεριλαμβανομένων, ενδεικτικά, συμπληρωμάτων ή παρεπινομένων ζημιών. Η εγγύηση δεν ισχύει εφόσον, έχει σημειωθεί κακομεταχείριση του προϊόντος, δεν έχουν τηρηθεί οι οδηγίες του εγχειριδίου οδηγιών ή το προϊόν έχει συνδεθεί λανθασμένα. Η εγγύηση δεν ισχύει για:
 - οποιαδήποτε ζημία στο προϊόν, η οποία είναι αποτέλεσμα κακής συντήρησης
 - οποιοδήποτε προϊόν, το οποίο έχει αλλοιωθεί ή τροποποιηθεί
 - οποιοδήποτε προϊόν, στο οποίο έχει αλλοιωθεί, τροποποιηθεί ή αφαιρεθεί το γνήσιο αναγνωριστικό (σήμα κατατεθέν, σειριακός αριθμός)
 - οποιαδήποτε ζημία προκληθεί λόγω μη τήρησης του εγχειριδίου οδηγιών
 - οποιοδήποτε προϊόν χωρίς σήμανση CE
 - οποιοδήποτε προϊόν, στο οποίο έχει γίνει προσπάθεια επισκευής από μη καταρτισμένο επαγγελματία ή χωρίς την προηγούμενη έγκριση της Techtronic Industries.
 - οποιοδήποτε προϊόν, το οποίο έχει συνδεθεί σε ακατάλληλη παροχή ρεύματος (σμπέρ, ισχύ, συχνότητα)
 - οποιοδήποτε προϊόν, το οποίο έχει χρησιμοποιηθεί με ακατάλληλο μέγιστο καύσιμο (καύσιμο, λάδι, ποσοστό λαδιού)
 - οποιαδήποτε ζημία έχει προκληθεί από εξωτερικές επιδράσεις (χημικές, φυσικές, κλιματιομετρικές) ή ξένες ουσίες
 - φυσιολογική φθορά και ρήξη ανταλλακτικών
 - ακατάλληλη χρήση, υπερφόρτωση του εργαλείου
 - χρήση μη ενδοεπινομένων εξαρτημάτων ή ανταλλακτικών
 - Εξαρτήματα ηλεκτρικών εργαλείων που παραχθήκαν με το εργαλείο ή αγοράστηκαν χωριστά. Τέτοιες εξαιρέσεις περιλαμβάνουν, ενδεικτικά, μύτες καταβιβιστή, τρυπάνια, δίσκους λείανσης, γυαλόχαρτο και λεπτιδες, πλεοκτικό οδηγό
 - Εξαρτήματα (ανταλλακτικά και αξεσουάρ) που υποκείμενα σε φυσική φθορά και θραύση, συμπεριλαμβανομένων, ενδεικτικά, οστ επισκευής & συντήρησης, ψηκτρών ανθρώκα, εφεδρώνων, τσοκ, εξαρτημάτων ή υποδοχών τρυπανιών SDS, καλωδίων ισχύος, βοηθητικής λαβής, βαλίτσας μεταφοράς, βάσης τρέβιου, σκοουλίας συλλογής σκόνης, σωλήνα εξαγωγής σκόνης, ροβόλων τσάσας, μωτών και ελατηρίων κροστικού κλειδιού κοχλίων, κτλ.
- Το προϊόν θα πρέπει να αποστέλλει ή να παραδοθεί στην αποδειξη ή συντήρηση σε εξουσιοδοτημένο σημείο σέρβις της RYOBI που περιλαμβάνεται στον ακόλουθο κατάλογο διευθύνσεων για κάθε χώρα. Σε ορισμένες χώρες, το τοπικό σημείο πώλησης της RYOBI αναλαμβάνει την αποστολή του προϊόντος στο κεντρικό σέρβις της RYOBI. Κατά την αποστολή ενός προϊόντος σε σημείο σέρβις της RYOBI, αυτό θα πρέπει να είναι ασφαλισμένο συσκευασμένο, χωρίς επικίνδυνον περιεχόμενο, όπως, πετρέλαιο, να φέρει τη διεύθυνση του αποστολέα και να συνοδεύεται από σύντομη περιγραφή της βλάβης.
- Η επιδιόρθωση / αντικατάσταση υπό την παρούσα εγγύηση παρέχεται δωρεάν. Δε συνητά παράταση της περιόδου εγγύησης ή εκκίνηση νέας περιόδου εγγύησης. Τα μέρη που αντικαθίστανται περιέρχονται στην κυριότητα μας. Σε ορισμένες χώρες, τα ενδοεπινομένα έξοδα παράδοσης ή μεταφοράς βαρύνουν τον αποστολέα. Τα νόμιμα δικαιώματά σας, τα οποία απορρέουν από την αγορά του εργαλείου, δεν θίγονται.
- Η παρούσα εγγύηση ισχύει στην Ευρωπαϊκή Κοινότητα, την Ελβετία, την Ισπανία, τη Νορβηγία, το Λιχτενστάιν, την Τουρκία και την Ρωσία. Εκτός των παραπάνω περιοχών, σας παρακαλούμε να επικοινωνήσετε με εξουσιοδοτημένο κατάστημα πώλησης της RYOBI, προκειμένου να διαπιστωθεί ένα ισχυά κάποια άλλη εγγύηση.

ΕΞΟΥΣΙΟΔΟΤΗΜΕΝΟ ΚΕΝΤΡΟ ΣΕΡΒΙΣ

Για να εντοπίσετε ένα εξουσιοδοτημένο κέντρο σέρβις στην περιοχή σας, επισκεφτείτε τη σελίδα <http://uk.ryobitools.eu/header/service-and-support/service-agents>.



(EN) EC DECLARATION OF CONFORMITY

Technronic Industries GmbH
Max-Eyth-Straße 10, 71364 Winnenden, Germany

Herewith we declare that the product

Grinder sander
Brand: Ryobi
Model number: RBGL650G
Serial number range: 46204801000001 - 46204801999999

is in conformity with the following European Directives and harmonised standards
2006/42/EC, 2014/30/EU, 2011/65/EU
EN 55014-1-2:2006+A1:2009+A2:2011; EN 55014-2:1997+A1:2001+A2:2008;
EN 61000-3-2:2014; EN 61000-3-3:2013;
EN61029-1:2009+A11:2010; EN61029-2-4:2011

RoHS documentation is compiled according to EN 50581:2012

Andrew John Eyre (BEng, CEng, MIET)
Vice President, Regulatory & Safety
Winnenden, Aug. 26, 2016

Authorised to compile the technical file:
Alexander Krug, Managing Director
Technronic Industries GmbH
Max-Eyth-Straße 10, 71364 Winnenden, Germany



(ES) DECLARACIÓN EC DE CONFORMIDAD

Technronic Industries GmbH
Max-Eyth-Straße 10, 71364 Winnenden, Germany

Por la presente declaramos que los productos

Lijadora de la amoladora
Marca: Ryobi
Número de modelo: RBGL650G
Intervalo del número de serie: 46204801000001 - 46204801999999

se encuentra en conformidad con las siguientes Directivas Europeas y normas armonizadas

2006/42/EC, 2014/30/EU, 2011/65/EU
EN 55014-1-2:2006+A1:2009+A2:2011; EN 55014-2:1997+A1:2001+A2:2008;
EN 61000-3-2:2014; EN 61000-3-3:2013;
EN61029-1:2009+A11:2010; EN61029-2-4:2011

Documentación sobre restricción de sustancias peligrosas (RoHS) recopilada según la norma EN 50581:2012

Andrew John Eyre (BEng, CEng, MIET)
Vicepresidente, Director General de Normativa y Seguridad
Winnenden, Aug. 26, 2016

Autorizado para elaborar la ficha técnica:
Alexander Krug, Administrador Ejecutivo
Technronic Industries GmbH
Max-Eyth-Straße 10, 71364 Winnenden, Germany



(FR) DÉCLARATION DE CONFORMITÉ EC

Technronic Industries GmbH
Max-Eyth-Straße 10, 71364 Winnenden, Germany

Déclarons par la présente que le produit

Ponceuse-meuleuse
Marque: Ryobi
Numéro de modèle: RBGL650G
Étendue des numéros de série: 46204801000001 - 46204801999999

est conforme aux Directives Européennes et Normes Harmonisées suivantes
2006/42/EC, 2014/30/EU, 2011/65/EU
EN 55014-1-2:2006+A1:2009+A2:2011; EN 55014-2:1997+A1:2001+A2:2008;
EN 61000-3-2:2014; EN 61000-3-3:2013;
EN61029-1:2009+A11:2010; EN61029-2-4:2011

La documentation RoHS a été dressée d'après EN 50581:2012

Andrew John Eyre (BEng, CEng, MIET)
Vice-Président, Réglementation & Sécurité
Winnenden, Aug. 26, 2016

Autorisé à rédiger le dossier technique:
Alexander Krug, Directeur Général
Technronic Industries GmbH
Max-Eyth-Straße 10, 71364 Winnenden, Germany



(IT) DICHIARAZIONE DI CONFORMITÀ EC

Technronic Industries GmbH
Max-Eyth-Straße 10, 71364 Winnenden, Germany

Si dichiara con la presente che il prodotto

Smerigliatrice levigatrice
Marca: Ryobi
Numero modello: RBGL650G
Gamma numero seriale: 46204801000001 - 46204801999999

è conforme alle seguenti Direttive Europee e ai seguenti standard armonizzati
2006/42/EC, 2014/30/EU, 2011/65/EU
EN 55014-1-2:2006+A1:2009+A2:2011; EN 55014-2:1997+A1:2001+A2:2008;
EN 61000-3-2:2014; EN 61000-3-3:2013;
EN61029-1:2009+A11:2010; EN61029-2-4:2011

La documentazione RoHS è stata compilata come indicato dalle norme EN 50581:2012

Andrew John Eyre (BEng, CEng, MIET)
Vice-Presidente, Dipartimento Regolazioni & Sicurezza
Winnenden, Aug. 26, 2016

Autorizzato per compilare il file tecnico:
Alexander Krug, Direttore Amministrativo
Technronic Industries GmbH
Max-Eyth-Straße 10, 71364 Winnenden, Germany



(DE) EG KONFORMITÄTSERKLÄRUNG

Technronic Industries GmbH
Max-Eyth-Straße 10, 71364 Winnenden, Germany

Hiermit erklären wir, dass das Produkt

Bandschleifer
Marke: Ryobi
Modellnummer: RBGL650G
Seriennummernbereich: 46204801000001 - 46204801999999

den folgenden europäischen Richtlinien und harmonisierten Normen entspricht
2006/42/EC, 2014/30/EU, 2011/65/EU
EN 55014-1-2:2006+A1:2009+A2:2011; EN 55014-2:1997+A1:2001+A2:2008;
EN 61000-3-2:2014; EN 61000-3-3:2013;
EN61029-1:2009+A11:2010; EN61029-2-4:2011

RoHS Dokumentation ist gemäß EN 50581:2012 zusammengestellt

Andrew John Eyre (BEng, CEng, MIET)
Vizepräsident, Vorschriften und Sicherheit
Winnenden, Aug. 26, 2016

Autorisiert die technische Datei zu erstellen:
Alexander Krug, Geschäftsführer
Technronic Industries GmbH
Max-Eyth-Straße 10, 71364 Winnenden, Germany



(NL) EC CONFORMITEITSVERKLARING

Technronic Industries GmbH
Max-Eyth-Straße 10, 71364 Winnenden, Germany

Hierbij verklaren wij dat het product

Schuur- en slijpmachine
Merk: Ryobi
Modelnummer: RBGL650G
Seriennummerek: 46204801000001 - 46204801999999

is in overeenstemming met de volgende Europese Richtlijnen en geharmoniseerde normen

2006/42/EC, 2014/30/EU, 2011/65/EU
EN 55014-1-2:2006+A1:2009+A2:2011; EN 55014-2:1997+A1:2001+A2:2008;
EN 61000-3-2:2014; EN 61000-3-3:2013;
EN61029-1:2009+A11:2010; EN61029-2-4:2011

RoHS-documentatie is samengesteld in overeenstemming met EN 50581:2012

Andrew John Eyre (BEng, CEng, MIET)
Vice-president, Regelgeving en Veiligheid
Winnenden, Aug. 26, 2016

Afgevaardigde voor het samenstellen van de technische fiche:
Alexander Krug, Directeur
Technronic Industries GmbH
Max-Eyth-Straße 10, 71364 Winnenden, Germany



PT DECLARAÇÃO EC DE CONFORMIDADE


Techtronic Industries GmbH
Max-Eyth-Straße 10, 71364 Winnenden, Germany

Pelo presente declaramos que os produtos
Esmeriladora Lixadora
Marca: Ryobi
Número do modelo: RBGL650G
Intervalo do número de série: 46204801000001 - 46204801999999

se encontra em conformidade com as seguintes Directivas Europeias e normas harmonizadas

2006/42/EC, 2014/30/EU, 2011/65/EU
EN 55014-1:2006+A1:2009+A2:2011; EN 55014-2:1997+A1:2001+A2:2008;
EN 61000-3-2:2014; EN 61000-3-3:2013;
EN 61029-1:2009+A11:2010; EN 61029-2-4:2011

Documentação sobre restrição de substâncias perigosas (RoHS) compilada segundo a norma EN 50581:2012


Andrew John Eyre (BEng, CEng, MIET)
Vice-Presidente, Regulamentação & Segurança
Winnenden, Aug. 26, 2016

CE

Autorizado para compilar o ficheiro técnico:
Alexander Krug, Administrador Executivo
Techtronic Industries GmbH
Max-Eyth-Straße 10, 71364 Winnenden, Germany

DA EC OVERENSSTEMMELSESEKTLÆRING


Techtronic Industries GmbH
Max-Eyth-Straße 10, 71364 Winnenden, Germany

Vi erklærer hermed, at produktet
Silber/pudser
Brand: Ryobi
Modelnummer: RBGL650G
Serienummerområde: 46204801000001 - 46204801999999

er i overensstemmelse med følgende EU-direktiver og harmoniserede standarder

2006/42/EC, 2014/30/EU, 2011/65/EU
EN 55014-1:2006+A1:2009+A2:2011; EN 55014-2:1997+A1:2001+A2:2008;
EN 61000-3-2:2014; EN 61000-3-3:2013;
EN 61029-1:2009+A11:2010; EN 61029-2-4:2011

RoHS-dokumentationen er udarbejdet i henhold til EN 50581:2012


Andrew John Eyre (BEng, CEng, MIET)
Vicepresident, Regler og Sikkerhed
Winnenden, Aug. 26, 2016

CE

Bemyndiget til at udarbejde det tekniske kartotek:
Alexander Krug, Administrerende Direktør
Techtronic Industries GmbH
Max-Eyth-Straße 10, 71364 Winnenden, Germany

SV EC-KONFORMITETSDEKLARATION


Techtronic Industries GmbH
Max-Eyth-Straße 10, 71364 Winnenden, Germany

Härmed deklarerar vi att produkterna
Slip- och polermaskin
Märke: Ryobi
Modellnummer: RBGL650G
Serienummerintervall: 46204801000001 - 46204801999999

är i enlighet med följande EU-direktiv och harmoniserade standarder

2006/42/EC, 2014/30/EU, 2011/65/EU
EN 55014-1:2006+A1:2009+A2:2011; EN 55014-2:1997+A1:2001+A2:2008;
EN 61000-3-2:2014; EN 61000-3-3:2013;
EN 61029-1:2009+A11:2010; EN 61029-2-4:2011

RoHS-dokumentation sammanställd enligt EN 50581:2012


Andrew John Eyre (BEng, CEng, MIET)
Vice President, Regelverk och Säkerhet
Winnenden, Aug. 26, 2016

CE

Godkänd att sammanställa den tekniska filen:
Alexander Krug, VD
Techtronic Industries GmbH
Max-Eyth-Straße 10, 71364 Winnenden, Germany


FI EC-SÄÄNNÖSTEN NOUDATTAMINEN

Techtronic Industries GmbH
Max-Eyth-Straße 10, 71364 Winnenden, Germany

Ilmoitamme täten, että tuotteet
Penkki- ja nauhahiomakone
Tuotemerkki: Ryobi
Mallinnumero: RBGL650G
Sarjanumeroalue: 46204801000001 - 46204801999999

noudattaa seuraavia EU-direktiivejä ja harmonoituja standardeja
2006/42/EC, 2014/30/EU, 2011/65/EU
EN 55014-1:2006+A1:2009+A2:2011; EN 55014-2:1997+A1:2001+A2:2008;
EN 61000-3-2:2014; EN 61000-3-3:2013;
EN 61029-1:2009+A11:2010; EN 61029-2-4:2011

RoHS-dokumentaatio on koottu standardin EN 50581:2012 mukaisesti


Andrew John Eyre (BEng, CEng, MIET)
Varatoimitusjohtaja, Säädöstenmukaisuus ja Turvallisuus
Winnenden, Aug. 26, 2016

CE

Valtuutettu kokoamaan tekninen tiedosto:
Alexander Krug, Toimitusjohtaja
Techtronic Industries GmbH
Max-Eyth-Straße 10, 71364 Winnenden, Germany

NO EC-SAMSVARSEKTLÆRING


Techtronic Industries GmbH
Max-Eyth-Straße 10, 71364 Winnenden, Germany

Herved erklærer vi at produktet
Sandslipemaskin
Merke: Ryobi
Modellnummer: RBGL650G
Serienummerserie: 46204801000001 - 46204801999999

er i samsvar med følgende europeiske direktiver og harmoniserte standarder

2006/42/EC, 2014/30/EU, 2011/65/EU
EN 55014-1:2006+A1:2009+A2:2011; EN 55014-2:1997+A1:2001+A2:2008;
EN 61000-3-2:2014; EN 61000-3-3:2013;
EN 61029-1:2009+A11:2010; EN 61029-2-4:2011

RoHS dokumentasjonen er skrevet i samsvar med EN 50581:2012


Andrew John Eyre (BEng, CEng, MIET)
Visepresident, Forskrifter og Sikkerhet
Winnenden, Aug. 26, 2016

CE

Autorisert til å sette sammen den tekniske filen:
Alexander Krug, Administrerende Direktør
Techtronic Industries GmbH
Max-Eyth-Straße 10, 71364 Winnenden, Germany

RU ЗАЯВЛЕНИЕ О СООТВЕТСТВИИ ТРЕБОВАНИЯМ ЕС

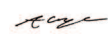
Techtronic Industries GmbH
Max-Eyth-Straße 10, 71364 Winnenden, Germany

Настоящим мы заявляем, что данный продукт
Ленточно-шлифовальный станок
Марка: Ryobi
Номер модели: RBGL650G
Диапазон заводских номеров: 46204801000001 - 46204801999999

соответствует требованиям следующих Директив ЕС и согласованных стандартов

2006/42/EC, 2014/30/EU, 2011/65/EU
EN 55014-1:2006+A1:2009+A2:2011; EN 55014-2:1997+A1:2001+A2:2008;
EN 61000-3-2:2014; EN 61000-3-3:2013;
EN 61029-1:2009+A11:2010; EN 61029-2-4:2011

Документация RoHS соответствует стандарту EN 50581:2012


Andrew John Eyre (BEng, CEng, MIET)
Вице-Президент По Технике Безопасности И Стандартам
Winnenden, Aug. 26, 2016

CE

Лицо, ответственное за подготовку технической документации:
Alexander Krug, Директор
Techtronic Industries GmbH
Max-Eyth-Straße 10, 71364 Winnenden, Germany

**PL** DEKLARACJA ZGODNOŚCI EC

Techtronic Industries GmbH
Max-Eyth-Straße 10, 71364 Winnenden, Germany

Niniejszym deklarujemy, że produkt

Szlifierka taśmowo-tarczowa
Marka: Ryobi
Numer modelu: RBGL650G
Zakres numerów seryjnych: 46204801000001 - 46204801999999

jest zgodny z następującymi dyrektywami europejskimi i zharmonizowanymi normami

2006/42/EC, 2014/30/EU, 2011/65/EU
EN 55014-1:2006+A1:2009+A2:2011; EN 55014-2:1997+A1:2001+A2:2008;
EN 61000-3-2:2014; EN 61000-3-3:2013;
EN61029-1:2009+A11:2010; EN61029-2-4:2011

Dokumentacja RoHS została opracowana zgodnie z normą EN 50581:2012

Andrew John Eyre (BEng, CEng, MIET)
Wiceprezes ds. Zgodności Prawnej i Bezpieczeństwa
Winnenden, Aug. 26, 2016

CE

Osoba upoważniona do sporządzenia dokumentu technicznego:

Alexander Krug, Dyrektor Zarządzający
Techtronic Industries GmbH
Max-Eyth-Straße 10, 71364 Winnenden, Germany

CS PROHLÁŠENÍ O SHODĚ EC

Techtronic Industries GmbH
Max-Eyth-Straße 10, 71364 Winnenden, Germany

Tímto prohlašujeme, že výrobky

Bruska
Značka: Ryobi
Číslo modelu: RBGL650G
Rozsah sériových čísel: 46204801000001 - 46204801999999

že tento výrobek je v souladu s evropskými a harmonizovanými standardy

2006/42/EC, 2014/30/EU, 2011/65/EU
EN 55014-1:2006+A1:2009+A2:2011; EN 55014-2:1997+A1:2001+A2:2008;
EN 61000-3-2:2014; EN 61000-3-3:2013;
EN61029-1:2009+A11:2010; EN61029-2-4:2011

RoHS dokumentace sestavena dle EN 50581:2012

Andrew John Eyre (BEng, CEng, MIET)
Viceprezident, Normy a Bezpečnost
Winnenden, Aug. 26, 2016

CE

Pověření ke kompilaci technického souboru:

Alexander Krug, Generální ředitel
Techtronic Industries GmbH
Max-Eyth-Straße 10, 71364 Winnenden, Germany

HU EC MEGFELELŐSÉGI NYILATKOZAT

Techtronic Industries GmbH
Max-Eyth-Straße 10, 71364 Winnenden, Germany

Ezúton kijelentjük, hogy a termék

Köszörű-csiszológép
Márka: Ryobi
Típuszám: RBGL650G
Sorozatszám tartomány: 46204801000001 - 46204801999999

megfelel az alábbi Európai Irányelvek és harmonizált szabványok vonatkozó rendelkezéseinek

2006/42/EC, 2014/30/EU, 2011/65/EU
EN 55014-1:2006+A1:2009+A2:2011; EN 55014-2:1997+A1:2001+A2:2008;
EN 61000-3-2:2014; EN 61000-3-3:2013;
EN61029-1:2009+A11:2010; EN61029-2-4:2011

A RoHS dokumentáció összeállítására az EN 50581:2012 szerint történt

Andrew John Eyre (BEng, CEng, MIET)
Alelnök, Megfelelőségi és Biztonsági Területek
Winnenden, Aug. 26, 2016

CE

A műszaki dokumentáció összeállítására felhatalmazott:

Alexander Krug, Ügyvezető Igazgató
Techtronic Industries GmbH
Max-Eyth-Straße 10, 71364 Winnenden, Germany

RO DECLARAȚIE DE CONFORMITATE EC

Techtronic Industries GmbH
Max-Eyth-Straße 10, 71364 Winnenden, Germany

Prin prezenta, declarăm că produsele

Polizor șlefuitor
Marcă: Ryobi
Număr serie: RBGL650G
Gamă număr serie: 46204801000001 - 46204801999999

este în conformitate cu următoarele Directive Europene și standarde armonizate

2006/42/EC, 2014/30/EU, 2011/65/EU
EN 55014-1:2006+A1:2009+A2:2011; EN 55014-2:1997+A1:2001+A2:2008;
EN 61000-3-2:2014; EN 61000-3-3:2013;
EN61029-1:2009+A11:2010; EN61029-2-4:2011

Dokumentajia RoHS este întocmită în conformitate cu EN 50581:2012

Andrew John Eyre (BEng, CEng, MIET)
Vicepreședinte, Reglementare & Siguranță
Winnenden, Aug. 26, 2016

CE

Autorizat să completeze fișa tehnică:

Alexander Krug, Director General
Techtronic Industries GmbH
Max-Eyth-Straße 10, 71364 Winnenden, Germany

LV EC ATBILSTĪBAS DEKLARĀCIJA

Techtronic Industries GmbH
Max-Eyth-Straße 10, 71364 Winnenden, Germany

Ar šo paziņojam, ka produkti

Lentas slīpmašīna
Zīmols: Ryobi
Modeļa numurs: RBGL650G
Sērijas numura intervāls: 46204801000001 - 46204801999999

atbilst šādām Eiropas direktīvām un saskaņotajiem standartiem

2006/42/EC, 2014/30/EU, 2011/65/EU
EN 55014-1:2006+A1:2009+A2:2011; EN 55014-2:1997+A1:2001+A2:2008;
EN 61000-3-2:2014; EN 61000-3-3:2013;
EN61029-1:2009+A11:2010; EN61029-2-4:2011

RoHS dokumentācija ir izstrādāta saskaņā ar EN 50581:2012

Andrew John Eyre (BEng, CEng, MIET)
Viceprezidents, Darba Drošības Noteikumi
Winnenden, Aug. 26, 2016

CE

Pilnvarots sastādīt tehnisko failu:

Alexander Krug, Izpilddirektors
Techtronic Industries GmbH
Max-Eyth-Straße 10, 71364 Winnenden, Germany

LT EC ATITIKTIES PAREIŠKIMAS

Techtronic Industries GmbH
Max-Eyth-Straße 10, 71364 Winnenden, Germany

Mes pareiškiame, kad šie produktai

Šlifavimo įrenginys
Prekės ženklas: Ryobi
Modelio numeris: RBGL650G
Serijinio numerio diapazonas: 46204801000001 - 46204801999999

pagamintas laikantis toliau nurodytųjų Europos Direktyvų ir darniųjų standartų

2006/42/EC, 2014/30/EU, 2011/65/EU
EN 55014-1:2006+A1:2009+A2:2011; EN 55014-2:1997+A1:2001+A2:2008;
EN 61000-3-2:2014; EN 61000-3-3:2013;
EN61029-1:2009+A11:2010; EN61029-2-4:2011

Tam tikrų pavojingų medžiagų naudojimo elektros ir elektroninėje įrangoje apri bojimo dokumentai sudaryti pagal standartą EN 50581:2012

Andrew John Eyre (BEng, CEng, MIET)
Kontrolės Ir Saugos Viceprezidentas
Winnenden, Aug. 26, 2016

CE

Įgaliojats sudaryti techninį failą:

Alexander Krug, Generalinis Direktorius
Techtronic Industries GmbH
Max-Eyth-Straße 10, 71364 Winnenden, Germany

**(ET) EC VASTAVUSDEKLARATSIOON**

Techtronic Industries GmbH
Max-Eyth-Straße 10, 71364 Winnenden, Germany

Kinnitame, et see toode

Lauakäi-lintihviija
Mark: Ryobi
Mudelil number: RBGL650G
Seerianumbri vahemik: 46204801000001 - 46204801999999

vastab järgmistele Euroopa direktiividele ja harmoniseeritud standarditele

2006/42/EC, 2014/30/EU, 2011/65/EU
EN 55014-1-2:2006+A1:2009+A2:2011; EN 55014-2:1997+A1:2001+A2:2008;
EN 61000-3-2:2014; EN 61000-3-3:2013;
EN61029-1:2009+A11:2010; EN61029-2-4:2011

RoHS dokumendid on koostatud vastavuses standardi EN 50581:2012 nõuetele.



Andrew John Eyre (BEng, CEng, MIET)
Asepresident Standardiseerimise Ja Ohutuse Alal
Winnenden, Aug. 26, 2016

Tehnilise faili koostamiseks volitatud isik:

Alexander Krug, Tegevdirektor
Techtronic Industries GmbH
Max-Eyth-Straße 10, 71364 Winnenden, Germany

(SK) PREHLÁSENIE O ZHODE EC

Techtronic Industries GmbH
Max-Eyth-Straße 10, 71364 Winnenden, Germany

Týmto vyhlasujeme, že výrobok

Kombinirani brusilnik
Značka: Ryobi
Číslo modelu: RBGL650G
Rozsah sériových čísiel: 46204801000001 - 46204801999999

je v súlade s nasledujúcimi Európskymi smernicami a harmonizovanými normami

2006/42/EC, 2014/30/EU, 2011/65/EC
EN 55014-1-2:2006+A1:2009+A2:2011; EN 55014-2:1997+A1:2001+A2:2008;
EN 61000-3-2:2014; EN 61000-3-3:2013;
EN61029-1:2009+A11:2010; EN61029-2-4:2011

Dokumentácia RoHS je zostavená podľa EN 50581:2012



Andrew John Eyre (BEng, CEng, MIET)
Viceprezident, Regulácia a Bezpečnosť
Winnenden, Aug. 26, 2016

Oprávnená osoba na zostavenie technického súboru:

Alexander Krug, Generálny Riaditeľ
Techtronic Industries GmbH
Max-Eyth-Straße 10, 71364 Winnenden, Germany

(HR) EC IZJAVA O USKLADENOSTI

Techtronic Industries GmbH
Max-Eyth-Straße 10, 71364 Winnenden, Germany

Ovime izjavljujemo da su proizvodi

Brusilica za brušenje i poliranje
Marka: Ryobi
Broj modela: RBGL650G
Raspon serijskog broja: 46204801000001 - 46204801999999

usklađen sa sljedećim Europskim Direktivama i usklađenim normama

2006/42/EC, 2014/30/EU, 2011/65/EU
EN 55014-1-2:2006+A1:2009+A2:2011; EN 55014-2:1997+A1:2001+A2:2008;
EN 61000-3-2:2014; EN 61000-3-3:2013;
EN61029-1:2009+A11:2010; EN61029-2-4:2011

RoHS dokumentacija sukladna je EN 50581:2012



Andrew John Eyre (BEng, CEng, MIET)
Potpredsjednik za Pravila i Sigurnost
Winnenden, Aug. 26, 2016

Ovlašten da sastavi tehničku datoteku:

Alexander Krug, Direktor Upravljanja
Techtronic Industries GmbH
Max-Eyth-Straße 10, 71364 Winnenden, Germany

(EL) ΕΚ ΔΗΛΩΣΗ ΣΥΜΜΟΡΦΩΣΗΣ

Techtronic Industries GmbH
Max-Eyth-Straße 10, 71364 Winnenden, Germany

Δια του παρόντος δηλώνουμε ότι το προϊόν

Τριβείο
Μάρκα: Ryobi
Αριθμός μοντέλου: RBGL650G
Εύρος σειριακών αριθμών: 46204801000001 - 46204801999999

είναι σύμφωνα με τις παρακάτω Ευρωπαϊκές Οδηγίες και εναρμονισμένα πρότυπα

2006/42/EC, 2014/30/EU, 2011/65/EU
EN 55014-1-2:2006+A1:2009+A2:2011; EN 55014-2:1997+A1:2001+A2:2008;
EN 61000-3-2:2014; EN 61000-3-3:2013;
EN61029-1:2009+A11:2010; EN61029-2-4:2011

Τα έγγραφα RoHS συντάσσονται σύμφωνα με το EN50581:2012



Andrew John Eyre (BEng, CEng, MIET)
Αντιπρόεδρος, Τμήμα Πωλήσεων & Ασφάλειας
Winnenden, Aug. 26, 2016

Εξουσιοδοτημένο άτομο για σύνταξη τεχνικού αρχείου:

Alexander Krug, Διευθυντής Σχέδιασμού
Techtronic Industries GmbH
Max-Eyth-Straße 10, 71364 Winnenden, Germany

(SL) IZJAVA EC O SKLADNOSTI

Techtronic Industries GmbH
Max-Eyth-Straße 10, 71364 Winnenden, Germany

Izjavljamo, da je izdelek

Kombinovaná pásová a kotúčová brúska
Znamka: Ryobi
Številka modela: RBGL650G
Razpon serijskih števil: 46204801000001 - 46204801999999

v skladu s sledečimi evropskimi direktivami in harmoniziranimi standardi

2006/42/EC, 2014/30/EU, 2011/65/EU
EN 55014-1-2:2006+A1:2009+A2:2011; EN 55014-2:1997+A1:2001+A2:2008;
EN 61000-3-2:2014; EN 61000-3-3:2013;
EN61029-1:2009+A11:2010; EN61029-2-4:2011

Dokumentacija RoHS je sestavljena skladno s standardom EN 50581:2012



Andrew John Eyre (BEng, CEng, MIET)
Podpredsednik, Zakonodajne In Varnostne Zadeve
Winnenden, Aug. 26, 2016

Pooblaščená oseba za sestavo tehnične dokumentacije:

Alexander Krug, Izvršni Direktor
Techtronic Industries GmbH
Max-Eyth-Straße 10, 71364 Winnenden, Germany

(TR) EC UYGUNLUK BEYANI

Techtronic Industries GmbH
Max-Eyth-Straße 10, 71364 Winnenden, Germany

Böylelikle beyan ederiz ki; ürün

Taşlama ve Zımpara Makinesi
Marka: Ryobi
Model numarası: RBGL650G
Seri numarası aralığı: 46204801000001 - 46204801999999

şağıdaki Avrupa Direktifleri ve uyumlaştırılmış standartlara uygundur

2006/42/EC, 2014/30/EU, 2011/65/EU
EN 55014-1-2:2006+A1:2009+A2:2011; EN 55014-2:1997+A1:2001+A2:2008;
EN 61000-3-2:2014; EN 61000-3-3:2013;
EN61029-1:2009+A11:2010; EN61029-2-4:2011

RoHS belgeleri EN 50581:2012 uyarınca derlenmiştir



Andrew John Eyre (BEng, CEng, MIET)
Başkan Vekili, Düzenleme ve Güvenlik
Winnenden, Aug. 26, 2016

Teknik dosya hazırlamaya yetkilidir:

Alexander Krug, Genel Müdür
Techtronic Industries GmbH
Max-Eyth-Straße 10, 71364 Winnenden, Germany



UK ДЕКЛАРАЦІЯ ПРО ВІДПОВІДНІСТЬ

Techtronic Industries GmbH
Max-Eyth-Straße 10, 71364 Winnenden, Germany

При цьому ми заявляємо, що продукт

Шліфувальна машина

Марка: Ryobi

Номер моделі: RBGL650G

Діапазон серійного номеру: 46204801000001 - 46204801999999

у відповідності з наступними європейськими директивами та гармонізованими стандартами

2006/42/EC, 2014/30/EU, 2011/65/EU

EN 55014-1-1:2006+A1:2009+A2:2011; EN 55014-2:1997+A1:2001+A2:2008;

EN 61000-3-2:2014; EN 61000-3-3:2013;

EN61029-1:2009+A11:2010; EN61029-2-4:2011

Документація RoHS складена відповідно до EN 50581:2012



Andrew John Eyre (BEng, CEng, MIET)
Віце-президент, регулювання і безпека
Winnenden, Aug. 26, 2016

CE

Дозвіл на складання технічного файла:

Alexander Krug, Керуючий директор

Techtronic Industries GmbH

Max-Eyth-Straße 10, 71364 Winnenden, Germany







Techtronic Industries GmbH
Max-Eyth-Straße 10,
71364 Winnenden, Germany

ОФИЦИАЛЬНЫЙ ДИЛЕР В УКРАИНЕ:

storgom.ua

ГРАФИК РАБОТЫ:

Пн. – Пт.: с 8:30 по 18:30

Сб.: с 09:00 по 16:00

Вс.: с 10:00 по 16:00

КОНТАКТЫ:

+38 (044) 360-46-77

+38 (066) 77-395-77

+38 (097) 77-236-77

+38 (093) 360-46-77

Детальное описание товара:

<https://storgom.ua/product/tochilo-ryobi-rbgl650g-kombinirovannoe-5133002857.html>

Другие товары: <https://storgom.ua/tochila.html>