

RYOBI®

RLM15E36H
RLM18E40H

ORIGINAL INSTRUCTIONS
TRADUCTION DES INSTRUCTIONS ORIGINALES
ÜBERSETZUNG DER ORIGINALANLEITUNG
TRADUCCIÓN DE LAS INSTRUCCIONES ORIGINALES
TRADUZIONE DELLE ISTRUZIONI ORIGINALI
VERTALING VAN DE ORIGINELE INSTRUCTIES
TRADUÇÃO DAS INSTRUÇÕES ORIGINAIS
OVERSÆTTELSE AF DE ORIGINALE INSTRUKTIONER
ÖVERSÄTTNING AV DE URSPRUNGLIGA INSTRUKTIONERNA
ALKUPERÄISTEN OHJEIDEN SUOMENNOS
OVERSETTELSE AV DE ORIGINALE INSTRUKSJONENE
ПЕРЕВОД ОРИГИНАЛЬНЫХ ИНСТРУКЦИЙ
TŁUMACZENIE INSTRUKCJI ORYGINALNEJ
PŘEKLAD ORIGINALNÍCH POKYNŮ
AZ EREDETI ÚTMUTATÓ FORDÍTÁSA
TRADUCEREA INSTRUCȚIUNILOR ORIGINALE
TULKOTS NO ORIĢINĀLĀS INSTRUKCIJAS
ORIGINALIŲ INSTRUKCIJŲ VERTIMAS
ORIGINAALJUHENDI TÕLGE
PRIJEVOD ORIGINALNIH UPUTA
PREVOD ORIGINALNIH NAVODIL
PREKLAD ORIGINALNYCH POKYNOV
ПРЕВОД ОТ ОРИГИНАЛНИТЕ ИНСТРУКЦИИ

EN
FR
DE
ES
IT
NL
PT
DA
SV
FI
NO
RU
PL
CS
HU
RO
LV
LT
ET
HR
SL
SK
BG





Important!	It is essential that you read the instructions in this manual before assembling, operating and maintaining the product.
Attention!	Il est essentiel que vous lisiez les instructions contenues dans ce mode d'emploi avant d'assembler, d'entretenir et d'utiliser cette machine.
Achtung!	Es ist wichtig, dass Sie vor Zusammenbau, Benutzung und Wartung dieser Maschine die Anweisungen in dieser Anleitung lesen.
¡Atención!	Antes de montar, de utilizar o de realizar el mantenimiento de esta máquina es muy importante que lea las instrucciones de este manual.
Attenzione!	È essenziale leggere le istruzioni contenute nel manuale prima di montare, mettere in funzione e svolgere le operazioni di manutenzione sull'utensile.
Let op!	Het is van essentieel belang dat u de instructies in deze gebruiksaanwijzing leest voor u deze machine monteert, bedient en onderhoudt.
Atenção!	É essencial que leia as instruções neste manual antes de montar, operar e efetuar manutenção a esta máquina.
OBS!	Det er meget vigtigt, at man læser anvisningerne i denne brugsanvisning, inden maskinen samles, betjenes og vedligeholdes.
Observera!	Det är viktigt att du läser instruktionerna i manualen före monteringen, användning och underhåll av maskinen.
Huomio!	On tärkeää, että luet tämän käsikirjan ennen tämän laitteen kokoamista, huoltoa ja käyttöä.
Advarsel!	Det er vigtigt at du læser instruksjonene i denne brukermanualen før du monterer, bruker og vedlikeholder maskinen.
Внимание!	Необходимо прочитать инструкции в данном руководстве перед сборкой, эксплуатацией и обслуживанием этого устройства.
Uwaga!	Koniecznizie przeczytaj instrukcje zawarte w tym podręczniku przed montażem, obsługą oraz konserwacją tej maszyny.
Důležitě upozornění!	Neinstalujte, neprovádějte údržbu ani nepoužívejte tento nástroj dříve, než si přečtete pokyny uvedené v tomto návodu.
Figyelem!	Fontos, hogy a gép összeszerelése, használat a karbantartása előtt elolvassa a kézikönyvben található utasításokat.
Atenție!	Este esențial să citiți instrucțiunile din acest manual, înainte de asamblarea, operarea sau întreținerea acestui aparat.
Uzmanību!	Pirms ierīces montāžas, darbināšanas un apkopes veikšanas obligāti izlasiet norādījumus šajā rokasgrāmatā.
Dėmesio!	Prieš surinkdami, eksploatuodami ir prižiūradami šį įrenginį, būtina, kad perskaitytumėte nurodymus, pateiktus šiose naudotojo vadove.
Tähtis!	Enne masina kokkupanekut, kasutama ja hooldama hakkamist tuleb käesolevas juhendis esitatud juhised kindlasti läbi lugeda.
Upozorenie!	Vrlo je važno da ste prije sklapanja, rada i održavanja ovog stroja pročitali upute u ovom priručniku.
Pomembno!	Zelo pomembno je, da pred sestavljanjem, vzdrževanjem in uporabo te naprave preberete navodila v tem priročniku.
Dôležité!	Pred montážou, používaním a údržbou tohto nástroja je dôležité, by ste si prečítali pokyny v tomto návode.
Важно!	Исключительно важно е да прочетете инструкциите в настоящето ръководство, преди да сглобите и да работите с тази машина, както и да извършвате дейности по нейната поддръжка.

Subject to technical modification / Sous réserve de modifications techniques / Technische Änderungen vorbehalten /
Bajo reserva de modificaciones técnicas / Con riserva di eventuali modifiche tecniche / Technische wijzigingen voorbehouden /
Com reserva de modificações técnicas / Med forbehold for tekniske ændringer / Med förbehåll för tekniska ändringar /
Tekniset muutokset varataan / Med forbehold om tekniske ændringer / могут быть внесены технические изменения /
Z zastrzeżeniem modyfikacji technicznych / Změny technických údajů vyhrazeny / A műszaki módosítás jogát fenntartjuk /
Sub rezerva modificațiilor tehnice / Paturam tiesības mainīt tehniskos raksturlielumus /
Pasliiekant teisę daryti techninius pakeitimus / Tehnilised muudatused võimalikud / Подложено технічким промjenama /
Tehnične spremembe dopuščene / Právo na technické zmeny je vyhradené / Подлежи на технически модификации



GENERAL SAFETY WARNINGS

WARNING

When using the product, the safety rules must be followed. For your own safety and that of bystanders, please read these instructions before operating the product. Please keep the instructions safe for later use.

PERSONAL SAFETY

- The product is capable of amputating hands and feet, and throwing objects. Failure to observe all safety instructions could result in serious injury or death.
- Be familiar with the controls and the correct use of the product.
- Never allow children or people with reduced physical, sensory or mental capabilities or persons not familiar with these instructions to operate, clean or maintain the product. Local regulations may restrict the age of the operator. Children should be adequately supervised to ensure they do not play with the product.
- Stay alert, watch what you are doing, and use common sense when operating the product. Do not operate the product while tired or under the influence of drugs, alcohol, or medication. A lapse in concentration while operating the product may result in serious personal injury.
- Wear heavy, long trousers, long sleeves, sturdy anti-slip footwear. Do not wear short trousers, sandals, or go barefoot. Avoid wearing clothing that is loose fitting or that has hanging cords or ties.
- Always wear safety glasses with side shields.
- Always be sure of your footing. Keep firm footing and balance. Walk, never run.
- Use the product across the face of slopes, never up and down. Exercise extreme caution when changing direction on slopes.
- Do not use the product near drop-offs, ditches, excessively steep slopes, or embankments. Poor footing could cause a slip and fall accident.

WORK AREA SAFETY

- Never use product while people, especially children, or pets are within 15 m because of the danger of objects being thrown by contact with the blade.
- Objects struck by the lawn mower blade can cause severe injuries to persons. Thoroughly inspect the area where the product is to be used and remove all rocks, sticks, metal, wire, bones, toys, or other foreign objects. Remember, string or wire may entangle with the cutting means.
- Always use the product in the daylight or in good artificial light.
- Do not operate the product in explosive atmospheres, such as in the presence of flammable liquids, gases or dust. The product creates sparks which may ignite the dust or fumes.
- Do not operate the product in wet grass or in the rain.
- Do not use the lawn mower when there is a risk of lightning.
- Keep in mind that the operator or user is responsible for accidents or hazards occurring to other people or

their property.

- Tragic accidents can occur if the operator is not alert to the presence of children. Children are often attracted to the product and the mowing activity. Never assume that children will remain where you last saw them.
- Keep children out of the mowing area and under the watchful care of a responsible adult other than the operator, be alert and turn the product off if a child enters the area.
- Use extra care when approaching blind corners, shrubs, trees, or other objects including overhanging shrubs, which may block your view.

ELECTRICAL SAFETY

- Power plugs must match the outlet. Never modify the plug in any way. Do not use any adapter plugs with earthed (grounded) power tools. Unmodified plugs and matching outlets will reduce risk of electric shock.
- Avoid unintentional starting. Always check that the switch is in Off position before plugging in the product to the power supply. Do not carry a plugged in product with your finger on the switch.
- Avoid body contact with earthed or grounded surfaces, such as pipes, radiators, ranges and refrigerators. There is an increased risk of electric shock if your body is earthed or grounded.
- Do not expose the product to rain or wet conditions. Water entering an appliance will increase the risk of electric shock.
- Electrical power should be supplied via a residual current device (RCD) with a tripping current of not more than 30 mA.
- Before use check the supply and extension cord for signs of damage or aging. If the cord becomes damaged during use, disconnect the cord from the supply immediately. **Do not touch the cord before disconnecting the supply.** Do not use the product if the cord is damaged or worn.
- If you need to use an extension cord ensure it is suitable for outdoor use and has a current capacity rating sufficient to supply your product. The extension cord cable should be marked with either "H05 RN-F" or "H05 VV-F". Check it before every use for damage, always uncoil it during use because coiled cords can overheat. Damaged extension cords should not be repaired, they should be replaced with an equivalent type.
- Make sure the power cord is positioned so that it cannot be damaged by the cutting means and will not be stepped on, tripped over or otherwise subjected to damage or stress.
- Never pick up or carry the product by the electric cable.
- Never pull by the power cord to disconnect from the power supply.
- Keep the power cord away from heat, oil and sharp edges.
- Make sure voltage is correct for your product. A nameplate on the product indicates the product's voltage. Never connect the product to an AC voltage that differs from this voltage.
- Always ensure the cord from the handlebar to the mower body is never trapped, pinched or otherwise damaged during assembly or handle folding. Never apply power to the mower if this cable is damaged. Return to

authorised service centre for professional repair.

- A power spike causes voltage fluctuations and may affect other electrical products in the same power line. Connect the product to a power supply with an impedance equal or less than 0.452Ω - for RLM18E40H to minimize voltage fluctuations. Contact your electric power supplier for further clarification.

LAWN MOWER SAFETY WARNINGS

- Before using, always visually inspect to ensure blades, blade bolts, and cutter assembly are not worn or damaged.
- Replace worn or damaged blades and bolts in sets to preserve balance.
- The blade on the product is very sharp. Use extreme caution and wear heavy duty gloves when fitting, replacing, cleaning or checking bolt security.
- Return to an authorised service centre to replace damaged or unreadable labels.
- Check all nuts, bolts, and screws at frequent intervals for proper tightness to be sure the equipment is in safe working condition.
- Check the grass box frequently for wear, holes or deterioration.
- Replace worn or damaged parts before operating the product.
- The mower must be started with the user behind the handlebars in the operator safety zone. Never start the product if:
 - All four wheels are not on the ground
 - The grass discharge chute is exposed without being protected by either the mulching plug and grass discharge chute cover or the grass box and grass discharge chute cover.
 - Hands and feet of all persons are not clear of the cutting enclosure.
- Never operate the product if the on/off switch on the handlebar does not properly start and stop the product.
- Never attempt to lock the on/off switches in the On position, this is extremely dangerous.
- Do not force the product. It will do the job better and safer at the speed for which it was designed.
- Stop the blade when crossing gravel surfaces.
- Do not pull the product backward unless absolutely necessary. If you must back the product away from a wall or obstruction, first look down and behind to avoid tripping or pulling the product over your feet.
- Stop the motor and allow the blade to stop if the product has to be tilted for transportation when crossing surfaces other than grass, and when transporting the product to and from the area to be mowed.
- Never use the product with defective guards or shields, or without safety devices, for example, deflectors and/or grass boxes, in place.
- Do not tilt the product when switching on the motor or whilst the motor is running. This exposes the blade and increases the probability of objects being thrown.
- Switch on the motor carefully according to instructions and keep hands and feet away from cutting area. Do not put hands or feet near or under rotating parts. Keep clear of the discharge opening at all times. Do not start the product when standing in front of the discharge opening.

- Never pick up or carry the product while it is running.
- Stop the mower motor and disconnect from the power supply, make sure that all moving parts have come to a complete stop for the below cases:
 - whenever you leave the product unattended (including disposal of grass clippings).
 - before cleaning a blockage or unclogging discharge chute
 - before checking, cleaning or working on the product
 - after striking a foreign object; inspect the product for damage and make repairs as necessary before restarting and operating the product.
 - before removing the grass box or opening the grass discharge chute cover.
 - If the product starts to vibrate abnormally (check immediately)
 - inspect for damage, particularly the blades
 - replace or repair any damaged parts
 - check for and tighten any loose parts
- Avoid holes, ruts, bumps, rocks, property stakes, or other hidden objects. Uneven terrain could cause a slip and fall accident.

OVERLOAD PROTECTION DEVICE

The product has an overload protection device. When overloading is detected, the product will automatically switch off. If the overload protector is actuated, the motor must be allowed to cool down for 5 to 10 minutes.

Turn off the power and remove the plug from the supply. The blades are sharp, wear heavy duty gloves before touching. Make sure the blade can rotate freely and is not jammed or tight.

When the motor is cool, connect the plug to the power supply, turn the power on. Press the Start button and then the On-off button to start the product. If the product will still not start, return it to an authorised service centre for repair.

INTENDED USE

The product is only intended for use outdoors.

The product is designed for domestic lawn mowing. The cutting blade should rotate approximately parallel to the ground over which it is being wheeled. All four wheels should touch the ground while mowing. It is a pedestrian controlled walk behind mower designed to be pushed by hand.

The product should never be operated with the wheels off the ground; it should not be pulled or ridden on. It should not be used to cut anything other than domestic grass lawns.

RESIDUAL RISK

Even when the product is used as prescribed, it is still impossible to completely eliminate certain residual risk factors. The following hazards may arise in use and the operator should pay special attention to avoid the following:

- Injury caused by vibration. Always use the right tool for the job, use designated handles and restrict working time and exposure.
- Exposure to noise can cause hearing injury. Wear ear protection and limit exposure.
- Contact with blades
- Injury from thrown objects

TRANSPORTATION AND STORAGE

- Stop the product and disconnect from the power supply, make sure that all moving parts have come to a complete stop, and allow it to cool before storing or transporting.
- Clean all foreign material from the product. Store it in a cool dry and well-ventilated place that is inaccessible to children. Keep away from corrosive agents such as garden chemicals and de-icing salts. Do not store outdoors.
- For transportation, secure the product against movement or falling to prevent injury to persons or damage to the product.

⚠ WARNING

Use extreme caution when lifting or tilting the product for maintenance, cleaning, storage or transportation, the blade is sharp, keep all body parts away from the blade whilst it is exposed.

MAINTENANCE

⚠ WARNING

Use only original manufacturer's replacement parts, accessories and attachments. Failure to do so can cause injury, poor performance and may void your warranty.

⚠ WARNING

Servicing requires extreme care and knowledge and should be performed only by a qualified service technician. For service we suggest you return the product to your nearest authorised service centre for repair. When servicing, use only identical replacement parts.

- Stop the product and disconnect from the power supply, make sure that all moving parts have come to a complete stop before any cleaning or maintenance task.
- You may make adjustments and repairs described here. For other repairs, contact the authorised service agent.
- Check the grass box frequently for wear or deterioration.
- After each use, clean the product with a soft dry cloth. Any part that is damaged should be properly repaired or replaced by an authorised service centre.
- Check all nuts, bolts and screws at frequent intervals for proper tightness to ensure the product is in safe working condition.
- Be careful during adjustment of the product to prevent entrapment of the fingers between moving blades and fixed parts of the product.
- When servicing the blades be aware that, even though the power source is switched off, the blades can still be moved.
- The blade on the product is very sharp. Use extreme caution and wear heavy duty gloves when fitting, replacing, cleaning or checking bolt security.
- Replace damaged blades and bolts in sets to preserve balance.

RISK REDUCTION

It has been reported that vibrations from hand-held tools may contribute to a condition called Raynaud's Syndrome in certain individuals. Symptoms may include tingling, numbness and blanching of the fingers, usually apparent upon exposure to cold. Hereditary factors, exposure to cold and dampness, diet, smoking and work practices are all thought to contribute to the development of these symptoms. There are measures that can be taken by the operator to possibly reduce the effects of vibration:

- Keep your body warm in cold weather. When operating the unit wear gloves to keep the hands and wrists warm. It is reported that cold weather is a major factor contributing to Raynaud's Syndrome.
- After each period of operation, exercise to increase blood circulation.
- Take frequent work breaks. Limit the amount of exposure per day.

If you experience any of the symptoms of this condition, immediately discontinue use and see your doctor about these symptoms.

⚠ WARNING

Injuries may be caused, or aggravated, by prolonged use of a tool. When using any tool for prolonged periods, ensure you take regular breaks.

KNOW YOUR PRODUCT

See page 119.

Parts

1. On/off button
2. Handle
3. Motor control cable
4. Motor control cable retainer
5. Height adjustment lever
6. Cord hook
7. Grassbox full indicator
8. Grassbox
9. Quick release fastener
10. Rear wheel
11. Front wheel
12. Mulching plug
13. Power cord
14. Start button

SYMBOLS ON THE PRODUCT



Read and understand all instructions before operating the product, follow all warnings and safety instructions.



Wear ear protection.



Wear eye protection.



Do not operate on inclines greater than 15°. Mow across the face of slopes, never up and down.



Do not expose to rain or damp condition.



Beware of sharp blades. Blades continue to rotate after the motor is switched off – Remove plug from mains before maintenance or if cord is damaged.



Beware of thrown or flying objects. Keep all bystanders, especially children and pets, at least 15m away from the operating area.



Keep the supply flexible cord away from the cutting blades.



Press the Start button and then the On-off button (A, B, C or D) to start the product. Release the Start button and keep pressing the On-off button to run the product. Release the On-off button to stop the product.



Go



Stop



Class II tool, double insulation



Waste electrical products should not be disposed of with household waste. Please recycle where facilities exist. Check with your local authority or retailer for recycling advice.



Conforms to all regulatory standards in the country in the EU where the product is purchased.



EurAsian Conformity Mark



The guaranteed sound power level is shown on this label by 94 dB.



The guaranteed sound power level is shown on this label by 95 dB.

The following signal words and meanings are intended to explain the levels of risk associated with this product:

DANGER

Indicates an imminently hazardous situation, which, if not avoided, will result in death or serious injury.

WARNING

Indicates a potentially hazardous situation, which, if not avoided, could result in death or serious injury.

CAUTION

Indicates a potentially hazardous situation, which, if not avoided, may result in minor or moderate injury.

CAUTION

(Without Safety Alert Symbol) Indicates a situation that may result in property damage.

SYMBOLS IN THIS MANUAL



Connect to power outlet.



Disconnect from power outlet.



Parts or accessories sold separately



Waste electrical products should not be disposed of with household waste. Please recycle where facilities exist.



Keep hands away from blades



Note



Warning



Stop the product.

GENERAL MOWING TIPS

- When cutting long grass, reduce walking speed to allow for more effective cutting and a proper discharge of the clippings.
- Do not cut wet grass; it will stick to the underside of the deck and prevent proper collection or discharge of grass clippings.
- New or thick grass may require a higher cutting height.
- If you wish to collect the grass cuttings for disposal, remove the mulching plug and fit the grass box making sure the top flap is properly closed. Empty the grass box regularly, otherwise the discharge chute will become blocked with grass cuttings.
- If you are making a light cut and wish for the grass cuttings to remain on the lawn, fit the mulching plug and close the top flap to cover the discharge opening. It is not necessary to fit the grass box in this case.
- The mower is designed to operate and cut most effectively when moving forwards.

AVERTISSEMENTS GÉNÉRAUX DE SÉCURITÉ

▲ AVERTISSEMENT

Suivez les règles de sécurité lorsque vous utilisez le produit. Pour votre sécurité et celle des passants, veuillez lire ces instructions avant d'utiliser le produit. Veuillez conserver ce manuel pour vous-y reporter dans le futur.

SÉCURITÉ PERSONNELLE

- La tondeuse à gazon est capable d'amputer les mains et les pieds, ainsi que de projeter des objets. Le non respect de toutes les règles de sécurité est susceptible d'entraîner de graves blessures ou la mort.
- Familiarisez-vous avec les commandes de l'appareil ainsi qu'avec son utilisation correcte.
- Ne laissez jamais les enfants ou les personnes aux capacités physiques, sensorielles ou mentales réduites, ni les personnes non familiarisées avec ces instructions utiliser, nettoyer ou entretenir le produit. Les lois locales peuvent imposer un âge minimum à l'opérateur. Les enfants doivent être surveillés afin de s'assurer qu'ils ne jouent pas avec l'appareil.
- Restez vigilant, regardez ce que vous faites et faites preuve de bon sens lorsque vous utilisez l'appareil. N'utilisez pas cette tondeuse lorsque vous êtes fatigué ou sous l'influence de l'alcool, de drogues ou de médicaments. Un moment d'inattention lors de l'utilisation de la machine suffit à provoquer de graves blessures.
- Portez des pantalons longs et épais, des manches longues, des bottes et des gants. Portez des chaussures de sécurité antidérapantes lorsque vous utilisez le produit. Ne portez pas de bijoux, de short, sandales et ne travaillez pas pieds nus. Évitez de porter des vêtements amples ou qui possèdent des cordons ou attaches qui pendent.
- Portez toujours des lunettes de sécurité avec protections latérales.
- Gardez toujours un bon appui sur vos jambes. Gardez un bon appui et un bon équilibre. Marchez, ne courez jamais.
- Travaillez en travers des pentes, jamais de haut en bas. Redoublez de vigilance lorsque vous changez de direction sur une pente.
- N'utilisez pas le produit à proximité des à-pics, des fossés, des fortes pentes, ou des talus. Un mauvais appui sur le sol peut entraîner une glissade et une chute et causer un accident.

ENVIRONNEMENT DE TRAVAIL

- Au minimum, gardez tous les enfants, spectateurs et animaux familiers éloignés d'au moins 15 m, pour les protéger d'éventuelles projections.
- Les objets heurtés par la lame de la tondeuse peuvent causer de graves blessures. Vérifiez avec soin la zone où vous allez utiliser la machine, et retirez-en tous les cailloux, bâtons, objets métalliques, câbles, os, jouets

et autres objets étrangers. Des câbles ou de la ficelle pourraient s'emmêler dans les éléments de coupe.

- Veillez à ce que votre zone de travail soit bien éclairée (lumière du jour ou lumière artificielle).
- N'utilisez pas la machine en atmosphère explosive, comme en présence de liquides inflammables, de gaz ou de poussières. L'outil produit des étincelles susceptibles d'enflammer poussières et vapeurs.
- N'utilisez pas la machine dans l'herbe mouillée ou sous la pluie.
- N'utilisez pas la tondeuse en cas de risque d'éclair.
- Gardez à l'esprit que l'opérateur est responsable des accidents qui arrivent aux autres personnes présentes dans sa propriété.
- De tragiques accidents peuvent se produire si l'opérateur n'est pas conscient de la présence d'enfants. Les enfants sont souvent attirés par la machine et par le déroulement de la tonte. Ne considérez jamais comme acquis qu'un enfant restera là où vous l'avez vu pour la dernière fois.
- Gardez les enfants éloignés de la zone de travail et faites-les surveiller par un adulte responsable autre u l'opérateur. Restez alerte et arrêtez le produit au cas où un enfant pénétrerait dans la zone de travail.
- Soyez particulièrement vigilant à l'approche des angles morts, buissons, arbres, ou autres objets susceptibles de masquer la présence d'un enfant.

SÉCURITÉ ÉLECTRIQUE

- Les fiches secteur doivent correspondre à la prise de courant. Ne modifiez jamais la fiche secteur d'aucune façon. N'utilisez pas d'adaptateurs avec les outils électriques reliés à la terre. L'utilisation de fiches secteur non modifiées et adaptées à la prise de courant réduit le risque de décharge électrique.
- Évitez tout démarrage involontaire. Assurez-vous que l'interrupteur est toujours en position Off (arrêt) avant de brancher le produit sur l'alimentation. Ne déplacez pas un produit en ayant le doigt sur la gâchette lorsque celui-ci est branché.
- Évitez que votre corps entre en contact avec des surfaces reliées à la terre, telles que des tuyaux, radiateurs, cuisinières et réfrigérateurs. Le risque de décharge électrique est accru si votre corps est électriquement relié à la terre.
- N'exposez ce produit à la pluie ou à des conditions humides. La pénétration d'eau dans un appareil augmente le risque de décharge électrique.
- L'appareil doit être alimenté par l'intermédiaire d'un disjoncteur différentiel d'une sensibilité minimale de 30mA.
- Avant utilisation, vérifiez que le câble d'alimentation n'est pas endommagé ou usé. Si le câble d'alimentation venait à être endommagé pendant utilisation, débranchez-le immédiatement du secteur. **Ne touchez pas au câble avant d'avoir débranché l'alimentation.** N'utilisez pas le produit si son câble est endommagé ou usé.
- Si vous devez utiliser une rallonge électrique, assurez-vous qu'elle est prévue pour une utilisation à l'extérieur

EN
FR
DE
ES
IT
NL
PT
DA
SV
FI
NO
RU
PL
CS
HU
RO
LV
LT
ET
HR
SL
SK
BG



et que sa section est suffisante pour alimenter votre outil. Le câble de la rallonge électrique doit porter la mention "H05 RN F" ou "H05 VV F". Vérifiez le bon état de la rallonge électrique avant chaque utilisation. La rallonge électrique doit toujours être déroulée pendant utilisation, les câbles enroulés étant susceptibles de surchauffer. Les rallonges endommagées ne doivent pas être réparées, elles doivent être remplacées par un modèle équivalent.

- Assurez-vous que le câble chemine de façon qu'il ne puisse pas être coupé et que l'on ne puisse pas marcher dessus ou se prendre les pieds dedans, et qu'il ne peut pas être forcé ou endommagé.
- Ne soulevez et ne transportez jamais le produit en le tenant par son câble d'alimentation.
- Ne débranchez jamais le câble d'alimentation en tirant dessus.
- Gardez le câble d'alimentation éloigné de la chaleur, des graisses et des bords coupants.
- Assurez-vous que la tension secteur est adaptée au produit. La tension de service est indiquée sur une plaque signalétique présente sur l'appareil. Ne branchez jamais le produit sur une source de courant dont la tension est différente de sa tension nominale.
- Assurez-vous toujours que le câble qui relie le guidon au corps de la tondeuse n'est jamais coincé, pincé ou endommagé au cours du montage ou du repliage du guidon. N'alimentez jamais la tondeuse en courant électrique si le câble est endommagé. Retournez-la à un service après-vente agréé pour la faire réparer par un professionnel.
- Une surconsommation temporaire provoque des variations de tension susceptibles d'affecter les autres appareils électriques branchés sur la même ligne d'alimentation. Branchez la RLM18E40H sur une source d'alimentation électrique dont l'impédance est inférieure ou égale à 0.452Ω afin de minimiser les variations de tension. Pour de plus amples informations contactez votre Fournisseur électricité.

AVERTISSEMENTS DE SÉCURITÉ RELATIFS À LA TONDEUSE À GAZON

- Avant utilisation, vérifiez toujours visuellement que les lames, boulons de lame, et ensembles de coupe ne sont ni usés ni endommagés.
- Remplacez toujours les lames usées ou endommagées ainsi que les boulons dans leur ensemble pour conserver l'équilibre.
- La lame du produit étant très coupante, soyez particulièrement prudent et portez des gants solides lorsque vous la mettez en place, lorsque vous la remplacez, lorsque vous la nettoyez ou lorsque vous vérifiez le bon serrage de ses boulons.
- Adressez-vous à un service après-vente agréé pour le remplacement des étiquettes abîmées ou illisibles.
- Vérifiez régulièrement le bon serrage des écrous, vis et boulons pour que l'appareil soit toujours en bon état de fonctionnement.
- Vérifiez fréquemment tout signe d'usure et de détérioration du panier.
- Remplacez les éléments usés ou endommagés avant d'utiliser le produit.
- La tondeuse doit être démarrée avec l'utilisateur se tenant derrière le guidon dans la zone de sécurité de l'opérateur. Ne démarrez jamais le produit si :
 - Les quatre roues ne reposent pas sur le sol.
 - L'ouverture d'évacuation de l'herbe est visible sans être protégée par le conduit de paillage et le volet de protection, ou par le sac de ramassage et le volet de protection.
 - Les mains et les pieds de toutes les personnes présentes ne sont pas à l'écart du carter de coupe.
- N'utilisez pas le produit si son interrupteur marche/arrêt est inopérant.
- Ne tentez jamais de bloquer les interrupteurs on/off (marche/arrêt) en position ON (MARCHE); ceci est extrêmement dangereux.
- Ne faites pas forcer le produit. Elle effectuera un meilleur travail dans de meilleures conditions de sécurité si elle est utilisée à la vitesse pour laquelle elle a été conçue.
- Arrêtez la lame lorsque vous traversez des surfaces recouvertes de graviers.
- Ne tirez pas le produit en arrière à moins que cela ne soit absolument nécessaire. Si vous devez reculer la machine pour l'éloigner d'un mur ou d'un obstacle, regardez d'abord par terre et derrière vous pour éviter de trébucher ou de faire passer la machine sur vos pieds.
- Arrêtez le moteur et attendez que la lame s'arrête si vous devez incliner la tondeuse pour lui faire traverser des surfaces non-herbeuses, et lorsque vous la transportez vers et depuis la surface à tondre.
- N'utilisez jamais la machine si un de ses carters ou une des ses protections sont endommagés ou dont les éléments de sécurité, tels que déflecteur et/ou panier ne sont pas en place.
- N'inclinez pas le produit lorsque le moteur tourne. Ne basculez pas la machine lorsque vous mettez la machine en marche. Ceci mettrait la lame à découvert et augmenterait la probabilité que des objets soient projetés.
- Mettez le moteur en marche en respectant les instructions et gardez vos mains et vos pieds à distance de la zone de coupe. Ne mettez pas vos pieds ou vos mains sous les pièces en rotation ou à leur proximité. Restez en permanence à l'écart de la trappe d'éjection. Ne vous tenez pas en face de la trappe d'éjection lorsque vous démarrez l'appareil.
- Ne portez jamais et ne transportez jamais l'appareil lorsqu'il est en fonctionnement.
- Arrêtez le moteur de la tondeuse et débranchez l'alimentation électrique, assurez-vous que toutes les parties mobiles se sont complètement arrêtées dans les cas suivants :
 - laisser le produit sans surveillance
 - avant de dégager un blocage ou de débloquer l'évacuation,
 - avant de travailler sur la machine, de la vérifier ou de la nettoyer





EN
FR
DE
ES
IT
NL
PT
DA
SV
FI
NO
RU
PL
CS
HU
RO
LV
LT
ET
HR
SL
SK
BG

- Après avoir heurté un objet étranger, vérifiez que l'appareil n'est pas endommagé et effectuez les éventuelles réparations nécessaires
- avant de retirer le bac de ramassage ou d'ouvrir le volet de fermeture du conduit d'évacuation de l'herbe
- si la machine se met à vibrer de façon anormale (vérifiez immédiatement)
 - Vérifiez les dommages éventuels. Remplacez la lame au cas où elle serait usée de façon non régulière ou endommagée de quelque façon que ce soit.
 - remplacez ou réparez toute pièce endommagée,
 - Vérifiez l'absence d'éléments desserrés et resserrez-les au besoin.
- Évitez trous, racines, monticules, pierres et autres objets cachés. Un terrain accidenté peut provoquer une glissade et une chute entraînant un accident.

DISPOSITIF DE PROTECTION CONTRE LES SURCHARGES

Le produit est équipé d'un dispositif de protection contre les surcharges. Lorsqu'une surcharge est détectée, le produit s'arrête automatiquement. Si la protection anti-surcharge s'est déclenchée, il convient de laisser refroidir le moteur pendant 5 à 10 minutes.

Arrêtez l'alimentation et débranchez le câble secteur. Les lames sont très coupantes, mettez des gants épais avant de les toucher. Assurez-vous que la lame peut tourner librement et qu'elle n'est ni bloquée ni serrée.

Lorsque le moteur est froid, branchez l'alimentation électrique. Mettez le produit en marche. Appuyez sur le bouton Start (Démarrage) puis sur le bouton On-off (marche-arrêt) pour démarrer le produit. Si le produit ne démarre toujours pas, retournez-le à un service après-vente agréé pour le faire réparer.

UTILISATION PRÉVUE

Cet appareil ne doit être utilisé qu'à l'extérieur. Ce produit est destiné à la tonte du gazon par les particuliers. La lame de coupe doit tourner en position à peu près parallèle au sol sur lequel l'appareil se déplace. L'ensemble des quatre roues doit toucher le sol au cours de la tonte. Cette tondeuse se contrôle en marchant derrière elle. Ce produit est conçu pour être poussé à la main. La tondeuse ne doit jamais être utilisée avec ses roues décollées du sol, elle ne doit pas être tractée, et on ne doit pas monter dessus. Elle ne doit être utilisée que pour la tonte des pelouses de particuliers.

RISQUES RÉSIDUELS

Même lorsque la machine est utilisée selon les prescriptions, il reste impossible d'éliminer totalement certains facteurs de risque résiduels. Les dangers suivants risquent de se présenter en cours d'utilisation et l'utilisateur doit prêter particulièrement garde à ce qui suit :

- Blessures dues aux vibrations. Utilisez toujours un outil adapté au travail à effectuer, servez-vous des poignées appropriées et limitez le temps de travail et d'exposition.

- L'exposition au bruit peut provoquer des pertes d'audition. Portez une protection auditive et limitez le temps d'exposition
- Contact avec les lames
- Blessures dues à la projection d'objets

TRANSPORT ET STOCKAGE

- Arrêtez le produit et débranchez l'alimentation électrique, assurez-vous que toutes les parties mobiles se sont complètement arrêtées, et laissez le produit refroidir avant de le transporter ou de le ranger.
- Débarrassez l'appareil de tous les corps étrangers. Rangez la en un endroit frais, sec et correctement ventilé, hors de portée des enfants. Ne la rangez pas à proximité d'agents corrosifs tels que produits chimiques de jardinage ou sels de dégel. Ne rangez pas à l'extérieur.
- Pour le transport, attachez le produit pour l'empêcher de bouger ou de tomber, afin d'éviter toute blessure et tout dommage matériel.

⚠ AVERTISSEMENT

Soyez particulièrement prudent lorsque vous inclinez ou soulevez la machine pour l'entretenir, la nettoyer, la ranger ou la transporter. La lame est coupante. Gardez toutes les parties du corps éloignées de la lame lorsque celle-ci est à découvert.

ENTRETIEN

⚠ AVERTISSEMENT

N'utilisez que des pièces détachées et accessoires d'origine constructeur. Le non respect de cette précaution peut entraîner de mauvaises performances, des blessures, et annuler votre garantie.

⚠ AVERTISSEMENT

Les réparations demandent un soin et des connaissances extrêmes et ne doivent être effectuées que par un réparateur qualifié. Pour toute réparation, nous vous conseillons de retourner votre appareil à votre service après vente agréé le plus proche. N'utilisez que des pièces détachées identiques pour effectuer les réparations.

- Arrêtez le produit et débranchez l'alimentation électrique, assurez-vous que toutes les parties mobiles se sont complètement arrêtées avant toute opération de nettoyage ou d'entretien.
- Vous pouvez effectuer les réglages et réparations décrits dans ce manuel. Pour les autres réparations, contactez un service après-vente agréé.
- Vérifiez fréquemment tout signe d'usure et de détérioration du panier.
- Après chaque utilisation, utilisez un chiffon propre et sec pour nettoyer le produit. Toute pièce endommagée



doit être correctement remplacée ou réparée par un service après-vente agréé.

- Vérifiez régulièrement le bon serrage des écrous, vis et boulons pour que le produit soit toujours en bon état de fonctionnement.
- Lors du réglage de la machine, prenez garde de ne pas coincer vos doigts entre les lames et les parties fixes de la machine.
- Lorsque vous entretenez les lames, soyez conscient que les lames ont toujours la possibilité de bouger, même si l'alimentation est coupée.
- La lame du produit étant très coupante, soyez particulièrement prudent et portez des gants solides lorsque vous la mettez en place, lorsque vous la remplacez, lorsque vous la nettoyez ou lorsque vous vérifiez le bon serrage de ses boulons.
- Remplacez toujours les lames usées ou endommagées ainsi que les boulons par jeu complet pour conserver le bon équilibrage.

RÉDUCTION DES RISQUES

Il a été reporté que les vibrations engendrées par les outils à main peuvent contribuer à l'apparition d'un état appelé le Syndrome de Raynaud chez certaines personnes. Les symptômes peuvent comprendre des fourmillements, un engourdissement et un blanchiment des doigts, généralement par temps froid. Des facteurs héréditaires, l'exposition au froid et à l'humidité, le régime alimentaire, le tabagisme et les habitudes de travail peuvent contribuer au développement de ces symptômes. Certaines mesures peuvent être prises par l'utilisateur pour aider à réduire les effets des vibrations:

- Gardez votre corps au chaud par temps froid. Lorsque vous utilisez l'appareil, portez des gants afin de garder vos mains et vos poignets au chaud. Le temps froid est considéré comme un facteur contribuant très largement à l'apparition du Syndrome de Raynaud.
- Après chaque session de travail, pratiquez des exercices qui favorisent la circulation sanguine.
- Faites des pauses fréquentes. Limitez la quantité d'exposition journalière.

Si vous ressentez l'un des symptômes associés à ce syndrome, arrêtez immédiatement le travail et consultez votre médecin pour lui en faire part.

⚠ AVERTISSEMENT

L'utilisation prolongée d'un outil est susceptible de provoquer ou d'aggraver des blessures. Assurez-vous de faire des pauses de façon régulière lorsque vous utilisez tout outil de façon prolongée.

APPRENEZ A CONNAITRE VOTRE OUTIL

Voir page 119.

Pièces

1. Bouton On-off (marche-arrêt)
2. Poignée
3. Câble de commande du moteur

4. Attache de câble de commande du moteur
5. Levier de réglage de hauteur de coupe
6. Crochet pour câble
7. Indicateur de sac plein
8. Panier
9. Attache à déverrouillage rapide
10. Roue arrière
11. Roue avant
12. Accessoire de paillage
13. Câble d'alimentation
14. Bouton de démarrage

SYMBOLES APPLIQUÉS SUR LE PRODUIT



Lisez et comprenez toutes les instructions avant d'utiliser le produit, respectez tous les avertissements et toutes les instructions de sécurité.



Portez une protection auditive



Portez une protection oculaire



Ne travaillez pas sur des pentes supérieures à 15°. Tondez transversalement par rapport à la pente, jamais en la remontant ou en la descendant.



Ne pas exposer à la pluie ou à des conditions humides.



Prenez garde aux lames coupantes. Les lames continuent de tourner une fois le moteur coupé - Débranchez la fiche secteur avant entretien ou si le câble est endommagé.



Prenez garde à la projection d'objets au sol et dans les airs. Maintenez les visiteurs, en particulier les enfants et les animaux domestiques, à une distance d'au moins 15 m de la zone de travail.



Gardez le câble électrique souple fourni à l'écart des lames de coupe.



Appuyez sur le bouton Start (Démarrage) puis sur le bouton On-off (marche-arrêt) (A, B, C, ou D) pour démarrer le produit. Relâchez le bouton Start et maintenez le bouton On-off enfoncé pour faire fonctionner le produit. Relâchez le bouton Marche-arrêt pour arrêter le produit.



Allez



Stop



Outil de Classe II, isolation double



Les produits électriques hors d'usage ne doivent pas être jetés avec les ordures ménagères. Recyclez-les par l'intermédiaire des structures disponibles. Contactez les autorités locales pour vous renseigner sur les conditions de recyclage.



Cet outil est conforme à l'ensemble des normes réglementaires du pays de l'UE où il a été acheté.



Marque de qualité EurAsian



Le niveau de puissance sonore garanti est 94 dB.



Le niveau de puissance sonore garanti est 95 dB.

Les symboles suivants, et les noms qui leur sont associés, permettent d'expliquer les différents niveaux de risques liés à l'utilisation de cet outil.

DANGER

Situation potentiellement dangereuse qui, si l'on n'y prend garde, peut entraîner la mort ou des blessures graves.

AVERTISSEMENT

Situation potentiellement dangereuse qui, si l'on n'y prend garde, peut entraîner la mort ou des blessures graves.

MISE EN GARDE

Situation potentiellement dangereuse qui, si l'on n'y prend garde, peut entraîner des blessures moyennes ou légères.

MISE EN GARDE

Sans symbole d'alerte de sécurité

Indique une situation pouvant entraîner des dommages matériels.

ICÔNES DE CE MANUEL



Branchez sur le secteur



Débranchez du secteur



Pièces détachées et accessoires vendus séparément



Les produits électriques hors d'usage ne doivent pas être jetés avec les ordures ménagères. Recyclez-les par l'intermédiaire des structures disponibles.



Gardez vos mains à l'écart des lames.



REMARQUE:



AVERTISSEMENT



Arrêtez le produit.

CONSEILS DE TONTE

- Lorsque vous tondez de l'herbe haute, réduisez votre vitesse de progression pour permettre une meilleure coupe et une éjection plus efficace de l'herbe.
- Ne coupez pas d'herbe humide ; elle collerait au dessous du carter et empêcherait le bon ramassage ou la bonne éjection des brins d'herbe.
- L'herbe épaisse ou les nouvelles pousses peuvent nécessiter une hauteur de coupe plus importante.
- Si vous souhaitez ramasser l'herbe coupée pour la mettre au rebut, retirez le conduit de paillage et mettez en place le sac de ramassage en vous assurant que le volet supérieur est bien fermé. Videz le sac régulièrement, sinon l'ouverture d'évacuation subira un bourrage d'herbe coupée.
- Si vous effectuez une coupe légère et désirez que l'herbe coupée reste sur la pelouse, mettez en place le conduit de paillage et fermez le volet supérieur de façon à obturer l'ouverture d'évacuation. Il n'est pas nécessaire de mettre en place le sac de ramassage dans ce cas.
- La tondeuse est conçue pour fonctionner et couper dans les meilleures conditions lorsqu'elle se dirige vers l'avant.

EN

FR

DE

ES

IT

NL

PT

DA

SV

FI

NO

RU

PL

CS

HU

RO

LV

LT

ET

HR

SL

SK

BG

ALLGEMEINE SICHERHEITSWARNUNGEN

WARNUNG

Die Sicherheitsregeln müssen befolgt werden, wenn dieses Produkt benutzt wird. Lesen Sie für Ihre eigene Sicherheit und die von Außenstehenden diese Anweisungen bevor Sie das Produkt benutzen. Bitte bewahren Sie die Anweisungen zum späteren Nachschlagen auf.

PERSÖNLICHE SICHERHEIT

- Der Rasenmäher ist in der Lage Hände und Füße zu amputieren und Gegenstände zu schleudern. Sollten Sie diese Sicherheitshinweise nicht einhalten, so kann dies schwere Personenschäden hervorrufen bis hin zum Tod.
- Machen Sie sich mit den Bedienelementen und dem ordnungsgemäßen Gebrauch des Produktes vertraut.
- Lassen Sie niemals Kinder oder Personen mit verminderten physischen, geistigen oder sensorischen Fähigkeiten oder Personen, die mit diesen Anweisungen nicht vertraut sind das Produkt bedienen, reinigen oder warten. Die lokale Gesetzgebung regelt das Mindestalter des Benutzers. Kinder müssen beaufsichtigt werden, so dass gewährleistet ist, dass sie nicht mit dem Gerät spielen.
- Bleiben Sie wachsam, achten Sie auf das was Sie tun und verwenden Sie bei der Benutzung des Gerätes Ihren gesunden Menschenverstand. Benutzen Sie das Gerät nicht wenn Sie müde sind oder unter dem Einfluss von Alkohol, Drogen oder Medikamenten stehen. Ein unkonzentrierter Moment während der Bedienung der Maschine kann zu schweren Verletzungen führen.
- Tragen Sie lange, schwere Hosen, Kleidung mit langen Ärmeln, Stiefel und Handschuhe. Tragen Sie rutschfeste Sicherheitsschuhe, wenn Sie dieses Produkt benutzen. Keinen Schmuck, kurze Hosen, Sandalen tragen oder barfuß arbeiten. Vermeiden Sie lockere Kleidung oder Kleidung mit Schnüren oder Bändern zu tragen.
- Tragen Sie eine Schutz- oder Sicherheitsbrille mit Seitenschutz.
- Achten Sie immer auf sicheren Stand. Halten Sie immer das Gleichgewicht. Führen Sie die Maschine nur im Schrittempo.
- Mähen Sie quer zum Hang, niemals nach oben und unten. Seien Sie besonders vorsichtig, wenn Sie die Fahrtrichtung am Hang ändern. Es könnte schwerer Schaden entstehen, wenn dies nicht eingehalten wird.
- Verwenden Sie den Rasenmäher nicht am Rand von Abhängen, Gräben, übermäßigen Steigungen oder Böschungen. Passen Sie bitte auf Sie könnten hinfallen.

ARBEITSUMGEBUNG

- Halten Sie alle Kinder, Zuschauer und Haustiere mindestens 15 m entfernt; es besteht das Risiko von weg geschleuderten Gegenständen.
- Objekte, welche von den Schneideelementen erfasst und weggeschleudert werden können schwere

Personenschäden verursachen. Untersuchen Sie den Bereich, in dem die Maschine verwendet werden soll, genau und entfernen Sie alle Steine, Stöcke, Metall, Draht, Knochen, Spielzeug oder andere fremde Objekte. Drähte oder Schnüre können in dem Schneidwerkzeug verwickelt werden.

- Mähen Sie nur bei Tageslicht oder bei guter künstlicher Beleuchtung.
- Betreiben Sie die Maschine nicht in einer explosiven Atmosphäre, wie in der Umgebung von brennbaren Flüssigkeiten, Gasen oder Staub. Die Maschine erzeugt Funken, die Staub oder Dämpfe entzünden können.
- Betreiben Sie die Maschine nicht in nassem Gras oder im Regen.
- Benutzen Sie den Rasenmäher nicht, wenn die Gefahr von Blitzschlag besteht.
- Vergessen Sie nie, dass der Benutzer verantwortlich ist für Unfälle und Gefahren die an Eigentum Fremder oder an anderen Personen entstehen könnte.
- Es können schwere Unfälle entstehen, wenn der Benutzer die Anwesenheit von Kindern nicht beachtet. Kinder fühlen sich oft angezogen von der Maschine und der Aktivität. Nehmen Sie nicht an, dass Kinder sich dort aufhalten werden, wo Sie sie zuletzt gesehen haben.
- Halten Sie Kinder von dem Arbeitsbereich fern und unter Aufsicht eines anderen verantwortungsvollen Erwachsenen als den Benutzer. Seien Sie wachsam und schalten das Produkt aus, wenn ein Kind in die Umgebung kommt.
- Seien Sie vorsichtig, wenn Sie sich blinden Ecken, Sträuchern, Bäumen oder anderen Objekten nähern, die Ihre Sicht beeinträchtigen könnten.

ELEKTRISCHE SICHERHEIT

- Der Netzstecker muss in die Steckdose passen. Den Stecker niemals auf irgendeine Weise modifizieren. Verwenden Sie mit geerdeten Elektrowerkzeugen niemals Übergangsstecker. Nicht-modifizierte Stecker und passende Steckdosen reduzieren das Risiko von Stromschlägen.
- Vermeiden Sie ein unbeabsichtigtes Einschalten. Vergewissern Sie sich, dass der Schalter des Werkzeugs sich vor dem Anschluss an das Stromnetz und/oder dem Akku, beim Aufheben oder Tragen, in der OFF (AUS) Position befindet. Wenn Sie beim Tragen des Elektrowerkzeuges den Finger am Schalter haben oder das Gerät eingeschaltet an die Stromversorgung anschließen, kann dies zu Unfällen führen.
- Vermeiden Sie Körperkontakt mit geerdeten Oberflächen, wie Rohren, Heizkörpern, Küchenherden und Kühlschränken. Es besteht ein erhöhtes Stromschlagrisiko wenn Ihr Körper geerdet ist.
- Setzen Sie dieses Produkt nicht Regen oder feuchten Bedingungen aus. Ein Eindringen von Wasser in ein Gerät erhöht die Gefahr eines Stromschlags.
- Die Stromversorgung sollte über eine Fehlerstromschutzeinrichtung mit einem Auslösestrom von nicht mehr als 30 mA angeschlossen werden.
- Prüfen Sie vor der Benutzung Strom- und



Verlängerungskabel auf Anzeichen von Beschädigung und Abnutzung. Trennen Sie das Kabel unverzüglich von der Stromversorgung, falls es während des Gebrauchs beschädigt werden sollte. **Berühren Sie nicht das Netzkabel, bevor Sie die Stromzufuhr getrennt haben.** Verwenden Sie das Produkt nicht falls das Kabel beschädigt oder abgenutzt ist.

- Wenn Sie ein Verlängerungskabel benutzen müssen, stellen Sie sicher, dass es für den Einsatz im Freien geeignet ist und ausreichend für die Strombelastung Ihres Werkzeugs ist. Das Verlängerungskabel sollte entweder mit "H05 RN F" oder "H05 VV F" gekennzeichnet sein. Überprüfen Sie das Verlängerungskabel vor jeder Benutzung auf Beschädigung. Wickeln Sie das Kabel immer ab, weil aufgewickelte Kabel überhitzen können. Beschädigte Verlängerungskabel dürfen nicht repariert werden, sie sollten durch einen gleichwertigen Typ ersetzt werden.
- Stellen Sie sicher, dass das Stromkabel so liegt das es nicht von dem Schneidwerkzeug beschädigt wird, man nicht darauf tritt, darüber stolpert, oder es auf andere Weise Beschädigungen und Belastungen ausgesetzt wird.
- Heben oder tragen Sie das Produkt niemals am Netzkabel.
- Ziehen Sie niemals am Netzkabel, um die Stromversorgung zu trennen.
- Halten Sie das Netzkabel fern von Hitze, Öl, und und scharfen Kanten.
- Stellen Sie sicher, dass die Spannung für Ihr Produkt richtig ist. Ein Typenschild auf dem Produkt zeigt die Spannung des Gerätes an. Schließen Sie das Produkt niemals an eine andere als diese an.
- Stellen Sie immer sicher, dass das Kabel vom Griff zum Gehäuse des Rasenmähers nicht während der Montage oder dem Zusammenklappen des Griffs eingeklemmt oder anderweitig beschädigt wurde. Verbinden Sie den Rasenmäher niemals mit dem Stromnetz, wenn dieses Kabel beschädigt ist. Bei Beschädigung einem autorisierten Kundendienst zur professionellen Reparatur zurückgeben.
- Eine Spannungsspitze kann Spannungsschwankungen verursachen und andere elektrische Produkte an der selben Stromleitung beeinflussen. Schließen Sie das Produkt an eine Stromversorgung mit einer Impedanz von 0.452Ω - RLM18E40H oder weniger an, um die Spannungsschwankungen zu minimieren. Kontaktieren Sie Ihren Stromlieferanten für weitere Erklärungen.

SICHERHEITSWARNUNGEN FÜR RASENMÄHER.

- Vor der Benutzung inspizieren um sicherzustellen, dass die Messer, Messerbolzen und Messereinheit nicht abgenutzt oder beschädigt sind.
- Ersetzen Sie abgenutzte oder beschädigte Messer und Bolzen als Satz um Unwucht zu vermeiden.
- Das Messer dieses Produktes ist sehr scharf, seien Sie besonders vorsichtig und tragen Sie Schutzhandschuhe, wenn Sie es montieren, ersetzen, reinigen oder die Schrauben überprüfen.
- Zu einem autorisierten Kundendienst zurückbringen,

um beschädigte oder unleserliche Aufkleber zu ersetzen.

- Überprüfen Sie Bolzen, Muttern und Schrauben immer wieder ob alles fest angezogen ist so dass alles in einem sicheren Betriebszustand ist.
- Überprüfen Sie den Grasfangkorb regelmäßig auf Abnutzung oder Schäden.
- Ersetzen Sie abgenutzte oder beschädigte Teile, bevor Sie das Produkt in Betrieb nehmen.
- Der Rasenmäher muss gestartet werden, während der Benutzer sich hinter dem Griff in dem sicheren Bereich für den Benutzer befindet. Starten Sie das Produkt niemals, wenn:
 - Nicht alle vier Räder auf dem Boden stehen.
 - Der Gras-Auswurfschacht frei liegt ohne von dem Mulchadapter und Deckel der Auswurföffnung oder dem Grasfänger und Deckel der Auswurföffnung geschützt zu sein.
 - Hände und Füße aller Personen nicht fern von dem Schneidgehäuse sind.
- Verwenden Sie das Produkt nicht, falls es sich durch den Schalter nicht ein- und ausschalten lässt.
- Versuchen Sie niemals die An-/Aus-Schalter in der AN Position zu verriegeln; das ist extrem gefährlich.
- Betätigen Sie das Produkt nicht mit Gewalt. Er wird die Arbeit mit der Geschwindigkeit, für die es ausgelegt wurde, besser und sicherer erledigen.
- Stoppen Sie das Messer, wenn Sie Kiesflächen überqueren.
- Ziehen Sie den Rasenmäher nur rückwärts, wenn dies unbedingt erforderlich ist. Wenn Sie die Maschine von einer Wand oder einem Hindernis fortziehen müssen, sehen Sie zuerst nach unten und nach hinten um zu vermeiden, dass Sie stolpern oder mit der Maschine über Ihre Füße fahren.
- Halten Sie den Motor an und lassen die Messer stoppen, wenn der Mäher zum Transport oder dem Überqueren von anderem Untergrund als Gras angekippt werden muss, und wenn Sie das Produkte zum und vom Mähbereich transportieren.
- Benutzen Sie das Gerät niemals mit defekten Schutzvorrichtungen oder Abschirmungen, oder ohne Sicherheitsvorrichtungen, wie z. B. angebrachtem Abweiser und/oder Grasfangkörben.
- Kippen Sie nicht den Mäher, während der Motor läuft. Kippen Sie die Maschine nicht, wenn Sie sie anschalten. Das exponiert die Messer und erhöht die Wahrscheinlichkeit, dass Gegenstände geschleudert werden.
- Schalten Sie den Motor gemäß der Anleitung an und halten Sie Hände und Füße von dem Schnittbereich fern. Halten Sie Ihre Hände oder Füße nicht in die Nähe von oder unter rotierende Teile. Halten Sie alle Bereiche frei. Starten Sie den Motor nie, wenn Sie vor einem Grasauswurfschacht stehen sollten.
- Tragen oder transportieren Sie das Produkt niemals während es läuft.
- Stellen Sie, für die unten genannten Fälle, den Motor ab und trennen Sie die Stromversorgung. Vergewissern Sie sich, das alle sich bewegenden Teile zum

EN
FR
DE
ES
IT
NL
PT
DA
SV
FI
NO
RU
CS
PL
HU
RO
LV
LT
ET
HR
SL
SK
BG



vollständigen Stillstand gekommen sind.

- Das Produkt unbeaufsichtigt lassen (einschließlich Entsorgung der Grasabfälle)
- vor dem Entfernen von Blockaden oder Verstopfungen im Auswurfschacht
- vor Prüfen, Reinigen oder Arbeiten an der Maschine
- Wenn ein Fremdkörper getroffen wurde, Überprüfen Sie das Gerät auf Schäden und führen notwendige Reparaturen durch bevor Sie erneut starten und mit dem Mäher arbeiten.
- bevor Sie den Grasfänger entfernen oder die Abdeckung des Grasauswurfs entfernen.
- Falls der Mäher anfängt, ungewöhnlich stark zu vibrieren, ist eine sofortige Überprüfung erforderlich.
 - Auf Schäden überprüfen. Ersetzen Sie das Messer, wenn es ungleich abgenutzt oder auf irgend eine Weise beschädigt ist.
 - ersetzen oder reparieren von beschädigten Teilen,
 - Überprüfen Sie ob Teile locker sind und ziehen sie fest, wenn erforderlich.
- Vermeiden Sie Löcher, Kurven, Steine oder sonstige versteckte Objekte. Unebenes Terrain birgt eine Rutschgefahr.

ÜBERLASTUNGSSCHUTZ

Das Produkt verfügt über einen Überlastungsschutz. Wenn eine Überlastung festgestellt wird, schaltet sich das Produkt automatisch aus. Wenn der Überlastungsschutz auslöst, muss der Motor für 5 bis 10 Minuten abkühlen.

Schalten Sie die Stromzufuhr aus und trennen den Netzstecker von der Stromversorgung. Die Messer sind scharf, tragen Sie feste Handschuhe, wenn Sie sie berühren. Stellen Sie sicher, dass das Messer sich frei drehen kann und nicht verklemmt oder schwergängig ist.

Wenn der Motor abgekühlt ist, schließen Sie den Netzstecker an die Stromversorgung an. Schalten Sie die Maschine an. Drücken Sie den Startknopf und dann den An-Aus Schalter , um das Produkt zu starten. Wenn das Produkt nicht startet, bringen Sie es zu einem autorisierten Kundenservice zur Reparatur.

VORGESEHENE VERWENDUNG

Dieses Produkt ist nur für die Benutzung im Freien geeignet.

Dieses Produkt ist zum Rasenmähen im häuslichen Bereich vorgesehen. Das Messer dreht sich ungefähr parallel zu dem Boden über den es sich bewegt. Alle vier Räder müssen beim Mähen den Boden berühren. Es ist ein Mäher der zu Fuß betrieben wird. Das Produkt ist vorgesehen, mit der Hand geschoben zu werden.

Der Mäher darf niemals mit den Rädern weg vom Boden betrieben werden, er darf nicht gezogen oder darauf geritten werden. Er sollte nur zum Schneiden von Hausrasen benutzt werden.

RESTRISIKEN:

Sogar wenn die Maschine wie vorgeschrieben benutzt wird, ist es unmöglich ein gewisses Restrisiko vollständig

zu beseitigen. Die folgenden Gefahren können bei der Benutzung entstehen, und der Benutzer sollte besonders auf folgende Punkte achten:

- Durch Vibrationen verursachte Verletzungen. Benutzen Sie immer das richtige Werkzeug für die Aufgabe, benutzen Sie die vorgesehenen Griffe und schränken die Arbeitszeit und Exposition ein.
- Lärm kann zu Gehörschäden führen. Tragen Sie einen Gehörschutz und schränken Sie die Belastung ein.
- Kontakt mit dem Messer
- Verletzung durch geschleuderte Gegenstände

TRANSPORT UND LAGERUNG

- Stoppen Sie das Produkt und trennen die Stromversorgung, stellen Sie sicher, dass alle sich bewegenden Teile vollständig zum Stillstand gekommen sind und lassen sie vor der Lagerung oder dem Transport abkühlen.
- Entfernen Sie alle Fremdkörper vom Produkt. Lagern Sie das Gerät an einem trockenen und gut belüfteten Ort, der Kindern keinen Zugang bietet. Das Produkt von korrodierend wirkenden Stoffen, wie Gartenchemikalien und Enteisungssalzen, fernhalten. Nicht im Freien lagern.
- Sichern Sie das Produkt beim Transport gegen Bewegung oder Umfallen, um Verletzungen und Beschädigung des Produktes zu verhindern.

⚠ WARNUNG

Seien Sie extrem vorsichtig, wenn Sie die Maschine zur Wartung, Reinigung oder den Transport anheben oder kippen. Das Messer ist scharf. Halten Sie alle Körperteile von dem Messer fern, während das Messer frei liegt.

WARTUNG UND PFLEGE

⚠ WARNUNG

Verwenden Sie ausschließlich original Ersatzteile, Zubehör und Anbauteile des Herstellers. Nichtbefolgung kann mögliche Verletzungen oder schlechte Leistung verursachen und Ihre Garantie ungültig machen.

⚠ WARNUNG

Service und Wartung des Gerätes erfordert besonderen Sorgfalt und Kenntnisstand und darf nur durch qualifiziertes Personal durchgeführt werden. Wir empfehlen zu diesem Zweck das Produkt umgehend an ein Autorisiertes Service Center zur Reparatur zu senden. Beim Service dürfen Sie nur originale Ersatzteile benutzen.

- Stoppen Sie das Produkt und trennen die Stromversorgung, stellen Sie sicher, dass alle sich bewegenden Teile vollständig zum Stillstand gekommen sind und lassen es vor der Reinigung oder Wartung abkühlen.



- Sie dürfen die in dieser Bedienungsanleitung beschriebenen Einstellungen und Reparaturen durchführen. Kontaktieren Sie Ihren autorisierten Kundendienst für andere Reparaturen.
- Überprüfen Sie den Grasfangkorb regelmäßig auf Abnutzung oder Schäden.
- Reinigen Sie das Produkt nach jeder Benutzung mit einem weichen, trockenen Lappen. Jedes beschädigte Teil muss durch den autorisierten Kundendienst ordnungsgemäß repariert oder ausgetauscht werden.
- Überprüfen Sie Bolzen, Muttern und Schrauben immer wieder ob alles fest angezogen ist so dass das Produkt in einem sicheren Zustand ist.
- Seien Sie während Einstellarbeiten an der Maschine vorsichtig, um zu verhindern, dass Ihre Finger zwischen die beweglichen Messer und feststehenden Teile der Maschine gelangen.
- Seien Sie sich bei der Wartung des Messers bewusst, dass, obwohl die Energiequelle ausgeschaltet ist, das Messer immer noch bewegt werden kann.
- Das Messer dieses Produktes ist sehr scharf, seien Sie besonders vorsichtig und tragen Sie Schutzhandschuhe, wenn Sie es montieren, ersetzen, reinigen oder die Schrauben überprüfen.
- Ersetzen Sie abgenutzte oder beschädigte Messer und Schrauben satzweise, um Unwucht zu vermeiden.

RISIKOVERRINGERUNG

Vibrationen von in der Hand gehaltenen Werkzeugen können bei einigen Personen zu einem Zustand, der Raynaud-Syndrom genannt wird, führen. Symptome sind u.a. Kribbeln, Taubheitsgefühl und episodische Weißfärbung der Finger und treten normalerweise bei Kälte auf. Man geht davon aus, dass ererbte Faktoren, Kälte und Feuchtigkeit, Essgewohnheiten, Rauchen und Arbeitsweise zur Entwicklung dieser Symptome beitragen. Der Anwender kann Maßnahmen ergreifen, um die Auswirkungen der Vibrationen möglicherweise zu verringern:

- Halten Sie den Körper bei Kälte warm. Tragen Sie beim Betrieb des Geräts Handschuhe, um Hände und Handgelenke warm zu halten. Berichten zu Folge ist kaltes Wetter ein wesentlicher Faktor, der zum Raynaud Syndrom beiträgt.
- Betätigen Sie sich nach jedem Einsatz körperlich, um den Blutkreislauf zu steigern.
- Machen Sie regelmäßig Pausen. Beschränken Sie die Beanspruchung pro Tag.

Sollten bei Ihnen Symptome dieses Zustands auftreten, stellen Sie unverzüglich den Betrieb ein und suchen Sie in Hinsicht auf die Symptome einen Arzt auf.

⚠️ WARNUNG

Verletzungen können durch lange Benutzung eines Werkzeugs entstehen oder verschlimmert werden. Machen Sie regelmäßig Pause, wenn Sie ein Werkzeug für lange Zeit benutzen.







LERNEN SIE DAS WERKZEUG KENNEN.

Siehe Seite 119.

Teile

1. An-/Aus-Schalter
2. Griff
3. Motor-Steuerkabel
4. Kabelhalterung für Motor-Steuerkabel
5. Schnitthöhen-Einstellhebel
6. Kabelhaken
7. Anzeige Grasfänger voll
8. Grasfangkorb
9. Schnellverschluss
10. Hinterrad
11. Vorderrad
12. Mulchadapter
13. Stromkabel
14. Startknopf

SYMBOLS AUF DEM PRODUKT

-  Lesen und verstehen Sie alle Anweisungen, bevor Sie das Produkt benutzen, befolgen Sie alle Warnungen und Sicherheitsanweisungen.
- 
-  Tragen Sie einen Gehörschutz
-  Tragen Sie einen Augenschutz
-  Nicht auf Schrägen größer als 15° benutzen. Mähen Sie immer quer und niemals von oben nach unten.
-  Nicht Regen oder feuchten Bedingungen aussetzen.
-  Achten Sie auf scharfe Messer. Die Klingen drehen sich weiter nachdem der Motor ausgeschaltet ist - Ziehen Sie vor der Wartung oder wenn das Netzkabel beschädigt ist den Netzstecker.
-  Achten Sie auf geschleuderte oder fliegende Objekte. Alle Umstehende müssen einen Abstand von mindestens 15 m einhalten.
-  Achten Sie auf geschleuderte oder fliegende Objekte. Alle Umstehende müssen einen Abstand von mindestens 15 m einhalten.
-  Halten Sie das Netzkabel von dem Schneidmessern fern.
-  Halten Sie das Netzkabel von dem Schneidmessern fern.
-  Drücken Sie den Startknopf und dann den An-Aus Schalter (A, B, C, oder D), um das Produkt zu starten. Lassen Sie den Startknopf los und halten den An-Aus Schalter gedrückt, um das Produkt laufen zu lassen. Lassen Sie den An-Aus Schalter los, um das Produkt zu stoppen.





Los



Stopp



Klasse II Werkzeug, doppelte Isolation



Elektrische Geräte sollten nicht mit dem übrigen Müll entsorgt werden. Bitte entsorgen Sie diese an den entsprechenden Entsorgungsstellen. Wenden Sie sich an die örtliche Behörde oder Ihren Händler, um Auskunft über die Entsorgung zu erhalten.



Dieses Gerät entspricht allen gesetzlichen Normen des Landes der europäischen Union, in dem es gekauft wurde.



EurAsian Konformitätszeichen.



Der garantierte Schalleistungspegel beträgt 94 dB.



Der garantierte Schalleistungspegel beträgt 95 dB.

Mit den folgenden Symbolen wird die Bedeutung der verschiedenen Risikostufen, die mit dem Produkt einhergehen, dargestellt.

GEFAHR

Weist auf eine unmittelbare gefährliche Situation hin, die bei Missachtung zu Tod oder ernsthafter Verletzung führen kann.

WARNUNG

lWeist auf eine mögliche gefährliche Situation hin, die bei Missachtung zu Tod oder ernsthafter Verletzung führen kann.

VORSICHT

lWeist auf eine mögliche gefährliche Situation hin, die bei Missachtung zu einer leichten oder mittleren Verletzung führen kann.

VORSICHT

Ohne Sicherheitswarnsymbol
Bezeichnet eine Situation die zu Sachbeschädigungen führen kann.

SYMBOL IN DIESER BEDIENUNGSANLEITUNG



Anschließen an das Stromnetz



Trennen vom Stromnetz



Teile oder Zubehör getrennt erhältlich



Elektrische Geräte sollten nicht mit dem übrigen Müll entsorgt werden. Bitte entsorgen Sie diese an den entsprechenden Entsorgungsstellen.



Halten Sie die Hände von den Klingen fern!



HINWEIS:



WARNUNG



Stoppen des Produktes.

TIPS ZUM RASENMÄHEN

- Sollten Sie hohes Grass mähen, gehen Sie langsamer um den Auswurf des gemähten Grasses zu erleichtern und ein besseres Mähergebnis zu erhalten.
- Mähen Sie kein nasses Gras, es klebt an der Unterseite des Mähers und verhindert die ordentliche Sammlung oder den Auswurf des Schnittguts.
- Neues oder schweres Gras kann eine größere Schnitthöhe erfordern.
- Wenn Sie den Grasschnitt zur Entsorgung sammeln möchten, entfernen Sie den Mulchadapter, montieren den Grasfänger und stellen sicher, dass die obere Klappe richtig geschlossen ist. Leeren Sie den Grasfänger regelmäßig, sonst kann der Auswurfschacht mit Grasschnitt verstopft werden.
- Wenn Sie nur wenig abschneiden und den Grasschnitt auf dem Rasen lassen möchten, montieren Sie den Mulchadapter und schließen die obere Klappe, um den Auswurfschacht zu schließen. In diesem Fall ist es nicht nötig den Grasfänger zu montieren.
- Der Rasenmäher wurde konstruiert, um am effektivsten in der Vorwärtsbewegung zu funktionieren und Gras zu schneiden.

ALERTA DE SEGURIDAD GENERAL

⚠ ADVERTENCIA

Al utilizar el producto, deben seguirse las normas de seguridad. Por su propia seguridad y la de los que le rodean, lea estas instrucciones antes de utilizar el producto. Guarde las instrucciones para usarlas en el futuro.

SEGURIDAD PERSONAL

- El cortacésped puede amputar manos y pies, así como lanzar objetos. El no cumplir con todas las instrucciones de seguridad podrá causar lesiones serias o la muerte.
- Familiarícese con los mandos y con la correcta utilización del aparato.
- Nunca permita que los niños o las personas con discapacidad física, sensorial o mental, o que no estén familiarizadas con estas instrucciones, operen, limpien ni realicen el mantenimiento del aparato. Las regulaciones locales pueden restringir la edad del operario. Los niños deben estar adecuadamente supervisados para asegurarse de que no juegan con la herramienta eléctrica.
- Manténgase alerta, observe lo que está haciendo y use el sentido común cuando utilice el aparato. No utilice el cortacésped cuando esté cansado o bajo la influencia de drogas, alcohol o medicamentos. Un lapso en la concentración mientras utiliza la unidad puede resultar en lesiones personales graves.
- Use pantalones largos y resistentes, mangas largas, botas y guantes. Utilice calzado de seguridad antideslizante cuando utilice este producto. No lleve joyas, pantalones cortos o sandalias y no trabaje descalzo. Evite usar ropa suelta o de la que cuelguen cordones o lazos.
- Siempre use gafas de seguridad con protectores laterales.
- Asegúrese siempre de que está en equilibrio, en una superficie estable. Mantenga su pisada firme y su equilibrio. Camine, nunca corra.
- Trabaje siempre transversalmente a las pendientes, nunca hacia arriba y hacia abajo. Tenga mucho cuidado cuando cambie de dirección en las cuestas.
- No utilice el aparato cerca de zonas descendientes, zanjas, pendientes excesivamente pronunciadas o terraplenes. Una mala pisada podrá causar resbalones y accidentes de caídas.

ZONA DE TRABAJO

- Como mínimo, mantenga todos los niños, transeúntes y mascotas fuera de un radio de 15 m; todavía puede haber un riesgo para los transeúntes por los objetos lanzados.
- Los objetos golpeados por la cuchilla del cortacésped pueden causar lesiones severas a las personas. Inspeccione cuidadosamente el área donde va a utilizarse la herramienta y retire todas las rocas, palos, metales, alambres, huesos, juguetes u otros

objetos extraños. Los alambres o las cuerdas pueden enredarse en las líneas de corte.

- Use el producto de día o bajo luz artificial bien iluminada.
- No utilice la máquina en entornos inflamables, como puede ser en presencia de líquidos inflamables, gases o polvo. La herramienta puede crear chispas que pueden encender polvo o gases.
- No utilice la máquina en hierba mojada o bajo la lluvia.
- No utilice el cortacésped si existe riesgo de tormenta eléctrica.
- Tenga presente que el operario o usuario es responsable de los accidentes o riesgos que le puedan ocurrir a otras personas o a su propiedad.
- Los accidentes trágicos pueden ocurrir si el operario no está alerta de la presencia de niños. A menudo, los niños sienten cierta atracción hacia la máquina y la actividad de corte. Nunca asuma que los niños permanecerán donde los vio por última vez.
- Mantenga a los niños fuera del área de trabajo y bajo la estricta vigilancia de un adulto responsable además del operador. Esté alerta y apague el producto si algún niño accede a la zona de trabajo.
- Tenga mucho cuidado cuando se acerque a esquinas ciegas, arbustos, árboles u otros objetos que puedan bloquear su vista hacia un niño.

SEGURIDAD ELÉCTRICA

- Los enchufes deben ser adecuados para la toma de corriente. No modifique el enchufe de ninguna manera. No utilice ningún adaptador con herramientas eléctricas conectadas a tierra. Utilizar enchufes sin modificar y tomas correspondientes reducirán el riesgo de descargas eléctricas.
- Evite el arranque no intencionado. Compruebe siempre que el interruptor está en la posición OFF antes de conectar el producto a la fuente de alimentación. No lleve un producto enchufado con su dedo en el interruptor.
- Evite el contacto corporal con superficies conectadas a tierra, como tuberías, radiadores, estufas y refrigeradores. Existe un mayor riesgo de descargas eléctricas si su cuerpo está conectado a tierra.
- No exponga este producto a la lluvia o humedad. Si entra agua en el aparato, esto aumentará el riesgo de descargas eléctricas.
- El suministro eléctrico debería efectuarse mediante un dispositivo de corriente residual (RDC) con una corriente activa no superior a 30 mA.
- Antes de utilizar, compruebe que el cable de alimentación y la extensión no están dañados o gastados. Si el cable resulta dañado durante el uso, desconéctelo inmediatamente de la fuente de alimentación. No toque el cable antes de desconectar la corriente. No utilice el producto si el cable está dañado o gastado.
- Si necesita utilizar un cable de prolongación asegúrese de que es adecuado para usarlo en el exterior y de que tiene una capacidad de corriente suficiente para su herramienta. El cable de prolongación deberá llevar

la marca "H05 RN F" o "H05 VV F". Antes de cada uso compruebe que el cable de prolongación no está dañado. Mantenga siempre el cable de prolongación desenrollado mientras lo utiliza ya que los cables enrollados pueden sobrecalentarse. Los alargadores no deben repararse, deben sustituirse por otros que sean equivalentes.

- Asegúrese de que el cable de alimentación está situado de tal manera que no puede dañarse por cortes ni pisarse, que no estorbará y que no estará sometido a daños o molestias.
- No coja ni lleve el producto por el cable eléctrico.
- No tire del cable de alimentación para desconectarlo del suministro eléctrico.
- Mantenga el cable eléctrico lejos de fuentes de calor, aceite y bordes afilados.
- Asegúrese de que el voltaje es adecuado para su producto. Una placa de identificación en el producto indica el voltaje de la unidad. No conecte el producto a un voltaje de CA que no se corresponda con su voltaje.
- Asegúrese siempre de que el cable que va del manillar al cortacésped no queda atrapado o pinzado ni sufre ningún otro daño durante el montaje o el plegado del manillar. No suministre corriente al cortacésped si este cable está dañado. Diríjase a un centro de servicio autorizado para que un profesional lo repare.
- Un pico de tensión causa variaciones de voltaje y puede afectar a otros aparatos eléctricos de la misma línea eléctrica. Enchufe el dispositivo a la toma de electricidad con una impedancia igual o inferior a 0,452Ω - RLM18E40H para minimizar las variaciones de voltaje. Contacte con su proveedor de energía eléctrica para obtener más aclaraciones.

AVISOS DE SEGURIDAD DEL CORTACÉSPED

- Antes de utilizarla, realice siempre una inspección visual para asegurarse de que las hojas, los pernos de las hojas y el conjunto de los elementos de corte no estén gastados o dañados.
- Reemplace las hojas y tornillos desgastados o dañados en grupos para preservar el equilibrio.
- La cuchilla del aparato está muy afilada, tenga mucho cuidado y utilice guantes de alta protección para llevar a cabo operaciones de ajuste, sustitución, limpieza o comprobación de la seguridad de los tornillos.
- Lleve el aparato a un centro de asistencia autorizado para sustituir las etiquetas dañadas o ilegibles.
- Verifique a intervalos frecuentes si todas las tuercas, pernos y tornillos están apretados apropiadamente para asegurarse de que el equipo esté en buenas condiciones de trabajo.
- Compruebe la caja de la hierba para cerciorarse de que no existen señales de desgaste o deterioro.
- Sustituya las partes gastadas o dañadas antes de poner el aparato en funcionamiento.
- Para arrancar el cortacésped, el usuario debe colocarse detrás del manillar, en la zona de seguridad del operario. No arranque el producto si:
 - Las cuatro ruedas no están sobre el suelo.
 - El canal de descarga de hierba queda expuesto sin estar protegido por el tapón para desmenuzado y el canal de descarga de hierba o por la caja de hierba y la tapa del canal de descarga de hierba.
 - Alguien tiene las manos o pies cerca del área de corte.
- No utilice el aparato en caso de que el interruptor no encienda ni apague el aparato.
- Nunca intente bloquear los interruptores on/off (encender/apagar) en la posición ON; esto es extremadamente peligroso.
- No fuerce el producto. Realizará un trabajo mejor y más seguro a la velocidad para la que ha sido diseñada.
- Detenga la hoja cuando pase por superficies con grava.
- No tire del aparato hacia atrás a menos que sea absolutamente necesario. Si se ve obligado a alejar la herramienta de una pared u obstáculo, en primer lugar mire hacia abajo y hacia atrás para evitar tropezar o que la herramienta pase sobre sus pies.
- Pare el motor y deje que la cuchilla se pare si tiene que inclinar el cortacésped para transportarlo por superficies que no sean de césped y cuando transporte el aparato hasta o desde el área que va a cortar.
- No utilice la máquina con protecciones defectuosas, o sin haber situado correctamente los dispositivos de seguridad, por ejemplo deflectores y/o recogedores de hierba.
- No incline el aparato mientras el motor esté funcionando. No incline la máquina cuando la encienda. Esto deja la cuchilla expuesta y aumenta la probabilidad de proyectar objetos.
- Encienda el motor según las instrucciones y mantenga las manos y los pies alejados del área de corte. No coloque las manos o los pies cerca o debajo de las piezas giratorias. Manténgase alejado de la apertura de descarga en todo momento. No arranque el motor al estar parado delante del conducto de descarga.
- No lleve ni transporte el producto mientras esté funcionando.
- Detenga el motor del cortacésped y desconéctelo de la toma de corriente; asegúrese de que todas las partes móviles se hayan detenido por completo en los siguientes casos:
 - dejar el producto desatendido
 - antes de eliminar bloqueos o desatascar la tolva,
 - antes de inspeccionar, limpiar o trabajar con el cortacésped
 - Después de golpear un objeto extraño, inspeccione el aparato por si existiesen daños y mándelo reparar cuando sea necesario
 - antes de retirar la caja de césped o abrir el conducto de descarga de césped
 - si la máquina empieza a vibrar de forma anormal (comprobar inmediatamente)
 - Inspeccionar los daños. Sustituya la hoja si tiene un desgaste irregular o algún tipo de daño.
 - cambie o repare las piezas dañadas,
 - Revise y apriete las piezas sueltas.
- Evite los agujeros, surcos, resaltos, rocas u otros

objetos ocultos. El terreno desigual puede causar resbalones y accidentes de caídas.

DISPOSITIVO DE PROTECCIÓN CONTRA SOBRECARGA

El aparato cuenta con un dispositivo de protección para sobrecargas. Al detectar una sobrecarga, el aparato se apagará automáticamente. Si el protector contra sobrecargas está activado, debe dejarse enfriar el motor durante 5-10 minutos.

Apague el aparato y desenchúfelo de la corriente. Las cuchillas son afiladas, use guantes protectores al tocarlas. Asegúrese de que la cuchilla puede girar libremente y no queda atascada o demasiado apretada.

Cuando el motor se enfríe, conecte el enchufe a la toma de corriente. Encienda el aparato. Pulse el botón Start (arrancar) y, a continuación, el botón On/Off para arrancar el aparato. Si el aparato sigue sin arrancar, llévelo a un centro de servicio autorizado para repararlo.

USO PREVISTO

Este producto sólo está pensado para su uso al aire libre.

Este producto está diseñado para el corte doméstico de césped. La hoja debe girar aproximadamente paralela al suelo sobre el que está girando. Las cuatro ruedas deben tocar el suelo durante el corte de césped. Se trata de un cortacésped para uso peatonal y controlado desde la parte trasera. El aparato está diseñado para tirar de él a mano.

El cortacésped no debe ponerse en funcionamiento con las ruedas separadas del suelo, ni debe tirar de él ni subirse en él. No debe usarse para cortar otra cosa que no sea césped o hierba doméstica.

RIESGOS RESIDUALES:

Incluso cuando use la máquina conforme a lo prescrito, es imposible eliminar completamente determinados factores de riesgo residuales. Los siguientes peligros pueden surgir en el uso y el operador debe prestar especial atención para evitar lo siguiente:

- Lesiones por vibración. Utilice siempre la herramienta adecuada para el trabajo, utilice los mangos pertinentes y limite el tiempo de trabajo y de exposición.
- La exposición al ruido puede causar pérdidas de audición. Use protección para los oídos y limite el tiempo de exposición
- Contacto con las cuchillas
- Lesión por objetos proyectados

TRANSPORTE Y ALMACENAMIENTO

- Detenga el producto y desconéctelo de la toma de corriente; asegúrese de que todas las partes móviles se hayan detenido y deje que se enfríe antes de guardarlo o moverlo.
- Limpie todo el material extraño que pueda permanecer en el producto. Guarde en una zona seca y bien ventilada, a la que no puedan acceder los niños. Evite el contacto con agentes corrosivos tales como productos químicos de jardinería o sales descongelantes. No almacenar al aire libre.

- Para el transporte, asegure el producto para que no se mueva ni se caiga para evitar posibles lesiones personales o daños al producto.

⚠ ADVERTENCIA

Tenga mucho cuidado al levantar o inclinar la máquina cuando realice operaciones de mantenimiento, limpieza, almacenamiento o transporte. La cuchilla está afilada. Mantenga todas las partes del cuerpo apartadas de la cuchilla cuando esta quede expuesta.

MANTENIMIENTO

⚠ ADVERTENCIA

Utilice sólo piezas y accesorios de recambio originales del fabricante. Si no lo hace podría ocurrir un mal funcionamiento, podrían producirse daños o podría quedar anulada la garantía.

⚠ ADVERTENCIA

Las reparaciones requieren tener mucho cuidado y conocimiento y sólo debe realizarse por un técnico de servicio calificado. Para obtener servicio, le sugerimos que devuelva el producto al centro de servicio autorizado más cercano para reparación. Al realizar una reparación, sólo use piezas de reemplazo idénticas.

- Detenga el producto y desconéctelo de la toma de corriente; asegúrese de que todas las partes móviles se hayan detenido por completo antes de realizar tareas de limpieza o mantenimiento.
- Usted puede realizar los ajustes y reparaciones descritos en este manual del usuario. Para otro tipo de reparaciones póngase en contacto con un agente de servicios autorizado.
- Compruebe la caja de la hierba para cerciorarse de que no existen señales de desgaste o deterioro.
- Limpiar el producto con un paño suave seco después de cada uso. Cualquier pieza dañada debe ser sustituida o reparada adecuadamente por un centro de servicio autorizado.
- Verifique a intervalos frecuentes si todas las tuercas, pernos y tornillos están apretados apropiadamente para asegurarse de que el producto esté en buenas condiciones de trabajo.
- Tenga cuidado durante el ajuste de la máquina para evitar que sus dedos queden atrapados entre las cuchillas móviles y las partes fijas de la máquina.
- Cuando realice trabajos de reparación en las cuchillas, tenga en cuenta que, aunque la fuente de alimentación esté apagada, las cuchillas pueden seguir moviéndose.
- La cuchilla del aparato está muy afilada, tenga mucho cuidado y utilice guantes de alta protección para llevar a cabo operaciones de ajuste, sustitución, limpieza o comprobación de la seguridad de los tornillos.
- Reemplace las cuchillas y tornillos dañados en grupos para preservar el equilibrio.

REDUCCIÓN DEL RIESGO

Se ha informado de que las vibraciones de las herramientas de mano puede contribuir a una condición llamada síndrome de Raynaud en ciertos individuos. Los síntomas pueden incluir hormigueo, entorpecimiento y decoloración de los dedos, generalmente aparentes cuando tiene lugar una exposición al frío. Se considera que los factores hereditarios, exposición al frío y a la humedad, dieta, tabaquismo y prácticas de trabajo contribuyen al desarrollo de estos síntomas. Existen medidas que pueden ser tomadas por el operador para reducir los efectos de vibración:

- Mantenga su cuerpo caliente durante el tiempo frío. Al manipular la unidad, utilice guantes para mantener las manos y las muñecas calientes. Hay informes que indican que el tiempo frío es un gran factor que contribuye al síndrome de Raynaud.
- Después de cada período de funcionamiento, realice ejercicios para aumentar la circulación sanguínea.
- Haga pausas de trabajo frecuentes. Limite la cantidad de exposición por día.

Si siente alguno de los síntomas de esta enfermedad, interrumpa inmediatamente el uso y consulte a su médico estos síntomas.

⚠ ADVERTENCIA

El uso prolongado de una herramienta puede causar o agravar lesiones. Al utilizar cualquier herramienta durante períodos prolongados asegúrese de tomar descansos regulares.

FAMILIARÍCESE CON LA HERRAMIENTA.

Véase la página 119.

Piezas

1. Botón ON/OFF (encender/apagar)
2. Mango
3. Cable de control del motor
4. Retenedor del cable de control del motor
5. Palanca de ajuste de altura
6. Gancho del cable
7. Indicador de caja de hierba llena
8. Caja de la hierba
9. Seguro de desacoplamiento rápido
10. Rueda trasera
11. Rueda delantera
12. Conector de triturado
13. Cable de alimentación
14. Botón de arranque

SÍMBOLOS EN EL PRODUCTO



Lea y comprenda todas las instrucciones antes de manipular el producto, respete las advertencias y las instrucciones de seguridad.



Use protección auditiva



Utilice protección ocular



No utilice la unidad en pendientes superiores a 15°. Siempre corte a través de las superficies de las cuestras, nunca de arriba hacia abajo.



No la exponga a la lluvia o a lugares húmedos.



Tenga cuidado con las cuchillas afiladas. Las cuchillas siguen girando tras haber apagado el motor – Retire el enchufe de la toma antes de realizar tareas de mantenimiento o si el cable está dañado.



Tenga cuidado con los objetos volátiles o lanzados. Mantenga a las demás personas, y en especial a los niños y a los animales, a una distancia mínima de 15 m de la zona de corte.



Țineți cablul flexibil de alimentare ferit de lamele tăietoare.



Pulse el botón Start (arrancar) y, a continuación, el botón On/Off (A, B, C o D) para arrancar el aparato. Suelte el botón Start y continúe pulsando el botón On/Off para operar el aparato. Suelte el botón de encendido/apagado para parar el aparato.



Avanzar



Detener



Herramienta de tipo II, doble aislamiento



Los productos eléctricos de desperdicio no deben desecharse con desperdicios caseros. Por favor recíclelos donde existan dichas instalaciones. Compruebe con su autoridad local o minorista para reciclar.



Esta herramienta responde a todas las normas reglamentarias del país de la UE donde se ha comprado.



Certificado EAC de conformidad



El nivel de potencia sonora garantizado es de 94 dB.



El nivel de potencia sonora garantizado es de 95 dB.

Los siguientes símbolos y palabras detallan los niveles de cuidado necesarios para usar este producto.

PELIGRO

Indica una situación potencialmente peligrosa que, de no evitarse, puede ocasionar la muerte o heridas de gravedad.

ADVERTENCIA

Indica una situación peligrosa que, de no evitarse, puede ocasionar la muerte o heridas de gravedad.

ADVERTENCIA

Indica una situación potencialmente peligrosa que, de no evitarse, puede ocasionar heridas leves.

ADVERTENCIA

Sin símbolo de alerta de seguridad

Indica una situación que puede causar daños en las cosas.

CONSEJOS PARA EL CORTACÉSPED

- Al cortar césped alto, reduzca la velocidad de caminata para permitir un corte más efectivo y descargar apropiadamente los recortes.
- No corte el césped mojado, ya que se quedará pegado a la parte inferior de la plataforma e impedirá que la recogida o descarga del césped cortado se realicen de forma adecuada.
- La hierba nueva o gruesa puede requerir una mayor altura de corte.
- Si desea recoger los cortes de hierba para eliminarlos, retire el tapón de desmenuzado y coloque la caja para hierba asegurándose de que la solapa superior queda bien cerrada. Vacíe la caja de hierba con regularidad, de lo contrario el canal de descarga quedará bloqueado por la hierba cortada.
- Si está realizando un corte ligero y desea que la hierba cortada quede sobre el césped, coloque la tapa de desmenuzado y cierre la solapa superior para tapar la apertura de descarga. En este caso, no es necesario colocar la caja de hierba.
- El cortacésped está diseñado para funcionar y cortar de forma más eficaz al moverse hacia delante.

EN
FR
DE
ES
IT
NL
PT
DA
SV
FI
NO
RU
PL
CS
HU
RO
LV
LT
ET
HR
SL
SK
BG

ICONOS DE ESTE MANUAL



Conectar a la toma de corriente



Desconectar de la toma de corriente



Las piezas o accesorios se venden por separado



Los productos eléctricos de desperdicio no deben desecharse con desperdicios caseros. Por favor reciclelos donde existan dichas instalaciones.



Mantenga las manos alejadas de las hojas.



OBSERVACIÓN:



ADVERTENCIA



Detenga el aparato.

AVVERTENZE GENERALI DI SICUREZZA

⚠ AVVERTENZA

Quando si utilizza questo prodotto, seguire eventuali norme di sicurezza. Per la propria sicurezza e per la sicurezza degli osservatori, leggere queste istruzioni prima di mettere in funzione il prodotto. Conservare le istruzioni per eventuali riferimenti futuri.

SICUREZZA PERSONALE

- Questo tosaerba è in grado di amputare mani e piedi e di scagliare oggetti verso l'operatore. La mancata osservanza delle norme di sicurezza potrà causare gravi lesioni personali o morte.
- Familiarizzare con i comandi e con l'utilizzo del prodotto.
- Non permettere mai a bambini o persone con ridotte capacità fisiche, sensoriali o mentali o a persone che non conoscono queste istruzioni di mettere in funzione, o svolgere le operazioni di pulizia e manutenzione sul prodotto. I bambini devono essere adeguatamente supervisionati per assicurarsi che non giochino con l'utensile.
- Fare sempre attenzione, osservare le operazioni di lavoro e utilizzare senso comune quando si mette in funzionamento l'unità. Un momento di disattenzione potrà causare gravi lesioni personali. Una perdita di concentrazione mentre si utilizza la macchina potrà causare gravi lesioni alla persona.
- Indossare pantaloni pesanti e lunghi, maniche lunghe, stivali e guanti. Indossare calzature anti-scivolo con questo prodotto. Non indossare calzoncini, sandali, accessori di qualsiasi tipo e non andare scalzi. Evitare di indossare abiti con parti svolazzanti o con cordicelle o lacci.
- Indossare sempre occhiali di sicurezza con visiere laterali.
- Mantenere sempre l'equilibrio. Mantenere sempre un appoggio saldo e l'equilibrio. Camminare, non correre mai.
- Lavorare sempre con un movimento da destra a sinistra e non dal basso verso l'alto. Fare estrema attenzione quando si cambia direzione sui pendii.
- Non utilizzare il prodotto vicino a dirupi, avvallamenti, pendii eccessivamente ripidi o argini. Una mancanza di equilibrio potrà provocare cadute o far scivolare.

AMBIENTE DI LAVORO

- Alla velocità minima, tenere bambini, eventuali osservatori e animali fuori da un raggio di 15 m; vi potrà essere un ulteriore rischio per gli osservatori che potranno essere colpiti da oggetti scagliati dalla macchina.
- Gli oggetti rimasti incastrati nel tosaerba potranno causare gravi lesioni a persone. Ispezionare la zona dove si utilizza la macchina e rimuovere rocce, rami, pezzi di metallo, cavi, ossa, giocattoli o altri corpi estranei. I cavi o fili potranno rimanere impigliati nelle parti di taglio.

- Utilizzare il prodotto con la luce del giorno o con una buona illuminazione artificiale.
- Non mettere in funzione l'utensile in atmosfere esplosive, come in presenza di liquidi infiammabili, gas o polvere. L'utensile crea scintille che potranno causare incendi a contatto con polvere o vapori.
- Non mettere in funzione su erba bagnata o sotto la pioggia.
- Non utilizzare il decespugliatore in caso di fulmini.
- Ricordare che l'operatore sarà responsabile di eventuali lesioni o danni a persone o cose.
- Si potranno verificare spiacevoli incidenti se si lasceranno avvicinare bambini alla zona di taglio. I bambini sono spesso attratti da questo utensile e dall'attività che esso può svolgere. Non presumere mai che i bambini rimangano nella posizione dove li si è lasciati.
- Tenere i bambini lontani dall'area di lavoro e farli supervisionare sempre da un adulto responsabile che non sia l'operatore dell'utensile. Mantenersi sempre svegli e spegnere il prodotto se un bambino entra nell'area di lavoro.
- Fare attenzione quando si opera dietro un angolo con visuale ristretta e quando ci si avvicina ad alberi o cespugli che limitino la visuale e non permettano di vedere dove si trovano i bambini.

SICUREZZA ELETTRICA

- Le prese dell'alimentazione devono essere compatibili con la spina. Non modificare la spina in alcun modo. Non utilizzare spine adattatrici con elettrotensili con messa a terra (presa di terra). Spine non modificate e prese corrispondenti ridurranno il rischio di scosse elettriche.
- Non mettere in funzione accidentalmente l'utensile. Controllare sempre che l'interruttore sia in posizione Off (spento) prima di collegare il prodotto all'alimentazione. Non trasportare mai il prodotto con il dito sull'interruttore.
- Evitare il contatto del corpo con superfici con messa a terra come tubi, radiatori, piani cottura e refrigeratori. Rischio aumentato di scosse elettriche se il corpo viene collegato con messa a terra.
- Non esporre il prodotto a pioggia o umidità. Si aumenterà il rischio di scosse elettriche nel caso in cui l'acqua entri nel dispositivo.
- La corrente elettrica dovrà essere fornita attraverso un dispositivo di corrente residua (RCD) con una corrente di scatto non superiore a 30 mA.
- Prima di utilizzare, controllare l'alimentazione e il cavo della prolunga per individuare eventuali danni o segni di usura. Se il cavo dell'alimentazione si danneggia durante l'utilizzo, scollegarlo immediatamente dall'alimentazione. **Non toccare il cavo prima di scollegarlo dall'alimentazione.** Non utilizzare il prodotto se il cavo è danneggiato o usurato.
- Prima di utilizzare una prolunga assicurarsi che sia adatta all'utilizzo in esterni e che abbia la capacità nominale sufficiente per l'utensile. La prolunga dovrà essere marcata con "H05 RN F" o "H05 VV F". Controllare che il cavo della prolunga non presenti



danni prima di ogni utilizzo. Srotolare sempre il cavo della tensione durante l'utilizzo dal momento che cavi arrotolati potranno surriscaldarsi. Cavi di prolughe danneggiati non devono essere riparati, devono essere sostituiti con un tipo equivalente.

- Assicurarsi che il cavo dell'alimentazione sia posizionato in modo da non poter essere danneggiato da dispositivi di taglio e da non essere calpestato, non si deve inciampare nello stesso, né il cavo deve essere sottoposto a danni o stress.
- Non prendere né trasportare mai il prodotto dal cavo elettrico.
- Non scollegare mai l'utensile tirando il cavo dalla presa.
- Tenere il cavo lontano da fonti di calore, olio ed angoli appuntiti.
- Assicurarsi che il voltaggio sia corretto per il prodotto. Una targhetta sul prodotto indica il voltaggio dell'unità. Non collegare il prodotto a voltaggio AC diverso dal voltaggio del presente prodotto.
- Assicurarsi sempre che il cavo dall'impugnatura alla sede del decespugliatore non sia intrappolato, incastrato o danneggiato in alcun altro modo durante il montaggio e mentre si ripiega l'impugnatura. Non collegare all'alimentazione se il cavo è danneggiato. Riportare presso un centro servizi autorizzato per eventuali riparazioni svolte da un professionista.
- Sovratensioni potrebbero influenzare altri prodotti elettrici collegati alla stessa presa. Collegare il prodotto a una presa dell'alimentazione con una impedenza pari a o inferiore a 0.452Ω - RLM18E40H; un'alimentazione errata può dar luogo a sovratensioni. Contattare il proprio fornitore elettrico per avere maggiori chiarificazioni.

AVVERTENZE DI SICUREZZA DECESPUGLIATORE

- Prima di utilizzare, controllare sempre assicurandosi che le lame, i bulloni delle lame e la taglierina non siano usurati né danneggiati.
- Sostituire le lame usurate o danneggiate e i bulloni tutti assieme per mantenere l'equilibrio.
- La lama sul prodotto è molto affilata, fare estrema attenzione e indossare pesanti guanti da lavoro quando si monta, sostituisce, pulisce o controlla la sicurezza del bullone.
- Riportare presso un centro servizi autorizzato per sostituire le etichette danneggiate o illeggibili.
- Controllare frequentemente dadi, bulloni e viti, verificando che siano stati assicurati correttamente per fare in modo che l'utensile garantisca condizioni di lavoro ottimali.
- Controllare la cassetta di raccolta erba frequentemente per individuare usura e deterioramento.
- Sostituire le parti consumate o danneggiate prima di mettere in funzione il prodotto.
- Il decespugliatore deve essere avviato con l'operatore dietro all'impugnatura nella zona sicura per l'operatore. Non avviare mai il prodotto se:
 - Tutte e quattro le ruote non toccano terra.

- Il tubo di scarico dell'erba è esposto senza essere protetto dal dispositivo di triturazione o dal coperchio del tubo di scarico erba o dal sacchetto dell'erba e dal coperchio del tubo di scarico erba.
- Le mani e i piedi delle persone non sono lontane dalle parti di taglio.
- Non utilizzare il prodotto se l'interruttore non si accende o spegne.
- Non tentare di bloccare gli interruttori acceso/spento sulla posizione ON (accesso); ciò sarà estremamente pericoloso.
- Non forzare il prodotto. L'utensile svolgerà un lavoro migliore e più sicuro se utilizzato alla velocità per la quale è stato progettato.
- Arrestare la lama quando si attraversano superfici acciottolate.
- Non tirare il prodotto indietro a meno che non sia assolutamente necessario. Prima di fare marcia indietro per evitare un muro o ostruzione d'altro genere, controllare bene il terreno per evitare di inciampare o di passarsi la macchina sui piedi.
- Arrestare il motore e lasciare che la lama si arresti se il tagliaerba deve essere inclinato per essere trasportato quando si attraversano superfici diverse dall'erba e quando si trasporta il prodotto verso e dall'area da falciare.
- Non mettere mai in funzione l'utensile con schermi o paralame difettosi o senza dispositivi di sicurezza, per esempio deflettori e/o scatole per l'erba, correttamente inseriti al loro posto.
- Non inclinare il prodotto se il motore è in funzione. Non inclinare l'utensile quando lo si accende. Ciò esporrà la lama e aumenterà la probabilità che gli oggetti vengano scagliati lontano.
- Avviare il motore seguendo le istruzioni e tenere mani e piedi lontani dall'area di taglio. Tenere mani e piedi lontani dalle parti rotanti. Tenersi sempre lontani dalle aperture di scarico. Non avviare il motore posizionandosi davanti al tubo di scarico.
- Non portare né trasportare mai il prodotto mentre è in funzione.
- Arrestare il motore del decespugliatore e scollegarlo dall'alimentazione, assicurandosi che tutte le parti in movimento si siano completamente arrestate nei seguenti casi:
 - Lasciare il prodotto incustodito
 - prima di rimuovere eventuali materiali che bloccano l'utensile o di sbloccare lo scarico,
 - prima di controllare, pulire o mettere in funzione l'utensile
 - dopo aver colpito un corpo estraneo, controllare eventuali danni riportati dalla macchina e svolgere le riparazioni necessarie
 - prima di rimuovere la scatola dell'erba o di aprire il coperchio dello scivolo di scarico dell'erba
 - se il dispositivo inizia a vibrare in modo non normale (controllare immediatamente)
 - Controllare eventuali danni. Sostituire la lama consumata in modo non uniforme o danneggiata.



- sostituire o riparare le parti danneggiate,
- Controllare e serrare le parti eventualmente allentate.

- Evitare buchi, solchi, rocce o altri oggetti nascosti. Terreni irregolari possono provocare scivolate e cadute.

DISPOSITIVO DI PROTEZIONE DI SOVRACCARICO

Il prodotto è dotato di dispositivo di protezione da sovraccarico. Quando viene individuato un sovraccarico, il prodotto si spegnerà automaticamente. Se il protettore da sovraccarico viene attivato, il motore dovrà raffreddarsi per 5 - 10 minuti.

Spegnerne l'alimentazione e rimuovere la presa dall'alimentazione. Le lame sono affilate, indossare guanti spessi prima di toccarle. Assicurarsi che le lame ruotino liberamente e non siano bloccate o eccessivamente serrate.

Quando il motore si raffredda, collegare la spina all'alimentazione. Attivare l'alimentazione Premere il tasto Start (avvio) e quindi il tasto On-off (Acceso-Spento) per avviare il prodotto. Se il prodotto non si attiva, riportarlo presso un centro servizi autorizzato per le eventuali riparazioni.

UTILIZZO RACCOMANDATO

Prodotto da utilizzare solo all'esterno.

Questo prodotto è indicato per tagliare l'erba di prati domestici. La lama di taglio dovrà ruotare parallelamente al terreno sulla quale viene attivata. Le quattro ruote dovranno tutte toccare il terreno durante le operazioni. Dietro il tosaerba vi sia una strada pedonale. Il prodotto è progettato per essere spinto a mano.

Il tosaerba non deve essere messo in funzione con le ruote sollevate da terra, non deve essere tirato né cavalcato. Non utilizzare per tagliare materiali diversi da erba.

RISCHI RESIDUI:

Anche quando l'utensile è utilizzato come indicato nel manuale, non è completamente impossibile eliminare alcuni fattori di rischio residuo. Si potranno verificare i seguenti rischi durante l'utilizzo e l'operatore dovrà prestare attenzione speciale per evitare quanto segue:

- Lesioni causate da vibrazioni. Utilizzare sempre l'utensile adatto per svolgere il lavoro, utilizzare i manici appositi e limitare le ore di lavoro e l'esposizione.
- L'esposizione al rumore può causare lesioni all'udito. Indossare cuffie di protezione e limitare l'esposizione.
- Contatto con le lame
- Lesioni da oggetti scagliati

TRASPORTO E RIPONIMENTO

- Arrestare l'utensile e scollegarlo dall'alimentazione elettrica, assicurandosi che tutte le parti in movimento si siano arrestate completamente, e lasciare raffreddare prima di riporre o trasportare.
- Rimuovere eventuali materiali di scarto dal prodotto. Riporre in un luogo asciutto e ben ventilato non

accessibile ai bambini. tenerlo a distanza da agenti corrosivi, come le sostanze chimiche per il giardinaggio e il fondente chimico. Non riporre all'esterno.

- Per le operazioni di trasporto, assicurare il prodotto da eventuali movimenti o cadute per evitare lesioni a persone o danni al prodotto.

⚠ AVVERTENZA

Fare estrema attenzione quando si alza o inclina la macchina per svolgere operazioni di manutenzione, pulizia, riponimento o trasporto. La lama è affilata. Tenere tutte le parti lontane dalla lama mentre la lama è scoperta.

MANUTENZIONE

⚠ AVVERTENZA

Utilizzare solo parti di ricambio, accessori e dispositivi originali della ditta produttrice. In caso contrario si potranno causare lesioni, prestazioni basse e la garanzia verrà invalidata.

⚠ AVVERTENZA

Le operazioni di manutenzione devono essere svolte con grande attenzione e accortezza solo da un tecnico qualificato. Si consiglia di riportare l'utensile al più vicino centro assistenza autorizzato per farlo riparare. Quando l'attrezzo viene riparato, utilizzare solo ricambi identici.

- Arrestare il prodotto e scollegarlo dall'alimentazione assicurandosi che tutte le parti in movimento si siano arrestate completamente prima di svolgere le operazioni di pulizia o manutenzione.
- L'operatore potrà fare le regolazioni e riparazioni descritte nel presente manuale. Per ulteriori riparazioni, contattare il centro servizi autorizzato.
- Controllare la cassetta di raccolta erba frequentemente per individuare usura e deterioramento.
- Dopo ogni uso, pulire il prodotto con una panno morbido e asciutto. Riparare eventuali parti danneggiate o farle sostituire da un centro servizi autorizzato.
- Controllare frequentemente dadi, bulloni e viti, verificando che siano stati assicurati correttamente per fare in modo che il prodotto garantisca condizioni di lavoro ottimali.
- Fare attenzione durante le regolazioni dell'utensile per evitare di rimanere intrappolati con le dita tra le lame in movimento e le parti fisse dell'utensile.
- Quando si svolgono operazioni di manutenzione sulle lame, ricordare che, nonostante l'alimentazione sia spenta, le lame possono ancora muoversi.
- La lama sul prodotto è molto affilata, fare estrema attenzione e indossare pesanti guanti da lavoro quando si monta, sostituisce, pulisce o controlla la sicurezza del bullone.
- Sostituire interi set di lame e bulloni danneggiati per

preservare l'equilibrio dell'utensile.

RIDUZIONE DEL RISCHIO

Si è accertato che le vibrazioni causate da utensili a mano possono contribuire a causare una condizione chiamata Sindrome di Raynaud in alcune persone. I sintomi, comprendenti formicolio, intorpidimento e perdita di colore alle dita, si verificano di solito quando ci si espone al freddo. Fattori ereditari, esposizione a freddo e umidità, una dieta scorretta, fumo e condizioni di lavoro non sicure potranno contribuire allo sviluppo di questi sintomi. È possibile prendere delle precauzioni per ridurre le vibrazioni:

- Tenere il corpo al caldo a basse temperature. Quando si utilizza l'utensile, indossare guanti e tenere le mani e i polsi caldi. Le basse temperature contribuiscono a causare la Sindrome di Raynaud.
- Dopo aver utilizzato l'utensile per un certo periodo, fare degli esercizi per stimolare la circolazione del sangue.
- Fare spesso delle pause. Limitare la quantità di esposizione giornaliera.

Nel caso in cui si provino i sintomi di questa condizione, interrompere immediatamente l'utilizzo dell'utensile e consultare un dottore.

⚠ AVVERTENZA

Il prolungato utilizzo dell'utensile potrà causare o aggravare lesioni. Quando si utilizza questo utensile per periodi di tempo prolungati, assicurarsi di fare sempre delle pause regolari.

PRENDERE CONOSCENZA DELL'ATTEZZO.

Vedere pagina 119.

Parti

1. Tasto acceso-spento
2. Manico
3. Cavo di controllo motore
4. Dispositivo di blocco cavo controllo motore
5. Leva regolazione altezza
6. Gancio cavo
7. Indicatore pieno sul sacchetto raccolta erba
8. Scatola di raccolta erba
9. Dispositivo di fissaggio a rilascio veloce
10. Ruote posteriori
11. Ruote anteriori
12. Presa dispositivo di triturazione
13. Cavo di alimentazione
14. Tasto di avvio

SIMBOLI SUL PRODOTTO



Leggere e comprendere tutte le istruzioni prima di mettere in funzione il prodotto, seguire tutte le istruzioni e le avvertenze di sicurezza.



Indossare cuffie di protezione



Indossare dispositivi di protezione occhi



Non mettere in funzione su superfici che presentino una inclinazione superiore a 15°. Operare un taglio obliquo sui pendii, non tagliare mai passando il tosaerba in su e in giù.



Non esporre a pioggia o umidità.



Fare attenzione alle lame affilate. Le lame continueranno a ruotare dopo che il motore è stato arrestato – Rimuovere il dispositivo prima delle operazioni di manutenzione o se il cavo è danneggiato.



Fare attenzione ad oggetti scagliati o lanciati dall'utensile. Mantenere le persone estranee e, in particolare modo, i bambini e gli animali domestici ad una distanza di almeno 15 m dall'area di lavoro.



Tenere il cavo flessibile dell'alimentazione lontano dalle lame di taglio.



Premere il tasto Start (avvio) e quindi il tasto On-off (Acceso-Spento) (A, B, C o D) per avviare il prodotto. Rilasciare il tasto di Avvio e continuare a premere il tasto On-Off (Acceso-Spento) per avviare il prodotto. Rilasciare il tasto On-off per arrestare il prodotto.



Avviare



Arrestare



Utensile di Classe II, isolamento doppio



I prodotti elettrici non devono essere smaltiti con i rifiuti domestici. Vi sono strutture per smaltire tali prodotti. Informarsi presso il proprio Comune o rivenditore di sicurezza per smaltire adeguatamente tali rifiuti.



Questo apparecchio è conforme a tutte le norme vigenti nel paese dell'UE in cui è stato acquistato.



Marchio di conformità EurAsian



Il livello garantito di potenza sonora è di 94 dB.



Il livello garantito di potenza sonora è di 95 dB.

I seguenti simboli indicano i livelli di rischio associati a questo prodotto.

PERICOLO

Indica una situazione pericolosa che, se non evitata attentamente, potrà causare gravi lesioni alla persona o morte.

AVVERTENZA

Indica una situazione potenzialmente pericolosa che, se non evitata attentamente, potrà causare gravi lesioni alla persona o morte.

ATTENZIONE

Indica una situazione potenzialmente pericolosa che, se non evitata attentamente, potrà causare lesioni minori o moderate alla persona.

ATTENZIONE

Senza simbolo di allerta di sicurezza

Indica una situazione che potrà risultare in gravi danni a cose.

CONSIGLI DI TAGLIO

- Quando si taglia erba alta, ridurre la propria velocità per permettere un taglio più efficace e una raccolta migliore degli scarti.
- Non tagliare l'erba bagnata; rimarrà incollata ai lati dell'utensile e preverrà un'adeguata raccolta o l'adeguato scarico dei ritagli dell'erba.
- Erba nuova o spessa potrà aver bisogno di essere tagliata a un'altezza di taglio più alta.
- Per raccogliere l'erba e smaltirla, rimuovere l'accessorio di triturazione e inserire il dispositivo di raccolta erba assicurandosi che il coperchio piatto sia chiuso. Svuotare regolarmente il sacchetto dell'erba, in caso contrario il tubo di scarico si bloccherà a causa dei ritagli di erba.
- Se si stanno facendo dei tagli leggeri e si desidera che l'erba tagliata rimanga sul terreno, installare il dispositivo di triturazione e chiudere il coperchio piatto superiore per coprire l'apertura di scarico. Non è necessario montare il sacchetto dell'erba in questo caso.
- Il decespugliatore è progettato per funzionare e tagliare in maniera più efficace quando ci si sposta in avanti.

ICONE IN QUESTO MANUALE



Collegare alla presa dell'alimentazione



Scollegare dalla presa dell'alimentazione



Parti o accessori venduti separatamente



I prodotti elettrici non devono essere smaltiti con i rifiuti domestici. Vi sono strutture per smaltire tali prodotti.



Tenere le mani lontane dalle lame.



NOTA:



AVVERTENZA



Arrestare il prodotto.

ALGEMENE VEILIGHEIDSWAARSCHUWINGEN

⚠ WAARSCHUWING

Wanneer u het product gebruikt, moeten de veiligheidsregels worden opgevolgd. Voor uw eigen veiligheid en deze van omstanders, dient u deze instructies te lezen voor u het product gebruikt. Bewaar de instructies voor later gebruik.

PERSOONLIJKE VEILIGHEID

- De grasmaaier kan handen en voeten amputeren en voorwerpen wegslingeren. Wanneer u deze voorschriften niet opvolgt, kan dit leiden tot ernstige verwondingen of de dood.
- Maak u vertrouwd met de bediening en het correct gebruik van het product.
- Laat kinderen of mensen met verminderde fysieke, zintuiglijke of mentale vermogens of mensen die niet met deze instructies vertrouwd zijn, het product niet bedienen, reinigen of onderhouden. De plaatselijke wetgeving kan beperkingen opleggen i.v.m. de leeftijd van de bediener. Kinderen moeten onder toezicht staan om te verzekeren dat ze niet met het werktuig spelen.
- Blijf alert en kijk naar wat u doet en gebruik uw gezond verstand wanneer u de machine gebruikt. Bedien de grasmaaier niet wanneer u moe bent of onder de invloed bent van drugs, alcohol of medicatie. Een klein moment van onoplettendheid terwijl u de machine gebruikt kan leiden tot ernstige letsels.
- Draag een zware, lange broek, lange mouwen, laarzen en handschoenen. Draag anti-slipshoesel wanneer u het product gebruikt. Draag geen sieraden, korte broek, sandalen en loop niet op blote voeten. Draag geen loszittende kledij of kledij met loshangende snoeren of touwen.
- Draag altijd een veiligheidsbril met zijdelingse bescherming.
- Wees altijd zeker de manier waarop u staat. Bewaar steeds een stevige houvast en goed evenwicht. Stap altijd, loop nooit.
- Werk langs de hellingen, nooit omhoog en omlaag. Wees uiterst voorzichtig wanneer u op een helling van richting verandert.
- Gebruik het product niet in de buurt van afstelplaatsen, dijken, zeer steile hellingen of bermen. Een slechte houvast kan ertoe leiden dat u uitglijdt en valt.

WERKOMGEVING

- Houd alle kinderen, omstanders en huisdieren op een afstand van tenminste 15 m; er kan nog gevaar voor omstanders bestaan door weggeslingerde voorwerpen.
- Voorwerpen die door het snijblad van de grasmaaier worden geraakt, kunnen ernstige verwondingen veroorzaken. Inspecteer de plaats waar de machine zal worden gebruikt grondig en verwijder alle stenen, stokken, metaal, draad, beenderen, speelgoed en andere vreemde voorwerpen. Draden of touw kunnen/ kan in het snijmechanisme vast komen te zitten.

- Gebruik het product bij daglicht of bij goed kunstmatig licht.
- Gebruik de machine niet in explosieve atmosferen, zoals in de aanwezigheid van ontvlambare vloeistoffen, gassen of stof. Het werktuig kan vonken veroorzaken die stof of gassen kunnen ontsteken.
- Gebruik de machine niet in vochtig gras of in de regen.
- Gebruik de grasmaaimachine niet bij risico op bliksem.
- Hou er rekening mee dat de bediener of gebruiker verantwoordelijk is voor ongevallen of gevaren t.o.v. anderen of hun eigendom.
- Tragische ongevallen kunnen gebeuren indien de bediener niet alert is op de aanwezigheid van kinderen. Kinderen worden door het toestel en de maaiactiviteiten vaak aangetrokken. Neem nooit aan dat kinderen zullen blijven waar u ze laatst zag.
- Zorg dat er zich geen kinderen in het werkgebied bevinden en naast de gebruiker moet er een verantwoordelijke volwassene toezicht houden op kinderen. Wees alert en schakel het product uit als een kind het werkgebied betreedt.
- Wees extra voorzichtig wanneer u een blinde hoek, struikgewas, bomen of andere voorwerpen die uw zicht op een kind kunnen belemmeren, nadert.

ELEKTRISCHE VEILIGHEID

- De stekker moet overeenkomen met de contactdoos. Wijzig de stekker nooit. Gebruik geen adapters met geaarde elektrische werktuigen. Niet-gewijzigde stekkers en overeenkomstige contactdozen zullen het risico op elektrische schok verminderen.
- Voorkom ongewild starten. Controleer altijd of de schakelaar zich in de uit-stand bevindt voor u het product met de contactdoos verbindt. Draag het product niet met de stekker in het stopcontact en uw vinger op de schakelaar.
- Vermijd lichaamscontact met een geaard oppervlak, zoals buizen, radiatoren, kookforuizen en koelkasten. Er bestaat een verhoogd risico voor elektrische schokken als uw lichaam is geaard.
- Stel dit product niet bloot aan regen of natte omstandigheden. Water dat in het apparaat binnensijpelt verhoogt het risico voor elektrische schok.
- Elektrische stroom moet via een aardlekschakelaar (RCD) worden geleverd met een uitschakelstroom van niet meer dan 30 mA.
- Voor gebruik controleert u de stroomtoevoer en het verlengsnoer op tekenen van schade of slijtage. Als het snoer tijdens gebruik beschadigd raakt, ontkoppelt u het snoer onmiddellijk van de stroomtoevoer. **Raak het stroomtoevoer niet aan voor u de stroomtoevoer hebt ontkoppeld.** Gebruik het product niet als het snoer is beschadigd of versleten.
- Als u een verlengsnoer moet gebruiken, zorgt u ervoor dat het geschikt is voor buitenshuis gebruik en een stroomvoercapaciteit heeft die volstaat om uw werktuig aan te drijven. Het verlengsnoer moet gemarkeerd zijn met "H05 RN F" of "H05 VV F". Controleer het verlengsnoer voor elk gebruik op schade. Ontrol het verlengsnoer altijd tijdens gebruik omdat

EN
FR
DE
ES
IT
NL
PT
DA
SV
FI
NO
RU
PL
CS
HU
RO
LV
LT
ET
HR
SL
SK
BG



opgerolde kabels kunnen oververhitten. Beschadigde verlengsnoeren mogen niet worden hersteld, maar moeten door een gelijkwaardig type worden vervangen.

- Zorg ervoor dat het stroomsnoer zo is geplaatst dat het niet kan worden beschadigd door het maaimechanisme en men er niet kan op stappen, over struikelen of op een andere manier beschadigd of onderhevig aan stress kan worden.
- Til het product nooit op aan de elektrische kabel of draag het nooit aan de elektrische kabel.
- Trek nooit aan het stroomsnoer om van de stroomtoevoer te ontkoppelen.
- Houd het stroomsnoer weg van hitte, olie en scherpe randen.
- Zorg ervoor dat de spanning aangepast is aan het product. Een naamplaatje op het product duidt de spanning van het toestel aan. Verbind het product nooit met een AC-spanning die verschilt van deze spanning.
- Zorg er altijd voor dat het snoer vanaf het handvat naar het maaimachinelichaam nooit geklemd, verstrikt of op een andere manier wordt beschadigd tijdens de montage of het plooiën van het handvat. Schakel nooit stroom naar de grasmaaimachine als het snoer beschadigd is. Breng naar een geautoriseerd onderhoudscentrum terug voor professioneel herstel.
- Een stroomstoot veroorzaakt stroomschommelingen die andere elektrische producten op dezelfde stroomtoevoer kunnen beïnvloeden. Verbind het product met een stroombron waarvan de impedantie gelijk of lager is dan 0.452Ω - RLM18E40H om stroomschommelingen tot een minimum te herleiden. Neem contact op met uw energieleverancier voor meer informatie.

VEILIGHEIDSWAARSCHUWINGEN GRASMAAIMACHINE

- Voor u de machine gebruikt, moet u deze altijd visueel inspecteren om zeker te zijn dat maaibladen, maaiblabouten en het maaimechanisme niet zijn versleten of beschadigd.
- Vervang versleten of beschadigde maaibladen en moeren in paren om het evenwicht te bewaren.
- Het maaiblad van het product is heel scherp. Wees uiterst voorzichtig en draag veiligheidshandschoenen als u ze installeert, vervangt, reinigt of de boutfixering controleert.
- Raadpleeg een geautoriseerd servicecentrum om beschadigde of onleesbare etiketten te vervangen.
- Controleer regelmatig of alle moeren, bouten en vijzen goed zijn vastgemaakt om zeker te zijn dat het toestel veilig kan worden gebruikt.
- Controleer de grasopvangbak regelmatig op slijtage of beschadiging.
- Vervang versleten of beschadigde onderdelen voor u het product gebruikt.
- De grasmaaimachine moet worden gestart met de gebruiker achter de handvatten in een voor de gebruiker veilige zone. Start het product nooit als:
 - Alle vier de wielen staan niet op de grond.

- De grasuitlaatklep is blootgesteld zonder te worden beschermd door de verhakselaarplug en het grasuitlaatklepdekseel of de grasopvangbak en het grasuitlaatklepdekseel.
- Handen en voeten van alle personen bevinden zich niet buiten de maaizone.

- Gebruik het product niet als de schakelaar het product niet in- of uitschakelt.
- Probeer de aan/uitschakelaar nooit in de AAN-stand te vergrendelen; dit is uiterst gevaarlijk.
- Forceer het product niet. Deze zal beter en veiliger werken aan de snelheid waarvoor ze werd ontworpen.
- Stop het maaiblad wanneer u een grintoppervlak oversteekt.
- Trek het product niet achteruit tenzij absoluut nodig. Als u de machine achteruit moet wegsturen van een muur of obstructie, kijk dan eerst naar beneden en achter u om te voorkomen dat u struikelt en de machine over uw voeten trekt.
- Leg de motor stil en laat het maaiblad stilvallen als de grasmaaimachine moet worden gekanteld voor transport wanneer u andere oppervlakken dan gras oversteekt en wanneer u de machine van en naar de plaats die moet worden gemaaid, transporteert.
- Gebruik de machine nooit met defecte beschermers of schilden of zonder dat veiligheidsvoorzieningen, zoals bijvoorbeeld, deflectoren en/of grasopvangbakken zijn geïnstalleerd.
- Kantel het product niet terwijl de motor loopt. Kantel de machine niet wanneer u ze inschakelt. Do not tilt the machine when switching on the machine. Dit legt het maaiblad bloot en verhoogt de kans dat voorwerpen worden weggeworpen.
- Schakel de motor aan in overeenstemming met de instructies en houd handen en voeten weg van het maaibereik. Steek uw handen of voeten niet in de buurt van of onder ronddraaiende onderdelen. Hou de uitlaatopening altijd vrij. Start de motor niet wanneer u voor de uitlaat staat.
- Draag of transporteer het product nooit terwijl de motor draait.
- Leg de maaiermotor stil en ontkoppel deze van de stroomtoevoer, zorg ervoor dat alle bewegende delen volledig zijn stilgevallen in de volgende gevallen:
 - het product onbeheerd achterlaten
 - voor u blokkages losmaakt of de uitlaatklep vrijmaakt,
 - voor het controleren van, reinigen of uitvoeren van werken aan de machine
 - Nadat u een vreemd voorwerp heeft geraakt, inspecteer de machine op schade en voer reparaties uit, indien nodig
 - voor u de grasopvangbak verwijdert of het dekseel van de grasopvangbak verwijdert
 - als de machine abnormaal begint te trillen (onmiddellijk controleren)
 - Controleer op schade. Vervang het maaiblad als dit ongelijk is afgesleten of beschadigd.
 - vervang of repareer alle beschadigde onderdelen,





– Controleer op losse onderdelen en maak vast.

- Vermijd gaten, sporen, oneffenheden, stenen of andere verborgen voorwerpen. Een oneven terrein kan ervoor zorgen dat u wegglijdt en valt.

BEVEILIGING TEGEN OVERBELASTING

Het product beschikt over een apparaat ter bescherming tegen overbelasting. Wanneer overbelasting wordt gedetecteerd, zal het product automatisch uitschakelen. Als de overbelastingsbeveiliging is geactiveerd, moet de motor tenminste 5 tot 10 minuten afkoelen.

Schakel de stroom uit en trek de stekker uit de contactdoos. De maaibladeren zijn scherp. Draag beschermhandschoenen voor u ze aanraakt. Zorg ervoor dat het blad vrij kan draaien en niet geklemd raakt of vastzit.

Wanneer de motor koel is, verbindt u de stekker met de stroomtoevoer. Schakel de stroom in. Druk op de startknop en dan op de aan/uit-knop om het product te starten. Als het product niet start, brengt u het terug naar een geautoriseerd onderhoudscentrum voor herstelling.

VOORGESCHREVEN GEBRUIK

Dit product is uitsluitend geschikt voor buitenshuis gebruik.

Dit product is geschikt voor huishoudelijk grasmaaien. Het maaiblad moet ongeveer parallel draaien met de grond waarover het wordt gereden. Alle vier de wielen moeten bij het maaien contact maken met de grond. Achter de grasmaaier houdt u een wandeltempo aan. Het product is ontworpen om met de hand te worden geduwd.

De grasmaaier mag nooit worden bediend met de wielen van de grond; er mag niet aan worden getrokken of erop gereden. Deze mag niet worden gebruikt om iets anders dan huishoudelijke gazons te maaien.

RESTRISICO'S

Zelfs als de machine zoals voorgeschreven wordt gebruikt, is het onmogelijk om bepaalde restrisico's te vermijden. De volgende gevaren kunnen zich voordoen tijdens het gebruik en de gebruiker dient in het bijzonder aandacht te hebben om de volgende situaties te vermijden:

- Letsels veroorzaakt door trillingen. Gebruik altijd het juiste gereedschap voor de taak, gebruik de toegewezen handvaten en beperk de gebruikstijd en blootstelling.
- Blootstelling aan geluid kan gehoorletsels veroorzaken. Draag gehoorbescherming en beperk de blootstelling.
- Contact met bladen
- Letsel door rondslingerende objecten

TRANSPORT EN OPSLAG

- Leg het product stil en ontkoppel het van de stroomtoevoer, zorg ervoor dat alle bewegende onderdelen volledig zijn stilgevallen en laat afkoelen voor opslag en transport:
- Verwijder alle vreemde voorwerpen van het product. Bewaar op een koele, droge en goed geventileerde plaats die niet toegankelijk is voor kinderen. Houd corrosieve producten, zoals tuinchemicaliën en

strooizout uit de buurt van het apparaat. Bewaar niet buitenshuis.

- Voor transport maakt u het product vast zodat het niet beweegt of valt om lichamelijke letsels of schade aan het product te vermijden.

⚠ WAARSCHUWING

Wees uiterst voorzichtig wanneer u de machine optilt of opheft voor onderhoud, reiniging, opslag of transport. Het maaiblad is scherp. Houd alle lichaamsdelen weg van het maaiblad terwijl het is blootgesteld.

ONDERHOUD

⚠ WAARSCHUWING

Gebruik uitsluitend originele vervangonderdelen, accessoires en voorzetstukken van de fabrikant. Als u dit niet doet, kan dit mogelijk letsels of slechte prestaties veroorzaken waardoor uw garantie kan vervallen.

⚠ WAARSCHUWING

Het onderhoud vereist extreme voorzichtigheid en deskundigheid en mag enkel door een gekwalificeerde onderhoudstechnicus worden uitgevoerd. Wij raden u aan het toestel voor herstellingen naar uw dichtstbijzijnde erkende onderhoudsdienst terug te brengen. Gebruik voor het onderhoud alleen identieke vervangingsonderdelen.

- Leg het product stil en ontkoppel het van de stroomtoevoer, zorg ervoor dat alle bewegende onderdelen volledig zijn stilgevallen voor u reinigings- of onderhoudswerken uitvoert.
- U kunt de afstellingen en reparaties die in deze gebruiksaanwijzing worden vermeld, uitvoeren. Voor andere herstellingen, neemt u contact op met uw geautoriseerd onderhoudsagent.
- Controleer de grasopvangbak regelmatig op slijtage of beschadiging.
- Na elk gebruik, reinigt u het product met een zachte, droge doek. Een beschadigd onderdeel moet door een geautoriseerd onderhoudscentrum goed worden gerepareerd of vervangen.
- Controleer regelmatig of alle moeren, bouten en vijzen goed zijn vastgemaakt om zeker te zijn dat het product veilig kan worden gebruikt.
- Wees voorzichtig wanneer u de machine afstelt om te voorkomen dat uw vingers tussen de bewegende en vaste delen van de machine geklemd raken.
- Wanneer u de maaibladeren onderhoudt, dient u er rekening mee te houden dat, ondanks het feit dat de stroombron is uitgeschakeld, de maaibladeren nog steeds kunnen worden bewogen.
- Het maaiblad van het product is heel scherp. Wees uiterst voorzichtig en draag veiligheidshandschoenen als u ze installeert, vervangt, reinigt of de boutfixering controleert.

EN
FR
DE
ES
IT
NL
PT
DA
SV
FI
NO
RU
PL
CS
HU
RO
LV
LT
ET
HR
SL
SK
BG



- Vervang beschadigde maaibladen en bouten in sets om het evenwicht te bewaren.

RISICOBEPERKING

Er zijn meldingen dat trillingen van handwerktuigen bij sommige mensen bijdragen tot het Syndroom van Raynaud. Symptomen kunnen ondermeer tintelingen, gevoelloosheid en bleek worden van de vingers omvatten, wat normaal gezien duidelijk wordt bij blootstelling aan koude. Erfelijke factoren, blootstelling aan koude en vocht, dieet, roken en werkroutine kunnen allemaal bijdragen tot de ontwikkeling van deze symptomen. Er kunnen door de bediener maatregelen worden genomen om de gevolgen van de trillingen te beperken:

- Houd bij koud weer uw lichaam warm. Draag handschoenen wanneer u de machine gebruikt om handen en polsen warm te houden. Men neemt aan dat koud weer een belangrijke factor is die bijdraagt tot het Syndroom van Raynaud.
- Doe oefeningen om de bloeddoorstroming te bevorderen na elke periode van gebruik.
- Neem regelmatig een pauze. Beperk het aantal uren dat u per dag wordt blootgesteld.

Wanneer u enige van de symptomen van deze aandoening ervaart, stop dan onmiddellijk met het gebruik van het toestel en raadpleeg uw dokter

⚠ WAARSCHUWING

Letsels kunnen worden veroorzaakt of ernstiger worden door verlengd gebruik van een werktuig. Als u een werktuig gedurende langere periodes gebruikt, neem dan regelmatig pauze.

KEN UW GEREEDSCHAP.

Zie pagina 119.

Onderdelen

1. Aan/uit-knop
2. Handvat
3. Motorbesturingskabel
4. Houder voor motorbedienings snoer
5. Hoogteafstellingshendel
6. Touwhaak
7. Grasopvangbakindicator
8. Grasopvangbak
9. Snelle ontgrendelingsbinder
10. Achterwiel
11. Voorwiel
12. Mulching plug
13. Stroomsnoer
14. Startknop

SYMBOLEN OP HET PRODUCT



Lees en begrijp alle instructies voor u het product bedient, volg alle waarschuwingen en veiligheidsinstructies.



Draag gehoorbescherming



Draag gezichtsbescherming



Gebruik niet bij hellingen steiler dan 15°. Maai dwars langs hellingen, nooit op en neer.



Stel niet bloot aan regen of vocht.



Pas op voor het scherpe maaiblad. De maaibladen blijven draaien nadat de motor is uitgeschakeld - Verwijder de stekker van de stroomtoevoer voor onderhoud of als het snoer is beschadigd.



Houd rekening met weggeslingerde of rondvliegende voorwerpen. Zorg dat omstanders, in het bijzonder kinderen en huisdieren, minstens 15 meter verwijderd blijven van de plek waar u werkt.



Houd het flexibele voedings snoer weg van de snijbladen.



Druk op de start-knop en dan op de aan/uit-knop (A, B, C of D) om het product te starten. Laat de start-knop los en blijf op de aan/uit-knop drukken om het product te bedienen. Laat de Aan/Uit-knop los om het product te doen stilvallen.



Ga



Stop



Klasse II-apparaat, dubbele isolatie



Elektrisch afval mag niet samen met ander huishoudafval worden weggegooid. Gelieve te recyclen indien de mogelijkheid bestaat. Neem contact op met uw lokaal bestuur of handelaar om advies te krijgen over recyclage.



Dit apparaat voldoet aan alle geldende normen van Lid-Staat van de Europese Unie waar het werd gekocht.



EurAsian-symbool van overeenstemming.



Het gegarandeerd geluidsniveau bedraagt 94 dB.



Het gegarandeerd geluidsniveau bedraagt 95 dB.

De volgende kernwoorden en verklaringen zijn bedoeld om de gevaarniveaus die op dit toestel betrekking hebben, te verklaren.

GEVAAR

Wijst op een gevaarlijke situatie die, als ze niet wordt voorkomen, dodelijk kan zijn of ernstige verwondingen kan veroorzaken.

WAARSCHUWING

Wijst op een mogelijks gevaarlijke situatie die, als ze niet wordt voorkomen, dodelijk kan zijn of ernstige verwondingen kan veroorzaken.

LET OP

Wijst op een mogelijks gevaarlijke situatie die, als ze niet wordt voorkomen, kleine of middelmatige verwondingen kan veroorzaken.

LET OP

Zonder veiligheidswaarschuwingssymbool
Wijst op een situatie die kan leiden tot materiële schade.

ICONEN IN DEZE GEBRUIKSAANWIJZING



Met een contactdoos verbinden



Trek uit de contactdoos



Onderdelen of accessoires afzonderlijk verkocht



Elektrisch afval mag niet samen met ander huishoudafval worden weggegooid. Gelieve te recyclen indien de mogelijkheid bestaat.



Houd handen weg van snijbladen.



OPMERKING:



WAARSCHUWING



Product stoppen

MAAITIPS

- Wanneer u lang gras maait, stapt u best trager om efficiënter maaien toe te laten en ervoor te zorgen dat het afval goed wegraakt.
- Maai geen nat gras; het zal aan de onderzijde van de maaier blijven plakken en voorkomen dat het grasafval goed wordt opgevangen of weggeworpen.
- Bij nieuw of dik gras kan een hogere maaihoogte nodig zijn.
- Als u het grasafval voor afvoer wilt verzamelen, verwijdert u de verhakselaarplug en bevestigt u de grasopvangbak en controleert u dat de bovenste klep correct is gesloten. Maak de grasopvangbak regelmatig leeg, anders kan de uitlaatopening geblokkeerd raken door grasafval.
- Als u een lichte maaibeurt onderneemt en wilt dat het grasafval op het gazon blijft liggen, plaatst u de verhakselaarplug en sluit u de bovenste klep om de uitlaatopening te bedekken. Het is in dit geval niet nodig om de grasopvangbak te bevestigen.
- De grasmaaimachine is ontworpen om het meest efficiënt te worden gebruikt terwijl hij vooruit beweegt.

EN
FR
DE
ES
IT
NL
PT
DA
SV
FI
NO
RU
PL
CS
HU
RO
LV
LT
ET
HR
SL
SK
BG

AVISOS GERAIS DE SEGURANÇA

⚠️ ADVERTÊNCIA

Ao utilizar o produto, devem seguir-se as normas de segurança. Para a sua própria segurança e a dos que o rodeiam, leia estas instruções antes de utilizar o produto. Guarde as instruções para usá-las no futuro.

SEGURANÇA PESSOAL

- O cortador de relva pode amputar mãos e pés, assim como lançar objectos. Na eventualidade de não cumprir com todas as instruções de segurança, tal poderá causar graves lesões ou morte.
- Familiarize-se com os controlos e a utilização adequada do aparelho.
- Nunca permita que crianças ou pessoas com capacidades físicas, sensoriais ou mentais reduzidas, ou pessoas não familiarizadas com estas instruções, operem, limpem ou realizem qualquer manutenção no aparelho. A legislação local pode restringir a idade do operador. As crianças devem ser mantidas sob vigilância adequada para se garantir que não brincam com a ferramenta eléctrica.
- Ao operar esta unidade, permaneça alerta, tenha em atenção ao que está a fazer e use o bom senso. Não utilize o corta-relva quando se sentir cansado ou se encontrar sob a influência de drogas, álcool ou medicamentos. Uma falta de concentração durante o funcionamento do cortador pode resultar em lesão corporal grave.
- Use calças compridas, mangas compridas, botas e luvas. Utilize calçado de segurança antideslizante quando utilizar este produto. Não use jóias, calções, sandálias nem utilize o aparelho descalço. Evite usar roupa larga ou com cordões ou laços.
- Use sempre óculos de segurança com protectores laterais.
- Assegure-se sempre do seu equilíbrio. Mantenha-se bem apoiado e equilibrado. Ande e nunca corra.
- Trabalhe sempre transversalmente na superfície de declives, nunca para cima e para baixo. Tenha extrema cautela ao mudar de direcção nas inclinações.
- Não utilize o aparelho perto de declives, valas, zonas de inclinação excessiva ou aterros. Um fraco equilíbrio pode causar um acidente em que escorrega e cai.

AMBIENTE DE TRABALHO

- No mínimo, mantenha todas as crianças, espectadores e animais de estimação fora de um raio de 15 m; poderá ainda haver um risco para os espectadores por causa de objectos projectados.
- Os objectos atirados pela lâmina do corta relva podem causar graves lesões às pessoas. Inspeccione cuidadosamente a área onde o cortador vai ser utilizado e retire todas as rochas, paus, metais, fios, ossos, brinquedos ou outros objectos estranhos. Os cabos ou fio podem ficar emaranhados com as peças de corte.

- Utilize o produto à luz do dia ou com uma luz artificial eficaz.
- Não opere a máquina em atmosferas explosivas, tais como na presença de líquidos inflamáveis, gases ou poeira. A ferramenta pode criar fagulhas que podem incendiar o pó ou os gases.
- Não trabalhe com o cortador em relva molhada ou sob chuva.
- Não utilize o corta-relva quando existe risco de relâmpagos.
- Mantenha em mente que o operador ou o utilizador é responsável pelos acidentes ou perigos que ocorrem a outras pessoas ou à sua propriedade.
- Podem ocorrer acidentes trágicos caso o operador não esteja alerta em relação à presença de crianças. As crianças sentem-se frequentemente atraídas pela máquina e pela actividade de cortar relva. Nunca assuma que as crianças vão permanecer onde as viu por último.
- Mantenha as crianças fora da área de trabalho e sob a vigilância de um adulto responsável que não seja o operador. Esteja alerta e desligue o aparelho, caso uma criança entre na área.
- Tenha cuidado extra ao aproximar-se de cantos cegos, arbustos, árvores, ou outros objectos que possam obstruir a sua visão de uma criança.

SEGURANÇA ELÉCTRICA

- As ligações devem ser adequadas para a tomada de corrente. Nunca altere a ficha seja de que maneira for. Não use quaisquer fichas adaptadoras com ferramentas de ligação com terra. As fichas não modificadas e tomadas compatíveis reduzirão o risco de choque eléctrico.
- Evite um arranque inesperado. Verifique sempre se o interruptor está na posição OFF (desligado) antes de ligar o produto à corrente eléctrica. Não transporte um produto ligado com o dedo no interruptor.
- Evite o contacto do corpo com superfícies com ligação terra ou enterradas, tais como tubos, radiadores, fogões e frigoríficos. Há um aumento do risco de choque eléctrico se o seu corpo estiver ligado à terra.
- Não exponha este produto à chuva ou humidade elevada. Se entrar água no aparelho, isto aumentará o risco de descargas eléctricas.
- O fornecimento eléctrico deveria efectuar-se através de um dispositivo de corrente residual (RDC) com uma corrente activa não superior a 30 mA.
- Antes de utilizar, verifique se existem sinais de danos ou envelhecimento no cabo de extensão e na tomada. Se o cabo for danificado durante a utilização, retire imediatamente o cabo da tomada. **Não toque no cabo antes de o desligar da corrente.** Não utilize o produto se o cabo estiver danificado ou gasto.
- Se necessitar utilizar um cabo de prolongamento assegure-se de que é adequado para usá-lo no exterior e de que tem uma capacidade de corrente suficiente para a sua ferramenta. O cabo de prolongamento deverá levar a marca "H05 RN F" ou "H05 VV F". Antes de cada uso verifique que o cabo de prolongamento



não está danificado. Mantenha sempre o cabo de prolongamento desenrolado enquanto o utiliza porque os cabos enrolados podem sobreaquecer. Os alargadores não devem ser reparados, devem ser substituídos por outros que sejam equivalentes.

- Assegure-se de que o cabo de alimentação está situado de tal maneira que não pode ser danificado ou cortado e que não se pisará, estorvará nem estará submetido a danos ou incómodos.
- Não pegue nem leve o produto pelo cabo eléctrico.
- Não pegue no cabo de alimentação para desligá-lo do fornecimento eléctrico.
- Mantenha o cabo eléctrico afastado do calor, óleo e pontas afiadas.
- Assegure-se de que a voltagem é adequada para o seu produto. Uma placa de identificação no produto indica a voltagem da unidade. Não ligue o produto a uma voltagem de CA que não corresponda à sua voltagem.
- Assegure-se sempre de que o cabo que vai do guiador ao corta-relva não fica emaranhado ou dobrado nem sofre nenhum outro dano durante a montagem ou ao virar o guiador. Não forneça corrente ao corta-relva se este cabo estiver danificado. Dirija-se a um centro de serviço autorizado para que um profissional o repare.
- Um pico de corrente causa variações de voltagem e pode afectar outros aparelhos eléctricos na mesma linha eléctrica. Ligue o dispositivo à tomada eléctrica com uma impedância igual ou inferior a 0.452Ω - RLM18E40H para minimizar as variações de voltagem. Contacte o seu fornecedor de energia eléctrica para mais esclarecimentos.

AVISOS DE SEGURANÇA DO CORTADOR DE RELVA

- Antes de a utilizar, realize sempre uma inspecção visual para assegurar-se de que as lâminas, os Pernos da lâmina e o conjunto cortador não estão gastos ou danificados.
- Substitua lâminas e parafusos desgastados em conjunto de modo a preservar o equilíbrio.
- A lâmina do aparelho é muito afiada, tenha muito cuidado e use luvas resistentes ao montar, substituir, limpar ou verificar a fixação do parafuso.
- Devolva o aparelho a um centro de assistência autorizado para substituir etiquetas danificadas ou ilegíveis.
- Verifique todas as porcas, pregos e parafusos com intervalos frequentes para confirmar a tensão apropriada e se certificar que o equipamento está em condições seguras de funcionamento.
- Verifique a caixa para a relva com frequência para detectar desgaste ou deterioração.
- Substitua as peças desgastadas ou danificadas antes de operar o aparelho.
- Para arrancar o corta-relva, o utilizador deve colocar-se atrás do guiador, na zona de segurança do operador. Não ligue o produto se:
 - As quatro rodas não estiverem no solo.
 - O canal de descarga de erva fica exposto sem estar

protegido quer pela tampa para desmenuzado e o canal de descarga de erva quer pela caixa de erva e a tampa do canal de descarga de erva.

- Alguém tiver as mãos ou os pés perto da área de corte.
- Não use o aparelho caso o interruptor não ligue ou desligue o aparelho.
- Nunca tente bloquear os interruptores on/off (ligar/desligar) na posição ON; isto é extremamente perigoso.
- Não force o produto. Realizará um trabalho melhor e mais seguro à velocidade para a qual foi concebida.
- Pare a lâmina quando passar por superfícies com graxilha.
- Não puxe o aparelho para trás a menos que seja absolutamente necessário. Se tiver de afastar o cortador de um muro ou obstrução, olhe primeiro para baixo e atrás para evitar de tropeçar ou puxar o cortador para os seus pés.
- Pare o motor e deixe que a lâmina pare caso o cortador de relva tenha que ser inclinado para ser transportado ao atravessar superfícies que não sejam de relva e ao transportar o aparelho para e da área a ser cortada.
- Não utilize a máquina com protecções defeituosas, ou sem ter situado correctamente os dispositivos de segurança, por exemplo deflectores e/ou apanhadores de relva.
- Não incline o aparelho enquanto o motor se encontra em funcionamento. Não incline a máquina quando estiver a ligá-la. Isso expõe a lâmina e aumenta a probabilidade de objetos serem projetados.
- Acenda o motor conforme as instruções e mantenha as mãos e os pés fora da área de corte. Não coloque as mãos ou os pés próximo das peças rotativas. Mantenha sempre a abertura de descarga desobstruída. Não ligue o motor quando se encontra em frente da rampa de descarga.
- Não leve nem transporte o produto enquanto estiver a funcionar.
- Pare o motor do corta-relva e desligue-o da tomada de corrente; assegure-se de que todas as partes móveis pararam completamente nos seguintes casos:
 - deixar o produto sem vigilância
 - antes de libertar bloqueios ou desentupir as calhas,
 - antes de verificar, limpar ou funcionar com o cortador
 - Depois de embater num objecto estranho, inspeccione o aparelho para ver se existem danos e realize as reparações conforme necessário
 - antes de remover a caixa de relva ou abrir a calha de descarga de relva
 - se o cortador começar a vibrar de forma anormal (verifique imediatamente)
 - Inspeccionar os danos. Substitua a lâmina se tiver um desgaste irregular ou algum tipo de dano.
 - substitua ou repare qualquer peça danificada,
 - Verifique e aperte as peças soltas.
- Evite furos, raízes, solavancos, pedras ou outros objectos escondidos. Um terreno desnivelado pode

EN
FR
DE
ES
IT
NL
PT
DA
SV
FI
NO
PL
RU
CS
HU
RO
LV
LT
ET
HR
SL
SK
BG



fazer com que escorregue e caia.

DISPOSITIVO DE PROTEÇÃO DE SOBRECARGA

O aparelho tem um dispositivo de proteção para sobrecargas. Ao detetar uma sobrecarga, o aparelho apaga-se automaticamente. Se o protetor contra sobrecargas estiver ativado, deve deixar-se arrefecer o motor durante 5 a 10 minutos.

Apague o aparelho e desligue da corrente. As lâminas são afiadas, use luvas protetoras ao tocá-las. Assegure-se de que a lâmina pode girar livremente e não fica presa ou demasiado apertada.

Quando o motor arrefeça, ligue a ficha à tomada de corrente. Acenda o aparelho. Pressione o botão Start (iniciar) e, em seguida, o botão On/Off para iniciar o aparelho. Se o aparelho continuar sem arrancar, leve-o a um centro de serviço autorizado para o reparar.

USO PREVISTO

Este produto destina-se exclusivamente a ser utilizado ao ar livre.

Este produto foi concebido para o corte doméstico de relva. A lâmina deve girar aproximadamente paralela ao solo sobre o qual está a girar. As quatro rodas devem tocar o chão, enquanto estiver a cortar. É um cortador de relva com comando pedestre traseiro. O aparelho é concebido para ser empurrado com a mão.

O cortador de relva não deve ser colocado em funcionamento com as rodas separadas do solo, não deve ser puxado nem se deve colocar em cima dele. Só deve ser usada para cortar relvado de jardins.

RISCOS RESIDUAIS:

Mesmo quando a máquina é usada conforme prescrito, ainda é impossível eliminar completamente determinados factores de risco residuais. Os seguintes perigos podem surgir na utilização e o operador deve prestar especial atenção para evitar o seguinte:

- Lesões por vibração. Use sempre a ferramenta certa para o trabalho, use pegas concebidas e restrinja o tempo e exposição de trabalho.
- A exposição ao ruído pode provocar perda de audição. Use proteção para os ouvidos e limite o tempo de exposição
- Contacto com as lâminas
- Lesão de objetos projetados

TRANSPORTE E ARMAZENAMENTO

- Pare o motor do corta-relva e desligue-o da tomada de corrente; assegure-se de que todas as partes móveis pararam e deixe arrefecer antes de o guardar ou mover.
- Limpe todos os materiais estranhos do produto. Guarde-o num local fresco e seco e bem ventilado a que as crianças não consigam aceder. Mantenha-o afastado de substâncias corrosivas, tais como produtos químicos utilizados em jardinagem e sais de descongelação. Não armazenar ao ar livre.
- Para o transporte, segure o produto para não se mover

nem cair e evitar assim lesionar alguém ou danificar o produto.

⚠ ADVERTÊNCIA

Tenha muito cuidado ao levantar ou inclinar a máquina para operações de manutenção, limpeza, armazenamento ou transporte. A lâmina é afiada. Mantenha todas as partes do corpo afastadas da lâmina enquanto a lâmina se encontrar exposta.

MANUTENÇÃO

⚠ ADVERTÊNCIA

Utilize apenas peças de substituição, acessórios e encaixes do fabricante original. A inobservância desta indicação pode causar um fraco desempenho, possíveis lesões e poderá anular a sua garantia.

⚠ ADVERTÊNCIA

Os serviços de manutenção requerem extremo cuidado e conhecimentos e devem apenas ser realizado por um técnico de assistência qualificado. Para assistência, sugerimos que devolva o produto ao seu centro de assistência autorizado mais próximo para reparação. Ao realizar serviços de manutenção, use apenas peças de substituição idênticas.

- Pare o motor do corta-relva e desligue-o da tomada de corrente; assegure-se de que todas as partes móveis pararam completamente antes de realizar tarefas de limpeza ou manutenção.
- Pode realizar os ajustes e reparações descritos neste manual do utilizador. Para outro tipo de reparações entre em contacto com um agente de serviço autorizado.
- Verifique a caixa para a relva com frequência para detectar desgaste ou deterioração.
- Limpar o produto com um pano suave seco depois de cada uso. Qualquer peça danificada deve ser substituída ou reparada adequadamente por um centro de serviço autorizado.
- Verifique todas as porcas, pregos e parafusos com intervalos frequentes para confirmar a tensão apropriada e se certificar que o produto está em condições seguras de funcionamento.
- Tenha cuidado quando estiver a ajustar a máquina de forma a evitar que os seus dedos fiquem presos entre as lâminas em movimento e as peças fixas da máquina.
- Quando efectuar a manutenção das lâminas, tenha em conta que mesmo que a corrente esteja desligada, as lâminas podem na mesma mover-se.
- A lâmina do aparelho é muito afiada, tenha muito cuidado e use luvas resistentes ao montar, substituir, limpar ou verificar a fixação do parafuso.
- Substitua as lâminas e os parafusos danificados em grupos para preservar o equilíbrio.

REDUÇÃO DO RISCO

Foi reportado que as vibrações das ferramentas de mão podem contribuir para uma doença designada de Síndrome de Raynaud em determinados indivíduos. Os sintomas podem incluir formigamento, entorpecimento e empalmeamento dos dedos, habitualmente visível aquando da exposição ao frio. Estima-se que os factores hereditários, exposição ao frio e humidade, dieta, tabagismo e práticas de trabalho contribuem todos para o desenvolvimento destes sintomas. Existem medidas que podem ser tomadas pelo operador para possivelmente reduzir os efeitos da vibração:

- Mantenha o seu corpo quente durante o tempo frio. Ao operar a unidade, use luvas para manter as mãos e os pulsos quentes. Encontra-se reportado que o tempo frio é um grande factor que contribui para o Síndrome de Raynaud.
- Após cada período de operação, exercite para aumentar a circulação sanguínea.
- Faça pausas frequentes no trabalho. Limite o tempo de exposição por dia.

Caso sinta algum dos sintomas desta doença, interrompa de imediato a sua utilização e consulte o seu médico sobre estes sintomas.

⚠ ADVERTÊNCIA

O uso prolongado de uma ferramenta pode causar o agravar lesões. Ao usar qualquer ferramenta durante períodos prolongados, assegure-se que faz intervalos regulares.

CONHEÇA A SUA FERRAMENTA.

Ver a página 119.

Peças

1. Botão ON/OFF (ligar/desligar)
2. Manípulo
3. Cabo de controlo do motor
4. Retenção do cabo de controlo do motor
5. Alavanca reguladora da altura
6. Gancho do cabo
7. Indicador de caixa de erva cheia
8. Caixa de relva
9. Fixador de libertação rápida
10. Roda traseira
11. Roda frontal
12. Tomada de "mulching"
13. Cabo de alimentação
14. Botão de início

SÍMBOLOS NO PRODUTO



Leia e compreenda todas as instruções antes de manipular o produto, respeite os alertas e as instruções de segurança.



Use protecção para os ouvidos



Usar protecção para os olhos



Não trabalhe com o cortador em inclinações superiores a 15°. Corte a relva transversalmente nas inclinações, nunca para cima e para baixo.



Não o exponha à chuva ou a condições de humidade.



Cuidado com lâminas afiadas. As lâminas continuam a rodar após o motor se desligar – Retire a ficha da tomada antes de realizar tarefas de manutenção ou se o cabo estiver danificado.



Tenha cuidado com os objectos voláteis ou lançados. Mantenha os visitantes e especialmente as crianças e os animais, a uma distância de pelo menos 15 m da zona de corte.



Mantenha o cabo de alimentação flexível afastado das lâminas de corte.



Pressione o botão Start (iniciar) e, em seguida, o botão On/Off (A, B, C ou D) para iniciar o aparelho. Solte o botão Start e continue a premir o botão On/Off para operar o aparelho. Solte o botão On-off para parar o aparelho.



Avançar



Parar



Ferramenta de tipo II, duplo isolamento



Os aparelhos eléctricos antigos não devem ser eliminados juntamente com o lixo doméstico. Recicle onde existem instalações para o efeito. Verifique com as suas Autoridades Locais ou revendedor para obter informações sobre reciclagem.



Esta ferramenta obedece a todas as normas regulamentares do país da UE onde foi comprada.



Marca de conformidade EurAsian.



O nível de potência sonora garantido é de 94 dB.



O nível de potência sonora garantido é de 95 dB.

As seguintes palavras de sinal e significados destinam-se a explicar os níveis de risco associados a este produto.

PERIGO

Indica uma situação perigosa iminente, que, se não evitada, poderá resultar em morte ou ferimentos graves.

ADVERTÊNCIA

Indica uma situação potencialmente perigosa, que, se não evitada, poderá conduzir à morte ou graves lesões.

ADVERTÊNCIA

Indica uma situação potencialmente perigosa, que, se não evitada, poderá resultar em pequenas ou moderadas lesões.

ADVERTÊNCIA

Sem símbolo de alerta de segurança

Indica uma situação que pode resultar em danos de propriedade.

DICAS PARA CORTAR A RELVA

- Ao cortar relva longa, reduza a velocidade de passo para permitir um corte mais eficaz e uma descarga adequada das aparas.
- Não corte a relva molhada; irá ficar colada à parte inferior da plataforma e impedir a recolha ou descarga adequadas das aparas de relva.
- A relva nova ou densa pode requerer uma altura de corte superior.
- Se deseja recolher os cortes de erva para eliminá-los, retire a tampa de desmenuzado e coloque a caixa para erva assegurando-se de que a solapa superior fica bem fechada. Esvazie a caixa de erva regularmente, caso contrário o canal de descarga ficará bloqueado pela erva cortada.
- Se estiver a realizar um corte leve e deseja que a erva cortada fique sobre o relvado, coloque a tampa de desmenuzado e feche a solapa superior para tapar a abertura de descarga. Neste caso, não é necessário colocar a caixa de erva.
- O corta-relva foi concebido para funcionar e cortar de forma mais eficaz ao se mover para a frente.

ÍCONES NESTE MANUAL



Ligar à tomada de corrente



Desligar da tomada de corrente



As peças ou acessórios vendem-se separadamente



Os aparelhos eléctricos antigos não devem ser eliminados juntamente com o lixo doméstico. Recicle onde existem instalações para o efeito.



Mantenha as mãos afastadas das lâminas.



NOTA:



ADVERTÊNCIA



Pare o aparelho.

GENERELLE SIKKERHEDSADVARSLER

⚠ ADVARSEL

Når produktet anvendes, skal sikkerhedsreglerne efterleves. Af hensyn til egen og andres sikkerhed skal man læse denne brugsanvisning, inden produktet anvendes. Disse sikkerhedsregler skal opbevares med henblik på senere brug.

PERSONLIG SIKKERHED

- Plæneklipperen er i stand til at amputere hænder og fødder samt udslynge genstande. Følges alle sikkerhedsinstruktioner ikke, så kan det have alvorlige skader, eller i værste fald døden, til følge.
- Sørg for at blive fortrolig med betjeningselementerne samt korrekt brug af produktet.
- Lad aldrig børn eller personer med begrænsede fysiske, sensoriske eller mentale evner, eller personer, som ikke er bekendt med denne brugsanvisning, benytte, rengøre eller vedligeholde produktet. Lokale love kan have indflydelse på den tilladte brugeralder. Børn bør holdes under behørigt opsyn, så man er sikker på, at de ikke leger med elproduktet.
- Når man bruger produktet, skal man være agtpågivende, iagttage hvad man gør og bruge sund fornuft. Anvend ikke græsslåmaskinen hvis du er træt eller under indflydelse fra stoffer, alkohol eller medicin. Et kort koncentrationssvigt, kan man betjener maskinen, kan medføre alvorlige personskader.
- Bær kraftige, lange bukser, lange ærmer, støvler og handsker. Benyt skridsikkert sikkerhedsfodtøj, når produktet anvendes. Man må ikke bære smykker, være iført shorts, bruge sandaler eller gå barfodet under arbejdet. Undgå at bære løstsiddende tøj eller frit hængende snører eller slips.
- Vær altid sikkerhedsbriller med sidebeskyttelse.
- Sørg altid for at have godt fodfæste. Hold et godt fodfæste og balance. Gå, løb aldrig.
- Kør på tværs af overfladen på skråninger, aldrig op og ned. Udvis stor forsigtighed når græsslåmaskinen vendes på bakker.
- Undgå at bruge produktet nær skrænter, grøfter, meget stejle skåninger eller diger. Dårligt fodfæste kan føre til tab af balance og faldulykker.

ARBEJDSOMGIVELSER

- Børn, tilskuere og dyr skal holdes på min. 15 m afstand; tilskuere risikerer dog stadig at blive ramt af udslyngede genstande.
- Genstande som sætter sig fast i græsslåmaskinens skæreblade kan føre til alvorlige skader. Inspecér omhyggeligt det område, hvor maskinen skal anvendes, og fjern alle sten, pinde, metaldele, ledninger, ben, legetøj eller andre fremmedlegemer. Ledninger og snore kan blive viklet ind i klippeudstyret.
- Anvend produktet i dagslys eller godt kunstigt lys.
- Brug ikke maskinen i eksplosive omgivelser som fx i nærheden af brandbar væske, gas eller støv. Værktøjet udløser gnister, som kan antænde støvet

eller dampene.

- Brug ikke maskinen på fugtige, våde steder eller i regnvej.
- Plæneklipperen må ikke benyttes, hvis der er fare for tordenvejr.
- Husk det er brugeren selv der er ansvarlig for ulykker eller farer andre folk bliver udsat for.
- Tragiske yheld kan forekomme hvis brugeren ikke er klar over tilstedeværelsen af børn. Børn tiltrækkes ofte af græsslåmaskinen og dens udførte arbejde. Tag det aldrig for givet, at børn bliver stående det sted du sidst så dem.
- Børn må ikke opholde sig i arbejdsområdet og skal holdes under grundigt opsyn af en ansvarlig voksen, som ikke er operatøren. Vær årvågen, og sluk produktet, hvis et barn kommer i nærheden.
- Udvis ekstra forsigtighed når de nærmer dig blinde hjørner, buske, træer eller andre ting der kan blokere udsynet.

ELEKTRISK SIKKERHED

- Elværktøjets elstik skal passe til stikkontakten. Elstikket må aldrig modificeres på nogen som helst måde. Undlad brug af adapterstik til jordede (stelforbundne) elværktøjer. Umodificerede elstik og passende elnetkontakter reducerer faren for elektrisk stød.
- Undgå utilsigtet start af enheden. Kontrollér altid, at kontakten er i pos. Off (=slukket), inden produktet sluttes til strømforsyningen. Flyt ikke produktet med fingeren på startknappen, mens det er tilsluttet strøm.
- Undgå kropskontakt med jordede eller stelforbundne overflader som fx rør, radiatorer, komfurer og køleskabe. Der er forøget risiko for elektrisk stød, hvis din krop er forbundet med jord eller stel.
- Dette produkt må ikke udsættes for regn eller fugt. Hvis der trænger vand ind i et produkt, øges faren for elektrisk stød.
- Strømmen skal tilføres via et fejlstrømsmodul (RCD) med en udløsestrøm på max 30 mA.
- Inden ibrugtagning skal du kontrollere strømforsynings- og forlængerledninger for tegn på skader eller ældning. Hvis en ledning bliver beskadiget under brug, skal man straks trække stikket ud af lysnetkontakten. **Undlad at røre ved kablet, før der er slukket for strømmen.** Undlad at bruge produktet, hvis ledningen er beskadiget eller slidt.
- Hvis man skal bruge en forlængerledning, skal man sikre sig, at den er velegnet til udendørs brug og har en mærkekapacitet, der er tilstrækkelig til at forsyne værktøjet. Forlængerledningen skal være mærket med enten "H05 RN F" eller "H05 VV F". Forlængerledningen skal kontrolleres for skader inden hver brug. Forlængerledningen skal altid ruller helt ud under brug; oprullede ledninger kan blive overophedet. Beskadigede forlængerkabler må ikke repareres, men skal udskiftes med en tilsvarende type.
- Kontrollér, at strømforsyningskablet er positioneret, så det ikke kan blive beskadiget af skærende genstande, så ingen træder på det eller falder over det, eller så det ikke på anden måde udsættes for skade eller belastning.



- Produktet må aldrig løftes eller bæres i strømforsyningskablet.
- Træk aldrig i selve kablet, når stikket skal trækkes ud af kontakten.
- Hold strømforsyningsledningen på afstand af varme, olie og skarpe kanter.
- Kontrollér, at spændingen passer til produktet. En navneplade på produktet indikerer enhedens spænding. Produktet må aldrig sluttes en til vekselstrømsspænding, der afviger fra denne spænding.
- Kontrollér altid, at ledningen fra styret til selve plæneklipperen ikke er blevet sammenviklet, klemt eller beskadiget på anden måde under samling eller sammenklapning af styret. Der må aldrig sluttes strøm til plæneklipperen, hvis dette kabel er beskadiget. Skal indleveres på et autoriseret servicecenter for professionel reparation.
- En strømspids forårsager spændingssvingninger og kan påvirke andre elektriske produkter tilsluttet samme strømforsyningslinje. Produktet skal sluttes til en strømforsyning med en impedans lig med eller mindre end 0,452Ω - RLM18E40H for at minimere spændingssvingninger. Kontakt dit elselskab for nærmere oplysninger.

SIKKERHEDSADVARSLER VEDR. PLÆNEKLIPPERE

- Inden ibrugtagning skal man altid visuelt kontrollere, at knive, knivbolte og klippemodul ikke er slidte eller beskadigede.
- Udskift altid slidte eller beskadigede knive og skruer sætvis, så balancen opretholdes.
- Klingen på produktet er meget skarp; man skal udvise ekstrem forsigtighed og benytte solide handsker, når man monterer, udskifter, rengør eller kontrollerer boltsikkerheden.
- Indleveres på et autoriseret servicecenter med henblik på erstatning af beskadigede eller ulæselige mærkater.
- Tjek ofte alle møtrikker, bolte og skruer om de sidder godt fast og sørg for at græsslåmaskinen fungerer ordentligt.
- Græsboksen skal kontrolleres hyppigt for slitage eller svækkelse.
- Udskift slidte eller beskadigede dele, inden produktet tages i brug.
- Plæneklipperen skal startes med brugeren placeret bag styrene i operatørens sikkerhedszone. Produktet må aldrig startes, hvis:
 - alle fire hjul ikke hviler på jorden.
 - Græs-udkaståbningen er blottet uden at være beskyttet af enten bioklip-propfen og græs-udkaståbningens dæksel eller af græsboksen og græs-udkaståbningsdækslet.
 - Alle de tilstedeværendes hænder og fødder ikke er fri af klippebeklædningen.
- Undlad at bruge produktet, hvis TÆND/SLUK-kontakten ikke virker.
- Forsøg aldrig at låse Tænd/Sluk-kontakter (ON/OFF) i pos. ON (=tændt; dette er yderst farligt).

- Undlad at tvinge produktet. Produktet klarer opgaven bedre og sikrere med den hastighed, det er beregnet til.
- Stop kniven under passage af grusarealer.
- Undgå at trække produktet baglæns, med mindre dette er absolut nødvendigt. Hvis maskinen skal bakkes bort fra en væg eller forhindring, skal man først se ned og bagud, så man ikke risikerer at snuble eller trække maskinen hen over fødderne.
- Stop motoren, og vent, til klingens er stoppet, hvis maskinen skal vippes i forbindelse med transport hen over arealer forskelligt fra græs, og når produktet transporteres til og fra det område, de skal klippes.
- Maskinen må aldrig anvendes med defekte skærme eller skjolde, eller uden påmonteret sikkerhedsudstyr, fx spredeplader og/eller græsbokse.
- Undlad at vippe produktet, mens motoren kører. Undlad at vippe maskinen, mens du tænder den. Herved blottes klingens, og risikoen for, at der udslynges genstande, øges.
- Start motoren som foreskrevet, og hold hænder og fødder på afstand af klippeområdet. Anbring aldrig hænder eller fødder i nærheden af eller under roterende dele. Hold også altid væk fra udtømningsområdet. Start ikke motoren mens du står foran udstødningen.
- Produktet må aldrig bæres eller transporteres, mens det kører.
- Stop plæneklipperens motor, og træk stikket ud; sørg for, at alle bevægelige dele er fuldstændigt stoppet i nedenstående tilfælde:
 - at efterlade produktet uden opsyn
 - inden afhjælpning af blokeringer eller fjernelse af tilstopninger fra åbningen
 - inden kontrol, rengøring eller arbejde på maskinen
 - Efter kollision med et fremmedlegeme, inspicér produktet for skader, og udfør reparationer efter behov
 - Inden man fjerner græsboksen eller åbner græsudkast-åbningens dæksel
 - hvis maskinen begynder at vibrere unormalt (kontrolleres omgående)
 - Inspicér for skader. Udskift kniven, hvis den er slidt ujævnt eller beskadiget på nogen måde.
 - Udskift eller reparér alle beskadigede dele,
 - Kontrollér og efterspænd evt. løse dele.
- Undgå huller, riller, buler, sten eller lignende. Ujævnt terræn kan føre til tab af balance og faldulykker.

OVERBELASTNINGSBESKYTTELSE

Produktet har overbelastningsbeskytter. Når der detekteres en overbelastning, slukker produktet automatisk. Hvis overbelastningsbeskytteren aktiveres, skal man lade motoren køle af i 5 til 10 minutter.

Sluk for strømmen, og træk stikket ud af stikkontakten. Knivene er skarpe og må kun berøres, når man er iført kraftige handsker. Kontrollér, at kniven kan rotere frit og ikke sætter sig fast eller går trægt.

Når motoren er kølet af, sætter man atter stikket i stikkontakten. Tænd for strømmen. Tryk først på Start-knappen og dernæst på Tænd/Sluk-knappen for at starte





produktet. Hvis produktet ikke vil starte, skal det indleveres på et autoriseret servicecenter for reparation.

TILTÆNKT ANVENDELSESFORMÅL

Dette produkt er kun beregnet til udendørs brug.

Dette produkt er beregnet til klipning af private plæner. Klippekniven bør rotere omtrent parallelt med den jordoverflade, den køres hen over. Alle fire hjul skal røre ved plænen under klipningen. Plæneklipperen styres af en bagved-gående person. Produktet er designet til at blive skubbet manuelt.

Plæneklipperen må aldrig anvendes, uden at hjulene rører jorden; det er forbudt at trække den eller ride på den. Den bør ikke bruges til at klippe andet en private græsplæner.

UUNDGÅELIGE RISICI

Selv om maskinen anvendes som foreskrevet, er det stadig umuligt at eliminere visse uundgåelige risikofaktorer fuldstændigt. Følgende risici kan opstå under brug, og operatøren bør være særligt opmærksom for at undgå følgende:

- Personskader forårsaget af vibration. Brug altid det rigtige værktøj i forhold til arbejdsopgaven, benyt de hertil indrettede håndtag, og sørg for at begrænse arbejds- og eksponeringstiden.
- Eksponering for støj kan medføre høreskader. Benyt høreværn, og begræns eksponering
- Kontakt med knive
- Personskader pga. flyvende genstande

TRANSPORT OG OPBEVARING

- Stop produktet, og træk stikket ud; sørg for, at alle bevægelige dele er fuldstændigt stoppet, og lad den køle af inden opbevaring eller transport.
- Afrens alle fremmedlegemer fra produktet. Opbevar den på et køligt, tørt og godt ventileret sted utilgængeligt for børn. Opbevar motorsaven på afstand af ætsende midler som f.eks. havekemikalier og optøningssalt. Må ikke opbevares udendørs.
- Til transport skal man sikre produktet, så den ikke kan bevæge sig eller vælte; dette for at forebygge personskader eller skader på produktet.

⚠ ADVARSEL

Vær meget forsigtig, når du løfter eller vipper maskinen i forbindelse med vedligeholdelse, rengøring, opbevaring eller transport. Klingen er skarp. Hold alle kroppsdele på afstand af klingen, når denne er blottet.

VEDLIGEHOLDELSE

⚠ ADVARSEL

Brug kun originale reservedele, ekstraudstyr og tilbehør fra producenten. I modsat fald er der fare for personskader, dårlig maskinydelse og annullering af garantien.

⚠ ADVARSEL

Vedligeholdelse kræver stor omhyggelighed og viden og kun bør udføres af en kvalificeret tekniker. Vi anbefaler du leverer enheden tilbage til dit nærmeste autoriserede service center til reparation. Skal dele udskiftes må kun identiske reservedele anvendes.

- Stop produktet, og træk stikket ud; sørg for, at alle bevægelige dele er fuldstændigt stoppet, inden der foretages rengørings- eller vedligeholdelsesarbejde.
- Du kan lave justeringer og reparationer beskrevet i denne brugervejledning. Til andre reparationsopgaver skal man kontakte den autoriserede servicemontør.
- Græsboxen skal kontrolleres hyppigt for slitage eller svækkelse.
- Produktet skal rengøres med en blød klud efter hver brug. Enhver del, som bliver beskadiget, skal repareres ordentligt eller udskiftes på et autoriseret servicecenter.
- Tjek ofte alle møtrikker, bolte og skruer om de sidder godt fast, og sørg for at produktet fungerer ordentligt.
- Vær forsigtig ved justering af maskinen, så du ikke får fingrene i klemme mellem bevægelige knive og faste maskindele.
- Når man servicerer knivene, skal man være opmærksom på, at de stadig kan bevæge sig, selv om strømmen er afbrudt.
- Klingen på produktet er meget skarp; man skal udvise ekstrem forsigtighed og benytte solide handsker, når man monterer, udskifter, rengør eller kontrollerer boltsikkerheden.
- Udskift altid beskadigede knive og skruer sætvis, så balancen opretholdes.

RISIKOREDUKTION

Der er rapporteret om, at vibrationer fra håndholdte værktøjer kan være medvirkende til en lidelse kaldet Raynauds syndrom hos visse personer. Symptomerne herpå kan være prikken, følelsesløshed og blegning af fingrene, der normalt viser sig ved kuldepåvirkning. Faktorer som arvelighed, udsættelse for kulde og fugt, kost, rygning og arbejdsvaner menes alle at medvirke til udviklingen af disse symptomer. Der findes forholdsregler, som operatøren kan træffe for at begrænse påvirkningen fra vibrationer:

- Hold kroppen varm i koldt vejr. Brug handsker, så hænder og vriste holdes varme under arbejdet. Der er rapporteret om, at koldt vejr er en væsentlig faktor til Raynauds syndrom.
- Motionér efter hver arbejdsperiode for at øge blodcirkulationen.
- Hold hyppige arbejdspauser. Begræns eksponeringen for vibrationer pr. dag.

Hvis du mærker nogen af symptomerne på denne tilstand, skal du straks ophøre med arbejdet og søge læge.



⚠ ADVARSEL

Længere tids brug af et værktøj kan forårsage - eller forværre - personskader. Når man bruger et værktøj i længere perioder ad gangen, skal man huske at holde hyppige pauser.

LÆR REDSKABET RIGTIGT AT KENDE.

Se side 119.

Dele

1. Tænd/Sluk-knap
2. Håndtag
3. Motorstyre-kabel
4. Motorstyre-kabelholder
5. Højdeindstillingsstang
6. Kabelkrog
7. Indikator for fuld græsboks
8. Græsboks
9. Hurtigudløsnings-klemme
10. Baghjul
11. Forhjul
12. Bioklip-prop
13. Elledning
14. Start-knap

SYMBOLER PÅ PRODUKTET



Alle vejledninger skal læses og forstås, inden produktet benyttes; følg alle advarsler og sikkerhedsinstrukser.



Bær høreværn



Benyt øjenværn



Kør ikke på hældninger større end 15°. Slå græsset på tværs af bakker, aldrig op og ned.



Må ikke udsættes for regn eller bruges på fugtige steder.



Pas på skarpe klinger. Knivene fortsætter med at rotere, efter at motoren er slukket - Fjern proppen fra lysnetkontakten inden udførelse af vedligeholdelsesarbejde, eller hvis ledningen er beskadiget.



Pas på udslyngede eller flyvende objekter. Sørg for, at alle tilskuere (især børn og dyr) er mindst 15 m fra arbejdsområdet.



Hold det fleksible strømforsyningskabel på afstand af knivene.



Tryk først på Start-knappen og dernæst på Tænd/Sluk-knappen (A, B, C eller D) for at starte produktet. Slip Start-knappen, og hold Tænd/Sluk-knappen inde for at køre produktet. Slip Tænd/Sluk-knappen for at stoppe produktet.



Start



Stop



Klasse II-værktøj, dobbelt-isoleret



Elektriske affaldsprodukter bør ikke afskaffes sammen med husholdningsaffald. Genbrug venligst hvor faciliteterne tillader dette. Tjek med din lokale kommune eller forhandler for genbrugsråd.



Dette redskab overholder alle lovkrav og standarder i det EU-land, hvor det er købt.



EurAsian overensstemmelsesmærke.



Det garanterede lydeffektniveau er 94 dB(A).



Det garanterede lydeffektniveau er 95 dB(A).

De følgende ikoner og betydninger er beregnet til at forklare risikoen involveret i at anvende denne enhed.

⚠ FARE

Indikerer en meget farlig situation, som hvis ikke undgås, kan føre til alvorlige skader og i værste fald døden.

⚠ ADVARSEL

Indikerer en potentielt farlig situation, som hvis ikke undgås, kan føre til alvorlige skader og i værste fald døden.

⚠ PAS PÅ

Indikerer en potentielt farlig situation, som hvis ikke undgås, kan føre til mindre eller moderate skader.

PAS PÅ

Uden sikkerhedsadvarselssymbol

Indikerer en situation, som kan medføre materiel skade.

IKONER I DENNE BRUGSANVISNING



Tilslut til stikkontakt



Træk stikket ud af stikkontakten



Dele eller tilbehør, der sælges separat



Elektriske affaldsprodukter bør ikke afskaffes sammen med husholdningsaffald. Genbrug venligst hvor faciliteterne tillader dette.



Hold hænderne på afstand af knivene.



BEMÆRK:



ADVARSEL



Stop produktet.

TIPS TIL GRÆSSLÅNING

- Når langt græs klippes, så gå langsommere frem med græsslåmaskinen, så græsset kan klippes mere effektivt.
- Undgå at klippe vådt græs; dette vil sætte sig fast på undersiden og forhindre opsamling eller udkast af det afklippede græs.
- Nyt eller tykt græs kan nødvendiggøre en højere klippehøjde.
- Hvis man ønsker at opsamle det afklippede græs med henblik på bortskaffelse, skal man fjerne bioklip-proppen og montere græsboksen og sikre, at flappen er ordentligt lukket. Græsboksen skal tømmes med jævne mellemrum, da udkast-åbningen ellers bliver blokeret af det afklippede græs.
- Hvis man foretager en let klipning og ønsker, at det afklippede græs skal blive liggende på plænen, monterer man bioklip-proppen og lukker den øverste flap for at tildække udkast-åbningen. I dette tilfælde er det ikke nødvendigt at montere græsboksen.
- Plæneklipperen er designet, så den fungerer og klipper mest effektivt, når den kører forlæns.

ALLMÄNNA SÄKERHETSFÖRESKRIFTER

⚠ VARNING

När man använder apparaten måste säkerhetsföreskrifterna följas För din egen, och andra närvarandes säkerhet, läs alltid dessa instruktioner innan du använder produkten Förvara instruktionerna på ett säkert ställe för användning vid senare tillfälle.

PERSONLIG SÄKERHET

- Gräsklipparen kan klippa av händer och fötter samt slunga iväg objekt. Att inte följa alla säkerhetsinstruktioner kan resultera i allvarlig skada eller dödsfall.
- Bekanta dig med reglagen och användning av produkten på rätt sätt.
- Se till att barn eller personer med nedsatt fysisk eller psykisk förmåga, eller personer som inte är bekanta med dessa instruktioner, aldrig använder, rengör eller utför underhåll på produkten. Lokala regler kan åldersbegränsa användningen av gräsklipparen. Barn ska övervakas så att de inte leker med verktyget.
- Var på din vakt, håll reda på vad du gör och använd sunt förnuft vid drift av enheten. Använd inte gräsklipparen om du är trött eller påverkad av droger, alkohol eller mediciner. Ett ögonblicks ouppmärksamhet vid användningen av maskinen kan leda till allvarliga personskador.
- Bär kraftiga långbyxor, en långärmad tröja, skor och handskar. Bär halkskyddade säkerhetsskor när du använder produkten. Använd inte smycken, shorts, sandaler och arbeta aldrig barfota. Undvik att bära kläder som sitter löst eller som har hängande bälten och slips.
- Bär alltid säkerhetsglasögon med sidoglas.
- Var försiktig med balansen när du klipper. Bibehåll ett bra fotfäste och bra balans. Gå. Spring aldrig.
- Arbeta alltid tvärs lutningar, aldrig upp och ner. Var extremt försiktig när du byter riktning i en sluttning.
- Använd inte produkten vid höjdskillnader, diken, alltför branta lutningar eller kullar. Dåligt fotfäste kan resultera i halkningsolyckor.

ARBETSMILJÖ

- Minimikravet är att alla barn, åskådare och husdjur befinner sig på minst 15 meters avstånd, men det kan ändå finnas risker med föremål som kastas omkring.
- Föremål som träffas av gräsklipparbladet kan orsaka allvarlig skada. Inspektera noggrant arbetsområdet där maskinen ska användas och ta bort alla stenar, pinnar, metallföremål, strängar, ben, leksaker eller andra främmande föremål. Vajrar eller tråd kan trasslas in i skärverktyget.
- Använd produkten i dagsljus eller bra konstgjort ljus.
- Använd inte maskinen i explosiva atmosfärer, till exempel i närheten av brännbara vätskor, brännbara gaser eller damm. Verktyget skapar gnistor som kan antända damm och ångor.

- Använd inte maskinen om gräset är blött eller om det regnar.
- Använd inte gräsklipparen om det finns risk för åskväder.
- Kom ihåg att användaren är ansvarig för olyckor och faror som uppstår för andra människor och deras egendom.
- Tragiska olyckor kan ske om användaren inte är uppmärksam på om barn är i närheten. Barn är ofta nyfikna på maskinen och gräsklippningen. Anta aldrig att barn kommer att vara kvar där du senast såg dem.
- Se till att barn inte finns på arbetsområdet och att de övervakas av annan vuxen är operatören. Var uppmärksam och stäng av produkten om barn kommer i närheten.
- Var extra försiktig när du närmar dig hörn, buskar, träd eller andra föremål som kan göra att du inte ser ett barn.

ELECTRICAL SAFETY

- Elverktygets kontakt måste passa i uttaget. Modifiera inte kontakten på något sätt. Använd inga adapterkontakter med jordade kraftverktyg. Omodifierade kontakter och matchande uttag minskar risken för elektrisk stöt.
- Undvik oavsiktlig start. Kontrollera att reglaget är i Off-läget innan produkten kopplas till strömförsörjning. Bär inte en inkopplad produkt med dina fingrar på strömbrytaren.
- Undvik kroppskontakt med jordade ytor, som exempelvis rör, element, spis och kylskåp. Det föreligger en förhöjd risk för elektrisk stöt om din kropp är jordad.
- Exponera inte produkten för regn eller våta förhållanden. Om vatten kommer in i maskinen ökar risken för elektrisk stöt.
- El bör komma ifrån en apparat med residual krets (RCD) med en utlösande strömstyrka ej överstigande 30 mA.
- Före användning ska kabel och förlängningskabel kontrolleras så att det inte finns tecken på skador eller åldring. Om kabeln skadas under användning ska den kopplas från eluttaget omedelbart. **Rör inte vid kabeln innan strömkällan är fränkopplad.** Använd inte produkten om kabeln är skadad eller sliten.
- Om du måste använda förlängningskabel ska du kontrollera att den är för utomhusbruk och har kapacitet för att fungera med verktyget. Förlängningskabeln ska vara märkt med antingen "H05 RN F" eller "H05 VV F". Kontrollera förlängningskabeln så det inte finns några skador inför varje användning. Rulla ut förlängningskabeln under användning eftersom hoprullad kabel kan överhettas. Skadade förlängningskablar får inte repareras, de ska ersättas med motsvarande typ.
- Se till att kabeln är placerad så att den inte kan skadas under arbetet och att ingen kliver på den, ingen snubblar på den och kabeln inte på något sätt utsätts för påfrestningar.
- Lyft aldrig upp- eller bär produkten i el-kabeln.
- Dra aldrig ur kontakten ur väggen genom att dra i sladden. .
- Håll el-kabeln borta från värme, olja och skarpa kanter.



EN
FR
DE
ES
IT
NL
PT
DA
SV
FI
NO
RU
PL
CS
HU
RO
LV
LT
ET
HR
SL
SK
BG

- Kontrollera att volttalet är korrekt för produkten. På en skylt på produkten anges strömstyrkan (Volt). Koppla aldrig produkten till en växelströmsstyrka som skiljer från denna.
- Kontrollera alltid att kabeln från handtaget till klipparen inte har fastnat, är klämd eller har skadats på något sätt under sammansättning eller då handtaget fällt ihop. Strömsätt inte gräsklipparen om denna kabel är skadad. Lämna den till auktoriserat servicecenter för åtgärd.
- Spänningstopp ger spänningsvariationer och kan påverka andra elektrisk produkter anslutna till samma källa. Anslut produkten till en strömkälla med impedans lika eller mindre än 0.452Ω - RLM18E40H för att minimera spänningsvariationer. Kontakta din elleverantör för ytterligare klargöranden.

SÄKERHETSFÖRESKRIFTER FÖR GRÄSKLIPPARE

- Undersök alltid maskinen visuellt innan du använder den för att försäkra dig om att knivar, knivbultarna och klippanordningen inte är utslitna eller skadade.
- Byt ut utslitna eller skadade knivar och bultar i par för att bibehålla balansen.
- Kniven på produkten är mycket vass, var extremt försiktig och använd grova arbetshandskar vid montering, byte eller kontroll av mutter.
- Lämna produkten till auktoriserat servicecenter för byte av skadade eller oläsliga etiketter.
- För att vara säker på att maskinen är säker att använda, kontrollera alla muttrar, bultar och skruvar regelbundet för att säkerställa att de är åtdragna ordentligt.
- Kontrollera regelbundet att gräslådan inte uppvisar skador eller slitage.
- Ersätt slitna och skadade delar innan produkten används.
- Gräsklipparen ska startas med användaren bakom handtaget i den säkra zonen för användaren. Starta inte produkten om:
 - Inte alla fyra hjulen är på marken.
 - Gräsutsläppet exponeras utan att skyddas av antingen mullningspluggen och utsläppsskydd eller gräslådan och utsläppsskydd.
 - Händer och fötter på personer i närheten inte är på säkert avstånd från klipphöjlet.
- Använd inte produkten om reglaget för av och på inte fungerar.
- Läs aldrig på/av-brytaren i läget ON – det är extremt riskfyllt.
- Tvinga inte produkten. Verktyget fungerar bäst och mest effektivt om du jobbar i den takt som det är avsett för.
- Stoppa kniven när du kör över en grusgång eller liknande.
- Dra inte produkten bakåt såvida det inte är helt nödvändigt. Om du måste backa med maskinen bort från en vägg eller något annat hinder, titta först ner och bakom dig för att förhindra att du snubblar eller kör över dina egna fötter med maskinen.

- Stäng av motorn och låt kniven stoppa helt innan du lutar maskinen för att gå över annat underlag än gräs och vid transport av maskinen till och från det område där den ska användas.
- Använd aldrig maskinen med defekta skyddsanordningar eller skärmar, eller utan säkerhetsutrustning, till exempel utan att deflektorer och/eller gräslådor sitter på plats.
- Luta inte produkten när motorn är igång. Luta inte maskinen när den startas. Det exponerar kniven och ökar risken för att föremål ska kastas iväg.
- Slå på motorn enligt anvisningarna och håll händer och fötter borta från klippområdet. Placera inte händerna eller fötterna nära eller under roterande delar. Håll alltid undan från utkastöppningen. Starta inte motorn när du står framför utkastluckan.
- Bär eller transportera aldrig produkten när den är igång.
- Stoppa gräsklipparens motor och koppla från strömmen, se till att alla rörliga delar har stoppat helt i följande fall:
 - att lämna produkten utan tillsyn
 - före rengöring av igensättningar eller upplösning av skräp,
 - innan du kontrollerar, rengör eller arbetar med maskinen
 - Efter att ha kört på ett främmande föremål, besiktiga utrustningen för att upptäcka skador och gör de reparationer som krävs
 - innan gräsuppsamlaren tas bort eller före skyddet för gräsutkastet öppnas
 - om maskinen börjar vibrera onormalt (kontrollera omedelbart)
 - Inspektera för ev. skador. Om kniven uppvisar någon typ av skada eller ojämnt slitage måste den omedelbart bytas ut.
 - byt ut eller reparera alla skadade delar,
 - Kontrollera och sätt fast ev. lösa delar.
- Undvik hål, hjulspår, gupp, stenar och andra dolda föremål. Ojämn terräng kan orsaka halkolyckor.

ÖVERBELASTNINGSSKYDD

Produkten har överbelastningsskydd. Produkten stängs automatiskt av när överbelastning upptäcks. Om överbelastningsskyddet aktiveras måste motorn få svalna fem till tio minuter.

Stäng av strömmen och ta ur kontakten ur eluttaget. Bladen är vassa, ta på kraftiga arbetshandskar före beröring. Kontrollera att klingan kan rotera fritt och inte sitter fast eller tajt.

När motorn har svalnat, ska du ansluta kontakten till eluttag. Slå på strömmen. Tryck på Start och sedan på På/Av-knappen för att starta produkten. Om produkten ändå inte startar ska du lämna in den till ett auktoriserat servicecenter för reparation.

ANVÄNDNINGSSOMRÅDE

Denna produkt är avsedd för utomhusbruk. Denna produkt är avsedd för klippning av villaträdgårdar. Klippkniven bör rotera mer eller mindre parallellt mot den yta som ska klippas. Alla fyra hjul måste vara i marken när





du klipper. Det är en traditionell gräsklippare som styrs av en användare som skjuter den framför sig. Produkten är avsedd att höras manuellt.

Klipparen får aldrig köras om alla hjul inte är i marken och man får inte leka med eller åka på den. Den får endast användas för att klippa villagräsmattor, inte i något annat syfte.

KVARSTÄENDE RISKER

Även om maskinen används enligt föreskrifterna, är det ändå omöjligt att helt eliminera kvarvarande mindre riskfaktorer. Följande risker kan uppkomma under bruk och användaren ska vara extra uppmärksam för att undvika följande:

- Skada orsakad av vibration. Använd alltid rätt verktyg för arbetet, håll ordentligt i handtagen och begräns arbetstid och exponering.
- Exponering för buller kan orsaka hörselskador. Använd hörselskydd och begränsa exponeringen
- Kontakt med skärblad
- Skador från kringflygande föremål

TRANSPORT OCH FÖRVARING

- Stoppa produkten och koppla från strömmen, se till att alla rörliga delar har stoppat helt och låt maskinen svalna före förvaring eller transport.
- Ta bort allt främmande material från produkten. Förvara den svalt och välventilerat på en plats där barn inte kan komma åt den. Förvara på avstånd från frätande medel, t.ex. trädgårdskemikalier och vägsalt. Förvara den inte utomhus.
- Vid transport ska produkten säkras mot rörelser eller fallande för att förhindra personskadorna eller att produkten skadas.

VARNING

Var extra försiktig då maskinen lyfts eller lutas för underhåll, rengöring, förvaring eller transport. Kniven är mycket vass. Se till att alla kroppsdelar är på säkert avstånd då kniven exponeras.

UNDERHÅLL

VARNING

Använd enbart ersättningsdelar och tillbehör från tillverkaren. Om inte kan det eventuellt orsaka skador, sämre resultat och kan upphäva garantin.

VARNING

Att serva produkten kräver extrem försiktighet och kunskap och bör endast utföras av en kvalificerad servicetekniker. Vi rekommenderar att du returnerar produkten till ditt närmsta auktoriserade servicecenter för reparation. Använd endast identiska utbytesdelar när produkten servas.

- Stoppa produkten och koppla från strömmen, se till att alla rörliga delar har stoppat helt före rengöring eller underhållsåtgärder.
- Du kan göra de justeringar och reparationer som beskrivs i den här manualen. För alla andra reparationer ska godkänt servicecenter kontaktas.
- Kontrollera regelbundet att gräslådan inte uppvisar skador eller slitage.
- Efter rengöring ska maskinen alltid rengöras med en mjuk torr trasa. Skadade delar skall repareras ordentligt eller bytas ut av en auktoriserad servicefirma.
- För att vara säker på att produkten är säker att använda, kontrollera alla muttrar, bultar och skruvar regelbundet för att säkerställa att de är åtdragna ordentligt.
- Var noga vid inställning av maskinen med att förhindra att fingrarna fastnar mellan rörliga och fasta delar på maskinen.
- Vid underhåll eller service av bladen ska du vara medveten om att trots att elförsörjningen är avbruten kan bladet/bladen röra sig.
- Kniven på produkten är mycket vass, var extremt försiktig och använd grova arbetshandskar vid montering, byte eller kontroll av mutter.
- Byt ut skadade blad och bultar samtidigt för att behålla balansen.

RISKMINSKNING

Det finns rapporter om att vibrationer från handhållna verktyg kan bidra till ett tillstånd som kallas Raynauds syndrom för vissa personer. Symptomen brukar vara att det sticker i fingrarna och att de domnar bort; fingrarna kan också bli vita, särskilt vid kyla. Årtliga faktorer, kyla och fukt, diet, rökning och arbetsrutiner tros alla bidra till att orsaka dessa symptom. Det finns förebyggande åtgärder som du kan vidta för att försöka minska vibrationernas påverkan:

- Håll dig varm när du arbetar i kallt väder. Använd handskar för att hålla kvar värmen i händer och handleder. Kyla har rapporterats som en viktig del i utvecklandet av Raynauds syndrom.
- Träna och rör på dig efter varje användningstillfälle för att öka blodcirkulationen.
- Ta ofta pauser från arbetet. Begränsa tiden du utsätter dig varje dag.

Upphör omedelbart om du upplever några av dessa symptom och uppsök din läkare.

VARNING

Risk för person- eller slitageskador vid användning av verktyget under lång tid. Om verktyget används under längre perioder krävs regelbundna pauser.

KÄNN DITT VERKTYG.

Se sida 119.

Delar

1. På/Av-knapp
2. Handtag



3. Motorkontrollkabel
4. Hållare för motorkontrollkabel
5. Højjusteringsspak
6. Kabelkrok
7. Indikator för full gräslåda
8. Gräslåda
9. Snabbreleasefäste
10. Bakhjul
11. Framhjul
12. Komposteringsplugg
13. Strömssladd
14. Startknapp

SYMBOLER PÅ PRODUKTEN



Läs igenom och var införstådd med alla instruktioner före användning av produkten, var uppmärksam på alla varningar och säkerhetsinstruktioner.



Använd hörselskydd



Bär ögonskydd



Använd inte i slutningar som är brantare än 15°. Klipp längst med slutningar, aldrig uppåt eller nedåt.



Utsätt inte för regn eller våta omgivning.



Var försiktig med vassa blad. Bladen fortsätter att rotera när motorn har stängts av – Ta ur kontakten ur eluttaget före underhåll eller om kabeln är skadad.



Se upp med kringkastade eller flygande föremål. Håll alla personer i närheten (speciellt barn och djur) minst 15 m bort från arbetsområdet.



Håll elkabeln borta från skärbladen.



Tryck på Start och sedan på På/Av-knappen (A, B, C eller D) för att starta produkten. Släpp Start-knappen och fortsätt hålla in På/Av-knappen för att använda produkten. Släpp upp knappen På/Av för att stänga av produkten.



Kör



Stopp



Klass II-verktyg, dubbelt isolerat



Gamla elektroniska produkter ska inte kastas med hushållsoporna. Återvinn där sådana faciliteter finns. Kontrollera med din lokala myndighet eller säljaren för att få återvinningstips.



Detta verktyg uppfyller alla standarder i de EU-länder där det kan köpas.

EurAsian överensstämmelsesymbol.



Garanterad ljudnivå är 94 dB.



Garanterad ljudnivå är 95 dB.

Följande signalord och betydelser är tänkta att förklara de olika risknivåerna som är associerade med denna produkt.

⚠ FARA

Indikerar en överhängande farlig situation som kan, om den inte undviks, resultera i dödsfall eller allvarlig skada.

⚠ VARNING

Indikerar en potentiellt farlig situation som kan, om den inte undviks, resultera i dödsfall eller allvarlig skada.

⚠ PÅMINNELSE

Indikerar en potentiellt farlig situation som kan, om den inte undviks, resultera i mindre eller medelstora skador.

PÅMINNELSE

Utan säkerhetssymbol

Visar på en situation som kan orsaka skada på egendom.

BILDER I DENNA BRUKSANVISNING



Koppla den till ett väggurtag



Urkoppling från väggurtag



Delar och utrustning säljs separat



Gamla elektroniska produkter ska inte kastas med hushållsoporna. Återvinn där sådana faciliteter finns.



Hold hænderne på afstand af knivene.



ANMÆRKNING:



VARNING



Stoppa produkten.

GRÄSKLIPPNINGSTIPS

- Minska gånghastigheten vid klippning av långt gräs för att öka klippningsprestandan och för att få ordentligt utkast av gräset.
- Klipp inte vått gräs – det fastnar på klipparens undersida och förhindrar uppsamling eller utkast av klippt gräs.
- Nytt eller tjockt gräs kan kräva att man använder en högre klipphöjd.
- Om du vill samla upp det klippta gräset och kasta det tar du bort mullningspluggen och fäster gräslådan, kontrollera att toppfliken är ordentligt stängd. Töm gräslådan regelbundet så att inte utsläppet blockeras av det klippta gräset.
- Om du bara klipper lite och vill att det klippta gräset ska vara kvar på gräsmattan sätter du fast mullningspluggen och stänger toppfliken över utsläppets öppning. I detta fall behöver inte gräslådan sättas fast.
- Klipparen är gjord för att fungera och klippa mest effektivt när den förs framåt.

YLEISET TURVALLISUUSVAROITUKSET

VAROITUS

Noudata turvallisuussääntöjä tuotetta käyttäessäsi. Oman ja sivullisten turvallisuuden vuoksi, lue nämä ohjeet ennen tuotteen käynnistämistä. Säilytä ohjeet tulevaa käyttöä varten.

KÄYTTÄJÄN TURVALLISUUS

- Ruohonleikkuri on riittävän voimakas pystyäkseen amputoimaan käden tai jalan ja sinkoamaan kappaleita. Turvaohjeiden laiminlyönti voi aiheuttaa vakavia ruumiinvammoja tai kuoleman.
- Opi käyttämään ohjaimia ja laitetta asianmukaisesti.
- Älä koskaan salli lasten tai ihmisten, joiden fyysiset tai henkiset kyvyt tai aistit ovat heikentyneet, tai näitä ohjeita tuntemattomien käyttäjä, puhdistaa tai huoltaa tuotetta. Paikalliset säädökset saattavat asettaa rajoituksia käyttäjän iälle. Lapsia on pidettävä asianmukaisesti silmällä, jotta he eivät pääse leikkimään sähkötyökälulla.
- Ole valpas, katso mitä teet ja käytä tervettä järkeä, kun käytät tuotetta. Älä leikkaa ruohoa, jos olet väsynyt tai alkoholin, huumausainoiden tai lääkkeiden vaikutuksen alainen. Tarkkaamattomuus laitetta käytettäessä saattaa johtaa vakavaan loukkaantumiseen.
- Käytä paksuja pitkiä housuja, pitkähihaista paitaa, saappaita ja hansikkaita. Käytä tätä tuotetta käyttäessäsi luisumattomia turvajalkineita. Älä käytä koruja, lyhytlahkeisia housuja tai sandaaleja. Älä työskentele paljain jaloin. Älä käytä löysiä vaatteita tai vaatteita, joista riippuu nuoria tai siteitä.
- Käytä aina sivusuojilla varustettuja suojalaseja.
- Seiso aina tukevasti. Pidä vakaa tasapaino. Kävele, älä koskaan juokse.
- Työskentele rinteessä poikittain, ei ylös ja alas. Ole erityisen varovainen vaihtaessasi suuntaa rinteessä.
- Älä käytä tuotetta jyrkänteiden, oijen, hyvin jyrkkien rinteiden tai töyräiden lähellä. Jos saattaa huonon jalsansijan, voit liukastua, kaatua ja loukkaantua.

TYÖYMPÄRISTÖ

- Pidä ainakin kaikki lapset, sivulliset ja lemmikit 15 metrin etäisyydellä; sinkoutuvien kappaleiden on mahdollista osua sivullisiin.
- Osat, kuten ruohonleikkurin terä, voivat aiheuttaa vakavia vammoja. Tarkista huolella alue, jolla laitetta käytetään, ja poista kaikki kivet, tikut, metallikappaleet, johdot, luut, lelut ja muut vierasesineet. Leikkuulaitteeseen voi tarttua johtoja tai lankoja.
- Käytä tuotetta päivänvalossa tai hyvässä keinovalossa.
- Älä käytä laitetta räjähdysalttiissa paikoissa, kuten helposti syttyvien nesteiden tai kaasujen tai pölyn läheisyydessä. Työkalu kipinöi, mikä saattaa syyttää pölyn tai höyryä.
- Älä käytä laitetta märässä ruohossa tai sateessa.
- Älä käytä ruohonleikkuria paikoissa, joissa on

salamankaava.

- Muista, että ruohonleikkurin käyttö on vastuunalainen vahingoista ja vaaroista, jotka hän aiheuttaa muille ihmisille ja heidän omaisuuksilleen.
- Traagisia onnettomuuksia voi sattua, jos käyttäjä ei huomioi lasten paikallaoloa. Lapset ovat usein kiinnosuneita ruohonleikkurista ja ruohon leikkaamisesta. Älä koskaan olet, että lapset ovat edelleen siellä, näit heidät viimeksi.
- Pidä lapset poissa työalueelta ja sellaisen vastuullisen aikuisen valvonnassa, joka ei käytä laitetta. Ole valpas ja sammuta tuote, jos alueelle tulee lapsi.
- Ole erityisen varovainen lähestyessäsi nurkkauksia, pensaita, puita ja muita esteitä, joiden takana saattaa olla lapsi.

SÄHKÖTURVALLISUUS

- Pistokkeen on sovitava pistorasiaan. Älä koskaan muunna pistoketta millään tavalla. Älä käytä maadoitettujen sähkötyökälujen kanssa minkäänlaisia sovittipistokkeita. Alkuperäiset pistokkeet ja niitä vastaavat pistorasiat pienentävät sähköiskun vaaraa.
- Varo tahatonta käynnistystä. Tarkista aina, että kytkin on OFF-asennossa, ennen kuin kytket tuotteen virtalähteeseen. Älä kannata tuotetta, joka on kytketty virtaan, jos sormi on kytkimellä.
- Älä kosketa maadoitettuihin pintoihin, kuten putkiin, lämpöpattereihin, helioihin tai jääkaappeihin. Jos ruumiisi on maadoitettu, sähköiskun vaara on suurempi.
- Älä altista tätä tuotetta sateelle tai märille olosuhteille. Veden pääsy laitteeseen lisää sähköiskun vaaraa.
- Virtalähteessä tulee olla jäännösvirtalaitte (RCD), jonka trippausvirta on enintään 30 mA.
- Tarkista sähkö- ja jatkojohto ennen käyttöä vaurioiden ja ikääntymisen varalta. Jos johto vioituu käytön aikana, irrota se heti pistorasiasta. **Älä kosketa johtoa, ennen kuin olet irrottanut sen pistorasiasta.** Älä käytä tuotetta, jos johto on vioitunut tai kulunut.
- Jos sinun on käytettävä jatkojohtoa, varmista että se soveltuu ulko käyttöön ja että sen luokitus riittää laitteelle. Jatkojohdossa tulisi olla merkintä "H05 RN F" tai "H05 VV F". Tarkista jatkojohto vaurioiden varalta ennen jokaista käyttökertaa. Avaa jatkojohto aina kääreiltä käytön ajaksi, koska käärityt johdot voivat ylikuumentua. Vaurioituneita jatkojohtoja ei saa korjata vaan ne tulee vaihtaa vastaavan tyyppiin.
- Varmista, että virtajohto sijaitsee siten, että se ei voi leikkaantua ja että sen päälle ei astuta eikä siihen kompastuta eikä se muuten vioitu tai rasitu.
- Älä koskaan nosta tai kannata tuotetta sähköjohdosta.
- Älä koskaan irrota laitetta pistorasiasta vetämällä virtajohdosta.
- Älä päästä virtajohtoa koskettamaan kuumuuden lähteitä, öljyä tai teräviä reunoja.
- Tarkista, että jännite on tuotteelle oikea. Laitteen jännite ilmoitetaan sen nimikyltissä. Älä koskaan kytke tuotetta tästä jännitteestä poikkeavaan vaihtovirtaan.
- Varmista aina, että kahvasta runkoon kulkeva johto ei jää jumiin tai puristuksiin tai vahingoitu muutoin



kokoamisen tai kahvan taittamisen aikana. Älä koskaan päästä virtaa ruohonleikkuriin, jos tämä johto on vioittunut. Palauta valtuutettuun huoltoon korjattavaksi.

- Virtapiikki aiheuttaa jännitteen heilahtelua ja voi vaikuttaa muihin samaan syöttöverkkoon kytkettyihin tuotteisiin. Minimoidaksesi jänniteheilahtelun kytke tuote pistorasiaan, jonka impedanssi on enintään 0.452Ω - RLM18E40H minimoidaksesi jänniteheilahtelun. Lisätietoja saa sähkötyhtiöltä.

RUOHONLEIKKURIN TURVALLISUUSVAROITUKSET

- Tarkista laite aina ennen käyttöä silmämääräisesti terien, terän pulttien ja leikkuuosan kulumisen ja vaurioiden varalta.
- Vaihda kuluneet tai vioittuneet terät ja pultit sarjoina säilyttääksesi tasapainon.
- Tuotteen terä on hyvin terävä; ole erittäin varovainen ja käytä paksuja käsineitä asettaessasi pulttia paikoilleen ja asentaessasi tai puhdistaessasi sitä ja tarkistaessasi sen kireyttä.
- Palauta valtuutettuun huoltoon vaurioituneiden ja lukukelvottomien kyttien vaihtamiseksi.
- Varmista aina, että ruuvit ja mutterit ovat tiukasti kiinni, jotta leikkuri olisi aina turvallinen ja käyttövalmis.
- Tarkista ruoholaatikko säännöllisesti kulumisen ja heikkenemisen varalta.
- Vaihda kuluneet ja vioittuneet osat ennen tuotteen käyttöä.
- Leikkuri on käynnistettävä käyttäjän ollessa kahvojen takana suoja-alueella. Älä koskaan käynnistä tuotetta, jos:
 - Kaikki neljä pyörää eivät ole maassa.
 - Poistokuilu ei ole suojattu silppuripistokkeella ja poistokuilun suojalla tai ruohonkeräimellä ja poistokuilun suojuksella.
 - Kädet ja jalat ovat poissa leikkuukotelosta.
- Älä käytä tuotetta, jos se ei käynnisty ja sammuu katkaisimesta.
- Älä koskaan yritä lukita virtakytkimiä ON-asentoon; tämä on erittäin vaarallista.
- Älä pakota tuotetta. Se hoitaa työt paremmin ja turvallisemmin sillä vauhdilla, jota varten se on suunniteltu.
- Pysäytä terä, kun ylität sorapintoja.
- Älä vedä tuotetta takaperin ellei se ole täysin välttämätöntä. Jos laitetta on peruutettava seinän tai esteen luota, katso ensin alas ja taaksesi, jotta et kompastu tai vedä laitetta jaloillesi.
- Pysäytä moottori ja anna terän pysähtyä, jos ruohonleikkuria on kallistettava ylitettäessä muita kuin ruohopintoja tai ennen kuin kuljetat laitetta leikkausalueelle tai sieltä takaisin.
- Älä koskaan käytä laitetta, jos suojat tai suojukset ovat epäkunnossa tai ilman suojalaitteita, kuten ohjauslevyjä ja/tai ruoholaatikkoja.
- Älä kallista tuotetta moottorin käydessä. Älä kallista laitetta sitä sammuttaessasi. Tämä paljastaa terät ja lisää kappaleiden sinkoutumisvaaraa.

- Sammuta moottori ohjeiden mukaisesti ja pidä kädet ja jalat poissa leikkuualueelta. Älä laita käsiä tai jalkoja lähelle pyöriviä osia tai niiden alle. Pidä ruohonkeruuaukko aina vapaana. Älä käynnistä moottoria silloin, kun seisot ruohonkeruuaukon edessä.
- Älä koskaan kannata tai kuljeta tuotetta sen ollessa käynnissä.
- Sammuta seuraavissa tapauksissa ruohonleikkurin moottori ja irrota se pistorasiasta sekä varmista, että kaikki liikkuvat osat ovat täysin pysähtyneet:
 - tuotteen jättäminen valvomatta
 - ennen tuktöiden poistoa ja poistokuilun avaamista,
 - ennen laitteen tarkastusta, puhdistusta ja huoltoa
 - Vierasesineeseen törmättyä, tarkista laite vaurioiden varalta ja suorita tarpeelliset korjaukset
 - ennen ruoholaatikon irrottamista tai ruohonpoistokourun suojuksen avaamista
 - jos laite alkaa täräistä epänormaalisti (tarkista välittömästi)
 - Tarkista vaurioiden varalta. Vaihda terä, jos se on kulunut epätasaisesti tai mitenkään vioittunut.
 - vaihda tai korjaa kaikki vioittuneet osat,
 - Tarkista, onko jokin osa löysällä, ja kiristä tarvittaessa.
- Vältä koloja, uria, möykkyjä, kiviä ja muita piilossa olevia esteitä. Epätasaisessa maastossa voit liukastua, kaatua ja loukkaantua.

YLIKUORMITUKSEN SUOJALAITTE

Tuotteessa on ylikuormituksesta suojaava laite. Kun tuotteessa havaitaan ylikuormitusta, se sammuu automaattisesti. Jos ylikuormitussuojat kytkeytyy päälle, moottorin on annettava jäähtyä 5–10 minuuttia.

Sammuta virta ja irrota pistoke pistorasiasta. Terät ovat teräviä; käytä paksuja käsineitä niitä koskettaessasi. Varmista, että terä pääsee pyörimään vapaasti eikä ole jumittunut tai tiukka.

Kun moottori on jäähtynyt, kytke pistoke pistorasiaan. Kytke virta päälle. Käynnistä tuote painamalla käynnistyspainiketta ja sitten virtapainiketta. Jos tuote ei käynnisty, palauta se korjattavaksi valtuutettuun huoltoon.

KÄYTTÖTARKOITUS

Tämä tuote on tarkoitettu yksinomaan ulkikäyttöön.

Tämä tuote on tarkoitettu kotinurmikon leikkuuseen. Leikkuuterän on pyörittävä suunnilleen sen alla olevan maanpinnan suuntaisesti. Jokaisen neljän pyörän tulee koskettaa maata ruohoa leikattaessa. Tämä on kävelvän käyttäjän takaa ohjattava ruohonleikkuri. Tuote on suunniteltu käsin työnnettäväksi.

Ruohonleikkuria ei saa koskaan käyttää pyörät irti maasta, sitä ei saa vetää eikä sen päällä saa ajaa. Sitä ei tule käyttää minkään muun kuin kodin nurmikon leikkaamiseen.



KÄYTTÖÖN LIITTYVÄT RISKIT

Vaikka laitetta käytettäisiin ohjeiden mukaisesti, ei ole mahdollista täysin eliminoida tiettyjä käyttöön liittyviä riskitekijöitä. Käytössä voi aiheutua seuraavia vaaroja, ja käyttäjän tulee kiinnittää erityistä huomiota niiden välttämiseen:

- Tärinän aiheuttama vamma. Käytä aina työhön sopivaa laitetta, käytä nimettyjä kahvoja ja rajoita työaikaa sekä altistumista.
- Liian kova melu voi aiheuttaa kuulovamman. Käytä suojalaseja ja rajoita altistumista.
- Kosketus teriin
- Sinkoutuneiden kappaleiden aiheuttama loukkaantuminen

KULJETUS JA VARASTOITAESSA

- Sammuta tuote ja irrota se pistorasiasta, varmista että kaikki liikkuvat osat ovat pysähtyneet täysin ja anna laitteen jäähtyä ennen varastointia ja kuljetusta.
- Puhdista laitteesta kaikki vieraat materiaalit. Varastoi laite viileään, kuivaan ja hyvin tuuletettuun paikkaan, jossa lapset eivät pääse siihen käsiksi. Pidä poissa syövyttäviltä aineilta kuten puutarhakemikaaleilta ja jäänsulatussuolalta. Älä säilytä ulkona.
- Kiinnitä tuote kuljetettaessa siten, että se ei pääse liikkumaan tai kaatumaan, jotta vältytään loukkaantumisilta ja vaurioilta.

VAROITUS

Ole erittäin varovainen nosttaessasi ja kallistaessasi laitetta huoltoa, puhdistusta, varastointia tai kuljetusta varten. Terä on terävä. Pidä kaikki ruumiinosat poissa terän tieltä terän ollessa paljaana.

HUOLTO

VAROITUS

Käytä ainoastaan alkuperäisiä valmistajan tuottamia varaosia, lisälaitteita ja lisävarusteita. Tämän noudattamatta jättäminen voi johtaa loukkaantumiseen ja huonoon tulokseen ja voi mitätöidä takuun.

VAROITUS

Huolto kaippaa suurta huolellisuutta ja hyvää työkalun tuntemusta: Se on annettava pätevän teknikon tehtäväksi. Suosittelemme, että viet työkalun korjattavaksi lähimpään valtuutettuun liikkeeseen. Käytä vaihdossa yksinomaan alkuperäisiä varaosia.

- Sammuta tuote ja irrota se pistorasiasta, varmista että kaikki liikkuvat osat ovat pysähtyneet täysin ennen puhdistusta tai huoltoa.
- Voit tehdä tässä käyttöoppaassa kuvattuja säätöjä ja korjauksia. Jos laite vaatii muuta huoltoa, ota yhteys valtuutettuun huoltopisteeseen.

- Tarkista ruoholaatikko säännöllisesti kulumisen ja heikkenemisen varalta.
- Puhdista tuote aina käytön jälkeen pehmeällä ja kuivalla liinalla. Valtuutetun huoltopisteen on korjattava tai vaihdettava vioittuneet osat asianmukaisesti.
- Varmista aina, että ruuvit ja mutterit ovat tiukasti kiinni, jotta tuote olisi aina turvallinen ja käyttövalmis.
- Varo laitetta säätäessäsi, että sormet eivät jää liikkuvien terien ja laitteen kiinteiden osien väliin.
- Kun huollat terää, pidä mielessä, että vaikka pistoke on irrotettu pistorasiasta, terät voivat yhä pyöriä.
- Tuotteen terä on hyvin terävä; ole erittäin varovainen ja käytä paksuja käsineitä asettaessasi pulttia paikoilleen ja asentaessasi tai puhdistaessasi sitä ja tarkistaessasi sen kireyttä.
- Vaihda vioittuneet terät ja pultit sarjoina säilyttääksesi tasapainon.

RISKIEN VÄHENTÄMINEN

Reporttien mukaan käsikäyttöisten laitteiden tärinä voi joidenkin kohdalla myötävaikuttaa Raynaud's Syndromen (Raynaudin oireen) ilmenemiseen. Oireita ovat pistely, turtuus ja sormien kalpeneminen, yleensä kylmässä ilmassa. Perinnölliset tekijät, kylmyys ja kosteus, ruokavalio, tupakointi sekä työtavat voivat kaikki myötävaikuttaa näiden oireiden ilmenemiseen. Käyttäjä voi ehkäistä tärinän aiheuttamia vaikutuksia seuraavasti:

- Pidä itsesi lämpimänä kylmällä säällä. Käytä laitteen käytön aikana käsineitä, jotta kätesi ja ranteesi pysyvät lämpöisinä. Reporttien mukaan kylmä ilma on tärkeä tekijä Raynaud's Syndromen (Raunaudin oireiden) ilmenemisessä.
- Harjoita kunkin käyttöjakson jälkeen liikuntaa, jotta verenkierto lisääntyy.
- Pidä työn aikana säännöllisesti taukoja. Rajoita päivittäisen tärinän määrää.

Jos mitään yllä mainittuja oireita ilmenee, lopeta heti laitteen käyttö ja kerro oireista lääkärille.

VAROITUS

Laitteen pitkittynyt käyttö voi aiheuttaa tai vaikeuttaa vammoja. Kun käytät mitä tahansa laitetta pitkiä aikoja, muista pitää säännöllisiä taukoja.

TUNNE TYÖKALUSI.

Katso sivu 119.

Osat

1. Virtapainike
2. Kädensija
3. Moottorin ohjauskaapeli
4. Moottorin hallintakaapelin kiinnike
5. Korkeudensäätövipu
6. Johdon koukku
7. Keruulaatikon täyttymisilmaisin
8. Ruoholaatikko
9. Pikaliitin
10. Takapyörä

11. Etupyörä
12. Silppuripistoke
13. Virtajohto
14. Käynnistyspainike

TUOTTEESSA OLEVAT SYMBOLIT



Lue ja ymmärrä kaikki ohjeet ennen tuotteen käyttöä ja noudata kaikkia varoituksia ja turvallisuusohjeita.



Käytä kuulosuojaimia



Käytä silmäsuojaimia



Älä käytä ruohonleikkuria rinteessä, jonka kaltevuus on yli 15°. Leikkaa ruoho rinteissä poikittain eikä koskaan ylös alas.



Älä altista konetta sateelle tai kosteudelle.



Varo teräviä teriä. Terät pyörivät moottorin sammutuksen jälkeen – Irrota pistoke pistorasiasta ennen huoltoa tai jos johto vioittuu.



Varo sinkoutuneita ja muita lentäviä esineitä. Pidä vierailijat, eritoten lapset ja kotieläimet vähintään 15 m etäisyydessä työskentelyalueelta.



Pidä sähköjohto kaukana leikkuuteristä.



Käynnistä tuote painamalla käynnistyspainiketta ja sitten virtapainiketta (A, B, C tai D). Vapauta käynnistyspainike ja pidä virtapainiketta pohjassa laitetta käyttäessäsi. Sammuta laite vapauttamalla On/Off-painike.



Aja



Stop



Luokan II laite, kaksoiseristetty



Käytöstä poistettavia sähkölaitteita ei pidä hävittää talousjätteiden mukana. Ne on mahdollisuuksien mukaan pantava kiertoon. Kierrätysohjeita antavat kunnan viranomaiset ja vähittäiskauppiat.



Tämä työkalu on sen EU-maan kaikkien sääntömääräisten standardien mukainen, josta se on ostettu.

EurAsian-vaatimustenmukaisuusmerkki.



Taattu äänenteho on 94 dB.



Taattu äänenteho on 95 dB.

Seuraavat signaalisanat ja merkitykset on tarkoitettu selittämään tähän tuotteeseen liittyviä riskin tasoja.

⚠ VAARA

Ilmaisee välitöntä vaaratilannetta, joka ellei sitä vältetä, johtaa kuolemaan tai vakavaan loukkaantumiseen.

⚠ VAROITUS

Ilmaisee potentiaalisen vaaratilanteen, joka ellei sitä vältetä, johtaa kuolemaan tai vakavaan loukkaantumiseen.

⚠ HUOMAUTUS

Ilmaisee potentiaalisen vaaratilanteen, joka ellei sitä vältetä, saattaa johtaa pienempään tai keskivaikkeen loukkaantumiseen.

HUOMAUTUS

Ilman turvallisuusvaroitusymbolia ilmoittaa tilanteesta, jossa omaisuutta saattaa vaurioitua.

TÄMÄN KÄSIKIRJAN KUVAKKEET



Kytke pistorasiaan



Irrota pistorasiasta



Osat ja lisävarusteet on hankittava erikseen



Käytöstä poistettavia sähkölaitteita ei pidä hävittää talousjätteiden mukana. Ne on mahdollisuuksien mukaan pantava kiertoon.



Pidä kädet kaukana teristä.



HUOMAUTUS:



VAROITUS



Pysäytä tuote.

LEIKKUUVINKKEJÄ

- Pitkää ruohoa leikatessasi, kulje hitaammin ja tehosta näin leikkuuta ja ruohon poistumista leikkurista.
- Älä leikkaa märkää nurmikkoa; se tarttuu laitteen alapintaan ja estää ruohon keräystä ja poistoa.
- Uusi tai paksu ruoho voi edellyttää suurempaa leikkuukorkeutta.
- Jos haluat kerätä leikkuujätteet hävitettäväksi, poista siippuritulppa ja aseta keruulaatikko paikoilleen varmistaen, että yläläppä on kunnolla paikoillaan. Tyhjennä keruulaatikko säännöllisesti, tai poistokuilu tukkeutuu leikkuujätteestä.
- Jos teet kevyen leikkauksen ja haluat leikkuujätteiden jäävän nurmikolle, asenna siippuritulppa ja sulje poistoaukon yläläppä. Tällöin ei tarvitse käyttää keruulaatikkoa.
- Leikkuri on suunniteltu toimimaan ja leikkaamaan tehokkaimmin liikkeussaan eteenpäin.

EN

FR

DE

ES

IT

NL

PT

DA

SV

FI

NO

RU

PL

CS

HU

RO

LV

LT

ET

HR

SL

SK

BG

GENERELLE SIKKERHETSADVARSLER

⚠ ADVARSEL

Når produktet brukes må sikkerhetsreglene følges. Les disse instruksjonene før du tar i bruk produktet for din egen sikkerhet og sikkerheten til personer som befinner seg i nærheten. Vennligst ta vare på instruksjonene for fremtidig bruk.

PERSONLIG SIKKERHET

- Gressklipperen er i stand til å amputere ben og armer og kan kaste opp gjenstander. Dersom sikkerhetsanvisningene ikke følges, kan det ha alvorlige personskader eller døden til følge.
- Gjør deg kjent med kontrollene og korrekt betjening av produktet.
- Du må aldri la barn eller personer med nedsatte fysiske, sensoriske eller mentale evner, eller personer som ikke kjenner tid denne bruksanvisningen, å bruke, rengjøre eller vedlikeholdet dette produktet. Lokale forskrifter kan begrense en alder av operatøren. Barn må ha riktig tilsyn for å sikre at de ikke leker med dette elektriske verktøyet.
- Vær våken, følg med på hva du gjør og bruk fornuft når du anvender enheten. Ikke bruk et slikt verktøy dersom du er trøtt eller påvirket av narkotika, alkohol eller medisiner. Tap av konsentrasjon når maskinen brukes kan føre til alvorlig personskade.
- Bruk kraftige langbukser, langermet skjorte, støvler og hansker. Anvend glisikkert fotteøy ved bruk av dette produktet. Du må ikke bruke shorts, smykker, sandaler eller gå barfott. Unngå å bruke klær som er løstsittende eller som har hengende snorer eller belter.
- Bruk alltid vernebriller med sideskjermer.
- Sørg alltid for godt fotfeste. Ha god fotfeste og ballanse til enhver tid. Gå, du må aldri løpe mens du arbeider med maskinen.
- Arbeid langs en skråning, aldri opp og ned. Vær meget forsiktig når du skifter retning i en skråning.
- Ikke bruk produktet nær terrengfall, grøfter, meget bratte skråninger eller fyllinger. Dårlig fotfeste kan føre til at du sklir og faller.

ARBEIDSOMGIVELSER

- Hold barn, tilskuere og dyr på minimum 15 meters avstand, det kan likevel være fare for at noen kan treffes av ting som kastes ut av hekksaksen.
- Gjenstander som blir truffet av kuttebladene kan føre til alvorlig personskade. Inspiser grundig området der gressklipperen skal brukes og fjern alle steiner, pinner, metallbiter, stråltråd, bein, leker og andre fremmedlegemer. Ledninger eller snorer kan surre seg inn i kutteenheten.
- Bruk produktet i dagslys eller under godt kunstig lys.
- Ikke bruk elektrisk verktøy i eksplosive atmosfærer, der det finnes brennbare væsker, gasser eller støv. Elektrisk verktøy skaper gnister som kan antenne støv eller gasser.

- Ikke bruk verktøyet i fuktige og våte omgivelser eller når det regner.
- Ikke bruk gressklipperen når det er fare for lynnedslag.
- Husk at operatøren eller brukeren er ansvarlig for uhell og farer som andre personer og deres eiendom får påført.
- Tragiske uhell kan oppstå dersom operatøren ikke er oppmerksom på barn i nærheten. Barn tiltrekkes ofte av slikt redskap og gressklipping. Du må aldri gå ut i fra at barn forblir på det stedet der du så dem sist.
- Hold barn unna arbeidsområde og under nøye tilsyn av en voksenperson som ikke bruker produktet. Husk å skru av produktet hvis et barn kommer innenfor arbeidssonen.
- Vær spesielt oppmerksom på blindsoner, busker, trær eller andre ting som kan blokkere sikten i forhold til barn.

ELEKTRISK SIKKERHET

- Strømpluggene må passe til kontaktene. Foreta aldri noen form for endringer av støpslet. Ikke bruk noen form for adapterstøpsel til jordet elektrisk verktøy. Umodifiserte støpsler og passende stikkontakter vil redusere risikoen for elektrisk støt.
- Unngå utilsiktet start. Sjekk alltid at bryteren er i avposisjon før du stikker pluggen i stikkontakten. Ikke bær produktet med fingeren på bryteren dersom det er koblet til strømmen.
- Unngå kroppskontakt med jodede overflater, som vannrør, radiatorer, kokeapparater og kjøleaggregater. Det er økt risiko for elektrisk støt dersom kroppen din har kontakt med jord.
- Ikke utsett produktet for regn eller fuktige forhold. Vann som trenger inn i apparatet vil øke risikoen for elektrisk støt.
- Utstyret må få strøm fra en elektrisk kurs med jordfeilbryter som ikke overstiger 30 mA.
- Før bruk, sjekk strømforsyningen og skjøteledningen for tegn på skade og elde. Dersom ledningen blir skadet under bruk, koble den omgående fra strømkilden. **Ikke ta på ledningen før du har koblet fra strømforsyningen.** Ikke bruk produktet hvis ledningen er ødelagt eller slitt.
- Hvis du har behov for å bruke en skjøteledning, sjekk at den er egnet til bruk utendørs og at den har en nominell strømkapasitet som er tilstrekkelig for å forsyne verktøyet ditt. Skjøteledningen må være merket med enten "H05 RN F" eller "H05 VV F". Sjekk skjøteledningen for skader før hver bruk. Rull alltid ut skjøteledningen under bruk for sammenrullede ledninger kan bli overopphetet. Skader på skjøteledninger må ikke repareres med skiftes ut med tilsvarende type ledning.
- Sjekk at ledningen er lagt slik at den ikke kan bli skadet av kutteenheten og at ingen trækker eller snubler i den, eller at ledningen er utsatt for skade eller påkjenning.
- Plukk aldri opp eller bær produktet i den elektriske ledningen.
- Ikke trekk i ledningen for å frigjøre støpslet fra stikkontakten.
- Hold ledningen vekke fra varme, olje og skarpe kanter.



- Påse at den elektriske spenningen stemmer med ditt produkt. En navneplate på produktet viser enhetens spenning. Tilkoble aldri utstyret til en elektrisk kontakt med en spenning som skiller seg fra produktets.
- Sikre alltid at ledningen fra håndtaket til gressklipperens motorenhet aldri blir klemt, sitter fast eller på annen måte kan bli skadet under montering eller sammenbretting av håndtaket. Du må aldri bruke gressklipperen dersom ledningen er skadet. Lever inn på et autorisert serviceverksted for profesjonell reparasjon.
- Strømstans skaper spenningsvariasjoner og kan påvirke andre elektriske apparater på den samme kursen. Koble produktet til en strømforsyning med en impedans mindre enn 0,452Ω - RLM18E40H for å minimalisere spenningsvariasjon. Kontakt det lokale energiverket for å få en ytterligere klargjøring.

GRESSKLIPPER SIKKERHETSADVARSLER

- Før gressklipperen tas i bruk må det foretas en visuell inspeksjon for å fastslå at kniv, knivbolt og klippesett ikke er slitt eller skadet.
- Skift slitte og/eller skadede kniver og bolter i sett for å ivareta balansen.
- Produktets kutteblad er meget skarpt, vær meget forsiktig og bruk arbeidshansker når bladet skal settes på, skiftes ut, rengjøres eller når du sjekker om boltene sitter godt.
- Lever produktet på et autorisert serviceverksted for å skifte ut skadde eller uleselige etiketter.
- Kontroller all mutter, bolter og skruer med jevne mellomrom at de er skrudd fast for å sikre at utstyret er i driftssikker stand.
- Kontroller gressboksen regelmessig for slitasje eller svekkelser.
- Skift ut slitte eller ødelagte deler før du tar i bruk produktet.
- Gressklipperen må startes når brukeren står bak håndtaket i brukerens sikkerhetssone. Du må aldri starte produktet hvis:
 - Ikke alle fire hjul er på bakken.
 - Gressutkasteren er åpen uten at den er beskyttet med kvernepluggen og gressutkasterdekselet eller gressboksen og gressutkasterdekselet.
 - Ikke alle personer har hender og føtter unna kuttedelen.
- Ikke bruk verktøyet hvis bryteren ikke slår verktøyet av og på.
- Du må aldri forsøke å låse På-/av-knappene i PA posisjon. Det er meget farlig.
- Ikke press maskinen. Den vil gjøre jobben bedre og tryggere med den hastigheten den er konstruert for.
- Stopp kniven når du krysser et gruslagt område.
- Ikke dra produktet bakover kun hvis det absolutt er nødvendig. Hvis du må rygge klipperen ut fra en vegg eller en hindring, se ned og bak deg for å unngå å snuble og dernest trekke klipperen over føttene dine.
- Stans motoren så bladet kan stanse all bevegelse hvis produktet skal legges på siden, når du skal transportere den over grunn som ikke er gress og når du skal

transportere produktet til og fra områder der gresset skal klippes.

- Bruk aldri maskinen med defekte beskyttelsesanordninger, eller uten sikkerhetsinnretninger som avvisere og/eller gressboks på plass.
- Ikke bikk produktet mens motoren er i gang. Ikke vipp maskinen når den startes. Dette blottes bladet og øker faren for at noe kan bli slengt opp av rotasjonen.
- Slå på motoren i henhold til instruksjonene og hold hender og føtter vekke fra klippeområdet. Ikke plasser hender eller føtter under roterende deler. Hold deg alltid unna utladingsåpningen. Ikke start motore n dersom du står foran utladingsåpningen.
- Bær eller transporter aldri produktet når det går.
- Stans gressklipperens motor og koble fra strømforsyningen, sjekk at alle bevegelige deler har stanset helt i følgende tilfeller:
 - etterlater produktet uten tilsyn
 - før fjerning av blokkeringer eller tilstopping av oppsamlerposen,
 - før kontroll, rengjøring eller arbeid på gressklipperen
 - Etter å ha truffet et fremmedlegeme, inspiser gressklipperen for skade og utfør reparasjoner som måtte vise seg nødvendig
 - før du fjerner oppsamlingsboksen eller åpner gressutkasterens deksel
 - dersom klipperen begynner å vibrere sterkt (kontroller umiddelbart)
 - Inspiser for skader. Erstatt kniven dersom den på noen måte er skadet.
 - erstatt eller reparer enhver skadet del,
 - Undersøk og stram alle løse deler.
- Unngå hull, hjulspor, humper, steiner og andre skjulte gjenstander. Ujevnt underlag kan føre til at man sklir og fallulykker.

BESKYTTELSESINNRETNING MOT OVERBELASTNING

Produktet har en beskyttelse mot overbelastning. Når overbelastning registreres vil produktet automatisk skru seg av. Dersom beskyttelsen mot overbelastning blir utløst, må motoren kjøle seg ned i 5 til 10 minutter.

Skru av strømmen og dra ut pluggen fra stikkkontakten. Knivbladene er skarpe, bruk profesjonelle vernehansker før du tar på bladene. Sjekk at bladene roterer fritt og ikke er i klem eller for stramme.

Når motoren er avkjølt, sett pluggen i stikkkontakten igjen. Skru på. Trykk på startknappen og deretter på På-/av-knappen for å starte produktet. Dersom produktet ikke starter, må du levere det hos et autorisert serviceverksted for reparasjon.

TILTENKT BRUK

Denne maskinen er kun ment for utendørs bruk.

Dette produktet er ment for klipping av plener i private haver. Kniven skal rotere tilnærmevis parallelt med underlaget den kjøres over. Alle fire hjul skal ha kontakt med underlaget ved klipping. Det er en fotgjengers



marshastighet bak gressklipperen. Produktet er ment å bli dyttet for hånd.

Gressklipperen må aldri brukes med hjulene hevet over bakken, den må ikke trekkes eller bli ridd på. Den skal ikke brukes til annet enn å klippe plener i private hager.

GJENVÆRENDE RISIKO

Selv om utstyret brukes som beskrevet er det ikke mulig å unngå enhver gjenværende risiko. Følgende faresituasjoner kan oppstå ved bruk, og operatøren må legge spesielt vekt på å unngå følgende:

- Personskade på grunn av vibrasjon. Bruk alltid riktig verktøy til jobben, bruk håndtakene og begrens arbeidstiden og eksponeringen.
- Eksponering for støy kan føre til hørselskader. Bruk hørselvern og begrens eksponeringen.
- Kontakt med knivbladene
- Fare for personskade når noe slenges gjennom luften

TRANSPORT OG LAGRING

- Stans produktet, koble fra strømforsyningen, sikre at alle bevegelige deler har stanset helt og la enheten bli helt avkjølt før du setter den på lager eller transporterer den.
- Fjern alle fremmedelementer fra produktet. Lagres på et kjølig, tørt og godt ventilert sted som er utilgjengelig for barn. Hold den borte fra korrosive materialer, så som ugressmidler og veisalt. Ikke oppbevar utendørs.
- Ved transport må du sikre produktet mot at den flytter seg eller kan falle ned for å hindre personskader eller skader på maskinen.

⚠ ADVARSEL

Vær meget forsiktig når du løfter eller velter maskinen på siden for vedlikehold, rengjøring, lagring eller transport. Kuttebladet er skarpt. Hold alle kroppsdeler unna bladet når bladet ligger åpent.

VEDLIKEHOLD

⚠ ADVARSEL

Bruk kun produsentens originale reservedeler, tilleggsutstyr og påsatser. Dersom dette ikke følges, kan det forårsake personskader, dårlig funksjon og kan annullere garantien din.

⚠ ADVARSEL

Service krever meget stor forsiktighet og kunnskap og bør utføres kun av kvalifisert teknisk personale. Vi anbefaler at man sender verktøyet tilbake til nærmeste autoriserte servicesenter for reparasjon. Når service utføres skal kun identiske reservedeler brukes.

- Stans produktet, koble fra strømforsyningen, sikre at alle bevegelige deler har stanset helt før du setter i gang med rensing eller vedlikehold.

- Du kan foreta justeringer og reparasjoner som er beskrevet i denne brukermanualen. For andre reparasjoner, ta kontakt med et autorisert serviceverksted.
- Kontroller gressboksen regelmessig for slitasje eller svekkelser.
- Etter hver bruk, rens produktet med en myk tørr klut. Enhver del som er skadet må repareres eller skiftes ut ved et autorisert serviceverksted.
- Kontroller all mutter, bolter og skruer med jevne mellomrom at de er skrudd fast for å sikre at produktet er i driftssikker stand.
- Vær forsiktig ved justering av maskinen slik at du unngår å få fingrene i klem mellom bevegelige kniver og faste deler av maskinen.
- Når du behandler knivene, vær klar over at de kan fortsatt bevege seg selv om strømtilførselen er slått av.
- Produktets kutteblad er meget skarpt, vær meget forsiktig og bruk arbeidshansker når bladet skal settes på, skiftes ut, rengjøres eller når du sjekker om boltene sitter godt.
- Skift ut de ødelagte bladene og boltene parvis for å opprettholde balansen.

FAREREDUKSJON

Det foreligger rapporter om at vibrasjoner fra håndholdt verktøy for enkelte personer kan bidra til en tilstand som kalles Raynauds Syndrome. Symptomene kan omfatte følelsesløshet og gjøre fingrene bleke, vanligvis synlig ved eksponering til lave temperaturer. Arvelige faktorer, eksponering mot lave temperaturer og fuktighet, diett, røyking og arbeidspraksis blir alle ansett for å kunne bidra til å utvikle disse symptomene. Brukeren kan iverksette tiltak for mulig å redusere virkningene av vibrasjonene:

- Hold kroppen din varm i kaldt vær. Bruk hansker og hold hender og vrister varme ved bruk av gressklipperen. Det er rapportert at kaldt vær er en viktig faktor som bidrar til Raynauds Syndrome.
- Etter hver arbeidsperiode bør det utføres øvelser for å øke blodsirkulasjonen.
- Ta ofte pauser fra arbeidet som utføres. Begrens mengden av eksponering pr. dag.

Hvis du opplever noen av symptomene på denne tilstanden må du øyeblikkelig avbryte arbeidet og oppsøke en lege med disse symptomene.

⚠ ADVARSEL

Hvis man bruker verktøyet for lenge av gangen, kan det føre til eller forverre allerede eksisterende personskade. Når du bruker et verktøy over en lenger tidsperiode, husk å ta regelmessige pauser.

KJENN REDSKAPET.

Se side 119.

Deler

1. På-av knapp
2. Håndtak

3. Motor kontrollkabel
4. Kabelholder motorstyring
5. Høydeinnstiller
6. Ledningskrok
7. Indikator for full oppsamler
8. Gressboks
9. Hurtigkobling
10. Bakhjul
11. Forhjul
12. Mull-plugg
13. Elektrisk ledning
14. Start-knapp

SYMBOLER PÅ PRODUKTET



Les og forstå alle instruksjer før du tar i bruk produktet, følg alle advarsler og sikkerhetsanvisninger.



Bruk hørselsvern



Bruk øyebeskyttelse



Ikke kjør klipperen i helninger på mer enn 15°. Klipp gresset på tvers av skråninger, aldri opp og ned.



Ikke utsette for regn eller fuktige forhold.



Vær oppmerksom på skarpe blader. Bladene fortsetter å rotere etter at motoren er skrudd av - Fjern pluggen fra strømuttaket før vedlikehold eller hvis ledningen er ødelagt.



Vær oppmerksom på utkastede eller flygende gjenstander. Hold alle tilskuere (spesielt barn og dyr) minst 15 m vekk fra arbeidsområdet.



Hold strømledningen unna knivbladene.



Trykk på startknappen og deretter på På-/av-knappen (A, B, C eller D) for å starte produktet. Slipp startknappen og hold inne På-/av-knappen for å kjøre klipperen. Slipp På/Av-knappen for å stanse produktet.



Gå



Stopp



Klasse II verktøy, dobbelisolasjon



Avfall fra elektriske produkter skal ikke kastes sammen med husholdningsavfall. Vennligst resirkulervedeksisterende avfallsbehandlingssted. Undersøk hos dine lokale myndigheter eller forhandler for råd om resirkulering.



Dette verktøyet overholder samtlige standarder i det EU-landet det er kjøpt i.



EurAsian Konformitetstegn.



Garantert lydeffektnivå er 94 dB.



Garantert lydeffektnivå er 95 dB.

Følgende symboler og betydninger forklarer risikonivået som er assosiert med dette produktet.

FARE

Indikerer en øyeblikkelig farlig situasjon, som, hvis ikke unngås, kan resultere i død eller alvorlig personskade.

ADVARSEL

Indikerer en potensiell farlig situasjon, som, hvis ikke unngås, kan resultere i død eller alvorlig personskade.

FORSIKTIGHETSREGEL

Indikerer en potensiell farlig situasjon, som, hvis ikke unngås, kan resultere i mindre eller moderat personskade.

FORSIKTIGHETSREGEL

Uten sikkerhetsvarselsymbol
Indikerer en situasjon som kan føre til skade på eiendom.

IKON I DENNE MANUALEN



Tilkoble til strømkontakten



Ta ut av strømkontakten



Deler eller tilbehør solgt separat



Avfall fra elektriske produkter skal ikke kastes sammen med husholdningsavfall. Vennligst resirkulervedeksisterende avfallsbehandlingssted.



Hold hendene vekke fra kniven.



MERK:



ADVARSEL



Stans produktet.

GRESSKLIPPINGSRÅD

- Når du kutter høyt gress, senk hastigheten på gange for å få en mer effektiv klipping og riktig utslipp av klippet gress.
- Ikke kutt vått gress. Det vil feste seg til undersiden av dekselet og hindre at kuttet gress blir samlet opp eller kastet ut riktig.
- Nytt eller tykt gress kan kreve større klippehøyde.
- Dersom du ønsker å samle gresset for å kaste det, fjern kvernepluggen og sett på gressoppsamleren. Husk å sjekke at topplokket sitter godt. Husk å tømme gressoppsamleren regelmessig, ellers vil utkaståpningen bli blokkert med gress.
- Hvis du skal klippe gresset bare litt og ønsker at det som er klippet skal bli liggende på plenen, kan du sette på kvernepluggen og lukke topplokket for å tildekke utkaståpningen. Da er det ikke nødvendig å sette på gressoppsamleren.
- Gressklipperen er ment å brukes ved å trille framover og det er da den er mest effektiv.

EN
FR
DE
ES
IT
NL
PT
DA
SV
FI
NO
RU
PL
CS
HU
RO
LV
LT
ET
HR
SL
SK
BG

ОБЩИЕ ПРАВИЛА БЕЗОПАСНОСТИ

⚠ ОСТОРОЖНО

При использовании устройства необходимо соблюдать правила техники безопасности. В целях собственной безопасности и безопасности наблюдающих лиц перед использованием устройства прочитайте приведенные в данном руководстве инструкции. Сохраните данные инструкции для последующего использования.

ЛИЧНАЯ БЕЗОПАСНОСТЬ

- Ненадлежащее использование газонокосилки может привести к ампутации рук и ног, газонокосилка также может разбрасывать различные предметы, падающие под нее. Отказ соблюдать все инструкции безопасности, может закончиться серьезным ущербом или смертью.
- Изучите органы управления и правила использования данного устройства.
- Никогда не позволяйте детям или людям с ограниченными физическими, сенсорными или умственными способностями, а также людям, незнакомым с этими инструкциями, работать с этим устройством, выполнять его очистку и техническое обслуживание. Местные инструкции могут ограничить возраст оператора. Не допускайте того, чтобы дети играли с этим электроинструментом.
- Следует соблюдать осторожность, следить за своими действиями и руководствоваться здравым смыслом при работе с устройством. Не используйте косилку, в то время как утомлены или под влиянием наркотиков, алкоголя, или лечения. Недостаточная внимательность во время работы с устройством может привести к получению серьезной травмы.
- Надевайте длинные плотные брюки, одежду с длинными рукавами, ботинки и перчатки. При работе с данным изделием надевайте нескользящую защитную обувь. Не работайте в шортах, сандалиях, в бижутерии или босиком. Не надевайте свободную одежду или одежду со свисающими шнурками или узлами.
- Всегда надевать небьющиеся очки с щитами стороны.
- Сохраняйте устойчивость во время работы. Держать устойчивую опору и баланс. Передвигайтесь шагом, не бегайте.
- При работе на склонах двигайтесь вдоль склона, а не вниз или вверх. Осуществлять чрезвычайное предостережение при изменении направления на склонах.
- Не используйте устройство вблизи обрывов, рвов, очень крутых склонов или насыпей. Бедная опора может причинить несчастный случай промаха и падения.

БЕЗОПАСНОСТЬ НА РАБОЧЕМ МЕСТЕ

- Не допускайте присутствия детей, посторонних и домашних животных в радиусе 15 метров от места работы, так как существует опасность отбрасывания различных объектов.
- Объекты, пораженные лезвием косилки лужайки, могут причинять серьезные повреждения людям. Тщательно осмотрите участок, где предполагается использовать газонокосилку, и уберите все камни, палки, металлические части, проволоку, кости, игрушки и другие посторонние предметы. Провода или шнуры могут запутаться в режущих деталях.
- Используйте изделие при дневном свете или хорошем искусственном освещении.
- Не используйте изделия с аккумуляторным питанием во взрывоопасной среде, например, при наличии легковоспламеняющихся жидкостей, газов или пыли. В устройстве могут образовываться искры, что может привести к воспламенению пыли или газа.
- Не работайте с устройством во влажной траве или под дождем.
- Не используйте газонокосилку, если может начаться гроза.
- Иметь в виду, что оператор или пользователь ответственны за несчастные случаи или опасности, встречающиеся другим людям или их собственности.
- Трагические несчастные случаи могут происходить, если оператор - не внимателен к присутствию детей. Детей часто привлекает машина и скашивающая деятельность. Никогда не предполагать, что дети останутся, там, где вы видели их.
- Не допускайте присутствия детей в рабочей зоне, они должны быть под присмотром, если находятся вблизи места проведения работ. Будьте внимательны и выключайте устройство, если в рабочей зоне появится ребенок.
- Использовать дополнительную осторожность при приближении к не просматриваемым поворотам, кустам, деревьям, или другим объектам, которые могут скрыть ребенка от вашего взгляда.

ЭЛЕКТРОБЕЗОПАСНОСТЬ

- Вилка должна соответствовать розетке. Не подвергайте вилку кабеля каким-либо изменениям. Не используйте какие-либо переходники с электроинструментами с заземляющим проводом. Использование оригинальных штепсельных вилок и соответствующих розеток предотвращает опасность поражения электрическим током.
- Избегайте неумышленного старта. Прежде чем подключать устройство к источнику электропитания, убедитесь, что выключатель находится в положении «Выкл.». Не несите включенное изделие с вашим пальцем на выключателе.
- Не допускайте контакта частей тела с поверхностями заземленных предметов, таких как трубы, радиаторы отопления, кухонные плиты, холодильники. При соприкосновении частей тела



человека с заземленными участками возрастает опасность поражения электрическим током.

- Категорически запрещается использование этого продукта в условиях повышенной влажности. Попадание влаги в устройство может привести к выходу его из строя или поражению электрическим током.
- Электропитание на устройство должно подаваться через устройство защитного отключения (RCD) с силой тока размыкания не более 30 мА.
- Перед использованием изделия проверьте шнур питания на наличие признаков повреждения или старения. Если шнур был поврежден во время использования, немедленно отсоедините шнур от источника питания. **Не прикасайтесь к шнуру, пока он не будет отсоединен от электропитания.** Не используйте изделие, если шнур поврежден или изношен.
- Если необходимо использовать удлинительный шнур, убедитесь, что он подходит для использования вне помещений, и допустимый ток достаточен для питания инструмента. Удлинительный шнур должен быть маркирован «H05 RN-F» или «H05 VV-F». Проверьте удлинительный шнур перед каждым использованием на предмет повреждений. Всегда разматывайте удлинительный шнур во время эксплуатации устройства, потому что спиральные шнуры могут перегреваться. Поврежденные удлинители не подлежат ремонту, их следует заменять аналогичным устройством.
- Убедитесь, что шнур питания расположен так, что невозможно на него наступить, споткнуться об него или повредить каким-либо иным способом.
- Запрещается тянуть за кабель питания для поднятия или перемещения изделия.
- Запрещается тянуть за кабель питания, чтобы отключить его от сети.
- Не раскладываете кабель питания вблизи источников тепла, емкостей с маслом и острых предметов.
- Убедитесь в том, что напряжение сети соответствует номинальному напряжению изделия. В паспортной табличке устройства указано его номинальное напряжение. Запрещается подключать устройство к сети переменного тока, напряжение которой отличается от указанного.
- Всегда следите за тем, чтобы шнур, идущий от ручки газонокосилки, не был зацеплен, пережат и поврежден каким-либо иным образом во время сборки или складывания ручки. Никогда не подключайте газонокосилку к электропитанию, если этот шнур поврежден. Обратитесь в авторизованный сервисный центр для профессионального ремонта.
- Резкое увеличение нагрузки приводит к флуктуации напряжения, что может повлиять на работу других электроприборов, подключенных к данной линии питания. Для снижения флуктуаций напряжения подключите устройство к сети питания с полным сопротивлением, не превышающим 0.452Ω - RLM18E40H. За подробными разъяснениями

обращайтесь к поставщику электроэнергии.

ПРЕДОСТЕРЕЖЕНИЯ ОТНОСИТЕЛЬНО БЕЗОПАСНОГО ПОЛЬЗОВАНИЯ ГАЗОНОКОСИЛКИ

- Перед работой всегда проверяйте инструмент на наличие износа или повреждений режущего лезвия, болтов для его крепления полотна и режущего узла.
- Замените изношенные или поврежденные режущие лезвия и болты в комплекте, чтобы обеспечить балансировку.
- Лезвие, используемое в устройстве, очень острое, будьте предельно осторожны и выполняйте установку, замену, очистку и проверку затяжки болтов в защитных перчатках.
- Обратитесь в авторизованный сервисный центр для замены поврежденных или нечитаемых этикеток.
- Проверить все болты, задвижки, и винты, через короткие интервалы, на надлежащую плотность, чтобы убедиться, что оборудование находится в безопасном, рабочем состоянии.
- Чаще проверяйте контейнер для травы на наличие износа и повреждений.
- Замените изношенные или поврежденные детали перед началом эксплуатации устройства.
- При запуске газонокосилки оператор должен за ручками в безопасной зоне. Запрещается запускать устройство, если не выполнены указанные ниже условия.
 - Все четыре колеса находятся на земле.
 - Желоб выброса травы закрыт заглушкой для мульчирования и крышкой желоба выброса травы или сборником срезанной травы и крышкой желоба выброса травы.
 - Оператор и другие находящиеся поблизости лица носят спецодежду, защищающую их ноги и руки от порезов.
- Не пользуйтесь устройством, если выключатель не включается или не выключается.
- Никогда не пытайтесь заблокировать выключатели в положении «ВКЛ.», это крайне опасно.
- Не прикладывайте чрезмерных усилий при работе с данным инструментом. Лучше и безопаснее выполнить работу на той скорости, на которую устройство рассчитано.
- При пересечении участков, покрытых гравием, остановите режущее лезвие.
- Не тяните устройство назад без крайней необходимости. Если вам потребуется отодвинуть устройство от стены или иного ограждения, сначала посмотрите под ноги и назад, чтобы не повредить себе ноги при его перемещении.
- Остановите двигатель и дождитесь остановки лезвия, если газонокосилку необходимо наклонить для перевозки при пересечении не покрытых травой поверхностей и при транспортировке устройства к месту скашивания и из него.
- Никогда не пользуйтесь устройством с поврежденными защитными приспособлениями или щитками или без защитных устройств, например,





без отражателей и/или контейнеров для травы.

- Не наклоняйте устройство во время работы двигателя. Не наклоняйте инструмент при его включении. При этом открывается лезвие и повышается вероятность опасного вылетания объектов.
- Включите двигатель в соответствии с инструкциями и не допускайте попадания рук и ног в зону стрижки. Не держите руки или ноги вблизи вращающихся деталей или под ними. Держите свободным разгрузку, открывающейся всегда. Не начат двигатель, когда стоите перед разгрузочным желобом.
- Ни в коем случае не перемещайте устройство при работающем двигателе.
- Остановите двигатель газонокосилки и отключите ее от электропитания, убедитесь, что все движущиеся части полностью остановились в следующих случаях:
 - Оставление изделия без присмотра
 - перед устранением засора или очисткой бункера,
 - перед проверкой, очисткой или эксплуатацией устройства
 - Если устройство столкнулось с посторонним предметом, осмотрите устройство на наличие повреждений, при необходимости выполните ремонт
 - перед снятием сборника срезанной травы или открытия крышки желоба выброса травы
 - если устройство начинает необычно вибрировать (проверьте немедленно)
 - Осмотрите устройство на предмет повреждений. Замените режущее лезвие, если оно имеет неравномерный износ или каким-либо образом повреждено.
 - замените или отремонтируйте поврежденные детали,
 - Проверьте и, при необходимости, затяните ослабленные детали.
- Избежать отверстий, колеи, ударов, камней, или других скрытых объектов. Неровный ландшафт может причинять несчастный случай промаха и падения.

УСТРОЙСТВО ЗАЩИТЫ ОТ ПЕРЕГРУЗОК

Изделие имеет устройство защиты от перегрузки. При обнаружении перегрузки изделие автоматически выключается. Если срабатывает устройство защиты от перегрузки, необходимо дать двигателю остыть 5-10 минут.

Выключите питание и выньте вилку из розетки. Лезвия имеют острые кромки, наденьте прочные перчатки перед тем, как прикасаться к нему. Убедитесь, что лезвие может вращаться свободно без заедания и сопротивления.

Когда двигатель охладился, вставьте вилку в розетку. Включите питание. Нажмите кнопку Пуск, а затем кнопку включения/выключения для запуска устройства. Если изделие все равно не запускается, обратитесь в

авторизованный сервисный центр для ремонта.

НАЗНАЧЕНИЕ

Данное изделие предназначено только для работы вне помещений.

Данное устройство предназначено для стрижки газонов в бытовых условиях. Режущее лезвие должно вращаться примерно параллельно поверхности, по которой перемещается газонокосилка. Во время стрижки все четыре колеса должны касаться земли. Следование за работающей газонокосилкой требует особого внимания от оператора. Устройство предназначено для толкания вручную.

Не допускайте отрыва колес газонокосилки от земли во время работы, ее также не следует дергать и использовать для катания. Устройство можно использовать исключительно для стрижки газонов в бытовых условиях.

БУДЬТЕ ВСЕГДА ОСТОРОЖНЫ

Даже при использовании данного инструмента строго по назначению, невозможно полностью исключить отдельные факторы риска. При эксплуатации могут возникнуть следующие ситуации, которым пользователь должен уделять особое внимание, чтобы избежать проблем:

- Травмы, вызываемые вибрацией. Применяйте инструмент только по своему назначению, используйте надлежащие ручки и соблюдайте рабочий режим.
- Воздействие шума может привести к повреждению слуха. Носите устройства защиты слуха и ограничивайте продолжительность шумового воздействия
- Контакт с лезвиями
- Получение травмы от отбрасываемых объектов

ТРАНСПОРТИРОВКА И ХРАНЕНИЕ

- Остановите устройство и отключите от электропитания, убедитесь, что все движущиеся части полностью остановились, и дайте устройству остыть перед постановкой на хранение или транспортировкой.
- Очистите устройство от всех посторонних материалов. Храните его в прохладном, сухом, хорошо проветриваемом и недоступном для детей месте. Не держите бензопилу рядом с коррозионными веществами, такими как садовые химикаты или размораживающая соль. Не храните на открытом воздухе.
- Для транспортировки закрепите устройство так, чтобы оно не могло перемещаться или упасть во избежание травмирования персонала или повреждения устройства.

EN
FR
DE
ES
IT
NL
PT
DA
SV
FI
NO
RU
PL
CS
HU
RO
LV
LT
ET
HR
SL
SK
BG



⚠ ОСТОРОЖНО

Будьте предельно осторожны при подъеме или наклоне устройства для технического обслуживания, очистки, хранения или транспортировки. Лезвие очень острое. Если лезвие оказывается открытым, держите его подальше от тела.

ТЕХНИЧЕСКОЕ ОБСЛУЖИВАНИЕ

⚠ ОСТОРОЖНО

Используйте только оригинальные запчасти, аксессуары и насадки от производителя. Невыполнение этого требования может привести к травме, к снижению производительности и к аннулированию гарантии.

⚠ ОСТОРОЖНО

Обслуживание требует чрезвычайной заботы и знания и должно быть выполнено только квалифицированным техником обслуживания. Для обслуживания мы предлагаем, чтобы вы возвратили изделие вашему самому близкому уполномоченному центру обслуживания для ремонта. При обслуживании использовать только идентичные сменные части.

- Остановите устройство и отключите от электропитания, убедитесь, что все движущиеся части полностью остановились, перед чистой или техническим обслуживанием устройства.
- Вы можете также выполнить другие виды регулировки и ремонтные работы, описанные в данном руководстве. По вопросу ремонта обращайтесь в авторизованный сервисный центр.
- Чаще проверяйте контейнер для травы на наличие износа и повреждений.
- После каждого использования протирайте изделие мягкой сухой тканью. В случае повреждения какой-либо детали необходимо обратиться в авторизованный сервисный центр для выполнения надлежащего ремонта или замены.
- Проверить все болты, задвижки, и винты, через короткие интервалы, на надлежащую плотность, чтобы убедиться, что изделие находится в безопасном, рабочем состоянии.
- При регулировке инструмента соблюдайте осторожность во избежание попадания пальцев между движущимися режущим полотном и неподвижными деталями инструмента.
- При обращении с режущими лезвиями помните, что даже при отключении от сети питания лезвия могут перемещаться.
- Лезвие, используемое в устройстве, очень острое, будьте предельно осторожны и выполняйте установку, замену, очистку и проверку затяжки болтов в защитных перчатках.

- Заменяйте поврежденные лезвия и болты комплектом для обеспечения балансировки.

СНИЖЕНИЕ РИСКА

Считается, что вибрация ручного инструмента может привести к проявлению у отдельных лиц так называемой болезни Рейно (Raynaud's Syndrome). К симптомам могут относиться покалывание, онемение и побеление пальцев (как при переохлаждении). Считают, что наследственные факторы, охлаждение и влажность, диета, курение и практический опыт способствуют развитию этих симптомов. Ниже приводятся меры, которые может принять оператор для снижения воздействия вибрации:

- Одевайтесь теплее в холодную погоду. При работе с устройством пользуйтесь перчатками, чтобы руки и запястья были в тепле. Считается, что холодная погода является основным фактором, способствующим возникновению болезни Рейно (Raynaud's Syndrome).
- После каждого этапа работы выполните упражнения для усиления кровообращения.
- Чаще делайте перерывы в работе. Сократите длительность ежедневного пребывания на открытом воздухе.

При появлении каких-либо из указанных симптомов сразу же прекратите работу и обратитесь по их поводу к врачу.

⚠ ОСТОРОЖНО

Слишком продолжительное использование инструмента может привести к травме. При использовании инструмента в течение длительного времени делайте регулярные перерывы.

ОВЛАДЕЙТЕ СВОИМ ИНСТРУМЕНТОМ.

См. стр. 119.

Детали

1. Кнопка включения/выключения
2. Рукоятка
3. Управляющий кабель двигателя
4. Держатель кабеля дистанционного управления двигателем
5. Рычаг регулирования высоты
6. Держатель шнура
7. Индикатор заполнения сборщика срезанной травы
8. Контейнер для травы
9. Быстроразъемная защелка
10. Заднее колесо
11. Переднее колесо
12. Заглушка для мульчирования
13. Кабель питания
14. Кнопка пуска

УСЛОВНЫЕ ОБОЗНАЧЕНИЯ НА ПРОДУКТЕ



Внимательно прочитайте все инструкции перед началом работы с продуктом, соблюдайте все предупреждения и инструкции по безопасности.



Следует надевать средства защиты органов слуха



Используйте средства защиты органов зрения



Не производите работы на склонах с углом наклона более 15°. Не косит поперек наклонов, никогда вверх и вниз.



Не подвергайте инструмент воздействию дождя и не используйте в условиях повышенной влажности.



Будьте предельно внимательными с острыми лезвиями. Лезвие продолжает вращаться после выключения двигателя - Перед проведением технического обслуживания или в случае повреждения шнура извлеките вилку из розетки.



Помните об опасности, которую представляют собой отбрасываемые устройством или вылетающие из-под него предметы. Не подпускайте посторонних лиц, особенно детей и домашних животных, ближе чем на 15 метров к месту проведения работ.



Держите гибкий шнур питания подальше от режущих лезвий.



Нажмите кнопку Пуск, а затем кнопку включения/выключения (A, B, C или D) для запуска устройства. Отпустите кнопку Пуск и держите кнопку включения/выключения нажатой для работы устройства. Отпустите кнопку включения/выключения для останова продукта.



Пуск



Стоп



Инструмент класса II, двойная изоляция



Отработанная электротехническая продукция должна уничтожаться вместе с бытовыми отходами. Утилизируйте, если имеется специальное техническое оборудование. По вопросам утилизации проконсультируйтесь с местным органом власти или предприятием розничной торговли.



Настоящий инструмент отвечает всем официальным стандартам страны ЕС, в которой он был приобретен.



Знак Евразийского Соответствия



Гарантируемый уровень звуковой мощности составляет 94 дБ.



Гарантируемый уровень звуковой мощности составляет 95 дБ.

Следующие сигнальные слова и значения предназначены, чтобы объяснить уровни риска, связанного с этим изделием.

⚠ ОПАСНО

Указывает неизбежно опасную ситуацию, которая, если не избежать, кончится смертельным или серьезным ущербом.

⚠ ОСТОРОЖНО

Указывает потенциально опасную ситуацию, которая, если не избежать, может кончиться смертельным или серьезным ущербом.

⚠ ПРЕДОСТЕРЕЖЕНИЕ

Указывает потенциально опасную ситуацию, которая, если не избежать, может кончиться малым или уменьшенным ущербом.

ПРЕДОСТЕРЕЖЕНИЕ

Употребляется без предупреждающего знака. Указывает на ситуацию, которая может привести к повреждению имущества.

ОБОЗНАЧЕНИЯ, ИСПОЛЬЗУЕМЫЕ В ДАННОМ РУКОВОДСТВЕ



Подключение к сетевой розетке



Отсоединение от сетевой розетки



Детали или принадлежности, приобретаемые отдельно

EN
FR
DE
ES
IT
NL
PT
DA
SV
FI
NO
RU
PL
CS
HU
RO
LV
LT
ET
HR
SL
SK
BG



Отработанная электротехническая продукция должна уничтожаться вместе с бытовыми отходами. Утилизируйте, если имеется специальное техническое оборудование.



Не касайтесь режущих полотен.



ПРИМЕЧАНИЕ:



ОСТОРОЖНО



Остановите устройство.

СКОС ВЕРХУШЕК

- При сокращении длинной травы, уменьшить скорость, чтобы учесть более эффективное сокращение и надлежащую разгрузку отсечения.
- Не скашивайте мокрую траву, она будет прилипать к нижней части платформы и нарушать надлежащий сбор или выброс скошенной травы.
- Для стрижки свежей или густой травы может потребоваться увеличение высоты стрижки.
- Чтобы собирать срезанную траву для последующего выбрасывания, снимите заглушку для мульчирования и установите сборщик срезанной травы, следя за тем, чтобы верхняя крышка была закрыта. Регулярно выбрасывайте содержимое сборщика срезанной травы, иначе разгрузочный желоб забьется обрезками травы.
- Если вы хотите немного подрезать траву и оставить обрезки на газоне, установите заглушку для мульчирования и закройте верхнюю крышку, чтобы выход из разгрузочного желоба был закрыт. В этом случае нет необходимости устанавливать сборщик срезанной травы.
- Конструкция газонокосилки такова, что она работает и скашивает траву наиболее эффективно при движении вперед.

OGÓLNE OSTRZEŻENIA DOTYCZĄCE BEZPIECZEŃSTWA

⚠ OSTRZEŻENIE

Podczas używania tego urządzenia należy przestrzegać odpowiednich zasad bezpieczeństwa. Aby zapewnić bezpieczeństwo sobie i osobom postronnym, przed przystąpieniem do użytkowania urządzenia należy zapoznać się z niniejszą instrukcją. Niniejszą instrukcję należy przechowywać w bezpiecznym miejscu do późniejszego użytku.

BEZPIECZEŃSTWO OSOBISTE

- Niewłaściwe użycie kosiarki grozi amputacją rąk i nóg, a ponadto kosiarka może wyrzucać spod siebie różne przedmioty. Nieprzestrzeganie wszelkich zasad bezpieczeństwa grozi poważnym zranieniem lub śmiercią.
- Zapoznać się z elementami sterowania i właściwym sposobem obsługi urządzenia.
- Nie wolno pozwalać obsługiwać, czyścić ani konserwować tego urządzenia dzieciom lub osobom o ograniczonych zdolnościach fizycznych, sensorycznych lub umysłowych ani osobom, które nie przeczytały tych instrukcji. Przepisy lokalne mogą ograniczać dopuszczalny wiek operatora. Należy dopilnować, aby dzieci nie bawiły się elektronarzędziem.
- Posługując się urządzeniem, należy zachować czujność i kierować się zdrowym rozsądkiem. Nie wolno używać kosiarki będąc zmęczonym, pod wpływem leków, alkoholu lub środków odurzających. Utrata koncentracji podczas pracy urządzenia może spowodować poważne obrażenia ciała.
- Założyć grube, długie spodnie, koszulę/bluzę z długim rękawem, wysokie buty i rękawice. Podczas korzystania z tego produktu należy zakładać wysokie, antypoślizgowe obuwie ochronne. Nie noście biżuterii, krótkich spodenek, sandałów i nigdy nie pracujcie na bosą. Unikać zakładania luźnej odzieży, ze sznurkami lub krawatem.
- Podczas pracy należy mieć założone okulary ochronne z osłonami bocznymi.
- Zawsze zwracać uwagę na zachowanie bezpiecznej odległości stóp od urządzenia. Stać stabilnie, zachowując równowagę. Podczas pracy należy chodzić, nie wolno biegać.
- Pochyłe tereny należy kosić wzdłuż zbocza, nigdy do góry i w dół. Zachować szczególną ostrożność podczas zmiany kierunku jazdy na pochylonym terenie.
- Nie używać produktu w pobliżu urwisk, rowów, zbyt stromych zboczy lub nabrzeży. Brak pewnego oparcia dla stóp grozi poślizgiem i upadkiem.

OTOCZENIE ROBOCZE

- Dzieci, osoby postronne i zwierzęta należy trzymać w odległości minimum 15 metrów od miejsca pracy, aby uniknąć ich zranienia przez odrzucane przedmioty.
- Obiekty uderzone przez tarczę tnącą mogą być

przyczyną poważnego zranienia osób. Dokładnie sprawdzić obszar, na którym będzie używane urządzenie i usunąć wszystkie kamienie, gałęzie, przewody, kości, zabawki i inne przedmioty obcego pochodzenia. Druty lub sznurki mogą zostać pochwycone przez przyrząd tnący.

- Produkt należy używać przy świetle dziennym lub przy dobrym oświetleniu sztucznym.
- Nie używać urządzenia w atmosferze wybuchowej, np. w obecności łatwopalnych cieczy, gazów i pyłów. Narzędzie wytwarza iskry, co może spowodować zapłon pyłu lub oparów.
- Nie używać narzędzia na mokrej trawie lub podczas deszczu.
- Nie używać kosiarki, jeśli spodziewane są wyładowania atmosferyczne.
- Należy pamiętać, że operator lub użytkownik jest odpowiedzialny za spowodowanie wypadku lub zagrożenia bezpieczeństwa osób i mienia.
- Może dojść do tragicznego wypadku, jeśli operator nie zauważy obecności dzieci. Kosiarka i proces koszenia często przyciąga uwagę dzieci. Nie wolno nigdy zakładać, że dzieci pozostają tam, gdzie je ostatnio widziano.
- Należy zwrócić uwagę, aby dzieci nie znajdowały się na miejscu pracy oraz aby przebywały pod czujną opieką osoby dorosłej, innej niż operator. Należy zachować ostrożność i wyłączyć urządzenie, gdy dziecko znajdzie się na miejscu pracy.
- Zachować szczególną ostrożność zbliżając się do narożników, krzewów, drzew lub innych obiektów, które mogą przeszkodzić w zauważeniu dziecka.

ZASADY BEZPIECZEŃSTWA DOTYCZĄCE OBSŁUGI URZĄDZEŃ ELEKTRYCZNYCH

- Wtyczka musi pasować do gniazda elektrycznego. Nie wolno modyfikować wtyczek w żaden sposób. Nie wolno używać żadnych przejściówek do podłączania urządzeń posiadających przewód zasilania z uziemieniem. Stosowanie oryginalnych wtyczek i dopasowanych gniazd sieciowych zmniejsza ryzyko porażenia prądem.
- Unikać możliwości przypadkowego uruchomienia urządzenia. Przed podłączeniem produktu do źródła zasilania zawsze należy sprawdzać, czy przełącznik znajduje się w położeniu wyłączenia (Off). Nie wolno przenosić podłączonego do prądu produktu, trzymając palec na wyłączniku.
- Unikać kontaktu ciała z powierzchniami uziemionymi lub podłączonymi do bieguna zerowego, np. rury, instalacje grzewcze i chłodnicze. Kontakt ciała z masą lub uziemieniem zwiększa ryzyko porażenia prądem.
- Nie narażać tego produktu na działanie deszczu lub wody. Woda dostająca się do urządzenia stwarza zagrożenie porażenia prądem.
- Urządzenie powinno być zasilane przez wyłącznik różnicowo-prądowy (RCD), o prądzie zadziałania nie większym niż 30 mA.
- Przed użyciem sprawdzić przewód zasilający i kabel przedłużający pod kątem uszkodzeń lub zużycia. Jeśli

kabel zostanie uszkodzony w trakcie użytkowania, należy natychmiast odłączyć kabel od źródła zasilania. **Nie wolno dotykać kabla przed odłączeniem go od źródła zasilania.** Nie należy używać produktu, jeśli kabel jest uszkodzony lub zużyty.

- Jeśli konieczne jest użycie przedłużacza, należy upewnić się, że nadaje się on do stosowania na zewnątrz pomieszczeń oraz że ma parametry (moc podłączonych urządzeń) umożliwiające podłączenie danego urządzenia. Przedłużacz powinien mieć oznaczenie „H05 RN F” lub „H05 VV F”. Przed każdym użyciem należy sprawdzić, czy przedłużacz nie jest uszkodzony. Przedłużacz zawsze należy rozwijać podczas użytkowania, ponieważ zwinięte kable mogą ulec przegrzaniu. Nie wolno naprawiać uszkodzonych przedłużaczy. Należy wymienić je na produkt o takich samych parametrach.
- Należy upewnić się, że przewód zasilający jest umieszczony w taki sposób, że nie można go uszkodzić poprzez przecięcie, nie zostanie nadepnięty, zaczepony lub uszkodzony lub narażony w inny sposób.
- Nie podnosić ani nie przenosić produktu za przewód elektryczny.
- Nie ciągnąć za przewód zasilania w celu wyjęcia wtyczki z gniazda.
- Przewód zasilania trzymać z dala od źródeł ciepła, oleju i ostrych krawędzi.
- Upewnić się, że napięcie zasilania jest odpowiednie dla tego produktu. Napięcie zasilania tego produktu podano na tabliczce znamionowej. Nie podłączać urządzenia do zasilania prądem AC o napięciu innym niż znamionowe.
- Należy dopilnować, aby przewód na odcinku od uchwytu do korpusu kosiarki nigdy nie został zablokowany, przytrzaśnięty lub w inny sposób uszkodzony podczas montażu lub składania uchwytu. Nie wolno podłączać kosiarki do źródła zasilania, jeśli kabel jest uszkodzony. Przekazać urządzenie do autoryzowanego punktu serwisowego w celu przeprowadzenia naprawy.
- Impuls elektryczny powoduje wahania napięcia i może wpływać na pracę innych urządzeń elektrycznych podłączonych do tej samej linii zasilającej. Podłącz produkt do źródła zasilania o impedancji równej lub mniejszej niż 0.452Ω - RLM18E40H, aby ograniczyć wahania napięcia. Skontaktuj się z dostawcą energii elektrycznej, aby uzyskać szczegółowe informacje.

OSTRZEŻENIA DOTYCZĄCE BEZPIECZEŃSTWA ZWIĄZANEGO Z KOSIARKĄ

- Przed użyciem zawsze sprawdzić wizualnie, czy ostrza, śruby ostrza oraz zespół tnący nie są zużyte lub uszkodzone.
- Wymienić zużyte lub uszkodzone całe zestawy ostrzy i śrub, aby zachować wyważenie.
- Ostrze produktu jest bardzo ostre. Przy montażu, wymianie, czyszczeniu lub kontroli dokręcenia śrub należy zachować szczególną ostrożność i nosić grube rękawice ochronne.
- Jeśli etykiety są uszkodzone lub nieczytelne, należy

zwrócić produkt do punktu serwisowego w celu wymiany etykiety.

- Systematycznie sprawdzać, czy wszystkie nakrętki, wkręty i śruby są dobrze dokręcone, aby upewnić się, że kosiarka jest w bezpiecznym stanie.
- Regularnie sprawdzać kosz na trawę pod względem zużycia lub uszkodzeń.
- Wymienić zużyte lub uszkodzone części przed rozpoczęciem pracy z produktem.
- Kosiarkę można uruchomić wyłącznie wtedy, gdy użytkownik znajduje się za uchwytami w bezpiecznej strefie użytkownika. Nie wolno uruchamiać produktu, jeśli:
 - Wszystkie cztery koła nie znajdują się na ziemi.
 - Otwór wylotowy trawy jest odsłonięty i nie jest zabezpieczony osłoną do mulczowania i osłoną wylotową trawy lub koszem na trawę i osłoną otworu wylotowego.
 - Dłonie i stopy wszystkich osób znajdują się w pobliżu ostrzy.
- Nie wolno używać tego urządzenia, jeśli wyłącznik nie pracuje poprawnie.
- Nigdy nie wolno blokować włączników/wyłączników w położeniu włączenia (ON). Jest to bardzo niebezpieczne.
- Nie przeciążać urządzenia. Urządzenie będzie najwydajniejsze i najbezpieczniejsze w obsłudze, jeśli będzie używane zgodnie z zamierzonymi parametrami pracy.
- Przed przejechaniem przez podłoże żwirowe zatrzymać ostrze.
- Nie należy ciągnąć produktu do tyłu, chyba że jest to absolutnie konieczne. Jeżeli trzeba odsunąć urządzenie do tyłu od ściany lub przeszkody, należy najpierw spojrzeć w dół i do tyłu, aby uniknąć przewrócenia lub najechania urządzeniem na swoje stopy.
- Wyłączyć silnik i odczekać, aż ostrze zatrzyma się, jeśli kosiarka musi być przechylone do transportu, podczas przejeżdżania przez podłoża nietrawiaste oraz podczas transportu kosiarki do i z obszaru koszenia.
- Nie wolno używać urządzenia z uszkodzonymi osłonami lub zabezpieczeniami lub bez zabezpieczeń, np. bez założonej osłony i/lub kosza na trawę.
- Nie przechylać produktu, gdy silnik pracuje. Nie przechylać urządzenia podczas jego włączania. Spowoduje to narażenie na kontakt z ostrzem i zwiększenie ryzyka uderzenia odrzuconym obiektem.
- Włączyć silnik zgodnie z instrukcją i trzymać ręce i nogi z daleka od obszaru koszenia. Nie umieszczać rąk lub nóg w pobliżu lub pod częściami obrotowymi. Należy cały czas trzymać się z dala od otworów wyrzutowych. Nie uruchamiać silnika stojąc przed otworem wyrzutowym.
- Nie wolno przenosić ani transportować uruchomionego produktu.
- Wyłączyć silnik kosiarki i odłączyć od źródła zasilania. Upewnić się, że wszystkie ruchome części są całkowicie zatrzymane w następujących przypadkach:
 - pozostawianie produktu bez nadzoru



- przed usunięciem blokady lub odetkaniem rynny zsykowej,
- przed sprawdzeniem, czyszczeniem i użytkowaniem urządzenia
- Po uderzeniu w ciało obce, sprawdzić urządzenie pod kątem uszkodzeń i w razie potrzeby dokonać niezbędnych napraw
- przed odłączeniem kosza na trawę lub przed otwarciem pokrywy wyrzutu trawy
- gdyby urządzenie zaczęło wpadać w nietypowe wibracje (sprawdzić przyczynę)
 - Sprawdzić na oznaki uszkodzeń. Wymienić ostrze, jeżeli jest nierównomiernie zużyte lub uszkodzone w jakikolwiek sposób.
 - wymienić lub naprawić wszystkie uszkodzone elementy,
 - Sprawdzić, czy nie ma obluźwionych elementów i w razie potrzeby dokręcić je.
- Unikać dziur, korzeni, skał, wybrzuszeń terenu i innych ukrytych w trawie obiektów. Nierówny teren grozi poślizgiem i upadkiem.

ZABEZPIECZENIE PRZECIĄŻENIOWE

Produkt jest wyposażony w zabezpieczenie przeciążeniowe. Gdy zostanie wykryte przeciążenie, urządzenie automatycznie wyłączy się. Jeśli zadziała zabezpieczenie przeciążeniowe, należy odczekać 5–10 minut, aż silnik ostygnie.

Wyłączyć zasilanie i wyjąć wtyczkę z gniazda elektrycznego. Ostrza są ostre. Przed ich dotknięciem należy założyć grube rękawice robocze. Należy upewnić się, że ostrze może swobodnie obracać się i nie jest zablokowane lub ciasne.

Gdy silnik ostygnie, należy podłączyć wtyczkę do gniazda elektrycznego. Włączyć zasilanie. Nacisnąć przycisk Start, a następnie przycisk włączania/wyłączania, aby uruchomić produkt. Jeśli produkt nadal nie chce się uruchomić, należy zwrócić go do autoryzowanego warsztatu w celu przeprowadzania naprawy.

PRZEZNACZENIE

Urządzenie jest przeznaczone wyłącznie do użytku na zewnątrz pomieszczeń.

Urządzenie jest przeznaczone tylko i wyłącznie do koszenia trawy na przydomowych trawnikach. Ostrze tnące powinno obracać się mniej więcej równoległe do podłoża, nad którym przejeżdża. Podczas koszenia trawy wszystkie cztery koła muszą dotykać podłoża. Jest to krok pieszego za kosiarką. Produkt jest przeznaczony do ręcznego pchania.

Nie wolno używać kosiarki, gdy koła nie są na ziemi; nie wolno także ciągnąć kosiarki i jeździć na niej. Należy go używać tylko i wyłącznie do koszenia trawy na przydomowych trawnikach.

RYZIKO ZWIĄZANE Z UŻYTKOWANIEM:

Nawet jeśli urządzenie jest używane zgodnie z zaleceniami, nadal nie jest możliwe wyeliminowanie określonych czynników ryzyka. Następujące zagrożenia mogą wystąpić

podczas używania urządzenia i operator powinien zwracać szczególną uwagę na poniższe punkty:

- Urazy ciała spowodowane przez wibracje. Zawsze należy używać do określonego zadania odpowiednich narzędzi, korzystać z przeznaczonych do tego uchwytów i stosować się do zaleceń dotyczących czasu pracy i narażenia.
- Narażenie na hałas może spowodować utratę słuchu. Należy nosić środki ochrony uszu oraz ograniczyć poziom narażenia
- Kontakt z ostrzami
- Urazy na skutek odrzucanych obiektów

TRANSPORT I PRZECHOWYWANIE

- Zatrzymać produkt i odłączyć od źródła zasilania, upewnić się, że wszystkie ruchome części zatrzymały się całkowicie i przed transportem lub schowaniem odczekać, aż urządzenie ostygnie.
- Usunąć z produktu wszelkie zanieczyszczenia. Należy przechowywać urządzenie w chłodnym, suchym i dobrze wentylowanym miejscu, które jest niedostępne dla dzieci. Nie chowajcie jej w pobliżu czynników żrących, takich jak ogrodowe produkty chemiczne czy sole odmrażające. Nie przechowywać na zewnątrz.
- W przypadku transportu produktu należy zabezpieczyć go przed przemieszczaniem się lub upadkiem, aby nie dopuścić do obrażeń ciała lub uszkodzenia urządzenia.

⚠ OSTRZEŻENIE

Należy zachować szczególną ostrożność w przypadku podnoszenia lub przechylania maszyny na potrzeby konserwacji, czyszczenia, przechowywania lub transportu. Ostrze jest ostre. Gdy ostrze jest odkryte, nie wolno zbliżać do niego żadnych części ciała.

KONSERWACJA

⚠ OSTRZEŻENIE

Należy stosować wyłącznie oryginalne części zamienne, akcesoria oraz przystawki producenta. W przeciwnym razie może dojść do obrażeń ciała, niskiej wydajności oraz do unieważnienia gwarancji.

⚠ OSTRZEŻENIE

Serwisowanie wymaga wyjątkowej staranności i wiedzy. Może być wykonywane wyłącznie przez wykwalifikowany personel serwisowy. W celu naprawy zaleca się oddać kosiarkę do najbliższego autoryzowanego punktu serwisowego. Do napraw używać wyłącznie identycznych zamienników.

- Zatrzymać produkt i odłączyć od źródła zasilania, upewnić się, że wszystkie ruchome części zatrzymały się całkowicie przed rozpoczęciem czyszczenia lub konserwacji.
- Możesz wykonywać czynności regulacyjne i naprawcze

- EN
- FR
- DE
- ES
- IT
- NL
- PT
- DA
- SV
- FI
- NO
- RU
- PL**
- CS
- HU
- RO
- LV
- LT
- ET
- HR
- SL
- SK
- BG



opisane w tej instrukcji obsługi. W przypadku innych napraw należy skontaktować się autoryzowanym punktem serwisowym.

- Regularnie sprawdzać kosz na trawę pod względem zużycia lub uszkodzeń.
- Po każdym użyciu należy wyczyścić produkt miękką, suchą szmatką. Każdą uszkodzoną część należy odpowiednio naprawić lub wymienić w autoryzowanym punkcie serwisowym.
- Systematycznie sprawdzać, czy wszystkie nakrętki, wkręty i śruby są dobrze dokręcone, aby upewnić się, że produkt jest w bezpiecznym stanie.
- Zachować ostrożność podczas regulacji urządzenia, aby uniknąć pochwycenia palców między ruchomymi ostrzami a elementami stałymi urządzenia.
- Podczas serwisowania ostrzy tnących należy pamiętać, że mimo odłączenia źródła zasilania ostrza mogą nadal się poruszać.
- Ostrze produktu jest bardzo ostre. Przy montażu, wymianie, czyszczeniu lub kontroli dokręcenia śrub należy zachować szczególną ostrożność i nosić grube rękawice ochronne.
- Wymienić zużyte lub uszkodzone całe zestawy ostrzy i śrub, aby zachować odpowiednie wyważenie.

OGRANICZENIE RYZYKA

Badania dowodzą, że wibracje powodowane przez narzędzia ręczne mogą wywoływać u niektórych osób objawy syndromu Raynauda. Typowe objawy to mrowienie, drętwienie i blednięcie palców, widoczne zwykle po wystawieniu na działanie zimna. Uważa się, że czynniki dziedziczne, wystawienie na działanie zimna i wilgoci, dieta, palenie papierosów i przyjęte zwyczaje przyczyniają się do rozwoju tych objawów. Istnieją środki zaradcze, które może podjąć operator narzędzia, aby zmniejszyć efekt wibracji:

- Zadbaj w niskich temperaturach o ciepłotę własnego ciała, zakładając odpowiednie ubranie. Podczas obsługi urządzenia należy nosić rękawice, aby dłonie i nadgarstki były ciepłe. Wiadomo, że niskie temperatury są główną przyczyną powstawania objawu Raynauda.
- Podczas przerw w pracy należy wykonywać ćwiczenia poprawiające krążenie krwi.
- Podczas pracy robić częste przerwy. Ograniczyć ekspozycję w ciągu dnia.

W razie doświadczenia dowolnego z wymienionych objawów, należy niezwłocznie zaprzestać użytkowania tego urządzenia i skontaktować się z lekarzem.

⚠ OSTRZEŻENIE

Długotrwałe użytkowanie narzędzia może spowodować obrażenia ciała lub nasilić dolegliwości zdrowotne. W przypadku używania narzędzia przed dłuższy czas należy pamiętać o regularnych przerwach.

ZAPOZNAJCIE SIĘ Z WASZĄ PIŁĄ ŁAŃCUCHOWĄ.

Patrz str. 119.

Części

1. Przycisk włączania/wyłączania
2. Rękojeść
3. Kabel sterujący silnika
4. Uchwyt kabla sterującego silnika
5. Dźwignia regulacji wysokości
6. Zaczep przewodu
7. Wskaźnik pełnego kosza na trawę
8. Kosz na trawę
9. Szybkozłącze
10. Koło tylne
11. Koło przednie
12. Korek ściółkowania
13. Przewód zasilania
14. Przycisk uruchamiania

SYMBOLE PRODUKTU



Należy przeczytać i zrozumieć wszystkie instrukcje przed rozpoczęciem obsługi produktu oraz przestrzegać wszystkich ostrzeżeń i instrukcji dotyczących bezpieczeństwa.



Nosić środki ochrony słuchu



Zakładać środki ochrony wzroku



Nie używać na pochyłościach większych niż 15°. Pochyłe tereny należy kosić wzdłuż zbocza, nigdy do góry i w dół.



Nie wystawiać urządzenia na działanie deszczu ani nie używać w miejscach o dużej wilgotności.



Uwaga na ostre ostrza. Ostrza nadal obracają się po wyłączeniu silnika – Wyjąć wtyczkę z gniazda elektrycznego przed rozpoczęciem lub jeśli przewód jest uszkodzony.



Uwaga na odrzucane przedmioty. Trzymać wszystkie osoby postronne, szczególnie dzieci i zwierzęta, w odległości przynajmniej 15 m od miejsca pracy.



Elastyczny przewód zasilający musi znajdować się w bezpiecznej odległości od ostrzy tnących.



Nacisnąć przycisk Start, a następnie przycisk włączania/wyłączania (A, B, C lub D), aby uruchomić produkt. Zwolnić przycisk Start i przytrzymać naciśnięty przycisk włączania/wyłączania, aby produkt był uruchomiony. Zwolnij przycisk wł.-wył., aby zatrzymać produkt.



Jedź



Zatrzymaj



Narzędzie klasy II, podwójna izolacja



Zużyte produkty elektryczne nie powinny być utylizowane z odpadami domowymi. Prosimy poddawać recyklingowi w odpowiednich miejscach. Informacje o właściwych metodach recyklingu można uzyskać u władz lokalnych lub sprzedawcy.



Narzędzie to spełnia wymogi wszystkich norm reglamentacji kraju UE, w którym było ono zakupione.

Znak zgodności EurAsian



Maksymalny poziom natężenia hałasu wynosi 94 dB.



Maksymalny poziom natężenia hałasu wynosi 95 dB.

Poniższe symbole i nazwy które im nadano, pozwalają wyjaśnić różne poziomy ryzyka związanego z użytkowaniem tego narzędzia.

NIEBEZPIECZEŃSTWO

Wskazuje na realne zagrożenie, które może spowodować śmierć lub poważne zranienie, jeżeli się nie uniknie tego niebezpieczeństwa.

OSTRZEŻENIE

Wskazuje na potencjalne zagrożenie, które może spowodować śmierć lub poważne zranienie, jeżeli się nie uniknie tego niebezpieczeństwa.

UWAGA

Wskazuje na potencjalne zagrożenie, które może spowodować mniejsze lub bardziej poważne zranienie, jeżeli się nie uniknie tego niebezpieczeństwa.

UWAGA

Bez symbolu ostrzeżenia
Sytuacja, która może grozić uszkodzeniem mienia.

IKONY UŻYWANE W TYM PODRĘCZNIKU



Podłączyć do gniazda zasilania



Odłączyć z gniazda zasilania



Części lub akcesoria sprzedawane oddzielnie



Zużyte produkty elektryczne nie powinny być utylizowane z odpadami domowymi. Prosimy poddawać recyklingowi w odpowiednich miejscach.



Nie zbliżać rąk do ostrzy.



OBJAŚNIENIE:



OSTRZEŻENIE



Zatrzymać produkt.

WSKAZÓWKI DOTYCZĄCE KOSZENIA

- Podczas koszenia wysokiej trawy, należy zmniejszyć prędkość przesuwu co pozwoli zwiększyć efektywność koszenia i zapewni prawidłowe wyrzucanie skoszonej trawy.
- Aby usunąć ściętą trawę, ponieważ przylgnie ona do spodu urządzenia, uniemożliwiając prawidłowe zbieranie i wyrzut trawy.
- Świeża lub gruba trawa może wymagać ustawienia wyższej wysokości koszenia.
- Aby usunąć ściętą trawę, należy zdjąć osłonę do mulczowania i zamontować kosz na trawę, zwracając uwagę na prawidłowe zamknięcie górnej kłapy. Należy regularnie opróżniać kosz na trawę. W przeciwnym razie otwór wylotowy zostanie zablokowany ściętą trawą.
- W przypadku lekkiego przycinania trawy, gdy ścięta trawa ma pozostać na trawniku, należy zamontować osłonę do mulczowania i zamknąć górną kłapę, aby zabezpieczyć otwór wylotowy. W takim przypadku nie trzeba zakładać kosza na trawę.
- Kosiarka zapewni najlepsze efekty koszenia podczas jazdy do przodu.

VŠEOBECNÁ BEZPEČNOSTNÍ VAROVÁNÍ

VAROVÁNÍ

Při používání výrobku musí být dodrženy bezpečnostní předpisy. Pro vaši vlastní bezpečnost i bezpečnost kolemjdoucích si přečtete tento návod k obsluze. Tyto pokyny uschovejte pro příští použití.

OSOBNÍ BEZPEČNOST

- Sekačka trávy je schopná amputovat ruce i nohy a odmršťovat předměty. Pochybení při dodržování všech bezpečnostních pokynů tak může způsobit úraz nebo usmrcení.
- Seznamte se s ovládaním a řádným používáním přístroje.
- Produkt není určen pro používání osobami, včetně dětí se sníženými tělesnými, smyslovými nebo duševními schopnostmi nebo s nedostatkem zkušeností a znalostí, pokud neprošli školením ohledně používání, čištění či údržby. Místní předpisy mohou omezovat dobu obsluhy. Dohlédněte, aby si děti s elektrickým nástrojem nehrály.
- Buďte ve střehu, hlídejte, co děláte a používejte zdravý rozum při provozu tohoto výrobku. Nepoužívejte, pokud jste unaveni nebo pod vlivem drog, alkoholu nebo léků. Chvilke nepozornosti při práci s tímto výrobkem může zapříčinit vážná osobní poranění.
- Noste silné kalhoty, dlouhé rukávy, boty a rukavice. Noste nekouzavou bezpečnostní obuv, když používáte tento výrobek. Nenoste šperky, krátké kalhoty, sandály a nikdy nepracujte s bosýma nohama. Zamezte nošení volných oděvů, nebo které mají vlající šňůrky nebo pásky.
- Vždy noste bezpečnostní brýle s postranními štítky.
- Vždy zabezpečte své pevné postavení. Udržujte bezpečné postavení a rovnováhu. Chodte, nikdy neběhejte.
- Na strmých svazích sečte po vrstevnicích, nikdy ve směru nahoru a dolů. Je třeba opatrnosti, když měníte směr na svahu.
- Nesečte v blízkosti srázů, prudkých svahů, příkopů nebo hrází. Nedostatečné postavení může způsobit uklouznutí a pád.

PRACOVNÍ PROSTŘEDÍ

- Udržujte děti, přihlížejíci a domácí zvířata v povzdálí alespoň 15 m; stále však existuje nebezpečí zasažení odlétávajícími předměty.
- Předměty vymrštěné nožem sekačky mohou způsobit vážná poranění osob. Řádně prohlédněte oblast, kde se má nástroj používat a odstraňte všechny kameny, kůly, kovy, dráty, kosti, hračky a cizí předměty. Do žacího nástroje se mohou namotat dráty nebo struna.
- Používejte ve výrobek dne nebo v dobrém umělém osvětlení.
- Nepracujte s tímto strojem ve výbušných prostředích, například v přítomnosti hořlavých kapalin, plynů nebo prachu. Nástroj vytváří jiskry, které mohou zapálit prach

nebo výpary.

- Nepoužívejte stroj v dešti nebo ve vlhké trávě.
- Nepoužívejte sekačku, pokud hrozí nebezpečí bouřek a blesků.
- Uživatel nebo obsluha tohoto zahradnického nástroje je zodpovědná za nehody nebo nebezpečí způsobená na jiné osobě nebo jejich majetku.
- Mohou nastat tragické nehody, pokud není obsluha upozorněna na přítomnost dětí. Děti jsou strojem a sekáním často zaujaty. Nikdy nespolehejte na to, že děti zůstanou tam, kde jste je naposledy viděli.
- Udržujte děti mimo oblast práce a pod dohledem zodpovědného dospělého, který zároveň neobsluhuje sekačku. Buďte opatrní a po vstupu dítěte do oblasti práce sekačku vypněte.
- Buďte velmi pozorní, když se přibližujete do zarostlých rohů, keřů, stromů nebo jiných objektů, které vám mohou zablokovat výhled na dítě.

ELEKTRICKÁ BEZPEČNOST

- Elektrické zástrčky musí být shodné s elektrickou zásuvkou. Nepokoušejte se zástrčku jakýmkoliv způsobem upravovat. Nepoužívejte žádný adaptér zástrček se zemněným (uzemněným) elektricky poháněným nástrojem. Neupravené zástrčky a shodné zásuvky snižují nebezpečí elektrického úrazu.
- Zabraňte náhodnému spuštění. Vždy zkontrolujte, že je před zapojením výrobku do síťové zásuvky spínač v poloze Off (VYPNUTO). Nenoste zapojených výrobek s prstem na spínači.
- Předcházejte tělesnému kontaktu s uzemněnými nebo zemněnými povrchy, například trubkami, radiátory, sporáky a lednicemi. Je zde zvýšené nebezpečí zásahu elektrickým proudem, pokud je vaše tělo zemněno nebo uzemněno.
- Nevystavujte tento přístroj dešti nebo vlhkým podmínkám. Voda vnikající do zařízení zvyšuje nebezpečí elektrického úrazu.
- Elektrické zařízení musí být napájeno přes proudový chránič s reziduálním proudem nepřesahujícím 30 mA.
- Před používáním zkontrolujte napájení a prodlužovací kabel na známky poškození nebo opotřebování. Pokud se kabel zničí během používání, odpojte kabel ihned z elektrické zásuvky. **Nedotýkejte se kabelu před odpojením z elektrické zásuvky.** Nepoužívejte výrobek, když je kabel poškozen nebo ve špatném stavu.
- Pokud potřebujete použít prodlužovací kabel, ujistěte se, že je vhodný pro venkovní použití a má dostatečnou proudovou kapacitu pro napájení nástroje. Prodlužovací kabel by měl být označen buď „H05 RN F“ nebo „H05 VV F“. Před každým použitím vizuálně prohlédněte prodlužovací kabel na poškození. Během používání prodlužovací kabel plně rozvíjíte, smotaný kabel se může přehřívat. Poškozené napájecí kabely se nesmí opravovat, vždy vyměňte za stejný typ.
- Ujistěte se, zda je kabel umístěn tak, aby se nepoškodit, tedy aby se po něm nešlapalo, neklopýtalo se o něj a aby nebyl jiným způsobem vystaven možnému poškození či namáhání.



- Nikdy výrobek nezvedejte ani nepřenašejte uchopením za elektrický kabel.
- Nikdy netahejte za napájecí kabel, chcete-li jej odpojit od elektrické sítě.
- Dávejte pozor, aby se napájecí kabel nedostal do kontaktu s horkem, olejem nebo ostrými hranami.
- Zkontrolujte, zda je napětí napájecí soustavy vhodné pro výrobek. Štítek s názvem produktu udává pracovní napětí zařízení. Nikdy nepřipojujte produkt ke střídavému napětí, které se liší od tohoto napětí.
- Vždy se ujistěte, kabel od řídítek do těla sekačky není nikdy zachycen, sevřen nebo jinak poškozen během sestavování a skládání rukojeti. Nikdy elektricky nenapájejte sekačku, je-li tento kabel poškozen. Odevzdejte nejbližšímu servisnímu středisku k profesionální opravě.
- Výkonové špičky způsobují napěťovou fluktuaci a mohou ovlivnit ostatní elektrické přístroje na stejném napájecím okruhu. Připojte výrobek ke zdroji napájení s impedancí rovné či menší jak 0.452Ω - RLM18E40H pro minimalizaci napěťové fluktuace. Více informací vám poskytne váš dodavatel elektrické energie.

BEZPEČNOSTNÍ VAROVÁNÍ K SEKAČCE TRÁVY

- Před každým použitím vizuálně zkontrolujte nůžky, že nože, šrouby nože a stříhací sestava nejsou opotřebená nebo poškozena.
- Vyměňujte opotřebená nebo poškozená nože a šrouby, abyste zachovali rovnováhu.
- Nůž na výrobku je velmi ostrý, buďte velmi opatrní a noste silné rukavice při výměně, čištění, upeňování či kontrole zastředění šroubu.
- Odevzdejte nejbližšímu servisnímu středisku k výměně poškozených či nečitelných štítků.
- Zkontrolujte všechny šrouby, matice v častých intervalech na řádné utažení, aby se zajistilo, že zařízení bude pracovat v bezpečných pracovních podmínkách.
- Sběrný vak často kontrolujte na opotřebení nebo poškození.
- Z důvodu bezpečnosti měňte opotřebená nebo poškozená díly před provozem zařízení.
- Sekačka se musí spouštět uživatelem za řídítka v bezpečné zóně obsluhy. Nikdy nezapínajte výrobek, pokud:
 - Všechna se všechna čtyři kola nedotýkají země.
 - Žlab vyhazování trávy je obnažen, aniž by byl chráněn buď mulčovací záslepkou a krytem žlabu vyhazování trávy nebo sběrným boxem trávy a krytem žlabu vyhazování trávy.
 - Ruce a nohy všech osob nejsou vzdáleny od uzavěru řezného prostoru.
- Výrobek nepoužívejte, pokud přepínač nezapíná nebo nevypíná.
- Nikdy se nepokoušejte blokovat spínač zapnout/vypnout v poloze ZAPNUTO; je to velmi nebezpečné.
- Nepoužívejte nadměrnou sílu na nástroj. Nástroj bude svou práci provádět lépe a bezpečněji při určeném přísunu materiálu, pro který byl navržen.

- Zastavte nůž, když přejíždíte kamenité plochy.
- Nikdy netahejte za produkt směrem dozadu, pokud to není nutné. Pokud musíte couvat se sekačkou, vždy se nejprve podívejte dolů a za sebe, zabráníte upadnutí nebo njetí sekačky na vaše nohy.
- Vypněte motor a nechte nůž zastavit, abyste sekačku naklopili pro převoz přes plochy jiné než pro sečení a když ji přepravujete z místa na další místo sečení.
- Nikdy neprovazujte stroj s poškozenými chrániči nebo štíty nebo bez bezpečnostních zařízení, například chráničů a/nebo sběrných vaků.
- Nenaklánějte produkt, když motor běží. Nenaklánějte nástroj, když jej zapínáte. Tak se exponuje nůž a zvyšuje pravděpodobnost odhození předmětu.
- Zapněte motor v souladu s pokyny a udržujte ruce a nohy mimo oblast sečení. Nemějte své ruce nebo nohy v blízkosti nebo pod rotujícími díly. Vždy udržujte výstupní otvory čisté. Nestartujte motor, když stojíte před výstupním žlabem.
- Nepřenašejte či nepřeppravujte nástroj, když běží.
- Zastavte motor sekačky a odpojte od zdroje napájení, ujistěte se, že jsou všechny pohyblivé díly zastaveny před následujícími:
 - ponechání výrobku bez dozoru
 - před odstraněním ucpávky nebo před uvolněním násypky,
 - před kontrolou, čištěním nebo prací na nástroji
 - Po nárazu cizího předmětu, prohlédněte přístroj na poškození a proveďte opravy, pokud je to nezbytné
 - před odebráním vaku pro trávu či otevřením krytu vyhazování trávy
 - pokud stroj začne abnormálně vibrovat (ihned zkontrolujte)
 - Zjistěte škody. Jakmile se nůž zničí či je nerovnoměrně opotřeben, vyměňte jej.
 - výměna a oprava všech poškozených dílů,
 - Zkontrolujte a utáhněte všechny volné části.
- Vyhýbejte se dířám, vyjetým kolejím, vyvýšeninám, kamenům nebo jiným skrytým předmětům. Nerovný terén může způsobit uklouznutí a pád.

OCHRANA ZAŘÍZENÍ PŘED PŘETÍŽENÍM

Tento produkt má zařízení ochrany proti přetížení. Pokud se zjistí přetížení, produkt se automaticky vypne. Při aktivaci ochrany proti přetížení se musí nechat motor chladit 5 až 10 minut.

Vypněte napájení a odpojte zástrčku od zdroje napájení. Navlékněte si pevné rukavice před uchopením žacího nože, je ostrý. Ujistěte se, že se žací nůž může volně otáčet a nedochází k uvíznutí nebo sevření.

Jakmile se motor zchladí, připojte zástrčku ke zdroji napájení. Zapněte napájení. Stiskněte tlačítko Start a pak tlačítko zapnout-vypnout (On-off) pro spuštění zařízení. Pokud se výrobek nedá spustit, je nutné vrátit výrobek autorizovanému servisnímu středisku za účelem opravy.

ZAMÝŠLENÉ POUŽITÍ

Tento výrobek je určen pouze pro venkovní použití.





Tento výrobek je určen jen pro domácí sečení trávy. Sekací nůž se musí otáčet víceméně rovnoběžně s plochou země, po které se jede. Všechna čtyři kola se musí během sečení dotýkat země. To je kontrolovaná chůze chodce za sekačkou. Výrobek byl navržen k tlačení rukama.

Sekačka se nesmí používat, pokud nejsou kolečka na zemi, nesmí se na ni tlačít ani na ní jezdit. Nesmí se používat pro jiné účely než sečení trávníků v domácím prostředí.

ZBYTKOVÁ RIZIKA

Dokonce, i když se zařízení provozuje jak je předepsáno, je stále nemožné zcela eliminovat veškeré zbytkové rizikové faktory. Následující nebezpečí mohou nastat při používání; vyhýbejte se:

- Poranění způsobené vibracemi. Pro danou práci vždy používejte správný nástroj, navržené rukojeti a dodržujte pracovní dobu a expozici.
- Vystavování hluku může způsobit poškození sluchu. Noste ochranu sluchu a omezte vystavení.
- Kontakt s noži
- Poranění odlétávajícími předměty

TRANSPORT A SKLADOVÁNÍ

- Zastavte výrobek a odpojte od zdroje napájení, ujistěte se, že jsou všechny pohyblivé díly zastaveny a před transportem či skladováním nechte zchladit.
- Odstraňte z výrobku všechn cizí materiál. Ukládejte v chladných, suchých a dobře větraných prostorech, které nejsou přístupné dětem. Nářadí neuskładňujte v blízkosti žiravých látek, jako například v blízkosti zahrádkářských nebo zahradnických chemických přípravků nebo soli na zimní sypání komunikací. Neskladujte mimo budovu.
- Při transportu výrobku zajistěte proti pohybům nebo pádu, abyste zabránili poranění osob nebo poškození výrobku.

⚠ VAROVÁNÍ

Budte při zvedání či nakládění pro transport, údržbu, čištění a skladování velmi opatrní. Nůž je velmi ostrý. Udržujte všechny části těla mimo vystavený nůž.

ÚDRŽBA

⚠ VAROVÁNÍ

Používejte pouze originální příslušenství, doplňky a náhradní díly výrobce. Zanedbání může způsobit možné poranění, slabý výkon a může dojít ke ztrátě záruky.

⚠ VAROVÁNÍ

Údržba vyžaduje extrémní péči a znalosti a měla by být prováděna pouze kvalifikovaným servisním technikem. Pro údržbu nebo servis doporučujeme výrobek vrátit do nejbližšího pověřeného opravárenského střediska. Pokud opravujete, používejte pouze stejné náhradní díly.

- Zastavte výrobek a odpojte od zdroje napájení, ujistěte se, že jsou všechny pohyblivé díly zcela zastaveny před jakýmkoliv čištěním či údržbou.
- Můžete provádět v návodu k obsluze uvedené opravy a seřízení. Další opravy se smí provádět pouze u pověřených servisních prodejců.
- Sběrný vak často kontrolujte na opotřebení nebo poškození.
- Po každém použití setřete nástroj měkkým a suchým hadříkem. Jakýmkoliv poškozený díl je nutné správně opravit nebo nechat vyměnit v autorizovaném servisním středisku.
- Zkontrolujte všechny šrouby, matice v častých intervalech na řádné utažení, aby se zajistilo, že výrobek bude pracovat v bezpečných pracovních podmínkách.
- Buďte opatrní při seřizování stroje, aby se vám nezachytily prsty mezi pohyblivé nože a upevněné díly stroje.
- Při servisu nožů si uvědomte, že i když je napájení vypnuto, mohou se nože stále otáčet.
- Nůž na výrobku je velmi ostrý, buďte velmi opatrní a noste silné rukavice při výměně, čištění, upeňování či kontrole zajištění šroubu.
- Vyměňujte poškozené nože a šrouby, abyste zachovali rovnováhu.

SNÍŽENÍ RIZIKA

Bylo zjištěno, že vibrace z ručních pracovních nástrojů mohou u některých osob přispívat ke stavu tzv. Raynaud's Syndrome (Raynaudovu syndromu). Mezi jeho příznaky patří brnění, necitlivost a zbledení prstů, patrné obvykle po pobytu v chladu. Vědci se domnívají, že k rozvinutí těchto příznaků přispívají dědičné faktory, pobyt v chladu a vlhku, strava, kouření a pracovní návyky. Uživatel může omezit případné působení vibrací použitím vhodných opatření:

- Za chladného počasí se teple oblečte. Při práci s nástrojem si navlekněte rukavice, abyste udrželi ruce a zápěstí v teple. Bylo zjištěno, že chladné počasí je hlavním faktorem přispívajícím k Raynaud's Syndrome (Raynaudovu syndromu).
- Během práce si v pravidelných intervalech zacvičte, abyste zvýšili krevní oběh.
- Zařazujte časté pracovní přestávky. Omezte dobu práce za den.

Ja kmile pocítíte některý z výše uvedených příznaků tohoto syndromu, okamžitě přerušete práci a vyhledejte lékaře.

⚠ VAROVÁNÍ

Poranění mohou být způsobena, či zhoršena, prodlouženým používáním nástroje. Když používáte jakýkoliv nástroj delší dobu, dělejte pravidelné přestávky.

SEZNAMTE SE DŮKLADNĚ SE SVÝM NÁŘADÍM.

Viz strana 119.

Součásti

1. Tlačítko On-off (Zapnout-vypnout)



2. Rukojeť
3. Řídicí kabel motoru
4. Držák řídicího kabelu motoru
5. Páka seřízení výšky
6. Háček zavěšení kabelu
7. Ukazatel naplnění sběrného boxu trávy
8. Sběrný vak
9. Rychlounvolňovací upínadlo
10. Zadní kolo
11. Přední kolo
12. Mulčovací zásuvka
13. Napájecí kabel
14. Tlačítko spuštění

SYMBOLY NA VÝROBKU



Řádně si návod přečtěte, porozumějte veškerým pokynům a dodržujte všechny bezpečnostní pokyny a bezpečnostní varování.



Noste ochranu sluchu



Noste ochranu očí



Nepoužívejte na sklonech vyšších jak 15°. Na strmých svazích sečte po vrstevnicích, nikdy ve směru nahoru a dolů.



Nevystavujte dešti nebo nepoužívejte ve vlhkých podmínkách.



Uvědomte si nebezpečí z ostrých nožů. Nože ještě rotují i po vypnutí motoru - Jakmile se poškodí nebo přerizne kabel, ihned vytáhněte zástrčku ze zásuvky.



Dávejte pozor na odmrštěné nebo odletující předměty. Všechny přihlízející, zvláště děti a zvířata udržujte ve vzdálenosti alespoň 15 m od pracovní oblasti.



Udržujte pružný napájecí kabel mimo oblast žací struny.



Stiskněte tlačítko Start a pak tlačítko zapnout-vypnout (On-off) (A, B, C, nebo D) pro spuštění zařízení. Uvolněte tlačítko Start a držte stisknuto tlačítko zapnout-vypnout (On-off) pro spuštění zařízení. Uvolněte tlačítko zapnout-vypnout (On-off) pro zastavení zařízení.



Přejít



Vypnuto



Zařízení třídy II, dvojité izolováno



Odpad elektrických výrobků se nesmí likvidovat v domovním odpadu. Recyklujte prosím na sběrných místech. Ptejte se u místních úřadů nebo prodejce na postup při recyklaci.



Toto nářadí je v souladu se všemi normami a předpisy platnými v zemi EU, ve které bylo zakoupeno.



Euroasijská značka shody



Zaručená hladina akustického výkonu je 94 dB.



Zaručená hladina akustického výkonu je 95 dB.

Následující signální slova a významy jsou vhodné pro vysvětlení úrovně nebezpečí spojených s tímto výrobkem.

⚠ NEBEZPEČÍ

Označuje bezprostředně rizikovou situaci, které je třeba předejít, jinak bude jejím následkem smrt nebo vážné zranění.

⚠ VAROVÁNÍ

Označuje možnou rizikovou situaci, které je třeba předejít, jinak jejím následkem může být smrt nebo vážné zranění.

⚠ VAROVÁNÍ

Označuje možnou rizikovou situaci, které je třeba předejít, jinak jejím následkem může být smrt nebo vážné zranění.

VAROVÁNÍ

Bez symbolu bezpečnostní výstrahy
Určuje situaci, která může mít za následek vážné poškození.

IKONY V NÁVODU



Zapojení do elektrické zásuvky



Odpojení od elektrické sítě



Díly nebo příslušenství jsou v prodeji samostatně



Odpad elektrických výrobků se nesmí likvidovat v domovním odpadu.
Recyklujte prosím na sběrných místech.



Udržujte ruce mimo nože.



POZNÁMKA:



VAROVÁNÍ



Zastavte zařízení.

TIPY K SEČENÍ

- Když sečete vysokou trávu, snižte rychlost chůze pro zefektivnění sečení a správné vysypávání odřezků.
- Nesekejte mokrou trávu; ta se lepí na spodní stranu dna a brání správnému shromažďování nebo vysypávání odřezků trávy.
- Mladá nebo silná tráva vyžaduje vyšší výšku sečení.
- Pokud si přejete sbírat trávu pro likvidaci, vyjměte mulčovací záslepku a nasadte sběrný box trávy, ujistěte se, že je horní víko správně uzavřeno. Pravidelně vyprazdňujte sběrný box trávy, jinak se vyhazovací otvor bude sečení ucpávat.
- Pokud chcete vytvořit mírné zkrácení trávy a přejete si, aby posekaná tráva zůstala na trávníku, nasadte mulčovací záslepku a zavřete horní klapku pro zakrytí vyhazovacího otvoru. V tomto případě není nutné upevňovat sběrný box trávy.
- Sekačka je navržena tak, že je provoz a nejvyšší účinnost při pohybu vpřed.

ÁLTALÁNOS BIZTONSÁGI FIGYELMEZTETÉSEK

▲ FIGYELMEZTETÉS

A termék használatakor a biztonsági szabályokat be kell tartani. A saját és mások biztonsága érdekében kérjük, olvassa el ezt az útmutatót a termék használata előtt. Tartsa meg a kézikönyvet, hátha a későbbiekben szüksége lehet rá.

SZEMÉLYI BIZTONSÁG

- A fűnyíró levághatja a kezét és a lábát, valamint tárgyakat vethet ki. Az összes biztonsági utasítás figyelmen kívül hagyása súlyos sérülést vagy halált eredményezhet.
- Legyen tisztában a termék kezelőszerveivel és helyes használatával.
- Ne hagyja, hogy gyerekek vagy csökkent fizikai, érzékelési vagy értelmi képességgel rendelkező személyek, vagy az utasításokat nem ismerő személyek működtessék, tisztítsák vagy karbantartsák a terméket. A helyi előírások korlátozhatják a kezelő életkorát. A gyerekekre oda kell figyelni, nehogy játsszanak a szerszámgéppel.
- Az egészség működtetésekor legyen mindig éber, figyeljen arra, amit csinál és használja a józan eszét. Ne működtesse a fűnyírót, ha fáradt, ha alkohol, gyógyszer vagy tudatmódosító szerek hatása alatt áll. Ha a gép használata közben nem figyel oda arra, amit csinál, az súlyos személyi sérüléshez vezethet.
- Viseljen vastag anyagból készült hosszú nadrágot, hosszú ujjú ruhadarabokat, csizmát és kesztyűt. A termék használata közben csúszásmentes biztonsági lábbelit viseljen. Ne hordjon ékszert, rövidnadrágot, szandált és ne dolgozzon mezítalán. Kerülje a bő ruhák viseletét, vagy amelyből kábelek vagy madzagok lógnak ki.
- Mindig viseljen oldalellenzővel rendelkező védősisakot.
- Mindig biztosan álljon. Stabilan álljon és vegyen fel megfelelő egyensúlyt. Gyalogoljon, ne fusson.
- A lejtőkön keresztben dolgozzon, soha ne felfelé és lefelé haladva. A lejtőn való irányváltás közben legyen különösen óvatos.
- Ne használja a terméket mélyedések, árkok, túlzottan meredek lejtők vagy töltések közelében. A nem stabil tartás csúszási vagy esési balesetet okozhat.

MUNKATERÜLET

- Tartsa a gyereket, a báméskodókat és a háziállatokat legalább a gép körüli 15 méteres sugáron kívül; a gép által kivetett tárgyak veszélyesek a báméskodókra nézve.
- A fűnyíró kése által eltalált tárgyak súlyos személyi sérüléseket okozhatnak. Alaposan vizsgálja át a területet, ahol a gépet használni szeretné, és távolítson el minden követ, fadarabot, fémdarabot, drótot, csontot, játékokat vagy más idegen tárgyat. A drótok és a vágószál beakadhatnak a vágóeszközbe.
- Nappal vagy jó mesterséges megvilágításnál használja a terméket.

- A gépet ne működtesse robbanásveszélyes környezetben, például robbanásveszélyes folyadékok, gázok vagy porok jelenlétében. A gépben szikrák keletkeznek, amik begyújthatják a port vagy a gőzöket.
- Ne használja a gépet vizes fűben vagy esőben.
- Ne használja a fűnyírót, ha villámzás veszélye áll fenn.
- Jegyezze meg, hogy a kezelő vagy a felhasználó felelős a más embereknek vagy tulajdonuknak okozott veszélyekért vagy balesetekért.
- Tragikus balesetek fordulhatnak elő, ha a kezelő nem veszi észre a gyerekek jelenlétét. A gyerekeknek figyelmét felkelti a gép és a fűnyírás. Ne feltételezze azt, hogy a gyerekek ugyanott maradnak, ahol utoljára látta őket.
- Tartsa távol a gyerekeket a munkaterülettől, és mindig legyenek az értük felelős felnőtt vagy másik személy felügyelete alatt. Figyeljen oda és állítsa le a terméket, ha egy gyerek lép be a területre.
- Különösen figyeljen akkor, amikor nem belátható sarkok, bozótok, fák vagy más tárgyak közelébe ér, mert ezek miatt nem láthatja a gyereket.

ELEKTROMOS BIZTONSÁG

- A dugasznak illeszkednie kell az aljzathoz. Semmilyen módon ne módosítsa a dugaszt. A földelt elektromos gépekhez ne használjon adapter dugaszt. A nem módosított és illeszkedő dugasz csökkenti az áramütés kockázatát.
- Kerülje el a véletlen bekapcsolást. A termék elektromos hálózatba való csatlakoztatása előtt mindig ellenőrizze, hogy a kapcsoló kikapcsolt állásban van. Az elektromos hálózatba kapcsolt terméket ne szállítsa úgy, hogy az ujjja a kapcsolón van.
- Kerülje az érintkezést földelt felületekkel, mint például csövekkel, rádiórokkal és hűtőkkel. Megnöveli az áramütés kockázatát, ha a teste földeltté válik.
- Ne tegye ki a terméket esőnek vagy nedves környezet hatásának. A készülékbe bejutó víz növeli az áramütés kockázatát.
- A készüléket egy 30 mA-nél nem nagyobb kioldóáramú áram-védőkapcsolóval (RCD) kell felszerelni.
- Használat előtt ellenőrizze a hosszabbító és a tápkábel sérülések vagy elöregedés tekintetében. Ha használat közben a kábel megsérült, azonnal húzza ki a kábelt az elektromos hálózati aljzathoz. **Az elektromos hálózatról való leválasztás előtt ne érjen a kábelhez.** Ne használja a terméket, ha a kábel károsodott vagy elhasználódott.
- Ha hosszabbító kábelt kell használnia, ügyeljen arra, hogy az kültéri használatra alkalmas és a gép meghajtásához elégséges teljesítményű legyen. A hosszabbító kábelnek „H05 RN F” vagy „H05 VV F” jelöléssel kell rendelkeznie. Sérülés tekintetében minden használat előtt vizsgálja meg a hosszabbító kábelt. Használatkor mindig tekerje szét a hosszabbító kábelt, mert a feltekert kábelek túlhevülhetnek. A sérült hosszabbító kábeleket tilos megjavítani, azokat azonos típusúra kell kicserélni.
- Ügyeljen rá, hogy a tápkábel úgy legyen elvezetve, hogy azt ne vágják el a vágókések, arra ne lépjenek rá, ne botoljanak el benne, és más módon se károsítsák



vagy feszítsék meg.

- Ne fogja meg és ne szállítsa a terméket az elektromos kábelnél fogva.
- A hálózatról való leválasztásakor soha ne a tápkábelt húzza.
- Hőtől, olajtól és éles szélektől tartsa távol a tápkábelt.
- Ellenőrizze, hogy a hálózati feszültség megfelelő a termékhez. A termék működési feszültsége az adattáblán van feltüntetve. A terméket ne csatlakoztassa olyan váltóáramú feszültséghez, amely különbözik ettől a feszültségtől.
- Mindig figyeljen oda arra, hogy a fogantyú és a fűnyíró közötti kábel ne akadjon be, ne csipődjön be és máshogy se károsodjon a kar összeszerelésekor vagy lehajításakor. Tilos a fűnyírórt áram alá helyezni, ha ez a kábel megsérült. Szakszerű javításhoz vigye a gépet egy hivatalos szervizközpontba.
- A pillanatnyi áramfelvétel kiugrások feszültségingadozást okozhatnak és ez az azonos áramkörbe kapcsolt más elektromos termékek működésére is hatással lehet. A feszültségingadozások minimalizálása érdekében a terméket olyan áramforráshoz csatlakoztassa, melynek impedanciája legfeljebb 0.452Ω - RLM18E40H. További információkért forduljon az áramszolgáltatóhoz.

FŰNYÍRÓ BIZTONSÁGI FIGYELMEZTETÉSEK

- Használat előtt mindig vizsgálja át vizuálisan a szerszámot, és ellenőrizze, hogy a kések, a kések csavarjai valamint a vágószerelvény nincsenek elhasználódva és nem sérültek meg.
- Az egyensúly megtartása érdekében az elhasználdott vagy sérült késeket és csavarokat teljes készletben cserélje ki.
- A termékben lévő kés nagyon éles, felszerelésekor, cserekor, tisztításkor vagy a csavar rögzítésének ellenőrzésekor különleges figyelemmel járjon el, és viseljen nehéz igénybevételehez tervezett kesztyűt.
- A sérült vagy olvashatatlan címkék cseréjéhez vigye vissza egy hivatalos szervizközpontba.
- Gyakori időközönként ellenőrizze a csavaranyák, csavarok és fejescsavarok megfelelő meghúzását, hogy a gép biztonságos üzemi állapotban legyen.
- Rendszeresen ellenőrizze a fűgyűjtő kopását vagy károsodását.
- A termék használata előtt cserélje ki az elhasználdott vagy sérült alkatrészeket.
- A fűnyírórt csak úgy szabad beindítani, hogy a kezelő a fogantyú mögött, a biztonságos zónában tartózkodik. Ne indítsa be a terméket, ha:
 - Nincs mind a négy kereke a talajon.
 - A fűkiadó csúszda szabadon van, azt nem védi sem a mulcsozó feltét és az ürítőcsúszda fedele, sem a fűgyűjtő és az ürítőcsúszda fedele.
 - A gép körül álló személyek keze és lába nincs távol a vágókések burkolatától.
- Ne használja a terméket, ha a kapcsoló nem kapcsolja be vagy ki a terméket.
- Ne próbálja meg rögzíteni a be/ki kapcsolókat BE állásba; ez különösen veszélyes.

- Ne erőltesse a terméket. A gép jobban teljesít és biztonságosabban dolgozik olyan sebesség használatkor, amilyenre azt tervezték.
- Kavicsos felületeken való áthaladáskor állítsa le a fűnyírórt.
- Ne húzza vissza a terméket, hacsak nem elkerülhetetlen. Ha vissza kell húznia a gépet egy faltól vagy akadálytól, először húzza le és maga mögé, nehogy elessen vagy a lábaira húzza a gépet.
- Állítsa le a motort, és hagyja megállni kést, ha a fűnyírórt a szállításhoz meg kell dönteni a nem füves területeken való áthaladáskor, valamint amikor a nyírni kívánt területre szállítja vagy onnan elviszi a gépet.
- Soha ne működtesse a gépet hibás védőburkolatokkal vagy védőlemezekkel, illetve biztonsági berendezések, például felhelyezett terelőlemez és/vagy fűgyűjtő nélkül.
- Ne döntse meg a terméket, amikor a motor jár. Ne döntse meg a gépet a gép beindításakor. Ezzel szabaddá válik a kés, és megnő a tárgyak kivetésének valószínűsége.
- Az utasításoknak megfelelően indítsa be a motort, a kezét és a lábát tartsa távol a vágási területtől. Ne helyezze kezét vagy lábát a forgó részek alá vagy közelébe. A kiürítő nyílás legyen mindig akadálymentes. Ne indítsa be a motort, amikor az ürítőcsúszda előtt áll.
- Ne szállítsa a terméket működő állapotban.
- Az alábbi esetekben állítsa le a fűnyíró motorját és válassza le azt az elektromos hálózatról, és járja meg, hogy az összes mozgó rész teljesen megálljon:
 - a termék felügyelet nélkül hagyása
 - eltömődés megszüntetése vagy az ürítőcsúszda kitisztítása előtt,
 - ellenőrzés, karbantartás vagy a gépen végzett bármilyen művelet megkezdése előtt
 - Idegen tárgyak eltalálása után, vizsgálja meg a készüléket sérülések tekintetében, és szükség esetén végezze el a javításokat
 - a fűtartály eltávolítása előtt vagy a fűkiadó csúszda fedelének kinyitása előtt
 - ha a gép szokatlanul kezd rezegni (ellenőrizze azonnal)
 - Vizsgálja át a gépet sérülések tekintetében. Cserélje ki a kést, ha egyenletlenül elhasználdott vagy bármilyen módon megsérült.
 - cserélje ki vagy javítsa meg a sérült alkatrészeket,
 - Ellenőrizze és húzza meg a meglazult alkatrészeket.
- Kerülje a lyukakat, keréknyomokat, köveket és más rejtett tárgyakat. Az egyetlen talaj csúszási vagy esési balesetet okozhat.

TÚLTERHELÉS ELLENI VÉDŐESZKÖZ

A termék fel van szerelve túlterhelés elleni védőeszközzel. Túlterhelés érzékelése esetén a termék automatikusan kikapcsol. Ha a túlterhelés elleni védelem aktiválódott, a motort hagyja 5-10 percig lehűlni.

Kapcsolja ki a gépet, és húzza ki a csatlakozót a fali aljzatból. A kések élesek, megérintésük előtt vegyen fel





nehéz igénybevételhez tervezett kesztyűt. Ellenőrizze, hogy a kés könnyedén forog, és nincs beakadva vagy megszorulva.

Amikor a motor lehűlt, csatlakoztassa a csatlakozót az elektromos hálózathoz. Kapcsolja be a gépet. A gép beindításához nyomja meg a Start gombot, majd a be/ki kapcsológombot. Ha a termék továbbra sem indul be, javításra vigye vissza egy hivatalos szervizközpontba.

RENDELTESSZERŰ HASZNÁLAT

A termék kizárólag a szabadban használható.

A termék kizárólag otthoni fűnyírásra alkalmas. A vágókésnek nagyjából párhuzamosan kell forognia a talajfelszínnel, amelyen tolja a fűnyíró. Fűnyírás közben mind a négy keréknek érintkeznie kell a talajjal. A fűnyíró mögött gyalogló tempóban kell haladni. A terméket kézzel kell tolni.

A fűnyíró tilos használni, ha a kerekek nincsenek a talajon, és tilos húzni vagy ráülni. Az otthoni pázsiton kívül semmi más nyírására vagy vágására nem használható.

FENNMARADÓ KOCKÁZAT

Még a gép rendeltetésszerű használata esetén sem lehet teljesen kiküszöbölni minden kockázati tényezőt. A gép használata során a következő veszélyek merülhetnek fel, és a kezelőnek különösen oda kell figyelnie az alábbiak elkerülésére:

- A vibráció sérüléseket okozhat. Mindig a munkához megfelelő célszerszámot használja, használja a gépre szerelt fogantyúkat, és korlátozza a munkaidőt és a vibrációnak való kitettséget.
- A zajnak való kitettség halláskárosodást okozhat. Viseljen hallásvédőt és korlátozza a zajnak való kitettséget
- Késekkel való érintkezés
- Kivetődött tárgyak okozta sérülések

SZÁLLÍTÁS ÉS TÁROLÁS

- Szállítás és tárolás előtt állítsa le a terméket és válassza le az elektromos hálózatról, várja meg, hogy az összes mozgó rész teljesen megáll és a termék teljesen lehűl.
- Minden idegen anyagtól tisztítsa meg a terméket. Hűvös, száraz és jól szellőztetett, gyerekektől elzárt helyiségben tárolja. Ne tárolja olyan oxidálószerrel közelében, mint pl. kerti munkáknál használatos vegyszerek vagy jégmentesítő sók. Ne tárolja a szabadban.
- Szállításakor rögzítse a terméket elmozdulás és leesés ellen, hogy elkerülje a sérüléseket és a termék sérülését.

⚠ FIGYELMEZTETÉS

Különösen figyeljen oda, amikor karbantartáshoz, tisztításhoz, tároláshoz vagy szállításhoz felemeli vagy megdönti a gépet. A kés éles. Minden testrészét tartsa távol a késtől, amikor a kés szabadon van.

KARBANTARTÁS

⚠ FIGYELMEZTETÉS

Csak a gyártó eredeti cserealkatrészeit, tartozékait és szereléseit használja. Ennek figyelmen kívül hagyása gyenge motorteljesítményt, esetleges sérülést és a jótállás elvesztését okozhatja.

⚠ FIGYELMEZTETÉS

szervizelés különös figyelmet és hozzáértést igényel, és csak szakképzett szerelő végezheti el. Javasoljuk, hogy a szervizeléskor a terméket vigye a legközelebbi hivatalos szervizközpontba javítás céljából. Szervizeléskor csak azonos cserealkatrészeket használjon.

- Tisztítás és karbantartás előtt állítsa le a terméket és válassza le az elektromos hálózatról, várja meg, hogy az összes mozgó rész teljesen megáll.
- A használati útmutatóban leírt beállításokat és javításokat Ön is elvégezheti. Az egyéb javításokhoz vegye fel a kapcsolatot a hivatalos szervizzel.
- Rendszeresen ellenőrizze a fűgyűjtő kopását vagy károsodását.
- Minden egyes használat után egy puha, száraz ruhával tisztítsa meg a terméket. A sérült alkatrészeket egy hivatalos szervizközpontban kell megjavíttatni vagy kicseréltetni.
- Gyakori időközönként ellenőrizze a csavaranyák, csavarok és fejescsavarok megfelelő meghúzását, hogy a termék biztonságos üzemi állapotban legyen.
- A gép beállítása során legyen óvatos, nehogy ujjai beszoruljanak a forgó kések és a gép rögzített részei közé.
- A kések szervizelésékor vegye figyelembe, hogy a kések még kikapcsolt elektromos áramellátás esetén is fogahtnak.
- A terméken lévő kés nagyon éles, felszerelésékor, cserekor, tisztításakor vagy a csavar rögzítésének ellenőrzésékor különleges figyelemmel járjon el, és viseljen nehéz igénybevételhez tervezett kesztyűt.
- Az egyensúly megtartása érdekében a sérült késeket és csavarokat teljes készletben cserélje ki.

KOCKÁZATCSÖKKENTÉS

Arról számoltak be, hogy a kéziszerszámok használata során fellépő vibráció bizonyos személyeknél hozzájárulhat az úgynevezett Raynaud-szindróma (Raynaud's Syndrome) nevű állapot kialakulásához. A tünetei lehetnek: az ujjak zsibbadása, elfehéredése, szúrások érzése, amelyek hidegnek kitéve gyakran felerősödnek. Az öröklődő tényezők, a hidegnek kitettség és verejtékezés, a diéta, a dohányzás és munka közben alkalmazott fogások valószínűleg mind hozzájárulhatnak ezen tünetek megjelenéséhez. A vibráció hatásainak csökkentése érdekében a kezelőnek be kell tartani az alábbi óvintézkedéseket:

- Hideg időben tartsa melegen a testét. A gép használatakor viseljen kesztyűt a kéz és a csukló melegen tartásához. Arról számoltak be, hogy a hideg



időjárásnak fontos szerepe van a Raynaud-szindróma kialakulásában.

- Bizonyos időtartamú használat után mindig végezzen gyakorlatokat a vérkeringés javításához.
- Gyakran tartson munkaszünetet. Korlátozza a napi munkaidőt.

Ha ezen állapot bármelyik tünetét tapasztalja, azonnal hagyja abba a munkát, és tájékoztassa az orvosát a tünetekről.

⚠ FIGYELMEZTETÉS

Injuries may be caused, or aggravated, by prolonged use of a tool. Ha a gépet hosszú időn át kell használnia, tartson gyakran szünetet.

TANULMÁNYOZZA A LÁNCFŰRÉSZ MŰKÖDÉSÉT.

Lásd 119. oldal.

Részegységek

1. Be/ki kapcsológomb
2. Fogantyú
3. Motor vezérlőkábele
4. Motor vezérlőkábelének tartója
5. Magasságállító kar
6. Kábelakasztó
7. Fűgújtó tele jelzés
8. Fűgújtó
9. Gyorskioldó rögzítő
10. Hátsó kerék
11. Elülső kerék
12. Mulcsozó csatlakozó
13. Tápkábel
14. Indítógomb

SZIMBÓLUMOK A TERMÉKEN



A termék használata előtt olvassa el és értse meg a kezelési útmutatóban leírtakat, és tartsa be az összes figyelmeztető és biztonsági utasítást.



Viseljen fülvédőt



Viseljen védőszemüveget



Ne használja 15°-nál meredekebb lejtőn. A leejtőkön keresztbe nyírjon, soha ne felfelé és lefelé haladva.



Ne tegye ki esőnek, és ne használja nedves környezetben.



Óvakodjon az éles késektől. A motor leállítása után a kés tovább forog – Karbantartás előtt vagy ha a kábel megsérült, húzza ki a dugaszt az aljzatból.



Figyeljen a kivetett vagy repülő tárgyakra. Az nézelődők (különösen a gyerekek és a háziállatok) legyenek legalább 15 m-es távolságra a használati területtől.



Tartsa a mellékelt flexibilis tápkábelt távol a vágókésektől.



A gép beindításához nyomja meg a Start gombot, majd a be/ki kapcsológombot (A, B, C vagy D). A gép működtetéséhez engedje fel a Start gombot és tartsa lenyomva a be/ki kapcsológombot. Engedje fel a be-ki gombot a termék leállításához.



Indulás



Leállítás



Class II gép, kettős szigetelés



A kiselejtezett elektromos termékeket nem szabad a háztartási hulladékkal együtt kidobni. Ezeket újra kell hasznosítani, ha van rá lehetőség. Az újrahasznosítással kapcsolatban érdeklődjön a helyi önkormányzatnál vagy a termék forgalmazójánál.



Ez a szerszám minden, a vásárlás európai uniós országában hatályos szabványnak megfelel.



Eurázsiai megfelelési jelzés.



Garantált hangteljesítményszint: 94 dB.



Garantált hangteljesítményszint: 95 dB.

A következő jelölőszavak és jelentések arra szolgálnak, hogy megmagyarázzák a termékkel kapcsolatos veszélyességi szinteket.

⚠ VESZÉLY

Egy bekövetkező veszélyes helyzetet jelez, ami, ha nem előzik meg, halált vagy komoly sérülést eredményez.

⚠ FIGYELMEZTETÉS

Egy potenciálisan bekövetkező veszélyes helyzetet jelez, amit, ha nem előznek meg, halált vagy komoly sérülést

eredményezhet.

FIGYELEMFLHÍVÁS

Egy potenciálisan veszélyes helyzetet jelez, ami, ha nem előzik meg, kisebb vagy mérsékelt sérülést eredményezhet.

FIGYELEMFLHÍVÁS

Biztonsági figyelmeztető szimbólum nélkül
Egy olyan helyzetet jelez, ami anyagi kárt eredményezhet.

IKONOK A KÉZIKÖNYVBEN



Csatlakoztassa egy elektromos hálózati aljzathoz



Húzza ki az elektromos hálózati aljzathoz



Külön értékesített alkatrészek és kiegészítők



A kislejtezett elektromos termékeket nem szabad a háztartási hulladékkal együtt kidobni. Ezeket újra kell hasznosítani, ha van rá lehetőség.



Tartsa a kezeit távol a késektől.



MEGJEGYZÉS:



FIGYELMEZTETÉS



Állítsa le a gépet.

FÜNYÍRÁSI TIPPEK

- Magas fű vágásakor csökkentse a haladási sebességet, hogy sokkal hatékonyabban tudjon vágni és a levágott fű kiürítse megfelelő legyen.
- Ne vágjon nedves fűvet; rátapad a burkolat aljára, és akadályozza a levágott fű megfelelő begyűjtését vagy kiürítését.
- Friss vagy magas fű esetében nagyobb vágásmagasság beállítására lehet szükség.
- Ha levágott fűvet össze szeretné gyűjteni, vegye le a mulcsozó feltétet, és helyezze fel a fűgyűjtőt, odafigyelve a felső ajtó megfelelő bezárására. Rendszeresen ürítse ki a fűgyűjtőt, mert ellenkező esetben a levágott fű eltömíti az ürítőnyílást.
- Ha csak kevés fűvet vág le és szeretné, hogy a levágott fű a gyepeken maradjon, helyezze fel a mulcsozó feltétet, és zárja le a felső ajtót az ürítőnyílás bezárásához. Ebben az esetben nem kell felszerelni a fűgyűjtőt.
- A fűnyíró előrefelé haladva működik és vág a leghatékonyabban.

AVERTISMENTE GENERALE PRIVIND SIGURANȚA

▲ AVERTISMENT

Atunci când utilizează produsul, normele de siguranță trebuie să fie respectate. Pentru siguranța dumneavoastră și a trecătorilor, vă rugăm să citiți aceste instrucțiuni înainte de utilizarea produsului. Vă rugăm să păstrați instrucțiunile într-un loc sigur pentru utilizare ulterioară.

SIGURANȚĂ PERSONALĂ

- Mașina de tuns iarba poate amputa mâinile și picioarele și poate proiecta obiecte. Neobservarea tuturor instrucțiunilor de siguranță poate cauza vătămare gravă sau deces.
- Familiarizați-vă cu comenzile și utilizarea corectă a produsului.
- Nu permiteți niciodată copiilor sau persoanelor cu capacități fizice, senzoriale sau mintale reduse, sau cele nefamiliare cu aceste instrucțiuni, să opereze, curețe sau să efectueze întreținerea produsului. Reglementările locale pot restricționa vârsta operatorului. Copiii trebuie supravegheați adecvat pentru a se asigura că nu se joacă cu aparatul.
- Fiți vigilenți, fiți atenți la ceea ce faceți, acționați cu simț practic când operați unitatea. Nu operați mașina dacă sunteți obosit sau sub influența medicamentelor, a alcoolului sau a drogurilor. Un moment de neatenție în timpul operării mașinii poate cauza vătămarea personală gravă.
- Purtați pantaloni groși, lungi, mâneci lungi, cizme și mănuși. Purtați întotdeauna încălțăminte de siguranță antiderapantă când utilizați acest produs. Nu purtați bijuterii, pantaloni scurți, sandale și nu lucrați niciodată desculț. Evitați să purtați de îmbrăcăminte largă sau care are cordoane sau șireturi libere.
- Purtați mereu ochelari de protecție cu apărători laterale.
- Trebuie să stați întotdeauna într-o poziție stabilă. Mențineți sprijin ferm pe picioare și echilibru. Mergeți. Nu alergați niciodată.
- Nu urcați și coborâți când lucrați în pantă. Acordați atenție maximă atunci când schimbați direcția pe pantă.
- Nu folosiți produsul lângă pante abrupte, șanțuri, zone extrem de înclinate sau diguri. Echilibrul fragil pe picioare poate cauza alunecarea sau căderea.

MEDIUL DE LUCRU

- Pe cât posibil, țineți copiii, spectatorii și animalele de companie la o distanță de 15 m; în continuare, există posibilitatea ca spectatorii să fie expuși unor riscuri din cauza obiectelor aruncate.
- Obiectele prinse de lama mașinii de tuns gazon pot cauza vătămări grave persoanelor. Inspectați foarte bine zona în care va fi utilizată mașina și îndepărtați toate pietrele, crengile, metalul, sârma, oasele, jucăriile sau alte obiecte străine. Cabluri sau fire pot să fie încălcite în mijloacele de tăiere

- Folosiți produsul pe timpul zilei sau dacă aveți o sursă de lumină artificială bună.
- Nu operați mașina în atmosfere explozive, precum în prezența lichidelor, gazelor sau a prafului inflamabil. Unealta creează scânteii care pot aprinde praful sau vaporii.
- Nu operați mașina în iarba udă sau în ploaie.
- Nu folosiți mașina de tuns iarba când există un risc de fulger.
- Rețineți că operatorul sau utilizatorul este responsabil pentru accidentele sau pericolele ce pot avea loc asupra altor persoane sau proprietății lor.
- Se pot întâmpla accidente tragice dacă operatorul nu este atent la prezența copiilor. Copiii de obicei sunt atrași de aparat și de activitatea de tundere a acesteia. Nu presupuneți niciodată că copiii vor rămâne acolo unde i-ați văzut ultima oară.
- Țineți copii în afara zonei de lucru și sub observarea atentă a unui adult responsabil, altul decât operatorul. Fiți atent și opriți produsul dacă un copil intră în zonă.
- Folosiți atenție suplimentară atunci când vă apropiați de colțuri ascunse, tufișuri, copaci sau alte obiecte ce ar putea împiedica observarea dvs a unui copil.

SIGURANȚĂ ELECTRICĂ

- Ștecherile trebuie să se potrivească cu prizele. Nu modificați niciodată ștecărul în nici un fel. Nu folosiți niciodată adaptoare de ștecăr cu uneltele electrice cu împământare. Ștecărele nemodificate și prizele potrivite reduc riscul de electrocutare.
- Evitați pomirile involuntare. Verificați întotdeauna că întrerupătorul este în poziția Oprit înainte de conectarea produsului la priza electrică. Nu transportați un produs alimentat la priză având degetul pe butonul de pornire.
- Evitați contactul corpului cu suprafețele conectate la împământare, precum țevi, radiatoare, reșouri, mașini de gătit și frigider. Există un risc crescut de electrocutare când corpul dumneavoastră are contact cu împământarea.
- Nu expuneți acest produs la ploaie sau condiții de umiditate. Pătrunderea apei în aparat va crește riscul electrocutării.
- Energia electrică trebuie să fie furnizată printr-un dispozitiv pentru curent rezidual (RCD) cu un curent de declanșare de nu mai mult de 30 mA.
- Înainte de folosire verificați sursa de alimentare și cablul prelungitor să nu aibă semne de deteriorare sau uzură. În cazul în care cablul se deteriorează în timpul folosirii, deconectați imediat cablul de la sursa de alimentare. **Nu atingeți cablul înainte de a-l deconecta de la sursa de alimentare.** Nu folosiți produsul în cazul în care cablul este deteriorat sau uzat.
- Dacă e nevoie să folosiți un cablu prelungitor asigurați-vă că este corespunzător pentru uzul în exterior și are o valoare nominală a curentului suficientă să vă alimenteze aparatul. Cablul prelungitor trebuie să fie marcat fie „H05 RN F”, fie „H05 VV F”. Verificați cablul prelungitor să nu fie deteriorat înainte de fiecare folosire. Desfășurați întotdeauna cablul prelungitor în timpul folosirii întrucât cablurile nedesfășurate se



pot supraîncălzi. Cablurile prelungitoare deteriorate nu trebuie reparate, ele trebuie înlocuite cu un model echivalent.

- Asigurați-vă că poziționarea cablului nu va permite deteriorarea lui de către mijloace de tăiere și că nu se va călca pe el, nu va veți împiedica de el sau că va fi subiect al uzurii sau stresului.
- Nu ridicați sau transportați produsul de cablul electric.
- Nu trageți niciodată de cablul de alimentare pentru a deconecta de la sursa de alimentare.
- Păstrați cablul departe de căldură, ulei sau margini ascuțite.
- Asigurați-vă că tensiunea este corectă pentru produsul dvs. O etichetă de pe produs indică tensiunea unității. Nu conectați produsul la o tensiune de curent alternativ care diferă de această tensiune.
- Asigurați-vă că întotdeauna cablul de la mâner la mașina de tuns iarba nu este niciodată prins, ciupit sau deteriorat în timpul asamblării sau plierii mânerului. Nu aplicați putere mașinii de tuns iarba în cazul în care cablul este deteriorat. Returnați-l la un centru service autorizat pentru reparație profesionistă.
- O cădere a tensiunii cauzează fluctuații ale voltajului și poate afecta alte produse electrice de la aceeași sursă de curent. Conectați produsul la o sursă de curent cu o impedanță egală sau mai mică de 0.452Ω - RLM18E40H pentru a micșora fluctuațiile voltajului. Contactați furnizorul dvs de energie electrică pentru clarificări ulterioare.

AVERTIZĂRI DE SIGURANȚĂ A MAȘINII DE TUNS IARBA.

- Înainte de utilizare, inspectați vizual pentru a vă asigura că lamele, șuruburile lamei și ansamblul cuțitului nu sunt uzate sau deteriorate.
- Înlocuiți lamele și șuruburile uzate sau deteriorate în seturi pentru a menține echilibrul.
- Lama produsului este foarte ascuțită, folosiți maximă atenție și purtați mănuși de protecție când ajustați, înlocuiți, curățați sau verificați siguranța șurubului.
- Returnați produsul la un service autorizat pentru a înlocui etichetele deteriorate sau ilizibile.
- Verificați toate piulițele, șuruburile la intervale frecvente de timp ca să fie coresponsător strâns pentru a vă asigura că echipamentul este în stare de lucru în siguranță.
- Verificați colectorul de iarbă frecvent pentru uzură sau deteriorare.
- Înlocuiți părțile uzate sau deteriorate înainte de operarea produsului.
- Mașina de tuns iarba trebuie pornită cu utilizatorul aflat în spatele mânerelor în zona de siguranță a operatorului. Nu porniți niciodată produsul dacă:
 - Toate cele patru roți nu se află pe sol.
 - Jgheabul de evacuare a ierbii este expus fără a fi protejat fie de obturatorul de iarbă și frunze uscate și capacul jgheabului de evacuare a ierbii, fie de cutia pentru iarbă și capacul jgheabului de evacuare a ierbii.

- Măinile și picioarele tuturor persoanelor nu sunt în afara cutiei cu mecanismul de tăiere.
- Nu folosiți produsul dacă întrerupătorul nu pornește sau oprește produsul.
- Nu încercați niciodată să blocați butonul de start în poziția PORNIT; este extrem de periculos.
- Nu forțați produsul. Aceasta va funcționa mai bine și mai sigur la viteza pentru care a fost proiectată.
- Opriti lama la trecerea pe suprafețe cu pietriș.
- Nu trageți produsul înapoi decât dacă e absolut necesar. Dacă trebuie să vă deplasați înapoi cu mașina pentru a evita un perete sau un obstacol, în primul rând uitați-vă în jos și în spate pentru a evita împiedicarea sau trecerea cu mașina peste picioarele dvs.
- Opriti motorul și lăsați lama să se oprească în cazul în care mașina de tuns iarba a fost înclinată pentru a fi transportată, când se traversează suprafețe altele decât iarba, și când transportați produsul la și de la zona unde se tunde iarba.
- Nu folosiți niciodată mașina cu apărători sau protecții defecte sau fără dispozitive de siguranță, de exemplu, deflectoare și / sau colectoare de iarbă, montate.
- Nu înclinați produsul în timp ce motorul funcționează. Nu înclinați mașina când o porniți. Aceasta expune lama și crește probabilitatea obiectelor să fie aruncate.
- Porniți motor în conformitate cu instrucțiunile și țineți mâinile și picioarele la distanță de zona de tăiere. Nu puneți mâinile sau picioarele în apropierea sau sub piesele în rotație. Mențineți libere deschizăturile de golire tot timpul. Nu porniți motorul când stați în fața jgheabului de golire.
- Nu purtați sau transportați produsul în timp ce funcționează.
- Opriti motorul mașinii de tuns iarba și deconectați-o de la priza de curent, asigurați-vă că toate părțile în mișcare s-au oprit complet pentru cazurile de mai jos:
 - lăsarea produsului fără supraveghere
 - înainte de curățarea blocajelor sau de deblocarea jgheabului,
 - înainte de verificare, curățare sau de a lucra la mașină
 - După lovirea unui obiect străin, inspectați mașina pentru daune și efectuați reparații, după cum este necesar
 - înainte de scoaterea cutiei de colectat iarba sau deschiderea apărătorii jgheabului de golire a ierbii
 - în cazul în care mașina începe să vibreze anormal (verificați imediat)
 - Inspectați dacă există daune. Înlocuiți lama dacă este uzată inegal sau dacă este deteriorată.
 - Înlocuiți sau reparați toate piesele deteriorate,
 - Verificați dacă există și strângeți orice piese desprinse.
- Evitați găurile, fâgașele, pietrele sau alte obiecte ascunse. Nerenu nivelat poate cauza alunecare sau cădere.



DISPOZITIV DE PROTECȚIE ÎMPOTRIVA SUPRAÎNCĂRCĂRIILOR

Produsul are un dispozitiv de protecție suprasarcină. Când este detectată o suprasarcină, produsul este automat oprit. Dacă este activat protectorul de suprasarcină, motorul trebuie lăsat să se răcească între 5 și 10 minute.

Oprii alimentarea și scoateți ștecherul din priză. Lamele sunt foarte ascuțite, purtați mănuși rezistente înainte de a le atinge. Asigurați-vă că lama se poate roti liberă și nu este înțepenită sau strânsă.

Când motorul este rece, conectați ștecherul în priză. Porniți alimentarea. Apăsăți butonul Start apoi butonul pornire-oprire pentru a pune produsul în funcțiune. Dacă produsul nu pornește, duceți-l la un centru service autorizat pentru reparații.

UTILIZARE PREVĂZUTĂ

Acest produs este destinat numai pentru utilizare în aer liber.

Acest produs este destinat exclusiv tunderii gazonului. Lama de tăiere trebuie să se rotească aproximativ paralel cu solul peste care se rotește. Toate cele patru roți trebuie să atingă solul în timpul tunderii ierburilor. Aceasta este o mașină de tuns iarba manuală. Produsul este proiectat a fi împins cu mâinile.

Mașina de tuns nu trebuie să fie utilizată cu roțile ridicate de pe sol, aceasta nu trebuie să fie trasă și nu trebuie să vă urcați pe ea. Aceasta nu trebuie să fie folosită pentru a tunde nimic altceva decât peluzele cu gazon.

RISCURI REZIDUALE

Chiar dacă mașina este folosită conform instrucțiunilor, este totuși imposibil să eliminiți complet anumiți factori de risc reziduali. Următoarele pericole pot apărea în timpul folosirii și operatorul trebuie să acorde atenție specială pentru a evita următoarele:

- Vătămare cauzată de vibrație. Folosiți întotdeauna aparatul potrivit pentru sarcină, folosiți mânerul prevăzute și restricționați timpul de lucru și expunerea.
- Expunerea la zgomot poate cauza vătămarea auzului. Purtați protecție pentru auz și limitați expunerea.
- Contact cu discurile
- Vătămare de la obiectele aruncate

TRANSPORTAREA ȘI DEPOZITAREA

- Oprii produsul și deconectați-l de la priză de curent, asigurați-vă că toate părțile în mișcare s-au oprit complet, și lăsați-l să se răcească înainte de a-l depozita sau transporta.
- Curățați toate materialele străine din produs. Depozitați-l într-un loc răcoros, uscat și bine aerisit ce este inaccesibil copiilor. Nu-l depozitați în apropiere de agenți corozivi cum ar fi produși chimici de grădinărit sau săruri antigel. Nu depozitați în aer liber.
- Pentru transportare, fixați produsul împotriva mișcării sau căderii lui pentru a preveni vătămarea persoanelor sau deteriorarea produsului.

⚠️ AVERTISMENT

Folosiți maximă atenție când ridicați sau înclinați mașina pentru efectuarea întreținerii, curățare, depozitare sau transportare. Lama este ascuțită. Mențineți toate părțile corpului ferite de lamă cât timp lama este expusă.

ÎNȚEȚINEREA

⚠️ AVERTISMENT

Folosiți doar piese de schimb, accesorii și atasamente originale ale producătorului. Neurmarea acestora poate cauza posibilă vătămare, slaba funcționare și ar putea anula garanția.

⚠️ AVERTISMENT

Service-ul necesită atenție și cunoștințe deosebite și trebuie îndeplinit doar de către un tehnician service calificat. Pentru service sugerăm să returnați produsul la cel mai apropiat centru service autorizat pentru efectuarea reparațiilor. Când se efectuează service-ul folosiți doar piese de schimb identice.

- Oprii produsul și deconectați-l de la priză de curent, asigurați-vă că toate părțile în mișcare s-au oprit complet înainte oricărui operațiuni de curățare sau întreținere.
- Puteți face reglaje și reparații descrise în acest manual de instrucțiuni. Pentru alte reparații, contactați agentul service autorizat.
- Verificați colectorul de iarbă frecvent pentru uzură sau deteriorare.
- După fiecare folosire curățați produsul cu o cârpă moale și uscată. Orice piesă deteriorată trebuie să fie reparată în mod corespunzător sau înlocuită de un service autorizat.
- Verificați toate piulițele, suruburile la intervale frecvente de timp ca să fie corespunzător strânse pentru a vă asigura că produsul este în stare de lucru în siguranță.
- Aveți grijă, în timpul ajustării mașinii, să preveniți prinderea degetelor între lamele în mișcare și părțile fixe ale mașinii.
- Când faceți revizia lamelor, rețineți că, deși sursa de alimentare este oprită, lamele se pot mișca.
- Lama produsului este foarte ascuțită, folosiți maximă atenție și purtați mănuși de protecție când ajustați, înlocuiți, curățați sau verificați siguranța șurubului.
- Înlocuiți lamele deteriorate și șuruburile în seturi pentru a păstra echilibrul.

REDUCEREA RISCULUI

S-a raportat faptul că vibrațiile produse de unele manuale pot contribui, la anumite persoane, la o afecțiune denumită Sindromul Raynaud. Simptomele pot include furnicături, amorțeală și albirea degetelor, care apare, de obicei, după expunerea la frig. Factori ereditari, expunerea la frig și umiditate, dieta, fumatul și practicile de muncă contribuie la

dezvoltarea acestor simptome. Există măsurător care pot fi efectuate de către operator pentru a reduce efectele de vibrațiilor:

- Păstrați-vă temperatura corporală ridicată pe vreme rece. Când operați unitatea purtați mănuși pentru a vă menține mâinile și încheieturile la căldură. S-a constatat că vremea rece este un factor major care contribuie la sindromul Raynaud.
- După fiecare perioadă de operare, trebuie făcute exerciții pentru a crește circulația sângelui.
- Trebuie făcute pauze la intervale de timp regulate. Limitați expunerea zilnică.

Dacă sunt experimentate oricare dintre simptomele acestei afecțiuni, trebuie întreruptă utilizarea și consultat un medic.

⚠ AVERTISMENT

Pot fi cauzate sau agravate vătămarile de la folosirea prelungită a aparatului. Atunci când folosiți o sculă pentru perioade prelungite, asigurați-vă că luați pauze regulate.

ÎNVĂȚAȚI SĂ VĂ CUNOAȘTEȚI FERĂSTRĂUL CU LANȚ.

Vezi pagina 119.

Părți

1. Buton pornire-oprire.
2. Mâner
3. Cablu de control motor
4. Dispozitiv de retenție a cablului de control al motorului.
5. Manetă de reglare a înălțimii
6. Cârlig cablu
7. Indicator cutie de iarbă plină.
8. Colector de iarbă
9. Clemă de eliberare rapidă.
10. Roată spate
11. Roată față
12. Duză pentru mulcire
13. Cordon de alimentare
14. Butonul de pornire

SIMBOLURILE DE PE PRODUS.



Citiți și înțelegeți toate instrucțiunile înainte de operarea produsului, urmați toate avertizările și instrucțiunile de siguranță.



Purtați protecție pentru urechi



Purtați întotdeauna ochelari de protecție



Nu folosiți pe pante mai mari de 15°. Tundeți de-a latul pantei, niciodată sus și în jos.



Nu expuneți la ploaie sau umezeală.



Fiți atent la lamele ascuțite. lamele vor continua să se rotească după ce motorul este oprit - Scoateți ștecherul din priză înaintea efectuării întreținerii sau în cazul în care cablul este deteriorat.



Feriți-vă de obiecte proiectate sau în zbor. Țineți toate persoanele, în special copiii și animalele de companie, la cel puțin 15 m distanță de zona de lucru.



Țineți cablul flexibil de alimentare ferit de lamele tăietoare.



Apăsăți butonul Start apoi butonul pornire-oprire pentru a pune produsul în funcțiune. Eliberați butonul Start și mențineți apăsat butonul pornire-oprire pentru a menține produsul funcționând. Eliberați butonul pornit-oprit pentru a opri produsul.



Porniți



Stop



Aparat clasa II, izolație dublă.



Deșeurile produselor electrice nu trebuie scumpe înălțurate împreună cu deșeurile casnice. Vă rugăm reciclați acolo unde există facilități. Verificați la autoritatea dvs locală sau la vânzător pentru sfaturi privind reciclarea.



Acest aparat este conform cu ansamblul normelor reglementare din țara din UE în care a fost cumpărat.



Marcaj de conformitate EurAsian.



Nivelul de putere sonoră garantat este de 94 dB.



Nivelul de putere sonoră garantat este de 95 dB.

Următoarele cuvinte simbol și înțelesul lor au intenția de a explica nivelele de risc asociate cu acest produs.

PERICOL

Indică o situație periculoasă iminentă, care dacă nu este evitată va cauza decesul sau vătămarea gravă.

AVERTISMENT

Indică o situație periculoasă iminentă, care dacă nu este evitată poate rezulta în deces sau vătămare gravă.

ATENȚIE

Indică o situație potențial periculoasă, care dacă nu este evitată poate cauza vătămarea moderată sau ușoară.

ATENȚIE

Fără a simbolul de alertă privind siguranța

Indică o situație care poate duce la pagube materiale.

iarbă tăiată.

- Dacă doriți să efectuați o tăiere ușoară și doriți ca iarba tăiată să rămână pe gazon, potriviți obturatorul de iarba și închideți clapa superioară pentru a acoperi deschizătura de evacuare. Nu este necesar să potriviți cutia de iarba în acest caz.
- Mașina de tuns iarba este destinată să opereze și sa tundă cel mai eficient cand e mutată înainte.

PICTOGRAME ÎN ACEST MANUAL



Conectarea la priză



Deconectați de la priză



Piese sau accesorii vândute separat



Deșeurile produselor electrice nu trebuie să fie înălțurate împreună cu deșeurile casnice. Vă rugăm să reciclați acolo unde există facilități.



Țineți mâinile departe de lame.



OBSERVAȚIE:



AVERTISMENT



Opriiți produsul

SFATURI DE TUNDERE

- Atunci când tăiați iarba înaltă, reduceți viteza de înaintare pentru a permite o tăiere mai bună și o golire corespunzătoare a ierbii tăiate.
- Nu tăiați iarba umedă; se va lipi de partea dedesubt a punții mașinii și va împiedica colectarea corespunzătoare a ierbii sau golirea ierbii tăiate.
- Iarba nouă sau deasă poate necesita o înălțime mai mare de tăiere.
- Dacă doriți să colectați iarba tăiată pentru a o înlătura, îndepărtați obturatorul de iarba și potriviți cutia pentru iarba asigurându-vă că clapa superioară este corespunzător închisă. Goliți regulat cutia pentru iarba, altminteri jgheabul de evacuare va deveni blocat cu

VISPĀRĪGIE DROŠĪBAS BRĪDINĀJUMI

▲ BRĪDINĀJUMS

Izmantojot ierīci, izpildiet drošības noteikumus. Pirms darba uzsākšanas Jūsu un blakusstāvētāju drošības dēļ, lūdzu, izlasiet šos norādījumus. Lūdzu, glabājiet noteikumus drošā vietā vēlākai izmantošanai.

PERSONISKĀ DROŠĪBA

- Zāles plaujmašina spēj nocirst rokas un kājas un izsviest priekšmetus. Nesilaikant visų saugos taisyklių galima rimtai susizeisti ar net žūti.
- Iepazīstieties ar ražojuma vadību un pareizu izmantošanu.
- Nekad nepieļaujiet, lai šī izstrādājuma ekspluatāciju, tīrīšanu vai apkopi veiktu bērni, personas ar samazinātām fiziskajām, maņu vai garīgajām spējām vai arī personas, kuras nav iepazīnušas ar šiem norādījumiem. Vietos iestatīmai gali apriboti ierīgimo operatoriaus amžību. Bērniem nedrīkst ļaut spēlēties ar elektroinstrumentu.
- Strādājot ar ierīci, uzmanieties, sekojiet savam darbam un vadieties pēc veselā saprāta. Nenaudokite ierīci, ja esat pārgarš, pāvēlēt, alkoholis, vai vaistū. Neuzmanība darbā ar ierīci var izraisīt smagus ievainojumus.
- Nēsājiet biezas garās bikses, garās piedurknes, zābakus un cimdus. Kad izmantojat šo izstrādājumu, lietojiet neslīdošus aizsargapavus. Nevalkājiet rotaslietas, īsbikses, sandales, nestrādājiet basām kājām. Nevelciet vaļīgu apģērbu vai apģērbu ar auklām un lentēm.
- Visada dēvēkite apsauginius akinius su šonine apsauga.
- Vienmēr saglabājiet stabilu stāvokli. Visada tvirtai stovēkite ir īslaikykite pusiausvyrā. Ejiet, nekādā gadījumā neskrīniet.
- Strādājiet tā, lai seja vienmēr būtu pavērsta nogāzes virzienā. Būkite itin atsargūs ant šlaitu keisdami kryptj.
- Nelietot izstrādājumu bedru, grāvju, pārlieki stāvu nogāžu vai krasta malu tuvumā. Galite paslysti ir pagrīditi.

DARBA VIETA

- Neļaujiet bērniem, skatītājiem un dzīvniekiem atrasties tuvāk par vismaz 15 m rādīusu; turklāt skatītāji var būt pakļauti riskam no mestiem priekšmetiem.
- Nuo žoliapjovēs geležčīų atsitrenķe objekti gali sunkiai sužaloti žmones. Rūpīgi pārbaudiet vietu, kur lietosiet ierīci un aizvāciet visus akmeņus, žaģarus, metālu, vadus, kaulus, rotāļlietas vai citus svešķermeņus. Vadi vai auklas var iepīties griešanas laikā.
- Lietojiet izstrādājumu dienas gaismā vai labā mākslīgā apgaismojumā.
- Nedarbiniet ierīci sprādzienbīstamā vidē, piemēram, degošu šķidrums, gāzu vai putekļu klātbūtnē. Ierīce rada dzirksteles, kas var aizdedzināt putekļus vai gāzes.

- Nedarbiniet ierīci mitrā zālē vai lietus laikā.
- Nelietojiet zāles plāvēju, ja pastāv zibens iespējamība.
- Turēkite omenyje, kad operatorius arba vartotojas yra atsakingas už nelaimingus atsitikimus arba kitiems asmenims ar jų turčiai sukeltą pavojų.
- Operatoriui nežinant, kad šalia yra vaikai, gali įvykti nelaimingi atsitikimai. Vaikams visada šis įrengimas bei pats pjovimo procesas yra įdomūs. Niekada nemanykite, kad vaikai išliks toje pačioje vietoje, kur juos pirmiau matėte.
- Nelietojiet, ja tuvumā ir bērni un, ja tos nepieskata pieaugušaais, izņemot pašu ierīces lietotājus. Uzmanieties un izslēdziet ierīci, ja pietuvojas bērns.
- Priartējē prie aklinų kampų, krūmų, medžių arba kitų objektų, už kurių gali būti vaiku, būkite itin atsargūs.

ELEKTRODROŠĪBA

- Kontaktakšai ir jābūt tādai pašai kā elektrības izejai. Nekad nepārveidojiet kontaktakšus. Sazemētiem elektroinstrumentiem nelietojiet pārejas ligzdas. Nepārveidotas kontaktakšas un atbilstošas kontaktligzdas samazinās elektriskā trieciena risku.
- Izvairieties no nejaušas iedarbināšanas. Pirms pievienojiet iekārtu pie elektrības, vienmēr pārbaudiet, vai ieslēgšanas slēdzis atrodas pozīcijā izslēgts. Nepārnēsiet pieslēgtu izstrādājumu, turot pirkstu uz slēdža.
- Nepieļaujiet ķermeņa kontaktu ar sazemētām virsmām, piemēram, caurulēm, radiatoriem, pavardiem un saldētāvam. Ja jūsu ķermenis ir sazemēts, pastāv palielināts elektriskā trieciena risks.
- Nepakļaujiet šo precī lielum vai slapjiem apstākļiem. Ūdenim iekļūstot iekārtā, palielināsies risks saņemt elektriskās strāvas triecienu.
- Elektriskā enerģija jāpiegādā caur strāvas noplūdes automātslēdzi (RCD) ar atslēgšanas strāvu, kas nepārsniedz 30 mA.
- Pirms lietošanas pārbaudiet vai strāvas avots un pagarinātājs ir darba kārtībā. Ja lietošanas laikā pagarinātājs tiek bojāts, nekavējoties atslēdziet to no strāvas avota. **Neaiztieciat pagarinātāju pirms tas nav atslēgts no strāvas avota.** Neaiztieciat ierīci, ja pagarinātājs ir bojāts vai nolietojies.
- Ja jums ir nepieciešamība lietot pagarinātāja vadu, pārliecinieties, ka tas ir derīgs lietošanai ārā un, ka tam ir atbilstoša jauda, lai spētu ar elektrību nodrošinātu jūsu darbarīku. Pagarinātājauklai ir jābūt apzīmētai ar "H05 RN F" vai "H05 VV F" Pirms katras lietošanas, pārbaudiet pagarinātāja vadu, vai tā nav bojāta. Izmantošanas laikā, pilnībā atīniet pagarinātāja vadu, jo satīti pagarinātāja vadi var pārkarst. Bojātu vada pagarinātāju nedrīkst labot, to jānomaina pret līdzvērtīgu.
- Pārliecinieties, ka pagarinātājs ir novietots tā, lai lietošanas laikā to nevar bojāt sagriežot vai uzkāpjot, un, ka aiz tā nevar aizķerties vai jebkādā citā veidā sabojāt.
- Nekad nepaceliet un nenēsiet izstrādājumu aiz elektriskā kabeļa.
- Atvienojot no enerģijas avota, nekad nevelciet aiz



elektriskā vada.

- Turiet elektrības vadu prom no siltuma avota, eļļas un asām šķautnēm.
- Pārliecinieties, ka spriegums ir atbilstošs izstrādājumam. Ierīces spriegums norādīts uz iekārtas nosaukuma plāksnītes. Nekad nepievienojiet ierīci cita sprieguma vērtības maiņspriegumam.
- Plāvēja salikšanas laikā, pārliecinieties, ka pagarinātais neviēnā posmā nav aizķēries, saspiests vai jebkādā citā veidā bojāts. Nekādā gadījumā neslēdziet plāvēju pie strāvas avota, ja vads ir bojāts. Vērsieties pilnvarotā servisa centrā, lai saņemtu profesionālu remontu.
- Elektrības kāpumi izraisa sprieguma svārstības un var ietekmēt citas elektroierīces tajā pašā elektrības slēgumā. Pievienojiet izstrādājumu strāvas padevei, kas ir vienāda vai mazāka par 0.452Ω - RLM18E40H, lai samazinātu sprieguma svārstības. Sazinieties ar savu elektroenerģijas piegādātāju, lai saņemtu plašāku informāciju.

ZĀLES PLĀVĒJA DROŠĪBAS BRĪDINĀJUMI

- Pirms lietošanas vienmēr apskatiet, vai asmeņi, asmeņu skrūves un griezēja mezgls nav izdilis vai bojāts.
- Nomainiet izdilušos vai bojātos asmeņus un skrūves, lai saglabātu simetriju.
- Izstrādājuma asmens ir ļoti ass, tāpēc rīkojieties īpaši uzmanīgi un, veicot uzstādīšanu, nomaigu, tīrīšanu vai skrūves drošības pārbaudi, valkājiet lielai slodzei paredzētus cimdus.
- Ja jāaizstāj sabojātas vai nesalasāmas uzlīmes, dodieties uz pilnvarotu servisa centru.
- Dažnai tikrinkite visas veržles, varžtus ir sraigtus, ar jīe tvirtai laikosi ir ar ģranga yra saugios darbo būklēs stovyje.
- Regulāri pārbaudiet, vai zāles uztvērējs nav nodilis vai nolietojies.
- Pirms izstrādājuma lietošanas, aizvietojiet nolietojušās vai bojātas detaļas.
- Zāles plāvēju var iedarbināt tikai, ja tā lietotājs atrodas aiz rokturiem, lietotāja drošības zonā. Nekādā gadījumā neiedarbiniet ierīci, ja:
 - Visi četri riteņi neatrodas uz zemes.
 - Zāles izmetēja atvere ir atklāta bez aizsargiem kā mulčēšanas ierīce un zāles izmetēja atveres pārklāja vai zāles savācēja kastes un pārklāja.
 - Visu personu rokas un kājas neatrodas drošā attālumā.
- Neizmantojiet ražošanu, ja slēdzis neieslēdz vai neizslēdz ražošanu.
- Nekad nemēģiniet ieslēgšanas/izslēgšanas slēdžus bloķēt ieslēgšanas pozīcijā, jo tas ir ļoti bīstami.
- Nepielietojiet spēku, izmantojot ražošanu. Tas darbu darīs labāk un drošāk ar ātrumu, kādam tas ticis izstrādāts.
- Apturiet asmeni, kad šķērsojat grantētas virsmas.
- Nevilkiet izstrādājumu atmuģuriski, izņemot, ja absolūti nepieciešams. Ja ierīce ir jāvirza atpakaļ no sienas vai šķēršļa, vispirms paskatieties uz leju un aiz sevis, lai

nepakluptu vai neuzvilktu ierīci uz kājām.

- Ja zāles plāvējs ir jāsasver transportēšanai, šķērsojot citas virsmas, izņemot zāli, un transportējot zāles plāvēju uz plaujamo teritoriju vai no tās, izslēdziet motoru un pagaidiet, līdz asmens apstājas.
- Nekad nedarbiniet ierīci ar bojātu aizsargu vai ekrānu vai bez uzstādītām drošības ierīcēm, piemēram, noliecēja un/vai zāles uztvērēja.
- Nedrīkst sagāzt izstrādājumu kamēr dzinējs ir iedarbināts. Ieslēdzot nesasveriet iekārtu. Tādējādi tiek atklāts asmens un pieaug priekšmetu mešanas iespējamība.
- Iedarbiniet motoru saskaņā ar norādījumiem un neturiet rokas un kājas asmeņu un griešanas zonas tuvumā. Nenovietojiet rokas vai kājas zem rotējošām detaļām vai to tuvumā. Visada laikyķitēs saugaus atstumo nuo išmetimo angos. Neĵunkite variklio stovėdami prieš išmetimo lataķa.
- Nekad nenesiet un netrānsportēĵiet produktu, kamēr tas darbojas.
- Apturiet plāvēja dzinēju un atslēdziet to no strāvas avota, kā arī pārliecinieties, ka visas kustīgās daļas ir pilnībā apstājušās šādos gadījumos:
 - izstrādājuma atstāšana bez uzraudzības
 - pirms nosprostoģumu vai izvada attīrģšanas,
 - pirms pārbaudes, tģrģšanas vai darba ar ierģci
 - Pēc sitiena pret sveģķermeni, pārbaudiet, vai ierģci nav bojģjumu, un veiciet remontu, ja nepiecieģšams
 - pirms noģemt zģles tvirtni vai atvėrt zģles izmeģšanas izvada pģrseģu.
 - ja ierģce sģķ neparasti vibrēt (nekavģjoties pārbaudiet)
 - Pārbaudiet, vai nav bojģjumu. Nomainiet asmeni, ja tas ir neģvienģdi nodilis vai jebkģdģ veidģ bojģts.
 - nomainiet vai salabojiet bojģtģģ daģas,
 - Pārbaudiet un pieģvelģciet vaģģģģģ detaģas.
- Venķite skyliģ, provėģģģ, iģķilimģ, akmeņģ ar ķitģ paslēptģ objektģ. Nelyģģioģe teritorģģoģe galima paslysti ir iģģriģģti.

PĀRSLODZES AIZSARGS

Precei ir pārslodzes aizsardzības ierīce. Kad noteikta pārslodze, prece automātiski izslēgsies. Ja pārslodzes aizsargs ir ieslēgts, motoram jāļauj atdzist vismaz 5-10 minūtes.

Izslēdziet jaudu un izraujiet spraudni no padeves. Asmeņi ir asi, pirms pieskaršanās tiek uzvelciet lielas nosedzes aizsargcimdus. Pārliecinieties, ka asmeņi var brīvi rotēt un nestrīķējas viens gar otru, kā arī nav pārāk stingri.

Kad motors ir atdzisis, pievienojiet spraudni pie strāvas padeves. Ieslēdziet jaudu. Lai iekārtu iedarbinātu, nospiediet palaišanas pogu, pēc tam ieslēgšanas-izslēgšanas pogu. Ja prece neiedarbojas, vērsieties pie pilnvarota pakalpojumu centra, lai to salabotu.

PAREDZĒTAIS LIETOJUMS

Šis produkts ir paredzēts lietošanai tikai ārā.

Šis izstrādājums ir paredzēts mājas zālāja plaušanai.





Griezējasmenim jāgriežas apmēram paralēli zemei, virs kuras tas tiek pārvietots. Pļaušanas laikā visiem četriem riteņiem jāpieskaras zemei. Tā ir kājāmgājēja gaita aiz zāles plāvēja. Šis izstrādājums ir stumjams manuāli.

Zāles plāvēju nedrīkst darbināt, ja riteņi neatrodas uz zemes, to nevajadzētu vilkt vai vizināties uz tā. To nevajadzētu lietot citu materiālu griešanai kā tikai mājas zālienam.

OBJEKTĪVIE RISKI

Pat tad, ja ierīce tiek lietota atbilstoši norādījumiem, joprojām nav iespējams pilnībā novērst atsevišķus riska faktorus. Lietošanas laikā var rasties šādas bīstamas situācijas, un lietotājam ir jāpievērš pastiprināta uzmanība, lai tās novērstu:

- Vibrācijas radīts ievainojums. Vienmēr izmantojiet pareizos rīkus tiem paredzētajam darba, izmantojiet norādītos rokturus un ierobežojiet laiku, cik ilgi izmantojat ierīci.
- Saskarsme ar troksni var radīt dzirdes traucējumus. Valkājiet ausu aizsargu un ierobežojiet saskarsmi.
- Saskarsme ar asmeņiem
- Ievainojums no aizmestiem objektiem

TRANSPORTĒŠANA UN UZGLABĀŠANA

- Apturiet ierīci un atslēdziet to no strāvas avota, pārliecinieties, ka visas kustīgās daļas ir pilnībā apstājušās, un ļaujiet ierīcei atdzist pirms to uzglabājat vai transportējat.
- Notīriet visus svešķermeņus no izstrādājuma. Uzglabājiet to vēsā, sausā un labi vēdinātā vietā, kurai nevar piekļūt bērni. Neglabājiet to vietā, kur tuvumā atrodas korozīvas vielas, piemēram dārza darbos izmantojamas ķīmikālijas vai atsaldēšanai domāta sāls. Neuzglabājiet ārpus telpām.
- Transportēšanas laikā, nostipriniet ierīci tā, lai tā nekustētos un neapgāztos, lai novērstu risku savainoties un ierīces bojājumus.

⚠ BRĪDINĀJUMS

Paceļot vai sasverot iekārtu apkopes, tīrīšanas, uzglabāšanas vai transportēšanas nolūkos, rīkojieties īpaši uzmanīgi. Asmens ir ass. Kamēr asmens ir atklāts, netuviniet tam nevienu ķermeņa daļu.

APKOPE

⚠ BRĪDINĀJUMS

Lietojiet tikai oriģinālās ražotāja rezerves daļas, piederumus un uzgaļus. Pretējā gadījumā var tikt radīti ievainojumi un parādīts slikts sniegums, kā arī var tikt anulēta garantija.

⚠ BRĪDINĀJUMS

Aptarnavimā atlikti būtina itin atdžīai, todėl rekomenduojame, kad techninė apžiūrą vykdytų kvalifikuotas specialistas. Techninei apžiūrai atlikti patariame gražinti prietaisą į artimiausią įgaliotą paslaugų teikimo tarnybą. Sugedusias detales keiskite tik originaliomis detalėmis.

- Apturiet ierīci un atslēdziet to no strāvas avota, pārliecinieties, ka visas kustīgās daļas ir pilnībā apstājušās pirms sākat tīrīt vai veikt ierīces apkopi.
- Daudzus šajā lietotāja rokasgrāmatā aprakstītos regulēšanas un remontdarbus varat veikt pats. Lai veiktu citus remontdarbus, sazinieties ar pilnvarotu servisa darbinieku.
- Regulāri pārbaudiet, vai zāles uztvērējs nav nodilis vai nolietojies.
- Pēc katras lietošanas reizes notīriet precī ar mīkstu, sausu drāniņu. Jebkura bojāta detaļa jānodod remontam vai nomainīai pilnvarotā apkopes centrā.
- Regulāri pārbaudiet visus uzgriežņus, stiprinājumus un skrūves, lai pārliecinātos, ka tās ir cieši pievilktas un izstrādājums ir drošā darba stāvoklī.
- Regulējot iekārtu, rīkojieties uzmanīgi, lai neiespiestu pirkstus starp iekārtas kustīgajiem asmeņiem un fiksētajām daļām.
- Veicot asmeņu apkopi, atcerieties, ka pat pēc atslēgšanas no strāvas avota asmeņi joprojām var kustēties.
- Izstrādājuma asmens ir ļoti ass, tāpēc rīkojieties īpaši uzmanīgi un, veicot uzstādīšanu, nomainīšanu, tīrīšanu vai skrūves drošības pārbaudi, valkājiet liela slodzei paredzētus cimdus.
- Lai saglabātu ierīces līdzsvaru, nomainiet bojātos asmeņus un skrūves.

RISKA SAMAZINĀŠANA

Ir ticis ziņots, ka vibrācijas no rokas instrumentiem atsevišķos cilvēkos var veicināt kaiti, ko sauc par Reino sindromu. Simptomi var ietvert pirkstu tīnķēšanu, nejutīgumu un nobālēšanu, parasti aukstā laikā. Tiek uzskatīts, ka tradicionālie faktori, aukstums un mitrums, uzturs, smēķēšana un darba prakse sekmē šo simptomu attīstību. Operators var veikt pasākumus, lai iespējami samazinātu vibrācijas efektu:

- Aukstā laikā ķermenim jābūt siltam. Darbinot ierīci, nēsājiet cimdus, lai rokas un plaukostas locītavas būtu siltas. Ir pētījumi, ka auksts laiks ir galvenais faktors, kas veicina Reino sindromu.
- Ik pēc laika apturiet darbu un veiciet vingrinājumus, kas uzlabo asins cirkulāciju.
- Strādājot jābūt biežiem pārtraukumiem. Ierobežojiet iedarbības ilgumu dienā.

Ja jūs izjūtat kādu no šiem simptomiem, nekavējoties apturiet ierīces lietošanu un sazinieties ar ārstu par šiem simptomiem.

EN
FR
DE
ES
IT
NL
PT
DA
PT
SV
FI
NO
RU
CS
PL
HU
RO
LV
LT
ET
HR
SL
SK
BG



⚠ BRĪDINĀJUMS

Ilgstoša preces lietošana var radīt ievainojumus vai pasliktināt jau esošos. Ilgstoši lietojot jebkuru instrumentu, pārliecinieties, ka tiek veikti regulāri pārtraukumi.

LABI IEPAZĪSTIET MOTORZĀGA UZBŪVI UN DARBĪBU!

Skatīt 119. lappusi

Daļas

1. Ieslēgšanas-izslēgšanas poga
2. Rokturis
3. Motora vadības kabelis
4. Motora vadības vada aizture
5. Augstuma regulēšanas svira
6. Vada āķis
7. Pilnas zāles savācēja kastes indikators
8. Zāles savācējs
9. Ātri atlaižams stiprinātājs
10. Aizmugures ritenis
11. Priekšējais ritenis
12. Smalcinātājs
13. Strāvas vads
14. Palaišanas poga

UZ PRECES ESOŠIE SIMBOLI



Pirms preces darbināšanas izlasiet un izprotiet visus norādījumus, ievērojiet visus brīdinājumus un drošības norādījumus.



Lietojiet dzirdes aizsargus



Valkājiet acu aizsargaprīkojumu



Nedarbiniet slīpumā, kas ir lielāks par 15°. Pjaukrite skersai šlaitu, niekada nepjaukrite aukštn un žemyn.



Nepakļaujiet lietum vai mitriem apstākļiem.



Uzmanieties no asiēm asmeņiem. Asmeņi turpina rotēt arī pēc dzinēja izslēgšanas - Atslēdziet ierīci no strāvas pirms veicat apkopi vai, ja pagarinātājs ir bojāts.



Sargieties no izmestiem vai lidojošiem priekšmetiem. Neļaujiet nepiederošām personām, it īpaši bērniem un mājdzīvniekiem, tuvoties darba zonai tuvāk par 15 m.



Parūpējieties, lai ierīces elastīgais vads neatrastos pie griešanas asmeņiem.



Lai iekārtu iedarbinātu, nospiediet palaišanas pogu, pēc tam ieslēgšanas-izslēgšanas pogu (A, B, C vai D). Lai iekārta darbotos, atļaidiet iedarbināšanas pogu un turiet nospiestu ieslēgšanas-izslēgšanas pogu. Atļaidiet ieslēgšanas/izslēgšanas pogu, lai apturētu ierīci.



Iedarbināt



Apturēt



2. klases instruments, dubulta izolācija



Izlietotie elektroprodukti nedrīkst tikt izmesti kopā ar mājāsaimniecības atkritumiem. Lūdzu, nododiet tos attiecīgajās atkārtošanas vietās. Sazinieties ar savu vietējo varas pārstāvi vai izplatītāju, lai noskaidrotu, kur iespējama atkārtota pārstrāde.



Darbarīks atbilst visām normām ES valstī, kurā tas ir iegādāts.



EurAsian atbilstības marķējums.



Garantētais skaņas jaudas līmenis ir 94 dB.



Garantētais skaņas jaudas līmenis ir 95 dB.

Lai izskaidrotu risku, kas saistīti ar izstrādājumu, līmeni, paredzēti šādi norādījuma vārdi un jēdzieni.

⚠ BĪSTAMI

Norāda draudošo bīstamo situāciju, kas, ja no tās neizvairās, var novest pie nāves vai nopietnas traumas.

⚠ BRĪDINĀJUMS

Norāda potenciālo bīstamo situāciju, kas, ja no tās neizvairās, var novest pie nāves vai nopietnas traumas.

⚠ UZMANĪBU

Norāda potenciālo bīstamo situāciju, kas, ja no tās neizvairās, var novest pie nelielas vai vidējas traumas.

UZMANĪBU

Bez drošības brīdinājuma apzīmējuma
Norāda uz situāciju, kas var radīt īpašuma bojājumus.

IKONAS ŠAJĀ ROKASGRĀMATĀ



Pievienojiet enerģijas avotam



Atvienojiet no enerģijas avota



Atsevišķi nopērkamās daļas vai
piederumi



Izlietotie elektroprodukti nedrīkst tikt
izmesti kopā ar mājāsaimniecības
atkritumiem. Lūdzu, nododiet tos
attiecīgajās atk ār tolas izmantošanas
vietās.



Neturiet rokas asmeņu tuvumā.



PIEZĪME:



BRĪDINĀJUMS



Apturiet iekārtu.

PJOVIMO PATARIMAI

- Pjaudami aukstā žolē sumažinkite ģjimo greitj. Taip pjo vimas bus efektyvesnis ir geriau išsivalys nuopjovos.
- Nepļaujiet slapju zāli, jo tā pielip zem platformas un neļauj pareizi savākt vai izmest zāles atgriezumus.
- Jaunai vai biežai zālei var būt nepieciešams lielāks pļaušanas augstums.
- Ja vēlaties savākt zāli, lai to vēlāk izmestu, noņemiet mulčēšanas ierīci un piestipriniet zāles savācēja kasti, un pārliecinieties, ka augšējais vāks ir kārtīgi aiztaisīts. Regulāri iztukšojiet zāles savācēja kasti, citādk nopļautā zāle nobloķēs izmetēja atveri.
- Ja veicat nelielu pļaušanu un vēlaties, lai nopļautā zāle paliek uz zemes, piestipriniet mulčēšanas ierīci un aizveriet augšējo vāku, lai nosegtu izmetēja atveri. Šajā gadījumā nav nepieciešams piestiprināt savācēja kasti.
- Visefektīvāk ar zāles pļāvēju var strādāt kustoties uz priekšu.

BENDRIEJI SAUGOS ĮSPĖJIMAI

⚠ ĮSPĖJIMAS

Būtina laikytis saugos reikalavimų naudojantis šiuo produktu. Dėl savo pačių ir šalia esančių asmenų saugumo, perskaitykite šias instrukcijas prieš pradėdami dirbti prietaisu. Išsaugokite šią instrukciją ateičiai.

ASMENINĖ SAUGA

- Žoliapjovė gali nupjauti rankas, kojas bei sviesti objektus. Nesilaikant visų saugos taisyklių galima rimtai susižeisti ar net žūti.
- Susipažinkite su prietaiso valdymu ir tinkamu naudojimu.
- Jokiū būdu neleiskite naudoti, valyti ar prižiūrėti prietaisą vaikams, žmonėms su robotais fiziniiais, jutikliniais ar protiniais gebėjimais, arba nesusipažinusiems su šiomis instrukcijomis asmenimis. Vietos įstatymai gali apriboti įrengimo operatoriaus amžių. Vaikus reikia tinkamai prižiūrėti, kad nežaistų su elektros prietaisu.
- Dirbdami su prietaisu būkite budrūs, stebėkite, ką darote bei vadovaukitės sveika nuovoka. Nenaudokite įrankio jei esate pavargę, paveikti kvaišalų, alkoholio ar vaistų. Neatidžiai elgdamiės su šiuo prietaisu galite sunkiai susižeisti.
- Dėvėkite ilgus kelnes, drabužius ilgomis rankovėmis, avėkite ilgus batus ir mūvėkite pirštines. Naudodamiesi šiuo gaminiu visada avėkite avalynę neslystančiais padais. Nenešiotkite juvelyrinių papuošalų, šortų ar sandalų ir nedirbkite, žengdami basomis kojomis. Nedėvėkite laisvų drabužių arba drabužių su kabanciais raišteliais arba virvelėmis.
- Visada dėvėkite apsauginius akinius su šonine apsauga.
- Visada atkreipkite dėmesį į stabilią stovėseną. Visada tvirtai stovėkite ir išlaikykite pusiausvyrą. Visada eikite, niekada nebėkite.
- Dirbkite nuožulniu plokštumų išilgai, niekada aukštyn ir žemyn. Būkite itin atsargūs ant šlaitų keisdami kryptį.
- Nenaudokite prietaiso arti skardžių, griovių, lapai stačių šlaitų ar pylimų. Galite paslysti ir pargriūti.

DARBO APLINKA

- Visi vaikai, pašaliniai asmenys bei gyvūnai turi būti mažiausiai 15 m atstumu, nes jiems gali kilti pavojus dėl sviedžiamų daiktų.
- Nuo žoliapjovės geležčių atsitrenkę objektai gali sunkiai sužaloti žmones. Gerai patikrinkite tą vietą, kurią pjausite žoliapjove bei pašalinkite visus akmenis, pagalius, metalo gabalus, laidus, kaulus, žaislus ir kitus pašalinius objektus. Vietos arba virvelės gali įspainioti pjovimo įtaisuose.
- Naudokite šį gaminį dienos šviesoje ar esant geram dirbtiniam apšvietimui.
- Nenaudokite prietaiso, jei šalia yra degios ir sprogti galinčios medžiagos (skysčiai, dujos ar dulkės). Prietaisas kibirkščiuoja ir gali uždegti dulkes arba garus.
- Nenaudokite įrankio ant šlapios žolės bei lietuje.

- Nenaudokite žoliapjovės, kai gali žaibuoti.
- Turėkite omenyje, kad operatorius arba vartotojas yra atsakingas už nelaimingus atsitikimus arba kitiems asmenims ar jų turtui sukeltą pavojų.
- Operatoriui nežinant, kad šalia yra vaikai, gali įvykti nelaimingi atsitikimai. Vaikams visada šis įrengimas bei pats pjovimo procesas yra įdomus. Niekada nemanykite, kad vaikai išliks toje pačioje vietoje, kur juos pirmiau matėte.
- Vaikai turi būti atokiai nuo darbo zonos, rūpestingai prižiūrimi atsakingo suaugusiojo - ne prietaisu dirbančio asmens. Būkite budrūs - į darbo zoną patekus vaikai, prietaisą išjunkite.
- Priartėję prie aklinių kampų, krūmų, medžių arba kitų objektų, už kurių gali būti vaikų, būkite itin atsargūs.

ELEKTROS SAUGA

- Maitinimo kištukai turi atitikti lizdą. Niekada nekeiskite kištuko. Su įžemintais (įžeminio) elektriniais įrankiais niekada nenaudokite kištukų adapterių. Nepakeisti kištukai ir atitinkantys lizdai sumažina elektros smūgio pavojų.
- Saugokitės, kad jis netyčia neužsivestų. Prieš jungiant krūmapjovę į maitinimo šaltinį, būtinai patikrinti, ar jungiklis išjungtas. Nenešiotkite gaminio su prijungtu laidu laikydami pirštą ant jungiklio.
- Stenkitės nesiliesti prie įžemintų ar įžeminimo paviršių (vamzdžių, radiatorių, grandinių / viryklių, šaldytuvų). Įžeminius savo kūną, padidėjęs elektros smūgio pavojus.
- Įrenginio negalima laikyti lietuje ar drėgmėje. Į įrenginį patekęs vanduo padidina elektros smūgio pavojų.
- Elektros maitinimas turi būti paduodamas per prietaisą su srovės atjungimo (RCD), kurio išsijungimo srovės riba neturi būti didesnė, nei 30 mA.
- Prieš naudodami, patikrinkite, ar maitinimo ir pailginimo laidai nepažeisiti ir nesudilę. Naudojant žoliapjovę pažeidus laidą, jį reikia nedelsiant išjungti iš maitinimo. **Nelieskite laido, kol jis įjungtas į maitinimą.** Nenaudokite žoliapjovės, jeigu jos laidas pažeistas ar sudilęs.
- Jei reikia naudoti pailginimo laidą, patikrinkite, ar jis tinkamas naudoti lauko sąlygomis ir ar jo srovės parametrai tinkami įrankio maitinimui. Pailginimo laidas turi būti paženklintas „H05 RN F“ arba „H05 VV F“. Prieš kiekvieną naudojimą patikrinkite, ar pailginimo laidas nepakenktas. Naudojant, būtinai išvynioti pailginimo laido ritę, nes susukti pailginimo laidai gali perkaisti. Pažeistų pailginimo laidų nereikia taisyti: juos reikia keisti tolygaus tipo laidais.
- Patikrinkite, ar laidas tinkamai ištemptas: ar jo nepažeis pjovimo įtaisai ir ar ant jo neužlipsite, už jo neužkliūsite ir kitaip nepažeisite ir neprispausite.
- Niekada nekelkite ir neneškite gaminio už elektros laido.
- Niekada netraukite už maitinimo laido norėdami prietaisą išjungti iš maitinimo.
- Saugokite maitinimo laidą nuo karščio, alyvos ir aštrių briaunų.
- Patikrinkite ar maitinimo įtampa atitinka gaminio parametrus. Pavadinimo plokštelėje ant produkto



nurodoma prietaiso įtampa. Niekada nejunkite produkto prie AC įtampos šaltinio, kurio skirtinga įtampa.

- Būtinai patikrinkite, ar laidas neįstrigęs į žoliapjovės rankeną, neprispaustas ar kitaip nepažeistas surenkant žoliapjovę ar atlenkiant rankeną. Jeigu laidas pažeistas, jokių būdų nejunkite žoliapjovės į maitinimą. Nugabenkite žoliapjovę į įgaliotąjį techninės priežiūros bei aptarnavimo centrą, kad ją pataisytų specialistai.
- Dėl srovės pertrūkio įtampa pradeda svyruoti bei gali turėti įtakos kitiems prie tos pačios energijos grandinės prijungtiems elektros prietaisams. Kad sumažintumėte įtampos svyravimus, gaminį junkite į maitinimo tinklą, kurio tariamoji varža yra lygi arba mažesnė nei 0.452Ω - RLM18E40H. Dėl išsamesnės informacijos kreipkitės į elektros energijos tiekėją.

VEJAPJOVĖS SAUGOS PERSPĖJIMAI

- Prieš pradėdami naudoti įrankį, visada vizualiai patikrinkite geležtes, jų varžtus ir pjoviklio korpusą dėl nusidėvėjimo.
- Siekiant išlaikyti įrankio pusiausvyrą, nusidėvėjusias ar pažeistas geležtes ir varžtus pakeiskite.
- Prietaiso geležtė labai aštri, todėl ją montuodami, keisdami, valydami ar tikrindami varžtų priveržimo tvirtumą būkite ypatingai atsargūs ir mūvėkite darbo pirštines.
- Pakenktas ar neįskaitomas etiketes pateikite įgaliotajam techninio aptarnavimo centrui, kad pakeistų naujomis.
- Dažnai tikrinkite visas veržles, varžtus ir sraigtus, ar jie tvirtai laikosi ir ar įranga yra saugios darbo būklės stovyje.
- Dažnai patikrinkite žolės surinkimo dėžę, ar ji nenusidėvėjusi ir neapgadinta.
- Prieš naudodami prietaisą, pakeiskite nusidėvėjusias ar pakenktas dalis.
- Žoliapjovę reikia paleisti stovint už rankenų, naudotojui saugioje zonoje. Jokių būdų nepaleiskite žoliapjovės, jeigu:
 - Ne visi keturi ratai stovi ant žemės.
 - Žolės iškratymo lovelis atidengtas ir neapsaugotas nei mulčiavimo kaiščiu, nei dangčiu, arba žolės surinkimo dėže ir lovelio dangčiu.
 - Visų netoliese esančių asmenų rankos ir kojos nepatrauktos nuo pjovimo įtaisų.
- Jei jungikliu prietaiso negalite tinkamai įjungti ir išjungti, prietaiso nenaudokite.
- Jokių būdų nemėginkite uždėti į jį išjungiklio kaiščio, kai jungiklis ĮJUNGTAS: tai labai pavojinga.
- Nenaudokite per didelės jėgos. Prietaisą naudodami pagal pagamintą tinkamą greitį, darbą atlikite geriau ir saugiau.
- Stumdami žoliapjovę per žvyrą ar asfaltą, prietaisą išjunkite, kad geležtės sustotų.
- Jei nėra būtino reikalo, netraukite prietaiso atgal. Jei būtina prietaisą statyti ne prie sienos ar išvengiant kliūčių, pirmiausia patikrinkite po prietaisu ir už jo, kad už jo neužkliūtumėte ir jo neužsiverstumėte ant kojų.
- Jeigu vejapjovę reikia pakreipti norint gabenti ne per žolę arba gabenant į / iš vejos, sustabdykite variklį ir

palaukite, kol geležtė visiškai liausis sukstis.

- Niekada nenaudokite šio įrankio, jei pažeisti jo apsauginiai gaubtai ar skydeliai, nenaudokite be apsauginių įtaisų, pvz. be kreiptuvų ir (ar) žolės surinkimo dėžės.
- Nepakreipkite prietaiso veikiant varikliui. Prietaisą jungdami jo nepaverskite. Pakreipus, atidengiama geležtė ir padidėja galimybė svaidyti objektus.
- Variklį užveskite pagal nurodymus bei laikykite rankas ir kojas toliau nuo pjovimo zonos. Rankų ar kojų nelaikykite šalia besisukančių detalių ar po jomis. Visada laikykitės saugaus atstumo nuo išmetimo angos. Nejunkite variklio stovėdami prieš išmetimo lataką.
- Niekada neneškite ir negabenkite prietaiso, kai jis veikia.
- Sustabdykite žoliapjovę ir atjunkite nuo maitinimo, patikrinkite, ar judamosios dalys visiškai sustoję šiais atvejais:
 - gaminio palikimas be priežiūros
 - prieš išvalydami užsikimšusias atliekas ar įleidimo angą,
 - prieš patikrinant, valant ar dirbant prietaisu
 - Atsitrenkus į pašalinį objektą, patikrinkite prietaisą, ar jis neapgadintas, ir jei būtina, atlikite jo remontą
 - prieš išimant žolės surinkimo krepšį ar atidarant žolės iškratymo nuleistuvo dangtį
 - jei prietaisas pradeda per smarkiai vibruoti (patikrinkite nedelsiant)
 - Patikrinkite, ar jis neapgadintas. Pakeiskite geležtę, jei ji nusidėvėjusi netolygiai ar bet koku būdu yra pažeista.
 - pakeiskite ar suremontuokite visas pažeistas dalis,
 - Patikrinkite, ar nėra atsilaisvusių detalių ir jas priveržkite.
- Venkite skylių, provėžų, iškilimų, akmenų ar kitų paslėptų objektų. Nelygioje teritorijoje galima paslysti ir išgrūti.

APSAUGINIS ĮTAISAS NUO PERKROVOS

Gamyje įtaisytas apsaugos nuo perkrovos įrenginys. Atsiradus perkrovai, gaminys automatiškai išjungiamas. Jei apsaugos nuo perkrovos įrenginys veikia, reikia leisti varikliui atvėsti 5–10 minučių.

Išjunkite maitinimą ir ištraukite kištuką iš maitinimo šaltinio. Peiliai aštrūs, todėl juos lieskite tik mūvėdami storas pirštines. Patikrinkite, ar peilis juda laisvai, neįstrigęs arba per smarkiai nepriveržtas.

Kai variklis atvėsta, kištuką įkiškite į maitinimo šaltinio lizdą. Įjunkite maitinimą. Norėdami paleisti prietaisą, paspauskite paleidimo mygtuką „Start“ (paleisti), tada įj. / išj. mygtuką „On-off“. Jei gaminys neužsiveda, grąžinkite jį į įgaliotąjį aptarnavimo centrą taisyti.

NAUDOJIMO PASKIRTIS

Šis prietaisas skirtas naudoti tik lauke.

Šis produktas yra skirtas pjauti žolę aplink namus. Pjovimo geležtė turi sukstis apytiksliai lygiagrečiai žemei, virš kurios





ji stumiama. Pjaunant žolę visi keturi ratukai turi liesti žemę. Už žoliapjovės yra pėsčiųjų reguliuojamas eismas. Šis prietaisas skirtas stumti ranka.

Žoliapjovės niekada negalima naudoti, kai ratukai yra pakelti nuo žemės, jos negalima traukti ar ant jos sėdėti. Šį prietaisą galima naudoti tik pjauti žolę aplink namus, o ne kitose vietose.

ŠALUTINIAI PAVOJAI

Netgi prietaisą naudojant pagal jo paskirtį visų šalutinių rizikos veiksnių visiškai pašalinti neįmanoma. Gali kilti toliau nurodyti pavojai, todėl operatorius turi būti itin dėmesingas, kad išvengtų šių dalykų:

- Vibracijos sukeltas sužalojimas. Kiekvieną darbą atlikite jam skirtu įrankiu, naudokite atitinkamas rankenas ir ribokite darbo bei buvimo sveikatai žalingoje aplinkoje laiką.
- Ilgai būnant triukšme, galima pakenkti klausą. Dėvėkite akių apsaugą ir ribokite poveikio trukmę.
- Sąlytis su ašmenimis
- Sužeidimai nuo svaidomų objektų

GABENIMAS IR LAIKYMAS

- Prieš padėdami į sandėlį ar gabendami, sustabdykite žoliapjovę, atjunkite nuo maitinimo, patikrinkite, ar judamosios dalys visiškai sustoję ir palaukite, kol įrenginys atvės.
- Nuo įrankio nuvalykite visas pašalines medžiagas. Laikykite vėsioje, sausoje, gerai vėdinamoje ir vaikams nepasiekiamoje vietoje. Nelaikykite jo arti nuo tokių koroziją sukeliančių reagentų kaip cheminės sodininkystės medžiagos arba druskos, naudojamos prieš apledėjimą. Nelaikykite lauke.
- Ruošdami gabenimui, pritvirtinkite žoliapjovę, kad nepajudėtų, nenukristų ir nesužeistų žmonių bei neapsigadintų pati.

⚠️ ĮSPĖJIMAS

Būkite ypatingai atsargūs keldami ar pakreipdami prietaisą atlikti priežiūros, valymo darbus, padėti į sandėlį ar transportuoti. Geležtė aštri. Visas korpuso dalis laikykite atokiai nuo atidengtos geležtės.

PRIEŽIŪRA

⚠️ ĮSPĖJIMAS

Keitimui naudokite tik originalias gamintojo atsargines dalis. Neoriginalios dalys gali būti sužeidimų ir įrenginio blogo veikimo priežastis, ir dėl to gali būti anuliuotas garantinis pažymėjimas.

⚠️ ĮSPĖJIMAS

Aptarnavimą atlikti būtina itin atidžiai, todėl rekomenduojame, kad techninę apžiūrą vykdytų kvalifikuotas specialistas. Techninei apžiūrai atlikti patariame gražinti prietaisą į artimiausią įgaliotą paslaugų teikimo tarnybą. Sugedusias detales keiskite tik originaliomis detalėmis.

- Prieš atlikdami valymo ar priežiūros darbus, sustabdykite žoliapjovę ir atjunkite nuo maitinimo, patikrinkite, ar judamosios dalys visiškai sustoję.
- Prietaisą galite reguliuoti ir remontuoti, kaip aprašyta šiame naudotojo vadove. Dėl kitų remonto darbų kreipkitės į įgaliotą techninio aptarnavimo centrą.
- Dažnai patikrinkite žolės surinkimo dėžę, ar ji nenusidėvėjusi ir neapgadinta.
- Po kiekvieno naudojimo, išvalykite įrenginį sausu švelnaus audinio gabalėliu. Bet kurią apgadintą detalę leidžiama remontuoti arba keisti tik autorizotuose aptarnavimo centre.
- Dažnai tikrinkite visas veržles, varžtus ir sraigtus, ar jie tvirtai laikosi ir ar gaminyje yra saugios darbo būklės stovyje.
- Reguliuodami prietaisą būkite atsargūs, kad pirštai nepatektų tarp judančių geležčių ir stabilių detalių.
- Atliekant geležčių techninę priežiūrą, atminkite, kad net jei maitinimas į prietaisą yra nutrauktas, geležtės gali vis dar sukilti.
- Prietaiso geležtė labai aštri, todėl ją montuodami, keisdami, valydami ar tikrindami varžtų priveržimo tvirtumą būkite ypatingai atsargūs ir mūvėkite darbo pirštines.
- Pažeistas geležtes ir varžtus pakeiskite, kad žoliapjovė išlaikytų pusiausvyrą.

RIZIKOS MAŽINIMAS

Turime pranešimų, kad vibracija nuo ranka laikomų įrankių kai kuriems asmenims gali turėti neigiamos įtakos vystantis Raynaud sindromui. Šios ligos požymiai yra pirštų dilgčiojimas, nutirpimas ir pabalimas, paprastai pasireiškiantis nuo šalčio. Šie simptomai vystosi dėl paveldimų veiksnių, nesisaugant nuo šalčio ir drėgmės, dėl mitybos, rūkymo ir darbo praktikos. Operatorius gali imtis šių priemonių, kurios gali sumažinti vibracijos poveikį:

- Apsirenkite kuo šilčiau šaltu oru. Dirbant šiuo prietaisu mūvėkite pirštines, kad plaštakos ir riešai būtų laikomi šilčiau. Turime pranešimų, kad Raynaud sindromas labiausiai vystosi nuo šalto oro sąlygų.
- po darbo kiekvieną kartą pasportuokite, kad pagerėtų kraujo apytaka;
- dažnai darykite darbo pertraukas. Apribokite darbo laikotarpį per dieną.

Jei jums pasireiškia kokie nors šios būklės simptomai, nedelsdami nutraukite darbą ir kreipkitės į gydytoją.



⚠️ ĮSPĖJIMAS

Ilgiau naudojant, įrankis kelia sužeidimų pavojų ir apsunkina darbą. Ilgiau naudojant įrankius, reikia reguliariai daryti pertraukas.

ĮŠSIMOKYKITE PAŽINTI SAVO GRANDININĮ PJŪKLĄ.

Žr. 119 psl.

Dalys

1. Jį. / išj. mygtukas „On-off“
2. Rankena
3. Variklio valdymo droselis
4. Variklio valdymo kabelo laikiklis
5. Aukščio lygio regulatorius
6. Laido kablys
7. Pilnos žolės surinkimo dėžės indikatorius
8. Žolės surinkimo dėžė
9. Sparčiojo atpalaidavimo skląstis
10. Galinis ratukas
11. Priekinis ratukas
12. Mulčiavimo kištukas
13. Maitinimo laidas
14. Užvedimo mygtukas

SIMBOLIAI ANT ĮRENGINIO



Prieš naudodami įrenginį, atidžiai perskaitykite instrukcijas, laikykitės įspėjimų ir saugos nurodymų.



Dėvėkite ausų apsaugos priemones



Dėvėkite apsauginius akinius



Žoliapjovės nenaudokite ant šlaitų, kurių nuožulnumo kampas yra didesnis nei 15°. Pjaukite skersai šlaitų, niekada nepjaukite aukštyn ir žemyn.



Nenaudoti lyjant ar esant drėgnoms sąlygoms.



Saugokitės aštrių geležčių. Išjungus variklį, geležtės dar kurį laiką sukasi. Prieš atlikdami priežiūros darbus arba pažeidus laidą, ištraukite kištuką iš maitinimo tinklo.



Saugokitės išmetamų arba skrendančių objektų. Įsitinkite, kad 15 metrų atstumu nuo darbo zonos nėra pašalinių asmenų (ypač vaikų ir gyvūnų).



Lankstųjį maitinimo laidą laikykite atokiai nuo pjovimo geležčių.



Norėdami paleisti prietaisą, paspauskite paleidimo mygtuką „Start“ (paleisti), tada jį. / išj. mygtuką „On-off“ (A, B, C arba D). Norėdami prietaisui pjauti veją, atleiskite paleidimo mygtuką „Start“ ir laikykite nuspaudę jį. / išj. mygtuką „On-off“. Atleiskite įjungimo / išjungimo (On/Off) mygtuką, jei norite prietaisą išjungti.



Paleisti



Stabdyti



II klasės įrankis, dviguba izoliacija



Elektrinių produktų atliekos neturi būti metamos kartu su namų ūkio atliekomis. Prašome perdirbkite jas ten, kur yra tokios perdirbimo bazės. Dėl perdirbimo patarimo kreipkitės į savo vietinę savivaldybę ar pardavėją.



Šis prietaisas atitinka visas reglamentuotas normas ES šalies, kur jis buvo nupirktas.



„EurAsian“ atitikties ženklas.



Garantuotas garso galios lygis yra 94 dB.



Garantuotas garso galios lygis yra 95 dB.

Šie signaliniai žodžiai yra skirti nurodyti su prietaiso naudojimu susijusio pavojaus lygį.

⚠️ PAVOJUS

Reiškia ypač pavojingą padėtį, kurios neišvengus bus patirti sunkūs ar net mirtini sužeidimai.

⚠️ ĮSPĖJIMAS

Reiškia potencialiai pavojingą situaciją, kurios neišvengus gali būti sunkūs ar net mirtini sužeidimai.

⚠️ ATSARGIAI

Reiškia potencialiai pavojingą situaciją, kurios neišvengus gali būti lengvi ar vidutinio sunkumo sužeidimai.

ATSARGIAI

Be įspėjamųjų simbolių

Reiškia nuosavybės žalos tikimybę.

ŽENKLAI ŠIOJE INSTRUKCIJOJE



Pajunkite į maitinimo lizdą



Išjunkite iš maitinimo lizdo



Detalės arba priedai yra parduodami atskirai



Elektrinių produktų atliekos neturi būti metamos kartu su namų ūkio atliekomis. Prašome perdirbkite jas ten, kur yra tokios perdirbimo bazės.



Rankas laikykite toliau nuo geležčių.



PASTABA:



ĮSPĖJIMAS



Sustabdykite prietaisą.

PJOVIMO PATARIMAI

- Pjaudami aukštą žolę sumažinkite ėjimo greitį. Taip pjovimas bus efektyvesnis ir geriau išsivalys nuopjovas.
- Nepjaukite šlapios žolės: ji prilips prie žolės surinkimo krepšio apačios ir bus neįmanoma tinkamai surinkti arba iškratyti jos nuopjovas.
- Pjaunant naują ar tankią žolę pjovimo aukštį gali reikėti nustatyti didesnį.
- Jeigu norite surinkti žolės nuopjovas šalinimui, nuimkite mulčiavimo kaištį, įdėkite žolės surinkimo dėžę ir patikrinkite, ar viršutinis nuleidžiamasis kraštas gerai uždarytas. Reguliariai ištuštinkite žolės dėžę, nes priešingu atveju žolės nuopjovas užkims žolės iškratymo lovelį.
- Jeigu pjaunate labai nedaug ir norte palikti žolės nuopjovas ant vejų, uždėkite mulčiavimo kaištį ir uždarykite viršutinį nuleidžiamąjį kraštą, kad uždengtų žolės iškratymo angą. Šiuo atveju žolės surinkimo dėžės nebūtina dėti.
- Žoliapjovė skirta naudoti ir ji veiksmingiausiai pjauna, stumiat pirmyn.

OHUTUSE ÜLDEESKIRJAD

⚠ HOIATUS

Seadme kasutamisel tuleb järgida ohutusreegleid. Teie ja kõrvalseisjatele ohutuse tagamiseks lugege käesolevad juhised enne seadme kasutamist läbi. Hoidke juhend edaspidiseks kasutamiseks alles.

ISIKUKAITSE

- Muruniiduk on võimeline maha lõikama käe, jala ja esemeid eemale paiskama. Kõikide ohutusjuhiste mittetäitmine võib põhjustada tõsisid vigastusi või surma.
- Õppige tundma kõiki purusti juhtseadisi ja kasutusnõudeid.
- Ärge lubage lapsi ega piiratud füüsiliste, sensoorsete ja vaimsete võimetega inimesi ning nende juhistega mittetutvunud inimesi seadet kasutada, puhastada ja hooldada. Kohalikud regulatsioonid võivad seada kasutaja vanusele piiranguid. Laste järele tuleb piisavalt valvata, et nad seadmega ei mängiks.
- Seadmega töötamisel jälgige tööpiirkonda ja kasutage sealjuures tervet mõistust. Ärge kasutage muruniidukit, kui olete väsinud või mõnuainete, alkoholi või ravimite mõju all. Hetkeline tähelepanu hajumine muruniiduki kasutamise ajal võib põhjustada raske kehavigastuse.
- Kandke tugevast riidest pikki pükse, käistega särki, saapaid ja kindaid. Kandke selle toote kasutamisel alati libisemiskindlaid turvajalatsi. Ärge kandke ehteid, lühikesi pükse ega sandaale ning ärge olge paljajalu. Vältige selliste riiete kandmist, mis on lödvad või millel on paelad või sidemed.
- Kandke alati küljekaitsetega kaitseprille.
- Tagage endale kindel jalgealune. Hoidke kindlat jalgade asendit ja tasakaalu. Töötamisel kõndige, ärge kunagi jookske.
- Töötamisel suunduge piki kallakut, mitte aga üles või alla. Olge ülimalt ettevaatlik, kui muudate kallakul olles suunda.
- Ärge püüdke niita järsakute ja kraavide serval või suurel kaldel ja teetammidel. Halb jalgade asend võib põhjustada libisemist ja kukkumist.

TÖÖKOHT

- Hoidke lapsed, kõrvalseisjad isikud ja lemmikloomad vähemalt 15 m kaugusel, sest jääb oht, et kõrvalseisjad võivad tabada väljapaiskuvad esemed.
- Muruniiduki tera poolt loodud objektid võivad põhjustada isikutele mitmeid vigastusi. Kontrollige muruniiduki kasutamise ala hoolikalt üle ja eemaldage kõik kivid, vaiad, metallised, traat, kondid, mänguasjad ning muud esemed. Traadid ja nõõrid võivad takerduda lõiketeradesse.
- Kasutage toodet päevalvalguse või hea tehisvalguse korral.
- Ärge kasutage muruniidukit plahvatusohtlike keskkondades, näiteks kergestisüttivate vedelike ja gaaside läheduses ega tolmu kohas.

Elektritööriistad tekitavad sädemeid, mis võivad tolmu või auru süüdata.

- Ärge kasutage muruniidukit niiskes või märjas kohas ega vihas.
- Ärge kasutage muruniidukit kui on äikese oht.
- Pidage meeles, et operaator või kasutaja on vastutav õnnetuste või ohuolukordade eest, mis võivad puudutada teisi inimesi või nende vara.
- Traagilised õnnetused võivad juhtuda, kui kasutaja ei märka laste kohalolekut. Lastele meeldib väga tihti masin ja niitmine. Ärge eeldage kunagi, et lapsed püüvad seal, kus te neid viimati nägite.
- Hoidke lapsed tööpiirkonnast eemal ja laske neid kellegi teise poolt jälgida. Kui laps tuleb tööpiirkonda, olge tähelepanelik ja lülitage seade välja.
- Olge eriti hoolas, kui lähenete pimedatele nurkadele, pöösastele, puudele või muudele objektidele, mis võivad varjata teid lapsi nägemast.

ELEKTRIOHUTUS

- Toitepistikud peavad pistikupessa sobima. Ärge püüdke pistiku konstruktsiooni mingil moel muuta. Ärge ühendage maanduskontaktiga (kordusmaandusega) elektritööriistu elektrivõrku läbi vahepistikke. Pistiku ja pistikupesa konstruktsiooni muutmise korral tekib elektrilöögi oht.
- Vältige soovimatut käivutumist. Enne toitejuhtme ühendamist veenduge alati, et toitelüliti on väljalülitatud asendis. Ärge kandke toitega ühendatud toodet sõrme lülitil hoides.
- Hoiduge kehalisest kontaktist maandatud pindadega, näiteks torud, radiaatorid, elektriliidid ja külmikud. Kehaosade maandamisel suureneb elektrilöögi saamise oht.
- Ärge jätke seadet vihma kätte või märga kohta. Vee sattumisel seadme sisemusse suureneb elektrilöögi saamise oht.
- Elektriline tööriist tuleb ühendada vooluvõrku läbi rikkevoolu-kaitselülitit (RCD), mille rakendusvoolu tugevus on maksimaalselt 30 mA.
- Enne kasutamist kontrollige, et toite- ja pikendusjuhtmetel ei ole vigastusi ega vananemise märke. Kui juhe saab töötamise ajal vigastada, siis ühendage see kohe lahti. **Ärge puudutage toitejuhet enne, kui see on vooluvõrgust lahti ühendatud.** Kui juhe on vigastada saanud, siis ärge seadet kasutage.
- Kui teil on vaja kasutada pikendusjuhet, veenduge et see on välistingimuste jaoks sobiv ja teie tööriista jaoks piisava ristlõikega. Pikenduskaablitel peab olema markeering "H05 RN F" või "H05 VV F". Kontrollige pikendusjuhet enne iga kasutamist vigastuste suhtes. Kerige pikendusjuhe alati lahti, sest kokku keeratud juhe võib üle kuumeneda. Ärge hakake vigastatud pikendusjuhet parandama, vaid asendage teise sobivat tüüpi juhtmega.
- Veenduge, et toitejuhe asetseb nii, et see ei saa teravate esemete sisselõike tõttu vigastada, sellele ei saa peale astuda, komistada ja see ei saa mingil muul viisil vigastada ega sattuda tõmbepingele alla.
- Ärge kunagi tõstke või kandke toodet juhtmest hoides.



- Ärge kunagi ühendage toitejuhet lahti sellest tõmmates.
- Hoidke toitejuhe eemal kuumusest, õlist ja teravatest servadest.
- Veenduge, et võrgupinge vastab tootel kasutatavale pingele. Toote tehasesidil on näidatud kasutatav pingeline voltides. Ärge mingil juhul ühendage seadet AC-võrku, millel on sellest erinev pinge.
- Tagage, et kokkupaneku või käepideme kokkuvoltimisel ei saa juhttraust muruniidukini suunatud juhe kinni jääda, muljuda või muul viisil vigastada. Ärge ühendage vigastatud muruniiduki toitejuhet elektrivõrku. Andke seade hoolduskeskusesse, kus see pädevalt remonditakse.
- Voolutõuked põhjustavad pingekõikumisi ja võivad mõjutada samasse toiteahelasse ühendatud elektriseadmete tööd. Ühendage seade toitevõrku, mille näivtakistus on kuni 0.452 Ω - RLM18E40H, et pingekõikumisi minimeerida. Lisateabe saamiseks võtke ühendust oma elektritramijaga.

MURUNIIDUKI OHUTUSESKIRJAD

- Enne kasutamist kontrollige väliste vaatluse teel, et lõiketerad, lõiketerade poldid ega kinnitid pole kulunud või vigastatud.
- Ärakulunud ja vigastatud lõiketerad ning poldid tuleb asendada komplektis, et säilitada tasakaalustatus.
- Masina lõiketera on väga terav, olge selle paigaldamise, asendamise ja kinnituspoldi kinnituse kontrollimise ajal väga ettevaatlik ning kandke tugevdatud kaitsekindaid.
- Pöörduge vigastatud ja loetamatute kleebiste asendamiseks volitatud hoolduskeskuse poole.
- Kontrollige kõiki mutreid, polte ja kruvisid sagedaste intervallidega õige pinguloleku suhtes, et veenduda seadme ohutus töökorras olemises.
- Kontrollige regulaarselt rohkasti osade kulumist ja kahjustusi.
- Asendage kulunud või vigastatud osad, enne kui hakkate seadet kasutama.
- Kasutaja peab muruniiduki käivitamise ajal olema juhttraua taga ohutus kohas. Ärge mingil juhul käivitage muruniidukit, kui:
 - kõik neli ratast ei toetu maapinnale,
 - rohu väljaheiterenn on avatud, ilma et sellel pole multšimisplaati ja rohu väljaheiterenni katet või rohkotti ja rohu väljaheiterenni katet,
 - käed ja jalad ei ole lõikeketta kattest piisaval kaugusel.
- Ärge kasutage seadet, kui lüliti ei lülita seda sisse ja välja.
- Ärge püüdke mingil juhul lukustada sisse/välja lülitamise lüliteid asendisse SEES - see on ülimalt ohtlik.
- Ärge kasutage töötamisel liigset jõudu. Õigesti valitud tööriist töötab paremini ja ohutumalt selles võimsuspiirkonnas, milleks on see ette nähtud.
- Kruusastel pinnadel liikumisel seisake lõiketera.
- Ärge tõmmake seadet tahasuunas kui see pole tingimata vajalik. Kui peate muruniiduki seinast või takistusest eemale tagurdama, siis vaadake esmalt alla ja taha, et vältida ümberminekut või tõmbamist üle jala.

- Muudel pinnadel kui murul liikumisel tuleb muruniidukit kallutada ning muruniiduki teisaldamisel murule või sealt eemaldamisel, seisake mootor ja laske lõiketeral peatuda.
- Ärge kasutage muruniidukit, mille kaitsed või katted on vigastatud või kui see on ilma kaitseseadisteta, näiteks ilma suunajate ja/või prahikogurita.
- Ärge seadet mootori töötamise ajal kallutage. Ärge seadet sisselülitamise ajal kallutage. See paljastab lõiketera ja suurendab ohtu, et esemed võivad välja paiskuda.
- Lülitage mootor sisse vastavalt juhiste ja hoidke käed ning jalad niitmiskohast eemal. Ärge pange oma käsi või jalgu pöörlevate osade alla või lähedusse. Hoidke alati puisteavast eemale. Ärge käivitage mootorit, kui seisate puisteava ees.
- Ärge kandke või teisaldage saagi sel ajal, kui see töötab.
- Seisake muruniiduki mootor ja ühendage see toitevõrgust lahti, veenduge et kõik liikuvad osad on täielikult peatunud, järgmistel juhtudel:
 - toote jätmisel järelevalveta
 - enne ummistumise kõrvaldamist või väljalaskeava puhastamist,
 - enne kontrollimist, puhastamist või teenindamist
 - Pärast võrkeha vastu põrkumist, kontrollige seade vigastuste suhtes üle ja tehke vajaduse korral parandustööd
 - enne rohukoguri või rohu väljaheiterenni katte eemaldamist
 - kui muruniiduk hakkab ebanormaalselt vibreerima (kontrollige viivitamatult)
 - Kontrollige üle vigastuste suhtes. Kui lõiketera on ebaühtlaselt kulunud või mingil viisil vigastatud, siis tuleb see asendada.
 - asendage või parandage kõik vigastatud osad,
 - Kontrollige ja pingutage lõtvunud osad.
- Vältige auke, vagusid, konarusi, kive ja muid varjatud objekte. Ebatasane pinnas võib põhjustada libisemist ja kukkumist.

ÜLEKOORMUSKAITSE

Muruniidukil on ülekoormuskaitse. Kui ilmneb ülekoormus, lülitub muruniiduk automaatselt välja. Kui ülekoormuskaitse rakendub, siis tuleb mootoril lasta 5 kuni 10 minutit maha jahtuda.

Lülitage toide välja ja võtke pistik pistikupesast välja. Lõiketerad on väga teravad, ärge neid puudutage, ilma et teil oleks tugevdatud kaitsekindad. Veenduge, et lõiketera saab vabalt pöörelda ja ei kiildu kinni.

Kui mootor on maha jahtunud, ühendage pistik pistikupesassa. Lülitage toide sisse. Seadme käivitamiseks vajutage käivitusnupule Start ja seejärel sisse-välja lülitamise nupule On-off. Kui muruniiduk ei käivitu, andke see volitatud hoolduskeskusesse remondiks.

OTSTARBEKOHANE KASUTAMINE

See toode on ette nähtud kasutamiseks vaid väljaspool ruume.





Muruniiduk on ette nähtud muru niitmiseks vaid koduaias. Lõiketera peab pöörlema niidetava muru pinnaga ligikaudu paralleelselt. Liikumise ajal peavad kõik neli ratast olema maapinnal. See on tagantpoolt jalgsijuhitav muruniiduk. Masin on ette nähtud käsitsi edasitõukamiseks.

Muruniidukit ei tohi kunagi nii kasutada, et rattad on maapinna kohal, seda ei tohi lükata ega sellele ei tohi peale astuda. Seda ei tohi kasutada muudeks lõikamistöödeks kui muru niitmiseks.

JÄÄKRISKID

Isegi siis, kui masinat kasutatakse kirjeldatud viisil, ei ole võimalik kõrvaldada kõiki jääkriskide mõjureid. Töötamise ajal võivad tekkida järgmised ohud, millele operaator peab pöörama erilist tähelepanu.

- Vibratsioonist põhjustatud kehavigastus. Kasutage töötamiseks õiget seadet, kasutage ettenähtud käepidemeid, piirake tööaega ja kokkupuudet vibratsiooniga.
- Tugev müra võib põhjustada kuulmiskahjustuse. Kandke kuulmiskaitsevahendeid ja piirake müraga kokkupuudet
- Kokkupuude lõiketeradega
- Väljapaiskuvatest esemetest tingitud kehavigastus

TRANSPORTIMINE JA HOIUSTAMINE

- Enne hoiustamist või transportimist seisake muruniiduk ja ühendage lahti toitevõrgust ja veenduge, et kõik liikuvad osad on täielikult peatunud ja laske muruniidukil maha jahtuda.
- Puhastage seade kõikidest võõrkehadest. Hoidke kuivas ja hästi ventileeritud kohas, mis on lastele juurdepääsmatu. Hoidke kettisaagi eemal söövitavatest ainetest nagu aiakemikaalid ja jäätõrjevahendid. Ärge hoiustage õues.
- Vedamise ajal tõkestage muruniiduk liikuma hakkamise ja alla kukkumise vastu, et vältida kehavigastusi ja masinaosade kahjustamist.

⚠ HOIATUS

Olge masina tõstmisel ja kallutamisel hooldamise, puhastamise, hoiustamise või transportimise ajal ülimalt ettevaatlik. Lõiketera on väga terav. Kui lõiketera on kaitsmata, siis hoidke kõik oma kehaosad sellest eemale.

HOOLDUS

⚠ HOIATUS

Kasutage ainult tootja originaalvaruosi, tarvikuid ja tööorganeid. Selle nõude eiramine võib põhjustada, kehavigastuse, tootluse languse ja teile antud garantii tühistamise.

⚠ HOIATUS

Hooldamine nõuab ülimalt korrrashoidu ja teadmisi ning tuleks teostada ainult kvalifitseeritud hooldustehnikute poolt. Hoolduseks soovitame me viia toote remontimiseks lähimasse vo lit atud teenind uskesk usesse . Kui hooldate, kasutage ainult identseid varuosi.

- Enne puhastamist või hooldamist seisake muruniiduk ja ühendage lahti toitevõrgust ning veenduge, et kõik liikuvad osad on täielikult peatunud.
- Lubatud on teha ainult selles kasutusjuhendis kirjeldatud reguleerimis- ja parandustoiminguid. Muude remonditööde tegemiseks võtke ühendust volitatud hooldajaga.
- Kontrollige regulaarselt rohkasti osade kulumist ja kahjustusi.
- Pühkige trimmer pärast iga kasutuskorda pehme kuiva lapiga puhtaks. Vigastatud osad tuleb lasta pädeval hooldajal parandada või asendada.
- Kontrollige kõiki mutreid, polte ja kruvisid sagedaste intervallidega õige pinguloleku suhtes, et veenduda toote ohutus töökorras olemises.
- Olge seadme reguleerimisel ettevaatlik, et vältida sõrmede jäämist liikuvate lõiketerade ja seadme liikumatute osade vahele.
- Lõiketerade hooldamisel olge ettevaatlik, sest kuigi toide on välja lülitatud, võivad lõiketerad siiski liikuda.
- Masina lõiketera on väga terav, olge selle paigaldamise, asendamise ja kinnituspoldi kinnituse kontrollimise ajal väga ettevaatlik ning kandke tugevdatud kaitsekindaid.
- Vigastatud lõiketerad ning poldid tuleb asendada kompleksis, et säilitada tasakaalustatus.

RISKI ALANDAMINE

Teadaovalt võib käsitööriistade kasutamine põhjustada mõnedel inimestel seisundit, mida nimetatakse Raynaud' sündroomiks. Sümptomidena võib ilmneda sõrmede tuimus ja valkjaks muutumine, mis tavaliselt ilmneb külmas töötamisel. Nende sümptomite puhul tuleb hoiduda külmast ja niiskusest, diedist ning suitsetamisest ja kasutada õigeid töövõtteid. Vibratsiooni mõju vähendamiseks tuleb rakendada järgmisi abinõusid.

- Külma ilmaga hoidke oma keha soe. Kandke kindaid, et hoida oma käed ja randmed soojad. Uuringud näitavad, et Raynaud' s Syndrome ilmneb põhiliselt külma ilmaga.
- Pärast külmas töötamist tehke harjutusi, et verevarustust kiirendada.
- Tehke regulaarselt töövaheaegasid. Piirake tööperioodi pikkust.

Kui ilmnevad haigustunnused, lõpetage kohe töö ja pöörduge arsti poole.

⚠ HOIATUS

Seadme pikaajalisel kasutamisel võite saada kehavigastusi ja varasemad vigastused võivad süveneda. Seadme kasutamisel pika aja jooksul tuleb teha korralisi vaheaegasid.



TUNDKE OMA TÖÖRIISTA.

Vt leht 119.

Seadme osad

1. Sisse ja välja lülitamise nupp
2. Käepide
3. Mootori juhtimiskaabel
4. Mootori juhtkaabli kinniti
5. Kõrguse reguleerimishoob
6. Toitejuhtme riputi
7. Rohukoti täitumise indikaator
8. Rohukast
9. Kiirvabastuse fiksaator
10. Tagaratas
11. Esiratas
12. Multšimissulgur
13. Toitejuhe
14. Käivitusnupp

MASINAL OLEVAD SÜMBOLID



Enne seadmega töö alustamist lugege kõik juhised hoolikalt läbi ja pidage kinni hoiatustest ja ohutusega seotud juhistest.



Kandke kuulmiskaitsevahendeid



Kandke silmakaitsevahendeid



Ärge töötage kallakul, mille kalle on üle 15°. Niitke kallakutel olevat muru risti, mitte kunagi ülesalla suunaliselt.



Ärge jätke vihma kätte või kasutage niiskes kohas.



Olge teravate lõiketeradega ettevaatlik. Lõiketera jätkab pöörlemist pärast mootori väljalülitamist - Kui toitejuhe on vigastatud, ühendage pistik vooluvõrgust enne parandamist lahti.



Hoiduge ülespaisatud ja lendavate esemete eest. Hoidke kõik kõrvalseisjad, eriti lapsed ja lemmikloomad tööalalt vähemalt 15 meetri kaugusele.



Hoidke paindud toitejuhe lõiketeradest eemal.



Seadme käivitamiseks vajutage käivitusnupule Start ja seejärel sisse-välja lülitamise nupule On-off (A, B, C, või D). Seadmega töötamise ajaks vabastage käivitusnupp Start ja hoidke all sisse-välja lülitamise nuppu. Seadme seiskamiseks vabastage sisse-välja lülitamise nupp.



Käik



Stopp



Tööriista klass II, topeltisolatsiooniga



Mittekasutatavaid elektritooteid ei tohi visata olmejäätmete hulka. Vaid tuleb viia vastavasse kogumispunkti. Vajadusel küsige sellekohast nõu oma edasimüüjalt või vastavalt kohaliku omavalitsuse institutsioonilt.



Vastab kõigile eeskirjadele EL-i liikmesriigis, kus toode on ostetud.



Euraasia vastavusmärk.



Garanteeritud helivõimsuse tase on 94 dB.



Garanteeritud helivõimsuse tase on 95 dB.

Järgnevad märguandesõnad ja tähendused on mõeldud selle toote kasutamiseks seotud riskitasemete kirjeldamiseks.

OHT.

Viitab kohe tekkivale ohtlikule situatsioonile, mis, kui ei väldita, lõpeb surma või tõsise vigastusega.

HOIATUS

Viitab võimalikule ohtlikule situatsioonile, mis, kui ei väldita, võib lõppeda surma või tõsise vigastusega.

ETTEVAATUST

Viitab võimalikule ohtlikule situatsioonile, mis, kui ei väldita, võib lõppeda väiksemate või keskmiste vigastusega.

ETTEVAATUST

Ilma hoiatussümbolita
Osutab olukorrale, mis võib põhjustada varakahju.

KASUTUSJUHENDIS KASUTATAVAD IKOONID



Ühendage pistikupesassa



Võtke pistikupesast välja



Eraldi ostetavad osad või tarvikud



Mittekasutatavaid elektritooteid ei tohi visata olmejäätmete hulka. Vaid tuleb viia vastavasse kogumispunkti.



Hoidke käed lõiketeradest eemal.



MÄRKUS.



HOIATUS



Seisake muruniiduk.

NÕUANDED NIITMISEKS

- Kui niidate pikka muru, vähendage jalutuskiirust, et niide oleks efektiivsem ja peenmassi puistamine ühtlasem.
- Ärge lõigake märga rohtu - see kleepub põhjale ja takistab rohulõikmete nõuetekohast kogumist või väljapaiskumist.
- Uus või tihe rohi võib nõuda kõrgemat lõikekõrgust.
- Kui soovite rohu utiliseerimiseks kokku koguda, eemaldage multšimiskork ja pange kohale rohukott, veenduge sealjuures et ülaklapp on nõuetekohaselt suletud. Tühjendage rohukotti regulaarselt, vastasel juhul ummistub väljaheiterenn rohu jäätmetega.
- Kui soovite muru kõrgelt lõigata ja soovite jätta jäätmed murule, paigaldage multšimiskork ja seadke ülemine klapp väljaheiteava ette. Sellisel juhul pole rohukotti vaja paigaldada.
- Muruniiduk on ette nähtud töötamiseks edasisuunas liikumisega ja töötab siis kõige efektiivsemalt.

OPĆA SIGURNOSNA PRAVILA

⚠ UPOZORENJE

Prilikom korištenja proizvoda moraju se slijediti sigurnosna pravila. Radi vaše i sigurnosti ostalih promatrača, molimo vas da prije rada s proizvodom pročitate ove upute. Molimo vas da čuvate ove upute radi kasnijeg korištenja.

OSOBNJA SIGURNOST

- Kosilica može odrezati ruke i stopala i odbaciti predmete. Propust da se pridržavate svih uputa o sigurnosti može imati za posljedicu ozbiljne osobne povrede ili smrt.
- Upoznajte se s upravljačkim elementima i pravilnim korištenjem proizvoda.
- Nikada ne dopustite djeci ili osobama sa smanjenim fizičkim, osjetljivim ili mentalnim mogućnostima ili osobama koje nisu upoznate s ovim uputama da rade, čiste ili oražavaju ovaj proizvod. Moguće je da lokalni propisi propisuju starosnu dob rukovatelja. Djecu je potrebno odgovarajuće nadzirati kako bi se osiguralo da se ne igraju s proizvodom.
- Budite na oprezu, gledajte to što radite i pri radu s jedinicom koristite zdrav razum. Ne rukujte kosilicom kada ste pod utjecajem droga, alkohola ili lijekova. Gubitak koncentracije tijekom rada uređaja može dovesti do ozbiljnih osobnih ozljeda.
- Nosite hlače s dugim nogavicama, košulje dugih rukava, čizme, rukavice i naočale. Nosite obuću protiv klizanja prilikom korištenja ovog proizvoda. Nemojte nositi nakit, kratke hlače ili sandale i nikad ne radite bosih stopala. Izbjegavajte nositi odjeću koja je labava ili s nje visi konop ili kravata.
- Uvijek nosite zaštitne naočale sa bočnim štitičnicima.
- Uvijek imajte čvrsto uporište. Zauzmite čvrst stav i ravnotežu. Hodajte, nemojte trčati.
- Radite uzduž kosina, nikad gore i dolje. Posebnu pozornost obratite kada mijenjate smjer na kosini.
- Nemojte koristiti proizvod pored kosina, jaraka, previše stepenastih kosina ili nasipa. Loša obuća može izazvati klizanje ili pad.

RADNA OKOLINA

- Minimalno držite svu djecu, promatrače i kućne ljubimce izvan kruga od 15 m, još i dalje mogu biti u opasnosti od odbačenih predmeta.
- Predmeti koje udari kosilica mogu osobama nanijeti ozbiljne povrede. Temeljito provjerite područje gdje će se uređaj koristiti i uklonite svo kamenje, štapove, metal, žicu, kosti, igračke ili druge strane predmete. Žice ili flaks se mogu upetljati odrezenim komadima.
- Koristite proizvod pod dnevnom svjetlu ili pri dobroj vještačkoj rasvjeti.
- Nemojte rukovati uređajem u eksplozivnim atmosferama u kojima su prisutne zapaljive tekućine, plinovi ili prašina. Uređaj stvara iskre koje mogu zapaliti prašinu ili pare.

- Nemojte raditi s uređajem u mokroj travi ili na kiši.
- Nemojte koristiti kosilicu kada postoji opasnost od munja.
- Imajte na umu da je rukovatelj ili korisnik odgovoran za nezgode ili opasnosti koje nastanu drugim osobama ili njihovoj imovini.
- Tragične nezgode se mogu dogoditi ukoliko rukovatelj nije svjestan prisutnosti djece. Djecu čestu privuče stroj i posao košenja. Nikada ne pretpostavite da će djeca ostati tamo gdje ste ih posljednji put vidjeli.
- Držite djecu izvan radnog područja i pod nadzorom odgovorne odrasle osobe koja nije operater. Pazite i isključite proizvod ako dijete uđe u područje.
- Posvetite posebnu pozornost kada se približavate mrtvom kutu, grmlju, drveću i drugim objektima koji vam zaklanjaju vidik prema djecu.

ELEKTRIČNA SIGURNOST

- Utikači moraju odgovarati utičnici. Nikada nemojte modificirati utikače ni na koji način. Nemojte koristiti nikakve adapter utikače s uzemljenim električnim alatima. Originalni utikači i odgovarajuće utičnice smanjuju opasnost od strujnog udara.
- Izbjegavajte nehotično pokretanje alatke. Prije uključivanja proizvoda u napajanje uvijek provjerite da li je prekidač u položaju OFF (Isključeno). Ne nosite proizvod priključen na struju s prstom na prekidaču.
- Izbjegavajte kontakt tijela s uzemljenim površinama poput cijevi, radijatora, štednjaka i hladnjaka. Ako je vaše tijelo uzemljeno, povećava se opasnost od strujnog udara.
- Nemojte uređaj izlagati kiši ili vlažnim uvjetima. Ulazak vode u uređaj povećava opasnost od strujnog udara.
- Napajanje treba biti putem FID sklopke (RCD uređaj) s prorađnom strujom ne većom od 30 mA.
- Prije korištenja provjerite kabele za napajanje i produžne kabele na znakove oštećenja i dotrajalosti. Ako se kabel ošteti tijekom korištenja, odmah ga odspojite iz napajanja. **Nemojte dodirivati kabel prije nego ga isključite iz napajanja.** Nemojte koristiti proizvod ako je kabel oštećen ili istrošen.
- Ako trebate koristiti produžni kabel, osigurajte da je prikladan za korištenje na otvorenom i da ima dovoljan kapacitet za napajanje alata. Produžni kabel treba imati oznaku „H05 RN F“ ili „H05 VV F“. Prije svakog korištenja provjerite na oštećenja produžnog kabela. Uvijek odmotajte produžni kabel tijekom korištenja, namotani kabel može se ugrijati. Oštećene produžne kabele ne treba popravljati, treba ih zamijeniti s odgovarajućim tipom.
- Provjerite je li kabel za napajanje pravilno pozicioniran tako da ne može biti oštećen rezanjem i da se na njega ne može stati, zapeti ili drugim predmetima oštetiti ili naprezati.
- Nikada ne podižite ili nosite proizvod za električni kabel.
- Nikada ne povlačite za kabel kako biste ga odspojili iz napajanja.
- Držite kabel za napajanje podalje od topline, ulja i oštrih rubova.



- Provjerite da li je točno napajanje za vaš proizvod. Nazivna pločica na proizvodu naznačuje napon jedinice. Nikada ne priključujte proizvod na AC napon koji se razlikuje od ovog napona.
- Osigurajte da kabel iz ručke do kućišta kosilice nije zaglavljen, priklješten ili na neki drugi način oštećen tijekom sklapanja ili preklapanja ručke. Nikada ne napajajte kosilicu ako je kabel oštećen. Vratite u ovlaštenu servisni centar za stručan popravak.
- Vršna struja uzrokuje fluktuacije napona i može utjecati na druge električne proizvode na istoj liniji napajanja. Priključite uređaj na napajanje s impedancijom jednakom ili manjom od 0.452Ω - RLM18E40H radi minimaliziranja fluktuacija napona. Obratite se dobavljaču električne energije za daljnje informacije.
- Zaustavite motor i omogućite oštricu da se zaustavi ako se kosilica mora nagnuti radi transporta kod prelaska površina koje nisu travnate i kad transportirate proizvod do i od područja košenja.
- Nikada nemojte raditi s uređajem s oštećenim pokrovima ili štitnicima, ili bez sigurnosnih uređaja, npr. postavljenog deflektora i/ili kutije za travu.
- Nemojte naginjati proizvod dok je motor pokrenut. Nemojte naginjati uređaj kada ga uključujete. Ovo izlaganje oštrici i povećava mogućnost da objekti budu odbačeni.
- Uključite motor prema uputama i držite ruke i stopala dalje od područja rezanja. Nemojte stavljati ruke ili stopala blizu ili ispod rotirajućih dijelova. Neka je otvor za pražnjenje uvijek slobodan. Na palite motor ako stojite ispred otvora za pražnjenje.

SIGURNOSNA UPOZORENJA ZA KOSILICU

- Prije korištenja, uvijek vizualno provjerite uređaj kako biste osigurali da oštrice, svornjaci oštrica i sklop rezača nisu istrošeni ili oštećeni.
- Kako biste održali ravnotežu zamijenite istrošene ili oštećene oštrice i svornjake u sklopovima.
- Oštrica na proizvodu je vrlo oštra, budite osobito pažljivi prilikom korištenja i nosite zaštitne rukavice kada postavljate, zamjenjujete, čistite ili provjeravate sigurnost vijaka.
- Za zamjenu oštećenih ili nečitljivih naljepnica vratite ih u ovlaštenu servisni centar.
- Često provjeravajte sve matice i zavrtnje da li su dobro pritegnuti kako biste bili sigurni da je kosilica u sigurnom radnom stanju.
- Povremeno provjeravajte kutiju za travu na istrošenost ili propadanje.
- Zamijenite istrošene ili oštećene dijelove prije rada s proizvodom.
- Kosilica se mora pokrenuti tako da korisnik stoji iza ručke u sigurnoj zoni za operatera. Nikada ne pokrećite proizvod ako:
 - sva četiri kotača nisu na zemlji.
 - Traka za pražnjenje trave je izložena bez zaštite usitnjivaču i poklopcu trake za pražnjenje trave ili kutiji za travu i poklopcu trake za pražnjenje trave.
 - Ruke i stopala svih osoba nisu zaštićene kućištem za rezanje.
- Nemojte koristiti proizvod ako ga sklopka pravilno ne uključuje ili isključuje.
- Nikada ne pokušavajte zaključati sklopku za uključivanje/isključivanje u položaju UKLJUČENO; ovo je izuzetno opasno.
- Nemojte proizvod koristiti iznad njegovih mogućnosti. Uređaj će bolje i sigurnije raditi na brzini za koju je konstruiran.
- Zaustavite oštricu kad prelazite preko šljunčanih površina.
- Nemojte proizvod povlačiti unatrag osim ako nije nužno potrebno. Ako se morate s uređajem maknuti unazad od zida ili prepreke, najprije pogledajte dolje i iza kako biste izbjegli saplitanje ili povlačenja uređaja preko stopala.
- Nikada nemojte nositi ili transportirati proizvod dok je pokrenut.
- Zaustavite motor kosilice odspojite iz napajanja, provjerite da se svi pokretni dijelovi potpuno zaustave u sljedećim slučajevima:
 - ostavljanje proizvoda bez nadzora
 - prije čišćenja začepljenosti ili odčepljivanja trake za pražnjenje,
 - prije provjere, čišćenja ili rada na uređaju
 - Nakon udaranja stranog predmeta, provjerite uređaj na oštećenja i izvršite potrebne popravke
 - prije uklanjanja kutije s travom ili otvaranja poklopca trake za pražnjenje trave
 - ako uređaj počne abnormalno vibrirati (odmah provjerite)
 - Provjerite ima li oštećenja. Ako je oštrica na nejednako istrošena ili na neki način oštećena, zamijenite je.
 - zamijenite ili popravite sve oštećene dijelove,
 - Provjerite ima li i pritegnite sve labave dijelove.
- Izbjegavajte rupe, kolotrage, ispupčenja, kamenje i druge prikrivene predmeta. Neravan teren može uzrokovati klizanje i pad.

UREĐAJ ZA ZAŠTITU OD PREOPTEREĆENJA

Proizvod ima uređaj za zaštitu od preopterećenja. Kad je otkriveno preopterećenje, proizvod se automatski isključuje. Ako je aktiviran prekidač za preopterećenje, morate omogućiti motoru od 5 do 10 minuta da se ohladi. Isključite napajanje i uklonite utikač iz zidne utičnice. Oštrice su oštre, navucite zaštitne rukavice prije dodirivanja. Osigurajte da se oštrica ne može slobodno okretati i da nije zaglavljena ili pretegnuta.

Kada se motor ohladi, spojite utikač na napajanje. Uključite napajanje. Pritisnite gumb za pokretanje i potom gumb uklj./isklj. za pokretanje proizvoda. Ako se uređaj ponovno ne pokrene, vratite uređaj ovlaštenom servisnom centru za popravak.

NAMJENA

Ovaj uređaj namijenjen je samo za korištenje na otvorenom. Ovaj uređaj namijenjen je za rezanje travnjaka u domaćinstvu. Oštrica za rezanje treba se rotirati približno





paralelno na tlo iznad kojeg se vozi. Sva četiri kotača dodiruju zemlju prilikom pomicanja. To je kontrolirano pješčenje iz kosilice. Proizvod je dizajniran da se gura ručno.

Kosilica nikad ne smije raditi s kotačima podignutim od tla, na smije se povlačiti ili sjediti na njoj. Ne bi se smjelo koristiti za rezanje ničega osim travnjaka u domaćinstvu.

OSTALE OPASNOSTI:

Čak i kad je uređaj korišten kao što je prethodno opisano, još uvijek nije moguće potpuno isključiti ostale čimbenike opasnosti. Može doći do sljedećih opasnosti prilikom korištenja i operater mora obratiti posebnu pozornost kako bi izbjegao sljedeće:

- Ozljede uzrokovane vibracijom. Uvijek koristite pravi alat za posao, koristite označenu kopču i ograničite radno vrijeme i izloženost.
- Izlaganje buci može izazvati povredu sluha. Nosite zaštitu za sluh i ograničite izloženost
- Kontakt s oštricama
- Ozljede od odbačenih predmeta

PRIJEVOZ I SKLADIŠTENJE

- Zaustavite uređaj i odspojite iz napajanja, provjerite da se svi pokretni dijelovi potpuno zaustave i omogućite da se ohladi prije spremanja ili transporta.
- Očistite svaki strani materijal s uređaja. Skladištite ga na suhom i dobro ventiliranom mjestu koje nije pristupačno djeci. Nemojte ju ostavljati u blizini korozivnih agenasa kao ni vrtnih kemijskih proizvoda i soli za odmrzavanje. Ne ostavljajte na otvorenom.
- Za prijevoz, osigurajte uređaj protiv pomicanja ili pada kako biste spriječili povrede osoba ili oštećenja na uređaju.

⚠ UPOZORENJE

Budite izuzetno oprezni kada podižete ili naginjete uređaj radi održavanja, čišćenja, spremanja ili prijevoza. Oštrica je oštra. Kada je oštica izložena držite podalje sve dijelova tijela.

ODRŽAVANJE

⚠ UPOZORENJE

Koristite samo originalne zamjenske dijelove, dodatni pribor i priključke od proizvođača. Nepoštivanje ovih uputa može dovesti do mogućih ozljeda, loše učinkovitosti i može dovesti do poništenja jamstva.

⚠ UPOZORENJE

Servisiranje iziskuje krajnju pažnju i znanje i treba da ga vrši samo kvalificirani serviser. Za servisiranje mi vam preporučamo da odnesete proizvod u najbliži ovlašten servisni centar radi opravke. Prilikom servisiranja koristiti identične zamjenske dijelove.

- Zaustavite uređaj i odspojite iz napajanja, provjerite da se svi pokretni dijelovi potpuno zaustave i omogućite da se ohladi prije bilo kakvog čišćenja ili održavanja.
- Možete izvršiti podešavanja i popravke koji su opisani u ovom priručniku. Za druge popravke, obratite se ovlaštenom servisnom agentu.
- Povremeno provjeravajte kutiju za travu na istrošenost ili propadanje.
- Nakon svakog korištenja proizvod obrišite sa suhom mekom krpom. Svaki oštećeni dio trebao bi pravilno popraviti ili zamijeniti ovlašteni servisni centar.
- Često provjeravajte sve matice i zavrtnje da li su dobro pritegnuti kako biste bili sigurni da je proizvod u sigurnom radnom stanju.
- Kako biste spriječili zahvaćenje prstiju između pokretnih oštrica i utvrđenih dijelova uređaja pazite prilikom podešavanja uređaja.
- Prilikom servisiranja oštrica pazite da iako je isključeno napajanje oštrice se mogu pomicati.
- Oštrica na proizvodu je vrlo oštra, budite osobito pažljivi prilikom korištenja i nosite zaštitne rukavice kada postavljate, zamijenjujete, čistite ili provjeravate sigurnost vijaka.
- Kako biste održali ravnotežu zamijenite istrošene ili oštećene oštrice i svornjake u sklopovima.

SMANJENJE OPASNOSTI

Prijavljeno je da vibracije alata koje se drži u ruci kod određenih pojedinaca mogu doprinijeti stanju pod nazivom Raynaud's Syndrome. Simptomi mogu uključivati trnce, ukočenost i bjelinu prstiju, obično uočljivo po izlaganju hladnoći. Smatra se da nasljedne osobine, izlaganje hladnoći i vlazi, dijeta, pušenje i radni postupci pridonose razvoju ovih simptoma. Postoje mjere koje operater može poduzeti kako bi smanjio moguće učinke vibracije:

- Održavajte svoje tijelo toplim u hladnim vremenskim uvjetima. Kad radite s uređajem nosite rukavice kako biste ruke i zglobove održavali toplima. Prijavljeno je da je hladnoća glavni čimbenik koji doprinosi Raynaud's Syndrome.
- Nakon svakog perioda rada vježbajte kako biste povećali cirkulaciju krvi.
- Uzimajte česte stanke u radu. Ograničite količinu izlaganja po danu.

Ako osjetite neke od simptoma ovog stanja, odmah prekinite korištenje i obratite se svome liječniku vezano uz ove simptome.

⚠ UPOZORENJE

Povrede mogu biti uzrokovane ili zadobivene produljenim korištenjem alata. Kada koristite bilo koji alat dulje vremena, osigurajte da uzimate povremene stanke.

UPOZNAJTE VAŠU MOTORNU PILU.

Pogledajte stranicu 119.

Dijelovi

1. Gumb za uključivanje/isključivanje



2. Ručka
3. Kabel upravljanja motorom
4. Držač kabela za upravljanja motorom
5. Ručica za podešavanje visine
6. Kuka za kabel
7. Indikator napunjenosti kutije za travu
8. Kutija za travu
9. Natezač za brzo otpuštanje
10. Stražnji kotač
11. Prednji kotač
12. Usitnjivač
13. Kabel za napajanje
14. Gumb za pokretanje

SIMBOLI NA PROIZVODU



Pročitajte i razumite sve upute prije rada s proizvodom, slijedite sva upozorenja i sigurnosne upute.



Nosite zaštitu za sluh



Nosite sredstva za zaštitu očiju



Nemojte raditi na strminama većim od 15°. Na padini kosite poprijeko, nikada gore-dolje.



Ne izlažite kiši ili vlažnim uvjetima.



Pazite na oštre oštrice. Oštrice se nastavljaju rotirati nakon što se motoro isključi - Uklonite utikač iz napajanja prije održavanja ili ako je kabel oštećen.



Čuvajte se odbačenih ili letećih predmeta. Držite sve promatrače, naročito djecu i kućne ljubimce na udaljenosti ne manjoj od 15 m od radnog područja.



Držite dalje fleksibilni kabel za napajanje od oštrica za rezanje.



Pritisnite gumb za pokretanje i potom gumb ukl./isklj. (A, B, C, or D) za pokretanje proizvoda. Otpustite gumb za otključavanje i držite pritisnutim gumb za ukl./isklj. za pokretanje uređaja. Za zaustavljanje uređaja otpustite gumb za ukl./isklj.



Kreni



Stop



Alat II razreda s dvostrukom izolacijom



Otpadni električni proizvodi ne treba da se odlažu s otpadom iz domaćinstva. Molimo da reciklirate gdje je to moguće. Potražite savjet od lokalnih vlasti ili prodavca kako reciklirati.



Ovaj alat usklađen je sa svim normama i propisima zemlje Europske unije u kojoj je kupljen.



EurAsian znak konformnosti.



Jamčena razina zvučne snage 94 dB.



Jamčena razina zvučne snage 95 dB.

Slijedeće riječi upozorenja i značenja imaju namjeru da objasne nivo rizika u vezi s ovim proizvodom.

⚠ OPASNOST

Ukazuje na neposrednu opasnu situaciju, koja, ukoliko se ne izbjegne, može rezultirati smrću ili opasnim povredama

⚠ UPOZORENJE

Ukazuje na moguću opasnu situaciju, koja, ukoliko se ne izbjegne, može rezultirati smrću ili opasnim povredama

⚠ UPOZORENJE

Ukazuje na moguću opasnu situaciju, koja, ukoliko se ne izbjegne, može rezultirati manjim ili blažim povredama

UPOZORENJE

Bez sigurnosnog simbola upozorenja
Naznačuje situaciju koja može rezultirati oštećenjem imovine.

IKONE U OVOM PRIRUČNIKU



Priključite u utičnicu za napajanje



Isključite iz utičnice za napajanje



Dijelovi ili pribor prodan odvojeno



Otpadni električni proizvodi ne treba da se odlažu s otpadom iz domaćinstva. Molimo da reciklirate gdje je to moguće.



Držite ruke dalje od oštrica.



NAPOMENA:



UPOZORENJE



Zaustavite uređaj.

SAVJETI ZA KOŠENJE

- Kada kosite visoku travu, smanjite brzinu kretanja kako bi košenje bilo učinkovitije i pravilno izbacivanje pokošene trave.
- Nemojte kositi vlažnu travu, zaglaviti će se na donjem dijelu ploče i spriječiti pravilno prikupljanje ili pražnjenje komada trave.
- Nova ili debela trava mogu zahtijevati višu visinu rezanja.
- Ako želite prikupljati travu za odlaganje, uklonite usitnjivač i postavite kutiju za travu kako biste bili sigurni da je gornji pokrov pravilno zatvoren. Redovite praznite kutiju za travu, u suprotnom traka za pražnjenje može se blokirati s izrezanom travom.
- Ako vršite lagano rezanje i želite da odrezana trava ostane na kosilici, postavite usitnjivač i zatvorite gornji pokrov kako biste zatvorili otvor za pražnjenje. U ovom slučaju nije potrebno postaviti kutiju za travu.
- Kosilica je dizajnirana za rad i najučinkovitije rezanje kada se pomiče prema naprijed.

SPLOŠNA VARNOSTNA OPOZORILA

⚠ OPOZORILO

Med uporabo stroja upoštevajte varnostna navodila. Za svojo varnost in varnost drugih oseb preberite ta navodila pred uporabo izdelka. Prosimo, shranite ta navodila za kasnejšo rabo.

OSEBNA VARNOST

- Kosilnica lahko v zrak meče predmete, z njo pa si lahko tudi odrežete roke in stopala. Neupoštevanje vseh varnostnih navodil se lahko konča z resnimi poškodbami ali smrtjo.
- Seznanite se s krmilnimi elementi in pravilno uporabo izdelka.
- Otrokom in osebam z zmanjšanimi fizičnimi, senzoričnimi ali duševnimi zmoglostmi ter osebam, ki niso seznanjene s temi navodili, nikoli ne dovolite uporabljati, čistiti ali vzdrževati izdelka. Lokalni predpisi se morda nanašajo tudi na minimalno starost upravitelja. Otroke nenehno ustrezno nadzorujte, da se ne bodo igrali z električnim orodjem.
- Med uporabo enote bodite pozorni, spremljajte potek dela in uporabljajte zdrav razum. Ne uporabljajte je, ko ste utrujeni ali pod vplivom drog, alkohola ali zdravil. Padec koncentracije pri uporabi naprave lahko privede do hudih telesnih poškodb.
- Nosite trdne, dolge hlače, dolge rokave, čevlje in rokavice. Ko uporabljate izdelek, nosite zaščitno obutev, ki ne drsi. Ne nosite nakita, kratkih hlač, sandal in ne hodite bosi. Ne nosite oblačil, ki so ohlapna ali z njih visijo trakovi.
- Vedno nosite zaščitna očala s stransko zaščito.
- Vedno stojite trdno. Pazite na ravnotežje in ne pretiravajte. Vedno hodite, nikoli ne tecite.
- Na pobočjih se premikajte prečno, nikoli gor in dol. Pri menjavanju smeri na pobočjih bodite še posebej previdni.
- Izdelka ne uporabljajte v bližini nagibov, jarkov, izredno strmih pobočij ali nabrežij. Slaba obutev lahko povzroči zdrs in nesrečo.

DELOVNO OBMOČJE

- Otroci, opazovalci in živali se ne smejo zadrževati v območju 15 m od delovnega mesta, saj še vedno obstaja nevarnost zaradi odvrženih predmetov.
- Objekti, ki jih zadane rezilo kosilnice, lahko povzročijo resne poškodbe. Temeljito pregledjte delovno površino in odstranite vse kamne, palice, kovino, žice, kosti, igračke ali druge predmete. Žice ali vrvica se lahko ujamejo v rezila.
- Uporabljajte izdelek pri dnevni svetlobi ali dobri umetni svetlobi.
- Naprave ne uporabljajte v eksplozivnih okoljih, npr. v bližini vnetljivih tekočin, plinov ali prahu. Orodje proizvaja iskre, zaradi katerih se lahko prah ali hlapi vnamejo.
- Naprave ne uporabljajte na mokri travi ali na dežju.

- Kosilnice ne uporabljajte, če obstaja tveganje strele.
- Pomnite, da je upravitelj oz. uporabnik odgovoren za nesreče ali nevarnosti, ki se pripetijo ostalim ljudem ali njihovi lastnini.
- Če upravitelj ni pozoren na prisotnost otrok, se lahko pripetijo tragične nesreče. Otroke stroj in košnja pogosto zanimata. Nikoli ne domnevajte, da bo otrok ostal tam, kjer ste ga zadnjič videli.
- Pazite, da bodo otroci izven delovnega območja in pod nadzorom odgovorne odrasle osebe, ki ni upravitelj. Bodite pozorni in izključite izdelek, če na območje vstopi otrok.
- Ko se približujete mrtvim kotom, grmovju, drevesom ali ostalim predmetom, ki bi lahko ovirali vaš pogled na otroka, bodite še posebej pozorni.

ELEKTRIČNA VARNOST

- Vtiči električnih orodij se morajo prilegati vtičnicam. Vtiča nikoli in na noben način ne smete spreminjati. Z ozemljenimi električnimi orodji ne uporabljajte adapterjev vtiča. Nespremenjeni vtiči in ustrezne vtičnice zmanjšajo tveganje električnega udara.
- Izogibajte se nenamernemu zaganjanju naprave. Preden izdelek priklopite na napajanje, preverite če je stikalo v položaju OFF (IZKLOP). Ne nosite vklopljenega izdelka s prstom na stikalo.
- Izogibajte se telesnemu stiku z ozemljenimi površinami, kot so cevi, radiatorji, kuhalniki in hladilniki. Če je vaše telo ozemljeno, obstaja povečano tveganje električnega udara.
- Izdelka ne izpostavljajte dežju ali vlažnim pogojem. Voda, ki vstopi v napravo, zviša tveganje za električni udar.
- Napajanje naprave mora imeti napravo za rezidualni tok (RCD), tok naj ne presega 30 mA.
- Pred uporabo preverite napajalni kabel ali podaljšek glede poškodb ali staranja. Če se kabel med uporabo poškoduje, ga takoj odklopite z napajanja. **Dokler kabla ne odklopite iz napajanja, se ga ne dotikajte.** Izdelka ne uporabljajte, če je kabel poškodovan ali obrabljen.
- Če morate uporabiti električni podaljšek, zagotovite, da je primeren za zunanjo uporabo in je zadostno zmogljiv za napajanje vašega orodja. Električni podaljšek mora biti označen z oznako »H05 RN F« ali »H05 VV F«. Pred vsako uporabo preverite, ali je električni podaljšek poškodovan. Kabla izdelek uporabljate, vedno odvijte električni podaljšek, saj se lahko oviti kablji pregrejejo. Poškodovane podaljševalne kable ne smete popravljati, temveč jih zamenjajte s kablom enakovredne vrste.
- Prepričajte se, da je napajalni kabel napeljan tako, da ga rezila ne morejo poškodovati in da nanj nič ali nihče ne more pasti, stopiti, se obenj spotakniti ali ga kakor koli poškodovati.
- Izdelka nikoli ne dvigujte in ne prenašajte za električni kabel.
- Ko odstranujete vtiaka iz vtičnice, nikoli ne vlecite za napajalni kabel.
- Kabel držite proč od vročine, olja ali ostrih robov.
- Prepričajte se, da napetost ustreza izdelku. Imenska ploščica na izdelku prikazuje napetost naprave.



Nikoli ne priklaplajte izdelka na izmenično napetost, drugačno od navedene.

- Vedno zagotovite, da se kabel med ročajem in trupom kosilnice ne more ukleščiti ali drugače poškodovati pri sestavljanju ali zlaganju ročaja. Kosilnice nikoli ne priklapite na napajanje, če je kabel poškodovan. Vrnite pooblaščenemu servisu za strokovno popravilo.
- Tokovna konic povzroči fluktuacije napetosti in lahko vpliva na druge električne izdelke na istem električnem vodu. Izdelek priključite na električni tok z impedanco 0.452Ω - RLM18E40H ali manj, da minimalizirate fluktuacije napetosti. Za nadaljnja pojasnila se obrnite na svojega dobavitelja električne energije.

VARNOSTNA OPOZORILA ZA KOSILNICO

- Pred vsako uporabo jo preglejte in se pripravite, da rezila, vijaki rezila in sestavni deli rezalnika niso obrabljeni ali poškodovani.
- Obrabljena ali poškodovana rezila in vijake zamenjajte v kompletih, da ohranite uravnoteženost naprave.
- Rezilo na izdelku je zelo ostro, zato je potrebna izredna pazljivost, pri nameščanju, zamenjavi, čiščenju ali pregledovanju vijaka pa morate nositi trpežne rokavice.
- Poškodovane ali nečitljive nalepke naj zamenjajo v pooblaščenem servisnem centru.
- Pogosto preverjajte, ali so vse matice in vijaki dobro priviti in tako zagotovite varno delovno stanje opreme.
- Redno preverjajte, ali je posoda za travo obrabljena ali iztrošena.
- Zamenjajte obrabljene ali poškodovane dele, preden izdelek znova uporabite.
- Pri zagonu kosilnice mora uporabnik stati za ročajem v varnem območju. Izdelka ne zaženite:
 - Če vsa kolesa niso na tleh.
 - Če je praznilni žleb za travo odprt in ni zaščiten z drobilnim nastavkom in pokrovom za praznilni žleb ali s škaflo za travo in pokrovom za praznilni žleb.
 - Če vse osebe nimajo rok in nog proč od rezilnega dela.
- Ne uporabljajte izdelka, če se ga s stikalom ne da vklopiti ali izklopiti.
- Stikala za vklop/izklop, ki je v položaju za vklop (ON), nikoli ne poskušajte zakleniti, ker je to izjemno nevarno.
- Izdelka ne preobremenjujte. Nalogo bo opravila bolje in varneje pri hitrosti, za katero je bila zasnovana.
- Pri košnji prek peščenih površin rezilo ustavite.
- Izdelka ne vlecite nazaj, razen če je to zares nujno. Če morate napravo odmakniti od zidu ali ovire, se najprej ozrite navzdol in nazaj, da se ne spotaknete ali si naprave ne povlečete čez stopala.
- Če je treba izdelek nagniti zaradi prečkanja površin, ki niso travnate, in če transportirate izdelek na območje, ki ga boste kosili, ali z njega, motor zaustavite in počakajte, da se rezilo zaustavi.
- Naprave nikoli ne uporabljajte, če so poškodovana varovala ali zaščitne, ali če varnostne naprave, na primer deflektorji in/ali posode za travo, niso nameščene.
- Izdelka ne nagibajte, medtem ko motor teče. Naprave ne nagnite, ko jo vključite. S tem bi rezilo izpostavili in

povečali možnost, da bi predmeti leteli naokrog.

- Motor vklopite po navodilih, roke in noge pa imejte proč od predela rezanja. Roke in stopala držite stran od vrtečih se delov. Ne približujte se odprtini za praznjenje. Ne zaganjajte motorja, ko stojite pred odprtino za praznjenje.
- Naprave nikoli ne prenašajte, ko je v teku.
- Ugasnite motor kosilnice in izklopite napajanje ter se pripravite, da so se vsi premični deli popolnoma ustavili:
 - pustiti izdelek brez nadzora
 - pred čiščenjem zamašitev ali odmaševanjem cevi,
 - preden napravo preverjate, čistite ali na njej izvajate dela
 - Ko zadene ob trd predmet, preglejte, če je naprava poškodovana in opravite ustrezna popravila
 - preden odstranite škaflo za travo ali preden odprete pokrov praznilne cevi za travo
 - če naprava začne nenormalno vibrirati (tako preverite)
 - Preglejte za primer poškodb. Zamenjajte rezilo, če je neenakomerno obrabljeno ali kakor koli poškodovano.
 - zamenjajte ali popravite vse poškodovane dele,
 - Preverite, ali so kateri koli deli zrahljani in jih privijte.
- Izogibajte se luknjam, brazdam, izboklinam, kamnom ali ostalim skritim predmetom. Zaradi neravnega terena vam lahko spodsrsne in lahko se poškodujete.

NAPRAVA, KI ŠČITI PRED PREOBREMENITVIJO

Izdelek ima napravo, ki ščiti pred preobremenitvijo. Če naprava zazna preobremenitev, se izdelek samodejno izključi. Če je vključena pretokovna zaščita, se mora motor hladiti 5 do 10 minut.

Ugasnite napravo in izklopite vtičak iz napajalnega omrežja. Rezila so ostra, zato si nadenite trpežne rokavice, preden se jih dotaknete. Preverite, ali se rezilo lahko prosto vrti in ni zatakajeno oz. napeto.

Ko je motor ohlajen, vtičak priključite v električno omrežje. Vključite napravo. Pritisnite gumb start in nato gumb za vklop/izklop za zagon izdelka. Če se izdelek še vedno ne zažene, da vrnite na pooblaščen servis v popravilo.

NAMEN UPORABE

Izdelek je namenjen izključno zunanji uporabi.

Izdelek je namenjen domači košnji trave. Rezilo naj kroži nekako vzporedno s tlemi, nad katerimi se obrača. Med košnjo se morajo vsa štiri kolesa dotikati tal. Za kosilnico je pot, primerna za pešce. Izdelek se potiska ročno.

Kosilnice nikoli ne uporabljajte z dvignjenimi kolesi, je ne vlecite in se ne vozite na njej. Z njim kosite samo domače trate.

REZIDUALNA TVEGANJA:

Tudi če napravo uporabljate tako, kot je predpisano, ni mogoče popolnoma odpraviti določenih preostalih dejavnikov tveganja. Med uporabo se lahko pojavijo



naslednje nevarnosti, upravljalavec pa naj bo pozoren na sledeče:

- Poškodbe zaradi vibracij. Vedno uporabljajte pravo orodje za opravilo, uporabite ustrezne ročaje in omejite delovni čas in izpostavljenost.
- Izpostavljenost hrupu lahko povzroči poškodbo sluha. Nosite zaščito za sluh in omejite izpostavljenost
- Stik z rezili
- Poškodbe zaradi izvrženih predmetov.

TRANSPORT IN SHRANJEVANJE

- Ugasnite motor kosilnice in izklopite napajanje ter se prepričajte, da so se vsi premični deli popolnoma ustavili in ohladili, preden jih shranite ali transportirate.
- Očistite vse tujke z izdelka. Shranite jo na suhem in dobro prezračenem mestu, ki ni na dosegu otrok. Hranite proč od jedkih sredstev, kot so kemikalije za vrtnarjenje in soli za odmrzovanje. Ne shranjujte na prostem.
- Za transport zavarujte napravo pred premiki ali padci, da preprečite poškodbe oseb ali naprave.

⚠ OPOZORILO

Pri dviganju ali nagibanju naprave za namene vzdrževanja, čiščenja, shranjevanja ali transportiranja bodite izredno previdni. Rezilo je ostro. Dele telesa držite proč od rezila, medtem ko je rezilo izpostavljeno.

VZDRŽEVANJE

⚠ OPOZORILO

Uporabljajte le originalne rezervne dele in dodatke, ki jih priporoča proizvajalec. V nasprotnem primeru naprava lahko slabo deluje, povzroči poškodbe, garancija pa ne velja več.

⚠ OPOZORILO

Servisiranje zahteva posebno pozornost in znanje in naj jo zato opravlja samo izurjeni servisni tehnik. Servisiranje in popravila izdelka vam priporočamo pri vašem najbližjem pooblaščenem servisnem centru. Pri servisiranju uporabljajte le identične nadomestne dele.

- Ugasnite izdelek in izklopite napajanje ter se prepričajte, da so se vsi premični deli popolnoma ustavili, preden se lotite čiščenja ali vzdrževalni del.
- Opravljati smete le nastavitve in popravila, ki so opisana v teh navodilih za uporabo. Za ostala popravila se obrnite na pooblaščenega serviserja.
- Redno preverjajte, ali je posoda za travo obrabljena ali iztrošena.
- Po vsaki uporabi izdelka očistite z mehko in suho krpo. Vsak poškodovani del mora ustrezno popraviti ali zamenjati pooblaščen servisni center.
- Pogosto preverjajte, ali so vse matice in vijaki dobro pritihi in tako zagotovite varno delovno stanje izdelka.

- Med prilagajanjem naprave bodite previdni, da se s prsti ne ujame med vrtljiva rezila in pritrjenimi deli naprave.
- Med servisiranjem rezil upoštevajte, da se lahko rezila premikajo, kljub temu da je naprava izključena.
- Rezilo na izdelku je zelo ostro, zato je potrebna izredna pazljivost, pri nameščanju, zamenjavi, čiščenju ali pregledovanju vijaka pa morate nositi trpežne rokavice.
- Poškodovana rezila in vijake zamenjajte v kompletih, da ohranite ravnovesje.

ZMANJŠANJE TVEGANJA

Ugotovljeno je bilo, da lahko pri nekaterih posameznikih vibracije ročnih orodij povzročijo Raynaudov sindrom. Simptomi so lahko mravljinca, otrplost in pobledele prsti, kar je običajno vidno, kadar je oseba izpostavljena mrazu. Dedni dejavniki, izpostavljenost mrazu in vlagi, dieta, kajenje in delovne navade naj bi pripomogle k razvoju teh simptomov. Za zmanjšanje učinkov vibracij lahko upravljalavec upošteva naslednja navodila:

- Poskrbite, da bo vaše telo na mrazu toplo. Med upravljanjem nosite rokavice in tako ohranjajte toploto vaših dlani in zapestij. Kot poročajo, je mraz glavni dejavnik, ki prispeva k Raynaudovemu sindromu.
- Po vsakem obdobju upravljanja naprave telovadite in tako pospešite krvni obtok.
- Pogosto si vzemite odmor. Omejite dnevno količino izpostavljenosti.

Če zaznavate kakršne koli simptome takšnega stanja, tako prenehajte z uporabo naprave in se o simptomih posvetujte z zdravnikom.

⚠ OPOZORILO

Daljša uporaba orodja lahko privede do poškodb ali pa so poškodbe lahko hujše. Kadar orodje uporabljate dalj časa, si večkrat vzemite odmor.

SPOZNAJTE SVOJE ORODJE.

Glejte stran 119

Deli

1. Gumb za vklop/izklop
2. Ročaj
3. Kabel za nadzor motorja
4. Držalo kabla za nadzor motorja
5. Ročica za prilagoditev višine
6. Kavelj za kabel
7. Indikator napolnjenosti škatle za travo
8. Posoda za travo
9. Pritrdilo s "hitro sprostitevjo"
10. Zadnje kolo
11. Sprednje kolo
12. Drobilni nastavek
13. Napajalni kabel
14. Gumb Start

SIMBOLI NA IZDELKU



Pred uporabo izdelka morate prebrati in razumeti vsa navodila, upoštevati vsa opozorila in varnostne napotke.



Nosite zaščito za ušesa



Nosite zaščito za oči



Ne uporabljajte je na pobočjih z naklonom, večjim od 15°. Vedno kosite prečno po pobočjih, nikoli gor in dol.



Ne izpostavljajte ga dežju ali vlagi.



Pazite na ostra rezila. Ko motor ugasnete, se rezila še naprej vrtijo – Pred začetkom vzdrževalnih del ali če je kabel poškodovan, vtič izklopite iz vtičnice.



Pazite na izvržene ali leteče predmete. Prisotni, še posebej otroci in živali, naj bodo med obratovanjem oddaljeni vsaj 15m od delovnega območja.



Upogljivi napajalni kabel držite proč od rezil.



Pritisnite gumb start in nato gumb za vklop/izklop (A, B, C ali D) za zagon izdelka. Spustite gumb Start in še naprej gumb za vklop/izklop pritisnjen, da izdelek deluje. Spustite gumb za vkl./izkl. za zaustavitev izdelka.



Pojdi



Ustavi



Orodje razreda II, dvojna izolacija



Odpadne električne izdelke odlagajte skupaj z ostalimi gospodinjstvi odpadki. Reciklažo opravljajte na predpisanih mestih. Za reciklažni nasvet se obrnite na lokalne oblasti.



Ustreza vsem predpisanim standardom v državi članici EU, kjer je bil kupljen izdelek.



EurAsian oznaka o skladnosti.



Zajamčena raven zvočne moči je 94 dB.



Zajamčena raven zvočne moči je 95 dB.

Sledeče signalne besede in pomeni naj bi pojasnili ravni tveganja, ki so povezane s tem izdelkom.

NEVARNOST

Označuje neizbežno tvegano stanje, ki če se ji ne izognete lahko povzroči smrt ali resno poškodbo.

OPOZORILO

Označuje morebitno tvegano stanje, ki če se ji ne izognete lahko povzroči smrt ali resno poškodbo.

POZOR

Označuje morebitno tvegano stanje, ki če se mu ne izognete lahko povzroči manjšo ali srednje resno poškodbo.

POZOR

Brez simbola za varnostno opozorilo Prikazuje situacijo, ki lahko povzroči materialno škodo.

IKONE V TEM PRIROČNIKU



Priključite v vtičnico



Izključite iz vtičnice



Deli ali dodatki so na prodaj ločeno



Odpadne električne izdelke odlagajte skupaj z ostalimi gospodinjstvi odpadki. Reciklažo opravljajte na predpisanih mestih.



Roke držite proč od rezil.



OPOMBA:



OPOZORILO



Zaustavite izdelek.

NAMIGI ZA KOŠNJO

- Kadar kosite dolgo travo, hodite počasneje in s tem dovolite učinkovitejšo košnjo in ustrezen izmet odrezkov.
- Ne režite mokre trave, saj se bo prilepila na spodnji del plošče in odrezkov trave ne bo mogoče ustrezno zbirati ali jih izprazniti.
- Za košenje nove ali goste trave boste morda morali zvišati višino rezanja.
- Če želite zbrati ostanke trave, odstranite drobilni nastavek in namestite škatlo za travo, pri tem pa mora biti zgornja loputa dobro zaprta. Škatlo za travo redno čistite, drugače se bo praznilni žleb zamašil z ostanki trave.
- Če delate rahle reze in želite, da ostanki ostanejo na travi, namestite drobilni nastavek in zaprite zgornjo loputo, da pokrijete izhodno odprtino. V tem primeru ni treba namestiti škatle za travo.
- Kosilnica je narejena tako, da najbolje reže, ko jo pomikate naprej.

EN
FR
DE
ES
IT
NL
PT
DA
SV
FI
NO
RU
PL
CS
HU
RO
LV
LT
ET
HR
SL
SK
BG

VŠEOBECNÉ BEZPEČNOSTNÉ VÝSTRAHY

⚠ VARIOVANIE

Pri používaní tohto produktu sa musia dodržiavať bezpečnostné zásady. Pre vašu vlastnú bezpečnosť a bezpečnosť okolostojacich osôb si pred použitím produktu prečítajte tento návod. Odložte si tento návod na neskoršie použitie.

OSOBNÁ BEZPEČNOSŤ

- Kosačka trávy dokáže amputovať ruky a nohy a vymršťovať predmety. Pochybenie pri dodržiavaní bezpečnostných pokynov tak môže spôsobiť vážny úraz alebo usmrtenie.
- Oboznámte sa s ovládacími prvkami a správnu obsluhu produktu.
- Nikdy nedovoľte deťom alebo osobám so zníženými fyzickými, duševnými alebo zmyslovými schopnosťami alebo osobám, ktoré nie sú oboznámené s týmto návodom, obsluhovať, čistiť alebo vykonávať údržbu tohto produktu. Miestne platné predpisy môžu obmedzovať dobu použitia kosačky. Deti musia byť pod primeraným dozorom, aby sa nemohli s elektrickým nástrojom hrať.
- Pri práci so zariadením buďte ostražití, sledujte, čo robíte a používajte zdravý rozum. Stroj nikdy nepoužívajte, ak ste unavení, pod vplyvom liekov, alkoholu alebo drog. Po oddelení akumulátora od kosačky zapojte konektor nabíjačky do zásuvky na akumulátore.
- Noste hrubé a dlhé nohavice, dlhé rukávy, topánky a rukavice. Pri používaní tohto produktu používajte nešmyklavú obuv. Nenoste šperky, krátke nohavice, sandále a nikdy nepracujte s bosými nohami. Nenoste odev, ktorý je voľný alebo má voľne visiace šnúrky či pútka.
- Vždy noste bezpečnostné okuliare s bočným ochranným štítom.
- Vždy majte pevnú oporu nôh. Udržujte bezpečný postoj a rovnováhu. Chodte krokom, nikdy nebežte.
- Postupujte krížom po svahu, nikdy nie nahor a nadol. Ak meníte smer, buďte veľmi opatrní.
- Produkt nepoužívajte v blízkosti prudkých svahov, priekop, veľmi strmých svahov alebo násypov. Nedostatočne stabilný postoj môže byť príčinou uklznutia a pádu.

PRACOVNÝ PRIESTOR

- Všetky deti, okolostojace osoby a domáce zvieratá musia stáť minimálne 15 m od pracoviska – neustále existuje riziko zásahu okolostojacich osôb odlietavajúcimi predmetmi.
- Predmety vymrštené nožom kosačky môžu spôsobiť veľmi vážne poranenia osôb. Dôkladne skontrolujte priestor, kde sa má zariadenie používať a odstráňte všetky kamene, paličky, kov, drôty, kosti, hračky a iné cudzie predmety. Do rezných zariadení sa môžu zamotať vodiče alebo vlákna.
- Produkt používajte za denného svetla alebo pri dobrom

umelom osvetlení.

- Nepracujte so zariadením vo výbušných atmosférach, napríklad v blízkosti zápalných tekutín, plynov alebo prachu. Zariadenie vytvára iskry, ktoré môžu podpáliť takýto prach alebo výpary.
- Nepracujte so zariadením na mokrej tráve alebo v daždi.
- Nepoužívajte kosačku, keď hrozí riziko blesku.
- Užívateľ alebo obsluha stroja sú zodpovední za nehody alebo škody na majetku a za nebezpečenstvo vzniknuté pri prevádzke stroja.
- Tragické nehody môžu nastať ak nie je obsluha upozomená na prítomnosť detí. Deti sú často zaujaté strojom a kosením. Nikdy sa nespoliehajte na to, že deti ostanú tam, kde ste ich naposledy videli.
- Nedovoľte, aby do pracovného priestoru vstúpili deti alebo zabezpečte ich prísny dozor dospelou osobou inou ako obsluhujúcim. Dávajte pozor a ak do pracovného priestoru vstúpi dieťa, vypnite zariadenie.
- Buďte veľmi opatrní a pozorní, ak sa približujete do zarastených rohov, ku kríkom, stromom alebo k iným objektom, ktoré vám môžu zablokovať výhľad na deti.

ELEKTRICKÁ BEZPEČNOSŤ

- Elektrické zástrčky musia zodpovedať zásuvke. Zástrčku nikdy žiadnym spôsobom neupravujte. S uzemnenými mechanickými nástrojmi nepoužívajte rozvodné zásuvky. Použitím neupravených zástrčiek a zodpovedajúcich zásuviek sa znižuje riziko úrazu elektrickým prúdom.
- Dbajte na to, aby nedochádzalo k neúmyselnému spusteniu. Pred zapojením produktu do elektrickej siete vždy skontrolujte, či je spínač vo vypnutej polohe (OFF). Neprenášajte zapojený produkt s prstom nachádzajúcim sa na spínači.
- Vyhýbajte sa telesnému kontaktu s uzemnenými povrchmi, napríklad rúrami, radiátormi, sporákmi a chladničkami. Ak je vaše telo uzemnené, hrozí vysoké riziko úrazu elektrickým prúdom.
- Produkt nevystavujte dažďu ani mokrému prostrediu. Voda, ktorá vnikne do zariadenia, zvyšuje riziko úrazu elektrickým prúdom.
- Elektrické napájanie musí byť privádzané cez zariadenie pre zvyškový prúd s vypinacím prúdom maximálne 30 mA.
- Skontrolujte, napájací a predlžovací kábel, či nie sú poškodené alebo opotrebené. Ak sa kábel pri používaní poškodí, okamžite ho odpojte z elektrickej siete. **Pred odpojením napájania sa nedotýkajte kábla.** Produkt nepoužívajte, ak je kábel poškodený alebo opotrebovaný.
- Ak potrebujete použiť predlžovací kábel, skontrolujte, či je vhodný na použitie v exteriéri a má a dostatočnú nominálnu prúdovú kapacitu na napájanie nástroja. Predlžovací kábel musí mať označenie „H05 RN F“ alebo „H05 VV F“. Pred každým použitím skontrolujte predlžovací kábel, či nedošlo k poškodeniu. Pri použití vždy odviňte predlžovací kábel, lebo zvinuté káble sa môžu prehrievať. Poškodené predlžovacie káble sa nesmú opravovať, ale vymeniť za ekvivalentný typ.



- Dbajte na to, aby bol napájací kábel umiestnený tak, aby ho nebolo možné poškodiť prerезaním, aby naň nikto nestúpil, nezakopol oň, ani ho inak nepoškodil alebo nenamáhal.
- Produkt nikdy nezdvíhajte ani neprenášajte za elektrický kábel.
- Nástroj nikdy neodpájajte z elektrickej siete ťahaním za napájací kábel.
- Napájací kábel nedávajte do blízkosti tepla, oleja alebo ostrých okrajov.
- Skontrolujte, či je napätie správne pre váš produkt. Firemný štítok na produkte uvádza napätie jednotky. Zariadenie nikdy nepripájajte k striedavému napätiu inému, ako je uvedené napätie.
- Vždy dbajte na to, aby nedošlo k zachyteniu, zovretiu či inému poškodeniu kábla z riadidiel kosačky pri montáži alebo skladaní rukoväte. Do kosačky nikdy nepripájajte napájanie, ak je kábel poškodený. Odovzdajte zariadenie do autorizovaného servisného centra na profesionálnu opravu.
- Napájacia špička spôsobí fluktuácie napätia a môže mať vplyv na ostatné elektrické zariadenia na rovnakom elektrickom vedení. Produkt pripojte do elektrickej siete s impedanciou max. 0.452Ω - RLM18E40H, minimalizujete tak fluktuácie napätia. Blížšie vysvetlenie žiadajte od vášho dodávateľa elektrickej energie.

KOSAČKA TRÁVNÍKA – BEZPEČNOSTNÉ VÝSTRAHY

- Pred použitím vždy vizuálne skontrolujte, či ostria, maticové skrutky ostria a strihacia jednotka nie sú opotrebované alebo poškodené.
- Opatrebované alebo poškodené ostria a maticové skrutky vymieňajte v súpravách, aby sa zachovalo vyváženie.
- Ostrie na tomto produkte je veľmi ostré, pri montáži, výmene, čistení alebo kontrole zaistenia maticových skrutiek buďte veľmi opatrní a používajte pevné rukavice.
- Výmenu poškodených alebo nečitateľných štítkov vykonajú v autorizovanom servisnom centre.
- Skontrolujte všetky skrutky, matice v častých intervaloch či sú riadne utiahnuté, aby sa zaistila bezpečná prevádzka stroja.
- Často kontrolujte zberač trávy, či nie je opotrebovaný alebo poškodený.
- Pred použitím produktu vymeňte všetky opotrebené alebo poškodené diely.
- Kosačka sa musí štartovať tak, aby užívateľ stál sa riadidlami v bezpečnej zóne obsluhy. Produkt nikdy neštartujte, ak:
 - všetky štyri kolieska nie sú na zemi.
 - Vyprázdňovací žľab trávy je obnažený bez toho, aby bol chránený buď mulčovacou prípojkou a krytom vyprázdňovacieho žľabu trávy alebo skrinkou na trávu a krytom vyprázdňovacieho žľabu trávy.
 - ruky a nohy všetkých osôb nie sú mimo rezného krytu.
- Nepoužívajte zariadenie, ak ho spínač nezapína a

nevypína.

- Nikdy sa nepokúšajte zaistiť spínače v zapnutej polohe – je to mimoriadne nebezpečné.
- Na nástroj nevyvíjajte silu. Svoju úlohu splní lepšie a bezpečnejšie, keď s ním budete pracovať pri rýchlosti, pre ktorú je určený.
- Keď prechádzate povrchy so štrkom, zastavte ostrie.
- Produktu neťahajte dozadu, pokiaľ to nie je absolútne nevyhnutné. Ak musíte odtrhnúť zariadenie od steny alebo prekážky, najskôr sa pozrite dole a za seba, aby nedošlo k prevráteniu alebo potiahnutiu zariadenie po vašich nohách.
- Zastavte motor a počkajte, kým sa ostria nezastavia, ak je potrebné kosačku nakloniť pri prechode cez iné ako trávnaté povrchy a pri prevoze zariadenia na miesto kosenia a z neho.
- So zariadením nikdy nepracujte, keď má poškodené vodiace lišty alebo kryty alebo nemá nasadené bezpečnostné zariadenia, napríklad odchyľovače alebo zberače trávy.
- Produkt nezdvíhajte, keď je motor spustený. Pri zapínaní nástroj nenakláňajte. Odkryje sa tým ostrie a zvýši pravdepodobnosť vymrštenia predmetov.
- Podľa pokynov zapnite motor a nedávajte ruky ani nohy do blízkosti rezného priestoru. Nedávajte ruky alebo nohy do blízkosti rotujúcich dielov ani pod ne. Výstupné otvory musia byť vždy čisté. Neštartujte motor, ak stojíte pred vyvrhávacím otvorom.
- Zariadenie nikdy neprenášajte ani neprevádzajte, kým je spustené.
- V nižšie uvedených situáciách zastavte motor kosačky a odpojte produkt z elektrickej siete a skontrolujte, či sa všetky pohyblivé súčasti úplne zastavili:
 - ponechanie produktu bez dozoru
 - pred odstránením upchatia alebo uvoľnením žľabu,
 - pred kontrolou, čistením alebo prácou na zariadení
 - Po zasiahnutí cudzím objektom, skontrolujte, či zariadenie nie je poškodené a vykonajte potrebné opravy
 - pred odpojením skrinky na trávu alebo otvorením krytu vyprázdňovacieho žľabu trávy
 - ak zariadenie začne neštandardne vibrovať (ihneď skontrolujte)
 - Skontrolujte poškodenia. Ak je ostrie nerovnomerne opotrebované alebo akokoľvek poškodené, vymeňte ho.
 - všetky poškodené diely vymeňte alebo opravte,
 - Skontrolujte a utiahnite prípadne uvoľnené diely.
- Vyhybajte sa dierám, vyjazdeným kolajám, vyvýšeninám, kameňom, alebo iným skrytým predmetom. Nerovný terén môže byť príčinou pokľznutia a pádu.

ZARIADENIE NA OCHRANU PRED PREŤAŽENÍM

Tento produkt má zariadenie na ochranu pred preťažením. Pri detegovaní preťaženia sa produkt automaticky vypne. Pri aktivovaní ochrany proti preťaženiu je potrebné nechať motor na 5 až 10 minút vychladnúť.





Vypnite napájanie a odpojte zástrčku z elektrickej siete. Čepele sú ostré – predtým, ako sa ich dotknete, dajte si odolné rukavice. Skontrolujte, či sa ostrie môže voľne otáčať a nie je zaseknuté alebo stiesnené.

Keď je motor studený, zapojte zástrčku do elektrickej siete. Zapnite napájanie. Produkt spustíte stlačením odomykacieho tlačidla a potom hlavného spínača. Ak sa produkt nespustí, odovzdajte ho do autorizovaného servisného centra na opravu.

ÚČEL POUŽITIA

Tento produkt je určený len pre použitie v exteriéri.

Tento produkt je určený na domáce kosenie trávnikov. Rezné ostrie by sa malo otáčať približne rovnobežne so zemou, nad ktorou sa pohybuje. Pri kosení sa musia všetky štyri kolesá dotýkať zeme. Je to chodcom riadená chôdza za kosačkou. Tento produkt je určený na ručné tlačenie.

Kosačka sa nikdy nesmie používať s kolieskami mimo zeme, ale sa musí ťahať alebo viesť. Nesmie sa používať na strihanie iných ako domácich trávnikov.

ZVYŠKOVÉ RIZIKÁ:

Aj keď sa nástroj používa podľa predpisu, nie je možné eliminovať určité zvyškové rizikové faktory. Pri použití vznikajú nasledujúce riziká a obsluhujúca osoba musí venovať zvláštnu pozornosť, aby nedošlo k nasledovnému:

- Zranenie spôsobené vibráciami. Vždy používajte vhodný nástroj pre danú úlohu, používajte určené rukoväte a obmedzte pracovný čas a mieru rizika.
- Vystavovanie hluku môže spôsobiť poranenie sluchu. Používajte ochranu sluchu a obmedzte expozíciu
- Kontakt s ostriami
- Zranenie z odletujúcich objektov

PREPRAVA A SKLADOVANIE

- Pred uskladnením alebo prepravou zastavte produkt a odpojte ho z elektrickej siete a skontrolujte, či sa všetky pohyblivé diely úplne zastavili.
- Odstráňte zo zariadenia všetky cudzie materiály. Odložte ho na suché a dobre vetrané miesto, na ktoré nemajú prístup deti. Nástroje neuskladňujte v blízkosti žieravých látok, ako napríklad v blízkosti záhradníckych chemických prípravkov alebo solí na zimný posyp komunikácií. Neskladujte v exteriéri.
- Pri preprave zaistite produkt pred pohybom alebo pádom, aby nedošlo k poraneniu osôb alebo poškodeniu produktu.

VAROVANIE

Pri dvíhaní alebo nakláňaní zariadenia za účelom údržby, čistenia, uskladnenia alebo prepravy buďte veľmi opatrní. Ostrie je ostré. Keď je ostrie odkryté, nepribližujte k nemu žiadnu časť tela.

ÚDRŽBA

VAROVANIE

Používajte len originálne náhradné diely, príslušenstvo a nástavce výrobcu. V opačnom prípade môže dôjsť k možnému poraneniu, nedostatočnému výkonu a strate platnosti záruky.

VAROVANIE

Údržba vyžaduje extrémnu starostlivosť a znalosti, a musí byť prevádzaná výhradne v autorizovanom servise. Z dôvodu servisu vám odporúčame vrátiť výrobok do najbližšieho autorizovaného servisného centra na opravu. Ak výrobok opravujete, používajte iba rovnaké originálne náhradné diely.

- Pred akýmkoľvek čistením alebo údržbou zastavte produkt a odpojte ho z elektrickej siete a skontrolujte, či sa všetky pohyblivé diely úplne zastavili.
- Môžete vykonávať úpravy a opravy popísané v tejto príručke. Pri ostatných opravách sa obráťte na autorizovaného servisného zástupcu.
- Často kontrolujte zberač trávy, či nie je opotrebovaný alebo poškodený.
- Po každom použití vyčistite produkt mäkkou suchou tkaninou. Akýkoľvek poškodený diel sa musí náležite opraviť alebo vymeniť v autorizovanom servisnom centre.
- Skontrolujte všetky skrutky, matice v častých intervaloch či sú riadne utiahnuté, aby sa zaistila bezpečná prevádzka produktu.
- Pri nastavovaní nástroja buďte opatrní, aby nedošlo k zachyteniu prstov medzi pohybujúce sa ostria a pevné diely nástroja.
- Pri vykonávaní servisu ostrí dávajte pozor, lebo aj keď je napájanie vypnuté, ostria sa napriek tomu môžu pohybovať.
- Ostrie na tomto produkte je veľmi ostré, pri montáži, výmene, čistení alebo kontrole zaistenia maticových skrutiek buďte veľmi opatrní a používajte pevné rukavice.
- Poškodené ostria a maticové skrutky vymieňajte v súpravách, aby sa zachovalo vyváženie.

OBMEDZENIE RIZIKA

Boli hlásené prípady, kedy vibrácie z ručných nástrojov u niektorých osôb prispeli k stavu nazývanému Raynaudov syndróm. K symptómom patria: tŕpnutie, znecitlivenie a blednutie prstov, zvyčajne zjavné po vystavení zime. Je známe, že k vývoju týchto symptómov prispievajú: dedičné faktory, vystavovanie zime a vlhkosti, diéta, fajčenie a pracovné návyky. Opatrenia, ktoré môže vykonať obsluhujúca osoba na možné zníženie účinkov vibrácií:

- V studenom počasí udržiavajte svoje telo v teple. Pri práci so zariadením noste rukavice, aby ste mali ruky a zápästia v teple. Boli hlásené prípady, kedy hlavným faktorom prispievajúcim k Raynaudovmu syndrómu bolo studené počasie.



- Po každom určitom časovom úseku prevádzky cvičte, aby ste zlepšili krvný obeh.
- Počas práce si doprajte časté prestávky. Obmedzte počet vystavení za deň.

Ak zistíte ktorýkoľvek zo symptómov tohto stavu, okamžite prerušte používanie zariadenia, navštívte svojho lekára a povedzte mu o symptómoch.

⚠ VROVAVNIE

Pri dlhodobom alebo zvýšenom používaní môže dôjsť k zraneniam. Pri používaní nástroja príliš dlhé obdobia si vždy doprajte pravidelné prestávky.

ZOZNÁMTE SA DÔKLADNE SO SVOJÍM NÁRADÍM.

Pozrite stranu 119.

Diely

1. Hlavný spínač
2. Rúčka
3. Ovládací kábel motora
4. Pridržiavač ovládacieho kábla motora
5. Páka nastavenia výšky
6. Hák na kábel
7. Indikátor plnej skrinky na trávu
8. Zberač trávy
9. Upínadlo s rýchlym uvoľnením
10. Zadné koleso
11. Predné koleso
12. Mulčovacia prípojka
13. Napájací kábel
14. Spúšťacie tlačidlo

SYMBOLY NA PRODUKTE



Pred použitím produktu si s porozumením prečítajte všetky pokyny a dodržiavajte výstražné a bezpečnostné upozornenia.



Používajte chrániče sluchu



Používajte chrániče zraku



Nepracujte na svahoch strmších ako 15°. Na strmých svahoch koste po vrstevniciach, nikdy nie hore a dolu svahom.



Nevystavujte dažďu ani nepoužívajte vo vlhkom prostredí.



Pozor na ostré ostria. Čepele sa naďalej točia aj po vypnutí motora – Pred údržbou alebo pri poškodení kábla odpojte zástrčku z elektrickej siete.



Pozor na vymrštené alebo odletujúce objekty. Všetky okolostojace osoby (najmä deti a domáce zvieratá) musia stáť minimálne 15 m od pracoviska.



Ohybný napájací kábel nedávajte do blízkosti rezacích ostrí.



Produkt spustíte stlačením odomykacieho tlačidla a potom hlavného spínača (A, B, C, or D). Produkt spustíte uvoľnením tlačidla Start a stlačením a podržaním hlavného spínača. Uvoľnením hlavného vypínača zastavíte produkt.



Štart



Stop



Nástroj triedy II, dvojité izolácia



Opotrebované elektrické zariadenia by ste nemali odhadzovať do domového odpadu. Prosíme o recykláciu ak je možné. Kontaktujte miestne úrady, alebo predajcu pre viac informácií o ekologickom spracovaní.



Vyhovuje všetkým regulačným normám v krajine EÚ, v ktorej bol výrobok zakúpený.



Euroázijská značka zhody



Garantovaná hladina akustického výkonu je 94 dB.



Garantovaná hladina akustického výkonu je 95 dB.

Nasledujúce značky a významy vysvetľujú úroveň rizika spojeným s výrobkom.

⚠ NEBEZPEČENSTVO

Označuje bezprostredne nebezpečnú situáciu, ktorá môže vyústiť v smrť, alebo vážne zranenie.

⚠ VROVAVNIE

Označuje potenciálne nebezpečnú situáciu, ktorá môže vyústiť v smrť, alebo vážne zranenie.

VÝSTRAHA

Označuje potenciálne nebezpečnú situáciu, ktorá môže vyústiť v ľahké, alebo stredne ťažké zranenie.

VÝSTRAHA

Bez symbolu bezpečnostného alarmu

Označuje situáciu, ktorá môže zapríčiniť poškodenie majetku.

IKONY V TOMTO NÁVODE



Pripojte do elektrickej zásuvky



Odpojte z elektrickej zásuvky



Diely alebo príslušenstvo predávané samostatne



Opotrebované elektrické zariadenia by ste nemali odhadzovať do domového odpadu. Prosíme o recykláciu ak je možné.



Ruky nedávajte do blízkosti ostrí.



POZNÁMKA:



VAROVANIE



Zastavte zariadenie.

TIPY NA KOSENIE

- Ak kosíte vysokú trávu, znížte rýchlosť chôdze pre zefektívnenie kosenia a správne vysypávanie odrezkov.
- Nekoste mokrú trávu – bude sa lepiť k spodnej časti dosky a brániť správne zberu alebo vyhadzovaniu odstrižkov trávy.
- Nová alebo hustá tráva môže vyžadovať vyššiu reznú výšku.
- Ak chcete zbierať odrezky trávy za účelom likvidácie, odstráňte mulčovaciu prípojku a nasadte skrinku na trávu, pričom dbajte na to, aby bola vrchná záklopka správne zatvorená. Skrinku na trávu pravidelne vyprázdňujte, inak sa vyprázdňovací žľab upchá odrezkami trávy.
- Ak vykonávate prístrihávanie a chcete, aby odrezky trávy zostávali na trávniku, nasadte mulčovaciu prípojku a zatvorte vrchnú záklopku, aby zakrývala vyprázdňovací otvor. V tomto prípade nie je potrebné nasadzovať skrinku na trávu.
- Kosačka je určená na obsluhu a kosenie najúčinnjším spôsobom pri pohybe smerom dopredu.

ОБЩИ ПРЕДУПРЕЖДЕНИЯ ЗА БЕЗОПАСНОСТ

▲ ПРЕДУПРЕЖДЕНИЕ

При използване на продукта трябва да се спазват правилата за безопасност. За осигуряване на вашата безопасност и тази на страничните наблюдатели прочетете тези инструкции, преди да работите с продукта. Съхранявайте ръководството за експлоатация на сигурно място, за да можете да го ползвате и по-късно.

ЛИЧНА БЕЗОПАСНОСТ

- Косачката за трева е способна да ампутира крайници, както и да отхвърля предмети. Съблюдавайте всички инструкции за безопасност. В противен случай може да се стигне до сериозни физически наранявания или смърт.
- Запознайте се с контролите и правилното използване на продукта.
- Никога не позволявайте на деца, на хора с ограничени физически, сетивни или умствени способности и на хора, които не са запознати с тези инструкции, да работят и да извършват дейности по почистване и поддръжка на продукта. Местните наредби могат да налагат ограничения за възрастта на оператора. Децата трябва да бъдат надлежно надзиравани, за да се гарантира, че няма да си играят с електрическия инструмент.
- Бъдете бдителни, внимавайте какво правите и проявявайте благоразумие, когато боравите с уреда. Не използвайте тази машина, ако сте уморени или под влиянието на наркотици, алкохол или лекарства. Миг невнимание при работа с машината може да доведе до сериозно физическо нараняване.
- Носете здрави дълги панталони, дълги ръкави, ботуши и ръкавици. Носете непързалици се защитни обувки, когато използвате продукта. Не носете бижута, къси панталони, сандали и не работете с боси крака. Избягвайте носенето на широки дрехи или дрехи с висящи шнуrowe или вратовръзки.
- Винаги по време на работа носете защитни очила със странични екрани.
- Винаги стъпвайте внимателно и стабилно. Заемайте стабилна позиция и пазете баланс. Вървете, никога не тичайте, когато косите.
- Работете по наклонените повърхности напред, никога нагоре и надолу. Бъдете особено бдителни при смяна на посоката на наклона.
- Не използвайте уреда в близост до насипи, канавки, прекалено стръмни повърхности или диги. Нестабилността по време на работа може да доведе до подхлъзване и падане.

БЕЗОПАСНОСТ НА РАБОТНАТА ЗОНА

- Дръжте всички деца, близкостоящи лица и домашни любимци на минимално разстояние

от 15 м; възможно е въпреки това да има риск за близкостоящите лица от отхвърлени предмети.

- Предмети, изхвърлени от косачката, могат да причинят сериозни наранявания. Проверете внимателно зоната, където ще се използва машината, и отстранете всички камъни, пръчки, метални предмети, кабели, кости, играчки или други чужди предмети. В режещите елементи могат да се заплетат жици или влакна.
- Използвайте продукта през деня или при добро изкуствено осветление.
- Не работете с машината в среда с повишена опасност от възникване на експлозия, в близост до леснозапалими течности, газове или прахообразни материали. По време на работа инструментът произвежда искри, които могат да възпламенят прах или пари.
- Не работете с машината върху влажна трева или при дъжд.
- Не използвайте косачката, ако има риск от мълнии.
- Трябва да знаете, че операторът или потребителят е отговорен за причиняването на злополуки или щети на други лица или имущество.
- Операторът трябва да е винаги нащрек в присъствието на деца, за да се избегнат трагични инциденти. Децата обикновено са любопитни към машините и към процеса на косене. Не мислете, че децата ще стоят дълго на мястото, където сте ги видели за последно.
- Пазете децата далеч от зоната на косене. Те трябва да бъдат под внимателния надзор на друго възрастно лице, докато операторът борави с уреда. Бъдете бдителни и веднага изключете уреда, ако в зоната на косене навлезе дете.
- Бъдете особено бдителни, когато косите в близост до ъгли, храсти, дървета или други предмети, които могат да ви попречат да забележите приближаващо дете.

ЕЛЕКТРИЧЕСКА БЕЗОПАСНОСТ

- Щепселът на инструмента трябва да е съвместим с контакта. В никакъв случай не внасяйте изменения в конструкцията на щепсела. Когато работите със занулени електрически инструменти, не използвайте адаптери за щепсела. Използването на оригиналните щепсели и контакти намалява риска от токов удар.
- Избягвайте неволно стартиране. Винаги проверявайте дали превключвателят е на позиция OFF („Изключено“), преди да включите продукта в захранването. Не носете включен продукт, докато пръстът ви е на бутона.
- Избягвайте допир със заземени повърхности, като тръби, радиатори, печки и хладилници. Когато тялото ви е заземено, рискът от възникване на токов удар е по-голям.
- Не излагайте продукта на дъжд или влажни условия. Проникването на вода в уреда повишава риска от токов удар.
- Уредът трябва да бъде захранван чрез прекъсвач

за защитно изключване, пропускащ ток не повече от 30 mA.

- Преди употреба проверете захранването и захранващия кабел за следи от повреди и износване. Ако кабелът се повреди по време на работа, незабавно го изключете от електрическото захранване. **Не докосвайте кабела, преди да изключите захранването.** Не използвайте уреда, ако кабелът е повреден или износен.
- Ако е необходимо да използвате удължаващ кабел, проверете дали той е подходящ за работа на открито или дали захранващия му капацитет е достатъчен за захранване на вашия инструмент. Удължаващият кабел трябва да има маркировка „H05 RN F” или „H05 VV F”. Проверявайте удължаващия кабел за повреди преди всяка употреба. Винаги развивайте удължаващия кабел при работа, защото неразвитите кабели могат да прегреят. Повредените удължителни кабели не трябва да се поправят, а да се сменят с такива от еквивалентен тип.
- Внимавайте захранващия кабел да не е поставен на места, където може да бъде повреден от режещия механизъм, настъпен, прегазен или изложен по друг начин на повреда или напрежение.
- Никога не вдигайте и не носете продукта за електрическия кабел.
- Никога не дърпайте захранващия кабел, за да изключите инструмента от електричеството.
- Дръжте захранващия кабел далече от топлина, масло и остри предмети.
- Уверете се, че напрежението за продукта е правилно. На табелката с характеристиките на продукта, можете да видите напрежението му. Никога не свързвайте уреда към променлив ток с различно от посоченото напрежение.
- По време на сглобяването или сгъването на ръкохватките кабелът, свързващ ръкохватката и корпуса на косачката, трябва винаги да е поставен така, че да не може да бъде заклещен, прещипан или повреден по друг начин. Никога не включвайте косачката, ако този кабел е повреден. Занесете за професионален ремонт в оторизиран сервизен център.
- А мощност скок предизвиква колебания на напрежението и може да засегне и други електрически продукти в една и съща мощност линия. Свържете принтера към източник на захранване с импеданс, равен или по-малко, отколкото 0.452Ω - RLM18E40H се сведе до минимум колебанията на напрежението. Свържете се с вашия доставчик на електроенергия за по-нататъшно изясняване.

ПРЕДУПРЕЖДЕНИЯ ЗА БЕЗОПАСНА РАБОТА С КОСАЧКАТА ЗА ТРЕВА

- Оглеждайте инструмента всеки път преди употреба, за да се уверите, че остриетата, болтовете им и режещия механизъм не са износени или повредени.
- Заменете износените или повредените остриета и

болтове заедно, за да запазите баланса.

- Острието на продукта е много остро, бъдете изключително внимателни и носете здрави предпазни ръкавици, когато намествате, замените, почиствате или проверявате защитните болтове.
- Занесете в оторизиран сервизен център, ако е необходима замяна на повредени или нечетливи етикети.
- Периодично проверявайте дали всички гайки, болтове и винтове са правилно затегнати, за да сте сигурни, че оборудването е в изправност.
- Периодично проверявайте кутията за трева за износване или повреди.
- Подменяйте износените или повредените части, преди да работите с уреда.
- При стартиране на косачката потребителят трябва да е в зелена позиция зад ръкохватките, където е зоната за безопасност на оператора. Никога не стартирайте продукта, ако:
 - Всичките четири колелета не са в плътен контакт със земната повърхност.
 - Улеят за изхвърляне на трева е открит и незащитен от приспособлението за мулчиране (или кутията за трева) и от капака на улея.
 - Ръцете и краката на всички близкостоящи лица не са на безопасно разстояние от режещия механизъм.
- Не използвайте продукта, ако превключвателят не включва или изключва продукта.
- Никога не опитвайте да фиксирате превключвателите за включване/изключване така, че да са постоянно в позиция ВКЛЮЧЕНО; това е изключително опасно.
- Не насилвайте продукта. Той ще свърши работата по-добре и по-безопасно в зададения от производителя диапазон на натоварване.
- Спрете острието, когато преминавате над чакълести повърхности.
- Не дърпайте уреда назад, освен ако не е абсолютно необходимо. Ако трябва да върнете машината в обратна посока, за да избегнете стена или препятствие, първо се огледайте надолу и назад, за да избегнете съвване или дръпване на машината над краката си.
- Изключете двигателя и изчакайте острието да спре, ако се налага да наклоните косачката, за да я транспортирате до и от мястото за косене или през места, различни от тревни площи.
- Никога не ползвайте уреда с повредени защити или странични екрани или без защитни устройства, например без монтирани отклонители или кутии за трева.
- Не накланяйте уреда, когато двигателят е включен. Не накланяйте инструмента, когато го включвате. Това открива остриетата и увеличава риска от отхвърчане на предмети.
- Включете двигателя според указанията и дръжте ръцете и краката си далеч от зоната на рязане. Не поставяйте ръцете или краката си близо до или под



въртящите се части. Винаги стойте далеч от улея за изхвърляне. Не стартирайте двигателя, докато сте пред улея за изхвърляне на трева.

- Никога не носете или транспортирайте продукта, докато работи.
- Спрете двигателя на косачката и изключете уреда от захранването, след което се уверете, че всички движещи се части са спрели напълно, преди да извършите следното:
 - оставяне на продукта без надзор
 - преди почистване на запушвания или отпушване на отвора,
 - преди проверка, почистване или работа по машината
 - След удар на чужд предмет, проверете уреда за повреда и извършете необходимите ремонтни дейности
 - преди да свалите кутията за трева или да отворите капака на улея за изхвърляне на трева
 - ако машината започне да вибрира неестествено (проверете незабавно)
 - Огледайте повредата. Сменете острието, ако е неравномерно износено или повредено по какъвто и да е начин.
 - заменете или ремонтирайте всички повредени детайли,
 - Проверете има ли незатегнати детайли и при необходимост ги затегнете.
- Избягвайте дупки, бразди, издутини, камъни или други скрити предмети. Неравният терен може да доведе до подхлъзване и падане.

УСТРОЙСТВО ЗА ЗАЩИТА ПРИ ПРЕТОВАРВАНЕ

Този продукт е снабден с устройство за защита при претоварване. Когато бъде засечено претоварване, продуктът автоматично ще се изключи. Ако протекторът срещу натоварване се активира, трябва да изчакате мотора да се охлади между 5 и 10 минути.

Изключете захранването, след което извадете щепсела от електрическия контакт. Остриетата са остри, носете здрави предпазни ръкавици, когато боравите с тях. Уверете се, че острието може да се върти свободно и че не е блокирало или заклинено.

След като моторът се охлади, включете щепсела в електрическия контакт. Включете захранването. Натиснете бутона „Старт“ и след това бутона за включване/изключване, за да стартирате уреда. Ако продуктът продължава да не се стартира, го занесете за ремонт в оторизиран сервизен център.

ПРЕДНАЗНАЧЕНИЕ

Този продукт е предназначен за използване само на открито.

Този продукт е предназначен за косене на домашни тревни площи. Режещото острие трябва да се върти приблизително паралелно на земната повърхност, над която преминава. И четирите колела трябва да се докосват до земята при косене. Зад косачката

трябва да се върви с пешеходна стъпка. Продуктът е проектиран така, че трябва да бъде бутан на ръка.

Косачката не трябва никога да се използва, когато колелата не са опрени в земята, не трябва да се дърпа или да качва човек върху нея. Не трябва да се използва за рязане на друго освен домашни тревни площи.

НЕПРЕДВИДЕНИ РИСКОВЕ.

Дори когато машината се използва по предназначение, е невъзможно напълно да се отстранят определени остатъчни рискови фактори. Рисковете, описани по-долу, може да възникнат по време на употреба и операторът трябва да внимава за избягването на следното:

- Нараняване, причинено от вибрация. Винаги използвайте подходящия инструмент за съответната дейност и предназначениите за целта ръкохватки, като ограничавате времето на работа и излагането на рискове.
- Излагането на шум може да доведе до увреждане на слуха. Носете антифони и ограничете излагането
- Контакт с остриетата
- Нараняване от отхвъркнали предмети

ТРАНСПОРТИРАНЕ И СЪХРАНЕНИЕ

- Спрете уреда и го изключете от захранването, проверете дали всички движещи се части са спрели напълно, изчакайте уреда да се охлади, след което можете безопасно да го транспортирате или приберете за съхранение.
- Почистете продукта от всички чужди частици. Съхранявайте я на хладно, сухо и добре проветрявано място, което е недостъпно за деца. Не го оставяйте в близост до корозивни материали като градински химикали или соли за размразяване. Не съхранявайте на открито.
- Когато транспортирате уреда, го обезопасете така, че да не може да се движи или да падне, защото това може да доведе до евентуални наранявания на хора или повреди по продукта.

⚠ ПРЕДУПРЕЖДЕНИЕ

Бъдете изключително внимателни, когато повдигате или наклоняте машината, за да я транспортирате или да извършвате дейности по поддръжка, почистване или съхранение. Острието е остро. Пазете всички части на тялото далече от острието, когато то е открито.

ПОДДРЪЖКА

⚠ ПРЕДУПРЕЖДЕНИЕ

Използвайте само оригинални резервни части, аксесоари и приставки от производителя. В противен случай може да се влоши работата на инструмента или да получите тежки контузии, а гаранцията ви ще стане невалидна.



⚠ ПРЕДУПРЕЖДЕНИЕ

Сервизното обслужване изисква изключително внимание и специфични познания и следва да бъде извършвано само от квалифициран техник. За сервизно обслужване и поправка препоръчваме да занесете продукта до най-близкия упълномощен сервизен център. При ремонт използвайте само идентични резервни части.

- Спрете уреда и го изключете от захранването, след което проверете дали всички движещи се части са спрели напълно, преди да извършвате каквито и да е дейности по почистване или поддръжка.
- Можете да правите настройки и поправки, описани в това ръководство на потребителя. За други поправки се свържете с агент на упълномощения сервиз.
- Периодично проверявайте кутията за трева за износване или повреди.
- Всеки път след употреба почиствайте продукта с мека и суха кърпа. Всяка повредена част трябва да бъде поправена или заменена от упълномощен сервизен център.
- Периодично проверявайте дали всички гайки, болтове и винтове са правилно затегнати, за да сте сигурни, че продуктът е в изправност.
- Внимавайте при регулиране на инструмента, за да предотвратите заклещването на пръстите си между движещите се остриета и неподвижните части на инструмента.
- При обслужване на остриетата трябва да знаете, че дори ако захранващия източник е изключен, остриетата все пак могат да се движат.
- Бъдете внимателни, когато подменяте или чистите острието, защото то може да се движи.
- Острието на продукта е много остро, бъдете изключително внимателни и носете здрави предпазни ръкавици, когато намествате, заменяте, почиствате или проверявате защитните болтове.
- Заменяйте повредените остриета и болтове заедно, за да запазите баланса на частите.
- Внимавайте да не прещипете пръстите си, докато почиствате или настройвате уреда.

ΜΕΙΩΣΗ ΚΙΝΔΥΝΟΥ

- Известно е, че вибрациите, произвеждани от ръчни инструменти може да предизвикат у някои индивиди заболяване, наречено Синдром на Рейнолд (Raynaud's Syndrome). Симптомите може да включват изтръпване, схващане и избледняване на пръстите, обикновено се забелязват при излагане на студ. Смята се, че наследствените фактори, излагането на студ и влага, диетите, пушенето и някои работни навици допринасят за развитието на тези симптоми. Могат да се вземат някои мерки, които могат да се предприемат от оператора, за да се намалят ефектите от вибрациите:
- Поддържайте телесната температура в студено време. Когато боравите с инструмента, носете ръкавици, за да поддържате ръцете и китките

си топли. Според изследвания главният фактор, допринасящ за развитието на Raynaud's Syndrome, е студено време.

- Правете упражнения за активизиране на кръвообращението след всеки работен цикъл.
- Редовно излизайте в почивка. Ограничете излагането на вибрации на ден.

При поява на някои от симптомите на това заболяване, незабавно прекратете употребата на инструмента и посетете лекар.

⚠ ПРЕДУПРЕЖДЕНИЕ

Продължителното използване на инструмента може да доведе до наранявания или влошаване. При използване на инструмента за продължителни периоди от време правете чести почивки.

РАЗУЧЕТЕ НАЧИНА НА РАБОТА С ВЕРИЖНИЯ ТРИОН.

Вж. страница 119.

Части

1. Бутон за включване/изключване
2. Ръкохватка
3. Кабел за управление на двигателя
4. Ограничител на кабела за управление на мотора
5. Лост с регулируема височина
6. Кука за кабела
7. Индикатор за запълване на кутията за трева
8. Кутия за трева
9. Закопчалка за бързо освобождаване
10. Задно колело
11. Предно колело
12. Приспособление за мулчиране
13. Захранващ кабел
14. Бутон за стартиране

СИМВОЛИ НА ПРОДУКТА



Прочетете и осмислете всички указания, преди да започнете работа с продукта; спазвайте всички предупреждения и инструкции за безопасност.



Носете антифони



Носете защитни средства за очи



Не работете по наклони над 15°. Косете наклонените повърхности напред, никога нагоре и надолу.



Не излагайте на дъжд и на влажни условия.



Внимавайте с остриетата. Остриетата продължават да се въртят след спирането на двигателя – Извадете щепсела от електрозахранването, ако кабелът е повреден и преди да извършвате дейности по поддръжка.



Внимавайте за изхвърлени или летящи обекти. Дръжте всички странични наблюдатели (особено деца и домашни любимци) на поне 15m разстояние от работната зона.



Дръжте захранващия кабел далече от режещите остриета.



Натиснете бутон „Старт“ и след това бутон за включване/изключване (A, B, C или D), за да стартирате уреда. Освободете бутон „Старт“ и продължете да натискате бутон за включване/изключване, за да работите с уреда. Отпуснете бутон за включване и изключване, за да спрете продукта.



Старт



Спиране



Инструмент от клас II, двойна изолация



Електрическите уреди не трябва да се изхвърлят заедно с битовите отпадъци. Рециклирайте, където има възможност. Обърнете се за съвет по рециклирането към местните власти или разпространителите.



Тази машина е в съответствие с нормативната уредба на държавата от ЕС, където е била закупена.



EurAsian знак за съответствие.



Гарантираното ниво на шум е 94 dB.



Гарантираното ниво на шум е 95 dB.

Следните сигнални думи и значенията им са предназначени да обяснят нивата на опасност, свързани с този продукт.

⚠ ОПАСНОСТ

Указва неминуемо опасна ситуация, която ако не бъде избегната, ще доведе до сериозни наранявания или смърт.

⚠ ПРЕДУПРЕЖДЕНИЕ

Указва потенциално опасна ситуация, която ако не бъде избегната, може да доведе до сериозни наранявания или смърт.

⚠ ВНИМАНИЕ

Указва потенциално опасна ситуация, която ако не бъде избегната, може да доведе до дребни или средни наранявания.

ВНИМАНИЕ

Без предупредителен символ за безопасност
Указва ситуация, която може да доведе до имуществени щети.

ИКОНИ В ТОВА РЪКОВОДСТВО



Свържете към електрически контакт.



Изключете от електрическия контакт



Частите или принадлежностите се продават отделно



Електрическите уреди не трябва да се изхвърлят заедно с битовите отпадъци. Рециклирайте, където има възможност.



Дръжте ръцете си далеч от остриетата.



ЗАБЕЛЕЖКА:



ПРЕДУПРЕЖДЕНИЕ




Спрете уреда.

СЪВЕТИ ПРИ КОСЕНЕ

- При косене на висока трева забравете хода си за по-голяма ефективност и правилно изхвърляне на отрязаната трева.
- Не косете влажна трева; тя ще залепне от долната страна на корпуса и ще попречи на правилното събиране или изхвърляне на тревните отрязъци.
- За млада или дебела трева може да се наложи по-голяма височина на рязане.
- Ако искате да събирате окосената трева, свалете

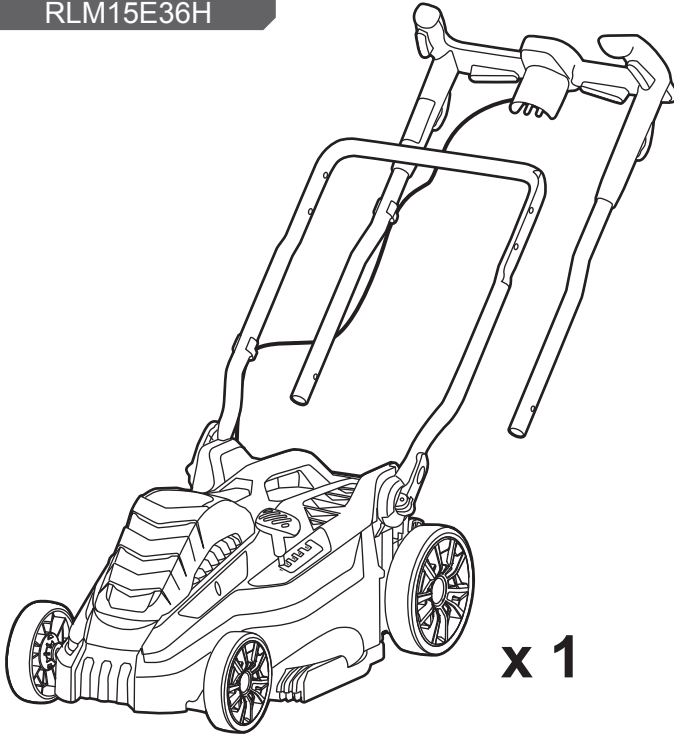
- EN
- FR
- DE
- ES
- IT
- NL
- PT
- DA
- SV
- FI
- NO
- PL
- RU
- CS
- HU
- RO
- LV
- LT
- ET
- HR
- SL
- SK
- BG**



приспособлението за мулчиране и монтирайте кутията за трева, като не забравяйте да затворите добре горния капак. Редовно изпразвайте кутията за трева, в противен случай улеят за изхвърляне на трева ще се задръсти с тревни отрязъци.

- Ако само леко подрязвате тревата и искате тревните отрязъци да останат на ливадата, монтирайте приспособлението за мулчиране и затворете горния капак, така че улеят за изхвърляне да бъде покрит. В този случай не е необходимо да монтирате кутията за трева.
- Косачката е проектирана да работи най-ефективно, когато я предвижвате напред.

RLM15E36H



x 1



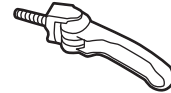
x 1



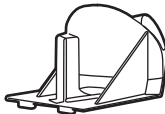
x 2



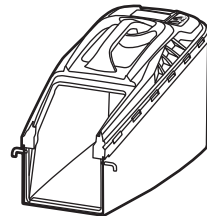
x 2



x 2



x 1



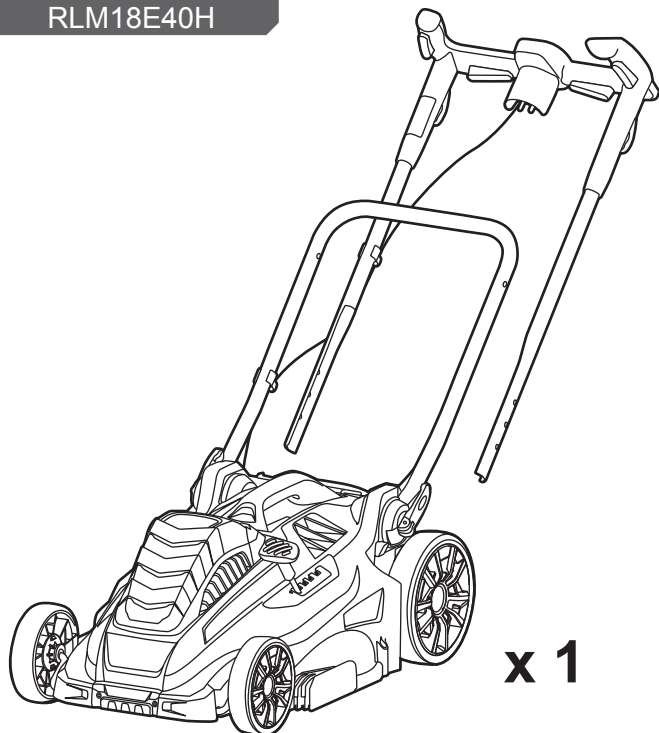
x 1



13mm



RLM18E40H



x 1



x 1



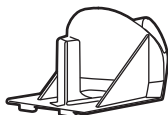
x 2



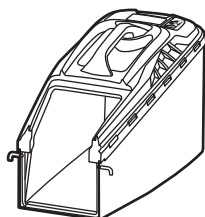
x 2



x 2



x 1

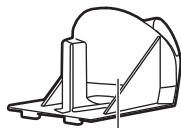
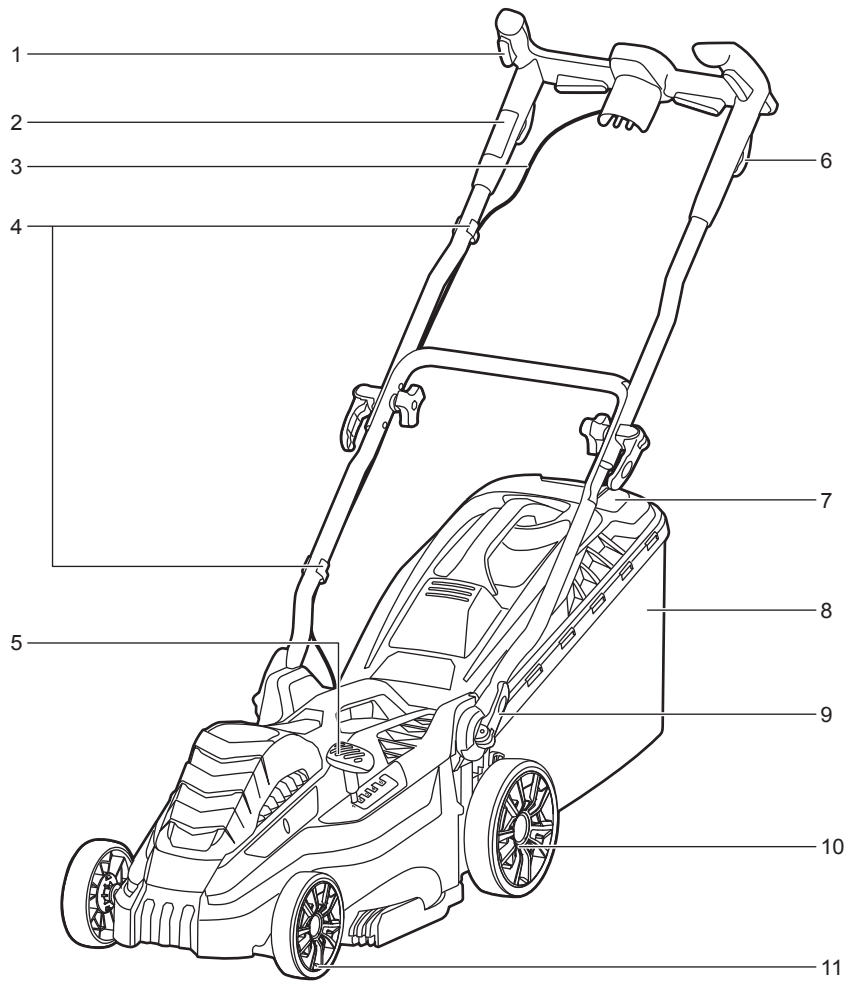


x 1



13mm

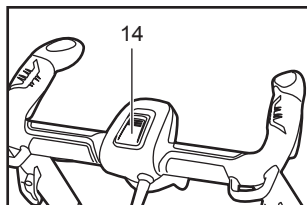




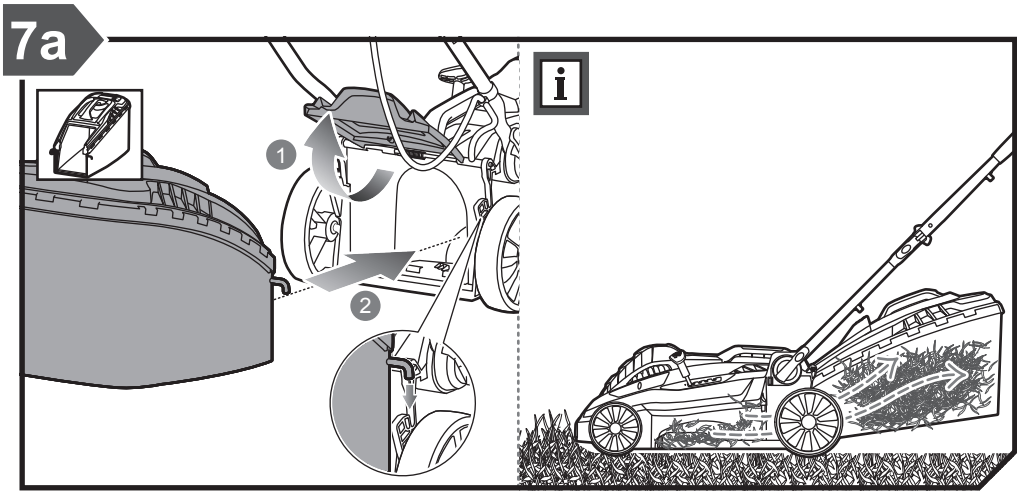
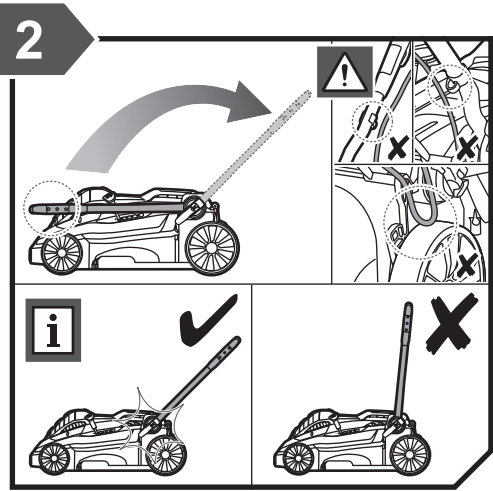
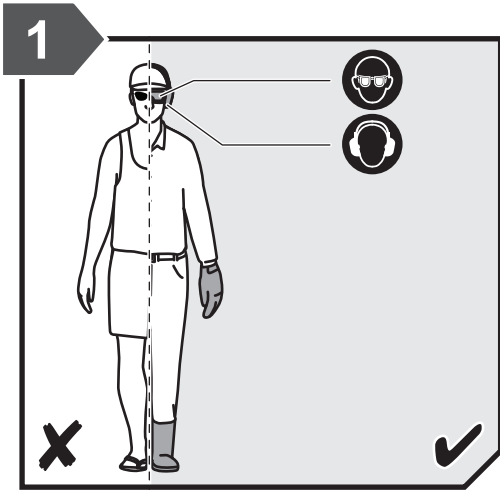
12

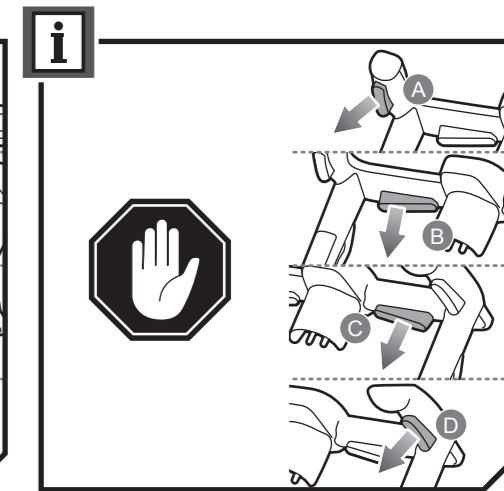
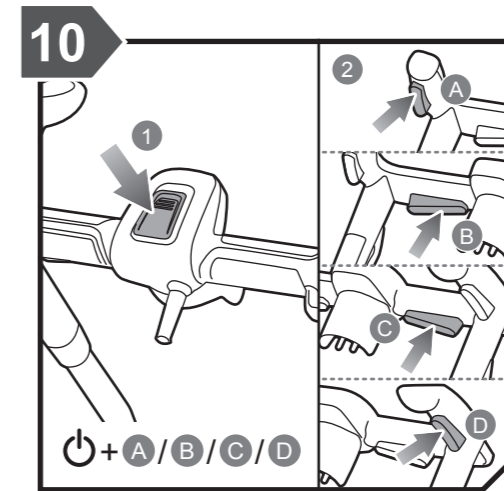
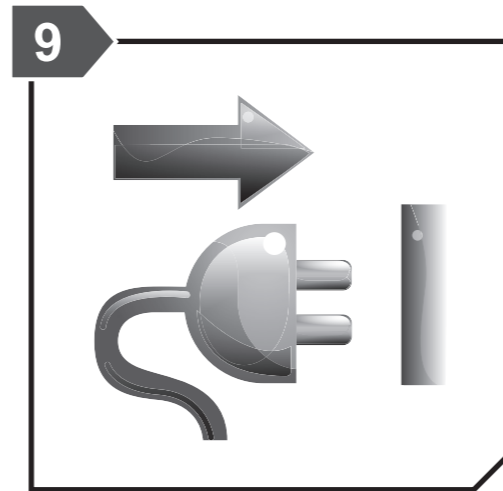
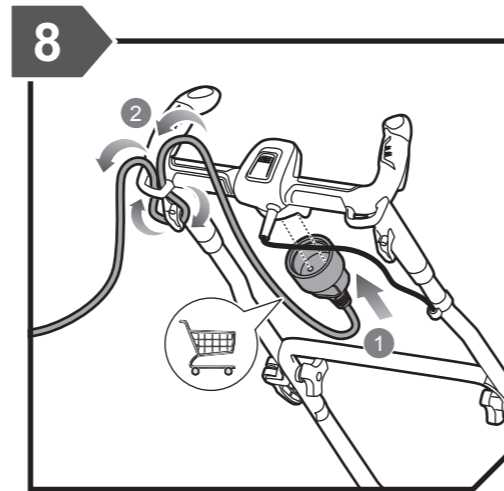
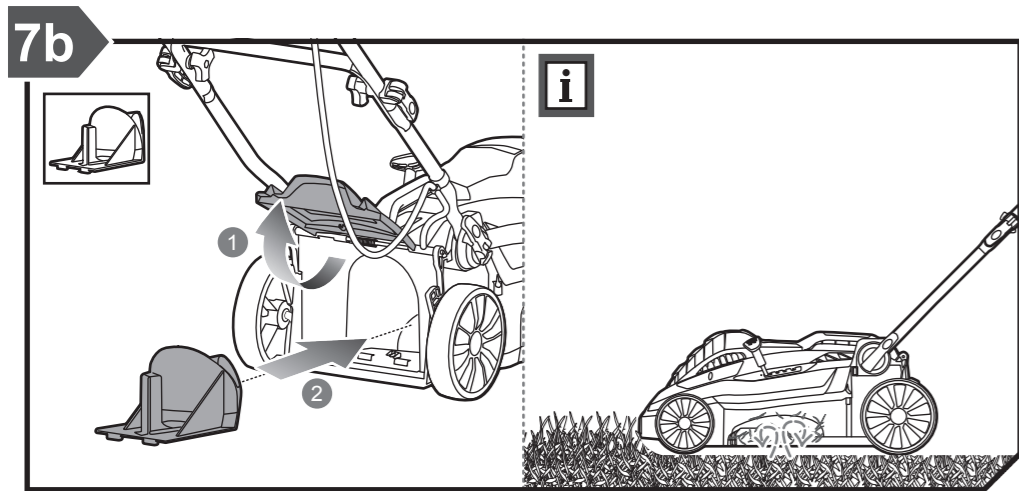
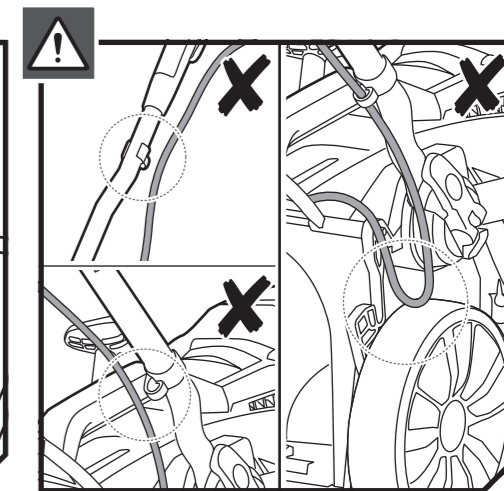
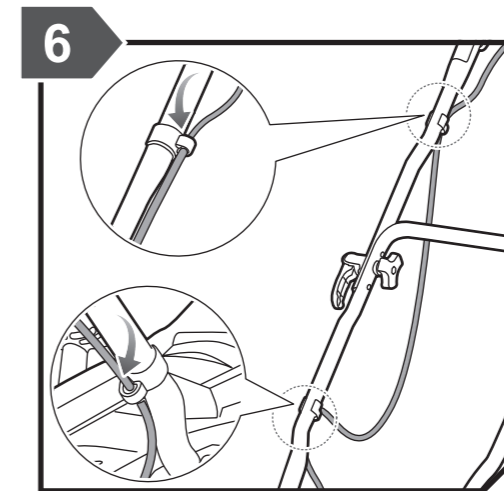
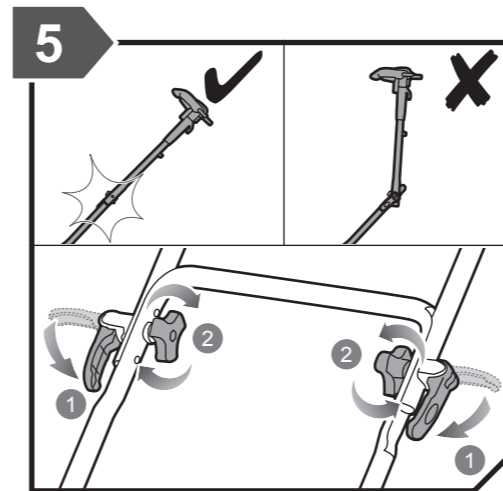
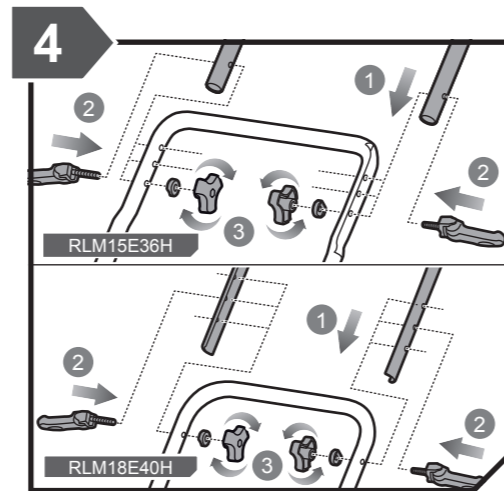
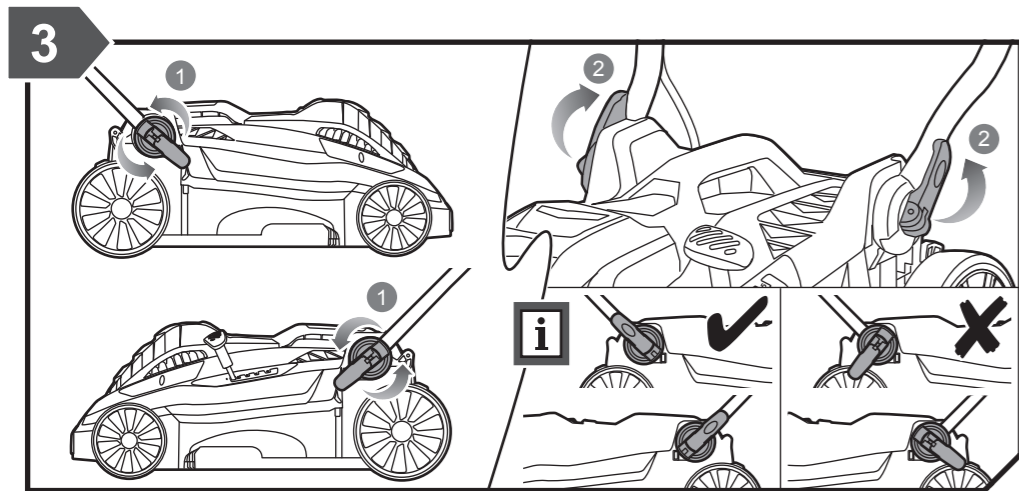


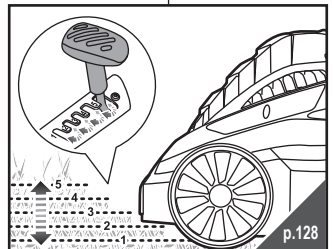
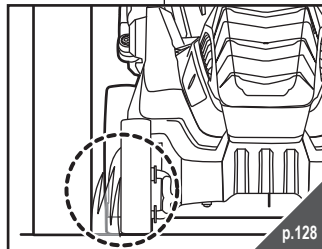
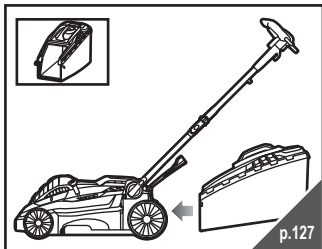
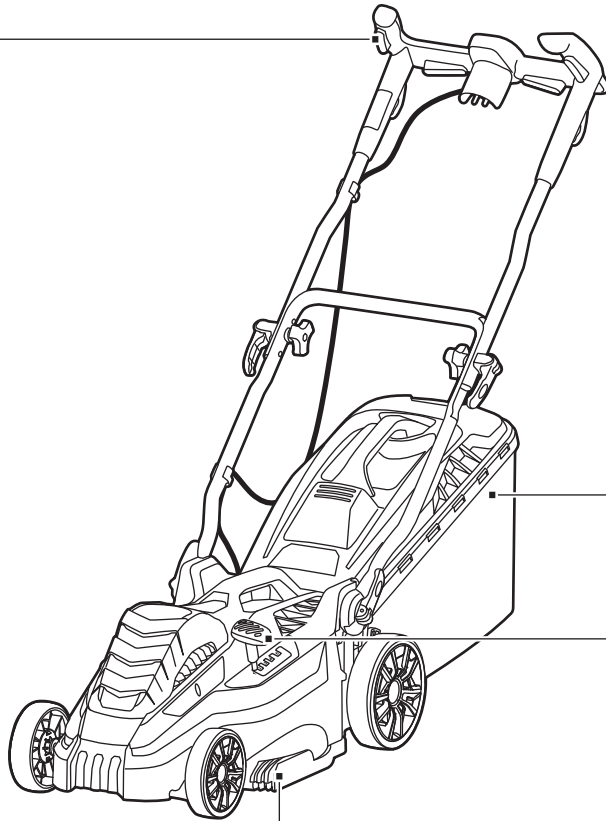
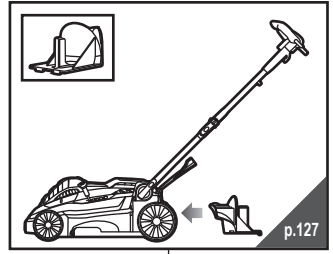
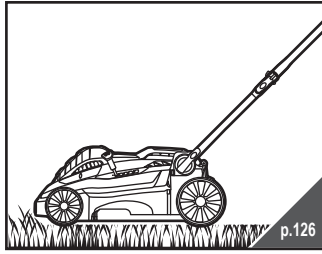
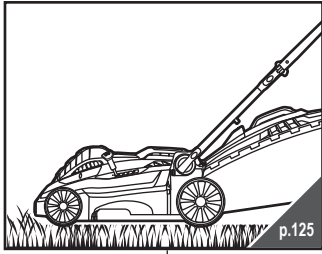
13

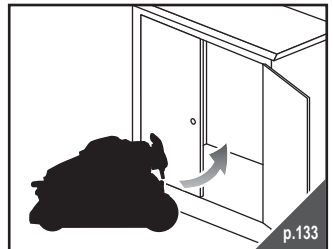
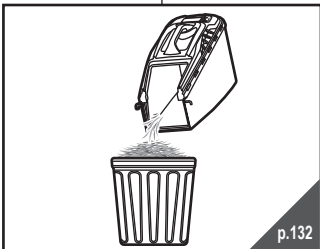
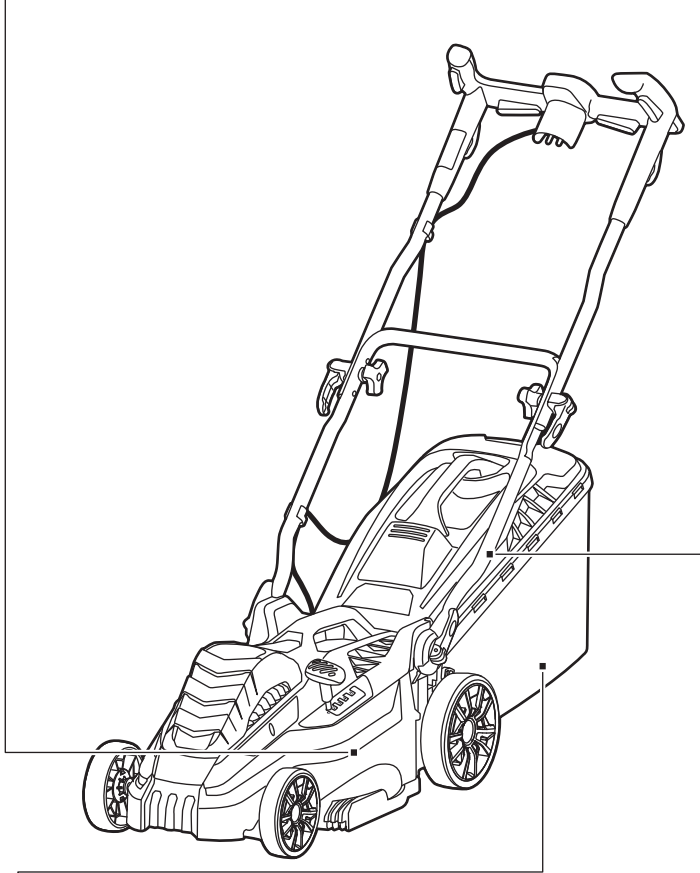
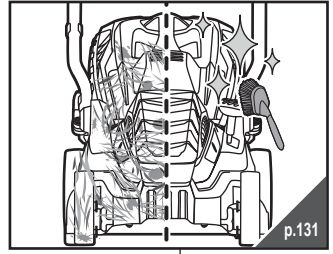
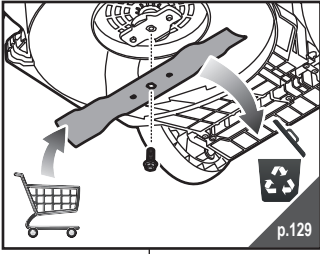


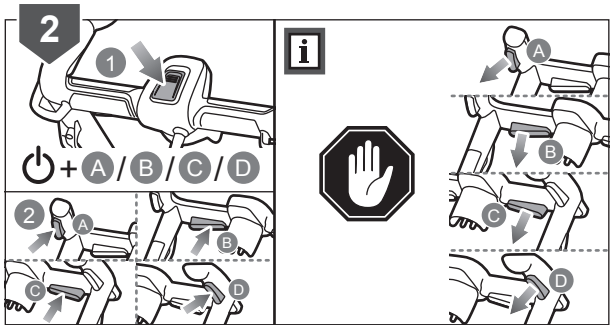
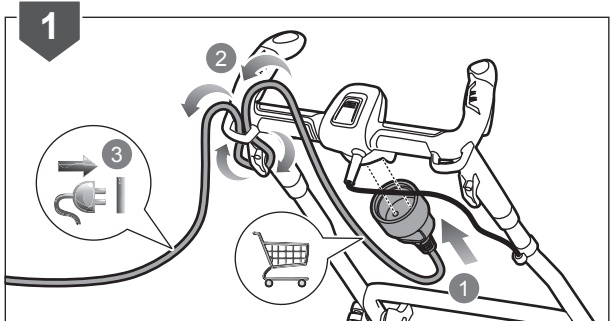
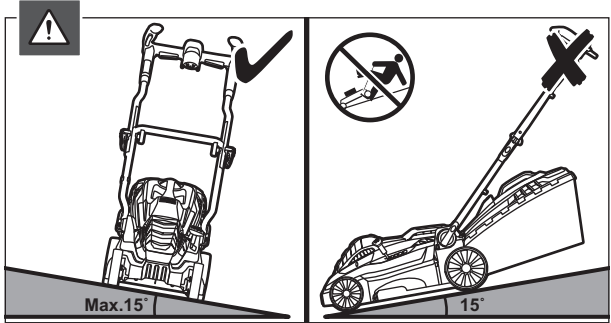
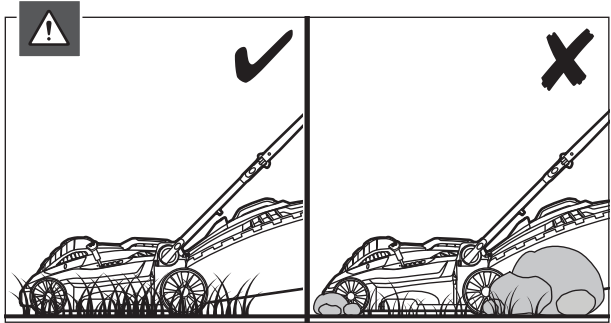
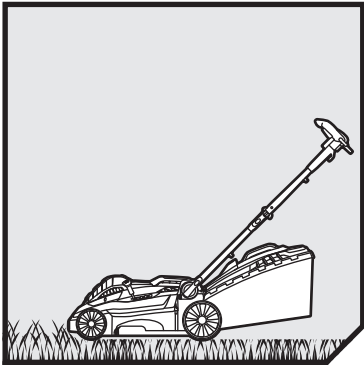
14

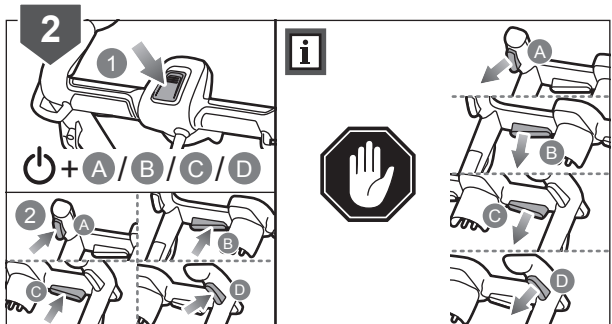
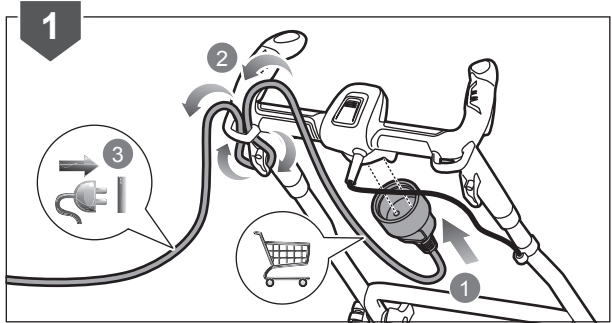
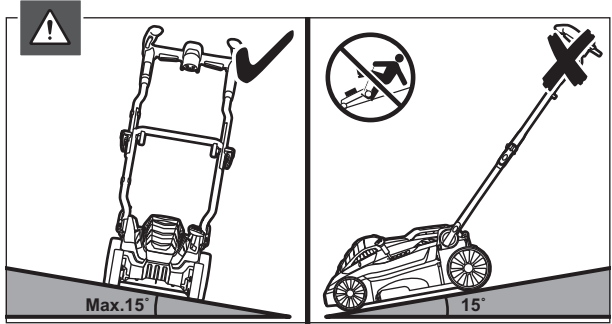
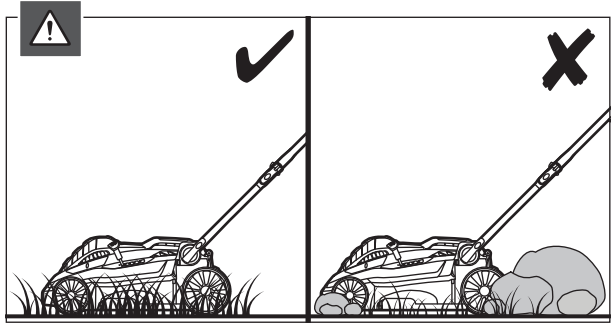
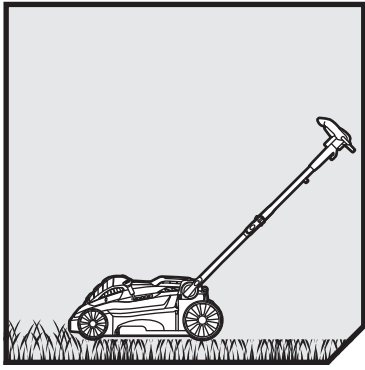


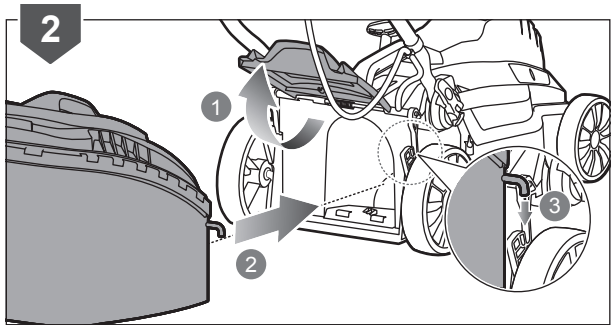
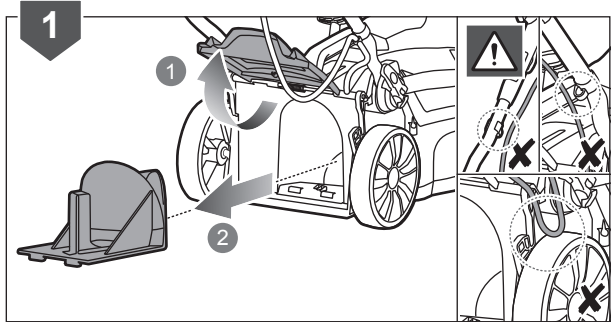
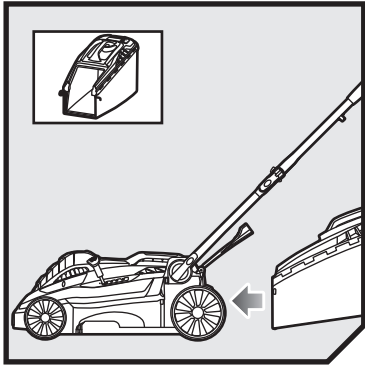
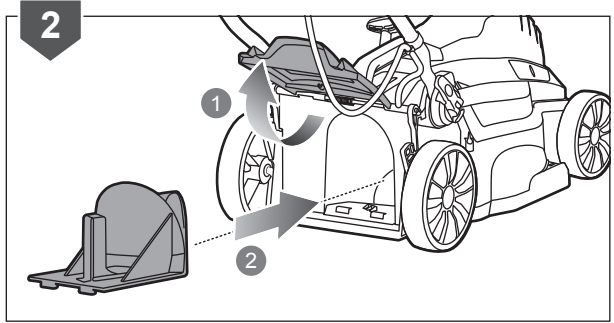
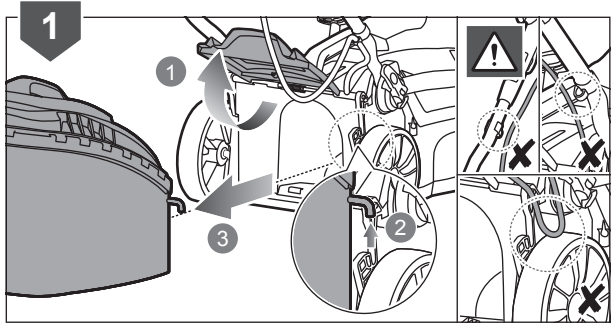
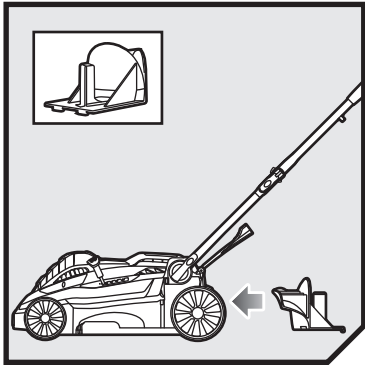


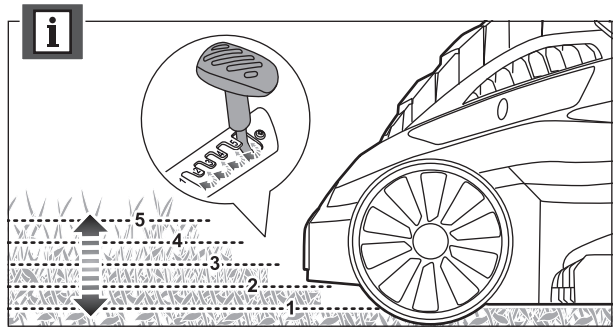
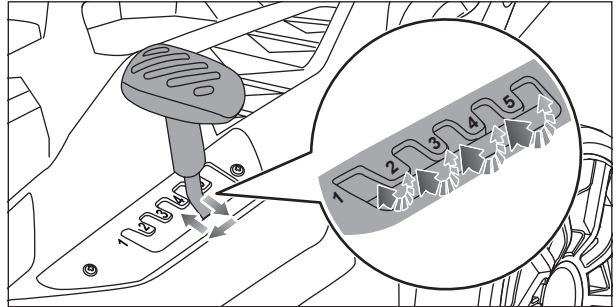
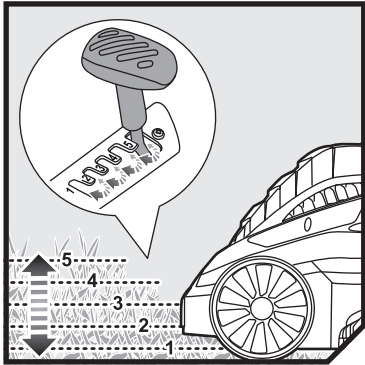
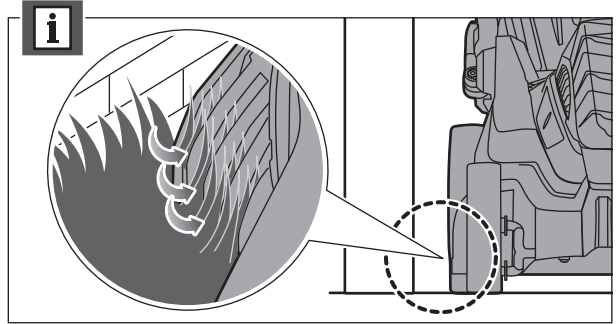
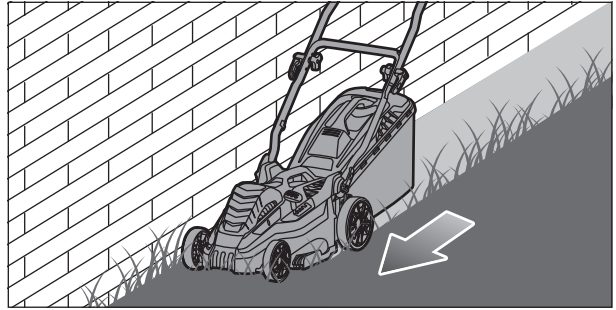
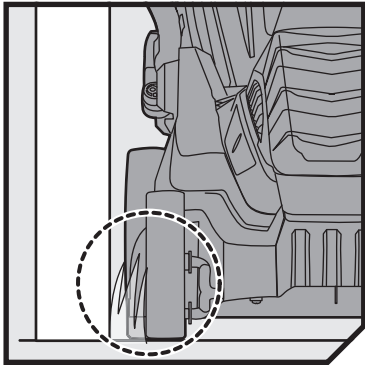


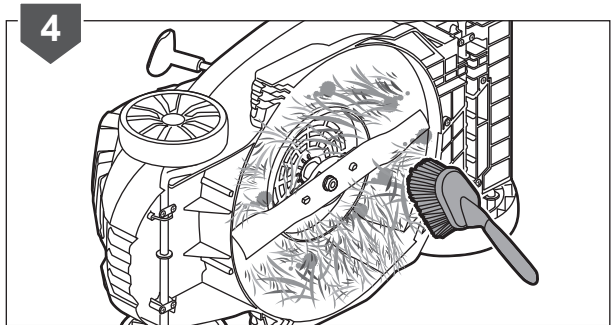
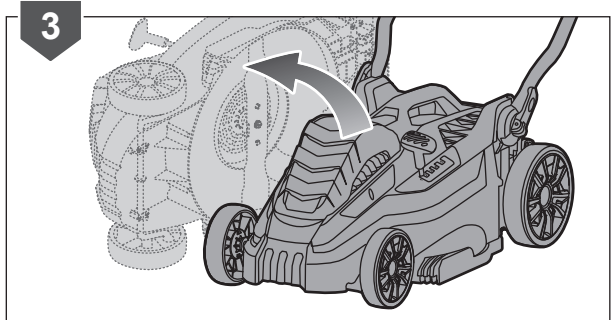
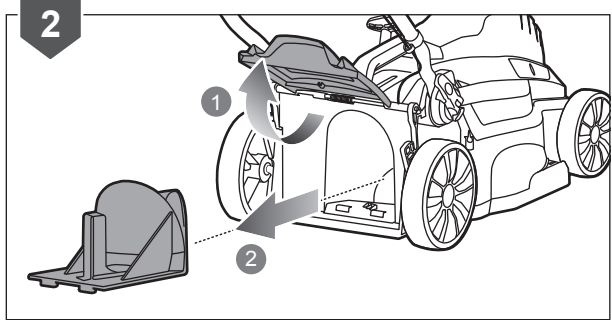
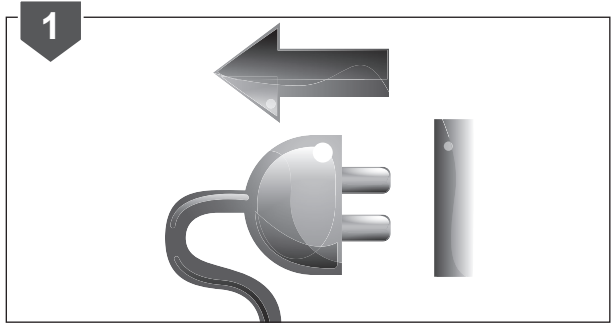


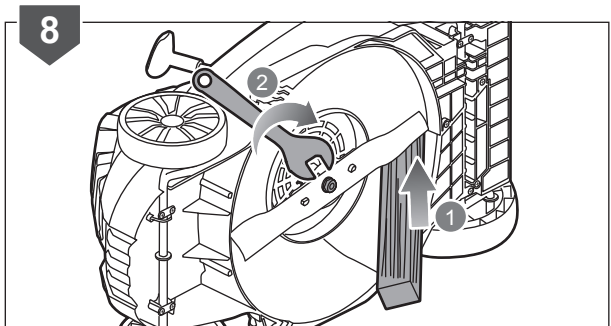
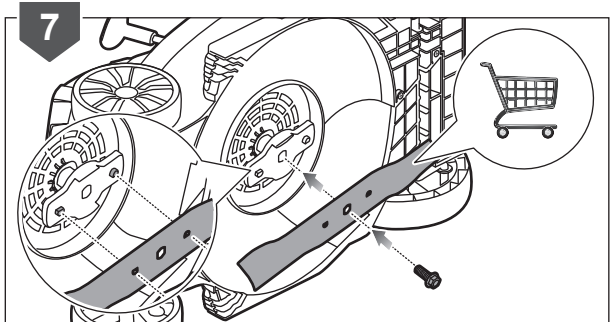
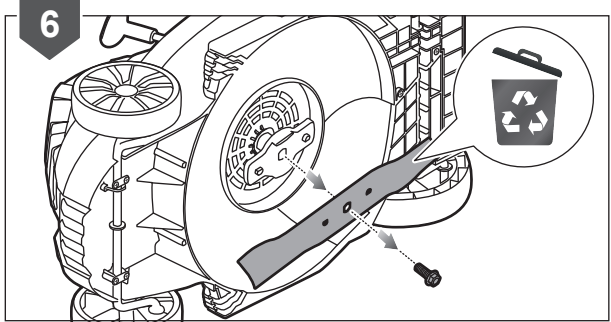
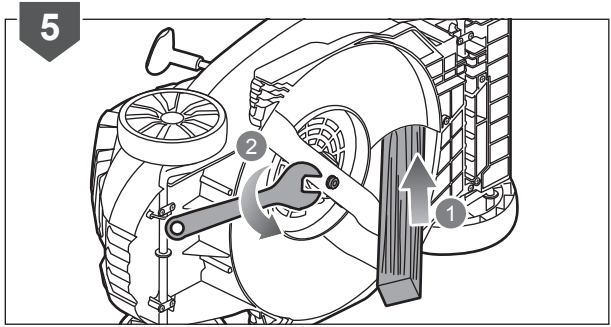


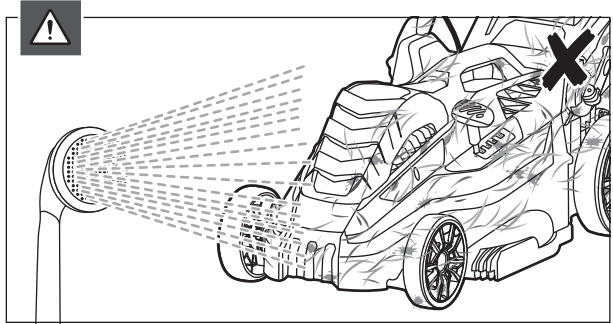
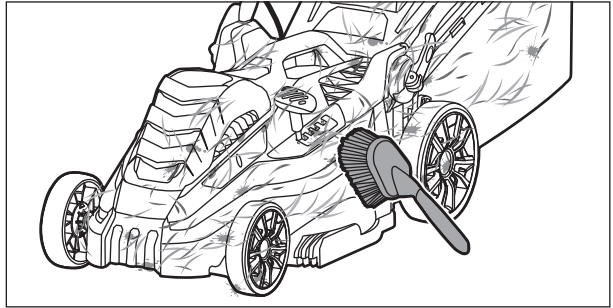
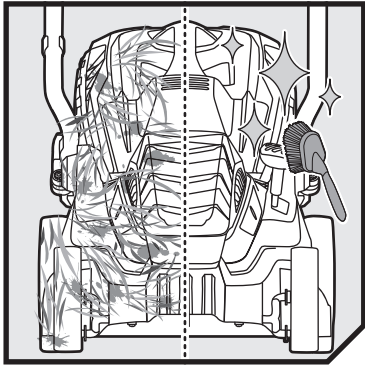


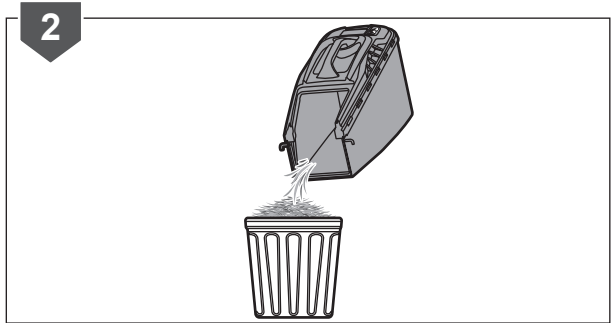
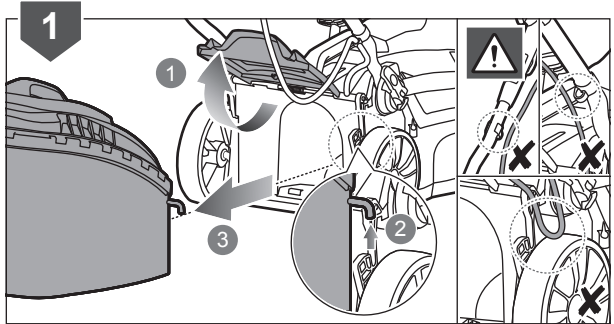
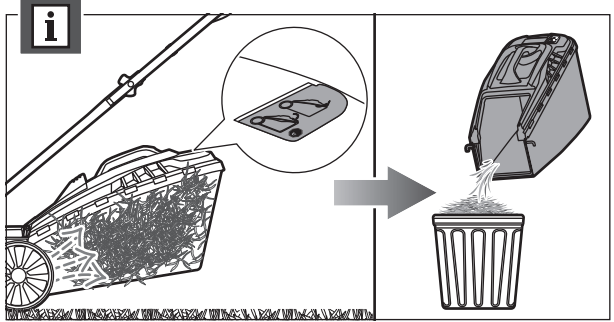
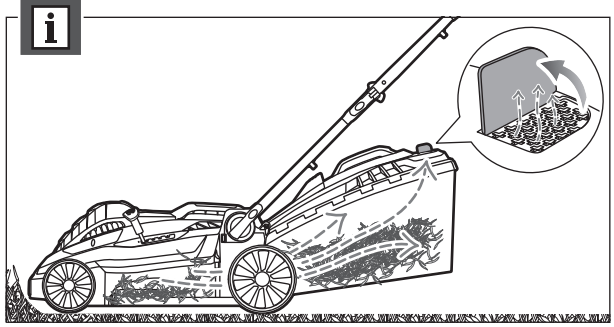
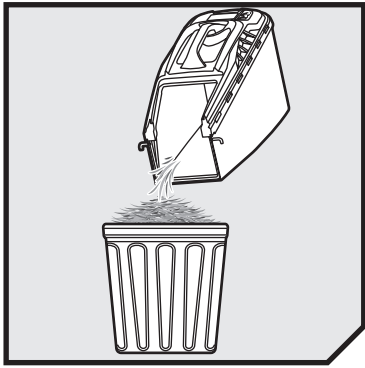


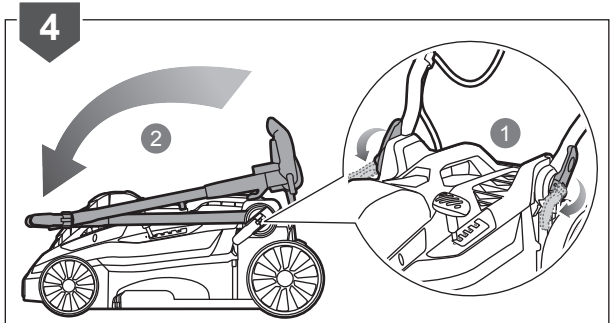
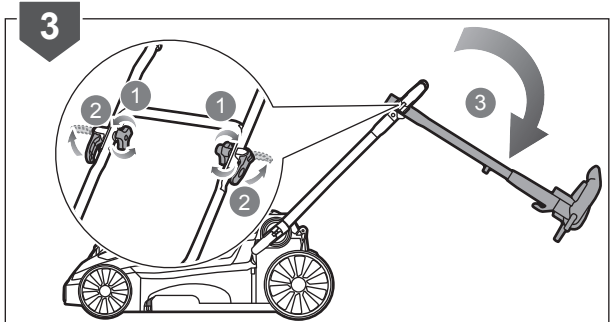
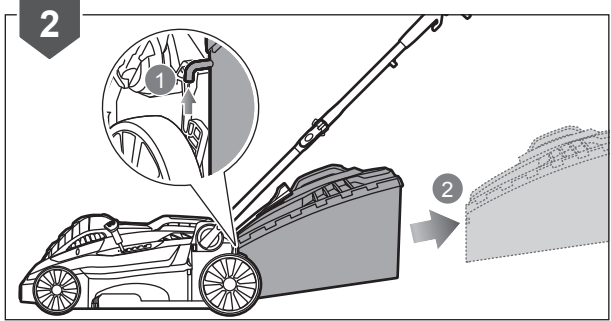
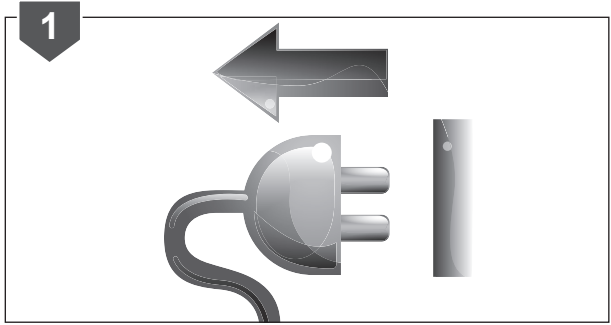
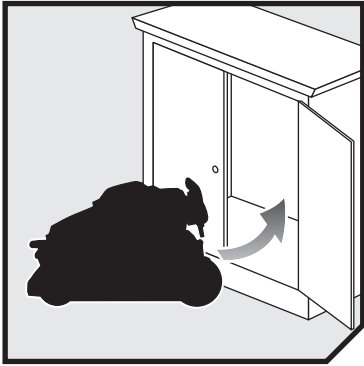


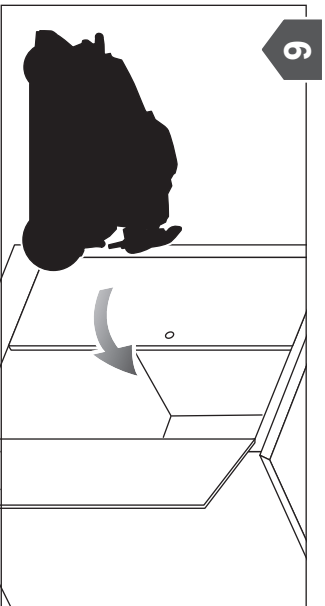
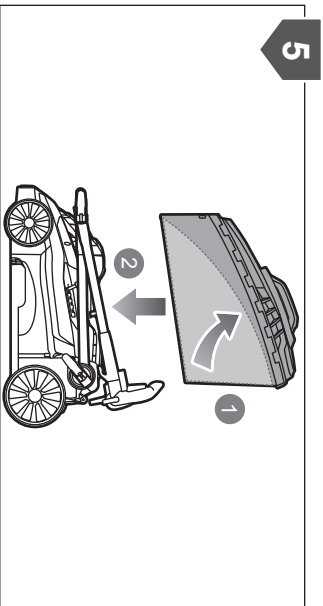
















English	Français	Deutsch	Español	Italiano	Nederlands	Português
Product specifications	Caractéristiques produit	Produkt-Spezifikationen	Características del producto	Caratteristiche del prodotto	Productgegevens	Características do aparelho
Model	Modèle	Model	Modelo	Modello	Model	Modelo
Rated voltage (AC)	Tension nominale (CA)	Nennspannung (AC)	Tensión nominal (CA)	Voltaggio nominale (AC)	Toegekende spanning (Wisselstroommodus)	Tensão nominal (AC)
Rated power (AC)	Puissance nominale (CA)	Nennleistung (AC)	Potencia nominal (CA)	Potenza nominale (AC)	Nominaal vermogen (Wisselstroommodus)	Potência nominal (AC)
Width of cut	Largeur de coupe	Breite des Schnitts	Ancho del corte	Ampiezza di taglio	Maai breedte	Largura do corte
Height of cut	Hauteur de coupe	Schnitthöhe	Altura del corte	Altezza del taglio	Hoogte van de snede	Altura de corte
No-load speed	Vitesse de rotation	Leerlaufdrehzahl	Velocidad sin carga	Velocità senza carico	Snelheid zonder lading	Velocidade sem carga
Weight	Poids	Gewicht	Peso	Peso	Gewicht	Peso
Grassbox capacity	Contenance du panier	Grasfangkorbvolumen	Capacidad de la caja de la hierba	Capacità scatola di raccolta erba	Capaciteit grasopvangbak	Capacidade da caixa de relva
Vibration level (in accordance with EN 60335-2-77 Annex FF)	Niveau de vibrations (selon l'Annexe FF de EN 60335-2-77)	Vibrationsgrad (entspricht Anhang FF von EN 60335-2-77)	Nivel de vibración (según el Anexo FF de EN 60335-2-77)	Livello di vibrazioni (Secondo quanto indicato dall'Allegato FF di EN 60335-2-77)	Trillingsniveau (in overeenstemming met bijlage FF van EN 60335-2-77)	Nível de vibração (segundo o Anexo FF da norma EN 60335-2-77)
Right handle	Poignée droite	Rechter griff	Empuñadura derecha	Manico destro	Rechter handgreep	Punho direito
Left handle	Poignée gauche	Linker griff	Empuñadura izquierda	Manico sinistro	Linker handgreep	Punho esquerdo
Uncertainty of measurement	Incertitude de la mesure	Unsicherheit der Messung	Incertidumbre de medición	Incertezza della misurazione	Onzekerheid bij meting	Incerteza de medições
Declared vibration value	Valeur déclarée des vibrations	Angebener Vibrationswert	Valor de vibración declarado	Valore dichiarato vibrazioni	Verklaarde trillingswaarde	Valor de vibração declarado
Noise emission level (in accordance with EN 60335-2-77 Annex GG)	Niveau d'émission sonore (selon l'Annexe GG de EN 60335-2-77)	Geräuschemission (entspricht Anhang GG von EN 60335-2-77)	Nivel de emisión de ruido (según el Anexo GG de EN 60335-2-77)	Livello di emissione rumori (Secondo quanto indicato dall'Allegato GG di EN 60335-2-77)	Niveau geluidsemisissie (in overeenstemming met bijlage GG van EN 60335-2-77)	Nível de emissão de ruído (segundo o Anexo GG da norma EN 60335-2-77)
A-weighted sound pressure level at operator's position	Niveau de pression sonore pondéré A au niveau de l'opérateur	A-bewerteter Schalldruckpegel an der Position des Benutzers	Nivel de presión sonora ponderado A en la posición del operario	Livello di pressione sonora ponderata A alla posizione dell'operatore	A-gewogen geluidsdruk niveau bij positie van gebruiker	Nível de pressão sonora ponderada A na posição do operador
Uncertainty of measurement	Incertitude de la mesure	Unsicherheit der Messung	Incertidumbre de medición	Incertezza della misurazione	Onzekerheid bij meting	Incerteza de medições
A-weighted sound power level	Niveau de puissance sonore pondéré-A	A-bewerteter Schalleistungspegel	Nivel de potencia acústica ponderada en A	Livello di potenza sonora pesato A	A-gewogen geluidsniveau	Nível de potência sonora ponderada A
Uncertainty of measurement	Incertitude de la mesure	Unsicherheit der Messung	Incertidumbre de medición	Incertezza della misurazione	Onzekerheid bij meting	Incerteza de medições
Replacement part	Pièce de rechange	Ersatzteil	Pieza de repuesto	Ricambio	Vervangonderdeel	Peça de substituição
Blade	Lame	Messer	Hoja	Lama	Zaagblad	Lâmina





Dansk	Svenska	Suomi	Norsk	Русский		
Produkt specifikationer	Produkt specifikationer	Tuotteen tekniset tiedot	Produkt spesifikasjoner	Характеристики изделия		
Model	Modell	Malli	Modell	Модель	RLM15E36H	RLM18E40H
Mærkespænding (AC)	Spänning (Växelströmsläge)	Nimellisännite (AC)	Nominell spenning (AC)	Номинальное напряжение (для режима переменного тока)	220-240V ~50Hz	
Mærkeeffekt (AC)	Klassad effekt (Växelströmsläge)	Nimellisteho (AC)	Nominell effekt (AC)	Номинальная мощность (для режима переменного тока)	1500 W	1800 W
Snitbredde	Skärbredd	Leikkauksen leveys	Bredde på kappet	Ширина разреза	36 cm	40 cm
Klippehøjde	Klipphöjd	Leikkuukorkeus	Klippehøyde	Высота стрижки	20-70 mm	
Tomgangshastighed	Hastighet utan belastning	Nopeus ilman kuormaa	Tomgangshastighet	Холостая скорость	3500±10% min ⁻¹	3700±10% min ⁻¹
Vægt	Vikt	Paino	Vekt	вес	11,5 kg	13 kg
Græsbokskapacitet	Kapacitet för gräslåda	Ruuholaatikon tilavuus	Gressbokskapasitet	Вместимость контейнера для травы	45 L	50 L
Vibrationsniveau (i henhold til bilag FF til EN 60335-2-77)	Vibrationsnivå (enligt Annex FF i EN 60335-2-77)	Tärinätaso (EN 60335-2-77 -standardin liitteen FF mukaan)	Vibrasjonsnivå (i samsvar med Tillegg FF til EN 60335-2-77)	Уровень вибрации (в соответствии с Приложением FF стандарта EN 60335-2-77)		
Højre håndtag	Höger handtag	Oikea kahva	Høyre håndtak	Правой ручки	2,59 m/s ²	2,14 m/s ²
Venstre håndtag	Vänster handtag	Vasen kahva	Venstre håndtak	Левой ручки	2,93 m/s ²	4,83 m/s ²
Målingsusikkerhed	Osäkerhet i mätningar	Mittausten epätarkkuus	Usikkerhet ved måling	Погрешность измерения	1,5 m/s ²	1,5 m/s ²
Deklareret vibrationsværdi	Deklarerat vibrationsvärde	Ilmoitettu tärinäarvo	Erklært vibrasjonsverdi	Заявленное значение вибрации	4,5 m/s ²	6,4 m/s ²
Støjmissionsniveau (i henhold til bilag GG til EN 60335-2-77)	Bullernivå (enligt Annex GG i EN 60335-2-77)	Melutaso (EN 60335-2-77 -standardin liitteen GG mukaan)	Støymissionsnivå (i samsvar med Tillegg GG til EN 60335-2-77)	Уровень шума (в соответствии с Приложением GG стандарта EN 60335-2-77)		
A-vægtet lydtryksniveau ved operatørens position	A-viktad ljudtrycksnivå vid operatörsplats	A-painotettu käyttäjään kohdistuva äänenpainetaso	Støynivåvektning ved operatørens posisjon	Амплитудно-взвешенный уровень звукового давления в рабочем месте оператора	78,20 dB(A)	82,50 dB(A)
Målingsusikkerhed	Osäkerhet i mätningar	Mittausten epätarkkuus	Usikkerhet ved måling	Погрешность измерения	2,5 dB	2,5 dB
A-vægtet lydeffektniveau	A-vägd lydeffektnivå	A-painotettu äänenteho	A-vektet lydeffektnivå	Уровень А-взвешенной звуковой мощности	91,02 dB(A)	93,75 dB(A)
Målingsusikkerhed	Osäkerhet i mätningar	Mittausten epätarkkuus	Usikkerhet ved måling	Погрешность измерения	2,73 dB	0,49 dB
Reservevedel	Ersättningsdel	Varaosat	Erstatningsdel	Заменяемые детали		
Klinge	Blad	Terä	Blad	Пильное полотно	RAC414 (636594)	RAC421 (636595)





Polsk	Čeština	Magyar	Română	Latviski	Lietuviškai
Parametry techniczne	Technické údaje produktu	Termék műszaki adatai	Specificațiile produsului	Produkta specifikācijas	Gaminio techninės savybės
Model	Model	Tipus	Model	Modelis	Modelis
Napięcie znamionowe (AC)	Jmenovitě napětí (AC)	Névleges feszültség (Váltakozó áramú)	Tensiunea nominală (AC)	Nominālais spriegums (AC)	Nominali įtampa (Kintamoji srovė)
Moc znamionowa (AC)	Jmenovitý výkon (AC)	Névleges teljesítmény (Váltakozó áramú)	Puterea nominală (AC)	Nominālā jauda (AC)	Nominali galia (Kintamoji srovė)
Szerokość cięcia	Šířka řezu	Vágás szélessége	Lățimea a tăierii	Griezuma platums	Pjovimo plotis
Wysokość cięcia	Výška sečení	Vágásmagasság	Înălțimea de tăiere	Griešanas augstums	Pjovimo aukštis
Prędkość obrotowa bez obciążenia	Rychlost naprázdno	Üresjáratú fordulatszám	Viteză fără sarcină	Greitis be apkrovimo	Greitis be apkrovimo
Ciężar	Hmotnost	Gépsúly	Greutate	Svars	Svoris
Pojemność kosza na trawę	Kapacita sběrného vaku	Fűgyűjtő térfogata	Capacitate colector de iarbă	Zāles savācēja ietilpība	Žolės surinkimo dėžės talpa
Poziom drgań (zgodnie z aneksem FF normy EN 60335-2-77)	Úroveň vibrací (v souladu s přílohou FF normy EN 60335-2-77)	Vibrációs szint (az EN 60335-2-77 FF. függeléke szerint)	Nivelul vibrațiilor (în conformitate cu anexa FF din EN 60335-2-77)	Vibrācijas līmenis (saskaņā ar EN 60335-2-77 pielikumu FF)	Vibracijos lygis (pagal EN 60335-2-77 standarto FF priedą.)
Uchwyt prawy	Pravá rukojeť	Jobb oldali fogantyú	Mâner dreapta	Labais rokturis	Dešinė rankena
Uchwyt lewy	Levá rukojeť	Bal oldali fogantyú	Mâner stânga	Kreisais rokturis	Kairė rankena
Niepewność pomiaru	Nejistota měření	Mérés bizonytalansága	Incertitudine a măsurării.	Mērījuma mainīgums	Matmenų paklaida
Deklarowana wartość vibracji	Deklarovaná hodnota vibrací	Deklarált vibráció érték	Valoare de vibrație declarată	Notēkta vibrācijas vērtība	Dekaruota vibracijos vertė
Poziom emisji hałasu (zgodnie z aneksem GG normy EN 60335-2-77)	Hladina emise hluku (v souladu s přílohou GG normy EN 60335-2-77)	Zajkibocsátási szint (az EN 60335-2-77 GG. függeléke szerint)	Nivel emisie zgomot (în conformitate cu anexa GG din EN 60335-2-77)	Trokšņa emisijas līmenis (saskaņā ar EN 60335-2-77 pielikumu GG)	Triukšmo emisijų norma (pagal EN 60335-2-77 standarto G priedą.)
Poziom ciśnienia akustycznego w pozycji operatora	Hladina akustického tlaku vážená funkcií A v poloze obsluhy	A-súlyozott hangnyomásszint a kezelő helyén	Un nivel de presiune al sunetului mai tare la poziția operatorului.	Lietotāja pozīcijā ir ar A novērtēts skaņas spiediena līmenis.	A lygio svoris garso slėgis operatoriaus padėtyje.
Niepewność pomiaru	Nejistota měření	Mérés bizonytalansága	Incertitudine a măsurării.	Mērījuma mainīgums	Matmenų paklaida
A-ważony poziom natężenia hałasu	Hladina akustického výkonu vážená funkcií A	A-súlyozott hangteljesítményszint	Nivel de putere acustică ponderată A	A-līmeņa skaņas jaudas līmenis	A svertinis garso galios lygis
Niepewność pomiaru	Nejistota měření	Mérés bizonytalansága	Incertitudine a măsurării.	Mērījuma mainīgums	Matmenų paklaida
Części zamienne	Náhradní díl	Cserealkatrész	Piesă de schimb	Rezerves daļa	Atsarginė dalis
Ostrze	Nůž	Kés	Lamă	Asmens	Geležė





Eesti	Hrvatski	Slovensko	Slovenčina	България		
Toote tehnilised andmed	Specifikacije proizvoda	Specifikacije izdelka	Špecifikácie produktu	Технически характеристики		
Mudel	Model	Model	Modelis	Модел	RLM15E36H	RLM18E40H
Nimipinge (AC)	Nazivni napon (AC)	Nazivna napetost (AC)	Menovité napätie (AC)	Номинален волтаж (AC)	220-240V ~50Hz	
Nimivõimsus (AC)	Nazivna snaga (AC)	Nazivna moč (AC)	Menovitý výkon (AC)	Номинална мощност (AC)	1500 W	1800 W
Lõikelaius	Širina reza	Širina rezanja	Šírka rezu	Ширина на рязане	36 cm	40 cm
Lõikekõrgus	Visina rezanja	Višina rezanja	Výška strihania	Височина на подрязване	20-70 mm	
Tühikäigukiirus	Brzina bez opterećenja	Hitrost neobremenjenega motorja	Rýchlosť naprázdno	Скорост в ненаатоварен режим	3500±10% min ⁻¹	3700±10% min ⁻¹
Kaal	Težina	Teža	Hmotnosť	Тегло	11,5 kg	13 kg
Rohukasti maht	Kapacitet kutije za travu	Kapaciteta posode za travo	Kapacita zberača trávy	Вместимост на кутията за трева	45 L	50 L
Vibratsioinitase (vastavalt standardi EN 60335-2-77 lisale FF)	Razina vibracije (u skladu s Dodatkom FF EN 60335-2-77)	Raven vibracij (v skladu z aneksom FF v EN 60335-2-77)	Úroveň vibrácií (v súlade s Dodatkom FF normy EN 60335-2-77)	Ниво на вибрация (в съответствие с приложение FF на EN 60335-2-77)		
Parempoolne käepide	Desna ručica	Desni ročaj	Pravá rukoväť	Дясната ръкохватка	2,59 m/s ²	2,14 m/s ²
Vasakpoolne käepide	Lijeva ručica	Levi ročaj	Ľavá rukoväť	Лявата ръкохватка	2,93 m/s ²	4,83 m/s ²
Mõõtmismääramatus	Neodređenost mjerenja	Negotovost meritev	Nespolahlivost meraní	Несигурност на измерването	1,5 m/s ²	1,5 m/s ²
Deklareeritud vibratsiooni väärtus	Deklarirana vrijednost vibracija	Deklarirana vrednost treslajev	Deklarovaná hodnota vibrácií	Посочена стойност на вибрациите	4,5 m/s ²	6,4 m/s ²
Müraemissiooni tase (vastavalt standardi EN 60335-2-77 lisale GG)	Razina emitirane buke (u skladu s Dodatkom GG EN 60335-2-77)	Raven emisij hrupa (v skladu z aneksom GG v EN 60335-2-77)	Úroveň emisii hluku (v súlade s Dodatkom GG normy EN 60335-2-77)	Ниво на шумова емисия (в съответствие с приложение GG на EN 60335-2-77)		
A-kaalutud müraemissiooni rõhu tase operaatori tökohal	A-ponderirana razina zvučnog tlaka u položaju operatera	A-izmerjena raven zvočnega tlaka pri položaju upravljavca	Vážená A hladina akustického tlaku na pozícii obsluhujúcej osoby.	Равнище А на нивото на шумовото налягане на мястото на оператора.	78,20 dB(A)	82,50 dB(A)
Mõõtmismääramatus	Neodređenost mjerenja	Negotovost meritev	Nespolahlivost meraní	Несигурност на измерването	2,5 dB	2,5 dB
A-kaalutud helivõimsuse tase	Ponderirana razina zvučne snage	A-izmerjena raven zvočne moči	Vážená A hladina akustického výkonu	Ниво на силата на шума с равнище А	91,02 dB(A)	93,75 dB(A)
Mõõtmismääramatus	Neodređenost mjerenja	Negotovost meritev	Nespolahlivost meraní	Несигурност на измерването	2,73 dB	0,49 dB
Varuosa	Zamjenski dijelovi	Nadomestni deli	Náhradné diely	Резервна част		
Saeleht	Oštrica	Rezilo	Ostrie	Острие	RAC414 (636594)	RAC421 (636595)



EN GUARANTEE

In addition to any statutory rights resulting from the purchase, this product is covered by a guarantee as stated below.

1. The guarantee period is 24 months for consumers and commences on the date when the product was purchased. This date has to be documented by an invoice or other proof of purchase. The product is designed and dedicated to consumer and private use only. So there is no guarantee provided in case of professional or commercial use.
2. There is, in some cases (i.e. promotion, range of tools), a possibility to extend the warranty period over the period described above using the registration on the www.ryobitools.eu website. The eligibility of the tool is clearly displayed in stores and/or on packaging. The end user needs to register his/her newly-acquired tools online within 8 days from the date of purchase. The end user may register for the extended warranty in his country of residence if listed on the online registration form where this option is valid. Furthermore, end users must give their consent to the storage of the data which are required to enter online and they have to accept the terms and conditions. The registration confirmation receipt, which is sent out by e-mail, and the original invoice showing the date of purchase will serve as proof of the extended warranty. Your statutory rights remain unaffected.
3. The guarantee covers all defects of the product during the warranty period due to defaults in workmanship or material at the purchase date. The guarantee is limited to repair and/or replacement and does not include any other obligations including but not limited to incidental or consequential damages. The warranty is not valid if the product has been misused, used contrary to the instruction manual, or being incorrectly connected. This guarantee does not apply to
 - any damage to the product that is the result of improper maintenance
 - any product that has been altered or modified
 - any product where original identification (trade mark, serial number) markings have been defaced, altered or removed
 - any damage caused by non-observance of the instruction manual
 - any non CE product
 - any product which has been attempted to be repaired by an non-qualified professional or without prior authorization by Techtronic Industries
 - any product connected to improper power supply (amps, voltage, frequency)
 - any product used with inappropriate fuel mixture (fuel, oil, percentage of oil)
 - any damage caused by external influences (chemical, physical, shocks) or foreign substances
 - normal wear and tear of spare parts
 - inappropriate use, overloading of the tool
 - use of non-approved accessories or parts
 - carburettor after 6 months, carburettor adjustments after 6 months
 - components (parts and accessories) subject to natural wear and tear, including but not limited to bump knobs, drive belts, clutch, blades of hedge trimmers or lawn mowers, harness, cable throttle, carbon brushes, power cord, tines, felt washers, hitch pins, blower fans, blower and vacuum tubes, vacuum bag and straps, guide bars, saw chains, hoses, connector fittings, spray nozzles, wheels, spray wands, inner reels, outer spools, cutting lines, spark plugs, air filters, gas filters, mulching blades, etc.
4. For servicing, the product must be sent or presented to a RYOBI authorized service station listed for each country in the following list of service station addresses. In some countries your local RYOBI dealer undertakes to send the product to the RYOBI service organisation. When sending a product to a RYOBI service station, the product should be safely packed without any dangerous contents such as petrol, marked with sender's address and accompanied by a short description of the fault.
5. A repair/replacement under this guarantee is free of charge. It does not constitute an extension or a new start of the guarantee period. Exchanged parts or tools become our property. In some countries delivery charges or postage will have to be paid by the sender.
6. This guarantee is valid in the European Community, Switzerland, Iceland, Norway, Liechtenstein, Turkey and Russia. Outside these areas, please contact your authorized RYOBI dealer to determine if another warranty applies.

AUTHORISED SERVICE CENTRE

To find an authorised service centre near you, visit <http://uk.ryobitools.eu/header/service-and-support/service-agents>.

FR GARANTIE

En plus des droits statutaires liés à l'achat, ce produit est couvert par une garantie telle que décrite ci-dessous.

1. La durée de la garantie accordée au consommateur est de 24 mois à partir de la date d'achat. Cette date doit être authentifiée par une facture ou tout autre preuve d'achat. Le produit a été conçu en vue d'une utilisation strictement privée. Aucune garantie ne s'applique donc en cas d'utilisation professionnelle ou commerciale.
2. Il existe, dans certains cas (par exemple promotion, gamme d'outils), une possibilité d'étendre la période de garantie au-delà de la période précédemment décrite en utilisant le formulaire d'enregistrement présent sur le site Internet www.ryobitools.eu. L'éligibilité d'un outil est clairement affichée dans les points de vente et/ou sur l'emballage. L'utilisateur final doit enregistrer son/ses outil(s) nouvellement acheté(s) en ligne dans les 8 jours qui suivent la date d'achat. L'utilisateur a la possibilité de s'enregistrer pour l'extension de garantie dans son pays de résidence si celui-ci est listé dans le formulaire d'enregistrement en ligne où cette option est valide. L'utilisateur final doit donner son consentement pour l'enregistrement des données requises pour accéder au site et doit accepter les termes et conditions. La confirmation d'enregistrement, envoyée par courrier électronique, ainsi que la facture originale mentionnant la date d'achat serviront de preuve de l'extension de garantie. Vos droits statutaires restent inchangés.
3. La garantie couvre les défauts des pièces et de main d'oeuvre du produit pendant la période de garantie à partir de la date d'achat. La garantie n'inclut aucune autre obligation, tel que, mais sans s'y limiter, les dommages accessoires ou indirects. La garantie est non valable en cas de mauvaise utilisation du produit, d'utilisation contraire aux instructions du mode d'emploi, ou en cas de branchement incorrect. Cette garantie ne s'applique pas pour :
 - tout dommage au produit résultant d'un mauvais entretien
 - tout produit ayant été altéré ou modifié
 - tout produit dont les marquages originaux d'identification (marque, numéro de série) ont été dégradés, altérés ou retirés
 - tout dommage causé par le non-respect des instructions du mode d'emploi
 - tout produit non CE
 - tout produit ayant subi une tentative de réparation par du personnel non qualifié ou sans autorisation préalable de Techtronic Industries
 - tout produit raccordé à une alimentation secteur non conforme (ampérage, voltage, fréquence)
 - tout produit utilisé avec un mélange inapproprié (essence, huile, pourcentage d'huile)
 - tout dommage causé par des influences extérieures (chimiques, physiques, chocs) ou par des substances étrangères
 - l'usure normale des pièces consommables
 - une utilisation inappropriée, une surcharge de l'outil
 - l'utilisation de pièces ou accessoires non agréés
 - les carburateurs après plus de 6 mois à compter de la date d'achat, également les réglages du carburateur après plus de 6 mois à compter de la date d'achat
 - les composants (pièces et accessoires) sujets à une usure naturelle, incluant de façon non exhaustive les têtes de fil à frapper, les courroies de transmission, les embrayages, les lames des taille-haies ou des tondeuses à gazon, les harnais, les câbles d'accélérateur, les charbons, les cordons d'alimentation, les fraises de cultivateurs, les rondelles feutre, les goupilles de fraise, les turbines et lame de broyage des souffleurs, les tubes de soufflage et d'aspiration des souffleurs, les sacs de souffleurs et leurs lanières, les guides-chaîne, les chaînes de tronçonneuses, les tuyaux et raccords, les buses et lances de nettoyeurs haute pression, les roues, les recharges de fil des têtes de coupe, les têtes de coupe, le fil de coupe, les bougies d'allumage, les filtres à air, les filtres à essence, etc.
4. Si le produit doit être réparé, envoyez-le à un service après-vente agréé RYOBI dont vous trouverez ci-dessous la liste pour chaque pays. Dans certains pays, votre revendeur RYOBI se chargera d'envoyer le produit à un centre de réparation RYOBI. Lorsque vous envoyez un produit à un service après-vente RYOBI, celui-ci doit être correctement emballé, sans contenir aucun produit dangereux tel que de l'essence, et vous devez indiquer votre adresse ainsi qu'une courte description du problème.
5. Une réparation / un remplacement sous garantie est gratuit(e). Ceci ne constituera pas une extension de garantie ni un nouveau départ de la période de garantie. Les pièces ou les outils remplacés deviennent notre propriété. Dans certains pays, les frais de port devront être assumés par l'expéditeur.
6. Cette garantie est valable au sein de l'Europe, de la Suisse, de l'Islande, de la Norvège, du Liechtenstein, de la Turquie, de la Russie. En dehors de ces zones, veuillez contacter votre distributeur agréé RYOBI pour déterminer si une autre garantie s'applique.

SERVICE APRÈS-VENTE AGRÉÉ

Pour trouver le service après-vente agréé le plus proche, rendez-vous sur <http://fr.ryobitools.eu/header/service-and-support/service-agents>.

DE GARANTIE

Zusätzlich zu den aufgrund des Kaufs entstehenden gesetzlichen Rechten, ist dieses Produkt von der unten aufgeführten Garantie abgedeckt.

- Die Garantiezeit für Endverbraucher beträgt 24 Monate für und beginnt ab dem Kaufdatum des Produktes. Dieses Datum muss durch eine Rechnung oder einen anderen Kaufbeleg dokumentiert sein. Das Produkt ist ausschließlich für den Privatgebrauch entwickelt und bestimmt. Deshalb wird keine Garantie im Fall von professionellem oder kommerziellem Einsatz angeboten.
- In einigen Fällen (z.B. Promotion, auf eine bestimmte Produktpalette oder auf bestimmte Produkte begrenzt) besteht die Möglichkeit die Garantiezeit über den oben genannten Zeitraum, durch Registrierung auf der Webseite www.ryobitools.eu, zu verlängern. Der verlängerte Garantieanspruch für ein bestimmtes Produkt wird deutlich in den Geschäften und/oder auf der Verpackung des Produktes gezeigt. Der Endverbraucher muss seine neu gekauften Produkte innerhalb von 8 Tagen ab Kaufdatum registrieren. Der Endverbraucher kann sich für die erweiterte Garantie im Land seines permanenten Wohnsitzes registrieren, wenn diese Möglichkeit in dem Online-Formular gegeben ist. Des weiteren müssen die Endverbraucher ihr Einverständnis zur Speicherung der online angegebenen Daten geben und die Geschäftsbedingungen annehmen. Die per E-Mail verschickte Bestätigung der Registrierung und die Originalrechnung mit Kaufdatum dienen als Nachweis für die verlängerte Garantie. Ihre gesetzlichen Rechte bleiben unangetastet.
- Die Garantie deckt während der Garantiezeit ab Kaufdatum alle Produktmängel aufgrund von Material- oder Herstellungsmängeln ab. Diese Garantie ist auf Reparatur und/oder Ersatz beschränkt und enthält keine weiter Verpflichtungen einschließlich aber nicht beschränkt auf beiläufige oder resultierende Schäden. Die Garantie ist nicht gültig, wenn das Produkt missbräuchlich oder entgegen der Bedienungsanleitung benutzt, oder falsch angeschlossen wurde. Diese Garantie gilt nicht für:
 - Jegliche Schäden die an dem Produkt aufgrund falscher Wartung entstehen.
 - Jedes Produkt das verändert oder modifiziert wurde.
 - Jedes Produkt an dem die originale Identifizierung (Markenzeichen, Seriennummer) verunstaltet, verändert oder entfernt wurden.
 - Jede Beschädigung die durch Nichtbeachtung der Bedienungsanleitung verursacht wurde.
 - Jedes Produkt ohne CE Zeichen.
 - Jedes Produkt das von einer unqualifizierten Person oder ohne vorherige Genehmigung von Techtronic Industries versucht wurde zu reparieren.
 - Jedes Produkt das an eine falsche Stromversorgung (Ampere, Spannung, Frequenz) angeschlossen wurde.
 - Jedes Produkt das mit einer falschen Treibstoffmischung (Treibstoff, Öl, Prozentanteil von Öl) betrieben wurde.
 - Jede Beschädigung die von äußeren Einflüssen (chemisch, physisch, Stöße) oder fremden Substanzen verursacht wurde.
 - Normaler Verschleiß und Abnutzung von Ersatzteilen.
 - Zweckwidrige Benutzung, Überlastung des Werkzeugs.
 - Benutzung von nicht zugelassenem Zubehör oder Teilen.
 - Den Vergaser nach 6 Monaten, die Vergasereinstellung nach 6 Monaten.
 - Teile (Teile und Zubehörteile) die normalem Verschleiß unterliegen, einschließlich aber nicht beschränkt auf Fadenköpfe, Antriebsriemen, Kupplungen, Klingen von Heckenschneidern oder Rasenmähern, Gurtzeug, Gaszügen, Kohlebürsten, Netzkabel, Zinken, Filzunterlegscheiben, Anhangstifte, Gebläse, Gebläse- und Saugschläuche, Saugbeutel und Riemen, Führungsschienen, Sägeketten, Schläuche, Anschlüsse, Sprühdüsen, Räder, Sprühdüsen, innere Rollen, äußere Spulen, Schneidfäden, Zündkerzen, Luftfilter, Treibstofffilter, Mulchmesser usw.
- Zur Wartung muss das Produkt eingeschickt werden oder einem für jedes Land in der folgenden Liste aufgeführten autorisierten RYOBI Kundendienst gebracht werden. In einigen Ländern schickt Ihr örtlicher RYOBI Händler das Produkt an den RYOBI Kundendienst. Wenn ein Produkt an den RYOBI Kundendienst geschickt wird, sollte es sicher verpackt werden, ohne gefährlichen Inhalt, wie Treibstoff, mit der Absenderadresse versehen sein und eine kurze Beschreibung des Fehlers enthalten.
- Reparatur/Ersatz unter dieser Garantie sind kostenfrei. Das stellt keine Verlängerung oder Neustart der Garantiezeit dar. Ausgewechselte Teile oder Werkzeuge treten in unseren Besitz über. In einigen Ländern müssen Lieferkosten oder Postgebühren von dem Absender getragen werden.
- Diese Garantie gilt in der Europäische Gemeinschaft, Schweiz, Island, Norwegen, Liechtenstein, Türkei und Russland. Bitte kontaktieren Sie Ihren autorisierten RYOBI-Händler, um herauszufinden ob eine andere Gewährleistung außerhalb dieser Gebiete gültig ist.

AUTORISIERTER KUNDENDIENST

Besuchen Sie <http://de.ryobitools.eu/header/service-and-support/service-agents>, um einen autorisierten Kundendienst in Ihrer Nähe zu finden.

ES GARANTÍA

Además de cualquier derecho estatutario derivado de la compra, este producto está cubierto con la siguiente garantía.

- El período de garantía es de 24 meses para los consumidores y comienza a partir de la fecha de compra del producto. Esta fecha debe demostrarse con una factura u otra prueba de compra. El producto está diseñado y destinado al consumidor y únicamente para uso privado. Por tanto, no se ofrece ninguna garantía en caso de uso profesional o comercial.
- En algunos casos (como promociones o un conjunto de herramientas) existe la posibilidad de ampliar el período de garantía hasta el período descrito anteriormente mediante el registro en el sitio web www.ryobitools.eu. La elegibilidad de la herramienta se muestra claramente en las tiendas o en el embalaje. El usuario final debe registrar sus herramientas recién adquiridas en línea en los 8 días siguientes a la fecha de compra. El usuario final podrá registrarse para ampliar la garantía en su país de residencia si éste aparece en el formulario de registro en línea en que esta opción es válida. Además, los usuarios finales deben dar su consentimiento para que se guarden los datos que se solicitan para entrar en línea y aceptar los términos y condiciones. El recibo de la confirmación de registro, que se enviará por correo electrónico, y la factura original que muestre la fecha de compra servirán como prueba de la ampliación de la garantía. Sus derechos estatutarios permanecerán intactos.
- La garantía cubre, durante el período de garantía, todos los defectos del producto que se deban a fallos de la mano de obra o a fallos del material en la fecha de compra. La garantía tiene un límite de reparación o sustitución y no incluye ninguna otra obligación se deba a, aunque sin limitarse a ello, daños accidentales o incidentales. La garantía no es válida si se ha hecho un uso inadecuado del producto, si no se ha usado siguiendo el manual de instrucciones o si se ha conectado incorrectamente. Esta garantía no se aplica a:
 - cualquier daño del producto derivado de un mantenimiento inadecuado
 - cualquier producto que haya sido alterado o modificado
 - cualquier producto en el que las marcas de identificación originales (marca comercial, número de serie) hayan sido borradas, modificadas o eliminadas
 - cualquier daño causado por el incumplimiento del manual de instrucciones
 - cualquier producto que no sea CE
 - cualquier producto que haya intentado reparar un profesional no cualificado o sin una autorización previa de Techtronic Industries
 - cualquier producto conectado a un suministro eléctrico inadecuado (amperios, tensión, frecuencia)
 - cualquier producto utilizado con una mezcla de combustible inadecuada (combustible, aceite, porcentaje de aceite)
 - cualquier daño causado por influencias externas (de productos químicos, daños físicos, descarga eléctrica) o sustancias extrañas
 - desgaste o rotura normal de las piezas de repuesto
 - uso inadecuado, sobrecarga de la herramienta
 - uso de accesorios o piezas no homologados
 - carburador después de 6 meses, ajustes del carburador después de 6 meses
 - componentes (piezas y accesorios) sujetos a un desgaste o rotura natural, incluyendo, aunque sin limitarse a ello, las perillas de las bombas, correas de transmisión, embrague, cuchillas de cortasetos o cortacéspedes, arnés, acelerador, escobillas de carbón, cable de alimentación, horquillas, arandelas de fieltro, pasadores de enganche, ventiladores, tubos de ventilador y de vacío, correas y bolsas de vacío, barras de guía, sierras de cadena, mangueras, accesorios de conexión, boquillas pulverizadoras, ruedas, varas riodadoras, carretes interiores y exteriores, hilos de corte, bujías, filtros de aire, filtros de gas, cuchillas de trituración, etc.
- Para el servicio, el producto debe enviarse o entregarse en un punto de servicio técnico autorizado RYOBI enumerado para cada país en la siguiente lista de direcciones de servicio técnico. En algunos países su distribuidor local RYOBI se encarga de enviar el producto a la organización del servicio de RYOBI. Al enviar un producto a un punto de servicio técnico RYOBI, el producto debe embalarse de forma segura sin que contenga ninguna sustancia peligrosa como petróleo, debe llevar la dirección del remitente e ir acompañado de una breve descripción del fallo.
- Una reparación/sustitución dentro de esta garantía se realiza de forma gratuita. No constituye una ampliación ni un reinicio del período de garantía. Las piezas o herramientas que se cambian pasan a ser de nuestra propiedad. En algunos países los gastos de envío o del franqueo deberán pagarlos el remitente.
- Esta garantía es válida en la Comunidad Europea, Suiza, Islandia, Noruega, Liechtenstein, Turquía y Rusia. Fuera de estas zonas, póngase en contacto con su distribuidor autorizado RYOBI para determinar si se aplica otra garantía.

SERVICIO TÉCNICO AUTORIZADO

Para encontrar el servicio técnico autorizado más cercano, visite <http://uk.ryobitools.eu/header/service-and-support/service-agents>.



IT GARANZIA

Oltre ai legittimi diritti derivanti dall'acquisto del prodotto, quest'ultimo è coperto da garanzia come indicato nei seguenti punti.

- Il periodo di garanzia per il consumatore è di 24 mesi ed ha inizio dalla data in cui il prodotto è stato acquistato. Questa data deve essere documentata da una ricevuta o da altra prova d'acquisto. Il prodotto è stato disegnato e progettato solo per l'utilizzo privato del consumatore. La garanzia viene invalidata in caso di utilizzo professionale o commerciale.
- In alcuni casi (per esempio promozioni e gamme di prodotti) esiste la possibilità di estendere il periodo di garanzia oltre il periodo indicato sopra registrandosi sul sito web www.ryobitools.eu. L'idoneità del prodotto a rievolvere tale estensione viene indicata chiaramente nei punti vendita e/o sull'imballo. L'utente finale deve registrare il suo prodotto appena acquistato online entro 8 giorni dalla data d'acquisto. L'utente finale può accedere all'offerta nel suo paese quando la stessa è valida e qualora si sia registrato online. Inoltre, gli utenti finali devono dare il proprio consenso all'archiviazione dei dati che si inseriscono online indicando che i termini e le condizioni sono stati accettati. La ricezione della conferma della registrazione verrà inviata via email e la fattura originale indicante la data d'acquisto verrà utilizzata come prova della garanzia estesa. I diritti legittimi dell'utente rimarranno invariati.
- La garanzia copre tutti i difetti di fabbricazione del prodotto durante il periodo di garanzia a causa di guasti di fabbricazione o di materiale alla data di acquisto. La garanzia è limitata alla riparazione e/o alla sostituzione e non include altri obblighi compreso ma non limitato a danni incidentali o consequenziali. La garanzia non è valida se il prodotto non è stato utilizzato come indicato nel manuale di istruzioni o se è stato collegato in maniera non corretta. La garanzia non si applica a:
 - qualsiasi danno al prodotto che sia il risultato di una scorretta manutenzione
 - qualsiasi prodotto che sia stato alterato o modificato
 - qualsiasi prodotto sul quale l'identificazione originale (marchio registrato, numero di serie) sia stata resa illegibile, sia stata danneggiata o alterata
 - qualsiasi danno causato dalla non osservanza del manuale d'istruzioni
 - qualsiasi prodotto non contrassegnato con il marchio CE
 - qualsiasi prodotto che una persona non qualificata abbia tentato di riparare o che si è tentato di riparare senza l'autorizzazione delle Techtronisianoc Industries
 - qualsiasi prodotto collegato a un'alimentazione non corretta (per amp, voltaggio, frequenza)
 - qualsiasi prodotto utilizzato con la miscela scorretta di carburante (carburante, olio, percentuale d'olio)
 - qualsiasi danno causato da agenti esterni (chimici, fisici o shock) o da sostanze estranee
 - normale usura di parti di ricambio
 - utilizzo non appropriato, sovraccaricamento di utensili
 - utilizzo non approvato di accessori o parti
 - carburatore dopo 6 mesi, regolazioni al carburatore dopo 6 mesi
 - componenti (parti e accessori) soggetti alla normale usura, compreso ma non limitato a manopole di avviamento a spinta, cinghie di trasmissione, frizione, lame di sfondatori o tagliaerba, cablaggio, cavo dell'acceleratore, spazzole al carbonio, cavi dell'alimentazione, lancette, rondelle in feltro, perni di aggancio, ventole del soffiatore, tubi del soffiatore e dell'aspirapolvere, sacchetti e cinghie dell'aspirapolvere, barre di guida, catene della motosega, tubi, raccordi del connettore, ugelli a spruzzo, ruote, bacchette a spruzzo, bobine interne, bobine esterne, fili di taglio, candele, filtri dell'aria, filtri del gas, lame di triturazione, ecc.
- Per servizi di manutenzione, il prodotto dovrà essere mandato o presentato presso un punto di servizio clienti autorizzato RYOBI indicato nella seguente lista. In alcune nazioni il rivenditore RYOBI si occuperà di inviare il prodotto al più vicino servizio clienti RYOBI. Quando si invia un prodotto a un servizio clienti RYOBI, il prodotto dovrà essere correttamente imballato senza eventuali contenuti pericolosi quali carburanti, e contrassegnato con l'indirizzo della persona che lo ha inviato e accompagnato da una breve descrizione del problema riscontrato.
- Si garantisce una riparazione/sostituzione gratuita quando il prodotto è coperto da garanzia. Questa sostituzione o riparazione non costituisce una estensione o un nuovo inizio di un periodo di garanzia. Le parti o l'utensile cambiati sono di proprietà della ditta. In alcune nazioni i costi di consegna o invio dovranno essere pagati dalla persona che spedisce.
- Questa garanzia è valida all'interno della Comunità Europea, in Svizzera, Islanda, Norvegia, Liechtenstein, Turchia e Russia. Al di fuori di queste aree, si prega di contattare il proprio gestore autorizzato RYOBI per determinare se si applica un'altra garanzia.

CENTRO SERVIZI AUTORIZZATO

Per individuare il più vicino centro servizi autorizzato, visitare il sito <http://uk.ryobitools.eu/header/service-and-support/service-agents>.

NL GARANTIE

Bovenop de statutaire rechten als gevolg van de aankoop, wordt dit product gedekt door een garantie, zoals deze hieronder wordt beschreven.

- De garantietermijn bedraagt 24 maanden voor consumenten en begint vanaf de datum waarop het product werd aangekocht. Deze datum moet worden gedocumenteerd door een factuur of ander aankoopbewijs. Het product is uitsluitend ontworpen en bedoeld voor particuliere gebruikers. De garantie vervalt bij professioneel of commercieel gebruik.
- In enkele gevallen (vb. promotie, gereedschapsaanbod) bestaat er een mogelijkheid om de garantietermijn te verlengen met dezelfde periode als deze hierboven beschreven met behulp van de registratie op de website www.ryobitools.eu. Of het product al of niet in aanmerking komt, is duidelijk aangegeven in winkels en/of de verpakking. De eindgebruiker dient zijn/haar nieuw werktuig binnen de 8 dagen na de aankoopdatum online registreren. De eindgebruiker kan zich aanmelden voor de uitgebreide garantie in zijn verblijfsland als dit op het online registratieformulier is opgenomen wanneer deze optie geldig is. Bovendien moet de eindgebruiker zijn toestemming geven om informatie te gebruiken die nodig is om toegang te krijgen tot de website en dient de algemene voorwaarden te accepteren. Het ontvangstbewijs van dit registratieformulier, dat via e-mail wordt verzonden, en de originele factuur die de aankoopdatum vermeldt dienen als bewijs van de uitgebreide garantie. Uw statutaire rechten blijven onveranderd.
- De garantie dekt alle defecten van het product gedurende de garantietermijn als gevolg van fouten in het werk of materiaal op de aankoopdatum. De garantie is beperkt tot de reparatie en/of vervanging en omvat geen andere verplichtingen waaronder, maar niet beperkt tot, incidentele of gevolgschade. De garantie is niet geldig als het product werd misbruikt, in tegenspraak met de gebruiksaanwijzing werd gebruikt of foutief werd verbonden. Deze garantie geldt niet voor:
 - schade aan het product als gevolg van foutief onderhoud
 - als het product op enigerlei wijze werd gewijzigd
 - als originele markeringen ter identificatie (handelsmerk, serienummer) van het product werden verwijderd of gewijzigd
 - voor schade als gevolg van het niet in acht nemen van deze gebruiksaanwijzing
 - een niet EC-product
 - een product, waaraan een niet-gekwalificeerde vakman reparaties uitvoerde of waaraan reparaties werden uitgevoerd zonder voorafgaande toestemming van Techtronic Industries
 - een product dat werd aangesloten aan een foutieve krachtbron (amps, spanning, frequentie)
 - een product dat met een ongeschikt brandstofmengsel (brandstof, olie, oliepercentage) werd gebruikt
 - schade veroorzaakt door externe invloeden (chemische, fysieke schokken) of vreemde stoffen
 - normale slijtage van reserve-onderdelen
 - foutief gebruik, overbelasting van het werktuig
 - gebruik van niet-goedgekeurde accessoires of onderdelen
 - de carburator na 6 maanden, carburatorafstellingen na 6 maanden
 - componenten (onderdelen en accessoires) die onderworpen zijn aan slijtage, met inbegrip van, maar niet beperkt tot stookknoppen, aandrijfriemen, koppeling, snijbladen van heggentrimmers of grasmaaimachines, harnassen, versnellingskabels, koolborstels, stroomsnoeren, tanden, viltrepen, trekpenen, ventilatoren, blazer- en vacuümhuizen, stofzuigzakken en -riemen, geleiders, zaagkettingen, slangen, connectoren, sproeimodellen, wielen, sproeiërs, inwendige spoelen, uitwendige spoelen, maaialijnen, bougies, luchtfilters, gasfilters, struikruimbladen, etc.
- Voor onderhoud moet het product naar een geautoriseerd RYOBI-onderhoudsstation worden gestuurd of gebracht. Een lijst met de adressen van deze stations per land is hier opgenomen. In bepaalde landen verzendt uw plaatselijke RYOBI-verdeler het product naar de RYOBI-onderhoudsorganisatie. Als een product naar een RYOBI-onderhoudsstation wordt gezonden, moet het product veilig zijn verpakt zonder gevaarlijke inhoud, zoals benzine, met aanduiding van het adres van de verzender en met inbegrip van een korte beschrijving van de fout.
- Een reparatie/vervanging onder deze garantie is gratis. Dit heeft geen gevolgen voor de duur van deze garantie of betekent niet dat de garantie wordt verlengd of opnieuw begint. Vervangen onderdelen of werktuigen worden onze eigendom. In bepaalde landen moeten verzendings- of leveringskosten door de verzender worden betaald.
- Deze garantie is geldig in de Europese Unie, Zwitserland, IJsland, Noorwegen, Liechtenstein, Turkije en Rusland. Buiten deze landen neemt u contact op met uw geautoriseerde RYOBI-verdeler om te bepalen of er een andere garantie geldt is.

GEAUTORISEERD ONDERHOUDSCENTRUM

Om een geautoriseerd onderhoudscentrum in uw buurt te vinden, surf u naar <http://uk.ryobitools.eu/header/service-and-support/service-agents>.



PT GARANTIA

Além de qualquer direito estatutário derivado da compra, este produto está coberto com a seguinte garantia.

- O período de garantia é de 24 meses para os consumidores e começa a partir da data de compra do produto. Esta data deve ser comprovada com uma factura ou outra prova de compra. O produto foi desenhado e destinado ao consumidor e apenas para uso privado. Portanto, não se oferece qualquer garantia em caso de uso profissional ou comercial.
- Em alguns casos (como promoções ou um conjunto de ferramentas) existe a possibilidade de ampliar o período de garantia até ao período descrito anteriormente através do registo no website www.ryobitools.eu. A elegibilidade da ferramenta mostra-se claramente nas lojas ou na embalagem. O utilizador final deve registar as suas ferramentas recém-adquiridas on-line nos 8 dias seguintes à data de compra. O utilizador final poderá registar-se para ampliar a garantia no seu país de residência se este aparecer no formulário de registo on-line em que esta opção é válida. Além disso, os utilizadores finais devem dar o seu consentimento para se guardarem os dados que se solicitam para entrar on-line e aceitar os termos e condições. A confirmação de registo, que será enviada por correio electrónico, e a factura original que mostre a data de compra servirão como prova da ampliação da garantia. Os seus direitos estatutários permanecerão intactos.
- A garantia cobre, durante o período de garantia, todos os defeitos do produto que se devam a falhas da mão-de-obra ou a falhas do material na data de compra. A garantia tem um limite de reparação ou substituição e não inclui qualquer outra obrigação que se deva a, embora sem se limitar a tal, danos acidentais ou incidentais. A garantia não é válida se se fez um uso inadequado do produto, se não se usou seguindo o manual de instruções ou se foi ligado incorrectamente. Esta garantia não se aplica a:
 - qualquer dado do produto derivado de uma manutenção inadequada
 - qualquer produto que tenha sido alterado ou modificado
 - qualquer produto em que as marcas de identificação originais (marca comercial, número de série) tenham sido apagadas, modificadas ou eliminadas
 - qualquer dano causado por incumprimento do manual de instruções
 - qualquer produto que não seja CE
 - qualquer produto que um profissional não qualificado tenha tentado reparar ou sem uma autorização prévia de Techtronic Industries
 - qualquer produto ligado a um fornecimento eléctrico inadequado (amperios, tensão, frequência)
 - qualquer produto utilizado com uma mistura de combustível inadequada (combustível, óleo, percentagem de óleo)
 - qualquer dano causado por influências externas (de produtos químicos, danos físicos, descarga eléctrica) ou substâncias estranhas
 - desgaste ou ruptura normal das peças de substituição
 - uso inadequado, sobrecarga da ferramenta
 - uso de acessórios ou peças não homologadas
 - carburador após 6 meses, ajustes do carburador após 6 meses
 - componentes (peças e acessórios) sujeitos a um desgaste ou ruptura natural, incluindo, embora sem se limitar a tal, os botões de embate, correias de transmissão, embraiagem, lâminas de corta-arbustos ou corta-relvas, ameses, acelerador, escovas de carvão, cabo de alimentação, forquilhas, anilhas de feltro, passadores de gancho, ventiladores, tubos de ventilador e de vácuo, correias e bolsas de vácuo, barras de guia, serras de cadeia, mangueiras, acessórios de ligação, boquilhas pulverizadoras, rodas, varas borrifadoras, carretes interiores e exteriores, fios de corte, velas, filtros de ar, filtros de gás, lâminas de trituração, etc.
- Para o serviço, o produto deve ser enviado ou entregue num ponto de serviço técnico autorizado RYOBI enumerado para cada país na seguinte lista de moradas de serviço técnico. Em alguns países o seu distribuidor local RYOBI encarrega-se de enviar o produto para a organização do serviço de RYOBI. Ao enviar um produto a um ponto de serviço técnico RYOBI, o produto deve ser embalado de forma segura sem que contenha qualquer substância perigosa como petróleo, deve levar a morada do remetente e ir acompanhado de uma breve descrição da falha.
- Uma reparação/substituição dentro desta garantia realiza-se de forma gratuita. Não constitui uma ampliação nem um reinício do período de garantia. As peças o ferramentas que se alterem passam a ser da nossa propriedade. Em alguns países os gastos de envio ou da franquia deverá pagá-los o remetente.
- Esta garantia é válida na Comunidade Europeia, Suíça, Islândia, Noruega, Liechtenstein, Turquia e Rússia. Fora destas zonas, entre em contacto com o seu distribuidor autorizado RYOBI para determinar se se aplica outra garantia.

CENTRO DE ASSISTÊNCIA AUTORIZADO

Para encontrar um centro de assistência autorizado próximo de si, visite <http://uk.ryobitools.eu/header/service-and-support/service-agents>.

DA GARANTI

Ud over de lovbestemte rettigheder ved køb, er dette produkt dækket af en garanti som angivet nedenfor.

- Garantien er 24 måneder for forbrugerne og træder i kraft den dato, hvor produktet bliver købt. Denne dato skal dokumenteres af en faktura eller andet købsbevis. Produktet er designet og beregnet til privat brug. Så der er ingen garanti i tilfælde af erhvervs-mæssig brug.
- Der er i visse tilfælde (f.eks. kampagner eller udvalgt produkter) mulighed for at forlænge garantien i perioden beskrevet ovenfor ved at registrere produktet på www.ryobitools.dk. Berettigelsen af produktet vises tydeligt i butikker og / eller på emballagen. Slutbrugeren skal registrere hans/hendes nyhvervede produkter online indenfor 8 dage fra købsdatoen. Slutbrugeren kan tilmelde sig den udvidede garanti i sit bopælsland, hvis det er opført på den online tilmeldingsformular. Desuden skal slutbrugere give deres samtykke til lagring af de data, der er nødvendige for at komme ind på nettet, og de er nødt til at acceptere vilkår og betingelser. Kvittingen på modtagelsen af registreringen, som udsendes via e-mail, og den originale faktura, der angiver købsdatoen, fungerer som bevis på den udvidede garanti. Dine lovbestemte rettigheder forblive uændret.
- Garantien dækker alle fejl ved produktet i løbet af garantiperioden, som kan føres tilbage til fabriktions- eller materialefejl på købsdatoen. Garantien begrænser sig til reparation og/eller udskfifning og omfatter ikke andre forpligtelser inklusiv, men ikke begrænset til, skader eller følgeskader. Garantien er ikke gyldig, hvis produktet har været udsat for misbrug, anvendelse i strid med brugsanvisningen eller har været tilsluttet forkert. Denne garanti dækker ikke:
 - Enhver skade på produktet som følge af ukorrekt vedligeholdelse
 - Ethvert produkt, som er blevet ændret eller modificeret
 - Ethvert produkt, hvor de originale identifikationsmærker (varemærke, serienummer) er blevet ødelagt, ændret eller fjernet
 - Enhver skade, der skyldes manglende overholdelse af brugsanvisningen
 - Ethvert produkt uden CE-mærkning
 - Ethvert produkt, som har været udsat for forsøg på reparation af en uautoriseret fagmand eller uden accept fra Techtronic Industries
 - Ethvert produkt, der har været sluttet til forkert strømforsyning (ampere, spænding, frekvens)
 - Ethvert produkt, der har været anvendt med forkert brændstofblanding (brændstof, olie, olieforhold)
 - Enhver skade, der skyldes udefra kommende påvirkninger (kemisk, fysisk, stød) eller fremmedlegemer
 - Normal slitage på reservedele
 - Forkert anvendelse, overbelastning af produktet
 - Brug af ikke-godkendt tilbehør eller (reserve)dele
 - Karburator efter 6 måneder, karburatorjusteringer efter 6 måneder
 - komponenter (dele og tilbehør), der har været udsat for naturlig slitage, inklusiv, men ikke begrænset til, afstandsknopper, drivremme, kobling, klinger på hækkeklippere eller plæneklippere, seler, gaskabel, kulbørster, strømforsyningskabel, knive, filtknive, låsestifte, blæseventilatorer, blæse- og indsgningsrør, sugepose og stropper, styresværd, savkæder, slanger, tilslutningsfittings, sprøjtedyser, hjul, sprøjtetave, indvendige hjul, udvendige spoler, skæretråd, tændrør, luftfiltre, gasfiltre, bioklip-klinger, mv.
- Til servicering skal produktet indleveres til eller forevises et autoriseret RYOBI serviceværksted for det pågældende land. I nogle lande vil din lokale RYOBI-forhandler sende produktet til RYOBI's serviceorganisation. Når et produkt indleveres til et RYOBI serviceværksted, skal det emballeres forsvarligt uden farligt indhold (som f.eks. benzin), være forsynet med afsenderadresse og ledsaget af en kort beskrivelse af fejlen.
- Reparation/udskifning i henhold til denne garanti er gratis. Den medfører ikke forlængelse eller ny start af garantiperioden. Udskiftede dele eller værktøjer overgår til vores ejendom. I nogle lande skal leveringsomkostninger eller porto betales af afsenderen.
- Denne garanti er gyldig i EU, Schweiz, Island, Norge, Liechtenstein, Tyrkiet og Rusland. Uden for disse områder bedes man venligst kontakte sin autoriserede RYOBI-forhandler for at få opklaret, om evt. andre garantier er gældende.

AUTORISERED E SERVICE/VERKSTEDER

Find nærmeste autoriserede serviceværksted på <http://dk.ryobitools.eu/header/service-and-support/service-agents>.

SV GARANTI

Förutom de lagstadgade rättigheter som följer köpet omfattas denna produkt av en garanti som anges nedan.

- Garantitiden är 24 månader för konsumenter och börjar den dag då produkten köptes. Detta datum måste kunna dokumenteras av en faktura eller annat inköpsbevis. Produkten är utformad och avsedd för konsumenter och ska endast användas för privat bruk. Det innebär att ingen garanti lämnas vid yrkesmässig eller kommersiell användning.
- I vissa fall (t.ex. marknadsföring, sortiment av verktyg), finns det en möjlighet att förlänga garantitiden under den period som beskrivs ovan genom registrering på hemsidan www.ryobitools.eu. De verktyg det gäller för framgår tydligt i butikern och/eller på förpackningen. Slut användaren måste registrera sitt nyinköpta verktyg på nätet inom 8 dagar från inköpsdatum. Slut användaren kan registrera sig för den utökade garantitiden i sitt hemland om det framgår på registreringsformuläret online där detta alternativ är giltigt. Dessutom måste slut användarna ge sitt samtycke till lagring av de uppgifter som krävs för att komma in på nätet och de måste godkänna villkoren. Registreringens mottagningsbevis som skickas ut via e-post och den ursprungliga fakturan som visar inköpsdatum fungerar som bevis på förlängd garantitid. Dina lagstadgade rättigheter påverkas inte.
- Garantin täcker alla fel på produkten under garantitiden som beror på fel i utförande eller material vid inköpsdatumet. Garantin är begränsad till reparation och/eller utbyte och inkluderar inte några andra åtaganden, inklusive men inte begränsat till oförutsedda skador eller följdskador. Garantin gäller inte om produkten har använts på fel sätt, använts på ett sätt som inte följer användarhandboken eller som har anslutits på ett felaktigt sätt. Denna garanti gäller inte för:
 - skador på produkten som beror på felaktigt underhåll
 - om produkten har ändrats eller modifierats
 - en produkt där den ursprungliga identifieringen (varumärke, serienummer) har förstörts, ändrats eller tagits bort
 - skador som orsakas av att användarhandboken inte har följts
 - alla produkter som inte följer CE-bestämmelser
 - en produkt som en icke-kvalificerad yrkesperson eller en person som inte har behörighet från Technonic Industries har försökt att reparera
 - en produkt som ansluts till eluttaget (ampere, spänning, frekvens) på fel sätt
 - en produkt som används med olämplig bränsleblandning (bränsle, olja, procent av olja)
 - skador som orsakas av yttre påverkan (kemiska, fysikaliska, stötar) eller främmande ämnen
 - normalt slitage av reservdelar
 - felaktig användning, överbelastning av verktyget
 - användning av icke-godkända tillbehör eller delar
 - förgasare efter 6 månader, justering av förgasare efter 6 månader
 - komponenter (delar och tillbehör) med förbehåll för normalt slitage, inklusive men inte begränsat till stötknappar, drivremmar, koppling, blad av häcksaxar eller gräsklippare, sele, kabelhållare, kolborstar, nätkabel, pinnar, filtbrickor, hitchkopplingar, blåsfåtkar, fläkt- och vakuumpör, vakuumpåse och remmar, ledskenor, sågkedjor, slangar, anslutningar, sprutmunstycken, hjul, sprayanordningar, inre spolar, yttre spolar, skärande linjer, tändstift, luftfilter, gasfilter, marktäckningsblad, osv.
- För service, måste produkten skickas eller presenteras till en RYOBI-godkänd servicestation som anges för varje land i följande lista med adresser. I vissa länder ombesörjer den lokala RYOBI-återförsäljaren att skicka produkten till RYOBI-serviceorganisationen. När en produkt skickas till en RYOBI-servicestation, ska produkten förpackas på ett säkert sätt utan farligt innehåll som bensin, märkt med avsändarens adress tillsammans med en kort som beskriver felet.
- En reparation/utbyte som sker under denna garanti är gratis. Den utgör inte en förlängning eller en ny start på garantitiden. Utbyts delar eller verktyg blir vår egendom. I vissa länder måste leveranskostnader eller porto betalas av avsändaren.
- Denna garanti gäller i EU, Schweiz, Island, Norge, Liechtenstein, Turkiet och Ryssland. Utanför dessa områden ska du kontakta din auktoriserade RYOBI-återförsäljare för att avgöra om en annan garanti gäller.

AUKTORISERAT SERVICECENTER

Du hittar närmaste auktoriserade servicecenter genom att gå till <http://uk.ryobitools.eu/header/service-and-support/service-agents>.

FI TAKUU

Hankinnasta kuitioivien laillisten oikeuksien lisäksi tätä tuotetta hallitsee alla kuvattu takuu.

- Takuukausi on 24 kuukautta kuluttajille ja alkaa tuotteen ostopäivästä. Tämän päivän on oltava merkitty kuittiin tai muuhun todisteseen hankinnasta. Tämä tuote on suunniteltu ja tarkoitettu ainoastaan kuluttajien yksityiskäyttöön. Ammatti- ja kaupalliseen käyttöön ei näin ollen ole takuuta.
- Joissain tapauksissa (kuten tarjous, laitesarjat) takuukautta voidaan pidentää kuvattua kautta pidemmäksi rekisteröimällä tuote osoitteessa www.ryobitools.eu. Takuun pidentämishakemuksia ilmoitetaan selkeästi kaupassa jätetä pakkauksessa. Loppukäyttäjän on rekisteröitävä uusi laitteensa online 8 päivän sisällä sen hankkimisesta. Loppukäyttäjän voi rekisteröityä saadakseen jatkuvan takuun asuinmaassaan, jos se mainitaan online-rekisteröintilomakkeessa. Lisäksi, loppukäyttäjän on annettava suostumuksensa tallentaa syötetyt tiedot online, ja hänen on hyväksyttävä ehdot. Sähköpostitse lähetettävä rekisteröintivahvistus ja alkuperäinen kuitti, josta ilmenee hankintapäivä, toimivat todistena takuun jatkamisesta. Lailliset oikeudet eivät muutu.
- Takuu kattaa takuuaikana kaikki tuotteen viat, jotka johtuvat valmistus- tai materiaaliavista hankintapäivänä. Takuu rajoittuu korjaukseen ja/ tai vaihtoon eikä sisällä mitään muita velvoitteita, mukaan lukien mm. satunnaiset ja seuraamukset vauriot. Takuu ei ole voimassa, jos tuotetta on väärinkäytetty tai käytetty käyttöoppaan vastaisesti tai se on kytketty virheellisesti. Takuu ei kata seuraavia:
 - tuotteelle koitunnet vahingot, jotka johtuvat virheellisestä ylläpidosta
 - tuote, jota on muunneltu
 - tuote, jossa alkuperäiset tunnisteen (tavaramerkki, sarjanumero) ovat turmeltuneet tai niitä on muutettu tai ne on poistettu
 - käyttöoppaan laiminlyönnistä johtuvat vauriot
 - ei-EC-tuotteet
 - tuotteet, joita on yrittänyt korjata ei-pätevä asentaja tai jonka korjaukselle ei ole saatu Technonic Industriesiltä hyväksyntää etukäteen
 - tuotteet, jotka on kytketty vääränlaiseen virtalähteeseen (virta, jännite, taajuus)
 - tuote, jossa on käytetty virheellistä polttoaineseosta (polttoaine, öljy, öhlyn osuus)
 - vauriot, jotka johtuvat ulkoisista syistä (kemikaalit, fyysiset tekijät, iskut) tai vieraista aineista
 - normaalit varaosien kuluminen
 - virheellinen käyttö, laitteen ylikuormitus
 - muiden kuin hyväksytyjen lisävarusteiden ja osien käyttö
 - kaasutin 6 kuukauden jälkeen, kaasuttimen säätö 6 kuukauden jälkeen
 - komponentit (osat ja lisävarusteet), joihin kohdistuu luonnollista kulumista, mukaan lukien mm. napautusnupit, vetohihnat, kytin, pensastrimmeriden ja ruohonleikkurien terät, valjaat, kaapelikaasutin, hiilijarhat, virtajohto, piikit, huopavälilevyt, sokat, puhallimet, puhallin- ja imuputket, polynimurin pussit ja hihnat, terälevyt, teräketjut, letkut, liittimet, suuttimet, pyörät, suihkuputket, sisäkelat, ulkoiset kelat, leikkusuimat, syytystulpat, ilmansuodattimet, polttoainesuodattimet, silppuriterät jne.
- Huollon saaminen edellyttää, että tämä tuote lähetetään tai vietään RYOBI:n valtuuttamaan huoltoon, jotka luetaan maittain seuraavassa huoltojen osoiteluettelossa. Joissain maissa paikallinen RYOBI-jälleenmyyjä hoitaa tuotteen lähettämisen RYOBI-huoltoon. Kun tuote lähetetään RYOBI-huoltoon, se on pakattava turvallisesti ilman mitään vaarallista sisältöä, kuten bensiniä, siihen on merkittävä lähettäjän osoite ja sen mukana on lähetettävä vian kuvaus.
- Tämän takuun puitteissa tapahtuva korjaaminen/vaihto on ilmaista. Se ei merkitse takuujakson jatkamista tai uuden kauden alkua. Vaihdetuista osista ja laitteista tulee meidän omaisuuttamme. Joissain maissa lähettäjän on maksettava toimituskulut tai postimaksu.
- Tämä takuu on voimassa Euroopan Yhteisössä, Sveitsissä, Islannissa, Norjassa, Liechtensteinissa, Turkissa ja Venäjällä. Jos olet näiden alueiden ulkopuolella, ota yhteys valtuutettuun RYOBI-jälleenmyyjään, joka voi kertoa, onko joku muu takuu voimassa.

VALTUUTETTU HUOLTO

Valtuutettua lähintä valtuutettua huollon sivulta <http://fi.ryobitools.eu/header/service-and-support/service-agents>.

NO GARANTI

I tillegg til enhver lovbestemt rettighet som følge av dette kjøpet er dette produktet dekket av en garanti som beskrevet nedenfor.

- Garantitiden er 24 måneder for forbrukere, og starter på produktets kjøpsdato. Denne datoen må dokumenteres av faktura eller annet kjøpsbevis. Produktet er konstruert og beregnet på forbrukere og kun privat bruk. Det gis ingen garanti ved profesjonell eller kommersiell bruk.
- Det er, i noen tilfeller, (dvs. markedsføring, serie av verktøy), mulig å utvide garantitiden ut over den perioden som er nevnt ovenfor ved bruk av registrering på nettstedet www.ryobitools.eu. Verktøys garantiberegtelse vises klart i butikkene og/eller på emballasjen. Sluttbruker må registrere sitt nylig innkjøpte verktøy på nettet innen 8 dager etter kjøpsdatoen. Sluttbruker kan registrere seg for utvidet garanti i det landet hvor vedkommende bor hvis dette landet er ført opp på nettregistreringsskjemaet hvor dette alternativet er gyldig. Sluttbruker må også gi sin tillatelse til lagring av de data som er påkrevet å registrere på nettet, og må akseptere vilkår og betingelser. Registreringsbekrefteisen, som sendes som epost, og den originale kvitteringen som viser kjøpsdatoen, vil gjelde som bevis på den utvidede garantien. Dine lovbestemte rettigheter vil fortsatt gjelde.
- Garantien gjelder alle defekter på produktet i garantitiden som følge av feil på arbeid eller materialer på kjøpsdatoen. Garantien er begrenset til reparasjon og/eller utskifting av produktet, og inkluderer ingen annen forpliktelse, inklusive men ikke begrenset til tilfældige eller direkte eller indirekte følgeskader. Garantien gjelder ikke dersom produktet er misbrukt, brukt i strid med brukermanualens instruksjoner eller vært feilaktig tilkoblet. Denne garantien gjelder ikke:
 - enhver skade på produktet som følge av utilstrekkelig vedlikehold
 - et produkt som er endret eller modifisert
 - ethvert produkt hvor original identifikasjonsmerke (varemerke, serienummer) er tildekket, endret eller fjernet
 - enhver skade som følge av at instruksjoner i brukermanualen ikke er fulgt
 - ethvert ikke-CE-produkt
 - ethvert produkt som er forsøkt reparert av en ukvalifisert person, eller uten forutgående tillatelse av Techtronic Industries
 - ethvert produkt som er tilkoblet uriktig strømkilde (ampere, spenning, frekvens)
 - ethvert produkt som er brukt med feil drivstoffblanding (drivstoff, olje, prosentvis andel olje)
 - enhver skade forårsaket av eksterne påvirkninger (kjemiske, fysiske eller slag) eller fremmede substanser
 - normal slitasje på reservedeler
 - feilaktig bruk, overbelastning av verktøyet
 - bruk av ikke godkjent tilbehør eller reservedeler
 - forgasser etter 6 måneder, forgasserjusteringer etter 6 måneder
 - komponenter (deler og tilbehør) gjenstand for naturlig slitasje, inklusive men ikke begrenset til dunkeknotter, drivreimer, clutch, kniver på hekklippere eller gressklippere, seler, gasswire, karbonborster, elektriske ledninger, tenner, filtpakninger, skaftpinner, blåseviser, blåse- og sugeslangar, oppsamlingsposer, motorsagsverd, sagkjeder, slanger, tilkoblingsdeler, sprøytedyser, hjul, sprøytestaver, innvendige ruller, utvendige spoler, klippesnorer, tennplugg, luftfiltere, gassfiltere, oppkappingsblader, etc.
- For ettersyn og reparasjoner må produktet leveres til et RYOBI-autorisert servicesenter ført opp for det enkelte land i følgende liste av servicesentersadresser. I noen land vil din lokale RYOBI-forhandler sørge for å sende produktet til RYOBI's serviceorganisasjon. Når et produkt sendes til en RYOBI servicesentersom må produktet være forsvarlig emballert uten farlig innhold som bensin, merket med senders navn og adresse og medsendt en kort beskrivelse av feilen.
- En reparasjon/utskifting i henhold til denne garantien er gratis. Den representerer ikke en forlengelse av garantiperioden eller en ny start på garantiperioden. Utskiftede deler eller verktøy blir vår eiendom. I noen land vil leveringskostnader eller porto måtte betales av sender.
- Denne garantien er gyldig i EU, Sveits, Island, Norge, Liechtenstein, Tyrkia og Russland. Utenfor disse områdene ber vi om at du kontakter en autorisert RYOBI-forhandler for å finne ut om en annen garanti gjelder.

AUTORISERT SERVICESENTER

For å finne et autorisert servicesenter i nærheten, gå til <http://no.ryobitools.eu/header/service-and-support/service-agents>.

RU ГАРАНТИЯ

В дополнение к законным правам, вытекающим из факта покупки, на данный продукт распространяются следующие гарантийные обязательства.

- Гарантийный период составляет 24 месяца для покупателей и начинается с даты приобретения продукта. Дата приобретения подтверждается документально товарным чеком или другим доказательством покупки. Данный продукт предназначен для использования только в личных целях. Гарантия не предоставляется в случае профессионального или коммерческого использования данного продукта.
- В некоторых случаях (например, при продвижении продукта, приобретении некоторых видов инструментов) возможно продление гарантийного срока при регистрации продукта на веб-сайте www.ryobitools.eu. Применительно к продукту разъясняется в магазинах при продаже и/или на упаковке продукта. Конечному пользователю следует зарегистрировать вновь приобретенный инструмент через Интернет в течение 8 дней с даты покупки. Конечный пользователь может зарегистрировать продукт для получения расширенной гарантии в стране проживания, если данная возможность предоставляется интернет-формой регистрации. Также, конечный пользователь должен дать свое согласие на хранение данных, требуемых при заполнении формы через Интернет, и принять условия соглашения. Уведомление о подтверждении регистрации, отправляемое по электронной почте, и оригинальный товарный чек с датой покупки служат доказательством расширенной гарантии. Законные права потребителя при этом остаются в силе.
- Данная гарантия распространяется на все дефекты продукта, связанные с производственным браком или браком материалов в момент приобретения, в течение гарантийного периода. Данная гарантия ограничивается ремонтом и/или заменой и не включает другие обязательства, в том числе, связанные с побочным или косвенным ущербом. Гарантия недействительна в случае ненадлежащего использования, использования с нарушением инструкций руководства по эксплуатации или неправильного подключения продукта. Гарантия недействительна, если:
 - повреждение продукта вызвано ненадлежащим техническим обслуживанием
 - продукт подвергся изменениям или был модифицирован
 - оригинальная маркировка (товарный знак, заводской номер) неудобочитаема, изменена или удалена
 - повреждение вызвано несоблюдением инструкций данного руководства
 - отсутствует маркировка CE
 - была попытка отремонтировать продукт неквалифицированным лицом или без предварительного согласования с компанией Techtronic Industries
 - продукт подключался к ненадлежащему источнику питания (ненадлежащая сила тока, напряжение, частота)
 - продукт использовался с недопустимой топливной смесью (топливо, масло, процент содержания масла)
 - повреждение вызвано внешним воздействием (химические, физические, удары) или посторонними веществами
 - это связано с нормальным износом заменяемых деталей
 - это связано с ненадлежащим использованием, перегрузкой инструмента
 - это связано с использованием нереккомендованных принадлежностей или деталей
 - карбюратор использовался свыше 6 месяцев, регулировка карбюратора после 6 месяцев
 - компоненты (детали и принадлежности) подверженные естественному износу, в том числе, коллочки, приводные ремни, муфта, режущие полотна шпалерных ножиц или газонокосилок, крепежные ремни, тросик дроссельной заслонки, угольные щетки, кабель питания, фрезы, фетровые прокладки, шпильки, крыльчатки, выпускные и всасывающие трубки, мешок для мусора и решетки, пыльные шины, пыльные щели, шланги, соединительные фитинги, распылительные насадки, колеса, распылители, внутренние бобины, внешние бобины, режущие струны, свечи зажигания, воздушные фильтры, газовые фильтры, механизмы для мульчирования и т.п.
- Для проведения технического обслуживания продукт следует представить в официальный центр технического обслуживания компании RYOBI в соответствии со списком по каждой стране. В некоторых странах дилерам компании RYOBI требуется пересылка продукта в соответствующий сервисный центр компании RYOBI. При отправке продукта в центр технического обслуживания RYOBI, продукт следует упаковать надлежащим образом без содержания любых опасных веществ (таких как бензин) с указанием адреса отправителя и кратким описанием неисправности.
- Ремонт/замена продукта по условиям данной гарантии осуществляются бесплатно. В данном случае не предусмотрено продление срока гарантии или начало нового гарантийного периода. Заменяемые детали или инструмент становятся собственностью компании. В некоторых странах оплата доставки и почтовые расходы ложатся на отправителя.
- Данная гарантия действительна в странах ЕС, Швейцарии, Исландии, Норвегии, Лихтенштейне, Турции и России. Для получения информации о применении данной гарантии в других регионах обращайтесь к официальному дилеру компании RYOBI.

УПОЛНОМОЧЕННЫЙ СЕРВИСНЫЙ ЦЕНТР

Чтобы найти ближайший уполномоченный сервисный центр, обратитесь к веб-сайту <http://uk.ryobitools.eu/header/service-and-support/service-agents>.

PL GWARANCJA

Oprócz wszelkich praw ustawowych wynikających z zakupu, ten produkt jest objęty gwarancją jak podano poniżej.

- Okres gwarancji wynosi 24 miesiące dla konsumentów i rozpoczyna się w dniu, w którym produkt został zakupiony. Ta data musi być udokumentowana przez fakturę lub inny dowód zakupu. Produkt został zaprojektowany i jest przeznaczony wyłącznie do użytku konsumenckiego i prywatnego. W związku z tym gwarancja nie jest udzielana w przypadku zastosowań profesjonalnych i komercyjnych.
- Nie ma, w niektórych przypadkach (promocja tj. zakres narzędzi), możliwość przedłużenia okresu gwarancji w okresie opisanym powyżej przy rejestracji na stronie internetowej www.ryobitools.eu. Kwalifikowalność narzędzia jest wyraźnie określona w sklepaczu oraz/lub na opakowaniu. Użytkownik końcowy musi zarejestrować swoje nowe zakupione narzędzia online w ciągu 8 dni od daty zakupu. Użytkownik końcowy może zarejestrować się w celu rozszerzenia gwarancji w swoim kraju zamieszkania, jeśli jest on wymieniony w formularzu rejestracji online, kiedy ta opcja jest ważna. Ponadto użytkownicy końcowi muszą wyrazić zgodę na przechowywanie danych, które są wymagane do zalogowania online oraz muszą zaakceptować regulamin. Otrzymanie potwierdzenia rejestracji, które jest wysyłane na adres e-mail oraz oryginalna faktura z podaną datą zakupu będą służyć jako dowód przedłużonej gwarancji. Twoje prawa ustawowe pozostają nienaruszone.
- Gwarancja obejmuje wszystkie wady produktu w okresie gwarancyjnym, spowodowane usterekami w wykonaniu lub materiale w chwili nabycia. Gwarancja jest ograniczona do naprawy oraz/lub wymiany i nie obejmuje żadnych innych obowiązków w tym m.in. odpowiedzialności za szkody przypadkowe lub wtórne. Gwarancja nie jest ważna, jeśli produkt był użytkowany w niewłaściwy sposób, był wykorzystywany w sposób niezgodny z instrukcją obsługi lub był nieprawidłowo podłączony. Ta gwarancja nie obejmuje:
 - uszkodzenia produktu, które jest wynikiem nieprawidłowej konserwacji
 - produktu, który został przerobiony lub zmodyfikowany
 - produktu, w którym zniekształcono, zmieniono lub usunęto oryginalne oznaczenia (nazwę handlową, numer seryjny)
 - uszkodzeń spowodowanych nieprzebraniem instrukcji obsługi produktu bez certyfikatu CE
 - produktu, który był naprawiany przez niewykwalifikowaną osobę lub bez uprzedniej autoryzacji firmy Techtronic Industries
 - produktu podłączonego do nieprawidłowego źródła zasilania (napięcie, napięcie, czystość)
 - produktu używanego z nieprawidłową mieszanką paliwa (paliwo, olej, zawartość procentowa oleju)
 - uszkodzeń spowodowanych przez czynniki zewnętrzne (chemiczne, fizyczne, uderzenia) lub obce substancje
 - normalnego zużycia części zamiennych
 - niewłaściwego użytkowania, przecięcia narzędzia
 - stosowania niezatwierdzonych akcesoriów lub części
 - gaźnika po 6 miesiącach, regulacji gaźnika po 6 miesiącach
 - elementów (części i akcesoriów) podlegających naturalnemu zużyciu, m.in. gałek odbojnikowych, pasów napędowych, sprężel, ostrej nożyc do żywoptłów lub kosiariek, uprząży, przepustnicy, szczołek węglowych, przewodu zasilającego, zębów, podkładek filcowych, sworzników zaczepu, wentylatorów dmuchawy, przewodów dmuchawy i podciśnieniowych, worków próżniowych i pasków, prowadnic, łańcuchów pilarki, przewodów, mocowań złączy, dyszy rozpylających, kółek, lancy rozpylających kat., dmuchawy, dmuchawy i rury próżniowe, torebki próżniowe i paski, prowadnice, bębnowe wewnętrznych, szpulki zewnętrznych, żyłki tnącej, świec zapłonowych, filtrów powietrza, filtrów gazu, ostrej do ściółkowania itp.
- W celu serwisowania produktu należy wysłać lub okazać w autoryzowanym centrum serwisowym RYOBI wymienionym dla każdego kraju na poniższej liście adresów stacji serwisowych. W niektórych krajach lokalny dealer firmy RYOBI zobowiązuje się wysłać produkt do centrum serwisowego firmy RYOBI. W przypadku wysyłki produktu do centrum serwisowego RYOBI, produkt należy dobrze zapakować, bez umieszczenia żadnych niebezpiecznych rzeczy, tj. paliwa i oznaczyć adresem nadawcy oraz krótkim opisem usterek.
- Naprawa/wymiana w ramach tej gwarancji jest bezpłatna. Nie stanowi to przedłużenia lub nowego rozporządzenia okresu gwarancji. Wymieniane części lub narzędzia stają się naszą własnością. W niektórych krajach koszty wysyłki lub pocztowe będą musiały być opłacone przez nadawcę.
- Ta gwarancja obowiązuje na terytorium Wspólnoty Europejskiej, Szwajcarii, Islandii, Norwegii, Liechtenstein, Turcji i Rosji. Poza tymi obszarami należy skontaktować się z autoryzowanym dealerem RYOBI aby sprawdzić, czy dostępna jest jeszcze inna gwarancja.

AUTORYZOWANY PUNKT SERWISOWY

Najbliższy autoryzowany punkt serwisowy można wyszukać w witrynie internetowej <http://uk.ryobitools.eu/header/service-and-support/service-agents>.

CS ZÁRUKA

Navíc k zákonným právam, které vznikají nákupem, je k výrobku poskytována záruka.

- Záruka je období 24 měsíců pro spotřebitele a začíná běžet datem nákupu produktu. Toto datum musí být zadokumentováno fakturou nebo jiným důkazem o koupi. Tento výrobek je určen a vyhrazen jen pro domácí a soukromé používání. Záruka se tedy nepoukazuje pro profesionální ani komerční používání.
- Existuje, v některých případech (tj. propagace, určité nástroje), možnost prodloužení doby záruky nad výše uvedené období pomocí registrace na stránkách www.ryobitools.eu. Vhodnost nástroje je jasně vyobrazena v prodejních a/nebo na obalu. Koncový uživatel musí zaregistrovat své nové pořízené nástroje online během 8 dní od data nákupu. Koncový uživatel se může zaregistrovat k prodloužení doby záruky v zemi jeho trvalého bydliště, pokud je uvedeno v online registračním formuláři, kde je tato možnost platná. Navíc musí koncový uživatel poskytnout souhlas s uchováním údajů, které jsou zapotřebí do online registru a musí přijmout podmínky smlouvy. Přijetí potvrzení o registraci, odeslané e-mailem, a originální faktura udávající datum nákupu slouží jako důkaz prodloužené záruky. Vaše zákonná práva zůstávají nedotčena.
- Záruka pokrývá veškeré vady produktu během záruky způsobené vadami při zpracování nebo v materiálu v době nákupu. Záruka se omezuje na opravu a/nebo výměnu a nezahrnuje žádné jiné závazky včetně, ale ne omezené na související nebo následné škody. Záruka neplatí, pokud, pokud se produkt nesprávně používal, používal v rozporu s návodem nebo byl nesprávně zapojen. Záruka nelze uplatnit v následujících případech:
 - jakákoliv škoda na výrobku v důsledku nesprávné údržby
 - jakýkoliv výrobek byl pozměněn či modifikován
 - jakýkoliv výrobek, kde byly původní identifikační značky (obchodní značka, výrobní číslo) odstraněny, pozměněny či modifikovány
 - jakákoliv škoda způsobená nedodržováním návodu k obsluze
 - výrobek nemá značku CE
 - každý výrobek, kde došlo k pokusu jej opravit nekvalifikovanou osobou nebo bez předchozího souhlasu společnosti Techtronic Industries
 - každý výrobek byl připojen nesprávnému napájení (proud, napětí, frekvence)
 - každý výrobek, který se používal s nesprávnou palivovou směsí (palivo, olej, podíl oleje)
 - veškeré škody byly způsobeny externími vlivy (chemické, fyzické, nárazy) či cizími látkami
 - běžné opotřebení a spotřební náhradní díly
 - nevhodné používání, přetěžování nástroje
 - použití neschválených doplňků nebo dílů
 - karburátor po 6 měsících, seřízení karburátoru po 6 měsících
 - komponenty (díly a doplňky) podléhající běžnému opotřebení, včetně, ale ne omezené, nárazových tlačítek, hnacích řemenů, spojky, nožů plotostříhu či sekaček trávy, postroje, lanka škrtící klapky, uhlikových kartáčů, napájecího kabelu, plechů, plstěných podložek, závlaček, ventilátorů fukaru, hadic fukaru a vysavače, vaku vysavače a popruhu, vodičích lišt, pilových řetězů, hadic, spojovacích tvarovek, rozprašovačích trysek, kol, střikací trubice, vnitřních, vnějších cívek, sekacích strun, zapalovačích svíček, vzduchových filtrů, spalňových filtrů, umíčovacích nožů atd.
- Pro servis výrobku je třeba zaslat nebo předložit pověřenému servisnímu středisku RYOBI dle seznamu adres servisních středisek. V některých zemích váš místní prodejce RYOBI provádí odeslání výrobku servisní organizaci RYOBI. Při zasílání výrobku servisnímu středisku RYOBI by se měl výrobek bezpečně zabalit bez nebezpečného obsahu jako benzin, označit adresu odesílatele a přiložit list krátkým popisem vady.
- Oprava/výměna během záruky je bezplatná. Neznamená prodloužení ani začátek nového záručního období. Vyměněné díly či nástroje se stávají naším vlastnictvím. V některých zemích doručení či poštovné platí odesílatele.
- Záruka je platná v Evropské unii, Švýcarsku, Islandu, Norsku, Lichtenštejnsku, Turecku a Rusku. U ostatních oblastí prosím kontaktujte pověřeného prodejce RYOBI pro upřesnění, zda platí jiná záruka.

POVĚŘENÉ SERVISNÍ STŘEDISKO

Pro nalezání nejbližšího pověřeného servisního střediska navštivte <http://uk.ryobitools.eu/header/service-and-support/service-agents>.

HU GARANCIA

A vásárlással összefüggő esetleges törvény adta jogok mellett a termékre az alábbiakban részletezett garancia vonatkozik.

1. A garancia időtartama a fogyasztók számára 24 hónap, ami a termék megvásárlásának napjától számítódik. Ezt a dátumot számlával vagy a vásárlást igazoló más dokumentummal kell igazolni. A terméket kizárólag a vevő által, személyes célokra való használatra tervezték és készítették. Ezért a garancia nem vonatkozik a profik általi vagy üzleti célokra való használatra.
2. Egyes esetekben (pl. promóció, bizonyos termékcsaládok) lehetőség van a garancia időtartamának a fent leírt garanciaperióduson túli meghosszabbítására a www.ryobitools.eu webhelyen történő regisztrációval. Az, hogy egy adott gép jogosult-e erre, egyértelműen fel van tüntetve a boltokban és/vagy a csomagoláson. A végfelhasználónak a vásárlás napjától számított 8 napon belül regisztrálnia kell az újonnan beszerzett gépet. A végfelhasználó a kiterjesztett garanciáért a lakóhelye szerinti országban regisztrálhat, ha az szerepel az online regisztrációs űrlapon. Emellett a végfelhasználónak hozzá kell járulnia az online belépéshez szükséges adatai tárolásához és el kell fogadnia a szerződési feltételeket. A regisztráció e-mailedben küldött visszaigazolása, valamint a vásárlást igazoló eredeti számla szolgálják a kiterjesztett garancia érvényesítésére. A törvény adta jogai nem sérülnek.
3. A garancia a garancia időtartama alatt a termék összes olyan hibájára kiterjed, amelyek a vásárlás napján is fennálló gyártási vagy anyaghiba miatt következnek be. A garancia javításra és/vagy cserére korlátozódik, és nem tartalmaz további kötelezettséget, beleértve, de nem kizárólag a véletlenszerű vagy következetes károkra vonatkozó kötelezettségeket sem. A garancia nem érvényes a termék helytelen használatára, a használati utasításban leírtakkal ellentétes használatára vagy hibás csatlakoztatása esetén. A garancia nem vonatkozik a következőkre:
 - a termék helytelen karbantartásból eredő esetleges károsodásokra
 - átalakított vagy módosított termékekre
 - olyan termékre, melyen az eredeti azonosító jelöléseket (védjegy, sorozatszám) megrongálták, átalakították vagy eltávolították
 - a használati utasítás be nem tartásával összefüggő károkra
 - a CE minősítéssel nem rendelkező termékre
 - a nem képzett szakember által vagy a Technronic Industries előzetes jóváhagyása nélküli javított termékre
 - a nem megfelelő tápforrásokhoz (áramerősség, feszültség, frekvencia) csatlakoztatott termékre
 - a nem megfelelő üzemanyag-keverékkel (üzemanyag, olaj, olajárány) használt termékre
 - külső hatások (vegyi, fizikai, ütés) vagy idegen anyagok által okozott károsodásokra
 - a cserealkatrészek normál kopására és elhasználódására
 - helytelen használatra, a szerszám túlterhelésére
 - nem jóváhagyott tartozékok vagy alkatrészek használatára
 - a karburátorra 6 hónap elteltével, a karburátor beállításaira 6 hónap elteltével
 - Természetes elhasználódásnak és kopásnak kitett összetevőkre (alkatrészek és tartozékok), beleértve de nem kizárólag az ütközőgombokra, hajtószíjakra, tengelykapcsolóra, sóvényvágó vagy fűnyíró kecséire, vezetékkecsékre, gázkábelekre, szénkefékre, tápkábeleire, kapákra, nemez alátétkarikákra, sasszegekre, fűvágó ventilátoraira, fűvő és vákuumszívókra, fűszívókákra és szíjakra, láncvezetőkre, fűrészláncokra, tömítőkre, csatlakozókra, szűrőfejekre, kerekkekre, lándsákra, belső orsókra, külső orsókra, vágószálakra, gyújtógyertyákra, légszűrőkre, üzemanyagszűrőkre, tömítő tőkákra stb.
4. A szervizeléshez a terméket el kell küldeni vagy be kell mutatni valamelyik hivatalos RYOBI szervizközpontban, melyek elérhetősége az egyes országokban az alábbiakban van megadva. Egyes országokban a RYOBI kereskedő vállalja, hogy elküldi a terméket a RYOBI szervizbe. A terméknek a RYOBI szervizlátnak való küldésekor a termék biztonságosan be kell csomagolni, mindenféle veszélyes anyagot, pl. üzemanyagot el kell távolítani belőle, meg kell adni a feladó címét és a hiba rövid leírását.
5. A garancia keretében végzett javítás/cseréje ingyenes. Ugyanakkor ez nem jelenti a garancia időtartamának kiterjesztését vagy új garanciaperiódus kezdetét. A kicserélt alkatrészek vagy szerszámok a mi tulajdonunkban maradnak. Egyes országokban a szállítási vagy a postaköltségeket a feladó fizeti.
6. Ez a garancia az Európai Közösségekben, Svájcban, Izlandon, Norvégiában, Liechtensteinben, Törökországban és Oroszországban érvényes. Ezen területeken kívül az érvényes garancia-feltételeket illetően lépjen kapcsolatba a hivatalos RYOBI forgalmazóval.

HIVATALOS SZERVIZKÖZPONT

A legközelebbi hivatalos szervizközpont megtalálásához látogasson el a <http://uk.ryobitools.eu/header/service-and-support/service-agents>.

RO GARANȚIE

În plus față de alte drepturi statutare rezultând din achiziție, produsul este acoperit de o garanție ca cea menționată mai jos.

1. Perioada de garanție este de 24 de luni pentru consumatorii și începe de la data la care produsul a fost achiziționat. Această dată trebuie să fie dovedită de o factură sau altă dovadă de cumpărare. Produsul este proiectat și dedicat pentru consumator și doar pentru uz privat. Ca urmare nu există nicio garanție asigurată în caz de folosire profesională sau comercială.
2. Există, în anumite cazuri (de ex. promoții, game de produse) o posibilitate de a prelungi perioada de garanție peste perioada descrisă mai sus folosind înregistrarea pe site-ul www.ryobitools.eu. Eligibilitatea aparatului este afișată clar în magazine și/sau ambalaj. Utilizatorul final se poate înregistra pentru o garanție extinsă în țara sa de reședință dacă e listată pe formularul de înregistrare online acolo unde opțiunea este validă. Mai mult, utilizatorii finali trebuie să-și dea consimțământul cu privire la păstrarea datelor ce sunt cerute a fi introduse online și trebuie să accepte termenii și condițiile. Notificarea de confirmare a înregistrării, ce este trimisă prin email, și factura originală ce arată data achiziționării vor servi ca dovadă a garanției extinse. Drepturile dvs statutare rămând neafectate.
3. Garanția acoperă toate defectele produsului în timpul perioadei de garanție cauzate de defecte din procesul de producție sau ale materialului la data achiziționării. Garanția este limitată la reparație și/sau înlocuire și nu include alte obligații incluzând dar nelimitându-se la pagube incidentale sau secundare. Garanția nu este validă dacă produsul a fost folosit greșit, folosit contrar instrucțiunilor din manual sau a fost conectat incorect. Această garanție nu se aplică la:
 - orice defecțiune a produsului ca rezultat a întreținerii necorespunzătoare
 - orice produs ce a fost schimbat sau modificat
 - orice produs unde marcajul original de identificare (marcă comercială, număr serie) a fost deteriorat, schimbat sau modificat
 - orice defecțiune cauzată de nerespectarea manualului de instrucțiuni
 - orice produs non CE
 - orice produs care a fost încercat să fie reparat de către o persoană necalificată sau fără autorizare în prealabil de către Technronic Industries
 - orice produs conectat necorespunzător la sursa de curent (amperi, voltaj, frecvență)
 - orice produs folosit cu amestec necorespunzător de combustibil (combustibil, ulei, procentaj de ulei)
 - orice defecțiune cauzată de influențe externe (chimice, fizice, șocuri) sau substanțe străine
 - uzura normală a pieselor de schimb
 - folosire necorespunzătoare, suprasolicitare a sculei
 - folosire de accesorii și părți neaprobate
 - carburator după 6 luni, reglări ale carburatorului după 6 luni
 - componente (părți și accesorii) subiect a uzurii naturale, incluzând dar nelimitându-se la butoane rotative, curele de distribuție, ambreiaj, lame ale aparatelor de bordurat și tuns iarba, hamuri, cabluri de accelerație, perii de carbon, cabluri electrice, dinți ale furcii, șaibe de păsli, ventilatoare și tuburi de absorbție, sac vacuum și chingi, bare de ghidare, ferăstraie cu lanț, furtune, fitinguri de conectare, vergele de pulverizat, duze de pulverizat, roți, vergele de pulverizat, bobine interioare, bobine exterioare, fire pentru tăiat, buji, filtre de aer, filtre de gaz, lame protectoare, etc
4. Pentru service, produsul trebuie să fie trimis sau prezentat la un punct service RYOBI autorizat listat pentru fiecare țară în următoarea listă cu adrese ale punctelor service. În anumite țări reprezentantul dvs local RYOBI se angajează să trimită produsul la un punct de service RYOBI. Atunci când se trimite un produs la un punct service RYOBI, produsul trebuie să fie împachetat cu grijă fără a conține produse periculoase precum benzină, marcat cu adresa expeditorului și însoțit de o scurtă descriere a defecțiunii.
5. Repararea/inlocuirea în timpul garanției este fără niciun cost. Nu constituie o prelungire sau un nou început a perioadei de garanție. Părțile sau aparatele schimbate devin proprietatea noastră. În anumite țări taxele de expediție trebuie să fie plătite de către expeditor.
6. Garanția este valabilă în Uniunea Europeană, Elveția, Islanda, Norvegia, Liechtenstein, Turcia și Rusia. În afara acestor zone, vă rugăm contactați reprezentantul dvs local autorizat RYOBI pentru a determina dacă se aplică altă garanție.

CENTRU DE SERVICE AUTORIZAT

Pentru a găsi un centru de service autorizat lângă dvs., vizitați <http://uk.ryobitools.eu/header/service-and-support/service-agents>.

LV GARANTĪJA

Papildus visām likumā paredzētajām tiesībām saistībā ar iegādi šim izstrādājumam ir turpinājuma izklāstīta garantija.

- Garantijas periods patērētājiem ir 24 mēneši, un tas sākas izstrādājuma iegādes dienā. Šim datumam ir jābūt dokumentētām rēķinā vai citā iegādi apliecinošā dokumentā. Šis izstrādājums ir izgatavots un paredzēts vienīgi patērētājam un privātai lietošanai. Profesionālais vai komerciālais lietošanas gadījumā garantija nav spēkā.
- Atsevišķos gadījumos (piem., akcija, vairāki instrumenti) pastāv iespēja pagarināt garantijas periodu virs seīti minētā perioda, reģistrējot to www.ryobitools.eu vietnē. Instrumenta pielietojums ir skaidri norādīts veikalos un/vai uz iepakojuma. Lietotājiem ir jāreģistrē savj jauniegūtie instrumenti tiešsaistē 8 dienu laikā no iegādes datuma. Lietotājs var reģistrēties pagarinātajai garantijai savā dzīvesvietas valstī, ja tā ir norādīta tiešsaistes reģistrācijas veidlapā, kur pieejama šī iespēja. Turklāt lietotājiem ir jāievada dati tiešsaistē, jādod piekrišana šo dāt uzglabāšanai un jāpiekrīt noteikumiem. Saņemtais reģistrācijas apstiprinājums, kas izsūtīts pa e-pastu, un rēķina oriģināls, kurā redzams iegādes datums, ir pagarinātās garantijas pierādījums. Jūsu likumā paredzētās tiesības netiek ietekmētas.
- Garantija attiecas uz visiem izstrādājuma bojājumiem, kas radušies garantijas perioda laikā iegādes dienā esošo izgatavošanas vai materiāla defektu dēļ. Garantija ir ierobežota līdz remontam un/vai nomaigai un neietver citus pienākumus, ieskaitot, bet neaprobežojoties ar nejausiem vai netiesiem zaudējumiem. Garantija nav spēkā, ja izstrādājums ir liets nepareizi vai neievērojot rokasgrāmatas norādījumus vai ticis nepareizi savienots. Garantija netiecas uz:
 - izstrādājuma bojājumiem, kas radušies nepareizas apkopes dēļ;
 - izstrādājumiem, kas tikuši pielāgoti vai pārveidoti;
 - izstrādājumiem, kuru oriģinālais identifikācijas marķējums (preču zīme, sērijas numurs) ticis sabojāts, pārveidots vai noņemts;
 - bojājumiem, kurus izraisījuši rokasgrāmatas norādījumu neievērošana;
 - izstrādājumiem bez CE marķējuma;
 - izstrādājumiem, kurus ir mēģinājis remontēt nekvalificēts speciālists vai kuri remontēti bez Technonic Industries atļaujas;
 - izstrādājumiem, kas tikuši pievienoti neatbilstošai energopadevei (apmēri, spriegums, frekvence);
 - izstrādājumiem, kuros izmantots nepareizs degvielas maisījums (degviela, eļļa, eļļas daudzums);
 - bojājumiem, kurus izraisījuši ārēja iedarbība (ķīmiska, fiziska, triecieni) vai svešas vielas;
 - normālu detaļu nolietojumu un nodilumu;
 - instrumenta nepareizu lietošanu, pārslozdi;
 - neapstiprinātu detaļu un piederumu lietošanu;
 - karburatoru pēc 6 mēnešiem, karburatora regulējumiem pēc 6 mēnešiem;
 - komponentiem (detaļām un piederumiem), kas ir pakļauti dabiskam nodilumam un nolietojumam, ietvert, bet neaprobežojoties ar darbināšanas pogām, piedziņas siksnām, dzīvzoģa trimeru un zāles plāvēju asmeņiem, plecu turētāju, kabeļa droseļi, ogļekļa sukām, elektrības vadu, tapām, filca starplikām, sakabes tapām, pūtēja ventilatoriem, pūtēja un vakuuma caurulēm, vakuuma maisiem un lencēm, virzošajiem stieņiem, zāģa ķēdēm, šļūtenēm, savienotāja stiprinājumiem, smidzināšanas sprauslām, riteņiem, smidzināšanas nūjām, iekšējiem ruļļiem, ārējām spolēm, griešanas auklām, aizdedzes svečēm, gaisa filtriem, gāzes filtriem, mulčēšanas asmeņiem u. c.;
- Ja nepieciešams veikt remontu, izstrādājums jānosūta vai jānodod RYOBI pilnvarotam servisa centram, kas norādīts pie attiecīgās valsts servisa centru adresu sarakstā. Atsevišķs valstis vietējais RYOBI dīleris uzņemas nosūtīt izstrādājumu RYOBI servisa organizācijai. Nosūtot izstrādājumu RYOBI servisa centram, izstrādājuma jābūt droši iepakotam bez bīstama satura, piemēram, degvielas, marķētam ar sūtītāja adresi un kopā ar īsu aprakstu par defektu.
- Remonts/nomaigā šīs garantijas ietvaros ir bez maksas. Tas nepagarina un neuzsāk jaunu garantijas periodu. Nomainītās detaļas un instrumenti nonāk mūsu īpašumā. Atsevišķs valstis piegādes maksa un pasta izdevumi jāsedz sūtītājam.
- Šī garantija ir derīga Eiropas Kopienā, Šveicē, Islandē, Norvēģijā, Lihtenšteinā, Turcijā un Krievijā, Ārpus šiem reģioniem, lūdzu, sazinieties ar savu pilnvaroto RYOBI dīleri, lai noskaidrotu, vai ir spēkā cita garantija.

AUTORIZĒTS APKALPOŠANAS CENTRS

Lai atrastu tuvāko autorizēto apkalpošanas centru, apmeklējiet <http://uk.ryobitools.eu/header/service-and-support/service-agents>.

LT GARANTĪJA

Be įstatymais nustatyty teisių, įgyjamų nusipirkus šį produktą, produktui taikoma toliau nurodyta garantija.

- Pirkėjams galiojantis garantinis periodas yra 24 mėnesiai ir prasideda nuo produkto pirkimo datos. Data turi būti nurodyta sąskaitoje-faktūroje arba kitame pirkimą įrodančiame dokumente. Produktas sukurtas ir skirtas tik naudotojui ir tik asmeniniam naudojimui. Todėl garantija netaikoma produktą naudojančiam profesionaliam ar komerciniam tikslams.
- Kai kuriais atvejais yra galimybė pratęsti garantinį laikotarpį iki toliau nurodyto laikotarpio, prieš tai užsiregistruvus www.ryobitools.eu svetainėje. Įrankio tinkamumo aiškiai parodytas parduotuvėse ir (arba) ant pakuočės. Galutinis naudotojas turi užregistruoti savo naujai įsigytus įrankius internetu per 8 dienas nuo jų pirkimo datos. Galutinis naudotojas gali užsiregistruoti dėl garantijos pratęsimo savo šalyje, jei ši pateikta registracijos internetu formoje, kurioje galimas šis pasirinkimas. Be to, galutinai naudotojai privalo duoti savo sutikimą laikyti duomenis, kuriuos reikia įvesti internete, ir jie turi sutikti su sąlygomis ir nuostatomis. Registracijos patvirtinimo pranešimas, išsiunčiamas el. paštu, ir originali sąskaita faktūra, kurioje nurodyta pirkimo data, įrankio pratęstą garantiją. Jūsų įstatymuose nustatytioms teisėms nebus pakenda.
- Garantiniui laikotarpiui garantija taikoma visiems produkto trūkumams, atsiradusiems dėl prastos darbo kokybės arba prastu produko medžiagų pirkimo dieną. Garantija taikoma tik taisymsi ir (arba) pakeltimi ir joje nenumatyti jokie kiti įsipareigojimai. Įskaitant, bet neapsinbojant atsitiktine ar susijusia žala. Garantija negalioja produktą netinkamai naudojant, priešingai vadove nurodytoms instrukcijoms, arba netinkamai prijungus. Garantija netaikoma šiais atvejais:
 - produktui padaryti žalai netinkamai atliekant produkto techninę priežiūrą;
 - pakeistam arba modifikuotam produktui;
 - bet kokiems produktams, kurių originalios identifikacijos (prekės ženklas, serijos numeris) žymės buvo sugadintos, pakeistos ar pašalintos;
 - bet kokiai žalai, patirtai nesaikant naudojimo vadovo;
 - bet kokiame CE nepaženklintam produktui;
 - bet kokiame produktui, kurį bandė taisyti nekvalifikuotas specialistas, arba iš anksto negavus „Technonic Industries“ leidimo;
 - bet kokiame produktui, įjungtam į netinkamą maitinimo tinklą (amperai, įtampa, dažnis);
 - bet kokiame produktui, naudojamam su netinkamu degalų mišiniu (degalai, alyva, alyvos procentinis kiekis);
 - bet kokiai žalai, kilusiai dėl išorinio poveikio (cheminis, fizinis poveikis, smūgiai) arba pašalinių medžiagų;
 - įprastam atsarginių dalių dėvėjimuisi;
 - produktą netinkamai naudojant arba jį perkrovus;
 - naudojant nepatvirtintus priedus arba dalis;
 - karbiuratorius po 6 mėnesių, karbiuratoriaus reguliavimui po 6 mėnesių;
 - komponentams (dalims ir priedams), kurie dėvėsi savaime, įskaitant, bet neapsinbojant iškiliais mygtukais, diržinėmis pavaramis, sankaba, gyvatvorės žirklių arba vejos pjovimo mašinų asmenimis, diržais, kabeļo droseļiu, anglies šepetėliais, maitinimo laidu, virbams, veltinio poveržlėmis, traukimo kaiščiais, pūtimo ventilatoriais, pūstuvu ir siurblio vamzdžiais, siurblio maišeliu ir dirželiais, kreipiamaisiais strypais, pjūklo grandinėmis, žarnelėmis, jungtimis, purkštukais, ratais, purškimo lazdelėmis, vidiniais sukutvais, išorinėmis ritėmis, mulktintuvais, uždegimo žvakėmis, oro filtrais, dujų filtrais, mulčiavimo asmenimis ir t. t.;
- Norint atlikti techninį aptarnavimą, produktą reikia nusiųsti arba pristatyti į vieną iš RYOBI įgaliotų techninio aptarnavimo punktų, esančių kiekvienoje šalyje toliau pateiktame aptarnavimo punktų adresų sąraše. Kai kuriose šalyse jūsų vietinis RYOBI pardavėjas gali nusiųsti produktą į RYOBI techninio aptarnavimo punktą. Siunčiant produktą į RYOBI techninio aptarnavimo punktą, produktą reikia saugiai supakuoti, prieš tai iš jo pašalinus pavojingas medžiagas, pavyzdžiui, benzina, nurodyti siuntėjo adresą ir pridėti trumpą gedimo aprašymą.
- Pagal šią garantiją taisymo ar keitimo darbai atliekami nemokamai. Garantijoje nenumatytas garantijos pratęsimas ar naujo garantinio laikotarpio pradėjimas. Pakeistos dalys arba įrankiai tampa mūsų nuosavybe. Kai kuriose šalyse pristatymo ar siuntimo paštu išlaidas turi padengti siuntėjas.
- Ši garantija taikoma Europos bendrijoje, Šveicarijoje, Islandijoje, Norvegijoje, Lichtenšteinėje, Turkiijoje ir Rusijoje. Kitose šalyse kreipkitės į savo įgaliotą RYOBI pardavėją, norėdami sužinoti, ar taikoma kita garantija.

ĮGALIOTAS TECHINIS PRIEŽIŪROS CENTRAS

Jei norite surasti įgaliotą techninės priežiūros centrą netoli Jūsų, apsilankykite interneto svetainėje <http://uk.ryobitools.eu/header/service-and-support/service-agents>.

ET GARANTIID

Lisaks ostu puhul kaasnevate seadusjärgsetele õigustele kehtib tootele allpool esitatud tingimustega garantiid.

- Ostja poolt ostetud tootele on kehtestatud garantiiperiood 24 kuud ja see hakkab kehtima toote ostmise kuupäeval. See kuupäev on märgitud arvele või muule ostu lõendavale dokumendile. Toode on ette nähtud ostjale ainult isiklikuks kasutamiseks. Kui toodet kasutatakse ametialasel või ärilistel eesmärkidel, siis garantiid ei kehti.
- Mõnel juhul (nt reklaam, seadmete seeria) on võimalik pikendada garantiiperioodi pikemaks ajaks kui ülal mainitud, kui kasutatakse registreerimist veebisaidil www.ryobitools.eu kaudu. Registreerimise tingimused on välja pandud kauplustesse ja/või on pakendil. Lõppkasutaja peab oma uued tüüristad veebis registreerima 8 päeva jooksul alates ostukuupäevast. Lõppkasutaja võib registreerida end pikendatud garantiis oma asukohamaal, kui see on esitatud veebis registreerimise loendil, seal kus see vaik on olemas. Peale selle, lõppkasutajad peavad andma nõusoleku enda andmete salvestamiseks, mida vajatakse veebi sisenumiseks ja nõustuma esitatud tingimustega. Pikendatud garantiid kehtivust lõendab e-postiga saadetud registreerimise kinnitusteada, ja algupärane arve, millel on ostukuupäev. Teie seadusjärgsed õigused jäävad mõjutamata.
- Garantiid kehtib kõiki ostukuupäevast kehtima hakkaval garantiiperioodil ilmnenuid rikete suhtes, mis on tingitud töötlemis- või materjalivigadest. Garantiid on piiratud remondi ja/või asendamise ja ei sisalda muid kohustusi, kuid mitte ainult, kaasneva või tuleneva kahju eest. Garantiid ei kehti, kui toodet on väärkasutatud, kasutusjuhendis nimetatud otstarbele mittevastavalt kasutatud või toode on ebaõigesti ühendatud. See garantiid ei rakendu järgmistel juhtudel:
 - tootel on mingi vigastus, mis on põhjustatud ebaõigest kasutamisest,
 - toodet on mingil viisil ümber ehitatud või muudetud,
 - toote algupärane tuvastusmarkering (kaubamärk, seerianumber) on kahjustatud, ümber tehtud või eemaldatud,
 - tootel on mingi vigastus, mis on tingitud kasutusjuhendi mittejälgimisest,
 - toode ei ole CE-märgisega,
 - toodet on püüdnud parandada ebaõiged spetsialist või seda on tehtud ilma Techtronic Industries volitusteta,
 - toode on ühendatud selleks mitteettenähtud elektritoitevõrguga (väär voolu tugevus, pinge või sagedus),
 - tootes on kasutatud mitteettenähtud kütusesegu (kütus, õli, väär õli vahetork),
 - tootel on vigastus välistõrjumist (keemilised või füüsilised mõjud või löögid),
 - toote varuosadel ilmneb tavapärane kulumine,
 - toodet on ebaõigesti kasutatud või üle koormatud,
 - tootel on kasutatud mitteettenähtud tarvikuid või osi,
 - toote karburaator pärast 6 kuu möödumist, toote karburaatori sätteid pärast 6 kuu möödumist,
 - toote koostesadel (osad ja tarvikud) ilmneb tavapärane kulumine järgmistel detailidel (kuid mitte ainult): etteandenuid, ajamirihmad, sidur, hekiõikuri või muruniiduki terad, rakmed, gaasitross, süsinikharijad, toitejuhe, piid, viilseibid, vedrutihvid, puhumisventilaatorid, puhuri ja imuri torud, imisüsteemi kotid ja ribad, juhtvardad, saeketid, voolikud, ühendusliitmikud, düüsid, rattad, pihustustorud, siseturmid, välispoolid, löikeõhvid, süüteküünlad, õhufiltrid, gaasifiltrid, multšimisterad jne.
- Hooldamiseks tuleb toode saata või tuua mõnda RYOBI volitatud hoolduspunkti, mis on esitatud loendis iga riigi jaoks ja milles on hoolduspunkti aadressid. Mõnes riigis kohustub RYOBI edasimüüja saatma toote RYOBI hooldusasutusse. Kui toode saadetakse RYOBI hooldusasutusse, tuleb toode turvaliselt ära pakkida ilma, et sellesse jääks ohtlikku sisu, näiteks bensiin ja pakendile tuleb märkida saatja aadress ja riike lühikirjeldus.
- Selle garantiid alusel tehtud remont/asendus on tasuta. Sellega ei kaasne garantiiperioodi pikendamine või uue garantiiperioodi algus. Asendatud osad ja tüüristad jäävad meie omandusse. Mõnes riigis tuleb saate- või postikulud tasuda saatja poolt.
- See garantiid kehtib Euroopa Liidus, Šveitsis, Islandil, Norras, Liechtensteinis, Türgis ja Venemaal. Väljaspool neid riike võtke ühendust Ryobi volitatud edasimüüjaga, et teada saada teistsuguste garantiid kehtivust.

VOLITATUD HOOLDUSKESKUS

Oma volitatud hoolduskeskuse leiate veebisaidil <http://uk.ryobitools.eu/header/service-and-support/service-agents>.

HR JAMSTVO

U dodatku svih zakonskih prava koja proizlaze kao rezultat kupnje, ova proizvod pokriven je jamstvom kao što je utvrđeno u nastavku.

- Jamstveno razdoblje je 24 mjeseca za korisnike, a započinje na datum kupnje proizvoda. Ovaj datum treba biti dokumentiran računom ili nekim drugim dokazom o kupnji. Proizvod je dizajniran i namijenjen samo za korisnike i osobno korištenje. Stoga nema omogućenog jamstava u slučaju profesionalnog ili komercijalnog korištenja.
- U nekim slučajevima (primjerice promocije, paleta alata) postoji mogućnost produženog jamstvenog razdoblja preko gore navedenog razdoblja korištenjem registracije na web mjestu www.ryobitools.eu. Sukladnost alata jesno je prikazana u trgovini i/ili na pakiranju. Krajnji korisnik treba registrirati svoje novo pribavljene alate na mreži unutar 8 dana od datuma kupnje. Krajnji korisnik može se registrirati za produženo trajanje jamstva u svojoj zemlji stanovanja ako je navedena na mrežnom obrascu za registraciju gdje je ova opcija valjana. Nadalje, krajnji korisnici moraju dati svoje odobrenje za spremanje podataka koji su potrebni za unos na mreži i moraju prihvatiti uvjete i odredbe. Primatka potvrde o registraciji, koja se šalje e-poštom i originalni račun koji prikazuje datum kupnje služe kao dokaz produženog jamstva. Vaša zakonska prava ostaju nepromijenjena.
- Jamstvo pokriva sve kvarove proizvoda tijekom jamstvenog razdoblja zbog pogreški u izradi ili materijalu na datum kupnje. Jamstvo je ograničeno na popravak i/ili zamjenu i ne uključuje nikakve druge obveze uključujući no ne ograničavajući se na slučajne ili posljedične štete. Jamstvo nije valjano ako je proizvod pogrešno korišten, korišten suprotno od korisničkog priručnika ili je nepravilno priključen. Ovo jamstvo se ne primjenjuje na:
 - svako oštećenje proizvoda koje je rezultat nepravilnog održavanja
 - svaki proizvod koji je izmijenjen ili modificiran
 - svaki proizvod gdje su originalne identifikacijske oznake (zaštitni znak, serijski broj) izbrisane, zamijenjene ili uklonjene
 - svako oštećenje uzrokovano neprikladnim korištenjem priručnika
 - svaki proizvod koji nije CE
 - svaki proizvod koji je pokušao popraviti neovlašten profesionalac ili bez prethodnog odobrenja od strane Techtronic Industries
 - svaki proizvod priključen na nepravilno napajanje energijom (amperi, napon, frekvencija)
 - Svaki proizvod korišten s neodgovarajućom mješavinom (gorivo, ulje, postotak ulja)
 - svako oštećenje uzrokovano vanjskim utjecajima (kemijsko, fiziko, udar) ili stranim stvarima
 - normalno trošenje i habanje rezervnih dijelova
 - nepravilno korištenje, preopterećenje alata
 - korištenje neodobrenog dodatnog pribora ili dijelova
 - rasplinjača nakon 6 mjeseci, podešavanje rasplinjača nakon 6 mjeseci
 - komponente (dijelovi i dodatni pribor) koji su predmet prirodnog trošenja i habanja, uključujući no ne ograničavajući se na gumbce za otpuštanje, pogonske remene, spojku, oštrice trimera za grmlje ili kosilicu, kope, sajle gasa, ugljene četke, kabele za napajanje, noževe, podloške, ztkice za zglobov vezu, ventilatore puhalice, cijevi za ispuhivanje i usisavanje, vakuumske vrećice i trake, vodilice, lance pile, crijeva, priključene elemente, mlaznice za raspršivanje, kotače, kopljica za raspršivanje, unutartrajne kolute, vanjske kaleme, flaksove, svječice, filtre za zrak, filtre za plin, oštrice za usitnjavanje itd.
- Za servisiranje, proizvod se mora poslati ili predati ovlaštenoj stanici za servis tvrtke RYOBI navedenoj za svaku zemlju u sljedećem popisu adresa stanica za servis. U nekim zemljama vaši lokalni RYOBI zastupnik obavezan je poslati proizvod u servisnu organizaciju tvrtke RYOBI. Prilikom slanja proizvoda u stanicu za servis tvrtke RYOBI, proizvod treba biti sigurno pakiran bez ikakvog opasnog sadržaja poput benzina, s označenom adresom pošiljatelja i pripadajućim kratkim opisom pogreške.
- Popravak/zamjena pod ovim jamstvom se ne naplaćuje. Ne produžuje zakonsko ili ne započinje novo jamstveno razdoblje. Zamijenjeni dijelovi ili alati postaju naše vlasništvo. U nekim zemljama pošiljatelj plaća poštarinu.
- Ovo jamstvo je valjano u Europskoj zajednici, Švicarskoj, Islandu, Norveškoj, Lichtenštajnu, Turskoj i Rusiji. Izvan ovih područja molimo vas da kontaktirate vašeg ovlaštenog zastupnika RYOBI kako biste odredili ako se primjenjuje druga jamstva.

OVLAŠTENI SERVISNI CENTAR

Za pronalaženje ovlaštenog servisnog centra pored vas posjetite <http://uk.ryobitools.eu/header/service-and-support/service-agents>.

SL GARANCIJA

Poleg kakršnih koli zakonskih pravic, ki jih pridobite z nakupom, za ta izdelek velja tudi garancija, kot je opisano spodaj.

- Garancijsko obdobje je 24 mesecev za potrošnike in se začne z datumom nakupa. Ta datum mora biti dokumentiran z računom ali drugim dokazilom o nakupu. Izdelek je namenjen in posevčen le potrošniški in zasebni uporabi. Zato garancija ne velja za profesionalno ali komercialno uporabo.
- V nekaterih primerih (npr. promocija, obseg orodij) obstaja možnost podaljšanja garancijskega obdobja prek zgoraj opisanega obdobja, kar je mogoče storiti z registracijo na spletnem mestu www.ryobitools.eu. Namen orodja je jasno označen v trgovinah in/ali na embalaži. Končni uporabnik mora svoje novo orodje registrirati prek spleta v 8 dneh od datuma nakupa. Končni uporabnik se lahko registrira za podaljšano garancijo v svoji državi, kjer ima stalno prebivališče, če je država vključena na seznam v obrazcu za registracijo, kjer je ta možnost veljavna. Poleg tega mora končni uporabnik odobriti shranjevanje podatkov, ki so potrebni za spletni vstop, in morajo sprejeti pogoje in določila. Potrdilo o registraciji, ki se pošlje po e-pošti, ter originalni račun, na katerem je naveden datum nakupa, veljata kot dokazilo o podaljšani garanciji. Vaše zakonske pravice ostanejo nespremenjene.
- Garancija krje vse okvare izdelka med garancijskim obdobjem zaradi napak v izdelavi ali materialu na datum nakupa. Garancija je omejena na popravilo/zamenjavo in ne vključuje drugih obveznosti, med drugim ne vključuje obveznosti zaradi nenamerne ali posledične škode. Garancija ni veljavna, če je bil izdelek zlorabljen, uporabljen v nasprotju z navodili za uporabo ali nepravilno priključen. Garancija ne velja:
 - za kakršno koli poškodbo izdelka, ki je posledica neprimernega vzdrževanja,
 - če je bil izdelek spremenjen ali modificiran,
 - če so originalne identifikacijske oznake (blagovna znamka, serijska številka) na izdelku poškodovane, spremenjene ali odstranjene,
 - če je do poškodbe prišlo zaradi neupoštevanja navodil za uporabo,
 - za katere koli izdelke, ki niso skladni z oznako CE,
 - če je izdelek poskusil opraviti neusposobljen strokovnjak ali brez predhodne odobritve družbe Techtronic Industries,
 - če je bil izdelek priključen na neustrezno električno omrežje (jakost, napetost, frekvenca),
 - če je bil izdelek uporabljen z neustrezno mešanico goriva (gorivo, olje, odstotek olja),
 - če je do poškodbe prišlo zaradi zunanjih vplivov (kemični, fizični, udarci) ali tujih snovi,
 - za normalno obrabo nadomestnih delov,
 - neustrezne uporabe, preobremenitve orodja,
 - uporabe neodobrenih dodatkov ali delov,
 - za uplinjač po 6 mesecih, prilagoditve uplinjača po 6 mesecih,
 - za sestavne dele (dele in dodatke), ki so podvrženi normalni obrabi, med drugim za vzmetne gume, pogonske jermene, sklopko, rezila obrezovalnikov ali kosilnic, nosilni trak, kabelske dušilke, karbonskih krtačk, napajalnega kabla, zobovje, polstene podložke, varnostne zatiče, ventilatorje, puhalne in sesalne cevi, sesalne vreče in trakove, vodila, verige za žage, gibljive cevi, nastavke priključkov, pršilne šobe, kolesa, pršilne palice, notranje kolute, zunanja vretena, rezalne nitke, vžigalne svečke, zračne filtre, plinske filtre, drobilna rezila itd.,
- Za servisiranje je treba izdelek poslati ali prinesiti v pooblaščen servisni center RYOBI, ki je za vsako državo naveden na naslednjem seznamu z naslovi servisnih centrov. V nekaterih državah pošiljanje izdelka servisnemu centru RYOBI prevzame lokalni trgovec z izdelki RYOBI. Za pošiljanje servisnemu centru RYOBI mora biti izdelek varno zapakiran, brez kakršnih koli nevarnih snovi, npr. gorivo, označen z naslovom pošiljatelja, priložen pa mora biti kratek opis napake.
- Popravilo/nadomestilo v sklopu te garancije je brezplačno. Ne pomeni podaljšanja ali novega začetka garancijskega obdobja. Zamenjani deli ali orodja postanejo naša last. V nekaterih državah mora stroške pošiljanja ali dostave poravnati pošiljatelj.
- Ta garancija je veljavna v Evropski skupnosti, Šviciji, na Islandiji, Norveškem, v Liechtensteinu, Turčiji in Rusiji. Izven teh področij stopite v stik s pooblaščenim trgovcem RYOBI, da ugotovite, ali velja katera druga garancija.

POOBlašČEN SERVISNI CENTER

Pooblaščen servisni center blizu vas poiščite na <http://uk.ryobitools.eu/header/service-and-support/service-agents>.

SK ZÁRUKA

Okrem zákonných práv vyplývajúcich zo zakúpenia je tento produkt pokrytý zárukou, ako je uvedené nižšie.

- Záručná doba pre spotrebiteľov je 24 mesiacov a začína dňom zakúpenia produktu. Tento dátum musí byť zdokumentovaný faktúrou alebo iným dokladom o kúpe. Tento produkt je navrhnutý a určený len na potrebné a osobné použitie. Takže v prípade profesionálneho alebo komerčného použitia neplatí žiadna záruka.
- V niektorých prípadoch (napr. reklamná akcia, rad produktov) existuje možnosť predĺženia záručnej doby nad dobu uvedenú vyššie pomocou registrácie na webovej stránke www.ryobitools.eu. Spôsobilosť nástroja je zreteľne zobrazená v obchodoch a ha obale. Koncový používateľ si musí zaregistrovať svoje novonadobudnuté nástroje online do 8 dní odo dňa zakúpenia. Koncový používateľ sa môže zaregistrovať za účelom získania predĺženej záruky vo svojej krajine, ak je uvedená v online registračnom formulári, kde je táto možnosť platná. Okrem toho musia koncoví používatelia poskytnúť súhlas k uloženiu údajov, ktoré sa zadávajú online a musia súhlasiť so zmluvnými podmienkami. Doklad s potvrdením o registrácii, ktorý posielame prostredníctvom e-mailu a originál faktúry s uvedeným dátumom zakúpenia slúžia ako dôkaz predĺženej záruky. Vaše zákonné práva ostávajú nedotknuté.
- Táto záruka pokrýva všetky poruchy produktu počas záručnej doby, ktoré vznikli následkom nedostatkov vo vypracovaní alebo materiáli v deň zakúpenia. Táto záruka je omezená na opravu alebo výmenu a nezahŕňa ďalšie povinnosti, napríklad vedľajšie alebo následné škody. Táto záruka je neplatná, ak bol produkt požívaný nesprávne, používaný v rozpore s návodom na použitie alebo nesprávne pripojený. Táto záruka sa nevzťahuje na:
 - akékoľvek poškodenie produktu, ku ktorému došlo následkom nesprávnej údržby
 - akýkoľvek produkt, ktorý bol pozmenený alebo upravený
 - akýkoľvek produkt, na ktorom boli poškodené pozmenené alebo odstránené originálne identifikačné znaky (obchodná známka, sériové číslo)
 - akékoľvek poškodenie spôsobené následkom neododržania návodu na použitie
 - akýkoľvek produkt iný ako CE
 - akýkoľvek produkt, o ktorého opravu sa pokúšal nekvalifikovaný odborník alebo v prípade opravy bez predchádzajúceho oprávnenia od spoločnosti Techtronic Industries
 - akýkoľvek produkt pripojený k nesprávnejmu napájaciemu zdroju (prúd, napätie, frekvencia)
 - akýkoľvek produkt použitý v nevhodnou palivovou zmesou (palivo, olej, percento oleja)
 - akékoľvek poškodenie spôsobené vonkajšími vplyvmi (chemické, fyzické, nárazy) alebo cudzími látkami
 - bežné opotrebenie náhradných dielov
 - nesprávne používanie a pretážovanie nástroja
 - používanie neschváleného príslušenstva alebo dielov
 - karburátor po 6 mesiacoch, úpravy karburátora po 6 mesiacoch
 - komponenty (diely a príslušenstvo), ktoré podliehajú prirodzenému opotrebeniu, napríklad pružinové tlačidlá, hnacie remene, spojka, ostria strihača živého plotu alebo kosačky trávy, postroj, ťahadlo škrťacej klapky, uhľikové kefky, napájaci kábel, končeky, plstené podložky, kolký s háčikom, ventilátory dýchadla, rúrky dýchadla a vysávača, vrecko a remene vysávača, vodiace lišty, pilové reťaze, hadice, konektorové armatúry, rozprašovače trysky, koleska, striekacie tyče, vnútorné navijaky, vonkajšie cievy, rezné drôty, zapalovače sviečky, vzduchové filtre, benzínové filtre, mulčovacie ostria a pod.
- Na servis sa musí produkt odoslať alebo predložiť autorizovanému servisnému centru RYOBI uvedenému pre každú krajinu v nasledujúcom zozname adres servisných staníc. V niektorých krajinách pošle produkt do servisnej organizácie RYOBI váš miestny predajca produktov RYOBI. Pri odosielaní produktu do servisnej stanice RYOBI musí byť produkt bezpečne zabalený bez akéhokoľvek nebezpečného obsahu, napríklad paliva, označený adresou odosielateľa a musí byť k nemu priložený krátky popis poruchy.
- Oprava či výmena v rámci tejto záruky je bezplatná. Nevplyvá na nej predĺženie či nový začiatok záručnej doby. Vymenené diely alebo nástroje sa stávajú našim majetkom. V niektorých krajinách doručovací poplatok alebo poštovné platí odosielateľ.
- Táto záruka je platná v Európskej únii, Švajčiarsku, na Islande, v Nórsku, Lichtenštajnsku, Turecku a Rusku. Mimo týchto oblastí kontaktujte autorizovaného predajcu spoločnosti Ryobi, u ktorého zisľíte, či platí nejaká iná záruka.

AUTORIZOVANÉ SERVISNÉ CENTRUM

Ak chcete nájsť najbližšie autorizované servisné centrum, navštívte stránku <http://uk.ryobitools.eu/header/service-and-support/service-agents>.

BG ГАРАНЦИЯ

В допълнение към законоустановените права, произтичащи от покупката, този продукт е обхванат от гаранция, както е изложено по-долу.

1. Гаранционният срок е 24 месеца за клиенти и започва да тече от деня на закупуване на продукта. Тази дата трябва да се докаже с фактура или друго доказателство за покупка. Продуктът е изработен и предназначен само за потребителска и лична употреба. Следователно не се дава гаранция в случай на използване от професионалисти или с търговска цел.
2. В някои случаи (като промоция, гама инструменти) съществува възможност за удължаване на гаранционния срок след изтичането на описания тук чрез регистрация на уеб сайта www.ryobitools.eu. Дали инструментът отговаря на условията за такова удължаване, ясно показано в магазини и/или върху опаковката. Крайният потребител трябва да регистрира своите новопридобити инструменти онлайн в рамките на 8 дни от датата на покупка. Крайният потребител може да се регистрира за удължена гаранция в държавата си на пребиваване, ако е посочена във формуляра за онлайн регистрация като място, където тази опция е валидна. Освен това крайните потребители трябва да дадат съгласието си за съхранение на данните, които са задължителни за потвърждение онлайн, и трябва да приемат общите условия. Полученото потвърждение за регистрация, изпратено по имейл, и оригиналната фактура, показваща датата на покупка, ще служат като доказателство за удължената гаранция. Законоустановените Ви права остават незаасегнати.
3. Гаранцията покрива всички дефекти на продукта по време на гаранционния срок, които се дължат на проблеми в изработката или материалите към момента на покупката. Гаранцията е ограничена до ремонт и/или замяна и не включва други задължения, включително, но не само, случайни или закономерни щети. Гаранцията е невалидна, ако продуктът е използван неправилно или в противоречие с ръководството с инструкции, както и ако е свързан неправилно. Тази гаранция не важи за:
 - щети по продукта в резултат на неправилна профилактика;
 - продукти, които са били изменени или модифицирани;
 - продукт, при който оригиналните маркировки за идентификация (търговска марка, сериен номер) са изтрети, променени или премахнати;
 - повреда, причинена от неспазване на ръководството с инструкции;
 - продукт без CE маркировка;
 - продукт, за който е направен опит за ремонт от неквалифициран специалист или без предварително разрешение от Techtronic Industries;
 - продукт, свързан към неподходящо електрозахранване (ампераж, волтаж, честота);
 - продукт, използван с неподходяща горивна смес (гориво, масло, процент масло);
 - щети, причинени от външни влияния (химични, физични, удари) или чужди вещества;
 - нормално износване на резервни част;
 - неподходяща употреба, претоварване на инструмента;
 - използване на неодобриени аксесоари или части;
 - карбуратора след 6 месеца, настройки на карбуратора след 6 месеца;
 - компоненти (част и аксесоари), подложени на естествено износване, включително, но не само, копчета за тласкане, задвижващи ремъци, съединител, остриета на ножци за жив плет, косачки, самар, кабелен дросел, карбонови четки, захранващ кабел, остриета, филцови шайби, осигурителни щифтове, вентилатори на уреди за обдуване, тръби за обдуване и всмукване, торба за отпадъци и ремъци, водеща шина, вериги за триони, маркучи, фитинги на конектори, дюзи, колела, пръскалки, вътрешни и външни макари, режещо влакно, запалителни свещи, въздушни филтри, горивни филтри, остриета за мулчиране и т.н.
4. За обслужване продуктът трябва да се изпрати или занесе на оторизиран сервиз на RYOBI, посочен за всяка държава в следния списък с адреси на сервиси. В някои държави местният търговец на RYOBI поема да изпрати продукта до сервизен център на RYOBI. При изпращане на продукт до сервиз на RYOBI продуктът трябва да е опакован безопасно без опасно съдържание, като бензин, да е маркиран с адреса на подателя и придружен от кратко описание на повредата.
5. Ремонтът или замяната по силата на тази гаранция са безплатни. Те не водят до удължаване или подновяване на гаранционния срок. Сменените части или инструменти стават наша собственост. В някои държави таксите за доставка или изпращане трябва да се платят от подателя.
6. Тази гаранция е валидна в Европейската общност, Швейцария, Исландия, Норвегия, Лихтенщайн, Турция и Русия. Извън тези области се свържете с упълномощения търговец на RYOBI, за да се установи дали са приложими други гаранции.

УПЪЛНОМОЩЕН СЕРВИЗЕН ЦЕНТЪР

За да намерите упълномощен сервизен център близо до вас, посетете <http://uk.ryobitools.eu/header/service-and-support/service-agents>.

EN EC DECLARATION OF CONFORMITY

Techtronic Industries GmbH
Max-Eyth-Straße 10, 71364 Winnenden, Germany

Herewith we declare that the product

Electric Lawn Mower
Brand: Ryobi
Model number: RLM15E36H/RLM18E40H
Serial number range:
RLM15E36H 44436101000001 - 44436101999999
RLM18E40H 44436301000001 - 44436301999999

is in conformity with the following European Directives and harmonised standards
2006/42/EC, 2004/108/EC, 2000/14/EC, 2005/88/EC, 2011/65/EU,
EN 60335-1:2012+A11:2014, EN 60335-2-77:2010, EN
55014-1:2006+A1:2009+A2:2011, EN 55014-2:1997+A1:2001+A2:2008, EN
61000-3-2:2006+A1:2009+A2:2009, EN 61000-3-3:2013 (RLM15E36H), EN
61000-3-11:2000 (RLM18E40H), EN 62233:2008, EN 50581:2012

RLM15E36H:
Measured sound power level: 91,02 dB (A)
Guaranteed sound power level: 94 dB (A)
RLM18E40H:
Measured sound power level: 93,75 dB (A)
Guaranteed sound power level: 95 dB (A)

Conformity assessment method to Annex VI Directive 2000/14/EC amended by
2005/88/EC.

The notified body involved:
Société Nationale de Certification et d'Homologation (Notified Body 0499)
11, rue de Luxembourg L-5230 Sandweiler

Andrew John Eyre (BEng, CEng, MIET)
Vice President, Regulatory & Safety
Winnenden, Dec. 19, 2014

Authorised to compile the technical file:
Alexander Krug, Managing Director
Techtronic Industries GmbH
Max-Eyth-Straße 10, 71364 Winnenden, Germany

DE EC KONFORMITÄTSERKLÄRUNG

Techtronic Industries GmbH
Max-Eyth-Straße 10, 71364 Winnenden, Germany

Hiermit erklären wir, dass die Produkte

Elektrischer Rasenmäher
Marke: Ryobi
Modellnummer: RLM15E36H/RLM18E40H
Seriennummernbereich:
RLM15E36H 44436101000001 - 44436101999999
RLM18E40H 44436301000001 - 44436301999999

mit den folgenden europäischen Richtlinien und harmonisierten Normen übereinstimmt
2006/42/EC, 2004/108/EC, 2000/14/EC, 2005/88/EC, 2011/65/EU,
EN 60335-1:2012+A11:2014, EN 60335-2-77:2010, EN
55014-1:2006+A1:2009+A2:2011, EN 55014-2:1997+A1:2001+A2:2008, EN
61000-3-2:2006+A1:2009+A2:2009, EN 61000-3-3:2013 (RLM15E36H), EN
61000-3-11:2000 (RLM18E40H), EN 62233:2008, EN 50581:2012

RLM15E36H:
Gemessener Schalleistungspegel: 91,02 dB (A)
Garantierter Schalleistungspegel: 94 dB (A)
RLM18E40H:
Gemessener Schalleistungspegel: 93,75 dB (A)
Garantierter Schalleistungspegel: 95 dB (A)

Konformitätsbeurteilungsmethode zu Anhang VI Richtlinie 2000/14/EC wie durch
2005/88/EC.

Benannte Stelle:
Société Nationale de Certification et d'Homologation (Benannte Stelle 0499)
11, rue de Luxembourg L-5230 Sandweiler

Andrew John Eyre (BEng, CEng, MIET)
Vizepräsident, Vorschriften und Sicherheit
Winnenden, Dec. 19, 2014

Autorisiert die technische Datei zu erstellen:
Alexander Krug, Geschäftsführer
Techtronic Industries GmbH
Max-Eyth-Straße 10, 71364 Winnenden, Germany

FR DÉCLARATION DE CONFORMITÉ EC

Techtronic Industries GmbH
Max-Eyth-Straße 10, 71364 Winnenden, Germany

Déclarons par la présente que le produit

Tondeuse à gazon électrique
Marque: Ryobi
Numéro de modèle: RLM15E36H/RLM18E40H
Étendue des numéros de série:
RLM15E36H 44436101000001 - 44436101999999
RLM18E40H 44436301000001 - 44436301999999

est conforme aux Directives Européennes et Normes Harmonisées suivantes
2006/42/EC, 2004/108/EC, 2000/14/EC, 2005/88/EC, 2011/65/EU,
EN 60335-1:2012+A11:2014, EN 60335-2-77:2010, EN
55014-1:2006+A1:2009+A2:2011, EN 55014-2:1997+A1:2001+A2:2008, EN
61000-3-2:2006+A1:2009+A2:2009, EN 61000-3-3:2013 (RLM15E36H), EN
61000-3-11:2000 (RLM18E40H), EN 62233:2008, EN 50581:2012

RLM15E36H:
Niveau de puissance sonore mesuré: 91,02 dB (A)
Niveau de puissance sonore garanti: 94 dB (A)
RLM18E40H:
Niveau de puissance sonore mesuré: 93,75 dB (A)
Niveau de puissance sonore garanti: 95 dB (A)
Méthode d'évaluation de conformité de l'annexe VI Directive 2000/14/EC modifiée
2005/88/EC.

Organisme notifié impliqué:
Société Nationale de Certification et d'Homologation (L'organisme notifié 0499)
11, rue de Luxembourg L-5230 Sandweiler

Andrew John Eyre (BEng, CEng, MIET)
Vice-Président, Réglementation & Sécurité
Winnenden, Dec. 19, 2014

Autorisé à rédiger le dossier technique:
Alexander Krug, Directeur Général
Techtronic Industries GmbH
Max-Eyth-Straße 10, 71364 Winnenden, Germany

ES DECLARACIÓN EC DE CONFORMIDAD

Techtronic Industries GmbH
Max-Eyth-Straße 10, 71364 Winnenden, Germany

Por la presente declaramos que los productos

Cortacésped eléctrico
Marca: Ryobi
Número de modelo: RLM15E36H/RLM18E40H
Intervalo del número de serie:
RLM15E36H 44436101000001 - 44436101999999
RLM18E40H 44436301000001 - 44436301999999

se encuentra en conformidad con las siguientes Directivas Europeas y normas
armonizadas
2006/42/EC, 2004/108/EC, 2000/14/EC, 2005/88/EC, 2011/65/EU,
EN 60335-1:2012+A11:2014, EN 60335-2-77:2010, EN
55014-1:2006+A1:2009+A2:2011, EN 55014-2:1997+A1:2001+A2:2008, EN
61000-3-2:2006+A1:2009+A2:2009, EN 61000-3-3:2013 (RLM15E36H), EN
61000-3-11:2000 (RLM18E40H), EN 62233:2008, EN 50581:2012

RLM15E36H:
Nivel de potencia acústica medido: 91,02 dB (A)
Nivel de potencia acústica garantizado: 94 dB (A)
RLM18E40H:
Nivel de potencia acústica medido: 93,75 dB (A)
Nivel de potencia acústica garantizado: 95 dB (A)
Método de evaluación de conformidad con el anexo VI Directiva 2000/14/EC
modificada por la 2005/88/EC.

El organismo notificado implicado:
Société Nationale de Certification et d'Homologation (Organismo notificado 0499)
11, rue de Luxembourg L-5230 Sandweiler

Andrew John Eyre (BEng, CEng, MIET)
Vicepresidente, Director General de Normativa y Seguridad
Winnenden, Dec. 19, 2014

Autorizado para elaborar la ficha técnica:
Alexander Krug, Administrador Ejecutivo
Techtronic Industries GmbH
Max-Eyth-Straße 10, 71364 Winnenden, Germany

IT DICHIARAZIONE DI CONFORMITÀ EC

Teichronic Industries GmbH
Max-Eyth-Straße 10, 71364 Winnenden, Germany

Si dichiara con la presente che il prodotto

Decespugliatore elettrico
Marca: Ryobi
Numero modello: RLM15E36H/RLM18E40H
Gamma numero seriale:
RLM15E36H 44436101000001 - 44436101999999
RLM18E40H 44436301000001 - 44436301999999

è conforme alle seguenti Direttive Europee e ai seguenti standard armonizzati

2006/42/EC, 2004/108/EC, 2000/14/EC, 2005/88/EC, 2011/65/EU,
EN 60335-1:2012+A11:2014, EN 60335-2-77:2010, EN
55014-1:2006+A1:2009+A2:2011, EN 55014-2:1997+A1:2001+A2:2008, EN
61000-3-2:2006+A1:2009+A2:2009, EN 61000-3-3:2013 (RLM15E36H), EN
61000-3-11:2000 (RLM18E40H), EN 62233:2008, EN 50581:2012

RLM15E36H:

Livello di potenza acustica misurato: 91,02 dB (A)

Livello di potenza sonora garantita: 94 dB (A)

RLM18E40H:

Livello di potenza acustica misurato: 93,75 dB (A)

Livello di potenza sonora garantita: 95 dB (A)

Metodo di valutazione sulla conformità all'allegato VI Direttiva 2000/14/EC
modificata con la 2005/88/EC.

Ente notificato responsabile:

Société Nationale de Certification et d'Homologation (L'ente notificato 0499)
11, rue de Luxembourg L-5230 Sandweiler



Andrew John Eyre (BEng, CEng, MIET)
Vice-Presidente, Dipartimento Regolazioni & Sicurezza
Winnenden, Dec. 19, 2014

Autorizzato per compilare il file tecnico:

Alexander Krug, Direttore Amministrativo
Teichronic Industries GmbH
Max-Eyth-Straße 10, 71364 Winnenden, Germany

NL EC CONFORMITEITSVERKLARING

Teichronic Industries GmbH
Max-Eyth-Straße 10, 71364 Winnenden, Germany

Hierbij verklaren wij dat het product

Elektrische grasmaaimachine
Merk: Ryobi
Modelnummer: RLM15E36H/RLM18E40H
Serienummerbereik:
RLM15E36H 44436101000001 - 44436101999999
RLM18E40H 44436301000001 - 44436301999999

is in overeenstemming met de volgende Europese Richtlijnen en geharmoniseerde normen

2006/42/EC, 2004/108/EC, 2000/14/EC, 2005/88/EC, 2011/65/EU,
EN 60335-1:2012+A11:2014, EN 60335-2-77:2010, EN
55014-1:2006+A1:2009+A2:2011, EN 55014-2:1997+A1:2001+A2:2008, EN
61000-3-2:2006+A1:2009+A2:2009, EN 61000-3-3:2013 (RLM15E36H), EN
61000-3-11:2000 (RLM18E40H), EN 62233:2008, EN 50581:2012

RLM15E36H:

Gemeten geluidsniveau: 91,02 dB (A)

Gegarandeerd geluidsniveau: 94 dB (A)

RLM18E40H:

Gemeten geluidsniveau: 93,75 dB (A)

Gegarandeerd geluidsniveau: 95 dB (A)

Evaluatiemethode conformiteit volgens bijlage VI Richtlijn 2000/14/EC gewijzigd
door 2005/88/EC.

Betrokken aangemelde keuringsinstantie:

Société Nationale de Certification et d'Homologation (De aangemelde instantie
0499)
11, rue de Luxembourg L-5230 Sandweiler



Andrew John Eyre (BEng, CEng, MIET)
Vice-president, Regelgeving en Veiligheid
Winnenden, Dec. 19, 2014

Afgevaardigde voor het samenstellen van de technische fiche:

Alexander Krug, Directeur
Teichronic Industries GmbH
Max-Eyth-Straße 10, 71364 Winnenden, Germany

PT DECLARAÇÃO EC DE CONFORMIDADE

Teichronic Industries GmbH
Max-Eyth-Straße 10, 71364 Winnenden, Germany

Pelo presente declaramos que os produtos

Corta-relva elétrico
Marca: Ryobi
Número do modelo: RLM15E36H/RLM18E40H
Intervalo do número de série:
RLM15E36H 44436101000001 - 44436101999999
RLM18E40H 44436301000001 - 44436301999999

se encontra em conformidade com as seguintes Directivas Europeias e normas harmonizadas

2006/42/EC, 2004/108/EC, 2000/14/EC, 2005/88/EC, 2011/65/EU,
EN 60335-1:2012+A11:2014, EN 60335-2-77:2010, EN
55014-1:2006+A1:2009+A2:2011, EN 55014-2:1997+A1:2001+A2:2008, EN
61000-3-2:2006+A1:2009+A2:2009, EN 61000-3-3:2013 (RLM15E36H), EN
61000-3-11:2000 (RLM18E40H), EN 62233:2008, EN 50581:2012

RLM15E36H:

Nível de potência sonora medido: 91,02 dB (A)

Nível de potência sonora garantido: 94 dB (A)

RLM18E40H:

Nível de potência sonora medido: 93,75 dB (A)

Nível de potência sonora garantido: 95 dB (A)

Método de avaliação de conformidade para o anexo VI Directiva 2000/14/EC
alterada por 2005/88/EC.

O organismo notificado envolvido:

Société Nationale de Certification et d'Homologation (Organismo notificado 0499)
11, rue de Luxembourg L-5230 Sandweiler



Andrew John Eyre (BEng, CEng, MIET)
Vice-Presidente, Regulamentação & Segurança
Winnenden, Dec. 19, 2014

Autorizado para compilar o ficheiro técnico:

Alexander Krug, Administrador Executivo
Teichronic Industries GmbH
Max-Eyth-Straße 10, 71364 Winnenden, Germany

DA EC OVERENSSTEMMELSESRKLÆRING

Teichronic Industries GmbH
Max-Eyth-Straße 10, 71364 Winnenden, Germany

Vi erklærer hermed, at produktet

Elektrisk plæneklipper
Brand: Ryobi
Modelnummer: RLM15E36H/RLM18E40H
Serienummerområde:
RLM15E36H 44436101000001 - 44436101999999
RLM18E40H 44436301000001 - 44436301999999

er i overensstemmelse med følgende EU-direktiver og harmoniserede standarder

2006/42/EC, 2004/108/EC, 2000/14/EC, 2005/88/EC, 2011/65/EU,
EN 60335-1:2012+A11:2014, EN 60335-2-77:2010, EN
55014-1:2006+A1:2009+A2:2011, EN 55014-2:1997+A1:2001+A2:2008, EN
61000-3-2:2006+A1:2009+A2:2009, EN 61000-3-3:2013 (RLM15E36H), EN
61000-3-11:2000 (RLM18E40H), EN 62233:2008, EN 50581:2012

RLM15E36H:

Målt støjniveau: 91,02 dB (A)

Garanteret støjniveau: 94 dB (A)

RLM18E40H:

Målt støjniveau: 93,75 dB (A)

Garanteret støjniveau: 95 dB (A)

Overensstemmelsesvurderingsmetode til bilag VI Direktiv 2000/14/EC ændret ved
2005/88/EC.

Den relevante godkendelsesinstans:

Société Nationale de Certification et d'Homologation (Relevant godkendelsesinstans
0499)
11, rue de Luxembourg L-5230 Sandweiler



Andrew John Eyre (BEng, CEng, MIET)
Vicepræsident, Regler og Sikkerhed
Winnenden, Dec. 19, 2014

Bemyndiget til at udarbejde det tekniske kartotek:

Alexander Krug, Administrerende Direktør
Teichronic Industries GmbH
Max-Eyth-Straße 10, 71364 Winnenden, Germany

SV EC-KONFORMITETSDEKLARATION


Techtronic Industries GmbH
Max-Eyth-Straße 10, 71364 Winnenden, Germany

Härmed deklarerar vi att produkterna

Elektrisk gräsklippare
Märke: Ryobi
Modellnummer: RLM15E36H/RLM18E40H
Serienummerintervall:
RLM15E36H 44436101000001 - 44436101999999
RLM18E40H 44436301000001 - 44436301999999

är i enlighet med följande EU-direktiv och harmoniserade standarder
2006/42/EC, 2004/108/EC, 2000/14/EC, 2005/88/EC, 2011/65/EU,
EN 60335-1:2012+A11:2014, EN 60335-2-77:2010, EN
55014-1:2006+A1:2009+A2:2011, EN 55014-2:1997+A1:2001+A2:2008, EN
61000-3-2:2006+A1:2009+A2:2009, EN 61000-3-3:2013 (RLM15E36H), EN
61000-3-11:2000 (RLM18E40H), EN 62233:2008, EN 50581:2012

RLM15E36H:
Uppmått ljudeffektnivå: 91,02 dB (A)
Garanterad ljudeffektnivå: 94 dB (A)
RLM18E40H:
Uppmått ljudeffektnivå: 93,75 dB (A)
Garanterad ljudeffektnivå: 95 dB (A)
Konformitetsbedömning gjord enligt metod i VI Direktiv 2000/14/EC samt tillägg
i 2005/88/EC.
Meddelandet gällde:
Société Nationale de Certification et d'Homologation (Myndigheten 0499)
11, rue de Luxembourg L-5230 Sandweiler


Andrew John Eyre (BEng, CEng, MIET)
Vice President, Regelverk och Säkerhet
Winnenden, Dec. 19, 2014

CE

Godkänd att sammanställa den tekniska filen:
Alexander Krug, VD
Techtronic Industries GmbH
Max-Eyth-Straße 10, 71364 Winnenden, Germany

NO EC-SAMSVARSEKLERING


Techtronic Industries GmbH
Max-Eyth-Straße 10, 71364 Winnenden, Germany

Herved erklærer vi at produktet

Elektrisk gressklipper
Märke: Ryobi
Modellnummer: RLM15E36H/RLM18E40H
Serienummerserie:
RLM15E36H 44436101000001 - 44436101999999
RLM18E40H 44436301000001 - 44436301999999

er i samsvar med følgende europeiske direktiver og harmoniserte standarder
2006/42/EC, 2004/108/EC, 2000/14/EC, 2005/88/EC, 2011/65/EU,
EN 60335-1:2012+A11:2014, EN 60335-2-77:2010, EN
55014-1:2006+A1:2009+A2:2011, EN 55014-2:1997+A1:2001+A2:2008, EN
61000-3-2:2006+A1:2009+A2:2009, EN 61000-3-3:2013 (RLM15E36H), EN
61000-3-11:2000 (RLM18E40H), EN 62233:2008, EN 50581:2012

RLM15E36H:
Målt lydfeffektnivå: 91,02 dB (A)
Garantert lydfeffektnivå: 94 dB (A)
RLM18E40H:
Målt lydfeffektnivå: 93,75 dB (A)
Garantert lydfeffektnivå: 95 dB (A)
Metode for vurdering av konformitet til Tillegg VI Direktiv 2000/14/EC endret ved
2005/88/EC.
Involvert meddelelsesorgan:
Société Nationale de Certification et d'Homologation (Teknisk kontrollorgan 0499)
11, rue de Luxembourg L-5230 Sandweiler


Andrew John Eyre (BEng, CEng, MIET)
Visepresident, Forskrifter og Sikkerhet
Winnenden, Dec. 19, 2014

CE

Autorisert til å sette sammen den tekniske filen:
Alexander Krug, Administrerende Direktør
Techtronic Industries GmbH
Max-Eyth-Straße 10, 71364 Winnenden, Germany

FI EC-SÄÄNNÖSTEN NOUDATTAMINEN


Techtronic Industries GmbH
Max-Eyth-Straße 10, 71364 Winnenden, Germany

Ilmoitamme täten, että tuotteet

Sähköinen ruohonleikkuri
Tuotemerkki: Ryobi
Mallinumero: RLM15E36H/RLM18E40H
Sarjanumerovalue:
RLM15E36H 44436101000001 - 44436101999999
RLM18E40H 44436301000001 - 44436301999999

noudattaa seuraavia EU-direktiivejä ja harmonoituja standardeja
2006/42/EC, 2004/108/EC, 2000/14/EC, 2005/88/EC, 2011/65/EU,
EN 60335-1:2012+A11:2014, EN 60335-2-77:2010, EN
55014-1:2006+A1:2009+A2:2011, EN 55014-2:1997+A1:2001+A2:2008, EN
61000-3-2:2006+A1:2009+A2:2009, EN 61000-3-3:2013 (RLM15E36H), EN
61000-3-11:2000 (RLM18E40H), EN 62233:2008, EN 50581:2012

RLM15E36H:
Mitattu äänenteho: 91,02 dB (A)
Taattu äänenteho: 94 dB (A)
RLM18E40H:
Mitattu äänenteho: 93,75 dB (A)
Taattu äänenteho: 95 dB (A)
Säännösten noudattaminen tarkastettu direktiivin 2000/14/EC liitteen VI mukaisesti
muunnettu direktiivillä 2005/88/EC.
Ilmoituselin:
Société Nationale de Certification et d'Homologation (Ilmoittava elin 0499)
11, rue de Luxembourg L-5230 Sandweiler


Andrew John Eyre (BEng, CEng, MIET)
Varatoimitusjohtaja, Säästöstenmukaisuus ja Turvallisuus
Winnenden, Dec. 19, 2014

CE

Valtuutettu kokoamaan tekninen tiedosto:
Alexander Krug, Toimitusjohtaja
Techtronic Industries GmbH
Max-Eyth-Straße 10, 71364 Winnenden, Germany

RU ЗАЯВЛЕНИЕ О СООТВЕТСТВИИ ТРЕБОВАНИЯМ ЕС


Techtronic Industries GmbH
Max-Eyth-Straße 10, 71364 Winnenden, Germany

Настоящим мы заявляем, что данный продукт

Электрическая газонокосилка
Марка: Ryobi
Номер модели: RLM15E36H/RLM18E40H
Диапазон заводских номеров:
RLM15E36H 44436101000001 - 44436101999999
RLM18E40H 44436301000001 - 44436301999999

соответствует требованиям следующих Директив ЕС и согласованных стандартов
2006/42/EC, 2004/108/EC, 2000/14/EC, 2005/88/EC, 2011/65/EU,
EN 60335-1:2012+A11:2014, EN 60335-2-77:2010, EN
55014-1:2006+A1:2009+A2:2011, EN 55014-2:1997+A1:2001+A2:2008, EN
61000-3-2:2006+A1:2009+A2:2009, EN 61000-3-3:2013 (RLM15E36H), EN
61000-3-11:2000 (RLM18E40H), EN 62233:2008, EN 50581:2012

RLM15E36H:
Измеренный уровень звуковой мощности: 91,02 dB (A)
Гарантируемый уровень звуковой мощности: 94 dB (A)
RLM18E40H:
Измеренный уровень звуковой мощности: 93,75 dB (A)
Гарантируемый уровень звуковой мощности: 95 dB (A)
Способ оценки соответствия, приложение VI к директиве 2000/14/EC с
изменениями 2005/88/EC.
Уведомляемый участвующий орган:
Société Nationale de Certification et d'Homologation (Нотифицированная
организация 0499)
11, rue de Luxembourg L-5230 Sandweiler


Andrew John Eyre (BEng, CEng, MIET)
Вице-Президент По Технике Безопасности И Стандартам
Winnenden, Dec. 19, 2014

CE

Лицо, ответственное за подготовку технической документации:
Alexander Krug, Директор
Techtronic Industries GmbH
Max-Eyth-Straße 10, 71364 Winnenden, Germany

PL DEKLARACJA ZGODNOŚCI EC

Techntronic Industries GmbH
Max-Eyth-Straße 10, 71364 Winnenden, Germany

Niniejszym deklarujemy, że produkty

Kosiarka elektryczna
Marka: Ryobi
Numer modelu: RLM15E36H/RLM18E40H
Zakres numerów seryjnych:
RLM15E36H 44436101000001 - 44436101999999
RLM18E40H 44436301000001 - 44436301999999

jest zgodny z następującymi dyrektywami europejskimi i zharmonizowanymi normami

2006/42/EC, 2004/108/EC, 2000/14/EC, 2005/88/EC, 2011/65/EU,
EN 60335-1:2012+A11:2014, EN 60335-2-77:2010, EN
55014-1:2006+A1:2009+A2:2011, EN 55014-2:1997+A1:2001+A2:2008, EN
61000-3-2:2006+A1:2009+A2:2009, EN 61000-3-3:2013 (RLM15E36H), EN
61000-3-11:2000 (RLM18E40H), EN 62233:2008, EN 50581:2012

RLM15E36H:

Zmierzony poziom natężenia hałasu: 91,02 dB (A)

Maksymalny poziom natężenia hałasu: 94 dB (A)

RLM18E40H:

Zmierzony poziom natężenia hałasu: 93,75 dB (A)

Maksymalny poziom natężenia hałasu: 95 dB (A)

Metoda ocena zgodności zgodnie z aneksem VI Dyrektywa 2000/14/EC zmieniona przez dyrektywę 2005/88/EC.

Zaangażowany organ do powiadomienia:

Société Nationale de Certification et d'Homologation (Jednostka notyfikowana 0499)
11, rue de Luxembourg L-5230 Sandweiler

Andrew John Eyre (BEng, CEng, MIET)

Viceprezes ds. Zgodności Prawnej i Bezpieczeństwa
Winnenden, Dec. 19, 2014

Osoba upoważniona do sporządzenia dokumentu technicznego:

Alexander Krug, Dyrektor Zarządzający
Techntronic Industries GmbH
Max-Eyth-Straße 10, 71364 Winnenden, Germany

CS PROHLÁŠENÍ O SHODĚ EC

Techntronic Industries GmbH
Max-Eyth-Straße 10, 71364 Winnenden, Germany

Tímto prohlašujeme, že výrobky

Elektrická sekačka trávy
Značka: Ryobi
Číslo modelu: RLM15E36H/RLM18E40H
Rozsah sériových čísel:
RLM15E36H 44436101000001 - 44436101999999
RLM18E40H 44436301000001 - 44436301999999

že tento výrobek je v souladu s evropskými a harmonizovanými standardy

2006/42/EC, 2004/108/EC, 2000/14/EC, 2005/88/EC, 2011/65/EU,
EN 60335-1:2012+A11:2014, EN 60335-2-77:2010, EN
55014-1:2006+A1:2009+A2:2011, EN 55014-2:1997+A1:2001+A2:2008, EN
61000-3-2:2006+A1:2009+A2:2009, EN 61000-3-3:2013 (RLM15E36H), EN
61000-3-11:2000 (RLM18E40H), EN 62233:2008, EN 50581:2012

RLM15E36H:

Změřená hladina akustického výkonu: 91,02 dB (A)

Zaručená hladina akustického výkonu: 94 dB (A)

RLM18E40H:

Změřená hladina akustického výkonu: 93,75 dB (A)

Zaručená hladina akustického výkonu: 95 dB (A)

Soulad s metodou určování pro přílohu VI směrnice 2000/14/EC upravená 2005/88/EC.

Upozorníte příslušný orgán:

Société Nationale de Certification et d'Homologation (Úředně oznámený orgán 0499)
11, rue de Luxembourg L-5230 Sandweiler

Andrew John Eyre (BEng, CEng, MIET)

Viceprezident, Normy a Bezpečnost
Winnenden, Dec. 19, 2014

Pověření ke kompilaci technického souboru:

Alexander Krug, Generální Ředitel
Techntronic Industries GmbH
Max-Eyth-Straße 10, 71364 Winnenden, Germany

HU EC MEGFELELŐSÉGI NYILATKOZAT

Techntronic Industries GmbH
Max-Eyth-Straße 10, 71364 Winnenden, Germany

Ezúton kijelentjük, hogy a termékek

Elektromos fűnyíró
Márka: Ryobi
Típusszám: RLM15E36H/RLM18E40H
Sorozatszám tartomány:
RLM15E36H 44436101000001 - 44436101999999
RLM18E40H 44436301000001 - 44436301999999

megfelel az alábbi Európai Irányelvek és harmonizált szabványok vonatkozó rendelkezéseinek

2006/42/EC, 2004/108/EC, 2000/14/EC, 2005/88/EC, 2011/65/EU,
EN 60335-1:2012+A11:2014, EN 60335-2-77:2010, EN
55014-1:2006+A1:2009+A2:2011, EN 55014-2:1997+A1:2001+A2:2008, EN
61000-3-2:2006+A1:2009+A2:2009, EN 61000-3-3:2013 (RLM15E36H), EN
61000-3-11:2000 (RLM18E40H), EN 62233:2008, EN 50581:2012

RLM15E36H:

Mért hangteljesítményszint: 91,02 dB (A)

Garantált hangteljesítményszint: 94 dB (A)

RLM18E40H:

Mért hangteljesítményszint: 93,75 dB (A)

Garantált hangteljesítményszint: 95 dB (A)

A megfelelőségi értékelési eljárás a 2000/14/EC irányelv VI. függeléke szerint történt által módosított 2005/88/EC irányelv.

A közreműködő tanúsító testület:

Société Nationale de Certification et d'Homologation (A következő tanúsító testület 0499)
11, rue de Luxembourg L-5230 Sandweiler

Andrew John Eyre (BEng, CEng, MIET)

Alelnök, Megfelelőségi és Biztonsági Területek
Winnenden, Dec. 19, 2014

A műszaki dokumentáció összeállítására felhatalmazott:

Alexander Krug, Ügyvezető Igazgató
Techntronic Industries GmbH
Max-Eyth-Straße 10, 71364 Winnenden, Germany

RO DECLARAȚIE DE CONFORMITATE EC

Techntronic Industries GmbH
Max-Eyth-Straße 10, 71364 Winnenden, Germany

Prin prezenta, declarăm că produsele

Mașină electrică de tuns iarba
Marca: Ryobi
Număr serie: RLM15E36H/RLM18E40H
Gamă număr serie:
RLM15E36H 44436101000001 - 44436101999999
RLM18E40H 44436301000001 - 44436301999999

este în conformitate cu următoarele Directive Europene și standarde armonizate

2006/42/EC, 2004/108/EC, 2000/14/EC, 2005/88/EC, 2011/65/EU,
EN 60335-1:2012+A11:2014, EN 60335-2-77:2010, EN
55014-1:2006+A1:2009+A2:2011, EN 55014-2:1997+A1:2001+A2:2008, EN
61000-3-2:2006+A1:2009+A2:2009, EN 61000-3-3:2013 (RLM15E36H), EN
61000-3-11:2000 (RLM18E40H), EN 62233:2008, EN 50581:2012

RLM15E36H:

Nivelul măsurat al puterii acustice: 91,02 dB (A)

Nivel garantat al puterii acustice: 94 dB (A)

RLM18E40H:

Nivelul măsurat al puterii acustice: 93,75 dB (A)

Nivel garantat al puterii acustice: 95 dB (A)

Metoda de evaluare a conformității cu Anexa VI Directiva 2000/14/EC modificată prin 2005/88/EC.

Organismul de notificare implicat:

Société Nationale de Certification et d'Homologation (Organismul notificat 0499)
11, rue de Luxembourg L-5230 Sandweiler

Andrew John Eyre (BEng, CEng, MIET)

Vicepreședintele, Reglementare și Siguranță
Winnenden, Dec. 19, 2014

Autorizat să completeze fișa tehnică:

Alexander Krug, Director General
Techntronic Industries GmbH
Max-Eyth-Straße 10, 71364 Winnenden, Germany

LV EC ATBILSTĪBAS DEKLARĀCIJA

Technronic Industries GmbH
Max-Eyth-Straße 10, 71364 Winnenden, Germany

Ar šo paziņojam, ka produkti

Elektriskais zāles plāvējs
Zīmols: Ryobi
Modeļa numurs: RLM15E36H/RLM18E40H
Sērijas numura intervāls:
RLM15E36H 44436101000001 - 44436101999999
RLM18E40H 44436301000001 - 44436301999999

atbilst šādām Eiropas direktīvām un saskaņotajiem standartiem

2006/42/EC, 2004/108/EC, 2000/14/EC, 2005/88/EC, 2011/65/EU,
EN 60335-1:2012+A11:2014, EN 60335-2-77:2010, EN
55014-1:2006+A1:2009+A2:2011, EN 55014-2:1997+A1:2001+A2:2008, EN
61000-3-2:2006+A1:2009+A2:2009, EN 61000-3-3:2013 (RLM15E36H), EN
61000-3-11:2000 (RLM18E40H), EN 62233:2008, EN 50581:2012

RLM15E36H:

Izmērītās skaņas jaudas līmenis: 91,02 dB (A)
Garantētais skaņas intensitātes līmenis: 94 dB (A)
RLM18E40H:
Izmērītās skaņas jaudas līmenis: 93,75 dB (A)
Garantētais skaņas intensitātes līmenis: 95 dB (A)

Atbilstības novērtēšanas metode pielikumam VI Direktīvai 2000/14/EC labota 2005/88/EC.

Iesaistītā pilnvarotā iestāde:

Société Nationale de Certification et d'Homologation (Pilnvarotā iestāde 0499)
11, rue de Luxembourg L-5230 Sandweiler

Andrew John Eyre (BEng, CEng, MIET)
Viceprezidents, Darba Drošības Noteikumi
Winnenden, Dec. 19, 2014

Pilnvarots sastādīt tehnisko failu:

Alexander Krug, Izpilddirektors
Technronic Industries GmbH
Max-Eyth-Straße 10, 71364 Winnenden, Germany

LT EC ATITIKTIKIS DEKLARACIJA

Technronic Industries GmbH
Max-Eyth-Straße 10, 71364 Winnenden, Germany

Mes pareiškiame, kad šie produktai

Elektrinė žoliapjovė
Prekės ženklas: Ryobi
Modelio numeris: RLM15E36H/RLM18E40H
Serijinio numerio diapazonas:
RLM15E36H 44436101000001 - 44436101999999
RLM18E40H 44436301000001 - 44436301999999

pagamintais laikantis toliau nurodytųjų Europos Direktyvų ir darniųjų standartų

2006/42/EC, 2004/108/EC, 2000/14/EC, 2005/88/EC, 2011/65/EU,
EN 60335-1:2012+A11:2014, EN 60335-2-77:2010, EN
55014-1:2006+A1:2009+A2:2011, EN 55014-2:1997+A1:2001+A2:2008, EN
61000-3-2:2006+A1:2009+A2:2009, EN 61000-3-3:2013 (RLM15E36H), EN
61000-3-11:2000 (RLM18E40H), EN 62233:2008, EN 50581:2012

RLM15E36H:

Išmatuotas akustinis lygis: 91,02 dB (A)
Garantuotas akustinis lygis: 94 dB (A)
RLM18E40H:
Išmatuotas akustinis lygis: 93,75 dB (A)
Garantuotas akustinis lygis: 95 dB (A)

Atitikties įvertinimo metodas pagal direktyvos 2000/14/EC, VI Priedą su pataisomis 2005/88/EC.

Įtraukta notifikuoti įstaiga:

Société Nationale de Certification et d'Homologation (Notifikuoti įstaiga 0499)
11, rue de Luxembourg L-5230 Sandweiler

Andrew John Eyre (BEng, CEng, MIET)
Kontrolės Ir Saugos Viceprezidentas
Winnenden, Dec. 19, 2014

Įgaliotas sudaryti techninį failą:

Alexander Krug, Generalinis Direktorius
Technronic Industries GmbH
Max-Eyth-Straße 10, 71364 Winnenden, Germany

ET EC VASTAVUSDEKLARATSIOON

Technronic Industries GmbH
Max-Eyth-Straße 10, 71364 Winnenden, Germany

Kinnitame, et see toode

Elektriline murunuiduk
Mark: Ryobi
Mudeli number: RLM15E36H/RLM18E40H
Seerianumbri vahemik:
RLM15E36H 44436101000001 - 44436101999999
RLM18E40H 44436301000001 - 44436301999999

vastab järgmistele Euroopa direktiividele ja harmoniseeritud standarditele

2006/42/EC, 2004/108/EC, 2000/14/EC, 2005/88/EC, 2011/65/EU,
EN 60335-1:2012+A11:2014, EN 60335-2-77:2010, EN
55014-1:2006+A1:2009+A2:2011, EN 55014-2:1997+A1:2001+A2:2008, EN
61000-3-2:2006+A1:2009+A2:2009, EN 61000-3-3:2013 (RLM15E36H), EN
61000-3-11:2000 (RLM18E40H), EN 62233:2008, EN 50581:2012

RLM15E36H:

Mõõdetud helivõimsuse tase: 91,02 dB (A)
Garanteeritud helivõimsuse tase: 94 dB (A)
RLM18E40H:
Mõõdetud helivõimsuse tase: 93,75 dB (A)
Garanteeritud helivõimsuse tase: 95 dB (A)

Vastavushindamine vastavalt lisale VI direktiivis 2000/14/EC muudetud direktiiviga 2005/88/EC.

Kontrolliga seotud teavitatud asutus:

Société Nationale de Certification et d'Homologation (tunnustatud asutus 0499)
11, rue de Luxembourg L-5230 Sandweiler

Andrew John Eyre (BEng, CEng, MIET)
Asepresident Standardiseerimise Ja Ohutuse Jal
Winnenden, Dec. 19, 2014

Tehnilise faili koostamiseks volitatud isik:

Alexander Krug, Tegevdirektor
Technronic Industries GmbH
Max-Eyth-Straße 10, 71364 Winnenden, Germany

HR EC IZJAVA O USKLADENOSTI

Technronic Industries GmbH
Max-Eyth-Straße 10, 71364 Winnenden, Germany

Uvime izjavljujemo da su proizvodi

Električna kosilica
Marka: Ryobi
Broj modela: RLM15E36H/RLM18E40H
Raspon serijskog broja:
RLM15E36H 44436101000001 - 44436101999999
RLM18E40H 44436301000001 - 44436301999999

usklađen sa sljedećim Europskim Direktivama i usklađenim normama

2006/42/EC, 2004/108/EC, 2000/14/EC, 2005/88/EC, 2011/65/EU,
EN 60335-1:2012+A11:2014, EN 60335-2-77:2010, EN
55014-1:2006+A1:2009+A2:2011, EN 55014-2:1997+A1:2001+A2:2008, EN
61000-3-2:2006+A1:2009+A2:2009, EN 61000-3-3:2013 (RLM15E36H), EN
61000-3-11:2000 (RLM18E40H), EN 62233:2008, EN 50581:2012

RLM15E36H:

Izmjerena razina zvučne snage: 91,02 dB (A)
Jamčena razina zvučne snage: 94 dB (A)
RLM18E40H:
Izmjerena razina zvučne snage: 93,75 dB (A)
Jamčena razina zvučne snage: 95 dB (A)

Metoda procjene usklađenosti prema Dodatku VI Direktive 2000/14/EC navedeno u 2005/88/EC.

Uključena oznaka broja tijela:

Société Nationale de Certification et d'Homologation (Nadležno tijelo 0499)
11, rue de Luxembourg L-5230 Sandweiler

Andrew John Eyre (BEng, CEng, MIET)
Potpredsjednik za Pravila i Sigurnost
Winnenden, Dec. 19, 2014

Ovlašten da sastavi tehničku datoteku:

Alexander Krug, Direktor Upravljanja
Technronic Industries GmbH
Max-Eyth-Straße 10, 71364 Winnenden, Germany

SL IZJAVA EC O SKLADNOSTI

Techtronic Industries GmbH
Max-Eyth-Straße 10, 71364 Winnenden, Germany

Izjavljamo, da je izdelek

Električna kosilnica
Znamka: Ryobi
Številka modela: RLM15E36H/RLM18E40H
Razpon serijskih števil:
RLM15E36H 44436101000001 - 44436101999999
RLM18E40H 44436301000001 - 44436301999999

v skladu s sledečimi evropskimi direktivami in harmoniziranimi standardi

2006/42/EC, 2004/108/EC, 2000/14/EC, 2005/88/EC, 2011/65/EU,
EN 60335-1:2012+A11:2014, EN 60335-2-77:2010, EN
55014-1:2006+A1:2009+A2:2011, EN 55014-2:1997+A1:2001+A2:2008, EN
61000-3-2:2006+A1:2009+A2:2009, EN 61000-3-3:2013 (RLM15E36H), EN
61000-3-11:2000 (RLM18E40H), EN 62233:2008, EN 50581:2012

RLM15E36H:

Izmerjena raven zvočne moči: 91,02 dB (A)

Zajamčena raven zvočne moči: 94 dB (A)

RLM18E40H:

Izmerjena raven zvočne moči: 93,75 dB (A)

Zajamčena raven zvočne moči: 95 dB (A)

Način ugotavljanja skladnosti z aneksom VI direktive 2000/14/EC ki je bila spremenjena z 2005/88/EC.

Priglašeni organ:

Société Nationale de Certification et d'Homologation (Priglašeni organ 0499)
11, rue de Luxembourg L-5230 Sandweiler



Andrew John Eyre (BEng, CEng, MIET)
Podpredsednik, Zakonodajne In Varnostne Zadeve
Winnenden, Dec. 19, 2014

**Pooblaščen oseba za sestavo tehnične dokumentacije:**

Alexander Krug, Izvršni Direktor
Techtronic Industries GmbH
Max-Eyth-Straße 10, 71364 Winnenden, Germany

BG ЕС ДЕКЛАРАЦИЯ НА ЗА СЪОТВЕТСТВИЕ

Techtronic Industries GmbH
Max-Eyth-Straße 10, 71364 Winnenden, Germany

С настоящето декларираме, че продуктите

Електрическа косачка
Марка: Ryobi
Номер на модела: RLM15E36H/RLM18E40H
Обхват на серийни номера:
RLM15E36H 44436101000001 - 44436101999999
RLM18E40H 44436301000001 - 44436301999999

отговаря на следните директиви на ЕС и хармонизирани стандарти

2006/42/EC, 2004/108/EC, 2000/14/EC, 2005/88/EC, 2011/65/EU,
EN 60335-1:2012+A11:2014, EN 60335-2-77:2010, EN
55014-1:2006+A1:2009+A2:2011, EN 55014-2:1997+A1:2001+A2:2008, EN
61000-3-2:2006+A1:2009+A2:2009, EN 61000-3-3:2013 (RLM15E36H), EN
61000-3-11:2000 (RLM18E40H), EN 62233:2008, EN 50581:2012

RLM15E36H:

Измерено ниво на шум: 91,02 dB (A)

Гарантирано ниво на шум 94 dB (A)

RLM18E40H:

Измерено ниво на шум: 93,75 dB (A)

Гарантирано ниво на шум 95 dB (A)

Метод за оценяване на съответствието с приложение VI Директива 2000/14/EC, изменена от 2005/88/EC.

Отговорен нотифициращ орган:

Société Nationale de Certification et d'Homologation (Нотифициран орган 0499)
11, rue de Luxembourg L-5230 Sandweiler



Andrew John Eyre (BEng, CEng, MIET)
Вицепрезидент, Правни Услуги И Безопасност
Winnenden, Dec. 19, 2014

**Упълномощено лице за съставяне на техническия файл:**

Alexander Krug, Изпълнителен Директор
Techtronic Industries GmbH
Max-Eyth-Straße 10, 71364 Winnenden, Germany

SK PREHLÁSENIE O ZHODE EC

Techtronic Industries GmbH
Max-Eyth-Straße 10, 71364 Winnenden, Germany

Týmto vyhlasujeme, že výrobok

Električka kosačka
Značka: Ryobi
Číslo modelu: RLM15E36H/RLM18E40H
Rozsah sériových čísel:
RLM15E36H 44436101000001 - 44436101999999
RLM18E40H 44436301000001 - 44436301999999

je v súlade s nasledujúcimi Európskymi smernicami a harmonizovanými normami

2006/42/EC, 2004/108/EC, 2000/14/EC, 2005/88/EC, 2011/65/EU,
EN 60335-1:2012+A11:2014, EN 60335-2-77:2010, EN
55014-1:2006+A1:2009+A2:2011, EN 55014-2:1997+A1:2001+A2:2008, EN
61000-3-2:2006+A1:2009+A2:2009, EN 61000-3-3:2013 (RLM15E36H), EN
61000-3-11:2000 (RLM18E40H), EN 62233:2008, EN 50581:2012

RLM15E36H:

Nameraná úroveň hluku: 91,02 dB (A)

Garantovaná úroveň hluku: 94 dB (A)

RLM18E40H:

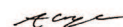
Nameraná úroveň hluku: 93,75 dB (A)

Garantovaná úroveň hluku: 95 dB (A)

Spôsob určenia zhody podľa Dodatku VI Smernica 2000/14/EC doplnená o 2005/88/EC.

K ohlasovaným úradom patria:

Société Nationale de Certification et d'Homologation (Oboznámený orgán 0499)
11, rue de Luxembourg L-5230 Sandweiler



Andrew John Eyre (BEng, CEng, MIET)
Viceprezident, Regulácia a Bezpečnosť
Winnenden, Dec. 19, 2014

**Oprávnená osoba na zostavenie technického súboru:**

Alexander Krug, Generálny Riaditeľ
Techtronic Industries GmbH
Max-Eyth-Straße 10, 71364 Winnenden, Germany



ОФИЦИАЛЬНЫЙ ДИЛЕР В УКРАИНЕ:

storgom.ua

ГРАФИК РАБОТЫ:

Пн. – Пт.: с 8:30 по 18:30

Сб.: с 09:00 по 16:00

Вс.: с 10:00 по 16:00

КОНТАКТЫ:

+38 (044) 360-46-77

+38 (066) 77-395-77

+38 (097) 77-236-77

+38 (093) 360-46-77

Детальное описание товара:

<https://storgom.ua/product/elektricheskayagazonokosilkaryobirm18-40h51330023-7.html>

Другие товары: <https://storgom.ua/elektricheskie-gazonokosilki.html>