

RYOBI®

For Technical Review, sent on 26 Apr 2017

DRAFT

ORIGINAL INSTRUCTIONS

TRADUCTION DES INSTRUCTIONS ORIGINALES

ÜBERSETZUNG DER ORIGINALANLEITUNG

TRADUCCIÓN DE LAS INSTRUCCIONES ORIGINALES

TRADUZIONE DELLE ISTRUZIONI ORIGINALI

VERTALING VAN DE ORIGINELE INSTRUCTIES

TRADUÇÃO DAS INSTRUÇÕES ORIGINAIS

OVERSETTELSE AF DE ORIGINELE INSTRUKTIONER

ÖVERSÄTTNING AV DE URSPRUNGLIGA INSTRUKTIONERNA

ALKUPERÄISTEN OHJEIDEN SUOMENNO

OVERSETTELSE AV DE ORIGINALE INSTRUKSJONENE

ПЕРЕВОД ОРИГИНАЛЬНЫХ ИНСТРУКЦИЙ

TŁUMACZENIE INSTRUKCJI ORYGINALNEJ

PŘEKLAD ORIGINÁLNÍCH POKYNŮ

AZ EREDETI ÚTMUTATÓ FORDÍTÁSA

TRADUCEREA INSTRUCȚIUNILOR ORIGINALE

TULKOTS NO ORIGINĀLĀS INSTRUKCIJAS

ORIGINALIŅU INSTRUKCIJŪ VERTIMAS

ORIGINAALJUHENDI TÖLGE

PRIJEVOD ORIGINALNIH UPUTA

PREVOD ORIGINALNIH NAVODIL

PREKLAD ORIGINÁLNYCH POKYNOV

ПРЕВОД ОТ ОРИГИНАЛНИТЕ ИНСТРУКЦИИ

ПЕРЕКЛАД ОРИГИНАЛЬНИХ ІНСТРУКЦІЙ

ORIJ NAL TALIMATLARIN TERCÜMESİ

ΜΕΤΑΦΡΑΣΗ ΤΩΝ ΠΡΩΤΟΤΥΠΩΝ ΟΔΗΓΙΩΝ

RAG950-125
RAG1010-125



EN
FR
DE
ES
IT
NL
PT
DA
SV
FI
NO
RU
PL
CS
HU
RO
LV
LT
ET
HR
SL
SK
BG
UK
TR
EL

- Important!** It is essential that you read the instructions in this manual before assembling, maintaining and operating the product.
- Attention!** Il est essentiel que vous lisiez les instructions contenues dans ce manuel avant d'assembler, d'entretenir et d'utiliser le produit.
- Achtung!** Es ist wichtig, dass Sie vor Zusammenbau, Wartung und Benutzung des Produktes die Anweisungen in dieser Anleitung lesen.
- ¡Atención!** Resulta fundamental que lea este manual de instrucciones antes de realizar el montaje, el mantenimiento y de utilizar este producto
- Attenzione!** È importante leggere le istruzioni contenute nel presente manuale prima di montare il prodotto, svolgere le operazioni di manutenzione sullo stesso e metterlo in funzione.
- Let op!** Het is van essentieel belang dat u de instructies in deze gebruiksaanwijzing leest voor u het product monteert, onderhoudt en gebruikt.
- Atenção!** É fundamental que leia as instruções deste manual antes da montagem, manutenção e operação do aparelho.
- OBS!** Det er vigtigt, at man læser instrukserne i denne brugsanvisning, inden man samler, vedligeholder og betjener produktet.
- Observera!** Det är viktigt att du läser instruktionerna i manualen före montering, användning och underhåll av produkten.
- Huomio!** On tärkeää, että luet tämän käsikirjan ohjeet ennen tuotteen kokoamista, huoltoa ja käyttöä.
- Advarsel!** Det er viktig at du leser instruksjonene i denne manualen før sammensetning, vedlikehold og bruk av produktet
- Внимание!** Необходимо прочитать инструкции в данном руководстве перед сборкой, обслуживанием и эксплуатацией этого изделия.
- Uwaga!** Koniecznie należy przeczytać instrukcje zawarte w tym podręczniku przed montażem, obsługą oraz konserwacją produktu.
- Důležitost upozornění!** Neinstalujte, neprovádějte údržbu ani nepoužívejte tento výrobek dříve, než si přečtete pokyny uvedené v tomto návodu.
- Figyelem!** Fontos, hogy a termék összeszerelése, karbantartása és használatá előtt elolvassa a kézikönyvben található utasításokat.
- Atenție!** Este esențial să citiți instrucțiunile din acest manual înainte de asamblare, efectuarea întreținerii și operarea produsului.
- Uzmanību!** Ir svarīgi izlasīt šīs rokasgrāmatas instrukcijas pirms uzstādīšanas, apkopes un precēs darbināšanas.
- Dėmesio!** Prieš surenkant, prižiūrint ir naudojant gaminį, būtina perskaityti šiąme vadove pateiktus nurodymus.
- Tähtis!** Enne masina kokkupanekut, hooldamist ja kasutama hakkamist tuleb käesolevas juhendis esitatud juhised kindlasti läbi lugeda.
- Upozorenje!** Vrlo je važno da ste prije sklopanja, održavanja i rada s ovim proizvodom pročitali upute u ovom priručniku.
- Pomembno!** Pomembno je da pred montažo vzdrževanjem in uporabo tega izdelka preberete navodila v tem priručniku.
- Upozornenie!** Je dôležité, aby ste si pred montážou, údržbou a obsluhou produktu prečítali pokyny v tomto návode.
- Важно!** Исключительно важно е да прочетете инструкциите в настоящото ръководство, преди да преминете към сглобяване, поддръжка или работа с продукта.
- Важливо!** Дуже важливо, щоб ви прочитали інструкції в цьому керівництві перед складанням, обслуговуванням та експлуатацією цієї машини.
- Dikkat!** Ürünün montajını, bakımını yapmadan ve ürünün çalıştırmadan önce bu kılavuzda yer alan talimatları okumanız önemlidir.
- Προσοχή!** Είναι πολύ σημαντικό να διαβάσετε τις οδηγίες στο παρόν εγχειρίδιο πριν συναρμολογήσετε, συντηρήσετε ή λειτουργήσετε το προϊόν.

Subject to technical modification | Sous réserve de modifications techniques | Technische Änderungen vorbehalten | Bajo reserva de modificaciones técnicas | Con riserva di eventuali modifiche tecniche | Technische wijzigingen voorbehouden | Com reserva de modificações técnicas | Med forbehold for tekniske ændringer | Med förbehåll för tekniska ändringar | Tekniset muutokset varataan | Med forbehold om tekniske endringer | могут быть внесены технические изменения | Z zastrzeżeniem modyfikacji technicznych | Změny technických údajů vyhrazeny | A műszaki módosítás jogát fenntartjuk | Sub rezerva modificărilor tehnice | Paturam tiesības mainīt tehniskos raksturlielumus | Pasiliekan teisę daryti techninius pakeitimus | Tehnilised muudatused võimalikud | Подлежи на технически модификации | Є об'єктом для технічних змін | Teknik değışiklik hakkı saklıdır | Υπό την επιφύλαξη τεχνικών τροποποιήσεων

Safety, performance, and dependability have been given top priority in the design of your angle grinder.

INTENDED USE

The angle grinder is intended to be used only by adults who have read and understood the instructions and warnings in this manual and can be considered responsible for their actions. The angle grinder is designed for grinding and cutting metals only. Only appropriate grinding discs as described in the product specification section of this manual should be fitted to the angle grinder. The angle grinder is designed for handheld use; it is not to be mounted onto a fixture or workbench.

⚠ WARNING

Read all safety warnings and all instructions. Failure to follow the warnings and instructions may result in electric shock, fire and/or serious injury.

Save all warnings and instructions for future reference.

ANGLE GRINDER SAFETY WARNINGS

SAFETY WARNINGS COMMON FOR GRINDING OR ABRASIVE CUTTING-OFF OPERATIONS:

- a) **This power tool is intended to function as a grinder or cut-off tool. Read all safety warnings, instructions, illustrations and specifications provided with this power tool.** Failure to follow all instructions listed below may result in electric shock, fire and/or serious injury.
- b) **Operations such as sanding, wire brushing or polishing are not recommended to be performed with this power tool.** Operations for which the power tool was not designed may create a hazard and cause personal injury.
- c) **Do not use accessories which are not specifically designed and recommended by the tool manufacturer.** Just because the accessory can be attached to your power tool does not assure safe operation.
- d) **The rated speed of the accessory must be at least equal to the maximum speed marked on the power tool.** Accessories running faster than their rated speed can break and fly apart.
- e) **The outside diameter and the thickness of your accessory must be within the capacity rating of your power tool.** Incorrectly sized accessories cannot be adequately guarded or controlled.
- f) **Threaded mounting of accessories must match the grinder spindle thread. For accessories mounted by flanges, the arbour hole of the accessory must fit the locating diameter of the flange.** Accessories that do not match the mounting hardware of the power tool will run out of balance, vibrate excessively and may cause loss of control.
- g) **Do not use a damaged accessory. Before each use inspect the accessory such as abrasive wheels for chips and cracks, backing pad for cracks, tear or excess wear, wire brush for loose or cracked wires. If power tool or accessory is dropped, inspect for damage or install an undamaged accessory. After inspecting and installing an accessory, position yourself and bystanders away from**

the plane of the rotating accessory and run the power tool at maximum no-load speed for one minute. Damaged accessories will normally break apart during this test time.

- h) **Wear personal protective equipment. Depending on application, use face shield, safety goggles or safety glasses. As appropriate, wear dust mask, hearing protectors, gloves and workshop apron capable of stopping small abrasive or workpiece fragments.** The eye protection must be capable of stopping flying debris generated by various operations. The dust mask or respirator must be capable of filtering particles generated by your operation. Prolonged exposure to high intensity noise may cause hearing loss.
- i) **Keep bystanders a safe distance away from work area. Anyone entering the work area must wear personal protective equipment.** Fragments of workpiece or of a broken accessory may fly away and cause injury beyond immediate area of operation.
- j) **Hold the power tool by insulated gripping surfaces only, when performing an operation where the cutting accessory may contact hidden wiring or its own cord.** Cutting accessory contacting a "live" wire may make exposed metal parts of the power tool "live" and could give the operator an electric shock.
- k) **Position the cord clear of the spinning accessory.** If you lose control, the cord may be cut or snagged and your hand or arm may be pulled into the spinning accessory.
- l) **Never lay the power tool down until the accessory has come to a complete stop.** The spinning accessory may grab the surface and pull the power tool out of your control.
- m) **Do not run the power tool while carrying it at your side.** Accidental contact with the spinning accessory could snag your clothing, pulling the accessory into your body.
- n) **Regularly clean the power tool's air vents.** The motor's fan will draw the dust inside the housing and excessive accumulation of powdered metal may cause electrical hazards.
- o) **Do not operate the power tool near flammable materials.** Sparks could ignite these materials.
- p) **Do not use accessories that require liquid coolants.** Using water or other liquid coolants may result in electrocution or shock.

FURTHER SAFETY INSTRUCTIONS FOR ALL OPERATIONS

Kickback and related warnings

Kickback is a sudden reaction to a pinched or snagged rotating wheel, backing pad, brush or any other accessory. Pinching or snagging causes rapid stalling of the rotating accessory, which in turn causes the uncontrolled power tool to be forced in the direction opposite of the accessory's rotation at the point of the binding.

For example, if an abrasive wheel is snagged or pinched by the workpiece, the edge of the wheel that is entering into the pinch point can dig into the surface of the material causing the wheel to climb out or kick out. The wheel may either jump toward or away from the operator, depending on the direction of the wheel's movement at the point of pinching. Abrasive wheels may also break under these conditions.

Kickback is the result of power tool misuse and/or incorrect operating procedures or conditions and can be avoided by taking proper precautions as given below.

- a) **Maintain a firm grip on the power tool and position your body and arm to allow you to resist kickback forces. Always use auxiliary handle, if provided, for maximum control over kickback or torque reaction during start-up.** The operator can control torque reactions or kickback forces, if proper precautions are taken.
 - b) **Never place your hand near the rotating accessory.** Accessory may kickback over your hand.
 - c) **Do not position your body in the area where power tool will move if kickback occurs.** Kickback will propel the tool in direction opposite to the wheel's movement at the point of snagging.
 - d) **Use special care when working corners, sharp edges, etc. Avoid bouncing and snagging the accessory.** Corners, sharp edges or bouncing have a tendency to snag the rotating accessory and cause loss of control or kickback.
 - e) **Do not attach a saw chain woodcarving blade or toothed saw blade.** Such blades create frequent kickback and loss of control.
- b) **Do not position your body in line with and behind the rotating wheel.** When the wheel, at the point of operation, is moving away from your body, the possible kickback may propel the spinning wheel and the power tool directly at you.
 - c) **When wheel is binding or when interrupting a cut for any reason, switch off the power tool and hold the power tool motionless until the wheel comes to a complete stop. Never attempt to remove the cut-off wheel from the cut while the wheel is in motion otherwise kickback may occur.** Investigate and take corrective action to eliminate the cause of wheel binding.
 - d) **Do not restart the cutting operation in the workpiece. Let the wheel reach full speed and carefully re-enter the cut.** The wheel may bind, walk up or kickback if the power tool is restarted in the workpiece.
 - e) **Support panels or any oversized workpiece to minimize the risk of wheel pinching and kickback.** Large workpieces tend to sag under their own weight. Supports must be placed under the workpiece near the line of cut and near the edge of the workpiece on both sides of the wheel.
 - f) **Use extra caution when making a "pocket cut" into existing walls or other blind areas.** The protruding wheel may cut gas or water pipes, electrical wiring or objects that can cause kickback.

ADDITIONAL SAFETY INSTRUCTIONS FOR GRINDING AND CUTTING-OFF OPERATIONS

Safety warnings specific for grinding and abrasive cutting-off operations:

- a) **Use only wheel types that are recommended for your power tool and the specific guard designed for the selected wheel.** Wheels for which the power tool was not designed cannot be adequately guarded and are unsafe.
- b) **The grinding surface of centre depressed wheels must be mounted below the plane of the guard lip.** An improperly mounted wheel that projects through the plane of the guard lip cannot be adequately protected.
- c) **The guard must be securely attached to the power tool and positioned for maximum safety, so the least amount of wheel is exposed towards the operator.** The guard helps to protect the operator from broken wheel fragments, accidental contact with wheel and sparks that could ignite clothing.
- d) **Wheels must be used only for recommended applications. For example: Do not grind with the side of cut-off wheel.** Abrasive cut-off wheels are intended for peripheral grinding, side forces applied to these wheels may cause them to shatter.
- e) **Always use undamaged wheel flanges that are of correct size and shape for your selected wheel.** Proper wheel flanges support the wheel, thus reducing the possibility of wheel breakage. Flanges for cut-off wheels may be different from grinding wheel flanges.
- f) **Do not use worn down wheels from larger power tools.** Wheel intended for larger power tool is not suitable for the higher speed of a smaller tool and may burst.

ADDITIONAL SAFETY WARNINGS SPECIFIC FOR ABRASIVE CUTTING-OFF OPERATIONS

- a) **Do not "jam" the cut-off wheel or apply excessive pressure. Do not attempt to make an**

ANGLE GRINDER SAFETY PRECAUTIONS

- a) Check that the speed marked on the grinding wheel is equal to or greater than the rated speed of the product.
- b) Ensure that the dimensions of the grinding wheel are compatible with the product and that the wheel fits the spindle.
- c) Grinding wheels must be stored in a dry place.
- d) Do not store objects on top of the grinding wheels.
- e) Grinding wheels must not be used for any operation other than grinding.
- f) Grinding wheels must be stored and handled with care in accordance with the manufacturer's instruction.
- g) Inspect the grinding wheel before use to ensure that it is not chipped or cracked. Chips or cracks can cause the wheels to shatter, resulting in possible serious injury.
- h) Ensure that the wheel is fitted in accordance with this manual.
- i) Ensure that the grinding wheel is correctly mounted and tightened before use and run the product at no-load speed for 30 seconds in a safe position. Stop immediately if there is considerable vibration or if other defects are detected. If this condition occurs, check the tool to determine the cause.
- j) Do not use separate reducing bushings or adapters to adapt large hole grinding wheels.
- k) Check that the workpiece is properly supported.
- l) Use only grinding wheels approved by RYOBI.
- m) Ensure that sparks resulting from use do not

create a hazard, e.g., do not hit people, or ignite flammable substances.

- n) Always use protective safety glasses and ear protectors.
- o) Use other personal protective equipment, such as gloves, apron, and helmet, when necessary.
- p) Never place the product on the floor or other surfaces while it is running. Grinding wheels continue to rotate after the product is switched off. Never touch the wheel or place it on the floor or other surfaces while it is rotating.
- q) Use the product only for approved applications. Never use coolants or water or use the tool as a fixed tool.
- r) Grip the product securely with both hands while operating.

RESIDUAL RISKS

Even when the angle grinder is used as prescribed, it is still impossible to completely eliminate certain residual risk factors. The following hazards may arise and the operator should pay special attention to avoid the following:

- Injury caused by thrown-off particles
 - Metal or abrasive particles may enter the eyes and cause severe permanent damage. Wear goggles approved for grinding operations when operating the product.
- Injury caused by vibration
 - Limit exposure. See Risk Reduction.
- Injury caused by dust
 - Wear appropriate dust control mask with filters suitable for protecting against particles from the material being worked on and abrasive particles from the grinding disc. Do not eat, drink, or smoke in the work area. Ensure adequate ventilation.
- Injury from contact with the grinding disc
 - The disc and workpiece will become hot during use. Wear gloves when changing discs or touching workpiece. Keep hands away from the grinding area at all times. Clamp the workpiece whenever possible.
- Injury caused by noise
 - Prolonged exposure to noise will increase the risk of hearing damage, and the effects are cumulative. When using power tools for an extended period of time, wear hearing protection.

RISK REDUCTION

It has been reported that vibrations from handheld tools may contribute to a condition called Raynaud's Syndrome in certain individuals. Symptoms may include tingling, numbness and blanching of the fingers, usually apparent upon exposure to cold. Hereditary factors, exposure to cold and dampness, diet, smoking, and work practices are all thought to contribute to the development of these symptoms. There are measures that can be taken by the operator to possibly reduce the effects of vibration:

- Keep your body warm in cold weather. When operating the product, wear gloves to keep the hands and wrists warm. It is reported that cold weather is a major factor contributing to Raynaud's Syndrome.
- After each period of operation, exercise to increase blood circulation.
- Take frequent work breaks. Limit the amount of

exposure per day.

If you experience any of the symptoms of this condition, immediately discontinue use and see your doctor about these symptoms.

WARNING

Injuries may be caused or aggravated by prolonged use of a tool. When using any tool for prolonged periods, ensure you take regular breaks.

KNOW YOUR PRODUCT

See page 133.

1. Switch button
2. Spindle lock button
3. Guard lever lock
4. Wheel guard assembly
5. Clamp nut
6. Grinding wheel
7. Disc flange
8. Auxiliary handle
9. Wrench
10. Easy fix nut

STARTUP PROTECTION

Machines with a lock-on switch are fitted with a cut-out. This prevents the machine from restarting by itself after a power failure. When resuming work, switch the machine off and then switch it back on again.

MAINTENANCE

WARNING

Do not make any adjustments while the motor is in motion.

The product should never be connected to a power supply when assembling parts, making adjustments, cleaning, performing maintenance, or when the product is not in use. Disconnecting the product will prevent accidental starting that could cause serious injury.

- After use, check the tool to make sure that it is in good condition.
- It is recommended that you take this tool to a Ryobi Authorized Service Center for a thorough cleaning and lubrication at least once a year.
- If the power supply cord is damaged, it must be replaced only by the manufacturer or by an authorized service center to avoid risk. Contact authorized service center.

WARNING

To ensure safety and reliability, all repairs should be performed by an authorised service center or other qualified service organisation.

WARNING

Do not use compressed air to blow dust from the grinder. This practice is dangerous and can cause dirt and grit to be blasted into someone's eyes, causing serious injury.

ENVIRONMENTAL PROTECTION



Recycle raw materials instead of disposing of as waste. The machine, accessories and packaging should be sorted for environmental-friendly recycling.



Waste electrical products should not be disposed of with household waste. Please recycle where facilities exist. Check with your local authority or retailer for recycling advice.

SYMBOLS



Safety Alert

V

Volts

Hz

Hertz

~

Alternating current

W

Watts

n

Rated speed

min⁻¹

Revolutions or reciprocations per minute



Class II tool, double insulation



Please read the instructions carefully before starting the product.



Wear ear protection



Wear eye protection



Wear dust mask.



Do not use chipped, cracked or defective grinding wheel



Not for wet grinding. Using water or other liquid coolants may result in electrocution or shock.



Wear safety hand gloves



Do not use for face grinding.



Wear safety footwear.



Wear eye and ear protection and mask



EurAsian Conformity Mark



CE Conformity



Ukrainian mark of conformity

SYMBOLS IN THIS MANUAL



Connect to the power supply.



Disconnect from the power supply.



Parts or accessories sold separately



Waste electrical products should not be disposed of with household waste. Please recycle where facilities exist.



Lock



Unlock



Note



Warning



Stop the product.

The following signal words and meanings are intended to explain the levels of risk associated with this product:

DANGER

Indicates an imminently hazardous situation, which, if not avoided, will result in death or serious injury.

WARNING

Indicates a potentially hazardous situation, which, if not avoided, could result in death or serious injury.

CAUTION

Indicates a potentially hazardous situation, which, if not avoided, may result in minor or moderate injury.

CAUTION

(Without Safety Alert Symbol) Indicates a situation that may result in property damage.

La plus grande priorité a été donnée à la sécurité, aux performances et à la fiabilité de votre meuleuse d'angle lors de sa conception.

UTILISATION PRÉVUE

Cette meuleuse d'angle est destinée à n'être utilisée que par des adultes ayant lu et compris les instructions et avertissements présents dans ce manuel, et pouvant être considérés responsables de leurs actions. La meuleuse d'angle est uniquement destinée au meulage et à la découpe des métaux. Seuls les disques de meulage appropriés tels que décrits dans le chapitre des caractéristiques du produit de ce manuel doivent être adaptés sur cette meuleuse d'angle. La meuleuse d'angle est conçue pour être tenue à la main; il n'est pas recommandé de la fixer sur un support ou sur un établi.

⚠ AVERTISSEMENT

Lisez tous les avertissements de sécurité et toutes les instructions. Le non respect des avertissements et du mode d'emploi peut entraîner un choc électrique, un incendie et/ou de graves blessures.

Conservez tous les avertissements ainsi que le mode d'emploi pour vous-y reporter dans le futur.

CONSIGNES DE SÉCURITÉ SPÉCIFIQUES AUX MEULEUSES D'ANGLE

AVERTISSEMENTS DE SÉCURITÉ COMMUNS AUX OPÉRATIONS DE DÉCOUPE ET DE MEULAGE

- Le but de cet outil électrique est d'être utilisé comme une meuleuse et comme un outil de découpe. Lisez attentivement l'ensemble des avertissements, instructions et spécifications fournis avec cet outil, et reportez-vous aux illustrations.** Le non-respect des instructions présentées ci-après peut entraîner des accidents tels que des incendies, des chocs électriques et/ou des blessures corporelles graves.
 - Il n'est pas recommandé d'effectuer des opérations telles que le ponçage, le décapage à la brosse métallique et le polissage avec cet outil électrique.** Le non-respect de cette consigne peut entraîner des accidents et des blessures corporelles graves.
 - N'utilisez pas des accessoires qui ne sont pas spécifiquement conçus pour cet outil et qui ne sont pas recommandés par le fabricant** Même si un accessoire peut être monté sur un outil, cela ne garantit pas que vous pourrez utiliser cet outil en toute sécurité.
 - La vitesse nominale de l'accessoire doit être égale ou supérieure à la vitesse maximale indiquée sur l'outil.** Les accessoires fonctionnant à une vitesse supérieure à leur vitesse nominale peuvent se casser et être éjectés.
 - Le diamètre extérieur et l'épaisseur de l'accessoire doivent correspondre aux caractéristiques spécifiées pour l'outil** Si les accessoires ne correspondent pas aux caractéristiques données, les systèmes de protection et de réglage de l'outil ne pourront pas fonctionner correctement.
- La fixation filetée des accessoires doit correspondre au filetage de l'arbre de la meuleuse. Le trou de montage des accessoires se montant par appui sur l'épaulement de l'arbre de la meuleuse doit avoir un diamètre correspondant à l'épaulement.** Les accessoires aux dimensions ne correspondant pas aux éléments de fixation de l'outil électrique entraîneront un balourd, source de vibrations excessives et de perte de contrôle.
 - N'utilisez pas un accessoire endommagé.** Avant chaque utilisation, vérifiez que l'accessoire que vous utilisez est en bon état: assurez-vous que les disques abrasifs ne sont pas ébréchés ou fissurés, que les patins ne sont pas déchirés ou usés, que les poils des brosses métalliques ne sont pas trop usés ou cassés. En cas de chute de l'outil ou d'un accessoire, vérifiez l'absence de dommages et remettez un accessoire en bon état en place au besoin. En cas de chute de l'outil ou de l'accessoire, vérifiez qu'aucun élément n'est endommagé et, si besoin, installez un accessoire neuf. Si l'accessoire est endommagé, il se cassera pendant ce test.
 - Porter des équipements de protection individuelle.** Selon l'utilisation que vous faites de votre outil, portez un masque de protection, des lunettes de sécurité ou des lunettes de protection. Selon l'utilisation que vous faites de votre outil, portez un masque de protection, des lunettes de sécurité ou des lunettes de protection. Si besoin, portez un masque anti-poussière, des protections auditives, des gants et un tablier de protection afin de vous protéger de toute projection de corps étrangers (éléments abrasifs, copeaux de bois, etc.). Les masques anti-poussière permettent de filtrer les particules générées par l'opération que vous menez. Les masques anti-poussière permettent de filtrer les particules générées par l'opération que vous menez.
 - Maintenez les visiteurs à bonne distance de la zone de travail. Maintenez les visiteurs à bonne distance de la zone de travail et veillez à ce qu'ils portent un équipement de protection.** Des fragments de pièce à usiner ou d'un accessoire cassé peuvent être projetés au-delà de la zone de travail et causer des blessures corporelles graves.
 - Ne tenez l'outil que par les parties isolées et antidérapantes lorsque vous travaillez sur une surface pouvant cacher des fils électriques ou lorsque le travail requis est susceptible de placer le cordon d'alimentation sur la trajectoire de l'outil.** Un accessoire de coupe qui entre en contact avec un câble "sous tension" est susceptible de véhiculer le courant électrique vers les parties métalliques de l'outil et de provoquer un choc électrique à l'opérateur.
 - Positionnez le cordon d'alimentation de façon à ce qu'il soit à distance de l'accessoire en rotation.** Si vous perdez le contrôle de votre outil, le cordon d'alimentation pourrait être coupé ou se coincer et votre main ou votre bras pourrait être

entraîné vers l'accessoire en rotation.

- l) **Ne posez jamais votre outil avant que l'accessoire ne soit complètement arrêté.** L'accessoire en rotation pourrait entrer en contact avec la surface sur laquelle il est posé et vous faire perdre le contrôle de l'outil.
- m) **Ne faites pas fonctionner votre outil lorsque vous le transportez.** L'accessoire en rotation pourrait se prendre dans vos vêtements et vous blesser gravement.
- n) **Nettoyez régulièrement les fentes de ventilation de l'outil.** La ventilation du moteur fait pénétrer les poussières à l'intérieur du carter moteur, ce qui peut générer une accumulation excessive de particules métalliques et provoquer des chocs électriques.
- o) **N'utilisez pas votre outil à proximité de produits inflammables.** Des étincelles risqueraient de les enflammer.
- p) **N'utilisez pas d'accessoires nécessitant des fluides de refroidissement.** L'utilisation d'eau ou de liquides de refroidissement peut causer des électrocutions ou des chocs électriques.

CONSIGNES DE SÉCURITÉ SUPPLÉMENTAIRES POUR TOUTES LES OPÉRATIONS

Avertissements relatifs au rebond et autres risques associés

Le rebond est une réaction soudaine qui a lieu lorsque la meule en mouvement, le patin, la brosse ou tout autre accessoire se pince ou se tord, ce qui entraîne le blocage rapide de l'accessoire. L'outil, qui continue à fonctionner, est alors projeté dans la direction opposée au sens d'utilisation de l'accessoire.

Par exemple, si un disque abrasif se coince ou se tord dans la pièce à usiner, le bord du disque qui se fait coincer peut se faire entraîner dans le matériau et provoquer un rebond vers le haut ou vers l'arrière. En cas de rebond, le disque abrasif peut également se casser. Le rebond est donc le résultat d'une mauvaise utilisation de l'outil et/ou de procédures ou de conditions d'utilisation incorrectes.

Le rebond est donc le résultat d'une mauvaise utilisation de l'outil et / ou de procédures ou de conditions d'utilisation incorrectes. Il peut être évité en veillant à respecter quelques précautions:

- a) **Maintenez fermement l'outil et positionnez votre corps et votre bras de façon à pouvoir contrôler un éventuel rebond.** Si l'outil dispose d'une poignée auxiliaire, veillez à toujours la tenir pour avoir un contrôle optimal de l'outil en cas de rebond ou de couple de réaction lors de la mise en marche de l'outil. Prenez les mesures nécessaires afin de pouvoir contrôler votre outil en cas de rebond ou de couple de réaction.
- b) **Ne placez jamais votre main à proximité de l'accessoire en rotation afin d'éviter tout risque de blessures corporelles graves en cas de rebond.** Accessoire risque de rebondir sur votre main.
- c) **Ne vous placez pas dans la zone où l'outil risque d'être projeté en cas de rebond.** En cas de rebond, l'outil est projeté dans la direction opposée au sens de rotation du disque.

- d) **Faites particulièrement attention lorsque vous travaillez sur des angles, des bords tranchants, etc. Évitez de faire déraiper ou de coincer l'accessoire.** Lorsque vous travaillez sur des angles ou des bords tranchants ou lorsque vous faites déraiper l'outil, le risque est plus élevé de bloquer l'accessoire, et donc de perdre le contrôle de l'outil et provoquer un rebond.
- e) **N'utilisez jamais de lame de tronçonneuse à bois ou de lame de scie avec cet outil.** De telles lames augmentent le risque de rebond et de perte de contrôle de l'outil.

AVERTISSEMENTS DE SÉCURITÉ ADDITIONNELS POUR LES OPÉRATIONS DE MEULAGE ET DE DÉCOUPE

Avertissements de sécurité spécifiques aux opérations de découpe et de meulage :

- a) **N'utilisez que des types de meule recommandés pour votre outil électrique ainsi que la protection spécifique à la meule utilisée.** Les disques pour lesquels l'outil électrique n'a pas été prévu ne peuvent pas être protégés de façon adéquate et présentent un danger.
- b) **Les disques ayant en renforcement central doivent être montés de façon que leur surface de meulage se trouve sous le plan du carter de protection.** Un disque monté de façon inadéquate qui dépasse du plan du carter de protection n'est pas protégé de façon correcte.
- c) **La protection doit être bien fixée sur l'outil électrique et positionnée de façon à offrir la meilleure sécurité, afin que la plus petite partie possible de la meule soit dirigée vers l'opérateur.** Le carter de protection aide à protéger l'opérateur des fragments d'une meule qui se brise, du contact accidentel avec la meule et des étincelles susceptibles de mettre le feu aux vêtements.
- d) **Les meules ne doivent être utilisées que dans leur domaine d'application recommandé. Par exemple: N'utilisez pas le flanc d'un disque à tronçonner pour meuler.** Les disques à tronçonner sont conçus pour meuler sur leur périphérie, ils sont susceptibles de se briser si l'on y applique une force latérale.
- e) **Assurez-vous de toujours utiliser des supports de disques en bon état et dont la taille et la forme sont adaptées au disque à utiliser.** Un support de disque adapté maintient le flanc du disque et réduit le risque de bris. Les supports des disques à découper peuvent être différents des supports pour meules.
- f) **N'utilisez pas de disques usés en provenance d'outils plus puissants.** Les meules destinées à un outil plus important ne sont pas adaptées à la vitesse de rotation supérieure d'un petit outil et sont susceptibles d'éclater.

AVERTISSEMENTS DE SÉCURITÉ PARTICULIERS POUR LES OPÉRATIONS DE DÉCOUPE PAR ABRASION

- a) **Ne "coincez" pas le disque de coupe et ne lui appliquez pas de pression excessive. Ne tentez**

pas d'effectuer des découpes d'une profondeur excessive. Un excès de contraintes sur le disque augmente sa charge et risque de le tordre ou de le coincer dans la coupe, ce qui pourrait provoquer un rebond ou un bris du disque.

- b) **Ne positionnez votre corps ni derrière le disque en rotation ni dans son alignement.** Lorsque le disque, au cours du travail, s'éloigne de votre corps, un éventuel rebond pourrait projeter le disque ainsi que l'outil directement vers vous.
- c) **Lorsque le disque se bloque, ou lorsque vous interrompez la coupe pour une raison quelconque, arrêtez l'outil et maintenez-le immobile jusqu'à ce que le disque s'arrête complètement. Ne tentez jamais de retirer le disque à tronçonner de l'élément à couper tant que le disque est en rotation, sous peine de provoquer un effet de rebond.** Si le disque se coince, cherchez-en la cause et prenez les mesures nécessaires pour que cela ne se reproduise plus.
- d) **Ne reprenez pas la coupe dans la pièce à tronçonner. Laissez le disque atteindre sa pleine vitesse et pénétrez à nouveau dans la coupe.** Le disque peut se coincer, être entraîné ou provoquer un rebond si l'outil est redémarré dans la pièce à couper.
- e) **Supportez les panneaux et toutes les pièces de grande dimension pour minimiser les risques de rebond et de pincement du disque.** Les grandes pièces à couper ont tendance à fléchir sous leur propre poids. Les supports doivent être placés sous la pièce à proximité de la ligne de coupe ou près du bord de la pièce de chaque côté du disque.
- f) **Soyez particulièrement attentif lorsque vous effectuez une "coupe en plongée" dans des murs existants ou autres zones aveugles.** Le disque saillant est susceptible de couper les conduites d'eau ou de gaz, les câbles électriques ou des objets pouvant provoquer un rebond.
- h) Assurez-vous que la meule est montée conformément aux instructions du présent manuel.
- i) Assurez-vous avant utilisation que la meule est correctement montée et serrée, puis faites tourner votre outil à vide pendant 30 secondes en l'orientant de telle sorte qu'il ne présente aucun danger. Arrêtez votre outil immédiatement s'il vibre excessivement ou si vous remarquez d'autres problèmes. Dans cette éventualité, contrôlez votre outil pour déterminer la cause du problème.
- j) N'utilisez pas de bagues de réduction ou d'entretoises pour réduire l'alésage de meules à grand alésage.
- k) Vérifiez que la pièce à usiner est correctement maintenue.
- l) Utilisez uniquement des meules recommandées par RYOBI.
- m) Assurez-vous que les étincelles produites par l'utilisation de l'outil ne créent pas de situation dangereuse, par exemple qu'elles ne sont pas projetées sur des personnes ou des substances inflammables.
- n) Veillez à toujours porter des lunettes de protection et des protections auditives.
- o) Si nécessaire, utilisez d'autres équipements de protection tels que des gants, un tablier ou un casque.
- p) Ne posez jamais votre outil sur le sol ou sur d'autres surfaces lorsqu'il est en marche. Attention, la meule tourne par inertie après l'arrêt de l'outil. Vous ne devez jamais ni toucher la meule, ni la poser sur le sol ou d'autres surfaces lorsqu'elle est en rotation.
- q) N'utilisez votre outil que pour les applications pour lesquelles il a été conçu. N'utilisez jamais de fluide de refroidissement ou d'eau. N'utilisez pas votre outil comme un outil fixe.
- r) Lorsque vous utilisez votre outil, tenez-le fermement avec les deux mains.

EN
FR
DE
ES
IT
NL
PT
DA
SV
FI
NO
RU
PL
CS
HU
RO
LV
LT
ET
HR
SL
SK
BG
UK
TR
EL

CONSIGNES DE SÉCURITÉ SPÉCIFIQUES AUX MEULEUSES D'ANGLE

- a) Vérifiez que la vitesse indiquée sur la meule à ébarber est égale ou supérieure à la vitesse nominale de l'outil.
- b) Assurez-vous que le diamètre de la meule à ébarber est compatible avec l'outil et que la meule s'insère correctement sur l'arbre.
- c) Les meules à ébarber doivent être rangées dans un endroit sec.
- d) Ne placez aucun objet sur les meules.
- e) Les meules ne doivent pas être utilisées à d'autres fins que des opérations de meulage.
- f) Les meules doivent être rangées et manipulées avec précaution, conformément aux instructions du fabricant.
- g) Avant d'utiliser la meule, assurez-vous qu'elle n'est pas ébréchée ou fissurée. Si tel est le cas, la meule peut se briser, ce qui peut entraîner des blessures corporelles graves.

RISQUES RÉSIDUELS

Même lorsque le produit est utilisé selon les prescriptions, il reste impossible d'éliminer totalement certains facteurs de risque résiduels. Les dangers suivants risquent de se présenter en cours d'utilisation et l'utilisateur doit prêter particulièrement garde aux points suivants :

- Blessures provoquées par la projection de particules
 - Des particules métalliques ou abrasives sont susceptibles de pénétrer dans les yeux et de provoquer des lésions permanentes. Portez des lunettes de protection agréées pour les opérations de meulage lorsque vous utilisez le produit.
- Blessures dues aux vibrations
 - Limitez l'exposition. Voir "Réduction Des Risques".
- Blessures dues à la poussière
 - Portez un masque antipoussières approprié équipé de filtres adaptés capables de vous protéger contre les poussières en provenance du matériau sur lequel vous travaillez et contre les particules abrasives en provenance du disque de meulage.

Ne mangez pas, de buvez pas, et ne fumez pas dans l'espace de travail. Assurez une ventilation correcte à l'espace de travail.

- Blessures dues au contact avec le disque de meulage
 - Le disque et la pièce à travailler deviennent très chauds en cours de fonctionnement. Portez des gants lorsque vous changez de disque ou que vous touchez la pièce à travailler. Gardez en permanence vos mains éloignées de la zone de meulage. Fixez la pièce à travailler lorsque cela est possible.
- Blessures dues au bruit
 - Une exposition prolongée au bruit augmente le risque d'atteinte auditive, et les effets sont cumulatifs. Lorsque vous utilisez des outils à moteur pendant une longue période de temps, portez une protection auditive.

RÉDUCTION DES RISQUES

Il a été reporté que les vibrations engendrées par les outils à main peuvent contribuer à l'apparition d'un état appelé le Syndrome de Raynaud chez certaines personnes. Les symptômes peuvent comprendre des fourmillements, un engourdissement et un blanchiment des doigts, généralement par temps froid. Des facteurs héréditaires, l'exposition au froid et à l'humidité, le régime alimentaire, le tabagisme et les habitudes de travail peuvent contribuer au développement de ces symptômes. Certaines mesures peuvent être prises par l'utilisateur pour aider à réduire les effets des vibrations:

- Gardez votre corps au chaud par temps froid. Lorsque vous utilisez l'appareil, portez des gants afin de garder vos mains et vos poignets au chaud. Le temps froid est considéré comme un facteur contribuant très largement à l'apparition du Syndrome de Raynaud.
- Après chaque session de travail, pratiquez des exercices qui favorisent la circulation sanguine.
- Faites des pauses fréquentes. Limitez la quantité d'exposition journalière.

Si vous ressentez l'un des symptômes associés à ce syndrome, arrêtez immédiatement le travail et consultez votre médecin pour lui en faire part.

⚠ AVERTISSEMENT

L'utilisation prolongée d'un outil est susceptible de provoquer ou d'aggraver des blessures. Assurez-vous de faire des pauses de façon régulière lorsque vous utilisez tout outil de façon prolongée.

APPRENEZ À CONNAÎTRE VOTRE PRODUIT

Voir la page 133.

1. Bouton interrupteur
2. Bouton de verrouillage de l'arbre
3. Levier de verrouillage de la protection
4. Meule à ébarber
5. Flasque extérieur
6. Ensemble carter de protection du disque
7. Flasque
8. Poignée auxiliaire
9. Clé de service
10. Ecrou flasque à serrage rapide

PROTECTION ANTI-DÉMARRAGE

Les machines avec un interrupteur à verrouillage sont équipées d'un dispositif de coupure. Ceci empêche la machine de redémarrer par elle-même après une coupure de courant. Pour reprendre le travail, arrêtez la machine et mettez-la à nouveau en marche.

ENTRETIEN

⚠ AVERTISSEMENT

N'effectuez aucun réglage lorsque le moteur est en marche.

Le produit ne doit jamais être branché sur une source de courant lorsque vous-y montez des pièces, lorsque vous effectuez des réglages, lorsque vous le nettoyez, lorsque vous l'entretenez, ou lorsque vous ne l'utilisez pas. Le fait de débrancher le produit évitera toute mise en marche accidentelle susceptible de provoquer de graves blessures.

- Après utilisation, assurez-vous que votre outil est en bon état de marche.
- Nous vous recommandons d'apporter votre outil au moins une fois par an dans un Centre Service Agréé Ryobi pour une lubrification et un nettoyage complets.
- Si le câble d'alimentation est endommagé, il ne doit être remplacé que par le fabricant ou par un service après-vente agréé, pour éviter tout danger. Contactez un service après-vente agréé

⚠ AVERTISSEMENT

Pour plus de sécurité et de fiabilité, toutes les réparations doivent être effectuées par un Centre Service Agréé Ryobi.

⚠ AVERTISSEMENT

N'utilisez pas d'air comprimé pour retirer la poussière du produit. Cette pratique est dangereuse et susceptible de projeter des saletés et des poussières et de blesser les yeux de quelqu'un.

PROTECTION DE L'ENVIRONNEMENT



Recyclez les matières premières au lieu de les jeter avec les ordures ménagères. Pour protéger l'environnement, l'outil, les accessoires et les emballages doivent être triés.
















SYMBOLES APPLIQUÉS SUR LE PRODUIT







Alerte de Sécurité

V




Volts

- Hz Hertz
- ~ Courant alternatif
- W Watts
- n Vitesse nominale
- min⁻¹ Nombre de tours ou de mouvements par minute
-  Classe II, isolation double
-  Veuillez lire attentivement les instructions avant de mettre l'appareil en marche.
-  Portez une protection auditive
-  Portez une protection oculaire
-  Portez un masque anti poussières.
-  N'utilisez pas de meule ébréchée, fendue ou défectueuse
-  Ne convient pas au meulage à l'eau. L'utilisation d'eau ou de liquides de refroidissement peut causer des électrocutions ou des chocs électriques.
-  Portez des gants de sécurité
-  Ne pas utiliser pour Surfacer ou ébavurer
-  Portez des chaussures de sécurité.
-  Portez une protection oculaire et auditive ainsi qu'un masque.
-  Marque de qualité EurAsian
-  Conformité CE
-  Marque de conformité ukrainienne
-  Les produits électriques hors d'usage ne doivent pas être jetés avec les ordures ménagères. Recyclez-les par l'intermédiaire des structures disponibles. Contactez les autorités locales pour vous renseigner sur les conditions de recyclage.

SYMBOLES PRÉSENTS DANS LE MANUEL

-  Connexion sur le secteur.
-  Déconnexion du secteur.
-  Pièces détachées et accessoires vendus séparément
-  Les produits électriques hors d'usage ne doivent pas être jetés avec les ordures ménagères. Recyclez-les par l'intermédiaire des structures disponibles.
-  Verrouillage
-  Déverrouillage
-  Note
-  Avertissement
-  Arrêtez le produit.

Les symboles suivants, et les noms qui leur sont associés, permettent d'expliquer les différents niveaux de risques liés à l'utilisation de cet outil :

-  **DANGER**
Imminence d'un danger qui, si l'on n'y prend garde, peut entraîner la mort ou de graves blessures.
-  **AVERTISSEMENT**
Situation potentiellement dangereuse qui, si l'on n'y prend garde, peut entraîner la mort ou des blessures graves.
-  **ATTENTION**
Situation potentiellement dangereuse qui, si l'on n'y prend garde, peut entraîner des blessures moyennes ou légères.
- ATTENTION**
(Sans symbole de sécurité) Indique une situation pouvant provoquer des dommages matériels.

Sicherheit, Leistung und Zuverlässigkeit hatten oberste Priorität bei der Entwicklung Ihres Winkelschleifers.

BESTIMMUNGSGEMÄSSE VERWENDUNG

Der Winkelschleifer ist nur für den Gebrauch durch Erwachsene vorgesehen, die die Bedienungsanleitung gelesen und verstanden haben und als verantwortlich für ihre Handlungen erachtet werden können. Der Winkelschleifer ist nur zum Schleifen und Schneiden von Metallen geeignet. Nur geeignete Schleifscheiben, wie in den Produktdaten dieser Bedienungsanleitung beschrieben, dürfen an den Winkelschleifer montiert werden. Der Winkelschleifer wurde für den Handgebrauch konstruiert; er darf nicht an eine Halterung oder einen Arbeitstisch montiert werden.

⚠️ WARNUNG

Lesen sie alle Sicherheitshinweise und Anweisungen aufmerksam durch. Die Missachtung der nachfolgenden Anweisungen kann zu Unfällen wie Bränden, elektrischen Schlägen und/oder schweren Verletzungen führen.

Bewahren Sie diese Sicherheitshinweise und Anweisungen für einen späteren Gebrauch gut auf.

WINKELSCHLEIFER SICHERHEITSWARNUNGEN

GEMEINSAME SICHERHEITSHINWEISE FÜR SCHLEIF- UND TRENNSCHLEIFARBEITEN

- a) **Dieses Elektrowerkzeug ist zu verwenden als Schleifer und Trennschleifer. Beachten Sie alle Sicherheitshinweise, Anweisungen, Darstellungen und Daten, die Sie mit dem Gerät erhalten.** Wenn Sie die folgenden Anweisungen nicht beachten, kann es zu elektrischem Schlag, Feuer und/oder schweren Verletzungen kommen.
 - b) **Dieses Elektrowerkzeug ist nicht geeignet zum Sandpapierschleifen, Arbeiten mit Drahtbürsten und Polieren.** Verwendungen, für die das Elektrowerkzeug nicht vorgesehen ist, können Gefährdungen und Verletzungen verursachen.
 - c) **Verwenden Sie kein Zubehör, das vom Hersteller nicht speziell für dieses Elektrowerkzeug vorgesehen und empfohlen wurde.** Nur weil Sie das Zubehör an Ihrem Elektrowerkzeug befestigen können, garantiert das keine sichere Verwendung.
 - d) **Die zulässige Drehzahl des Einsatzwerkzeugs muss mindestens so hoch sein wie die auf dem Elektrowerkzeug angegebene Höchstzahl.** Zubehör, das sich schneller als zulässig dreht, kann zerbrechen und umherfliegen.
 - e) **Außendurchmesser und Dicke des Einsatzwerkzeugs müssen den Maßangaben Ihres Elektrowerkzeugs entsprechen.** Falsch bemessene Einsatzwerkzeuge können nicht ausreichend abgeschirmt oder kontrolliert werden.
 - f) **Einsatzwerkzeuge mit Gewindeinsatz müssen genau auf das Gewinde der Schleifspindel passen.** Bei Einsatzwerkzeugen, die mittels Flansch montiert werden, muss der Lochdurchmesser des Einsatzwerkzeuges zum Aufnahmedurchmesser des Flansches passen. Einsatzwerkzeuge, die nicht genau am Elektrowerkzeug befestigt werden, drehen sich ungleichmäßig, vibrieren sehr stark und können zum Verlust der Kontrolle führen.
- g) **Verwenden Sie keine beschädigten Einsatzwerkzeuge. Kontrollieren Sie vor jeder Verwendung Einsatzwerkzeuge wie Schleifscheiben auf Absplitterungen und Risse, Schleifteller auf Risse, Verschleiß oder starke Abnutzung, Drahtbürsten auf lose oder gebrochene Drähte. Wenn das Elektrowerkzeug oder das Einsatzwerkzeug herunterfällt, überprüfen Sie, ob es beschädigt ist, oder verwenden Sie ein unbeschädigtes Einsatzwerkzeug. Wenn Sie das Einsatzwerkzeug kontrolliert und eingesetzt haben, halten Sie und in der Nähe befindliche Personen sich außerhalb der Ebene des rotierenden Einsatzwerkzeugs auf und lassen Sie das Gerät 1 min lang mit Höchstzahl laufen.** Beschädigte Einsatzwerkzeuge brechen meist in dieser Testzeit.
 - h) **Tragen Sie persönliche Schutzausrüstung. Verwenden Sie je nach Anwendung Vollgesichtsschutz, Augenschutz oder Schutzbrille. Soweit angemessen, tragen Sie Staubmaske, Gehörschutz, Schutzhandschuhe oder Spezialschürze, die kleine Schleif- und Materialpartikel von Ihnen fernhalten.** Die Augen sollen vor herumfliegenden Fremdkörpern geschützt werden, die bei verschiedenen Anwendungen entstehen. Staub- oder Atemschutzmaske müssen den bei der Anwendung entstehenden Staub filtern. Wenn Sie lange lautem Lärm ausgesetzt sind, können Sie einen Hörverlust erleiden.
 - i) **Achten Sie bei anderen Personen auf sicheren Abstand zu ihrem Arbeitsbereich. Jeder, der den Arbeitsbereich betritt, muss persönliche Schutzausrüstung tragen.** Bruchstücke des Werkstücks oder gebrochener Einsatzwerkzeuge können wegfiegen und Verletzungen auch außerhalb des direkten Arbeitsbereichs verursachen.
 - j) **Halten Sie das Elektrowerkzeug nur an den isolierten Griffflächen, wenn Sie Arbeiten ausführen, bei denen das Einsatzwerkzeug verborgene Stromleitungen oder das eigene Netzkabel treffen kann.** Der Kontakt mit einer spannungsführenden Leitung kann auch metallene Geräteteile unter Spannung setzen und zu einem elektrischen Schlag führen.
 - k) **Halten Sie das Netzkabel von sich drehenden Einsatzwerkzeugen fern.** Wenn Sie die Kontrolle über das Gerät verlieren, kann das Netzkabel durchtrennt oder erfasst werden und Ihre Hand oder ihr Arm in das drehende Einsatzwerkzeug geraten.
 - l) **Legen Sie das Elektrowerkzeug niemals ab, bevor das Einsatzwerkzeug völlig zum Stillstand gekommen ist.** Das sich drehende Einsatzwerkzeug kann in Kontakt mit der Ablagefläche geraten, wodurch Sie die Kontrolle

über das Elektrowerkzeug verlieren können.

- m) **Lassen Sie das Elektrowerkzeug nicht laufen, während Sie es tragen.** Ihre Kleidung kann durch zufälligen Kontakt mit dem sich drehenden Einsatzwerkzeug erfasst werden und das Einsatzwerkzeug sich in Ihren Körper bohren.
- n) **Reinigen Sie regelmäßig die Lüftungsschlitze Ihres Elektrowerkzeugs.** Das Motorgebläse zieht Staub in das Gehäuse, und eine starke Ansammlung von Metallstaub kann elektrische Gefahren verursachen.
- o) **Verwenden Sie das Elektrowerkzeug nicht in der Nähe brennbarer Materialien.** Funken können diese Materialien entzünden.
- p) **Verwenden Sie keine Einsatzwerkzeuge, die flüssige Kühlmittel erfordern.** Die Verwendung von Wasser oder anderen flüssigen Kühlmitteln kann zu einem elektrischen Schlag führen.

WEITERE SICHERHEITSHINWEISE FÜR ALLE ANWENDUNGEN

Rückschlag und entsprechende Sicherheitshinweise

Rückschlag ist die plötzliche Reaktion infolge eines hakenden oder blockierten drehenden Einsatzwerkzeugs wie Schleifscheibe, Schleifeller, Drahtbürste usw. Verhaken oder Blockieren führt zu einem abrupten Stopp des rotierenden Einsatzwerkzeugs. Dadurch wird ein unkontrolliertes Elektrowerkzeug gegen die Drehrichtung des Einsatzwerkzeugs an der Blockierstelle beschleunigt.

Wenn z. B. eine Schleifscheibe im Werkstück hakt oder blockiert, kann sich die Kante der Schleifscheibe, die in das Werkstück eintaucht, verfangen und dadurch die Schleifscheibe ausbrechen oder einen Rückschlag verursachen. Die Schleifscheibe bewegt sich dann auf die Bedienperson zu oder von ihr weg, je nach Drehrichtung der Scheibe an der Blockierstelle. Hierbei können Schleifscheiben auch brechen.

Ein Rückschlag ist die Folge eines falschen oder fehlerhaften Gebrauchs des Elektrowerkzeugs. Er kann durch geeignete Vorsichtsmaßnahmen, wie nachfolgend beschrieben, verhindert werden.

- a) **Halten Sie das Elektrowerkzeug gut fest und bringen Sie Ihren Körper und Ihre Arme in eine Position, in der Sie die Rückschlagkräfte abfangen können.** Verwenden Sie immer den Zusatzgriff, falls vorhanden, um die größtmögliche Kontrolle über Rückschlagkräfte oder Reaktionsmomente beim Hochlauf zu haben. Die Bedienperson kann durch geeignete Vorsichtsmaßnahmen die Rückschlag- und Reaktionskräfte beherrschen.
- b) **Bringen Sie Ihre Hand nie in die Nähe sich drehender Einsatzwerkzeuge.** Das Einsatzwerkzeug kann sich beim Rückschlag über Ihre Hand bewegen.
- c) **Meiden Sie mit Ihrem Körper den Bereich, in den das Elektrowerkzeug bei einem Rückschlag bewegt wird.** Der Rückschlag treibt das Elektrowerkzeug in die Richtung entgegengesetzt zur Bewegung der Schleifscheibe an der Blockierstelle.
- d) **Arbeiten Sie besonders vorsichtig im Bereich von Ecken, scharfen Kanten usw. Verhindern**

Sie, dass Einsatzwerkzeuge vom Werkstück zurückprallen und verklemmen. Das rotierende Einsatzwerkzeug neigt bei Ecken, scharfen Kanten oder wenn es abprallt dazu, sich zu verklemmen. Dies verursacht einen Kontrollverlust oder Rückschlag.

- e) **Verwenden Sie kein Ketten- oder gezähntes Sägeblatt.** Solche Einsatzwerkzeuge verursachen häufig einen Rückschlag oder den Verlust der Kontrolle über das Elektrowerkzeug.

ZUSÄTZLICHE SICHERHEITSHINWEISE ZUM SCHLEIFEN UND TRENNSCHLEIFEN

Besondere Sicherheitswarnungen zum Schleifen und Trennschleifen:

- a) **Verwenden Sie ausschließlich die für Ihr Elektrowerkzeug zugelassenen Schleifkörper und die für diese Schleifkörper vorgesehene Schutzhaube.** Schleifkörper, die nicht für das Elektrowerkzeug vorgesehen sind, können nicht ausreichend abgeschirmt werden und sind unsicher.
- b) **Gekrüpfte Schleifscheiben müssen so montiert werden, dass ihre Schleiffläche nicht über der Ebene des Schutzhaubenrandes hervorsteht.** Eine unsachgemäß montierte Schleifscheibe, die über die Ebene des Schutzhaubenrandes hinausragt, kann nicht ausreichend abgeschirmt werden.
- c) **Die Schutzhaube muss sicher am Elektrowerkzeug angebracht und für ein Höchstmaß an Sicherheit so eingestellt sein, dass der kleinstmögliche Teil des Schleifkörpers offen zum Bediener zeigt.** Die Schutzhaube hilft, die Bedienperson vor Bruchstücken, zufälligem Kontakt mit dem Schleifkörper sowie Funken, die Kleidung entzünden könnten, zu schützen.
- d) **Schleifkörper dürfen nur für die empfohlenen Einsatzmöglichkeiten verwendet werden. Zum Beispiel: Schleifen Sie nie mit der Seitenfläche einer Trennscheibe.** Trennscheiben sind zum Materialabtrag mit der Kante der Scheibe bestimmt. Seitliche Krafteinwirkung auf diese Schleifkörper kann sie zerbrechen.
- e) **Verwenden Sie immer unbeschädigte Spannflansche in der richtigen Größe und Form für die von Ihnen gewählte Schleifscheibe.** Geeignete Flansche stützen die Schleifscheibe und verringern so die Gefahr eines Schleifscheibenbruchs. Flansche für Trennscheiben können sich von den Flanschen für andere Schleifscheiben unterscheiden.
- f) **Verwenden Sie keine abgenutzten Schleifscheiben von größeren Elektrowerkzeugen.** Schleifscheiben für größere Elektrowerkzeuge sind nicht für die höheren Drehzahlen von kleineren Elektrowerkzeugen ausgelegt und können brechen.

ZUSÄTZLICHE SICHERHEITSHINWEISE SPEZIELL FÜR TRENNSCHLEIFARBEITEN

- a) **Vermeiden Sie ein Blockieren der Trennscheibe oder zu hohen Anpressdruck. Führen Sie keine übermäßig tiefen Schnitte aus.** Eine Überlastung

EN
FR
DE
ES
IT
NL
PT
DA
SV
FI
RU
NO
PL
CS
HU
RO
LV
LT
ET
HR
SL
SK
BG
UK
TR
EL

der Trennscheibe erhöht deren Beanspruchung und die Anfälligkeit zum Verkanten oder Blockieren und damit die Möglichkeit eines Rückschlags oder Schleifkörperbruchs.

- b) **Meiden Sie den Bereich vor und hinter der rotierenden Trennscheibe.** Wenn Sie die Trennscheibe im Werkstück von sich weg bewegen, kann im Falle eines Rückschlags das Elektrowerkzeug mit der sich drehenden Scheibe direkt auf Sie geschleudert werden.
- c) **Falls die Trennscheibe verklemmt oder Sie die Arbeit unterbrechen, schalten Sie das Gerät aus und halten Sie es ruhig, bis die Scheibe zum Stillstand gekommen ist. Versuchen Sie nie, die noch laufende Trennscheibe aus dem Schnitt zu ziehen, sonst kann ein Rückschlag erfolgen.** Ermitteln und beheben Sie die Ursachen für das Verklemmen.
- d) **Schalten Sie das Elektrowerkzeug nicht wieder ein, solange es sich im Werkstück befindet. Lassen Sie die Trennscheibe erst Ihre voll Drehzahl erreichen, bevor Sie den Schnitt vorsichtig fortsetzen.** Anderenfalls kann die Scheibe verhaken, aus dem Werkstück springen oder einen Rückschlag verursachen.
- e) **Stützen Sie Platten und große Werkstücke ab, um das Risiko eines Rückschlags durch eine eingeklemmte Trennscheibe zu vermindern.** Große Werkstücke können sich unter ihrem eigenen Gewicht durchbiegen. Das Werkstück muss auf beiden Seiten der Scheibe abgestützt werden, und zwar sowohl in der Nähe des Trennschnitts als auch an der Kante.
- f) **Seien Sie besonders vorsichtig bei "Tauschnitten" in bestehenden Wänden oder in andere nicht einsehbare Bereiche.** Die eintauchende Trennscheibe kann beim Schneiden in Gas- und Wasserleitungen, elektrische Leitungen oder andere Objekte einen Rückschlag verursachen.
- h) Vergewissern Sie sich, dass die Schleifscheibe gemäß den Anweisungen der vorliegenden Bedienungsanleitung montiert ist.
- i) Vergewissern Sie sich vor der Verwendung, dass die Schleifscheibe korrekt montiert und angezogen ist, und lassen Sie Ihr Gerät dann während 30 Sekunden ohne Belastung laufen; halten Sie das Gerät dabei so, dass keine gefährliche Situation auftritt. Schalten Sie das Gerät sofort aus, wenn es zu stark vibriert oder wenn Sie andere Probleme feststellen. Kontrollieren Sie in diesem Fall Ihr Gerät, um die Ursache des Problems festzustellen.
- j) Verwenden Sie keine Reduzierringe oder Zwischenstücke, um die Bohrung von Schleifscheiben mit zu großer Bohrung zu verkleinern.
- k) Prüfen Sie, ob das zu bearbeitende Werkstück korrekt befestigt ist.
- l) Verwenden Sie nur von RYOBI empfohlene Schleifscheiben.
- m) Vergewissern Sie sich, dass die bei der Verwendung des Geräts erzeugten Funken keine gefährlichen Situationen herbeiführen, wie z. B. dass diese nicht auf Personen oder entzündliche Substanzen spritzen.
- n) Tragen Sie stets eine Schutzbrille und einen Gehörschutz.
- o) Verwenden Sie falls erforderlich andere Schutzausrüstungen, wie z. B. Handschuhe, eine Schürze oder einen Helm.
- p) Stellen Sie Ihr Gerät niemals auf den Boden oder auf andere Flächen, während es in Betrieb ist. Beachten Sie, dass die Schleifscheibe nach dem Ausschalten erst nach einigen Momenten zu einem vollständigen Stillstand kommt. Sie dürfen die Schleifscheibe niemals berühren oder auf den Boden oder andere Flächen stellen, während sie rotiert.
- q) Verwenden Sie Ihr Gerät nur für die Anwendungen, für die es entwickelt wurde. Setzen Sie Ihr Gerät niemals als ein stationäres Gerät ein. Verwenden Sie niemals Kühlflüssigkeit oder Kühlwasser.
- r) Halten Sie Ihr Gerät bei der Verwendung fest mit beiden Händen.

SPEZIFISCHE SICHERHEITSVORSCHRIFTEN FÜR WINKELSCHLEIFER

- a) Prüfen Sie, ob die auf der Schleifscheibe angegebene Höchstzahl mindestens der Nennzahl des Geräts entspricht.
- b) Vergewissern Sie sich, dass der Durchmesser der Schleifscheibe dem Gerät entspricht und dass die Schleifscheibe einwandfrei auf der Welle sitzt.
- c) Die Schleifscheiben müssen an einem trockenen Ort aufbewahrt werden.
- d) Stellen Sie kein Objekt auf die Schleifscheiben.
- e) Die Schleifscheiben dürfen ausschließlich zu Schleifarbeiten verwendet werden.
- f) Die Schleifscheiben müssen aufgeräumt und vorsichtig gehandhabt werden (entsprechend den Angaben des Herstellers).
- g) Vergewissern Sie sich vor Verwendung der Schleifscheibe, dass diese keine ausgebrochenen Stellen oder Risse aufweist. Falls dies der Fall ist, kann die Scheibe brechen und dies kann zu schweren Körperverletzungen führen.

RESTRISIKEN

Auch wenn das Produkt wie vorgeschrieben benutzt wird, ist es unmöglich ein gewisses Restrisiko vollständig auszuschließen. Die folgenden Gefahren können bei der Benutzung entstehen, und der Benutzer sollte besonders auf folgende Punkte achten:

- Verletzungen durch geschleuderte Gegenstände
 - Metall oder Schleifpartikel können in die Augen dringen und schwere, dauerhafte Schäden verursachen. Tragen Sie eine Schutzbrille bei Schleifarbeiten, wenn Sie das Produkt benutzen.
- Durch Vibrationen verursachte Verletzungen.
 - Begrenzen Sie die Belastung. Siehe "Risikoverringerung".
- Durch Staub verursachte Verletzungen.
 - Tragen Sie eine angemessene Staubschutzmaske

EN
FR
DE
ES
IT
NL
PT
DA
SV
FI
NO
RU
PL
CS
HU
RO
LV
LT
ET
HR
SL
SK
BG
UK
TR
EL

mit geeigneten Filtern, die Sie vor dem Staub des bearbeiteten Materials und Schleifpartikeln der Schleifscheibe schützt. Essen, trinken oder rauchen Sie nicht in dem Arbeitsbereich. Sorgen Sie für ausreichende Belüftung des Arbeitsbereichs.

- Verletzungen durch Kontakt mit der Schleifscheibe.
 - Die Schleifscheibe und das Werkstück werden bei der Benutzung heiß. Tragen Sie Handschuhe, wenn Sie die Scheibe wechseln oder das Werkstück berühren. Halten Sie Ihre Hände immer von dem Schleifbereich fern. Klemmen Sie das Werkstück wann immer möglich fest.
- Durch Lärm verursachte Verletzungen.
 - Längere Lärmbelastung erhöht die Gefahr von Gehörschaden und der Effekt ist kumulativ. Lärm kann das Gehör schädigen. Tragen Sie einen Gehörschutz, wenn Sie Elektrowerkzeuge für längere Zeit benutzen.

RISIKOVERRINGERUNG

Vibrationen von in der Hand gehaltenen Werkzeugen können bei einigen Personen zu einem Zustand, der Raynaud-Syndrom genannt wird, führen. Symptome sind u.a. Kribbeln, Taubheitsgefühl und episodische Weißfärbung der Finger und treten normalerweise bei Kälte auf. Man geht davon aus, dass ererbte Faktoren, Kälte und Feuchtigkeit, Essgewohnheiten, Rauchen und Arbeitsweise zur Entwicklung dieser Symptome beitragen. Der Anwender kann Maßnahmen ergreifen, um die Auswirkungen der Vibrationen möglicherweise zu verringern:

- Halten Sie den Körper bei Kälte warm. Tragen Sie beim Betrieb des Geräts Handschuhe, um Hände und Handgelenke warm zu halten. Berichten zu Folge ist kaltes Wetter ein wesentlicher Faktor, der zum Raynaud Syndrom beiträgt.
- Betätigen Sie sich nach jedem Einsatz körperlich, um den Blutkreislauf zu steigern.
- Machen Sie regelmäßig Pausen. Beschränken Sie die Beanspruchung pro Tag.

Sollten bei Ihnen eines der zuvor beschriebenen Symptome / Zustände auftreten, stellen Sie unverzüglich den Betrieb ein und suchen Sie bezüglich der Symptome einen Arzt auf.

⚠ WARNUNG

Verletzungen können durch lange Benutzung eines Werkzeugs entstehen oder verschlimmert werden. Machen Sie regelmäßig Pause, wenn Sie ein Werkzeug für lange Zeit benutzen.

MACHEN SIE SICH MIT IHREM PRODUKT VERTRAUT

Siehe Seite 133.

1. Ein-/ Ausschalter
2. Spindel-Arretierung
3. Arretierung Schutzhaube
4. Schleifscheibe
5. Spannflansch
6. Schutzhaube
7. Aufnahme-Flansch

8. Zusatzhandgriff
9. Zwei-Loch-Schlüssel
10. Schnellspann-Mutter

WIEDERANLAUFSCHTZ

Maschinen mit einem Verriegelungsschalter sind mit einem Sicherheitsschalter ausgestattet. Dadurch wird verhindert, dass die Maschine nach einem Stromausfall von alleine wieder startet. Wenn Sie die Arbeit wieder aufnehmen, schalten Sie die Maschine aus und dann wieder an.

WARTUNG UND PFLEGE

⚠ WARNUNG

Nehmen sie keine Einstellungen vor, während der Motor in Betrieb ist.

Das Produkt sollte niemals an das Stromnetz angeschlossen sein, wenn Sie Teile zusammenbauen, Einstellungen vornehmen, Reinigen, Wartungsarbeiten durchführen, oder wenn das Produkt nicht benutzt wird. Trennen des Produktes vom Stromnetz verhindert ein unbeabsichtigtes Einschalten, das schwere Verletzungen verursachen könnte.

- Vergewissern Sie sich nach der Verwendung, dass Ihr Gerät in einwandfreiem Zustand ist.
- Es empfiehlt sich, Ihr Gerät mindestens einmal pro Jahr zu einem autorisierten Ryobi-Kundendienst zu bringen, um es komplett zu schmieren und zu reinigen.
- Falls das Stromkabel beschädigt sein sollte, darf es, um jegliche Risiken zu vermeiden, ausschließlich durch den Hersteller oder ein autorisiertes Kundendienstzentrum ausgetauscht werden. Kontaktieren Sie Ihren autorisierten Kundendienst

⚠ WARNUNG

Für eine höhere Sicherheit und Zuverlässigkeit müssen alle Reparaturen von einem autorisierten Ryobi-Kundendienst durchgeführt werden.

⚠ WARNUNG
















Benutzen Sie keine Druckluft, um Staub von dem Produkt zu entfernen. Diese Vorgehensweise ist gefährlich und kann Schmutz und Späne wegblasen und die Augen einer Person verletzen.

UMWELTSCHUTZ



Recyceln Sie die Rohstoffe, anstatt sie im Haushaltsabfall zu entsorgen. Zum Schutz der Umwelt müssen das Gerät, die Zubehörteile und die Verpackungen getrennt entsorgt werden.

SYMBOLLE AUF DEM PRODUKT

	Sicherheitswarnung
V	Volt
Hz	Hertz
~	Wechselstrom
W	Watt
n	Nennrehzahl
min ⁻¹	Anzahl Umdrehungen oder Bewegungen pro Minute
	Klasse II - Gerät, Doppelisolierung
	Bitte lesen Sie die Anweisungen sorgfältig durch, bevor Sie das Produkt einschalten.
	Gehörschutz tragen
	Augenschutz tragen
	Tragen Sie eine Staubschutzmaske.
	Benutzen Sie keine angeschlagene, gebrochene oder defekte Schleifscheibe
	Nicht zum Nassschleifen geeignet. Die Benutzung von Wasser oder Kühlfüssigkeiten kann elektrische Schläge oder Elektroschocks verursachen.
	Tragen Sie Sicherheitshandschuhe
	Nicht zulässig für Seitenschleifen
	Tragen Sie Sicherheitsschuhe.
	Tragen Sie Augen- und Gehörschutz und eine Maske.
	EurAsian Konformitätszeichen
	CE-Konformität
	Ukrainisches Prüfzeichen



Elektrische Geräte sollten nicht mit dem übrigen Müll entsorgt werden. Bitte entsorgen Sie diese an den entsprechenden Entsorgungsstellen. Wenden Sie sich an die örtliche Behörde oder Ihren Händler, um Auskunft über die Entsorgung zu erhalten.

SYMBOLLE IN DER BEDIENUNGSANLEITUNG

	An das Stromnetz anschließen.
	Von dem Stromnetz trennen.
	Teile oder Zubehör getrennt erhältlich
	Elektrische Geräte sollten nicht mit dem übrigen Müll entsorgt werden. Bitte entsorgen Sie diese an den entsprechenden Entsorgungsstellen.
	Sperren
	Öffnen
	Bitte beachten
	Warnung
	Stoppen des Produktes.

Mit den folgenden Symbolen wird die Bedeutung der verschiedenen Risikostufen, die mit dem Produkt einhergehen, dargestellt:

GEFAHR

Bezeichnet eine unmittelbare Gefahrensituation, die, falls nicht vermieden, zum Tode oder schweren Verletzungen führen kann.

WARNUNG

Bezeichnet eine mögliche Gefahrensituation, die, falls nicht vermieden, zum Tode oder schweren Verletzungen führen kann.

ACHTUNG

Bezeichnet eine mögliche Gefahrensituation, die, falls nicht vermieden, zu kleineren und mittleren Verletzungen führen kann.

ACHTUNG

(Ohne Warnsymbol) weist auf eine Situation hin, die zu Sachschaden führen kann.

Seguridad, desempeño y fiabilidad han sido las prioridades en el diseño de su amoladora angular.

USO PREVISTO

Su amoladora angular está diseñada para ser utilizado por adultos que hayan leído y comprendido las instrucciones y advertencias recogidas en este manual y que puedan ser considerados responsables de sus acciones. La amoladora angular está diseñada para solamente para amolar y cortar metales. Solo deben utilizarse los discos de corte adecuados descritos en la sección de especificaciones del producto de este manual con la amoladora angular. La amoladora angular está diseñada para uso manual; no debe montarse en una base fija o banco de trabajo.

⚠ ADVERTENCIA

Lea detenidamente todas las advertencias y todas las instrucciones. El incumplimiento de las instrucciones que se indican a continuación puede ocasionar diversos accidentes como incendios, descargas eléctricas y/o graves heridas corporales.

Guarde estas advertencias e instrucciones para poder consultarlas posteriormente.

ADVERTENCIAS DE SEGURIDAD DE LA REBARBADORA

ADVERTENCIAS COMUNES DE SEGURIDAD PARA OPERACIONES DE CORTE ABRASIVO Y ESMERILADO

- a) Esta herramienta está destinada a funcionar como una herramienta de corte y esmerilado. Lea atentamente todas las advertencias, instrucciones y especificaciones suministradas con la herramienta, y consulte las ilustraciones. El incumplimiento de las instrucciones que se indican a continuación puede ocasionar diversos accidentes como incendios, descargas eléctricas y/o graves heridas corporales.
 - b) Se recomienda no realizar operaciones de lijado, cepillado con alambre o pulido con esta herramienta eléctrica. El incumplimiento de esta instrucción puede ocasionar accidentes y graves heridas corporales.
 - c) No utilice accesorios que no han sido específicamente diseñados para esta herramienta y que no han sido recomendados por el fabricante. Aun cuando pueda montar un accesorio en una herramienta, esto no le garantiza que pueda utilizar la herramienta con total seguridad.
 - d) La velocidad nominal del accesorio debe ser igual o superior a la velocidad máxima indicada en la herramienta. Los accesorios que funcionen a una velocidad superior a su velocidad nominal pueden romperse y resultar proyectados de la herramienta.
 - e) El diámetro exterior y el grosor del accesorio deben corresponder a las características especificadas para la herramienta. Si los accesorios no corresponden a las características indicadas, los sistemas de protección y ajuste de la herramienta no podrán funcionar correctamente.
- f) El montaje roscado de accesorios debe encajar en las roscas del eje de la amoladora. Para accesorios montados mediante salientes, el orificio del árbol del accesorio debe encajar en el diámetro correspondiente del saliente. Los accesorios que no encajen con el equipo de montaje de la herramienta se desequilibrarán, vibrarán en exceso y podrán dar lugar a una pérdida de control.
 - g) No utilice accesorios deteriorados. Antes de cada utilización, compruebe que el accesorio que va a utilizar se encuentra en buenas condiciones: compruebe que los discos abrasivos no están mellados o agrietados, que los patines no están desgarrados o gastados, que las cerdas de los cepillos metálicos no están demasiado gastadas o rotas. Si se cae la herramienta eléctrica o el accesorio, compruebe que ningún elemento está deteriorado o instale un accesorio nuevo. Después de comprobar que el accesorio se encuentra en buenas condiciones y una vez que lo haya montado, manténgase a distancia del accesorio móvil y deje que la herramienta alcance su velocidad máxima durante un minuto. Si el accesorio está dañado, se romperá al realizar esta prueba.
 - h) Use el equipo de protección personal. En función del uso que haga de la herramienta, lleve una máscara de protección, gafas de seguridad o de protección. Si fuera necesario, lleve una mascarilla antipolvo, protecciones auditivas, guantes y un delantal de protección para protegerse de las proyecciones de cuerpos extraños (elementos abrasivos, virutas de madera, etc.). Las gafas de protección permiten evitar las proyecciones de residuos que pueden dañar los ojos. Las mascarillas antipolvo permiten filtrar las partículas producidas por la operación que está realizando. La exposición prolongada a ruidos de fuerte intensidad puede causar una pérdida de audición.
 - i) Mantenga a las demás personas a una distancia prudente de la zona de trabajo y cerciórese de que lleven un equipo de protección. Cualquiera que entre en el área de trabajo debe utilizar equipo de protección personal. Fragmentos de la pieza trabajada o de un accesorio roto pueden resultar proyectados más allá de la zona de trabajo y causar heridas graves.
 - j) Sujete la máquina por la parte engomada cuando trabaje en una superficie debajo de la cual puedan pasar cables eléctricos o cuando el trabajo que desee realizar puede hacer que el cable de alimentación esté en la trayectoria de la máquina. El accesorio de corte que esté en contacto con un cable "vivo" puede transmitir corriente a las piezas metálicas de la herramienta que estén expuestas y el operador podría sufrir

una descarga eléctrica.

- k) **Coloque el cable de alimentación de manera que esté alejado del accesorio en movimiento.** Si pierde el control de la herramienta, el cable de alimentación puede cortarse o atascarse, y su mano o su brazo puede ser arrastrado hacia el accesorio en movimiento.
- l) **No deje nunca la herramienta hasta que el accesorio se haya detenido completamente.** El accesorio en movimiento puede entrar en contacto con la superficie donde lo ha dejado y hacerle perder el control de la herramienta.
- m) **No transporte la herramienta mientras está funcionando.** El accesorio en movimiento podría engancharse en su ropa y causarle heridas graves.
- n) **Limpie con frecuencia las ranuras de ventilación de la herramienta.** La ventilación del motor arrastra el polvo hacia el cárter del motor, lo que puede producir una acumulación excesiva de partículas metálicas y provocar descargas eléctricas.
- o) **No utilice la herramienta cerca de productos inflamables.** Las chispas podrían provocar un incendio.
- p) **No utilice accesorios que requieran el uso de fluidos de refrigeración.** El uso de agua o de líquidos de refrigeración puede provocar electrocuciones o descargas eléctricas.

INSTRUCCIONES ADICIONALES DE SEGURIDAD PARA TODAS LAS OPERACIONES

Advertencias de rebote y similares

El rebote es una reacción brusca que se produce al atascarse o engancharse el accesorio, como un disco de amolar, plato lijador, cepillo de alambre, etc. Al atascarse o engancharse el accesorio en funcionamiento, éste es frenado bruscamente. Ello puede hacer que pierda el control de la herramienta eléctrica y hacer que ésta salga impulsada en dirección opuesta al sentido de giro que tenía el accesorio.

En el caso de que por ejemplo, un disco amolador se atasque o bloquee en la pieza de trabajo, puede suceder que el canto del accesorio que penetra en el material se enganche, provocando la rotura del accesorio o el rebote del aparato. Según el sentido de giro y la posición del accesorio en el momento de bloquearse puede que éste resulte despedido hacia, o en sentido opuesto al usuario. En estos casos puede suceder que el accesorio incluso llegue a romperse.

Por lo tanto, el rebote es el resultado de una mala utilización de la máquina y/o de procedimientos o condiciones de corte incorrectas.

- a) **Sostenga firmemente la herramienta y mantenga el cuerpo y el brazo de manera que pueda controlar un posible rebote. Si la herramienta cuenta con una empuñadura auxiliar, sosténgala siempre para tener un óptimo control de la herramienta en caso de producirse algún rebote o par de reacción al poner en marcha la herramienta.** Adopte las medidas necesarias para poder controlar la

herramienta en caso de producirse algún rebote o par de reacción.

- b) **No coloque nunca las manos cerca del accesorio en movimiento para evitar el riesgo de heridas graves en caso de producirse algún rebote.** Accesorio puede rebotar contra su mano.
- c) **No se ponga en la zona donde la herramienta puede resultar expulsada si se produce algún rebote.** De producirse algún rebote, la herramienta sería expulsada en el sentido opuesto al sentido de rotación del disco.
- d) **Preste especial atención cuando trabaje en ángulos, bordes cortantes, etc. Evite que el accesorio resbale o se atasque.** Cuando trabaja en ángulos o bordes cortantes o cuando la herramienta resbala, aumenta el riesgo de bloqueo del accesorio, lo que le puede hacer perder el control de la herramienta y provocar un rebote.
- e) **No utilice nunca hojas de tronzadoras de madera u hojas de sierra con esta herramienta.** Este tipo de hojas aumenta el riesgo de rebote y de pérdida de control de la herramienta.

INSTRUCCIONES ADICIONALES DE SEGURIDAD PARA OPERACIONES DE AMOLADO Y CORTE.

Advertencias de seguridad específicas de las operaciones de trituración y de corte:

- a) **Utilice sólo los tipos de disco recomendados para esta herramienta eléctrica y la protección específica diseñada para el disco seleccionado.** Los discos para los que la herramienta no ha sido diseñada no pueden ser adecuadamente protegidos y suponen un riesgo.
- b) **La superficie de corte de los discos hundidos en el centro debe montarse por debajo del plano del borde de la cubierta.** Un disco mal montado que se proyecta en el plano del borde de la cubierta no puede protegerse correctamente.
- c) **La protección debe estar firmemente sujeta a la herramienta y colocada para una seguridad máxima, de forma que se exponga la menor cantidad de disco hacia el operador.** La protección ayuda al operador a protegerse de fragmentos de rueda rotos, del contacto accidental con la rueda y de chispas que puedan incendiar la ropa.
- d) **Los discos sólo deben utilizarse para las aplicaciones recomendadas. Por ejemplo: No afile con el disco de corte lateral.** Los discos abrasivos de corte están destinados a las fuerzas laterales, de afilado periférico; si se aplican a estos discos puede hacer que se rompan.
- e) **Utilice siempre bridas en perfecto estado que tengan el tamaño la y forma correctos para el disco seleccionado.** Las bridas adecuadas soportan el disco, reduciendo así la posibilidad de rotura del mismo. Las bridas para discos tronzadores pueden ser diferentes de aquellas para los discos de amolar.
- f) **No use discos desgastados de herramientas**

de mayor potencia. Los discos diseñados para herramientas eléctricas más grandes no son adecuados para una velocidad más alta de las herramientas más pequeñas y podrían romperse.

ADVERTENCIAS DE SEGURIDAD ADICIONALES ESPECÍFICAS PARA OPERACIONES DE CORTE ABRASIVO

- a) **Procure no "atascar" el disco de corte o aplicar una presión excesiva. No trate de hacer una excesiva profundidad de corte.** La sobrecarga del disco aumenta la carga y la susceptibilidad a la torsión o al atasco del disco en el corte y la posibilidad de contragolpes o rotura del disco.
 - b) **No coloque su cuerpo en línea con o detrás del disco giratorio.** Cuando el disco está en funcionamiento y se aleja de su cuerpo, un posible contragolpe podría proyectar el disco giratorio y la herramienta en dirección a usted.
 - c) **Cuando el disco se bloquee, o cuando se interrumpe un corte por cualquier razón, apague la herramienta y manténgala inmóvil hasta que el disco se detenga por completo. Nunca trate de quitar el disco del corte mientras que la rueda esté en movimiento, ya que podría provocar un rebote.** Si el disco se atasca, averigüe la causa del problema y tome las medidas necesarias para que no se repita.
 - d) **No reinicie la operación de corte en la pieza de trabajo. Deje que el disco alcance la máxima velocidad y con cuidado vuelva a introducir la herramienta para realizar el corte.** El disco se puede doblar, saltar o rebotar si la herramienta se vuelve a arrancar en la pieza de trabajo.
 - e) **Apoye los paneles o cualquier pieza de gran tamaño para minimizar el riesgo de que se atasque el disco o de que la unidad rebote.** Las piezas de trabajo grandes tienden a hundirse por su propio peso. Los soportes deben colocarse bajo la pieza de trabajo cerca de la línea de corte y cerca del borde de la pieza de trabajo a ambos lados del disco.
 - f) **Tenga mucho cuidado al hacer un "corte de bolsillo" en paredes u otras superficies similares.** El disco que sobresale puede cortar tuberías de gas o agua, cables eléctricos u objetos que pueden causar un efecto rebote.
- e) Los discos sólo se deben utilizar para las operaciones de pulido o esmerilado.
 - f) Los discos se guardarán y manipularán con precaución, de conformidad con las instrucciones del fabricante.
 - g) Antes de utilizar el disco para desbarbar, cerciórese de que no esté mellado o fisurado. De ser así, el disco podría quebrarse produciendo graves heridas.
 - h) Cerciórese de que el disco esté montado de acuerdo a las instrucciones de este manual.
 - i) Antes de utilizarlo, compruebe que el disco esté correctamente montado y apretado y, después, haga girar la herramienta en vacío durante 30 segundos orientándola de forma que no represente ningún peligro. Pare inmediatamente la herramienta si vibra excesivamente o si observa otros problemas. En este caso, contrólela para determinar la causa de dicho problema.
 - j) No utilice anillos de reducción o distanciadores para reducir el diámetro interior de algunos discos.
 - k) Verifique que la pieza trabajada esté bien sujeta.
 - l) Utilice únicamente los discos recomendados por RYOBI.
 - m) Compruebe que las chispas producidas por la utilización de la herramienta no crean una situación peligrosa, por ejemplo que no se proyectan sobre personas o sustancias inflamables.
 - n) Utilice gafas de protección y dispositivos de protección auditiva.
 - o) Si fuera necesario, utilice otros equipos de protección como guantes, delantales o cascos.
 - p) No ponga nunca la herramienta en el suelo o sobre otras superficies cuando esté en marcha. Atención, la muela sigue girando por inercia después de que se pare la herramienta. No debe tocar nunca la muela, ni ponerla en el suelo o sobre otras superficies cuando esté girando.
 - q) Utilice el aparato únicamente para aquellos trabajos para los que ha sido diseñado. No utilice nunca fluido de refrigeración o agua. No utilice la herramienta como una herramienta fija.
 - r) Cuando ponga la herramienta en marcha, sujétela bien con las dos manos.

EN
FR
DE
ES
IT
NL
PT
DA
SV
FI
NO
RU
PL
CS
HU
RO
LV
LT
ET
HR
SL
SK
BG
UK
TR
EL

CONSIGNAS DE SEGURIDAD ESPECÍFICAS PARA LAS AMOLADORAS DE ÁNGULO

- a) Verifique que la velocidad indicada en el disco para desbarbar sea igual o superior a la velocidad nominal de la herramienta.
- b) Compruebe que el diámetro del disco para desbarbar sea compatible con la herramienta y que se inserte correctamente en el árbol.
- c) Los discos para desbarbar deben guardarse en un lugar seco.
- d) No coloque ningún objeto sobre los discos.

RIESGOS RESIDUALES

Incluso cuando se utiliza el producto según las instrucciones, sigue siendo imposible eliminar por completo ciertos factores de riesgo residuales. Pueden surgir los siguientes riesgos durante el uso y el operador debe prestar especial atención para evitar lo siguiente:

- Lesiones causadas por partículas proyectadas.
 - Metal o partículas abrasivas pueden entrar en los ojos y causar daño permanente grave. Utilice gafas aprobadas para tareas de amolado al utilizar el producto.

- Lesiones por vibración
 - Limite la exposición. Consulte el apartado "Reducción De Riesgos".
- Lesiones causadas por el polvo
 - Use las correspondientes mascarillas antipolvo con filtros adecuados que puedan protegerlo contra el polvo del material de trabajo y las partículas abrasivas del disco de corte. No comer, beber o fumar en el área de trabajo. Asegure una ventilación adecuada del lugar de trabajo.
- Lesiones por contacto con el disco de corte
 - El disco y la pieza de trabajo se calentarán durante el uso. Utilice guantes al cambiar los discos o al tocar la pieza de trabajo. Mantenga las manos alejadas de la zona de amolado en todo momento. Sujete la pieza de trabajo siempre que sea posible.
- Lesiones causadas por el ruido
 - La exposición prolongada al ruido aumentará el riesgo de daños a la audición, y los efectos son acumulativos. Utilice protección auditiva al utilizar herramientas eléctricas durante un periodo largo de tiempo.

REDUCCIÓN DEL RIESGO

Se ha informado de que las vibraciones de las herramientas de mano puede contribuir a una condición llamada síndrome de Raynaud en ciertos individuos. Los síntomas pueden incluir hormigueo, entorpecimiento y decoloración de los dedos, generalmente aparentes cuando tiene lugar una exposición al frío. Se considera que los factores hereditarios, exposición al frío y a la humedad, dieta, tabaquismo y prácticas de trabajo contribuyen al desarrollo de estos síntomas. Existen medidas que pueden ser tomadas por el operador para reducir los efectos de vibración:

- Mantenga su cuerpo caliente durante el tiempo frío. Al manipular la unidad, utilice guantes para mantener las manos y las muñecas calientes. Hay informes que indican que el tiempo frío es un gran factor que contribuye al síndrome de Raynaud.
- Después de cada período de funcionamiento, realice ejercicios para aumentar la circulación sanguínea.
- Haga pausas de trabajo frecuentes. Limite la cantidad de exposición por día.

Si siente alguno de los síntomas de esta enfermedad, interrumpa inmediatamente el uso y consulte a su médico estos síntomas.

⚠ ADVERTENCIA

El uso prolongado de la herramienta puede provocar o agravar lesiones. Al utilizar cualquier herramienta durante períodos prolongados asegúrese de tomar descansos regulares.

CONOZCA EL PRODUCTO

Consulte la página 133.

1. Interruptor

2. Botón de bloqueo del árbol
3. Protección de muela
4. Palanca de bloqueo de la protección
5. Disco de sujeción exterior
6. Disco para desbarbar
7. Brida
8. Empuñadura auxiliar
9. Llave de servicio
10. Tuerca de ajuste

PROTECCIÓN DE ARRANQUE

Las máquinas con interruptores de desbloqueo están equipadas con un interruptor automático. Esto evita que la máquina vuelva a arrancar sola tras un corte de electricidad. Al reiniciar el trabajo, apague la máquina y vuelva a encenderla.

MANTENIMIENTO

⚠ ADVERTENCIA

No haga ningún ajuste cuando el motor esté en marcha.

No enchufe nunca la lijadora a la toma de corriente cuando monte piezas, realice ajustes, limpie la herramienta o incluso cuando no la utilice. Desconectar la herramienta evitará el arranque accidental que podría causar lesiones graves.

- Después de utilizar la máquina, cerciórese de que se encuentre en perfecto estado de marcha.
- Le recomendamos que lleve la máquina al menos una vez al año a un Centro de Servicio Habilitado Ryobi para una lubricación y una limpieza completas.
- Si el cable de alimentación está dañado, debería ser reemplazado únicamente por el fabricante o por un centro de servicio autorizado para evitar riesgos. Contacto Centro de Servicio Autorizado

⚠ ADVERTENCIA

Para mayor seguridad y fiabilidad, todas las reparaciones deben realizarse en un Centro de Servicio Habilitado Ryobi.

⚠ ADVERTENCIA

No use aire comprimido para eliminar el polvo del producto. Esta práctica es peligrosa y puede causar la emisión de suciedad y partículas que podrían dañar los ojos.

PROTECCIÓN DEL MEDIO AMBIENTE



Recicle las materias primas en lugar de tirarlas a la basura doméstica. Para proteger el medio ambiente, debe separar la herramienta, los accesorios y los embalajes.

SÍMBOLOS EN EL PRODUCTO

	Atención
V	Voltios
Hz	Hertzios
~	Corriente alterna
W	Vatios
n	Velocidad nominal
min ⁻¹	Número de revoluciones o movimientos por minuto
	Clase II, doble aislamiento
	Por favor, lea atentamente las instrucciones antes de encender el producto.
	Utilice dispositivos de protección para los oídos
	Utilice gafas de seguridad
	Utilice una máscara antipolvo.
	No utilice una rueda de esmeril picada, rajada o defectuosa
	No apta para amolado húmedo. El uso de agua o de líquidos de refrigeración puede provocar electrocuciones o descargas eléctricas.
	Use guantes de seguridad para las manos
	No utilizar para amolado frontal.
	Utilice calzado de seguridad.
	Utilice protección auditiva y ocular y mascarilla.
	Certificado EAC de conformidad
	Conformidad con CE
	Marca de conformidad ucraniana



Los productos eléctricos de desperdicio no deben desecharse con desperdicios caseros. Por favor reciclelos donde existan dichas instalaciones. Compruebe con su autoridad local o minorista para reciclar.

SÍMBOLOS EN ESTE MANUAL

	Conectarse a la red eléctrica.
	Desconectar de la red eléctrica.
	Las piezas o accesorios se venden por separado
	Los productos eléctricos de desperdicio no deben desecharse con desperdicios caseros. Por favor reciclelos donde existan dichas instalaciones.
	Bloquear
	Desbloquear
	Nota
	Advertencia
	Detenga el aparato.

Los siguientes símbolos y palabras detallan los niveles de cuidado necesarios para usar este producto.

⚠ PELIGRO

Indica una situación inminente de peligro que, si no se evita, provocará la muerte o lesiones graves.

⚠ ADVERTENCIA

Indica una situación potencialmente peligrosa que, si no se evita, podría causar la muerte o lesiones graves.

⚠ PRECAUCIÓN

Indica una situación potencialmente peligrosa que, si no se evita, puede provocar lesiones leves o moderadas.

PRECAUCIÓN

(Sin símbolo de seguridad) Indica una situación que podría ocasionar daños materiales.

È stata data massima priorità a sicurezza, prestazioni e affidabilità nel design di questa smerigliatrice angolare.

UTILIZZO

La smerigliatrice angolare è adatta per essere utilizzata da adulti che hanno letto e compreso le istruzioni e gli avvertimenti nel presente manuale e che possono quindi essere considerati responsabili delle loro azioni. La smerigliatrice angolare è progettata solo per operazioni di smerigliatura e taglio di metalli. Utilizzare con questa smerigliatrice angolare solo dischi di smerigliatura indicati nella sezione specifiche del presente manuale. La smerigliatrice angolare è progettata solo per essere sorretta dalle mani dell'operatore; non montarla su tavoli da lavoro o altre strutture simili.

⚠ AVVERTENZA

Leggere con attenzione tutte le avvertenze e tutte le istruzioni. La mancata osservanza delle istruzioni riportate di seguito potrebbe provocare incidenti quali incendi, scosse elettriche e/o gravi lesioni fisiche.

Conservare le presenti avvertenze ed istruzioni per poterle consultare in seguito.

AVVERTENZE DI SICUREZZA SMERIGLIATRICE ANGOLARE

AVVERTENZE DI SICUREZZA IN COMUNE PER OPERAZIONI DI MOLATURA E TAGLIO ABRASIVO:

- a) **Questo elettrotensile è in grado di funzionare come mola e dispositivo di taglio. Leggere attentamente tutte le avvertenze, le istruzioni e le specifiche fornite con l'apparecchio e fare riferimento alle illustrazioni.** La mancata osservanza delle istruzioni riportate di seguito potrebbe provocare incidenti quali incendi, scosse elettriche e/o gravi lesioni fisiche.
- b) **Operazioni di levigatura, spazzolatura o lucidatura non devono essere svolte con questo elettrotensile.** La mancata osservanza di questa norma può provocare incidenti e gravi lesioni fisiche.
- c) **Non utilizzare accessori che non sono stati appositamente progettati per questo apparecchio e che non sono raccomandati dal produttore.** Anche se un accessorio può essere montato su un apparecchio, ciò non garantisce che l'apparecchio possa comunque essere utilizzato in totale sicurezza.
- d) **La velocità nominale dell'accessorio deve essere pari o superiore alla velocità massima indicata sull'apparecchio.** Gli accessori utilizzati ad una velocità superiore alla loro velocità nominale possono infatti rompersi ed essere proiettati verso l'esterno.
- e) **Il diametro esterno e lo spessore dell'accessorio devono corrispondere alle caratteristiche specificate per l'apparecchio.**

Se gli accessori non corrispondono alle caratteristiche indicate, i sistemi di protezione e di regolazione dell'apparecchio non possono funzionare correttamente.

- f) **Gli eventuali accessori filettati devono poter essere montati sull'albero della smerigliatrice e ne devono quindi rispettare le dimensioni. Per accessori montati da flange, il foro dell'albero dell'accessorio deve essere delle stesse dimensioni del diametro della flangia.** Accessori che non rispettino le dimensioni dell'utensile provocheranno una perdita di equilibrio, causeranno eccessive vibrazioni e potranno provocare perdita di controllo.
- g) **Non utilizzare un accessorio danneggiato. Prima di ciascun impiego, assicurarsi che l'accessorio utilizzato sia in buono stato: accertarsi quindi che i dischi abrasivi non siano scheggiati né fessurati, che i pattini non siano lacerati né usurati e che le setole delle spazzole metalliche non siano eccessivamente usurate né rotte. In caso di caduta dell'apparecchio o dell'accessorio, assicurarsi che non vi siano componenti danneggiati e, all'occorrenza, installare un accessorio nuovo. Dopo avere verificato che l'accessorio è in buono stato e dopo averlo installato, tenersi a debita distanza dall'accessorio mobile ed attendere circa un minuto affinché l'apparecchio raggiunga la velocità massima. Se l'accessorio è danneggiato, si romperà durante questo test.**
- h) **Indossare dispositivi equipaggiamento di protezione personale. A seconda dell'uso a cui è destinato l'apparecchio, indossare una maschera protettiva, occhiali di sicurezza o occhiali di protezione. All'occorrenza, indossare una maschera antipolvere, dispositivi di protezione uditiva, guanti ed un grembiule di protezione per proteggersi da eventuali proiezioni di corpi estranei (elementi abrasivi, trucioli di legno, ecc.).** Gli occhiali di protezione consentono di evitare le lesioni oculari dovute alle proiezioni di frammenti. Le maschere antipolvere permettono di filtrare le particelle generate dall'operazione eseguita. L'esposizione prolungata ad un rumore di forte intensità può comportare la perdita dell'udito.
- i) **Tenere le persone estranee a debita distanza dalla zona di lavoro ed assicurarsi che indossino un'attrezzatura di protezione. Persone che entrano nella zona di lavoro deve indossare dispositivi di protezione individuale.** Eventuali frammenti del pezzo da lavorare o di un accessorio rotto possono essere scagliati oltre la zona di lavoro e causare gravi lesioni fisiche.
- j) **Quando si lavora su una superficie che potrebbe nascondere fili elettrici o se il lavoro da eseguire può portare il cavo d'alimentazione a trovarsi sulla traiettoria dell'apparecchio, afferrare quest'ultimo tenendolo soltanto per le parti isolate ed antiscivolo.** Se la lama taglia un cavo "vivo" le parti esposte dell'elettrotensile potrebbero fare da conduttore e causare scosse

elettriche.

- k) **Posizionare il cavo d'alimentazione in modo tale che si trovi a debita distanza dall'accessorio in rotazione.** Se si perde il controllo dell'apparecchio, il cavo d'alimentazione potrebbe venire tagliato o incastrarsi e la mano o il braccio dell'operatore potrebbero essere trascinati verso l'accessorio in rotazione.
- l) **Non posare mai l'apparecchio prima che l'accessorio si sia completamente arrestato.** L'accessorio in rotazione potrebbe entrare a contatto con la superficie sulla quale è posato e fare perdere il controllo dell'apparecchio.
- m) **Non fare funzionare l'apparecchio mentre lo si trasporta.** L'accessorio in rotazione potrebbe impigliarsi nei propri indumenti e causare gravi lesioni.
- n) **Pulire regolarmente le aperture di ventilazione dell'apparecchio.** La ventilazione del motore fa penetrare le polveri all'interno del carter del motore, con conseguente accumulo eccessivo di particelle metalliche e possibilità di scosse elettriche.
- o) **Non utilizzare l'apparecchio nelle vicinanze di prodotti infiammabili.** Le eventuali scintille generate rischierebbero di incendiarli.
- p) **Non utilizzare accessori che richiedono fluidi di raffreddamento.** L'utilizzo di acqua o di liquidi di raffreddamento può causare episodi di elettrocuzione o scosse elettriche.

ULTERIORI ISTRUZIONI DI SICUREZZA PER TUTTE LE OPERAZIONI

Rimbalzi e avvertenze correlate

Il contraccolpo è una reazione improvvisa che si verifica quando la mola in movimento, il pattino, la spazzola o qualunque altro accessorio si incastra o si piega, con conseguente bloccaggio rapido dell'accessorio. L'apparecchio, che continua a funzionare, viene quindi proiettato nella direzione opposta a quella di utilizzo dell'accessorio.

Ad esempio, se un disco abrasivo si incastra o si piega nel pezzo da lavorare, il tagliente del disco rischia di penetrare nella superficie del pezzo facendo uscire bruscamente il disco dal pezzo e scagliandolo verso l'operatore o comunque a distanza. La ruota può saltare verso o lontano dall'operatore, a seconda della direzione del movimento della ruota al punto di pizzicamento. In caso di contraccolpo, il disco abrasivo può anche rompersi.

Il contraccolpo è pertanto il risultato di un utilizzo errato dell'apparecchio e/o di procedimenti o di condizioni di impiego inappropriati.

- a) **Tenere l'apparecchio saldamente e posizionare il proprio corpo e il braccio in modo tale da riuscire a controllare un eventuale contraccolpo. Se l'apparecchio dispone di un'impugnatura ausiliaria, assicurarsi sempre di afferrarla per avere il controllo ottimale dell'apparecchio in caso di contraccolpo o di controcoppia al momento della sua messa in funzione.** Adottare le misure necessarie per riuscire a controllare l'apparecchio in caso di

contraccolpo o di controcoppia.

- b) **Non avvicinare mai la mano all'accessorio in rotazione, onde evitare qualunque rischio di gravi lesioni fisiche in caso di contraccolpo.** Accessorio possono causare contraccolpi alla mano.
- c) **Non sistemarsi nella zona in cui l'apparecchio rischia di essere scagliato in caso di contraccolpo.** In caso di contraccolpo, l'apparecchio viene scagliato nella direzione opposta al senso di rotazione del disco.
- d) **Prestare particolare attenzione quando si lavora su angoli, bordi taglienti, ecc. Evitare di fare slittare o di incastrare l'accessorio.** Quando si lavora su angoli o bordi taglienti o si fa slittare l'apparecchio, si accentua il rischio di bloccare l'accessorio e pertanto di perdere il controllo dell'apparecchio stesso e di provocare un contraccolpo.
- e) **Non utilizzare mai lame adatte alle troncatrici per legno o lame da sega con questo apparecchio.** Queste lame aumentano infatti il rischio di contraccolpo e di perdita di controllo dell'apparecchio.

ULTERIORI ISTRUZIONI DI SICUREZZA PER OPERAZIONI DI SMERIGLIATURA E TAGLIO.

Avvertenze di sicurezza specifiche per operazioni di levigatura e di taglio abrasivo:

- a) **Utilizzare solo con il tipo di ruote indicate con questo elettrotensile e con i pararuote specifici per queste ruote.** L'utilizzo di ruote non progettate per essere utilizzate con questo utensile non garantirà la protezione e la sicurezza dell'operatore.
- b) **La superficie delle ruote a pressione centrale deve essere montata a un livello inferiore rispetto al bordo del dispositivo di protezione.** Una ruota non adeguatamente montata che si proietta attraverso il bordo del dispositivo di protezione non può essere adeguatamente protetta.
- c) **I pararuote devono essere collegati all'elettrotensile in modo da garantire una massima sicurezza, lasciando solo una minima parte delle ruote esposta verso l'operatore.** La protezione aiuta a proteggere l'operatore da frammenti di ruota taglienti, contatto accidentale e scintille in grado di infiammare gli indumenti.
- d) **Le ruote devono essere utilizzate solo per le applicazioni raccomandate. Per esempio: Non svolgere operazioni di molatura con il lato della ruota di taglio.** Le ruote di taglio abrasive sono progettate per molature periferiche, applicare eccessiva forza su di esse potrà romperle.
- e) **Utilizzare sempre flange per ruote non danneggiate delle corrette dimensioni e misure, adatte alle ruote selezionate.** Le flange per le ruote sostengono le ruote riducendo la possibilità di rottura. Le flange per le ruote di taglio

possono essere diverse dalle flange delle ruote di smerigliatura.

- f) **Non utilizzare ruote consumate per elettroutensili grandi.** Le ruote indicate per elettroutensili più grandi non sono adatte per velocità più alte di utensili più piccoli e potranno scoppiare.

AVVERTENZE DI SICUREZZA ADDIZIONALI SPECIFICHE PER OPERAZIONI DI TAGLIO ABRASIVO

- a) **Non “incastrare” la ruota di taglio o applicare eccessiva pressione. Non tentare di fare un taglio eccessivamente profondo.** Applicare una eccessiva forza sulla ruota aumenterà il carico e la possibilità che la ruota si pieghi o rimanga incastrata nel taglio e la possibilità di rimbalzi o di rottura delle ruote.
- b) **Non posizionare il corpo in linea o dietro la ruota in movimento.** Quando la ruota, durante il funzionamento, si sposta dal corpo, il rimbalzo potrà spingere la ruota e l'utensile verso l'operatore.
- c) **Se la ruota rimane incastrata o quando si interrompono le operazioni di taglio per una qualsiasi ragione, scollegare l'elettroutensile e attendere fino a che la ruota non si sia bloccata completamente. Non tentare mai di rimuovere la ruota di taglio dal taglio mentre è in movimento, in caso contrario si potrà verificare un rimbalzo.** Se il disco si incastra, individuarne la causa e adottare le misure necessarie affinché ciò non si verifichi più.
- d) **Non riavviare le operazioni di taglio sul pezzo sul quale si sta lavorando. Lasciare che la ruota raggiunga la massima velocità quindi reinserire la lama nel taglio.** La ruota potrà incastrarsi, rimanere bloccata o scagliare contro l'operatore corpi estranei se l'elettroutensile viene riavviato nel pezzo sul quale si sta lavorando.
- e) **Reggere pannelli o pezzi più grandi sui quali si sta lavorando per minimizzare il rischio che la ruota rimanga incastrata e rischi di rimbalzo.** I pezzi molti grandi sui quali si lavora tendono a cedere sotto il proprio peso. I sostegni dovranno essere posizionati sotto il pezzo sul quale si sta lavorando accanto alla linea di taglio e vicino all'estremità del pezzo sul quale si sta lavorando su entrambi i lati della ruota.
- f) **Fare ulteriore attenzione quando si svolgono “tagli di profondità” in muri o altre zone cieche.** La ruota che protrude potrà tagliare tubi del gas e dell'acqua, cavi elettrici o scagliare verso l'operatore corpi estranei.

NORME DI SICUREZZA SPECIFICHE PER LE MOLATRICI ANGOLARI

- a) Verificare che la velocità indicata sulla mola per sbavatura sia uguale o superiore alla velocità nominale dell'apparecchio.
- b) Accertarsi che il diametro della mola per sbavatura sia compatibile con l'apparecchio e che la mola si

inserisca correttamente sull'albero.

- c) Riporre le mole per sbavatura in un luogo asciutto.
- d) Non collocare alcun oggetto sopra le mole.
- e) Non utilizzare le mole per effettuare lavorazioni diverse dalla molatura.
- f) Riporre e maneggiare le mole con cautela, seguendo le istruzioni del produttore.
- g) Prima di utilizzare la mola, accertarsi che non sia scheggiata o fessurata. Nel caso in cui risultasse scheggiata o fessurata, la mola potrebbe rompersi e provocare gravi lesioni fisiche.
- h) Accertarsi che la mola sia montata in modo conforme alle istruzioni fornite nel presente manuale.
- i) Prima dell'uso, accertarsi altresì che la mola sia montata e serrata correttamente, quindi fare girare l'apparecchio a vuoto per 30 secondi orientandolo in modo tale che non rappresenti un pericolo. Arrestare immediatamente l'apparecchio nel caso in cui vibri eccessivamente oppure se si notano altre anomalie. In tal caso, controllare l'apparecchio per determinare la causa del problema.
- j) Non utilizzare riduttori o adattatori per ridurre l'alesaggio di mole a grande alesaggio.
- k) Verificare che il pezzo da lavorare sia bloccato in modo corretto.
- l) Utilizzare esclusivamente le mole raccomandate da RYOBI.
- m) Assicurarsi che le scintille prodotte durante l'uso dell'apparecchio non creino situazioni pericolose, quali ad esempio quelle causate dalla loro proiezione su persone o sostanze infiammabili.
- n) Indossare sempre occhiali protettivi e dispositivi di protezione uditiva.
- o) Se necessario, utilizzare altre attrezzature di protezione, come ad esempio guanti, grembiuli o caschi.
- p) Non adagiare mai l'apparecchio acceso sul pavimento o su altre superfici. Attenzione: Dopo l'arresto dell'apparecchio, la mola continua a girare per inerzia. Non toccare mai né posare a terra o su altre superfici la mola in rotazione.
- q) Utilizzare l'apparecchio solo per le applicazioni per cui è stato concepito. Non utilizzare mai liquido di raffreddamento o acqua. Non utilizzare l'apparecchio come un apparecchio fisso.
- r) Durante l'uso, tenere l'apparecchio ben saldo con entrambe le mani.

RISCHI RESIDUI

Anche quando il prodotto viene utilizzato come indicato, sarà ancora impossibile eliminare completamente alcuni fattori di rischio residuo. Si potranno verificare i seguenti rischi e l'operatore dovrà prestare particolare attenzione per evitare quanto segue:

- Lesioni causate da parti scagliate verso l'operatore
 - Particelle di metallo o abrasive potranno penetrare negli occhi e causare gravi danni permanenti. Indossare occhiali di protezione per operazioni di smerigliatura quando si utilizza il prodotto.
- Lesioni causate da vibrazioni
 - Limitare l'esposizione. Vedere "Riduzione Rischio".
- Lesioni causate dalla polvere
 - Indossare un'adeguata maschera per il controllo della polvere con filtri che siano in grado di proteggere dalla polvere prodotta dal materiale sul quale si sta lavorando e dalle particelle abrasive prodotte dai dischi di smerigliatura. Non mangiare, bere, né fumare nell'area di lavoro. Assicurarsi una adeguata ventilazione del luogo di lavoro.
- Lesioni da contatto con il disco di smerigliatura.
 - Il disco e il pezzo sul quale si sta lavorando potranno diventare caldi durante l'utilizzo. Indossare guanti quando si cambiano dischi o quando si tocca il pezzo sul quale si sta lavorando. Tenere sempre le mani lontane dall'area di smerigliatura. Stringere il pezzo sul quale si sta lavorando in un morsetto ogni qualvolta possibile.
- Lesioni causate dal rumore.
 - L'esposizione prolungata al rumore aumenterà il rischio di danni all'udito, gli effetti saranno cumulativi. Quando si utilizzano elettrotensili per un lungo periodo di tempo, indossare cuffie di protezione.

RIDUZIONE DEL RISCHIO

Si è accertato che le vibrazioni causate da utensili a mano possono contribuire a causare una condizione chiamata Sindrome di Raynaud in alcune persone. I sintomi, comprendenti formicolio, intorpidimento e perdita di colore alle dita, si verificano di solito quando ci si espone al freddo. Fattori ereditari, esposizione a freddo e umidità, una dieta scorretta, fumo e condizioni di lavoro non sicure potranno contribuire allo sviluppo di questi sintomi. È possibile prendere delle precauzioni per ridurre le vibrazioni:

- Tenere il corpo al caldo a basse temperature. Quando si utilizza l'utensile, indossare guanti e tenere le mani e i polsi caldi. Le basse temperature contribuiscono a causare la Sindrome di Raynaud.
- Dopo aver utilizzato l'utensile per un certo periodo, fare degli esercizi per stimolare la circolazione del sangue.
- Fare spesso delle pause. Limitare la quantità di esposizione giornaliera.

Nel caso in cui si provino i sintomi di questa condizione, interrompere immediatamente l'utilizzo dell'utensile e consultare un dottore.

⚠ AVVERTENZE

L'utilizzo prolungato dell'utensile potrà causare o aggravare lesioni già esistenti. Quando si utilizza questo utensile per periodi di tempo prolungati, assicurarsi di fare sempre delle pause regolari.

FAMILIARIZZARE CON IL PRODOTTO

Vedere a pagina 133.

1. Tasto di avvio
2. Pulsante di bloccaggio dell'albero
3. Gruppo dispositivo di protezione ruote
4. Leva di blocco dispositivo di protezione
5. Flangia esterna
6. Mola per sbavatura
7. Flangia
8. Impugnatura ausiliaria
9. Chiave di servizio
10. Dado a inserimento facile

PROTEZIONE DA AVVIO IMPROVVISO

Gli utensili con un interruttore di blocco sono dotati di un dispositivo di interruzione di sicurezza. Ciò evita all'utensile di riavviarsi dopo un guasto alla fornitura di rete. Quando si ricomincia a lavorare, spegnere l'elettrotensile e quindi riaccenderlo di nuovo.

MANUTENZIONE

⚠ AVVERTENZE

Non effettuare alcun tipo di regolazione quando il motore è in funzione.

Durante il montaggio di componenti, l'esecuzione di regolazioni, le operazioni di pulizia dell'apparecchio o quando non viene utilizzata, la levigatrice non deve mai essere collegata alla presa di corrente. Scollare l'utensile preverrà l'avvio accidentale che potrà causare gravi lesioni personali.

- Dopo l'uso, verificare sempre lo stato dell'apparecchio.
- Si raccomanda di portare l'apparecchio almeno una volta l'anno presso un Centro di Assistenza Autorizzato Ryobi per sottoporlo ad una completa lubrificazione e pulitura.
- Se il cavo di alimentazione è danneggiato deve essere sostituito solo dalla ditta produttrice o dal centro servizi autorizzato per evitare eventuali rischi. Contattare il centro servizi autorizzato

⚠ AVVERTENZE

Per maggiore sicurezza ed affidabilità, effettuare tutte le riparazioni presso un Centro di Assistenza Autorizzato Ryobi.

⚠ AVVERTENZE

Non utilizzare aria compressa per rimuovere la polvere dal prodotto. Ciò è pericoloso e potrà causare a polvere e sporco di essere soffiati verso l'operatore ferendolo agli occhi.

TUTELA DELL'AMBIENTE



Riciclare le materie prime anziché gettarle tra i rifiuti domestici. Per tutelare l'ambiente, l'apparecchio, gli accessori e gli imballaggi devono essere smaltiti separatamente.

SIMBOLI SUL PRODOTTO



Allarme di sicurezza

V

Volt

Hz

Hertz

~

Corrente alternata

W

Watt

n

Velocità nominale

min⁻¹

Numero di giri o di movimenti al minuto



Classe II con doppio isolamento



Leggere attentamente le istruzioni prima di utilizzare il prodotto.



Indossare cuffie di protezione



Indossare occhiali di protezione



Indossare una maschera per la polvere.



Non utilizzare ruote smerigliatrici consumate, rotte o difettose



Utensile non indicato per lavori di smerigliatura umida. L'utilizzo di acqua o di liquidi di raffreddamento può causare episodi di elettrocuzione o scosse elettriche.



Indossare guanti di sicurezza



Non utilizzare per operazioni di levigatura di superficie



Indossare calzature di sicurezza.



Indossare occhiali e cuffie di protezione.

EAC

Marchio di conformità EurAsian

CE

Conformità CE



Marchio di conformità ucraino



I prodotti elettrici non devono essere smaltiti con i rifiuti domestici. Vi sono strutture per smaltire tali prodotti. Informarsi presso il proprio Comune o rivenditore di sicurezza per smaltire adeguatamente tali rifiuti.

SIMBOLI NEL MANUALE



Collegare all'alimentazione.



Scollegare dall'alimentazione.



Parti o accessori venduti separatamente



I prodotti elettrici non devono essere smaltiti con i rifiuti domestici. Vi sono strutture per smaltire tali prodotti.



Blocco



Sblocco



Note



Avvertenze



Arrestare il prodotto.

I seguenti simboli indicano i livelli di rischio associati a questo prodotto:

PERICOLO

Indica una situazione immediatamente pericolosa che, se non evitata, potrà causare gravi lesioni o morte.

AVVERTENZE

Indica una situazione potenzialmente pericolosa che, se non evitata potrà causare gravi lesioni o morte.

ATTENZIONE

Indica una situazione potenzialmente pericolosa che, se non evitata, potrà causare lesioni minori o moderate.

ATTENZIONE

(Senza simbolo di allarme in materia di sicurezza) Indica una situazione che può provocare danni materiali.

Veiligheid, prestaties en betrouwbaarheid kregen topprioriteit in het ontwerp van uw haakse slijpmachine.

BEOOGD GEBRUIK

De haakse slijpmachine is uitsluitend geschikt om te worden gebruikt door volwassenen die de instructies en waarschuwingen in deze gebruiksaanwijzing hebben gelezen en begrepen en die als verantwoordelijk voor hun handelingen kunnen worden beschouwd. De haakse slijpmachine is uitsluitend ontworpen om te slijpen en voor het zagen van metaal. Alleen geschikte slijpschijven, zoals beschreven in de productspecificatie van deze gebruiksaanwijzing, mogen op de haakse slijpmachine worden gemonteerd. De haakse slijpmachine is ontworpen voor gebruik met de hand; ze mag niet op een houder of werkbank worden gemonteerd.

⚠ WAARSCHUWING

Lees aandachtig alle waarschuwingen en alle voorschriften. Als u onderstaande voorschriften niet opvolgt, kan dit leiden tot ongelukken zoals brand, elektrische schokken en/of ernstig lichamelijk letsel.

Bewaar deze waarschuwingen en voorschriften zorgvuldig om ze ook later te kunnen inzien.

VEILIGHEIDSWAARSCHUWINGEN HAAKSE SLIJPMACHINE

NORMALE VEILIGHEIDSWAARSCHUWINGEN VOOR HET SLIJPEN EN SCHERPE AFSNIJWERKEN:

- a) Dit werktuig is bedoeld om als slijpmachine en afsnijwerktuig te worden gebruikt. Lees aandachtig alle waarschuwingen, aanwijzingen en specificaties die bij deze machine worden meegeleverd en bestudeer de afbeeldingen. Als u onderstaande voorschriften niet opvolgt, kan dit leiden tot ongelukken zoals brand, elektrische schokken en/of ernstig lichamelijk letsel.
- b) Van werkzaamheden, zoals schuren, staalborstelen of polijsten is het niet aanbevolen ze met dit werktuig uit te voeren. Niet naleving van dit voorschrift kan ongelukken en ernstig lichamelijk letsel veroorzaken.
- c) Gebruik geen accessoires die niet specifiek voor deze machine zijn bedoeld en die niet zijn aanbevolen door de fabrikant. Ook al kan een accessoire wel op de machine worden gemonteerd, garandeert dit niet dat u de machine geheel veilig kunt gebruiken.
- d) De nominale snelheid van de accessoire moet hoger of gelijk zijn aan de maximale snelheid die op de machine is aangegeven. Als accessoires op een snelheid werken die hoger is dan hun nominale snelheid, kunnen ze breken of worden weggeslingerd.
- e) De buitendiameter en de dikte van de accessoire moeten overeenkomen met de specificaties die zijn voorgeschreven voor de

machine. Als de accessoires niet overeenkomen met de voorgeschreven specificaties, werken de beveiligings- en afstelsystemen van de machine mogelijk niet naar behoren.

- f) **Houders of accessoires die voorzien zijn van schroefdraad moeten overeenkomen met de schroefdraad van de haakse slijpmachine. Voor accessoires die met behulp van flenzen worden gemonteerd, moet het asgat van het accessoire overeenstemmen met de diameter van de flens.** Accessoires die niet overeenkomen met de gemonteerde hardware van het gereedschap zullen leiden tot evenwichtsverlies, overmatige trilling en kunne leiden tot controleverlies.
- g) **Gebruik een accessoire niet als het is beschadigd. Controleer eerst of de accessoire in goede staat is voordat u het gaat gebruiken: controleer of doorslijpschijven niet zijn ingekeept of gescheurd en of haren van staalborstels niet zijn versleten of afgebroken. Controleer of er geen elementen zijn beschadigd en installeer zonodig een nieuw accessoire als de machine of accessoire is gevallen. Na te hebben gecontroleerd of de accessoire in goede staat is en na dit te hebben geïnstalleerd, zorgt u dat u op afstand blijft van de accessoire en laat u de machine gedurende één minuut op volle toeren draaien. Als de accessoire is beschadigd, zal het gedurende deze test breken.**
- h) **Draag persoonlijke beschermingsmiddelen. Afhankelijk van het gebruik dat u van uw machine maakt, dient u een veiligheidsmasker, veiligheidsbril of beschermbril te dragen. Draag al naar behoefte een stofmasker, gehoorbeschermers, handschoenen en een veiligheidschoort om u te beschermen tegen alle eventueel rondslingerende voorwerpen (slijpsel, zaagsel, stukjes hout, enz.). Een veiligheidsbril helpt te voorkomen dat wegspattend vuil uw ogen beschadigt. Door stofmaskers worden de deeltjes weggefilterd die ontstaan door het werk dat u aan het doen bent. Langdurige blootstelling aan intens geluid kan gehoorverlies veroorzaken.**
- i) **Houd omstanders op redelijke afstand van de werkzone en zorg dat zij een veiligheidsuitrusting dragen. Iedereen die zich binnen de werkzone moeten dragen van persoonlijke beschermingsmiddelen. Fragmenten van het werkstuk of een accessoire kunnen buiten de werkzone worden weggeslingerd en ernstig lichamelijk letsel veroorzaken.**
- j) **Houd de machine alleen vast aan geïsoleerde en slipvrije delen als u in een oppervlak of ondergrond werkt waarin zich elektrische leidingen kunnen bevinden of als bij het uitvoeren van de werkzaamheden het netsnoer in de buurt van het werktuig zou kunnen komen. Wanneer de accessoire een spanningvoerende leiding raakt, kunnen de blootgestelde onderdelen van de machine onder spanning komen waardoor de gebruiker wordt geëlectrocuteerd.**
- k) **Plaats het netsnoer op zodanige wijze dat het**

uit de buurt blijft van de draaiende accessoire.

Als u de macht over de machine verliest, zou het netsnoer kunnen worden doorgesneden of beklemd kunnen raken en zou uw hand of arm naar de draaiende accessoire kunnen worden toegetrokken.

- l) **Leg de machine nooit neer voordat de accessoire volledig tot stilstand is gekomen.** Een nog draaiende accessoire zou in aanraking kunnen komen met het oppervlak waarop u het neerlegt en u de macht over de machine doen verliezen.
- m) **Laat de machine niet werken tijdens het transport.** De draaiende accessoire zou in uw kleding verstrikt kunnen raken en u ernstig kunnen verwonden.
- n) **Reinig regelmatig de ventilatieopeningen van de machine.** De ventilatie van de motor doet stof in de motorombouw binnendringen, wat een overmatige opeenhoping van metaaldeeltjes kan verwekken en elektrische schokken kan veroorzaken.
- o) **Gebruik de machine niet in de buurt van brandbare stoffen.** Door vonkvorming kunnen deze in brand worden gestoken.
- p) **Gebruik geen accessoires waarvoor koelvloeistoffen zijn vereist.** Het gebruik van water of koelvloeistoffen kan elektrocuties of elektrische schokken veroorzaken.

VERDERE VEILIGHEIDSINSTRUCTIES VOOR ALLE BEWERKINGEN**Terugslag en aanverwante waarschuwingen**

Een terugslag is een plotselinge reactie die optreedt wanneer een draaiende slijpschijf, schuurvoet, borstel of andere accessoire zich vastklemt of verbuigt, wat de snelle blokkering van de accessoire veroorzaakt. De machine wordt hierdoor in de tegengestelde richting van de gebruiksrichting van de accessoire geworpen.

Als bijvoorbeeld een doorslijpschijf zich vastklemt of verbogen raakt in het werkstuk, bestaat het gevaar dat de snijkant van de schijf zich diep in het oppervlak van het werkstuk drukt, waardoor de schijf plotseling uit het werkstuk kan komen. Het wiel kan zowel springen naar of uit de buurt van de exploitant, afhankelijk van de richting van de beweging van het wiel op de plaats van knijpen. Bij een terugslag kan de doorslijpschijf ook breken.

Terugslag is dus het gevolg van een verkeerd gebruik van de machine en/of van onjuiste procedures of omstandigheden.

- a) **Houd de machine stevig vast en plaats uw lichaam en uw armen zo dat ze een eventuele terugslag kunnen opvangen. Als de machine is voorzien van een zijhandgreep, dient u deze altijd te benutten om optimale macht over de machine te behouden bij terugslag of reactiekoppel wanneer de machine inschakelt.** Neem de nodige maatregelen om de machine in uw macht te kunnen houden ingeval van terugslag of reactiekoppel.
- b) **Plaats uw hand nooit in de nabijheid van de**

draaiende accessoire om gevaar voor ernstig lichamelijk letsel te voorkomen in geval van terugstuiten. Accessoire kan terugslaan over je hand.

- c) **Plaats uzelf niet in het gebied waarheen de machine zou kunnen terugstuiten ingeval van terugslag.** Bij een terugslag wordt de machine in de tegenovergestelde richting van de draairichting van de schijf weggeslingerd.
- d) **Wees bijzonder waakzaam als u werkt aan de hoeken, scherpe randen, enz. Voorkom dat de accessoire uitschiet of beklemd raakt.** Wanneer u aan hoeken of scherpe randen werkt of wanneer u de machine laat uitschieten, is het gevaar om de accessoire te blokkeren veel groter, en om dus de macht over de machine te verliezen en een terugslag te veroorzaken.
- e) **Gebruik nooit een blad van een afkortzaag of een cirkelzaagblad in combinatie met deze machine.** Dergelijke bladen verhogen het risico voor terugslag en verlies van de macht over de machine.

BIJKOMENDE VEILIGHEIDSINSTRUCTIES VOOR HET SLIJPEN EN ZAAGOPERATIES**Veiligheidswaarschuwingen voor het schuren of slijpen:**

- a) **Gebruik uitsluitend slijpschijven die voor uw machine worden aanbevolen en de specifieke beschermkap, ontworpen voor de geselecteerde slijpschijf.** Slijpschijven die niet voor de machine zijn ontworpen zijn onveilig.
- b) **Het slijppoppervlak van de centraal ingedrukte wielen moet onder de schaaaf van de beschermkap worden gemonteerd.** Een foutief gemonteerd wiel dat door de schaaaf van de beschermkap uitsteekt, kan niet correct worden beschermd.
- c) **De beschermkap moet stevig op de machine worden vastgemaakt en afgesteld voor maximale veiligheid zodat zo weinig mogelijk van de slijpschijf aan de gebruiker wordt blootgesteld.** De beschermer helpt de gebruiker beschermen tegen gebroken wielfragmenten, accidenteel contact met het wiel en vonken die kledij kunnen doen ontbranden.
- d) **Slijpschijven mogen uitsluitend worden gebruikt voor de aanbevolen toepassingen. Bijvoorbeeld: Slijp niet met de zijkant van het afsnijwiel.** Afbraamschijven zijn bedoeld voor periferisch slijpen, zijdelingse krachten die op deze slijpschijven worden uitgeoefend kunnen ervoor zorgen dat deze breken.
- e) **Gebruik altijd onbeschadigde flensen met de juiste afmetingen en vorm voor het wiel dat u heeft geselecteerd.** Degelijke wielflensen ondersteunen de slijpschijf zodanig dat de kans dat de slijpschijf breekt, kleiner wordt. Flensen voor afbraamschijven kunnen verschillen van flensen voor doorslijpschijven.

- f) **Gebruik geen versleten wielen van grotere werktuigen.** Slijpschijven, bedoeld voor grotere machines zijn niet geschikt voor de hogere snelheid van een kleinere machine en kan breken.

BIJKOMENDE VEILIGHEIDSWAARSCHUWINGEN SPECIFIEK VOOR HARDE AFSNIJWERKEN

- a) **Blokkeer het afsnijwiel niet en pas geen overdreven druk uit. Probeer geen overdreven diepe insnedes te maken.** Wanneer u teveel druk op het wiel plaatst verhoogt dit de lading en gevoeligheid voor plooiën en verstrengelen van het wiel in de insnede en de mogelijkheid tot terugslag.
- b) **Plaats uw lichaam niet in lijn met en achter het draaiend wiel.** Wanneer het wiel op het moment dat het begint te werken zich weg van uw lichaam beweegt, kan een mogelijke terugslag het draaiend wiel en het werktuig in uw richting werpen.
- c) **Wanneer het wiel vastraakt of wanneer een zaagsnede voor de een of andere reden wordt onderbroken, schakelt u de aan/uit-schakelaar uit en houd u het werktuig bewegingsloos tot het wiel volledig tot stilstand komt. Probeer het afsnijwiel nooit van de zaagsnede te verwijderen terwijl het wiel in beweging is; anders kan terugslag voorkomen.** Als de schijf zich vastklemt, moet u de oorzaak daarvan opzoeken en de nodige maatregelen nemen om te voorkomen dat het opnieuw gebeurt.
- d) **Herstart de zaagwerken niet in het werkstuk. Laat het wiel op topsnelheid komen en voeg de zaag voorzichtig opnieuw in de zaagsnede.** Het wiel kan vastraken, oplopen of terugslaan als het werktuig in het werkstuk wordt herstart.
- e) **Ondersteun panelen of grote werkstukken om het risico dat het wiel vastraakt en terugslaat te minimaliseren.** Grote werkstukken hebben de neiging om onder hun eigen gewicht door te zakken. Steunen moeten onder het werkstuk aan beide zijden van het wiel nabij de zaaglijn en de rand van het werkstuk worden geplaatst.
- f) **Wees extra voorzichtig wanneer u een "zakinsnede" in een bestaande muur of andere blinde plaats maakt.** Het uitstekende wiel kan gas- of waterleidingen, elektrische bekabeling of voorwerpen die een terugslag kunnen veroorzaken, doorzagen.

SPECIFIEKE VEILIGHEIDSVOORSCHRIFTEN VOOR HAAKSE SLIJPERS

- a) Controleer of de snelheid die op de afbraamschijf is aangegeven, minstens gelijk is aan de nominale snelheid van het apparaat.
- b) Controleer of de diameter van de afbraamschijf compatibel is met het apparaat en of de schijf goed op de opname-as past.
- c) Bewaar afbraamschijven op een droge plaats.
- d) Leg niets bovenop de schijven.
- e) Gebruik de schijven niet voor andere doeleinden

dan voor afbraamwerk.

- f) De schijven moeten met inachtneming van bepaalde voorzorgen worden opgeborgen en behandeld: volg de aanwijzingen van de fabrikant.
- g) Controleer vóór gebruik of er scheuren te zien zijn of dat er stukken zijn weggeslagen. De schijf zou in een dergelijk geval kunnen breken, wat ernstig lichamen letsel kan veroorzaken.
- h) Zorg ervoor dat de schijf precies volgens de aanwijzingen van deze handleiding is opgespannen.
- i) Controleer voordat u de slijpmachine gaat gebruiken of de schijf juist is gemonteerd en goed vastzit; laat het apparaat vervolgens 30 seconden onbelast draaien en richt het daarbij zo dat het geen gevaar kan opleveren. Zet het apparaat onmiddellijk uit als het buitensporig gaat trillen of als u andere problemen opmerkt. Probeer in dit geval uit te vinden wat de oorzaak van het probleem is.
- j) Gebruik geen reduceerringen of opvulstukken om het gat te verkleinen van schijven met een te groot asgat.
- k) Zorg dat het werkstuk voldoende vastgeklemd is.
- l) Gebruik alleen door RYOBI aanbevolen schijven.
- m) Zorg dat de vonken die tijdens het gebruik van uw slijper ontstaan geen enkel gevaar kunnen opleveren en dat ze bijvoorbeeld niet naar personen of ontvlambare stoffen worden wegspatten.
- n) Zorg ervoor dat u altijd een veiligheidsbril en gehoorbescherming draagt.
- o) Gebruik zonnodig ook andere persoonlijke beschermingsmiddelen, zoals handschoenen, een schort of een helm.
- p) Leg het apparaat nooit op de grond of ergens anders als het nog draait. Pas op: door inertie draait de schijf na uitschakeling van het apparaat nog een tijdje door. U mag de schijf nooit zelf aanraken of de grond of een ander oppervlak laten aanraken als hij nog draait.
- q) Gebruik uw apparaat uitsluitend voor de toepassingen waarvoor het bestemd is. Gebruik nooit koelvloeistof of water. Gebruik de slijper nooit in een stationaire opstelling.
- r) Houd het apparaat tijdens het gebruik altijd stevig met twee handen vast.

RESTRISICO'S

Zelfs wanneer het product zoals voorgeschreven wordt gebruikt, blijft het onmogelijk om alle restrisico's te voorkomen. De volgende gevaren kunnen optreden bij gebruik en de gebruiker dient speciaal op te letten om het volgende te voorkomen:

- Letsels veroorzaakt door weggeworpen deeltjes
 - Metalen of schurende deeltjes kunnen in de ogen terecht komen en ernstige, blijvende schade veroorzaken. Draag gezichtsbescherming tijdens

het slijpen wanneer u het product gebruikt.

- Letsels veroorzaakt door trillingen
 - Beperk blootstelling. Zie "Risico's Beperken".
- Verwonding veroorzaakt door stof
 - Draag een geschikt stofmasker met aangepaste filters die bescherming kunnen bieden tegen het materiaal dat wordt bewerkt en schurende deeltjes van de slijpschijf. Eten, drinken of roken verboden in het werkgebied. Zorg voor voldoende ventilatie op de werkplaats.
- Letsels veroorzaakt door contact met de slijpschijf.
 - De schijf en het werkstuk worden warm tijdens het gebruik. Draag handschoenen wanneer u slijpschijven vervangt of het werkstuk aanraakt. Houd handen altijd weg van de slijpomgeving. Klem het werkstuk, waar mogelijk, vast.
- Letsels veroorzaakt door geluid
 - Langdurige blootstelling aan geluid verhoogt het risico op gehoorschade en de gevolgen hiervan zijn cumulatief. Wanneer u het gereedschap gedurende langere tijd gebruikt, draagt u gehoorsbescherming.

RISICOBEPERKING

Er zijn meldingen dat trillingen van handwerktuigen bij sommige mensen bijdragen tot het Syndroom van Raynaud. Symptomen kunnen ondermeer tintelingen, gevoelloosheid en bleek worden van de vingers omvatten, wat normaal gezien duidelijk wordt bij blootstelling aan koude. Erfelijke factoren, blootstelling aan koude en vocht, dieet, roken en werkroutine kunnen allemaal bijdragen tot de ontwikkeling van deze symptomen. Er kunnen door de bediener maatregelen worden genomen om de gevolgen van de trillingen te beperken:

- Houd bij koud weer uw lichaam warm. Draag handschoenen wanneer u de machine gebruikt om handen en polsen warm te houden. Men neemt aan dat koud weer een belangrijke factor is die bijdraagt tot het Syndroom van Raynaud.
- Doe oefeningen om de bloeddoorstroming te bevorderen na elke periode van gebruik.
- Neem regelmatig een pauze. Beperk het aantal uren dat u per dag wordt blootgesteld.

Wanneer u enige van de symptomen van deze aandoening ervaart, stop dan onmiddellijk met het gebruik van het toestel en raadpleeg uw dokter

⚠ WAARSCHUWING

Letsels kunnen optreden of verergeren door langdurig gebruik van een gereedschap. Als u een werktuig gedurende langere periodes gebruikt, neem dan regelmatig pauze.

KEN UW PRODUCT

Zie pagina 133.

1. Schakelknop
2. Asvergrendelingsknop

3. Wielbescherming
4. Beschermhendelvergrendeling
5. Buitenflens
6. Afbraamschijf
7. Flens
8. Hulphandgreep
9. Speciale sleutel
10. Eenvoudige montageoer

OPSTARTBESCHERMING

Machines met een vergrendelknop zijn voorzien van een uitschakelinrichting. Dit voorkomt dat de machine vanzelf opnieuw opstart na een stroomonderbreking. Wanneer u het werk hervat, schakelt u de machine uit en opnieuw in.

ONDERHOUD

⚠ WAARSCHUWING

Probeer niet om een afstelling te wijzigen als de motor draait.

De stekker van de schuurmachine mag niet in het stopcontact zitten als u onderdelen monteert, afstellingen wijzigt, de machine schoonmaakt of de klaar bent met u werk. Wanneer u het werktuig ontkoppelt, voorkomt dit accidenteel starten, wat ernstige letsels kan veroorzaken.

- Controleer na elk gebruik of uw machine in goede staat van werking verkeert.
- Aanbevolen wordt om uw machine minstens éénmaal per jaar door een erkend Ryobi servicecentrum volledig te laten doorsmeren en schoonmaken.
- Als het stroomsnoer beschadigd is, mag deze uitsluitend worden vervangen door de fabrikant of door een geautoriseerd onderhoudscentrum om risico te voorkomen. Neem contact op met een Geautoriseerd Onderhoudscentrum

⚠ WAARSCHUWING

Alle reparaties moeten worden uitgevoerd door een Erkend Ryobi Servicecentrum om de veilige en betrouwbare werking van de machine te waarborgen.

⚠ WAARSCHUWING

Gebruik geen perslucht om stof van het product te verwijderen. Deze handeling is gevaarlijk en kan ertoe leiden tot vuil en grind wordt weggeblazen en oogletsels veroorzaakt.

MILIEUBESCHERMING



Zorg dat grondstoffen worden gerecycleerd in plaats van weggegooid als afval. Om het milieu te beschermen dient de machine, de accessoires en de verpakking gesorteerd bij een erkend recyclingcentrum te worden aangeleverd.

SYMBOLEN OP HET PRODUCT



Veiligheidswaarschuwing

V

Volt

Hz

Hertz

~

Wisselstroom

W

Watt

n

Nominaal toerental

min⁻¹

Aantal toeren of omwentelingen per minuut



Klasse II, dubbelgeïsoleerd



Lees zorgvuldig de instructies voor u het product start.



Draag gehoorbescherming



Draag gezichtsbescherming



Draag een stofmasker.



Gebruik geen gebroken, gebarsten of defect slijpwiël



Niet geschikt voor nat slijpen. Het gebruik van water of koelvloeistoffen kan elektrocuties of elektrische schokken veroorzaken.



Draag veiligheidshandschoenen



EurAsian-symbool van overeenstemming



Niet gebruiken voor kopslijpen.



Draag veiligheidschoenen.



Draag gezichts- en gehoorbescherming en een masker



EU-conformiteit



Oekraïens conformiteitssymbool



Elektrisch afval mag niet samen met ander huishoudafval worden weggegooid. Gelieve te recycleren indien de mogelijkheid bestaat. Neem contact op met uw gemeente of handelaar om advies te krijgen over recyclage.

SYMBOLEN IN DE GEBRUIKSAANWIJZING



Verbind met de stroombron.



Ontkoppel van de stroombron.



Onderdelen of accessoires afzonderlijk gekocht



Elektrisch afval mag niet samen met ander huishoudafval worden weggegooid. Gelieve te recycleren indien de mogelijkheid bestaat.



Vergrendeling



Ontgrendeling



Opmerking



Waarschuwing



Product stoppen.

De volgende kernwoorden en verklaringen zijn bedoeld om de gevaarniveaus die op dit toestel betrekking hebben, te verklaren:

⚠ GEVAAR

Wijst op een gevaarlijke situatie die, indien ze niet wordt vermeden, kan leiden tot ernstige verwondingen of de dood.

⚠ WAARSCHUWING

Wijst op een mogelijk gevaarlijke situatie die, indien ze niet wordt vermeden, kan leiden tot ernstige verwondingen of de dood.

⚠ LET OP

Wijst op een mogelijk gevaarlijke situatie die, indien ze niet wordt vermeden, kan leiden tot lichte of middelmatige verwondingen.

LET OP

(Zonder veiligheidssymbool) Geeft een situatie aan die materiële schade zou kunnen veroorzaken.

Segurança, desempenho e fiabilidade foram as prioridades na concepção da sua afiadora angular.

UTILIZAÇÃO PREVISTA

A sua afiadora angular foi desenhado para ser utilizado por adultos que tenham lido e compreendido as instruções e avisos recolhidos neste manual e que possam ser considerados responsáveis das suas ações. A afiadora angular foi concebida exclusivamente para afiar e cortar metais. Só devem utilizar-se as lixas descritas na secção de especificações do produto com a afiadora angular. A afiadora angular foi concebida para utilização manual; não se destina a ser montada noutro aparelho nem numa bancada de trabalho.

⚠ AVISO

Leia com atenção todas as advertências e todas as instruções. O incumprimento das instruções seguintes pode ocasionar acidentes como incêndios, choques eléctricos e/ou ferimentos graves.

Conserve estas advertências e instruções para poder consultá-las mais tarde.

AVISOS DE SEGURANÇA DA AFIADORA ANGULAR

ADVERTÊNCIAS COMUNS DE SEGURANÇA PARA OPERAÇÕES DE CORTE ABRASIVO E ESMERILAR:

- a) **Esta ferramenta está destinada a funcionar como uma ferramenta de corte e esmerilar. Leia com atenção todas as advertências, instruções e especificações fornecidas com a ferramenta, e consulte as ilustrações.** O incumprimento das instruções seguintes pode ocasionar acidentes como incêndios, choques eléctricos e/ou ferimentos graves.
- b) **Não se recomenda que esta máquina seja utilizada em operações como lixagem, escovagem, ou polimento.** O incumprimento desta recomendação pode ocasionar acidentes e ferimentos graves.
- c) **Não utilize acessórios que não são concebidos especificamente para esta ferramenta e que não são recomendados pelo fabricante.** Mesmo se um acessório puder ser montado numa ferramenta, isso não garante que possa utilizar esta ferramenta com toda a segurança.
- d) **A velocidade nominal do acessório deve ser igual ou superior à velocidade máxima indicada na ferramenta.** Os acessórios que funcionam a uma velocidade superior à sua velocidade nominal podem quebrar e ser ejectados.
- e) **O diâmetro externo e a espessura do acessório devem corresponder às características especificadas para a ferramenta.** Se os acessórios não corresponderem às características indicadas, os sistemas de protecção e de ajuste da ferramenta não poderão funcionar correctamente.
- f) **A roscagem dos acessórios a utilizar deve corresponder à roscagem do fuso da afiadora. Nos acessórios montados por flanges, o furo do acessório deve corresponder ao diâmetro da flange.** Os acessórios que não correspondam ao equipamento de montagem da ferramenta funcionarão de forma desequilibrada, terão um excesso de vibração e podem levar a uma perda de controlo da ferramenta.
- g) **Não utilize um acessório danificado. Antes de cada utilização, verifique se o acessório que vai utilizar está em bom estado. Confirme que os discos abrasivos não estão rachados ou fissurados, que as placas de lixar não estão rasgadas ou usadas, que os pêlos das escovas metálicas não estão usados demais ou quebrados. Se a ferramenta ou o acessório cair, verifique se nenhum elemento ficou danificado e, sendo necessário, instale um acessório novo. Se a ferramenta ou o acessório cair, verifique se nenhum elemento ficou danificado e, sendo necessário, instale um acessório novo. Se o acessório estiver danificado, vai quebrar durante este teste.**
- h) **Usar equipamento de protecção pessoal. Conforme a utilização que faz da sua ferramenta, use uma máscara de protecção, óculos de segurança ou óculos de protecção. Conforme a utilização que faz da sua ferramenta, use uma máscara de protecção, óculos de segurança ou óculos de protecção.** Se necessário, use uma máscara anti-poeira, protecções auditivas, luvas e um avental de protecção, de modo a proteger-se contra qualquer projecção de corpos estranhos (elementos abrasivos, aparas de madeira, etc.). As máscaras anti-poeira permitem filtrar as partículas criadas pela operação realizada. As máscaras anti-poeira permitem filtrar as partículas criadas pela operação realizada.
- i) **Mantenha os visitantes a boa distância da zona de trabalho e verifique se usam equipamento de protecção. Mantenha os visitantes a boa distância da zona de trabalho e verifique se usam equipamento de protecção.** Os fragmentos da peça a trabalhar, ou de um acessório quebrado, podem ser projectados além da zona de trabalho e causar ferimentos graves.
- j) **Segure a ferramenta unicamente pelas partes isoladas e anti-derrapantes quando trabalhar numa superfície que pode esconder fios eléctricos ou quando o trabalho requerido possa pôr o fio de alimentação na trajectória da ferramenta.** O acessório de corte que entre em contacto com um fio "ligado" pode tornar as peças de metal da ferramenta eléctrica condutivas e tal pode causar um choque eléctrico ao operador.
- k) **Posicione o fio de alimentação de modo que fique distante do acessório em rotação.** Se perder o controlo da sua ferramenta, o fio de alimentação pode ser cortado ou ficar entalado, e a mão ou o braço poderia ser arrastado para o acessório em rotação.
- l) **Nunca assente a ferramenta enquanto o**

acessório não estiver completamente parado. O acessório em rotação poderia entrar em contacto com a superfície onde está assente e fazer perder o controlo da ferramenta.

- m) **Não faça funcionar a ferramenta quando a transporta.** O acessório em rotação poderia prender-se nas roupas e causar ferimentos graves.
- n) **Limpe regularmente as fendas de ventilação da ferramenta.** A ventilação do motor faz penetrar as poeiras no cárter do motor, o que pode ocasionar uma acumulação excessiva de partículas metálicas e provocar choques eléctricos.
- o) **Não utilize a sua ferramenta próximo de produtos inflamáveis.** As chispas poderiam inflamá-los.
- p) **Não utilize acessórios que requerem fluidos de arrefecimento.** A utilização de água ou de líquidos de arrefecimento pode provocar electrocussões ou choques eléctricos.

RECOMENDAÇÕES GERAIS DE SEGURANÇA SUPLEMENTARES

Recuo e avisos associados

O contra-golpe é uma reacção súbita que se produz quando o rebolo em movimento, a placa de lixar, a escova ou qualquer outro acessório fica entalado ou torcido, o que provoca o bloqueio repentino do acessório. A ferramenta, que continua a funcionar, é então projectada na direcção oposta ao sentido de utilização do acessório.

Por exemplo, se um disco abrasivo ficar entalado ou torcido na peça a trabalhar, o gume do disco pode encravar-se na superfície da peça a trabalhar, fazendo com que o disco suba ou seja projectado bruscamente. A roda pode saltar para perto ou para longe do operador, dependendo da direcção do movimento da roda no ponto de perfuração. Em caso de contra-golpe, o disco abrasivo também pode quebrar.

Pode ser evitado tendo o cuidado de respeitar certas precauções.

- a) **Mantenha a ferramenta bem firme e coloque o corpo e o braço de modo a poder controlar um eventual contra-golpe.** Se a ferramenta tiver uma pega auxiliar, esta deve ser sempre utilizada para ter um óptimo controlo da ferramenta em caso de contra-golpe ou binário de reacção ao pôr a ferramenta a trabalhar. Tome as disposições necessárias de modo a poder controlar a ferramenta em caso de contra-golpe ou binário de reacção.
- b) **Nunca ponha a mão próximo do acessório em rotação, de modo a evitar qualquer risco de ferimentos graves no caso de contra-golpe.** O acessório pode recuar mais de sua mão.
- c) **Não fique na zona onde a ferramenta pode ser projectada em caso contra-golpe.** Em caso de contra-golpe, a ferramenta é projectada na direcção oposta ao sentido de rotação do disco.
- d) **Preste uma atenção particular quando trabalha em ângulos, bordos cortantes, etc. Evite fazer**

derrapar ou entalar o acessório. Quando trabalhar em ângulos ou bordos cortantes ou quando fizer derrapar a ferramenta, o risco de bloquear o acessório é maior, e por isso de perder o controlo da ferramenta e provocar um contra-golpe.

- e) **Nunca utilize uma lâmina de corte para madeira ou uma lâmina de serra com esta ferramenta.** Estas lâminas aumentam o risco de contra-golpe e de perda de controlo da ferramenta.

INSTRUÇÕES ADICIONAIS DE SEGURANÇA PARA AS OPERAÇÕES DE AFIAMENTO E CORTE

Advertências de segurança específicas das operações de trituração e de corte:

- a) **Utilize exclusivamente tipos de discos recomendados para a sua ferramenta e a protecção específica concebida para o disco seleccionado.** Os discos para os quais a ferramenta não foi concebida não podem ser adequadamente protegidos e implicam um risco.
- b) **A superfície de corte de rodas com centros côncavos deve ser montada abaixo do plano da protecção.** Uma roda incorretamente montada que ultrapasse o plano da protecção não pode ser devidamente protegida.
- c) **A protecção deve estar firmemente presa à ferramenta e posicionada para proporcionar a máxima segurança, de modo a que a menor quantidade de disco fique exposto face ao operador.** A protecção ajuda a proteger o operador de estilhaços de uma mó partida, do contato accidental com a roda e fr faíscas que podem incendiar a roupa.
- d) **Os discos só devem ser usados para as aplicações recomendadas. Por exemplo: Não esmerile com a parte lateral do disco de corte.** Os discos de corte são concebidos para a esmerilação periférica, sendo que as forças laterais aplicadas a esses discos podem fazer com que estilhacem.
- e) **Utilize sempre aletas em boas condições e do tamanho e forma correctos para o disco seleccionado.** As adequadas aletas de disco suportam o disco reduzindo, assim, a possibilidade de este se partir. As aletas dos discos de corte podem ser diferentes das aletas dos discos de trituração.
- f) **Não use discos desgastados de ferramentas eléctricas maiores.** Os discos destinados a ferramentas maiores não são adequados à velocidade superior de ferramentas mais pequenas e podem rebentar.

ADVERTÊNCIAS DE SEGURANÇA ADICIONAIS ESPECÍFICAS PARA OPERAÇÕES DE CORTE ABRASIVO

- a) **Procure não "entupir" o disco de corte ou aplicar uma pressão excessiva. Não trate de fazer uma excessiva profundidade de corte.** A sobrecarga do disco aumenta a carga e a

susceptibilidade à torção ou ao entupimento do disco no corte e a possibilidade de contragolpes ou rutura do disco.

- b) **Não coloque o seu corpo em linha com ou por trás do disco giratório.** Quando o disco está em funcionamento e distancia-se do seu corpo, um eventual contragolpe poderia projectar o disco giratório e a ferramenta em direcção a si.
- c) **Quando o disco ficar preso ou quando interromper um corte por qualquer razão, desligue a ferramenta e mantenha a ferramenta sem realizar movimentos até que o disco pare completamente. Nunca tente retirar o disco de corte do corte enquanto o disco estiver em movimento, caso contrário poderá ocorrer uma força de recuo.** Se o disco ficar entalado, procure a causa e tome as medidas necessárias para que isso não volte a acontecer.
- d) **Não reinicie a operação de corte na peça a trabalhar. Permita que o disco alcance a velocidade total e volte a efectuar o corte cuidadosamente.** O disco pode prender, avançar ou recuar se a ferramenta for reiniciada na peça a trabalhar.
- e) **Apoie os painéis ou qualquer peça a trabalhar sobredimensionada para minimizar o risco de aperto do disco e consequente força de recuo.** As peças a trabalhar grandes têm tendência vergar sob o seu próprio peso. Os apoios devem ser colocados por baixo da peça a trabalhar perto da linha de corte e perto da borda da peça a trabalhar em ambos os lados do disco.
- f) **Tenha muito cuidado ao fazer um "corte de bolso" em paredes ou outras superfícies similares.** O disco saliente pode cortar tubos de gás ou água, fios eléctricos ou objectos que podem provocar uma força de recuo.

INSTRUÇÕES DE SEGURANÇA PARA A REBARBADORA ANGULAR

- a) Verifique se a velocidade indicada no disco de rebarbar é igual ou superior à velocidade nominal da ferramenta.
- b) Certifique-se de que o diâmetro do disco de rebarbar é compatível com a ferramenta e que o disco encaixa correctamente no eixo.
- c) Os discos de rebarbar devem ser arrumados num lugar seco.
- d) Nunca coloque nenhum objecto sobre os discos.
- e) Os discos não devem ser utilizados para fins diferentes das operações de rebarbar.
- f) Os discos devem ser arrumados e manuseados com cuidado, de acordo com as instruções do fabricante.
- g) Antes de utilizar o disco, confirme que não está rachado ou fissurado. Se for o caso, o disco pode quebrar, o que pode provocar ferimentos graves.
- h) Certifique-se de que o disco está montado de

acordo com as instruções do presente manual.

- i) Certifique-se antes da utilização que o disco está correctamente montado e apertado e em seguida ponha a sua ferramenta a trabalhar em vazio durante 30 segundos dirigindo-a de forma que não apresente nenhum perigo. Pare a sua ferramenta imediatamente se vibrar excessivamente ou se descobrir outros problemas. Se este caso ocorrer, verifique a sua ferramenta para determinar a causa do problema.
- j) Não utilize casquilhos de redução ou adaptadores para reduzir o furo de discos de grande diâmetro de furo.
- k) Verifique se a peça a trabalhar está correctamente segura.
- l) Utilize unicamente discos recomendados por RYOBI.
- m) Certifique-se de que as chispas produzidas pela utilização da ferramenta não criam uma situação perigosa, como por exemplo se não são projectadas sobre pessoas ou substâncias inflamáveis.
- n) Use sempre óculos de protecção e protecções dos ouvidos.
- o) Se necessário, utilize outros equipamentos de protecção, como por exemplo luvas, avental ou capacete.
- p) Nunca ponha a sua ferramenta no chão ou sobre outras superfícies quando estiver em funcionamento. Atenção, o disco gira por inércia durante alguns momentos depois da paragem da ferramenta. Nunca deve tocar no disco, nem colocá-lo no chão ou sobre outras superfícies quando estiver em rotação.
- q) Não utilize a ferramenta para trabalhos para os quais não foi concebida. Nunca utilize fluido de arrefecimento ou água. Não utilize a sua ferramenta como uma ferramenta fixa.
- r) Quando utilizar a sua ferramenta, segure-a firmemente com ambas as mãos.

RISCOS RESIDUAIS

Mesmo quando se utiliza o produto segundo as instruções, continua a ser impossível eliminar por completo certos fatores de risco residuais. Podem surgir os seguintes riscos durante o uso e o operador deve prestar especial atenção para evitar o seguinte:

- Lesões causadas por partículas projetadas
 - Metal ou partículas abrasivas podem entrar nos olhos e causar danos permanentes grave. Utilize óculos aprovados para operações de corte ao operar o aparelho.
- Lesões por vibração
 - Limite a exposição. Consulte o ponto "Redução De Riscos".
- Prejuízo causado pela poeira
 - Use uma máscara de controlo de poeiras adequada

com os filtros certos para proteção contra a poeira e partículas libertadas pelo material a ser trabalhado com a lixa. Não coma, beba ou fume na área de trabalho. Assegure uma ventilação adequada do local de trabalho.

- Lesões por contacto com a lixa
 - O disco e a peça de trabalho ficarão quentes durante a utilização. Use luvas ao substituir os discos ou tocar na peça de trabalho. Mantenha as mãos afastadas da área de corte em todas as circunstâncias. Fixe a peça de trabalho sempre que possível.
- Lesões provocadas pelo ruído
 - A exposição prolongada ao ruído irá aumentar o risco de danos auditivos e os efeitos são cumulativos. Ao utilizar ferramentas elétricas durante um período de tempo prolongado, utilize proteções auditivas.

REDUÇÃO DO RISCO

Foi reportado que as vibrações das ferramentas de mão podem contribuir para uma doença designada de Síndrome de Raynaud em determinados indivíduos. Os sintomas podem incluir formigamento, entorpecimento e empalidezimento dos dedos, habitualmente visível aquando da exposição ao frio. Estima-se que os factores hereditários, exposição ao frio e humidade, dieta, tabagismo e práticas de trabalho contribuem todos para o desenvolvimento destes sintomas. Existem medidas que podem ser tomadas pelo operador para possivelmente reduzir os efeitos da vibração:

- Mantenha o seu corpo quente durante o tempo frio. Ao operar a unidade, use luvas para manter as mãos e os pulsos quentes. Encontra-se reportado que o tempo frio é um grande factor que contribui para o Síndrome de Raynaud.
- Após cada período de operação, exercite para aumentar a circulação sanguínea.
- Faça pausas frequentes no trabalho. Limite o tempo de exposição por dia.

Caso sinta algum dos sintomas desta doença, interrompa de imediato a sua utilização e consulte o seu médico sobre estes sintomas.

⚠ AVISO

As lesões podem ser causadas ou agravadas pelo uso prolongado de uma ferramenta. Ao usar qualquer ferramenta durante períodos prolongados, assegure-se que faz intervalos regulares.

CONHEÇA O SEU PRODUTO

Consulte a página 133.

1. Interruptor
2. Botão de bloqueio do eixo
3. Montagem da proteção da roda
4. Alavanca de bloqueio da proteção
5. Flange externo

6. Disco de rebarbar
7. Flange
8. Pega auxiliar
9. Chave de serviço
10. Porca de fixação fácil

PROTEÇÃO CONTRA ARRANQUE

As máquina com um interruptor de bloqueio estão equipadas com um corte. Isto impede a máquina de arrancar automaticamente após uma falha de corrente. Ao retomar o trabalho, desligue a máquina e volte a ligá-la.

MANUTENÇÃO

⚠ AVISO

Nunca efectue nenhum ajuste quando o motor está em funcionamento.

A sua lixadeira nunca deve ser ligada a uma tomada de corrente quando montar peças, efectuar ajustes, quando limpar a sua ferramenta ou quando não a utilizar. Desligar a ferramenta irá prevenir o arranque acidental que poderia causar graves lesões..

- Depois da utilização, certifique-se de que a sua ferramenta está em bom estado de funcionamento.
- Recomenda-se de levar a sua ferramenta pelo menos uma vez por ano a um Centro de Serviço Autorizado Ryobi para uma lubrificação e uma limpeza completa.
- Se o cabo de alimentação estiver danificado, deverá ser substituído unicamente pelo fabricante ou por um centro de serviço autorizado para evitar riscos. Contacte o Centro de Serviço Autorizado

⚠ AVISO

Para mais segurança e fiabilidade, todas as reparações devem ser feitas por um Centro de Serviço Autorizado Ryobi.

⚠ AVISO

Não use ar comprimido para eliminar o pó do produto. Esta prática é perigosa e pode provocar a projecção de poeiras e partículas que podem causar lesões oculares.

PROTECÇÃO DO AMBIENTE


















Recicle os materiais em vez de pô-los directamente no lixo doméstico. Para proteger o ambiente, a ferramenta, os acessórios e as embalagens devem ser seleccionados.






SÍMBOLOS NO PRODUTO



Alerta de Segurança

V	Volts
Hz	Hertz
~	Corrente alterna
W	Watts
n_0	Velocidade Nominal
min^{-1}	Número de rotações ou movimentos por minuto
	Classe II, com duplo isolamento
	Por favor, leia atentamente as instruções antes de acender o produto.
	Use protecção para os ouvidos
	Use protecção para os olhos
	Use máscara contra pó.
	Não use uma mó lascada, rachada ou com defeito
	Não se destina a ser utilizada com água. A utilização de água ou de líquidos de arrefecimento pode provocar electrocussões ou choques eléctricos.
	Use luvas de segurança
	Não utilizar para um amolar frontal.
	Utilize calçado de segurança.
	Utilize protecção auditiva e ocular e máscara.
	Marca de conformidade EurAsian
	Conformidade CE
	Marca de conformidade ucraniana
	Os aparelhos eléctricos antigos não devem ser eliminados juntamente com o lixo doméstico. Recicle onde existem instalações para o efeito. Verifique com as suas Autoridades Locais ou revendedor para obter informações sobre reciclagem.

SÍMBOLOS NESTE MANUAL

	Conecte à fonte de alimentação.
	Desconecte da fonte de alimentação.
	As peças ou acessórios vendem-se separadamente
	Os aparelhos eléctricos antigos não devem ser eliminados juntamente com o lixo doméstico. Recicle onde existem instalações para o efeito.
	Bloqueio
	Abrir
	Nota
	Aviso
	Pare o aparelho.

As seguintes palavras de sinal e significados destinam-se a explicar os níveis de risco associados a este produto.

PERIGO

Indica uma situação de perigo iminente, a qual, se não for evitada, pode resultar em morte ou ferimentos graves.

AVISO

Indica uma situação potencialmente perigosa que, se não for evitada, pode resultar em morte ou ferimentos graves.

CAUTELA

Indica uma situação potencialmente perigosa que, se não for evitada, pode resultar em ferimentos leves ou moderados.

CAUTELA

(Sem símbolo de segurança) Indica uma situação que pode provocar danos materiais.

Sikkerhed, ydelse og driftssikkerhed har fået topprioritet i designet af din vinkelsliber.

TILTÆNKET ANVENDELSESFORMÅL

Vinkelsliberen er kun beregnet til at blive brugt af voksne, som har læst og forstået instrukserne og advarselerne i denne brugsanvisning, og som kan betragtes som værende ansvarlige for deres handlinger. Vinkelsliberen er kun beregnet til slibning af skæring i metal. Kun passende slibeskiver, som beskrevet i produktspecifikationen i denne brugsanvisning, må monteres på vinkelsliberen. Vinkelsliberen er designet til håndholdt brug; den må ikke monteres på et stativ eller arbejdsbænk.

⚠ ADVARSEL

Læs alle advarsler og anvisninger grundigt igennem. Hvis nedenstående forskrifter ikke overholdes, kan der ske uheld og ulykker som brand, elektrisk stød og/eller alvorlige personskader.

Gem vejledningen med advarsler og anvisninger til senere opslag.

VINKELSLIBER SIKKERHEDSADVARSLER

SIKKERHEDSADVARSLER FÆLLES FOR SLIBNING OG ABRASIVT AFSKÆRINGSARBEJDE

- Dette elværktøj er beregnet til at fungere som slibemaskine og afskæringsværktøj. Læs alle omhyggeligt alle advarsler, anvisninger og specifikationer, som følger med maskinen, og studer illustrationerne. Hvis nedenstående forskrifter ikke overholdes, kan der ske uheld og ulykker som brand, elektrisk stød og/eller alvorlige personskader.
- Det kan ikke anbefales at bruge dette elværktøj til fx træslibning, tråd børstning eller polering. Hvis denne regel ikke overholdes, kan der ske ulykker, så man kommer alvorligt til skade.
- Anvend ikke tilbehør, som ikke er specielt beregnet til dette værktøj, og som ikke anbefales af fabrikanten. Selv om en tilbehørsdel kan monteres på et værktøj, er der ingen garanti for, at det er forsvarligt at bruge værktøjet.
- Tilbehørets mærkehastighed skal være lig med eller højere end maksimalhastigheden anført på værktøjet. Hvis tilbehøret anvendes med en hastighed, der er højere end dets mærkehastighed, kan det knække og rive sig løs.
- Tilbehørets udvendige diameter og tykkelse skal svare til det for værktøjet specificerede. Hvis tilbehøret ikke svarer til de anførte specifikationer, virker værktøjets sikkerheds- og indstillingssystemer måske ikke efter hensigten.
- Tilbehørets monteringsgevind skal passe til slibemaskinens spindelgevind. For tilbehør, der monteres via flanger, skal tilbehørets akselhelv passe til flangens referencediameter. Tilbehør,

som ikke passer til elværktøjets monteringsudstyr, vil rotere ubalanceret, vibrere kraftigt og kan bevirke, at operatøren mister kontrollen.

- Brug aldrig en beskadiget tilbehørsdel. Inden værktøjet bruges, undersøges den anvendte tilbehørsdel: se slibeskiverne efter for revner og skår, slibeperderne for flænger og slitage og metalbørsterne for kraftig slitage og knækkede tråde. Hvis værktøjet eller tilbehøret falder på gulvet, skal alle dele undersøges for skader, og der påmonteres evt. nyt tilbehør. Efter tilbehøret er undersøgt for skader og monteret, holdes afstand til det roterende tilbehør, mens værktøjet kører et minut på fuld hastighed. Hvis tilbehøret er beskadiget, vil det knække under denne test.
- Bær personlige værnemidler. Brug beskyttelsesmaske, sikkerheds- eller beskyttelsesbriller afhængig af den pågældende opgave. Om nødvendigt bruges støvmaske, høreværn, handsker og beskyttelsesforklæde som sikring mod løsevegne fremmedlegemer (slibeelementer, spåner m.v.). Med beskyttelsesbriller undgår man øjenskader på grund af udslyngede stumper. Støvmasken filtrerer partikler dannet under arbejdet. Hvis man udsættes for kraftig støj i længere tid, kan hørelsen tage skade.
- Sørg for at holde tilskuere i god afstand fra arbejdsstedet, og for at få dem til at bruge beskyttelsesudstyr. Alle kommer ind i arbejdsområdet skal bære personlige værnemidler. Stumper fra arbejdsstykket eller et knækket tilbehør kan springe langt væk fra arbejdsstedet og forårsage alvorlige ulykker.
- Hold udelukkende værktøjet de isolerede gribesteder ved arbejde på flader, hvor der kan ligge el-ledninger skjult, eller når den strømførende ledning kan komme til at befinde sig i værktøjets arbejdsfelt. Hvis der skæres i en strømførende ledning, kan det gøre udsatte metaldele af maskinværktøjet strømførende og give operatøren elektrisk stød.
- Anbring ledningen således, at den ikke kommer i nærheden af det roterende tilbehør. Hvis man mister kontrollen over værktøjet, kan ledningen blive skåret over eller sætte sig fast, og hånden eller armen kan blive trukket hen mod det roterende tilbehør.
- Læg ikke værktøjet ned, før tilbehøret står helt stille. Det roterende tilbehør kan gribe fat i fladen, det lægges på, så man mister kontrollen over værktøjet.
- Lad ikke værktøjet arbejde, mens det flyttes eller bæres. Det roterende tilbehør kan hænge fast i tøj og forårsage alvorlige skader.
- Rens værktøjets ventilationsåbninger med jævne mellemrum. Motorens ventilation bevirker, at der trænger støv ind i motorkassen, og at der derfor ophobes for mange metalpartikler, som kan forårsage elektrisk stød.

- o) **Anvend ikke værktøjet i nærheden af brændbare stoffer.** De kan blive antændt af gnister.
- p) **Brug ikke tilbehør, som kræver kølemiddel.** Hvis der anvendes vand eller flydende kølemiddel, kan man få elektrisk stød, måske livsfarligt.

YDERLIGERE SIKKERHEDSANVISNINGER FOR ALLE OPERATIONER

Tilbageslag ('kickback') og tilhørende advarsler

Tilbageslag er en pludselig reaktion, som opstår, når den roterende slibeskive, slibepude, børste eller andet tilbehør kommer i klemme eller vrider sig og derefter sætter sig fast. Værktøjet, som arbejder videre, bliver så kastet modsat tilbehørets driftsretning.

Hvis fx. en slibeskive kommer i klemme eller vrider sig i emnet, kan skivens kant trænge ned i emnets overflade, hvorefter skiven pludselig springer ud af emnet, så værktøjet bliver slynget mod brugeren. Hjulet kan enten hoppe mod eller væk fra operatøren, afhængigt af retning af hjulets bevægelse på det sted, klemmer. Ved tilbageslag kan slibeskiven tilmed knække.

Tilbageslag skyldes altså, at værktøjet bruges forkert, og/eller at fremgangsmåden eller driftsforholdene er uhensigtsmæssige. Det kan undgås, hvis der tages nogle forholdsregler.

- a) **Grib godt fat om værktøjet, og hold kroppen og armen i en stilling, hvor et eventuelt tilbageslag kan kontrolleres. Hvis værktøjet har et hjælpehåndtag, skal det altid bruges for at kunne styre værktøjet optimalt, hvis der opstår tilbageslag eller et reaktionsmoment, når værktøjet sættes i gang.** Tag de nødvendige forholdsregler for at kunne styre værktøjet, hvis der opstår tilbageslag eller et reaktionsmoment ved start.
- b) **Anbring aldrig hånden i nærheden af det roterende tilbehør for ikke at komme alvorligt til skade i tilfælde af tilbageslag.** Tilbehør kan tilbageslag over din hånd.
- c) **Stå ikke i det område, hvor værktøjet kan blive slynget hen i tilfælde af tilbageslag.** Hvis der opstår tilbageslag, bliver værktøjet kastet modsat skivens omdrejningsretning.
- d) **Vær særlig opmærksom ved bearbejdning af hjørner, skarpe kanter o.l. Undgå, at tilbehøret skrider eller bliver klemt fast.** Ved bearbejdning af hjørner eller skarpe kanter eller hvis værktøjet kommer til at skride, er der større risiko for, at tilbehøret sætter sig fast og altså for at miste kontrollen over værktøjet, så der opstår tilbageslag.
- e) **Brug aldrig skæreklinger til træ eller savklinger med dette værktøj.** Den slags klinger øger risikoen for tilbageslag og for at miste kontrollen over værktøjet.

EKSTRA SIKKERHEDSANVISNINGER FOR SLIBE- OG AFKORTNINGSARBEJDE.

Sikkerhedsadvarsler specifikt for slibning og skurende afskæringsarbejde:

- a) **Brug kun hjul typer, der er anbefalet til elværktøjet, og brug og den specifikke skærm, der er beregnet til det pågældende hjul.** Hjul, som elværktøjet ikke er beregnet til, kan ikke afdækkes tilstrækkeligt og er derfor usikre at bruge.
- b) **Slibefladen på slibeskiver med nedsænket center skal monteres under skærmkantens plan.** En forkert monteret slibeskive, som rager uden for skærmkantens plan, kan ikke beskyttes ordentligt.
- c) **Skærmen skal fastgøres ordentligt til elværktøjet og positioneres for maksimal sikkerhed, således at så lille en del af hjulet er blottet for operatøren.** Skærmen hjælper til at beskytte operatøren mod afknækkede skivesegmenter, utilsigtet kontakt med skiven samt evt. gløder, som kan antænde tøj.
- d) **Hjul må kun bruges til de anbefalede anvendelsesformål. For eksempel: Undgå at slibe med siden af skærehjulet.** Abrasive skærehjul er beregnet til periferislibning; hjulene kan begynde at ryste, hvis de udsættes for sidekræfter.
- e) **Brug altid uskadte hjulflanger med korrekt størrelse og form i forhold til det valgte hjul.** Ordentlige hjulflanger understøtter hjulet og reducerer dermed faren for, at hjulet knækker. Flanger til skærehjul kan være forskellige fra slibehjulflanger.
- f) **Brug ikke uslidte hjul fra større elværktøjer.** Hjul beregnet til større elværktøjer er uegnede til de højere hastigheder på mindre værktøjer og risikerer at knække.

EKSTRA SIKKERHEDSADVARSLER SPECIFIKT FOR ABRASIVT AFSKÆRINGSARBEJDE

- a) **Undgå at "blokere" afskæringshjulet eller anvende overdrevent pres. Forsøg ikke at udføre overdrevent dybe snit.** Overbelastning af hjulet øger belastningen og tilbøjeligheden til vrid eller blokering af hjulet samt tilbageslag ("kickback") eller hjulbrud.
- b) **Anbring ikke kroppen på linje med og bag ved det roterende hjul.** Når du under arbejdet bevæger hjulet bort fra kroppen, kan et evt. tilbageslag ("kickback") bevirke, at det roterende hjul og selve elværktøjet slynges direkte ind mod dig.
- c) **Når hjulet binder, eller hvis man af en eller anden grund er nødt til at afbryde et snit, skal man slukke elværktøjet og holde det stille, indtil hjulet er fuldstændigt stoppet. Forsøg aldrig at tage skærehjulet ud af snittet, mens hjulet roterer; der er fare for tilbageslag ("kickback").** Hvis skiven sætter sig fast, skal årsagen søges og

de nødvendige forholdsregler tages for at undgå, at det sker igen.

- d) **Genstart ikke skæreoperationen i emnet. Vent, til hjulet har tophastighed, og sæt det da forsigtigt ind i snittet igen.** Hjulet kan binde, kravle op eller slå tilbage, hvis elværktøjet genstartes, mens hjulet sidder i emnet.
- e) **Understøt paneler og andre større emne for at minimere faren for, at hjulet binder eller slår tilbage.** Store emner har tendens til at synke ned under egenvægten. Understøtninger skal anbringes under emnet nær skærelinjen og nær emnekanten på begge sider af hjulet.
- f) **Man skal være ekstra forsigtig under fremstilling af "lommensnit" i eksisterende vægge eller andre blinde områder.** Det udragende hjul kan skære i gas- eller vandrør, elledninger eller genstande, som kan forårsage tilbageslag ('kickback').

SÆRLIGE SIKKERHEDSREGLER I FORBINDELSE MED VINKELSLIBERE

- a) Se efter, om hastigheden anført på slibeskiven er den samme som eller højere end værktøjets mærkehastighed.
- b) Undersøg, om slibeskivens diameter passer til værktøjet og slibeskiven til akslen.
- c) Slibeskiver skal opbevares tørt.
- d) Læg ikke genstande oven på slibeskiverne.
- e) Slibeskiverne må ikke anvendes til andre formål end slibearbejde.
- f) Slibeskiverne skal håndteres forsigtigt og opbevares efter fabrikantens anvisninger.
- g) Inden slibeskiven tages i brug, skal den ses efter for revner og brud. Hvis slibeskiven er revnet eller skåret, kan den knække og forårsage alvorlige ulykker.
- h) Se efter, om slibeskiven er monteret efter anvisningerne i denne brugervejledning.
- i) Inden brug kontrolleres, at slibeskiven er monteret rigtigt og forsvarligt fastspændt, og derefter startes værktøjet i tomgang i 30 sekunder, mens det holdes, så det ikke er til fare for nogen eller noget. Stands straks værktøjet, hvis det vibrerer kraftigt eller udviser andre fejl. I så fald undersøges værktøjet for at finde årsagen.
- j) Brug aldrig reduktionsmuffer eller overgangsstykker for at tilpasse slibeskiver med større huldiameter.
- k) Sørg for, at arbejdsstykket er forsvarligt fastholdt.
- l) Brug kun de af RYOBI anbefalede slibeskiver.
- m) Vær opmærksom på, at de under slibearbejdet dannede gnister ikke fremkalder farlige situationer, at de f.eks. ikke kan springe hen på tilskuere eller brændbare stoffer.
- n) Brug altid sikkerhedsbriller og høreværn.

- o) Eventuelt anvendes andet beskyttelsesudstyr som handsker, forklæde eller hjelm.
- p) Læg aldrig værktøjet ned på jorden eller andre flader, mens det er i drift. Pas på! Slibeskiven bliver ved med at dreje rundt, efter værktøjet er slukket, på grund af inertien. Rør aldrig ved slibeskiven, og læg aldrig maskinen ned på jorden eller andre flader, så længe skiven drejer rundt.
- q) Brug kun værktøjet til de formål, det er beregnet til. Brug aldrig kølevæske eller vand. Brug ikke værktøjet fastmonteret.
- r) Når der arbejdes med værktøjet, skal det holdes fast med begge hænder.

UUNDGÅELIGE RISICI

Selv om produktet anvendes som foreskrevet, er det stadig umuligt at eliminere visse uundgåelige risikofaktorer fuldstændigt. Følgende risici kan opstå under brug, og operatøren bør være særligt opmærksom for at undgå følgende:

- Personskade forårsaget af udslyngede partikler.
 - Metalpartikler eller slibende partikler kan komme i øjnene og forårsage alvorlige permanente skader. Under arbejdet med produktet skal man benytte sikkerhedsbriller, der er godkendt til slibearbejde.
- Personskader forårsaget af vibration
 - Begræns eksponering. Se "Risikoreduktion".
- Personskader forårsaget af støv
 - Benyt passende støvmaske med egnede filtre, der kan beskytte mod støv fra det materiale, der arbejdes med, samt slibende partikler fra slibeskiven. Undlad at spise, drikke eller ryge i arbejdsområdet. Sørg for tilstrækkelig ventilation på arbejdspladsen.
- Personskade pga. kontakt med slibeskiven.
 - Skiven og emnet bliver varme under arbejdet. Benyt handsker ved skift af skive eller ved berøring af emnet. Hænderne skal altid holdes på afstand af slibeområdet. Emnet skal så vidt muligt altid fastspændes.
- Personskader forårsaget af støj
 - Langvarig eksponering for støj vil øge risikoen for høreskade, og virkningerne er kumulative. Når man anvender elektriske værktøjer i længere tid ad gangen, skal man benytte høreværn.

RISIKOREDUKTION

Der er rapporteret om, at vibrationer fra håndholdte værktøjer kan være medvirkende til en lidelse kaldet Raynauds syndrom hos visse personer. Symptomerne herpå kan være prikken, følelsesløshed og blegning af fingrene, der normalt viser sig ved kuldepåvirkning. Faktorer som arvelighed, udsættelse for kulde og fugt, kost, rygning og arbejdsvaner menes alle at medvirke til udviklingen af disse symptomer. Der findes forholdsregler, som operatøren kan træffe for at begrænse påvirkningen fra vibrationer:

EN
FR
DE
ES
IT
NL
PT
DA
SV
FI
NO
RU
PL
CS
HU
RO
LV
LT
ET
HR
SL
SK
BG
UK
TR
EL

- Hold kroppen varm i koldt vejr. Brug handsker, så hænder og vriste holdes varme under arbejdet. Der er rapporteret om, at koldt vejr er en væsentlig faktor til Raynauds syndrom.
- Motionér efter hver arbejdsperiode for at øge blodcirkulationen.
- Hold hyppige arbejdspauser. Begræns eksponeringen for vibrationer pr. dag.

Hvis du mærker nogen af symptomerne på denne tilstand, skal du straks ophøre med arbejdet og søge læge.

⚠ ADVARSEL

Længere tids brug af et værktøj kan forårsage - eller forværre - personskader. Når man bruger et værktøj i længere perioder ad gangen, skal man huske at holde hyppige pauser.

KEND PRODUKTET

Se side 133.

1. Kontaktknap
2. Aksellåseknap
3. Skiveskærmmodule
4. Skærmhåndtagsslås
5. Yderflange
6. Slibeskive
7. Flange
8. Hjælpehåndtag
9. Servicenøgle
10. Lynspændemøtrik

STARTBESKYTTELSE

Maskiner med låsekontakt har en sikringsafbryder. Denne forhindrer maskinen i at genstarte af sig selv efter strømsvigt. Når man genoptager arbejdet, skal man først slukke maskinen og derefter tænde den igen.

VEDLIGEHOLDELSE

⚠ ADVARSEL

Der må aldrig foretages justeringer med motoren gående.

Slibemaskinen må aldrig være tilsluttet stikkontakten under montering af dele, indstilling, rensning, eller når den ikke er i brug. Ved at afbryde forbindelsen til strømforsyningen forhindrer man utilsigtet start af produktet, hvilket kan medføre alvorlige personskader.

- Efter brug skal værktøjet ses efter.
- Det anbefales at aflevere værktøjet mindst en gang om året på et autoriseret Ryobi serviceværksted for grundig smøring og rensning.
- Hvis strømforsyningskablet beskadiges, skal det udskiftes af producenten eller på et autoriseret servicecenter for at undgå risici. Kontakt autoriseret servicecenter

⚠ ADVARSEL

Af hensyn til brugersikkerheden og drifts-sikkerheden skal reparationer udføres på et autoriseret Ryobi serviceværksted.

⚠ ADVARSEL

Undlad at bruge trykluft til at fjerne støv fra produktet. Denne praksis er farlig og kan bevirke, at der blæses snavs og grus, hvilket kan beskadige andres øjne.

MILJØBESKYTTELSE



Råmaterialerne skal genbruges og ikke bortskaffes som almindeligt affald. Af hensyn til miljøet skal redskab, tilbehør og emballage sorteres.

SYMBOLER PÅ PRODUKTET



Sikkerheds Varsel

V

Volt

Hz

Hertz

~

Vekselstrøm

W

Watt

n_o

Mærkehastighed

min⁻¹

Antal omdrejninger eller bevægelser pr. Minut



Klasse II, dobbeltisoleret



Læs venligst vejledningen omhyggeligt inden start af produktet.



Benyt høreværn



Benyt øjenværn



Bær støvmaske.



Undgå at bruge krakelerede, revnede eller defekte slibeskiver



Ikke beregnet til vådslibning. Hvis der anvendes vand eller flydende kølemiddel, kan man få elektrisk stød, måske livsfarligt.



Bær sikkerhedshandsker



Må ikke bruges til planslibning.



Benytt sikkerhedsfodtøj



Benytt øjen- og høreværn samt maske.



EurAsian overensstemmelsesmærke



CE Overensstemmelse



Ukrainsk overensstemmelsesmærke



Elektriske affaldsprodukter bør ikke afskaffes sammen med husholdningsaffald. Genbrug venligst hvor faciliteterne tillader dette. Tjek med din lokale kommune eller forhandler for genbrugsråd.

SYMBOLER I BRUGSANVISNINGEN



Slut til strømforsyningen.



Kobl fra strømforsyningen.



Dele eller tilbehør, der sælges separat



Elektriske affaldsprodukter bør ikke afskaffes sammen med husholdningsaffald. Genbrug venligst hvor faciliteterne tillader dette.



Lås



Oplås



Bemærk



Advarsel



Stop produktet.

De følgende ikoner og betydninger er beregnet til at forklare risikoen involveret i at anvende denne enhed:

FARE

Indikerer en umiddelbart farlig situation, som - hvis den ikke afværges - vil medføre dødsfald eller alvorlig

personskade.

ADVARSEL

Indikerer en potentielt farlig situation, som - hvis den ikke afværges - kan medføre dødsfald eller alvorlig personskade.

VÆR OPMÆRKSOM

Indikerer en potentielt farlig situation, som - hvis den ikke afværges - kan medføre mindre eller middelsvær personskade.

VÆR OPMÆRKSOM

(Uden sikkerhedssymbol) indikerer en situation som kan føre til skade af personlig ejendom.

Säkerhet, prestanda och pålitlighet har varit högsta prioritet vid design av din vinkelslip.

ANVÄNDNINGSSOMRÅDE

Vinkelslipen är enbart avsedd att användas av vuxna som har läst och är införstådda med instruktioner och varningar i denna bruksanvisning och kan anses vara ansvariga för sina åtgärder. Vinkelslipen är enbart avsedd för slipning och skärning metall. Använd enbart passande slipskivor enligt beskrivningen i avsnittet med produktspecifikationer med vinkelslipen. Vinkelslipen är enbart avsedd för att hållas med händerna, den ska inte monteras på fäste eller på arbetsbänk.

⚠ VARNING

Läs noga alla varningar och alla instruktioner. Underlåtenhet att respektera dessa föreskrifter kan leda till olyckor som brand, elektriska stötar och/eller allvarliga kroppsskador.

Spara dessa varningar och instruktioner för senare behov.

VINKELSLIP SÄKERHETSFORESKRIFTER

GEMENSAMMA SÄKERHETSVARNINGAR FÖR SLIPNING OCH SLIPANDE KAPNING

- a) Det här motordrivna verktyget är tänkt att fungera både som en slip- och kapmaskin. Läs uppmärksam alla varningar, instruktioner och specifikationer som bifogas med detta verktyg och studera bilderna. Underlåtenhet att respektera dessa föreskrifter kan leda till olyckor som brand, elektriska stötar och/eller allvarliga kroppsskador.
- b) Aktiviteter som exempelvis sandning, användning av stålborste och polering är inte rekommenderade att utföra med det här verktyget. Underlåtenhet att följa denna föreskrift kan förorsaka olyckor och allvarliga kroppsskador.
- c) Använd inte tillbehör som inte speciellt konstruerats för detta verktyg och som inte rekommenderas av tillverkaren. Även om ett tillbehör kan monteras på ett verktyg är detta ingen garanti för att du kan använda verktyget helt tryggt.
- d) Tillbehörets nominella hastighet ska vara lika med eller högre än den maximala hastighet som anges på verktyget. Tillbehör som fungerar i en hastighet som är högre än deras nominella hastighet kan brytas av och slungas ut.
- e) Tillbehörets ytterdiameter och tjocklek bör motsvara de karakteristika som getts för verktyget. Om tillbehören inte motsvarar givna karakteristika, kan det hända att verktygets skyddssystem och inställning inte fungerar normalt.
- f) Gängningen på tillbehör som monteras måste stämma med gängning på spindelfästet. För flänsmonterade tillbehör ska hålet på tillbehör stämma med diametern på flänsen. Tillbehör som inte stämmer med monteringsfästen på elverktyget kommer att vara obalanserade, vibrera kraftigt och kan göra att du tappar kontrollen.
- g) Använd inte ett skadat tillbehör. Kontrollera före varje användning att tillbehöret som du använder är i gott skick: kontrollera att slipskivorna inte är kantstötta eller spruckna, att slipdynorna inte är trasiga eller slitna, att håren på metallborstarna inte är för slitna eller avbrutna. Om verktyget eller tillbehöret tappas, kontrollera att ingen del har skadats och montera vid behov ett nytt tillbehör. Efter att ha kontrollerat att tillbehöret är i gott skick och efter att ha monterat det, håll dig på avstånd från det rörliga tillbehöret och låt verktyget gå i maximal hastighet under en minut. Om tillbehöret är skadat bryts det av under denna kontroll.
- h) Använd personlig skyddsutrustning. Beroende på vad du använder verktyget till bör du använda en skyddsmask, säkerhetsglasögon eller skyddsglasögon. Använd även vid behov en skyddsmask mot damm, hörselskydd, handskar och skyddsförkläde för att skydda dig mot utslungade främmande föremål (slipdelar, träspån, osv.). Skyddsglasögon hindrar att utslungat avfall skadar ögonen. Skyddsmasken mot damm filtrerar partiklarna som alstras av det arbete du utför. Långvarig exponering för kraftigt ljud kan leda till hörsel förlust.
- i) Håll besökare på ett lämpligt avstånd från arbetsområdet och se till att de använder en skyddsutrustning. Den som kommer in i arbetsområdet måste bära personlig skyddsutrustning. Bitar av arbetsstycket eller ett trasigt tillbehör kan slungas ut från arbetsområdet och förorsaka allvarliga kroppsskador.
- j) Håll i verktyget endast i de isolerade och halksäkra delarna då du arbetar på en yta som kan dölja elektriska ledningar eller då arbetet är sådant att nätsladden kan placeras i verktygets bana. Vid kontakt med en strömförande kabel kan de exponerade delarna på verktyget bli strömförande och ge användaren en elektrisk stöt.
- k) Placera nätsladden så att den är på avstånd från det roterande tillbehöret. Om du förlorar kontrollen över verktyget kan nätsladden skäras av eller kilas fast och din hand eller din arm kan dras emot det roterande tillbehöret.
- l) Lägg aldrig ned verktyget innan tillbehöret stannat helt. Det roterande tillbehöret kan komma i kontakt med ytan det är ställt på och få dig att förlora kontrollen över verktyget.
- m) Ha inte verktyget i gång medan du transporterar det. Det roterande tillbehöret skulle kunna fastna i kläderna och skada dig allvarligt.
- n) Rengör regelbundet verktygets ventilationsöppningar. Motorventilationen gör att damm tränger in i motorhuset, vilket kan förorsaka en extrem anhopning av metallpartiklar och framkalla elektriska stötar.

- o) **Använd inte verktyget i närheten av lättantändliga produkter.** Gnistor kan antända dem.
- p) **Använd inte tillbehör som kräver kylvätskor.** Användning av vatten eller kylvätskor kan förorsaka elektriska stötar.

YTTERLIGARE SÄKERHETSFORESKRIFTER FÖR ALL VERKSAMHET

Återkast och relaterade varningar

Återslaget är en plötslig reaktion som inträffar då slipskivan som är i rörelse, slippyndan, borsten eller ett annat tillbehör fastnar eller vrids, vilket leder till att tillbehöret snabbt låses fast. Verktyget, som fortsätter att fungera, kastar då verktyget i motsatt riktning jämfört med tillbehörets användningsriktning.

Om till exempel en slipskiva kläms ihop eller vrids inne i arbetsstycket, kan eggen på skivan tryckas in i arbetsstyckets yta, vilket gör att skivan snabbt går ut ur arbetsstycket och slungas mot användaren. Hjulet kan antingen hoppa mot eller bort från operatören, beroende på riktning av hjulet rörelse på platsen för klämskador. I händelse av återslag kan slipskivan även brytas av.

Det kan undvikas genom att vidta några försiktighetsåtgärder.

- a) **Håll stadigt i verktyget och placera kroppen och armen så att du kan kontrollera ett eventuellt återslag. Om verktyget har ett hjälphanntag, håll alltid i det för att kunna kontrollera verktyget optimalt i händelse av återslag eller reaktionsmoment vid start av verktyget.** Vidta nödvändiga åtgärder för att kunna kontrollera verktyget i händelse av återslag eller reaktionsmoment.
- b) **Ha aldrig handen i närheten av det roterande tillbehöret för att undvika risker för allvarliga kroppsskador vid återslag.** Tillbehör kan kast över din hand.
- c) **Stå inte i det område dit verktyget kan slungas vid återslag.** Vid återslag slungas verktyget i motsatt riktning jämfört med skivans rotation.
- d) **Var speciellt på din vakt då du arbetar i hörn, på vassa kanter, osv. Låt inte tillbehöret slira eller kilas fast.** Då du arbetar i hörn eller på vassa kanter eller då verktyget slirar är risken större att tillbehöret blockeras, att du förlorar kontrollen över verktyget och att ett återslag uppstår.
- e) **Använd aldrig en kapskiva för trä eller en sågklinga med detta verktyg.** Dylåsa skivor eller klingor ökar risken för återslag och för att man förlorar kontrollen över verktyget.

YTTERLIGARE SÄKERHETSINSTRUKTIONER FÖR SLIPNING OCH SKÄRNING

Säkerhetsvarningar specifikt för slipning och slipande kapning

- a) **Använd endast skivtyper som rekommenderas till ditt verktyg och använd endast det skydd som är avsett för den valda skivtypen.** Skivor

som inte är anpassade för maskinen kan inte skyddas ordentligt och är osäkra att använda.

- b) **Slipytan på centrumsänkta hjul måste monteras under planet för skyddskanten.** Felaktigt monterat hjul som skjuter genom planet för skyddskanten kommer inte att skyddas ordentligt.
- c) **Skyddet måste sitta fast ordentligt på verktyget och vara placerat så att det erbjuder maximalt skydd där användaren exponeras för en så liten del av skivan som möjligt.** Skyddet skyddar användaren mot skivbitar som lossnar, kontakt av misstag med skivan och gnistor som kan antända kläder.
- d) **Skivorna får endast användas till de aktiviteter som de är avsedda för. Exempel: Slipa inte med sidan av kapskivan.** Abrasiva kapskivor är avsedda för slipning med skivans periferi; om skivorna utsätts för sidokrafter kan de spricka.
- e) **Använd alltid oskadade skivflänsar i rätt storlek och form så att de passar den skiva du använder.** Korrekta skivflänsar stärker skivan och minskar risken att den går sönder. Flänsarna för kapskivor kan vara annorlunda än flänsarna för slipskivor.
- f) **Använd inte nedslitna skivor från större maskiner.** Skivor som är avsedda för större verktyg är inte lämpliga att använda till mindre verktyg med högre hastighet eftersom skivan kan splittras.

YTTERLIGARE SÄKERHETSVARNINGAR SPECIFIKT FÖR SLIPANDE KAPNING

- a) **Blockera inte skivan och lägg inte på för stort tryck. Försök inte att göra ett för djupt skär.** Överbelastning av skivan ökar påfrestningarna, och risken att skivan böjs eller fastnar i skåret ökar samtidigt som det finns risk för återkast och att skivan går sönder.
- b) **Placera inte din kropp i linje med, och bakom, den roterande skivan.** När skivan under användning roterar bort från din kropp kan ett återkast få den roterande skivan och hela maskinen att kastas mot dig.
- c) **När klingan nypas fast eller när du avbryter kapningen av någon anledning ska du slå av elverktyget och hålla det helt still tills skivan har stannat helt. Försök aldrig dra ur kapskivan ur ett kapspår medan skivan är i rörelse eftersom det kan orsaka ett våldsamt kast (kickback).** Om skivan kilas fast, ta reda på orsaken och vidta nödvändiga åtgärder för att detta inte upprepas.
- d) **Starta inte maskinen igen medan skivan sitter i arbetsstycket. Låt skivan komma upp i maximal hastighet och för sedan försiktigt in skivan i kapspåret igen.** Skivan kan nypas fast, klättra uppåt eller slungas bakåt med en våldsam kraft om elverktyget startas om medan skivan sitter i arbetsstycket.
- e) **Använd stöd på undersidan av paneler eller**

EN
FR
DE
ES
IT
NL
PT
DA
SV
FI
NO
RU
PL
CS
HU
RO
LV
LT
ET
HR
SL
SK
BG
UK
TR
EL

extremt stora arbetsstycken för att minska risken att skivan nyper fast och att maskinen kastas mot dig. Stora arbetsstycken tenderar att bägna av sin egen vikt. Placera stöd, till exempel bockar, på båda sidor av arbetsstycket; placera dem nära sågspåret och nära arbetsstyckets kanter.

- f) **Var extra försiktigt när du gör "instickssägningar" i befintliga väggar eller andra dolda områden.** En utstickande skiva kan kapa av gas- eller vattenledningar, elledningar eller föremål som kan orsaka ett våldsamt kast.

SPECIFIKA SÄKERHETSFÖRESKRIFTER FÖR VINKELSLIPAR

- Kontrollera att hastigheten som anges på slipskivan är lika hög eller högre än verktygets nominella hastighet.
- Försäkra dig om att slipskivans diameter är förenlig med verktyget och att slipskivan fogas in korrekt i axeln.
- Slipskivorna skall förvaras på en torr plats.
- Placera inget föremål på slipskivorna.
- Slipskivorna får inte användas för andra arbeten än slipning.
- Slipskivorna måste ställas undan och hanteras med varsamhet, enligt tillverkarens anvisningar.
- Kontrollera före användning av slipskivan att den inte är kantstött eller sprucken. Om det är fallet kan slipskivan brytas av, vilket kan förorsaka allvarliga kroppsskador.
- Försäkra dig om att slipskivan har monterats enligt instruktionerna i denna bruksanvisning.
- Kontrollera före användning att slipskivan är rätt monterad och åtdragen och ha verktyget att gå på tomgång i 30 sekunder inriktat på ett sådant sätt att det inte innebär någon fara. Stanna verktyget omedelbart om det vibrerar extremt mycket eller om du konstaterar andra problem. Inspektera i så fall verktyget för att fastställa orsaken till problemet.
- Använd inte reduktionsringar eller mellanlägg för att minska innerdiametern i slipskivor med stor diameter.
- Kontrollera att arbetsstycket är ordentligt fastspänt.
- Använd endast slipskivor som rekommenderats av RYOBI.
- Försäkra dig om att gnistorna som alstras vid användning av verktyget inte skapar en farlig situation. De får till exempel inte slungas mot personer eller lättantändliga ämnen.
- Kom ihåg att alltid använda skyddsglasögon och hörselskydd.
- Använd vid behov även andra skydd, som till exempel handskar, förkläde eller hjälm.
- Lägg aldrig ned verktyget på golvet eller andra ytor, när det är i gång. Lägg märke till att slipskivan

fortsätter att rotera en stund efter att verktyget stängts av. Rör aldrig vid slipskivan och lägg inte ned den på golvet eller på andra ytor medan den roterar.

- Använd verktyget endast för arbeten till vilka det är anpassat. Använd aldrig kylmedel eller vatten. Använd inte verktyget som ett fast verktyg.
- Håll stadigt i verktyget med båda händerna när du använder det.

RESIDUALRISK

Även om produkten används enligt instruktionerna går det inte att eliminera alla eventuella riskfaktorer. Följande risker kan uppstå vid användning och operatören ska vara extra uppmärksam för att undvika följande:

- Skador orsakade av kringkastade föremål
 - Metall eller småpartiklar kan komma in i ögonen och orsaka allvarliga permanenta skador. Använd skyddsglasögon avsedda för slipning när produkten används.
- Skador orsakade av vibrationer
 - Begränsa exponeringen. Se "Riskreducering".
- Skador orsakade av damm
 - Använd lämplig dammask med passande filter som skyddar mot damm från materialet som bearbetas och metallpartiklar från slipskivan. Åt, drick eller rök inte på arbetsområdet. Se till att arbetsplatsen är tillräckligt ventilerad.
- Skador vid kontakt med slipskivan
 - Skivan och arbetsstycket blir varma under användning. Använd handskar vid byte av skiva och då arbetsstycket hanteras. Hålla alltid händerna på säkert avstånd från slipområdet. Kläm alltid fast arbetsstycket om så är möjligt.
- Skador orsakade av buller
 - Exponering för buller under längre tidsperioder ökar risken för hörselskador och effekten ackumuleras. När elverktyg används längre perioder ska alltid hörselskydd användas.

RISKMINSKNING

Det finns rapporter om att vibrationer från handhållna verktyg kan bidra till ett tillstånd som kallas Raynauds syndrom för vissa personer. Symptomen brukar vara att det sticker i fingrarna och att de domnar bort; fingrarna kan också bli vita, särskilt vid kyla. Årftliga faktorer, kyla och fukt, diet, rökning och arbetsrutiner tros alla bidra till att orsaka dessa symptom. Det finns förebyggande åtgärder som du kan vidta för att försöka minska vibrationernas påverkan:

- Håll dig varm när du arbetar i kallt väder. Använd handskar för att hålla kvar värmen i händer och handleder. Kyla har rapporterats som en viktig del i utvecklandet av Raynauds syndrom.
- Träna och rör på dig efter varje användningstillfälle för att öka blodcirkulationen.
- Ta ofta pauser från arbetet. Begränsa tiden du utsätter

dig varje dag.

Upphör omedelbart om du upplever några av dessa symptom och uppsök din läkare.

VARNING

Risk för person- eller slitageskador vid användning av verktyget under lång tid. Om verktyget används under längre perioder krävs regelbundna pauser.

LÄR KÄNNA DIN PRODUKT

Se sidan 133.

1. Brytare
2. Låsknapp för axeln
3. Hjulskydd
4. Lås för skyddsspak
5. Yttre fläns
6. Slipskiva
7. Fläns
8. Hjälpbandtag
9. Servicenyckel
10. Fixeringsmutter

STARTSKYDD

Maskiner med säkerhetsbrytare har spärr. Det hindrar maskinen från att starta av sig själv efter elavbrott. När arbetet återupptas måste maskinen stängas av och sedan slås på igen.

UNDERHÅLL

VARNING

Utför ingen inställning medan motorn är i gång.

Slipmaskinen får aldrig vara nätansluten då du monterar komponenter, utför inställningar, rengör verktyget eller då du inte använder det. Om du kopplar ur verktyget från eluttaget så förhindrar du oavsiktlig start som kan resultera i allvarliga skador.

- Försäkra dig om att verktyget är i gott skick efter avslutad användning.
- Vi rekommenderar att lämna in verktyget för smörjning och komplett rengöring på en godkänd serviceverkstad, minst en gång per år.
- För att minska risken får en skadad strömssladd endast repareras av tillverkaren eller ett auktoriserat servicecenter. Kontakta ett auktoriserat servicecenter

VARNING

Av säkerhetsskäl är det viktigt att alla reparationer utförs på en serviceverkstad som auktoriserats av Ryobi.

VARNING

Använd inte tryckluft för att blåsa bort smuts/damm från produkten. Denna metod är riskfylld och kan göra att smuts och skräp flyger iväg och orsakar ögonskador.

MILJÖSKYDD



Råmaterialen ska återvinnas i stället för att kastas i hushållsavfallet. För att skona miljön ska verktyget, tillbehören och emballagen sorteras.

SYMBOLER PÅ PRODUKTEN



Säkerhetsvarning

V

Volt

Hz

Hertz

~

Växelström

W

Watt

n

Hastighet

min⁻¹

Antal varv eller rörelser per minut



Klass II, dubbelisolerad



Läs alla instruktioner noggrant innan du startar produkten.



Bär hörselskydd.



Använd skyddsglasögon



Använd dammskydd.



Använd aldrig hackade, spruckna eller defekta slipskivor



Inte för våtslipning. Användning av vatten eller kylvätskor kan försäkra elektriska stötar.



Bär säkerhetshandskar



Använd inte för nedslipning av yta.



Används skyddsskor.



Använd skyddsglasögon, hörselskydd och mask.



EurAsian överensstämmelsesymbol



CE-konformitet



Ukrainskt märke för överensstämmelse



Gamla elektroniska produkter ska inte kastas med hushållssoporna. Återvinn där sådana faciliteter finns. Kontrollera med din lokala myndighet eller säljaren för att få återvinningstips.



FÖRSIKTIGHET

Visar på en potentiellt riskfylld situation som, om den inte undviks, kan orsaka mindre eller måttlig personskada.

FÖRSIKTIGHET

(Utan säkerhetssymbolen) Indikerar en situation som kan leda till egendomsskada.

SYMBOLER I MANUALEN



Anslut till eluttag.



Koppla bort från eluttag.



Delar och utrustning säljs separat



Gamla elektroniska produkter ska inte kastas med hushållssoporna. Återvinn där sådana faciliteter finns.



Lås



Lås upp



Notera



Varning



Stoppa produkten.

Följande signalord och betydelser är tänkta att förklara de olika risknivåerna som är associerade med denna produkt.

FARA

Visar på en direkt riskfylld situation som, om den inte undviks, kan orsaka dödsfall eller allvarlig personskada.

VARNING

Visar på en potentiellt riskfylld situation som, om den inte undviks, kan orsaka dödsfall eller allvarlig personskada.

Kulmahiomakoneen suunnittelussa on pidetty etusijalla turvallisuutta, suorituskykyä ja luotettavuutta.

KÄYTTÖTARKOITUS

Kulmahiomakone on tarkoitettu vain sellaisten aikuisten käytettäväksi, jotka ovat lukeneet ja ymmärtäneet tämän käsikirjan ohjeet ja varoitukset ja joita voidaan pitää vastuullisina teoistaan. Kulmahiomakone on tarkoitettu vain metallien hiontaan ja leikkaamiseen. Kulmahiomakoneeseen saa asentaa vain tämän käsikirjan teknisten tietojen mukaisia hiontalaiikkoja. Kulmahiomakone on tarkoitettu käsin pideltäväksi, ei kiinnitettäväksi telineeseen tai työpenkkiin.

VAROITUS

Lue kaikki varoitukset ja ohjeet huolellisesti. Näiden ohjeiden laiminlyönti voi aiheuttaa onnettomuuksia kuten tulipalon, sähköiskun ja/tai vakavia ruumiinvammoja.

Säilytä nämä varoitukset ja ohjeet myöhempiä tarvetta varten.

KULMAHIOMAKONE TURVALLISUUSVAROITUKSET

HIONTAAN JA KATKAISEMISEEN LIITTYVIÄ YLEISIÄ TURVALLISUUSVAROITUKSIA

- Tämä sähkötyökalu on tarkoitettu toimimaan hioma- sekä katkaisulaitteena. Lue tarkkaavaisesti kaikki tämän työkalun kanssa toimitetut varoitukset, ohjeet ja spesifikaatiot, ja katso lisäksi kuvat.** Seuraavassa esitettyjen ohjeiden laiminlyönnistä saattaa olla seurauksena onnettomuuksia kuten tulipalot, sähköiskut ja/tai vakavia kehon vammoja.
- Sähkötyökalulla ei suositella suorittavan sellaisia toimintoja kuten hiominen, teräsharjaukset ja kiillotus.** Tämän ohjeen laiminlyönnistä saattaa olla seurauksena onnettomuuksia ja vakavia kehon vammoja.
- Älä käytä lisälisävarusteita, joita ei ole suunniteltu juuri tälle työkalulle ja joita valmistaja ei suosittele.** Vaikka lisälisävarusteeseen voi mahdollisesti asentaa työkaluun, tämä ei takaa, että työkalua voi käyttää täysin turvallisesti.
- Lisävarusteen nimellisenopeuden on oltava sama tai korkeampi kuin lisävarusteelle mainittu maksiminopeus.** Yli nimellisenopeudella käytetyt lisävarusteet saattavat rikkoutua ja joutuvat hylätyiksi.
- Lisävarusteen ulkohalkaisijan ja paksuuden on vastattava työkalun ilmoitettuja ominaisuuksia.** Ellei lisävarusteiden ominaisuudet vastaa annettuja ominaisuuksia, työkalun suoja- ja säätöjärjestelmä elleivät voi toimia oikein.
- Lisälaitteiden asennuskierteiden on vastattava hiomakoneen karan kierteitä. Jos lisälaitteessa on asennuslaipat, sen tuurnareian on vastattava laipan asennushalkaisijaa.** Lisälaitteet, jotka eivät vastaa sähkötyökalun kiinnityksiä, joutuvat epätasapainoon, tärisevät liikaa ja voivat riistää laitteen hallinnasta.
- Älä käytä voittoneita lisävarusteita. Tarkista ennen jokaista käyttöä, että käyttämäsi lisävaruste on hyväkuntoinen: varmista, että hiontalaiikan reunat ovat ehjät eikä siinä ole halkeamia ja etteivät kengät eivät ole repeytyneet tai kuluneet, ettei metalliharjojen harjakset ole liian kuluneet tai katkeilleet. Jos sähkötyökalu tai lisävaruste putoaa, tarkista, ettei se ole vioittunut, tai vaihda lisävarusteen tilalle vioittumaton laite. Kun olet todennut lisävarusteen hyvän kunnan ja kun olet asentanut sen, pysy loitolla liikkuvasta lisävarusteesta sallien työkalun saavuttaa maksiminopeuden minuutin aikana. Jos lisävaruste on viallinen, se sarkyy tämän kokeen aikana.**
- Käytä henkilökohtaisia suojavarusteita. Sen mukaan, mihin käytät työkalua, pidä suojaanamaaria, turva- tai suojalaseja. Pidä tarvittaessa pölynsuojaanamaaria, kuulosuojaimia, suojakäsineitä ja suojaesiliinaa kaikkia ulkoisten kappaleiden sinkoamista vastaan (hankaavat kappaleet, puun lastut jne.). Suojalasit estävät lentäviä jätetalasia vahingoittamasta silmiä. Pölynsuojaanamaareilla voidaan suodattaa käytetyssä työssä syntyneet hiukkaset. Pitkäaikaisesta altistuksesta kovalle melulle saattaa aiheutua kuulon huononeminen.**
- Pidä vieraat hyvin loitolla työalueesta ja huolehdi, että heillä on suojalisävarusteet. Jokaisella, joka tulee työalueelle on käytettävä henkilökohtaisia suojavarusteita.** Työstettävistä kappaleista tai rikkoutuneesta välineestä saattaa singota palasia työalueen ulkopuolellekin aiheuttaen vakavia vammoja.
- Pidä työkalusta kiinni vain eristetyistä luistamattomista osista työskennellessäsi pinnalla, joka saattaa katkea sähköjohtoja tai milloin vaadittu työ edellyttää mahdollisesti sähköjohtojen asettamista työkalun liikeradalle.** Jos leikkuri koskettaa sähköistettyä johtoa, työkalun metalliosat voivat sähköistyä ja aiheuttaa käyttäjälle sähköiskun.
- Aseta virtajohto niin, että se on kaukana laitteen pyörivästä osasta.** Jos menetät työkalun hallinnan, virtajohto saattaa katketa tai kiertyä käteen tai käsivarsi saattaa joutua pyörivään terään.
- Älä laske työkalua koskaan kädestäsi ennen kuin lisävaruste on kokonaan pysähtynyt.** Pyörivä lisävaruste saattaa koskettaa pintaa, jolle se lasketaan ja menetät laitteen hallinnan.
- Älä käynnistä työkalua sitä kuljettaessa.** Pyörivä lisävaruste saattaa takertua vaatteisiisi ja aiheuttaa vakavan vamman.
- Puhdista säännöllisesti työkalun puhallinaukot.** Moottorin puhallin imee pölyä moottorin kuoren sisään, mistä saattaa johtua metallihiukkasten

liiallinen kertyminen aiheuttaen sähköiskuja.

- o) **Älä käytä laitetta syttyvien aineiden läheisyydessä.** Kipinät saattavat sytyttää ne.
- p) **Älä käytä lisävarusteita, jotka tarvitsevat jäähdytysnestettä.** Vesi tai jäähdytysnesteet voivat aiheuttaa sähkösurman tai sähköiskun.

MUITA TURVAOHJEITA KAIKKIIN TOIMIIN

Takapotku ja siihen liittyvät varoitukset

Pomppaus on äkillinen reaktio, kun liikkeessä oleva hiomalaikka, kenkä, harja tai jokin muu lisävaruste tarttuu kiinni tai vääntyy, mikä aiheuttaa lisälaitteen äkillisen jumittumisen. Edelleen käynnissä oleva työkalu linkoaa tällöin lisälaitteen liikkeensä vastakkaiseen suuntaan.

Esimerkiksi, jos hiomalaikka jumittuu tai puristuu kiinni työkappaleeseen, se laikan reunan kohta, joka koskettaa jumittumiskohtaa, voi kaivautua materiaalin pintaan, jolloin laikka kiipeää ulos tai ponnahtaa käyttäjää kohden. Pyörän voi joko hypätä kohti tai pois päin käyttäjältä riippuen suunnasta pyörän liikkeen paikassa puristimilla. Hiomalaikka saattaa myös haljeta pomppauksen seurauksena.

Sen voi välttää eräillä varotoimenpiteillä:

- a) **Pidä tukevasti kiinni työkalusta ja pidä varalossi ja käsivarret niin, että voit hallita mahdollisen pomppauksen.** Jos työkalussa on lisäkahva, pidä aina siitä kiinni parhaan hallinnan saamiseksi pomppauksen sattuessa tai työkalun käynnistyksessä syntyvälle reaktiovääntömomentille. Suorita tarvittavat toimenpiteet voidaksesi hallita työkalun pomppauksen tai käynnistysreaktion sattuessa.
- b) **Älä vie koskaan kättä pyörivän lisävarusteen lähelle vakavien kehonvammojen välttämiseksi pomppauksen sattuessa.** Lisälaitte voidaan takapotkun aikana kätesi.
- c) **Älä asetu paikkaan, mihin työkalu mahdollisesti sinkoaa pomppauksen sattuessa.** Työkalu sinkoaa pomppauksessa laikan pyörimissuunnan vastaiseen suuntaan.
- d) **Ole erikoisen valpas työstäessäsi särmiä, teräviä reunoja jne. Vältä lisävarusteen luisumista tai jumittumista.** Kun työskentelet särmillä tai terävillä reunoilla tai jos työkalu pääsee luiskahtamaan, on sen jumittumisvaara suurempi. Tällöin saatat menettää työkalun hallinnan ja aiheuttaa pomppauksen.
- e) **Älä käytä koskaan puun katkaisuterää tai puun sahausterää tällä työkalulla.** Sellaisilla terillä on suurempi pomppausvaara ja työkalun hallinnan menetyks.

MUITA TURVALLISUUSOHJEITA HIONNALLE JA LEIKKAAMISELLE

Hiontaan ja katkaisemiseen liittyviä erityisiä turvallisuusvaroituksia:

- a) **Käytä ainoastaan sähkötyökalulle suositeltuja laikkoja ja kyseiselle laikalle tarkoitettuja**

suojusta. Muita kuin sähkötyökalulle tarkoitettuja laikkoja ei voi suojata asianmukaisesti, ja ne ovat vaarallisia.

- b) **Keskeltä koverien laikkojen hiomapinta on asennettava suojuksen tason alapuolelle.** Virheellisesti asennettua laikkaa, joka ulottuu suojuksen tason ulkopuolelle, ei voida suojata riittävästi.
- c) **Suojan on oltava tukevasti kiinnitetty sähkötyökaluun ja sijoitettu siten, että se tekee laitteesta mahdollisimman turvallisen ja että käyttäjän puolella on mahdollisimman vähän paljasta laikkaa.** Suoja suojelee käyttäjää irronneilta laikan osailta ja estää häntä koskettamatta vahingossa laikkaa tai kipinöitä, jotka voisivat sytyttää vaatteet.
- d) **Laikkoja saa käyttää ainoastaan niille tarkoitettuun käyttötarkoitukseen. Esimerkiksi: Älä hio katkaisulaikan sivulla.** Katkaisulaikat on tarkoitettu käytettäväksi siten, että hionta suoritetaan niiden ulkokehällä; niihin kohdistuvat sivuttaisrasitukset voisivat murtaa ne.
- e) **Käytä aina kunnossa olevia laikan laippoja, jotka vastaavat valitun laikan kokoa ja muotoa.** Asianmukaiset laipat tukevat laikkaa ja pienentävät siten mahdollisuutta, että laikka rikkoutuu. Katkaisulaikkojen laipat voivat poiketa hiomalaikkojen laipoista.
- f) **Älä käytä suurempien sähkötyökalujen kuluneita laikkoja.** Suuremmille sähkötyökaluille tarkoitettujen laikojen ei sovi pienemmän laitteen suuremmalle nopeudelle, sillä ne voivat lohjeta.

KATKAISEMISEEN LIITTYVIÄ TURVALLISUUDEN LISÄVAROITUKSIA

- a) **Älä "jumita" katkaisulaikkaa tai käytä liiallista painetta. Älä yritä leikata liian syväälle.** Laikan ylikuormitus kasvattaa kuormaa ja mahdollisuutta, että laikka tahtuu tai jumittuu leikkuu-uraan ja potkaisee takaisin tai rikkoutuu.
- b) **Älä asetu pyörivän laikan taakse, samaan linjaan sen kanssa.** Kun laikka liikkuu kehosta pois päin, takapotku saattaa singota laikan ja sähkötyökalun suoraan käyttäjää kohden.
- c) **Jos laikka takertuu tai kun keskeytät leikkaamisen mistään syystä, sammuta sähkötyökalu ja pitele sitä paikoillaan, kunnes laikka pysähtyy. Älä koskaan yritä nostaa katkaisulaikkaa leikkuu-urasta laikan pyöriessä; muutoin laite voi potkaista takaisin.** Älä yritä koskaan irrottaa laikkaa sen pyöriessä, se saattaa aiheuttaa pomppauksen.
- d) **Älä aloita leikkausta laikan koskettaessa työkappaletta. Anna laikan saavuttaa täysi nopeus ja aseta laikka takaisin leikkuu-uraan varovasti.** Laikka saattaa jumittua, kulkea ylöspäin tai potkaista takaisin, jos sähkötyökalu käynnistetään laikan ollessa kosketuksissa työkappaleeseen.
- e) **Tue paneelit ja muut suuret työkappaleet**

siten, että minimoit juuttumisen ja takapotkun vaaran. Suuret työkappaleet ovat taipuvaisia painumaan oman painonsa ansiosta. Tuet tulee asettaa työkappaleen alle, lähelle leikkuulinjaa, ja lähelle työkappaleen reunoja, laikan molemmille puolille.

- f) **Ole erittäin varovainen tehdessäsi olemassa oleviin seinämiin tai muihin sokeisiin kohtiin niiden keskeltä alkavaa leikkausta.** Ulos työntävä laikka voi leikata kaas- tai vesiputkia, sähköjohtoja tai kappaleita, jotka voivat aiheuttaa takapotkun.

KULMAHIOMAKONEITA KOSKEVAT TURVALLISUUS-OHJEET

- a) Tarkista, että tasoitushiomalaikassa oleva nopeus on tasan tai yli työkalun nimellinopeuden.
- b) Varmista, että tasoitushiomalaikan mitat sopivat työkalulle ja että se soveltuu akselille.
- c) Tasoitusiomalaikat on varastoitava kuivaan tilaan.
- d) Älä aseta mitään hiomalaikkojen päälle.
- e) Hiomalaikkoja ei saa käyttää muuhun tarkoitukseen kuin hiomatöihin.
- f) Hiomalaikkojen varastointi ja käsittely on tehtävä suurta varovaisuutta noudattaen, valmistajan ohjeiden mukaisesti.
- g) Varmista ennen käyttöä, ettei hiomalaikassa ole säröjä tai halkeamia. Laikka voi rikkoutua, mikäli säröjä ja halkeamia on ja seurauksena on vakavia ruumiinvammoja.
- h) Varmista, että hiomalakka on asennettu tässä käsikirjassa annettujen ohjeiden mukaisesti.
- i) Varmista ennen käyttöä, että hiomalaikka on oikein asennettu ja kiristetty ja käytä sitten työkalua tyhjäkäynnillä 30 sekuntia kohdistaen sen niin, ettei se osoittaudu vaaralliseksi. Sammuta työkalu välittömästi, mikäli liiallista värinää ilmaantuu tai havaitset muita vikoja. Tässä tapauksessa, tarkista työkalu mahdollisen vian aiheuttajan löytämiseksi.
- j) Älä käytä erillisiä pelkistinrenkaita tai sovitimia isomman kaliiberin omavien hiomakiekkojen sovittamiseksi.
- k) Tarkista, että työkappale pysyy oikein paikallaan.
- l) Käytä vain suositeltuja RYOBI-hiomakiekkokoja.
- m) Varmista, ettei työkalusta lähtevät kipinät aiheuta vaaratilanteita, esim. etteivät ne lennä kohti henkilöitä tai tulenarkoja aineita.
- n) Pidä aina suoalaseja ja kuulonsuojaimia.
- o) Tarvittaessa, käytä muita suojarusteita kuten käsineitä, suojaesiliinoja tai kypärää.
- p) Älä koskaan laske työkalua maahan tai muulle pinnalle kun se on käynnissä. Hiomalaikka jatkaa pyörimistä inertian avulla työkalun sammutuksen jälkeen. Älä koskaan kosketa hiomalaikkaan, äläkä aseta sitä maahan tai muulle pinnalle kun se pyörii.

- q) Älä käytä työkalua muihin kuin sille tarkoitettuihin sovelluksiin. Älä koskaan käytä jäähdytysnestettä tai vettä. Älä käytä työkalua kiinteän työkalun tapaan.
- r) Kun käytät työkalua, pidä sitä tukevasti kaksin käsin.

KÄYTÖN RISKIT

Vaikka tuotetta käytettäisiin ohjeiden mukaisesti, ei ole mahdollista täysin eliminoida tiettyjä käyttöön liittyviä riskitekijöitä. Käytössä voi aiheutua seuraavia vaaroja, ja käyttäjän tulee kiinnittää erityistä huomiota niiden välttämiseen:

- Sinkkoutuvien kappaleiden aiheuttama vahinko
 - Silmiin saattaa päästä metallisia tai hankaavia hiukkaisia, jotka aiheuttavat vakavia vaurioita. Käytä hiomiseen soveltuvia suojalaseja käyttäessäsi tuotetta.
- Tärinän aiheuttama vamma
 - Vältä altistumista. Katso kohta Riskien Vähentäminen.
- Pölyn aiheuttama vamma
 - Käytä asianmukaista pölynaamaria, jossa on asianmukaiset suodattimet, jotka suojaavat työmateriaalista irtoavalta pölyltä sekä hiomalaikan hankaavilta hiukkasilta. Älä syö, juo tai tupakoi työalueella. Huolehdi työpaikalla riittävästä tuuletuksesta.
- Loukkaantuminen hiomalaikan kosketuksesta
 - Laikka ja työkappale kuumenevat käytössä. Käytä käsineitä vaihtaessasi laikkoja ja koskettaessasi työkappaleita. Pidä kädet aina irti hioma-alueesta. Kiinnitä työkappale puristimilla aina kun mahdollista.
- Melun aiheuttama vamma
 - Pitkäliennon altistuminen melulle kasvattaa kuulovaurion riskiä, ja vaikutukset ovat kumulatiivisia. Käytä kuulonsuojaimia käyttäessäsi sähkötyökaluja pitemmän aikaa.

RISKIEN VÄHENTÄMINEN

Raporttien mukaan käsikäyttöisten laitteiden tärinä voi joidenkin kohdalla myötävaikuttaa Raynaud's Syndromen (Raynauodin oireen) ilmenemiseen. Oireita ovat pistely, turtuus ja sormien kalpeneminen, yleensä kylmässä ilmassa. Perinnölliset tekijät, kylmyys ja kosteus, ruokavalio, tupakointi sekä työtavat voivat kaikki myötävaikuttaa näiden oireiden ilmenemiseen. Käyttäjä voi ehkäistä tärinän aiheuttamia vaikutuksia seuraavasti:

- Pidä itsesi lämpimänä kylmällä säällä. Käytä laitteen käytön aikana käsineitä, jotta kätesi ja ranteesi pysyvät lämpöisinä. Raporttien mukaan kylmä ilma on tärkeä tekijä Raynaud's Syndromen (Raunaudin oireiden) ilmenemisessä.
- Harjoita kunkin käyttöjakson jälkeen liikuntaa, jotta verenkierto lisääntyy.
- Pidä työn aikana säännöllisesti taukoja. Rajoita päivittäisen tärinän määrä.

Jos mitään yllä mainittuja oireita ilmenee, lopeta heti laitteen käyttö ja kerro oireista lääkärille.

VAROITUS

Laitteen pitkittynyt käyttö voi aiheuttaa tai vaikeuttaa vammoja. Kun käytät mitä tahansa laitetta pitkiä aikoja, muista pitää säännöllisiä taukoja.

TUNNE TUOTTEESI

Katso sivu 133.

1. Kytkin
2. Akselin lukintanappi
3. Laikan suojakokoonpano
4. Suojavipulukitus
5. Ulkolaippa
6. Tasoitushiomalaikka
7. Laippa
8. Sivukahva
9. Säättöavain
10. Pikamutteri

KÄYNNISTYSSUOJA

Laitteissa, joissa on lukittuva käynnistyskytkin, on automaattinen katkaisu. Se estää laitetta käynnistymästä itsestään sähkökatkoksen jälkeen. Kun jatkat töitä, sammuta laite ja kytke se sitten taas päälle.

HUOLTO

VAROITUS

Älä tee säätöjä moottorin käydessä.

Hiomakonetta ei saa koskaan kytkeä verkkovirtaan kun asennat osia, teet säätö- ja puhdistustöitä tai kun et käytä sitä. Laitteen irrottaminen pistorasiasta estää sitä käynnistymättä vahingossa, jolloin vältytään mahdollisilta vakavilta vammoilta.

- Varmista käytön jälkeen, että työkalu on hyvässä kunnossa.
- On suositeltavaa, että työkalu viedään vähintään kerran vuodessa valtuutettuun Ryobi-huoltokeskukseen voitelua ja puhdistusta varten.
- Jos virtajohto vioittuu, se on vaihdettava ainoastaan valmistajalla tai valtuutetussa huollossa, jotta vältytään vaaroilta. Ota yhteys valtuutettuun huoltoon

VAROITUS

Lisäturvallisuuden ja luotettavuuden takaamiseksi kaikki korjaustyöt on annettava valtuutetun Ryobi-huoltokeskuksen tehtäväksi.

VAROITUS

Älä poista pölyä tuotteesta paineilmalla. Tämä on vaarallista, ja voi aiheuttaa sen, että roskaa ja pölyä sinkoutuu laitteesta ja vahingoittaa ihmisten silmiä.

YMPÄRISTÖNSUOJELU



Älä hävitä raaka-aineita jätteinä vaan vie ne kierrätykseen. Ympäristönsuojelun kannalta työkalu, lisäksi r usteet ja pakkausmateriaali on lajiteltava.

TUOTTEESSA OLEVAT SYMBOLIT



Turvavaroitus

V

Voltti

Hz

Hertz

~

Vaihtovirta

W

Watti

n

Nimellisa nopeus

min⁻¹

Kierrosten tai liikkeiden määrä minuutissa



Luokka II, kaksoiseristetty



Lue ohjeet huolella ennen laitteen käyttöä.



Käytä kuulosuojaimia



Käytä suojalaseja



Käytä pölynaamaria.



Älä käytä lohkeilleita, haljenneita tai viallisia hiomalaikkoja



Ei märkähiontaan. Vesi tai jäähdystynesteet voivat aiheuttaa sähkösurman tai sähköiskun.



Käytä suojakäsineitä



Älä käytä pinnan hiontaan.



Käytä suojajalkineita.



Käytä suojalaseja, kuulosuojainta ja naamaria.



EurAsian-vaatimustenmukaisuusmerkki



CE-vastaavuus



Ukrainalainen säädöstenmukaisuusmerkintä



Käytöstä poistettavia sähkölaitteita ei pidä hävittää talousjätteiden mukana. Ne on mahdollisuuksien mukaan pantava kiertoon. Kierrätysohjeita antavat kunnan viranomaiset ja vähittäiskauppiat.

VAROITUS

Ilmoittaa mahdollisesta vaaratilanteesta, joka saattaa aiheuttaa pienen tai kohtalaisen vamman.

VAROITUS

(Ilman varoitusmerkkiä) Tilanne, joka voi aiheuttaa materiaalista vahinkoa.

EN
FR
DE
ES
IT
NL
PT
DA
SV
FI
NO
RU
PL
CS
HU
RO
LV
LT
ET
HR
SL
SK
BG
UK
TR
EL

KÄSIKIRJAN SYMBOLIT

Kytke virtalähteeseen.



Irrota virtalähteestä.



Osat ja lisävarusteet on hankittava erikseen



Käytöstä poistettavia sähkölaitteita ei pidä hävittää talousjätteiden mukana. Ne on mahdollisuuksien mukaan pantava kiertoon.



Lukko



Avaa



Huom



Varoitus



Pysäytä tuote.

Seuraavat signaalisanat ja merkitykset on tarkoitettu selittämään tähän tuotteeseen liittyviä riskin tasoja:

VAARA

Ilmoittaa välittömästä vaaratilanteesta, joka saattaa aiheuttaa kuoleman tai vakavan vamman.

VAROITUS

Ilmoittaa mahdollisesta vaaratilanteesta, joka saattaa aiheuttaa kuoleman tai vakavan vamman.

Sikkerhet, ytelse og driftssikkerhet er gitt topp prioritet i konstruksjonen av din vinkelsliper.

TILTENKT BRUK

Vinkelsliperen skal kun brukes av voksne som har lest og forstått anvisningene og advarslene i denne brukermanualen og som kan anses å være ansvarlige for sine handlinger. Vinkelsliperen er ment kun for sliping og kutting av metall. Kun passende slipeskiver, slik det er beskrevet i i denne manualen under avsnittet med produktspesifikasjoner, bør settes på vinkelsliperen. Vinkelsliperen er ment for håndholdt bruk, den skal ikke festes på en holder eller på arbeidsbenken.

⚠ ADVARSEL

Les nøye gjennom alle advarslene og instruksene. Hvis forskriftene nedenfor ikke overholdes, kan det forårsake ulykker som brann, elektrisk støt og/eller alvorlige personskader.

Ta vare på disse advarslene og instruksene for å se i dem senere.

SIKKERHETSADVARSEL FOR VINKELSLIPER

SIKKERHETSVARSLER MED TILKNYTNING TIL VANLIGE SLIPE- ELLER KAPPEOPERASJONER:

- a) Dette elektriske verktøyet er ment brukt til slipe- og kappeoperasjoner. Les nøye gjennom alle advarslene, instruksene og spesifikasjonene som følger med verktøyet, og se på tegningene. Hvis forskriftene nedenfor ikke overholdes, kan det forårsake ulykker som brann, elektrisk støt og/eller alvorlige personskader.
- b) Arbeidsoppgaver som sliping, stålborsting eller polering anbefales ikke utført med dette verktøyet. Hvis denne forskriften ikke overholdes, kan det forårsake ulykker og alvorlige personskader.
- c) Bruk ikke tilbehør som ikke er spesialkonstruert for dette verktøyet og som ikke er anbefalt av produsenten. Selv om et tilbehør kan monteres på et verktøy, garanterer det ikke at du kan bruke det verktøyet på en sikker måte.
- d) Tilbehørets nominelle hastighet skal være lik eller høyere enn maksimalhastigheten som står på verktøyet. Tilbehørene som brukes i høyere hastighet enn sin nominelle hastighet kan brytes og slynges ut.
- e) Tilbehørets ytre diameter og tykkelse skal svare til egenskapene som spesifiseres for verktøyet. Hvis tilbehørene ikke svarer til de angitte egenskapene, kan ikke verktøyet beskyttelses- og innstillingssystemer virke ordentlig.
- f) Gjengene på utstyret må passe til gjengene på slipespindelen. Dersom utstyr festes med flenser, må festehullet på tilbehøret passe til diameteren på flensen. Tilbehør som ikke passer

i maskinens fester, vil skli ut av balanse, vibrere overdrevent og kan føre til at du mister kontrollen.

- g) Bruk ikke et skadet tilbehør. Før hver bruk, skal det sjekkes at tilbehøret du bruker er i god stand: Påse at slipeskivene ikke er sprukket eller ødelagt, at sliperondellene ikke er revnet eller slitt, at busten på metallborstene ikke er altfor slitt eller brukket. Hvis verktøyet eller tilbehøret faller, skal du kontrollere at ingenting er skadet og, om nødvendig, installere nytt tilbehør. Etter at du har kontrollert at tilbehøret er i god stand og installert det, skal du holde deg på avstand fra det bevegelige tilbehøret og la verktøyet komme opp i maksimal hastighet i ett minutt. Hvis tilbehøret er skadet, vil det brytes under denne testen.
- h) Bruk Personlig verneutstyr. Alt etter hva du bruker verktøyet til, skal du bruke beskyttelsesmaske, sikkerhetsbriller eller vernebriller. Bruk om nødvendig støvmaske, hørselsvern, hansker og beskyttelsesforkle for å beskytte deg mot utslynging av fremmedlegemer (slipeavfall, trespon, osv.). Vernebriller hindrer at partikler slynges ut og skader øynene dine. Støvmaske filtrerer partiklene som dannes ved arbeidsoppgaven din. Langvarig eksponering for sterkt støy kan svekke hørselen.
- i) Hold besøkende i god avstand fra arbeidsområdet og påse at de har verneutstyr på seg. Alle som kommer inn i arbeidsområdet må bruke personlig verneutstyr. Små elementer fra arbeidsstykket eller et brukket tilbehør kan slynges ut utenfor arbeidsområdet og forårsake alvorlige kroppsskader.
- j) Hold verktøyet kun i de isolerte og sklisikre delene når du arbeider på en flate som kan skjule elektriske ledninger eller når arbeidet kan plassere ledningen i verktøyets bane. Skjærreredskap som får kontakt med strømførende elektriske ledninger kan føre til at metalldelene på verktøyet blir strømførende og at brukeren kan få støt.
- k) Posisjoner ledningen slik at det ligger unna det roterende tilbehøret. Hvis du mister kontroll over verktøyet, kan ledningen kuttes eller kile seg fast og hånden eller armen din kan da trekkes mot det roterende tilbehøret.
- l) Legg aldri fra deg verktøyet før tilbehøret har sluttet helt å rotere. Det roterende tilbehøret kan komme i kontakt med underlaget det står på og få deg til å miste kontroll over verktøyet.
- m) Ikke la verktøyet gå når du frakter det. Det roterende tilbehøret kan henge seg fast i klærne dine og skade deg alvorlig.
- n) Rengjør regelmessig verktøyets ventilasjonsspalter. Motorens ventilasjon får støv til å komme inn i motorhuset, noe som kan medføre altfor stor oppsamling av metallpartikler og forårsake elektrisk støt.
- o) Bruk ikke verktøyet i nærheten av brannfarlige produkter. Gnister kan sette fyr i dem.

- p) **Bruk ikke tilbehør som krever kjølevæsker.** Bruken av vann eller kjølevæsker kan forårsake elektrisk støt, som kan være livsfarlig.

YTTERLIGERE SIKKERHETSINSTRUKSJONER FOR ALLE OPERASJONER

Tilbakeslag og relaterte advarsler

Tilbakeslag er en plutselig reaksjon som oppstår når den bevegende slipeskiven, sliperendellen, børsten eller et annet tilbehør klemmes fast eller vrís, noe som raskt får tilbehøret til å låses fast. Verktøyet blir da slynget ut i motsatt retning til tilbehørets bruksretning.

Hvis for eksempel en slipeskive klemmes eller vrís i arbeidsstykket, vil skivens skarpe del trenge inn i arbeidsstykkets overflate, noe som vil få skiven til å klatre ut eller slå tilbake. Hjulet kan enten hoppe mot eller bort fra operatøren, avhengig retning hjulet beveges på punktet av knipe. I tilfelle tilbakeslag, kan slipeskiven også brytes.

Det kan unngås ved å ta visse forholdsregler:

- Hold godt i verktøyet og still kroppen og armen din slik at du kan kontrollere et eventuelt tilbakeslag.** Hvis verktøyet har et støttehåndtak, skal du alltid holde i det så du får optimal kontroll over verktøyet i tilfelle tilbakeslag eller reaksjonskraft når verktøyet startes. Ta nødvendige foranstaltninger så du kan kontrollere verktøyet ditt i tilfelle tilbakeslag eller reaksjonskraft.
- Legg aldri hånden din i nærheten av det roterende tilbehøret for å unngå all fare for kroppsskader i tilfelle tilbakeslag.** Tilbehøret kan kast over hånden din.
- Ikke still deg i området der verktøyet kan risikere å slynnes ut i i tilfelle tilbakeslag.** I tilfelle tilbakeslag slynnes verktøyet ut i motsatt retning til skivens rotasjonsretning.
- Vær spesielt forsiktig når du arbeider på hjørner, skarpe kanter, osv. Unngå at tilbehøret glir eller kiles fast.** Når du arbeider på hjørner eller skarpe kanter eller når verktøyet glir, er det større fare for at tilbehøret låses fast, og dermed at du mister kontroll over verktøyet og at det oppstår tilbakeslag.
- Bruk aldri blad til kjedesag eller sagblad sammen med dette verktøyet.** De kan øke faren for tilbakeslag og tap av kontroll over verktøyet.

EKSTRA SIKKERHETSINSTRUKSER FOR SLIPE- OG KUTTEARBEIDER.

Sikkerhetsadvarsler som spesielt gjelder sliping og slipende kapping:

- Brukl kun hjul typer er anbefalt for dette verktøyet og en spesifikk skjerm som er utformet for det valgte verktøyet.** Hjul som verktøyet ikke er konstruert for kan ikke beskyttes i tilstrekkelig grad og vil derfor kunne være utrygge.
- Slipeoverflaten på skiver med nedsunket midtparti, må festes under nivået til beskyttelsesleppen.** En feil festet skive som buler

ut utover beskyttelsesleppen, kan ikke beskyttes tilstrekkelig.

- Skjermen må være godt festet til verktøyet og posisjonert for maksimum sikkerhet slik at minst mulig av hjulet eksponeres mot brukeren.** Skjermen bidrar til å beskytte operatøren mot fragmenter av hjulet som rives av, utilsiktet kontakt med hjulet og gnister som kan antenne klær.
- Hjul må kun benyttes til anbefalte applikasjoner. For eksempel: Ikke slip med kanten på kappehjulet.** Slipende kappeskiver er ment for periferisliping, når disse hjulene utsettes for sidekrefter kan det oppstå splintring.
- Bruk alltid ubeskadigede hjulflenser som har korrekt størrelse og form for det valgte hjulet.** Korrekt hjulflens støtter hjulet og reduserer dermed muligheten for at hjulet skal bryte. Flenser for kappehjul kan skille seg fra flenser for slipehjul.
- Ikke bruk nedslitte hjul fra større elektrisk verktøy.** Hjul som er ment for større verktøy egner seg ikke for de små verktøyenes høyere hastighet og kan gå i oppløsning.

YTTERLIGERE SIKKERHETSADVARSLER SPIEELT FOR KAPPEOPERASJONER MED SLIPESKIVER

- Ikke blokker kappehjulet eller legg overdrevert trykk på verktøyet. Ikke gjør forsøk på å utføre et ekstremt dypt kutt.** Kraftig trykk mot hjulet øker belastningen og mulighet for at hjulet bøendes eller blokkeres i kappesporet med tilhørende fare for tilbakeslag eller at kappehjulet brytes.
- Ikke plasser kroppen din på linje med og bak det roterende hjulet.** Når hjulet og arbeidspunktet beveger seg vekk fra kroppen din vil et mulig tilbakeslag kunne drive det roterende hjulet og verktøyet direkte mot deg.
- Når kappehjulet blokkeres eller når arbeidet med et kapp av en eller annen grunn avbrytes, slå av verktøyet og hold det helt i ro inntil kappehjulet har stanset helt. Gjør aldri forsøk på å ta kappehjulet ut av sporet mens det fortsatt er i bevegelse, i så fall kan du oppleve tilbakeslag.** Hvis skiven står fast, må du forsøke å finne årsaken og ta nødvendige foranstaltninger for at det ikke gjentar seg.
- Ikke start kappingen på nytt mens kappehjulet fortsatt står i arbeidsstykket. La hjulet nå maksimal hastighet før du forsiktig setter det tilbake i sporet mens er kappet.** Hjulet kan blokkeres, krype ut eller slå tilbake dersom verktøyet startes mens kappehjulet står i arbeidsstykket.
- Støtt opp plater og store arbeidsstykker for å redusere faren for at kappehjulet kommer i beknip, med tilhørende fare for tilbakeslag.** Store plater har en tendens til å sige under sin egen vekt. Støttene må legges under begge sider av platen, nær sporet som skal skjæres og nær kanten av platen.
- Vær ekstra forsikrigr når du foretar et**

"lommeutt" inn i en eksisterende vegg eller annet blindt område. Det utstående hjulet kan kappe gass- og vannrør, elektriske ledninger og objekter som kan føre til tilbakeslag.

SPESIELLE SIKKERHETSFORSKRIFTER FOR VINKELSLIPERE

- a) Sjekk at hastigheten som angis på slipeskiven er lik eller større enn verktøyets nominelle hastighet.
- b) Sjekk at slipeskivens diameter passer til verktøyet og at slipeskiven er lagt godt inn på spindelen.
- c) Slipeskivene skal ryddes bort på et tørt sted.
- d) Ikke legg noen gjenstand på slipeskivene.
- e) Slipeskivene skal ikke brukes til andre formål enn slipeoppgaver.
- f) Slipeskivene skal ryddes og håndteres forsiktig, i samsvar med fabrikantens instruksjoner.
- g) Før du bruker slipeskiven, se etter at den ikke er ødelagt eller sprukket. I så fall kan den nemlig brenke, noe som kan forårsake alvorlige kroppsskader.
- h) Se etter at slipeskiven er montert i samsvar med instruksjonene i denne bruksanvisningen.
- i) Påse før bruk at slipeskiven er riktig montert og skrudd fast, og la verktøyet gå i tomgang i 30 sekunder samtidig som du passer på at det ikke peker i en farlig retning. Stopp verktøyet øyeblikkelig dersom det vibrerer for mye eller hvis du merker andre problemer. Kontroller i så fall verktøyet for å finne ut problemets årsak.
- j) Bruk ikke reduksjonsringer eller mellomstykker for å redusere senterhullet til slipeskiver som har stort senterhull.
- k) Se etter at arbeidsstykket er skikkelig fastspent.
- l) Bruk kun slipeskiver som anbefales av RYOBI.
- m) Sjekk at gnistene som oppstår ved bruk av verktøyet ikke skaper farlige situasjoner, for eksempel at de ikke kommer på mennesker eller brannfarlige stoffer.
- n) Bruk alltid beskyttelsesbriller og hørselsvern.
- o) Om nødvendig, bruk andre verneutstyr som hansker, forkle eller hjelm.
- p) Legg aldri verktøyet på gulvet eller på andre flater når det er i gang. Pass opp, slipeskiven går rundt av seg selv etter at verktøyet har stanset. Du må aldri verken ta i slipeskiven eller legge den på gulvet eller andre overflater når den går rundt. Bruk verktøyet kun til de arbeidsoppgavene som det er konstruert for. Bruk aldri kjølevæske eller vann. Bruk ikke verktøyet som et stasjonært verktøy.
- q) Når du bruker verktøyet, hold godt i det med begge hender.

GJENVÆRENDE RISIKO

Også når produktet brukes som beskrevet, er det ikke mulig å utelukke risiko for brukere eller personer i nærheten. Følgende farer kan oppstå ved bruk og operatøren bør være spesielt oppmerksom på å unngå/sikre følgende:

- Personskader pga. småbiter som slenges ut.
 - Metall eller slipeavfall kan trenge inn i øynene og føre til alvorlig og varig skade. Bruk vernebriller som er godkjent for sliping når du jobber med produktet.
- Personskader pga. vibrasjon
 - Begrense eksponering. Se "Farereduksjon".
- Skader skapt av støv.
 - Bruk en adekvat støvmaske med passende filtre som kan beskytte mot støvet som genereres av arbeidsemne og avslippte biter fra slipeskiven. Ikke spis, drikk eller røyk i arbeidsområdet. Sørg for tilfredsstillende ventilasjon av arbeidsområdet.
- Personskade ved kontakt med slipeskiven
 - Skiven og arbeidsemne blir varme ved bruk. Bruk hansker når du skifter skiver eller skal ta på arbeidsemne. Hold hendene til enhver tid unna slipeområdene. Klem fast arbeidsemne når det er mulig.
- Personskader pga. støy
 - Lang eksponering til støy øker faren for hørselskader og effekten er akkumulerende. Når du bruker elektrisk verktøy over en lenger tidsperiode, bruk hørselsvern.

FAREREDUKSJON

Det foreligger rapporter om at vibrasjoner fra håndholdt verktøy for enkelte personer kan bidra til en tilstand som kalles Raynauds Syndrome. Symptomene kan omfatte følelsesløshet og gjøre fingrene bleke, vanligvis synlig ved eksponering til lave temperaturer. Arvelige faktorer, eksponering mot lave temperaturer og fuktighet, diett, røyking og arbeidspraksis blir alle ansett for å kunne bidra til å utvikle disse symptomene. Brukeren kan iverksette tiltak for mulig å redusere virkningene av vibrasjonene:

- Hold kroppen din varm i kaldt vær. Bruk hansker og hold hender og vrister varme ved bruk av gressklipperen. Det er rapportert at kaldt vær er en viktig faktor som bidrar til Raynauds Syndrome.
- Etter hver arbeidsperiode bør det utføres øvelser for å øke blodstrømmingen.
- Ta ofte pauser fra arbeidet som utføres. Begrens mengden av eksponering pr. dag.

Hvis du opplever noen av symptomene på denne tilstanden må du øyeblikkelig avbryte arbeidet og oppsøke en lege med disse symptomene.

⚠ ADVARSEL

Skader kan oppstå eller forsterkes ved forlenget bruk av et verktøy. Når du bruker et verktøy over en lenger tidsperiode, husk å ta regelmessige pauser.

KJENN DITT PRODUKT.

Se side 133.

1. Bryter
2. Spindellåseknapp
3. Skivebeskyttelse
4. Beskyttelseslås
5. Utvendig sidestykke
6. Slipeskive
7. Sidestykke
8. Støtthåndtak
9. Skrunøkkelr
10. Hurtigmutter

STARTBESKYTTELSE

Maskiner med en låsebryter er utstyrt med en sperre. Slik hindrer man at maskinen starter på nytt av seg selv etter strømfeil. Når man starter arbeidet igjen, skru av maskinen og skru den så på igjen.

VEDLIKEHOLD**⚠ ADVARSEL**

Det skal ikke foretas noen innstilling mens motoren går.

Sliperen skal aldri være koplet til en stikkontakt når du monterer deler, foretar innstillinger, gjør rent verktøyet eller når du ikke bruker det.

- Etter bruk skal det sjekkes at verktøyet er i god arbeidsstand.
- Det anbefales å bringe verktøyet minst en gang i året til et godkjent Ryobi serviceverksted for grundig rengjøring og smøring.
- Hvis strømledningen skades må den kun erstattes av produsenten eller et autorisert servicesenter for å unngå risiko. Kontakt et autorisert servicesenter

⚠ ADVARSEL

For større sikkerhet og pålitelighet skal alle reparasjoner foretas av et godkjent Ryobi serviceverksted.

⚠ ADVARSEL

Ikke bruk komprimert luft til å fjerne støv fra produktet. En slik fremgangsmåte er farlig og kan føre til at smuss slenges ut og skader øynene til noen.

MILJØVERN

Resirkuler råmaterialer istedenfor å kaste dem i søppelen. Verktøyet, tilbehørene og emballasjen bør sorteres for miljøvennlig resirkulering.

SYMBOLER PÅ PRODUKTET

Sikkerhetsalarm

V

Volt

Hz

Hertz

~

Vekselstrøm

W

Watt

n

Nominell hastighet

min⁻¹

Antall omdreininger eller bevegelser pr. Minutt



Class II, dobbeltisolert



Les instruksjonene nøye før apparatet tas i bruk.



Bruk hørselsvern



Bruk øyebeskyttelse



Bruk støvmaske.



Ikke bruk sprukne eller på annen måte skadede slipehjul



Ikke tiltenkt våtsliping. Bruken av vann eller kjølevæsker kan forårsake elektrisk støt, som kan være livsfarlig.



Bruk sikkerhetshansker



Ikke bruk for plansliping.



Bruk sikkerhetsfottøy



Bruk beskyttelsesbriller og hørselsvern.



EurAsian Konformitetstegn



CE samsvar



Ukrainsk merke for konformitet



Avfall fra elektriske produkter skal ikke kastes sammen med husholdningsavfall. Vennligst resirkulervedeksisterende avfallsbehandlingssted. Undersøk hos dine lokale myndigheter eller forhandler for råd om resirkulering.

SYMBOLER I MANUALEN



Koble til strømnettet.



Koble fra strømnettet.



Deler eller tilbehør solgt separat



Avfall fra elektriske produkter skal ikke kastes sammen med husholdningsavfall. Vennligst resirkulervedeksisterende avfallsbehandlingssted.



Lås



Låse opp



Nb



Advarsel



Stans produktet.

Følgende symboler og betydninger forklarer risikonivået som er assosiert med dette produktet.

FARE

Indikerer en umiddelbart farlig situasjon, som, dersom den ikke unngås, kan føre til alvorlig personskade eller død.

ADVARSEL

Indikerer en potensiell farlig situasjon, som, dersom den ikke unngås, kan føre til alvorlig personskade eller død.

ADVARSEL

Indikerer en potensiell farlig situasjon, som, dersom den ikke unngås, kan føre til mindre eller moderate skader.

ADVARSEL

(Uten sikkerhetssymbol) Indikerer en situasjon som kan resultere i skader på eiendom.

При разработке этой угловой шлифмашины особое внимание уделялось безопасности, производительности и надежности.

НАЗНАЧЕНИЕ

Угловой шлифмашиной могут пользоваться только компетентные взрослые, которые прочли инструкции по технике безопасности, осознали опасности, связанные с эксплуатацией изделия, и могут считаться ответственными за свои действия. Угловая шлифмашина предназначена только для шлифования и резки металлов. На угловой шлифмашине следует устанавливать только такие шлифовальные круги, которые описаны в разделе технических характеристик изделия настоящего руководства пользователя. Угловая шлифмашина является ручным инструментом, она не предназначена для крепления с помощью зажима или установки на верстак.

⚠ ОСТОРОЖНО

Внимательно прочтите все предупреждения и инструкции. Несоблюдение правил техники безопасности ведет к несчастным случаям: пожару, удару током и тяжелым травмам.

храните настоящие предупреждения и инструкции для последующих консультаций.

ПРЕДОСТЕРЕЖЕНИЯ ОБ ОПАСНОСТИ УГЛОВАЯ ШЛИФОВАЛЬНАЯ МАШИНА

ТЕХНИКА БЕЗОПАСНОСТИ ПРИ ОПЕРАЦИЯХ ШЛИФОВАНИЯ И АБРАЗИВНОЙ ОТРЕЗКЕ

- Данный инструмент предназначен для операций шлифования и отрезки. Прочтите все указания, инструкции, иллюстрации и спецификации, поставляемый с этим электроинструментом. Несоблюдение всех инструкций, указанных ниже, может привести к поражению электрическим током, пожару и / или серьезным травмам.
 - Не рекомендуется с помощью данного инструмента выполнять операции по шлифованию шкуркой, очистке проволоочной щеткой и полировке. Операции, для которых власть Программа не рассчитана может создавать опасность и привести к травме.
 - Не используйте аксессуары, которые не являются специально разработаны и рекомендованы производителем инструмента. Просто потому, что аксессуар может быть подключен к вашей власти инструмент, он не обеспечивает безопасную эксплуатацию.
 - Номинальная скорость аксессуар должен быть по меньшей мере равную максимальной скорости отмечается электроинструмента. Аксессуары работает быстрее, чем их номинальная скорость может привести к поломке и развалится.
 - Наружный диаметр и толщина ваших аксессуаров должна быть в пределах возможностей рейтинг вашего электроинструмента. Неправильно размера принадлежности не может быть адекватно охраняется или контролировать.
- При навинчивании дополнительных приспособлений учитывайте, что их резьба должна соответствовать резьбе шпинделя шлифмашины. При фланцевом креплении дополнительных приспособлений осевое отверстие приспособления должно соответствовать диаметру фланца. Приспособления, размеры которых не в точности соответствуют деталям электроинструмента, будут несбалансированы, что вызывает сильную вибрацию и может привести к потере управления.
 - Не используйте поврежденный аксессуар. Перед каждым использованием проверяйте рабочее состояние аксессуара, которым собираетесь работать: проверьте, чтобы абразивные диски не были треснутыми или разбитыми, чтобы полшвы не были порваны или изношены, чтобы волоски металлических щеток не были сильно изношены или сломаны. Если инструмент или аксессуар упал, проверьте его на предмет повреждений или установите неповрежденные аксессуары. После осмотра и установки устройства, позиционировать себя и окружающих от плоскости вращающегося принадлежности и запуска инструмента при максимальной скорости без нагрузки в течение одной минуты. Поврежденные аксессуары, как правило, развалится в течение этого времени испытания.
 - Использовать средства индивидуальной защиты. В зависимости от приложения, используйте маску, защитные очки или защитные очки. В случае необходимости надевайте маску от пыли, защитными наушниками, перчатки и фартук семинар, способных остановить малых абразивные или заготовки фрагментов. Для защиты глаз должны быть в состоянии остановить полеты мусора в различных операций. Респиратор или противогаз должен быть способен фильтрации частиц, созданных на операции. Длительное воздействие высокой интенсивности шума может привести к потере слуха.
 - Держите прохожих на безопасном расстоянии от рабочей области. Лица, которые прибывают области работы должны носить средства индивидуальной защиты. Фрагменты заготовки или сломанный инструмент может улететь и стать причиной травм вне непосредственной близости от места работы.
 - Держите электрические инструменты за изолированные поверхности только при выполнении операций, когда режущий инструмент может контактировать со скрытой проводкой или с собственным проводом. В результате контакта полотна с проводом, находящимся под напряжением, металлические части инструмента также могут оказаться под напряжением, что приведет к поражению работающего электрическим током.
 - Позиция шнур подальше от вращающегося устройства. Если вы потеряете контроль, мозг может сократить или зацепил и рукой или рукой может быть втянута в прядильных аксессуар.
 - Никогда не лежал электрический

инструмент, пока аксессуар пришла к полной остановке. Прядильных инструмент может захватить поверхность и вытащить из розетки вне вашего контроля.

- m) **Не запускайте электроинструмента при проведении его на вашей стороне.** Случайный контакт с прядильных аксессуар может загвоздка одежду, потянув за принадлежность в ваше тело.
- n) **Регулярно очищайте воздушные силы инструмента отверстия.** Вентилятор двигателя будет опираться пыли внутри корпуса и чрезмерное накопление сухого металла может привести к опасности поражения электрическим током.
- o) **Не работайте с электроинструментом вблизи легковоспламеняющихся материалов.** Искры могут воспламенить эти материалы.
- p) **Не используйте аксессуары, которые требуют жидких хладагентов.** Использование воды или других жидких хладагентов может привести к поражению электрическим током или удара.

ДАЛЬНЕЙШИЕ УКАЗАНИЯ ПО ТЕХНИКЕ БЕЗОПАСНОСТИ ДЛЯ ВСЕХ ОПЕРАЦИЙ

Меры предосторожности, связанные с отскоком инструмента

Отдача является внезапная реакция пережат или зацепил вращающееся колесо, бэк-панели, кистью или любой другой принадлежности. Щемящие или непредусмотренные причины быстрого срыва вращающегося принадлежности, которые в свою очередь вызывает неконтролируемый инструмент власти будут вынуждены в сторону, противоположную от аксессуар в поворот в точке силы.

Например, заклинивание отрезного круга в заготовке и зажим кромки круга в зоне защемления, может привести к резкому отскоку инструмента. Колесо может либо переходить к наблюдателю или от оператора, в зависимости от направления движения колеса в точке защемления. Абразивные круги могут сломать и в этих условиях.

Отдача является результатом злоупотребления властью инструмента и / или неправильных оперативных процедур или условий, и ее можно избежать путем принятия надлежащих мер предосторожности, которые приводятся ниже.

- a) **Поддержание крепко электроинструмент и положение тела и рук, чтобы вас не поддаваться отдачи сил. Всегда используйте дополнительную ручку, если это предусмотрено для максимального контроля над отдачи или крутящего момента реакции во время запуска.** Оператор может контролировать крутящий момент реакции или отдачи сил, если соответствующие меры предосторожности приняты.
- b) **Никогда не кладите руки вблизи вращающегося устройства.** Аксессуары могут откат за руку.
- c) **Не размещайте тела в районе, где власти инструмент будет двигаться, если откат происходит.** Отдача будет двигать этот инструмент в направлении, противоположном движению колеса в точке зацепления.
- d) **Использование специальных осторожны при работе с углах, острых краев т.д. Избегайте подпрыгивая и непредусмотренные**

аксессуар. Уголки, острых кромок или подпрыгивая имеют тенденцию к топляк вращающиеся принадлежности и привести к потере контроля и отдачи.

- e) **Не подключайте цепи пилы дереву лезвия или зубчатой пилы.** Такие лопасти создают частые отдачи и потери контроля.

ДОПОЛНИТЕЛЬНЫЕ ПРЕДОСТЕРЕЖЕНИЯ ОТНОСИТЕЛЬНО БЕЗОПАСНОГО ШЛИФОВАНИЯ И АБРАЗИВНОГО ОТРЕЗАНИЯ

Предостережения относительно безопасного шлифования и абразивного отрезания:

- a) **Рекомендуется использование кругов, предназначенных для вашего инструмента, а также защитных экранов соответствующего размера.** Режущие диски, не предназначенные для использования с данным инструментом, нельзя должным образом защитить, и они могут представлять опасность.
- b) **Шлифующая поверхность круга должна быть ниже края защитного кожуха.** Эксплуатировать устройство с кругом, выходящим за край защитного кожуха, небезопасно.
- c) **Экран должен быть надежно прикреплен к инструменту и расположен так, чтобы обеспечить наибольшую безопасность - чтобы оператору была открыта наименьшая часть круга.** Защитный экран предназначен для защиты оператора от вылетающих фрагментов диска и случайного контакта с рабочей поверхностью и от искр, от которых может загореться одежда.
- d) **Круги должны использоваться только для рекомендуемого применения. Ниже приведены примеры. Не допускается шлифование торцом отрезного круга.** Абразивные отрезные круги предназначены для работы периферией круга. Боковые силы, возникающие при такой работе, могут привести к обламыванию краев.
- e) **Не допускается использование кругов с поврежденной рубашкой, всегда используйте круги, подходящие по размеру и форме.** Соответствующие рубашки дисков поддерживают диски, препятствуя их разрушению. Рубашки отрезных кругов могут отличаться от рубашек шлифовальных кругов.
- f) **Не допускается использование изношенных кругов от более мощных и крупных устройств.** Круги, предназначенные для использования с более мощным инструментом, не подходят для более высоких скоростей малых инструментов и могут при работе разрушиться.

ДОПОЛНИТЕЛЬНЫЕ ПРЕДУПРЕЖДЕНИЯ ПО ТЕХНИКЕ БЕЗОПАСНОСТИ ПРИ ОПЕРАЦИЯХ ПО АБРАЗИВНОЙ ОТРЕЗКЕ

- a) **Не зажимайте отрезной диск и не прикладывайте чрезмерных усилий. Не делайте разрезы чрезмерной глубины.** Перенапряжение режущего диска увеличивает нагрузку и подвергает его скручиванию или защемлению диска в разрезе, что может привести к отскоку или повреждению диска.
- b) **Не стойте по линии резания или позади вращающегося диска.** Когда режущий

диск при работе перемещается от вашего тела, возможный отскок может отбросить вращающийся диск может и инструмент прямо на вас.

- c) При заклинивании отрезного круга или прекращении резания, по какой-либо причине, выключите электроинструмент и дождитесь полной остановки вращения отрезного круга. Никогда не пытайтесь вынимать отрезной круг из разреза на ходу, так как может произойти отскок. Расследовать и принять меры по исправлению положения, чтобы устранить причину колеса обязательным.
- d) Не возобновляйте резание, если круг находится в заготовке. Дождитесь, пока диск не наберет полную скорость, и осторожно вводите круг в обрабатываемую деталь. Если электроинструмент повторно запускается, когда отрезной круг находится в заготовке, то круг может заклинить, податься на оператора или отскочить.
- e) Поддерживайте панели и любые крупногабаритные заготовки, чтобы уменьшить опасность заклинивания круга и отскока. Большие заготовки могут прогибаться под собственным весом. Опоры следует размещать под панелью, рядом с линией пропила и ближе к краю панели с обеих сторон круга.
- f) Соблюдайте предельную осторожность при выполнении врезок в существующие стены или другие глухие зоны. Рельефный круг можно использовать для отрезания газовых и водопроводных труб, электрических проводов или предметов, могущих вызвать отскок.

Если это условие имеет место, проверить инструмент, чтобы определить причину.

- j) Не используйте отдельную сокращения втулки или адаптеры адаптировать большое отверстие шлифовальных кругов.
- k) Убедитесь, что обрабатываемая деталь должную поддержку.
- l) Используйте только шлифовальные круги утвержденных RYOBI.
- m) Убедитесь, что искры в результате использования не создают опасности, например, не попали люди, или возгорания горючих веществ.
- n) Всегда используйте защитные очки безопасности и защиты слуха.
- o) Использование других средств индивидуальной защиты, таких как перчатки, фартук и шлем, когда это необходимо.
- p) Никогда не кладите инструмент на пол или другие поверхности во время его работы. Круги продолжать вращаться после того, инструмент выключен. Никогда не прикасайтесь к колеса или разместить его на полу или другой поверхности во время его вращения.
- q) Используйте инструмент только для утвержденных заявок. Никогда не используйте охлаждающие воды или использовать средство в виде фиксированной инструмент.
- r) При работе крепко держите инструмент обеими руками.

ОСТАТОЧНЫЕ РИСКИ

Даже когда изделие используют согласно инструкциям, невозможно полностью устранить факторы риска. Следующие опасности могут возникнуть во время его использования, и во избежание их рабочий должен обратить особое внимание на следующее:

- Травмы, вызываемые отлетающими частицами
 - Металлические и абразивные частицы могут попасть в глаза и вызвать серьезные необратимые повреждения. Работайте в защитных очках, пригодных для шлифования, при эксплуатации изделия.
- Травмы, вызываемые вибрацией
 - Ограничивайте воздействие. См "Снижение Риска".
- Травмы, вызываемые пылью
 - Носите респиратор с надлежащими фильтрами, которые могут защитить от пыли, источником которой является обрабатываемый материал и абразивные частицы от шлифовального круга. Не ешьте, не пейте и не курите в рабочей зоне. Обеспечьте надлежащую вентиляцию на рабочем месте.
- Травма от контакта со шлифовальным кругом
 - Круг или заготовка будут нагреваться во время использования. Надевайте защитные перчатки при замене шлифовального круга или при касании заготовки. Не допускайте попадания рук в зону шлифования. По возможности закрепляйте заготовку.
- Травмы, вызываемые шумом
 - Длительное воздействие шума увеличивает опасность повреждения слуха, и это

EN
FR
DE
ES
IT
NL
PT
DA
SV
FI
NO
RU
PL
CS
HU
RO
LV
LT
ET
HR
SL
SK
BG
UK
TR
EL

УГОЛ МЕРЫ БЕЗОПАСНОСТИ ТОЧИЛЬЩИК

- a) Убедитесь, что скорость отмечается шлифовального круга равна или превышает номинальную скорость инструмента.
- b) Убедитесь, что размеры шлифовального круга, совместимых с инструментом и, что колесо подходит шпинделя.
- c) Круги должны храниться в сухом месте.
- d) Не храните предметы на шлифовальных кругов.
- e) Круги не должны использоваться для любой операции, кроме шлифования.
- f) Круги должны храниться и обрабатываться с осторожностью в соответствии с инструкциями изготовителя, АО обучения.
- g) Проверьте шлифовального круга до использования, чтобы она не сколы или трещины. Фишки или трещин может привести к колесам, чтобы разрушить, в результате возможных серьезных травм.
- h) Убедитесь, что колесо установлено в соответствии с данным руководством.
- i) Убедитесь, что шлифовального круга правильно установлена и жесточили перед началом работы и запустить данное средство на холостом ходу в течение 30 секунд в безопасном положении. Немедленно остановитесь, если есть значительные вибрации или других дефектов обнаружено.

воздействие носит кумулятивный характер. При использовании электроинструмента в течение длительного времени носите средства защиты органов слуха.

⚠ ОСТОРОЖНО

Продолжительное использование инструмента без перерыва может привести к травмам. При использовании инструмента в течение длительного времени делайте регулярные перерывы.

СНИЖЕНИЕ РИСКА

Считается, что вибрация ручного инструмента может привести к проявлению у отдельных лиц так называемой болезни Рейно (Raynaud's Syndrome). К симптомам могут относиться покалывание, онемение и побеление пальцев (как при переохлаждении). Считают, что наследственные факторы, охлаждение и влажность, диета, курение и практический опыт способствуют развитию этих симптомов. Ниже приводятся меры, которые может принять оператор для снижения воздействия вибрации:

- Одевайтесь теплее в холодную погоду. При работе с устройством пользуйтесь перчатками, чтобы руки и запястья были в тепле. Считается, что холодная погода является основным фактором, способствующим возникновению болезни Рейно (Raynaud's Syndrome).
- После каждого этапа работы выполните упражнения для усиления кровообращения.
- Чаще делайте перерывы в работе. Сократите длительность ежедневного пребывания на открытом воздухе.

При появлении каких-либо из указанных симптомов сразу же прекратите работу и обратитесь по их поводу к врачу.

⚠ ОСТОРОЖНО

Продолжительное использование инструмента без перерыва может привести к травмам. При использовании инструмента в течение длительного времени делайте регулярные перерывы.

ИЗУЧИТЕ ИЗДЕЛИЕ

Стр 133.

1. Кнопка пуска
2. Блокировка шпинделя кнопки
3. Ограждение шлифовального круга
4. Защитная рычажная защелка
5. Зажим гайки
6. Шлифовальный круг
7. Внешняя щетка
8. Вспомогательная рукоятка
9. Гаечный ключ
10. Быстрозатягиваемая гайка

ЗАЩИТА ОТ ЗАПУСКА

Блокировка кнопки запуска обеспечивает отключение устройства. Это предотвращает случайный запуск устройства после перебора в подаче электроэнергии. При возобновлении работы выключите устройство и снова включите его.

ТЕХНИЧЕСКОЕ ОБСЛУЖИВАНИЕ

⚠ ОСТОРОЖНО

Не следует вносить корректировки в то время как двигатель находится в движении.

Не допускайте подключения инструмента к источнику питания при сборке его деталей, выполнении регулировки, чистки, технического обслуживания или в тех случаях, когда он не используется. Отключение устройства от сети предотвращает случайный запуск, который может привести к тяжким телесным повреждениям.

- После использования, проверить инструмент, чтобы убедиться, что он находится в хорошем состоянии.
- Мы рекомендуем Вам принять этот инструмент Ryobi Авторизованный Сервисный Центр, путем очистки и смазки не реже одного раза в год.
- Если кабель питания поврежден, во избежание опасности его должен заменить либо сам производитель, либо специалист авторизованного сервисного центра. Обратитесь в авторизованный сервисный центр

⚠ ОСТОРОЖНО

Для обеспечения безопасности и надежности, все ремонтные работы должны выполняться в авторизованный сервисный центр или другие организации квалифицированного обслуживания.

⚠ ОСТОРОЖНО

Не пользуйтесь сжатым воздухом для выдувания пыли из изделия. Это опасно, так как в результате грязь и песок могут попасть в глаза и привести к их травме.

ЗАЩИТА ОКРУЖАЮЩЕЙ СРЕДЫ



Утилизируйте как сырье, а не выбрасывайте как мусор. Машина, аксессуары и упаковка должны быть отсортированы.

УСЛОВНЫЕ ОБОЗНАЧЕНИЯ НА ПРОДУКТЕ



Внимание



Вольт



Герц



Переменный ток



Ватт









Номинальная скорость












Оборотов или возвратно-поступательных движений в минуту




EN
FR
DE
ES
IT
NL
PT
DA
SV
FI
NO
RU
PL
CS
HU
RO
LV
LT
ET
HR
SL
SK
BG
UK
TR
EL

ОБОЗНАЧЕНИЯ В РУКОВОДСТВЕ

-  Класс защиты II, двойная изоляция
-  Внимательно прочтите данные инструкции перед использованием продукта.
-  Применяйте средства защиты органов слуха
-  Применяйте средства защиты органов зрения
-  Надевайте пылезащитную маску.
-  Не используйте бракованные шлифовальные диски или диски со сколами или трещинами
-  Не предназначено для шлифования с охлаждением. Использование воды или других жидких хладагентов может привести к поражению электрическим током или удара.
-  Надевайте защитные перчатки
-  Не используйте для торцевого шлифования.
-  Носите специальную обувь.
-  Носите специальные устройства для защиты глаз и органов слуха, а также респиратор.
-  Знак Евразийского Соответствия Сертификат Соответствия № TC RU C-DE.AE11.B.04241
-  Срок действия Сертификата Соответствия По 20.09.2020
-  Некоммерческая организация Учреждение сертификации и экспертизы «Сертэкс» 109044 РФ, город Москва, 3-й Крутицкий переулок, дом 11
-  Соответствие требованиям CE
-  Украинский знак стандартизации
-  Оработанная электротехническая продукция должна уничтожаться вместе с бытовыми отходами. Утилизируйте, если имеется специальное техническое оборудование. По вопросам утилизации проконсультируйтесь с местным органом власти или предприятием розничной торговли.

-  Подключите к источнику питания.
-  Отключите от источника питания.
-  Детали или принадлежности, приобретаемые отдельно
-  Оработанная электротехническая продукция должна уничтожаться вместе с бытовыми отходами. Утилизируйте, если имеется специальное техническое оборудование.
-  Зафиксировать
-  Расцепить
-  Примечание
-  Осторожно
-  Остановите устройство.

Следующие сигнальные слова и значения предназначены, чтобы объяснить уровни риска, связанного с этим изделием:

-  **ОПАСНО**
Указывает на потенциально опасную ситуацию, которая, если ее не избежать, приведет к летальному исходу или серьезной травме.
-  **ОСТОРОЖНО**
Указывает на потенциально опасную ситуацию, которая, если ее не избежать, может привести к летальному исходу или серьезной травме.
-  **ВНИМАНИЕ**
Указывает на потенциально опасную ситуацию, которая, если ее не избежать, может привести к травме легкой или средней тяжести.
- ВНИМАНИЕ**
(Без Символа Тревоги Безопасности) Указывает ситуацию, которая может кончатся повреждением собственности.

Транспортировка:

Категорически не допускается падение и любые механические воздействия на упаковку при транспортировке.

При разгрузке/погрузке не допускается использование любого вида техники, работающей по принципу зажима упаковки.

Хранение:

Необходимо хранить в сухом месте.

Необходимо хранить вдали от источников повышенных температур и воздействия солнечных лучей.

При хранении необходимо избегать резкого перепада температур.

Хранение без упаковки не допускается.

Срок службы изделия:

Срок службы изделия составляет 5 лет.

Не рекомендуется к эксплуатации по истечении 5 лет хранения с даты изготовления без предварительной проверки.

Дата изготовления (код даты) отштампован на поверхности корпуса изделия.

Пример:

W17 Y2015, где Y2015 - год изготовления

W17 – неделя изготовления

Определить месяц изготовления можно согласно приведенной ниже таблице, на примере 2015 года.

Обратите внимание! Количество недель в месяце различается от года в год.

Месяц	Январь	Февраль	Март	Апрель	Май	Июнь	Июль	Август	Сентябрь	Октябрь	Ноябрь	Декабрь	Год
Неделя	01	05	09	14	18	22	27	31	36	40	44	49	2015
	02	06	10	15	19	23	28	32	37	41	45	50	
	03	07	11	16	20	24	29	33	38	42	46	51	
	04	08	12	17	21	25	30	34	39	43	47	52	
	05	09	13	18	22	26	31	35	40	44	48	53	
		14			27								

W przypadku tej szlifierki kątowej zwrócono szczególną uwagę na zapewnienie bezpieczeństwa, wysokiej wydajności oraz niezawodności.

PRZEZNACZENIE

Ta szlifierka kątowa może być używana wyłącznie przez dorosłe osoby, które przeczytały i zrozumiały instrukcje oraz ostrzeżenia podane w tym podręczniku oraz, które mogą odpowiadać za swoje działania. Szlifierka kątowa jest przeznaczona wyłącznie do szlifowania i cięcia metalu. Szlifierka kątowa może być wyposażona wyłącznie w odpowiednie tarcze do szlifowania, które są opisane w sekcji specyfikacji produktu w tym podręczniku. Szlifierka kątowa jest przeznaczona do użytku ręcznego; nie można montować ją w uchwycie lub na stole warsztatowym.

⚠ OSTRZEŻENIE

Przeczytajcie uważnie wszystkie ostrzeżenia i zalecenia. Nie przestrzeganie przedstawionych niżej zaleceń mogłoby pociągnąć za sobą wypadki takie jak pożary, porażenia prądem elektrycznym i/lub poważne obrażenia ciała.

Zachowajcie te ostrzeżenia i zalecenia, aby móc się do nich odnieść w późniejszym czasie.

SZLIFIERKA KĄTOWA OSTRZEŻENIA DOTYCZĄCE BEZPIECZEŃSTWA

OGÓLNE OSTRZEŻENIA W ZAKRESIE BEZPIECZEŃSTWA DOTYCZĄCE SZLIFOWANIA I CIĘCIA:

- To elektronarzędzie jest przeznaczone do szlifowania i cięcia. Prosimy o uważne zapoznanie się z ostrzeżeniami, instrukcjami i specyfikacjami dostarczonymi z tym narzędziem oraz z zawartymi w nich ilustracjami. Nie przestrzeganie przedstawionych niżej zaleceń mogłoby pociągnąć za sobą wypadki takie jak pożary, porażenia prądem elektrycznym i/lub poważne obrażenia ciała.
- Nie zaleca się używać tego narzędzia do czynności takich jak szlifowanie papierem ściernym, szcztokowanie lub polerowanie. Nie zastosowanie się do tego wymogu może spowodować wypadki lub też ciężkie obrażenia ciała.
- Nie należy używać akcesoriów, które nie zostały zaprojektowane specjalnie do tego urządzenia i które nie są zalecane przez producenta. Nawet jeżeli da się zamontować jakąś przystawkę na narzędziu, nie oznacza to, że można bezpiecznie używać narzędzia z tą przystawką.
- Prędkość znamionowa przystawki powinna być równa lub większa od prędkości maksymalnej oznaczonej na narzędziu. Przystawki (akcesoria) funkcjonujące przy prędkości większej od ich prędkości znamionowej, mogą się połamać i zostać odrzucone.
- Średnica zewnętrzna i grubość akcesoria powinny odpowiadać charakterystyce podanej

dla narzędzia. Jeżeli akcesoria nie są zgodne z podaną charakterystyką, systemy zabezpieczenia i ustawiania narzędzia nie będą należycie funkcjonowały.

- Gwintowane mocowanie akcesoriów musi pasować do gwintu wrzeciona szlifierki. W przypadku akcesoriów mocowanych przy pomocy kołnierza nieprzylegający otwór osprzętu musi pasować do średnicy kołnierza. Akcesoria niepasujące dobrze do wrzeciona elektronarzędzia będą źle wyważone, wpadną w nadmierne wibracje i mogą spowodować utratę kontroli nad narzędziem.
- Nie należy używać uszkodzonych akcesoriów. Przed każdym użyciem należy sprawdzić czy narzędzie jest w dobrym stanie: upewnijcie się, że tarcze ścierne nie są wyszczerbione lub pęknięte, że płyty szlifierskie nie są zrozerwane lub zużyte, że druty szcztok metalowych nie są zbyt zużyte czy połamane. W przypadku upuszczenia elektronarzędzia lub przystawki, sprawdź, czy nie są one uszkodzone, w razie potrzeby wymień przystawkę. Po sprawdzeniu, że przystawka jest w dobrym stanie i po jej zainstalowaniu, należy pozostać na dystans od ruchomych przystawek i poczekać przez minutę, aż narzędzie osiągnie maksymalną prędkość. Jeżeli przystawka jest uszkodzona, połamie się ona podczas tego testu.
- Stosować środki ochrony osobistej. W zależności od tego do czego używacie wasze narzędzie, załóżcie maskę zabezpieczającą, lub okulary zabezpieczające. W razie potrzeby, załóżcie maskę przeciwpyłową, ochronniki słuchu, rękawice i fartuch ochronny, które zabezpieczają przed odrzutem ciał obcych (opilki, wióry, itd.). Okulary ochronne umożliwiają uniknąć skaleczenia oczu spowodowanego odrzutem odpadów. Maski przeciwpyłowe służą do filtrowania mikroskopijnych cząsteczek wydzielających się podczas wykonywanych prac. Wystawienie na wysoki poziom hałasu, może spowodować utratę słuchu.
- Wszystkie osoby wizytujące powinny nosić wyposażenie ochronne i zostawać w odpowiedniej odległości od strefy roboczej. Każdy, kto wchodzi do strefy roboczej musi nosić sprzęt ochrony osobistej. Elementy połamanego przedmiotu do obróbki czy akcesoria, mogą być odrzucone poza zakres strefy roboczej i spowodować poważne obrażenia ciała.
- Kiedy pracujecie na powierzchni mogącej skrywać przewody elektryczne, lub gdy podczas pracy przewód zasilający może być na trasie cięcia, trzymajcie narzędzie wyłącznie za izolowane i nieśliskie części. Kontakt z przewodem pod napięciem może spowodować przepływ prądu przez metalowe elementy urządzenia i porażenie operatora.
- Należy umieścić przewód zasilający w taki sposób, by nie stykał się z obracającymi się akcesoriami. W przypadku utraty kontroli nad narzędziem, może dojść do przecięcia lub pochwycenia przewodu zasilającego i wciągnięcia dłoni czy ramienia do obracającego się akcesoria.

- l) **Nie odkładajcie narzędzia zanim przystawka nie będzie zupełnie zatrzymana.** Obracająca się przystawka mogłaby się zetknąć z powierzchnią, na którą ją położono i doprowadzić do utraty kontroli nad narzędziem.
- m) **Nie należy używać narzędzia podczas transportu.** Obracająca się przystawka mogłaby zostać pochwycona przez ubrania i doprowadzić do poważnego zranienia.
- n) **Należy regularnie czyścić szczeliny wentylacyjne narzędzia.** Wentylacja silnika wprowadza kurz do wewnątrz obudowy silnika, co może być przyczyną nadmiernego nagromadzenia cząsteczek stalowych i spowodować porażenie prądem elektrycznym.
- o) **Nigdy nie używajcie waszego narzędzia w pobliżu produktów łatwopalnych.** Iskry mogłyby spowodować podpalenie narzędzia.
- p) **Nie używajcie akcesoriów wymagających płynów chłodzących.** Używanie wody czy płynów chłodzących może spowodować porażenie prądem elektrycznym, nawet śmiertelne.

DODATKOWE ZASADY BHP DOTYCZĄCE WSZYSTKICH CZYNNOŚCI OBSŁUGOWYCH

Zjawisko odbicia i związane z nim ostrzeżenia

Odbicie (odrzut) jest nagłą reakcją, występującą podczas ruchu ściernicy kiedy dochodzi do pochwylenia czy wygięcia płyty szlifierskiej, szczołki czy innego akcesoria, powodującego szybkie zablokowanie akcesoria. Narzędzie dalej działa, powodując odrzut w kierunku odwrotnym do kierunku użytkowania akcesoria.

Np. przytarta lub zakleszczona tarcza ścierna, której krawędź zagłębiona w szczelinie na skutek ruchu obrotowego próbuje wydostać się z zakleszczenia może odskoczyć od obrabianego przedmiotu, powodując gwałtowny odrzut elektronarzędzia. Ściernica może odskoczyć w kierunku lub z dala od operatora, w zależności od kierunku ruchu koła w punkcie zakleszczenia. W przypadku odbicia, tarcza ścierna może również się połamać.

Można go uniknąć podejmując środki ostrożności.

- a) **Trzymajcie mocno narzędzie dwoma rękami i ustawcie ciało i ramię tak, by móc skontrolować ewentualne odbicie. Posługujcie się uchwytem pomocniczym, jeżeli jest na wyposażeniu waszego narzędzia; zapewni to optymalną kontrolę w przypadku odbicia czy sprzężenia zwrotnego podczas uruchamiania narzędzia. Należy podjąć odpowiednie środki, by móc panować nad narzędziem w przypadku odbicia czy sprzężenia zwrotnego.**
- b) **Nie należy umieszczać ręki w pobliżu obracającego się akcesoria, celem uniknięcia poważnych obrażeń ciała w przypadku odrzutu. Akcesoria mogą odrzucić rękę.**
- c) **Nie należy znajdować się w strefie, do której mogłoby zostać odrzucone narzędzie w przypadku odbicia. W przypadku odbicia, narzędzie odrzucane jest w kierunku odwrotnym do kierunku obrotów tarczy.**
- d) **Należy zwracać szczególną uwagę przy obrabianiu kątów, ostrych krawędzi, itd. Unikajcie wpadnięcia w poślizg lub pochwylenia**

akcesoria. Przy obrabianiu kątów, ostrych krawędzi, czy wpadnięciu w poślizg narzędzia, zachodzi większe ryzyko zablokowania akcesoria, co może doprowadzić do utraty panowania nad narzędziem i odrzutu.

- e) **Nie należy używać z tym narzędziem tarczy przecinarki do drewna czy tarczy piły. Mogłoby to spowodować ryzyko odrzutu i utratę kontroli nad narzędziem.**

DODATKOWE INSTRUKCJE DOTYCZĄCE BEZPIECZEŃSTWA W ZAKRESIE SZLIFOWANIA I CIĘCIA

Specjalne ostrzeżenia w zakresie bezpieczeństwa dotyczące szlifowania i cięcia:

- a) **Stosować wyłącznie tarcze przeznaczone do tego narzędzia i osłonę bezpieczeństwa przeznaczoną do wybranej tarczy. Tarcze, które nie zostały przeznaczone do współpracy z tym elektronarzędziem nie mogą być odpowiednio osłonięte i są niebezpieczne.**
- b) **Powierzchnia szlifowania tarczy z dociskiem na środku musi być zamontowana poniżej płaszczyzny wypustu ochronnego. Nieprawidłowo zamontowana tarcza wystająca poza płaszczyznę wypustu ochronnego nie jest wystarczająco zabezpieczona.**
- c) **Oslona musi być w bezpieczny sposób przymocowana do elektronarzędzia i ustawiona tak, aby zapewnić maksymalne bezpieczeństwo; tarcza powinna być jak w najmniejszym stopniu odsłonięta w stronę operatora. Oslona tarczy chroni operatora przed ewentualnymi odłamkami tarczy i przypadkowym kontaktem z obracającą się tarczą oraz iskrami, które mogą podpalić ubranie.**
- d) **Tarczy należy używać wyłącznie do zalecanych zastosowań. Na przykład: Nie szlifować boczną krawędzią tarczy tnącej. Tarcze przeznaczone do szlifowania obwodowego; siły boczne oddziałujące na tarcze mogą spowodować ich zniszczenie.**
- e) **Należy stosować kołnierze tarcz w dobrym stanie technicznym, o właściwym rozmiarze i kształcie dopasowanym do wybranej tarczy. Odpowiedni kołnierz tarczy podpiera ją, zmniejszając ryzyko pęknięcia tarczy. Kołnierze do tarcz tnących mogą być inne niż kołnierze do tarcz ściernych.**
- f) **Nie używać zużytych tarcz z większych elektronarzędzi. Tarcze przeznaczone do większych elektronarzędzi nie nadają się do współpracy z mniejszym elektronarzędziem pracującym z wyższą prędkością i mogą ulec pęknięciu.**

DODATKOWE OSTRZEŻENIA W ZAKRESIE BEZPIECZEŃSTWA DOTYCZĄCE CIĘCIA

- a) **Nie blokować tarczy tnącej i nie dociskać za mocno. Nie próbować ciąć materiału zbyt głęboko. Nadmierne dociskanie tarczy zwiększa obciążenie i ryzyko skrzywienia lub zakleszczenia tarczy w ciężym materiale, co może spowodować szarpnięcie lub pęknięcie tarczy.**

- b) **Ciało nie może znajdować się w jednej linii z obracającą się tarczą ani za tarczą.** Gdy tarcza podczas pracy porusza się w kierunku przeciwnym do ciała operatora, to w chwili odskoczenia siła odrzutu może spowodować przesunięcie narzędzia w stronę operatora.
- c) **Jeśli tarcza zablokuje się lub jeśli cięcie zostanie przerwane z innego powodu, należy odłączyć elektronarzędzie od źródła zasilania i przytrzymać elektronarzędzie, aż do chwili całkowitego zatrzymania. Nie wolno usiłować zdejmować tarczy tnącej, gdy tarcza się obraca, ponieważ może dojść do odrzutu lub odskoczenia urządzenia.** Kiedy tarcza się zaklinuje, szukajcie przyczyny i podejmijcie środki zapobiegawcze, by to się już nie powtórzyło.
- d) **Nie wznawiaj cięcia, gdy urządzenie styka się z ciętym materiałem. Należy poczekać aż tarcza nabierze pełnej prędkości i ostrożnie przyłożyć tarczę do szczeliny cięcia.** Tarcza może zaklinować się, wykonać gwałtowny ruch lub odskoczyć, jeśli elektronarzędzie zostanie uruchomione w chwili kontaktu z obiektem.
- e) **Podeprzeć panele lub inne cięższe obrabiane obiekty, aby ograniczyć ryzyko zakleszczenia tarczy i odrzutu.** Duże obiekty mogą załamać się/ugiąć pod własnym ciężarem. Podpory muszą być umieszczone pod obrabianym materiałem blisko linii cięcia i blisko krawędzi materiału, po obu stronach tarczy.
- f) **Należy zachować szczególną ostrożność w przypadku wykonywania cięcia kieszeniowego w istniejących ścianach lub innych strukturach nieprzelotowych.** Wystająca tarcza może przeciąć przewody instalacji gazowej lub wodnej, przewody elektryczne lub obiekty, które mogą spowodować odrzut.

WYMAGANIA BHP SPECYFICZNE DLA SZLIFIEREK KĄTOWYCH

- a) Należy sprawdzić czy prędkość wskazana na tarczy zdzierającej jest równa lub większa od prędkości nominalnej narzędzia.
- b) Upewnijcie się, że wymiary tarczy zdzierającej są odpowiednie dla waszego narzędzia, oraz czy tarcza zdzierająca dobrze osadza się na wrzecionie.
- c) Tarcze zdzierające powinny być przechowywane w suchym miejscu.
- d) Nie kładźcie żadnego przedmiotu na tarcze szlifierskie.
- e) Tarcze szlifierskie powinny być używane jedynie w celu wykonywania szlifowania.
- f) Tarcze szlifierskie powinny być przechowywane i manipulowane z ostrożnością, zgodnie ze wskazówkami producenta.
- g) Przed użyciem tarczy, należy się upewnić czy nie jest ona wyszczerbiona lub pęknięta. W takiej sytuacji mogłaby się ona połamać, co może pociągnąć za sobą poważne obrażenia ciałesne.
- h) Upewnijcie się, że tarcza szlifierska jest

zamontowana zgodnie ze wskazówkami niniejszej instrukcji.

- i) Przed użyciem upewnijcie się, że tarcza szlifierska jest poprawnie zamontowana i dokręcona a następnie obracając ją na na biegu jałowym przez 30 sekund, skierowując ją w taki sposób, aby nie stwarzała zagrożenia. Jeżeli wasze narzędzie wibruje zbyt mocno, lub gdy stwierdzicie inne problemy, należy natychmiast wyłączyć narzędzie. Jeżeli zaistnieje taka sytuacja, skontrolujcie wasze narzędzie w celu znalezienia przyczyny zaistniałego problemu.
- j) Nie używajcie złączek zwężkowych czy rozpórek w celu zmniejszenia otworu w tarczach o dużym otworze.
- k) Sprawdźcie czy obrabiany przedmiot jest poprawnie podtrzymywany.
- l) Używajcie jedynie tarcz szlifierskich zalecanych przez RYOBI.
- m) Upewnijcie się, że iskry tworzące się w trakcie używania narzędzia nie powodują niebezpiecznej sytuacji, na przykład czy nie spadają one na osoby lub na palne substancje.
- n) Należy zawsze nosić okulary ochronne i ochronniki słuchu.
- o) Jeżeli zachodzi potrzeba, używajcie innego wyposażenia ochronnego, jak rękawice, fartuch czy kask.
- p) Nigdy nie kładźcie waszego narzędzia na ziemi czy innych powierzchniach, kiedy jest ono w trakcie działania. Uwaga, tarcza szlifierska obraca się bezwład-nościowo po wyłączeniu narzędzia. Nigdy nie należy dotykać tarczy szlifierskiej, ani jej kłaść na ziemi czy innych powierzchniach, kiedy tarcza się obraca.
- q) Używajcie tego narzędzia jedynie do zastosowań zgodnych z przeznaczeniem. Nigdy nie używajcie płynu chłodzącego czy wody. Nie używajcie waszego przenośnego narzędzia jak narzędzia stacjonarnego.
- r) Podczas użytkowania narzędzia, należy je mocno trzymać dwoma rękami.

RYZIKO ZWIĄZANE Z UŻYTKOWANIEM

Nawet jeśli produkt jest używany zgodnie z zaleceniami, nadal nie jest możliwe wyeliminowanie określonych czynników ryzyka. Następujące zagrożenia mogą wystąpić podczas używania urządzenia i operator powinien zwracać szczególną uwagę na poniższe punkty:

- Urazy spowodowane odrzucanymi odpadkami
 - Częstki metalu lub materiału ściernego mogą dostać się do oczu i spowodować poważne trwałe urazy. Podczas obsługi urządzenia należy nosić okulary ochronne zatwierdzone do szlifowania.
- Urazy ciała spowodowane przez wibracje
 - Ograniczyć narażenie na kontakt. Patrz "Ograniczenie Ryzyka".
- Urazy ciała spowodowane pyłem
 - Należy nosić odpowiednią maskę przeciwpyłową

z odpowiednimi filtrami, chroniącą przed pyłem z obrabianego materiału oraz ciemnych cząstek tarczy do szlifowania. Nie jeść, nie pić i nie palić w miejscu pracy. Należy zapewnić odpowiednią wentylację miejsca pracy.

- Urazy ciała spowodowane kontaktem z tarczą do szlifowania
 - Tarcza oraz obrabiany materiał nagrzewają się podczas pracy. Podczas zmiany tarczy lub dotykania obrabianego materiału należy nosić rękawice ochronne. Przez cały czas należy trzymać ręce z dala od obszaru szlifowania. Jeśli to możliwe, należy unieruchomić obrabiany materiał.
- Urazy ciała spowodowane hałasem
 - Długotrwałe narażenie na hałas zwiększa ryzyko uszkodzenia słuchu i efekty urazów kumulują się. W przypadku używania elektronarzędzi przez wydłużony okres czasu należy nosić środki ochrony słuchu.

OGRANICZENIE RYZYKA

Badania dowodzą, że vibracje powodowane przez narzędzia ręczne mogą wywoływać u niektórych osób objawy syndromu Raynauda. Typowe objawy to mrowienie, drętwienie i blednięcie palców, widoczne zwykle po wystawieniu na działanie zimna. Uważa się, że czynniki dziedziczne, wystawienie na działanie zimna i wilgoci, dieta, palenie papierosów i przyjęte zwyczaje przyczyniają się do rozwoju tych objawów. Istnieją środki zaradcze, które może podjąć operator narzędzia, aby zmniejszyć efekt vibracji:

- Zadbaj w niskich temperaturach o ciepłotę własnego ciała, zakładając odpowiednie ubranie. Podczas obsługi urządzenia należy nosić rękawice, aby dłonie i nadgarstki były ciepłe. Wiadomo, że niskie temperatury są główną przyczyną powstawania objawu Raynauda.
- Podczas przerw w pracy należy wykonywać ćwiczenia poprawiające krążenie krwi..
- Podczas pracy robić częste przerwy. Ograniczyć ekspozycję w ciągu dnia.

W razie doświadczenia dowolnego z wymienionych objawów, należy niezwłocznie zaprzestać użytkowania tego urządzenia i skontaktować się z lekarzem.

⚠ OSTRZEŻENIE

Długotrwałe użytkowanie narzędzia może spowodować obrażenia ciała lub nasilić dolegliwości zdrowotne. W przypadku używania narzędzia przed dłuższy czas należy pamiętać o regularnych przerwach.

INFORMACJE O PRODUKCJI

Patrz strona 133.

1. Przełącznik
2. Przycisk blokady wrzeczona
3. Zespół osłony tarczy
4. Blokada dźwigni osłony
5. Zewnętrzny kołnierz oporowy
6. Tarcza zdzierająca (ściernica)
7. Kołnierz oporowy

8. Uchwyt pomocniczy (dodatkowa rękojeść)
9. Kluczyk
10. Szybkonakrętka

ZABEZPIECZENIE ROZRUCHOWE

Urządzenia z przełącznikiem blokady są wyposażone w wyłącznik. Chroni on urządzenie przed ponownym uruchomieniem po awarii zasilania. W chwili wznowiania pracy należy wyłączyć maszynę i włączyć ją ponownie.

KONSERWACJA

⚠ OSTRZEŻENIE

Kiedy silnik jest w trakcie działania nie wolno wykonywać żadnych regulacji.

Wasza szlifierka nie powinna być podłączona do gniazdka elektrycznego, kiedy zakładacie części, wykonujecie regulacje, podczas jej czyszczenia bądź kiedy jej nie używacie. Odłączenie urządzenia zapobiegnie jego przypadkowemu uruchomieniu, które groziłoby poważnym zranieniem.

- Po użyciu upewnijcie się, że wasze narzędzie jest sprawne.
- Zalecamy zaniesienie waszego narzędzia, przynajmniej raz w roku, do Autoryzowanego Punktu Serwisowego Ryobi w celu dokonania smarowania i kompletnego czyszczenia.
- Uszkodzony przewód sieciowy powinien zostać wymieniony przez autoryzowany punkt serwisowy, samodzielna wymiana zagraża bezpieczeństwu użytkowania. Skontaktować się z autoryzowanym punktem serwisowym

⚠ OSTRZEŻENIE

Dla większego bezpieczeństwa i pewności działania, wszystkie naprawy powinny być wykonywane w Autoryzowanym Punkcie Serwisowym Ryobi.

⚠ OSTRZEŻENIE

Nie używać sprężonego powietrza do usuwania pyłu z produktu. Takie działanie jest niebezpieczne i może powodować wydmuchanie pyłu i zanieczyszczeń oraz uraz oczu.

OCHRONA ŚRODOWISKA


















Surowce należy oddawać do powtórnego przetworzenia zamiast wyrzucać je na śmieci. Z myślą o ochronie środowiska, narzędzie, akcesoria i opakowania powinny być sortowane.










SYMBOLE PRODUKTU



Alarm bezpieczeństwa

V	Wolt
Hz	Herc
~	Prąd przemienny
W	Wat
n	Prędkość znamionowa
min ⁻¹	Ilość obrotów czy ruchów na minutę
	Klasa II, podwójna izolacja
	Przed uruchomieniem produktu należy dokładnie przeczytać te instrukcje.
	Stosować środki ochrony słuchu
	Stosować środki ochrony wzroku
	Noś maskę przeciwpyłową.
	Nie należy używać tarczy szlifierskiej, która jest wyszczerbiona, pęknięta (zarysowana) lub w inny sposób uszkodzona
	Urządzenie nie jest przeznaczone do cięcia na mokro. Używanie wody czy płynów chłodzących może spowodować porażenie prądem elektrycznym, nawet śmiertelne.
	Zakładać rękawice ochronne
	Nie używać do szlifowania czolowego.
	Nosić obuwie ochronne.
	Stosować środki ochrony oczu i uszu.
	Znak zgodności EurAsian
	Zgodność CE
	Ukraiński znak zgodności
	Zużyte produkty elektryczne nie powinny być utylizowane z odpadami domowymi. Prosimy poddawać recyklingowi w odpowiednich miejscach. Informacje o właściwych metodach recyklingu można uzyskać u władz lokalnych lub sprzedawcy.

SYMBOLE W INSTRUKCJI

	Podłączyć do źródła zasilania.
	Odłączyć od źródła zasilania.
	Części lub akcesoria sprzedawane oddzielnie
	Zużyte produkty elektryczne nie powinny być utylizowane z odpadami domowymi. Prosimy poddawać recyklingowi w odpowiednich miejscach.
	Blokada
	Odkręcenie uchwytu
	Uwaga
	Ostrzeżenie
	Zatrzymać produkt.

Poniższe symbole i nazwy które im nadano, pozwalają wyjaśnić różne poziomy ryzyka związanego z użytkowaniem tego narzędzia.

NIEBEZPIECZEŃSTWO

Oznacza bezpośrednio niebezpieczną sytuację, która, jeśli nie zostanie uniknięta, spowoduje śmierć lub poważne urazy ciała.

OSTRZEŻENIE

Oznacza potencjalnie niebezpieczną sytuację, która, jeśli nie zostanie uniknięta, może spowodować śmierć lub poważne urazy ciała.

UWAGA

Oznacza potencjalnie niebezpieczną sytuację, która, jeśli nie zostanie uniknięta, może spowodować niewielkie lub umiarkowane urazy ciała.

UWAGA

(Bez symbolu bezpieczeństwa) Wskazuje na sytuację mogącą spowodować straty materialne.

Bezpečnost, výkon a spolehlivost byli hlavní prioritou při návrhu vaší úhlové brusky.

ZAMÝŠLENÉ POUŽITÍ

Úhlová bruska je určena pouze pro používání dospělými osobami, které si přečetly a řádně pochopily pokyny a varování v této příručce a jsou zodpovědné za své konání. Úhlová bruska je určena pouze pro broušení a řezání kovů. Pouze upínejte na úhlovou brusku odpovídající brusné kotouče, jak je popsáno v kapitole s technickými údaji výrobku této příručky. Úhlová bruska je určena pro ruční použití; nesmí být namontována na držáku nebo na pracovním stole.

⚠ UPOZORNĚNÍ

Přečtěte si všechny bezpečnostní upozornění a pokyny. Nedodržení uvedených pokynů může způsobit požár, úraz elektrickým proudem a/nebo jiné vážné zranění.

Uchovejte všechny pokyny a upozornění, abyste se k nim mohli v budoucnosti vrátit.

BEZPEČNOSTNÍ VAROVÁNÍ K RUČNÍ ROZBRUŠOVAČKA

BEZPEČNOSTNÍ VAROVÁNÍ PRO ČINNOSTI S ŘEZNÝM A BRUSNÝM KOTOUČEM:

- a) **Tento elektrický nástroj je určen k funkci brusky a řezání. Přečtěte si pozorně upozornění, pokyny a technické specifikace dodané s nářadím a prohlédněte si ilustrace.** Nedodržení uvedených pokynů může způsobit požár, úraz elektrickým proudem a/nebo jiné vážné zranění.
 - b) **Činnosti jako broušení, kartáčování nebo leštění nejsou doporučeny s tímto elektrickým nástrojem.** Nedodržení tohoto pokynu může způsobit vážné zranění či materiální škody.
 - c) **Nepoužívejte příslušenství, které není vyrobeno pro tento nástroj a které není doporučeno výrobcem.** I když lze příslušenství jiných výrobců nasadit na nářadí, neznamená to, že je jeho používání bezpečné.
 - d) **Jmenovitá rychlost příslušenství musí být stejná nebo vyšší než je maximální rychlost uvedená na nářadí.** Příslušenství, které pracuje vyšší rychlostí, než je jeho jmenovitá rychlost, se může rozlomit a vymrštit z nářadí.
 - e) **Vnější průměr a tloušťka příslušenství musí odpovídat technickým údajům pro dané nářadí.** Pokud příslušenství neodpovídá technickým údajům, ochranný systém nebude pracovat správně a nářadí nebude dobře seřízené.
 - f) **Závít u doplňků se musí shodovat se závitem brusky. U doplňků montovaných pomocí příruby se musí otvor doplňků shodovat s otvorem příruby, ke které se montuje.** Doplňky, jejichž otvor je nevhodný pro nástroj
- může způsobit nerovnováhu, nadměrné vibrace a dokonce ztrátu kontroly.
- g) **Nepoužívejte poškozené příslušenství. Po každém použití nářadí zkontrolujte, zda je příslušenství, které jste používali, v dobrém stavu: ujistěte se, že brusné kotouče nejsou tupé nebo prasklé, brusné desky opotřebované nebo roztržené a že hroty kovových kartáčů nejsou tupé nebo zlomené. V případě pádu nářadí nebo příslušenství zkontrolujte, zda žádný prvek nářadí nebyl poškozen a v případě nutnosti, použijte nové příslušenství. Po provedení kontroly stavu příslušenství a po jeho nasazení na nářadí se postavte do bezpečné vzdálenosti a počkejte, dokud nářadí nedosáhne své maximální rychlosti. Nechte nářadí běžet na maximální otáčky zhruba po dobu jedné minuty. Pokud je příslušenství poškozené, během této zkoušky dojde k jeho rozbití.**
 - h) **Používejte osobní ochranné pomůcky. V závislosti na používání nářadí, noste bezpečnostní nebo uzavřené ochranné brýle, nebo ochranné brýle s bočními kryty. V případě potřeby používejte protiprašný respirátor, sluchovou ochranu, ochranné rukavice a ochrannou zástěru s laclem, abyste se chránili před odlétajícími kusy obráběného materiálu (kovový prach a piliny, třísky apod.).** Ochranné brýle chrání před vniknutím cizích těles do očí, které může způsobit zranění. Protiprašný respirátor filtruje částice prachu vytvářející se při práci. Dlouhodobá expozice vysokému hluku může způsobit poškození sluchu.
 - i) **Dbejte, aby se přihlížející osoby zdržovaly v dostatečné vzdálenosti a aby byly vybaveny osobními ochrannými prostředky. Všechny osoby vstupující na pracoviště musí používat osobní ochranné prostředky.** Úlomky obráběného materiálu nebo rozlomené příslušenství může být vymršteno i mimo pracovní zónu a způsobit vážný úraz.
 - j) **Držte nářadí pouze za izolované části s protiskluzovou úpravou, pokud pracujete s materiálem, ve kterém mohou být elektrické kabely nebo pokud pracujete v poloze, při které by se napájecí kabel mohl dostat do trasy řezu.** Kontakt s „živým“ vodičem způsobí, že kovové části elektricky poháněného nástroje se stanou také „živými“ a způsobí elektrický úraz obsluze.
 - k) **Napájecí kabel ved'te tak, aby byl v bezpečné vzdálenosti od otáčejícího se příslušenství.** V případě ztráty kontroly nad nářadím by mohlo dojít k přefříznutí elektrického kabelu nebo k jeho zablokování. Ruka nebo paže uživatele by tak mohly přijít do kontaktu s otáčejícím se příslušenstvím.
 - l) **Nikdy nepokládejte nářadí, pokud se příslušenství ještě otáčí. Nikdy nepokládejte nářadí, pokud se příslušenství ještě otáčí.**
 - m) **Otáčející se příslušenství by mohlo narazit na plochu, na kterou jste nářadí položili, a**

mohli byste ztratit kontrolu nad nářadím. Při přenášení nářadí vypněte. Otáčející se příslušenství by se mohlo zachytit o váš oděv a způsobit vám závažný úraz.

- n) **Pravidelně čistíte větrací otvory v nářadí.** Při větrání motoru se pod kryt motoru dostává prach, proto je nutné větrací otvory pravidelně čistit, aby nedocházelo k usazování kovových částic, které by mohly způsobit úraz elektrickým proudem.
- o) **Nepoužívejte nářadí v blízkosti hořlavých předmětů.** Jiskřením by mohlo dojít k jejich vznícení.
- p) **Nepoužívejte příslušenství, které si vyžaduje chladicí médium.** Používání vody nebo chladicí kapaliny může způsobit úraz elektrickým proudem nebo elektrickou ránu.

DALŠÍ BEZPEČNOSTNÍ POKYNY PRO VŠECHNY OPERACE

Zpětný vrh a související varování

Zpětný ráz je prudká reakce nářadí, ke které dojde, když se otáčející kotouč, brusný kotouč, kartáč či jiné příslušenství ohne, uvízne či zablokuje v obráběném materiálu. Nářadí se nezastaví a stále se otáčí, tím vyvíjí tlak v opačném směru, než je pracovní směr zablokováného příslušenství. Například pokud uvízne brusný kotouč v obráběném dílu, řezná hrana kotouče se zanoří do obráběného dílu a dojde k prudké reakci kotouče, který nekontrolovaně vyskočí ze své dráhy směrem k uživateli, v závislosti na směru otáčení kotouče před jeho zablokováním. Kotouč může vyskočit buď směrem k nebo od operátora, v závislosti na směru kola hnutí v místě skřípnutí. Při zpětném rázu se brusný kotouč může zlomit.

Zpětný ráz je tudíž způsoben nesprávným používáním nářadí a/nebo nevhodným postupem při řezání, případně nevhodnými podmínkami řezání.

- a) **Držte nářadí pevně a postavte se tak, abyste mohli kontrolovat případný zpětný ráz nářadí. Pokud je nářadí vybaveno pomocnou rukojetí, vždy držte nářadí oběma rukama.** Tím se usnadní kontrola nad nářadím v případě zpětného rázu nebo reakčního momentu při spuštění nářadí. Při zpětném rázu nebo reakčním momentu je třeba přijmout odpovídající opatření.
- b) **Nikdy nepřiblížte ruce do blízkosti otáčejícího se příslušenství, abyste si nezpůsobili vážné zranění v případě zpětného rázu.** Příslušenství může odskočit zpět přes vaše ruce.
- c) **Nestavte se do místa možného zpětného rázu nářadí.** V případě zpětného rázu je nářadí vymrštno opačným směrem, než je směr otáčení kotouče.
- d) **Postupujte opatrně při práci v rozích, při opracování ostrých hran apod. Dávejte pozor, aby se vám nářadí nevsymeklo a aby se příslušenství nezablokovalo.** Při práci v rozích a při opracování ostrých hran se zvyšuje nebezpečí vysmeknutí nářadí a zablokování příslušenství, které mají za následek ztrátu kontroly a zpětný ráz.

- e) **Toto nářadí nepoužívejte s kotoučem, který je určen pro zkracovací či jinou pilu na řezání dřeva.** Tyto kotouče zvyšují riziko zpětného rázu a ztráty kontroly nad nářadím.

DALŠÍ BEZPEČNOSTNÍ POKYNY PRO BROUŠENÍ A ŘEZÁNÍ

Zvláštní bezpečnostní varování pro činnosti s řezným a brusným kotoučem:

- a) **Používejte pouze typy kotoučů, které jsou doporučeny pro váš elektrický nástroj a určený kryt navržený pro zvolený kotouč.** Kotouče nenavržené pro danou brusku nelze dostatečně chránit a jsou nebezpečné.
- b) **Brusná plocha středu zatlačeného kotouče se musí montovat pod plochu okraje krytu.** Nesprávně namontovaný kotouč vyčnívající z okraje krytu nebude vhodně chráněn.
- c) **Kryt musí být bezpečně připojen k elektrickému nástroji a umístěn pro maximální bezpečnost, tím je obsluze vystavena minimální plocha kotouče.** Kryt pomáhá obsluhu chránit před rozbitými fragmenty kotouče, kontaktem s kotoučem a jiskrami, které mohou zapálit oděv.
- d) **Kotouče se smí používat pouze pro doporučená použití. Například: Nebruste stranou řezného kotouče.** Hrubé rozbrušovací kotouče jsou určeny pro okrajová broušení, boční síly použité na tyto kotouče mohou způsobit jejich poničení.
- e) **Vždy používejte nepoškozené okolky kotouče se správnou velikostí a tvarem pro váš vybraný kotouč.** Správné okolky kotouče podporují kotouč, čímž snižují možnost zaseknutí kotouče. Okolky pro rozbrušovací kotouče mohou být jiné než okolky brusných kotoučů.
- f) **Nepoužívejte opotřebované kotouče z větších nástrojů.** Kotouč zvolený pro větší nástroj je nevhodný pro vysoké rychlosti malého nástroje a může prasknout.

DOPLŇKOVÉ BEZPEČNOSTNÍ VAROVNÉ PŘEDPISY PRO ČINNOSTI S ŘEZNÝM KOTOUČEM

- a) **„Neblokuje“ řezný kotouč ani nepoužívejte nadměrný tlak. Nezkoušejte se provádět nadměrně hluboké řezy.** Namáhání kotouče zvyšuje zátěž a náchylnost ke stočení nebo uvážnutí kotouče v řezu a možnost zpětného vrhu nebo zlomení kotouče.
- b) **Nestavte své tělo do linie a za rotující kotouč.** Pokud kotouč, v místě použití, se pohybuje směrem od vašeho těla, může možný zpětný vrh odhodit rotující kotouč a elektrický nástroj přímo na Vás.
- c) **Když kotouč uvízne, nebo když se řezání přeruší z jakéhokoliv důvodu, vypněte elektrický nástroj a držte jej nehybně v materiálu, až se kotouč zcela zastaví. Nikdy se nepokoušejte přemísťovat řezný kotouč z místa řezání, když se kotouč pohybuje, jinak nastane zpětný vrh.** Pokud kotouč uvízne v řezaném materiálu,

pokuste se nalézt příčinu a proveďte nápravu, aby k zablokování kotouče již nemohlo dojít.

- d) **Neobnovujte řezání přímo v obrobku. Nechte kotouč dosáhnout plné rychlosti a opatrně znovu vstupte do řezaného místa.** Když je kotouč uvízlý, může z obrobku vyskočit nebo být zpětně vržen, když se znovu spustí v obrobku.
- e) **Podepřete velké panely nebo velké obrobky pro minimalizaci nebezpečí sevření kotouče a zpětného vržení.** Velké obrobky mají sklon se prohýbat vlastní tíhou. Podpory musí být umístěny pod obrobkem po obou stranách blízko linie řezu a blízko okrajů obrobku.
- f) **Buďte velmi opatrní, když děláte „zářez“ do dané zdi nebo jiných slepých oblastí.** Vyčnívající kotouč může přefézat potrubí vedoucí plyn či vodu, elektrické vodiče či předměty, které způsobují zpětný vrh.

BEZPEČNOSTNÍ POKYNY PRO PRÁCI S ÚHLOVOU BRUSKOU

- a) Zkontrolujte, zda rychlost otáček uvedená na brusném kotouči souhlasí s jmenovitou rychlostí brusky.
- b) Zkontrolujte, zda je průměr brusného kotouče kompatibilní s nářadím a se závitěm na vřetenu.
- c) Brusné kotouče je nutné skladovat v suchu.
- d) Na brusné kotouče nepokládejte žádný předmět.
- e) Brusné kotouče se nesmí používat k jiným účelům než k broušení materiálu.
- f) S brusnými kotouči je nutné zacházet opatrně, v souladu s doporučeními výrobce.
- g) Než začnete používat brusný kotouč, zkontrolujte, zda není tupý nebo prasklý. Prasklý kotouč se může rozlomit a být příčinou vážného úrazu.
- h) Zkontrolujte, zda je bruska nasazena v souladu s pokyny tohoto návodu k obsluze.
- i) Před použitím brusky zkontrolujte správné nasazení a utažení brusného kotouče, pak ponechte brusku pracovat naprázdno zhruba po dobu 30 sekund. Bruska musí být přítom nasměrována tak, abyste neohrozili sami sebe a své okolí. Pokud je slyšitelné podezřelé chvění kotouče nebo je patrný jakýkoliv jiný problém, brusku okamžitě vypněte. Brusku pečlivě prohlédněte, abyste odhalili příčinu problému.
- j) Nepoužívejte redukce ani adaptéry, abyste mohli nasadit brusný kotouč na velký upínací průměr.
- k) Zkontrolujte správné upevnění opracovávaného materiálu.
- l) Používejte pouze brusné kotouče doporučené firmou RYOBI.
- m) Dávejte pozor, aby jiskření, které vzniká při používání nářadí, nevytvářelo nebezpečné situace, například že jiskry nemohou zasáhnout osoby ve Vaší blízkosti nebo přijít do styku s

hořlavými předměty.

- n) Při práci noste ochranné brýle a sluchovou ochranu.
- o) V případě potřeby používejte i další osobní ochranné prostředky, jako jsou ochranné rukavice, ochranný pracovní oděv nebo přilba.
- p) Pokud je nářadí v provozu, nikdy je nepokládejte na zem ani neodkládejte na jinou plochu. Vlivem setrvačnosti se kotouč ještě chvíli otáčí i po vypnutí nářadí. Pokud je bruska v provozu, nikdy se nedotýkejte brusného kotouče, brusku nepokládejte na zem ani na žádnou jinou plochu.
- q) Nářadí používejte pouze k předepsaným účelům. Ke chlazení kotouče nikdy nepoužívejte chladicí kapalinu nebo vodu. Nepoužívejte nářadí jako pevný nástroj.
- r) Při práci držte nářadí pevně oběma rukama.

ZBYTKOVÁ RIZIKA

Dokonce, i když se výroba provozuje jak je předepsáno, je stále nemožné zcela eliminovat veškeré zbytkové rizikové faktory. Následující nebezpečí mohou nastat při používání; vyhybte se:

- Zranění způsobená odletujícími částicemi
 - Kovové nebo abrazivní částice mohou vniknout do očí a způsobit vážné trvalé poškození. Noste při provozu produktu ochranné brýle schválené pro broušení.
- Poranění způsobené vibracemi
 - Limit expozice. Viz "Snižování Rizik".
- Zranění způsobené prachem
 - Používejte vhodnou masku proti prachu s vhodnými filtry, které mohou chránit proti prachu z materiálu a částicím z brusného kotouče. V pracovní oblasti výrobku nejíst, nepít, ani nekouřit. Zajistit dostatečné větrání pracoviště.
- Zranění z kontaktu s brusným kotoučem
 - Disk a obrobek se během provozu zahřívají. Při výměně kotouče nebo dotyku obrobku používejte rukavice. Udržujte vždy ruce v bezpečné vzdálenosti od brusného prostoru. Upínejte obrobek kdykoli je to možné.
- Zranění způsobené hlukem
 - Dlouhodobé vystavení hluku zvyšuje riziko poškození sluchu a účinky jsou kumulativní. Při použití elektrického nářadí po delší dobu, používejte ochranu sluchu.

SNÍŽENÍ RIZIKA

Bylo zjištěno, že vibrace z ručních pracovních nástrojů mohou u některých osob přispívat ke stavu tzv. Raynaud's Syndrome (Raynaudovu syndromu). Mezi jeho příznaky patří brnění, necitlivost a zbledení prstů, patrné obvykle po pobytu v chladu. Vědci se domnívají, že k rozvinutí těchto příznaků přispívají dědičné faktory, pobyt v chladu a vlhku, strava, kouření a pracovní návyky. Uživatel může omezit případné působení vibrační použitím vhodných opatření:

- Za chladného počasí se teple oblečte. Při práci s nástrojem si navlékněte rukavice, abyste udrželi ruce a zápěstí v teple. Bylo zjištěno, že chladné počasí je hlavním faktorem přispívajícím k Raynaud's Syndrome (Raynaudovu syndromu).
- Během práce si v pravidelných intervalech zacvičte, abyste zvýšili krevní oběh.
- Zařazujte časté pracovní přestávky. Omezte dobu práce za den.

Jakmile pocítíte některý z výše uvedených příznaků tohoto syndromu, okamžitě přerušete práci a vyhledejte lékaře.

VAROVÁNÍ

Poranění mohou být způsobena, či zhoršena, prodlouženým používáním nástroje. Když používáte jakýkoliv nástroj delší dobu, dělejte pravidelné přestávky.

SEZNAMTE SE S VÝROBKEM

Viz strana 133.

1. Spínač
2. Tlačítko pro aretaci vřetene
3. Sestava krytu kotouče
4. Zamykací páka krytu
5. Vnější příruba
6. Brusný kotouč
7. Příruba
8. Přídavná rukojeť
9. Servisní utahovací klíč
10. Rychloupínací matice

SPOUŠTĚČI OCHRANA

Stroje s blokovacím spínačem jsou vybaveny vypínáním. To zabrání stroj před opětovným spuštěním po výpadku napájení. Pokud pokračujete v práci, vypněte stroj a poté jej opět zapněte.

ÚDRŽBA

VAROVÁNÍ

Neprovádějte žádná seřizování, pokud je motor v provozu.

Při nasazování příslušenství, čištění nebo seřizování brusky vždy brusku odpojte od elektrické sítě. Stejně musí být bruska odpojená od elektrické sítě, pokud brusku nepoužíváte. Odpojením předejdete náhodnému spuštění a tím vážnému osobnímu poranění.

- Po skončení práce zkontrolujte, zda je nářadí v dobrém stavu.
- Doporučuje se nechat nářadí zkontrolovat alespoň jedenkrát ročně v některém z autorizovaných servisních středisek výrobků Ryobi a nechat nářadí kompletně vyčistit a namazat.
- Pokud je napájecí kabel poškozen, musí být nahrazen pouze výrobcem nebo pověřeným servisním střediskem

za účelem odstranění nebezpečí. Kontaktujte pověřené servisní středisko

VAROVÁNÍ

Z bezpečnostních důvodů a pro zajištění spolehlivosti nářadí musí být veškeré opravy prováděny v autorizované servisní opravě výrobků Ryobi.

VAROVÁNÍ

K odstranění prachu z produktu nepoužívejte nikdy stlačený vzduch. Tato činnost je nebezpečná a může způsobit odhození nečistot a šterku a někomu poranit zrak.

OCHRANA ŽIVOTNÍHO PROSTŘEDÍ



V rámci možností neodhazujte vysloužilé nářadí do domovního odpadu a upřednostněte jeho recyklaci. V souladu s předpisy na ochranu životního prostředí odkládejte vysloužilé nářadí, příslušenství i obalový materiál do tříděného odpadu.

SYMBOLY NA VÝROBKU



Bezpečnostní výstraha

V

Napětí

Hz

Hertz

~

Střídavý proud

W

Watt

n

Jmenovitá rychlost

min⁻¹

Počet otáček nebo pohybů (kmitů) za minutu



Třída II, dvojité izolováno



Před použitím přístroje si prosím řádně přečtěte tyto pokyny.



Noste ochranu sluchu



Noste ochranu očí











Noste respirátor.












Nepoužívejte kotouč s prasklinami, otěpy nebo vadami



Nevhodné pro broušení za mokra. Používání vody nebo chladicí kapaliny může způsobit úraz elektrickým proudem nebo elektrickou ránu.

-  Noste ochranné rukavice
-  Nepoužívejte pro rovinné broušení.
-  Požívejte bezpečnostní pracovní obuv.
-  Noste ochranu sluchu a zraku a masku.
-  Euroasijská značka shody
-  Shoda CE
-  Ukrajinská značka shody
-  Odpad elektrických výrobků se nesmí likvidovat v domovním odpadu. Recyklujte prosím na sběrných místech. Ptejte se u místních úřadů nebo prodejce na postup při recyklaci.

SYMBOLY POUŽITÉ V NÁVODU

-  Připojte k elektrické síti.
-  Odpojte od elektrické sítě.
-  Díly nebo příslušenství jsou v prodeji samostatně
-  Odpad elektrických výrobků se nesmí likvidovat v domovním odpadu. Recyklujte prosím na sběrných místech.
-  Zamknuto
-  Odemknuto
-  Poznámka
-  Varování
-  Zastavte zařízení.

Následující signální slova a významy jsou vhodné pro vysvětlení úrovně nebezpečí spojených s tímto výrobkem.

NEBEZPEČÍ

Upozorňuje na bezprostředně nebezpečnou situaci, která vede k usmrcení nebo těžkému zranění.

VAROVÁNÍ

Upozorňuje na možnou nebezpečnou situaci, která by mohla vést ke smrtelnému úrazu nebo k závažnému zranění.

POZOR

Upozorňuje na možnou nebezpečnou situaci, která může vést k menšímu nebo lehkému zranění.

POZOR

(Bez bezpečnostního výstražného symbolu) Určuje situaci, která může mít za následek vážné poškození.

A sarokcsiszoló tervezésekor a biztonság, a teljesítmény és a megbízhatóság voltak a legfontosabb szempontok.

RENDELTESSZERŰ HASZNÁLAT

A sarokcsiszolót csak felnőttek használhatják, akik elolvasták és megértették a kézikönyvben lévő utasításokat és figyelmeztetéseket, és felelősnek lehet őket tekinteni a tetteikért. A sarokcsiszoló csak fémek csiszolására és vágására használható. Csak a termék kézikönyvének műszaki adatok részében meghatározott megfelelő csiszolókorongok szerelhetők fel a sarokcsiszolóra. A sarokcsiszoló kézi használatra készült; nem rögzíthető szerelvényre vagy munkapadra.

▲ FIGYELMEZTETÉS

Figyelmesen olvassa el az összes figyelmeztetést és utasítást. Az alább részletezett előírások be nem tartása olyan baleseteket okozhat, mint pl. tűz, áramütés és/vagy súlyos testi sérülések.

Őrizzze meg ezeket a figyelmeztetéseket és utasításokat a későbbi tájékozódásra is.

SAROKCSISZOLÓ BIZTONSÁGI FIGYELMEZTETÉSEK

A CSISZOLÁSI ÉS VÁGÁSI MŰVELETEKRE VONATKOZÓ ÁLTALÁNOS BIZTONSÁGI FIGYELMEZTETÉSEK:

- A gép csiszolóként és vágóként is használható. Figyelmesen olvassa el az ehhez a szerszámmal mellékelt összes figyelmeztetést, utasítást és műszaki adatokat, valamint tanulmányozza az ábrákat is. Az alább részletezett előírások be nem tartása olyan baleseteket okozhat, mint pl. tűz, áramütés és/vagy súlyos testi sérülések.
- Operations such as sanding, wire brushing or polishing are not recommended to be performed with this power tool. Ezen előírás be nem tartása baleseteket és súlyos testi sérüléseket okozhat.
- Ne használjon olyan tartozékokat, amelyeket nem speciálisan ehhez a szerszámmal terveztek és a gyártó által nincs előírva a használatuk. Még ha egy tartozékot fel is lehet a szerszámmal szerelni / helyezni, ez nem jelenti azt, hogy teljes biztonságban is lehetne ezt a szerszámot ily módon használni.
- A tartozék névleges sebessége (fordulatszáma) nagyobb vagy egyenlő kell hogy legyen, mint a szerszámon jelölt maximális sebesség (fordulatszám). A saját névleges sebességüknél nagyobb sebességen üzemelő tartozékok eltörhetnek és kidobódhatnak / kirepülhetnek a szerszámból.
- A tartozék külső átmérője és vastagsága meg kell hogy feleljen a szerszám megjelölt műszaki adatainak. Amennyiben a tartozékok nem felelnek meg a megadott adatoknak, akkor a szerszám

védelmi- és beállítási rendszerei nem képesek megfelelőképp működni.

- A tartozékok menetes rögzítésének illeszkednie kell a csiszoló orsójának menetéhez. A peremekkel rögzített tartozékok esetében a tartozékok középső furatának illeszkednie kell a perem igazító átmérőjéhez. A gép rögzítőfelületeihez nem illeszkedő tartozékok nem lesznek kiegyensúlyozva, vibrálni fogak, és a gép feletti irányítás elvesztését okozhatják.
- Ne használjon sérült tartozékokat. Minden használat előtt ellenőrizze, hogy a használt tartozék jó állapotban van-e: bizonyosodjon meg arról, hogy a csiszoló korongok nem csorbultak / deformálódtak vagy repedtek, a talpak nem szakadtak vagy kopottak, valamint hogy a drótkéfék sörtéi nem túlságosan kopottak vagy törtek. Amennyiben a szerszám vagy a tartozék leesett, ellenőrizze hogy semelyik alkatelen nem sérült, szükség esetén pedig szereljen / tegyen fel egy sérülésmentes tartozékokat. Miután leellenőrizte, hogy a tartozék jó állapotban van, és felszerelte / helyezte azt, akkor helyezkedjen el biztonságos távolságban a mozgó tartozéktól és hagyja hogy a szerszám egy percig maximális fordulatszámon működjön. Ha a tartozék sérült, akkor el fog történi e teszt során.
- Viseljen személyi védőfelszerelést. Aszerint, hogy mire használja a szerszámot, viseljen védőmaszkot, biztonsági- vagy védőszemüveget. Szükség esetén hordjon porvédő maszkot, hallásvédő eszközt (fülvédőt, fül dugót), kesztyűt, védőkötényt az idegen testek (súroló darabok, faforgács stb.) becsapódása elleni védelem érdekében. A védőszemüveg lehetővé teszi, hogy a kipattogó törmelék ne sértse meg a szemet. A porvédő maszk lehetővé teszi a munkafolyamat által keltett részecskék kiszűrését. Halláskárosodást okozhat, ha erős zajnak hosszabb időn keresztül ki van téve.
- A munkát szemlélőket tartsa megfelelő távolságban a munkaterülettől és ügyeljen arra, hogy hordjanak megfelelő védőfelszerelést. Bárki beléphet a munkaterületen kell viselniük egyéni védőeszközöket. A munkadarab ill. egy sérült tartozék töredékei a munkaterületen túlrá repülhetnek és súlyos testi sérüléseket okozhatnak.
- A gépet kizárólag a szigetelt, csúszásgátló részénél fogja, ha olyan felületen dolgozik, amelyben elektromos vezeték lehet, vagy amikor olyan munkát kell végeznie, melynek során a tápvezetékek a gép útjába kerülhetnek. A feszültség alatt lévő vezetékekkel történő érintkezés során a szerszám fém alkatrészei áram alá kerülhetnek, minek következtében a kezelő áramütés érheti.
- Oly módon vezesse a hálózati tápvezetéket, hogy távol maradjon a forgásban lévő tartozéktól. Ha elveszíti uralmát a szerszám felett, a tápvezetékek elszakadhatnak vagy becsipődhetnek és a

keze ill. a karja a forgó tartozék felé mozdulhat el.

- l) **Soha ne tegye be addig a szerszámot, amíg a tartozék teljesen le nem áll.** A forgó tartozék érintkezésbe léphet azzal felülettel, amelyre helyezték, emiatt elveszítheti a szerszám felett az uralmát.
- m) **Szállítás közben soha ne működtesse a szerszámot.** A forgó tartozék bekaphatja a ruháját és súlyos sérülést okozhat.
- n) **Rendszeresen tisztítsa a szerszám szellőzőnyílásait.** A motor légáramlása a motorház belsejébe szívja a port, ami által felhalmozódhatnak ott a fémrészek és ez áramtűtést idézhet elő.
- o) **Ne használja a szerszámot gyúlékony, tűzveszélyes anyagok közelében.** A szerszám által keltett szikrák meggyújthatják ezeket.
- p) **Ne használjon hűtőfolyadékkal működő tartozékokat.** A víz ill. a hűtőfolyadékok használata áramtűtést okozhat.

TOVÁBBI BIZTONSÁGI ELŐÍRÁSOK MINDEN MŰVELETRE

Visszarúgás és ahhoz kapcsolódó figyelmeztetések

A megugrás egy olyan hirtelenszerű reakció, amely akkor léphet fel, ha a mozgásban lévő csiszolókorong, talp, drótkéfe vagy egyéb tartozék beszorul vagy elgörbül, ami az adott tartozék gyors blokkolásában nyilvánul meg. A szerszám tovább működik, így a tartozék használati irányával ellenkező irányban megdobja a szerszámot.

Például, ha egy vágótárcsa beszorul vagy elgörbül a munkadarabban, akkor a tárcsa éle belemélyülhet a munkadarab felületébe, ami a tárcsát a munkadarabról hirtelen a szerszámot használó személy irányába ill. – a leblokkolt tárcsa forgásirányának függvényében – távolra is vetheti. A kerék akkor sem ugrik irányába, vagy távol az üzemeltető, attól függően, irány a kerék mozgását ponton csipkedte. Megugrás esetén a vágótárcsa el is törhet.

A megugrás ily módon a szerszám nem megfelelő használatának és/vagy a helytelen használati módoknak / körülményeknek az eredménye. Néhány övintézkedés meghozatalával ill. figyelmes betartásával azonban elkerülhető ez a veszélyes jelenség.

- a) **Tartsa erősen a szerszámot és oly módon pozicionálja a testét és a kezét, hogy egy esetleges megugrást kontrollálni tudjon. Ha a szerszámon segédfogantyú van, mindig ügyeljen a fogására. Ekkor optimális kontroll alatt tartja a szerszámot egy esetleges megugrás vagy a szerszám beindítása során jelentkező ellenhatás-nyomaték esetén.** Hozza meg a szükséges intézkedéseket ahhoz, hogy uralma alatt maradjon a szerszám megugrás vagy ellenhatás-nyomaték esetén.
- b) **Soha ne helyezze a kezét a forgó tartozék közelébe, a súlyos testi sérülések veszélyének elkerülése érdekében.** Tartozékok kezein át.
- c) **Ne helyezkedjen abba a térrészbe, ahova a szerszám kidobódhat egy esetleges megugrás**

esetén. Megugrás esetén a szerszám a tárcsa forgásirányával ellentétes irányba repül ki.

- d) **Különös figyelemmel járjon el, ha sarkokon, éles peremeken stb. dolgozik. Kerülje a tartozék megcsúszását és beszorulását.** Amikor sarkokon, éles peremeken dolgozik, vagy megcsúszik a szerszám, akkor a tartozék blokkolásának – ily módon az uralom elvesztésének és a szerszám megugrásának – nagyobb a veszélye.
- e) **Soha ne használjon ezzel a szerszámmal fadaraboló- és fűrész-tárcsát.** Az ilyen típusú tárcsák növelik a szerszám megugrásának és uralomvesztésének veszélyét.

A CSISZOLÁSI ÉS VÁGÁSI MŰVELETRE VONATKOZÓ TOVÁBBI BIZTONSÁGI UTASÍTÁSOK

A csiszolási és vágási műveletekre vonatkozó speciális biztonsági figyelmeztetések:

- a) **Csak a géphez javasolt tárcsákat használja, melyekhez van speciális védőburkolat.** Azok a tárcsák, melyeknek használatára a gép nincs felkészítve, nem védhetők megfelelően és ezért nem biztonságosak.
- b) **A súlyesített középső furatú korongokat úgy kell felszerelni, hogy a védőburkolat pereme alá kerüljenek.** A védőburkolat peremének síkján átnyúló, rosszul felszerelt korongnak nem megfelelő a védelme.
- c) **A védőt biztosan kell rögzíteni a gépen, és úgy kell beállítani, hogy a maximális biztonságot nyújtsa, azaz a tárcsa lehető legkisebb nem védett része nézzen a kezelő felé.** A védőburkolat megvédi a kezelőt a széttört korong darabjaitól és a koronggal, illetve a ruházatot esetleg meggyújtó szikrákkal való véletlen érintkezéstől.
- d) **A tárcsákat csak a javasolt alkalmazásokra szabad használni. Például: Ne csiszoljon a vágótárcsa oldalával.** A csiszoló vágótárcsák oldalirányú csiszolásra valók, ezért nagy oldalsó erőnek vannak kitéve, melyek akár a tárcsa összetörését is okozhatják.
- e) **Mindig sérülésektől mentes tárcsarögzítő peremeket használjon, melyek mérete és alakja megfelelő a kiválasztott tárcsához.** A tárcsarögzítő peremek megtámasztják a tárcsát, így csökkentik a tárcsa eltörésének veszélyét. A vágótárcsák rögzítőperemei különbözhetnek a csiszolókorongokhoz szükséges peremektől.
- f) **Ne használjon nagyobb gépekről származó elhasznált tárcsákat.** A nagyobb szerszámgépekhez való tárcsa a kisebb gép nagyobb fordulatszáma miatt nem használható, mert szétrobbanhat.

A CSISZOLÓVAL VÉGZETT VÁGÁSOKKAL KAPCSOLATOS TOVÁBBI BIZTONSÁGI FIGYELMEZTETÉSEK

- a) **Ne "csipje be" a vágótárcsát, és ne fejtse ki túlzott nyomást. Ne próbálkozzon túl mélyen**

vágni. A tárcsa feszítése növeli a terhelést és a tárcsa hajlamosságát a csavarodásra vagy görbülésre a vágásjáratban, valamint a visszarúgás és a tárcsa törésének veszélyét.

- b) **Ne helyezze a testét forgó tárcsa síkjába.** Amikor a tárcsa a megmunkálási pontban az Ön testétől elfelé mozog, az esetleges visszarúgás megperdítheti a forgó tárcsát, és Ön felé lendítheti a szerszámgépet.
- c) **A tárcsa beakadásakor, vagy ha bármilyen okból megszakítja a vágást, kapcsolja ki a szerszámgépet, és tartsa mozdulatlanul mindaddig, amíg a tárcsa teljesen meg nem áll. Ne próbálja eltávolítani a vágótárcsát a vágásból, ha a tárcsa forog, máskülönben visszarúgás történhet.** Soha ne próbálja a még forgó tárcsát levenni, ez megugrást idézhet elő.
- d) **Ne kezdje újra a vágást a munkadarabban. Hagyja, hogy a vágótárcsa teljes fordulatszámra gyorsuljon, majd óvatosan engedje be a vágásba.** A tárcsa beakadhat, felemelkedhet vagy visszarúghat, ha a gépet a munkadarabban indítja be.
- e) **A paneleket és a túlméretes munkadarabokat támassza alá, hogy csökkentsék a tárcsa becsipődésének és visszarúgásának kockázatát.** A nagyméretű munkadarabok a saját súlyuk alatt behajolhatnak. A támasztékokat a vágásvonal közelében, valamint a munkadarab széléhez közel is el kell helyezni a tárcsa mindkét oldalán.
- f) **Különös figyelemmel járjon el, ha "beszúró vágást" végez egy már meglévő falban vagy más előre nem látható területen.** A kiálló tárcsa gáz- vagy vízcsöveket, illetve elektromos vezetékeket vagy más tárgyakat vághat el, ami visszarúgást okozhat.

A SAROKCSISZOLÓKRA VONATKOZÓ SPECIFIKUS BIZTONSÁGI ELŐÍRÁSOK

- a) Ellenőrizze, hogy a csiszolókorongon feltüntetett fordulatszám-érték nagyobb vagy egyenlő legyen, mint a szerszám névleges fordulatszám-értéke.
- b) Bizonyosodjon meg arról, hogy a csiszolókorong méretei (átmérő) megfelelőek legyenek a szerszámhoz és hogy a korong tökéletesen illeszkedjen a tengelyre.
- c) A csiszolókorongokat száraz helyen tárolja.
- d) Soha ne tegyen semmilyen tárgyat a korongokra.
- e) A csiszolókorongokat kizárólag csiszolásra szabad használni.
- f) A korongok tárolását és kezelését elővigyázatosan, a gyártó cég utasításai szerint kell végezni.
- g) A csiszolókorong használata előtt bizonyosodjon meg arról, hogy a korong ne legyen csorbult vagy repedt. Ilyen esetben a korong eltörhet és ez súlyos testi sérüléssel járó balesetet eredményezhet.
- h) Bizonyosodjon meg arról, hogy a korong a jelen

útmutatóban lévő utasításoknak megfelelően legyen felszerelve.

- i) A sarokcsiszoló használata előtt bizonyosodjon meg arról, hogy a korongot jól tette-e fel és rendesen megszorította-e. Ezután használja a szerszámot üresjáraton 30 másodpercig, eközben tartsa úgy, hogy az ne legyen senkire és semmire nézve veszélyes. Ha a készülék túlságosan vibrál ill. ha bármilyen más problémát észlel, azonnal állítsa le a készüléket. Ilyenkor ellenőrizze a készüléket és keresse meg a probléma okát.
- j) Nem szabad szűkítő közgyűrűvel, támscvarral stb. nagyobb lyukátmérőjű, a készülékhez nem alkalmas korongot használni.
- k) Ellenőrizze, hogy a munkadarab / megmunkálandó felület kellő módon rögzítve legyen.
- l) Kizárólag RYOBI által előírt korongot használjon a szerszámhoz.
- m) Bizonyosodjon meg arról, hogy a készülék használatakor keletkező szikrák ne idézzenek elő veszélyes helyzetet, vagyis például ne pattanhassanak emberekre vagy gyúlékony anyagokra.
- n) Munka közben viseljen mindig védőszemüveget és fülvédőt.
- o) Amennyiben szükséges, használjon más olyan személyes védőfelszereléseket is, mint pl. védőkesztyű, -kötény vagy -sisak.
- p) Soha ne tegye a bekapcsolt készüléket földre ill. más felületre. A sarokcsiszoló kikapcsolása után a korong még lendületből forog pár másodpercig. Soha ne érintse és ne tegye le a földre ill. bármilyen más felületre a csiszolót forgó koronggal.
- q) A szerszámot kizárólag olyan munkálatokra használja, amelyre azt tervezték. Soha ne használjon hűtővizet vagy hűtőfolyadékot. Ne használja a szerszámot fixen kitámasztva vagy befogva.
- r) A sarokcsiszolót két kézzel szilárdan fogva használja.

VISSZAMARADÓ KOCKAZATOK

Még a termék rendeltetésszerű használata esetén sem lehet teljesen kiküszöbölni minden kockázati tényezőt. A gép használata során a következő veszélyek merülhetnek fel, és a kezelőnek különösen oda kell figyelnie az alábbiak elkerülésére:

- Kivetődő darabok okozta sérülések
 - A fém vagy a csiszolóanyag szemcséi a szembe kerülhetnek és súlyos maradandó sérülést okozhatnak. A termék használatakor viseljen a csiszolási műveleteknek megfelelő védőszemüveget.
- Vibráció okozta sérülések
 - Korlátozza a kitétséget. Lásd "Kockázatokcsökkentés".
- Por okozta sérülések
 - Viseljen megfelelő szűrőkkel ellátott porvédő

maszkot, ami meg tudja óvni a megmunkált anyagból származó portól és a csiszolókorongból leváló szemcséktől. Ne egyen, igyon vagy dohányozzon a munkaterületen. Biztosítson megfelelő szellőztetést.

- Csiszolókorong érintése okozta sérülés
 - A korong és a munkadarab használat közben felforrósodnak. A korong cseréjekor vagy a munkadarab megérintésekor viseljen kesztyűt. A kezét mindig tartsa távol a csiszolási területtől. Amikor lehetséges, szorítókkal rögzítse a munkadarabot.
- Zaj okozta sérülések
 - A zajnak való hosszú idejű kitettség növeli a halláskárosodás kockázatát, és az ilyen hatások összeadódnak. Amikor hosszabb ideig használ szerszámgepeket, viseljen fülvédőt.

KOCKÁZATCSÖKKENTÉS

Arról számoltak be, hogy a kéziszerszámok használata során fellépő vibráció bizonyos személyeknél hozzájárulhat az úgynevezett Raynaud-szindróma (Raynaud's Syndrome) nevű állapot kialakulásához. A tünetei lehetnek: az ujjak zsibbadása, elfehéredése, szúrások érzése, amelyek hidegnek kitéve gyakran felerősödnek. Az örökklődő tényezők, a hidegnek kitettség és verejtékezés, a diéta, a dohányzás és munka közben alkalmazott fogások valószínűleg mind hozzájárulhatnak ezen tünetek megjelenéséhez. A vibráció hatásainak csökkentése érdekében a kezelőnek be kell tartani az alábbi óvintézkedéseket:

- Hideg időben tartsa melegen a testét. A gép használatakor viseljen kesztyűt a kéz és a csukló melegen tartásához. Arról számoltak be, hogy a hideg időjárásnak fontos szerepe van a Raynaud-szindróma kialakulásában.
- Bizonyos időtartamú használat után mindig végezzen gyakorlatokat a vérkeringés javításához.
- Gyakran tartson munkaszünetet. Korlátozza a napi munkaidőt.

Ha ezen állapot bármelyik tünetét tapasztalja, azonnal hagyja abba a munkát, és tájékoztassa az orvosát a tünetekről.

▲ FIGYELEM

A gép hosszabb idejű folyamatos használata sérüléseket okozhat vagy súlyosbíthatja a tüneteket. Ha a gépet hosszú időn át kell használnia, tartson gyakran szünetet.

ISMERJE MEG A TERMÉKET

Lásd 133. ábrát.

1. Kapcsológomb
2. Tengely reteszgomb
3. Tárcsavédő szerelvény
4. Védőburkolat kar reteszelő
5. Külső alátét
6. Csiszolókorong (tárca)

7. Alátét
8. Kisegítő fogantyú
9. Szorítókulcs
10. Könnyen rögzíthető csavaranya

BEINDÍTÁS ELLENI VÉDELEM

A rögzítés kapcsolóval rendelkező gépek el vannak látva egy kioldóval. Ez megakadályozza a gép önmagától való beindulását áramkimaradás után. A munka folytatásakor kapcsolja ki, majd újra be a gépet.

KARBANTARTÁS

▲ FIGYELEM

Semmilyen beállítást ne végezzen a készüléken, ha a motor üzemben van.

Soha ne tartsa a csiszológépet hálózatra csatlakoztatott állapotban a tartozékok felszerelése, beállítások, tisztítások alkalmával, ill. ha nem használja a gépet. A szerszám hálózatról történő leválasztása megakadályozza a véletlen bekapcsolódást, ami súlyos sérülést okozhat.

- Használat után ellenőrizze, hogy a készülék jó, üzemképes állapotban van-e.
- Tanácsos évente legalább egyszer egy hivatalos, szerződött Ryobi Szervizközpontba vinni a készüléket általános tisztításra és olajozásra.
- Ha a tápkábel sérült, azt a veszélyek elkerülése érdekében csak a gyártó vagy annak hivatalos szervizközpontja cserélheti ki. Lépjen kapcsolatba egy hivatalos szervizközponttal

▲ FIGYELEM

A biztonság és megbízhatóság érdekében minden javítási munkálatot egy hivatalos, szerződött Ryobi Szervizközpontban végeztessen el.

▲ FIGYELEM

Ne használjon sűrített levegőt a pornak a termékről való eltávolításához. Ez a gyakorlat veszélyes, és szennyeződések és porszemcsék kifújását vagy megsérülést okozhat.

KÖRNYEZETVÉDELEM



Segítse elő az alanyagok újrahasznosítását azzal, hogy nem helyezi el őket a háztartási szemétkben. Környezetvédelmi megfontolásból az elhasznált gépet és tartozékokat, valamint a csomagolóanyagokat szelektív módon kell gyűjteni.

SZIMBÓLUMOK A TERMÉKEN



Biztonsági figyelmeztetés

V Volt

Hz Hertz

~ Váltóáram (AC)

W Watt

n Névleges fordulatszám

min⁻¹ Fordulatok ill. löketek száma percenként

II. osztály, kettős szigetelés



Kérjük, olvassa át gondosan ezt az útmutatót a termék beindítása előtt.



Viseljen fülvédőt



Viseljen szemvédőt



Viseljen pormaszkot.



Ne használjon kicsorbult, repedt vagy hibás csiszolókorongot



Nem használható nedves csiszolásra. A víz ill. a hűtőfolyadékok használata áramütést okozhat.



Viseljen biztonsági védőkesztyűt



Ne használja felületek csiszolására.



Viseljen biztonsági lábbelit.



Viseljen szem- és fülvédőt, és arcmaszkot.



Eurázsiai megfelelőségi jelzés



CE megfelelőség



Ukrainai megfelelőségi nyilatkozat



A kiselejtezett elektromos termékeket nem szabad a háztartási hulladékkal együtt kidobni. Ezeket újra kell hasznosítani, ha van rá lehetőség. Az újrahasznosítással kapcsolatban érdeklődjön a helyi önkormányzatnál vagy a termék forgalmazójánál.

A KÉZIKÖNYVBEN HASZNÁLT SZIMBÓLUMOK



Csatlakoztassa az elektromos hálózathoz.



Húzza ki az elektromos hálózathoz.



Külön értékesített alkatrészek és kiegészítők



A kiselejtezett elektromos termékeket nem szabad a háztartási hulladékkal együtt kidobni. Ezeket újra kell hasznosítani, ha van rá lehetőség.



Retes



Szétnyitás



Megjegyzés



Figyelem



Állítsa le a gépet.

A következő jelölőszavak és jelentések arra szolgálnak, hogy megmagyarázzák a termékkel kapcsolatos veszélyességi szinteket:

⚠ VESZÉLY

Egy bekövetkező veszélyes helyzetet jelez, ami, ha nem előzik meg, halált vagy komoly sérülést eredményez.

⚠ FIGYELEM

Egy potenciálisan bekövetkező veszélyes helyzetet jelez, ami, ha nem előzik meg, halált vagy súlyos sérülést eredményezhet.

⚠ VIGYÁZAT

Egy potenciálisan veszélyes helyzetet jelez, ami, ha nem előzik meg, kisebb vagy mérsékelten súlyos sérülést eredményezhet.

VIGYÁZAT

(Biztonsági figyelmeztető szimbólum nélkül) Egy olyan helyzetet jelez, ami anyagi kárt eredményezhet.

Au fost acordate priorități maxime asupra siguranței, performanței și fiabilității în proiectarea polizorului dvs. unghiular.

DOMENIU DE APLICAȚII

Polizorul unghiular este destinat a fi folosit doar de adulți care au citit și înțeles instrucțiunile și avertizările din acest manual și pot fi considerați responsabili pentru acțiunile lor. Polizorul unghiular este proiectat doar pentru polizarea și tăierea metalelor. Doar discuri de polizare corespunzătoare trebuie să fie fixate la acest polizor unghiular, așa cum este descris în secțiunea specificații produs din cadrul acestui manual. Polizorul unghiular este destinat doar pentru uz casnic; nu trebuie să fie montat pe un dispozitiv de fixare sau banc de lucru.

⚠ AVERTISMENT

Citiți, cu atenție, toate avertismentele și toate instrucțiunile. Nerespectarea acestor instrucțiuni ar putea provoca accidente, cum ar fi incendii, electrocutare și/sau răni corporale grave.

Păstrați aceste avertismente și instrucțiuni, pentru a le putea consulta ulterior.

AVERTIZĂRI DE SIGURANȚĂ POLIZOR UNGHIULAR

AVERTIZĂRI DE SIGURANȚĂ COMUNE OPERAȚIILOR DE POLIZARE ȘI DE TĂIERE ABRAZIVĂ:

- a) Această mașină electrică este destinată funcționării ca polizor și ca unealtă de debitare. Citiți, cu atenție, toate avertismentele, instrucțiunile și specificațiile furnizate împreună cu aparatul, și consultați ilustrațiile. Nerespectarea instrucțiunilor prezentate în continuare poate provoca accidente cum ar fi incendii, electrocutare și/sau vătămări corporale grave.
- b) Operațiile, precum șlefuirea, perierea, lustruirea, nu sunt recomandate a fi efectuate cu această unealtă electrică. Nerespectarea acestei reguli poate produce accidente și vătămări corporale grave.
- c) Nu utilizați accesorii care nu sunt concepute special pentru acest aparat și care nu sunt recomandate de către producător. Chiar dacă un accesoriu se poate monta pe aparat, acesta nu garantează că veți putea utiliza aparatul în deplină siguranță.
- d) Viteza nominală a accesoriului trebuie să fie egală sau mai mare decât viteza maximă indicată pe aparat. Accesoriile care funcționează la o viteză mai mare decât viteza lor nominală se pot rupe și pot fi aruncate.
- e) Diametrul exterior al accesoriului și grosimea acestuia trebuie să corespundă caracteristicilor specificate pentru aparat. În cazul în care accesoriile nu corespund caracteristicilor date,

sistemele de protecție și de reglare ale aparatului nu vor putea funcționa corect.

- f) **Montarea filetată a accesoriilor trebuie să se potrivească cu filetul fusului polizorului. Pentru accesorii montate prin flanșe, gaura arborelui accesoriului trebuie să se potrivească cu diametrul flanșei.** Accesoriile care nu se potrivesc cu dispozitivele de montare a sculei electrice își vor pierde echilibrul, vor vibra excesiv și pot cauza pierderea controlului.
- g) **Nu utilizați accesorii deteriorate. Înainte de fiecare utilizare, verificați dacă accesoriul pe care-l utilizați este în stare corespunzătoare: asigurați-vă că discurile abrazive nu sunt știrbite sau fisurate, că tălpile nu sunt crăpate sau uzate, că firele periiilor metalice nu sunt foarte uzate sau rupte. În cazul căderii aparatului sau accesoriului, verificați ca niciun element să nu fie deteriorat și, dacă este nevoie, instalați un accesoriu nou. După ce ați verificat că accesoriul este în stare corespunzătoare și după ce l-ați instalat, îndepărtați-l de accesoriul mobil și lăsați aparatul timp de un minut să ajungă la viteza maximă. În cazul în care accesoriul este deteriorat, acesta se va rupe în timpul acestui test.**
- h) **Purtați echipament de protecție personală. În funcție de utilizarea aparatului dumneavoastră, purtați o mască de protecție, ochelari de siguranță sau ochelari de protecție. Dacă este necesar, purtați o mască antipraf, protecții auditive, mănuși și un șorț pentru a vă proteja de proiectarea de corpuri străine (elemente abrazive, așchii de lemn, etc.).** Ochelarii de protecție vă permit să evitați ca proiecțiile de resturi să vă rănească ochii. Măștile antipraf permit filtrarea particulelor generate de operația pe o care o faceți. Expunerea prelungită la un zgomot de intensitate mare poate duce la pierderea auzului.
- i) **Țineți vizitatorii la o distanță suficientă de zona de lucru și asigurați-vă că aceștia poartă echipament de protecție. Oricine intră în zona de lucru trebuie să poarte echipament personal de protecție.** Este posibil ca fragmente din piesele de prelucrat sau de la un accesoriu rupt să fie proiectate dincolo de zona de lucru și să provoace vătămări corporale grave.
- j) **Nu țineți aparatul decât de părțile izolate și antiderapante când lucrați pe o suprafață care poate ascunde fire electrice sau când lucrarea de efectuat poate aduce cablul de alimentare pe traiectoria aparatului.** Accesoriul de tăiere ce intră în contact cu un cablu sub curent ar putea alimenta electric părțile metalice expuse ale unelei electrice și ar putea expune operatorul la un șoc electric.
- k) **Așezați cablul de alimentare în așa fel încât să fie la distanță de accesoriul în rotație.** În cazul în care pierdeți controlul aparatului, cablul de alimentare ar putea fi tăiat sau s-ar putea agăța, iar mâna sau brațul dumneavoastră ar putea fi antrenată spre accesoriul în rotație.

- l) **Nu așezați niciodată aparatul înainte ca accesoriul să se fi oprit complet.** Accesoriul în rotație ar putea intra în contact cu suprafața pe care este așezat, ducând la pierderea controlului asupra aparatului.
- m) **Nu lăsați aparatul în funcțiune când îl transportați.** Accesoriul în rotație ar putea să se agațe în îmbrăcămintea dumneavoastră și v-ar putea răni grav.
- n) **Curățați în mod regulat orificiile de ventilație ale aparatului.** Ventilația motorului face ca praful să pătrundă în interiorul carcasei motorului, ceea ce poate produce o acumulare excesivă de particule metalice și poate provoca șocuri electrice.
- o) **Nu utilizați aparatul în apropiere de produse inflamabile.** Scântelele ar risca să le aprindă.
- p) **Nu utilizați accesoriul care necesită lichide de răcire.** Utilizarea apei sau a lichidelor de răcire poate cauza electrocutări sau șocuri electrice.

INSTRUCȚIUNI SUPLIMENTARE DE SIGURANȚĂ PENTRU TOATE OPERAȚIUNILE

Reculul și alte avertizări asociate

Reculul este o reacție bruscă, care are loc când discul în mișcare, talpa, peria sau orice alt accesoriu se agață sau se îndoiaie, ceea ce antrenează blocarea rapidă a accesoriului. Aparatul, care continuă să funcționeze, proiectează atunci aparatul în direcția opusă sensului de utilizare a accesoriului.

De exemplu, dacă un disc abraziv se agață sau se îndoiaie în piesa de prelucrat, există riscul ca tăișul discului să intre în suprafața materialului, ceea ce va face ca discul să iasă brusc din aceasta sau să fie proiectat. Discul poate sări sau nu către din partea operatorului, în funcție de direcția de mișcare roata de la punctul de blocare. În caz de recul, discul abraziv se poate și rupe.

Reculul este deci rezultatul unei utilizări incorecte a aparatului și/sau al procedurilor sau al condițiilor de utilizare incorecte. Reculul poate fi evitat printr-o atenție deosebită acordată respectării unor precauțiuni:

- a) **Țineți aparatul cu putere și poziționați-vă corpul și brațele astfel încât să puteți controla un eventual recul. Dacă aparatul are un mâner auxiliar, țineți-l întotdeauna pentru a avea un control optim asupra aparatului în caz de recul sau cuplu de reacție când puneți aparatul în funcțiune.** Luați măsurile necesare pentru a putea controla aparatul în caz de recul sau de cuplu de reacție.
- b) **Nu vă așezați mâna niciodată în apropierea accesoriului în rotație pentru a evita orice risc de răniri corporale grave în caz de recul.** Accesoriul poate recula peste mâna dumneavoastră.
- c) **Nu vă așezați în zona în care există riscul ca aparatul să fie proiectat în caz de recul.** În caz de recul, aparatul este proiectat în direcția opusă sensului de rotație al discului.
- d) **Fiți foarte atenți când lucrați pe unghiuri,**

muchii tăioase, etc. Evitați deraparea sau blocarea accesoriului. Când lucrați pe unghiuri sau muchii tăioase sau când aparatul derapează, există un risc mai mare de blocare a accesoriului și deci de pierdere a controlului asupra aparatului și de provocare a unui recul.

- e) **Nu utilizați niciodată lamă de ferăstrău cu lanț pentru lemn sau lamă de ferăstrău cu acest aparat.** Astfel de lame măresc riscul de recul și de pierdere a controlului asupra aparatului.

INSTRUCȚIUNI SUPLIMENTARE DE SIGURANȚĂ PENTRU OPERAȚII DE POLIZARE ȘI TĂIERE

Avertizări de siguranță specifice pentru operațiuni de polizare sau abrazive de tăiere:

- a) **Utilizați numai flanșele recomandate pentru unealta dvs. electrică și elementul de apărare specifi proiectat pentru unealta selectată.** Discurile care nu sunt compatibile cu mașina electrică nu pot fi protejate adecvat și nu sunt sigure.
- b) **Suprafața de polizare a centrului coborât a discurilor trebuie să fie montată sub planul marginii apărătoarii.** Un disc necorespunzător montat care se proiectează prin planul marginii apărătoarii nu poate fi corect protejat.
- c) **Elementul de apărare trebuie atașat în siguranță la unealta electrică și poziționat pentru o siguranță maximă, astfel încât doar o mică parte din piatră să fie expusă înspre operator.** Apărătoarea ajută la protejarea operatorului de fragmentele rupte din disc, de contactul accidental cu discul și scântelele ce ar putea aprinde îmbrăcămintea.
- d) **Pietrele trebuie folosite numai pentru aplicațiile recomandate. De exemplu: Nu polizați cu partea laterală a discului de tăiere.** Discurile abrazive de tăiere sunt destinate pentru polizarea periferică, forțele laterale aplicate asupra acestor discuri poate provoca spargerea lor.
- e) **Întotdeauna utilizați flanșe nedeteriorate, având mărimea și forma corecte pentru piatră selectată.** Flanșele corespunzătoare sprijină piatră, reducând astfel posibilitatea sfărâmării pietrei. Flanșele pentru pietrele abrazive de retezare pot diferi de flanșele discurilor de rectificare.
- f) **Nu utilizați pietre uzate aparținând altor unelte electrice mai mari.** Pietrele destinate uneltelor electrice mai mari nu se potrivesc cu viteză mare a uneltelor mai mici și se pot sfărma.

AVERTIZĂRI DE SIGURANȚĂ SUPLIMENTARE SPECIFICE OPERAȚIILOR DE TĂIERE ABRAZIVĂ

- a) **Nu blocați discul de tăiere și nu aplicați presiune excesivă. Nu încercați să efectuați o adâncitură de tăiere excesivă.** Suprasolicitarea discului crește sarcina și probabilitatea răsucirii sau îndoirii discului în tăietură și posibilitatea de recul sau de spargere a discului.
- b) **Nu poziționați corpul în dreptul și în spatele**

discului rotativ. Când discul, în punctul de funcționare, se îndepărtează de corp, reculul posibil poate proiecta discul rotativ și unealta electrică direct spre dvs.

- c) **Când discul se gripează sau când tăierea este întreruptă din orice motiv, opriți unealta electrică și țineți unealta electrică nemișcată până când discul se oprește complet. Nu încercați niciodată să scoateți discul de tăiere din tăietură în timp ce discul este în mișcare, altfel poate apărea reculul.** Dacă discul se blochează, căutați cauza și luați măsurile necesare pentru ca acest lucru să nu se mai repete.
- d) **Nu reporniți operația de tăiere în piesa de prelucrat. Lăsați discul să ajungă la viteza maximă și pătrundeți din nou cu atenție în tăietură.** Discul se poate gripa, poate urca sau poate provoca recul, dacă unealta electrică este repornită în piesa de prelucrat.
- e) **Sprijiți panourile sau orice piesă de prelucrat de dimensiuni mari pentru a minimiza riscul de ciupire și recul al discului.** Piese de prelucrat mari au tendința să se lase sub propria greutate. Suporturile trebuie să fie plasate sub piesa de prelucrat, lângă linia de tăiere și lângă marginea piesei de prelucrat pe ambele părți ale roții.
- f) **Aveți grijă când efectuați o "tăiere îngropată" în pereți sau în alte zone fără vizibilitate.** Discul proeminent poate tăia conducte de gaz sau de apă, cabluri electrice sau obiecte care pot provoca un recul.

MĂSURI DE SECURITATE SPECIFICE POLIZOARELOR UNGHIULARE

- a) Verificați dacă viteza indicată pe discul de polizare este egală sau mai mare decât viteza nominală a utilajului.
- b) Asigurați-vă că diametrul discului de polizare este compatibil cu utilajul și că discul se inserează corect pe ax.
- c) Discurile de polizare trebuie păstrate într-un loc uscat.
- d) Nu așezați nici un obiect pe discuri.
- e) Discurile nu trebuie folosite în alte scopuri decât pentru operațiuni de polizare.
- f) Discurile trebuie să fie păstrate și manipulate cu precauție, în conformitate cu instrucțiunile producătorului.
- g) Înainte de a utiliza discul de polizare, asigurați-vă că acesta nu este știrbit sau fisurat. În aceste cazuri discul se poate sparge, ceea ce poate duce la răniri corporale grave.
- h) Asigurați-vă că discul este instalat în conformitate cu instrucțiunile din acest manual.
- i) Înainte de a utiliza polizorul, asigurați-vă că discul de polizare este montat și strâns corect, apoi lăsați utilajul să meargă în gol timp de 30 de secunde orientându-l în așa fel încât să nu prezinte nici un

pericol. Opriți imediat utilajul dacă acesta vibrează excesiv sau dacă observați alte anomalii. În acest caz, controlați utilajul pentru a determina cauza problemei.

- j) Nu utilizați inele reductoare sau adaptoare pentru a reduce diametrul de prindere a discurilor cu orificii largi.
- k) Asigurați-vă că piesa de prelucrat este fixată corect.
- l) Nu utilizați decât discuri de polizare recomandate de RYOBI.
- m) Asigurați-vă că scântele produse de utilizarea aparatului nu produc situații periculoase, că nu sunt proiectate asupra persoanelor sau a unor substanțe inflamabile.
- n) Purtați întotdeauna ochelari de protecție și protecții auditive.
- o) Dacă este necesar, utilizați și alte mijloace de protecție individuală, cum ar fi mănuși, șorturi sau căști.
- p) Nu puneți niciodată utilajul pe sol sau pe alte suprafețe atunci când acesta este în funcțiune. Polizorul se învâрте din inerție după oprirea utilajului. Nu atingeți niciodată polizorul și nu îl puneți pe sol sau pe alte suprafețe atunci când este în mișcare.
- q) Folosiți aparatul numai pentru lucrările pentru care a fost conceput. Nu utilizați niciodată lichid de răcire sau apă. Nu utilizați polizorul ca utilaj fix.
- r) Atunci când utilizați aparatul, țineți-l ferm cu două mâini.

RISCURI REZIDUALE

Chiar dacă produsul este folosit așa cum este descris, este totuși imposibil să se elimine complet anumiți factori de risc reziduali. Următoarele pericole ar putea apărea în timpul folosirii iar operatorul trebuie să acorde o atenție specială pentru a evita următoarele:

- Rănire cauzată de particulele aruncate.
 - Particule de metal sau particule abrazive pot să intre în ochi și să cauzeze deteriorare gravă permanentă a ochilor. Purtați mănuși aprobate pentru operațiuni de polizare atunci când operați produsul.
- Vătămare cauzată de vibrații.
 - Limitați expunerea. Vezi "Reducerea Riscului"
- Vătămare cauzată de praf.
 - Purtați mască de protecție împotriva prafului cu filtre corespunzătoare ce vă pot proteja de praful de la materialul la care se lucrează și de particule abrazive de la discul de polizare. Nu mâncați, beți sau fumați în zona de lucru. Asigurați aerisire adecvată la locul de muncă.
- Vătămare de la contactul cu discul de polizare.
 - Discul și piesa de lucru pot deveni fierbinți în timpul folosirii. Purtați mănuși când schimbați discurile sau când atingeți piesa de lucru. Țineți întotdeauna ferite mâinile de zona de polizare. Prindeți în cleme

piesa de lucru oricând e posibil.

- Vătămare cauzată de zgomot.
 - Expunerea prelungită la zgomot va crește riscul de vătămare a auzului și efectele sunt cumulative. Când folosiți scula electrică pentru o perioadă prelungită de timp, purtați protecție pentru auz.

⚠ AVERTISMENT

Poti fi cauzate, sau agravate vătămări prin folosirea prelungită a sculei. Atunci când folosiți o sculă pentru perioade prelungite, asigurați-vă că luați pauze regulate.

CUNOAȘTEȚI-VĂ PRODUSUL.

A se vedea figura 133.

1. Buton întrerupător
2. Buton de blocare a axului
3. Ansamblu apărătoare disc
4. Manetă de blocare a apărătorii
5. Flanșă exterioară
6. Disc de polizare
7. Flanșă
8. Măner auxiliar
9. Cheie de serviciu
10. Piuliță rapidă de fixare

PROTECȚIE LA PORNIRE

Aparatele cu întrerupător de blocare sunt dotate cu funcția de întrerupere a tăierii. Acest lucru previne ca aparatul să repornească după o pană de curent. Când reluați lucrul, opriți aparatul și apoi reporniți-l.

ÎNȚREȚINEREA

⚠ AVERTISMENT

Nu efectuați nici un reglaj când motorul este în mișcare.

Mașina de șlefuit nu trebuie niciodată să fie conectată la priză atunci când montați piese, efectuați reglaje, curățați mașina sau atunci când nu o utilizați. Deconectarea uneltei previne pornirea accidentală care poate conduce la rănirea gravă.

- După utilizare, asigurați-vă vizual că mașina este în bună stare de funcționare.
- Este recomandat să aduceți aparatul o dată pe an la un Centru Service Agreat Ryobi pentru ungere și curățare completă.
- Dacă cordonul de alimentare electrică este deteriorat, acesta trebuie înlocuit de către producător sau de către un centru de service autorizat pentru a evita riscurile. Contactați Centrul de service autorizat

⚠ AVERTISMENT

Pentru mai multă siguranță și fiabilitate, toate reparațiile trebuie efectuate de către un Centru Service Agreat Ryobi.

⚠ AVERTISMENT

Nu folosiți aer comprimat pentru a îndepărta praful de pe produs. Această practică este periculoasă și poate cauza ca mizeria și pilitura să fie aruncată și să vătămeze ochii cuiva.

PROTECȚIA MEDIULUI ÎNCONJURĂTOR



Reciclați materiile prime în loc să le aruncați la gunoi, împreună cu deșeurile menajere. Pentru a proteja mediul înconjurător, mașina, accesoriile acesteia și ambalajele trebuie triate.

SIMBOLURILE DE PE PRODUS



Avertizare de siguranță

V

Volți

Hz

Herți

~

Curent alternativ

W

Wați

n

Turație/viteză nominală

min⁻¹

Număr de rotații sau de mișcări pe minut



Clasa II, dublu izolat



Citiți instrucțiunile cu atenție înainte de pornirea produsului.



Purtați echipamente de protecție a auzului



Purtați echipamente de protecție a vederii



Purtați mască de praf.



Nu folosiți disc de șlefuire ciobit, crăpat sau defect



A nu se poliza la umed Utilizarea apei sau a lichidelor de răcire poate cauza electrocutări sau șocuri electrice.



Purtați mănuși de protecție



Nu folosiți pentru șlefuire



Purtați încălțăminte de protecție.

EN
FR
DE
ES
IT
NL
PT
DA
SV
FI
NO
RU
PL
CS
HU
RO
LV
LT
ET
HR
SL
SK
BG
UK
TR
EL



Purtați protecție pentru ochi și auz și mască.



Marcaj de conformitate EurAsian



Conform CE



Semn de conformitate ucrainean



Deșeurile produselor electrice nu trebuie să fie eliminate împreună cu deșeurile casnice. Vă rugăm să reciclați acolo unde există facilități. Verificați la autoritatea dvs. locală sau la vânzător pentru sfaturi privind reciclarea.

PRECAUȚIE

Indică o situație potențial periculoasă, care dacă nu este evitată, poate rezulta în vătămare minoră sau moderată.

PRECAUȚIE

(Fără simbol de alertă de siguranță) Indică o situație ce poate rezulta în distrugerea proprietății.

SIMBOLURILE DIN MANUAL



Conectați la sursa de curent.



Deconectați de la sursa de curent.



Piese sau accesorii vândute separat



Deșeurile produselor electrice nu trebuie să fie eliminate împreună cu deșeurile casnice. Vă rugăm să reciclați acolo unde există facilități.



Piedică



Deblocare



Notă



Avertisment



Opriti produsul

Următoarele cuvinte de semnalizare sunt destinate a explica nivelele de risc asociate cu acest produs:

PERICOL

Indică o situație imediată de pericol, care dacă nu este evitată va rezulta în deces sau rănire gravă.

AVERTISMENT

Indică o situație potențială de pericol, care dacă nu este evitată poate rezulta în deces sau rănire gravă.

Izstrādājot šo leņķa slīpmašīnu, īpaša uzmanība veltīta drošībai, veiktspējai un uzticamībai.

PAREDZĒTĀ LIETOŠANA

Leņķa slīpmašīnu drīkst lietot tikai pieaugušie, kuri ir izlasījuši un sapratuši šīs rokasgrāmatas norādījumus un brīdinājumus un kuri spēj atbildēt par savu rīcību. Leņķa slīpmašīna ir paredzēta vienīgi metālu slīpēšanai un griešanai. Leņķa slīpmašīnai drīkst uzstādīt vienīgi piemērotus slīpēšanas diskus saskaņā ar rokasgrāmatas ierīces specifikāciju tabulā aprakstīto. Leņķa slīpmašīna ir paredzēta lietošanai, turot to rokās; to nedrīkst piemontēt ierīcei vai darbagaldam.

⚠ BRĪDINĀJUMS

Izlasiet visus drošības tehnikas brīdinājumus un instrukcijas. Brīdinājumu un instrukciju neievērošana ir bīstama; tā var izraisīt elektrisko triecienu, aizdegšanos un/vai nopietnas traumas.

Saglabājiet visus brīdinājumus un instrukcijas uzziņām nākotnē.

LEŅĶA SLĪPMAŠĪNA DROŠĪBAS BRĪDINĀJUMI

VISPĀRĒJI DROŠĪBAS BRĪDINĀJUMI, KAS ATTIECAS UZ SLĪPĒŠANU UN ABRĀZĪVU GRIEŠANU:

- Šis elektroinstrumenti ir paredzēti slīpēšanai un griešanai. Izlasiet visus drošības brīdinājumus, instrukcijas, specifikācijas un apskatiet attēlus šī elektroinstrumenta dokumentācijā. Visu uzskaitīto instrukciju neievērošana ir bīstama; tā var izraisīt elektrisko triecienu, aizdegšanos un/vai nopietnas traumas.
 - Ar šo elektroinstrumentu nav ieteicams veikt tādas darbus kā slīpēšana, slīpēšana ar stiepleņu suku vai pulēšana. Veikt darbus, kuriem šis elektroinstrumenti nav paredzēti, ir bīstami, un tas var izraisīt traumas.
 - Neizmantojiet griezēj-/slīpinstrumentus, kas nav speciāli paredzēti un ražotāja ieteikti šim instrumentam. Tas, ka piederumu var piestiprināt elektroinstrumentam, nenozīmē, ka tā lietošana ir droša.
 - Piederuma nominālajam ātrumam jābūt vismaz vienādam vai maksimālajam, kas norādīts uz elektroinstrumenta. Piederumi, kas kustās ātrāk par nominālo ātrumu, var salūzt un lidot uz visām pusēm.
 - Piederuma ārējam diametram un biežumam jāatbilst elektroinstrumenta specifikācijām. Nepareiza izmēra griezēj-/slīpinstrumentus nevar atbilstoši nodrošināt un kontrolēt.
 - Piederumiem ar vītņi jāsadē ar slīpmašīnas vārpstas vītņi. Piederumiem, kurus uzstāda ar atlokus, piederuma ass atverei jāatbilst atloka ievietošanas diametram. Piederumi, kas neatbilst elektroinstrumenta uzstādāmajai
- Nelietojiet bojātus piederumus. Pirms katras lietošanas reizes pārbaudiet griezēj-/slīpinstrumentu, piemēram, abrazīvos diskus, vai tam nav atlūzu, plaisu, vai atbalstam nav plaisu vai pārlieka nodiluma, vai stiepleņu sukai nav vaļģu vai salauztu sariņu. Ja elektroinstrumenti vai piederumi nokrīt zemē, pārbaudiet, vai tas nav bojāts vai uzstādiēt nebojātu piederumu. Pēc piederuma pārbaudes un uzstādīšanas nostājieties un nostādiēt citus tuvumā esošos prom no rotējošā piederuma ass un vienu minūti darbiniet elektroinstrumentu ar maksimālo bezslodzes ātrumu. Bojāti piederumi šīs pārbaudes laikā parasti salūzīs.
 - Valkājiet individuālos aizsarglīdzekļus. Atkarībā no pielietojuma valkājiet sejas aizsargu vai aizsargbrilles. Ja nepieciešams, valkājiet putekļu masku, dzirdes aizsargus, cimdus un darba priekšautu, kas var apturēt mazus abrazīvā materiāla vai sagataves fragmentus. Acu aizsargiem jāspēj apturēt dažādus darbu radītie lidojošie gruži. Putekļu maskai vai respiratoram jāspēj filtrēt daļiņas, kas rodas attiecīgā darba gaitā. Ilgstoša atrašanās ļoti intensīvā troksnī var izraisīt dzirdes traucējumus.
 - Tuvumā esošajām personām jāatrodas drošā attālumā no darba vietas. Visiem, kas tuvojas darba zonai, jāvalkā individuālie aizsarglīdzekļi. Sagataves vai bojāta piederuma daļas var lidot un radīt traumas ārpus tiešās darba zonas.
 - Darbos, kuros griešanas piederums var saskarties ar slēptiem vadiem vai savu barošanas vadu, turiet instrumentu tikai aiz izolētajām satveršanas virsmām. Griezējinstrumenta saskare ar strāvu vadošajām vietām var padarīt arī atklātās metāla daļas vadošas un radīs operatoram elektrisko triecienu.
 - Novietojiet vadu atstātus no griezē j - /slīpinstrumenta. Zaudējot kontroli, vads var tikt pārzāģēts vai parauts, ievēlot jūsu roku rotējošajā piederumā.
 - Nenolieciet elektroinstrumentu, līdz piederums nav pilnībā apstājies. Rotējošais piederums var ieķerties virsmā un radīt kontroles zudumu pār elektroinstrumentu.
 - Nedarbiniet elektroinstrumentu, nesot to sev blakus. Nejausa saskare ar rotējošu griezēj-/slīpinstrumentu var ieraut drēbes, pievilkt griezēj-/slīpinstrumentus pie jūsu ķermeņa.
 - Regulāri tīriet elektroinstrumenta ventilācijas atveres. Motora ventilators ievilkis putekļu korpusā, un pārāk liela metāla pulvera koncentrācija var izraisīt elektrisko bīstamību.
 - Nelietojiet elektroinstrumentu uzliesmojošu materiālu tuvumā. Dzirksteles var aizdedzināt šos materiālus.
 - Nelietojiet griezēj-/slīpinstrumentus, kam nepieciešami dzesēšanas šķidrums. Ūdens

vai cita šķidra dzesešanas līdzekļa lietošana var izraisīt elektrisko triecienu vai nāvi.

PAPILDU DROŠĪBAS NORĀDĪJUMI PAR VISĀM DARBĪBĀM

Atsitiens un saistītie brīdinājumi

Atsitiens ir pēkšņa reakcija uz diska, atbalsta, suku vai cita piederuma iespiešanu vai ieķīlēšanu. Iespiešana izraisa strauju rotējošā griezēj-/slīpinstrumenta bloķēšanos, kas var likt elektroinstrumentam atbrīvoties no kontroles un virzīties pretēji griezēj-/slīpinstrumenta rotācijas virzienam saskares punktā.

Piemēram, ja abrazīvais disks ieķeras vai ieķīļējas materiālā, iespējams diska mala var iespieties materiāla virsmā, izraisot diska izlēkšanu vai atsitienu. Disks var pārlekt uz priekšu vai prom no operatora atkarībā no diska rotācijas virziena iespiešanas vietā. Abrazīvie diski šādos apstākļos var arī salūzt.

Atsitiens rodas no elektroinstrumenta nepareizas lietošanas un/vai nepareizas darba procedūras vai apstākļiem; no tā var izvairīties, veicot pareizus drošības pasākumus:

- a) **Turiet elektroinstrumentu stingri un novietojiet ķermeni un rokas tā, lai tie pretotos atsitienu spēkiem.** Ja tādās ir, vienmēr izmantojiet papildu rokturi, lai palaišanas laikā nodrošinātu maksimālu kontroli pār atsitienu vai griezes reakciju. Operators var kontrolēt griezes reakciju vai atsitienu spēkus, ja ir veikti atbilstošie drošības pasākumi.
- b) **Nenovietojiet rokas rotējošā griezē j - / slīpinstrumenta tuvumā.** Piederums var atsīties pāri jūsu rokai.
- c) **Nenovietojiet ķermeni tur, kur virzītos elektroinstrumenta atsitienu gadījumā.** Atsitiens virzīs instrumentu pretēji diska kustības virzienam iespiešanas punktā.
- d) **Esiet sevišķi uzmanīgs, kad strādājat pie stūriem, asām malām utt. Izvairieties no griezēj-/slīpinstrumenta lēkāšanas un iespiešanas.** Stūriem, asām malām vai lēkāšanai ir tendence iespiest rotējošo piederumu, kas var izraisīt kontroles zaudēšanu vai atsitienu.
- e) **Nepiestipriniet ķēdi, koka griešanas asmeni vai zāģlenti.** Šie griezējinstrumenti rada biežus atsitienu un kontroles zaudēšanu.

PAPILDU DROŠĪBAS NORĀDĪJUMI SLĪPĒŠANAS UN GRIEŠANAS DARBĪEM

Īpašie drošības brīdinājumi slīpēšanai un darbam ar abrazīvajiem griezējdiskiem:

- a) **Izmantojiet tikai tāda veida diskus, kas paredzēti jūsu elektroinstrumentam, un speciālos aizsargus, kas paredzēti izvēlētajam diskam.** Diskus, kas nav paredzēti šim elektroinstrumentam, nevar pareizi vadīt, un to izmantošana nav droša.
- b) **Ripas ar ieliektu centru slīpēšanas virsmai jāatrodas zemāk par aizsargatloka plāksni.** Nepareizi uzstādīta ripa, kas izvīrīta cauri

aizsargatloka plāksnei, nav pietiekami aizsargāta.

- c) **Aizsargam jābūt droši piestiprinātam elektroinstrumentam un novietotam maksimālai drošībai tā, lai pret operatoru būtu atklāta pēc iespējas mazāka diska daļa.** Aizsargs palīdz pasargāt lietotāju no nolūzušām diska daļām un nejaušas saskares ar disku un dzirkstelēm, kas var aizdedzināt apģērbu.
- d) **Diskus drīkst lietot tikai tam paredzētajiem darbiem. Piemēram: Neslīpējiet ar griezējdiska malu.** Abrazīvie griezējdiski ir paredzēti papildu slīpēšanai; šiem diskkiem pielikts spēks no sāniem var tos salauzt.
- e) **Obligāti izmantojiet nebojātus disku atlokus ar pareizu izmēru un formu, kas piemērota attiecīgajam diskam.** Pareizi disku atloki atbalsta disku, samazinot diska salūšanas iespēju. Griezējdisku atloki var atšķirties no slīpēšanas disku atlokiem.
- f) **Neizmantojiet nodilušus diskus no lielākiem elektroinstrumentiem.** Disks, kas paredzēts lielākam elektroinstrumentam, nav piemērots mazāka instrumenta lielākiem apgriezieniem un var saplīst.

PAPILDU DROŠĪBAS BRĪDINĀJUMI, KAS ĪPAŠI ATTIECAS UZ ABRAZĪVU GRIEŠANU

- a) **Neļaujiet griešanas diskam iestrēgt un nelietojiet pārmērīgu spēku. Nemēģiniet griezt pārmērīgi dziļi.** Pārslodot disku, palielinās slodze un risks, ka disks var nokļūt vērpē vai tikt saliekts, kas var izraisīt atsitienu vai diska salūšanu.
- b) **Neatrodieties vienā līmenī ar griešanas disku vai aiz tā.** Kad disks griešanas punktā virzās prom no jūsu ķermeņa, iespējama atsitiens var virzīt griešanās ratu un elektroinstrumentu tieši pret jums.
- c) **Ja disks ir ieķīlējis vai jūs kāda iemesla dēļ pārtraucat griešanu, izslēdziet elektroinstrumentu un turiet to nekustīgi, līdz disks pilnīgi apstājas. Nemēģiniet noņemt griezējdisku no griezuma, kamēr disks griežas, citādi varat saņemt atsitienu.** Izpēti, kādi iemesli izraisa diska ķeršanos, un novērsiet tos.
- d) **Neatsāciet griešanu sagatavē. Ļaujiet diskam sasniegt pilnu ātrumu un uzmanīgi ievietojiet iegriezumā.** Disks var ieķīlēties, novirzīties vai dot atsitienu, ja elektroinstrumenta tiek iedarbināts sagatavē.
- e) **Atbalstiet jebkuru lielzīmēra sagatavi, lai samazinātu diska iespiešanas un atsitienu risku.** Lielām sagatavēm ir tendence liekties zem pašu svāra. Atbalsti ir jānovieto zem sagataves, tuvu griešanas līnijai un tuvu sagataves malai abās diska pusēs.
- f) **Īpaši uzmanieties, veicot kabatas veida griezumus ēku sienās vai citās apslēptās vietās.** Izvirzījuma disks var griezt gāzes vai ūdens caurules, elektroinstalāciju, kas var radīt

pretsitienu.

LEŅĶA SLĪPMAŠĪNAS DROŠĪBAS PASĀKUMI

- a) Pārbaudiet, vai ātrums, kas atzīmēts uz slīpripas, atbilst vai ir lielāks par instrumenta nominālo ātrumu.
- b) Pārliedzinieties, ka slīpripas izmēri atbilst instrumentam un ka disks atbilst vārpstas izmēram.
- c) Slīpripas jāglabā sausā vietā.
- d) Neglabājiet priekšmetus uz slīpripām.
- e) Slīpripas nedrīkst izmantot nedrīkst izmantot citiem darbiem, izņemot slīpēšanu.
- f) Slīpripas jāglabā un ar tām jārīkojas uzmanīgi atbilstoši ražotāja instrukcijām.
- g) Pirms lietošanas pārbaudiet slīpripu, lai pārliedzinātos, ka tā nav sākusī dalīties vai iekļūst. Dalīšanās (skaidās) vai plaisas var izraisīt diska saplīšanu, kas var radīt nopietnas traumas.
- h) Diskam jābūt piestiprinātam atbilstoši šai rokasgrāmatai.
- i) Pirms lietošanas pārbaudiet, vai slīpripa ir pareizi uzstādīta un pievilka, un drošā pozīcijā darbiniet instrumentu bezslodzes ātrumā 30 sekundes. Ja instruments sāk pastiprināti vibrēt vai ja pamanāt citus defektus, nekavējoties apturiet darbu. Ja kas tāds ir atgadījies, pārbaudiet instrumentu, lai noteiktu iemeslu.
- j) Neizmantojiet atsevišķus ieliktnus vai adapterus, lai pielāgotu slīpripas ar lielāku iekšējo diametru.
- k) Pārbaudiet, vai sagatave tiek pareizi balstīta.
- l) Blzmantojiet tikai RYOBI apstiprinātās slīpripas.
- m) Pārliedzinieties, lai dzirksteles, kas rodas no lietošanas, neradītu bīstamību, piemēram, atsitoties pret cilvēkiem vai aizdedzinot uzliesmojošas vielas.
- n) Vienmēr izmantojiet aizsargbrilles un ausu aizsargus.
- o) Izmantojiet citus individuālos aizsarglīdzekļus, piemēram, cimdus, priekšautu un ķiveri, ja nepieciešams.
- p) Nenovietojiet instrumentu uz grīdas vai citām virsmām, kamēr tas darbojas. Slīpripas turpina rotēt arī pēc instrumenta izslēgšanas. Nepieskarieties diskam un novietojiet to uz grīdas vai citām virsmām, kamēr tas griežas.
- q) Izmantojiet instrumentu tikai tā paredzētajam pielietojumam. Neizmantojiet dzesēšanas šķidrums vai ūdeni un neizmantojiet šo kā stacionāru instrumentu.
- r) Darba laikā droši satveriet instrumentu ar abām rokām.

PALIEKOŠIE RISKI

Pat tad, ja ierīce tiek lietota, kā aprakstīts, joprojām nav iespējams pilnībā novērst atsevišķus riska faktorus. Lietošanas laikā var rasties šādas briesmas un strādniekam īpaša uzmanība jāpievērš šim:

- Traumas no lidojošām daļiņām
 - Metāla un abrazīvās daļiņas var iekļūt acīs un radīt nopietnus paliekošus bojājumus. Lietojot ierīci, valkājiet aizsargbrilles, kas apstiprinātas slīpēšanas darbiem.
- Vibrācijas radīti bojājumi
 - Ierobežojiet iedarbību. Skatīt "Risku Samazināšana".
- Putekļu izraisītas traumas
 - Valkājiet atbilstošu putekļu aizsargmasku ar piemērotiem filtriem, kas var pasargāt no apstrādājamā materiāla putekļiem un slīpēšanas diska abrazīvajām daļiņām. Darba vietā neēdiet, nedzeriet un nesmēķējiet. Darba vietā nodrošiniet atbilstošu ventilāciju.
- Traumas no saskares ar slīpēšanas disku
 - Disks un apstrādājama materiāls lietošanas laikā uzkarst. Mainot diskus un pieskaroties apstrādājamajam materiālam, valkājiet cimdus. Vienmēr turiet rokas drošā attālumā no slīpēšanas vietas. Nostipriniet apstrādājamo materiālu, kad vien iespējams.
- Trokšņa radītas traumas
 - Ilgstoša trokšņa iedarbība palielinās dzirdes bojājumu risku, turklāt troksnim ir kumulatīva ietekme. Lietojot elektroinstrumentus ilgstošu laika periodu, lietojiet dzirdes aizsarglīdzekļus.

RISKA SAMAZINĀŠANA

Ir ticis ziņots, ka vibrācijas no rokas instrumentiem atsevišķos cilvēkos var veicināt kaiti, ko sauc par Reino sindromu. Simptomi var ietvert pirkstu tīnķšķēšanu, nejutīgumu un nobālēšanu, parasti aukstā laikā. Tiek uzskatīts, ka tradicionālie faktori, aukstums un mitrums, uzturs, smēķēšana un darba prakse sekmē šo simptomu attīstību. Operators var veikt pasākumus, lai iespējami samazinātu vibrācijas efektu:

- Aukstā laikā ķermenim jābūt siltam. Darbinot ierīci, nēsājiet cimdus, lai rokas un plaukstu locītavas būtu siltas. Ir pētījumi, ka auksts laiks ir galvenais faktors, kas veicina Reino sindromu.
- Ik pēc laika apturiet darbu un veiciet vingrinājumus, kas uzlabo asins cirkulāciju.
- Strādājot jābūt biežiem pārtraukumiem. Ierobežojiet iedarbības ilgumu dienā.

Ja jūs izjūtat kādu no šiem simptomiem, nekavējoties apturiet ierīces lietošanu un sazinieties ar ārstu par šiem simptomiem.

EN
FR
DE
ES
IT
NL
PT
DA
SV
FI
NO
RU
PL
CS
HU
RO
LV
LT
ET
HR
SL
SK
BG
UK
TR
EL

⚠ BRĪDINĀJUMS

Ilgstoša instrumenta lietošana var izraisīt traumas vai pasliktināt veselības stāvokli. Ilgstoši lietojot jebkuru instrumentu, pārliecinieties, ka tiek veikti regulāri pārtraukumi.

IERĪCES IEPAZĪŠANA

Skatīt 133. lpp.

1. Slēdža poga
2. Vārpstas bloķēšanas poga
3. Riteņa aizsargs
4. Aizsarga sviras bloķētājs
5. Fiksācijas uzgrieznis
6. Slīpriņa
7. Diska atloks
8. Papild rokturis
9. Uzgrieznis
10. Viegli uzstādāms uzgrieznis

IEDARBINĀŠANAS AIZSARDZĪBA

Ierīces ar bloķēšanas slēdzi ir aprīkotas ar izslēgšanās funkciju. Tas neļaus ierīcei pašai atsākt darboties pēc pārtrauktas elektropadeves. Atsākot darbu, izslēdziet ierīci un pēc tam vēlreiz to ieslēdziet.

APKOPE**⚠ BRĪDINĀJUMS**

Neveiciet nekādus regulēšanas darbus, kamēr motors kustās.

Instrumentu nekad nevajadzētu pievienot barošanas padevei, veicot daļu montāžu, regulēšanu, tīrīšanu vai apkopi vai arī laikā, kad instruments netiek izmantots. Atslēdzot instrumentu, tiek novērsta nejauša ieslēgšanās, kas varētu izraisīt nopietnu traumu.

- Pēc lietošanas pārbaudiet instrumentu, lai pārliecinātos, ka tas ir labā tehniskā kārtībā.
- Vismaz vienreiz gadā ieteicams nogādāt šo instrumentu Ryobi pilnvarotā servisa centrā vispārējai tīrīšanai un eļļošanai.
- Ja bojāts strāvas padeves vads, lai izvairītos no riska, to drīkst nomainīt tikai ražotājs vai pilnvarotā apkopes centrā. Sazinieties ar pilnvarotu servisa centru

⚠ BRĪDINĀJUMS

Lai nodrošinātu drošību un uzticamību, visi remontdarbi jāveic PILNVAROTĀ SERVISĀ CENTRĀ vai citā KVALIFICĒTĀ SERVISĀ ORGANIZĀCIJĀ.

⚠ BRĪDINĀJUMS

Putekļu tīrīšanai no preces neizmantojiet saspiestu gaisu. Tas ir bīstami, jo grūžus un skaidas var iepūst kādam acīs.

VIDES AIZSARDZĪBA

Tā vietā, lai izejmateriālus izmestu atkritumos, nododiet tos otrreizējai pārstrādei. Mašīna, aksesuāri un iepakojums ir jāsašķiro un jānodod videi draudzīgā atkārtotas pārstrādes vietā.

UZ PRECES ESOŠIE SIMBOLI

Drošības brīdinājums

V

Volti

Hz

Herci

~

Mainstrāva

W

Vati

n

Nominālais ātrums

min⁻¹

Apgrīzieni minūtē



II klase, dubulta izolācija



Pirms iedarbināt izstrādājumu, lūdzu, uzmanīgi izlasiet norādījumus.



Lietojiet dzirdes aizsargus



Valkājiet acu aizsarglīdzekļus



Valkājiet putekļu masku.



Neizmantojiet saplīsušus, iekļūkušus un bojātus slīpēšanas diskus



Nav paredzēts mitrai slīpēšanai. Ūdens vai cita šķidra dzesešanās līdzekļa lietošana var izraisīt elektrisko triecienu vai nāvi.



Valkājiet aizsargcimdus



Neizmantojiet diska malu slīpēšanai.



Valkājiet aizsargapavus.



Lietojiet acu un ausu aizsarglīdzekļus un masku.



EurAsian atbilstības marķējums



CE atbilstība



Ukrainas apstiprinājuma zīme



Izlietotie elektroprodukti nedrīkst tikt izmesti kopā ar mājāsaimniecības atkritumiem. Lūdzu, nododiet tos attiecīgajās atk ār tās izmantošanas vietās. Sazinieties ar savu vietējo varas pārstāvi vai izplatītāju, lai noskaidrotu, kur iespējama atkārtota pārstrāde.

UZMANĪBU

(Bez drošības trauksmes simbola), kas norāda, uz situāciju, kas var novest pie īpašuma bojājuma.

SIMBOLI ROKASGRĀMATĀ



Pievienojiet elektropadevei.



Atvienojiet no elektropadeves.



Atsevišķi nopērkamās daļas vai piederumi



Izlietotie elektroprodukti nedrīkst tikt izmesti kopā ar mājāsaimniecības atkritumiem. Lūdzu, nododiet tos attiecīgajās atk ār tās izmantošanas vietās.



Blokētājs



Atbloķēt



Piezīme



Brīdinājums



Apturiet iekārtu.

Lai izskaidrotu risku, kas saistīti ar izstrādājumu, līmeni, paredzēti šādi norādījuma vārdi un jēdzieni:

BĪSTAMI

Norāda uz nenovēršami bīstamu situāciju, kas, ja netiks novērsta, izraisīs nāvi vai nopietnus miesas bojājumus.

BRĪDINĀJUMS

Norāda uz potenciāli bīstamu situāciju, kas, ja netiks novērsta, var izraisīt nāvi vai nopietnus miesas bojājumus.

UZMANĪBU

Norāda uz potenciāli bīstamu situāciju, kas, ja netiek novērsta, var izraisīt vieglus vai vidējus miesas bojājumus.

Projektuojant kamoinį šlifukoį, didžiausias prioritetas suteiktas saugai, eksploatacinėms savybėms ir patikimumui.

NAUDOJIMO PASKIRTIS

Kampinis šlifukoilis skirtas naudoti tik suaugusiems, kurie yra perskaite ir suprata šiam vadove pateiktus nurodymus bei įspėjimus ir gali būti laikomi atsakingi už savo veiksmus. Kampinis šlifukoilis skirtas šlifuoti ir pjauti metala. Ant kampinio šlifukoilio galima montuoti tik atitinkamus šlifavimo diskus, aprašytus šio vadovo gaminio specifikacijų skyriuje. Kampinis šlifukoilis skirtas naudoti rankiniu būdu; jo negalima montuoti ant įrenginių arba staklių.

⚠ ĮSPĖJIMAS

Perskaitykite visus saugos įspėjimus ir nurodymus. Nesilaikant įspėjimų ir nurodymų, galima patirti elektros smūgį, gali kilti gaisras ir (arba) rimtai susižaloti.

Visus įspėjimus ir instrukcijas saugokite, nes jų gali prireikti ateityje.

KAMPINIS ŠLIFUOKLIS SAUGOS ĮSPĖJIMAI

ĮSPĖJIMAI DĖL SAUGOS, TAIKOMI ŠLIFAVIMO IR ABRAZVINIO PJOVIMO DARBAMS:

- Šis elektrinis įrankis yra skirtas naudoti kaip šlifukoilis ir prietaisas nupjovimo darbams atlikti. Perskaitykite visus saugos įspėjimus, visas instrukcijas, paveikslėlius ir techninius reikalavimus, pateikiamus su šiuo elektriniu įrankiu. Apačioje išdėstytų instrukcijų nesilaikymas gali sukelti elektros smūgį, gaisrą ir (ar) sunkius sužeidimus.
- Tokie darbai kaip šlifavimas, šlifavimas su metaliniu šepetėliu ar poliravimas šiuo elektriniu įrankiu yra nerekomenduojami. Atliekant veiksmus, kuriems elektrinis įrankis nėra skirtas, galima sudaryti pavojų ir sukelti sunkius sužeidimus.
- Nenaudokite tokių priedų, kurie šiam darbui specialiai nėra skirti ir įrankio gamintojo nerekomenduoti. Vien tik tai, kad priedą galima pritvirtinti prie Jūsų elektrinio įrankio, saugaus darbo neužtikrina.
- Priedo nustatytas greitis turi būti lygus bent didžiausiam greičiui, pažymėtam ant elektrinio įrankio. Priedai, kurie sukasi didesniu nei jų nustatytu greičiu, gali sulūžti, atsiskirti ir skrieti į šonus.
- Priedo išorinis skersmuo ir storis turi būti Jūsų įrankio nustatytos galios ribose. Neteisingo dydžio priedų atitinkamai apsaugoti ar suvaldyti neįmanoma.
- Montuojamų įtaisų sriegiai turi atitikti šlifukoilio suklio sriegį. Jungėmis (flanšais) montuojamų įtaisų angos turi atitikti jungės (flanšo)

fiksavimo skersmenį. Įtaisai, kurie neatitinka elektrinio įrankio montavimo įrangos, netenka pusiausvyros, pernelyg stipriai vibruoja ir gaminyje gali tapti nevaldomas.

- Nenaudokite pažeistų priedų. Prieš kiekvieną naudojimą priedą patikrinkite, ar diskai nėra nudažę ir įtrūkę, pagalbinius padėlis įtrūkęs, detalės smarkiai nusidėvėjusios, metalinio šepetėlio vielutės atsilaisvinusios ar sutrūkusios. Elektrinį įrankį ar priedą numetus, būtina patikrinti, ar jie nepažeisti arba pakeisti priedą nepažeistu. Patikrinus ir pakeitus priedą, nuo besisukančio priedo plokštės būtina pasitraukti toliau bei neleisti žiūrovams artai jo stovėti. Po to elektrinį įrankį reikia įjungti ir leisti jam vieną minutę veikti didžiausiu greičiu. Šio patikrinimo metu, pažeisti priedai paprastai sulūžta.
- Dėvėkite asmenines apsaugos priemones. Priklausomai nuo darbo paskirties, naudokite veido kaukę, apsauginius didesnius akinius ar saugos akinius. Jei taikytina, dėvėkite kaukę nuo dulkių, ausų apsaugą, pirštines ir darbinę prijuostę, atlaikančią mažas, šlifavimo metu susidariusias ar nuo ruošinio daleles. Apsauginiai akiniai turi apsaugoti akis, kad į jas nepatektų įvairaus darbo operacijų metu skriejančių dalelių. Kaukė nuo dulkių ar dujųkaukė turi filtruoti darbo metu susidariusias daleles. Dėl neapsaugotų ausų nuo didelio triukšmo ilgesnį laiką, galite klausą prarasti.
- Įsitikinkite, kad atstumas tarp įrankio ir pašalinių asmenų yra saugus. Visi asmenys, esantys darbo zonoje, privalo dėvėti asmenines apsaugos priemones. Dalelės nuo ruošinio ar sulūžusio priedo gali skrieti į šalis ir jus sužeisti, jei stovite šalia apdirbamo ruošinio.
- Elektrinį įrankį laikykite tik izoliavę sukibimo paviršius, kad darbo metu pjovimo įrankio priedas nesusilietų su paslėptais laidais ar paties šlifukoilio laidu. Pjovimo metu priedas, prisilietęs prie laido, prijungto prie maitinimo šaltinio, gali aktyvuoti metalines elektrinio įrankio detales ir sukelti operatoriui elektros smūgį.
- Laidą laikykite tuo toliau besisukančio įrankio priedo. Nesuvaldžius įrankio, jis laidą gali perpjauti ar jį užkabinti, bei jūsų ranką ar plaštaką įtraukti į besisukančią priedą.
- Niekada nedėkite įrankio žemyn, kol jo priedas visiškai nesustojo. Besisukančias įrankio priedas gali pagriebti paviršių ir dėl to galite įrankio nesuvaldyti.
- Elektrinį prietaisą nešdami šone, prieš tai jį išjunkite. Besisukančiam įrankio priedui atsitiktinai prisilietus prie Jūsų, jis gali pagriebti drabužius ir priedas gali būti įtrauktas į Jūsų kūną.
- Reguliariai valykite elektrinio įrankio oro ventiliacijos angeles. Variklio ventiliatorius įsiburia į korpuso vidų dulkes ir per didelis susikaupusių metalo dalelių kiekis gali kelti su elektra susijusius pavojus.

- o) **Nenaudokite elektrinio įrankio šalia degių medžiagų.** Kibirkštys gali šias medžiagas uždegti.
- p) **Nenaudokite tokių priedų, kuriems reikalingas aušinimo skystis.** Naudojant vandenį ar kitą aušinimo skystį galima sukelti elektros smūgį ar nuo elektros žūtį.

DAUGIAU SAUGOS INSTRUKCIJŲ VISIEMS DARBAMS ATLIKTI

Atatranka ir su ja susiję įspėjimai

Atgalinis smūgis yra staigi reakcija į sugnybtą ar užkabintą besisukančią diską, pagalbinių padelių, šepetėlį ar bet koki kitą įrankio priedą. Sugnybus ar užkabinius, besisukantis priedas greitai prigesta, o dėl to nevaldomas įrankis atšoksta priešinga įrankio priedui sukimosi kryptimi sukibimo vietoje.

Pavyzdžiui, jei abrazyvinį diską sugnybia ar užkabina ruošinys, tas disko kraštas, kuris prisiliečia prie sugnybimo taško, gali įlysti į medžiagos paviršius, ir dėl to diskas išlenda ar iššoksta atgal. Diskas gali iššokti link operatoriaus arba nuo jo, priklausomai nuo sugnybimo taško disko sukimosi krypties. Tokiais atvejais, abrazyviniai diskai gali taip pat sulūžti.

Atatranka yra netinkamo naudojimo elektrinio įrankio ir (ar) klaidingo darbo proceso ar sąlygų rezultatas. Jos galima išvengti laikantis atitinkamų žemiau išdėstytų apsaugos priemonių.

- a) **Pjūklą tvirtai laikykite rankomis, o ranką ir kūną laikykite taip, kad jie išlaikytų atgalinio smūgio jėgą. Visada naudokite pagalbines rankenas (jei ji pridedama), kad atgalinį smūgį ar sukimo momentą užvedimo metu galėtumėte geriausiai suvaldyti.** Jei operatoriaus laikosi tinkamų atsargumo priemonių, jis sūrio reakcijos ir atgalinio smūgio jėgas gali suvaldyti.
- b) **Rankų niekada nedėkite šalia besisukančio įrankio priedo.** Priedas gali atšokti atgal į Jūsų ranką.
- c) **Nestovėkite tokioje zonoje, į kurią elektrinis įrankis atgalinio smūgio metu būtų nusviestas.** Atgalinio smūgi metu po užkabavimo įrankis nustumiamas kryptimi, priešinga disko sukimuisi.
- d) **Apdirbdami kampus, smailius kraštus ir t. t., būkite ypač atsargūs. Stenkitės priedo neužkabinti ir neatlikti tokių veiksmų, kad priedas šokinėtų.** Kampai, smailūs kraštai ar šokinėjimas dažnai užkabina besisukančią įrankio priedą, ir dėl to įrankis nesuvaldomas ar įvyksta atgalinis smūgis.
- e) **Netvirtinkite grandininio pjūklo medžio drožinėjimo geležtės ar dantytos pjūklo geležtės.** Tokios geležtės dažnai sukelia atgalinį smūgį ar dėl jų įrankis nesuvaldomas.

PAPILDOMI ŠLIFAVIMO IR PJOVIMO DARBŲ SAUGOS NURODYMAI

Šlifavimo ir pjovimo abrazyvinėmis medžiagomis darbams būdingi saugos įspėjimai:

- a) **Naudokite tik tokius diskų tipus, kurie rekomenduojami Jūsų elektriniam įrankiui ir kai pasirinktam diskui yra pagamintas specialus apsauginis gaubtas.** Diskų, kuriems elektrinis įrankis nėra specialiai pritaikytas, negalima tinkamai apsaugoti, todėl jie nėra saugūs naudoti.
- b) **Centre nuspaustų ratukų šlifavimo paviršius turi būti montuojamas po apsauginio įtaiso krašto plokštuma.** Netinkamai uždėto ratuko, išsikšančio per apsauginio įtaiso krašto plokštumą, negalima tinkamai apsaugoti.
- c) **Apsauginį gaubtą būtina tvirtai pritvirtinti prie elektrinio įrankio ir nustatyti saugiausioje padėtyje taip, kad būtų neuždengta tik mažiausia disko dalis prie operatoriaus.** Apsauginis gaubtas apsaugo operatorių nuo atskilusių nuo disko dalelių ir atsitiktinio prisilietimo prie disko ir kibirkščių, kurios gali uždegti drabužius.
- d) **Diskus galima naudoti tik rekomenduojamiems darbams atlikti. Pavyzdžiui: Nešlifukite nupjovimo disko šonu.** Abrazyviniai nupjovimo diskai yra skirti periferiniam šlifavimui, dėl šiuos diskus veikiančių šoninių jėgų, jie gali sulūžti.
- e) **Visada naudokite nepažeistas diskų junges, teisingo dydžio ir formos Jūsų pasirinktam diskui.** Tinkamos diskų jungės atremia diską, dėl to sumažėja disko sulūžimo tikimybė. Nupjovimo diskų jungės gali skirtis nuo šlifavimo diskų jungių.
- f) **Nenaudokite nusidėvėjusių diskų nuo didesnių elektrinių įrankių.** Diskas, skirtas didesniai elektriniam įrankiui, nėra tinkamas didesnio greičio mažesniai įrankiui ir gali sulūžti.

PAPILDOMI ĮSPĖJIMAI DĖL SAUGOS TIK ABRAZYVINO PJOVIMO DARBAMS

- a) **Nedirbkite taip, kad nupjovimo diskas užsikirstų arba įrankio per stipriai nespaukite žemyn. Nebandykite pjauti per daug giliai.** Naudojant per didelę jėgą apkrova diskui padidėja, taip pat pjaunant diskas greičiau gali sulinkti, užsikirsti ar sulūžti, ar įvykti atatranka.
- b) **Nestovėkite vienoje linijoje su besisukančiu disku ar už jo.** Jei darbo metu diskas sukasi nuo kūno kryptimi, gali įvykti atatranka, kuri gali nusviesti besisukančią diską ir visą įrankį tiesiai į Jus.
- c) **Jei diskas užkliūna ar trukdo normaliam pjovimui dėl tam tikros priežasties, elektrinį įrankį išjunkite ir jį nejudindami laikykite tol, kol diskas visiškai nustoja sukis. Diskui sukantis niekada nebandykite nupjovimo disko nuimti, nes sukelsite atatranką.** Nustatykite disko kirtimosi priežastis ir imkitės tinkamų veiksmų joms pašalinti.
- d) **Pjovimo metu įrankiui esant ruošinyje, įrankio**

iš naujo neužveskite. Leiskite diskui išvystyti visą greitį ir jį iš naujo atsargiai įveskite į pjovą. Jei elektrinį įrankį iš naujo užvesite diskui esant ruošinyje, diskas gali užkliūti, pasislinkti, ar atšokti atgal.

- e) **Dideles plokštes ar kitus labai didelius ruošinius paremkite, kad išvengtumėte disko suspaudimo ir atatrakos.** Dėl savo svorio dideli ruošiniai paprastai įlinksta. Atramas būtina padėti iš abiejų disko pusių po ruošiniu, šalia pjovimo linijos bei ruošinio kraštų.
- f) **Atlikdami vidinį pjovimą esančiose sienose ar kitose nematomose srityse, būkite ypač atsargūs.** Atsikisęs diskas gali nupjauti dujų ar vandens vamzdžius, elektros laidus ar objektus, kurie gali sukelti atatraką.

KAMPINIO ŠLIFUOKLIO ATSARGUMO PRIEMONĖS

- a) Patikrinkite, ar greitis, pažymėtas ant šlifavimo disko, lygus ar didesnis negu greitis, nurodytas ant šlifukočio;
- b) Patikrinkite, ar disko šlifavimo disko matmenys atitinka šlifukočį ir diskas telpa ant ašies.
- c) Šlifavimo diskus būtina laikyti sausoje vietoje.
- d) Nelaikykite jokių daiktų virš šlifavimo diskų.
- e) Šlifavimo diskus galima naudoti tik šlifavimo darbams.
- f) Šlifavimo diskus reikia rūpestingai saugoti ir ir su jais atsargiai dirbti, laikantis gamintojo nurodymų.
- g) Prieš naudodami, apžiūrėkite šlifavimo diską, ar jis neapdaužytas ar įskilęs. Apdaužyti ar įskilę diskai gali sulūžti bei Jūs sunkiai sužeisti.
- h) Patikrinkite, ar diskas pritvirtintas, laikantis šios instrukcijos nurodymų
- i) Užtikrinkite, kad šlifukočlis prieš naudojimą yra teisingai sumontuotas ir pritvirtintas, ir paleiskite jį laisva eiga 30 sekundžių saugioje padėtyje. Jeigu jaučiama didelė vibracija ar pastebimi kiti defektai, diską nedelsdami sustabdykite. Jei tai kartojasi, patikrinkite įrankį, kad nustatytumėte gedimų priežastį.
- j) Nenaudokite atskirų mažinančių įdėklų ar adapterių, norėdami pritaikyti didelės angos šlifavimo diską.
- k) Patikrinkite, kad ruošinys būtų tinkamai paremtas.
- l) Naudokite tik „Ryobi“ patvirtintus šlifavimo diskus.
- m) Užtikrinkite, kad kibirkštys, kylančios šlifavimo metu, nesukeltų pavojaus, pvz., neatsitrenktų į žmones ar neuždegtų degių medžiagų.
- n) Visada dėvėkite apsauginius akinius ir ausų apsaugą.
- o) Taip pat būtina dėvėti kitas asmeninės apsaugos priemones, pvz. pirštines, prijuostę ir šalną, kai būtina.

- p) Niekada nedėkite įrankio ant grindų ar kitų paviršių, kai jis įjungtas. Įrankį išjungus, šlifavimo diskas ir toliau sukasi. Niekada nelieskite disko ir nedėkite jo ant grindų ar kitų paviršių, kai jis sukasi.
- q) Įrankį naudokite tik leistinai paskirčiai. Niekada nenaudokite aušinimo skysčių ar vandens bei nenaudokite įrankio stacionariai.
- r) Dirbdami, tvirtai laikykite įrankį abiejomis rankomis.

ŠALUTINIS PAVOJUS

Net naudojant gaminį griežtai pagal paskirtį neįmanoma visiškai atmesti kai kurių liktinių rizikos veiksnių. Būkite budrūs atlikdami priežiūros ar valymo darbus: po įrankio naudojimo geležtė kurį laiką išlieka įkaitusi.

- Išsviestų dalelių sukeliama sužeidimai
 - Metalo ar abrazyvinės dalelės gali patekti į akis ir sukelti sunkių nepagydomų sužeidimų. Naudojant gaminį, reikia dėvėti specialiai šlifavimo darbas skirtus apsauginius akinius.
- Vibracijos sukeliama pažeidimai
 - Ribokite buvimą darbo aplinkoje. Žr. „Rizikos Veiksnių Mažinimas“.
- Dulkių sukeliama žala
 - Dėvėkite tinkamą dulkių apsauginę kaukę su specialiais filtrais, galinčiais apsaugoti nuo dulkių, kurias sukelia apdirbama medžiaga, arba nuo abrazyvinių dalelių, kurias skleidžia šlifavimo diskas. Darbo vietoje negalima valgyti, gerti ar rūkyti. Darbo vieta turi būti tinkamai vėdinama.
- Sąlyčio su šlifavimo disku sukeliama sužeidimai
 - Naudojant, diskas ir ruošinys įkaista. Keičiant diską ar liečiant ruošinį, reikia mūvėti pirštines. Rankas visada būtina laikyti atokiai nuo šlifavimo srities. Kai yra galimybė, ruošinį reikia suspausti.
- Triukšmo sukeliama trauma
 - Ilgai būnant triukšme padidėja pavojus pakenkti klausai ir šis triukšmo poveikis ilgainiui didėja. Elektrinius įrankius naudojant ilgai, reikia dėvėti klausos apsaugines priemones.

RIZIKOS MAŽINIMAS

Turime pranešimų, kad vibracija nuo ranka laikomų įrankių kai kuriems asmenims gali turėti neigiamos įtakos vystantis Raynaud sindromui. Šios ligos požymiai yra pirštų dilgčiojimas, nutipimas ir pabalimas, paprastai pasireiškiantis nuo šalčio. Šie simptomai vystosi dėl paveldimų veiksnių, nesisaugant nuo šalčio ir drėgmės, dėl mitybos, rūkymo ir darbo praktikos. Operatorius gali imtis šių priemonių, kurios gali sumažinti vibracijos poveikį:

- Apsirenkite kuo šilčiau šaltu oru. Dirbant šiuo prietaisu mėvėkite pirštines, kad paštakos ir riešai būtų laikomi šilčiau. Turime pranešimų, kad Raynaud sindromas labiausiai vystosi nuo šalto oro sąlygų.
- po darbo kiekvieną kartą pasportuokite, kad pagerėtų kraujo apytaka;
- dažnai darykite darbo pertraukas. Apribokite darbo laikotarpį per dieną.

Jei jums pasireiškia kokie nors šios būklės simptomai, nedelsdami nutraukite darbą ir kreipkitės į gydytoją.

⚠ ĮSPĖJIMAS

Ilgai naudojant įrankį, galima susižaloti arba pakenkti sveikatai. Ilgiau naudojant įrankius, reikia reguliariai daryti pertraukas.

GERAI IŠMANYKITE APIE GAMINĮ

Žiūrėti 133 psl.

1. Jungimo mygtukas
2. Ašies užrakinimo mygtukas
3. Ratakų apsauginių įtaisų sistema
4. Apsauginio įtaiso svorto blokavimo sistema
5. Suspaudimo veržlė
6. Šlifavimo diskas
7. Disko antibriaunis
8. Pagalbinė rankena
9. Veržliaraktis
10. Lengvai tvirtinama veržlė

PALEIDIMO APSAUGA

Įrenginiuose su blokavimo jungikliu įtaisytas išjungimo mygtukas. Taip įrenginys apsaugotas nuo savaiminio pakartotinio paleidimo po elektros maitinimo trikties. Tęsiant darbą, reikia išjungti ir vėl įjungti įrenginį.

PRIEŽIŪRA

⚠ ĮSPĖJIMAS

Kai variklis įjungtas, įrankio jokiais būdais nereguliuokite.

Niekada nelaikykite įrankio prijungto prie elektros maitinimo šaltinio, kai montuojate detales, reguliuojate, valote, atliekate priežiūros darbus arba kai įrankis nėra naudojamas. Atjungus įrankį sumažėja galimybė, kad jis netikėtai užsives ir ką nors sunkiai sužeis.

- Po naudojimo įrankį patikrinkite, kad įsitikintumėte, ar jis geros būklės.
- Rekomenduojama bent vieną kartą per metus šį įrankį pristatyti į įgaliotą „Ryobi“ techninės priežiūros centrą, kad jo darbuotojai įrankį gerai išvalytų ir suteptų.
- Jeigu maitinimo laidas pažeistas, jį turi pakeisti tik gamintojas arba įgaliota techninės priežiūros įmonė, kad būtų išvengta pavojaus. Kreipkitės į įgaliotą techninės priežiūros centrą

⚠ ĮSPĖJIMAS

Siekiant užtikrinti saugumą ir įrankio patikimumą, visi remonto darbai turi būti atliekami ĮGALIOTAME TECHNINĖS PRIEŽIŪROS CENTRE ar kitoje KVALIFIKUOTOJE TECHNINĖS PRIEŽIŪROS ĮMONĖJE.

⚠ ĮSPĖJIMAS

Dulkių nuo gaminio negalima šalinti suspaustu oru. Šis darbas pavojingas ir jį atliekant gali būti išpūsti nešvarumai bei smėlis, kuris gali žmogui pažeisti akis.

APLINKOS APSAUGA



Žaliavines medžiagas perdirbkite pakartotinai, o ne išmeskite kaip atliekas. Mechanizmas, priedai ir pakuotės turi būti laikomi pakartotinai perdirbti aplinkai nekenksmingu būdu.

SIMBOLIAI ANT ĮRENGINIO



Pranešimas apie saugumą

V

Volta

Hz

Hercai

~

Kintamoji srovė

W

Vatai

n

Nominalus greitis

min⁻¹

Apsukos ar judėjimas per minutę



II klasė, dviguba izoliacija



Prieš pradėdant naudoti šį prietaisą, prašome atidžiai perskaityti šias instrukcijas.



Dėvėkite klausos apsaugos priemones



Dėvėkite akių apsaugos priemones



Dėvėkite kaukę nuo dulkių.



Nenaudokite nuskilusio, įskilusio ar pažeisto šlifavimo disko



Neskirtas šlifavimui šlapiuoju būdu. Naudojant vandenį ar kitą aušinimo skystį galima sukelti elektros smūgį ar nuo elektros žūtį.



Mūvėkite apsaugines rankų pirštines



Nenaudokite fasado šlifavimui.



Mūvėkite darbo avalynę.



Dėvėkite akių ir ausų apsaugos priemones bei apsauginę veido kaukę.



„EurAsian“ atitikties ženklas



CE suderinimas



Ukrainos atitikties ženklas



Elektrinių produktų atliekos neturi būti metamos kartu su namų ūkio atliekomis. Prašome perdirbkite jas ten, kur yra tokios perdirbimo bazės. Dėl perdirbimo patarimo kreipkitės į savo vietinę savivaldybę ar pardavėją.

ISPĖJIMAS

Rodo potencialiai pavojingą situaciją, kurios neišvengus galima patirti mirtiną arba sunkų sužalojimą.

ATSARGIAI

Rodo potencialiai pavojingą situaciją, kurios neišvengus galima patirti nesunkų arba vidutinio sunkumo sužalojimą.

ATSARGIAI

(Be įspėjamojo šauktuko) Reiškia situaciją, kurioje galima sugadinti turtą.

SIMBOLIAI VADOVE



Jungimas prie maitinimo lizdo.



Išjungimas iš maitinimo lizdo.



Detalės arba priedai yra parduodami atskirai



Elektrinių produktų atliekos neturi būti metamos kartu su namų ūkio atliekomis. Prašome perdirbkite jas ten, kur yra tokios perdirbimo bazės.



Blokėtąjs



Atrakinti



Pastaba



Įspėjimas



Sustabdykite prietaisą.

Šie signaliniai žodžiai yra skirti nurodyti su prietaiso naudojimu susijusio pavojaus lygį:

PAVOJUS

Rodo grėšiančią pavojingą situaciją, kurios neišvengus galima patirti mirtiną arba sunkų sužalojimą.

Ketaslõikuri konstrueerimisel on peaeesmärgiks olnud toote ohutus, tootlikkus ja töökindlus.

OTSTARBEKOHANE KASUTAMINE

Ketaslõikur on ette nähtud kasutamiseks vaid täiskasvanud töötaja poolt, kes on selle kasutusjuhendi juhised ja hoiatused läbi lugenud ja mõistab vastust nende täitmise eest. Ketaslõikur on ette nähtud ainult metallide lihvimiseks ja lõikamiseks. Ketaslõikurile võib kinnitada ainult seadme kasutusjuhendi tehniliste andmete jaotises mainitud lihvkettaid. Ketaslõikur on ette nähtud ainult käes kasutamiseks, see pole ette nähtud paigaldamiseks kinnituvahendile või tööpingile.

⚠ HOIATUS!

Lugege kõik hoiatused ja ohutusjuhised läbi. Hoiatuste ja juhiste eiramine puhul on oht saada elektrilööki või raskeid kehavigastusi ning/või põhjustada tulekahju.

Hoidke hoiatusi ja juhiseid edaspidiseks juhendumiseks alles.

KETASLÕIKUR OLUHOIATUSED

LIHVIMIS- JA ABRAASIVMAHALÕIKEOPERATSIOONIDE TAVA-OHUHOIATUSED

- Seade on ette nähtud lihvimiseks ja mahalõikamiseks. Lugege läbi kõik mehaanilise tööriista kohta esitatud ohuhoiatused ning tutvuge tööriista jooniste ja tehniliste andmetega. Allpool esitatud hoiatuste ja juhiste eiramise puhul on oht saada elektrilööki või raskeid kehavigastusi ning/või tekitada tulekahju.
- Tööriistaga ei soovitata teha metalli abrasiiv lihvimise, liivapaberiga lihvimise, traatharjaga puhastamise ja poleerimise abrasiiv. Operatsioonid, milleks tööriist ei ole ette nähtud, võivad luua ohuolukorra ja põhjustada kehavigastusi
- Ärge kasutage mingeid kettaid ja kettasarnaseid tööorganeid (edaspidi: tarvikuid), mis ei ole tööriista tootja poolt spetsiaalselt välja töötatud ja soovitatud. Asjaolu, et tarvikut on võimalik mehaanilisele tööriistale kinnitada, ei taga selle tarvikuga töötamise ohutust.
- Tarviku lubatud nimikiirus peab olema vähemalt võrdne mehaanilisele tööriistale märgitud maksimaalse kiirusega. Tarvikud, mis ületavad nende ettenähtud kiiruse, võivad puruneda ja tükkideks lennata.
- Kasutatava tarviku välisläbimõõt ja paksus peab vastama teie tööriista nimiandmetele. Valedes mõõtmega tarvikuid ei ole võimalik nõuetekohaselt turvata ja kontrolli all hoida.
- Tarvikute keermeatud osad peavad sobima ketaslõikuri spindli keermega. Tarvikutel, mis paigaldatakse äärikute abil, peab

kinnitusava sobima ääriku tsentreerimisastme läbimõõduga. Tarvik, mis ei sobi mehaanilise tööriista kinnitusmõõtmega, läheb tasakaalust välja, hakkab tugevasti vibreerima ja võib kontrolli alt väljuda.

- Ärge kasutage vigastatud tarvikuid. Enne iga kasutamist kontrollige tarvikud, näiteks abrasiivkettad üle kildumisele ja pragunemisele, tugikettad pragunemisele ja kulumisele, traatharjad lahtistele ja murdunud harjastele. Kui mehaaniline tööriist või tööriist on maha kukkunud, siis vaadake tööriista vigastused üle või asendage uue tarvikuga. Pärast tarviku ülevaatamist ja paigaldamist hoidke ennast ning kõrvalseisjad pöörleva tarviku pöörlemistasapinnast eemal ja käituge tööriista ühe minuti jooksul maksimaalsel pöörlemiskiirusel ilma koormuseta. Vigastatud tarvik puruneb selle aja jooksul tavaliselt tükkideks.
- Kandke isikukaitsevahendeid. Olenevalt töö iseloomust kandke näovisiiri, kaitsemaski või kaitseprille. Vajaduse korral kandke tolumumaski, kuulmiskaitseid, kaitsekindaid ja kaitsepõlle, mis kaitsevad teid abrasiivkettast või toorikust lähtuvate osakeste eest. Silmakaitsevahendid peavad kaitsma töötlemisjääkide eest, mis erinevate tööoperatsioonide juures välja paiskuvad. Tolmumask või respiraator peavad tööoperatsioonidel tekkivaid osakesi piisavalt filtreerima. Pikaajaline viibimine kõrge müratasemega piirkonnas võib põhjustada kuulmishäireid.
- Hoidke kõrvalised isikud tööpiirkonnast ohutul kaugusel. Iga tööpiirkonda siseneja peab kandma isikukaitsevahendeid. Tooriku töötlemisjäätmel või purunenud tarvikud võivad välja lennata ja põhjustada kehavigastusi ka väljapool vahetut tööpiirkonda.
- Töötamisel kohtades, kus lõikeriist võib kokku puutuda varjatud elektrijuhtmetega, hoidke tööriista kinni ainult isoleeritud käepidemetest. Kui kinnitusdetail või puur satub kontakti pingele all olevate juhtmetega, jäävad tööriista isoleerimata metallosad pingele alla ja kasutaja võib saada elektrilöögi.
- Hoidke juhet pöörlevatest tarvikutest eemal. Kontrolli kadumise korral võite juhtme läbi lõigata või see võib haakuda ja teie käsi või käivars võidakse tõmmata pöörleva tarviku vastu.
- Ärge pange tööriista enne maha, kui tarvik on täielikult peatunud. Pöörlev tarvik võib pinnaga haarduda ja selle tagajärjel võib tööriist väljuda teie kontrolli alt.
- Ärge käituge tööriista siis, kui te seda küljel hoiate. Juhuslik kontakt pöörleva tarvikuga võib põhjustada riietesse kinniäämise ja selle tulemusena võib tarvik tungida teie kehasse.
- Puhastage regulaarselt tööriista ventilatsioonipilusid. Mootori ventilaator tõmbab tolmu korpusesse ja metalliosakesi sisaldava tolmu kogunemine põhjustab elektrivooluga seotud ohtusid.

- o) **Ärge kasutage tööriista süttivate materjalide läheduses.** Sädemed võivad need materjalid süüdata. Sädemed võivad need materjalid süüdata.
- p) **Ärge kasutage tarvikud, mis nõuavad jahutusvedelike kasutamist.** Kasutades vett või muud vedelikku jahutusvedelikud võib põhjustada elektrilöögi või šokki.

TÄIENDAVAD OHUTUSJUHISED KÕIKIDEL TÖÖOPERATSIOONIDEL

Tagasilöökk ja sellega seotud hoiatused

Tagasilöökk on ootamatu reaktsioon, mis järgneb pöörleva ketta, tugiketta, terasharja või muu tarviku kinnijäämisele või haardumisele. Kinnikiilumine või haardumine põhjustab pöörleva tarviku kiire peatumise, mis omakorda põhjustab kinnijäämise punktis vastassuunaliste kontrollimatute jõudude mõjumise tarviku pöörlemisele vastassuunas.

Näiteks juhul, kui abrasiivketas on toorikuga haardunud või sellesse kinni jäänud, võib ketta sisenev serv kinnijäämise punktis materjali pinna sisse kaevuda ja põhjustada ketta väljalikumise või tagasilöögi. Ketas võib hüpata operaatori suunas või temast eemale, sõltuvalt ketta liikumissuunast kinnijäämise punktis. Abrasiivkettad võivad selliste tingimuste korral puruneda.

Tagasilöökk on tööriista väära kasutamise, ebaõigete töövõtete või tööks mittevastavate töötingimuste tulemus ja seda saab vältida allpool esitatud ettevaatusabinõude rakendamisega.

- a) **Tagasilöögist tulenevate jõudude vastuvõtmiseks kasutage oma keha ja käsivart ning hoidke tööriistast tugevasti kinni. Kasutage alati komplektis olevat lisakäepidet, et hoida tagasilööki või puutereaktsioonist tingitud reaktsiooni kontrolli all.** Operaatoril on võimalik puutereaktsioone ja tagasilöögist tekkivaid jõudusid hallata, kui selleks vastavaid meetmeid võtta.
- b) **Ärge hoidke mingil juhul oma kätt pöörleva tarviku läheduses.** Tarvik võib tagasilöögiga tabada teie kätt.
- c) **Ärge olge oma kehaga seal, kuhu tööriist võib tagasilöögi ajal liikuda.** Tagasilöökk paiskab kinnijäämise kohas tööriista vastuspidsisesse suunda ketta pöörlemisele.
- d) **Olge eriti ettevaatlik töötamisel nurkades, teravatel servadel jne. Vältige tarviku pörkamist ja kinnijäämist.** Nurkades ja teravatel servadel või pörkamisel on kalduvus pöörlevat tarvikut kinni kiiluda ja põhjustada sellega kontrolli kadumist või tagasilööki.
- e) **Ärge kinnitage tööriistale kettsaega ketast või hammastega saeketast.** Selliste ketaste kasutamisel ilmneb tihti tagasilööki ja kontrolli kadumist.

TÄIENDAVAD OHUTUSJUHISED LIHVIMIS- JA MAHALÕIKEOPERATSIOONIDELE

Kettaga lihvimisel või lõikamisel võtke arvesse järgmisi hoiatusi.

- a) **Kasutage ainult sellist tüüpi kettaid, mis on selle tööriista jaoks ette nähtud ja ainult neile spetsiaalselt ettenähtud kaitsekatteid.** Kasutamiseks mitteettenähtud kettaid ei saa kattega kaitsta ja need ei ole ohutud.
- b) **Keskkohtal surutud ketaste lihvimise tööpind peab olema paigutatud kaitsekatte serva tasapinnast allapoole.** Ketas, mis ulatub kaitsekatte serva tasapinnalt välja, ei ole piisavalt kaitstud.
- c) **Kaitsekate peab olema tööriistale ohutult kinnitatud ja paigutatud maksimaalse ohutuse saavutamiseks nii, et võimalikult väike osa kettast on kasutaja suunas nähtav.** Kaitsekate aitab kaitsta kasutajat purunenud ketta tükide eest ja kokkupuutumisest ketta ning sädemetega, mis võivad süüdata riided.
- d) **Kettaid tohib kasutada ainult neile ettenähtud otstarveteks.** Näiteks. **Ärge lihvide mahalõikeketta küljega.** Abrasiiv-mahalõikekettad on ette nähtud läbilõikamiseks; kui neile rakendada külgjõudusid, siis võivad need kildudeks puruneda.
- e) **Kasutage valitud kettale mõõtmel ja kujult sobivaid ning vigastamata kettaäärikuid.** Õigesti valitud äärikud toetavad ketast ja vähendavad sellega ketta purunemisohtu. Mahalõikeketta äärikud võivad erineda lihvkettaste äärikutest.
- f) **Ärge kasutage suurtelt tööriistadest järelejäänud kulunud kettaid.** Suure tööriistade kettad ei ole ette nähtud väikeste tööriistade suurtel kiirustel, sest siis võivad need kettad puruneda.

TÄIENDAVAD OHUHOIATUSED ABRASIIV-MAHALÕIKEOPERATSIOONIDEL

- a) **Ärge laske lõikekettal kinni jääda ega suruge sellele liigselt peale.** Ärge püüdke kasutada liiga suurt lõikesügavust. Liigse jõu avaldamine suurendab ketta koormust, väändumist või kinnijäämist lõiketees ning suurendab tagasilöögi või ketta purunemise tõenäosust.
- b) **Ärge seiske tööriista taga pöörleva ketta tasapinnas.** Kui ketas liigub oma tööpunkti kehast eemale, siis pöörleva ketta võimalik tagasilöökk võib suunata tööriista otse teie suunas.
- c) **Kui ketas jääb kinni või lõikamine katkeb mingil muul põhjusel, lülitage tööriist välja ja hoidke seda liikumatuna seni, kui ketas täielikult seiskub.** Ärge püüdke võtta lõikeketast lõikekohast välja ketta pöörlemise ajal, muidu võib ilmnedda tagasilöökk. Uurige ketta kinnijäämise põhjus välja ja võtke meetmeid selle kõrvaldamiseks.
- d) **Ärge alustage lõikamisoperatsiooni uuesti siis, kui ketas on tooriku sees.** Laske kettal

saavutada täiskiirus ja pange ketas uuesti lõikekohta. Kui lõikamist jätkata ilma, et ketas oleks välja võetud, siis võib see kinni jääda, üles tõusta või anda tagasilöögi.

- e) **Toetage lõigatavaid plaate ja suuremõotmelisi toorikuid, et minimeerida ketta kinnijäämise ning tagasilöögi ohtu.** Suurtel toorikutel on kalduvus oma raskuse all läbi vajuda. Toetage toorikuid altpoolt lõikejoone lähedal ja serva lähedal mõlemal pool lõikejoont.
- f) **Olge pesa lõikamisel seina sisse või varjatud kohtadesse ettevaatlik.** Väljuv ketas võib lõigata läbi gaasi- või veetoru, elektrijuhtmed või muud objektid ja need võivad põhjustada tagasilööki.

ETTEVAATUSABINÕUD NURKLIHVIVA KASUTAMISEL

- a) Kontrollige, et lihvkettale märgitud lubatud kiirus on suurem või võrdne kui tööriista nimikiirus.
- b) Veenduge, et lihvketta mõõtmed tööriistaga kokku sobivad ja ketta ava spindlile sobib.
- c) Lihvkettaid tuleb hoida kuivas kohas.
- d) Ärge ladustage mingeid esemeid lihvkettaste peale.
- e) Lihvkettaid ei tohi kasutada muudeks töödeks peale lihvimise.
- f) Lihvkettaid tuleb hoida ja käsitada ettevaatlikult vastavuses tootja juhistelet.
- g) Kontrollige lihvketas enne kasutamist üle ja veenduge, et see ei ole kildunud ega pragunenud. Kildunud kohad ja praod võivad põhjustada ketaste kildudeks purunemise, mis võib tekitada raske kehavigastuse.
- h) Veenduge, et ketas on tööriistale paigaldatud vastavalt käesolevale kasutusjuhendile.
- i) Veenduge enne kasutamist, et lihvimisketas on nõuetekohaselt paigaldatud ja pingutatud ning laske tööriistal ilma koormuseta töötada 30 sekundi jooksul ilma koormuseta. Kui tunnete märgatavat vibratsiooni või avastate muid rikkeid, siis peatage töötamine viivitamatult. Selliste ilmingute korral kontrollige tööriist üle, et teha põhjus kindlaks.
- j) Ärge kasutage suurema avaga lihvketta kinnitamiseks täiendavaid sobituspukse või üleminekudetaile.
- k) Kontrollige, et toorik oleks nõuetekohaselt toestatud.
- l) Kasutage vaid RYOBI poolt heakskiidetud lihvkettaid.
- m) Veenduge, et tekkivad sädemed ei oleks ohtlikud, näiteks ei taba inimesi või ei süüta põlevaineid.
- n) Kasutage alati kaitseprille ja kuulmiskaitseid.
- o) Kasutage vajaduse korral ka muid isikukaitsevahendeid, näiteks töökindaid, kaitsepõlle ja kiivrit.
- p) Ärge pange pöörlevat tööriista mingil juhul

põrandale või muudele pindadele. Lihvketas pöörleb edasi ka siis, kui tööriist on välja lülitatud. Ärge puudutage pöörlevat ketast ega pange töötavat tööriista põrandale või muudele pindadele.

- q) Kasutage tööriista ainult heakskiidetud kasutusotstarveteks. Ärge mingil juhul kasutage jahutusvedelikku või vett ega kasutage tööriista paikselt kinnitatud olekus.
- r) Haaraket tööutamisel tööriistast mõlema käega.

JÄÄKRISKID

Isegi siis, kui seadet kasutatakse kirjeldatud viisil, ei ole võimalik kõrvaldada kõiki jääkriskide mõjureid. Töötamise ajal võivad tekkida järgmised ohud, millele operaator peab pöörama erilist tähelepanu.

- Väljapaikunud peenosakestest põhjustatud vigastus
 - Metalli või abrasiivi kübemed võivad sattuda silma ja põhjustada püsivaid vigastusi. Kandke ketaslõikuriga lihvimistoimingute tegemisel ette nähtud kaitseprille.
- Vibratsioonist põhjustatud kehavigastus
 - Piirake kokkupuudet. Consulte el apartado "Reducción De Riesgos".
- Tolmust põhjustatud kehavigastus
 - Kandke tolumumaski, millel on ettenähtud filtrid, mis kaitsevad materjalist tekkiva tolmu ja abrasiivmaterjalide peenosakeste eest. Ärge töökohal sööge, jooge ega suitsetage. Tagage töökohal nõuetekohane ventilatsioon.
- Lihvkettast tingitud kehavigastus
 - Töötamise ajal võib ketas või toorik kuumeneda. Ketaste või tooriku vahetamisel tuleb kanda kindaid. Hoidke käted lihvimise ajal lõikamispiirkonnast eemal. Võimaluse korral kinnitage toorik kruustangide vahele.
- Mürast põhjustatud vigastus
 - Pidev müra põhjustab kuulmiskahjustusi ja selle mõju on kuhjuv. Kui kasutate tööriista pika ajaperioodi vältel, kandke kuulmiskaitsevahendeid.

RISKI ALANDAMINE

Teadaovalt võib käsitööriistade kasutamine põhjustada mõnedel inimestel seisundit, mida nimetatakse Raynaud' sündroomiks. Los síntomas pueden incluir hormigueo, entorpecimiento y decoloración de los dedos, generalmente aparentes cuando tiene lugar una exposición al frío. Nende sümptomite puhul tuleb hoiduda külmast ja niiskusest, diedist ning suitsetamisest ja kasutada õigeid tööõtteid. Existen medidas que pueden ser tomadas por el operador para reducir los efectos de vibración:

- Külma ilmaga hoidke oma keha soe. Kandke kindaid, et hoida oma käed ja randmed soojad. Uuringud näitavad, et Raynaud's Syndrome ilmneb põhiliselt külma ilmaga.
- Pärast külmas töötamist tehke harjutusi, et verevarustust kiirendada.
- Tehke regulaarselt töövahega. Piirake tööperioodi pikkust.

Kui ilmnevad haigustunnused, lõpetage kohe töö ja pöörduge arsti poole.

⚠ HOIATUS

Seadme pikaajalisel kasutamisel võite saada kehavigastusi või vigastused võivad süveneda. Seadme kasutamisel pika aja jooksul tuleb teha korralisi vaheaegasid.

ÕPPIGE OMA TOODET TUNDMA

Vt lk 133.

1. Lülitisnupp
2. Spindli lukustusnupp
3. Kettakaitse koost
4. Kaitse lukustushoob
5. Survemutter
6. Lihvketas
7. Ketta äärisk
8. Lisakäepide
9. Võti
10. Kiirkinnitusmutter

KÄIVITUSKAITSE

Seadmel on lukustatav lüliti, mis lülitab toite välja. Selle abil välditakse masina iseeneslikku käivitumist pärast toitekatkestust. Töö jätkamiseks lülitage tööriist välja ja lülitage käivitamiseks uuesti sisse.

HOOLDUS

⚠ HOIATUS

Ärge püüdke teha mingeid reguleertoiminguid sel ajal, kui mootor töötab.

Masina kokkupanekul, reguleerimisel, puhastamisel, hooldamisel ja töövaheaegadel tuleb lihvmasin elektrivõrgust lahti ühendada. Lihvmasina elektrivõrgust lahtiühendamine väldib selle tahtmatu käivitumise, mis võib põhjustada raske kehavigastuse.

- Pärast kasutamist kontrollige, et tööriist on heas tööseisundis.
- Soovitav on lasta tööriista vähemalt üks kord aastas RYOBI volitatud hoolduskeskuses põhjalikult ära puhastada ja määrada.
- Kui toitejuhe on vigastatud, siis tuleb see lasta asendada tootja või klienditeenindaja poolt, et ohtusid vältida. Pöörduge volitatud hoolduskeskusesse

⚠ HOIATUS

Ohutuse ja töökindluse tagamiseks tuleb parandustööd lasta teha **VOLITATUD HOOLDUSKESKUSES** või **MUUS PÄDEVAS HOOLDUSETTEVÖTTES**.

⚠ HOIATUS

Ärge kasutage tööriistalt tolmu/mustuse eemaldamiseks suruõhku. Selline kasutusviis on ohtlik ja võib põhjustada mustuse ja abrasiivkübemetete väljapuhumist ja tekitada kellelegi silmakahjustusi.

KESKKONNAKAITSE



Taaskasutage materjale nende jäätmekäitlusesse andmise asemel. Masin, selle lisaseadmed ja pakend tuleb jäätmekäitluseks keskkonnasõbralikult sorteerida.

MASINAL OLEVAD SÜMBOLID



Ohutusalane teave

V

Volt

Hz

Hertz

~

Vahelduvvool

W

Watt

n

Nominälais ätrums

min⁻¹

Pöörete või löökide arv minutis



Klass II, topeltisolatsiooniga



Lugege enne masina kasutamist juhised hoolikalt läbi.



Kandke kuulmise kaitsevahendeid



Kandke silmade kaitsevahendeid



Kandke tolumaski.



Ärge kasutage kildunud, pragunenud ja rikutud kettaid



Ei ole ette nähtud märglihvimiseks. Kasutades vett või muud vedelikku jahutusvedelikud võib põhjustada elektrilöögi või šokki.



Kandke turvakindaid



Ei ole ette nähtud pinna lihvimiseks.



Kandke turvajalatsid.



Kandke kaitseprille, kuulmiskaitsevahendeid ja näomaski.



Euraasia vastavusmärk



CE vastavus



Ukraina vastavusmärgis



Mittekasutatavaid elektritooteid ei tohi visata olmejäätmete hulka. Vaid tuleb viia vastavasse kogumispunkti. Vajadusel küsige sellekohast nõu oma edasimüüjalt või vastavalt kohaliku omavalitsuse institutsioonilt.

HOIATUS

Osutab võimalikule ohuolukorrale, mille mittevältimine võib lõppeda surma või tõsise kehavigastusega.

ETTEVAATUST

Osutab võimalikule ohuolukorrale, mille mittevältimine võib lõppeda väiksemate või möödukate kehavigastustega.

ETTEVAATUST

(Ilma ohutussümbolit) Viitab olukorrale, mis võib põhjustada kahjustusi varale.

EN
FR
DE
ES
IT
NL
PT
DA
SV
FI
NO
RU
PL
CS
HU
RO
LV
LT
ET
HR
SL
SK
BG
UK
TR
EL

KASUTUSJUHENDIS KASUTATUD SÜMBOLID



Ühendage toitevõrku.



Ühendage seade toitevõrgust lahti.



Eraldi ostetavad osad või tarvikud



Mittekasutatavaid elektritooteid ei tohi visata olmejäätmete hulka. Vaid tuleb viia vastavasse kogumispunkti.



Lukk



Lahtikeeramine



Märkus



Hoiatus



Seisake muruniiduk.

Järgnevad märguandesõnad ja tähendused on mõeldud selle toote kasutamise seotud riskitasemete kirjeldamiseks:

OHT.

Osutab ähvardavale ohuolukorrale, mille mittevältimine lõpeb surma või tõsise vigastusega.

U razvoju ove kutne brusilice dati su maksimalni prioriteti sigurnosti, performansama i pouzdanosti.

NAMJENA

Kutna brusilica namijenjena je za korištenje samo od strane odraslih osoba koje su pročitale i razumiju upute i upozorenja u ovom priručniku te se mogu smatrati odgovornim za svoje radnje. Kutna brusilica namijenjena je samo za brušenje i rezanje metala. Samo odgovarajuće rezne ploče kao što je opisano u odjeljku specifikacija proizvoda ovog priručnika treba postaviti na kutnu brusilicu. Kutna brusilica namijenjena je za ručno rukovanje, nije namijenjena na montažu na radni stol.

⚠ UPOZORENJE

Pažljivo pročitajte sva upozorenja i sve upute. Nepridržavanje ovih uputa može prouzročiti nezgode poput požara, strujnih udara i/ili teških tjelesnih ozljeda.

Sačuvajte ova upozorenja i upute kako biste ih naknadno mogli konzultirati.

SIGURNOSNA UPOZORENJA ZA KUTNA BRUSILICA

ČESTA SIGURNOSNA UPOZORENJA ZA RADOVE BRUŠENJA I ABRAZIVNOG REZANJA

- a) **Ovaj električni alat namijenjen je da radi kao brusilica i rezni alat. Pažljivo pročitajte sva upozorenja, upute i specifikacije priložene uz alat i pogledajte crteže.** Nepoštivanje svih uputa može dovesti do električnog udara, požara i / ili teške ozljede.
- b) **Pomoću ovog električnog alata ne preporučuje se vršenje radova kao što su brušenje, brušenje žicom ili poliranje.** Operacije za koju električni alat nije osmišljen predstavlja opasnost i prouzročiti ozljede.
- c) **Ne koristite dodatke koji nisu namijenjeni ovom alatu i koji nije preporučio proizvođač.** Samo zato što pribor može biti priključen na vaš električni alat, to ne osigurava siguran rad.
- d) **Opretaj od pribora mora biti najmanje jednaka maksimalnu brzinu označen na električni alat.** Dodaci koji rade na višim brzinama od njihove nominalne brzine mogu se slomiti ili izletjeti s alata.
- e) **Vanjskog promjera i debljine vašeg pribora mora biti unutar ocjenjivanja sposobnosti vašeg uređaja.** Pogrešno veličine pribor se ne može adekvatno čuvano ili kontrolirati.
- f) **Threaded mounting of accessories must match the grinder spindle thread. For accessories mounted by flanges, the arbour hole of the accessory must fit the locating diameter of the flange.** Accessories that do not match the mounting hardware of the power tool will run out of balance, vibrate excessively, and may cause loss of control.
- g) **Nemojte koristiti oštećeni pribor. Prije svake upotrebe provjerite jesu li svi dodaci koje koristite u dobrom stanju: provjerite da brusne ploče nisu oštećene ili okrnute, da podložne pločice nisu polomljene ili pohabane, da niti metalne četke nisu previše istrošene ili polomljene. Ako je AKU alat ili pribor pao, provjerite štetu ili ugradite neoštećen pribor. Ako je potrebno, stavite i masku protiv prašine, zaštitu od buke, rukavice i zaštitnu ploču kako biste se zaštitili od izlijetanja dijelova komada kojeg obrađujete (brusni dijelovi, komadići drveta itd.).** Ako je dodatak oštećen, tijekom ove provjere će se slomiti.
- h) **Nosite osobnu zaštitnu opremu. Ovisno o primjeni, koristite lice štit, zaštitne naočale i zaštitne naočale. Ako je potrebno, stavite i masku protiv prašine, zaštitu od buke, rukavice i zaštitnu ploču kako biste se zaštitili od izlijetanja dijelova komada kojeg obrađujete (brusni dijelovi, komadići drveta itd.).** Zaštita očiju mora biti sposoban zaustavljanja letećih krhotina generirani od strane različitih operacija. Maska protiv prašine filtrirat će prašinu koja se stvara tijekom rada. Duže izlaganje jakoj buci može dovesti do gubitka sluha.
- i) **Držite nazočnima sigurnoj udaljenosti od područja rada. Svatko tko bi stupio u radno područje, mora nositi osobnu zaštitnu opremu.** Krhotine izratka ili slomljena mogu odletjeti i uzrokovati ozljede i izvan neposrednog područja djelovanja.
- j) **Držite uređaj po izoliranim ručkama površina samo pri obavljanju operacije u kojoj rezanje skrivene ožičenja ili vlastiti kabel. Dodirivanje „žive“ žice priborom za rezanje može izložiti metalne dijelove alata električnoj energiji i može dovesti do strujnog udara na operatera.**
- k) **Kabel napajanja uvijek postavite tako da bude udaljen od dijela alata koji se vrti.** Ako izgubite nadzor nad uređajem, kabel napajanja može bit presječen ili se zaplesti i povući vašu šaku ili ruku prema rotirajućem dijelu alata.
- l) **Nikad ne odlažite alat prije nego što se pokretni dijelovi sasvim ne zaustave.** Predenje alata mogu zgrabite i povucite površinu uređaja izvan vaše kontrole.
- m) **Ne uključujte alat dok ga prevozite.** Rotirajući dodatak može se zaplesti u vašu odjeću i ozbiljno vas ozlijediti.
- n) **Redovno čistite ventilacijske otvore alata.** Kroz ventilacijske otvore u unutrašnjost kućišta motora može dospjeti prašina što može uzrokovati pretjerano nakupljanje metalnih komadića i uzrokovati strujni udar.
- o) **Ne koristite uređaj u blizini zapaljivih tvari.** U slučaju otkakivanja, alat se odbacuje u smjeru suprotnom od smjera rotacije ploče.
- p) **Ne koristite pribor koji zahtijevaju tekućih sredstava za hlađenje.** Korištenje vode ili druge tekućine rashladne može dovesti do električnog

udara.

DALJNJE SIGURNOSNE UPUTE ZA SVE OPERACIJE

Upozorenja na povratni udar i druge vezane opasnosti

Bakšiš je iznenadna reakcija ili kvrgav stegnut rotirajućeg kotača, prateći pad, četkom ili bilo koji drugi pribor. Štipanje ili snagging uzroka brzog odugovlačenje od rotirajućeg pribora što opet uzrokuje nekontrolirani uređaja biti prisiljeni u smjeru suprotno od dodatne opreme rotacije na mjestu vezanja.

Na primjer, ako je brusna ploča kvrgava ili prignječena od strane izratka, rub kotača koji ulazi u točnu prignječena se može zakopati u površinu materijala uzrokujući da se kotač popne iz prignječena ili iskoči. Kotača ili može skočiti prema ili od operatora, ovisno o smjeru kotača pokreta na mjestu štipanje. U slučaju odskakivanja može doći i do lomljenja brusne ploče.

Odskakivanje je dakle rezultat loše uporabe alata i/ili nepravilnih postupaka ili uvjeta upotrebe. Može ga se izbjeći ako se poštuju neke mjere opreza:

- Održavati čvrsto zahvat na električni alat i položaj vašeg tijela i ruke kako bi Vam omogućiti da se odupre silama povratnog udara. Ako alat ima pomoćnu ručku, svakako je držite kako biste imali optimalni nadzor nad alatom u slučaju odskakivanja ili da možete odgovarajuće reagirati u trenutku uključivanja uređaja.** Poduzmite potrebne mjere kako biste alat mogli kontrolirati u slučaju odskakivanja ili jakog okretnog momenta.
- Nikada ne stavljajte ruku u blizini rotirajućeg pribora.** Alata mogu bakšiš preko vaše ruke.
- Ne poziciju vaše tijelo na području gdje se električni alat će se pomaknuti ako dođe do povratnog udara.** Bakšiš će pokrenuti alat u smjeru suprotnom kotača pokreta na mjestu snagging.
- Koristite posebna njega kod rada kutova, oštrih rubova i sl. Nemojte alat zaglavljivati ili ispuštati iz ruku.** Uglovi, oštrih rubova i odskakanje imaju tendenciju da uloviti rotirajuće pribor i dovesti do gubitka kontrole ili povratnog udara.
- Ne lijepite vidio lanac woodcarving pile ili nazubljeni list pile.** Takve oštrice povećavaju rizik od odskakivanja i gubitka nadzora na alatom.

DODATNE SIGURNOSNE UPUTE ZA RADOVE BRUŠENJA I REZANJA

Specifična sigurnosna upozorenja za radove brušenja i abrazivnog rezanja:

- Koristite samo vrste kotača koji se preporučuju za vaš električni alat i posebni štitičnik namijenjen za odabrani kotač.** Rezna ploče koje nisu namijenjene za električni alat ne mogu se odgovarajuće zaštititi i nisu sigurni.
- Površina brušenja središta rezne ploče mora biti montirana ispod ploče štitičnika.** Nepravilno montirana rezna ploča prolazi kroz ploču štitičnika i ne može biti odgovarajuće zaštićena.

- Štitičnik mora biti čvrsto postavljen i pozicioniran na električni alat radi maksimalne sigurnosti, tako da je minimalna količina kotača izložena prema rukovatelju.** Štitičnik pomaže zaštititi rukovatelja od dijelica slomljene ploče, slučajnog kontakta s pločom te od iskri koje mogu zapaliti odjeću.
- Kotači se moraju koristiti samo za preporučene primjene. Na primjer: Nemojte brusiti s bočnom stranom rezne ploče.** Abrazivne rezne ploče namijenjene su za površinsko brušenje, primjena bočnih sila na ove kotače može dovesti do njihovog pucanja.
- Za vaš odabrani kotač uvijek koristite neoštećene prirubnice kotača koje su točne veličine i oblika.** Pravilna prirubnica kotača podupire kotač te stoga smanjuje mogućnost lomljenja kotača. Prirubnice za rezne kotače mogu se razlikovati od prirubnica za brusne kotače.
- Nemojte koristiti istrošene kotače za alate velike snage.** Kotač namijenjen za alat velike snage nije prikladan za velike brzine manjeg alata i može prsnuti.

DODATNA SIGURNOSNA UPOZORENJA SPECIFIČNA ZA RADOVE ABRAZIVNIM REZANJEM

- Nemojte „zaglavljivati“ reznu ploču ili primjenjivati prekomjerni pritisak. Nemojte pokušavati učiniti predubok rez.** Prekomjerno naprezanje ploče povećava opterećenje i mogućnost uvrtnja ili savijanja ploče prilikom reza i mogućnost povratnog udara ili pucanje ploče.
- Nemojte postavljati tijelo u liniju s i iza ploče za rezanje.** Kad se rezna ploča, u točki rada odmiče od vašeg tijela, može doći do mogućeg povratnog udara rotirajuće ploče i električnog alata prema vama.
- Kad se rezna ploča savije ili kod prekida reza iz bilo kojeg razloga, isključite električni alat i držite alat bez kretanja kako bi se rezna ploča potpuno zaustavila. Nikada ne pokušavajte ukloniti reznu ploču iz reza dok je ploča u pokretu, u suprotnom može doći do povratnog udara.** Istražiti i poduzeti korektivne akcije kako bi se uklonili uzrok kotača obvezujuće.
- Nemojte ponovno pokretati radnju rezanja u izratku.** Neka rezna ploča dostigne punu brzinu i pažljivo ponovno nastavite rezati. Ploča se može saviti, iskliznuti ili odskočiti unatrag ako se električni alat ponovno pokreće u izratku.
- Poduprite ploče ili bilo koji izradak velikih dimenzija kako biste smanjili prignječenje i povratni udar rezne ploče.** Veliki izratci se uvijaju pod svojom vlastitom težinom. Potpornji se moraju postaviti ispod izratka na obim stranama, blizu crte rezanja i pored ruba izratka.
- Budite izrazito oprezni kada radite „prividni rez“ u postojećim zidovima ili područjima u kojima ne vidite rez.** Ploča koja izvire može odrezati cijevi od plina ili vode, električne žice ili predmete koji mogu uzrokovati povratni udar.

POSEBNE SIGURNOSNE UPUTE ZA KUTNE BRUSILICE

- a) Provjerite je li brzina označena na brusu jednaka ili viša od nominalne brzine alata.
- b) Provjerite je li promjer brusa usklađen s alatom te je li brus pravilno umetnut na osovinu.
- c) Bruseve treba spremirati na suho mjesto.
- d) Ne stavljajte predmete na brusove.
- e) Bruseve treba upotrebljavati samo za brušenje, a ne u druge svrhe.
- f) Oprezno spremajte i koristite se brusevima u skladu s uputama proizvođača.
- g) Prije uporabe brusa uvjerite se da nije okrnjen te da na njemu nema pukotina. U protivnom brus može puknuti, što može dovesti do teških tjelesnih ozljeda.
- h) Provjerite je li brus postavljen u skladu s uputama u ovom priručniku.
- i) Prije uporabe provjerite je li brus ispravno postavljen i stegnut, zatim neka se alat okreće u prazno oko 30 sekundi te ga usmjerite tako da ne predstavlja opasnost. Odmah zaustavite alat ako pretjerano vibrira ili ako primjećujete druge probleme. Ako je ovaj uvjet dogodi, provjerite alat odrediti uzrok.
- j) Ne upotrebljavajte prstenove za redukciju ili umetke kako biste smanjili promjer bruseva velikog promjera.
- k) Provjerite je li komad koji obrađujete dobro učvršćen.
- l) Koristite samo brusne odobrio RYOBI.
- m) Pobrinite se da iskre proizlaze iz uporabe ne predstavlja opasnost, primjerice, ne udariti ljudi, ili zapaliti zapaljive tvari.
- n) Uvijek nosite sigurnosne naočale i štitnike za uši.
- o) Koristite druge osobne zaštitne opreme kao što su rukavice, pregaču i kacigu kada je to potrebno.
- p) Nikada ne postavljajte alat na podu ili drugim površinama tijekom rada. Pažnja, brus se zbog inercije okreće i kad isključite stroj. Nikada ne dodirujte kotača ili ga staviti na pod ili druge površine, dok se rotirajući.
- q) Koristite alat samo za odobrene aplikacije. Nikad ne koristite rashladne ili vode ili koristite alat kao fiksni alat.
- r) Dok upotrebljavate alat, čvrsto ga držite objema rukama.

PREOSTALE OPASNOSTI

Čak i kad je proizvod korišten kao što je prethodno opisano, još uvijek nije moguće potpuno isključiti ostale čimbenike opasnosti. Može doći do sljedećih opasnosti prilikom korištenja i operater mora obratiti posebnu pozornost kako bi izbjegao sljedeće:

- Ozljede uzrokovane odbacivanjem čestica
 - Metal ili abrazivne čestice mogu dospjeti u vaše oči i uzrokovati ozbiljna trajna oštećenja. Nosite naočale odobrene za radove brušenje prilikom rada s proizvodom.
- Ozljede uzrokovane vibracijom
 - Ograničite izloženost. Pogledajte „Smanjenje Opasnosti”.
- Ozljede uzrokovane prašinom
 - Nosite odgovarajuću masku s prikladnim filterima koji štite od prašine od materijala na kojem se radi i abrazivnih čestica od ploče za brušenje. Nemojte jesti, piti ili pušiti u radom području. Osigurajte odgovarajuću ventilaciju radnog mjesta.
- Ozljede od kontakta s pločom za brušenje
 - Ploča i izradak postaju vrući tijekom korištenja. Nosite rukavice prilikom izmjene ploče ili doticanja izratka. Držite ruke dalje od područja brušenja. Pričvrstite izradak gdje got je moguće.
- Ozljede uzrokovane bukom
 - Produljeno izlaganje buci povećava opasnost oštećenja sluha, a učinak je kumulativan. Kada koristite AKU alate za dulje vremensko razdoblje, nosite zaštitu za sluh.

SMANJENJE OPASNOSTI

Prijavljeno je da vibracije alata koje se drži u ruci kod određenih pojedinaca mogu doprinijeti stanju pod nazivom Raynaud's Syndrome. Simptomi mogu uključivati trnce, ukočenost i bjelinu prstiju, obično uočljivo po izlaganju hladnoći. Smatra se da nasljedne osobine, izlaganje hladnoći i vlazi, dijeta, pušenje i radni postupci pridonose razvoju ovih simptoma. Postoje mjere koje operater može poduzeti kako bi smanjio moguće učinke vibracije:

- Održavajte svoje tijelo toplim u hladnim vremenskim uvjetima. Kad radite s uređajem nosite rukavice kako biste ruke i zglobove održavali toplima. Prijavljeno je da je hladnoća glavni čimbenik koji doprinosi Raynaud's Syndrome.
- Nakon svakog perioda rada vježbajte kako biste povećali cirkulaciju krvi.
- Uzimajte česte stanke u radu. Ograničite količinu izlaganja po danu.

Ako osjetite neke od simptoma ovog stanja, odmah prekinite korištenje i obratite se svome liječniku vezano uz ove simptome.

⚠ UPOZORENJE

Ozljede mogu biti uzrokovane ili izazvane produljenim vremenskim razdobljem korištenja alata. Kada koristite bilo koji alat dulje vremena, osigurajte da uzimate povremene stanke.

UPOZNAJTE SVOJ PROIZVOD

Pogledajte stranicu 133.

1. Sklopka
2. Gumb za zaključavanje osovine
3. Sklop zaštite ploče
4. Gumb poluge za zaključavanje
5. Vanjska prirubnica
6. Brus
7. Prirubnica
8. Pomoćna ručka
9. Iščaćenje
10. Jednostavna matica za učvršćivanje

ZAŠTITA OD POKRETANJA

Uređaji sa sklopkom za zaključavanje opremljeni su uređajem isključivanja. Ovo sprječava uređaj od samopokretanja nakon nestanka struje. Kada nastavljate s radom, isključite uređaj i potom je ponovno pokrenite.

ODRŽAVANJE**⚠ UPOZORENJE**

Dok motor radi, ne obavljajte nikakva podešavanja.

Proizvod nikad ne smije biti priključen na izvor napajanja kada sastavljate dijelove, vršite podešenja, čistite, izvodite održavanje ili kada se proizvod ne koristi. Iskapčanje alata sprječava slučajno pokretanje koje može dovesti do ozbiljnih osobnih ozljeda.

- Nakon uporabe provjerite je li alat u dobrom radnom stanju.
- Preporuča se da alat najmanje jednom godišnje odnesete u ovlaštenu Ryobi servis radi cjelokupnog podmazivanja i čišćenja.
- Ako je kabel za napajanje oštećen, mora ga zamijeniti samo proizvođač ili ovalšteni servisni centar kako bi se izbjegla opasnost. Obratite se ovlaštenom servisnom centru

⚠ UPOZORENJE

Kako bi se osigurala sigurnost i pouzdanost, sve popravke mora obaviti ovlaštenu servisni centar ili druge stručne usluge organizacije.

⚠ UPOZORENJE

Nemojte koristiti komprimirani zrak za uklanjanje prašine iz proizvoda. Ove čestice su opasne i mogu uzrokovati prljavštinu i biti odbačene te ozlijediti nečije oči.

ZAŠTITA OKOLIŠA

Sirovine reciklirajte, umjesto da ih odlažete kao otpad. Kako biste zaštitili okoliš, alat, dodatke i ambalažu treba odvojeno bacati u otpad.

SIMBOLI NA PROIZVODU

Sigurnosno upozorenje

V

Volti

Hz

Herzi

~

Izmjenična struja

W

Wati

n

Nazivna brzina

min⁻¹

Broj okreta ili pokreta u minuti



Klasa II, dvostruka izolacija



Molimo vas da prije pokretanja uređaja pažljivo pročitate upute.



Nosite zaštitu za sluh



Nosite zaštitu za vid



Nosite masku protiv prašine.



Nemojte koristiti zarezanu, puknutu ili oštećenu brusnu ploču



Not for wet grinding. Korištenje vode ili druge tekućine rashladne može dovesti do električnog udara.



Nosite zaštitne rukavice



Nemojte koristiti za brušenje prednjice.



Nosite zaštitnu obuću.



Nosite zaštitu za oči i vid te masku.



EurAsian znak konformnosti

Sukladno CE



Ukrajinska oznaka za sukladnost



Otpadni električni proizvodi ne treba da se odlažu s otpadom iz domaćinstva. Molimo da reciklirate gdje je to moguće. Potražite savjet od lokalnih vlasti ili prodavca kako reciklirati.

SIMBOLI U PRIRUČNIKU



Priključite na napajanje.



Odspojite iz napajanja.



Dijelovi ili pribor prodan odvojeno



Otpadni električni proizvodi ne treba da se odlažu s otpadom iz domaćinstva. Molimo da reciklirate gdje je to moguće.



Brava



Otključavanje



Napomena



Upozorenje



Zaustavite uređaj.

Slijedeće riječi upozorenja i značenja imaju namjeru da objasne nivo rizika u vezi s ovim proizvodom:

OPASNOST

Naznačuje prijeteću opasnu situaciju, koja ako se ne izbjegne dovodi do smrti ili ozbiljnih ozljeda.

UPOZORENJE

Naznačuje potencijalno opasnu situaciju, koja ako se ne izbjegne dovodi do smrti ili ozbiljnih ozljeda.

OPREZ

Naznačuje potencijalno opasnu situaciju, koja ako se ne izbjegne dovodi do lakših ili srednjih ozljeda.

OPREZ

(Bez simbola upozorenja sigurnosti) Označava situaciju koja može izazvati oštećenje imovine.

Varnost, učinkovitost in zanesljivost so bile pri načrtovanju vašega kotnega brusilnika ključnega pomena.

NAMEN UPORABE

Kotni brusilnik je namenjen odraslim, ki so prebrali in razumejo navodila in opozorila v tem priročniku in ki so odgovorni za svoja dejanja. Kotni brusilnik je namenjen samo brušenju in rezanju kovin. Na kotni brusilnik nameščajte samo ustrezne brusilne plošče, kot je opisano v razdelku s tehničnimi podatki v teh navodilih. Kotni brusilnik je zasnovan za ročno uporabo in ni namenjen za fiksiranje ali montažo na delovno mizo.

⚠ OPOZORILO

Preberite vsa varnostna opozorila in navodila.
Neupoštevanje opozoril in navodil lahko povzroči udar elektrike, požar in/ali težke poškodbe.

Shranite vsa opozorila in navodila za kasnejšo uporabo.

VARNOSTNA OPOZORILO ZA KOTNI BRUSILNIK

VARNOSTNA OPOZORILO ZA BRUŠENJE IN BRUSILNO REZANJE

- To električno orodje je zasnovano kot orodje za brušenje in rezanje. Preberite vsa varnostna opozorila, navodila, ilustracije in specifikacije, ki so priložene temu električnemu orodju.** Če ne upoštevate opozoril in navodil, lahko pride do električnega udara, ognja in/ali hudih poškodb.
- Orodja ni priporočljivo uporabljati za brušenje z brusilnim papirjem, žično brušenje ali poliranje.** Operacije, za katere električno orodje ni bilo predvideno, so lahko tvegane in lahko povzročijo telesne poškodbe.
- Ne uporabljajte dodatkov, ki jih proizvajalec orodja izrecno ne priporoča.** Samo dejstvo, da je dodatek mogoče priključiti na vaše električno orodje, ne zagotavlja varnega delovanja.
- Označena hitrost dodatka mora biti najmanj enaka maksimalni hitrosti, označeni na električnem orodju.** Dodatki, ki delujejo hitreje, kot je njihova označena hitrost, se lahko polomijo in razletijo.
- Zunanji premer in debelina vašega dodatka morata biti znotraj oznake zmogljivosti vašega električnega orodja.** Dodatek nepravilne velikosti ne boste mogli ustrezno nadzorovati.
- Navojne dodatke pritrdite tako, da se ujemajo z navojem vretena brusilnika.** Pri dodatkih, ki so pritrjeni s prirobnicami, se mora sprejemna odprtina na dodatku prilegati vgraditvenemu premeru prirobnice. Če se dodatki ne ujemajo z namestitvenimi elementi električnega orodja, ne bodo uravnoteženi in bodo prekomerno vibrirali, zato lahko izgubite nadzor.
- Ne uporabljajte poškodovanih dodatkov.** Pred

vsako uporabo preglejte dodatke: preverite, če so na brusnih kolesih okrušena mesta ali razpoke, na podpornih blazinicah razpoke, raztrganine ali prevelika obraba oz. na žičnih ščetkah nepritrjene ali polomljene žice. Če vam električno orodje ali dodatek padeta iz rok, preverite, ali sta se morda poškodovala, oz. namestite nepoškodovan dodatek. Potem ko ste pregledali in namestili dodatek, poskrbite, da boste vi sami in morebitne druge osebe stali dovolj stran od vrtečega se dodatka, ter poženite električno orodje s polno hitrostjo brez obremenitve za eno minuto. Poškodovani dodatki običajno v takem testnem času odletijo.

- Nosite osebno varovalno opremo.** Glede na uporabo orodja nosite obrazno masko in varnostna očala. Po potrebi nosite proti-prašno masko, zaščito za sluh, rokavice in delovni predpasnik, ki lahko zadrži drobne ostanke brušenja ali drobne delce obdelovanca. Očesna zaščita mora biti zadostna, da ustavi leteče drobce, ki nastajajo pri različnih operacijah. Proti-prašna maska ali dihalni aparat morata biti sposobna filtriranja delcev, ki nastajajo pri vašem delu. Daljša izpostavljenost zelo intenzivnemu hrupu lahko povzroči okvaro sluha.
- Pazite, da bodo morebitni gledalci dovolj oddaljeni od delovnega območja.** Vsaka oseba, ki vstopi v delovno območje, mora nositi sredstva za osebno zaščito. Delci obdelovanega kosa ali odlomljen dodatek lahko poleti po zraku in povzročijo poškodbe izven neposrednega območja dela.
- Ko izvajate operacijo, pri kateri lahko dodatek za rezanje pride v stik s skritim ožičenjem ali s svojim lastnim kablom, držite električno orodje le na izoliranih površinah, predvidenih za držanje.** Če se pripomočki za rezanje dotaknejo žice, ki je pod električno napetostjo, lahko izpostavljeni kovinski deli električnega orodja povzročijo električni udar.
- Umaknite kabel od vrtečih se dodatkov.** Če izgubite nadzor nad orodjem, lahko le-to prereže kabel ali se zaplete in vašo roko lahko potegne v vrteči se dodatek.
- Nikoli ne odlagajte električnega orodja, dokler se dodatek ni popolnoma ustavil.** Vrteči se dodatek lahko zgrabi površino in izgubili boste nadzor nad orodjem.
- Ne vključujte električnega orodja, kadar ga nosite ob telesu.** Vrteče se orodje lahko nehote pride v stik z vašim oblačilom in potegne dodatek proti vam.
- Redno čistite zračne odprtine na električnem orodju.** Ventilator motorja bo potegnil prah v ohišje, preveliko nabiranje kovinskega prahu pa lahko povzroči električno tveganje.
- Ne uporabljajte električnega orodja v bližini vnetljivih materialov.** Zaradi iskrice se ti materiali lahko vžgejo.
- Ne uporabljajte dodatkov, pri katerih je potreba**

hladilna tekočina. Pri uporabi vode ali drugih hladilnih tekočin lahko pride do električnega udara.

NADALJNJA VARNOSTNA NAVODILA ZA VSE OPERACIJE

Opozorila glede povratnih udarcev in podobnih primerov

Povratni udarec je nenadna reakcija zataknenega ali zagozdenega vrtečega se kolesa, podporne blazinice, krtače ali kateregakoli drugega dodatka. Zagozdenje ali zatikanje povzroči nenadno blokado vrtečega se dodatka, ki zaradi tega povzroči nekontrolirano premikanje električnega orodja v nasprotno smer od rotacije dodatka.

Na primer, če se brusno kolo zatakne ali zagozdi na obdelovancu, se lahko rob kolesa, ki vstopa v točko zatikanja, zakopje v površino materiala, kar povzroči, da se kolo nenadoma pomakne ali skoči navzven. Kolo lahko poskoči proti uporabniku ali proč od njega, odvisno od smeri premikanja kolesa v trenutku zagozditve. Brusna kolesa lahko v takih pogojih tudi počijo.

Izogremo se mu lahko tako, da upoštevamo ustrezne previdnostne ukrepe, ki so navedeni v nadaljevanju.

- a) **Trdno držite električno orodje in postavite svoje telo in roko tako, da boste lahko kljubovali sili povratnega udarca. Vedno uporabljajte pomožni ročaj, če je na voljo, saj boste imeli na ta način večji nadzor nad povratnim udarcem ali protivrtlilnim momentom v času zagona.** Uporabnik lahko nadzira protivrtlilni moment ali silo povratnega udarca, če se je nanje pravilno pripravil.
- b) **Nikoli ne približujte roke vrtečemu se dodatku.** Dodatek lahko zaradi povratnega udarca sune v vašo roko.
- c) **Ne postavljajte se s telesom v območje, kamor se bo premaknilo električno orodje, če pride do povratnega udarca.** Povratni udarec bo potisnil orodje v nasprotni smeri od premikanja kolesa v trenutku zagozditve.
- d) **Posebej bodite previdni pri obdelavi vogalov, ostrih robov itd. Izogibajte se poskakovanju in zaletavanju dodatka.** Zaradi vogalov, ostrih robov ali poskakovanja se lahko vrteči se dodatek zaleti, zaradi česar izgubite nadzor nad njim ali pride do povratnega udarca.
- e) **Ne pritrjujte verižne žage, rezila za obdelavo lesa ali zobatega rezila žage.** Taka rezila pogosto povzročijo povratni udarec in izgubo nadzora.

DODATNA VARNOSTNA NAVODILA ZA BRUŠENJE IN REZANJE

Varnostna opozorila, specifična za brušenje in brusilno rezanje

- a) **Uporabljajte le vrste kolutov, ki so priporočene za vaše orodje in specifična varovala, ki so zasnovana za izbrani kolut.** Kolutov, za katere orodje ni bilo izdelano, ni mogoče ustrezno zaščititi, zato jih ni varno uporabljati.
- b) **Brusilna površina kolenastih brusilnih kolutov**

mora biti nameščena pod ravnino robu varovala. Nepravilno nameščenega koluta, ki sega iz ravnine robu varovala, ni mogoče ustrezno zaščititi.

- c) **Varovalo mora biti trdno pritrjeno na orodje in nameščeno v takem položaju, da zagotavlja najboljšo zaščito tako, da je upravljavcu izpostavljen čim manjši del koluta.** Varovalo pomaga varovati upravljavca pred drobci koluta, nenamernim stikom s kolutom in iskrami, ki bi lahko vnele oblačila.
- d) **Kolute smete uporabljati le za priporočeno uporabo. Na primer: Ne brusite s stranjo rezalnega koluta.** Abrazivni rezalni koluti so namenjeni obrobnemu brušenju; stranske sile, ki delujejo na kolute lahko povzročijo, da se koluti zdrobijo.
- e) **Vedno uporabljajte nepoškodovane prirobnice kolutov pravilne velikosti in oblike za izbrani kolut.** Ustrezne prirobnice kolutov podpirajo kolut in tako zmanjšujejo možnost, da se kolut zlomi. Prirobnice rezilnih kolutov so lahko drugačne od prirobnic brusilnih kolutov.
- f) **Ne uporabljajte obrabljenih kolutov večjih orodij.** Koluti, namenjeni za uporabo z večjimi orodji, niso primerni za višje hitrosti manjših orodij in se lahko razletijo.

DODATNA VARNOSTNA OPOZORILA ZA BRUSILNO REZANJE

- a) **Reznega koluta ne zagozdite in ne pritiskajte premočno. Ne poskušajte prekomerno zarezati v globino.** Prekomeren pritisk na kolut poveča obremenjenost in s tem dovzetnost za upogibanje ali zvijanje koluta v rezu ter možnost povratnega udarca ali zloma koluta.
- b) **Telesa ne postavljajte v linijo z vrtečim se kolutom ali za kolut.** Ko se kolut med delovanjem pomika proč od vašega telesa, lahko možen povraten udarec vrže vrteči se kolut in orodje naravnost v vas.
- c) **Če se kolut upogiba ali če rezanje prekinete zaradi kateregakoli vzroka, izklopite orodje in ga držite v mirovanju, dokler se kolut popolnoma ne ustavi. Reznega koluta nikoli ne poskušajte odstraniti iz reza, medtem ko se kolut premika, saj lahko pride do povratnega udarca.** Preiščite situacijo in ukrepajte tako, da boste odstranili vzrok za ustavitve kolesa.
- d) **Rezanja obdelovanca ne začnite znova. Kolut naj doseže polno hitrost, nato pa previdno ponovite rez.** Kolut se lahko upogne, nenadzorovano premakne ali udari nazaj, če električno orodje ponovno zaženete v obdelovancu.
- e) **Plošče ali prevelike obdelovance ustrezno podprite, da zmanjšate tveganje za stiskanje koluta in povratni udarec.** Veliki obdelovanci se lahko zaradi svoje lastne teže upognejo. Podpore morajo biti nameščene pod obdelovavec na obeh straneh, blizu linije rezanja in na robu obdelovanca.

- f) **Pri potopnem rezanju v obstoječo steno ali druge polne površine bodite posebej pazljivi.** Štrleči del koluta lahko reže plinske ali vodne cevi, električne žice ali predmete, ki lahko povzročijo povratni udarec.

VARNOSTNA OPOZORILA ZA KOTNI BRUSILNIK

- a) Prepričajte se, da je hitrost, ki je navedena na brusnem kolotu, enaka ali večja kot nominalna hitrost orodja.
- b) Prepričajte se, da so dimenzije brusnega koluta združljive z orodjem in da se kolot prilega vretenu.
- c) Brusne kolote hranite na suhem mestu.
- d) Ne odlagajte predmete na brusne kolote.
- e) Brusne kolote uporabljajte izključno za brušenje.
- f) Brusne kolote hranite in z njimi ravnejte pazljivo in v skladu z navodili proizvajalca.
- g) Pred uporabo preglejte brusni kolot in se prepričajte, da ni odkrušen ali počen. Odkrušeni deli in razpoke lahko povzročijo, da se kolot zdrobi in povzroči resne poškodbe.
- h) Zagotovite, da je kolot pritrjen v skladu s tem priročnikom.
- i) Pred uporabo se prepričajte, da je brusni kolot pravilno montiran in pritegnjen, nato pa vklopite orodje za 30 sekund s hitrostjo brez obremenitve v varnem položaju. Če se pojavijo upoštevanja vredni tresljaji ali druge napake, orodje takoj ustavite. V tem primeru preglejte orodje in ugotovite vzrok za težave.
- j) Ne uporabljajte dodatnih kovinskih ploščic ali adapterjev, da bi pritrjili brusne kolote s preveliko luknjo.
- k) Prepričajte se, da je obdelovanec ustrezno pritrjen.
- l) Uporabljajte le brusne kolote, ki jih je odobril podjetje RYOBI.
- m) Zagotovite, da iskre, ki nastajajo pri delu, ne bodo zadele ljudi ali vžgale vnetljivih snovi.
- n) Vedno nosite zaščitna očala in zaščito za sluh.
- o) Ko je potrebno, uporabljajte osebno zaščitno opremo, kot so rokavice, predpasnik in čelada.
- p) Nikoli ne postavite orodja na tla ali drugo površino, med tem ko deluje. Brusni koloti se vrtijo tudi po tem, ko ste orodje že izklopili. Nikoli ne dotikajte koluta ali ga postavite na tla ali drugo površino, med tem ko se vrti.
- q) Orodje uporabljajte le za opravila, za katera je namenjeno. Nikoli ne uporabljajte hladilnih sredstev ali vode in ga ne uporabljajte kot pritrjeno orodje.
- r) Ko delate, orodje držite trdno z obema rokama.

PREOSTALA TVEGANJA

Nekateri preostalih dejavnikov tveganja ni mogoče povsem odpraviti, tudi če ta izdelek uporabljate v skladu z navodili. Med uporabo se lahko pojavijo nekatere nevarnosti, upravljavec pa naj bo pozoren na naslednje:

- Poškodbe zaradi odbitih delcev
 - Kovinski ali abrazivni delci lahko zaidejo v oči in povzročijo resne, trajne poškodbe. Pri uporabi izdelka nosite zaščitna očala, namenjena za brušenje.
- Poškodbe zaradi vibracij
 - Omejite izpostavljenost. Glejte »Zmanjševanje Tveganj«.
- Poškodbe zaradi prahu
 - Wear appropriate dust control mask with suitable filters that can protect against dust from the material being worked on and abrasive particles from the grinding disc. Do not eat, drink, or smoke in the work area. Zagotovite primerno prezračevanje prostora.
- Poškodbe zaradi stika z brusilnim kolotom
 - Kolot in obdelovanec se med uporabo segrejeta. Pri menjavanju kolotov ali dotikanju obdelovanca nosite zaščitne rokavice. Roke vedno držite stran od območja brušenja. Obdelovanec vedno, kadar je mogoče, fiksirajte.
- Poškodbe zaradi hrupa
 - Daljša izpostavljenost hrupu poveča tveganje za poškodbe sluha in učinki se seštevajo. Pri daljši uporabi električnih orodij nosite zaščito za sluh.

ZMANJŠANJE TVEGANJA

Ugotovljeno je bilo, da lahko pri nekaterih posameznikih vibracije ročnih orodij povzročijo Raynaudov sindrom. Simptomi so lahko mravljinci, otrplost in poblebeli prsti, kar je običajno vidno, kadar je oseba izpostavljena mrazu. Dedni dejavniki, izpostavljenost mrazu in vlagi, dieta, kajenje in delovne navade naj bi pripomogle k razvoju teh simptomov. Za zmanjšanje učinkov vibracij lahko upravljavec upošteva naslednja navodila:

- Poskrbite, da bo vaše telo na mrazu toplo. Med upravljanjem nosite rokavice in tako ohranajte toploto vaših dlani in zapestij. Kot poročajo, je mraz glavni dejavnik, ki prispeva k Raynaudovemu sindromu.
- Po vsakem obdobju upravljanja naprave telovadite in tako pospešite krvni obtok.
- Pogosto si vzemite odmor. Omejite dnevno količino izpostavljenosti.

Če zaznavate kakršne koli simptome takšnega stanja, takoj prenehajte z uporabo naprave in se o simptomih posvetujte z zdravnikom.

▲ OPOZORILO

Zaradi daljše uporabe orodja lahko pride do poškodb oz. se morebitne poškodbe poslabšajo. Kadar orodje uporabljate dalj časa, si večkrat vzemite odmor.

SPOZNAJTE SVOJ IZDELEK

Glej stran 133.

1. Stikalo
2. Gumb za blokado vretena
3. Sklop varoval koluta
4. Zapora vzvoda za varovalo
5. Zunanja prirobnica
6. Brusni kolot
7. Kolutna prirobnica
8. Pomožna ročica
9. Ključ
10. Matica za enostavno pritrditev

ZAGONSKA ZAŠČITA

Naprave z zaklepnim stikalom so opremljene z odklopom. To preprečuje, da bi se naprava samodejno zagnala po izpadu električne energije. Ko nadaljujete delo, stikalo naprave izključite in ga ponovno vključite.

VZDRŽEVANJE**⚠ OPOZORILO**

Ne spreminjajte nobenih nastavitev, ko motor deluje.

Ko sestavljate dele, prilagajate, čistite ali vzdržujete orodje, ali ko orodje ne uporabljate, ga nikoli ne imejte priključenega na vir napajanja. Če odklopite orodje, se naprava ne more po nesreči sama zagnati, kar bi sicer lahko povzročilo hude poškodbe.

- Po vsaki uporabi preglejte orodje in se prepričajte, da je v brezhibnem stanju.
- Priporočamo vam, da to orodje vsaj enkrat letno odnesete v pooblaščen servisni center Ryobi, kjer ga bodo temeljito očistili in podmazali.
- Če je napajalni kabel poškodovan, ga mora zaradi izogibanja tveganja zamenjati proizvajalec ali pooblaščen servis. Obrnite se na pooblaščen servisni center

⚠ OPOZORILO

Vsa popravila naj izvede pooblaščen servisni center ali druga kvalificirana servisna organizacija, ki vam bo zagotovila varnost in zanesljivost.

⚠ OPOZORILO

Iz izdelka prahu ne spihiujte s stisnjenim zrakom. To početje je nevarno in lahko povzroči, da umazanija ali droben pesek odleti v oči oseb in jih tako poškoduje.

ZAŠČITA OKOLJA

Namesto, da napravo zavržete, reciklirajte surovine. Napravo, pribor in embalažo je treba sortirati za okolju prijazno recikliranje.

SIMBOLI NA IZDELKU

Varnostni alarm

V

Volti

Hz

Hertz

~

Izmenični tok

W

Watt

n

Nazivna hitrost

min⁻¹

Vrtljajev ali nihajev na minuto



Razred II, dvojno izolirano



Pred zagonom naprave pozorno preberite navodila.



Nosite zaščito za ušesa



Nosite zaščito za oči



Nosite protiprašno masko.



Ne uporabljajte odkrušenih, počenih ali poškodovanih brusilnih kolotov



Ni za mokro brušenje Pri uporabi vode ali drugih hladilnih tekočin lahko pride do električnega udara.



Nosite zaščitne rokavice



Ne uporabljajte za čelno brušenje.



Nosite zaščitno obutev.



Nosite zaščito za oči in ušesa ter zaščitno masko.



EurAsian oznaka o skladnosti

Skladnost CE



Ukrajinska oznaka za skladnost



Odpadne električne izdelke ne odlagajte skupaj z ostalimi gospodinjskimi odpadki. Reciklažo opravljajte na predpisanih mestih. Za nasvet se obrnite na lokalne oblasti.

SIMBOLI V PRIROČNIKU



Priključite na električno napajanje.



Odklopite z električnega napajanja.



Deli ali dodatki so na prodaj ločeno



Odpadne električne izdelke ne odlagajte skupaj z ostalimi gospodinjskimi odpadki. Reciklažo opravljajte na predpisanih mestih.



Zaklenjeno



Odklenjeno



Opomba



Opozorilo



Zaustavite izdelek.

Sledeče signalne besede in pomeni naj bi pojasnili ravni tveganja, ki so povezane s tem izdelkom.

NEVARNOST

Označuje neizogibno nevarno stanje, ki lahko povzroči smrt ali hude poškodbe, če ga ne preprečite.

OPOZORILO

Označuje morebitno nevarno stanje, ki bi lahko povzročilo smrt ali hude poškodbe, če ga ne preprečite.

POZOR

Označuje morebitno nevarno stanje, ki lahko povzroči manjše ali zmerne poškodbe, če se ga ne preprečite.

POZOR

(Brez simbola Varnostni alarm) Označuje stanje, ki lahko privede do poškodovanja lastnine.

Na dosiahnutie jednoduchej obsluhy a prevádzky boli pri navrhovaní tejto uhlovej brúsky najvyššou prioritou bezpečnosť, výkon a spoľahlivosť.

ÚČEL POUŽITIA

Táto uhlová brúška je určená len na použitie dospelými osobami, ktoré si prečítali a porozumeli pokynom a výstrahám v tomto návode a možno ich považovať za zodpovedajúce za svoje činy. Uhlová brúška je určená len na brúsenie a rezanie kovov. Na uhlovú brúsku možno montovať len príslušné brúsne disky podľa popisu v sekcii špecifikácií produktu v tomto návode. Uhlová brúška je určená na ručné použitie, nie je určená na montáž na upínací prvok alebo pracovný stôl.

VAROVANIE

Prečítajte si všetky varovania a všetky inštrukcie. Ak nedodržíte varovania a inštrukcie, môže to mať za následok zranenie elektrickým prúdom, požiar a/alebo vážne zranenie.

Všetky varovania a inštrukcie uschovajte pre použitie v budúcnosti.

UHLOVÁ ROZBRUSOVAČKA – BEZPEČNOSTNÉ VÝSTRAHY

BEZPEČNOSTNÉ VÝSTRAHY ŠPECIFICKÉ PRE BRÚSENIE A ABRAZÍVNE ROZBRUSOVANIE:

- a) Tento nástroj slúži ako brúška a rozbrusovačka. Prečítajte si všetky výstrahy, pokyny, vyobrazenia a špecifikácie dodané k tomuto elektrickému nástroju. Pri nedodržaní týchto výstrah a pokynov môže dôjsť k úrazu elektrickým prúdom, požiaru a/alebo závažnému poraneniu
- b) S týmto elektrickým nástrojom sa neodporúča vykonávať operácie ako pieskovanie, brúsenie drôteným kotúčom alebo leštenie. Pri vykonávaní operácií, pre ktoré nie je tento elektrický nástroj určený, vzniká riziko vzniku poranenia osôb.
- c) **Nepoužívajte príslušenstvo, ktoré nie je konkrétne určené a odporúčané výrobcom náradia.** To, že príslušenstvo sa dá nasadiť na váš elektrický nástroj, ešte neznamená, že bude pri tom zaistená bezpečná prevádzka.
- d) **Menovitá rýchlosť príslušenstva môže byť maximálne rovnaká maximálnej rýchlosti vyznačenej na elektrickom náradí.** Príslušenstvo pracujúce na vyššej ako svojej menovitej rýchlosti, sa môže rozbiť a rozpadnúť.
- e) **Vonkajší priemer a hrúbka vášho príslušenstva musí byť v rozmedzí menovitej kapacity elektrického náradia.** Príslušenstvo nepravnej veľkosti nie je možné primerane viesť a ovládať.
- f) **Závitová držiak príslušenstva musí zodpovedať závit vretena brúsky.** Pri príslušenstve montovanom pomocou prírub musí upínací otvor príslušenstva zodpovedať vodiacemu priemeru príruby. Príslušenstvo, ktoré nezodpovedá montážnemu náradu elektrického nástroja, sa dostane mimo rovnováhu, spôsobí nadmerné vibrácie a môže spôsobiť stratu kontroly.
- g) **Nepoužívajte poškodené príslušenstvo.** Pred každou kontrolou príslušenstva, napríklad abrazívnych kotúčov, skontrolujte, či neobsahuje úlomky alebo praskliny, oporné podložky, nie sú zodraté alebo nadmerne opotrebované, drôtené kotúče, či nie sú uvoľnené alebo nemajú popraskané vlákna. Ak elektrické náradie alebo príslušenstvo spadnú, skontrolujte prípadné poškodenie alebo namontujte nepoškodené príslušenstvo. Po skontrolovaní a namontovaní príslušenstva sa postavte vy aj okolostojaci mimo roviny rotujúceho príslušenstva a na jednu minútu spustíte elektrický náradie na maximálnu rýchlosť bez záťaže. Poškodené príslušenstvo sa zvyčajne počas tohto testu rozpadne.
- h) **Používajte osobné ochranné prostriedky.** V závislosti od použitia používajte chrániče na tvár, ochranné alebo bezpečnostné okuliare. Podľa potreby používajte protiprachovú masku, chrániče sluchu, rukavice a pracovnú zásteru schopnú zachytiť malé úlomky brusiva alebo obrobku. Chránič zraku musí byť schopný zastaviť odletujúce úlomky vytvárané pri rôznych úkonoch. Protiprachová maska alebo respirátor musia byť schopné filtrovať častičky vytvárané pri vašej činnosti. Dlhodobé vystavovanie hluku môže spôsobiť stratu sluchu.
- i) **Okolostojacích udržiavajte v bezpečnej vzdialenosti od pracoviska.** Každá osoba, ktorý vstúpi do oblasti pracoviska, musí mať osobné ochranné pomôcky. Úlomky obrobku alebo poškodené príslušenstvo môže odletieť a spôsobiť poranenie aj mimo bezprostredného miesta práce.
- j) **Pri vykonávaní operácie, kedy môže rezacie náradie prísť do kontaktu so skrytým vedením alebo vlastným káblom, držte náradie za izolované úchopné miesta.** Pri kontakte rezacieho príslušenstva so „živým“ vodičom by mohli byť obnažené kovové diely pod prúdom a spôsobiť obsluhujúcemu úder elektrickým prúdom.
- k) **Kábel umiestnite mimo dosahu rotujúceho príslušenstva.** Ak stratíte kontrolu, kábel sa môže prerezať alebo zachytiť a vašu ruku alebo rameno môže vtiahnuť do otáčajúceho sa príslušenstva.
- l) **Nikdy elektrický nástroj neodkladajte, kým sa príslušenstvo úplne nezastavilo.** Otáčajúce sa príslušenstvo môže zachytiť a stiahnuť elektrické náradie mimo vašej kontroly.
- m) **Nikdy nespúšťajte elektrické náradie, keď ho nosíte na boku.** Pri náhodnom kontakte s otáčajúcim sa príslušenstvom by vám mohlo zachytiť odev a stiahnuť príslušenstvo smerom na vaše telo.
- n) **Pravidelne čistite vzduchové priechody elektrického náradia.** Ventilátor motora vŕha prach dovnutra a nadmerné nahromaždenie

práškového kovu môže spôsobiť ohrozenie elektrickým prúdom.

- o) **Nepracujte s elektrickým náradím v blízkosti zápalných materiálov.** Iskry mohli spôsobiť vznietenie týchto materiálov.
- p) **Nepoužívajte príslušenstvo, ktoré vyžadujú tekuté chladivá.** Pri použití vody alebo iného tekutého chladiva by mohlo dôjsť k usmrtieniu alebo úderu elektrickým prúdom.

ĎALŠIE BEZPEČNOSTNÉ POKYNY PRE VŠETKY OPERÁCIE

Spätný náraz a súvisiace výstrahy

Spätný náraz je náhla reakcia na zovretý alebo pritlačený rotujúci kotúč, opornú podložku, kefku alebo iné príslušenstvo. Zoškrtenie alebo pritlačenie spôsobí náhle spomalenie otáčajúceho sa príslušenstva, čo zase spôsobí nekontrolované uskočenie elektrického náradia v opačnom smere ako otáčanie príslušenstva v momente zovretia.

Napríklad, ak obroбок priškrtní alebo pritlačí rozbrusovací kotúč, okraj kotúča vstupujúceho do bodu priškrtenia môže spôsobiť jeho vrytie do povrchu materiálu, čo spôsobí vytiahnutie alebo vykopnutie kotúča. Kotúč môže byť vyskočiť dopredu alebo dozadu od obsluhujúcej osoby, v závislosti od smeru pohybu kotúča v momente priškrtenia. Za týchto podmienok môžu tiež prasknúť abrazívne kotúče. Spätný náraz je výsledok nesprávneho používania nástroja a/alebo nesprávnych prevádzkových postupov a možno mu predchádzať vykonávaním príslušných predbežných opatrení uvedených nižšie.

- a) **Udržiavajte pevný úchop elektrického náradia a vaše telo a rameno v polohe, ktorá vám umožní odolávať sile spätného nárazu. Vždy používajte aj pomocnú rukoväť, ak je namontovaná, aby ste dosiahli maximálnu kontrolu nad spätným nárazom alebo momentovou reakciou pri spustení.** Sily spätného nárazu alebo momentových reakcií môže obsluhujúca osoba ovládnuť, ak vykoná príslušné protiopatrenia.
- b) **Nikdy nedávajte ruku do blízkosti otáčajúceho sa príslušenstva.** Príslušenstvo môže vykonať spätý náraz do vašej ruky.
- c) **Nepribližujte sa telom do oblasti, kam sa pohne elektrické náradie, keď nastane spätý náraz.** Spätý náraz odhodí náradie opačným smerom od smeru pohybu kotúča v momente priškrtenia.
- d) **Pri opracovávaní rohov, ostrých hrán a pod. buďte zvlášť opatrní. Zabráňte odsakovaniu a zadrhávaniu príslušenstva.** Rohy, ostré hrany alebo odsakovanie majú tendenciu zadrhnúť príslušenstvo a spôsobiť stratu kontroly alebo spätý náraz.
- e) **Nenasadzujte rezbárske ostrie na reťazovú pílu alebo ozubené pílové ostrie.** Takéto ostria často spôsobujú spätý náraz a stratu kontroly

ĎALŠIE BEZPEČNOSTNÉ POKYNY PRE BRÚSENIE A ROZBRUSOVANIE

Bezpečnostné výstrahy špecifické pre brúsenie a abrazívne rozbrusovanie:

- a) **Používajte len typy kotúčov odporúčané pre váš elektrické náradie a špecifický ochranný kryt pre zvolený kotúč.** Kotúče, pre ktoré nie je tento elektrické náradie určené, nie je možné primerane viesť a nie sú bezpečné.
- b) **Brúsna plocha v strede sploštených kotúčov musí byť namontovaná pod rovinnou obrubu ochranného krytu.** Nesprávne namontovaný kotúč, ktorý vyčnieva cez rovinnu obrubu ochranného krytu, nie je možné primerane chrániť.
- c) **Ochranný kryt musí byť bezpečne nasadený na elektrickom náradí a v polohe zaručujúcej maximálnu bezpečnosť, aby smerom k obsluhujúcemu bola vystavená čo najmenšia časť kotúča.** Kryt chráni obsluhujúceho pred úlomkami poškodeného kotúča, náhodným kontaktom a iskrami, ktoré by mohli spôsobiť vznietenie odevu.
- d) **Kotúče možno používať len pre odporúčané aplikácie. Napríklad: Nebrúste s bočnou stranou rozbrusovacieho kotúča.** Abrazívne rozbrusovacie kotúče sú určené pre periférne brúsenie, inak by bočné sily aplikované na tieto kotúče mohli zapríčiniť ich rozlomenie.
- e) **Vždy používajte nepoškodené príruby kotúčov správnej veľkosti a tvaru pre váš zvolený kotúč.** Správne príruby kotúčov podopierajú kotúč, a tým znižujú pravdepodobnosť zlomenia kotúča. Príruby pre rozbrusovacie kotúče môžu byť odlišné od prírub pre brúsne kotúče.
- f) **Nepoužívajte vydraté kotúče z väčších elektrických nástrojov.** Kotúče určené pre väčšie elektrické náradie nie sú vhodné pre vyššie rýchlosti menšieho náradia a môžu prasknúť.

ĎALŠIE BEZPEČNOSTNÉ VÝSTRAHY ŠPECIFICKÉ PRE ABRAZÍVNE ROZBRUSOVANIE

- a) **Dbajte na to, aby nedošlo k „zaseknutiu“ rozbrusovacieho kotúča ani naň nevyvíjajte nadmerný tlak. Nevykonávajte rezy nadmernej hĺbky.** Pretažovanie kotúča zvyšuje zaťaženie a náchylnosť ku skrúteniu alebo zovretiu kotúča v reze a pravdepodobnosť spätného nárazu alebo prasknutia kotúča.
- b) **Nepribližujte sa telom do línie a za otáčajúci sa kotúč.** Keď sa kotúč v bode operácie pohybuje smerom od vášho tela, prípadný spätý náraz môže odhodíť otáčajúci sa kotúč a elektrický nástroj priamo do vás.
- c) **Keď sa kotúč zoviera alebo sa rezanie z akéhokoľvek dôvodu preruší, vypnite elektrický nástroj a podržte ho nehybne, kým sa kotúč úplne nezastaví. Nikdy sa nepokúšajte vybrať rozbrusovací kotúč z rezu, kým sa tento pohybuje, inak môže dôjsť k spätnému nárazu.** Zistite a vykonajte nápravné kroky a eliminujte

príčinu zovierania kotúča.

- d) **Nespúšťajte znova rezanie v obrobku. Počkajte, kým kotúč dosiahne maximálnu rýchlosť a potom znova vojdite do rezu.** Pri opätovnom spustení elektrického nástroja v obrobku sa kotúč môže zovrieť, vysunúť alebo spätne naraziť.
- e) **Panely či iné nadmerné obrobky podoprite, aby sa minimalizovalo riziko zovretia kotúča a spätného nárazu.** Veľké obrobky sa zvyknú prehybať pod vlastnou váhou. Podpery sa musia umiestniť pod obrobok v blízkosti línie rezania a v blízkosti okraja obrobku na oboch stranách kotúča.
- f) **Pri vykonávaní „vreckového rezu“ do existujúcich stien či iných neprehľadných povrchov.** Prečnievajúci kotúč môže prerezať plynové alebo vodovodné potrubie, elektrické vedenie alebo objekty, ktoré môžu zapríčiniť spätný náraz.

BEZPEČNOSTNÉ OPATRENIA PRE UHLOVÝ BRÚSKU

- a) Skontrolujte, či rýchlosť vyznačená na brúsnom kotúči je rovná alebo vyššia ako menovitá rýchlosť nástroja.
- b) Skontrolujte, či rozmery brúsneho kotúča sú kompatibilné s nástrojom a či je kotúč kompatibilný s vretenom.
- c) Brúsne kotúče je potrebné skladovať na suchom mieste.
- d) Na brúsne kotúče nepokladajte žiadne predmety.
- e) Brúsne kotúče sa nesmú používať pre žiadne iné činnosti ako brúsenie.
- f) Brúsne kotúče je potrebné skladovať a manipulovať s nimi s opatrnosťou, podľa pokynov výrobcu.
- g) Pred použitím skontrolujte brúsny kotúč, či nie je prasknutý alebo vyštrbený. Vyštrbenia alebo praskliny môžu spôsobiť rozlomenie kotúča a následné závažné poranenie.
- h) Skontrolujte, či je kotúč nasadený podľa pokynov v tomto návode.
- i) Pred použitím skontrolujte, či je brúsny kotúč správne namontovaný a utiahnutý a spustíte nástroj na 30 sekúnd v rýchlosti bez záťaže v bezpečnej polohe. Ak dochádza k výrazným vibráciám alebo zistíte iné poruchy, okamžite ho zastavte. V takom prípade skontrolujte nástroj a zistíte príčinu.
- j) Nepoužívajte samostatné redukčné zdierky alebo adaptéry na prispôsobenie brúsnym kotúčom s veľkým otvorom.
- k) Skontrolujte, či je obrobok správne podoprený.
- l) Používajte len brúsne kotúče schválené spoločnosťou RYOBI.
- m) Dbajte na to, aby iskry vznikajúce pri práci nespôsobili žiadne riziko, napr. nelietali do iných osôb či nevznietili horľavé materiály.
- n) Vždy používajte bezpečnostné ochranné okuliare

a chrániče uší.

- o) Podľa potreby používajte aj ostatné ochranné pomôcky ako rukavice, zásteru a helmu.
- p) Nikdy nepokladajte nástroj na dlážku či iné povrchy, keď je spustený. Brúsne kotúče sa ďalej točia aj po vypnutí nástroja. Nikdy sa nedotýkajte kotúča, ani ho nepokladajte na dlážku či iné povrchy, keď sa otáča.
- q) Nástroj používajte len pre schválené aplikácie. Nikdy nepoužívajte chladivá alebo vodu, ani nepoužívajte nástroj ako pripevnený nástroj.
- r) Pri práci držte nástroj pevne oboma rukami.

ZVYŠKOVÁ RIZIKOVOSŤ

Aj keď sa nástroj používa podľa predpisu, nie je možné eliminovať určité zvyškové rizikové faktory. Pri použití vznikajú nasledujúce riziká a obsluhujúca osoba musí venovať zvláštnu pozornosť, aby nedošlo k nasledovnému:

- Zranenie spôsobené vymrštenými čiastočkami
 - Kovové alebo abrazívne čiastočky sa môžu dostať do očí a spôsobiť závažné trvalé poškodenie. Pri obsluhu produktu používajte okuliare určené na brúsenie.
- Zranenie spôsobené vibráciami
 - Obmedzte expozíciu. Pozrite časť "Znižovanie Rizika".
- Zranenie spôsobené prachom
 - Používajte primeranú masku na zachytávanie prachu s vhodnými filtrami, ktoré dokážu chrániť pred prachom z opracúvaného materiálu a abrazívnymi čiastočkami z brúsneho kotúča. Na pracovisku nejedzte, nepite ani nefajčite. Zabezpečte primerané vetranie pracoviska.
- Zranenie pri kontakte s brúsnym kotúčom
 - Kotúč alebo obrobok sa pri práci zohrejú na vysokú teplotu. Pri výmene kotúčov alebo dotýkaní sa obrobku používajte rukavice. Držte ruky neustále mimo dosahu brúsneho priestoru. Upnite obrobok vždy, keď je to možné.
- Zranenie spôsobené hlukom
 - Dlhodobé vystavovanie hluku zvyšuje riziko poškodenia sluchu a účinky sú kumulatívne. Pri používaní mechanických nástrojov dlhšiu dobu používajte ochranu sluchu.

OBMEDZENIE RIZIKA

Boli hlásené prípady, kedy vibrácie z ručných nástrojov u niektorých osôb prispeli k stavu nazývanému Raynaudov syndróm. K symptómom patria: tŕpnutie, znecitlivenie a blednutie prstov, zvyčajne zjavné po vystavení zime. Je známe, že k vývoju týchto symptómov prispievajú: dedičné faktory, vystavovanie zime a vlhkosti, diéta, fajčenie a pracovné návyky. Opatrenia, ktoré môže vykonať obsluhujúca osoba na možné zníženie účinkov vibrácií:

- V studenom počasí udržiavajte svoje telo v teple. Pri práci so zariadením noste rukavice, aby ste mali ruky a zápästia v teple. Boli hlásené prípady, kedy hlavným

faktorom prispievajúcim k Raynaudovmu syndrómu bolo studené počasie.

- Po každom určitom časovom úseku prevádzky cvičte, aby ste zlepšili krvný obeh.
- Počas práce si doprajte časté prestávky. Obmedzte počet vystavení za deň.

Ak zistíte ktorýkoľvek zo symptómov tohto stavu, okamžite prerušte používanie zariadenia, navštívte svojho lekára a povedzte mu o symptómoch.

VAROVANIE

Dlhodobé používanie nástroja môže spôsobiť alebo zhoršiť poranenia. Pri používaní nástroja príliš dlhé obdobia si vždy doprajte pravidelné prestávky.

OBOZNÁMTE SA S VAŠIM PRODUKTOM

Vid' strana 133.

1. Prepínač
2. Tlačidlo blokovania vretena
3. Jednotka krytu kotúča
4. Poistka páčky krytu
5. Upínacia matica
6. Brúsny kotúč
7. Príruba disku
8. Pomocná rukoväť
9. Kľúč
10. Rýchlopínacia matica

OCHRANA PRED SPUSTENÍM

Stroje so spínačom blokovania sú vybavené poistkou. Tá bráni opätovnému spusteniu stroja po výpadku napájania. Keď pokračujete v práci, vypnite stroj a potom ho znova zapnite.

ÚDRŽBA

VAROVANIE

Kým sa motor pohybuje, nevykonávajte žiadne nastavenia.

Orodje izkľučíte iz električne napetosti, vedno ko nameščate pribor, spreminjate nastavitve, ga čistite, vzdržujete ali ko orodja ne uporabljate. Pri odpojenji nástroja zabránite náhodnému spusteniu, ktoré by mohlo spôsobiť závažné poranenie.

- Po použití skontrolujte, či je nástroj v dobrom stave.
- Raz ročne sa odporúča odovzdať nástroj do autorizovaného servisného strediska spoločnosti Ryobi na dôkladné včistenie a namazanie.
- Ak dôjde k poškodeniu napájacieho kábla, aby nedošlo k ohrozeniu, musí ho vymeniť výrobca alebo autorizované servisné stredisko. Kontaktujte autorizované servisné centrum

VAROVANIE

Na zaistenie bezpečnosti a spoľahlivosti musí všetky opravy vykonávať **AUTORIZOVANÉ SERVISNÉ STREDISKO** alebo **KVALIFIKOVANÁ SERVISNÁ ORGANIZÁCIA**.

VAROVANIE

Na odstraňovanie prachu z produktu nepoužívajte stlačený vzduch. Tento zvyk je nebezpečný a môže spôsobiť odfúknutie hliny a štrku poraniť niekomu zrak.

OCHRANA ŽIVOTNÉHO PROSTREDIA



Surové materiály recyklujte, nelikvidujte ich ako odpad. Stroj, príslušenstvo a obaly by sa mali triedene recyklovať spôsobom šetrným k životnému prostrediu.

SYMBOLY NA PRODUKTE



Výstražná značka

V

Napätie

Hz

Hertz

~

Striedavý prúd

W

Watty

n

Menovitá rýchlosť

min⁻¹

Počet otáčok za minútu



Trieda II, dvojité izolácia



Pred spustením zariadenia si pozorne prečítajte tento návod.



Noste ochranu sluchu



Noste ochranu zraku



Používajte protiprachovú masku.



Nepoužívajte vyštrbený, prasknutý alebo poškodený brúsny kotúč



Nie je určené na mokré brúsenie. Pri použití vody alebo iného tekutého chladiva by mohlo dôjsť k usmrteniu alebo úderu elektrickým prúdom.



Používajte ochranné rukavice



Nepoužívajte na rovinné brúsenie.



Používajte bezpečnostnú obuv.



Používajte chrániče zraku a sluchu a masku.



Euroázijská značka zhody



CE konformita



Ukrajinské označenie zhody



Opotrebované elektrické zariadenia by ste nemali odhadzovať do domového odpadu. Prosíme o recykláciu ak je možné. Kontaktujte miestne úrady, alebo predajcu pre viac informácií ohľadom ekologického spracovania.



NEBEZPEČENSTVO

Označuje bezprostredne nebezpečnú situáciu, ktorá, ak jej nepredídete, spôsobí usmrtenie alebo vážne poranenie.

VAROVANIE

Označuje potenciálne nebezpečnú situáciu, ktorá, ak jej nepredídete, môže spôsobiť usmrtenie alebo vážne poranenie.

UPOZORNENIE

Označuje potenciálne nebezpečnú situáciu, ktorá, ak jej nepredídete, môže spôsobiť menšie alebo stredne závažné poranenie.

UPOZORNENIE

(Bez výstražnej značky s výkričníkom) Označuje situáciu, ktorá môže zapríčiniť škody na majetku.

SYMBOLY V NÁVODE



Pripojte do elektrickej siete.



Odpojte z elektrickej siete.



Diely alebo príslušenstvo predávané samostatne



Opotrebované elektrické zariadenia by ste nemali odhadzovať do domového odpadu. Prosíme o recykláciu ak je možné.



Zamknuté



Odomknuté



Poznámka



Varovanie



Zastavte zariadenie.

Nasledujúce značky a významy vysvetľujú úroveň rizika spojeným s výrobkom.

Безопасността, производителността и надеждността са аспектите, на които е отделен най-голям приоритет при проектирането на вашия ъглошлайф.

ПРЕДНАЗНАЧЕНИЕ

Ъглошлайфът е предназначен за използване само от възрастни, които са прочели и разбрали инструкциите и предупрежденията в настоящото ръководство и могат да бъдат считани като отговорни за своите действия. Продуктът е предназначен за шлифване и рязане само на метали. Към ъглошлайфа трябва да се монтира само подходящи шлифовъчни дискове, както е описано в раздела със спецификации на продукта на настоящото ръководство. Ъглошлайфът е предназначен за ръчно ползване; не трябва да се монтира върху фиксиращо приспособление или работен плот.

⚠ ПРЕДУПРЕЖДЕНИЕ

Прочетете всички предупреждения относно безопасността и всички инструкции. Неспазването на предупрежденията и инструкциите може да доведе до токов удар, пожар и/или сериозни наранявания.

Съхранявайте всички предупреждения и инструкции за бъдещи справки.

ПРЕДУПРЕЖДЕНИЯ ЗА БЕЗОПАСНОСТ ПРИ РАБОТА С ЪГЛОШЛАЙФА

ОБЩИ ПРЕДУПРЕЖДЕНИЯ ЗА БЕЗОПАСНОСТ ЗА ЗАТОЧВАНЕ И РЯЗАНЕ С АБРАЗИВЕН ДИСК:

- Този **електрически инструмент** е предназначен да функционира като шлайфмашинна или инструмент за рязане. Прочетете всички предупреждения за безопасност инструкции, илюстрации и спецификации, предоставени с този **електрически инструмент**. Неспазването на инструкциите, изброени по-долу, може да доведе до електрически удар, пожар и/или тежки физически травми.
 - Не се препоръчва с този **електрически инструмент** да се извършват операции като полиране, четкане или изглаждане. Операциите, за които не е предназначен електрическият инструмент, могат да доведат до рискове и да причинят физическо нараняване.
 - Не използвайте аксесоари, които не са конкретно предназначени и препоръчани от производителя на инструмента. Това, че аксесоарът може да бъде прикачен към електрическия инструмент, не гарантира безопасна работа.
 - Номиналната скорост на аксесоара трябва да е поне равна на максималната скорост, означена върху електрическия инструмент. Аксесоари, работещи по-бързо от номиналната си скорост, могат да се счупят и да се разхвърчат части от тях.
 - Външният диаметър и дебелината на аксесоара трябва да попадат в номиналните стойности за капацитета на електрическия инструмент. Аксесоари с неподходящ размер
- Монтирането чрез резба на аксесоарите трябва да съответства на резбата на шпиндела на шлайфмашината. За аксесоари, които се монтират чрез фланци, отворът на вала трябва да съответства на диаметъра на фланеца. Аксесоари, които не съвпадат с монтажните принадлежности на електрическия инструмент, ще излязат от баланс, ще вибрират прекалено и могат да доведат до загуба на контрол над уреда.
 - Не използвайте аксесоар, ако е повреден. Преди всяко използване проверявайте аксесоара, например абразивните дискове – за пукнатини и стружки, поддържащата подложка – за пукнатини, разкъсване или прекомерно износване, телената четка за разхлабени или пречупени телчета. Ако електрическият инструмент или даден аксесоар бъдат изпуснати, проверете ги за повреда или поставете неповреден аксесоар. След проверката и поставянето на аксесоар, вие и страничните лица трябва да застанете настрана от зоната на действие на ротационния аксесоар и след това стартирайте електрическия инструмент на максимална скорост без натоварване в продължение на една минута. Обикновено повредените аксесоари ще се счупят през този тестов период.
 - Използвайте лична защитна екипировка. В зависимост от приложението използвайте маска за лице или предпазни очила. Ако е необходимо носете маска против прах, антифони, ръкавици и работна престилка, която да е в състояние да спре малки абразивни фрагменти или елементи от работния материал. Предпазните очила трябва да са в състояние да спрат хвърчащи детайли, образувани при различните операции. Противопраховата маска или респираторът трябва да са в състояние да филтрират частиците, образувани при съответната операция. Продължителното излагане на действието на шум с висока интензивност може да доведе до загуба на слуха.
 - Страничните лица трябва да са на безопасно разстояние от работната зона. Всеки, който навлиза в работната зона, трябва да носи лични предпазни средства. Фрагменти от работния материал или отчупени елементи от аксесоар могат да изхвърчат и да причинят нараняване извън непосредствената работна зона.
 - Дръжте електрическия инструмент само за изолираните повърхности за хващане, когато извършвате операция, при която режещият аксесоар може да влезе в контакт със скрити проводници или със собствения си кабел. Режещ аксесоар, който влезе в контакт с проводник, по който тече ток, може да доведе до протичането на ток по неизолираните метални части на електрическия инструмент и да причини токов удар на оператора.
 - Разположете кабела извън зоната на въртящия аксесоар. Ако загубите контрол, кабелът може да бъде прерязан или захванат и дланта или ръката ви може да бъде издърпана към въртящия се аксесоар.
 - Никога не полагайте електрическия

инструмент, докато аксесоарът не спре да се движи напълно. Въртящият се аксесоар може да захване повърхността и да изведе електрическия инструмент извън контрола ви.

- m) **Не стартирайте електрическия инструмент, докато го носите странично от себе си.** Случайното влизане в контакт с въртящия се аксесоар може да доведе до захващане на облеклото ви, при което аксесоарът да се доближи до тялото ви.
- n) **Редовно почиствайте вентилационните отвори на електрическия инструмент.** Вентилаторът на мотора ще придърпва праха в корпуса, а прекомерното натрупване на метални прахообразни частици може да причини рискове от електрическа неизправност.
- o) **Не използвайте електрическия инструмент в близост до запалими материали.** Искрите могат да ги запалят.
- p) **Не използвайте аксесоари, които изискват течни охладители.** Използването на вода или друг течен охладител може да доведе до токов удар.

ДОПЪЛНИТЕЛНИ ИНСТРУКЦИИ ЗА БЕЗОПАСНОСТ ЗА ВСИЧКИ ОПЕРАЦИИ

Откат и свързани с това предупреждения

Откатът е внезапна реакция при стигане или захващане на въртящ се диск, поддържаща подложка, четка или друг аксесоар. Защипване или закъчане може да причини бързо спиране под товар на въртящата се принадлежност, което на свой ред може да причини неуправляемия електроинструмент да бъде тласнат в обратна посока на въртенето на принадлежността в точката на заклиняване.

Ако например абразивен диск бъде стегнат или захванат в работния детайл, ръбът на диска, който влиза в точката на захващане, може да задълбае в повърхността на материала, което да доведе до излизан или откат на диска. Дискът може да отскочи в посока към или встрани от оператора в зависимост от посоката на движение на диска в точката на захващане. Абразивните дискове могат и да се счупят при тези условия.

Откатът е следствие на неправилно използване на електрическия инструмент. Той може да бъде предотвратен с предприемане на подходящи предпазни мерки, които са описани по-долу:

- a) **Поддържайте здрав захват на електрическия инструмент и разположете тялото и ръката си така, че да можете да устоите на силите на отката.** Винаги използвайте спомагателната ръкохватка, ако има такава, за максимален контрол върху отката или реакцията на въртящия момент по време на стартиране. Операторът може да контролира реакциите на въртящия момент или силите на отката, ако са взети подходящи предпазни мерки.
- b) **Никога не поставяйте ръката си в близост до въртящ се аксесоар.** Аксесоарът може да отскочи над ръката ви.
- c) **Ако се получи откат, не поставяйте тялото си в зоната на движение на електрическия инструмент.** Откатът ще завърти инструмента в посока, противоположна на движението на диска в точката на захващане.
- d) **Бъдете особено внимателни, когато работите близо до ъгли, остри ръбове и т.н.** Избягвайте отскачането и захващането

на аксесоара. При ъгли, остри ръбове или отскачане има риск въртящият се аксесоар да се закачи и това да доведе до загуба на контрол или до откат.

- e) **Не докосвайте верижното острие за дърворезба или назъбеното острие.** Таквава остриета причиняват често откат и загуба на контрол.

ДОПЪЛНИТЕЛНИ ИНСТРУКЦИИ ЗА БЕЗОПАСНОСТ ЗА ОПЕРАЦИИ ЗА ЗАТОЧВАНЕ И РЯЗАНЕ

Предупреждения за безопасност конкретно за заточване и рязане с абразивен диск:

- a) **Използвайте само видове дискове, които са препоръчителни за вашия електрически инструмент, както и специфичен предпазител, проектиран за избрания диск.** Дискове, за които електрическият инструмент не е проектиран, не могат да бъдат правилно обезопасени и са опасни.
- b) **Шлифовъчната повърхност на притиснатите в центъра дискове трябва да бъде монтирана под равнината на ръба на предпазителя.** Неправилно монтиран диск, който минава през равнината на ръба на предпазителя, не може да бъде правилно обезопасен.
- c) **Предпазителят трябва да бъде поставен и здраво закрепен за електрическия инструмент за максимална безопасност, така че възможно най-малка част от диска да бъде изложена към оператора.** Предпазителят помага за защитата на оператора срещу счупени части на диска, случаен контакт с диска и искри, които могат да запалят облеклото му.
- d) **Дисковете трябва да се използват само за препоръчителните приложения.** Например: **Не заточвайте със страничната част на режещ диск.** Абразивните режещи дискове са предназначени за периферно заточване, страничните сили, приложени към тези дискове, могат да доведат до разтрошаването им.
- e) **Винаги използвайте здрави фланци за дискове, които са с правилния размер и форма за избрания от вас диск.** Подходящият фланец поддържа диска, като по този начин намалява вероятността за неговото счупване. Фланците за режещи дискове могат да се различават от фланците за шлифовъчни.
- f) **Не използвайте износени дискове от големи електрически инструменти.** Диск, предназначен за по-голям електрически инструмент, не е подходящ за по-високата скорост на по-малкия инструмент и може да се пръсне.

ДОПЪЛНИТЕЛНИ ПРЕДУПРЕЖДЕНИЯ ЗА БЕЗОПАСНОСТ КОНКРЕТНО ЗА ОПЕРАЦИИТЕ ЗА РЯЗАНЕ С АБРАЗИВЕН ДИСК

- a) **Внимавайте режещият диск да не „заседне“ и не прилагайте прекомерен натиск.** Не се опитвайте да правите разрез с прекалена дълбочина. Претоварването на диска увеличава натоварването и податливостта му на усукване или захващане в разреза, както и вероятността от откат или счупване на диска.
- b) **Не разполагайте тялото си успоредно или зад въртящия се диск.** Когато по време на

работа дискът се отдалечава от тялото ви, възможният откат може да задвижи въртящия се диск и електрическият инструмент директно към вас.

- c) **Когато дискът е заклезен или даден разрез е прекъснат поради някаква причина, изключете електрическият инструмент и го задръжте неподвижен, докато дискът спре напълно. Никога не опитвайте да извадите режещия диск от разреза, докато се движи, тъй като може да се получи откат.** Направете проверка и предприемете коригиращи действия, за да отстраните причината за заклеждане на диска.
- d) **Не започвайте отново операцията по рязане на детайла. Нека дискът да достигне пълна скорост и внимателно го вкарвайте отново в разреза.** Дискът може да отскочи, да се придвижи нагоре или да се получи откат, ако електрическият инструмент е стартиран повторно в работния детайл.
- e) **Поддържайте панелите или всеки голям работен детайл, с цел намаляване до минимум на риска от захващане или стягане на диска.** Големите работни детайли могат да се обгнат от собствената си тежест. Трябва да се поставят подпори под работния детайл, близо до линията на рязане и до ръба на детайла, от двете страни на диска.
- f) **Бъдете особено внимателни, когато правите „дъобен разрез“ в съществуващите стени или други слепи зони.** Издаденият диск може да реже газове или водни тръби, електрически кабели или предмети, които могат да доведат до откат.

други дефекти. Ако това се случи, проверете инструмента, за да определите причината.

- j) Не използвайте отделни преходни втулки или адаптери, за да монтирате шлифовъчни дискове с големи отвори.
- k) Проверете дали работният детайл е подходящо закрепен.
- l) Използвайте само шлифовъчни дискове, одобрен от RYOBI.
- m) Уверете се, че искрите, получени при употреба, не представляват риск, напр. не засягат хора или не възпламеняват запалими вещества.
- n) Винаги използвайте предпазни очила и антифони.
- o) Когато е необходимо, използвайте други лични защитни средства, като напр. ръкавици, престилка и каска.
- p) Никога не поставяйте продукта на пода или други повърхности, докато работи. Шлифовъчните дискове продължават да се въртят по инерция, след като продуктът е изключен. Никога не докосвайте диска или не го поставяйте на пода или други повърхности, докато се върти.
- q) Използвайте продукта само за одобрените приложения. Никога не използвайте охлаждаща течност или вода; не използвайте инструмента като фиксиран уред.
- r) Дръжте продукта здраво с двете ръце по време на работа.

НЕПРЕДВИДЕНИ РИСКОВЕ.

Дори когато ъглошлайфът се използва според инструкциите, е невъзможно да се елиминират напълно определени остатъчни рискови фактори. Могат да възникнат следните опасности и операторът трябва да обърне особено внимание, за да ги избегне:

- Наранявания, получени от изхвърлени частици
 - Метални или абразивни частици могат да влязат в очите и да причинят тежки, трайни наранявания. Носете очила, одобрени за операции по шлайфане, при използване на продукта.
- Нараняване, причинено от вибрация.
 - Ограничете излагането. Вижте „Намаляване на опасността“.
- Наранявания, причинени от прах
 - Носете подходяща маска против прах с филтри, подходящи за защита срещу частици от материали, върху които работите, и абразивни частици от шлифовъчния диск. Не употребявайте храни, напитки или цигари в зоната на работа. Осигурете подходяща вентилация.
- Наранявания от контакт с шлифовъчния диск
 - Дискът и работният детайл ще се нагорещат при употреба. Носете ръкавици, когато сменяте дискове или докосвате работния детайл. Дръжте ръцете си далече от зоната на шлифоване през цялото време. Пристегнете работния детайл в менгеме, когато е възможно.
- Наранявания, причинени от шум
 - Продължителното излагане на шум ще повиши риска от увреждане на слуха и ефектите са кумулативни. Когато използвате електрически

МЕРКИ ЗА БЕЗОПАСНОСТ ПРИ РАБОТА С ЪГЛОШЛАЙФ

- a) Проверете дали скоростта, отбелязана на шлифовъчния диск, е равна на или по-голяма от номиналната скорост на продукта.
- b) Уверете се, че размерите на шлифовъчния диск са съвместими с продукта и че дискът съответства на шпиндела.
- c) Шлифовъчните дискове трябва да се съхраняват на сухо място.
- d) Не поставяйте предмети върху шлифовъчните дискове.
- e) Шлифовъчните дискове трябва да се използват само за заточване и за никакви други операции.
- f) Шлифовъчните дискове трябва да се съхраняват и използват внимателно, в съответствие с инструкциите на производителя.
- g) Проверете шлифовъчния диск преди употреба, за да се уверите, че не е надраскан или пукнат. Драскотини и пукнатини могат да причинят строшаване на диска, водещо до възможни сериозни физически наранявания.
- h) Уверете се, че дискът е монтиран в съответствие с настоящото ръководство.
- i) Уверете се, че шлифовъчния диск е правилно монтиран и затегнат преди употреба и стартирайте продукта на скорост без натоварване за 30 секунди в безопасна позиция. Незабавно спрете, ако има значителни вибрации или ако сте забелязали

инструменти за продължителен период от време, носете антифони.

ΜΕΙΩΣΗ ΚΙΝΔΥΝΟΥ

Известно е, че вибрациите, произвеждани от ръчни инструменти може да предизвикат у някои индивиди заболяване, наречено Синдром на Рейнолд (Raynaud's Syndrome). Симптомите може да включват изтръпване, схващане и изbledняване на пръстите, обикновено се забелязват при излагане на студ. Смята се, че наследствените фактори, излагането на студ и влага, диетите, пушенето и някои работни навици допринасят за развитието на тези симптоми. Могат да се вземат някои мерки, които могат да се предприемат от оператора, за да се намалат ефектите от вибрациите:

- Поддържайте телесната температура в студено време. Когато работите с продукта, носете ръкавици, за да поддържате ръцете и китките си топли. Според изследвания главният фактор, допринасящ за развитието на Raynaud's Syndrome, е студеното време.
- Правете упражнения за активизиране на кръвообращението след всеки работен цикъл.
- Редовно излизайте в почивка. Ограничете излагането на вибрации на ден.

При поява на някой от симптомите на това заболяване, незабавно прекратете употребата на инструмента и посетете лекар.

⚠ ПРЕДУПРЕЖДЕНИЕ

Продължителното използване на инструмента може да доведе до наранявания или влошаване. При използване на инструмента за продължителни периоди от време правете чести почивки.

ОПЗНАЙТЕ ВАШИЯ ПРОДУКТ

Вж. страница 133.

1. Бутон за превключване
2. Бутон за заключване на шпиндела
3. Предпазно заключване на лоста
4. Предпазител на диска
5. Гайка на скобата
6. Шлифовъчен диск
7. Фланец на диска
8. Спомагателна ръкохватка
9. Гаечен ключ
10. Гайка за лесен монтаж

ЗАЩИТА ПРИ СТАРТИРАНЕ

Машини със синхронизиращ превключвател се монтират със стопяем предпазител. Това предотвратява самостоятелно повторно стартиране на машината след неизправност в захранването. Когато възобновявате работа, изключете машината и след това отново я включете.

ПОДДРЪЖКА

⚠ ПРЕДУПРЕЖДЕНИЕ

Не правете никакви настройки, докато моторът е в движение.

Продуктът не трябва никога да се включва в захранване, когато сглобявате части, правете настройки, почиствате, извършвате поддръжка или когато не го използвате. Изключването на продукта от захранването ще предотврати случайно стартиране, което би могло да причини сериозни наранявания.

- Проверете инструмента след употреба, за да се уверите, че е в добро състояние.
- Препоръчва се да носите този инструмент в оторизиран сервиз на Ryobi за старателно почистване и смазване поне веднъж годишно.
- Ако захранващият кабел е повреден, той трябва да се смени от производителя или от оторизиран сервиз, за да се избегнат рискове. Свържете се с упълномощен сервизен център.

⚠ ПРЕДУПРЕЖДЕНИЕ

За да гарантирате безопасност и надеждност, всички ремонтни дейности трябва да се извършват от оторизиран сервиз или друга квалифицирана организация за обслужване.

⚠ ПРЕДУПРЕЖДЕНИЕ

Не използвайте компресиран въздух за издухване на прах от продукта. Тази практика е опасна и може да доведе до издухване на прах или пясъчинки в очите на някого, причинявайки наранявания.

ОПАЗВАНЕ НА ОКОЛНАТА СРЕДА



Рециклиране на суровини, вместо за обезвреждане като отпадък. Машината, допълнителните приспособления и опаковките трябва да бъдат подложени на подходяща преработка за оползотворяване на съдържащите се в тях вторични суровини.

СИМВОЛИ



Предупреждение относно безопасността

V

Напрежение

Hz

Херц

~

Променлив ток

W

Ват

n

Номинална скорост

min⁻¹

Обороти или възвратно-постъпателни движения в минута

EN
FR
DE
ES
IT
NL
PT
DA
SV
FI
NO
RU
PL
CS
HU
RO
LV
LT
ET
HR
SL
SK
BG
UK
TR
EL

-  Инструмент от клас II, двойна изолация
-  Моля, прочетете внимателно инструкциите, преди да стартирате продукта.
-  Носете антифони
-  Носете защитни средства за очи
-  Носете подходяща маска против прах.
-  Не използвайте надраскан, пукнат или дефектен шлифовъчен диск
-  Не е предназначен за мокро шлифване. Използването на вода или друг течен охладител може да доведе до токов удар.
-  Носете предпазни ръкавици
-  Не използвайте инструмента за челно шлифване.
-  Носете предпазни обувки
-  Носете защитни средства за предпазване на очите и ушите и маска
-  EurAsian знак за съответствие
-  ЕС Съответствие
-  Украински знак за съответствие
-  Електрическите уреди не трябва да се изхвърлят заедно с битовите отпадъци. Рециклирайте, където има възможност. Обърнете се за съвет по рециклирането към местните власти или разпространителите.

-  Частите или принадлежностите се продават отделно
-  Електрическите уреди не трябва да се изхвърлят заедно с битовите отпадъци. Рециклирайте, където има възможност.
-  Ключалка
-  Отключване
-  Забележка
-  Предупреждение
-  Спрете продукта.

Следните сигнални думи и значенията им са предназначени да обяснят нивата на опасност, свързани с този продукт.



⚠ ОПАСНОСТ
Указва неминуемо опасна ситуация, която ако не бъде избегната, ще доведе до сериозни наранявания или смърт.

⚠ ПРЕДУПРЕЖДЕНИЕ
Указва потенциално опасна ситуация, която ако не бъде избегната, може да доведе до сериозни наранявания или смърт.

⚠ ВНИМАНИЕ
Указва потенциално опасна ситуация, която ако не бъде избегната, може да доведе до дребни или средни наранявания.

ВНИМАНИЕ
(Без предупредителен символ за безопасност) Указва ситуация, която може да доведе до имуществени щети.

СИМВОЛИ В НАСТОЯЩОТО РЪКОВОДСТВО

-  Включете в захранването.
-  Изключете от електрическото захранване.

Безпеці, продуктивності і надійності наданий вищий пріоритет в дизайні вашої кутової шліфувальної машини.

ПРИЗНАЧЕННЯ

Ця кутова шліфувальна машина призначена для використання тільки дорослими, які читали і зрозуміли інструкції та попередження в цьому посібнику і можуть вважатися відповідальними за свої дії. Кутова шліфувальна машина призначена для шліфування та різання тільки металів. Тільки відповідні шліфувальні диски, які описані в розділі специфікації продукту даного керівництва, повинні бути встановлені на кутову шліфувальну машину. Кутова шліфувальна машина призначена для портативного використання; вона не для монтажу на арматурі або на верстаку.

⚠ ПОПЕРЕДЖЕННЯ

Читайте всі правила безпеки та інструкції. Недотримання попереджень та інструкцій може призвести до ураження електричним струмом, пожежі та / або серйозної травми.

Збережіть всі інструкції і вказівки для майбутнього використання.

ЗАХОДИ БЕЗПЕКИ ШЛІФУВАЛЬНОЇ МАШИНИ

ПОПЕРЕДЖЕННЯ БЕЗПЕКИ, СПЕЦИФІЧНІ ДЛЯ ШЛІФУВАННЯ І ОПЕРАЦІЙ АБРАЗИВНОГО РІЗАННЯ:

- a) Цей електроінструмент призначений для роботи в якості точильника, шліфувальника, полірувальника, інструменту для різьблення або відсікання. Читайте всі попередження з техніки безпеки, інструкції, ілюстрації і специфікації, що поставляються з електроінструментом. Недотримання попереджень та інструкцій може призвести до ураження електричним струмом, пожежі та / або серйозної травми.
 - b) **Приналежності неправильного розміру, не можуть бути адекватно захищені або контролюватися.** Операції, для яких електроінструмент не призначений, можуть створити небезпеку і заподіяти травму.
 - c) **Не використовуйте приладдя, що спеціально не розроблено і не рекомендовано виробником інструменту.** Просто тому, що приладдя може бути підключене до електроінструменту, це не гарантує безпечну експлуатацію.
 - d) **Перед кожним застосуванням перевіряйте приладдя, наприклад, абразивні круги, підтримуючий майданчик на наявність тріщин, зтирання або надмірного зносу, крихкості силик або потрісканих проводів.** Аксесуари працюючі швидше, ніж їх номінальна швидкість можуть зламатися і розлетітися.
 - e) **Зовнішній діаметр і товщина приладдя повинна бути в межах розрахунку продуктивності вашого електроінструменту.** Аксесуари працюють швидше, ніж їх номінальна швидкість можуть зламатися і розлетітися.
- f) **Різьбове встановлення аксесуарів повинно відповідати шпindelній різьбі шліфувальної машини.** Для аксесуарів, що встановлюються за допомогою різьблення, діра альтанки повинна відповідати розміщуючому діаметру кромки. Приладдя які не співпадають монтажному приладдю електроінструменту, електроінструмент буде працювати без рівноваги, надмірно вібрувати, і може призвести до втрати управління.
 - g) **Не використовуйте пошкоджене приладдя.** Перед кожним застосуванням перевіряйте приналежність, наприклад, абразивні круги на сколи та тріщини, підтримуючий майданчик на тріщини, сколи або надмірний знос, дротяну шітку на наявність силик або потрісканих проводів.. Якщо електроінструмент або приладдя впало, перевірте на наявність пошкоджень або встановіть неушкоджене приладдя. Після перевірки і установки приладдя, позиціонуйте себе і перехожих подаль від площини обертання приладдя і запустіть електроінструмент на максимальній швидкості без навантаження на одну хвилину. Пошкоджене приладдя, як правило, розпадається протягом цього часу випробування.
 - h) **Використовуйте персональне захисне обладнання. Залежно від застосування, використовуйте захисну маску, запобіжні або захисні окуляри.** Коли необхідно, надягайте маску від пилу, захист для слуху, рукавички і робочий фартух, здатні зупинити невеликі абразивні частинки або фрагменти заготовки.. Захист очей повинен бути здатним зупинити летюче сміття, утворене при різних операціях. Маска від пилу або респіратор повиненні бути здатними фільтрувати частинки, що утворюються від вашої роботи. Тривалий вплив високої шуму може призвести до втрати слуху.
 - i) **Тримайте людей на безпечній відстані від робочої зони.** Будь-хто, входячи в робочу зону повинен носити приватне захисне обладнання. Фрагменти заготовки або розбитого приладдя можуть полетіти і заподіяти травму за межами безпосередній близькості від роботи.
 - j) **Тримайте електроінструмент за ізольовані поверхні при виконанні дій, при яких ріжучий інструмент може торкнутися прихованої проводки або власного шнура.** Ріжучі приладдя при контакті з проводом під напругою можуть зробити незахищені металеві частини електроінструменту під напругою і можуть вдарити оператора електричним струмом.
 - k) **Розташуйте шнур подаль від обиртаючогося приладдя.** Якщо ви втратите контроль, шнур

може бути відрізаний або зачепитися і ваша кисть або рука може бути втягнута в приладдя, що обертається.

- l) Ніколи не кладіть електроінструмент, поки приладдя повністю не зупинилось. Обертове приладдя може захопити поверхню і витягнути електроінструмент з вашого контролю.
- m) Не запускайте електроінструмент коли переносите його на робоче місце. Випадковий контакт з обертливим приладдям може зловити ваш одяг, потягнувши приладдя до вашого тіла.
- n) Регулярно очищайте вентиляційні прорізи електроінструменту. Вентилятор двигуна буде втягувати пил усередину корпусу і надмірне накопичення металевих порошоків може викликати ураження електричним струмом.
- o) Не використовуйте електроінструмент поблизу легкозаймистих матеріалів. Іскри можуть запалити ці матеріали.
- p) Не використовуйте приладдя, що вимагає рідких охолоджуючів. Використання води або інших охолоджуючих рідин може призвести до ураження електрострумом або шоку.

ПОДАЛЬШІ ІНСТРУКЦІ З ТЕХНІКИ БЕЗПЕКИ ДЛЯ ВСІХ ОПЕРАЦІЙ

Віддача і суміжні попередження

Віддача є раптовою реакцією заземлення або зачеплення колеса обертання, підтримуючого майданчика, пензля або іншого приладдя. Стиснення або зачеплення викликає швидке зменшення швидкості обертального аксесуару, який в свою чергу викликає неконтрольованість електроінструменту який буде змушений в напрямку, протилежному обертанню аксесуара в точці прив'язки.

Наприклад, якщо абразивне коло зачепилося або затиснуто у заготовці, край колеса, що входить в точку зачеплення може вколотися в поверхню матеріалу в результаті чого колесо буде западати або викидатися." Колесо може рухатися до або від оператора, в залежності від напрямку руху колеса в точці зачеплення. Абразивні кола можуть також зламатися в цих умовах.

Віддача є наслідком неправильного застосування електро інструменту та/або неправильних процедур або умов експлуатації і може бути уникнута застосуванням належних запобіжних заходів, як зазначено нижче.

- a) Міцно тримайте електроінструмент і розташуйте тіло і руки, щоб дозволити вам протистояти віддачі. Завжди використовуйте допоміжну рукоятку, якщо це передбачено, для максимального контролю над віддачею або реакції крутного моменту під час пуску. Оператор може контролювати реакції крутного моменту або віддачі, якщо відповідні запобіжні заходи вжити.
- b) Ніколи не тримайте руки поблизу обертального аксесуару. Аксесуари можуть відскочити поверх вашої руки.
- c) Не розташовуйте ваше тіло в районі, де електроінструмент рухатиметься у випадку

віддачі. Віддача буде рухати інструмент в напрямку, протилежному руху кола в точці зачеплення.

- d) Використовуйте особливу обережність при обробці кутів, гострих країв і т.п. Уникайте підстрибування та зачеплення приладдя. Куточки, гострі краї або стрибання мають тенденцію зловлювати обертове приладдя і приводити до втрати контролю або віддачі.
- e) Не під'єднуйте пиляльний ланцюг різьблення по дереву або зубчасту пилку. Такі леза створюють часті відкати і втрату контролю.

ДОДАТКОВІ ІНСТРУКЦІ З ТЕХНІКИ БЕЗПЕКИ ДЛЯ ШЛІФУВАЛЬНИХ І ВІДРІЗНИХ ОПЕРАЦІЙ.

Попередження безпеки, специфічні для шліфування і операцій абразивного зрізання:

- a) Використовуйте тільки типи коліс, рекомендовані для вашого електроінструменту і суміжні захисти, призначені для обраного колеса. Колеса, для яких електроінструмент не був розроблений не можуть бути адекватно захищені і є небезпечними.
- b) Додаткові інструкції з техніки безпеки для шліфувальних і відрізних операцій. Неправильно встановлене колесо що виступає з пластиною застанові кромки не може бути належним чином захищене.
- c) Захист повинен бути надійно прикріплений до електроінструменту і позиціонується для максимальної безпеки, так що найменша частина колеса подається у бік оператора. Захист допомагає захистити оператора від зламаних фрагментів колес, випадкового контакту з колесом і іскор, які можуть зайняти одяг.
- d) Колеса повинні бути використані тільки для рекомендованих додатків. Наприклад: не шліфуйте краєм ріжучого диска. Абразивні відрізаючі диски призначені для периферійного шліфування, бічні сили, прикладені до цих дисків можуть призвести до їх зруйнування.
- e) Завжди використовуйте неушкоджені фланці, які правильної форми і розміру для обраного колеса. Власні колісні фланці підтримують колесо, тим самим зменшуючи можливість обриву колеса. Фланці для відрізних кругів можуть відрізнятись від фланців для шліфувальних кругів.
- f) Не використовуйте зношені колеса від великих електроінструментів. Колесо призначено для більшого електроінструменту не підходить для більш високій швидкості меншого інструменту, і може лопнути.

ДОДАТКОВІ ЗАХОДИ БЕЗПЕКИ, ПЕРЕДБАЧЕНІ ДЛЯ ВІДРІЗНИХ АБРАЗИВНИХ ОПЕРАЦІЙ

- a) Не "затискайте" відрізний диск або не застосовуйте надмірний тиск. Не намагайтеся зробити зріз надмірної

глибини. Перевантаження колеса збільшує навантаження і сприйнятливість до скручування або зв'язування колеса при розриванні або суміжними можливості віддачі або поломки колеса.

- b) **Не розполагайте тіло відповідно або позаду обертового колеса.** Коли колесо, в момент роботи, відходить від вашого тіла, то віддача може просунути колесо, що обертається та електроінструмент прямо на вас.
- c) **Коли колесо заблоковано, або коли розріз преривається за будь-якої причини, вимкніть електроінструмент і тримайте інструмент нерухомо, поки колесо не доходить до повної зупинки. Ніколи не намагайтеся видалити відрізаючий диск з розрізу, коли диск критється, це може спричинити віддачу.** Дослідити та вжити заходів щодо виправлення становища з метою усунення причин блокування колеса.
- d) **Не розпочинайте ріжучу операцію у заготовці.** Нехай диски досягнуть повної швидкості і повторно введіть їх у розріз. Диск може зв'язуватися, підскакувати або спричинити віддачу, якщо електроінструмент буде перезапущений у заготівлі.
- e) **Підтримуйте панелі або будь-які негабаритні деталі, щоб мінімізувати ризик зацеплення диска і віддачі.** Великі заготовки можуть прогинатися під власною вагою. Опори повинні бути поміщені під заготовку поблизу лінії розрізу і поруч з краями заготовки на обох сторонах диска.
- f) **Будьте особливо обережні при виконанні "кишенькових розрізів" в існуючих стінах або інших відмостках.** Виступаючий диск може скоротити газові або водопровідні труби, електропроводку або предмети, які можуть викликати віддачу.

ЗАХОДИ БЕЗПЕКИ ШЛІФУВАЛЬНОЇ МАШИНИ

- a) Переконайтеся, що швидкість відзначена на шліфувальному крузі дорівнює або більше, ніж номінальної швидкості продукту.
- b) Переконайтеся, що розміри шліфувального круга сумісні з продуктом, а також колесо підходить до шпинделя.
- c) Шліфувальні кола повинні зберігатися в сухому місці.
- d) Не зберігайте предмети на шліфувальних кругах.
- e) Шліфувальні кола не повинні бути використані для будь-якої операції, крім шліфування.
- f) Шліфувальні кола повинні зберігатися та оброблятися з обережністю відповідно до інструкції заводу-виготовлювача. Огляньте шліфувальний круг перед використанням, щоб переконатися, що він не має сколов або тріщин.
- g) Сколи або тріщини можуть призвести до зруйнування колеса, в результаті чого може

призвести до серйозних травм.

- h) Переконайтеся, що колесо встановлюється відповідно до цього керівництва.
- i) Переконайтеся, що шліфувальний круг встановлений правильно та надійно затягнутий, перед використанням і запустіть продукт зі швидкістю без будь-якого навантаження протягом 30 секунд в безпечному положенні. Зупиніть негайно, якщо існує значна вібрація або якщо виявлені інші дефекти. Якщо ця умова відбувається, перевірте інструмент, щоб визначити причину.
- j) Не використовуйте окремі зменшуючі втулки або адаптери для адаптації великих отворів шліфувальних кругів.
- k) Переконайтеся, що деталі правильно підтримуються.
- l) Використовуйте тільки шліфувальні круги, затверджені RYOBI.
- m) Переконайтеся, що іскри в результаті використання не створюють небезпеки, наприклад, не небезпечні для людей, абне можуть запалити горючі речовини.
- n) Завжди використовуйте захисні окуляри і захисні навушники.
- o) Використайте інший індивідуальний захист, такий як рукавички, фартух, і шолом, коли це необхідно.
- p) Не встановлюйте виріб на підлозі або інших поверхнях, коли він працює. Шліфувальні кола продовжують обертатися після того як продукт вимкнений. Ніколи не торкайтеся колеса або не розміщайте його на підлозі або інших поверхнях, коли він обертається.
- q) Використовуйте продукт тільки для затвердженого приладдя. Ніколи не використовуйте охолоджуючі рідини або воду, або використовуйте прилад як фіксований інструмент.
- r) Ізмітьтесь за продукт надійно обома руками під час роботи.

ЗАЛИШКОВІ РИЗИКИ

Навіть коли продукт використовується як написано, залишається неможливим повністю усунути деякі залишкові чинники ризику. Наступні небезпеки можуть виникнути і оператор повинен звернути особливу увагу, щоб уникнути наступного:

- Травми, викликані відкинутими частинками
 - Метал або абразивні частинки можуть потрапляти в очі та призвести до серйозних незворотних пошкоджень. Носіть захисні окуляри, схвалені для шліфування при роботі продукту.
- Травми, викликані вібрацією
 - Лімітуйте вплив. Дивіться "ЗНИЖЕННЯ РИЗИКУ".
- Травми, викликані пилом.

- Носіть відповідну маску пилоподавлення з підходящими фільтрами, які можуть захистити від пилу від оброблюваного матеріалу і абразивних частинок з шліфувального диска. Не їжте, не пийте і не паліть в робочій зоні. Забезпечте достатню вентиляцію на робочому місці.

- Травми від контакту з шліфувальною машиною
 - Диск і заготівля нагріваються під час використання. Одягайте рукавички при зміні дисків або торкаючись заготовки. Тримайте руки подалі від шліфувальної області у весь час. Затисніть заготівлю, коли це можливо.
- Травми, викликані шумом
 - Тривала дія шуму збільшує ризик пошкодження слуху, і ефекти накопичуються. При використанні електроінструментів протягом тривалого періоду часу, використовуйте засоби захисту органів слуху.

ЗНИЖЕННЯ РИЗИКУ

Повідомлялося, що вібрації від ручних інструментів у певних осіб можуть сприяти стану, який називається синдромом Рейно. Симптоми можуть включати поколювання, оніміння і збліднення пальців, як правило, очевидні при впливі холоду. Спадкові фактори, вплив холоду і вогкості, дієта, куріння і робоча практика, всі ці чинники роблять свій внесок у розвиток цих симптомів. Ці заходи можуть бути прийняті оператором, щоб можливо зменшити вплив вібрації:

- Тримайте тіло в теплі в холодну погоду. При експлуатації приладу, одягайте рукавички, щоб тримати руки і зап'ястя у теплі. Повідомлялося, що холодна погода є основним чинником, що сприяє синдрому Рейно.
- Після кожного періоду роботи, здійснюйте вправи для підвищення кровообігу.
- Робіть часті перерви в роботі. Зробіть обмеження кількості впливу на день.

Якщо ви відчуваєте будь-які з симптомів цього стану, негайно припиніть використання і зверніться до лікаря з ціми симптомами.

⚠ ПОПЕРЕДЖЕННЯ

Тривале використання інструменту може викликати або посилити травми. При використанні інструменту протягом тривалого періоду, робіть регулярні перерви.

ЗНАЙТЕ СВІЙ ПРОДУКТ.

Дивіться сторінку 133.

1. Кнопковий вимикач
2. Кнопка блокування шпінделя
3. Захисний кожух колеса в зборі
4. Важіль захисного блокування
5. Гайка зажима
6. Шліфувальний круг
7. Фланець диску
8. Додаткова рукоятка

9. Гайковий ключ
10. Гайка легкого встановлення

ЗАХИСТ ДЛЯ ВВЕДЕННЯ В ЕКСПЛУАТАЦІЮ

Машини з вимикачем блокування встановленому на відрізувачі. Це запобігає свовільному перезапуску машини після збою живлення. При відновленні роботи, вимкніть машину, а потім увімкніть її знову.

ОБСЛУГОВУВАННЯ

⚠ ПОПЕРЕДЖЕННЯ

Не робіть будь-які коригування в той час як двигун знаходиться в русі.

Продукт не повинен бути підключений до джерела живлення при складанні деталей, регулюванні, чищенні, проведенні технічного обслуговування або коли продукт не використовується. Відключення продукту буде запобігати випадковому запуску, який може призвести до серйозних травм.

- Після використання, перевірте інструмент, щоб переконатися, що він знаходиться в хорошому стані.
- Рекомендовано відвести цей інструмент до Ryobi авторизованого сервісного центра для ретельного очищення і суміжного змащення, щонайменше один раз на рік.
- Якщо шнур живлення пошкоджений, він повинен бути замінений тільки виробником або в авторизованому сервісному центрі, щоб уникнути ризику. Зв'яжіться з авторизованим сервісним центром.

⚠ ПОПЕРЕДЖЕННЯ

Для забезпечення безпеки і надійності всі ремонтні роботи повинні виконуватися в авторизованому сервісному центрі або в іншій організації з кваліфікованим сервісом.

⚠ ПОПЕРЕДЖЕННЯ

Не використовуйте стиснене повітря для видалення пилу з продукту.

Ця практика небезпечна і може призвести до потрапляння бруду і піску, що бути здувається, і потрапити на очі.

ЗАХИСТ НАВКОЛИШНЬОГО СЕРЕДОВИЩА.



Переробляйте сировину замість утилізації в якості відходів. Машини, обладнання та упаковка повинні бути відсортовані для дружньої для навколишнього середовища утилізації.

СИМВОЛИ НА ПРОДУКТІ



Попередження безпеки

V

Вольти

Hz

Герц

~

Змінний струм

W

Ватти

n

номінальна швидкість

min⁻¹

Оберти або зворотно-поступальні рухи у хвилину



Інструмент II класу подвійна ізоляція



Будь ласка, уважно прочитайте інструкцію перед запуском продукту.



Носіть захист слуху



Носіть захист для очей



Носіть маску від пилу.



Не використовуйте відколотий, тріснутий або несправний шліфувальний круг.



Не для мокрого шліфування. Використання води або інших охолоджуючих рідин може призвести до ураження електричним струмом або шоку.



Носіть захисні рукавички.



Не використовуйте для торцевого шліфування.



Носіть захисне взуття.



Носіть захист для очей і вух, і маску.



Євразійський знак відповідності



CE відповідність



Український знак відповідності



Відходи електротехнічної продукції не слід викидати разом із побутовими відходами. Будь ласка, переробляйте там, де наявне устаткування. Перевірте з вашим місцевим органом влади або продавцем для консультацій з приводу переробки.

СИМВОЛИ В ЦЬОМУ ПОСІБНИКУ



Підключіть до джерела живлення.



Відключіть від джерела живлення.



Запчастини та аксесуари, що продаються окремо



Відходи електротехнічної продукції не слід викидати разом із побутовими відходами. Будь ласка, переробляйте там, де наявне устаткування.



Блокувати



Розблокувати



Примітка



Попередження



Зупиніть продукт.

Наступні сигнальні слова і змісти призначені для пояснення рівнів ризику, пов'язаних з продуктом.

⚠ НЕБЕЗПЕКА

Вказує на неминуче небезпечну ситуацію, яка, якщо її не уникнути, може призвести до смерті або серйозних травм.

⚠ ПОПЕРЕДЖЕННЯ

Вказує на потенційно небезпечну ситуацію, яка, якщо її не уникнути, може призвести до смерті або серйозних травм.

⚠ ПОПЕРЕДЖЕННЯ

Вказує на потенційно небезпечну ситуацію, яка, якщо її не уникнути, може призвести до середньої або легкої травми.

ПОПЕРЕДЖЕННЯ

(Без попереджувального знаку безпеки) Вказує на ситуацію, яка може призвести до пошкодження майна.

EN
FR
DE
ES
IT
NL
PT
DA
SV
FI
NO
RU
PL
CS
HU
RO
LV
LT
ET
HR
SL
SK
BG
UK
TR
EL

Açılı taşlama makineniz tasarlanırken temel öncelik güvenlik, performans ve güvenilirlik özelliklerine verilmiştir.

KULLANIM AMACI

Açılı taşlama makinesi, bu kılavuzdaki talimatları ve uyarıları okumuş ve anlamış ve eylemlerinden sorumlu tutulabilecek yetişkinler tarafından kullanılmasa amaçlanmaktadır. Açılı taşlama makinesi yalnızca metal parçaları taşlamak ve kesmek için tasarlanmıştır. Açılı taşlama makinesine yalnızca bu kılavuzun ürün teknik özellikleri kısmında belirtilen uygun taşlama diskleri takılmalıdır. Açılı taşlama makinesi, elle kullanılmak üzere tasarlanmıştır; bir bağlama düzeneğine ya da tezgaha monte edilemez.

⚠ UYARI

Tüm uyarıları ve tüm talimatları dikkatli bir şekilde okuyun. Aşağıda sunulan talimatlara uyulmaması, yangınlar, elektrik çarpmaları gibi kazalara ve/veya ciddi fiziksel yaralanmalara neden olabilir.

Bu uyarıları ve talimatları daha sonra bakabilmek için saklayın.

AÇILI TAŞLAMA MAKİNESİ GÜVENLİK UYARILARI

TAŞLAMA VE AŞINDIRICILI KESME İŞLEMLERİNE YÖNELİK GENEL GÜVENLİK UYARILARI

- Bu elektrikli alet taşlama makinesi ve kesme aleti olarak kullanılmak üzere tasarlanmıştır. Bu aletle birlikte verilen tüm uyarı, talimat ve özellikleri dikkatlice okuyunuz ve resimli açıklamalara bakınız.** Aşağıda belirtilen talimatlara uyulmaması, yangın, elektrik çarpması ve/veya ciddi bedensel yaralanmalar gibi kazalar sebep olabilir.
 - Kumlama, tel fırça ile fırçalama, cilalama gibi işlemlerin bu elektrikli aletle yapılması tavsiye edilmez.** Bu talimata uyulmaması kazalara ve ciddi bedensel yaralanmalara sebep olabilir.
 - Bu alet için özel olarak tasarlanmış olmayan ve üretici tarafından önerilmeyen aksesuarları kullanmayın.** Bir aksesuar bir alet üzerine takılabilsen bile, bu, cihazı güvenlik içerisinde kullanabileceğiniz anlamına gelmemektedir.
 - Aksesuarın nominal hızının, alet üzerinde belirtilen azami hızla eşit veya üzerinde olması gerekmektedir.** Nominal hızlarından daha yüksek bir hızda çalışan aksesuarlar kırışabilir veya fırlayabilir.
 - Aksesuarın dış çapı ve kalınlığının, cihaz için belirtilen özelliklere tekabül etmesi gerekmektedir.** Eğer aksesuarlar verilen özelliklere uymuyor ise, aletin koruma ve ayarlama sistemleri doğru olarak çalışmazlar.
 - Aksesuarların dişli birleşme yerlerinin taşlama makinesi milinin dişleri ile uyumlu olması gerekir.** Flaşlarla monte edilen aksesuarlardaki
- Hasar görmüş bir aksesuarı kullanmayın. Her kullanımdan önce, kullandığınız aksesuarın iyi durumda olmasını kontrol edin: aşındırıcı disklerin çizilmiş veya çatlama olmamasına, patenlerin yırtılmış veya yıpranmış olmamasına, metalik fırçaların kollarının çok yıpranmış veya kırılmış olmamasına emin olun. Aletin veya aksesuarın düşmesi durumunda, hiçbir parçanın hasar görmemiş olduğunu kontrol edin ve gerekirse yeni bir aksesuar takın. Aksesuarın iyi durumda olmasını kontrol ettikten ve aksesuarı taktıktan sonra, hareketli aksesuardan uzak durun ve bir dakika boyunca aletin azami hızına erişmesini bekleyin.** Eğer aksesuar hasar görmüş ise, bu test esnasında kırılacaktır.
 - Kişisel koruyucu donanımlar kullanın. Aletinizi kullandığınız şekle göre, bir koruma maskesi, güvenlik gözlükleri veya koruma gözlükleri takın. Gerekirse, toz önleyici bir maske, sese karşı koruyucular, eldivenler ve her türlü yabancı madde (aşındırıcı unsurlar, ağaç talaşı, vs.) sıçramasına karşı kendinizi korumak için bir koruma tablası kullanın.** Koruma gözlükleri, sıçrayan parçaların gözlerinizi yaralamamasını sağlar. Toz önleyici maskeler, yaptığınız işlemin ürettiği partiküllerin filtrelenmesini sağlar. Uzun süre çok yoğun bir gürültüye maruz kalınması, duyum kaybına sebep olabilir.
 - Ziyaretçileri çalışma alanına uzak bir mesafede tutun ve bir koruma ekipmanı takmalarına dikkat edin. Herkes Çalışma alanınıza giren kişisel koruyucu donanımlar giymek gerekir.** Üretilen parçanın veya kırılmış bir aksesuarın kalıntıları çalışma alanının dışına fırlayabilir ve ciddi bedensel yaralanmalara sebep olabilir.
 - Elektrik kablolarını gizleyen bir yüzey üzerinde çalıştığınızda veya yapılan çalışmanın elektrik kablosunu aletin yürümesine getirmeye elverişli olduğunda cihazı sadece yalıtımlı ve kaymaz kısımlarından tutun.** Kesici aksesuarın elektrik geçen kabloyla temas etmesi, elektrikli aletin metal parçalarının elektrikle yüklenmesine ve kullanıcının elektriğe çarpmasına neden olabilir.
 - Elektrik kablosunu, dönen aksesuardan uzak bir mesafeye yerleştirin.** Eğer aletin kontrolünü kaybederseniz, elektrik kablosu kesilebilir veya sıkışabilir ve eliniz veya kolunuz dönen aksesuara doğru itilebilir.
 - Aksesuar tamamen durmadan aleti asla bırakmayın.** Dönen aksesuar, konulduğu yere temas edebilir ve sizin aletin kontrolünü kaybetmenize sebep olabilir.
 - Taşırken aletinizi çalıştırmayın.** Dönen aksesuar kıyafetleriniz kapabilir ve sizi ciddi bir şekilde yaralayabilir.
 - Aletin havalandırma boşluklarını düzenli**

olarak temizleyin. Motorun havalandırılması, motor karteri içerisine toz girmesine sebep olur ve bu da metalik partiküllerin aşırı şekilde toplanmasına elektrik çarpmalarına sebep olabilir.

- Aletinizi yanıcı unsurların yanında kullanmayın. Kıvılcımlar bunların tutuşmasına sebep olabilir.
- Soğutma sıvıları gerektiren aksesuarlar kullanmayın. Su veya soğutma sıvısının kullanılması, elektrik çarpmasına veya buna bağlı ölümlere sebep olabilir.

TÜM İŞLEMLER İÇİN İLAVE GÜVENLİK TALİMATLARI

Geri tepme ve ilgili uyarılar

Sıçrama, taşlama makinesi hareket halinde iken, paten, fırça veya diğer aksesuarlar delerken veya keserken gerçekleşen ani bir tepkidir ve sonucunda aksesuar hızla bloke edilir. Alet, çalışmaya devam eder, bu durumda aleti aksesuarın kullanıldığı yönün aksi yönüne doğru sıçratır.

Örneğin, aşındırıcı bir disk iş parçasına takılır veya iş parçasına sıkışırsa, sıkışan diskin kenarı iş parçasına girebilir ve bu durum diskin çıkmasına veya aniden fırlamasına yol açabilir. Tekerlek ya doğru ya da uzağa operatörünüzden, tekerlek hareketi yönüne pinching noktasında bağlı atlama olabilir. Sıçrama olması durumunda, aşındırıcı disk ayrıca kırılabilir de.

Dolayısıyla sıçrama, aletin yanlış olarak kullanılmasının ve/veya hatalı kullanım yöntemi ve koşullarının sonucunda oluşur. Birkaç tedbire uyarak bu önenebilir:

- Aleti sıkıca tutun ve vücudunuzu ve kolunuzu, olası bir sıçramayı kontrol edebilecek şekilde yerleştirin. Eğer aletin yardımcı bir kolu varsa, sıçrama veya aletin çalıştığı anda reaksiyon momenti olması durumunda aleti daha iyi kontrol edebilmek için her zaman bu yardımcı kolu tutun. Sıçrama veya reaksiyon momenti olması durumunda aletinizi kontrol edebilmek için gerekli tedbirleri alın.
- Sıçrama anında meydana gelebilecek her türlü bedensel yaralanmayı önlemek için - Elinizi asla dönen aksesuarın yakınına koymayın Elinizi yere Aksesuar olabilir komisyon.
- Sıçrama halinde aletini fırlatılma riskinin olduğu bölgede durmayın. Sıçrama olması durumunda, alet, diskin dönme yönünün aksi istikametine fırlatılır.
- Özellikle köşelerde, keskin kenarlarda, vs çalışırken dikkatli olun. Aksesuarı kaydırmamaya veya sıkıştırmamaya özen gösterin. Aksesuarı kaydırmamaya veya sıkıştırmamaya özen gösterin. köşelerde veya keskin kenarlarda çalışırken veya aleti kaydırırken, aksesuarın bloke olma riski ve dolayısıyla aletin kontrolünü kaybetme ve bir sıçramaya sebep olma riski daha fazladır.
- Bu alet ile asla ağaç kesme bıçağını veya testere bıçağını kullanmayın. Bu tür bıçaklar sıçrama ve aletin kontrolünü kaybetme riskini artırmaktadır.

TAŞLAMA VE KESME ÇALIŞMALARINI İÇİN İLAVE GÜVENLİK TALİMATLARI

Taşlama ve aşındırıcı zımparalama çalışmalarına özel güvenlik uyarıları:

- Sadece elektrikli aletiniz için tavsiye edilen dişli türlerini ve seçilen dişli için tasarlanmış özel korumayı kullanınız. Elektrikli alete uygun tasarlanmamış çarklar yeterince iyi kontrol edilemez ve güvenli değildir.
- Ortadan basık çarkların taşlama yapan yüzeyi, koruyucu kenarın düz kısmının altına monte edilmelidir. Koruyucu kenarın düz kısmı boyunca hareket eden bir çark yanlış monte edilirse yeterince korunamaz.
- Koruma, elektrikli alete güvenli bir şekilde bağlanmalı ve maksimum güvenlik sağlayacak şekilde konumlandırılmalıdır, böylece operatör dişliye minimum miktarda maruz kalır. Siper; operatörü kırık çark parçalarından, çarkla kazara temastan ve kıyafetleri tutuşturabilecek kıvılcımlardan korur.
- Dişiller sadece tavsiye edilen uygulamalar için kullanılmalıdır. Örneğin: Kesme çarkının kenarları ile taşlama yapmayın. Taşlama taşı kesici çarklar sadece çevresel taşlama işlemi için üretilmiştir, çarklara yanlardan uygulanacak basınç çarkın dağılmasına sebep olabilir.
- Seçtiğiniz dişliniz için her zaman doğru boyutta ve şekilde zarar görmemiş dişli flanşları kullanın. Uygun dişli flanşları dişliyi destekleyerek dişli kırılması olasılığını azaltırlar. Kesme dişlileri için flanşlar taşlama dişli flanşlarından farklı olabilir.
- Daha büyük elektrikli aletlerin aşındırılması dişlilerini kullanmayın. Daha büyük elektrikli aletler için tasarlanan dişliler daha küçük bir aletin daha yüksek hızına uygun değildir ve patlayabilir.

AŞINDIRICILI KESME İŞLEMLERİNE ÖZEL İLAVE GÜVENLİK UYARILARI

- Kesme çarkının sıkışmamasına ya da çarka aşırı baskı uygulamamaya dikkat edin. Fazla derin kesmeye çalışmayın. Çarka aşırı baskı uygulamak, kesme sırasında çarkın yükü ile bükülme ya da sıkışmaya karşı hassasiyetini ve geri tepme ya da çarkın kırılma olasılığını artırır.
- Gövdenizin pozisyonu dönen çarkla aynı doğrultuda ve arkasında olmalıdır. İşlem esnasında çark gövdenizden uzaklaştığında, olası geri tepme kayan çarkı ve elektrikli aleti doğrudan size doğru itebilir.
- Çark sıkıştığında ya da herhangi bir nedenle kesik yerlerden birine müdahale durumunda aleti kapatın ve çark tamamen durana kadar aleti tutun. Kesme çarkını hareket halindeyken kesik yerden çıkarmaya çalışmayın, yoksa geri tepmeye neden olabilir. Eğer disk sıkışırsa, sebebini araştırın ve bunun yeniden olmaması için gerekli tedbirleri alın.

- d) İş parçası üzerinde keme işlemini yeniden başlatmayın. Çarkın tam hızına ulaşmasını bekleyin ve ardından kesik yere dikkatli bir şekilde tekrar girin. Elektrikli alet iş parçası üzerinde yeniden başlatıldığında çark sıkışabilir, yanaşabilir ya da geri tepebilir.
- e) Çark sıkışması ya da geri tepme riskini en aza indirmek için panelleri ya da büyük boylardaki iş parçalarını destekleyin. Büyük iş parçaları kendi ağırlıkları altında eğilip bükülebilmektedirler. Destekler iş parçasının altına çarkın her iki tarafına kesme hattının yani ile iş parçasının kenarına yerleştirilmelidir.
- f) Duvar ya da dış duvarda "keserek delme" işlemi gerçekleştirirken çok dikkatli olun. Çıkıntılı çark gaz ya da su borularını, elektrik kablolarını ya da nesnelere kesebilir ve bu geri tepmelere neden olabilir.

AÇI TAŞLAMA MAKİNESİNE AİT ÖZEL GÜVENLİK TALİMATLARI

- a) Temizleme taşı üzerinde belirtilen hızın aletin nominal hızına eşit veya ondan yüksek olup olmadığını kontrol ediniz.
- b) Temizleme taşının çapının aletle uyumlu olup olmadığını ve temizleme taşının mil üzerine doğru şekilde oturup oturmadığından emin olunuz.
- c) Temizleme taşları kuru bir yerde muhafaza edilmelidir.
- d) Bileği taşlarının üzerine hiçbir eşya koymayınız.
- e) Taşlar taşlama işlemleri dışındaki işler için kullanılmamalıdır.
- f) Taşlar, üreticinin talimatlarına uygun şekilde özenlice saklanmalı ve kullanılmalıdır.
- g) Taşları kullanmadan önce, aşınmış veya çatlamış olmamasına dikkat ediniz. Böyle bir durum söz konusuysa, taş çatlayabilir ve bu da önemli fiziki yaralanmalara yol açabilir.
- h) Taşın iş bu kılavuzda belirtilen talimatlara uygun şekilde monte edildiğinden emin olunuz.
- i) Kullanmadan önce, taşın düzgün şekilde monte edildiğinden ve sıkıldığından emin olunuz, daha sonra aleti hiçbir tehlike oluşturmayacak şekilde çevirerek yaklaşık 30 saniye boyunca boşa çeviriniz. Aşırı derecede titreşimler varsa veya başka sorunlar görüyorsanız aletinizi derhal durdurunuz. Bu olasılığa karşı, problem nedenini belirlemek için aletinizi kontrol ediniz.
- j) Taşların büyük iç perdahını küçültmek için küçültme halkaları veya tespit burçları kullanmayınız.
- k) Üzerinde çalışılacak parçanın düzgün şekilde tutulduğundan emin olunuz.
- l) Sadece RYOBI tarafından önerilen bileği taşlarını kullanınız.
- m) Aletin kullanımından doğan kıvılcımların insan veya yanıcı madde üzerine sıçramaları gibi tehlikeli durum oluşturmadığından emin olunuz.

- n) Her zaman koruma gözlükleri takmaya ve kulaklarınızı sese karşı korumaya özen gösteriniz.
- o) Gerekliyse, eldiven, önlük veya kask gibi başka koruyucular kullanın.
- p) Çalışma durumundayken, aletinizi yere veya başka yüzeyler üzerine bırakmayınız. Dikkat, taş alet durduktan sonra da biraz döner. Döndüğü sırada, taşa asla dokunmamalısınız veya başka zeminler üzerine bırakmamalısınız.
- q) Aletinizi sadece yapım amacına uygun işlemlerde kullanınız. Asla soğutma suyu veya su kullanmayınız. Aletinizi sabit bir alet gibi kullanmayınız.
- r) Aletinizi kullandığınızda, iki elinizle sıkıca tutunuz.

ARDIL RİSKLER

Ürün belirtildiği şekilde kullanıldığı zaman bile belirli artık risk faktörlerinin tamamen ortadan kaldırılması mümkün değildir. Kullanım sırasında aşağıdaki tehlikeler ortaya çıkabilir ve operatör bunlardan kaçınmak için özellikle dikkat etmelidir:

- Fırlayan parçacıklar nedeniyle yaralanma riski
 - Metal veya aşındırıcı parçacıklar gözünüze girebilir ve ciddi, kalıcı zarara neden olabilir. Ürünü kullanırken taşlama çalışmaları için onaylanmış gözlükler takın.
- Titreşim kaynaklı yaralanma
 - Maruziyet seviyesini sınırlandırın. Bkz. "Risk Azaltma".
- Toz kaynaklı yaralanmalar
 - İşlenmekte olan materyalden çıkan toza ve taşlama diskinden çıkan aşındırıcı parçacıklara karşı koruma sağlayabilecek uygun filtrelelere sahip doğru bir toz maskesi takın. Çalışma alanı içinde bir şey yemeyin, içmeyin veya sigara içmeyin. Çalışma yerinin uygun şekilde havalandırıldığından emin olun.
- Taşlama diskine temas nedeniyle yaralanma riski
 - Disk ve iş parçası kullanım sırasında ısınacaktır. Diskleri değiştirirken ya da iş parçasına dokunurken eldiven takın. Ellerinizi her zaman taşlanan alandan uzak tutun. Mümkün olduğunda iş parçasını kelepçelerle sabitleyin.
- Gürültü nedeniyle yaralanma riski
 - Uzun süre gürültüye maruz kalmak duyu organınızın zarar görme riskini artırır ve etkileri kümülatiftir. Elektrikli aletleri uzun süre kullandığınızda kulak tıkacı takın.

⚠ UYARI

Bir aletin uzun süre kullanılması nedeniyle yaralanmalar olabilir veya mevcut yaraların durumu kötüleşebilir. Herhangi bir aleti uzun bir süre boyunca kullanırken düzenli olarak ara vermeyi ihmal etmeyin.

RİSK AZALTMA

El aletlerinden gelen titreşimlerin bazı kişilerde Raynaud Sendromu denen bir duruma neden olabileceği bildirilmiştir. Karıncalanma, hissizlik ve parmakların sararması gibi genelde soğuğa maruz kaldıktan sonra görülen semptomlar oluşabilir. Kalıtsal faktörler, soğuğa ve neme maruz kalmak, diyet, sigara ve çalışma pratikleri de bu semptomların oluşmasına neden olabilecek etkenler olarak kabul edilmektedir. Titreşimin etkilerini azaltmak için operatör tarafından alınabilecek önlemler bulunmaktadır:

- Soğuk havalarda vücudunuzu sıcak tutun. Ürünü çalıştırırken ellerinizi ve bileklerinizi sıcak tutmak için eldiven takın. Soğuk havanın Raynaud Sendromunun ana tetikleyicilerinden olduğu bildirilmiştir.
- Her operasyon sürecinden sonra kan dolaşımını arttırmak için egzersiz yapın.
- Sık sık işe ara verin. Günlük maruziyet miktarını sınırlandırın.

Bu rahatsızlığın semptomlarından herhangi birini görürseniz, aleti kullanmayı derhal bırakın ve bir doktora görünün.

⚠ UYARI

Bir aletin uzun süre kullanılması nedeniyle yaralanmalar olabilir veya mevcut yaraların durumu kötüleşebilir. Herhangi bir aleti uzun bir süre boyunca kullanırken düzenli olarak ara vermeyi ihmal etmeyin.

ÜRÜNÜZÜ TANIYIN

Sayfa 133'ya bakın.

1. Kontak düğmesi
2. Mil kilitleme düğmesi
3. Disk koruyucu tertibatı
4. Koruyucu kol kilidi
5. Dış kapak
6. Temizleme taşı
7. Kapak
8. Yardımcı tutamak
9. Servis anahtarı
10. Kolay tespit somunu

ÇALIŞTIRMA KORUMASI

Kilitleme anahtarına sahip makineler bir devre kesme anahtarı ile donatılmıştır. Bu, bir güç kesintisinden sonra makinenin kendi başına yeniden çalışmasını önler. Çalışmaya devam edeceğiniz zaman makineyi kapatın ve sonra yeniden çalıştırın.

BAKIM**⚠ UYARI**

Motor çalıştığı anda hiçbir ayarlama gerçekleştirmeyin.

Parçaları taktığınızda zımpara makineniz asla prize bağlı olmamalıdır, aleti temizlediğinizde veya artık kullanmadığınızda ayarları gerçekleştirin. Cihazın fişini prizden çekmek, ciddi kişisel yaralanmalara neden olabilecek aletin yanlışlıkla çalışma riskini ortadan kaldırrır.

- Kullanımdan sonra, aletinizin doğru çalıştığından emin olun.
- Yağlama ve komple temizleme için aletinizi yılda bir kere Ryobi Yetkili Servis Merkezine getirmeniz önerilir.
- Elektrik kablosu hasar görmüşse tehlikeyi önlemek için sadece üretici veya yetkili bir servis merkezi tarafından değiştirilmelidir. Yetkili servise başvurun

⚠ UYARI

Daha fazla güvenlik için, tüm onarımlar Ryobi Yetkili Servis Merkezinde gerçekleştirilmelidir.

⚠ UYARI

Üründeki tozu temizlemek için sıkıştırılmış hava kullanmayın. Bu uygulama tehlikelidir; kirin ve taneciklerin fırlamasına ve gözünüzün yaralanmasına neden olabilir.

ÇEVRENİN KORUNMASI

Ham maddeleri çöp olarak atmak yerine geri dönüştürün. Çevreyi korumak için, alet, aksesuarlar ve ambalajlar tasnif edilmelidir.

ÜRÜN ÜZERİNDEKİ SEMBOLLER

Güvenlik Uyarısı

V

Volt

Hz

Hertz

~

Alternatif akım

W

Watt

n

Nominal hız

min⁻¹

Saniyede devir veya hareket sayısı



Sınıf II, çift yalıtımlı



Ürünü çalıştırmadan önce, lütfen aşağıdaki talimatları dikkatlice okuyun.



Koruyucu kulaklık kullanın



Koruyucu gözlük kullanın



Toz maskesi kullanın.



Kırık, çatlak ya da arızalı taşlama çarkını kullanmayın



Not for wet grinding. Su veya soğutma sıvısının kullanılması, elektrik çarpmasına veya buna bağlı ölümlere sebep olabilir.



Emniyet eldivenleri giyin



Alın taşlama için kullanmayın.



Koruyucu ayakkabı giyin.



Göz ve kulak koruması ve maske takın.



EurAsian Uyumluluk işareti



CE Uygunluğu



Ukrayna uygunluk işareti



Atık elektrikli ürünler evsel atıklarla birlikte atılmamalıdır. Tesis bulunuyorsa lütfen geri dönüşüme verin. Geri dönüşümle ilgili tavsiye için Yerel Makamlarla veya bayi ile irtibat kurun.



Kilit



Kilidi açma



Not



Uyarı



Ürünü kapatın.

Aşağıdaki işaret sözcükleri ve anlamları, bu ürünle ilişkili risk seviyelerini açıklamaya yöneliktir:

TEHLİKE

Önlenmemesi durumunda ölüm veya ciddi yaralanma ile sonuçlanacak, tehdit edici tehlikeli bir durumu gösterir.

UYARI

Önlenmemesi durumunda ölüm veya ciddi yaralanma ile sonuçlanabilecek potansiyel olarak tehlikeli bir durumu gösterir.

DİKKAT

Önlenmemesi durumunda önemsiz veya orta derece yaralanma ile sonuçlanabilecek potansiyel olarak tehlikeli bir durumu gösterir.

DİKKAT

(Güvenlik Uyarı Sembölü Yok) Mal hasarına neden olabilecek bir durumu gösterir.

SYMBOLS IN THIS MANUAL



Güç kaynağına bağlayın.



Güç kaynağından ayırın.



Parçalar ya da aksesuarlar ayrı olarak satılır.



Atık elektrikli ürünler evsel atıklarla birlikte atılmamalıdır. Tesis bulunuyorsa lütfen geri dönüşüme verin.

Στον σχεδιασμό του τροχιστικού μηχανήματός σας έχει δοθεί μέγιστη προτεραιότητα στην ασφάλεια, την απόδοση και την αξιοπιστία.

ΠΡΟΟΡΙΖΟΜΕΝΗ ΧΡΗΣΗ

Το τροχιστικό μηχανήμα διατίθεται για χρήση μόνο από ενήλικες που έχουν διαβάσει και κατανοήσει τις οδηγίες και τις προειδοποιήσεις του παρόντος εγχειριδίου και μπορούν να θεωρηθούν υπεύθυνοι για τις πράξεις τους. Το τροχιστικό μηχανήμα είναι σχεδιασμένο μόνο για το τρύχισμα και την κοπή μετάλλων. Με το τροχιστικό μηχανήμα θα πρέπει να χρησιμοποιούνται μόνο οι κατάλληλοι δίσκοι τρύχισματος, όπως περιγράφεται στο τμήμα προδιαγραφών του προϊόντος στο παρόν εγχειρίδιο. Το τροχιστικό μηχανήμα είναι σχεδιασμένο μόνο για χρήση στο χέρι και δεν θα πρέπει να τοποθετείται σε δομές ή πάγκους εργασίας.

▲ ΠΡΟΕΙΔΟΠΟΙΗΣΗ

Διαβάστε προσεκτικά όλες τις προειδοποιήσεις και όλες τις οδηγίες. Η μη τήρηση των ακόλουθων οδηγιών μπορεί να επιφέρει ατυχήματα όπως πυρκαγιές, ηλεκτροπληξίες ή/και σοβαρό σωματικό τραυματισμό.

Φυλάξτε αυτές τις προειδοποιήσεις και οδηγίες για να μπορέσετε να ανατρέξετε μελλοντικά.

ΠΡΟΕΙΔΟΠΟΙΗΣΕΙΣ ΑΣΦΑΛΕΙΑΣ ΓΩΝΙΑΚΟΣ ΤΡΟΧΟΣ

ΚΟΙΝΕΣ ΠΡΟΕΙΔΟΠΟΙΗΣΕΙΣ ΑΣΦΑΛΕΙΑΣ ΓΙΑ ΛΕΙΤΟΥΡΓΙΕΣ ΚΟΠΗΣ ΑΚΟΝΙΣΜΑΤΟΣ ΚΑΙ ΛΕΙΑΝΣΗΣ

- Το εργαλείο διατίθεται για χρήση ως εργαλείο λείανσης / ακονίσματος και κοπής. Διαβάστε προσεκτικά όλες τις προειδοποιήσεις, οδηγίες και προδιαγραφές που παρέχονται με το εργαλείο και ανατρέξτε στις εικόνες. Η μη τήρηση των ακόλουθων οδηγιών μπορεί να επιφέρει ατυχήματα όπως πυρκαγιές, ηλεκτροπληξίες ή και σοβαρό σωματικό τραυματισμό.
- Εργασίες όπως η αμμοβολή, το βούρτσισμα με σύρμα, το γυάλισμα η , δεν προτείνονται να εκτελούνται χρησιμοποιώντας αυτό το ηλεκτροκίνητο εργαλείο. Η μη τήρηση της σύστασης αυτής μπορεί να επιφέρει ατυχήματα και σοβαρό σωματικό τραυματισμό.
- Μην χρησιμοποιείτε αξεσουάρ που δεν έχουν σχεδιαστεί ειδικά γι' αυτό το εργαλείο και δεν συνιστώνται από τον κατασκευαστή. Ακόμα κι αν ένα αξεσουάρ μπορεί να τοποθετηθεί σε εργαλείο, αυτό δεν διασφαλίζει ότι μπορείτε να χρησιμοποιείτε το εργαλείο εκείνο με απόλυτη ασφάλεια.
- Η ονομαστική ταχύτητα του αξεσουάρ πρέπει να είναι ίση ή μεγαλύτερη από την μέγιστη ταχύτητα που αναγράφεται στο εργαλείο. Τα αξεσουάρ που λειτουργούν με ταχύτητα μεγαλύτερη από την ονομαστική ταχύτητα μπορεί να σπαστούν και να εκτιναχθούν.
- Η εξωτερική διάμετρος του και το πάχος του αξεσουάρ πρέπει να αντιστοιχούν στα τεχνικά χαρακτηριστικά του εργαλείου. Όταν τα αξεσουάρ δεν αντιστοιχούν στα δεδομένα

χαρακτηριστικά, δεν μπορούν να λειτουργήσουν σωστά τα συστήματα προστασίας και ρύθμισης του εργαλείου.

- Η σπειρωτή σύνδεση των εξαρτημάτων, πρέπει να αντιστοιχεί με το σπείρωμα της ατράκτου του τροχιστή. Για εξαρτήματα που συνδέονται με φλάντζες, η οπή άξονα του εξαρτήματος πρέπει να αντιστοιχεί με την διάμετρο τοποθέτησης της φλάντζας. Τα εξαρτήματα που δεν αντιστοιχούν με το υλικό σύνδεσης του εργαλείου, χάνουν την ισορροπία τους, έχουν υπερβολικούς κραδασμούς και μπορεί να προκαλέσουν απώλεια ελέγχου.
- Μην χρησιμοποιείτε χαλασμένο αξεσουάρ. Πριν από κάθε χρήση, να βεβαιώνετε ότι είναι σε καλή κατάσταση το αξεσουάρ που χρησιμοποιείτε: να σιγουρευτείτε ότι οι λειαντικοί τροχοί δεν είναι φαγωμένοι ή ραγισμένοι, ότι τα πέλαμα δεν είναι σχισμένα ή φθαρμένα, ότι οι τριχές των μεταλλικών βουρτσών ότι οι τριχές των μεταλλικών βουρτσών δεν είναι πολύ φθαρμένες ή σπασμένες. Σε περίπτωση πτώσης του εργαλείου ή του εξαρτήματος, βεβαιωθείτε ότι δεν έχει χαλάσει κανένα στοιχείο, και αν χρειαστεί, τοποθετήστε καινούργιο εξάρτημα. Αφού βεβαιωθείτε ότι το αξεσουάρ είναι σε καλή κατάσταση και αφού το τοποθετήσετε, κρατήστε σε απόσταση από το κινητό αξεσουάρ και αφήστε το εργαλείο να φθάσει στη μέγιστη ταχύτητά του για ένα λεπτό. Αν είναι χαλασμένο το αξεσουάρ, θα σπάσει κατά την δοκιμή.
- Να φοράτε μέσα ατομικής προστασίας. Ανάλογα με την χρήση του εργαλείου σας, φοράτε προστατευτική μάσκα, γυαλιά ασφαλείας ή προστατευτικά γυαλιά. Αν χρειαστεί, φορέστε μάσκα κατά της σκόνης, ωτασπίδες, γάντια και προστατευτική ποδιά για να προφυλαχτείτε από οιαδήποτε εκτίναξη ξένων σωμάτων (λειαντικά στοιχεία, ροκανίδια κλπ). Τα προστατευτικά γυαλιά αποτρέπουν την εκτίναξη θραυσμάτων και τον τραυματισμό των ματιών. Οι μάσκες κατά της σκόνης φιλτράρουν τα σωματίδια που δημιουργούνται από την εργασία που κάνετε. Η παρατεταμένη έκθεση στο δυνατό θόρυβο μπορεί να προκαλέσει απώλεια της ακοής.
- Κρατάτε τους επισκέπτες σε αρκετή απόσταση από την ζώνη εργασίας και φροντίστε να φορούν προστατευτικό εξοπλισμό. Κάθε άτομο που εισέρχεται στο χώρο εργασίας πρέπει να φορούν εξοπλισμό ατομικής προστασίας. Μπορεί να εκτιναχθούν θραύσματα κατεργαζόμενου τεμαχίου ή σπασμένου αξεσουάρ πέρα από την ζώνη εργασίας και να προκαλέσουν σοβαρό σωματικό τραυματισμό.
- Κρατάτε το εργαλείο μόνο από τα μονωμένα και αντλιοθητικά τμήματα όταν εργάζεστε σε επιφάνεια η οποία μπορεί να κρύβει ηλεκτρικά καλώδια ή όταν η εργασία που θα πραγματοποιήσετε κινδυνεύει να φέρει το καλώδιο παροχής ρεύματος στην διαδρομή του εργαλείου. Η επαφή του εξαρτήματος κοπής με «ζωντανό» καλώδιο (ηλεκτροφόρο) μπορεί να μεταφέρει τον ηλεκτρισμό στα εκτεθειμένα μεταλλικά εξαρτήματα του εργαλείου, προκαλώντας ηλεκτροπληξία στον χειριστή.
- Τοποθετήστε το καλώδιο τροφοδότησης με

τρόπο ώστε να βρίσκεται σε κάποια απόσταση από το περιστρεφόμενο αξεσουάρ. Αν χάσετε τον έλεγχο του εργαλείου σας, το καλώδιο τροφοδότησης μπορεί να κοπεί ή να μαγκώσει και το χέρι σας ή το μπράτσο σας να παρασυρθεί προς το περιστρεφόμενο αξεσουάρ.

- l) **Μην εναποθέτετε ποτέ το εργαλείο σας πριν σταματήσει τελείως το αξεσουάρ.** Το περιστρεφόμενο αξεσουάρ μπορεί να έλθει σε επαφή με την επιφάνεια στην οποία είναι τοποθετημένο και να σας κάνει να χάσετε τον έλεγχο του εργαλείου.
- m) **Μην βάζετε ποτέ το εργαλείο σας σε λειτουργία όταν το μεταφέρετε.** Το περιστρεφόμενο αξεσουάρ μπορεί να πιαστεί στα ρούχα σας και να σας τραυματίσει σοβαρά.
- n) **Καθαρίζετε τακτικά τις σχισμές αερισμού του εργαλείου.** Ο αερισμός του μοτέρ αφήνει να διεισδύουν σκόνες στο εσωτερικό του περιβλήματος μοτέρ, με αποτέλεσμα να δημιουργείται υπερβολική συσσώρευση μεταλλικών σωματιδίων με κίνδυνο την ηλεκτροπληξία.
- o) **Μην χρησιμοποιείτε το εργαλείο σας κοντά σε εύφλεκτα υλικά.** Οι σπινθίρες κινδυνεύουν να προκαλέσουν ανάφλεξη.
- p) **Μην χρησιμοποιείτε αξεσουάρ που χρειάζονται ψυκτικά ρευστά.** Η χρήση νερού ή ψυκτικών υγρών μπορεί να προκαλέσει ηλεκτροπληξία.

ΠΕΡΙΣΣΟΤΕΡΕΣ ΟΔΗΓΙΕΣ ΑΣΦΑΛΕΙΑΣ ΓΙΑ ΟΛΕΣ ΤΙΣ ΛΕΙΤΟΥΡΓΙΕΣ

Επιστροφή και σχετικές ειδοποιήσεις

Το αναπήδημα είναι μια ξαφνική αντίδραση η οποία λαμβάνει χώρα όταν ο κινούμενος τροχός, το πέλμα, η βούρτσα ή οιοδήποτε άλλο αξεσουάρ μαγκώσει ή στρεβλώσει, με αποτέλεσμα το άμεσο μπλοκάρισμα του αξεσουάρ. Το εργαλείο, το οποίο συνεχίζει να λειτουργεί, εκκινάσει τότε το αξεσουάρ προς την αντίθετη κατεύθυνση από την φορά χρήσης του αξεσουάρ

Για παράδειγμα, αν ένας λειαντικός τροχός μαγκώσει ή στρεβλώσει μέσα στο κατεργαζόμενο τεμάχιο, η κόψη του τροχού κινδυνεύει να κοφωθεί στην επιφάνεια του κατεργαζόμενου τεμαχίου, με αποτέλεσμα ο τροχός να βγει απότομα από το κατεργαζόμενο τεμάχιο ή να κάνει επιστροφή. Σε περίπτωση αναπήδηματος, ο λειαντικός τροχός μπορεί ακόμα και να σπάσει. Το αναπήδημα είναι συνεπώς το αποτέλεσμα λανθασμένης χρήσης του εργαλείου ή και λανθασμένων διαδικασιών ή συνθηκών κοπής.

Το αναπήδημα είναι συνεπώς το αποτέλεσμα λανθασμένης χρήσης του εργαλείου ή και λανθασμένων διαδικασιών ή συνθηκών κοπής. Μπορεί ωστόσο να αποφευχθεί τηρώντας ορισμένες προφυλάξεις:

- a) **Κρατάτε σταθερά το εργαλείο και φέρετε το σώμα σας και το μπράτσο σας σε κατάλληλη θέση ώστε να μπορείτε να ελέγχετε τυχόν αναπήδημα. Αν το εργαλείο διαθέτει βοηθητική λαβή, φροντίστε να την κρατάτε πάντα για να έχετε άριστο έλεγχο του εργαλείου σε περίπτωση αναπήδηματος ή ζεύγους αντίδρασης κατά την έναρξη λειτουργίας του εργαλείου.** Παίρνετε τα απαραίτητα μέτρα για να μπορείτε να ελέγχετε το εργαλείο σας σε περίπτωση αναπήδηματος ή ζεύγους αντίδρασης.
- b) **Μην βάζετε ποτέ το χέρι σας κοντά στο περιστρεφόμενο αξεσουάρ για να αποτρέψετε**

τον κίνδυνο σοβαρού σωματικού τραυματισμού σε περίπτωση αναπήδηματος. Εξάρτημα μπορεί να κλωστήσει επάνω από το χέρι σας.

- c) **Μην στέκεστε μέσα στη ζώνη όπου κινδυνεύει να εκτιναχτεί το εργαλείο σε περίπτωση αναπήδηματος.** Σε περίπτωση αναπήδηματος, το εργαλείο εκτινάσσεται προς την αντίθετη κατεύθυνση από την φορά περιστροφής του τροχού.
- d) **Προσέχετε ιδιαίτερα όταν εργάζεστε σε γωνίες, κοφτερές άκρες κλπ. Φροντίζετε να μην σας πλαγιολισθήσει ή να σας μαγκώσει το αξεσουάρ.** Όταν εργάζεστε σε γωνίες ή κοφτερές άκρες ή όταν σας πλαγιολισθήσει το εργαλείο, ο κίνδυνος είναι πιο μεγάλος να μπλοκάρει το αξεσουάρ και να χάσετε τον έλεγχο του εργαλείου προκαλώντας αναπήδημα.
- e) **Μην χρησιμοποιείτε ποτέ λάμα αλυσοπριονίου ή λάμα πριονιού με αυτό το εργαλείο.** Αυτό του είδους οι λάμες αυξάνουν τον κίνδυνο αναπήδηματος και απώλειας ελέγχου του εργαλείου.

ΕΠΙΠΡΟΣΘΕΤΕΣ ΟΔΗΓΙΕΣ ΑΣΦΑΛΕΙΑΣ ΓΙΑ ΤΡΟΧΙΣΜΑ ΚΑΙ ΕΡΓΑΣΙΕΣ ΚΟΠΗΣ

Ειδικές προειδοποιήσεις ασφάλειας για τρόχισμα και εργασίες κοπής με λείανση:

- a) **Χρησιμοποιείτε μόνο τύπους τροχών που προτείνονται για το ηλεκτροκίνητο εργαλείο σας και το συγκεκριμένο προστατευτικό που έχει σχεδιαστεί για τον επιλεγμένο τροχό.** Τροχού για τους οποίους δεν έχει σχεδιαστεί το εργαλείο, δεν προστατεύονται επαρκώς και δεν είναι ασφαλείς.
- b) **Η επιφάνεια λείανσης πεπιεσμένων τροχών στο κέντρο, πρέπει να τοποθετείται κάτω από το επίπεδο του προστατευτικού χείλους.** Εσφαλμένα τοποθετημένοι τροχού που προεξέχουν από το επίπεδο του προστατευτικού χείλους, δεν προστατεύονται επαρκώς.
- c) **Το προστατευτικό πρέπει να βρίσκεται πάντα τοποθετημένο στο ηλεκτροκίνητο εργαλείο και στη σωστή θέση για μέγιστη ασφάλεια, έτσι ώστε να εκτίθεται όσο γίνεται μικρότερος βαθμός του τροχού προς τον χειριστή.** Τα προστατευτικά παρέχουν στον χειριστή προστασία από σπασμένα τεμάχια τροχού, τυχαία επαφή με τον τροχό και σπινθίρες που θα μπορούσαν να προκαλέσουν ανάφλεξη στα ρούχα.
- d) **Οι τροχοί πρέπει να χρησιμοποιούνται μόνο για τις προτεινόμενες εφαρμογές.** Για παράδειγμα: **Μην εκτελείτε εργασίες ακονίσματος / λείανσης με την πλευρά του τροχού αποκοπής.** Οι λειαντικοί τροχοί αποκοπής διατίθενται για περιφερειακό ακόνισμα - εάν ασκηθεί πλευρική πίεση σε αυτούς τους τροχούς ενδέχεται να θρυμματιστούν.
- e) **Χρησιμοποιείτε πάντα φλάντζες τροχών σε άριστη κατάσταση και με σωστό μέγεθος και σχήμα για τον επιλεγμένο τροχό.** Οι σωστές φλάντζες τροχών στηρίζουν τον τροχό και μειώνουν την πιθανότητα σπασίματος του. Οι φλάντζες για τους τροχούς αποκοπής μπορεί να διαφέρουν από τις φλάντζες τροχών ακονίσματος.
- f) **Μην χρησιμοποιείτε φθαρμένους τροχούς από**

μεγαλύτερα ηλεκτροκίνητα εργαλεία. Τροχοί για μεγαλύτερα ηλεκτροκίνητα εργαλεία δεν είναι κατάλληλοι για τις υψηλότερες ταχύτητες που αναπτύσσουν τα μικρότερα εργαλεία και ενδέχεται να σπάσουν.

ΕΠΙΠΡΟΣΘΕΤΕΣ ΠΡΟΕΙΔΟΠΟΙΗΣΕΙΣ ΑΣΦΑΛΕΙΑΣ ΓΙΑ ΛΕΙΤΟΥΡΓΙΕΣ ΛΕΙΑΝΣΗΣ ΑΠΟΚΟΠΗΣ

- a) Μην "φρακάρετε" τον τροχό αποκοπής και μην ασκείτε υπερβολική πίεση. Μην προσπαθείτε να κάνετε υπερβολικά βαθιές κοπές. Αν πιέσετε υπερβολικά τον τροχό, αυξάνεται το φορτίο και η πιθανότητα συστροφής ή πιασίματος του τροχού στην κοπή, μαζί με την πιθανότητα επιστροφής ή σπασίματος του τροχού.
- b) Μην τοποθετείτε το σώμα σας στην ίδια σειρά με και πίσω από τον περιστρεφόμενο τροχό. Όταν ο τροχός, στο σημείο λειτουργίας, μετακινείται μακριά από το σώμα σας, η πιθανή επιστροφή μπορεί να εκτινάξει τον περιστρεφόμενο τροχό μαζί με το εργαλείο κατευθείαν προς εσάς.
- c) Αν ο τροχός πιαστεί ή όταν διακόπτετε μία κοπή για οποιονδήποτε λόγο, απενεργοποιείτε το εργαλείο και κρατάτε το ακίνητο μέχρι ο τροχός να σταματήσει τελείως. Μην προσπαθείτε ποτέ να αφαιρέσετε τον τροχό αποκοπής από την κοπή όσο αυτός κινείται, διαφορετικά μπορεί να προκληθεί επιστροφή. Αν ο δίσκος μαγκώσει, αναζητήστε την αιτία και λάβετε τα απαραίτητα μέτρα ούτως ώστε να μην επαναληφθεί.
- d) Μην ξεκινάτε απ' την αρχή την εργασία κοπής στο τεμάχιο όπου εργάζεστε. Αφήστε τον τροχό να φτάσει στην πλήρη ταχύτητά του και κάντε προσεκτικά ξανά την κοπή. Ο τροχός μπορεί να πιαστεί, να μετακινηθεί ή να κάνει επιστροφή, αν γίνει νέα εκκίνηση του εργαλείου πάνω στο τεμάχιο.
- e) Σηπρίξτε πλαίσια ή ευμεγέθη τεμάχια για να ελαχιστοποιήσετε τον κίνδυνο πιασίματος του τροχού και επιστροφής. Τα μεγάλα πλαίσια τείνουν να κρεμάνε από το βάρος τους. Τα υποστηρίγματα πρέπει να τοποθετηθούν κάτω από το τεμάχιο, κοντά στη γραμμή της κοπής και κοντά στην άκρη του τεμαχίου και στις δύο πλευρές του τροχού.
- f) Προσέχετε ιδιαίτερα όταν κάνετε μία "κοπή θυλάκωσης" σε υπάρχοντα τοιχώματα ή άλλες περιοχές χωρίς ορατότητα. Η προεξέχων τροχός μπορεί να κόψει αγωγούς αερίου ή νερού, ηλεκτρικά σύρματα ή αντικείμενα που μπορούν να προκαλέσουν επιστροφή.

ΣΥΣΤΑΣΕΙΣ ΑΣΦΑΛΕΙΑΣ ΓΙΑ ΤΟ ΓΩΝΙΑΚΟ ΤΡΟΧΟ

- a) Βεβαιωθείτε πως η ταχύτητα που ενδείκνυται επάνω στο δίσκο ξακρίσματος είναι ίδια ή μεγαλύτερη από την ονομαστική ταχύτητα του εργαλείου.
- b) Βεβαιωθείτε πως η διάμετρος του δίσκου ξακρίσματος είναι συμβατή με το εργαλείο και πως ο δίσκος προσαρμόζεται σωστά στον άξονα.
- c) Οι δίσκοι πρέπει να τακτοποιούνται σε μέρος ξηρό.
- d) Μην τοποθετείτε κανένα αντικείμενο επάνω στους δίσκους.
- e) Οι δίσκοι δεν πρέπει να χρησιμοποιούνται για άλλο

σκοπό από τις ενέργειες τροχίσματος.

- f) Τακτοποιείστε και χειριστείτε τους δίσκους με προσοχή, σύμφωνα με τις οδηγίες του κατασκευαστή.
- g) Πριν χρησιμοποιήσετε τον δίσκο, βεβαιωθείτε πως δεν έχει ραγίσει ή δε φέρει ρωγμές. Σε τέτοια περίπτωση, ο δίσκος μπορεί να σπάσει, γεγονός που μπορεί να προκαλέσει σοβαρό σωματικό τραυματισμό.
- h) Βεβαιωθείτε πως ο δίσκος είναι τοποθετημένος σύμφωνα με τις παρούσες οδηγίες.
- i) Βεβαιωθείτε πριν τη χρήση πως ο δίσκος είναι σωστά τοποθετημένος και σφιγμένος, έπειτα λειτουργήστε το εργαλείο σας στο κενό για 30 δευτερόλεπτα προσανατολιζόντάς το έτσι ώστε να μην παρουσιάζει κανέναν κίνδυνο. Σταματήστε αμέσως το εργαλείο σας αν δονείται υπερβολικά ή αν παρατηρήσετε άλλα προβλήματα. Στην περίπτωση αυτή, ελέγξτε το εργαλείο σας για να προσδιορίσετε την αιτία του προβλήματος.
- j) Μη χρησιμοποιείτε δακτυλίδια οδηγού ή αποστάτες για να μειώσετε την κυλινδρική οπή κάποιου δίσκου με μεγάλη κυλινδρική οπή.
- k) Ελέγξτε πως το προς επεξεργασία αντικείμενο συγκρατείται σωστά.
- l) Χρησιμοποιήστε μόνο τους συνιστώμενους από την RYOBI τροχούς λείανσης.
- m) Βεβαιωθείτε πως οι δημιουργούμενες από τη χρήση του εργαλείου στίβες δεν προκαλούν επικίνδυνες καταστάσεις, παραδείγματος χάρι πως δεν εκτοξεύονται προς άτομα ή εύφλεκτες ουσίες.
- n) Φροντίστε να φοράτε πάντα προστατευτικά γυαλιά και ωτασπίδες.
- o) Αν χρειάζεται, χρησιμοποιήστε και άλλους προστατευτικούς εξοπλισμούς, όπως γάντια, ποδιά ή κράνος.
- p) Μην ακουμπάτε ποτέ το εργαλείο σας στο έδαφος ή σε άλλες επιφάνειες όταν βρίσκεται σε λειτουργία. Προσοχή, ο δίσκος περιστρέφεται με τη δύναμη της αδράνειας μετά τη στάση του εργαλείου. Δεν πρέπει ποτέ ούτε να αγγίζετε το δίσκο, ούτε να τον ακουμπάτε στο έδαφος ή σε άλλες επιφάνειες όταν περιστρέφεται.
- q) Μη χρησιμοποιείτε το εργαλείο σας για εφαρμογές τις οποίες δεν προορίζεται. Μη χρησιμοποιείτε ποτέ ψυκτικό υγρό ή νερό. Μη χρησιμοποιείτε το εργαλείο σας σαν σταθερό εργαλείο.
- r) Όταν χρησιμοποιείτε το εργαλείο σας, κρατάτε το γέρα με τα δύο χέρια.

ΆΛΛΟΙ ΚΙΝΔΥΝΟΙ

Ακόμη και όταν το προϊόν χρησιμοποιείται σύμφωνα με τις οδηγίες, δεν είναι δυνατή η απόλυτη απαλειφή συγκεκριμένων παραγόντων κινδύνου. Κατά τη χρήση μπορεί να προκύψουν οι ακόλουθοι κίνδυνοι και ο χειριστής πρέπει να διδεται ιδιαίτερη προσοχή προς αποφυγή των εξής:

- Τραυματισμοί από εκτίναξη σωματιδίων
 - Υπάρχει κίνδυνος εισχώρησης μεταλλικών ή λειαντικών μορίων στα μάτια και πρόκλησης μόνιμης βλάβης. Φοράτε προστατευτικά γυαλιά κατάλληλα

EN
FR
DE
ES
IT
NL
PT
DA
SV
FI
NO
RU
PL
CS
HU
RO
LV
LT
ET
HR
SK
SL
BG
UK
TR
EL

για εργασίες τροχισμού όταν χρησιμοποιείτε το προϊόν.

- Τραυματισμοί από τον κραδασμό
 - Περιορίστε την έκθεση. Βλ. "Μείωση Κινδύνου".
- Τραυματισμός που προκαλείται από τη σκόνη
 - Φοράτε κατάλληλη μάσκα προστασίας με τα σωστά φίλτρα που προστατεύουν από τη σκόνη που προέρχεται από το υλικό εργασίας και τα τριπτικά σωματίδια του δίσκου τροχισμού. Μην τρώτε, πίνετε ή καπνίζετε στον χώρο εργασίας. Βεβαιωθείτε ότι υπάρχει επαρκής εξαερισμός του χώρου εργασίας.
- Τραυματισμοί από επαφή με το δίσκο τροχισμού
 - Ο δίσκος και το τεμάχιο εργασίας θερμαίνονται κατά τη διάρκεια της χρήσης. Φοράτε γάντια όταν αλλάζετε δίσκους ή αγγίζετε το τεμάχιο εργασίας. Διατηρείτε πάντα τα χέρια σας μακριά από την περιοχή τροχισμού. Πιάνετε με σφιγκτήρα το τεμάχιο εργασίας όπου αυτό είναι δυνατό.
- Τραυματισμοί από τον θόρυβο
 - Η παρατεταμένη έκθεση στο θόρυβο αυξάνει τον κίνδυνο ακουστικής βλάβης και οι επιπτώσεις είναι αθροιστικές. Όταν χρησιμοποιείτε ηλεκτρικά εργαλεία για μεγάλο διάστημα, φοράτε προστατευτικά ακοής.

ΜΕΙΩΣΗ ΚΙΝΔΥΝΟΥ

Υπάρχουν αναφορές ότι οι κραδασμοί από εργαλεία χειρός ενδεχομένως να συμβάλλουν στην εκδήλωση της πάθησης Συνδρόμου Raynaud, σε ορισμένα άτομα. Τα συμπτώματα περιλαμβάνουν κνησμό, μούδιασμα και λευκότητα των δακτύλων, που εμφανίζονται συνήθως μετά την έκθεση σε κρύο. Κληρονομικοί παράγοντες, έκθεση σε κρύο και υγρασία, κάπνισμα και πρακτικές εργασίας θεωρείται ότι συμβάλλουν στην εκδήλωση των συμπτωμάτων. Υπάρχουν μέτρα που μπορούν να ληφθούν από τον χειριστή για να μειωθούν πιθανώς οι επιδράσεις των κραδασμών:

- Διατηρείτε το σώμα σας ζεστό όταν ο καιρός είναι ψυχρός. Φοράτε γάντια κατά τον χειρισμό του μηχανήματος, για να διατηρείτε ζεστά τα χέρια και τους καρπούς σας. Ο ψυχρός καιρός είναι κύριος παράγοντας που συμβάλλει στην εκδήλωση του συνδρόμου Raynaud.
- Μετά από κάθε περίοδο λειτουργίας, κάνετε ασκήσεις για να αυξάνετε την κυκλοφορία αίματος.
- Κάνετε τακτικά διαλείμματα κατά την εργασία. Περιορίζετε το σύνολο έκθεσης ανά ημέρα.

Αν παρουσιάσετε οποιοδήποτε σύμπτωμα αυτής της πάθησης, διακόψτε αμέσως τη χρήση και συμβουλευτείτε τον γιατρό σας για τα συμπτώματα.

ΠΡΟΕΙΔΟΠΟΙΗΣΗ

Υπάρχει κίνδυνος πρόκλησης ή επιδείνωσης τραυματισμού, από την παρατεταμένη χρήση εργαλείου. Όταν χρησιμοποιείτε το εργαλείο για μεγάλες περιόδους, κάνετε τακτικά διαλείμματα.

ΓΝΩΡΙΣΤΕ ΤΟ ΠΡΟΪΟΝ ΣΑΣ

Βλέπε σελίδα 133.

1. Κουμπί διακόπτη

2. Πλήκτρο ασφάλισης του άξονα
3. Διάταξη προστατευτικού τροχού
4. Κλειδώμα μοχλού προστατευτικού
5. Εξωτερική φλάντζα
6. Δίσκος ξακρίσματος
7. Φλάντζα
8. Βοηθητική λαβή
9. Κλειδί
10. Παξιμάδι εύκολης στερέωσης

ΠΡΟΣΤΑΣΙΑ ΕΝΑΡΞΗΣ

Τα μηχανήματα με διακόπτη κλειδώματος διαθέτουν και διάταξη διακοπής. Έτσι δεν ξεκινούν μόνα τους μετά από διακοπή ρεύματος. Όταν πρόκειται να συνεχίσετε την εργασία σας, απενεργοποιήστε το μηχανήμα και ενεργοποιήστε το ξανά.

ΣΥΝΤΗΡΗΣΗ

ΠΡΟΕΙΔΟΠΟΙΗΣΗ

Μην πραγματοποιείτε καμία ρυθμισμό όταν ο κινητήρας βρίσκεται σε λειτουργία.

Το τριβείο σας δεν πρέπει ποτέ να είναι συνδεδεμένο με πρίζα την ώρα που τοποθετείτε εξαρτήματα, πραγματοποιείτε ρυθμίσεις, όταν καθαρίζετε το εργαλείο ή όταν δεν το χρησιμοποιείτε. Η αποσύνδεση του εργαλείου εμποδίζει την τυχαία εκκίνησή του που θα μπορούσε να προκαλέσει σοβαρό τραυματισμό..

- Μετά τη χρήση, βεβαιωθείτε πως το εργαλείο σας βρίσκεται σε καλή κατάσταση λειτουργίας.
- Συνιστάται να φέρνετε το εργαλείο σας τουλάχιστον μια φορά το χρόνο σε κάποιο εξουσιοδοτημένο Κέντρο Τεχνικής Εξυπηρέτησης Ryobi για πλήρη λίπανση και καθάρισμα.
- Αν το καλώδιο παροχής ρεύματος φθαρεί, πρέπει να αντικατασταθεί μόνο από τον παρασκευαστή ή εξουσιοδοτημένο κέντρο σέρβις για αποφυγή κινδύνων. Επικοινωνήστε με ένα εξουσιοδοτημένο Κέντρο Επισκευής

ΠΡΟΕΙΔΟΠΟΙΗΣΗ

Για μεγαλύτερη ασφάλεια και αξιοπιστία, όλες οι επιδιορθώσεις πρέπει να πραγματοποιούνται από εγκεκριμένο Κέντρο Τεχνικής Εξυπηρέτησης Ryobi.

ΠΡΟΕΙΔΟΠΟΙΗΣΗ

Μην χρησιμοποιείτε πεπιεσμένο αέρα για την αφαίρεση σκόνης από το προϊόν. Αυτή η πρακτική είναι επικίνδυνη και μπορεί να προκαλέσει την εκτίναξη σκόνης και υπολειμμάτων καθώς και πιθανό τραυματισμό των ματιών.

ΠΡΟΣΤΑΣΙΑ ΤΟΥ ΠΕΡΙΒΑΛΛΟΝΤΟΣ



Ανακυκλώνετε τις πρώτες ύλες αντί να τις πετάτε ως απορρίμματα. Για την προστασία του περιβάλλοντος, πρέπει να γίνεται διαλογή του εργαλείου, των εξαρτημάτων και των συσκευασιών του.

ΣΥΜΒΟΛΑ ΣΤΟ ΠΡΟΪΟΝ



Προειδοποίηση ασφάλειας

V

Βλτ

Hz

ερτς

~

Εναλλασσμεν ρεύμα

W

Βατ

n

Βαθμονομημένη ταχύτητα

min⁻¹

Αριθμος στρών ή κινήσεων ανά λεπτ



Κατηγορία II, διπλή μόνωση



Παρακαλούμε διαβάστε προσεκτικά τις οδηγίες πριν χρησιμοποιήσετε το προϊόν.



Φοράτε προστατευτικά αυτιών



Φοράτε προστατευτικά ματιών



Φοράτε μάσκα προστασίας από πριονίδια/σωματίδια.



Μην χρησιμοποιείτε λειαντικούς τροχούς που έχουν ξεφλουδίσει, ραγίσει ή είναι ελαττωματικοί



Not for wet grinding. Η χρήση νερού ή ψυκτικών υγρών μπορεί να προκαλέσει ηλεκτροπληξία.



Φοράτε προστατευτικά γάντια



Να μην χρησιμοποιείται για μετωπική λείανση.



Φοράτε προστατευτικά υποδήματα.



Φοράτε προστατευτικά ματιών και αυτιών και μάσκα.



EurAsian σήμα πιστότητας



Συμμόρφωση CE



Ουκρανικό σήμα συμμόρφωσης



Τα ηλεκτρικά προϊόντα προς απόρριψη δεν θα πρέπει να απορρίπτονται μαζί με τα οικιακά απόβλητα. Παρακαλούμε ανακυκλώστε όπου υπάρχουν οι αντίστοιχες εγκαταστάσεις. Μιλήστε με τις τοπικές αρχές ή τον πωλητή για να σας ενημερώσουν σχετικά με τα προγράμματα ανακύκλωσης.

ΣΥΜΒΟΛΑ ΣΤΟ ΕΓΧΕΙΡΙΔΙΟ



Συνδέστε στην παροχή ηλεκτρικού ρεύματος.



Αποσυνδέστε από την παροχή ρεύματος.



Αναλλακτικά και εξαρτήματα πωλούνται χωριστά



Τα ηλεκτρικά προϊόντα προς απόρριψη δεν θα πρέπει να απορρίπτονται μαζί με τα οικιακά απόβλητα. Παρακαλούμε ανακυκλώστε όπου υπάρχουν οι αντίστοιχες εγκαταστάσεις.



Κλειδωμα



Ξεκλειδωμα



Σημειωση



Προειδοποίηση



Σταματήστε το προϊόν.

Οι ακόλουθες προειδοποιητικές λέξεις και έννοιες προορίζονται να εξηγήσουν τα επίπεδα κινδύνου που συνδέονται με αυτό το προϊόν:

⚠ ΚΙΝΔΥΝΟΣ

Υποδεικνύει μια επικείμενη επικίνδυνη κατάσταση, η οποία, αν δεν αποφευχθεί, θα οδηγήσει σε θάνατο ή σοβαρό τραυματισμό.

⚠ ΠΡΟΕΙΔΟΠΟΙΗΣΗ

Υποδεικνύει μια δυνητικά επικίνδυνη κατάσταση, η οποία, αν δεν αποφευχθεί, θα οδηγήσει σε θάνατο ή σοβαρό τραυματισμό.

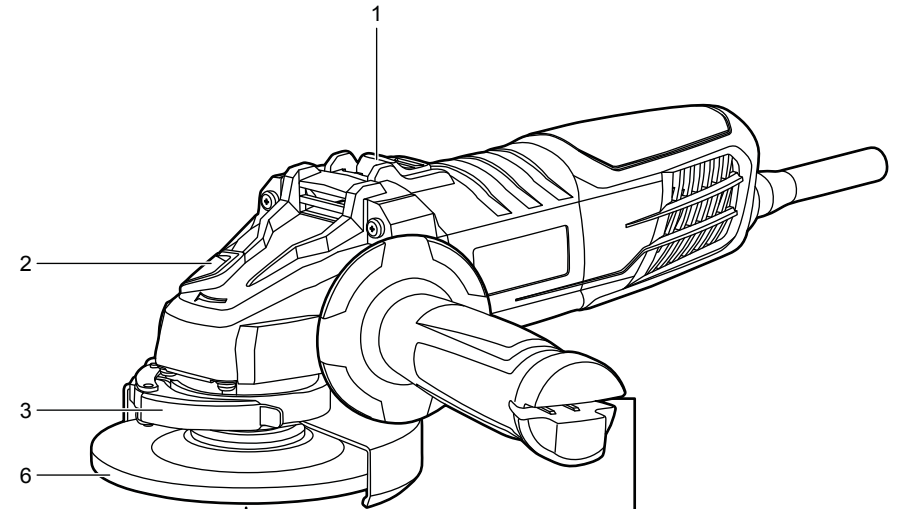
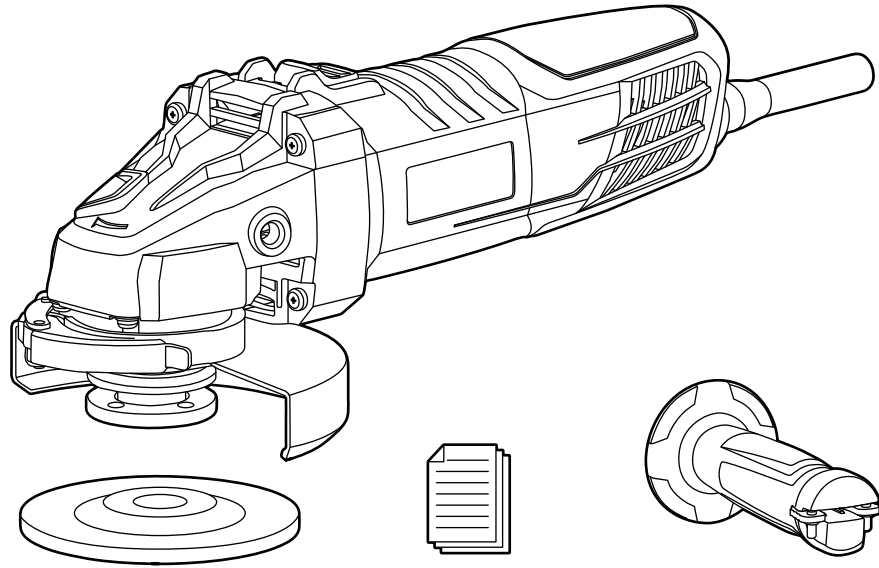
⚠ ΠΡΟΣΟΧΗ

Υποδεικνύει μια δυνητικά επικίνδυνη κατάσταση, η οποία, αν δεν αποφευχθεί, ενδέχεται να οδηγήσει σε ελαφρύ ή μέτριο τραυματισμό.

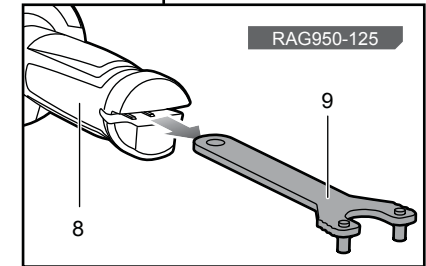
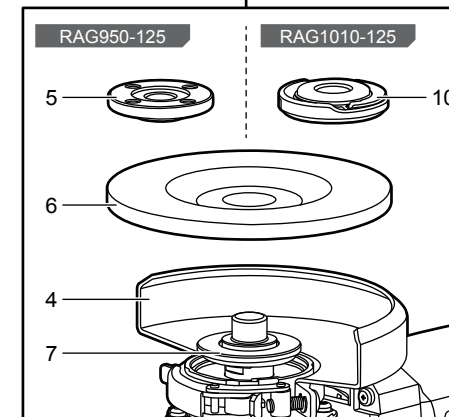
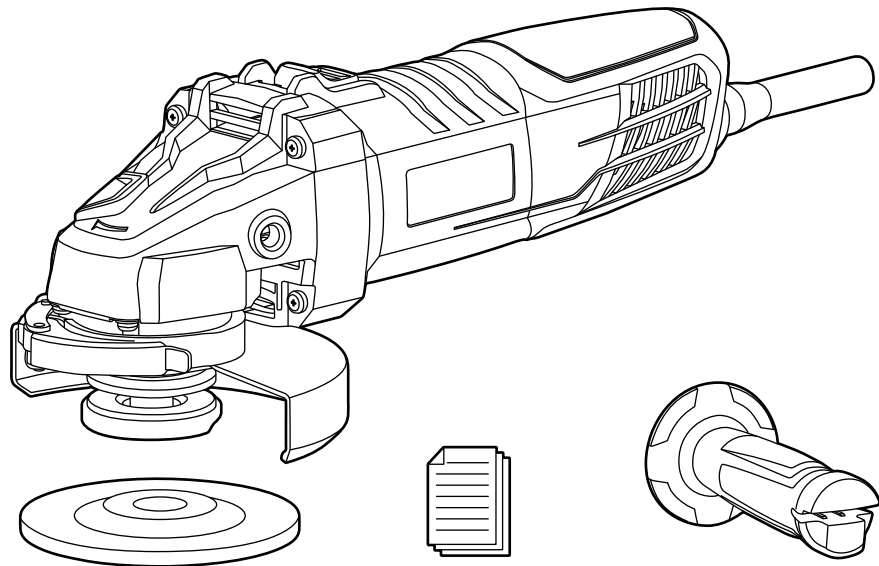
ΠΡΟΣΟΧΗ

Υποδεικνύει μια κατάσταση που μπορεί να οδηγήσει σε υλικές ζημιές.

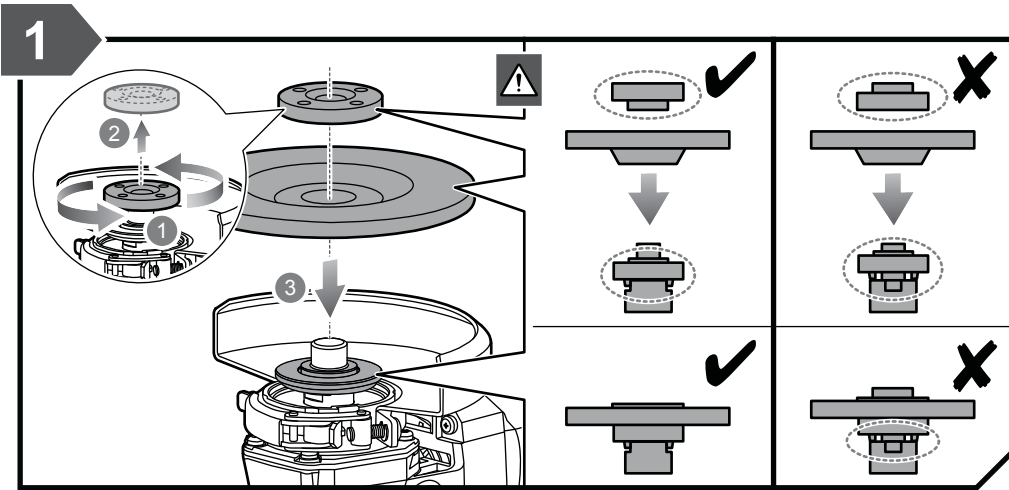
RAG950-125



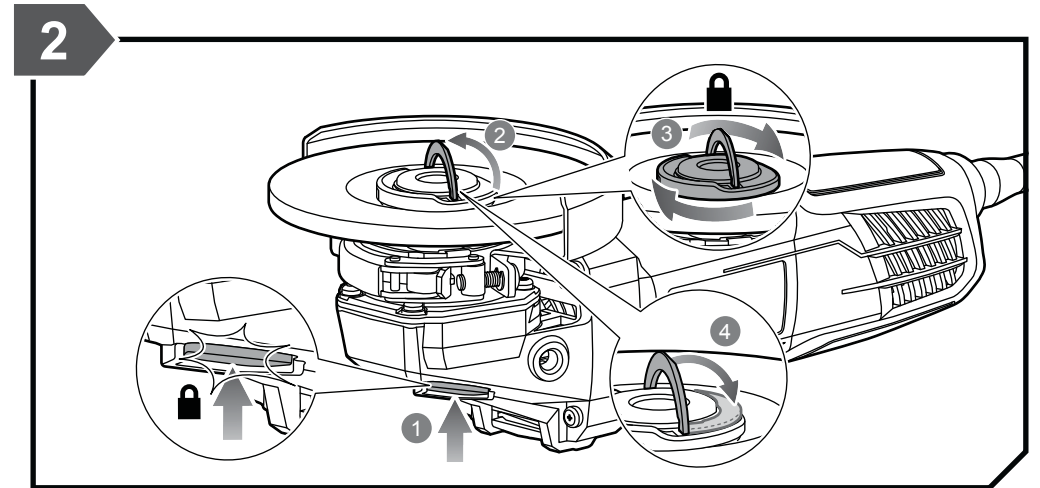
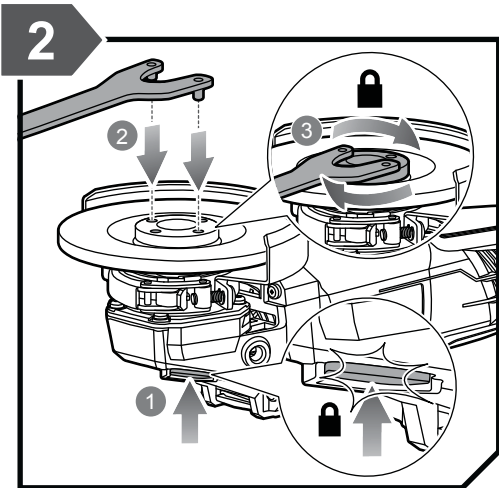
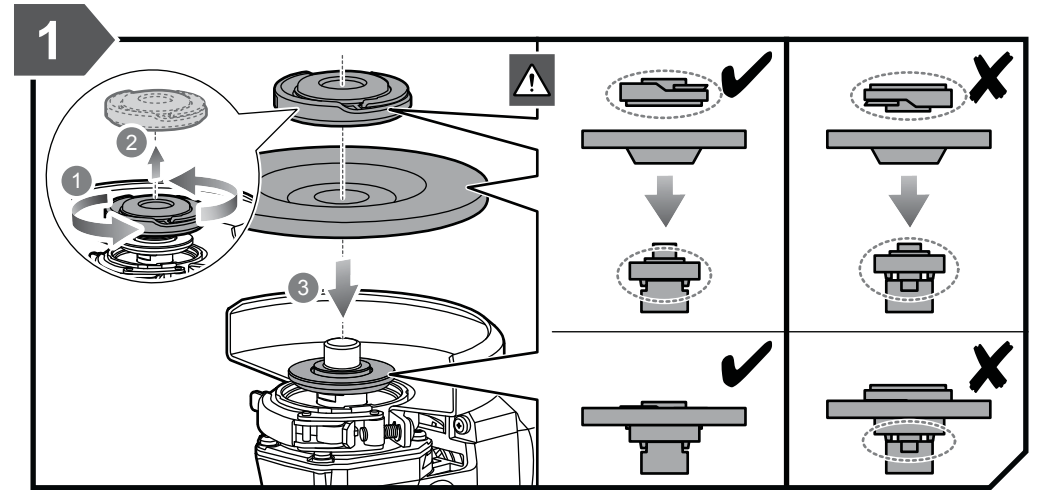
RAG1010-125



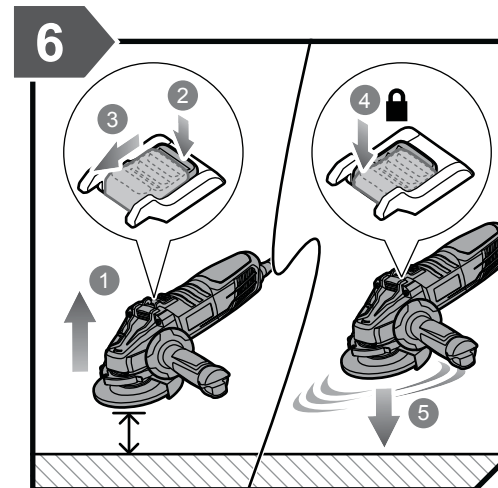
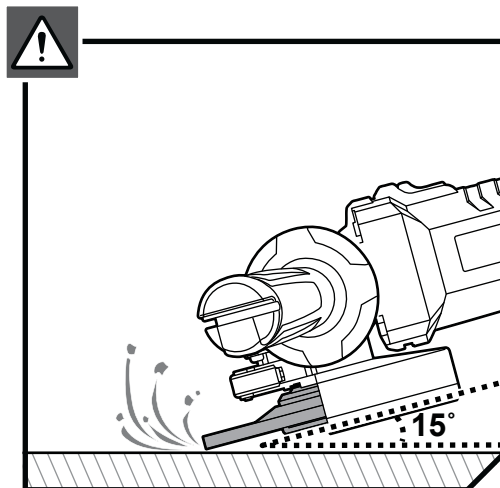
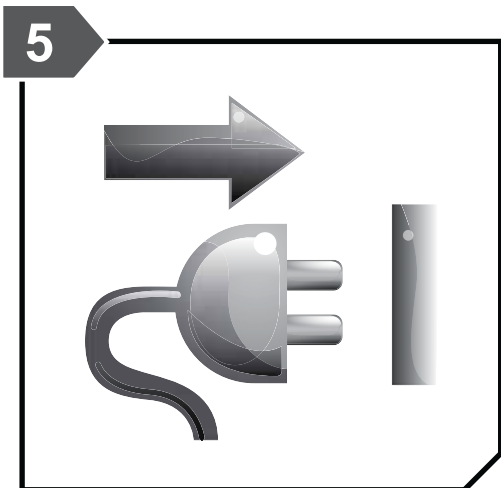
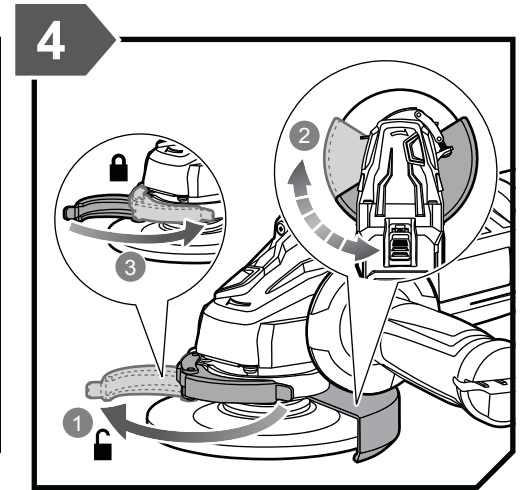
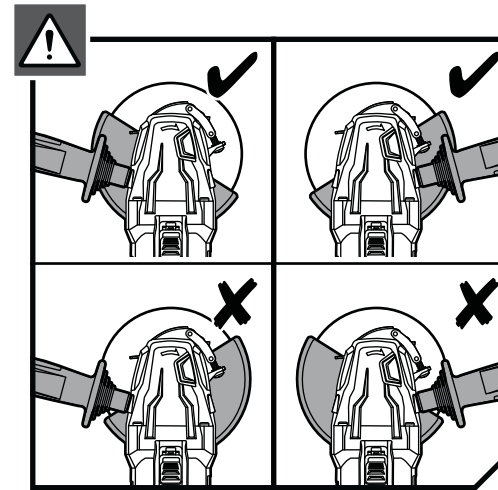
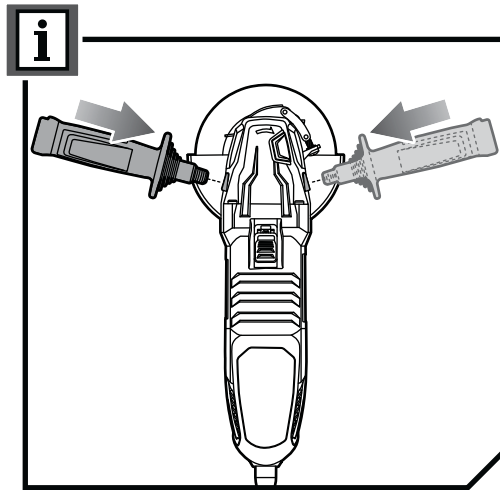
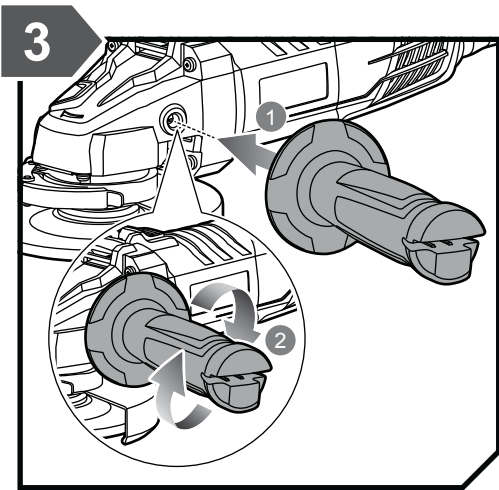
RAG950-125

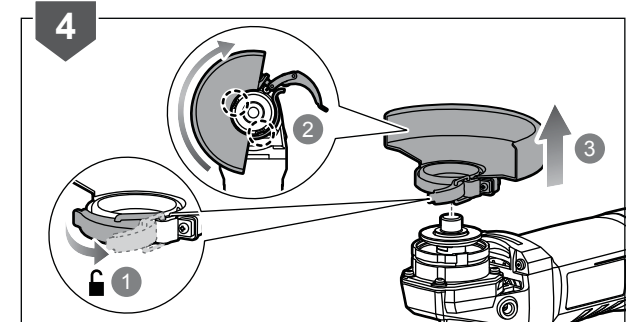
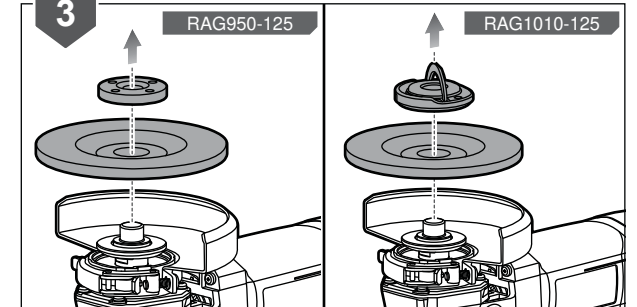
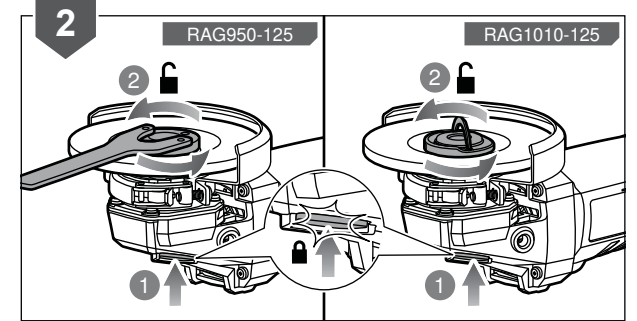
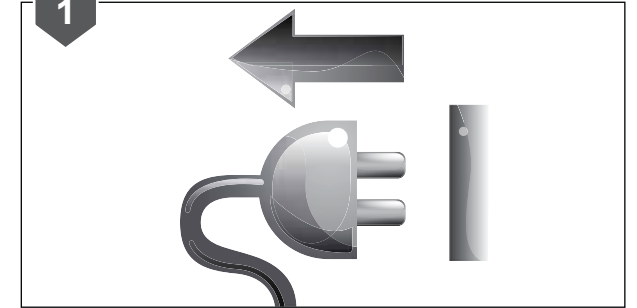
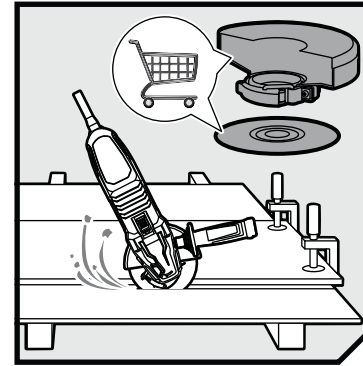
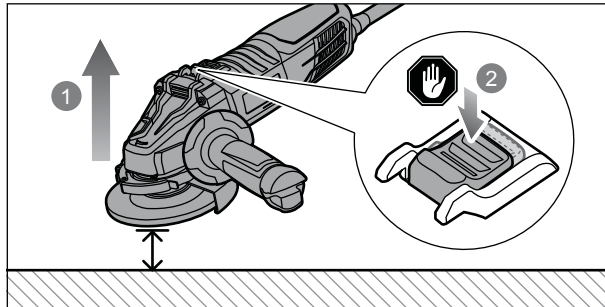
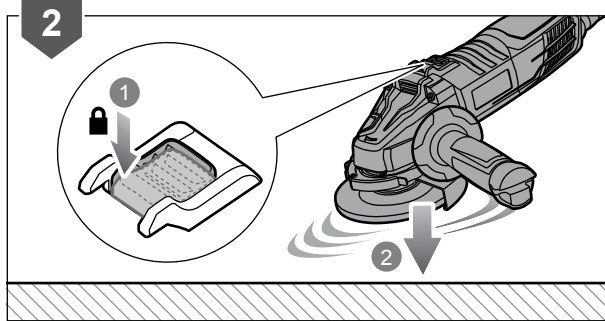
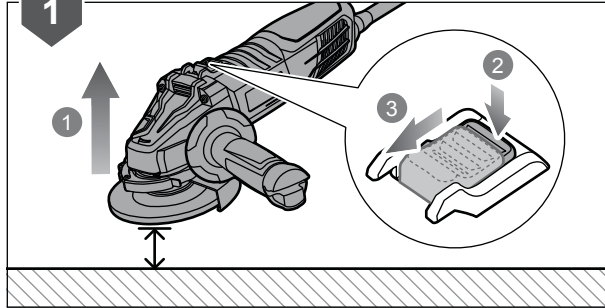
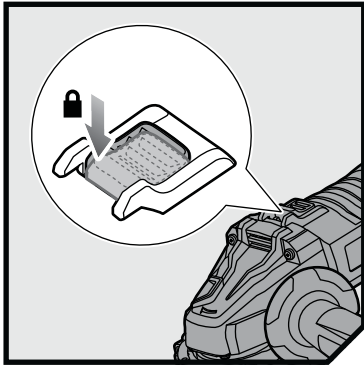


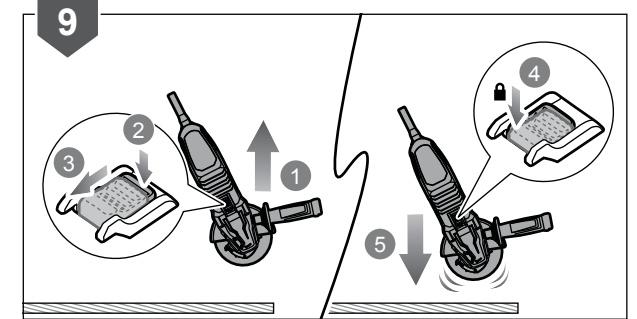
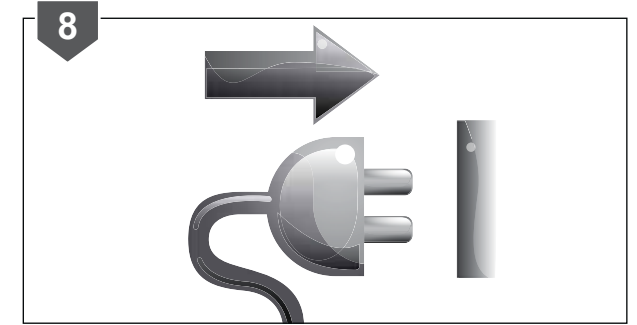
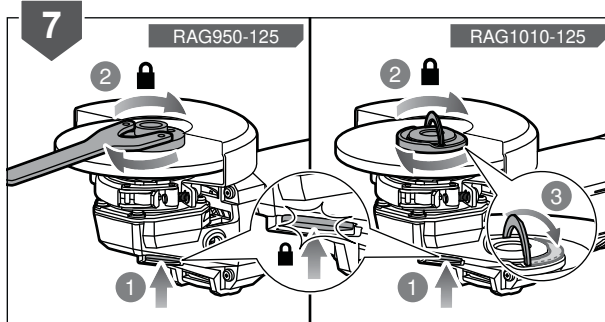
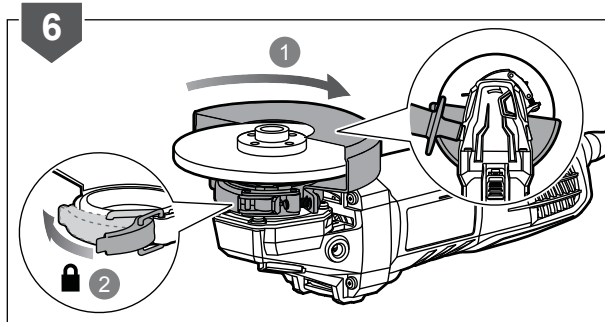
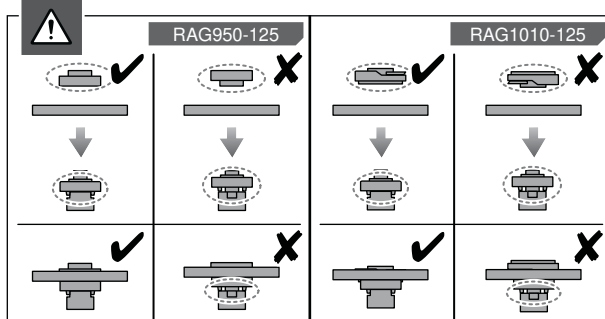
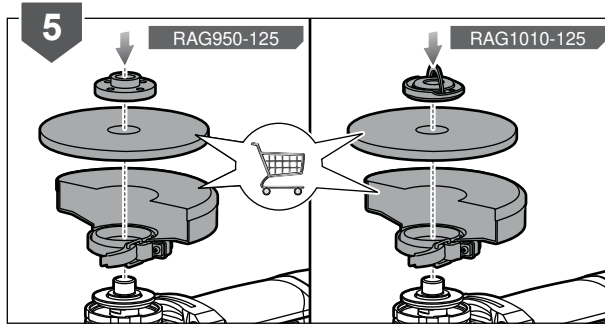
RAG1010-125

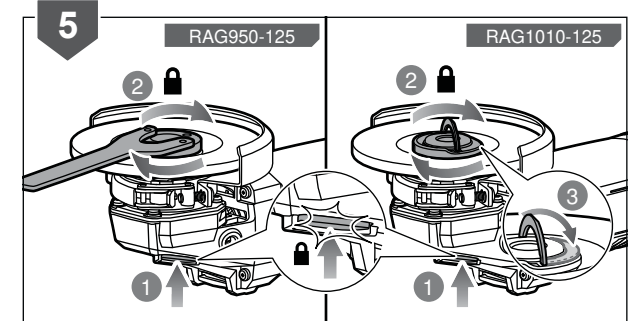
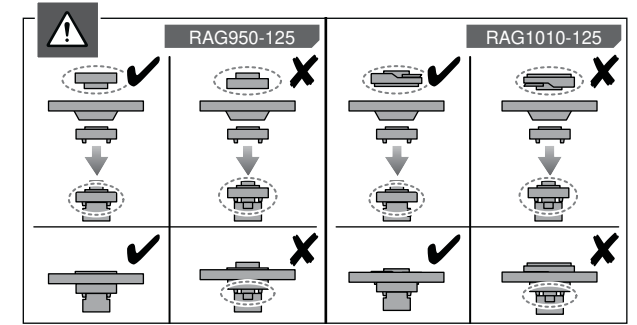
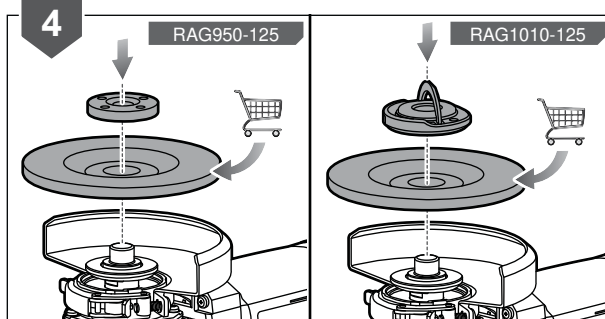
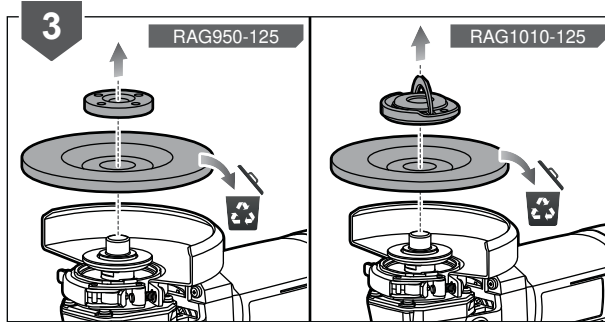
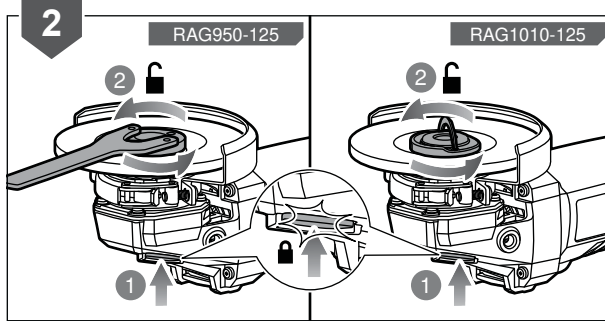
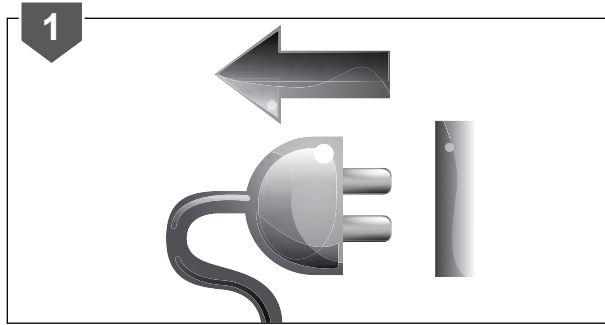
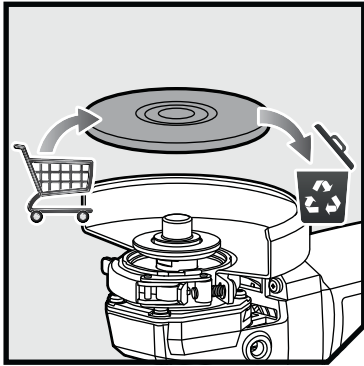


RAG950 -125 / RAG1010-125









English	Français	Deutsch	Español	Italiano	Nederlands	Português
Product specifications	Caractéristiques de l'appareil	Produkt-Spezifikationen	Especificaciones del producto	Specifiche prodotto	Productspecificaties	Especificações do produto
Angle grinder	Meuleuse D'angle	Winkelschleifer	Rebarbadora	Smerigliatrice Angolare	Haakse Slijpmachine	Afiadora Angular
Model	Numéro de modèle	Modell	Marca	Marca	Merk	Marca
Grinding wheel	Meule à ébarber	Schleifscheibe	Disco para desbarbar	Mola per sbavatura	Afbraamschijf	Disco de rebarbar
Diameter	Diamètre	Durchmesser	Diámetro	Diametro	Diameter	Diâmetro
Thickness	Epaisseur	Dicke	Grosor	Spessore	Dikte	Espessura
Cutting wheel	Disque de coupe	Trennscheibe	Disco de corte	Ruote di taglio	Afsnijwiel	Disco de corte
Diameter	Diamètre	Durchmesser	Diámetro	Diametro	Diameter	Diâmetro
Thickness	Epaisseur	Dicke	Grosor	Spessore	Dikte	Espessura
Diamond wheel	Disque au diamant	Diamant-Trennscheibe	Disco de corte adiamantado	Ruote di taglio con polvere di diamante	Diamanten zaagwiel	Disco de corte diamantado
Diameter	Diamètre	Durchmesser	Diámetro	Diametro	Diameter	Diâmetro
Thickness	Epaisseur	Dicke	Grosor	Spessore	Dikte	Espessura
Rated voltage	Tension nominale	Nennspannung	Tensión nominal	Voltaggio	Toegekende spanning	Tensão nominal
Rated capacity	Capacité nominale	Nennkapazität	Capacidad nominal	Diametro della mola	Gemeten capaciteit	Capacidade nominal
Input	Alimentation	Eingangsleistung	Tensión nominal	Alimentazione	Input	Admissão
Spindle thread	Filetage de l'arbre	Gewinde der Welle	Roscado del árbol	Filettatura dell'albero	Schroefdraad van as	Rosca do eixo
Rated speed	Vitesse nominale	Neendrehzahl	Velocidad nominal	Velocità nominale	Nominaal toerental	Velocidade Nominal
Net weight	Poids net	Nettogewicht	Peso neto	Peso netto	Netto gewicht	Peso líquido

Dansk	Svenska	Suomi	Norsk	Русский	Polski		
Produktspecificationer	Produktspecificationer	Tuotteen tekniset tiedot	Produktspecificasjoner	Характеристики изделия	Parametry techniczne		
Vinkelsliber	Vinkelslip	Kulmahiomakone	Vinkelsliper	Угловая Шлифовальная Машина	Szlifyerka Kątowa		
Brand	Modellnummer	Mallinnumero	Merke	Марка	Numer modelu	RAG950-125	RAG1010-125
Slibeskive	Slipskiva	Tasoitushiomalaikka	Slipeskive	Шлифовальный круг	Tarcza zdzierająca (ściernica)		
Diameter	Diameter	Halkaisija	Diameter	Диаметр	Średnica	125 mm (5 in.)	125 mm (5 in.)
Tykkelse	Tjocklek	Paksuus	Tykkelse	Толщина	Grubość	6 mm	6 mm
Skærehjul	Kapskiva	Katkaisulaikka	Kappenhjul	Отрезной круг	Tarcza tnąca		
Diameter	Diameter	Halkaisija	Diameter	Диаметр	Średnica	125 mm (5 in.)	125 mm (5 in.)
Tykkelse	Tjocklek	Paksuus	Tykkelse	Толщина	Grubość	3,2 mm	3,2 mm
Diamant-skærehjul	Diamantkapskiva	Timanttinen katkaisulaikka	Diamant kappenhjul	Отрезной круг с алмазной режущей кромкой	Diamantowa tarcza tnąca		
Diameter	Diameter	Halkaisija	Diameter	Диаметр	Średnica	125 mm (5 in.)	125 mm (5 in.)
Tykkelse	Tjocklek	Paksuus	Tykkelse	Толщина	Grubość	1,9 mm	1,9 mm
Nominal Spænding	Spänning	Nimellisjännite	Nominell spenning	Номинальное напряжение	Napięcie znamionowe	220 - 240 V ~ 50 / 60 Hz	220 - 240 V ~ 50 / 60 Hz
Nominal kapacitet	kapacitet	Nimelliskapasiteetti	Nominell kapasitet	Номинальная мощность	Moc znamionowa	125 mm	125 mm
Strømforsyning	Matningsspänning	Virrankulutus	Input	Питание	Zasilanie	950 W	1010 W
Akselgevind	Axelgängning	Akselin kierteitys	Spindelgjenge	Резьба шпинделя	Gwint wrzeczona	M 14	M 14
Mærkehastighed	Hastighet	Nimellisnopeus	Nominell hastighet	Номинальная скорость	Prędkość znamionowa	12000 min ⁻¹	12000 min ⁻¹
Nettovægt	Nettovikt	Kokonaispaino	Nettovekt	Вес нетто	Masa netto	2,45 kg	2,45 kg

Čeština	Magyar	Română	Latviski	Lietuviškai	Eesti	Hrvatski
Technické údaje produktu	Termék műszaki adatai	Specificațiile produsului	Produkta specifikācijas	Gaminio techninės savybės	Toote tehnilised andmed	Specifikacije proizvoda
Ruční Rozbrušovačka	Sarokcsiszoló	Polizor Unghiular	Leņķa Slīpmašīna	Kampinis Šlifuoiklis	Ketaslõikur	Kutna Brusilica
Značka	Márka	Număr serie	Modeļa numurs	Prekės ženklas	Mark	Marka
Brusný kotouč	Csiszolókorong (tárcsa)	Disc de polizare	Slīpripa	Šlifavimo diskas	Lihvketas	Brus
Průměr	Átmérő	Diametru	Diametrs	Skersmuo	Läbimõõt	Promjer
Tloušťka	Vastagság	Grosime	Biezums	Storumas	Paksus	Debljina
Řezný kotouč	Vágótárcsa	Disc de tăiere	Griezējdisks	Pjovimo diskas	Mahalõikeketas	Rezna ploča
Průměr	Átmérő	Diametru	Diametrs	Skersmuo	Läbimõõt	Promjer
Tloušťka	Vastagság	Grosime	Biezums	Storumas	Paksus	Debljina
Diamantový řezný kotouč	Gyémánt vágótárcsa	Disc de tăiere cu diamant	Dimanta griezējdisks	Deimantinis pjovimo diskas	Teemantlõikeketas	Rezna ploča s otvorima
Průměr	Átmérő	Diametru	Diametrs	Skersmuo	Läbimõõt	Promjer
Tloušťka	Vastagság	Grosime	Biezums	Storumas	Paksus	Debljina
Jmenovitá napětí	Névleges feszültség	Tensiunea nominală	Nominālais spriegums	Nominali įtampa	Nimipinge	Nazivni napon
Jmenovitá kapacita	Névleges kapacitás	Capacitate nominală	Nominālā jauda	Vardinė galia	Nimitootlus	Nazivni kapacitet
Vstup	Bemenet	Intrare	Ieeja	Ivestis	Vooluvõrk	Ulaz
Závit na vřetenu	Tengely csavar menet	Filetul axului motor	Vārpstas vītne	Veleno sriegis	Spindli keere	Navoj osovine
Jmenovitá rychlost	Névleges fordulatszám	Turație/viteză nominală	Nominālais ātrums	Nominalus greitis	Nimikiirus	Nazivna brzina
Čistá hmotnost	Nettó tömeg	Greutate netă	Svars neto	Neto svoris	Netomass	Neto težina

Slovensko	Slovenčina	България	українська мова	Türkçe	Ελληνικά		
Specifikacije izdelka	Špecifikácie produktu	Технически характеристики	Технічні характеристики продукту	Ürün Özellikleri	Προδιαγραφές Προϊόντος		
Kotni Brusilnik	Uhlová Rozbrušovačka	Ъглошлайф	кутової шліфувальної машини	Açılı Taşlama Makinesi	Γωνιακός Τροχός		
Znamka	Značka	Модел	Модель	Marka	Μάρκα	RAG950-125	RAG1010-125
Brusni kolot	Brúсны kotúč	Шлифовъчен диск	Шліфувальний круг	Temizleme taşı	Δίσκος ξακρίσματος		
Premer	Premer	Диаметър	Диаметр	Çap	Διάμετρος	125 mm (5 in.)	125 mm (5 in.)
Debelina	Hrúbka	Дебелина	Товщина	Kalınlık	Πάχος	6 mm	6 mm
Rezalni kolot	Rozbrušovací kotúč	Режеч диск	Різучий диск	Kesme çarkı	Τροχός αποκοπής		
Premer	Premer	Диаметър	Диаметр	Çap	Διάμετρος	125 mm (5 in.)	125 mm (5 in.)
Debelina	Hrúbka	Дебелина	Товщина	Kalınlık	Πάχος	3,2 mm	3,2 mm
Diamantni rezalni kolot	Diamantový rezací kotúč	диамантен диск	Алмазне колесо	Elmestan kesme çarkı	Τροχός κοπής διαμαντιού		
Premer	Premer	Диаметър	Диаметр	Çap	Διάμετρος	125 mm (5 in.)	125 mm (5 in.)
Debelina	Hrúbka	Дебелина	Товщина	Kalınlık	Πάχος	1,9 mm	1,9 mm
Nazivna moč	Menovitá napätie	Номинален волтаж	Напруга	Voltaj	ΟΝΟΜΑΣΤΙΚΗ ΤΑΣΗ	220 - 240 V ~ 50 / 60 Hz	220 - 240 V ~ 50 / 60 Hz
Maksimalni premer brusne plošče	Menovitá kapacita	Номинален капацитет	Номинальна потужність	Kapasite	ΟΝΟΜΑΣΤΙΚΗ ΧΩΡΗΤΙΚΟΤΗΤΑ	125 mm	125 mm
Vhod	Vstup	Вход	Введення	Giriş	Είσοδος ρεύματος	950 W	1010 W
Navoj vretena	Závit vřetena	Резба на шпиндела	Різьба шпинделя	Mil dişleri	Σπείρωμα του άξονα	M 14	M 14
Nazivna hitrost	Menovitá rýchlosť	Номинална скорост	Номинальна швидкість	Nominal hız	Βαθμονομημένη ταχύτητα	12000 min ⁻¹	12000 min ⁻¹
Neto težina	Neto teža	Netto hmotnost	Вага нетто	Нетно тегло	Καθαρό βάρος	2,45 kg	2,45 kg

English	Français	Deutsch	Español	Italiano	Nederlands	Português
Model	Numéro de modèle	Modell	Marca	Marca	Merk	Marca
Measured sound values determined according to EN 60745:	Valeurs du son mesuré déterminées selon EN 60745:	Gemäß EN 60745: gemessene Schallwerte	Valores medidos del sonido en función de la norma EN 60745:	Valori del suono misurati determinati secondo lo standard EN 60745:	Gemeten geluidswaarden bepaald in overeenstemming met EN 60745:	Valores medidos do som em função da norma EN 60745:
A-weighted sound pressure level	Niveau de puissance sonore pondéré-A	A-bewerteter Schalldruckpegel	Nivel de presión acústica ponderada en A	Livello di pressione sonora pesato A	A-gewogen geluidsdrukniveau	Nível de pressão sonora ponderada A
Uncertainty K	Incertitude K	Unsicherheit K	Incertidumbre K	Incertezza K	Onzekerheid K	Incerteza K
A-weighted sound power level	Niveau de puissance sonore pondéré-A	A-bewerteter Schalleistungspegel	Nivel de potencia acústica ponderada en A	Livello di potenza sonora pesato A	A-gewogen geluidsniveau	Nível de potência sonora ponderada A
Uncertainty K	Incertitude K	Unsicherheit K	Incertidumbre K	Incertezza K	Onzekerheid K	Incerteza K
Wear ear protectors.	Portez une protection acoustique.	Tragen Sie Gehörschutz.	Utilice protección auditiva!	Indossare protezioni acustiche adeguate.	Draag oorbeschermers.	Sempre use a proteção dos ouvidos.
The vibration total values (triaxial vector sum) determined according to EN 60745:	La valeur totale des vibrations (somme vectorielle triaxiale) a été déterminée selon EN 60745:	Die Vibrationsgesamtwerte (dreiaxiale Vektorsumme) wurden nach EN 60745:	Los valores de vibración total (suma de vectores triax.), determinado según la norma EN60745:	I valori totali delle vibrazioni (somma di vettori in tre direzioni) sono misurati conformemente alla norma EN60745:	De totale trillingswaarden (triaxiale vektorisom) vastgesteld in overeenstemming met EN60745:	Os valores totais de vibração (soma do vector triax) são determinados em conformidade com a:
Surface grinding, Vibration emission level	Meulage en surface, Niveau d'émission de vibrations	Oberflächenschleifen, Vibrationspegel	Superficie abrasiva, nivel de emisión de vibraciones	Operazioni di smerigliatura superfici, livello di emissioni vibrazioni	Oppervlakkig slijpen. Trillingsemissieniveau	Corte de superfície, nível de emissão de vibrações
Uncertainty K	Incertitude K	Unsicherheit K	Incertidumbre K	Incertezza K	Onzekerheid K	Incerteza K

Dansk	Svenska	Suomi	Norsk	Русский	Polski	RAG950-125	RAG1010-125
Brand	Modellnummer	Mallinnumero	Merke	Марка	Numer modelu		
Målte lydverdier bestemt iht. EN 60745:	Uppmätta ljudvärden enligt EN 60745:	Mitatut arvot määritetty EN 60745: standardin mukaan:	Målte lydverdier bestemt iht. EN 60745:	Измеренные значения параметров звука определены в соответствии с EN 60745:	Zmierzone wartości akustyczne zgodnie z normą EN 60745:		
A-vægtet lydtryksniveau	A-vågd ljudtrycksnivå	A-painotettu äänenpainetaso	A-vektet lydtryknivå	Уровень А-взвешенного звукового давления	A-ważony poziom ciśnienia hałasu	$L_{PA} = 89,5$ dB(A)	$L_{PA} = 89,5$ dB(A)
Usikkerhed K	Osäkerhet K	Epätarkkuus K	Usikkerhet K	Разброс K	Niepewność pomiaru K	3 dB	3 dB
A-vægtet lydeffektniveau	A-vågd lydeffektsnivå	A-painotettu äänen-teho	A-vektet lydeffektnivå	Уровень А-взвешенной звуковой мощности	A-ważony poziom natężenia hałasu	$L_{WA} = 100,5$ dB(A)	$L_{WA} = 100,5$ dB(A)
Usikkerhed K	Osäkerhet K	Epätarkkuus K	Usikkerhet K	Разброс K	Niepewność pomiaru K	3 dB	3 dB
Bær høreværn.	Bär hörselskydd.	Käytä korvasuojia.	Bruk hørselsvern.	Используйте наушники!	Stosować środki ochrony słuchu!		
Totale vibrationsverdier (triax vector sum) afgøres ifølge EN60745:	Det totala vibrationsvärdet (treaxelvektorsumma) är framtaget enligt EN60745:	Tärinän kokonaisarvot (kolmiakselinen vektorisumma) määritettyä standardin EN60745 mukaisesti:	De totale vibrasjonsverdiene (triax vektor-sum) er fastsatt i henhold til EN60745:	суммарное значение вибрации (векторная сумма по трем координатам) определено в соответствии со стандартом EN60745:	Wartości sumaryczne drgań (suma wektorowa przyspieszeń mierzona czujnikami typu triax) określone zgodnie z normą EN60745:		
Overfladeslibning, vibrationsemissionsniveau	Yt-slipning, Vibrationsnivå	Pintahionta, Tärinätaso	Overflatesliping, emisjonsnivå for vibrasjon	Шлифование поверхности, уровень вибрации	Szlifowanie powierzchni, poziom emisji wibracji	$a_{h,AG} = 8,4$ m/s ²	$a_{h,AG} = 8,4$ m/s ²
Usikkerhed K	Osäkerhet K	Epätarkkuus K	Usikkerhet K	Разброс K	Niepewność pomiaru K	1,5 m/s ²	1,5 m/s ²

Čeština	Magyar	Română	Latviski	Lietuviškai	Eesti	Hrvatski
Značka	Márka	Număr serie	Modeļa numurs	Prekės ženklas	Mark	Marka
Naměřené hodnoty hluku zjištěné dle EN 60745:	A hang értékek meghatározása az EN 60745: szerint történt:	Valori de sunet măsurate determinate în conformitate cu EN 60745:	Izměřtás skapas vērtības ir noteiktas saskaņā ar EN 60745:	Išmatuotos garso vertės nustatytos pagal EN 60745:	Mõõteväärtused on kindlaks määratud vastavalt standardile EN 60745:	Mjerena vrijednost zvuka određena je prema EN 60745:
Hladina akustického tlaku vážená funkcí A	A-súlyozott hangnyomásszint	Nivel de presiune acustică ponderată A	A-līmeņa skaņas spiediena līmenis	A svertinis garso slėgio lygis	A-kaalutud helirõhu tase	Ponderirana razina tlaka zvuka
Nejistota K	Bizonytalanság K	Incertitudine K	Kļūdas vērtība K	Nepastovumas K	Mõõtemääramatus K	Neodređenost K
Hladina akustického výkonu vážená funkcí A	A-súlyozott hangteljesítményszint	Nivel de putere acustică ponderată A	A-līmeņa skaņas jaudas līmenis	A svertinis garso galios lygis	A-kaalutud helivõimsuse tase	Ponderirana razina zvučne snage
Nejistota K	Bizonytalanság K	Incertitudine K	Kļūdas vērtība K	Nepastovumas K	Mõõtemääramatus K	Neodređenost K
Použijte chrániče sluchu.	Viseljen hallásvédőt.	Purtați aparatoare de urechi.	Lietojiet dzirdes aizsargus.	Naudokite ausų apsaugos priemonės.	Kasutage kuulmiskaitsevahendeid.	Nosite štitičke za uši.
Celkové hodnoty vibrací (třiosý vektorový součet) určené v souladu s EN60745:	Vibráció teljes értékei (háromtengelyű vektorösszeg), az EN 60745 szerint meghatározva:	Valorile totale ale vibrațiilor (suma vectorială a trei direcții) au fost determinate conform EN60745:	Vibrāciju kopējās vērtības (trīsasu vektoru summa) tiek noteiktas atbilstoši EN60745:	Bendros vibracijos vertės (trikampio vektorų suma) nustatomos pagal EN60745:	Vibratsioonid koguväärtused (kolme suuna vektorisumma) on vastavalt standardile EN 60745 määratud järgmiselt:	Ponderirana energetska vrijednost Ukupne vrijednosti vibracija (troosni vektorski zbir) određuju se u skladu s EN60745:
Broušení ploch, úroveň vibrací	Felületcsiszolás, Vibrációkibocsátási szint	Suprafața de polizare, nivel de emisii vibrații	Virsmas slīpēšana, vibrācijas emisijas līmenis	Paviršių šlifavimas, Vibracijų sklaidimo lygis	Vibratsioonimisiooni tase pinna lihvimisel	Brušenje površina, razina vrijednosti vibracija
Nejistota K	Bizonytalanság K	Incertitudine K	Kļūdas vērtība K	Nepastovumas K	Mõõtemääramatus K	Neodređenost K

Slovensko	Slovenčina	България	українська мова	Türkçe	Ελληνικά	RAG950-125	RAG1010-125
Znamka	Značka	Модел	Модель	Marka	Μάρκα		
Izmerjene zvočne vrednosti določene v skladu s standardom EN 60745:	Namerane hodnoty určene podľa EN 60745:	Измерените стойности на звука са определени в съответствие с EN 60745:	Вимірні значення шуму визначаються відповідно до EN 60745:	EN 60745: e göre hesaplanmış ses değerleri:	Μετρημένες τιμές ήχου σύμφωνα με το EN 60745:		
A-izmerjena raven zvočnega tlaka	Vážená A hladina akustického tlaku	Ниво на шумово налягане с равнище A	A-зважений рівень звукового тиску	A ağırlıklı ses basınç seviyesi	A-σταθμισμένο επίπεδο πίεσης ήχου	$L_{PA} = 89,5$ dB(A)	$L_{PA} = 89,5$ dB(A)
Nedoloč. K	Odhýlka K	Променливост K	Невизначеність K	Belirsizlik K	Αβεβαιότητα K	3 dB	3 dB
A-izmerjena raven zvočne moči	Vážená A hladina akustického výkonu	Ниво на силата на шума с равнище A	A-зважений рівень звукової потужності	A ağırlıklı ses gücü seviyesi	A-σταθμισμένο επίπεδο έντασης ήχου	$L_{WA} = 100,5$ dB(A)	$L_{WA} = 100,5$ dB(A)
Nedoloč. K	Odhýlka K	Променливост K	Невизначеність K	Belirsizlik K	Αβεβαιότητα K	3 dB	3 dB
Nosite štitičke za ušesa.	Používejte chrániče sluchu.	Носете антифони	Рівень емісії вібрації:	Kulak koruyucu kullanın.	Φοράτε υλοασπίδες.		
Skupna vrednost vibracij (vektorska vsota treh smeri) določena v skladu z EN60745:	Celkové hodnoty vibrací (súhm triaxiálneho vektora) určuje norma EN60745:	Общата стойност на вибрациите (триосна векторна сума) е определена в съответствие с EN 60745:	Загальне значення вібрації (триаксіальна векторна сума) визначається відповідно до EN 60745:	EN 60745 normuna uygun olarak belirlenmiş titreşim toplam değerleri (triaks vektör toplamı):	Συνολικές αξίες κραδασμών (τριασονικό διανυσματικό άθροισμα) σύμφωνα με EN60745:		
Površinsko brušenje, raven emisij hrupa	Plošné brúsenie, úroveň emisie vibrácií	Заточване на повърхност: Ниво на вибрациите	Шліфування, рівень емісії вібрації	Yüzey taşlama, Titreşim emisyon seviyesi	Επιφανειακό τρίξιμο, Επίπεδο εκπομπής κραδασμών	$a_{TAG} = 8,4$ m/s ²	$a_{TAG} = 8,4$ m/s ²
Nedoloč. K	Odhýlka K	Променливост K	Невизначеність K	Belirsizlik K	Αβεβαιότητα K	1,5 m/s ²	1,5 m/s ²

EN WARNING

The vibration emission level given in this information sheet has been measured in accordance with a standardised test given in EN 60745 and may be used to compare one tool with another. It may be used for a preliminary assessment of exposure. The declared vibration emission level represents the main applications of the tool. However if the tool is used for different applications, with different accessories or poorly maintained, the vibration emission may differ. This may significantly increase the exposure level over the total working period.

An estimation of the level of exposure to vibration should also take into account the times when the tool is switched off or when it is running but not actually doing the job. This may significantly reduce the exposure level over the total working period. Identify additional safety measures to protect the operator from the effects of vibration such as: maintain the tool and the accessories, keep the hands warm, organisation of work patterns.

FR AVERTISSEMENT

Le niveau d'émission des vibrations indiqué dans cette feuille d'information a été mesuré en concordance avec un test normalisé fourni par EN60745 et peut être utilisé pour comparer un outil à un autre. Il peut être utilisé pour une évaluation préliminaire de l'exposition. Le niveau déclaré d'émission des vibrations s'applique à l'utilisation principale de l'outil. Toutefois, si l'outil est utilisé pour des applications différentes, avec des accessoires différents, ou mal entretenu, l'émission de vibrations peut être différente. Le niveau d'exposition peut en être augmenté de façon significative tout au long de la période de travail.

Une estimation du niveau d'exposition aux vibrations doit aussi prendre en compte les périodes où l'outil est arrêté ainsi que les périodes où il fonctionne sans vraiment travailler. Le niveau d'exposition pendant la durée totale du travail peut en être réduit de façon significative. Prenez en considération les mesures additionnelles de sécurité à prendre pour protéger l'opérateur des effets des vibrations telles que: maintien de l'outil et de ses accessoires, maintien des mains au chaud, organisation du travail.

DE WARNUNG

Der in diesem Informationsblatt genannte Schwingungspegel wurde entsprechend dem standardisierten Test von EN60745 gemessen und kann benutzt werden um das Werkzeug mit anderen zu vergleichen. Er kann benutzt werden, um eine vorausgehende Einschätzung der Exposition durchzuführen. Der genannte Schwingungspegel repräsentiert den Hauptanwendungsbereich des Werkzeugs. Jedoch kann das Werkzeug für verschiedene Einsatzbereiche benutzt werden. Mit unterschiedlichen Zusatzgeräten oder bei schlechter Wartung kann der Schwingungspegel unterschiedlich sein. Dadurch kann die Expositionshöhe über die gesamte Arbeitszeit signifikant erhöht werden.

Eine Einschätzung der Exposition zu Schwingungen sollte auch die Zeiten wenn das Werkzeug ausgeschaltet ist, oder wenn es angeschaltet aber nicht in Betrieb ist, in Betracht ziehen. Dadurch kann die Expositionshöhe über die gesamte Arbeitszeit signifikant reduziert werden. Identifizieren Sie zusätzliche Sicherheitsmaßnahmen um die Bedienungsperson vor den Effekten der Schwingungen zu schützen, wie zum Beispiel: Das Werkzeug und Zusatzgeräte warten, Hände warmhalten und Organisation der Arbeitszeiten.

ES ADVERTENCIA

El nivel de emisión de las vibraciones que figura en esta hoja de información se ha medido según una prueba estandarizada que figura en EN60745 y puede ser utilizado para comparar una herramienta con otra. Puede ser utilizado para una evaluación preliminar de la exposición. El nivel de emisión de las vibraciones declarado representa las principales aplicaciones de la herramienta. No obstante, si la herramienta se utiliza para diferentes aplicaciones, con diferentes accesorios o no recibe el mantenimiento adecuado, la emisión de las vibraciones puede ser diferente. Esto puede aumentar significativamente el nivel de exposición durante el período de trabajo total.

Una estimación del nivel de exposición a la vibración también debe tener en cuenta el tiempo en el que la herramienta está desconectada o cuando está conectada pero no está realizando ningún trabajo. Esto puede reducir significativamente el nivel de exposición durante el período de trabajo total. Identificar las medidas de seguridad adicionales para proteger al operador de los efectos de las vibraciones, tales como: mantenimiento de la herramienta y de los accesorios, y la organización de los patrones de trabajo.

IT AVVERTENZE

Il livello di vibrazioni indicato in questo foglio informativo è stato misurato seguendo un test svolto secondo i requisiti indicati dallo standard EN60745 e potrà essere utilizzato per paragonare un utensile con un altro. Potrà essere utilizzato per una valutazione preliminare dell'esposizione a vibrazioni. Il livello dichiarato di emissioni di vibrazioni viene indicato tenendo conto delle applicazioni principali dell'utensile. Comunque se l'utensile viene utilizzato per applicazioni diverse con accessori diversi o non viene correttamente conservato, il livello delle vibrazioni potrà variare. Ciò potrà significativamente aumentare il livello di esposizione alle vibrazioni durante il periodo di lavoro totale.

Una valutazione del livello di esposizione alle vibrazioni dovrà inoltre prendere in considerazione i tempi in cui l'utensile viene spento o è acceso ma non viene utilizzato. Ciò potrà significativamente ridurre il livello di esposizione in un periodo totale di funzionamento. Ulteriori misure di sicurezza per proteggere l'operatore dagli effetti delle vibrazioni come: conservare correttamente l'utensile e i suoi accessori, tenere le mani calde e organizzare i tempi di lavoro.

NL WAARSCHUWING

Het trillingsemissieniveau dat op dit informatieblad wordt gegeven, is gemeten in overeenstemming met een gestandaardiseerde test, vastgelegd in EN60745 en mag worden gebruikt om machines met elkaar te vergelijken. Het verklaarde trillingsemissieniveau geeft de hoofdtoepassing van het gereedschap weer. Als de machine echter voor andere toepassingen of met andere accessoires wordt gebruikt of slecht wordt onderhouden, kan de trillingsemissie verschillen. Dit kan de blootstelling gedurende de gehele werkduur aanzienlijk verhogen.

Bij een schatting van het niveau van blootstelling aan trillingen moet ook rekening worden gehouden met het aantal keren dat de machine wordt uitgeschakeld of draait, maar niet wordt gebruikt. Dit kan het niveau van blootstelling gedurende de gehele werkduur aanzienlijk verlagen. Stel bijkomende veiligheidsmaatregelen op om de gebruiker tegen de gevolgen van trillingen te beschermen: zoals onderhoud het gereedschap en de accessoires, houd de handen warm, de organisatie van werktijden.

PT AVISO

O nível de emissão de vibrações fornecido nesta folha de informações foi medido em conformidade com o teste uniformizado descrito em EN60745 e pode ser usado para comparar uma ferramenta com outra. Este pode ser usado para uma avaliação preliminar da exposição. O nível de emissão de vibração declarado refere-se à aplicação principal da ferramenta. Contudo, se a ferramenta for usada para aplicações diferentes, com acessórios diferentes ou não for devidamente mantida, a emissão de vibrações pode diferir. Isto pode fazer aumentar significativamente o nível de exposição ao longo do período de trabalho total.

Uma estimativa do nível de exposição às vibrações deve ter, também, em consideração o tempo durante o qual a ferramenta está desligada ou em que está ligada mas não está a realizar qualquer trabalho. Isto pode reduzir significativamente o nível de exposição durante o período total de trabalho. Identifique medidas adicionais de segurança que protejam o operário dos efeitos da vibração como a manutenção da ferramenta e dos acessórios, a manutenção das mãos quentes e a organização de padrões de trabalho.

DA ADVARSEL

Det angivne niveau for vibrationsemission på denne oplysningsside er blevet målt iht. en standardtest ifølge EN60745 og kan bruges til at sammenligne værktøjer indbyrdes. Det kan bruges til en foreløbig eksponeringsvurdering. Det opgivne niveau for vibrationsemission gælder, når værktøjet bruges til sit hovedformål. Men hvis værktøjet bruges til andre formål, med forskelligt eller med dårligt vedligeholdelse ekstraudstyr, kan vibrationsemissionen variere. Dette kan medføre en betragtelig stigning i eksponeringsniveauet set over hele arbejdsperioden.

Et skøn over niveauet for vibrationseksponering bør også tage højde for de perioder, hvor værktøjet er slukket, eller hvor det er tændt uden faktisk at være i brug. Dette kan medføre en betragtelig reduktion i eksponeringsniveauet set over hele arbejdsperioden. Træf ekstra sikkerhedsforanstaltninger til beskyttelse af operatøren mod virkningerne fra vibrationen som fx: vedligeholdelse værktøj og ekstraudstyr, holde hænderne varme, organisere arbejdsmonstre.

(SV) VARNING

Vibrationsnivåerna som uppges i det här dokumentet har uppmäts i enlighet med ett standardiserat test som beskrivs i EN60745 och som kan användas för att jämföra verktyg. Det kan användas som en preliminär bedömning av den vibration som användaren utsätts för. De deklarerade vibrationsvärdena motsvarar de som uppstår när verktyget används i sitt huvudsyfte. Om verktyget används i andra syften, med andra tillbehör eller om verktyget är dåligt underhållet kan vibrationsnivåerna vara annorlunda. Det kan kraftigt öka vibrationsnivåerna över den totala arbetsperioden.

En uppskattning av vibrationsnivåerna som användaren utsätts för ska också ta hänsyn till de stunder då verktyget är avstängt och när det går på tomgång. Detta kan kraftigt minska vibrationsnivåerna över den totala arbetsperioden. Andra säkerhetsåtgärder som kan skydda användaren från effekterna av vibrationer är: underhållning av verktyget och tillbehören, hålla händerna varma och organisera arbetsstället.

(FI) VAROITUS

Tämän tiedotteen tärnätaso on mitattu EN60745-standardien mukaisilla testeillä, ja niitä voidaan käyttää verrattaessa laitetta toiseen. Sitä voidaan käyttää arvioitaessa tärnävaikutusta. Ilmoitettu tärnätaso vastaa laitteen pääasiallista käyttötarkoitusta. Jos laitetta kuitenkin käytetään muuhun tarkoitukseen, muilla lisälaitteilla tai huonosti huolletuna, tärnätaso saattaa poiketa ilmoitetusta arvosta. Tämä voi kasvatata kokonaisaltistumista huomattavasti koko työjakson kuluessa.

Tärnän altistumistasoa arvioitaessa tulee huomioida ajat, jolloin laite on sammutettu tai kun se on käynnissä, mutta sitä ei käytetä varsinaiseen työskentelyyn. Tämä voi vähentää kokonaisaltistumista huomattavasti koko työjakson kuluessa. Käytä muitakin suojakeinoja turvataksesi käyttäjän tärnävaikutukselta, kuten: huolla laite ja lisälaitteet, pidä kätesi lämpiminä, organisoi työnkulku.

(NO) ADVARSEL

Vibrasjonsnivået som oppgis på dette informasjonsarket er målt i henhold til en standardisert test gitt i EN60745 og kan brukes til å sammenligne ett verktøy med et annet. Det kan brukes til en foreløpig vurdering av eksponering. Det erklærte vibrasjonsnivået representerer hovedanvendelsen for verktøyet. Dersom verktøyet brukes for andre anvendelser, med forskjellige tilbehør eller med dårlig vedlikehold, vil vibrasjonsnivået kunne være annerledes. Det kan gi en betydelig økning av eksponeringsnivået over den totale arbeidsperioden.

En beregning av nivået for eksponering til vibrasjoner må også ta hensyn til den tiden verktøyet er slått av eller er i gang men ikke i faktisk bruk for å utføre den tiltenkte oppgaven. Dette kan gi en betydelig økning av eksponeringsnivået over den totale arbeidsperioden. Identifiser ytterligere sikkerhetstiltak for å beskytte den som bruker verktøyet fra virkningen av vibrasjoner, tiltak som: Vedlikehold verktøyet og tilbehøret, hold hendene varme, organiser arbeidsmetodene.

(RU) ОСТОРОЖНО!

Уровень вибрации, приведенный в данном справочном листе, измерен согласно стандартизованным испытаниям, определенным в EN60745 и может использоваться для сравнения различных инструментов. Значение уровня может использоваться для предварительной оценки влияния вибрации. Заявленный уровень вибрации действителен для основного применения инструмента. Однако, если инструмент используется для других целей, с другими приспособлениями, или плохо обслуживается, уровень вибрации может отличаться от указанного. Это может значительно увеличить величину воздействия за общее время работы.

При оценке уровня воздействия вибрации следует также принять во внимание время простоя и холостой ход (когда инструмент выключен и когда включен, но работа не производится). Эти факторы могут значительно уменьшить величину воздействия вибрации за общее время работы. Определите дополнительные меры безопасности, защищающие работающего от влияния вибрации: техническое обслуживание инструмента и принадлежностей, недопущение охлаждения рук, соответствующие приемы и распорядок работы.

(PL) OSTRZEŻENIE

Deklarowany poziom drgań został zmierzony za pomocą standardowej metody pomiaru określonej normą EN60745 i jego wyniki mogą służyć do porównywania tego urządzenia z innymi. Deklarowana wartość drgań może służyć do wstępnej oceny narażenia operatora na drgania. Deklarowany poziom drgań dotyczy podstawowych zastosowań urządzenia. Jednak w przypadku użycia urządzenia do innych zastosowań, z innymi przystawkami lub w przypadku niewłaściwego stanu technicznego urządzenia poziom drgań może odbiegać od deklarowanego. Może być to przyczyną zwiększenia stopnia narażenia operatora na drgania w całym okresie wykonywania pracy.

Podczas oceny narażenia na drgania należy również uwzględnić czas wyłączenia urządzenia oraz czas, w którym urządzenie jest włączone, jednak praca nie jest wykonywana. Czas te mogą znacznie zmniejszyć stopień narażenia operatora na drgania w całym okresie wykonywania pracy. Należy określić dodatkowe środki ochrony operatora przed skutkami drgań, przykładowo: dbać o stan techniczny urządzenia i przystawek, dbać o zachowanie ciepłoty dłoni, odpowiednio zorganizować harmonogram wykonywania prac.

(CS) VAROVÁNÍ

Hodnota vibračních emisí uvedená v tomto informačním listu byla naměřena standardizovaným testem podle EN60745 a ji použít k porovnání s hodnotami jiných nástrojů. Může se používat k předběžnému odhadu vystavování vibracím. Uznaná hodnota vibračních emisí reprezentuje hlavní použití nástroje. Nicméně pokud se nástroj používá pro jiné použití, s různými doplňky nebo se nedostatečně neudržuje, mohou se vibrační emise lišit. Toto může výrazně zvýšit úroveň vystavení nad celkové pracovní období.

Odhad úrovně vystavení vibracím by měl vzít taktéž v potaz časy, kdy je chvění vypnuté, nebo když přístroj běží, ale nevykonává práci. Toto může výrazně snížit úroveň vystavení nad celkové pracovní období. Určete doplňující bezpečnostní opatření pro ochranu obsluhy před různými vibracemi, například: Udržujte nástroj a doplňky, udržujte ruce v teple, organizujte pracovní schéma.

(HU) FIGYELMEZTÉTES

A vibráció-kibocsátás adattal megadott értéke az EN60745 áttal meghatározott szabványosított mérési eljárás szerint lett megmért, amely lehetővé teszi a különböző szerszámok összehasonlítását. Használható a kitettség előzetes felmérésére is. A nyilatkozatban szereplő kibocsátási érték a szerszám főbb alkalmazási területeire vonatkozik. Ugyanakkor, ha a szerszámot más alkalmazásokra, más kiegészítőkkel használják vagy rosszul tartják karban, a vibráció-kibocsátás értéke ettől eltérő is lehet. Ez jelentősen növelheti a kitettség szintjét a gép teljes használati időtartama során.

A vibrációnak való kitettség szintjének becslésekor figyelembe kell venni azokat az időintervallumokat is, amikor a szerszám ki van kapcsolva, vagy működik, de nem végeznek munkát vele. Ez jelentősen csökkentheti a kitettség szintjét a gép teljes használati időtartama során. Tegyén további óvintézkedéseket a kezelő vibrációval szembeni megvédése érdekében: tartsa karban a szerszámot és a tartozékokat, tartsa melegen a kezét, tervezzé meg a munkafolyamatot.

(RO) AVERTISMENT

Nivelul emisiilor de vibrații prezentat în cadrul acestei fișe cu informații a fost măsurat în conformitate cu un test standardizat furnizat în EN60745 și poate fi folosit la a compara o unealtă cu o alta. Poate fi folosit la o evaluare preliminară a expunerii. Nivelul declarat al emisiilor de vibrații reprezintă aplicațiile principale ale uneltei. Cu toate acestea, în cazul în care unealta este utilizată pentru aplicații diferite, cu accesorii diferite sau întreținute necorespunzător, emisiile de vibrații pot diferi. Acestea pot crește semnificativ nivelul de expunere pe întreaga perioadă de lucru.

O estimare a nivelului de expunere la vibrații trebuie, de asemenea, să țină cont de tălile în care unealta este oprită sau de tălile în care aceasta funcționează fără a efectua propriu-zis sarcina de lucru. Acestea pot reduce semnificativ nivelul de expunere pe întreaga perioadă de lucru. Identificați măsuri de siguranță suplimentare pentru a proteja operatorul de efectele vibrațiilor, precum: întreținerea uneltei și a accesoriilor, păstrarea mâinilor calde, organizarea de modele de lucru.

LV BRĪDINĀJUMS

Šajā datu lapā dotā vibrāciju emisijas vērtība ir mērīta saskaņā ar standartizēto testu, kas dots EN60745 un kuru var izmantot, lai salīdzinātu vienu instrumentu ar citu. To var izmantot aptuvenam ekspozīcijas novērtējumam. Deklarētais vibrāciju emisijas līmenis atbilst galvenajiem instrumenta pielietojumiem. Tomēr, ja instrumentu lieto citiem pielietojumiem, ar citiem piederumiem vai tas tiek slīkti apkopts, vibrāciju emisijas vērtība var atšķirties. Tas var ievērojami palielināt ekspozīcijas līmeni visā darba periodā.

Vibrāciju ekspozīcijas līmeņa novērtējumam jāņem vērā laiks, kad instruments ir izslēgts vai ir ieslēgts, bet neviens nekādu darbu. Tas var ievērojami samazināt ekspozīcijas līmeni visā darba periodā. Identificējiet papildu drošības pasākumus, lai aizsargātu operatoru no vibrāciju iedarbības, piemēram, veiciet instrumenta un piederumu apkopi, turiet rokas siltas un pielāgojiet darba grafiku.

LT ĮSPĖJIMAS

Šiame lapе nurodytas vibracijos emisijos lygis buvo išmatuotas pagal standartinį testą, aprašytą EN60745, ir gali būti naudojamas vieno įrankio su kitu palyginimui. Jis gali būti naudojamas preliminariam pavojaus įvertinimui. Deklaruotas vibracijos emisijos lygis priskiriamas pagrindinėms įrankio taikymo sritims. Tačiau, jei įrankis naudojamas kitiems tikslams, su kitokiais priedais ar įrankis prastai prižiūrimas, vibracijos emisija gali skirtis. Per visą darbo laikotarpį tai gali žymiai padidinti vibracijos keliamą pavojų.

Nustatant vibracijos keliamą pavojų taip pat būtina atsižvelgti į tai, kiek kartų įrankis yra išjungtas ar kai jis veikia, bet juo iš tikrųjų nedirbama. Per visą darbo laikotarpį tai gali žymiai sumažinti vibracijos keliamą pavojų. Naudokite papildomas apsaugos priemonės dirbančiam asmeniui apsaugoti nuo vibracijos poveikio, pvz.: prižiūrėti įrankį ir jo priedus, rankas laikyti šiltai, organizuoti darbo sesijas.

ET HOIATUS

Sellel inolehel esitatud vibratsioonitaseme väärtus on mõõdetud standardis EN60745 kirjeldatud katsemeetodiga ja seda võib kasutada tööriistade omakehiseks võrdlemiseks. Seda võib kasutada vibratsioonimõju eelhindamiseks. Deklareeritud vibratsioonitaseme väärtus kehtib tööriista tavakasutamisel. Kui aga kasutate tööriista muudeks kasutusotstarveteks, eriotstarbeliste tarvikutega või kui tööriist on puudulikult hooldatud, siis võib vibratsiooniväärtus erineda. Sellistel juhtudel võib tööperioodi summaarne vibratsioonitaseme suureneda märgatavalt.

Vibratsiooniväärtuse taset tuleb arvestada ka sel ajal, kui tööriist on välja lülitatud või kui tööriist tööle, kuid ei tee tööoperatsiooni. Sellistel juhtudel võib tööperioodi ajal summaarne vibratsioonitaseme väheneda märgatavalt. Määrake kindlaks täiendavad ohutusmeetmed, et kaitsa operaatorit vibratsioonimõjude eest – tööriistade ja tarvikute hooldamine, käte soojas hoidmine ja töövahetuste organiseerimine.

HR UPOZORENJE

Razina vrijednosti vibracija data u ovoj tablici s informacijama mjerena je skladno normiranom testu pruženom u EN60745 i može se koristiti za usporedbu jednog alata s drugim. Može se koristiti u početnom usklađivanju izloženosti. Objavljena razina vrijednosti vibracija predstavlja glavnu primjenu alata. Međutim, ako se alat koristi za druge primjene, s različitim dodatnim priborom ili je slabo održavan, vrijednost vibracija može se razlikovati. Ovo može značajno povećati razinu izloženosti tijekom ukupnog radnog razdoblja.

U procjeni razine izloženosti na vibraciju također treba uzeti u obzir vrijeme kada je alat isključen ili kada je pokrenut no ne i stvarno vrijeme rada. Ovo može značajno smanjiti razinu izloženosti tijekom ukupnog radnog razdoblja. Odredite dodatne sigurnosne mjere za zaštitu operatera od učinaka vibracije poput: održavanje alata i pribora, održavanje toplih ruku, organizacija obrazaca za rad.

SL OPOZORILO

Nivo emisij vibracij, naveden v tem informacijskem listu, je bil izmerjen v skladu s standardiziranim testom, ki je podan v EN60745, podatek pa se lahko uporablja za primerjavo enega orodja z drugim. Uporablja se ga lahko za predhodno oceno izpostavljenosti. Navedeni nivo emisij vibracij predstavlja glavne uporabe orodja. Vendar, če se orodje uporablja v druge namene in z različnimi nastavki oz. če je orodje slabo vzdrževano, se lahko emisije vibracij razlikujejo. To lahko občutno poveča nivo izpostavljenosti v skupnem delovnem času.

Ocena nivoja izpostavljenosti vibracijam bi morala prav tako upoštevati, koliko krat je orodje bilo izključeno ali je v delovanju in pravzaprav ne opravlja svojega dela. To lahko občutno zmanjša nivo izpostavljenosti v skupnem delovnem času. Upoštevajte dodatne varnostne ukrepe, da bi upravljavca zaščitili pred vplivom vibracij, kot je: vzdržujte orodje in nastavke, pazite, da so roke tople, organizirajte delovne vzorce.

SK VAROVANIE

Úroveň emisie vibrácií, uvedená v tomto informačnom hárku bola nameraná v súlade so štandardizovaným testom, daný normou EN60745 a môže sa použiť na porovnanie jedného nástroja s druhým. Môže sa použiť na predbežné určenie miery vystavenia sa vibráciám. Uvedená úroveň emisie vibrácií predstavuje hlavné aplikácie nástroja. Avšak keď sa nástroj používa na iné aplikácie, s rôznym príslušenstvom alebo má zlú údržbu, úroveň vibrácií sa môže líšiť. Týmto sa môže výrazne zvýšiť úroveň vystavenia sa vibráciám počas celkového času práce.

Odhad úrovne vystavenia sa vibráciám by sa mal brať tiež do úvahy, vždy, keď sa nástroj vypne, alebo potom, keď beží ale v skutočnosti sa nevykonáva práca. Týmto sa môže výrazne znížiť úroveň vystavenia sa vibráciám počas celkového času práce. Nasledovné doplnujúce bezpečnostné opatrenia pomáhajú chrániť operátora od účinkov vibrácií: údržba nástroja a príslušenstva, udržiavanie teplých držadiel, organizácia práce.

BG ВНИМАНИЕ

Посоченото в тези инструкции ниво на вибрациите е измерено в съответствие със стандартизиран в EN 60745 измервателен метод и може да се използва за сравнение на електрически инструменти помежду им. Подходящ е и за временна оценка на вибрационното натоварване. Посоченото ниво на вибрациите представя основните приложения на електрическия инструмент. Ако някои електрическият инструмент се използва с друго предназначение, с различни сменяеми инструменти или при недостатъчна техническа поддръжка, нивото на вибрациите може да е различно. Това чувствително може да увеличи вибрационното натоварване по време на целия работен цикъл.

За точната оценка на вибрационното натоварване трябва да се вземат предвид и периодите от време, в които уредът е изключен или работи, но в действителност не се използва. Това чувствително може да намали вибрационното натоварване по време на целия работен цикъл. Определете допълнителни мерки по техника на безопасност в защита на обслужващия работник от въздействието на вибрациите като например: техническа поддръжка на електрическия инструмент и сменяемите инструменти, поддръжане на ръцете топли, организация на работния цикъл.

UK ПОПЕРЕДЖЕННЯ

Рівень вібрації, зазначений у цьому інформаційному листку, був розрахований відповідно зі стандартизованим випробуванням, наведеним в EN 60745 і може використовуватися для порівняння одного інструмента з іншим. Він може бути використаний для попередньої оцінки впливу. Зазначений рівень вібрації представляє основні застосування інструменту. Тим не менш, якщо інструмент використовується для різних додатків, з різними аксесуарями і недоглянутий, рівень вібрації може відрізнятись. Це може значно підвищити рівень впливу протягом усього робочого періоду.

При оцінюванні рівня впливу вібрації необхідно також враховувати час, коли інструмент вимкнений або коли він працює, але насправді не виконує ніякої роботи. Це може значно зменшити рівень впливу протягом усього робочого періоду. Для захисту оператора від впливу вібрації, визначте додаткові заходи безпеки, такі як: ретельний догляд за інструментом і приладдям, тримання рук в теплі, і організація схеми роботи.

TR UYARI

Bu bilgi sayfasında verilen titreşim emisyon seviyesi, EN60745 standardında belirtilen standartlaştırılmış bir teste uygun olarak ölçülmüş ve bir aleti diğeriyle karşılaştırmak için kullanılabilir. On maruz kalma tespiti için kullanılabilir. Beyan edilen titreşim emisyon seviyesi aletin asıl uygulamalarını temsil etmektedir. Ancak alet, farklı aksesuarlarla veya yetersiz bakımlı olarak farklı uygulamalar için kullanılırsa titreşim emisyonu değişebilir. Bu durum toplam çalışma süresi boyunca maruz kalma seviyesini önemli ölçüde artırır.

Titreşime maruz kalma seviyesinin değerlendirilmesi aynı zamanda alet kapalı ve ardından çalışır ancak gerçek anlamda iş yapmadığı zamanlar da göz önünde bulundurulmalıdır. Bu durum toplam çalışma süresi boyunca maruz kalma seviyesini önemli ölçüde azaltır. Operatörü titreşimin etkilerinden korumak için ilave güvenlik önlemleri belirleyin, örneğin: aletin ve aksesuarlarının bakımını yapmak, operatörün ellerini sıcak tutmak, çalışma modellerini organize etmek.

EL ΠΡΟΕΙΔΟΠΟΙΗΣΗ

Τα επίπεδα εκπομπών κραδασμών που παρέχονται στο παρόν ενημερωτικό φυλλάδιο, έχουν μετρηθεί βάσει τυποποιημένης δοκιμής που προβλέπεται στο EN60745 και μπορούν να συγκριθούν για τη σύγκριση του εργαλείου με άλλα. Μπορούν επίσης να χρησιμοποιηθούν για προκαταρκτική αξιολόγηση της έκθεσης. Τα δηλωμένα επίπεδα εκπομπών κραδασμών αφορούν τις βασικές εφαρμογές του εργαλείου. Ωστόσο, αν το εργαλείο χρησιμοποιείται για διαφορετικές εφαρμογές, με διαφορετικά εξαρτήματα ή με κακή συντήρηση, η εκπομπή κραδασμών μπορεί να διαφέρει. Αυτό μπορεί να αυξήσει σημαντικά το επίπεδο έκθεσης στη συνολική περίοδο εργασίας.

Η εκτίμηση των επιπέδων έκθεσης σε κραδασμούς θα πρέπει επίσης να λαμβάνει υπόψη τις χρονικές περιόδους κατά τις οποίες το εργαλείο είναι απενεργοποιημένο ή λειτουργεί χωρίς να χρησιμοποιείται σε συγκεκριμένη εργασία. Αυτό μπορεί να μειώσει σημαντικά το επίπεδο έκθεσης στη συνολική περίοδο εργασίας. Εφαρμόστε επιπρόσθετα μέτρα ασφαλείας για την προστασία του χειριστή από τις επιπτώσεις των κραδασμών, όπως τα εξής: συντηρείτε το εργαλείο και τα εξαρτήματα, διατηρείτε τα χέρια ζεστά, οργανώστε μοτίβα εργασίας.

EN RYOBI® WARRANTY APPLICATION CONDITIONS

In addition to any statutory rights resulting from the purchase, this product is covered by a warranty as stated below.

- The warranty period is 24 months for consumers and commences on the date the product was purchased. This date has to be documented by an invoice or other proof of purchase. The product is designed and dedicated to consumer and private use only. So there is no warranty provided in case of professional or commercial use. This warranty applies only on new products.
- There is a possibility to extend for a part of the range of power tools (AC/DC) the warranty period over the period described above using the registration on the www.ryobitools.eu website. The eligibility of products for extended warranty is clearly displayed in stores and / or on packaging and is contained within the product documentation. The end user is required to register his/her newly-acquired products online within 30 days from the date of purchase. The end user may register for the extended warranty in his/her country of residence if listed on the online registration form where this option is valid. Furthermore, end users must give their consent to the storage of their personal data that is required to be entered online. They must also accept the terms and conditions. The registration confirmation receipt, which is sent out by e-mail, and the original invoice showing the date of purchase will serve as proof of the extended warranty.
- The warranty covers all defects of the product during the warranty period due to faults in workmanship or material at the purchase date. The warranty is limited to repair and/or replacement and does not include any other obligations including but not limited to incidental or consequential damages. The warranty is not valid if the product has been misused, used contrary to the instruction manual, or has been incorrectly connected to a power supply. This warranty does not apply to:
 - any damage to the product that is the result of improper or lack of maintenance
 - any product that has been altered or modified
 - any product where original identification (trade mark, serial number) markings have been defaced, altered or removed
 - any damage caused by non-observance of the instruction manual
 - any product not displaying the CE approval mark on the rating plate
 - any product that has been attempted to be repaired by a non-authorized warranty service centre or without prior authorisation by Techtronic Industries
 - any product connected to improper power supply (amps, voltage, frequency)
 - any damage caused by external influences (water, chemical, physical, shocks) or foreign substances
 - normal wear and tear spare parts
 - inappropriate use, overloading of the tool
 - use of non-approved accessories or parts
 - Power tool accessories provided with the tool or purchased separately, including but not limited to screw driver bits, drill bits, abrasive discs, sand paper and blades, lateral guide, etc.
 - Components (parts and accessories) subject to natural wear and tear, including but not limited to service & maintenance kits, carbon brushes, bearings, chuck, SDS drill bit attachment or reception, power cord, auxiliary handle, transport carry case, sanding plate, dust bag, dust exhaust tube, felt washers, impact wrench pins & springs, etc.
- For servicing, the product must be sent or presented to a RYOBI authorised service station listed for each country in the following list of service station addresses. In some countries your local RYOBI dealer undertakes to send the product to the RYOBI service organisation. When sending a product to a RYOBI service station, the product should be safely packed without any dangerous contents such as petrol, marked with sender's address and accompanied by a short description of the fault.
- A repair / replacement under this warranty is free of charge. It does not constitute an extension or a new start of the warranty period. Exchanged parts or products become our property. In some countries delivery charges or postage will have to be paid by the sender. Your statutory rights arising from the purchase of the product remain unaffected.
- This warranty is valid in the European Community, Switzerland, Iceland, Norway, Liechtenstein, Turkey and Russia. Outside these areas, please contact your authorised RYOBI dealer to determine if another warranty applies.

AUTHORISED SERVICE CENTRE

To find an authorised service centre near you, visit <http://en.ryobitools.eu/header/service-and-support/service-agents>

FR RYOBI® CONDITIONS D'APPLICATION DE LA GARANTIE

En plus des droits statutaires liés à l'achat, ce produit est couvert par une garantie telle que décrite ci-dessous.

- La durée de la garantie accordée au consommateur est de 24 mois à partir de la date d'achat. Cette date doit être authentifiée par une facture ou toute autre preuve d'achat. Le produit a été conçu en vue d'une utilisation strictement privée. Aucune garantie ne s'applique donc en cas d'utilisation professionnelle ou commerciale.
- Il existe pour une partie de la gamme d'outils électroportatifs (AC/DC), une possibilité d'étendre la période de garantie au-delà de la période précédemment décrite en utilisant le formulaire d'enregistrement présent sur le site Internet www.ryobitools.eu. L'éligibilité d'un outil est clairement affichée dans les points de vente et/ou sur l'emballage et la documentation. L'utilisateur final doit enregistrer son/ses outil(s) nouvellement acheté(s) en ligne dans les 30 jours qui suivent la date d'achat. L'utilisateur a la possibilité de s'enregistrer pour l'extension de garantie dans son pays de résidence si celui-ci est listé dans le formulaire d'enregistrement en ligne où cette option est valide. L'utilisateur final doit donner son consentement pour l'enregistrement des données requises pour accéder au site et doit accepter les termes et conditions. La confirmation d'enregistrement, envoyée par courrier électronique, ainsi que la facture originale mentionnant la date d'achat serviront de preuve de l'extension de garantie.
- La garantie couvre pendant la période de garantie les défauts des produits liés à la fabrication et aux matériaux à la date d'achat. La garantie est limitée à la réparation et/ou au remplacement et n'inclut aucune autre obligation, tel que, mais sans s'y limiter, les dommages accessoires ou indirects. La garantie est non valable en cas de mauvaise utilisation du produit, d'utilisation contraire aux instructions du mode d'emploi, ou en cas de branchement incorrect. Cette garantie ne s'applique pas pour :
 - tout dommage au produit résultant d'un mauvais entretien
 - tout produit ayant été altéré ou modifié
 - tout produit dont les marquages originaux d'identification (marque, numéro de série) ont été dégradés, altérés ou retirés
 - tout dommage causé par le non-respect des instructions du mode d'emploi
 - tout produit non CE
 - tout produit ayant subi une tentative de réparation par du personnel non qualifié ou sans autorisation préalable de Techtronic Industries
 - tout produit raccordé à une alimentation secteur non conforme (ampérage, voltage, fréquence)
 - tout dommage causé par des influences extérieures (chimiques, physiques, chocs) ou par des substances étrangères
 - l'usure normale des pièces consommables
 - une utilisation inappropriée, une surcharge de l'outil
 - l'utilisation de pièces ou accessoires non agréés
 - accessoires de l'outil électrique fournis avec l'outil ou achetés séparément. Cela comprend notamment les embouts de vissage, les forets de perceuse, les disques abrasifs, le papier de verre et les lames, le guide latéral
 - Les composants (pièces et accessoires) sujets à l'usure naturelle, ceci incluant notamment les mandrins, les charbons, adaptateurs SDS, les cordons d'alimentation, les poignées auxiliaires, les mallettes de transport, les plateaux de ponçage, les sacs collecteurs de poussière, les tubes d'extraction de poussière, les carrés de clé à choc, etc.
- Si le produit doit être réparé, envoyez-le à un service après-vente agréé RYOBI dont vous trouverez ci-dessous la liste pour chaque pays. Dans certains pays, votre revendeur RYOBI se chargera d'envoyer le produit à un centre de réparation RYOBI. Lorsque vous envoyez un produit à un service après-vente RYOBI, celui-ci doit être correctement emballé, sans contenir aucun produit dangereux tel que de l'essence, et vous devez indiquer votre adresse ainsi qu'une courte description du problème.
- Une réparation / un remplacement sous garantie est gratuit(e). Ceci ne constituera pas une extension de garantie ni un nouveau départ de la période de garantie. Les pièces ou les outils remplacés deviennent notre propriété. Dans certains pays, les frais de port devront être assumés par l'expéditeur. Vos droits statutaires restent inchangés.
- Cette garantie est valable au sein de l'Europe, de la Suisse, de l'Islande, de la Norvège, du Liechtenstein, de la Turquie, de la Russie. En dehors de ces zones, veuillez contacter votre distributeur agréé RYOBI pour déterminer si une autre garantie s'applique.

SERVICE APRÈS-VENTE AGRÉÉ

Pour trouver le service après-vente agréé le plus proche, rendez-vous sur <http://fr.ryobitools.eu/header/service-and-support/service-agents>.

DE RYOBI® GARANTIEBEDINGUNGEN

Zusätzlich zu den gesetzlichen Rechten aus dem Kauf gilt für dieses Produkt die nachstehend aufgeführte Garantie.

- Der Garantiezeitraum beträgt für Verbraucher 24 Monate und beginnt mit dem Datum des Kaufs. Dieses Datum muss durch eine Rechnung oder einen anderen Kaufbeleg dokumentiert werden. Dieses Produkt wurde ausschließlich zur privaten Nutzung durch Verbraucher entwickelt. Für den Fall einer professionellen bzw. kommerziellen Nutzung besteht daher keine Garantie.
- Es besteht die Möglichkeit, für einen Teil des Sortiments der Elektrogeräte (AC/DC) den Garantiezeitraum über den oben genannten Zeitraum hinaus zu verlängern, indem der Verbraucher die Registrierung auf der Website www.ryobitools.eu durchführt. Die Berechtigung der Werkzeuge für die Garantieverlängerung ist deutlich im Geschäft und/oder auf der Verpackung beschrieben und in der Produktdokumentation erwähnt. Der Verbraucher muss das neu erworbene Gerät online innerhalb von 30 Tagen ab dem Kaufdatum registrieren. Der Verbraucher kann das Gerät zwecks Garantieverlängerung in seinem Wohnsitzland/Heimatland registrieren, wenn dieses Land auf dem Online-Registrierungsformular aufgeführt ist und die Option gültig ist. Darüber hinaus muss der Verbraucher seine Zustimmung zur Speicherung der Daten geben, die online eingegeben werden müssen, und er muss die allgemeinen Geschäftsbedingungen akzeptieren. Die Bestätigung der Registrierung, die per E-Mail versandt wird, und die Originalrechnung mit dem Kaufdatum gelten als Beleg für die Garantieverlängerung.
- Die Garantie deckt alle Defekte des Geräts während des Garantiezeitraums ab, die auf zum Zeitpunkt des Kaufs bestehende Verarbeitungs- oder Materialfehler zurückzuführen sind. Die Garantie beschränkt sich auf Reparatur und/oder Ersatz und beinhaltet keine anderen Verpflichtungen, insbesondere keinen Schadenersatz für Folge- oder Nebenschäden. Die Garantie gilt nicht, wenn das Gerät fehlerhaft eingesetzt wurde, gegenseitlich zur Bedienungsanleitung eingesetzt wurde oder falsch angeschlossen wurde. Die Garantie gilt nicht für Folgendes:
 - Schäden am Gerät, die auf unkorrekte Wartung zurückzuführen sind
 - Geräte, an denen Veränderungen vorgenommen wurden
 - Produkte, bei denen die ursprüngliche Identifizierung (Handelsmarke, Seriennummer) unleserlich gemacht, verändert oder entfernt wurde
 - Schäden durch Nichtbeachtung der Bedienungsanleitung
 - nicht-CE-zertifizierte Geräte
 - Geräte, an denen durch nicht-qualifizierte Personen oder ohne vorherige Genehmigung von Techtronic Industries Reparaturversuche vorgenommen wurden
 - Geräte, die an unkorrekte Energiequellen (Ampere, Volt, Frequenz) angeschlossen wurden
 - Schäden durch äußere Einflüsse (chemisch, physisch, Stöße) oder Fremdstoffe
 - normaler Verschleiß von Ersatzteilen
 - unangemessene Nutzung, Überlastung des Geräts
 - Nutzung nicht genehmigter Zubehörteile oder Ersatzteile
 - mit dem Gerät gelieferte oder separat erworbene Zubehörteile. Dieser Anschluss beinhaltet, ist aber nicht beschränkt auf Schraubendreher-Bits, Bohreinsätze, Schleifscheiben, Sandpapier und Klingen, Seitenführungen
 - Komponenten (Ersatzteile und Zubehörteile), die natürlichen und normalen Verschleißerscheinungen unterworfen sind, einschließlich aber nicht beschränkt auf: Service- und Wartungssätze, Kohlebürsten, Lager, Spannfutter, SDS-Bohreraufnahme /Bit-Adapter, Netzkabel, Zusatzhandgriff, Transportkoffer, Schleifteller, Staubbeutel, Staubabsaugrohr, Filzunterlegscheiben, Bolzen und Federn von Schlagschraubern usw.
- Zum Service muss das Gerät zu einer von RYOBI autorisierten Servicestation gebracht oder dorthin gesendet werden. Die Servicestationen für die einzelnen Länder sind in der folgenden Liste aufgeführt. In einigen Ländern sendet Ihr RYOBI-Händler vor Ort das Gerät an das RYOBI-Serviceunternehmen. Beim Einsenden an die RYOBI-Servicestation sollte das Gerät sicher verpackt sein, ohne gefährliche Inhalte wie Benzin, und es sollte mit der Adresse des Absenders und einer kurzen Beschreibung des Fehlers versehen sein.
- Eine Reparatur bzw. ein Ersatz gemäß dieser Garantie ist kostenlos. Hieraus ergibt sich weder eine Garantieverlängerung noch der Beginn eines neuen Garantiezeitraums. Die ausgetauschten Ersatzteile oder Werkzeuge gehen in unser Eigentum über. In einigen Ländern müssen die Zustellgebühren oder die Versandkosten vom Absender gezahlt werden. Ihre gesetzlichen Rechte aus dem Kauf des Geräts bleiben hiervon unberührt.
- Diese Garantie gilt in der Europäischen Union, der Schweiz, Island, Norwegen, Liechtenstein, der Türkei und Russland. Bitte wenden Sie sich außerhalb dieser Gebiete an Ihren autorisierten RYOBI-Händler, um festzustellen, ob eine andere Garantie gilt.

AUTORISIERTER KUNDENDIENST

Besuchen Sie <http://de.ryobitools.eu/header/service-and-support/service-agents>, um einen autorisierten Kundendienst in Ihrer Nähe zu finden.

ES CONDICIONES DE APLICACIÓN DE LA GARANTÍA DE RYOBI®

Además de cualquier derecho legal derivado de la compra, este producto está cubierto por una garantía que se indica a continuación.

- El periodo de garantía es de 24 meses para consumidores y comienza en la fecha en que se comprara el producto. Dicha fecha debe documentarse con una factura u otro comprobante de compra. El producto está diseñado y concebido únicamente para el uso privado del consumidor. Por lo tanto, no se ofrece garantía en caso de uso profesional o comercial.
- Existe la posibilidad de ampliar el periodo de garantía respecto a una parte de la gama de herramientas eléctricas (CA/CC) durante el periodo descrito más arriba y mediante el registro en el sitio web www.ryobitools.eu. La elegibilidad de las herramientas para que se amplíe el periodo de garantía se muestra claramente en las tiendas o en el embalaje y está incluida en la documentación del producto. El usuario final tiene que registrar en línea sus herramientas recientemente adquiridas en un plazo de 30 días a partir de la fecha de compra. El usuario final podrá registrarse para obtener la garantía ampliada en su país de residencia si este aparece en la lista del formulario de registro en línea cuando esta opción sea válida. Además, los usuarios finales deberán dar su consentimiento al almacenamiento de los datos necesarios para el acceso en línea y tienen que aceptar los términos y condiciones. El recibo de confirmación de registro, que se envía por correo electrónico, y la factura original que muestra la fecha de compra servirán como comprobante para la garantía ampliada.
- La garantía cubre todos los defectos del producto durante el periodo de garantía debido a fallos de mano de obra o material en la fecha de compra. La garantía se limita a la reparación o sustitución y no incluye ninguna otra obligación como, por ejemplo, daños accidentales o consecuentes. La garantía no es válida si se ha usado mal el producto, se ha usado contraviniendo el manual de instrucciones o se ha conectado de forma incorrecta. Esta garantía no es aplicable a:
 - ningún daño en el producto que sea consecuencia de un mantenimiento inadecuado
 - ningún producto que haya sido alterado o modificado
 - ningún producto en el que los marcados de identificación originales (marca comercial, número de serie) se hayan borrado, modificado o eliminado
 - ningún daño provocado por no seguir el manual de instrucciones
 - ningún producto que no sea CE
 - ningún producto que haya sufrido un intento de reparación por parte de un profesional no cualificado o sin la autorización previa de Techtronic Industries.
 - ningún producto conectado a un suministro eléctrico inadecuado (amperios, voltaje, frecuencia)
 - ningún daño causado por influencias externas (químicas, físicas, impactos) o sustancias extrañas
 - desgaste normal de piezas de repuesto
 - uso inadecuado, sobrecarga de la herramienta
 - uso de accesorios o piezas no aprobados
 - Accesorios de herramientas eléctricas proporcionados con la herramienta o comprados por separado. Tales exclusiones incluyen, entre otros, brocas de destornilladores, brocas de taladro, discos abrasivos, papel de lija y cuchillas, y guías laterales
 - Componentes (piezas y accesorios) sujetos a un desgaste natural, que incluyen, entre otros, equipos de servicio y mantenimiento, escobillas de carbono, cojinetes, pinzas, accesorio o recepción de broca de taladro SDS, cable eléctrico, manillar auxiliar, bolsa de transporte, hoja lijadora, bolsa de polvo, tubo de escape de polvo, disco de fieltro, pasadores y resortes de llave de impacto, etc.
- Para su mantenimiento, el producto debe enviarse o presentarse a una estación de servicio de RYOBI autorizada que figure en la siguiente lista de direcciones de estaciones de servicio por países. En algunos países, su distribuidor RYOBI local se responsabiliza de enviar el producto a la compañía de servicio de RYOBI. Cuando se envíe un producto a una estación de servicio de RYOBI, este debe estar empaquetado de forma segura sin contenidos peligrosos como gasolina, marcado con la dirección del remitente y acompañado de una breve descripción del fallo.
- Una reparación / sustitución con esta garantía es gratuita. No constituye una ampliación ni un nuevo comienzo del periodo de garantía. Las piezas o herramientas intercambiadas pasan a ser de nuestra propiedad. En algunos países, los gastos de envío o correo tendrá que pagarlos el remitente. Sus derechos legales derivados de esta compra de la herramienta no se verán afectados.
- Esta garantía es válida en la Unión Europea, Suiza, Islandia, Noruega, Liechtenstein, Turquía y Rusia. Fuera de estas zonas, póngase en contacto con su distribuidor de RYOBI autorizado para determinar si es aplicable otra garantía.

SERVICIO TÉCNICO AUTORIZADO

Para encontrar el servicio técnico autorizado más cercano, visite <http://es.ryobitools.eu/header/service-and-support/service-agents>

IT CONDIZIONI DI VALIDITÀ DELLA GARANZIA RYOBI®

In aggiunta ai diritti di legge risultanti dall'acquisto, il prodotto è coperto dalla garanzia sotto descritta.

- Il periodo di garanzia è di 24 mesi per i consumatori, a decorrere dalla data di acquisto del prodotto. La data deve essere documentata da una fattura o altra prova d'acquisto. Il prodotto è progettato e destinato solo all'utilizzo privato dei consumatori. Pertanto non viene fornita alcuna garanzia in caso di uso professionale o commerciale.
- Per una serie di utensili elettrici (CA/CC) è possibile prolungare il periodo di garanzia oltre quello descritto, registrandosi sul sito web www.ryobitools.eu. Gli utensili per i quali è possibile prolungare il periodo di garanzia sono chiaramente indicati nei negozi e/o sulle confezioni e nella documentazione dei prodotti. L'utente deve registrare online l'utensile acquistato entro 30 giorni dalla data di acquisto. L'utente può registrarsi per la garanzia prolungata nel proprio paese di residenza, se questo è elencato nel modulo di registrazione online dove questa opzione sia valida. Inoltre gli utenti devono fornire il proprio consenso alla conservazione dei dati da immettere online e devono accettare le condizioni generali. La conferma di registrazione, inviata tramite e-mail, e la fattura originale indicante la data di acquisto, costituiranno la prova della garanzia prolungata.
- La garanzia copre tutti i difetti del prodotto durante il periodo di garanzia, risultati da manodopera o materiali alla data di acquisto. La garanzia è limitata alla riparazione e/o sostituzione e non include alcun altro obbligo quali, a mero titolo esemplificativo, i danni incidentali o consequenziali. La garanzia non è valida se il prodotto è stato usato scorrettamente, in modo contrario al manuale di istruzioni o se è stato collegato in modo errato. La garanzia non è valida per:
 - qualsiasi danno al prodotto dovuto a manutenzione errata;
 - qualsiasi prodotto che sia stato alterato o modificato;
 - qualsiasi prodotto le cui marcature di identificazione originali (marchi di fabbrica, numero di serie) siano state cancellate, alterate o rimosse;
 - qualsiasi danno causato dalla non osservanza delle istruzioni del manuale;
 - qualsiasi prodotto privo di omologazione CE;
 - qualsiasi prodotto che sia stato sottoposto a un tentativo di riparazione da parte di un professionista non qualificato oppure senza la previa autorizzazione di Techtronic Industries;
 - qualsiasi prodotto collegato a un'alimentazione errata (per ampere, tensione, frequenza);
 - qualsiasi danno causato da influenze esterne (chimiche, fisiche, urti) o sostanze estranee;
 - la normale usura delle parti di ricambio;
 - uso inappropriato, sovraccarico dell'utensile;
 - uso di accessori o parti non omologate;
 - accessori per utensili elettrici forniti con l'utensile o acquistati separatamente. Questa esclusione comprende, a mero titolo esemplificativo, punte per cacciaviti, punte per trapani, dischi abrasivi, carta vetrata, lame e guide laterali;
 - componenti (parti e accessori) soggetti alla normale usura compresi, a mero titolo esemplificativo, kit di servizio e manutenzione, spazzole al carbonio, cuscinetti, mandrini, attacchi per punte a vite autopoterforante, cavi di alimentazione, maniglie ausiliarie, custodie di trasporto, piastre di levigatura, sacchetti per la polvere, tubi di scarico della polvere, rondelle di feltro, perni e molle per avvitatori ecc.
- Per la manutenzione il prodotto dev'essere spedito o portato presso uno dei centri assistenza autorizzati RYOBI elencati per ogni paese nel seguente elenco di indirizzi dei centri. In alcuni paesi il rivenditore locale RYOBI si incarica di inviare il prodotto all'organizzazione di assistenza RYOBI. Quando si invia un prodotto a un centro assistenza RYOBI, imballarlo in modo sicuro senza contenuti pericolosi come la benzina, apporre l'indirizzo del mittente e accompagnarlo da una breve descrizione del guasto.
- La riparazione/sostituzione ai sensi della presente garanzia è gratuita. Non costituisce un prolungamento o un nuovo inizio del periodo di garanzia. Le parti o gli utensili scambiati diventano di nostra proprietà. In alcuni paesi i costi di consegna o di spedizione postale devono essere pagati dal mittente. I diritti di legge derivanti dall'acquisto dell'utensile rimangono inalterati.
- La presente garanzia è valida in Unione Europea, Svizzera, Islanda, Norvegia, Liechtenstein, Turchia e Russia. Al di fuori di tali aree contattare il rivenditore autorizzato RYOBI per sapere se è valida un'altra garanzia.

CENTRO SERVIZI AUTORIZZATO

Per individuare il più vicino centro servizi autorizzato, visitare il sito <http://it.ryobitools.eu/header/service-and-support/service-agents>.

NL RYOBI® GARANTIEVOORWAARDEN

Naast de wettelijke rechten die voortvloeien uit de aankoop, wordt dit product gedekt door een garantie, zoals hieronder staat vermeld.

- De garantietermijn voor consumenten bedraagt 24 maanden en gaat in op de datum waarop het product is gekocht. Deze datum moet worden gedocumenteerd met een factuur of een ander aankoopbewijs. Het product is uitsluitend ontworpen en bedoeld voor persoonlijk gebruik door consumenten. Er wordt dus geen garantie gegeven voor professioneel of commercieel gebruik.
- Voor een deel van ons aanbod van elektrische gereedschappen (AC/DC) is het mogelijk om de garantietermijn te verlengen over de boven beschreven termijn, met behulp van de website www.ryobitools.eu. De gereedschappen die in aanmerking komen voor de verlenging van de garantietermijn wordt duidelijk weergegeven in winkels en/of verpakkingen en staat beschreven in de productdocumentatie. De eindgebruiker moet zijn/haar nieuw gekochte gereedschappen binnen 30 dagen na aankoop online registreren. De eindgebruiker kan zich registreren voor de verlengde garantietermijn als zijn woonland staat vermeld op het online registratieformulier waar deze optie geldt is. Bovendien moeten eindgebruikers toestemming geven voor de opslag van de gegevens die online ingevuld moeten worden en moeten ze de algemene voorwaarden accepteren. Het ontvangstbewijs van de registratie, dat per e-mail wordt verzonden en de oorspronkelijke factuur met de aankoopdatum vormt het bewijs van de verlengde garantietermijn.
- De garantie dekt tijdens de garantietermijn alle gebreken van het product vanwege defecten in vakmanschap of materiaal op de aankoopdatum. De garantie is beperkt tot reparatie en/of vervanging en bevat geen andere verplichtingen, waaronder maar niet beperkt tot incidentele of gevolgschade. De garantie is niet geldig als het product is misbruikt, in strijd met de gebruiksaanwijzing wordt gebruikt of onjuist is aangesloten. Deze garantie geldt niet voor:
 - alle schade aan het product die het gevolg is van onjuist onderhoud
 - elk product dat is veranderd of aangepast
 - elk product waar de oorspronkelijke identificatie (handelsmerk, serienummer) is beschadigd, gewijzigd of verwijderd
 - alle schade die is veroorzaakt door het niet opvolgen van de gebruiksaanwijzing
 - elk niet-CE-product
 - elk product waar een poging tot reparatie is gedaan door een niet-erkende professional of zonder voorafgaande toestemming door Techtronic Industries.
 - elk product dat is verbonden met een verkeerde voeding (amperage, spanning, frequentie)
 - alle schade die is veroorzaakt door externe invloeden (chemisch, fysisch, schokken) of vreemde stoffen
 - normale slijtage van reserveonderdelen
 - ongepast gebruik, overbelasting van het gereedschap
 - gebruik van niet-goedgekeurde accessoires of onderdelen
 - gereedschapsaccessoires die bij het gereedschap worden geleverd of afzonderlijk zijn aangeschaft. Zulke uitzonderingen bevatten, maar niet beperkt tot schroevendraaierbits, boorbits, slijpschijven, schuurpapier en zagen, laterale geleiding
 - Componenten (onderdelen en accessoires) die onderhevig zijn aan natuurlijke slijtage, waaronder maar niet beperkt tot service-onderhoudsets, koolstofborstels, lagers, boorkoppen, SDS boorbitbevestigingen of ontvangers, stroomsoeren, hulpgrepen, transporttassen, schuurplateaus, stofzakken, stofafvoerbuizen, vilttringen, pennen en veren van slagmoerleutels, etc.
- Voor onderhoud moet het product worden verzonden of gebracht naar een erkend servicecentrum van RYOBI die voor elk land staan vermeld in de volgende lijst met adressen voor servicecentra. In sommige landen zal uw lokale RYOBI-dealer het product verzenden naar de RYOBI-serviceorganisatie. Wanneer u het product naar een servicecentrum van RYOBI verzendt, moet het product veilig worden verpakt zonder enige gevaarlijke inhoud, zoals benzine, met het adres van de afzender en vergezeld van een korte beschrijving van het defect.
- Een reparatie/vervanging die onder deze garantie valt is gratis. Het vormt geen verlenging of een nieuwe start van de garantietermijn. Verwisselde onderdelen of gereedschappen worden ons eigendom. In sommige landen moeten de verzendkosten door de afzender worden betaald. Uw wettelijke rechten die voortvloeien uit de aankoop van het gereedschap blijven onaangetaast.
- Deze garantie is geldig in de Europese Gemeenschap, Zwitserland, Usland, Noorwegen, Liechtenstein, Turkije en Rusland. Buiten deze gebieden moet u contact opnemen met uw erkende RYOBI-dealer om vast te stellen of er een andere garantie van toepassing is.

GEAUTORISEERD ONDERHOUDSCENTRUM

Om een geautoriseerd onderhoudscentrum in uw buurt te vinden, surf u naar <http://nl.ryobitools.eu/header/service-and-support/service-agents>.

PT CONDIÇÕES DE APLICAÇÃO DA GARANTIA RYOBI®

Para além de quaisquer direitos previstos por lei resultantes da compra, este produto está coberto por uma garantia conforme descrição abaixo.

- O período da garantia é de 24 meses para consumidores particulares e inicia-se na data de compra do produto. Esta data tem de ser documentada por uma factura ou por outra prova de compra. O produto foi concebido para e destina-se apenas a consumidores particulares e uso privado. Assim, não é dada garantia em caso de utilização por profissionais ou uso comercial.
- Para uma parte da gama de ferramentas eléctricas (AC/DC) existe a possibilidade de prolongamento do período da garantia para além do período descrito acima, mediante registo no Web site www.ryobitools.eu. A elegibilidade das ferramentas para prolongamento do período da garantia é claramente visível nas lojas e/ou nas embalagens e está contida na documentação do produto. O utilizador final tem de fazer o registo online das suas ferramentas recém-adquiridas no prazo de 30 dias após a data de compra. O utilizador final pode fazer o registo para prolongamento da garantia no seu país de residência, desde que esteja listado no formulário de registo online e para os casos em que esta opção seja válida. Para além disso, os utilizadores finais têm de autorizar o armazenamento dos dados cujo preenchimento lhes for solicitado online e têm de aceitar os termos e as condições. O recibo de confirmação do registo é enviado por e-mail e, em conjunto com a factura original ostentando a data de compra, servirá de prova do prolongamento da garantia.
- A garantia cobre todos os defeitos do produto durante o período da garantia devidos a defeitos de fabrico ou de material à data da compra. A garantia está limitada à reparação e/ou substituição e não inclui quaisquer outras obrigações, incluindo mas não se limitando a, perdas complementares ou indirectas. A garantia não é válida se o produto tiver sido utilizado incorrectamente, utilizado de forma contrária ao Manual de Instruções ou se as respectivas ligações tiverem sido feitas incorrectamente. Esta garantia não se aplica ao seguinte:
 - quaisquer danos ao produto que sejam resultado de manutenção incorrecta
 - qualquer produto que tenha sido alterado ou modificado
 - qualquer produto cujas marcações de identificação de origem (marca comercial, número de série) tiverem sido apagadas, alteradas ou retiradas
 - quaisquer danos causados pelo incumprimento do Manual de Instruções
 - qualquer produto que não seja da Comunidade Europeia
 - qualquer produto ao qual tenha sido feita, ou tentada fazer, uma reparação por outra pessoa que não um profissional habilitado ou sem autorização prévia da Techtronic Industries.
 - qualquer produto ligado a uma fonte de alimentação eléctrica incorrecta (Amperes, Voltagem e Frequência)
 - qualquer dano causado por influências externas (químicas, físicas, impactos) ou substâncias estranhas
 - desgaste e degradação normal de sobresselentes
 - utilização incorrecta, sobrecarga da ferramenta
 - utilização de acessórios ou peças não aprovados
 - acessórios para ferramentas eléctricas fornecidos com a ferramenta ou comprados em separado. Estas exclusões incluem mas não se limitam a, pontas de aparafusadora, brocas, discos abrasivos, papel de lixa e lâminas, guia lateral
 - Componentes (peças e acessórios) sujeitos a desgaste e degradação natural, incluindo mas não se limitando a, Kits de Assistência e Manutenção, escovas de carvão, rolos, bucha, acessórios ou recepções de brocas SDS, cabos eléctricos, peças auxiliares, estojos de transporte, placas de lixagem, sacos de poeiras, tubos de saída de poeiras, anilhas de feltro, pinos e molas da aparafusadora de impacto, etc.
- Para assistência, o produto tem de ser enviado para, ou apresentado em, um posto de assistência autorizado RYOBI, conforme listado para cada país na lista de moradas de postos de assistência seguinte. Nalguns países, o seu concessionário RYOBI local encarrega-se de enviar o produto para a organização de assistência RYOBI. Quando enviar um produto para um posto de assistência RYOBI, o produto deve ser embalado de forma segura, sem conter nenhuns conteúdos perigosos (por exemplo, gasolina), marcado com o endereço do remetente e acompanhado por uma breve descrição da avaria.
- Uma reparação/substituição ao abrigo desta garantia é gratuita. Não constitui um prolongamento a, nem um novo início de, o período da garantia. As peças ou ferramentas substituídas tornam-se propriedade nossa. Em alguns países, o remetente terá de pagar os custos de entrega ou a remessa postal. Os seus direitos previstos por lei resultantes da compra da ferramenta mantêm-se inalterados
- Esta garantia é válida na Comunidade Europeia, Suíça, Islândia, Noruega, Liechtenstein, Turquia e Rússia. Fora destas áreas, entre em contacto com o seu concessionário autorizado RYOBI para determinar se existe outra garantia aplicável.

CENTRO DE ASSISTÊNCIA AUTORIZADO

Para encontrar um centro de assistência autorizado próximo de si, visite <http://pt.ryobitools.eu/header/service-and-support/service-agents>.

DA RYOBI® BETINGELSER FOR GARANTI

Udover lovbestemte rettigheder, som resulterer af købet, er dette produkt dækket af en garanti, som anført herunder.

- Garantiperioden er 24 måneder for forbrugere og begynder på den dato, som produktet blev købt. Denne dato skal dokumenteres af en faktura eller andet bevis for køb. Produktet er udelukkende designet og dedikeret til forbrugere og privat brug. Så der ydes ingen garanti i tilfælde af professionel eller kommerciel brug.
- Der er en mulighed for at forlænge garantiperioden for en del af udvalget af elværktøj (AC/DC), hen over den ovenfor beskrivne periode vha. registrering på hjemmesiden www.ryobitools.eu. Bortsettelse af værktøjet til forlængelse af garantiperioden er tydeligt vist i butikker og/eller på emballage/og indeholdt i produktokumentationen. Slutbrugeren skal registrere hans/hendes nyligt indkøbte værktøj online indenfor 30 dage efter købsdatoen. Slutbrugeren kan registrere sig for den forlængede garanti i sit land, hvis han/hun er opført på den online registreringsformular, hvor denne mulighed er gyldig. Derudover skal slutbrugere give deres samtykke til at opbevare data, som er påkrævet at indtaste online, og de er nødt til at acceptere vilkår og betingelser. Registreringsbekræftelseskvitteringen, som sendes ud på e-mail, og den originale faktura, som viser købsdatoen, vil fungere som bevis for den forlængede garanti.
- Garantien dækker alle defekter, som et produkt måtte have i løbet af garantiperioden, og som skyldes produktionsfejl eller materialefejl på købsdatoen. Garantien er begrænset til reparation og/eller uskiftning og inkluderer ikke andre forpligtelser, inklusiv men ikke begrænset til tilfældige skader eller følgeskader. Garantien er ugyldig, hvis produktet er blevet misbrugt, brugt uden at overholde vejledningen, eller det er blevet forkert tilsluttet. Denne garanti gælder ikke:
 - Beskadigelse af produktet, som er et resultat af uegnet vedligeholdelse
 - Et produkt der er blevet ændret eller modificeret
 - Et produkt hvor de originale identifikationsmærkninger (varemærke, serienummer) er blevet ødelagt, ændret eller fjernet.
 - Enhver beskadigelse forårsaget af manglende overholdelse af vejledningen
 - Ethvert ikke CE-produkt
 - Ethvert produkt som er blevet forsøgt repareret af en ukvalificeret professionel eller uden tidligere autorisation af Techtronic Industries.
 - Ethvert produkt som er tilsluttet uegnet strømforsyning (ampere, spænding, frekvens)
 - Enhver skade forårsaget af ekstern påvirkning (kemisk, fysisk, chok) eller fremmedelementer
 - Normal slid på reservedele
 - Uegnet brug, overbelastning af værktøjet
 - Brug af ikke-godkendt tilbehør eller dele
 - Elværktøjstilbehør som leveres med værktøjet eller købes separat. Sådanne undtagelser inkluderer men er ikke begrænset til skruetrækkerbits, bor, bits, silbeskiver, sandpapir og klinger, sidestyrt
 - Komponenter (dele og tilbehør) som er udsat for naturligt slid og ælde, inklusiv men ikke begrænset til Service- og vedligeholdelsessæt, kulbrøster, lejer, bøsninger, påsætning eller modtagelse af SDS-bor, El ledning, hjælpehåndtag, transporttaske, sandplade, støvpose, støvudstødningslange, filterkiver, nåle og fjedre slagnagle etc.
- For eftersyn skal produktet sendes til eller præsenteres for en RYOBI-autoriseret service værksted, som er opført for hvert land i den følgende liste over service værksted adresser. I nogle lande påtager din lokale RYOBI-forhandler sig ansvaret for at sende produktet til RYOBI-serviceorganisationen. Når et produkt sendes til en RYOBI-service værksted, skal det pakkes sikkert ind uden noget farligt indhold som benzin, mærkes med afsenderens adresse og med en kort beskrivelse af fejlen.
- En reparation/erstatning under denne garanti er gratis. Den udgør ikke en forlængelse eller en ny start på garantiperioden. Udvekslede dele eller værktøjer bliver vores ejendom. I nogle lande skal leveringsafgifter eller porto betales af afsenderen. Dine lovbestemte rettigheder i forbindelse med købet forbliver uanfægtede
- Denne garanti gælder i EU, Schweiz, Island, Norge, Liechtenstein, Tyrkiet og Rusland. Udenfor disse områder bedes du kontakte din autoriserede RYOBI-forhandler for at afgøre, om en anden garanti gælder.

AUTORISEREDE SERVICE/VERKSTEDER

Find nærmeste autoriserede serviceværksted på <http://dk.ryobitools.eu/header/service-and-support/service-agents>.

SV RYOBI® ANVÄNDNINGSVILLKOR FÖR GARANTI

Förutom eventuella lagstadgade rättigheter som uppstår genom köpet, täcks den här produkten av en garanti som anges nedan.

- Garantiperioden är 24 månader för konsumenter och börjar gälla från det datum då produkten köptes. Detta datum måste dokumenteras på en faktura eller annat köpbevis. Produkten är utformad och avsedd för konsumenter och privat bruk. Därmed tillhandahålls ingen garanti vid yrkesmässigt eller kommersiellt bruk.
- Det finns möjlighet att förlänga garantiperioden för en del av utbudet för elverktyg (AC/DC) under den period som anges ovan genom att använda registreringen på webbplatsen www.ryobitools.eu. De verktyg som är berättigade till en förlängning av garantiperioden visas tydligt i butiker och/eller på förpackningen/och anges i produktdokumentationen. Slut användaren behöver registrera hans/hennes nyförvävade verktyg online inom 30 dagar från köpdatumet. Slut användaren kan registrera sig för den förlängda garantin i det land där han/hon bor om landet finns angivet i registreringsformuläret online och där detta alternativ är giltigt. Dessutom måste slut användaren ge sitt medgivande till lagring av data vilket krävs vid registrering online samt acceptera villkoren. Bekräftelsekvittot för registreringerna som skickas ut via e-post och originalfakturan som skickas ut kommer att gälla som bevis för den förlängda garantin.
- Garantin täcker alla produktdefekter under garantiperioden som beror på brister i utförande eller material vid köpdatumet. Garantin är begränsad gällande reparation och/eller utbyte och inkluderar inte några skyldigheter inklusive men inte begränsat till oförutsedda skador eller följskador. Garantin är inte giltig om produkten har missbrukats, använts i strid med bruksanvisningen eller inte anslutits på rätt sätt. Denna garanti täcker inte:
 - eventuella skador på produkten som uppstått till följd av felaktigt underhåll
 - produkter som har ändrats eller modifierats
 - produkter där ursprungliga identifieringsmärkningar (varumärke, serienummer) har målats över, ändrats eller tagits bort
 - eventuella skador som uppstått till följd av att bruksanvisningen inte efterföljts
 - alla icke CE-produkter
 - eventuella produkter som har försökt repareras av en icke-kvalificerad yrkesman eller utan föregående medgivande från Technronic Industries.
 - eventuella produkter som anslutits till felaktig strömförsörjning (ampere, volt, frekvens)
 - eventuella skador som uppstått till följd av yttre påverkan (kemisk, fysisk, stöt) eller främmande ämnen
 - normalt slitage av reservdelar
 - olämplig användning, överbelastning av verktyget
 - användningen av icke-godkända tillbehör eller delar
 - tillbehör till elverktyg som medföljde verktyget eller köpts separat. Sådana undantag inkluderar men är inte begränsat till skruvmejselbits, borrbits, slipskivor, sandpapper, blad och sidoskena
 - Komponenter (delar och tillbehör) är föremål för naturligt slitage, inklusive men inte begränsat till service- och underhållsatsar, kolborstar, kullager, chuck, tillbehör eller tillhörande SDS-borrbitt, strömsladd, hjälphandtag, transportväska, slipplatta, dammpåse, dammtullblåsar, filterbrickor, stift och fjädrar till mutterdragare osv.
- Vid service måste produkten skickas eller uppvisas för en RYOBI- auktoriserad servicestation som står angiven för varje land i följande adresslista över servicestationer. I vissa länder tar din lokala RYOBI- återförsäljare på sig ansvaret att skicka produkten till RYOBI- serviceorganisationen. När en produkt skickas till en RYOBI- servicestation, ska produkten paketeras säkert utan något farligt innehåll såsom bensin, markeras med avsändarens adress samt en kort beskrivning av felet.
- En reparation/ett utbyte under denna garanti är kostnadsfri. Det utgör inte en förlängning eller förnyelse av garantiperioden. Utbyta delar eller verktyg blir vår egendom. I vissa länder måste leveranskostnader eller porto betalas av avsändaren. Dina lagstadgade rättigheter som härrör från köpet av verktyget förblir opåverkade
- Denna garanti är giltig i Europeiska gemenskapen: Schweiz, Island, Norge, Liechtenstein, Turkiet och Ryssland. Utanför dessa länder, kontakta din auktoriserade RYOBI-återförsäljare för att avgöra om en annan garanti gäller.

AUKTORISERAT SERVICECENTER

Du hittar närmaste auktoriserade servicecenter genom att gå till <http://se.ryobitools.eu/header/service-and-support/service-agents>.

FI RYOBI®-TAKUUN SOVELTAMISEHDOT

Tällä tuotteella on oston luomien lakisääteisten oikeuksien ohella alla mainitun mukainen takuu.

- Takuun kesto on kuluttajille 24 kuukautta ja takuuaika alkaa tuotteen ostopäivästä. Tämän päivämäärän tulee lukea laskussa tai muussa ostotositteessa. Tuote on suunniteltu ja tarkoitettu vain kuluttajien ja yksityiseen käyttöön. Takuu ei siis kata ammatti- eikä kaupallista käyttöä.
- Joidenkin sähkötyökalujen (AC/DC) takuun kesto on mahdollista laajentaa yllä mainittua kestoä pidemmäksi verkkosivuston www.ryobitools.eu rekisteröinnin kautta. Työkalujen kelppisuus takuujakson laajennukseen näkyy selkeästi myymälöissä ja/tai pakkauksissa ja/ tai tämä tieto sisältyy tuotetiedokumentaatioon. Loppukäyttäjän täytyy rekisteröidä vasta hankitut työkalut internetissä 30 päivän kuluessa ostopäivämäärästä. Loppukäyttäjät voi rekisteröidä laajennettun takuun kotimaassaan, jos se on luetteluna online-rekisteröintilomakkeessa, jossa mainitaan, missä tämä vaihtoehto on voimassa. Loppukäyttäjien täytyy lisäksi hyväksyä tietojen tallennus, jotka heidän täytyy antaa online-tilassa sekä ehdot. Rekisteröinnin vahvistuskuitti, joka lähetetään sähköpostitse, ja alkuperäinen ostopäivämäärän ilmaiseva lasku toimivat laajennettun takuun tositteina.
- Takuu kattaa kaikki tuotteeseen takuuaikana tulevat viat, joiden aiheuttajina ovat tuotteessa ostopäivänä olleet valmistus- tai materiaali viat. Takuu on rajoitettu korjaukseen ja/tai vaihtoon eikä se sisällä mitään muuta velvoitetta mukaan lukien satunnais- ja seurannaisvahinkoja, mutta rajoittumatta niihin. Takuu ei päde, jos tuotetta on käyretty väärin, käyttöohjeen vastaisesti tai jos se on liitetty virheellisesti. Tämä takuu ei kata:
 - virheellisestä huollosta johtuvia vaurioita
 - muunnettua tai muutettua tuotetta
 - tuotetta, jonka alkuperäiset tunnistemerkinnät (tavaramerkki, sarjanumero) on turmeltu, muutettu tai poistettu
 - tämän käyttöoppaan laiminlyönnistä johtuvia vaurioita
 - ei-CE-tuotetta
 - tuotetta, jota on yrittänyt korjata epäpätevä ammattilainen tai joka on korjattu ilman Technronic Industriesin emakkoluopaa.
 - tuotetta, joka on liitetty virheelliseen tehohäätteen (ampeirit, jännite, taajuus)
 - ulkoisten vaikutusten (kemiallinen, fyysinen, iskut) tai vieraiden aineiden aiheuttamaa vauriota
 - normaaleja kuluvia vaurioita
 - virheellistä käyttöä, työkalun ylikuormitusta
 - ei-hyväksytyjen tarvikkeiden tai osien käyttöä
 - sähkötyökalun tarvikkeita, jotka on toimitettu työkalun mukana tai ostettu erikseen. Poissuljettuja osia ovat ruuvausterät, poranterät, hiomalaikat, hiekkapaperi ja terät, sivuohjain, näihin kuitenkaan rajoittumatta
 - Luonnollisesti kuluvia komponentteja (osia tai tarvikkeita), joihin sisältyvät huolto- ja kunnossapitoset, hiiliharjat, laakerit, terästäkat, SDS-porien kiinnitin tai istukka, virtajohto, apukahva, kuljetuskotelo, hiomalaikka, pölypussi, pölynpoistoputki, huopatiivisteet, iskunvääntimen pultit ja jouset yms. näihin kuitenkaan rajoittumatta.
- Tuote on lähetettävä huollettavaksi valtuutettuun RYOBI-huoltoon tai näyteltävä siellä. Niiden osoitteet kussakin maassa löytyvät seuraavasta luettelosta. Joissakin maissa paikallinen RYOBI-jälleenmyyjä huolehtii tuotteen lähetyksestä RYOBI-huolto-organisaatioon. Kun tuote lähetetään RYOBI-huoltoon, se täytyy pakata hyvin ilman vaarallisia aineita, kuten polttoainetta, ja pakkaukseen täytyy merkitä lähettäjän nimi sekä vain lyhyt kuvaus.
- Takuun kattama korjaus/vaihto on maksuton. Se ei tarkoita takuuaajan laajennusta tai alkamista alusta. Vaihdetut osat tai työkalut saatavat valmistajan omistukseen. Joissakin maissa lähettäjän täytyy maksaa lähetyksustannukset tai postikulut. Työkalun oston luomat lakisääteiset oikeudet pysyvät koskemattomina
- Tämä takuu on voimassa Euroopan yhteisössä, Sveitsissä, Islannissa, Norjassa, Liechtensteinissä, Turkissa ja Venäjällä. Ota näiden alueiden ulkopuolella yhteyttä omaan valtuutettuun RYOBI-jälleenmyyjään ja selvitä, onko jotain muuta takuuta.

VALTUUTETTU HUOLTO

Voit etsiä lähimmän valtuutetun huollon sivulta <http://fi.ryobitools.eu/header/service-and-support/service-agents>.

NO RYOBI® GARANTIBETINGELSER

I tillegg til eventuelle lovbestemte rettigheter som følger av kjøpet, er dette produktet dekket av en garanti som angitt nedenfor.

- Garantiperioden er 24 måneder for konsumenter og gjelder fra den datoen som produktet ble kjøpt. Denne datoen skal dokumenteres med en faktura eller annet kjøpsbevis. Produktet er designet og beregnet kun til konsument- og privat bruk. Så det gis ingen garanti ved profesjonell eller kommersiell bruk.
- For en del av utvalget av elektriske verktøy (AC/DC) er det mulighet til å utvide garantiperioden i den perioden som er beskrevet ovenfor ved bruk av registreringer på nettsidene www.ryobitools.eu. Kvalifisering av verktøyene for en utvidelse av garantiperioden er tydelig vist i butikker og/eller på pakningen / og finnes innen produktdokumentasjonen. Sluttbrukeren må registrere sine nylig anskaffede verktøy online innen 30 dager etter kjøpsdato. Sluttbrukeren kan registrere seg for den utvidede garantien i sitt land hvis det er opplistet på online registreringsskjemaet der dette alternativet er gyldig. Videre må sluttbrukere gi sitt samtykke til oppbevaring av dataene som kreves for å gå online, og de må godta vilkår og betingelser. Registreringsbekreftelsen, som sendes ut på e-post, og den originale fakturaen som viser kjøpsdato, vil tjene som bevis for den utvidede garantien.
- Garantien dekker alle defekter i produktet under garantiperioden på grunn av defekter i utførelse eller materiale på kjøpsdato. Garantien er begrenset til å reparere og/eller erstatte og inkluderer ikke noen andre forpliktelser, inkludert, men ikke begrenset til, tilfældige eller følgesmessige skader. Garantien er ikke gyldig hvis produktet har blitt misbrukt, brukt på annen måte enn det som beskrives i bruksanvisningen eller er koblet til på feil måte. Denne garantien gjelder ikke for:
 - enhver skade på produktet som er resultat av utlilskrekkelig vedlikehold
 - ethvert produkt som har blitt endret eller modifisert
 - ethvert produkt der de originale identifiseringsmerkene (varemerke, serienummer) har blitt uleselig, er endret eller fjernet
 - enhver skade som forårsakes av ikke-overholdelse av instruksjonshåndboken
 - ethvert ikke-CE-produkt
 - ethvert produkt som har blitt forsøkt reparert eller av en ikke-kvalifisert fagperson eller uten tidligere autorisasjon fra Techtronic Industries.
 - ethvert produkt tilkoblet feil strømforsyning (ampere, spenning, frekvens)
 - enhver skade som er forårsaket av eksterne påvirkninger (kjemiske, fysiske, støt) eller fremmede stoffer
 - normal slitasje og sliiteresvedeler
 - feil bruk, overbelastning av verktøyet
 - bruk av ikke-godkjent tilbehør eller deler
 - Elektrisk verktøytilbehør levert med verktøyet eller kjøpt separat. Slike ekskluderinger, inkludert, men ikke begrenset til skrutrekerbits, drillbits, slipeplater, sandpapir og blader, lateral føring
 - Komponenter (deler og tilbehør) som er utsatt for naturlig slitasje, inkludert, men ikke begrenset til service- og vedlikeholdssett, karbonborster, lagre, chuck, SDS-borrbifeste eller -mottak, strømledning, hjelpéhåndtak, transportbæreske, sandingsplate, støvpose, støvutslippsrør, filtpakninger, støtnøkkelpinner og fjær, osv.
- For service må produktet sendes eller fremlegges for en RYOBI-autorisert servicestasjon opplistet for hvert land i den følgende listen over servicestasjonsadresser. I noen land sender den lokale RYOBI-forhandleren produktet til RYOBI serviceorganisasjonen. Ved å sende et produkt til en RYOBI servicestasjon skal produktet være sikkert pakket uten noe farlig innhold, slik som bensin, merket med senderens adresse og fulgt av en kort beskrivelse av feilen.
- En reparasjon/erstatning under denne garantien er gratis. Den utgjør ingen forlengelse eller en ny start av garantiperioden. Utvekslede deler eller verktøy blir vår eiendom. I noen land vil leveringskostnader eller frankering måtte betales av senderen. Dine lovbestemte rettigheter som oppstår fra kjøp av verktøyet forblir uberørt.
- Denne garantien er gyldig i EU, Sveits, Island, Norge, Liechtenstein, Tyrkia og Russland. Utenfor disse områdene ta kontakt med din autoriserte RYOBI-forhandler om en annen garanti gjelder.

AUTORISERT SERVICESENTER

For å finne et autorisert servicesenter i nærheten, gå til <http://no.ryobitools.eu/header/service-and-support/service-agents>.

RU УСЛОВИЯ ПРИМЕНЕНИЯ ГАРАНТИИ НА ПРОДУКЦИЮ RYOBI®

Помимо законных прав, возникающих при покупке, данное изделие покрывается гарантией в соответствии с приведенными ниже пунктами.

- Гарантийный период для покупателя составляет 24 месяца с даты покупки изделия. Дата покупки должна быть подтверждена полностью заполненным гарантийным талоном и чеком о покупке. Данное изделие предназначено только для частного использования покупателем. Поэтому гарантия не распространяется на использование в профессиональных или коммерческих целях.
- Предусмотрена возможность продления для части изделий линейки электроинструментов (AC/DC) гарантийного периода с помощью регистрации на сайте www.ryobitools.eu. Право инструмента на продление гарантийного периода четко указано в магазинах и / или на упаковке / и содержится в сопутствующей инструменту документации. Конечный пользователь должен зарегистрировать свой приобретенный инструмент в течение 30 дней с даты покупки. Конечный пользователь может зарегистрировать свой инструмент на продление гарантии в стране своего проживания, если она указана в форме онлайн-регистрации. Кроме того, конечный пользователь должен дать свое согласие на хранение данных, которое необходимо ввести в онлайн-форму и принять правила и условия. Подтверждение регистрации, которое вы получите по электронной почте, заполненный гарантийный талон и оригинальный чек, в котором указана дата покупки, будут служить доказательством продленной гарантии.
- Гарантия покрывает в течение гарантийного периода все дефекты качества или материала изделия на дату покупки. Гарантия ограничена ремонтом и / или заменой и не включает никакие другие обязательства, включая, но не ограничиваясь случайными или косвенными убытками. Гарантия становится недействительной, если изделие использовалось не по назначению, вопреки инструкциям, данным в Руководстве пользователя или было неправильно подключено. Настоящая гарантия не распространяется на:
 - любые повреждения изделия в результате неправильного технического обслуживания или недостаточного ухода за инструментом
 - любые изделия, подвергшиеся изменениям и модификации
 - любые изделия, оригинальные идентификационные отметки которого (торговая марка, серийный номер) были повреждены, изменены или удалены
 - любые повреждения, вызванные несоблюдением инструкций Руководства пользователя
 - любые изделия, не сертифицированные маркировкой "CE" для продажи в Европейском союзе
 - любые изделия, подвергшиеся попыткам ремонта неквалифицированным работником или без предварительного утверждения компанией Techtronic Industries.
 - любые изделия, подключенные к неправильному источнику питания (сила тока, напряжение, частота)
 - любые повреждения, вызванные внешними воздействиями (химические, физические, удары) или посторонними веществами
 - естественный износ запасных деталей
 - несоответствующее использование, перегрузка инструмента
 - использование неутвержденных аксессуаров и неофициальных запасных деталей
 - аксессуары электроинструментов, поставляемые с инструментом или приобретаемые отдельно. К этому списку относятся, но не исчерпывают его: сверла шуруповертов, дрели, абразивные диски, наждачную бумагу, лезвия и боковые направляющие компоненты (детали и аксессуары), подверженные естественному износу и разрыву, включая, но не ограничиваясь наборы для технического обслуживания, угольные щетки, подшипники, патроны, переходники SDS, кабели питания, дополнительные ручки, футляры для транспортировки, шифовальные подошвы, пылесборники, трубки для отвода пыли, войлочные шайбы, штыри и пружины ударных ключей и др.
- Для проведения технического обслуживания изделие следует направлять в авторизованные сервисные центры RYOBI, указанные для каждой страны в приведенном ниже списке адресов станций сервисного обслуживания. В некоторых странах местные дилеры RYOBI отправляют изделия в сервисные организации RYOBI. При отправке изделия в сервисный центр RYOBI, изделие должно быть безопасно упаковано и не содержать никаких опасных веществ, таких как бензин, должен быть подписан адрес отправителя и сопровождаться кратким описанием неисправности.
- Ремонт / замена проводится в рамках настоящей гарантии бесплатно. Он не продлевает гарантию и не начинает новый гарантийный период. Заменяемые детали и инструменты становятся нашей собственностью. В некоторых странах отправитель должен оплачивать стоимость отправки. Ваши законные права, возникающие при покупке инструмента, остаются неизменными.
- Данная гарантия действительна в Европейском Союзе, Швейцарии, Исландии, Норвегии, Лихтенштейне, Турции и России. Вне указанных территорий обращайтесь к своему авторизованному дилеру RYOBI, чтобы узнать, применяются ли условия каких-либо других гарантий.

УПОЛНОМОЧЕННЫЙ СЕРВИСНЫЙ ЦЕНТР

Чтобы найти ближайший уполномоченный сервисный центр, обратитесь к веб-сайту <http://ru.ryobitools.eu/header/service-and-support/service-agents>.

PL WARUNKI GWARANCJI RYOBI®

Oprócz praw ustawowych wynikających z zakupu produkt jest objęty gwarancją, której warunki podano poniżej.

1. Okres gwarancyjny wynosi 24 miesiące dla konsumentów i rozpoczyna się w dniu zakupu produktu. Datę zakupu należy udokumentować fakturą lub innym dowodem zakupu. Produkt został zaprojektowany i jest przeznaczony do użytku konsumenckiego i prywatnego. W związku z tym gwarancja nie obejmuje zastosowań profesjonalnych i komercyjnych.
2. Istnieje możliwość wydużenia okresu gwarancyjnego dla części asortymentu narzędzi ręcznych z napędem mechanicznym (AC/DC) poprzez zarejestrowanie produktu na stronie internetowej www.ryobitools.eu. Kwalifikowalność narzędzi do wydużenia okresu gwarancyjnego jest wyraźnie określona w sklepach i/lub na opakowaniu oraz w dokumentacji produktu. Użytkownik końcowy musi zarejestrować nowo kupione narzędzia online w ciągu 30 dni od daty zakupu. Użytkownik końcowy może zarejestrować się w celu przedłużenia gwarancji w swoim kraju zamieszkania, jeżeli jest on wymieniony w formularzu rejestracji online, gdzie opcja ta obowiązuje. Ponadto użytkownicy końcowi muszą wyrazić zgodę na przechowywanie danych, wprowadzanych na stronie internetowej i zaakceptować regulamin. Dowodem wydużenia gwarancji jest wysłane pocztą elektroniczną potwierdzenie rejestracji i oryginal faktury potwierdzającej datę zakupu.
3. Gwarancja obejmuje wszystkie wady produktu ujawnione w okresie gwarancyjnym wynikające usterek wykonania lub materiału obecnego w dniu zakupu. Gwarancja jest ograniczona do naprawy i/lub wymiany i nie obejmuje żadnych innych zobowiązań, w tym między innymi odpowiedzialności za szkody przypadkowe lub wtórne. Gwarancja nie obowiązuje, jeżeli produkt był nieprawidłowo używany, używany niezgodnie z instrukcją lub nie był prawidłowo podłączony. Gwarancja nie obejmuje:
 - uszkodzenia produktu wynikającego z nieprawidłowej konserwacji,
 - produktu, który został zmieniony lub zmodyfikowany,
 - produktu, którego oryginalne oznaczenie (znak towarowy, numer seryjny) zostało zniszczone, zmienione lub usunięte,
 - jakiegokolwiek uszkodzeń wynikających z nieprzestrzegania instrukcji,
 - jakiegokolwiek produktu bez certyfikatu CE,
 - jakiegokolwiek produktu, który próbowano naprawić z pomocą niewykwalifikowanej osoby lub bez uzyskania wcześniejszej zgody firmy Techtronic Industries.
 - jakiegokolwiek produktu podłączonego nie prawidłowego źródła zasilania (nieprawidłowe napięcie prądu, napięcie, częstotliwość),
 - jakiegokolwiek uszkodzeń spowodowanych wpływem czynników zewnętrznych (chemicznych, fizycznych, drgań) lub substancji obcych,
 - normalnego zużycia części zamiennych,
 - nieprawidłowego użycia, przeciążenia narzędzia,
 - stosowania niezatwierdzonych akcesoriów lub części,
 - akcesoriów narzędzi ręcznych z napędem mechanicznym dostarczonych z narzędziem lub kupionych oddzielnie. Takie wykluczenia obejmują, między innymi, wymienne ostrza wkrętaka, wiertła, tarcze cierne, papier ścierny i ostrza, prowadnice boczna.
 - elementów (części i akcesoriów) podlegających naturalnemu zużyciu obejmujących, między innymi, zestawy do konserwacji i serwisu, szczotki węglowe, łożyska, uchwyty, przystawki wiertła SDS, gniazdo, przewód zasilania, uchwyty pomocnicze, skrzynię transportową, płytę szlifierską, worek pyłowy, rurę odprowadzania pyłu, podkładki filcowe, kolki i sprężyny klucza udarowego itp.
4. W celu serwisowania produkt należy wysłać lub okazać w autoryzowanym punkcie serwisowym RYOBI znajdującym się na przedstawionym poniżej wykazie punktów serwisowych w poszczególnych krajach. W niektórych krajach lokalny dystrybutor produktów RYOBI podejmuje się wysyłki produktu do centrum serwisowego RYOBI. W przypadku wysyłki do punktu serwisowego RYOBI produkt — pozbawiony jakiegokolwiek niebezpiecznych substancji, na przykład benzyny — należy bezpiecznie zapakować i dołączyć adres nadawcy oraz krótki opis usterek.
5. Naprawa/wymiana w ramach niniejszej gwarancji jest bezpłatna. Nie stanowi jednak o przedłużeniu lub rozpoczęciu od nowa biegu okresu gwarancyjnego. Wymienione części lub narzędzia stają się naszą własnością. W przypadku niektórych krajów nadawca będzie musiał uregulować koszty dostawy lub opłaty pocztowe. Prawa ustawowe wynikające z zakupu narzędzia pozostają niezmienione.
6. Niniejsza gwarancja obowiązuje w Unii Europejskiej, Szwajcarii, Islandii, Norwegii, Liechtensteinie, Turcji i Rosji. Poza tymi obszarami należy skontaktować się z autoryzowanym dostawcą produktów RYOBI i ustalić, czy obowiązuje inna gwarancja.

AUTORYZOWANY PUNKT SERWISOWY

Najbliższy autoryzowany punkt serwisowy można wyszukać w witrynie internetowej <http://pl.ryobitools.eu/header/service-and-support/service-agents>.

CS ZÁRUČNÍ PODMÍNKY RYOBI®

Kromě zákonných práv vyplývajících z koupě výrobku se na tento výrobek vztahuje také níže uvedené záruka.

1. Záruční doba pro spotřebitele je 24 měsíců a začíná datem nákupu výrobku. Datum musí být zaznamenáno na fakturě nebo jiném dokladu o koupi. Tento výrobek je navržen a určen pouze pro soukromé účely spotřebitelů. Záruka se tedy nevztahuje na profesionální nebo komerční využití výrobku.
2. U některých elektrických nástrojů (AC/DC) je možné záruční dobu prodloužit. K tomu je nutná registrace na stránkách www.ryobitools.eu. Možnost prodloužené záruční doby výrobků je jasně uvedena v prodejních, popř. na obalech nebo v dokumentech o výrobku. Koncový uživatel musí svůj nový nástroj zaregistrovat online do 30 dnů od data nákupu. Koncový uživatel se může k prodloužené záruční době zaregistrovat v zemi trvalého pobytu, pokud je tato uvedena na internetovém registračním formuláři u výrobku, kde je tato možnost dostupná. Koncoví uživatelé musí dále souhlasit s uložením osobních údajů, která musí zadat na internetu, a přijmout obchodní podmínky. E-mail s původní registrací a původní faktura s datem koupě poslouží jako důkaz o prodloužené záruce.
3. Záruka se vztahuje na veškeré vady na výrobku v rámci záruční doby způsobené výrobními vadami nebo vadami materiálu v době koupě. Záruka je omezena na opravu, popřípadě výměnu a nezahrnuje žádná další povinnosti, včetně mimo jiné vedlejších či následných odškodnění. Záruka neplatí při použití výrobku k nevhodným účelům, v rozporu s uživatelskou příručkou nebo při nesprávném zapojení. Záruka se nevztahuje na:
 - veškeré škody na výrobku způsobené nesprávnou údržbou
 - veškeré produkty, které byly pozměněny nebo upraveny
 - veškeré produkty, kde byly původní identifikační prvky (obchodní značka, sériové číslo) poničeny, pozměněny nebo odstraněny
 - veškeré škody způsobené nedodržením pokynů uživatelské příručky
 - veškeré produkty bez CE certifikace
 - veškeré produkty, kde se pokusil opravit nekvalifikovaný odborník nebo opravy bez předchozího svolení společnosti Techtronic Industries.
 - veškeré produkty zapojené do nesprávného elektrického zdroje (proud, napětí, frekvence)
 - veškeré škody způsobené externími vlivy (chemickými, fyzickými, nárazy) nebo cizími látkami
 - běžné opotřebování dílů
 - nevhodné použití, přetěžování nástroje
 - použití neschválených příslušenství nebo dílů
 - příslušenství k elektrickému nástroji poskytnuté s nástrojem nebo zakoupené samostatně. Tyto výjimky se vztahují mimo jiné na šroubovací bity, vrtáky, brusné disky, brusný papír a čepele, postranní vodičí lišty
 - komponenty (díly a příslušenství) podléhající přirozenému opotřebování, včetně mimo jiné servisních sad, karbonových kartáčů, ložisek, sklíčidla, SDS nástavce na vrtací bity, napájecího kabelu, pomocné rukojeti, přepravního pouzdra, brusné desky, prachového vaku, výfukové prachové trubice, plstěných podložek, západek a pruzin rázového utahováku atd.
4. K provedení servisu musí být výrobek zaslán nebo předán do autorizovaného servisního centra společnosti RYOBI, jejichž adresy jsou uvedeny podle zemí v seznamu servisních center. V některých zemích z vás výrobek pošle servisní organizaci RYOBI sám prodejce výrobků této značky. Při zasílání výrobku do servisního centra RYOBI je potřeba výrobek bezpečně zabalit bez nebezpečného obsahu jako benzín, opatřit adresou odesílatele a přiložit krátký popis závady.
5. Oprava, popř. výměna v rámci této záruky je zdarma. Neznamená to prodloužení nebo začátek nové záruční lhůty. Vyměněné díly nebo nástroje přejdou do našeho vlastnictví. V některých zemích platí poštovné odesílatele. Vaše zákonná práva vyplývající z koupě tohoto nástroje zůstávají nedotčena.
6. Tato záruka platí v Evropském Společenství, Švýcarsku, Norsku, Lichtenštejnsku, Turecku, Rusku a na Islandu. Mimo tato území kontaktujte autorizovaného prodejce značky RYOBI, který zjistí, zda se na výrobek vztahuje jiná záruka.

POVĚŘENÉ SERVISNÍ STŘEDISKO

Pro nalezení nejbližšího pověřeného servisního střediska navštivte <http://cz.ryobitools.eu/header/service-and-support/service-agents>.

HU A RYOBI® GARANCIA ALKALMAZÁSÁNAK FELTÉTELEI

A vásárlásból adódó törvényben rögzített jogok mellett a termékre az alábbi garancia vonatkozik.

- A fogyasztói garancia tartama 24 hónap, mely a termék vásárlásának napjával kezdődik. Ezt a dátumot számlával vagy a vásárlást igazoló egyéb dokumentummal kell bizonyítani. A termék rendeltetése csak fogyasztói és magáncéllal használható. Ezért professzionális vagy kereskedelmi használat esetén a garancia nem érvényes.
- A szerszámgépek (egyenáramú/váltóáramú) egy részénél a garancia időtartama a www.ryobitools.eu weblapon regisztrálva meghosszabbítható. Az áruházakban, a csomagolásban, illetve a termék dokumentációjában egyértelműen jelezve van, hogy az adott termék garanciája meghosszabbítható-e. A végfelhasználónak a vásárlás dátumától számított 30 napon belül regisztrálnia kell az újonnan vásárolt szerszámot. A végfelhasználó akkor regisztrálhatja a kiterjesztett garanciát, ha az ország, ahol lakik, fel van sorolva az online regisztrációs űrlapon azon országok között, ahol választható ez az opció. Ezenkívül a végfelhasználónak bele kell egyeznie az online regisztrálás során szükséges adatok tárolásába, és el kell fogadnia a felhasználási feltételeket. A kiterjesztett garanciát a regisztráció beérkezésétől e-mailben küldött visszaigazolás és a vásárlás dátumát tartalmazó eredeti számla igazolja.
- A garancia a termék vásárlásakor fennálló, a gyártás során keletkezett hibákra és anyaghibákra érvényes a garanciális időtartamon belül. A garancia csak a javításra/cserére korlátozódik, és nem terjed ki semmilyen egyéb kötelezettségre, nem kizárólagosan ideértve a véletlen vagy szándékos rongálást. A garancia nem érvényes, ha a terméket nem megfelelően, a használati utasításban foglaltakkal ellentétben, illetve nem megfelelően csatlakoztatva használták. A garancia nem vonatkozik:
 - a terméket a nem megfelelő karbantartás következtében ért károsodásra
 - megváltoztatott vagy átalakított termékre
 - olyan termékre, melyen az eredeti azonosítókat (védjegy, sorozatszám) megrongálták, megváltoztatták vagy eltávolították
 - a használati utasítás be nem tartásából eredő kárra
 - CE jelöléssel nem rendelkező termékekre
 - olyan termékre, melyet nem képzett, illetve a Techtronic Industries által nem fejlesztett szerelvény javított
 - nem megfelelő (áramerősségű, feszültségű, frekvenciájú) áramforrásra csatlakoztatott termékre
 - külső (vegyi, fizikai, ütés) hatásokból vagy idegen anyagokból eredő károkkra
 - a cserélhető alkatrészek természetes kopására és elhasználódására
 - a szerszám helytelen használatára, túlterhelésére
 - nem jóváhagyott tartozékok és alkatrészek használatára
 - A szerszámmal adott vagy külön megvásárolt tartozékokra. Ilyenek például (de nem kizárólag) a csavarhűzőfejek, fúrószárak, csiszolókorongok, csiszolópapír, kések, oldalirányú terelők.
 - A természetes kopásnak, elhasználódásnak kitett alkatrészek és kiegészítők, például (de nem kizárólag) szerviz- és karbantartókészletek, szénkéfek, csapagyak, tokmány, SDS fúrószár csatlakozója, tápkábel, segédfogantyú, szállítók, csiszolólap, porzsák, povelvezető cső, filcaltátek, ütműves csavarbehajtó gép csapszege és rugója stb.
- A terméket javításra el kell vinni egy meghatalmazott RYOBI szervizbe; ezeket az egyes országokhoz a következő listában találja. Egyes országokban a helyi RYOBI kereskedő vállalja a termék elszállítását a RYOBI szervizbe. A terméket veszélyes tartalom, például benzín nélkül csomagolja, a feladó címét feltüntetve, a hiba rövid leírásával együtt küldje el a RYOBI szervizbe.
- A jelen garancia hatálya alatt végzett javítás, illetve csere ingyenes. Nem jelenti a garanciális időtartam újraindulását. A kicserélt alkatrészek és szerszámok a mi tulajdonunkba kerülnek. Egyes országokban a szállítás vagy postázás költségét a feladó viseli. A vevőnek a szerszám megvásárlásából adódó törvényes jogai nem változnak.
- Jelen garancia az Európai Közösségben, Svájcban, Izlandon, Norvégiában, Liechtensteinben, Törökországban és Oroszországban érvényes. E területeken kívül kérdezze meg a RYOBI forgalmazót, hogy milyen garancia van érvényben.

HIVATALOS SZERVIZKÖZPONT

A legközelebbi hivatalos szervizközpont megtalálásához látogasson el a <http://hu.ryobitools.eu/header/service-and-support/service-agents>.

RO CONDIȚII DE APLICARE A GARANȚIEI PENTRU PRODUSELE RYOBI®

În plus față de condițiile statutare rezultate din achiziționarea acestui produs, acesta este acoperit de garanția stipulată mai jos.

- Perioada de garanție este de 24 de luni pentru consumatori și începe de la data achiziționării produsului. Data de începere a garanției trebuie demonstrată cu o factură sau altă dovadă a cumpărării produsului. Produsul este destinat și conceput doar pentru utilizare în scopuri personale. Din acest motiv, nu se oferă garanție pentru utilizarea sa în scop profesional sau comercial.
- Există posibilitatea de extindere a perioadei de garanție pentru gama de unelte electrice (de CA/CC) peste perioada stipulată mai sus prin înscrierea produsului pe website-ul www.ryobitools.eu. Eligibilitatea pentru perioada de extindere a garanției este așiftată în mod clar în magazinele de vânzare și/sau pe ambalaj sau este inclusă în documentația livrată împreună cu produsul. Utilizatorul final este obligat să-și înregistreze produsul online în termen de maxim 30 de zile de la data achiziției acestuia. Utilizatorul final poate înregistra produsul pentru garanția extinsă oferită în țara sa de rezidență dacă aceasta este listată în formularul de înregistrare online și dacă această opțiune este validă. În plus, utilizatorul final trebuie să-și dea acordul pentru stocarea datelor personale solicitate la înregistrarea online și trebuie să accepte termenii și condițiile. Mesajul de confirmare a înregistrării, trimis prin e-mail și factura originală cu data achiziției vor dovedi perioada de garanție extinsă.
- Garanția acoperă toate defecțiunile produsului survenite în perioada de garanție datorate defectelor de execuție sau materialelor folosite, începând cu data achiziției acestuia. Garanția este limitată la reparare și/sau înlocuire și nu include alte obligații, inclusiv, dar fără a se limita la daune accidentale sau rezultate pe cale de consecință. Garanția își pierde valabilitatea dacă produsul este utilizat necorespunzător, utilizat neconform cu instrucțiunile de utilizare din manualul cu instrucțiuni sau conectat incorect. Garanția nu se aplică în cazul:
 - oricărei defecțiuni survenite în urma întreținerii necorespunzătoare a produsului
 - oricărui produs alterat sau modificat
 - oricărui produs la care inscripțiile cu datele de identificare (marca comercială, numărul de serie) au fost șterse, modificate sau îndepărtate
 - oricărei defecțiuni datorate neconformării cu instrucțiunile din manualul de utilizare
 - oricărui produs necertificat CE
 - oricărui produs asupra căruia au fost efectuate tentative de reparare de către personal necertificat sau fără autorizație prealabilă din partea Techtronic Industries.
 - oricărui produs conectat la o sursă de alimentare necorespunzătoare (curent, tensiune, frecvență)
 - oricărui defecțiuni datorate unor influențe externe (chimice, fizice, socuri) sau substanțe străine
 - uzurii și fisurării normale a pieselor de rezervă
 - utilizării neadecvate, suprasolicitării uneltei
 - utilizării de piese și accesorii neaprobate
 - accesorilor pentru unelalt furnizate odată cu acestea sau achiziționate separat. Acestea excluder se aplică, dar fără a se limita la următoarele: burghie, biți de șurubelniță, discuri abrazive, hârte abrazivă și lame de tăiere, ghidaje laterale
 - Componentele (piese și accesorii) supuse uzurii normale, care includ, fără a se limita la, kituri de întreținere și service, perii de carbon, rulmenți, mandrină, adaptor pentru burghie SDS, cordon de alimentare, mâner auxiliare, cutie de transport, placă pentru șlefuit, suport praf, tub pentru evacuarea prafului, discuri de păsă, adaptoare și resorturi pentru cheile de strângere prin vibrație, etc.
- Pentru efectuarea reparațiilor, produsul trebuie trimis sau adus la un centru de reparații autorizat RYOBI din lista următoare de centre de reparații prezentate pentru fiecare țară. În anumite țări, reprezentantul local RYOBI va trimite produsul spre reparare la sediul central de reparații RYOBI. Atunci când trimiteți produsul spre reparare la un centru de reparații RYOBI, acesta trebuie ambalat în siguranță, fără conținut periculos (cum ar fi benzina), marcat cu adresa expeditorului și însoțit de o scurtă descriere a defecțiunii.
- Repararea/înlocuirea în perioada de garanție este gratuită. Aceasta nu este însoțită de o prelungire sau o reiniiere a perioadei de garanție. Piesele sau uneltele schimbate devin proprietatea dvs. În anumite țări, taxele de expediție sau poștale vor fi suportate de expeditor. Drepturile dvs. statutare rezultate din achiziția produsului rămân neschimbate
- Această garanție este valabilă în Comunitatea Europeană, Elveția, Islanda, Norvegia, Liechtenstein, Turcia și Rusia. În afara acestor zone, vă rugăm să contactați reprezentantul dvs. local RYOBI pentru a determina dacă se aplică alt tip de garanție.

CENTRU DE SERVICE AUTORIZAT

Pentru a găsi un centru de service autorizat lângă dvs., vizitați <http://en.ryobitools.eu/header/service-and-support/service-agents>.

LV RYOBI® GARANTIJAS PIEMĒROŠANAS NOSACĪJUMI

Papildus jebkādam likumiskajām tiesībām, kuras rodas, veicot pirkumu, izstrādājums tiek nodrošināts ar tālāk tekstā noteikto garantiju.

- Garantijas periods patērētājiem ir 24 mēneši, tā atskaitē tiek sākota no datuma, kurā veikta izstrādājuma iegāde. Šim datumam jābūt dokumentētam rēķinā vai citā pirkumu apliecināošā dokumentā. Izstrādājums ir radīts un paredzēts tikai patērētāja privātai lietošanai. Saistībā ar iepriekšminēto, garantija netiek nodrošināta profesionālas vai komerciālas lietošanas gadījumā.
- Pastāv iespēja pagarināt daļas no elektroinstrumentu klāsta (Mainstrāvas/akumulatoru) garantiju ilgāk par iepriekš minēto periodu, izmantojot reģistrāciju interneta vietnē www.ryobitools.eu. Instrumenti, kas pakļauti garantijas perioda pagarināšanai, tiek skaidri apzīmēti veikalos un/vai uz iepakojuma un izstrādājumu komplektējošajā dokumentācijā. Gala lietotājam nepieciešams reģistrēt lai iegādātu jauno instrumentu 30 dienu laikā no pirkuma datuma. Gala lietotājs var reģistrēties pagarinātajai garantijai savā mītnes valstī, ja tā minēta tiesaistes reģistrācijas veidlapā, kurā šī iespēja ir aktīva. Bez tam, gala lietotājam ir jāsniedz pierādīšana tiesaistes ievadīšanai nepieciešamo datu glabāšanai un jāpiekrīt noteikumiem un nosacījumiem. Reģistrācijas apstiprinājums, kas tiek nosūtīts, izmantojot e-pastu, un rēķina oriģināls, kurā norādīts iegādes datums, kalpo kā pagarinātās garantijas apstiprinājums.
- Garantija attiecas uz visiem izstrādājuma defektiem garantijas periodā, kas saistīti ar ražošanas vai materiālu defektiem no pirkuma datuma. Šī garantija tiek ierobežota ar remontu un/vai nomaiņu un neietver jebkādas citas saistības, tajā skaitā, bet ne tikai, cēloņsakarīgos un saistītos bojājumus. Garantija nav spēkā, ja izstrādājums ir nepareizi lietots, izmantots pretēji norādēm lietošanas rokasgrāmatā vai bijis nepareizi pieslēgts. Šī garantija netiek attiecināta uz:
 - jebkādiem izstrādājuma bojājumiem, kas radušies nepareizas uzturēšanas rezultātā
 - jebkuru izstrādājumu, kas ticis pārveidots vai mainīts
 - jebkuru izstrādājumu, kura oriģinālais identifikācijas (preču zīme, sērijas numurs) marķējums ir ticis nodzēsts, mainīts vai noņemts
 - jebkādiem bojājumiem, kuri radušies neievērojot norādes lietošanas rokasgrāmatā
 - jebkādam izstrādājumam bez CE sertifikācijas
 - jebkuru izstrādājumam, kura remontu mēģinājis veikt nekvalificēts personāls vai bez Technronic Industries iepriekšējas autorizācijas.
 - jebkuru izstrādājumam, kurš bijis pieslēgts neatbilstošu parametru (strāvas, sprieguma, frekvences) sprieguma avotam
 - jebkuriem bojājumiem, kuri radušies ārējas iedarbības (ķīmiskas, fiziskas, triecieni) vai vielu ietekmē
 - detāļu normāla lietošanas nodiluma rezultātā
 - nepareizas lietošanas vai instrumentu pārslodzes rezultātā
 - neapstiprinātu detaļu vai aprīkojuma lietošanas rezultātā
 - elektroinstrumentu aksesuāriem, kas atrodas instrumenta komplektācijā vai ir iegādāti atsevišķi. Šis izņēmums attiecināms uz, bet neaprobežojoties ar, skrūvgrīvju uzgaļiem, urbjiem, abrazīvajiem diskkiem, smilšpapīru un asmeņiem, sānu vadotnēm
 - komponentiem (daļām un aksesuāriem), kas pakļauti normālam nodilumam, ieskaitot, bet neaprobežojoties ar Servisa un apkopju komplekti, oglekļa sukuks, gultņi, patrona, SDS urbju uztverējiem vai uzlikas, elektrības vads, papildus rukturis, transportēšanas un pārnēsāšanas kaste, stipmašīnas plāksne, putekļu maisis, putekļu izvadīšanas caurule, paplākšņi, triecienatslēgu tapas un atsperes, u.t.t.
- Servisa nodrošināšanai, izstrādājums ir jānodod pilnvarotā RYOBI servisa centrā, kas norādīts katrai valstij tālāk minētajā servisa centru adresē sarakstā. Dažas valstīs jūs vietējais RYOBI izplatītājs uzņemas izstrādājuma nosūtīšanu uz RYOBI servisa organizāciju. Nosūtot izstrādājumu uz RYOBI servisa centru, izstrādājuma jābūt droši iepakotam, tas nedrīkst saturēt bīstamas vielas kā degvielu, sūtfūjumam jābūt marķētam ar sūtfūta adresi un īsu kļūmes aprakstu.
- Remonts/nomaiņa šīs garantijas ietvaros ir bezmaksas. Tas nerada garantijas perioda pagarināšanu vai jaunu garantiju. Nomaiņās daļas vai instrumentu kļūst par mūsu īpašumu. Dažas valstīs piegādes vai pasta izmaksas būs jāapmaksā sūtfūtam. Jūsu likumiskās tiesības, kas nodibinās, iegādājoties instrumentu, paliek nemainīgas
- Šī garantija ir spēkā Eiropas Kopienā, Šveicē, Islandē, Norvēģijā, Lihtenšteinā, Turcijā un Krievijā. Ārpus šīm teritorijām, lūdzu, sazinieties ar jūsu pilnvaroto RYOBI izplatītāju, lai noteiktu, vai ir piemērojama cita garantija.

AUTORIZĒTS APKALPOŠANAS CENTRS

Lai atrastu tuvāko autorizēto apkalpošanas centru, apmeklējiet <http://en.ryobitools.eu/header/service-and-support/service-agents>.

LT „RYOBI®“ GARANTIJOS TAIKYMO SĄLYGOS

Papildant bet kokias įstatymuose numatytas perkant atsirandančias teises, šiam įrenginiui taikoma toliau nurodyta garantija.

- Vartotojams suteikiama 24 mėnesių trukmės garantija nuo įrenginio įsigijimo datos. Ši data turi būti nurodyta sąskaitoje faktūroje ar kitame pirkimą įrodančiame dokumente. Šis įrenginys skirtas tik vartotojų rinkai ir asmeniniam naudojimui. Todėl garantija netaikoma, jei įrenginys naudojamas profesiniams ar komerciniams reikmėms.
- Įsigijus tam tikrus elektrinius įrenginius (AC/DC), suteikiama galimybė pratęsti garantiją, kad ji galiojūt ilgiau, nei nurodyta. Įrenginiais registracija interneto svetainėje www.ryobitools.eu. Ar galima pratęsti įrenginio garantinį laikotarpį, aiškiai nurodoma parduotuvėse ir (arba) ant įrenginio pakuočės, ir (arba) įrenginio dokumentuose. Galutinis naudotojas turi užregistruoti savo naujai įsigytą įrenginį per 30 dienų nuo įsigijimo datos. Galutinis naudotojas gali registruotis išplėstinei garantijai savo gyvenamojoje šalyje, jei ji nurodyta internetinėje registracijos formoje, kurioje siūloma tokia galimybė. Be to, galutiniai naudotojai turi sutikti su duomenų, kuriuos reikia įvesti internetu, saugojimu ir sveatinės naudojimo sąlygomis. Kaip išplėstinės garantijos įrodymas naudojamas registracijos patvirtinimo kvitas, atsiunčiamas e. paštu, ir originali sąskaita faktūra, kurioje nurodyta įsigijimo data.
- Ši garantija apima visus garantiniu laikotarpiu aptiktus įrenginio trūkumus, atsiradusius dėl gamybos arba medžiaginių defektų nuo įsigijimo datos. Ši garantija nįbjoama remontu ir (arba) pakeitimu, į neapima jokių kitų įsipareigojimų, įskaitant (bet tuo neapsiribojant) šaltinius arba antrinius nuostolius. Garantija anuliuojama, jei įrenginys buvo naudojamas netinkamai, naudojamas ne pagal naudojimo instrukciją arba netinkamai prijungtas. Ši garantija netaikoma:
 - jokiai įrenginiui padarytai žalai, kurią lemė netinkama techninė priežiūra;
 - jokiam įrenginiui, kuris buvo keičiamas ar modifikuojamas;
 - jokiam įrenginiui, kurio originalūs identifikavimo ženklai (prekės ženklas, serijos numeris) buvo sugadinti, pakeisti arba pašalinti;
 - jokiai žalai, kurią lemė naudojimo instrukcijos nesilaikymas;
 - jokiams CE ženklų nepažymėtiems įrenginiams;
 - jokiam įrenginiui, kurį bandė remontuoti nekvalifikuoti asmenys arba kuris buvo remontojamas be „Technronic Industries“ leidimo;
 - jokiam įrenginiui, kuris buvo prijungtas prie netinkamo maitinimo tinklo (netinkamos srovės, įtampos, dažnio);
 - jokiai žalai, kurią lemė išorinis poveikis (cheminis, fizinis, smūgiai) arba pašalinės medžiagos;
 - dėvimosimos dalims;
 - netinkamam naudojimui, įrenginio perkrovai;
 - nepatvirtintų priedų arba dalių naudojimui;
 - su įrenginiu pateiktiems arba atskirai įsigytiems elektrinio įrenginio priedams. Šios išimty apima (tuo neapsiribojant) atsektuvų antgalius, gražtų antgalius, šlifavimo diskus, švitrinį popierių ir geležtes, šoninį kreiptuvą;
 - komponentams (dalims ir priedams), kurie natūraliai dėviis, įskaitant (bet tuo neapsiribojant) įprastines ir technines priežiūros rinkinius, anglinius šepetėlius, guolius, laikiklį, SDS gražtų antgalių priedą arba lizdą, maitinimo kabelį, pagalbinę rankeną, nešiojimo dėklą, šlifavimo diską, maišelį dulkmėms, dulkių ištraukimo vamzdelį, fetro poveržles, smūginio veržliarakčio kaiščius ir spyruokles ir pan.
- Prireikus atlikti priežiūros darbus, įrenginį reikia siųsti arba atvežti RYOBI įgaliotajam priežiūros centrui, nurodytam kiekvienos šalies priežiūros centrų adresų sąrašė. Kai kuriose šalyse vietinis RYOBI atstovas siunčia įrenginį RYOBI priežiūros organizacijai. Siunčiant įrenginį RYOBI priežiūros centrui, reikia saugiai įj supakuoti pašalinant visas pavojingas medžiagas, pvz., benzina, nurodyti ant pakuočės siuntyjejo adresą ir pridėti trumpą gedimo aprašymą.
- Pagal šią garantiją remontas / keitimas atliekami nemokamai. Tokie veiksmai netaikomi garantijos pratęsimu arba naujo garantinio laikotarpio pradžia. Dalys arba įrenginiai, kuriuos pakeitėme, tampa mūsų nuosavybe. Kai kuriose šalyse pristatymo ir pašto išlaidas turi padengti siuntėjas. Įstatymuose numatytos Jūsų teisės, atsirandančios perkant įrenginį, lieka nepakeistos
- Ši garantija galioja Europos bendrijoje, Šveicarijoje, Islandijoje, Norvegijoje, Lihtenšteine, Turkijoje ir Rusijoje. Jei gyvenate ne šiose šalyse, kreipkitės į įgaliotąjį RYOBI atstovą ir sužinokite, ar jums taikoma kita garantija.

ĮGALIOTOS TECHNINĖS PRIEŽIŪROS CENTRAS

Jei norite surasti įgaliotą techninės priežiūros centrą netoli Jūsų, apsilankykite interneto svetainėje <http://en.ryobitools.eu/header/service-and-support/service-agents>.

ET RYOBI® GARANTIINGIMUSED

Lisaks toote ostust tulenevatele seadusjärgsetele õigustele, kehtib tootele ka alitoodud garantiiga.

- Tarbijatele on garantiiaeg 24 kuud ja algab sellel kuupäeval, mil toode osteti. Selle kuupäeva tõestuseks on vaja arvet või mõnda teist tõendit ostu sooritamise kohta. Toode on mõeldud eratarbijatele ainult isiklikuks kasutamiseks. Seega ei kehti garantii ostu kasutamisel kutsetegevuses või kaubanduslikel eesmärkidel.
- Teatud osale elektrilistele (vahelduvvoolu/alalisvoolu) tööriistadele on võimalik pikendada garantiiaega, kasutades toote registreerimist veebilehel www.ryobitools.eu. Teave tööriista võimaliku pikendatud garantiiaja kohta on selgelt esile toodud poodides ja/või pakendil / ning see sisaldub toote dokumentatsioonis. Lõpparbiaja peab registreerima oma uued tööriistad interneti teel 30 päeva jooksul pärast ostmiseaega. Lõppkasutaja võib registreerida pikendatud garantiiaja saamise oma elukohariigis, kui veebis olevas registreerimisvormis on see valik lubatav. Lisaks peavad kasutajad andma oma nõusoleku veebis nõutud sisestatavate andmete säilitamiseks ning nad peavad nõustuma tingimustega. E-posti teel saadetav registreerimise kinnitus ja arve originalid, kus on näha ostu sooritamise kuupäev, on pikendatud garantiiaja tõestuseks.
- Garantii katab kõik defektid toote garantiiaja jooksul, kui ostu kuupäeval ilmnevad talitlus- või materjalivead. Garantii piirub toote remondi ja/või väljavahetamisega ning ei sisalda muid kohustusi, muu hulgas ettenägematuid või kaudseid kahjusid. Garantii ei kehti, kui toodet ei ole kasutatud sihtotstarbelselt või kooskõlas kasutusjuhendiga või see on valesti ühendatud. Garantii ei kehti järgmistel põhjustel:
 - toode on kahjustatud vale hoolituse tõttu
 - toodet on muudetud
 - toode algupärase identifitseerimismärgised (kaubamärk, seerianumber) on rikutud, muudetud või eemaldatud
 - kahju on tekkinud kasutusjuhendi mittejärgmisest
 - tootel puudub CE-märgis
 - toodet on püüdnud remontida vastavat kvalifikatsiooni mitte omav isik või ilma firma Techtronic Industries eelneva loata.
 - toode on ühendatud valesse toiteallikasse (voolutugevus, pinge, sagedus)
 - välismõjude (keemilised, füüsikalised, elektrilöögid) või võrkehade tekitatud kahju
 - tavapärane kulumine ja katkised varuosad
 - ebaõige kasutamine, tööriista ülekoormamine
 - hea kiitmatatav tarvikute või osade kasutamine
 - koos tööriistaga saadud või eraldi ostetud elektriliste tööriistade tarvikud. Need erandid puudutavad muu hulgas kruvikeeraja otsakuid, puuriterasid, lihvkettaid, lihvpaberit ja -tald, küljuhukuid
 - Komponendid (osad ja tarvikud), mida iseloomustab kulumine ja vananemine, muu hulgas remondi- ja hoolduskomplektid, süsinikharjad, laagrid, padrunid, SDS-puuriterade tarvikud, toitejuht, lisakäepide, transpordikott, lihvplaat, tolmuokott, tolmu väljalasketoru, vildist seibid, löökmutrivõtme võliid ja vedrud jne.
- Hoolituseks peab toote saatma või viima RYOBI volitatud teenindusse, mille aadressi leiata järgnevat teeninduspunkti nimekirjast vastava riigi alt. Mõnedes riikides võtab kohalik RYOBI edasimüüja enda kanda kohustuse saata toode RYOBI teenindusorganisatsiooni. Toote saatmisel RYOBI teenindusse peab toode olema ohutult pakitud ja ei tohi sisaldada ohtlikke aineid (nt bensin), kirjas peab olema saatja aadress ja lisatud vea lühikirjeldus.
- Garantii alusel tehtavad remonditööd / asendamine on tasuta. See ei pikenda garantii kehtivusaega ega tähistu uue garantiiaja algust. Väljavahetatud osad või tööriistad kuuluvad meile. Mõnedes riikides maksab kätetoimetamis- ja postikulud saatja. Teile jäävad kehtima tööriista ostust tulenevad seadusjärgsed õigused
- See garantii kehtib Euroopa Ühenduse territooriumil, Šveitsis, Islandil, Norras, Liechtensteinis, Türgis ja Venemaal. Väljaspool neid piirkondi võtke ühendust volitatud RYOBI edasimüüjaga, et teha kindlaks kas kehtib mõni teine garantii.

VOLITATUD HOOLDUSKESKUS

Oma volitatud hoolduskeskuse leiate veebisaidilt <http://en.ryobitools.eu/header/service-and-support/service-agents>.

HR UVJETI PRIMJENE JAMSTVA TVRTKE RYOBI®

Osim svim zakonskim pravima koja proizlaze iz kupnje, ovaj je proizvod pokriven jamstvom kako je navedeno u nastavku.

- Jamstveno razdoblje za potrošače traje 24 mjeseca i počinje s datumom na koji je proizvod kupljen. Taj datum mora se dokumentirati računom ili drugim dokazom o kupnji. Proizvod je konstruiran i namijenjen samo za privatnu upotrebu korisnika. Stoga se jamstvo ne daje u slučaju profesionalne ili komercijalne uporabe.
- Postoji mogućnost da se za dio asortimana električnih alata pokretanih izmjeničnom strujom (AC/DC) produži gore navedeno jamstveno razdoblje putem registriranja na mrežnom mjestu www.ryobitools.eu. Uvjeti koje je potrebno zadovoljiti kako bi se produžilo jamstveno razdoblje jasno su istaknuti u prodavaonicama i / ili na pakiranju / i nalaze se unutar dokumentacije proizvoda. Krajnji korisnik mora registrirati svoje novo kupljene alate na mreži u roku od 30 dana od datuma kupnje. Krajnji korisnik može se registrirati za produženo jamstvo u svojoj zemlji boravišta ako se nalazi na popisu u mrežnom obrascu za registraciju gdje je ta opcija važeća. Nadalje, krajnji korisnici moraju dati svoj pristanak na pohranu podataka koji su potrebni za mrežni ulazak i moraju prihvatiti odredbe i uvjete. Potvrda o prijemu registracije, koja se šalje putem e-pošte, kao i originalni račun s vidljivim datumom kupnje poslužit će kao dokaz produženog jamstva.
- Jamstvo pokriva sve nedostatke proizvoda tijekom jamstvenog razdoblja koji su nastali zbog neispravnosti prilikom izrade ili materijala s datumom kupnje. Jamstvo je ograničeno na popravak i/ili zamjenu i ne obuhvaća nikakve druge obveze, uključujući, ali ne ograničavajući se na slučajne ili posjednične štete. Jamstvo ne vrijedi ako je proizvod bio zlorabljeno, korišten u suprotnosti s priručnikom s uputama ili ako je pogrešno spojen. Ovo jamstvo ne primjenjuje se na:
 - svaku štetu koja je na proizvodu nastala kao rezultat nepravilnog održavanja
 - svaki proizvod koji je promijenjen ili izmijenjen
 - svaki proizvod na kojem su izvorne identifikacijske oznake (žig, serijski broj) bile oštećene, izmijenjene ili uklonjene
 - svaku štetu prouzročenu neprimjerenom upotrebom s uputama
 - svaki proizvod koji nema oznaku CE
 - svaki proizvod koji je pokušao popraviti neovlašćen profesionalac ili onaj koji je popravljao bez prethodnog odobrenja tvrtke Techtronic Industries.
 - svaki proizvod koji je spojen na neprikladan izvor električnog napajanja (neodgovarajuća amperaza, napon, frekvencija)
 - svaku štetu prouzročenu unutarnjim utjecajima (kemijskim, fizikalnim, udarima) ili stranim tvarima
 - normalno habanje i trošenje rezervnih dijelova
 - neodgovarajuću uporabu, preopterećenje alata
 - upotrebu neodobrenog pribora ili dijelova
 - dotadnu neopremu električnog alata isporučenu s alatom ili kupljenu odvojeno. Takvi izuzetci uključuju ali nisu ograničeni na vrhove odvijачa, svrdla bušilice, abrazivne diske, brusni papir i noževe, bočnu vodilicu
 - Komponente (dijelovi i pribor) podložne prirodnom trošenju i habanju, što uključuje, ali nije ograničeno na komplecte za servisiranje i održavanje, ugljične četkice, ležajeve, steznu glavu, nastavak ili priključak za svrdla za SDS bušilicu, priključni kabel, pomoćnu ručku, transportne torbe, brusnu ploču, vreću za prašinu, ispušnu cijev za prašinu, podloške od filca, udami ključ, zatici i opruge, itd.
- Za potrebe servisiranja, proizvod se mora poslati ili odnijeti u ovlaštenu servisnu postaju tvrtke RYOBI navedenu na sljedećem popisu s adresama servisnih postaja u svakoj zemlji. U nekim zemljama, vaša lokalni RYOBI zastupnik obvezuje se da će poslati proizvod u servisnu organizaciju tvrtke RYOBI. Kada se proizvod šalje u neku servisnu postaju tvrtke RYOBI, proizvod se mora sigurno pakirati bez jednog od opasnih sadržaja kao što je benzin, na njemu mora pisati adresa pošiljatelja i mora biti popraćen kratkim opisom kvara.
- Popravak / zamjena pod ovim jamstvom su besplatni. Oni ne predstavljaju produženje ili novi početak jamstvenog razdoblja. Zamijenjeni dijelovi ili alati postaju vaše vlasništvo. U nekim državama troškove isporuke ili poštarinu mora platiti pošiljatelj. Vaša zakonska prava koja proizlaze iz kupnje alata ostaju nepromijenjena
- Ovo jamstvo vrijedi u Europskoj uniji, Švicarskoj, Islandu, Norveškoj, Lihtenštajnu, Turskoj i Rusiji. Izvan tih područja vas molimo da se obratite svojem ovlaštenom zastupniku tvrtke RYOBI kako biste utvrdili primjenjuje li se drugo jamstvo.

OVLAŠTENI SERVISNI CENTAR

Za pronalazjenje ovlaštenog servisnog centra pored vas posjetite <http://en.ryobitools.eu/header/service-and-support/service-agents>.

SL POGOJI ZA VELJAVNOST GARANCIJE RYOBI®

Poleg morebitnih zakonsko določenih pravic, ki izvirajo iz nakupa, za ta izdelek velja spodaj navedena garancija.

- Garancijsko obdobje je za potrošnike 24 mesecev in začne teči z dnem nakupa izdelka. Ta datum mora biti dokumentiran z računom ali drugim dokazilom o nakupu. Izdelek je zasnovan in namenjen izključno za potrošniško zasebno uporabo. V primeru strokovne oziroma komercialne uporabe izdelka garancija ne velja.
- Obstaja možnost podaljšanja garancije na del naše ponudbe električnih orodij (AC/DC) prek obdobja garancije, opisaneega zgoraj, s pomočjo registracije na spletnem mestu www.ryobitools.eu website. Ustreznost orodij za podaljšanje garancijskega obdobja je jasno prikazana v trgovinah in/ali na embalaži oziroma je navedena v dokumentaciji izdelka. Končni uporabnik mora registrirati svoje novo orodje na spletu v 30 dneh po datumu nakupa. Končni uporabnik lahko registrira podaljšano garancijo v svoji državi bivanja, če je na obrazcu spletne registracije navedeno, da ta možnost velja za njegovo državo. Poleg tega morajo končni uporabniki podati svoje soglasje za shranjevanje podatkov, ki so potrebni za spletni dostop in morajo sprejeti pogoje in določila uporabe spletnega mesta. Potrdilo o registraciji, ki ga pošljemo prek e-pošte, in originalni račun, ki prikazuje datum nakupa, služita kot dokazilo o podaljšani garanciji.
- Garancija krije vse okvare izdelka, do katerih pride v garancijskem obdobju zaradi napak v izdelavi ali materialu, ki so bile prisotne ob datumu nakupa. Garancija je omejena na popravilo in/ali zamenjavo in ne vključuje nobenih drugih obveznosti, med drugim vključno z naključno ali posledično škodo. Garancija ne velja, če je bil izdelek napačno uporabljen, uporabljen v nasprotju z navodili iz priročnika za uporabo ali če ni bil pravilno povezan. Ta garancija ne velja za:
 - škodo na izdelku, ki je posledica neustreznega vzdrževanja
 - spremenjen ali prilagojen izdelek
 - izdelek, katerega originalna identifikacijska oznaka (blagovna znamka, serijska številka) je bil poškodovana, spremenjena ali odstranjena
 - škodo, ki je posledica neupoštevanja navodil iz priročnika za uporabo izdelka, ki nima oznake CE
 - izdelek, ki ga je poskušal opraviti nequalificiran strokovnjak ali ki je bil popraviljen brez predhodne odobritve s strani družbe Techtronic Industries.
 - izdelek, ki je bil povezan na neustrezno napajanje (amperska moč, napetost, frekvenca)
 - škodo, ki jo povzročijo zunanji vplivi (kemični, fizični, mehanski) ali tuje snovi
 - rezervne dele, ki so podvrženi običajni uporabi
 - neprimerno uporabo, preobremenitev orodja
 - uporabo neodobrenih dodatkov ali delov
 - Dodatno električno orodje, priloženo orodju ali kupljeno ločeno. Take izjeme so med drugim nastavki za izvijače, svedri, abrazivni diski, brusni papir in rezila, stranska vodila.
 - Komponente (sestavni in rezervni deli), ki so podvrženi običajni obrabi, med drugim vključno s kompleti za servisiranje in vzdrževanje, oglikovimi krtačkami, ležaji, vpenjali, svedrni priključki SDS ali sprejemnimi odprtini zanje, napajalnimi kablji, pomožnimi ročajji, prenosnimi kovčki, brusnimi ploščami, vrečkami za prah, cevmi za izpuh prahu, tesnilni iz filca, iglami in vzmetni udamega ključa itd.
- Za servisiranje morate izdelek poslati ali prinesiti v pooblaščen servisni center družbe RYOBI, ki je naveden za vsako državo na naslednjem seznamu naslovov servisnih centrov. V nekaterih državah se vaš lokalni posrednik družbe RYOBI obveže, da bo poslal izdelek na servis družbe RYOBI. Ko pošiljate izdelek v servisni center družbe RYOBI, mora biti izdelek varno zapakiran in ne sme vsebovati nobenih nevarnih snovi, kot je npr. bencin, opremljen pa mora biti z naslovom pošiljatelja in vsebovati kratek opis napake.
- Popravilo/zamenjava v skladu s to garancijo sta brezplačni storitvi. To pa ne predstavlja podaljšanja ali ponovnega začetka garancijskega obdobja. Zamenjani deli ali orodja postanejo naša last. V nekaterih državah stroške dostave ali poštno plača pošiljatelj. Vaše zakonsko določene pravice, ki izvirajo iz nakupa orodja, ostajajo nespremenjene.
- Ta garancija velja v Evropski skupnosti, Švici, Islandiji, na Norveškem, v Lichtenštajnu, v Turčiji in Rusiji. Izven teh območij se obrnite na svojega pooblaščenega posrednika izdelkov RYOBI, dealer ki vam bo povedal, ali velja kakšna druga garancija.

POOBLAŠČEN SERVISNI CENTER

Pooblaščen servisni center blizu vas poiščite na <http://en.ryobitools.eu/header/service-and-support/service-agents>.

SK ZÁRUČNÉ PODMIENKY RYOBI®

Na tento výrobok sa okrem všetkých zákonných práv, vyplývajúcich z nákupu, vzťahuje záruka v nasledovnom znení.

- Záručná doba pre spotrebiteľa je 24 mesiacov a začína plynúť odo dňa, kedy bol výrobok zakúpený. Tento dátum musí byť doložený faktúrou alebo iným dokladom o zakúpení. Výrobok je navrhnutý a určený pre spotrebiteľov a ten na súkromné používanie. Preto sa záruka sa neposkytuje v prípade použitia na profesionálne a komerčné účely.
- V prípade elektrického náradia (na striedavý/jednosmerný prúd AC/DC), existuje možnosť predĺženia záručnej doby oproti záručnej dobe, uvedenej vyššie, s využitím on-line registrácie na webovej stránke www.ryobitools.eu. Označenie na náradí o nároku na predĺženie záručnej doby je zreteľne uvedené v obchodoch a/alebo na obale a je uvedené v dokumentácii k výrobku. Koncový používateľ musí zaregistrovať svoje novozískané náradie on-line do 30 dní odo dňa nákupu. Koncový používateľ sa môže zaregistrovať na predĺženie záruky v krajine svojho bydliska, ak je v on-line registračnom formulári uvedená táto možnosť. Ďalej musia koncoví používatelia ešte dať svoj súhlas k uchovávaní údajov, ktoré je potrebné zadať on-line a musia súhlasiť s podmienkami. Potvrdenie o prijatí registrácie, ktorý je zasielané e-mailom a originálny faktúra, v ktorej je uvedený dátum nákupu, slúžia ako dôkaz o predĺženej záruke.
- Záruka sa vzťahuje na všetky poruchy výrobku v záručnej dobe, spôsobené chybami materiálů alebo spracovania k dátumu nákupu. Táto záruka je obmedzená na opravu a/alebo výmenu a nezahŕňa ďalšie povinnosti, vrátane, okrem iných, náhodné alebo následné škody. Táto záruka je neplatná, ak bol výrobok nesprávne používaný, bol používaný v rozpore s návodom na použitie alebo bol nesprávne zapojený. Táto záruka sa nevzťahuje na:
 - akékoľvek poškodenie výrobku, ktoré bolo spôsobené nesprávnou obsluhou
 - akýkoľvek výrobok, ktorý bol zmenený alebo upravený
 - akýkoľvek výrobok, na ktorom bolo poškodené, upravené alebo odstránené identifikačné označenie (ochranná známka, výrobné číslo)
 - akékoľvek škody, spôsobené nedodržaním návodu na obsluhu
 - akýkoľvek výrobok, ktorý neobsahuje označenie CE
 - akýkoľvek výrobok, ktorý sa pokúšal opraviť nequalifikovaný odborník alebo bol opravovaný bez predchádzajúceho súhlasu zo strany spoločnosti Techtronic Industries.
 - akýkoľvek výrobok, pripojený k nesprávnemu napájaciemu zdroju (ampéry, napätie, frekvencia)
 - akékoľvek poškodenia, spôsobené vonkajšími vplyvmi (chemickými, fyzikálnymi, nárazmi) alebo cudzorodými látkami
 - bežné opotrebovanie náhradných dielov
 - nevhodné používanie, preťažovanie nástroja
 - používanie neschváleného príslušenstva a dielov
 - príslušenstvo k elektrickému náradiu, dodávané spolu s náradím alebo zakúpené oddelene. Takéto vylúčenia sa vzťahujú, okrem iného, na nástady skrutkovačov, vrtáky, brusne kotúče, brusný papier a čepele, bočné vodiace lišty
 - Súčiastky (diely a príslušenstvo), ktoré podliehajú prirodzenému opotrebeniu, okrem iného súpravy na servis a údržbu, uhličky, ložiská, skľučovadlá, SDS vrtáky a príslušenstvo, príloh alebo prijímanie, napájací kábel, pomocná rukoväť, prepravná skriňa, brusná doska, pracovové vrecko, výfuková trubica, pistené podložky, kolíky a pružiny na rázový ťažovač atď.
- Na opravu musí byť výrobok odoslaný alebo doručený do autorizovaného servisného strediska RYOBI, uvedeného pre každú krajinu v nasledovnom zozname adries servisných stredísk. V niektorých krajinách miestny zástupca RYOBI preberá na seba záväzok zaslať tovar do servisnej organizácie RYOBI. Pri odoslaní výrobku do servisného strediska RYOBI je potrebné výrobok bezpečne zabaliť bez akéhokoľvek nebezpečného obsahu, ako je bencín, s vyznačením adresy odosielateľa, s krátkym popisom poruchy.
- Oprava/výmena je vrámci tejto záruky bezplatná. Neznamená to predĺženie záruky alebo spustenie novej záručnej doby. Vymenené diely alebo nástroje sa stávajú našim vlastníctvom. V niektorých krajinách náklady na odoslanie alebo poštovné musí zaplatiť odosielateľ. Vaše zákonné práva, vyplývajúce z nákupu náradia, zostávajú nedotknuté.
- Táto záruka platí v Európskej únii, Švajčiarsku, Islande, Nórsku, Lichtenštajnsku, Turesku a Rusku. Ak sa nachádzate mimo týchto oblastí, obráťte sa na autorizovaného predajcu RYOBI na určenie, či sa dá uplatniť iná záruka.

AUTORIZOVANÉ SERVISNÉ CENTRUM

Ak chcete nájsť najbližšie autorizované servisné centrum, navštívte stránku <http://en.ryobitools.eu/header/service-and-support/service-agents>.

BG УСЛОВИЯ ЗА ВАЛИДНОСТ НА ГАРАНЦИЯТА НА RYOBI®

В допълнение към законоустановените права, произтичащи от покупката, този продукт е обхванат от гаранция, както е изложено по-долу.

- Гаранционният срок е 24 месеца за клиенти и започва да тече от деня на закупуване на продукта. Тази дата трябва да се докаже с фактура или друго доказателство за покупка. Продуктът е изработен и предназначен само за потребителска и лична употреба. Следователно не се дава гаранция в случай на използване от професионалисти или с търговска цел.
- Съществува възможност за удължаване на гаранционния срок за част от диалогана на гаранцията на електрически инструменти (AC/DC) след изтичането на описания тук чрез регистрация на уеб сайта www.ryobitools.eu. В магазините и/или на опаковката или вътре в документацията на продукта е показано ясно дали инструментът отговаря на условията за такова удължаване на гаранционния срок. Крайният потребител трябва да регистрира своите новопридобити инструменти онлайн в рамките на 30 дни от датата на покупка. Крайният потребител може да се регистрира за удължена гаранция в държавата си на пребиваване, ако е посочена във формуляра за онлайн регистрация като място, където тази опция е валидна. Освен това крайните потребители трябва да дадат съгласието си за съхранение на данните, които са задължителни за ползване онлайн, и трябва да приемат общите условия. Полученото потвърждение за регистрация, изпратено по електронна поща, и оригиналната фактура, показваща датата на покупка, ще служат като доказателство за удължената гаранция.
- Гаранцията покрива всички дефекти на продукта по време на гаранционния срок, които се дължат на проблеми в изработката или материалите към момента на покупката. Гаранцията е ограничена до ремонт и/или замяна и не включва други задължения, включително, но не само, случайни или косвени щети. Гаранцията е невалидна, ако продуктът е използван неправилно или в противоречие с ръководството с инструкции, както и ако е свързан неправилно. Тази гаранция не важи за:
 - щети по продукта в резултат на неправилна профилактика
 - продукти, които са били изменени или модифицирани
 - продукт, при който оригиналните маркировки за идентификация (търговска марка, серийен номер) са изтрети, променени или премахнати
 - повреда, причинена от неспазване на ръководството с инструкции
 - продукт без CE маркировка
 - продукт, за който е направен опит за ремонт от неквалифициран специалист или без предварително разрешение от Techtronic Industries.
 - продукт, свързан към неподходящо електрохранване (ампераж, волтаж, честота)
 - щети, причинени от външни влияния (химични, физични, удари) или чужди вещества
 - нормално износване на резервни част
 - неподходяща употреба, претоварване на инструмента
 - използване на неободбени аксесоари или части
 - Аксесоарите за електрически инструмент са предоставени с инструмента или се купуват отделно. Тези изключения включват, но не само, накрайници за отвертка, свердела, абразивни дискове, шкурка и остриета, страничен водач
 - Компоненти (части и аксесоари), подложени на естествено износване, включително, но не само, комплекти за обслужване и поддръжка, карбонови четки, лагери, патронник, приставка със средло SDS или приемно устройство, захванващ кабел, спомогателна ръкохватка, кутия за транспортиране, шлифовъчна пластина, торба за прах, тръба за отвеждане на прах, филцови шабви, цифрове и пружини за винтовете и др.
- За обслужване продуктът трябва да се изпрати или занесе на авторизиран сервиз на RYOBI, посочен за всяка държава в следния списък с адреси на сервиси. В някои държави местният търговец на RYOBI поема отговорността да изпрати продукта до сервизен център на RYOBI. При изпращане на продукт до сервиз на RYOBI той трябва да е опакован безопасно без опасо съдържание, напр. бензин, да е маркиран с адреса на подателя и придружен от кратко описание на повредата.
- Ремонтът/замяната по силата на тази гаранция са безплатни. Те не водят до удължаване или подновяване на гаранционния срок. Сменените части или инструменти стават наша собственост. В някои държави таксите за доставка или изпращане трябва да се платят от подателя. Законоустановените ни права, произтичащи от закупуването на инструмента, остават незасегнати.
- Тази гаранция е валидна в Европейската общност, Швейцария, Исландия, Норвегия, Лихтенщайн, Турция и Русия. Извън тези области се свържете с упълномощения търговец на RYOBI, за да се установи дали е приложима друга гаранция.

УПЪЛНОМОЩЕН СЕРВИЗЕН ЦЕНТЪР

За да намерите упълномощен сервизен център близо до вас, посетете <http://en.ryobitools.eu/header/service-and-support/service-agents>.

UK ГАРАНТИЙНИ УМОВИ ДЛЯ RYOBI®

Окрім загалом установлених законом прав, що стосуються покупки, цей пристрій покривається гарантією, що зазначено нижче.

- Гарантійний період для споживачів складає 24 місяці і починається з моменту придбання цього пристрою. Ця дата повинна бути задокументована у гарантійному талоні або чеку. Цей пристрій був розроблений і призначений тільки для споживчого та приватного використання. У разі професійного або комерційного використання цього пристрою, він втрачає гарантію.
- Існує можливість подовжити гарантійний період для частини лінійки електронструментів (перемінного/постійного струму), понад період описаний вище за допомогою реєстрації на сайті www.ryobitools.eu. Пристрої, які мають право на подовження гарантійного періоду, мають чіткі позначки щодо цього в магазинах і / або на упакуванні / та документації до пристрою. Кінцевий користувач повинен зареєструвати його/її новопридбаний пристрій онлайн протягом 30 днів з дати покупки. Кінцевий користувач може зареєструватися для подовження гарантійного періоду в своїй країні постійного перебування, якщо вона є доступною у відповідній опції онлайн форми реєстрації. Крім того, кінцеві користувачі повинні дати згоду на зберігання даних, які необхідні для ведення онлайн, а також вони повинні прийняти правила та умови. Отримання підтвердження реєстрації, яке відправляється на адресу електронної пошти, та оригінал гарантійного талона із зазначеною датою покупки буде служити доказом подовженої гарантії.
- Гарантія поширюється на всі дефекти пристрою протягом гарантійного терміну щодо недотримання стандартів виробництва або матеріалів на дату придбання. Гарантія обмежується ремонтом та/або заміною, та не включає в себе будь-яких інших зобов'язань, в тому числі, але не обмежена у разі випадкових та подальших пошкоджень. Гарантія не діє, якщо пристрій використовувався неналежним чином, всупереч інструкції з експлуатації або був неправильно підключений до мережі. Дана гарантія не поширюється на:
 - пристрої, що були пошкоджені у результаті неправильного технічного обслуговування;
 - пристрої, що були видозміннені або модифіковані;
 - пристрої, оригінальні ідентифікаційні (товарний знак, серійний номер) маркування яких було пошкоджене, змінене або видалено;
 - будь-які пошкодження, заподіяні недотриманням інструкції з експлуатації;
 - пристрої, що не мають маркування CE;
 - пристрої, що були відремонтовані некваліфікованим фахівцем або за відсутності попереднього дозволу від Techtronic Industries;
 - пристрої, підключені до невідповідного джерела живлення (сила току, напруги, частота);
 - будь-які пошкодження спричинені зовнішнім впливом (хімічним, фізичним, стрибком напруги) або сторонніми речовинами;
 - нормальну амортизацію запасних частин;
 - невідповідне використання, перевантаження пристрою;
 - використання не підтверджених запасних частин або аксесуарів;
 - приладдя до електронструменту, що постачається разом з пристроєм або купуються окремо. Такі винятки враховують але не є обмеженнями для наконечників викруток, свердел, абразивних дисків, наждачного паперу та лез, бічних напрямних компонентів (частини та приладдя) з урахуванням нормального зношування, враховуючи, але без обмеження на комплекти профілактики та технічного обслуговування, вугільні шітки, підшипники, патрони, кріплення або прийом SDS свердел, кабелі живлення, додаткові рукоятки, чохла для транспортування, шліфувальні пластини, мішки для збору пилу, трубки вихлопу, фітрові кільця, штири і пружини гайковерту і т.д.
- Для обслуговування пристрій має бути відправлений або поданий до одного з авторизованих сервісних центрів RYOBI, які перелічені для кожної країни у наступному переліку адрес сервісних центрів. У деяких країнах місцевий дилер RYOBI зобов'язується відправити пристрій до сервісного центру RYOBI. При відправленні пристрою до сервісного центру RYOBI, пристрій має бути надійно упакований без будь-якого небезпечного вмісту, наприклад бензину, з позначеною адресою відправника та супроводжуватися коротким описом несправності.
- Ремонт / заміна відповідно до цієї гарантії здійснюється безкоштовно. Це не є основою для подовження або початку нового гарантійного періоду. Замінені частини або прилади переходять до власності компанії. У деяких країнах вартість доставки або поштові витрати повинні бути сплачені відправником. Загально встановлені права покупця на пристрій залишаються незмінними.
- Ця гарантія діє в Європейському Союзі, Швейцарії, Ісландії, Норвегії, Лихтенштейні, Туреччині та Росії. За межами цих зон, будь ласка, зверніться до офіційного дилера RYOBI, щоб визначити, чи застосовується інша гарантія.

АВТОРИЗОВАНІ СЕРВІСНІ ЦЕНТРИ

Для отримання оновленого переліка авторизованих сервісних центрів, відвідайте <http://en.ryobitools.eu/header/service-and-support/service-agents>.

TR RYOBI® GARANTİ UYGULAMA KOŞULLARI

Alımdan kaynaklanan yasal haklara ek olarak, ürün aşağıda belirtilen garanti kapsamındadır.

- Tüketici için 24 ay olan garanti süresi, ürünün satın alındığı tarihte başlar. Bu tarihin bir fatura ya da alım kanıtıyla belgelenmesi gerekir. Ürün sadece tüketim ve özel kullanım için geliştirilmiş ve adanmıştır. Bu nedenle, profesyonel ya da ticari kullanım halinde garanti kapsamı sağlanmaz.
- Elektrikli el aletlerinin bir bölümü (AC/DC) için www.ryobitools.eu sayfasındaki kayıt işlemini kullanarak garantinin belirtilen süresini ötesine uzatma imkanı mevcuttur. Aletlerin garanti süresinin uzatılmasına uygun olup olmadığı mağazalarda ve / veya ambalaja açıkça belirtilmiş olup, ürün dokümantasyonunda gösterilir. Son kullanıcının yeni aldığı aletleri satın alma tarihini izleyen 30 gün içinde kaydetmesi gerekir. Son kullanıcı ikamet ettiği ülkede, bu seçeneğin geçerli olduğu çevrimiçi kayıt formunda belirtilmişse, uzatılmış garanti süresi için kayıt yapılabilir. Dahası, son kullanıcıların çevrimiçi giriş için gerekli verilerin kaydedilmesine izin vermek ve hüküm ve koşulları kabul etmelidir. E-posta ile gönderilen kayıt teyit makbuzu ve alım tarihini gösteren orijinal fatura uzatılmış garantinin kanıtı olarak değerlendirilir.
- Garanti, ürünün alım tarihindeki işçilik ve malzeme kusurları nedeniyle garanti süresi içinde oluşacak bütün arızaları kapsar. Bu garanti onarım ve değiştirilmeyle sınırlı olup, tasadüfî ya da dolaylı hasarlar da dahil, ancak bunlarla kısıtlı olmayan başka hiçbir taahhüdü kapsamaz. Garanti, ürünün kötü, kullanici ilavazuna aykırı kullanımıyla ya da yanlış bağlanmış olması halinde geçerli değildir. Bu garanti aşağıdakileri kapsamaz:
 - üründe, yanlış bakımдан kaynaklanan herhangi bir hasar
 - değiştirilmiş ya da modifiye edilmiş herhangi bir ürün
 - orijinal tanıtmış işaretleri (ticari marka, seri numarası) silinmiş, değiştirilmiş ya da kaldırılmış herhangi bir ürün
 - kullanma kılavuzuna uymamaktan kaynaklanmış herhangi bir hasar
 - herhangi bir AT dışı ürün
 - kalifiye olmamış personel tarafından ya da önceden Techtronic Industries onayı alınmadan onarılmış herhangi bir ürün.
 - uygunsuz güç kaynağına (amper, voltaj, frekans) bağlanmış herhangi bir ürün
 - harici etkenlerden (kimyasal, fiziksel, darbe) veya yabancı cisimlerden kaynaklanan her türlü hasar
 - normal aşınır ve yıpranır aksam
 - uygunsuz kullanım, aletin aşırı yüklenmesi
 - onaysız aksesuar veya parça kullanımı
- Aletle birlikte sağlanmış ya da ayrıca alınmış elektrikli alet aksesuarları. Tornavida uçları, matkap uçları, aşındırıcı diskler, zımpara kağıdı ve bıçakları, yanıl kılavuz gibi aksamı içeren, ancak bunlarla sınırlı olmayan eklentiler
- Servis ve Bakım kitiyle, kömür fırçalar, yataklar, kovanlar, SDS matkap ucu bağlantısı ya da yuvaları, güç kablosu, yedek tutamak, nakliye ve taşıma kutusu, kuşlama plakası, toz torbası, toz egzoz borusu, keçe rondelalar, Darbeli Tornavida Pim ve yayları vb. gibi parçaları kapsayan, ancak bunlarla sınırlı olmayan, aşınma ve yıpranmaya tabi bileşenler (aksam ve aksesuarlar).
- Ürünün servis için her ülkede aşağıdaki servis istasyonları adres listesinde yer alan yetkili bir RYOBI servis istasyonuna gönderilmesi ya götürülmesi gereklidir. Bazı ülkelerde, yerel RYOBI distribütörünüz ürünü RYOBI servis tesisine göndermeyi üstlenir. Bir ürün bir RYOBI servis istasyonuna gönderilirken, ürünün güvenli bir biçimde ambalajlanması, benzin gibi tehlikeli maddeler içermemesi, gönderinen adresini taşıması ve arızanın kısa bir açıklamasını içermesi gerekir.
- Bu garanti kapsamında yapılacak onarım / değişiklik ücretsizdir. Garanti süresinin uzatılması ya da yeniden başlatılması anlamına gelmez. Değiştirilmiş parçalar veya aletler bize ait olur. Bazı ülkelerde teslimat ücretleri veya posta giderlerini gönderici tarafından ödenmesi gerekir. Alımdan kaynaklanan yasal haklarının etkilenmez
- Bu Garanti Avrupa Topluçluğu, İsviçre, İzlanda, Norveç, Liechtenstein, Türkiye ve Rusya'da geçerlidir. Bu alanların dışında, başka bir garantinin geçerli olup olmadığını belirlemek için lütfen yetkili RYOBI distribütörünüzle irtibata geçin.

YETKİLİ SERVİS MERKEZİ

En yakın yetkili servis merkezini öğrenmek için <http://en.ryobitools.eu/header/service-and-support/service-agents> sitesine girin.

EL ΟΡΟΙ ΕΦΑΡΜΟΓΗΣ ΤΩΝ ΠΡΟΫΠΟΘΕΣΕΩΝ ΕΓΓΥΗΣΗΣ ΤΗΣ RYOBI®

Εκτός από τα νόμιμα δικαιώματα, τα οποία προκύπτουν από την αγορά, το προϊόν καλύπτεται από εγγύηση, λεπτομέρειες της οποίας ακολουθούν στη συνέχεια.

- Η διάρκεια της εγγύησης για τους καταναλωτές είναι 24 μήνες και αρχίζει από την ημερομηνία αγοράς. Η ημερομηνία θα πρέπει να αναγράφεται στην απόδειξη ή σε άλλο αποδεικτικό αγοράς. Το προϊόν έχει σχεδιαστεί και προορίζεται αποκλειστικά για οικιακή χρήση από καταναλωτές. Συνεπώς, δεν παρέχεται εγγύηση σε περίπτωση επαγγελματικής ή εμπορικής χρήσης.
- Υπάρχει η δυνατότητα επέκτασης της εγγύησης για ορισμένα ηλεκτρικά εργαλεία (AC/DC), πέραν του παραπάνω αναφερόμενου χρονικού διαστήματος, μέσω εγγραφής στο δικτυακό τόπο www.ryobitools.eu. Η επιλεξιμότητα των εργαλείων με δυνατότητα επέκτασης της περιόδου εγγύησης αναγράφεται ρητά στα καταστήματα και/ή επάνω στη συσκευασία, ενώ περιέχεται στην τεκμηρίωση του προϊόντος. Το τελικό χρήστη θα πρέπει να καταχωρήσει τα προσωπικά αποκτηθέντα εργαλεία online, εντός 30 ημερών από την ημερομηνία αγοράς. Ο τελικός χρήστης μπορεί να εγγραφεί για την επέκταση εγγύησης στη χώρα κατοικίας εφόσον αυτή περιλαμβάνεται στο online έντυπο εγγραφής, εάν υπάρχει η δυνατότητα επέκτασης. Επιπλέον, οι τελικοί χρήστες θα πρέπει να παρέχουν τη συγκατάθεσή τους για την αποθήκευση των στοιχείων τους, τα οποία οφείλουν να καταχωρούν online, όπως και να αποδεχθούν τον όρο και τις προϋποθέσεις. Η απόδειξη επιβεβαίωσης της εγγραφής, η οποία αποστέλλεται μέσω email, και η πρωτότυπη απόδειξη αγοράς, η οποία αναγράφεται στην ημερομηνία αγοράς, αποτελούν αποδεικτικά της παρατεταμένης εγγύησης.
- Η εγγύηση καλύπτει όλα τα ελαττώματα του προϊόντος, κατά τη διάρκεια της περιόδου εγγύησης, λόγω κατασκευαστικών ελαττωμάτων ή αστοχίας υλικού κατά την ημερομηνία αγοράς. Η εγγύηση περιορίζεται στην επισκευή και/ή την αντικατάσταση και δεν περιλαμβάνει καμία άλλη υποχρέωση, συμπεριλαμβανομένων, ενδεικτικά, συμπληρωματικών ή παρεπόμενων ζημιών. Η εγγύηση δεν ισχύει εφόσον, έχει σημειωθεί κακομεταχείριση του προϊόντος, δεν έχουν τηρηθεί οι οδηγίες του εγχειριδίου οδηγιών ή το προϊόν έχει συνδεθεί λανθασμένα. Η εγγύηση δεν ισχύει για:
 - οποιαδήποτε ζημιά στο προϊόν, η οποία είναι αποτέλεσμα κακής συντήρησης
 - οποιοδήποτε προϊόν, το οποίο έχει αλλοιωθεί ή τροποποιηθεί
 - οποιοδήποτε προϊόν, στο οποίο έχει αλλοιωθεί, τροποποιηθεί ή αφαιρεθεί το γνήσιο αναγνωριστικό (σήμα κατατεθέν, σειριακός αριθμός)
 - οποιαδήποτε ζημιά προκλήσει λόγω μη τήρησης του εγχειριδίου οδηγιών
 - οποιοδήποτε προϊόν χωρίς σήμανση CE
 - οποιοδήποτε προϊόν, στο οποίο έχει γίνει προσπάθεια επισκευής από μη καταρτισμένο επαγγελματία ή χωρίς την προηγούμενη έγκριση της Techtronic Industries.
 - οποιοδήποτε προϊόν, το οποίο έχει συνδεθεί σε ακατάλληλη παροχή ρεύματος (αμπερ, ισχύ, συχνότητα)
 - οποιαδήποτε ζημιά έχει προκληθεί από εξωτερικές επιδράσεις (χημικές, φυσικές, κλιματιομετρικές) ή ξένες ουσίες
 - φυσιολογική φθορά και ρήξη ανταλλακτικών
 - ακατάλληλη χρήση, υπερφόρτωση του εργαλείου
 - χρήση μη ενδεδειγμένων εξαρτημάτων ή ανταλλακτικών
 - Εξαρτήματα ηλεκτρικών εργαλείων που παρασχεθήκαν με το εργαλείο ή αγοράστηκαν ξεχωριστά. Τέτοιες εξαρτηματικές περιλαμβανόμενες, ενδεικτικά, μύτες καταβίβησης, τρυπάνια, δίσκοις λείανσης, γυαλόχαρτο και λειπίδες, πλευρικό οδηγό
 - Εξαρτήματα (ανταλλακτικά και αξεσουάρ) που υποκείμενα σε φυσική φθορά και θραύση, συμπεριλαμβανομένων, ενδεικτικά, σετ επισκευής & συντήρησης, ψηκτρών άνθρωρα, εφεδράνων, τσoκ, εξαρτημάτων ή υποδοχών τρυπάνιων SDS, καλωδίων ισχύος, βοηθητικής λαβής, βαλίτσας μεταφοράς, βάσης τριβείου, σακούλας συλλογής σκόνης, σωλήνα εξαναγκαστικής σκόνης, ροδελών τόδoς, μωτών και ελατηρίων κροστικού κλειδιού κοχλίων, κτλ.
- Το προϊόν θα πρέπει να αποσταλεί ή να παραδοθεί για επισκευή ή συντήρηση σε εξουσιοδοτημένο σημείο σέρβις της RYOBI που περιλαμβάνεται στον ακόλουθο κατάλογο διευθύνσεων για κάθε χώρα. Σε ορισμένες χώρες, το τοπικό σημείο πώλησης της RYOBI αναλαμβάνει την αποστολή του προϊόντος στο κεντρικό σέρβις της RYOBI. Κατά την αποστολή ενός προϊόντος σε σημείο σέρβις της RYOBI, αυτό θα πρέπει να είναι ασφαλώς συσκευασμένο, χωρίς επικίνδυνο περιεχόμενο, όπως, πετρέλαιο, να φέρει τη διευθύνση του αποστολέα και να συνοδεύεται από σύντομη περιγραφή της βλάβης.
- Η επιδιόρθωση / αντικατάσταση υπό την παρούσα εγγύηση παρέχεται δωρεάν. Δε συνιστά παράταση της περιόδου εγγύησης ή εκκίνηση νέας περιόδου εγγύησης. Τα μέρη που αντικαθίστανται περιέχονται στην κυριότητα μας. Σε ορισμένες χώρες, τα ενδεχόμενα έξοδα παράδοσης ή μεταφοράς βγαίνουν του αποστολέα. Τα νόμιμα δικαιώματά σας, τα οποία απορρέουν από την αγορά του εργαλείου, δεν θίγονται.
- Η παρούσα εγγύηση ισχύει στην Ευρωπαϊκή Κοινότητα, την Ελβετία, την Ισπανία, τη Νορβηγία, το Λιχτενστάιν, την Τουρκία και την Ρωσία. Εκτός των παραπάνω περιοχών, σας παρακαλούμε να επικοινωνήσετε με εξουσιοδοτημένο κατάστημα πώλησης της RYOBI, προκειμένου να διαπιστωθεί εάν ισχύει κάποια άλλη εγγύηση.

ΕΞΟΥΣΙΟΔΟΤΗΜΕΝΟ ΚΕΝΤΡΟ ΣΕΡΒΙΣ

Για να εντοπίσετε ένα εξουσιοδοτημένο κέντρο σέρβις στην περιοχή σας, επισκεφτείτε τη σελίδα <http://en.ryobitools.eu/header/service-and-support/service-agents>.

(EN) EC DECLARATION OF CONFORMITY

Techronic Industries GmbH
Max-Eyth-Straße 10, 71364 Winnenden, Germany

Herewith we declare that the product

Angle Grinder
Brand: Ryobi
Model number: RAG950-125 / RAG1010-125
Serial number range:
RAG950-125: 44454602000001-44454602999999
RAG1010-125: 44455202000001-44455202999999

is in conformity with the following European Directives and harmonised standards

2006/42/EC, 2014/30/EU, 2011/65/EU
EN55014-1:2006+A1:2009+A2:2011, EN55014-2:2015,
EN61000-3-2:2014, EN61000-3-3:2013, EN60745-1:2009+A11:2010,
EN60745-2-3:2011+A2:2013+A11:2014+A12:2014

RoHS documentation is compiled according to EN 50581:2012



Andrew John Eyre (BEng, CEng, MIET)
Vice President, Regulatory & Safety
Winnenden, May 31, 2017

Authorised to compile the technical file:

Alexander Krug, Managing Director
Techronic Industries GmbH
Max-Eyth-Straße 10, 71364 Winnenden, Germany

(FR) DÉCLARATION DE CONFORMITÉ EC

Techronic Industries GmbH
Max-Eyth-Straße 10, 71364 Winnenden, Germany

Déclarons par la présente que le produit

Meuleuse D'angle
Marque: Ryobi
Numéro de modèle: RAG950-125 / RAG1010-125
Étendue des numéros de série:
RAG950-125: 44454602000001-44454602999999
RAG1010-125: 44455202000001-44455202999999

est conforme aux Directives Européennes et Normes Harmonisées suivantes

2006/42/EC, 2014/30/EU, 2011/65/EU
EN55014-1:2006+A1:2009+A2:2011, EN55014-2:2015,
EN61000-3-2:2014, EN61000-3-3:2013, EN60745-1:2009+A11:2010,
EN60745-2-3:2011+A2:2013+A11:2014+A12:2014

La documentation RoHS a été dressée d'après EN 50581:2012



Andrew John Eyre (BEng, CEng, MIET)
Vice-Président, Réglementation & Sécurité
Winnenden, May 31, 2017

Autorisé à rédiger le dossier technique:

Alexander Krug, Directeur Général
Techronic Industries GmbH
Max-Eyth-Straße 10, 71364 Winnenden, Germany

(DE) EC KONFORMITÄTSERKLÄRUNG

Techronic Industries GmbH
Max-Eyth-Straße 10, 71364 Winnenden, Germany

Hiermit erklären wir, dass die Produkte

Winkelschleifer
Marke: Ryobi
Modellnummer: RAG950-125 / RAG1010-125
Seriennummernbereich:
RAG950-125: 44454602000001-44454602999999
RAG1010-125: 44455202000001-44455202999999

den folgenden europäischen Richtlinien und harmonisierten Normen entspricht

2006/42/EC, 2014/30/EU, 2011/65/EU
EN55014-1:2006+A1:2009+A2:2011, EN55014-2:2015,
EN61000-3-2:2014, EN61000-3-3:2013, EN60745-1:2009+A11:2010,
EN60745-2-3:2011+A2:2013+A11:2014+A12:2014

RoHS Dokumentation ist gemäß EN 50581:2012 zusammengestellt



Andrew John Eyre (BEng, CEng, MIET)
Vizepräsident, Vorschriften und Sicherheit
Winnenden, May 31, 2017

Autorisiert die technische Datei zu erstellen:

Alexander Krug, Geschäftsführer
Techronic Industries GmbH
Max-Eyth-Straße 10, 71364 Winnenden, Germany

(ES) DECLARACIÓN EC DE CONFORMIDAD

Techronic Industries GmbH
Max-Eyth-Straße 10, 71364 Winnenden, Germany

Por la presente declaramos que los productos

Rebarbadora
Marca: Ryobi
Número de modelo: RAG950-125 / RAG1010-125
Intervalo del número de serie:
RAG950-125: 44454602000001-44454602999999
RAG1010-125: 44455202000001-44455202999999

se encuentra en conformidad con las siguientes Directivas Europeas y normas armonizadas

2006/42/EC, 2014/30/EU, 2011/65/EU
EN55014-1:2006+A1:2009+A2:2011, EN55014-2:2015,
EN61000-3-2:2014, EN61000-3-3:2013, EN60745-1:2009+A11:2010,
EN60745-2-3:2011+A2:2013+A11:2014+A12:2014

Documentación sobre restricción de sustancias peligrosas (RoHS) recopilada según la norma EN 50581:2012



Andrew John Eyre (BEng, CEng, MIET)
Vicepresidente, Director General de Normativa y Seguridad
Winnenden, May 31, 2017

Autorizado para elaborar la ficha técnica:

Alexander Krug, Administrador Ejecutivo
Techronic Industries GmbH
Max-Eyth-Straße 10, 71364 Winnenden, Germany

(IT) DICHIARAZIONE DI CONFORMITÀ EC

Techronic Industries GmbH
Max-Eyth-Straße 10, 71364 Winnenden, Germany

Si dichiara con la presente che il prodotto

Smerigliatrice Angolare
Marca: Ryobi
Numero modello: RAG950-125 / RAG1010-125
Gamma numero serie:
RAG950-125: 44454602000001-44454602999999
RAG1010-125: 44455202000001-44455202999999

è conforme alle seguenti Direttive Europee e ai seguenti standard armonizzati

2006/42/EC, 2014/30/EU, 2011/65/EU
EN55014-1:2006+A1:2009+A2:2011, EN55014-2:2015,
EN61000-3-2:2014, EN61000-3-3:2013, EN60745-1:2009+A11:2010,
EN60745-2-3:2011+A2:2013+A11:2014+A12:2014

La documentazione RoHS è stata compilata come indicato dalle norme EN 50581:2012



Andrew John Eyre (BEng, CEng, MIET)
Vice-Presidente, Dipartimento Regolazioni & Sicurezza
Winnenden, May 31, 2017

Autorizzato per compilare il file tecnico:

Alexander Krug, Direttore Amministrativo
Techronic Industries GmbH
Max-Eyth-Straße 10, 71364 Winnenden, Germany

(NL) EC CONFORMITEITSVERKLARING

Techronic Industries GmbH
Max-Eyth-Straße 10, 71364 Winnenden, Germany

Hierbij verklaren wij dat het product

Haakse Slijpmachine
Merk: Ryobi
Modelnummer: RAG950-125 / RAG1010-125
Seriennummerek: RAG950-125: 44454602000001-44454602999999
RAG1010-125: 44455202000001-44455202999999

is in overeenstemming met de volgende Europese Richtlijnen en geharmoniseerde normen

2006/42/EC, 2014/30/EU, 2011/65/EU
EN55014-1:2006+A1:2009+A2:2011, EN55014-2:2015,
EN61000-3-2:2014, EN61000-3-3:2013, EN60745-1:2009+A11:2010,
EN60745-2-3:2011+A2:2013+A11:2014+A12:2014

RoHS-documentatie is samengesteld in overeenstemming met EN 50581:2012



Andrew John Eyre (BEng, CEng, MIET)
Vice-president, Regelgeving en Veiligheid
Winnenden, May 31, 2017

Afgevaardigde voor het samenstellen van de technische fiche:

Alexander Krug, Directeur
Techronic Industries GmbH
Max-Eyth-Straße 10, 71364 Winnenden, Germany

(PT) DECLARAÇÃO EC DE CONFORMIDADE

Techronic Industries GmbH
Max-Eyth-Straße 10, 71364 Winnenden, Germany

Pelo presente declaramos que os produtos

Afiadora Angular
Marca: Ryobi
Número do modelo: RAG950-125 / RAG1010-125
Intervalo do número de série:
RAG950-125: 44454602000001-44454602999999
RAG1010-125: 44455202000001-44455202999999

se encontra em conformidade com as seguintes Directivas Europeias e normas harmonizadas

2006/42/EC, 2014/30/EU, 2011/65/EU
EN55014-1:2006+A1:2009+A2:2011, EN55014-2:2015,
EN61000-3-2:2014, EN61000-3-3:2013, EN60745-1:2009+A11:2010,
EN60745-2-3:2011+A2:2013+A11:2014+A12:2014

Documentação sobre restrição de substâncias perigosas (RoHS) compilada segundo a norma EN 50581:2012



Andrew John Eyre (BEng, CEng, MIET)
Vice-Presidente, Regulação & Segurança
Winnenden, May 31, 2017

Autorizado para compilar o ficheiro técnico:

Alexander Krug, Administrador Executivo
Techronic Industries GmbH
Max-Eyth-Straße 10, 71364 Winnenden, Germany

(DA) EC OVERENSSTEMMELSESERKLÆRING

Techronic Industries GmbH
Max-Eyth-Straße 10, 71364 Winnenden, Germany

Vi erklærer hermed, at produktet

Vinkelsliber
Brand: Ryobi
Modelnummer: RAG950-125 / RAG1010-125
Serienummerområde:
RAG950-125: 44454602000001-44454602999999
RAG1010-125: 44455202000001-44455202999999

er i overensstemmelse med følgende EU-direktiver og harmoniserede standarder

2006/42/EC, 2014/30/EU, 2011/65/EU
EN55014-1:2006+A1:2009+A2:2011, EN55014-2:2015,
EN61000-3-2:2014, EN61000-3-3:2013, EN60745-1:2009+A11:2010,
EN60745-2-3:2011+A2:2013+A11:2014+A12:2014

RoHS-dokumentationen er udarbejdet i henhold til EN 50581:2012



Andrew John Eyre (BEng, CEng, MIET)
Vicepræsident, Regler og Sikkerhed
Winnenden, May 31, 2017

Bemyndiget til at udarbejde det tekniske kartotek:

Alexander Krug, Administrerende Direktør
Techronic Industries GmbH
Max-Eyth-Straße 10, 71364 Winnenden, Germany

(SV) EC-KONFORMITETSDEKLARATION

Techronic Industries GmbH
Max-Eyth-Straße 10, 71364 Winnenden, Germany

Härmed deklarerar vi att produkterna

Vinkelslip
Märke: Ryobi
Modellnummer: RAG950-125 / RAG1010-125
Serienummerintervall:
RAG950-125: 44454602000001-44454602999999
RAG1010-125: 44455202000001-44455202999999

är i enlighet med följande EU-direktiv och harmoniserade standarder

2006/42/EC, 2014/30/EU, 2011/65/EU
EN55014-1:2006+A1:2009+A2:2011, EN55014-2:2015,
EN61000-3-2:2014, EN61000-3-3:2013, EN60745-1:2009+A11:2010,
EN60745-2-3:2011+A2:2013+A11:2014+A12:2014

RoHS-dokumentation sammanställd enligt EN 50581:2012



Andrew John Eyre (BEng, CEng, MIET)
Vice President, Regelverk och Säkerhet
Winnenden, May 31, 2017

Godkänd att sammanställa den tekniska filen:

Alexander Krug, VD
Techronic Industries GmbH
Max-Eyth-Straße 10, 71364 Winnenden, Germany

(FI) EC-SÄÄNNÖSTEN NOUDATTAMINEN

Techronic Industries GmbH
Max-Eyth-Straße 10, 71364 Winnenden, Germany

Ilmoitamme täten, että tuotteet

Kulmahiomakone
Tuotemerkki: Ryobi
Mallinumero: RAG950-125 / RAG1010-125
Sarjanumeroalue:
RAG950-125: 44454602000001-44454602999999
RAG1010-125: 44455202000001-44455202999999

noudattaa seuraavia EU-direktiivejä ja harmonoituja standardeja

2006/42/EC, 2014/30/EU, 2011/65/EU
EN55014-1:2006+A1:2009+A2:2011, EN55014-2:2015,
EN61000-3-2:2014, EN61000-3-3:2013, EN60745-1:2009+A11:2010,
EN60745-2-3:2011+A2:2013+A11:2014+A12:2014

RoHS-dokumentaatio on koottu standardin EN 50581:2012 mukaisesti



Andrew John Eyre (BEng, CEng, MIET)
Varatoimitusjohtaja, Säädösten mukaisuus ja Turvallisuus
Winnenden, May 31, 2017

Valtuutettu kokoamaan tekninen tiedosto:

Alexander Krug, Toimitusjohtaja
Techronic Industries GmbH
Max-Eyth-Straße 10, 71364 Winnenden, Germany

(NO) EC-SAMSVARSEKLRING

Techronic Industries GmbH
Max-Eyth-Straße 10, 71364 Winnenden, Germany

Herved erklærer vi at produktet

Vinkelsliper
Merk: Ryobi
Modellnummer: RAG950-125 / RAG1010-125
Serienummerserie:
RAG950-125: 44454602000001-44454602999999
RAG1010-125: 44455202000001-44455202999999

er i samsvar med følgende europeiske direktiver og harmoniserte standarder

2006/42/EC, 2014/30/EU, 2011/65/EU
EN55014-1:2006+A1:2009+A2:2011, EN55014-2:2015,
EN61000-3-2:2014, EN61000-3-3:2013, EN60745-1:2009+A11:2010,
EN60745-2-3:2011+A2:2013+A11:2014+A12:2014

RoHS dokumentasjonen er skrevet i samsvar med EN 50581:2012



Andrew John Eyre (BEng, CEng, MIET)
Visepresident, Forskifter og Sikkerhet
Winnenden, May 31, 2017

Autorisert til å sette sammen den tekniske filen:

Alexander Krug, Administrerende Direktør
Techronic Industries GmbH
Max-Eyth-Straße 10, 71364 Winnenden, Germany

(RU) ЗАЯВЛЕНИЕ О СООТВЕТСТВИИ ТРЕБОВАНИЯМ ЕС

Techronic Industries GmbH
Max-Eyth-Straße 10, 71364 Winnenden, Germany

Настоящим мы заявляем, что данный продукт

Угловая Шлифовальная Машина
Марка: Ryobi
Номер модели: RAG950-125 / RAG1010-125
Диапазон заводских номеров:
RAG950-125: 44454602000001-44454602999999
RAG1010-125: 44455202000001-44455202999999

соответствует требованиям следующих Директив ЕС и согласованных стандартов

2006/42/EC, 2014/30/EU, 2011/65/EU
EN55014-1:2006+A1:2009+A2:2011, EN55014-2:2015,
EN61000-3-2:2014, EN61000-3-3:2013, EN60745-1:2009+A11:2010,
EN60745-2-3:2011+A2:2013+A11:2014+A12:2014

Документация RoHS соответствует стандарту EN 50581:2012



Andrew John Eyre (BEng, CEng, MIET)
Вице-Президент По Технике Безопасности И Стандартам
Winnenden, May 31, 2017

Лицо, ответственное за подготовку технической документации:

Alexander Krug, Директор
Techronic Industries GmbH
Max-Eyth-Straße 10, 71364 Winnenden, Germany

PL DEKLARACJA ZGODNOŚCI EC

Techtronic Industries GmbH
Max-Eyth-Straße 10, 71364 Winnenden, Germany

Niniejszym deklarujemy, że produkty
Szlifierka Kałowa
Marka: Ryobi
Numer modelu: RAG950-125 / RAG1010-125
Zakres numerów seryjnych:
RAG950-125: 44454602000001-44454602999999
RAG1010-125: 44455202000001-44455202999999

jest zgodny z następującymi dyrektywami europejskimi i zharmonizowanymi normami
2006/42/EC, 2014/30/EU, 2011/65/EU
EN55014-1:2006+A1:2009+A2:2011, EN55014-2:2015,
EN61000-3-2:2014, EN61000-3-3:2013, EN60745-1:2009+A11:2010,
EN60745-2-3:2011+A2:2013+A11:2014+A12:2014

Dokumentacja RoHS została opracowana zgodnie z normą EN 50581:2012



Andrew John Eyre (BEng, CEng, MIET)
Wiceprezes ds. Zgodności Prawnej i Bezpieczeństwa
Winnenden, May 31, 2017

Osoba upoważniona do sporządzenia dokumentu technicznego:
Alexander Krug, Dyrektor Zarządzający
Techtronic Industries GmbH
Max-Eyth-Straße 10, 71364 Winnenden, Germany

CS PROHLÁŠENÍ O SHODĚ EC

Techtronic Industries GmbH
Max-Eyth-Straße 10, 71364 Winnenden, Germany

Tímto prohlašujeme, že výrobky
Ruční Rozbrušovačka
Značka: Ryobi
Číslo modelu: RAG950-125 / RAG1010-125
Rozsah sériových čísel:
RAG950-125: 44454602000001-44454602999999
RAG1010-125: 44455202000001-44455202999999

že tento výrobek je v souladu s evropskými a harmonizovanými standardy
2006/42/EC, 2014/30/EU, 2011/65/EU
EN55014-1:2006+A1:2009+A2:2011, EN55014-2:2015,
EN61000-3-2:2014, EN61000-3-3:2013, EN60745-1:2009+A11:2010,
EN60745-2-3:2011+A2:2013+A11:2014+A12:2014

RoHS dokumentace sestavena dle EN 50581:2012



Andrew John Eyre (BEng, CEng, MIET)
Viceprezident, Normy a Bezpečnost
Winnenden, May 31, 2017

Pověření ke kompilaci technického souboru:
Alexander Krug, Generální Ředitel
Techtronic Industries GmbH
Max-Eyth-Straße 10, 71364 Winnenden, Germany

HU EC MEGFELELŐSÉGI NYILATKOZAT

Techtronic Industries GmbH
Max-Eyth-Straße 10, 71364 Winnenden, Germany

Ezúton kijelentjük, hogy a termékek
Sarkocsiszóló
Márka: Ryobi
Típuszám: RAG950-125 / RAG1010-125
Sorozatszám tartomány:
RAG950-125: 44454602000001-44454602999999
RAG1010-125: 44455202000001-44455202999999

megfelel az alábbi Európai Irányelvék és harmonizált szabványok vonatkozó rendelkezésének
2006/42/EC, 2014/30/EU, 2011/65/EU
EN55014-1:2006+A1:2009+A2:2011, EN55014-2:2015,
EN61000-3-2:2014, EN61000-3-3:2013, EN60745-1:2009+A11:2010,
EN60745-2-3:2011+A2:2013+A11:2014+A12:2014

A RoHS dokumentáció összeállítására az EN 50581:2012 szerint történt



Andrew John Eyre (BEng, CEng, MIET)
Alelnök, Megfelelőségi es Biztonsági Területek
Winnenden, May 31, 2017

A műszaki dokumentáció összeállítására felhatalmazott:
Alexander Krug, Ügyvezető Igazgató
Techtronic Industries GmbH
Max-Eyth-Straße 10, 71364 Winnenden, Germany

RO DECLARAȚIE DE CONFORMITATE EC

Techtronic Industries GmbH
Max-Eyth-Straße 10, 71364 Winnenden, Germany

Prin prezenta, declarăm că produsele
Polizor Unghiular
Marcă: Ryobi
Număr serie: RAG950-125 / RAG1010-125
Gamă număr serie:
RAG950-125: 44454602000001-44454602999999
RAG1010-125: 44455202000001-44455202999999

este în conformitate cu următoarele Directive Europene și standarde armonizate
2006/42/EC, 2014/30/EU, 2011/65/EU
EN55014-1:2006+A1:2009+A2:2011, EN55014-2:2015,
EN61000-3-2:2014, EN61000-3-3:2013, EN60745-1:2009+A11:2010,
EN60745-2-3:2011+A2:2013+A11:2014+A12:2014

Documentația RoHS este întocmită în conformitate cu EN 50581:2012



Andrew John Eyre (BEng, CEng, MIET)
Vicepreședintele, Reglementare & Siguranță
Winnenden, May 31, 2017

Autorizat să completeze fișa tehnică:
Alexander Krug, Director General
Techtronic Industries GmbH
Max-Eyth-Straße 10, 71364 Winnenden, Germany

LV EC ATBILSTĪBAS DEKLARĀCIJA

Techtronic Industries GmbH
Max-Eyth-Straße 10, 71364 Winnenden, Germany

Ar šo paziņojam, ka produkti
Leņķa Slīpmašīna
Zīmols: Ryobi
Modeļa numurs: RAG950-125 / RAG1010-125
Sērijas numura intervāls:
RAG950-125: 44454602000001-44454602999999
RAG1010-125: 44455202000001-44455202999999

atbilst šādām Eiropas direktīvām un saskaņotajiem standartiem
2006/42/EC, 2014/30/EU, 2011/65/EU
EN55014-1:2006+A1:2009+A2:2011, EN55014-2:2015,
EN61000-3-2:2014, EN61000-3-3:2013, EN60745-1:2009+A11:2010,
EN60745-2-3:2011+A2:2013+A11:2014+A12:2014

RoHS dokumentācija ir izstrādāta saskaņā ar EN 50581:2012



Andrew John Eyre (BEng, CEng, MIET)
Viceprezidents, Darba Drošības Noteikumi
Winnenden, May 31, 2017

Pilnvarots sastādīt tehnisko failu:
Alexander Krug, Izpildītājs
Techtronic Industries GmbH
Max-Eyth-Straße 10, 71364 Winnenden, Germany

LT EC ATITIKTIES PAREIŠKIMAS

Techtronic Industries GmbH
Max-Eyth-Straße 10, 71364 Winnenden, Germany

Mes pareiškiame, kad šie produktai
Kampinis Šlifukois
Prekės ženklas: Ryobi
Modelio numeris: RAG950-125 / RAG1010-125
Serijinio numerio diapazonas:
RAG950-125: 44454602000001-44454602999999
RAG1010-125: 44455202000001-44455202999999

pagamintas laikantis toliau nurodytųjų Europos Direktivų ir darniųjų standartų
2006/42/EC, 2014/30/EU, 2011/65/EU
EN55014-1:2006+A1:2009+A2:2011, EN55014-2:2015,
EN61000-3-2:2014, EN61000-3-3:2013, EN60745-1:2009+A11:2010,
EN60745-2-3:2011+A2:2013+A11:2014+A12:2014

Tam tikrų pavojingų medžiagų naudojimo elektros ir elektroninėje įrangoje apri bojimo dokumentai sudaryti pagal standartą EN 50581:2012



Andrew John Eyre (BEng, CEng, MIET)
Kontrolės Ir Saugos Viceprezidentas
Winnenden, May 31, 2017

Igaliotas sudaryti techninį failą:
Alexander Krug, Generalinis Direktorius
Techtronic Industries GmbH
Max-Eyth-Straße 10, 71364 Winnenden, Germany

For Technical Review, sent on 26 Apr 2017

ET EC VASTAVUSEDEKLARATSIOON

Techtronic Industries GmbH
Max-Eyth-Straße 10, 71364 Winnenden, Germany

Kinnitame, et see toode
Ketasliikur
Mark: Ryobi
Mudeli number: RAG950-125 / RAG1010-125
Seriianumbri vahemik:
RAG950-125: 44454602000001-44454602999999
RAG1010-125: 44455202000001-44455202999999

vastab järgmistele Euroopa direktiividele ja harmoniseeritud standarditele
2006/42/EC, 2014/30/EU, 2011/65/EU
EN55014-1:2006+A1:2009+A2:2011, EN55014-2:2015,
EN61000-3-2:2014, EN61000-3-3:2013, EN60745-1:2009+A11:2010,
EN60745-2-3:2011+A2:2013+A11:2014+A12:2014

RoHS dokumentid on koostatud vastavuses standardi EN 50581:2012 nõuetele.



Andrew John Eyre (BEng, CEng, MIET)
Asepresident Standardiseerimise Ja Ohutuse Alal
Winnenden, May 31, 2017

Tehnilise faili koostamiseks volitatud isik:
Alexander Krug, Tegevdirektor
Techtronic Industries GmbH
Max-Eyth-Straße 10, 71364 Winnenden, Germany

HR EC IZJAVA O USKLAĐENOSTI

Techtronic Industries GmbH
Max-Eyth-Straße 10, 71364 Winnenden, Germany

Uvime izjavljujemo da su proizvodi
Kutna Brusilica
Marka: Ryobi
Broj modela: RAG950-125 / RAG1010-125
Raspon serijskog broja:
RAG950-125: 44454602000001-44454602999999
RAG1010-125: 44455202000001-44455202999999

usklađen sa sljedećim Europskim Direktivama i usklađenim normama
2006/42/EC, 2014/30/EU, 2011/65/EU
EN55014-1:2006+A1:2009+A2:2011, EN55014-2:2015,
EN61000-3-2:2014, EN61000-3-3:2013, EN60745-1:2009+A11:2010,
EN60745-2-3:2011+A2:2013+A11:2014+A12:2014

RoHS dokumentacija sukladna je EN 50581:2012



Andrew John Eyre (BEng, CEng, MIET)
Potpredsjednik za Pravila i Sigurnost
Winnenden, May 31, 2017

Ovlašten da sastavi tehničku datoteku:
Alexander Krug, Direktor Upravljanja
Techtronic Industries GmbH
Max-Eyth-Straße 10, 71364 Winnenden, Germany

SL IZJAVA EC O SKLADNOSTI

Techtronic Industries GmbH
Max-Eyth-Straße 10, 71364 Winnenden, Germany

Izjavljamo, da je izdelek
Kotni Brusilnik
Znamka: Ryobi
Številka modela: RAG950-125 / RAG1010-125
Razpon serijskih števil:
RAG950-125: 44454602000001-44454602999999
RAG1010-125: 44455202000001-44455202999999

v skladu s sledečimi evropskimi direktivami in harmoniziranimi standardi
2006/42/EC, 2014/30/EU, 2011/65/EU
EN55014-1:2006+A1:2009+A2:2011, EN55014-2:2015,
EN61000-3-2:2014, EN61000-3-3:2013, EN60745-1:2009+A11:2010,
EN60745-2-3:2011+A2:2013+A11:2014+A12:2014

Dokumentacija RoHS je sestavljena skladno s standardom EN 50581:2012



Andrew John Eyre (BEng, CEng, MIET)
Podpredsednik, Zakonodajne In Varnostne Zadeve
Winnenden, May 31, 2017

Pooblaščen osebja za sestavo tehnične dokumentacije:
Alexander Krug, Izvršni Direktor
Techtronic Industries GmbH
Max-Eyth-Straße 10, 71364 Winnenden, Germany

SK PREHLÁSENIE O ZHODE EC

Techtronic Industries GmbH
Max-Eyth-Straße 10, 71364 Winnenden, Germany

Týmto vyhlasujeme, že výrobok
Uhlová Rozbrušovačka
Značka: Ryobi
Číslo modelu: RAG950-125 / RAG1010-125
Rozsah sériových čísel:
RAG950-125: 44454602000001-44454602999999
RAG1010-125: 44455202000001-44455202999999

je v súlade s nasledujúcimi Európskymi smernicami a harmonizovanými normami
2006/42/EC, 2014/30/EU, 2011/65/EU
EN55014-1:2006+A1:2009+A2:2011, EN55014-2:2015,
EN61000-3-2:2014, EN61000-3-3:2013, EN60745-1:2009+A11:2010,
EN60745-2-3:2011+A2:2013+A11:2014+A12:2014

Dokumentácia RoHS je zostavená podľa EN 50581:2012



Andrew John Eyre (BEng, CEng, MIET)
Viceprezident, Regulácia a Bezpečnosť
Winnenden, May 31, 2017

Oprávnená osoba na zostavenie technického súboru:
Alexander Krug, Generálny Riaditeľ
Techtronic Industries GmbH
Max-Eyth-Straße 10, 71364 Winnenden, Germany

BG ДЕКЛАРАЦИЯ НА ЗА СЪОТВЕТСТВИЕ

Techtronic Industries GmbH
Max-Eyth-Straße 10, 71364 Winnenden, Germany

С настоящето декларираме, че продуктите
Ъглошапф
Марка: Ryobi
Номер на модела: RAG950-125 / RAG1010-125
Обхват на серийни номера:
RAG950-125: 44454602000001-44454602999999
RAG1010-125: 44455202000001-44455202999999

отговаря на следните директиви на ЕС и хармонизирани стандарти
2006/42/EC, 2014/30/EU, 2011/65/EU
EN55014-1:2006+A1:2009+A2:2011, EN55014-2:2015,
EN61000-3-2:2014, EN61000-3-3:2013, EN60745-1:2009+A11:2010,
EN60745-2-3:2011+A2:2013+A11:2014+A12:2014

Документацията за RoHS е съставена в съответствие с EN 50581:2012.



Andrew John Eyre (BEng, CEng, MIET)
Вицепрезидент, Правни Услуги И Безопасност
Winnenden, May 31, 2017

Упълномощено лице за съставяне на техническия файл:
Alexander Krug, Изпълнителен Директор
Techtronic Industries GmbH
Max-Eyth-Straße 10, 71364 Winnenden, Germany

UK ДЕКЛАРАЦИЯ ПРО ВІДПОВІДНІСТЬ

Techtronic Industries GmbH
Max-Eyth-Straße 10, 71364 Winnenden, Germany

При цьому ми заявляємо, що продукт
Мультиінструмент
Марка: Ryobi
Номер моделі: RAG950-125 / RAG1010-125
Діапазон серійного номеру:
RAG950-125: 44454602000001-44454602999999
RAG1010-125: 44455202000001-44455202999999

у відповідності з наступними європейськими директивами та гармонізованими стандартами
2006/42/EC, 2014/30/EU, 2011/65/EU
EN55014-1:2006+A1:2009+A2:2011, EN55014-2:2015,
EN61000-3-2:2014, EN61000-3-3:2013, EN60745-1:2009+A11:2010,
EN60745-2-3:2011+A2:2013+A11:2014+A12:2014

Документація RoHS складена відповідно до EN 50581:2012



Andrew John Eyre (BEng, CEng, MIET)
Vice President, Regulatory & Safety
Winnenden, May 31, 2017

Authorised to compile the technical file:
Alexander Krug, Managing Director
Techtronic Industries GmbH
Max-Eyth-Straße 10, 71364 Winnenden, Germany

TR EC UYGUNLUK BEYANI

Techtronic Industries GmbH
Max-Eyth-Straße 10, 71364 Winnenden, Germany

Böylelikle beyan ederiz ki; ürün

Açılı Taşlama Makinesi
Marka: Ryobi
Model numarası: RAG950-125 / RAG1010-125
Seri numarası aralığı:
RAG950-125: 44454602000001- 44454602999999
RAG1010-125: 44455202000001-44455202999999

aşağıdaki Avrupa Direktifleri ve uyumlaştırılmış standartlara uygundur
2006/42/EC, 2014/30/EU, 2011/65/EU
EN55014-1:2006+A1:2009+A2:2011, EN55014-2:2015,
EN61000-3-2:2014, EN61000-3-3:2013, EN60745-1:2009+A11:2010,
EN60745-2-3:2011+A2:2013+A11:2014+A12:2014

RoHS documentation is compiled according to EN 50581:2012



Andrew John Eyre
Andrew John Eyre (BEng, CEng, MIET)
Başkan Vekili, Düzenleme ve Güvenlik
Winnenden, May 31, 2017

Teknik dosya hazırlamaya yetkilidir:
Alexander Krug, Genel Müdür
Techtronic Industries GmbH
Max-Eyth-Straße 10, 71364 Winnenden, Germany

EL EK ΔΗΛΩΣΗ ΣΥΜΜΟΡΦΩΣΗΣ

Techtronic Industries GmbH
Max-Eyth-Straße 10, 71364 Winnenden, Germany

Δια του παρόντος δηλώνουμε ότι το προϊόν

Γωνιακός Τροχός
Μάρκα: Ryobi
Αριθμός μοντέλου: RAG950-125 / RAG1010-125
Εύρος σειριακών αριθμών:
RAG950-125: 44454602000001- 44454602999999
RAG1010-125: 44455202000001-44455202999999

είναι σύμφωνο με τις παρακάτω Ευρωπαϊκές Οδηγίες και εναρμονισμένα πρότυπα
2006/42/EC, 2014/30/EU, 2011/65/EU
EN55014-1:2006+A1:2009+A2:2011, EN55014-2:2015,
EN61000-3-2:2014, EN61000-3-3:2013, EN60745-1:2009+A11:2010,
EN60745-2-3:2011+A2:2013+A11:2014+A12:2014

Τα έγγραφα RoHS συντάσσονται σύμφωνα με το EN 50581:2012



Andrew John Eyre
Andrew John Eyre (BEng, CEng, MIET)
Αντιπρόεδρος, Τμήμα Ρυθμίσεων & Ασφάλειας
Winnenden, May 31, 2017

Εξουσιοδοτημένο άτομο για σύνταξη τεχνικού αρχείου:
Alexander Krug, Διευθύνων Σύμβουλος
Techtronic Industries GmbH
Max-Eyth-Straße 10, 71364 Winnenden, Germany



Techtronic Industries GmbH
Max-Eyth-Straße 10,
71364 Winnenden, Germany

ОФИЦИАЛЬНЫЙ ДИЛЕР В УКРАИНЕ:

storgom.ua

ГРАФИК РАБОТЫ:

Пн. – Пт.: с 8:30 по 18:30

Сб.: с 09:00 по 16:00

Вс.: с 10:00 по 16:00

КОНТАКТЫ:

+38 (044) 360-46-77

+38 (066) 77-395-77

+38 (097) 77-236-77

+38 (093) 360-46-77

Детальное описание товара:

<https://storgom.ua/product/shlifmashinauglovayaryobirag1010-125sf51330024-7.html>

Другие товары: <https://storgom.ua/setevye-bolgarki.html>