

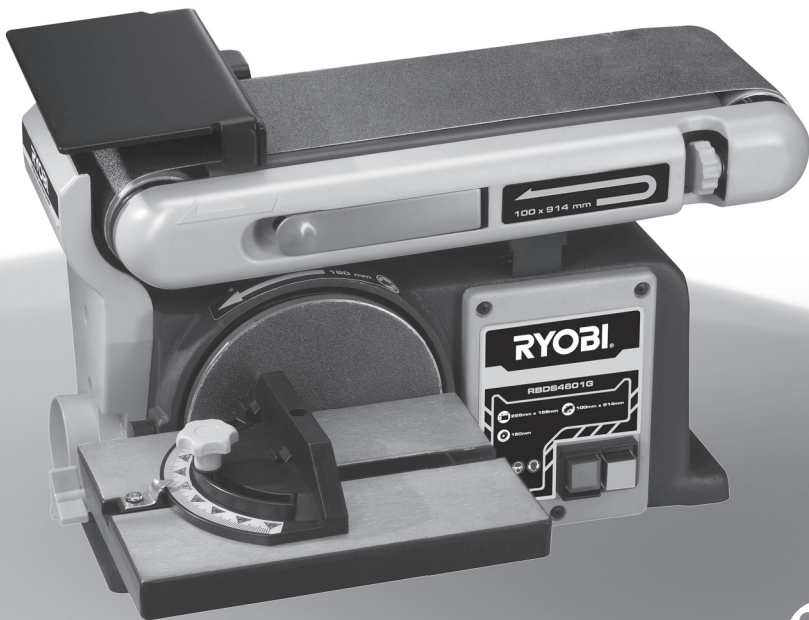


RBDS4601G

ORIGINAL INSTRUCTIONS

TRADUCTION DES INSTRUCTIONS ORIGINALES
ÜBERSETZUNG DER ORIGINALANLEITUNG
TRADUCCIÓN DE LAS INSTRUCCIONES ORIGINALES
TRADUZIONE DELLE ISTRUZIONI ORIGINALI
VERTALING VAN DE ORIGINELE INSTRUCTIES
TRADUÇÃO DAS INSTRUÇÕES ORIGINAIS
OVERSÆTTELSE AF DE ORIGINALE INSTRUKTIONER
ÖVERSÄTTNING AV DE URSPRUNGLIGA INSTRUKTIONERNA
ALKUPERÄISTEN OHJEIDEN SUOMENNO
OVERSETTELSE AV DE ORIGINALE INSTRUKSJONENE
ПЕРЕВОД ОРИГИНАЛЬНЫХ ИНСТРУКЦИЙ
TŁUMACZENIE INSTRUKCJI ORYGINALNEJ
PŘEKLAD ORIGINÁLNÍCH POKYNŮ
AZ EREDETI ÚTMUTATÓ FORDÍTÁSA
TRADUCEREA INSTRUCȚIUNILOR ORIGINALE
ORIGINALIŲ INSTRUKCIJŲ VERTIMAS
ORIGINAALJUHENDI TÖLGE
PRIJEVOD ORIGINALNIH UPUTA
PREVOD ORIGINALNIH NAVODIL
PREKLAD ORIGINÁLNYCH POKYNOV
ΜΕΤΑΦΡΑΣΗ ΤΩΝ ΠΡΩΤΟΤΥΠΩΝ ΟΔΗΓΙΩΝ
ORIJINAL TALIMATLARIN TERCÜMESİ
ПЕРЕКЛАД ОРИГИНАЛЬНИХ ІНСТРУКЦІЙ

- EN
- FR
- DE
- ES
- IT
- NL
- PT
- DA
- SV
- FI
- NO
- RU
- PL
- CS
- HU
- RO
- LV
- LT
- ET
- HR
- SL
- SK
- EL
- TR
- UK





Important!	It is essential that you read the instructions in this manual before assembling, maintaining and operating the product.
Attention!	Il est essentiel que vous lisiez les instructions contenues dans ce manuel avant d'assembler, d'entretenir et d'utiliser le produit.
Achtung!	Es ist wichtig, dass Sie vor Zusammenbau, Wartung und Benutzung des Produktes die Anweisungen in dieser Anleitung lesen.
¡Atención!	Resulta fundamental que lea este manual de instrucciones antes de realizar el montaje, el mantenimiento y de utilizar este producto
Attenzione!	E' importante leggere le istruzioni contenute nel presente manuale prima di montare il prodotto, svolgere le operazioni di manutenzione sullo stesso e metterlo in funzione.
Let op!	Het is van essentieel belang dat u de instructies in deze gebruiksaanwijzing leest voor u het product monteert, onderhoudt en gebruikt.
Atenção!	É fundamental que leia as instruções deste manual antes da montagem, manutenção e operação do aparelho.
OBS!	Det er vigtigt, at man læser instrukserne i denne brugsanvisning, inden man samler, vedligeholder og betjener produktet.
Observera!	Det är viktigt att du läser instruktionerna i manualen före montering, användning och underhåll av produkten.
Huomio!	On tärkeää, että luet tämän käsikirjan ohjeet ennen tuotteen kokoamista, huoltoa ja käyttöä.
Advarsel!	Det er viktig at du leser instruksjonene i denne manualen før sammensetting, vedlikehold og bruk av produktet
Внимание!	Необходимо прочитать инструкции в данном руководстве перед сборкой, обслуживанием и эксплуатацией этого изделия.
Uwaga!	Koniecznienależyprzeczytaćinstrukcjezawartewtym podręczniku przed montażem, obsługą oraz konserwacją produktu.
Důležitost upozornění!	Neinstalujte, neprovádějte údržbu ani nepoužívejte tento výrobek dříve, než si přečtete pokyny uvedené v tomto návodu.
Figyelem!	Fontos, hogy a termék összeszerelése, karbantartása és használatá elöttl elolvassa a kézikönyvben található utasításokat.
Atenție!	Este esențial să citiți instrucțiunile din acest manual înainte de asamblare, efectuarea întreinerii și operarea produsului.
Uzmanību!	Ir svarīgi izlasīt šīs rokasgrāmatas instrukcijas pirms uzstādīšanas, apkopes un precas darbināšanas.
Dėmesio!	Prieš surenkant, prižiūrint ir naudojant gaminį, būtina perskaityti šiame vadove pateiktus nurodymus.
Tähtis!	Enne masina kokkupanekut, hooldamist ja kasutama hakkamist tuleb käesolevas juhendis esitatud juhised kindlasti läbi lugeda.
Upozorenje!	Vrlo je važno da ste prije sklapanja, održavanja i rada s ovim proizvodom pročitali upute u ovom priručniku.
Pomembno!	Pomembno je da pred montažo vzdrževanjem in uporabo tega izdelka preberete navodila v tem priročniku.
Upzornenie!	Je dôležité, aby ste si pred montážou, údržbou a obsluhou produktu prečítali pokyny v tomto návode.
Προσοχή!	Είναι πολύ σημαντικό να διαβάσετε τις οδηγίες στο παρόν εγχειρίδιο πριν συναρμολογήσετε, συντηρήσετε ή λειτουργήσετε το προϊόν.
Dikkat!	Ürünün montajını, bakımını yapmadan ve ürünü çalıştırmadan önce bu kılavuzda yer alan talimatları okumanız önemlidir.
Важливо!	Дуже важливо, щоб ви прочитали інструкції в цьому керівництві перед складанням, обслуговуванням та експлуатацією цієї машини.

Subject to technical modification | Sous réserve de modifications techniques | Technische Änderungen vorbehalten | Bajo reserva de modificaciones técnicas | Con riserva di eventuali modifiche tecniche | Technische wijzigingen voorbehouden | Com reserva de modificações técnicas | Med forbehold for tekniske ændringer | Med förbehåll för tekniska ändringar | Tekniset muutokset varataan | Med forbehold om tekniske ændringer | могут быть внесены технические изменения | Z zastrzeżeniem modyfikacji technicznych | Změny technických údajů vyhrazeny | A műszaki módosítás jogát fenntartjuk | Sub rezerva modificărilor tehnice | Paturam tiesības mainīt tehniskos raksturlielumus | Pasiliekan teisę daryti techninius pakeitimus | Tehnilised muudatused võimalikud | Podloženo tehničkim promjenama | Tehnične spremembe dopuščene | Právo na technické zmeny je vyhradené | Υπό την επιφύλαξη τεχνικών τροποποιήσεων | Teknik değışiklik hakkı saklıdır | Є об'єктом для технічних змін





Safety, performance, and dependability have been given top priority in the design of your belt/disc sander.

INTENDED USE

This belt/disc sander is intended to be used with wood and wood products only. Use of this disc/belt sander and a dust collector with metal products is a potential fire hazard.

This belt/disc sander is designed and intended for use by properly trained and experienced personnel only. If you are not familiar with the proper and safe operation of a disc/belt sander, do not use until proper training and knowledge have been obtained.

GENERAL SAFETY WARNINGS

WARNING

When using electric tools, basic safety precautions should always be followed to reduce the risk of fire, electric shock and personal injury. Read all these instructions before attempting to operate this product and save these instructions.

- **Keep work area clear.** Cluttered areas and benches invite injuries.
- **Consider work area environment.** Do not expose tools to rain. Do not use tools in damp or wet locations. Keep work area well lit. Do not use tools in the presence of flammable liquids or gases.
- **Guard against electric shock.** Avoid body contact with earthed or grounded surfaces (e.g., pipes, radiators, ranges, refrigerators).
- **Keep other persons away.** Do not let persons, especially children, be involved in the work, touch the tool or the extension cord, and keep them away from the work area.
- **Store idle tools.** When not in use, tools should be stored in a dry locked-up place, out of reach of children.
- **Do not force the tool.** It will do the job better and safer at the rate for which it was intended.
- **Use the right tool.** Do not use small tools to do the job of a heavy duty tool. Do not use tools for purposes not intended, for example, do not use circular saws to cut tree limbs or logs.
- **Dress properly.** Do not wear loose clothing or jewellery, they can be caught in moving parts. Non-skid footwear is recommended when working outdoors. Wear protective hair covering to contain long hair.
- **Use protective equipment.** Use safety glasses. Use face or dust mask if working operations create dust.
- **Connect dust extraction equipment.** If the tool is provided for the connection of dust extraction and collecting equipment, ensure these are connected and properly used.
- **Do not abuse the cord.** Never yank the cord to disconnect it from the socket. Keep the cord away from heat, oil and sharp edges.
- **Secure work.** Where possible, use clamps or a vice to hold the work. It is safer than using your hand.
- **Do not overreach.** Keep proper footing and balance at all times.
- **Maintain tools with care.** Keep cutting tools sharp and clean for better and safer performance. Follow instruction for lubricating and changing accessories. Inspect tool cords periodically and if damaged, have them repaired by an authorized service facility. Inspect extension cords periodically and replace if damaged. Keep handles dry, clean and free from oil and grease.
- **Disconnect tools.** When not in use, before servicing and when changing accessories such as blades, bits and cutters, disconnect tools from the power supply.
- **Remove adjusting keys and wrenches.** Form the habit of checking to see that keys and adjusting wrenches are removed from the tool before turning it on.
- **Avoid unintentional starting.** Ensure switch is in "off" position when plugging in.
- **Use outdoor extension leads.** When the tool is used outdoors, use only extension cords intended for outdoor use and so marked.
- **Stay alert.** Watch what you are doing, use common sense and do not operate the tool when you are tired, under the influence of any drugs, alcohol, or medication that could affect your ability to use the tool properly.
- **Check damaged parts.** Before further use of tool, it should be carefully checked to determine that it will operate properly and perform its intended function. Check for alignment of moving parts, binding of moving parts, breakage of parts, mounting and any other conditions that may affect its operation. A guard or other part that is damaged should be properly repaired or replaced by an authorized service centre unless otherwise indicated in this instruction manual. Have defective switches replaced by an authorized service centre.
- **Do not use the tool if the switch does not turn it on and off.**
- **Warning.** The use of any accessory or attachment other than the one recommended in this instruction manual may present a risk of personal injury.
- **Have your tool repaired by a qualified person.** This electric tool complies with the relevant safety rules. Repairs should only be carried out by qualified persons using original spare parts otherwise this may result in considerable danger to the user.



BELT / DISC SANDER SAFETY WARNINGS

- Do not operate the tool until it is completely assembled and installed according to the instructions.
- Provide adequate general or localized lighting.
- Before work, check that the machine is placed on an even surface with sufficient stability. For your own safety, always mount the machine to a work bench using bolts.
- Keep the surrounding area of the machine well maintained and free of loose materials, such as chips and cut-offs.
- Make sure the sanding belt is installed in the correct direction. See directional arrow on back of belt.
- Always have the tracking adjusted properly so the belt does not run off the pulleys.
- Do not use sanding belts or pads that are damaged, torn, or loose. Use only correct size sanding belt and pad.
- Always sand on the downward side of the sanding disc when using the disc sander. Sanding on the upward side of the disc can cause the workpiece to fly out of position, resulting in injury.
- Never perform layout, assembly or set-up work on the table while the sander is operating.
- Always hold the workpiece firmly when sanding.
- Use clamps or a vise to hold work when practical.
- To minimize risk of tipping machine, always support long workpieces.
- Never sand more than one workpiece at a time. Do not stack more than one workpiece on the machine base at a time.
- Do not sand with the workpiece unsupported. Do not sand pieces of material that are too small to be safely supported.
- Avoid awkward operations and hand positions where a sudden slip could cause your hand to move into the sanding belt or disc.
- Avoid kickback by sanding in accordance with directional arrows.
- Always maintain a clearance of 1.6 mm between the work table and the machine.
- Never stand or have any part of your body in line with the path of the workpiece.
- Machine should never be connected to power supply when you are assembling parts, making adjustments, or when not in use.
- Never leave tool running unattended. Do not leave tool until it comes to a complete stop.
- If the power supply cord is damaged or otherwise defective, it must only be replaced by the manufacturer or by an authorized repair agent.
- We recommend the use of a residual current device with a residual current rating of 30mA or less.

RESIDUAL RISKS

Even when the product is used as prescribed, it is still impossible to completely eliminate certain residual risk factors. The following hazards may arise and the operator should pay special attention to avoid the following:

- Risk of contact with sanding belt or disc.
- Burn hazard from contact with hot belt or disc or work piece.
- Damage to respiratory system if effective dust mask is not worn.
- Damage to hearing if effective hearing protection is not worn.

KNOW YOUR PRODUCT

See page 85.

1. Sanding stopper
2. Sanding belt
3. Tracking control knob
4. Belt tension lever
5. Sanding pad
6. On/off switch
7. Bevel scale
8. Dust port
9. Table bevel angle adjustment knob
10. Mitre angle adjustment knob
11. Mitre scale
12. Mitre guide
13. Work table

MAINTENANCE

- Do not modify the product in any way or use accessories not approved by the manufacturer. Your safety and that of others may be compromised.
- Do not use the product if any switches, guards or other functions does not work as intended. Return to an authorised service centre for professional repair or adjustment.
- Do not make any adjustments whilst the product is running.
- Always make sure the power plug has been removed from the mains power source before making adjustments, lubricating or when doing any maintenance on the product.
- Before and after each use, check the product for damage or broken parts. Keep the product in top working condition by immediately replacing parts with spares approved by the manufacturer.
- Clean out accumulated dust using a brush or vacuum cleaner. Do not use compressed air.
- To assure safety and reliability, all repairs, including changing brushes, should be performed by an authorised service centre.



- If the power supply cord is damaged, it must be replaced only by the manufacturer or by an authorised service centre to prevent damage to the belt/disc sander or risk of electrocution.

⚠ WARNING
 For greater safety and reliability, all repairs should be performed by an Authorised Ryobi Service Centre.

TRANSPORTATION AND STORAGE

- When storing the product, disconnect the power cord. Store the product in a secure place that is not accessible to children.
- Clean the product using a brush and vacuum cleaner before storage.

ENVIRONMENTAL PROTECTION



Recycle raw materials instead of disposing of as waste. The machine, accessories and packaging should be sorted for environmental-friendly recycling.

SYMBOL



Safety alert



CE conformity



Please read the instructions carefully before starting the machine.



Wear ear protection



Wear eye protection



No hands symbol



Size of sanding belt



Size of sanding pad



Size of work table



Do not remove the cover.



Waste electrical products should not be disposed of with household waste. Please recycle where facilities exist. Check with your Local Authority or retailer for recycling advice.

SYMBOLS IN THIS MANUAL



Plug in the product.



Unplug the product.



Parts or accessories sold separately

The following signal words and meanings are intended to explain the levels of risk associated with this product:

⚠ DANGER

Indicates an imminently hazardous situation, which, if not avoided, will result in death or serious injury.

⚠ WARNING

Indicates a potentially hazardous situation, which, if not avoided, could result in death or serious injury.

⚠ CAUTION

Indicates a potentially hazardous situation, which, if not avoided, may result in minor or moderate injury.

CAUTION

(Without Safety Alert Symbol) Indicates a situation that may result in property damage.



Votre ponceuse à disque/bande a été conçue en donnant priorité à la sécurité, à la performance et à la fiabilité.

UTILISATION PRÉVUE

Cette ponceuse à disque/bande est conçue pour être utilisée uniquement sur du bois et des produits en bois. Utiliser ce produit et un collecteur de poussière avec des produits en métal entraîne un risque d'incendie.

Ce produit est conçu pour être utilisé uniquement par du personnel correctement formé et expérimenté. Si vous n'êtes pas sûr de savoir utiliser le produit de manière sûre et correcte, ne l'utilisez pas avant d'avoir suivi une formation appropriée et avant d'avoir obtenu les connaissances nécessaires.

AVERTISSEMENTS GÉNÉRAUX DE SÉCURITÉ

AVERTISSEMENT

Lors de l'utilisation d'appareils électriques, il convient de respecter certaines précautions de sécurité de base afin de réduire les risques d'incendie, de décharge électrique et de blessure. Lisez toutes les instructions avant de tenter d'utiliser l'appareil et conservez ce manuel.

- **Gardez la zone de travail propre.** Les établis et les zones de travail encombrés sont propices aux blessures.
- **Prenez en considération l'environnement de travail.** N'exposez pas les outils à la pluie. N'utilisez pas d'outils en environnement humide ou mouillé. Gardez la zone de travail bien éclairée. N'utilisez pas d'outils en présence de gaz ou de liquides inflammables.
- **Protégez-vous des décharges électriques.** Évitez que votre corps entre en contact avec des surfaces reliées à la terre (par ex. tuyaux, radiateurs, cuisinières, réfrigérateurs).
- **Éloignez les autres personnes.** Ne laissez pas d'autres personnes, en particulier des enfants, intervenir dans votre travail ou toucher l'outil ou son câble d'alimentation, et éloignez-les de la zone de travail.
- **Rangez les outils inutilisés.** Les outils non utilisés doivent être rangés en un endroit sec, verrouillé et hors de portée des enfants.
- **Ne faites pas forcer l'outil.** Il effectuera un meilleur travail dans de meilleures conditions de sécurité s'il est utilisé dans les limites de ses capacités.
- **Utilisez un outil approprié.** Ne forcez pas sur un petit outil dans le but de lui faire effectuer un travail pour lequel un outil de plus grande puissance serait mieux adapté. N'utilisez pas un outil pour un usage pour lequel il n'a pas été conçu, par exemple, ne tentez pas de couper des branches ou des bûches à l'aide d'une scie circulaire.
- **Habilitez-vous de manière adaptée.** Ne portez pas de vêtements ou de bijoux amples, ils pourraient être happés par des pièces en mouvement. Il est recommandé de porter des chaussures antidérapantes lorsque vous travaillez à l'extérieur. Contenez les cheveux longs avec une protection adaptée.
- **Utilisez des équipements de protection.** Portez des lunettes de sécurité. Portez un masque facial ou un masque anti-poussière si l'opération produit de la poussière.
- **Connectez un dispositif d'aspiration des poussières.** Si un outil est prévu pour être relié à un dispositif d'aspiration et de collecte des poussières, assurez-vous que ce dispositif est en place et qu'il est utilisé de façon correcte.
- **Ne maltraitez pas le cordon.** Ne tirez jamais sur le câble d'alimentation pour le débrancher du secteur. Tenez le câble d'alimentation éloigné de la chaleur, des graisses et des bords coupants.
- **Sécurisez le travail.** Lorsque cela est possible, bloquez la pièce à travailler dans un étau ou avec des serre-joints. Ceci est plus sûr que d'utiliser votre main.
- **Ne travaillez pas en extension.** Gardez une position et un équilibre adaptés à tout moment.
- **Entretenez soigneusement les outils.** Gardez les outils de coupe propres et bien affûtés pour de meilleures performances et une sécurité accrue. Suivez les instructions concernant la lubrification et le changement d'accessoires. Vérifiez périodiquement les câbles d'alimentation des outils et faites-les remplacer par un service après-vente agréé en cas de dommage. Vérifiez régulièrement les rallonges électriques et remplacez-les en cas de dommage. Gardez les poignées propres, sèches, et exemptes d'huile et de graisse.
- **Débranchez les outils.** Débranchez les outils du secteur lorsque vous ne les utilisez pas, avant de les entretenir et lorsque vous en changez des accessoires tels que lames, forets et accessoires de coupe.
- **Retirez les clés et outils de réglage.** Prenez l'habitude de vérifier que les clés et outils de réglage ont été retirés de l'outil avant de le mettre en marche.
- **Prévenez les mises en marche accidentelles.** Assurez-vous que l'interrupteur est en position « off » (arrêt) avant de brancher l'outil.
- **Utilisez des rallonges prévues pour un usage extérieur.** Lorsque vous utilisez un outil à l'extérieur, n'utilisez que des rallonges prévues pour être utilisées à cet effet et marquées comme telles.
- **Restez vigilant.** Regardez ce que vous faites et faites preuve de bon sens. N'utilisez pas d'outils lorsque vous êtes sous l'influence de la drogue, de l'alcool ou de médicaments.
- **Vérifiez qu'aucune pièce n'est endommagée.** Avant de continuer à utiliser l'outil, vérifiez-le avec soin pour vous assurer qu'il peut fonctionner correctement et remplir sa fonction initiale. Vérifiez que les pièces en mouvement sont bien alignées et non tordues,



qu'aucune pièce n'est cassée ou mal montée, et qu'aucun autre problème n'est susceptible d'affecter le bon fonctionnement de l'appareil. Une protection ou toute autre pièce endommagée doit être correctement remplacée ou réparée par un service après-vente agréé sauf avis contraire dans ce manuel utilisateur. Faites remplacer les interrupteurs défectueux par un service après-vente agréé.

- **N'utilisez pas l'outil si son interrupteur marche/arrêt est inopérant.**
- **Avertissement.** L'utilisation d'accessoires ou d'additifs autres que ceux recommandés dans ce manuel peut entraîner un risque de blessures.
- **Faites réparer votre outil par du personnel qualifié.** Cet outil électrique est conforme aux règles de sécurité le concernant. Les réparations ne doivent être effectuées que par du personnel qualifié utilisant des pièces de rechange d'origine; dans le cas contraire, l'utilisateur s'exposerait à de graves dangers.

AVERTISSEMENTS DE SÉCURITÉ RELATIFS À LA PONCEUSE À DISQUE/BANDE

- N'utilisez pas le produit avant qu'il ne soit entièrement assemblé et installé conformément aux instructions.
- Fournissez un éclairage général ou ponctuel adéquat.
- Avant de travailler, vérifiez que la machine repose sur une surface plane offrant une stabilité suffisante. Pour votre propre sécurité, montez toujours la machine sur un établi à l'aide de boulons.
- Gardez les alentours de la machine propres et exempts de matériaux épars, tels que copeaux et chutes.
- Assurez-vous que la bande de la ponceuse est installée dans la bonne direction. Voir les flèches de direction à l'arrière de la bande.
- Ajustez toujours correctement les repères pour que la bande ne sorte pas des poulies.
- N'utilisez pas des bandes ou patins de ponceuse endommagés, usés ou lâches. Utilisez des bandes et patins de ponceuse de la bonne taille.
- Poncez toujours sur le côté arrière du disque en cas d'utilisation d'une ponceuse à disque. En ponçant sur la partie avant du disque, la pièce à usiner risque d'être projetée et causer des blessures.
- N'effectuez jamais des tâches de mise en place, assemblage ou réglage sur la table lorsque le produit est en service.
- Maintenez toujours fermement la pièce à usiner lors du ponçage.
- Maintenez la pièce à l'aide d'un étai ou de serre-joints lorsque cela est plus pratique.
- Pour minimiser le risque de basculement de la machine, soutenez toujours les longues pièces.
- Ne poncez jamais plus d'une pièce à la fois. N'empilez pas plusieurs pièces à couper sur la base de la machine.

- Ne poncez jamais sans soutenir la pièce à usiner. Ne poncez jamais des morceaux trop petits pour être bien soutenus.
- Évitez les positions bizarres et les positions des mains où une glissade soudaine peut entraîner un déplacement des mains dans la bande ou le disque de ponçage.
- Évitez le recul en ponçant conformément aux flèches de direction.
- Respectez toujours un écart de 1,6 mm entre la table de travail et la machine.
- Ne vous tenez jamais debout et n'ayez jamais une partie du corps alignée sur le chemin de la pièce à usiner.
- La machine ne doit jamais être raccordée à l'alimentation électrique lorsque vous assemblez des pièces, faites des réglages ou lorsqu'elle n'est pas utilisée.
- Ne laissez jamais la machine fonctionner sans surveillance. Ne vous éloignez pas de l'outil avant son arrêt complet.
- Si le câble d'alimentation électrique est endommagé ou défectueux, il doit être exclusivement remplacé par le fabricant ou par un réparateur agréé.
- Nous vous recommandons d'utiliser un disjoncteur différentiel d'une sensibilité maximale de 30mA.

RISQUES RÉSIDUELS

Même lorsque le produit est utilisé selon les prescriptions, il reste impossible d'éliminer totalement certains facteurs de risque résiduels. Les dangers suivants risquent de se présenter en cours d'utilisation et l'utilisateur doit prêter particulièrement garde aux points suivants :

- Risque de contact avec la bande ou le disque de ponçage.
- Risque de brûlure en cas de contact avec la bande, le disque ou la pièce de travail chaude.
- Atteinte au système respiratoire en cas de non-port d'un masque anti-poussière.
- Atteinte à l'audition en cas de non-port d'une protection auditive.

APPRENEZ À CONNAÎTRE VOTRE PRODUIT

Voir la page 85.

1. Bloqueur de ponçage
2. Bande abrasive
3. Molette de calage de la bande
4. Levier de serrage de la bande
5. Patin
6. Interrupteur marche/arrêt
7. Echelle d'inclinaison
8. Buse d'aspiration
9. Bouton de réglage de l'angle de biseau de la table
10. Bouton de réglage de l'angle de l'onglet
11. Graduation de l'onglet
12. Guide d'onglet



13. Table de travail

ENTRETIEN

- Ne modifiez le produit d'aucune façon et n'utilisez aucun accessoire non recommandé par le fabricant. Votre sécurité et celle des autres pourraient en être affectée.
- N'utilisez pas le produit si un de ses interrupteurs, une de ses protections ou autre élément de fonctionne pas correctement. Retournez-le à un service après-vente agréé pour le faire remplacer ou réparer de façon professionnelle.
- N'effectuez aucun réglage lorsque le produit est allumé.
- Assurez-vous toujours que la prise a été débranchée du secteur avant d'effectuer des réglages, de procéder à une lubrification ou d'effectuer toute opération d'entretien sur le produit.
- Avant et après chaque utilisation du produit, vérifiez l'absence de dommages et d'éléments abîmés. Gardez le produit en parfait état de fonctionnement en remplaçant immédiatement les pièces avec des pièces détachées agréées par le fabricant.
- Retirez la sciure accumulée à l'aide d'un pinceau ou d'un aspirateur. N'utilisez pas de l'air comprimé.
- Pour plus de sécurité et de fiabilité, toutes les réparations, changement des charbons compris, doivent être effectuées par un service après-vente agréé.
- Si le câble d'alimentation est endommagé, il ne doit être remplacé que par le fabricant ou par un service après-vente agréé, afin d'éviter d'endommager la meule et tout risque d'électrocution.

AVERTISSEMENT

Pour plus de sécurité et de fiabilité, toutes les réparations doivent être effectuées par un service après-vente agréé Ryobi.

TRANSPORT ET STOCKAGE

- Lors du stockage du produit, débranchez le câble d'alimentation. Rangez le produit dans un endroit sûr, hors de portée des enfants.
- Nettoyez le produit à l'aide d'un pinceau ou d'un aspirateur avant de le ranger.

PROTECTION DE L'ENVIRONNEMENT



Recyclez les matières premières au lieu de les jeter avec les ordures ménagères. Pour protéger l'environnement, l'outil, les accessoires et les emballages doivent être triés.

SYMBOLE



Alerte de sécurité



Conformité CE



Veuillez lire attentivement le mode d'emploi avant de démarrer la machine.



Portez une protection auditive



Portez une protection oculaire



Symbole pas de main



Dimensions de la bande abrasive



Taille du patin



Taille de la table de travail



Ne pas retirer le cache.



Les produits électriques hors d'usage ne doivent pas être jetés avec les ordures ménagères. Recyclez-les par l'intermédiaire des structures disponibles. Contactez les autorités locales ou votre distributeur pour vous renseigner sur les conditions de recyclage.

SYMBOLES PRÉSENTS DANS LE MANUEL



Branchez le produit.



Débranchez le produit.



Pièces détachées et accessoires vendus séparément

Les symboles suivants, et les noms qui leur sont associés, permettent d'expliquer les différents niveaux de risques liés à l'utilisation de cet outil.

DANGER

Imminence d'un danger qui, si l'on n'y prend garde, peut entraîner des blessures graves voire mortelles.

AVERTISSEMENT

Situation potentiellement dangereuse qui, si l'on n'y prend garde, peut entraîner des blessures graves voire mortelles.

ATTENTION

Situation potentiellement dangereuse qui, si l'on n'y prend garde, peut entraîner des blessures moyennes ou légères.

ATTENTION

(Sans symbole de sécurité) Indique une situation pouvant provoquer des dommages matériels.



Sicherheit, Leistung und Zuverlässigkeit hatten oberste Priorität bei der Entwicklung Ihres Band-/Scheibenschleifers.

BESTIMMUNGSGEMÄSSE VERWENDUNG

Dieser Band-/Scheibenschleifer wurde ausschließlich zur Nutzung mit Holz und Holzprodukten entwickelt. Bei der Nutzung dieses Geräts und einem Staubfänger zusammen mit Metallprodukten entsteht eine potenzielle Brandgefahr.

Dieses Gerät wurde ausschließlich zur Nutzung durch angemessen geschulte und erfahrene Personen entwickelt. Wenn Sie nicht mit dem korrekten und sicheren Betrieb des Geräts vertraut sind, nutzen Sie es erst, nachdem Sie eine angemessene Schulung absolviert und Kenntnisse erworben haben.

ALLGEMEINE SICHERHEITSWARNUNGEN

WARNUNG

Bei der Verwendung elektrischer Werkzeuge sollten immer einige grundlegende Sicherheitsvorkehrungen getroffen werden, um die Gefahr von Feuer, Stromschlag und Verletzungen zu verringern. Lesen Sie vor der Benutzung des Produkts die Anleitung vollständig durch und bewahren Sie die Anleitung auf.

- **Halten Sie den Arbeitsbereich frei.** Unordentliche Bereiche und Werkbänke können zu Unfällen führen.
- **Beachten Sie die Arbeitsumgebung.** Setzen Sie Werkzeuge nicht dem Regen aus. Verwenden Sie Werkzeuge nicht an feuchten oder nassen Orten. Beleuchten Sie den Arbeitsbereich gut. Benutzen Sie Werkzeuge nicht in der Nähe von brennbaren Flüssigkeiten oder Gasen.
- **Schutz vor Stromschlag.** Vermeiden Sie Körperkontakt mit geerdeten Oberflächen (z.B. Rohre, Heizkörper, Herde, Kühlschränke).
- **Halten Sie andere Personen fern.** Lassen Sie keine anderen Personen, insbesondere Kinder, sich an der Arbeit beteiligen, das Werkzeug oder Verlängerungskabel berühren, und halten Sie sie von dem Arbeitsbereich fern.
- **Aufbewahrung unbenutzter Werkzeuge.** Das Werkzeug sollte an einem trockenen und verschlossenen Ort außerhalb der Reichweite von Kindern aufbewahrt werden, wenn es nicht benutzt wird.
- **Betätigen Sie das Werkzeug nicht mit Gewalt.** Es wird die Arbeit mit der Geschwindigkeit, für die es ausgelegt wurde, besser und sicherer erledigen.
- **Benutzen Sie das richtige Werkzeug.** Verwenden Sie keine kleinen Werkzeuge mit Gewalt um Arbeiten auszuführen, für die ein leistungsstärkeres Werkzeug besser geeignet wäre. Verwenden Sie Werkzeuge nicht für Zwecke, für die sie nicht vorgesehen sind, zum Beispiel, benutzen Sie Kreissägen nicht um Äste oder Baumstämme zu sägen.
- **Tragen Sie geeignete Kleidung.** Tragen Sie keine lockere Kleidung oder Schmuck; diese könnten sich in beweglichen Teilen verfangen. Rutschfestes Schuhwerk wird für die Arbeit im Freien empfohlen. Tragen Sie eine schützende Haarbedeckung zum Zurückhalten langer Haare.
- **Benutzen Sie Schutzausrüstung.** Benutzen Sie eine Schutzbrille. Benutzen Sie eine Sicherheits- oder Staubmaske, wenn die Arbeitsbedingungen Staub erzeugen.
- **Schließen Sie ein Gerät zur Staubabsaugung an.** Wenn das Werkzeug über einen Anschluss zu Geräten zur Staubabsaugung und -sammlung verfügt, stellen Sie sicher, dass diese Geräte angeschlossen sind und ordentlich eingesetzt werden.
- **Das Stromkabel nicht überstrapazieren.** Ziehen Sie niemals am Kabel und den Stecker aus der Steckdose zu ziehen. Halten Sie das Kabel fern von Hitze, Öl, und scharfen Kanten.
- **Sichern Sie das Werkstück.** Benutzen Sie wenn möglich Klemmen oder einen Schraubstock um das Werkstück zu halten. Es ist sicherer, als Ihre Hand zu benutzen.
- **Vermeiden Sie eine abnormale Körperhaltung.** Sorgen Sie für einen sicheren Stand und halten Sie jederzeit das Gleichgewicht.
- **Pflegen Sie Werkzeuge.** Halten Sie Schneidwerkzeuge für eine bessere und sicherere Leistung scharf und sauber. Befolgen Sie die Anweisungen zum Ölen und dem Austausch von Zubehörteilen. Überprüfen Sie das Werkzeug regelmäßig und lassen es von einem autorisierten Kundendienst reparieren. Überprüfen Sie Verlängerungskabel regelmäßig und tauschen Sie sie bei Beschädigung aus. Halten Sie die Griffe trocken, sauber und frei von Öl und Schmierstoffen.
- **Trennen Sie die Werkzeuge von der Stromquelle.** Trennen Sie Werkzeuge vom Stromnetz, wenn sie nicht benutzt werden und Zubehörteile wie Klingen, Bits und Messer gewechselt werden.
- **Entfernen Sie Einstellhilfen und Schraubenschlüssel.** Machen Sie es sich zur Gewohnheit, vor Einschalten des Geräts zu prüfen, ob alle Einstellhilfen und Schraubenschlüssel etc. von dem Werkzeug entfernt wurden.
- **Vermeiden Sie unabsichtliches Starten.** Stellen Sie vor dem Einstecken des Steckers, das der Schalter in der "Aus" Position ist.
- **Benutzen Sie Verlängerungskabel, die zur Benutzung im Freien geeignet sind.** Verwenden Sie bei der Arbeit mit diesem Werkzeug im Freien nur Verlängerungskabel, die auch zum Gebrauch im Freien geeignet und entsprechend gekennzeichnet sind.
- **Blieben Sie wachsam.** Achten Sie auf das, was sie tun, und setzen Sie Ihren gesunden Menschenverstand ein. Verwenden Sie Ihr Gerät nicht, wenn Sie unter dem



Einfluss von Alkohol oder Drogen stehen, oder wenn Sie Medikamente einnehmen.

- **Überprüfen Sie beschädigte Teile.** Vor der weiteren Benutzung des Werkzeugs sollte es sorgfältig überprüft werden, um festzustellen, dass es ordnungsgemäß funktioniert und die vorgesehene Funktion erfüllt. Überprüfen Sie die Ausrichtung beweglicher Teile, ob bewegliche Teile klemmen, Beschädigungen von Teilen, Befestigungen und andere Umstände, die sich auf den Betrieb auswirken könnten. Eine Schutzvorrichtung oder ein anderes Teil, das beschädigt ist, muss, sofern in dieser Gebrauchsanweisung nichts anderes angegeben ist, durch den autorisierten Kundendienst ordnungsgemäß repariert oder ausgetauscht werden. Lassen Sie defekte Schalter durch einen autorisierten Kundendienst austauschen.
- **Verwenden Sie das Produkt nicht, falls es sich durch den Schalter nicht ein- und ausschalten lässt.**
- **Warnung.** Die Verwendung von anderen als den in diesen Anweisungen empfohlenen Zubehörteilen kann eine Gefahr von Körperverletzungen bedeuten.
- **Lassen Sie Ihr Werkzeug von einer qualifizierten Person reparieren.** Dieses Elektrowerkzeug erfüllt die entsprechenden Sicherheitsregeln. Reparaturen sollten nur von qualifizierten Personen mit Originalersatzteilen durchgeführt werden, sonst können beträchtliche Gefahren für den Benutzer entstehen.

SICHERHEITSHINWEISE ZUM BAND-/SCHEIBENSCHLEIFER

- Starten Sie das Gerät erst, nachdem es gemäß der Anleitung vollständig montiert und installiert wurde.
- Sorgen Sie für ausreichend allgemeine oder punktuelle Beleuchtung.
- Überprüfen Sie vor der Arbeit, dass die Maschine auf ebenem Untergrund mit ausreichender Stabilität steht. Montieren Sie zu Ihrer eigenen Sicherheit die Maschine immer mit Schrauben an eine Werkbank.
- Halten Sie den Bereich um die Maschine ordentlich und frei von losen Material, wie Sägespäne und Sägereste.
- Stellen Sie sicher, dass das Schleifband in die richtige Richtung läuft. Achten Sie auf den Richtungspfeil auf der Rückseite des Bands.
- Stellen Sie die Spur immer korrekt ein, damit das Band nicht von den Rollen läuft.
- Verwenden Sie keine beschädigten, rissigen oder losen Schleifbänder oder -pads. Nutzen Sie ausschließlich Schleifbänder und -pads in der richtigen Größe.
- Schleifen Sie bei Nutzung des Scheibenschleifers immer an der nach unten gerichteten Seite der Schleifscheibe. Beim Schleifen an der nach oben gerichteten Seite kann sich das Werkstück aus seiner Position lösen und Verletzungen verursachen.

- Arbeiten Sie niemals am Layout, der Montage oder der Einrichtung des Tisches, während das Gerät läuft.
- Halten Sie das Werkstück beim Schleifen immer sicher.
- Benutzen Sie Klemmen oder einen Schraubstock um das Werkstück zu halten, wenn das sinnvoll ist.
- Stützen Sie lange Werkstücke immer ab um das Risiko des Umkippens zu verringern.
- Schleifen Sie niemals mehrere Werkstücke gleichzeitig. Stapeln Sie nicht mehr als ein Werkstück auf dem Untergestell der Maschine.
- Schleifen Sie nicht, wenn das Werkstück nicht abgestützt wird. Schleifen Sie keine Werkstücke, die so klein sind, dass sie nicht sicher abgestützt werden können.
- Vermeiden Sie schwierige Arbeiten und Handpositionen, bei denen ein plötzliches Verrutschen dazu führen könnte, dass sich Ihre Hand in den Bandschleifer bzw. die Scheibe bewegt.
- Vermeiden Sie Rückstöße, indem Sie entsprechend den Richtungspfeilen schleifen.
- Lassen Sie immer eine Lücke von 1,6 mm zwischen dem Arbeitstisch und dem Gerät.
- Stellen Sie sich niemals direkt vor das Werkstück und halten Sie keinen Körperteil direkt vor das Werkstück.
- Das Gerät sollte niemals angeschlossen sein, wenn Sie Teile zusammensetzen, die Einstellungen korrigieren oder das Gerät nicht benutzt wird.
- Lassen Sie das Werkzeug während es sich in Betrieb befindet niemals unbeaufsichtigt. Verlassen Sie das Werkzeug nicht, bis es vollständig angehalten ist.
- Wenn das Netzkabel beschädigt oder defekt ist, darf es nur vom Hersteller oder einem autorisierten Kundendienst ersetzt werden.
- Wir empfehlen, eine Fehlerstromschutzschaltung mit einem Auslösestrom von 30mA oder weniger zu verwenden.

RESTRISIKEN

Sogar wenn das Produkt wie vorgeschrieben benutzt wird, ist es unmöglich ein gewisses Restrisiko vollständig auszuschließen. Die folgenden Gefahren können bei der Benutzung entstehen, und der Benutzer sollte besonders auf folgende Punkte achten:

- Risiko beim Kontakt mit dem Schleifband bzw. der Schleifscheibe
- Beim Kontakt mit dem heißen Schleifband bzw. der Schleifscheibe oder dem Werkstück besteht Verbrennungsgefahr.
- Verletzung des Atemsystems, wenn eine wirksame Staubmaske nicht getragen wird.
- Schäden am Gehör, wenn ein wirksamer Gehörschutz nicht getragen wird.





MACHEN SIE SICH MIT IHREM PRODUKT VERTRAUT

Siehe Seite 85.

1. Schleifanschlag
2. Schleifband
3. Bandlaufknopf
4. Bandspannscheibel
5. Schleifschuh
6. Ein-/Ausschalter
7. Neigungsskala
8. Absaugdüse
9. Einstellungsknopf für den Tischwinkel
10. Einstellungsknopf für den Gehrungswinkel
11. Gehrungsskala
12. Gehrungsschiene
13. Arbeitstisch

WARTUNG UND PFLEGE

- Verändern Sie das Produkt nicht auf irgendeine Weise oder verwenden Zubehör das nicht vom Hersteller empfohlen ist. Ihre Sicherheit und die anderer könnte beeinträchtigt sein.
- Benutzen Sie das Produkt nicht, wenn irgendwelche Schalter oder andere Funktionen nicht wie vorgesehen funktionieren. An einen autorisierten Kundendienst zur professionellen Reparatur oder Einstellung zurückgeben.
- Verändern Sie die Einstellungen nicht, während das Gerät läuft.
- Stellen Sie sicher, dass der Netzstecker aus der Steckdose gezogen ist, bevor Sie Einstellungen vornehmen, schmieren oder andere Wartungsarbeiten an dem Produkt durchführen.
- Überprüfen Sie das Produkt vor und nach jeder Benutzung auf Schäden und beschädigte Teile. Halten Sie das Produkt in optimalem Betriebszustand, indem sie Teile sofort mit vom Hersteller empfohlenen Ersatzteilen ersetzen.
- Reinigen Sie angesammelten Staub mit einer Bürste oder Staubsauger. Nutzen Sie keine Druckluft.
- Alle Reparaturen, einschließlich dem Wechseln der Bürsten, sollten zur besseren Sicherheit und Zuverlässigkeit von einem autorisierten Kundendienst durchgeführt werden.
- Wenn das Netzkabel beschädigt ist darf es nur vom Hersteller oder einem autorisierten Kundendienst ersetzt werden, um Gefahren zu vermeiden.

⚠️ WARNUNG

Für eine höhere Sicherheit und Zuverlässigkeit müssen alle Reparaturen von einem autorisierten Ryobi-Kundendienst durchgeführt werden.

TRANSPORT UND AUFBEWAHRUNG

- Trennen Sie das Netzkabel, wenn Sie das Produkt lagern. Lagern Sie das Produkt an einem sicheren Ort, der für Kinder nicht zugänglich ist.
- Reinigen Sie das Produkt mit einer Bürste und einem Staubsauger, bevor Sie es einlagern.

UMWELTSCHUTZ



Recyceln Sie die Rohstoffe, anstatt sie im Haushaltsabfall zu entsorgen. Zum Schutz der Umwelt müssen das Gerät, die Zubehörteile und die Verpackungen getrennt entsorgt werden.

SYMBOL



Sicherheitswarnung



CE Konformität



Bitte lesen Sie die Anweisungen sorgfältig, bevor Sie das Gerät einschalten.



Gehörschutz tragen



Augenschutz tragen



Symbol für nicht anfassen



Größe Schleifband



Größe: Schleifschuh



Größe: Arbeitstisch



Abdeckung nicht entfernen.



EN
FR
DE
ES
IT
NL
PT
DA
SV
FI
NO
RU
PL
CS
HU
RO
LV
LT
ET
HR
SL
SK
EL
TR
UK



Elektrische Geräte sollten nicht mit dem übrigen Müll entsorgt werden. Bitte entsorgen Sie diese an den entsprechenden Entsorgungsstellen. Wenden Sie sich an die örtliche Behörde oder Ihren Händler, um Auskunft über die Entsorgung zu erhalten.

SYMBOLE IN DER BEDIENUNGSANLEITUNG



Verbinden Sie das Gerät mit dem Stromnetz.



Stecken Sie das Werkzeug aus.



Teile oder Zubehör getrennt erhältlich

Mit den folgenden Symbolen wird die Bedeutung der verschiedenen Risikostufen, die mit dem Produkt einhergehen, dargestellt.

⚠ GEFAHR

Bezeichnet eine unmittelbare Gefahrensituation, die, falls nicht vermieden, zum Tode oder schweren Verletzungen führen kann.

⚠ WARNUNG

Bezeichnet eine mögliche Gefahrensituation, die, falls nicht vermieden, zum Tode oder schweren Verletzungen führen kann.

⚠ ACHTUNG

Bezeichnet eine mögliche Gefahrensituation, die, falls nicht vermieden, zu kleineren und mittleren Verletzungen führen kann.

ACHTUNG

(Ohne Warnsymbol) weist auf eine Situation hin, die zu Sachschaden führen kann.



La seguridad, el rendimiento y la fiabilidad han sido las máximas prioridades a la hora de diseñar esta lijadora de banda/disco.

USO PREVISTO

Esta lijadora de banda/disco está concebida para ser utilizada únicamente con madera y productos de madera. El uso de este producto y un recolector de polvo con productos metálicos constituye un riesgo potencial de incendio.

Este producto está diseñado y concebido para ser usado únicamente por personal con la formación y experiencia adecuadas. Si no está familiarizado con el funcionamiento correcto y seguro del producto, no lo utilice hasta que haya adquirido la formación y los conocimientos adecuados.

ALERTA DE SEGURIDAD GENERAL

⚠ ADVERTENCIA

Quando use herramientas eléctricas, siempre deben seguirse las precauciones básicas de seguridad para reducir el riesgo de incendio, descarga eléctrica y lesiones personales. Lea todas las instrucciones antes de utilizar el producto y guarde estas instrucciones.

- **Mantenga el área de trabajo limpia.** Las áreas y los bancos de trabajo desordenados propician los daños corporales.
- **Tenga en cuenta el entorno del área de trabajo.** No exponga las herramientas a la lluvia. No utilice herramientas en lugares húmedos o mojados. Mantenga limpia el área de trabajo. No utilice las herramientas en presencia de líquidos o gases inflamables.
- **Protección contra descargas eléctricas.** Evite el contacto corporal con superficies conectadas a tierra (por ejemplo, tuberías, radiadores, estufas y refrigeradores).
- **Mantenga a otras personas alejadas.** No deje que otras personas, especialmente niños, participen en el trabajo, toquen la herramienta o el alargador, y manténgalos alejados del área de trabajo.
- **Guarde las herramientas inactivas.** Cuando no esté en uso, la herramienta debe guardarse en un lugar seco, bajo llave, fuera del alcance de los niños.
- **No fuerce la herramienta.** Realizará un trabajo mejor y más seguro a la velocidad para la que ha sido diseñada.
- **Utilice la herramienta adecuada.** No utilice herramientas pequeñas para realizar el trabajo de una grande. No utilice las herramientas para otros fines distintos de los previstos, por ejemplo, no utilice sierras circulares para cortar ramas o troncos de árboles.
- **Vistase adecuadamente.** No utilice ropa holgada o joyas, ya que pueden quedar atrapados en las piezas móviles. Para trabajos exteriores se recomienda

calzado antideslizante. Use cobertura de protección para el cabello para amarrar el cabello largo.

- **Utilice un equipo de protección.** Utilice gafas de seguridad. Utilice una mascarilla para la cara o contra el polvo en caso de que el trabajo origine polvo.
- **Conecte el equipo aspirador de polvo.** Si existe una herramienta para la conexión de accesorios de recogida y extracción de polvo, asegúrese de que está conectada y que se utilizan adecuadamente.
- **Utilice correctamente el cable.** Nunca tire del cable para desenchufarlo. Mantenga el cable lejos de fuentes de calor, aceite y bordes afilados.
- **Fije la pieza de trabajo.** Si es posible, utilice abrazaderas o un torno de banco para sujetar el trabajo. Es más seguro que utilizar la mano.
- **No realice sobreesfuerzos.** Mantenga un equilibrio adecuado en todo momento.
- **Utilice las herramientas con cuidado.** Mantenga las herramientas de corte afiladas y limpias para que realicen un trabajo mejor y más seguro. Siga las instrucciones de lubricación y cambio de accesorios. Inspeccione periódicamente los cables y si están dañados llévelos a un centro de servicio autorizado. Revise las prolongaciones periódicamente y sustitúyalas si están dañadas. Mantenga las asas secas, limpias y libres de aceite y grasa.
- **Desconecte las herramientas.** Desenchufe las herramientas cuando no se encuentren en uso, antes de realizar cualquier reparación y cuando cambie accesorios como hojas, puntas y cuchillas.
- **Retire las llaves de ajuste.** Compruebe siempre que las llaves de ajuste no se encuentran en la herramienta antes de encenderla.
- **Evite el arranque accidental de la herramienta.** Asegúrese de que el interruptor se encuentra en la posición "off" cuando enchufe la herramienta.
- **Utilice alargadores para exterior.** Cuando utilice una herramienta al aire libre, utilice únicamente cables de extensión que estén destinados para uso en exteriores y que así lo indiquen.
- **Manténgase alerta.** Fíjese siempre en lo que está haciendo y utilice el sentido común. No use su herramienta si está bajo los efectos del alcohol o de drogas, o si toma medicamentos.
- **Compruebe que no haya piezas dañadas.** Antes de seguir utilizando la herramienta, esta deberá ser minuciosamente comprobada para determinar si va a funcionar adecuadamente y realizar su función prevista. Compruebe la alineación y el acoplamiento de las piezas móviles, la rotura de piezas, el montaje y cualquier otro problema que pueda afectar a su funcionamiento. Una protección u otra parte que esté dañada debería ser debidamente reparada o sustituida en el centro de servicio autorizado a menos que se indique lo contrario en este manual de instrucciones. Los enchufes defectuosos deben ser sustituidos por un centro de reparación autorizado.





- **No utilice la herramienta si el interruptor no enciende ni apaga.**
- **Advertencia.** El uso de cualquier accesorio o complemento no recomendado en este manual de instrucciones puede suponer un riesgo de lesión personal.
- **La herramienta deberá ser reparada por personal cualificado.** Esta herramienta eléctrica cumple con las normas de seguridad correspondientes. Las reparaciones sólo deberán ser realizadas por personal cualificado y utilizando recambios originales, en caso contrario podría producirse un grave peligro para el usuario.
- Evite realizar operaciones y posiciones de mano complicadas en las que un deslizamiento repentino podría provocar que la mano se desplazase hacia la banda o disco de lijado.
- Evite los contragolpes lijando de conformidad con las flechas de dirección.
- Siempre mantenga una distancia de seguridad de 1,6 mm entre la mesa de trabajo y la máquina.
- Nunca permanezca ni tenga una parte del cuerpo en línea con la trayectoria de la pieza de trabajo.
- La máquina no debe conectarse nunca a la fuente de alimentación cuando esté montando piezas, realizando ajustes o cuando no esté en uso.
- Nunca deje desatendida una herramienta en funcionamiento. No suelte la herramienta hasta que se detenga por completo.

ADVERTENCIAS DE SEGURIDAD DE LA LIJADORA DE BANDA/DISCO

- No utilice el producto hasta que esté completamente montado e instalado de conformidad con las instrucciones.
- Provea una iluminación general o localizada adecuada.
- Antes de trabajar, compruebe que la máquina está situada en una superficie uniforme con suficiente estabilidad. Para su propia seguridad, siempre monte la máquina en una mesa de trabajo fijada con tornillos.
- Mantenga el área alrededor de la máquina bien conservada y sin materiales sueltos, tales como pedazos de piezas y desperdicios.
- Asegúrese de que la banda de la lijadora está instalada en la dirección correcta. Mire la flecha de dirección situada en la parte trasera de la banda.
- Ajuste correctamente la alineación para que la banda no se salga de las correas.
- No utilice bandas ni almohadillas de lijado que estén dañadas, desgastadas o sueltas. Utilice únicamente bandas y almohadillas de lijado del tamaño correcto.
- Lije siempre sobre la parte descendente del disco de lijado cuando utilice la lijadora de disco. Lijar sobre la parte ascendente del disco puede provocar que la pieza de trabajo salga despedida de su posición y cause lesiones.
- Nunca realice trabajos de maquetación, montaje o acondicionamiento sobre la mesa mientras el producto esté en marcha.
- Siempre mantenga firme la pieza de trabajo cuando lije.
- Utilice abrazaderas o un tornillo para sostener la pieza cuando sea adecuado.
- Para minimizar el riesgo de que la máquina se incline, apoye siempre las piezas de trabajo largas.
- Nunca lije más de una pieza de trabajo al mismo tiempo. No coloque más de una pieza de trabajo en la base de la máquina al mismo tiempo.
- No lije con la pieza de trabajo sin apoyar. No lije piezas de material demasiado pequeñas para poder apoyar de forma segura.
- Si el cable de alimentación está dañado o defectuoso, debe ser sustituido por el fabricante o por un agente de reparación autorizado.
- Recomendamos el uso de un dispositivo de corriente residual con un rango de corriente residual de 30mA o menos.

RIESGOS RESIDUALES

Incluso cuando se utiliza el producto según las instrucciones, sigue siendo imposible eliminar por completo ciertos factores de riesgo residuales. Pueden surgir los siguientes riesgos durante el uso y el operador debe prestar especial atención para evitar lo siguiente:

- Riesgo de contacto con la banda o disco de lijado.
- Riesgo de quemaduras en contacto con la banda, disco o pieza de trabajo caliente.
- Existe el riesgo de lesiones en el sistema respiratorio en caso de que no se utilice una mascarilla antipolvo eficaz.
- Daños auditivos si no se utiliza una protección auditiva eficaz.

CONOZCA EL PRODUCTO

Consulte la página 85.

1. Válvula de seguridad de lijado
2. Lijadora de banda
3. Perilla de control de alineación
4. Palanca de tensión de la banda
5. Patín
6. Interruptor de encendido/apagado
7. Escala de inclinación
8. Boquilla de aspiración
9. Perilla de ajuste de ángulo del bisel de la mesa
10. Perilla de ajuste de ángulo del inglete
11. Escala del inglete
12. Guía de inglete
13. Mesa de trabajo

**MANTENIMIENTO**

- No modifique el producto de ningún modo ni utilice accesorios no aprobados por el fabricante. Su seguridad y la de los demás pueden verse amenazadas.
- No utilice el producto si alguno de los interruptores, protecciones u otras funciones no funcionan según lo previsto. Vaya a un centro de servicio autorizado para ajustes o reparaciones profesionales.
- No realice ajustes mientras la máquina esté en funcionamiento.
- Asegúrese siempre de que el cable de alimentación ha sido retirado de la red eléctrica antes de realizar cualquier ajuste u operaciones de lubricación o al realizar operaciones de mantenimiento en el producto.
- Antes y después de cada uso, compruebe que no hay daños ni piezas rotas en el producto. Mantenga el producto en las mejores condiciones de trabajo sustituyendo de inmediato las piezas por repuestos aprobados por el fabricante.
- Limpie el polvo acumulado utilizando un cepillo o aspirador. No utilice aire comprimido.
- Para garantizar la seguridad y fiabilidad, todas las reparaciones, incluyendo el cambio de escobillas, deben ser realizadas por un centro de servicio autorizado.
- Si el cable de alimentación está dañado, debería ser reemplazado únicamente por el fabricante o por un centro de servicio autorizado para evitar peligro.

⚠ ADVERTENCIA

Para más seguridad y fiabilidad, todas las reparaciones deben ser efectuadas por un Centro de Servicio Habilitado Ryobi.

TRANSPORTE Y ALMACENAMIENTO

- Desconecte el cable de alimentación al guardar el producto. Guarde el producto en un lugar seguro que no sea accesible a los niños.
- Limpie el producto con un cepillo y un aspirador antes de su almacenamiento.

PROTECCIÓN DEL MEDIO AMBIENTE

Recicle las materias primas en lugar de tirarlas a la basura doméstica. Para proteger el medio ambiente, debe separar la herramienta, los accesorios y los embalajes.

SÍMBOLO

Alerta de seguridad



Conformidad CE



Por favor lea las instrucciones detenidamente antes de arrancar la máquina.



Utilice dispositivos de protección para los oídos



Utilice gafas de seguridad



Símbolo de no acercar las manos



Tamaño de la banda lijadora



Dimensiones: Patín



Dimensiones: Mesa de trabajo



No retire la cubierta.



Los productos eléctricos de desperdicio no deben desecharse con desperdicios caseros. Por favor recíclelos donde existan dichas instalaciones. Compruebe con su autoridad local o minorista para reciclar.

SÍMBOLOS EN ESTE MANUAL

Enchufe la máquina



Desenchufe la herramienta.



Las piezas o accesorios se venden por separado

Los siguientes símbolos y palabras detallan los niveles de cuidado necesarios para usar este producto.

 **PELIGRO**

Indica una situación inminente de peligro que, si no se evita, provocará la muerte o lesiones graves.

 **ADVERTENCIA**

Indica una situación potencialmente peligrosa que, si no se evita, podría causar la muerte o lesiones graves.

 **PRECAUCIÓN**

Indica una situación potencialmente peligrosa que, si no se evita, puede provocar lesiones leves o moderadas.

PRECAUCIÓN

(Sin símbolo de seguridad) Indica una situación que podría ocasionar daños materiales.



La seguridad, el rendimiento y la fiabilidad han sido las máximas prioridades a la hora de diseñar esta lijadora de banda/disco.

UTILIZZO

Esta lijadora de banda/disco está concebida para ser utilizada únicamente con madera y productos de madera. El uso de este producto y un recolector de polvo con productos metálicos constituye un riesgo potencial de incendio.

Este producto está diseñado y concebido para ser usado únicamente por personal con la formación y experiencia adecuadas. Si no está familiarizado con el funcionamiento correcto y seguro del producto, no lo utilice hasta que haya adquirido la formación y los conocimientos adecuados.

AVVERTENZE GENERALI DI SICUREZZA

⚠ AVVERTENZE

Quando si utilizzano elettrodomestici, si dovranno sempre seguire precauzioni di base di sicurezza per ridurre il rischio di incendi, scosse elettriche e lesioni personali. Leggere tutte le istruzioni prima di tentare di mettere in funzione il prodotto e conservare queste istruzioni.

- **Tenere l'area di lavoro libera.** Zone e banchi di lavoro in disordine possono causare incidenti.
- **Tenere in considerazione l'area di lavoro.** Non esporre gli utensili a pioggia. Non utilizzare gli utensili in luoghi umidi o bagnati. Mantenere l'area di lavoro ben illuminata. Non utilizzare in presenza di liquidi infiammabili o gas.
- **Dispositivo contro scosse elettriche.** Evitare il contatto del corpo con superfici con messa a terra (per esempio, tubi, radiatori, stufe, refrigeratori).
- **Tenere lontane tutte le altre persone.** Tenere eventuali osservatori, soprattutto bambini a distanza di sicurezza, evitare che tocchino l'utensile o la prolunga e tenerli lontani dall'area di lavoro.
- **Riporre gli utensili che non vengono utilizzati.** Quando non si utilizza l'utensile, riportarlo in un luogo chiuso e asciutto, lontano dalla portata dei bambini.
- **Non forzare l'utensile.** Svolgerà il lavoro per il quale è stato progettato in maniera migliore e più sicura.
- **Utilizzare l'utensile adatto.** Non utilizzare piccoli attrezzi per lavori pesanti. Non utilizzare gli utensili per scopi per i quali non sono stati progettati, per esempio non utilizzare le motoseghe circolari per tagliare rami o tronchi.
- **Vestirsi adeguatamente.** Non indossare abiti con parti svolazzanti o gioielli che potrebbero rimanere impigliati nelle parti in movimento. Si raccomanda di indossare calzature anti-scivolo quando si lavora all'esterno. Indossare una rete di protezione per capelli per contenere eventuali capelli lunghi.
- **Utilizzare attrezzatura di protezione.** Utilizzare occhiali di sicurezza. Utilizzare una maschera antipolvere per il viso se si lavora in ambienti polverosi.
- **Clegare l'attrezzatura per estrarre polvere.** Se l'utensile viene fornito con l'accessorio per l'estrazione e la raccolta della polvere, assicurarsi che tali accessori siano correttamente collegati e utilizzati.
- **Non sottoporre il cavo a stress.** Non tirare mai il cavo per scollegarlo dalla presa. Tenere il cavo lontano da calore, olio e parti affilate.
- **Assicurare il pezzo sul quale si sta lavorando.** Ove possibile utilizzare staffe o morsetti per reggere il pezzo sul quale si sta lavorando. È più sicuro che utilizzare le proprie mani.
- **Non protendersi.** Mantenere sempre l'equilibrio e un punto di appoggio sicuro.
- **Svolgere sempre le dovute manutenzioni sull'utensile.** Tenere le lame affilate e pulite per garantire prestazioni migliori e sicure. Seguire le istruzioni per lubrificare e cambiare gli accessori. Ispezionare i cavi dell'utensile periodicamente e, se danneggiati, farli riparare da un centro servizi autorizzato. Ispezionare periodicamente la prolunga e sostituirla se danneggiata. Tenere i manici asciutti e puliti e rimuovere dagli stessi eventuali tracce di sporco e olio.
- **Scollegare gli utensili.** Quando non si utilizza l'utensile, prima di svolgere eventuale manutenzione e quando si cambiano accessori come lame, punte e dispositivi di taglio, scollegare gli utensili dall'alimentazione.
- **Rimuovere tutte le chiavi di regolazione.** Controllare sempre che le chiavi e i dispositivi di regolazione siano stati rimossi dall'utensile prima di avviarlo.
- **Evitare l'avvio accidentale.** Assicurarsi che l'interruttore si trovi su "off" (spento) prima di collegare l'utensile.
- **Utilizzare prolunghe per esterni.** Quando si utilizza l'utensile all'interno, utilizzare solo prolunghe adatte a tale utilizzo e contrassegnate come tali.
- **Conservare sempre la massima attenzione.** Prestare la massima attenzione a quello che si sta facendo e utilizzare buon senso. Non utilizzare l'apparecchio sotto l'effetto di alcol o di droghe oppure se si stanno assumendo medicinali.
- **Controllare eventuali parti danneggiate.** Prima di utilizzare ulteriormente l'utensile, controllarlo attentamente per capire se funzionerà correttamente e svolgerà le funzioni per le quali è stato progettato. Controllare l'allineamento delle parti in movimento, l'eventuale blocco delle parti, le eventuali parti rotte, il montaggio ed altre condizioni che potranno influenzare le operazioni. Un paralame o un'altra parte danneggiata deve essere riparata o sostituita da un centro servizi autorizzato a meno che non sia indicato diversamente sul manuale d'istruzioni. Far sostituire gli interruttori difettosi da un centro servizi autorizzato.
- **Non utilizzare l'utensile se non si accende o spegne.**



- **Avvertenze.** L'utilizzo di qualsiasi accessorio o dispositivo diverso da quelli raccomandati nel manuale d'istruzioni potrà causare rischi di gravi lesioni personali.
- **Far riparare l'utensile da personale qualificato.** Questo utensile elettrico rispetta le norme di sicurezza corrispondenti. Le riparazioni dovranno essere svolte da persone qualificate utilizzando le parti originali altrimenti ciò potrebbe causare gravi lesioni all'utente.

ADVERTENCIAS DE SEGURIDAD DE LA LIJADORA DE BANDA/DISCO

- No utilice el producto hasta que esté completamente montado e instalado de conformidad con las instrucciones.
- Fornire un'adeguata illuminazione generale o localizzata.
- Prima di avviare le operazioni di lavoro, controllare sempre che la macchina sia posizionata su una superficie piana e che abbia sufficiente stabilità. Per la sicurezza personale, fissare sempre la macchina a un tavolo di lavoro prima utilizzando dei dadi.
- Tenere sempre l'area di lavoro pulita, rimuovendo eventuali materiali di scarto come scaglie e trucioli.
- Asegúrese de que la banda de la lijadora está instalada en la dirección correcta. Mire la flecha de dirección situada en la parte trasera de la banda.
- Ajuste correctamente la alineación para que la banda no se salga de las correas.
- No utilice bandas ni almohadillas de lijado que estén dañadas, desgastadas o sueltas. Utilice únicamente bandas y almohadillas de lijado del tamaño correcto.
- Lije siempre sobre la parte descendente del disco de lijado cuando utilice la lijadora de disco. Lijar sobre la parte ascendente del disco puede provocar que la pieza de trabajo salga despedida de su posición y cause lesiones.
- Nunca realice trabajos de maquetación, montaje o acondicionamiento sobre la mesa mientras el producto esté en marcha.
- Siempre mantenga firme la pieza de trabajo cuando lije.
- Utilizzare morse e morsetti per tenere fermo il pezzo sul quale si sta lavorando.
- Per minimizzare il rischio di eventuali capovolgimenti dell'utensile, reggere sempre pezzi grandi.
- Nunca lije más de una pieza de trabajo al mismo tiempo. Non impilare più di un pezzo da tagliare alla volta sulla macchina.
- No lije con la pieza de trabajo sin apoyar. No lije piezas de material demasiado pequeñas para poder apoyar de forma segura.
- Evite realizar operaciones y posiciones de mano complicadas en las que un deslizamiento repentino podría provocar que la mano se desplazase hacia la banda o disco de lijado.
- Evite los contragolpes lijando de conformidad con las

flechas de dirección.

- Siempre mantenga una distancia de seguridad de 1,6 mm entre la mesa de trabajo y la máquina.
- Nunca permanezca ni tenga una parte del cuerpo en línea con la trayectoria de la pieza de trabajo.
- La máquina no debe conectarse nunca a la fuente de alimentación cuando esté montando piezas, realizando ajustes o cuando no esté en uso.
- Non lasciare mai l'utensile incustodito. Non lasciare l'utensile fino a che non si ferma completamente.
- Se il cavo dell'alimentazione è danneggiato o non funziona correttamente, deve essere sostituito dalla ditta produttrice o da un agente autorizzato a svolgere le riparazioni.
- Raccomandiamo l'utilizzo di un dispositivo di corrente residua con un'alimentazione residua pari a o inferiore a 30mA.

RISCHI RESIDUI

Anche quando il prodotto viene utilizzato come indicato, sarà ancora impossibile eliminare completamente alcuni fattori di rischio residuo. Si potranno verificare i seguenti rischi e l'operatore dovrà prestare particolare attenzione per evitare quanto segue:

- Rischio di contatto con la banda o disco di lijado.
- Rischio di quemaduras en contacto con la banda, disco o pieza de trabajo caliente.
- Danni al sistema respiratorio nel caso in cui non si indossi una maschera per la polvere.
- Danni all'udito nel caso in cui non si indossino cuffie.

FAMILIARIZZARE CON IL PRODOTTO

Vedere a pagina 85.

1. Válvula de seguridad de lijado
2. Nastro di levigatura
3. Perilla de control de alineación
4. Palanca de tensión de la banda
5. Patín
6. Interruttore On/Off (Acceso/Spento)
7. Escala de inclinación
8. Ugello di aspirazione
9. Perilla de ajuste de ángulo del bisel de la mesa
10. Perilla de ajuste de ángulo del inglete
11. Escala del inglete
12. Guida per tagli ad angolo
13. Mesa de trabajo

MANUTENZIONE

- Non modificare il prodotto in alcun modo né utilizzare accessori non approvati dalla ditta produttrice. La sicurezza dell'utente e quella degli altri potrà essere compromessa.
- Non utilizzare il prodotto se interruttori, paralame o altre applicazioni non funzionano come dovrebbero.



Riportare presso un centro servizi autorizzato per riparazioni professionali o regolazioni.

- No realice ajustes mientras la máquina esté en funcionamiento.
- Assicurarsi sempre che il cavo dell'alimentazione sia stato rimosso dall'alimentazione principale prima di svolgere le dovute regolazioni, prima di lubrificare o quando si svolgono operazioni di manutenzione sul prodotto.
- Prima e dopo ogni utilizzo, controllare eventuali danni o parti rotte sull'utensile. Tenere il prodotto in condizioni di funzionamento ottimali sostituendo parti con ricambi approvati dalla ditta produttrice.
- Pulire la polvere accumulata utilizzando una spazzola o un aspirapolvere. No utilice aire comprimido.
- Per assicurarsi sicurezza e affidabilità, tutte le riparazioni compreso il cambio delle spazzole, dovranno essere svolte da un centro servizi autorizzato.
- Se il cavo dell'alimentazione viene danneggiato, deve essere sostituito da una ditta produttrice o da un centro servizi autorizzato per evitare rischi alla sicurezza.

⚠ AVVERTENZE

Per maggiore sicurezza ed affidabilità, effettuare tutte le riparazioni presso un Centro di Assistenza Autorizzato Ryobi.

TRASPORTO E RIPONIMENTO

- Quando si ripone il prodotto, scollegare la corda dell'alimentazione. Riporre il prodotto in un luogo sicuro non accessibile ai bambini.
- Pulire il prodotto con una spazzola e un aspirapolvere prima di riporlo.

TUTELA DELL'AMBIENTE



Riciclare le materie prime anziché gettarle tra i rifiuti domestici. Per tutelare l'ambiente, l'apparecchio, gli accessori e gli imballaggi devono essere smaltiti separatamente.

SIMBOLO



Indicazioni sicurezza



Conformità CE



Leggere attentamente le istruzioni prima di avviare l'utensile.



Indossare cuffie di protezione



Indossare occhiali di protezione



Símbolo de no acercar las manos



Dimensioni nastro abrasivo



Dimensiones: Patín



Dimensiones: Mesa de trabajo



Non togliere il coperchio.



I prodotti elettrici non devono essere smaltiti con i rifiuti domestici. Vi sono strutture per smaltire tali prodotti. Informarsi presso il proprio Comune o rivenditore di sicurezza per smaltire adeguatamente tali rifiuti.

SIMBOLI NEL MANUALE



Collegare la macchina.



Scollegare l'utensile.



Parti o accessori venduti separatamente

I seguenti simboli indicano i livelli di rischio associati a questo prodotto.

⚠ PERICOLO

Indica una situazione immediatamente pericolosa che, se non evitata, potrà causare gravi lesioni o morte.

⚠ AVVERTENZE

Indica una situazione potenzialmente pericolosa che, se non evitata potrà causare gravi lesioni o morte.

⚠ ATTENZIONE

Indica una situazione potenzialmente pericolosa che, se non evitata, potrà causare lesioni minori o moderate.

ATTENZIONE

(Senza simbolo di allarme in materia di sicurezza) Indica una situazione che può provocare danni materiali.



Bij het ontwerp van uw band-/vlakschuurmachine hebben veiligheid, prestaties en betrouwbaarheid de hoogste prioriteit gekregen.

BEOOGD GEBRUIK

De band-/vlakschuurmachine is uitsluitend bedoeld voor gebruik met hout en houtproducten. Het gebruik van dit product met een stofafscheider, met metalen producten is een potentieel brandgevaar.

Dit product is uitsluitend ontworpen en bedoeld voor gebruik door goed opgeleid en ervaren personeel. Als u niet bekend met de goede en veilige werking van het product mag u deze niet gebruiken totdat u de juiste opleiding en kennis hebt vergaard.

ALGEMENE VEILIGHEIDSWAARSCHUWINGEN

⚠ WAARSCHUWING

Wanneer u elektrisch gereedschap gebruikt, moeten de basisveiligheidsvoorzieningen altijd worden gevolgd om het risico op brand, elektrische schokken en letsels te verminderen. Lees alle instructies voor u probeert het product te gebruiken en bewaar deze instructies.

- **Houd het werkgebied schoon.** Rommelige ruimtes en werkbanken kunnen tot ongevallen leiden.
- **Houd rekening met het werkgebied.** Stel het gereedschap niet bloot aan regen. Gebruik het gereedschap niet in vochtige of natte plaatsen. Houd de werkplaats goed verlicht. Gebruik het gereedschap niet in de aanwezigheid van ontvlambare stoffen of gassen.
- **Bescherming tegen elektrische schokken.** Vermijd lichaamscontact met geaarde oppervlakken (b.v. buizen, radiatoren, kookfornuizen, koelkasten).
- **Houd andere personen weg.** Betrek geen andere personen, in het bijzonder kinderen, bij het werk, laat hen de machine of het verlengsnoer niet aanraken en houd hen weg van het werkgebied.
- **Berg niet-gebruikte werktuigen op.** Wanneer u het gereedschap niet gebruikt, moeten deze op een droge, afgesloten plaats worden bewaard, buiten het bereik van kinderen.
- **Forceer de machine niet.** Het zal de taak beter en veiliger uitvoeren aan het tempo waarvoor het werd ontworpen.
- **Gebruik het juiste gereedschap.** Forceer licht gereedschap niet om taken van zwaar gereedschap uit te voeren. Gebruik het gereedschap niet voor doeleinden waarvoor het niet is bedoeld; gebruik bijvoorbeeld geen cirkelzaagmachines om boomtakken of houtblokken te zagen.
- **Draag aangepaste kleding.** Draag geen loszittende kleding of juwelen, zij kunnen in de bewegende delen vast raken. Antislipschoenen zijn aangewezen voor werk buitenshuis. Draag haarbescherming om lang haar samen te houden.
- **Gebruik beschermuitrusting.** Gebruik een veiligheidsbril. Gebruik een gezichts- of stofmasker als de werkomstandigheden stof veroorzaken.
- **Verbind de stofzuiginstallatie.** Als gereedschap van stofafzuiging-en opvanginstallatie is voorzien, zorg er dan voor dat deze zijn verbonden en goed worden gebruikt.
- **Misbruik het snoer niet.** Trek nooit aan het snoer om het uit de contactdoos te trekken. Houd het snoer weg van hitte, olie en scherpe randen.
- **Maak het werkstuk vast.** Gebruik klemmen of een bankschroef om het werkstuk vast te houden. Het is veiliger dan uw hand te gebruiken.
- **Overrek u niet.** Houd steeds een goed evenwicht en sta stevig met beide voeten op de grond.
- **Onderhoud de werktuigen met zorg.** Houd snijgereedschap scherp en schoon voor betere en veiligere prestaties. Volg de instructies voor het smeren en vervangen van accessoires. Inspecteer regelmatig de gereedschapsnoeren en laat deze, indien beschadigd, door een geautoriseerde onderhoudsdienst repareren. Inspecteer de verlengsnoeren regelmatig en vervang deze indien beschadigd. Houd de handvatten droog, schoon en vrij van olie en vet.
- **Ontkoppel de werktuigen.** Ontkoppel het gereedschap van het stroomnet wanneer u accessoires, zoals maaibladen, boorstiften en snijders niet gebruikt, onderhoudt of vervangt.
- **Verwijder sleutels.** Maak er een gewoonte van om te controleren of sleutels van het gereedschap zijn voor u het inschakelt.
- **Vermijd ongewild starten.** Zorg ervoor dat de schakelaar in de uit-stand (off) staat wanneer u het met het stroomnet verbindt.
- **Verlengsnoeren voor buitenshuis gebruik.** Wanneer het gereedschap buitenshuis wordt gebruikt, gebruikt dan uitsluitend verlengsnoeren die geschikt en gemarkeerd zijn voor buitenshuis gebruik.
- **Blijf alert.** Kijk naar wat u doet en gebruik uw gezond verstand. Gebruik het apparaat nooit wanneer u onder invloed bent van drank of drugs, of wanneer u medicijnen gebruikt.
- **Controleer beschadigde onderdelen.** Voor u het werktuig verder gebruikt, moet u grondig controleren om te zien dat het goed zal functioneren en volgens het voorgeschreven gebruik zal werken. Controleer de lijning van de bewegende delen, controleer of bewegende delen niet verstrikt zijn geraakt, controleer of defecte onderdelen, bevestigingsbeugels of andere delen die de werking in gevaar kunnen brengen. Ieder onderdeel dat is beschadigd, moet correct worden gerepareerd of vervangen door een geautoriseerd onderhoudscentrum, tenzij in de gebruiksaanwijzing anders is vermeld. Laat defecte schakelaars door een geautoriseerd onderhoudscentrum vervangen.
- **Gebruik het gereedschap niet als de aan-/uitschakelaar het gereedschap niet aan of uit schakelt.**
- **Waarschuwing.** Het gebruik van een andere accessoire



of hulpstuk dan in deze handleiding beschreven, kan risico inhouden voor persoonlijk letsel.

- **Laat uw gereedschap door een gekwalificeerd persoon repareren.** Deze elektrische machine is gefabriceerd volgens de geldende veiligheidsregels. Laat reparaties alleen door een gekwalificeerd persoon met originele vervangonderdelen uitvoeren. Anders kan dit leiden tot aanzienlijk gevaar voor de gebruiker.

VEILIGHEIDSWAARSCHUWINGEN VOOR DE BAND-/VLAKSCHUURMACHINE

- Gebruik het product niet totdat het volledig is gemonteerd en geïnstalleerd conform de instructies.
- Zorg voor voldoende algemene en plaatselijke verlichting.
- Voor u begint te werken, controleert u dat de machine op een voldoende stabiel, effen oppervlak is geplaatst. Voor uw eigen veiligheid dient u de machine altijd met behulp van bouten op een werkbank monteren.
- Houd de omgeving van de machine goed onderhouden en verwijder los materiaal, zoals houtchips en afgezaagde stukjes.
- Controleer dat de schuurband in de juiste richting is gemonteerd. Zie de richtingspijl op de achterkant van de band.
- Zorg ervoor dat de tracking goed is afgesteld, zodat de band niet van de poelies loopt.
- Gebruik geen schuurbanden of -schijven die zijn beschadigd, gescheurd of los zijn. Gebruik alleen schuurbanden en -schijven van de juiste maat.
- Schuur bij het gebruik van de vlakschuurmachine altijd op de neerwaartse zijde van de schuurschijf. Schuren op de opwaartse zijde van de schijf veroorzaakt dat het werkstuk wegvliegt, wat leidt tot letsel.
- Voer nooit layout-, montage of instelwerkzaamheden uit op de tafel terwijl het product aan staat.
- Houd het werkstuk bij het schuren altijd stevig vast.
- Gebruik zo mogelijk klemmen of een bankschroef om het werkstuk vast te houden.
- Ondersteun lange werkstukken altijd om te voorkomen dat de machine kantelt.
- Schuur nooit meer dan één werkstuk tegelijkertijd. Stapel niet meer dan één werkstuk.
- Schuur nooit met het werkstuk niet-ondersteund. Schuur nooit materialen die te klein zijn om veilig te ondersteunen.
- Vermijd lastige werkzaamheden en handposities waar het werkstuk plots uit uw handen kan glijpen en in de schuurband of -schijf kan bewegen.
- Vermijd terugslag door te schuren in de richting van de pijlen.
- Houd altijd een tussenafstand aan van 1,6 mm tussen de werktafel en de machine.
- Ga nooit zelf of met een deel van uw lichaam in het pad

van het werkstuk staan.

- De machine mag nooit zijn aangesloten op een stroomvoorziening wanneer u onderdelen monteert, afstellingen doet of wanneer de machine buiten gebruik is.
- Laat de machine nooit onbeheerd draaien. Laat het apparaat niet alleen voordat deze volledig stil staat.
- Als het stroomsnoer beschadigd of op een andere manier defect is, mag het uitsluitend door de fabrikant of een geautoriseerde reparatieagent worden vervangen.
- We raden het gebruik van een aardlekschakelaar aan met een waarde van 30mA of minder aan.

RESTRISCO'S

Zelfs wanneer het product zoals voorgeschreven wordt gebruikt, blijft het onmogelijk om alle restrisco's te voorkomen. De volgende gevaren kunnen optreden bij gebruik en de gebruiker dient speciaal op te letten om het volgende te voorkomen:

- Gevaar voor contact met de schuurband of -schijf.
- Brandgevaar door contact met een hete band of schijf of het werkstuk.
- Schade aan de luchtwegen als er geen effectief mondmasker wordt gedragen.
- Gehoorschade bij het niet dragen van een efficiënte gehoorbescherming.

KEN UW PRODUCT

Zie pagina 85.

1. Schuurstopper
2. Schuurriem
3. Bedieningsknop van de tracking
4. Bandspanningshendel
5. Schuurvoet
6. Aan-/uitschakelaar
7. Afschuinschaalverdeling
8. Afzuigmondstuk
9. Verstelknop voor de kantelhoek van de tafel
10. Verstelknop voor de verstekhoek
11. Verstekschaal
12. Verstekgeleider
13. Werktafel

ONDERHOUD

- Wijzig het product niet op een manier die niet door de fabrikant is goedgekeurd en gebruik geen accessoires die niet door de fabrikant zijn goedgekeurd. Uw veiligheid en deze van anderen kan in gevaar worden gebracht.
- Gebruik het product niet als de schakelaars, beschermers of andere functies niet naar behoren werken. Breng naar een geautoriseerd onderhoudscentrum voor professionele herstellingen of afstellingen.
- Maak geen aanpassingen terwijl het product in bedrijf is.



- Zorg er altijd voor dat de stekker uit de contactdoos is verwijderd voor u het werktuig afstelt, smeert of onderhoudswerken aan het product uitvoert.
- Voor en na elk gebruik controleert u het product op schade of gebroken onderdelen. Bewaar het product in een uitstekende conditie door onderdelen onmiddellijk te vervangen door vervangonderdelen die door de fabrikant zijn goedgekeurd.
- Verwijder het opgehoopte stof met behulp van een borstel of stofzuiger. Gebruik geen perslucht.
- Om de veiligheid en betrouwbaarheid te garanderen, moeten alle herstellingen, met inbegrip van het vervangen van borstels, door een geautoriseerd onderhoudscentrum worden uitgevoerd.
- Als het stroom snoer is beschadigd, mag het uitsluitend worden vervangen door de fabrikant of door een geautoriseerd onderhoudscentrum om veiligheidsrisico's te vermijden.

⚠ WAARSCHUWING

Alle reparaties moeten worden uitgevoerd door een Erkend Ryobi Servicecentrum teneinde de veilige en betrouwbare werking van de machine te garanderen.

TRANSPORT EN OPSLAG

- Wanneer u het product opbergt, ontkoppelt u het stroom snoer van de stroomtoevoer. Bewaar het product op een veilige plaats die niet toegankelijk is voor kinderen.
- Reinig het product met behulp van een borstel en stofzuiger voor u het opbergt.

MILIEUBESCHERMING

Zorg dat grondstoffen worden gerecycled in plaats van weggegooid als afval. Om het milieu te beschermen dient de machine, de accessoires en de verpakking gesorteerd bij een erkend recyclingcentrum te worden aangeleverd.

SYMBOL

Veiligheidswaarschuwing



EG conformiteit



Lees de instructies zorgvuldig voordat u de machine in gebruik neemt.



Draag gehoorbescherming



Draag gezichtsbescherming



Symbol voor geen handen



Schuurbandbreedte



Afmetingen: Schuurvoet



Afmetingen: Werktafel



Verwijder de afdekking niet.



Elektrisch afval mag niet samen met ander huishoudafval worden weggegooid. Gelieve te recyclen indien de mogelijkheid bestaat. Neem contact op met uw gemeente of handelaar om advies te krijgen over recycling.

SYMBOLEN IN DE GEBRUIKSAANWIJZING

Verbind de machine met de wandcontactdoos.



Trek de machine uit de contactdoos.



Onderdelen of accessoires afzonderlijk gekocht

De volgende kernwoorden en verklaringen zijn bedoeld om de gevaarniveaus die op dit toestel betrekking hebben, te verklaren.

⚠ GEVAAR

Wijst op een gevaarlijke situatie die, indien ze niet wordt vermeden, kan leiden tot ernstige verwondingen of de dood.

⚠ WAARSCHUWING

Wijst op een mogelijk gevaarlijke situatie die, indien ze niet wordt vermeden, kan leiden tot ernstige verwondingen of de dood.

⚠ LET OP

Wijst op een mogelijk gevaarlijke situatie die, indien ze niet wordt vermeden, kan leiden tot lichte of middelmatige verwondingen.

LET OP

(Zonder veiligheidssymbol) Geeft een situatie aan die materiële schade zou kunnen veroorzaken.



Na concepção da sua lixadora de cinta/disco foi dada a máxima prioridade à segurança, ao desempenho e à fiabilidade.

UTILIZAÇÃO PREVISTA

A lixadora de cinta/disco destina-se a ser utilizada apenas com madeira e com produtos de madeira. A utilização deste produto e de um recolhedor de poeiras com produtos de metal é um potencial perigo de incêndio.

Este produto foi concebido e destina-se a ser utilizado apenas por quem tenha recebido a formação adequada e seja experiente. Não utilize o produto se não estiver familiarizado com a operação correcta do produto em segurança: certifique-se de que recebe primeiro a formação adequada e que obtém o conhecimento necessário.

AVISOS GERAIS DE SEGURANÇA

⚠ AVISO

Ao utilizar ferramentas eléctricas, devem seguir-se sempre precauções básicas de segurança para minimizar o risco de incêndio, choque eléctrico e lesões. Leia todas as instruções antes de utilizar o produto e conserve-as.

- **Mantenha a área de trabalho limpa.** As áreas e os bancos de trabalho desordenados são mais susceptíveis de causar ferimentos.
- **Tenha em atenção o ambiente da área de trabalho.** Não exponha ferramentas à chuva. Não use as ferramentas em locais húmidos ou molhados. Mantenha a área de trabalho adequadamente limpa. Mantenha as ferramentas ao abrigo de líquidos ou gases inflamáveis.
- **Proteja contra choques eléctricos.** Evite o contacto do corpo com superfícies com ligação terra ou enterradas (tais como tubos, radiadores, fogões e frigoríficos).
- **Mantenha as outras pessoas afastadas.** Não deixe que as pessoas, especialmente crianças, sejam envolvidas no trabalho, toquem na ferramenta ou no cabo de extensão, e mantenha-as afastadas da área de trabalho.
- **Guarde as ferramentas inactivas.** Quando não estiver em uso, as ferramentas devem ser guardadas num local seco, com chave, fora do alcance de crianças.
- **Não force a ferramenta.** Realizará um trabalho melhor e mais seguro à velocidade para a qual foi destinada.
- **Utilize a ferramenta adequada.** Não force as ferramentas de pequeno porte a realizarem o trabalho de uma ferramenta de trabalho pesado. Não use ferramentas para finalidades às quais não se destina, por exemplo, não use serras circulares para cortar ramos de árvores ou troncos.
- **Vista-se adequadamente.** Não use roupas largas ou jóias; podem ficar presas nas partes móveis. Recomena-se a utilização de calçado anti-deslizante ao trabalhar em exteriores. Use cobertura de protecção para o cabelo para prender o cabelo comprido.
- **Use equipamento de protecção.** Use óculos de segurança. Use uma máscara de rosto para se proteger do pó caso trabalhe em operações que criem pó.
- **Conecte o equipamento de extracção de pó.** Se é fornecida a ferramenta para a ligação de espaços de extracção e recolha de pó, assegure-se de que estes se encontram conectados e usados correctamente.
- **Não puxe pelo cabo.** Nunca puxe o cabo para o desconectar da tomada. Mantenha o cabo afastado do calor, óleo e pontas afiadas.
- **Fixe a peça de trabalho.** Quando possível, use braçadeiras ou um torno para fixar o trabalho. É mais seguro do que utilizar a sua mão.
- **Não se aproxime em demasia.** Mantenha sempre o equilíbrio e a posição dos pés adequada.
- **Utilize as ferramentas com cuidado.** Mantenha as ferramentas de corte afiadas e limpas para que realizem um trabalho melhor e mais seguro. Siga as instruções de lubrificação e mudança de acessórios. Inspeccione periodicamente os cabos e, se estiverem danificados, leve-os a um centro de assistência autorizado. Inspeccione os cabos de extensão periodicamente e substitua-os, se danificados. Mantenha os manipuladores secos, limpos e livres de óleo e graxa.
- **Desligue as ferramentas.** Quando não estiver em utilização, antes de realizar a manutenção e ao mudar os acessórios tais como as lâminas, brocas e cortadores, desconecte as ferramentas da fonte de alimentação.
- **Retire as chaves de porcas.** Habitue-se a verificar se as chaves de ajuste e as chaves inglesas foram retiradas da ferramenta antes de a ligar.
- **Evite o arranque involuntário.** Certifique-se de que o interruptor se encontra na posição "off" ao ligar a ficha.
- **Use cabos de extensão no exterior.** Quando uma ferramenta é usada no exterior, use apenas cabos de extensão que se destinem a ser utilizados ao ar livre e estejam assim assinalados.
- **Mantenha-se alerta.** Observe o que está a fazer e utilize o senso comum. Não utilize a ferramenta se estiver sob a influência de bebidas alcoólicas ou de drogas ou se tomar medicamentos.
- **Verifique se existem peças danificadas.** Antes de mais qualquer utilização da ferramenta, esta deve ser verificada cuidadosamente para determinar se funcionará adequadamente e realizará a função a que se destina. Confirme o alinhamento das peças móveis, a união das peças móveis, a ruptura de peças, montagem e quaisquer outras condições que possam afectar o funcionamento. Uma protecção ou outra peça que esteja danificada deve ser adequadamente reparada ou substituída por um centro de assistência



autorizado salvo indicação contrária neste manual de instruções. Leve os interruptores defeituosos para serem substituídos num centro de assistência autorizado.

- **Não use a ferramenta caso o interruptor não a ligue ou desligue.**
- **Aviso.** O uso de qualquer acessório ou extra para além dos recomendados neste manual de instruções pode implicar um risco de lesão pessoal.
- **Leve a sua ferramenta para ser reparado por uma pessoa qualificada.** Esta ferramenta eléctrica cumpre com as normas de segurança relevantes. As reparações só devem ser realizadas por pessoas qualificadas utilizando peças de substituição originais, caso contrário poderá resultar em perigo considerável para o utilizador.

AVISOS DE SEGURANÇA DA LIXADORA DE CINTA/DISCO

- Não opere o produto enquanto não estiver completamente montado e instalado de acordo com as instruções.
- Forneça uma iluminação geral ou localizada adequada.
- Antes de começar a trabalhar, verifique se a máquina está colocada numa superfície com estabilidade suficiente. Para sua própria segurança, monte sempre a máquina num banco de trabalho fixando com parafusos.
- Mantenha a área circundante da máquina bem conservada e sem materiais soltos, tais como pedaços de peças e desperdícios.
- Certifique-se de que a cinta de lixa está montada no sentido correcto. Veja a seta indicadora do sentido de rotação na parte de trás da cinta.
- Tenha sempre o alinhamento correctamente ajustado, para que a cinta não saia das polias.
- Não use cintas de lixa ou discos que estejam danificados, que tenham rasgões ou que estejam frouxos. Use apenas cintas de lixa e discos do tamanho correcto.
- Quando utilizar a lixadora de disco, lixe sempre no lado descendente do disco de lixa. Lixar no lado ascendente do disco pode fazer com que a peça de trabalho seja projectada para fora da posição, causando ferimentos.
- Nunca faça trabalhos de assentamento, montagem ou configuração na mesa quando o produto estiver em operação.
- Segure a peça de trabalho sempre com firmeza quando estiver a lixar.
- Utilize grampos ou um torno para fixar a peça sempre que adequado.
- Para minimizar o risco de derrubar a máquina, suporte sempre as peças de trabalho compridas.
- Nunca lixe mais do que uma peça de trabalho de cada vez. Não coloque mais do que uma peça de trabalho na

base da máquina de cada vez.

- Não lixe com a peça de trabalho não apoiada. Não lixe peças de material demasiado pequenas para serem apoiadas em segurança.
- Evite a operação em posições desajeitadas e evite posições da mão onde uma falta de equilíbrio possa fazer com que a sua mão toque na cinta de lixa ou no disco de lixa.
- Evite ressaltos: lixe de acordo com as setas indicadoras do sentido de rotação.
- Mantenha sempre um afastamento de 1,6 mm entre a mesa de trabalho e a máquina.
- Nunca se ponha a si, nem nenhuma parte do seu corpo, directamente alinhado com o percurso da peça de trabalho.
- A máquina nunca deve estar ligada à rede eléctrica quando estiver a montar peças ou a fazer ajustes, e também sempre que não esteja a ser utilizada.
- Nunca deixe uma ferramenta em funcionamento sem vigilância. Não deixe a ferramenta até que se detenha totalmente.
- Se o cabo de alimentação estiver danificado ou defeituoso, deve ser substituído pelo fabricante ou por um agente de reparação autorizado.
- Recomendamos a utilização de um dispositivo de corrente residual com uma classificação de corrente residual de 30mA ou menos.

RISCOS RESIDUAIS

Mesmo quando se utiliza o produto segundo as instruções, continua a ser impossível eliminar por completo certos fatores de risco residuais. Podem surgir os seguintes riscos durante o uso e o operador deve prestar especial atenção para evitar o seguinte:

- Risco de contacto com a cinta de lixa ou o disco de lixa.
- Risco de queimadura por contacto com cinta de lixa quente, disco de lixa quente ou peça de trabalho quente.
- Existe o risco de lesões para o sistema respiratório caso não se use uma máscara contra o pó eficaz.
- Danos para a audição caso não se utilize protecção auditiva eficaz.

CONHEÇA O SEU PRODUTO

Consulte a página 85.

1. Batente de lixamento
2. Lixadora mecânica de cinta
3. Maçaneta de controlo de alinhamento
4. Manípulo de tensão da cinta
5. Placa de lixar
6. Interruptor desligado/ligado
7. Escala de inclinação
8. Bico de aspiração
9. Maçaneta de ajuste do ângulo de bisel da mesa



10. Maçaneta de ajuste do ângulo de chanfro
11. Escala de chanfro
12. Guia de corte/graminho
13. Mesa de trabalho

MANUTENÇÃO

- Não modifique o produto de nenhum modo nem utilize acessórios não aprovados pelo fabricante. A sua segurança e a dos demais pode ver-se ameaçada.
- Não utilize o produto se algum dos interruptores, proteções ou outras funções não funcionam conforme o previsto. Dirija-se a um centro de serviço autorizado para ajustes ou reparações profissionais.
- Não faça nenhuns ajustes enquanto o produto estiver em funcionamento.
- Assegure-se sempre que o cabo de alimentação foi retirado da rede elétrica antes de realizar qualquer ajuste ou operações de lubrificação ou ao realizar operações de manutenção no produto.
- Antes e depois de cada uso, verifique se há danos ou partes partidas no produto. Mantenha o produto nas melhores condições de trabalho substituindo de imediato as peças por peças sobresselentes aprovadas pelo fabricante.
- Limpe o pó acumulado utilizando uma escova ou aspirador. Não use ar comprimido.
- Para garantir a segurança e fiabilidade, todas as reparações, incluindo a substituição de escovas, devem ser realizadas por um centro de serviço autorizado.
- Se o cabo de alimentação estiver danificado, deverá ser substituído unicamente pelo fabricante ou por um centro de serviço autorizado para evitar perigos.

AVISO

Para mais segurança e fiabilidade, todas as reparações devem ser feitas por um Centro de Serviço Autorizado Ryobi.

TRANSPORTE E ARMAZENAMENTO

- Desconecte o cabo de alimentação ao guardar o produto. Guarde o produto num local seguro que não seja acessível às crianças.
- Limpe o produto com uma escova e um aspirador antes do seu armazenamento.

PROTECÇÃO DO AMBIENTE



Recicle os materiais em vez de pô-los directamente no lixo doméstico. Para proteger o ambiente, a ferramenta, os acessórios e as embalagens devem ser seleccionados.

SÍMBOLO



Alerta de segurança



Conformidade CE



Agradecemos que leia atentamente as instruções antes de iniciar a máquina.



Use protecção para os ouvidos



Use protecção para os olhos



Símbolo de proibição de tocar com as mãos



Tamanho da banda lixadora



Tamanho: Placa de lixar



Tamanho: Mesa de trabalho



Não desmonte a tampa.



Os aparelhos eléctricos antigos não devem ser eliminados juntamente com o lixo doméstico. Recicle onde existem instalações para o efeito. Verifique com as suas Autoridades Locais ou revendedor para obter informações sobre reciclagem.

SÍMBOLOS NESTE MANUAL



Ligue a ficha da máquina à tomada.



Desligue a ferramenta.



As peças ou acessórios vendem-se separadamente

As seguintes palavras de sinal e significados destinam-se a explicar os níveis de risco associados a este produto.

⚠ PERIGO

Indica uma situação de perigo iminente, a qual, se não for evitada, pode resultar em morte ou ferimentos graves.

⚠ AVISO

Indica uma situação potencialmente perigosa que, se não for evitada, pode resultar em morte ou ferimentos graves.

⚠ CAUTELA

Indica uma situação potencialmente perigosa que, se não for evitada, pode resultar em ferimentos leves ou moderados.

CAUTELA

(Sem símbolo de segurança) Indica uma situação que pode provocar danos materiais.



Ved udformningen af din bånd-/skivepudser har vi givet topprioritet til sikkerhed, gode resultater og driftssikkerhed.

TILTÆNKT ANVENDELSESFORMÅL

Denne bånd-/skivepudser er kun beregnet til at blive anvendt i forbindelse med træ og træprodukter. Anvendelse af dette produkt og en støvsoppsamler sammen med metalprodukter udgør en potentiel brandfare.

Dette produkt er designet og beregnet til kun at blive anvendt af et korrekt uddannet og erfarent personale. Hvis du ikke er bekendt med den korrekte og sikre betjening af produktet, må du ikke anvende det, før korrekt uddannelse og viden er blevet opnået.

GENERELLE SIKKERHEDSADVARSLER

⚠ ADVARSEL

Ved brug af elværktøjer bør man altid følge de grundlæggende sikkerhedsregler for at reducere risikoen for brand, elektrisk stød og personskade. Læs hele brugsanvisningen, inden du forsøger at betjene dette produkt - og gem brugsanvisningen.

- **Hold arbejdsområdet rent og ryddeligt.** Rodede områder og borde inviterer til personskader.
- **Vær opmærksom på miljøet i arbejdsområdet.** Undgå at udsætte værktøjer for regn. Brug ikke værktøjer på fugtige eller våde steder. Arbejdsområdet skal være godt oplyst. Brug ikke værktøjer i nærheden af brændbare væsker eller gasser.
- **Beskyt dig mod elektrisk stød.** Undgå kropskontakt med jordede eller stelforbundne overflader (fx rør, radiatorer, komfurer og køleskabe).
- **Hold andre personer på afstand.** Lad ikke personer, især børn, deltage i arbejdet, røre ved værktøjet eller forlængerledningen, og sørg for at holde dem ude af arbejdsområdet.
- **Opbevar ubenyttede værktøjer.** Når værktøjer ikke bruges, skal de opbevares på et tørt, aflåst sted utilgængeligt for børn.
- **Undlad at tvinge værktøjet.** Produktet klarer opgaven bedre og sikrere med den hastighed, det er beregnet til.
- **Brug det rigtige værktøj.** Undlad at tvinge mindre værktøjer til at udføre arbejdsopgaver, der kræver værktøjer. Undlad at bruge værktøj til ikke-formålsbestemte opgaver; brug fx ikke en rundsav til at skære i grene eller træstammer.
- **Vær ordentligt klædt på.** Undlad at bære løstsiddende tøj eller smykker; sådanne kan hænge fast i bevægelige maskindele. Ved arbejde udendørs anbefales brug af skridsikert fodtøj. Brug beskyttende håret eller lign. til sikring af langt hår.
- **Brug værnemidler.** Brug sikkerhedsbriller. Brug ansigts- eller støvmaske, hvis arbejdsopgaven genererer støv.
- **Tilslut støvudsugningsudstyr.** Hvis værktøjet er beregnet til tilslutning af støvudsugnings- og -opsamlingsudstyr, skal dette tilsluttes og anvendes korrekt.
- **Undlad at misbruge ledningen.** Træk aldrig stikket ud af stikkontakten ved at rykke i ledningen. Hold ledningen på afstand af varme, olie og skarpe kanter.
- **Fastgør emnet.** Brug så vidt muligt skruevinge eller skruestik til fastholdning af emnet. Det er sikrere end at bruge hånden.
- **Læn dig aldrig for langt frem.** Sørg for altid at have godt fodfæste og god balance.
- **Værktøjer skal vedligeholdes med omhu.** Skæreværktøjerne skal holdes skarpe og rene for bedre og sikrere ydelse. Følg vejledningen for smøring og udskiftning af tilbehørsdele. Inspicér værktøjsledningerne regelmæssigt, og - hvis de beskadiges - få dem repareret på et autoriseret serviceværksted. Inspicér forlængerledningerne regelmæssigt, og udskift dem, hvis de beskadiges. Hold håndtagene tørre, rene og fri for olie og fedt.
- **Afbryd strømmen til værktøjerne.** Når værktøjet ikke bruges, inden det serviceres, og når der skiftes tilbehør som fx knive, bits og fræsere, skal strømforsyningen afbrydes til værktøjet.
- **Fjern svensknøgler og faste nøgler.** Gør det til en vane at kontrollere, at faste nøgler og svensknøgler er fjernet fra værktøjet, inden der tændes for det.
- **Undgå utilsigtet start.** Kontrollér, at kontakten er i pos. "off" (=slukket), inden stikket sættes i kontakten.
- **Brug udendørs forlængerledninger.** Når værktøjet bruges udendørs, må der kun bruges forlængerledninger, der er beregnet (og mærket) til udendørs brug.
- **Vær agtpågivende.** Hold øje med, hvad du gør, og brug sund fornuft. Værktøjet må aldrig bruges, hvis man er påvirket af spiritus eller narkotika eller tager medicin.
- **Kontrollér beskadigede dele.** Inden værktøjet tages i brug, skal man undersøge det nøje for at sikre sig, at det fungerer korrekt og er i stand til at opfylde den tiltænkte funktion. Kontrollér, at de bevægelige dele er indjusteret korrekt, at de ikke binder; for brud på dele, montering samt enhver anden tilstand, der kan påvirke delenes funktion. En beskadiget skærm eller anden del skal repareret ordentligt eller udskiftes på et autoriseret servicecenter, med mindre andet fremgår af denne brugsanvisning. Få defekte kontakter udskiftet på et autoriseret servicecenter.
- **Værktøjet må ikke tages i brug, hvis TÆND/SLUK-kontakten ikke virker.**
- **Advarsel.** Brug af udstyr eller tilbehør, som ikke er anbefalet i denne brugsanvisning, kan medføre fare for personskader.
- **Få kun værktøjet repareret af en kvalificeret person.** Dette elværktøj opfylder alle relevante sikkerhedsregler. Reparationer må kun udføres af kvalificerede personer og med originale reservedele; ellers kan der opstå



betydelige risici for brugeren.

SIKKERHEDSADVARSLER OM BÅND-/SKIVEPUDSER

- Undlad at betjene produktet, indtil det er fuldstændigt samlet og installeret i overensstemmelse med instruktionerne.
- Sørg for passende almindelig og lokal belysning.
- Kontrollér inden arbejdsstart, at maskinen står på en jævn overflade med tilstrækkelig stabilitet. Af hensyn til egen sikkerhed bør maskinen altid fastboltes til en arbejdsbænk.
- Hold området omkring maskinen ryddeligt og fri for løst materiale som fx spåner og skrøtdele.
- Sørg for at slibebåndet er installeret i den rigtige retning. Se retningsbestemt pil på bagsiden af slibebåndet.
- Sørg altid for, at sporet er justeret korrekt, så båndet ikke kører af remskiverne.
- Anvend ikke slibebånd eller -pads, der er beskadigede, slidte eller løse. Anvend kun et slibebånd og -pad, der har den korrekte størrelse.
- Slib altid på den nedadgående side på slibeskiven, når du anvender skivepudseren. Hvis du sliber på skivens opadgående side, kan det få arbejdsemnet til at flyve ud af position, hvilket kan resultere i skader.
- Udfør aldrig opstillings-, monterings- eller opsætningsarbejde på bordet, mens produktet er i drift.
- Hold altid godt fat i arbejdsemnet, når du sliber.
- Brug så vidt muligt skruevinger eller skruestik til at fastholde emnet.
- For at minimere risikoen for at maskinen tipper, skal lange emner altid understøttes.
- Slib aldrig mere end ét arbejdsemne ad gangen. Undlad at anbringe mere end ét emne ad gangen på maskinens underdel.
- Slib ikke, hvis arbejdsemnet ikke er understøttet. Undlad at slibe stykker af materiale, der er for små til at blive understøttet sikkert.
- Undgå uhåndterlige betjeneringer og håndpositioner, hvor et pludseligt slip kunne forårsage, at din hånd kunne komme i berøring med slibebåndet eller skiven.
- Undgå tilbageslag ved at slibe i overensstemmelse med de retningsbestemte pile.
- Oprethold altid en afstand på 1,6 mm mellem arbejdsbordet og maskinen.
- Stå aldrig, eller hav aldrig nogen kropsdele lige ud for retningen for arbejdsemnet.
- Maskinen må aldrig være tilsluttet en strømkilde, når du samler dele, foretager justeringer eller når den ikke er i brug.
- Lad aldrig værktøjet køre uden opsyn. Efterlad ikke værktøjet, før det er stoppet fuldstændigt.

- Hvis strømforsyningskablet beskadiges eller bliver defekt på anden måde, må det kun udskiftes af producenten eller en autoriseret servicemedarbejder.
- Vi anbefaler brug af fejlstrømssikring (HFI-relæ) med en fejlstrømsnormering på 30mA eller mindre.

UUNDGÅELIGE RISICI

Selv om produktet anvendes som foreskrevet, er det stadig umuligt at eliminere visse uundgåelige risikofaktorer fuldstændigt. Følgende risici kan opstå under brug, og operatøren bør være særligt opmærksom for at undgå følgende:

- Risiko for kontakt med slibebånd eller skive.
- Brandulykker fra kontakt med varmt bånd eller skive eller arbejdsemne.
- Skader på åndedrætssystem ved manglende brug af effektiv støvmaske.
- Skader på hørelse ved manglende brug af effektivt høreværn.

KEND PRODUKTET

Se side 85.

1. Stopper til sliber
2. Slibebånd
3. Spøringskontrolknap
4. Håndtag til båndstrammer
5. Bundplade
6. Tænd/Sluk-kontakt
7. Hældningsskala
8. Sugedyse
9. Justeringsknap til bordets facetvinkel
10. Justeringsknap til geringsvinkel
11. Geringsmåling
12. Geringsanslag
13. Arbejdsbord

VEDLIGEHOLDELSE

- Undlad at ændre produktet på nogen måde eller bruge tilbehør, som ikke er godkendt af producenten. Det kan gå ud over din og andres sikkerhed.
- Undlad at bruge produktet, hvis kontakter, skærme eller andre funktioner ikke fungerer efter hensigten. Indlever på autoriseret servicecenter til professionel reparation eller justering.
- Foretag ingen justeringer, mens produktet kører.
- Sørg altid for, at stikket er trukket ud af lysnetkontakten, inden der foretages indstillinger, smøring eller andet arbejde, herunder vedligeholdelse, på produktet.
- Inden og efter hver brug skal produktet kontrolleres for skader eller afbrækkede dele. Hold altid produktet i god stand ved straks at udskifte dele med reservedele, der er godkendt af producenten.
- Fjern ophobet støv med en børste eller støvsuger. Anvend ikke trykluft.



- For bedre sikkerhed og pålidelighed skal alt reparationsarbejde, inkl. udskiftning af børster, udføres på et autoriseret servicecenter.
- Hvis strømforsyningsledningen bliver beskadiget, må den af sikkerhedshensyn kun udskiftes af producenten eller på et autoriseret servicecenter.

⚠ ADVARSEL

Af hensyn til brugersikkerheden og drifts- sikkerheden skal reparationer udføres på et autoriseret Ryobi serviceværksted.

TRANSPORT OG OPBEVARING

- Når produktet stilles til opbevaring, skal man frakoble strømforsyningskablet. Opbevar produktet på et sikkert sted, der er utilgængeligt for børn.
- Rengør produktet med en børste og støvsuger, inden det stilles til opbevaring.

MILJØBESKYTTELSE

Råmaterialerne skal genbruges og ikke bortskaffes som almindeligt affald. Af hensyn til miljøet skal redskab, tilbehør og emballage sorteres.

SYMBOL

Sikkerhedsadvarsel



CE-overensstemmelse



Læs venligst vejledningen grundigt igennem før maskinen tages i brug.



Benyt høreværn



Benyt øjenværn



Symbolet "Rør ikke med hænderne"



Slibebåndsstørrelse



Størrelse: Bundplade



Størrelse: Arbejdsbord



Fjern ikke låget.



Elektriske affaldsprodukter bør ikke afskaffes sammen med husholdningsaffald. Genbrug venligst hvor faciliteterne tillader dette. Tjek med din lokale kommune eller forhandler for genbrugsråd.

SYMBOLER I BRUGSANVISNINGEN

Tilslut maskinen til lysnetkontakten.



Træk værktøjets stik ud af stikkontakten.



Dele eller tilbehør, der sælges separat

De følgende ikoner og betydninger er beregnet til at forklare risikoen involveret i at anvende denne enhed.

⚠ FARE

Indikerer en umiddelbart farlig situation, som - hvis den ikke afværges - vil medføre dødsfald eller alvorlig personskade.

⚠ ADVARSEL

Indikerer en potentielt farlig situation, som - hvis den ikke afværges - kan medføre dødsfald eller alvorlig personskade.

⚠ VÆR OPMÆRKSOM

Indikerer en potentielt farlig situation, som - hvis den ikke afværges - kan medføre mindre eller middelsvær personskade.

VÆR OPMÆRKSOM

(Uden sikkerhedssymbol) indikerer en situation som kan føre til skade af personlig ejendom.



Säkerhet, prestanda och pålitlighet har fått högsta prioritet vid utformningen av din polermaskin med rem/skiva.

ANVÄNDNINGSSOMRÅDE

Denna polermaskin med rem/skiva är avsedd att användas endast för trä och träprodukter. Användning av denna produkt och en spånuppsamlare tillsammans med metallprodukter är en potentiell brandfara.

Denna produkt är utformad och avsedd endast för användning av korrekt utbildad och erfaren personal. Om du inte känner till hur produkten ska användas korrekt och säkert, använd den inte förrän du fått rätt utbildning och kunskaper.

ALLMÄNNA SÄKERHETSFÖRESKRIFTER

⚠ VARNING

Grundläggande säkerhetsåtgärder ska alltid följas för att minska risken för brand, elektrisk stöt och personskada när du använder elektriska verktyg. Läs alla instruktioner innan du försöker använda den här produkten och spar instruktionerna för senare bruk.

- **Se till att arbetsplatsen är ren och välstädad.** Röriga och smutsiga arbetsplatser och arbetsbord utgör en risk för personskador.
- **Besiktiga arbetsplatsen.** Utsätt inte verktygen för regn. Använd inte verktygen på fuktiga eller blöta platser. Håll arbetsområdet väl upplyst. Använd inte verktygen i närheten av brännbara vätskor eller gaser.
- **Skydda dig mot elektriska stötar.** Undvik kroppskontakt med jordade ytor (så som rör, element, spisar och kylskåp).
- **Se till att andra personer håller sig på behörigt avstånd.** Låt inte andra personer, i synnerhet barn, utföra någon del av arbetet eller röra verktyget eller förlängningssladden; se också till att de håller sig på behörigt avstånd från arbetsplatsen.
- **Förvara verktyg avstängda.** När verktygen inte används ska de förvaras på en torr plats med lås där inte barn kan komma åt dem.
- **Använd inte kraft mot verktyget.** Verktyget fungerar bäst och mest effektivt om du jobbar i den takt som det är avsett för.
- **Använd korrekt verktyg.** Försök inte göra jobb som bäst utförs med stora och kraftigt verktyg med små verktyg. Använd endast verktygen för de ändamål som de är avsedda för; försök till exempel inte kapa kvistar eller stockar med en cirkelsåg.
- **Klä dig korrekt.** Bär inga löst åtsittande kläder eller smycken som kan fastna i rörliga delar. Användning av skor med halkskydd rekommenderas vid arbete utomhus. Bär hårskydd som skyddar långt hår.
- **Använd skyddsutrustning.** Använd skyddsglasögon.
- Använd en ansikts- eller dammask om arbetsuppgiften producerar mycket damm.
- **Anslut utrustning för dammsugning.** Om tillbehör för dammsug och dammupsamling finns tillgängliga för verktyget, kontrollera att dessa är monterade korrekt och används på rätt sätt.
- **Skada inte sladden.** Dra i kontakten när du drar ut elsladden ur väggtaget, aldrig i själva sladden. Håll sladden borta från värme och vassa kanter.
- **Säkert arbets sätt.** När det är möjligt, använd alltid klämmor eller skruvstäd för att hålla fast arbetsstycket. Det är säkrare än att använda händerna.
- **Sträck dig inte.** Ha alltid ett bra fotfäste och en god balans.
- **Underhåll verktyget försiktigt.** Se till att hålla skärverktyget vasst och verktyget rent för ett bättre och säkrare arbete. Följ instruktionerna för smörjning och byte av tillbehör. Besiktiga verktygens elsladdar regelbundet och lämna in dem för reparation hos ett auktoriserat servicecenter om du upptäcker skador på dem. Kontrollera förlängningssladden regelbundet och byt ut om den är skadad. Håll handtagen torra, rena och fria från olja och fett.
- **Koppla bort verktyg.** Alla verktyg ska slås av och deras elsladdar dras ut ur väggtagen när de inte används, innan service eller när någon del ska bytas ut, t.ex. tillbehör, kapskiva, bits, skäransordningar.
- **Ta bort justeringsnycklar och -verktyg.** Ta för vana att kontrollera att nycklar och skiftnycklar är bortplockade från verktyget innan det startas.
- **Undvik oavsiktlig start.** Försäkra dig om att huvudströmbrytaren står i läget "off" (av) när du sätter i kontakten.
- **Använd endast förlängningssladdar som har godkänts för utomhusbruk.** När verktyget används utomhus ska endast förlängningssladdar som är anpassade och märkta för utomhusbruk användas.
- **Var på din vakt.** Se upp med vad du gör och använd sunt förnuft. Använd inte verktyget om du är påverkad av alkohol eller droger eller om du tar mediciner.
- **Kontrollera delarna för att upptäcka eventuella skador.** Innan ytterligare användning av verktyget sker ska det noggrant kontrolleras för att avgöra om det kan fungera och fylla sin funktion fullt ut. Kontrollera att rörliga delar sitter som de ska och kan röra sig obehindrat och att inga delar eller fästen är trasiga; kontrollera även andra saker som kan påverka användningen. Ett skydd eller en annan del som är skadad måste repareras ordentligt eller bytas ut av ett auktoriserat servicecenter om ingenting annat anges i den här handboken. Låt ett auktoriserat servicecenter byta ut trasiga strömbrytare.
- **Använd inte verktyget om du inte kan stänga av och sätta på det med strömbrytaren.**
- **Varning.** Användning av några andra typer av tillbehör än de som rekommenderas i denna användarhandbok kan innebära risk för personskador.



- **Om verktyget måste repareras bör detta göras av en kvalificerad person.** Detta elverktyg uppfyller alla viktiga säkerhetsbestämmelser. Reparationer får endast utföras av kvalificerad personal som använder originalreservdelar; i annat fall kan användaren utsättas för stora risker.

SÄKERHETSANVISNINGAR FÖR POLERMASKIN MED REM/SKIVA

- Använd inte produkten förrän den är i komplett monterat skick och har installerats enligt anvisningarna.
- Se till att ha fullgod generell eller lokal belysning.
- Kontrollera att maskinen står på ett jämnt underlag med tillräcklig stabilitet innan arbetet påbörjas. För din egen säkerhet, montera alltid maskinen på en arbetsbänk med bultar.
- Se till att maskinens omgivning är väl underhållen och fri från löst material, som t.ex. spån och sågbitar.
- Se till att slipremmen har monterats i rätt riktning. Se riktningsspil på remmens baksida.
- Se till att trackingen alltid är korrekt inställd, så att remmen inte hoppar av blocken.
- Använd inte slipremmar eller -dynor som är skadade, rivna eller lösa. Använd endast sliprem eller -dyna med korrekt storlek.
- Slipa alltid på den nedåtriktade sidan av polerskivan när du använder maskinen med skiva. Att slipa på den uppåtriktade sidan av skivan kan få arbetsstycket att kastas ut från sin position och orsaka olyckor.
- Arbeta inte med upplägg, montering eller inställning på bordet medan produkten är i drift.
- Håll alltid arbetsstycket stadigt vid slipning.
- Använd fästen eller ett skruvstöd för fästning när det går.
- För att minska risken att maskinen tippar ska långa arbetsstycken alltid stödjas.
- Slipa aldrig fler än ett arbetsstycke åt gången. Ställ inte mer än ett arbetsstycke åt gången på maskinen.
- Slipa inte ett arbetsstycke som inte stöds upp. Slipa inte arbetsstycken som är för små för att kunna stödas på ett säkert sätt.
- Undvik besvärliga procedurer och krångliga handpositioner, där en plötslig glidning kan få din hand att hamna mot slipremmen eller- skivan.
- Undvik återstuds genom att slipa i enlighet med riktningsspilarna.
- Håll alltid ett avstånd på 1,6 mm mellan arbetsbordet och maskinen.
- Stå aldrig, och håll aldrig någon kroppsdel i linje med, arbetsstyckets förflyttningväg.
- Maskinen ska aldrig vara ansluten till strömförsörjningen medan du monterar delar eller gör justeringar, eller när den inte används.

- Lämna aldrig ett verktyg som är igång. Lämna inte verktyget förrän det har stannat helt.
- Om el-kabeln är skadad eller defekt, måste den bytas ut av tillverkaren eller av en auktoriserad serviceman.
- Vi rekommenderar en jordfelsbrytare med märkström 30mA eller mindre.

RESIDUALRISK

Även om produkten används enligt instruktionerna går det inte att eliminera alla eventuella riskfaktorer. Följande risker kan uppstå vid användning och operatören ska vara extra uppmärksam för att undvika följande:

- Risk för kontakt med sliprem eller -skiva.
- Risk för brännskada genom kontakt med varm rem, skiva eller arbetsstycke.
- Skador på andningsvägarna om inte dammskydd för ansiktet används.
- Skada på hörseln om ett effektivt hörselskydd inte används.

LÄR KÄNNA DIN PRODUKT

Se *sidan 85*.

1. Slipstopp
2. Sandpapperbälte
3. Styrknapp för tracking
4. Spak för remspänning
5. Fot
6. Av/på-knapp
7. Lutningsskala
8. Sugmunestycke
9. Knapp för justering av bordets fäsvinkel
10. Knapp för justering av gervinkeln
11. Ger-skala
12. Geringsguide
13. Arbetsbord

UNDERHÅLL

- Modifiera inte produkten på något sätt och använd inga tillbehör som inte godkänts av tillverkaren. Din och andras säkerhet kan vara i fara.
- Använd inte produkten om brytare, skydd eller andra funktioner inte fungerar som avsett. Lämna den till auktoriserat servicecenter för reparation eller justering.
- Utför inte justeringar medan produkten är i drift.
- Se alltid till att kontakten har tagits ur eluttaget före justeringar, smörjning eller om underhåll ska göras på produkten.
- Före och efter användning ska produkten kontrolleras så det inte finns skadade eller trasiga delar. Håll produkten i gott skick genom att omedelbart ersätta delar med reservdelar som tillhandahålls av tillverkaren.
- Rensa bort damm som ansamlats med en borste eller dammsugare. Använd inte tryckluft.



- För säkerhet och pålitlighet ska alla reparationer, inklusive byte av borstar, utföras av auktoriserat reparationscenter.
- Om strömkabeln har skadats får den enbart bytas ut av tillverkaren eller auktoriserat servicecenter för att undvika säkerhetsrisk.

⚠ VARNING

Av säkerhetsskäl är det viktigt att alla reparationer utförs på en serviceverkstad som godkänts av Ryobi.

TRANSPORT OCH FÖRVARING

- Strömkabeln ska kopplas ur vid förvaring. Förvara produkten på säker plats där inga barn kan komma åt den.
- Rengör produkten med en borste eller dammsugare före förvaring.

MILJÖSKYDD

Råmaterialen ska återvinnas i stället för att kastas i hushållsavfallet. För att skona miljön ska verktyget, tillbehören och emballagen sorteras.

SYMBOL

Säkerhetsvarning



CE-överensstämmelse



Läs instruktionerna ordentligt innan start av maskinen.



Bär hörselskydd.



Använd skyddsglasögon



Symbol "Inga händer"



Slipbandets storlek



Storlek: Fot



Storlek: Arbetsbord



Ta inte bort skyddet.



Gamla elektroniska produkter ska inte kastas med hushållssoporna. Återvinn där sådana faciliteter finns. Kontrollera med din lokala myndighet eller säljaren för att få återvinningstips.

SYMBOLER I MANUALEN

Sätt in maskinens stickkontakt i vägguttaget.



Koppla bort verktyget från eluttaget.



Delar och utrustning säljs separat

Följande signalord och betydelser är tänkta att förklara de olika risknivåerna som är associerade med denna produkt.

⚠ FARA

Visar på en direkt riskfylld situation som, om den inte undviks, kan orsaka dödsfall eller allvarlig personskada.

⚠ VARNING

Visar på en potentiellt riskfylld situation som, om den inte undviks, kan orsaka dödsfall eller allvarlig personskada.

⚠ FÖRSIKTIGHET

Visar på en potentiellt riskfylld situation som, om den inte undviks, kan orsaka mindre eller måttlig personskada.

FÖRSIKTIGHET

(Utan säkerhetssymbolen) Indikerar en situation som kan leda till egendomsskada.



Turvallisuus, tehokkuus ja käyttövarmuus ovat nauha-/levyhiomakoneemme tärkeimpiä ominaisuuksia.

KÄYTTÖTARKOITUS

Tämä nauha-/levyhiomakone on tarkoitettu ainoastaan puun ja puutuotteiden työstämiseen. Tämän koneen ja pölynkerääjän käyttämiseen metallituotteille liittyy tulipalon riski.

Tätä konetta saavat käyttää ainoastaan käyttöön perusteellisesti koulutetut ja harjaantuneet henkilöt. Jos et ole kunnolla perehtynyt tämän koneen toimintaan ja sen turvalliseen käyttöön, käytä sitä vasta kun olet saanut perusteellisen käyttökoulutuksen.

YLEISET TURVALLISUUSVAROITUKSET

⚠ VAROITUS

Sähkötyökaluja käytettäessä on aina ryhdyttävä varotoimiin tulipalon, sähköiskun ja loukkaantumisen välttämiseksi. Lue kaikki ohjeet ennen tuotteen käyttöä, ja säilytä nämä ohjeet.

- **Pidä työalue esteettömänä.** Sotkuiset alueet ja pöydät voivat aiheuttaa loukkaantumisen.
- **Ota työalue huomioon.** Älä jätä työkaluja sateeseen. Älä käytä laitetta kosteassa tai märässä paikassa. Pidä työalue valoisana. Älä käytä laitetta helposti syttyvien nesteiden tai kaasujen läheisyydessä.
- **Suojaudu sähköiskulta.** Älä kosketa maadoitettuihin pintoihin (kuten putkiin, lämpöpattereihin, helloihin tai jääkaappeihin).
- **Pidä sivulliset etäällä.** Älä anna ulkopuolisten, erityisesti lasten, osallistua työhön tai koskettaa laitetta tai jatkojohtoa, ja pidä heidät poissa työalueelta.
- **Varastoi käyttämättömät työkalut.** Käyttämättömän laitteen tulee olla varastoitu kuivaan paikkaan ja pois lasten ulottuvilta.
- **Älä pakota laitetta.** Se hoitaa työt paremmin ja turvallisemmin sillä vauhdilla, jota varten se on tarkoitettu.
- **Käytä oikeaa työkalua.** Älä pakota pientä työkalua tekemään järeää työkalua vaativaa työtä. Älä käytä laitetta muuhun kuin sille tarkoitettuun käyttöön; esimerkiksi, älä sahaa pyörösahalla oksia tai tukkeja.
- **Pukeudu asianmukaisesti.** Älä käytä löysiä vaatteita tai koruja, sillä ne voivat tarttua liikkuviin osiin. Ulkotöissä suositellaan käytettävän luistamattomia suojakenkiä. Suojaa pitkät hiukset peittämällä ne.
- **Käytä suojavälineitä.** Käytä suojalaseja. Käytä kasvoja polysuojainta tehdessäsi pölyistä työtä.
- **Kytke pölynimuri.** Jos laitetta varten on pölynpoistojärjestelmä, kytke se asianmukaisesti ja käytä sitä oikein.
- **Pidä huolta sähköjohdosta.** Älä koskaan irrota laitetta pistorasiasta vetämällä johdosta. Älä päästä johtoa koskettamaan kuumuuden lähteitä, öljyä tai teräviä reunoja.
- **Kiinnitä työkappale.** Kiinnitä työkappale puristimilla tai ruuvipenkillä aina, kun mahdollista. Se on turvallisempaa kuin käden käyttö.
- **Älä kurkota liian kauas.** Säilytä aina kunnollinen jalansija ja tasapaino.
- **Huolla laite huolella.** Pidä leikkuutyökalut terävinä ja puhtaina, jotta ne toimisivat paremmin ja turvallisemmin. Noudata voitelua ja lisävarusteiden vaihtoa koskevia ohjeita. Tarkista laitteen sähköjohdot säännöllisesti, ja jos ne ovat vioittuneet, korjauta ne valtuutetussa huoltopisteessä. Tarkista jatkojohto säännöllisesti ja vaihda se, jos se on vioittunut. Pidä kädensijat kuivina ja puhtaina liasta, öljystä ja rasvasta.
- **Irrota laitteet.** Irrota pistoke, kun laitetta ei käytetä, ennen huoltoa ja vaihtaessasi lisävarusteita, kuten teriä ja leikkureita.
- **Poista säätöavaimet ja kiintoavaimet.** Opi tarkistamaan, että kaikki avaimet ja muut työkalut on poistettu laitteesta ennen sen käynnistämistä.
- **Älä anna koneen käynnistyä vahingossa.** Tarkista laitetta pistorasiaan kytkiessäsi, että se on "off"-asennossa.
- **Käytä ulkokäyttöön tarkoitettuja jatkojohtoja.** Kun laitetta käytetään ulkona, käytä sen kanssa ainoastaan jatkojohtoja, jotka on tarkoitettu ulkokäyttöön ja jotka on niin merkitty.
- **Ole valpas.** Katso mitä teet ja käytä maalaisjärkeä. Älä käytä työkalua mikäli olet alkoholiin tai huumeiden vaikutuksen alainen tai mikäli olet lääkekuurilla.
- **Tarkista vioittuneet osat.** Ennen kuin painepesurin käyttöä jatketaan, se tulee tarkistaa huolella jotta voidaan olla varmoja, että ne toimivat kunnolla ja asianmukaisesti. Tarkista, että liikkuvat osat on kohdistettu oikein ja että ne liikkuvat kunnolla, että osia ei ole rikkoutunut, että osat on asennettu oikein ja että mikään muu seikka ei haittaa koneen toimintaa. Valtuutetun huoltopisteen on korjattava tai vaihdettava vioittunut suoja tai muu osa, ellei näissä käyttöohjeissa toisin mainita. Vaihdata vialliset katkaisimet valtuutetussa huoltopisteessä.
- **Älä käytä laitetta, jos se ei käynnisty ja sammu katkaisimesta.**
- **Varoitus.** Muun kuin tässä käsikirjassa suositellun lisälaitteen tai lisävarusteen käyttäminen voi aiheuttaa loukkaantumisaan.
- **Anna laite pätevän henkilön korjattavaksi.** Tämä sähkölaite noudattaa asianmukaisia turvallisuussäädöksiä. Laitteen saa korjata vain pätevä henkilö käyttäen alkuperäisiä varaosia; muutoin korjauksesta voi aiheutua huomattava vaara käyttäjälle.



NAUHA-/LEVYHIOMAKONEEN TURVALLISUUSVAROITUKSET

- Käytä konetta vasta kun se on ohjeiden mukaisesti täysin kokoonpantuna ja asennettu.
- Varmista, että yleisvalaistus tai työvalo on riittävä.
- Tarkista ennen työskentelyä, että laite on tasapinnalla ja on riittävän vakaa. Kiinnitä laite aina oman turvallisuutesi takia pulteilla työpenkkiin.
- Pidä laitteen ympäristö hyvässä kunnossa ja työhänä irrallisesta materiaalista, kuten lastuista ja leikkujätteestä.
- Varmista, että hiomanauha pyörii oikeaan suuntaan. Pyörimissuunnan osoittava nuoli on merkitty nauhan taakse.
- Säädä tasakäynti oikein, jotta nauha ei valu pois hihnapyöriästä.
- Älä käytä löystyneitä, vääntyneitä tai muulla tapaa vahingoittuneita hiomanauhoja tai alustoja. Käytä ainoastaan oikeankokoisia hiomanauhoja ja alustoja.
- Hio aina hiomalevyn alaosassa, kun käytät levyhiomakonetta. Hiominen levyn yläosassa voi aiheuttaa työkappaleen sinkoutumisen pois asemastaan, jolloin seurauksena voi olla henkilövahinko.
- Älä koskaan tee työpöydällä kokoonpano- tai asetustoimenpiteitä koneen ollessa käynnissä.
- Kun hiot, pidä työkappaleesta aina lujasti kiinni.
- Kiinnitä työkappale puristimilla tai ruuvipenkillä, jos mahdollista.
- Jotta laite ei pääse kaatumaan, tue aina pitkät työkappaleet.
- Älä koskaan hio enempää kuin yhtä työkappaletta kerrallaan. Älä kasaa yhtä useampaa työkappaletta koneen alustalle.
- Älä koskaan hio työkappaletta, jos se ei ole tuettuna. Älä hio työkappaleita, jos ne ovat liian pieniä tuettaviksi.
- Älä tee vaikeita työstötoimenpiteitä, joissa äkillinen luiskahdus saattaa johtaa käden joutumiseen kosketuksiin hiomanauhan tai -levyn kanssa.
- Hio aina suuntaa osoittavan nuolen mukaisesti, jolloin vältät takapotkun.
- Pidä aina työpöydän ja koneen välissä 1,6 mm:n etäisyys.
- Älä koskaan seiso tai pidä mitään kehonosaa työkappaleen suuntaisesti.
- Kone ei koskaan saa olla kytkettynä virtalähteeseen silloin kun teet kokoonpanotoimenpidettä tai säätöjä, tai kun sitä ei käytetä.
- Älä koskaan jätä käynnissä olevaa laitetta vartioimatta. Älä jätä laitetta yksin, ennen kuin se on pysähtynyt täysin.
- Jos virtajohto vioittuu tai on muuten viallinen, se on vaihdettava ainoastaan valmistajalla tai valtuutetussa huollossa.

- Suositellaan, että käytät jäännösvirtalaitetta, jonka jäännösvirtaluokitus on enintään 30mA.

KÄYTÖN RISKIT

Vaikka tuotetta käytettäisiin ohjeiden mukaisesti, ei ole mahdollista täysin eliminoida tiettyjä käyttöön liittyviä riskitekijöitä. Käytössä voi aiheutua seuraavia vaaroja, ja käyttäjän tulee kiinnittää erityistä huomiota niiden välttämiseen:

- Hiomanauhan tai -levyn kanssa kosketuksiin joutumisen riski.
- Kuumen nauhan tai levyn tai työkappaleen kanssa kosketuksiin joutumiseen liittyy palovamman vaara.
- Hengitystiehyevauriot, jos ei käytetä tehokasta pölysuojainta.
- Kuulovamma, jos ei käytetä tehokkaita kuulosuojaimia.

TUNNE TUOTTEESI

Katso sivu 85.

1. Hiomarajoiitin
2. Hiomakoneen hihna
3. Tasakäynnin ohjausnuppi
4. Nauhan kiristysvipu
5. Luistin
6. Käynnistys/sammutuskytkin
7. Kaltevuusasteikko
8. Imusuutin
9. Pöydän särmän säätönuppi
10. Viistekulman säätönuppi
11. Viisteasteikko
12. Viisteohjain
13. Työpöytä

HUOLTO

- Älä muuntele tuotetta millään tavoin tai käytä muita kuin valmistajan hyväksymiä lisävarusteita. Sinun ja muiden turvallisuus saattaa vaarantua.
- Älä käytä tuotetta, jos jokin kytkin, suojusta tai muu toiminto ei toimi tarkoitetulla tavalla. Palauta se valtuutettuun huoltoon ammattilaisen korjattavaksi tai säädettäväksi.
- Älä tee mitään säätöjä koneen käydessä.
- Varmista aina, että pistoke on irrotettu pistorasiasta, ennen kuin teet säätöjä, voitelet tuotetta tai suoritat sen huoltoa.
- Tarkista tuote vaurioiden ja rikkoutuneiden osien varalta ennen jokaista käyttökertaa ja niiden jälkeen. Pidä tuote huippukunnossa vaihtamalla osat välittömästi valmistajan hyväksymiin varaosiin.
- Siivoa kerääntynyt pöly harjalla tai polyimurilla. Älä käytä paineilmaa.
- Jotta laite toimisi turvallisesti ja luotettavasti, kaikki korjaukset, mukaan lukien harjojen vaihto, tulee antaa valtuutetun huoltopisteen hoidettavaksi.



- Jos virtajohto vioittuu, se on vaihdettava ainoastaan valmistajalla tai valtuutetussa huollossa, jotta vältetään vaaroita.

VAROITUS

Lisäturvallisuuden ja luotettavuuden takaamiseksi kaikki korjaustyöt on annettava valtuutetun Ryobi-huoltokeskuksen tehtäväksi.

KULJETUS JA SÄILYTYS

- Kun varastoit tuotteen, irrota virtajohto. Säilytä tuotetta turvallisessa paikassa, johon lapset eivät pääse.
- Puhdista tuote harjalla tai pölynimurilla ennen tuotteen varastoimista.

YMPÄRISTÖNSUOJELU

Älä hävitä raaka-aineita jätteinä vaan vie ne kierrätykseen. Ympäristönsuojelun kannalta työkalu, lisäksi r usteet ja pakkausmateriaali on lajiteltava.

SYMBOLI

Turvallisuusvaroitus



Todistus CE-sääntöjen noudattamisesta



Lue ohjeet huolellisesti ennen laitteen käynnistämistä.



Käytä kuulosuojaimia



Käytä suojalaseja



Ei käsiä -symboli



Hiomanauhan koko



Koko: Luistin



Koko: Työpöytä



Älä irrota suojusta.



Käytöstä poistettavia sähkölaitteita ei pidä hävittää talousjätteiden mukana. Ne on mahdollisuuksien mukaan pantava kiertoon. Kierrätysohjeita antavat kunnan viranomaiset ja vähittäiskauppiat.

KÄSIKIRJAN SYMBOLIT

Kytke laitteen pistoke pistorasiaan.



Irrota laite sähköverkosta.



Osat ja lisävarusteet on hankittava erikseen

Seuraavat signaalisanat ja merkitykset on tarkoitettu selittämään tähän tuotteeseen liittyviä riskejä.

VAARA

Ilmoittaa välittömästä vaaratilanteesta, joka saattaa aiheuttaa kuoleman tai vakavan vamman.

VAROITUS

Ilmoittaa mahdollisesta vaaratilanteesta, joka saattaa aiheuttaa kuoleman tai vakavan vamman.

VAROITUS

Ilmoittaa mahdollisesta vaaratilanteesta, joka saattaa aiheuttaa pienen tai kohtalaisen vamman.

VAROITUS

(Ilman varoitusmerkkiä) Tilanne, joka voi aiheuttaa materiaalista vahinkoa.



Sikkerhet, ytelse og pålitelighet hadde topp prioritet under utformingen av denne belte- og skivesliperen.

TILTENKT BRUK

Denne belte- og skivesliperen er kun beregnet på bruk med treverk og treprodukter. Hvis produktet og en støvsamler brukes med metallprodukter, medfører det brannfare.

Dette produktet skal kun brukes av personer med tilstrekkelig erfaring og opplæring. Hvis du ikke er kjent med riktig og sikker bruk av produktet, skal du ikke bruke det før du har skaffet deg tilstrekkelig opplæring og erfaring.

GENERELLE SIKKERHETSADVARSLER

⚠ ADVARSEL

Når du bruker elektrisk verktøy må visse grunnleggende forholdsregler alltid tas for å redusere risikoen for brann, elektrisk støt og personskade. Les alle instruksjonene før du gjør forsøk på å bruke produktet, og ta godt vare på disse instruksjonene.

- **Ikke misbruk den elektriske ledningen.** Trekk aldri i den elektriske ledningen for å frigjøre støpslet fra stikkkontakten. Hold ledningen vekke fra varme, olje og skarpe kanter.
 - **Trygt arbeid.** Der det er mulig, bruk klemmer eller tvinger til å holde fast arbeidsstykket. Det er tryggere enn å bruke hånden din.
 - **Ikke len deg for langt frem.** Sørg for godt fotfeste og god balanse til enhver tid.
 - **Vedlikehold verktøyet med omtanke.** Hold verktøyet skarpt og rent for å oppnå bedre og tryggere ytelser. Følg instruksjonene for smøring og skifte av tilbehør. Inspiser verktøyets strømledning regelmessig og sørg for at den skiftes ved et autorisert servicecenter dersom den er skadet. Inspiser regelmessig eventuell skjøteledning og skift dersom den har skader. Hold håndtak tørre, rene og fri for olje og fett.
 - **Frakoble verktøyet.** Når verktøyet ikke er i bruk, før servicearbeider og i forbindelse med skifting av tilbehør som blader, bits og skjæretstyr må verktøyet frakobles den elektriske kontakten.
 - **Fjern justeringsnøkler og fastnøkler.** Gjør det til en vane å kontrollere at justeringsnøkler er fjernet fra verktøyet før det startes.
 - **Unngå utilsiktet start.** Påse at bryteren er i posisjon "off" når verktøyets støpsel settes inn i en stikkontakt.
 - **Bruk kun utendørs skjøteledning.** Når verktøyet brukes, bruk bare skjøteledning som er ment for utendørs bruk og merket tilsvarende.
 - **Vær våken.** Se hva du gjør og bruk fornuft. Bruk ikke verktøyet hvis du er påvirket av alkohol eller narkotika, eller hvis du tar medisiner.
 - **Se etter deler som er skadet.** Før ytterligere bruk av verktøyet må det undersøkes nøye for å kunne fastslå at det vil virke tilfredsstillende og utføre sin tiltenkte funksjon. Sjekk tilpasningen av bevegelige deler, kontakt mellom bevegelige deler og om alle deler er korrekt montert og enhver annen tilstand som kan påvirke bruken av verktøyet. Et deksel eller en annen del som er skadet må repareres forskriftmessig eller skiftes av et autorisert serviceverksted dersom ikke annet er angitt i denne Brukermanualen. Sørg for at ødelagte brytere skiftes av et autorisert servicecenter.
 - **Ikke bruk produktet hvis bryteren ikke slår det på og av.**
 - **Advarsel.** Bruk av andre tilkoblinger eller annet tilbehør enn det som anbefales i denne brukermanualen kan føre til personskade.
 - **Sørg for at verktøyet repareres av en kvalifisert person.** Dette elektriske verktøyet innfrir relevante sikkerhetsforskrifter. Reparasjoner må bare utføres av kvalifiserte personer som bruker originale reservedeler, i motsatt fall kan brukeren bli utsatt for betydelig fare.
- **Hold arbeidsområdet rent.** Rotete områder og arbeidsbenker inviterer til ulykker.
 - **Vurder det fysiske arbeidsmiljøet.** Ikke utsett verktøyet for regn. Ikke bruk utstyret på fuktige eller våte steder. Hold arbeidsområdet godt opplyst. Ikke bruk elektrisk verktøy på steder hvor det finnes brennbare væsker eller gass.
 - **Beskytt deg mot elektriske støt.** Unngå kroppskontakt med jordede overflater (som vannrør, radiatorer, kokeapparater og kjøleaggregater).
 - **Hold andre personer vekke.** Ikke la personer, og spesielt barn, ta del i arbeidet, berøre verktøyet eller en skjøteledning, og hold dem vekke fra arbeidsområdet.
 - **Lagre verktøy som ikke brukes.** Når det ikke er i bruk må verktøyet oppbevares tørt og innelåst slik at det er utilgjengelig for barn.
 - **Ikke press verktøyet.** Det vil gjøre jobben bedre og tryggere med den hastigheten det var konstruert for.
 - **Bruk det rette verktøyet.** Ikke tving et lite verktøy til å utføre en oppgave som var tiltenkt et større og kraftigere verktøy. Ikke bruk verktøy for oppgaver det ikke var tiltenkt, bruk for eksempel ikke en sirkelsag til å kappe grener eller trestammer.
 - **Kle deg riktig.** Bruk ikke løstsittende klær eller smykker, de kan hekte seg fast i bevegelig deler på verktøyet. Sklisikkert fottøy anbefales ved arbeid utendørs. Bruk lue eller hatt til å dekke langt hår.
 - **Bruk verneutstyr.** Bruk vernebriller. Bruk ansikts- eller støvmaske dersom arbeidet skaper støv.
 - **Tilkobl støvavsugsutstyr.** Hvis det finnes tilkoblingsmuligheter for oppsugnings- og oppsamlingsutstyr for støv, sørg for at dette blir tilkoblet og brukt på riktig måte.



SIKKERHETSADVARSLER FOR BELTE- OG SKIVESLIPER

- Bruk ikke produktet før det er fullstendig montert og installert i henhold til instruksjonene.
- Sørg for tilfredsstillende generell og spesifikk belysning.
- Påse at maskinen er plassert på en jevn overflate med tilfredsstillende stabilitet før arbeidet påbegynnes. For din egen sikkerhet må sagen alltid festes til bordet med skruer.
- Hold området rundt maskinen godt vedlikeholdt, ryddig og fritt for løse materialer som kapp og sagspon.
- Kontroller at slipebeltet er installert i riktig retning. Se retningspilen på baksiden av beltet.
- Juster alltid systemet korrekt, slik at beltet ikke sklir av valsene.
- Bruk ikke slipebelter eller -puter som er skadde, opprevde eller løse. Bruk kun slipebelter og -puter med riktig størrelse.
- Slip alltid med undersiden av slipeskiven når du bruker skivesliperen. Sliping på oversiden kan gjøre at arbeidsstykket slås ut av stilling og fører til skade.
- Gjør aldri forberedelser, oppsett eller montering på bordet mens produktet er i bruk.
- Hold alltid arbeidsstykket godt fast når du sliper.
- Bruk støtter dersom en vesentlig del av arbeidsstykket stikker utenfor sagbordet og kan falle ned når det er kappet.
- For å redusere faren for velt må lange arbeidsstykker alltid støttes.
- Slip aldri mer enn ett arbeidsstykke om gangen. Ikke legg mer enn ett arbeidsstykke på maskinbasen ad gangen.
- Slip ikke arbeidsstykker som ikke er godt støttet. Slip ikke materialbiter som er for små til å holdes fast ordentlig.
- Unngå klønete operasjoner og håndgrep der hånden lett kan ende opp i slipebeltet eller -skiven hvis du glipper taket eller mister balansen.
- Unngå rekyl ved å slippe i henhold til pilenes retning.
- Ha alltid minst 1,6 mm klaring mellom arbeidsbordet og maskinen.
- Stå aldri og hold aldri noen kroppsdel på linje med prosjekttilbanen til arbeidsstykket.
- Maskinen skal aldri være koblet til en strømkilde når du monterer deler eller utfører justeringer eller når den ikke er i bruk.
- La aldri sagen gå uten betjening. Ikke forlat verktøyet før det har stoppet helt.
- Dersom den elektriske ledningen er skadet eller på annen måte er defekt må den kun skiftes av produsenten eller et autorisert elektrisk verksted.
- Vi anbefaler å bruke reststrømutstyr med en reststrømytelse på 30mA eller mindre.

GJENVÆRENDE RISIKO

Også når produktet brukes som beskrevet, er det ikke mulig å utelukke risiko for brukere eller personer i nærheten. Følgende farer kan oppstå ved bruk og operatøren bør være spesielt oppmerksom på å unngå/sikre følgende:

- Risiko for kontakt med slipebeltet eller -skiven.
- Brannfare ved kontakt med varmt belte, skive eller arbeidsstykke.
- Fare for skade på pusteorganene dersom man ikke bruker en adekvat støvmaske.
- Skader på hørselen dersom ikke effektivt hørselsvern brukes.

KJENN DITT PRODUKT.

Se side 85.

1. Slipestopper
2. Sandpapirbelte
3. Båndkontrollbryter
4. Beltespenningsspak
5. Såle
6. Av/På-bryter
7. Hellingsskala
8. Sponuttaksstuss
9. Justeringsbryter for bordvinkel
10. Justeringsbryter for gjærevinkel
11. Gjærevinkelskala
12. Smygmål
13. Arbeidsbord

VEDLIKEHOLD

- Ikke modifier produktet på noen måte eller bruk tilbehør som ikke er godkjent av produsenten. Din og andres sikkerhet vil kunne påvirkes negativt.
- Ikke bruk produktet hvis noen av bryterne, beskyttelsesutstyret eller andre funksjoner ikke virker som de skal. Oppsøk et autorisert servicesenter for profesjonelle reparasjoner eller justeringer.
- Gjør ikke justeringer mens produktet er i bruk.
- Sørg for at den elektriske kontakten alltid er fjernet fra det elektriske støpslet før det utføres justeringer, smøring eller vedlikehold på produktet.
- Før og etter hver gangs bruk må produktet inspiseres for skader eller ødelagte deler. Hold produktet i topp stand ved umiddelbart å erstatte deler med reservedeler som er godkjent av produsenten.
- Rengjør og samle opp støv med en børste eller støvsuger. Bruk ikke komprimert luft.
- For å sikre sikkerhet og pålitelighet må alle reparasjoner, inklusive skifte av børster, utføres ved et autorisert servicesenter.
- Dersom strømledningen er skadet, må den skiftes av produsenten eller et autorisert serviceverksted for å unngå sikkerhetsfarer.

**⚠ ADVARSEL**

For større sikkerhet og pålitelighet skal alle reparasjoner foretas av et godkjent Ryobi serviceverksted.

VEDLIKEHOLD OG OPPBEVARING

- Når produktet skal lagres må strømledningen frakoples. Oppbevar maskinen på et trygt sted der barn ikke har tilgang.
- Rengjør produktet med en børste eller støvsuger før det settes bort for lagring.

MILJØVERN

Resikuler råmaterialer istedenfor å kaste dem i søppelen. Verktøyet, tilbehørene og emballasjen bør sorteres for miljøvennlig resikulering.

SYMBOL

Sikkerhetsadvarsel



CE samsvarserklæring



Vennligst les instruksjonene nøye før du starter maskinen.



Bruk hørselsvern



Bruk øyeskyttelse



Ikke rør-symbol



Størrelsen på slipebeltet



Størrelse: Såle



Størrelse: Arbeidsbord



Ikke fjern dekeleet.



Avfall fra elektriske produkter skal ikke kastes sammen med husholdningsavfall. Vennligst resikulervedeksisterende avfallsbehandlingssted. Undersøk hos dine lokale myndigheter eller forhandler for råd om resikulering.

SYMBOLER I MANUALEN

Sett maskinens støpsel i strømkontakten.



Trekk ut verktøyet støpsel.



Deler eller tilbehør solgt separat

Følgende symboler og betydninger forklarer risikonivået som er assosiert med dette produktet.

⚠ FARE

Indikerer en umiddelbart farlig situasjon, som, dersom den ikke unngås, kan føre til alvorlig personskade eller død.

⚠ ADVARSEL

Indikerer en potensiell farlig situasjon, som, dersom den ikke unngås, kan føre til alvorlig personskade eller død.

⚠ ADVARSEL

Indikerer en potensiell farlig situasjon, som, dersom den ikke unngås, kan føre til mindre eller moderate skader.

ADVARSEL

(Uten sikkerhetssymbol) Indikerer en situasjon som kan resultere i skader på eiendom.



В основе конструкции вашего ленточно-дискового шлифовального станка лежат принципы безопасности, продуктивности и надежности.

НАЗНАЧЕНИЕ

Данный ленточно-дисковый шлифовальный станок предназначен только для обработки древесины и изделий из дерева. Использование данного изделия и пылесборника для обработки металлических деталей может привести к воспламенению.

Данный инструмент предназначен для использования только опытным и обученным персоналом. Если вы не знакомы с правильной работой и техникой безопасности при работе с данным инструментом, воздержитесь от его использования до получения необходимых знаний.

ОБЩИЕ ПРАВИЛА БЕЗОПАСНОСТИ

⚠ ОСТОРОЖНО

При использовании электрических инструментов следует соблюдать основные правила технической безопасности для снижения опасности возгорания, поражения электрическим током и получения травм. Перед использованием инструмента прочитайте все инструкции и сохраните их для использования в будущем.

- **Содержите рабочую зону в чистоте.** Загромождение рабочей зоны может привести к телесным повреждениям.
- **Принимайте во внимание условия работы.** Не пользуйтесь инструментом под дождем. Не пользуйтесь инструментом в условиях повышенной влажности. Работайте при хорошем освещении. Не пользуйтесь инструментом в присутствии огнеопасных жидкостей или газов.
- **Защита от поражения электрическим током.** Избегайте контакта с заземленными поверхностями (трубами, батареями отопления, кухонными плитами, холодильниками).
- **Не допускайте в рабочую зону посторонних лиц.** Не допускайте к работе посторонних лиц, особенно детей, не позволяйте им касаться инструмента или кабеля питания, не допускайте их в рабочую зону.
- **Неиспользуемые инструменты уберите на хранение.** Неиспользуемый инструмент следует хранить в сухом защищенном месте, недоступном для детей.
- **Не увеличивайте скорость работы инструмента.** Это позволит выполнить работу лучше и безопаснее с номинальной скоростью.
- **Используйте надлежащий инструмент.** Не пользуйтесь небольшим инструментом для выполнения трудоемких операций. Не используйте инструмент для непредназначенных для него целей, например, не используйте циркулярную пилу для обрезки ветвей деревьев или бревен.
- **Одевайтесь соответствующим образом.** Не надевайте свободную одежду или украшения, так как они могут попасть в движущиеся части. При наружных работах рекомендуется надевать нескользящую обувь. Воспользуйтесь защитным головным покрытием, чтобы прикрыть длинные волосы.
- **Используйте средства защиты.** Пользуйтесь защитными очками. Если при работе образуется пыль, надевайте пылезащитную маску.
- **Используйте устройство удаления пыли.** Если инструмент предусматривает использование устройства сбора и удаления пыли, обязательно его используйте.
- **Не допускайте неправильного обращения с кабелем.** Не держите кабель питания для отключения его от сети. Предохраняйте кабель питания от источников повышенного тепловыделения, масляных участков и острых предметов.
- **Зафиксируйте обрабатываемую заготовку.** При возможности всегда используйте зажимы или тиски для крепления заготовки. Это безопаснее, чем пользоваться руками.
- **Не прикладывайте чрезмерных усилий.** Старайтесь сохранять устойчивость и подыскивайте твердую опору.
- **Заботливо обращайтесь с инструментами.** Для лучшего и безопасного применения поддерживайте режущий элемент в чистоте и наточенном состоянии. При смазке и замене принадлежностей следуйте инструкциям. Регулярно проверяйте исправность кабелей, при их повреждении обращайтесь для ремонта в специализированный сервисный центр. Регулярно осматривайте удлинительные кабели и заменяйте поврежденные из них. Содержите ручки в сухом и чистом виде, очищайте их от масла и смазки.
- **Отключите инструменты.** Перед операциями технического обслуживания, замене принадлежностей (режущие полотна, насадки, резак) отключите инструмент от сети питания.
- **Удалите ключи для выполнения настройки и регулировки.** Возьмите себе за правило проверять перед включением инструмента отсутствие на нем гаечных и регулировочных ключей.
- **Не допускайте непреднамеренного запуска.** При подключении к сети питания убедитесь, что выключатель находится в положении «выключено».
- **При наружных работах используйте электроудлинитель.** При наружных работах используйте электрический удлинитель, предназначенный для наружного использования.
- **Будьте внимательны.** Будьте внимательны во время работы и руководствуйтесь здравым



смыслом. Не пользуйтесь инструментом в состоянии алкогольного или наркотического опьянения, а также под воздействием медикаментов.

- **Проверяйте поврежденные детали.** Перед дальнейшим использованием инструмента тщательно проверьте его надлежащую работу и выполнение предназначенных ему функций. Проверьте регулировку движущихся частей, их соединение, отсутствие повреждений, надежность крепления и другие условия, которые могут повлиять на работу инструмента. Поврежденное защитное устройство или другую деталь следует отремонтировать или заменить в сервисном центре, если иное не указано в данном руководстве по эксплуатации. Неисправные выключатели заменяйте в специализированном центре обслуживания.
- **Не пользуйтесь инструментом с неисправным выключателем питания.**
- **Осторожно.** Использование любых других принадлежностей, кроме рекомендованных в данных инструкциях, может привести к телесным повреждениям.
- **Для ремонта инструмента обращайтесь к квалифицированному специалисту.** Данный электроинструмент соответствует основным требованиям техники безопасности. Во избежание угроз здоровью ремонт инструмента следует поручать только квалифицированным специалистам с использованием оригинальных запасных деталей.

ТРЕБОВАНИЯ БЕЗОПАСНОСТИ ПРИ РАБОТЕ С ЛЕНТОЧНО-ДИСКОВЫМ ШЛИФОВАЛЬНЫМ СТАНКОМ

- Не начинайте работу с инструментом, если он не установлен в соответствии с инструкцией.
- Обеспечьте надлежащее общее и локальное освещение.
- Перед началом работы убедитесь, что устройство установлено на ровной поверхности и стоит устойчиво. В целях собственной безопасности обязательно зафиксируйте устройство на рабочем верстаке с помощью болтов.
- Поддерживайте надлежащий порядок в зоне вокруг устройства и не оставляйте разбросанными какие-либо материалы, например опилки и отрезанные куски.
- Шлифовальная лента должна быть установлена в правильном направлении. Смотрите стрелки на обратной стороне ленты.
- Положение ленты должно быть тщательно отрегулировано так, чтобы она не соскакивала с роликов.
- Не используйте поврежденные или растянутые шлифовальные ленты или подушки. Используйте шлифовальные ленты и подушки только соответствующего размера.

- При использовании диска шлифуйте только его нижней стороной. При шлифовании верхней стороной диска деталь может отлететь, что, в свою очередь, может привести к получению травмы.
- Никогда не выполняйте разметку, монтаж и настройку на столике при обработке детали.
- При шлифовании крепко удерживайте деталь.
- При возможности используйте зажимы или тиски.
- Во избежание опрокидывания инструмента при работе с длинными заготовками используйте опору.
- Одновременно можно обрабатывать только одну деталь. Не укладывайте на стол для резки одновременно более одной заготовки.
- Не обрабатывайте незакрепленную деталь. Не обрабатывайте детали, размеры которых слишком малы, чтобы обеспечить их прочное удержание.
- Избегайте выполнения опасных операций и расположения рук, при которых существует риск попадания рук под действие шлифовальной ленты или диска.
- Чтобы избежать отбрасывания заготовки, всегда выполняйте шлифовку только в соответствии со стрелками.
- Сохраняйте промежуток в 1,6 мм между рабочим столиком и инструментом.
- Никогда не стойте и не помещайте конечности на линии подачи заготовок.
- Станок должен быть отключен от источника питания при выполнении настроек и изменении расположения детали или при простое.
- Никогда не оставляйте инструмент работающим без присмотра. Не оставляйте инструмент до его полного останова.
- Если кабель питания поврежден или имеет иные дефекты, для его замены необходимо пригласить представителя изготовителя или уполномоченного специалиста ремонтной службы.
- Рекомендуем использовать устройство защитного отключения, значение остаточного тока которого не превышает 30 мА.

ОСТАТОЧНЫЕ РИСКИ

Даже когда изделие используют согласно инструкциям, невозможно полностью устранить факторы риска. Следующие опасности могут возникнуть во время его использования, и во избежание их рабочий должен обратить особое внимание на следующее:

- Риск контакта со шлифовальной лентой или диском.
- Риск ожога при контакте с горячими шлифовальной лентой, диском или заготовкой.
- Возможно повреждение дыхательных путей, если не используется эффективный респиратор.
- Травмирование органов слуха вследствие игнорирования соответствующих средств защиты.



**ИЗУЧИТЕ ИЗДЕЛИЕ**

Стр 85.

1. Стопор шлифовальной ленты
2. Абразивная лента
3. Регулятор положения
4. Рычаг натяжения шлифовальной ленты
5. Лодошва
6. Тумблер включения/выключения
7. Наклонной шкале
8. Пыль Порт
9. Ручка регулировки угла наклона столика
10. Ручка регулировки угла скоса
11. Шкала угла скоса
12. Наклонная направляющая
13. Рабочий столик

ТЕХНИЧЕСКОЕ ОБСЛУЖИВАНИЕ

- Запрещается каким-либо образом изменять конструкцию изделия или использовать аксессуары, не рекомендованные производителем. Ваша безопасность и безопасность других людей может быть нарушена.
- Не используйте изделие, если выключатели, защитные приспособления или другие компоненты не функционируют должным образом. обратитесь в авторизованный сервисный центр для ремонта или регулировки.
- Нельзя выполнять настройки при движущейся детали.
- Перед выполнением регулировки, смазки или технического обслуживания изделия всегда проверяйте, вынута ли вилка из розетки.
- Проверяйте изделие на предмет повреждения или поломки деталей перед и после каждого использования. Держите изделие в хорошем рабочем состоянии, своевременно заменяя изношенные детали, используя запасные части, рекомендуемые производителем.
- Удаляйте накопленную пыль с помощью зубной щетки или пылесоса. Не используйте сжатый воздух.
- Для обеспечения безопасности и надежности все ремонтные работы, включая замену щеток, должны выполняться в авторизованном сервисном центре.
- Если шнур питания поврежден, он должен быть заменен только производителем или авторизованным сервисным центром во избежание опасности.

⚠ ОСТОРОЖНО

Для большей безопасности и надежности, все ремонтные работы должны быть выполнены Ryobi авторизованный сервисный центр.

ТРАНСПОРТИРОВКА И ХРАНЕНИЕ

- При хранении изделия отсоедините шнур питания. Храните изделие в безопасном недоступном для детей месте.
- Перед постановкой изделия на хранение очищайте его, используя щетку или пылесос.

ЗАЩИТА ОКРУЖАЮЩЕЙ СРЕДЫ

Утилизируйте как сырье, а не выбрасывайте как мусор. Машина, аксессуары и упаковка должны быть отсортированы.

СИМВОЛ

Сигнал опасности



Соответствие требованиям CE



Перед использованием прибора внимательно ознакомьтесь с данной инструкцией.



Применяйте средства защиты органов слуха



Применяйте средства защиты органов зрения



Символ "Не помещать руки в зону воздействия"



Размер абразивной ленты



Размер: Лодошва



Размер: Рабочий столик



Не снимайте крышку.



Отработанная электротехническая продукция должна уничтожаться вместе с бытовыми отходами. Утилизируйте, если имеется специальное техническое оборудование. По вопросам утилизации проконсультируйтесь с местным органом власти или предприятием розничной торговли.

ОБОЗНАЧЕНИЯ В РУКОВОДСТВЕ



Подключите устройство к электросети.



Отключите инструмент от электросети.



Детали или принадлежности, приобретаемые отдельно

Следующие сигнальные слова и значения предназначены, чтобы объяснить уровни риска, связанного с этим изделием.

ОПАСНО

Указывает на потенциально опасную ситуацию, которая, если ее не избежать, приведет к летальному исходу или серьезной травме.

ОСТОРОЖНО

Указывает на потенциально опасную ситуацию, которая, если ее не избежать, может привести к летальному исходу или серьезной травме.

ВНИМАНИЕ

Указывает на потенциально опасную ситуацию, которая, если ее не избежать, может привести к травме легкой или средней тяжести.

ВНИМАНИЕ

(Без Символа Тревоги Безопасности) Указывает ситуацию, которая может кончиться повреждением собственности.



Bezpieczeństwo, efektywność i niezawodność były czynnikami o najwyższym priorytecie w trakcie projektowania Państwa szlifierki taśmowo-tarczowej.

PRZEZNACZENIE

Ta szlifierka tarczowo-taśmowa przeznaczona jest do stosowania wyłącznie z drewnem i produktami drewnianymi. Używanie tego produktu i odpylacza do obrabiania elementów metalowych stwarza zagrożenie pożarowe.

Ze względu na swoją konstrukcję produkt ten przeznaczony jest do stosowania wyłącznie przez przeszkolony i doświadczony personel. Osoby nieznające zasad należytej i bezpiecznej obsługi produktu nie powinny go używać, zanim nie otrzymają należytego przeszkolenia i nie zdobędą odpowiedniej wiedzy.

OGÓLNE OSTRZEŻENIA DOTYCZĄCE BEZPIECZEŃSTWA

OSTRZEŻENIE

Podczas używania jakichkolwiek urządzeń elektrycznych należy zachowywać podstawowe środki ostrożności. Pozwoli to uniknąć niebezpieczeństwa pożaru, porażenia prądem lub zranienia. Przed rozpoczęciem pracy zapoznać się ze wszystkimi instrukcjami i zachować je do późniejszego użytku.

- **Miejsce pracy utrzymywać w czystości.** Zagracone miejsce pracy lub warsztat to częsta przyczyna zranień.
- **Oceniać warunki panujące w miejscu pracy.** Nie wolno wystawiać tego urządzenia na działanie deszczu. Nie wolno używać narzędzi w warunkach mokrych lub wilgotnych. Miejsce pracy musi być dobrze oświetlone. Nie używać narzędzi w obecności palnych płynów lub gazów.
- **Chronić się przed ryzykiem porażenia prądem elektrycznym.** Unikać kontaktu ciała z ziemią lub uzziemionymi powierzchniami (rury, instalacje grzewcze i chłodnicze).
- **Osoby postronne utrzymywać z dala od miejsca pracy.** Nie dopuszczać do miejsca pracy innych osób, szczególnie dzieci ani nie zezwalać na dotykanie narzędzia lub przedłużacza lub na wykonywanie prac za pomocą narzędzia.
- **Nieużywane narzędzia należy odpowiednio przechowywać.** Nieużywane narzędzia należy przechowywać w suchym, zamkniętym miejscu, niedostępnym dla dzieci.
- **Nie używać siły podczas obsługi narzędzia.** Najlepsze efekty pracy, przy zachowaniu pełnego bezpieczeństwa, zapewni używanie tego narzędzia w zakresie parametrów znamionowych i stosownie do jego przeznaczenia.
- **Używać odpowiednich narzędzi.** Nie stosować

niewielkich narzędzi do wykonywania prac odpowiednich dla narzędzi przystosowanych do pracy przy dużych obciążeniach. Nie wolno używać żadnych narzędzi do celów, do których nie są przeznaczone: np. pił tarczowych do odcinania gałęzi lub cięcia kłody drewna.

- **Należy zakładać odpowiednią odzież ochronną.** Nie wolno zakładać luźnej biżuterii ani ubrań - mogą zostać wciągnięte przez ruchome elementy urządzenia. Podczas pracy na zewnątrz zaleca się zakładać obuwie antypoślizgowe. Nosić ochronne zabezpieczenie włosów, aby spisać i osłonić dłuższe włosy.
- **Stosować środki ochrony osobistej.** Zakładać okulary ochronne. Zastosuj maskę na twarz lub maskę przeciwpyłową w przypadku wykonywania prac, podczas których powstaje dużo pyłu.
- **Stosować urządzenia wyciągowe.** Jeśli używane narzędzie posiada przyłącze do wyciągu i gromadzenia kurzu, należy go stosować.
- **Nie rozciągać nadmiernie przewodu.** Nie ciągnąć za przewód w celu wyjęcia wtyczki z gniazda sieciowego. Przewód zasilania trzymać z dala od źródeł ciepła, oleju i ostrych krawędzi.
- **Zabezpieczyć obrabiany przedmiot.** Obrabiany przedmiot zabezpieczyć w zacisku lub imadle, o ile to możliwe. Jest to bardziej bezpieczne niż używanie dłoni.
- **Nie sięgać zbyt daleko.** Należy cały czas pewnie opierać stopy i utrzymywać równowagę.
- **Narzędzia konserwować z zachowaniem ostrożności.** Utrzymywać narzędzia tnące w czystości i naostrzone, co umożliwi uzyskanie lepszej wydajności i większego bezpieczeństwa. Przestrzegać instrukcji smarowania i wymiany przystawek i akcesoriów. Systematycznie kontrolować stan przewodów zasilających, a w przypadku stwierdzenia ich uszkodzenia, niezwłocznie dokonać naprawy w autoryzowanym serwisie. Przedłużacze należy systematycznie kontrolować i wymieniać w przypadku uszkodzenia. Rękojeści utrzymywać w czystości, muszą być zawsze suche, wolne od oleju i smarów.
- **Odłączać nieużywane narzędzia.** Gdy narzędzie nie jest używane, ma być serwisowane, przed zmianą przystawek lub akcesoriów, takich jak ostrza, noże, osłony itp., należy je odłączyć od zasilania.
- **Usunąć z miejsca pracy wszelkie klucze i narzędzia.** Konieczne jest wypracowanie nawyku sprawdzania, czy wszystkie narzędzia użyte do montażu akcesoriów lub regulacji, zostały usunięte przed rozpoczęciem pracy.
- **Unikać możliwości przypadkowego uruchomienia urządzenia.** Przed podłączeniem urządzenia do prądu należy upewnić się, że wyłącznik jest w pozycji wyłączonej.
- **Używać przedłużaczy przeznaczonych do użytku na zewnątrz pomieszczeń.** W przypadku używania urządzenia na zewnątrz, ewentualne przedłużacze muszą być do tego przystosowane i odpowiednio oznaczone.



- **Zachować ostrożność i przytomność umysłu.** Obserwować miejsce pracy i wykonywane czynności, zachować zdrowy rozsądek. Nie należy używać narzędzia pod wpływem alkoholu, narkotyków czy lekarstw.
- **Kontrolować stan techniczny poszczególnych elementów.** Przed dalszym użyciem urządzenia należy je dokładnie sprawdzić, upewniając się, że działa prawidłowo i zgodnie z przeznaczeniem. Sprawdzić wyrównanie elementów ruchomych, sprawdzić, czy wirują/poruszają się swobodnie, sprawdzić czy nie ma jakichkolwiek uszkodzeń, czy montaż jest poprawny, należy uwzględnić wszystkie aspekty mające wpływ na bezpieczną pracę urządzenia. Uszkodzone elementy należy naprawić lub wymienić w autoryzowanym serwisie, o ile nie podano inaczej w tej instrukcji. Wymienić uszkodzone wyłączniki w autoryzowanym punkcie serwisowym.
- **Nie wolno używać tego urządzenia, jeśli wyłącznik nie pracuje poprawnie.**
- **Ostrzeżenie.** Stosowanie jakichkolwiek przystawek, akcesoriów lub innych elementów, które nie zostały wymienione w tej instrukcji grozi wypadkiem.
- **Narzędzia muszą być naprawiane przez wykwalifikowany personel.** Elektronarzędzie, którego dotyczy ta instrukcja, spełnia odpowiednie wymogi w zakresie bezpieczeństwa. Naprawy mogą być przeprowadzane wyłącznie przez wykwalifikowany personel, z użyciem oryginalnych części zamiennych, w przeciwnym wypadku może dojść do zagrożenia bezpieczeństwa użytkownika urządzenia.

SZLIFIERKA TARCZOWO-TAŚMOWA – OSTRZEŻENIA DOTYCZĄCE BEZPIECZEŃSTWA

- Nie włączać produktu, dopóki nie zostanie on całkowicie złożony i zainstalowany zgodnie z zaleceniami.
- Zapewniać odpowiednie ogólne lub skupione oświetlenie.
- Przed pracą należy sprawdzić, czy maszyna jest umieszczona na równiej i stabilnej powierzchni. Ze względów bezpieczeństwa zawsze należy mocować maszynę do blatu roboczego za pomocą śrub.
- Otoczenie maszyny musi być dobrze utrzymane i nie mogą znajdować się w nim materiały luzem, np. wióry lub odcięte końcówki drewna.
- Sprawdzić, czy taśma szlifierska jest założona we właściwym kierunku. Sprawdzić umieszczoną na taśmie strzałkę wskazującą kierunek.
- Zawsze prawidłowo wyregulować trasę taśmy, tak by nie spadała z krążków.
- Nie stosować uszkodzonych, rozdartych lub luźnych taśm lub okładzin szlifierskich. Stosować wyłącznie taśmy i okładziny szlifierskie o właściwych rozmiarach.
- W przypadku podjęcia decyzji o użyciu szlifierki tarczowej do szlifowania zawsze używać dolnej części tarczy szlifierskiej. Szlifowanie górną częścią

tarczy może spowodować gwałtowny wyrzut elementu obrabianego, a w rezultacie obrażenia ciała.

- Nigdy nie rozkładać, montować lub konfigurować elementów na stole w trakcie pracy produktu.
- W trakcie szlifowania zawsze mocno trzymać element obrabiany.
- Obrabiany przedmiot zabezpieczyć w zacisku lub imadle, o ile jest to praktyczne.
- Aby zmniejszyć ryzyko przewrócenia maszyny, należy podparć dłuższe obrabiane elementy.
- Nigdy nie szlifować więcej niż jednego elementu naraz. Jednorazowo na podstawie urządzenia nie może znajdować się więcej niż jeden przecinany element.
- Nie szlifować niepodpartych elementów. Nie szlifować elementów, które są zbyt małe, by można je było bezpiecznie podeprzeć.
- Unikać niewygodnych czynności lub położeń dłoni, przy których nagle poślizgnięcie mogłoby spowodować kontakt dłoni z taśmą lub tarczą szlifierską.
- Unikać odrzutu, szlifując zgodnie ze strzałkami wskazującymi kierunek.
- Zawsze utrzymywać 1,6 mm odstępu między stołem roboczym a maszyną.
- Nigdy nie stawać ani nie umieszczać żadnych części ciała na torze ruchu elementu roboczego.
- Maszyna nigdy nie powinna być podłączona do zasilania w trakcie montażu części, regulacji lub wówczas, gdy nie jest używana.
- Nie wolno zostawiać maszyny podczas pracy bez nadzoru. Nie odkładać narzędzia, aż do całkowitego zatrzymaniaruchotarczy.
- Jeśli przewód zasilający jest uszkodzony lub niesprawny w inny sposób, należy zlecić jego wymianę wyłącznie producentowi lub autoryzowanemu serwisantowi.
- Zaleca się używać wyłącznika różnicowo-prądowego o prądzie zadziałania nie większym niż 30mA.

RYZYKO ZWIĄZANE Z UŻYTKOWANIEM

Nawet jeśli produkt jest używany zgodnie z zaleceniami, nadal nie jest możliwe wyeliminowanie określonych czynników ryzyka. Następujące zagrożenia mogą wystąpić podczas używania urządzenia i operator powinien zwracać szczególną uwagę na poniższe punkty:

- Ryzyko kontaktu z taśmą lub tarczą szlifierską.
- Ryzyko oparzenia w rezultacie kontaktu z gorącą taśmą lub elementem obrabianym.
- Uszkodzenie układu oddechowego w przypadku braku maski przeciwpyłowej.
- Uszkodzenie słuchu w przypadku braku odpowiednich środków ochrony słuchu.



**INFORMACJE O PRODUKCIE**

Patrz strona 85.

1. Hamulec tarczy i taśmy
2. Pas ścierny
3. Pokrętko regulacji toru taśmy
4. Dźwignia napinająca taśmę
5. Płyta szlifierska
6. Przełącznik Wł-Wył
7. Podziałka nachylenia
8. Przyłącze do odciągu trocin
9. Pokrętko regulacji kąta nachylenia stołu
10. Pokrętko regulacji kąta ukosu
11. Skala kąta ukosu
12. Prowadnica ukośna
13. Stół roboczy

KONSERWACJA

- Nie należy modyfikować produktu w żaden sposób ani nie używać akcesoriów, które nie są zalecane przez producenta. Może dojść do obniżenia poziomu bezpieczeństwa użytkownika oraz innych osób.
- Nie używać produktu, jeśli dowolny przycisk, osłona lub inna funkcja nie pracują prawidłowo. Przekazać urządzenie do autoryzowanego centrum serwisowego do naprawy lub regulacji.
- Nie regulować produktu w trakcie pracy.
- Zawsze należy upewnić się, że wtyczka zasilania została wyjęta z gniazda elektrycznego przed rozpoczęciem regulacji, smarowania lub konserwacji produktu.
- Przed o po każdym użyciu należy sprawdzić, czy produkt i jego części nie są uszkodzone. Produkt należy utrzymywać w najlepszej kondycji roboczej, wymieniając natychmiast części na części zamienne zatwierdzone przez producenta.
- Wyczyścić nagromadzony pył za pomocą szczotki lub odkurzacza. Nie stosować sprężonego powietrza.
- Aby zapewnić bezpieczeństwo i niezawodność pracy, wszystkie naprawy, w tym wymiana szczotek, powinny być przeprowadzane przez autoryzowany punkt serwisowy.
- Jeśli przewód zasilający zostanie uszkodzony, aby uniknąć ryzyka związanego z bezpieczeństwem, jego wymianę należy powierzyć wyłącznie producentowi lub autoryzowanemu serwisowi.

⚠ OSTRZEŻENIE

Dla większego bezpieczeństwa i lepszej pewności, wszystkie naprawy powinny być wykonywane w Autoryzowanym Punkcie Serwisowym Ryobi.

TRANSPORT I PRZECHOWYWANIE

- Podczas przechowywania produktu należy odłączyć przewód z gniazda elektrycznego. Produkt należy przechowywać w bezpiecznym miejscu, które jest niedostępne dla dzieci.
- Przed schowaniem produktu należy wyczyścić go za pomocą szczotki lub odkurzacza.

OCHRONA ŚRODOWISKA

Surowce należy oddawać do powtórnego przetworzenia zamiast wyrzucać je na śmieci. Z myślą o ochronie środowiska, narzędzie, akcesoria i opakowania powinny być sortowane.

SYMBOL

Uwaga dotycząca bezpieczeństwa



Zgodność CE



Przed uruchomieniem urządzenia prosimy uważnie przeczytać instrukcję



Stosować środki ochrony słuchu



Stosować środki ochrony wzroku



Symbol „Nie dotykać”



Rozmiar taśmy ściernej



Rozmiar: Płyta szlifierska



Rozmiar: Stół roboczy



Nie usuwać osłony.



Zużyte produkty elektryczne nie powinny być utylizowane z odpadami domowymi. Prosimy poddawać recyklingowi w odpowiednich miejscach. Informacje o właściwych metodach recyklingu można uzyskać u władz lokalnych lub sprzedawcy.

SYMBOLE W INSTRUKCJI



Podłączyć urządzenie do prądu.



Odłączyć urządzenie z gniazda sieciowego.



Części lub akcesoria sprzedawane oddzielnie

Poniższe symbole i nazwy które im nadano, pozwalają wyjaśnić różne poziomy ryzyka związanego z używaniem tego narzędzia.

NIEBEZPIECZEŃSTWO

Oznacza bezpośrednio niebezpieczną sytuację, która, jeśli nie zostanie uniknięta, spowoduje śmierć lub poważne urazy ciała.

OSTRZEŻENIE

Oznacza potencjalnie niebezpieczną sytuację, która, jeśli nie zostanie uniknięta, może spowodować śmierć lub poważne urazy ciała.

UWAGA

Oznacza potencjalnie niebezpieczną sytuację, która, jeśli nie zostanie uniknięta, może spowodować niewielkie lub umiarkowane urazy ciała.

UWAGA

(Bez symbolu bezpieczeństwa) Wskazuje na sytuację mogącą spowodować straty materialne.



Při konstrukci tohoto pásového/kotoučového pískovače hrály hlavní roli bezpečnost, výkon a spolehlivost.

ZAMÝŠLENÉ POUŽITÍ

Tento pásový/kotoučový pískovač je určen pouze pro práci se dřevem a dřevěnými výrobky. Používání tohoto výrobku a sběrače prachu společně s kovovými výrobky představuje potenciální riziko požáru.

Tento výrobek je určen k použití pouze řádně vyškolenému a zkušenému personálu. Pokud nejste seznámeni s řádným a bezpečným provozem tohoto výrobku, nepoužívejte jej, dokud nezískáte řádné školení a vědomosti.

VŠEOBECNÁ BEZPEČNOSTNÍ VAROVÁNÍ

VAROVÁNÍ

Pokud používáte elektrické nástroje, měly by být dodržovány základní bezpečnostní předpisy za účelem snížení nebezpečí požáru, elektrického úrazu a osobní újmy. Dříve než výrobek poprvé použijete, důkladně si přečtěte tyto pokyny a poté je uschovejte.

- **Udržujte pracoviště čisté.** Zaházené oblasti a ponky vedou k poraněním.
- **Berte ohled na pracovní oblast.** Chraňte nástroje před deštěm. Nástroj nepoužívejte ve vlhkých ani mokrych prostředích. Mějte pracoviště dobře osvětleno. Nepoužívejte nástroje v přítomnosti hořlavých kapalin nebo plynů.
- **Chraňte se před zásahem elektrickým proudem.** Předcházejte tělesnému kontaktu s uzemněnými nebo zemněnými povrchy (například trubky, radiátory, sporáky, lednice).
- **Udržujte ostatní přihlízející v povzdálí.** Nenechte osoby, obzvláště děti, aby se zapojovaly do práce, dotýkat se nástroje nebo prodlužovacího kabelu a udržujte je mimo pracovní oblast.
- **Ukládejte nevyužívané nástroje.** Nástroj vždy po použití skladujte na suchém místě a mimo dosah dětí.
- **Nepoužívejte nadměrnou sílu na nástroj.** Nástroj bude svou práci provádět lépe a bezpečněji při určeném přísunu materiálu, pro který byl navržen.
- **Používejte správný nástroj.** Nepoužívejte nadměrnou sílu na malé nástroje, abyste vykonali práci jako se silnějším nástrojem. Nepoužívejte nástroj pro práce, pro které není určen, například nepoužívejte rotační pilu pro řezání větví stromu nebo kmenů.
- **Správně se oblékejte.** Nenoste volné oblečení nebo šperky, mohou se zachytit do pohyblivých částí přístroje. Noste neklouzavou obuv, která je doporučena pro venkovní práce. Máte-li dlouhé vlasy, noste pokrývku hlavy.
- **Používejte ochrannou výbavu.** Používejte bezpečnostní brýle. Při práci používejte obličejový štít nebo protiprašný respirátor, pokud při práci vzniká prach.
- **Připojte příslušenství pro odsávání prachu.** Pokud je nástroj vybaven přípojkou pro odsávání prachu a sběrným zařízením, ujistěte se, že jsou zařízení správně připojena k nástroji, a že se správně používají.
- **Nepoškozujte napájecí kabel.** Nikdy nevytrhávejte kabel ze zásuvky. Udržujte kabel mimo horké plochy, olej a ostré hrany.
- **Bezpečná práce.** Používejte svorky nebo svěrák pro přidržení obrobku. Je to bezpečnější než použití vašich rukou.
- **Nepřeceňujte se.** Udržujte řádné postavení a rovnováhu po celou dobu práce.
- **Přístroje pečlivě udržujte.** Řezací nástroje udržujte ostré a čisté, abyste dosáhli lepšího a bezpečnějšího výkonu. Postupujte dle pokynů pro mazání a výměnu příslušenství. Pravidelně kontrolujte kabely přístroje, a pokud jsou poškozeny, nechejte jej vyměnit v autorizovaném servisu. Pravidelně prohlížejte napájecí kabel a vyměňujte jej, pokud je poškozený. Udržujte rukojeti suché, čisté a bez mastnot a oleje.
- **Odpojte nástroje.** Před servisem, při nepoužívání nebo při výměně příslušenství, jako kotoučů, nástrojů, nožů, se musí nástroje odpojovat ze sítě.
- **Odstraňte seřizovací klíče a nástroje.** Zvykněte si, abyste vždy pohledem zkontrolovali, zda jsou z přístroje před jeho zapnutím odstraněny všechny klíče a seřizovací klíče.
- **Zabraňte náhodnému spuštění.** Zkontrolujte, zda je před zapojením do zásuvky spínač napájení v poloze „off“ (vypnuto).
- **Používejte prodlužovací kabely pro venkovní prostředí.** Pokud používáte nástroje venku, používejte správné prodlužovací kabely určené pro použití venku a také tak označené.
- **Buďte ve střehu.** Sledujte to, co děláte a používejte cit. Nepoužívejte nářadí, pokud jste pod vlivem alkoholu, drog nebo užíváte léky, které snižují pozornost.
- **Zkontrolujte, zda nejsou nějaké díly poškozeny.** Před dalším použitím přístroje je potřeba jej pozorně zkontrolovat, abyste určili, zda bude správně fungovat a vykonávat činnost, na kterou je určen. Zkontrolujte seřízení pohyblivých částí, spojení pohyblivých částí, rozbité části upevňovačů a další jiné podmínky, které mohou ovlivnit chod nástroje. Kryt nebo jiný díl, který se poškodil, je potřeba správně opravit nebo vyměnit v autorizované servisní opravě, pokud to není určeno jinak v tomto návodu k obsluze. Poškozené spínače smí vyměnit pouze pověřené servisní středisko.
- **Nástroj nepoužívejte, pokud přepínač nezapíná nebo nevypíná.**
- **Varování.** Používání jiného než v této příručce doporučeného příslušenství nebo doplňků může vést k poranění osob.
- **Nástroj nechte opravit u kvalifikované osoby.** Tento elektrický nástroj je v souladu s příslušnými



bezpečnostními předpisy. Je potřeba, aby opravy vykonávali jen kvalifikované osoby pomocí originálních náhradních dílů, nedodržení pokynu může způsobit značné ohrožení uživatele.

BEZPEČNOSTNÍ UPOZORNĚNÍ K PÁSOVÉMU / KOTOUČOVÉMU PÍSKOVAČI

- Zřízení neprovozujte dokud není kompletně složeno a smontováno dle pokynů.
- Poskytněte adekvátní všeobecné či lokalizované osvětlení.
- Před prací zkontrolujte, že je stroj umístěn na vodorovné ploše s dostatečnou stabilitou. Pro bezpečnost přimontujte stroj k ponku šrouby.
- Udržujte okolí stroje čisté, bez volných materiálů, např. pilin a odřezků.
- Ujistěte se, že pískovací pás je namontován správným směrem. Podívejte se na směrovou šipku na páse.
- Vždy mějte vhodně připevněné uchycení tak, že pás vyjede z kladek.
- Nepoužívejte pískovací pásy nebo podložky, které jsou poškozené, poťhané nebo uvolněné. Používejte pouze pásy a podložky správné velikosti.
- Při použití kotoučového pískovače vždy pískujte pouze na straně kotouče točící se směrem dolů. Pískování směrem vzhůru může způsobit, že pískovaný předmět vyletí ze své polohy a může tak způsobit zranění.
- Nikdy výrobek nerozkládejte, nemontujte ani nenastavujte na desce, když je zařízení v provozu.
- Při pískování vždy držte opracovávaný kus pevně.
- Používejte svorky nebo svěrák pro přidržení obrobku, je-li to vhodné.
- Pro minimalizaci nebezpečí převrácení nástroje podepírejte dlouhé obrobky.
- Nikdy nepískujte více předmětů současně. Nepoužívejte současně více jak jeden obrobek na stojanu stroje.
- Nepískujte předmět bez opory. Nepískujte předměty, které jsou příliš malé na to, abyste je uchytili.
- Vyhněte se krkolomným polohám, kdy náhlé cvaknutí může způsobit, že se vaše ruka dostane do pískovacího pásu nebo kotouče.
- Pískování v souladu se směrovou šipkou zabrání zpětnému rázu.
- Mezi zařízením a pracovním stolem vždy udržujte mezeru alespoň 1,6 mm.
- Nikdy nestůjte ani nemějte část žádnou část vašeho těla v linii dráze pracovního předmětu.
- Provádíte-li úpravy, montujete přístroj dohromady nebo jej nepoužíváte, nesmí být přístroj nikdy v provozu.
- Nikdy nenechávejte činný nástroj bez dozoru. Neodcházejte od nástroje, dokud se zcela nezastaví.
- Pokud je napájecí kabel poškozen, musí být nahrazen pouze výrobcem nebo pověřeným servisním střediskem

za účelem odstranění nebezpečí.

- Doporučujeme používání proudových chráničů s vypínacím proudem 30mA nebo méně.

ZBYTKOVÁ RIZIKA

Dokonce, i když se výrobek provozuje jak je předepsáno, je stále nemožné zcela eliminovat veškeré zbytkové rizikové faktory. Následující nebezpečí mohou nastat při používání; vyhybejte se:

- Riziko kontaktu s pískovacím pásem nebo kotoučem.
- Riziko spálení při kontaktu s horkým pásem nebo kotoučem.
- Poškození plic, pokud se nenosí účinný respirátor.
- Poškození sluchu, pokud se nenosí účinná ochrana sluchu.

SEZNAMTE SE S VÝROBKEM

Viz strana 85.

1. Zastavení pískování
2. Brusný pás
3. Knoflík pro přesný běh pásu
4. Páka pro napětí pásu
5. Brusná plocha
6. Spínač On/Off (Zapnuto/Vypnuto)
7. Stupnice pro nastavení naklopení
8. Napojení na odsávání prachu
9. Knoflík pro úpravu zkosení desky
10. Knoflík nastavení úhlu pokosu
11. Měřítko pokosu
12. Pokosové pravítko
13. Pracovní deska

ÚDRŽBA

- Nepoužívejte s výrobkem příslušenství nebo doplňky, jež nejsou schváleny výrobcem. Vaše bezpečnost i bezpečnost osob, které se nacházejí v blízkosti, může být ohrožena.
- Nepoužívejte výrobek, pokud nějaké přepínače, kryty nebo jiné funkce nefungují tak, jak bylo zamýšleno. Odevzdejte nejbližšímu servisnímu středisku k profesionální opravě.
- Při běhu výrobku neprovádějte žádné úpravy.
- Vždy zajistěte, aby byla zástrčka stroje odpojena od zdroje napájení před provedením úprav, mazání nebo při provádění údržby na výrobku.
- Před každým použitím zkontrolujte výrobek na poškození nebo zničené části. Udržujte výrobek ve špičkovém provozním stavu neprodlenou výměnou dílů za náhradní díly schválené výrobcem.
- Vyčistěte nahromaděný prach pomocí štětce nebo vysavače. Nepoužívejte stlačený vzduch.
- Pro lepší bezpečnost a bezporuchovost by mělo všechny opravy, včetně výměny kartáčů, provádět



pověřené autorizované servisní středisko.

- Pokud je napájecí kabel poškozen, musí být nahrazen pouze výrobcem nebo pověřeným servisním střediskem za účelem odstranění bezpečnostního rizika.

VAROVÁNÍ

Z bezpečnostních důvodů a pro zajištění spolehlivosti nářadí musí být veškeré opravy prováděny v autorizované servisní opravě výrobků Ryobi.

PŘEPRAVA A SKLADOVÁNÍ

- Při skladování výrobku, odpojte napájecí kabel. Skladujte výrobek na bezpečném místě, které není přístupné dětem.
- Vyčistěte výrobek před uskladněním pomocí štětce a vysavače.

OCHRANA ŽIVOTNÍHO PROSTŘEDÍ



V rámci možností neodhazujte vysloužilé nářadí do domovního odpadu a upřednostněte jeho recyklaci. V souladu s předpisy na ochranu životního prostředí odkládejte vysloužilé nářadí, příslušenství i obalový materiál do tříděného odpadu.

SYMBOL



Bezpečnostní výstraha



Shoda CE



Před spuštěním přístroje si řádně přečtěte pokyny.



Noste ochranu sluchu



Noste ochranu očí



Symbol žádných rukou



Rozměr brusného pásu



Velikost: Brusná plocha



Velikost: Pracovní deska



Neodstraňujte kryt.



Odpad elektrických výrobků se nesmí likvidovat v domovním odpadu. Recyklujte prosím na sběrných místech. Ptejte se u místních úřadů nebo prodejce na postup při recyklaci.

SYMBOLY POUŽITÉ V NÁVODU



Zapojte do přístroje.



Odpojte nástroj.



Díly nebo příslušenství jsou v prodeji samostatně

Následující signální slova a významy jsou vhodné pro vysvětlení úrovní nebezpečí spojených s tímto výrobkem.

NEBEZPEČÍ

Upozorňuje na bezprostředně nebezpečnou situaci, která vede k usmrcení nebo těžkému zranění.

VAROVÁNÍ

Upozorňuje na možnou nebezpečnou situaci, která by mohla vést ke smrtelnému úrazu nebo k závažnému zranění.

POZOR

Upozorňuje na možnou nebezpečnou situaci, která může vést k menšímu nebo lehkému zranění.

POZOR

(Bez bezpečnostního výstražného symbolu) Určuje situaci, která může mít za následek vážné poškození.



A szalagos/korongos csiszológép tervezése során elsődleges szempont volt a biztonság, a teljesítmény és a megbízhatóság.

RENDELTETÉSSZERŰ HASZNÁLAT

Ezt a szalagos/korongos csiszológépet csak fához és fából készült termékekhez használja. Ha a terméket és a porgyűjtőt fémből készült termékekhez használja, ez tűzveszélyt okozhat.

A terméket csak megfelelően képzett és gyakorlott személyek használhatják. Ha nem tudja, hogyan kell a terméket helyesen és biztonságosan működtetni, ne használja addig, míg el nem sajátította a szükséges ismereteket.

ÁLTALÁNOS BIZTONSÁGI FIGYELMEZTETÉSEK

▲ FIGYELEM

Elektromos szerszámgépek használatakor a tűz, elektromos áramütés és a személyi sérülés veszélyének csökkentése érdekében az alapvető biztonsági óvintézkedéseket mindig be kell tartani. Mielőtt a termék használatával próbálkozik, olvassa el az összes utasítást, és őrizze meg a későbbi használatra.

- **Tartsa tisztán a munkaterületet.** A rendetlen munkafelület balesetveszélyes.
- **Vizsgálja át a munkaterületet.** Ne tegye ki a gépeket esőnek. Nedves vagy vizes területeken ne használja a gépeket. Jól világítsa meg a munkaterületet. Gyúlékony folyadékok vagy gázok jelenlétében ne használja a gépeket.
- **Védekezzen az áramütés ellen.** Kerülje a testi érintkezést földelt felületekkel (pl. csövekkel, radiátorokkal, hűtőkkel).
- **Tartson távol másokat a munkaterülettől.** Ne hagyja, hogy más személyek, különösen gyerekek részt vegyenek a munkában, megérintsék a szerszámot vagy a hosszabbító kábelt, és tartsa távol őket a munkaterülettől.
- **Tegye el a gépet, ha nem használja.** Használaton kívül a szerszámgépeket valamilyen száraz, zárt helyen, gyerekektől elzárva kell tárolni.
- **Ne erőltesse a gépet.** A gép jobban teljesít és biztonságosabban dolgozik olyan sebességgel használatkor, amilyenre azt tervezték.
- **A megfelelő szerszámot használja.** Ne erőltesse a kisméretű géppel való munkát olyan esetekben, ahol a feladatot egy nagyobb szerszámmal könnyebb elvégezni. Ne használja a rendeltetésének nem megfelelő célra a gépet.
- **Viseljen megfelelő ruházatot.** Ne viseljen laza ruházatot vagy ékszereket, amelyek beakadhatnak a mozgó alkatrészekbe. Kültéri munkához csúszásmentes lábbeli viselete javasolt. Ha hosszú a haja, viseljen hajvédőt.
- **Használjon védőfelszerelést.** Viseljen védőszemüveget. Viseljen arcvédőt vagy pormaszkot, ha a munka során por keletkezik.
- **Csatlakoztassa a porkivezető berendezést.** Ha a gép el van látva porkivezető vagy gyűjtő berendezésekhez való csatlakozási lehetőséggel, akkor ügyeljen arra, hogy ezeket csatlakoztassák és megfelelően használják.
- **Ne rongálja meg a kábelt.** Ne rántsa meg a kábelt a hálózatból való lecsatlakoztatáskor. Hőtől, olajtól és éles szélektől tartsa távol a kábelt.
- **Rögzítse a munkadarabot.** Ahol lehetséges, használjon szorítókat vagy satut a munkadarab rögzítésére. Biztonságosabb, mintha a kezét használná.
- **Ne hajoljon ki túlságosan.** Mindig tartson megfelelő testtartást és egyensúlyt.
- **A szerszámok karbantartását kellő alapossgággal végezze.** A vágószerszámokat tartsa élesen és tisztán, hogy teljesítményük jobb és biztonságosabb legyen. Tartozékcseré és kenés esetén kövesse az útmutatóban leírtakat. Rendszeresen ellenőrizze a gép kábeleit, és sérülés esetén egy hivatalos szervizközpontban javíttassa meg. Rendszeresen ellenőrizze a hosszabbító kábelt, és cserélje ki, ha sérült. A fogantyúkat tartsa szárazon, tisztán, olajtól és kenőzsírtól mentesen.
- **Csatlakoztassa le a gépeket a hálózatról.** Használaton kívül, szervizelés előtt, valamint a tartozékok, például kések, bitek és vágók cseréjekor csatlakoztassa le a gépet az elektromos hálózatról.
- **Távolítsa el a beállító kulcsokat és csavarkulcsokat.** Bekapcsolás előtt szokásszerűen ellenőrizze, hogy a csavarkulcsokat és a beállító kulcsokat eltávolította a gépről.
- **Kerülje el a véletlen bekapcsolást.** A hálózathoz való csatlakoztatáskor ellenőrizze, hogy a kapcsoló "ki" állásban van.
- **Kültéri használatra való kábeleket használjon.** A szerszám kültéri használatára csak kültéri használatra is alkalmas és így is jelölt hosszabbító kábeleket használjon.
- **Legyen mindig éber.** Figyeljen arra, amit csinál, és használja az összes érzékszervét. Ne használja a szerszámot, ha alkohol vagy kábítószert hatása alatt áll, illetve ha orvosságot szed.
- **Ellenőrizze a sérült alkatrészeket.** A készüléket a további használat előtt ellenőrizni kell, hogy képes-e megfelelően működni és ellátni a funkcióját. Ellenőrizze a mozgó alkatrészek elrendezését, összekapcsolódását, az alkatrészek törését, rögzítését és minden más körülményt, ami hatással lehet a működésre. Ha egy védőlemez vagy más alkatrész megsérült, azt egy hivatalos szervizközpontban kell megjavíttatni vagy kicseréltetni, hacsak a kezelői útmutató másként nem rendel. A hibás kapcsolókat egy hivatalos szervizközpontban ki kell cseréltetni.
- **Ne használja a gépet, ha a kapcsoló nem kapcsolja**



**be vagy ki.**

- **Figyelem.** A használati utasításban nem javasolt tartozékok vagy kiegészítők használata személyi sérülés veszélyét jelentheti.
- **A gépet képzett szakemberrel kell megjavíttatni.** Ez az elektromos szerszám gép megfelel a vonatkozó biztonsági szabályoknak. A javításokat csak képzett szakember végezheti el eredeti cserealkatrészek használatával, máskülönben ez jelentős veszélyt eredményezhet a felhasználó számára.

BIZTONSÁGI FIGYELMEZTETÉSEK A SZALAGOS KORONGOS CSISZOLÓGÉPHEZ

- Ne működtesse a terméket, amíg az utasításoknak megfelelően össze nem állította és fel nem szerelte.
- Biztosítson megfelelő általános vagy helyi világítást.
- A munka megkezdése előtt ellenőrizze, hogy a gép egy vízszintes felületre van helyezve, és elég stabil. A saját biztonsága érdekében mindig rögzítse csavarokkal a gépet egy munkapadra.
- A gép környezetét tartsa jól karban és laza anyagoktól, például faforgácstól és nyesedékektől mentesen.
- Bizonyosodjon meg arról, hogy a csiszolószalagot a megfelelő irányban szerelte fel. Lásd a szalag hátoldalán az irányjelző nyilat.
- Mindig helyesen állítsa be a vezetést, nehogy a szalag lecsússzon a görgőkről.
- Ne használjon megrongálódott, szakadt vagy laza csiszolószalagot vagy -párnát. Csak megfelelő méretű csiszolószalagot és -párnát használjon.
- A korongos csiszológép használatakor csak a csiszolókorong alsó oldalát használja. Ha a korong felső oldalát használja, a munkadarab elrepülhet és sérülést okozhat.
- Az asztalon ne végezzen tervezést, összeállítást vagy beállítást, ha a termék működik.
- A munkadarabot csiszolás közben mindig tartsa erősen.
- Ha célszerű, használjon szorítókat vagy satut a munkadarab rögzítéséhez.
- A gép felborulásának elkerülése érdekében mindig támassza meg a hosszú munkadarabokat.
- Egyszerre mindig csak egy munkadarabot csiszoljon. Ne helyezzen egyszerre egynél több munkadarabot a gép alapzatára.
- Ne csiszoljon úgy, hogy a munkadarab nincs megtámasztva. Ne csiszoljon olyan darabokat, melyeket kis méretük miatt nem lehet biztosan megtámasztani.
- Ne végezzen műveletet kényelmetlen testhelyzetben vagy kéztartással úgy, hogy ha megcsúszik, a keze hozzáér a csiszolószalaghoz vagy -koronghoz.
- Az irányjelző nyilaknak megfelelően csiszoljon, hogy a munkadarab csiszolás közben nehogy visszarúgjon.

- A munkaasztal és a gép között mindig legyen 1,6 mm távolság.
- Ne álljon egy vonalban a munkadarab útvonalával, illetve egyetlen testrésze se legyen egy vonalban vele.
- A gép ne legyen áram alatt, ha alkatrészeket szerel össze, beállításokat végez, illetve a berendezést nem használja.
- Soha ne hagyja felügyelet nélkül a működő gépet. Ne hagyja ott a gépet, amíg az teljesen meg nem állt.
- Ha a tápkábel sérült vagy más módon meghibásodott, azt a veszélyek elkerülése érdekében csak a szervizszakember cserélheti ki.
- Javasolt 30mA vagy alacsonyabb áramerősségen kioldó visszamaradó áramú áramkör-megszakító használata.

VISSZAMARADÓ KOCKÁZATOK

Még a termék rendeltetésszerű használata esetén sem lehet teljesen kiküszöbölni minden kockázati tényezőt. A gép használata során a következő veszélyek merülhetnek fel, és a kezelőnek különösen oda kell figyelnie az alábbiak elkerülésére:

- Érintkezés veszélye a csiszolószalaggal vagy -koronggal.
- Égési veszély a szalaggal, koronggal vagy munkadarabbal való érintkezés miatt.
- A légzőrendszer károsodása léphet fel, ha nem viselnek hatékony pormaszkot.
- Halláskárosodás a fül viseletének elmulasztása miatt.

ISMERJE MEG A TERMÉKET

85. oldal.

1. Csiszolólütköző
2. Csiszolószalag
3. Vezetővezérlő gomb
4. Szalagfeszítő kar
5. Csiszolótalp
6. Be/ki kapcsoló
7. Szögmérő
8. Porelszívó csonk
9. Asztal dőlésszögének beállítócsavarja
10. Gérszög beállítócsavarja
11. Gérskála
12. Gérvezető
13. Munkaasztal

KARBANTARTÁS

- Semmilyen módon ne módosítsa a terméket, és ne használjon a gyártó által nem jóváhagyott tartozékokat. Az Ön és mások biztonsága veszélybe kerülhet.
- Ne használja a terméket, ha valamelyik kapcsoló, védőburkolat vagy egyéb funkció nem rendeltetésszerűen működik. Szakszerű javításhoz vigye a gépet egy hivatalos szervizközpontba.



- A termék üzemelése közben ne végezzen beállításokat.
- A terméken végrehajtott beállítások, kenés vagy karbantartás előtt mindig ellenőrizze, hogy a dugasz ki lett húzva a hálózatról.
- Károsodás vagy törött alkatrészek tekintetében minden egyes használat előtt ellenőrizze a terméket. Tartsa a terméket kiváló működési állapotban, azonnal cserélje le az alkatrészeket a gyártó által biztosított cserealkatrészekre.
- Egy kefével vagy porszívóval tisztítsa ki a felgyülemllett port. Ne használjon sűrített levegőt.
- A biztonság és megbízhatóság érdekében minden javítást, beleértve a kefék cseréjét is, hivatalos szervizközpontban kell elvégeztetni.
- Ha a tápkábel sérült, azt a veszélyek elkerülése érdekében csak a gyártó vagy annak hivatalos szervizközpontja cserélheti ki.

⚠ FIGYELEM

A nagyobb biztonság és megbízhatóság érdekében minden javítást hivatalos Ryobi szervizközpontban kell elvégeztetni.



Viseljen szemvédőt



„Hozzányúlni tilos” jel



Csiszolószalag mérete



Méret: Csiszolótalp



Méret: Munkasztal



Ne vegye le a fedelet.



A kiselejtezett elektromos termékeket nem szabad a háztartási hulladékkal együtt kidobni. Ezeket újra kell hasznosítani, ha van rá lehetőség. Az újrahasznosítással kapcsolatban érdeklődjön a helyi önkormányzatnál vagy a termék forgalmazójánál.

SZÁLLÍTÁS ÉS TÁROLÁS

- A termék tárolásakor húzza ki a tápkábelt. Gyerekektől elzárt helyen tárolja a terméket.
- Tárolás előtt egy kefével vagy porszívóval tisztítsa meg a terméket.

KÖRNYEZETVÉDELLEM

Segítse elő az alapanyagok újrahasznosítását azzal, hogy nem helyezi el őket a háztartási szemétkben. Környezetvédelmi megfontolásból az elhasznált gépet és tartozékokat, valamint a csomagolóanyagokat szelektív módon kell gyűjteni.

SZIMBÓLUM

Biztonsági figyelmeztetés



CE megfelelés



A gép bekapcsolása előtt figyelmesen olvassa el az útmutatót.



Viseljen fülvédőt

A KÉZIKÖNYVBEN HASZNÁLT SZIMBÓLUMOK

Dugja be a gépet a hálózatra.



Húzza ki a gépet az elektromos hálózatról.



Külön értékesített alkatrészek és kiegészítők

A következő jelölőszavak és jelentések arra szolgálnak, hogy megmagyarázzák a termékkel kapcsolatos veszélyességi szinteket.

⚠ VESZÉLY

Egy bekövetkező veszélyes helyzetet jelez, ami, ha nem előzik meg, halált vagy komoly sérülést eredményez.

⚠ FIGYELEM

Egy potenciálisan bekövetkező veszélyes helyzetet jelez, ami, ha nem előzik meg, halált vagy súlyos sérülést eredményezhet.

⚠ VIGYÁZAT

Egy potenciálisan veszélyes helyzetet jelez, ami, ha nem előzik meg, kisebb vagy mérsékelt súlyos sérülést eredményezhet.

VIGYÁZAT

(Biztonsági figyelmeztető szimbólum nélkül) Egy olyan helyzetet jelez, ami anyagi kárt eredményezhet.



La conceperea mașinii dvs. de șlefuit cu curea/disc s-au avut în vedere în primul rând siguranța, performanța și fiabilitatea în exploatare.

DOMENIU DE APLICAȚII

Această mașină de șlefuit cu curea/disc este concepută pentru a fi utilizată doar pentru prelucrarea lemnului și produselor din lemn. Utilizarea acestui produs împreună cu colectoare de rumeguș cu componente metalice constituie un potențial pericol de foc.

Acest produs este conceput pentru a fi utilizat de către persoane competente și experimentate. Dacă nu sunteți familiarizat cu utilizarea corectă și sigură a produsului, nu utilizați produsul decât după ce beneficiați de instruire adecvată.

AVERTISMENTE GENERALE PRIVIND SIGURANȚA

AVERTISMENT

Atunci când utilizați unelte electrice, întotdeauna trebuie luate minime măsuri de siguranță pentru a reduce riscul producerii de incendii, șocuri electrice sau leziuni. Citiți toate instrucțiunile înainte de a încerca să operați produsul și păstrați aceste instrucțiuni.

- **Utilizați echipament de protecție.** Utilizați ochelari de protecție. Utilizați o mască de gaze sau o mască antipraf, dacă se creează praf în timpul lucrărilor.
- **Conectați echipamentul de extracție a prafului.** Dacă unealta este prevăzută pentru conectarea echipamentului de extracție și de colectare a prafului, asigurați-vă că acestea sunt conectate și utilizate corect.
- **Nu forțați cablul.** Nu trageți niciodată de cablu pentru a-l deconecta de la priză. Țineți cablul la distanță de căldură, ulei și muchiile ascuțite.
- **Securizați lucrarea.** Când este posibil, utilizați dispozitive de fixare sau o menghină pentru a fixa piesa de lucru. Este mai sigur decât să vă utilizați mâinile.
- **Nu vă întindeți excesiv.** În timpul operării dispozitivului, păstrați-vă în permanență echilibrul și stabilitatea.
- **Întrețineți unealta cu grijă.** Păstrați uneltele de tăiere ascuțite și curate, pentru performanță mai bună și mai sigură. Urmați instrucțiunile pentru lubrifierea și schimbarea accesoriilor. Verificați cablurile uneltei periodic și, dacă sunt deteriorate, acestea trebuie reparate de un centru de service autorizat. Inspectați cordoanele de racord în mod periodic și înlocuiți-le dacă sunt deteriorate. Păstrați mânerul uscat, curat și fără pete de ulei și vaselină.
- **Deconectați uneltele.** Când nu sunt utilizate, înainte de revizie și când schimbați accesoriile, precum lame, burghie și cuțite, deconectați uneltele de la alimentarea electrică.
- **Îndepărtați cheile de reglare.** Formați-vă obiceiul de a verifica dacă ați scos toate cheile și duliile de reglare din unealtă înainte de pornirea acesteia.
- **Evitați pornirea accidentală.** Asigurați-vă că comutatorul este în poziția "off" (oprit) la conectarea la priza electrică.
- **Utilizați cabluri prelungitoare pentru exterior.** Când unealta este utilizată în exterior, utilizați doar cabluri de prelungire destinate pentru exterior și marcate corespunzător.
- **Fiți vigilenți.** Fiți atenți la ceea ce faceți și folosiți-vă simțul practic. Nu utilizați mașina dacă ați băut alcool sau ați consumat droguri sau dacă luați medicamente.
- **Verificați părțile deteriorate.** Înainte de utilizarea uneltei, aceasta trebuie verificată cu atenție, pentru a determina dacă va funcționa corect și dacă își va îndeplini funcția destinată. Verificați alinierea pieselor mobile, lipirea pieselor mobile, spargerea pieselor, montarea și orice alte stări care pot afecta funcționarea acestora. O protecție sau altă piesă care este deteriorată trebuie reparată sau înlocuită în mod corect de un centru de service autorizat, dacă nu se indică altfel în acest manual de instrucțiuni. Comutatoarele defecte trebuie înlocuite de un centru de service autorizat.
- **Nu utilizați unealta, în cazul în care comutatorul nu o poate porni și opri.**
- **Avvertisment.** Utilizarea oricărui accesoriu sau



dispozitiv atașabil, cu excepția celor care sunt recomandate de acest manual de instrucțiuni poate prezenta risc de vătămare corporală.

- **Unealta trebuie reparată de o persoană calificată.** Această unealtă electrică respectă regulile de siguranță relevante. Reparațiile trebuie efectuate doar de persoane calificate, utilizând piese de schimb originale, în caz contrar există pericole considerabile pentru utilizator.

AVERTISMENTE DE SIGURANȚĂ

- Nu utilizați produsul înainte să fie complet asamblat și instalat, conform instrucțiunilor.
- Asigurați iluminatul general sau local corespunzător.
- Înainte de începerea lucrărilor, verificați dacă aparatul este plasat pe o suprafață plană cu suficientă stabilitate. Pentru siguranța dvs., montați întotdeauna aparatul pe banc de lucru cu ajutorul șuruburilor.
- Păstrați zona din jurul aparatului bine întreținută și fără materiale libere, cum ar fi așchii și bucăți de material tăiate.
- Cureaua de șlefuire trebuie să fie instalată în direcția corectă. Respectați săgeata direcțională de pe spatele curelei.
- Ajustați întotdeauna poziția curelei, astfel încât să nu alunece de pe fuții.
- Nu utilizați curele sau discuri abrazive uzate, rupte sau care nu pot fi fixate corespunzător. Utilizați doar curele și discuri abrazive de dimensiunea corectă.
- Atunci când utilizați discuri abrazive, șlefuiți piesa prelucrată pe jumătatea inferioară a discului abraziv. Nu încercați să utilizați jumătatea superioară a discului, deoarece există riscul ca piesa să fie smulsă și proiectată, rănindu-vă pe dvs. sau alte persoane.
- Nu mutați, asamblați sau reglați produsul în timp ce acesta funcționează.
- Fixați întotdeauna ferm piesa în timpul prelucrării.
- Folosiți cleme sau o menghină pentru a menține piesa de lucru, dacă este posibil.
- Pentru a reduce riscul răsturnării utilajului, susțineți întotdeauna piesele de lucru lungi.
- Nu șlefuiți niciodată mai multe piese simultan. Nu puneți mai mult de o piesă de prelucrat pe baza mașinii la un moment dat.
- Nu șlefuiți niciodată o piesă nefixată. Nu șlefuiți piese care sunt prea mici pentru a fi fixate ferm.
- Evitați prelucrările și pozițiile periculoase, în care o eventuală alunecare ar putea face ca mâna să intre în contact cu discul sau cureaua șlefuitorului.
- Șlefuiți conform săgeților direcționale pentru a evita reculul.
- Mențineți întotdeauna un spațiu de siguranță de 1,6 mm între masa de lucru și mașină.
- Nu stați și nu plasați niciodată o parte a corpului în linie

cu piesa de prelucrat.

- Mașina nu trebuie să fie conectată la rețeaua electrică atunci când montați piese, când realizați reglaje sau atunci când nu este utilizată.
- Nu lăsați niciodată unealta să funcționeze nesupravegheată. Nu părăsiți unealta până când nu se oprește complet.
- În cazul în care cablul de alimentare este deteriorat sau defect, aceasta trebuie să fie înlocuit doar de către producător sau de către un agent autorizat de reparații.
- Vă recomandăm utilizarea unui dispozitiv pentru curenți reziduali, cu o clasă de curenți reziduali de 30mA sau mai puțin.

RISCURI REZIDUALE

Chiar dacă produsul este folosit așa cum este descris, este totuși imposibil să se elimine complet anumiți factori de risc reziduali. Următoarele pericole ar putea apărea în timpul folosirii iar operatorul trebuie să acorde o atenție specială pentru a evita următoarele:

- Risc de contact cu cureaua sau discul abraziv
- Pericol de arsură în urma contactului cu cureaua, discul sau piesa de prelucrat
- Dăunare a sistemului respirator dacă nu se poartă mască împotriva prafului.
- Afecțiuni ale auzului, dacă nu este purtată protecție pentru auz.

CUNOAȘTEȚI-VĂ PRODUSUL.

Salt la pagina nr. 85.

1. Buton de oprire a mașinii de șlefuit
2. Bandă de șlefuire
3. Buton de ajustare a traseului
4. Manetă de tensionare a curelei
5. Talpă
6. Întrerupător pornire/oprire
7. Scală de înclinare
8. Cap de aspirare
9. Buton rotativ de ajustare a unghiului mesei
10. Buton rotativ de ajustare a unghiului mitrei
11. Indicator gradat mitră
12. Ghidaj în unghi
13. Masă de lucru

ÎNȚREȚINEREA

- Nu modificați produsul în niciun fel sau să folosiți accesorii neaprobate de producător. Siguranța dvs. și a celorlalți poate fi periclitată.
- Nu folosiți produsul dacă oricare din întrerupătoare, apărători sau alte funcții nu funcționează corespunzător. Returnați la un centru service autorizat pentru reparare profesională sau reglare.
- Nu realizați ajustări în timp ce aparatul funcționează.



- Asigurați-vă întotdeauna că ștecherul a fost îndepărtat din priză, înainte de a face orice reglări, de a-l lubrifia sau când efectuați întreținerea produsului.
- Înainte și după fiecare folosire, verificați produsul de deteriorare sau piese rupte/crăpate. Mențineți produsul în condiții optime de funcționare prin înlocuirea imediată a pieselor cu piese de schimb aprobate de producător.
- Curățați praful acumulat folosind o perie sau un aspirator. Nu utilizați aer comprimat.
- Pentru a asigura siguranța și fiabilitatea, toate reparațiile, incluzând schimbarea periiilor, trebuie îndeplinite la un centru service autorizat.
- În cazul în care cablul de alimentare este deteriorat trebuie înlocuit de către producător sau la un centru service autorizat pentru a evita pericolul la siguranța dvs.

⚠ AVERTISMENT

Pentru o siguranță și fiabilitate sporită, toate reparațiile trebuie să fie efectuate la un centru service Ryobi autorizat.

TRANSPORTARE ȘI DEPOZITARE

- Atunci când depozitați produsul, deconectați cablul de alimentare. Depozitați produsul într-un loc sigur ce nu este accesibil copiilor.
- Curățați produsul folosind o perie sau aspiratorul înainte de a-l depozita.

PROTECȚIA MEDIULUI ÎNCONJURĂTOR

Reciclați materiile prime în loc să le aruncați la gunoi, împreună cu deșeurile menajere. Pentru a proteja mediul înconjurător, mașina, accesoriile acesteia și ambalajele trebuie triate.

SIMBOL

Alertă de siguranță



Conformitate CE



Vă rugăm citiți instrucțiunile cu atenție înainte de pornirea aparatului.



Purtați echipamente de protecție a auzului



Purtați echipamente de protecție a vederii



Simbolul "Nu atingeți"



Mărimea benzii de șlefuire



Dimensiune: Talpă



Dimensiune: Masă de lucru



Nu îndepărtați capacul.



Deșeurile produselor electrice nu trebuie să fie înlăturate împreună cu deșeurile casnice. Vă rugăm reciclați acolo unde există facilități. Verificați la autoritatea dvs locală sau la vânzător pentru sfaturi privind reciclarea.

SIMBOLURILE DIN MANUAL

Conectați dispozitivul.



Deconectați unealta.



Piese sau accesorii vândute separat

Rmătoarele cuvinte simbol și înțelesul lor au intenția de a explica nivelele de risc asociate cu acest produs.

⚠ PERICOL

Indică o situație imediată de pericol, care dacă nu este evitată va rezulta în deces sau rănire gravă.

⚠ AVERTISMENT

Indică o situație potențială de pericol, care dacă nu este evitată poate rezulta în deces sau rănire gravă.

⚠ PRECAUȚIE

Indică o situație potențial periculoasă, care dacă nu este eviată, poate rezulta în vătămare minoră sau moderată.

PRECAUȚIE

(Fără simbol de alertă de siguranță) Indică o situație ce poate rezulta în distrugerea proprietății.



Radot jūsu lentas/diska slīpmašīnu, drošībai, veikspējai un uzticamībai ir pievērsta vislielākā vērība.

PAREDZĒTĀ LIETOŠANA

Šī lentas/diska slīpmašīna ir paredzēta lietošanai tikai uz koka un koka izstrādājumiem. Izmantojot šo izstrādājumu un putekļu savācēju uz metāla izstrādājumiem rada potenciālas aizdegšanās briesmas.

Šis izstrādājums ir paredzēts lietošanai tikai atbilstoši apmācītam un pieredzējušam personālam. Ja jūs nepārzināt šī izstrādājuma pareizu un drošu lietošanu, neizmantojiet to, līdz neesat guvuši atbilstošu apmācību un zināšanas.

VISPĀRĪGIE DROŠĪBAS BRĪDINĀJUMI

BRĪDINĀJUMS

Izmantojot elektroinstrumentus, vienmēr jāievēro drošības vienmēr, lai samazinātu aizdegšanās, elektriskās strāvas trieciena un personiskās traumas risku. Pirms mēģināt izmantot šo produktu, izlasiet un saglabājiet šos norādījumus.

- **Darba vietai jābūt tīrai.** Nekārtīgas darba zonas un darbgaldi var būt traumu iemesls.
- **Pārdomājiet darba zonas vidi.** Nepakļaujiet instrumentus lietus iedarbībai. Nelietojiet instrumentus mitrās vietās. Darba vietai jābūt labi apgaismotai. Neizmantojiet instrumentus ugunsnedrošu šķidrumu vai gāzu klātbūtnē.
- **Sargieties no elektriskās strāvas trieciena.** Ķermenis nedrīkst pieskarties zemētām virsmām (piemēram, caurulēm, radiatoriem, plītiem, ledusskapjiem).
- **Cītām personām ir jāatrodas pietiekamā atstumā.** Neļaujiet nepiederošām personām, it īpaši bērniem, iesaistīties darbā, pieskarties instrumentam vai pagarinātājkabeļim un atrasties darba zonā.
- **Glabājiet nelietojamus instrumentus.** Kad instrumenti netiek lietoti, tie jāglabā sausā, slēgtā, bērniem nepieejamā vietā.
- **Nepārslodojiet instrumentu.** Tas darbosies labāk un drošāk ar paredzētajiem apgrīzieniem.
- **Izmantojiet pareizo instrumentu.** Nelieciet maziem instrumentiem veikt spēcīgu instrumentu darbu. Neizmantojiet instrumentus citiem nolūkiem, izņemot paredzētos, piemēram, nelietojiet ripzāģus koku zaru vai balķu griešanai.
- **Apģērbieties pareizi.** Nevalkājiet valīgas drēbes vai brīvi krītošas rotaslietas, jo tās var aizķerties aiz kustīgajām daļām. Strādājot ārā, ieteicams izmantot neslīdošus apavus. Aizsargājiet garus matus, uzliekot galvas apsegu.
- **Izmantojiet aizsargaprīkojumu.** Izmantojiet aizsargbrilles. Ja darba laikā rodas putekļi, izmantojiet

sejas vai putekļu masku.

- **Pievienojiet putekļu ekstrakcijas aprīkojumu.** Ja instrumentam var pievienot putekļu nosūķšanas un savākšanas ierīces, tās jāpievieno un pareizi jālieto.
- **Izmantojiet barošanas vadu tikai pareizi.** Nekādā gadījumā nevelciet aiz vada, lai atvienotu no kontaktligzdas. Turiet vadu atstatu no karstuma, eļļas un asām malām.
- **Strādājiet droši.** Ja iespējams, darba saturēšanai izmantojiet skavas vai skrūvspīles. Tas ir drošāk nekā manuāli.
- **Nesnedzieties tam pāri.** Visu laiku stāviet stingri un stabili.
- **Rūpīgi veiciet instrumentu apkopi.** Lai darbs būtu labāks un drošāks, griezējinstrumentiem jābūt asiem un tīriem. Izpildiet eļļošanas un piederumu maiņas norādījumus. Regulāri pārbaudiet instrumenta vadus un bojājumu gadījumā lieciet tos salabot pilnvarotā servisa iestādē. Regulāri pārbaudiet un bojājumu gadījumā nomainiet pagarinājuma kabeļus. Rokturiem ir jābūt sausiem un tīriem, bez eļļas un smērvielām.
- **Atvienojiet instrumentus.** Kad instrumenti netiek lietoti, pirms apkopes un piederumu, piemēram, asmeņu, urbju un griežņu maiņas, atvienojiet instrumentus no barošanas padeves.
- **Noņemiet regulācijas atslēgas un uzgriežņu atslēgas.** Pirms instrumenta ieslēgšanas vienmēr pārbaudiet, vai no tā ir noņemtas atslēgas un regulēšanas uzgriežņu atslēgas.
- **Nepieļaujiet nejausu iedarbināšanu.** Pieslēdzot pārliecinieties, vai slēdzis ir izslēgšanas pozīcijā.
- **Izmantojiet āra pagarinātājkabeļus.** Kad instruments tiek lietots ārā, izmantojiet tikai pagarinātājus, kas ir paredzēti lietošanai ārā un ir atbilstoši marķēti.
- **Esiet uzmanīgs.** Vērojiet savu darbu un rīkojieties saskaņā ar veselo saprātu. Neizmantojiet šo instrumentu, lietojot narkotikas, alkoholu vai medikamentus.
- **Pārbaudiet bojātās daļas.** Pirms instrumenta lietošanas tas ir uzmanīgi jāpārbauda, lai konstatētu, vai tas darbojas pareizi un veic paredzēto funkciju. Pārbaudiet kustīgo daļu iestatījumu, vai tās neķeras, vai daļas nav salūzušas, stiprinājumus un visus citus apstākļus, kas var ietekmēt darbību. Bojāts aizsargs vai cita daļa pareizi jāsarēmontē vai jānomaina pilnvarotā servisa centrā, ja šajā instrukciju rokasgrāmatā nav norādīts citādi. Nomainiet bojātus slēdzus pilnvarotā servisa centrā.
- **Neizmantojiet instrumentu, ja nedarbojas slēdzis.**
- **Brīdinājums.** Ja tiek izmantots cits piederums vai pierīce, izņemot instrukcijā norādīto, tas var izraisīt personiskās traumas risku.
- **Instrumenti ir jāremontē kvalificētam speciālistam.** Šis elektroinstrumentus atbilst attiecīgajiem drošības noteikumiem. Remontu drīkst veikt tikai kvalificēti speciālisti, izmantojot oriģinālās rezerves daļas, citādi lietotājs var gūt nopietnas traumas.



**LENTAS/DISKA SLĪPMAŠĪNAS DROŠĪBAS BRĪDINĀJUMI**

- Neizmantojiet izstrādājumu, līdz tas nav pilnīgi salikts un uzstādīts, atbilstoši norādēm.
- Nodrošiniet adekvātu vispārējo vai lokalizēto apgaismojumu.
- Pirms darba pārbaudiet, vai iekārta ir pietiekami stabili novietota uz līdzenas virsmas. Savas drošības labad iekārtu vienmēr uzstādiet iekārtu pie darbgalda, nostiprinot ar skrūvēm.
- Uzturiet kārtību iekārtas apkārtējā zonā un gādājiet, lai tajā nebūtu materiālu pārpalikumu, piemēram, skaidu un atgriezumus.
- Pārlicinieties, ka slīpēšanas sikсна ir uzstādīta pareizā virzienā. Skatīt virzienu bultas siksnas aizmugurē.
- Vienmēr pareizi noregulējiet siksnas ceļu tā, lai sikсна nenovilkto no rulljiem.
- Neizmantojiet slīpēšanas lentes vai spilvenus, kas ir bojāti, saplēsti vai valģīgi. Izmantojiet tikai pareiza izmēra slīpēšanas lenti un spilvenus.
- Izmantojot diska slīpmašīnu, vienmēr slīpējiet uz slīpdiska lejupejošās daļas. Slīpējot uz augšupejošās diska daļas var izraisīt apstrādājamā priekšmeta izsišanu no darba stāvokļa, izraisot ievainojumus.
- Nekad neveiciet galda izvietošanas, salikšanas vai iestatīšanas darbus, izstrādājuma darbojoties.
- Veicot slīpēšanu, vienmēr stingri turiet apstrādājamo priekšmetu.
- Kad tas ir parocīgi, izmantojiet spaiļes vai skrūvspīles, lai noturētu sagatavi.
- Lai mazinātu iekārtas saskrāpēšanas risku, vienmēr atbalstiet garas sagataves.
- Nekad neslīpējiet vairāk kā vienu priekšmetu vienlaikus. Vienlaikus uz iekārtas pamatnes nelieciet vairāk par vienu sagatavi.
- Neslīpējiet neatbalstītu priekšmetu. Neslīpējiet materiāla gabalus, kas ir pārāk mazi, lai tos droši balstītu.
- Izvairieties no neērtas lietošanas un roku stāvokļa, kad pēkšņa izslīdēšana var izraisīt rokas novirzīšanos uz slīpēšanas lentes vai diska.
- Izvairieties no atsitieniem, slīpējot saskaņā ar virzienu bultām.
- Vienmēr saglabājiet 1,6 mm atstatumu starp darba galdū un ierīci.
- Nekad nestāviet un nenovietojiet kādu no ķermeņa daļām apstrādājamā gabala ceļā.
- Ierīce nekad nedrīkst būt pievienota sprieguma avotam, kad saliekat detaļas, regulējat vai arī tā netiek lietota.
- Nekad neatstājiet darbojošos instrumentu bez uzraudzības. Neatstājiet instrumentu, līdz tas nav pilnībā apstājies.
- Ja strāvas kabelis ir bojāts vai tam ir kādi defekti, to

drīkst nomainīt tikai ražotājs vai pilnvarots servisa pārstāvis.

- Iesakām izmantot noplūdes strāvas ierīci ar noplūdes strāvas aizsardzību 30mA vai mazāk.

PALIEKOŠIE RISKI

Pat tad, ja ierīce tiek lietota, kā aprakstīts, joprojām nav iespējams pilnībā novērst atsevišķus riska faktorus. Lietošanas laikā var rasties šādas briesmas un strādniekam īpaša uzmanība jāpievērš šim:

- Saskarsmes risks ar slīpēšanas lentu vai disku.
- Apdegumu briesmas no saskarsmes ar karstu lentu, disku vai apstrādājamo gabalu.
- Bojājumi elpošanas sistēmai, ja netiek valkāta putekļu aizsardzības maska.
- Dzirdes bojājums, ja nelietojat efektīvu dzirdes aizsargu.

IERĪCES IEPAZĪŠANA

Skatīt 85. lpp.

1. Slīpēšanas atdure
2. Slīplente
3. Gaitas regulēšanas poga
4. Lentas spriegošanas svira
5. Slīpēšanas pamatne
6. Ieslēgšanas/izslēgšanas slēdzis
7. Leņķa lineāla skala
8. Putekļu nopūtējs
9. Galda noliekuma leņķa regulēšanas poga
10. Slīpuma regulēšanas poga
11. Slīpuma skala
12. 45° leņķa vadošā detaļa
13. Darba galds

APKOPE

- Nepārveidojiet ierīci jebkādā veidā, kā arī nelietojiet piederumus, kas nav ražotāja apstiprināti. Jūsu un citu drošība var tikt apdraudēta.
- Neizmantojiet ierīci, ja slēdži, aizsargi vai citas funkcijas nestrādā kā paredzēts. Vērsieties pilnvarotā servisa centrā, lai saņemtu profesionālu remontu vai pielāgojumus.
- Neveiciet nekādus regulējumus, kamēr izstrādājums darbojas.
- Vienmēr pārlicinieties, ka ierīce ir atslēgta no strāvas padeves, pirms veicat pielāgojumus, ieeļļošanu vai veicat jebkādu ierīces apkopi.
- Pirms un pēc katras lietošanas reizes, pārbaudiet vai ierīce un tās detaļas nav bojātas. Uzturiet ierīci vislabākajā tehniskajā stāvoklī, nekavējoties nomainot bojātās detaļas ar ražotāja ieteiktām rezerves daļām.
- Iztīriet sakrājušos putekļus ar otīņu vai putekļu sūcēju. Neizmantojiet saspīestu gaisu.





- Lai nodrošinātu drošību un uzticamību, visus remontus, ieskaitot birstes maiņu, būtu jāveic pilnvarotā servisa centrā.
- Ja elektrības vads ir bojāts, to drīkst nomainīt vienīgi ražotājs vai pilnvarots servisa centrs, lai izvairītos no bīstamām situācijām.

⚠ BRĪDINĀJUMS

Lai nodrošinātu drošību un uzticamību, visi remontdarbi jāveic **PILNVAROTĀ SERVISĀ CENTRĀ** vai citā **KVALIFICĒTĀ SERVISĀ ORGANIZĀCIJĀ**.

TRANSPORTĒŠANA UN UZGLABĀŠANA

- Uzglabājot ierīci, atvienojiet to no strāvas avota. Glabājiet ierīci drošā vietā, kas nav pieejama bērniem.
- Pirms uzglabāšanas, notīriet ierīci ar otīpu vai putekļu sūcēju.

VIDES AIZSARDZĪBA

Tā vietā, lai izejmateriālus izmestu atkritumos, nododiet tos otrreizējai pārstrādei. Mašīna, aksesuāri un iepakojums ir jāsašķiro un jānodod videi draudzīgā atkārtotas pārstrādes vietā.

SIMBOLS

Drošības brīdinājums



CE atbilstība



Pirms iedarbināt mašīnu, lūdzu rūpīgi izlasiet instrukcijas.



Lietojiet dzirdes aizsargus



Valkājiet acu aizsarglīdzekļus



Nenovietot rokas simbolus



Slīpēšanas jostas lielums



Izmērs: Slīpēšanas pamatne



Izmērs: Darba galds



Nenoņemiet vaku.



Izlietotie elektroprodukti nedrīkst tikt izmesti kopā ar majsaimniecības atkritumiem. Lūdzu, nododiet tos attiecīgajās atkāršanas izmantošanas vietās. Sazinieties ar savu vietējo varas pārstāvi vai izplatītāju, lai noskaidrotu, kur iespējama atkārtota pārstrāde.

SIMBOLI ROKASGRĀMATĀ

Pieslēdziet ierīci.



Atslēdziet instrumentu.



Atsevišķi nopērkamās daļas vai piederumi

Lai izskaidrotu risku, kas saistīti ar izstrādājumu, līmeni, paredzēti šādi norādījuma vārdi un jēdzieni.

⚠ BĪSTAMI

Norāda uz nenovēršami bīstamu situāciju, kas, ja netiks novērsta, izraisīs nāvi vai nopietnus miesas bojājumus.

⚠ BRĪDINĀJUMS

Norāda uz potenciāli bīstamu situāciju, kas, ja netiks novērsta, var izraisīt nāvi vai nopietnus miesas bojājumus.

⚠ UZMANĪBU

Norāda uz potenciāli bīstamu situāciju, kas, ja netiek novērsta, var izraisīt vieglus vai vidējus miesas bojājumus.

UZMANĪBU

(Bez drošības trauksmes simbola), kas norāda, uz situāciju, kas var novest pie tīpašuma bojājuma.



Gaminant šį juostinį / diskinį šlifuotuvą didžiausia svarba buvo teikiama jo saugai, efektyvumui ir patikimumui.

NAUDOJIMO PASKIRTIS

Šis juostinis / diskinis šlifuo tuvas skirtas naudoti tik su mediena ir medienos gaminiais. Naudojant šį įrenginį ir dulkių rinktuvą su metalo gaminiais kyla gaisro pavojus.

Šis įrenginys skirtas naudoti tik tinkamai kvalifikuotiems ir patyrusiems darbuotojams. Jei nežinote, kaip tinkamai ir saugiai naudoti įrenginį, nenaudokite jo, kol neįgysite reikiamų žinių.

BENDRIEJI SAUGOS ĮSPĖJIMAI

▲ ĮSPĖJIMAS

Naudojant elektrinius įrankius būtina atsižvelgti į elementarias saugumo priemones, kad sumažintumėte gaisro, elektros smūgio ar sužeidimų riziką. Prieš naudodami šį įrankį, perskaitykite visas instrukcijas bei jas išsaugokite.

- **Darbo vieta turi būti švari.** Netvarkinga aplinka ar darbo vieta skatina nelaimingus atsitikimus.
- **Atsižvelkite į darbo vietos aplinką.** Saugokite įrankius nuo lietaus. Nenaudokite įrankių drėgnoje arba šlapioje vietoje. Darbo vieta turi būti gerai apšviesta. Nenaudokite įrankių, jei šalia yra degūs skysticiai ar dujos.
- **Saugokitės elektros smūgių.** Stenkitės nesiliesti prie įžemintų ar įžeminimo paviršių (pvz. vamzdžių, radiatorių, grandinių/viryklių, šaldytuvų).
- **Pašaliniai asmenys turi būti toliau nuo darbo vietos.** Neleiskite kitiems asmenims, ypač vaikams, dalyvauti atliekant darbą, liesti įrankį ar ilginamąjį laidą bei stebėkite, kad jie būtų toliau nuo darbo zonos.
- **Nenaudojamus įrankius saugokite.** Nenaudojamus įrankius reikia laikyti sausoje, užrakintoje ir vaikams nepasiekiamoje vietoje.
- **Nenaudokite įrankio jėga.** Naudojami pagal paskirtį pagamintą tinkamą įrankį, darbą atliksite geriau ir saugiau.
- **Naudokite tinkamą atliekamam darbui įrankį.** Nenaudokite mažų įrankių, norėdami atlikti darbą, kuriam reikia galingesnio įrankio. Nenaudokite įrankių ne pagal jų paskirtį, pavyzdžiui, nenaudokite diskinių pjūklų pjauti medžių šakų ar rąstų.
- **Dėvėkite tik darbu tinkamus drabužius.** Nedėvėkite laisvų nepriglundusių drabužių ir juvelyrinių dirbinių, kurie gali įsipainioti į judančias prietaiso detales. Dirbant lauke rekomenduojama avėti avalynę neslidžiais padais. Jei turite ilgus plaukus, dėvėkite apsauginį galvos apdangalą.
- **Naudokite apsaugos įrangą.** Dėvėkite apsauginius akinius. Dėvėkite veido kaukę ar kaukę nuo dulkių, jei pjovimo metu išsiskiria dulky.
- **Prijunkite dulkių surinkimo įrangą.** Jei įrankis skirtas prijungti prie dulkių ištraukimo ir surinkimo įrenginių, įsitikinkite, kad jie prijungti ir naudojami tinkamai.
- **Laidą naudokite pagal jo paskirtį.** Niekada netraukite už laido, norėdami atjungti įrankį nuo maitinimo šaltinio. Laidą laikykite toliau nuo įkaitusių vietų, tepalų ir aštrių briaunų.
- **Ruošinį pritvirtinkite.** Jei įmanoma, ruošinį prispauskite gnybtais ar spaustuvu. Tai saugiau nei laikyti ranka.
- **Nesiekite per toli.** Visada tvirtai stovėkite ir išlaikykite pusiausvyrą.
- **Įrankius prižiūrėkite rūpestingai.** Siekiant geresnių rezultatų ir kad darbas būtų atliktas saugiai, pjovimo įrankiai turi būti aštrūs ir švarūs. Laikykites tepimo ir papildomų detalių keitimo instrukcijų. Reguliariai patikrinkite įrankio laidus, jei jie apgadinti, juos remontuoti pristatykite tik įgaliotą techninės priežiūros centrą. Pastoviai patikrinkite ilginamuosius laidus ir pakeiskite juos, jei jie pažeisti. Rankenas reikia visada sausai nuvalyti, kad jos nebūtų suteptos alyva ir tepalais.
- **Atjunkite įrankius nuo maitinimo šaltinio.** Kai įrankiai nenaudojami, prieš atliekant techninės priežiūros darbus, keičiant jų priedus, pvz. geležtes, antgalius ir pjoviklius, juos būtina atjungti nuo maitinimo šaltinio.
- **Pašalinkite iš įrankio reguliavimo raktus ir veržliarakčius.** Įpraskite prieš įjungdami įrankį patikrinti, ar iš jo pašalinti raktai ir veržliarakčiai.
- **Saugokitės, kad įrankis netyčia neužsivestų.** Prieš prijungdami įrankį prie maitinimo šaltinio, patikrinkite, ar jo jungiklis yra „OFF“ (išjungtoje) padėtyje.
- **Naudokite darbu lauke skirtus ilginamuosius laidus.** Kai įrankiu dirbate lauke, naudokite tik ilginamuosius laidus, skirtus bei paženklintus darbu lauke.
- **Būkite budrūs.** Stebėkite, ką darote ir vadovaukitės sveika nuovoka. Nenaudokite įrankio paveikti kvaišalų, alkoholio ar vaistų.
- **Patikrinkite, ar nėra pažeistų detalių.** Prieš toliau naudojant įrankį, būtina atidžiai patikrinti, ar jis tinkamai veiks ir atliks reikiamą darbą. Patikrinkite judančių dalių centravimą, sukibimą, sulūžusias dalis, sumontavimą ir kita, kas galėtų turėti neigiamos įtakos darbui. Jei apsauginis įrenginys ar kita detalė yra pažeista, ją pakeisti ar sutaisyti privalo tik įgaliotas techninės priežiūros centras, nebent šioje instrukcijoje nurodyta kitaip. Sugedusius jungiklius gali pakeisti tik įgalioti techninės priežiūros centro darbuotojai.
- **Jei jungiklis blogai veikia, prietaiso nenaudokite.**
- **Įspėjimas.** Kitų, šiame naudojimo vadove nerekomenduojamų priedų ar papildomų detalių naudojimas gali kelti sužalojimų pavojų.
- **Įrankį turi remontuoti tik kvalifikuotas specialistas.** Šis elektrinis įrankis atitinka susijusius saugos reikalavimus. Įrankį remontuoti turi tik kvalifikuotas



asmuo, naudojantis originalias atsargines dalis; priešingu atveju, įrankis jį naudojančiam asmeniui gali kelti didelį pavojų.

JUOSTINIO / DISKINIO ŠLIFUOTUVO NAUDOJIMO SAUGOS ĮSPĖJIMAI

- Nenaudokite įrenginio, kol jis nebus visiškai surinktas ir sumontuotas pagal instrukcijas.
- Būtina užtikrinti tinkamą bendrąjį arba vietinį apšvietimą.
- Prieš pradėdami darbą būtina patikrinti, ar įrenginys yra ant lygaus paviršiaus ir pakankamai stabilus. Dėl Jūsų pačių saugumo įrenginį tvirtinkite prie darbo paviršiaus varžtais.
- Sritis aplink įrenginį turi būti gerai prižiūrima, be pavienių medžiagų, pvz., medienos atraižų ir nuopjovų.
- Įsitikinkite, kad šlifavimo juosta įdėta tinkama kryptimi. Žr. krypties rodyklę kitoje juostos pusėje.
- Būtina tinkamai sureguliuoti kreiptuvą, kad juosta nenuslystų nuo skriemulio.
- Nenaudokite sugadintų, įplyšusių ar atsilaisvinusių šlifavimo juostų ar padėklų. Naudokite tik tinkamo dydžio šlifavimo juostą ir padėklą.
- Kai naudojate diskinį šlifuotuvą, visada šlifukite apatine šlifavimo disko puse. Šlifuojant viršutine disko puse, ruošinys gali pajudėti iš savo vietos ir sužeisti.
- Draudžiama vykdyti išdėstymo, surinkimo arba paruošimo darbus ant stalo, kai įrenginys veikia.
- Šlifudami visada tvirtai laikykite ruošinį.
- Jei praktiška, ruošinį prispauskite gnybtais ar spaustuvu.
- Siekiant sumažinti įrenginio pasvirimo pavojaus, ilgus ruošinius visada paremkite.
- Vienu metu šlifukite tik vieną ruošinį. Vienu metu dėkite ne daugiau kaip vieną ruošinį ant įrenginio pagrindo.
- Nešlifukite neįtvirtinto ruošinio. Nešlifukite ruošinių, kurie yra per maži, kad būtų galima saugiai juos įtvirtinti.
- Venkite nepatogių darbų ir tokios rankų padėties, kad netikėtai slystelėjęs ranka pasiektų šlifavimo juostą arba diską.
- Šlifudami saugokitės atatrakos, žr. krypties rodykles.
- Visada išlaikykite 1,6 mm tarpelį tarp darbinio stalo ir įrenginio.
- Niekada nestovėkite taip, kad bet kokia kūno dalis būtų vienoje linijoje su ruošinio keliu.
- Būtinai atjunkite įrenginį nuo maitinimo tinklo, kai montuojate dalis, atliekate reguliavimo darbus arba nenaudojate įrenginio.
- Niekada nepalikite veikiančio įrankio be priežiūros. Neatsitraukite nuo įrankio, kol jis visiškai nesustojo.
- Jei maitinimo laidas yra pažeistas ar kitu būtu sugadintas, jį gali pakeisti tik gamintojas ar jo įgaliotasis remonto atstovas.

- Rekomenduojama naudoti likutinės srovės prietaisą, kai ribinė išjungimo srovė yra 30mA ar mažiau.

ŠALUTINIS PAVOJUS

Net naudojant gaminį griežtai pagal paskirtį neįmanoma visiškai atmesti kai kurių liktinių rizikos veiksnių. Būkite budrus atlikdami priežiūros ar valymo darbus: po įrankio naudojimo geležtė kurį laiką išlieka įkaitusi.

- Pavojus paliesti šlifavimo juostą arba diską.
- Pavojus nudegti palietus įkaitusią juostą, diską arba ruošinį.
- Nedėvint veiksmingos priešdulkinės puskaukės, pakenkiama kvėpavimo sistema.
- Jei nedėvima tinkama ausų apsauga – pakenkimas klausai.

GERAI IŠMANYKITE APIE GAMINĮ

Žiūrėti 85 psl.

1. Šlifavimo stabdiklis
2. Šlifavimo juosta
3. Kreiptuvo valdymo rankenėlė
4. Juostos įtempimo svirtis
5. Šlifavimo padas
6. Įjungimo / išjungimo mygtukas
7. Įstrižio skalė
8. Dulkių anga
9. Stalo nuožambio kampo reguliavimo rankenėlė
10. Įstrižumo kampo reguliavimo rankenėlė
11. Įstrižumo skalė
12. Nuožambaus pjovimo kreiptuvas
13. Darbinis stalas

PRIEŽIŪRA

- Gaminio negalima modifikuoti arba naudoti gamintojo nepatvirtintus priedus. Gali kilti pavojus jūsų bei kitų asmenų saugai.
- Gaminio negalima naudoti, jeigu netinkamai veikia jungikliai, apsauginiai įtaisai ar kitos dalys. Nugabenkite į įgaliotą techninio aptarnavimo centrą, kad sutaisytų ar sureguliuotų specialistai.
- Neatlikite jokių reguliavimo darbų, kai įrenginys veikia.
- Prieš atliekant gaminio reguliavimo, tepimo ar priežiūros darbus, būtinai reikia patikrinti, ar kištukas ištrauktas iš maitinimo tinklo lizdo.
- Kiekvieną kartą prieš gaminį naudojant ir jį panaudojus reikia patikrinti, ar nėra pažeistų ar sugedusių dalių. Turi būti palaikoma geriausia gaminio darbo būklė; netinkamas dalis reikia nedelsiant pakeisti gamintojo patvirtintomis atsarginėmis dalimis.
- Susikaupusias dulkes reikia nubraukti šepečiu arba susiurbti dulkių siurbliu. Nenaudokite suslėgto oro.
- Siekiant užtikrinti saugą ir patikimumą, visi remonto darbai, įskaitant šepečių keitimą, turi būti atliekami įgaliotame techninio aptarnavimo centre.



- Jeigu maitinimo laidas pažeistas, kad nekiltų pavojus saugai jį privalo pakeisti tik gamintojas arba gamintojo įgaliotas techninio aptarnavimo centras.

⚠ ĮSPĖJIMAS

Siekiant užtikrinti saugumą ir įrankio patikimumą, visi remonto darbai turi būti atliekami ĮGALIOTAME TECHNINĖS PRIEŽIŪROS CENTRE ar kitoje KVALIFIKUOTOJE TECHNINĖS PRIEŽIŪROS ĮMONĖJE.

GABENIMAS IR LAIKYMAS

- Padedant gaminį į saugyklą, reikia atjungti maitinimo laidą. Laikykite gaminį saugioje, vaikams nepasiekiamoje vietoje.
- Prieš padedant laikyti, gaminį reikia išvalyti šepetėliu arba dulkių siurbliu.

APLINKOS APSAUGA

Žaliavines medžiagas perdirbkite pakartotinai, o ne išmeskite kaip atliekas. Mechanizmas, priedai ir pakuotės turi būti laikomi pakartotinai perdirbti aplinkai nekenksmingu būdu.

SIMBOLIAI

Saugos perspėjimas



CE atitiktis



Atidžiai perskaitykite instrukcijas prieš pradėdami naudoti mechanizmą.



Dėvėkite klausos apsaugos priemones



Dėvėkite akių apsaugos priemones



Simbolis „nekišti rankų“



Šlifavimo juostos dydis



Dydis: Šlifavimo padas



Dydis: Darbinis stalas



Nenuimkite dangtelio.



Elektrinių produktų atliekos neturi būti metamos kartu su namų ūkio atliekomis. Prašome perdirbkite jas ten, kur yra tokios perdirbimo bazės. Dėl perdirbimo patarimo kreipkitės į savo vietinę savivaldybę ar pardavėją.

SIMBOLIAI VADOVE

Prijunkite prietaisą prie maitinimo šaltinio.



Atjunkite įrankį nuo maitinimo šaltinio.



Detalės arba priedai yra parduodami atskirai

Šie signaliniai žodžiai yra skirti nurodyti su prietaiso naudojimu susijusio pavojaus lygį.

⚠ PAVOJUS

Rodo grėšiančią pavojingą situaciją, kurios neišvengus galima patirti mirtiną arba sunkų sužalojimą.

⚠ ĮSPĖJIMAS

Rodo potencialiai pavojingą situaciją, kurios neišvengus galima patirti mirtiną arba sunkų sužalojimą.

⚠ ATSARGIAI

Rodo potencialiai pavojingą situaciją, kurios neišvengus galima patirti nesunkų arba vidutinio sunkumo sužalojimą.

ATSARGIAI

(Be įspėjamojo šauktuko) Reiškia situaciją, kurioje galima sugadinti turtą.



Lint- ja ketaslihvija juures on peetud esmatähtsaks ohutust, töövõimet ja töökindlust.

OTSTARBEKOHANE KASUTAMINE

See lint- ja ketaslihvija on mõeldud ainult puidu ja puidutoodete lihvimiseks. Selle toote ja tolmukoguja kasutamine metalltoodetega võib põhjustada tulekahju.

See toode on kavandatud ja mõeldud kasutamiseks ainult neile isikutele, kes on saanud vastava väljaõppe ja omavad piisavat töökogemust. Kui te ei tea, kuidas tootega õigesti ja ohutult töötada, ärge kasutage seda enne, kui olete saanud vastava koolituse ja omandanud vajalikud teadmised.

OHUTUSE ÜLDESKIRJAD

HOIATUS

Elektritööriistade kasutamisel tuleb alati järgida üldisi ohutusnõudeid, et vähendada tulekahjust ja elektrilöögi ohtu ning vältida kehavigastusi. Lugege enne toote kasutamata hakkamist kõik juhised läbi ja hoidke need alles.

- **Hoidke töökoht puhas.** Korratu ümbrus ja tööpink tingivad õnnetusi.
- **Võtke arvesse töökeskkonda.** Ärge jätke elektrilisi tööriistu vihma kätte. Ärge kasutage elektrilisi tööriistu vihma käes või niiskes kohas. Hoidke töökoht hästi valgustatud. Ärge kasutage tööriista kohtades, kus on kergsüttivaid vedelikke või gaase.
- **Kaitske end elektrilöögi eest.** Töötamisel hoiduge kehalisest kontaktist maandatud pindadega (näiteks torude, radiaatorite, elektriliitide ja külmikutega).
- **Hoidke kõrvalised isikud eemal.** Ärge laske teistel, eriti lastel, kes on töösse kaasatud, tööriista või pikendusjuhet puudutada ja hoidke nad tööpiirkonnast eemal.
- **Hoidke mittekasutatavaid tööriistu hoiukohas.** Kui tööriista ei kasutata, siis tuleb seda hoida kuivas, lukustatud ruumis, lastele kättesaamatus kohas.
- **Ärge kasutage töötamisel liigset jõudu.** Õigesti valitud tööriist töötab paremini ja ohutumalt selles võimsuspiirkonnas, millele on see ette nähtud.
- **Kasutage õigeid lõikeriistu.** Ärge kasutage väiketööriistu tööks, mis nõuavad tugevdatud konstruktsiooniga tööriistu. Ärge kasutage muudeks otstarveteks, kui see on ette nähtud, näiteks ärge kasutage ketassaagi puuokste või ümarpuidu saagimiseks.
- **Kandke tööks sobivat riietust.** Ärge kandke lõtvu riietusesemed või ehteid, sest need võivad haakuda liikuvate osade külge. Väljas töötades on soovitatav kanda libisemiskindlaid jalatseid. Kandke peakatet, mis hoiab pikad juuksed kinni.
- **Kasutage isikukaitsevahendeid.** Kandke kaitseprille.

Kui saagimisoperatsioonil eraldub tolmu, siis kandke näo- või tolmumaski.

- **Ühendage tolmuarastamise süsteem.** Kui tööriistal tuleb kasutada tolmu eraldamis- või kogumisseadisi, siis veenduge, et need on ühendatud ja nõuetekohases kasutuses.
- **Ärge kasutage toitejuhet nõuetevastaselt.** Ärge mingil juhul kasutage toitejuhet pistiku pesast väljatõmbamiseks. Hoidke toitejuhe eemale kuumusest, õlist ja teravatest servadest.
- **Kinnitage toorik.** Kui võimalik, kinnitage toorik pitskruididega või kruustangide vahele. See on ohutum kui käte kasutamine.
- **Ärge küünitage end töötamisel liigselt välja.** Hoidke end pidevalt jalgedel ja tasakaalus.
- **Hooldage tööriistu hoolikalt.** Ohutuks töötamiseks hoidke lõikeketas terava ja puhtana. Järgige määrimise ja tarvikute vahetamise juhiseid. Kontrollige tööriista toitejuhe perioodiliselt üle ja kui avastate selle vigastuse, siis laske see pädevas hooldusasutuses ära parandada. Kontrollige pikendusjuhtmed perioodiliselt üle ja asendage kui need on vigastatud. Hoidke tööriista käepidemed kuivana, puhtana ja ärge laske neile sattuda õli või märet.
- **Ühendage tööriistad lahti.** Kui tööriista ei kasutata, enne kui seda hakatakse teenindama või tarvikuid näiteks lõiketerasid, otsakuid ja freese vahetama, ühendage seadme toide välja.
- **Kõrvaldage reguleerimisrakised ja mutrivõtmed.** Kujundage endas harjumus enne sae käivitamist kontrollida, et kõik reguleerimisrakised ja mutrivõtmed on eemaldatud.
- **Vältige tahtmatu käivitumist.** Veenduge, et lüliti on enne pistikupessa ühendamist väljalülitatud asendis.
- **Kasutage välistingimusteks ettenähtud pikendusjuhtmeid.** Kasutage vaid välistingimustes kasutamiseks lubatud ja vastavalt markeeritud pikendusjuhtmeid.
- **Olge töötamisel tähelepanelik.** Jälgige mida teete ja kasutage tervet mõistust. Ärge kasutage freemasinat, kui olete uimastite, alkoholi või ravimite mõju all.
- **Kontrollige vigastatud osad üle.** Enne vigastatud osaga tööriista edasist kasutamist tuleb see hoolikalt üle kontrollida ja kindlaks teha, kas see töötab õigesti ning täidab ettenähtud funktsiooni. Kontrollige liikuvate osade tsentreeritust, vaba liikumist, vigastusi, kinnituskohti ja muud, mis võivad tööd mõjustada. Vigastatud kaitseesadised ja osad tuleb lasta parandada või asendada pädeval hooldajal, kui kasutusjuhendis ei ole teisiti mainitud. Laske rikkis lülitid asendada volitatud teeninduskeskuses.
- **Ärge kasutage seadet, kui lüliti ei lülita seda sisse ja välja.**
- **Hoiatus.** Kasutusjuhendis soovitatama tarvikute või lisaseadmete kasutamine võib põhjustada tõsise kehavigastuse ohtu.
- **Laske oma tööriist parandada pädeval töötajal.**





See elektritööriist vastab asjassepuutuvatele ohutusreeglitele. Remonttööd tohib teha ainult kvalifitseeritud isik, kasutades sealjuures originaalvaruosi, vastasel juhul võib ilmnedä kasutajale märkimisväärne oht.

LINT- JA KETASLIHVIVA OHUTUSJUHISED

- Ärge kasutage toodet enne, kui see on vastavalt juhistele täielikult kokku pandud ja paigaldatud.
- Varustage töökoht üld- ja kohtvalgustusega.
- Enne töö alustamist kontrollige, et masin on tasasel pinnal ja piisavalt stabiilses olekus. Kinnitage masin poltide abil töölauale, et tagada ohutus.
- Jälgige, et masina ümbrus on puhas ja seal ei ole lahtist materjali, näiteks laaste ning lõikejääke.
- Veenduge, et lihvlint jookseb õiges suunas. Vaadake noolt lindi tagaküljel.
- Hoolitsege, et lint jookseb alati nõuetekohaselt, nii ei saa see veerihmaratastelt maha tulla.
- Ärge kasutage lihvlinti ega lihvkettaid, mis on kahjustatud, rebenenud või lahtised. Kasutage ainult õige suurusega lihvlinti ja -ketast.
- Lihvketast kasutades lihvide alati lihvketta allapoole liikumise poolel. Lihvides ketta ülespoole jooksva küljel, võib töödeldava detail eemale paiskuda ja põhjustada vigastusi.
- Ärge kunagi tehke laual märkimis-, kokkupaneku- või häälestustöid, kui toode töötab.
- Hoidke alati töödeldavat detaili lihvimise ajal kindlat kinni.
- Vajaduse korral kasutage tooriku kinnitamiseks pitskruvisid või kinnitusrakist.
- Tööpingi ümbermineku vältimiseks toetage alati pikki toorikuid.
- Ärge kunagi lihvide korruga rohkem kui ühte detaili. Ärge pange tööpinki korruga rohkem kui ühte toorikut.
- Ärge lihvide toestamata detaili. Ärge lihvide detaile, mis on liiga väikesed, et neid saaks ohutult kinni hoida.
- Vältige ohtlikke võtteid ja käteasendeid, mille puhul äkilise libisemine võib põhjustada käe lihvlindi või lihvketta vastu liikumist.
- Vältige tagasilööki, lihvides vastavalt suunanooltele.
- Tagage alati minimaalne kaugus 1,6 mm töölaua ja masina vahel.
- Ärge kunagi seiske või hoidke mõnda kehaosa ühel joonel töödeldava detaili liikumisega.
- Masin ei tohi kunagi olla ühendatud toitevõrku, kui te paigaldate tarvikuid, reguleerite seda või kui masinat ei kasutata.
- Ärge jätke masinat pöörlema järelevalveta. Ärge lahkuge masina juurest enne, kui see on täielikult seiskunud.
- Kui toitejuhe on vigastada saanud või ei vasta nõuetele, laske see asendada tootjal või volitatud remonditöötajal.

- Toitevõrgus soovitatakse kasutada rikkevoolu-kaitselüliti, mille rakendumisvoolu tugevus on 30mA või alla selle.

JÄÄKRISKID

Isegi siis, kui seadet kasutatakse kirjeldatud viisil, ei ole võimalik kõrvaldada kõiki jääkriskide mõjureid. Töötamise ajal võivad tekkida järgmised ohud, millele operaator peab pöörama erilist tähelepanu.

- Kokkupuute oht lihvlindi või -kettaga.
- Põletuse oht kokkupuutel tulise lindi või ketta või töödeldava detailiga.
- Hingamisteede kahjustused, kui ei kanta nõutava kaitsevõimega tolmu maski.
- Kuulmiskahjustused, kui ei kanta nõutava kaitsevõimega kuulmiskaitset.

ÕPPIGE OMA TOODET TUNDMA

Vt lk 85.

1. Lihvimise peataja
2. Lihvlint
3. Trajektoornupp
4. Lindi pingsuse hoob
5. Lihvtaldmik
6. „Sissevälja“-lülit
7. Püstkaldeskaala
8. Tolmuotsak
9. Laua kaldenurga reguleerimise nupp
10. 45° nurga reguleerimise nupp
11. Kaldemõõtur
12. Kaldlõike juhik
13. Töölaud

HOOLDUS

- Ärge püüdke seadme konstruktsiooni mingil viisil muuta ega kasutage varuosi või tarvikuid, mis pole tootja poolt soovitatud. Teie ja kõrvalolijate turvalisus võib olla ohustatud.
- Ärge kasutage seadet kuni mõni lülit, kaitsekate või funktsioon ei tööta nagu ette nähtud. Andke need volitatud hoolduskeskusesse remondiks või reguleerimiseks.
- Ärge tehke mingeid reguleerimistöid, kui masin töötab.
- Enne reguleerimist, määrimistöde või muude masina hooldustööde alustamist veenduge, et pistik on pistikupesast välja võetud.
- Kontrollige seade enne ja pärast kasutamist vigastuste ning purunenud osade suhtes üle. Hoidke seadet heas töökorras, selleks asendage osad nende varuosadega, mis on tootja poolt heaks kiidetud.
- Pühkige ära kogunenud tolm harjaga või tolmuimejaga. Ärge kasutage suruõhku.
- Kõik remonttööd, kaasa arvatud mootori kontaktharjade vahetamine, tuleb lasta teha volitatud hoolduskeskuses.



et tagada masina ohutus ja töövõime.

- Kui toitejuhe on vigastatud, siis tuleb see lasta asendada tootjal või volitatud teeninduskeskuses, et turvariski vältida.

⚠ HOIATUS

Ohutuse ja töökindluse tagamiseks tuleb parandustööd lasta teha **VOLITATUD HOOLDUSKESKUSES** või **MUUS PÄDEVAS HOOLDUSETTEVÖTTES**.

TRANSPORTIMINE JA HOIUSTAMINE

- Seadme hoiustamise ajaks ühendage toitejuhe lahti. Hoidke seadet kaitstud kohas, mis on lastele juurdepääsmatu.
- Enne hoiustamist puhastage seade harja või tolmuimejaga.

KESKKONNAKAITSE



Taaskasutage materjale nende jäätmekäitlusse andmise asemel. Masin, selle liseseadmed ja pakend tuleb jäätmekäitluseks keskkonnasõbralikult sorteerida.

SÜMBOL



Ohuhoiatus



CE-vastavus



Enne seadme kasutamist lugege palun kasutusjuhend hoolega läbi.



Kandke kuulmise kaitsevahendeid



Kandke silmade kaitsevahendeid



Käed eemale



Lihvlindi suurus



Suurus: Lihvtaidmik



Suurus: Töölaud



Ärge katet eemaldage.



Mittekasutatavaid elektritooteid ei tohi visata olmejäätmete hulka. Vaid tuleb viia vastavasse kogumispunkti. Vajadusel küsige sellekohast nõu oma edasimüüjalt või vastavalt kohaliku omavalitsuse institutsioonilt.

KASUTUSJUHENDIS KASUTATUD SÜMBOLID



Pange toitejuhtme pistik pistikupesassa.



Tõmmake pistik pistikupesast välja.



Eraldi ostetavad osad või tarvikud

Järgnevad märguandesõnad ja tähendused on mõeldud selle toote kasutamisega seotud riskitasemete kirjeldamiseks.

⚠ OHT.

Osutab ähvardavale ohuolukorrale, mille mittevältimine lõpeb surma või tõsise vigastusega.

⚠ HOIATUS

Osutab võimalikule ohuolukorrale, mille mittevältimine võib lõppeda surma või tõsise kehavigastusega.

⚠ ETTEVAATUST

Osutab võimalikule ohuolukorrale, mille mittevältimine võib lõppeda väiksemate või mõõdukate kehavigastustega.

ETTEVAATUST

(Ilma ohutussümbolita) Viitab olukorrale, mis võib põhjustada kahjustusi varale.



U dizajnu vaše tračne/ploča brusilice vodeću ulogu imaju sigurnost, performanse i pouzdanost.

NAMJENA

Ova tračna/ploča brusilica namijenjena je korištenju isključivo s drvetom i drvni proizvodima. Korištenje ovog proizvoda i sklopa za sakupljanje prašine s metalnim proizvodima stvara potencijalnu opasnost od požara.

Ovaj proizvod osmišljen je i namijenjen uporabi isključivo od strane obučenog i iskusnog osoblja. Ako niste upoznati s pravilnim i sigurnim radom ovog proizvoda, nemojte koristiti ovaj stroj sve dok ne prođete odgovarajuću obuku i steknete odgovarajuće znanje.

OPĆA SIGURNOSNA PRAVILA

UPOZORENJE

Kako biste smanjili opasnost od požara, strujnog udara i osobnih ozljeda prilikom korištenja električnih alata, uvijek se valja pridržavati osnovnih mjera opreza. Prije pokušaja korištenja ovog uređaja pročitajte i spremite sve upute.

- **Održavajte radno područje čistim.** Zatrpana radna područja i stolovi dovode do ozljeda.
- **Uzmite u obzir radno okruženje.** Alat nemojte izlagati kiši. Nemojte koristiti alate u vlažnim ili mokrim mjestima. Držite radni prostor dobro osvijetljen. Nemojte koristiti alate u prisutnosti zapaljivih tekućina ili plinova.
- **Zaštitite se od strujnog udara.** Izbjegavajte kontakt tijela s uzemljenim površinama (poput cijevi, radijatora, štednjaka i hladnjaka).
- **Držite podalje ostale osobe.** Nemojte dopustiti osobama, posebice djeci, da se uključe u rad, dodiruju alat ili produžni kabel, te ih držite dalje od područja rada.
- **Skладиšтите празne alate.** Kada se ne koristi, alat treba skladištiti na suhom i zaključanom mjestu izvan dosega djece.
- **Nemojte alat koristiti iznad njegovih mogućnosti.** Uređaj će bolje i sigurnije raditi na brzini za koju je konstruiran.
- **Koristite pravi alat.** Nemojte forsirati male alate da rade poslove teških alata za rad. Nemojte koristiti alate za svrhe za koje nisu namijenjeni, primjerice, nemojte koristiti cirkularnu pilu za rezanje grana balvana ili trupaca.
- **Pravilno se odjenite.** Nemojte nositi široku odjeću ili nakit; mogu biti zahvaćeni pokretnim dijelovima. Preporuča se da prilikom rada na otvorenom nosite obuću sa zaštitom od klizanja. Nosite i zaštitu za kosu kako biste pokrili dugu kosu.
- **Koristite zaštitnu opremu.** Koristite zaštitne naočale. Ako rad stvara prašinu koristite zaštitnu masku za lice.
- **Priključite sustav za izbacivanje prašine.** Ako su alati opremljeni s priključkom aparata za odvajanje i prikupljanje prašine, osigurajte da su oni priključeni i pravilno korišteni.
- **Nemojte zlorabiti kabel.** Nikada ne povlačite kabel za isključivanje iz utičnice. Držite kabel podalje od topline, ulja i oštrih rubova.
- **Siguran rad.** Kad je moguće, koristite spojnice ili škrip za držanje izratka. Sigurnije je nego korištenje vaše ruke.
- **Nemojte se naginjati preko rubova.** Cijelo vrijeme držite pravilno uporište i ravnotežu.
- **Pažljivo održavajte alat.** Držite alat za rezanje naoštrenim i čistim radi boljeg i sigurnijeg rada. Slijedite upute za podmazivanje i promjenu dodatnog pribora. Povremeno provjerite kabele alata i ako su oštećeni neka ih popravi ovlaštenu servisnu centar. Povremeno provjerite i zamijenite produžne kabele ako su oštećeni. Održavajte ručke suhim, čistim i da na njima nema ulja i masti.
- **Isključite alate.** Kada nije u upotrebi, prije servisiranja ili kada mijenjate priključke poput oštrica, svrdla i rezača, isključite alate iz napajanja.
- **Uklonite ključeve za ugađanje i ključeve.** Zbog navike provjeravanja pogledajte da li su ključevi i ključevi za ugađanje uklonjeni s alata prije nego što ga uključite.
- **Izbjegavajte slučajno pokretanje.** Provjerite je li prekidač u položaju "off" (isključeno) prilikom uključivanja.
- **Koristite produžne kabele za korištenje na otvorenom.** Prilikom korištenja alata na otvorenom, rabite samo produžne kabele koji su namijenjeni za korištenje na otvorenom i tako su označeni.
- **Budite na oprezu.** Gledajte to što radite i pri radu s alatom koristite zdrav razum. Ne koristite se alatom ako ste pod utjecajem alkohola ili droga ili ako uzimate lijekove.
- **Zamijenite oštećene dijelove.** Prije daljnjeg korištenja alata treba se pažljivo provjeriti da se odredi da li će pravilno raditi i izvoditi njihovu namjensku funkciju. Provjerite spojeve pokretnih dijelova, povezanost pokretnih dijelova, puknuća dijelova, montiranost i bilo koje druge uvjete koji mogu utjecati na njihov rad. Štitnik ili drugi dio koji je oštećen treba pravilno popraviti ili zamijeniti od strane ovlaštenog servisnog centra osim ako drugačije nije naznačeno u ovim uputama za rukovanje. Sklopku u kvaru zamijenite u ovlaštenom servisnom centru.
- **Nemojte koristiti alat ako ga sklopka pravilno ne uključuje i isključuje.**
- **Upozorenje.** Korištenje bilo kakvog dodatnog pribora ili priključka osim preporučenih u ovim uputama za upotrebu može dovesti do opasnosti od osobnih ozljeda.
- **Neka vaš alat servisira kvalificirana osoba.** Ovaj električni alat u skladu je s relevantnim pravilima





o sigurnosti. opravke treba izvoditi samo ovlašteni serviser korištenjem originalnih rezervnih dijelova, u suprotnom ovo može rezultirati zabrinjavajućom opasnošću po korisnika.

SIGURNOSNA UPOZORENJA ZA TRACNU/PLOČA BRUSILICU

- Nemojte rukovati proizvodom sve dok ga u potpunosti ne sklopite i sastavite prema uputama.
- Omogućite odgovarajuću opću ili rasvjetu na licu mjesta.
- Prije rada provjerite da je uređaj postavljen na ravnu površinu s dovoljno stabilnosti. Radi vlastite sigurnosti uređaj uvijek montirajte na radni stol pomoću svornjaka.
- Održavajte područje oko uređaja čistim i bez ostataka materijala, poput iverje i odrezaka.
- Provjerite je li montirana brusna traka te je li postavljena u ispravnom smjeru. Pogledajte strelicu smjera na poleđini trake.
- Uvijek pazite da pravilno podesite traku kako biste spriječili ispadanje trake s kotura.
- Nemojte koristiti brusne trake ili jastučice koji su oštećeni, istrošeni ili nisu dobro pričvršćeni na stroj. Koristite samo brusne trake i jastučice ispravnih dimenzija.
- Prilikom korištenja ploča brusilice uvijek koristite brusnu površinu na donjoj strani brusnog ploča. Brušenje gornjom stranom brusne ploče može uzrokovati iskakanje radnog komada iz njegovog položaja, što može dovesti do ozljede.
- Nikada nemojte preslagivati, sklapati ili podešavati radni komad na stolu dok stroj radi.
- Prilikom brušenja uvijek čvrsto držite radni komad.
- Kada je praktično koristite spojnice ili škrip za držanje izratka.
- Radi minimiziranja opasnosti od doticanja uređaja, uvijek poduprite dugačke izratke.
- Nikada nemojte istovremeno brusiti više od jednog radnog komada. Nemojte istovremeno postavljati više od jednog izratka na postolje uređaja.
- Nemojte brusiti ako radni komad nije pravilo poduprt. Nemojte brusiti komade materijala koji su premali za sigurno podupiranje.
- Izbjegavajte čudne pokrete i položaje ruku, jer tako povećavate mogućnost da ruka sklizne i dospije na brusnu traku ili brusnu ploču.
- Izbjegavajte povratni udar - uvijek brusite u smjeru naznačenom strelicama smjera.
- Uvijek održavajte razmak od 1,6 mm između radnog stola i stroja.
- Nikada nemojte stajati ili postavljati bilo koji dio tijela u liniju s putanjom radnog komada.
- Stroj mora biti isključen s napona prilikom sastavljanja dijelova, izvođenja podešavanja ili kada nije u upotrebi.

- Nikada ne ostavljajte alat da radi bez nadzora. Ne ostavljajte alat dok se potpuno ne zaustavi.
- Ako je kabel za napajanje oštećen ili na neki drugi način u kvaru, mora ga zamijeniti samo proizvođač ili ovlašteni servisni tehničar.
- Preporučujemo korištenje FID sklopke (RCD uređaj) s prorađnom strujom od 30mA ili manje.

PREOSTALE OPASNOSTI

Čak i kad je proizvod korišten kao što je prethodno opisano, još uvijek nije moguće potpuno isključiti ostale čimbenike opasnosti. Može doći do sljedećih opasnosti prilikom korištenja i operater mora obratiti posebnu pozornost kako bi izbjegao sljedeće:

- Rizik od kontakta s brusnom trakom ili pločom.
- Opasnost od opekline zbog kontakta s vrućom brusnom trakom, brusnim pločom ili radnim komadom.
- Oštećenja na respiratornim organima ako se ne nosi učinkovita zaštitna maska.
- Oštećenja na sluhu ako se ne nosi učinkovita zaštitna za sluh.

UPOZNAJTE SVOJ PROIZVOD

Pogledajte stranicu 85.

1. Graničnik brusne trake
2. Brusna traka
3. Okretni gumb za poravnavanje trake
4. Poluga za napinjanje trake
5. Brusna ploča
6. Sklopka za Uklj./isklj. (ON/OFF)
7. Ljestvica nagiba
8. Prašina Luka
9. Gumb za podešavanje kuta nakošenja stola
10. Gumb za podešavanje kuta nagiba
11. Skala kutova
12. Kutna vodilica
13. Radni stol

ODRŽAVANJE

- Nemojte modificirati proizvod ni na koji način ili koristiti dodatni pribor koji nije odobren od strane proizvođača. Može doći u pitanje vaša i sigurnost ostalih.
- Nemojte koristiti proizvod ako neki prekidači, štitnici ili druge funkcije ne rade po namjeni. Vratite u ovlašteni servisni centar radi profesionalnog popravka ili zamjene.
- Nemojte vršiti nikakva podešavanja na stroju dok stroj radi.
- Uvijek provjerite da li je utikač uklonjen iz izvora glavnog napajanja prije podešavanja, podmazivanja ili kod bilo kakvog rada ili održavanja na proizvodu.
- Prije i nakon svakog korištenja, provjerite proizvod na oštećenja ili polomljene dijelove. Držite proizvod u vrhunskom radnom stanju na način da odmah





zamjenjujete dijelove s rezervnim dijelovima odobrenim od proizvođača.

- Očistite nakupljenu prašinu korištenjem četke ili usisavača. Nemojte koristiti komprimirani zrak.
- Radi veće sigurnosti i pouzdanosti, sve popravke, uključujući zamjene četki, treba izvoditi ovlašteni servisni centar.
- Ako je kabel napajanja oštećen, mora ga zamijeniti samo proizvođač ili ovlašteni servis, kako bi se izbjegle opasnosti po sigurnost.

⚠ UPOZORENJE

Za maksimalnu sigurnost i pouzdanost, sve popravke treba obaviti u ovlaštenom Ryobi servisu.

TRANSPORT I SKLADIŠTENJE

- Kada skladištite proizvod, odspojite kabel za napajanje. Skladištite proizvod na dobro osiguranom mjestu koje nije pristupačno djeci.
- Očistite proizvod korištenjem četke i usisavača prije spremanja.

ZAŠTITA OKOLIŠA



Sirovine reciklirajte, umjesto da ih odlažete kao otpad. Kako biste zaštitili okoliš, alat, dodatke i ambalažu treba odvojeno bacati u otpad.

SIMBOL



Sigurnosno upozorenje



CE usklađenost



Molimo da pažljivo pročitate upute prije pokretanja stroja.



Nosite zaštitu za sluh



Nosite zaštitu za vid



Simbol zabrane dodirivanja rukama



Veličina brusne trake



Veličina: Brusna ploča



Veličina: Radni stol



Nemojte uklanjati poklopac.



Otpadni električni proizvodi ne treba da se odlažu s otpadom iz domaćinstva. Molimo da reciklirate gdje je to moguće. Potražite savjet od lokalnih vlasti ili prodavca kako reciklirati.

SIMBOLI U PRIRUČNIKU



Uključite uređaj.



Odspojite alat.



Dijelovi ili pribor prodan odvojeno

Slijedeće riječi upozorenja i značenja imaju namjeru da objasne nivo rizika u vezi s ovim proizvodom.

⚠ OPASNOST

Naznačuje prijeteću opasnu situaciju, koja ako se ne izbjegne dovodi do smrti ili ozbiljnih ozljeda.

⚠ UPOZORENJE

Naznačuje potencijalno opasnu situaciju, koja ako se ne izbjegne dovodi do smrti ili ozbiljnih ozljeda.

⚠ OPREZ

Naznačuje potencijalno opasnu situaciju, koja ako se ne izbjegne dovodi do lakših ili srednjih ozljeda.

OPREZ

(Bez simbola upozorenja sigurnosti) Označava situaciju koja može izazvati oštećenje imovine



Tračni/kolutni brusilnik je zasnovan in izdelan za zagotavljanje najvišje ravni varnosti, učinkovitosti in zanesljivosti delovanja.

NAMEN UPORABE

Tračni/kolutni brusilnik je namenjen za uporabo z lesom in izdelki iz lesa. Če ta izdelek in zbirnik prahu uporabljate skupaj s kovinskimi predmeti, obstaja nevarnost požara.

Ta izdelek je zasnovan in namenjen izključno uporabi s strani ustrezno usposobljenih in izkušenih oseb. Če niste seznanjeni s pravilnimi in varnimi načini uporabe izdelka, slednjega ne uporabljajte, dokler se ustrezno ne seznanite z njegovo uporabo in se zanjo ne usposobite.

SPLOŠNA VARNOSTNA OPOZORILA

⚠ OPOZORILO

Pri uporabi električnih orodij morate vedno upoštevati osnovna varnostna opozorila, saj le tako lahko zmanjšate nevarnost požara, električnega udara ali telesnih poškodb. Pred uporabo tega izdelka preberite vsa navodila in shranite priročnik.

- **Delovno območje naj bo vedno čisto.** Neurejeni prostori in delovne mize privabljajo nesreče.
- **Preglejte delovno območje.** Orodja ne izpostavljajte dežju. Orodja ne uporabljajte v mokrih ali vlažnih okoljih. Delovno območje naj bo vedno dobro osvetljeno. Nikoli ne uporabljajte orodja blizu vnetljivih tekočin ali plinov.
- **Zaščita pred električnim udarom.** Izogibajte se telesnemu stiku z ozemljenimi površinami, kot so cevi, radiatorji, kuhalniki in hladilniki.
- **Drugih oseb ne spuščajte zraven.** Tretje osebe, predvsem otroci, orodja ne smejo uporabljati in se orodja ter podaljševalnega kabla ne smejo dotikati; zadrževati se morajo zunaj delovnega območja.
- **Orodja, ki jih ne uporabljajte, shranite.** Ko orodja ne uporabljate, ga shranite na suho mesto in zaklenite, da otroci ne bodo imeli dostopa.
- **Orodja ne preobremenjujte.** Nalogo bo opravilo bolje in varneje, če ga uporabite za namen, za katerega je namenjen.
- **Uporabljajte ustrezno orodje.** Z malimi orodji orodji ne opravljajte del, ki so predvidena za večja orodja. Orodja ne uporabljajte za dela, za katera ni namenjeno – krožnih žag na primer ne uporabljajte za rezanje vej in debel.
- **Bodite primerno oblečeni.** Ne nosite ohlapnih oblačil ali nakita; saj bi se lahko zgodili v premikajoče se dele orodja. Pri delu na prostem je priporočljiva uporaba nedrsečih čevljev. Če imate dolge lase, nosite tudi zaščitno pokrivalo.
- **Uporabljajte zaščitno opremo.** Uporabljajte zaščitna očala. Če pri delu nastaja prah, nosite obrazne maske

ali maske proti prahu.

- **Priključite opremo za sesanje prahu.** Če je orodje namenjeno priključitvi na opremo za sesanje in zbiranje prahu, se prepričajte, da so ti priključeni in ustrezno uporabljeni.
- **Kabla ne uporabljajte za neustrezne namene.** Nikoli ne povlecite za kabel, kadar izklapljate vtiča iz vtičnice. Kabel držite proč od vročine, olja ali ostrih robov.
- **Varno delo.** Kjer je to mogoče, uporabljajte sponko ali primež. To je varneje kot uporaba rok.
- **Ne segajte preko dosega.** Pazite, da stojite stabilno in da imate ravnotežje.
- **Orodja vzdržujte nežno.** Za boljše in varnejše delovanje naj bodo rezalna orodja nabrušena in čista. Sledite navodilom za mazanje in menjavo dodatkov. Redno preverjajte napajalne kable orodja in jih v primeru poškodb dajte v popravilo pooblaščenemu servisu. Redno preverjajte podaljške in jih v primeru poškodb zamenjajte z novimi. Ročaji naj bodo suhi, čisti in brez madežev olja ali masti.
- **Odklopite orodja.** Kadar orodja ne uporabljate oz. pred servisiranjem in med menjavo dodatkov (kot so rezila, svetri ipd.), orodja odklopite iz napajanja.
- **Ostranite nastavljive ključne in zatiče.** Pred vklopom orodja preverite, da so zatiči in nastavljivi ključki odstranjeni iz orodja.
- **Preprečite nehoten zagon.** Ko orodje priklapljate na električno omrežje, mora biti stikalo v položaju za izklop (off).
- **Uporabljajte podaljške za zunanjo uporabo.** Kadar orodje uporabljate zunaj, uporabljajte le podaljške za zunanjo uporabo.
- **Bodite pozorni.** Bodite pozorni kaj delate in uporabljajte občutek. Ne uporabljajte orodja, če ste utrujeni ali pod vplivom drog, alkohola ali zdravil.
- **Preverite, ali so kje poškodovani deli.** Pred nadaljnjo uporabo pazno preglejte orodje in zagotovite, da orodje pravilno in ustrezno deluje. Preverite nastavitve premikajočih se delov, njihove povezave, morebitne lome, namestitve in druge pogoje, ki bi lahko vplivali na delovanje naprave. Varovalo ali drug poškodovan del morate ustrezno popraviti ali zamenjati pri pooblaščenem serviserju, razen če ni drugače navedeno v navodilih za uporabo. Okvarjena stikala mora zamenjati pooblaščen servisni center.
- **Orodja ne uporabljajte, če ga ne morete vklopiti ali izklopiti s stikalom.**
- **Opozorilo.** Uporaba katerih koli dodatkov ali priključkov, ki niso priporočeni v teh navodilih za uporabo, lahko predstavljajo tveganje za osebne poškodbe.
- **Orodje naj popravi pooblaščen oseba.** To električno orodje izpolnjuje ustrezne varnostne kriterije. Popravila lahko izvaja le pooblaščen oseba, ki uporablja originalne rezervne dele; v nasprotnem primeru bi bil uporabnik lahko v nevarnosti.



VARNOSTNA OPOZORILA ZA TRAČNI/KOLUTNI BRUSILNIK

- Izdelka ne uporabljajte, dokler ga v celoti ne sestavite in namestite skladno z navodili.
- Zagotovite ustrezno splošno in lokalno osvetljavo.
- Pred delom preverite, da je stroj nameščen na stabilni ravni površini. Za lastno varnost stroj vedno pritrdite na delovno mizo z vijaki.
- Območje okrog stroja naj bo ustrezno vzdrževano, brez prosto ležečih materialov, kot so ostružki in odrezki.
- Prepričajte se, da je brusilni trak nameščen tako, da je usmerjen v ustrezno smer. Upoštevajte smerno puščico na hrbtni strani traku.
- Tek morate vedno pravilno nastaviti, da trak ne zdrsi s škripca.
- Ne uporabljajte brusilnih trakov ali kolotov, ki so poškodovani, raztrgani ali zrahljani. Uporabite brusilni trak in kolot ustrezne velikosti.
- Pri uporabi kolutnega brusilnika vedno brusite s spodnjo stranjo brusilnega koluta. Če brusite z vrhno stranjo koluta, lahko obdelovanec zleti s svojega mesta in povzroči poškodbe.
- Ko je izdelek priključen, mize nikoli ne uporabljajte za pripravo, sestavljanje ali nastavljanje.
- Med brušenjem vedno trdno držite obdelovanec.
- Kadar je izvedljivo, uporabite spojke oziroma prižeme za držanje materiala.
- Da bi zmanjšali tveganje za prevrnitev orodja, dolge obdelovance vedno podprite.
- Sočasno brusite največ enega obdelovanca. Na podstavke orodja ne naložite več kot enega obdelovanca hkrati.
- Obdelovanec mora biti med brušenjem vedno ustrezno podložen. Ne brusite materiala, ki je premajhen, da bi ga bilo mogoče varno podložiti.
- Izogibajte se nenavadnim gibom in položajem rok, pri katerih bi lahko ob nenamernem zdrsu roke z danjo segli pod brusilni trak ali disk.
- Za izogibanje povratnemu sunku brušenje izvajajte v smeri smernih puščic.
- Med strojem in delovno mizo ohranjajte razdaljo 1,6 mm.
- Nikoli ne stojte v liniji potovanja obdelovanca ali z nobenim delom telesa ne posegajte vanjo.
- Stroj mora biti izključen iz napajanja vedno, ko ga sestavljate, prilagajate ali ko ga ne uporabljate.
- Orodje nikoli ne pustite teči brez nadzora. Orodja ne zapustite, dokler se ta popolnoma ne ustavi.
- Če je napajalni kabel poškodovan ali ne deluje, ga lahko zamenja le proizvajalec ali pooblaščen serviser.
- Priporočamo, da pri napajanju orodja uporabljate tokovno zaščitno stikalo s nazivnim tokom, ki ne presega 30mA.

PREOSTALA TVEGANJA

Nekateri preostalih dejavnikov tveganja ni mogoče povsem odpraviti, tudi če ta izdelek uporabljate v skladu z navodili. Med uporabo se lahko pojavijo nekatere nevarnosti, upravljavec pa naj bo pozoren na naslednje:

- Nevarnost stika z brusilnim trakom ali diskom.
- Nevarnost opeklin ob stiku z vročim trakom, diskom ali obdelovancem.
- Nevarnost poškodb pljuč, če ne nosite maske proti prahu.
- Okvare sluha, če ne nosite učinkovite zaščite za sluh.

SPOZNAJTE SVOJ IZDELEK

Glej stran 85.

1. Zagozda brusilnika
2. Brusilni trak
3. Gumb za nastavitev teka
4. Ročica za napenjanje traku
5. Brusna podloga
6. Stikalo za vklop/izklop
7. Stopnja nagiba
8. Prikluček vrečke za zbiranje prahu
9. Gumb za nastavitev zajernalnega kota mize
10. Gumb za nastavitev čelilnega kota
11. Skala čeljenja
12. Kotno vodilo
13. Delovna miza

VZDRŽEVANJE

- Tega izdelka na noben način ne spreminjajte ali uporabljajte dodatkov, ki jih ni odobril proizvajalec. Vaša varnost in varnost drugih sta morda ogroženi.
- Izdelka ne uporabljajte, če stikala, zaščite ali druge funkcije ne delujejo, kot je bilo predvideno. Za profesionalno popravilo ali zamenjavo se obrnite na pooblaščen servis.
- Med delovanjem izdelka ne izvajajte nobenih prilagoditev.
- Pred izvajanjem nastavitvev, mazanjem ali vzdrževanjem izdelka se vedno prepričajte, da je vtič stroja odstranjen iz električne vtičnice.
- Pred in po vsaki uporabi preverite, ali je izdelek poškodovan oz. ali ima pokvarjene dele. Izdelek ohranjajte v vrhunskem stanju tako, da nemudoma zamenjate dele z nadomestnimi deli, ki jih je odobril proizvajalec.
- Očistite nakopičeni prah s pomočjo krtače ali sesalca. Ne uporabljajte stisnjene zraka.
- Da bi zagotovili varnost in zanesljivost, mora vsa popravila, vključno z menjavo ščetk, stroja opraviti pooblaščen servisni center.



- Če je napajalni kabel poškodovan, ga mora zamenjati izključno proizvajalec ali pooblaščen servisier v izogib nevarnostim.

⚠ OPOZORILO

Za večjo varnost in zanesljivost morajo vsa popravila izvajati v pooblaščenem servisnem centru Ryobi.

TRANSPORT IN SKLADIŠČENJE

- Med shranjevanjem izdelka izklopite napajalni kabel. Izdelek shranjujte v varnem prostoru izven dosega otrok.
- Izdelek pred skladiščenjem očistite s pomočjo krtače in sesalca.

ZAŠČITA OKOLJA

Namesto, da napravo zavržete, reciklirajte surovine. Napravo, pribor in embalažo je treba sortirati za okolju prijazno recikliranje.

SIMBOL

Varnostno opozorilo



Skladnost CE



Prosimo, da si pred zagonom naprave pozorno preberete navodila



Nosite zaščito za ušesa



Nosite zaščito za oči



Simbol, ki prepoveduje uporabo rok



Velikost brusilnega traku



Velikost: Brusna podloga



Velikost: Delovna miza



Ne odstranjujte pokrova.



Odpadne električne izdelke ne odlagajte skupaj z ostalimi gospodinjstvi odpadki. Reciklažo opravljajte na predpisanih mestih. Za nasvet se obrnite na lokalne oblasti.

SIMBOLI V PRIROČNIKU

Priključite napravo.



Izklopite orodje.



Deli ali dodatki so na prodaj ločeno

Sledeče signalne besede in pomeni naj bi pojasnili ravni tveganja, ki so povezane s tem izdelkom.

⚠ NEVARNOST

Označuje neizogibno nevarno stanje, ki lahko povzroči smrt ali hude poškodbe, če ga ne preprečite.

⚠ OPOZORILO

Označuje morebitno nevarno stanje, ki bi lahko povzročilo smrt ali hude poškodbe, če ga ne preprečite.

⚠ POZOR

Označuje morebitno nevarno stanje, ki lahko povzroči manjše ali zmerne poškodbe, če se ga ne preprečite.

POZOR

(Brez simbola Varnostni alarm) Označuje stanje, ki lahko privede do poškodovanja lastnine.



Bezpečnosť, efektívnosť a spoľahlivosť boli prvoradáre pri navrhovaní vašej pásovej/kotúčovej brúsky.

ÚČEL POUŽITIA

Táto kombinovaná pásová/kotúčová brúska je určená len pre použitie s drevom a drevenými výrobkami. Použitie tohto výrobku a lapača prachu s kovovými výrobkami predstavuje potenciálne nebezpečenstvo požiaru.

Tento výrobok je navrhnutý a určený na obsluhu iba náležite vyškoleným a skúseným personálom. s patričnou kvalifikáciou a skúsenými pracovníkmi. Ak nie ste oboznámení so správnou a bezpečnou prevádzkou výrobku, nepoužívajte ho, kým nezískate zodpovedajúce školenie a vedomosti.

VŠEOBECNÉ BEZPEČNOSTNÉ VÝSTRAHY

⚠ VAROVANIE

Pri používaní elektrických nástrojov je potrebné dodržiavať základné bezpečnostné opatrenia, aby sa znížilo riziko požiaru, úrazu elektrickým prúdom a poranenia osôb. Pred prácou s produktom si prečítajte všetky pokyny a odložte si tento návod.

- **Pracovisko udrzte v čistote.** Zaprátené plochy a stoly prítahujú poranenia.
- **Dbajte na vaše pracovné prostredie.** Nevystavujte nástroje dažďu. Nepoužívajte nástroje vo vlhkom alebo mokrom prostredí. Dbajte, aby bolo pracovisko dobre osvetlené. Nástroje nepoužívajte v blízkosti horľavých kvapalín ani plynov.
- **Chráňte sa pred úrazom elektrickým prúdom.** Vyhybajte sa telesnému kontaktu s uzemnenými povrchmi (napríklad rúrami, radiátormi, sporákmi, chladničkami).
- **Nedovoľte, aby sa približovali iné osoby.** Nedovoľte iným osobám, najmä deťom, aby pracovali s nástrojom, dotýkali sa nástroja alebo predlžovacieho kábla a nedovoľte, aby vstupovali do pracovného prostredia.
- **Nástroje odkladajte mimo dosahu detí a iných nezaškolených osôb.** Keď sa nástroje nepoužívajú, odložte ich na suché uzamknuté miesto mimo dosahu detí.
- **Na nástroj nevyvíjajte silu.** Vykona svoju prácu lepšie a bezpečnejšie pri určenom zaťažení.
- **Používajte správny nástroj.** Nepoužívajte malé nástroje nasilu na prácu určenú pre nástroje s veľkým zaťažením. Nepoužívajte nástroje na iné ako určené účely, napríklad kotúčové píly na odvetvovanie alebo pilenie polien.
- **Primerane sa oblečte.** Nenoste voľný odev ani šperky – môžu sa zachytiť do pohybujúcich sa dielov. Pri práci v exteriéri sa odporúča používať protišmykovú obuv. Ak máte dlhé vlasy, noste ochrannú pokrývku vlasov.
- **Používajte ochranné pomôcky.** Používajte ochranné okuliare. Ak pri práci vzniká prach, použite tvárovú alebo protiprachovú masku.
- **Používajte zariadenie na odsávanie prachu.** Ak je nástroj vybavený pripojením na prostriedky na odsávanie a zber prachu, zaistite, aby boli správne pripojené a primerane sa používali.
- **Kábel nemamáhajte.** Kábel zo zásuvky neodpájajte trhnutím. Kábel nedávajte do blízkosti tepla, oleja alebo ostrých okrajov.
- **Zabezpečte obrobok.** Na pridržanie obrobku použite podľa možnosti svorky alebo zverák. Je to bezpečnejšie, ako použiť ruku.
- **Nesiahajte príliš ďaleko.** Neustále zachovávajte pevnú oporu nôh a rovnováhu.
- **Údržbu nástrojov vykonávajte opatrne.** Udržujte rezné nástroje ostré a čisté pre lepšiu a bezpečnejšiu výkon. Dodržiavajte pokyny na mazanie a výmenu príslušenstva. Pravidelne kontrolujte káble nástroja a v prípade ich poškodenia ho nechajte opraviť v autorizovanom servisnom stredisku. Pravidelne skontrolujte predlžovacie káble v prípade ich poškodenia ich vymeňte. Rukoväte udržiavajte suché a čisté, bez zvyškov oleja či maziva.
- **Odpojte nástroje.** Keď sa nástroj nepoužíva, pred servisom a pri výmene príslušenstva, napríklad kotúčov, vrtákov a nožov, odpojte nástroj z elektrickej siete.
- **Odstráňte nastavovacie klíny a kľúče.** Vytvorte si návyk vizuálnej kontroly odstránenia nastavovacích kľúčov z nástroja pred jeho zapnutím.
- **Dbajte na to, aby nedochádzalo k neúmyselnému spusteniu.** Pri zapájaní nástroja skontrolujte, či je spínač vo vypnutej polohe.
- **Používajte predlžovacie káble určené pre exteriéry.** Keď sa nástroj používa, používajte len predlžovacie káble určené pre exteriéry s príslušným označením.
- **Buďte opatrní.** Sledujte, čo robíte a používajte zdravý rozum. S nástrojom nepracujte pod vplyvom drog, alkoholu alebo liekov.
- **Skontrolujte všetky poškodené časti.** Pred ďalším použitím tohto nástroja je nevyhnutné dôkladne skontrolovať, či funguje správne a vykonáva funkciu, na ktorú je určený. Skontrolujte zarovnanie pohybivých dielov, zaseknutie pohybivých dielov, poškodenie dielov, montáž a akékoľvek iné podmienky, ktoré by mohli ovplyvniť prevádzku nástroja. Ochranný kryt alebo iné poškodené diely treba riadne opraviť alebo vymeniť v autorizovanom servisnom stredisku, pokiaľ nie je v návode uvedené inak. Chybné spínače sa musia vymeniť v autorizovanom servisnom centre.
- **Nástroj nepoužívajte, ak spínač nezapína a nevypína nástroj.**
- **Varovanie.** Používanie akéhokoľvek príslušenstva alebo doplnku, ktorý nie je odporučený v tomto návode na použitie, môže predstavovať riziko osobného poranenia.



- **Opravu nástroja zverte kvalifikovanej osobe.** Tento elektrický nástroj spĺňa platné bezpečnostné pravidlá. Opravy môžu vykonávať len kvalifikované osoby pomocou originálnych náhradných dielov, inak by mohlo vzniknúť značné riziko pre používateľa.

BEZPEČNOSTNÉ VÝSTRAHY PRE KOMBINOVANÚ PÁSOVÚ/KOTÚČOVÚ BRÚSKU

- Nepoužívajte tento výrobok, kým nie je úplne zmontovaný a nainštalovaný podľa pokynov.
- Zabezpečte primerané všeobecné alebo lokalizované osvetlenie.
- Pred prácou skontrolujte, či je zariadenie umiestnené na rovnom povrchu s dostatočnou stabilitou. Pre vašu vlastnú bezpečnosť vždy primontujte stroj k pracovnému stolu pomocou maticových skrutiek.
- Udržujte okolie stroja v poriadku a bez zvyšných materiálov, ako sú piliny a odrezky.
- Uistite sa, že brúsny pás je nainštalovaný správnym smerom. Pozrite sa smerovú šípku na zadnej strane pásu.
- Vždy majte správne nastavený pás tak, aby nevybiehal z remenice.
- Nepoužívajte brúsny pás alebo podložky, ktoré sú poškodené, roztrhnuté alebo uvoľnené. Používajte iba správnu veľkosť brúsneho pásu a podložky.
- Pri použití brúsneho kotúča vždy zabrusujte na klesajúcej strane brúsneho kotúča. Brúsenie na hornej strane kotúča môže spôsobiť vylietavanie obrobku, majúce za následok poranenie.
- Nikdy nevykonávajte nákresy, montáž alebo nastavovacie práce, pokiaľ je výrobok v prevádzke.
- Vždy držte obrobok pevne pri brúsení.
- Na pridržanie obrobku podľa možnosti použite svorky alebo zverák.
- Dlhé obrobky vždy podporte, tak minimalizujete riziko prevrátenia stroja.
- Nikdy nebrúste naraz viac ako jeden obrobok. Nenakladajte na základňu nástroja viac ako jeden obrobok.
- Nebrúste obrobok, ktorý nie je podpretý. Nebrúste príliš malé kusy materiálu, ktoré sa nedejú bezpečne podprieť.
- Vyhýbajte sa zložitým operáciám a polohám rúk, kde by náhle pokľznutie mohlo spôsobiť, že by sa vaša ruka dostala na brúsny pás alebo kotúč.
- Vyhýbajte sa spätnému nárazu brúsením v smere šípok.
- Vždy dodržiavajte vzdialenosť 1,6 mm medzi pracovným stolom a strojom.
- Nikdy nestojte alebo nenechávajte žiadnu časť tela v jednej línii s dráhou obrobku.

- Prístroj nesmie byť nikdy pripojený do elektrickej siete pri montáži dielov, vykonávanie úprav alebo keď sa nepoužíva.
- Stroj nikdy nenechajte spustený bez dozoru. Neodchádzajte od nástroja, kým sa úplne nezastaví.
- Pri poškodení alebo inom narušení napájacieho kábla ho môže vymeniť len výrobca alebo autorizovaný servisný zástupca.
- Odporúčame používať zariadenie pre zvyškový prúd so zvyškovým prúdom maximálne 30mA.

ZVYŠKOVÁ RIZIKOVOSŤ

Aj keď sa nástroj používa podľa predpisu, nie je možné eliminovať určité zvyškové rizikové faktory. Pri použití vznikajú nasledujúce riziká a obsluhujúca osoba musí venovať zvláštnu pozornosť, aby nedošlo k nasledovnému:

- Nebezpečenstvo kontaktu s brúsnym pásom alebo kotúčom.
- Riziko popálenia pri kontakte s horúcim pásom alebo kotúčom alebo obrobkom.
- Poškodenie respiračného systému pri nepoužívaní účinnej protiprachovej masky.
- Poškodenie sluchu pri nepoužívaní účinnej ochrany sluchu.

OBOZNÁMTE SA S VAŠIM PRODUKTOM

Vid' strana 85.

1. Brúsna zarážka
2. Leštiaci pás
3. Gombík na regulovanie upnutia pásu
4. Páčka naplnenia pásu
5. Brúsna podložka
6. Hlavný spínač
7. Stupnica skosenia
8. Kanál na prach
9. Otočný gombík stola nastavenia šikmého uhla
10. Otočný nastavovací gombík uhla pokosu
11. Mierka pokosu
12. Vodidlo sklonu
13. Pracovný stôl

ÚDRŽBA

- Produkt žiadnym spôsobom neupravujte ani nepoužívajte príslušenstvo, ktoré neschválil výrobca. Môže dôjsť k narušeniu bezpečnosti vás i iných osôb.
- Produkt nepoužívajte, ak akékoľvek spínače, ochranné kryty či iné funkcie nefungujú podľa ich účelu. Odovzdajte zariadenie do autorizovaného servisného centra na profesionálnu opravu alebo úpravu.
- Nevykonávajte žiadne nastavenia, pokiaľ je výrobok spustený.
- Pred vykonaním úprav, mazaním alebo vykonaním akejkoľvek údržby na produkte vždy skontrolujte, či bola zástrčka odpojená z elektrickej zásuvky.



- Pred a po každom použití skontrolujte, či produkt nie je poškodený alebo nemá zlomené diely. Produkt udržiavajte v špičkovom prevádzkovom stave – okamžite vymeňte súčasti za náhradné diely schválené výrobcom.
- Nahromadený prah vyčistite pomocou kefky alebo vysávača. Nepoužívajte stlačený vzduch.
- Na zabezpečenie bezpečnosti a spoľahlivosti musí všetky opravy, vrátane výmeny kefiiek, vykonávať autorizované servisné centrum.
- Aby nedošlo k ohrozeniu bezpečnosti, v prípade poškodenia musí napájací kábel vymeniť výrobca alebo autorizované servisné centrum.

VAROVANIE

Na zaistenie bezpečnosti a spoľahlivosti musí všetky opravy vykonávať **AUTORIZOVANÉ SERVISNÉ STREDISKO** alebo **KVALIFIKOVANÁ SERVISNÁ ORGANIZÁCIA**.

PREPRAVA A SKLADOVANIE

- Pri uskladnení produktu odpojte napájací kábel. Odložte zariadenie na bezpečné miesto, na ktoré nemajú prístup deti.
- Pred uskladnením vyčistite produkt pomocou kefky alebo vysávača.

OCHRANA ŽIVOTNÉHO PROSTREDIA

Surové materiály recyklujte, nelikvidujte ich ako odpad. Stroj, príslušenstvo a obaly by sa mali triedene recyklovať spôsobom šetrným k životnému prostrediu.

ZNAČKY

Buďte ostražití



Zhoda CE



Pred zapnutím zariadenia si prosím prečítajte inštrukcie



Noste ochranu sluchu



Noste ochranu zraku



Značka „Nedotýkať sa“



Rozmer brúsneho pásu



Rozmery: Brúsna podložka



Rozmery: Pracovný stôl



Kryt nedemontujte.



Opotrebované elektrické zariadenia by ste nemali odhadzovať do domového odpadu. Prosíme o recykláciu ak je možné. Kontaktujte miestne úrady, alebo predajcu pre viac informácií ohľadom ekologického spracovania.

SYMBOLY V NÁVODE

Pripojte stroj.



Náradie odpojte zo zásuvky.



Diely alebo príslušenstvo predávané samostatne

Nasledujúce značky a významy vysvetľujú úroveň rizika spojeným s výrobkom.

NEBEZPEČENSTVO

Označuje bezprostredne nebezpečnú situáciu, ktorá, ak jej nepredídete, spôsobí usmrtenie alebo vážne poranenie.

VAROVANIE

Označuje potenciálne nebezpečnú situáciu, ktorá, ak jej nepredídete, môže spôsobiť usmrtenie alebo vážne poranenie.

UPOZORNENIE

Označuje potenciálne nebezpečnú situáciu, ktorá, ak jej nepredídete, môže spôsobiť menšie alebo stredne závažné poranenie.

UPOZORNENIE

(Bez výstražnej značky s výkričníkom) Označuje situáciu, ktorá môže zapríčiniť škody na majetku.



Κατά το σχεδιασμό του τριβείου ταινίας/δίσκου δόθηκε ιδιαίτερη προτεραιότητα στην ασφάλεια, την απόδοση και την αξιοπιστία του.

ΠΡΟΟΡΙΖΟΜΕΝΗ ΧΡΗΣΗ

Το παρόν τριβείο ταινίας/δίσκου προορίζεται για χρήση αποκλειστικά σε ξύλο και προϊόντα ξύλου. Η χρήση του μηχανήματος αυτό και ενός συστήματος συλλογής σκόνης με μεταλλικά προϊόντα ενέχει τον κίνδυνο φωτιάς.

Το μηχάνημα αυτό έχει σχεδιαστεί και προορίζεται για χρήση μόνο από ειδικά εκπαιδευμένο και έμπειρο προσωπικό. Εάν δεν είστε εξοικειωμένοι με την ορθή και ασφαλή χρήση του μηχανήματος, μην τον χρησιμοποιήσετε μέχρι να αποκτήσετε την κατάλληλη ενημέρωση και εκπαίδευση.

ΓΕΝΙΚΕΣ ΠΡΟΕΙΔΟΠΟΙΗΣΕΙΣ ΑΣΦΑΛΕΙΑΣ

▲ ΠΡΟΕΙΔΟΠΟΙΗΣΗ

Όταν χρησιμοποιείτε ηλεκτρικά εργαλεία, θα πρέπει να τηρούνται πάντα βασικές προφυλάξεις για μείωση του κινδύνου φωτιάς, ηλεκτροπληξίας και τραυματισμού. Διαβάστε όλες τις οδηγίες πριν χρησιμοποιήσετε το προϊόν και φυλάξτε τις.

- **Διατηρείτε καθαρό τον χώρο εργασίας.** Οι ακατάστατοι χώροι και πάγκοι εργασίας προκαλούν ατυχήματα.
- **Εξετάστε τον χώρο εργασίας.** Μην εκθέτετε τα εργαλεία σε βροχή. Μην χρησιμοποιείτε τα εργαλεία σε βρεγμένο χώρο ή σε συνθήκες υγρασίας. Να δουλεύετε σε καλά φωτισμένη περιοχή. Μην χρησιμοποιείτε τα εργαλεία όταν υπάρχουν εύφλεκτα υγρά ή αέρια.
- **Προστατευτικό από ηλεκτροπληξία.** Αποφύγετε την επαφή με γειωμένες επιφάνειες (π.χ. σωλήνες, καλοριφέρ, εστίες, ψυγεία).
- **Διατηρείτε μακριά τους παριστάμενους.** Μην αφήνετε άλλα άτομα και ιδιαίτερα παιδιά να εμπλέκονται στην εργασία, να αγγίζουν το εργαλείο ή την προέκταση και διατηρείτε τους παριστάμενους μακριά από τον χώρο εργασίας σας.
- **Φυλάσσετε τα εργαλεία που δεν χρησιμοποιείτε.** Όταν δεν χρησιμοποιούνται, τα εργαλεία πρέπει να φυλάσσονται σε στεγνό και κλειδωμένο χώρο, μακριά από παιδιά.
- **Μην πιέζετε υπερβολικά το εργαλείο.** Η δουλειά θα γίνει καλύτερα και ασφαλέστερα με τον ρυθμό για τον οποίο προορίζεται.
- **Χρησιμοποιείτε το σωστό εργαλείο.** Μην πιέζετε μικρά εργαλεία να κάνουν τη δουλειά εργαλείων βαριάς χρήσης. Μην χρησιμοποιείτε εργαλεία για μη επιθυμητούς σκοπούς, π.χ. μην χρησιμοποιείτε κυκλικούς κόπτες για να κόψετε κλαδιά δέντρων ή κούτσουρα.
- **Ντυθείτε κατάλληλα.** Μην φοράτε χαλαρά ρούχα ή κοσμήματα γιατί μπορεί να πιαστούν στα κινούμενα

εξαρτήματα. Προτείνονται αντιολισθητικά υποδήματα όταν εργάζεστε σε εξωτερικούς χώρους. Καλύπτετε τα μαλλιά σας αν είναι μακριά.

- **Χρησιμοποιείτε προστατευτικό εξοπλισμό.** Χρησιμοποιείτε γυαλιά ασφαλείας. Χρησιμοποιείτε μάσκα προσώπου ή κατά της σκόνης όταν οι εργασίες παράγουν σκόνη / πριονίδια.
- **Συνδέστε τον εξοπλισμό απομάκρυνσης σκόνης / πριονιδιού.** Αν το εργαλείο διαθέτει σύνδεση απομάκρυνσης σκόνης / πριονιδιού και εξοπλισμό συλλογής, βεβαιωθείτε ότι έχουν συνδεθεί και χρησιμοποιούνται σωστά.
- **Προσέχετε στη χρήση του καλωδίου.** Μην τραβάτε ποτέ το καλώδιο για να το αποσυνδέσετε από την πρίζα. Διατηρείτε το καλώδιο μακριά από θερμότητα, λάδι και αιχμηρές γωνίες.
- **Ασφαλής εργασία.** Όπου είναι δυνατό, χρησιμοποιήστε σφιγκτήρες ή μέγγνη για να συγκρατήσετε το τεμάχιο εργασίας. Είναι ασφαλέστερο από το να χρησιμοποιείτε το χέρι σας.
- **Μην τεντώνετε.** Διατηρείτε σταθερό πάτημα και ισορροπία συνεχώς.
- **Συντηρείτε προσεκτικά τα εργαλεία.** Διατηρείτε τα εργαλεία κοπής αιχμηρά και καθαρά για καλύτερη και ασφαλέστερη απόδοση. Ακολουθήστε τις οδηγίες για τη λίπανση και αλλαγή εξαρτημάτων. Ελέγχετε τακτικά τα καλώδια του εργαλείου και αν έχουν φθαρεί, επισκευάστε τα πηγαίνοντάς τα σε εξουσιοδοτημένη εγκατάσταση σέρβις. Ελέγχετε τακτικά τα καλώδια προέκτασης και προχωρήστε σε αντικαταστάσεις εάν έχουν φθαρεί. Διατηρείτε τις λαβές στεγνές, καθαρές και χωρίς λάδι και γράσο.
- **Αποσυνδέστε τα εργαλεία.** Όταν δεν χρησιμοποιούνται, πριν το σέρβις και κατά την αλλαγή εξαρτημάτων όπως λεπίδες, μικρά εξαρτήματα και κόπτες, αποσυνδέετε τα εργαλεία από το ρεύμα.
- **Αφαιρέστε κλειδιά προσαρμογής και άλλα κλειδιά.** Ελέγχετε πάντα ότι τα κλειδιά και τα κλειδιά προσαρμογής έχουν αφαιρεθεί από το εργαλείο πριν το ενεργοποιήσετε.
- **Αποφύγετε τις τυχαίες εκκινήσεις.** Βεβαιωθείτε ότι ο διακόπτης βρίσκεται στη θέση "off" όταν συνδέετε το εργαλείο.
- **Χρησιμοποιείτε προεκτάσεις καλωδίων για εξωτερικούς χώρους.** Όταν το εργαλείο χρησιμοποιείται σε εξωτερικό χώρο, χρησιμοποιείτε μόνο καλώδια προέκτασης κατάλληλα για εξωτερική χρήση και με την αντίστοιχη σήμανση.
- **Παραμείνετε σε εγρήγορση.** Προσέχετε τι κάνετε και χρησιμοποιείτε την κοινή λογική. Μην χρησιμοποιείτε το εργαλείο σας αν είστε υπό την επήρεια οινοπνεύματος ή ναρκωτικών ή αν παίρνετε φάρμακα.
- **Ελέγξτε για φάρμακα εξαρτήματα.** Πριν χρησιμοποιήσετε άλλο το εργαλείο, θα πρέπει να ελεγχθεί προσεκτικά για να βεβαιωθεί ότι λειτουργεί σωστά και εκτελεί την επιθυμητή λειτουργία. Ελέγξτε την ευθυγράμμιση των κινούμενων εξαρτημάτων,





τυχόν πιάσιμο αυτών, σπασίματα, στερέωση και άλλες καταστάσεις που μπορεί να επηρεάζουν τη λειτουργία του εργαλείου. Προστατευτικά ή άλλα εξαρτήματα που έχουν φθαρεί θα πρέπει να συντηρούνται κατάλληλα ή να αντικαθίστανται από εξουσιοδοτημένο κέντρο σέρβις, εκτός αν αναφέρεται άλλως στο παρόν εγχειρίδιο χρήσης. Επισκευάζετε τους ελαττωματικούς διακόπτες σε εξουσιοδοτημένο κέντρο σέρβις.

- **Μην χρησιμοποιείτε το εργαλείο αν δεν ενεργοποιείται και απενεργοποιείται.**
- **Προειδοποίηση.** Η χρήση οποιουδήποτε εξαρτήματος ή προσαρτήματος εκτός του προτεινόμενου σε αυτές τις οδηγίες, μπορεί να αποτελεί κίνδυνο τραυματισμού.
- **Επισκευάζετε το εργαλείο πηγαίνοντάς το σε ειδικευμένους τεχνικούς.** Το παρόν ηλεκτρικό εργαλείο συμμορφώνεται με τους σχετικούς κανόνες ασφαλείας. Οι επισκευές θα πρέπει να διενεργούνται μόνο από ειδικευμένα άτομα με χρήση αυθεντικών ανταλλακτικών, διαφορετικά μπορεί να προκύψει σημαντικός κίνδυνος για τον χρήστη.

ΠΡΟΕΙΔΟΠΟΙΗΣΕΙΣ ΑΣΦΑΛΕΙΑΣ ΓΙΑ ΤΟ ΤΡΙΒΕΙΟ ΤΑΙΝΙΑΣ/ΔΙΣΚΟΥ

- Μη λειτουργείτε το μηχάνημα μέχρι να συναρμολογηθεί και να εγκατασταθεί πλήρως και σύμφωνα με τις οδηγίες.
- Παρέχετε αρκετό γενικό ή τοπικό φωτισμό.
- Πριν εργαστείτε, ελέγξτε ότι το μηχάνημα έχει τοποθετηθεί σε λεία επιφάνεια με αρκετή σταθερότητα. Για τη δική σας ασφάλεια, στερεώνετε πάντα το μηχάνημα σε πάγκο εργασίας χρησιμοποιώντας μπουλόνια.
- Διατηρείτε την περιοχή γύρω από το μηχάνημα σε τάξη και χωρίς υλικά όπως ρινίσματα και κομμένα κομμάτια.
- Βεβαιωθείτε ότι η ταινία λείανσης έχει εγκατασταθεί στη σωστή κατεύθυνση. Δείτε το βέλος κατεύθυνσης στο πίσω μέρος της ταινίας.
- Πάντοτε να ρυθμίζετε σωστά τη διαδρομή έτσι ώστε η ταινία να μην φεύγει από τις τροχαλίες.
- Μην χρησιμοποιείτε ταινίες λείανσης ή μαξιλάρια που φέρουν φθορές, είναι παραμορφωμένα ή χαλαρωμένα. Χρησιμοποιείτε μόνο το σωστό μέγεθος ταινίας λείανσης και μαξιλαριού.
- Πάντοτε να τρίβετε με την κάτω μεριά του δίσκου λείανσης. Εάν δουλεύετε στην πάνω μεριά του δίσκου υπάρχει περίπτωση το τεμάχιο εργασίας να φύγει από τη θέση του και να προκαλέσει τραυματισμούς.
- Ποτέ μην πραγματοποιείτε εργασία διαμόρφωσης, συναρμολόγησης ή εγκατάστασης πάνω στο τραπέζι εργασίας ενώ λειτουργεί το μηχάνημα.
- Πάντοτε να κρατάτε καλά το τεμάχιο εργασίας κατά το τρίψιμο.
- Χρησιμοποιήστε σφιγκτήρες ή μέγγενη για να κρατάτε το τεμάχιο όπου είναι πρακτικό.

- Για να ελαχιστοποιήσετε τον κίνδυνο πτώσης του μηχανήματος, στηρίζετε πάντα τα μεγαλύτερα τεμάχια εργασίας.
- Μην τρίβετε περισσότερα από ένα τεμάχια τη φορά. Μην στοιβάζετε περισσότερα από ένα τεμάχια εργασίας στη βάση του μηχανήματος κάθε φορά.
- Μην τρίβετε χωρίς να υπάρχει στήριξη του τεμαχίου εργασίας. Μην τρίβετε τεμάχια που είναι πολύ μικρά για να στηριχτούν.
- Αποφύγετε τις εργασίες και τις θέσεις χεριών όπου ένα ξαφνικό γλίστρημα μπορεί να σπρώξει το χέρι σας μέσα στην ταινία ή τον δίσκο λείανσης.
- Αποφύγετε την ανάδραση τρίβοντας κατά τη φορά των βελών κατεύθυνσης.
- Διατηρείτε πάντα ένα διάκενο 1,6 χιλ. μεταξύ του τραπέζιου εργασίας και του μηχανήματος.
- Ποτέ μην στέκεστε ή αφήνετε κάποιο μέλος του σώματός σας στην ευθεία του τεμαχίου εργασίας.
- Το μηχάνημα δεν θα πρέπει ποτέ να συνδέεται στην παροχή ηλεκτρικού ρεύματος ενόσω εκτελούνται συναρμολόγηση εξαρτημάτων, ρυθμίσεις, ή όταν δεν είναι σε χρήση.
- Μην αφήνετε ποτέ το εργαλείο να λειτουργεί χωρίς την επίβλεψή σας. Μην αφήνετε το εργαλείο μέχρι να σταματήσει τελείως.
- Αν το καλώδιο ρεύματος φθαρεί ή είναι άλλως ελαττωματικό, θα πρέπει να αντικατασταθεί από τον κατασκευαστή ή από εξουσιοδοτημένο σέρβις.
- Προτείνουμε τη χρήση διάταξης προστασίας ρεύματος διαρροής με βαθμονόμηση ρεύματος διαρροής 30mA ή λιγότερο.

ΆΛΛΟΙ ΚΙΝΔΥΝΟΙ

Ακόμη και όταν το προϊόν χρησιμοποιείται σύμφωνα με τις οδηγίες, δεν είναι δυνατή η απόλυτη απαλειφή συγκεκριμένων παραγόντων κινδύνου. Κατά τη χρήση μπορεί να προκύψουν οι ακόλουθοι κίνδυνοι και ο χειριστής πρέπει να δίδει ιδιαίτερη προσοχή προς αποφυγή των εξής:

- Η επαφή με την ταινία ή τον δίσκο του τριβείου ενέχει κινδύνους.
- Κίνδυνος εγκαύματος σε περίπτωση επαφής με την ταινία, το δίσκο ή το τεμάχιο εργασίας λόγω πολύ υψηλής θερμοκρασίας.
- Βλάβες στο αναπνευστικό σύστημα όταν δεν χρησιμοποιούνται αποτελεσματικά μάρσκες προστασίας από τα πριονίδια.
- Βλάβες στην ακοή αν δεν χρησιμοποιούνται αποτελεσματικά προστατευτικά ακοής.

ΓΝΩΡΙΣΤΕ ΤΟ ΠΡΟΪΟΝ ΣΑΣ

Βλέπε σελίδα 85.

1. Διακόπτης τριβείου
2. Ταινία λείανσης
3. Κουμπί διαδρομής



4. Μοχλός έντασης ταινίας
5. Πέλιμα
6. Διακόπτης ενεργοποίησης/απενεργοποίησης (on/off)
7. Κλίμακα κλίσης
8. Στόμιο αναρρόφησης
9. Μοχλός ρύθμισης λοξοτομής τραπέζιού
10. Μοχλός ρύθμισης γωνίας κοπής
11. Κλίμακα γωνίας κοπής
12. Οδηγός λοξότομησης
13. Τραπέζι εργασίας

ΣΥΝΤΗΡΗΣΗ

- Μην τροποποιήσετε το προϊόν με οποιονδήποτε τρόπο ή χρησιμοποιήσετε αξεσουάρ που δεν είναι εγκεκριμένα από τον κατασκευαστή. Η ασφάλεια σας και η ασφάλεια των άλλων μπορεί να υποβαθμιστεί.
- Μην χρησιμοποιείτε το προϊόν εάν υπάρχουν διακόπτες, προφυλακτήρες ή άλλες λειτουργίες που δεν λειτουργούν όπως θα έπρεπε. Επιστρέψτε το σε ένα εξουσιοδοτημένο κέντρο επισκευών για επαγγελματική επισκευή ή ρύθμιση.
- Μην κάνετε ρυθμίσεις όταν το μηχάνημα είναι σε λειτουργία.
- Να βεβαιώνετε πάντα ότι το φινιρίσμα έχει βγει από τη πρίζα πριν από κάθε προσαρμογή, λίπανση ή όταν κάνετε οποιαδήποτε συντήρηση του προϊόντος.
- Πριν και μετά από κάθε χρήση, ελέγξτε το προϊόν για ζημιές ή χαλασμένα μέρη. Διατηρήστε το προϊόν σε άριστη κατάσταση λειτουργίας με την άμεση αντικατάσταση εξαρτημάτων με ανταλλακτικά εγκεκριμένα από τον κατασκευαστή.
- Καθαρίστε τη συσσωρευμένη σκόνη με μια βούρτσα ή ηλεκτρική σκούπα. Μην χρησιμοποιείτε συμπιεσμένο αέρα.
- Για να εξασφαλιστεί η ασφάλεια και η αξιοπιστία, όλες οι επισκευές, συμπεριλαμβανομένης της αλλαγής βουρτσών, θα πρέπει να γίνονται από εξουσιοδοτημένο κέντρο επισκευών.
- Αν το καλώδιο παροχής ρεύματος υποστεί φθορές, θα πρέπει να αντικατασταθεί από τον κατασκευαστή ή από εξουσιοδοτημένο κέντρο σέρβις για την αποφυγή κινδύνων ασφαλείας.

⚠ ΠΡΟΕΙΔΟΠΟΙΗΣΗ

Για μεγαλύτερη ασφάλεια και αξιοπιστία, όλες οι επιδιορθώσεις πρέπει να πραγματοποιούνται από εγκεκριμένο Κέντρο Τεχνικής Εξυπηρέτησης Ryobi.

ΜΕΤΑΦΟΡΑ ΚΑΙ ΑΠΟΘΗΚΕΥΣΗ

- Κατά την αποθήκευση του προϊόντος, αποσυνδέστε το καλώδιο τροφοδοσίας. Αποθηκεύστε το προϊόν σε ένα ασφαλές μέρος που δεν είναι προσβάσιμο στα παιδιά.

- Καθαρίστε το προϊόν με μια βούρτσα και ηλεκτρική σκούπα πριν από την αποθήκευση.

ΠΡΟΣΤΑΣΙΑ ΤΟΥ ΠΕΡΙΒΑΛΛΟΝΤΟΣ



Ανακυκλώνετε τις πρώτες ύλες αντί να τις πετάτε ως απορρίμματα. Για την προστασία του περιβάλλοντος, πρέπει να γίνεται η διαλογή του εργαλείου, των εξαρτημάτων και των συσκευασιών του.

ΠΣΥΜΒΟΛΟ



Προειδοποίηση ασφαλείας



Συμμόρφωση CE



Παρακαλούμε διαβάστε τις οδηγίες προσεκτικά πριν ξεκινήσετε το μηχάνημα.



Φοράτε προστατευτικά αυτιών



Φοράτε προστατευτικά ματιών



Σύμβολο μη παρεμβολής χειρών



Μέγεθος ιμάντα λειανσης



Μέγεθος: Πέλιμα



Μέγεθος: Τραπέζι εργασίας



Μην αφαιρείτε το κάλυμμα.





Τα ηλεκτρικά προϊόντα προς απόρριψη δεν θα πρέπει να απορρίπτονται μαζί με τα οικιακά απόβλητα. Παρακαλούμε ανακυκλώστε όπου υπάρχουν οι αντίστοιχες εγκαταστάσεις. Μιλήστε με τις τοπικές αρχές ή τον πωλητή για να σας ενημερώσουν σχετικά με τα προγράμματα ανακύκλωσης.

ΣΥΜΒΟΛΑ ΣΤΟ ΕΓΧΕΙΡΙΔΙΟ



Συνδέστε τη συσκευή στο ρεύμα.



Αποσυνδέστε από το ρεύμα το εργαλείο.



Ανταλλακτικά και εξαρτήματα πωλούνται χωριστά

Οι ακόλουθες προειδοποιητικές λέξεις και έννοιες προορίζονται να εξηγήσουν τα επίπεδα κινδύνου που συνδέονται με αυτό το προϊόν:

ΚΙΝΔΥΝΟΣ

Υποδεικνύει μια επικείμενη επικίνδυνη κατάσταση, η οποία, αν δεν αποφευχθεί, θα οδηγήσει σε θάνατο ή σοβαρό τραυματισμό.

ΠΡΟΕΙΔΟΠΟΙΗΣΗ

Υποδεικνύει μια δυνητικά επικίνδυνη κατάσταση, η οποία, αν δεν αποφευχθεί, θα οδηγήσει σε θάνατο ή σοβαρό τραυματισμό.

ΠΡΟΣΟΧΗ

Υποδεικνύει μια δυνητικά επικίνδυνη κατάσταση, η οποία, αν δεν αποφευχθεί, ενδέχεται να οδηγήσει σε ελαφρύ ή μέτριο τραυματισμό.

ΠΡΟΣΟΧΗ

(Χωρίς προειδοποιητικό σύμβολο) Επισημαίνει μια κατάσταση που ενδέχεται να προκαλέσει υλικές ζημιές.



Kayışlı/diskli zımparanızın tasarımında güvenlik, performans ve güvenilirliğe en yüksek öncelik verilmiştir.

KULLANIM AMACI

Bu kayışlı/diskli zımpara sadece tahta ve ahşap ürünlerle kullanılmak üzere geliştirilmiştir. Bu ürünün ve bir toz toplayıcının metal ürünlerle kullanılması yangın tehlikesi doğurabilir.

Bu ürün sadece uygun eğitim almış tecrübeli kişilerce kullanılmak üzere tasarlanıp geliştirilmiştir. Ürünün uygun ve güvenli kullanımına aşına değilseniz, gerekli eğitim ve bilgi sahibi olana kadar kullanmayın.

GENEL EMNİYET UYARILARI

⚠ UYARI

Elektrikli aletleri kullanırken, yangın, elektrik çarpması, yanma ve diğer yaralanma risklerini azaltmak için bazı temel güvenlik tedbirleri dikkate alınmalıdır. Ürünü çalıştırmayı denemeden önce tüm talimatları okuyun ve saklayın.

- **Çalışma alanını temiz tutun.** Karmaşık alanlar ve tezgahlar, yaralanmalara davetiye çıkarır.
- **Çalışma ortamını inceleyin.** Aletleri yağmura maruz bırakmayın. Aletleri ıslak ya da nemli ortamlarda kullanmayın. Çalışma alanını iyi ışıklandırın. Aleti, yanıcı sıvıların veya gazların bulunduğu ortamda kullanmayın.
- **Elektrik çarpmasına karşı koruma sağlayın.** Şaşılmanızı veya topraklanmış yüzeylere temas etmekten kaçının (borular, radyatörler, ocaklar, buzdolapları vs.).
- **Başka insanları yaklaştırmayın.** İnsanların, özellikle de çocukların işe müdahil olmasına, alete veya uzatma kablosuna dokunmasına asla müsaade etmeyin; çalışma alanından uzak tutun.
- **Boşta duran aletler.** Kullanılmadıkları zamanlarda, aletleri kuru, kilitli ve çocukların ulaşamayacağı bir yerde saklayın.
- **Alete güç uygulamayın.** İşin, amacına uygun seviyede kaliteli ve emniyetli yapılmasını sağlayacaktır.
- **Doğru cihaz kullanın.** Küçük aletleri, ağır iş aletleriyle yapılması gereken zorlu işlerde kullanmayın. Aletleri kullanım amaçlarının dışında kullanmayın; örneğin, yuvarlak testereleleri ağaç dallarını veya kütükleri kesmede kullanmayın.
- **Uygun giysiler giyin.** Bol kıyafet giymeyin, ziynet eşyası takmayın; hareketli parçalara kapılabilir. Açık mekanlarda çalışırken kaymaz ayakkabı giymeniz tavsiye edilir. Saçınızı tamamen kapatacak koruyucu saç bonesi takın.
- **Koruyucu ekipman kullanın.** Emniyet gözlükleri takın. Çalışma ortamında toz çıkıyorsa, yüz veya toz maskesi takın.
- **Toz çekme ekipmanını bağlayın.** Toz atma ya da toplama ekipmanı bağlantısı da aletle kullanılıyorsa, bunların doğru bağlandığından ve kullanıldığından emin olun.
- **Elektrik kablosunu kötü kullanmayın.** Kabloyu soketten çıkarmak için asla sertçe çekmeyin. Kabloyu ısıdan, yağdan ve keskin nesnelere uzak tutun.
- **İşi emniyete alın.** Mümkünse, çalışmaya ara verdiğinizde kelepçe veya mengeneye sabitleme yapın. Ellerinizi kullanmaktan daha güvenlidir.
- **Aşırı derecede uzanmayın.** Her zaman güvenli ve dengede durun.
- **Aletlere özenle bakım yapın.** Daha iyi performans ve daha yüksek güvenlik için, kesme aletlerini keskin ve temiz tutun. Aksesuar yağlama ve aksesuar değiştirme için, mutlaka talimatlara uyun. Alet kablolarını periyodik olarak kontrol edin, hasarlı olanların yetkili serviste onarılmasını sağlayın. Uzatma kablosunu düzenli aralıklarla kontrol edin ve hasar görmüşse değiştirin. Kolların kuru, temiz ve yağdan/gresten arınmış olmasına özen gösterin.
- **Aletlerin fişini çekin.** Kullanılmadıkları zamanlarda, bıçaklar, matkap uçları ve kesiciler gibi aletlere bakım yapmadan veya değiştirmeden önce, mutlaka aletlerin fişini çekin.
- **Ayarlama anahtarlarını ve somun anahtarlarını çıkarın.** Aleti çalıştırmadan önce anahtarların ve ayar anahtarlarının aletten çıkarıldığını kontrol etmeyi alışkanlık haline getirin.
- **İstemsiz çalıştırmalardan kaçının.** Aletin fişini takarken, düğmenin "off (kapalı)" konumunda olduğundan emin olun.
- **Açık mekan için uygun uzatma uçları kullanın.** Alet dış mekanda kullanılıyorsa, sadece dış mekan için üretilmiş ve bu özelliği üzerinde belirtilmiş uzatma kablolarını kullanın.
- **Her zaman tetikte olun.** Ne yaptığınıza dikkat edin ve sağduyunuzu kullanın. Alkol veya uyuşturucu yada ilaç aldığınızda elektrikli aletinizi kullanmayınız.
- **Hasarlı parçalara karşı kontrol edin.** Aleti kullanmaya devam etmeden önce, doğru ve amacına uygun bir şekilde kullanılıp kullanılmayacağını dikkatlice kontrol edin. Hareketli parçaların hizalanmasını, yüzeye yapışıp yapışmadığını, parçalarda kırılma olup olmadığını, montaj konumunu ve aletin çalışmasını etkileyebilecek diğer koşulların bulunup bulunmadığını kontrol edin. Hasar gören bir koruma ya da başka bir parça, aksi bu kullanım kılavuzunda belirtilmedikçe yetkili servis merkezi tarafından onarılmalı ya da değiştirilmelidir. Arızalı anahtarlar yetkili servis tarafından değiştirilmelidir.
- **Alt düğmeyle açılıp kapatılmıyorsa, aleti kullanmayın.**
- **Uyari.** Bu kullanım kılavuzunda tavsiye edilenler dışında aksesuar veya ataşman kullanılması, kişisel yaralanma riskine neden olur.
- **Alet mutlaka yetkili teknisyen tarafından**



onarılmalıdır. Bu elektrikli alet, yürürlükteki emniyet normlarına uygundur. Onarım işleri, sadece orijinal parçaları kullanan kalifiye teknisyenler tarafından yapılmalıdır; aksi takdirde kullanıcı ciddi biçimde zarar görebilir.

KAYIŞLI / DİSKLİ ZİMPARA GÜVENLİK UYARILARI

- Bütünüyle monte edilip talimatlara göre kurulmadıkça ürünü çalıştırmayın.
- Yeterli genel ve lokal aydınlatma altında çalışın.
- Çalışmaya başlamadan önce, makinenin yeterince stabil ve düz bir yüzeye konmuş olduğundan emin olun. Güvenliğiniz için, makineyi mutlaka civatalar yardımıyla çalışma tezgahına sabitleyin.
- Makinenin çevresini her zaman temiz tutun ve talaş, kesim artıkları vs. gibi yabancı maddelerden arındırın.
- Zımparalama kayışının doğru yönde takılı olmasına dikkat edin. Kayışın arka yüzündeki yön okuna bakın.
- Kayışın makaralardan kurtulmaması için çekişin her zaman uygun ayarlanmasına dikkat edin.
- Hasarlı, yırtık ya da gevşek zımpara kayışları ya da bezleri kullanmayın. Sadece doğru boyutta zımpara kayış ve bezleri kullanın.
- Diskli zımpara kullanırken her zaman zımpara diskinin aşağı yanını kullanın. Diskin yukarı yanıyla zımpara yapmak iş parçasının kurtulup uçmasına ve yaralanmaya neden olabilir.
- Ürün çalışırken tezgah üzerinde asla yerleştirme, montaj ya da ayar işlemi yapmayın.
- Zımparalama sırasında iş parçasını her zaman sıkıca tutun.
- Mümkünse, malzemeyi sabit tutmak için çeneler veya mengene kullanın.
- Makinenin devrilmesini engellemek için uzun malzemeleri her zaman destekleyerek kesin.
- Asla aynı zamanda birden fazla iş parçası zımparalamayın. Makineye aynı anda birden fazla malzeme yerleştirmeyin.
- İş parçasını desteklemeden zımparalamayın. Güvenle desteklenemeyecek kadar küçük malzeme parçalarını zımparalamayın.
- Ani bir kaymanın elinizin zımpara kayışı ya da diskin girmesiyle sonuçlanacak biçimsiz çalışmalardan ya da el konularından kaçının.
- Yön oklarına uygun zımparalama işlemi yaparak geri tepmeden kaçının.
- Tezgahla makine arasında her zaman 1,6 mm mesafe koruyun.
- İş parçasının güzergahı üzerinde zımparalamayın, vücudunuzu güzergah dışında tutun.
- Parçaları toplandığı, ayar yapıldığı ya da kullanılmadığı sırada makine asla güç kaynağına bağlanmamalıdır.
- Aleti asla çalışır durumdayken gözetimsiz bırakmayın. Tamamen durmadan aleti yere bırakmayın.

- Güç kaynağı kablosu hasarlıysa, sadece üretici veya yetkili onarım servisi tarafından değiştirilmelidir.
- 30mA veya daha az tetikleyici akıma sahip bir artık akım cihazı kullanmanızı öneririz.

ARDIL RİSKLER

Ürün belirtildiği şekilde kullanıldığı zaman bile belirli artık risk faktörlerinin tamamen ortadan kaldırılması mümkün değildir. Kullanım sırasında aşağıdaki tehlikeler ortaya çıkabilir ve operatör bunlardan kaçınmak için özellikle dikkat etmelidir:

- Zımpara kayışı veya diskiyle temas tehlikesi.
- Sıcak kayış, disk veya iş parçasıyla temas sonucu yanık tehlikesi.
- Etkili bir toz maskesi kullanılmazsa solunum sistemi zarar görebilir.
- Uygun tipte kulak koruyucusu kullanılmadığında işitme duyusunun zarar görmesi.

ÜRÜNÜZÜ TANIYIN

Sayfa 85'ye bakın.

1. Zımpara stoperi
2. Zımpara şeridi
3. Dönüş kontrol düğmesi
4. Kayış gergi kolu
5. Paten
6. Açma/kapama anahtarı
7. Eğim cetveli
8. Emme borusu
9. Tabla eğim açısı ayar düğmesi
10. Gönye açısı ayar düğmesi
11. Gönye skalası
12. Gönye kılavuzu
13. İş tablası

BAKIM

- Ürünü herhangi bir şekilde değiştirmeyin veya üretici tarafından onaylanmamış aksesuarlar kullanmayın. Sizin ve diğer kişilerin güvenliği tehlikeye girebilir.
- Herhangi bir şalter, koruma veya başka bir fonksiyon amaçlandığı şekilde çalışmıyorsa ürünü kullanmayın. Profesyonel onarım veya ayar işlemi için yetkili bir servis merkezine gönderin.
- Ürün çalışırken herhangi bir ayar yapmayın.
- Ayar ve yağlama çalışmalarından önce veya ürün üzerinde herhangi bir bakım çalışması yaparken her zaman elektrik fişinin şebeke güç kaynağından ayrıldığından emin olun.
- Her kullanımdan önce ve sonra ürünü hasara veya kırık parçalara karşı kontrol edin. Hasarlı parçaları hemen üretici tarafından onaylanan yedek parçalarla değiştirerek ürünü en iyi çalışma durumunda tutun.
- Bir fırça veya elektrikli süpürge kullanarak biriken tozu temizleyin. Basınçlı hava kullanmayın.



- Güvenli ve güvenilir olmasını sağlamak için fırçaların değiştirilmesi de dahil tüm onarım çalışmaları yetkili bir servis merkezi tarafından gerçekleştirilmelidir.
- Güç kaynağı kablosu hasarlıysa, güvenlik riskini önlemek için yalnızca üretici veya yetkili bir servis merkezi tarafından değiştirilmelidir.

⚠ UYARI

Daha fazla güvenlik için, tüm onarımlar Ryobi Yetkili Servis Merkezinde gerçekleştirilmelidir.

TAŞIMA VE SAKLAMA

- Ürünü depolarken güç kablosunu ayırın. Ürünü çocukların erişemeyeceği güvenli bir yerde saklayın.
- Depolamadan önce ürünü bir fırça ve elektrikli süpürge kullanarak temizleyin.

ÇEVRENİN KORUNMASI

Ham maddeleri çöp olarak atmak yerine geri dönüştürün. Çevreyi korumak için, alet, aksesuarlar ve ambalajlar tasnif edilmelidir.

SEMBOL

Güvenlik ikazı



CE uygunluğu



Makineyi çalıştırmadan talimatları dikkatlice okuyun.



Koruyucu kulaklık kullanın



Koruyucu gözlük kullanın



El değiştirilmez simgesi



Zımparalama şeridi büyüklüğü



Boyut: Paten



Boyut: İş tablası



Kapağı çıkarmayın.



Atık elektrikli ürünler evsel atıklarla birlikte atılmamalıdır. Tesis bulunuyorsa lütfen geri dönüşüme verin. Geri dönüşümle ilgili tavsiye için Yerel Makamlarla veya bayi ile irtibat kurun.

KİTAPÇIKTAKİ SEMBOLLER

Makineyi prize takın.



Aletin fişini prizden çekin.



Parçalar ya da aksesuarlar ayrı olarak satılır.

Aşağıdaki işaret sözcükleri ve anlamları, bu ürünle ilişkili risk seviyelerini açıklamaya yöneliktir:

⚠ TEHLİKE

Önlenmemesi durumunda ölüm veya ciddi yaralanma ile sonuçlanacak, tehdit edici tehlikeli bir durumu gösterir.

⚠ UYARI

Önlenmemesi durumunda ölüm veya ciddi yaralanma ile sonuçlanabilecek potansiyel olarak tehlikeli bir durumu gösterir.

⚠ DİKKAT

Önlenmemesi durumunda önemsiz veya orta derece yaralanma ile sonuçlanabilecek potansiyel olarak tehlikeli bir durumu gösterir.

DİKKAT

(Güvenlik uyarı simgesiz) maddi hasarla sonuçlanabilecek bir durum belirtir.



Головними міркуваннями при розробці цього ремінного/дискового шліфувального верстату були безпека, ефективність та надійність.

ПРИЗНАЧЕННЯ

Цей ремінний/дисковий шліфувальний верстат призначений для роботи тільки з деревиною і з виробами з деревини. Використання цього пристрою та пилосбірника для виробів з металу створює потенційну небезпеку загоряння.

Цей пристрій розроблений і призначений для використання тільки належним чином навченим і досвідченим персоналом. Якщо ви не знайомі з належним і безпечним експлуатуванням даного пристрою, не слід використовувати його до тих пір, поки не буде отримана належна підготовка та знання.

ЗАГАЛЬНІ ПРАВИЛА БЕЗПЕКИ

▲ ПОПЕРЕДЖЕННЯ

При використанні електричних інструментів слід завжди дотримуватися загальних правил техніки безпеки, щоб знизити ризик виникнення пожежі, ураження електричним струмом та отримання травм. Прочитайте ці інструкції перед початком роботи з цим продуктом і збережіть ці інструкції.

- **Тримайте робочу зону чистою.** Засмітченні області та верстати створюють травми.
- **Враховуйте робоче навколишнє середовище.** Бережіть інструмент від дощу. Не використовуйте інструменти в сирих або вологих місцях. Робоче місце повинно бути добре освітлено. Не використовуйте інструменти у присутності легкозаймистих рідин або газів.
- **Захист від ураження електричним струмом.** Уникайте контакту тіла з заземленими поверхнями, такими як труби, радіатори, плити та холодильники.
- **Тримайте інших осіб подалі.** Не дозволяйте особам, особливо дітям, бути залученими в роботу, торкатися інструменту або подовжувача, і тримайте їх подалі від робочої зони.
- **Зберігайте невикористовувані інструменти.** Якщо не у використанні, інструменти повинні зберігатися в сухому закритому місці, поза досяжністю дітей.
- **Не перевантажувати інструмент.** Він буде виконувати роботу краще і безпечніше при швидкості, для якої він призначений.
- **Використовуйте правильний інструмент.** Не примушуйте невеликі інструменти, щоб зробити роботу інструменту важкого режиму. Не використовуйте інструменти для не призначених цілей, наприклад, не використовуйте циркулярну пилку для різання гілок або коріння дерев.
- **Одягайтеся правильно.** Не носіть вільний одяг або прикраси, вони можуть потрапити в рухомі частини. Неслизьке взуття рекомендується при роботі на відкритому повітрі. Носіть захисний волоссяний покрив, щоб вкрити довге волосся.
- **Використовуйте захисне обладнання.** Використовуйте захисні окуляри. Використовуйте маску або респіратор, якщо робочі операції створюють пил.
- **Підключіть витяжку для пилу.** Якщо передбачено підключення до інструменту обладнання для збору та видалення пилу, переконайтеся, що воно під'єднане і використовується правильно.
- **Не зловжуйте шнур.** Ніколи не смікайте за шнур, щоб від'єднати його від розетки. Тримайте шнур подалі від джерел тепла, мастила і гострих кромок.
- **Безпечна робота.** Де це можливо, використовуйте затискачі або лещата для проведення робіт. Це безпечніше, ніж використовувати руки.
- **Не тягніться.** Зберігайте правильну стійку і баланс весь час.
- **Обережно ставтесь до інструментів.** Тримайте ріжучий інструмент гострим і чистим для кращої та безпечної роботи. Дотримуйтесь інструкцій по змащенню й заміні аксесуарів. Періодично перевіряйте шнури інструменту, і, якщо вони пошкоджені, відремонтуйте їх в авторизованому сервісному центрі. Періодично оглядайте подовжувачі і замініть, якщо вони пошкоджені. Тримайте ручки сухими, чистими і вільними від масла і мастила.
- **Вимикайте електроінструмент.** Якщо не використовується, перед техобслуговуванням і при зміні приладдя, такого, як леза, свердла і різакі, від'єднайте інструменти від джерела живлення.
- **Видалити регульовальні й гайкові ключі.** Сформуєте звичку перевіряти, що регульовальні ключі і гайкові ключі прибрані з інструменту перед його включенням.
- **Уникайте ненавмисного запуску.** Переконайтеся, що вимикач знаходиться в положенні «вимкнено» при підключенні.
- **Використовуйте подовжуючі дроти для відкритого повітря.** Коли інструмент використовується на вулиці, використовуйте тільки шнури, призначені подовжувачі для використання на відкритому повітрі і так помічені.
- **Будьте пильні.** Працюйте дуже уважно і керуйтеся здоровим глуздом. Не використовуйте електроінструмент, якщо Ви втомилися або перебуваєте під впливом наркотиків, алкоголю або ліків.
- **Перевіряйте ушкоджені частини.** Перед подальшим використанням інструменту, він повинен бути ретельно перевірений, щоб визначити, що він буде правильно працювати і виконувати свої функції. Перевірте вирівнювання рухомих частин, з'єднання



рухомих частин, поломки частин, монтаж та будь-які інші умови, які можуть вплинути на його роботу. Запобіжник або інша частина, яка пошкоджена, повинні бути правильно відремонтовані або замінені в авторизованому сервісному центрі, якщо інше не зазначено в цьому посібнику. Несправні вимикачі повинні замінюватися в авторизованому сервісному центрі.

- **Не використовуйте електроінструмент, якщо перемикач не вклучає та вимикає його.**
- **Попередження.** Використання будь-якого приладдя або пристосувань, крім рекомендованих у цьому посібнику, може становити небезпеку отримання травм.
- **Ремонтуйте інструмент за допомогою кваліфікованого фахівця.** Цей електричний інструмент відповідає відповідним правилам безпеки. Ремонт повинен проводитися тільки кваліфікованими фахівцями з використанням оригінальних запасних частин, в іншому випадку це може призвести до серйозної небезпеки для користувача.

ПОПЕРЕДЖЕННЯ З ТЕХНІКИ БЕЗПЕКИ ПРИ РОБОТІ З РЕМІННИМ/ДИСКОВИМ ШЛІФВАЛЬНИМ ВЕРСТАТОМ.

- Не використовуйте пристрій, поки він не буде повністю змонтований і встановлений відповідно до інструкцій.
- Забезпечте адекватне загальне або місцеве освітлення.
- Перед роботою переконайтеся, що машина знаходиться на рівній поверхні з достатньою стабільністю. Для вашої власної безпеки, завжди встановлюйте машину на станок за допомогою болтів.
- Тримайте оточення машини в хорошому стані і вільним від сипучих матеріалів, таких як стружка і обрізки.
- Переконайтеся, що шліфувальні ремені встановлені у правильному напрямку. Див. стрілку напрямку на задній стороні ременя.
- Завжди слід регулювати рух таким чином, щоб ремінь не спадав зі шківів.
- Не використовуйте шліфувальних ременів або прокладок, які пошкоджені, порвані і незакріплені. Використовуйте шліфувальні ремені і накладки тільки належного розміру.
- Під час роботи з дисковим шліфувальним верстатом завжди шліфуйте низхідною стороною шліфувального диска. Шліфування стороною диска, що рухається вгору може привести до того, що заготовка вилетить зі свого положення, в результаті чого можна отримати травму.
- Ніколи не викладайте, не складайте або не монтуєте нічого на столі в той час, коли пристрій працює.

- При шліфуванні завжди надійно тримайте заготовку.
- Під час проведення роботи використовуйте затискачі або лещата для фіксування роботи.
- Щоб звести до мінімуму ризик перекидання машини, слід завжди підтримувати довгі заготовки.
- Ніколи не шліфуйте більш ніж одну заготовку. Не ставте більше, ніж одну заготовку на підставку машини в той же час.
- Не шліфуйте не закріплену заготовку. Не шліфуйте занадто малі деталі, які не можна надійно закріпити.
- Уникайте незручних операцій і положень рук, коли раптове ковзання може призвести до того, що ваша рука може потрапити на шліфувальний ремінь або диск.
- Уникайте віддачі під час шліфування відповідно до стрілок напрямку.
- Завжди дотримуйте зазор в 1,6 мм між робочим столом і верстатом.
- Ніколи не стійте так щоб будь-яка частина вашого тіла була на шляху заготовки.
- Верстат ніколи не повинен бути підключений до джерела живлення під час збірки деталей, регулювання або коли він не використовується.
- Ніколи не залишайте працюючий пристрій без нагляду. Не залишайте інструмент, доки він не зупиниться повністю.
- Якщо шнур живлення ушкоджений чи по-іншому несправний, він повинен бути замінений тільки виробником або уповноваженим агентом по ремонту.
- Ми рекомендуємо використовувати пристрій залишкового струму разом із залишковим номінальним струмом 30 мА або менше.

ЗАЛИШКОВІ РИЗИКИ

Навіть коли продукт використовується як написано, залишається неможливим повністю усунути деякі залишкові чинники ризику. Наступні небезпеки можуть виникнути і оператор повинен звернути особливу увагу, щоб уникнути наступного:

- Небезпека контакту з шліфувальним ременем або диском.
- Небезпека опіку від контакту з гарячим ременем або диском або заготовкою.
- Пошкодження дихальної системи виникнуть, якщо не носити ефективну маску від пилу.
- пошкодження слуху, якщо ефективний захист слуху не одягнаний.

ЗНАЙТЕ СВІЙ ПРОДУКТ.

Див. стор. 85.

1. Шліфувальний стопор
2. Шліфувальна стрічка



3. Кнопка регулювання руху
4. Важіль натягування ременя
5. Шліфувальна насадка
6. Перемикач включення/вимикання
7. Кутомір
8. Отвір для пилу
9. Кнопка регулювання кута та нахилу столу
10. Кнопка регулювання кута нахилу
11. Шкала нахилу
12. Напрямна планка
13. Робочий стіл

ОБСЛУГОВУВАННЯ

- Не змінюйте пристрій будь-яким способом або не використовуйте приладдя, не схвалені виробником. Ваша та інших безпека може бути порушена.
- Не використовуйте продукт, якщо які-небудь перемикачі, кожухи або інші функції не працюють належним чином. Поверніться в авторизований сервісний центр для професійного ремонту або налаштування.
- Не робіть жодних налаштувань під час роботи пристрою.
- Завжди переконайтесь, що шнур живлення був видалений з мережі джерела живлення перед проведенням регулювань, змащуванням або при виконанні технічного обслуговування на продукті.
- До і після кожного використання, перевірте продукт на предмет пошкоджень або зламаних деталей. Тримайте продукт в доброму робочому стані, негайно замініть деталі запчастинами, що затверджені виробником.
- Очистіть накопичившийся пил за допомогою щітки або пилососа. Не використовуйте стиснене повітря.
- Для забезпечення безпеки і надійності всі ремонтні роботи, у тому числі зміна щіток, повинні виконуватися в авторизованому сервісному центрі.
- Якщо шнур живлення пошкоджений, він повинен бути замінений тільки виробником або в авторизованому сервісному центрі, щоб уникнути небезпеки.

⚠ ПОПЕРЕДЖЕННЯ

Для більшої безпеки і надійності, всі ремонтні роботи повинні виконуватися уповноваженим Рубіо сервісним центром.

ТРАНСПОРТУВАННЯ ТА ЗБЕРІГАННЯ

- При зберіганні продукту, від'єднайте шнур живлення. Зберігайте продукт в надійному місці, недоступному для дітей.
- Очистіть продукт, використовуючи щітку та пилосос перед зберіганням.

ЗАХИСТ НАВКОЛИШНЬОГО СЕРЕДОВИЩА.



Переробляйте сировину замість утилізації в якості відходів. Машини, обладнання та упаковка повинні бути відсортовані для дружньої для навколишнього середовища утилізації.

СИМВОЛ



Попередження безпеки



CE відповідність



Будь ласка, уважно прочитайте інструкцію перед запуском продукту.



Носіть захист слуху



Носіть захист для очей



Символ "Не торкатись руками"



Розмір шліфувальної стрічки



Розмір: Шліфувальна насадка



Розмір: Робочий стіл



Не знімайте кришку.



Відходи електротехнічної продукції не слід викидати разом із побутовими відходами. Будь ласка, переробляйте там, де наявне устаткування. Перевірте з вашим місцевим органом влади або продавцем для консультації з приводу переробки.



СИМВОЛИ В ЦІЄЇ ІНСТРУКЦІЇ З ЕКСПЛУАТАЦІЇ



Підключіть продукт.



Відключіть продукт.



Запасні деталі або приналежності продаються окремо

Нижчезказані попереджальні слова та символи пояснюють рівень ризику при роботі з цим приладом.

НЕБЕЗПЕКА

Вказує на неминуче небезпечну ситуацію, яка, якщо її не уникнути, може призвести до смерті або серйозних травм.

ПОПЕРЕДЖЕННЯ

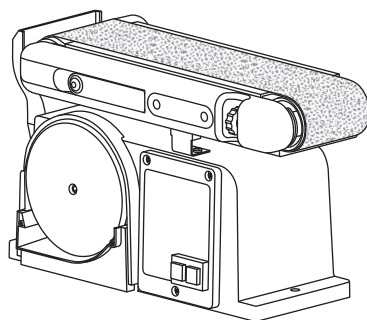
Вказує на потенційно небезпечну ситуацію, яка, якщо її не уникнути, може призвести до смерті або серйозних травм.

УВАГА

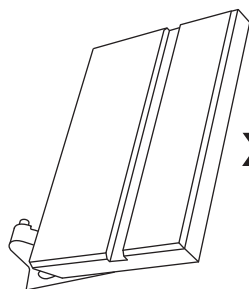
Вказує на потенційно небезпечну ситуацію, яка, якщо її не уникнути, може призвести до середньої або легкої травми.

УВАГА

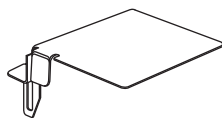
(Без Символу попередження про небезпеку) Вказує на ситуацію, яка може привести до матеріальних збитків.



x 1



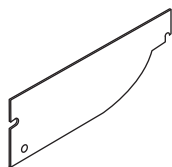
x 1



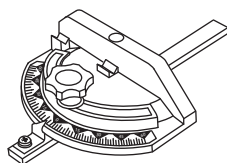
x 1



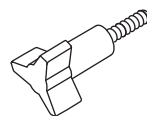
x 1



x 1



x 1



x 1



x 1



x 2



x 2



x 2



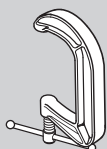
x 2

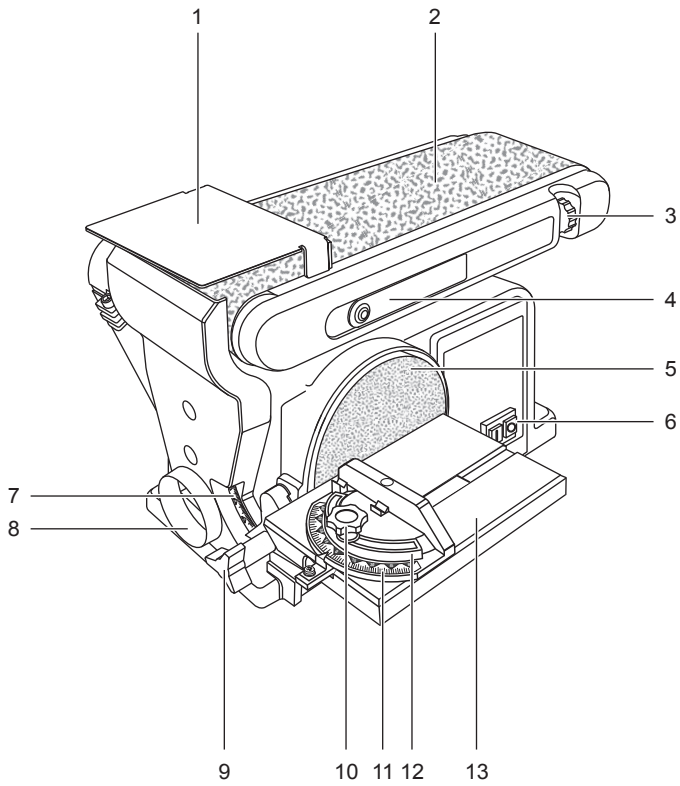


x 1



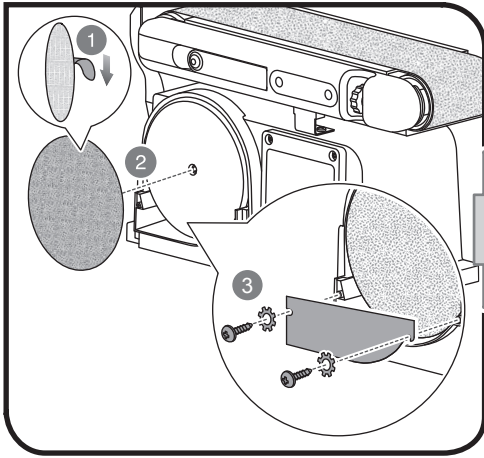
x 1



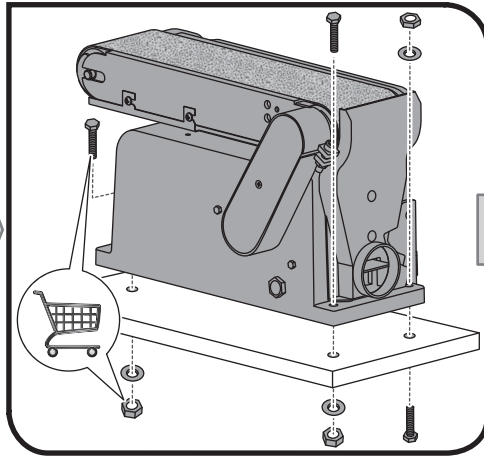




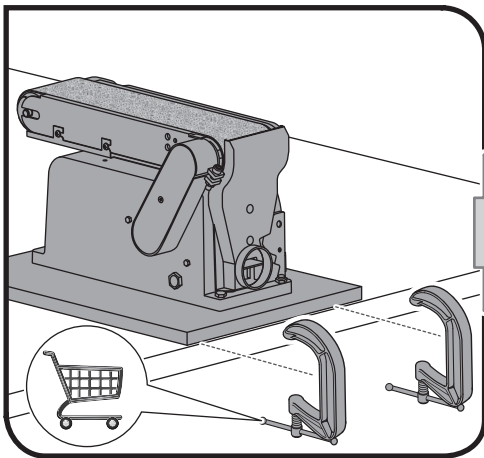
1



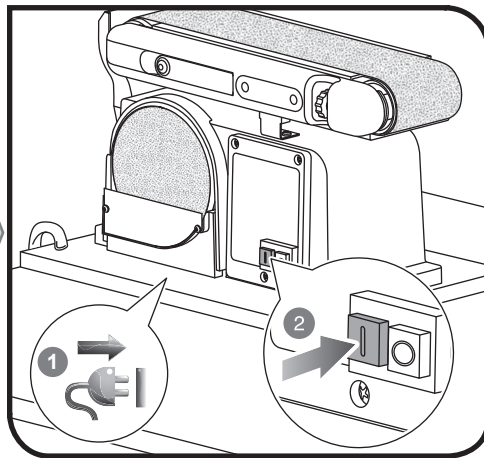
2

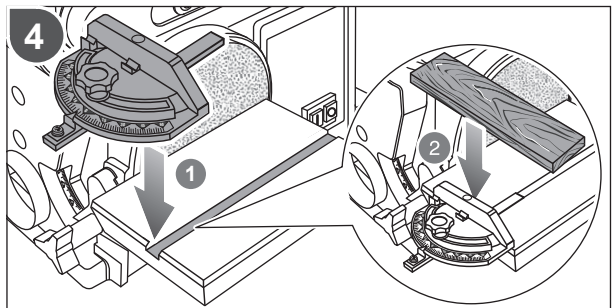
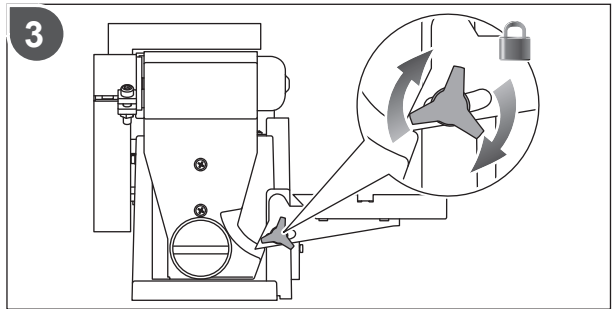
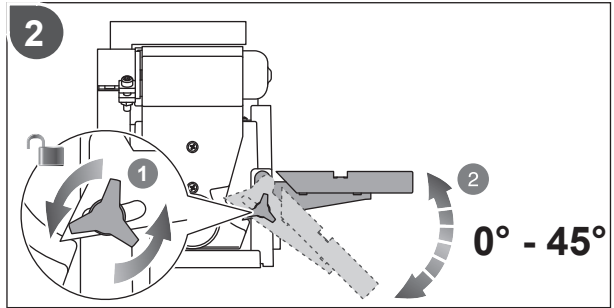
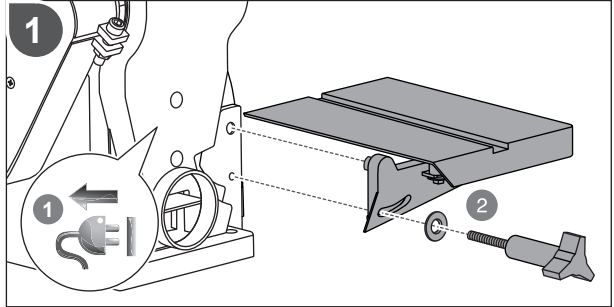
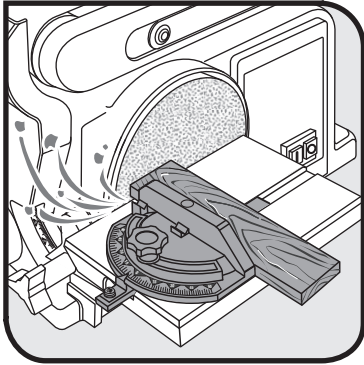


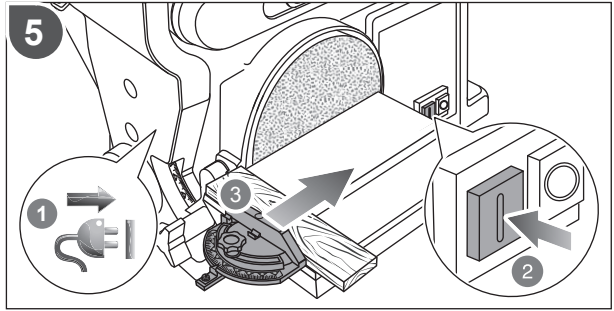
3

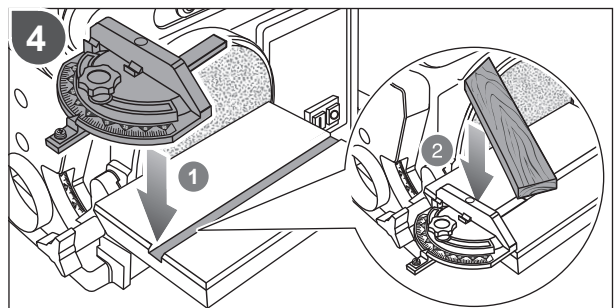
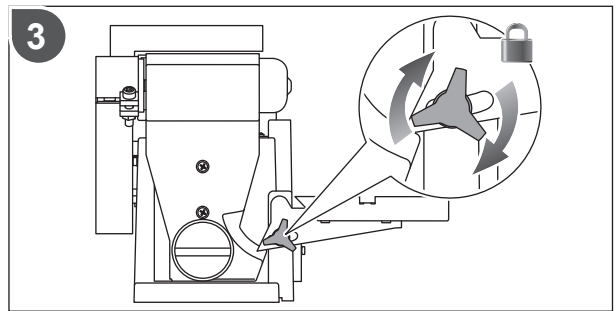
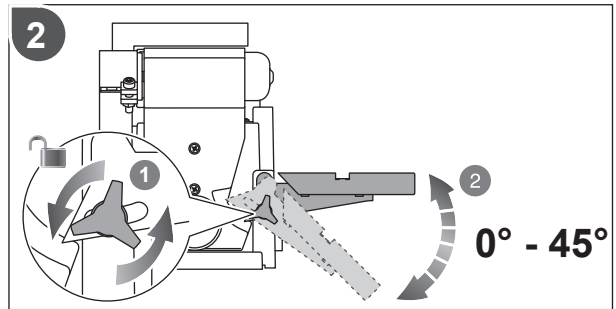
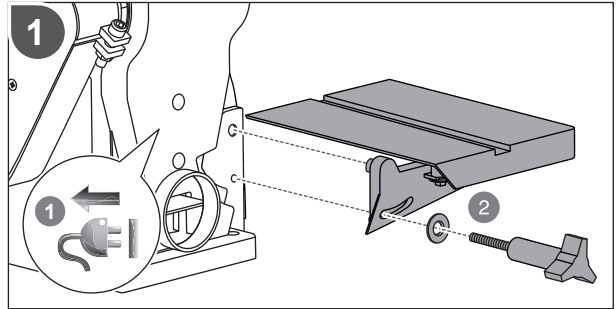
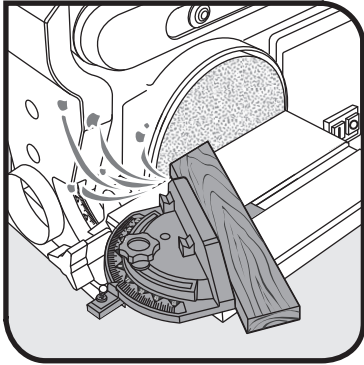


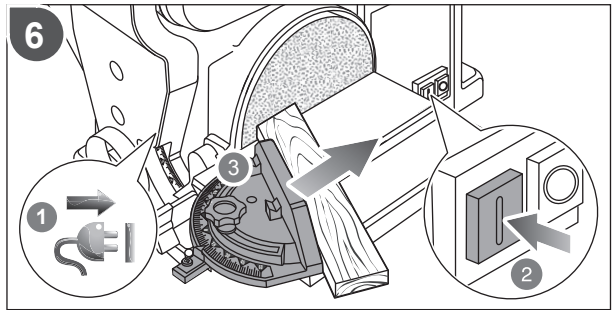
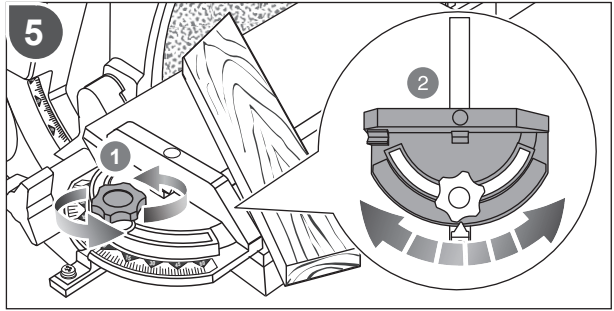
4

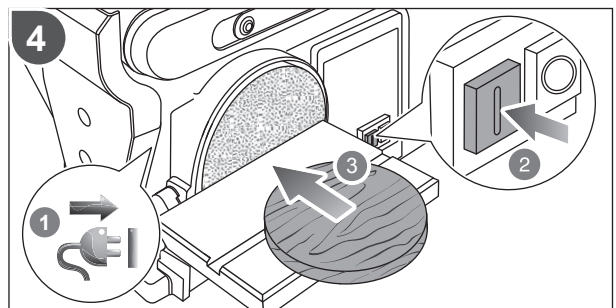
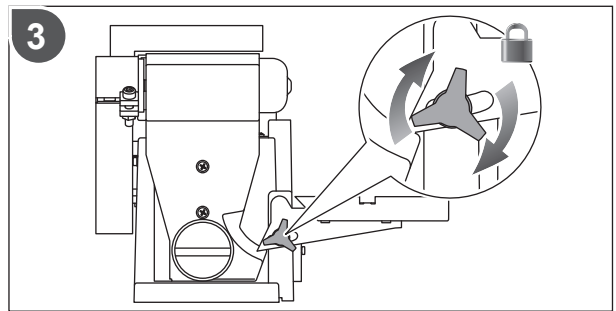
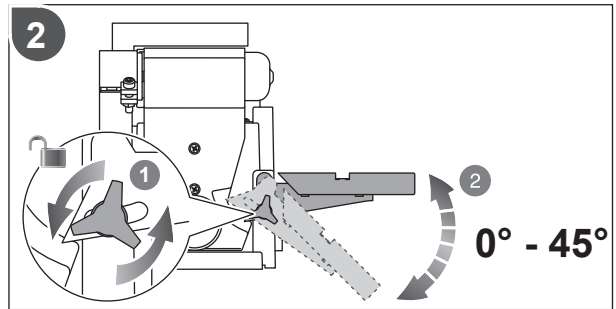
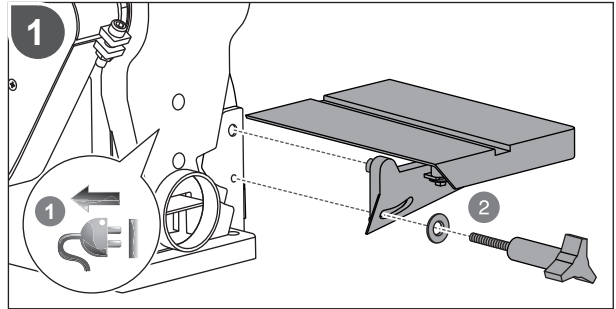
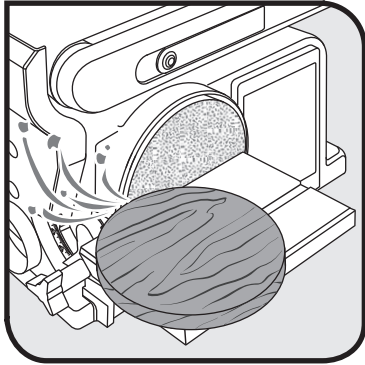


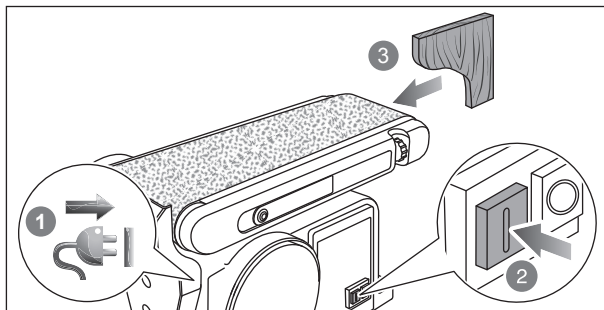
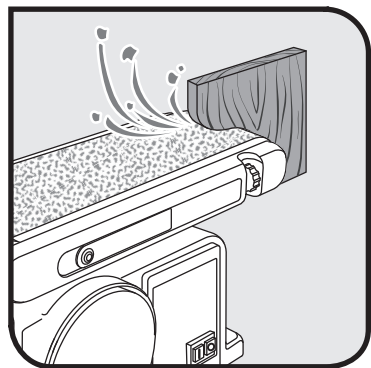


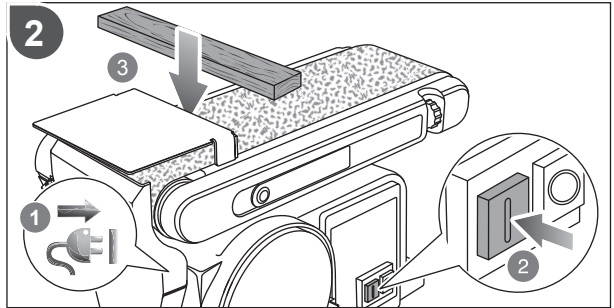
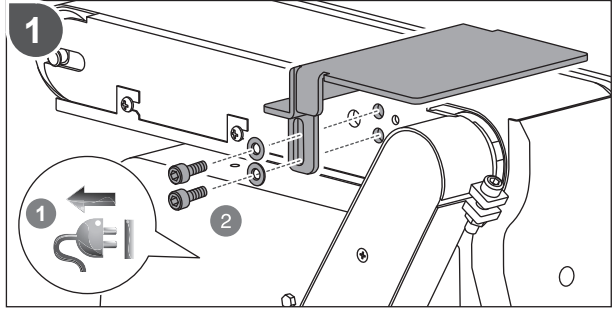
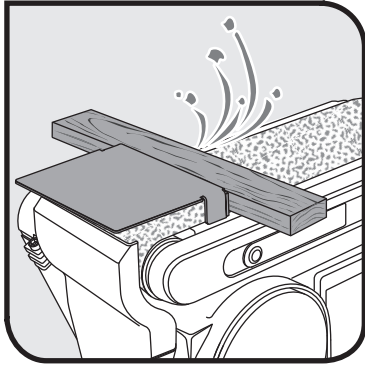


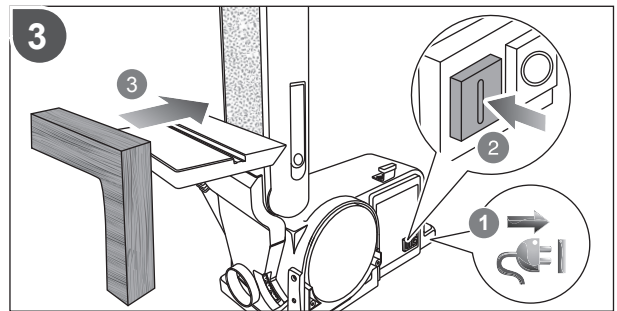
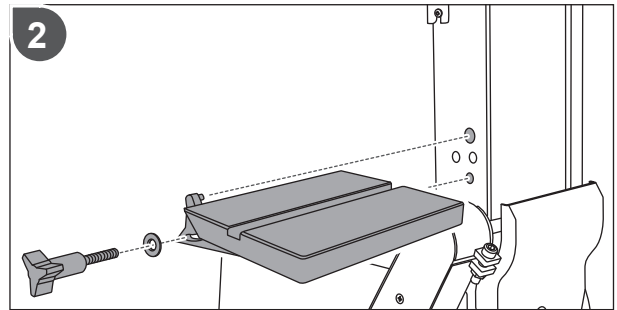
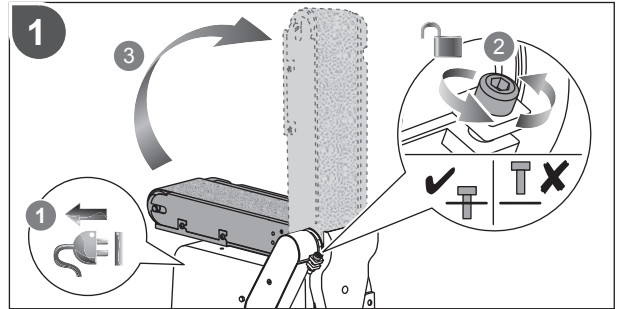
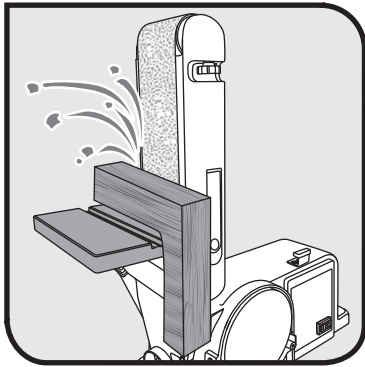


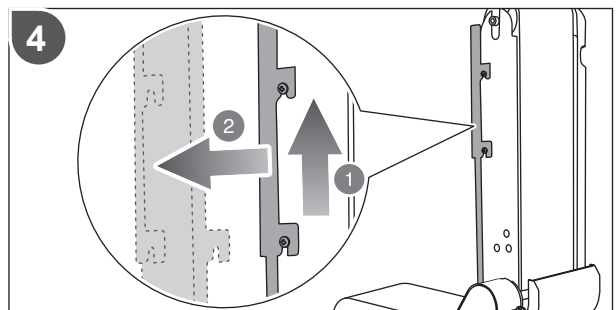
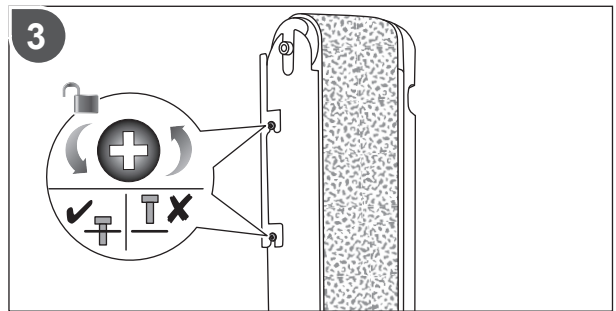
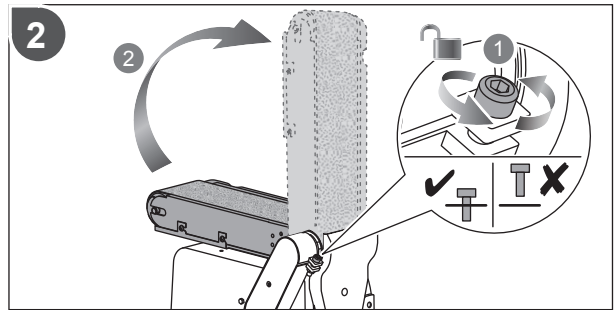
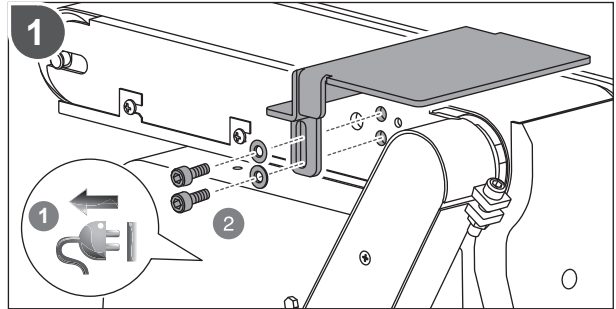
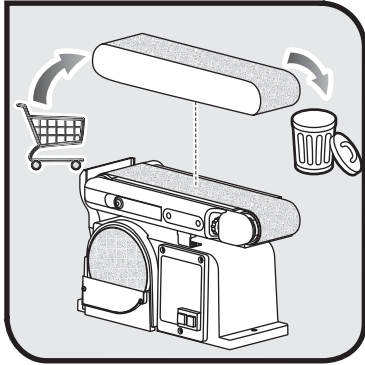


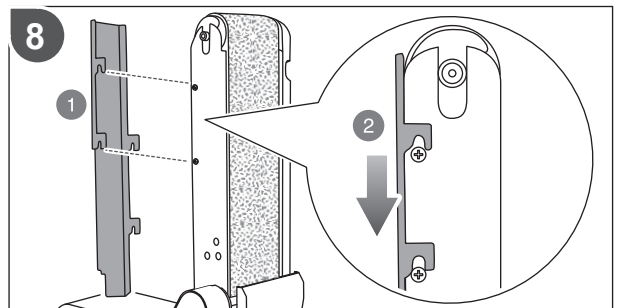
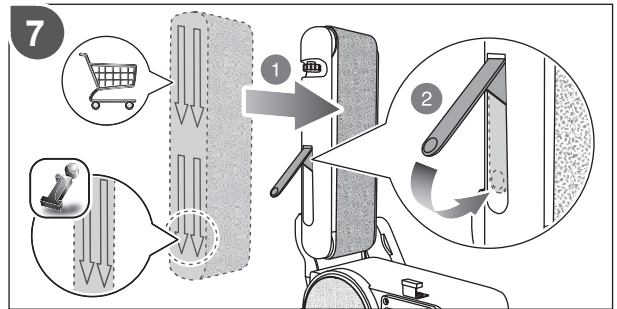
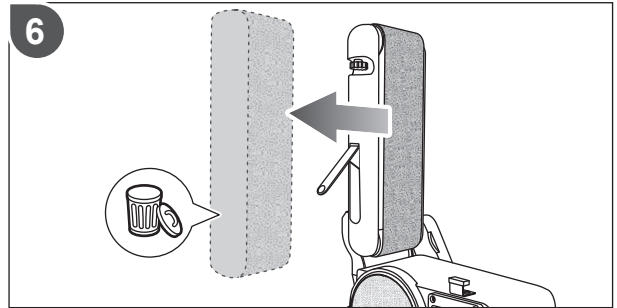
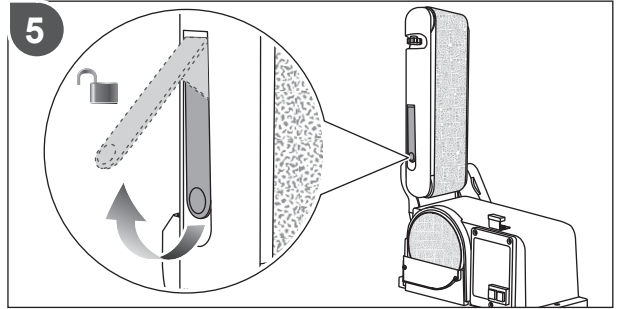


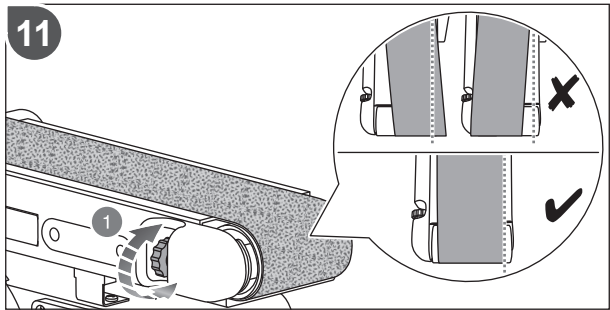
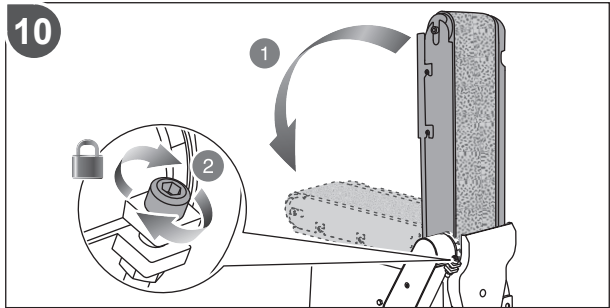
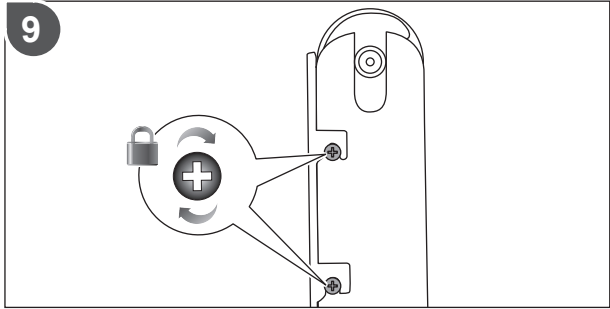


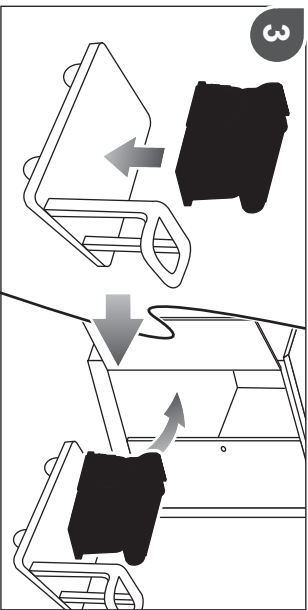
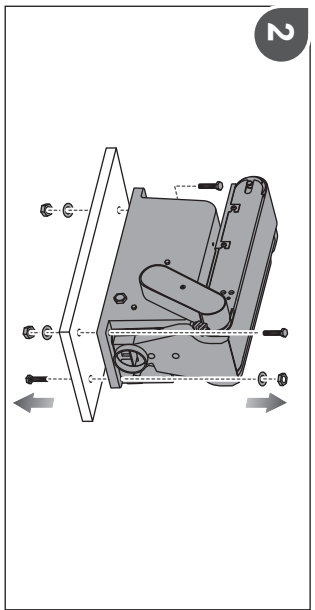
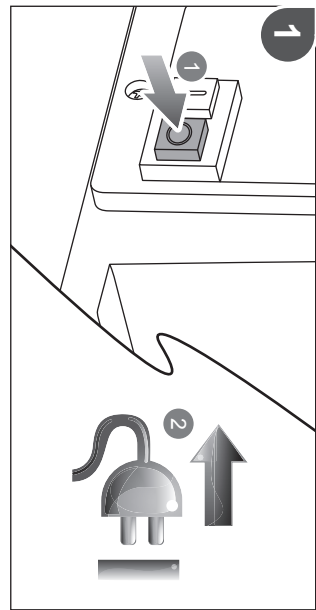
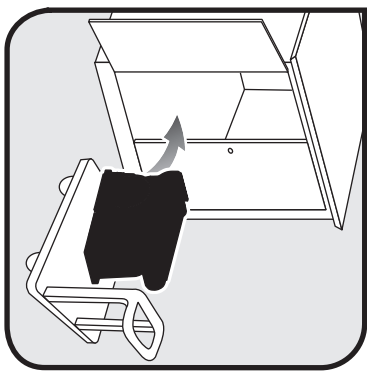














English	Français	Deutsch	Español	Italiano	Nederlands
Product specifications	Caractéristiques de l'appareil	Produkt-Spezifikationen	Especificaciones del producto	Specifiche prodotto	Productspecificaties
Belt/disc sander	Ponceuse à bande/disque	Band-/Scheibenschleifer	Lijadora de la correa/disco	Levigatrice a nastro/disco	Band-/schijfschuurmachine
Model	Modèle	Modell	Modelo	Modello	Model
Belt size	Taille de bande	Bandgröße	Tamaño de la correa	Dimensioni nastro	Bandmaat
Belt speed	Vitesse de la bande	Bandgeschwindigkeit	Velocidad de la correa	Velocità nastro	Bandsnelheid
Belt tilt	Inclinaison de la bande	Bandneigung	Inclinación de la correa	Inclinazione nastro	Bandkanteling
Disc size	Taille du disque	Scheibengröße	Tamaño del disco	Dimensioni disco	Schijfmaat
Disc speed r/min. (RPM)	Vitesse du disque tr/min. (tr.min-1)	Scheibengeschwindigkeit U/min	Velocidad del disco r/min. (RPM)	Velocità disco r/min. (RPM)	Schijfsnelheid t/min. (TPM)
Table size	Dimensions de la table	Tischgröße	Dimensiones de la mesa	Dimensioni tavolo	Tafelafmeting
Table tilt	Inclinaison de la table	Tischneigung	Inclinación de la mesa	Inclinazione tavolo	Tafelkanteling
Motor Ratings	Puissances du moteur	Nennwerte des Motors	Características del motor	Potenza del motore	Motorvermogen
Rated power	Puissance nominale	Nennleistung	Potencia nominal	Potenza nominale	Nominale vermogen
Net weight	Poids net	Nettogewicht	Peso neto	Peso netto	Netto gewicht
Measured values determined according to EN 61029 A-weighted sound pressure level	Valeurs mesurées obtenues selon EN 61029 Niveau de pression sonore pondérée-A	Gemäß EN 61029 gemessene Werte A-bewerteter Schalldruckpegel	Valores medidos determinados de acuerdo con EN 61029 Nivel de presión acústica ponderada en A	Valori misurati determinati in accordo con lo standard EN 61029 Livello di pressione sonora pesato A	Valeurs mesurées obtenues selon EN 61029 A-gewogen geluidsdrumniveau
Uncertainty K	Incertitude K	Unsicherheit K	Incertidumbre K	Incertezza K	Onzekerheid K
Measured values determined according to EN 61029 A-weighted sound power level	Valeurs mesurées obtenues selon EN 61029 Niveau de puissance sonore pondérée-A	Gemäß EN 61029 gemessene Werte A-bewerteter Schalleistungspegel	Valores medidos determinados de acuerdo con EN 61029 Nivel de potencia acústica ponderada en A	Valori misurati determinati in accordo con lo standard EN 61029 Livello di potenza sonora pesato A	Valeurs mesurées obtenues selon EN 61029 A-gewogen geluidsniveau
Uncertainty K	Incertitude K	Unsicherheit K	Incertidumbre K	Incertezza K	Onzekerheid K



Português	Dansk	Svenska	Suomi	Norsk	Русский	
Especificações do produto	Produktspecifikationer	Produktspecifikationer	Tuotteen tekniset tiedot	Produktspesifikasjoner	Характеристики изделия	
Lixadora de cinta/disco	Bånd-/skivepudser	Polermaskin med rem/skiva	Nauha-/levyhiomakone	Reim/skivesliper	Ленточно-дисковый шлифовальный станок	
Modelo	Model	Modell	Malli	Modell	Модель	RBDS4601G
Tamanho da cinta	Båndstørrelse	Remstorlek	Hiomanauhan koko	Reimstørrelse	Размер ленты	100 mm x 914 mm
Velocidade da cinta	Båndhastighed	Remmens hastighet	Nauhan nopeus	Reimhastighet	Скорость ленты	7.5 m/s
Inclinação da cinta	Båndhældning	Remmens lutning	Nauhan kallistus	Reimskråstilling	Наклон ленты	0°- 90°
Tamanho do disco	Skivens størrelse	Skivans storlek	Levyn koko	Skivestørrelse	Размер диска	Ø150 mm
Velocidade do disco r/ min. (RPM)	Skivens hastighed omdr/ min. (RPM)	Skivans hastighet v/min (var per minut)	Levyn nopeus kierr/min (RPM)	Skivehastighet o/min. (RPM)	Скорость диска об/мин	2850
Dimensões da bancada	Bordstørrelse	Bordstorlek	Pöydän koko	Bordstørrelse	Размер стола	225 mm x 158 mm
Inclinação da mesa	Bordhældning	Bordets lutning	Pöydän kallistus	Bordskråstilling	Наклон столика	0°- 45°
Alimentação Eléctrica do Motor	Motorklassificering	Motorkarakteristika	Mootorin arvot	Motorverdier	Мощность двигателя	230V - 240V ~ 50 Hz
Potência nominal	Nominel effekt	Nominell effekt	Nimellisteho	Nominell effekt	Номинальная мощность	370 W
Peso líquido	Nettovægt	Nettovikt	Kokonaispaino	Nettovekt	Вес нетто	18,5 kg
Valores medidos calculados de acordo com EN 61029 Nível de pressão sonora ponderada A	Målte værdier bestemmes i henhold til EN 61029 A-vægtet lydtryksniveau	Värden uppmätta enligt EN 61029 A-vägd ljudtryksnivå	Mitatut arvot määritetty EN 61029 -standardin mukaan A-painotettu äänenpainetaso	Målte verdier i samsvar med EN 61029 A-vektet lydtryknivå	Измеренные значения определены в соответствии с EN 61029 Уровень A-взвешенного звукового давления	$L_{pA} = 79,0 \text{ dB(A)}$
Incerteza K	Usikkerhed K	Osäkerhet K	Epätarkkuus K	Usikkerhet K	Разброс K	3 dB
Valores medidos calculados de acordo com EN 61029 Nível de potência sonora ponderada A	Målte værdier bestemmes i henhold til EN 61029 A-vægtet lydeffektniveau	Värden uppmätta enligt EN 61029 A-vägd lydeffektsnivå	Mitatut arvot määritetty EN 61029 -standardin mukaan A-painotettu äänenheho	Målte verdier i samsvar med EN 61029 A-vektet lydeffektnivå	Измеренные значения определены в соответствии с EN 61029 Уровень A-взвешенной звуковой мощности	$L_{WA} = 89,5 \text{ dB(A)}$
Incerteza K	Usikkerhed K	Osäkerhet K	Epätarkkuus K	Usikkerhet K	Разброс K	3 dB



Polski	Čeština	Magyar	Română	Latviski	Lietuviškai
Parametry techniczne	Technické údaje produktu	Termék műszaki adatai	Specificațiile produsului	Produkta specifikācijas	Gaminio techninės savybės
Szlifyerka taśmowo-tarczowa	Pásová/kotoučová bruska	Szalagok/korongos csiszológép	Şlefuitor cu curea / disc	Lentas/diska slīpašaiņa	Juostinis / diskinis šlifluotuvas
Model	Model	Tipus	Model	Modelis	Modelis
Rozmiar taśmy	Rozměr pásu	Szalag mérete	Dimensiune curea	Lentes izmērs	Juostos dydis
Prędkość taśmy	Rychlost pásu	Szalag sebessége	Viteză curea	Lentas ātrums	Juostos greitis
Nachylenie taśmy	Náklon brusky	Szalag dőlése	Înclinare curea	Lentas leņķis	Juostos pakreipimas
Rozmiar tarczy	Rozměr kotouče	Korong mérete	Dimensiune disc	Diska izmērs	Disko dydis
Prędkość tarczy obr./min. (RPM)	Rychlost kotouče ot./min. (RPM)	Korong sebessége ford./perc (RPM)	Viteză disc rot/min. (RPM)	Diska ātrums apgr./min. (RPM)	Disko greitis aps./min. (apsukų per minutę)
Wymiary stołu	Rozměr stołu	Asztal mérete	Mărire masă	Galda lielums	Stalo dydis:
Nachylenie stołu	Náklon stołu	Asztal dőlése	Înclinare masă	Galda noliekums	Stalo pakreipimas
Parametry silnika	Parametry motoru	Motor névleges jellemzői	Specificații motor	Motora raksturlielumi	Vārklika parametri
Moc znamionowa	Jmenovitý výkon	Névleges teljesítmény	Putere nominală	Nominālā jauda	Vārdinā galia
Masa netto	Čistá hmotnost	Nettó tömeg	Greutate netă	Svars neto	Neto svoris
Zmierzone wartości określone wg EN 61029 A-ważony poziom ciśnienia hałasu	Naměřené hodnoty zjištěné dle EN 61029 Hladina akustického tlaku vážená funkci A	A mért értékek meghatározása az EN 61029 szerint történt A-súlyozott hangnyomásszint	Valori măsurate determinate în conformitate cu EN 61029 Nivel de presiune acustică ponderată A	Izmērītās vērtības saskaņā ar EN 61029 A-līmeņa skaņas spiediena līmenis	Išmatuotosis vertės nustatytos pagal EN 61029 A svertinis garso slėgio lygis
Niepewność pomiaru K	Nejistota K	Bizonytalanság K	Incertitudine K	Kļūdas vērtība K	Nepastovumas K
Zmierzone wartości określone wg EN 61029 A-ważony poziom natężenia hałasu	Naměřené hodnoty zjištěné dle EN 61029 Hladina akustického výkonu vážená funkci A	A mért értékek meghatározása az EN 61029 szerint történt A-súlyozott hangteljesítményszint	Valori măsurate determinate în conformitate cu EN 61029 Nivel de putere acustică ponderată A	Izmērītās vērtības saskaņā ar EN 61029 A-līmeņa skaņas jaudas līmenis	Išmatuotosis vertės nustatytos pagal EN 61029 A svertinis garso galios lygis
Niepewność pomiaru K	Nejistota K	Bizonytalanság K	Incertitudine K	Kļūdas vērtība K	Nepastovumas K



Eesti	Hrvatski	Slovensko	Slovenčina	Ελληνικά	Türkçe	українська МОВА	
Toote tehnilised andmed	Spetsifikatsioon tootjalt	Spetsifikatsioon tootjalt	Spetsifikatsioon tootjalt	Προδιαγραφές Προϊόντος	Ürün Özellikleri	Технічні характеристики продукту	
Lint- ja ketasilhvija	Tračna/disk brusilica	Pásová/kotúčová brúska	Tračni/kolutni brusilnik	Τριβείο ταινίας/δίσκου	Kayış/diskli zımpara	Стричково-дисковий шліфувальний верстат	
Mudeli tähis	Model	Model	Model	Μοντέλο	Model	Модель	RBDS4601G
Lihvlindi mõõdud	Dimensije trake	Rozmery brúsneho pásu	Dolžina traku	Μέγεθος ταινίας	Kayış ebadı	Розмір стрічки	100 mm x 914 mm
Lindi kiirus	Brzina trake	Rýchlosť pásu	Hitrost traku	Ταχύτητα ταινίας	Kayış hızı	Швидкість стрічки	7.5 m/s
Lindi kalle	Nagib trake	Sklon brúsneho pásu	Nagib traku	Κλίση ταινίας	Kayış eğimi	Нахил стрічки	0°- 90°
Lihvketta suurus	Veličina diska	Rozmery brúsneho kotúča	Velikost koluta	Μέγεθος δίσκου	Disk ebadı	Розмір диска	Ø150 mm
Lihvketta kiirus p/min. (p/min)	Brzina diska o/min (OKR/MIN)	Rýchlosť otáčania kotúča vrt./min (RPM)	Hitrost koluta ot./min.	Ταχύτητα δίσκου r/min. (RPM)	Disk hızı d/dak. (DDS)	Швидкість диска Об/хв. (Оборотів за хвилину)	2850
Töölaua mõõt	Tablica veličina	Velikost mize	Velikost stola	Μέγεθος πάγκου	Tabla ebadı	Розмір столу	225 mm x 158 mm
Laua kalle	Nagib stola	Sklon pracovnej dosky	Nagib mize	Κλίση τράπεζας	Tezgah eğimi	Нахил столу	0°- 45°
Mootori võimsus	Nazivne vrijednosti motora	Technické parametre motora	Nazivne moči motorja	Στοιχεία μετέρ	Motor Gücü	Рейтинг двигунів	230V - 240V - 50 Hz
Arvutuslik võimsus	Nazivna snaga	Menovitý výkon	Nazivna moč	Ονομαστική ισχύς	Anma Gücü	Номинальна потужність	370 W
Netomass	Neto težina	Neto teža	Netto hmotnosť	Καθαρό βάρος	Net ağırlık	Вага нетто	18,5 kg
Mõõteväärtused on kindlaks määratud vastavalt standardile EN 61029 A-kaalutud helirõhu tase	Mjerene vrijednosti određene su prema EN 61029 Ponderirana razina tlaka zvuka	Izmerjene vrednosti določene v skladu s standardom EN 61029 A-izmerjena raven zvočnega tlaka	Namerané hodnoty určené podľa EN 61029 Vážená A hladina akustického tlaku	Οι υπολογισμένες τιμές καθορίστηκαν σύμφωνα με το EN 61029 Α-σταθμισμένο επίπεδο πίεσης ήχου	EN 61029 ile uyumlu olarak belirlenen ölçülen değerler A ağırlıklı ses basınç seviyesi	Вимірні значення шуму визначаються відповідно до EN 61029: А-зважений рівень звукового тиску	$L_{pA} = 79,0 \text{ dB(A)}$
Mõõtemääramatus K	Neodredenost K	Nedoloč. K	Odchýlka K	Αβεβαιότητα K	Belirsizlik K	Невизначеність K	3 dB
Mõõteväärtused on kindlaks määratud vastavalt standardile EN 61029 A-kaalutud helivõimsuse tase	Mjerene vrijednosti određene su prema EN 61029 Ponderirana razina zvučne snage	Izmerjene vrednosti določene v skladu s standardom EN 61029 A-izmerjena raven zvočne moči	Namerané hodnoty určené podľa EN 61029 Vážená A hladina akustického tlaku	Οι υπολογισμένες τιμές καθορίστηκαν σύμφωνα με το EN 61029 Α-σταθμισμένο επίπεδο έντασης ήχου	EN 61029 ile uyumlu olarak belirlenen ölçülen değerler A ağırlıklı ses gücü seviyesi	Вимірні значення шуму визначаються відповідно до EN 61029: А-зважений рівень звукової потужності	$L_{WA} = 89,5 \text{ dB(A)}$
Mõõtemääramatus K	Neodredenost K	Nedoloč. K	Odchýlka K	Αβεβαιότητα K	Belirsizlik K	Невизначеність K	3 dB



EN RYOBI® WARRANTY APPLICATION CONDITIONS

In addition to any statutory rights resulting from the purchase, this product is covered by a warranty as stated below.

1. The warranty period is 24 months for consumers and commences on the date when the product was purchased. This date has to be documented by an invoice or other proof of purchase. The product is designed and dedicated to consumer and private use only. So there is no warranty provided in case of professional or commercial use.
2. There is a possibility to extend for a part of the range of power tools (AC/DC) the warranty period over the period described above using the registration on the www.ryobitools.eu website. The eligibility of the tools for extension of the warranty period is clearly displayed in stores and / or on packaging / and contained within the product documentation. The end user needs to register his/her newly-acquired tools online within 30 days from the date of purchase. The end user may register for the extended warranty in his country of residence if listed on the online registration form where this option is valid. Furthermore, end users must give their consent to the storage of the data that are required to be entered online, and they have to accept the terms and conditions. The registration confirmation receipt, which is sent out by e-mail, and the original invoice showing the date of purchase will serve as proof of the extended warranty.
3. The warranty covers all defects of the product during the warranty period due to defaults in workmanship or material at the purchase date. The warranty is limited to repair and/or replacement and does not include any other obligations including but not limited to incidental or consequential damages. The warranty is not valid if the product has been misused, used contrary to the instruction manual, or being incorrectly connected. This warranty does not apply to:
 - any damage to the product that is the result of improper maintenance
 - any product that has been altered or modified
 - any product where original identification (trade mark, serial number) markings have been defaced, altered or removed
 - any damage caused by non-observance of the instruction manual
 - any non CE product
 - any product that has been attempted to be repaired by a non-qualified professional or without prior authorization by Techntron Industries
 - any product connected to improper power supply (amps, voltage, frequency)
 - any product used with inappropriate fuel mixture (fuel, oil, percentage of oil)
 - any damage caused by external influences (chemical, physical, shocks) or foreign substances
 - normal wear and tear spare parts
 - inappropriate use, overloading of the tool
 - use of non-approved accessories or parts
 - Power tool accessories provided with the tool or purchased separately. Such exclusions including but not limited to screw driver bits, drill bits, abrasive discs, sand paper and blades, lateral guide
 - Components (parts and accessories) subject to natural wear and tear, including but not limited to Service & Maintenance Kits, carbon brushes, bearings, chuck, SDS drill bit attachment or reception, power cord, auxiliary handle, transport carry case, sanding plate, dust bag, dust exhaust tube, felt washers, impact wrench pins & springs, etc.
4. For servicing, the product must be sent or presented to a RYOBI authorized service station listed for each country in the following list of service station addresses. In some countries your local RYOBI dealer undertakes to send the product to the RYOBI service organisation. When sending a product to a RYOBI service station, the product should be safely packed without any dangerous contents such as petrol, marked with sender's address and accompanied by a short description of the fault.
5. A repair / replacement under this warranty is free of charge. It does not constitute an extension or a new start of the warranty period. Exchanged parts or tools become our property. In some countries delivery charges or postage will have to be paid by the sender. Your statutory rights arising from the purchase of the tool remain unaffected
6. This warranty is valid in the European Community, Switzerland, Iceland, Norway, Liechtenstein, Turkey and Russia. Outside these areas, please contact your authorized RYOBI dealer to determine if another warranty applies.

AUTHORISED SERVICE CENTRE

To find an authorised service centre near you, visit <http://uk.ryobitools.eu/header/service-and-support/service-agents>.

FR RYOBI® CONDITIONS D'APPLICATION DE LA GARANTIE

En plus des droits statutaires liés à l'achat, ce produit est couvert par une garantie telle que décrite ci-dessous.

1. La durée de la garantie accordée au consommateur est de 24 mois à partir de la date d'achat. Cette date doit être authentifiée par une facture ou toute autre preuve d'achat. Le produit a été conçu en vue d'une utilisation strictement privée. Aucune garantie ne s'applique donc en cas d'utilisation professionnelle ou commerciale.
2. Il existe pour une partie outils électriques (AC/DC), une possibilité d'étendre la période de garantie au-delà de la période précédemment décrite en utilisant le formulaire d'enregistrement présent sur le site Internet www.ryobitools.eu. L'éligibilité d'un outil est clairement affichée dans les points de vente et/ou sur l'emballage et la documentation. L'utilisateur final doit enregistrer son/ses outil(s) nouvellement acheté(s) en ligne dans les 30 jours qui suivent la date d'achat. L'utilisateur a la possibilité de s'enregistrer pour l'extension de garantie dans son pays de résidence si celui-ci est listé dans le formulaire d'enregistrement en ligne où cette option est valide. L'utilisateur final doit donner son consentement pour l'enregistrement des données requises pour accéder au site et doit accepter les termes et conditions. La confirmation d'enregistrement, envoyée par courrier électronique, ainsi que la facture originale mentionnant la date d'achat serviront de preuve de l'extension de garantie.
3. La garantie couvre pendant la période de garantie les défauts des produits liés à la fabrication et aux matériaux à la date d'achat. La garantie est limitée à la réparation et/ou au remplacement et n'inclut aucune autre obligation, tel que, mais sans s'y limiter, les dommages accessoires ou indirects. La garantie est non valable en cas de mauvaise utilisation du produit, d'utilisation contraire aux instructions du mode d'emploi, ou en cas de branchement incorrect. Cette garantie ne s'applique pas pour :
 - tout dommage au produit résultant d'un mauvais entretien
 - tout produit ayant été altéré ou modifié
 - tout produit dont les marquages originaux d'identification (marque, numéro de série) ont été dégradés, altérés ou retirés
 - tout dommage causé par le non-respect des instructions du mode d'emploi
 - tout produit non CE
 - tout produit ayant subi une tentative de réparation par du personnel non qualifié ou sans autorisation préalable de Techntron Industries
 - tout produit raccordé à une alimentation secteur non conforme (ampérage, voltage, fréquence)
 - tout produit utilisé avec un mélange inapproprié (essence, huile, pourcentage d'huile)
 - tout dommage causé par des influences extérieures (chimiques, physiques, chocs) ou par des substances étrangères
 - l'usure normale des pièces consommables
 - une utilisation inappropriée, une surcharge de l'outil
 - l'utilisation de pièces ou accessoires non agréés
 - accessoires de l'outil électrique fournis avec l'outil ou achetés séparément. Cela comprend notamment les forets de tournevis, les forets de perceuse, les disques abrasifs, le papier de verre et les lames, le guide latéral
 - Les composants (pièces et accessoires) sujets à l'usure naturelle, ceci incluant notamment, les kits de service et de maintenance, les brosses carbonées, les paliers, les mandrins, les fixations ou logements de foret SDS, les cordons d'alimentation, les leviers auxiliaires, les mallettes de transport, les plaques de ponçage, les sacs collecteurs de poussière, le tube d'extraction de poussière, les rondelles en feutre, les broches de clé à choc et les ressorts etc.
4. Si le produit doit être réparé, envoyez-le à un service après-vente agréé RYOBI dont vous trouverez ci-dessous la liste pour chaque pays. Dans certains pays, votre revendeur RYOBI se chargera d'envoyer le produit à un centre de réparation RYOBI. Lorsque vous envoyez un produit à un service après-vente RYOBI, celui-ci doit être correctement emballé, sans contenir aucun produit dangereux tel que de l'essence, et vous devez indiquer votre adresse ainsi qu'une courte description du problème.
5. Une réparation / un remplacement sous garantie est gratuit(e). Ceci ne constituera pas une extension de garantie ni un nouveau départ de la période de garantie. Les pièces ou les outils remplacés deviennent notre propriété. Dans certains pays, les frais de port devront être assumés par l'expéditeur. Vos droits statutaires restent inchangés.
6. Cette garantie est valable au sein de l'Europe, de la Suisse, de l'Islande, de la Norvège, du Liechtenstein, de la Turquie, de la Russie. En dehors de ces zones, veuillez contacter votre distributeur agréé RYOBI pour déterminer si une autre garantie s'applique.

SERVICE APRÈS-VENTE AGRÉÉ

Pour trouver le service après-vente agréé le plus proche, rendez-vous sur <http://fr.ryobitools.eu/header/service-and-support/service-agents>.

DE RYOBI® GARANTIEBEDINGUNGEN

Zusätzlich zu den obligatorischen Rechten aus dem Kauf gilt für dieses Produkt die nachstehend aufgeführte Garantie.

- Der Garantiezeitraum beträgt für Verbraucher 24 Monate und beginnt mit dem Datum des Kaufs. Dieses Datum muss durch eine Rechnung oder einen anderen Kaufbeleg dokumentiert werden. Dieses Produkt wurde ausschließlich zur privaten Nutzung durch Verbraucher entwickelt. Für den Fall einer professionellen bzw. kommerziellen Nutzung besteht daher keine Garantie.
- Es besteht die Möglichkeit, für einen Teil des Sortiments der Elektrogeräte (AC/DC) den Garantiezeitraum über den oben genannten Zeitraum hinaus zu verlängern, indem der Verbraucher die Registrierung auf der Website www.ryobitools.eu durchführt. Die Berechtigung der Werkzeuge für die Garantieverlängerung ist deutlich im Geschäft und/oder auf der Verpackung beschrieben und in der Produktdokumentation erwähnt. Der Verbraucher muss das neu erworbene Gerät online innerhalb von 30 Tagen ab dem Kaufdatum registrieren. Der Verbraucher kann das Gerät zwecks Garantieverlängerung in seinem Residenzland registrieren, wenn dieses Land auf dem Online-Registrierungsformular aufgeführt ist und die Option gültig ist. Darüber hinaus muss der Verbraucher seine Zustimmung zur Speicherung der Daten geben, die online eingegeben werden müssen, und er muss die allgemeinen Geschäftsbedingungen akzeptieren. Die Bestätigung der Registrierung, die per E-Mail versandt wird, und die Originalrechnung mit dem Kaufdatum gelten als Beleg für die Garantieverlängerung.
- Die Garantie deckt alle Defekte des Geräts während des Garantiezeitraums ab, die auf zum Zeitpunkt des Kaufs bestehende Verarbeitungs- oder Materialfehler zurückzuführen sind. Die Garantie beschränkt sich auf Reparatur und/oder Ersatz und beinhaltet keine anderen Verpflichtungen, einschließlich, aber nicht begrenzt auf Schadenersatz für Folge- oder Nebenschäden. Die Garantie gilt nicht, wenn das Gerät fehlerhaft eingesetzt wurde, gegensätzlich zur Bedienungsanleitung eingesetzt wurde oder falsch angeschlossen wurde. Die Garantie gilt nicht für Folgendes:
 - Schäden am Gerät, die auf unkorrekte Wartung zurückzuführen sind
 - Geräte, an denen Veränderungen vorgenommen wurden
 - Produkte, bei denen die ursprüngliche Identifizierung (Handelsmarke, Seriennummer) unleserlich gemacht, verändert oder entfernt wurde
 - Schäden durch Nichtbeachtung der Bedienungsanleitung
 - nicht-CE-zertifizierte Geräte
 - Geräte, an denen durch nicht-qualifizierte Personen oder ohne vorherige Genehmigung von Techtronic Industries Reparaturversuche vorgenommen wurden
 - Geräte, die an unkorrekte Energiequellen (Ampere, Volt, Frequenz) angeschlossen wurden
 - Geräte, die mit einer fehlerhaften Treibstoffmischung (Treibstoff, Öl, Ölanteil) betrieben wurden
 - Schäden durch äußere Einflüsse (chemisch, physisch, Stöße) oder Fremdstoffe
 - normaler Verschleiß von Ersatzteilen
 - unangemessene Nutzung, Überlastung des Geräts
 - Nutzung nicht genehmigter Zubehörteile oder Ersatzteile
 - mit dem Gerät gelieferte oder separat erworbene Zubehörteile. Dieser Ausschluss beinhaltet, ist aber nicht beschränkt auf Schraubendreher-Bits, Bohrsensätze, Schleifscheiben, Sandpapier und Kleingeln, Seitenführungen
 - Komponenten (Ersatzteile und Zubehörteile), die natürlichem Verschleiß unterliegen, einschließlich, aber nicht begrenzt auf Service- und Wartungssets, Kohlebürsten, Lager, Spanvorrichtungen, SDS-Bohrbit-Anschlüsse oder -Aufnahmeverrichtungen, Stromkabel, Hilfsgriffe, Transportkoffer, Schleifplatten, Staubbeutel, Staubabführungen, Filzunterlegscheiben, Bolzen und Federn von Schlagschraubern usw.
- Zum Service muss das Gerät zu einer von RYOBI autorisierten Servicestation gebracht oder dorthin gesendet werden. Die Servicestationen für die einzelnen Länder sind in der folgenden Liste aufgeführt. In einigen Ländern sendet Ihr RYOBI-Händler vor Ort das Gerät an das RYOBI-Serviceunternehmen. Beim Einsenden an die RYOBI-Servicestation sollte das Gerät sicher verpackt sein, ohne gefährliche Inhalte wie Benzin, und es sollte mit der Adresse des Absenders und einer kurzen Beschreibung des Fehlers versehen sein.
- Eine Reparatur bzw. ein Ersatz gemäß dieser Garantie ist kostenlos. Hieraus ergibt sich weder eine Garantieverlängerung noch der Beginn eines neuen Garantiezeitraums. Die ausgetauschten Ersatzteile oder Werkzeuge gehen in unser Eigentum über. In einigen Ländern müssen die Zustellgebühren oder die Versandkosten vom Absender gezahlt werden. Ihre gesetzlichen Rechte aus dem Kauf des Geräts bleiben hiervon unberührt.
- Diese Garantie gilt in der Europäischen Union, der Schweiz, Island, Norwegen, Liechtenstein, der Türkei und Russland. Bitte wenden Sie sich außerhalb dieser Gebiete an Ihren autorisierten RYOBI-Händler, um festzustellen, ob eine andere Garantie gilt.

AUTORISIERTER KUNDENDIENST

Besuchen Sie <http://de.ryobitools.eu/header/service-and-support/service-agents>, um einen autorisierten Kundendienst in Ihrer Nähe zu finden.

ES CONDICIONES DE APLICACIÓN DE LA GARANTÍA DE RYOBI®

Además de cualquier derecho legal derivado de la compra, este producto está cubierto por una garantía que se indica a continuación.

- El periodo de garantía es de 24 meses para consumidores y comienza en la fecha en que se comprara el producto. Dicha fecha debe documentarse con una factura u otro comprobante de compra. El producto está diseñado y concebido únicamente para el uso privado del consumidor. Por lo tanto, no se ofrece garantía en caso de uso profesional o comercial.
- Existe la posibilidad de ampliar el periodo de garantía respecto a una parte de la gama de herramientas eléctricas (CA/CC) durante el periodo descrito más arriba y mediante el registro en el sitio web www.ryobitools.eu. La elegibilidad de las herramientas para que se amplíe el periodo de garantía se muestra claramente en las tiendas o en el embalaje y está incluida en la documentación del producto. El usuario final tiene que registrar en línea sus herramientas recientemente adquiridas en un plazo de 30 días a partir de la fecha de compra. El usuario final podrá registrarse para obtener la garantía ampliada en su país de residencia si este aparece en la lista del formulario de registro en línea cuando esta opción sea válida. Además, los usuarios finales deberán dar su consentimiento al almacenamiento de los datos necesarios para el acceso en línea y tienen que aceptar los términos y condiciones. El recibo de confirmación de registro, que se envía por correo electrónico, y la factura original que muestra la fecha de compra servirán como comprobante para la garantía ampliada.
- La garantía cubre todos los defectos del producto durante el periodo de garantía debido a fallos de mano de obra o material en la fecha de compra. La garantía se limita a la reparación o sustitución y no incluye ninguna otra obligación como, por ejemplo, daños accidentales o consecuentes. La garantía no es válida si se ha usado mal el producto, se ha usado contraviniendo el manual de instrucciones o se ha conectado de forma incorrecta. Esta garantía no es aplicable a:
 - ningún daño en el producto que sea consecuencia de un mantenimiento inadecuado
 - ningún producto que haya sido alterado o modificado
 - ningún producto en el que los marcados de identificación originales (marca comercial, número de serie) se hayan borrado, modificado o eliminado
 - ningún daño provocado por no seguir el manual de instrucciones
 - ningún producto que no sea CE
 - ningún producto que haya sufrido un intento de reparación por parte de un profesional no cualificado o sin la autorización previa de Techtronic Industries.
 - ningún producto conectado a un suministro eléctrico inadecuado (amperios, voltaje, frecuencia)
 - ningún producto usado con una mezcla de combustible inadecuada (combustible, aceite, porcentaje de aceite)
 - ningún daño causado por influencias externas (químicas, físicas, impactos) o sustancias extrañas
 - desgaste normal de piezas de repuesto
 - uso inadecuado, sobrecarga de la herramienta
 - uso de accesorios o piezas no aprobados
 - Accesorios de herramientas eléctricas proporcionados con la herramienta o comprados por separado. Tales exclusiones incluyen, entre otros, brocas de destornilladoras, brocas de taladro, discos abrasivos, papel de lija y cuchillas, y guías laterales
 - Componentes (piezas y accesorios) sujetos a un desgaste natural, que incluyen, entre otros, equipos de servicio y mantenimiento, escobillas de carbono, cojinetes, pinzas, accesorio o recepción de broca de taladro SDS, cable eléctrico, manillar auxiliar, bolsa de transporte, hoja lijadora, bolsa de polvo, tubo de escape de polvo, disco de fieltro, pasadores y resortes de llave de impacto, etc.
- Para su mantenimiento, el producto debe enviarse o presentarse a una estación de servicio de RYOBI autorizada que figure en la siguiente lista de direcciones de estaciones de servicio por países. En algunos países, su distribuidor RYOBI local se responsabiliza de enviar el producto a la compañía de servicio de RYOBI. Cuando se envíe un producto a una estación de servicio de RYOBI, este debe estar empaquetado de forma segura sin contenidos peligrosos como gasolina, marcado con la dirección del remitente y acompañado de una breve descripción del fallo.
- Una reparación / sustitución con esta garantía es gratuita. No constituye una ampliación ni un nuevo comienzo del periodo de garantía. Las piezas o herramientas intercambiadas pasan a ser de nuestra propiedad. En algunos países, los gastos de envío o correo tendrá que pagarlos el remitente. Sus derechos legales derivados de esta compra de la herramienta no se verán afectados.
- Esta garantía es válida en la Unión Europea, Suiza, Islandia, Noruega, Liechtenstein, Turquía y Rusia. Fuera de estas zonas, póngase en contacto con su distribuidor de RYOBI autorizado para determinar si es aplicable otra garantía.

SERVICIO TÉCNICO AUTORIZADO

Para encontrar el servicio técnico autorizado más cercano, visite <http://uk.ryobitools.eu/header/service-and-support/service-agents>.



IT CONDIZIONI DI VALIDITÀ DELLA GARANZIA RYOBI®

In aggiunta ai diritti di legge risultanti dall'acquisto, il prodotto è coperto dalla garanzia sotto descritta.

- Il periodo di garanzia è di 24 mesi per i consumatori, a decorrere dalla data di acquisto del prodotto. La data deve essere documentata da una fattura o altra prova d'acquisto. Il prodotto è progettato e destinato solo all'utilizzo privato dei consumatori. Pertanto non viene fornita alcuna garanzia in caso di uso professionale o commerciale.
- Per una serie di utensili elettrici (CA/CC) è possibile prolungare il periodo di garanzia oltre quello descritto, registrandosi sul sito web www.ryobitools.eu. Gli utensili per i quali è possibile prolungare il periodo di garanzia sono chiaramente indicati nei negozi e/o sulle confezioni e nella documentazione dei prodotti. L'utente deve registrare online l'utensile acquistato entro 30 giorni dalla data di acquisto. L'utente può registrarsi per la garanzia prolungata nel proprio paese di residenza, se questo è elencato nel modulo di registrazione online dove questa opzione sia valida. Inoltre gli utenti devono fornire il proprio consenso alla conservazione dei dati da immettere online e devono accettare le condizioni generali. La conferma di registrazione, inviata tramite e-mail, e la fattura originale indicante la data di acquisto, costituiranno la prova della garanzia prolungata.
- La garanzia copre tutti i difetti del prodotto durante il periodo di garanzia, risultati da manodopera o materiali alla data di acquisto. La garanzia è limitata alla riparazione e/o sostituzione e non include alcun altro obbligo quali, a mero titolo esemplificativo, i danni incidentali o consequenziali. La garanzia non è valida se il prodotto è stato usato scorrettamente, in modo contrario al manuale di istruzioni o se è stato collegato in modo errato. La garanzia non è valida per:
 - qualsiasi danno al prodotto dovuto a manutenzione errata;
 - qualsiasi prodotto che sia stato alterato o modificato;
 - qualsiasi prodotto le cui marcature di identificazione originali (marchi di fabbrica, numero di serie) siano state cancellate, alterate o rimosse;
 - qualsiasi danno causato dalla non osservanza delle istruzioni del manuale;
 - qualsiasi prodotto privo di omologazione CE;
 - qualsiasi prodotto che sia stato sottoposto a un tentativo di riparazione da parte di un professionista non qualificato oppure senza la previa autorizzazione di Techtronic Industries;
 - qualsiasi prodotto collegato a un'alimentazione errata (per ampere, tensione, frequenza);
 - qualsiasi prodotto usato con una miscela di carburante errata (carburante, olio, percentuale di olio);
 - qualsiasi danno causato da influenze esterne (chimiche, fisiche, urti) o sostanze estranee;
 - la normale usura delle parti di ricambio;
 - uso inappropriato, sovraccarico dell'utensile;
 - uso di accessori o parti non omologate;
 - accessori per utensili elettrici forniti con l'utensile o acquistati separatamente. Questa esclusione comprende, a mero titolo esemplificativo, punte per cacciaviti, punte per trapani, dischi abrasivi, carta vetrata, lame e guide laterali;
 - componenti (parti e accessori) soggetti alla normale usura compresi, a mero titolo esemplificativo, kit di servizio e manutenzione, spazzole al carbonio, cuscinetti, mandrini, attacchi per punte a vite autoporforante, cavi di alimentazione, maniglie ausiliarie, custodie di trasporto, piastre di levigatura, sacchetti per la polvere, tubi di scarico della polvere, rondelle di feltro, perni e molle per avvitatori ecc.
- Per la manutenzione il prodotto dev'essere spedito o portato presso uno dei centri assistenza autorizzati RYOBI elencati per ogni paese nel seguente elenco di indirizzi dei centri. In alcuni paesi il rivenditore locale RYOBI si incarica di inviare il prodotto all'organizzazione di assistenza RYOBI. Quando si invia un prodotto a un centro assistenza RYOBI, imballarlo in modo sicuro senza contenuti pericolosi come la benzina, apporre l'indirizzo del mittente e accompagnarlo da una breve descrizione del guasto.
- La riparazione/sostituzione ai sensi della presente garanzia è gratuita. Non costituisce un prolungamento o un nuovo inizio del periodo di garanzia. Le parti o gli utensili scambiati diventano di nostra proprietà. In alcuni paesi i costi di consegna o di spedizione postale devono essere pagati dal mittente. I diritti di legge derivanti dall'acquisto dell'utensile rimangono inalterati.
- La presente garanzia è valida in Unione Europea, Svizzera, Islanda, Norvegia, Liechtenstein, Turchia e Russia. Al di fuori di tali aree contattare il rivenditore autorizzato RYOBI per sapere se è valida un'altra garanzia.

CENTRO SERVIZI AUTORIZZATO

Per individuare il più vicino centro servizi autorizzato, visitare il sito <http://uk.ryobitools.eu/header/service-and-support/service-agents>.

NL RYOBI® GARANTIEVOORWAARDEN

Naast de wettelijke rechten die voortvloeien uit de aankoop, wordt dit product gedekt door een garantie, zoals hieronder staat vermeld.

- De garantietermijn voor consumenten bedraagt 24 maanden en gaat in op de datum waarop het product is gekocht. Deze datum moet worden gedocumenteerd met een factuur of een ander aankoopbewijs. Het product is uitsluitend ontworpen en bedoeld voor persoonlijk gebruik door consumenten. Er wordt dus geen garantie gegeven voor professioneel of commercieel gebruik.
- Voor een deel van ons aanbod van elektrische gereedschappen (AC/DC) is het mogelijk om de garantietermijn te verlengen over de boven beschreven termijn, met behulp van de website www.ryobitools.eu. De gereedschappen die in aanmerking komen voor de verlenging van de garantietermijn wordt duidelijk weergegeven in winkels en/of verpakkingen en staat beschreven in de productdocumentatie. De eindgebruiker moet zijn/haar nieuw gekochte gereedschappen binnen 30 dagen na aankoop online registreren. De eindgebruiker kan zich registreren voor de verlengde garantietermijn als zijn woonland staat vermeld op het online registratieformulier waar deze optie geldig is. Bovendien moeten eindgebruikers toestemming geven voor de opslag van de gegevens die online ingevuld moeten worden en moeten ze de algemene voorwaarden accepteren. Het ontvangsbewijs van de registratie, dat per e-mail wordt verzonden en de oorspronkelijke factuur met de aankoopdatum vormt het bewijs van de verlengde garantietermijn.
- De garantie dekt tijdens de garantietermijn alle gebreken van het product vanwege defecten in vakmanschap of materiaal op de aankoopdatum. De garantie is beperkt tot reparatie en/of vervanging en bevat geen andere verplichtingen, waaronder maar niet beperkt tot incidentele of gevolgschade. De garantie is niet geldig als het product is misbruikt, in strijd met de gebruiksaanwijzing wordt gebruikt of onjuist is aangesloten. Deze garantie geldt niet voor:
 - alle schade aan het product die het gevolg is van onjuist onderhoud
 - elk product dat is veranderd of aangepast
 - elk product waar de oorspronkelijke identificatie (handelsmerk, serienummer) is beschadigd, gewijzigd of verwijderd
 - alle schade die is veroorzaakt door het niet opvolgen van de gebruiksaanwijzing
 - elk niet-CE-product
 - elk product waar een poging tot reparatie is gedaan door een niet-erkende professional of zonder voorafgaande toestemming door Techtronic Industries.
 - elk product dat is verbonden met een verkeerde voeding (amperage, spanning, frequentie)
 - elk product dat wordt gebruikt met een verkeerd brandstofmengsel (brandstof, olie, oliegehalte)
 - alle schade die is veroorzaakt door externe invloeden (chemisch, fysisch, schokken) of vreemde stoffen
 - normale slijtage van reserveonderdelen
 - ongepast gebruik, overbelasting van het gereedschap
 - gebruik van niet-goedgekeurde accessoires of onderdelen
 - gereedschapsaccessoires die bij het gereedschap worden geleverd of afzonderlijk zijn aangeschaft. Zulke uitzonderingen bevatten, maar niet beperkt tot schroevendraaierbits, boorbits, slijpschijven, schuurpapier en zagen, laterale geleiding
 - Componenten (onderdelen en accessoires) die onderhevig zijn aan natuurlijke slijtage, waaronder maar niet beperkt tot service- en onderhoudsets, koolstofborstels, lagers, boorkoppen, SDS boorbitbevestigingen of ontvangers, stroomsoeren, hulpgrepen, transporttassen, schuurplateaus, stofzakken, stofafvoerbuizen, viltlingen, pennen en veren van slagmoersleutels, etc.
- Voor onderhoud moet het product worden verzonden of gebracht naar een erkend servicestation van RYOBI die voor elk land staan vermeld in de volgende lijst met adressen voor servicestations. In sommige landen zal uw lokale RYOBI-dealer het product verzenden naar de RYOBI-serviceorganisatie. Wanneer u het product naar een servicestation van RYOBI verzendt, moet het product veilig worden verpakt zonder enige gevaarlijke inhoud, zoals benzine, met het adres van de afzender en vergezeld van een korte beschrijving van het defect.
- Een reparatie/vervanging die onder deze garantie valt is gratis. Het vormt geen verlenging of een nieuwe start van de garantietermijn. Verwisselde onderdelen of gereedschappen worden ons eigendom. In sommige landen moeten de verzendkosten door de afzender worden betaald. Uw wettelijke rechten die voortvloeien uit de aankoop van het gereedschap blijven onaangetast.
- Deze garantie is geldig in de Europese Gemeenschap, Zwitserland, IJsland, Noorwegen, Liechtenstein, Turkije en Rusland. Buiten deze gebieden moet u contact opnemen met uw erkende RYOBI-dealer om vast te stellen of er een andere garantie van toepassing is.

GEAUTORISEERD ONDERHOUDSCENTRUM

Om een geautoriseerd onderhoudscentrum in uw buurt te vinden, surf u naar <http://uk.ryobitools.eu/header/service-and-support/service-agents>.



PT CONDIÇÕES DE APLICAÇÃO DA GARANTIA RYOBI®

Para além de quaisquer direitos previstos por lei resultantes da compra, este produto está coberto por uma garantia conforme descrição abaixo.

- O período da garantia é de 24 meses para consumidores particulares e inicia-se na data de compra do produto. Esta data tem de ser documentada por uma factura ou por outra prova de compra. O produto foi concebido para e destina-se apenas a consumidores particulares e uso privado. Assim, não é dada garantia em caso de utilização por profissionais ou uso comercial.
- Para uma parte da gama de ferramentas eléctricas (AC/DC) existe a possibilidade de prolongamento do período da garantia para além do período descrito acima, mediante registo no Web site www.ryobitools.eu. A elegibilidade das ferramentas para prolongamento do período da garantia é claramente visível nas lojas e/ou nas embalagens e está contida na documentação do produto. O utilizador final tem de fazer o registo online das suas ferramentas recém-adquiridas no prazo de 30 dias após a data de compra. O utilizador final pode fazer o registo para prolongamento da garantia no seu país de residência, desde que esteja listado no formulário de registo online e para os casos em que esta opção seja válida. Para além disso, os utilizadores finais têm de autorizar o armazenamento dos dados cujo preenchimento lhes for solicitado online e têm de aceitar os termos e as condições. O recibo de confirmação do registo é enviado por e-mail e, em conjunto com a factura original ostentando a data de compra, servirá de prova do prolongamento da garantia.
- A garantia cobre todos os defeitos do produto durante o período da garantia devidos a defeitos de fabrico ou de material à data da compra. A garantia está limitada à reparação e/ou substituição e não inclui quaisquer outras obrigações, incluindo mas não se limitando a, perdas complementares ou indirectas. A garantia não é válida se o produto tiver sido utilizado incorrectamente, utilizado de forma contrária ao Manual de Instruções ou se as respectivas ligações tiverem sido feitas incorrectamente. Esta garantia não se aplica ao seguinte:
 - quaisquer danos ao produto que sejam resultado de manutenção incorrecta
 - qualquer produto que tenha sido alterado ou modificado
 - qualquer produto cujas marcações de identificação de origem (marca comercial, número de série) tiverem sido apagadas, alteradas ou retiradas
 - quaisquer danos causados pelo incumprimento do Manual de Instruções
 - qualquer produto que não seja da Comunidade Europeia
 - qualquer produto ao qual tenha sido feita, ou tentada fazer, uma reparação por outra pessoa que não um profissional habilitado ou sem autorização prévia da Techtronic Industries.
 - qualquer produto ligado a uma fonte de alimentação eléctrica incorrecta (Amperes, Voltagem e Frequência)
 - qualquer produto utilizado com uma mistura de combustível incorrecta (combustível, óleo, percentagem de óleo)
 - qualquer dano causado por influências externas (químicas, físicas, impactos) ou substâncias estranhas
 - desgaste e degradação normal de sobresselentes
 - utilização incorrecta, sobrecarga da ferramenta
 - utilização de acessórios ou peças não aprovados
 - acessórios para ferramentas eléctricas fornecidos com a ferramenta ou comprados em separado. Estas exclusões incluem mas não se limitam a, pontas de aparafusadora, brocas, discos abrasivos, papel de lixa e lâminas, guia lateral
 - Componentes (peças e acessórios) sujeitos a desgaste e degradação natural, incluindo mas não se limitando a, Kits de Assistência e Manutenção, escovas de carbono, rolamentos, bucha, acessórios ou receptores de brocas SDS, cabos eléctricos, pegas auxiliares, estojos de transporte, placas de lixagem, molas de poeiras, tubos de saída de poeiras, anilhas de feltro, pinos e molas da aparafusadora de impacto, etc.
- Para assistência, o produto tem de ser enviado para, ou apresentado em, um posto de assistência autorizado RYOBI, conforme listado para cada país na lista de moradas de postos de assistência seguinte. Nalguns países, o seu concessionário RYOBI local encarrega-se de enviar o produto para a organização de assistência RYOBI. Quando enviar um produto para um posto de assistência RYOBI, o produto deve ser embalado de forma segura, sem conter nenhuns conteúdos perigosos (por exemplo, gasolina), marcado com o endereço do remetente e acompanhado por uma breve descrição da avaria.
- Uma reparação/substituição ao abrigo desta garantia é gratuita. Não constitui um prolongamento a, nem um novo início de, o período da garantia. As peças ou ferramentas substituídas tornam-se propriedade nossa. Nalguns países, o remetente terá de pagar os custos de entrega ou a remessa postal. Os seus direitos previstos por lei resultantes da compra da ferramenta mantêm-se inalterados
- Esta garantia é válida na Comunidade Europeia, Suíça, Islândia, Noruega, Liechtenstein, Turquia e Rússia. Fora destas áreas, entre em contacto com o seu concessionário autorizado RYOBI para determinar se existe outra garantia aplicável.

CENTRO DE ASSISTÊNCIA AUTORIZADO

Para encontrar um centro de assistência autorizado próximo de si, visite <http://uk.ryobitools.eu/header/service-and-support/service-agents>.

DA RYOBI® BETINGELSER FOR GARANTI

Udover lovbestemte rettigheder, som resulterer af købet, er dette produkt dækket af en garanti, som anføres herunder.

- Garantiperioden er 24 måneder for forbrugere og begynder på den dato, som produktet blev købt. Denne dato skal dokumenteres af en faktura eller andet bevis for køb. Produktet er udelukkende designet og dedikeret til forbrugere og privat brug. Så der ydes ingen garanti i tilfælde af professionel eller kommerciel brug.
- Der er en mulighed for at forlænge garantiperioden for en del af udvalget af elværktøj (AC/DC), hen over den ovenfor beskrevne periode vha. registrering på hjemmesiden www.ryobitools.eu. Berettigelsen af værktøjet til forlængelse af garantiperioden er tydeligt vist i butikker og/eller på emballage/og indeholdt i produktokumentationen. Slutbrugeren skal registrere hans/hendes nyligt indkøbte værktøj online indenfor 30 dage efter købsdatoen. Slutbrugeren kan registrere sig for den forlængede garanti i sit land, hvis han/hun er opført på den online registreringsformular, hvor denne mulighed er gyldig. Derudover skal slutbrugere give deres samtykke til at opbevare data, som er påkrævet at indtaste online, og de er nødt til at acceptere vilkår og betingelser. Registreringsbekræftelseskvitteringen, som sendes ud på e-mail, og den originale faktura, som viser købsdatoen, vil fungere som bevis for den forlængede garanti.
- Garantien dækker alle defekter, som et produkt måtte have i løbet af garantiperioden, og som skyldes fejl i håndværk eller materiale på købsdatoen. Garantien er begrænset til reparation og/eller udfiskning og inkluderer ikke andre forpligtelser, inklusiv men ikke begrænset til tilfældige skader eller følgeskader. Garantien er ugyldig, hvis produktet er blevet misbrugt, brugt uden at overholde vejledningen, eller det er blevet forkert tilsat. Denne garanti gælder ikke:
 - Beskadigelse af produktet, som er et resultat af uegnet vedligeholdelse
 - Et produkt der er blevet ændret eller modificeret
 - Et produkt hvor de originale identifikationsmærkninger (varemærke, serienummer) er blevet ødelagt, ændret eller fjernet.
 - Enhver beskadigelse forårsaget af manglende overholdelse af vejledningen
 - Ethvert CE-produkt
 - Ethvert produkt som er blevet forsøgt repareret af en ukvalificeret professionel eller uden tidligere autorisation af Techtronic Industries.
 - Ethvert produkt som er tilsat uegnet strømforsyning (ampere, spænding, frekvens)
 - Ethvert produkt som bruges med uegnet brændstofblandning (brændstof, olie, procentdel olie)
 - Enhver skade forårsaget af ekstern påvirkning (kemisk, fysisk, chok) eller fremmedlegemer
 - Normal slid på reservedele
 - Uegnet brug, overbelastning af værktøjet
 - Brug af ikke-godkendt tilbehør eller dele
 - Elværktøjstilbehør som leveres med værktøjet eller købes separat. Sådanne undtagelser inkluderer men er ikke begrænset til skruetrækkerbits, borebits, slibeskiver, sandpapir og klinger, sidestyr
 - Komponenter (dele og tilbehør) som er udsat for naturligt slid og ælde, inklusiv men ikke begrænset til Service- og vedligeholdelsessæt, kulbørster, lejer, bøsninger, påsætning eller modtagelse af SDS-borrit, strømledning, hjælpehåndtag, transporttaske, sandplade, støvpose, støvsugningslange, filtskiver, nåle og fjædre slagnagle etc.
- For eftersyn skal produktet sendes til eller præsenteres for en RYOBI-autoriseret servicestation, som er oplyst for hvert land i den følgende liste over servicestationsadresser. I nogle lande påtager din lokale RYOBI-forhandler sig ansvaret for at sende produktet til RYOBI-serviceorganisationen. Når et produkt sendes til en RYOBI-servicestation, skal det pakkes sikkert ind uden noget farligt indhold som benzín, mærkes med afsenders adresse og med en kort beskrivelse af fejlen.
- En reparation/erstatning under denne garanti er gratis. Den udgør ikke en forlængelse eller en ny start på garantiperioden. Udvekslede dele eller værktøjer bliver vores ejendom. I nogle lande skal leveringsafgifter eller porto betales af afsenderen. Dine lovbestemte rettigheder i forbindelse med købet forbliver uanfægtede
- Denne garanti gælder i EU, Schweiz, Island, Norge, Liechtenstein, Tyrkiet og Rusland. Udenfor disse områder bedes du kontakte din autoriserede RYOBI-forhandler for at afgøre, om en anden garanti gælder.

AUTORISEREDE SERVICE/ÆRKSTEDER

Find nærmeste autoriserede serviceværksted på <http://dk.ryobitools.eu/header/service-and-support/service-agents>.

SV RYOBI® ANVÄNDNINGSVILLKOR FÖR GARANTI

Förutom eventuella lagstadgade rättigheter som uppstår genom köpet, täcks den här produkten av en garanti som anges nedan.

1. Garantiperioden är 24 månader för konsumenter och börjar gälla från det datum då produkten köptes. Detta datum måste dokumenteras på en faktura eller annat köpbevis. Produkten är utformad och avsedd för konsumenter och privat bruk. Därmed tillhandahålls ingen garanti vid yrkesmässigt eller kommersiellt bruk.
2. Det finns möjlighet att förlänga garantiperioden för en del av utbudet för elverktyg (AC/DC) under den period som anges ovan genom att använda registreringen på webbplatsen www.ryobitools.eu. De verktyg som är berättigade till en förlängning av garantiperioden visas tydligt i butiker och/eller på förpackningen/och anges i produktdokumentationen. Slut användaren behöver registrera hans/hennes nyförvärvade verktyg online inom 30 dagar från köpdatumet. Slut användaren kan registrera sig för den förlängda garantin i det land där han/hon bor om landet finns angivet i registreringsformuläret online och där detta alternativ är giltigt. Dessutom måste slut användaren ge sitt medgivande till lagring av data vilket krävs vid registrering online samt acceptera villkoren. Bekräftelsekvittot för registreringen som skickas ut via e-post och originalfakturan som visar köpdatumet kommer att gälla som bevis för den förlängda garantin.
3. Garantin täcker alla produktdefekter under garantiperioden som beror på brister i utförande eller material vid köpdatumet. Garantin är begränsad gällande reparation och/eller utbyte och inkluderar inte några skyldigheter inklusive men inte begränsat till oförutsedda skador eller följdskador. Garantin är inte giltig om produkten har missbrukats, använts i strid med bruksanvisningen eller inte anslutits på rätt sätt. Denna garanti täcker inte:
 - eventuella skador på produkten som uppstått till följd av felaktigt underhåll
 - produkter som har ändrats eller modifierats
 - produkter där ursprungliga identifieringsmärkning (varumärke, serienummer) har målats över, ändrats eller tagits bort
 - eventuella skador som uppstått till följd av att bruksanvisningen inte efterföljts
 - alla icke CE-produkter
 - eventuella produkter som har försökts repareras av en icke-kvalificerad yrkesman eller utan föregående medgivande från Techtronic Industries.
 - eventuella produkter som anslutits till felaktig strömförsörjning (ampere, volt, frekvens)
 - eventuella produkter som använts med olämplig bränsleblandning (bränsle, olja, oljeprocent)
 - eventuella skador som uppstått till följd av yttre påverkan (kemisk, fysisk, stötar) eller främmande ämnen
 - normalt slitage av reservdelar
 - olämplig användning, överbelastning av verktyget
 - användningen av icke-godkända tillbehör eller delar
 - tillbehör till elverktyg som medförde verktyget efter köpts separat. Sådana undantag inkluderar men är inte begränsat till skruvmejselbits, borrarbiter, slipskivor, sandpapper, blad och sidoskena
 - Komponenter (delar och tillbehör) är föremål för naturligt slitage, inklusive men inte begränsat till service- och underhållsatsar, kolborstar, kullager, chuck, tillbehör eller tillhörande SDS-borrbiter, strömsladd, hjälphandtag, transportväska, slipplatta, dammpåse, dammtubslåsor, filterbrickor, stift och fjädrar till mutterdragare osv.
4. Vid service måste produkten skickas eller uppvisas för en RYOBI- auktoriserad servicestation som står angiven för varje land i följande adresslista över servicestationer. I vissa länder tar din lokala RYOBI- återförsäljare på sig ansvaret att skicka produkten till RYOBI- serviceorganisationen. När en produkt skickas till en RYOBI- servicestation, ska produkten paketeras säkert utan något farligt innehåll såsom bensin, markeras med avsändarens adress samt en kort beskrivning av felet.
5. En reparation/ett utbyte under denna garanti är kostnadsfri. Det utgår inte en förlängning eller förmån av garantiperioden. Utbyta delar eller verktyg blir vår egendom. I vissa länder måste leveranskostnader eller porto betalas av avsändaren. Dina lagstadgade rättigheter som härrör från köpet av verktyget förblir opåverkade
6. Denna garanti är giltig i Europeiska gemenskapen: Schweiz, Island, Norge, Liechtenstein, Turkiet och Ryssland. Utanför dessa länder, kontakta din auktoriserade RYOBI-återförsäljare för att avgöra om en annan garanti gäller.

AUKTORISERAT SERVICECENTER

Du hittar närmaste auktoriserade servicecenter genom att gå till <http://uk.ryobitools.eu/header/service-and-support/service-agents>.

FI RYOBI®-TAKUUN SOVELTAMISEHDOT

Tällä tuotteella on oston luomien lakisääteiden oikeuksien ohella alla mainitun mukainen takuu.

1. Takuun kesto on kuluttajille 24 kuukautta ja takuu-aika alkaa tuotteen ostohetkestä. Tämän päivämäärän tulee lukea laskussa tai muussa ostotositteessa. Tuote on suunniteltu ja tarkoitettu vain kuluttajien ja yksityiseen käyttöön. Takuu ei siis kata ammatti- eikä kaupallista käyttöä.
2. Joidenkin sähkötyökalujen (AC/DC) takuun kestoa on mahdollista laajentaa yllä mainittua kestoa pidemmäksi verkkosivuston www.ryobitools.eu rekisteröinnin kautta. Työkalujen kelpoisuus takuujakson laajennukseen näkyy selkeästi myymälöissä ja/tai pakkauksissa ja/tai tämä tieto sisältyy tuotedokumentaation. Loppukäyttäjän täytyy rekisteröidä vasta hankitut työkalut internetissä 30 päivän kuluessa ostopäivämäärästä. Loppukäyttäjä voi rekisteröidä laajennetun takuun kotimaassaan, jos se on luettuna online-rekisteröintilomakkeessa, jossa mainitaan, missä tämä vaihtoehto on voimassa. Loppukäyttäjien täytyy lisäksi hyväksyä tietojen tallennus, jotka heidän täytyy antaa online-talissa sekä ehdot. Rekisteröinnin vahvistuskuiti, joka lähetetään sähköpostitse, ja alkupeuran ostopäivämäärän ilmaiseva lasku toimivat laajennetun takuun tositteina.
3. Takuu kattaa kaikki tuotteeseen takuuajana tulevat vikat, joiden aiheuttajina ovat tuotteessa ostopäivänä olleet valmistus- tai materiaaliavut. Takuu on rajoitettu korjaukseen ja/tai vaihtoon eikä se sisällä mitään muita velvoitteita mukaan lukien satunnais- ja seurannaisvaihkoja, mutta rajoittumatta niihin. Takuu ei päde, jos tuotetta on käyretty väärin, käyttöohjeen vastaisesti tai jos se on liitetty virheellisesti. Tämä takuu ei kata:
 - virheellisestä huollosta johtuvia vaurioita
 - muunnettua tai muutettua tuotetta
 - tuotetta, jonka alkupeuraiset tunnistemerkinnät (tavaramerkki, sarjanumero) on turmeltu, muutettu tai poistettu
 - tämän käyttöoppaan laiminlyönneistä johtuvia vaurioita
 - ei-CE-tuotetta
 - tuotetta, jota on yrittänyt korjata epäpätevä ammattilainen tai joka on korjattu ilman Techtronic Industriesin ennakkolupaa.
 - tuotetta, joka on liitetty virheelliseen teholahteeseen (ampeirit, jännite, taajuus)
 - tuotetta, jossa on käyretty väärää polttoaineseosta (polttoaine, öljy, öljyprosentti)
 - ulkoisten vaikutusten (kemiallinen, fyysinen, iskut) tai vieraiden aineiden aiheuttamaa vauriota
 - normaaleja kuluvia varaosia
 - virheellistä käyttöä, työkalun ylikuormitusta
 - ei-hyväksytyjen tarvikkeiden tai osien käyttöä
 - sähkötyökalun tarvikkeita, jotka on toimitettu työkalun mukana tai ostettu erikseen. Poissuljettuja osia ovat ruuvausterät, poranterät, hiomalaikat, hiekkapaperi ja terät, sivuohjain, näihin kuitenkaan rajoittumatta
 - Luonnollisesti kuluvia komponentteja (osia tai tarvikkeita), joihin sisältyvät huolto- ja kunnossapitosefit, hiiliharjat, laakerit, teräistukat, SDS-porian kiinnitin tai istukka, virtajohto, apukahva, kuljetuskotelo, hiomalaikka, pölypussi, näölypoistoputki, huopatiivisteet, iskunvääntimen pultit ja jouset yms. näihin kuitenkaan rajoittumatta.
4. Tuote on lähetettävä huollettavaksi valtuutettuun RYOBI-huoltoon tai näyteltävä siellä. Niiden osoitteet kussakin maassa löytyvät seuraavasta luettelosta. Joissakin maissa paikallinen RYOBI-jälleenmyyjä huolehtii tuotteen lähetyksestä RYOBI-huolto-organisaatioon. Kun tuote lähetetään RYOBI-huoltoon, se täytyy pakata hyvin ilman vaarallisia aineita, kuten polttoainetta, ja pakkaukseen täytyy merkitä lähittäjän nimi sekä vain lyhyt kuvaus.
5. Takuun kattama korjaus/vaihto on maksuton. Se ei tarkoita takuujan laajennusta tai alkamista alusta. Vaihdetut osat tai työkalut siirtyvät valmistajan omistukseen. Joissakin maissa lähittäjän täytyy maksaa lähetyskustannukset tai postikulut. Työkalun oston luomat lakisääteiset oikeudet pysyvät koskemattomina
6. Tämä takuu on voimassa Euroopan yhteisössä, Sveitsissä, Islannissa, Norjassa, Liechtensteinissa, Turkissa ja Venäjällä. Ota näiden alueiden ulkopuolella yhteyttä omaan valtuutettuun RYOBI-jälleenmyyjään ja selvitä, onko jotain muuta takuuta.

VALTUUTETTU HUOLTO

Voit etsiä lähimmän valtuutetun huollon sivulta <http://fi.ryobitools.eu/header/service-and-support/service-agents>.

NO RYOBI® GARANTIBETINGELSER

I tillegg til eventuelle lovbestemte rettigheter som følger av kjøpet, er dette produktet dekket av en garanti som angitt nedenfor.

1. Garantiperioden er 24 måneder for konsumenter og gjelder fra den datoen som produktet ble kjøpt. Denne datoen skal dokumenteres med en faktura eller annet kjøpsbevis. Produktet er designet og beregnet kun til konsument- og privat bruk. Så det gis ingen garanti ved profesjonell eller kommersiell bruk.
2. For en del av utvalget av elektriske verktøy (AC/DC) er det mulighet til å utvide garantiperioden i den perioden som er beskrevet ovenfor ved bruk av registreringer på nettsidene www.ryobitools.eu. Kvalifiseringsen av verktøyene for en utvidelse av garantiperioden er tydelig vist i butikker og Teller på pakningen / og finnes innen produktdokumentasjonen. Slutbrukeren må registrere sine nylig anskaffede verktøy online innen 30 dager etter kjøpsdato. Slutbrukeren kan registrere seg for den utvidede garantien i sitt land hvis det er opplistet på online registreringsskjemaet der dette alternativet er gyldig. Videre må slutbrukere gi sitt samtykke til oppbevaring av dataene som kreves for å gå online, og de må godta vilkår og betingelser. Registreringsbekreftelsen, som sendes ut på e-post, og den originale fakturaen som viser kjøpsdato, vil tjene som bevis for den utvidede garantien.
3. Garantien dekker alle defekter i produktet under garantiperioden på grunn av defekter i utførelse eller materiale på kjøpsdato. Garantien er begrenset til å reparere og/eller erstatte og inkluderer ikke noen andre forpliktelser, inkludert, men ikke begrenset til, tilfeldige eller følgesmessige skader. Garantien er ikke gyldig hvis produktet har blitt misbrukt, brukt på annen måte enn det som beskrives i bruksanvisningen eller er koblet til på feil måte. Denne garantien gjelder ikke for:
 - enhver skade på produktet som er resultat av uliterskkelig vedlikehold
 - ethvert produkt som har blitt endret eller modifisert
 - ethvert produkt der de originale identifiseringsmerkene (varemerke, serienummer) har blitt uleselig, er endret eller fjernet
 - enhver skade som forårsakes av ikke-overholdelse av instruksjonshåndboken
 - ethvert ikke-CE-produkt
 - ethvert produkt som har blitt forsøkt reparert eller av en ikke-kvalifisert fagperson eller uten tidligere autorisasjon fra Technonic Industries.
 - ethvert produkt tilkoblet feil strømforsyning (ampere, spenning, frekvens)
 - ethvert produkt som brukes med feil drivstoffblanding (drivstoff, olje, prosentandel olje)
 - enhver skade som er forårsaket av eksterne påvirkninger (kjemiske, fysiske, støt) eller fremmede stoffer
 - normal slitasje og slitereservedeler
 - feil bruk, overbelastning av verktøyet
 - bruk av ikke-godkjent tilbehør eller deler
 - Elektrisk verktøytilbehør levert med verktøyet eller kjøpt separat. Slike ekskluderinger, inkludert, men ikke begrenset til skrutrekkerbits, drillbits, slipeskiver, sandpapir og blader, lateral føring
 - Komponenter (deler og tilbehør) som er utsatt for naturlig slitasje, inkludert, men ikke begrenset til service- og vedlikeholdssett, karbonborer, lagre, chuck, SDS-borblifeste eller -mottak, strømledning, hjelpéhåndtak, transportbæreskive, sandingsplate, støvpose, støvstøpsprør, filtpakninger, støtnøkkelpinner og fjær, osv.
4. For service må produktet sendes eller fremlegges for en RYOBI- autorisert servicestasjon opplistet for hvert land i den følgende listen over servicestasjonsadresser. I noen land sender den lokale RYOBI-forhandleren produktet til RYOBI serviceorganisasjonen. Ved å sende et produkt til en RYOBI servicestasjon skal produktet være sikkert pakket uten noe farlig innhold, slik som bensin, merket med senderens adresse og fulgt av en kort beskrivelse av feilen.
5. En reparasjon/erstatning under denne garantien er gratis. Den utgjør ingen forlengelse eller en ny start av garantiperioden. Utskiftede deler eller verktøy blir vår eiendom. I noen land vil leveringskostnader eller fraktering måtte betales av senderen. Dine lovbestemte rettigheter som oppstår fra kjøp av verktøyet forblir uberørt.
6. Denne garantien er gyldig i EU, Sveits, Island, Norge, Liechtenstein, Tyrkia og Russland. Utenfor disse områdene ta kontakt med din autoriserte RYOBI-forhandler om en annen garanti gjelder.

AUTORISERT SERVICESENTER

For å finne et autorisert servicecenter i nærheten, gå til <http://no.ryobitools.eu/header/service-and-support/service-agents>.

RU УСЛОВИЯ ПРИМЕНЕНИЯ ГАРАНТИИ НА ПРОДУКЦИЮ RYOBI®

Помимо законных прав, возникающих при покупке, данное изделие покрывается гарантией в соответствии с приведенными ниже пунктами.

1. Гарантийный период для покупателя составляет 24 месяца с даты покупки изделия. Дата покупки должна быть подтверждена счетом или другим свидетельством покупки. Данное изделие предназначено только для частного использования покупателем. Поэтому гарантия не распространяется на использование в профессиональных или коммерческих целях.
2. Предусмотрена возможность продления для части изделий линейки электроинструментов (AC/DC) гарантийного периода с помощью регистрации на сайте www.ryobitools.eu. Право инструмента на продление гарантийного периода четко указано в магазинах и / или на упаковке / и содержится в сопутствующей инструменту документации. Конечный пользователь должен зарегистрировать свой приобретенный инструмент в течение 30 дней с даты покупки. Конечный пользователь может зарегистрировать свой инструмент на продление гарантии в стране своего проживания, если она указана в форме онлайн-регистрации. Кроме того, конечный пользователь должен дать свое согласие на хранение данных, которые необходимо ввести в онлайн-форму и принять правила и условия. Подтверждение регистрации, которое вы получите по электронной почте и оригинальный чек, в котором указана дата покупки, будут служить доказательством продленной гарантии.
3. Гарантия покрывает в течение гарантийного периода все дефекты качества или материала изделия на дату покупки. Гарантия ограничена ремонтом и / или заменой и не включает никакие другие обязательства, включая, но не ограничиваясь случайными или косвенными убытками. Гарантия становится недействительной, если изделие использовалось не по назначению, вопреки инструкциям, данным в Руководстве пользователя или было неправильно подключено. Настоящая гарантия не распространяется на:
 - любые повреждения изделия в результате неправильного технического обслуживания
 - любые изделия, подвергшиеся изменениям и модификации
 - любые изделия, оригинальные идентификационные отметки которого (торговая марка, серийный номер) были повреждены, изменены или удалены
 - любые повреждения, вызванные несоблюдением инструкций Руководства пользователя
 - любые изделия, не относящиеся к CE
 - любые изделия, подвергшиеся попыткам ремонта неквалифицированным работником или без предварительного утверждения компанией Technonic Industries.
 - любые изделия, подключенные к неправильному источнику питания (сила тока, напряжение, частота)
 - любые изделия, в которых использовались несоответствующие топливные смеси (топливо, масло, процент масла)
 - любые повреждения, вызванные внешними воздействиями (химические, физические, удары) или посторонними веществами
 - нормальный износ и разрыв запчастей
 - несоответствующее использование, перегрузка инструмента
 - использование неутвержденных аксессуаров и запчастей
 - аксессуары электроинструментов, поставляемые с инструментом или приобретаемые отдельно. Такие исключения включают, но не ограничиваются сверла шуруповертов, дрелей, абразивные диски, наждачную бумагу, лезвия и боковые направляющие
 - компоненты (детали и аксессуары), подверженные естественному износу и разрыву, включая, но не ограничиваясь наборы для технического обслуживания, угольные щетки, подшипники, патроны, насадки сверл SDS, кабели питания, дополнительные ручки, футляры для транспортировки, шифровальные плиты, пылеприемники, трубки для отсасывания пыли, войлочные шайбы, штыри и пружины ударных ключей и др.
4. Для проведения технического обслуживания изделие следует направлять в авторизованные сервисные центры RYOBI, указанные для каждой страны в приведенном ниже списке адресов станций сервисного обслуживания. В некоторых странах местные дилеры RYOBI отправляют изделия в сервисные организации RYOBI. При отправке изделия в сервисный центр RYOBI, изделие должно быть безопасно упаковано и не содержать никаких опасных веществ, таких как бензин, должен быть подписан адрес отправителя и сопровождаться кратким описанием неисправности.
5. Ремонт / замена проводится в рамках настоящей гарантии бесплатно. Он не продлевает гарантию и не начинает новый гарантийный период. Замененные детали и инструменты становятся нашей собственностью. В некоторых странах отправитель должен оплачивать стоимость отправки. Ваши законные права, возникающие при покупке инструмента, остаются неизменными
6. Данная гарантия действительна в Европейском Сообществе, Швейцарии, Исландии, Норвегии, Лихтенштейне, Турции и России. Вне указанных территорий обращайтесь к своему авторизованному дилеру RYOBI, чтобы узнать, применяются ли условия каких-либо других гарантий.

УПОЛНОМОЧЕННЫЙ СЕРВИСНЫЙ ЦЕНТР

Чтобы найти ближайший уполномоченный сервисный центр, обратитесь к веб-сайту <http://uk.ryobitools.eu/header/service-and-support/service-agents>

PL WARUNKI GWARANCJI RYOBI®

Oprócz praw ustawowych wynikających z zakupu produkt jest objęty gwarancją, której warunki podano poniżej.

- Okres gwarancyjny wynosi 24 miesiące dla konsumentów i rozpoczyna się w dniu zakupu produktu. Datę zakupu należy udokumentować fakturą lub innym dowodem zakupu. Produkt został zaprojektowany i jest przeznaczony do użytku konsumpcyjnego i prywatnego. W związku z tym gwarancja nie obejmuje zastosowań profesjonalnych i komercyjnych.
- Istnieje możliwość wydłużenia okresu gwarancyjnego dla części asortymentu narzędzi ręcznych z napędem mechanicznym (AC/DC) poprzez zarejestrowanie produktu na stronie internetowej www.ryobitools.eu. Kwalifikowalność narzędzi do wydłużenia okresu gwarancyjnego jest wyraźnie określona w sklepach i/lub na opakowaniu oraz w dokumentacji produktu. Użytkownik końcowy musi zarejestrować nowo kupione narzędzia online w ciągu 30 dni od daty zakupu. Użytkownik końcowy może zarejestrować się w celu przedłużenia gwarancji w swoim kraju zamieszkania, jeżeli jest on wymieniony w formularzu rejestracji online, gdzie opcja ta obowiązuje. Ponadto użytkownicy końcowi muszą wyrazić zgodę na przechowywanie danych, wprowadzanych na stronie internetowej i zaakceptować regulamin. Dowodem wydłużenia gwarancji jest wysłane połączoną elektroniczną potwierdzenie rejestracji i oryginał faktury potwierdzającej datę zakupu.
- Gwarancja obejmuje wszystkie wady produktu ujawnione w okresie gwarancyjnym wynikające z usterki wykonania lub materiału obecnego w dniu zakupu. Gwarancja jest ograniczona do naprawy i/lub wymiany i nie obejmuje żadnych innych zobowiązań, w tym między innymi odpowiedzialności za szkody przypadkowe lub wtórne. Gwarancja nie obowiązuje, jeżeli produkt był nieprawidłowo używany, używany niezgodnie z instrukcją lub nie był prawidłowo podłączony. Gwarancja nie obejmuje:
 - uszkodzenia produktu wynikającego z nieprawidłowej konserwacji,
 - produktu, który został zmieniony lub zmodyfikowany,
 - produktu, którego oryginalne oznaczenie (znak towarowy, numer seryjny) zostało zniszczone, zmienione lub usunięte,
 - jakichkolwiek uszkodzeń wynikających z nieprzestrzegania instrukcji,
 - jakiegokolwiek produktu bez certyfikatu CE,
 - jakiegokolwiek produktu, który próbowano naprawić z pomocą niewykwalifikowanej osoby lub bez uzyskania wcześniejszej zgody firmy Techtronic Industries.
 - jakiegokolwiek produktu podłączonego nie prawidłowego źródła zasilania (nieprawidłowe napięcie prądu, napięcie, częstotliwość),
 - jakiegokolwiek produktu, który był używany z nieprawidłową mieszanką paliwową (paliwo, olej, procentowy udział oleju),
 - jakichkolwiek uszkodzeń spowodowanych wpływem czynników zewnętrznych (chemicznych, fizycznych, drgań) lub substancji obcych,
 - normalnego zużycia części zamiennych,
 - nieprawidłowego użycia, przecięcia narzędzia,
 - stosowania niezatwierdzonych akcesoriów lub części,
 - akcesoriów narzędzi ręcznych z napędem mechanicznym dostarczonych z narzędziem lub kupionych oddzielnie. Takie wykluczenia obejmują, między innymi, wymienne ostrza wkrętaka, wiertła, tarcze cierne, papier ścierny i ostrza, przewodniczącą boczną,
 - elementów (części i akcesoriów) podlegających naturalnemu zużyciu obejmujących, między innymi, zestawy do konserwacji i serwisu, szczotki węglowe, łożyska, uchwyty, przystawkę wiertła SDS, gniazdo, przewód zasilania, uchwyty pomocnicze, skrzynię transportową, płytę szlifarską, worek pyłowy, rurę odprowadzania pyłu, podkładki filcowe, kółki i sprężyny klucza udarowego itp.
- W celu serwisowania produkt należy wysłać lub okazać w autoryzowanym punkcie serwisowym RYOBI znajdującym się na przedstawionym poniżej wykazie punktów serwisowych w poszczególnych krajach. W niektórych krajach lokalny dystrybutor produktów RYOBI podejmuje się wysyłki produktu do centrum serwisowego RYOBI. W przypadku wysyłki do punktu serwisowego RYOBI produkt — pozbawiony jakiegokolwiek niebezpiecznych substancji, na przykład benzyny — należy bezpiecznie zapakować i dołączyć adres nadawcy oraz krótki opis usterki.
- Naprawa/wymiana w ramach niniejszej gwarancji jest bezpłatna. Nie stanowi jednak o przedłużeniu lub rozpoczęciu od nowa biegu okresu gwarancyjnego. Wymienione części lub narzędzia stają się naszą własnością. W przypadku niektórych krajów nadawca będzie musiał uregulować koszty dostawy lub opłaty pocztowe. Prawa ustawowe wynikające z zakupu narzędzia pozostają niezmienione.
- Niniejsza gwarancja obowiązuje w Unii Europejskiej, Szwajcarii, Islandii, Norwegii, Liechtensteinie, Turcji i Rosji. Poza tymi obszarami należy skontaktować się z autoryzowanym dostawcą produktów RYOBI i ustalić, czy obowiązuje inna gwarancja.

AUTORYZOWANY PUNKT SERWISOWY

Najbliższy autoryzowany punkt serwisowy można wyszukać w witrynie internetowej <http://uk.ryobitools.eu/header/service-and-support/service-agents>.

CS ZÁRUČNÍ PODMÍNKY RYOBI®

Kromě zákonných práv vyplývajících z koupě výrobku se na tento výrobek vztahuje také níže uvedené záruka.

- Záruční doba pro spotřebitele je 24 měsíců a začíná datem nákupu výrobku. Datum musí být zaznamenáno na fakturě nebo jiném dokladu o koupi. Tento výrobek je navržen a určen pouze pro soukromé účely spotřebitelů. Záruka se tedy nevztahuje na profesionální nebo komerční využití výrobku.
- U některých elektrických nástrojů (AC/DC) je možné záruční dobu prodloužit. K tomu je nutná registrace na stránkách www.ryobitools.eu. Možnost prodloužené záruční doby výrobků je jasně uvedena v prodejních, popř. na obalech výrobku v dokumentech o výrobku. Koncový uživatel musí svůj nový nástroj zaregistrovat online do 30 dnů od data nákupu. Koncový uživatel se může k prodloužené záruční době zaregistrovat v zemi trvalého pobytu, pokud je tato uvedena na internetovém registračním formuláři u výrobku, kde je tato možnost dostupná. Koncoví uživatelé musí dle souhlasit s uložením osobních údajů, která musí zadat na internetu, a přijmout obchodní podmínky. E-mail s potvrzením registrace a původní faktura s datem koupě poslouží jako důkaz o prodloužené záruce.
- Záruka se vztahuje na veškeré vady na výrobku v rámci záruční doby způsobené výrobními vadami nebo vadami materiálu v době koupě. Záruka je omezena na opravu, popřípadě výměnu a nezahrnuje žádné další povinnosti, včetně mimo jiné vedlejších či následných odškodnění. Záruka neplatí při použití výrobku k nevhodným účelům, v rozporu s uživatelskou příručkou nebo při nesprávném zapojení. Záruka se nevztahuje na:
 - veškeré škody na výrobku způsobené nesprávnou údržbou
 - veškeré produkty, které byly pozměněny nebo upraveny
 - veškeré produkty, kde byly původní identifikační prvky (obchodní značka, sériové číslo) poničeny, pozměněny nebo odstraněny
 - veškeré škody způsobené nedodržováním pokynů uživatelské příručky
 - veškeré produkty bez CE certifikace
 - veškeré produkty, které se pokusil opravit nequalifikovaný odborník nebo opravu bez předchozího svolení společnosti Techtronic Industries.
 - veškeré produkty zapojené do nesprávného elektrického zdroje (proud, napětí, frekvence)
 - veškeré produkty používané s nevhodnou palivovou směsí (paliwo, olej, procento oleje)
 - veškeré škody způsobené externími vlivy (chemickými, fyzickými, nárazy) nebo cizími látkami
 - běžné opotřebování dílů
 - nevhodné použití, přetěžování nástroje
 - použití neschválených příslušenství nebo dílů
 - příslušenství k elektrickému nástroji poskytnuté s nástrojem nebo zakoupené samostatně. Tyto výjimky se vztahují mimo jiné na šroubovací vrtáky, brusné disky, brusný papír a čepele, postranní vodič lišty
 - komponenty (díly a příslušenství) podléhající přirozenému opotřebování, včetně mimo jiné servisních sad, karbonových kartáčů, ložisek, sklíčidla, SDS nástavce na vrtací vrt, napájecího kabelu, pomocné rukovjeti, přepravního pouzdra, brusné desky, prachového vaku, výfukové prachové trubice, plstěných podložek, západek a pruzin rázového utahováku atd.
- K provedení servisu musí být výrobek zaslán nebo předán do autorizovaného servisního centra společnosti RYOBI, jejichž adresy jsou uvedeny podle země v seznamu servisních center. V některých zemích za vás výrobek pošle servisní organizaci RYOBI sám prodejce výrobků této značky. Při zaslání výrobku do servisního centra RYOBI je potřeba výrobek bezpečně zabalit bez nebezpečného obsahu jako benzín, opatřit adresou odesílatele a připojit krátký popis závady.
- Oprava, popř. výměna v rámci této záruky je zdarma. Neznamá na prodloužené nebo začátek nové záruční lhůty. Vyměněné díly nebo nástroje přejdou do našeho vlastnictví. V některých zemích platí poštovné odesílatele. Vaše zákonná práva vyplývající z koupě tohoto nástroje zůstávají neotčená.
- Tato záruka platí v Evropském Společenství, Švýcarsku, Norsku, Lichtenštejnsku, Turecku, Rusku a na Islandu. Mimo tato území kontaktujte autorizovaného prodejce značky RYOBI, který zjistí, zda se na výrobek vztahuje jiná záruka.

POVĚŘENÉ SERVISNÍ STŘEDISKO

Pro nalezení nejbližšího pověřeného servisního střediska navštivte <http://uk.ryobitools.eu/header/service-and-support/service-agents>.

HU A RYOBI® GARANCIA ALKALMAZÁSÁNAK FELTÉTELEI

A vásárlásból adódó törvényben rögzített jogok mellett a termékre az alábbi garancia vonatkozik.

1. A fogyasztói garancia tartama 24 hónap, mely a termék vásárlásának napjával kezdődik. Ezt a dátumot számlával vagy a vásárlást igazoló egyéb dokumentummal kell bizonyítani. A termék rendeltetése csak fogyasztói és magáncélú használat. Ezért professzionális vagy kereskedelmi használat esetén a garancia nem érvényes.
2. A szerszámgépek (egyenáramú/váltóáramú) egy részénél a garancia időtartama a www.ryobitools.eu weblapon regisztrálva meghosszabbítható. Az áruházakban, a csomagoláson, illetve a termék dokumentációjában egyértelműen jelezzé van, hogy az adott termék garanciája meghosszabbítható-e. A végfelhasználónak a vásárlás dátumától számított 30 napon belül regisztrálnia kell az újonnan vásárolt szerszámot. A végfelhasználó akkor regisztrálhat a kiterjesztett garanciára, ha az ország, ahol lakik, fel van sorolva az online regisztrációs űrlapon azon országok között, ahol választható ez az opció. Ezenkívül a végfelhasználónak bele kell egyeznie az online regisztrálás során szükséges adatok tárolásába, és el kell fogadnia a felhasználási feltételeket. A kiterjesztett garanciát a regisztráció beérkezésétől e-mailben küldött visszaigazolás és a vásárlás dátumát tartalmazó eredeti számla igazolja.
3. A garancia a termék vásárlásakor fennálló, a gyártás során keletkezett hibákra és anyaghibákra érvényes a garanciális időtartamon belül. A garancia csak a javításra/cserére korlátozódik, és nem terjed ki semmilyen egyéb kötelezettségre, nem kizárólagosan ideértve a véletlen vagy szándékos rongálást. A garancia nem érvényes, ha a terméket nem megfelelően, a használati utasításban foglaltakkal ellentétesen, illetve nem megfelelően csatlakoztatva használták. A garancia nem vonatkozik:
 - a terméket a nem megfelelő karbantartás következtében ért károsodásra
 - megváltoztatott vagy átalakított termékre
 - olyan termékre, melyen az eredeti azonosítókat (védjegy, sorozatszám) megrongálták, megváltoztatták vagy eltávolították
 - a használati utasítás be nem tartásából eredő kárra
 - CE jelöléssel nem rendelkező termékekre
 - olyan termékre, melyet nem képzett, illetve a Techtronic Industries által nem feljogosított szerelő javított
 - nem megfelelő (áramerősségű, feszültségű, frekvenciájú) áramforrásra csatlakoztatott termékre
 - nem megfelelő üzemenyag-keverékkel (üzemenyag, olaj, olaj aránya) használt termékre
 - külső (vegyi, fizikai, ütés) hatásokból vagy idegen anyagokból eredő károkra
 - a cserélhető alkatrészek természetes kopására és elhasználódására
 - a szerszám helytelen használatára, túlterhelésére
 - nem jóváhagyott tartozékok és alkatrészek használatára
 - A szerszámmal adott vagy külön megvásárolt tartozékokra. Ilyenek például a (de nem kizárólag) a csavarhúzófejek, fűrészárok, csiszolókorongok, csiszolópapír, kések, oldalirányú terelők.
 - A természetes kopásnak, elhasználódásnak kitett alkatrészek és kiegészítők, például (de nem kizárólag) szerviz- és karbantartókészletek, szénkefék, csapágyak, tokmány, SDS fűrészárok csatlakozója, tápkábel, segédfogantyú, szállítók, csiszolólap, porzsák, porelvezető cső, filcáláték, ütőműves csavarbehajító gép csapszege és rugója stb.
4. A terméket javításra el kell vinni egy meghatalmazott RYOBI szervizbe; ezeket az egyes országokhoz a következő listában találja. Egyes országokban a helyi RYOBI kereskedő vállalja a termék elszállítását a RYOBI szervizbe. A terméket veszélyes tartalom, például benzín nélkül csomagolva, a feladó címét feltüntetve, a hiba rövid leírásával együtt küldje el a RYOBI szervizbe.
5. A jelen garancia hatálya alatt végzett javítás, illetve csere ingyenes. Nem jelenti a garanciális időtartam újraindulását. A kicserélt alkatrészek és szerszámok a mi tulajdonunkba kerülnek. Egyes országokban a szállítás vagy postázás költségét a feladó viseli. A vevőnek a szerszám megvásárlásából adódó törvényes jogai nem változnak.
6. Jelen garancia az Európai Közösségben, Svájcban, Izlandon, Norvégiában, Liechtensteinben, Törökországban és Oroszországban érvényes. E területen kívül kérdezze meg a RYOBI forgalmazót, hogy milyen garancia van érvényben.

HIVATALOS SZERVIZKÖZPONT

A legközelebbi hivatalos szervizközpont megtalálásához látogasson el a <http://uk.ryobitools.eu/header/service-and-support/service-agents>.

RO CONDIȚII DE APLICARE A GARANȚIEI PENTRU PRODUSELE RYOBI®

În plus față de condițiile statutare rezultate din achiziționarea acestui produs, acesta este acoperit de garanția stipulată mai jos.

1. Perioada de garanție este de 24 de luni pentru consumatorii și începe de la data achiziționării produsului. Data de începere a garanției trebuie demonstrată cu o factură sau altă dovadă a cumpărării produsului. Produsul este destinat și conceput doar pentru utilizare în scopuri personale. Din acest motiv, nu se oferă garanție pentru utilizarea sa în scop profesional sau comercial.
2. Există posibilitatea de extindere a perioadei de garanție pentru gama de unelte electrice (de CA/CC) peste perioada stipulată mai sus prin înscrisura produsului pe website-ul www.ryobitools.eu. Eligibilitatea pentru perioada de extindere a garanției este afișată în mod clar în magazinele de vânzare și/sau pe ambalaj sau este inclusă în documentația livrată împreună cu produsul. Utilizatorul final este obligat să-și înregistreze produsul online în termen de maxim 30 de zile de la achiziția acestuia. Utilizatorul final poate înregistra produsul pentru garanția extinsă oferită în țara sa de rezidență dacă aceasta este listată în formularul de înregistrare online și dacă această opțiune este validă. În plus, utilizatorii finali trebuie să-și dea acordul pentru stocarea datelor personale solicitate la înregistrarea online și trebuie să accepte termenii și condițiile. Mesajul de confirmare a înregistrării, trimis prin e-mail și factura originală cu data achiziției vor dovedi perioada de garanție extinsă.
3. Garanția acoperă toate defecțiunile produsului survenite în perioada de garanție datorate defectelor de execuție sau materialelor folosite, începând cu data achiziției acestuia. Garanția este limitată la reparare și/sau înlocuire și nu include alte obligații, inclusiv, dar fără a se limita la daune accidentale sau rezultate pe cale de consecință. Garanția își pierde valabilitatea dacă produsul este utilizat necorespunzător, utilizat neconform cu instrucțiunile de utilizare din manualul cu instrucțiuni sau conectat incorect. Garanția nu se aplică în cazul:
 - oricărei defecțiuni survenite în urma întreținerii necorespunzătoare a produsului
 - oricărui produs alterat sau modificat
 - oricărui produs la care inscripțiile cu datele de identificare (marca comercială, numărul de serie) au fost șterse, modificate sau îndepărtate
 - oricărei defecțiuni datorate neconformării cu instrucțiunile din manualul de utilizare
 - oricărui produs necertificat CE
 - oricărui produs asupra căruia au fost efectuate tentative de reparare de către personal necalificat sau fără autorizație prealabilă din partea Techtronic Industries.
 - oricărui produs conectat la o sursă de alimentare necorespunzătoare (curent, tensiune, frecvență)
 - oricărui produs utilizat cu un amestec de carburant necorespunzător (combustibil, ulei, proporții de adaos ulei)
 - oricăror defecțiuni datorate unor influențe externe (chimice, fizice, șocuri) sau substanțe străine
 - uzurii și fisurării normale a pieselor de rezervă
 - utilizării neadecvate, suprasolicitării uneltei
 - utilizării de piese și accesorii neaprobate
 - accesoriorilor pentru unelată furnizate odată cu aceasta sau achiziționate separat. Aceste excluzi se aplică, dar fără a se limita la următoarele: burghie, biți de șurubelniță, discuri abrazive, hârtie abrazivă și lame de tăiere, ghidaje laterale
 - Componentele (piese și accesorii) supuse uzurii normale, care includ, fără a se limita la, kituri de întreținere și service, perii de cărbune, rulmenți, mandrină, adaptor pentru burghie SDS, cordon de alimentare, mâner auxiliare, cutie de transport, placă pentru șlefit, sac pentru praf, tub pentru evacuarea prafului, discuri de pâslă, adaptoare și resorturi pentru cheile de strângere prin vibrație, etc.
4. Pentru efectuarea reparațiilor, produsul trebuie trimis sau adus la un centru de reparații autorizat RYOBI din lista următoare de centre de reparații prezentate pentru fiecare țară. În anumite țări, reprezentatul local RYOBI va trimite produsul spre reparare la sediul central de reparații RYOBI. Atunci când trimiteți produsul spre reparare la un centru de reparații RYOBI, acesta trebuie ambalat în siguranță, fără conținut periculos (cum ar fi benzină), marcat cu adresa expeditorului și însoțit de o scurtă descriere a defectului.
5. Repararea/înlocuirea în perioada de garanție este gratuită. Aceasta nu este însoțită de o prelungire sau o reinițiere a perioadei de garanție. Piesele sau uneltele schimbate devin proprietatea dvs. În anumite țări, taxele de expediție sau poștale vor fi suportate de expeditor. Drepturile dvs. statutare rezultate din achiziția produsului rămân neschimbate
6. Această garanție este valabilă în Comunitatea Europeană, Elveția, Islanda, Norvegia, Liechtenstein, Turcia și Rusia. În afara acestor zone, va rugăm să contactați reprezentantul dvs. local RYOBI pentru a determina dacă se aplică alt tip de garanție.

CENTRU DE SERVICE AUTORIZAT

Pentru a găsi un centru de service autorizat lângă dvs., vizitați <http://uk.ryobitools.eu/header/service-and-support/service-agents>.

LV RYOBI® GARANTIJAS PIEMĒROŠANAS NOSACĪJUMI

Papildus jebkādam likumiskajām tiesībām, kuras rodas, veicot pirkumu, izstrādājums tiek nodrošināts ar tālāk tekstā noteikto garantiju.

1. Garantijas periods patērētājiem ir 24 mēneši, tā atskaite tiek sākta no datuma, kurā veikta izstrādājuma iegāde. Šim datumam jābūt dokumentētam rēķinā vai citā pirkumu apliecināšā dokumentā. Izstrādājums ir radīts un paredzēts tikai patērētājam privātai lietošanai. Saistībā ar iepriekšminēto, garantija netiek nodrošināta profesionālas vai komerciālas lietošanas gadījumā.
2. Pastāv iespēja pagarināt daļas no elektroinstrumentu klāsta (Mainstrāvas/akumulatoru) garantiju ilgāk par iepriekš minēto periodu, izmantojot reģistrāciju interneta vietnē www.ryobitools.eu. Instrumenti, kas pakļauti garantijas perioda pagarināšanai, tiek skaidri apzīmēti veikalos un/vai uz iepakojuma un izstrādājumu komplektējošajā dokumentācijā. Gala lietotājam nepieciešams reģistrēt tā iegādāto jauno instrumentu 30 dienu laikā no pirkuma datuma. Gala lietotājs var reģistrēties pagarinātajai garantijai savā mītnes valstī, ja tā minētās tiešsaistes reģistrācijas veidlapā, kurā šī iespēja ir aktīva. Bez tam, gala lietotājam ir jānodrošina piekrišana tiešsaistes ievadīšanai nepieciešamo datu glabāšanai un jāpiekrīt noteikumiem un nosacījumiem. Reģistrācijas apstiprinājums, kas tiek nosūtīts, izmantojot e-pastu, un rēķina oriģināls, kurā norādīts iegādes datums, kalpo kā pagarinātās garantijas apstiprinājums.

3. Garantija attiecas uz visiem izstrādājuma defektiem garantijas periodā, kas saistīti ar ražošanas vai materiālu defektiem no pirkuma datuma. Šī garantija tiek ierobežota ar remontu un/vai nomaiņu un neietver jebkādas citas saistības, tajā skaitā, bet ne tikai, cēloņsakarīgas vai saistītas bojājums. Garantija nav spēkā, ja izstrādājums ir nepareizi lietots, izmantots pretēji norādēm lietošanas rokasgrāmatā vai bijis nepareizi pieslēgts. Šī garantija netiek attiecināta uz:

- jebkādiem izstrādājuma bojājumiem, kas radušies nepareizas uzturešanas rezultātā
- jebkuru izstrādājumu, kas ticis pārveidots vai mainīts
- jebkuru izstrādājumu, kura oriģinālās identifikācijas (preču zīme, sērijas numurs) marķējums ir ticis nodzēsts, mainīts vai noņemts
- jebkādiem bojājumiem, kuri radušies neievērojot norādes lietošanas rokasgrāmatā
- jebkādam izstrādājumam bez CE sertifikācijas
- jebkurai izstrādājumam, kura remontu mēģinājis veikt nekvalificēts personāls vai bez Technonic Industries iepriekšējas autorizācijas
- jebkurai izstrādājumam, kurš bijis pieslēgts neatbilstošu parametru (strāvas, sprieguma, frekvences) sprieguma avotam
- jebkurai izstrādājumam, kurš bijis izmantots ar nepareizu degvielas maisījumu (degviela, eļļa, eļļas procentuālais saturs)
- jebkuriem bojājumiem, kuri radušies ārējas iedarbības (ķīmiskas, fiziskas, triecieni) vai vielu ietekmē
- detaļu normāla lietošanas nodiluma rezultātā
- nepareizas lietošanas vai instrumentu pārslodzes rezultātā
- neapstrīnātu detaļu vai aprīkojuma lietošanas rezultātā
- elektroinstrumentu aksesuāriem, kas atrodas instrumenta komplektācijā vai ir iegādāti atsevišķi. Šis izņēmums attiecināms uz, bet neaprobežojoties ar, skrūvgrīžu uzgaļiem, urbjiem, abrazīvajiem diskiem, smilšpapīru un asmeņiem, sānu vadotnēm
- komponentiem (daļām un aksesuāriem), kas pakļauti normālam nodilumam, ieskaitot, bet neaprobežojoties ar Servisa un apkoju komplekti, oglekļa sukuks, guļņi, patrona, SDS urbiņu uztvērējiem vai uzlika, elektrības vads, papildus rokturis, transportēšanas un pārnēsāšanas kaste, slīpmašīnas plāksne, putekļu maiss, putekļu izvadsīšanas caurule, paplākšņi, triecienatslēgu tapas un atsperes, u.t.t.

4. Servisa nodrošināšanai, izstrādājums ir jānodod pilnvarotā RYOBI servisa centrā, kas norādīts katrai valstij tālāk minētajā servisa centru adrešu sarakstā. Dažās valstīs Jūsu vietējais RYOBI izplatītājs uzņemas izstrādājuma nosūtīšanu uz RYOBI servisa organizāciju. Nosūtot izstrādājumu uz RYOBI servisa centru, izstrādājuma jābūt droši iepakotam, tas nedrīkst saturēt bīstamas vielas kā degvielu, sūtiņjamam jābūt marķētam ar sūtītāja adresi un īsu kļūmes aprakstu.
5. Remonts/nomaļa šīs garantijas ietvaros ir bezmaksas. Tas nerada garantijas perioda pagarināšanu vai jaunu garantiju. Nomainītās daļas vai instrumentu kļūst par mūsu īpašumu. Dažās valstīs piegādes vai pasta izmaksas būs jāapmaksā sūtītājam. Jūsu likumiskās tiesības, kas nodibinās, iegādājoties instrumentu, paliek nemainīgas
6. Šī garantija ir spēkā Eiropas Kopienā, Šveicē, Islandē, Norvēģijā, Līhtenšteinā, Turcijā un Krievijā. Ārpus šīm teritorijām, lūdzu, sazinieties ar Jūsu pilnvaroto RYOBI izplatītāju, lai noteiktu, vai ir piemērojama cita garantija.

AUTORIZĒTS APKALPOŠANAS CENTRS

Lai atrastu tuvāko autorizēto apkalpošanas centru, apmeklējiet <http://uk.ryobitools.eu/header/service-and-support/service-agents>.

LT „RYOBI®“ GARANTIJOS TAIKĀMO SĀLYGOS

Papildant bet kokias istatymuose numatytas perkant atsirandancias teises, šiam įrenginiui taikoma toliau nurodyta garantija.

1. Vartotojams suteikiama 24 mėnesių trukmės garantija nuo įrenginio įsigijimo datos. Ši data turi būti nurodyta sąskaitoje faktūroje ar kitame pirkimą įrodančiame dokumente. Šis įrenginys skirtas tik vartotojų rinkai ir asmeniniam naudojimui. Todėl garantija netaikoma, jei įrenginys naudojamas profesinėms ar komercinėms reikmėms.
2. Įsigijus tam tikrus elektrinius įrenginius (AC/DC), suteikiama galimybė pratęsti garantiją, kad ji galiootų ilgiau, nei nurodyta pirmiau, naudojantis registracija interneto svetainėje www.ryobitools.eu. Ar galima pratęsti įrenginio garantinį laikotarpį, aiškiai nurodoma parduotuvėse ir (arba) ant įrenginio pakutės, ir (arba) įrenginio dokumentuose. Galutinis naudotojas turi užregistruoti savo naujai įsigytą įrenginį per 30 dienų nuo įsigijimo datos. Galutinis naudotojas gali registruotis išplėstinei garantijai savo gyvenamojoje šalyje, jei ji nurodyta internetinėje registracijos formoje, kurioje siūloma tokia galimybė. Be to, galutinai naudotojai turi sutikti su duomenų, kuriuos reikia įvesti internetu, saugojimu ir svetainės naudojimo sąlygomis. Kaip išplėstinės garantijos įrodymas naudojamas registracijos patvirtinimo kvitas, atsūdučiamas el. paštu, ir originali sąskaita faktūra, kurioje nurodyta įsigijimo data.
3. Ši garantija apima visus garantiniu laikotarpiu aptiktus įrenginio trūkumus, atsiradusius dėl gamybos arba medžiaginių defektų nuo įsigijimo datos. Ši garantija ribojama remontu ir (arba) pakeitimu, jei neapima jokių kitų įsipareigojimų, įskaitant (bet tuo neapsiribojant) šalutinius arba antrinius nuostolius. Garantija anuliuojama, jei įrenginys buvo naudojamas netinkamai, naudojamas ne pagal naudojimo instrukciją arba netinkamai prijungtas. Ši garantija netaikoma:

- jokiai įrenginiui padarytai žalai, kurią lėmė netinkama techninė priežiūra;
- jokiai įrenginiui, kuris buvo keičiamas ar modifikuojamas;
- jokiai įrenginiui, kurio originalūs identifikavimo ženklai (prekės ženklas, serijos numeris) buvo sugadinti, pakeisti arba pašalinti;
- jokiai žalai, kurią lėmė naudojimo instrukcijos nesilaikymas;
- jokiems CE ženklui nepažymėtiems įrenginiams;
- jokiai įrenginiui, kurį bandė remontuoti nekvalifikuoti asmenys arba kuris buvo remontuojamas be „Technonic Industries“ leidimo;
- jokiai įrenginiui, kuris buvo prijungtas prie netinkamo maitinimo tinklo (netinkamos srovės, įtampos, dažnio);
- jokiai įrenginiui, kuris buvo naudojamas su netinkamu degalų mišiniu (degalai, alyva, mašinos santykis);
- jokiai žalai, kurią lėmė išorinis poveikis (cheminis, fizinis, smūgiai) arba pašalinės medžiagos;
- dėvimosioms dalims;
- netinkamam naudojimui, įrenginio perkrovai;
- nepatvirtintų priedų arba dalių naudojimui;
- su įrenginiu pateiktiems arba atskirai įsigytiems elektrinio įrenginio priedams. Šios išimties apima (tuo neapsiribojant) atsuktuvį antgalius, gražtų antgalius, šlifavimo diskus, švitrinį popierių ir geležtes, šoninį kreiptuvą;
- komponentams (dalims ir priedams), kurie natūraliai dėvisi, įskaitant (bet tuo neapsiribojant) prastines ir technines priežiūros rinkinius, anglinius šepetėlius, guolius, laikiklį, SDS gražtų antgalių priedą arba lizdą, maitinimo kabelį, pagalbine rankena, nešiojimo dėklą, šlifavimo diską, maišėlį dulkmės, dulkių ištraukimo vamzdelį, fetro poveržles, smūginio veržlirakčio kaiščius ir spyruokles ir pan.

4. Prireikus atlikti priežiūros darbus, įrenginį reikia siųsti arba atvežti RYOBI įgaliotam priežiūros centrui, nurodytam kiekvienos šalies priežiūros centrų adrešu sąraše. Kai kuriose šalyse vietinis RYOBI atstovas siunčia įrenginį RYOBI priežiūros organizacijai. Siunčiant įrenginį RYOBI priežiūros centrui, reikia saugiai jį supakuoti pašalinant visas pavojingas medžiagas, pvz., benzina, nurodyti ant pakutės siuntėjo adresą ir pridėti trumpą gedimo aprašymą.
5. Pagal šią garantiją remontas / keitimas atliekami nemokamai. Tokie veiksmai nelaikomi garantijos pratęsimu arba naujo garantinio laikotarpio pradžia. Dalys arba įrenginiai, kuriuos pakeitėme, tampa mūsų nuosavybe. Kai kuriose šalyse pristatymo ir pašto išlaidas turi padengti siuntėjas. Įstatymuose numatytos jūsų teisės, atsirandancios perkant įrenginį, lieka nepakeistos
6. Ši garantija galioja Europos bendrijoje, Šveicarijoje, Islandijoje, Norvegijoje, Lichtenšteine, Turkiijoje ir Rusijoje. Jei gyvenate ne šiose šalyse, kreipkitės į įgaliotąjį RYOBI atstovą ir sužinokite, ar jums taikoma kita garantija.

ĮGALIOTAS TECHINIS PRIEŽIŪROS CENTRAS

Jei norite surasti įgaliotą techninės priežiūros centrą netoli Jūsų, apsilankykite interneto svetainėje <http://uk.ryobitools.eu/header/service-and-support/service-agents>.

ET RYOBI® GARANTIINGIMUSED

Lisaks toote ostust tulenevatele seadusjärgsetele õigustele, kehtib tootele ka alltoodud garantiia.

1. Tarbijatele on garantiiaeg 24 kuud ja algab sellel kuupäeval, mil toode osteti. Selle kuupäeva tõestuseks on vaja arvat või mõnda teist tõendit ostu sooritamise kohta. Toode on mõeldud eratarbijatele ainult isiklikuks kasutamiseks. Seega ei kehti garantiit ostu kasutamisel kutsetegevuses või kaubanduslikel eesmärkidel.
2. Teatud osale elektrilistele (vahelduvvoolu/alisvoolu) tööriistadele on võimalik pikendada eespool toodud garantiiaega, kasutades toote registreerimist veebilehel www.ryobitools.eu. Teave tööriista võimaliku pikendatud garantiiaja kohta on selgelt esile toodud poodides ja/või pakendil / ning see sisaldub toote dokumentatsioonis. Lõpparbitja peab registreerima oma uued tööriistad interneti teel 30 päeva jooksul pärast ostupäeva. Lõppkasutaja võib registreerida pikendatud garantiiaja saamise oma elukohariigis, kui veebis olemas registreerimisvormis on see valik lubatav. Lisaks peavad kasutajad andma oma nõusoleku veebis nõutud sisestatavate andmete säilitamiseks ning nad peavad nõustuma tingimustega. E-posti teel saadetak registreerimise kinnitus ja arve originaal, kus on näha ostu sooritamise kuupäev, on pikendatud garantiiaja tõestuseks.
3. Garantii katab kõik defektid toote garantiiaja jooksul, kui ostu kuupäeval ilmnevad talitus- või materjalivead. Garantii piirub toote remondi ja/ või väljavahetamisega ning ei sisalda muid kohustusi, muu hulgas ettenägematuid või kaudseid kahjusid. Garantii ei kehti, kui toodet ei ole kasutatud sisetarbijalise või kooštõkka kasutusjuhendiga või see on valesti ühendatud. Garantii ei kehti järgmistel põhjustel:
 - toode on kahjustatud vale hoolduse tõttu
 - toodet on muudetud
 - toote algpäraseid identifitseerimismärke (kaubamärk, seerianumber) on rikutud, muudetud või eemaldatud
 - kahju on tekkinud kasutusjuhendi mittejärgimisest
 - tootel puudub CE-märgis
 - toodet on püüdnud remontida vastavalt kvalifikatsiooni mitte omav isik või ilma firma Technonic Industries eelneva loata.
 - toode on ühendatud valesse toiteallikasse (voolutugevus, pinge, sagedus)
 - tootega kasutati sobimatut kütusesegu (kütus, õli, õli protsent)
 - välismõjude (keemilised, füüsikalised, elektriõõgid) või võõrkehade tekitatud kahju
 - tavapärase kulumine ja katkised varuosad
 - ebaõige kasutamine, tööriista ülekoormamine
 - heakskiitmata tarvikute või osade kasutamine
 - koos tööriistaga saadud või eraldi ostetud elektriliste tööriistade tarvikud. Need erandid puudutavad muu hulgas kruvikeeraja otsakuid, puuriterasid, lihvkettaid, lihvpaberit ja -tald, küljühikuid
 - Komponendid (osad ja tarvikud), mida iseloomustab kulumine ja vananemine, muu hulgas remondi- ja hoolduskomplektid, sinusinikharjad, laagrid, padrunid, SDS-puuriterade tarvikud, toitejuhe, lisakäepide, transpordikott, lihvpiaat, tolmukott, tolmua väljalasketoru, vidlid seibid, löökmüritvõtme võllid ja vedrud jne.
4. Hoolduseks peab toote saatma või viima RYOBI volitatud teenindusse, mille aadressi leiab järgnevast teeninduspunktidest nimekirjast vastava riigi alt. Mõnedes riikides võtab kohalik RYOBI edasimüüja enda kanda kohustuse saata toode RYOBI teenindusorganisatsiooni. Toote saatmisel RYOBI teenindusse peab toode olema ohutult pakitud ja ei tohi sisaldada ohtlikke aineid (nt bensiin), kirjas peab olema saatja aadress ja lisatud vea lühikirjeldus.
5. Garantii alusel tehtavad remonditööd / asendamine on tasuta. See ei pikenda garantiit kehtivusaega ega tähistu uue garantiiaja algust. Väljavahetatud osad või tööriistad kuuluvad meile. Mõnedes riikides maksab kätetoimetamis- ja postikulud saatja. Teile jäävad kehtima tööriista ostust tulenevad seadusjärgsed õigused
6. See garantiit kehtib Euroopa Ühenduse territooriumil, Šveitsis, Islandil, Norras, Liechtensteinis, Türgis ja Venemaal. Väljaspool neid piirkondi võtke ühendust volitatud RYOBI edasimüüjaga, et teha kindlaks kas kehtib mõni teine garantiit.

VOLITATUD HOOLDUSKESKUS

Oma volitatud hoolduskeskuse leiate veebisaidilt <http://uk.ryobitools.eu/header/service-and-support/service-agents>.

HR UVJETI PRIMJENE JAMSTVA TVRTKE RYOBI®

Osim svim zakonskim pravima koja proizlaze iz kupnje, ovaj je proizvod pokriven jamstvom kako je navedeno u nastavku.

1. Jamstveno razdoblje za potrošače traje 24 mjeseca i počinje s datumom na koji je proizvod kupljen. Taj datum mora se dokumentirati računom ili drugim dokazom o kupnji. Proizvod je konstruiran i namijenjen samo za privatnu upotrebu korisnika. Stoga se jamstvo ne daje u slučaju profesionalne ili komercijalne upotrebe.
2. Postoji mogućnost da se za dio asortimana električnih alata pokretanih izmjeničnom strujom (AC/DC) produži gore navedeno jamstveno razdoblje putem registriranja na mrežnom mjestu www.ryobitools.eu. Uvjeti koje je potrebno zadovoljiti kako bi se produžilo jamstveno razdoblje jasno su istaknuti u prodavaonicama i / ili na pakiranju / i nalaze se unutar dokumentacije proizvoda. Krajnji korisnik mora registrirati svoje novo kupljene alate na mreži u roku od 30 dana od datuma kupnje. Krajnji korisnik može se registrirati za produženo jamstvo u svojoj zemlji boravišta ako se nalazi na popisu u mrežnom obrascu za registraciju gdje je ta opcija važeća. Nadalje, krajnji korisnici moraju dati svoju pristanak na pohranu podataka koji su potrebni za mrežni ulazak i moraju prihvatiti odredbe i uvjete. Potvrda o prijemu registracije, koja se šalje putem e-pošte, kao i originalni račun s vidljivim datumom kupnje poslužiti će kao dokaz produženog jamstva.
3. Jamstvo pokriva sve nedostatke proizvoda tijekom jamstvenog razdoblja koji su nastali zbog neispravnosti prilikom izrade ili materijala s datumom kupnje. Jamstvo je ograničeno na popravak i/ili zamjenu i ne obuhvaća nikakve druge obveze, uključujući, ali ne ograničavajući se na slučajne ili posljednje štete. Jamstvo ne vrijedi ako je proizvod bio zlorabljivan, korišten u suprotnosti s priručnikom s uputama ili ako je pogrešno spojen. Ovo jamstvo ne primjenjuje se na:
 - svaku štetu koja je na proizvodu nastala kao rezultat nepravilnog održavanja
 - svaki proizvod koji je promijenjen ili izmijenjen
 - svaki proizvod na kojem su izvorne identifikacijske oznake (žig, serijski broj) bile oštećene, izmijenjene ili uklonjene
 - svaku štetu prouzročenu neprirodanijem priručnika s uputama
 - svaki proizvod koji nema oznaku CE
 - svaki proizvod koji je pokušao popraviti nekvalificirani profesionalac ili onaj koji je popravljivan bez prethodnog odobrenja tvrtke Technonic Industries.
 - svaki proizvod koji je spojen na neprikladan izvor električnog napajanja (neodgovarajuća amperaža, napon, frekvencija)
 - svaki proizvod korišten s neodgovarajućom mješavinom goriva (neodgovarajuće gorivo, ulje, postotak ulja)
 - svaku štetu prouzročenu unutarnjim utjecajima (kemijskim, fizikalnim, udarima) ili stranim tvarima
 - normalno habanje i trošenje rezervnih dijelova
 - neodgovarajuću uporabu, preopterećenje alata
 - upotrebu neodobrenog pribora ili dijelova
 - dodatnu opremu električnog alata isporučenu s alatom ili kupljenu odvojeno. Takvi izuzetci uključuju ali nisu ograničeni na vrhove odvijčača, svrdla bušilice, abrazivne diskove, brusni papir i noževe, bočnu vodilicu
 - Komponente (dijelovi i pribor) podložne prirodnom trošenju i habanju, što uključuje, ali nije ograničeno na komplecte za servisiranje i održavanje, ugljične četkice, ležajeve, steznu glavu, nastavak ili priključak za svrdla za SDS bušilicu, priključni kabel, pomoćnu ručku, transportne torbe, brusnu ploču, vreću za prašinu, ispušnu cijev za prašinu, podloške od filca, udarni ključ, zatici i opruge, itd.
4. Za potrebe servisiranja, proizvod se mora poslati ili odnijeti u ovlaštenu servisnu postaju tvrtke RYOBI navedenu na sljedećem popisu s adresama servisnih postaja u svakoj zemlji. U nekim zemljama, važi lokalni RYOBI zastupnik obvezuje se da će poslati proizvod u servisnu organizaciju tvrtke RYOBI. Kada se proizvod šalje u neku servisnu postaju tvrtke RYOBI, proizvod se mora sigurno pakirati bez ijednog od opasnih sadržaja kao što je benzin, na njemu mora pisati adresa pošiljatelja i mora biti popraćen kratkim opisom kvara.
5. Popravak / zamjena pod ovim jamstvom su besplatni. Oni ne predstavljaju produženje ili novi početak jamstvenog razdoblja. Zamijenjeni dijelovi ili alati postaju naše vlasništvo. U nekim državama troškove isporuke ili poštarinu mora platiti pošiljatelj. Vaša zakonska prava koja proizlaze iz kupnje alata ostaju nepromijenjena
6. Ovo jamstvo vrijedi u Europskoj uniji, Švicarskoj, Islandu, Norveškoj, Lihtenštajnu, Turskoj i Rusiji. Izvan tih područja vas molimo da se obratite svojem ovlaštenom zastupniku tvrtke RYOBI kako biste utvrdili primjenjive li se drugo jamstvo.

OVLASŤENI SERVISNI CENTAR

Za pronalaženje ovlaštenog servisnog centra pored vas posjetite <http://uk.ryobitools.eu/header/service-and-support/service-agents>.

SL POGOJI ZA VELJAVNOST GARANCIJE RYOBI®

Poleg morebitnih zakonsko določenih pravic, ki izvirajo iz nakupa, za ta izdelek velja spodaj navedena garancija.

- Garancijsko obdobje je za potrošnike 24 mesecev in začne teči z dnem nakupa izdelka. Ta datum mora biti dokumentiran z računom ali drugim dokazilom o nakupu. Izdelek je zasnovan in namenjen izključno za potrošniškovo zasebno uporabo. V primeru strokovne oziroma komercialne uporabe izdelka garancija ne velja.
- Obstaja možnost podaljšanja garancije na del naše ponudbe električnih orodij (AC/DC) prek obdobja garancije, opisanega zgoraj, s pomočjo registracije na spletnem mestu www.ryobitools.eu website. Ustreznost orodij za podaljšanje garancijskega obdobja je jasno prikazana v trgovinah in/ali na embalaži oziroma je navedena v dokumentaciji izdelka. Končni uporabnik mora registrirati svoje novo orodje na spletu v 30 dneh po datumu nakupa. Končni uporabnik lahko registrira podaljšano garancijo v svoji državi bivanja, če je na obrazcu spletne registracije navedeno, da ta možnost velja za njegovo državo. Poleg tega morajo končni uporabniki podati svoje soglasje za shranjevanje podatkov, ki so potrebni za spletni dostop in morajo sprejeti pogoje in določila uporabe spletnega mesta. Potrnilo o registraciji, ki ga pošljemo prek e-pošte, in originalni račun, ki prikazuje datum nakupa, služita kot dokazilo o podaljšanji garanciji.
- Garancija krije vse okvare izdelka, do katerih pride v garancijskem obdobju zaradi napak v izdelavi ali materialu, ki so bile prisotne ob datumu nakupa. Garancija je omejena na popravilo in/ali zamenjavo in ne vključuje nobenih drugih obveznosti, med drugim vključno s naključno ali posledično škodo. Garancija ne velja, če je bil izdelek napačno uporabljen, uporabljen v nasprotju z navodili iz priročnika za uporabo ali če ni bil pravilno povezan. Ta garancija ne velja za:
 - škodo na izdelku, ki je posledica neustreznega vzdrževanja
 - spremenjen ali prilagojen izdelek
 - izdelek, katerega originalna identifikacijska oznaka (blagovna znamka, serijska številka) je bil poškodovan, spremenjena ali odstranjena
 - škodo, ki je posledica neupoštevanja navodil iz priročnika za uporabo
 - izdelek, ki nima oznake CE
 - izdelek, ki ga je poskušal popraviti ne kvalificiran strokovnjak ali ki je bil popravljen brez predhodne odobritve s strani družbe Techtronic Industries.
 - izdelek, ki je bil povezan na neustrezno napajanje (amperska moč, napetost, frekvenca)
 - izdelek, ki je bil uporabljen z neustrezno mešanico goriva (gorivo, olje, odstotek olja)
 - škodo, ki jo povzročijo zunanji vplivi (kemični, fizični, mehanski) ali tuje snovi
 - rezervne dele, ki so podvrženi običajni uporabi
 - neprimerno uporabo, preobremenitev orodja
 - uporabo neodobrenih dodatkov ali delov
 - Dodatno električno orodje, priloženo orodju ali kupljeno ločeno. Take izjeme so med drugim nastavki za izvijače, svedri, abrazivni diski, brusni papir in rezila, stranska vodila.
 - Komponente (sestavni in rezervni deli), ki so podvrženi običajni obrabi, med drugim vključno s kompleti za servisiranje in vzdrževanje, oglikovimi krtačkami, ležaji, vpenjali, svedmi priključki SDS ali sprejemnimi odprtini zanje, napajalnimi kablji, pomožnimi orodji, prenosnimi kovčki, brusnimi ploščami, vreckami za prah, cevmi za izpuh prahu, tesnilni iz filca, iglami in vzmetni udarnega ključa itd.
- Za servisiranje morate izdelek poslati ali prinesiti v pooblaščen servisni center družbe RYOBI, ki je naveden za vsako državo na naslednjem seznamu naslovov servisnih centrov. V nekaterih državah se vaš lokalni posrednik družbe RYOBI obveže, da bo poslal izdelek na servis družbe RYOBI. Ko pošiljate izdelek v servisni center družbe RYOBI, mora biti izdelek varno zapakiran in ne sme vsebovati nobenih nevarnih snovi, kot je npr. bencin, opremljen pa mora biti z naslovom pošiljatelja in vsebovati kratek opis napake.
- Popravilo/zamenjava v skladu s to garancijo sta brezplačni storitvi. To pa ne predstavlja podaljšanja ali ponovnega začetka garancijskega obdobja. Zamenjani deli ali orodja postanejo naša last. V nekaterih državah stroške dostave ali poštnino plača pošiljatelj. Vaše zakonsko določene pravice, ki izvirajo iz nakupa orodja, ostajajo nespremenjene.
- Ta garancija velja v Evropski skupnosti, Švici, Islandiji, na Norveškem, v Lihtenštajnu, v Turčiji in Rusiji. Izven teh območij se obrnite na svojega pooblaščenega posrednika izdelkov RYOBI, dealer ki vam bo povedal, ali velja kakšna druga garancija.

POOBLAŠČEN SERVISNI CENTER

Pooblaščen servisni center blizu vas poiščite na <http://uk.ryobitools.eu/header/service-and-support/service-agents>.

SK ZÁRUČNÉ PODMIENKY RYOBI®

Na tento výrobok sa okrem všetkých zákonných práv, vyplývajúcich z nákupu, vzťahuje záruka v nasledovnom znení.

- Záručná doba pre spotrebiteľa je 24 mesiacov a začína plynúť odo dňa, kedy bol výrobok zakúpený. Tento dátum musí byť doložený faktúrou alebo iným dokladom o zakúpení. Výrobok je navrhnutý a určený pre spotrebiteľa a len na súkromné používanie. Preto sa záruka za neposkytuje v prípade použitia na profesionálne a komerčné účely.
- V prípade elektrického náradia (na striedavý/jednosmerný prúd AC/DC), existuje možnosť predĺženia záručnej doby oproti záručnej dobe, uvedenej vyššie, s využitím on-line registrácie na webovej stránke www.ryobitools.eu. Označenie na náradí o nároku na predĺženie záručnej doby je zreteľne uvedené v obchodoch a/alebo na obale a je uvedené v dokumentácii k výrobku. Koncový používateľ musí zaregistrovať svoje novozískané náradie on-line do 30 dní odo dňa nákupu. Koncový používateľ sa môže zaregistrovať na predĺženie záruky v krajine svojho bydliska, ak je v on-line registračnom formulári uvedená táto možnosť. Ďalej musia koncoví používatelia ešte dať svoj súhlas k uchovávaniu údajov, ktoré je potrebné zadať on-line a musia súhlasiť s podmienkami. Potvrdenie o prijatí registrácie, ktorý je zasielaný e-mailom a originálny faktúra, v ktorej je uvedený dátum nákupu, slúžia ako dôkaz o predĺžení záruky.
- Záruka sa vzťahuje na všetky poruchy výrobku v záručnej dobe, spôsobené chybami materiálů alebo spracovania k dátumu nákupu. Táto záruka je obmedzená na opravu a/alebo výmenu a nezaťahuje ďalšie povinnosti, vrátane, okrem iných, náhodné alebo následné škody. Táto záruka je neplatná, ak bol výrobok nesprávne používaný, bol používaný v rozpore s návodom na použitie alebo bol nesprávne zapojený. Táto záruka sa nevzťahuje na:
 - akékoľvek poškodenie výrobku, ktoré bolo spôsobené nesprávnou obsluhou
 - akýkoľvek výrobok, ktorý bol zmenený alebo upravený
 - akýkoľvek výrobok, na ktorom bolo poškodené, upravené alebo odstránené identifikačné označenie (ochranná známka, výrobné číslo)
 - akékoľvek škody, spôsobené nedodržiavaním návodu na obsluhu
 - akýkoľvek výrobok, ktorý neobsahuje označenie CE
 - akýkoľvek výrobok, ktorý sa pokúšal opraviť nekvalifikovaný odborník alebo bol opravovaný bez predchádzajúceho súhlasu zo strany spoločnosti Techtronic Industries.
 - akýkoľvek výrobok, pripojený k nesprávnemu napájacímu zdroju (ampéry, napätie, frekvencia)
 - akýkoľvek výrobok, používaný s nesprávnou palivovou zmesou (palivo, olej, percento oleja)
 - akékoľvek poškodenia, spôsobené vonkajšími vplyvmi (chemickými, fyzikálnymi, nárazmi) alebo cudzorodými látkami
 - bežné opotrebovanie náhradných dielov
 - nevhodné používanie, preťažovanie nástroja
 - používanie neschváleného príslušenstva a dielov
 - príslušenstvo k elektrickému náradíu, dodávané spolu s náradím alebo zakúpené oddelene. Takéto vylúčenia sa vzťahujú, okrem iného, na nášady skrutkovačov, vrtáky, brusné kotúče, brusny papier a čepele, bočné vodiace lišty
 - Súčiastky (diely a príslušenstvo), ktoré podliehajú prirodzenému opotrebeniu, okrem iného súpravy na servis a údržbu, uhličky, ložiská, skľučovadlá, SDS vrtáky a príslušenstvo, prílohy alebo prijímanie, napájací kábel, pomocná rukoväť, prepravná skriňa, brusna doska, pracovné vrecko, výfuková trubic, pístene podložky, koľky a pružiny na rázový utahovač atd.
- Na opravu musí byť výrobok odoslaný alebo doručený do autorizovaného servisného strediska RYOBI, uvedeného pre každú krajinu v nasledovnom zozname adries servisných stredísk. V niektorých krajinách miestny zástupca RYOBI preberá na seba záväzok zaslať tovar do servisnej organizácie RYOBI. Pri odosielaní výrobku do servisného strediska RYOBI je potrebné výrobok bezpečne zabaliť bez akéhokoľvek nebezpečného obsahu, ako je bencín, s vyznačením adresy odosielateľa, s krátkym popisom poruchy.
- Oprava/výmena je vrámci tejto záruky bezplatná. Neznamená to predĺženie záruky alebo spustenie novej záručnej doby. Vymenené diely alebo nástroje sa stávajú našim vlastníctvom. V niektorých krajinách náklady na odoslanie alebo poštovné musí zaplatiť odosielateľ. Vaše zákonné práva, vyplývajúce z nákupu náradia, zostávajú nedotknuté
- Táto záruka platí v Európskej únii, Švajčiarsku, Islande, Nórsku, Lihtenštajnsku, Turesku a Rusku. Ak sa nachádzate mimo týchto oblastí, obráťte sa na autorizovaného predajcu RYOBI na určenie, či sa dá uplatniť iná záruka.

AUTORIZOVANÉ SERVISNÉ CENTRUM

Ak chcete nájsť najbližšie autorizované servisné centrum, navštívte stránku <http://uk.ryobitools.eu/header/service-and-support/service-agents>.

BG УСЛОВИЯ ЗА ВАЛИДНОСТ НА ГАРАНЦИЯТА НА RYOBI®

В допълнение към законоустановените права, произтичащи от покупката, този продукт е обхванат от гаранция, както е изложено по-долу.

- Гаранционният срок е 24 месеца за клиенти и започва да тече от деня на закупуване на продукта. Тази дата трябва да се докаже с фактура или друго доказателство за покупка. Продуктът е изработен и предначинан само за потребителска и лична употреба. Следователно не се дава гаранция в случай на използване от професионалисти или с търговска цел.
- Съществува възможност за удължаване на гаранционния срок за част от диапазона на гаранцията на електрически инструменти (AC/DC) след изтичането на описания тук чрез регистрация на уеб сайта www.ryobitools.eu. В магазините и/или на опаковката или вътре в документацията на продукта е показано ясно дали инструментът отговаря на условията за такова удължаване на гаранционния срок. Крайният потребител трябва да регистрира своите новопридобити инструменти онлайн в рамките на 30 дни от датата на покупка. Крайният потребител може да се регистрира за удължена гаранция в държавата си на пребиваване, ако е посочена във формуляра за онлайн регистрация като място, където тази опция е валидна. Освен това крайните потребители трябва да дадат съгласието си за съхранение на данните, които са задължителни за съпъване онлайн, и трябва да приемат общите условия. Получено потвърждение за регистрация, изпратено по електронна поща, и оригиналната фактура, показваща датата на покупка, ще служат като доказателство за удължената гаранция.
- Гаранцията покрива всички дефекти на продукта по време на гаранционния срок, които се дължат на проблеми в изработката или материалите към момента на покупката. Гаранцията е ограничена до ремонт и/или замяна и не включва други задължения, включително, но не само, случайни или косвени щети. Гаранцията е невалидна, ако продуктът е използван неправилно или в противоречие с ръководството с инструкции, както и ако е свързан неправилно. Тази гаранция не важи за:
 - щети по продукта в резултат на неправилна профилактика
 - продукти, които са били изменени или модифицирани
 - продукт, при който оригиналните маркировки за идентификация (тъпrowsка марка, сериен номер) са изтрити, променени или премахнати
 - повреда, причинена от неспазване на ръководството с инструкции
 - продукт без CE маркировка
 - продукт, за който е направен опит за ремонт от неквалифициран специалист или без предварително разрешение от Techtronic Industries.
 - продукт, свързан към неподходящо електрозахранване (ампераж, волтаж, честота)
 - продукт, използван с неподходяща горивна смес (гориво, масло, процент масло)
 - щети, причинени от външни влияния (химични, физични, удари) или чужди вещества
 - нормално износване на резервни части
 - неподходяща употреба, претоварване на инструмента
 - използване на неодобриени аксесоари или части
 - Аксесоарите за електрически инструмент са предоставени с инструмента или се купуват отделно. Тези изключения включват, но не само, найкрайници за отвертка, свердела, абразивни дискове, шкурка и остриета, страничен водач
 - Компоненти (части и аксесоари), подложени на естествено износване, включително, но не само, комплекти за обслужване и поддръжка, карбонови четки, лагери, патронник, приставка със средло SDS или приемно устройство, захранващ кабел, спомагателна ръкохватка, кутия за транспортиране, шлифовъчна пластина, торба за прах, торба за отвеждане на прах, филцови шаблони, щифтове и пружини за винтоверти и др.
- За обслужване продуктът трябва да се изпрати или занесе на авторизиран сервиз на RYOBI, посочен за всяка държава в следния списък с адреси на сервиси. В някои държави местният търговец на RYOBI поема отговорността да изпрати продукта до сервизен център на RYOBI. При изпращане на продукт до сервиз на RYOBI той трябва да е опакован безопасно без опасно съдържание, напр. бензин, да е маркиран с адреса на подателя и придружен от кратко описание на повредата.
- Ремонтът/замяната по силата на тази гаранция са безплатни. Те не водят до удължаване или подновяване на гаранционния срок. Сменените части или инструменти стават наша собственост. В някои държави таксите за доставка или изпращане трябва да се платят от подателя. Законоустановените ви права, произтичащи от закупуването на инструмента, остават незасегнати
- Тази гаранция е валидна в Европейската общност, Швейцария, Исландия, Норвегия, Лихтенщайн, Турция и Русия. Извън тези области се свържете с упълномощения търговец на RYOBI, за да се установи дали е приложима друга гаранция.

УПЪЛНОМОЩЕН СЕРВИЗЕН ЦЕНТЪР

За да намерите упълномощен сервизен център близо до вас, посетете <http://uk.ryobitools.eu/header/service-and-support/service-agents>.

UK ГАРАНТИЙНИ УМОВИ ДЛЯ RYOBI®

Окрім загалом установлених законом прав, що стосуються покупки, цей пристрій покривається гарантією, що зазначено нижче.

- Гарантійний період для споживачів складає 24 місяці і починається з моменту придбання цього пристрою. Ця дата повинна бути задокументована у накладній або іншому документі, що підтверджує покупку. Цей пристрій був розроблений і призначений тільки для споживчого та приватного використання. У разі професійного або комерційного використання цього пристрою, він втрачає гарантію.
- Існує можливість подовжити гарантійний період для частини лінійних електроінструментів (перемінного/постійного струму), понад період описаний вище за допомогою реєстрації на сайті www.ryobitools.eu. Пристрої, які мають право на подовження гарантійного періоду, мають чіткі позначки щодо цього в магазинах і / або на упаковці / та документі до пристрою. Кінцевий користувач повинен зареєструвати його/її новопридбаний пристрій онлайн протягом 30 днів з дати покупки. Кінцевий користувач може зареєструвати для подовження гарантійного періоду в своїй країні постійного перебування, якщо вона є доступною у відповідній опції онлайн форми реєстрації. Крім того, кінцевий користувач повинні дати згоду щодо на зберігання даних, які необхідні для введення онлайн, а також вони повинні прийняти правила та умови. Отримання підтвердження реєстрації, яке відправляється на адресу електронної пошти, та оригінал накладної із зазначеною датою покупки буде слугувати доказом подовженої гарантії.
- Гарантія поширюється на всі дефекти пристрою протягом гарантійного терміну щодо недотримання стандартів виробництва або матеріалів на дату придбання. Гарантія обмежується ремонтом та/або заміною, та не включає в себе будь-яких інших зобов'язань, в тому числі, але не обмежена у разі випадкових та подальших пошкоджень. Гарантія не діє, якщо пристрій використовувався неналежним чином, у супереччя інструкції з експлуатації або був неправильно підключений до мережі. Дана гарантія не поширюється на:
 - пристрої, що були пошкоджені у результаті неправильного технічного обслуговування;
 - пристрої, що були видозмінени або модифіковані;
 - пристрої, оригінальні ідентифікаційні (товарний знак, серійний номер) маркування яких було пошкоджене, змінене або видалено;
 - будь-які пошкодження, заповідані недотриманням інструкції з експлуатації;
 - пристрої, що не мають маркування CE;
 - пристрої, що були відремонтовані некваліфікованим фахівцем або за відсутності попереднього дозволу від Techtronic Industries;
 - пристрої, підключені до невідповідного джерела живлення (сила току, напруження, частота);
 - пристрої, що використовувались із невідповідною паливною сумішшю (паливом, оливою, відсотковою часткою оливи);
 - будь-які пошкодження спричинені зовнішнім впливом (хімічними, фізичними, стрибком напруги) або сторонніми речовинами;
 - нормальну амортизацію запасних частин;
 - невідповідне використання, перевантаження пристрою;
 - використання невідтверджених запасних частин або аксесуарів;
 - приладдя до електроінструменту, що постачається разом з пристроєм або купуються окремо. Такі винятки враховують але не є обмеженнями для наконечників викруток, свердел, абразивних дисків, наждачного паперу та лез, бічних напрямних
 - компоненти (частини та приладдя) з урахуванням нормального зношування, враховуючи, але без обмеження на комплекти профілактики та технічного обслуговування, вугільні щітки, підшипники, патрони, кріплення або прийом SDS свердел, кабелі живлення, додаткові рукоятки, чохла для транспортування, шліфувальні пластини, мішки для збору пилу, трубки вихлопу, фетрові кильця, щітки і пружини гайковерту і т.д.
- Для обслуговування, пристрій має бути відремонтований або поданий до одного з авторизованих сервісних центрів RYOBI, які перелічені для кожної країни у наступному переліку адрес сервісних центрів. У деяких країнах місцевий дилер RYOBI зобов'язується відправити пристрій до сервісного центру RYOBI. При відремонтуванні пристрою до сервісного центру RYOBI, пристрій має бути надійно упакований без будь-якого небезпечного вмісту, наприклад бензину, з позначеною адресою відривника та супроводжуваний коротким описом несправності.
- Ремонт / заміна відповідно до цієї гарантії здійснюється безкоштовно. Це не є основою для подовження або початку нового гарантійного періоду. Замінені частини або прилади переходять до власності компанії. У деяких країнах вартість доставки або поштові витрати повинні бути сплачені відривником. Загально встановлені права покупця на пристрій записуються незмінними
- Ця гарантія діє в Європейському Союзі, Швейцарії, Ісландії, Норвегії, Лихтенштейні, Туреччині та Росії. За межами цих зон, будь ласка, зверніться до офіційного дилера RYOBI, щоб визначити, чи застосовується інша гарантія.

АВТОРИЗОВАНІ СЕРВІСНІ ЦЕНТРИ

Для отримання оновленого переліка авторизованих сервісних центрів, відвідайте <http://uk.ryobitools.eu/header/service-and-support/service-agents>

TR RYOBI® GARANTİ UYGULAMA KOŞULLARI

Alımdan kaynaklanan yasal haklara ek olarak, ürün aşağıda belirtilen garanti kapsamındadır.

- Tüketiciler için 24 ay olan garanti süresi, ürünün satın alındığı tarihte başlar. Bu tarihin bir özü ya da alım kanıtıyla belgelenmesi gerekir. Ürün sadece tüketim ve fazla kullanım için geliştirilmiş ve adanmıştır. Bu nedenle, profesyonel ya da ticari kullanım halinde garanti kapsamı sağlanmaz.
- Elektrikli el aletlerinin bir bölümü (AC/DC) için www.ryobitools.eu sayfasındaki kayıt işlemini kullanarak garantinin belirlenmesi üzerine ötesine uzatma imkanı mevcuttur. Aletlerin garanti süresinin uzatılmasına uygun olup olmadığı mağazalarda ve / veya ambalajda açıkça belirtilmiş olup, ürün dokümantasyonunda gösterilir. Son kullanıcının yeni aldığı aletleri satın alma tarihini izleyen 30 gün içinde kaydettirmesi gerekir. Son kullanıcı ikamet ettiği ülkede, bu seçeneğin geçerli olduğu çevrimiçi kayıt formunda belirtilmişse, uzatılmış garanti süresi için kayıt yapılabilir. Dahası, son kullanıcıların çevrimiçi giriş için gerekli verileri kaydedilmesi izin vermek ve hüküm ve koşulları kabul etmelidir. E-posta ile gönderilen kayıt teyit mabzuzu ve alım tarihini gösteren orijinal fatura uzatılmış garantinin kanıtı olarak değerlendirilir.
- Garanti, ürünün alım tarihindeki işçilik ve malzeme kusurları nedeniyle garanti süresi içinde oluşacak bütün arızalarını kapsar. Bu garanti onarım ve değiştirmeyle sınırlı olup, tesadüfî ya da dolaylı hasarlar da dahil, ancak bunlarla kısıtlı olmayan başka hiçbir taahhüdü kapsamaz. Garanti, ürünün kötü, kullanıcı klavuzuna aykırı kullanımı ya da yanlış bağlanmış olması halinde geçerli değildir. Bu garanti aşağıdakileri kapsamaz:
 - üründe, yanlış bakımın kaynaklanan herhangi bir hasar
 - değiştirilmiş ya da modifiye edilmiş herhangi bir ürün
 - orijinal tanıtım işaretleri (ticari marka, seri numarası) silinmiş, değiştirilmiş ya da kaldırılmış herhangi bir ürün
 - kullanma klavuzuna uymamaktan kaynaklanmış herhangi bir hasar
 - herhangi bir AT dışı ürün
 - kalifiye olmayan personel tarafından ya da önceden Techtronic Industries onayı alınmadan onarılmış herhangi bir ürün.
 - uygunsuz güç kaynağına (amper, voltaj, frekans) bağlanmış herhangi bir ürün
 - uygunsuz bir yakıt karışımıyla (yakıt, yağ, yap yüzdesi) kullanılmış herhangi bir ürün
 - harici etkenlerden (kimyasal, fiziksel, darbe) veya yabancı cisimlerden kaynaklanan her türlü hasar
 - normal aşınır ve yıpranır aksam
 - uygunsuz kullanım, aletin aşırı yüklenmesi
 - onaysız aksesuar veya parça kullanımı
 - Alette birlikte sağlanmış ya da ayrıca alınmış elektrikli alet aksesuarları. Tornavida uçları, matkap uçları, aşındırıcı diskler, zımpara kağıdı ve bıçakları, yanıl klavuz gibi aksamı içeren, ancak bunlarla sınırlı olmayan eklentiler
 - Servis ve Bakım kitiyle, kömür fırçalar, yataklar, kovanlar, SDS matkap ucu bağlantısı ya da yuvaları, güç kablosu, yedek tutamak, nakliye ve taşıma kutusu, kumlamla plakası, toz torbası, toz egzoz borusu, keçe rondelalar, Darbeli Tornavida Pim ve yayları vb. gibi parçaları kapsayan, ancak bunlarla sınırlı olmayan, aşınma ve yıpranmaya tabi bileşenler (aksam ve aksesuarlar).
- Ürünün servis için her ülkede aşağıdaki servis istasyonları adres listesinde yer alan yetkili bir RYOBI servis istasyonuna gönderilmesi ya götürülmesi gereklidir. Bazı ülkelerde, yerel RYOBI distribütörünüz ürünü RYOBI servis teşkilatına göndermeyi üstlenir. Bir ürün bir RYOBI servis istasyonuna gönderilirken, ürünün güvenli bir biçimde ambalajlanması, benzin gibi tehlikeli maddeler içermemesi, gönderinin adresini taşıması ve anızın kısa bir açıklamasını içermesi gerekir.
- Bu garanti kapsamında yapılacak onarım / değişiklik ücretsizdir. Garanti süresinin uzatılması ya da yeniden başlatılması anızın kapsamı. Değiştirilmiş parçalar veya aletler bize ait olur. Bazı ülkelerde teslim ücretleri veya posta giderlerinin gönderici tarafından ödemesi gerekir. Alımdan kaynaklanan yasal haklarınıza etkilenez
- Bu Garanti Avrupa Topluluğu, İsviçre, İzlanda, Norveç, Liechtenstein, Türkiye ve Rusya'da geçerlidir. Bu alanların dışında, başka bir garantinin geçerli olup olmadığını belirlemek için lütfen yetkili RYOBI distribütörünüze irtibata geçin.

YETKİLİ SERVİS MERKEZİ

En yakın yetkili servis merkezini öğrenmek için <http://uk.ryobitools.eu/header/service-and-support/service-agents> sitesine girin.

EL OROPI ΕΦΑΡΜΟΓΗΣ ΤΩΝ ΠΡΟΫΠΟΘΕΣΕΩΝ ΕΓΓΥΗΣΗΣ ΤΗΣ RYOBI®

Εκτός από τα νόμιμα δικαιώματα, τα οποία προκύπτουν από την αγορά, το προϊόν καλύπτεται από εγγύηση, λεπτομέρειες της οποίας ακολουθούν στη συνέχεια.

- Η διάρκεια της εγγύησης για τους καταναλωτές είναι 24 μήνες και αρχίζει από την ημερομηνία αγοράς. Η ημερομηνία θα πρέπει να αναγράφεται στην αποδείξη ή σε άλλο αποδεικτικό αγοράς. Το προϊόν έχει σχεδιαστεί και προορίζεται αποκλειστικά για οικιακή χρήση από καταναλωτές. Συνεπώς, δεν παρέχεται εγγύηση σε περίπτωση επαγγελματικής ή εμπορικής χρήσης.
- Υπάρχει η δυνατότητα επέκτασης της εγγύησης για ορισμένα ηλεκτρικά εργαλεία (AC/DC), πέραν του παραπάνω αναφερόμενου χρονικού διαστήματος, μέσω εγγραφής στο δικτυακό τόπο www.ryobitools.eu. Η επιλεξιμότητα των εργαλείων με δυνατότητα επέκτασης της περιόδου εγγύησης αναγράφεται ρητά στα καταστήματα και/ή επάνω στη συσκευασία, ενώ περιέχεται στην τεκμηρίωση του προϊόντος. Το τελικό χρήστη θα πρέπει να καταχωρίσει τα προσωπικά αποκτηθέντα εργαλεία online, εντός 30 ημερών από την ημερομηνία αγοράς. Ο τελικός χρήστης μπορεί να εγγραφεί για την επέκταση εγγύησης στη χώρα κατοικίας, εφόσον αυτή περιλαμβάνεται στο online έντυπο εγγραφής, εάν υπάρχει η δυνατότητα επέκτασης. Επιπλέον, οι τελικοί χρήστες θα πρέπει να παρέχουν τη συγκατάθεσή τους για την αποθήκευση των στοιχείων τους, τα οποία οφείλουν να καταχωρούνται online, όπως και να αποδεχθούν του όρους και τις προϋποθέσεις. Η αποδείξη επιβεβαίωσης της εγγραφής, η οποία αποστέλλεται μέσω email, και η πρωτότυπη αποδείξη αγοράς, η οποία αναγράφει την ημερομηνία αγοράς, αποτελούν αποδεικτικά της παρατεταμένης εγγύησης.
- Η εγγύηση καλύπτει όλα τα ελαττώματα του προϊόντος, κατά τη διάρκεια της περιόδου εγγύησης, λόγω κατασκευαστικών ελαττωμάτων ή αστοχίας υλικού κατά την ημερομηνία αγοράς. Η εγγύηση περιορίζεται στην επισκευή και/ή την αντικατάσταση και δεν περιλαμβάνει καμία άλλη υποχρέωση, συμπεριλαμβανομένων, ενδεικτικά, συμπληρωμάτων ή παρεπιπέτων ζημιών. Η εγγύηση δεν ισχύει εφόσον, έχει σημειωθεί κακομεταχείριση του προϊόντος, δεν έχουν τηρηθεί οι οδηγίες του εγχειριδίου οδηγιών ή το προϊόν έχει συνδεθεί λανθασμένα. Η εγγύηση δεν ισχύει για:
 - οποιαδήποτε ζημία στο προϊόν, η οποία είναι αποτέλεσμα κακής συντήρησης
 - οποιοδήποτε προϊόν, το οποίο έχει αλλοιωθεί ή τροποποιηθεί
 - οποιοδήποτε προϊόν, στο οποίο έχει αλλοιωθεί, τροποποιηθεί ή αφαιρεθεί το γνήσιο αναγνωριστικό (σήμα κατατεθέν, σειριακός αριθμός)
 - οποιαδήποτε ζημία προκληθεί λόγω μη τήρησης του εγχειριδίου οδηγιών
 - οποιοδήποτε προϊόν χωρίς σήμανση CE
 - οποιοδήποτε προϊόν, στο οποίο έχει γίνει προσπάθεια επισκευής από μη καταρτισμένο επαγγελματία ή χωρίς την προηγούμενη έγκριση της Techtronic Industries.
 - οποιοδήποτε προϊόν, το οποίο έχει συνδεθεί σε ακατάλληλη παροχή ρεύματος (αμπέρ, ισχύ, συχνότητα)
 - οποιοδήποτε προϊόν, το οποίο έχει χρησιμοποιηθεί με ακατάλληλο μέγιστο καύσιμο (καύσιμο, λάδι, ποσοστό λαδιού)
 - οποιαδήποτε ζημία έχει προκληθεί από εξωτερικές επιδράσεις (χημικές, φυσικές, κλιματισμού) ή ξένες ουσίες
 - φυσιολογική φθορά και ρήξη ανταλλακτικών
 - ακατάλληλη χρήση, υπερφόρτωση του εργαλείου
 - χρήση μη ενδεδειγμένων εξαρτημάτων ή ανταλλακτικών
 - Εξαρτήματα ηλεκτρικών εργαλείων που παρασχέθηκαν με το εργαλείο ή αγοράστηκαν χωριστά. Τέτοιες εξαιρέσεις περιλαμβάνουν, ενδεικτικά, μύτες καταβιβιστή, τρυπάνια, δίσκους λείανσης, γυαλόχαρτο και λεπτιές, πλεοκτικό οδηγό
 - Εξαρτήματα (ανταλλακτικά και αξεσουάρ) που υποκείμενα σε φυσική φθορά και θραύση, συμπεριλαμβανομένων, ενδεικτικά, οστ επισκευής & συντήρησης, ψηκτρών ανθρώκα, εφεδρώνων, τσοκ, εξαρτημάτων ή υποδοχών τρυπανιών SDS, καλωδίων ισχύος, βοηθητικής λαβής, βαλίτσας μεταφοράς, βάσης τρεβίου, ακούλιας συλλογής σκόνης, σωλήνα εξαγωγής σκόνης, ροβόλων τσάσας, μωτών και ελατηρίων κροστικού κλειδιού κοχλίων, κτλ.
- Το προϊόν θα πρέπει να αποστέλλει ή να παραδοθεί στην οικιακή ή συντήρηση σε εξουσιοδοτημένο σημείο σέρβις της RYOBI που περιλαμβάνεται στον ακόλουθο κατάλογο διευθύνσεων για κάθε χώρα. Σε ορισμένες χώρες, το τοπικό σημείο πώλησης της RYOBI αναλαμβάνει την αποστολή του προϊόντος στο κεντρικό σέρβις της RYOBI. Κατά την αποστολή ενός προϊόντος σε σημείο σέρβις της RYOBI, αυτό θα πρέπει να είναι ασφαλισμένο συσκευασμένο, χωρίς επικίνδυνον περιεχόμενο, όπως, πετρέλαιο, να φέρει τη διεύθυνση του αποστολέα και να συνοδεύεται από σύντομη περιγραφή της βλάβης.
- Η επιδιόρθωση / αντικατάσταση υπό την παρούσα εγγύηση παρέχεται δωρεάν. Δε συνηθιστά παράταση της περιόδου εγγύησης ή εκκίνηση νέας περιόδου εγγύησης. Τα μέρη που αντικαθίστανται περιέρχονται στην κυριότητα μας. Σε ορισμένες χώρες, τα ενδεδειγμένα έξοδα παράδοσης ή μεταφοράς βαρύνουν τον αποστολέα. Τα νόμιμα δικαιώματά σας, τα οποία απορρέουν από την αγορά του εργαλείου, δεν θίγονται.
- Η παρούσα εγγύηση ισχύει στην Ευρωπαϊκή Κοινότητα, την Ελβετία, την Ισπανία, τη Νορβηγία, το Λιχτενστάιν, την Τουρκία και την Ρωσία. Εκτός των παραπάνω περιοχών, σας παρακαλούμε να επικοινωνήσετε με εξουσιοδοτημένο κατάστημα πώλησης της RYOBI, προκειμένου να διαπιστωθεί ένα ισχυρό κείμενο άλλης εγγύησης.

ΕΞΟΥΣΙΟΔΟΤΗΜΕΝΟ ΚΕΝΤΡΟ ΣΕΡΒΙΣ

Για να εντοπίσετε ένα εξουσιοδοτημένο κέντρο σέρβις στην περιοχή σας, επισκεφτείτε τη σελίδα <http://uk.ryobitools.eu/header/service-and-support/service-agents>.



EN EC DECLARATION OF CONFORMITY

Technronic Industries GmbH
Max-Eyth-Straße 10, 71364 Winnenden, Germany

Herewith we declare that the product

Belt/disc sander
Brand: Ryobi
Model number: RBDS4601G
Serial number range: 46204901000001 - 46204901999999

is in conformity with the following European Directives and harmonised standards
2006/42/EC, 2014/30/EU, 2011/65/EU
EN 55014-1-2:2006+A1:2009+A2:2011; EN 55014-2:1997+A1:2001+A2:2008;
EN 61000-3-2:2014; EN 61000-3-3:2013;
EN61029-1:2009+A11:2010

RoHS documentation is compiled according to EN 50581:2012

Andrew John Eyre (BEng, CEng, MIET)
Vice President, Regulatory & Safety
Winnenden, Aug. 24, 2016

Authorised to compile the technical file:

Alexander Krug, Managing Director
Technronic Industries GmbH
Max-Eyth-Straße 10, 71364 Winnenden, Germany

ES DECLARACIÓN EC DE CONFORMIDAD

Technronic Industries GmbH
Max-Eyth-Straße 10, 71364 Winnenden, Germany

Por la presente declaramos que los productos

Lijadora de la correa/disco
Marca: Ryobi
Número de modelo: RBDS4601G
Intervalo del número de serie: 46204901000001 - 46204901999999

se encuentra en conformidad con las siguientes Directivas Europeas y normas armonizadas

2006/42/EC, 2014/30/EU, 2011/65/EU
EN 55014-1-2:2006+A1:2009+A2:2011; EN 55014-2:1997+A1:2001+A2:2008;
EN 61000-3-2:2014; EN 61000-3-3:2013;
EN61029-1:2009+A11:2010

Documentación sobre restricción de sustancias peligrosas (RoHS) recopilada según la norma EN 50581:2012

Andrew John Eyre (BEng, CEng, MIET)
Vicepresidente, Director General de Normativa y Seguridad
Winnenden, Aug. 24, 2016

Autorizado para elaborar la ficha técnica:

Alexander Krug, Administrador Ejecutivo
Technronic Industries GmbH
Max-Eyth-Straße 10, 71364 Winnenden, Germany

FR DÉCLARATION DE CONFORMITÉ EC

Technronic Industries GmbH
Max-Eyth-Straße 10, 71364 Winnenden, Germany

Déclarons par la présente que le produit

Ponceuse à bande/disque
Marque: Ryobi
Numéro de modèle: RBDS4601G
Étendue des numéros de série: 46204901000001 - 46204901999999

est conforme aux Directives Européennes et Normes Harmonisées suivantes
2006/42/EC, 2014/30/EU, 2011/65/EU
EN 55014-1-2:2006+A1:2009+A2:2011; EN 55014-2:1997+A1:2001+A2:2008;
EN 61000-3-2:2014; EN 61000-3-3:2013;
EN61029-1:2009+A11:2010

La documentation RoHS a été dressée d'après EN 50581:2012

Andrew John Eyre (BEng, CEng, MIET)
Vice-Président, Réglementation & Sécurité
Winnenden, Aug. 24, 2016

Autorisé à rédiger le dossier technique:

Alexander Krug, Directeur Général
Technronic Industries GmbH
Max-Eyth-Straße 10, 71364 Winnenden, Germany

IT DICHIARAZIONE DI CONFORMITÀ EC

Technronic Industries GmbH
Max-Eyth-Straße 10, 71364 Winnenden, Germany

Si dichiara con la presente che il prodotto

Levigatrice a nastro/disco
Marca: Ryobi
Numero modello: RBDS4601G
Gamma numero seriale: 46204901000001 - 46204901999999

è conforme alle seguenti Direttive Europee e ai seguenti standard armonizzati

2006/42/EC, 2014/30/EU, 2011/65/EU
EN 55014-1-2:2006+A1:2009+A2:2011; EN 55014-2:1997+A1:2001+A2:2008;
EN 61000-3-2:2014; EN 61000-3-3:2013;
EN61029-1:2009+A11:2010

La documentazione RoHS è stata compilata come indicato dalle norme EN 50581:2012

Andrew John Eyre (BEng, CEng, MIET)
Vice-Presidente, Dipartimento Regolazioni & Sicurezza
Winnenden, Aug. 24, 2016

Autorizzato per compilare il file tecnico:

Alexander Krug, Direttore Amministrativo
Technronic Industries GmbH
Max-Eyth-Straße 10, 71364 Winnenden, Germany

DE EG KONFORMITÄTSERKLÄRUNG

Technronic Industries GmbH
Max-Eyth-Straße 10, 71364 Winnenden, Germany

Hiermit erklären wir, dass das Produkt

Band-/Scheibenschleifer
Marke: Ryobi
Modellnummer: RBDS4601G
Seriennummernbereich: 46204901000001 - 46204901999999

den folgenden europäischen Richtlinien und harmonisierten Normen entspricht
2006/42/EC, 2014/30/EU, 2011/65/EU
EN 55014-1-2:2006+A1:2009+A2:2011; EN 55014-2:1997+A1:2001+A2:2008;
EN 61000-3-2:2014; EN 61000-3-3:2013;
EN61029-1:2009+A11:2010

RoHS Dokumentation ist gemäß EN 50581:2012 zusammengestellt

Andrew John Eyre (BEng, CEng, MIET)
Vizepräsident, Vorschriften und Sicherheit
Winnenden, Aug. 24, 2016

Autorisiert die technische Datei zu erstellen:

Alexander Krug, Geschäftsführer
Technronic Industries GmbH
Max-Eyth-Straße 10, 71364 Winnenden, Germany

NL EC CONFORMITEITSVERKLARING

Technronic Industries GmbH
Max-Eyth-Straße 10, 71364 Winnenden, Germany

Hierbij verklaren wij dat het product

Band-/schijfschuurmachine
Merk: Ryobi
Modelnummer: RBDS4601G
Seriennumbereik: 46204901000001 - 46204901999999

is in overeenstemming met de volgende Europese Richtlijnen en geharmoniseerde normen

2006/42/EC, 2014/30/EU, 2011/65/EU
EN 55014-1-2:2006+A1:2009+A2:2011; EN 55014-2:1997+A1:2001+A2:2008;
EN 61000-3-2:2014; EN 61000-3-3:2013;
EN61029-1:2009+A11:2010

RoHS-documentatie is samengesteld in overeenstemming met EN 50581:2012

Andrew John Eyre (BEng, CEng, MIET)
Vice-president, Regelgeving en Veiligheid
Winnenden, Aug. 24, 2016

Afgevaardigde voor het samenstellen van de technische fiche:

Alexander Krug, Directeur
Technronic Industries GmbH
Max-Eyth-Straße 10, 71364 Winnenden, Germany



PT DECLARAÇÃO EC DE CONFORMIDADE

Techtronic Industries GmbH
Max-Eyth-Straße 10, 71364 Winnenden, Germany

Pelo presente declaramos que os produtos

Lixadora de cinta/disco
Marca: Ryobi
Número do modelo: RBDS4601G
Intervalo do número de série: 46204901000001 - 46204901999999

se encontra em conformidade com as seguintes Directivas Europeias e normas harmonizadas

2006/42/EC, 2014/30/EU, 2011/65/EU
EN 55014-1-2:2006+A1:2009+A2:2011; EN 55014-2:1997+A1:2001+A2:2008;
EN 61000-3-2:2014; EN 61000-3-3:2013;
EN 61029-1:2009+A11:2010

Documentação sobre restrição de substâncias perigosas (RoHS) compilada segundo a norma EN 50581:2012

Andrew John Eyre (BEng, CEng, MIET)
Vice-Presidente, Regulamentação & Segurança
Winnenden, Aug. 24, 2016

Autorizado para compilar o ficheiro técnico:
Alexander Krug, Administrador Executivo
Techtronic Industries GmbH
Max-Eyth-Straße 10, 71364 Winnenden, Germany

DA EC OVERENSSTEMMELSESEKTLÆRING

Techtronic Industries GmbH
Max-Eyth-Straße 10, 71364 Winnenden, Germany

Vi erklærer hermed, at produktet

Bånd-/skivepudser
Brand: Ryobi
Modelnummer: RBDS4601G
Serienummerområde: 46204901000001 - 46204901999999

er i overensstemmelse med følgende EU-direktiver og harmoniserede standarder

2006/42/EC, 2014/30/EU, 2011/65/EU
EN 55014-1-2:2006+A1:2009+A2:2011; EN 55014-2:1997+A1:2001+A2:2008;
EN 61000-3-2:2014; EN 61000-3-3:2013;
EN 61029-1:2009+A11:2010

RoHS-dokumentationen er udarbejdet i henhold til EN 50581:2012

Andrew John Eyre (BEng, CEng, MIET)
Vicepræsident, Regler og Sikkerhed
Winnenden, Aug. 24, 2016

Bemyndiget til at udarbejde det tekniske kartotek:
Alexander Krug, Administrerende Direktør
Techtronic Industries GmbH
Max-Eyth-Straße 10, 71364 Winnenden, Germany

SV EC-KONFORMITETSDEKLARATION

Techtronic Industries GmbH
Max-Eyth-Straße 10, 71364 Winnenden, Germany

Härmed deklarerar vi att produkterna

Polermaskin med rem/skiva
Märke: Ryobi
Modellnummer: RBDS4601G
Serienummerintervall: 46204901000001 - 46204901999999

är i enlighet med följande EU-direktiv och harmoniserade standarder

2006/42/EC, 2014/30/EU, 2011/65/EU
EN 55014-1-2:2006+A1:2009+A2:2011; EN 55014-2:1997+A1:2001+A2:2008;
EN 61000-3-2:2014; EN 61000-3-3:2013;
EN 61029-1:2009+A11:2010

RoHS-dokumentation sammanställd enligt EN 50581:2012

Andrew John Eyre (BEng, CEng, MIET)
Vice President, Regelverk och Säkerhet
Winnenden, Aug. 24, 2016

Godkänd att sammanställa den tekniska filen:
Alexander Krug, VD
Techtronic Industries GmbH
Max-Eyth-Straße 10, 71364 Winnenden, Germany

FI EC-SÄÄNNÖSTEN NOUDATTAMINEN

Techtronic Industries GmbH
Max-Eyth-Straße 10, 71364 Winnenden, Germany

Ilmoitamme täten, että tuotteet

Nauha-/levyhiomakone
Tuotemerkki: Ryobi
Mallinnumero: RBDS4601G
Sarjanumeroalue: 46204901000001 - 46204901999999

noudattaa seuraavia EU-direktiivejä ja harmonoituja standardeja

2006/42/EC, 2014/30/EU, 2011/65/EU
EN 55014-1-2:2006+A1:2009+A2:2011; EN 55014-2:1997+A1:2001+A2:2008;
EN 61000-3-2:2014; EN 61000-3-3:2013;
EN 61029-1:2009+A11:2010

RoHS-dokumentointi on koottu standardin EN 50581:2012 mukaisesti

Andrew John Eyre (BEng, CEng, MIET)
Varatoimitusjohtaja, Säädöstenmukaisuus ja Turvallisuus
Winnenden, Aug. 24, 2016

Valtuutettu kokoamaan tekninen tiedosto:
Alexander Krug, Toimitusjohtaja
Techtronic Industries GmbH
Max-Eyth-Straße 10, 71364 Winnenden, Germany

NO EC-SAMSVARSEKTLÆRING

Techtronic Industries GmbH
Max-Eyth-Straße 10, 71364 Winnenden, Germany

Herved erklærer vi at produktet

Reim/skiveslipper
Merke: Ryobi
Modellnummer: RBDS4601G
Serienummerserie: 46204901000001 - 46204901999999

er i samsvar med følgende europeiske direktiver og harmoniserte standarder

2006/42/EC, 2014/30/EU, 2011/65/EU
EN 55014-1-2:2006+A1:2009+A2:2011; EN 55014-2:1997+A1:2001+A2:2008;
EN 61000-3-2:2014; EN 61000-3-3:2013;
EN 61029-1:2009+A11:2010

RoHS dokumentasjonen er skrevet i samsvar med EN 50581:2012

Andrew John Eyre (BEng, CEng, MIET)
Visepræsident, Forskifter og Sikkerhet
Winnenden, Aug. 24, 2016

Autorisert til å sette sammen den tekniske filen:
Alexander Krug, Administrerende Direktør
Techtronic Industries GmbH
Max-Eyth-Straße 10, 71364 Winnenden, Germany

RU ЗАЯВЛЕНИЕ О СООТВЕТСТВИИ ТРЕБОВАНИЯМ ЕС

Techtronic Industries GmbH
Max-Eyth-Straße 10, 71364 Winnenden, Germany

Настоящим мы заявляем, что данный продукт

Ленточно-дисковый шлифовальный станок
Марка: Ryobi
Номер модели: RBDS4601G
Диапазон заводских номеров: 46204901000001 - 46204901999999

соответствует требованиям следующих Директив ЕС и согласованных стандартов

2006/42/EC, 2014/30/EU, 2011/65/EU
EN 55014-1-2:2006+A1:2009+A2:2011; EN 55014-2:1997+A1:2001+A2:2008;
EN 61000-3-2:2014; EN 61000-3-3:2013;
EN 61029-1:2009+A11:2010

Документация RoHS соответствует стандарту EN 50581:2012

Andrew John Eyre (BEng, CEng, MIET)
Вице-Президент По Технике Безопасности И Стандартам
Winnenden, Aug. 24, 2016

Лицо, ответственное за подготовку технической документации:
Alexander Krug, Директор
Techtronic Industries GmbH
Max-Eyth-Straße 10, 71364 Winnenden, Germany



PL DEKLARACJA ZGODNOŚCI EC

Techtronic Industries GmbH
Max-Eyth-Straße 10, 71364 Winnenden, Germany

Niniejszym deklarujemy, że produkt

Szliifierka taśmowo-tarczowa
Marka: Ryobi
Numer modelu: RBDS4601G
Zakres numerów seryjnych: 46204901000001 - 46204901999999

jest zgodny z następującymi dyrektywami europejskimi i zharmonizowanymi normami

2006/42/EC, 2014/30/EU, 2011/65/EU
EN 55014-1:2006+A1:2009+A2:2011; EN 55014-2:1997+A1:2001+A2:2008;
EN 61000-3-2:2014; EN 61000-3-3:2013;
EN 61029-1:2009+A11:2010

Dokumentacja RoHS została opracowana zgodnie z normą EN 50581:2012

Andrew John Eyre (BEng, CEng, MIET)
Wiceprezes ds. Zgodności Prawnej i Bezpieczeństwa
Winnenden, Aug. 24, 2016

Osoba upoważniona do sporządzenia dokumentu technicznego:

Alexander Krug, Dyrektor Zarządzający
Techtronic Industries GmbH
Max-Eyth-Straße 10, 71364 Winnenden, Germany

RO DECLARAȚIE DE CONFORMITATE EC

Techtronic Industries GmbH
Max-Eyth-Straße 10, 71364 Winnenden, Germany

Prin prezenta, declarăm că produsul este

Șlefuitor cu curea / disc
Marcă: Ryobi
Număr serie: RBDS4601G
Gamă număr serie: 46204901000001 - 46204901999999

este în conformitate cu următoarele Directive Europene și standarde armonizate

2006/42/EC, 2014/30/EU, 2011/65/EU
EN 55014-1:2006+A1:2009+A2:2011; EN 55014-2:1997+A1:2001+A2:2008;
EN 61000-3-2:2014; EN 61000-3-3:2013;
EN 61029-1:2009+A11:2010

Dokumentacja RoHS este întocmită în conformitate cu EN 50581:2012

Andrew John Eyre (BEng, CEng, MIET)
Vicepreședinte, Reglementare & Siguranță
Winnenden, Aug. 24, 2016

Autorizat să completeze fișa tehnică:

Alexander Krug, Director General
Techtronic Industries GmbH
Max-Eyth-Straße 10, 71364 Winnenden, Germany

CS PROHLÁŠENÍ O SHODĚ EC

Techtronic Industries GmbH
Max-Eyth-Straße 10, 71364 Winnenden, Germany

Tímto prohlašujeme, že výrobek

Pásová/kotoučová bruska
Značka: Ryobi
Číslo modelu: RBDS4601G
Rozsah sériových čísel: 46204901000001 - 46204901999999

že tento výrobek je v souladu s evropskými a harmonizovanými standardy

2006/42/EC, 2014/30/EU, 2011/65/EU
EN 55014-1:2006+A1:2009+A2:2011; EN 55014-2:1997+A1:2001+A2:2008;
EN 61000-3-2:2014; EN 61000-3-3:2013;
EN 61029-1:2009+A11:2010

RoHS dokumentace sestavena dle EN 50581:2012

Andrew John Eyre (BEng, CEng, MIET)
Viceprezident, Normy a Bezpečnost
Winnenden, Aug. 24, 2016

Pověření ke kompilaci technického souboru:

Alexander Krug, Generální ředitel
Techtronic Industries GmbH
Max-Eyth-Straße 10, 71364 Winnenden, Germany

LV EC ATBILSTĪBAS DEKLARĀCIJA

Techtronic Industries GmbH
Max-Eyth-Straße 10, 71364 Winnenden, Germany

Ar šo paziņojam, ka produkts

Lentas/diska slīpmašīna
Zīmols: Ryobi
Modeļa numurs: RBDS4601G
Sērijas numura intervāls: 46204901000001 - 46204901999999

atbilst šādām Eiropas direktīvām un saskaņotajiem standartiem

2006/42/EC, 2014/30/EU, 2011/65/EU
EN 55014-1:2006+A1:2009+A2:2011; EN 55014-2:1997+A1:2001+A2:2008;
EN 61000-3-2:2014; EN 61000-3-3:2013;
EN 61029-1:2009+A11:2010

RoHS dokumentācija ir izstrādāta saskaņā ar EN 50581:2012

Andrew John Eyre (BEng, CEng, MIET)
Viceprezidents, Darba Drošības Noteikumi
Winnenden, Aug. 24, 2016

Pilnvarots sastādīt tehnisko failu:

Alexander Krug, Izpilddirektors
Techtronic Industries GmbH
Max-Eyth-Straße 10, 71364 Winnenden, Germany

HU EC MEGFELELŐSÉGI NYILATKOZAT

Techtronic Industries GmbH
Max-Eyth-Straße 10, 71364 Winnenden, Germany

Ezúton kijelentjük, hogy a termék

Szalagos/korongos csiszológép
Márka: Ryobi
Típuszám: RBDS4601G
Sorozatszám tartomány: 46204901000001 - 46204901999999

megfelel az alábbi Európai Irányelvek és harmonizált szabványok vonatkozó rendelkezésének

2006/42/EC, 2014/30/EU, 2011/65/EU
EN 55014-1:2006+A1:2009+A2:2011; EN 55014-2:1997+A1:2001+A2:2008;
EN 61000-3-2:2014; EN 61000-3-3:2013;
EN 61029-1:2009+A11:2010

A RoHS dokumentáció összeállítására az EN 50581:2012 szerint történt

Andrew John Eyre (BEng, CEng, MIET)
Alelnök, Megfelelőségi és Biztonsági Területek
Winnenden, Aug. 24, 2016

A műszaki dokumentáció összeállítására felhatalmazott:

Alexander Krug, Ügyvezető Igazgató
Techtronic Industries GmbH
Max-Eyth-Straße 10, 71364 Winnenden, Germany

LT EC ATITIKTIES PAREIŠKIMAS

Techtronic Industries GmbH
Max-Eyth-Straße 10, 71364 Winnenden, Germany

Mēs pareiškiamo, kad šie produkti

Juostinis / diskinis šlifotuvas
Prekės ženklas: Ryobi
Modelio numeris: RBDS4601G
Serijinio numerio diapazonas: 46204901000001 - 46204901999999

pagamintas laikantis toliau nurodytųjų Europos Direktyvų ir darniųjų standartų

2006/42/EC, 2014/30/EU, 2011/65/EU
EN 55014-1:2006+A1:2009+A2:2011; EN 55014-2:1997+A1:2001+A2:2008;
EN 61000-3-2:2014; EN 61000-3-3:2013;
EN 61029-1:2009+A11:2010

Tam tikrų pavojingų medžiagų naudojimo elektros ir elektroninėje įrangoje apri bojimo dokumentai sudaryti pagal standartą EN 50581:2012

Andrew John Eyre (BEng, CEng, MIET)
Kontrolės Ir Saugos Viceprezidentas
Winnenden, Aug. 24, 2016

Įgaliojats sudaryti techninį failą:

Alexander Krug, Generalinis Direktorius
Techtronic Industries GmbH
Max-Eyth-Straße 10, 71364 Winnenden, Germany



**ET EC VASTAVUSDEKLARATSIOON**

Techtronic Industries GmbH
Max-Eyth-Straße 10, 71364 Winnenden, Germany

Kinnitame, et see toode

Lint- ja ketaslihvija
Mark: Ryobi
Mudelil number: RBDS4601G
Seerianumbri vahemik: 46204901000001 - 46204901999999

vastab järgmistele Euroopa direktiividele ja harmoniseeritud standarditele

2006/42/EC, 2014/30/EU, 2011/65/EU
EN 55014-1-2:2006+A1:2009+A2:2011; EN 55014-2:1997+A1:2001+A2:2008;
EN 61000-3-2:2014; EN 61000-3-3:2013;
EN 61029-1:2009+A11:2010

RoHS dokumendid on koostatud vastavuses standardi EN 50581:2012 nõuetele.



Andrew John Eyre (BEng, CEng, MIET)
Asepresident Standardiseerimise Ja Ohutuse Alal
Winnenden, Aug. 24, 2016

Tehnilise faili koostamiseks volitatud isik:

Alexander Krug, Tegevdirektor
Techtronic Industries GmbH
Max-Eyth-Straße 10, 71364 Winnenden, Germany

SK PREHLÁSENIE O ZHODE EC

Techtronic Industries GmbH
Max-Eyth-Straße 10, 71364 Winnenden, Germany

Týmto vyhlasujeme, že výrobok

Traňnik/kolutni brusilnik
Značka: Ryobi
Číslo modelu: RBDS4601G
Rozsah sériových čísiel: 46204901000001 - 46204901999999

je v súlade s nasledujúcimi Európskymi smernicami a harmonizovanými normami

2006/42/EC, 2014/30/EU, 2011/65/EU
EN 55014-1-2:2006+A1:2009+A2:2011; EN 55014-2:1997+A1:2001+A2:2008;
EN 61000-3-2:2014; EN 61000-3-3:2013;
EN 61029-1:2009+A11:2010

Dokumentácia RoHS je zostavená podľa EN 50581:2012



Andrew John Eyre (BEng, CEng, MIET)
Viceprezident, Regulácia a Bezpečnosť
Winnenden, Aug. 24, 2016

Oprávnená osoba na zostavenie technického súboru:

Alexander Krug, Generálny Riaditeľ
Techtronic Industries GmbH
Max-Eyth-Straße 10, 71364 Winnenden, Germany

HR EC IZJAVA O USKLADENOSTI

Techtronic Industries GmbH
Max-Eyth-Straße 10, 71364 Winnenden, Germany

Ovime izjavljujemo da su proizvodi

Tračna/disk brusilica
Marka: Ryobi
Broj modela: RBDS4601G
Raspon serijskog broja: 46204901000001 - 46204901999999

usklađen sa sljedećim Europskim Direktivama i usklađenim normama

2006/42/EC, 2014/30/EU, 2011/65/EU
EN 55014-1-2:2006+A1:2009+A2:2011; EN 55014-2:1997+A1:2001+A2:2008;
EN 61000-3-2:2014; EN 61000-3-3:2013;
EN 61029-1:2009+A11:2010

RoHS dokumentacija sukladna je EN 50581:2012



Andrew John Eyre (BEng, CEng, MIET)
Potpredsjednik za Pravila i Sigurnost
Winnenden, Aug. 24, 2016

Ovlašten da sastavi tehničku datoteku:

Alexander Krug, Direktor Upravljanja
Techtronic Industries GmbH
Max-Eyth-Straße 10, 71364 Winnenden, Germany

EL ΕΚ ΔΗΛΩΣΗ ΣΥΜΜΟΡΦΩΣΗΣ

Techtronic Industries GmbH
Max-Eyth-Straße 10, 71364 Winnenden, Germany

Δια του παρόντος δηλώνουμε ότι το προϊόν

Τριβείο ταινίας/δίσκου
Μάρκα: Ryobi
Αριθμός μοντέλου: RBDS4601G
Εύρος σειριακών αριθμών: 46204901000001 - 46204901999999

είναι σύμφωνο με τις παρακάτω Ευρωπαϊκές Οδηγίες και εναρμονισμένα πρότυπα

2006/42/EC, 2014/30/EU, 2011/65/EU
EN 55014-1-2:2006+A1:2009+A2:2011; EN 55014-2:1997+A1:2001+A2:2008;
EN 61000-3-2:2014; EN 61000-3-3:2013;
EN 61029-1:2009+A11:2010

Τα έγγραφα RoHS συντάσσονται σύμφωνα με το EN 50581:2012



Andrew John Eyre (BEng, CEng, MIET)
Αντιπρόεδρος, Τμήμα Πωλήσεων & Ασφάλειας
Winnenden, Aug. 24, 2016

Εξουσιοδοτημένο άτομο για σύνταξη τεχνικού αρχείου:

Alexander Krug, Διευθυντής Σχέδιασμού
Techtronic Industries GmbH
Max-Eyth-Straße 10, 71364 Winnenden, Germany

SL IZJAVA EC O SKLADNOSTI

Techtronic Industries GmbH
Max-Eyth-Straße 10, 71364 Winnenden, Germany

Izjavljamo, da je izdelek

Pásová/kotúčová bruska
Znamka: Ryobi
Številka modela: RBDS4601G
Razpon serijskih števil: 46204901000001 - 46204901999999

v skladu s sledečimi evropskimi direktivami in harmoniziranimi standardi

2006/42/EC, 2014/30/EU, 2011/65/EU
EN 55014-1-2:2006+A1:2009+A2:2011; EN 55014-2:1997+A1:2001+A2:2008;
EN 61000-3-2:2014; EN 61000-3-3:2013;
EN 61029-1:2009+A11:2010

Dokumentacija RoHS je sestavljena skladno s standardom EN 50581:2012



Andrew John Eyre (BEng, CEng, MIET)
Podpredsednik, Zakonodajne In Varnostne Zadeve
Winnenden, Aug. 24, 2016

Pooblaščená oseba za sestavo tehnične dokumentacije:

Alexander Krug, Izvršni Direktor
Techtronic Industries GmbH
Max-Eyth-Straße 10, 71364 Winnenden, Germany

TR EC UYGUNLUK BEYANI

Techtronic Industries GmbH
Max-Eyth-Straße 10, 71364 Winnenden, Germany

Böylelikle beyan ederiz ki; ürün

Kayıtlı/diskli zımpara
Marka: Ryobi
Model numarası: RBDS4601G
Seri numarası aralığı: 46204901000001 - 46204901999999

aşağıdaki Avrupa Direktifleri ve uyumlaştırılmış standartlara uygundur

2006/42/EC, 2014/30/EU, 2011/65/EU
EN 55014-1-2:2006+A1:2009+A2:2011; EN 55014-2:1997+A1:2001+A2:2008;
EN 61000-3-2:2014; EN 61000-3-3:2013;
EN 61029-1:2009+A11:2010

RoHS belgeleri EN 50581:2012 uyarınca derlenmiştir



Andrew John Eyre (BEng, CEng, MIET)
Başkan Vekili, Değerleme ve Güvenlik
Winnenden, Aug. 24, 2016

Teknik dosya hazırlamaya yetkilidir:

Alexander Krug, Genel Müdür
Techtronic Industries GmbH
Max-Eyth-Straße 10, 71364 Winnenden, Germany



UK ДЕКЛАРАЦІЯ ПРО ВІДПОВІДНІСТЬ

Techtronic Industries GmbH
Max-Eyth-Straße 10, 71364 Winnenden, Germany

При цьому ми заявляємо, що продукт
Стрічково-дисконий шліфувальний верстат
Марка: Ryobi
Номер моделі: RBDS4601G
Діапазон серійного номеру: 46204901000001 - 46204901999999

у відповідності з наступними європейськими директивами та гармонізованими стандартами

2006/42/EC, 2014/30/EU, 2011/65/EU
EN 55014-1-1:2006+A1:2009+A2:2011; EN 55014-2:1997+A1:2001+A2:2008;
EN 61000-3-2:2014; EN 61000-3-3:2013;
EN61029-1:2009+A11:2010

Документація RoHS складена відповідно до EN 50581:2012



Andrew John Eyre (BEng, CEng, MIET)
Віце-президент, регулювання і безпека
Winnenden, Aug. 24, 2016

CE

Дозвіл на складання технічного файлу:
Alexander Krug, Керуючий директор
Techtronic Industries GmbH
Max-Eyth-Straße 10, 71364 Winnenden, Germany







Techtronic Industries GmbH
Max-Eyth-Straße 10,
71364 Winnenden, Germany

ОФИЦИАЛЬНЫЙ ДИЛЕР В УКРАИНЕ:

storgom.ua

ГРАФИК РАБОТЫ:

Пн. – Пт.: с 8:30 по 18:30

Сб.: с 09:00 по 16:00

Вс.: с 10:00 по 16:00

КОНТАКТЫ:

+38 (044) 360-46-77

+38 (066) 77-395-77

+38 (097) 77-236-77

+38 (093) 360-46-77

Детальное описание товара:

<https://storgom.ua/product/stanokshlifovalnyyryobirbds46-1g51330028-8.html>

Другие товары: <https://storgom.ua/shlifovalnye-stanki.html>