

# greenworks®

29717/2925807/2925707/29727/2922607/2923307/  
2910907/29417/29447/2924107

(EN)	40V LITHIUM-ION RECHARGEABLE BATTERY&CHARGER	2
(DE)	40V LITHIUM-IONEN WIEDERAUFLADBAR AKKU UND LADEGERÄT	9
(ES)	40V ION LITIO BATTERY*CHARGER RECARGABLE	16
(IT)	BATTERIA RICARICABILE DA 40V AGLI IONI DI LITIO E CARICATORE	23
(FR)	BATTERIE RECHARGEABLE 40V LITHIUM-ION& CHARGEUR	30
(PT)	BATERIA LÍTIO-IÃO DE 40V RECARREGÁVEL E CARREGADOR	37
(NL)	40V LITHIUM-ION HERLAADBARE ACCU & OPLADER	44
(RU)	ЛИТИЙ-ИОННАЯ БАТАРЕЯ 40 В И ЗАРЯДНОЕ УСТРОЙСТВО	51
(FI)	40 V LADATTAVA LITIMUMIONI AKKU JA LATURI	59
(SV)	40 V LITIJUMJON UPPLADNINGSBART BATTERI MED LADDARE	65
(NO)	40 V LITIJUM-ION OPPLADBAR BATTERI OG LADER	72
(DA)	40V LITHIUM-ION GENOPLADELIGT BATTERI& OPLADER	79
(PL)	AKUMULATOR LITOWO-JONOWY 40 V ORAZ ŁADOWARKA	86
(CS)	40V LITHIUM-IONTOVÁ DOBÍJITELNÁ NABÍJEČKA A BATERIE	93
(SK)	40V LÍTIUM-IÓNOVÁ NABÍJATEĽNÁ BATERIA A NABÍJAČKA	100
(SL)	40-V LITIJ-IONSKA BATERIJA ZA PONOVRNO POLNJENJE IN POLNILNIK	107
(HR)	LITIJ-IONSKA PUNJIVA BATERIJE OD 40 V I PUNJAČ	113
(HU)	40V LÍTIUM-ION AKKUMULÁTOR ÉS TÖLTŐ	120
(RO)	BATERIE REÎNCĂRCABILĂ DE 40 V PE LITIU-ION ȘI ÎNCĂRCĂTOR	127
(BG)	40V ЛИТИЕВО-ИОННА ПРЕЗАРЕЖДАЩА СЕ БАТЕРИЯ И ЗАРЯДНО УСТРОЙСТВО	134
(EL)	ΕΠΑΝΑΦΟΡΤΙΖΟΜΕΝΗ ΜΠΑΤΑΡΙΑ ΙΟΝΤΩΝ ΛΙΘΙΟΥ 40V & ΦΟΡΤΙΣΤΗΣ	142
(AR)	بطارية ليثيوم أيون 40 فولت قابلة للشحن وشاحن	149
(TR)	40V LITYUM IYON ŞARJ EDİLEBİLİR PİL VE ŞARJ ALETİ	155
(HE)	סוללת ליטיום-יון ניטענט 40 וולט ומטען	162
(LT)	40 V ĮKRAUNAMOJI LIČIO JONŲ BATERIJA IR ĮKROVIKLIS	168
(LV)	40V LITĪJA JONU UZLĀDĒJAMA BATERIJA UN LĀDĒTĀJS	175
(ET)	LIITIUM-IOONAKU40 V JA LAADIJA	182



## English (Original Instructions)

**BATTERY****SPECIFICATIONS**

29717

Battery: 36V  $\approx$  2.0AH, 72Wh, 40V MAX  
 Voltage per cell: 3.6V ; Number of cells: 10  
 Charge time: 60 min.  
 (use 2910907 / 29417 / 29447 Charger)  
 Charge time: 30 min.  
 (use 2924107 Charger)

2925807

Battery: 36V  $\approx$  2.5AH, 90Wh, 40V MAX  
 Voltage per cell: 3.6V ; Number of cells: 10  
 Charge time: 75 min.  
 (use 2910907 / 29417 / 29447 Charger)  
 Charge time: 37.5 min.  
 (use 2924107 Charger)

2925707

Battery: 36V  $\approx$  3.0AH, 108Wh, 40V MAX  
 Voltage per cell: 3.6V ; Number of cells: 10  
 Charge time: 90 min.  
 (use 2910907 / 29417 / 29447 Charger)  
 Charge time: 45 min.  
 (use 2924107 Charger)

29727

Battery: 36V  $\approx$  4.0AH, 144Wh, 40V MAX  
 Voltage per cell: 3.6V ; Number of cells: 20  
 Charge time: 120 min.  
 (use 2910907 / 29417 / 29447 Charger)  
 Charge time: 60 min.  
 (use 2924107 Charger)

2922607

Battery: 36V  $\approx$  5.0AH, 180Wh, 40V MAX  
 Voltage per cell: 3.6V ; Number of cells: 20  
 Charge time: 150 min.

(use 2910907 / 29417 / 29447 Charger)  
 Charge time: 75 min.  
 (use 2924107 Charger)

2923307

Battery: 36V  $\approx$  6.0AH, 216Wh, 40V MAX  
 Voltage per cell: 3.6V ; Number of cells: 20  
 Charge time: 180 min.  
 (use 2910907 / 29417 / 29447 Charger)  
 Charge time: 90 min.  
 (use 2924107 Charger)

For the proper use, maintenance and storage of this battery, it is crucially important that you read and understand the instructions given in this manual.

To avoid serious injury, risk of fire, explosion and danger of electric shock or electrocution:

- If the battery pack case is cracked or damaged, DO NOT insert into the charger. Replace with a new battery pack.
- DO NOT charge these battery packs with any other type of charger.
- DO NOT try to short circuit any terminals of battery pack.

**⚠ WARNING**

If the battery fluid gets in your eyes, rinse immediately with clean water for at least 15 minutes. Get immediate medical attention. Do not charge the battery pack in rain or in wet conditions. Do not immerse the tool, battery pack, or charger in water or other liquid.

- Do not allow the battery pack or charger to overheat. If they are warm, allow them to cool down. Recharge only at room temperature.
- Do not place the battery pack in the sun or in a warm environment. Keep at normal room temperature.
- Keep in shady, cool and dry condition, if the battery is not charged for a long time; charge the battery for 2 hours every 2 months.
- The battery pack cells may develop a small

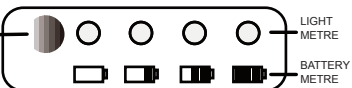
## English (Original Instructions)

leak under extreme usage or temperature conditions. If the outer seal is broken and the leakage gets on your skin:

- Use soap and water to wash immediately.
- Neutralize with lemon juice, vinegar, or other mild acid.
- If leakage gets in your eyes, follow instructions above and seek medical attention.
- Please check prior use, if output voltage and current of the battery charger is suitable for the charging battery pack.

### CHECKING BATTERY CAPACITY

Press the battery capacity indicator (BCI) button. The lights will illuminate according to the batteries capacity level. See chart below



Lights	Capacity
4 Green Lights	The battery is at full capacity
3 Green Lights	The battery is at 70% capacity
2 Green Lights	The battery is at 45% capacity
1 Green Light	The battery is at 10% capacity and requires charging soon
Lights go out	The battery is under 10% capacity and requires charging immediately

### SAFETY NOTES AND PRECAUTIONS

1. Do not disassemble the battery.
2. Keep away from the children.
3. Do not expose the battery to water or salt water, battery should be stored in a cool and dry location and should place the battery in cool and dry environment.
4. Do not place the battery in high-temperature locations, such as near a fire, heater, etc.
5. Do not reverse the positive terminal and the negative terminal of the battery.
6. Do not connect the positive terminal and the negative terminal of the battery to each other with any metal objects.
7. Do not knock, strike or step on the battery.

8. Do not solder directly onto the battery and pierce the battery with nails or other edge tools.
9. In the event that the battery leaks and the fluid gets into one's eye, do not rub the eye. Rinse well with water. Immediately discontinue use of the battery, if, while using the battery emits an unusual smell, feels hot, changes color, changes shape, or appears abnormal in any other way.

## BATTERY CHARGER

### SPECIFICATIONS

40V Charger: 2910907

Input: 100-240V ~ 50-60Hz, 1.9A Max

Output: 40V = 2.2A

40V Charger: 29417 (VDE plug), 29447 (BS plug)

Input: 100-240V ~ 50-60Hz, 1.9A Max

Output: 40V = 2.2A

40V Charger: 2924107

Input: 220-240V ~ 50-60Hz, 1A

Output: 40V = 4A

- DO NOT probe the charger with conductive materials.
- DO NOT allow liquid inside the charger.
- DO NOT try to use the charger for any other purpose than what is presented in this manual.
- Unplug the charger before cleaning and when there is no battery pack in the charger.
- Do not try to connect two chargers together.
- Do not use the charger in the circumstances that the output Polarity does not match the load polarity.
- For indoor use only.
- The cover may under no circumstances be opened. If the cover is damaged, then the charger may no longer be used.
- Do not recharge non-rechargeable

**English (Original Instructions)**




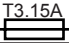

batteries.

**⚠ WARNING**

- To avoid risk of fire, electric shock, or electrocution:
- Do not use a damp cloth or detergent on the battery or battery charger.
  - Always remove the battery pack before cleaning, inspecting, or performing any maintenance on the tool.

**CLEANING**

Wipe the outside of the charger with a dry, soft cloth. Do not hose down or wash with water.

	Class II
	For indoor use only
	Before charging, read the instructions
	Fuse (2910907/29417/29447)
	Fuse (2924107)

**⚠ WARNING**

- This appliance can be used by children aged from 8 years and above and persons with reduced physical, sensory or mental capabilities or lack of experience and knowledge if they have been given supervision or instruction concerning use of the appliance in a safe way and understand the hazards involved.
- Children shall not play with the appliance.
  - Cleaning and user maintenance should not be made by children without supervision.
  - If the supply cord is damaged, it must be replaced by manufacturer, its service agent or similarly qualified persons in order to avoid a hazard.
  - Do not cover the ventilation slots on the top of the charger. Do not set the charger on a soft surface i.e. blanket, pillow. Keep the ventilation slots of the charger clear.
  - Do not allow small metal items or material such as steel wool, aluminum foil, or other foreign particles into the charger cavity.
  - Use only 29717 / 2925807 / 2925707 / 29727 / 2922607 / 2923307 rechargeable Li-ion batteries.

**ENVIRONMENTALLY SAFE BATTERY DISPOSAL**



**⚠ WARNING**

All toxic materials must be disposed of in a specified manner to prevent contamination of the environment. Before disposing of damaged or worn out Lithium-ion battery packs, contact your local waste disposal agency, or the local Environmental Protection Agency for information and specific instructions. Take the batteries to a local recycling and/or disposal centre, certified for Li-ion disposal.

English (Original Instructions)

**⚠ WARNING**

If the battery pack cracks or breaks, with or without leaks, do not recharge it and do not use. Dispose of it and replace with a new battery pack. **DO NOT ATTEMPT TO REPAIR IT!**

To avoid injury and risk of fire, explosion, or electric shock, and to avoid damage to the environment:

- Cover the battery's terminals with heavy-duty adhesive tape.
- **DO NOT** attempt to remove or destroy any of the battery pack components.
- **DO NOT** attempt to open the battery pack.

**⚠ WARNING**

- If a leak develops, the released electrolytes are corrosive and toxic. **DO NOT** get the solution in the eyes or on skin, and do not swallow it.
- **DO NOT** place these batteries in your regular household trash.
- **DO NOT** incinerate.
- **DO NOT** place them where they will become part of any waste landfill or municipal solid waste stream.
- Take them to a certified recycling or disposal centre.

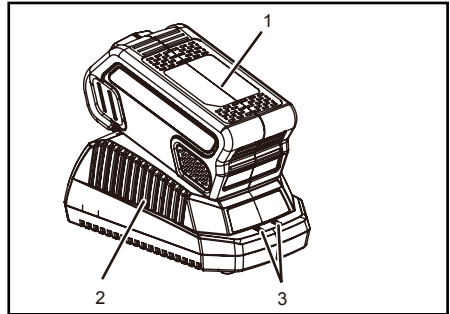
**CHARGING PROCEDURE**

*NOTE: The battery is not shipped fully charged. It is recommended to fully charge before use to ensure that maximum run time can be achieved. This lithium-ion battery will not develop a memory and may be charged at any time.*

1. Plug the charger into an AC power outlet.
2. Insert the battery pack (1) into the charger (2).

This is a diagnostic charger. The Charger LED Light (3) will illuminate in specific order to communicate the current battery status. They are as follows:

2910907/29417/29447



**CHARGING PROCEDURE (LED INDICATOR)**

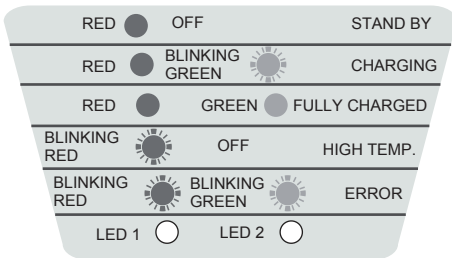
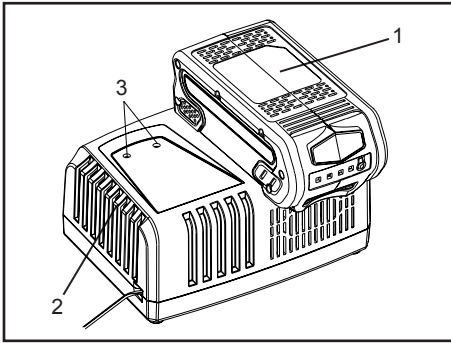
BATTERY IS CHARGING:	● RED	● RED
FULLY CHARGED:	● RED	● GREEN
BATTERY IS TOO WARM: (REMOVE FOR APPROX. 30 MINUTES TO ALLOW TO COOL)	● RED	● ORANGE
NO BATTERY PRESENT	● RED	○ OFF
DEFECTIVE BATTERY: (REMOVE AND REPLACE WITH NEW BATTERY IF THIS OCCURS)	● RED	◁ RED ▷ BLINKING

**False Defect Note:**

When the battery is inserted into the charger, and the status LED flashes, remove the battery from the charger for 1 minute, then reinsert. If the status LED indicates normal than the battery pack is good. If the status LED is still blinking, remove the battery pack and unplug the charger. Wait 1 minute and plug the charger back in and reinsert the battery pack. If the status LED indicates normal than the battery pack is good. If the status LED is still blinking then the battery pack is defective and needs to be replaced.

English (Original Instructions)

2924107



False Defect Note:

When the battery is inserted into the charger, LED 1 flashes RED and LED 2 flashes Green, remove the battery from the charger for 1 minute, then reinsert. If the status LEDs indicate normal, then the battery pack is good. If the status LED 1 and LED 2 are still blinking, remove the battery pack and unplug the charger. Wait 1 minute and plug the charger back in and reinsert the battery pack. If the status LEDs indicate normal than the battery pack is good. If the status LED 1 and LED 2 are still blinking then the battery pack is defective and needs to be replaced.

CHECKING THE CHARGER

If the battery pack does not charge properly:

- Check the current at the power outlet with another tool. Make sure that the outlet is not turned off.
- Check that the charger contacts have not been shorted by debris or foreign material.
- If the surrounding air temperature is not normal room temperature, move the

charger and battery pack to a location where the temperature is between 7 °C and 40°C .

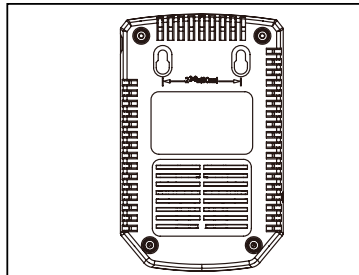
**⚠ WARNING**

If the battery is inserted into the charger when warm or hot, the CHARGING LED indicator light on the charger may switch on and illuminate ORANGE. If this occurs allow the battery to cool outside of the charger for approximately 30 minutes.

**CHARGER MOUNTING**

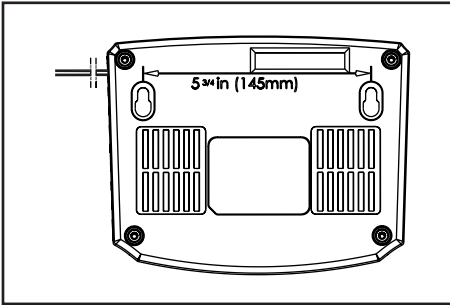
1. This charger can be installed hanging on a wall using two screws (not supplied)
2. Locate the placement for the charger to be wall mounted.
3. If fastening to wood studs use 2 wood screws.
4. For charger 2910907/29417/29447: Drill two holes 2 3/8" (6 cm) on center ensuring they are level. For charger 2924107: Drill two holes 5 3/4" (14.5cm)on center ensuring they are level.
5. If fastening to drywall use wall anchors and screws to secure the charger to the wall.

2910907/29417/29447



English (Original Instructions)

2924107

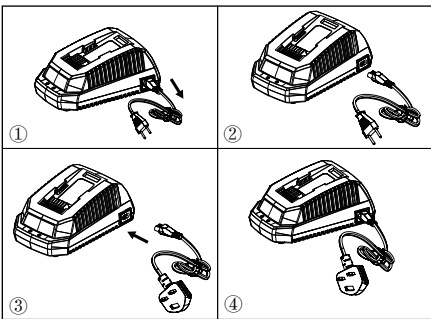


**NOTE:** If the battery and the charger won't be used for a long time, please remove the battery from the charger and pull out the AC power plug.

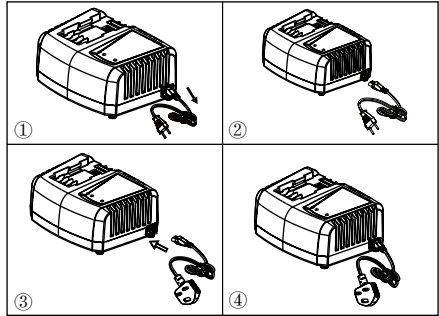
**DETACHABLE POWER CORD**

The power cords of the charger are detachable. They can be removed from the charger and used interchangeably. (See the figure below)

2910907



2924107



**IMPORTANT SAFETY INSTRUCTIONS**

1. SAVE THESE INSTRUCTIONS - DANGER: TO REDUCE RISK OF FIRE OR ELECTRIC SHOCK CAREFULLY FOLLOW THESE INSTRUCTIONS.
2. Confirm the voltage available at each country location before using the charger.
3. If the shape of the plug does not fit the power outlet, use an attachment plug adaptor of the proper configuration for the power outlet.

**CORRECT DISPOSAL OF THIS PRODUCT:**



This marking indicates that this product should not be disposed with other household wastes throughout the EU. To prevent possible harm to the environment or human health from uncontrolled waste disposal, recycle it responsibly to promote the sustainable reuse of material resources. To return your used device, please use the return and collection systems or contact the retailer where the product was purchased. They can take this product for environmental safe recycling.

**English (Original Instructions)****REMOVAL OF WASTE BATTERIES AND ACCUMULATORS**

Li-ion

Member States shall ensure that manufacturers design appliances in such a way that waste batteries and accumulators can be readily removed. Where they cannot be readily removed by the end-user, Member States shall ensure that manufacturers design appliances in such a way that waste batteries and accumulators can be readily removed by qualified professionals that are independent of the manufacturer. Appliances in which batteries and accumulators are incorporated shall be accompanied by instructions on how those batteries and accumulators can be safely removed by either the end-user or by independent qualified professionals. Where appropriate, the instructions shall also inform the end-user of the types of battery or accumulator incorporated into the appliance.



**РУССКИЙ (Перевод оригинальных инструкций)**

**АККУМУЛЯТОР**

**СПЕЦИФИКАЦИИ**

29717

Аккумулятор: 36 В  $\approx$  2.0 А/ч, 72 Вт/ч, макс. 40 В

Напряжение на элемент: 3.6 В ; количество элементов: 10

Продолжительность зарядки: 60 минут (использовать зарядное устройство 2910907 / 29417 / 29447)

Продолжительность зарядки: 30 минут (использовать зарядное устройство 2924107)

2925807

Аккумулятор: 36 В  $\approx$  2.5 А/ч, 90 Вт/ч, макс. 40 В

Напряжение на элемент: 3.6 В ; количество элементов: 10

Продолжительность зарядки: 75 минут (использовать зарядное устройство 2910907 / 29417 / 29447)

Продолжительность зарядки: 37.5 минут (использовать зарядное устройство 2924107)

2925707

Аккумулятор: 36 В  $\approx$  3.0 А/ч, 108 Вт/ч, макс. 40 В

Напряжение на элемент: 3.6 В ; количество элементов: 10

Продолжительность зарядки: 90 минут (использовать зарядное устройство 2910907 / 29417 / 29447)

Продолжительность зарядки: 45 минут (использовать зарядное устройство 2924107)

29727

Аккумулятор: 36 В  $\approx$  4.0 А/ч, 144 Вт/ч, макс. 40 В

Напряжение на элемент: 3.6 В ; количество элементов: 20

Продолжительность зарядки: 120 минут

(использовать зарядное устройство 2910907 / 29417 / 29447)

Продолжительность зарядки: 60 минут (использовать зарядное устройство 2924107)

2922607

Аккумулятор: 36 В 5.0 А/ч, 180 Вт/ч, макс. 40 В

Напряжение на элемент: 3.6 В ; количество элементов: 20

Продолжительность зарядки: 150 минут (использовать зарядное устройство 2910907 / 29417 / 29447)

Продолжительность зарядки: 75 минут (использовать зарядное устройство 2924107)

2923307

Аккумулятор: 36 В  $\approx$  6.0 А/ч, 216 Вт/ч, макс. 40 В

Напряжение на элемент: 3.6 В ; количество элементов: 20

Продолжительность зарядки: 180 минут (использовать зарядное устройство 2910907 / 29417 / 29447)

Продолжительность зарядки: 90 минут (использовать зарядное устройство 2924107)

Для правильного использования, технического обслуживания и хранения данного аккумулятора очень важно прочитать и понять инструкции, приведенные в настоящем руководстве. Чтобы избежать серьезных травм, риска пожара, взрыва и опасности удара электрическим током или смертельного поражения электротоком:

- Если корпус аккумуляторной батареи треснул или поврежден, **ЗАПРЕЩАЕТСЯ** вставлять ее в зарядное устройство. Необходимо заменить устройство новой аккумуляторной батареей.
- **ЗАПРЕЩАЕТСЯ** заряжать эти аккумуляторные батареи с помощью любого другого типа зарядных

## РУССКИЙ (Перевод оригинальных инструкций)

устройств.

- ЗАПРЕЩАЕТСЯ пытаться закоротить любые клеммы аккумуляторной батареи.

### ⚠ ПРЕДОСТЕРЕЖЕНИЕ

Если аккумуляторная жидкость попадет в глаза, необходимо немедленно промывать их чистой водой в течение как минимум 15 минут. Сразу же обратиться за медицинской помощью. Запрещается заряжать аккумуляторную батарею в дождь или влажную погоду. Запрещается погружать инструмент, аккумуляторную батарею или зарядное устройство в воду или другую жидкость.

- Запрещается допускать перегрев аккумуляторной батареи или зарядного устройства. Если эти устройства теплые, им необходимо дать остыть. Перезарядку проводить только при комнатной температуре.
- Запрещается оставлять аккумуляторную батарею на солнце или в теплом окружении. Хранить при обычной комнатной температуре.
- Хранить в полутемном, прохладном и сухом помещении, если аккумулятор не заряжается в течение долгого времени; заряжать аккумулятор в течение 2 часов каждые 2 месяца.
- В элементах аккумуляторной батареи может возникать небольшая утечка при экстремальных условиях использования или температуры. Если наружное уплотнение повреждено, и вытекающая жидкость попадет на кожу:
  - Немедленно смыть мыльной водой.
  - Нейтрализовать лимонным соком, уксусом или другой слабой кислотой.
- Если вытекающая жидкость попадет в глаза, необходимо выполнить вышеприведенные инструкции и обратиться за медицинской помощью.
- Следует проверить перед использованием, подходит ли выходное напряжение и ток зарядного устройства аккумулятора для зарядки

аккумуляторной батареи.

### ПРОВЕРКА ЗАРЯДКИ АККУМУЛЯТОРА

Нажать кнопку индикатора зарядки аккумулятора (BCI). Загораются лампочки в соответствии с уровнем зарядки аккумулятора. См. нижеприведенную таблицу:

КНОПКА ИНДИКАТОРА ЗАРЯДКИ БАТАРЕИ

Индикаторная лампа

Индикатор батареи

Лампы	Зарядка
4 зеленых лампы	Аккумулятор заряжен полностью
3 зеленых лампы	Аккумулятор заряжен более, чем на 70%
2 зеленых лампы	Аккумулятор заряжен на 45%
1 зеленая лампа	Аккумулятор заряжен на 10%, и вскоре потребует перезарядки
Лампы не горят	Зарядка аккумулятора меньше 10%, и требуется немедленная подзарядка

### ЗАМЕЧАНИЯ И ПРЕДОСТЕРЕЖЕНИЯ, КАСАЮЩИЕСЯ БЕЗОПАСНОСТИ

1. Запрещается разбирать аккумулятор.
2. Хранить в местах, недоступных для детей.
3. Запрещается подвергать аккумулятор воздействию воды или соленой воды, аккумулятор должен храниться в прохладном и сухом помещении; необходимо помещать аккумулятор в прохладную и сухую атмосферу.
4. Запрещается помещать аккумулятор в места с высокой температурой, около огня, нагревателя и т.д.
5. Запрещается менять местами положительную и отрицательную клеммы аккумулятора.
6. Запрещается подключать положительную и отрицательную клеммы аккумулятора друг к другу с помощью любых металлических предметов.
7. Запрещается стучать по

## РУССКИЙ (Перевод оригинальных инструкций)

- аккумулятору, ронять его или вставлять на аккумулятор.
8. Запрещается пайка непосредственно на аккумуляторе, а также пробивать аккумулятор гвоздями или другими острыми предметами.
  9. В случае, если аккумулятор протекает, и жидкость попадет в глаза, запрещается тереть глаза. Тщательно промыть водой. Немедленно прекратить использование аккумулятора, если при использовании аккумулятор испускает необычный запах, если он горячий на ощупь, меняет цвет, меняет форму или любым другим образом кажется необычным.

## ЗАРЯДНОЕ УСТРОЙСТВО АККУМУЛЯТОРА

### СПЕЦИФИКАЦИИ

Зарядное устройство 40 В: 2910907  
 Вход: 100-240 В ~ 50-60 Гц, Макс. 1.9А  
 Выход: 40 В = 2.2 А

Зарядное устройство 40 В: 29417 (разъем VDE), 29447 (разъем BS)  
 Вход: 100-240 В ~ 50-60 Гц, Макс. 1.9А  
 Выход: 40 В = 2.2 А

Зарядное устройство 40 В: 2924107  
 Вход: 220-240 В ~ 50-60 Гц, 1А  
 Выход: 40 В = 4 А

- ЗАПРЕЩАЕТСЯ зондировать зарядное устройство токопроводящими материалами.
- ЗАПРЕЩАЕТСЯ проникновение жидкости внутрь зарядного устройства.
- ЗАПРЕЩАЕТСЯ пытаться использовать зарядное устройство для любых других целей, кроме указанных в этом руководстве.
- Отключать зарядное устройство

до очистки, а также в тех случаях, когда в зарядном устройстве нет аккумуляторной батареи.

- Запрещается пытаться подключить вместе два зарядных устройства.
- Запрещается использовать зарядное устройство в обстоятельствах, когда выходная полярность не совпадает с полярностью нагрузки.
- Только для использования в помещениях.
- Крышка ни при каких обстоятельствах не должна быть открыта. Если крышка повреждена, зарядное устройство больше не может использоваться.
- Запрещается перезаряжать не перезаряжаемые батареи.




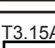
## ПРЕДОСТЕРЕЖЕНИЕ

Чтобы избежать опасности пожара, удара электрическим током или смертельного поражения электротоком:

- Запрещается пользоваться влажной тканью или растворителем для аккумулятора или зарядного устройства аккумулятора.
- Всегда извлекать аккумуляторную батарею перед чисткой, проверкой или выполнением любого обслуживания устройства.

### ОЧИСТКА

Протирать зарядное устройство снаружи сухой мягкой тканью. Запрещается окатывать или мыть водой.

	Класс II
	Только для использования в помещениях
	Перед зарядкой необходимо прочитать инструкции
	предохранитель (2910907/29417/29447)
	предохранитель (2924107)

## РУССКИЙ (Перевод оригинальных инструкций)

**⚠ ПРЕДОСТЕРЕЖЕНИЕ**

Данный прибор может использоваться детьми старше 8 лет и людьми с ограниченными физическими, сенсорными или умственными способностями, либо с недостатком опыта и знаний, если они находятся под присмотром или получили инструкции по использованию прибора безопасным способом и осознают связанные с этим опасности.

- Дети не должны играть с прибором.
- Очистка и обслуживание не должны выполняться детьми без присмотра.
- Если поврежден шнур питания, он должен быть заменен изготовителем, его сервисным агентом или аналогичными квалифицированными лицами, чтобы избежать опасности.
- Запрещается закрывать вентиляционные отверстия на верхней части зарядного устройства. Запрещается ставить зарядное устройство на мягкую поверхность, т.е. одеяло, подушку. Необходимо следить, чтобы вентиляционные отверстия зарядного устройства оставались свободными.
- Запрещается попадание небольших металлических предметов или материалов, таких как стальная вата, алюминиевая фольга или другие посторонние частицы, в полость зарядного устройства.
- Используйте только перезаряжаемые литий-ионные батареи 29717 / 2925807 / 2925707 / 29727 / 2922607 / 2923307.

**ЭКОЛОГИЧЕСКИ БЕЗОПАСНАЯ  
УТИЛИЗАЦИЯ АККУМУЛЯТОРА****⚠ ПРЕДОСТЕРЕЖЕНИЕ**

Токсичные материалы должны утилизироваться определенным образом, чтобы предотвратить загрязнение окружающей среды. Перед утилизацией поврежденных или изношенных аккумуляторных батарей необходимо связаться с местным агентством по утилизации или с местным агентством по защите окружающей среды для получения информации и конкретных инструкций. Сдать аккумуляторы в местный центр по переработке и/или утилизации, сертифицированный для утилизации ионов лития.

**⚠ ПРЕДОСТЕРЕЖЕНИЕ**

Если аккумуляторная батарея треснула или сломалась, с утечкой или без утечки, запрещается ее перезаряжать или использовать. Батарею необходимо утилизировать и заменить ее новой аккумуляторной батареей. **ЗАПРЕЩАЮТСЯ ПОПЫТКИ ОТРЕМОНТИРОВАТЬ БАТАРЕЮ!** Чтобы избежать опасности пожара, удара электрическим током или смертельного поражения электротоком:

- Закрывать клеммы аккумулятора клейкой лентой для тяжелых условий.
- **ЗАПРЕЩАЮТСЯ** попытки демонтировать или разрушить любой из компонентов аккумуляторной батареи.
- **ЗАПРЕЩАЕТСЯ** попытка открыть аккумуляторную батарею.

## РУССКИЙ (Перевод оригинальных инструкций)

### **⚠ ПРЕДОСТЕРЕЖЕНИЕ**

- Если возникает утечка, вытекающий электролит является коррозионной и токсичной жидкостью. НЕ ДОПУСКАТЬ попадания раствора в глаза или на кожу; запрещается проглатывать раствор.
- ЗАПРЕЩАЕТСЯ помещать эти аккумуляторы в обычный бытовой мусор.
- ЗАПРЕЩАЕТСЯ сжигать.
- ЗАПРЕЩАЕТСЯ оставлять аккумуляторы там, где они станут частью любых свалок отходов или твердых бытовых отходов.
- Сдать аккумуляторы в сертифицированный центр по переработке или утилизации.

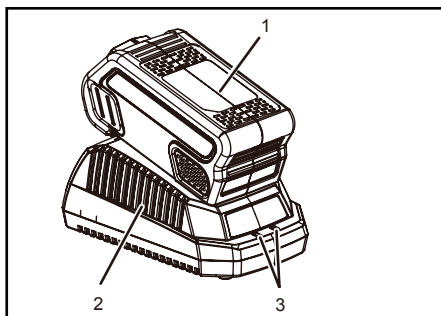
### ПРОЦЕДУРА ЗАРЯДКИ

**ПРИМЕЧАНИЕ:** аккумулятор не поставляется полностью заряженным. Рекомендуется полностью зарядить его перед использованием, чтобы убедиться в достижении максимального времени работы. Этот аккумулятор на ионах лития не оборудован памятью и может заряжаться в любое время.

1. Подключить зарядное устройство в силовую розетку переменного тока.
2. Вставить аккумуляторную батарею (1) в зарядное устройство (2).

Это диагностическое зарядное устройство. Светодиодные лампы зарядного устройства (3) будут гореть в определенном порядке, чтобы показать текущее состояние аккумулятора. Это происходит следующим образом:

2910907/29417/29447



### ПРОЦЕДУРА ЗАРЯДКИ (СВЕТОДИОДНЫЙ ИНДИКАТОР)

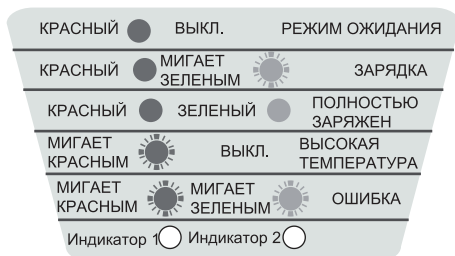
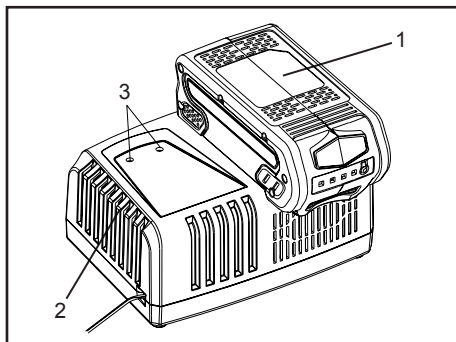
БАТАРЕЯ ЗАРЯЖАЕТСЯ:	● КРАСНЫЙ	● КРАСНЫЙ
ПОЛНОСТЬЮ ЗАРЯЖЕНА:	● КРАСНЫЙ	● ЗЕЛЕНЫЙ
БАТАРЕЯ СЛИШКОМ ТЕПЛАЯ: (ИЗВЛЕЧЬ ПРИБЛИЗИТЕЛЬНО НА 30 МИНУТ, ЧТОБЫ ДАТЬ ОСТУДИТЬСЯ)	● КРАСНЫЙ	● ОРАНЖЕ-ВЫЙ
БАТАРЕЯ ОТСУТСТВУЕТ	● КРАСНЫЙ	○ ВЫКЛ.
НЕИСПРАВНАЯ БАТАРЕЯ: (ЕСЛИ ЭТО ПРОИСХОДИТ, ИЗВЛЕЧЬ И ЗАМЕНИТЬ НОВОЙ БАТАРЕЕЙ)	● КРАСНЫЙ	◀ КРАСНЫЙ МИГАЕТ

**Примечание, касающееся ложной неисправности:**

Когда аккумулятор вставлен в зарядное устройство, и мигает светодиод статуса, извлеките аккумулятор из зарядного устройства на 1 минуту, затем вставьте его обратно. Если светодиод статуса показывает норму, это означает, что аккумуляторная батарея исправна. Если светодиод статуса продолжает мигать, извлеките аккумуляторную батарею и отключите зарядное устройство. Подождите 1 минуту и снова подключите зарядное устройство, а затем вставьте аккумуляторную батарею. Если светодиод статуса показывает норму, это означает, что аккумуляторная батарея исправна. Если светодиод статуса продолжает мигать, это означает, что аккумуляторная батарея неисправна, и ее необходимо заменить.

## РУССКИЙ (Перевод оригинальных инструкций)

2924107



Примечание о ложном дефекте.

Если аккумулятор установлен в зарядное устройство, индикатор 1 мигает КРАСНЫМ, а индикатор 2 мигает зеленым, извлеките аккумулятор из зарядного устройства на 1 минуту, затем снова вставьте. Если индикаторы состояния светятся как обычно, аккумулятор исправен. Если индикаторы состояния 1 и 2 продолжают мигать, извлеките аккумулятор и отключите зарядное устройство от электросети. Через 1 минуту снова подключите зарядное устройство к электросети и вставьте аккумулятор. Если индикаторы состояния светятся как обычно, аккумулятор исправен. Если индикаторы состояния 1 и 2 продолжают мигать, аккумулятор неисправен и его необходимо заменить.

### ПРОВЕРКА ЗАРЯДНОГО УСТРОЙСТВА

Если аккумуляторная батарея не заряжается должным образом:

- Проверить ток на розетке с помощью другого прибора. Убедиться, что розетка не отключена.
- Убедиться, что контакты зарядного устройства не были закорочены мусором или посторонними предметами.
- Если температура окружающего воздуха не соответствует обычной комнатной температуре, перенести зарядное устройство и аккумуляторную батарею в такое место, где диапазон температур составляет от 7°C до 40°C.

### ⚠️ ПРЕДОСТЕРЕЖЕНИЕ

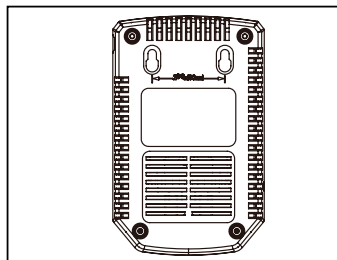
Если аккумулятор вставлен в зарядное устройство, когда он является теплым или горячим, светодиодный индикатор ЗАРЯДКИ, зажигающийся на зарядном устройстве, может загореться ОРАНЖЕ-ВЫЙ. Если это произошло, необходимо дать аккумулятору остыть вне зарядного устройства в течение приблизительно 30 минут.

### МОНТАЖ ЗАРЯДНОГО УСТРОЙСТВА

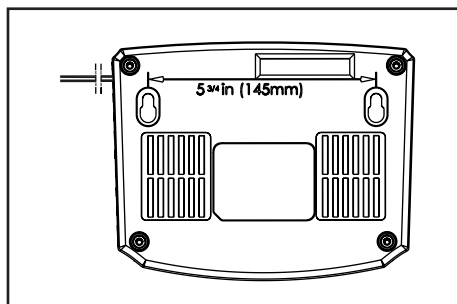
1. Это зарядное устройство может быть установлено на стене с помощью двух винтов (не входят в комплект поставки).
2. Найдите место крепления на стену на нижней части зарядного устройства.
3. В случае крепления к деревянным штифтам используйте 2 шурупа по дереву.
4. Для зарядного устройства 2 9 1 0 9 0 7 / 2 9 4 1 7 / 2 9 4 4 7 : Просверлите два отверстия 6 см по центру на одном уровне. Для зарядного устройства 2924107: Просверлите два отверстия 14.5 см по центру на одном уровне.
5. При закреплении на стене из гипсокартона используйте анкеры и шурупы.

**РУССКИЙ (Перевод оригинальных инструкций)**

2910907/29417/29447



2924107

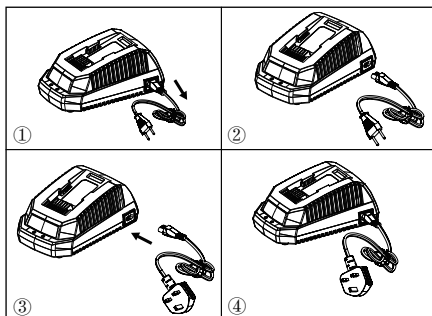


*ПРИМЕЧАНИЕ: Если аккумулятор и зарядное устройство не используются в течение долгого времени, следует извлечь аккумулятор из зарядного устройства и отключить силовой шнур переменного тока.*

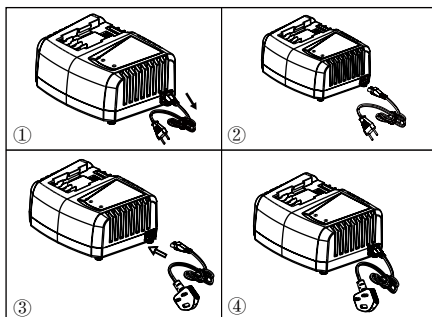
**СЪЕМНЫЙ ШНУР ПИТАНИЯ**

Шнур питания зарядного устройства может сниматься. Его можно отсоединить от зарядного устройства и заменить другим. (См. рисунок ниже)

2910907



2924107



**ВАЖНЫЕ ИНСТРУКЦИИ ПО БЕЗОПАСНОСТИ**

1. НЕОБХОДИМО СОХРАНИТЬ ЭТИ ИНСТРУКЦИИ - ОПАСНОСТЬ: ЧТОБЫ УМЕНЬШИТЬ РИСК ПОЖАРА ИЛИ УДАРА ЭЛЕКТРИЧЕСКИМ ТОКОМ, НЕОБХОДИМО ТЩАТЕЛЬНО ВЫПОЛНЯТЬ ЭТИ ИНСТРУКЦИИ.
2. Убедиться в приемлемости напряжения в каждой стране, прежде чем использовать зарядное устройство.
3. Если форма вилки не соответствует сетевой розетке, используйте переходник.

**РУССКИЙ (Перевод оригинальных инструкций)****ПРАВИЛЬНАЯ УТИЛИЗАЦИЯ  
ДАННОГО ИЗДЕЛИЯ:**

Эта маркировка показывает, что данное изделие не может утилизироваться с бытовыми отходами на территории ЕС. Чтобы предотвратить возможный ущерб для окружающей среды или здоровья людей из-за неконтролируемой утилизации отходов, утилизируйте его надлежащим образом для рационального повторного использования материальных ресурсов. Чтобы вернуть использованное устройство, следует использовать системы сбора и возврата или обратиться по месту приобретения данного изделия. Продавцы могут принимать это изделие для экологически безопасной переработки.

**Извлечение отработанных батарей и аккумуляторов**

Li-ion

Государства-члены ЕС должны следить за тем, чтобы производители разрабатывали свои устройства таким образом, чтобы отработанные батареи и аккумуляторы могли легко извлекаться. Если конечный пользователь не может их с легкостью извлечь. Государства-члены ЕС должны следить за тем, чтобы производители разрабатывали свои устройства таким образом, чтобы отработанные батареи и аккумуляторы могли легко извлекаться техническими специалистами, не связанными с производителем. К устройствам, в которых встроены батареи и аккумуляторы, должны прилагаться инструкции о том, как эти батареи и аккумуляторы могут быть безопасно извлечены конечным пользователем или независимым техническим специалистом. По возможности в инструкциях следует также указывать

тип батареи или аккумулятора, встроенного в устройство.



## **EN** Greenworks Tools Warranty Policy for DIY machines

### **PERIOD OF WARRANTY**

All new Greenworks Tools machinery is supplied with a 2 year parts and labour warranty from original date of purchase. A 30 day warranty is available for machines used professionally as Greenworks Tools are designed primarily to be used by DIY consumers. This warranty is non-transferable.

### **LIMITATIONS**

This warranty applies only to defective parts/components and does not cover repairs due to:

1. Normal wear and tear.
2. Routine tune up or adjustment.
3. Damage caused by improper handling/abuse/misuse or neglect.
4. Overheating due to lack of maintenance.
5. Damage due to fittings/fasteners becoming loose/detached through lack of maintenance.
6. Damage caused by cleaning with water.
7. Machines serviced or repaired by non-authorized Greenworks Tools service centres.
8. Machines incorrectly assembled or adjusted.
9. Damage caused by improper use of the machine.
10. Damage caused by improper winterisation (pressure washers)
11. Items considered as consumable parts are not normally covered by the warranty, including but not limited to:
  - Batteries
  - Electric cables
  - Blade and blade assemblies
  - Belts
  - Filters
  - Chucks and tool holders
12. Certain products may contain components such as engines, transmissions from an alternative manufacturer, these items will be subject to the appropriate manufacturer's warranty policy except where Greenworks Tools Europe GmbH agrees to underwrite any claims outside the said manufacturer's warranty period.
13. Second hand goods are not covered under this warranty policy.
14. The fitting of spares, replacements or extra components which are not supplied or approved by Greenworks Tools Europe GmbH.

### **Warranty**

To claim a warranty on any product under this policy a proof of original purchase is required. Credit card statement do not qualify as sufficient proof of purchase. In the first instance of a warranty event occurring the consumer should return the product to the original place of purchase with their proof of purchase. The machine will be sent to our central service facility and an inspection made. If the machine be found to be at fault it will be repaired and sent back to the address of the consumer free of charge. Machines that retail for less than €100 euros including sales taxes will generally be replaced.

If the central service facility finds that machine is not found to be at fault then the consumer will be advised they will need to pay for the cost of the repair.

This warranty policy is subject to change from time to time to accommodate the needs of new products. A copy of the latest warranty policy will be available at [www.greenworkstools.eu](http://www.greenworkstools.eu).

## **DE** Greenworks Werkzeuggarantie für Heimwerkergeräte

### **GEWÄHRLEISTUNGSFRIST**

Alle neuen Greenworks Werkzeuge sind mit einer 2 Jahre Garantie auf Teile und Arbeit ab Kaufdatum ausgestattet. Eine 30 Tage Garantie ist für Maschinen im professionellen Einsatz verfügbar, weil Greenworks Werkzeuge hauptsächlich für den Einsatz durch Heimwerker konstruiert sind.

Diese Garantie ist nicht übertragbar.

### **EINSCHRÄNKUNGEN**

Diese Garantie gilt nur für defekte Teile/Komponenten und deckt keine Reparaturen ab aufgrund von:

1. Normaler Abnutzung.
2. Routinewartungen oder Einstellungen.
3. Durch falsche Handhabung/Missbrauch/Fehlanwendung oder Vernachlässigung verursachte Schäden.
4. Überhitzung aufgrund von fehlender Wartung.
5. Schäden aufgrund von durch fehlende Wartung lockeren/gelösten Anschlüssen/Befestigungen.
6. Durch Reinigung mit Wasser verursachte Schäden.
7. Maschinen die nicht von einem autorisierten Greenworks Kundendienst gewartet oder repariert wurden.
8. Maschinen die falsch montiert oder eingestellt wurden.
9. Schäden aufgrund falscher Benutzung der Maschine.
10. Schäden aufgrund von falscher Wintereinlagerung (Hochdruckreiniger).
11. Elemente die als Verschleißteile betrachtet werden sind normalerweise nicht von dieser Garantie abgedeckt, einschließlich, aber nicht beschränkt auf:
  - Akkus
  - Elektrische Kabel
  - Klängen und Klingeneinheiten
  - Bänder
  - Filter
  - Spannhalter und Werkzeughalter
12. Bestimmte Produkte können Teile wie Motoren, Getriebe von anderen Herstellern enthalten, diese Elemente unterliegen der entsprechenden Herstellergarantie, außer in Fällen wo Greenworks Tools Europe GmbH zustimmt Ansprüche außerhalb der genannten Herstellergarantiefrist zu akzeptieren.
13. Gebrauchte Waren sind nicht von dieser Garantie abgedeckt.
14. Die Montage von Ersatzteilen oder zusätzlichen Teilen die nicht von Greenworks Tools Europe GmbH geliefert oder zugelassen sind.

### **Garantie**

Für einen Gewährleistungsanspruch auf ein Produkt unter dieser Garantie ist ein Original-Kaufbeleg erforderlich. Kreditkartenauszüge sind als Kaufbeleg ausreichend. Im Falle eines Garantiefalls sollte der Kunde das Produkt zuerst mit dem Kaufbeleg zu ein Einkaufsort bringen. Die Maschine wird an unsere zentrale Serviceeinrichtung gesendet und dort überprüft. Wenn die Maschine fehlerhaft ist, wird sie repariert und kostenfrei an die Kundenadresse gesendet. Maschinen die für unter 100 € einschließlich Mehrwertsteuer verkauft werden, werden generell ersetzt.

Wenn die zentrale Serviceeinrichtung feststellt, dass die Maschine nicht ursächlich für den Fehler ist, wird der Kunde informiert, dass er die Kosten der Reparatur zu tragen hat.

Änderungen dieser Garantie sind vorbehalten, um neue Produkte einzubeziehen. Eine Kopie der aktuellen Garantie ist verfügbar auf [www.greenworkstools.eu](http://www.greenworkstools.eu).



## Greenworks Tools garantiebeleid voor doe-het-zelfmachine

### GARANTIETERMIJN

Al het nieuwe Greenworks Tools gereedschap wordt geleverd met een garantie van 2 jaar op onderdelen en werk vanaf de aankoopdatum. Een garantie van 30 dagen is beschikbaar voor machines die professioneel worden gebruikt, aangezien Greenworks Tools vooral ontworpen zijn voor doe-het-zelfers.

Deze garantie is niet overdraagbaar.

### BEPERKINGEN

Deze garantie is uitsluitend van toepassing op defecte onderdelen en dekt geen herstellingen als gevolg van:

1. Normale slijtage.
2. Routine onderhoud of afstelling.
3. Schade veroorzaakt door foutieve handelingen/misbruik of verwaarlozing.
4. Oververhitting tengevolge van een gebrek aan onderhoud.
5. Schade tengevolge van verbinders/armaturen die los komen door een gebrek aan onderhoud.
6. Schade veroorzaakt door reiniging met water.
7. Machines die worden onderhouden of hersteld door niet-geautoriseerde Greenworks Tools onderhoudscentra.
8. Machines die foutief zijn gemonteerd of afgesteld.
9. Schade veroorzaakt door een foutief gebruik van de machine.
10. Schade veroorzaakt door foutieve voorbereidingen voor winterisering (hogedrukreiniger)
11. Voorwerpen die als verbruiksartikelen worden beschouwd, zijn normaal gezien niet door de garantie gedekt, met inbegrip van, maar niet beperkt tot:
  - Batterijen
  - Elektrische kabels
  - Zaagblad en bladonderdelen
  - Riemen
  - Filters
  - Boor- en gereedschapshouders
12. Bepaalde producten kunnen onderdelen bevatten, zoals motoren of transmissies van een andere fabrikant. Deze voorwerpen zijn onderworpen aan het overeenkomstige garantiebeleid van de fabrikant, behalve in de gevallen waar Greenworks Tools Europe GmbH ermee instemt om vorderingen te aanvaarden die zich buiten de garantieperiode van de respectievelijke fabrikant bevinden.
13. Tweedehandsartikelen zijn niet gedekt onder dit garantiebeleid.
14. Het monteren van vervang- of bijkomende onderdelen die niet door Greenworks Tools Europe GmbH worden geleverd of zijn goedgekeurd.

### Garantie

Om in het kader van dit beleid een vordering voor een product in te dienen, is het noodzakelijk een bewijs van de originele aankoopbon voor te leggen. Een kredietkaartafschrift geldt niet als voldoende aankoopbewijs. Bij een eerste garantie-incident dient de klant het product naar de originele aankoopplaats terug te brengen, voorzien van het aankoopbewijs. De machine wordt naar onze centrale onderhoudsdienst gestuurd, waar een inspectie wordt uitgevoerd. Indien wordt vastgesteld dat er een fout aan de machine aanwezig is, zal deze worden hersteld en gratis naar het adres van de klant worden teruggezonden. Machines met een verkoopprijs van minder dan €100, inclusief BTW, worden over het algemeen vervangen.

Als de centrale onderhoudsdienst vaststelt dat de machine geen fout bevat, wordt de klant op de hoogte gesteld van het feit dat hij de kosten van de herstelling dient te betalen.

Dit garantiebeleid is onder voorbehoud van wijzigingen om tegemoet te komen aan de noden van nieuwe producten. Een exemplaar van het meest recente garantiebeleid is beschikbaar op [www.greenworkstools.eu](http://www.greenworkstools.eu).



## Гарантийные обязательства компании Greenworks Tools в отношении агрегатов для дома и строительства

### СРОК ГАРАНТИИ

Все новые агрегаты поставляются, в случае домашнего использования, с 2-летней гарантией от первоначальной даты покупки на запчасти и работу по ремонту, и 1 год на аккумуляторные батареи и, в случае коммерческого использования, с гарантией 90 дней от первоначальной даты покупки на запчасти и работу по ремонту. На профессиональную технику 80Вольт и аккумуляторные ручные инструменты 24Вольт (отвертки, дрели, лобзики, циркулярная пила, гайковёрты, фонарик, мульти-устройство) действует гарантия в 1 год. Эта гарантия не подлежит передаче.

### ОГРАНИЧЕНИЯ

Настоящая гарантия распространяется только на дефектные части / компоненты и не охватывает ремонт, который потребовался как следствие:

1. Нормального износа.
2. Плавной настройки или регулировки.
3. Ущерб, причиненный в результате неправильного обращения / ненадлежащего использования или пренебрежения.
4. Перегрев из-за отсутствия технического обслуживания.
5. Повреждения, вызванные разбалтыванием / отсоединением фитингов / крепежных деталей, из-за отсутствия технического обслуживания.
6. Повреждения, вызванные очисткой при помощи воды.
7. Агрегаты, обслуживание или ремонт которых проводился не авторизованными сервисными центрами компании Greenworks.
8. Агрегаты, неправильно собранные или отрегулированные.
9. Повреждения, вызванные неправильным использованием агрегата.
10. Ущерб, причиненный в результате неправильной подготовки к эксплуатации в зимний период (мощные устройства высокого давления).
11. Позиции, рассматриваемые в качестве расходных деталей, обычно не покрываемые гарантией, включая, но не ограничиваясь, следующим:
  - Электрические кабели
  - Ножи и режущие полотна
  - Ремни
  - Фильтры
  - Зажимные устройства и держатели инструмента
12. Подержанные товары не подпадают под данные гарантийные обязательства.
13. Установка запчастей, сменных деталей или дополнительных компонентов, которые не поставляются компанией Greenworks Tools Europe GmbH, или не утверждены этой компанией.

### Гарантия

Чтобы подать заявку на гарантийное обслуживание какого-либо продукта в рамках данных гарантийных обязательств, требуется доказательство первоначальной покупки. Доказательство покупки включает в себя одно из:

- Квитанция розничного продавца
- Счет, подтверждающий покупку в Интернетe
- Копия свидетельства о регистрации продукта

### Продукт необходимо зарегистрировать на сайте:

[www.greenworkstools.ru](http://www.greenworkstools.ru)

Выписка по кредитной карте не считается достаточным доказательством покупки. В первую очередь, при возникновении гарантийного случая потребитель должен обратиться в авторизованный сервис, или к импортеру, указанных в инструкции, или на сайте [www.Greenworkstools.eu](http://www.Greenworkstools.eu) с соответствующим доказательством покупки.

Агрегат будет отправлен в наш центральный сервисный центр и там проведена проверка. Если будет установлено, что агрегат неисправен, то он будет бесплатно отремонтирован. Агрегаты, которые продаются в розницу менее чем за 7 000 рублей, включая налоги с продаж, как правило, подлежат замене.

Если установлено, что агрегат не является не гарантийным случаем, то потребителю будет предложено оплатить ремонт.

Настоящие гарантийные обязательства подлежат периодическим изменениям, чтобы удовлетворить потребности новой продукции. Копия последней редакции гарантийных обязательств будет доступна на сайте [www.greenworkstools.eu](http://www.greenworkstools.eu) и на русскоязычной версии сайта [www.greenworkstools.ru](http://www.greenworkstools.ru).

Адрес сервисной и гарантийной службы в России:

Горячая линия: +74997132292

Россия, Москва, 2-й Грайворонский проезд 48

Техносервис

Продная завода «Сатурн»

ИП Осипян

+74997132292

## EN EC DECLARATION OF CONFORMITY

Manufacturer: Changzhou Globe Co., Ltd.  
Address: No.65 Xinggang Road Zhonglou Zone Changzhou, Jiangsu  
213000 P.R.China

Name and address of the person authorised to compile the technical file:

Name: Peter Söderström  
Address: Hjortronvägen 3, 555 93 Jönköping, Sweden

Herewith we declare that the product

Category: 40V battery charger  
Model: 2910907/29417/29447/2924107  
Serial number: See product rating label  
Year of Construction: See product rating label

- is in conformity with the relevant provisions of the Low Voltage Directive 2014/35/EU
- is in conformity with the provisions of the following other EMC directive (2014/30/EU).

And furthermore, we declare that the following (parts/clauses of) European harmonised standards have been used

EN 60335-2-29, EN 60335-1, EN 62233, EN 55014-1, EN 55014-2, EN 61000-3-2, EN 61000-3-3

Place, date: Changzhou, 1/11/2017      Signature: Ted Qu Haichao  
Quality Director

*Ted Qu*

## DE EC KONFORMITÄTSERKLÄRUNG

Hersteller: Changzhou Globe Tools Co., Ltd.  
Adresse: No.65 Xinggang Road Zhonglou Zone Changzhou, Jiangsu  
213000 P.R.China

Name und Adresse der Person, die autorisiert ist, die technische Akte zusammenzustellen:

Name: Peter Söderström  
Adresse: Hjortronvägen 3, 555 93 Jönköping, Sweden

Hiermit erklären wir, dass das Produkt

Kategorie: 40V Ladegerät  
Modell: 2910907/29417/29447/2924107  
Seriennummer: siehe Produkt-Leistungsschild  
Baujahr: siehe Produkt-Leistungsschild

- entspricht den entsprechenden Bestimmungen der Niederspannungsrichtlinie 2014/35/EU
- mit den Bestimmungen der folgenden anderen EMC Richtlinie (2014/30/EU).

und weiterhin erklären wir, dass die folgenden (Teile/Bestimmungen aus) europäischen harmonisierten Normen verwendet wurden

EN 60335-2-29, EN 60335-1, EN 62233, EN 55014-1, EN 55014-2, EN 61000-3-2, EN 61000-3-3

Ort, Datum: Changzhou, 1/11/2017      Unterschrift: Ted Qu Haichao  
Direktor Qualitätssicherung

*Ted Qu*

## ES DECLARACIÓN EC DE CONFORMIDAD

Fabricante: Changzhou Globe Co., Ltd.  
Dirección: No.65 Xinggang Road Zhonglou Zone Changzhou, Jiangsu  
213000 China

Nombre y dirección de la persona autorizada para compilar el expediente técnico:

Nombre: Peter Söderström  
Dirección: Hjortronvägen 3, 555 93 Jönköping, Sweden

Por la presente declaramos que el producto

Categoría: 40V cargador  
Modelo: 2910907/29417/29447/2924107  
Número de serie: Ver etiqueta de clasificación de productos  
Año de fabricación: Ver etiqueta de clasificación de productos

- está conforme con las disposiciones relevantes de la Directiva de Baja Tensión 2014/35/EU
- está en conformidad con las disposiciones de estas otras Directiva EMC (2014/30/EU).

Y además, declaramos que se han utilizado las siguientes (partes o cláusulas de las) normas armonizadas europeas

EN 60335-2-29, EN 60335-1, EN 62233, EN 55014-1, EN 55014-2, EN 61000-3-2, EN 61000-3-3

Lugar, fecha: Changzhou, 1/11/2017      Firma: Ted Qu Haichao  
Director de Calidad

*Ted Qu*

## IT DICHIARAZIONE DI CONFORMITÀ EC

Produttore: Changzhou Globe Co., Ltd.  
Indirizzo: No.65 Xinggang Road Zhonglou Zone Changzhou, Jiangsu  
213000 Repubblica Popolare Cinese

Nome e indirizzo della persona autorizzata a compilare il rapporto tecnico:

Nome: Peter Söderström  
Indirizzo: Hjortronvägen 3, 555 93 Jönköping, Sweden

Con la presente si dichiara che il prodotto

Categoria: Caricatore da 40V  
Modello: 2910907/29417/29447/2924107  
Numero seriale: Vedere l'etichetta dei dati nominali  
Anno di costruzione: Vedere l'etichetta dei dati nominali

- è conforme con le rilevanti norme della Direttiva sul Basso Voltaggio 2014/35/EU
- è conforme con i provvedimenti delle seguenti Direttiva EMC 2014/30/EU

Si dichiara inoltre che Inoltre con la presente si dichiara che sono state utilizzate le seguenti (parti/clausole degli) standard armonizzati europei

EN 60335-2-29, EN 60335-1, EN 62233, EN 55014-1, EN 55014-2, EN 61000-3-2, EN 61000-3-3

Luogo, data: Changzhou, 1/11/2017      Firma: Ted Qu Haichao  
Direttore Qualità

*Ted Qu*

**FR** DÉCLARATION DE CONFORMITÉ CE

Fabricant : Changzhou Globe Co., Ltd.  
Adresse : No.65 Xinggang Road Zhonglou Zone Changzhou, Jiangsu  
213000 R. P. de Chine  
Nom et adresse de la personne autorisée à compiler le fichier  
technique :  
Nom : Peter Söderström  
Adresse : Hjortronvägen 3, 555 93 Jönköping, Sweden

Déclarons par la présente que le produit

Catégorie : Chargeur 40V  
Modèle : 2910907/29417/29447/2924107  
Numéro de série : Voir la plaque signalétique du produit  
Année de construction : Voir la plaque signalétique du produit

- est en conformité avec les dispositions relatives de la Directive sur les basses tensions 2014/35/EU
- est conforme aux réserves applicables des autres Directive EMC (2014/30/EU),

De plus, nous déclarons que les normes européennes harmonisées suivantes (en partie/des clauses de celles-ci) ont été utilisées  
EN 60335-2-29, EN 60335-1, EN 62233, EN 55014-1, EN 55014-2, EN 61000-3-2, EN 61000-3-3

Lieu, date : Changzhou, 1/11/2017

Signature : Ted Qu Haichao  
Directeur qualité

Ted Qu

**PT** DECLARAÇÃO CE DE CONFORMIDADE

Fabricante: Changzhou Globe Co., Ltd.  
Endereço: No.65 Xinggang Road Zhonglou Zone Changzhou, Jiangsu  
213000 China  
Nome e endereço da pessoa autorizada a compilar o dossier técnico:  
Nome: Peter Söderström  
Endereço: Hjortronvägen 3, 555 93 Jönköping, Sweden

Pelo presente declaramos que o produto

Categoria: Carregador de 40V  
Modelo: 2910907/29417/29447/2924107  
Número de série: Ver etiqueta de classificação do produto  
Ano de construção: Ver etiqueta de classificação do produto

- se encontra em conformidade com as provisões relevantes da Diretiva de Baixa Tensão 2014/35/EU
- se encontra em conformidade com as provisões da Diretiva EMC (2014/30/EU).

Além disso, declaramos que as seguintes (partes/cláusulas de) normas harmonizadas europeias foram utilizadas  
EN 60335-2-29, EN 60335-1, EN 62233, EN 55014-1, EN 55014-2, EN 61000-3-2, EN 61000-3-3

Local, data: Changzhou, 1/11/2017

Assinatura: Ted Qu Haichao  
Diretor de Qualidade

Ted Qu

**NL** EU VERKLARING VAN CONFORMITEIT

Fabrikant: Changzhou Globe Co., Ltd.  
Adres: No.65 Xinggang Road Zhonglou Zone Changzhou, Jiangsu  
213000 P.R.China  
Naam en adres van de persoon die geautoriseerd is voor de  
samenstelling van het technische dossier:  
Naam: Peter Söderström  
Adres: Hjortronvägen 3, 555 93 Jönköping, Sweden

Hierbij verklaren wij dat het product

Categorie: 40V oplader  
Model: 2910907/29417/29447/2924107  
Serienummer: Zie kentekenplaatje product  
Bouwjaar: Zie kentekenplaatje product

- stemt overeen met de relevante bepalingen van de Laagspanningsrichtlijn 2014/35/EU
- stemt overeenstemming met de bepalingen van de volgende andere EMC Richtlijn (2014/30/EU),

En bovendien verklaren wij dat de volgende (delen/clausules van) de Europese geharmoniseerde standaarden werden toegepast  
EN 60335-2-29, EN 60335-1, EN 62233, EN 55014-1, EN 55014-2, EN 61000-3-2, EN 61000-3-3

Plaats, datum: Changzhou, 1/11/2017

Handtekening: Ted Qu Haichao  
Directeur Kwaliteitszorg

Ted Qu

**RU** ЗАЯВЛЕНИЕ О СООТВЕТСТВИИ ТРЕБОВАНИЯМ ЕС

Производитель: Changzhou Globe Co., Ltd.  
Адрес: No.65 Xinggang Road Zhonglou Zone Changzhou, Jiangsu  
213000, P.R.China (Китай)  
Имя и адрес лица, ответственного за подготовку технического  
файла:  
Имя: Peter Söderström  
Адрес: Hjortronvägen 3, 555 93 Jönköping, Sweden

Настоящим мы заявляем, что следующее изделие

Категория: Зарядное устройство 40 В  
Модель: 2910907/29417/29447/2924107  
Серийный №: см. паспортную табличку изделия  
Год изготовления: см. паспортную табличку изделия

- соответствует положениям Директивы о низковольтном оборудовании 2014/35/EU
- соответствует всем положениям следующих Директива EMC (2014/30/EU)

И кроме того, мы заявляем, что были использованы следующие согласованные европейские стандарты:  
EN 60335-2-29, EN 60335-1, EN 62233, EN 55014-1, EN 55014-2, EN 61000-3-2, EN 61000-3-3

Место, дата: Чанчжоу, 1.11.2017

Подпись: Ted Qu Хайчао  
Директор по качеству

Ted Qu

## **ОФИЦИАЛЬНЫЙ ДИЛЕР В УКРАИНЕ:**

[storgom.ua](http://storgom.ua)

### **ГРАФИК РАБОТЫ:**

Пн. – Пт.: с 8:30 по 18:30

Сб.: с 09:00 по 16:00

Вс.: с 10:00 по 16:00

### **КОНТАКТЫ:**

+38 (044) 360-46-77

+38 (066) 77-395-77

+38 (097) 77-236-77

+38 (093) 360-46-77

Детальное описание товара:

<https://storgom.ua/product/akkumulyatorgreenworksg40-4297-7.html>

Другие товары:

<https://storgom.ua/akkumulyatory-dlya-akkumulyatornoj-tehniki.html>