



Operator's manual
Manual de usuario
Manuel d'utilisation
Manual do operador



**HUSQVARNA AUTOMOWER® 105/310/315/315X/420/430X/
440/450X**

English (2-26)

Español (27-55)

Français (56-84)

Português (85-113)

Read the operator's manual carefully and make sure that you understand the instructions before you use the product.

Lea detenidamente el manual de usuario y asegúrese de entender su contenido antes de utilizar el producto.

Lisez attentivement le manuel d'utilisation et assurez-vous que vous en comprenez le contenu avant d'utiliser la machine.

Leia atentamente o manual do operador e certifique-se de que tenha entendido as instruções antes de usar o produto.

Contents

1 Introduction

1.1 Memo.....	3
1.2 Product description.....	3
1.3 Capacity.....	3
1.4 Mowing technique.....	3
1.5 Working method.....	3
1.6 Movement pattern.....	4
1.7 Finding the charging station.....	4
1.8 Product overview Automower® 105.....	5
1.9 Product overview Automower® 310/315/315X.....	6
1.10 Product overview Automower® 420/430X/ 440/450X.....	7
1.11 Symbols on the product.....	8

2 Safety

2.1 General safety instructions.....	9
2.2 Use.....	9

3 Installation

3.1 Connecting the power supply.....	11
3.2 Control panel.....	11
3.3 Display Automower® 105.....	11
3.4 Keypad Automower® 105.....	11
3.5 Display Automower® 310/315/315X/ 420/430X/440/450X.....	12
3.6 Keypad Automower® 310/315/315X/ 420/430X/440/450X.....	12
3.7 Menu structure.....	12
3.8 Submenus.....	13
3.9 Browse between menus.....	13
3.10 Main menu.....	13

4 Operation

4.1 Operation selection Automower® 105.....	14
4.2 Operation selection Start Automower® 310/315/315X/420/430X/440/450X.....	14
4.3 Operation selection Park Automower® 310/315/315X/420/430X/440/450X.....	14
4.4 Connectivity	14
4.5 Adjusting the cutting height.....	15

5 Maintenance

5.1 Cleaning.....	16
5.2 Battery.....	16
5.3 Replace the blades.....	16

6 Troubleshooting

6.1 Troubleshooting.....	17
--------------------------	----

7 Transportation, storage and disposal

7.1 Transportation.....	18
-------------------------	----

7.2 Winter storage.....	18
-------------------------	----

7.3 Environmental information.....	18
------------------------------------	----

8 Technical data

8.1 Automower® 105/310/315/315X.....	19
8.2 Automower® 420/430X/440/450X.....	20

9 Warranty

9.1 Guarantee terms.....	23
--------------------------	----

10 EC Declaration of Conformity

11 Applicable to US/CA market

11.1 Compliance requirements.....	25
-----------------------------------	----

12 Applicable to LATAM market

12.1 Compliance requirements, Brazil.....	26
12.2 Compliance requirements, Argentina.....	26

1 Introduction

1.1 Memo

Serial number:	
PIN code:	
Dealer:	
Dealer's telephone number:	

If the robotic lawnmower is stolen, it is important to notify Husqvarna of this. Contact your local Husqvarna representative and provide the robotic lawnmower's serial number so that it can be registered as stolen in an international database. This is an important step in the robotic lawnmower's theft protection which reduces interest in the buying and selling of stolen robotic lawnmowers.

The product's serial number consists of nine digits and is shown on the product rating plate (found on the inside of the hatch) and product's packaging.

www.husqvarna.com

1.2 Product description

Congratulations on your choice of an exceptionally high quality product. To get the best results from your Husqvarna robotic lawnmower requires knowledge of how it works. This Operator's Manual contains brief important information about the robotic lawnmower. As a complement to this Operator's Manual, there are information movies with instructions available on Husqvarna's website, www.husqvarna.com.

Keep in mind that the operator is responsible for accidents or hazards occurring to other people or their property.

Husqvarna has a policy of continuous product development and therefore reserves the right to modify the design, appearance and function of products without prior notice.

1.2.1 Complete Operator's Manual

A complete operator's manual is available on Husqvarna's website www.husqvarna.com. It is more in detail and contains more information, e.g. instructions about installation, maintenance, troubleshooting and menu structure.

1.3 Capacity

The robotic lawnmower is recommended for lawns up to:

- 600 m² / 0.15 acre: Automower® 105
- 1000 m² / 0.25 acre: Automower® 310
- 1500 m² / 0.37 acre: Automower® 315
- 1600 m² / 0.4 acre: Automower® 315X
- 2200 m² / 0.55 acre: Automower® 420
- 3200 m² / 0.8 acre: Automower® 430X
- 4000 m² / 1.0 acre: Automower® 440
- 5000 m² / 1.25 acres: Automower® 450X

How big an area the robotic lawnmower can keep cut depends primarily on the condition of the blades and the type, growth and moisture of the grass. The shape of the yard is also significant. If the yard mainly consists of open lawn areas, the robotic lawnmower can mow more per hour than if the yard consists of several small lawns separated by trees, flower beds and passages.

A fully charged robotic lawnmower mows for 60 to 290 minutes, depending on model, the age of the battery and how thick the grass is. Then the robotic lawnmower will charge for 50 to 90 minutes. The charging time can vary depending on, among other factors, the ambient temperature.

1.4 Mowing technique

The robotic lawnmower's system is based on an efficient and energy saving principle. Unlike many standard lawnmowers, the robotic lawnmower cuts the grass instead of knocking it off. This frequent cutting technique improves the grass quality. No collection of grass is required, and small pieces of cut grass will reduce the need of fertilizers. Furthermore, it is emission free, convenient and your lawn will always look well maintained.

It is recommended to allow the robotic lawnmower to mainly mow in dry weather to obtain the best possible result. The robotic lawnmower can also mow in the rain, however wet grass easily sticks on the robotic lawnmower and there is a greater risk of slipping on steep slopes.

The blades must be in good condition to obtain the best mowing result. In order to keep the blades sharp for as long as possible it is important to keep the lawn free from branches, small stones and other objects.

Replace the blades regularly. For information on replacing the blades, see the complete Operator's Manual on Husqvarna's website (www.husqvarna.com).

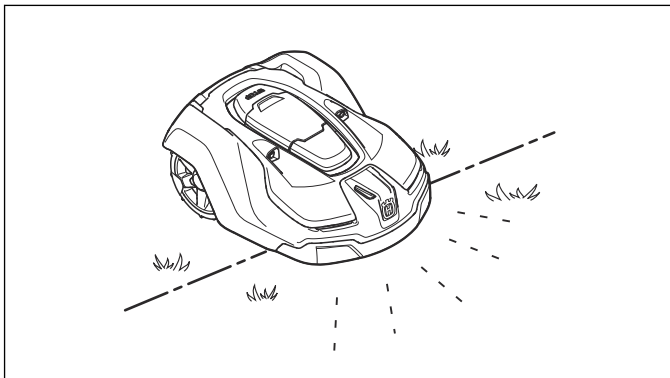
1.5 Working method

Carry out a correct and safe installation of the loop and guide wire. For more information about the installation, see the complete Operator's Manual on Husqvarna's website.

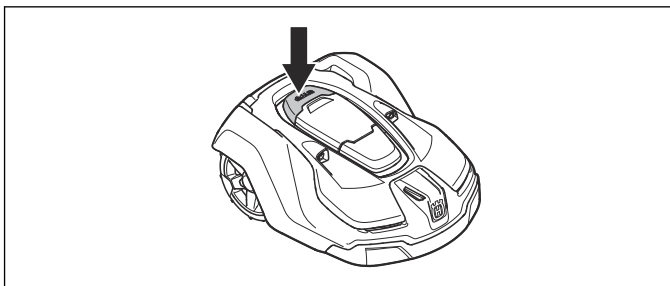
The robotic lawnmower automatically mows the lawn. It continuously alternates between mowing and charging. The robotic lawnmower starts to search for the charging station when the battery charge becomes too low. The robotic lawnmower does not mow when it is searching for the charging station.

Automower® 315X/430X/450X use GPS-assisted navigation to start mowing in a place in the yard where it has not been lately. For the other models you might have to set manual exit settings to make sure that the lawn will be cut evenly, see the complete Operator's Manual on Husqvarna's website.

When the robotic lawnmower body hits an obstacle or approaches the boundary wire the robotic lawnmower reverses and selects a new direction. Sensors at the front and back will sense when the robotic lawnmower is approaching the boundary wire. The front of the robotic lawnmower always passes the boundary wire by a specific distance before the mower turns around. The distance can be changed to adapt to the installation if required.



The **STOP** button on the top of the robotic lawnmower is mainly used to stop the robotic lawnmower when it's running. When the **STOP** button is pressed a hatch opens, behind which there is a control panel. The **STOP** button remains pressed in until the hatch is closed again. This together with the **START** button acts as a start inhibitor.



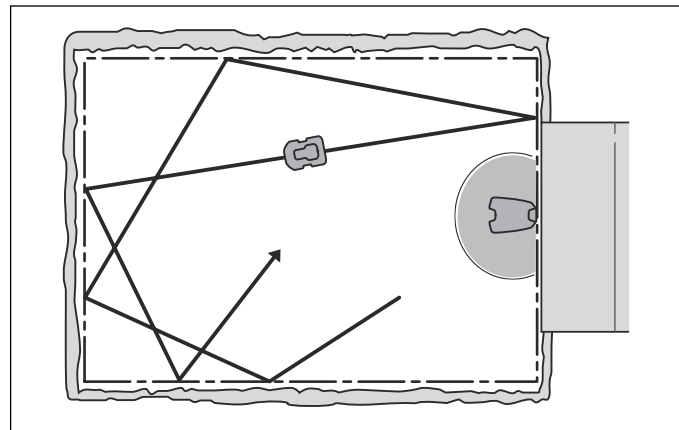
Note: Always press the **START** button before closing the hatch to start the robotic lawnmower. If the **START** button is not pressed, a message beep is heard and the robotic lawnmower will not start.

The control panel on the top of the robotic lawnmower is where you manage all the robotic lawnmower settings.

When the main switch is set to *1* for the first time, a start-up sequence begins which includes a number of important basic settings, see *First start-up and calibration* in the complete Operator's Manual on Husqvarna's website.

1.6 Movement pattern

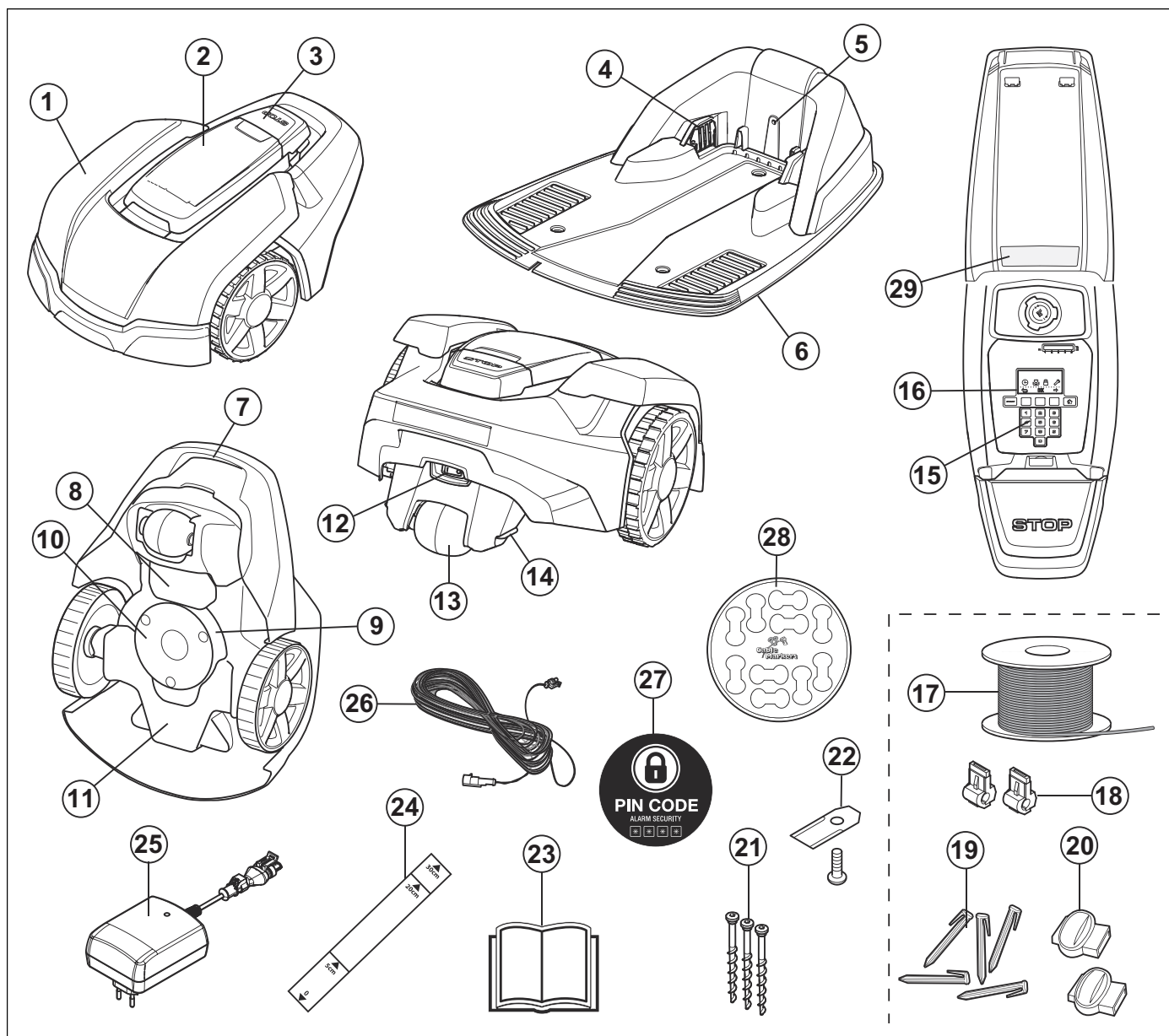
The movement pattern of the robotic lawnmower is random, which means that a movement pattern is never repeated. With this cutting system the lawn is mown evenly without any mowing lines from the robotic lawnmower.



1.7 Finding the charging station

The Automower® 310/315/315X/420/430X/440/450X can be set to search for the charging station in up to 3 different ways. The robotic lawnmower automatically combines these 3 search methods to locate the charging station as fast as possible but also to avoid as much tracks forming as possible. Automower® 105 always follows the guide wire to the charging station.

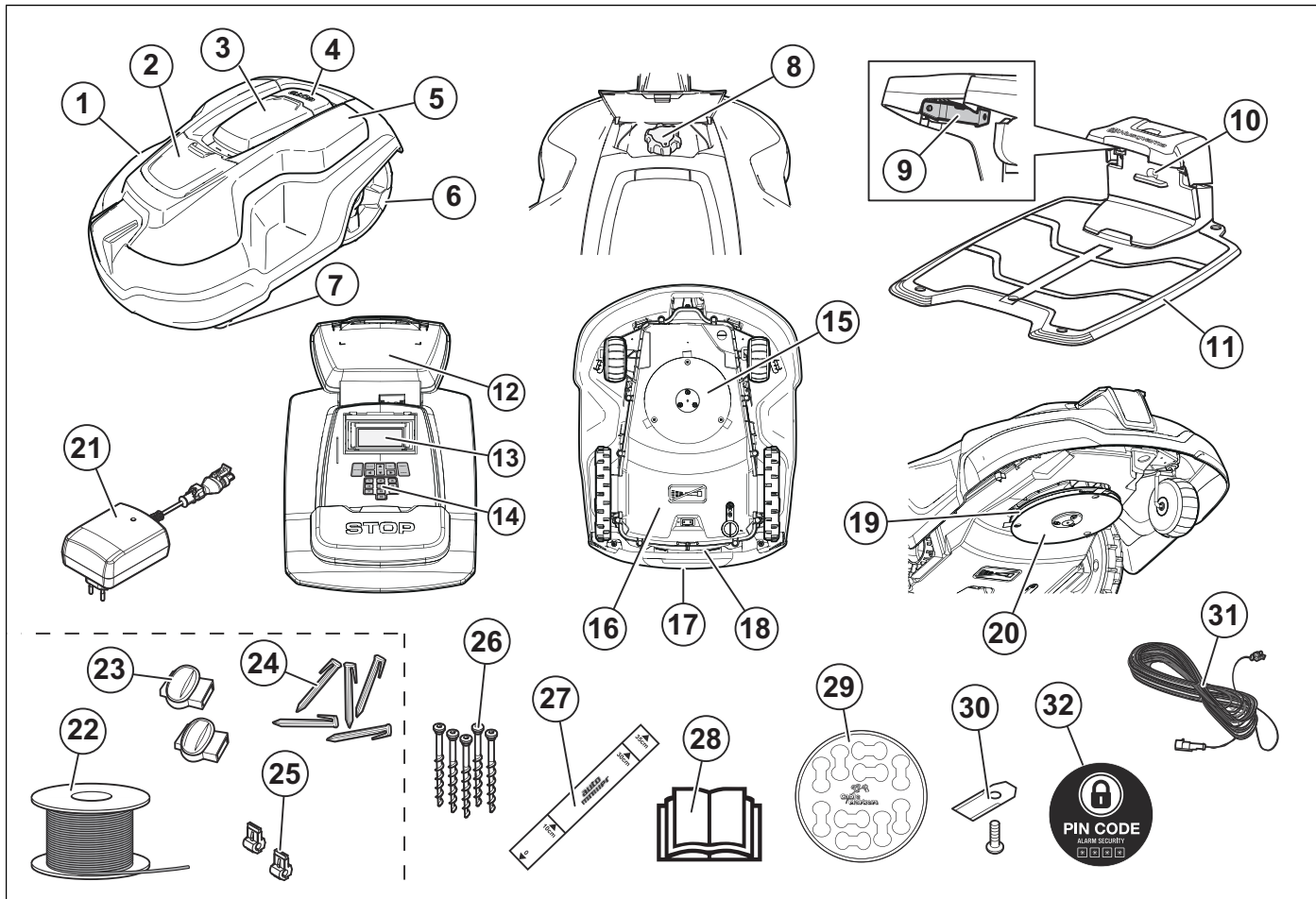
1.8 Product overview Automower® 105



The numbers in the figure represent:

- | | |
|---|---|
| <ul style="list-style-type: none"> 1. Body 2. Hatch to display, keypad and cutting height adjustment 3. Stop button 4. Contact strips 5. LED for operation check of the charging station, boundary wire and guide wire 6. Charging station 7. Carry handle 8. Battery cover 9. Blade disc 10. Skid plate 11. Chassis box with electronics, battery and motors 12. Main switch 13. Rear wheel 14. Charging strip 15. Keypad | <ul style="list-style-type: none"> 16. Display 17. Loop wire for boundary loop and guide wire 18. Connector for connecting the loop wire to the charging station 19. Stakes 20. Coupler for the loop wire 21. Screws for securing the charging station 22. Extra blades 23. Operator's Manual and Quick Guide 24. Measurement gauge for help when installing the boundary wire (the measurement gauge is broken loose from the box) 25. Power supply (the appearance of the power supply may differ depending on market) 26. Low voltage cable 27. Alarm decal 28. Cable markers 29. Rating plate |
|---|---|

1.9 Product overview Automower® 310/315/315X



The numbers in the figure represent:

- | | |
|---|---|
| 1. Body | 18. Main switch |
| 2. Hatch to cutting height adjustment | 19. Blade disc |
| 3. Hatch to display and keypad | 20. Skid plate |
| 4. Stop button | 21. Power supply (the appearance of the power supply may differ depending on market) |
| 5. Replaceable cover | 22. Loop wire for boundary loop and guide wire ¹ |
| 6. Rear wheels | 23. Couplers for loop wire ² |
| 7. Front wheels | 24. Stakes ³ |
| 8. Cutting height adjustment | 25. Connector for the loop wire ⁴ |
| 9. Contact strips | 26. Screws for securing the charging station |
| 10. LED for operation check of the charging station and boundary wire | 27. Measurement gauge for help when installing the boundary wire (the measurement gauge is broken loose from the box) |
| 11. Charging station | 28. Operator's Manual and Quick Guide |
| 12. Rating plate | 29. Cable markers |
| 13. Display | 30. Extra blades |
| 14. Keypad | 31. Low voltage cable |
| 15. Cutting system | 32. Alarm decal |
| 16. Chassis box with electronics, battery and motors | |
| 17. Handle | |

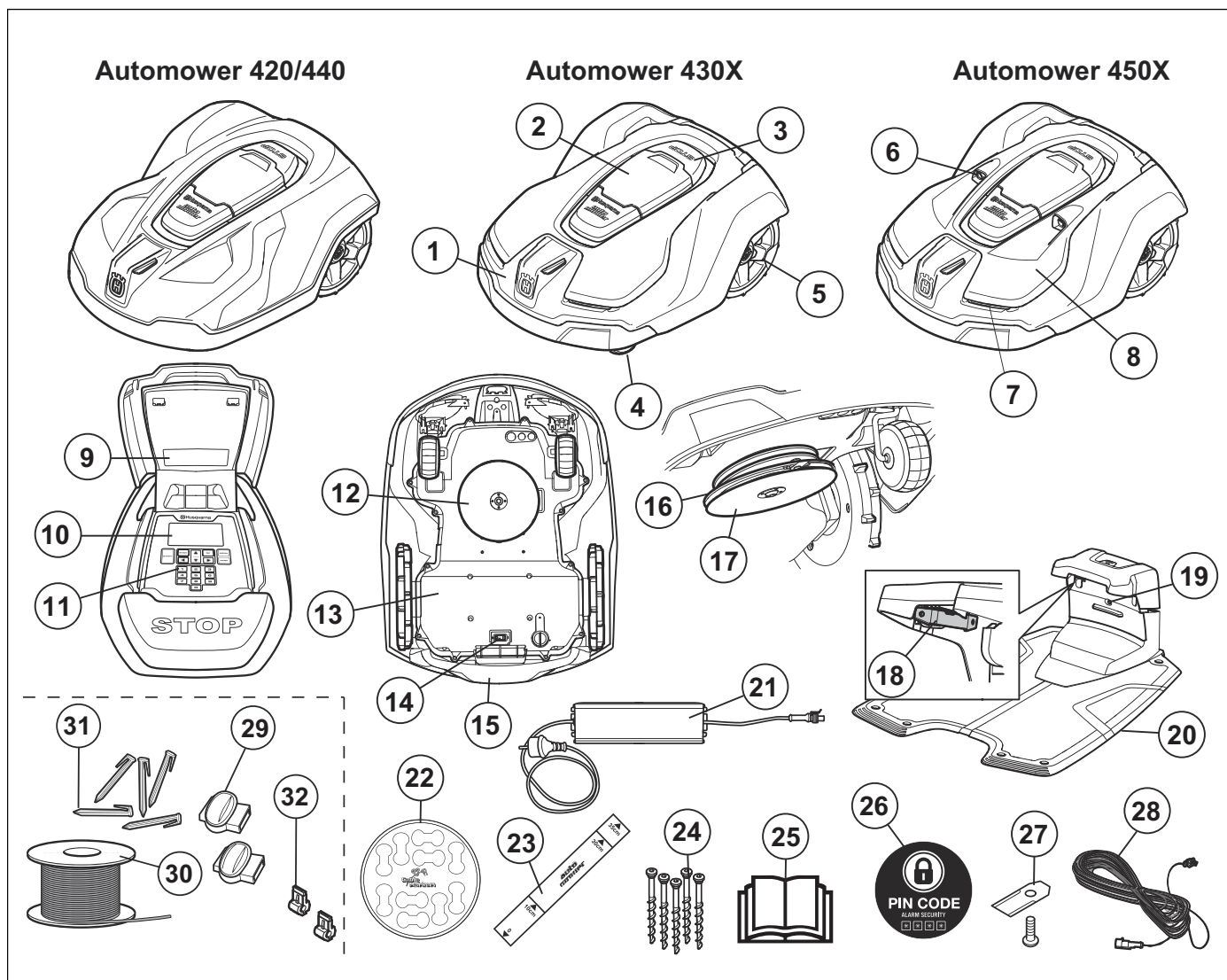
¹ Is a part of the Installation kit which is purchased separately.

² See note 1

³ See note 1

⁴ See note 1

1.10 Product overview Automower® 420/430X/440/450X



The numbers in the figure represent:

- | | |
|---|---|
| <ul style="list-style-type: none"> 1. Body 2. Hatch to display and keypad 3. Stop button 4. Front wheels 5. Rear wheels 6. Ultrasonic sensors 7. Headlights 8. Replaceable cover 9. Rating plate 10. Display 11. Keypad 12. Cutting system 13. Chassis box with electronics, battery and motors 14. Handle 15. Main switch 16. Blade disc 17. Skid plate 18. Contact strips | <ul style="list-style-type: none"> 19. LED for operation check of the charging station and boundary wire 20. Charging station 21. Power supply 22. Cable markers 23. Measurement gauge for help when installing the boundary wire (the measurement gauge is broken loose from the box) 24. Screws for securing the charging station 25. Operator's Manual and Quick Guide 26. Alarm decal 27. Extra blades 28. Low voltage cable 29. Couplers for loop wire ⁵ 30. Loop wire for boundary loop and guide wire ⁶ 31. Stakes ⁷ 32. Connector for the loop wire ⁸ |
|---|---|

⁵ Is a part of the Installation kit which is purchased separately.

⁶ See note 1

⁷ See note 1

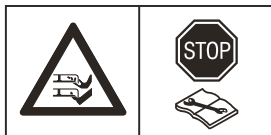
⁸ See note 1

1.11 Symbols on the product

These symbols can be found on the robotic lawnmower. Study them carefully.

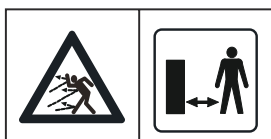


WARNING: Read the user instructions before operating the robotic lawnmower.



WARNING: Operate the disabling device before working on or lifting the machine.

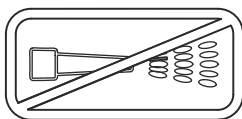
The robotic lawnmower can only start when the main switch is set to 1 and the correct PIN code has been entered. Turn the main switch to 0 before carrying out any inspections and/or maintenance.



WARNING: Keep a safe distance from the machine when operating. Keep your hands and feet away from the rotating blades.



WARNING: Do not ride on the machine. Never put your hands or feet close to or under the machine.



Never use a high-pressure washer or even running water to clean the robotic lawnmower.



This product conforms to the applicable EC Directives.



Noise emission to surroundings. The product's emissions are set out in *Technical data on page 19* and on the rating plate.



It is not permitted to dispose this product as normal household waste. Ensure that the product is recycled in accordance with local legal requirements.



The chassis contains components which are sensitive to electrostatic discharge (ESD). The chassis must also be resealed in a professional manner. For these reasons the chassis shall only be opened by authorized service technicians. A broken seal can result in the entire or parts of the guarantee no longer being valid.



The low voltage cable must not be shortened, extended or spliced.

Do not use a trimmer nearby the low voltage cable. Be careful when trimming edges where the cables are placed.

Operate the disabling device before you use or lift the product.

2 Safety

2.1 General safety instructions

The following system is used in the Operator's Manual to make it easier to use:

- Text written in *italics* is a text that is shown on the robotic lawnmower's display or is a reference to another section in the Operator's Manual.
- Text written in **bold** is one of the buttons on the robotic lawnmower's keypad.
- Text written in *UPPERCASE* and *italics* refer to the different operating modes available in the robotic lawnmower.

2.1.1 IMPORTANT. READ CAREFULLY BEFORE USE. KEEP FOR FUTURE REFERENCE

The operator is responsible for accidents or hazards occurring to other people or property.

This appliance is not intended for use by persons (including children) with reduced physical, sensory or mental capabilities, or lack of experience and knowledge, unless they have been given supervision or instruction concerning use of the appliance by a person responsible for their safety. Children should be supervised to ensure that they do not play with the appliance.

This appliance can be used by children aged from 8 years and above and persons with reduced physical, sensory or mental capabilities or lack of experience and knowledge if they have been given supervision or instruction concerning use of the appliance in a safe way and understand the hazards involved. Local regulations may restrict the age of the operator. Clearing and maintenance shall not be made by children without supervision.

Never connect the power supply to an outlet if plug or cord is damaged. Worn or damaged cord increase the risk of electric shock.

Only charge the battery in the included charging station. Incorrect use may result in electric shock, overheating or leaking of corrosive liquid from the battery. In the event of leakage of electrolyte flush with water/neutralizing agent, seek medical help if it comes in contact with the eyes.

Use only original batteries recommended by the manufacturer. Product safety cannot be guaranteed with other than original batteries. Do not use non-rechargeable batteries.

The appliance must be disconnected from the supply mains when removing the battery.



WARNING: The robotic lawnmower can be dangerous if used incorrectly.

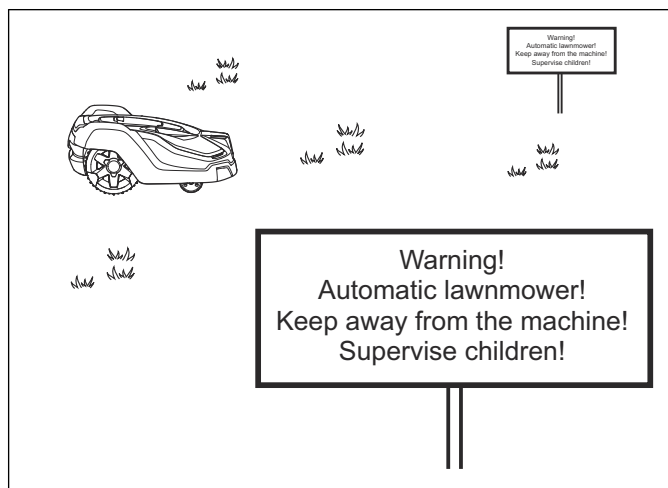


WARNING: Never use the robotic lawnmower when persons, especially children or pets, are in the cutting area.



WARNING: Keep your hands and feet away from the rotating blades. Never put your hands or feet close to or under the machine when the motor is running.

Warning! Automatic lawnmower! Keep away from the machine! Supervise children!

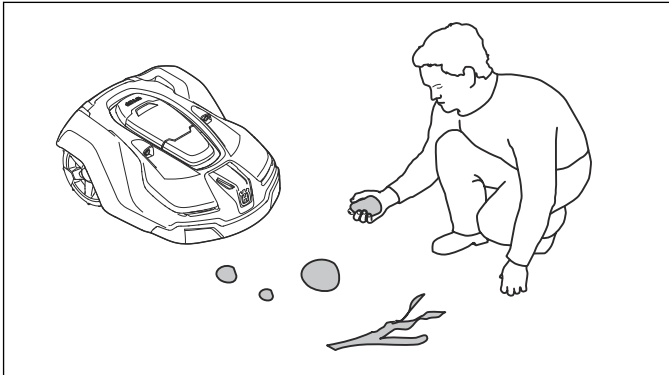


2.2 Use

- This robotic lawnmower is designed to mow grass in open and level ground areas. It may only be used with the equipment recommended by the manufacturer. All other types of use are incorrect. The manufacturer's instructions with regard to operation/maintenance and repair must be followed precisely.
- Warning signs shall be placed around the working area of the robotic lawnmower if it is used in public areas. The signs shall have the following text:
 - Use the **PARK** function or switch off the main switch when persons, especially children or pets, are in the cutting area. It is recommended to program the lawnmower for use during hours when the area is free from activity, e.g. at night.
 - The robotic lawnmower may only be operated, maintained and repaired by persons that are fully conversant with its special characteristics and safety

regulations. Please read the Operator's Manual carefully and make sure you understand the instructions before using the robotic lawnmower.

- It is not permitted to modify the original design of the robotic lawnmower. All modifications are made at your own risk.
- Check that there are no stones, branches, tools, toys or other objects on the lawn that can damage the blades. Objects on the lawn can also lead to the robotic lawnmower getting stuck in them and help may be required to remove the object before the mower can continue mowing. Always set the main switch in position 0 before clearing a blockage.



- Start the robotic lawnmower according to the instructions. When the main switch is set to 1; make sure to keep your hands and feet away from the rotating blades. Never put your hands and feet under the robotic lawnmower.
- Never touch moving hazardous parts, such as the blade disc, before it has come to a complete stop.
- Never lift up the robotic lawnmower or carry it around when the main switch is in position 1.
- Do not let persons who do not know how the robotic lawnmower works and behaves use it.
- The robotic lawnmower must never be allowed to collide with persons or other living creatures. If a person or other living creature comes in the lawnmower's way it shall be stopped immediately.
- Do not put anything on top of the robotic lawnmower or its charging station.
- Do not allow the robotic lawnmower to be used with a defective guard, blade disc or body. Neither should it be used with defective blades, screws, nuts or cables. Never connect a damaged cable, or touch a damaged cable before it is disconnected from the supply.
- Do not use the robotic lawnmower if the main switch does not work.
- Always switch off the robotic lawnmower using the main switch when the robotic lawnmower is not in use. The robotic lawnmower can only start when the main switch is set to 1 and the correct PIN code has been entered.
- The robotic lawnmower must never be used at the same time as a sprinkler. Use the timer function so the mower and sprinkler never run simultaneously.
- Husqvarna does not guarantee full compatibility between the robotic lawnmower and other types of wireless systems such as remote controls, radio

transmitters, hearing loops, underground electric animal fencing or similar.

- The built-in alarm is very loud. Be careful, especially if the robotic lawnmower is handled indoors.
- Metal objects in the ground (for example reinforced concrete or anti-mole nets) can result in a stoppage. The metal objects can cause interference with the loop signal which then can lead to a stoppage.
- The robotic lawnmower must never be used in temperatures below 0°C / 32°F or above 50°C / 113°F. This might cause damage to the product.

3 Installation

3.1 Connecting the power supply

Take the following into consideration when planning where to place the power supply:

- Close to the charging station
- Protection from rain
- Protection from direct sunlight.



WARNING: The robotic lawnmower is only to be used with a power supply unit supplied by Husqvarna.

The power supply must be placed where it is well ventilated and must be placed under a roof. If the power supply is connected to an electrical socket outdoors, this must be approved for outdoor use. It is recommended to use an earth fault-breaker (RCD) when connecting the power supply to the wall socket.

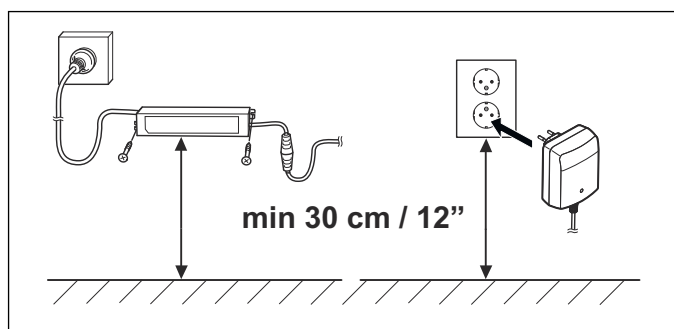


WARNING: Applicable to USA/Canada. If power supply is installed outdoors: Risk of Electric Shock. Install only to a covered Class A GFCI receptacle (RCD) that has an enclosure that is weatherproof with the attachment plug cap inserted or removed.

No parts of the power supply must be changed or tampered with. For example the low voltage cable must not be shortened or extended. Low voltage cables with 3 m / 10 ft or 20 m / 66 ft length are available as optional accessories.



WARNING: Do not under any circumstances mount the power supply at a height where there is a risk it can be submerged in water (at minimum 30 cm / 12" from the ground). It is not permitted to place the power supply on the ground.



WARNING: No parts of the power supply must under any circumstances be changed or tampered with. The low voltage cable must not be shortened or extended.



WARNING: Use the plug to disconnect the charging station, for instance before cleaning the charging station or repairing the loop wire.



WARNING: Place the low voltage cable and adjust the cutting height so that the blades on the blade disc can never come in contact with it.

For more instructions on how to do a proper installation, see chapter *Installation* in the complete Operator's manual on Husqvarna's website www.husqvarna.com.

3.2 Control panel

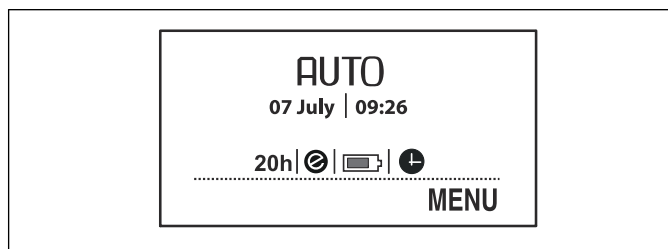
All commands and settings for the robotic lawnmower are made via the control panel. All functions are accessed via a number of menus.

The control panel consists of a display and a keypad. All information is shown on the display and all input is done using the buttons.

The display texts are shown in English in the manual, but you will see the texts on the product display in the chosen language.

3.3 Display Automower® 105

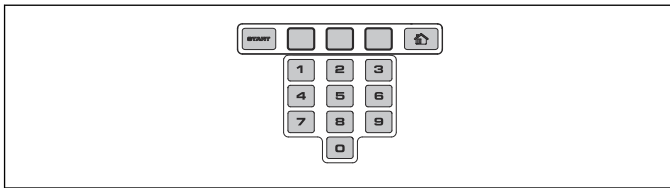
When the **STOP** button has been pressed and the hatch is opened, the operation window appears showing the time, selected operating mode, number of mowing hours, battery status and timer setting.



- The clock shows the current time.
- Date shows the current day.
- The number of operating hours indicates the number of hours since the day of manufacture that the robotic lawnmower has been in operation. The time that the robotic lawnmower has spent mowing or searching for the charging station is counted as operating time.
- *AUTO*, *MAN* or *HOME* show which mode of operation is selected.
- The battery status shows the remaining battery charge.
- The ECO symbol is displayed if the robotic lawnmower is set in *ECO mode*.
- The clock symbol indicates when the timer settings are set. The clock symbol is black when the robotic lawnmower is not allowed to mow due to a timer setting.
- The *MENU* text illustrates that the main menu can be reached by pressing the multi-choice button that is located under the text.

3.4 Keypad Automower® 105

The keypad consists of 4 groups of buttons:



- The **START** button is used to activate the robotic lawnmower. This is normally the last button to be pressed before closing the hatch.
- The 3 **multi-choice** buttons offer various functions, depending on where in the menu structure you are. The button function is shown at the bottom of the display.
- The **number keys** are used for instance to enter the PIN code or time settings.
- The **operation selection** button is symbolised by a house. When the button has been pressed, the selected operation mode is shown in the display.

3.5 Display Automower® 310/315/315X/420/430X/440/450X

When the **STOP** button has been pressed and the hatch is opened, the following information is displayed:

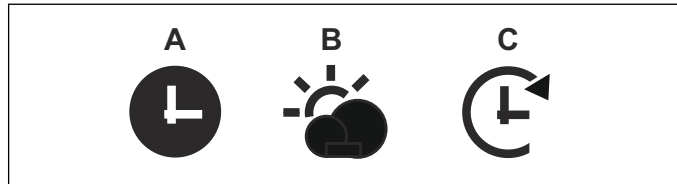


- Operating information, e.g. *READY*, *MOWING*, *PARKED* or *TIMER*. *READY* is displayed if the robotic lawnmower is not in any specific operating mode, e.g. if the main switch has just been turned on. If the **STOP** button is pressed the robotic lawnmower displays what it did prior to the stop, e.g. *MOWING* or *SEARCHING*.
- Date and clock show the current time.
- For Automower® 315X/430X/450X: The satellite symbol is shown when the GPS-supported navigation is activated. Symbol (A) is shown when the robotic lawnmower has made contact with a sufficient number of GPS satellites. Symbol (B) shows when the robotic lawnmower has not made contact with a sufficient number of GPS satellites. Symbol (A) blinks during the first days the robotic lawnmower is working, as it is collecting GPS information about the installation.

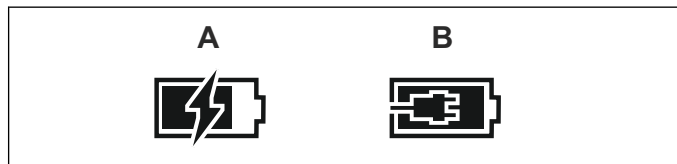


- The ECO symbol is displayed if the robotic lawnmower is set in *ECO mode*.
- The black clock symbol (A) is shown when the mower is not allowed to mow due to a timer setting. If the mower is not allowed to mow due to *Weather*

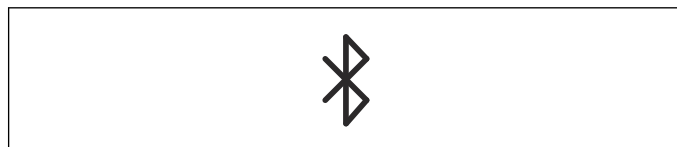
timer, symbol (B) is shown. If the operation mode *Override timer* is chosen, symbol (C) is shown.



- The battery status shows the remaining battery charge. If the robotic lawnmower is loading, a flash is also shown over the battery symbol (A). If the robotic lawnmower is placed in the charging station without charging, (B) is shown.

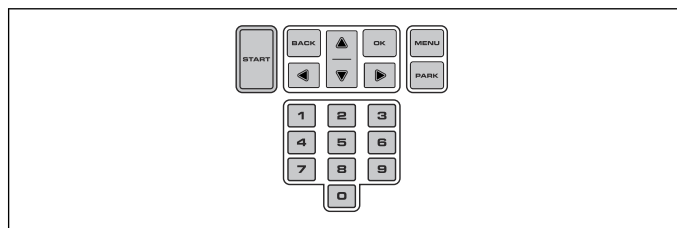


- The height adjustment setting is displayed as a scale/numerical value.
- For Automower Connect@Home (see *Automower Connect@Home on page 15*): An icon for Bluetooth® wireless communication will appear in the robotic lawnmower display when connection with your smartphone has been established.



3.6 Keypad Automower® 310/315/315X/420/430X/440/450X

The keypad consists of 6 groups of buttons:



- The **START** button is used to activate the robotic lawnmower. This is normally the last button to be pressed before closing the hatch.
- The **BACK** and **OK** buttons are used to navigate in the menu. The **OK** button is also used to confirm settings.
- The **arrow keys** are used to navigate in the menu but also to make selections in certain setting options.
- The **MENU** button is used to go to the main menu.
- The **PARK** button is used to send the robotic lawnmower to the charging station.
- The **number keys** are used to enter settings, for example PIN code, time or exit direction.

3.7 Menu structure

The main menu for Automower® 105 offers 4 options. Automower® 310 has 6 options and Automower® 315/315X has 7 options. The main menu for Automower® 420/430X/440/450X offers 8 options.

3.8 Submenus

There are a number of submenus under each option. You can access all the functions to set the robotic lawnmower settings via the submenus.

Certain submenus contain options that are ticked off to the left. This means that these options are selected. Check or uncheck the box by pressing the **OK** button.

3.9 Browse between menus

Browse through the main menu and submenus with the help of the multichoice buttons (Automower® 105) or the **arrow keys** (Automower® 310/315/315X/420/430X/440/450X). Enter values and times using the number keys and confirm each selection with the multi-choice button marked **OK**. Press **BACK** to go up a step in the menu or keep the **HOME** (Automower® 105) alternatively **MENU** (Automower® 310/315/315X/420/430X/440/450X) button pressed in for 2 seconds to go directly to the main menu.

3.10 Main menu



Timer

The lawn should not be cut too often to obtain the best mowing result. Consequently, it is important to limit the operating time using the timer function if the working area is less than the robotic lawnmower's working capacity. The timer function is also an ideal tool to control which periods the robotic lawnmower should not mow, for example when children are playing on the lawn.



Cutting height

Applicable for Automower® 420/430X/440/450X

The cutting height can be varied from MIN (1) to MAX (9). During the first week after a new installation, the cutting height must be set to MAX to avoid damaging the loop wire. After this, the cutting height can be lowered one step every week until the desired cutting height has been reached.



Security

In this menu, settings relating to security and the connection between the robotic lawnmower and the charging station can be made. There are 3 security levels to choose from: *Low, Medium, High*.



Messages

Applicable for Automower® 310/315/315X/420/430X/440/450X

Historical fault and information messages can be read in this menu. For some of the most common fault messages, there are tips and advice to help you rectify the fault.



Weather timer

Applicable for Automower® 315/315X/420/430X/440/450X

This function allows the robotic lawnmower to automatically adjust its mowing times based on how much the lawn grows. When the weather is good for grass growth, the robotic lawnmower mows more often and when grass growth is slower the robotic lawnmower will automatically spend less time on the lawn.



Installation

This menu function is used to customize the installation. For many working areas there is no need to alter the factory settings, but depending on the lawn complexity the mowing result can be improved by making manual settings.



Settings

This selection allows you to make changes to the general robotic lawnmower settings such as date and time. You can also turn on/off *ECO mode* and *Spiral cutting*, or save your settings in different *Profiles* (Automower® 315/315X/420/430X/440/450X only). Husqvarna recommends to let *ECO mode* be turned on to save energy and avoid interference with other equipment.



Accessories

Applicable for Automower® 310/315/315X/420/430X/440/450X

This menu handles the settings for robotic lawnmower accessories, for examples Automower Connect or Automower Connect@Home. Contact your local Husqvarna representative for information on what accessories are available for your robotic lawnmower.

4 Operation

4.1 Operation selection Automower® 105

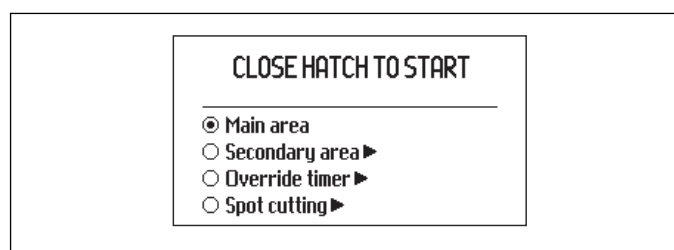
By consecutively pressing the **Operation selection** button many times, one can choose between three different operation modes.

- **HOME.** Sends the robotic lawnmower to the charging station. It remains here until another operation mode is selected. The text Home is shown in the operation window. When the battery is fully charged, the robotic lawnmower will not leave the charging station and begin mowing again until the operation selection is altered to **AUTO**.
- **AUTO.** The standard, automatic operation mode where the robotic lawnmower mows and charges automatically.
- **MAN.** When mowing secondary areas the **MAN** setting must be used. If **MAN** is selected and the robotic lawnmower is started when it is out on the lawn, it will mow until the battery runs out. It will then stop and the 'Needs manual charging' message will appear. The robotic lawnmower must then be moved manually to the charging station and then started manually after charging. If the robotic lawnmower charges in the **MAN** mode, it will fully charge, move about 20 cm / 8" out of the charging station and then stop. This indicates that it is charged and ready to start mowing.

4.2 Operation selection Start Automower® 310/315/315X/420/430X/440/450X

When the **START** button has been pressed the following operation selections can be selected:

- **MAIN AREA.** The standard operating mode where the robotic lawnmower mows and charges automatically.



- **SECONDARY AREA.** When mowing secondary areas this setting must be used.

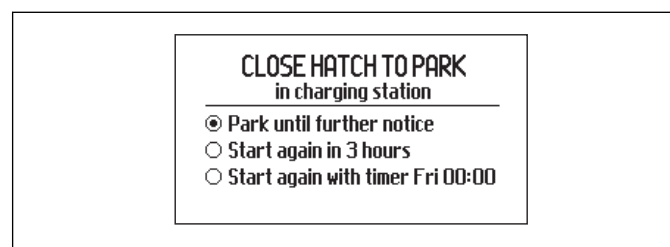
If the robotic lawnmower charges in the Secondary area mode, it will fully charge, drive out about 50 cm / 20" and then stop. This indicates that it is charged and ready to start mowing. If the main working area has to be cut after charging, it is appropriate to switch the operation selection to *Main area* before placing the robotic lawnmower in the charging station.
- **OVERRIDE TIMER.** Any timer settings made can be temporarily overridden by selecting Override timer. It is possible to *override the timer* for 24 h or 3 days.
- **SPOT CUTTING** (Not available for Automower® 310). The robotic lawnmower will work in a spiral

pattern to cut the grass where it has been mown less than in other parts of the lawn.

The *Spot Cutting* function is activated with the **START** button. You can select how the robotic lawnmower should continue to work once mowing is finished by pressing **right arrow** and then specifying *Main Area* or *Secondary Area*.

4.3 Operation selection Park Automower® 310/315/315X/420/430X/440/450X

When the **PARK** button is pressed the following operation selections can be chosen.



- **PARK UNTIL FURTHER NOTICE.** The robotic lawnmower stays in the charging station until another operating mode is selected by pressing the **START** button.
- **START AGAIN IN 3 HOURS.** The robotic lawnmower stays in the charging station for three hours and then automatically returns to normal operation. This operation selection is suitable when there is a need to pause operation, e.g. for temporary irrigation or for games on the lawn.
- **START WITH NEXT TIMER.** The robotic lawnmower stays in the charging station until the next Timer setting permits operation. This operation selection is suitable if one wishes to cancel an ongoing mowing cycle and allow the robotic lawnmower to stay in the charging station until the next day. This option is not displayed if there are no Timer settings.

4.4 Connectivity

You can communicate with your robotic lawnmower through the mobile application Automower Connect. Automower Connect is available for your smartphone and tablet (Apple or Android). With Automower Connect activated, new icons will be displayed on the robotic lawnmower's display. For more detailed information, see *Complete Operator's Manual on page 3*.

4.4.1 Automower Connect

Automower Connect is included in Automower® 315X/430X/450X and available as accessory for Automower® 310/315/420/440.

Automower Connect brings the mower's menu system to your smartphone, making it easy to read and change the mower settings remotely. Through this application, you can receive your Automower's current status and send commands to the robotic lawnmower from anywhere in the world. In case of theft, you will get an alarm and be able to track your mower's position. Some countries do not support Automower Connect due to region specific

cellular systems. Please, contact your local Husqvarna representative for more information.

4.4.2 Automower Connect@Home

Included in Automower® 310/315/420/440.

Automower Connect@Home uses a short-range Bluetooth® wireless technology with your robotic lawnmower. This means that you can communicate with the robotic lawnmower as long as you are within communication range. An icon for Bluetooth communication will appear in the robotic lawnmower display when connection with your smartphone has been established. Automower Connect@Home has similar but not as extensive functionality as Automower Connect and uses the same app.

4.4.3 Getting started

Download the Automower Connect app (also applicable for Automower Connect@Home) from AppStore or GooglePlay. Once you have downloaded the app, you can specify an e-mail address and a password to create an account. You will receive a validation e-mail to the e-mail address you specified. Follow the instructions in the e-mail within 24 hours to validate your account. If not validated within 24 hours, you will have to create your account again. When the account has been created in the app you can pair the robotic lawnmower and your smartphone.

4.4.4 Pair with Automower Connect

Select the function *Accessories > Automower Connect > Pairing > New pairing*. When the app prompts you to do so, enter the 6-digit code shown on the robotic lawnmower display. Also enter the name of the mower into the app. Automower Connect is always connected to your robotic lawnmower as long as the smartphone have contact with the mobile network and the robotic lawnmower is charged and main switch is set to 1.

4.4.5 Pair with Automower Connect@Home

Activate Bluetooth® wireless communication on your smartphone. Select the function *Accessories > Connect@Home > New pairing* and follow the instructions in the app. After pairing your robotic lawnmower and smartphone they will automatically connect each time you get into range (Automower Connect@Home). If you want to connect to the robotic lawnmower without having an account you can still use Automower Connect@Home by selecting Remote HMI in the start-up screen in the app.

4.5 Adjusting the cutting height

If the grass is long, let the robotic lawnmower start mowing at the MAX cutting height. Once the grass is shorter, you can gradually lower the cutting height.

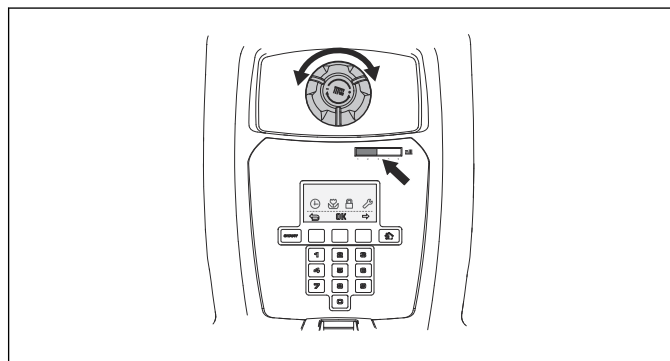


CAUTION: During the first week after a new installation, the cutting height must be set to MAX to avoid damaging the loop wire. After this, the cutting height can be lowered one step every week until the desired cutting height has been reached.

4.5.1 Automower® 105

The cutting height can be varied from MIN (2 cm / 0.8") to MAX (5 cm / 2.0"). To adjust the cutting height:

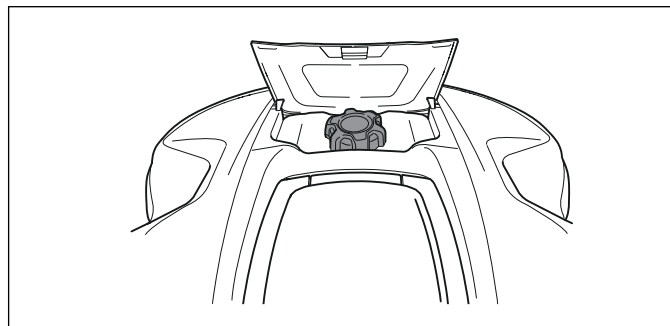
1. Press the **STOP** button to stop the robotic lawnmower and open the hatch.
2. Turn the height adjustment knob to the required position. The selected position is indicated by the orange column on the height adjustment indicator.



4.5.2 Automower® 310/315/315X

The cutting height can be varied from MIN (2 cm / 0.8") to MAX (6 cm / 2.4") in 9 steps.

1. Press the **STOP** button to stop the robotic lawnmower and open the cutting height adjustment hatch.
2. Turn the knob to the required position. Turn clockwise to increase and counter-clockwise to decrease the cutting height. The arrow aligns with the selected position marked on the body.
3. Close the hatch.



4.5.3 Automower® 420/430X/440/450X

The cutting height can be varied from MIN to MAX in 9 steps.

1. Press the **STOP** button to stop the robotic lawnmower and open the hatch.
2. Press the **MENU** button to access the main menu.
3. Move the cursor using the arrow keys up/down to select *Cutting height*.
4. Press **OK**.

5 Maintenance

5.1 Cleaning

It is important to keep the robotic lawnmower clean. A robotic lawnmower with a lot of grass stuck to it will find it harder to travel up slopes, will perform worse and is exposed to greater wear and tear. For better operating reliability and longer service life: check and clean the robotic lawnmower regularly and replace worn parts if necessary. It is recommended to clean using a soft brush.

To reduce the risk of damage to electrical components in the robotic lawnmower and its charging station, we recommend that all connections to the charging station are disconnected (power supply, boundary wire and guide wires) if there is a risk of a thunderstorm.



WARNING: When the robotic lawnmower is turned upside down the main switch must always be in the 0 position.

The main switch should be set in the 0 position during all work on the mower's chassis, such as cleaning or replacing the blades.



CAUTION: Never use a high-pressure washer or even running water to clean the robotic lawnmower. Never use solvents for cleaning.

5.2 Battery

The battery is maintenance-free, but has a limited life span of 2 to 4 years.



WARNING: Only charge the robotic lawnmower using a charging station which is intended for it. Incorrect use may result in electric shock, overheating or leakage of corrosive liquid from the battery. In the event of leakage of electrolyte flush with water and seek medical help if it comes in contact with the eyes etc.



WARNING: Use only original batteries recommended by the manufacturer. Product safety cannot be guaranteed with other batteries. Do not use non-rechargeable batteries.



CAUTION: The battery must be charged fully before winter storage. If the battery is not fully charged it can be damaged and in certain cases be rendered useless.

Below indicates that the battery is getting old and eventually needs replacing:

- The operating time for the robotic lawnmower is shorter than normal between charges. This leads to more charging cycles than normal, which increases the risk of tracks forming near the charging station.

- The robotic lawnmower is found standing out on the lawn with *Empty battery* message. This indicates that the robotic lawnmower does not have battery capacity enough to find the charging station.

The battery is fine as long as the robotic lawnmower maintains a well-cut lawn.

Note: Battery life is dependent on the length of the season and how many hours a day the robotic lawnmower is operating. A long season or many hours of use a day means that the battery must be replaced more regularly.

Contact your local Husqvarna representative to replace the battery.

5.3 Replace the blades

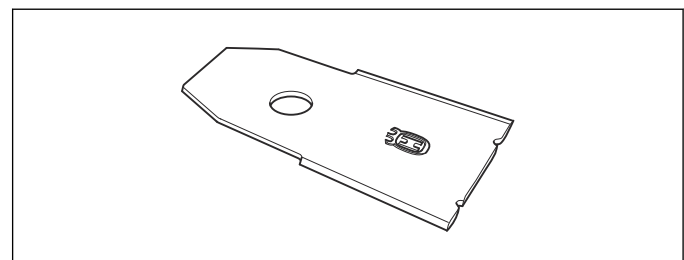


WARNING: Always use blades and screws of the right type. Husqvarna can only guarantee safety when using original blades. Only replacing the blades and reusing the screw can result in a screw wearing during mowing and shearing. The blades can then be propelled from under the body and cause serious injury.

Replace worn or damaged parts for safety reasons. Even if the blades are intact, they should be replaced on a regular basis for the best mowing result and low energy usage.

All 3 blades and screws must be replaced at the same time to obtain a balanced cutting system.

Use Husqvarna original blades embossed with the crowned H-mark logotype, see *Guarantee terms on page 23*.



5.3.1 To replace the blades

1. Set the **Main switch** to position 0.
2. Turn the robotic lawnmower upside down. Place the robotic lawnmower on a soft and clean surface to avoid scratching the body and the hatch.
3. Rotate the skid plate so that its holes align with the screws for the blade.
4. Remove the 3 screws. Use a straight slot or cross-tip screwdriver.
5. Remove each blade and screw.
6. Fasten new blades and screws.
7. Check that the blades can pivot freely.

6 Troubleshooting

6.1 Troubleshooting

In case of malfunction, a message will appear on the display. For more detailed information on messages, see the complete Operator's manual on Husqvarna's website (www.husqvarna.com). If the same message appears often or if you still cannot find the reason for the fault, contact your dealer.

Breaks in the loop wire are usually the result of unintentional physical damage to the wire such as when gardening with a shovel. Breaks can also be due to the wire being stretched excessively during installation. A wire break can be located by gradually halving the distance of the loop where the break may have occurred until there is only a very short section of the wire left. See the complete Operator's manual on Husqvarna's website (www.husqvarna.com).

6.1.1 Indicator lamp in the charging station

For a fully functional installation, the indicator lamp in the charging station must emit a solid or flashing green light. If something else appears, follow the troubleshooting guide below.

There is more help on www.husqvarna.com. If you still need help, please contact your local Husqvarna representative.

Light	Cause	Action
<i>Solid green light</i>	Good signals	No action required
<i>Green flashing light</i>	The signals are good and <i>ECO mode</i> is activated.	No action required. For more information on <i>ECO mode</i> , see <i>Complete Operator's Manual on page 3</i> .
<i>Blue flashing light</i>	The boundary loop is not connected to the charging station.	Check that the boundary wire connectors are fitted properly to the charging station. See <i>Complete Operator's Manual on page 3</i> .
	Break in the boundary loop.	Find out where the break is. Replace the damaged section of the loop with a new loop wire and splice using an original coupler.
<i>Red flashing light</i>	Interruption in the charging station's antenna.	Contact your local Husqvarna representative.
<i>Solid red light</i>	Fault in the circuit board or incorrect power supply in the charging station. The fault should be rectified by an authorized service technician.	Contact your local Husqvarna representative.

7 Transportation, storage and disposal

7.1 Transportation

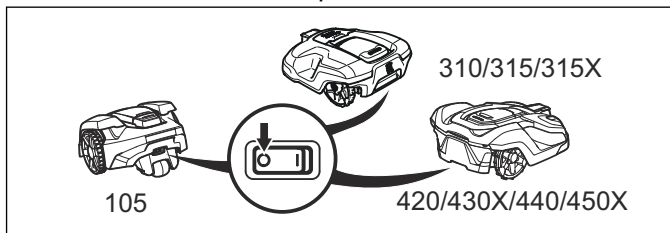
The contained lithium-ion-batteries are subject to the Dangerous Goods Legislation requirements. For commercial transports e.g. by third parties or forwarding agents, special requirement on packaging and labeling must be observed. Consult an expert for hazardous material for preparation of the item being shipped. Please also observe possibly more detailed national regulations.

Tape off open contacts and pack up the battery in such a manner that it cannot move around in the packaging. Always secure the product when transporting it.

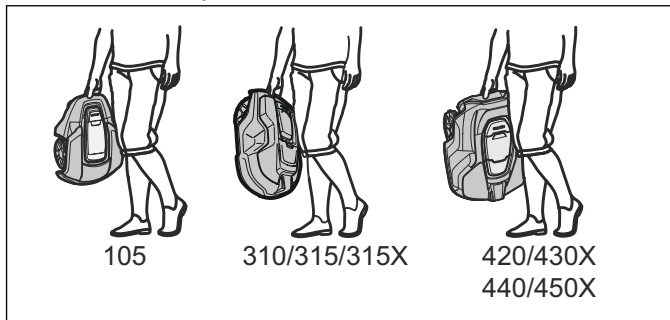
7.1.1 How to lift and move the robotic lawnmower

To safely move from or within the working area:

1. Press the **STOP** button to stop the robotic lawnmower. If security is set to the medium or high level (see *Complete Operator's Manual on page 3*) the PIN code has to be entered. The PIN code contains four digits and is selected when you start the robotic lawnmower for the first time. See *Complete Operator's Manual on page 3*.
2. Set the main switch in position 0.



3. Carry the robotic lawnmower by the handle under the robotic lawnmower with the blade disc away from the body.



CAUTION: Do not lift the robotic lawnmower when it is parked in the charging station. It can damage the charging station and/or the robotic lawnmower. Press **STOP** and pull the robotic lawnmower out of the charging station before lifting it.

7.2 Winter storage

7.2.1 The robotic lawnmower

The robotic lawnmower must be cleaned carefully before putting it away for the winter. See *Cleaning on page 16*.

To guarantee battery functionality and service life, it is important to charge the robotic lawnmower before

storing it away for the winter. Place the robotic lawnmower in the charging station with the hatch open until the battery icon in the display shows that the battery is fully charged. Then set the main switch to 0.

Check the condition of wear items such as blades and bearings in the rear wheel. Rectify if necessary to make sure the robotic lawnmower is in good condition prior to next season.

Store the robotic lawnmower standing on all wheels and place it in a dry, frost-free environment, preferably in the mower's original packaging. You can also hang the robotic lawnmower on a Husqvarna original wall hanger. Contact Husqvarna customer service for more information about available wall hangers.



CAUTION: The battery must be charged fully before winter storage. If the battery is not fully charged it can be damaged and in certain cases be rendered useless.

7.2.2 The charging station

Store the charging station and power supply indoors. The boundary wire and the guide wire can be left in the ground.

1. Disconnect the charging station power supply.
2. Release the connector lock and pull the connector out.
3. Disconnect the boundary and guide wire contacts from the charging station.

The ends of the wires should be protected from damp by putting them in a container with grease for instance.

If it is not possible to store the charging station indoors, the charging station must be connected to the mains, the boundary wire and the guide wires the entire winter.

7.3 Environmental information



The symbol on the Husqvarna robotic lawnmower indicates that this product cannot be treated as domestic waste. It should instead be left at a suitable recycling centre to recycle its electronic components and batteries. The battery must be removed from the product before it is scrapped.

For disassembly of the battery see the complete Operator's manual on Husqvarna's website.

By ensuring that this product is taken care of correctly, you can help to counteract the potential negative impact on the environment and people that can otherwise result through incorrect waste management of this product.

For more detailed information about recycling this product, contact your municipality, your domestic waste service or the shop from where you purchased the product.

8 Technical data

8.1 Automower® 105/310/315/315X

Dimensions	Automower® 105	Automower® 310	Automower® 315	Automower® 315X
Length, cm / "	55 / 21.7	63 / 24.8	63 / 24.8	63 / 24.8
Width, cm / "	39 / 15.4	51 / 20.1	51 / 20.1	51 / 20.1
Height, cm / "	25 / 9.8	25 / 9.8	25 / 9.8	25 / 9.8
Weight, kg / lbs	6.9 / 15	9.2 / 20	9.2 / 20	10.1 / 22

Electrical system	Automower® 105	Automower® 310	Automower® 315	Automower® 315X
Battery, Lithium-Ion 18 V/2.1 Ah Art. No.	586 57 62-01, 586 57 62-02	584 85 28-01, 584 85 28-02	584 85 28-01, 584 85 28-02	584 85 28-01, 584 85 28-02
Power supply, V/28 V DC	100-240	100-240	100-240	100-240
Low voltage cable length, m / ft	10 / 33	10 / 33	10 / 33	10 / 33
Mean energy consumption at maximum use	5 kWh/month for a working area of 600 m ² / 0.15 acre	8 kWh/month for a working area of 1000 m ² / 0.25 acre	10 kWh/month for a working area of 1500 m ² / 0.37 acre	10 kWh/month for a working area of 1600 m ² / 0.4 acre
Charging current, A DC	1.3	1.3	1.3	1.3
Average mowing time, min	65	70	70	70
Average charging time, min	50	60	60	60

Boundary wire antenna	Automower® 105	Automower® 310	Automower® 315	Automower® 315X
Operating Frequency Band, Hz	300-80000	300-80000	300-80000	300-80000
Maximum Radio-frequency power, mW @60m ⁹	<25	<25	<25	<25

Noise emissions measured in the environment as sound power ¹⁰	Automower® 105	Automower® 310	Automower® 315	Automower® 315X
Measured sound power noise level, dB (A) ¹¹	58	58	58	58
Noise emissions uncertainties K _{WA} , dB (A)	3	2	2	2
Guaranteed sound power noise level, dB (A)	61	60	60	60
Sound pressure noise level at the operator's ear, dB (A) ¹²	47	47	47	47

⁹ Maximum active output power to antennas in the frequency band in which the radio equipment operates.

¹⁰ The noise emission declarations conforms to EN 50636-2-107:2015. Noise emissions in the environment measured as sound power (L_{WA}) in conformity with EC directive 2000/14/EC. The guaranteed sound power level includes variation in production as well as variation from the test code with 1-3 dB(A).

¹¹ Noise emissions uncertainties K_{WA}, 2 dB (A)

¹² Sound pressure noise uncertainties K_{pA}, 2-4 dB (A)

Mowing	Automower® 105	Automower® 310	Automower® 315	Automower® 315X
Cutting system	3 pivoted cutting blades			
Blade motor speed, rpm	2900	2300	2300	2300
Power consumption during cutting, W +/- 20 %	20	25	25	25
Cutting height, cm / "	2-5 / 0.8-2.0	2-6 / 0.8-2.4	2-6 / 0.8-2.4	2-6 / 0.8-2.4
Cutting width, cm / "	17 / 6.7	22 / 8.7	22 / 8.7	22 / 8.7
Narrowest possible passage, cm / "	60 / 24	60 / 24	60 / 24	60 / 24
Maximum angle for cutting area, %	25	40	40	40
Maximum angle for boundary wire, %	15	15	15	15
Maximum length boundary wire, m / ft	400 / 1300	800 / 2600	800 / 2600	800 / 2600
Maximum length guide wire, m / ft	200 / 650	400 / 1300	400 / 1300	400 / 1300
Working capacity, m ² / acre, +/- 20%	600 / 0.15	1000 / 0.25	1500 / 0.37	1600 / 0.4

IP-classification	Automower® 105	Automower® 310	Automower® 315	Automower® 315X
Robotic lawnmower	IPX4	IPX4	IPX4	IPX4
Charging station	IPX1	IPX1	IPX1	IPX1
Power supply	IPX4	IPX4	IPX4	IPX4

Husqvarna AB does not guarantee full compatibility between the robotic lawnmower and other types of wireless systems such as remote controls, radio transmitters, hearing loops, underground electric animal fencing or similar.

8.2 Automower® 420/430X/440/450X

Dimensions	Automower® 420	Automower® 430X	Automower® 440	Automower® 450X
Length, cm / "	72 / 28.3	72 / 28.3	72 / 28.3	72 / 28.3
Width, cm / "	56 / 22.0	56 / 22.0	56 / 22.0	56 / 22.0
Height, cm / "	31 / 12.2	31 / 12.2	31 / 12.2	31 / 12.2
Weight, kg / lbs	11.5 / 25	13.2 / 29	12 / 27	13.9 / 31

Electrical system	Automower® 420	Automower® 430X	Automower® 440	Automower® 450X
Battery, Lithium-Ion 18 V/2.1 Ah Art. No.	580 68 33-01, 580 68 33-02	588 14 64-01	588 14 64-01 (2 pcs.)	588 14 64-01 (2 pcs.)
Power supply, V/28 V DC	100-240	100-240	100-240	100-240
Low voltage cable length, m / ft	10 / 33	10 / 33	10 / 33	10 / 33
Mean energy consumption at maximum use	17 kWh/month for a working area of 2200 m ² / 0.55 acre	18 kWh/month for a working area of 3200 m ² / 0.8 acre	20 kWh/month for a working area of 4000 m ² / 1 acre	23 kWh/month for a working area of 5000 m ² / 1.25 acres
Charging current, A DC	2.2	4.2	7	7
Average mowing time, min	75	145	290	270
Average charging time, min	50	50	60	60

Boundary wire antenna	Automower® 420	Automower® 430X	Automower® 440	Automower® 450X
Operating Frequency Band, Hz	300-80000	300-80000	300-80000	300-80000
Maximum Radio-frequency power, mW @60m ¹³	<25	<25	<25	<25

Noise emissions measured in the environment as sound power ¹⁴	Automower® 420	Automower® 430X	Automower® 440	Automower® 450X
Measured sound power noise level, dB (A) ¹⁵	57	57	56	58
Noise emissions uncertainties K _{WA} , dB (A)	1	1	1	1
Guaranteed sound power noise level	58	58	56	59
Sound pressure noise level at the operator's ear, dB (A) ¹⁶	46	46	45	47

Mowing	Automower® 420	Automower® 430X	Automower® 440	Automower® 450X
Cutting system	3 pivoted cutting blades			
Blade motor speed, rpm	2300	2300	2300	2300
Power consumption during cutting, W +/- 20 %	30	30	30	35
Cutting height, cm / "	2-6 / 0.8-2.4	2-6 / 0.8-2.4	2-6 / 0.8-2.4	2-6 / 0.8-2.4
Cutting width, cm / "	24 / 9.4	24 / 9.4	24 / 9.4	24 / 9.4
Narrowest possible passage, cm / "	60 / 24	60 / 24	60 / 24	60 / 24
Maximum angle for cutting area, %	45	45	45	45
Maximum angle for boundary wire, %	15	15	15	15
Maximum length boundary wire, m / ft	800 / 2600	800 / 2600	800 / 2600	800 / 2600
Maximum length guide wire, m / ft	400 / 1300	400 / 1300	400 / 1300	400 / 1300
Working capacity, m ² / acre(s), +/- 20%	2200 / 0.55	3200 / 0.8	4000 / 1	5000 / 1.25

IP-classification	Automower® 420	Automower® 430X	Automower® 440	Automower® 450X
Robotic lawnmower	IPX4	IPX4	IPX4	IPX4
Charging station	IPX1	IPX1	IPX1	IPX1
Power supply	IPX4	IPX4	IPX4	IPX4

¹³ Maximum active output power to antennas in the frequency band in which the radio equipment operates.

¹⁴ The noise emission declarations conforms to EN 50636-2-107:2015. Noise emissions in the environment measured as sound power (L_{WA}) in conformity with EC directive 2000/14/EC. The guaranteed sound power level includes variation in production as well as variation from the test code with 1-3 dB(A).

¹⁵ Noise emissions uncertainties K_{WA}, 2 dB (A)

¹⁶ Sound pressure noise uncertainties K_{pA}, 2-4 dB (A)

Frequency Band Support	
Bluetooth® Frequency range	2400.0-2483.5 MHz
Automower® Connect 3G	Band 19 (800 MHz)
	Band 5 (850 MHz)
	Band 8 (900 MHz)
	Band 2 (1900 MHz)
	Band 1 (2100 MHz)
Automower® Connect 2G	GSM 850 MHz
	E-GSM 900 MHz
	DCS 1800 MHz
	PCS 1900 MHz

Power Class		
Bluetooth® Output power	8 dBm	
Automower® Connect 3G	Power Class 3	24 dBm
Automower® Connect 2G	Power Class 4 (for GSM/E-GSM)	33 dBm
	Power Class 1 (for DCS/PCS)	30 dBm

Husqvarna AB does not guarantee full compatibility between the robotic lawnmower and other types of wireless systems such as remote controls, radio transmitters, hearing loops, underground electric animal fencing or similar.

9 Warranty

9.1 Guarantee terms

Husqvarna guarantees this product's functionality for a period of two years (from date of purchase). The guarantee covers serious faults relating to materials or manufacturing faults. Within the guarantee period, we will replace the product or repair it at no charge if the following terms are met:

- The robotic lawnmower and the charging station may only be used in compliance with the instructions in this Operator's Manual. This manufacturer's guarantee does not have an effect on the user's existing warranty claims against the dealer/seller.
- End-users or non-authorized third parties must not attempt to repair the product.

Examples of faults which are not included in the guarantee:

- Damage caused by water seepage from using a high-pressure washer, or from being submerged under water, for example when heavy rain forms pools of water.
- Damage caused by lightning.
- Damage caused by improper battery storage or battery handling.
- Damage caused by using a battery that is not a Husqvarna original battery.
- Damage caused by not using Husqvarna original spare parts and accessories, such as blades and installation material.
- Damage to the loop wire.
- Damage caused by non-authorized changing or tampering with the product or its power supply.

The blades and wheels are seen as disposable and are not covered by the guarantee.

If an error occurs with your Husqvarna robotic lawnmower, please contact Husqvarna customer service for further instructions. Please have the receipt and the robotic lawnmower's serial number at hand when contacting Husqvarna customer service.

10 EC Declaration of Conformity

Husqvarna AB, SE-561 82 Huskvarna, Sweden, tel: +46-36-146500, declares that the Robotic lawnmowers **Husqvarna Automower® 105, Husqvarna Automower® 310, Husqvarna Automower® 315, Husqvarna Automower® 315X, Husqvarna Automower® 420, Husqvarna Automower® 430X, Husqvarna Automower® 440 and Husqvarna Automower® 450X** with serial numbers dating 2017 week 36 and onwards (the year and week is clearly stated on the rating plate, followed by the serial number), comply with the requirements of the COUNCIL'S DIRECTIVE:

- Directive "relating to machinery" **2006/42/EC**.
 - Particular requirements for robotic battery powered electrical lawnmowers **EN 50636-2-107: 2015**.
 - Electromagnetic fields **EN 62233: 2008**.
- Directive on "restriction of use of certain hazardous substances" **2011/65/EU**.
 - The following standard is applied: **EN 50581:2012**
- Directive "relating to noise emissions from outdoor equipment" **2000/14/EC**. See also *Technical data on page 19* for information regarding noise emissions and the cutting width.

For **Husqvarna Automower® 105** (certificate 01/901/176), **Husqvarna Automower® 310/315** (certificate 01/901/225), **Husqvarna Automower® 315X** (certificate 01/901/286) and **Husqvarna Automower® 420/430X/440/450X** (certificate 01/901/201): The notified body 0404, SMP Svensk Maskinprovning AB, Fyrisborgsgatan 3, SE-754 50 Uppsala, Sweden, has issued a report regarding the assessment of conformity according to annex VI to the Council's Directive of May 8, 2000 "relating to noise emissions into the environment" 2000/14/EC.

- Directive "relating to radio equipment" **2014/53/EU**. Type examination certificate is issued for examination to Directive 2014/53/EU. Type examination certificate number for Husqvarna Automower® 105 is SC1110-17. The following standards have been applied:

- **ETSI EN 303 447 V1.1.1**

Electromagnetic compatibility:

- **ETSI EN 301 489 V2.2.0**
- **EN 61000-6-1:2007**
- **EN 61000-6-3:2007/A1:2011**

For **Husqvarna Automower® 310, Husqvarna Automower® 315, Husqvarna Automower® 315X, Husqvarna Automower® 420, Husqvarna Automower® 430X, Husqvarna Automower® 440 and Husqvarna Automower® 450X** equipped with the **Automower® Connect** module also:

- **ETSI EN 301 489-19 V2.1.0**
- **ETSI EN 301 489-52 V1.1.1**
- **ETSI EN 301 511 V12.5.1**

- **ETSI EN 301 908-2 V11.1.1**

For **Husqvarna Automower® 310, Husqvarna Automower® 315, Husqvarna Automower® 420 and Husqvarna Automower® 440** equipped with **Bluetooth®** also:

- **ETSI EN 300 328 V2.1.1**
- **ETSI EN 301 489-17 V3.1.1**



Husqvarna 2018-05-01

Lars Roos

Global R&D Director, Electric category

(Authorized representative for Husqvarna AB and responsible for technical documentation.)

11 Applicable to US/CA market

11.1 Compliance requirements

FCC ID: XPY1CGM5NNN (Automower® Connect module).

FCC ID: ZASHQ-BLE-1A and **FCC ID ZASHQ-BLE-1B** (Bluetooth® module).

The device complies with part 15 of the FCC Rules. Operation is subjected to the following 2 conditions:

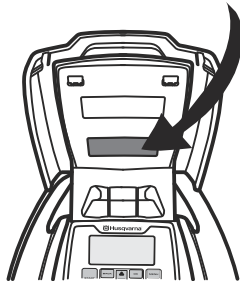
1. This device may not cause harmful interference.
2. This device must accept any interference received, including interference that may cause undesired operation.



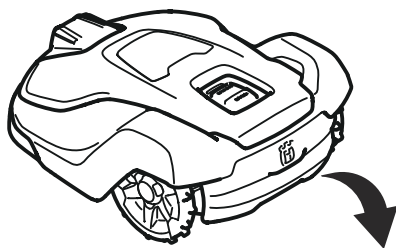
WARNING: To comply with RF exposure requirements, please maintain a separation distance of at least 20 cm/ 7 inches from any part of the product.

Models with a hatch: The supplied label shall be attached to the product according to figure below.

Husqvarna Automower® Connect
This device contains the module
FCC ID: XPY1CGM5NNN



Models without a hatch: The supplied label shall be attached to the product according to figure below



Husqvarna Automower® Connect
This device contains the module
FCC ID: XPY1CGM5NNN

Note: Changes or modifications made to this equipment not expressly approved by Husqvarna may void the FCC authorization to operate this equipment.

Note: This device complies with Part 15 of the FCC Rules [and with Industry Canada licence-exempt RSS standard(s)]. Operation is subject to the following two

conditions: this device may not cause harmful interference, and this device must accept any interference received, including interference that may cause undesired operation.

Note: This equipment has been tested and found to comply with the limits for a Class B digital device, pursuant to part 15 of the FCC Rules. These limits are designed to provide reasonable protection against harmful interference in a residential installation. This equipment generates, uses and can radiate radio frequency energy and, if not installed and used in accordance with the instructions, may cause harmful interference to radio communications. However, there is no guarantee that interference will not occur in a particular installation. If this equipment does cause harmful interference to radio or television reception, which can be determined by turning the equipment off and on, the user is encouraged to try to correct the interference by one or more of the following measures:

- Reorient or relocate the receiving antenna.
 - Increase the separation between the equipment and receiver.
 - Connect the equipment into an outlet on a circuit different from that to which the receiver is connected.
 - Consult the dealer or an experienced radio/TV technician for help.
-

12 Applicable to LATAM market

12.1 Compliance requirements, Brazil

For products equipped with the Automower® Connect:

This product contains the SARA-U201 card ANATEL homologation code 04466-15-05903.

For products equipped with Bluetooth®:

This product contains the board HMI Board Type XX homologation code ANATEL 03199-18-11405

Model	HMI Board Type XX
Automower® 310	12

12.2 Compliance requirements, Argentina

This product is certified in Argentina according to below symbol:



Contenido

14 Introducción

14.1 Memo.....	28
14.2 Descripción del producto.....	28
14.3 Capacidad.....	28
14.4 Técnica de corte.....	28
14.5 Método de trabajo.....	28
14.6 Patrón de movimiento.....	29
14.7 Búsqueda de la estación de carga.....	29
14.8 Descripción del producto Automower® 105.....	30
14.9 Descripción del producto Automower® 310/315/315X.....	31
14.10 Descripción del producto Automower® 420/430X/440/450X.....	32
14.11 Símbolos que aparecen en el producto.....	33

15 Seguridad

15.1 Instrucciones generales de seguridad.....	34
15.2 Uso.....	34

16 Instalación

16.1 Conexión de la fuente de alimentación.....	36
16.2 Panel de control.....	36
16.3 Pantalla de Automower® 105.....	36
16.4 Teclado de Automower® 105.....	37
16.5 Pantalla de Automower® 310/315/315X/ 420/430X/440/450X.....	37
16.6 Teclado de Automower® 310/315/315X/ 420/430X/440/450X.....	37
16.7 Estructura del menú.....	38
16.8 Submenús.....	38
16.9 Navegar entre menús.....	38
16.10 Menú general.....	38

17 Funcionamiento

17.1 Selección del modo de funcionamiento de Automower® 105.....	40
17.2 Selección del modo de funcionamiento de arranque de Automower® 310/315/315X/ 420/430X/440/450X.....	40
17.3 Selección del modo de funcionamiento Aparcar de Automower® 310/315/315X/420/430X/ 440/450X.....	40
17.4 Conectividad.....	40
17.5 Ajuste de la altura de corte.....	41

18 Mantenimiento

18.1 Limpieza.....	43
18.2 Batería.....	43
18.3 Sustitución de las cuchillas.....	43

19 Resolución de problemas

19.1 Detección de averías.....	45
--------------------------------	----

20 Transporte, almacenamiento y eliminación

20.1 Transporte.....	46
20.2 Almacenamiento durante el invierno.....	46
20.3 Información medioambiental.....	47

21 Datos técnicos

21.1 Automower® 105/310/315/315X.....	48
21.2 Automower® 420/430X/440/450X.....	49

22 Garantía

22.1 Condiciones de la garantía.....	52
--------------------------------------	----

23 Declaración CE de conformidad

24 Aplicable al mercado de EE. UU./CA

24.1 Requisitos de cumplimiento.....	54
--------------------------------------	----

25 Aplicable al mercado de LATAM

25.1 Requisitos de cumplimiento en Brasil.....	55
25.2 Requisitos de cumplimiento en Argentina.....	55

14 Introducción

14.1 Memo

Nº de serie:	
Código PIN:	
Distribuidor:	
Número de teléfono del distribuidor:	

Si le roban el robot cortacésped, es importante que lo notifique a Husqvarna. Póngase en contacto con su representante local de Husqvarna y facilítele el número de serie del cortacésped; de este modo quedará registrado como robado en una base de datos internacional. Este es un paso importante del procedimiento de protección antirrobo del robot cortacésped, ya que reduce el interés de compraventas de cortacéspedes robados.

El número de serie del producto consta de nueve dígitos y se muestra en la placa de características (situada en la cara interna de la tapa) y en el embalaje del mismo.

www.husqvarna.com

14.2 Descripción del producto

Gracias por haber escogido un producto de excepcional calidad. Para obtener los mejores resultados del robot cortacésped de Husqvarna, primero debe saber cómo funciona. Este manual de usuario contiene información importante resumida acerca del robot cortacésped. Como complemento a este manual, en el sitio web de Husqvarna, www.husqvarna.com, encontrará más vídeos con instrucciones.

Debe tenerse en cuenta que el operador es responsable de los accidentes o riesgos que ocurran a otras personas o a su propiedad.

Husqvarna trabaja constantemente para perfeccionar sus productos y se reserva, por lo tanto, el derecho a introducir modificaciones en la fabricación, el diseño y el funcionamiento sin previo aviso.

14.2.1 Manual de usuario completo

El manual de usuario completo está disponible en el sitio web de Husqvarna www.husqvarna.com. Contiene más información y con mayor detalle, por ejemplo, instrucciones acerca de la instalación, el mantenimiento, la resolución de problemas y la estructura de menús.

14.3 Capacidad

El robot cortacésped está recomendado para cubrir áreas de hasta:

- 600 m²/0,15 acres: Automower® 105
- 1000 m²/0,25 acre: Automower® 310
- 1500 m²/0,37 acre: Automower® 315
- 1600 m²/0,4 acre: Automower® 315X
- 2200 m²/0,55 acre: Automower® 420
- 3200 m²/0,8 acre: Automower® 430X
- 4000 m²/1,0 acre: Automower® 440
- 5000 m²/1,25 acres: Automower® 450X

El tamaño de la superficie que el robot cortacésped puede cortar depende fundamentalmente del estado de las cuchillas y del tipo, crecimiento y humedad de la hierba. La forma del jardín también es importante. Si el jardín está compuesto, principalmente, por zonas de

césped abiertas, la velocidad de corte del robot cortacésped en una hora será muy superior a la velocidad empleada en varias superficies de césped pequeñas separadas por árboles, parterres y pasillos.

Un robot cortacésped completamente cargado corta de 60 a 290 minutos, en función del modelo, la antigüedad de la batería y del grosor de la hierba. En tal caso, el robot cortacésped se cargará de 50 a 90 minutos. La duración de la carga puede variar según la temperatura ambiente, entre otros factores.

14.4 Técnica de corte

El sistema del robot cortacésped está basado en un eficaz principio de ahorro de energía. A diferencia de las máquinas cortacésped estándar, el robot cortacésped corta la hierba en lugar de arrancarla. Esta técnica de corte frecuente mejora la calidad del césped. No es necesario recoger la hierba y los pequeños cortes de hierba reducirán la necesidad de fertilizantes. Además, no produce emisiones, es cómodo y su césped siempre tendrá un aspecto bien cuidado.

Para obtener los mejores resultados, le recomendamos que programe el robot cortacésped para cortar principalmente con tiempo seco. El robot cortacésped también puede cortar bajo la lluvia. Sin embargo, la hierba mojada puede adherirse fácilmente al robot cortacésped e incrementar el riesgo de que patine en pendientes pronunciadas.

Las cuchillas deben estar en perfecto estado para obtener los mejores resultados de corte. Para mantener las cuchillas afiladas el mayor tiempo posible, es importante mantener el césped sin ramas, pequeñas piedras y otros objetos.

Cambie las cuchillas con regularidad. Para ver más información sobre cómo cambiar las cuchillas, consulte la versión completa del manual de usuario en el sitio web de Husqvarna (www.husqvarna.com).

14.5 Método de trabajo

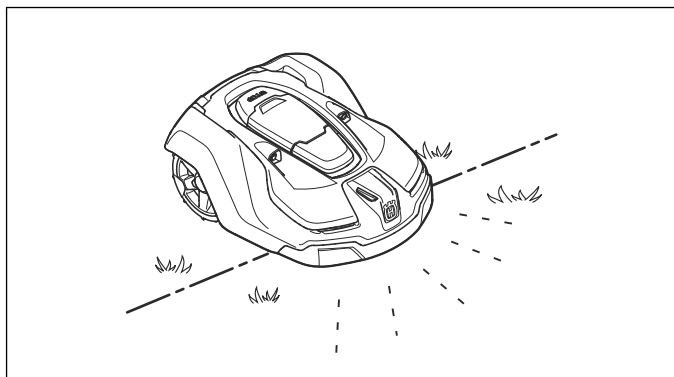
Lleve a cabo una instalación correcta y segura del lazo y el cable guía. Para obtener más información sobre la

instalación, consulte la versión completa del manual de usuario en el sitio web de Husqvarna.

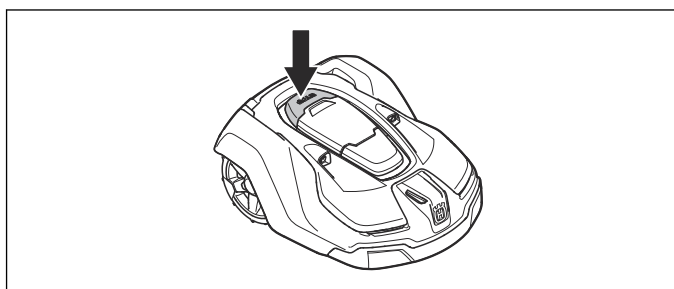
El robot cortacésped corta el césped de forma automática. Alterna continuamente entre corte y carga. El robot cortacésped comienza a buscar la estación de carga cuando la carga de la batería es demasiado baja. El robot cortacésped no corta el césped mientras está buscando la estación de carga.

Automower® 315X/430X/450X utiliza un sistema de navegación asistida por GPS para iniciar el corte en un lugar del jardín en el que no ha trabajado últimamente. Para los demás modelos, es posible que tenga que configurar los ajustes de salida manuales para garantizar que el césped se corte de manera uniforme. Consulte la versión completa del manual de usuario en el sitio web de Husqvarna.

Cuando el robot cortacésped se encuentra con un obstáculo o se aproxima al cable perimetral, da marcha atrás y selecciona una nueva dirección. Los sensores situados en la parte frontal y posterior del robot cortacésped perciben cuándo este se aproxima al cable delimitador. La parte delantera del robot cortacésped siempre sobrepasa el cable perimetral a una distancia determinada antes de que gire el cortacésped. La distancia puede modificarse para adaptarse a la instalación, si fuese necesario.



El botón **STOP**, situado en la parte superior del robot cortacésped, se utiliza principalmente para pararlo cuando está en funcionamiento. Cuando se pulsa el botón **STOP**, se abre una tapa tras la que se encuentra un panel de control. El botón **STOP** permanece pulsado hasta que se cierra la tapa de nuevo, actuando así como bloqueo del arranque junto con el botón **START**.



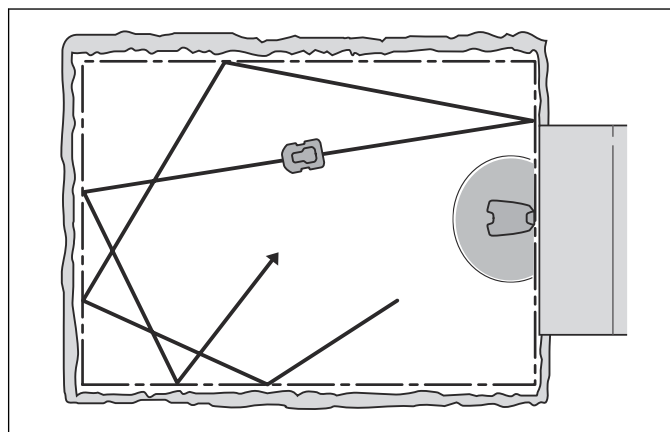
Nota: Pulse siempre el botón **START** antes de cerrar la tapa para arrancar el robot cortacésped. Si no se pulsa el botón **START**, se escuchará un pitido y el robot cortacésped no arrancará.

El panel de control de la parte superior del robot cortacésped es donde puede modificar todos los ajustes de este.

Al colocar el interruptor principal en la posición 1 por primera vez, se inicia una secuencia de arranque que incluye un amplio número de ajustes básicos importantes. Consulte *Primer arranque y calibración* en la versión completa del manual de usuario en el sitio web de Husqvarna.

14.6 Patrón de movimiento

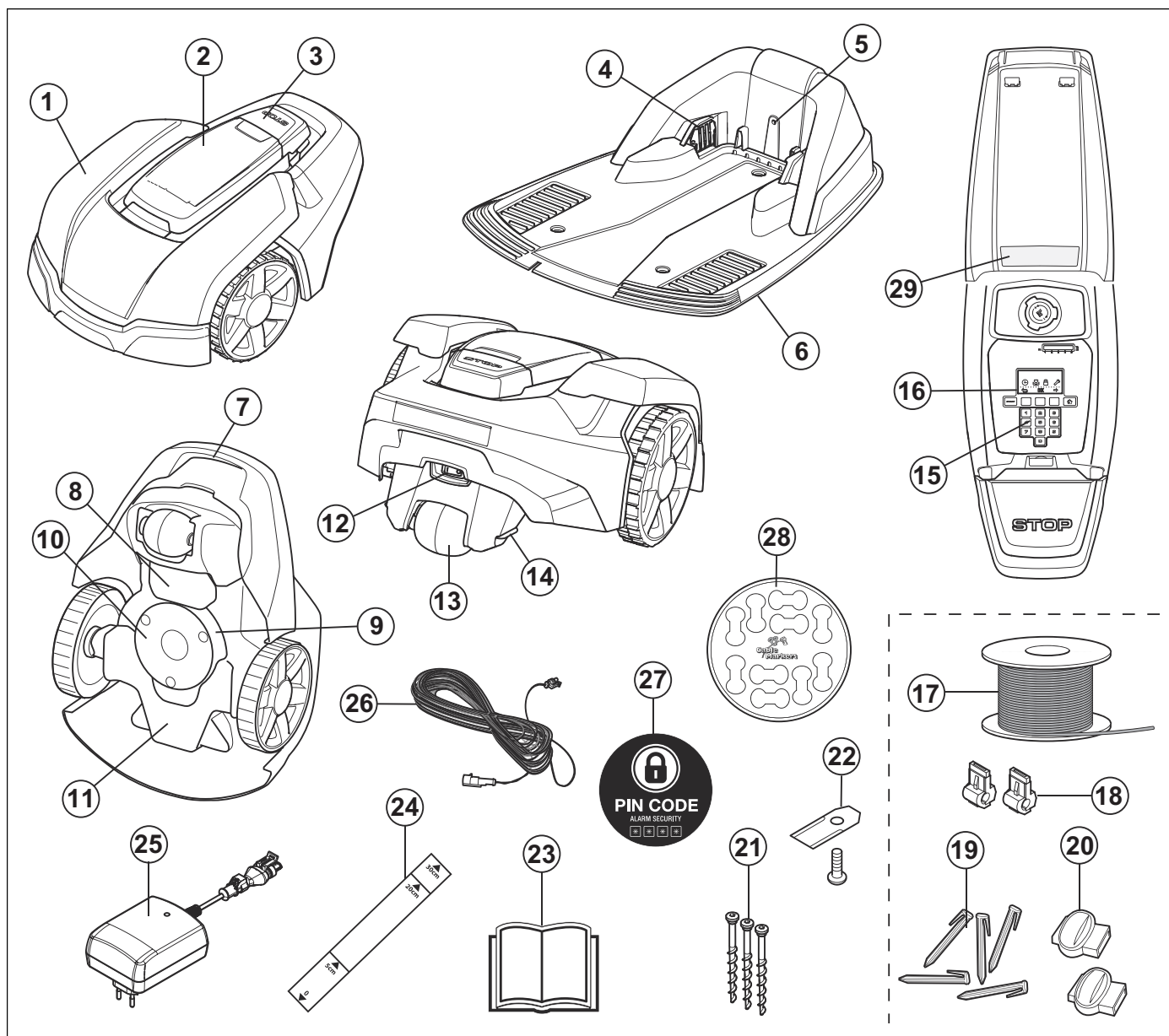
El patrón de movimiento del robot cortacésped es aleatorio, lo que significa que este nunca se repite. Con este sistema de corte, el césped se corta con uniformidad sin líneas de corte del robot cortacésped.



14.7 Búsqueda de la estación de carga

Automower® 310/315/315X/420/430X/440/450X se puede programar para que busque la estación de carga de hasta 3 formas diferentes. El robot cortacésped combina automáticamente estos 3 métodos de búsqueda para encontrar la estación de carga lo antes posible, así como para evitar al máximo la formación de bandas de rodadura. Automower® 105 siempre sigue el cable guía hasta la estación de carga.

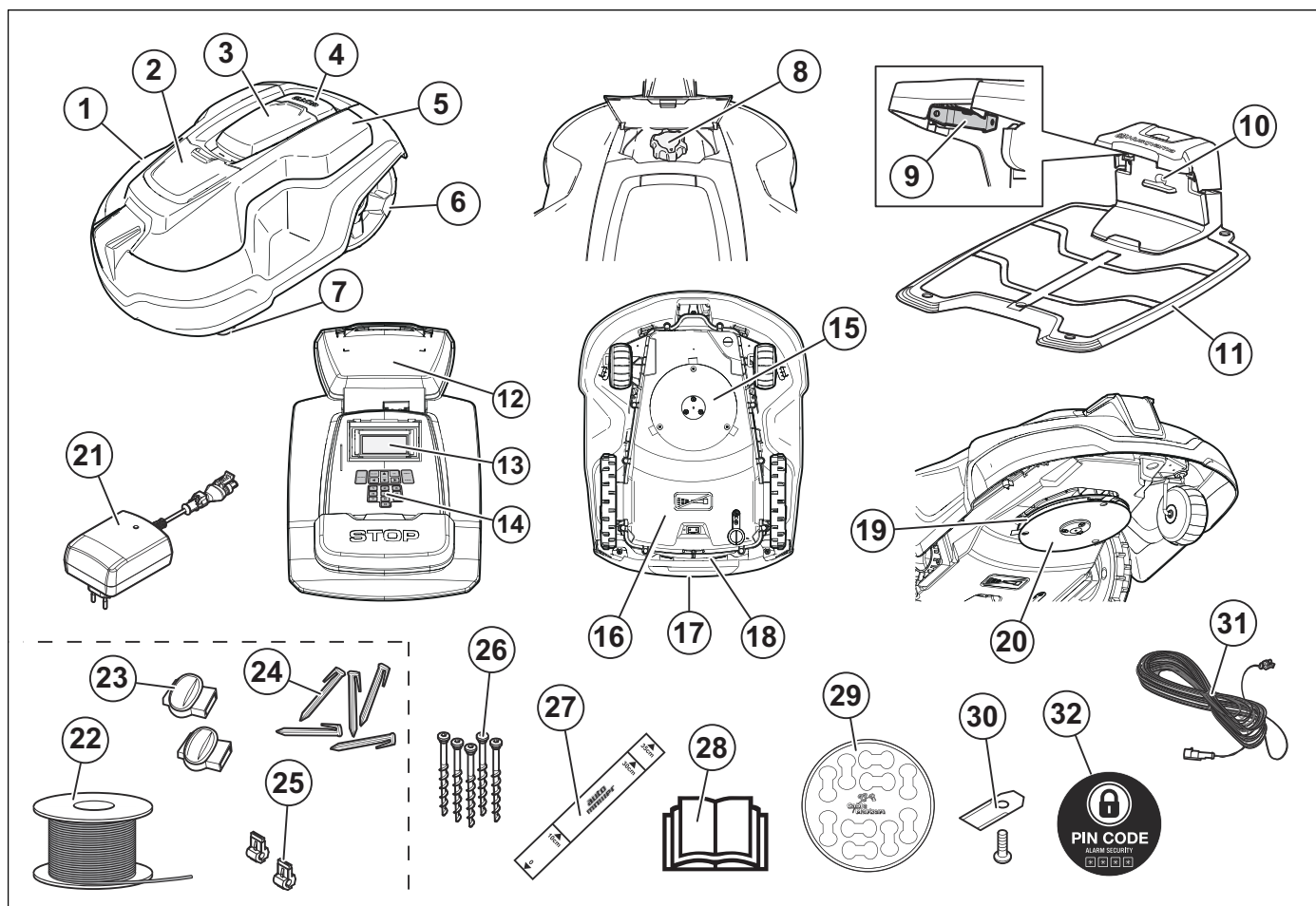
14.8 Descripción del producto Automower® 105



Los números de la ilustración representan:

- | | |
|---|--|
| 1. Carrocería | 15. Teclado |
| 2. Tapa de la pantalla, teclado y ajuste de la altura de corte | 16. Pantalla |
| 3. Botón de parada | 17. Cable de lazo para lazo delimitador y cable guía |
| 4. Pletinas de contacto | 18. Conector para enchufar el cable de lazo a la estación de carga |
| 5. LED para comprobación del funcionamiento de la estación de carga, cable delimitador y cable guía | 19. Estacas |
| 6. Estación de carga | 20. Acoplador para el cable de lazo |
| 7. Asa de transporte | 21. Tornillos para fijar la estación de carga |
| 8. Cubierta de la batería | 22. Cuchillas adicionales |
| 9. Disco de corte | 23. Manual de usuario y guía rápida |
| 10. Disco protector | 24. Regla para facilitar la instalación del cable delimitador (la galga se separa de la caja) |
| 11. Caja de chasis con sistema electrónico, batería y motores | 25. Fuente de alimentación (el aspecto de la fuente de alimentación puede variar en función del mercado) |
| 12. Interruptor principal | 26. Cable de baja tensión |
| 13. Rueda trasera | 27. Etiqueta de alarma |
| 14. Pletina de carga | 28. Marcadores de cables |
| | 29. Placa de características |

14.9 Descripción del producto Automower® 310/315/315X



Los números de la ilustración representan:

- | | |
|---|--|
| 1. Carrocería | 17. Asa |
| 2. Tapa del ajuste de la altura de corte | 18. Interruptor principal |
| 3. Tapa de la pantalla y del teclado | 19. Disco de corte |
| 4. Botón de parada | 20. Disco protector |
| 5. Cubierta reemplazable | 21. Fuente de alimentación (el aspecto de la fuente de alimentación puede variar en función del mercado) |
| 6. Ruedas traseras | 22. Cable de lazo para lazo delimitador y cable guía ¹⁷ |
| 7. Ruedas frontales | 23. Acopladores para el cable de lazo ¹⁸ |
| 8. Ajuste de la altura de corte | 24. Estacas ¹⁹ |
| 9. Pletinas de contacto | 25. Conector para el cable de lazo ²⁰ |
| 10. LED para comprobación del funcionamiento de la estación de carga y el cable delimitador | 26. Tornillos para fijar la estación de carga |
| 11. Estación de carga | 27. Galga para facilitar la instalación del cable delimitador (la galga está separada de la caja) |
| 12. Placa de características | 28. Manual de usuario y guía rápida |
| 13. Pantalla | 29. Marcadores de cables |
| 14. Teclado | 30. Cuchillas adicionales |
| 15. Sistema de corte | 31. Cable de baja tensión |
| 16. Caja de chasis con sistema electrónico, batería y motores | 32. Etiqueta de alarma |

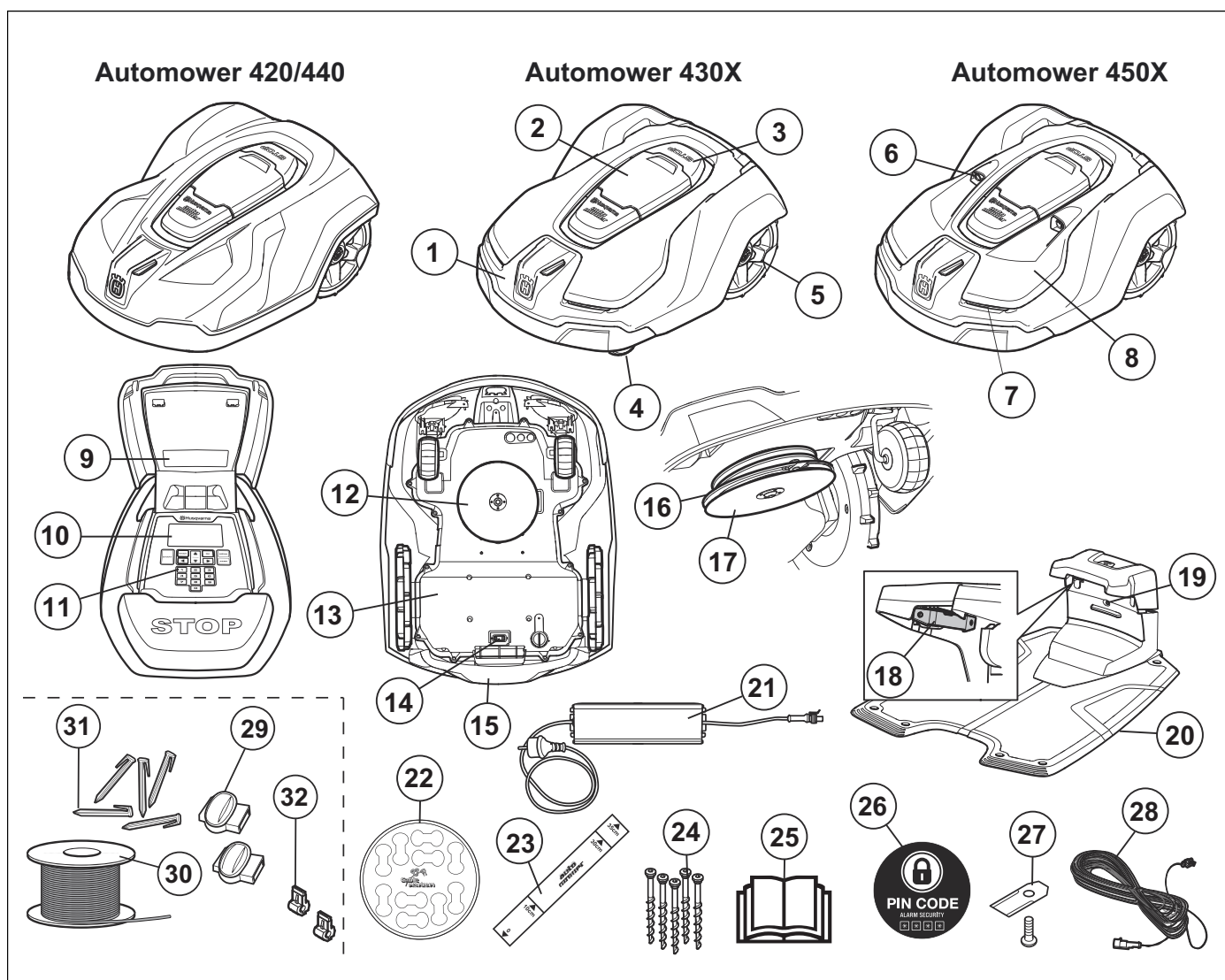
¹⁷ Es una pieza del kit de instalación que se puede adquirir por separado.

¹⁸ Consulte la nota 1

¹⁹ Consulte la nota 1

²⁰ Consulte la nota 1

14.10 Descripción del producto Automower® 420/430X/440/450X



Los números de la ilustración representan:

- | | |
|---|---|
| <ul style="list-style-type: none"> 1. Carrocería 2. Tapa de la pantalla y del teclado 3. Botón de parada 4. Ruedas frontales 5. Ruedas traseras 6. Sensores de ultrasonidos 7. Faros 8. Cubierta reemplazable 9. Placa de características 10. Pantalla 11. Teclado 12. Sistema de corte 13. Caja de chasis con sistema electrónico, batería y motores 14. Asa 15. Interruptor principal 16. Disco de corte 17. Disco protector | <ul style="list-style-type: none"> 18. Pletinas de contacto 19. LED para comprobación del funcionamiento de la estación de carga y el cable delimitador 20. Estación de carga 21. Fuente de alimentación 22. Marcadores de cables 23. Galga para facilitar la instalación del cable delimitador (la galga está separada de la caja) 24. Tornillos para fijar la estación de carga 25. Manual de usuario y guía rápida 26. Etiqueta de alarma 27. Cuchillas adicionales 28. Cable de baja tensión 29. Acopladores para el cable de lazo ²¹ 30. Cable de lazo para lazo delimitador y cable guía ²² 31. Estacas ²³ 32. Conector para el cable de lazo ²⁴ |
|---|---|

²¹ Es una pieza del kit de instalación que se puede adquirir por separado.

²² Consulte la nota 1

²³ Consulte la nota 1

²⁴ Consulte la nota 1

14.11 Símbolos que aparecen en el producto

Puede encontrar estos símbolos en el robot cortacésped. Estúdielos con atención.

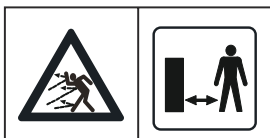


ADVERTENCIA: Lea las instrucciones del usuario antes de poner en funcionamiento el robot cortacésped.



ADVERTENCIA: Ponga en funcionamiento el dispositivo de desactivación antes de trabajar en la máquina o levantarla.

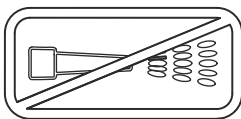
El robot cortacésped solo puede arrancar cuando el interruptor principal está en la posición 1 y se ha introducido el código PIN correcto. Seleccione la posición 0 del interruptor principal antes de llevar a cabo cualquier trabajo de inspección o mantenimiento.



ADVERTENCIA: Mantenga una distancia de seguridad con respecto a la máquina cuando esté en funcionamiento. Mantenga alejados las manos y los pies de las cuchillas giratorias.



ADVERTENCIA: No se monte encima de la máquina. Nunca acerque las manos o los pies, ni los introduzca debajo de la carrocería.



Nunca utilice un equipo de limpieza de alta presión ni agua corriente para limpiar el robot cortacésped.



Este producto cumple con las directivas CE vigentes.



Emisiones de ruido al entorno. Las emisiones del producto se indican en *Datos técnicos en la página 48* y en la placa de características.



No está permitido desechar este producto como residuo doméstico normal. Asegúrese de que el producto se recicla de acuerdo con las normativas locales.



El chasis tiene componentes sensibles a descargas electrostáticas (ESD). El chasis tiene que volver a sellarse de manera profesional. Por estos motivos, el chasis solo podrá ser abierto por técnicos de mantenimiento autorizados. Un sello roto puede invalidar la totalidad o parte de la garantía.



El cable de baja tensión no se debe acortar, alargar ni dividir.

No utilice un recortabordes cerca del cable de baja tensión. Tenga cuidado al recortar bordes donde estén colocados los cables.

Ponga en funcionamiento el dispositivo de desactivación antes de utilizar o levantar el producto.

15 Seguridad

15.1 Instrucciones generales de seguridad

En el manual de instrucciones encontrará el siguiente sistema para simplificar su uso:

- El texto escrito en *cursiva* es el texto que aparece en la pantalla del robot cortacésped o es una referencia a otro apartado del manual de usuario.

- El texto escrito en **negrita** representa los botones del teclado del robot cortacésped.
- El texto escrito en **MAYÚSCULAS** y *cursiva* hace referencia a los diferentes modos de funcionamiento disponibles en el robot cortacésped.

15.1.1 IMPORTANTE. LEA ESTE DOCUMENTO DETENIDAMENTE ANTES DE USAR EL PRODUCTO. GUÁRDELO COMO FUTURA REFERENCIA

El usuario es responsable de los accidentes o situaciones de riesgo que puedan sufrir otras personas o sus bienes.

Este aparato no debe ser utilizado por personas (incluidos niños) con habilidades físicas, sensoriales o mentales reducidas, o con falta de experiencia y conocimientos, a menos que lo hagan con supervisión o reciban instrucción en relación con el uso del aparato por parte de una persona responsable de su seguridad. Debe vigilarse a los niños para asegurarse de que no juegan con el aparato.

Los niños mayores de ocho años y las personas con facultades físicas, psíquicas o sensoriales disminuidas, o sin la experiencia y los conocimientos necesarios pueden usar este aparato si se les supervisa o instruye en lo que respecta al uso seguro del aparato y comprenden los peligros existentes. La legislación local puede restringir la edad del operador. Los niños no deberán llevar a cabo la limpieza ni el mantenimiento sin supervisión.

Nunca conecte la fuente de alimentación a una toma de corriente si el enchufe o el cable están dañados. Los cables desgastados o dañados aumentan el riesgo de descarga eléctrica.

Cargue la batería únicamente en la estación de carga suministrada. Un uso incorrecto puede provocar una descarga eléctrica, sobrecalentamiento o fuga de líquido corrosivo de la batería. En caso de fugas de electrolito lave con abundante agua/agente neutralizador; acuda a un médico si entra en contacto con los ojos.

Utilice únicamente baterías originales recomendadas por el fabricante. No se puede garantizar la seguridad del producto si las baterías no son originales. No utilice baterías no recargables.

El aparato debe estar desconectado de la red eléctrica antes de retirar la batería.



ADVERTENCIA: El robot cortacésped puede ser peligroso si se utiliza de forma incorrecta.



ADVERTENCIA: Nunca utilice el robot cortacésped cuando haya personas, especialmente niños o animales, en la zona de corte.



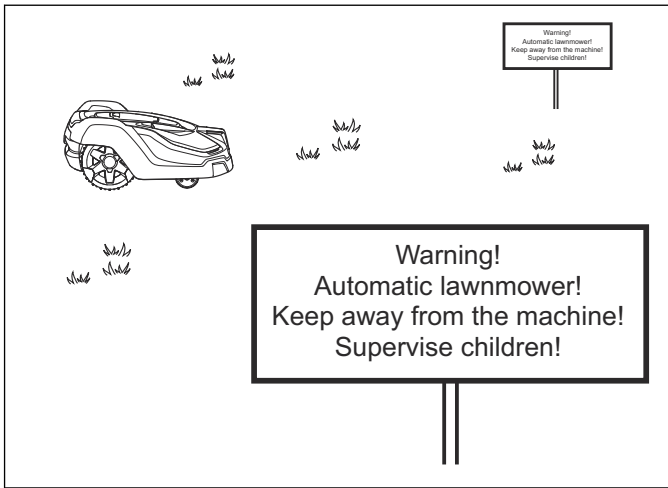
ADVERTENCIA: Mantenga alejados las manos y los pies de las cuchillas giratorias. Nunca acerque las manos o los pies, ni los introduzca debajo de la máquina cuando el motor esté en marcha.

fabricante. Todos los demás usos son inadecuados. Se deben seguir con precisión las instrucciones del fabricante en lo que respecta al funcionamiento, el mantenimiento y la reparación.

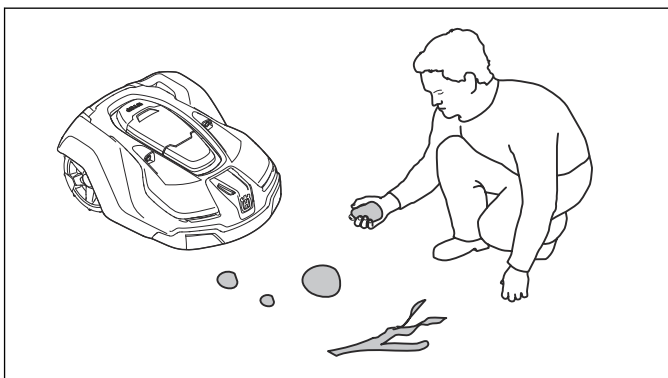
- Las señales de advertencia deberán situarse alrededor de la zona de trabajo del robot cortacésped si se utiliza en lugares públicos. Las señales deberán mostrar el siguiente texto: **Advertencia: Cortacésped automático. Manténgase alejado de la máquina. Vigile a los niños.**

15.2 Uso

- Este robot cortacésped se ha diseñado para cortar césped en superficies niveladas y exteriores. Solo se puede utilizar con el equipo recomendado por el



- Use la función **PARK** o apague el interruptor principal cuando haya alguien, especialmente niños o animales, en la zona de corte. Se recomienda programar el cortacésped para su uso durante las horas en las que la zona no presenta actividad, por ejemplo, por la noche.
- Este robot cortacésped solamente lo podrán manejar, mantener y reparar aquellas personas que conozcan perfectamente sus reglas de seguridad y características especiales. Lea detenidamente el manual de instrucciones y asegúrese de entender su contenido antes de utilizar el robot cortacésped.
- No está permitido modificar el diseño original del robot cortacésped. Todas las modificaciones se harán por su cuenta y riesgo.
- Compruebe que no haya piedras, ramas, herramientas, juguetes u otros objetos en el césped que puedan dañar las cuchillas. Los objetos que hay en el césped también pueden atascar el robot cortacésped y es posible que necesite ayuda para extraer el objeto antes de que el cortacésped pueda seguir funcionando. Coloque siempre el interruptor principal en la posición 0 antes de despejar una obstrucción.



- Arranque el robot cortacésped siguiendo las instrucciones. Cuando el interruptor principal está en la posición 1, asegúrese de mantener alejados las manos y los pies de las cuchillas giratorias. Nunca introduzca las manos ni los pies debajo del cuerpo del robot cortacésped.
- No toque nunca las piezas móviles peligrosas, como el disco de corte, antes de que se hayan detenido por completo.
- Nunca levante ni mueva el robot cortacésped cuando el interruptor principal esté en la posición 1.

- No permita que nadie utilice el robot cortacésped sin saber cómo funciona o actúa.
- Nunca se puede permitir que el robot cortacésped colisione con personas u otros seres vivos. Si una persona u otro ser vivo se encuentra en el recorrido del cortacésped se debe detener inmediatamente la máquina.
- No coloque ningún objeto encima del robot cortacésped o de su estación de carga.
- No permita que el robot cortacésped funcione con una protección, un disco de corte o carrocería defectuosos. Nunca debería utilizarse con cuchillas, tornillos, tuercas o cables dañados. Nunca conecte un cable dañado ni toque el cable dañado antes de desconectarlo de la red eléctrica.
- No utilice el robot cortacésped si el interruptor principal no funciona.
- Apague siempre el robot cortacésped mediante el interruptor principal cuando no se esté utilizando. El robot cortacésped solo puede arrancar cuando el interruptor principal está en la posición 1 y se ha introducido el código PIN correcto.
- El robot cortacésped no se debe utilizar nunca al mismo tiempo que un aspersor. Emplee la función de temporizador para que el cortacésped y el aspersor nunca funcionen simultáneamente.
- Husqvarna no garantiza la total compatibilidad entre el robot cortacésped y otro tipo de sistemas inalámbricos, como mandos a distancia, radiotransmisores, bucles magnéticos, vallas eléctricas enterradas para animales o similares.
- La alarma incorporada es muy ruidosa. Tenga cuidado, especialmente si el robot cortacésped se utiliza en interiores.
- Los objetos metálicos presentes en el suelo (por ejemplo, hormigón armado o redes antitopos) pueden representar un obstáculo. Los objetos metálicos pueden causar interferencias en la señal de lazo y producir un paro.
- El robot cortacésped no debe utilizarse nunca a temperaturas inferiores a 0°C / 32°F o superiores a 50°C / 113°F. Esto puede provocar daños en el producto.

16 Instalación

16.1 Conexión de la fuente de alimentación

Tenga en cuenta lo siguiente al planear la ubicación de la fuente de alimentación:

- Cerca de la estación de carga
- Protegida de la lluvia
- Protección de la luz solar directa.



ADVERTENCIA: El robot cortacésped solo se puede utilizar con una unidad de alimentación suministrada por Husqvarna.

La fuente de alimentación debe colocarse donde esté bien ventilada y se debe colocar bajo un techo. Si la fuente de alimentación está conectada a una toma de corriente exterior, dicha toma debe ser apta para el uso en exteriores. Se recomienda usar un interruptor de toma de tierra (RCD) cuando se conecte la fuente de alimentación a la toma de corriente.

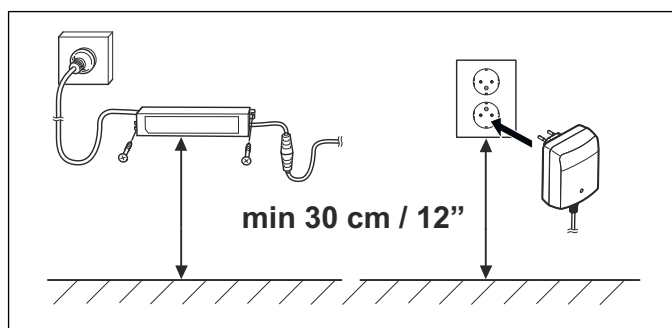


ADVERTENCIA: Aplicable a EE. UU./Canadá. Si la fuente de alimentación se instala en el exterior: Riesgo de sacudida eléctrica. Realice la instalación únicamente en un interruptor diferencial de clase A (RCD) que tenga un cuerpo impermeable con una clavija de conexión insertada o extraída.

No se debe cambiar ni manipular ninguna de las piezas de la fuente de alimentación. Por ejemplo, no se debe acortar ni alargar el cable de baja tensión. Como accesorios opcionales, hay disponibles cables de baja tensión de 3 m/10 pies o 20 m/66 pies de longitud.



ADVERTENCIA: No monte nunca la fuente de alimentación a una altura en la que exista riesgo de que se pueda sumergir en el agua (a una distancia mínima de 30 cm/12 pulg. del suelo). No se puede colocar la fuente de alimentación en el suelo.



ADVERTENCIA: No se debe cambiar ni manipular ninguna de las piezas de la fuente de alimentación bajo ninguna circunstancia. El cable de baja tensión no se debe acortar ni alargar.



ADVERTENCIA: Utilice el enchufe para desconectar la estación de carga, por ejemplo, antes de limpiar la estación de carga o reparar el cable de lazo.



ADVERTENCIA: Coloque el cable de baja tensión y ajuste la altura de corte de modo que las cuchillas del disco de corte no entren nunca en contacto con él.

Para conocer más instrucciones sobre cómo realizar una instalación correcta, consulte el capítulo *Instalación* en la versión completa del manual de usuario en el sitio web de Husqvarna www.husqvarna.com.

16.2 Panel de control

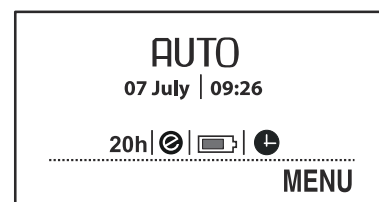
Todas las órdenes y ajustes del robot cortacésped deben llevarse a cabo mediante el panel de control. Se accede a todas las funciones a través de varios menús.

El panel de control consta de una pantalla y un teclado. Toda la información se muestra en una pantalla y todas las entradas se efectúan mediante los botones.

Los textos de la pantalla aparecen en inglés en el manual, pero en la pantalla del producto estarán en el idioma que seleccione.

16.3 Pantalla de Automower® 105

Cuando se haya pulsado el botón **STOP** y se haya abierto la tapa, aparecerá la ventana de funcionamiento para mostrar el reloj, el modo de funcionamiento seleccionado, el número de horas que se cortará el césped, el estado de la batería y el ajuste del temporizador.

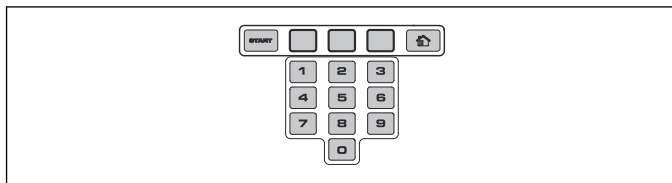


- El reloj indica la hora actual.
- La fecha muestra la fecha actual.
- El número de horas de funcionamiento indica el número de horas transcurridas desde el día de fabricación durante las que el robot cortacésped ha estado en funcionamiento. El tiempo que el robot cortacésped ha estado cortando o buscando la estación de carga se cuenta como tiempo de funcionamiento.
- *AUTO*, *MAN* o *INICIO* indican el modo de funcionamiento seleccionado.
- El estado de la batería muestra la carga de batería restante.
- El símbolo *ECO* aparece si el robot cortacésped está configurado en *modo ECO*.

- El símbolo del reloj indica cuándo se ha establecido el ajuste del temporizador. El símbolo del reloj aparece en negro cuando el robot cortacésped no puede cortar por la configuración del temporizador.
- El texto *MENU* indica que se puede acceder al menú principal pulsando el botón de selección múltiple situado debajo del texto.

16.4 Teclado de Automower® 105

El teclado consta de 4 grupos de botones:



- El botón **START** se utiliza para activar el robot cortacésped. Normalmente es el último botón que se pulsa antes de cerrar la tapa.
- Los 3 botones de **selección múltiple** ofrecen diversas funciones dependiendo de dónde se encuentre en la estructura de menús. La función del botón se muestra en la parte inferior de la pantalla.
- Las **teclas de números** se utilizan, por ejemplo, para introducir el código PIN o los ajustes de hora.
- El botón de **selección del modo de funcionamiento** se representa con una casa. Al pulsar este botón, el modo de funcionamiento seleccionado aparece en pantalla.

16.5 Pantalla de Automower® 310/315/315X/420/430X/440/450X

Al pulsar el botón **STOP** y abrir la tapa, aparece la siguiente información:

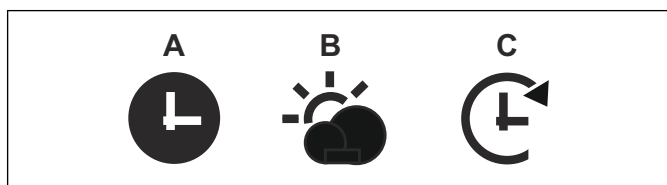


- Información de funcionamiento, p. ej., *LISTO*, *CORTANDO*, *APARCADO* o *TEMPORIZADOR*. Si el robot cortacésped no está en ningún modo de funcionamiento concreto, por ejemplo, si se acaba de encender el interruptor principal, en la pantalla se muestra *LISTO*. Si se pulsa el botón **STOP**, el robot cortacésped muestra el modo en el que se encontraba antes de la parada, por ejemplo, *CORTANDO* o *BUSCANDO*.
- La fecha y el reloj indican la fecha y hora actuales.
- Para Automower® 315X/430X/450X: El símbolo del satélite aparece cuando la navegación asistida por GPS está activada. El símbolo (A) indica que el robot cortacésped ha establecido contacto con un número suficiente de satélites GPS. El símbolo (B) indica que el robot cortacésped no ha establecido contacto con un número suficiente de satélites GPS. El símbolo (A) parpadea durante los primeros días

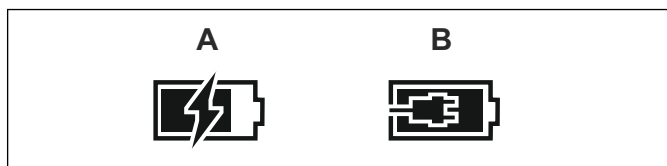
de funcionamiento del robot cortacésped, lo que indica que está recogiendo información GPS sobre la instalación.



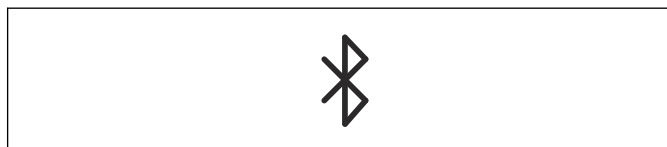
- El símbolo ECO aparece si el robot cortacésped está configurado en *modo ECO*.
- El símbolo del reloj negro (A) aparece cuando el robot cortacésped no puede cortar debido a la configuración del temporizador. Si el cortacésped no puede cortar debido a *Temporizador clima*, aparece el símbolo (B). Si se elige el modo de funcionamiento *Anular temporizador*, aparece el símbolo (C).



- El estado de la batería muestra la carga de batería restante. Si el robot cortacésped se está cargando, aparece también una luz intermitente encima del símbolo (A) de la batería. Si el robot cortacésped está en la estación de carga pero no se está cargando, aparece el símbolo (B).

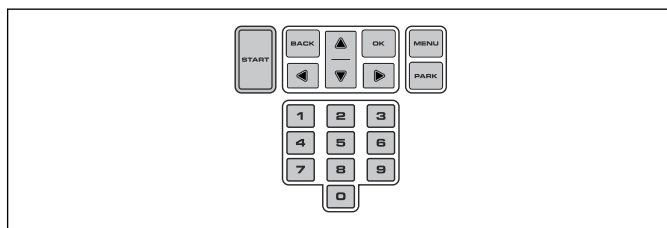


- El ajuste de la altura se muestra como un valor de escala/numérico.
- Para Automower Connect@Home (consulte *Automower Connect@Home en la página 41*): Un icono de Bluetooth® aparecerá en la pantalla del robot cortacésped cuando la conexión con el smartphone se haya establecido.



16.6 Teclado de Automower® 310/315/315X/420/430X/440/450X

El teclado consta de 6 grupos de botones:



- El botón **START** se utiliza para activar el robot cortacésped. Normalmente es el último botón que se pulsa antes de cerrar la tapa.
- Los botones **BACK** y **OK** se utilizan para desplazarse por el menú. El botón **OK** también se utiliza para confirmar los ajustes.
- Las **teclas de flecha** se utilizan para moverse por el menú y también para realizar selecciones en determinadas opciones de ajuste.
- El botón **MENU** se utiliza para ir al menú principal.
- El botón **PARK** se utiliza para enviar al robot cortacésped a la estación de carga.
- Las **teclas de números** se utilizan para introducir los valores de los ajustes, por ejemplo, el código PIN, la hora o la dirección de salida.

16.7 Estructura del menú

El menú principal de Automower® 105 ofrece 4 opciones. Automower® 310 tiene 6 opciones y Automower® 315/315X, 7 opciones. El menú principal de Automower® 420/430X/440/450X ofrece 8 opciones.

16.8 Submenús

Hay una serie de submenús bajo cada opción. A través de los submenús puede acceder a todas las funciones para establecer los ajustes del robot cortacésped.

Algunos submenús incluyen opciones marcadas a la izquierda. Ello quiere decir que estas opciones están seleccionadas. Active o desactive la casilla pulsando el botón **OK**.

16.9 Navegar entre menús

Para desplazarse por el menú principal y los submenús, utilice los botones de selección múltiple (Automower® 105) o las **teclas de flecha** (Automower® 310/315/315X/420/430X/440/450X). Para introducir valores y horas, utilice las teclas de números y confirme cada selección con el botón de selección múltiple marcado con **OK**. Pulse **BACK** para subir un nivel en el menú o mantenga pulsado el botón **HOME** (Automower® 105) alternativamente con el botón **MENU** (Automower® 310/315/315X/420/430X/440/450X) durante 2 segundos para volver directamente al menú principal.

16.10 Menú general



Temporizador

Para obtener los mejores resultados, no corte el césped con demasiada frecuencia. En consecuencia, es importante limitar el tiempo de funcionamiento usando la función de temporizador si el área de trabajo es inferior a la capacidad de trabajo del robot cortacésped. El temporizador también es una herramienta ideal para controlar durante qué periodos el robot cortacésped no debería cortar, por ejemplo, cuando haya niños jugando en el jardín.



Altura de corte

Aplicable a Automower® 420/430X/440/450X

La altura de corte puede variar de MÍN. (1) a MÁX. (9). Durante la primera semana tras una nueva instalación, la altura de corte se debe configurar como Máx, para evitar dañar el cable de lazo. Después, la altura de corte se puede reducir un tramo cada semana, hasta alcanzar la altura de corte deseada.



Seguridad

En este menú se pueden realizar los ajustes relativos a la seguridad y a la conexión entre el cortacésped y la estación de carga. Se puede elegir entre 3 niveles de seguridad: *Bajo, Medio, Alto*.



Mensajes

Aplicable a Automower® 310/315/315X/420/430X/440/450X

En este menú se pueden leer los mensajes históricos, de error y de información. En relación con algunos de los mensajes de error más habituales, se ofrecen sugerencias y consejos para ayudarle a corregir el error.



Temporizador clima

Aplicable a Automower® 315/315X/420/430X/440/450X

Esta función permite al robot cortacésped ajustar automáticamente sus tiempos de corte en función de cuánto crece el césped. Si el clima favorece el crecimiento de la hierba, el robot cortacésped funcionará con más frecuencia; si la hierba crece más despacio, el robot cortacésped automáticamente pasará menos tiempo en el césped.



Instalación

Esta función del menú se utiliza para personalizar la instalación. Para muchas zonas de trabajo, no tiene que modificar los ajustes originales de fábrica, pero según la complejidad del césped, el resultado de corte puede mejorarse con ajustes manuales.



Ajustes

Esta selección le permite hacer cambios en los ajustes generales del robot cortacésped, como la fecha y la hora. También puede activar/desactivar el *Modo ECO* y el *Corte en espiral* o guardar sus ajustes en diferentes *perfiles* (solo disponible en Automower® 315/315X/420/430X/440/450X). Husqvarna recomienda dejar que se encienda el modo *ECO* para ahorrar energía y evitar interferencias con otros equipos.



Accesorios

Aplicable a Automower® 310/315/315X/420/430X/440/450X

En este menú se gestionan los ajustes de los accesorios del robot cortacésped, por ejemplo, Automower Connect o Automower Connect@Home. Consulte a su distribuidor local de Husqvarna para obtener información sobre qué accesorios son adecuados para su robot cortacésped.

17 Funcionamiento

17.1 Selección del modo de funcionamiento de Automower® 105

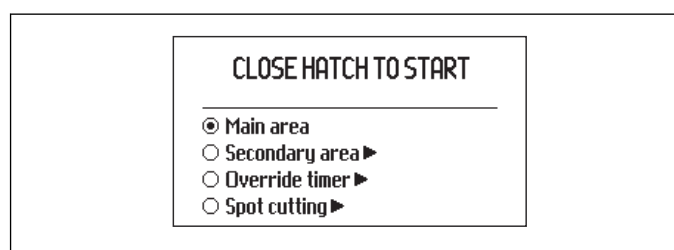
Si se pulsa el botón de **selección del modo de funcionamiento** consecutivamente, se puede seleccionar entre tres modos de funcionamiento diferentes.

- **HOME.** Envía el robot cortacésped a la estación de carga. El modo de funcionamiento seleccionado no variará hasta que se seleccione otro. El texto Home aparece en la ventana de funcionamiento. Cuando la batería esté completamente cargada, el robot cortacésped no dejará la estación de carga ni volverá a cortar el césped hasta que se haya seleccionado el modo de funcionamiento **AUTO**.
- **AUTO.** Modo de funcionamiento automático estándar en el cual el robot cortacésped corta el césped y se carga automáticamente.
- **MAN.** Al cortar áreas secundarias, se debe usar el modo **MAN**. Si **MAN** está seleccionado y el robot cortacésped arranca cuando se encuentra en el césped, este funcionará hasta que se agote la batería. Se detendrá y aparecerá el mensaje "Necesita carga manual". A continuación, se debe desplazar manualmente el robot cortacésped a la estación de carga e iniciar manualmente después de la carga. Si el robot cortacésped se carga en el modo **MAN**, se cargará completamente, se moverá unos 20 cm/8 pulg. hacia el exterior de la estación de carga y, a continuación, se detendrá. Esto indica que está cargado y listo para empezar a cortar.

17.2 Selección del modo de funcionamiento de arranque de Automower® 310/315/315X/420/430X/440/450X

Al pulsar el botón **START**, se pueden seleccionar los siguientes modos de funcionamiento:

- **ÁREA PRINCIPAL.** Modo de funcionamiento estándar en el cual el robot cortacésped corta el césped y se carga automáticamente.



- **ÁREA SECUNDARIA.** Al cortar áreas secundarias, se debe usar este modo.

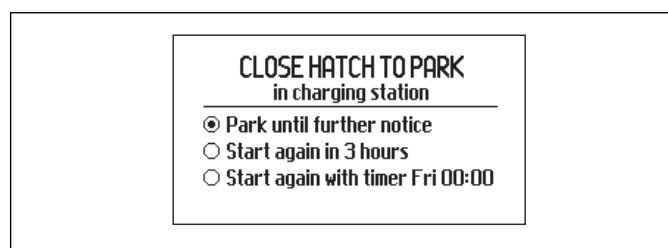
Si el robot cortacésped se carga en el modo Área secundaria, se cargará al máximo, se alejará 50 cm/ 20 pulg. de la estación de carga y luego se detendrá. Esto indica que está cargado y listo para empezar a cortar. Si se necesita cortar el área de trabajo principal después de la carga, se debe cambiar el modo de funcionamiento a *Área principal* antes de colocar el robot cortacésped en la estación de carga.

- **ANULAR TEMPORIZADOR.** Los ajustes del temporizador se pueden anular temporalmente seleccionando Anular temporizador. Se puede *anular el temporizador* durante 24 h o 3 días.
- **CORTE LOCALIZ.** (no disponible en Automower® 310). El robot cortacésped funciona con un patrón en espiral para cortar el área en la que el césped se haya cortado menos que en otras partes del jardín.

La función *Corte localizado* se activa con el botón **START**. Una vez que haya terminado de cortar el césped, puede elegir cómo debe seguir funcionando el robot cortacésped; para ello, pulse la **flecha derecha** y, a continuación, seleccione *Área principal* o *Área secundaria*.

17.3 Selección del modo de funcionamiento Aparcar de Automower® 310/315/315X/420/430X/440/450X

Cuando se pulsa el botón **PARK**, se puede elegir entre los siguientes modos de funcionamiento.



- **APARCAR HASTA NUEVA ORDEN.** El robot cortacésped permanece en la estación de carga hasta que se seleccione otro modo de funcionamiento pulsando el botón **START**.
- **EMPEZAR DE NUEVO EN 3 HORAS.** El robot cortacésped permanece en la estación de carga durante tres horas y después vuelve a funcionar normalmente de forma automática. Este modo de funcionamiento es adecuado cuando se necesita hacer una pausa, por ejemplo, para regar o para divertirse y jugar en el césped.
- **EMPEZAR CON SIGUIENTE TEMPORIZADOR.** El robot cortacésped permanece en la estación de carga hasta que el siguiente ajuste del temporizador le permite funcionar. Este modo de funcionamiento es adecuado si se desea cancelar un ciclo de corte continuo y dejar el robot cortacésped en la estación de carga hasta el día siguiente. Esta opción no se muestra si no hay ajustes del temporizador.

17.4 Conectividad

Puede comunicarse con el robot cortacésped a través de la aplicación móvil Automower Connect. Automower Connect está disponible para su smartphone y tablet (Apple o Android). Con Automower Connect activado, se mostrarán nuevos iconos en la pantalla del robot cortacésped. Para obtener más información, consulte *Manual de usuario completo en la página 28*.

17.4.1 Automower Connect

Automower Connect se incluye en Automower® 315X/430X/450X y está disponible como accesorio para Automower® 310/315/420/440.

Automower Connect lleva el sistema del menú del cortacésped a su smartphone, facilitando así la lectura y la modificación de los ajustes del cortacésped de manera remota. Mediante esta aplicación, puede recibir el estado actual de Automower y enviar órdenes al robot cortacésped desde cualquier parte del mundo. Y en caso de robo, recibirá una alarma y podrá ver dónde se encuentra el cortacésped. Algunos países no admiten Automower Connect debido a los sistemas móviles específicos de cada región. Póngase en contacto con su distribuidor local de Husqvarna para obtener más información.

17.4.2 Automower Connect@Home

Se incluye en Automower® 310/315/420/440.

Automower Connect@Home usa Bluetooth de corto alcance® con el robot cortacésped. Esto significa que puede comunicarse con el robot cortacésped mientras se encuentre dentro del alcance de comunicación. Aparecerá un icono de comunicación Bluetooth en la pantalla del robot cortacésped cuando la conexión con el smartphone se haya establecido. Automower Connect@Home cuenta con funciones similares a Automower Connect, aunque no tan extensas, y utiliza la misma aplicación.

17.4.3 Primeros pasos

Descargue la aplicación Automower Connect (también aplicable para Automower Connect@Home) en AppStore o GooglePlay. Una vez que haya descargado la aplicación, puede especificar una dirección de correo electrónico y una contraseña para crear una cuenta. Recibirá un mensaje de validación en la dirección de correo electrónico que haya especificado. Siga las instrucciones del mensaje en un periodo máximo de 24 horas para validar tu cuenta. Si valida en 24 horas, tendrá que crear la cuenta de nuevo. Cuando se haya creado la cuenta en la aplicación, puede vincular el robot cortacésped con su smartphone.

17.4.4 Vincular con Automower Connect

Seleccione la función *Accesorios > Automower Connect > Vincular > Nuevo vínculo*. Cuando la aplicación se lo pida, introduzca el código de 6 dígitos que se indica en la pantalla del robot cortacésped. Introduzca también el nombre del cortacésped en la app. Automower Connect siempre está conectado a su robot cortacésped, siempre que el smartphone tenga contacto con la red móvil, el robot cortacésped esté cargado y el interruptor principal esté colocado en 1.

17.4.5 Vincular con Automower Connect@Home

Active la comunicación inalámbrica Bluetooth® en su smartphone. Seleccione la función *Accesorios > Connect@Home > Nuevo vínculo* y siga las instrucciones de la aplicación. Tras vincular el robot cortacésped con el smartphone, se conectarán automáticamente cada vez que entre en el alcance (Automower Connect@Home). Si desea conectarse al

robot cortacésped sin tener una cuenta, puede utilizar Automower Connect@Home seleccionando HMI remoto en la pantalla de inicio de la aplicación.

17.5 Ajuste de la altura de corte

Si la hierba es larga, ajuste el robot cortacésped para que corte a la altura MÁXIMA. Una vez que la hierba está más corta, puede ajustar la altura de corte a un nivel inferior de forma gradual.

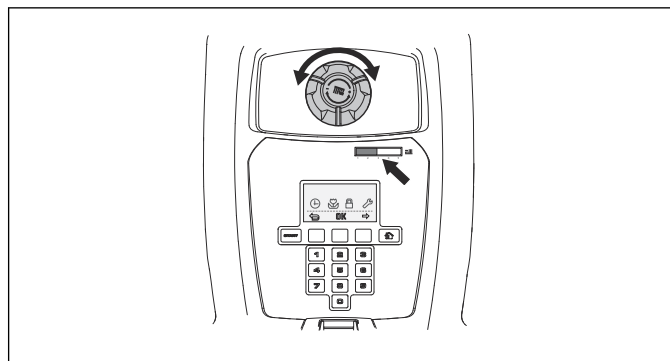


PRECAUCIÓN: Durante la primera semana tras una nueva instalación, la altura de corte se debe configurar como Máx, para evitar dañar el cable de lazo. Después, la altura de corte se puede reducir un tramo cada semana, hasta alcanzar la altura de corte deseada.

17.5.1 Automower® 105

La altura de corte puede variar de MÍN. (2 cm / 0.8") a MÁX. (5 cm / 2.0"). Para ajustar la altura de corte:

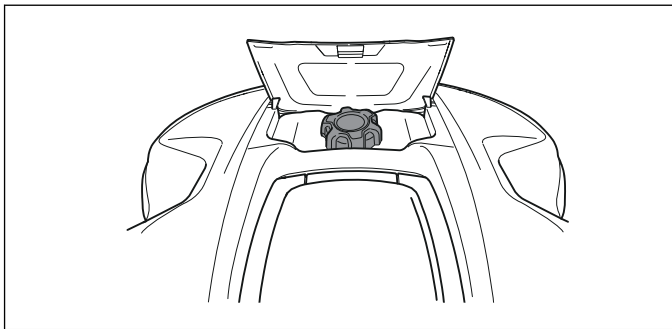
1. Pulse el botón **STOP** para detener el robot cortacésped y abrir la tapa.
2. Gire la rueda de ajuste de la altura hasta la posición correcta. La posición seleccionada se indica mediante la banda naranja del indicador de ajuste de la altura.



17.5.2 Automower® 310/315/315X

La altura de corte puede variar de MÍN. (2 cm / 0.8") a MÁX. (6 cm / 2.4") en 9 tramos.

1. Pulse el botón **STOP** para detener el robot cortacésped y abrir la tapa de ajuste de la altura de corte.
2. Gire el botón hasta la posición necesaria. Gírelo en el sentido de las agujas del reloj para aumentar la altura de corte y en el sentido contrario a las agujas del reloj para reducirla. La flecha coincide con la posición seleccionada marcada en el cuerpo.
3. Cierre la tapa.



17.5.3 Automower® 420/430X/440/450X

La altura de corte puede variar de MÍN. a MÁX. en 9 tramos.

1. Pulse el botón **STOP** para detener el robot cortacésped y abrir la tapa.
2. Pulse el botón **MENU** para acceder al menú principal.
3. Mueva el cursor con las teclas de flecha arriba y abajo para seleccionar *Altura de corte*.
4. Pulse **OK**.

18 Mantenimiento

18.1 Limpieza

Es importante mantener el robot cortacésped limpio. Un robot cortacésped con mucha hierba atascada tendrá más dificultades para subir pendientes, peor rendimiento y estará expuesto a un mayor desgaste. Para aumentar la fiabilidad de funcionamiento y garantizar una larga vida útil, compruebe y limpie el robot cortacésped periódicamente y cambie las piezas desgastadas en caso necesario. Se recomienda usar un cepillo de cerdas suaves para la limpieza.

Para reducir el riesgo de daños en los componentes eléctricos del robot cortacésped y en la estación de carga, recomendamos desconectar todas las conexiones a la estación de carga (suministro eléctrico, cable delimitador y cables guía) si existe riesgo de tormenta eléctrica.



ADVERTENCIA: Al darle la vuelta al robot cortacésped, el interruptor principal debe estar siempre en la posición 0.

El interruptor principal debe estar en la posición 0 durante la realización de cualquier trabajo en el chasis del cortacésped, como son su limpieza y la sustitución de las cuchillas.



PRECAUCIÓN: Nunca utilice un equipo de limpieza de alta presión ni agua corriente para limpiar el robot cortacésped. Nunca utilice disolventes para la limpieza.

18.2 Batería

La batería no necesita mantenimiento, pero tiene una vida útil limitada, de 2 a 4 años.



ADVERTENCIA: Cargue el robot cortacésped utilizando solo una estación de carga específica para él. Un uso incorrecto puede provocar una descarga eléctrica, sobrecalentamiento o fuga de líquido corrosivo de la batería. En caso de fugas de electrolito, lave con abundante agua y acuda a un médico si entra en contacto con los ojos, etc.



ADVERTENCIA: Utilice únicamente baterías originales recomendadas por el fabricante. La seguridad del producto no está garantizada con otras baterías. No utilice baterías no recargables.



PRECAUCIÓN: La batería debe estar totalmente cargada antes del almacenamiento durante el invierno. Si la batería no está totalmente cargada podría dañarse e incluso quedar inutilizable.

A continuación indica que la batería se está agotando y pronto deberá cambiarla:

- El tiempo de funcionamiento del robot cortacésped es más corto de lo normal entre cada carga. Esto provoca más ciclos de carga de lo normal, lo que aumenta el riesgo de formar bandas de rodadura cerca de la estación de carga.
- El robot cortacésped se encuentra en posición vertical sobre el césped con el mensaje *Batería vacía*. Esto indica que el robot cortacésped no tiene capacidad de la batería suficiente para encontrar la estación de carga.

La batería seguirá sirviendo mientras el robot cortacésped mantenga el césped bien cortado.

Nota: La duración de la batería depende de la duración de la temporada y de cuántas horas funcione el robot cortacésped cada día. Si la temporada es larga o se utiliza muchas horas al día, es posible que haya que cambiar la batería con más frecuencia.

Póngase en contacto con su representante local de Husqvarna para sustituir la batería.

18.3 Sustitución de las cuchillas

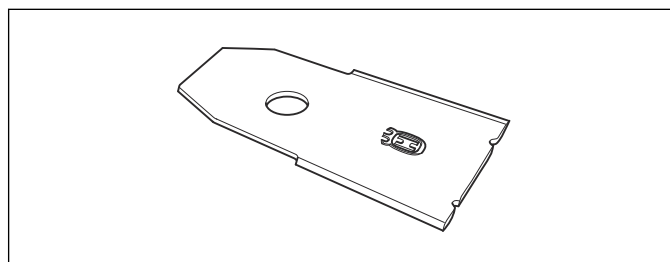


ADVERTENCIA: Utilice siempre cuchillas y tornillos del tipo correcto. Husqvarna solo puede garantizar la seguridad cuando se utilizan cuchillas originales. Si únicamente sustituye las cuchillas y vuelve a utilizar el tornillo, puede producirse un desgaste de este durante el corte. Las cuchillas pueden salir despedidas de debajo del cuerpo y causar daños graves.

Por razones de seguridad, sustituya las piezas desgastadas o deterioradas. Aunque las cuchillas estén en buen estado, deberán sustituirse periódicamente para obtener resultados de corte óptimos y reducir el consumo energético.

Las tres cuchillas y tornillos deben sustituirse a la vez para garantizar que el sistema de corte está equilibrado.

Utilice las cuchillas originales Husqvarna con el logotipo con la marca H en relieve, consulte *Condiciones de la garantía en la página 52*.



18.3.1 Sustitución de las cuchillas

1. Coloque el **interruptor principal** en la posición 0.

2. Dé la vuelta al robot cortacésped. Coloque el robot cortacésped sobre una superficie suave y limpia para evitar rayar el cuerpo y la tapa.
3. Gire la plancha protectora hasta alinear sus orificios con los tornillos de la cuchilla.
4. Retire los 3 tornillos. Use un destornillador plano o de estrella.
5. Quite todas las cuchillas y tornillos.
6. Instale cuchillas y tornillos nuevos.
7. Compruebe que las cuchillas puedan girar libremente.

19 Resolución de problemas

19.1 Detección de averías

Si hubiese alguna anomalía, aparecerá un mensaje de error en la pantalla. Para obtener más información sobre los mensajes, consulte la versión completa del manual de usuario en el sitio web de Husqvarna (www.husqvarna.com). Si continúa apareciendo el mismo mensaje o si no pudiera encontrar la causa del error, póngase en contacto con su distribuidor.

Las roturas en el cable delimitador se suelen producir por daños físicos involuntarios en el cable, por ejemplo, al trabajar en el jardín con una pala. Las roturas pueden deberse también a la tensión a la que se somete al cable durante la instalación. Se puede encontrar una rotura en un cable reduciendo gradualmente la distancia del lazo donde puede haberse producido la rotura, hasta que solo quede una sección muy corta del cable. Consulte la versión completa del manual de usuario en el sitio web de Husqvarna (www.husqvarna.com).

19.1.1 Luz indicadora de la estación de carga

Para que la instalación sea totalmente funcional, la luz indicadora de la estación de carga debe emitir una luz verde fija o parpadeante. Si no es así, siga la guía de solución de problemas que se indica a continuación.

Encontrará más ayuda en www.husqvarna.com. Si sigue necesitando asistencia, póngase en contacto con su distribuidor local de Husqvarna.

Luz	Causa	Acción
<i>Luz verde fija</i>	Buenas señales.	No es necesaria ninguna acción
<i>Luz verde intermitente</i>	Las señales son buenas y el <i>modo ECO</i> está activado.	No es necesaria ninguna acción. Para obtener más información acerca del <i>modo ECO</i> , consulte <i>Manual de usuario completo en la página 28</i> .
<i>Luz azul intermitente</i>	El lazo delimitador no está conectado a la estación de carga.	Compruebe que los conectores del cable delimitador están conectados correctamente a la estación de carga. Consulte <i>Manual de usuario completo en la página 28</i> .
	Rotura en el cable delimitador.	Averigüe dónde se encuentra la rotura. Cambie la sección dañada del cable delimitador por un nuevo cable y acóplelo con un acoplador original.
<i>Luz roja intermitente</i>	Interrupción en la antena de la estación de carga.	Póngase en contacto con su representante local de Husqvarna.
<i>Luz roja fija</i>	Fallo en la placa de circuitos impresos o fuente de alimentación incorrecta en la estación de carga. La avería debe solucionarla un técnico de servicio autorizado.	Póngase en contacto con su representante local de Husqvarna.

20 Transporte, almacenamiento y eliminación

20.1 Transporte

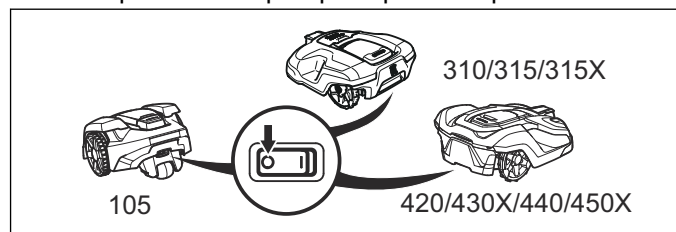
Las baterías de iones de litio incluidas están sujetas a los requisitos de la normativa sobre mercancías peligrosas. Deben cumplirse los requisitos de embalaje y etiquetado a la hora de realizar transportes comerciales por parte de terceros o agentes de transporte. Consulte a un experto en materiales peligrosos para preparar el artículo que se va a enviar. También debe tener en cuenta cualquier normativa nacional más detallada aplicable.

Coloque cinta aislante sobre los contactos abiertos y embale la batería de tal forma que no se mueva dentro del paquete. Asegure siempre el producto durante el transporte.

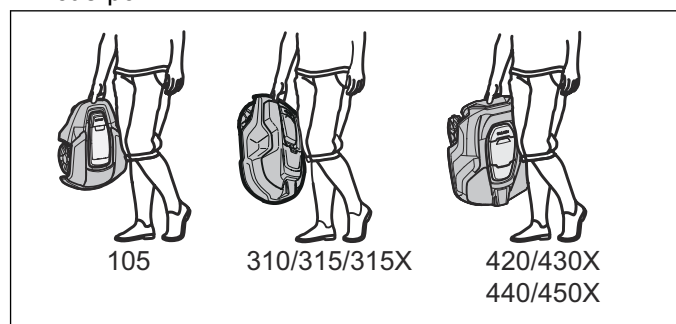
20.1.1 Cómo elevar y mover el robot cortacésped

Para moverse de forma segura desde la zona de trabajo y dentro de ella:

1. Pulse el botón **STOP** para detener el robot cortacésped. Si está seleccionado el nivel medio o alto de seguridad (consulte *Manual de usuario completo en la página 28*), deberá introducir el código PIN. El código PIN contiene cuatro dígitos y se selecciona cuando arranca el robot cortacésped por primera vez. Consulte *Manual de usuario completo en la página 28*.
2. Coloque el interruptor principal en la posición 0.



3. Transporte el robot cortacésped por el asa situada debajo del mismo con el disco de corte separado del cuerpo.



PRECAUCIÓN: No levante el robot cortacésped cuando esté estacionado en la estación de carga. Esto podría dañar la estación de carga o el robot cortacésped. Pulse **STOP** y tire del robot cortacésped para extraerlo de la estación de carga antes de levantarlo.

20.2 Almacenamiento durante el invierno

20.2.1 El robot cortacésped

El robot cortacésped debe limpiarse exhaustivamente antes de almacenarlo durante el invierno. Consulte *Limpieza en la página 43*.

Para garantizar un funcionamiento correcto durante toda la vida útil de la batería, es importante cargar el robot cortacésped antes de guardarlo durante el invierno. Coloque el robot cortacésped en la estación de carga con la tapa abierta hasta que el icono de batería de la pantalla muestre que la batería está completamente cargada. A continuación, coloque el interruptor principal en 0.

Compruebe el estado de los componentes que se desgastan, como las cuchillas y los cojinetes de la rueda trasera. Corríjalos, si es necesario, para asegurarse de que el robot cortacésped se encuentra en buenas condiciones antes de la siguiente temporada.

Guarde el robot cortacésped en posición horizontal, apoyado sobre sus propias ruedas, y colóquelo en un entorno seco y protegido de las heladas, a ser posible en el embalaje original. También puede colgar el robot cortacésped en un soporte de pared original de Husqvarna. Póngase en contacto con servicio de atención al cliente de Husqvarna para obtener más información sobre los colgadores de pared disponibles.



PRECAUCIÓN: La batería debe estar totalmente cargada antes del almacenamiento durante el invierno. Si la batería no está totalmente cargada podría dañarse e incluso quedar inutilizable.

20.2.2 La estación de carga

Guarde la estación de carga y la fuente de alimentación protegida de la intemperie. El cable perimetral y el cable guía se pueden dejar en el suelo.

1. Desconecte la fuente de alimentación de la estación de carga.
2. Suelte el bloqueo del conector y tire del conector.
3. Desconecte los contactos del cable delimitador y del cable guía de la estación de carga.

Los extremos de los cables se deben proteger de la humedad lubricándolos con grasa, por ejemplo.

Si no se puede almacenar la estación de carga en el interior, esta debe permanecer conectada a la red eléctrica, al cable delimitador y a los cables guía durante todo el invierno.

20.3 Información medioambiental



El símbolo que se encuentra en el robot cortacésped de Husqvarna indica que este producto no puede desecharse junto con los residuos domésticos. Debe entregarse a un centro de reciclaje adecuado para reciclar los componentes electrónicos y las baterías. La batería debe extraerse del producto antes de desecharlo.

Para obtener información sobre el desmontaje de la batería, consulte la versión completa del manual de usuario en el sitio web de Husqvarna.

Si se asegura de que se trata este producto correctamente, puede ayudar a contrarrestar el posible impacto negativo para el medio ambiente y las personas que podría darse por una gestión incorrecta de los residuos del mismo.

Si desea información más detallada sobre el reciclaje de este producto, póngase en contacto con su ayuntamiento, el servicio de recogida de basuras o la tienda donde lo adquirió.

21 Datos técnicos

21.1 Automower® 105/310/315/315X

Dimensiones	Automower® 105	Automower® 310	Automower® 315	Automower® 315X
Longitud, cm/pulg.	55/21,7	63/24,8	63/24,8	63/24,8
Anchura, cm/pulg.	39/15,4	51/20,1	51/20,1	51/20,1
Altura, cm/pulg.	25/9,8	25/9,8	25/9,8	25/9,8
Peso, kg/lb	6,9/15	9,2/20	9,2/20	10,1/22

Sistema eléctrico	Automower® 105	Automower® 310	Automower® 315	Automower® 315X
Batería, ión de litio, 18 V/2,1 Ah, n.º art.	586 57 62-01, 586 57 62-02	584 85 28-01, 584 85 28-02	584 85 28-01, 584 85 28-02	584 85 28-01, 584 85 28-02
Suministro eléctrico, V/28 V CC	100-240	100-240	100-240	100-240
Longitud del cable de baja tensión, m/pies	10/33	10/33	10/33	10/33
Consumo energético medio a máxima potencia	5 kWh/mes en una zona de trabajo de 600 m ² / 0,15 acres	8 kWh/mes en una zona de trabajo de 1000 m ² / 0,25 acres	10 kWh/mes en una zona de trabajo de 1500 m ² / 0,37 acres	10 kWh/mes en una zona de trabajo de 1600 m ² / 0,4 acres
Corriente de carga, A CC	1,3	1,3	1,3	1,3
Tiempo medio de corte, min	65	70	70	70
Tiempo medio de carga, min	50	60	60	60

Antena de cable delimitador	Automower® 105	Automower® 310	Automower® 315	Automower® 315X
Banda de frecuencias de funcionamiento, Hz	300-80000	300-80000	300-80000	300-80000
Máxima potencia de radiofrecuencia, mW a 60 m ²⁵	<25	<25	<25	<25

Emisiones de ruido medidas en el entorno como potencia sonora ²⁶	Automower® 105	Automower® 310	Automower® 315	Automower® 315X
Nivel de potencia sonora medido, dB (A) ²⁷	58	58	58	58
Incertidumbres de emisiones sonoras K _{WA} , dB (A)	3	2	2	2
Nivel de potencia sonora garantizado, dB (A)	61	60	60	60
Nivel de presión sonora en el oído del usuario, dB (A) ²⁸	47	47	47	47

²⁵ Potencia de salida activa máxima a las antenas de la banda de frecuencia en la que opera el equipo de radio.

²⁶ Las declaraciones de emisión de ruidos son conformes a la norma EN 50636-2-107:2015. Emisiones sonoras en el entorno medidas como potencia acústica (L_{WA}) según la directiva 2000/14/CE. El nivel de potencia acústica garantizado incluye la variación en la producción, así como la variación en el código de prueba con 1-3 dB(A).

²⁷ Incertidumbres de emisiones sonoras K_{WA}, 2 dB(A)

²⁸ Incertidumbres de presión sonora K_{pA}, 2-4 dB(A)

Cortando	Automower® 105	Automower® 310	Automower® 315	Automower® 315X
Sistema de corte	3 cuchillas de corte articuladas			
Velocidad del motor de la cuchilla, rpm	2900	2300	2300	2300
Consumo de energía durante el corte, W +/- 20 %	20	25	25	25
Altura de corte, cm/pulg.	2-5/0,8-2,0	2-6/0,8-2,4	2-6/0,8-2,4	2-6/0,8-2,4
Anchura de corte, cm/pulg.	17/6,7	22/8,7	22/8,7	22/8,7
Paso más estrecho posible, cm/pulg.	60/24	60/24	60/24	60/24
Ángulo máximo del área de corte, %	25	40	40	40
Ángulo máximo del cable delimitador, %	15	15	15	15
Longitud máxima del cable perimetral, m/pies	400/1300	800/2600	800/2600	800/2600
Longitud máxima del cable guía, m/pies	200/650	400/1300	400/1300	400/1300
Capacidad de trabajo, m ² /acres, +/- 20 %	600/0,15	1000/0,25	1500/0,37	1600/0,4

Clasificación IP	Automower® 105	Automower® 310	Automower® 315	Automower® 315X
Robot cortacésped	IPX4	IPX4	IPX4	IPX4
Estación de carga	IPX1	IPX1	IPX1	IPX1
Fuente de alimentación	IPX4	IPX4	IPX4	IPX4

Husqvarna AB no garantiza la total compatibilidad entre el robot cortacésped y otro tipo de sistemas inalámbricos, como mandos a distancia, radiotransmisores, bucles magnéticos, vallas eléctricas enterradas para animales o similares.

21.2 Automower® 420/430X/440/450X

Dimensiones	Automower® 420	Automower® 430X	Automower® 440	Automower® 450X
Longitud, cm/pulg.	72/28,3	72/28,3	72/28,3	72/28,3
Anchura, cm/pulg.	56/22,0	56/22,0	56/22,0	56/22,0
Altura, cm/pulg.	31/12,2	31/12,2	31/12,2	31/12,2
Peso, kg/lb	11,5/25	13,2/29	12/27	13,9/31

Sistema eléctrico	Automower® 420	Automower® 430X	Automower® 440	Automower® 450X
Batería, ión de litio, 18 V/2,1 Ah, n.º art.	580 68 33-01, 580 68 33-02	588 14 64-01	588 14 64-01 (2 uds.)	588 14 64-01 (2 uds.)
Suministro eléctrico, V/28 V CC	100-240	100-240	100-240	100-240
Longitud del cable de baja tensión, m/pies	10/33	10/33	10/33	10/33
Consumo energético medio a máxima potencia	17 kWh/mes en una zona de trabajo de 2200 m ² / 0,55 acres	18 kWh/mes en una zona de tra- bajo de 3200 m ² / 0,8 acres	20 kWh/mes en una zona de trabajo de 4000 m ² / 1 acres	23 kWh/mes en una zona de tra- bajo de 5000 m ² / 1,25 acres
Corriente de carga, A CC	2,2	4,2	7	7
Tiempo medio de corte, min	75	145	290	270
Tiempo medio de carga, min	50	50	60	60

Antena de cable delimitador	Automower® 420	Automower® 430X	Automower® 440	Automower® 450X
Banda de frecuencias de funcionamiento, Hz	300-80000	300-80000	300-80000	300-80000
Máxima potencia de radiofrecuencia, mW a 60 m ²⁹	<25	<25	<25	<25

Emisiones de ruido medidas en el entorno como potencia sonora ³⁰	Automower® 420	Automower® 430X	Automower® 440	Automower® 450X
Nivel de potencia sonora medido, dB (A) ³¹	57	57	56	58
Incertidumbres de emisiones sonoras K _{WA} , dB (A)	1	1	1	1
Nivel de potencia sonora garantizado	58	58	56	59
Nivel de presión sonora en el oído del usuario, dB (A) ³²	46	46	45	47

Cortando	Automower® 420	Automower® 430X	Automower® 440	Automower® 450X
Sistema de corte	3 cuchillas de corte articuladas			
Velocidad del motor de la cuchilla, rpm	2300	2300	2300	2300
Consumo de energía durante el corte, W +/- 20 %	30	30	30	35
Altura de corte, cm/pulg.	2-6/0,8-2,4	2-6/0,8-2,4	2-6/0,8-2,4	2-6/0,8-2,4
Anchura de corte, cm/pulg.	24/9,4	24/9,4	24/9,4	24/9,4
Paso más estrecho posible, cm/pulg.	60/24	60/24	60/24	60/24
Ángulo máximo del área de corte, %	45	45	45	45
Ángulo máximo del cable delimitador, %	15	15	15	15
Longitud máxima del cable perimetral, m/pies	800/2600	800/2600	800/2600	800/2600
Longitud máxima del cable guía, m/pies	400/1300	400/1300	400/1300	400/1300
Capacidad de trabajo, m ² /acres, +/- 20 %	2200/0,55	3200/0,8	4000/1	5000/1,25

Clasificación IP	Automower® 420	Automower® 430X	Automower® 440	Automower® 450X
Robot cortacésped	IPX4	IPX4	IPX4	IPX4
Estación de carga	IPX1	IPX1	IPX1	IPX1
Fuente de alimentación	IPX4	IPX4	IPX4	IPX4

²⁹ Potencia de salida activa máxima a las antenas de la banda de frecuencia en la que opera el equipo de radio.

³⁰ Las declaraciones de emisión de ruidos son conformes a la norma EN 50636-2-107:2015. Emisiones sonoras en el entorno medidas como potencia acústica (L_{WA}) según la directiva 2000/14/CE. El nivel de potencia acústica garantizado incluye la variación en la producción, así como la variación en el código de prueba con 1-3 dB(A).

³¹ Incertidumbres de emisiones sonoras K_{WA}, 2 dB(A)

³² Incertidumbres de presión sonora K_{pA}, 2-4 dB(A)

Banda de frecuencias compatible	
Rango de frecuencia de Bluetooth®	2400,0-2483,5 MHz
Automower® Connect 3G	Banda 19 (800 MHz)
	Banda 5 (850 MHz)
	Banda 8 (900 MHz)
	Banda 2 (1900 MHz)
	Banda 1 (2100 MHz)
Automower® Connect 2G	GSM 850 MHz
	E-GSM 900 MHz
	DCS 1800 MHz
	PCS 1900 MHz

Clase de potencia		
Potencia de salida de Bluetooth®	8 dBm	
Automower® Connect 3G	Clase 3 de potencia	24 dBm
Automower® Connect 2G	Clase 4 de potencia (para el GSM/E-GSM)	33 dBm
	Clase 1 de potencia (para DCS/PCS)	30 dBm

Husqvarna AB no garantiza la total compatibilidad entre el robot cortacésped y otro tipo de sistemas inalámbricos, como mandos a distancia, radiotransmisores, bucles magnéticos, vallas eléctricas enterradas para animales o similares.

22 Garantía

22.1 Condiciones de la garantía

Husqvarna garantiza el funcionamiento de este producto durante un periodo de dos años a partir de la fecha de compra. La garantía cubre defectos graves en los materiales o defectos de fábrica. Dentro del periodo de validez de la garantía, sustituiremos o repararemos el producto sin ningún cargo siempre que se cumplan las siguientes condiciones:

- El robot cortacésped y la estación de carga solo deben ser utilizados de acuerdo con las instrucciones incluidas en este manual de usuario. Esta garantía del fabricante no cubre las reclamaciones de garantía existentes del usuario presentadas contra el distribuidor o el vendedor.
- Los usuarios finales o terceros no autorizados no deben intentar reparar el producto.

Ejemplos de defectos no incluidos en la garantía:

- Daños causados por filtraciones de agua debido al uso de un equipo de limpieza a alta presión o por la inmersión del producto en agua, por ejemplo, en caso de formación de charcos tras una lluvia intensa.
- Daños provocados por relámpagos.
- Daños provocados por un almacenamiento o manejo incorrectos de la batería.
- Daños provocados por utilizar una batería que no sea Husqvarna original.
- Daños causados por no utilizar las piezas de repuesto y accesorios originales Husqvarna, como cuchillas y material de instalación.
- Daños en el cable de lazo.
- Daños causados por el cambio o manipulación no autorizada del producto o de su fuente de alimentación.

Las cuchillas y las ruedas se consideran elementos desechables y no están cubiertas por la garantía.

Si tiene algún problema con el robot cortacésped de Husqvarna, póngase en contacto con servicio de atención al cliente de Husqvarna para obtener más instrucciones. Tenga a mano la factura y el número de serie del robot cortacésped cuando se ponga en contacto con el servicio de atención al cliente de Husqvarna.

23 Declaración CE de conformidad

Husqvarna AB, SE-561 82 Huskvarna (Suecia), tel.: +46-36-146500, declara que los robots cortacésped **Husqvarna Automower® 105**, **Husqvarna Automower® 310**, **Husqvarna Automower® 315**, **Husqvarna Automower® 315X**, **Husqvarna Automower® 420**, **Husqvarna Automower® 430X**, **Husqvarna Automower® 440** y **Husqvarna Automower® 450X**, con números de serie con año 2017 y semana 36 y posteriores (el año y la semana se indican claramente en la placa de características, seguidos del número de serie), cumplen los requisitos de la DIRECTIVA DEL CONSEJO:

- Directiva "relativa a máquinas" **2006/42/CE**.
 - Requisitos específicos para los robots cortacésped con batería eléctrica **EN 50636-2-107: 2015**.
 - Campos electromagnéticos **EN 62233: 2008**.
- Directiva sobre "restricciones a la utilización de determinadas sustancias peligrosas" **2011/65/UE**.
 - Se aplica la siguiente norma: **EN 50581:2012**
- Directiva "relativa a las emisiones sonoras debidas a las máquinas de uso al aire libre" **2000/14/CE**. Consulte también *Datos técnicos en la página 48* para obtener más información acerca de las emisiones sonoras y la anchura de corte.

Para **Husqvarna Automower® 105** (certificado 01/901/176), **Husqvarna Automower® 310/315** (certificado 01/901/225), **Husqvarna Automower® 315X** (certificado 01/901/286) y **Husqvarna Automower® 420/430X/440/450X** (certificado 01/901/201): El organismo notificado 0404, SMP Svensk Maskinprovning AB, Fyrisborgsgatan 3, SE-754 50 Uppsala, Sweden, ha elaborado un informe sobre la evaluación de la conformidad con el Anexo VI de la Directiva del Consejo 2000/14/CE del 8 de mayo de 2000 sobre "emisiones sonoras en el medioambiente".

- Directiva "relativa a equipos de radio" **2014/53/UE**. El certificado de examen se emite con el examen de la norma 2014/53/UE. El número del certificado de examen para **Husqvarna Automower® 105** es SC1110-17. Se han aplicado las normas siguientes:

- **ETSI EN 303 447 V1.1.1**

Compatibilidad electromagnética:

- **ETSI EN 301 489 V2.2.0**
- **EN 61000-6-1:2007**
- **EN 61000-6-3:2007/A1:2011**

Para **Husqvarna Automower® 310**, **Husqvarna Automower® 315**, **Husqvarna Automower® 315X**, **Husqvarna Automower® 420**, **Husqvarna Automower® 430X**, **Husqvarna Automower® 440** y **Husqvarna Automower® 450X** equipado con el módulo **Automower® Connect**, también se aplica:

- **ETSI EN 301 489-19 V2.1.0**
- **ETSI EN 301 489-52 V1.1.1**
- **ETSI EN 301 511 V12.5.1**

- **ETSI EN 301 908-2 V11.1.1**

Para **Husqvarna Automower® 310**, **Husqvarna Automower® 315**, **Husqvarna Automower® 420** y **Husqvarna Automower® 440** equipado con tecnología **Bluetooth®** también:

- **ETSI EN 300 328 V2.1.1**
- **ETSI EN 301 489-17 V3.1.1**



Husqvarna 2018-05-01

Lars Roos

Global R&D Director, Electric category

(Representante autorizado de Husqvarna AB y responsable de la documentación técnica).

24 Aplicable al mercado de EE. UU./CA

24.1 Requisitos de cumplimiento

Id. FCC: XPY1CGM5NNN (Módulo de Automower® Connect).

Id. FCC: ZASHQ-BLE-1A y FCC ID ZASHQ-BLE-1B (módulo Bluetooth®).

Este dispositivo cumple los requisitos de la normativa de la FCC, parte 15. El funcionamiento está sometido a las siguientes 2 condiciones:

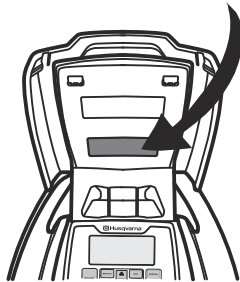
1. Este dispositivo no causa interferencias perjudiciales.
2. Este dispositivo debe aceptar cualquier interferencia que reciba, incluida una interferencia que puede causar una operación no deseada.



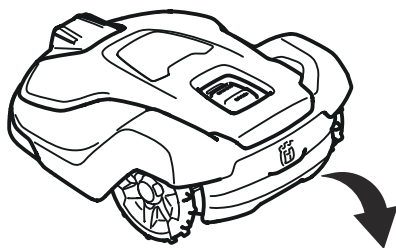
ADVERTENCIA: Para cumplir con los requisitos de exposición a radiofrecuencias, mantenga una distancia de al menos 20 cm/7 pulg. de cualquier parte del producto.

Modelos con tapa: La etiqueta suministrada se colocará en el producto de acuerdo con la siguiente imagen.

Husqvarna Automower® Connect
This device contains the module
FCC ID: XPY1CGM5NNN



Modelos sin tapa: La etiqueta suministrada se colocará en el producto de acuerdo con la siguiente imagen



Husqvarna Automower® Connect
This device contains the module
FCC ID: XPY1CGM5NNN

Nota: Los cambios o modificaciones realizados en este equipo no expresamente aprobados por Husqvarna pueden anular la autorización de la FCC para utilizar este equipo.

Nota: Este dispositivo cumple con la parte 15 de las normas FCC (y con los estándares RSS exentos de licencia de industria en Canadá). El funcionamiento está sujeto a las siguientes dos condiciones: este dispositivo no causará una interferencia dañina, y este dispositivo debe aceptar cualquier interferencia que reciba, incluida una interferencia que puede causar una operación no deseada.

Nota: Este equipo ha sido probado y se ha determinado que cumple con los límites para un dispositivo digital de Clase B, de acuerdo con la parte 15 de las normas FCC. Estos límites están diseñados para proporcionar una protección razonable contra interferencias perjudiciales en una instalación residencial. Este equipo genera, utiliza y puede irradiar energía de radiofrecuencia y, si no se instala y utiliza de acuerdo con las instrucciones, puede causar interferencias perjudiciales para las comunicaciones de radio. Sin embargo, no hay garantía de que no se produzcan interferencias en una instalación en particular. Si este equipo causa interferencias perjudiciales para la recepción de radio o televisión, lo que se puede determinar encendiendo y apagando el equipo, se recomienda al usuario que intente corregir la interferencia mediante una o más de las siguientes medidas:

- Reoriente o mueva la antena receptora.
- Aumente la distancia de separación entre el equipo y el receptor.
- Conecte el equipo a una toma de un circuito diferente de aquel al que se encuentra conectado el receptor.
- Consulte al distribuidor o a un técnico experto en radio/TV para obtener ayuda.

25 Aplicable al mercado de LATAM

25.1 Requisitos de cumplimiento en Brasil

Para los productos equipados con Automower®
Connect:

Este producto cuenta con una tarjeta SARA-U201 con
código de homologación de ANATEL 04466-15-05903.

Para los productos equipados con Bluetooth®:

**Este producto cuenta con una placa HMI tipo XX con
código de homologación ANATEL 03199-18-11405.**

Modelo	Placa HMI tipo XX
Automower® 310	12

25.2 Requisitos de cumplimiento en Argentina

Este producto cuenta con certificación en Argentina
según el siguiente símbolo:



Sommaire

27 Introduction

27.1 Mémo.....	57
27.2 Description du produit.....	57
27.3 Capacité.....	57
27.4 Technique de tonte.....	57
27.5 Méthode de travail.....	57
27.6 Trajectoire de déplacement.....	58
27.7 Retour à la station de charge.....	58
27.8 Présentation du produit Automower® 105.....	59
27.9 Présentation du produit Automower® 310/315/315X.....	60
27.10 Présentation du produit Automower® 420/430X/440/450X.....	61
27.11 Symboles concernant le produit.....	62

28 Sécurité

28.1 Instructions générales de sécurité.....	63
28.2 Utilisation.....	63

29 Installation

29.1 Connexion de l'alimentation électrique.....	65
29.2 Panneau de commande.....	65
29.3 Écran d'affichage Automower® 105.....	65
29.4 Clavier Automower® 105.....	66
29.5 Écran d'affichage Automower® 310/315/315X/420/430X/440/450X.....	66
29.6 Clavier Automower® 310/315/315X/ 420/430X/440/450X.....	66
29.7 Structure du menu.....	67
29.8 Sous-menus.....	67
29.9 Naviguer entre les menus.....	67
29.10 Menu principal.....	67

30 Utilisation

30.1 Sélection du mode de fonctionnement Automower® 105.....	69
30.2 Sélection du mode de fonctionnement via Start Automower® 310/315/315X/420/430X/ 440/450X.....	69
30.3 Sélection du mode de fonctionnement Park Automower® 310/315/315X/420/430X/440/450X.....	69
30.4 Connectivité.....	69
30.5 Réglage de la hauteur de coupe.....	70

31 Entretien

31.1 Nettoyage.....	72
31.2 Batterie.....	72
31.3 Remplacement des lames.....	72

32 Dépannage

32.1 Dépannage.....	74
---------------------	----

33 Transport, entreposage et mise au rebut

33.1 Transport.....	75
33.2 Remisage hivernal.....	75
33.3 Informations environnementales.....	75

34 Caractéristiques techniques

34.1 Automower® 105/310/315/315X.....	77
34.2 Automower® 420/430X/440/450X.....	78

35 Garantie

35.1 Conditions de garantie.....	81
----------------------------------	----

36 Déclaration de conformité CE

37 Applicable aux marché US/CA

37.1 Exigences de conformité.....	83
-----------------------------------	----

38 Applicable au marché d'Amérique latine (LATAM)

38.1 Exigences de conformité, Brésil.....	84
38.2 Exigences de conformité, Argentine.....	84

27 Introduction

27.1 Mémo

Numéro de série :	
Code PIN :	
Revendeur :	
Numéro de téléphone du revendeur :	

En cas de vol de votre robot tondeuse, il est important d'en informer Husqvarna. Contactez votre représentant Husqvarna local et fournissez-lui le numéro de série du robot tondeuse afin qu'il soit enregistré comme produit volé dans la base de données internationale. Il s'agit d'une étape importante de la procédure de protection contre le vol permettant de réduire l'intérêt à acheter et à vendre des robots tondeuses volés.

Le numéro de série du produit comporte neuf chiffres et il est indiqué sur sa plaque signalétique (située à l'intérieur du capot) et sur son emballage.

www.husqvarna.com

27.2 Description du produit

Félicitations pour le produit d'une qualité exceptionnelle que vous avez sélectionné. Pour tirer le meilleur parti de votre robot tondeuse Husqvarna, vous devez en connaître le fonctionnement. Ce manuel d'utilisation contient un bref aperçu des informations importantes relatives au robot de tonte. En complément de ce manuel d'utilisation, vous trouverez des vidéos d'information avec les instructions disponibles sur le site Web de Husqvarna, www.husqvarna.com.

N'oubliez pas que l'opérateur est responsable des accidents ou mises en danger concernant des tiers et leurs biens.

Husqvarna travaille continuellement au développement de ses produits et se réserve le droit d'en modifier, entre autres, la conception, l'aspect et le fonctionnement sans préavis.

27.2.1 Manuel d'utilisation complet

Un manuel d'utilisation complet est disponible sur le site Web www.husqvarna.com d'Husqvarna. Il est plus détaillé et contient davantage d'informations, par exemple les instructions relatives à l'installation, l'entretien, le dépannage et la structure du menu.

27.3 Capacité

Le robot de tonte est recommandé pour les pelouses jusqu'à :

- 600 m²/0,15 hectare : Automower® 105
- 1 000 m²/0,25 hectare : Automower® 310
- 1 500 m²/0,37 hectare : Automower® 315
- 1 600 m²/0,4 hectare : Automower® 315X
- 2 200 m²/0,55 hectare : Automower® 420
- 3 200 m²/0,8 hectare : Automower® 430X
- 4 000 m²/1,0 hectare : Automower® 440
- 5 000 m²/1,25 hectare : Automower® 450X

La taille de la zone de couverture du robot de tonte dépend principalement de l'état des lames et du type, de la taille et de l'humidité de l'herbe. La forme du jardin joue également un rôle important. Le robot tondeuse

offre un meilleur rendement dans un jardin essentiellement constitué de grandes pelouses ouvertes que dans un jardin divisé en plusieurs petites pelouses séparées par des arbres, des massifs de fleurs et des chemins.

Un robot de tonte complètement chargé tond pendant 60 à 290 minutes, en fonction du modèle, de l'âge de la batterie et de l'épaisseur de l'herbe. Le robot de tonte se charge ensuite pendant 50 à 90 minutes. Le temps de charge peut varier, entre autres, en fonction de la température ambiante.

27.4 Technique de tonte

Le système du robot tondeuse repose sur un principe efficace à faible consommation d'énergie. Contrairement à de nombreuses tondeuses classiques, le robot tondeuse coupe l'herbe en douceur. Cette technique de coupe fréquente améliore la qualité de l'herbe. L'herbe coupée n'a pas à être ramassée et les parcelles d'herbe coupée nécessitent moins d'engrais. De plus, il n'émet aucune émission, il est pratique et votre pelouse semble toujours bien entretenue.

Pour un résultat de tonte optimal, il est recommandé d'utiliser principalement le robot tondeuse par temps sec. Le robot tondeuse convient également pour une tonte par temps de pluie. Toutefois, l'herbe humide adhère plus facilement au robot, ce qui induit un risque accru de dérapage dans les pentes raides.

Pour un résultat de tonte optimal, les lames doivent être en bon état. Pour qu'elles restent aiguisées aussi longtemps que possible, il est important de débarrasser la pelouse des branches, des petites pierres et de tout autre objet.

Remplacez les lames régulièrement. Pour de plus amples informations sur le remplacement des lames, reportez-vous au manuel d'utilisation complet sur le site Web d'Husqvarna (www.husqvarna.com).

27.5 Méthode de travail

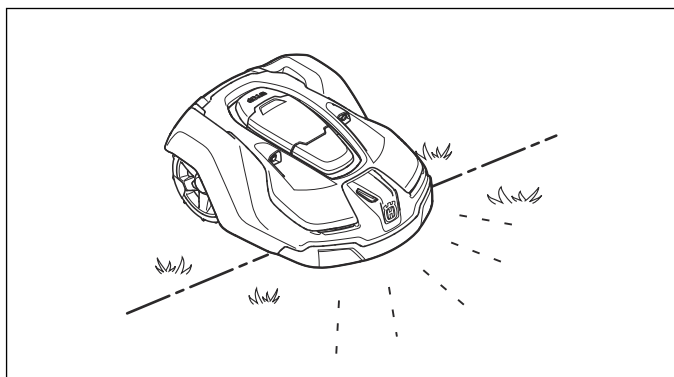
Réalisez une installation correcte et sécurisée du câble périphérique et du câble guide. Pour de plus amples

informations sur l'installation, consultez le Manuel d'utilisation complet sur le site Web d'Husqvarna.

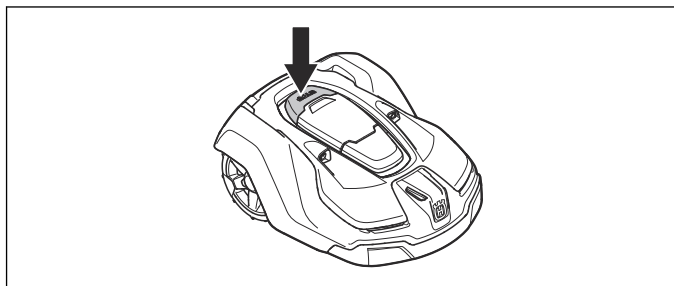
Le robot tondeuse tond automatiquement la pelouse. Il alterne en continu entre tonte et charge. Le robot de tonte recherche la station de charge lorsque le niveau de charge de la batterie devient trop faible. Il ne tond pas quand il cherche à rejoindre la station de charge.

Automower® 315X/430X/450X utilise un système de navigation assistée par GPS pour commencer à tondre dans un endroit du jardin qui ne l'a pas été récemment. Pour les autres modèles, vous devrez peut-être régler des paramètres de sortie manuels pour vous assurer que la tonte de la pelouse sera bien homogène ; voir le manuel d'utilisation complet sur le site Web d'Husqvarna.

Quand la carrosserie du robot tondeuse rencontre un obstacle ou approche un câble périphérique, il fait marche arrière et choisit une nouvelle direction. Des capteurs à l'avant et à l'arrière détectent le moment où le robot de tonte s'approche du câble périphérique. L'avant du robot de tonte passe toujours le câble périphérique à une distance spécifique avant que le robot ne tourne. La distance peut être modifiée pour s'adapter à l'installation si nécessaire.



Le bouton **STOP** sur le dessus du robot de tonte sert principalement à arrêter le robot en cours de fonctionnement. Lorsque le bouton **STOP** est actionné, un capot s'ouvre pour laisser apparaître le panneau de commande. Le bouton **STOP** reste enfoncé tant que le capot n'est pas refermé. Ce principe associé à la présence du bouton **START** rend le démarrage alors impossible.



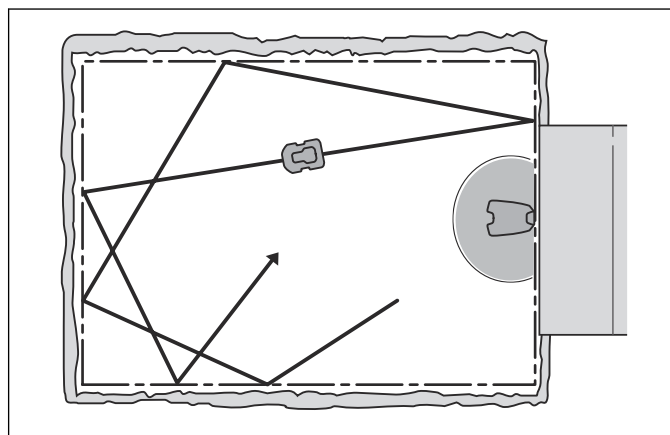
Remarque: Pour faire démarrer le robot tondeuse, appuyez toujours sur le bouton **START** avant de fermer le capot. Si vous n'appuyez pas sur le bouton **START**, un signal sonore d'avertissement est émis et le robot tondeuse ne démarre pas.

Tous les paramétrages du robot de tonte s'effectuent à partir du panneau de commande placé sur le dessus de la machine.

Lorsque l'interrupteur principal est placé sur 1 pour la première fois, une séquence de démarrage commence, qui comprend un certain nombre de réglages de base importants ; voir *Premier démarrage et calibrage* du manuel d'utilisation complet sur le site Web d'Husqvarna.

27.6 Trajectoire de déplacement

La trajectoire de déplacement du robot de tonte est aléatoire, ce qui signifie qu'une trajectoire de déplacement n'est jamais répétée. Le système de coupe du robot permet une tonte uniforme de la pelouse sans lignes de tonte.

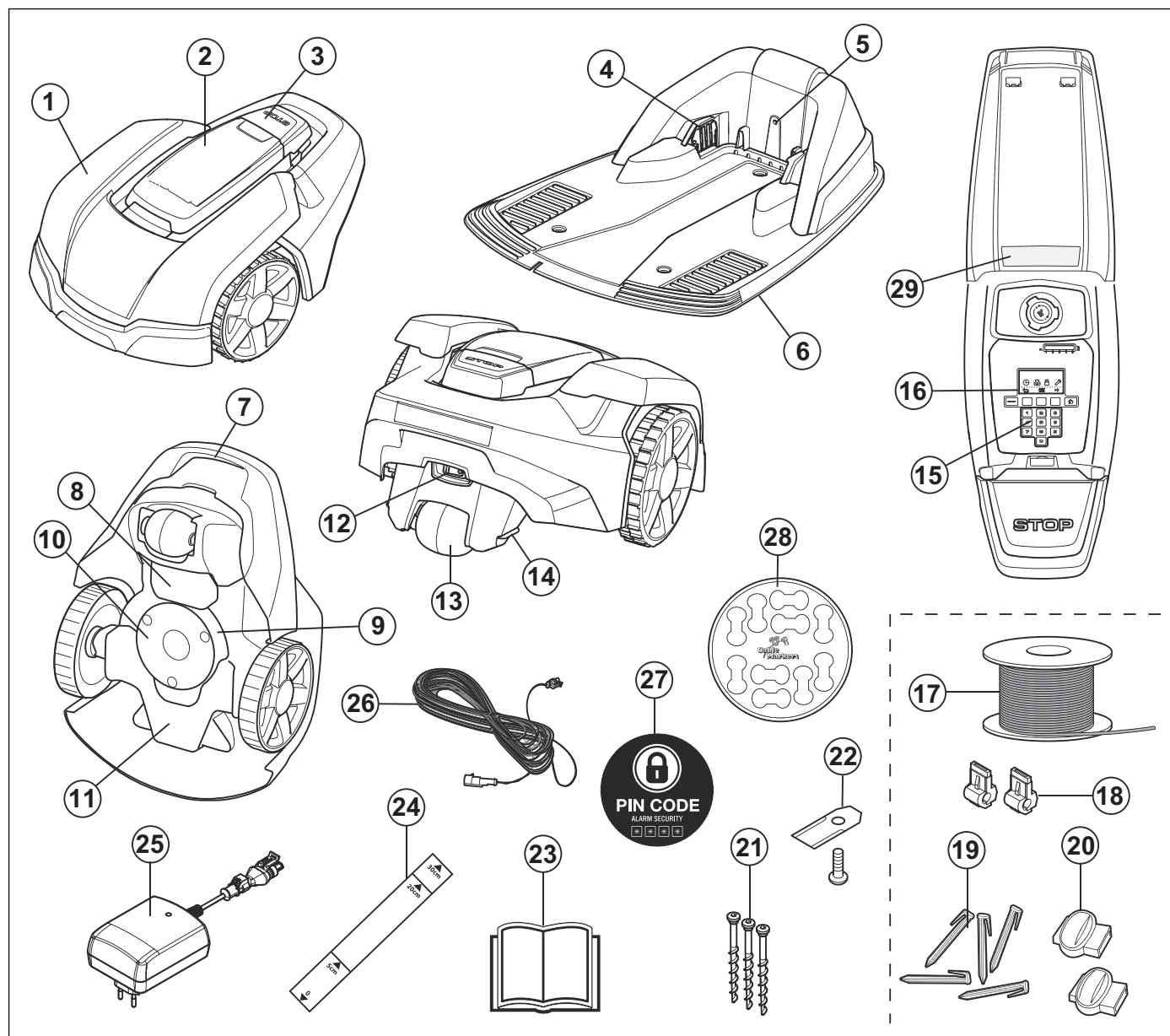


27.7 Retour à la station de charge

L'Automower® 310/315/315X/420/430X/440/450X peut être réglé afin de chercher la station de charge en utilisant au moins l'une des 3 méthodes suivantes : Il combine automatiquement ces 3 méthodes de recherche afin de localiser la station de charge aussi rapidement que possible mais en évitant également autant que possible la formation de traînées.

L'Automower® 105 suit toujours le câble guide jusqu'à la station de charge.

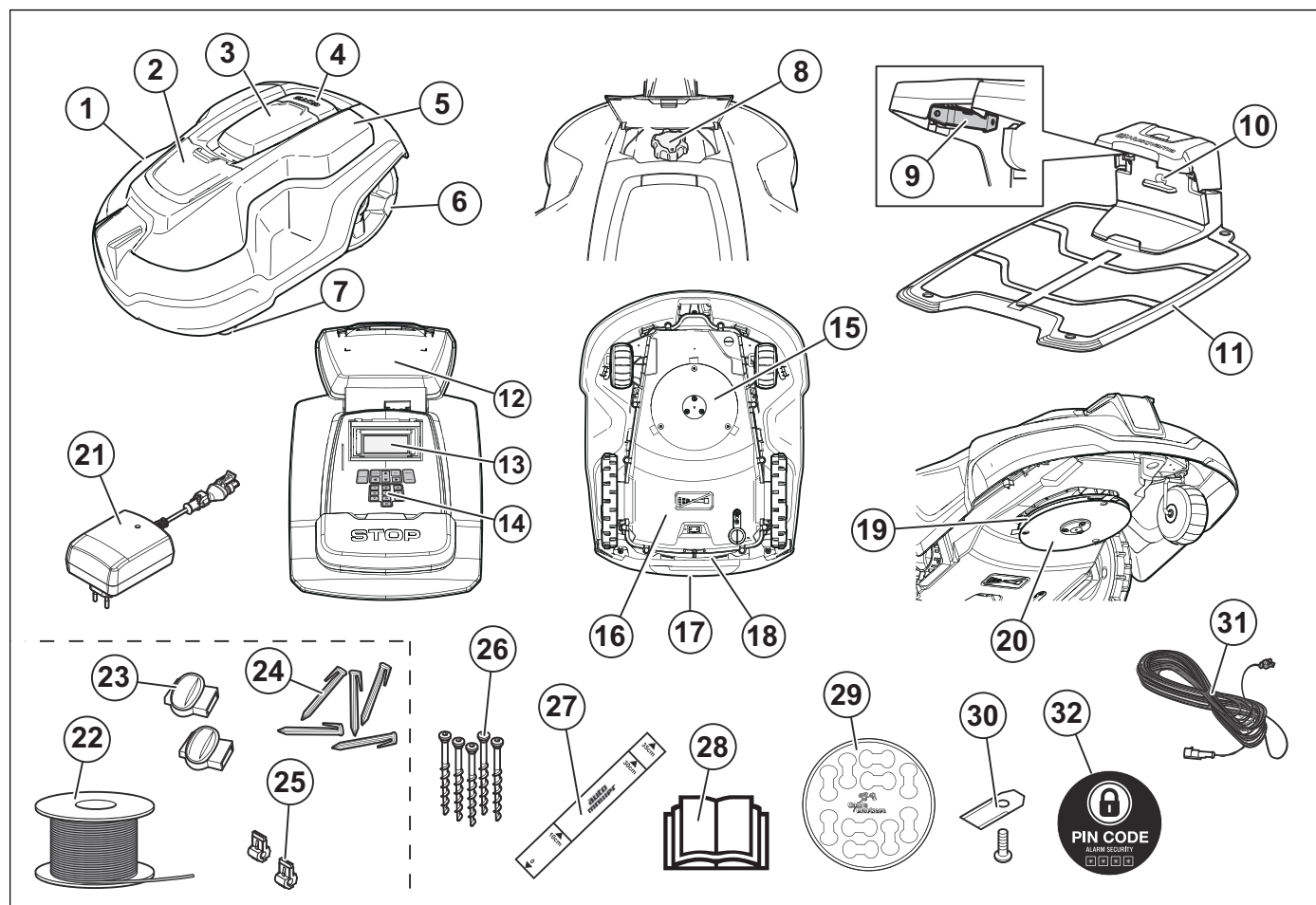
27.8 Présentation du produit Automower® 105



Les numéros sur la figure représentent :

- | | |
|--|---|
| 1. Carrosserie | 16. Écran d'affichage |
| 2. Capot de l'écran d'affichage, du clavier et du réglage de la hauteur de coupe | 17. Boucle de câble pour le câble périphérique et le câble guide |
| 3. Bouton d'arrêt | 18. Connecteur permettant de connecter la boucle de câble à la station de charge |
| 4. Bandes de contact | 19. Piquets |
| 5. Voyant de fonctionnement de la station de charge, du câble périphérique et du câble guide | 20. Raccord de câble |
| 6. Station de charge | 21. Vis pour fixation de la station de charge |
| 7. Poignée de transport | 22. Lames supplémentaires |
| 8. Capot de la batterie | 23. Manuel d'utilisation et guide d'installation rapide |
| 9. Disque de coupe | 24. Règle d'aide à la pose du câble périphérique (la règle est à détacher de la boîte) |
| 10. Plaque de protection | 25. Alimentation électrique (l'aspect de l'alimentation électrique peut varier en fonction du marché) |
| 11. Châssis contenant l'électronique, la batterie et les moteurs | 26. Câble basse tension |
| 12. Interrupteur principal | 27. Autocollant Alarme |
| 13. Roue arrière | 28. Marqueurs de câbles |
| 14. Contacts de charge | 29. Plaque d'identification |
| 15. Clavier | |

27.9 Présentation du produit Automower® 310/315/315X



Les numéros sur la figure représentent :

- | | |
|--|--|
| <ul style="list-style-type: none"> 1. Carrosserie 2. Capot de réglage de la hauteur de coupe 3. Capot d'accès à l'écran et au clavier 4. Bouton d'arrêt 5. Capot repositionnable 6. Roues arrière 7. Roues avant 8. Réglage de la hauteur de coupe 9. Contacts de charge station 10. Voyant de fonctionnement de la station de charge et du câble périphérique 11. Station de charge 12. Plaque d'identification 13. Écran 14. Clavier 15. Système de coupe 16. Châssis contenant l'électronique, la batterie et les moteurs | <ul style="list-style-type: none"> 17. Poignée 18. Interrupteur principal 19. Disque de coupe 20. Disque de protection 21. Alimentation électrique (l'aspect de l'alimentation électrique peut varier en fonction du marché) 22. Bobine de câble pour le câble périphérique et le câble guide ³³ 23. Raccords de boucle de câble ³⁴ 24. Piquets ³⁵ 25. Connecteur du câble de boucle ³⁶ 26. Vis pour fixation de la station de charge 27. Règle d'aide à la pose du câble périphérique (la règle est à détacher de la boîte) 28. Manuel d'utilisation et Guide rapide 29. Marqueurs de câbles 30. Lames supplémentaires 31. Câble basse tension 32. Autocollant Alarme |
|--|--|

³³ Fait partie du kit d'installation qui a été acheté séparément.

³⁴ Voir remarque 1

³⁵ Voir remarque 1

³⁶ Voir remarque 1

27.11 Symboles concernant le produit

Ces symboles peuvent figurer sur le robot de tonte.
Étudiez-les attentivement.



AVERTISSEMENT : lisez attentivement les instructions d'utilisation avant d'utiliser le robot de tonte.



AVERTISSEMENT : actionnez le dispositif de désactivation avant de travailler sur la machine ou de la soulever.

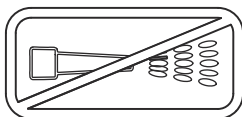
Le robot de tonte ne peut démarrer que lorsque l'interrupteur principal est en position 1 et que le bon code PIN a été saisi. Mettez l'interrupteur principal en position 0 avant de procéder à toute opération de contrôle et/ou de maintenance.



AVERTISSEMENT : maintenez une distance de sécurité entre la machine en fonctionnement et vous. Maintenez les mains et les pieds à distance des lames en rotation.



AVERTISSEMENT : ne vous mettez ni debout, ni assis sur la machine. Ne placez jamais les mains ou les pieds en dessous ou à proximité de la machine.



Ne nettoyez jamais le robot de tonte avec un nettoyeur à haute pression ni à l'eau courante.



Ce produit est conforme aux directives CE en vigueur.



Émissions sonores dans le milieu environnant. Les émissions de la machine sont indiquées au chapitre *Caractéristiques techniques* à la page 77 et sur la plaque signalétique.



Ce produit ne doit pas être jeté avec les déchets ménagers. Veillez à le recycler conformément aux directives légales locales.



Le châssis contient des composants qui sont sensibles aux décharges électrostatiques (ESD). Le châssis doit également être scellé de manière professionnelle. C'est pourquoi il ne doit être ouvert que par des techniciens d'entretien agréés. Un sceau rompu peut entraîner la non-validité de la totalité ou de certaines parties de la garantie.



Le câble basse tension ne peut pas être raccourci, rallongé ou épissé.

N'utilisez pas de coupe-herbe à proximité du câble basse tension. Soyez prudent lors de la coupe de bordures où se trouvent les câbles.

Actionnez le dispositif de désactivation avant d'utiliser ou de soulever le produit.

28 Sécurité

28.1 Instructions générales de sécurité

Le système suivant est utilisé dans le manuel d'utilisation pour une utilisation plus simple :

- Les textes écrits en *italique* indiquent un affichage sur l'écran d'affichage du robot tondeuse ou une référence à une autre section du manuel d'utilisation.

- Le texte écrit en **gras** fait référence aux touches du clavier du robot de tonte.
- Le texte écrit en *LETTRES MAJUSCULES* et en *italique* fait référence aux différents modes de fonctionnement du robot de tonte.

28.1.1 IMPORTANT. À LIRE ATTENTIVEMENT AVANT UTILISATION. À CONSERVER POUR RÉFÉRENCE ULTÉRIEURE

L'utilisateur est tenu responsable des accidents et des dangers auxquels il expose autrui ou des biens.

Cet appareil n'est pas destiné à une utilisation par des personnes (ou des enfants) aux capacités physiques, sensorielles ou mentales limitées ou manquant d'expérience et de connaissances, sauf si elles ont bénéficié de la surveillance ou des instructions concernant l'utilisation de l'appareil d'une personne responsable de leur sécurité. Il convient de surveiller les enfants et de les empêcher de jouer avec l'appareil.

Cet appareil peut être utilisé par des enfants âgés de 8 ans et plus, et des personnes ayant des handicaps physiques, sensoriels ou mentaux ou manquant d'expérience et de connaissances, à condition qu'ils bénéficient de la surveillance ou des instructions appropriées concernant l'utilisation de l'appareil en toute sécurité et qu'ils aient bien compris les risques encourus. Les réglementations nationales peuvent limiter l'âge de l'utilisateur. Le nettoyage et les opérations d'entretien ne doivent pas être réalisés par des enfants sans surveillance.

Ne connectez jamais l'alimentation électrique à une prise si la fiche ou le fil est endommagé. Les fils usés ou endommagés augmentent le risque de choc électrique.

Ne chargez la batterie que dans la station de charge incluse. Une utilisation inappropriée peut provoquer un choc électrique, une surchauffe ou une fuite de liquide corrosif de la batterie. En cas de fuite d'électrolyte, nettoyez avec de l'eau ou un agent de neutralisation et en cas de contact avec les yeux, consultez un médecin.

Utilisez uniquement les batteries d'origine recommandées par le fabricant. La sécurité du produit ne peut pas être garantie avec des batteries autres que celles d'origine. N'utilisez pas de batteries non rechargeables.

L'appareil doit être déconnecté de l'alimentation secteur lors de la dépose de la batterie.



AVERTISSEMENT: Le robot tondeuse peut être dangereux s'il est mal utilisé.



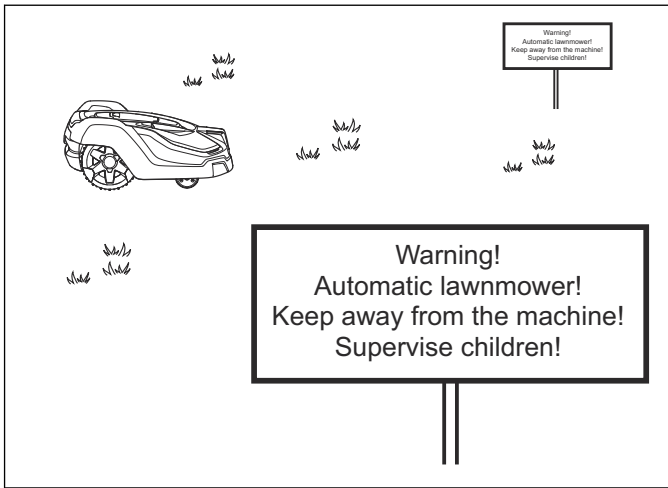
AVERTISSEMENT: N'utilisez jamais le robot de tonte quand des personnes, en particulier des enfants, ou des animaux domestiques, se trouvent dans la zone de tonte.



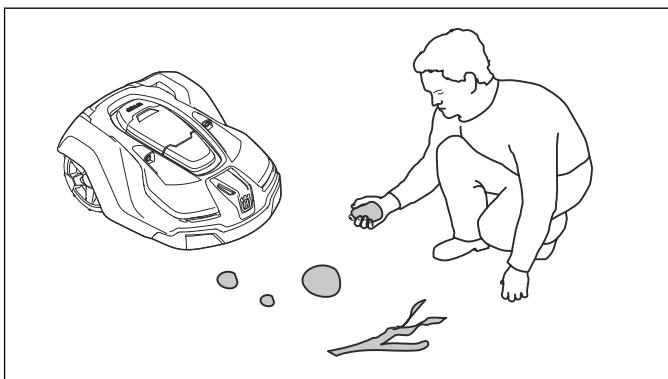
AVERTISSEMENT: Maintenez les mains et les pieds à distance des lames en rotation. Ne placez jamais les mains ou les pieds en dessous ou à proximité de la machine lorsque le moteur tourne.

28.2 Utilisation

- Ce robot de tonte est conçu pour couper l'herbe sur des surfaces extérieures planes. Il ne doit être utilisé qu'avec les équipements recommandés par le fabricant. Toute autre utilisation est incorrecte. Les instructions du fabricant concernant l'utilisation, la maintenance et les réparations doivent être minutieusement respectées.
- Des panneaux d'avertissement doivent être placés autour de la zone de travail du robot de tonte s'il est utilisé dans des espaces publics. Les panneaux doivent comporter le texte suivant : **Avvertissement ! Tondeuse automatique ! Maintenez les enfants à distance de la machine ! Surveillez les enfants !**



- Utilisez la fonction **PARK** ou coupez l'interrupteur principal lorsque des personnes, en particulier des enfants, ou des animaux, se trouvent dans la zone de tonte. Il est recommandé de programmer la tondeuse pour une utilisation pendant les heures où personne ne se trouve dans la zone, par exemple la nuit.
- Le robot tondeuse ne peut être utilisé, entretenu et réparé que par des personnes parfaitement familiarisées avec ses caractéristiques spéciales et connaissant les consignes de sécurité. Veuillez lire attentivement le manuel d'utilisation et bien l'assimiler avant d'utiliser le robot tondeuse.
- Vous n'êtes pas autorisé à modifier la conception originale du robot tondeuse. Toutes les modifications effectuées sont à vos risques et périls.
- Vérifiez qu'aucun objet tel que des pierres, des branches, des outils ou des jouets ne se trouve sur la pelouse car il pourrait endommager les lames. Les objets présents sur la pelouse peuvent également se coincer dans le robot tondeuse et vous pourriez avoir besoin d'aide pour retirer l'objet avant que la tonte ne reprenne. Réglez toujours l'interrupteur principal en position 0 avant d'éliminer une obstruction.



- Mettez le robot tondeuse en marche en suivant les instructions. Lorsque l'interrupteur principal est en position 1, assurez-vous de garder les mains et les pieds à distance des lames en rotation. Ne placez jamais les mains ou les pieds en dessous du robot tondeuse.
- Ne touchez jamais les pièces dangereuses en mouvement, telles que le disque de coupe, avant qu'elles ne soient complètement à l'arrêt.

- Lorsque l'interrupteur principal est en position 1, vous ne devez en aucun cas soulever ou transporter le robot de tonte.
- Ne laissez pas des personnes ignorant le fonctionnement du robot de tonte s'en servir.
- Ne laissez jamais le robot de tonte entrer en collision avec des personnes ou d'autres êtres vivants. Si une personne ou un autre être vivant se trouve sur la trajectoire de la tondeuse, celle-ci doit être immédiatement arrêtée.
- Ne posez rien sur le robot tondeuse ni sur sa station de charge.
- N'utilisez pas le robot tondeuse si la protection, le disque de coupe ou la carrosserie sont défectueux. Ne l'utilisez pas non plus si les lames, les vis, les écrous ou les câbles sont défectueux. Ne branchez jamais ou n'appuyez jamais sur un câble endommagé avant que celui-ci soit déconnecté de l'alimentation.
- N'utilisez pas le robot tondeuse si l'interrupteur principal ne fonctionne pas.
- Éteignez toujours le robot tondeuse à l'aide de l'interrupteur principal lorsque vous ne vous en servez pas. Le robot de tonte ne peut démarrer que lorsque l'interrupteur principal est en position 1 et que le bon code PIN a été saisi.
- Le robot tondeuse ne doit jamais être utilisé en même temps qu'un arroseur. Utilisez la fonction de minuterie de façon à ne jamais faire fonctionner le robot de tonte et l'arroseur simultanément.
- Husqvarna ne garantit en aucun cas la compatibilité totale entre le robot de tonte et d'autres types de dispositif sans fil comme des télécommandes, des transmetteurs radio, des boucles d'écoute, des clôtures électrifiées enterrées pour animaux ou autres.
- L'alarme intégrée est très forte. Soyez prudent, surtout si le robot tondeuse est manipulé en intérieur.
- Les objets métalliques enterrés (par exemple le béton armé ou les filets anti-taupes) peuvent provoquer un arrêt du robot tondeuse. En effet, ils peuvent être à l'origine d'interférences avec le signal boucle, ce qui peut se traduire par un arrêt du robot tondeuse.
- Le robot de tonte ne doit jamais être utilisé à des températures inférieures à 0 °C / 32 °F ou supérieures à 50 °C / 113 °F afin de ne pas l'endommager.

29 Installation

29.1 Connexion de l'alimentation électrique

Tenez compte des éléments suivants pour positionner l'alimentation électrique :

- À proximité de la station de charge
- À l'abri de la pluie
- À l'abri de la lumière directe du soleil.



AVERTISSEMENT: Le robot tondeuse doit être utilisé uniquement avec un bloc d'alimentation fourni par Husqvarna.

N'exposez pas l'alimentation électrique aux rayons directs du soleil et placez-la sous un abri. Si l'alimentation électrique est connectée à une prise électrique à l'extérieur, elle doit être homologuée pour un usage extérieur. Il est recommandé d'utiliser un interrupteur différentiel (RCD) pour connecter l'alimentation électrique à la prise murale.

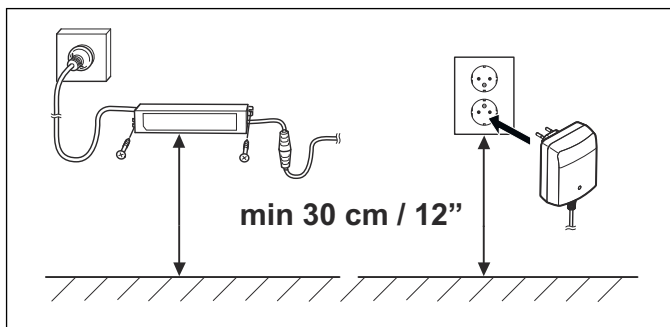


AVERTISSEMENT: applicable aux États-Unis et au Canada. Si l'alimentation est installée en extérieur : risque de choc électrique. Installez uniquement sur une prise DDFT couverte de classe A (RCD) qui présente un boîtier résistant aux intempéries avec l'accessoire capuchon de bougie insérée ou retirée.

Aucune pièce de l'alimentation électrique ne doit être changée ou modifiée. Par exemple, le câble basse tension ne doit pas être raccourci ni rallongé. Des câbles basse tension de 3 m/10 ft ou 20 m/66 ft de long sont disponibles en option.



AVERTISSEMENT: Ne montez jamais l'alimentation électrique à une hauteur présentant un risque de submersion dans l'eau ; placez-la à au moins 30 cm/12" du sol. Il est interdit de placer l'alimentation électrique sur le sol.



AVERTISSEMENT: En aucun cas, les pièces du bloc d'alimentation ne doivent être changées ou modifiées. Le câble basse tension ne doit pas être raccourci ni rallongé.



AVERTISSEMENT: Utilisez la fiche pour déconnecter la station de charge, par exemple avant nettoyage de la station de charge ou réparation de la boucle de câble.



AVERTISSEMENT: Placez le câble basse tension et réglez la hauteur de coupe de sorte que les lames du disque de coupe ne soient jamais en contact avec lui.

Pour plus d'instructions sur la méthode d'installation correcte, reportez-vous au chapitre *Installation* du manuel d'utilisation complet sur le site Web www.husqvarna.com d'Husqvarna.

29.2 Panneau de commande

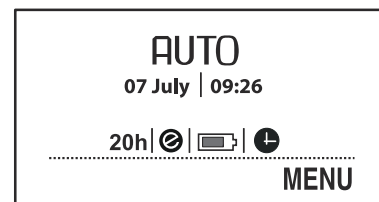
Toutes les commandes et tous les réglages du robot tondeuse sont effectués à partir du panneau de commande. Toutes les fonctions sont accessibles via un certain nombre de menus.

Le panneau de commande est constitué d'un écran d'affichage et d'un clavier. Toutes les informations sont affichées sur l'écran d'affichage et toutes les saisies sont effectuées à l'aide des boutons.

Les textes affichés à l'écran sont en anglais dans le manuel, mais vous verrez les textes sur l'écran du produit dans la langue sélectionnée.

29.3 Écran d'affichage Automower® 105

Si le bouton **STOP** est actionné et que le capot est ouvert, la fenêtre de fonctionnement affiche l'heure, le mode de fonctionnement sélectionné, le nombre d'heures de tonte, l'état de la batterie et le réglage de la minuterie.

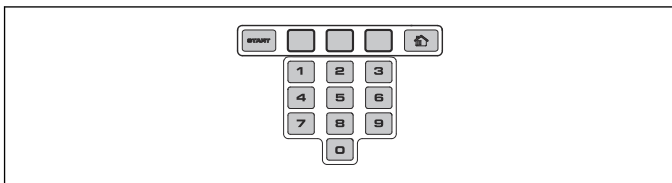


- L'horloge indique l'heure actuelle.
- La date indique le jour en cours.
- Le nombre d'heures de fonctionnement indique le nombre d'heures de fonctionnement du robot de tonte depuis la date de fabrication. Le temps de fonctionnement du robot de tonte regroupe la durée de ses tontes et la durée de ses recherches de la station de charge.
- *AUTO*, *MAN* et *HOME* indiquent le mode de fonctionnement choisi.
- L'état de la batterie indique le niveau de batterie restant.
- Le symbole *ECO* s'affiche si le robot de tonte est en *mode ECO*.

- Le symbole horloge indique que la minuterie a été réglée. Le symbole horloge s'affiche en noir si le robot tondeuse n'est pas autorisé à tondre du fait d'un réglage de minuterie.
- *MENU* indique qu'il est possible d'atteindre le menu principal en appuyant sur le bouton à choix multiples situé sous le texte.

29.4 Clavier Automower® 105

Le clavier est composé de 4 groupes de touches :



- Le bouton **START** sert à activer le robot de tonte. C'est normalement le dernier bouton actionné avant de fermer le capot.
- Les 3 boutons **à choix multiples** offrent diverses fonctions, selon l'endroit où vous vous situez dans la structure du menu. La fonction du bouton est indiquée en bas de l'écran.
- Le **clavier numérique** permet notamment de saisir le code PIN et de régler l'heure.
- Le bouton de **sélection du mode de fonctionnement** est symbolisé par une maison. Une fois que vous avez appuyé sur le bouton, le mode de fonctionnement choisi s'affiche à l'écran d'affichage.

29.5 Écran d'affichage Automower® 310/315/315X/420/430X/440/450X

Une fois le bouton **STOP** enfoncé et la trappe ouverte, la page de démarrage affiche les informations suivantes :

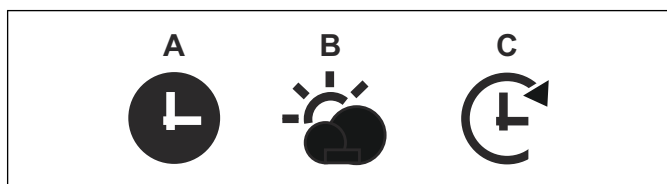


- Informations de fonctionnement, p. ex. *PRÊT, EN TONTE, PARK* ou *MINUTERIE*. *PRÊT* s'affiche si le robot de tonte n'est pas dans un mode de fonctionnement précis, p. ex. si l'interrupteur principal vient d'être actionné. Si vous appuyez sur le bouton **STOP**, le robot de tonte affiche l'action qu'il effectuait avant d'être arrêté, p. ex. *EN TONTE* ou *RECHERCHE*.
- La date et l'heure indiquent l'heure actuelle.
- Pour Automower® 315X/430X/450X : Le symbole du satellite indique que la navigation-GPS est activée. Le symbole (A) indique que le robot de tonte est entré en contact avec suffisamment de satellites GPS. Le symbole (B) indique que le robot de tonte n'est pas entré en contact avec suffisamment de satellites GPS. Lors des premiers jours de fonctionnement du robot de tonte, le symbole (A)

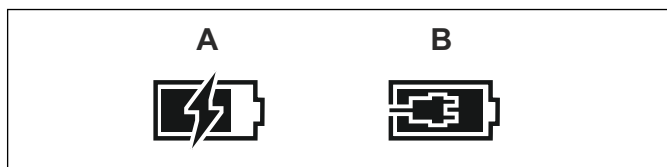
clignote, car il collecte des informations GPS sur l'installation.



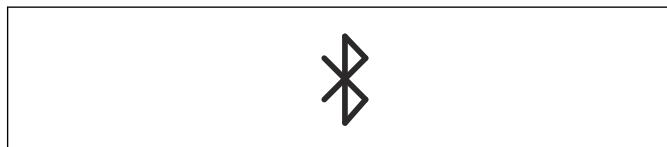
- Le symbole **ECO** s'affiche si le robot de tonte est en *mode ECO*.
- Le symbole horloge noir (A) s'affiche lorsque le robot de tonte n'est pas autorisé à tondre du fait d'un réglage de minuterie. Si le robot n'est pas autorisé à tondre en raison de la *Minuterie adaptative (météo)*, le symbole (B) s'affiche. Si le mode de fonctionnement *Suspendre la minuterie* est sélectionné, le symbole (C) s'affiche.



- L'état de la batterie indique le niveau de batterie restant. Si le robot de tonte est en charge, un voyant clignote également au-dessus du symbole (A) de la batterie. Le symbole (B) indique que le robot de tonte est placé sur la station de charge mais n'est pas en charge.

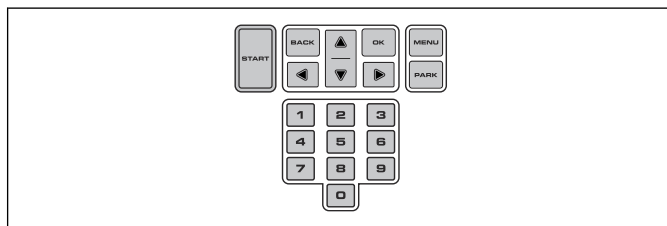


- Le réglage de la hauteur s'affiche sous forme de valeur numérique/d'échelle.
- Pour Automower Connect@Home (voir *Automower Connect@Home* à la page 70) :



29.6 Clavier Automower® 310/315/315X/420/430X/440/450X

Le clavier est composé de 6 groupes de touches :



- Le bouton **START** sert à activer le robot de tonte. C'est normalement le dernier bouton actionné avant de fermer le capot.
- Les boutons **BACK** et **OK** servent à naviguer dans le menu. Le bouton **OK** sert aussi à confirmer les réglages dans le menu.

- Les **touches fléchées** permettent de naviguer dans le menu mais aussi de sélectionner certaines options de réglage.
- Le bouton **MENU** permet d'accéder au menu principal.
- Le bouton **PARK** sert à envoyer le robot tondeuse vers la station de charge.
- Le **clavier numérique** sert à saisir des réglages, par exemple le code PIN, l'heure ou la direction de sortie.

29.7 Structure du menu

Le menu principal du modèle Automower® 105 propose 4 options. L'Automower® 310 dispose de 6 options et l'Automower® 315/315X en a 7. Le menu principal du modèle Automower® 420/430X/440/450X propose 8 options.

29.8 Sous-menus

Il existe plusieurs sous-menus par option. Ces sous-menus vous permettent d'accéder à toutes les fonctions permettant de définir les réglages du robot tondeuse.

Certains sous-menus contiennent des options cochées à gauche. Cela signifie que ces options sont sélectionnées. Cochez ou décochez la case en appuyant sur le bouton **OK**.

29.9 Naviguer entre les menus

Parcourez le menu principal et les sous-menus à l'aide des boutons de sélection à choix multiples (Automower® 105) ou des **touches fléchées** (Automower® 310/315/315X/420/430X/440/450X). Entrez les valeurs et les heures à l'aide du clavier numérique et confirmez chaque sélection à l'aide du bouton à choix multiples indiqué **OK**. Appuyez sur **BACK** pour remonter d'un cran dans le menu ou maintenez le bouton **HOME** (Automower® 105) ou **MENU** (Automower® 310/315/315X/420/430X/440/450X) enfoncé pendant 2 secondes pour accéder directement au menu principal.

29.10 Menu principal



Minuterie

Pour un résultat de tonte optimal, ne tondez pas trop souvent votre pelouse. Il est par conséquent important de limiter le temps de fonctionnement à l'aide de la fonction Minuterie si la zone de tonte est inférieure à la capacité de travail du robot tondeuse. La fonction Minuterie constitue également un moyen idéal pour définir les périodes pendant lesquelles le robot tondeuse ne doit pas fonctionner, par exemple quand les enfants jouent sur la pelouse.



Hauteur de coupe

Applicable pour l'Automower® 420/430X/440/450X

La hauteur de coupe peut varier de MIN (1) à MAX (9). Pendant la première semaine qui suit l'installation, la hauteur de coupe doit être réglée sur MAX pour éviter d'endommager la boucle du câble. La hauteur de coupe peut ensuite être réduite progressivement toutes les semaines jusqu'à ce que la hauteur souhaitée soit atteinte.



Sécurité

Ce menu permet de configurer les paramètres de sécurité et la connexion entre le robot de tonte et la station de charge. Il existe 3 niveaux de sécurité parmi lesquels choisir : *Bas*, *Moyen*, *Haut*.



Messages

Applicable pour l'Automower® 310/315/315X/420/430X/440/450X

Des messages historiques, informatifs et d'erreur peuvent être lus dans ce menu. Pour les messages d'erreur les plus courants, il existe des astuces et des conseils à suivre pour résoudre le problème.



Minuterie adaptative (météo)

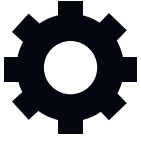
Applicable pour l'Automower® 315/315X/420/430X/440/450X

Cette fonction permet au robot de tonte d'ajuster automatiquement ses temps de tonte en fonction de la vitesse de croissance de l'herbe. Lorsque la météo favorise la pousse de l'herbe, le robot de tonte tond plus souvent tandis que lorsque l'herbe pousse moins vite, le robot de tonte passe automatiquement moins de temps sur la pelouse.



Installation

Cette fonction de menu sert à personnaliser l'installation. Pour beaucoup de zones de tonte, il n'est pas nécessaire de modifier les réglages d'usine, mais en fonction de la complexité de la pelouse, le résultat de tonte peut être amélioré en procédant à des réglages manuels.



Réglages

Cette sélection vous permet de modifier les réglages généraux du robot de tonte, tels que la date et l'heure. Vous pouvez également activer ou désactiver le *mode ECO* et la *tonte en spirale* ou enregistrer vos paramètres dans différents *profils* (Automower® 315/315X/420/430X/440/450X uniquement). Husqvarna recommande de laisser le *mode ECO* activé afin d'économiser l'énergie et éviter des interférences avec d'autres équipements.



Accessoires

Applicable pour l'Automower®
310/315/315X/420/430X/440/450X

Ce menu gère les paramètres des accessoires du robot de tonte, par exemple Automower Connect ou Automower Connect@Home. Contactez votre représentant Husqvarna local pour savoir quels accessoires sont disponibles pour votre robot de tonte.

30 Utilisation

30.1 Sélection du mode de fonctionnement Automower® 105

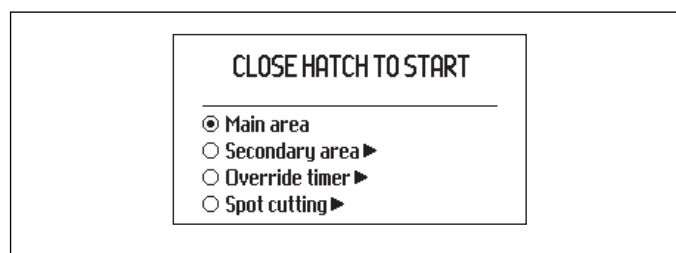
Appuyez plusieurs fois sur le bouton du **mode de fonctionnement** pour choisir l'un des trois modes proposés.

- **HOME.** Renvoie le robot de tonte vers la station de charge. Il reste jusqu'à ce qu'un autre mode de fonctionnement soit choisi. Home apparaît dans la fenêtre de fonctionnement. Lorsque la batterie est complètement chargée, le robot de tonte ne quitte pas la station de charge, puis ne recommence à tondre qu'une fois le mode de fonctionnement défini à nouveau sur **AUTO**.
- **AUTO.** Mode de fonctionnement automatique standard dans lequel le robot tond et se charge automatiquement.
- **MAN.** Le réglage **MAN** doit être utilisé pour la tonte de zones secondaires. Si **MAN** est sélectionné et si le robot de tonte est mis en route hors de la pelouse, il tond jusqu'à ce que la batterie soit entièrement déchargée. Il s'arrête ensuite et le message « Nécessite une recharge manuelle » s'affiche. Le robot tondeuse doit être reconduit à la station de charge et démarré manuellement une fois la batterie rechargée. Si le robot de tonte charge en mode **MAN**, il se recharge complètement, sort de la station de charge, parcourt environ 20 cm/8" puis s'arrête. Cela indique qu'il est chargé et prêt à tondre.

30.2 Sélection du mode de fonctionnement via Start Automower® 310/315/315X/420/430X/440/450X

Lorsque vous appuyez sur le bouton **START**, les modes de fonctionnement suivants peuvent être sélectionnés :

- **ZONE PRINCIPALE.** Mode de fonctionnement standard dans lequel le robot tond et se charge automatiquement.



- **ZONE SECONDAIRE.** Ce réglage doit être utilisé pour la tonte de zones secondaires.

Si le robot de tonte se charge en mode Zone secondaire, il se chargera complètement, s'éloignera de 50 cm/20" environ et s'arrêtera. Cela indique qu'il est chargé et prêt à tondre. Si la zone de travail principale doit être tondue après la charge, il convient de basculer en mode de fonctionnement *Zone principale* avant de placer le robot de tonte dans la station de charge.
- **SUSPENDRE LA MINUTERIE.** Tous les réglages de la minuterie peuvent être temporairement

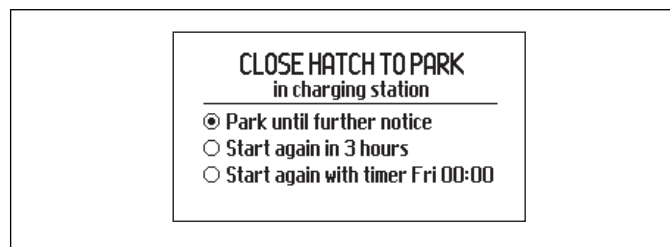
suspendus en sélectionnant Suspendre la minuterie. Il est possible de *suspendre la minuterie* pendant 24 h ou 3 jours.

- **POINT DE TONTE** (non disponible pour l'Automower® 310). Le robot de tonte fonctionne en spirale pour couper l'herbe là où elle a été moins coupée que d'autres parties de la pelouse.

La fonction *Point de tonte* est activée avec le bouton **START**. Vous pouvez sélectionner le mode de fonctionnement du robot de tonte une fois la tonte terminée, en appuyant sur la **flèche droite**, puis en sélectionnant *Zone principale* ou *Zone secondaire*.

30.3 Sélection du mode de fonctionnement Park Automower® 310/315/315X/420/430X/440/450X

Lorsque vous appuyez sur le bouton **PARK**, les modes de fonctionnement suivants peuvent être sélectionnés.



- **PARK JUSQU'À NOUVEL ORDRE.** Le robot tondeuse reste dans la station de charge tant qu'un autre mode de fonctionnement n'est pas sélectionné via le bouton **START**.
- **REDÉMARRER DANS 3 HEURES.** Le robot de tonte reste dans la station de charge pendant trois heures, puis retourne automatiquement au fonctionnement normal. Ce mode de fonctionnement convient lorsqu'il est nécessaire d'interrompre le fonctionnement, p. ex. pour un arrosage temporaire ou pour que des enfants jouent sur la pelouse.
- **DÉMARRAGE À LA PROCH. PÉRIODE.** Le robot de tonte reste dans la station de charge jusqu'à ce que le prochain réglage de minuterie autorise le fonctionnement. Ce mode de fonctionnement convient si vous souhaitez annuler un cycle de tonte en cours et permettre au robot de tonte de rester dans la station de charge jusqu'au jour suivant. Cette option ne s'affiche pas si aucun réglage de minuterie n'a été fait.

30.4 Connectivité

Vous pouvez communiquer avec votre robot de tonte via l'application mobile Automower Connect. Automower Connect est disponible pour votre smartphone et votre tablette (Apple ou Android). Lorsque Automower Connect est activé, de nouvelles icônes s'affichent sur l'écran du robot de tonte. Pour plus d'informations, consultez *Manuel d'utilisation complet* à la page 57.

30.4.1 Automower Connect

Automower Connect est inclus dans l'Automower® 315X/430X/450X et disponible en accessoire pour l'Automower® 310/315/420/440.

Automower Connect relie le système de menu de la tondeuse à votre smartphone, ce qui facilite la lecture et le changement des paramètres de la tondeuse à distance. Grâce à cette application, vous pouvez recevoir l'état actuel de votre Automower et transmettre des commandes au robot de tonte depuis n'importe où dans le monde. En cas de vol, une alarme vous prévient et vous permet de localiser votre tondeuse. Certains pays ne prennent pas en charge Automower Connect en raison des systèmes cellulaires spécifique à chaque région. Contactez votre représentant Husqvarna local pour de plus amples informations.

30.4.2 Automower Connect@Home

Inclus dans l'Automower® 310/315/420/440.

Cela signifie que vous pouvez communiquer avec le robot de tonte tant que vous êtes à portée de communication. Une icône pour les communications Bluetooth s'affiche sur l'écran du robot de tonte lorsque la connexion avec votre smartphone est établie. Automower Connect@Home est doté d'une fonctionnalité similaire, mais pas aussi développée que Automower Connect, et utilise la même application.

30.4.3 Démarrage

Télécharger l'application Automower Connect (applicable également pour Automower Connect@Home) à partir de l'AppStore ou GooglePlay. Une fois l'application téléchargée, vous pouvez spécifier une adresse e-mail et un mot de passe pour créer un compte. Vous recevrez un e-mail de validation à l'adresse e-mail que vous avez spécifiée. Suivez les instructions contenues dans l'e-mail dans les 24 heures pour valider votre compte. Passé ce délai, vous devrez recréer votre compte. Une fois le compte créé dans l'application, vous pouvez appairer le robot de tonte avec votre smartphone.

30.4.4 Appairer avec Automower Connect

Sélectionnez la fonction *Accessoires > Automower Connect > Appairage > Nouvel appairage*. Lorsque l'application vous invite à le faire, entrez le code à 6 chiffres qui apparaît sur l'écran du robot de tonte. Saisissez également le nom du robot dans l'application. Automower Connect est toujours connecté à votre robot de tonte tant que le smartphone est en contact avec le réseau mobile et que le robot de tonte est chargé et l'interrupteur principal est en réglé sur 1.

30.4.5 Appairer avec Automower Connect@Home

Sélectionnez la fonction *Accessoires > Connect@Home > Nouvel appairage* et suivez les instructions de l'application. Une fois votre robot de tonte et votre smartphone appairés, ils se connecteront chaque fois que vous serez à portée (Automower Connect@Home). Si vous souhaitez vous connecter au robot de tonte sans avoir de compte, vous pouvez toujours utiliser Automower Connect@Home en

sélectionnant l'HMI à distance dans l'écran de démarrage de l'application.

30.5 Réglage de la hauteur de coupe

Si l'herbe est haute, laissez le robot de tonte commencer par tondre à la hauteur de coupe MAX. Une fois l'herbe plus courte, vous pouvez abaisser progressivement la hauteur de coupe.

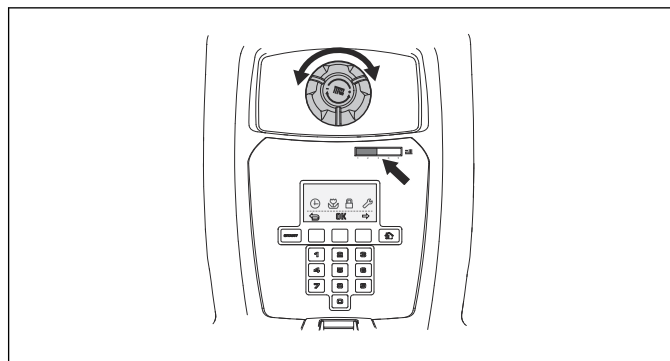


REMARQUE: Pendant la première semaine qui suit l'installation, la hauteur de coupe doit être réglée sur MAX pour éviter d'endommager la boucle du câble. La hauteur de coupe peut ensuite être réduite progressivement toutes les semaines jusqu'à ce que la hauteur souhaitée soit atteinte.

30.5.1 Automower® 105

La hauteur de coupe peut varier de MIN (2 cm / 0.8") à MAX (5 cm / 2.0"). Pour régler la hauteur de coupe :

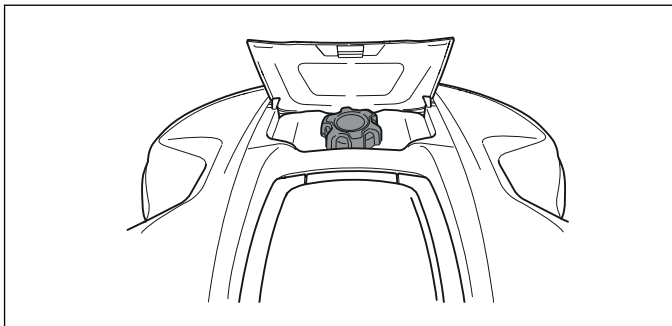
1. Appuyez sur le bouton **STOP** pour arrêter le robot tondeuse, puis ouvrez le capot.
2. Tournez le bouton de réglage de la hauteur dans la position souhaitée. La position choisie est indiquée par la colonne orange, sur l'indicateur de réglage de la hauteur.



30.5.2 Automower® 310/315/315X

La hauteur de coupe peut varier de MIN (2 cm / 0.8") à MAX (6 cm / 2.4") en 9 étapes.

1. Appuyez sur le bouton **STOP** pour arrêter le robot de tonte et ouvrez le capot de réglage de la hauteur de coupe.
2. Tournez le bouton dans la position souhaitée. Tournez dans le sens des aiguilles d'une montre pour augmenter et dans le sens contraire pour diminuer la hauteur de coupe. La flèche s'aligne sur la position sélectionnée marquée sur la carrosserie.
3. Fermez le capot.



30.5.3 Automower® 420/430X/440/450X

La hauteur de coupe peut varier de MIN à MAX en 9 étapes.

1. Appuyez sur le bouton **STOP** pour arrêter le robot tondeuse, puis ouvrez le capot.
2. Appuyez sur le bouton **MENU** pour accéder au menu principal.
3. Déplacez le curseur à l'aide des touches fléchées haut et bas pour sélectionner *Hauteur de coupe*.
4. Appuyez sur **OK**.

31 Entretien

31.1 Nettoyage

Il est important que le robot de tonte soit toujours propre. Un robot de tonte sur lequel a adhéré une grande quantité d'herbe aura plus de mal à monter des pentes, présentera des performances moindres et sera davantage exposé à l'usure. Pour une meilleure fiabilité de fonctionnement et une plus grande longévité, inspectez et nettoyez régulièrement le robot de tonte et remplacez les pièces usées, si nécessaire. Il est recommandé de le nettoyer à l'aide d'une brosse douce.

Pour réduire le risque d'endommagement des pièces électriques du robot de tonte et de sa station de charge, nous recommandons de défaire tous les branchements de la station de charge (alimentation électrique, câble périphérique et câbles guides) en cas de risque d'orage.



AVERTISSEMENT: Lorsque le robot tondeuse est retourné, l'interrupteur principal doit toujours être en position 0.

L'interrupteur principal doit toujours être en position 0 pendant toutes les tâches sur le châssis du robot tondeuse, telles que le nettoyage ou le remplacement des lames.



REMARQUE: Ne nettoyez jamais le robot tondeuse avec un nettoyeur à haute pression ni à l'eau courante. N'utilisez jamais de solvants pour le nettoyage.

31.2 Batterie

La batterie ne nécessite aucun entretien mais présente une durée de vie limitée de 2 à 4 ans.



AVERTISSEMENT: ne chargez le robot de tonte qu'avec une station de charge prévue à cet effet. Une utilisation inappropriée peut provoquer un choc électrique, une surchauffe ou une fuite de liquide corrosif de la batterie. En cas de fuite d'électrolyte, nettoyez avec de l'eau et consultez un médecin en cas de contact avec les yeux, etc.



AVERTISSEMENT: Utilisez uniquement les batteries d'origine recommandées par le fabricant. La sécurité du produit ne peut pas être garantie avec d'autres batteries. N'utilisez pas de batteries non rechargeables.



REMARQUE: La batterie doit être chargée complètement avant le stockage hivernal. Si la batterie n'est pas complètement chargée, cela pourrait l'endommager ou la rendre inutilisable.

Les indices ci-dessous indiquent que la batterie vieillit et doit être éventuellement remplacée :

- La durée de fonctionnement du robot tondeuse est plus courte que la normale entre les charges. Cela conduit à des cycles de charge plus nombreux que la normale, ce qui augmente le risque de formation de traînées à proximité de la station de charge.
- Le robot tondeuse est retrouvé sur la pelouse avec le message *Batterie vide*. Ceci indique que la batterie du robot tondeuse n'a pas la capacité suffisante pour trouver la station de charge.

La batterie reste opérationnelle tant que le robot tondeuse maintient une pelouse bien taillée.

Remarque: La durée de vie de la batterie dépend de la durée de la saison et du nombre d'heures de fonctionnement du robot tondeuse par jour. Une longue saison ou de nombreuses heures d'utilisation par jour impliqueront de remplacer la batterie plus souvent.

Contactez votre représentant Husqvarna local pour remplacer la batterie.

31.3 Remplacement des lames

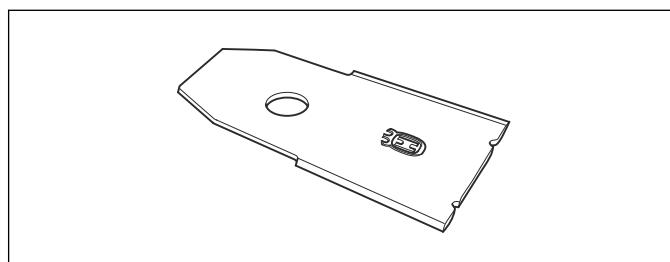


AVERTISSEMENT: Utilisez toujours des lames et des vis adaptées. Husqvarna ne garantit la sécurité que pour l'utilisation des lames d'origine. Si vous ne remplacez que les lames et réutilisez la vis, la vis peut s'user ou se cisailer lors de la tonte. Les lames peuvent alors être projetées depuis la partie inférieure de la carrosserie et causer des blessures graves.

Par mesure de sécurité, remplacez les pièces usées ou endommagées. Même si elles sont intactes, les lames doivent être remplacées régulièrement afin d'optimiser le résultat de tonte et de minimiser la consommation d'énergie.

Les 3 lames et vis doivent être remplacées en même temps pour que le système de coupe reste équilibré.

Utilisez des lames d'origine Husqvarna sur lesquelles le logo avec le H couronné est estampé, voir la section *Conditions de garantie à la page 81*.



31.3.1 Pour remplacer les lames

1. Placez l'interrupteur principal en position 0.
2. Retournez le robot tondeuse. Placez le robot tondeuse sur une surface souple et propre pour éviter de rayer le châssis et le capot.

3. Tournez la plaque de protection de manière à aligner ses trous et les vis de la lame.
4. Retirez les 3 vis. Utilisez un tournevis plat ou cruciforme.
5. Retirez chaque lame et vis.
6. Fixez les nouvelles lames et vis.
7. Vérifiez que les lames bougent librement.

32 Dépannage

32.1 Dépannage

En cas de dysfonctionnement, un message d'erreur s'affiche à l'écran. Pour des informations plus détaillées sur les messages, reportez-vous au manuel d'utilisation complet sur le site Web d'Husqvarna (www.husqvarna.com). Si le même message s'affiche fréquemment ou si vous ne parvenez toujours pas à trouver l'origine du problème, contactez votre revendeur.

Les coupures de la boucle de câble sont généralement le résultat de dégâts physiques accidentels sur le câble, provoqués par exemple par le jardinage avec une pelle. Les coupures peuvent aussi être dues à une tension excessive du câble pendant l'installation. La coupure d'un câble peut être localisée en diminuant graduellement de moitié la longueur de la boucle où la panne peut se trouver, jusqu'à ce qu'il ne reste qu'une partie très courte du câble. Reportez-vous au manuel d'utilisation complet sur le site Web d'Husqvarna (www.husqvarna.com).

32.1.1 Voyant de la station de charge

Le voyant de la station de charge doit émettre une lumière verte fixe ou clignotante pour indiquer que l'installation est totalement fonctionnelle. Si ce n'est pas le cas, suivez le guide de dépannage ci-dessous.

Vous trouverez une aide plus approfondie sur www.husqvarna.com. Si vous avez besoin d'une aide supplémentaire, contactez votre représentant Husqvarna local.

Voyant	Cause	Action
<i>Lumière verte fixe</i>	Signaux OK	Aucune action requise
<i>Lumière verte clignotante</i>	Signaux OK et <i>mode ECO</i> activé.	Aucune action requise. Pour plus d'informations sur le <i>mode ECO</i> , consultez la section <i>Manuel d'utilisation complet à la page 57</i> .
<i>Lumière bleue clignotante</i>	Le câble périphérique n'est pas raccordé à la station de charge.	Vérifiez si les connecteurs du câble périphérique sont correctement montés sur la station de charge. Consultez la section <i>Manuel d'utilisation complet à la page 57</i> .
	Coupure du câble périphérique.	Trouvez l'emplacement de la coupure du câble. Remplacez la partie endommagée de la boucle par un nouveau câble et utilisez un raccord d'origine pour la rallonger.
<i>Lumière rouge clignotante</i>	Interruption du signal de l'antenne de la station de charge.	Contactez votre représentant Husqvarna local.
<i>Lumière rouge fixe</i>	Défaut de la carte électronique ou mauvaise alimentation électrique au niveau de la station de charge. Ce problème doit être pris en charge et réglé par un technicien d'entretien agréé.	Contactez votre représentant Husqvarna local.

33 Transport, entreposage et mise au rebut

33.1 Transport

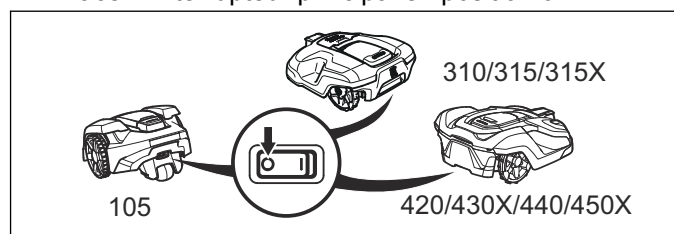
Les batteries lithium-ion contenues sont soumises aux exigences de la législation concernant les marchandises dangereuses. Lors du transport commercial (p. ex., par un transporteur tiers ou un agent de transit), des exigences spéciales doivent être respectées sur les emballages et étiquettes. Consultez un expert en matière dangereuse pour préparer l'élément à expédier. Veuillez également respecter les réglementations nationales plus strictes éventuellement applicables.

Bouchez les contacts ouverts à l'aide de ruban adhésif et emballez la batterie de façon à ce qu'elle ne puisse pas bouger dans l'emballage. Attachez toujours le produit lors de son transport.

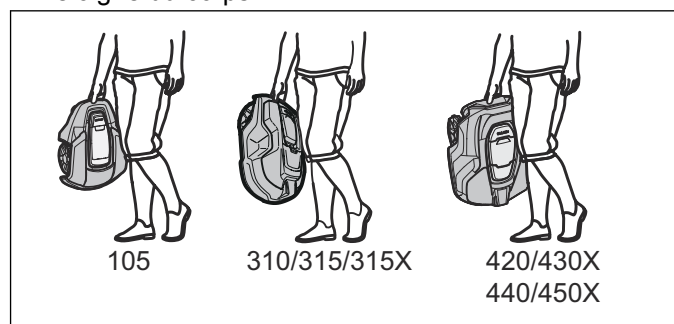
33.1.1 Soulever et déplacer le robot de tonte

Pour s'éloigner en toute sécurité de la zone de tonte ou s'y déplacer :

1. Appuyez sur le bouton **STOP** pour arrêter le robot tondeuse. Si la sécurité est définie au niveau moyen ou élevé (voir *Manuel d'utilisation complet* à la page 57) vous devez saisir le code PIN. Composé de quatre chiffres, le code PIN est défini lors de la première mise en marche du robot de tonte. Consultez la section *Manuel d'utilisation complet* à la page 57.
2. Placez l'interrupteur principal en position 0.



3. Transportez le robot de tonte en utilisant la poignée en dessous de ce dernier, avec le disque de coupe éloigné du corps.



REMARQUE: Ne soulevez pas le robot de tonte lorsqu'il est garé dans la station de charge. Cela peut endommager la station de charge et/ou le robot de tonte. Appuyez sur **STOP** et tirez sur le robot de tonte pour le sortir de la station de charge avant de le soulever.

33.2 Remisage hivernal

33.2.1 Le robot de tonte

Nettoyez soigneusement le robot de tonte avant de la remettre pour la période hivernale. Consultez la section *Nettoyage* à la page 72.

Pour garantir la fonctionnalité et la durée de vie de la batterie, il est important de charger le robot de tonte avant de le remettre pendant l'hiver. Placez le robot de tonte dans la station de charge en laissant le capot ouvert, jusqu'à ce que l'icône de batterie sur l'écran indique que la batterie est complètement chargée. Mettez ensuite l'interrupteur principal en position 0.

Vérifiez l'état des consommables, comme les lames et les roulements de la roue arrière. Remplacez-les si nécessaire pour garantir le bon état du robot de tonte avant la saison suivante.

Remisez le robot de tonte posé sur ses roues et mettez-le dans un endroit sec, à l'abri du gel, de préférence dans son emballage d'origine. Vous pouvez également accrocher le robot de tonte sur un support mural Husqvarna d'origine. Contactez le service clientèle Husqvarna pour plus d'informations sur les supports muraux.



REMARQUE: La batterie doit être chargée complètement avant le stockage hivernal. Si la batterie n'est pas complètement chargée, cela pourrait l'endommager ou la rendre inutilisable.

33.2.2 La station de charge

Stockez la station de charge et l'alimentation électrique à l'intérieur. Le câble périphérique et le câble guide peuvent rester dans le sol.

1. Débranchez l'alimentation de la station de charge.
2. Déverrouillez le connecteur et tirez dessus pour l'extraire.
3. Déconnectez les contacts des câbles périphérique et guide de la station de charge.

Protégez les extrémités des câbles de l'humidité en les mettant par exemple dans un contenant avec de la graisse.

S'il n'est pas possible de ranger la station de charge à l'intérieur, elle doit rester connectée au secteur, au câble périphérique et aux câbles guides tout l'hiver.

33.3 Informations environnementales



Le symbole sur le robot de tonte Husqvarna indique que ce produit ne peut pas être traité comme un déchet ménager ordinaire. Il convient plutôt de l'envoyer dans un centre de recyclage adapté pour y faire recycler ses composants électroniques et ses batteries. La batterie doit être retirée du produit avant de mettre celui-ci au rebut.

Pour le démontage de la batterie, consultez le manuel d'utilisation complet sur le site Web d'Husqvarna.

En prenant correctement soin de ce produit, vous contribuez à compenser l'éventuel effet négatif sur l'environnement et les personnes, qui autrement pourrait être engendré par la mauvaise gestion de la mise au rebut du produit.

Pour obtenir de plus amples informations sur le recyclage de ce produit, contactez votre municipalité, votre service des ordures ménagères ou le magasin où vous avez acheté ce produit.

34 Caractéristiques techniques

34.1 Automower® 105/310/315/315X

Dimensions	Automower® 105	Automower® 310	Automower® 315	Automower® 315X
Longueur, cm/po	55/21,7	63/24,8	63/24,8	63/24,8
Largeur, cm/po	39/15,4	51/20,1	51/20,1	51/20,1
Hauteur, cm/po	25/9,8	25/9,8	25/9,8	25/9,8
Poids kg/lbs	6,9/15	9,2/20	9,2/20	10,1/22

Système électrique	Automower® 105	Automower® 310	Automower® 315	Automower® 315X
Batterie lithium-ion, 18 V/2,1 Ah N°	586 57 62-01, 586 57 62-02	584 85 28-01, 584 85 28-02	584 85 28-01, 584 85 28-02	584 85 28-01, 584 85 28-02
Alimentation, V/28 V CC	100-240	100-240	100-240	100-240
Longueur de câble basse tension, m/ft	10/33	10/33	10/33	10/33
Consommation d'énergie moyenne à une utilisation maximale	5 kWh/mois pour une zone de travail de 600 m ² /0,15 hectare	8 kWh/mois pour une zone de travail de 1 000 m ² /0,25 hectare	10 kWh/mois pour une zone de travail de 1500 m ² /0,37 hectare	10 kWh/mois pour une zone de travail de 1600 m ² /0,4 hectare
Courant de charge, A CC	1.3	1.3	1.3	1.3
Temps de tonte moyen, min	65	70	70	70
Temps de charge moyen, min	50	60	60	60

Antenne du câble périphérique	Automower® 105	Automower® 310	Automower® 315	Automower® 315X
Bande de fréquence d'exploitation, Hz	300-80 000	300-80 000	300-80 000	300-80 000
Puissance de radiofréquence maximale, mW @60 m ⁴¹	<25	<25	<25	<25

Émissions sonores dans l'environnement mesurées en tant que puissance acoustique ⁴²	Automower® 105	Automower® 310	Automower® 315	Automower® 315X
Niveau de puissance acoustique mesuré, dB(A) ⁴³	58	58	58	58
Incertitudes des émissions sonores K _{WA} , dB (A)	3	2	2	2
Niveau de puissance acoustique garanti, dB(A)	61	60	60	60
Niveau de pression sonore à l'oreille de l'utilisateur, dB(A) ⁴⁴	47	47	47	47

⁴¹ Puissance de sortie active maximum au niveau des antennes dans la bande de fréquence dans laquelle l'équipement radio fonctionne.

⁴² La déclaration sur les émissions sonores est conforme à la norme EN 50636-2-107:2015. Émissions sonores dans l'environnement mesurées en tant que puissance acoustique (L_{WA}) selon la directive européenne 2000/14/CE. La puissance acoustique garantie comprend une variation dans la production ainsi qu'une variation du code du test de 1-3 dB(A).

⁴³ Incertitudes des émissions sonores K_{WA}, 2 dB (A)

⁴⁴ Incertitudes de pression sonore K_{pA}, 2 à 4 dB (A)

Tonte	Automower® 105	Automower® 310	Automower® 315	Automower® 315X
Système de coupe	3 trois lames de coupe pivotantes			
Vitesse du moteur de coupe, tr/min	2 900	2 300	2 300	2 300
Consommation d'énergie pendant la coupe, W +/- 20 %	20	25	25	25
Hauteur de coupe, cm/po	2-5/0,8 - 2,0	2-6/0,8 - 2,4	2-6/0,8 - 2,4	2-6/0,8 - 2,4
Largeur de coupe, cm/po	17/6,7	22/8,7	22/8,7	22/8,7
Passage le plus étroit possible, cm/po	60/24	60/24	60/24	60/24
Angle maximum de zone de tonte, %	25	40	40	40
Angle maximum du câble périphérique, %	15	15	15	15
Longueur maximale du câble périphérique, m/ft	400/1 300	800/2 600	800/2 600	800/2 600
Longueur maximale du câble guide, m/ft	200/650	400/1 300	400/1 300	400/1 300
Capacité de fonctionnement, m ² /hectare, +/- 20 %	600/0,15	1 000/0,25	1 500/0,37	1 600/0,4

Classification IP	Automower® 105	Automower® 310	Automower® 315	Automower® 315X
Robot de tonte	IPX4	IPX4	IPX4	IPX4
Station de charge	IPX1	IPX1	IPX1	IPX1
Alimentation électrique	IPX4	IPX4	IPX4	IPX4

Husqvarna AB ne garantit en aucun cas la compatibilité totale entre le robot de tonte et d'autres types de dispositif sans fil comme des télécommandes, des transmetteurs radio, des boucles d'écoute, des clôtures électrifiées enterrées pour animaux ou autres.

34.2 Automower® 420/430X/440/450X

Dimensions	Automower® 420	Automower® 430X	Automower® 440	Automower® 450X
Longueur, cm/po	72/28,3	72/28,3	72/28,3	72/28,3
Largeur, cm/po	56/22,0	56/22,0	56/22,0	56/22,0
Hauteur, cm/po	31/12,2	31/12,2	31/12,2	31/12,2
Poids kg/lbs	11,5/25	13,2/29	12/27	13,9/31

Système électrique	Automower® 420	Automower® 430X	Automower® 440	Automower® 450X
Batterie lithium-ion, 18 V/2,1 Ah N°	580 68 33-01, 580 68 33-02	588 14 64-01	588 14 64-01 (2 pcs.)	588 14 64-01 (2 pcs.)
Alimentation, V/28 V CC	100-240	100-240	100-240	100-240
Longueur de câble basse tension, m/ft	10/33	10/33	10/33	10/33
Consommation d'énergie moyenne à une utilisation maximale	17 kWh/mois pour une zone de travail de 2200 m ² /0,55 hectare	18 kWh/mois pour une zone de travail de 3200 m ² /0,8 hectare	20 kWh/mois pour une zone de travail de 4000 m ² /1 hec- tare	23 kWh/mois pour une zone de travail de 5000 m ² /1,25 hectare
Courant de charge, A CC	2.2	4.2	7	7
Temps de tonte moyen, min	75	145	290	270
Temps de charge moyen, min	50	50	60	60

Antenne du câble périphérique	Automower® 420	Automower® 430X	Automower® 440	Automower® 450X
Bande de fréquence d'exploitation, Hz	300-80 000	300-80 000	300-80 000	300-80 000
Puissance de radiofréquence maximale, mW @60 m ⁴⁵	<25	<25	<25	<25

Émissions sonores dans l'environnement mesurées en tant que puissance acoustique ⁴⁶	Automower® 420	Automower® 430X	Automower® 440	Automower® 450X
Niveau de puissance acoustique mesuré, dB (A) ⁴⁷	57	57	56	58
Incertitudes des émissions sonores K _{WA} , dB (A)	1	1	1	1
Puissance acoustique garantie	58	58	56	59
Niveau de pression sonore à l'oreille de l'utilisateur, dB (A) ⁴⁸	46	46	45	47

Tonte	Automower® 420	Automower® 430X	Automower® 440	Automower® 450X
Système de coupe	3 trois lames de coupe pivotantes			
Vitesse du moteur de coupe, tr/min	2 300	2 300	2 300	2 300
Consommation d'énergie pendant la coupe, W +/- 20 %	30	30	30	35
Hauteur de coupe, cm/po	2-6/0,8 - 2,4	2-6/0,8 - 2,4	2-6/0,8 - 2,4	2-6/0,8 - 2,4
Largeur de coupe, cm/po	24/9,4	24/9,4	24/9,4	24/9,4
Passage le plus étroit possible, cm/po	60/24	60/24	60/24	60/24
Angle maximum de zone de tonte, %	45	45	45	45
Angle maximum du câble périphérique, %	15	15	15	15
Longueur maximale du câble périphérique, m/ft	800/2 600	800/2 600	800/2 600	800/2 600
Longueur maximale du câble guide, m/ft	400/1 300	400/1 300	400/1 300	400/1 300
Capacité de fonctionnement, m ² /hectare, +/- 20 %	2 200/0,55	3 200/0,8	4 000/1	5 000/1,25

Classification IP	Automower® 420	Automower® 430X	Automower® 440	Automower® 450X
Robot de tonte	IPX4	IPX4	IPX4	IPX4
Station de charge	IPX1	IPX1	IPX1	IPX1
Alimentation électrique	IPX4	IPX4	IPX4	IPX4

⁴⁵ Puissance de sortie active maximum au niveau des antennes dans la bande de fréquence dans laquelle l'équipement radio fonctionne.

⁴⁶ La déclaration sur les émissions sonores est conforme à la norme EN 50636-2-107:2015. Émissions sonores dans l'environnement mesurées en tant que puissance acoustique (L_{WA}) selon la directive européenne 2000/14/CE. La puissance acoustique garantie comprend une variation dans la production ainsi qu'une variation du code du test de 1-3 dB(A).

⁴⁷ Incertitudes des émissions sonores K_{WA}, 2 dB (A)

⁴⁸ Incertitudes de pression sonore K_{pA}, 2 à 4 dB (A)

Bandes de fréquence prises en charge	
Plage de fréquences Bluetooth®	2400,0-2483,5 MHz
Automower® Connect 3G	Bande 19 (800 MHz)
	Bande 5 (850 MHz)
	Bande 8 (900 MHz)
	Bande 2 (1 900 MHz)
	Bande 1 (2 100 MHz)
Automower® Connect 2G	GSM 850 MHz
	E-GSM 900 MHz
	DCS 1 800 MHz
	PCS 1 900 MHz

Classe de puissance		
Puissance de sortie Bluetooth®	8 dBm	
Automower® Connect 3G	Classe de puissance 3	24 dBm
Automower® Connect 2G	Classe de puissance 4 (pour GSM/E-GSM)	33 dBm
	Classe de puissance 1 (pour DCS/PCS)	30 dBm

Husqvarna AB ne garantit en aucun cas la compatibilité totale entre le robot de tonte et d'autres types de dispositif sans fil comme des télécommandes, des transmetteurs radio, des boucles d'écoute, des clôtures électrifiées enterrées pour animaux ou autres.

35 Garantie

35.1 Conditions de garantie

Husqvarna garantit le fonctionnement de ce produit pendant deux ans (à compter de la date d'achat). Cette garantie couvre les pannes graves liées aux matériaux ou vices de fabrication. Pendant la période de garantie, nous remplacerons le produit ou le réparerons sans frais supplémentaires si les conditions suivantes sont remplies :

- Le robot de tonte et la station de charge ne peuvent être utilisés que conformément aux instructions de ce manuel d'utilisation. La présente garantie n'aura aucun effet sur les réclamations formulées par l'utilisateur à l'encontre du revendeur/fournisseur.
- Les utilisateurs ou tiers non autorisés ne doivent en aucun cas essayer d'effectuer des réparations sur le produit.

Exemples de pannes non couvertes par la garantie :

- Dommages causés par l'infiltration d'eau lors de l'utilisation d'un nettoyeur à haute pression ou de l'immersion sous l'eau, par exemple, lorsque de fortes pluies forment des flaques d'eau.
- Dommages provoqués par la foudre.
- Dommages causés par un stockage inapproprié ou une manipulation incorrecte de la batterie.
- Dommages provoqués par l'utilisation d'une batterie qui ne serait pas d'origine Husqvarna.
- Dommages provoqués par l'utilisation de pièces de rechange et d'accessoires autres que ceux d'origine Husqvarna, tels que les lames et le matériel d'installation.
- Dommages sur la boucle du câble.
- Dommages causés par des changements ou modifications non-autorisés sur le produit ou sur son alimentation.

Les lames et les roues sont considérées comme des éléments consommables et elles ne sont pas couvertes par la garantie.

Si une erreur survient avec le robot de tonte Husqvarna, contactez le service clientèle Husqvarna pour de plus amples instructions. Gardez le reçu et le numéro de série du robot de tonte à portée de main lorsque vous contactez le service clientèle Husqvarna.

36 Déclaration de conformité CE

Nous, **Husqvarna AB**, SE-561 82 Huskvarna, Suède, tél. : +46-36-146500, déclarons que les robots de tonte **Husqvarna Automower® 105**, **Husqvarna Automower® 310**, **Husqvarna Automower® 315**, **Husqvarna Automower® 315X**, **Husqvarna Automower® 420**, **Husqvarna Automower® 430X**, **Husqvarna Automower® 440** et **Husqvarna Automower® 450X** à partir des numéros de série de l'année 2017 semaine 36 et ultérieurs (l'année est clairement indiquée sur la plaque signalétique et suivie du numéro de série), sont conformes aux dispositions de la DIRECTIVE DU CONSEIL :

- Directive « Machines » **2006/42/CE**.
 - Exigences particulières relatives aux robots de tonte électriques alimentés par batterie **EN 50636-2-107 : 2015**.
 - Champs électromagnétiques **EN 62233 : 2008**.
- Directive **2011/65/UE** relative à la limitation de l'utilisation de certaines substances dangereuses.
 - La norme suivante est appliquée : **EN 50581:2012**
- Directive **2000/14/CE** relative aux émissions sonores des matériels utilisés à l'extérieur des bâtiments. Pour de plus amples informations sur les émissions sonores et la largeur de tonte, consultez également la section *Caractéristiques techniques à la page 77*.

Pour **Husqvarna Automower® 105** (certificat 01/901/176), **Husqvarna Automower® 310/315** (certificat 01/901/225), **Husqvarna Automower® 315X** (certificat 01/901/286) et **Husqvarna Automower® 420/430X/440/450X** (certificat 01/901/201) : L'organisme certifié 0404, SMP Svensk Maskinprovning AB, Fyrisborgsgatan 3, SE-754 50 Uppsala, Sweden, a délivré un rapport concernant l'évaluation de la conformité selon l'annexe VI de la Directive du Conseil 2000/14/CE du 8 mai 2000 « relative aux émissions sonores dans l'environnement ».

- Directive relative aux équipements radio **2014/53/UE**. Le certificat de l'examen de type est délivré après examen selon la directive 2014/53/UE. Le numéro de certificat de l'examen de type de l'Automower® 105 de Husqvarna est SC1110-17. Les normes harmonisées suivantes ont été appliquées :

- **ETSI EN 303 447 V1.1.1**

Compatibilité électromagnétique :

- **ETSI EN 301 489 V2.2.0**
- **EN 61000-6-1:2007**
- **EN 61000-6-3:2007/A1:2011**

Pour les modèles **Husqvarna Automower® 310**, **Husqvarna Automower® 315**, **Husqvarna Automower® 315X**, **Husqvarna Automower® 420**, **Husqvarna Automower® 430X**, **Husqvarna Automower® 440** et **Husqvarna Automower® 450X**

équipés du module **Automower® Connect** également :

- **ETSI EN 301 489-19 V2.1.0**
- **ETSI EN 301 489-52 V1.1.1**
- **ETSI EN 301 511 V12.5.1**
- **ETSI EN 301 908-2 V11.1.1**

Pour **Husqvarna Automower® 310**, **Husqvarna Automower® 315**, **Husqvarna Automower® 420** et **Husqvarna Automower® 440** avec fonction **Bluetooth®** également :

- **ETSI EN 300 328 V2.1.1**
- **ETSI EN 301 489-17 V3.1.1**



Husqvarna 2018-05-01

Lars Roos

Global R&D Director, Electric category

(Représentant autorisé Husqvarna AB et responsable de la documentation technique.)

37 Applicable aux marché US/CA

37.1 Exigences de conformité

ID FCC : XPY1CGM5NNN (module Automower® Connect).

ID FCC : ZASHQ-BLE-1A et FCC ID ZASHQ-BLE-1B (module Bluetooth®).

L'appareil est conforme à la réglementation FCC, partie 15. Son utilisation est soumise aux 2 conditions suivantes :

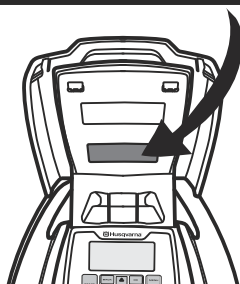
1. Cet appareil ne doit pas entraîner d'interférences dangereuses.
2. Cet appareil doit accepter toute interférence reçue, y compris des interférences qui peuvent provoquer un fonctionnement non souhaité.



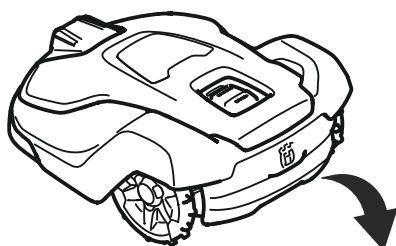
AVERTISSEMENT: Afin de satisfaire aux exigences en matière d'exposition aux radiofréquences, veuillez conserver une distance d'au moins 20 cm/7 pouces avec toute partie du produit.

Modèles équipés d'une trappe : L'étiquette fournie doit être fixée sur le produit conformément à la figure ci-dessous.

Husqvarna Automower® Connect
This device contains the module
FCC ID: XPY1CGM5NNN



Modèles sans trappe : L'étiquette fournie doit être fixée sur le produit conformément à la figure ci-dessous.



Husqvarna Automower® Connect
This device contains the module
FCC ID: XPY1CGM5NNN

Remarque: Tout changement ou modification apporté à cet équipement non expressément approuvé par

Husqvarna peut annuler l'autorisation de la FCC d'utiliser cet équipement.

Remarque: Cet appareil est conforme à la partie 15 de la réglementation FCC [et avec les normes RSS d'exonération de licence Industry Canada]. Son utilisation est soumise aux deux conditions suivantes : cet appareil ne doit pas entraîner d'interférences dangereuses et doit accepter toute interférence reçue, y compris des interférences qui peuvent provoquer un fonctionnement non souhaité.

Remarque: Cet équipement a été testé et jugé conforme aux limites imposées aux appareils numériques de classe B, conformément à la partie 15 de la réglementation FCC. Ces limites sont conçues pour fournir une protection raisonnable contre les interférences nuisibles dans les installations résidentielles. Cet équipement génère, utilise et peut émettre une énergie de fréquence radio, et, s'il n'est pas installé et utilisé conformément aux instructions, peut provoquer des interférences nuisibles aux communications radio. Cependant, rien ne garantit l'absence d'interférences dans une installation particulière. Si cet appareil provoque des interférences nuisibles à la réception radiophonique ou télévisuelle, ce qui peut être déterminé en allumant et en éteignant l'appareil, l'utilisateur est encouragé à essayer de corriger ces interférences en appliquant une ou plusieurs des mesures suivantes :

- Réorientez ou déplacez l'antenne de réception.
- Augmentez la distance entre l'équipement et le récepteur.
- Raccordez l'équipement à une prise sur un circuit différent de celui sur lequel est raccordé le récepteur.
- Consultez le revendeur ou un technicien radio/TV expérimenté pour obtenir de l'aide.

38 Applicable au marché d'Amérique latine (LATAM)

38.1 Exigences de conformité, Brésil

Pour les produits équipés de l'Automower® Connect :

Ce produit est doté de la carte SARA-U201, code d'homologation ANATEL 04466-15-05903.

Pour les produits équipés de la fonction Bluetooth® :

Ce produit est doté de la carte IHM type XX, code d'homologation ANATEL 03199-18-11405

Modèle	Carte IHM type XX
Automower® 310	12

38.2 Exigences de conformité, Argentine

Ce produit est certifié en Argentine conformément au symbole ci-dessous :



Conteúdo

40 Introdução

40.1 Memo.....	86
40.2 Descrição do produto.....	86
40.3 Capacidade.....	86
40.4 Técnica de corte.....	86
40.5 Método de trabalho.....	87
40.6 Padrão de movimento.....	87
40.7 Encontrando a estação de carregamento.....	87
40.8 Visão geral do produto Automower® 105.....	88
40.9 Visão geral do produto Automower® 310/315/315X.....	89
40.10 Visão geral do produto Automower® 420/430X/440/450X.....	90
40.11 Símbolos no produto.....	91

41 Segurança

41.1 Instruções gerais de segurança.....	92
41.2 Uso.....	92

42 Instalação

42.1 Conexão da fonte de alimentação.....	94
42.2 Painel de controle.....	94
42.3 Visor Automower® 105.....	94
42.4 Teclado Automower® 105.....	95
42.5 Visor Automower® 310/315/315X/420/430X/ 440/450X.....	95
42.6 Teclado Automower® 310/315/315X/ 420/430X/440/450X.....	95
42.7 Estrutura de menus.....	96
42.8 Submenus.....	96
42.9 Navegar entre os menus.....	96
42.10 Menu principal.....	96

43 OPERAÇÃO

43.1 Seleção de funcionamento Automower® 105....	98
43.2 Seleção de funcionamento na partida Automower® 310/315/315X/420/430X/440/450X.....	98
43.3 Seleção de funcionamento parado Automower® 310/315/315X/420/430X/440/450X.....	98
43.4 Conectividade.....	98
43.5 Ajustando a altura de corte.....	99

44 Manutenção

44.1 Limpeza.....	101
44.2 Bateria.....	101
44.3 Substituição das lâminas.....	101

45 Solução de problemas

45.1 Solução de problemas.....	103
--------------------------------	-----

46 Transporte, armazenamento e descarte

46.1 Transporte.....	104
46.2 Armazenamento durante o inverno.....	104
46.3 Informações ambientais.....	105

47 Dados técnicos

47.1 Automower® 105/310/315/315X.....	106
47.2 Automower® 420/430X/440/450X.....	107

48 garantia

48.1 Termos da garantia.....	110
------------------------------	-----

49 DECLARAÇÃO DE CONFORMIDADE DA CE

50 Aplicável para o mercado EUA/CA

50.1 Requisitos de conformidade.....	112
--------------------------------------	-----

51 Aplicável ao mercado da AMÉRICA LATINA

51.1 Requisitos de conformidade, Brasil.....	113
51.2 Requisitos de conformidade, Argentina.....	113

40 Introdução

40.1 Memo

Número de série:	
Código PIN:	
Revendedor:	
Número de telefone do revendedor:	

Se o cortador de grama robótico for roubado, é importante notificar a Husqvarna. Entre em contato com o representante local da Husqvarna e informe o número de série do cortador de grama robótico para que seja registrado como roubado numa base de dados internacional. Este é um passo importante na proteção contra roubo, para reduzir o interesse na compra e venda de cortadores de grama robóticos roubados.

O número de série do produto tem nove dígitos e está indicado na etiqueta de tipo (encontrada na parte interna da tampa) e na embalagem do produto.

www.husqvarna.com

40.2 Descrição do produto

Parabéns pela sua escolha de um produto de qualidade excepcionalmente elevada. Para obter os melhores resultados do cortador de grama robótico Husqvarna, é necessário conhecer o seu funcionamento. Este Manual do Usuário contém informações resumidas importantes sobre o cortador de grama robótico. Complementando este Manual do Usuário, existem vídeos informativos com instruções disponíveis no site da Husqvarna, www.husqvarna.com.

Tenha em atenção que o operador é responsável por acidentes e situações que possam representar perigo para terceiros ou à sua propriedade.

A Husqvarna segue uma política de melhoria contínua de seus produtos e, portanto, se reserva o direito de modificar o projeto e a aparência de produtos sem prévio aviso.

40.2.1 Manual do Operador Completo

Um manual do operador completo está disponível no site da Husqvarna, em www.husqvarna.com. Este manual tem mais detalhes e contém mais informações, ou seja, instruções sobre a instalação, manutenção, resolução de problemas e a estrutura de menus.

40.3 Capacidade

O cortador de grama robótico é recomendado para gramados até:

- 600 m² / 0,15 acre: Automower® 105
- 1000 m² / 0,25 acre: Automower® 310
- 1500 m² / 0,37 acre: Automower® 315
- 1600 m² / 0,4 acre: Automower® 315X
- 2200 m² / 0,55 acre: Automower® 420
- 3200 m² / 0,8 acre: Automower® 430X
- 4000 m² / 1,0 acre: Automower® 440
- 5000 m² / 1,25 acres: Automower® 450X

O tamanho da área que o cortador de grama robótico consegue manter cortada depende principalmente da condição das lâminas e do tipo, do crescimento e da umidade da grama. A forma do jardim também é

importante. Se o jardim for constituído principalmente por áreas de gramado abertas, o cortador de grama robótico consegue cortar mais por hora do que se o jardim for composto por vários gramados pequenos, separados por árvores, canteiros de flores e passagens.

Um cortador de grama robótico totalmente carregado corta durante 60 a 290 minutos, dependendo do modelo, da idade da bateria e da espessura da grama. Em seguida, o cortador de grama robótico leva de 50 a 90 minutos para ser carregado. O tempo de carregamento pode variar, dependendo, entre outros fatores, da temperatura ambiente.

40.4 Técnica de corte

O sistema de cortador de grama robótico é baseado num princípio eficiente e que economiza energia. Ao contrário de muitos cortadores de grama normais, o cortador de grama robótico corta a grama em vez de arrancá-la. Essa técnica de corte frequente melhora a qualidade da grama. Nenhuma coleta de grama é necessária e pequenos pedaços de grama cortada reduzem a necessidade de fertilizantes. Além disso, o sistema é livre de emissões, prático e mantém a grama sempre bem cuidada.

Recomenda-se que o cortador de grama robótico corte a grama sobretudo em tempo seco, para obter o melhor resultado possível. O cortador de grama robótico também pode cortar sob chuva; no entanto, a grama molhada cola-se facilmente ao cortador robótico e aumenta o risco de escorregar em declives íngremes.

As lâminas devem estar em boas condições para obter o melhor resultado de corte. Para manter as lâminas afiadas pelo máximo tempo possível, é importante manter o gramado livre de ramos, pedras pequenas e outros objetos.

Substitua as lâminas regularmente. Para obter informações sobre a substituição das lâminas, consulte o Manual do Usuário completo no site da Husqvarna (www.husqvarna.com).

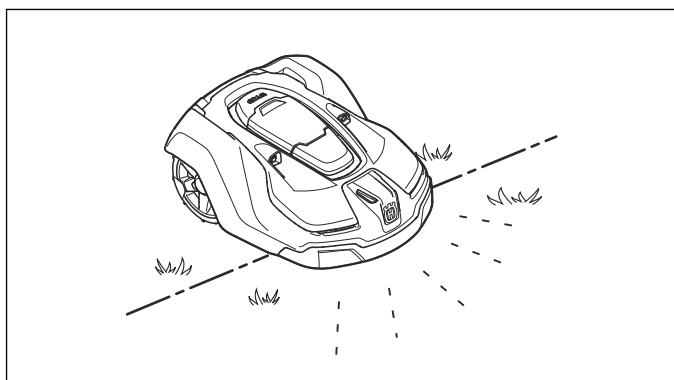
40.5 Método de trabalho

Faça uma instalação correta e segura do laço e do fio-guia. Para mais informações sobre a instalação, consulte o Manual do Usuário completo no site da Husqvarna.

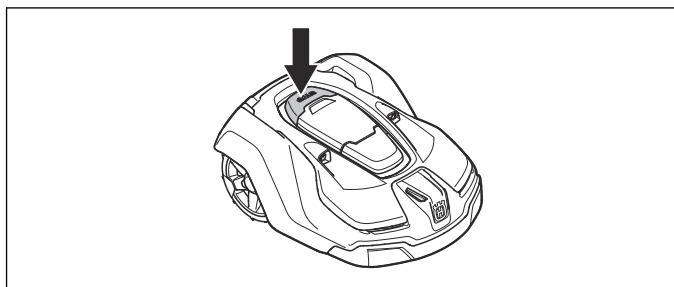
O cortador de grama robótico corta a grama automaticamente. O aparelho alterna continuamente entre corte e carregamento. O cortador de grama robótico começa a procurar a estação de carregamento quando a carga da bateria fica demasiado baixa. O cortador de grama robótico não corta a grama quando está à procura da estação de carregamento.

Automower® 315X/430X/450X Use a navegação por GPS para começar a cortar a grama em um local do jardim onde esta não tenha sido cortada recentemente. Para os outros modelos, poderá ser necessário definir os ajustes de saída manual para garantir que a grama será cortada uniformemente. Consulte o Manual do Usuário completo no site da Husqvarna.

Quando o corpo do cortador de grama robótico atinge um obstáculo ou se aproxima do fio de limite, o cortador de grama robótico volta atrás e escolhe uma nova direção. Os sensores na frente e na traseira detectam quando o cortador de grama robótico se aproxima do fio de limite. A frente do cortador de grama robótico passa sempre pelo fio de limite a uma distância específica antes de o cortador de grama dar meia volta. A distância pode ser alterada para se adaptar-se à instalação se necessário.



O botão **STOP** na parte superior do cortador de grama robótico é utilizado principalmente para parar o cortador quando este se encontra em funcionamento. Quando o botão **STOP** for pressionado, uma tampa se abre e revela um painel de controle. O botão **STOP** permanece pressionado até a tampa ser novamente fechada. Isto, juntamente com o botão **START**, funciona como inibidor de arranque.



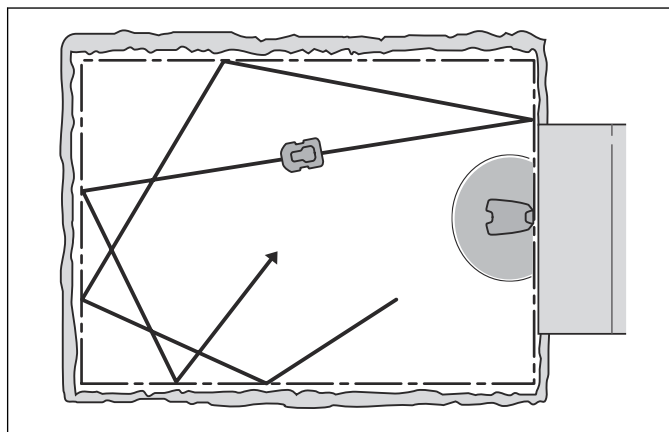
Observação: Pressione sempre o botão **START** antes de fechar a tampa para ligar o cortador de grama robótico. Se o botão **START** não for pressionado, um bipe de mensagem é emitido e o cortador de grama robótico não funciona.

O painel de controle na parte superior do cortador de grama robótico é onde você gerencia todos os ajustes do cortador.

Quando o interruptor principal for colocado na posição 1 pela primeira vez, é iniciada uma sequência de partida que inclui ajustes básicos importantes. Consulte o capítulo *Partida e calibragem pela primeira vez* no Manual do Usuário completo no site da Husqvarna.

40.6 Padrão de movimento

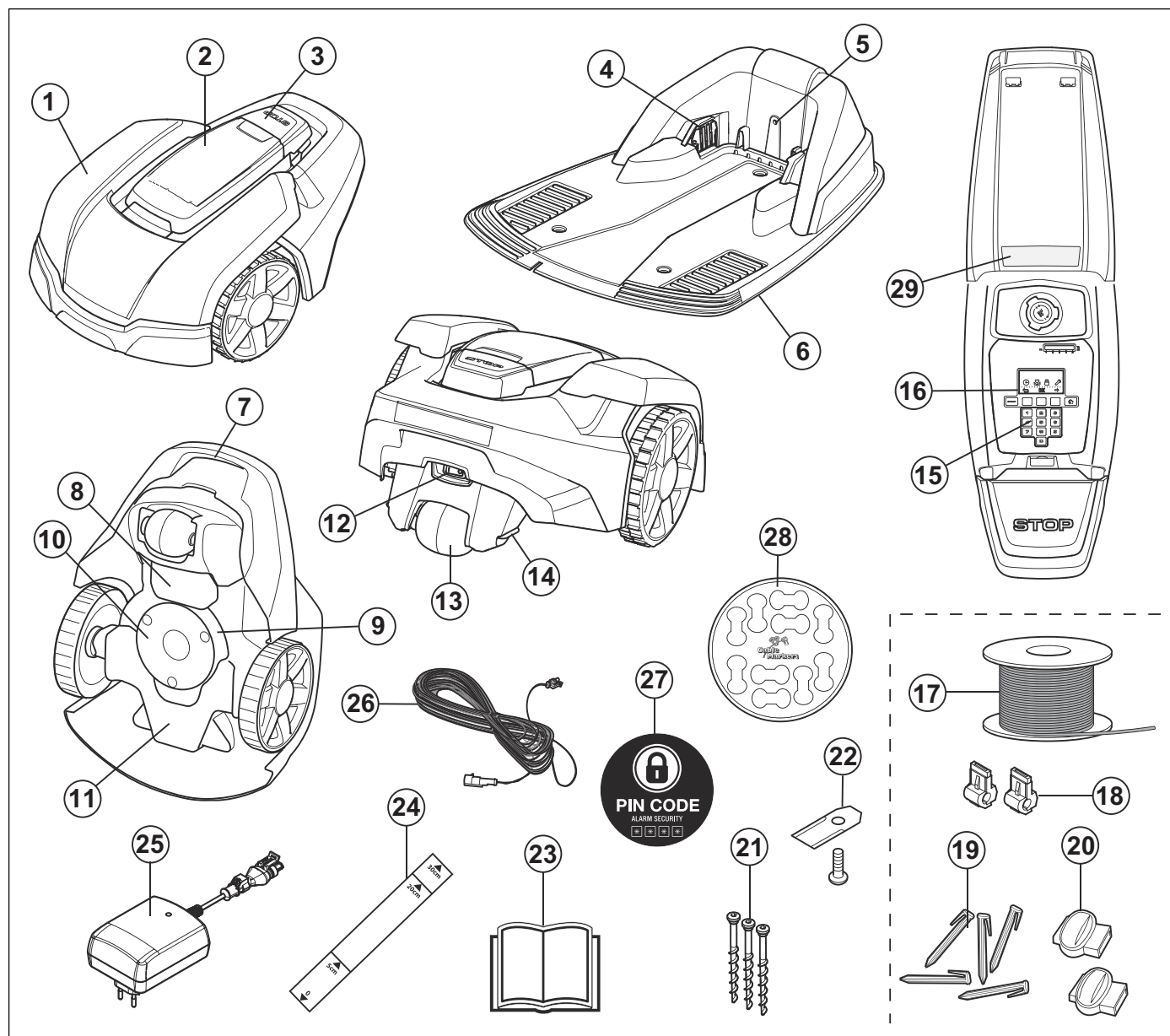
O padrão de movimento do cortador de grama robótico é aleatório, ou seja, um padrão de movimento nunca se repete. Com este sistema de corte, a grama é cortada uniformemente sem linhas de corte do cortador de grama robótico.



40.7 Encontrando a estação de carregamento.

O Automower® 310/315/315X/420/430X/440/450X pode ser definido para procurar a estação de carregamento em até 3 formas diferentes. O cortador de grama robótico combina automaticamente esses 3 métodos de procura para localizar a estação de carregamento o mais rapidamente possível, mas também para evitar a formação de marcas o máximo possível. O Automower® 105 segue sempre o fio-guia até à estação de carregamento.

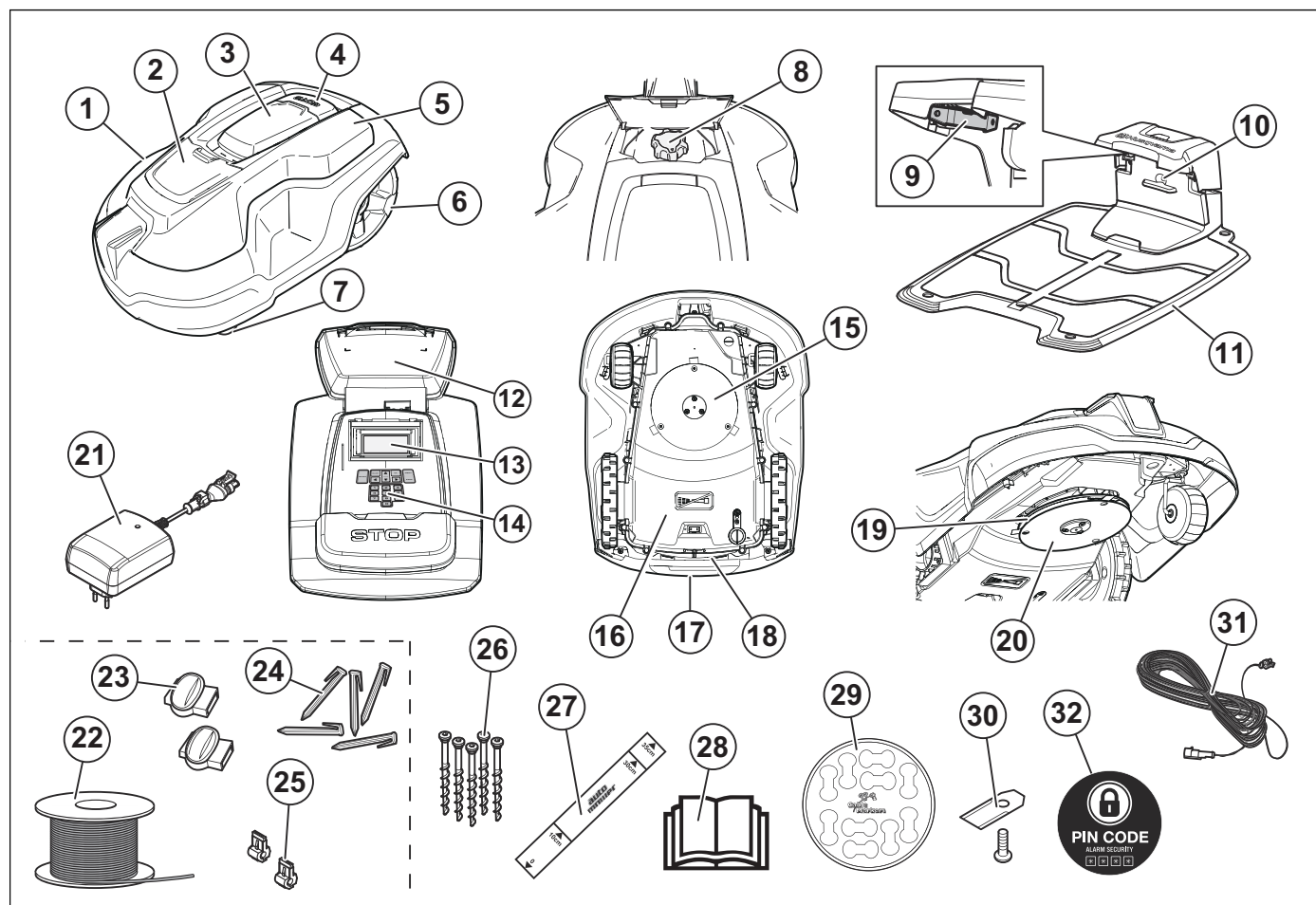
40.8 Visão geral do produto Automower® 105



Os números na figura representam:

- | | |
|--|--|
| <ul style="list-style-type: none"> 1. Corpo 2. Tampa do visor, teclado e ajuste da altura de corte 3. Botão de parada (STOP) 4. Faixas de contato 5. LED para verificação do funcionamento da estação de carregamento, fio de limite e fio-guia 6. Estação de carregamento 7. Alça de transporte 8. Cobertura da bateria 9. Disco de lâmina 10. Placa antiderrapante 11. Caixa do chassi com sistema eletrônico, bateria e motores 12. Interruptor principal 13. Roda traseira 14. Tira de carregamento 15. Teclado | <ul style="list-style-type: none"> 16. Visor 17. Fio de laço para o laço de limite e o fio-guia 18. Conector para ligar o fio de laço à estação de carregamento 19. Estacas 20. Acoplador para o fio de laço 21. Parafusos para fixar a estação de carregamento 22. Lâminas extras 23. Manual do Operador e Guia Rápido 24. Instrumento de medição para ajudar a instalar o fio de limite (o instrumento de medição é desprendido da caixa) 25. Fonte de alimentação (a aparência da fonte de alimentação pode variar dependendo do mercado) 26. Cabo de baixa tensão 27. Adesivo do alarme 28. Marcadores de cabos 29. Etiqueta de tipo |
|--|--|

40.9 Visão geral do produto Automower® 310/315/315X



Os números na figura representam:

- | | |
|--|---|
| 1. Corpo | 17. Alça |
| 2. Tampa do ajuste da altura de corte | 18. Interruptor principal |
| 3. Tampa do visor e do teclado | 19. Disco de lâmina |
| 4. Botão de parada (STOP) | 20. Placa antiderrapante |
| 5. Tampa substituível | 21. Fonte de alimentação (a aparência da fonte de alimentação pode variar dependendo do mercado) |
| 6. Rodas traseiras | 22. Fio de laço para o laço de limite e o fio-guia ⁴⁹ |
| 7. Rodas dianteiras | 23. Acopladores para o fio de laço ⁵⁰ |
| 8. Ajuste da altura de corte | 24. Estacas ⁵¹ |
| 9. Faixas de contato | 25. Conector para o fio de laço ⁵² |
| 10. LED para verificação do funcionamento da estação de carregamento e fio de limite | 26. Parafusos para fixar a estação de carregamento |
| 11. Estação de carregamento | 27. Instrumento de medição para ajudar a instalar o fio de limite (o instrumento de medição é desprendido da caixa) |
| 12. Etiqueta de tipo | 28. Manual do Operador e Guia Rápido |
| 13. Visor | 29. Marcadores de cabos |
| 14. Teclado | 30. Lâminas extras |
| 15. Sistema de corte | 31. Cabo de baixa tensão |
| 16. Caixa do chassi com sistema eletrônico, bateria e motores | 32. Adesivo do alarme |

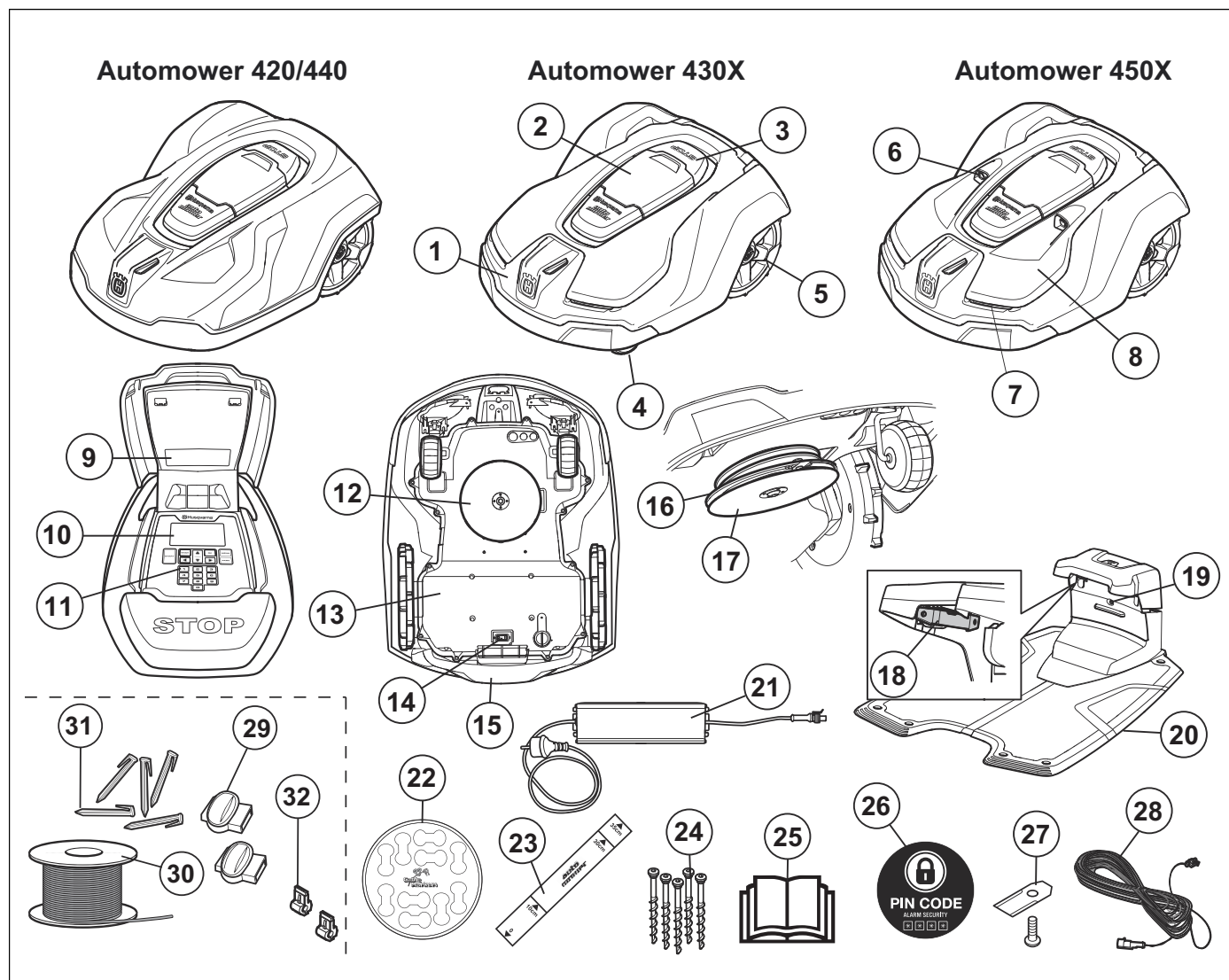
⁴⁹ É uma parte do kit de instalação que é adquirida separadamente.

⁵⁰ Ver nota 1

⁵¹ Ver nota 1

⁵² Ver nota 1

40.10 Visão geral do produto Automower® 420/430X/440/450X



Os números na figura representam:

- | | |
|---|---|
| <ul style="list-style-type: none"> 1. Corpo 2. Tampa do visor e do teclado 3. Botão de parada (STOP) 4. Rodas dianteiras 5. Rodas traseiras 6. Sensores ultrassônicos 7. Faróis 8. Tampa substituível 9. Etiqueta de tipo 10. Visor 11. Teclado 12. Sistema de corte 13. Caixa do chassi com sistema eletrônico, bateria e motores 14. Alça 15. Interruptor principal 16. Disco de lâmina 17. Placa antiderrapante | <ul style="list-style-type: none"> 18. Faixas de contato 19. LED para verificação do funcionamento da estação de carregamento e fio de limite 20. Estação de carregamento 21. Fonte de alimentação 22. Marcadores de cabos 23. Instrumento de medição para ajudar a instalar o fio de limite (o instrumento de medição é desprendido da caixa) 24. Parafusos para fixar a estação de carregamento 25. Manual do Operador e Guia Rápido 26. Adesivo do alarme 27. Lâminas extras 28. Cabo de baixa tensão 29. Acopladores para o fio de laço ⁵³ 30. Fio de laço para o laço de limite e o fio-guia ⁵⁴ 31. Estacas ⁵⁵ 32. Conector para o fio de laço ⁵⁶ |
|---|---|

⁵³ É uma parte do kit de instalação que é adquirida separadamente.

⁵⁴ Ver nota 1

⁵⁵ Ver nota 1

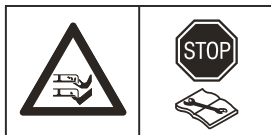
⁵⁶ Ver nota 1

40.11 Símbolos no produto

Esses símbolos podem ser encontrados no cortador de grama robótico. Estude-os com atenção.

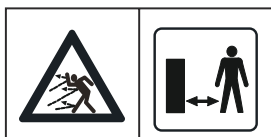


AVISO: Leia atentamente as instruções antes de utilizar o cortador de grama robótico.



AVISO: Use o dispositivo de desativação antes de trabalhar sobre a máquina ou elevá-la.

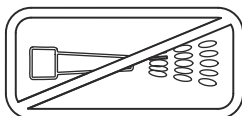
O cortador de grama robótico só pode ser ligado se o interruptor principal estiver na posição 1 e o código PIN correto tiver sido introduzido. Gire o interruptor principal para a posição 0 antes de efetuar qualquer inspeção e/ou manutenção.



AVISO: Mantenha uma distância segura da máquina durante o funcionamento. Mantenha mãos e pés afastados das lâminas giratórias.



AVISO: Não monte sobre a máquina. Nunca coloque as mãos ou os pés perto ou abaixo da máquina.



Nunca utilize uma lavadora de alta pressão nem água corrente para limpar o cortador de grama robótico.



Este produto está em conformidade com as Diretivas da CE.



Emissões de ruído ambiente. As emissões do produto estão indicadas em *Dados técnicos na página 106* e na etiqueta de tipo.



Não é permitido descartar este produto como lixo doméstico. Certifique-se de que o produto seja reciclado de acordo com as leis locais.



O chassi contém componentes sensíveis a descargas eletrostáticas (ESD). O chassi também deve ser selado novamente de forma profissional. Por estas razões, o chassi deve ser aberto somente por técnicos de serviços autorizados. A violação do lacre pode resultar em perda da garantia de parte ou todo o produto.



O cabo de baixa tensão não deve ser encurtado, aumentado nem unido.

Não utilize um podador perto do cabo de baixa tensão. Tenha cuidado ao aparar rebordos onde possam existir cabos.

Utilize o dispositivo de desativação antes de utilizar ou levantar o produto.

41 Segurança

41.1 Instruções gerais de segurança

O seguinte sistema é utilizado no Manual do Operador para facilitar o uso:

- O texto em *itálico* indica um texto que é apresentado no visor do cortador de grama robótico ou é uma referência a outra seção do Manual do Operador.
- O texto em **negrito** refere-se a um dos botões do teclado do cortador de grama robótico.
- O texto em **MAIÚSCULAS** e *itálico* refere-se aos diferentes modos de funcionamento do cortador de grama robótico.

41.1.1 IMPORTANTE. LEIA ATENTAMENTE ANTES DE USAR. GUARDE PARA FUTURAS CONSULTAS

O operador é responsável por acidentes e situações que possam representar perigo para terceiros ou à sua propriedade.

Este aparelho não é destinado para uso por pessoas (incluindo crianças) com capacidades físicas, sensoriais ou mentais reduzidas, ou sem experiência e conhecimento, a menos que a devida supervisão ou instrução sobre o uso do aparelho seja dada por um responsável pela segurança. As crianças devem ser supervisionadas para evitar que elas brinquem com o aparelho.

Este aparelho não é destinado para uso por crianças a partir de 8 anos de idade e pessoas com capacidades físicas, sensoriais ou mentais reduzidas, ou sem experiência e conhecimento, a menos que a devida supervisão ou instrução sobre o uso do aparelho, bem como dos riscos envolvidos, seja fornecida e entendida. A legislação local pode restringir a idade do usuário. Limpeza e manutenção não devem ser feitas por crianças sem supervisão.

Nunca ligue a fonte de alimentação a uma tomada se o plugue ou o cabo estiverem danificados. Fios desgastados ou danificados aumentam o risco de choque elétrico.

Carregue a bateria apenas com a estação de carregamento incluída. O uso incorreto pode resultar em choque elétrico, superaquecimento ou vazamento de líquido corrosivo da bateria. Em caso de vazamento de eletrólito, lave abundantemente com água/agente neutralizante e procure assistência médica se a substância entrar em contato com os olhos.

Use apenas baterias originais recomendadas pelo fabricante. A segurança do produto não pode ser garantida com baterias que não sejam originais. Não utilize baterias não recarregáveis.

O aparelho deve ser desligado da rede elétrica se a bateria for retirada.



AVISO: O cortador de grama robótico pode ser perigoso se for utilizado de forma incorreta.



AVISO: Nunca utilize o cortador de grama robótico se houver pessoas, principalmente crianças ou animais de estimação, na área de corte.



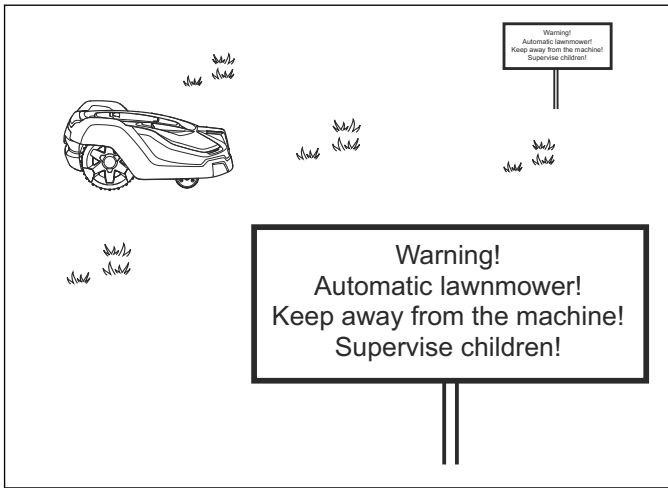
AVISO: Mantenha mãos e pés afastados das lâminas giratórias. Nunca coloque as mãos ou os pés perto ou debaixo da máquina quando o motor estiver funcionando.

manutenção e reparo devem ser rigorosamente respeitadas.

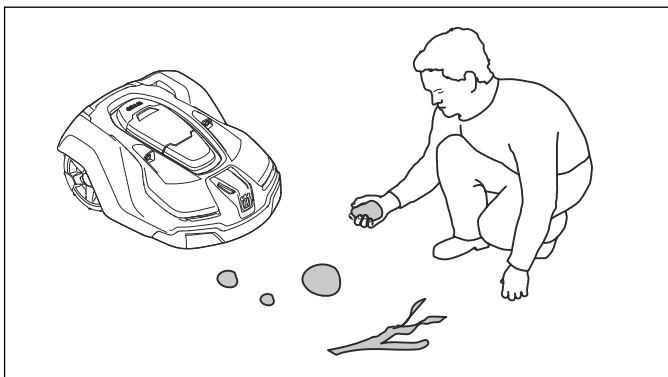
- Sinais de aviso devem ser colocados em redor da área de trabalho do cortador de grama robótico se ele for utilizado nas áreas públicas. Os sinais devem ter o seguinte texto: **Aviso! Cortador de grama automático! Mantenha-se afastado da máquina! Supervisione as crianças!**

41.2 Uso

- Este cortador de grama robótico foi concebido para cortar grama em áreas abertas e ao nível do solo. Só é possível utilizar o cortador com equipamentos recomendados pelo fabricante. Todos os demais tipos de utilização são incorretos. As instruções do fabricante no que diz respeito ao funcionamento,



- Utilize a função **PARK** ou desligue o interruptor principal se houver pessoas, principalmente crianças ou animais de estimação, na área de corte. Recomenda-se programar o cortador de grama para utilização durante as horas em que a área se encontrar livre de atividades, por exemplo, à noite.
- O cortador de grama robótico só pode ser usado, mantido e reparado por pessoas totalmente experientes com as suas características especiais e normas de segurança. Leia atentamente o Manual do Operador e certifique-se de entender as instruções antes de usar a máquina.
- Não é permitido modificar o design original do cortador de grama robótico. Todas as modificações serão por sua própria conta e risco.
- Verifique se não há pedras, ramos, ferramentas, brinquedos ou outros objetos no gramado que possam danificar as lâminas. Objetos no gramado também podem prender o cortador de grama robótico, necessitando ajuda para removê-los antes de prosseguir o uso. Coloque sempre o interruptor principal na posição 0 antes de remover uma obstrução.



- Ligue o cortador de grama robótico de acordo com as instruções. Quando o interruptor principal estiver na posição 1, mantenha as mãos e os pés afastados das lâminas rotativas. Nunca coloque as mãos e os pés debaixo do cortador de grama robótico.
- Nunca toque nas peças perigosas em movimento, como o disco da lâmina, antes de estas pararem completamente.
- Nunca levante o cortador de grama robótico nem o transporte quando o interruptor principal estiver na posição 1.

- Não deixe que pessoas que não conhecem o cortador de grama robótico o utilizem.
- O cortador de grama robótico nunca pode colidir com pessoas ou outros seres vivos. Se uma pessoa ou outro ser vivo estiver no caminho do cortador de grama, este deve ser parado imediatamente.
- Não coloque nada em cima do cortador de grama robótico ou de sua estação de carregamento.
- Não permita que o cortador de grama robótico seja utilizado com disco, proteção do disco ou corpo defeituoso. Ele também não deve ser utilizado com lâminas, parafusos, porcas ou cabos defeituosos. Nunca conecte um cabo danificado, nem toque em um cabo danificado antes de desligá-lo da tomada.
- Não utilize o cortador de grama robótico se o interruptor principal não funcionar.
- Quando o cortador de grama robótico não estiver em uso, sempre desligue-o utilizando o interruptor principal. O cortador de grama robótico só pode ser ligado se o interruptor principal estiver na posição 1 e o código PIN correto tiver sido introduzido.
- O cortador de grama robótico nunca deve ser utilizado ao mesmo tempo que um irrigador. Use a função de temporizador para que o cortador e o irrigador nunca funcionem simultaneamente.
- A Husqvarna não garante a total compatibilidade entre o cortador de grama robótico e outros tipos de sistemas sem fio, tais como controles remotos, transmissores de rádio, anéis de indução de áudio, cercas elétricas enterradas para animais ou semelhantes.
- O volume do alarme incorporado é muito alto. Tenha cuidado, especialmente se o cortador de grama robótico for utilizado em ambientes interiores.
- Objetos metálicos no solo (por exemplo, concreto armado ou redes anti-toupeiras) podem causar parada do equipamento. Os objetos de metal podem causar interferência com o sinal do laço e, por sua vez, causar a parada do equipamento.
- O cortador de grama robótico nunca deve ser utilizado em temperaturas abaixo de 0°C / 32°F ou acima de 50°C / 113°F. Isto pode causar danos no produto.

42 Instalação

42.1 Conexão da fonte de alimentação

Tenha em consideração os seguintes aspectos quando planejar o local de instalação da fonte de alimentação:

- Proximidade da estação de carregamento
- Proteção contra a chuva
- Proteção contra exposição à luz solar direta.



AVISO: O cortador de grama robótico deve ser utilizado somente com uma unidade de fonte de alimentação fornecida pela Husqvarna.

A fonte de alimentação deve ser colocada num local bem ventilado e sob um telhado. Se a fonte de alimentação for ligada a uma tomada elétrica em área externa, deverá ser aprovada para uso externo. Recomenda-se a utilização de um disjuntor de falha aterrado (RDC) quando ligar a fonte de alimentação à tomada de parede.

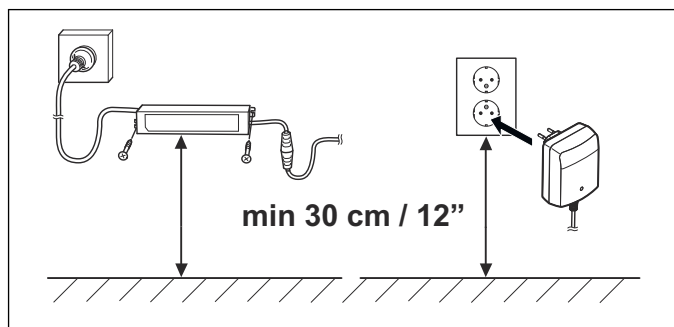


AVISO: Aplicável para os EUA/Canadá. Se a fonte de alimentação for instalada em área externa: Risco de choque elétrico. Instale somente em um receptáculo GFCI (RCD) de Classe A com gabinete resistente a intempéries e com tampa do plugue de conexão inserida ou removida.

Nenhuma das peças da fonte de alimentação deve ser trocada nem alterada. Por exemplo, o cabo de baixa tensão não deve ser encurtado nem aumentado. Cabos de baixa tensão com 3 m / 10 pés ou 20 m / 66 pés de comprimento estão disponíveis como acessórios opcionais.



AVISO: Em nenhuma circunstância é permitido montar a fonte de alimentação a uma altura em que exista o risco de ela ficar submersa em água (pelo menos a 30 cm / 12" do chão). Não é permitido colocar a fonte de alimentação no chão.



AVISO: Nenhuma das peças da fonte de alimentação ser trocada nem alterada sob qualquer circunstância. O cabo de baixa tensão não deve ser encurtado nem aumentado.



AVISO: Use o plugue para desconectar a estação de carregamento, por exemplo, antes de limpar a estação de carregamento ou reparar o fio de laço.



AVISO: Coloque o cabo de baixa tensão e ajuste a altura de corte de modo que as lâminas do disco nunca entrem em contato com ele.

Para obter mais instruções sobre como fazer a instalação adequada, consulte o capítulo *Instalação* no Manual do Usuário completo no site da Husqvarna www.husqvarna.com.

42.2 Painel de controle

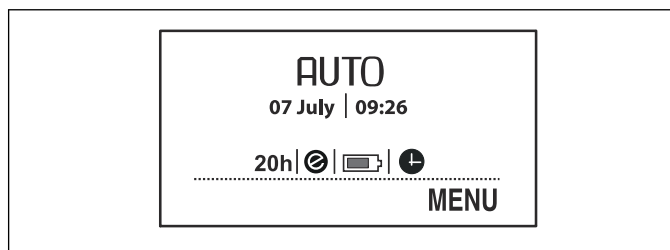
Todos os comandos e configurações do cortador de grama robótico são efetuados através do painel de controle. Todas as funções são acessadas através de uma série de menus.

O painel de controle é composto por um visor e um teclado. Todas as informações são apresentadas no visor e todas as entradas são efetuadas através dos botões.

Os textos do visor são apresentados em inglês no manual, mas você verá os textos no visor do produto no idioma escolhido.

42.3 Visor Automower® 105

Quando o botão **STOP** é pressionado e a tampa se abre, a janela de operação apresenta a hora, o modo de funcionamento selecionado, o número de horas de corte, o estado da bateria e as configurações do temporizador.

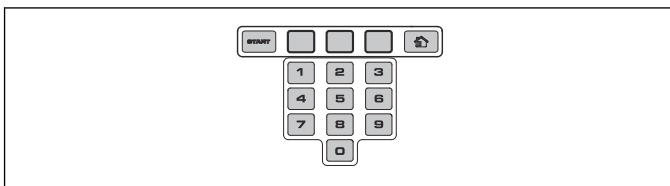


- O relógio mostra a hora atual.
- A data mostra o dia atual.
- O número de horas de funcionamento indica o número de horas desde o dia da fabricação em que o cortador de grama robótico esteve em funcionamento. O tempo em que o cortador de grama robótico esteve cortando a grama ou procurando a estação de carregamento é contado como tempo de funcionamento.
- *AUTO*, *MAN* ou *HOME* mostram que modo de operação foi selecionado.
- O estado da bateria mostra a carga restante da bateria.
- O símbolo ECO é apresentado se o cortador de grama robótico se encontrar no *modo ECO*.

- O símbolo do relógio indica quando o temporizador está configurado. O símbolo do relógio fica preto quando o cortador de grama robótico não pode cortar a grama devido a uma definição do temporizador.
- O texto *MENU* indica que é possível acessar o menu principal ao pressionar o botão de múltipla escolha que se encontra por baixo do texto.

42.4 Teclado Automower® 105

O teclado é composto por 4 grupos de botões:



- O botão **START** é usado para ativar o cortador de grama robótico. Normalmente, este é o último botão a ser pressionado antes de fechar a cobertura.
- Os 3 botões de **múltipla escolha** oferecem várias funções dependendo do ponto onde você se encontra na estrutura do menu. A função do botão é apresentada na parte inferior do visor.
- As **teclas numéricas** são utilizadas, por exemplo, para introduzir o código PIN ou as configurações de tempo.
- O botão de **seleção de funcionamento** é representado por um símbolo de casa. Quando o botão é pressionado, o modo de funcionamento selecionado é apresentado no visor.

42.5 Visor Automower® 310/315/315X/420/430X/440/450X

Quando o botão **STOP** é pressionado e a tampa é aberta, a seguinte informação é apresentada:

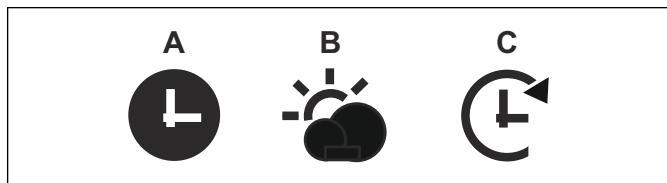


- Informação sobre o funcionamento, por exemplo, *PRONTO*, *CORTANDO*, *ESTACIONADO* ou *TEMPORIZADOR*. *PRONTO* é apresentado se o cortador de grama robótico não se encontrar num modo de funcionamento específico, por exemplo, se o interruptor principal tiver acabado de ser ligado. Se o botão **STOP** for pressionado, o cortador de grama robótico apresenta o que concluiu antes da parada, por exemplo, *CORTANDO* ou *PROCURANDO*.
- A data e o relógio mostram a hora de momento.
- Para Automower® 315X/430X/450X: O símbolo de satélite é apresentado quando a navegação GPS é ativada. O símbolo (A) é apresentado quando o cortador de grama robótico fez contato com um número suficiente de satélites GPS. O símbolo (B)

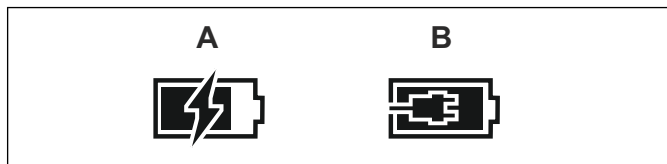
mostra quando o cortador de grama robótico não conseguiu estabelecer contato com um número suficiente de satélites GPS. O símbolo (A) pisca durante os primeiros dias de funcionamento do cortador de grama robótico, uma vez que ele está recolhendo informações de GPS sobre a instalação.



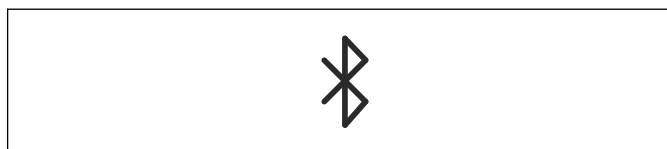
- O símbolo ECO é apresentado se o cortador de grama robótico se encontrar no *modo ECO*.
- O símbolo do relógio preto (A) é mostrado quando o cortador não pode cortar a grama devido às configurações do temporizador. Se o cortador não puder cortar a grama devido ao *Temporizador climático*, o símbolo (B) é apresentado. Se o modo de funcionamento *Anular temporizador* for selecionado, o símbolo (C) é apresentado.



- O estado da bateria mostra a carga restante da bateria. Se o cortador de grama robótico estiver carregando, também pisca uma luz sobre o símbolo de bateria (A). Se o cortador de grama robótico for colocado na estação de carregamento sem carregar, (B) é apresentado.

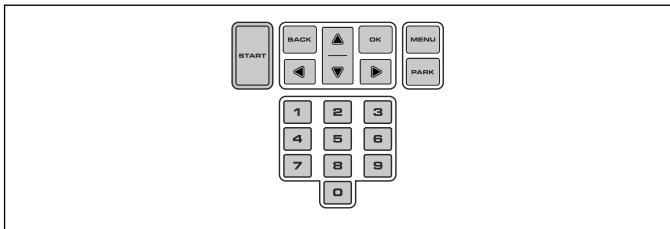


- A configuração de ajuste da altura é apresentada como escala/valor numérico.
- Para Automower Connect@Home (consulte *Automower Connect@Home na página 99*): Um ícone para Bluetooth® de comunicação sem fio é apresentado no visor do cortador de grama robótico quando a conexão com o seu smartphone tiver sido estabelecida.



42.6 Teclado Automower® 310/315/315X/420/430X/440/450X

O teclado é composto por 6 grupos de botões:



- O botão **START** é usado para ativar o cortador de grama robótico. Normalmente, este é o último botão a ser pressionado antes de fechar a cobertura.
- Os botões **BACK** e **OK** são utilizados para navegar no menu. O botão **OK** também é usado para confirmar as configurações.
- As **teclas de seta** são utilizadas para navegar no menu, mas também para fazer seleções em algumas opções de configuração.
- O botão **MENU** é utilizado para acessar o menu principal.
- O botão **PARK** é usado para enviar o cortador de grama robótico para a estação de carregamento.
- As **teclas numéricas** são utilizadas para inserir configurações, por exemplo código PIN, a hora ou a direção de saída.

42.7 Estrutura de menus

O menu principal do Automower® 105 oferece 4 opções. Automower® 310 tem 6 opções e Automower® 315/315X tem 7 opções. O menu principal do Automower® 420/430X/440/450X oferece 8 opções.

42.8 Submenus

Existem vários submenus sob cada opção. Você pode acessar todas as funções para definir as configurações do corta através dos submenus.

Alguns submenus contêm opções que estão marcadas do lado esquerdo. Isto significa que essas opções estão selecionadas. Marque ou desmarque a caixa de verificação pressionando o botão **OK**.

42.9 Navegar entre os menus

Navegue no menu principal e nos submenus com a ajuda dos botões de múltipla escolha (Automower® 105) ou das **teclas de seta** (Automower® 310/315/315X/420/430X/440/450X). Insira os valores e os tempos através das teclas numéricas e confirme cada seleção com o botão de múltipla escolha marcado **OK**. Pressione **BACK** para retroceder um passo no menu ou mantenha o botão **HOME** (Automower® 105), alternativamente, **MENU** (Automower® 310/315/315X/420/430X/440/450X) pressionado durante 2 segundos para acessar diretamente o menu principal.

42.10 Menu principal



Temporizador

Para obter o melhor resultado de corte, a grama não deve ser cortada com demasiada frequência. Por isso, é importante limitar o tempo de funcionamento usando a função de temporizador, se a área de trabalho for menor que a capacidade de trabalho do cortador de grama robótico. A função de temporizador também é uma ferramenta ideal para controlar os períodos durante os quais o cortador de grama robótico não deve cortar a grama, por exemplo, quando há crianças brincando no gramado.



Altura de corte

Aplicável para Automower® 420/430X/440/450X

A altura de corte pode ser variada de MIN (1) para MAX (9). Na primeira semana após uma nova instalação, a altura de corte deve ser configurada em MAX para evitar danificar o fio de laço. Depois disso, a altura de corte pode ser diminuída um nível por semana até se obter a altura de corte pretendida.



Segurança

Neste menu, é possível fazer as configurações de segurança e da conexão entre o cortador de grama robótico e a estação de carregamento. Existem 3 níveis de segurança: *Baixo*, *Médio* e *Alto*.



Mensagens

Aplicável para Automower® 310/315/315X/420/430X/440/450X

Este menu exibe o histórico de falhas e mensagens informativas. Para algumas mensagens de falha mais comuns, existem sugestões e conselhos para ajudar você a corrigir o erro.



Temporizador climático

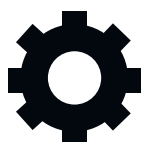
Aplicável para Automower® 315/315X/
420/430X/440/450X

Esta função permite que o cortador de grama robótico ajuste automaticamente os tempos de corte com base no ritmo de crescimento da grama. Quando as condições meteorológicas são favoráveis ao crescimento da grama, o cortador de grama robótico corta com mais frequência. Quando o crescimento da grama é mais lento, o cortador de grama robótico automaticamente fica menos tempo no gramado.



Instalação

Esta função do menu é utilizada para personalizar a instalação. Em muitas áreas de trabalho não é necessário alterar as configurações de fábrica mas, dependendo da complexidade do gramado, o resultado pode ser melhorado através de configurações manuais.



Configurações

Esta seleção permite fazer alterações gerais nas configurações do cortador de grama robótico, tais como data e hora. Também é possível ligar e desligar o *modo ECO* e o *Corte em espiral*, ou salvar as configurações em diferentes *Perfis* (somente Automower® 315/315X/420/430X/440/450X). A Husqvarna recomenda deixar o *Modo ECO* ligado para economizar energia e evitar interferência com outro equipamento.



Acessórios

Aplicável para Automower®
310/315/315X/420/430X/440/450X

Este menu destina-se aos ajustes dos acessórios do cortador de grama robótico, por exemplo, Automower Connect ou Automower Connect@Home. Entre em contato com o Husqvarna representante local para obter informações sobre os acessórios disponíveis para o seu cortador de grama robótico.

43 OPERAÇÃO

43.1 Seleção de funcionamento Automower® 105

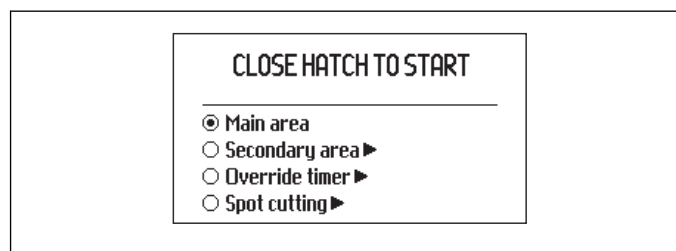
Ao pressionar várias vezes o botão da **seleção de funcionamento** em sequência, possível escolher um de três modos de funcionamento diferentes.

- **HOME.** Envia o cortador de grama robótico para a estação de carregamento. Ele permanece nesse modo até outro modo de funcionamento ser selecionado. O texto Home é mostrado na janela de funcionamento. Quando a bateria estiver totalmente carregada, o cortador de grama robótico não sairá da estação de carregamento e começará a cortar novamente até que a seleção de funcionamento seja alterada para **AUTO**.
- **AUTO.** O modo de funcionamento automático padrão, em que o cortador de grama robótico corta a grama e carrega automaticamente.
- **MAN.** Ao cortar a grama em áreas secundárias, o modo **MAN** deve ser utilizado. Se **MAN** for selecionado e o cortador de grama robótico for ligado enquanto estiver no gramado, ele corta a grama até que a bateria seja descarregada. Em seguida, ele para e apresenta a mensagem "Carregamento manual necessário". Depois, o cortador de grama robótico deve ser transportado manualmente para a estação de carregamento e, depois de carregado, ligado manualmente. Se o cortador de grama robótico carregar a bateria em modo **MAN**, ele carregará totalmente e andará cerca de 20 cm / 8" da estação de carregamento, parando em seguida. Isto indica que ele está carregado e pronto para começar a cortar.

43.2 Seleção de funcionamento na partida Automower® 310/315/315X/420/430X/440/450X

Quando o botão **START** for pressionado, as seguintes seleções de funcionamento podem ser selecionadas:

- **ÁREA PRINCIPAL.** O modo de funcionamento padrão, em que o cortador de grama robótico corta a grama e carrega automaticamente.



- **ÁREA SECUNDÁRIA.** Ao cortar a grama em áreas secundárias, deve ser usada esta configuração.

Se o cortador de grama robótico carregar a bateria no modo Área secundária, a bateria carrega totalmente, anda cerca de 50 cm / 20" e, depois, para. Isto indica que ele está carregado e pronto para começar a cortar. Se a área de trabalho principal tiver de ser cortada após o carregamento,

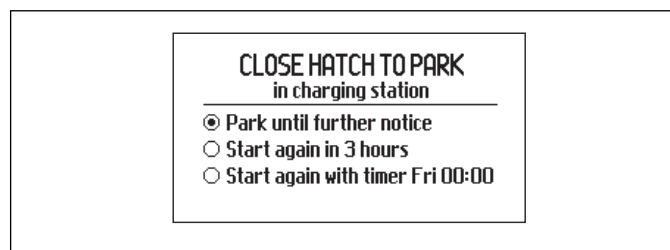
deve mudar a seleção de funcionamento para *Área principal* antes de colocar o cortador de grama robótico na estação de carregamento.

- **ANULAR TEMPORIZADOR.** Todas as configurações do temporizador podem ser suspensas temporariamente selecionando Anular temporizador. É possível *suspender o temporizador* durante 24 h ou 3 dias.
- **CORTE LOCALIZADO** (não disponível para Automower® 310). O cortador de grama robótico funciona num padrão em espiral para cortar a grama, caso tenha sido menos cortada do que noutras partes do gramado.

A função de *Corte localizado* é ativada com o botão **START**. É possível selecionar a forma como o cortador de grama robótico deve continuar o trabalho depois de cortar a grama, pressionando a **seta para a direita** e em seguida, especificando a *Área principal* ou *Área secundária*.

43.3 Seleção de funcionamento parado Automower® 310/315/315X/420/430X/440/450X

Quando o botão **PARK** for pressionado, as seguintes seleções de funcionamento poderão ser escolhidas.



- **PARADO ATÉ NOVO AVISO.** O cortador de grama robótico permanece na estação de carregamento até que outro modo de funcionamento seja selecionado ao pressionar o botão **START**.
- **COMEÇAR NOVAMENTE EM 3 HORAS.** O cortador de grama robótico permanece na estação de carregamento durante três horas e, depois, retorna automaticamente ao funcionamento normal. Esta seleção de funcionamento é adequada quando é necessário interromper o funcionamento, por exemplo, para uma rega temporária ou para jogos no gramado.
- **COMEÇAR COM O PRÓXIMO TEMPORIZADOR.** O cortador de grama robótico permanece na estação de carregamento até que a próxima configuração do temporizador permita o funcionamento. Esta seleção de funcionamento é adequada caso se pretenda cancelar um ciclo de corte em curso e permitir que o cortador de grama robótico permaneça na estação de carregamento até o dia seguinte. Esta opção não é apresentada, caso não existam configurações de temporizador.

43.4 Conectividade

É possível comunicar-se com o cortador de grama robótico através do aplicativo móvel Automower

Connect. O Automower Connect está disponível para o seu smartphone e tablet (Apple ou Android). Com o Automower Connect ativado, são apresentados novos ícones no visor do cortador de grama robótico. Para mais informações, consulte *Manual do Operador Completa* página 86.

43.4.1 Automower Connect

O Automower Connect está incluso no Automower® 315X/430X/450X e disponível como acessório para Automower® 310/315/420/440.

O Automower Connect traz o sistema de menus do cortador para o seu smartphone, tornando-o fácil de ler e de alterar as configurações do cortador de grama remotamente. Através deste aplicativo, você recebe o status atual do seu Automower e envia comandos para o cortador de grama robótico em qualquer parte do mundo. Em caso de roubo, você receberá um alarme e poderá rastrear a localização do seu cortador de grama. Alguns países não têm suporte ao Automower Connect devido a sistemas celulares específicos. Entre em contato com o seu representante local Husqvarna obter mais informações.

43.4.2 Automower Connect@Home

Incluso no Automower® 310/315/420/440.

O Automower Connect@Home usa uma tecnologia sem fio Bluetooth® de curto alcance com o seu cortador de grama robótico. Com isso, você consegue se comunicar com o cortador de grama robótico enquanto estiver dentro da faixa de comunicação. Um ícone para comunicação Bluetooth® aparecerá no visor do cortador de grama robótico quando a conexão com o seu smartphone tiver sido estabelecida. O Automower Connect@Home tem funcionalidade similar à do Automower Connect e utiliza o mesmo aplicativo.

43.4.3 Primeiros passos

Baixe o app Automower Connect app (também aplicável ao Automower Connect@Home) através da AppStore ou do GooglePlay. Depois de baixar o aplicativo, você poderá especificar um endereço de e-mail e uma senha válidos para criar uma conta. Você receberá um e-mail de validação para o e-mail especificado. Siga as instruções no e-mail no prazo de 24 horas para validar a sua conta. Se a conta não for validada no prazo de 24 horas, você terá de criar a conta novamente. Quando a conta tiver sido criada no app, você poderá emparelhar o cortador de grama robótico e o seu smartphone.

43.4.4 Emparelhar com Automower Connect

Selecione a função *Acessórios > Automower Connect > Emparelhamento > Novo emparelhamento*. Quando solicitado pelo aplicativo, insira o código de 6 dígitos apresentado no visor do cortador de grama robótico. Insira também o nome do cortador no aplicativo. O Automower Connect está sempre ligada ao seu cortador de grama robótico, contanto que o smartphone tenha contato com a rede móvel, o cortador de grama robótico esteja carregado e o interruptor principal esteja na posição 1.

43.4.5 Emparelhar com Automower Connect@Home

Ative a comunicação Bluetooth® sem fio no seu smartphone. Selecione a função *Acessórios > Connect@Home > Novo emparelhamento* e siga as instruções no aplicativo. Depois de emparelhar o cortador de grama robótico e o smartphone, eles serão conectados automaticamente a cada vez que entrem no alcance (Automower Connect@Home). Se quiser conectar ao cortador de grama robótico sem ter uma conta, você ainda pode utilizar o Automower Connect@Home selecionando HMI Remoto na tela inicial do aplicativo.

43.5 Ajustando a altura de corte

Se a grama estiver alta, deixe o cortador de grama robótico começar a cortar na altura de corte MAX. Quando a grama estiver mais curta, você pode diminuir gradualmente a altura de corte.

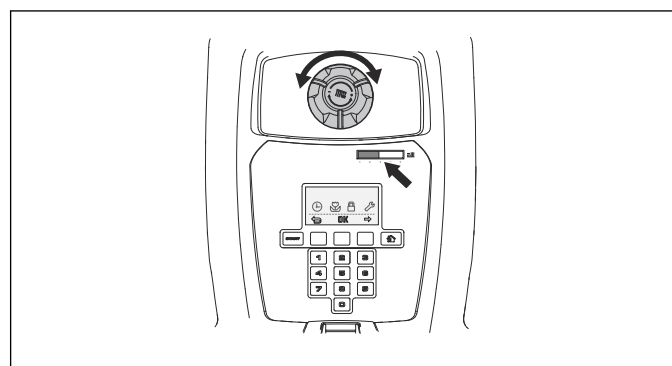


CUIDADO: Na primeira semana após uma nova instalação, a altura de corte deve ser configurada em MAX para evitar danificar o fio de laço. Depois disso, a altura de corte pode ser diminuída um nível por semana até se obter a altura de corte pretendida.

43.5.1 Automower® 105

A altura de corte pode ser variada de MIN (2 cm / 0.8") para MAX (5 cm / 2.0"). Para ajustar a altura de corte:

1. Pressione o botão **STOP** para parar o cortador de grama robótico e abrir a tampa.
2. Gire o seletor de ajuste da altura do para a posição pretendida. A posição selecionada é indicada através da coluna laranja do indicador de ajuste de altura.

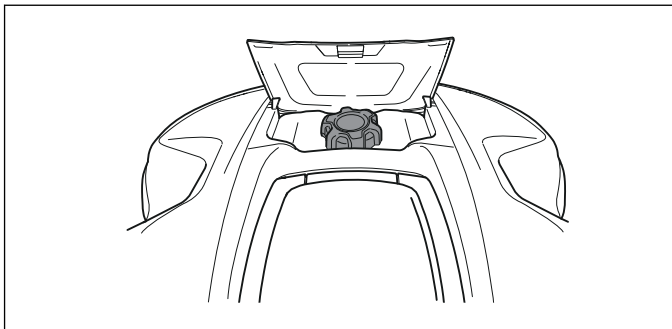


43.5.2 Automower® 310/315/315X

A altura de corte pode variar entre MIN (2 cm / 0.8") e MAX (6 cm / 2.4") em 9 etapas.

1. Pressione o botão **STOP** para parar o cortador de grama robótico e abrir a tampa do ajuste de altura de corte.
2. Gire o botão para a posição pretendida. Gire-o no sentido horário para aumentar e no sentido anti-horário para diminuir a altura de corte. A seta fica alinhada com a posição selecionada marcada no corpo.

3. Feche a tampa.



43.5.3 Automower® 420/430X/440/450X

A altura de corte pode variar entre MIN e MAX em 9 etapas.

1. Pressione o botão **STOP** para parar o cortador de grama robótico e abrir a tampa.
2. Pressione o botão **MENU** para acessar o menu principal.
3. Mova o cursor utilizando as teclas de seta para cima/baixo selecionar *Altura de corte*.
4. Pressione **OK**.

44 Manutenção

44.1 Limpeza

É importante manter o cortador de grama robótico limpo. Um cortador de grama robótico que tenha muita grama agarrada tem mais dificuldade em subir inclinações, desempenho piorado e está sujeito a mais desgaste e avarias. Para melhor confiabilidade de funcionamento e prolongar a vida útil: verifique e limpe o cortador de grama robótico regularmente e substitua as peças desgastadas, se necessário. Recomenda-se fazer a limpeza utilizando uma escova macia.

Em caso de possibilidade de tempestade elétrica, para reduzir o risco de danificar os componentes elétricos do cortador de grama robótico e da estação de carregamento, recomendamos desligar todas as conexões à estação de carregamento (fonte de alimentação, fio de limite e fios de guia).



AVISO: Quando o cortador de grama robótico for virado de cabeça para baixo, o interruptor principal deve estar sempre na posição 0.

O interruptor principal deve estar na posição 0 durante qualquer trabalho realizado no chassi do cortador, como por exemplo, limpeza ou substituição das lâminas.



CUIDADO: Nunca utilize uma lavadora de alta pressão nem água corrente para limpar o cortador de grama robótico. Nunca utilize solventes para a limpeza.

44.2 Bateria

A bateria é livre de manutenção, mas tem uma vida útil limitada de 2 a 4 anos.



AVISO: Só carregue o cortador de grama robótico utilizando uma estação de carregamento projetada para tal. O uso incorreto pode resultar em choque elétrico, superaquecimento ou vazamento de líquido corrosivo da bateria. Em caso de vazamento de eletrólito, lave abundantemente com água e procure assistência médica se a substância entrar em contato com os olhos, etc.



AVISO: Use apenas baterias originais recomendadas pelo fabricante. A segurança do produto não pode ser garantida com outras baterias. Não utilize baterias não recarregáveis.



CUIDADO: A bateria deve ser completamente carregada antes do armazenamento durante o inverno. Se a bateria não for completamente carregada, poderá ficar danificada e, em certos casos, inutilizada.

Abaixo, indica que a bateria está ficando desgastada e, eventualmente, precisa ser substituída:

- O tempo de funcionamento do cortador de grama robótico é mais curto que o normal entre os carregamentos. Isso leva a mais ciclos de carga que o normal, os quais aumentam os riscos de formação de marcas, próximas da estação de carregamento.
- O cortador de grama robótico está parado no gramado com a mensagem de *bateria descarregada*. Isso indica que o cortador de grama robótico não possui capacidade da bateria suficiente para encontrar a estação de carregamento.

A bateria está em boas condições quando o cortador de grama robótico mantém a grama bem cortada.

Observação: A vida útil da bateria depende da duração da estação e do número de horas por dia em que o cortador de grama robótico é utilizado. Uma estação longa ou muitas horas de uso por dia significam que a bateria tem de ser substituída com mais regularidade.

Entre em contato com o representante local da Husqvarna para substituir a bateria.

44.3 Substituição das lâminas

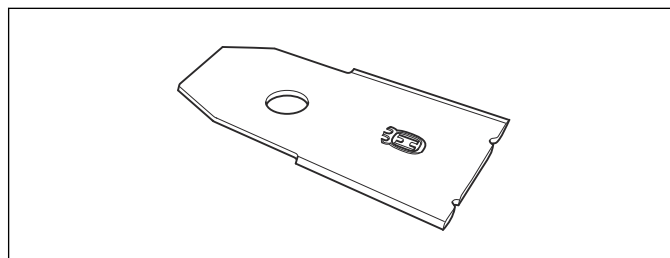


AVISO: Use sempre lâminas e os parafusos do tipo correto. A Husqvarna só pode garantir a segurança mediante o uso de lâminas originais. A mera substituição das lâminas e reutilização do parafuso pode resultar em desgaste e deformação durante o corte. As lâminas podem acabar sendo expulsas de sob o corpo e causar ferimentos graves.

Substitua peças gastas ou danificadas por motivos de segurança. Mesmo que as lâminas estejam intactas, estas devem ser substituídas regularmente para obter um melhor resultado de corte e baixo consumo de energia.

Todas as 3 lâminas e seus parafusos têm de ser substituídos ao mesmo tempo para obter um sistema de corte equilibrado.

Use lâminas originais Husqvarna com o logotipo “H” com a coroa em relevo, consulte *Termos da garantia página 110*.



44.3.1 Substituição das lâminas

1. Coloque o **interruptor principal** na posição 0.

2. Vire o cortador de grama robótico de cabeça para baixo. Coloque o cortador de grama robótico sobre uma superfície macia e limpa para não riscar o corpo e a tampa.
3. Gire a placa antiderrapante para que os orifícios fiquem alinhados com os parafusos da lâmina.
4. Remova os 3 parafusos. Utilize uma chave de fenda reta ou em cruz.
5. Retire cada lâmina e o parafuso.
6. Aperte as novas lâminas e o parafusos.
7. Verifique se as lâminas podem girar livremente.

45 Solução de problemas

45.1 Solução de problemas

Em caso de falha de funcionamento, aparecerá uma mensagem no visor. Para obter informações mais detalhadas sobre as mensagens, consulte o Manual do Usuário completo no site da Husqvarna (www.husqvarna.com). Se a mesma mensagem aparecer com frequência ou você não conseguir descobrir o motivo da falha, entre em contato com o seu revendedor.

Rupturas no fio de laço são geralmente o resultado de um dano físico não intencional no fio, por exemplo, ao fazer jardinagem com uma pá. Quebras também podem ser causadas por esticamento excessivo do fio durante a instalação. Uma ruptura no fio pode ser localizada repartindo gradualmente a distância do laço onde a ruptura pode ter ocorrido até ficar apenas uma seção muito pequena do fio. Consulte o Manual do Usuário completo no site da Husqvarna (www.husqvarna.com).

45.1.1 Luz indicadora na estação de carregamento

Para uma instalação totalmente funcional, a luz indicadora na estação de carregamento deve emitir uma luz verde contínua ou intermitente. Se mais algo aparecer, siga o guia de resolução de problemas abaixo.

Você encontrará mais ajuda em www.husqvarna.com. Se ainda necessitar de ajuda, fale com o seu representante Husqvarna.

Luz	Causa	Ação
<i>Luz verde constante</i>	Sinais bons	Nenhuma ação é necessária
<i>Luz verde intermitente</i>	Os sinais estão bons e o <i>modo ECO</i> está ativado.	Nenhuma ação é necessária. Para obter mais informações sobre o <i>modo ECO</i> , consulte <i>Manual do Operador Completo</i> na página 86.
<i>Luz azul intermitente</i>	O laço de limite não está conectado à estação de carregamento.	Verifique se os conectores do fio de limite colocados corretamente na estação de carregamento. Consulte <i>Manual do Operador Completo</i> na página 86.
	Ruptura no laço de limite.	Descubra onde está a ruptura. Substitua a seção danificada do laço por um novo fio de laço e una-o utilizando um acoplador original.
<i>Luz vermelha intermitente</i>	Interrupção na antena da estação de carregamento.	Entre em contato com seu revendedor local Husqvarna.
<i>Luz vermelha constante</i>	Falha na placa de circuito impresso ou fonte de alimentação incorreta na estação de carregamento. A falha deve ser corrigida por um técnico de manutenção autorizado.	Entre em contato com seu revendedor local Husqvarna.

46 Transporte, armazenamento e descarte

46.1 Transporte

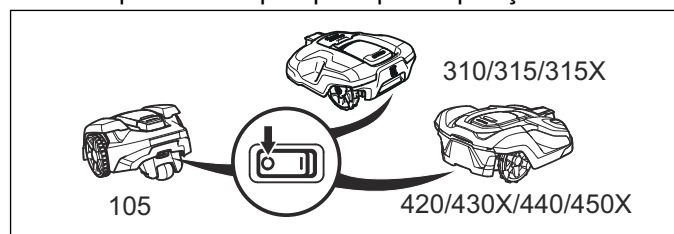
As baterias de íon de lítio integradas estão sujeitas às leis referentes a manuseio de itens perigosos. No transporte comercial, por exemplo, por terceiros ou agentes aduaneiros, as normas especiais relativas à embalagem e etiquetagem das mercadorias devem ser seguidas. Consulte um especialista em materiais perigosos para a preparação do item a ser enviado. Respeite também possíveis regulamentos nacionais mais detalhados.

Isole os contatos abertos com fita adesiva e coloque a bateria numa posição em que não seja possível mover-se no interior da embalagem. Fixe sempre o produto quando transportá-lo.

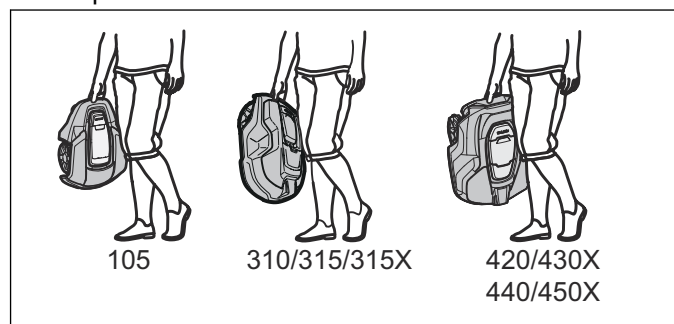
46.1.1 Como levantar e mover o cortador de grama robótico

Para transportar com segurança dentro ou para fora da área de trabalho:

1. Pressione o botão **STOP** para parar o cortador de grama robótico. Se a segurança estiver definida para o nível médio ou alto (consulte *Manual do Operador Completona página 86*), o código PIN deve ser introduzido. O código PIN tem quatro dígitos e é selecionado ao ligar o cortador de grama robótico pela primeira vez. Consulte *Manual do Operador Completona página 86*.
2. Coloque o interruptor principal na posição 0.



3. Transporte o cortador de grama robótico pela alça sob o cortador, com o disco da lâmina afastado do corpo.



CUIDADO: Não levante o cortador de grama robótico quando este se encontrar na estação de carregamento. Isto pode danificar a estação de carregamento e/ou o cortador de grama robótico. Pressione o botão **STOP** e retire o cortador de grama robótico da estação de carregamento antes de o levantar.

46.2 Armazenamento durante o inverno

46.2.1 O cortador de grama robótico

O cortador de grama robótico deve ser limpo cuidadosamente antes de ser armazenado durante o inverno. Consulte *Limpeza página 101*.

Para garantir a funcionalidade e a vida útil da bateria, é importante carregar o cortador de grama robótico antes de guardá-lo durante o inverno. Coloque o cortador de grama robótico na estação de carregamento com a tampa aberta até o ícone da bateria no visor mostrar que a bateria está totalmente carregada. Em seguida, coloque o interruptor principal na posição 0.

Verifique o estado dos itens de desgaste, como lâminas e rolamentos da roda traseira. Retifique, se necessário, para garantir que o cortador de grama robótico se encontre em boas condições antes da próxima estação.

Armazene o cortador de grama robótico sobre as quatro rodas e coloque-o num local seco e livre de frio intenso, de preferência na embalagem original. Você também pode pendurar o cortador de grama robótico em um gancho de parede original Husqvarna. Entre em contato com Husqvarna o atendimento ao cliente para obter mais informações sobre os suportes de fixação à parede.



CUIDADO: A bateria deve ser completamente carregada antes do armazenamento durante o inverno. Se a bateria não for completamente carregada, poderá ficar danificada e, em certos casos, inutilizada.

46.2.2 A estação de carregamento

Armazene a estação de carregamento e a fonte de alimentação em espaços internos. O fio de limite e o fio-guia podem ser deixados no solo.

1. Desconecte a fonte de alimentação da estação de carregamento.
2. Solte a trava do conector e puxe o conector para fora.
3. Desligue os contatos do fio de limite e do fio-guia da estação de carregamento.

As extremidades dos fios devem ser protegidas da umidade, sendo colocadas dentro de um recipiente com graxa, por exemplo.

Caso não seja possível armazenar a estação de carregamento no ambiente interno, esta deve ficar conectada à rede elétrica, ao fio de limite e aos fios-guia durante todo o inverno.

46.3 Informações ambientais



O símbolo no cortador de grama robótico Husqvarna indica que o produto não pode ser tratado como lixo doméstico. Este deve ser levado para um centro de reciclagem adequado para reciclar os seus componentes eletrônicos e as baterias. A bateria deve ser removida do produto antes do descarte.

Para desmontagem da bateria, consulte o Manual do Usuário completo no site da Husqvarna.

Ao garantir que este produto seja manuseado corretamente, você pode ajudar a neutralizar o potencial impacto negativo sobre o meio ambiente e as pessoas que poderia resultar da gestão incorreta dos resíduos deste produto.

Para obter mais informações sobre a reciclagem deste produto, fale com o seu município, com o centro de resíduos domésticos da sua região ou com a loja onde você adquiriu o produto.

47 Dados técnicos

47.1 Automower® 105/310/315/315X

Dimensões	Automower® 105	Automower® 310	Automower® 315	Automower® 315X
Comprimento, cm / "	55 / 21,7	63 / 24,8	63 / 24,8	63 / 24,8
Largura, cm / "	39 / 15,4	51 / 20,1	51 / 20,1	51 / 20,1
Altura, cm / "	25 / 9,8	25 / 9,8	25 / 9,8	25 / 9,8
Peso, kg / lb	6,9 / 15	9,2 / 20	9,2 / 20	10,1 / 22

Sistema elétrico	Automower® 105	Automower® 310	Automower® 315	Automower® 315X
Bateria Lithium-Ion 18 V/2,1 Ah, n° art.	586 57 62-01, 586 57 62-02	584 85 28-01, 584 85 28-02	584 85 28-01, 584 85 28-02	584 85 28-01, 584 85 28-02
Fonte de alimentação, V/28 V CC	100-240	100-240	100-240	100-240
Comprimento do cabo de baixa tensão, m / pés	10 / 33	10 / 33	10 / 33	10 / 33
Consumo médio de energia com uso máximo	5 kWh/mês em uma área de trabalho de 600 m ² / 0,15 acre	8 kWh/mês em uma área de trabalho de 1000 m ² / 0,25 acre	10 kWh/mês em uma área de trabalho de 1500 m ² / 0,37 acre	10 kWh/mês em uma área de tra- balho de 1600 m ² / 0,4 acre
Corrente de carga, A CC	1,3	1,3	1,3	1,3
Tempo médio de corte, min	65	70	70	70
Tempo médio de carga, min	50	60	60	60

Fio de limite da antena	Automower® 105	Automower® 310	Automower® 315	Automower® 315X
Banda de frequência operacional, Hz	300-80000	300-80000	300-80000	300-80000
Potência máxima de radiofrequência, mW @60 m ⁵⁷	<25	<25	<25	<25

Emissões de ruído medidas no ambiente sob a forma de potência sonora ⁵⁸	Automower® 105	Automower® 310	Automower® 315	Automower® 315X
Nível medido de potência sonora, dB (A) ⁵⁹	58	58	58	58
Incertezas de emissões sonoras K _{WA} , dB (A)	3	2	2	2
Nível garantido de potência sonora, dB (A)	61	60	60	60
Nível de pressão sonora no ouvido do operador, dB (A) ⁶⁰	47	47	47	47

⁵⁷ Potência de saída ativa máxima para as antenas na banda de frequência em que o equipamento de rádio funciona.

⁵⁸ As emissões de ruído declaradas estão em conformidade com a norma EN 50636-2-107:2015. As emissões de ruído no meio ambiente são medidas como potência sonora (L_{WA}) em conformidade com a norma EC 2000/14/EC. O nível garantido de potência sonora inclui variação na produção e variação desde o código de teste com 1-3 dB(A).

⁵⁹ Incertezas de emissões sonoras K_{WA}, 2 dB (A)

⁶⁰ Incertezas de níveis de pressão sonora K_{pA}, 2-4 dB (A)

Cortando	Automower® 105	Automower® 310	Automower® 315	Automower® 315X
Sistema de corte	3 lâminas de corte rotativas			
Rotação do motor, rpm	2900	2300	2300	2300
Consumo de energia durante o corte, W +/- 20%	20	25	25	25
Altura de corte, cm / "	2-5 / 0,8-2,0	2-6 / 0,8-2,4	2-6 / 0,8-2,4	2-6 / 0,8-2,4
Largura de corte, m / "	17 / 6,7	22 / 8,7	22 / 8,7	22 / 8,7
Passagem mais estreita possível, cm / "	60 / 24	60 / 24	60 / 24	60 / 24
Ângulo máximo da área de corte, %	25	40	40	40
Ângulo máximo do fio de limite, %	15	15	15	15
Comprimento máximo do fio de limite, m / pés	400 / 1300	800 / 2600	800 / 2600	800 / 2600
Comprimento máximo do fio-guia, m / pés	200 / 650	400 / 1300	400 / 1300	400 / 1300
Capacidade de trabalho, m ² / acre, +/- 20%	600 / 0,15	1000 / 0,25	1500 / 0,37	1600 / 0,4

Classificação IP	Automower® 105	Automower® 310	Automower® 315	Automower® 315X
Cortador de grama robótico	IPX4	IPX4	IPX4	IPX4
Estação de carregamento	IPX1	IPX1	IPX1	IPX1
Fonte de alimentação	IPX4	IPX4	IPX4	IPX4

A Husqvarna AB não garante a total compatibilidade entre o cortador de grama robótico e outros tipos de sistemas sem fio, tais como controles remotos, transmissores de rádio, anéis de indução de áudio, cercas elétricas enterradas para animais ou semelhantes.

47.2 Automower® 420/430X/440/450X

Dimensões	Automower® 420	Automower® 430X	Automower® 440	Automower® 450X
Comprimento, cm / "	72 / 28,3	72 / 28,3	72 / 28,3	72 / 28,3
Largura, cm / "	56 / 22,0	56 / 22,0	56 / 22,0	56 / 22,0
Altura, cm / "	31 / 12,2	31 / 12,2	31 / 12,2	31 / 12,2
Peso, kg / lb	11,5 / 25	13,2 / 29	12 / 27	13,9 / 31

Sistema elétrico	Automower® 420	Automower® 430X	Automower® 440	Automower® 450X
Bateria Lithium-Ion 18 V/2,1 Ah, n° art.	580 68 33-01, 580 68 33-02	588 14 64-01	588 14 64-01 (2 pçs.)	588 14 64-01 (2 pçs.)
Fonte de alimentação, V/28 V CC	100-240	100-240	100-240	100-240
Comprimento do cabo de baixa tensão, m / pés	10 / 33	10 / 33	10 / 33	10 / 33
Consumo médio de energia com uso máximo	17 kWh/mês em uma área de trabalho de 2200 m ² / 0,55 acre	18 kWh/mês em uma área de trabalho de 3200 m ² / 0,8 acre	20 kWh/mês em uma área de trabalho de 4000 m ² / 1 acre	23 kWh/mês em uma área de trabalho de 5000 m ² / 1,25 acres
Corrente de carga, A CC	2,2	4,2	7	7
Tempo médio de corte, min	75	145	290	270
Tempo médio de carga, min	50	50	60	60

Fio de limite da antena	Automower® 420	Automower® 430X	Automower® 440	Automower® 450X
Banda de frequência operacional, Hz	300-80000	300-80000	300-80000	300-80000
Potência máxima de radiofrequência, mW @60 m ⁶¹	<25	<25	<25	<25

Emissões de ruído medidas no ambiente sob a forma de potência sonora ⁶²	Automower® 420	Automower® 430X	Automower® 440	Automower® 450X
Nível medido de potência sonora, dB (A) ⁶³	57	57	56	58
Incertezas de emissões sonoras K _{WA} , dB (A)	1	1	1	1
Nível garantido de potência sonora	58	58	56	59
Nível de pressão sonora no ouvido do operador, dB (A) ⁶⁴	46	46	45	47

Cortando	Automower® 420	Automower® 430X	Automower® 440	Automower® 450X
Sistema de corte	3 lâminas de corte rotativas			
Rotação do motor, rpm	2300	2300	2300	2300
Consumo de energia durante o corte, W +/- 20%	30	30	30	35
Altura de corte, cm / "	2-6 / 0,8-2,4	2-6 / 0,8-2,4	2-6 / 0,8-2,4	2-6 / 0,8-2,4
Largura de corte, m / "	24 / 9,4	24 / 9,4	24 / 9,4	24 / 9,4
Passagem mais estreita possível, cm / "	60 / 24	60 / 24	60 / 24	60 / 24
Ângulo máximo da área de corte, %	45	45	45	45
Ângulo máximo do fio de limite, %	15	15	15	15
Comprimento máximo do fio de limite, m / pés	800 / 2600	800 / 2600	800 / 2600	800 / 2600
Comprimento máximo do fio-guia, m / pés	400 / 1300	400 / 1300	400 / 1300	400 / 1300
Capacidade de trabalho, m ² / acre(s), +/- 20%	2200 / 0,55	3200 / 0,8	4000 / 1	5000 / 1,25

Classificação IP	Automower® 420	Automower® 430X	Automower® 440	Automower® 450X
Cortador de grama robótico	IPX4	IPX4	IPX4	IPX4
Estação de carregamento	IPX1	IPX1	IPX1	IPX1
Fonte de alimentação	IPX4	IPX4	IPX4	IPX4

⁶¹ Potência de saída ativa máxima para as antenas na banda de frequência em que o equipamento de rádio funciona.

⁶² As emissões de ruído declaradas estão em conformidade com a norma EN 50636-2-107:2015. As emissões de ruído no meio ambiente são medidas como potência sonora (L_{WA}) em conformidade com a norma EC 2000/14/EC. O nível garantido de potência sonora inclui variação na produção e variação desde o código de teste com 1-3 dB(A).

⁶³ Incertezas de emissões sonoras K_{WA}, 2 dB (A)

⁶⁴ Incertezas de níveis de pressão sonora K_{pA}, 2-4 dB (A)

Suporte de banda de frequência	
Alcance de frequência do Bluetooth®	2400,0 - 2483,5 MHz
Automower® Connect 3G	Banda de 19 (800 MHz)
	Banda de 5 (850 MHz)
	Banda de 8 (900 MHz)
	Banda de 2 (1900 MHz)
	Banda de 1 (2100 MHz)
Automower® Connect 2G	GSM 850 MHz
	E-GSM 900 MHz
	DCS 1800 MHz
	PCS 1900 MHz

Classe de potência		
Potência de saída do Bluetooth®	8 dBm	
Automower® Connect 3G	Classe de potência 3	24 dBm
Automower® Connect 2G	Classe de potência 4 (para GSM/E-GSM)	33 dBm
	Classe de potência 1 (para DCS/PCS)	30 dBm

A Husqvarna AB não garante a total compatibilidade entre o cortador de grama robótico e outros tipos de sistemas sem fio, tais como controles remotos, transmissores de rádio, anéis de indução de áudio, cercas elétricas enterradas para animais ou semelhantes.

48 garantia

48.1 Termos da garantia

A Husqvarna garante a funcionalidade deste produto por um período de dois anos (a partir da data de aquisição). A garantia cobre falhas graves relacionadas com os materiais ou defeitos de fabricação. Dentro do período de garantia, substituímos ou reparamos o produto gratuitamente se os seguintes termos forem respeitados:

- O cortador de grama robótico e a estação de carregamento só podem ser usados em conformidade com as instruções deste Manual do Usuário. Esta garantia do fabricante não tem efeito sobre reivindicações de garantia do usuário existentes contra o fornecedor/revendedor.
- Usuários finais ou terceiros não autorizados não devem tentar reparar o produto.

Exemplos de falhas que não estão incluídas na garantia:

- Danos causados por infiltração com o uso de uma lavadora de alta pressão ou ao ser submerso em água, por exemplo, quando chuvas pesadas formam poças d'água.
- Danos causados por raios.
- Danos causados por armazenamento ou manuseio incorreto da bateria.
- Danos causados devido ao uso de uma bateria que não seja uma bateria original Husqvarna.
- Danos causados devido ao não uso de peças e acessórios originais Husqvarna, tais como lâminas e material de instalação.
- Danos no fio de laço.
- Danos causados por alteração ou interferência no produto ou na sua fonte de alimentação sem autorização.

As lâminas e rodas são consideradas descartáveis e não estão cobertas pela garantia.

Se ocorrer um erro no Husqvarna cortador de grama robótico, entre em contato Husqvarna com o serviço de atendimento ao cliente para obter mais instruções. Tenha consigo a nota fiscal e o número de série do cortador de grama robótico quando fizer contato com o Husqvarna atendimento ao cliente.

49 DECLARAÇÃO DE CONFORMIDADE DA CE

A Husqvarna AB, SE-561 82 Huskvarna, Suécia, tel: +46-36-146500, declara que os cortadores de grama robóticos Husqvarna Automower® 105, Husqvarna Automower® 310, Husqvarna Automower® 315 Husqvarna Automower® 315X, Husqvarna Automower® 420, Husqvarna Automower® 430X Husqvarna Automower® 440 e Husqvarna Automower® 450X a partir dos números de série da 2017 semana 36 e posteriores (o ano e a semana são claramente indicados na etiqueta de tipo, seguido de um número de série) estão em conformidade com as exigências de DIRETIVAS DO CONSELHO:

- 2006/42/EC "referente às máquinas".
 - Regras particulares para cortadores de grama robóticos movidos a bateria EN 50636-2-107: 2015.
 - Campos eletromagnéticos EN 62233: 2008.
- Diretiva referente a "restrição de uso de determinadas substâncias perigosas" 2011/65/EU.
 - A seguinte norma é aplicada: EN 50581:2012
- Diretiva "referente a emissões de ruído de equipamentos externos" 2000/14/EC. Consulte também *Dados técnicos na página 106* para obter informações sobre emissões de ruído e a largura de corte.

Para Husqvarna Automower® 105 (certificado 01/901/176), Husqvarna Automower® 310/315 (certificado 01/901/225), Husqvarna Automower® 315X (certificado 01/901/286) e Husqvarna Automower® 420/430X/440/450X (certificado 01/901/201): A entidade notificada 0404, SMP Svensk Maskinprovning AB, Fyrisborgsgatan 3, SE-754 50 Uppsala, Sweden emitiu um relatório relativo à avaliação de conformidade de acordo com o anexo VI da Diretiva do Conselho de 8 de maio de 2000 "referente a emissões sonoras para o ambiente" 2000/14/EC.

- Diretiva "referente a equipamento de rádio" 2014/53/EU. O certificado de avaliação de tipo é emitido para avaliação da Diretiva 2014/53/EU. O número do certificado de avaliação de tipo para Husqvarna Automower® 105 e SC1110-17. As normas a seguir foram aplicadas:

- ETSI EN 303 447 V1.1.1

Compatibilidade eletromagnética:

- ETSI EN 301 489 V2.2.0
- EN 61000-6-1:2007
- EN 61000-6-3:2007/A1:2011

Para Husqvarna Automower® 310, Husqvarna Automower® 315, Husqvarna Automower® 315X, Husqvarna Automower® 420, Husqvarna Automower® 430X Husqvarna Automower® 440 e Husqvarna Automower® 450X também equipados com o módulo Automower® Connect:

- ETSI EN 301 489-19 V2.1.0

- ETSI EN 301 489-52 V1.1.1
- ETSI EN 301 511 V12.5.1
- ETSI EN 301 908-2 V11.1.1

Para Husqvarna Automower® 310, Husqvarna Automower® 315 Husqvarna Automower® 420 e Husqvarna Automower® 440 equipado com Bluetooth®:

- ETSI EN 300 328 V2.1.1
- ETSI EN 301 489-17 V3.1.1



Husqvarna 2018-05-01

Lars Roos

Global R&D Director, Electric category

(Representante autorizado para a Husqvarna AB e responsável pela documentação técnica.)



50 Aplicável para o mercado EUA/CA

50.1 Requisitos de conformidade

ID de FCC: XPY1CGM5NNN (módulo Automower® Connect).

ID de FCC: ZASHQ-BLE-1A e FCC ID ZASHQ-BLE-1B (módulo Bluetooth® module).

O dispositivo está em conformidade com a parte 15 das Regras da FCC. A operação está sujeita às 2 seguintes condições:

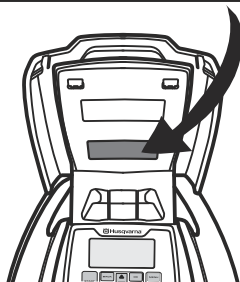
1. Este dispositivo não pode causar interferência prejudicial.
2. Este dispositivo deve aceitar qualquer interferência recebida, incluindo interferências que possam causar operação indesejada.



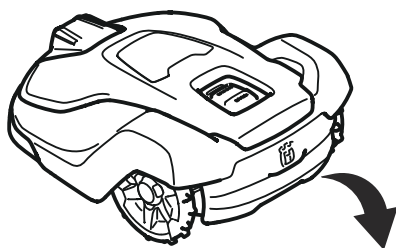
AVISO: Em conformidade com a exposição à radiofrequência, mantenha uma distância de, pelo menos, 20 cm/7 pol. de qualquer parte do produto.

Os modelos equipados com uma tampa: A etiqueta fornecida deve ser colocada no produto, conforme a figura abaixo.

Husqvarna Automower® Connect
This device contains the module
FCC ID: XPY1CGM5NNN



Modelos sem tampa: A etiqueta fornecida deve ser colocada no produto, conforme a figura abaixo



Husqvarna Automower® Connect
This device contains the module
FCC ID: XPY1CGM5NNN

Observação: Alterações ou modificações feitas no equipamento sem a aprovação expressa da Husqvarna podem anular a autorização da FCC para operar o equipamento.

Observação: Este dispositivo está em conformidade com a Parte 15 das Regras da FCC [e com os padrões RSS de isenção de licença do mercado do Canadá]. A operação está sujeita às duas seguintes condições: este dispositivo não pode causar interferência prejudicial e deve aceitar qualquer interferência recebida, incluindo interferências que possam causar efeitos indesejados.

Observação: Este equipamento foi testado e está em conformidade com os limites de um dispositivo digital de Classe B, em conformidade com a parte 15 das Regras da FCC. Esses limites foram criados para proporcionar uma proteção razoável contra interferência prejudicial em uma instalação residencial. Este equipamento gera, utiliza e pode irradiar energia de radiofrequência e, se não for instalado e utilizado de acordo com as instruções, pode causar interferência prejudicial às comunicações de rádio. No entanto, não é possível garantir que não ocorrerão interferências em uma determinada instalação. Se este equipamento causar interferência prejudicial à recepção de rádio ou televisão, a qual pode ser determinada ao desligar e ligar o equipamento, recomendamos que o usuário tente corrigir a interferências ao tomar uma ou mais das seguintes medidas:

- Reorientar ou reposicionar a antena de recepção.
- Aumentar a distância entre o equipamento e o receptor.
- Ligar o equipamento a uma tomada de um circuito diferente daquele em que o receptor está conectado.
- Consultar o revendedor ou um técnico de rádio/TV experiente para obter ajuda.

51 Aplicável ao mercado da AMÉRICA LATINA

51.1 Requisitos de conformidade, Brasil

Para os produtos equipados com o Automower® Connect:

Este produto contém código de homologação da ANATEL 04466-15-05903 com certificado SARA-U201.

Para produtos equipados com Bluetooth®:

Este produto contém a placa HMI Board Type XX código de homologação ANATEL 03199-18-11405

Modelo	Placa HMI Tipo XX
Automower® 310	12

51.2 Requisitos de conformidade, Argentina

Este produto é certificado na Argentina de acordo com o símbolo abaixo:





Husqvarna[®]

AUTOMOWER[®] is a trademark owned by Husqvarna AB.

Copyright[®] 2018 HUSQVARNA. All rights reserved.

AUTOMOWER[®] es marca registrada de Husqvarna AB.

Copyright[®] 2018 HUSQVARNA. All rights reserved.

AUTOMOWER[®] est une marque déposée par Husqvarna AB.

Copyright[®] 2018 HUSQVARNA. All rights reserved.

AUTOMOWER[®] é uma marca registada pertencente a Husqvarna AB.

Copyright[®] 2018 HUSQVARNA. Todos os direitos reservados.

www.husqvarna.com

Original instructions
Instrucciones originales
Instructions d'origine
Instruções originais

1159937-38



2018-05-23

ОФИЦИАЛЬНЫЙ ДИЛЕР В УКРАИНЕ:

storgom.ua

ГРАФИК РАБОТЫ:

Пн. – Пт.: с 8:30 по 18:30

Сб.: с 09:00 по 16:00

Вс.: с 10:00 по 16:00

КОНТАКТЫ:

+38 (044) 360-46-77

+38 (066) 77-395-77

+38 (097) 77-236-77

+38 (093) 360-46-77

Детальное описание товара: <https://storgom.ua/product/gazonokosilka-robot-husqvarna-am-3-6.html>

Другие товары: <https://storgom.ua/gazonokosilki-roboty.html>