



TECHNICAL DATA

Liquid temperature range:

From 0° to +50°C.

Liquid pumped:

Sewage water containing fecal matter as regulated by EN 12050-3.

Third parts certifications: VDE-GS, LGA, VDE-EMC.

Tank capacity and delivery: approved for flush volumes of 6 and 9 liters as regulated by EN 12050-3.

International Protection grade: IP44.

APPLICATIONS

Its use is needful whenever the wastewater coming from the WC, the shower, the washbasin or the bidet cannot be expelled by gravity. These lifting stations can be installed wherever there is the wish to add a toilet during new installations or constructions, renovations, or structural modifications. In the model 110, beside the WC, an additional line can be connected, such as the washbasin. In the model 130, beside the WC, three more lines can be connected, such as shower, washbasin and bidet. The models offered stand out for silent running, even more improved in the Comfort version. The pump, powerful and reliable, and the grinding system, with blades in nickel plated stainless steel, make together a long lasting and basically daily maintenance-free product. Extremely easy the maintenance in case of clog or motor blocking, with the possibility to dismount the motor subassembly only operating on two screws, and with the unique discharge tap that will allow a clean, and free of problems, maintenance. The non-return valves are integrated in the delivery pipe, and for the 130 models in the lateral bottom inlets. Available, as accessories, an acoustic alarm anti-flooding and an adaptor pipe, to adapt the GENIX to a vast majority of existing installations.

CONSTRUCTIONAL CHARACTERISTICS

Tank in Barium 30% polypropylene. In the Comfort version, soundproof shield in Barium 70% polypropylene. Impeller in PPO 30% GF. Motor shaft in stainless steel. Grinding blades in nickel plated stainless steel.

MOTOR CONSTRUCTIONAL CHARACTERISTICS

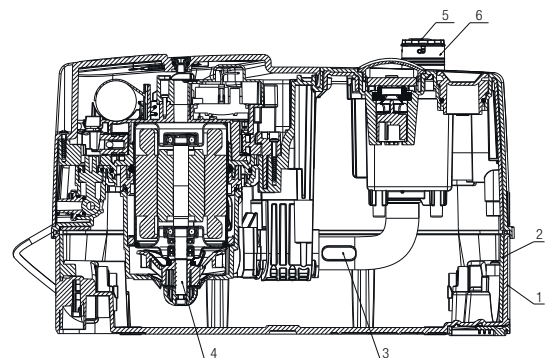
Asynchronous motor in stainless steel.

Shaft and motor sleeve in stainless steel.

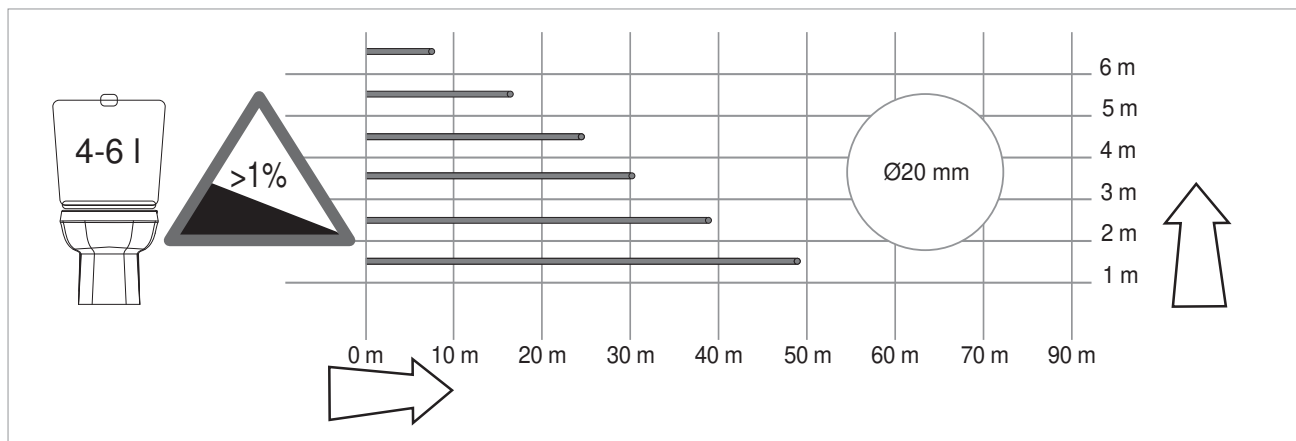
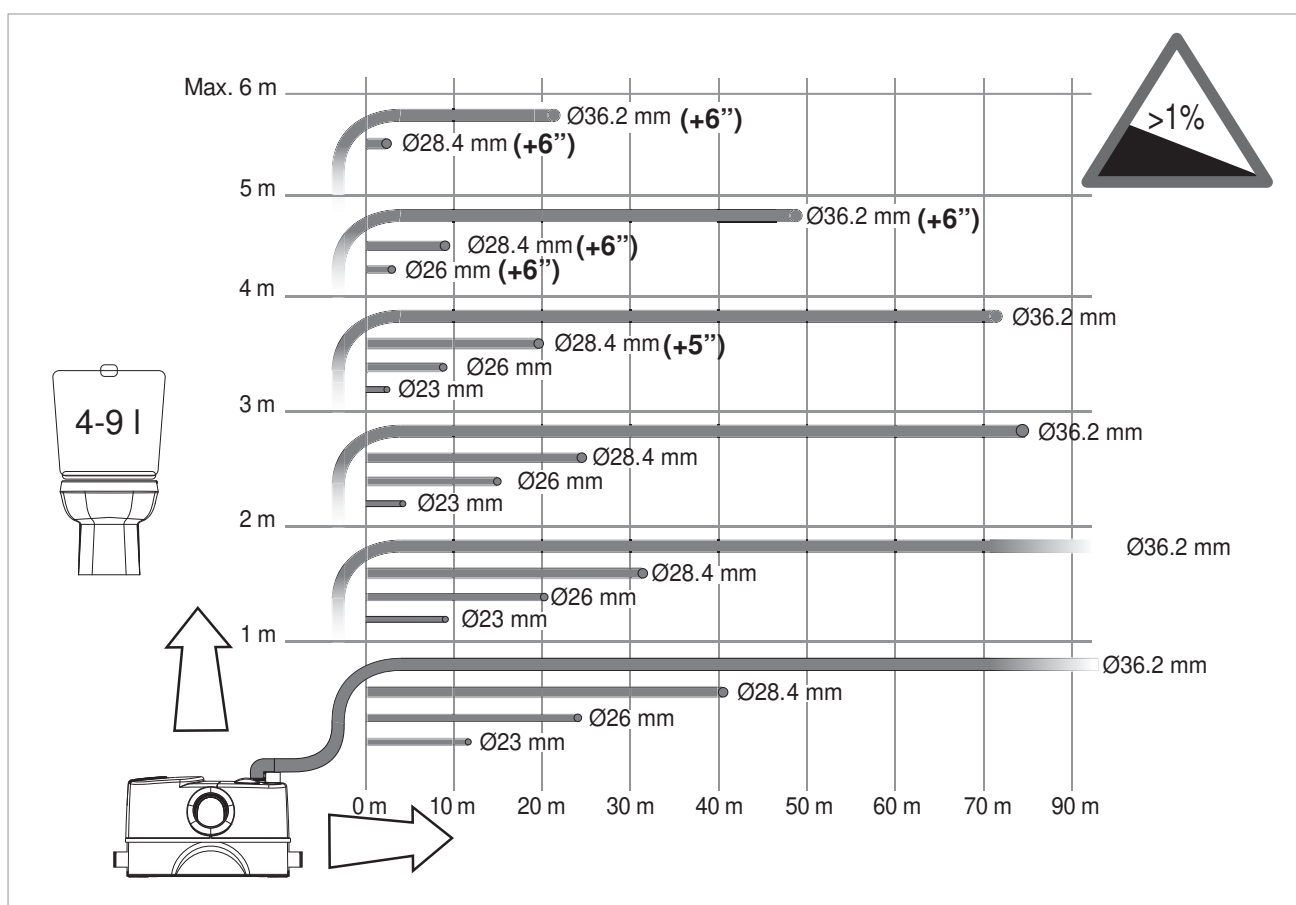
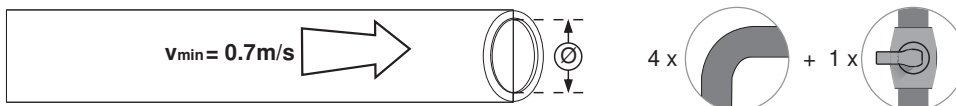
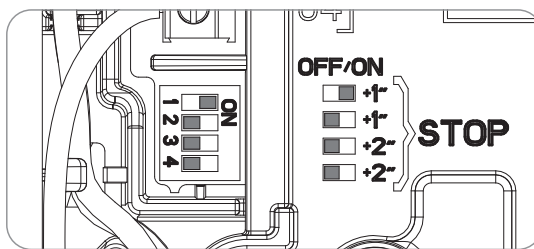
Thermal protection for overheating. Motor shaft wear resistant.

MATERIALS

| N° | DESCRIPTION | MATERIALS | |
|----|--|-----------------------|--------------------|
| 1 | TANK | PP 15% BARIUM | |
| 2 | SOUNDPROOF SHIELD | PP 70% BARIUM | |
| 3 | PIPE | EPDM | |
| 4 | GENIX COMFORT FLANGE GROUP V230-50Hz | MOTOR-SLEEVE | AISI 304 |
| | | MOTOR-SHAFT | AISI 416 |
| | | IMPELLER | PPO 30% FIBERGLASS |
| | | GRINDING STATOR | AISI 304 |
| | | IMPELLER NUT | PPO 30% FIBERGLASS |
| | | GRINDING ROTOR | AISI 420 |
| | | FLANGE | PP 30% FIBERGLASS |
| | | PUMP BODY | PP 30% FIBERGLASS |
| | | ALIGNING RING | PP 30% FIBERGLASS |
| | | DIFFUSER | PP 30% FIBERGLASS |
| 5 | VALVE GROUP | NON RETURN VALVE BODY | PP 30 FIBERGLASS |
| | | OVAL CLAPET VALVE | EPDM |
| | | OR -3118 29.82 X 2.62 | NBR |
| 6 | DELIVERY PIPE | PP 30 FIBERGLASS | |

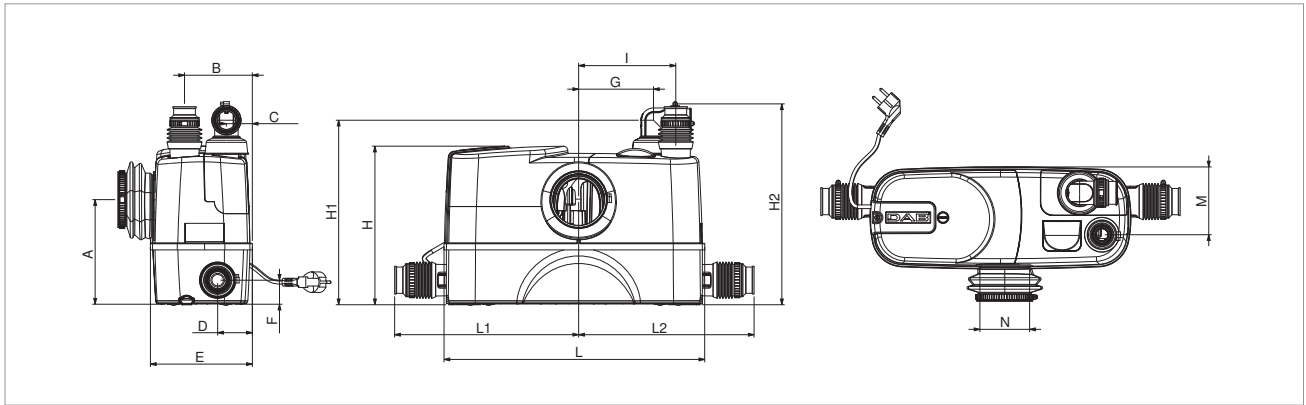


ISTRUZIONI PER L'INSTALLAZIONE



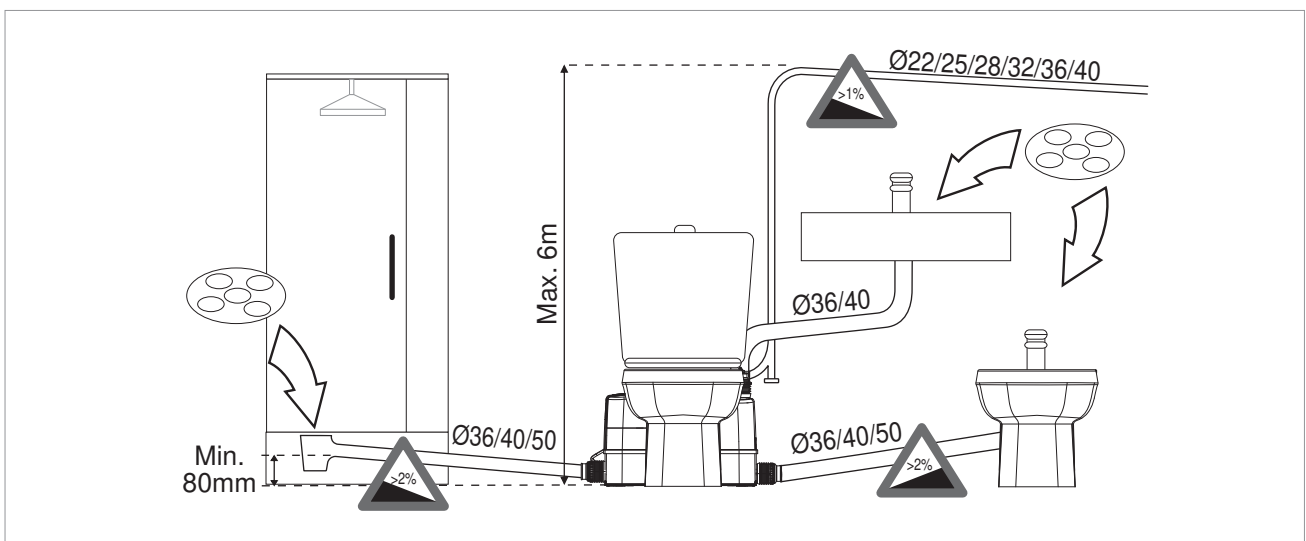
GENIX - AUTOMATIC LIFTING STATIONS

Liquid temperature range from 0° to 50°C



| MODEL | ELECTRICAL DATA | | | | |
|-------------------|------------------|--------------|------------|------|---------|
| | VOLTAGE 50 Hz | P1 MAX kW | P2 NOMINAL | | In A |
| | | | kW | HP | |
| GENIX 110 | 1 x 230 V ~ | 490 | 0,32 | 0,44 | 2,3 |
| GENIX 130 | 1 x 230 V ~ | 490 | 0,32 | 0,44 | 2,3 |
| GENIX COMFORT 110 | 1 x 230 V ~ | 490 | 0,32 | 0,44 | 2,3 |
| GENIX COMFORT 130 | 1 x 230 V ~ | 490 | 0,32 | 0,44 | 2,3 |

| MODEL | A | B | C | D | F | G | H | H1 | H2 | I | L | L1 | L2 | M | N | PACKING DIMENSION | | | VOLUME (mc) | WEIGHT Kg |
|-------------------|-----|-----|----|----|----|-----|-----|-----|-----|-----|-----|-----|-----|-----|----|-------------------|-----|-----|----------------|--------------|
| | | | | | | | | | | | | | | | | L/A | L/B | H | | |
| GENIX 110 | 183 | 118 | 45 | 60 | 42 | 178 | 277 | 323 | 351 | 170 | 456 | 322 | 307 | 118 | 87 | 538 | 227 | 426 | 0,0520 | 10,3 |
| GENIX 130 | 183 | 118 | 45 | 60 | 42 | 178 | 277 | 323 | 351 | 170 | 456 | 322 | 307 | 118 | 87 | 538 | 227 | 426 | 0,0520 | 10,6 |
| GENIX COMFORT 110 | 183 | 118 | 45 | 60 | 42 | 178 | 277 | 323 | 351 | 170 | 456 | 322 | 307 | 118 | 87 | 538 | 227 | 426 | 0,0520 | 11,5 |
| GENIX COMFORT 130 | 183 | 118 | 45 | 60 | 42 | 178 | 277 | 323 | 351 | 170 | 456 | 322 | 307 | 118 | 87 | 538 | 227 | 426 | 0,0520 | 12 |



ОФИЦИАЛЬНЫЙ ДИЛЕР В УКРАИНЕ:

storgom.ua

ГРАФИК РАБОТЫ:

Пн. – Пт.: с 8:30 по 18:30

Сб.: с 09:00 по 16:00

Вс.: с 10:00 по 16:00

КОНТАКТЫ:

+38 (044) 360-46-77

+38 (066) 77-395-77

+38 (097) 77-236-77

+38 (093) 360-46-77

Детальное описание товара:

<https://storgom.ua/product/drenazhno-fekalnyj-nasos-dab-genix-1-0-v230-50-schuko-601618-0.html>

Другие товары: <https://storgom.ua/kanalizacionnye-ustanovki.html>