



## TECHNICAL DATA

### Operating range:

from 0.4 to 10.5 m<sup>3</sup>/h with head up to 62 metres.

**Liquid quality requirements:** clean, free from solid or abrasive contaminants, non-viscous, non-aggressive, uncrystallised and chemically neutral, close to the properties of water.

### Liquid temperature range:

for domestic use: from 0°C to +35°C (EN 60335-2-41)

for other use: from 0°C to +40°C

**Maximum ambient temperature:** +40°C

**Maximum operating pressure:** 8 bar (800 kPa)

**Installation:** fixed in a horizontal position.

**Special executions on request:** different frequencies and/or voltage.

**Motor protection rating:** IP 44

**Terminal block protection rating:** IP 55

**Insulation class:** F

**Standard input voltage:** single phase 220/240 V / 50 Hz  
three phase 230/400 V - 50 Hz

## APPLICATIONS

Self priming centrifugal pump with excellent suction capacity even in the presence of air bubbles.

Suitable for pumping water with low levels of sandy impurities.

Especially used in domestic water supply installations. Suitable for small farms and gardening, small scale industrial services and where self priming is necessary.

## CONSTRUCTIONAL FEATURES OF THE PUMP

Cast-iron motor support and pump body.

Motor support in die cast aluminium.

Impeller, diffuser, venturi tube and sand guard in technopolymer

Stainless steel wear ring.

Carbon/ceramic mechanical seal.

## CONSTRUCTIONAL FEATURES OF THE MOTOR

Asynchronous type, closed, with external air cooling.

Rotor mounted on oversized greased-for-life ball bearings, to guarantee low noise and long life.

Incorporated thermo-amperometric protection and permanently inserted capacitor in the single phase version.

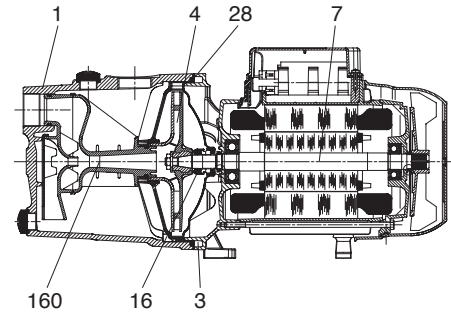
It is recommended to use overload protection for three phase motor protection, in compliance with current legislation.

Manufactured pursuant to CEI 2-3 and CEI 61-69 (EN 60335-2-41).

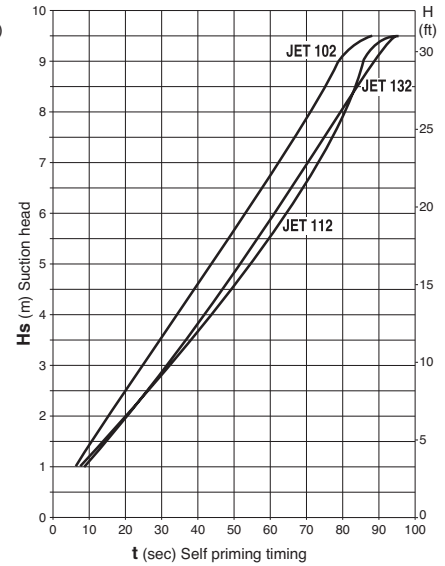
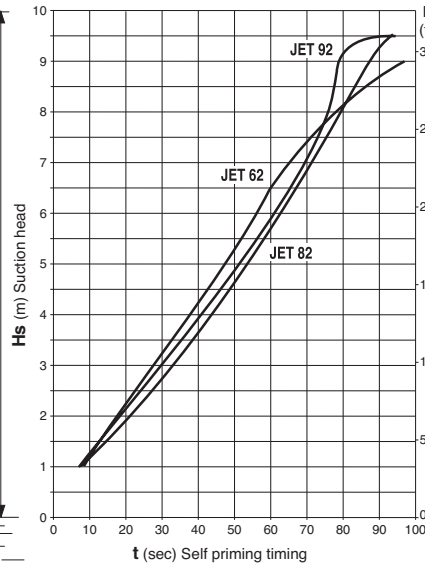
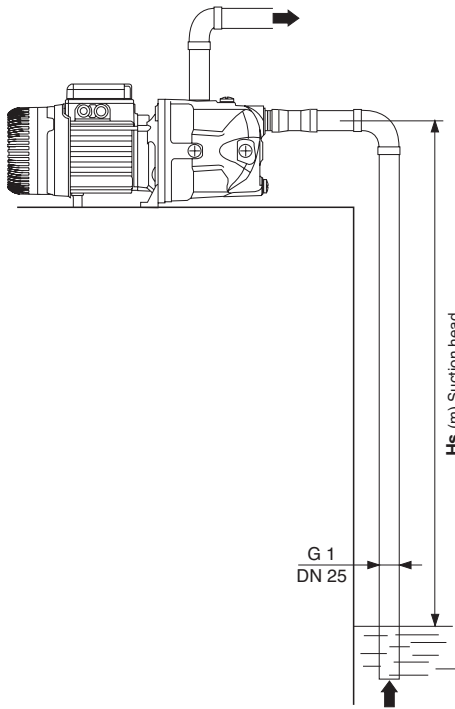
### MATERIALS

| N°  | PARTS *                       | MATERIALS   |
|-----|-------------------------------|---|
| 1   | PUMP BODY                     | 200 UNI ISO 185 CAST IRON                           |
| 3   | FRAME                         | DIE CAST ALUMINIUM                                  |
| 4   | IMPELLER                      | TECHNOPOLYMER A                                     |
| 7   | SHAFT WITH ROTOR              | AISI 416 STAINLESS STEEL<br>X12 CrS13 - UNI 6900/71 |
| 16  | MECHANICAL SEAL               | CARBON/CERAMIC                                      |
| 28  | OR GASKET                     | NBR RUBBER  |
| 160 | VENTURI DIFFUSER NOZZEL GROUP | TECHNOPOLYMER A                                     |

\* In contact with liquid



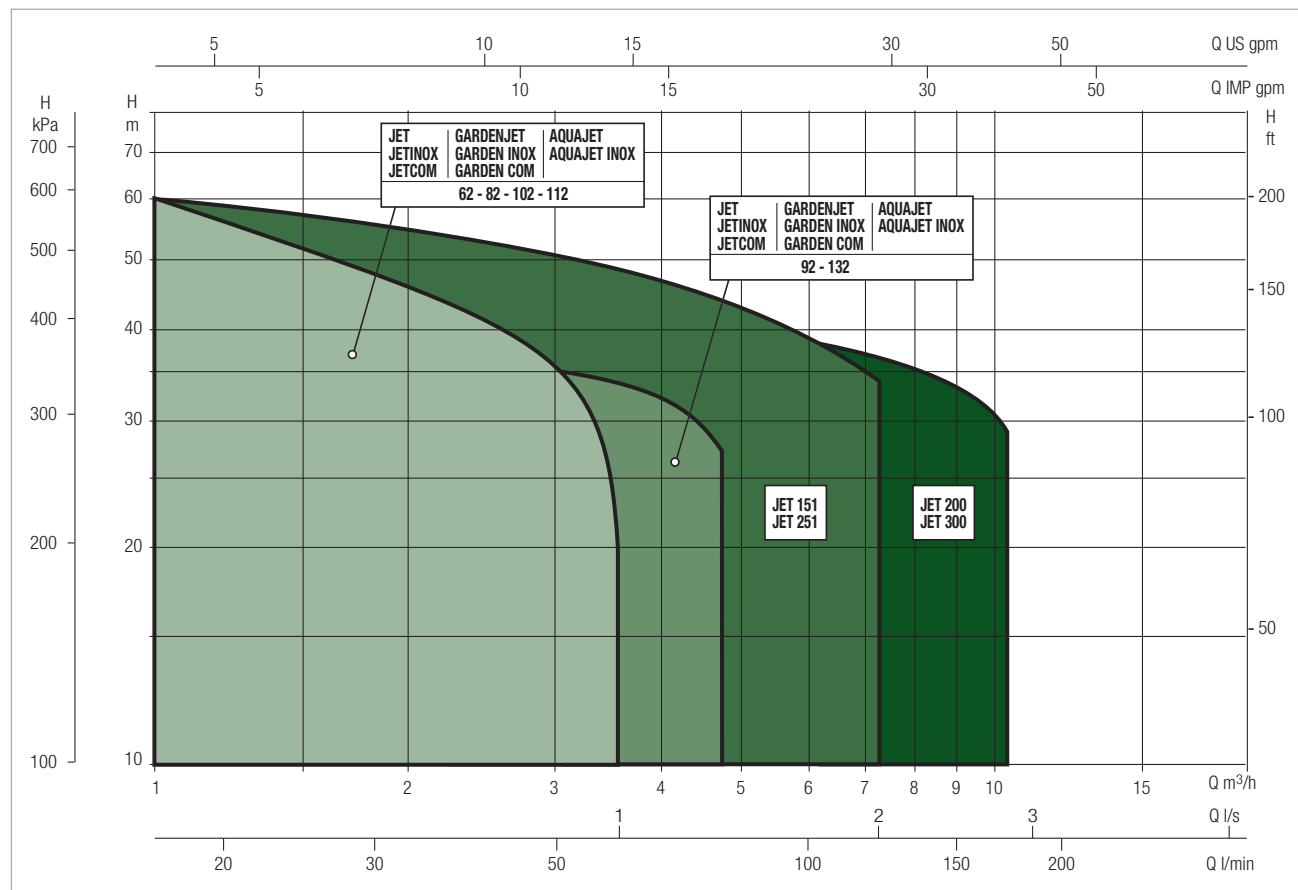
### SELF PRIMING CAPACITY



### PERFORMANCE RANGE

The performance curves are based on kinematic viscosity values = 1 mm<sup>2</sup>/s and density equivalent to 1000 kg/m<sup>3</sup>. Curve tolerance according to ISO 9906.

### GRAPHIC SELECTION TABLE

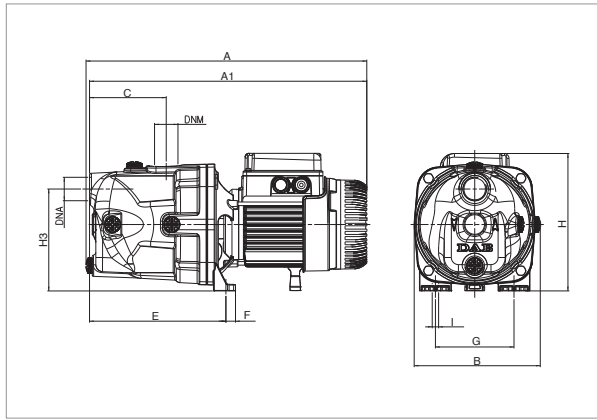


### JET SELECTION TABLE

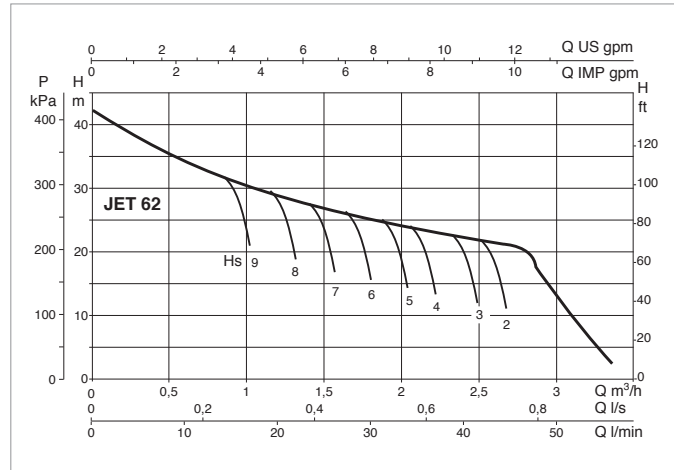
| MODEL     | Q=m <sup>3</sup> /h | 0    | 0.6  | 1.2  | 1.8  | 2.4  | 3    | 3.6  | 4.2  | 4.8  |
|-----------|---------------------|------|------|------|------|------|------|------|------|------|
|           | Q=l/min             | 0    | 10   | 20   | 30   | 40   | 50   | 60   | 70   | 80   |
| JET 62 M  | H (m)               | 42   | 35   | 29.2 | 25.6 | 22.9 | 21.1 |      |      |      |
| JET 82 M  |                     | 47   | 40   | 34   | 30   | 26.2 | 23.5 | 20.3 |      |      |
| JET 82 T  |                     | 47   | 40   | 34   | 30   | 26.2 | 23.5 | 20.3 |      |      |
| JET 102 M |                     | 53.8 | 47   | 41   | 36.3 | 32.4 | 28.8 | 25.8 |      |      |
| JET 102 T |                     | 53.8 | 47   | 41   | 36.3 | 32.4 | 28.8 | 25.8 |      |      |
| JET 112 M |                     | 61   | 54   | 47.8 | 42.8 | 38.8 | 34.8 | 20   |      |      |
| JET 112 T |                     | 61   | 54   | 47.8 | 42.8 | 38.8 | 34.8 | 20   |      |      |
| JET 92 M  |                     | 36.2 | 33.5 | 31   | 28.4 | 26   | 24   | 21.8 | 19.6 | 17   |
| JET 132 M |                     | 48.3 | 45.6 | 42.8 | 40   | 37.6 | 35   | 32.5 | 30   | 27.2 |
| JET 132 T |                     | 48.3 | 45.6 | 42.8 | 40   | 37.6 | 35   | 32.5 | 30   | 27.2 |

## JET 62 - SELF-PRIMING CENTRIFUGAL ELECTRIC PUMPS FOR DOMESTIC WATER SUPPLY

Liquid temperature range pumped: from 0 °C to +35 °C - Maximum ambient temperature: +40°C



The performance curves are based on the kinematic viscosity values = 1 mm<sup>2</sup>/s and density equivalent to 1000 kg/m<sup>3</sup>. Curve tolerance according to ISO 9906.

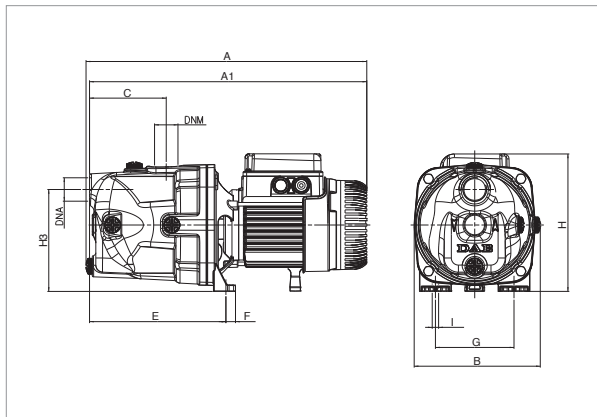


| MODEL    | POWER SUPPLY<br>50 Hz | P1<br>MAX kW | P2 NOMINAL |     | In<br>A | CAPACITOR |     |
|----------|-----------------------|--------------|------------|-----|---------|-----------|-----|
|          |                       |              | kW         | HP  |         | µF        | Vc  |
| JET 62 M | 1x220-240 V ~         | 0.72         | 0.44       | 0.6 | 3.12    | 12.5      | 450 |

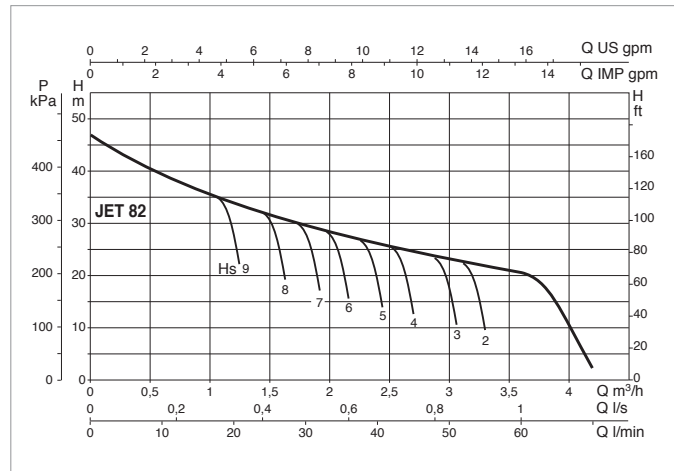
| MODEL  | A   | A1  | B   | C   | E   | F  | G   | H   | H3  | I Ø | DNA<br>GAS | DNM<br>GAS | PACK DIMENSIONS |     |     | VOLUME<br>(mc) | GROSS<br>WEIGHT<br>Kg |
|--------|-----|-----|-----|-----|-----|----|-----|-----|-----|-----|------------|------------|-----------------|-----|-----|----------------|-----------------------|
|        |     |     |     |     |     |    |     |     |     |     |            |            | L/A             | L/B | H   |                |                       |
| JET 62 | 395 | 390 | 178 | 108 | 192 | 14 | 111 | 193 | 144 | 9   | 1"         | 1"         | 470             | 240 | 240 | 0.022          | 10.5                  |

## JET 82 - SELF-PRIMING CENTRIFUGAL ELECTRIC PUMPS FOR DOMESTIC WATER SUPPLY

Liquid temperature range pumped: from 0 °C to +35 °C - Maximum ambient temperature: +40°C



The performance curves are based on the kinematic viscosity values = 1 mm<sup>2</sup>/s and density equivalent to 1000 kg/m<sup>3</sup>. Curve tolerance according to ISO 9906.

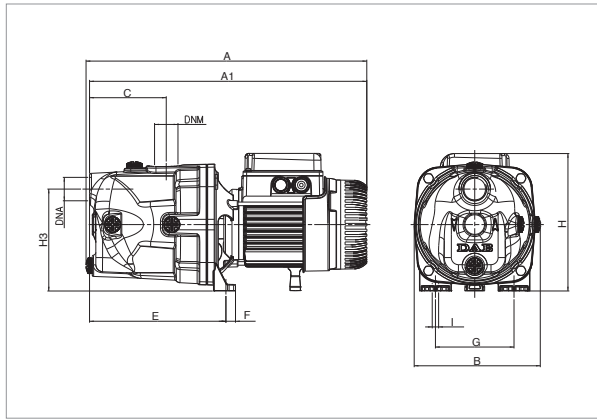


| MODEL    | POWER SUPPLY<br>50 Hz | P1<br>MAX kW | P2 NOMINAL |     | In<br>A | CAPACITOR |     |
|----------|-----------------------|--------------|------------|-----|---------|-----------|-----|
|          |                       |              | kW         | HP  |         | µF        | Vc  |
| JET 82 M | 1x220-240 V ~         | 0.85         | 0.6        | 0.8 | 3.8     | 12.5      | 450 |
| JET 82 T | 3x230-400 V ~         | 0.86         | 0.6        | 0.8 | 2.8-1.6 | -         | -   |

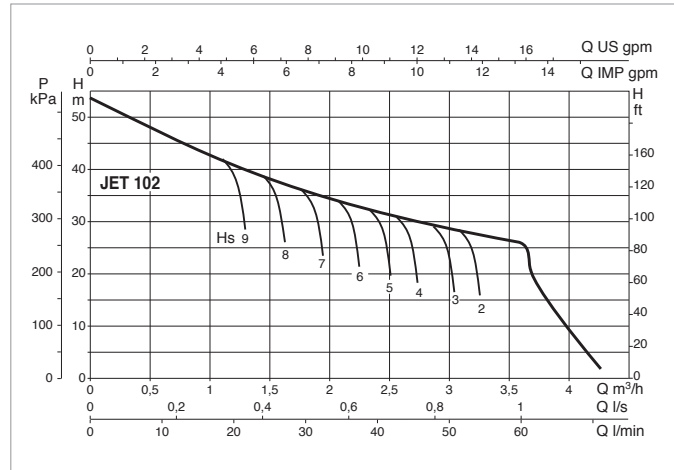
| MODEL  | A   | A1  | B   | C   | E   | F  | G   | H   | H3  | I Ø | DNA<br>GAS | DNA<br>GAS | PACK DIMENSIONS |     |     | VOLUME<br>(mc) | GROSS<br>WEIGHT<br>Kg |
|--------|-----|-----|-----|-----|-----|----|-----|-----|-----|-----|------------|------------|-----------------|-----|-----|----------------|-----------------------|
|        |     |     |     |     |     |    |     |     |     |     |            |            | L/A             | L/B | H   |                |                       |
| JET 82 | 395 | 395 | 178 | 108 | 192 | 14 | 111 | 193 | 144 | 9   | 1"         | 1"         | 470             | 240 | 240 | 0.022          | 10.7                  |

# JET 102 - SELF-PRIMING CENTRIFUGAL ELECTRIC PUMPS FOR DOMESTIC WATER SUPPLY

Liquid temperature range pumped: from 0 °C to +35 °C - Maximum ambient temperature: +40°C



The performance curves are based on the kinematic viscosity values = 1 mm<sup>2</sup>/s and density equivalent to 1000 kg/m<sup>3</sup>. Curve tolerance according to ISO 9906.

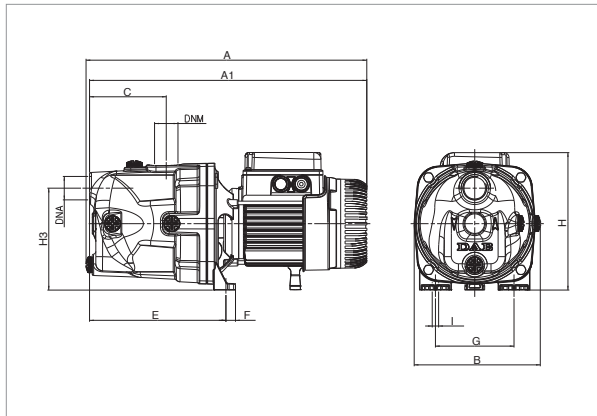


| MODEL     | POWER SUPPLY<br>50 Hz | P1<br>MAX kW | P2 NOMINAL |    | In<br>A | CAPACITOR |     |
|-----------|-----------------------|--------------|------------|----|---------|-----------|-----|
|           |                       |              | kW         | HP |         | µF        | Vc  |
| JET 102 M | 1x220-240 V ~         | 1.13         | 0.75       | 1  | 5.1     | 16        | 450 |
| JET 102 T | 3x230-400 V ~         | 1.04         | 0.75       | 1  | 3.3-1.9 | -         | -   |

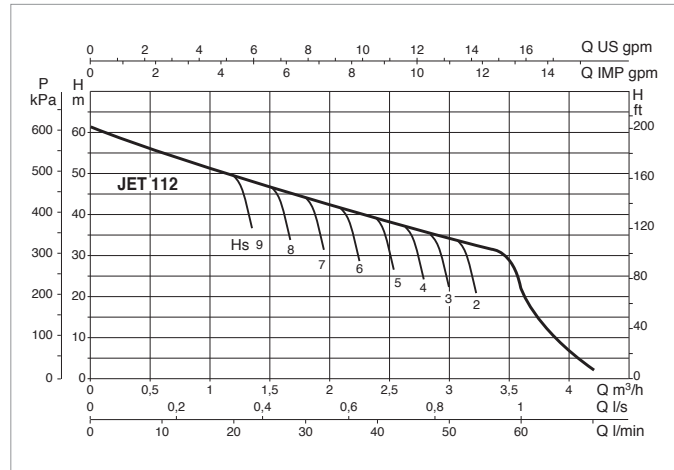
| MODEL   | A   | A1  | B   | C   | E   | F  | G   | H   | H3  | I Ø | DNA<br>GAS | DNM<br>GAS | PACK DIMENSIONS |     |     | VOLUME<br>(mc) | GROSS<br>WEIGHT<br>Kg |
|---------|-----|-----|-----|-----|-----|----|-----|-----|-----|-----|------------|------------|-----------------|-----|-----|----------------|-----------------------|
|         |     |     |     |     |     |    |     |     |     |     |            |            | L/A             | L/B | H   |                |                       |
| JET 102 | 414 | 409 | 178 | 108 | 197 | 14 | 111 | 203 | 144 | 9   | 1"         | 1"         | 470             | 240 | 240 | 0.022          | 12.5                  |

# JET 112 - SELF-PRIMING CENTRIFUGAL ELECTRIC PUMPS FOR DOMESTIC WATER SUPPLY

Liquid temperature range pumped: from 0 °C to +35 °C - Maximum ambient temperature: +40°C



The performance curves are based on the kinematic viscosity values = 1 mm<sup>2</sup>/s and density equivalent to 1000 kg/m<sup>3</sup>. Curve tolerance according to ISO 9906.



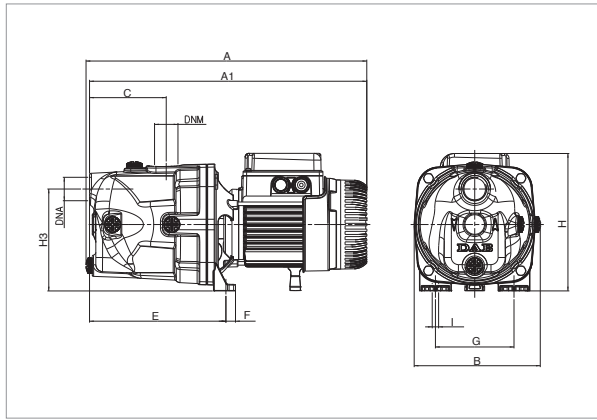
| MODEL     | POWER SUPPLY<br>50 Hz | P1<br>MAX kW | P2 NOMINAL |      | In<br>A | CAPACITOR |     |
|-----------|-----------------------|--------------|------------|------|---------|-----------|-----|
|           |                       |              | kW         | HP   |         | µF        | Vc  |
| JET 112 M | 1x220-240 V ~         | 1.4          | 1          | 1.36 | 6.2     | 25        | 450 |
| JET 112 T | 3x230-400 V ~         | 1.35         | 1          | 1.36 | 4.3-2.5 | -         | -   |

| MODEL     | A   | A1  | B   | C   | E   | F  | G   | H   | H3  | I Ø | DNA<br>GAS | DNM<br>GAS | PACK DIMENSIONS |     |     | VOLUME<br>(mc) | GROSS<br>WEIGHT<br>Kg |
|-----------|-----|-----|-----|-----|-----|----|-----|-----|-----|-----|------------|------------|-----------------|-----|-----|----------------|-----------------------|
|           |     |     |     |     |     |    |     |     |     |     |            |            | L/A             | L/B | H   |                |                       |
| JET 112 M | 414 | 409 | 178 | 108 | 192 | 14 | 111 | 203 | 144 | 9   | 1"         | 1"         | 470             | 240 | 240 | 0.022          | 13.5                  |
| JET 112 T | 430 | 409 | 178 | 108 | 192 | 14 | 111 | 203 | 144 | 9   | 1"         | 1"         | 470             | 240 | 240 | 0.022          | 15.1                  |

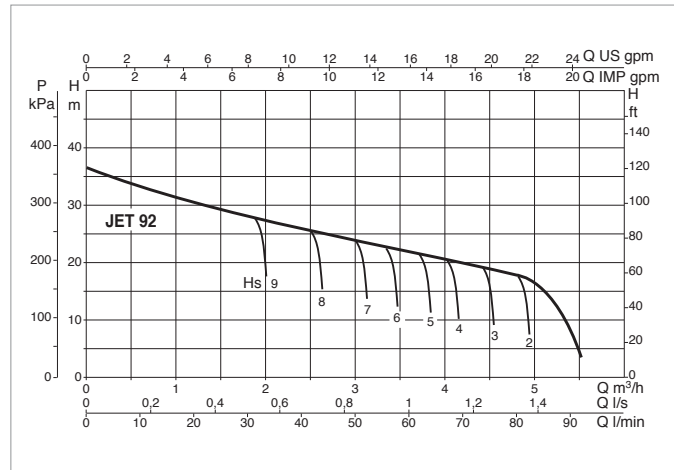


## JET 92 - SELF-PRIMING CENTRIFUGAL ELECTRIC PUMPS FOR DOMESTIC WATER SUPPLY

Liquid temperature range pumped: from 0 °C to +35 °C - Maximum ambient temperature: +40°C



The performance curves are based on the kinematic viscosity values = 1 mm<sup>2</sup>/s and density equivalent to 1000 kg/m<sup>3</sup>. Curve tolerance according to ISO 9906.

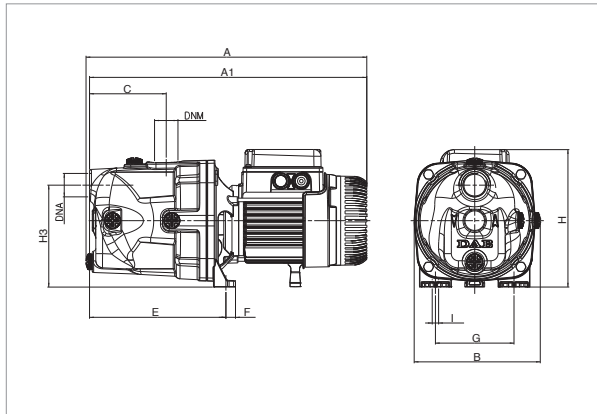


| MODEL    | ELECTRICAL DATA       |              |            |    |         |           |     |
|----------|-----------------------|--------------|------------|----|---------|-----------|-----|
|          | POWER SUPPLY<br>50 Hz | P1<br>MAX kW | P2 NOMINAL |    | In<br>A | CAPACITOR |     |
|          |                       |              | kW         | HP |         | µF        | Vc  |
| JET 92 M | 1x220-240 V ~         | 0.94         | 0.75       | 1  | 4.2     | 14        | 450 |

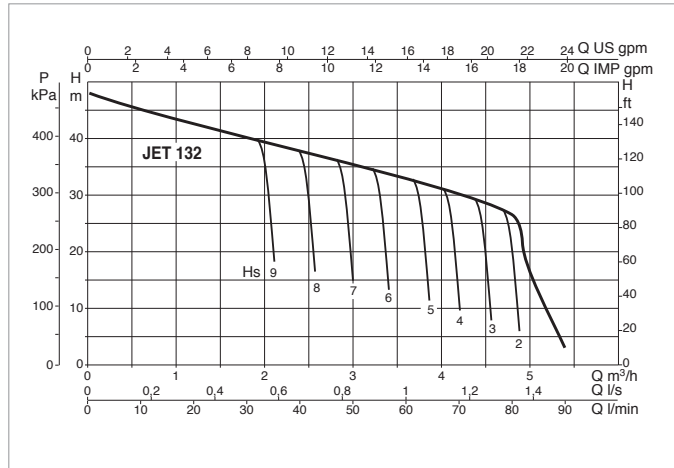
| MODEL  | A   | A1  | B   | C   | E   | F  | G   | H   | H3  | I Ø | DNA GAS | DNM GAS | PACK DIMENSIONS |     |     | VOLUME<br>(mc) | GROSS WEIGHT<br>Kg |
|--------|-----|-----|-----|-----|-----|----|-----|-----|-----|-----|---------|---------|-----------------|-----|-----|----------------|--------------------|
|        |     |     |     |     |     |    |     |     |     |     |         |         | L/A             | L/B | H   |                |                    |
| JET 92 | 395 | 390 | 178 | 108 | 192 | 14 | 111 | 193 | 144 | 9   | 1"      | 1"      | 470             | 240 | 240 | 0.022          | 11.7               |

## JET 132 - SELF-PRIMING CENTRIFUGAL ELECTRIC PUMPS FOR DOMESTIC WATER SUPPLY

Liquid temperature range pumped: from 0 °C to +35 °C - Maximum ambient temperature: +40°C



The performance curves are based on the kinematic viscosity values = 1 mm<sup>2</sup>/s and density equivalent to 1000 kg/m<sup>3</sup>. Curve tolerance according to ISO 9906.

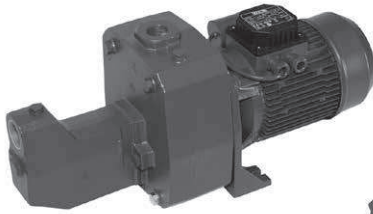


| MODEL     | ELECTRICAL DATA       |              |            |      |         |           |     |
|-----------|-----------------------|--------------|------------|------|---------|-----------|-----|
|           | POWER SUPPLY<br>50 Hz | P1<br>MAX kW | P2 NOMINAL |      | In<br>A | CAPACITOR |     |
|           |                       |              | kW         | HP   |         | µF        | Vc  |
| JET 132 M | 1x220-240 V ~         | 1.49         | 1          | 1.36 | 6.6     | 25        | 450 |
| JET 132 T | 3x230-400 V ~         | 1.43         | 1          | 1.36 | 4.7-2.7 | -         | -   |

| MODEL     | A   | A1  | B   | C   | E   | F  | G   | H   | H3  | I Ø | DNA GAS | DNM GAS | PACK DIMENSIONS |     |     | VOLUME<br>(mc) | GROSS WEIGHT<br>Kg |
|-----------|-----|-----|-----|-----|-----|----|-----|-----|-----|-----|---------|---------|-----------------|-----|-----|----------------|--------------------|
|           |     |     |     |     |     |    |     |     |     |     |         |         | L/A             | L/B | H   |                |                    |
| JET 132 M | 414 | 409 | 263 | 108 | 192 | 14 | 111 | 203 | 144 | 9   | 1"      | 1"      | 470             | 240 | 240 | 0.022          | 13.5               |
| JET 132 T | 430 | 409 | 263 | 108 | 192 | 14 | 111 | 203 | 144 | 9   | 1"      | 1"      | 470             | 240 | 240 | 0.022          | 15.1               |

# JET 151-251-200-300

## SELF-PRIMING CENTRIFUGAL ELECTRIC PUMPS



JET 151-251



JET 200-300

### TECHNICAL DATA

**Operating range:**

from 0.4 to 10.5 m<sup>3</sup>/h with head up to 62 metres.

**Liquid quality requirements:** clean, free from solid or abrasive contaminants, non-viscous, non-aggressive, uncrystallised and chemically neutral, close to the properties of water.

**Liquid temperature range:**

for domestic use: from 0°C to +35°C (EN 60335-2-41)

for other use: from 0°C to +40°C

**Maximum ambient temperature:** +40°C

**Maximum operating pressure:** 8 bar (800 kPa)

**Installation:** fixed in a horizontal position.

**Special executions on request:** different frequencies and/or voltage.

**Motor protection rating:** IP 44

**Terminal block protection rating:** IP 55

**Insulation class:** F

**Standard input voltage:** single phase 220/240 V / 50 Hz  
three phase 230/400 V - 50 Hz

### APPLICATIONS

Self priming centrifugal pump with excellent suction capacity even in the presence of air bubbles.

Suitable for pumping water with low levels of sandy impurities.

Especially used in domestic water supply installations.

Suitable for small farms and gardening, small scale industrial services and where self priming is necessary.

### CONSTRUCTIONAL FEATURES OF THE PUMP

Cast-iron motor support and pump body.

Impeller, diffuser, venturi tube and sand guard in technopolymer

Twin impeller on the JET 151 and 251 versions.

Stainless steel wear ring.

Carbon/ceramic mechanical seal.

### CONSTRUCTIONAL FEATURES OF THE MOTOR

Asynchronous type, closed, with external air cooling.

Rotor mounted on oversized greased-for-life ball bearings, to guarantee low noise and long life.

Incorporated thermo-ampereometric protection and permanently inserted capacitor in the single phase version.

It is recommended to use overload protection for three phase motor protection, in compliance with current legislation.

Manufactured pursuant to CEI 2-3 and CEI 61-69 (EN 60335-2-41).

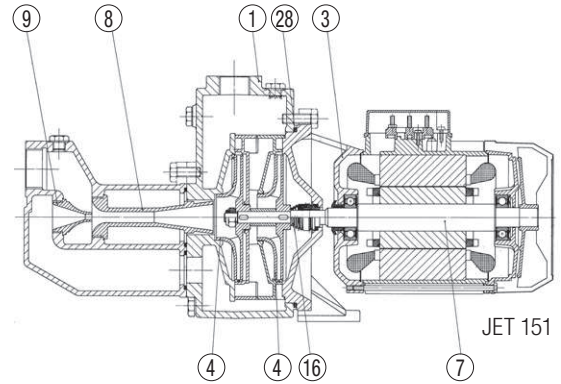
# JET 151-251-200-300

## SELF-PRIMING CENTRIFUGAL ELECTRIC PUMPS

### MATERIALS

| N°  | PARTS*                           | MATERIALS   |
|-----|----------------------------------|---|
| 1   | PUMP BODY                        | GJL 200 UNI EN 1561 CAST IRON                                       |
| 3   | FRAME                            | GJL 200 UNI EN 1561 CAST IRON                                       |
| 4   | IMPELLER                         | PPO-GF 20 (Noryl™)  |
| 7   | SHAFT WITH ROTOR                 | AISI 303 STAINLESS STEEL<br>X8CrNiS18-9 UNI EN 10088 (UNI 6900: 71) |
| 8-9 | VENTURI DIFFUSER<br>NOZZLE GROUP | PPO-GF 20 (Noryl™)  |
| 16  | MECHANICAL SEAL                  | CARBON/CERAMIC  |
| 28  | OR GASKET                        | NBR RUBBER  |

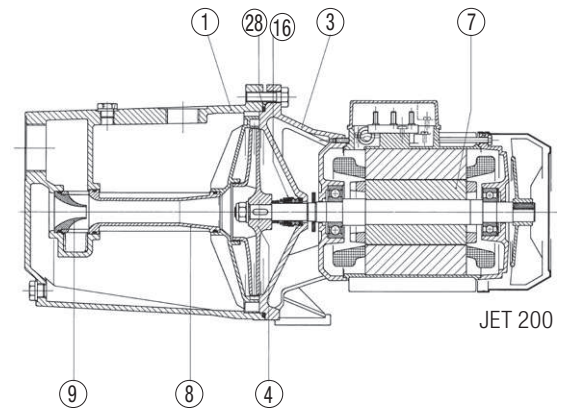
\* In contact with liquid



### MATERIALS

| N°  | PARTS*                           | MATERIALS   |
|-----|----------------------------------|---|
| 1   | PUMP BODY                        | GJL 200 UNI EN 1561 CAST IRON                                       |
| 3   | FRAME                            | GJL 200 UNI EN 1561 CAST IRON                                       |
| 4   | IMPELLER                         | PPO-GF 20 (Noryl™)  |
| 7   | SHAFT WITH ROTOR                 | AISI 303 STAINLESS STEEL<br>X8CrNiS18-9 UNI EN 10088 (UNI 6900: 71) |
| 8-9 | VENTURI DIFFUSER<br>NOZZLE GROUP | PPO-GF 20 (Noryl™)  |
| 16  | MECHANICAL SEAL                  | CARBON/CERAMIC  |
| 28  | OR GASKET                        | NBR RUBBER  |

\* In contact with liquid





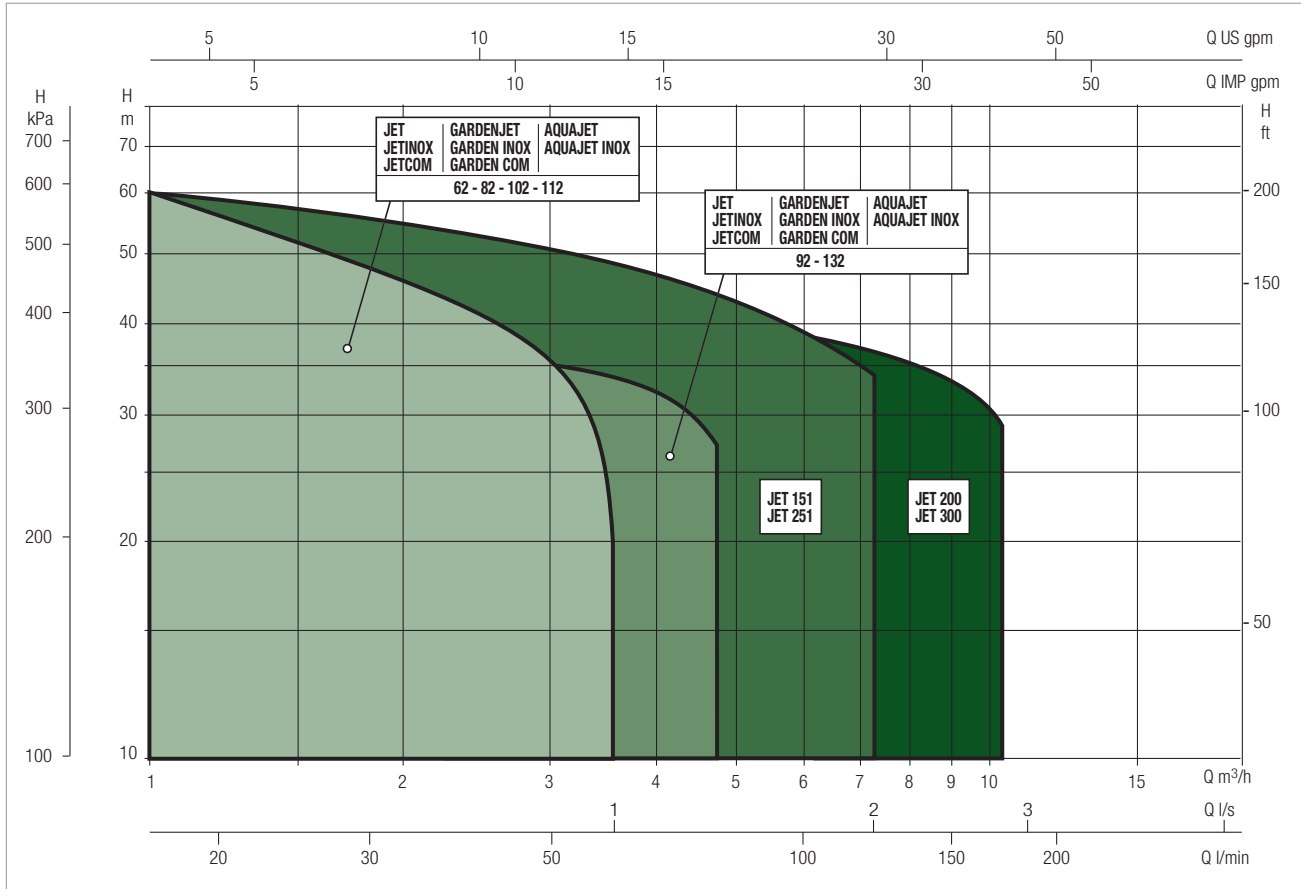
# JET 151-251-200-300

## SELF-PRIMING CENTRIFUGAL ELECTRIC PUMPS

### PERFORMANCE RANGE

The performance curves are based on kinematic viscosity values = 1 mm<sup>2</sup>/s and density equivalent to 1000 kg/m<sup>3</sup>. Curve tolerance according to ISO 9906.

### GRAPHIC SELECTION TABLE

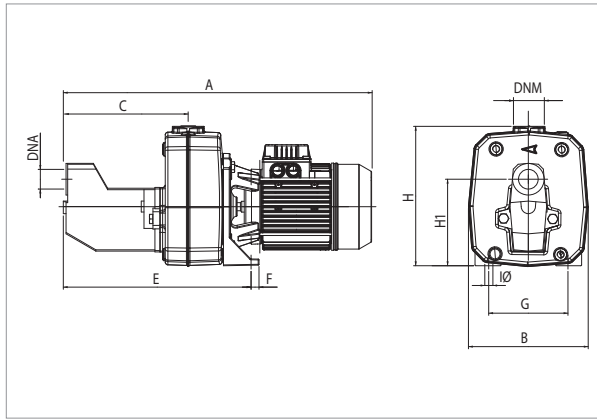


### SELECTION TABLE - JET 151-251-200-300

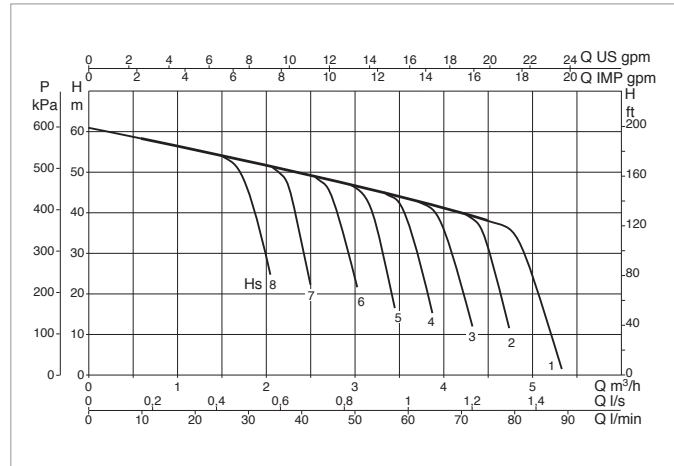
| MODEL     | Q=m <sup>3</sup> /h | 0  | 0.6  | 1.2 | 1.8  | 2.4  | 3.0  | 3.6  | 4.2 | 4.8  | 6    | 7.2  | 9   | 9.6  | 10.5 |  |  |
|-----------|---------------------|----|------|-----|------|------|------|------|-----|------|------|------|-----|------|------|--|--|
|           | Q=l/min             | 0  | 10   | 20  | 30   | 40   | 50   | 60   | 70  | 80   | 100  | 120  | 150 | 160  | 175  |  |  |
| JET 151 M | H (m)               | 61 | 58.2 | 56  | 53   | 50   | 46   | 43   | 36  |      |      |      |     |      |      |  |  |
| JET 151 T |                     | 61 | 58.2 | 56  | 53   | 50   | 46   | 43   | 36  |      |      |      |     |      |      |  |  |
| JET 251 M |                     | 62 | 60   | 58  | 56   | 54   | 51   | 48.5 | 46  | 43.5 | 39   | 34.2 |     |      |      |  |  |
| JET 251 T |                     | 62 | 60   | 58  | 56   | 54   | 51   | 48.5 | 46  | 43.5 | 39   | 34.2 |     |      |      |  |  |
| JET 200 M |                     | 41 |      |     | 37.5 | 36.5 | 35.2 | 34   | 33  | 31.8 | 29.5 | 27.2 | 24  | 22.8 | 21.3 |  |  |
| JET 200 T |                     | 41 |      |     | 37.5 | 36.5 | 35.2 | 34   | 33  | 31.8 | 29.5 | 27.2 | 24  | 22.8 | 21.3 |  |  |
| JET 300 M |                     | 51 |      |     | 48   | 47   | 46   | 44.5 | 43  | 42   | 40   | 37   | 33  | 32   | 29   |  |  |
| JET 300 T |                     | 51 |      |     | 48   | 47   | 46   | 44.5 | 43  | 42   | 40   | 37   | 33  | 32   | 29   |  |  |

## JET 151 - SELF-PRIMING CENTRIFUGAL ELECTRIC PUMPS FOR DOMESTIC WATER SUPPLY

Liquid temperature range pumped: from 0 °C to +35 °C - Maximum ambient temperature: +40°C



The performance curves are based on the kinematic viscosity values = 1 mm<sup>2</sup>/s and density equivalent to 1000 kg/m<sup>3</sup>. Curve tolerance according to ISO 9906.

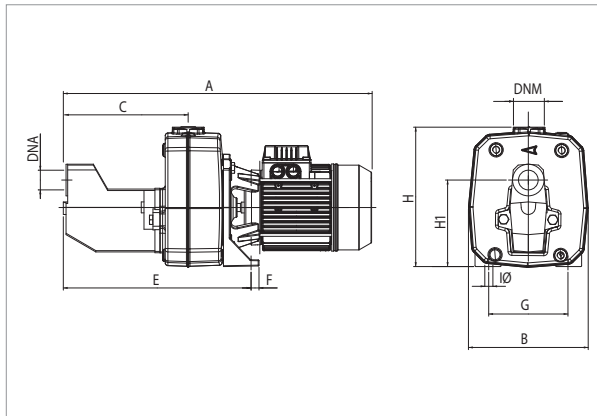


| MODEL     | ELECTRICAL DATA       |              |            |     |         |           |     |
|-----------|-----------------------|--------------|------------|-----|---------|-----------|-----|
|           | POWER SUPPLY<br>50 Hz | P1<br>MAX kW | P2 NOMINAL |     | In<br>A | CAPACITOR |     |
|           |                       |              | kW         | HP  |         | µF        | Vc  |
| JET 151 M | 1x220-240 V ~         | 1.6          | 1.1        | 1.5 | 7.2     | 31.5      | 450 |
| JET 151 T | 3x230-400 V ~         | 1.6          | 1.1        | 1.5 | 5.2-3   | -         | -   |

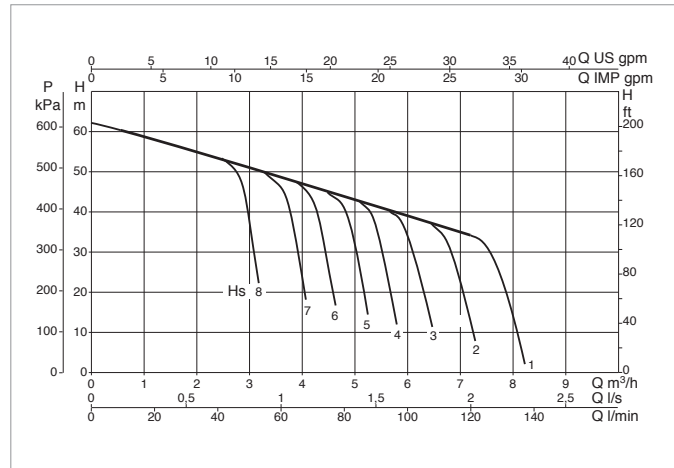
| MODEL   | A   | B   | C   | E   | F  | G   | IØ | H   | H1  | DNA<br>GAS | DNM<br>GAS | PACK DIMENSIONS |     |     | VOLUME<br>(mc) | GROSS<br>WEIGHT<br>Kg |
|---------|-----|-----|-----|-----|----|-----|----|-----|-----|------------|------------|-----------------|-----|-----|----------------|-----------------------|
|         |     |     |     |     |    |     |    |     |     |            |            | L/A             | L/B | H   |                |                       |
| JET 151 | 558 | 210 | 221 | 350 | 20 | 145 | 11 | 255 | 158 | 1 1/4"     | 1"         | 612             | 248 | 279 | 0.042          | 31                    |

## JET 251 - SELF-PRIMING CENTRIFUGAL ELECTRIC PUMPS FOR DOMESTIC WATER SUPPLY

Liquid temperature range pumped: from 0 °C to +35 °C - Maximum ambient temperature: +40°C



The performance curves are based on the kinematic viscosity values = 1 mm<sup>2</sup>/s and density equivalent to 1000 kg/m<sup>3</sup>. Curve tolerance according to ISO 9906.

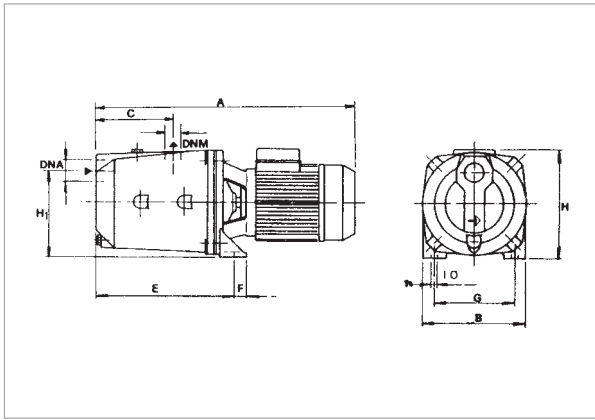


| MODEL     | ELECTRICAL DATA       |              |            |     |         |           |     |
|-----------|-----------------------|--------------|------------|-----|---------|-----------|-----|
|           | POWER SUPPLY<br>50 Hz | P1<br>MAX kW | P2 NOMINAL |     | In<br>A | CAPACITOR |     |
|           |                       |              | kW         | HP  |         | µF        | Vc  |
| JET 251 M | 1x220-240 V ~         | 2            | 1.85       | 2.5 | 10      | 40        | 450 |
| JET 251 T | 3x230-400 V ~         | 2            | 1.85       | 2.5 | 6.9-4   | -         | -   |

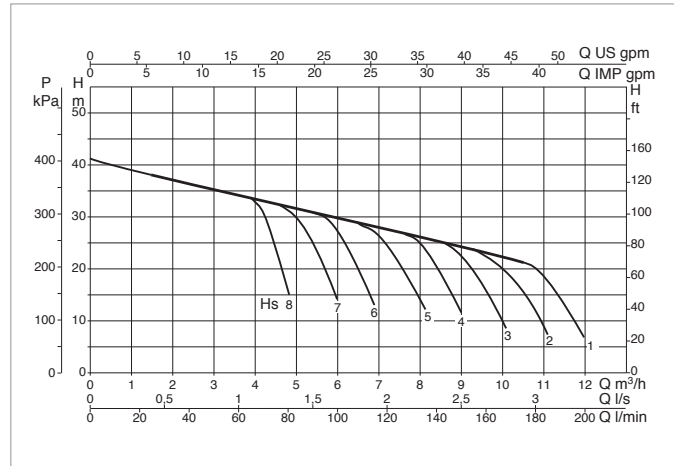
| MODEL     | A   | B   | C   | E   | F  | G   | IØ | H   | H1  | DNA<br>GAS | DNM<br>GAS | PACK DIMENSIONS |     |     | VOLUME<br>(mc) | GROSS<br>WEIGHT<br>Kg |
|-----------|-----|-----|-----|-----|----|-----|----|-----|-----|------------|------------|-----------------|-----|-----|----------------|-----------------------|
|           |     |     |     |     |    |     |    |     |     |            |            | L/A             | L/B | H   |                |                       |
| JET 251 M | 632 | 210 | 221 | 350 | 20 | 145 | 11 | 255 | 158 | 1 1/4" G   | 1" G       | 657             | 248 | 279 | 0.045          | 35                    |
| JET 251 T | 558 | 210 | 221 | 350 | 20 | 145 | 11 | 255 | 158 | 1 1/4" G   | 1" G       | 612             | 248 | 279 | 0.042          | 31                    |

# JET 200 - SELF-PRIMING CENTRIFUGAL ELECTRIC PUMPS FOR DOMESTIC WATER SUPPLY

Liquid temperature range pumped: from 0 °C to +35 °C - Maximum ambient temperature: +40°C



The performance curves are based on the kinematic viscosity values = 1 mm<sup>2</sup>/s and density equivalent to 1000 kg/m<sup>3</sup>. Curve tolerance according to ISO 9906.

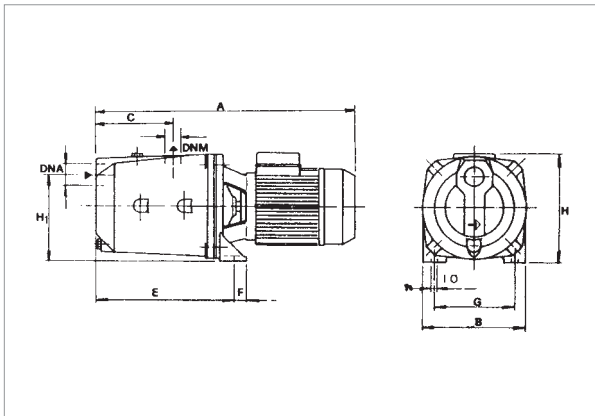


| MODEL     | ELECTRICAL DATA       |              |            |    |         |           |     |
|-----------|-----------------------|--------------|------------|----|---------|-----------|-----|
|           | POWER SUPPLY<br>50 Hz | P1<br>MAX kW | P2 NOMINAL |    | In<br>A | CAPACITOR |     |
|           |                       |              | kW         | HP |         | µF        | Vc  |
| JET 200 M | 1x220-240 V ~         | 2.0          | 1.5        | 2  | 9       | 31.5      | 450 |
| JET 200 T | 3x230-400 V ~         | 2.0          | 1.5        | 2  | 6.8-3.9 | -         | -   |

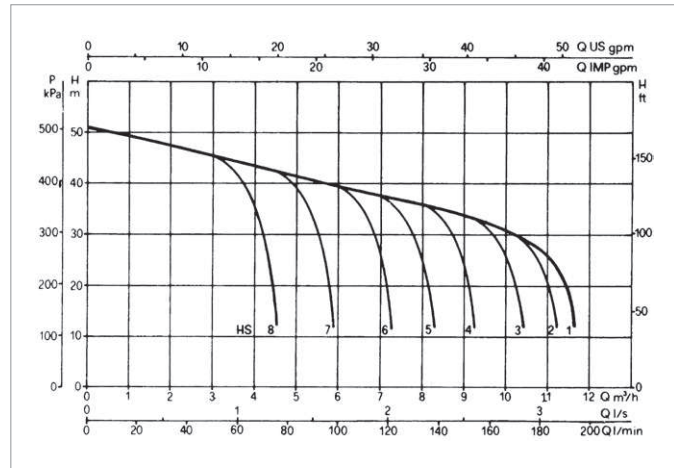
| MODEL   | A   | B   | C   | E   | F  | G   | I Ø | H   | H1  | DNA<br>GAS | DNM<br>GAS | PACK DIMENSIONS |     |     | VOLUME<br>(mc) | GROSS<br>WEIGHT<br>Kg |
|---------|-----|-----|-----|-----|----|-----|-----|-----|-----|------------|------------|-----------------|-----|-----|----------------|-----------------------|
|         |     |     |     |     |    |     |     |     |     |            |            | L/A             | L/B | H   |                |                       |
| JET 200 | 521 | 214 | 151 | 282 | 20 | 160 | 11  | 227 | 175 | 1 1/2"     | 1 1/4"     | 612             | 248 | 279 | 0.042          | 27                    |

# JET 300 - SELF-PRIMING CENTRIFUGAL ELECTRIC PUMPS FOR DOMESTIC WATER SUPPLY

Liquid temperature range pumped: from 0 °C to +35 °C - Maximum ambient temperature: +40°C



The performance curves are based on the kinematic viscosity values = 1 mm<sup>2</sup>/s and density equivalent to 1000 kg/m<sup>3</sup>. Curve tolerance according to ISO 9906.



| MODEL     | ELECTRICAL DATA       |              |            |    |         |           |     |
|-----------|-----------------------|--------------|------------|----|---------|-----------|-----|
|           | POWER SUPPLY<br>50 Hz | P1<br>MAX kW | P2 NOMINAL |    | In<br>A | CAPACITOR |     |
|           |                       |              | kW         | HP |         | µF        | Vc  |
| JET 300 M | 1x220-240 V ~         | 2.7          | 2.2        | 3  | 12      | 40        | 450 |
| JET 300 T | 3x230-400 V ~         | 2.7          | 2.2        | 3  | 8.5-4.9 | -         | -   |

| MODEL     | A   | B   | C   | E   | F  | G   | I Ø | H   | H1  | DNA<br>GAS | DNM<br>GAS | PACK DIMENSIONS |     |     | VOLUME<br>(mc) | GROSS<br>WEIGHT<br>Kg |
|-----------|-----|-----|-----|-----|----|-----|-----|-----|-----|------------|------------|-----------------|-----|-----|----------------|-----------------------|
|           |     |     |     |     |    |     |     |     |     |            |            | L/A             | L/B | H   |                |                       |
| JET 300 M | 521 | 214 | 151 | 282 | 20 | 160 | 11  | 235 | 175 | 1 1/2"     | 1 1/4"     | 612             | 248 | 279 | 0.045          | 31.5                  |
| JET 300 T | 595 | 214 | 151 | 282 | 20 | 160 | 11  | 227 | 175 | 1 1/2"     | 1 1/4"     | 657             | 248 | 279 | 0.042          | 30                    |

## **ОФИЦИАЛЬНЫЙ ДИЛЕР В УКРАИНЕ:**

[storgom.ua](http://storgom.ua)

## **ГРАФИК РАБОТЫ:**

Пн. – Пт.: с 8:30 по 18:30

Сб.: с 09:00 по 16:00

Вс.: с 10:00 по 16:00

## **КОНТАКТЫ:**

+38 (044) 360-46-77

+38 (066) 77-395-77

+38 (097) 77-236-77

+38 (093) 360-46-77

Детальное описание товара: <https://storgom.ua/product/poverhnostnyi-nasos-dab-jet-3-0-t-601459-7.html>

Другие товары: <https://storgom.ua/samovsasyvayushchiye-nasosy.html>