



**POWER  
TOOLS**

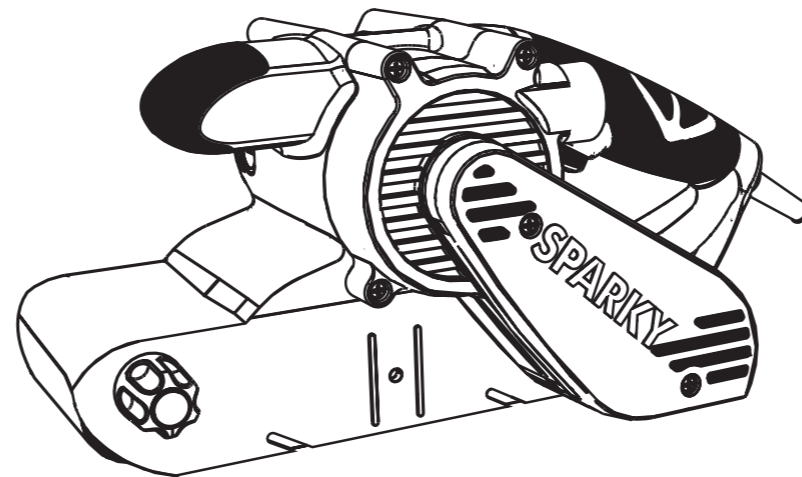
**SPARKY**

[www.sparkygroup.com](http://www.sparkygroup.com)



## PROFESSIONAL

(EN)	<b>BELT SANDER</b>	1 – 8
	Original instructions	
(DE)	<b>BANDSCHLEIFER</b>	9 – 17
	Originalbetriebsanleitung	
(FR)	<b>PONCEUSE A BANDE</b>	18 – 25
	Notice originale	
(IT)	<b>LEVIGATRICE A NASTRO</b>	26 – 33
	Istruzioni originali	
(ES)	<b>LIJADORA DE BANDA</b>	34 – 41
	Instrucciones de uso originales	
(PT)	<b>LIXADEIRA DE ROLOS</b>	42 – 49
	Instrução original para o uso	
(PL)	<b>SZLIFIERKA TAŚMOWA</b>	50 – 57
	Instrukcja oryginalną	
(RU)	<b>ЛЕНТОЧНАЯ ШЛИФОВАЛЬНАЯ МАШИНА</b>	58 – 66
	Оригинальная инструкция по эксплуатации	
(UK)	<b>СТРІЧКОВА ШЛІФОВАЛЬНА МАШИНА</b>	67 – 74
	Оригінальна інструкція з експлуатації	
(BG)	<b>ЛЕНТОШЛИФОВЪЧНА МАШИНА</b>	75 – 83
	Оригинална инструкция за използване	



**1100W • 1200W**

**MBS 1100 • MBS 1100E**

### (EN) DECLARATION OF CONFORMITY

We declare under our sole responsibility that this product fulfils all the relevant provisions of the following directives and the harmonized standards: 2006/42/EC, 2004/108/EC, EN 60745-1, EN 60745-2-4, EN 55014-1, EN 55014-2, EN 61000-3-2, EN 61000-3-3. Technical file is stored at SPARKY ELTOS AG, Kubrat Str. 9, 5500 Lovetch, Bulgaria.

### (DE) KONFORMITÄTSERKLÄRUNG

Hiermit versichern wir unsere persönliche Haftung, dass dieses Erzeugnis allen einschlägigen Bestimmungen folgender Richtlinien und entsprechender harmonisierten Standards entspricht: 2006/42/EC, 2004/108/EC, EN 60745-1, EN 60745-2-4, EN 55014-1, EN 55014-2, EN 61000-3-2, EN 61000-3-3. Die technischen Unterlagen werden bei SPARKY ELTOS AG, Kubrat Str.9, 5500 Lovetch, Bulgarien, aufbewahrt.

### (FR) DECLARATION DE CONFORMITE

Nous déclarons sous notre responsabilité que ce produit satisfait à l'ensemble des dispositions pertinentes de la présente directives, respectivement aux normes harmonisées: 2006/42/EC, 2004/108/EC, EN 60745-1, EN 60745-2-4, EN 55014-1, EN 55014-2, EN 61000-3-2, EN 61000-3-3. Le dossier technique est conservé par SPARKY ELTOS AD, 9, rue Kubrat, Lovech, Bulgarie.

### (IT) DICHIARAZIONE DI CONFORMITÀ

Noi dichiariamo sotto la nostra personale responsabilità, che questo prodotto è in conformità a tutte le disposizioni pertinenti della presente direttive e norme armonizzate: 2006/42/EC, 2004/108/EC, EN 60745-1, EN 60745-2-4, EN 55014-1, EN 55014-2, EN 61000-3-2, EN 61000-3-3. Il fascicolo tecnico viene custodito presso la SPARKY ELTOS, 5500 Lovech, via Kubrat n. 9, Bulgaria

### (ES) DECLARACIÓN DE CONFORMIDAD

Declaramos bajo nuestra exclusiva responsabilidad que este producto está conforme con todas las disposiciones aplicables de la presente directrices aplicables y las correspondientes normas armonizadas: 2006/42/EC, 2004/108/EC, EN 60745-1, EN 60745-2-4, EN 55014-1, EN 55014-2, EN 61000-3-2, EN 61000-3-3. El expediente técnico está archivado en SPARKY ELTOS SA, C/ Kubrat, 9, 5500 Lovech, Bulgaria.

### (PT) DECLARAÇÃO DE CONFORMIDADE

Declaramos assumindo a nossa responsabilidade pessoal que este produto está conforme com todas as disposições relevantes da presente directrizes aplicáveis e respectivos estandartes harmonizados: 2006/42/EC, 2004/108/EC, EN 60745-1, EN 60745-2-4, EN 55014-1, EN 55014-2, EN 61000-3-2, EN 61000-3-3. O expediente técnico fica guardado na SPARKY ELTOS SA, rua Kubrat, 9, 5500 Lovech, Bulgária

### (PL) DEKLARACJA ZGODNOŚCI

Niniejszym deklarujemy naszą osobistą odpowiedzialnością, że ten produkt spełnia wszystkie odpowiednie postanowienia następujących dyrektyw i harmonizowanych standardów: 2006/42/EC, 2004/108/EC, EN 60745-1, EN 60745-2-4, EN 55014-1, EN 55014-2, EN 61000-3-2, EN 61000-3-3. Teczka techniczna przechowywana jest w SPARKY ELTOS AG, Kubrat Str.9, 5500 Lovetch, Bulgaria

### (RU) ДЕКЛАРАЦИЯ О СООТВЕТСТВИИ

Мы заявляем со всей ответственностью, что данный продукт полностью соответствует всем соответствующим требованиям действующих директив и гармонизированных стандартов: 2006/42/EC, 2004/108/EC, EN 60745-1, EN 60745-2-4, EN 55014-1, EN 55014-2, EN 61000-3-2, EN 61000-3-3. Техническое досье хранится в СПАРКИ ЕЛТОС АД, ул. Кубрат №9, 5500 Ловеч, Болгария.

### (UK) ДЕКЛАРАЦІЯ ПРО ВІДПОВІДНІСТЬ

Ми заявляємо під свою власну відповідальність, що даний продукт відповідає всім діючим вимогам директив і гармонізованих стандартів: 2006/42/EC, 2004/108/EC, EN 60745-1, EN 60745-2-4, EN 55014-1, EN 55014-2, EN 61000-3-2, EN 61000-3-3. Технічне досьє зберігається в СПАРКИ ЕЛТОС АД, ул. Кубрат № 9, 5500 Ловеч, Болгарія.

### (BG) ДЕКЛАРАЦИЯ ЗА СЪОТВЕТСТВИЕ

Ние декларираме на своя лична отговорност, че това изделие отговаря на всички приложими изисквания на следните директиви и хармонизирани стандарти: 2006/42/EC, 2004/108/EC, EN 60745-1, EN 60745-2-4, EN 55014-1, EN 55014-2, EN 61000-3-2, EN 61000-3-3. Техническото досие се съхранява в СПАРКИ ЕЛТОС АД, ул. Кубрат №9, 5500 Ловеч, България.

Manufacturer  
**SPARKY Power Tools GmbH**  
Leipziger Str. 20  
10117 Berlin, GERMANY

Signature of authorized person

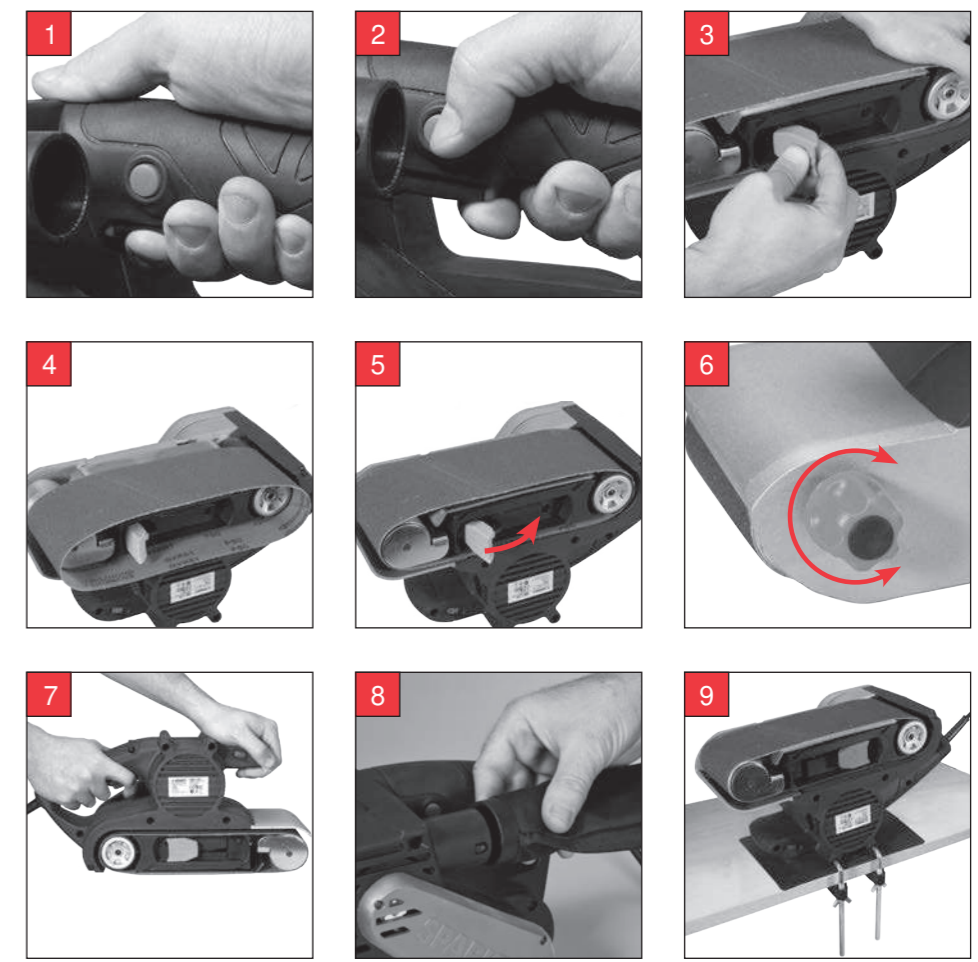
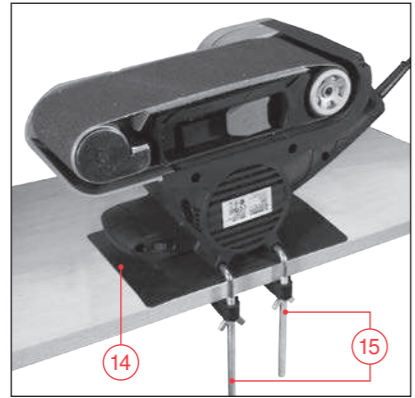
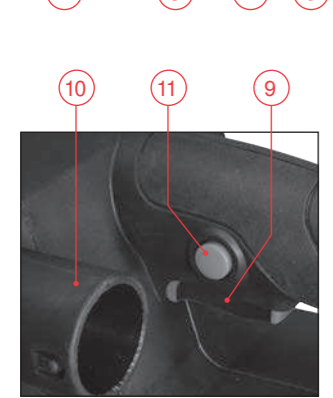
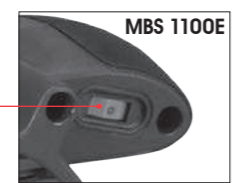
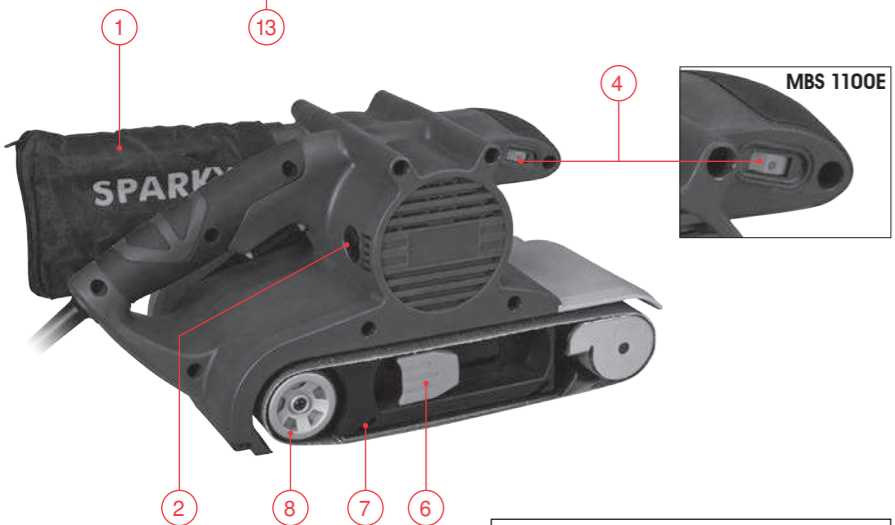
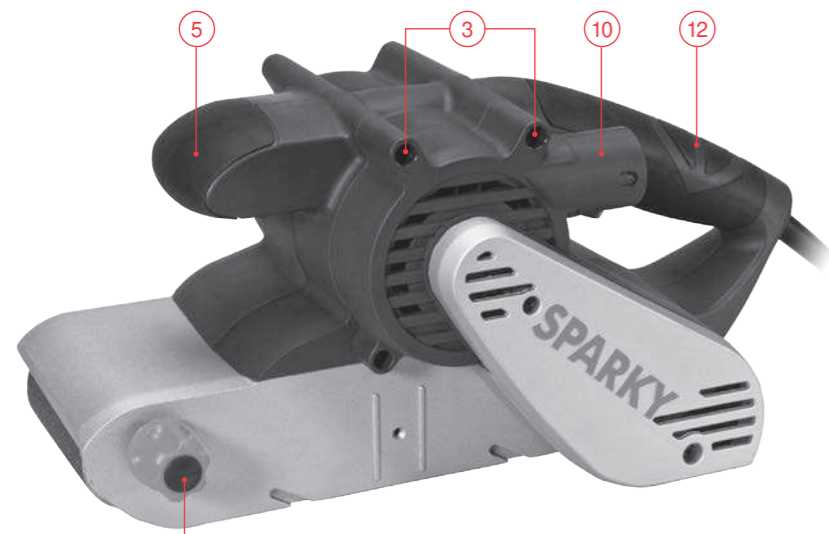
A. Ivanov  
Technical director of SPARKY ELTOS AG

23.03.2012

1203R01

© 2012 SPARKY

[www.sparkygroup.com](http://www.sparkygroup.com)



# Contents

I - Introduction .....	1
II - Technical specifications .....	3
III - General power tool safety warnings .....	4
IV - Additional safety rules for electric planers .....	5
V - Know your product .....	A/5
VI - Operation .....	6
VII - Maintenance .....	7
VIII - Warranty .....	8

## UNPACKING

Due to modern mass production techniques, it is unlikely that your power tool is faulty or that a part is missing. If you find anything wrong, do not operate the tool until the parts have been replaced or the fault has been rectified. Failure to do so could result in serious personal injury.

## ASSEMBLY

These belt sanders are packed, fully assembled except for the dust bag and vacuum cleaner adapter.

## I - Introduction

Your new SPARKY power tool will more than satisfy your expectations. It has been manufactured under stringent SPARKY Quality Standards to meet superior performance criteria. You will find your new tool easy and safe to operate, and, with proper care, it will give you many years of dependable service.



### WARNING:

Carefully read through these original instructions before using your new SPARKY power tool. Take special care to heed the **Warnings**. Your SPARKY power tool has many features that will make your job faster and easier. Safety, performance, and dependability have been given top priority in the development of this tool, making it easy to maintain and operate.



### Do not dispose of electrical products together with household waste!

Waste electrical products should not be disposed of with household waste. Please recycle where facilities exist. Check with your local authority or retailer for recycling advice.



### ENVIRONMENTAL PROTECTION

The machine, accessories and packaging should be sorted for environmental-friendly recycling. The plastic components are labelled for categorised recycling.

## DESCRIPTION OF SYMBOLS

The rating plate on your tool may show symbols. These represent important information about the product or instructions on its use.



Wear hearing protection



Double insulated for additional protection



Electronic speed pre-selection



Connection to vacuum cleaner



Conforms to the relevant European Directives



Conforms to the requirements of Russian standards



Conforms to the requirements of Ukrainian standards





Refer to original instructions

**YYYY-Www** Production period, where the variable symbols are:  
**YYYY** - year of manufacture, **ww** - calendar week number

**MBS** BELT SANDER

## II - Technical specifications

Model:	MBS 1100	MBS 1100E
▪ Power input	1100 W	1200 W
▪ No load belt speed	400 m/min	200-400 m/min
▪ Sanding area	100 x 156 mm	100 x 156 mm
▪ Belt size	100 x 610 mm	100 x 610 mm
▪ Weight (EPTA Procedure 01/2003):	5,3 kg	5,3 kg
▪ Safety class (EN 60745) 	II	II
<b>Noise and vibration information</b>		
▪ <b>Noise emission</b> (measured values determined according to EN 60745):		
A-weighted sound pressure level $L_{pA}$	95.5 dB(A)	95.5 dB(A)
Uncertainty $K_{pA}$	3 dB	3 dB
A-weighted sound power level $L_{WA}$	106.5 dB(A)	106.5 dB(A)
Uncertainty $K_{WA}$	3 dB	3 dB
 <b>Wear hearing protection!</b>		
▪ <b>Vibration emission</b> (determined according to 6.2.7 EN 60745-1):		
<i>Total vibration values (vector sum in the three axes) determined according to EN 60745</i>		
Vibration emission value $a_h$	2.76 m/s <sup>2</sup>	2.76 m/s <sup>2</sup>
Uncertainty K	1.5 m/s <sup>2</sup>	1.5 m/s <sup>2</sup>

The vibration emission level given in this information sheet has been measured in accordance with a standardised test given in EN 60745 and may be used to compare one tool with another. It may be used for a preliminary assessment of exposure.

The declared vibration emission level represents the main applications of the tool. However if the tool is used for different applications, with different accessories or poorly maintained, the vibration emission may differ. This may significantly increase the exposure level over the total working period.

An estimation of the level of exposure to vibration should also take into account the times when the tool is switched off or when it is running but not actually doing the job. This may significantly reduce the exposure level over the total working period.

Maintain the power tool and the accessories and keep your hands warm during operation to reduce the harmful effect of vibrations.

Dust from material such as paint containing lead, some wood species, minerals and metal may be harmful. Contact with or inhalation of the dust may cause allergic reactions and/or respiratory diseases to the operator or bystanders. Certain kinds of dust are classified as carcinogenic such as oak and beech dust especially in conjunction with additives for wood conditioning (chromate, wood preservative). Material containing asbestos must only be treated by specialists.

- Where the use of a dust extraction device is possible it shall be used.
- To achieve a high level of dust collection, use vacuum cleaner for wood or for wood and/or minerals together with this tool.
- The work place must be well ventilated.
- The use of a dust mask of filter class P2 is recommended.

Follow national requirements for the materials you want to work with.

## III - General power tool safety warnings



**WARNING!** Read all safety warnings and all instructions. Failure to follow the warnings and instructions may result in electric shock, fire and/or serious injury.

Save all warnings and instructions for future reference.

The term "power tool" in the warnings refers to your mains-operated (corded) power tool or battery-operated (cordless) power tool.

### 1. WORK AREA SAFETY

- Keep work area clean and well lit. Cluttered or dark areas invite accidents.
- Do not operate power tools in explosive atmospheres, such as in the presence of flammable liquids, gases or dust. Power tools create sparks which may ignite the dust or fumes.
- Keep children and bystanders away while operating a power tool. Distractions can cause you to lose control.

### 2. ELECTRICAL SAFETY

- Power tool plugs must match the outlet. Never modify the plug in any way. Do not use any adapter plugs with earthed (grounded) power tools. Unmodified plugs and matching outlets will reduce risk of electric shock.
- Avoid body contact with earthed or grounded surfaces, such as pipes, radiators, ranges and refrigerators. There is an increased risk of electric shock if your body is earthed or grounded.
- Do not expose power tools to rain or wet conditions. Water entering a power tool will increase the risk of electric shock.
- Do not abuse the cord. Never use the cord for carrying, pulling or unplugging the power tool. Keep cord away from heat, oil, sharp edges or moving parts. Damaged or entangled cords increase the risk of electric shock.
- When operating a power tool outdoors, use an extension cord suitable for outdoor use. Use of a cord suitable for outdoor use reduces the risk of electric shock.
- If operating a power tool in a damp location is unavoidable, use a residual current device (RCD) protected supply. Use of an RCD reduces the risk of electric shock.

### 3. PERSONAL SAFETY

- Stay alert, watch what you are doing and use common sense when operating a power tool. Do not use a power tool while you are tired or under the influence of drugs, alcohol or medication. A moment of inattention while operating power tools may result in serious personal injury.

- Use personal protective equipment. Always wear eye protection. Protective equipment such as dust mask, non-skid safety shoes, hard hat, or hearing protection used for appropriate conditions will reduce personal injuries.
- Prevent unintentional starting. Ensure the switch is in the off-position before connecting to power source and/or battery pack, picking up or carrying the tool. Carrying power tools with your finger on the switch or energising power tools that have the switch on invites accidents.
- Remove any adjusting key or wrench before turning the power tool on. A wrench or a key left attached to a rotating part of the power tool may result in personal injury.
- Do not overreach. Keep proper footing and balance at all times. This enables better control of the power tool in unexpected situations.
- Dress properly. Do not wear loose clothing or jewellery. Keep your hair, clothing and gloves away from moving parts. Loose clothes, jewellery or long hair can be caught in moving parts.
- If devices are provided for the connection of dust extraction and collection facilities, ensure these are connected and properly used. Use of dust collection can reduce dust-related hazards.

### 4. POWER TOOL USE AND CARE

- Do not force the power tool. Use the correct power tool for your application. The correct power tool will do the job better and safer at the rate for which it was designed.
- Do not use the power tool if the switch does not turn it on and off. Any power tool that cannot be controlled with the switch is dangerous and must be repaired.
- Disconnect the plug from the power source and/or the battery pack from the power tool before making any adjustments, changing accessories, or storing power tools. Such preventive safety measures reduce the risk of starting the power tool accidentally.
- Store idle power tools out of the reach of children and do not allow persons unfamiliar with the power tool or these instructions to operate the power tool. Power tools are dangerous in the hands of untrained users.
- Maintain power tools. Check for misalignment or binding of moving parts, breakage of parts and any other condition that may affect the power tool's operation. If damaged, have the power tool repaired before use. Many accidents are caused by poorly maintained power tools.
- Keep cutting tools sharp and clean. Properly maintained cutting tools with sharp cutting edges are less likely to bind and are easier to control.
- Use the power tool, accessories and tool bits etc. in accordance with these instructions, taking into account the working conditions and the work to be performed. Use of the power tool for operations different from those intended could result in a hazardous situation.

## 5. SERVICE

- a) **Have your power tool serviced by a qualified repair person using only identical replacement parts.** *This will ensure that the safety of the power tool is maintained.*

## IV - Additional safety rules for belt sanders

- **Hold the power tool by insulated gripping surfaces, because the belt may contact its own cord.** *Cutting a "live" wire may make exposed metal parts of the power tool "live" and could give the operator an electric shock.*
- Always wear safety equipment including safety goggles, ear protection, dust mask and protective safety gloves.
- **Always remove the plug from the mains socket before making any adjustments or maintenance, including changing the sanding belt.**
- **While operating the machine, always hold it firmly with both hands and provide for a secure stance.** *The power tool is guided more securely with both hands.*
- **Use the machine for dry sanding only.** *Penetration of water into the machine increases the risk of an electric shock.*
- **Do not use worn, torn or heavily clogged sanding belts.** *Damaged sanding belts can tear apart, be thrown from the machine and injure somebody.*
- Fully unwind cable drum extensions to avoid potential overheating.
- When an extension cable is required, you must ensure that it has the right ampere rating for your power tool and is in safe electrical condition.
- Always keep the cord away from the working area of the power tool.
- After long working periods external metal parts and accessories could be hot.
- If possible, always use clamps or a vice to hold your work.
- Apply the machine to the workpiece only when switched on and switch the machine off only after it has been lifted away from the workpiece.
- Always switch off before you put the sander down.
- Apply slight pressure during operation. The machine own weight is sufficient for good sanding performance. Excessive increase of pressure does not increase sanding capacity, but causes motor overheating and belt wear.
- The dust, separated while processing materials, containing quartz (SiO<sub>2</sub>) is dangerous to your health. Do not process materials containing asbestos.
- When sanding wood, always connect the dust bag or use a dust extraction system.
- Before using the sander with metal, always remove the dust bag from the outlet as sparks may ignite the dust or the bag.
- Do not touch the moving sanding belt.
- Ensure that you have removed foreign objects such as nails and screws from the work before commencing

sanding.

- Rags, cloths, cord, string and the like should never be left around the work area.



**WARNING:** Before connecting a tool to a power source (mains socket power point receptacle, outlet, etc.) be sure that the voltage supply is the same as that specified on the nameplate of the tool. A power source with a voltage greater than that specified for the tool can result in serious injury to the user, as well as damage to the tool.

- If in doubt, do not plug in the tool.
- Using a power source with a voltage less than the nameplate rating is harmful to the motor.
- The tool must be used only for its prescribed purpose. Any use other than those mentioned in this Manual will be considered a case of misuse. The user and not the manufacturer shall be liable for any damage or injury resulting from such cases of misuse.
- To use this tool properly, you must observe the safety regulations, the assembly instructions and the operating instructions to be found in this Manual. All persons who use and service the machine have to be acquainted with this Manual and must be informed about its potential hazards. Children and frail people must not use this tool. Children should be supervised at all times if they are in the area in which the tool is being used. It is also imperative that you observe the accident prevention regulations in force in your area. The same applies for general rules of occupational health and safety.
- The manufacturer shall not be liable for any changes made to the tool nor for any damage resulting from such changes.

Even when the tool is used as prescribed it is not possible to eliminate all residual risk factors. The following hazards may arise in connection with the tool's construction and design:

- Damage to the lungs if an effective dust mask is not worn.
- Damage to hearing if effective earmuffs are not worn.
- SPARKY power tools must not be used outdoors in rainy weather, or in moist environment (after rain) or in close vicinity with easily flammable liquids and gases. The working place should be well lit.

## V - Know your product

Before using the power tool, familiarize yourself with all the operating features and safety requirements.

Use the tool and accessories only for the applications intended. All other applications are expressly ruled out.

1. Dust collection bag
2. Brush holder cover
3. Mounting holes
4. Electronic speed regulator (MBS 1100E)
5. Front handle
6. Belt tension lever
7. Belt rotation direction indicator

8. Drive roller
9. ON/OFF switch
10. Dust extraction port
11. Lock-on button
12. Main handle
13. Tracking knob
14. Thermoplastic elastollan (TPE) pad
15. Fixing clamps

## VI - Operation

These models SPARKY power tools are supplied from single-phase alternating current mains. They are double insulated according to EN 60745, IEC 60745 and can be connected to grounded or not grounded sockets. This power tool is radio suppressed in compliance with EMC Directive 2004/108/EC.

### PRIOR TO INITIAL OPERATION



**WARNING:** Make sure power supply voltage corresponds to the value indicated on the name plate with technical data of the tool.

- Always check the position of ON/OFF switch. The power tool must be connected to the power supply socket only when this switch is in OFF position. If the plug is connected to a receptacle while the power switch is in the ON position, the power tool will start operating immediately, which could cause a serious accident.
- Make sure the cord and the plug are in order. If the replacement of the supply cord is necessary, this has to be done by the manufacturer or his agent in order to avoid a safety hazard.

### SWITCHING ON - SWITCHING OFF

**Brief activation:** (Fig. 1)

Switching on: press ON/OFF switch (9).

Switching off: release ON/OFF switch (9).

**Continuous use:** (Fig. 2)

Switching on: press ON/OFF switch (9) and in pressed position lock it by button (11).

Switching off: press ON/OFF switch (9) once and release it immediately.

### ATTACHING A SANDING BELT



**WARNING:** Switch off the sander and disconnect it from the power point

1. Pull the belt tension lever (6) and slide off the old belt. (Fig. 3)
2. Check that the replacement belt has a good join and is not frayed at the edges.
3. Slip the new belt into position with the rotation arrow on the inside of the belt pointing in the same direction as the arrow on the sander. (Fig. 4)
4. Fold down the lever (6). (Fig. 5)

5. Plug the sander into a power point and with the sander held tight, pull the trigger on/off switch (5) and allow the belt to rotate for a short period.
6. Whilst the belt is running, adjust the tracking knob (13) to align the belt to the centre of the roller (8). (Fig. 6)
7. Repeat the trigger action and tracking adjustment until the belt is correctly aligned.
8. Run the sander for a minute or so to ensure correct alignment before using the sander on a work piece.



**WARNING:** Do not continue to use the sander with a sanding belt that is worn or damaged.



**WARNING:** Do not use the same sanding belt for wood and metal. Metal particles become embedded in the belt and will scour a wooden surface.

### SELECTING THE RIGHT GRADE OF SANDING BELT

1. Different grades of sanding belt can be purchased from your local hardware store. Typical grades are Coarse (40 grit), Medium (80 and 100 grit) and Fine (120 grit).
2. Use Coarse grade to remove rough finishes, Medium grade to smooth the work and Fine grade to finish it off.
3. It is best to make a trial run on a scrap piece of material to determine the optimum grades of belt for a particular job.
4. In order to take full advantage of your sander, always purchase good quality belts.

**NOTE:** After sanding with a belt sander, an orbital sander should be used to give a better surface finish.

### PRE-SELECTING THE BELT SPEED (MBS 1100E)

The necessary belt speed can be pre-selected with electronic regulator thumbwheel (4), even during operation. The optimum belt speed depends on belt grit and processed material and can be determined through experience.

Recommended speed values are shown in the table on page 84.

### SANDING

1. These sanders are designed for sanding wood, metal, plastic and similar materials. They are used mainly for quickly removing a large amount of material. Do not use these sanders for sanding magnesium.
2. Ensure that the belt is in good condition and fits properly.
3. Plug in the tool to the power socket.
4. Adjust the necessary speed by rotating the regulator thumbwheel (4) (for MBS 1100E only). The maximum speed corresponds to the symbol G, and the minimum speed - to symbol A. Sanding efficiency and surface quality are determined by belt grade and speed. The higher the belt speed, the more ma-



- terial is removed and the finer the sanded surface.
- Pull up the trigger and allow the belt to reach full speed before moving it across the work.
  - Press the lock-on button if you require continuous operation.
  - Bring down the sander onto the work piece and apply light pressure. (Fig. 7)
  - Sand with the grain, in parallel overlapping strokes.
  - To remove paint or smooth very rough wood, sand across the grain at 45° in both directions, and then finish parallel with the grain.
  - Use the front roller only to sand corners or irregular shapes.
  - Lift the sander off the work before switching off.
  - Remember to keep your hands away from the moving belt, as it will continue to move for a short time after the machine is switched off.
  - Wear safety goggles, a dust mask and earmuffs.

### DUST EXTRACTION

- Disconnect the plug from the power supply.
- Firmly push the plastic nozzle of the dust bag onto the dust extraction port (10). (Fig. 8)
- Before removing the dust bag, first disconnect the plug from the power supply.



**WARNING:** For optimum dust removal, empty the dust bag when it is no more than half full. Do not use the dust bag when sanding metal. The hot metal particles could cause residual wood dust or the bag itself to catch fire.

**Cleaning the bag:** Dismount and empty the dust bag, tapping it gently to remove dust. On occasion, slip the bag off of the frame and turn bag inside out. Brush dust off of the lining using a soft brush.

- A vacuum cleaner adapter can be used to connect a household vacuum cleaner or workshop dust extraction system to the sander.
- An adapter is fitted into the dust extraction port (10).

### STATIONARY USE (Fig. 9)

This machine can be mounted to a bench for stationary use.

- Place the rubber pad (14) on the bench as indicated by the inscriptions. Never mount the machine onto the bench without the rubber pad.
- Turn the machine upside down and centre it on the rubber pad. The mounting holes (3) shall face towards the operator.
- Insert the mounting pins of the clamps (15) into the mounting holes (3).
- Use the clamps (15) to fasten the machine onto the bench.
- Tighten the clamps with the wing nuts by hand. Make sure the clamps are tightened properly but do not over tighten.
- Make sure the machine is securely fastened to the bench before switching the machine on.

The machine can be set to continuous operation by means of the lock-on button.

### ACCESSORIES

**MBS 1100:** 80 grit sanding belt fitted on the machine, dust bag.

**MBS 1100E:** 80 grit sanding belt fitted on the machine, set of 4 assorted sanding belts (60 grit - 2 pcs., 80 grit - 1 pc, 100 grit - 1 pc), thermoplastic elastollan (TPE) pad, fixing clamps - 2 pcs, dust bag.

## VII - Maintenance



**WARNING:** Always ensure that the tool is switched off and unplugged before attempting to perform inspection or maintenance.

Regularly check that all the fixing screws are tight. They may vibrate loose over time.

Re-lubricate all moving parts at regular intervals.

### BRUSH REPLACEMENT

When the carbon brushes are worn out, both brushes must be replaced simultaneously with genuine brushes at SPARKY service centre for warranty and post-warranty service.

### CLEANING

For safe operation always keep the machine and its ventilation slots clean. Regularly check to see if any dust or foreign matter has entered the grills near the motor and around the switches. Use a soft brush to remove any accumulated dust. Wear safety glasses to protect your eyes whilst cleaning.

If the body of the tool needs cleaning, wipe it with a soft damp cloth. A mild detergent can be used.



**WARNING:** Never use alcohol, petrol or other cleaning agent. Never use caustic agents to clean plastic parts.



**WARNING:** Water must never come into contact with the tool.

**IMPORTANT:** To assure product safety and reliability, repairs, maintenance and adjustment (including brush inspection and replacement) should be performed by certified service centres or other qualified service organisations, always using genuine replacement parts.



## VIII - Warranty

---

The guarantee period for SPARKY power tools is determined in the guarantee card.

Faults due to normal wear, overloading or improper handling will be excluded from the guarantee.

Faults due to defective materials implemented as well as defects in workmanship will be corrected free of charge through replacement or repair.

The complaints for defective SPARKY power tools will be recognized if the machine is sent back to the dealer or is presented to the authorised warranty service centre undismantled, in its initial condition.

## Notes

---

Carefully read the entire original instructions before using this product.

The manufacturer reserves the right to make changes and improvements to the products and to alter specifications without prior notice.

Specifications may differ from country to country.



## Inhalt

I - Einführung.....	9
II - Technische Angaben .....	11
III - Allgemeine Sicherheitshinweise für Elektrowerkzeuge.....	12
IV - Zusätzliche Sicherheitsregeln bei Arbeiten mit Bandschleifern.....	13
V - Elemente des Elektrowerkzeugs .....	A/14
VI - Arbeitsanweisungen.....	14
VII - Wartung.....	16
VIII - Garantie .....	17

### AUSPACKEN

Überprüfen Sie unmittelbar nach dem Auspacken ob sämtliche Bestandteile und das beschriebene Zubehör mitgeliefert wurden. Sollte dies nicht der Fall sein, wenden Sie sich bitte umgehend an Ihren Fachhändler bei dem der Hobel gekauft wurde. Dies trifft auch dann zu, wenn Sie den Eindruck haben mit dem Gerät ist etwas nicht in Ordnung. Eine Nichtbeachtung dieser Empfehlung kann zu schweren Unfällen führen.

### ZUSAMMENBAU

Der Bandschleifer wird verpackt und völlig zusammengesetzt geliefert, mit Ausnahme des Staubsackes und des Staubsaugeradapters.

## I - Einführung

Das von Ihnen erworbene Elektrowerkzeug wird Ihre Erwartungen übersteigen. Es ist gemäß den hohen Qualitätsstandards von SPARKY hergestellt, die den strengen Anforderungen des Verbrauchers entsprechen. Einfach in der Bedienung und ungefährlich bei richtiger Handhabung, wird dieses Gerät bei bestimmungsgemäßem Gebrauch Ihnen lange Jahre zuverlässig dienen.

#### WARNUNG!



Lesen Sie die ganze Bedienungsanleitung aufmerksam durch, bevor Sie das neu erworbene SPARKY – Elektrowerkzeug in Betrieb nehmen. Beachten Sie besonders die Texte, die mit dem Wört „**Warnung**“ beginnen. Ihr SPARKY - Elektrowerkzeug besitzt viele Eigenschaften, die Ihre Arbeit erleichtern werden. Bei der Entwicklung dieses Elektrowerkzeuges ist höchste Aufmerksamkeit der Sicherheit, den Betriebsseigenschaften und der Zuverlässigkeit gewidmet worden, die es einfach zur Wartung und Bedienung machen.



#### Keine elektrischen Geräte zusammen mit dem Hausmüll wegwerfen!

Die Abfälle von elektrischen Erzeugnissen sollen nicht zusammen mit dem Hausmüll gesammelt werden. Für eine umweltgerechte Entsorgung geben Sie Ihre alten / defekten Elektrogeräte bitte in der nächsten kommunalen Sammelstelle ab.



#### UMWELTSCHUTZ

Mit Rücksicht auf den Umweltschutz werden das Elektrowerkzeug, die Zubehörteile und seine Verpackung einer passenden Verarbeitung zum Zweck des Recyclings der darin enthaltenen Rohstoffe zugeführt. Zum Erleichtern der Weiterverarbeitung sind die Teile, hergestellt aus Kunststoffen, entsprechend markiert.

## BEDEUTUNG DER SYMBOLE

Auf dem Schild mit den technischen Daten auf dem Elektrowerkzeug sind Symbole dargestellt. Sie geben wichtige Informationen über das Erzeugnis oder Hinweise für seinen Gebrauch.



Tragen Sie Gehörschutz



Doppelte Isolierung für zusätzlichen Schutz



Elektronik zur Vorwahl der Geschwindigkeit.



Staubsaugeranschluss



Entspricht den Europäischen Sicherheitsstandards



Entspricht den Anforderungen der russischen normativen Dokumente



Entspricht den Anforderungen der ukrainischen normativen Dokumenten



Lesen Sie die Bedienungsanleitung


YYYY-Www

Zeitabschnitt der Produktion, wobei die variablen Symbole sind:  
YYYY - Kalenderjahr der Produktion, ww - laufende Kalenderwoche

MBS

BANDSCHLEIFER

## II - Technische Daten

Modell:	MBS 1100	MBS 1100E
▪ Leistungsaufnahme	1100 W	1200 W
▪ Leerlaufgeschwindigkeit	400 m/min	200-400 m/min
▪ Schleiffläche	100 x 156 mm	100 x 156 mm
▪ Bandabmessungen	100 x 610 mm	100 x 610 mm
▪ Gewicht (EPTA Verfahren 01/2003):	5,3 kg	5,3 kg
▪ Schutzklasse (EN 60745) 	II	II
<b>Information über Schall (Lärm) und Schwingungen</b>		
▪ <b>Schallausstrahlung</b> (die Werte wurden entsprechend der Norm EN 60745 gemessen):		
A-gewogenes Niveau des Schalldrucks $L_{pA}$	95.5 dB(A)	95.5 dB(A)
Unbestimmtheit $K_{pA}$	3 dB	3 dB
A-gewogenes Niveau der Schallleistung $L_{WA}$	106.5 dB(A)	106.5 dB(A)
Unbestimmtheit $K_{WA}$	3 dB	3 dB



**Benutzen Sie Schallschuttmittel!**

- **Schwingungsausstrahlung** (bestimmt laut Punkt 6.2.7 der Norm EN 60745-1):

*Gesamtwert der Schwingungen (Vektorensomme den drei Achsen nach), bestimmt gemäß der Norm EN 60745*

Wert der ausgestrahlten Schwingungen $a_h$	2.76 m/s <sup>2</sup>	2.76 m/s <sup>2</sup>
Unbestimmtheit K	1.5 m/s <sup>2</sup>	1.5 m/s <sup>2</sup>

Der in diesen Anweisungen angegebene Schwingungspegel ist entsprechend einem in EN 60745 genormten Messverfahren gemessen worden und kann für den Vergleich von Elektrowerkzeugen miteinander verwendet werden. Er eignet sich auch für eine vorläufige Einschätzung der Schwingungsbelastung.

Der angegebene Schwingungspegel repräsentiert die hauptsächlichsten Anwendungen des Elektrowerkzeugs. Wenn allerdings das Elektrowerkzeug für andere Anwendungen, mit abweichenden Einsatzwerkzeugen oder ungenügender Wartung eingesetzt wird, kann der Schwingungspegel abweichen. Dies kann die Schwingungsbelastung über den gesamten Arbeitszeitraum deutlich erhöhen.

Für eine genaue Abschätzung der Schwingungsbelastung sollten auch die Zeiten berücksichtigt werden, in denen das Gerät abgeschaltet ist oder zwar läuft, aber nicht tatsächlich im Einsatz ist. Dies kann die Schwingungsbelastung über den gesamten Arbeitszeitraum deutlich reduzieren.

Pflegen Sie das Gerät und die Einsatzwerkzeuge mit Sorgfalt. Halten Sie Ihre Hände warm während der Arbeit – dies wird die schädliche Einwirkung erhöhter Schwingungen reduzieren.

Stäube von Materialien wie bleihaltigem Anstrich, einigen Holzarten, Mineralien und Metall können gesundheitsschädlich sein. Berühren oder Einatmen der Stäube können allergische Reaktionen und/oder Atemwegserkrankungen des Benutzers oder in der Nähe befindlicher Personen hervorrufen.

Bestimmte Stäube wie Eichen- oder Buchenstaub gelten als krebserzeugend, besonders in Verbindung mit Zusatzstoffen zur Holzbehandlung (Chromat, Holzschutzmittel). Asbesthaltiges Material darf nur von Fachleuten bearbeitet werden.

- Benutzen Sie möglichst eine Staubabsaugung.
- Um bei der Arbeit mit diesem Elektrowerkzeug ein gutes Staubabfangen zu gewährleisten, benutzen Sie einen Staubabsauger, der für Holzstaub oder für Holz- und mineralischen Staub bestimmt ist.
- Sorgen Sie für gute Belüftung des Arbeitsplatzes.
- Es wird empfohlen, eine Atemschutzmaske mit Filterklasse P2 zu tragen.

Beachten Sie in Ihrem Land gültige Vorschriften für die zu bearbeitenden Materialien.

# III - Allgemeine Sicherheitshinweise für Elektrowerkzeuge



**WARNUNG!** Lesen Sie alle Sicherheitshinweise und Anweisungen. Versäumnisse bei der Einhaltung der Sicherheitshinweise und Anweisungen können elektrischen Schlag, Brand und/oder schwere Verletzungen verursachen.

Bewahren Sie alle Sicherheitshinweise und Anweisungen für die Zukunft auf.

Der in den Sicherheitshinweisen verwendete Begriff „Elektrowerkzeug“ bezieht sich auf netzbetriebene Elektrowerkzeuge (mit Netzkabel) und auf akkubetriebene Elektrowerkzeuge (ohne Netzkabel).

## 1. ARBEITSPLATZSICHERHEIT

- Halten Sie Ihren Arbeitsbereich sauber und gut beleuchtet. Unordnung oder unbeleuchtete Arbeitsbereiche können zu Unfällen führen.
- Arbeiten Sie mit dem Elektrowerkzeug nicht in explosionsgefährdeter Umgebung, in der sich brennbare Flüssigkeiten, Gase oder Stäube befinden. Elektrowerkzeuge erzeugen Funken, die den Staub oder die Dämpfe entzünden können.
- Halten Sie Kinder und andere Personen während der Benutzung des Elektrowerkzeugs fern. Bei Ablenkung können Sie die Kontrolle über das Gerät verlieren.

## 2. ELEKTRISCHE SICHERHEIT

- Der Anschlussstecker des Elektrowerkzeuges muss in die Steckdose passen. Der Stecker darf in keiner Weise verändert werden. Verwenden Sie keine Adapterstecker gemeinsam mit schutzgeerdeten Elektrowerkzeugen. Unveränderte Stecker und passende Steckdosen verringern das Risiko eines elektrischen Schlages.
- Vermeiden Sie Körperkontakt mit geerdeten Oberflächen wie von Rohren, Heizungen, Herden und Kühlschränken. Es besteht ein erhöhtes Risiko durch elektrischen Schlag, wenn Ihr Körper geerdet ist.
- Halten Sie Elektrowerkzeuge von Regen oder Nässe fern. Das Eindringen von Wasser in ein Elektrowerkzeug erhöht das Risiko eines elektrischen Schlages.
- Zweckentfremden Sie das Kabel nicht, um das Elektrowerkzeug zu tragen, aufzuhängen oder um den Stecker aus der Steckdose zu ziehen. Halten Sie das Kabel fern von Hitze, Öl, scharfen Kanten oder sich bewegenden Geräteteilen. Beschädigte oder verwickelte Kabel erhöhen das Risiko eines elektrischen Schlages.
- Wenn Sie mit einem Elektrowerkzeug im Freien arbeiten, verwenden Sie nur Verlängerungskabel, die auch für den Außenbereich geeignet sind. Die Anwendung eines für den Außenbereich

geeigneten Verlängerungskabels verringert das Risiko eines elektrischen Schlages.

- Wenn der Betrieb des Elektrowerkzeuges in feuchter Umgebung nicht vermeidbar ist, verwenden Sie einen Fehlerstromschutzschalter. Der Einsatz eines Fehlerstromschutzschalters vermindert das Risiko eines elektrischen Schlages.

## 3. SICHERHEIT VON PERSONEN

- Seien Sie aufmerksam, achten Sie darauf, was Sie tun, und gehen Sie mit Vernunft an die Arbeit mit einem Elektrowerkzeug. Benutzen Sie kein Elektrowerkzeug, wenn Sie müde sind oder unter dem Einfluss von Drogen, Alkohol oder Medikamenten stehen. Ein Moment der Unachtsamkeit beim Gebrauch des Elektrowerkzeuges kann zu ernsthaften Verletzungen führen.
- Tragen Sie persönliche Schutzausrüstung und immer eine Schutzbrille. Das Tragen persönlicher Schutzausrüstung, wie Staubmaske, rutschfeste Sicherheitsschuhe, Schutzhelm oder Gehörschutz, je nach Art und Einsatz des Elektrowerkzeuges, verringert das Risiko von Verletzungen.
- Vermeiden Sie eine unbeabsichtigte Inbetriebnahme. Vergewissern Sie sich, dass das Elektrowerkzeug ausgeschaltet ist, bevor Sie es an die Stromversorgung und/oder den Akku anschließen, es aufnehmen oder tragen. Wenn Sie beim Tragen des Elektrowerkzeuges den Finger am Schalter haben oder das Gerät eingeschaltet an die Stromversorgung anschließen, kann dies zu Unfällen führen.
- Entfernen Sie Einstellwerkzeuge oder Schraubenschlüssel, bevor Sie das Elektrowerkzeug einschalten. Ein Werkzeug oder Schlüssel, der sich in einem drehenden Geräteteil befindet, kann zu Verletzungen führen.
- Vermeiden Sie eine abnormale Körperhaltung. Sorgen Sie für einen sicheren Stand und halten Sie jederzeit das Gleichgewicht. Dadurch können Sie das Elektrowerkzeug in unerwarteten Situationen besser kontrollieren.
- Tragen Sie geeignete Kleidung. Tragen Sie keine weite Kleidung oder Schmuhe. Halten Sie Haare, Kleidung und Handschuhe fern von sich bewegenden Teilen. Lockere Kleidung, Schmuhe oder lange Haare können von sich bewegenden Teilen erfasst werden.
- Wenn Staubabsaug- und -auffangeinrichtungen montiert werden können, vergewissern Sie sich, dass diese angeschlossen sind und richtig verwendet werden. Verwendung einer Staubabsaugung kann Gefährdungen durch Staub verringern.

## 4. VERWENDUNG UND BEHANDLUNG DES ELEKTROWERKZEUGES

- Überlasten Sie das Gerät nicht. Verwenden Sie für Ihre Arbeit das dafür bestimmte Elektrowerkzeug. Mit dem passenden Elektrowerkzeug arbeiten Sie besser und sicherer im angegebenen Leistungsbereich.
- Benutzen Sie kein Elektrowerkzeug, dessen

*Schalter defekt ist. Ein Elektrowerkzeug, das sich nicht mehr ein- oder ausschalten lässt, ist gefährlich und muss repariert werden.*

- c) Ziehen Sie den Stecker aus der Steckdose und/oder entfernen Sie den Akku, bevor Sie Geräteeinstellungen vornehmen, Zubehörteile wechseln oder das Gerät weglegen. Diese Vorsichtsmaßnahme verhindert den unbeabsichtigten Start des Elektrowerkzeuges.
- d) Bewahren Sie unbenutzte Elektrowerkzeuge außerhalb der Reichweite von Kindern auf. Lassen Sie Personen das Gerät nicht benutzen, die mit diesem nicht vertraut sind oder diese Anweisungen nicht gelesen haben. *Elektrowerkzeuge sind gefährlich, wenn Sie von unerfahrenen Personen benutzt werden.*
- e) Pflegen Sie Elektrowerkzeuge mit Sorgfalt. Kontrollieren Sie, ob bewegliche Teile einwandfrei funktionieren und nicht klemmen, ob Teile gebrochen oder so beschädigt sind, dass die Funktion des Elektrowerkzeuges beeinträchtigt ist. Lassen Sie beschädigte Teile vor dem Einsatz des Gerätes reparieren. *Viele Unfälle haben ihre Ursache in schlecht gewarteten Elektrowerkzeugen.*
- f) Halten Sie Schneidwerkzeuge scharf und sauber. *Sorgfältig gepflegte Schneidwerkzeuge mit scharfen Schneidkanten verkleben sich weniger und sind leichter zu führen.*
- g) Verwenden Sie Elektrowerkzeug, Zubehör, Einsatzwerkzeuge usw. entsprechend diesen Anweisungen. Berücksichtigen Sie dabei die Arbeitsbedingungen und die auszuführende Tätigkeit. *Der Gebrauch von Elektrowerkzeugen für andere als die vorgesehenen Anwendungen kann zu gefährlichen Situationen führen.*

## 5. SERVICE

- a) Lassen Sie Ihr Elektrowerkzeug nur von qualifiziertem Fachpersonal und nur mit Original-Ersatzteilen reparieren. *Damit wird sichergestellt, dass die Sicherheit des Elektrowerkzeuges erhalten bleibt.*

## IV - Zusätzliche Sicherheitsregeln bei der Arbeit mit Bandschleifern

- Halten Sie das Gerät an den isolierten Griffflächen, da das Schleifband das eigene Netzkabel treffen kann. *Das Beschädigen einer spannungsführenden Leitung kann metallene Geräteteile unter Spannung setzen und zu einem elektrischen Schlag führen.*
- Tragen Sie immer Schutzbrille und Gehörschutz, benutzen Sie Staubschutzmaske und Handschuhe.
- Schalten Sie das Elektrowerkzeug immer aus und ziehen Sie den Stecker aus der Steckdose vor dem Beginn von Reparaturarbeiten, Einstellungen oder Austauschen des Sandpapiers.
- Während der Arbeit halten Sie die Maschine mit

**Ihren beiden Händen fest und sichern Sie eine stabile Körperposition.** *Sie können das Elektrowerkzeug sicherer handhaben, wenn Sie es mit beiden Händen halten.*

- **Benutzen Sie die Maschine nur zum Trockenschleifen.** *Das Eindringen von Wasser in die Maschine erhöht das Risiko von Stromschlag.*
- **Benutzen Sie keine verschlissenen, zerrissenen oder angeschlagenen Schleifbänder.** *Die beschädigten Schleifbänder können zerreißen, herausspringen und einen Mensch verletzen.*
- Um ein eventuelles Überhitzen zu verhindern, wickeln Sie immer das Verlängerungskabel von der Kabeltrommel bis zum Ende ab.
- Wenn das Benutzen eines Verlängerungskabels notwendig ist, vergewissern Sie sich, dass sein Querschnitt dem Nennstrom des benutzten Elektrowerkzeugs entspricht, sowie dass das Verlängerungskabel unbeschädigt ist.
- Halten Sie das Versorgungskabel außerhalb des Arbeitsbereiches der Maschine.
- Nach dauerhaften Arbeiten können die Außenmetallteile und die Zubehörteile heiß werden.
- Falls es möglich ist, benutzen Sie immer Klammern oder einen Schraubstock, um das zu bearbeitende Material zu fixieren.
- Berühren Sie das zu bearbeitende Material mit dem Elektrowerkzeug nur nachdem Sie das Elektrowerkzeug eingeschaltet haben und schalten Sie es aus nachdem Sie es vom Material entfernt haben.
- Schalten Sie immer das Elektrowerkzeug aus bevor Sie es hinlegen.
- Benutzen Sie einen leichten Druck bei der Arbeit. Das Eigengewicht des Elektrowerkzeugs ist ausreichend um eine gute Produktivität zu erreichen. Übermäßiger Druck erhöht nicht die Produktivität, sondern führt zum Überhitzen des Elektromotors und zu einem intensiven Verschleiß des Bandes.
- Der Staub, entstanden bei der Bearbeitung von Materialien, die Quarz (Siliziumdioxid) enthalten, ist schädlich für die Gesundheit. Materialien, die Asbest enthalten, dürfen nicht bearbeitet werden.
- Wenn Sie hölzerne Oberflächen schleifen, benutzen Sie immer einen Staubbeutel oder ein System zum Staubableiten.
- Vor dem Benutzen des Elektrowerkzeugs zu einer Metallbearbeitung, nehmen Sie immer den Staubbeutel ab, denn Funken können den Staub oder den Beutel entzünden.
- Berühren Sie nicht das sich bewegende Band mit der Hand.
- Überzeugen Sie sich, dass Sie alle Fremdkörper, wie zum Beispiel Nägel und Schrauben, vom zu bearbeitenden Material vor dem Arbeitsbeginn entfernt haben.
- Lappen, Kabel, Leitungen, Seile und anderen Gegenstände dürfen niemals in der Nähe des Arbeitsplatzes abgelegt werden.



**WARNUNG:** Vor dem Anschluss des Elektrowerkzeuges an das Versorgungsnetz (Steckdose, Fassung, Buchse) vergewissern Sie sich, dass die Versorgungsspannung die gleiche ist, wie die, die auf dem Schild des Elektrowerkzeugs angegeben ist. Eine Versorgungsspannung, höher als die Nennspannung, kann ernste Verletzungen des Benutzers, sowie eine Beschädigung der Maschine hervorrufen.

- Wenn Sie nicht sicher sind, wie hoch die Spannung ist, schalten Sie das Elektrowerkzeug nicht ein.
- Falls die Spannung niedriger als die Nennspannung ist, wird der Elektromotor beschädigt.
- Das Elektrowerkzeug darf nur bestimmungsgemäß benutzt werden. Jede Anwendung, die sich von der in dieser Anleitung beschriebenen unterscheidet, wird als unrichtig angesehen. Die Haftung für jegliche Beschädigung oder Verletzung, entstanden infolge einer unrichtigen Anwendung, wird der Benutzer und nicht der Hersteller tragen.
- Um dieses Elektrowerkzeug richtig zu betreiben, müssen Sie die Sicherheitsregeln, die allgemeine Anweisungen und die hier angegebenen Arbeitshinweise beachten. Alle Benutzer müssen sich mit dieser Betriebsanleitung bekanntmachen und über die potentiellen Risiken bei der Arbeit mit dem Elektrowerkzeug informieren. Kinder und körperlich schwache Menschen dürfen das Elektrowerkzeug nicht benutzen. Kinder müssen unter ständigem Aufsicht sein, wenn sie sich in der Nähe des Platzes, an dem man mit dem Elektrowerkzeug arbeitet, befinden. Es ist verbindlich auch präventive Sicherheitsmaßnahmen zu ergreifen. Das gleiche gilt auch bezüglich des Einhaltens der Regeln für Gesundheit und Sicherheit.
- Der Hersteller trägt keine Haftung für die vom Benutzer gemachten Änderungen des Elektrowerkzeugs oder für Beschädigungen und Schaden, entstanden infolge solcher Änderungen.

Auch wenn das Elektrowerkzeug bestimmungsgemäß benutzt wird, ist es unmöglich dass alle restlichen Risikofaktoren eliminiert werden. Die nachstehend aufgezählten Gefahren können in Zusammenhang mit den konstruktiven Besonderheiten und dem Design des Elektrowerkzeugs entstehen.

- Beschädigungen der Lungen, wenn Sie keine Schutzmaske tragen.
- Beschädigungen des Gehörs, wenn Sie keinen Gehörschutz tragen.
- Das Elektrowerkzeug darf nicht im Freien bei Regenwetter, in einer feuchten Umgebung (nach Regen) oder in der Nähe von leicht entzündbaren Flüssigkeiten und Gasen benutzt werden. Der Arbeitsplatz muss gut beleuchtet sein.

## V – Komponenten des Elektrowerkzeugs

Machen Sie sich vor dem Beginn der Arbeit mit der Bandschleifmaschine mit allen operativen Besonderheiten und Sicherheitsbedingungen bekannt.

Benutzen Sie das Elektrowerkzeug und seine Zubehörteile nur bestimmungsgemäß. Jede andere Anwendung ist ausdrücklich verboten.

1. Staubbeutel
2. Deckel des Bürstenhalters
3. Montageöffnungen
4. Geschwindigkeitsregler (MBS 1100E)
5. Vorderer Handgriff
6. Hebel zum Spannen des Schleifbandes
7. Indikator für die Drehrichtung des Bandes
8. Antriebswalze
9. Schalter
10. Ansatz zum Staubableiten
11. Arretier Taste
12. Haupthandgriff
13. Regler zum Positionieren des Schleifbands auf den Walzen
14. Unterlage aus thermoplastischem Stoff zum Messen der Elastizität
15. Befestigungs-Klammer

## VI - Arbeitshinweise

Diese Elektrowerkzeuge werden mit einphasiger Wechselspannung versorgt. Sie haben eine doppelte Isolation gemäß den Normen EN 60745 und IEC 60745, und können an Steckdosen ohne Schutzklemmen angeschlossen werden. Die Rundfunkstörungen entsprechen der Richtlinie für elektromagnetische Kompatibilität 2004/108/EU.

### VOR DEM ARBEITSBEGINN



**WARNUNG:** Überprüfen Sie ob die Spannung des Versorgungsnetzes der Spannung angegeben auf dem Schild mit den technischen Daten des Elektrowerkzeugs entspricht.

- Überprüfen Sie in welche Position der Schalter sich befindet. Man darf das Elektrowerkzeug nur an das Versorgungsnetz anschließen oder davon trennen wenn der Schalter ausgeschaltet ist. Falls Sie den Stecker in eine Steckdose stecken während der Schalter in Position Eingeschaltet ist, wird das Elektrowerkzeug sofort starten, was eine Voraussetzung für einen Unfall ist.
- Überzeugen Sie sich, dass das Versorgungskabel und der Stecker nicht beschädigt sind. Wenn das Versorgungskabel beschädigt ist, muss der Hersteller oder einer von seinen Servicefachkräften den Austausch vornehmen, um die Gefahren durch den Austausch zu vermeiden.

### EINSCHALTEN / AUSSCHALTEN

**Kurzzeitige Betätigung:** (Abb. 1)

Anlassen: Drücken Sie den Schalter (9).

Stoppen: Lassen Sie den Schalter (9) los.

**Lang andauernder Betrieb:** (Abb. 2)

Starten: Der Schalter (9) wird gedrückt und in dieser Position durch die Taste (11) arretiert.



Abbrechen: Der Schalter (9) wird einmalig gedrückt und gleich losgelassen.

## MONTAGE DES SCHLEIFBANDES



**WARNUNG:** Schalten Sie das Elektrowerkzeug aus und ziehen Sie den Stecker des Versorgungskabels aus der Steckdose.

1. Ziehen Sie den Hebel zum Spannen des Bandes (6) und entfernen Sie das alte Band. (Abb. 3)
2. Überprüfen Sie ob das alte Band leicht zu legen ist und ob es an den Rändern nicht verschlissen ist.
3. Die Pfeile des Bandes müssen in die gleiche Richtung mit den Pfeilen auf dem Schleifband gerichtet sein. (Abb. 4)
4. Setzen Sie den Hebel (6) in seine ursprüngliche Position. (Abb. 5)
5. Stecken Sie den Stecker in die Steckdose und nachdem Sie das Elektrowerkzeug schon fest halten, schalten Sie es ein. Lassen Sie das Schleifband eine gewisse Zeit sich frei drehen.
6. Während das Band sich bewegt, benutzen Sie den Regler (13), um das Band in der Mitte der Walze (8) einzustellen. (Abb. 6)
7. Wiederholen Sie diese Vorgehensweise bis das Band richtig ausgerichtet wird.
8. Schalten Sie das Elektrowerkzeug ein, um sich zu vergewissern, dass alles korrekt eingestellt ist.



**WARNUNG:** Benutzen Sie das Elektrowerkzeug nicht, wenn sein Band verschlissen oder beschädigt ist.



**WARNUNG:** Das Schleifen von Holz- und Metallteilen mit demselben Band ist unzulässig. Die Metallteilchen spießen sich im Band auf und werden die hölzerne Oberfläche beschädigen.

## WAHL DES BANDES

1. Im Fachhandel können verschiedene Arten Schleifbänder gekauft werden: grobkörnig (Körnung 40), mittelkörnig (Körnung 80 und 100) und feinkörnig (Körnung 120).
2. Benutzen Sie das grobkörnige Band zu einer groben Bearbeitung, das mittelkörnige – zu feinerem Glätten, und das feinkörnige – bei den Feinarbeiten.
3. Die beste Variante ist, wenn Sie ein Probeschleifen machen, um den optimalen Grad, notwendig für die konkrete Arbeit, zu bestimmen.
4. Damit Sie die Vorteile des Bandschleifers gänzlich nutzen können, kaufen Sie immer Bänder von einer hohen Qualität.

**BEMERKUNG:** Nach dem Schleifen mit der Bandschleifmaschine benutzen Sie einen Schwingschleifer zum Erreichen von idealen Ergebnissen.

## EINSTELLEN DER GESCHWINDIGKEIT DES BANDES (MBS 1100E)

Die Geschwindigkeit des Bandes kann gleichmäßig durch das Drehen des Reglers (4) sogar während der Arbeit eingestellt werden.

Die optimale Geschwindigkeit des Bandes hängt von der Körnung und vom zu bearbeitenden Material ab, und wird durch Versuche bestimmt. Die empfohlenen Geschwindigkeitswerte sind in der Tabelle auf Seite 84. angegeben.

## SCHLEIFEN

1. Diese Elektrowerkzeuge sind zum Schleifen von Holz, Metall, Kunststoff und anderen ähnlichen Materialien bestimmt. Sie werden vorwiegend benutzt zu einem schnellen Abtragen einer großen Menge vom Material. Benutzen Sie diese Maschinen nicht zur Bearbeitung von Magnesium.
2. Vergewissern Sie sich, dass das Band gut befestigt ist.
3. Stecken Sie den Stecker des Versorgungskabels in die Steckdose.
4. Stellen Sie die notwendige Geschwindigkeit mittels des Elektronenreglers (4) (nur für (MBS 1100E) ein. Die maximale Geschwindigkeit entspricht dem Symbol G, und die minimale – dem Symbol A. Die Produktivität und die Qualität der zu bearbeitenden Oberfläche hängen von der Körnung des Bandes und von der Geschwindigkeit ab. Je höher die Geschwindigkeit ist, desto größer ist die Menge des abgetragenen Materials und desto glatter ist die zu bearbeitende Oberfläche.
5. Drücken Sie den Schalter und lassen Sie das Elektrowerkzeug die maximale Geschwindigkeit vor dem Arbeitsbeginn erreichen.
6. Drücken Sie die Taste zum Anretieren, wenn Sie die Absicht haben lang andauernd zu arbeiten.
7. Berühren Sie das zu bearbeitenden Material mit der Maschine und üben Sie einen leichten Druck aus. (Abb. 7)
8. Schleifen Sie in Richtung der Struktur des Materials mit parallelen Bewegungen.
9. Um eine Farbe abzunehmen oder sehr rauhes Holzmaterial zu glätten, schleifen Sie unter einem Winkel von 45° in den beiden Richtungen und enden Sie danach mit Bewegungen in Richtung der Struktur des Materials.
10. Benutzen Sie die vordere Walze nur beim Schleifen von Winkeln und nicht gleichseitigen Formen.
11. Entfernen Sie das Werkzeug vom zu bearbeitenden Material bevor Sie es ausschalten.
12. Vergessen Sie nicht, dass Sie Ihre Hände fern vom sich bewegenden Band halten müssen, weil es sich eine gewisse Zeit nach dem Ausschalten der Maschine weiter dreht.
13. Tragen Sie Schutzbrille, Antiphone und eine Staubschutzmaske.

## STAUBABLEITEN

1. Ziehen Sie den Stecker des Versorgungskabels aus der Steckdose.
2. Ziehen Sie den Kunststoffansatz des Staubbeu-

tels im Ansatz zum Staubableiten (10) dicht fest. (Abb. 8)

3. Vor der Abnahme des Staubbeutels ziehen Sie den Stecker des Versorgungskabels aus der Steckdose.



**WARNUNG:** Zur optimalen Beseitigung des Staubs putzen Sie den Beutel, wenn er bis zur Hälfte voll wird. Benutzen Sie nicht den Staubbeutel, wenn Sie Metall schleifen. Die heißen Metallteilchen können den Staub oder die im Beutel gebliebenen hölzernen Teilchen entzünden.

**Putzen des Staubbeutels:** Nehmen Sie den Beutel ab und entleeren Sie ihn, wobei Sie ihn leicht klopfen, damit Sie den Staub entfernen können. Von Zeit zu Zeit nehmen Sie den Beutel ab und legen Sie ihn verkehrt, damit Sie den Staub vom Stoff mit einer weichen Bürste ausbürsten können.

4. Sie können einen Adapter zum Anschließen an einen Hausstaubsaugers oder ein System zum Staubableiten benutzen.
5. Man legt den Adapter in den Ansatz zum Staubableiten (10).

### ARBEIT MIT DER MASCHINE IN EINER STATIONÄREN POSITION (Abb. 9)

Diese Maschine kann stationär an einen Arbeitstisch montiert werden.

- Legen Sie die Gummiunterlage (14) auf den Arbeitstisch, wie das in den Aufschriften darüber beschrieben ist. Montieren Sie niemals die Maschine auf dem Arbeitstisch ohne die Gummiunterlage.
- Wenden Sie die Maschine mit dem Band nach oben und legen Sie diese in die Mitte der Gummiunterlage. Die Montageöffnungen (3) müssen an der Seite des Anwenders liegen.
- Stecken Sie die Stiftschrauben der Klammer (15) durch die Montageöffnungen (3).
- Befestigen Sie mit der Hilfe der Klammer (15) die Maschine auf dem Arbeitstisch.
- Befestigen Sie mit der Hand die Klammer der Flügelmutter. Vergewissern Sie sich, dass die Klammer richtig festgezogen ist, aber ziehen Sie diesen nicht zu sehr fest.
- Vergewissern Sie sich, dass die Maschine zuverlässig am Arbeitstisch befestigt ist, bevor Sie diese einschalten.

Wenn Sie die Taste zum Arretieren benutzen, können Sie die Maschine im Zustand eines lang andauernden Betriebs benutzen.

### ZUBEHÖR

**MBS 1100:** Schleifband mit Körnung 80, montiert auf der Maschine, Staubbeutel.

**MBS 1100E:** Schleifband mit Körnung 80, montiert auf der Maschine, Staubbeutel, Satz mit 4 Schleifbändern (Körnung 60 - 2 Stück, Körnung 80 -1 Stück, Körnung 100 - 1 Stück), Unterlage aus thermoplastischem Stoff zum Messen der Elastizität, Klammer zum Festhalten - 2 Stück, Staubbeutel.

## VII - Wartung



**WARNUNG:** Schalten Sie das Elektrowerkzeug immer aus und ziehen Sie den Stecker aus der Steckdose vor jeder Überprüfung oder Wartung.

Überprüfen Sie regelmäßig ob die Schrauben des Körpers gut festgezogen sind. Bei einem lang andauernden Betrieb können sich die Schrauben durch die Schwingungen lockern.

Schmieren Sie regelmäßig alle sich bewegenden Teile.

### AUSTAUSCH DER BÜRSTEN

Wenn die Bürsten verschlissen sind müssen beide Bürsten gleichzeitig durch Original Bürsten in einem SPARKY – Service für Garantie- und Außergarantie-wartung ausgetauscht werden.

### REINIGUNG

Für eine gefahrlose Arbeit halten Sie die Maschine und die Belüftungsöffnungen immer sauber.

Überprüfen Sie regelmäßig ob Staub oder Fremdkörper durch das Ventilationsgitter in der Nähe des Elektromotors oder um die Schalter eingedrungen sind. Benutzen Sie eine weiche Bürste um den angehäuften Staub zu beseitigen. Um Ihre Augen während der Säuberung zu schützen, tragen Sie eine Schutzbrille.

Wenn der Körper der Maschine geputzt werden muss, wischen Sie ihn mit einem weichen feuchten Tuch. Auch ein verdünntes Spülmittel darf benutzt werden.



**WARNUNG:** Die Anwendung von Spiritus, Benzin oder anderen Lösungsmitteln ist unzulässig. Benutzen Sie niemals ätzende Mittel zum Putzen der Kunststoffteile.



**WARNUNG:** Der Kontakt der Maschine mit Wasser ist unzulässig.

**WICHTIG:** Zum Sichern einer gefahrlosen Arbeit mit dem Elektrowerkzeug und seiner Zuverlässigkeit müssen alle Tätigkeiten zur Reparatur, Wartung und Regulierung (einschließlich der Überprüfung und der Austausch der Bürsten) in den autorisierten SPARKY - Services mit Benutzen nur von Original Ersatzteilen ausgeführt werden.

## VIII - Garantie

---

Die Garantiefrist der SPARKY-Elektrowerkzeuge wird im Garantieschein bestimmt.

Schäden, die auf natürliche Abnutzung, Überlastung oder unsachgemäße Handhabung zurückzuführen sind, bleiben von der Garantie ausgeschlossen.

Schäden, die durch Material- und/oder Herstellerfehler entstanden sind, werden unentgeltlich durch Ersatzlieferung oder Reparatur beseitigt.

Beanstandungen bezüglich eines beschädigten SPARKY-Elektrowerkzeugs können nur anerkannt werden, wenn das Gerät unzerlegt (im ursprünglichen Zustand) dem Lieferanten oder der befugten Kundendienstwerkstatt vorgelegt wird.

## Bemerkungen

---

Lesen Sie aufmerksam die ganze Betriebsanleitung durch, bevor Sie mit der Arbeit beginnen.

Der Hersteller behält sich das Recht vor, Verbesserungen und Änderungen in seinen Erzeugnissen und in den Spezifikationen ohne Voranmeldung vorzunehmen.

Die Spezifikationen können für die verschiedenen Länder unterschiedlich sein.

## Table des matières

I - Introduction .....	18
II - Caractéristiques techniques .....	20
III - Avertissements de sécurité généraux pour l'outil .....	21
IV - Instructions supplémentaires de sécurité lors du travail avec des ponceuses à bande .....	22
V - Présentation de l'outil électrique .....	A/23
VI - Instructions pour le travail .....	23
VII - Maintenance .....	25
VIII - Garantie .....	25

### DEBALLAGE

Grâce aux techniques modernes de fabrication, il est improbable que votre outil soit défectueux ou qu'une pièce soit manquante. Si toutefois vous trouvez une anomalie, n'utilisez pas l'outil avant que les pièces aient été remplacées ou le défaut corrigé. Ne pas observer cette règle pourrait causer des blessures graves.

### MONTAGE

Les ponceuses à bande sont livrées emballées et entièrement assemblées, à l'exception du sachet destiné à recueillir les poussières et l'adaptateur pour le raccordement à l'aspirateur.

## I - Introduction

Votre nouvel outil a été conçu et produit selon tous les standards de qualité pour répondre aux exigences les plus élevées. Son exploitation est facile et sécurisée. Et avec une utilisation correcte il vous servira longtemps.



#### AVERTISSEMENT!

Lire attentivement les instructions avant d'utiliser votre nouvel outil. Prêter attention aux sections «**Avertissement**». Votre outil électrique possède des caractéristiques qui facilitent votre travail. Cet instrument a été conçu et produit selon toutes les exigences de sécurité pour que son usage et son entretien soient faciles.



#### Ne pas jeter les outils électroportatifs avec les ordures ménagères!

Les déchets provenant d'outils électroportatif ne doivent pas être ramassés avec les ordures ménagères. Prière de recycler sur les lieux qui y sont spécialement destinés. Contacter les autorités locales ou un représentant pour des consultations concernant le recyclage.

#### RESPECT DE L'ENVIRONNEMENT



Récupération des matières premières plutôt qu'élimination des déchets.

En vue à la protection de l'environnement, les appareils, comme d'ailleurs leurs accessoires et emballages, doivent pouvoir suivre chacun une voie de recyclage appropriée. Nos pièces en matières artificielles ont été marquées en vue d'un recyclage sélectif des différents matériaux.

## LÉGENDE

L'outil électrique porte une plaque décrivant les signes spéciaux. Ils apportent une information importante quant au produit ou des instructions d'utilisation.



Portez des équipements de protection adaptés: casque anti-bruit



Double isolation pour une meilleure sécurité.



De l'électronique assurant le choix préalable de la vitesse



Le raccordement à un aspirateur.



La conformité aux directives européennes applicables



La conformité aux exigences formulées dans les textes légaux russes.



La conformité aux exigences formulées dans les textes légaux ukrainiens.



Prenez connaissance de la consigne d'utilisation.


YYYY-Www

Période de production, les symboles variables étant les suivants :  
YYYY - année de production, ww - semaine calendaire

MBS

PONCEUSE À BANDE

## II - Données techniques

Modèle :	MBS 1100	MBS 1100E
• Puissance consommée	1100 W	1200 W
• Vitesse à vide	400 m/min	200-400 m/min
• Superficie poncée	100 x 156 mm	100 x 156 mm
• Dimensions de la bande	100 x 610 mm	100 x 610 mm
• Poids (EPTA procédure 01/2003)	5,3 kg	5,3 kg
• Classe de protection (EN 60745) 	II	II
<b>Information concernant le bruit et les vibrations</b>		
• <b>Émission de bruit</b> (valeurs mesurées conformément à EN 60745) :		
A-niveau pondéré de pression sonore $L_{pA}$	95.5 dB(A)	95.5 dB(A)
Incertitude $K_{pA}$	3 dB	3 dB
A-niveau pondéré de puissance sonore $L_{WA}$	106.5 dB(A)	106.5 dB(A)
Incertitude $K_{WA}$	3 dB	3 dB



Utilisez des protecteurs auditifs !

• **Émission de vibrations** (déterminées conformément au point 6.2.7 de EN 60745-1) :

*Valeur globale des vibrations (somme vectorielle sur les trois axes), déterminée conformément à EN 60745.*

Valeur des vibrations émises $a_h$	2.76 m/s <sup>2</sup>	2.76 m/s <sup>2</sup>
Incertitude K	1.5 m/s <sup>2</sup>	1.5 m/s <sup>2</sup>

L'amplitude d' l'accélération indiquée dans ces instructions d'utilisation a été mesurée suivant les méthodes de mesurage conformément à la norme EN 60745 et peut être utilisée pour une comparaison d'appareils. Le niveau de vibration peut être utilisé pour faire une estimation provisoire du degré d'influence vibratoire.

Le niveau de vibration annoncé concerne la fonction principale de l'outil. Dans des cas où l'outil est destinée à une autre utilisation ou avec d'autres accessoires, ou s'il est mal entretenu, le niveau de vibration peut s'écarter de celui qui a été indiqué. Si c'est le cas, le degré d'influence peut fortement augmenter au cours de l'utilisation.

Pour une estimation précise de l'influence vibratoire pendant un certain temps d'utilisation, il est recommandé de prendre aussi en considération les espaces de temps pendant lesquels l'appareil est éteint ou sous tension, mais pas vraiment utilisé. Ceci peut réduire considérablement l'influence vibratoire pendant toute la durée du travail.

Entretenez l'outil et ses accessoires en bon état. Gardez vos mains chaudes au cours de son utilisation – cela va diminuer les conséquences négatives lorsque vous travaillez à des hauts degrés de vibrations.

Les poussières de matériaux tels que peintures contenant du plomb, certains bois, minéraux ou métaux, peuvent être nuisibles à la santé. Toucher ou aspirer les poussières peut entraîner des réactions allergiques et/ou des maladies respiratoires auprès de l'utilisateur ou de personnes se trouvant à proximité.

Certaines poussières telles que les poussières de chêne ou de hêtre sont considérées cancérigènes, surtout en connexion avec des additifs pour le traitement de bois (chromate, lazure). Les matériaux contenant de l'amiante ne doivent être travaillés que par des personnes qualifiées.

- Si possible, utilisez une aspiration des poussières.
- Afin d'atteindre un haut degré d'aspiration de la poussière, lors du travail avec cet outil électroportatif utilisez un aspirateur spécialement adapté pour l'aspiration de poussière de bois ou pour l'aspiration de poussière de bois et/ou poussière de minéraux.
- Veillez à bien aérer la zone de travail.
- Il est recommandé de porter un masque respiratoire de la classe de filtre P2.

Respectez les règlements en vigueur dans votre pays spécifiques aux matériaux à traiter.

# III - Avertissements de sécurité généraux pour l'outil



**AVERTISSEMENT!** Lire tous les avertissements de sécurité et toutes les instructions. Ne pas suivre les avertissements et instructions peut donner lieu à un choc électrique, un incendie et/ou une blessure sérieuse.

Conserver tous les avertissements et toutes les instructions pour pouvoir s'y reporter ultérieurement.

Le terme «outil» dans les avertissements fait référence à votre outil électrique alimenté par le secteur (avec cordon d'alimentation) ou votre outil fonctionnant sur batterie (sans cordon d'alimentation).

## 1. SÉCURITÉ DE LA ZONE DE TRAVAIL

- Conserv<sup>er</sup> la zone de travail propre et bien éclairée. Les zones en désordre ou sombres sont propices aux accidents.
- Ne pas faire fonctionner les outils électriques en atmosphère explosive, par exemple en présence de liquides inflammables, de gaz ou de poussières. Les outils électriques produisent des étincelles qui peuvent enflammer les poussières ou les fumées.
- Maintenir les enfants et les personnes présentes à l'écart pendant l'utilisation de l'outil. Les distractions peuvent vous faire perdre le contrôle de l'outil.

## 2. SÉCURITÉ ÉLECTRIQUE

- Il faut que les fiches de l'outil électrique soient adaptées au socle. Ne jamais modifier la fiche de quelque façon que ce soit. Ne pas utiliser d'adaptateurs avec des outils à branchement de terre. Des fiches non modifiées et des socles adaptés réduiront le risque de choc électrique.
- Éviter tout contact du corps avec des surfaces reliées à la terre telles que les tuyaux, les radiateurs, les cuisinières et les réfrigérateurs. Il existe un risque accru de choc électrique si votre corps est relié à la terre.
- Ne pas exposer les outils à la pluie ou à des conditions humides. La pénétration d'eau à l'intérieur d'un outil augmentera le risque de choc électrique.
- Ne pas maltraiter le cordon. Ne jamais utiliser le cordon pour porter, tirer ou débrancher l'outil. Maintenir le cordon à l'écart de la chaleur, du lubrifiant, des arêtes ou des parties en mouvement. Des cordons endommagés ou emmêlés augmentent le risque de choc électrique.
- Lorsqu'on utilise un outil à l'extérieur, utiliser un prolongateur adapté à l'utilisation extérieure. L'utilisation d'un cordon adapté à l'utilisation extérieure réduit le risque de choc électrique.
- Si l'usage d'un outil dans un emplacement humide est inévitable, utiliser une alimentation

protégée par un dispositif à courant différentiel résiduel (RCD). L'usage d'un RCD réduit le risque de choc électrique.

## 3. SÉCURITÉ DES PERSONNES

- Rester vigilant, regarder ce que vous êtes en train de faire et faire preuve de bon sens dans votre utilisation de l'outil. Ne pas utiliser un outil lorsque vous êtes fatigué ou sous l'emprise de drogues, d'alcool ou de médicaments. Un moment d'inattention en cours d'utilisation d'un outil peut entraîner des blessures graves des personnes.
  - Utiliser un équipement de sécurité. Toujours porter une protection pour les yeux. Les équipements de sécurité tels que les masques contre les poussières, les chaussures de sécurité antidérapantes, les casques ou les protections acoustiques utilisés pour les conditions appropriées réduiront les blessures de personnes.
  - Éviter tout démarrage intempestif. S'assurer que l'interrupteur est en position arrêté avant de brancher l'outil au secteur et/ou au bloc de batteries, de le ramasser ou de le porter. Porter les outils en ayant le doigt sur l'interrupteur ou brancher des outils dont l'interrupteur est en position marche est source d'accidents.
  - Retirer toute clé de réglage avant de mettre l'outil en marche. Une clé laissée fixée sur une partie tournante de l'outil peut donner lieu à des blessures de personnes.
  - Ne pas se précipiter. Garder une position et un équilibre adaptés à tout moment. Cela permet un meilleur contrôle de l'outil dans des situations inattendues.
  - S'habiller de manière adaptée. Ne pas porter de vêtements amples ou de bijoux. Garder les cheveux, les vêtements et les gants à distance des parties en mouvement. Des vêtements amples, des bijoux ou les cheveux longs peuvent être pris dans des parties en mouvement.
  - Si des dispositifs sont fournis pour le raccordement d'équipements pour l'extraction et la récupération des poussières, s'assurer qu'ils sont connectés et correctement utilisés. Utiliser des collecteurs de poussière peut réduire les risques dus aux poussières.
- ## 4. UTILISATION ET ENTRETIEN DE L'OUTIL
- Ne pas forcer l'outil. Utiliser l'outil adapté à votre application. L'outil adapté réalisera mieux le travail et de manière plus sûre au régime pour lequel il a été construit.
  - Ne pas utiliser l'outil si l'interrupteur ne permet pas de passer de l'état de marche à arrêté et vice versa. Tout outil qui ne peut pas être commandé par l'interrupteur est dangereux et il faut le réparer.
  - Débrancher la fiche de la source d'alimentation en courant et/ou le bloc de batteries de l'outil avant tout réglage, changement d'accessoires ou avant de ranger l'outil. De telles mesures de sécurité préventives réduisent le risque de démarrage accidentel de l'outil.
  - Conserver les outils à l'arrêt hors de la portée des



enfants et ne pas permettre à des personnes ne connaissant pas l'outil ou les présentes instructions de le faire fonctionner. *Les outils sont dangereux entre les mains d'utilisateurs novices.*

- e) **Observer la maintenance de l'outil. Vérifier qu'il n'y a pas de mauvais alignement ou de blocage des parties mobiles, des pièces cassées ou toute autre condition pouvant affecter le fonctionnement de l'outil. En cas de dommages, faire réparer l'outil avant de l'utiliser. De nombreux accidents sont dus à des outils mal entretenus.**
- f) **Garder affûtés et propres les outils permettant de couper. Des outils destinés à couper correctement entretenus avec des pièces coupantes tranchantes sont moins susceptibles de bloquer et sont plus faciles à contrôler.**
- g) **Utiliser l'outil, les accessoires et les lames etc., conformément à ces instructions, en tenant compte des conditions de travail et du travail à réaliser. L'utilisation de l'outil pour des opérations différentes de celles prévues pourrait donner lieu à des situations dangereuses.**

## 5. MAINTENANCE ET ENTRETIEN

- a) **Faire entretenir l'outil par un réparateur qualifié utilisant uniquement des pièces de rechange identiques. Cela assurera que la sécurité de l'outil est maintenue.**

## IV - Instructions supplémentaires de sécurité lors du travail avec des ponceuses à bande

Maintenez l'appareil par les surfaces de saisie isolées car la bande de ponceuse peut toucher le propre câble de réseau secteur. *L'endommagement d'un conducteur dans lequel la tension passe, peut mettre les composants métalliques de l'appareil sous tension et mener à une décharge électrique.*

- Portez toujours des lunettes de protection et une protection antibruit, de même qu'un masque de protection contre la poussière et des gants.
- **Débranchez toujours l'outil électroportatif du réseau d'alimentation avant d'entreprendre sur celui-ci des opérations de réparation, de réglage ou avant de remplacer le papier d'émeri.**
- **Pendant le travail, serrez toujours solidement l'appareil avec les deux mains et tenez votre corps en position stable. L'outil électroportatif est guidé de manière plus sûre lorsqu'on le tient des deux mains.**
- **Utilisez la machine uniquement pour le ponçage à sec. La pénétration de l'eau dans la machine augmente le risque d'électrocution.**
- **Ne travaillez pas avec des bandes de ponçage usées, déchirées ou bourrées de poussière. Les bandes de ponçage endommagées peuvent se rompre, être projetées vers l'extérieur et blesser une**

personne.

- Afin d'éviter une éventuelle surchauffe, déroulez toujours jusqu'au bout le câble de rallonge à dérouleur.
- Lorsqu'il est nécessaire d'utiliser une rallonge, assurez-vous que la section de son câble est conforme à la force du courant consommé par l'outil électroportatif utilisé et que la rallonge est en parfait état.
- Tenez le câble d'alimentation électrique de l'outil à l'écart de l'aire de travail de celui-ci.
- À la suite d'un long travail, les parties métalliques extérieures et les accessoires peuvent devenir très chauds.
- Dans la mesure du possible, utilisez toujours un étrier ou un étai pour fixer le matériau traité.
- Mettez l'outil électroportatif en contact avec le matériau traité après l'avoir mis en marche et arrêtez-le après l'avoir sorti du matériau.
- Arrêtez toujours l'outil électroportatif avant de le mettre de côté.
- Lors du travail, exercez une pression légère. Le propre poids de l'outil électroportatif est suffisant pour assurer une bonne productivité. Une pression excessive ne mène pas à une augmentation de la productivité, mais surchauffe le moteur électrique et accélère l'usure de la bande.
- La poussière se dégageant lors du traitement de certains matériaux contenant du quartz (du dioxyde de silicium) est dangereuse pour la santé. Ne jamais traiter de matériaux contenant de l'amiante.
- Lorsque vous poncez du bois, ne manquez pas d'utiliser un sac destiné à recueillir les poussières ou un système pour l'élimination des poussières.
- Avant d'utiliser l'outil électroportatif pour le traitement d'un métal, enlevez toujours le sac destiné à recueillir les poussières, car les étincelles risquent d'enflammer les poussières qui s'y trouvent.
- Ne touchez pas la bande en mouvement.
- Assurez-vous d'avoir éliminé tous les corps étrangers, par exemple, les clous et les vis dans le matériau traité, avant le début du travail.
- Des chiffons, des câbles, des cordes et d'autres objets similaires ne doivent jamais être laissés à proximité du lieu de travail.



**AVERTISSEMENT:** Avant de brancher l'outil électroportatif au réseau d'alimentation électrique (à une prise, une douille, une borne), assurez-vous que la tension de celui-ci est bien celle indiquée sur la plaquette contenant les caractéristiques techniques de cet outil. Une tension supérieure à la tension nominale peut blesser gravement l'utilisateur et endommager la machine.

- Si vous ne savez pas avec certitude quelle est la tension du secteur, ne branchez pas l'outil électroportatif.
- Si la tension est plus basse que la tension nominale, le moteur électrique subira des dommages.
- L'appareil doit être utilisé uniquement pour les travaux pour lesquels il a été prévu. Toute autre utilisation, différente de celle décrite dans la présente instruction, doit être considérée comme abusive. Le producteur décline toute responsabilité en cas de dommage ou de blessure causée par une utilisation abusive, cette





responsabilité étant alors entièrement assumée par l'utilisateur.

- Afin d'utiliser l'appareil correctement, vous devez respecter les règles de sécurité, les consignes générales et celles concernant l'exploitation qui figurent dans le présent document. Tous les utilisateurs doivent avoir pris connaissance de cette instruction d'exploitation et être informés sur les risques potentiels lors du travail avec l'outil électroportatif. Les enfants et les personnes ne possédant pas la force physique nécessaire ne doivent pas utiliser l'outil. Les enfants se trouvant dans la zone de travail avec l'outil électroportatif doivent être sous une surveillance incessante. Il est indispensable que vous entrepreniez également des mesures de sécurité préalables. Ceci est également valable pour les principales consignes concernant la salubrité et la sécurité du travail.
- Le producteur décline toute responsabilité en cas de modifications apportées à l'outil électroportatif ou de dommages provoqués par ces modifications.

Même lorsque l'appareil est utilisé en conformité avec sa destination, il est impossible d'écarter tous les facteurs de risque. Les dangers décrits ci-dessous peuvent être engendrés par les particularités de conception et de construction de l'outil électroportatif.

- Des lésions des poumons si vous ne portez pas de masque respiratoire.
- Des lésions de l'ouïe si vous ne portez pas de protections auditives.
- L'outil électroportatif ne doit pas être utilisé à l'extérieur lorsqu'il pleut, dans un milieu humide (après la pluie) ou à proximité de liquides et de gaz facilement inflammables. Le lieu de travail doit être bien éclairé.

## V – Présentation de l'outil électrique

Avant de commencer le travail avec la ponceuse à bande, prenez connaissance de ses particularités et des conditions de sécurité.

L'outil électroportatif et ses accessoires doivent être utilisés uniquement pour les travaux pour lesquels ils ont été prévus. Toute autre utilisation est strictement interdite.

1. Sachet destiné à recueillir les poussières
2. Couvercle du porte-balais
3. Orifices pour le montage
4. Régulateur électronique de la vitesse (MBS 1100E)
5. Poignée avant
6. Levier pour tendre la bande de ponçage
7. Indicateur du sens de rotation de la bande
8. Rouleau d'entraînement
9. Interrupteur
10. Embout pour l'élimination des poussières
11. Bouton de blocage
12. Poignée principale
13. Régulateur pour le positionnement de la bande de ponçage sur les rouleaux
14. Support en élastomère thermoplastique
15. Crochets de fixation

## VI - Instructions pour le travail

Ces outils électroportatifs sont alimentés en courant alternatif monophasé. Ils possèdent une double isolation, conformément à EN 60745 et IEC 60745 et peuvent être branchés à des prises qui ne possèdent pas de bornes de protection. Les brouillages radiophoniques sont conformes à la Directive de conformité électromagnétique 2004/108/EC.

### AVANT LE DÉBUT DU TRAVAIL



**AVERTISSEMENT:** Assurez-vous que la tension du secteur correspond à celle indiquée sur la plaquette contenant les données techniques sur l'instrument.

- Vérifiez la position de l'interrupteur. L'outil électroportatif doit être toujours branché et débranché du secteur, son interrupteur étant en position OFF. Si vous branchez l'outil électroportatif au secteur son interrupteur étant en position de marche, il se mettra immédiatement à fonctionner, ce qui crée un danger d'accident.
- Assurez-vous que le câble électrique et sa fiche sont en parfait état. Si le câble d'alimentation est endommagé, il doit être remplacé par le constructeur ou un spécialiste agréé par celui-ci, afin que soient évités d'éventuels risques liés à son remplacement.

### MARCHE / ARRÊT

**Mise en marche d'une courte durée:** (Fig. 1)

Marche : appuyer sur l'interrupteur (9).

Arrêt : relâcher l'interrupteur (9).

**Fonctionnement continu:** (Fig. 2)

Mise en marche : l'interrupteur (9) est pressé, puis verrouillé en cette position à l'aide du bouton (11).

Arrêt : l'interrupteur (9) est pressé une fois, puis relâché immédiatement après.

### MONTAGE D'UNE BANDE DE PONÇAGE



**AVERTISSEMENT:** Arrêtez l'outil électroportatif et débranchez la fiche du câble d'alimentation du réseau.

1. Tirez sur le levier de tension de la bande (6) et enlevez la bande usée. (Fig. 3)
2. Assurez-vous que la nouvelle bande s'installe facilement et qu'elle n'est pas usée sur les bords.
3. Les flèches sur la bande doivent être dans le même sens que la flèche sur le boîtier de la ponceuse à bande. (Fig. 4)
4. Ramenez le levier (6) dans sa position précédente. (Fig. 5).
5. Branchez la fiche dans la prise et mettez l'outil électroportatif en marche en le tenant solidement. Laisser la bande de ponçage rouler à vide un certain temps.
6. Tandis que la bande roule, utilisez le régulateur (13), pour placer celle-ci au milieu du rouleau (8). (Fig. 6)

- Répétez l'opération jusqu'à ce que la bande soit correctement alignée.
- Mettez l'outil électroportatif en marche pour vous assurer que tout est correctement réglé.



**AVERTISSEMENT:** Ne travaillez pas avec l'outil électroportatif si sa bande est usée ou endommagée.



**AVERTISSEMENT:** Il est interdit de poncer du bois et du métal avec une seule et même bande. Les particules du métal s'enfoncent dans la bande et endommageront la surface du bois.

## CHOIX DE LA BANDE

- Dans les magasins spécialisée, vous découvrirez différents types de bandes de ponçage: à gros grains (grains de 40), à grains de grandeur moyenne (grains de 80 et 100) et à grains fins (grains de 120).
- Utilisez la bande à gros grains pour le traitement grossier, la bande à grains de grandeur moyenne pour un lissage plus fin et celle à grains fins, pour les travaux de finition.
- La meilleure solution consiste à procéder à un ponçage préalable, afin de déterminer la grandeur optimale pour le travail concret.
- Afin de profiter pleinement des avantages de la ponceuse à bande, achetez toujours des bandes dont la haute qualité est prouvée.

**REMARQUE:** Après le ponçage à l'aide d'une ponceuse à bande, utilisez une ponceuse à vibration pour obtenir un résultat impeccable.

## REGLAGE DE LA VITESSE DE LA BANDE (MBS 1100E)

La vitesse de la bande peut être réglée progressivement en tournant le régulateur électronique (4), même dans le courant du travail.

La vitesse optimale de la bande dépend de la grosseur de ses grains et du matériau traité et elle est déterminée moyennant des essais. Les valeurs recommandées de la vitesse sont indiquées dans le tableau à la page 84.

## PONÇAGE

- Ces outils électroportatifs sont destinés au ponçage de bois, de métal, de matières plastiques et d'autres matériaux similaires. Ils sont utilisés principalement pour l'élimination rapide d'une grande quantité de matériau. N'utilisez pas ces machines pour le traitement du magnésium.
- Assurez-vous que la bande est bien placée.
- Branchez la fiche du câble d'alimentation dans la prise.
- Sélectionnez la vitesse nécessaire à l'aide du régulateur électronique (4) (seulement en ce qui concerne (MBS 1100E). La vitesse maximale correspond au symbole G, alors que la minimale, au symbole A. La productivité et la qualité de la surface traitée

dépendent de la grosseur des grains de la bande et de la vitesse. Plus la vitesse est élevée, plus la quantité du matériau éliminé est grande et plus la surface traitée est lisse.

- Pressez sur l'interrupteur et attendez que l'outil électroportatif atteigne sa vitesse maximale avant de commencer le travail.
- Pressez sur le bouton de blocage si vous désirez effectuer un travail continu.
- Mettez la machine en contact avec le matériau traité et exercez une légère pression. (Fig. 7).
- Poncez dans le sens de la structure du matériau et effectuant des mouvements parallèles se chevauchant.
- Pour éliminer de la peinture ou lisser du bois à surface très rugueuse, poncez sous un angle de 45 degrés dans les deux sens, puis achevez le travail par des mouvements allant dans le sens de la structure du matériau.
- Utilisez le rouleau avant uniquement pour le ponçage des angles et des formes irrégulières.
- Éloignez l'outil du matériau traité avant de l'arrêter.
- N'oubliez pas que vous devez tenir vos mains à l'écart de la bande en mouvement, car elle continue à rouler encore un certain temps après l'arrêt de la machine.
- Portez des lunettes de protection, des protections antibruit et un masque de protection contre la poussière.

## ÉLIMINATION DE LA POUSSIÈRE

- Débranchez la fiche du câble d'alimentation de la prise.
- Serrez solidement l'embout en matière plastique du sachet destiné à recueillir les poussières dans l'embout d'élimination des poussières (10). (Fig. 8)
- Avant d'enlever le sachet destiné à recueillir les poussières, débranchez la fiche du câble d'alimentation de la prise.



**AVERTISSEMENT:** pour une élimination optimale des poussières, videz le sachet lorsqu'il est à moitié rempli. N'utilisez pas le sachet destiné à recueillir les poussières lorsque vous poncez du métal. Les particules incandescentes du métal peuvent enflammer la poussière ou les particules de bois restées dans le sachet.

**Nettoyage du sachet destiné à recueillir les poussières:** Enlevez le sachet et videz-le en le tapotant légèrement pour éliminer la poussière. Enlevez de temps en temps le sachet et retournez-le à l'envers pour enlever la poussière du tissu à l'aide d'une brosse douce.

- Vous pouvez utiliser un adaptateur pour le raccordement à un aspirateur domestique ou à un système d'élimination des poussières.
- L'adaptateur est placé dans l'embout d'élimination des poussières (10).

## TRAVAIL AVEC L'APPAREIL EN POSITION STATIONNAIRE (FIG. 9)

Cette machine peut être fixée immobile sur une table de travail.

- Placez le support en caoutchouc (14) sur la table de travail, comme il est indiqué dans les inscriptions qu'elle porte. N'installez jamais la machine sur une table de travail sans vous servir du support en caoutchouc.
- Tournez la machine de façon à ce que la bande soit vers le haut et placez-la au milieu du support en caoutchouc. Les orifices de montage (3) doivent être du côté de l'opérateur.
- Faites passer les goujons des étriers (15) par les orifices de montage (3).
- À l'aide des étriers (15), fixez la machine sur la table de travail.
- Serrez à la main les étriers en vous servant des écrous à ailettes. Assurez-vous que les étriers sont serrés correctement, sans toutefois les serrer exagérément.
- Assurez-vous que la machine est fixée de manière fiable à la table de travail avant de la mettre en marche.

En utilisant le bouton de blocage, vous pouvez utiliser la machine en mode de travail continu.

## ACCESSOIRES

**MBS 1100:** bande de ponçage à grosseur des grains de 80 montée sur la machine, sachet destiné à recueillir les poussières.

**MBS 1100E:** bande de ponçage à grosseur des grains de 80 montée sur la machine, jeu de 4 bandes de ponçage (grosseur des grains de 60 - 2 exemplaires, grosseur des grains de 80 - 1 exemplaire, grosseur des grains de 100 - 1 exemplaire), support en élastomère thermoplastique, étriers pour la fixation - 2 exemplaires, sachet destiné à recueillir les poussières.

## VII - Maintenance



**AVERTISSEMENT:** Arrêtez toujours l'appareil et débranchez-le du réseau avant d'effectuer sur celui-ci tout réglage et opération de service ou de maintenance.

Vérifiez régulièrement si les vis du boîtier sont solidement serrées. Suite à une longue utilisation, ces vis peuvent se relâcher sous l'effet des vibrations. Ayez soin de lubrifier régulièrement toutes les parties mobiles.

## REMPLACEMENT DES BALAIS

Lorsque les balais sont usés, il faut les remplacer tous les deux ensemble par des balais d'origine de SPARKY pour l'entretien de l'appareil dans le cadre de la garantie ou en dehors de celle-ci.

## NETTOYAGE

Pour assurer la sécurité du travail, entretenez toujours propres l'appareil et les orifices de ventilation.

Vérifiez régulièrement si à l'intérieur de la grille de ventilation, à proximité du moteur électrique ou autour des commutateurs ne se sont pas accumulés de la poussière et des corps étrangers. Utilisez une brosse douce pour l'élimination de la poussière accumulée. Afin de protéger vos yeux, lors du nettoyage, portez des lunettes de sécurité.

Si le boîtier de l'appareil a besoin de nettoyage, essuyez-le à l'aide d'un chiffon mou humide. Vous pouvez utiliser un produit de nettoyage non agressif.



**AVERTISSEMENT:** Il est interdit d'utiliser de l'alcool, de l'essence ou d'autres solvants. N'utilisez jamais des produits agressifs pour le nettoyage des pièces en matière plastique.



**AVERTISSEMENT:** Ne permettez pas à de l'eau d'entrer en contact avec la machine.

**AVIS IMPORTANT!** Afin d'assurer la sécurité du travail avec l'outil électroportatif et le fonctionnement fiable de celui-ci, toutes les opérations de réparation, de maintenance et de réglage (y compris la vérification de l'état des balais et leur remplacement) doivent être effectuées dans les centres d'agréés de SPARKY avec l'utilisation exclusive de pièces d'origine.

## VIII - Garantie

La période de garantie des outils électroportatifs SPARKY est définie dans le contrat de garantie.

La garantie ne couvre pas les pannes apparues suite à l'usure naturelle, une surcharge ou une mauvaise exploitation.

Les pannes survenues pour cause de matériaux défectifs et/ou d'erreurs de fabrication seront réparées gratuitement ou le produit sera échangé.

Les réclamations pour un instrument SPARKY défectueux seront honorées si la machine est retournée au livreur ou est présenté à un service après-vente agréé assemblé et dans son état original (assemblée).

## Note

Lisez attentivement toute cette instruction d'utilisation avant de commencer à vous servir de l'outil.

Le fabricant ne se défait pas du droit d'introduire des améliorations et des changements dans ses produits ainsi que de changer les spécifications sans avis préalable.

Les spécifications peuvent différer selon les pays.

## Indice

I - Introduzione .....	26
II - Dati tecnici.....	28
III - Avvertenze di sicurezza.....	29
IV - Istruzioni supplementari di sicurezza nel lavoro con levigatrici a nastro.....	30
V - Prendere visione dell'elettrotensile .....	A/31
VI - Istruzioni per l'uso .....	31
VII - Manutenzione .....	32
VIII - Garanzia .....	33

### PRIMA DELL'USO

In conformità delle tecnologie di fabbricazione generalmente adottate, sarebbe inconsueto che il Vostro elettrotensile appena acquisito fosse difettoso, o che mancasse alcuna delle sue parti. Se si nota che qualcosa non è a posto, non lavorare con l'elettrotensile finché la parte guasta non sarà sostituita, oppure l'inconveniente non sarà rettificato. Il mancato rispetto di questo consiglio potrebbe portare a gravi ferimenti.

### ASSEMBLAGGIO

Le levigatrici a nastro vengono fornite imballate e completamente montate, ad eccezione del sacchetto per la polvere e dell'adattatore per aspirapolvere.

## I - Introduzione

Questo utensile SPARKY supererà le Vostre aspettative. La produzione secondo i rigorosi standard di qualità SPARKY assicura un'ottima prestazione. Se utilizzato correttamente, l'utensile risulterà maneggevole e sicuro, e garantirà un uso duraturo.

#### AVVERTENZA:



Leggere attentamente tutte le istruzioni per l'esercizio prima di cominciare ad usare il Vostro elettrotensile SPARKY appena acquisito. Prestare speciale attenzione ai testi che cominciano con la parola "Attenzione". Il Vostro elettrotensile SPARKY presenta parecchie qualità che faciliteranno il Vostro lavoro. Nello sviluppo e nella messa a punto di questo elettrotensile si è badato al massimo alla sicurezza, alla prestazione e all'affidabilità, che lo rendono facile a mantenere e utilizzare



#### Non smaltire elettrotensili insieme a rifiuti domestici!

Residui di prodotti elettrici devono essere smaltiti separatamente dai rifiuti domestici e sottoposti ad un riciclaggio ecologico. Si prega di informarsi presso le autorità locali o i rivenditori specializzati circa il più vicino luogo di raccolta.

#### RISPETTO DELL'AMBIENTE



Macchina, accessori ed imballaggio devono essere destinati ad una riutilizzo ecologica per il recupero di materie prime.

I componenti in plastica sono contrassegnati per relativo riciclaggio.

## SIMBOLI

L'etichetta che si trova sulla macchina contiene alcuni simboli. Questi forniscono importanti informazioni sull'utensile o istruzioni sull'uso dello stesso.



Indossare cuffie protettive



Doppio isolamento per una protezione supplementare



Elettronica per la preselezione della velocità



Collegamento ad aspirapolvere



Conformità alle norme europee di sicurezza



ME 77

Conforme alle esigenze dei documenti normativi russi



045

Conforme alle esigenze dei documenti normativi ucraini



Prendere conoscenza delle istruzioni per l'uso

YYYY-Www


Periodo di produzione, ove i simboli variabili sono:

YYYY – l'anno di produzione, **ww** – la settimana di calendario consecutiva

MBS

LEVIGATRICE A NASTRO

## II - Dati tecnici

Modello:	MBS 1100	MBS 1100E
▪ Potenza assorbita	1100 W	1200 W
▪ Velocità a vuoto	400 m/min	200-400 m/min
▪ Area di levigatura	100 x 156 mm	100 x 156 mm
▪ Dimensioni del nastro	100 x 610 mm	100 x 610 mm
▪ Peso (procedura EPTA 01/2003):	5,3 kg	5,3 kg
▪ Classe di protezione (EN 60745) 	II	II
<b>Informazioni sul rumore e sulle vibrazioni</b>		
▪ <b>Emissione di rumore</b> (I valori sono stati misurati conformemente all'EN 60745):		
A-livello di pressione sonora ponderata $L_{pA}$	95.5 dB(A)	95.5 dB(A)
Indeterminazione $K_{pA}$	3 dB	3 dB
A-livello di potenza sonora ponderata $L_{WA}$	106.5 dB(A)	106.5 dB(A)
Indeterminazione $K_{WA}$	3 dB	3 dB



**Usare mezzi per protezione dal rumore!**

- **Emissione di vibrazioni** (determinate conformemente al punto 6.2.7 della norma EN 60745-1):

*Valore totale delle vibrazioni (somma vettoriale lungo i tre assi), determinato conformemente alla norma EN 60745*

Valore delle vibrazioni emesse $a_h$	2.76 m/s <sup>2</sup>	2.76 m/s <sup>2</sup>
Indeterminazione K	1.5 m/s <sup>2</sup>	1.5 m/s <sup>2</sup>

Il livello di vibrazione sopra indicato è stato definito seguendo il metodo di misurazione riportato nella normativa EN 60745 e può essere utilizzato per confrontare tra di loro diversi elettroutensili. Inoltre è adatto per effettuare una stima provvisoria del livello di esposizione.

Il livello di vibrazione si riferisce alle modalità d'uso principali dell'utensile. Tuttavia, se utilizzato per scopi diversi da quelli previsti, con punte poco stabili o senza adeguata manutenzione, il livello di vibrazione può variare. Ciò può aumentare sensibilmente il livello di esposizione durante il lavoro.

Per una precisa definizione del livello di esposizione dovrebbe essere preso in considerazione anche l'arco di tempo in cui l'utensile è spento o funzionante ma non in uso. Ciò può ridurre sostanzialmente il livello di esposizione durante il lavoro.

Utilizzare l'utensile e gli accessori con cura, e maneggiarlo mantenendo le mani calde così da ridurre gli effetti dannosi dell'elevato livello di vibrazioni.

Polvere derivante da materiali come vernici contenenti particelle di piombo, alcuni tipi di legno, minerali e metallo potrebbe essere nociva. Il contatto o l'inalazione di tali polveri potrebbe causare reazioni allergiche e/o problemi al sistema respiratorio dell'utente o di terzi.

Talune tipologie di polveri, come ad esempio quella derivante da legno di quercia o faggio, soprattutto se trattati con additivi e conservanti, sono classificate come cancerogene. Si consiglia di fare trattare materiali contenenti asbesto solo a persone esperte.

- Se possibile collegare sempre la macchina ad un dispositivo di aspirazione.
- Per garantire un'area di lavoro pulita utilizzare un aspirapolvere per trucioli e/o minerali insieme all'utensile.
- Tenere l'area di lavoro ben pulita e ventilata.
- Si consiglia l'uso di una mascherina o filtro di classe P2.

Osservare le direttive nazionali relative al materiale da lavorare.

## III - Avvertenze di sicurezza



**ATTENZIONE!** Leggere tutte le istruzioni d'uso e le avvertenze di sicurezza. L'inosservanza delle istruzioni seguenti può causare folgorazioni, incendi e/o gravi danni a persone.

Conservare con cura queste istruzioni.

Il termine "utensile" in tutte le avvertenze successive si riferisce sia agli utensili collegati alla rete elettrica (con cavo di alimentazione) che agli utensili a batteria (senza cavo).

### 1. AREA DI LAVORO

- Mantenere l'area di lavoro pulita e ben illuminata. Le zone buie ed ingombre di oggetti favoriscono incidenti.
- Non utilizzare l'utensile in presenza di liquidi infiammabili, gas o polvere. Le scintille generate potrebbero infiammare polvere e/o vapore.
- Tenere a distanza bambini e terzi durante il funzionamento. Per una distrazione potreste perdere il controllo dell'utensile.

### 2. SICUREZZA ELETTRICA

- La spina dell'utensile deve essere adatta alla presa utilizzata. Non modificare la spina in alcun modo. Non utilizzare adattatori con gli utensili collegati a terra. L'impiego di una spina integra ed una presa adatta riduce i rischi di folgorazione.
- Evitare di toccare con il corpo le superfici collegate a terra quali tubi, radiatori, forni e frigoriferi. Il rischio di folgorazione aumenta se il corpo è collegato a terra.
- Non esporre l'utensile alla pioggia e all'umidità. La penetrazione d'acqua nell'utensile aumenta il rischio di folgorazione.
- Non utilizzare il cavo per scopi diversi da quello previsto. Non utilizzare il cavo per trasportare o tirare l'utensile, oppure per staccare la spina dalla presa. Tenere il cavo lontano da fonti di calore, olio, parti appuntite o in movimento. Cavi danneggiati o attorcigliati aumentano il rischio di folgorazione.
- Se l'utensile viene utilizzato all'aperto, usare una prolunga adatta all'uso esterno. L'impiego di una prolunga da esterno riduce il rischio di folgorazione.
- Se il lavoro in un ambiente umido è strettamente necessario, utilizzare una presa protetta da dispositivo a corrente residua. Ciò riduce i rischi di scosse.

### 3. SICUREZZA PERSONALE

- L'uso di elettroautensili richiede attenzione e buon senso. Non utilizzare gli utensili se si è stanchi o sotto l'effetto di droghe, alcol o medicinali. Una breve disattenzione può provocare gravi danni alle persone.
- Munirsi di indumenti e dispositivi di protezione. Indossare sempre occhiali da lavoro. L'uso di dispositivi di protezione tra cui mascherina antipolvere, scarpe antiscivolo, casco e protezioni per l'udito riduce il rischio di danni a persone.
- Evitare l'accensione accidentale. Accertarsi che l'interruttore sia in posizione "OFF" prima di in-

serire la spina. Se si trasportano gli utensili con il dito sull'interruttore o si inserisce la spina nella presa con l'interruttore in posizione "ON" aumenta il rischio di incidenti.

- Togliere tutte le chiavi di regolazione prima di accendere l'utensile. Una chiave lasciata inserita in una parte rotante di un utensile può provocare danni a persone.
- Non utilizzare l'utensile in condizioni estreme. Mantenere sempre l'equilibrio ed i piedi ben appoggiati a terra. Questo consente un maggior controllo dell'utensile in caso di imprevisti.
- Indossare un abbigliamento adeguato. Non indossare abiti svolazzanti o gioielli. Tenere capelli, vestiti, e guanti lontani dalle parti in movimento. Abiti svolazzanti, gioielli o capelli potrebbero impigliarsi nelle parti in movimento.
- In presenza di apparecchiature per il collegamento a dispositivi di aspirazione e raccolta delle polveri, accertarsi che essi siano collegati ed utilizzarli correttamente. L'uso di queste apparecchiature può ridurre i rischi causati dalla polvere.

### 4. USO E MANUTENZIONE DELL'UTENSILE

- Utilizzare l'utensile più adatto per il lavoro da svolgere. L'impiego dell'utensile giusto migliora la qualità del lavoro e la sicurezza.
- Non utilizzare l'utensile se non è possibile accenderlo e spegnerlo con l'apposito interruttore. Gli utensili che non possono essere controllati con l'interruttore sono pericolosi e devono essere riparati.
- Staccare la spina dall'alimentazione di corrente prima di eseguire regolazioni, cambiare accessori o riporre l'utensile. Osservando queste precauzioni si riduce il rischio di accensione accidentale dell'utensile.
- Riporre gli utensili non utilizzati fuori dalla portata dei bambini e non consentirne l'utilizzo a persone che non conoscono l'utensile o queste istruzioni. Nelle mani di persone inesperte gli utensili possono diventare pericolosi.
- Sottoporre l'utensile a manutenzione. Verificare il corretto allineamento di tutte le parti mobili, controllare che non siano grippate e che non vi siano rotture o altri guasti che potrebbero influire sul funzionamento dell'utensile. Far riparare gli utensili danneggiati prima di riutilizzarli. Molti incidenti sono causati da utensili in pessime condizioni.
- Tenere le punte e gli strumenti da taglio puliti ed affilati. Se sottoposti ad una regolare manutenzione e pulizia consentono di lavorare in modo più preciso e sono maggiormente controllabili.
- Utilizzare l'utensile, gli accessori, gli attrezzi etc. secondo quanto indicato in queste istruzioni nonché tenendo in considerazione le condizioni di lavoro e il lavoro da eseguire. L'impiego di utensili per scopi diversi da quelli per cui sono stati progettati può dare origine a situazioni pericolose.

### 5. MANUTENZIONE

- Far riparare l'utensile da personale qualificato che utilizzi solo parti di ricambio originali. In caso contrario la sicurezza dell'utensile potrebbe risultare compromessa.

## IV - Istruzioni supplementari di sicurezza nel lavoro con levigatrici a nastro

- **Afferrate l'apparecchiatura per le superfici di presa isolate, perché il nastro abrasivo potrebbe colpire il proprio cavo di alimentazione. Se si danneggia un cavo sotto tensione, le parti metalliche di un'apparecchiatura potrebbero entrare in tensione e causare una scossa elettrica.**
- Indossare sempre occhiali protettivi e cuffie antirumore, usare maschera antipolvere e guanti.
- **Disinnestare sempre l'elettrotensile dalla presa prima di effettuare qualsiasi riparazione, regolazione, o la sostituzione della carta abrasiva.**
- **Nel lavorare tenere sempre la macchina saldamente con entrambe le mani, e mantenere una posizione stabile del corpo. L'elettrotensile viene guidato in maniera più sicura quando si afferra con entrambe le mani.**
- **Usare la macchina soltanto per levigatura secca. Acqua penetrata nella macchina aumenta il rischio di scossa elettrica.**
- **Non lavorare con nastri da levigatura usurati, rotti, o intrisi di polvere. I nastri danneggiati potrebbero rompersi, uscire fuori e ferire qualcuno.**
- Per ovviare all'eventuale surriscaldamento, svolgere sempre completamente il cavo di prolunga con rocchetto.
- Quando si deve usare una prolunga, accertarsi che la sua sezione corrisponda alla corrente nominale dell'elettrotensile usato, nonché dello stato di efficienza della prolunga.
- Tenere il cordone di alimentazione fuori del raggio operativo della macchina.
- Dopo un lavoro continuativo le parti esterne metalliche e gli accessori potrebbero arroventarsi.
- Se possibile usare sempre graffe o morse, per fissare il materiale in lavorazione.
- Toccare con l'elettrotensile il materiale da lavorare solo dopo aver acceso l'elettrotensile, e spegnerlo dopo averlo staccato dal materiale.
- Disinserire sempre l'elettrotensile prima di posarlo.
- Applicare poca pressione nel lavoro. Il proprio peso dell'elettrotensile è sufficiente per ottenere un rendimento buono. La pressione eccessiva non aumenta il rendimento, ma provoca invece il surriscaldamento del motore e l'usura intensa del nastro.
- La polvere sprigionata durante la lavorazione di materiali contenenti quarzo (biossido di silicio) è nocivo per la salute. Non lavorare materiali contenenti amianto.
- Quando si leviga legno, usare sempre un sacchetto per la polvere o un sistema di depolverizzazione.
- Prima di utilizzare l'elettrotensile per lavorazione di metallo, togliere sempre il sacchetto per la polvere, siccome le scintille potrebbero infiammare la polvere o il sacchetto.
- Non toccare un nastro movente.
- Accertarsi di aver rimosso dal materiale da lavorare tutti i corpi estranei, per esempio chiodi o viti, prima di cominciare il lavoro.
- Non lasciare mai stracci, cavi, corde o altri oggetti simili in vicinanza del posto di lavoro.



**ATTENZIONE:** Prima di allacciare l'elettrotensile alla rete di alimentazione (presa, portalampada) accertarsi che la tensione di alimentazione sia la stessa come quella riportata sulla targhetta dati tecnici dell'elettrotensile. Tensione di alimentazione superiore alla nominale, può causare seri traumi all'utente, nonché un guasto alla macchina.

- Se non si è certi circa la tensione, non inserire l'elettrotensile.
- Se la tensione è inferiore a quella nominale, il motore elettrico si guasterà.
- Impiegare l'elettrotensile soltanto secondo la sua destinazione d'uso. Qualsiasi altro uso, differente da quello descritto in queste istruzioni, verrà considerato erraneo. La responsabilità per qualsiasi guasto o ferimento che risulta da uso erraneo, cadrà sull'utente, e non sul fabbricante.
- Per sfruttare correttamente questo elettrotensile, si devono rispettare le regole di sicurezza, le istruzioni generali e le istruzioni sul funzionamento qui indicate. Tutti gli utenti devono prendere conoscenza di questo manuale di istruzioni, ed essere informati dei potenziali rischi nel lavoro con l'elettrotensile. Bambini e persone fisicamente deboli non devono usare l'elettrotensile. I bambini devono stare sotto continua sorveglianza se si trovano vicino ad un luogo dove si lavora con l'elettrotensile. È obbligatorio prendere anche precauzioni di sicurezza. Lo stesso concerne pure l'osservanza delle regole principali relative alla salute e alla sicurezza professionale.
- Il fabbricante non sarà tenuto responsabile per modifiche apportate dall'utente all'elettrotensile, o per guasti causati da tali modifiche.

Anche quando l'elettrotensile viene impiegato secondo la sua destinazione d'uso, è impossibile eliminare tutti i fattori residui di rischio. I pericoli enumerati qui sotto potrebbero emergere in relazione alle caratteristiche strutturali e al disegno tecnico dell'elettrotensile.

- Lesione dei polmoni, se non si indossa una maschera protettiva.
- Lesione dell'udito, se non si indossano cuffie antirumore.
- Non usare l'elettrotensile all'aperto quando piove, in un ambiente umido (dopo una pioggia), o in vicinanza di liquidi o gas facilmente infiammabili. Mantenere il posto di lavoro ben illuminato.

## V – Prendere visione dell'elettrotensile

Prima di cominciare a lavorare con l'elettrotensile, prendere conoscenza di tutte le caratteristiche operative e condizioni di sicurezza.

Impiegare l'elettrotensile e i suoi accessori unicamente secondo la destinazione d'uso. Ogni altro impiego è espressamente vietato.

1. Sacchetto per la polvere
2. Tappo del portaspaZZole
3. Fori di montaggio



4. Regolatore elettronico della velocità (MBS 1100E)
5. Impugnatura anteriore
6. Leva per tendere il nastro abrasivo
7. Indicatore del senso di rotazione del nastro
8. Rullo movente
9. Interruttore ON/OFF
10. Dispositivo per depolverizzazione
11. Pulsante di blocco
12. Impugnatura principale
13. Regolatore per posizionamento del nastro abrasivo sui rulli
14. Supporto in elastomero termoplastico
15. Staffe di fissaggio

2. Verificare che il nuovo nastro si posi facilmente e che non sia usurato nelle estremità.
3. Le frecce del nastro devono puntare verso la stessa direzione come la freccia sulla levigatrice a nastro. (Fig. 4)
4. Riportare la leva (6) alla sua posizione iniziale. (Fig. 5)
5. Innestare la spina nella presa e inserire l'elettrotensile tenendolo fermamente. Lasciare il nastro abrasivo girare per qualche tempo.
6. Mentre il nastro si muove, usare il regolatore (13), per sistemare il nastro alla metà del rullo (8). (Fig. 6)
7. Ripetere queste mosse, finché il nastro non sarà allineato correttamente.
8. Inserire l'elettrotensile per convincersi che tutto sia regolato correttamente.

## VI - Istruzioni per l'uso

Questi elettrotensili vengono alimentati da corrente alternata monofase. Avendo l'isolamento doppio conformemente all'EN 60745 e all'IEC 60745, essi si possono innestare in prese senza piattine di massa. I disturbi radio corrispondono alla direttiva di compatibilità elettromagnetica 2004/108/EC.

### PRIMA DI COMINCIARE IL LAVORO

**ATTENZIONE:** Controllare che la tensione della rete elettrica corrisponda a quella indicata sulla targhetta dai tecnici dell'elettrotensile.

- Verificare in che posizione si trova l'interruttore. Innestare in e disinnestare l'elettrotensile dalla presa della rete soltanto ad interruttore disinserito. Se la spina viene innestata nella presa mentre l'interruttore è nella posizione inserita, l'elettrotensile si metterà subito in moto, cosa che potrebbe causare un infortunio.
- Accertarsi dello stato di efficienza del cordone d'alimentazione e della spina. Se il cordone è danneggiato, la sostituzione deve essere eseguita dal fabbricante o da un suo specialista di centro assistenza, per evitare i pericoli della sostituzione.

### AVVIAMENTO / ARRESTO

**Messa in moto per breve tempo:** (Fig. 1)

Avviamento: Premere l'interruttore (9).

Arresto: Rilasciare l'interruttore (9).

**Lavoro continuativo:** (Fig. 2)

Avviamento: Premere l'interruttore (9) e, tenendolo premuto, bloccarlo con il pulsante (11).

Arresto: Premere l'interruttore (9) una sola volta, e rilasciarlo subito.

### MONTAGGIO DEL NASTRO ABRASIVO

**ATTENZIONE:** Disinserire l'elettrotensile e disinnestare la spina del cordone d'alimentazione dalla presa.

1. Tirare la leva per tendere il nastro (6) e rimuovere il vecchio nastro. (Fig. 3)

**ATTENZIONE:** Non lavorare con l'elettrotensile, se il suo nastro è logorato o danneggiato.

**ATTENZIONE:** Non è ammessa la levigatura di legname e metallo con lo stesso nastro. Le particelle metalliche si impregnano nel nastro e guasteranno la superficie del legno.

### SELEZIONE DEL NASTRO

1. Dai negozi specializzati possono essere acquistati diversi tipi di nastro abrasivo: grosso (grana 40), medio (grana 80 e 100), o fino (grana 120).
2. Usare il nastro grosso per trattamento rozzo, il nastro medio per un trattamento più raffinato, e quello fino per lavori di finitura.
3. La migliore variante è di fare una levigatura di prova, per determinare il grado ottimale, necessario per il lavoro concreto.
4. Per approfittarsi al massimo dei vantaggi della levigatrice a nastro, comprare sempre nastri di dimostrata alta qualità.

**N.B.:** Dopo la levigatura con la levigatrice a nastro, usare una levigatrice vibrante per ottenere risultati ideali.

### REGOLAZIONE DELLA VELOCITÀ DEL NASTRO (MBS 1100E)

La velocità del nastro può essere impostata dolcemente girando il regolatore elettronico (4) persino durante il lavoro.

La velocità ottimale del nastro dipende dalla sua grana e dal materiale trattato, e viene determinata in maniera sperimentale. I valori preferenziali della velocità sono indicati nella tabella in pag. 84.

### LEVIGATURA

1. Questi elettrotensili sono destinati alla levigatura di legname, metallo, plastica o altri materiali simili. Si usano innanzitutto per rapida asportazione di grossa quantità del materiale. Non usare queste macchine per il trattamento di magnesio.
2. Accertarsi che il nastro sia posto bene.
3. Mettere la spina del cordone d'alimentazione nella



presa.

4. Impostare la velocità necessaria mediante il regolatore elettronico (4) (soltanto per il (MBS 1100E). La velocità massima corrisponde al simbolo G, e quella minima al simbolo A. Il rendimento e la qualità della superficie trattata dipendono dalla grana e dalla velocità del nastro. Tanto più alta è la velocità, tanto maggiore è la quantità del materiale rimosso, e tanto più liscia è la superficie trattata.
5. Premere l'interruttore ON/OFF e lasciare l'elettro-utensile giungere alla velocità massima, prima di iniziare il lavoro.
6. Premere il pulsante per bloccaggio se si desidera lavorare per più lungo tempo.
7. Appoggiare l'elettro-utensile al materiale lavorato ed applicare una piccola pressione. (Fig. 7)
8. Levigare in direzione della struttura del materiale, con movimenti paralleli, ad accavallamento.
9. Per sverniciare o per lisciare un legname molto rugoso, levigare sotto un angolo di 45° in tutte e due le direzioni, e quindi rifinire con movimenti nella direzione della struttura del materiale.
10. Usare il rullo anteriore soltanto nella levigatura di angoli e forme irregolari.
11. Levare l'elettro-utensile dal materiale lavorato prima di disinserirlo.
12. Non dimenticare che si devono tenere le mani lontano dal nastro movente, perchè esso continua a girare per ancora qualche tempo dopo lo spegnimento della macchina.
13. Indossare occhiali protettivi, cuffie antirumore, e maschera antipolvere.

## DEPOLVERIZZAZIONE

1. Disinnestare la spina del cordone d'alimentazione dalla presa.
2. Attaccare strettamente la punta in plastica del sacchetto raccogli-polvere nel dispositivo per depolverizzazione (10). (Fig. 8)
3. Prima di rimuovere il sacchetto raccogli-polvere, staccare la spina del cordone d'alimentazione dalla presa.



**ATTENZIONE:** Per una rimozione ottimale della polvere pulire il sacchetto quando sia riempito a metà. Non usare il sacchetto raccogli-polvere quando si leviga metallo. Le particelle metalliche roventi possono accendere la polvere o le particelle di legno rimaste nel sacchetto.

**Pulizia del sacchetto raccogli-polvere:** Togliere e svuotare il sacchetto, battendolo leggermente per rimuovere la polvere. Togliere il sacchetto di tanto in tanto e rovesciarlo, per rimuovere la polvere dal tessuto con una spazzola soffice.

4. Si può usare un adattatore per collegamento con un aspirapolvere domestico o un depolverizzatore.
5. Mettere l'adattatore nel dispositivo per depolverizzazione (10).

## LAVORO CON LA MACCHINA IN POSIZIONE STAZIONARIA (FIG. 9)

Questa macchina può essere montata fissa al tavolo da lavoro.

- Mettere il supporto in gomma (14) sul tavolo da lavoro, come indicato nelle scritte su esso. Non montare mai la macchina su un tavolo da lavoro privo del supporto in gomma.
- Voltare la macchina con il nastro in su e metterla nel mezzo del supporto in gomma. I fori di montaggio (17) devono essere dalla parte dell'operatore.
- Far passare le viti prigioniere delle staffe (15) attraverso i fori di montaggio (3).
- Con l'aiuto delle staffe (15) fissare la macchina sul tavolo da lavoro.
- Stringere a mano le staffe con i dadi ad alette. Accertarsi che le staffe siano serrate correttamente, ma non stringerle troppo.
- Accertarsi che la macchina sia fissata in modo affidabile al tavolo da lavoro, prima di accenderla.

Usando il pulsante di bloccaggio, si può adoperare la macchina in regime di lavoro continuativo.

## ACCESSORI

**MBS 1100:** nastro abrasivo con grana 80 montato sulla macchina, sacchetto per la polvere.

**MBS 1100E:** nastro abrasivo con grana 80 montato sulla macchina, un set di 4 nastri abrasivi (grana 60 - n. 2, grana 80 - n. 1, grana 100 - n. 1), supporto in elastomero termoplastico, staffe per afferrare - n. 2, sacchetto per la polvere.

## VII - Manutenzione



**ATTENZIONE:** Disinserire sempre l'elettro-utensile e disinnestare la spina dalla presa prima di effettuare qualsiasi ispezione o manutenzione.

Controllare regolarmente che le viti della carcassa siano strette fermamente. Dopo molto tempo di lavoro le viti potrebbero allentarsi a causa delle vibrazioni. Lubrificare regolarmente tutte le parti moventi.

## SOSTITUZIONE DELLE SPAZZOLE

Quando le spazzole diventano usurate, tutte e due le spazzole vanno sostituite simultaneamente con spazzole originali in un centro assistenza SPARKY per manutenzione in o fuori garanzia."

## PULIZIA

Per un lavoro sicuro mantenere sempre puliti la macchina e le aperture di ventilazione.

Verificare regolarmente se nella griglia di ventilazione accanto al motore elettrico, o intorno ai commutatori, non siano penetrati polvere o corpi estranei. Usare una spazzola soffice per rimuovere la polvere ammassata. Per proteggere gli occhi durante la pulizia, portare occhiali protettivi.

Se la carcassa della macchina necessita pulitura, strofinarla con un panno soffice e umido. Si può usare un detergente debole.





**ATTENZIONE:** Non è ammesso l'uso di alcool, benzina o altri solventi. Non usare mai preparati corrosivi per pulire le parti di plastica.



**ATTENZIONE:** Non è ammesso il contatto di acqua con la macchina.

**IMPORTANTE:** Per provvedere a un lavoro sicuro con l'elettrotensile e alla sua affidabilità, tutte le operazioni di riparazione, manutenzione e regolazione (ivi incluse la verifica e la sostituzione delle spazzole) vanno effettuate nei centri assistenza autorizzati SPARKY, con l'impiego soltanto di pezzi di ricambio originali.

## VIII - Garanzia

---

Il periodo di garanzia per gli utensili SPARKY ha validità a partire dalla data di acquisto ed è conforme alle normative europee.

Non sono coperti da garanzia danni derivanti da usura, sovraccarico o uso improprio.

L'azienda produttrice assicura la sostituzione di tutte le parti non funzionanti in cui si riconoscano difetti di materiale e/o di lavorazione.

Le prestazioni di garanzia saranno erogate solo se la macchina richiesta sarà inviata in condizioni integre al rivenditore o ad un centro di assistenza, accompagnata dallo scontrino fiscale.

## Ulteriori informazioni

---

Leggere attentamente tutte le istruzioni sull'uso prima di adoperare questo prodotto.

L'azienda produttrice si riserva il diritto di apportare modifiche tecniche senza preavviso.

Le specifiche tecniche possono variare da paese a paese.

## Contenido

I - Introducción .....	34
II - Datos técnicos .....	36
III - Advertencias generales de seguridad de la herramienta .....	37
IV - Normas adicionales de seguridad al operar con lijadoras de banda .....	38
V - Componentes principales de la herramienta eléctrica .....	A/39
VI - Instrucciones para la operación .....	39
VII - Mantenimiento .....	41
VIII - Garantía .....	41

### DESENVASE

En conformidad con las tecnologías de producción universalmente adoptadas, sería excepcional que su herramienta eléctrica fuese defectuosa o que le faltase alguna pieza. Si llega a observar algún desperfecto, no opere con la herramienta eléctrica hasta que la pieza dañada no haya sido sustituida o que el defecto no haya sido eliminado. El incumplimiento de esta recomendación puede conducir a lesiones graves.

### ENSAMBLAJE

Las lijadoras de banda se suministran empaquetadas y completamente ensambladas, salvo la bolsa para el polvo y el adaptador para la aspiradora.

## I - Introducción

Su nueva herramienta SPARKY satisfará totalmente sus expectativas. Ha sido fabricada conforme a las exigentes Normas de calidad de SPARKY para cumplir los más elevados requisitos de funcionamiento. Su nueva herramienta es fácil y segura de manejar y, con el debido cuidado, le dará muchos años de servicio fiable.

### ¡ADVERTENCIA!



Lea atentamente estas instrucciones de explotación en su totalidad antes de usar la nueva herramienta eléctrica SPARKY que acaba de adquirir. Preste atención especial a los textos encabezados por la palabra "Advertencia". Su herramienta eléctrica SPARKY posee muchas cualidades que facilitarán su trabajo. Al diseñarse esta herramienta eléctrica, se ha prestado mayor atención a la seguridad, a las cualidades de explotación y a la fiabilidad, haciendo que su mantenimiento y explotación sean fáciles.



### ¡No tire las herramientas eléctricas junto con los residuos domésticos!

Los productos eléctricos no se deben tirar a la basura. Por favor recíclelos en el lugar adecuado. Póngase en contacto con su ayuntamiento o con una empresa de reciclaje.



### PROTECCIÓN DEL MEDIO AMBIENTE

Con miras a la protección del medio ambiente, esta herramienta eléctrica, sus accesorios y su envase deben someterse a un tratamiento adecuado para volver a utilizar las materias primas que contienen. Para facilitar el reciclaje de las piezas fabricadas de materiales artificiales, éstas han sido marcadas de la forma correspondiente.

## DESCRIPCIÓN DE LOS SÍMBOLOS

En la placa de datos técnicos sobre la herramienta eléctrica se han estampado unos símbolos. Éstos representan información importante para el producto o instrucciones para su explotación.



Llévense auriculares de protección.



Doble aislamiento de protección adicional



Electrónica para la selección previa de la velocidad



Conexión a una aspiradora



Compatible con las normas europeas de seguridad



Compatible con los requisitos de los documentos normativos rusos



Compatible con los requisitos de los documentos normativos ucranianos



Conozca las instrucciones de explotación

YYYY-Www

Período de producción en que los símbolos variables son:  
YYYY - año de producción, ww – semana natural consecutiva

MBS

LIJADORA DE BANDA

## II - Datos técnicos

Modelo:	MBS 1100	MBS 1100E
• Potencia consumida	1100 W	1200 W
• Velocidad en marcha en vacío	400 m/min	200-400 m/min
• Superficie de rectificado	100 x 156 mm	100 x 156 mm
• Dimensiones de la banda	100 x 610 mm	100 x 610 mm
• Peso (EPTA Procedimiento 01/2003):	5,3 kg	5,3 kg
• Clase de protección (EN 60745) 	II	II

### Información sobre el ruido y las vibraciones

- **Emisión de ruido** (los valores se han medido según la norma EN 60745):

A-nivel medido de presión sonora $L_{pA}$	95.5 dB(A)	95.5 dB(A)
Indeterminación $K_{pA}$	3 dB	3 dB
A-nivel medido de potencia sonora $L_{WA}$	106.5 dB(A)	106.5 dB(A)
Indeterminación $K_{WA}$	3 dB	3 dB



**¡Utilice medios de protección contra el ruido!**

- **Emisión de vibraciones** (determinadas según el apartado 6.2.7 de la norma EN 60745-1):

*Valor total de las vibraciones (suma vectorial de tres direcciones) determinado según la norma EN 60745*

Valor de las vibraciones emitidas $a_h$	2.76 m/s <sup>2</sup>	2.76 m/s <sup>2</sup>
Indeterminación K	1.5 m/s <sup>2</sup>	1.5 m/s <sup>2</sup>

El nivel de emisión indicado en la presente información ha sido medido de acuerdo con un ensayo estandarizado recogido en EN 60745 y puede usarse para comparar una herramienta con otra. Puede utilizarse para un informe preliminar de exposición.

El nivel de emisión de vibraciones declarado se aplica a las principales aplicaciones de la herramienta. De todos modos, si la herramienta se utiliza para aplicaciones diferentes, con accesorios diferentes o pobremente mantenida, la emisión de vibraciones puede variar. Esto puede aumentar significativamente el nivel de exposición durante el tiempo total de trabajo.

Una estimación del nivel de exposición a la vibración también debería tener en cuenta el tiempo en que la máquina está apagada o cuando está en marcha, pero no trabajando. Esto puede reducir de forma importante el nivel de exposición durante el tiempo total de trabajo.

Mantenga la herramienta, los accesorios y sus propias manos calientes mientras trabaje con el taladro, con el fin de reducir el doloroso efecto de las vibraciones.

Polvos de materiales como por ejemplo pinturas que contienen plomo, ciertos tipos de madera, minerales y meta II pueden ser nocivos para la salud. El contacto o la inhalación de los polvos puede provocar reacciones alérgicas y/o problemas de respiración del usuario o personas que se encuentren en su cercanía.

Ciertos polvos como polvo de roble o encina se consideran cancerígenos, especialmente en combinación con aditivos para el tratamiento de madera (cromato, agentes de protección de madera). Materiales con asbesto solamente deben ser tratados por personas especializadas.

- Si posible, utilice un dispositivo de aspiración de polvo.
- Para obtener un alto grado de colección de polvo durante el trabajo con esta herramienta eléctrica use una aspiradora adecuada para polvo de madera y polvo mineral.
- Mantenga bien ventilado el lugar de trabajo.
- Se recomienda llevar una máscara de protección de polvo con clase de filtro P2.

Respete los reglamentos vigentes en su país para los materiales a tratar.

### III - Advertencias generales de seguridad de la herramienta

**⚠ AVISO!** Lea todos los avisos de seguridad y todas las instrucciones. El hecho de no seguir los avisos e instrucciones puede provocar una descarga eléctrica, fuego y/o un daño grave.

Guarde en lugar seguro todos los avisos e instrucciones para futuras consultas.

El término "herramienta" de los avisos se refiere a su herramienta eléctrica con cable o a batería.

#### 1. SEGURIDAD DE LA ZONA DE TRABAJO

- a) Mantenga limpia y bien iluminada su zona de trabajo. Las zonas sucias u oscuras pueden provocar accidentes.
- b) No trabaje con la herramienta en ambientes explosivos, como en presencia de líquidos inflamables, gases o polvo. Las herramientas producen chispas que pueden provocar la ignición del polvo o de los gases.
- c) Las distracciones pueden provocar pérdidas de control.

#### 2. SEGURIDAD ELÉCTRICA

- a) Los enchufes de la herramienta tienen que coincidir con la toma de corriente. No utilice adaptadores con herramientas en contacto con el suelo (enterradas). Los enchufes y tomas sin modificar reducirán el riesgo de descarga eléctrica.
- b) Evite el contacto corporal con superficies con contacto a tierra, como tuberías, radiadores, cocinas y frigoríficos. Hay un aumento del riesgo de descarga eléctrica si su cuerpo está en contacto con el suelo o enterrado.
- c) No exponga las herramientas a la lluvia o a la humedad. Si entra agua en la herramienta se aumentará el riesgo de descarga.
- d) No haga un uso indebido del cable. No utilice nunca el cable para llevar, tirar de o desconectar la herramienta. Mantenga el cable lejos del calor, de aceites, bordes afilados o piezas sueltas. Los cables dañados o enredados aumentan el riesgo de descarga eléctrica.
- e) Cuando trabaje con la herramienta al aire libre, utilice una alargadera apropiada para uso al aire libre. Utilizar un cable para exteriores reduce el riesgo de descarga eléctrica.
- f) Si es inevitable trabajar con la herramienta en un sitio húmedo, utilice un dispositivo de corriente residual (RCD) protegido. Utilizar un RCD reduce el riesgo de descarga eléctrica.

#### 3. SEGURIDAD PERSONAL

- a) Permanezca atento a lo que está haciendo y haga caso del sentido común cuando trabaje

con una herramienta. No utilice la herramienta cuando esté cansado o bajo la influencia de las drogas, el alcohol o de medicación. Una pequeña falta de atención cuando se está trabajando con herramientas puede provocar un grave daño personal.

- b) Utilice equipos de protección personal. Lleve siempre un protector para los ojos. El equipamiento de protección, como mascarilla, zapatos de seguridad antideslizantes, casco o protección para los oídos, utilizado correctamente, reducirá los daños personales.
- c) Evite el arranque accidental. Al coger o llevar la herramienta, asegúrese de que el interruptor esté en la posición de apagado antes de conectar la herramienta a la red eléctrica o de poner la batería. Llevar las herramientas con el dedo en el interruptor o activar las herramientas con el interruptor encendido puede provocar accidentes.
- d) Retire las llaves de ajuste antes de encender la herramienta. Dejar una llave cerca de una pieza rotatoria de la herramienta puede provocar un daño personal.
- e) No se precipite. Mantenga los pies y la posición correcta en todo momento. Esto posibilita un mejor control de la herramienta en situaciones inesperadas.
- f) Lleve la ropa apropiada. No lleve ropa suelta o joyas. Mantenga el cabello, la ropa y los guantes lejos de piezas móviles. La ropa suelta, las joyas o el pelo largo pueden resultar atrapados por piezas móviles.
- g) Si las herramientas están equipadas para conectar el extractor de polvo y dispositivos de recoger el polvo, asegúrese de que estén conectados y se usen correctamente. El uso del dispositivo de recogida de polvo puede reducir el riesgo ocasionado por el mismo.

#### 4. USO Y CUIDADO DE LA HERRAMIENTA

- a) No fuerce la herramienta. Utilice la herramienta adecuado para cada aplicación. La herramienta correcta hará mejor y más seguro el trabajo para el que fue diseñada.
- b) No utilice la herramienta si el interruptor no la enciende y apaga. Toda herramienta que no pueda controlarse con el interruptor es peligrosa y deberá ser reparada.
- c) Desconecte el enchufe de la toma de corriente y/o la batería de la herramienta antes de hacer cualquier ajuste, cambio de accesorios o guardar las herramientas. Tales medidas preventivas de seguridad reducen el riesgo de encenderse accidentalmente la herramienta.
- d) Mantenga las herramientas que no utilice fuera del alcance de los niños y no permita manejar la herramienta a personas que no estén familiarizadas con la herramienta, o que no conozcan las instrucciones. Las herramientas son peligrosas en manos de personas no familiarizadas con su uso.
- e) Teniendo en cuenta las condiciones de trabajo

y el trabajo a realizar. Utilizar la herramienta para acciones diferentes a las de su uso prescrito puede provocar situaciones peligrosas.

## 5. SERVICIO TÉCNICO

- a) Encargue el mantenimiento de su herramienta a una persona cualificada y utilice siempre recambios originales. Esto garantizará que se mantenga la seguridad de la herramienta.

## IV - Normas adicionales de seguridad al operar con lijadoras de banda

- Sostenga el aparato por las superficies de manejo aisladas ya que la banda de lijar puede contactar con el cable de red. Dañar un cable que tenga corriente puede electrificar las partes metálicas del aparato y provocar una descarga eléctrica.
- Lleve siempre gafas de protección y antifonos; utilice una careta de protección antipolvo y guantes.
- Desconecte siempre la herramienta eléctrica de la toma de corriente antes de emprender reparaciones, ajustes o cambio del papel abrasivo.
- Mientras esté operando, sujete siempre la máquina fuertemente con ambas manos y mantenga una posición estable de su cuerpo. La herramienta eléctrica es manejada con mayor seguridad cuando se sujeta con ambas manos.
- Utilice la máquina solamente para lijar en seco. La entrada de agua en la máquina aumenta el riesgo de electrocución.
- No opere con bandas lijadoras desgastadas, rotas o llenas de polvo. Las bandas lijadoras dañadas pueden romperse, salir fuera y lesionar a una persona.
- Para evitar un sobrecalentamiento posible, desenrosque siempre hasta el final el cable del prolongador con un tambor de cable.
- Cuando sea imprescindible usar un prolongador, cerciórese de que su sección corresponde a la corriente nominal de la herramienta eléctrica utilizada, así como del buen estado del prolongador.
- Mantenga el cable de alimentación fuera del alcance de operación de la máquina.
- Después de una operación continua, las piezas metálicas externas y los accesorios pueden llegar a calentarse.
- Si es posible, utilice siempre abrazaderas o mordazas para fijar el material que se está procesando.
- Ponga la herramienta eléctrica en contacto con el material que se está procesando solamente después de que haya conectado la herramienta eléctrica y desconéctela después de que la haya separado del material.
- Desconecte siempre la herramienta eléctrica antes de dejarla aparte.
- Aplique una presión ligera al operar. El peso propio de la herramienta eléctrica es suficiente para alcanzar una buena productividad. La presión excesiva no eleva la productividad, es más, conlleva el sobrecalentamiento

del motor eléctrico y el desgaste intensivo de la banda.

- El polvo que se desprende al procesar materiales que contienen cuarzo (dióxido de silicio) es nocivo para la salud. No procese materiales que contengan amianto.
- Cuando esté rectificando madera, utilice siempre una bolsa para el polvo o un sistema de evacuación del polvo.
- Antes de usar la herramienta eléctrica para procesar metales, retire siempre la bolsa para el polvo, ya que las chispas pueden incendiar el polvo o la bolsa.
- No toque la banda en movimiento.
- Antes de empezar la operación, cerciórese de que ha retirado todos los cuerpos ajenos del material en procesamiento, por ejemplo, los clavos y los tornillos.
- No deben dejarse nunca trapos, cables, cuerdas u otros objetos similares cerca del lugar de trabajo.



**ADVERTENCIA:** Antes de conectar la herramienta eléctrica a la red de alimentación (toma de corriente, portabombillas, base de contacto), cerciórese de que el voltaje de alimentación es idéntico al indicado en la placa de la herramienta eléctrica. El voltaje de alimentación que es superior al nominal puede causar traumas graves al usuario, así como una avería a la máquina.

- Si no está seguro en el voltaje, no conecte la herramienta eléctrica.
- En caso de que el voltaje sea inferior al nominal, el motor eléctrico se dañará.
- La herramienta eléctrica debe usarse solamente según el fin con que ha sido concebida. Cualquier otro uso que difiera del que se describe en este manual se considera uso incorrecto. La responsabilidad por cualquier avería o lesión, derivadas del uso incorrecto, será asumida por el usuario, y no por el fabricante.
- Para explotar correctamente esta herramienta eléctrica, deben cumplirse las normas de seguridad, las instrucciones y las directrices generales de operación indicadas aquí. Cada usuario debe conocer este manual de usuario y estar informado acerca de los riesgos potenciales al operar con la herramienta eléctrica. Los niños y las personas físicamente débiles no deben usar esta herramienta eléctrica. Los niños deben estar bajo vigilancia continua si se encuentran cerca del lugar donde se está operando con la herramienta eléctrica. Es obligatorio adoptar medidas de seguridad preventivas. Ello se refiere asimismo al cumplimiento de las normas principales de salud y seguridad profesionales.
- El fabricante no se responsabiliza por las modificaciones en la herramienta eléctrica que hayan sido efectuadas por el usuario o por las averías provocadas a raíz de estas modificaciones.

Incluso cuando la herramienta eléctrica se utilice según el fin con que ha sido concebida, es imposible eliminar todos los factores de riesgo residuales. Los peligros que se enumeran a continuación pueden surgir con relación a las peculiaridades constructivas y al diseño de la herramienta eléctrica.

- Daños pulmonares, si no se lleva una careta de protección.



- Daños de la audición, si no se llevan antifonos.
- La herramienta eléctrica no debe usarse al descubierto cuando esté lloviendo, en un entorno húmedo (después de llover) o cerca de líquidos y gases fácilmente inflamables. El lugar de trabajo debe estar bien iluminado.

## V – Componentes principales de la herramienta eléctrica

Antes de empezar a operar con la lijadora de banda, familiarícese con todas sus particularidades operativas y con las condiciones de seguridad.

Utilice la herramienta eléctrica y sus accesorios solamente según el fin con que han sido concebidos. Queda terminantemente prohibida cualquier otra aplicación.

1. Bolsa para el polvo
2. Casquete del portacepillos
3. Orificios de montaje
4. Regulador electrónico de la velocidad (MBS 1100E)
5. Asidero anterior
6. Palanca para estirar la banda lijadora
7. Indicador del sentido de rotación de la banda
8. Rodillo impulsor
9. Interruptor
10. Terminal para la evacuación del polvo
11. Botón de fijación
12. Asidero básico
13. Regulador para posicionar la banda lijadora sobre los rodillos
14. Soporte de elastómero termoplástico
15. Abrazaderas de sujeción

## VI - Instrucciones para la operación

Estas herramientas eléctricas se alimentan mediante voltaje monofásico alterno. Poseen doble aislamiento, según las normas EN 60745 e IEC 60745, y pueden conectarse a tomas de corriente sin bornes de protección. Las radiointerferencias corresponden a la Directiva de Compatibilidad Electromagnética 2004/108/CE.

### ANTES DE EMPEZAR LA OPERACIÓN



**ADVERTENCIA:** Revise si el voltaje de la red eléctrica corresponde al indicado en la placa de datos técnicos de la herramienta eléctrica.

- Revise la posición en la que se encuentra el interruptor. La herramienta eléctrica debe conectarse y desconectarse de la red de alimentación solamente cuando el interruptor esté desconectado. Si el enchufe se introduce en la toma de corriente cuando el interruptor está conectado, la herramienta eléctrica se accionará inmediatamente, lo cual es una premisa de accidente.

- Cerciórese del buen estado del cable de alimentación y del enchufe. Si el cable de alimentación está dañado, su sustitución debe efectuarse por el fabricante o por un técnico de servicio suyo para evitar los peligros de la sustitución.

### CONEXIÓN / DESCONEXIÓN

**Accionamiento breve:** (Fig. 1)

Conexión: El interruptor (9) se aprieta.

Desconexión: El interruptor (9) se afloja.

**Operación continua:** (Fig. 2)

Conexión: El interruptor (9) se aprieta y, estando apretado, se inmoviliza con el botón (11).

Desconexión: El interruptor (9) se aprieta una sola vez, aflojándose inmediatamente.

### MONTAJE DE LA BANDA LIJADORA



**ADVERTENCIA:** Desconecte la herramienta eléctrica y saque el enchufe del cable de alimentación de la toma de corriente.

1. Tire la palanca para estirar la banda (6) y retire la banda antigua. (Fig. 3)
2. Revise si la banda nueva se introduce fácilmente y si se ha desgastado por los bordes.
3. Las flechas de la banda deben indicar en la misma dirección que la flecha en la sección de banda. (Fig. 4)
4. Haga retornar la palanca (6) a su posición inicial. (Fig. 5)
5. Introduzca el enchufe en la toma de corriente y conecte la herramienta eléctrica, sosteniéndola fuertemente. Deje que la banda lijadora gire durante cierto tiempo.
6. Mientras que la banda esté girando, utilice el regulador (13) para ajustar la banda en el centro del rodillo (8). (Fig. 6)
7. Repita estas actuaciones hasta que la banda se haya alineado correctamente.
8. Conecte la herramienta eléctrica para cerciorarse de que todo ha sido ajustado correctamente.



**ADVERTENCIA:** No opere con la herramienta eléctrica si la banda está desgastada o estropeada.



**ADVERTENCIA:** La madera y el metal no deben rectificarse con la misma banda. Las partículas metálicas se van hincando en la banda y estropearán la superficie de madera.

### SELECCIÓN DE LA BANDA

1. En las tiendas especializadas se pueden adquirir distintos tipos de bandas lijadoras: gruesa (granulación 40), media (granulación 80 y 100) y fina (granulación 120).
2. Utilice la banda gruesa para un procesamiento basto, la banda media, para un alisado más fino, y la banda

fina, para las operaciones de acabado.

3. La mejor variante es hacer un rectificad o de prueba para determinar el nivel óptimo necesario para la operación concreta.
4. Para aprovechar plenamente las ventajas de la lijadora de banda, compre siempre bandas de alta calidad comprobada.

**OBSERVACIÓN:** Después de lijar con la lijadora, utilice la máquina lijadora de vibración para obtener unos resultados perfectos.

## REGULACIÓN DE LA VELOCIDAD DE LA BANDA (MBS 1100E)

La velocidad de la banda se puede programar paulatinamente al girar el regulador electrónico (4) incluso durante la operación.

La velocidad óptima de la banda depende de su granulaci3n y del material que se est1 procesando, determin1ndose a base de prueba. Los valores recomendables de la velocidad se indican en la tabla de la p1gina 84.

## RECTIFICADO

1. Estas herramientas el1ctricas est1n destinadas a rectificar madera, metal, pl1stico y otros materiales similares. Principalmente, se utilizan para retirar r1pidamente una gran cantidad del material. No utilice estas m1quinas para procesar magnesio.
2. Cerciórese de que la banda est1 colocada correctamente.
3. Introduzca el enchufe del cable de alimentaci3n en la toma de corriente.
4. Programe la velocidad necesaria mediante el regulador electr3nico (4) (solamente para (MBS 1100E). La velocidad m1xima corresponde al s1mbolo G, y la m1nima, al s1mbolo A.  
La productividad y la calidad de la superficie que se est1 procesando dependen del granulado de la banda y de la velocidad. Cuanto m1s alta sea la velocidad tanto m1s material se ir1 retirando, y la superficie procesada ser1 m1s lisa.
5. Apriete el interruptor y deje que la herramienta el1ctrica alcance la velocidad m1xima antes de empezar la operaci3n.
6. Apriete el bot3n de fijaci3n si desea operar continuamente.
7. Ponga la m1quina en contacto con el material que est1 procesando y aplique un poco de presi3n. (Fig. 7)
8. Rectifique en direcci3n a la estructura del material con movimientos paralelos que se van solapando.
9. Para retirar pintura o alisar un material de madera muy desigual, rectifique en ambos sentidos bajo un 1ngulo de 45°, terminando posteriormente con movimientos en direcci3n a la estructura del material.
10. Utilice el rodillo anterior solamente para rectificar 1ngulos y formas irregulares.
11. Retire la herramienta del material que est1 procesado antes de desconectarla.
12. No olvide que debe mantener sus manos lejos de la banda m3vil, ya que 1sta seguir1 girando durante cierto tiempo despu1s de que la m1quina haya sido desconectada.
13. Lleve gafas de protecci3n, antifonos y una careta antipolvo.

## EVACUACIÓN DEL POLVO

1. Saque el enchufe del cable de alimentaci3n de la toma de corriente.
2. Atiese estrechamente el terminal de pl1stico de la bolsa para el polvo al terminal para la evacuaci3n de polvo (10). (Fig. 8)
3. Antes de retirar la bolsa para el polvo, saque de la toma de corriente el enchufe del cable de alimentaci3n.



**ADVERTENCIA:** Para quitar el polvo de forma 3ptima, limpie la bolsa cuando 1sta se haya llenado hasta la mitad. No utilice la bolsa para el polvo cuando est1 rectificando metal. Las part1culas met1licas calientes pueden incendiar el polvo o las part1culas de madera que se han quedado en la bolsa.

**Limpieza de la bolsa para el polvo:** Retire y vac1e la bolsa, sacudiéndola ligeramente para desprenderse del polvo. Quite de vez en cuando la bolsa, volte1ndola al rev1s, para cepillar el polvo de la tela con un cepillo suave.

4. Puede utilizarse un adaptador para conectar a una aspiradora dom1stica o a un sistema de evacuaci3n del polvo.
5. El adaptador se introduce en el terminal de evacuaci3n del polvo (10).

## OPERACIÓN CON LA MÁQUINA EN POSICIÓN FIJA (FIG. 9)

Esta m1quina se puede montar de forma inm3vil a la mesa de trabajo.

- Coloque el soporte de goma (14) sobre la mesa de trabajo, como se indica en los letreros sobre 1sta. No monte nunca la m1quina sobre la mesa de trabajo sin el soporte de goma.
- Voltee la m1quina con la banda hacia arriba y col3quela en el centro del soporte de goma. Los orificios de montaje (3) deben estar por el lado del operador.
- Haga pasar las clavijas de las abrazaderas (15) a trav1s de los orificios de montaje (3).
- Con la ayuda de las abrazaderas (16), fije la m1quina sobre la mesa de trabajo.
- Atiese las abrazaderas a mano con las tuercas de mariposa. Cerciórese de que las abrazaderas se han apretado correctamente, sin atiesarlas excesivamente.
- Antes de conectar la m1quina, cerciórese de que ha sido fijada de modo fiable a la mesa de trabajo.

Utilizando el bot3n de fijaci3n, la m1quina se podr1 usar en r1gimen de operaci3n continua.

## ACCESORIOS

**MBS 1100:** en la m1quina se ha montado la banda lijadora de granulado 80, bolsa para el polvo.

**MBS 1100E:** en la m1quina se ha montado la banda lijadora de granulado 80, kit de 4 bandas lijadoras (granulado 60: 2 unidades; granulado 80: 1 unidad; granulado 100: 1 unidad), soporte de elast3mero termopl1stico, abrazaderas de sujeci3n: 2 unidades, bolsa para el polvo.

## VII - Mantenimiento



**ADVERTENCIA:** Desconecte siempre la herramienta eléctrica y saque el enchufe de la toma de corriente antes de realizar cualquier revisión o mantenimiento.

Revise regularmente si los tornillos del cuerpo están bien apretados. Durante la explotación continua, los tornillos se pueden aflojar por las vibraciones. Lubrique regularmente todas las piezas móviles.

### CAMBIO DE CEPILLOS

Cuando los cepillos se desgasten, ambos cepillos deberán sustituirse simultáneamente por cepillos originales en un centro de servicio de SPARKY de mantenimiento de garantía y fuera de garantía.

### LIMPIEZA

Para una operación segura, mantenga la máquina y los orificios de ventilación siempre limpios.

Revise regularmente que en la rejilla de ventilación, cerca del motor eléctrico o en torno a los conmutadores no hayan entrado polvo o cuerpos ajenos. Utilice un cepillo suave para quitar el polvo acumulado. Para proteger sus ojos, lleve gafas de protección durante la limpieza.

Si el cuerpo de la máquina necesita limpieza, límpielo con un paño suave y húmedo. Puede emplearse un detergente de limpieza suave.



**ADVERTENCIA:** No se deben usar alcohol, gasolina, ni otros disolventes. No utilice nunca detergentes de limpieza corrosivos para limpiar las piezas de plástico.



**ADVERTENCIA:** El agua no debe entrar en contacto con la máquina.

**IMPORTANTE:** Para garantizar una operación segura con la herramienta eléctrica y su fiabilidad, todas las actividades de reparación, mantenimiento y regulación (incluidas la revisión y el cambio de cepillos) deben efectuarse en los centros de servicio autorizados de SPARKY, utilizando solamente piezas de recambio originales.

## VIII - Garantía

El periodo de garantía de las herramientas SPARKY aparece indicado en la hoja de garantía.

Los daños debido a llevar ropa normal, a sobrecargas o manejo indebido se excluirán de la garantía.

Los daños debido al uso de materiales defectuosos, así como a defectos en la hechura serán subsanados libres de gastos por medio de sustitución o reparación.

Se reconocerán las quejas por herramientas SPARKY defectuosas si la máquina se devuelve al distribuidor o si se entrega al servicio autorizado de garantía sin desmontar, en su estado inicial.

## Notas

Lea atentamente todo el manual del uso antes de utilizar este producto.

El fabricante se reserva el derecho a cambiar las especificaciones sin previo aviso.

Las especificaciones pueden ser distintas de país a país.

## Conteúdo

I - Introdução .....	42
II - Dados técnicos .....	44
III - Indicações gerais de advertência para ferramentas eléctricas .....	45
IV - Regras adicionais de segurança do trabalho com lixadeiras de rolo .....	46
V - Conhecimento do instrumento eléctrico .....	A/47
VI - Indicações para o trabalho .....	47
VII - Manutenção .....	49
VIII - Garantia .....	49

### DESEMBALAGEM

De acordo com as tecnologias de produção geralmente utilizadas, é pouco provável o novo instrumento eléctrico que você adquiriu ser ineficiente ou lhe faltar alguma peça. Mesmo assim, se você verificar que qualquer coisa não está bem, não trabalhe com o instrumento, enquanto a peça ineficiente não for substituída, ou a imperfeição não ficar eliminada. O não seguimento desta recomendação é capaz de provocar um acidente de trabalho grave.

### MONTAGEM

A lixadeira de rolos fornece-se embalada e completamente emsamblada, excepto a bolsa de pó e o adaptador para o aspirador de pó.

## I - Introdução

O novo instrumento eléctrico SPARKY que adquiriu vai ultrapassar as suas expectativas. Ele foi fabricado de acordo com os mais elevados padrões de qualidade da SPARKY, os quais vão de encontro com as exigências mais rigorosas do consumidor. Fácil de manutenção e seguro durante a utilização, sendo correctamente manipulado, este instrumento eléctrico servir-lhe-á fielmente durante muitos anos.

### ATENÇÃO!



Leia atentamente toda a instrução para o uso, antes de começar a trabalhar com o seu novo instrumento eléctrico SPARKY. Preste especial atenção aos textos que começam com a palavra "Atenção". O seu instrumento eléctrico SPARKY possui qualidades que hão de facilitar o seu trabalho. Ao ser fabricado este instrumento eléctrico, maior atenção foi prestada à segurança, às qualidades de exploração e à fiabilidade, as quais fazem dele um instrumento fácil de manutenção e de exploração.



### Não deitar o instrumento eléctrico para o lixo comum!

Os resíduos de aparelhos eléctricos não se devem misturar com o lixo comum. Mande-os para reciclagem nos lugares destinados a isso. Ponha-se em contacto com as autoridades locais ou com um representante para consultar a forma de reciclagem.

### PROTECÇÃO DO MEIO AMBIENTE



Visando a protecção do meio ambiente, o instrumento eléctrico, os seus acessórios e embalagem têm-de-ser submetidos a uma adequada reelaboração para serem novamente utilizadas as matérias primas contidas neles.

Para facilitar a reciclagem, as peças feitas de materiais sintéticos levam a respectiva denotação.

## DESCRIÇÃO DOS SÍMBOLOS

No quadro dos dados técnicos sobre a ferramenta eléctrica aparecem símbolos. Eles constituem uma informação importante sobre o produto ou instruções sobre o seu uso



Leve antífonos protectores



Duplo isolamento para protecção adicional



Electrónica para a escolha prévia da velocidade



Conexão com aspirador de po



Conformidade com os padrões de segurança europeus



Conformidade com es exigências dos documentos normativos russos



Conformidade com es exigências dos documentos normativos ucranianos



Conheça a instrução de exploração

YYYY-Www

Período de fabrico, onde os símbolos variáveis são:

YYYY - ano de fabrico, ww – a respectiva semana corrente do calendário

MBS

LIXADEIRA DE ROLOS

## II - Dados técnicos

Modelo:	MBS 1100	MBS 1100E
▪ Consumo de energia	1100 W	1200 W
▪ Velocidade ao ralenti	400 m/min	200-400 m/min
▪ Superfície lixada	100 x 156 mm	100 x 156 mm
▪ Dimensões do rolo	100 x 610 mm	100 x 610 mm
▪ Peso (EPTA procedimen to 3 01/2003):	5,3 kg	5,3 kg
▪ Classe de protecção (EN 60745) 	II	II

### INFORMAÇÃO SOBRE RUIÍDO E VIBRAÇÕES

- **Emanação de ruído:** (os valores foram determinados de acordo com EN 60745)

A- nível calculado de pressão sonora $L_{pA}$	95.5 dB(A)	95.5 dB(A)
Ambiguidade $K_{pA}$	3 dB	3 dB
A- nível calculado de potência sonora $L_{wA}$	106.5 dB(A)	106.5 dB(A)
Ambiguidade $K_{wA}$	3 dB	3 dB



**Utilize meios de protecção contra o ruído!**

- **Emanação de vibrações (determinadas segundo o p. 6.2.7 de EN 60745-1):**

*Valor global das vibrações (soma vectorial pelos três eixos), determinado de acordo com EN 60745:*

Valor das vibrações emanadas $a_{h,D}$	2.76 m/s <sup>2</sup>	2.76 m/s <sup>2</sup>
Ambiguidade $K_{h,D}$	1.5 m/s <sup>2</sup>	1.5 m/s <sup>2</sup>

O nível das vibrações, indicado neste manual, foi determinado com base no teste indicado por EN 60745 e pode ser utilizado para a comparação de instrumentos eléctricos. O nível das vibrações pode ser utilizado para a avaliação prévia do grau de impacto.

O nível das vibrações declarado refere-se à utilização/função principal do instrumento. Caso o instrumento eléctrico seja utilizado para outros fins, ou forem utilizados outros acessórios, ou o instrumento não for bem tratado, o nível das vibrações diferenciar-se-á do declarado. Em tais casos o nível do impacto pode crescer consideravelmente dentro do período laboral total.

Ao avaliar o nível de impacto das vibrações, é preciso considerar também o tempo em que o instrumento está desligado, ou está ligado, mas sem funcionar. Tal pode diminuir consideravelmente o nível do impacto dentro do período laboral total.

Mantenha o instrumento eléctrico e os acessórios em bom estado. Cuide as mãos quentes durante o trabalho – isto vai diminuir o efeito nocivo do trabalho com instrumentos de vibração elevada.

O pó resultante do processamento dos materiais tais como pinturas com conteúdo de chumbo, certos tipos de madeiras, minerais e metais, pode ser nocivo para a saúde. O contacto directo ou a aspiração do pó pode causar reacções alérgicas e/ou doenças das vias respiratórias do trabalhador ou das pessoas que se encontram perto dele.

Alguns tipos de pó, por exemplo o de carvalho ou de faia consideram-se carcinogénicos, sobretudo em combinação com ingredientes utilizados no processamento da madeira, tais como cromado ou conservantes. O material que contém amianto tem de ser processado só por especialistas

- Quando for possível, utilize sistemas para o desvio do pó.
- Para atingir maior grau de captação do pó, ao trabalhar com o instrumento, utilize aspirador de pó.
- Garanta a boa ventilação do local de trabalho.
- Recomenda-se o uso de máscara anti-pó com filtro da classe P2.

Cumpra as regras vigentes no Seu país referentes ao processamento dos diferentes materiais.

### III - Indicações gerais de advertência para ferramentas eléctricas



**ATENÇÃO!** Devem ser lidas todas as indicações de advertência e todas as instruções. O desrespeito das advertências e instruções apresentadas abaixo pode causar choque eléctrico, incêndio e/ou graves lesões.

Guarde bem todas as advertências e instruções para futura referência.

O termo “Ferramenta eléctrica” utilizado a seguir nas indicações de advertência, refere-se a ferramentas eléctricas operadas com corrente de rede (com cabo de rede) e a ferramentas eléctricas operadas com bateria (sem cabo de rede).

#### 1. SEGURANÇA DA ÁREA DE TRABALHO

- Mantenha a sua área de trabalho sempre limpa e bem iluminada. Desordem ou áreas de trabalho insuficientemente iluminadas podem levar a acidentes.
- Não trabalhar com a ferramenta eléctrica em áreas com risco de explosão, nas quais se encontrem líquidos, gases ou pós inflamáveis. Ferramentas eléctricas produzem faíscas, que podem inflamar pós ou vapores.
- Manter crianças e outras pessoas afastadas da ferramenta eléctrica durante a utilização. No caso de distração é possível que perca o controlo sobre o aparelho.

#### 2. SEGURANÇA ELÉCTRICA

- A ficha de conexão da ferramenta eléctrica deve caber na tomada. A ficha não deve ser modificada de maneira alguma. Não utilizar uma ficha de adaptação junto com ferramentas eléctricas protegidas por ligação a terra. Fichas não modificadas e tomadas apropriadas reduzem o risco de um choque eléctrico.
- Evitar que o corpo possa entrar em contacto com superfícies ligadas a terra, como tubos, aquecimentos, fogões e frigoríficos. Há um risco elevado devido a choque eléctrico, se o corpo estiver ligado a terra.
- Manter o aparelho afastado de chuva ou humidade. A infiltração de água numa ferramenta eléctrica aumenta o risco de choque eléctrico.
- Não deverá utilizar o cabo para outras finalidades. Jamais utilizar o cabo para transportar a ferramenta eléctrica, para pendurá-la, nem para puxar a ficha da tomada. Manter o cabo afastado de calor, óleo, cantos afiados ou partes do aparelho em movimento. Cabos danificados ou emaranhados aumentam o risco de um choque eléctrico.
- Se trabalhar com uma ferramenta eléctrica ao ar livre, só deverá utilizar cabos de extensão apropriados para áreas exteriores. A utilização de um cabo de extensão apropriado para áreas exteriores

reduz o risco de um choque eléctrico.

- Se não for possível evitar o funcionamento da ferramenta eléctrica em áreas húmidas, deverá ser utilizado uma disjuntor de corrente de avaria. A utilização de um disjuntor de corrente de avaria reduz o risco de um choque eléctrico.

#### 3. SEGURANÇA DE PESSOAS

- Esteja atento, observe o que está a fazer e tenha prudência ao trabalhar com a ferramenta eléctrica. Não utilizar uma ferramenta eléctrica quando estiver fatigado ou sob a influência de drogas, álcool ou medicamentos. Um momento de descuido ao utilizar a ferramenta eléctrica, pode levar a lesões graves.
- Utilizar equipamento de protecção pessoal e sempre óculos de protecção. A utilização de equipamento de protecção pessoal, como máscara de protecção contra pó, sapatos de segurança antiderrapantes, capacete de segurança ou protecção auricular, de acordo com o tipo e aplicação da ferramenta eléctrica, reduz o risco de lesões.
- Evitar uma colocação em funcionamento involuntária. Assegure-se de que a ferramenta eléctrica esteja desligada, antes de conectá-la a alimentação de rede e/ou ao acumulador, antes de levantá-la ou de transportá-la. Se tiver o dedo no interruptor ao transportar a ferramenta eléctrica ou se o aparelho for conectado a alimentação de rede enquanto estiver ligado, poderão ocorrer acidentes.
- Remover ferramentas de ajuste ou chaves de boca antes de ligar a ferramenta eléctrica. Uma ferramenta ou chave que se encontre numa parte do aparelho em movimento pode levar a lesões.
- Evite uma posição anormal. Mantenha uma posição firme e mantenha sempre o equilíbrio. Desta forma é mais fácil controlar a ferramenta eléctrica em situações inesperadas.
- Usar roupa apropriada. Não usar roupa larga nem jóias. Mantenha os cabelos, roupas e luvas afastadas de partes em movimento. Roupas frouxas, cabelos longos ou jóias podem ser agarrados por peças em movimento.
- Se for possível montar dispositivos de aspiração ou de recolha, assegure-se de que estejam conectados e utilizados correctamente. A utilização de uma aspiração de pó pode reduzir o perigo devido ao pó.

#### 4. UTILIZAÇÃO E MANUSEIO CUIDADOSO DE FERRAMENTAS ELÉCTRICAS

- Não sobrecarregue o aparelho. Utilize a ferramenta eléctrica apropriada para o seu trabalho. É melhor e mais seguro trabalhar com a ferramenta eléctrica apropriada na área de potência indicada.
- Não utilizar uma ferramenta eléctrica com um interruptor defeituoso. Uma ferramenta eléctrica que não pode mais ser ligada nem desligada, é perigosa e deve ser reparada.
- Puxar a ficha da tomada e/ou remover o acumulador antes de executar ajustes no aparelho, de substituir acessórios ou de guardar o aparelho. Esta medida de segurança evita o arranque involun-

tário da ferramenta eléctrica.

- d) Guardar ferramentas eléctricas não utilizadas fora do alcance de crianças. Não permita que pessoas que não estejam familiarizadas com o aparelho ou que não tenham lido estas instruções, utilizem o aparelho. Ferramentas eléctricas são perigosas se forem utilizadas por pessoas inespertas.
- e) Tratar a ferramenta eléctrica com cuidado. Controlar se as partes móveis do aparelho funcionam perfeitamente e não emperram, e se há peças partidas ou danificadas que possam prejudicar o funcionamento da ferramenta eléctrica. Permitir que peças danificadas sejam reparadas antes da utilização. Muitos acidentes têm como causa, a manutenção insuficiente de ferramentas eléctricas.
- f) Manter as ferramentas de corte afiadas e limpas. Ferramentas de corte cuidadosamente tratadas e com cantos de corte afiados emperram com menos frequência e podem ser conduzidas com maior facilidade.
- g) Utilizar a ferramenta eléctrica, acessórios, ferramentas de aplicação, etc. conforme estas instruções. Considerar as condições de trabalho e a tarefa a ser executada. A utilização de ferramentas eléctricas para outras tarefas a não ser as aplicações previstas, pode levar a situações perigosas.

## 5. SERVIÇO

- a) Só permita que o seu aparelho seja reparado por pessoal especializado e qualificado e só com peças de reposição originais. Desta forma é assegurado o funcionamento seguro do aparelho.

## IV - Regras adicionais de segurança do trabalho com lixadeiras de rolo

- Páre o aparelho nas áreas de manipulação isoladas, dado que a correia abrasiva pode tocar no próprio cabo de alimentação. Se um condutor sob tensão se danificar, pode colocar igualmente sob tensão peças do aparelho metalizadas e provocar um choque eléctrico.
- Use sempre óculos protectores e antifones, mascara anti-poeira e luvas.
- Desligue sempre a ferramenta e retire a ficha da rede, antes de efectuar qualquer conserto, reparação, ou mudança da lixa.
- Durante o trabalho, sempre pegue bem na ferramenta com am bas as mãos e mantenha uma posição estável do corpo. A ferramenta maneja-se melhor e a segurança é maior quando manejada com ambas as mãos.
- Use a ferramenta só para lixção a seco. A penetração de agua na ferramenta aumenta o risco de choque eléctrico.
- Não trabalhe com rolos de lixar desgastados, partidos ou impregnados de poeira. Os rolos de lixar danificados podem ficar partidos, saltar para fora e ferir ao operador.

- Para evitar um eventual sobreaquecimento, sempre desdobre até ao fim o cabo dum extensão com tambor de cabo.
- Quando for necessário usar extensão, verifique se a sua secção corresponde à corrente nominal da ferramenta eléctrica e se a extensão se encontra em estado perfeito
- Mantenha o cabo alimentador fora da zona operacional da ferramenta.
- Depois de trabalho prolongado, as partes metálicas externas e os acessórios podem aquecer demais.
- Se tiver possibilidade, use sempre braçadeiras ou vise para fixar o material processado.
- Aproxime a ferramenta do material processado só depois de a ter conectado e desconecte-a só depois de ter retirado dela o material processado.
- Desligue sempre o instrumento antes de deixar de trabalhar com ele.
- Aplique uma leve pressão ao trabalhar. O peso próprio da ferramenta é suficiente para conseguir uma boa produtividade de trabalho. O pressão exagerada não aumenta a produtividade, mas sim, leva ao sobreaquecimento do motor e ao desgaste intensivo do rolo de lixar.
- A poeira resultante do processamento de materiais que contém quartzo (bióxido de silício) é nociva para a saúde. Não trabalhe com materiais que contém amianto.
- Ao lixar madeira, utilize sempre bolsa para a poeira ou sistema de remoção da poeira.
- Antes de processar metal, retire a bolsa da poeira, pois as faíscas podem acender a poeira ou a bolsa.
- Não toque o rolo quando se encontra em movimento.
- Convença-se de que tem afastado do material processado todos os corpos alheios, por exemplo, pregos e parafusos, antes de começar o trabalho.
- Trapos, cabos, cordas e outros objectos semelhantes não se devem deixar perto do posto de trabalho.



**ADVERTÊNCIA:** Antes de ligar a ferramenta à rede alimentadora (contacto, soquete, caixa), verifique se a tensão alimentadora corresponde à assinalada sob re a chapa dos dados técnicos da ferramenta. Uma fonte de alimentação de tensão superior à da assinalada para a ferramenta eléctrica, pode provocar ao operador grave lesão da corrente eléctrica, como também pode causar dano à ferramenta.

- Caso tenha quaisquer dúvidas, não meta a ficha da ferramenta eléctrica no contacto da rede.
- Uma fonte de alimentação de tensão inferior à da assinalada para a ferramenta eléctrica, pode causar dano ao motor eléctrico da ferramenta
- A ferramenta tem de se utilizar só para o que for destinada. Qualquer outro uso, diferente do que se descreve na presente instrução considerar-se-á uso incorrecto. A responsabilidade de qualquer dano ou lesão em resultado do uso incorrecto, será assumida pelo consumidor e não pelo fabricante.
- Para trabalhar correctamente com esta ferramenta, é preciso observar as regras de segurança, as instruções gerais e as recomendações para o trabalho



aqui assinaladas. Todo utente tem de conhecer esta instrução para o uso da ferramenta e tem de estar informado sobre os eventuais riscos ao trabalhar com a ferramenta eléctrica. Crianças e pessoas de físico fraco não têm de utilizar a ferramenta. As crianças têm de encontrar-se sob constante controlo, quando se encontram perto do lugar de trabalho com a ferramenta. É também obrigatório tomar medidas preventivas de segurança. O mesmo refere-se também ao acatamento das regras fundamentais de segurança e saúde profissional.

- O fabricante não assume a responsabilidade pelas modificações introduzidas pelo utente na ferramenta eléctrica ou pelas avarias causadas por tais modificações.

Mesmo quando a ferramenta é utilizado segundo a sua destinação, é impossível eliminar todos os factores de risco residuais. As ameaças mais abaixo enumeradas podem decorrer das especificidades construtivas e do design da ferramenta eléctrica.

- Problemas dos pulmões, caso não seja utilizada máscara eficiente contra a poeira.
- Problemas auditivos, caso não sejam utilizados meios de protecção eficazes.
- A ferramenta eléctrica não tem de se usar à intempérie em tempo de chuva, em ambiente úmido (depois de chuva) ou perto de líquidos e gases inflamáveis. O local de trabalho tem de se manter bem iluminado.

## V – Conhecimento do instrumento eléctrico

Antes de começar a trabalhar com o instrumento eléctrico, conheça todas as suas especificidades operacionais e as condições de segurança.

Utilize o instrumento só para o que está destinado. Todo uso diferente fica terminantemente proibido

1. Bolsa para a poeira
2. Tampa do suporte de escovas
3. Aberturas de montagem
4. Regulador electrónico da velocidade (MBS 1100E)
5. Manipula da frente
6. Alavanca para esticar o rolo de lixar
7. Indicador do sentido de rotação do rolo
8. Cilindro de accionamento
9. Interruptor
10. Bico para a remoção da poeira
11. Botão de travamento
12. Manipula principal
13. Regulador do posicionamento do rolo de lixar sobre os cilindros
14. Almofada de elastómero termoplástico
15. Braçadeiras

## VI - Instruções para o trabalho

Este instrumento eléctrico alimenta-se só por tensão monofásica variável. Tem duplo isolamento de acordo com EN 60745-1 e IEC 60745 e pode-se ligar a contactos sem braçadeiras de segurança. As interferências de rádio correspondem à Directriz de compatibilidade electromagnética 2004/108/EC.

### ANTES DE INICIAR O TRABALHO



**ADVERTÊNCIA:** Verifique se a tensão alimentadora corresponde à assinalada sobre a chapa dos dados técnicos da ferramenta.

- Verifique a posição do interruptor. A ferramenta eléctrica tem de se ligar e desligar da rede só com o interruptor desligado. Se colocar a ficha no contacto quando o interruptor estiver ligado, a ferramenta vai accionar-se imediatamente, o que é uma premissa para acidente.
- Convença-se da perfeição do cabo alimentador e da ficha. Se o cabo estiver avariado, a substituição tem de se fazer pelo fabricante ou pelo seu especialista no serviço, para se evitarem os eventuais riscos.

### ARRANCO / PARAGEM

#### Accionamento de pouca duração (Fig. 1)

Arranco: o interruptor (9) aperta-se.

Paragem: o interruptor (9) afrouxa-se.

#### Accionamento de longo trabalho. (Fig.2)

Arranco: o interruptor (9) aperta-se e em estado apertado trava-se com o botão (11).

Paragem: o interruptor (9) aperta-se só uma vez e afrouxa-se imediatamente.

### MONTAGEM DO ROLO DE LIXAR



**ATENÇÃO:** Desligue sempre a ferramenta e retire a ficha da rede de contacto.

1. Puxe a alavanca para esticar o rolo (6) e retire a cinta velha. (Fig. 3)
2. Verifique se o nov rolo se coloca facilmente e se não tem os extremos gastos.
3. As setas do rolo têm de apontar para o mesmo sentido da seta sobre a banda de lixação. (Fig. 4)
4. Ponha a alavanca (6) na sua posição inicial. (Fig. 5)
5. Meta a ficha na rede de contacto e pegando firmemente na ferramenta, conecte-a. Deixe o rolo de lixar a rolar algum tempo.
6. Enquanto o rolo estiver em movimento, utilize o regulador (13) para posicionar o rolo no centro do cilindro (8). (Fig. 6)
7. Repita esses actos até o rolo ficar correctamente alinhado.
8. Conecte a ferramenta para verificar se tudo está correctamente consertado.



**ATENÇÃO:** Não trabalhe com rolos de lixar desgastados ou partidos



**ATENÇÃO:** Não se admite lixar madeira e metal com o mesmo rolo de lixar. As partículas de metal penetram no rolo e podem danificar a superfície de madeira.

## ESCOLHA DE ROLO DE LIXAR

1. Das lojas especializadas podem ser comprados diferentes tipos de rolos de lixar: ásperos (granulação 40), intermédios (granulação 80 e 100) e finos (granulação 120).
2. Use o rolo áspero para processamento tosco, o intermédio – para polimento mais fino e o fino – para trabalhos de acabamento.
3. O melhor será fazer uma lixação experimental para determinar o grau óptimo necessário para o trabalho concreto.
4. Para aproveitar integralmente as vantagens da lixadeira de rolos, compre sempre rolos de lixar de alta qualidade comprovada.

**NOTA:** Depois da lixação com a lixadeira de rolos, utilize máquina de lixar vibratória para conseguir resultados ideais..

## REGULAÇÃO DA VELOCIDADE DO ROLO DE LIXAR (MBS 1100E)

A velocidade do rolo pode-se programar gradualmente rodando o regulador electrónico (4) mesmo durante o processo de trabalho.

A velocidade óptima do rolo depende da sua granulação e do material processado e determina-se experimentando.

Velocidades recomendáveis assinalam-se no quadro na pág. 84

## LIXAÇÃO

1. Esta ferramenta eléctrica é destinada para lixar madeira, metal, plástico e outros materiais similares. Utiliza-se principalmente para retirar rapidamente grande quantidade do material. Não utilize o instrumento para processar magnésio.
2. Convença-se de que o rolo está bem colocado.
3. Meta a ficha do cabo alimentador na rede.
4. Programe a velocidade necessária mediante o regulador electrónico (4) (só para MBS 1100E). O máximo de velocidade corresponde ao símbolo G, e o mínimo – ao símbolo A.  
A produtividade e a qualidade da superfície processada dependem da granulação da cinta lixadeira e da velocidade. Quanto maior a velocidade, tanto maior é a quantidade do material retirado e tanto mais lisa fica a superfície processada.
5. Pressione o interruptor e deixe a ferramenta atingir o máximo de velocidade antes de iniciar o trabalho
6. Aperte o botão de travamento se deseja trabalhar tempo mais prolongado.

7. Ponha em contacto o instrumento com o material a processar e pressione ligeiramente (Fig. 7)
8. Lixe no sentido da estrutura do material com movimentos paralelos, sobrepostos.
9. Para retirar pintura ou madeira tosca demais, lixe sob ângulo de 45° em ambos os sentidos e depois termine com movimentos seguindo a estrutura do material.
10. Utilize o cilindro da frente só para lixar ângulos e formas irregulares.
11. Afaste a ferramenta do material processado antes de desconectá-la.
12. Não se esqueça de que tem de cuidar as mãos do rolo em movimento, pois este movimento vai continuar um certo tempo depois de a ferramenta ter ficado desconectada.
13. Use sempre óculos protectores, antifones, máscara anti-poeira.

## REMOÇÃO DA POEIRA

1. Retire a ficha do cabo alimentador da rede.
2. Aperte bem o bico de plástico da bolsa de poeira no bico de remoção da poeira (10). (Fig. 8)
3. Antes de retirar bolsa de poeira, retire a ficha do cabo alimentador da rede.



**ATENÇÃO:** Para a remoção óptima da poeira, limpe a bolsa quando estiver cheia até à metade. Não utilize bolsa de poeira ao lixar metais. As partes quentes do metal podem incendiar a poeira ou as partículas de madeira que restam na bolsa.

**Limpeza da bolsa de poeira:** Retire e vazie a bolsa batendo nela ligeiramente para retirar a poeira. De vez em quando retire a bolsa e vire-a ao contrário para escovar o pó com uma escova macia.

4. Pode utilizar um adaptador para aderir a ferramenta a um aspirador de poeira doméstico ou a um sistema de remoção da poeira..
5. O adaptador coloca-se no bico de remoção da poeira. (10).

## TRABALHO COM A FERRAMENTA EM POSIÇÃO ESTACIONADA (Fig. 9)

Esta ferramenta pode se montar de forma estacionada sobre uma mesa de trabalho..

- Pionha o calço de borracha (14) sobre a mesa de trabalho como indicado nos letreiros sobre ele. Não monte nunca o instrumento sobre a mesa de trabalho sem ter posto primeiro o calço de borracha.
- Vire a ferramenta com o rolo para cima e ponha-a no meio o calço de borracha. As aberturas de montagem (3) têm de ficar para o lado do operador.
- Passe os pinos das braçadeiras (15) pelas aberturas de montagem (3).
- Com a ajuda das braçadeiras (15) afixe o instrumento sobre a mesa de trabalho..
- Aperte manualmente as braçadeiras com as porcas de borboleta. Convença-se de que as braçadeiras ficaram correctamente aoertadas, mas sem apertar demais.

- Convença-se de que a ferramenta ficou bem afixada sobre a mesa de trabalho, antes de conectá-la à rede de contacto.

Utilizando o botão de travamento, pode trabalhar com a ferramenta em regime de trabalho prolongado.

## ACESSÓRIOS

**MBS 1100:** montado na ferramenta rolo de lixar de granulação 80, bolsa de poeira

**MBS 1100E:** montado na ferramenta rolo de lixar de granulação 80, conjunto de 4 rolos de lixar (granulação 60 - 2 ex, granulação 80 - 1 ex., granulação 100 - 1 ex.), almofada de elastómero termoplástico, braçadeiras – 2 ex, bolsa de poeira.

## VII - Manutenção



**ATENÇÃO:** Desligue sempre a ferramenta da rede quando vai fazer qualquer revisão ou manutenção.

Revise regularmente todos os parafusos no corpo e convença-se de que todos estão bem apertados. Os parafusos podem ficar afrouxados pelas vibrações durante um trabalho mais prolongado.

Lubrifique regularmente as peças movies.

### SUBSTITUIÇÃO DAS ESCOVAS

Quando ficarem desgastadas, as duas escovas têm de ser substituídas ao mesmo tempo por escovas originais na oficina de serviço da SPARKY para manutenção dentro do prazo de garantia e fora dele.

### LIMPEZA

Visando a segurança de trabalho, mantenha sempre limpa a máquina e as aberturas de ventilação

Verifique regularmente se na grade de ventilação perto do motor eléctrico ou perto dos comutadores não tenham penetrado corpos alheios. Utilize uma escova macia para limpar o pó acumulado. Para proteger os olhos, utilize durante a limpeza óculos protectores.

Se o corpo da ferramenta precisa de limpeza, limpe-o com um pano macio levemente úmido. Pode ser utilizado um fraco detergente.



**ADVERTÊNCIA:** Não se admite o uso de álcool, gasolina ou outro solvente. Não utilize nunca substâncias corrosivas para limpar as peças de plástico.



**ADVERTÊNCIA:** Não se admite a penetração de água em contacto com o instrumento.

**ATENÇÃO!** Para garantir a segurança do trabalho com o instrumento eléctrico ou a sua confiabilidade, todas as actividades de reparação, manutenção e regulação (inclusive a revisão e a substituição das escovas) têm de se realizar nas oficinas de serviço da SPARKY, utilizando só peças de sobresselente originais

## VIII - Garantia

O prazo de garantia dos instrumentos eléctricos SPARKY está indicado no cartão de garantia. Problemas surgidos em resultado do desgaste natural, sobrecarga ou utilização incorrecta, ficam excluídos dos deveres da garantia. Os problemas surgidos devido ao uso de materiais de baixa qualidade e/ou erros de fabricação, eliminam-se sem pagamento adicional mediante substituição ou reparação.

Reclamação por um instrumento eléctrico SPARKY defeitooso reconhece-se quando o instrumento for devolvido ao distribuidor ou for levado a uma oficina autorizada de assistência em prazo de garantia no seu estado inicial (montado).

## Observações

Leia atentamente toda a instrução para o uso, antes de começar a trabalhar com este aparelho.

O fabricante reserva-se o direito de introduzir melhoras e modificações nos seus aparelhos, bem como modificar as especificações sem aviso.

As especificações podem variar de país para país.

## Spis treści

I - Wstęp .....	50
II - Dane techniczne.....	52
III - Instrukcje bezpieczeństwa pracy narzędziami elektrycznymi .....	53
IV - Dodatkowe przepisy przy pracy szlifierkami taśmowymi .....	54
V - Podstawowe elementy .....	A/55
VI - Wskazówki pracy .....	55
VII - Konserwacja .....	57
VIII - Gwarancja .....	57

### ROZPAKOWANIE

Państwa produkt został zmontowany i zapakowany z należytą starannością, istnieje niewielkie prawdopodobieństwo, że urządzenie może być uszkodzone lub brakować części. Jeśli zostanie taki fakt stwierdzony nie należy używać urządzenia do momentu usunięcia braków. Praca niekompletnym urządzeniem może być przyczyną poważnych uszkodzeń ciała.

### MONTAŻ

Szlifierki taśmowe dostarcza się w stanie opakowanym i całkowicie zmontowanym, z wyjątkiem torebki na pył i adaptera do odkurzacza

## I - Wstęp

Gratulujemy wyboru urządzenia SPARKY, zdolnego spełnić oczekiwania najbardziej wymagającego użytkownika. Urządzenie zostało wyprodukowane zgodnie z rygorystycznymi standardami jakości SPARKY, aby zapewnić najwyższą jakość funkcjonowania. To łatwe i bezpieczne w użytkowaniu urządzenie, odpowiednio stosowane i konserwowane, zapewni Państwu długie lata niezawodnej pracy.

#### UWAGA!



Prosimy o dokładne zapoznanie się z niniejszą instrukcją obsługi przed użyciem urządzenia SPARKY, zwracając szczególną uwagę na ostrzeżenia i uwagi. Dzięki swoim cechom urządzenie SPARKY zapewnia szybkość i łatwą pracę. Bezpieczeństwo, niezawodność i wydajność były priorytetami przy konstruowaniu tego urządzenia, by zapewnić łatwość obsługi oraz utrzymania.



#### Nie wyrzucać urządzeń elektrycznych razem z domowymi śmieciami!

Zużyte urządzenia elektryczne nie mogą być wyrzucane wraz z ze śmieciami z gospodarstwa domowego. Tam gdzie to możliwe, należy oddać zużyte urządzenie do punktu recyklingu. Należy skontaktować się z władzami lokalnymi lub sprzedawcą w celu uzyskania informacji odnośnie recyklingu.



#### OCHRONA ŚRODOWISKA

Urządzenie, akcesoria oraz opakowanie powinny zostać odpowiednio posortowane przez recyklingiem. Części plastikowe są oznaczone odnośnie odpowiedniej kategorii odzyskiwania surowca.

## OPIS SYMBOLI

Tabliczka znamionowa na urządzeniu może zawierać symbole graficzne. Przedstawiają one ważne informacje o produkcie lub jego obsłudze.



Zakładać słuchawki ochronne



Podwójna izolacja zabezpieczenia dodatkowego



Elektronika wstępnego wyboru prędkości



Podłączenie do odkurzacza



Zgodność z europejskimi normami bezpieczeństwa



Zgodność z wymogami rosyjskich dokumentów normatywnych



Zgodność z wymogami ukraińskich dokumentów normatywnych



Zapoznać się z instrukcją obsługi



YYYY-Www

Okres produkcji, w którym zmiennymi symbolami są:  
YYYY - roku produkcji, ww – tydzień kalendarzowy

MBS

SZLIFIERKA TAŚMOWA

## II - Dane techniczne

Model:	MBS 1100	MBS 1100E
• Pobór mocy	1100 W	1200 W
• Prędkość biegu jałowego	400 m/min	200-400 m/min
• Powierzchnia szlifierska	100 x 156 mm	100 x 156 mm
• Wymiary taśmy	100 x 610 mm	100 x 610 mm
• Ciężar (procedura EPTA 01/2003):	5,3 kg	5,3 kg
• Klasa ochronności (EN 60745) 	II	II
<b>Informacja o hałasie i drganiach</b>		
• <b>Emisja hałasu</b> (Wartości zmierzono zgodnie z EN 60745):		
A- poziom zważony ciśnienia dźwiękowego $L_{pA}$	95.5 dB(A)	95.5 dB(A)
Nieokreśloność $K_{pA}$	3 dB	3 dB
A- poziom zważony natężenia dźwiękowego $L_{WA}$	106.5 dB(A)	106.5 dB(A)
Nieokreśloność $K_{WA}$	3 dB	3 dB
 <b>Stosować środki ochrony przed hałasem!</b>		
• <b>Emisja drgań</b> (ustalona zgodnie z pkt. 6.2.7 normy EN 60745-1):		
<i>Wartość łączna drgań (suma wektorowa trzech osi), ustalona zgodnie z EN 60745</i>		
Wartość emitowanych drgań $a_h$	2.76 m/s <sup>2</sup>	2.76 m/s <sup>2</sup>
Nieokreśloność K	1.5 m/s <sup>2</sup>	1.5 m/s <sup>2</sup>

Podany w niniejszej instrukcji poziom drgań został zmierzony zgodnie z określoną przez normę EN 60745 procedurą i może być używany do porównywania urządzeń. Może być stosowany do wstępnego określenia ekspozycji. Deklarowany poziom emisji drgań odnosi się do głównego zastosowania urządzenia. Jeżeli urządzenie zostanie przeznaczone do innych zastosowań, z innym osprzętem lub nie będzie należało konserwowane, poziom emisji wibracji może się różnić. Może to znacznie zwiększyć poziom ekspozycji w łącznym czasie pracy.

Aby dokładnie określić poziom ekspozycji na drgania, należy także brać pod uwagę okresy gdy urządzenie jest wyłączone, lub gdy nawet jest włączone, ale nie wykorzystywane do pracy. Może to znacznie obniżyć poziom ekspozycji na drgania w łącznym czasie pracy.

Chronić urządzenie oraz osprzęt oraz dbać o zapewnienie ciepła dłoniom podczas pracy w celu obniżenia szkodliwego wpływu drgań.

Pył z takich materiałów jak np. farba zawierająca ołów, niektóre gatunki drewna, minerały oraz metal może być szkodliwy. Kontakt lub inhalacja pyłów może spowodować reakcje alergiczne i/lub choroby układu oddechowego u operatora lub osób znajdujących się w bezpośredniej bliskości.

Pewne odmiany pyłów sklasyfikowane są jako rakotwórcze np. pył dębowy czy bukowy w szczególności w połączeniu z dodatkami zawierającymi chromaty i środki konserwujące. Materiały zawierające azbest mogą być obrabiane jedynie przez specjalistów.

- Tam gdzie możliwe jest stosowanie odciągu pyłów należy je stosować.
- Aby uzyskać wysoką skuteczność odciągu pyłów, stosować odkurzacz do drewna lub do drewna i minerałów wraz z niniejszym urządzeniem.
- Miejsce pracy musi być dobrze wentylowane.
- Zaleca się stosowanie maski pyłowej lub filtrów klasy P2.

Przestrzegać przepisów krajowych odnośnie obrabianych materiałów.

# III - Instrukcje bezpieczeństwa przy pracy elektronarzędzami



**Uwaga!** Przeczytać wszystkie instrukcje bezpieczeństwa. Nie przestrzeganie instrukcji i ostrzeżeń może spowodować porażenie prądem, pożar i/lub poważne obrażenia.

Zachować wszystkie instrukcje i ostrzeżenia.

Termin: „urządzenie” we wszystkich poniższych informacjach odnosi się do urządzeń zasilanych z sieci (przewodowych) oraz urządzeń akumulatorowych (beprzewodowych).

## 1. BEZPIECZEŃSTWO MIEJSCA PRACY

- Miejsce pracy musi być zawsze dobrze oświetlone i czyste. Niedoświetlenie oraz nieład mogą być przyczyną wypadków.
- Nie należy używać urządzenia w obecności palnych płynów, gazów i pyłów. Podczas pracy urządzenia powstają iskry, które mogą zapalić pyły lub opary.
- Chronić przed dziećmi i osobami postronnymi. Brak skupienia może spowodować utratę kontroli nad urządzeniem.

## 2. BEZPIECZEŃSTWO ELEKTRYCZNE

- Wtyczka urządzenia musi pasować do gniazda zasilającego. Nie wolno modyfikować wtyczki w jakikolwiek sposób. Nie stosować żadnych adapterów w przypadku elektronarzędzi wymagających uziemienia. Nie modyfikowane wtyczki oraz gniazda zasilające redukują ryzyko porażenia prądem.
- Unikać kontaktu z uziemionymi przedmiotami takimi jak, rury, grzejniki, piece i lodówki. Ryzyko porażenia prądem wzrasta gdy ciało użytkownika zostanie uziemione poprzez kontakt z np. ww. przedmiotami.
- Nie narażać urządzenia na kontakt z wodą – w takim wypadku wzrasta zagrożenie porażenia prądem.
- Nie przenosić, nie wyciągać ani nie ciągnąć urządzenia trzymając za przewód. Chronić przewód przed źródłem ciepła, olejami, przedmiotami o ostrych brzegach lub ruchomych częściach. Uszkodzony lub splątany przewód może zwiększyć ryzyko porażenia prądem.
- Podczas pracy na zewnątrz należy zawsze stosować odpowiedni przewód przedłużający. Stosowanie przewodu przeznaczonego do pracy na zewnątrz zmniejsza ryzyko porażenia prądem.
- Jeśli praca w wilgotnym środowisku jest nieunikniona, stosować zasilanie zabezpieczone wyłącznikiem różnicowo-prądowy. Stosowanie wyłącznika różnicowo-prądowego zmniejsza ryzyko porażenia prądem.

## 3. BEZPIECZEŃSTWO OSOBISTE

- Zawsze należy pracować w należyтым skupieniu i kierować się rozsądkiem. Nie używać urządzenia pozostając pod wpływem leków, alkoholu lub narkotyków, w trakcie leczenia lub będąc zmęczonym. Chwila nieuwagi podczas pracy urządzeniem może być przyczyną poważnych uszkodzeń ciała.
- Stosować wyposażenie ochronne. Zawsze używać ochrony oczu. Wyposażenie takie jak maska p. pyłowa, buty na podszewie antypoślizgowej, kask, ochronniki słuchu, redukuje zagrożenie uszkodzenia ciała.
- Unikać przypadkowego włączenia urządzenia. Upewnić się, że włącznik znajduje się w położeniu; „wylączony” przed podłączeniem urządzenia do źródła zasilania. Przedoszenie urządzenia trzymając za włącznik lub podłączając je do zasilania z włącznikiem w pozycji: „włączone” może być przyczyną wypadków.
- Przed włączeniem urządzenia upewnić się, że nie jest dołączony żaden osprzęt regulujący (np. klucz). Pozostawienie klucza w rotującej części urządzenia może spowodować obrażenia.
- Nie przeceniać własnych możliwości. Zawsze dbać o odpowiednie oparcie dla nóg oraz balans. Zapewni to lepszą kontrolę w nieoczekiwanych sytuacjach.
- Stosować odpowiednie ubranie. Nie nosić luźnych ubrań ani biżuterii. Nie zbliżać włosów, ubrania ani rękawic roboczych do ruchomych części urządzenia. Luźne ubranie, biżuteria lub długie włosy mogą utknąć w ruchomych częściach urządzenia.
- Jeśli urządzenie jest wyposażone w adapter odprowadzania pyłów, należy sprawdzić czy jest odpowiednio podłączony i używany. Stosowanie systemu odprowadzania pyłów może obniżyć niebezpieczeństwa związane z pyleniem.

## 4. UŻYWANIE I KONSERWACJA URZĄDZENIA

- Nie przeciążać urządzenia. Stosować odpowiednie urządzenie do każdej pracy. Należy użyć dobrego urządzenia wykona pracę lepiej i bezpiecznie w trybie do jakiego zostało zaprojektowane
- Nie używać urządzenia jeśli włącznik nie działa. Każde urządzenie z uszkodzonym włącznikiem jest niebezpieczne i musi zostać naprawione.
- Zawsze należy odłączyć urządzenie od zasilania i/lub wyjąć baterię przed zmianą ustawień, wymianą akcesoriów lub odłożeniem po pracy. Takie działanie zmniejszy ryzyko przypadkowego włączenia urządzenia.
- Nieużywane urządzenia należy chronić przed dziećmi oraz niepowołanymi osobami nie znającymi tego urządzenia lub niniejszej instrukcji. Elektronarzędzia są niebezpieczne w rękach nieprzeszkolonych osób.
- Konserwować elektronarzędzia. Sprawdzać połączenia części ruchomych, ewentualne uszkodzenia oraz inne czynniki mogące mieć

wpływ na działanie urządzenia. W przypadku stwierdzenia uszkodzenia należy naprawić urządzenie przed dalszym użytkowaniem. *Wiele wypadków spowodowanych jest nienależytą konserwacją urządzenia.*

- f) **Narzędzia tnące zawsze muszą być ostre.** *Odpowiednio konserwowane narzędzia tnące z ostrymi krawędziami rzadziej się zacinają w obrabianym materiale i są łatwiejsze w obsłudze.*
- g) **Niniejsze urządzenie oraz osprzęt do niego muszą być używane zgodnie z niniejszą instrukcją obsługi oraz w zakresie przewidzianym dla danego typu urządzenia. Zawsze należy brać pod uwagę rodzaj pracy do wykonania oraz warunki panujące w miejscu pracy. Użycie elektronarzędzi do celów innych niż opisane w niniejszej instrukcji obsługi może spowodować niebezpieczne sytuacje.**

## 5. SERWIS

- a) **Niniejsze urządzenie należy serwisować wyłącznie w autoryzowanych serwisach SPARKY z wykorzystaniem oryginalnych części zamiennych. Takie postępowanie zapewni należyte bezpieczeństwo.**

## IV - Dodatkowe przepisy przy pracy szlifierkami taśmowymi

- Trzymać narzędzie za izolowany uchwyt, ponieważ taśma szlifierska może natrafić na własny kabel zasilający. *Uszkodzenie przewodu przewodzącego prąd może spowodować, iż metalowe części narzędzia znajdą się pod napięciem i doprowadzić do porażenia prądem elektrycznym.*
- Zakładać zawsze okulary ochronne i słuchawki ochronne, stosować maski przeciwpyłowe i rękawice ochronne.
- Zawsze wyłączać elektronarzędzia i wyjmować wtyczkę z gniazda zasilania przed wykonaniem jakichkolwiek zabiegów nastawienia i konserwacji lub wymiany papieru ściernego.
- Podczas pracy zawsze trzymać mocno elektronarzędzie obracając oraz zachować stabilną pozycję ciała. *Elektronarzędziem można sterować bardziej bezpiecznie trzymając je oburącz.*
- Elektronarzędzia używać wyłącznie do szlifowania suchego. *Przedostanie się wody do elektronarzędzia zwiększa ryzyko porażenia prądem.*
- Nie pracować zużytymi, zerwanymi lub zapyłonymi taśmami szlifierskimi. *Uszkodzone taśmy szlifierskie mogą się zerwać, wyskoczyć na zewnątrz i kogoś skaleczyć.*
- W celu zapobieżenia ewentualnemu przegrzaniu, zawsze rozwijać do końca przewód z bębna kablowego przedłużacza.
- W razie koniecznego korzystania z przedłużacza, upewnić się, że jego przekrój odpowiada wartościom prądu znamionowego używanego elektronarzędzia, jak również czy przedłużacz jest w sprawnym stanie.

- Trzymać przewód zasilania poza zasięgiem pracy elektronarzędzia.
- Po dłuższej pracy zewnętrzne części metalowe i osprzęt mogą być gorące.
- W razie możliwości stosować zaciski lub imadło do ustalenia nieruchomo obrabianego materiału.
- Elektronarzędziem można dotykać obrabiany materiał tylko po wzięciu elektronarzędzia i należy je wyłączać dopiero po jego oddaleniu od materiału.
- Zawsze wyłączać elektronarzędzie przed jego odstawieniem.
- Stosować lekki nacisk podczas pracy. Ciężar własny elektronarzędzia jest wystarczający do uzyskania właściwej wydajności. Nadmierny nacisk nie poprawia wydajności, a prowadzi do przegrzania silnika elektrycznego i przyspieszonego zużycia taśmy szlifierskiej.
- Pył wydzielany podczas obróbki materiałów zawierających kwarc (dwutlenek krzemu) jest szkodliwy dla zdrowia. Nie obrabiać materiałów zawierających azbest.
- Podczas szlifowania drewna, zawsze stosować torebkę na pył lub układ odprowadzenia pyłu.
- Przed używaniem elektronarzędzia do obróbki metalu, zawsze zdejmować torebkę na pył, ponieważ iskry mogą zapalić pył lub torebkę.
- Nie dotykać przesuwającej się taśmy szlifierskiej.
- Upewnić się, że zostały usunięte wszelkie obce ciała, np. gwoździe i wkręty z obrabianego materiału, przed przystąpieniem do pracy.
- Szmata, kabli, sznurów, innych tego rodzaju przedmiotów nigdy nie pozostawiać w pobliżu miejsca pracy.



**OSTRZEŻENIE:** Przed podłączeniem elektronarzędzia do sieci zasilania, upewnić się, że napięcie zasilania jest zgodne z napięciem podanym na tabliczce znamionowej elektronarzędzia. Napięcie zasilania o napięciu wyższym od wskazanego na elektronarzędziu może spowodować poważne porażenie operatora prądem elektrycznym, jak również uszkodzenie elektronarzędzia.

- W razie wątpliwości, nie należy wkładać wtyczki elektronarzędzia do gniazdka zasilania.
- W razie napięcia niższego od znamionowego, silnik elektryczny ulegnie uszkodzeniu.
- Elektronarzędzia używać wyłącznie zgodnie z jego przeznaczeniem. Każde inne zastosowanie odmienne od wskazanego w niniejszej instrukcji uważane jest za niewłaściwe. Odpowiedzialność za wszelkie uszkodzenia lub zranienia wynikające z niewłaściwego zastosowania spoczywa na użytkowniku, a nie na producencie.
- Prawidłowa eksploatacja niniejszego elektronarzędzia wymaga przestrzegania przepisów bezpieczeństwa, ogólnych instrukcji i wskazówek pracy wskazanych w niniejszej instrukcji. Wszyscy użytkownicy powinni zapoznać się z niniejszą instrukcją obsługi i być poinformowani o potencjalnych ryzykach przy pracy elektronarzędziem. Dzieci i fizycznie słabi ludzie nie powinni używać tego narzędzia. Dzieci przebywające w pobliżu miejsca pracy elektronarzędzia należy obserwować bez przerwy. Obowiązkowo na-





leży podjąć prewencyjne środki bezpieczeństwa. To samo dotyczy także przestrzegania podstawowych przepisów higieny i bezpieczeństwa pracy.

- Producent nie ponosi odpowiedzialności za dokonane przez użytkownika zmiany w elektronarzędziu lub za uszkodzenia spowodowane tego rodzaju zmianami.

Uwaga - nawet stosowanie elektronarzędzia zgodnie z jego przeznaczeniem nie eliminuje wszystkich ryzykownych czynników. Wyliczone poniżej niebezpieczeństwa mogą być związane ze specyfiką konstrukcji lub wzornictwa elektronarzędzia.

- Uszkodzenia płuc, w razie nie zakładania maski ochronnej.
- Uszkodzenia słuchu, w razie nie zakładania słuchawek ochronnych.
- Elektronarzędzia nie używać w wolnym powietrzu w pogodzie deszczowej, w środowisku wilgotnym (po deszczu) lub blisko łatwopalnych płynów i gazów. Miejsce pracy powinno być dobrze oświetlone.

## V – Zapoznanie z elektronarzędziem

Przed rozpoczęciem pracy elektronarzędziem należy zapoznać się wszystkimi szczegółami operacyjnymi i warunkami bezpieczeństwa.

Używać elektronarzędzia i osprzętu wyłącznie zgodnie z ich przeznaczeniem. Każde inne zastosowanie jest stanowczo zakazane.

1. Torebka na pył
2. Pokrywa szczotkotrzymacza
3. Otwory montażowe
4. Regulator elektroniczny prędkości (MBS 1100E)
5. Rękojeść przednia
6. Dźwignia do naciągania taśmy szlifierskiej
7. Wskaźnik kierunku obrotu taśmy szlifierskiej
8. Wał napędowy
9. Wyłącznik
10. Końcówka odprowadzania pyłu
11. Przycisk blokujący
12. Rękojeść podstawowa
13. Regulator pozycjonowania taśmy szlifierskiej na cylindrach
14. Podkładka z elastomeru termoplastycznego
15. Zaciski do chwytania

## VI - Wskazówki pracy

Niniejsze elektronarzędzie zasilane jest tylko jednofazowym napięciem zmiennym. Posiada podwójną izolację zgodnie z EN 60745-1 i IEC 60745 i nadaje się do podłączenia do gniazd bez zacisków ochronnych. Zakłócenia radiowe odpowiadają wymogom Dyrektywy dotyczącej kompatybilności elektromagnetycznej 2004/108/WE.

## PRZED PRZYSTĄPIENIEM DO PRACY



**OSTRZEŻENIE:** Sprawdzić, czy napięcie sieci elektrycznej odpowiada wartości napięcia podanej na tabliczce znamionowej elektronarzędzia.

- Sprawdzić w jakim położeniu jest przełącznik. Elektronarzędzie należy podłączać i wyłączać z sieci zasilania tylko przy wyłączonym wyłączniku. W razie włączenia wtyczki do gniazda, gdy wyłącznik jest w stanie włączonym, wówczas elektronarzędzie natychmiast zostaje uruchomione, co może doprowadzić do wypadku.
- Upewnić się co do sprawności kabla zasilania i wtyczki. W razie uszkodzenia kabla zasilania, wymiany należy dokonać producent lub jego specjalista, aby uniknąć ewentualnych niebezpieczeństw podczas wymiany.

## ROZRUCH / ZATRZYMANIE

**Praca krótkotrwała:** (Rys. 1)

Rozruch: wyłącznik 9 wcisnąć.

Zatrzymanie: wyłącznik 9 zwolnić.

**Praca ciągła:** (Rys. 2)

Rozruch: wyłącznik 9 wcisnąć i w tym stanie unieruchomić przyciskiem 11.

Zatrzymanie: wyłącznik 9 wcisnąć jednorazowo i natychmiast zwolnić

## MONTAŻ TAŚMY SZLIFIERSKIEJ



**OSTRZEŻENIE:** Wyłączyć elektronarzędzie i wyjąć wtyczkę kabla zasilającego z gniazda zasilania

1. Pociągnąć dźwignię do napinania taśmy szlifierskiej (6) i usunąć starą taśmę. (Rys. 3)
2. Sprawdzić, czy nową taśmę łatwo się zakłada i czy nie jest zużyta po brzegach.
3. Strzałki na taśmie powinny wskazywać w jedną stronę zgodnie ze strzałką na ściernicy taśmowej. (Rys. 4)
4. Przesunąć dźwignię (6) z powrotem do jej początkowej pozycji. (Rys. 5)
5. Włożyć wtyczkę do gniazda i trzymając mocno elektronarzędzie włączyć je. Pozostawić taśmę szlifierską aby obracała się przez pewien czas.
6. Przy obracającej się taśmie, używając regulatora (13), wyśrodkować taśmę na walcu (8). (Rys. 6)
7. Powtórzyć te czynności do całkowitego wyrównania taśmy szlifierskiej.
8. Włączyć elektronarzędzie upewnić się, że nastawienie przeprowadzono w sposób prawidłowy.



**OSTRZEŻENIE:** Nie pracować elektronarzędziem, którego taśma szlifierska jest zużyta lub uszkodzona.





**OSTRZEŻENIE:** Nie jest dopuszczalne szlifowanie drewna i metalu tą samą taśmą szlifierską. Odrobiny metalowe wbite w taśmę mogą uszkodzić powierzchnię drewnianą.

## DOBÓR TAŚMY

1. W specjalizowanych sklepach można nabyć różnego rodzaju taśmy szlifierskie: grube (ziarnistość 40), średnie (ziarnistość 80 i 100) i drobne (ziarnistość 120).
2. Stosować taśmę gruboziarnistą - do obróbki zgrubnej, taśmę średnioziarnistą - do gładkiego szlifowania, a taśmę drobnoziarnistą - do prac wykończeniowych.
3. Najlepszy wariant to dokonanie szlifowania próbnego dla ustalenia optymalnego stopnia potrzebnego do danej konkretnej pracy.
4. Zalety szlifierki taśmowej można wykorzystać w pełni, jeśli nabywane są tylko taśmy o stwierdzonej wysokiej jakości.

**UWAGA:** Nadzwyczajne wyniki osiąga się, jeżeli po szlifowaniu taśmą szlifierską gruboziarnistą zastosować szlifierkę oscylacyjną.

## REGULACJA PRĘDKOŚCI TAŚMY (MBS 1100E)

Prędkość taśmy szlifierskiej można ustawiać płynnie obracając regulator elektroniczny (4) nawet w trakcie pracy. Prędkość optymalna taśmy szlifierskiej zależy od jej ziarnistości i obrabianego materiału, ustala się to doświadczalnie. Zalecane wartości prędkości podano na tablicy na str. 84.

## SZLIFOWANIE

1. Niniejsze elektronarzędzia są przeznaczone do szlifowania drewna, metalu, tworzywa sztucznego i innych tego rodzaju materiałów. Używane są głównie do szybkiego usuwania dużej ilości materiału. Nie używać tych elektronarzędzi do obróbki magnezu.
2. Upewnić się, że taśma została założona w sposób właściwy.
3. Włożyć wtyczkę przewodu zasilania do gniazda zasilania.
4. Ustawić niezbędną prędkość za pomocą regulatora elektrycznego (4) (tylko dla (MBS 1100E)). Prędkości maksymalnej odpowiada symbol G, a prędkości minimalnej - symbol A.  
Wydajność i jakość obrabianej powierzchni zależą od ziarnistości taśmy szlifierskiej i prędkości. Im większa prędkość, tym większa ilość materiału jest usuwana i tym gładziej jest obrabiana powierzchnia.
5. Nacisnąć wyłącznik i odczekać aż elektronarzędzie osiągnie prędkość maksymalną przed przystąpieniem do pracy.
6. Nacisnąć przycisk blokady dla pracy ciągłej.
7. Dotknąć elektronarzędziem materiał obrabiany stosując lekki nacisk. (Rys. 7)
8. Szlifować w kierunku układu struktury materiału stosując równoległe nakładające się ruchy.
9. W celu zdejmowania farby lub wygładzania bardzo

nierównego materiału drewnianego należy szlifować pod kątem 45° w obu kierunkach, następnie zakończyć posuwu w kierunku struktury materiału.

10. Stosować walek przedni tylko do szlifowania narożników i nieforemnych kształtów.
11. Odsunąć narzędzie z obrabianego materiału przed jego wyłączeniem.
12. Pamiętać, że należy trzymać ręce z dala od ruchomej taśmy szlifierskiej, ponieważ taśma nadal obraca się przez pewien czas, po wyłączeniu elektronarzędzia.
13. Zakładać okulary ochronne, słuchawki ochronne i maseczkę przeciwpyłową.

## ODPROWADZENIE PYŁU

1. Wyjąć wtyczkę przewodu zasilania z gniazda zasilania.
2. Szczelnie dokręcić końcówkę plastikową torebki na pył do końcówki odprowadzającej pył. (10). (Rys. 8)
3. Przed zdejmowaniem torebki na pył należy wyjąć wtyczkę przewodu zasilania z gniazda zasilania.



**OSTRZEŻENIE:** W celu optymalnego usuwania pyłu należy czyścić torebkę, gdy jest wypełniona do połowy. Nie używać torebki na pył podczas szlifowania metali. Gorące wióry metalowe mogą podpalić pył lub pozostałe w torebce cząsteczki drewniane.

**Czyszczenie torebki na pył:** Zdjąć i opróżnić torebkę, lekko przetrzepać dla usunięcia pyłu. Od czasu do czasu zdejmować torebkę i odwrócić na drugą stronę w celu wyszczotkowania i usunięcia pyłu z tkaniny posługującej się miękką szczotką.

4. Można zastosować adapter do podłączenia do domowego odkurzacza lub systemu odprowadzenia pyłu.
5. Adapter założyć na końcówkę odprowadzającą pył (10).

## PRACA ELEKTRONARZĘDZIEM W POZYCJI STACJONARNEJ (Rys. 9)

Niniejsze elektronarzędzie można zamontować nieruchomo na stole roboczym.

- Założyć podkładkę gumową (14) na stole roboczym zgodnie z napisem na niej. Nigdy nie montować elektronarzędzia na stole roboczym bez podkładki gumowej.
- Obrócić elektronarzędzie taśmą do góry i postawić w środku podkładki gumowej. Otwory montażowe (3) ustawić po stronie operatora.
- Przeprowadzić szpilki uchwytów (15) przez otwory montażowe (3).
- Za pomocą uchwytów (15) zamocować elektronarzędzie na stole roboczym.
- Dokręcić ręką uchwyty z nakrętkami skrzydełkowymi. Upewnić się, że uchwyty prawidłowo dokręcono, nie zakręcać nakrętek zbyt mocno.
- Upewnić się, że elektronarzędzie niezawodnie zamocowano do stołu roboczego przed uruchomieniem elektronarzędzia.

Za pomocą przycisku blokującego elektronarzędzie można używać w trybie pracy ciągłej.

## OSPRZĘT

**MBS 1100:** w dostawie taśma szlifierska o ziarnistości 80 (zamontowana); torebka na pył.

**MBS 1100E:** w dostawie taśma szlifierska o ziarnistości 80 (zamontowana); komplet 4 taśm (o ziarnistości 60 - 2 szt., o ziarnistości 80 - 1 szt., o ziarnistości 100 - 1 szt.), podkładka z elastomeru termoplastycznego, uchwyty do mocowania - 2 szt., torebka na pył.

## VII - Konserwacja



**OSTRZEŻENIE:** Zawsze wyłączać elektronarzędzie i wyjmować wtyczkę z gniazda sieci przed dokonywaniem jakichkolwiek zabiegów kontrolnych lub konserwacyjnych.

Sprawdzać regularnie, czy wkręty obudowy zostały mocno zakręcone. Przy długotrwałym użytkowaniu wkręty mogą ulec obluźwaniu na skutek drgań. Smarować regularnie wszystkie części ruchome.

### WYMIANA SZCZOTEK

W przypadku zużycia szczotek, obie szczotki należy wymienić jednocześnie na oryginalne szczotki w serwisie naprawczym SPARKY w ramach konserwacji gwarancyjnej i pogwarancyjnej.

### CZYSZCZENIE

Dla bezpiecznej pracy należy zawsze utrzymywać w czystości elektronarzędzie i otwory wentylacyjne.

Sprawdzać regularnie, czy w kracie wentylacyjnej blisko silnika elektrycznego lub w okolicy przełączników nie przedostał się pył lub ciała obce. Używać miękkiego pędzla do usuwania nagromadzonego pyłu. W celu ochrony oczu podczas czyszczenia zakładać okulary ochronne.

Gdy należy oczyścić korpus elektronarzędzia, wytrzeć go należy miękką nawilżoną ścierką. Można stosować także łagodny środek do mycia.



**OSTRZEŻENIE:** Nie wolno stosować spirytusu, benzyny lub innych rozpuszczalników. Nigdy nie stosować środków żrących do czyszczenia części plastikowych.



**OSTRZEŻENIE:** Nie wolno dopuścić do przedostania się wody do elektronarzędzia.

**UWAGA!** Dla zapewnienia bezpiecznej i niezawodnej pracy elektronarzędziem, wszystkie czynności naprawcze, konserwacyjne i nastawcze (w tym sprawdzenia i wymiany szczotek) należy dokonać w autoryzowanych serwisach SPARKY stosując tylko oryginalne części zamienne.

## VIII - Gwarancja

Okres gwarancji urządzeń SPARKY jest podany w karcie gwarancyjnej. Naturalne zużycie oraz uszkodzenia powstałe w wyniku przeciążenia lub niewłaściwej obsługi nie podlegają gwarancji.

Uszkodzenia wynikłe z wady materiałowej lub błędów produkcyjnych zostaną usunięte bezpłatnie w drodze naprawy lub wymiany urządzenia.

Reklamacje uszkodzonych urządzeń SPARKY zostaną rozpatrzone jeśli zostaną dostarczone w stanie w jakim stwierdzono wadę, nie rozmontowane, do autoryzowanego serwisu lub punktu sprzedaży.

## Informacja

Przeczytać uważnie całość niniejszej instrukcji obsługi przed użytkowaniem niniejszego sprzętu.

Narzędzia SPARKY są stale ulepszane w związku z tym otrzymany produkt może nieznacznie różnić się od tego ukazanego w niniejszej instrukcji. Producent zapewnia sobie prawo do wprowadzania zmian bez uprzedzenia. Specyfikacja może się różnić w zależności od kraju.

## Содержание

I - Введение .....	58
II - Технические данные .....	60
III - Общие указания по безопасности при работе с электроинструментами .....	61
IV - Дополнительные правила безопасности при работе ленточными шлифовальными машинами .....	62
V - Узнай больше о своем инструменте .....	A/63
VI - Указания по работе .....	63
VII - Техническое обслуживание .....	65
VIII - Гарантия .....	66

### РАСПАКОВКА

В соответствии с общепринятой технологией производства, мало вероятно, что Ваш электроинструмент неисправен или отсутствует какая-либо из его частей. Если вы заметите какие-либо несоответствия, не используйте электроинструмент до тех пор, пока его поврежденная часть не будет заменена или до устранения дефекта. Невыполнение этого требования может привести к серьезным увечьям.

### КОМПЛЕКТАЦИЯ

Ленточные шлифовальные машины поставляются в упакованном и полностью собранном виде, за исключением пылесборного мешка и адаптера для присоединения к пылесосу.

## I - Введение

Новоприобретенный Вами электроинструмент SPARKY превзойдет Ваши ожидания. Он произведен в соответствии с высокими стандартами качества SPARKY, отвечающими строгим требованиям потребителя. Его легко обслуживать и он безопасен при эксплуатации, при правильном использовании этот электроинструмент будет служить Вам долгие годы.

### ПРЕДОСТЕРЕЖЕНИЕ!



Прочтите внимательно и целиком инструкцию по эксплуатации перед использованием новоприобретенного электроинструмента SPARKY. Обратите специальное внимание на параграфы, обозначенным словом **“Предостережение”**. У Вашего электроинструмента SPARKY много качеств, которые облегчают работу. При разработке этого инструмента основное внимание было направлено на безопасность, эксплуатационные качества и надежность, которые облегчают его обслуживание и эксплуатацию.



### Не выбрасывайте электроинструменты вместе с бытовыми отходами!

Отходы от электрических изделий не следует собирать вместе с бытовыми отходами. Пожалуйста, рециклируйте в местах, предназначенных для этого. Свяжитесь с местными властями или представителем для консультации касательно рециклирования.



### ОХРАНА ОКРУЖАЮЩЕЙ СРЕДЫ

С учетом охраны окружающей среды электроинструмент, принадлежности и упаковка должны подвергнуться подходящей переработке для повторного использования содержащегося в них сырья. Для облегчения рециклирования деталей, произведенных из искусственных материалов, они обозначены соответствующим образом.

## ОПИСАНИЕ СИМВОЛОВ

На табличке с данными электроинструмента нанесены специальные символы. Они представляют собой важную информацию об использовании инструмента и его характеристиках.



Во время работы необходимо использовать предохранительные наушники



Двойная изоляция для дополнительной защиты



Электроника для предварительного выбора скорости



Подсоединение к пылесосу



Соответствие с европейскими стандартами безопасности



ME 77

Соответствует требованиям российским нормативным документам



045

Соответствует требованиям украинским нормативным документам



Ознакомьтесь с инструкцией по эксплуатации


YYYY-Www

Период производства, где переменные символы означают:  
YYYY - год производства, ww – очередная календарная неделя

MBS

ЛЕНТОЧНАЯ ШЛИФОВАЛЬНАЯ МАШИНА

## II - Технические данные

Модель:	MBS 1100	MBS 1100E
• Потребляемая мощность	1100 W	1200 W
• Скорость холостого хода	400 m/min	200-400 m/min
• Площадь шлифования	100 x 156 mm	100 x 156 mm
• Размеры ленты	100 x 610 mm	100 x 610 mm
• Вес (EPTA процедура 01/2003):	5,3 kg	5,3 kg
• Класс защиты (EN 60745) 	II	II
<b>Информация о шуме и вибрациях</b>		
• <b>Излучение шума</b> (значения измерялись в соответствии со стандартом EN 60745):		
A- взвешенный уровень звукового давления $L_{pA}$	95.5 dB(A)	95.5 dB(A)
Неопределенность $K_{pA}$	3 dB	3 dB
A- взвешенный уровень звуковой мощности $L_{WA}$	106.5 dB(A)	106.5 dB(A)
Неопределенность $K_{WA}$	3 dB	3 dB



**Используйте средства для защиты от шума!**

- **Излучение вибраций** (измерены в соответствии с п. 6.2.7 стандарта EN 60745-1):

*Сумма величин вибрации (сумма векторов по трем осям), измеренных в соответствии со стандартом EN 60745*

Величина излучаемых вибраций $a_n$	2.76 m/s <sup>2</sup>	2.76 m/s <sup>2</sup>
Неопределенность K	1.5 m/s <sup>2</sup>	1.5 m/s <sup>2</sup>

Указанный в настоящую инструкцию уровень вибраций измерен в соответствии с установленную EN 60745 методику испытаний и может использоваться для сравнения электроинструментов. Уровень вибраций может использоваться для предварительной оценки воздействия.

Указанный уровень вибраций дан при условии использования инструмента по его прямому назначению. В тех случаях, когда электроинструмент используется для других целей, с другими принадлежностями, уровень вибраций может отличаться от указанного. В этих случаях уровень воздействия может значительно возрасти в рамках общего периода работы.

Для точной оценки воздействия вибраций во время определенного периода работы необходимо учитывать промежутки времени, в которые электроинструмент выключен, либо хотя и включен, но фактически не используется. Это может существенно сократить воздействия вибраций в течение всего периода работы. Сохраняйте электроинструмент и его принадлежности в хорошем состоянии. Во время работы старайтесь сохранять руки теплыми - это поможет уменьшить вредное воздействие при работе с повышенной вибрацией.

Пыль материалов, как с краски с содержанием свинца, некоторых сортов древесины, минералов и металла может быть вредной для здоровья. Прикосновение к пыли и попадание пыли в дыхательные пути может вызвать аллергические реакции и/или заболевания дыхательных путей оператора или находящегося вблизи персонала.

Определенные виды пыли, как из дуба и бука, считаются канцерогенными, особенно, совместно с присадками для обработки древесины (хромат, средство для защиты древесины). Материал с содержанием асбеста разрешается обрабатывать только специалистам.

- По возможности применяйте отсос пыли.
- Для достижения максимально высокой эффективности собирания пыли при работе с данным электроинструментом, используйте пылесос, предназначенный для сбора пыли из древесины или для пыли из древесины и/или минеральной пыли.
- Следите за хорошей вентиляцией.
- Рекомендуется пользоваться дыхательной защитной маской с фильтром класса P2.

Соблюдайте действующие в Вашей стране предписания для обрабатываемых материалов.

### III - Общие указания по безопасности при работе с электроинструментами



**ПРЕДУПРЕЖДЕНИЕ!** Прочитайте все предупреждения и указания по безопасности. Несоблюдение предупреждений и указаний по безопасности может привести к поражению электрическим током, от пожара и/или серьезным ранениям.

Сохраните все предупреждения и указания для дальнейшего использования.

Термин “электроинструмент” во всех указанных ниже предупреждениях касается вашего электроинструмента, с питанием от сети (с кабелем) и/или электроинструмента с питанием от аккумуляторной батареи (без кабеля).

#### 1. БЕЗОПАСНОСТЬ РАБОЧЕГО МЕСТА

- Содержите рабочее место в чистоте и хорошо освещенным. Беспорядок и недостаточное освещение являются предпосылками трудовых инцидентов.
- Не работайте с электроинструментами во взрывоопасной атмосфере при наличии воспламеняющихся жидкостей, газов или пыли. Электроинструменты создают искры, которые могут воспламенить пыль или пары.
- Держите детей и посторонних лиц на расстоянии, когда работаете с электроинструментом. Рассеивание может привести к потере контроля с Вашей стороны.

#### 2. ЭЛЕКТРИЧЕСКАЯ БЕЗОПАСНОСТЬ

- Штепсель электроинструментов должны соответствовать контактным гнездам. Никогда не меняйте штепсель каким-либо способом. Не используйте какие-либо адаптерные штепселя для электроинструментов с защитным заземлением. Использование оригинальных штепселей и соответствующим им контактов уменьшает риск от удара электрическим током.
- Избегайте соприкосновения тела с землей или с заземленными поверхностями, такими как трубы, радиаторы, кухонные плиты и холодильники. Если ваше тело заземлено, существует повышенный риск поражения электрическим током.
- Не оставляйте электроинструменты под дождем или во влажной среде. Проникновение воды в электроинструменты повышает риск от поражения электрическим током.
- Используйте кабель по назначению. Никогда не используйте кабель для переноса электроинструмента, натягивания или отключения штепселя из контактного гнезда. Держите кабель далеко от тепла, масла, острых углов или движущихся частей. По-

врежденные или запутанные кабели повышают риск от поражений электрическим током.

- Во время наружной работы с электроинструментом используйте удлинитель, подходящий для этих целей. Использование удлинителя, предназначенного для внешних (наружных) работ, уменьшает опасность от поражения электрическим током.
- В случае, если работа с электроинструментом во влажной среде неизбежна, используйте предохранительное устройство, которое задействовано от остаточного тока для прерывания подачи тока. Использование предохранительного устройства уменьшает риск от поражения электрическим током.

#### 3. ЛИЧНАЯ БЕЗОПАСНОСТЬ

- Будьте бдительны, работайте с повышенным вниманием и проявляйте благоразумие, когда работаете с электроинструментом. Не используйте электроинструмент, когда вы устали или находитесь под влиянием наркотиков, алкоголя или медикаментов. Момент невнимания при работе с электроинструментом может привести к серьезной производственной травме.
- Используйте индивидуальные средства защиты. Носите всегда защитные очки. Индивидуальные средства защиты, такие как маска против пыли, нескользкая обувь, защитный шлем или средства для защиты слуха, используемые в конкретных условиях, снижают риск от производственных травм.
- Избегайте невольного пуска инструмента. Убедитесь, что выключатель находится в положении „выключено” перед включением к источнику питания и/или аккумуляторной батарее перед тем, как его возьмете в руки или переносите. Ношение электроинструмента с пальцем на выключателе или подключение к источнику питания электроинструмента с выключателем во включенном положении является предпосылкой для производственной травмы.
- Удалите каждый ключ для затягивания или гаечный ключ перед включением электроинструмента. Ключ для затягивания или гаечный ключ, прикрепленный к ввертящейся части электроинструмента, может привести к трудовому инциденту.
- Не перетягивайтесь. Поддерживайте правильное положение и равновесие в течение всей работы. Это позволит лучше управлять электроинструментом при неожиданных ситуациях.
- Носите подходящую рабочую одежду. Не носите широкую одежду или украшения. Держите свои волосы, одежду и перчатки далеко от движущихся частей. Широкая одежда, бижутерия или длинные волосы могут попасть в движущиеся части.
- Если электроинструмент снабжен приспособлением для пыли, убедитесь, что оно правильно установлено и правильно используются. Использование этих устройств может понизить связанные с пылью опасности.

#### 4. ЭКСПЛУАТАЦИЯ И УХОД ЗА ЭЛЕКТРОИНСТРУМЕНТАМИ

- a) Не перегружайте электроинструмент. Используйте правильно выбранный электроинструмент согласно его назначению. *Правильно подобранный электроинструмент работает лучше и безопасней для объявленного режима работы, для которого он спроектирован.*
- b) Не используйте электроинструмент в случае, если выключатель не переключается во включенное и исключенное положение. *Каждый электроинструмент, который не может управляться с помощью его выключателя, опасен и подлежит ремонту.*
- c) Отключите штепсель от электросети перед тем, как начать любые настройки, перед заменой принадлежностей или перед тем, как убрать электроинструмент для хранения. *Эти меры предосторожности снижают риск невольного пуска электроинструмента.*
- d) Сохраняйте неиспользованные электроинструменты в местах, недоступных для детей и не позволяйте обслуживающему персоналу, который не знаком с электроинструментом или инструкциями по эксплуатации, работать с ним. *Электроинструменты являются опасными в руках необученных потребителей.*
- e) Проверяйте электроинструменты. Проверяйте, работают ли нормально и движутся ли свободно движущиеся части, находятся ли в целости и исправности части, а также проверяйте все прочие обстоятельства, которые могут неблагоприятно повлиять на работу электроинструмента. Если он поврежден, электроинструмент необходимо отремонтировать перед его дальнейшим использованием. *Много инцидентов происходят от плохо обслуженных электроинструментов.*
- f) Поддерживайте режущие инструменты острыми и чистыми. *Правильно поддержанные режущие инструменты с острыми режущими углами режут блокируются и проще управляются.*
- g) Используйте электроинструмент, принадлежности и части инструмента и т.д. в соответствии с этими инструкциями и способом, предусмотренным для конкретного типа электроинструмента, имея в виду рабочие условия и работу, которую необходимо выполнять. *Использование электроинструмента для работы не по назначению может привести к опасной ситуации.*

#### 5. ОБСЛУЖИВАНИЕ

- a) Ремонтируйте ваш электроинструмент у квалифицированного специалиста по ремонту, при этом используйте только оригинальные запасные части. *Это обеспечивает сохранение безопасности электроинструмента.*

## IV - Дополнительные правила безопасности при работе с ленточными шлифовальными машинами

- Держите электроинструмент за изолированные поверхности для захвата, так как шлифовальная лента может зацепить свой собственный питающий шнур. *Резка токоведущего провода ставит под напряжение металлические части электроинструмента и может привести к поражению оператора электрическим током.*
- Всегда носите защитные очки и наушники, используйте пылезащитную маску и перчатки.
- Всегда выключайте электроинструмент из розетки перед выполнением ремонта, настройки или замены наждачной бумаги.
- Во время работы всегда держите инструмент крепко обеими руками и поддерживайте стабильное положение тела. *Электроинструмент направляется более безопасно, если его держать обеими руками.*
- Используйте машину только для сухого шлифования. *Проникновение воды в машину повышает риск удара электрическим током.*
- Не работайте с изношенными, порванными или забитыми пылью шлифовальными лентами. *Поврежденные шлифовальные ленты могут порваться, выскочить наружу и нанести травму человеку.*
- Для предотвращения возможного перегрева, всегда полностью разматывайте удлинительный кабель с барабана.
- В случае необходимости использования удлинителя, убедитесь, что его сечение соответствует номинальному току используемого электроинструмента, а также и в исправности удлинителя.
- Держите кабель вне рабочего диапазона машины.
- После продолжительной работы наружные металлические части и принадлежности могут раскаляться.
- По возможности всегда используйте зажимы или тиски для закрепления обрабатываемого материала.
- Подводите электроинструмент к обрабатываемому материалу только после включения электроинструмента и выключайте его после того, как отстраните его от материала.
- Всегда выключайте электроинструмент из сети перед тем, как оставить его.
- Прилагайте слабое давление при работе. Собственный вес электроинструмента достаточен для достижения хорошей производительности. Чрезмерное давление не увеличивает производительности, а приводит к перегреву электродвигателя и интенсивному изнашиванию ленты.
- Пыль, выделяемая при обработке материалов,



содержащих кварц (диоксид кремния), вреден для здоровья. Не обрабатывать материалы, содержащие асбест.

- При шлифовании древесины всегда используйте мешочек для пыли или систему пылеотвода.
- Перед тем, как использовать электроинструмент для обработки металла всегда удаляйте мешочек для пыли, поскольку искры могут воспламенить пыль или мешочек.
- Не прикасайтесь к движущейся ленте.
- Убедитесь в том, что устранены все инородные тела, напр., гвозди и винты из обрабатываемого материала, перед тем, как приступить к работе.
- Никогда не оставляйте тряпки, кабели, веревки и другие подобные предметы возле рабочего места.



**ПРЕДУПРЕЖДЕНИЕ:** Перед включением электроинструмента в сеть электропитания (розетка, патрон, гнездо) убедитесь в том, что сетевое напряжение соответствует указанному на табличке электроинструмента. Сетевое напряжение, превышающее номинальное, может привести к серьезным травмам пользователя, а также к повреждению машины.

- Если Вы не уверены в величине напряжения, не включайте электроинструмент.
- Если напряжение ниже номинального, электродвигатель выйдет из строя.
- Электроинструмент следует использовать только по назначению. Любое другое использование, кроме описанного в настоящей инструкции, будет считаться неправильным использованием. Ответственность за любое повреждение или травму, возникающие в результате неправильного использования, будет нести потребитель, а не производитель.
- Для правильной эксплуатации данного электроинструмента необходимо соблюдать правила безопасности, общие инструкции и указания по работе, содержащиеся в настоящей инструкции. Все пользователи должны ознакомиться с этой инструкцией по эксплуатации и информированы о потенциальных рисках при работе с электроинструментом. Дети и физически слабые лица не должны использовать электроинструмент. Дети должны находиться под постоянным наблюдением, если они находятся вблизи места, где работают с электроинструментом. Обязательно следует принимать и превентивные меры безопасности. То же самое касается и соблюдения основных правил охраны профессионального здоровья и безопасности.
- Производитель не несет ответственности за внесенные пользователем изменения в электроинструмент или за повреждения, вызванные подобными изменениями. Даже если электроинструмент используется по назначению, невозможно пренебречь всеми остаточными факторами риска. Перечисленные ниже опасности могут возникнуть в связи с конструктивными

особенностями и дизайном электроинструмента.

- Повреждение легких, если не носить защитную маску.
- Повреждение слуха, если не носить наушники.
- Электроинструмент не следует использовать на открытых площадках в дождливую погоду, во влажной среде (после дождя) или вблизи легко возгорающихся жидкостей и газов. Рабочее место должно быть хорошо освещено.

## V - Знакомство с электроинструментом

Перед тем, как начать работать с ленточной шлифовальной машиной, ознакомьтесь со всеми эксплуатационными особенностями и условиями безопасности.

Используйте электроинструмент и его принадлежности только по назначению. Любое другое применение категорически запрещается

1. Пылесборный мешок
2. Крышка держателя щетки
3. Монтажные отверстия
4. Электронный регулятор скорости (MBS 1100E)
5. Передняя рукоятка
6. Рычаг натяжения шлифовальной ленты
7. Индикатор направления вращения ленты
8. Приводной ролик
9. Выключатель
10. Наконечник пылеотвода
11. Кнопка стопорения
12. Основная рукоятка
13. Регулятор позиционирования шлифовальной ленты на ролики
14. Прокладка из термопластичного эластомера
15. Скобы захвата

## VI - Указания по работе

Эти электроинструменты питаются однофазным переменным напряжением. Они оснащены двойной изоляцией в соответствии с EN 60745 и IEC 60745 и могут включаться в розетки без защитных клемм. Радиопомехи соответствуют Директиве по электромагнитной совместимости 2004/108/ЕС.

### ПЕРЕД НАЧАЛОМ РАБОТЫ



**ПРЕДУПРЕЖДЕНИЕ:** Проверьте, соответствует ли напряжение электрической сети напряжению, указанному на табличке с техническими данными электроинструмента.

- Проверьте положение выключателя. Электроинструмент следует подключать и выключать из сети питания только при выключенном выключателе. Если Вы вставите штепсель в розетку, когда выключатель находится в положении «включено», электроинструмент сразу же придет в дей-

ствие, что является предпосылкой несчастного случая.

- Убедитесь в исправности кабеля питания и штепселя. Если кабель питания поврежден, замена должна проводиться производителем или его сервисным специалистом, во избежание опасностей от замены.

## ЗАПУСК / ОСТАНОВКА

**Кратковременное приведение в действие:** (Рис. 1)

Запуск: Нажать выключатель (9).

Остановка: Отпустить выключатель (9).

**Продолжительная работа:** (Рис. 2)

Запуск: Нажать выключатель (9) и застопорить в зажатом состоянии с помощью кнопки (11).

Остановка: Нажать выключатель (9) один раз и сразу отпустить.

## УСТАНОВКА ШЛИФОВАЛЬНОЙ ЛЕНТЫ



**ПРЕДУПРЕЖДЕНИЕ:** Выключите электроинструмент и извлеките штепсель кабеля питания из розетки.

1. Оттяните рычаг натяжения ленты (6) и извлеките старую ленту. (Рис. 3)
2. Проверьте, легко ли вкладывается новая лента и не изношена ли она по краям.
3. Направление стрелки на внутренней стороне шлифовальной ленты должно совпадать с направлением стрелки на корпусе шлифовальной машины. (Рис. 4)
4. Верните рычаг (6) в первоначальное положение. (Рис. 5)
5. Вставьте штепсель в розетку, и крепко удерживая электроинструмент, включите его. Оставьте шлифовальную ленту вращаться некоторое время.
6. Пока лента движется, используйте регулятор (13), чтобы установить ленту в середине ролика (8). (Рис. 6)
7. Повторяйте эти действия до тех пор, пока лента не будет правильно подравнена.
8. Включите электроинструмент, чтобы убедиться в правильной настройке.



**ПРЕДУПРЕЖДЕНИЕ:** Не используйте электроинструмент, если лента изношена или повреждена.



**ПРЕДУПРЕЖДЕНИЕ:** Не допускается шлифование древесины и металла одной и той же лентой. Частицы металла забиваются в ленту и могут повредить поверхность древесины.

## ВЫБОР ЛЕНТЫ

1. В специализированных магазинах можно приобрести различные виды шлифовальных лент: крупнозернистую (зернистость 40), среднезернистую (зернистость 80 и 100) и мелкозернистую (зернистость 120).
2. Используйте крупнозернистую ленту для грубой обработки, среднезернистую – для более мелкого заглаживания, а мелкозернистую – для отделочных работ.
3. Лучше всего выполнить пробное шлифование, чтобы определить оптимальную степень, которая необходима для конкретной работы.
4. Чтобы полностью воспользоваться преимуществами ленточно-шлифовальной машины, всегда приобретайте ленты доказанного высокого качества.

**ПРИМЕЧАНИЕ:** После шлифования с помощью ленточно-шлифовальной машины, используйте виброшлифовальную машину для получения идеальных результатов.

## РЕГУЛИРОВАНИЕ СКОРОСТИ ЛЕНТЫ (MBS 1100E)

Скорость ленты можно задать плавно посредством вращения электронного регулятора (4) даже во время работы.

Оптимальная скорость ленты зависит от ее зернистости и обрабатываемого материала и определяется экспериментально. Рекомендуемые показатели скорости указаны в таблице на стр. 84.

## ШЛИФОВАНИЕ

1. Эти электроинструменты предназначены для шлифования древесины, металла, пластмассы и других подобных материалов. Они используются главным образом для быстрого удаления большого количества материала. Не использовать эти машины для обработки магния.
2. Убедитесь в том, что лента хорошо вставлена.
3. Вставьте штепсель кабеля питания в розетку.
4. Задайте необходимую скорость посредством электронного регулятора (4) (только для (MBS 1100E). Максимальная скорость соответствует символу G, а минимальная - символу A. Производительность и качество обрабатываемой поверхности зависят от зернистости ленты и скорости. Чем выше скорость, тем больше количество удаляемого материала и тем более гладкой становится обрабатываемая поверхность.
5. Нажмите выключатель и подождите, пока электроинструмент достигнет максимальной скорости перед началом работы.
6. Нажмите на кнопку стопорения, если желаете работать продолжительно.
7. Подведите машину к обрабатываемому материалу и слегка надавите. (Рис. 7)
8. Шлифуйте вдоль структуры материала параллельными движениями.
9. Для удаления краски или зашлифовки очень неровной древесины шлифуйте под углом 45°



в оба направления, после чего завершите движениями вдоль структуры материала.

- Используйте передний ролик только для шлифования углов и неправильных форм..
- Удалите инструмент от обрабатываемого материала перед тем, как выключить его.
- Не забывайте, что следует держать руки вдали от движущейся ленты, поскольку она продолжит свое вращение в течение некоторого времени после выключения машины.
- Носите защитные очки, наушники и пылезащитную маску.

## ПЫЛЕОТВОД

- Удалите штепсель кабеля питания из розетки.
- Плотно вставьте пластмассовый наконечник пылесборного мешка в патрубок пылеотвода (10). (Рис. 8)
- Перед тем, как снять пылесборный мешок, удалите штепсель кабеля питания из розетки.



**ПРЕДУПРЕЖДЕНИЕ:** Для оптимального удаления пыли опорожняйте мешок когда он наполнен наполовину. Не используйте пылесборный мешок при шлифовании металла. Горячие частицы металла могут вызвать возгорание пыли или оставшихся в мешке частиц древесины.

**Очистка мешка для пыли:** Снимите и опорожните мешок, мягко похлопывая, чтобы удалить пыль. Время от времени снимайте мешок и выворачивайте его наизнанку, чтобы удалить пыль с ткани с помощью мягкой щетки.

- Можете использовать адаптер для подключения к бытовому пылесосу или к системе пылеотвода.
- Адаптер вставляется в патрубок пылеотвода (10).

## РАБОТА С МАШИНОЙ В СТАЦИОНАРНОМ ПОЛОЖЕНИИ (Рис. 9)

Эта машина может неподвижно закрепляться к рабочему столу.

- Положите резиновую прокладку (14) на рабочую поверхность, следуя инструкциям, указанным на ней. Никогда не устанавливайте машину на рабочем столе без резиновой прокладки.
- Переверните машину лентой вверх и поставьте ее в середину резиновой прокладки. Монтажные отверстия (3) должны находиться со стороны оператора.
- Вставьте шпильки скоб (15) в монтажные отверстия (3).
- С помощью скоб (15) прикрепите машину к рабочему столу.
- Затяните ручную скобы крыльчатыми гайками. Убедитесь в том, что скобы затянуты правильно, но не затягивайте их чрезмерно.
- Убедитесь в том, что машина надежно прикреплена к рабочему столу перед тем, как включить ее.

Используя кнопку стопорения можете эксплуатировать машину в режиме продолжительной работы.

## ПРИНАДЛЕЖНОСТИ

**MBS 1100:** на машине установлена шлифовальная лента с зернистостью 80, мешок для сбора пыли.

**MBS 1100E:** на машине установлена шлифовальная лента с зернистостью 80, комплект 4 шлифовальных лент (зернистость 60 - 2 шт., зернистость 80 - 1 шт., зернистость 100 - 1 шт.), прокладка из термомпластичного эластомера, скобы захвата - 2 шт., мешок для сбора пыли.

## VII - Техническое обслуживание



**ПРЕДУПРЕЖДЕНИЕ:** Всегда выключайте электроинструмент и удаляйте штепсель из розетки перед проведением любой проверки или обслуживания.

Регулярно следите за тем, чтобы винты корпуса были плотно затянуты. При продолжительном использовании винты могут расслабиться от вибраций.

Регулярно смазывайте все движущиеся части.

## ЗАМЕНА ЩЕТОК

Если щетки изношены, следует заменить обе щетки одновременно оригинальными щетками в сервисе SPARKY, предоставляющем гарантийное и внегарантийное техническое обслуживание.

## ОЧИСТКА

В целях безопасной работы постоянно поддерживайте чистыми электроинструмент и вентиляционные отверстия.

Регулярно проверяйте, не проникли ли пыль и инородные тела в вентиляционную решетку около электродвигателя или около переключателей. Используйте мягкую щетку для устранения накопившейся пыли. Для защиты глаз во время чистки носите защитные очки. Если корпус электроинструмента нуждается в чистке, удалите с него пыль влажной тряпкой. Можно использовать слабый моющий препарат.



**ПРЕДУПРЕЖДЕНИЕ:** Не допускается использование спирта, бензина или других растворителей. Никогда не используйте разъедающие препараты для чистки пластмассовых частей.



**ПРЕДУПРЕЖДЕНИЕ:** Не допускается попадания воды в электроинструмент.



**ВАЖНО:** Чтобы обеспечить безопасную работу с электроинструментом и его надежность, все мероприятия по ремонту, техническому обслуживанию и регулированию (в том числе проверка и замена щеток) должны выполняться в авторизованных сервисах SPARKY с использованием только оригинальных запасных частей.

## VIII - Гарантия

---

Гарантийный срок электроинструментов SPARKY указан в гарантийной карте.

Неисправности, появившиеся в результате естественного изнашивания, перегрузки или неправильной эксплуатации, не входят в гарантийные обязательства.

Неисправности, появившиеся вследствие применения некачественных материалов и/или из-за производственных ошибок, устраняются без дополнительной оплаты путем замены или ремонта.

Рекламации дефектного электроинструмента SPARKY принимаются в том случае, если машина будет возвращена поставщику, или специализированному гарантийному сервису в не разобранном (первоначальном) состоянии.

## Замечания

---

Внимательно прочитайте всю инструкцию по эксплуатации перед тем, как использовать это изделие.

Производитель сохраняет за собой право вносить в свои изделия улучшения и изменения, а также изменять спецификации без предупреждения.

Спецификации для разных стран могут различаться.

## Зміст

I – Введення.....	67
II – Технічна специфікація.....	69
III – Загальні вказівки з техніки безпеки при роботі електроінструментів.....	70
IV – Додаткові правила безпеки при роботі з стрічковою шліфувальною машиною.....	71
V – Знайомство з електроінструментом.....	A/72
VI – Вказівки по роботі.....	72
VII – Підтримка.....	74
VIII – Гарантія.....	74

### РОЗПАКУВАННЯ

Електроінструмент поставляється укомплектованим, у справному вигляді. У разі виявлення невідповідностей не рекомендуємо використовувати інструмент до тих пір, поки виявлений дефект не буде усунуто. Невиконання цієї рекомендації може стати причиною травми.

### ЗБІРКА

Стрічкова шліфувальна машина, упакована в коробку, поставляється в зібраному вигляді, за винятком за винятком пилосбірника і вакуумного адаптера.

## I - Введення

Придбаний Вами електроінструмент SPARKY перевершить Ваші очікування. Він зроблений у відповідності до високих стандартів якості SPARKY, що відповідають суворим вимогам споживача. Його легко обслуговувати і він безпечний при експлуатації, при правильному використанні цей електроінструмент буде служити Вам довгі роки.



#### ЗАСТЕРЕЖЕННЯ!

Прочитайте уважно і цілком інструкцію з експлуатації, перед використанням новопридбаного електроінструменту SPARKY. Зверніть спеціальну увагу на параграфи, позначених словом "Застереження". У Вашого електроінструменту SPARKY багато якостей, які полегшують роботу. При розробці цього інструменту основну увагу було направлено на безпеку, експлуатаційні якості і надійність, які полегшують його обслуговування і експлуатацію.



#### Не викидайте електроінструменти разом з побутовими відходами!

Відходи від електричних виробів не варто збирати разом з побутовими відходами. Будь ласка, викидайте в місцях, призначених для цього. Зв'яжіться з місцевою владою або представником для консультації щодо повторної переробки.



#### ОХОРОНА НАВКОЛИШНЬОГО СЕРЕДОВИЩА

З урахуванням охорони навколишнього середовища електроінструмент, приналежності й упаковки повинно надати відповідній переробці для повторного використання сировини, що міститься в них. Для полегшення повторної переробки деталей, зроблених з штучних матеріалів, вони позначені відповідним чином.

## ОПИС СИМВОЛІВ

На таблиці з даними електроінструменту нанесені спеціальні символи. Вони являють собою важливу інформацію про використання інструмента і його характеристики.



Користуйтеся захистними навушниками



Подвійна ізоляція для додаткового захисту



Електроніка для установки числа обертів



Підключення пиłosоса



Відповідність європейським стандартам безпеки



ME 77

Відповідність вимогам російських нормативних документів



045

Відповідність вимогам українських нормативних документів



Ознайомтесь з інструкцією для користування

YYYY-Www

Термін виробництва, де змінними символами є:  
YYYY - рік випуску, ww – черговий календарний тиждень

**MBS**

**СТРІЧКОВА ШЛІФУВАЛЬНА МАШИНА**

## II - Технічна специфікація

Модел:	MBS 1100	MBS 1100E
• Споживана потужність	1100 W	1200 W
• Число оборотів холостого ходу	400 m/min	200-400 m/min
• Шліфувальна площа	100 x 156 mm	100 x 156 mm
• Розміри стрічки	100 x 610 mm	100 x 610 mm
• Вага (ЕРТА процедура 01/2003):	5,3 kg	5,3 kg
• Клас захисту (EN 60745) 	II	II

### ІНФОРМАЦІЯ ПРО ШУМ І ВІБРАЦІЇ

#### • Рівень шуму (Значення виміряні відповідно до EN 60745):

A- зважений рівень звукового тиску $L_{pA}$	95.5 dB(A)	95.5 dB(A)
Невизначеність $K_{pA}$	3 dB	3 dB
A-зважений рівень звукової потужності $L_{WA}$	106.5 dB(A)	106.5 dB(A)
Невизначеність $K_{WA}$	3 dB	3 dB



**Використовуйте засоби захисту від шуму!**

#### • Рівень вібрацій (Значення виміряні відповідно до п. 6.2.7 EN 60745-1):

*Загальний показник вібрацій (векторна сума по трьох осях) згідно з EN 60745*

Показник вібрацій $a_n$	2.76 m/s <sup>2</sup>	2.76 m/s <sup>2</sup>
Невизначеність K	1.5 m/s <sup>2</sup>	1.5 m/s <sup>2</sup>

\* Вказаний в інструкції рівень вібрацій виміряний відповідно до встановлених EN 60745 методик випробувань, і може використовуватися для порівняння електроінструментів. Рівень вібрацій може використовуватися для попередньої оцінки впливу.

Зазначений рівень вібрацій надано за умови використання інструменту за його прямим призначенням. У тих випадках, коли електроінструмент використовується для інших цілей, з іншими речами, рівень вібрацій може відрізнятися від зазначеного. У цих випадках рівень впливу може значно зрости в рамках загального періоду роботи.

Для точної оцінки впливу вібрацій, під час певного періоду роботи необхідно враховувати проміжки часу, в які електроінструмент вимкнено, або хоча і включений, але фактично не використовується. Це може істотно скоротити вплив вібрацій протягом всього періоду роботи.

Зберігайте електроінструмент і його речі в гарному стані. Під час роботи намагайтеся зберігати руки теплими - це допоможе зменшити шкідливий вплив при роботі з підвищеною вібрацією.

Пил матеріалів, наприклад - фарби з вмістом свинцю, деяких сортів деревини, мінералів і металу може бути шкідливим для здоров'я. Дотик до пилу і потрапляння пилу в дихальні шляхи може викликати алергічні реакції та / або захворювання дихальних шляхів оператора або персоналу, що знаходиться поблизу.

Певні види пилу, наприклад, з дуба та бука, вважаються канцерогенними, особливо, спільно з присадками для обробки деревини (хромат, засіб для захисту деревини, тощо). Матеріал з вмістом азбесту дозволяється обробляти тільки фахівцям.

- По можливості застосовуйте відсмоктування пилу.
- Для досягнення максимально високої ефективності збирання пилу при роботі з даним приладом, використовуйте пиросос, призначений для збору пилу з деревини або для пилу з деревини та / або мінерального пилу.
- Слідкуйте за хорошою вентиляцією.
- Рекомендується користуватися дихальною захисною маскою з фільтром класу P2.

Дотримуйтесь розпорядження щодо оброблюваних матеріалів, що діють у Вашій країні.

### III - Загальні вказівки з безпеки при роботі з електроприладами



**ЗАСТЕРЕЖЕННЯ!** Прочитайте всі **ЗАСТЕРЕЖЕННЯ** і вказівки з безпеки. *Недодержання попереджень і вказівок з безпеки може призвести до ураження електричним струмом, пожежі та / або важкого поранення.* Збережіть всі **ЗАСТЕРЕЖЕННЯ** та вказівки для подальшого використання.

Термін "електроприлад" у всіх зазначених нижче **ЗАСТЕРЕЖЕННЯХ** стосується вашого електроприладу, з живленням від мережі (з кабелем), та / або електроприладу з живленням від акумуляторної батареї (без кабелю).

#### 1. БЕЗПЕКА РОБОЧОГО МІСЦЯ

- Утримайте робоче місце в чистоті і добре освітленим. Безлад і недостатнє освітлення є передумовою виникнення трудових інцидентів.
- Не працюйте з електроприладами у вибухонебезпечній атмосфері при наявності займистих рідин, газів або пилу. Електроприлади створюють іскри, що можуть займати пил або пар.
- Тримайте дітей та сторонніх осіб на відстані, коли працюєте з електроприладом. Розсіювання уваги може призвести до втрати контролю з Вашого боку.

#### 2. ЕЛЕКТРИЧНА БЕЗПЕКА

- Штепселі електроприладів повинні відповідати контактним гніздам. Ніколи не змінюйте штепсель у будь-який спосіб. Не використовуйте будь-які адаптерні штепселі для електроприладів із захисним заземленням. Використання оригінальних штепселів і відповідних їм контактів зменшує ризик удару електричним струмом.
- Уникайте дотику тіла з землею або заземленими поверхнями, такими як труби, радіатори, кухонні плити та холодильники. Якщо ваше тіло заземлене, існує підвищений ризик ураження електричним струмом.
- Не залишайте електроприлади під дощем або у вологому середовищі. Проникнення води в електроприлади підвищує ризик ураження електричним струмом.
- Використовуйте кабель за призначенням. Ніколи не використовуйте кабель для перенесення електроприладу, натягування або відключення штепселя з контактної гнізда. Тримайте кабель далеко від тепла, олії, гострих кутів, що рухаються. Пошкоджені або заплутані кабелі підвищують ризик поразок електричним струмом.
- Під час зовнішніх робіт використовуйте по-

довжувач, що підходить для цих цілей. Використання подовжувача, призначеного для зовнішніх робіт, зменшує небезпеку від ураження електричним струмом.

- У випадку, якщо робота з електроприладом у вологому середовищі неминуча, використовуйте запобіжні пристрій, який робить на залишковому струмі для переривання подачі струму. Використання запобіжного пристрою зменшує ризик ураження електричним струмом.

#### 3. ОСОБИСТА БЕЗПЕКА

- Будьте пильні, працюйте з підвищеною увагою і проявляйте розсудливість, коли працюєте з електроприладом. Не використовуйте електроприлад, коли ви стомлені, або під впливом наркотиків, алкоголю, медикаментів, тощо. Одна мить неувваги при роботі з електроприладом може призвести до серйозної виробничої травми.
  - Використовуйте індивідуальні засоби захисту. Носіть завжди захисні окуляри. Індивідуальні засоби захисту, такі як маска проти пилу, неслизьке взуття, захисний шолом або засоби для захисту слуху, що використовуються в конкретних умовах, знижують ризик виникнення виробничих травм.
  - Уникайте мимовільного пуску інструменту. Переконайтеся, що вимикач знаходиться в положенні "вимкнено" перед включенням в джерело живлення та / або акумуляторної батареї, перед тим, візьмете в руки або перенесите. Носіння електроприладу з пальцем на вимикачі або підключення до джерела живлення електроінструменту з вимикачем у включеному положенні є передумовою для виробничої травми.
  - Видаліть кожен гайковий ключ перед включенням електроприладу. Ключ для затягування або гайковий ключ, прикріплений до частини електроприладу, що обертається, може призвести до трудового інциденту.
  - Не простягайтесь занадто. Підтримуйте правильне положення і рівновагу протягом всієї роботи. Це дозволяє краще керувати електроприладом у несподіваних ситуаціях.
  - Носіть придатний одяг. Не носіть широкий одяг або прикраси. Тримайте своє волосся, одяг і рукавички далеко від рухомих частин. Широкий одяг, біжутерія та довге волосся можуть потрапити в рухомі частини.
  - Якщо електроприлад має пристосування для пилу, переконайтеся, що воно правильно встановлено і правильно використовується. Використання цих пристроїв може знизити пов'язані з пилом небезпеки.
- #### 4. ЕКСПЛУАТАЦІЯ І ДОГЛЯД ЗА ЕЛЕКТРОПРИЛАДАМИ
- Не первантажуйте електроприлад. Використовуйте правильно вибраний електроприлад згідно з його призначенням. Правильно підібраний електроприлад працює краще і безпечніше



для оголошеного режиму роботи, для якого він спроектований.

- b) Не використовуйте електроприлад у випадку, якщо вимикач не переходить у включену і виключену позицію. Кожен електроприлад, який не може управлятися за допомогою вимикача, є небезпечним і підлягає ремонту.
- c) Вимкніть штепсель від електромережі перед тим, як почати будь-які налаштування, перед заміною приладдя або перед тим, як прибрати електроприлад для зберігання. Ці запобіжні заходи знижують ризик мимовільного пуску електроприладу.
- d) Зберігайте невикористані електроприлади в місцях, недоступних для дітей, і не дозволяйте користуватися ним обслуговуючому персоналу, який не знайомий з електроприладом або інструкціями з експлуатації. Електроприлади є небезпечними в руках ненавчених споживачів.
- e) Перевіряйте електроприлади. Перевіряйте, чи працюють нормально і рухаються вільно рухомі частини, чи знаходяться в цілості і справності усі частини, а також перевіряйте всі інші обставини, які можуть негативно вплинути на роботу електроприладу. У разі ушкоджень електроприлад необхідно відремонтувати перед його подальшим використанням. Багато інцидентів заподіюються у випадку поганого обслуговування електроприладів.
- f) Підтримуйте ріжучі інструменти гострими і чистими. Правильно підтримані ріжучі інструменти з гострими кутами рідше блокуються і простіше управляються.
- g) Використовуйте електроприлад, приналежності (комплектуючі) і частини інструменту і т.д. відповідно до цих інструкцій та у засіб, передбачений для конкретного типу електроприладу, маючи на увазі робочі умови і роботу, яку необхідно виконувати. Використання електроприладу для роботи не за призначенням може призвести до небезпечної ситуації.

## 5. ТЕХНІЧНЕ ОБСЛУГОВУВАННЯ

- a) Ремонтуйте ваш електроприлад у кваліфікованого фахівця з ремонту, при цьому використовуйте тільки оригінальні запасні частини. Це забезпечує безпеку електроприладу.

## IV - Додаткові правила безпеки при роботі з стрічковою шліфувальною машиною

- Тримайте електроінструмент за призначені для цього ізольовані частини, тому що стрічка може стикнутися з власним шнуром. Якщо шнур, що знаходиться під напругою, буде зрізаний, усі неізольовані металеві частини елек-

троприладу будуть знаходитися під напругою і оператор отримає удар електричним струмом.

- Завжди надягайте захисні окуляри та засоби захисту слуху, використовуйте респіратор і рукавички.
- Завжди відключайте живлення від розетки, перш ніж проводити ремонт, регулювання або заміну наждаку.
- Під час роботи тримайте машину обома руками і зберігайте стабільну позу. Машина керується безпечно, коли її тримають обома руками.
- Використовуйте машину тільки для сухого шліфування. Вода, що потрапляє в машину, підвищує ризик ураження електричним струмом.
- Не використовуйте зношені, порвані або набиті пилом шліфувальні стрічки. Пошкоджені шліфувальні стрічки можуть порватися, вискочити назовні і нанести ушкодження оператору.
- Щоб уникнути перегріву, завжди до кінця розкручуйте шнур подовжувача з барабана.
- При використанні подовжувача переконайтеся в тому, що його перетин відповідає номінальному електричному струму електроінструменту, а також переконайтеся в справності подовжувача.
- Тримайте електричний шнур за межами робочої зони цього інструменту.
- При тривалій роботі зовнішні металеві частини і насадки можуть перегреться.
- Якщо можливо, завжди користуйтеся лещатами або менгема для фіксації оброблюваного матеріалу.
- Електроінструмент слід підносити до оброблюваного матеріалу тільки після того, як ви включили електроінструмент, а вимкати його необхідно після того, як його вийняли з оброблюваного матеріалу.
- Завжди вимикайте цей електроінструмент перед тим, як відкласти його в сторону.
- Під час роботи застосовуйте невеликий натиск. Власна вага електроінструменту достатня для гарної продуктивності. Надмірний тиск не збільшує продуктивність, а веде до перегріву електродвигуна і зношування стрічки.
- Пил, що виділяється при обробці матеріалів, що містять кварц (двоокис силіцію), шкідливий для здоров'я. Не обробляйте матеріали, що містять асбест.
- При шліфуванні деревини, завжди використовуйте мішечок для пилу або систему видалення пилу.
- Перед тим, як використовувати електроінструмент для обробки металу, завжди демонтуйте мішечок для пилу (пилосбірник), тому що іскри можуть запалити пил або мішечок.
- Не торкайтеся стрічки під час руху.
- Перед початком роботи переконайтеся в тому, що ви видалили з оброблюваного матеріалу все чужорідні тіла (наприклад, цвяхи або болти).
- Ніколи не залишайте поблизу робочого місця ганчірки кабелі, мотузки та інші подібні предмети.



**ПОПЕРЕДЖЕННЯ:** Перед тим, як включити електроінструмент в електромережу (контакт, розетку і ін.) переконайтеся в тому, що електрична напруга відповідає вказаному на таблиці електроприладу. Електрична напруга вище номінальної може пошкодити машину та спричинити серйозні травми споживача.

- В разі, якщо ви не впевнені в електричній нарузі, не вмикайте електроприлад.
  - В разі, якщо напруга нижче номінальної, електродвигун буде пошкоджений.
  - Електроінструмент необхідно використовувати тільки за призначенням. Будь-яке інше застосування, розрізнявальне від описаного в цій інструкції, вважається неправильним застосуванням. Відповідальність за пошкодження або поранення, що виникли в результаті неправильного застосування, несе споживач, а не виробник.
  - Для правильної експлуатації цього електроінструменту необхідно дотримуватися правил безпеки, загальних інструкцій та вказівок по роботі, зазначених в цій інструкції. Всі споживачі повинні ознайомитися з даною інструкцією для експлуатації та бути поінформованими про можливі ризики при використанні електроінструменту. Діти та фізично слабкі люди не повинні використовувати цей електроінструмент. Діти, що знаходяться поблизу зони робіт електроінструмента, повинні перебувати під постійним наглядом. Необхідно вжити і превентивні мірки безпеки. Також, необхідно дотримуватися основних правил професійного здоров'я і безпеки.
  - Виробник не несе відповідальності за внесені споживачем зміни в електроінструмент, або за пошкодження, викликані цими змінами
- Навіть тоді, коли цей електроінструмент використовується за призначенням, неможливо елімінувати всі фактори ризику. Перераховані далі небезпеки можуть виникнути у зв'язку з конструктивними особливостями і дизайном електроінструмента:
- Пошкодження легких, якщо не використовується захисна маска.
  - Пошкодження слуху, якщо не використовуються антифони (засоби захисту слуху).
  - Електроінструмент не слід використовувати під відкритим небом в дощову погоду, у вологому середовищі (після дощу) або неподалік від займистих рідин і газів. Робоче місце має бути добре освітлене.

## V - Знайомство з електроінструментом

Перед початком роботи з електроінструментом слід ознайомитися з усіма експлуатаційними характеристиками і умовами безпеки праці. Використовуйте інструмент та приналежності тільки за призначенням. Будь-яке інше використання заборонено.

1. Пилозбірник
2. Кришка тримача щітки
3. Монтажні отвори
4. Електронний регулятор швидкості (MBS 1100E)
5. Передня рукоятка
6. Важіль натягу шліфувальної стрічки
7. Індикатор напрямку обертання стрічки
8. Приводний ролик
9. Вимикач
10. Наконечник для видалення пилу
11. Кнопка блокування
12. Основна рукоятка
13. Регулятор установки шліфувальної стрічки на роликах
14. Підкладка з термо-пластичного еластомеру
15. Скоби для захоплення

## VI - Вказівки з роботи

Цей прилад харчується тільки однофазною напругою змінного струму. Може бути з'єднаний без захисних клем, тому що має подвійну ізоляцію відповідно до EN 60745 і IEC 60745. Радіоперешкоди у відповідності до директиви EMC 2004/108/EC.

### ПЕРЕД ПОЧАТКОМ РОБОТИ



**Попередження:** Перевірте, чи відповідає напруга живлення вказаним на таблиці технічним даним цього інструменту.

- Перевірте в якій позиції знаходиться вимикач. Електроінструмент потрібно включати і вимикати з електромережі тільки з вимкненим вимикачем. Якщо вставити штепсель в розетку при включеному вимикачі, електроінструмент негайно приходить в дію, що є передумовою для небезпечного інциденту.
- Перевірте мережевий шнур з вилкою. Якщо шнур живлення пошкоджений, заміна повинна здійснюватися виробником або його сервісним фахівцем, щоб уникнути небезпеки заміни.

### ПУСК / ЗУПИНКА

**Коротка активація (мал. 1)**

Пуск: перемикач (9) натиснути.

Зупинка: перемикач (9) відпустити.

**Безперервна робота (мал. 2)**

Пуск: перемикач (9) натиснути і в натиснутому стані застопорити ключем (11).

Зупинка: перемикач (9) натиснути один раз і відразу відпустити.

### МОНТАЖ ШЛІФУВАЛЬНОЇ СТРІЧКИ



**ПОПЕРЕДЖЕННЯ:** Вимкніть машину і від'єднайте кабель живлення з розетки.



1. Потягніть важіль натягу стрічки (6) і видаліть стару стрічку. (Мал. 3)
2. Переконайтеся в тому, що нова стрічка монтується легко і не зношена по краях.
3. Стрілки стрічки повинні бути спрямовані в тому ж напрямку, що і стрілка на стрічковому шлайфі. (Мал. 4)
4. Поверніть важіль (6) у вихідне положення. (Мал. 5)
5. Вставте штепсель в розетку. Міцно тримайте електроінструмент та увімкніть його. Залиште шліфувальну стрічку трохи попрацювати.
6. Поки стрічка рухається, використовуйте регулятор (13), щоб встановити стрічку в середині ролика (8). (Мал. 6)
7. Повторюйте ці дії до тих пір, поки стрічка не вирівняється правильно.
8. Увімкніть електроінструмент. Переконайтеся, що все налаштоване правильно.



**ПОПЕРЕДЖЕННЯ:** Не використовуйте електроінструмент, якщо його стрічка зношена або пошкоджена.



**ПОПЕРЕДЖЕННЯ:** Не допускається шліфування деревини і металу однієї і тієї ж стрічкою. Металеві частинки застряють в стрічці і зашкодять дерев'яну поверхню

## ВИБІР СТРІЧКИ

1. У спеціалізованих магазинах можна придбати різні види шліфувальних стрічок: великої зернистості (зернистість 40), середньої зернистості (зернистість 80 і 100) і дрібної зернистості (зернистість 120).
2. Використовуйте стрічку великої зернистості для грубої обробки, середньої - для більш ретельного загладжування, а дрібну - для остаточної обробки / оздоблювальних робіт.
3. Найкраще виконати пробну шліфовку, щоб визначити оптимальну ступінь, необхідну для конкретної роботи.
4. Щоб максимально використовувати всі переваги стрічкової шліфувальної машини, завжди купуйте стрічки доведено високої якості.

**ПРИМІТКА:** після шліфування, виконаного цією машиною, використовуйте вібро-шліфувальну машину для отримання ідеального результату.

## РЕГУЛЮВАННЯ ШВИДКОСТІ СТРІЧКИ (MBS 1100E)

Швидкість стрічки можна налаштувати плавно за допомогою обертання електронного регулятора (4) навіть під час роботи.

Оптимальна швидкість стрічки залежить від її зернистості і оброблюваного матеріалу, і визначається досвідченим шляхом. Рекомендовані показники швидкості вказані в таблиці на стор. 84.

## ШЛІФУВАННЯ

1. Цей електроінструмент призначений для шліфування деревини, металу, пластмаси та інших подібних матеріалів. В основному використовується для швидкого видалення великої кількості матеріалу. Не використовуйте ці машини для обробки магнію.
2. Переконайтеся в тому, що стрічка встановлена правильно.
3. Вставте штепсель електричного шнура в розетку.
4. Задайте необхідну швидкість за допомогою електронного регулятора (4) (тільки для MBS 1100E). Максимальна швидкість відповідає символу G, а мінімальна - символу A. Продуктивність і якість оброблюваної поверхні залежать від зернистості стрічки і швидкості. Чим вище швидкість, тим більша кількість матеріалу віддаляється / знімається, і тим більш гладкою стає оброблювана поверхня.
5. До початку робіт, натисніть вимикач і залиште електроінструмент працювати до досягнення максимальної швидкості.
6. Натисніть кнопку блокування, якщо бажаєте працювати тривалий час.
7. Ведіть машину поверх оброблюваного матеріалу, застосовуючи невеликий натиск (фіг. 7)
8. Шліфуйте в напрямку структури матеріалу, здійснюючи паралельний рух.
9. Щоб зняти / видалити фарбу, або загладити нерівну дерев'яну поверхню, шліфуйте під кутом в 45° в обидва напрямки, після чого заверште рухами в напрямку структури матеріалу.
10. Використовуйте передній ролик тільки для шліфування кутів і неправильних форм.
11. Перед тим, як відключити інструмент, вийміть його з оброблюваного матеріалу.
12. Не забувайте тримати свої руки за межами зони рухомої стрічки, тому що вона продовжує обертатися деякий час після відключення цієї машини.
13. Використовуйте захисні окуляри, антифони (защоби захисту слуху) і маску від пилу.

## ВИДАЛЕННЯ ПИЛУ

1. Витягніть штепсель електрокабелю з розетки.
2. Щільно закрутіть пластмасовий наконечник мішечка для пилу в наконечник для видалення пилу (10). (Мал. 8)
3. Перед тим, як зняти мішечок для пилу, вийміть штепсель електричного шнура з розетки.



**ПОПЕРЕДЖЕННЯ:** Для оптимального видалення пилу слід чистити мішечок тоді, коли він наполовину заповнений. Не використовуйте мішечок для пилу при шліфуванні металу. Гарячі металеві частинки можуть запалити пил або дерев'яні частинки, що залишилися в мішечку.

**Чистка мішечка для пилу:** Зніміть і витрусіть пил з мішечка, постукуючи по ньому. Періодично знімайте мішечок і вивертайте його навиворіт, щоб почистити



тканину м'якою щіткою.

4. Можна використовувати адаптор для підключення до побутового пилососа або до системи видалення пилу.
5. Адаптор з'єднати з наконечником для видалення пилу (10)

## РОБОТА МАШИНИ В СТАЦІОНАРНОМУ ПОЛОЖЕННІ (Мал. 9)

Цю машину можна монтувати нерухомо до робочого столу.

- Поставте гумову підкладку (14) на робочий стіл, згідно маркуванню на ній. Ніколи не монтуйте машину на робочий стіл без гумової підкладки.
- Поверніть машину стрічкою вгору, і поставте в середині гумової підкладки. Монтажні отвори (3) повинні перебувати з боку оператора.
- Проведіть шпильки дужок (15) через монтажні отвори (3).
- За допомогою дужок (15) закріпіть машину на робочому столі.
- Затягніть вручну скоби гайками. Переконайтеся в тому, що скоби затягнуті правильно, але не затягуйте їх занадто сильно.
- Переконайтеся в тому, що машина надійно закріплена до робочого столу перед тим, як її включити.

За допомогою кнопки блокування машину можна використовувати в режимі тривалої роботи.

## ПРИНАЛЕЖНОСТІ

**MBS 1100:** монтована шліфувальна стрічка зернистістю 80, мішечок для пилу.

**MBS 1100E:** монтована шліфувальна стрічка зернистістю 80, комплект з 4 шліфувальних стрічок (зернистість 60 - 2 шт., зернистість 80 -1 шт., зернистість 100 - 1 шт.), підкладка з термо-пластичного еластомеру, дужки для кріплення - 2 шт., мішечок для пилу.

## VII - Підтримка



**ПОПЕРЕДЖЕННЯ:** Завжди вимикайте електроприлад та виймайте штепсель з розетки перед тим, як приступити до будь-якої перевірки або підтримки.

Регулярно перевіряйте, чи гвинти щільно затягнуті. При постійному використанні гвинти можуть послабитися від вібрації.

Регулярно змащуйте всі рухомі частини.

## ЗАМІНА ЩІТОК

Коли щітки зносяться, їх слід замінити одночасно на оригінальні щітки в сервісі SPARKY для гарантійного та після гарантійного обслуговування.

## ЧИСТКА

Для безпечної роботи завжди підтримуйте машину і вентиляційні отвори в чистоті. Регулярно перевіряйте вентиляційну решітку на наявність пилу і чужорідних тіл в зоні електродвигуна або перемикачів. Використовуйте м'яку щітку для видалення пилу. Щоб вберегти очі, під час чищення користуйтеся захисними окулярами. Якщо корпус машини потребує чищення, протріть його м'якою вологою серветкою. Можна використовувати слабкий миючий засіб.



**ПОПЕРЕДЖЕННЯ:** Не допускається застосування спирту, бензину або інших розчинників. Для чищення пластмасових частин ніколи не використовуйте їдкі засоби для чищення.



**ПОПЕРЕДЖЕННЯ:** Не допускайте контакту води з машиною.

**ВАЖЛИВО!** Для забезпечення безпечної роботи електроінструменту і його надійності, все діяльності з ремонту, обслуговування та регулювання (у тому числі перевірка і заміна щіток) необхідно виконувати в спеціалізованих сервісах SPARKY з використанням тільки оригінальних запасних частин.

## VIII - Гарантія

Гарантійний термін електроприладів SPARKY вказаний в гарантійній карті

Несправності, що з'явилися в результаті природного зношування, перевантаження або неправильного користування, не входять до гарантійних зобов'язань.

Несправності, що з'явилися внаслідок застосування неякісних матеріалів та / або через виробничі помилки, усуваються без додаткової оплати шляхом заміни або ремонту.

Рекламації дефектного електроприладу SPARKY приймаються у тому випадку, якщо прилад буде повернуто постачальнику, або спеціалізованому гарантійного сервісу в не розібраному (початковому) стані.

## Примітки

Уважно прочитайте всю інструкцію з експлуатації, перед тим, як приступити до використання виробу.

Виробник зберігає за собою право вносити у свої виробни поліпшення і зміни, а також змінювати специфікації без застереження.

Специфікації для різних країн можуть відрізнятися.



## Съдържание

I - Въведение .....	75
II - Технически данни .....	77
III - Общи указания за безопасност при работа с електроинструменти.....	78
IV - Допълнителни правила за безопасност при работа с лентошлифовъчни машини.....	79
V - Запознаване с електроинструмента .....	A/80
VI - Указания за работа .....	80
VII - Поддръжка .....	82
VIII - Гаранция .....	83

### РАЗОПАКОВАНЕ

В съответствие с общоприетите технологии на производство е необичайно Вашият електроинструмент да е неизправен или някоя от частите му да липсва. Ако забележите, че нещо не е наред, не работете с електроинструмента докато повредената част не се смени или дефектът не бъде отстранен. Неизпълнение-то на тази препоръка може да доведе до сериозни наранявания.

### СГЛОБЯВАНЕ

Лентошлифовъчните машини се доставят опаковани и напълно сглобени, с изключение на торбичката за прах и адаптера за прахосмукачка.

## I - Въведение

Новопридобитият от Вас електроинструмент SPARKY ще надхвърли Вашите очаквания. Той е произведен в съответствие с високите стандарти на качеството на SPARKY, отговарящи на строгите изисквания на потребителя. Лесен за обслужване и безопасен при експлоатация, при правилна употреба този електроинструмент ще Ви служи надеждно дълги години.



#### ПРЕДУПРЕЖДЕНИЕ!

Внимателно прочетете цялата инструкция за използване преди да използвате новопридобития си електроинструмент SPARKY. Обърнете специално внимание на текстовете, които започват с думата “Предупреждение”. Вашият електроинструмент SPARKY притежава много качества, които ще улеснят Вашата работа. При разработката на този електроинструмент най-голямо внимание е обърнато на безопасността, експлоатационните качества и надеждността, които го правят лесен за поддръжка и експлоатация.



#### Не изхвърляйте електроинструменти заедно с битовите отпадъци!

Отпадъците от електрически изделия не трябва да се събират заедно с битовите отпадъци. Моля, рециклирайте на местата, предназначени за това. Свържете се с местните власти или представител за консултация относно рециклирането.

#### ОПАЗВАНЕ НА ОКОЛНАТА СРЕДА



С оглед опазване на околната среда електроинструментът, принадлежностите и опаковката трябва да бъдат подложени на подходяща преработка за повторно използване на съдържащите се в тях суровини. За облекчаване на рециклирането детайлите, произведени от изкуствени материали, са обозначени по съответния начин.



## ОПИСАНИЕ НА СИМВОЛИТЕ

На табелката с технически данни върху електроинструмента са изобразени символи. Те представляват важна информация за изделието или указания за неговата употреба.



Носете предпазни слушалки



Двойна изолация за допълнителна защита



Електроника за предварителен избор на скоростта



Свързване към прахосмукачка



Съответствие с приложимите Европейски Директиви



Съответства на изискванията на руските нормативни документи



Съответства на изискванията на украинските нормативни документи



Запознайте се с инструкцията за използване


YYYY-Www

Период на производство, където променливи символи са:  
YYYY - година на производство, ww - поредна календарна седмица

MBS

ЛЕНТОШЛИФОВЪЧНА МАШИНА

## II - Технически данни

Модел:	MBS 1100	MBS 1100E
• Консумирана мощност	1100 W	1200 W
• Скорост на празен ход	400 m/min	200-400 m/min
• Шлифовъчна площ	100 x 156 mm	100 x 156 mm
• Размери на лентата	100 x 610 mm	100 x 610 mm
• Тегло (ЕРТА процедура 01/2003):	5,3 kg	5,3 kg
• Клас на защита (EN 60745) 	II	II
<b>Информация за шум и вибрации</b>		
• <b>Излъчване на шум</b> (стойностите са измерени съгласно EN 60745):		
A-претеглено ниво на звуково налягане $L_{pA}$	95.5 dB(A)	95.5 dB(A)
Неопределеност $K_{pA}$	3 dB	3 dB
A-претеглено ниво на звукова мощност $L_{WA}$	106.5 dB(A)	106.5 dB(A)
Неопределеност $K_{WA}$	3 dB	3 dB



Използвайте средства за защита от шума!

### • Излъчване на вибрации (определени съгласно т. 6.2.7 на EN 60745-1):

Обща стойност на вибрациите (векторна сума по трите оси), определена съгласно EN 60745		
Стойност на излъчените вибрации $a_h$	2.76 m/s <sup>2</sup>	2.76 m/s <sup>2</sup>
Неопределеност K	1.5 m/s <sup>2</sup>	1.5 m/s <sup>2</sup>

Посоченото в тази инструкция ниво на вибрации е измерено в съответствие с методиката за изпитване, укавана в EN 60745 и може да се използва за сравняване на електроинструменти. Нивото на вибрации може да се използва за предварителна оценка на степента на въздействие.

Декларираното ниво на вибрации се отнася за основното предназначение на електроинструмента. В случаите, при които електроинструментът се използва за друго предназначение, с други принадлежности или ако електроинструментът не се поддържа добре, нивото на вибрации може да различава от посоченото. В тези случаи нивото на въздействие може значително да нарасне в границите на общия период на работа.

При оценката на нивото на въздействие на вибрации трябва също да се отчита времето, през което електроинструментът е изключен или е включен, но не се използва. Това може значително да понижи нивото на въздействие в границите на общия период на работа.

Поддържайте електроинструмента и принадлежностите в добро състояние. Пазете ръцете си топли по време на работа - това ще намали вредното въздействие при работа с повишени вибрации.

Прахът, отделян при обработването на материали като оловосъдържащи бои, някои видове дървесина, минерали и метали, може да бъде опасен за здравето. Допирът или вдишването на праха може да предизвика алергични реакции и/или заболявания на дихателните пътища на оператора или на намиращи се в близост лица.

Някои видове прах, например от дъб или бук, се считат за канцерогенни, особено в комбинация с добавки за обработка на дървесина (хромат, консерванти). Материал, който съдържа азбест, трябва да се обработва само от специалисти.

- Когато това е възможно, използвайте прахоотвеждане.
- За да се постигне висока степен на прахоулавяне, при работа с този електроинструмент използвайте прахосмукачка, предназначена за събиране на прах от дървесина или за прах от дървесина и/или минерален прах.
- Осигурете добра вентилация на работното място.
- Препоръчва се използването на защитна маска за прах с филтър клас P2.

Спазвайте действащите във вашата страна разпоредби за обработване на съответните материали.

### III - Общи указания за безопасност при работа с електроинструменти



**ПРЕДУПРЕЖДЕНИЕ!** Четете всички предупреждения и указания за безопасност. Неспазването на предупрежденията и указанията за безопасност може да предизвика поражение от електрически ток, пожар и/или сериозно нараняване.

Запазете всички предупреждения и указания за бъдещо ползване.

Терминът "електроинструмент" във всички описани по-долу предупреждения се отнася до вашия електроинструмент, захранван от мрежата (с шнур) и/или електроинструмент, захранван от акумулаторна батерия (без шнур).

#### 1. БЕЗОПАСНОСТ НА РАБОТНОТО МЯСТО

- Поддържайте работното място чисто и добре осветено. Безпорядъкът и недостатъчното осветление са предпоставка за трудови злополуки.
- Не работете с електроинструменти в експлозивни атмосфери при наличие на запалими течности, газове или прах. Електроинструментите образуват искри, които могат да възпламяват праха или парите.
- Дръжте децата и страничните лица на разстояние, когато работите с електроинструмент. Разсейването може да доведе до загуба на контрол от Ваша страна.

#### 2. ЕЛЕКТРИЧЕСКА БЕЗОПАСНОСТ

- Щепселите на електроинструментите трябва да съответстват на контактите. Никога не променяйте щепсела по какъвто и да било начин. Не използвайте каквито и да са адаптерни щепсели за електроинструменти със защитно заземяване. Употребата на непроменени щепсели и съответстващите им контакти намалява риска за поражение от електрически ток.
- Избягвайте допир на тялото до земя или до заземени повърхности, такива като тръби, радиатори, кухненски печки и хладилници. Ако тялото ви е заземено, съществува повишен риск от поражение от електрически ток.
- Не излагайте електроинструментите на дъжд или във влажна среда. Проникването на вода в електроинструмента повишава риска от поражение от електрически ток.
- Използвайте шнура по предназначение. Никога не използвайте шнура за носене на електроинструмента, опъване или изваждане на щепсела от контактното гнездо. Дръжте шнура далече от топлина, масло, остри ръбове или движещи се части. Увредени или оплетени шнурове повишават риска за поражение от електрически ток.

- При работа с електроинструмента на открито, използвайте удължител, подходящ за работа на открито. Използването на удължител, подходящ за работа на открито, намалява риска от поражение от електрически ток.
- Ако работата с електроинструмента във влажна среда е неизбежна, използвайте предпазно устройство, задействано от остатъчен ток, за прекъсване на захранването. Използването на предпазно устройство намалява риска от поражение от електрически ток.

#### 3. ЛИЧНА БЕЗОПАСНОСТ

- Бъдете бдителни, работете с повишено внимание и проявявайте благодарумие, когато работите с електроинструмент. Не използвайте електроинструмента, когато сте уморени или под влияние на наркотици, алкохол или медикаменти. Момент на невнимание при работа с електроинструмент може да предизвика сериозна трудова злополука.
- Използвайте лични предпазни средства. Носете винаги средства за защита на очите. Лични предпазни средства, като маска против прах, неплъзгащи се безопасни обувки, защитен шлем или средства за защита на слуха, използвани при конкретните условия, намаляват риска от трудови злополуки.
- Избягвайте неволно пускане. Убедете се, че прекъсвачът е в изключено положение преди включване към източник на захранване и/или акумулаторна батерия, преди да го вземете или пренасяте. Носенето на електроинструмент с пръст върху прекъсвача или свързването към източник на захранване на електроинструмент с прекъсвач във включено положение е предпоставка за трудова злополука.
- Отстранете всеки ключ за затягане или гаечен ключ преди включване на електроинструмента. Ключ за затягане или гаечен ключ, прикрепен към въртяща се част на електроинструмента, може да предизвика трудова злополука.
- Не се пресягайте. Поддържайте правилно стоене и равновесие през цялото време. Това позволява по-добро управление на електроинструмента при неочаквани ситуации.
- Носете подходящо работно облекло. Не носете широки дрехи или бижута. Дръжте косите си, дрехите и ръкавиците далеч от движещи се части. Широки дрехи, бижута или дълги коси могат да се захванат от движещи се части.
- Ако електроинструментът е снабден с приспособления за засмукване и улавяне на прах, убедете се, че те са свързани и правилно използвани. Използването на тези устройства може да намали свързаните с прах опасности.

#### 4. ИЗПОЛЗВАНЕ И ГРИЖИ ЗА ЕЛЕКТРОИНСТРУМЕНТИТЕ

- Не претоварвайте електроинструмента. Използвайте правилно избрания електроинструмент според приложението. Правилно



избраният електроинструмент работи по-добре и по-безопасно при обявения режим на работа, за който е проектиран.

- b) Не използвайте електроинструмента, ако прекъсвачът не превключва във включено и изключено положение. Всеки електроинструмент, който не може да бъде управляван с прекъсвач, е опасен и трябва да бъде ремонтиран.
- c) Разединете щепсела от захранващата мрежа преди да извършите всякакви настройки, преди замяна на принадлежности или преди да приберете електроинструмента за съхранение. Тези предпазни мерки за безопасност намаляват риска от неволно пускане на електроинструмента.
- d) Съхранявайте неизползваните електроинструменти на места, недостъпни за деца и не позволявайте на обслужващи лица, които не познават електроинструмента или не са запознати с тези инструкции, да работят с него. Електроинструментите са опасни в ръцете на необучени потребители.
- e) Поддържайте електроинструментите. Проверявайте движещите се части дали функционират нормално и се движат свободно, целостта и изправността на частите, както и за всякакво друго обстоятелство, което може неблагоприятно да повлияе на работата на електроинструмента. Ако е повреден, електроинструментът трябва да бъде ремонтиран преди по-нататъшно използване. Много злополуки са причинени от лошо поддържани електроинструменти.
- f) Поддържайте режещите инструменти остри и чисти. Правилно поддържаните режещи инструменти с остри режещи ръбове е по-малко вероятно да блокират и са по-лесни за управление.
- g) Използвайте електроинструмента, принадлежностите и частите на инструмента и т.н. в съответствие с тези инструкции и по начин, предвиден за конкретния тип електроинструмент, като вземате предвид работните условия и работата, която трябва да се извършва. Използването на електроинструмента за работа, различна от тази, за която е проектиран, може да предизвика опасна ситуация.

## 5. ОБСЛУЖВАНЕ

- a) Поддържайте вашия електроинструмент при квалифициран специалист по ремонта, като използвате само оригиналните резервни части. Това осигурява запазването на безопасността на електроинструмента.

## IV - Допълнителни правила за безопасност при работа с лентошлифовъчни машини

- Дръжте електроинструмента за изолираните повърхности за захващане, защото лентата може да допре собствения си шнур. Срязването на проводник под напрежение ще постави откритите метални части на електроинструмента под напрежение и операторът ще получи токов удар.
- Винаги носете защитни очила и антифони, използвайте прахозащитна маска и ръкавици.
- Винаги изключвайте електроинструмента от контакта преди да предприемате ремонтни дейности, настройки или смяна на шкурката.
- Докато работите винаги дръжте машината здраво с двете си ръце и поддържайте стабилно положение на тялото. Електроинструментът се направлява по-безопасно, когато го държите с две ръце.
- Използвайте машината само за сухо шлифоване. Проникването на вода в машината увеличава риска от токов удар.
- Не работете с изхабени, скъсани или набити с прах шлифовъчни ленти. Уверените шлифовъчни ленти могат да се скъсат, да изскочат навън и да наранят човек.
- За да се предотврати евентуално прегряване, винаги развивайте докрай кабела от удължител с кабелен барабан.
- Когато се налага използването на удължител, убедете се, че сечението му отговаря на номиналния ток на използвания електроинструмент, както и в изправността на удължителя.
- Дръжте захранващия кабел извън работния обсег на машината.
- След продължителна работа външните метални части и принадлежностите могат да се нагорещят.
- Ако е възможно винаги използвайте скоби или менгеме, за да фиксирате обработвания материал.
- Допирайте електроинструмента до обработвания материал само след като сте включили електроинструмента и го изключвайте след като сте го отделили от материала.
- Винаги изключвайте електроинструмента преди да го оставите.
- Прилагайте слаб натиск при работа. Собственото тегло на електроинструмента е достатъчно за постигане на добра производителност. Прекомерният натиск не увеличава производителността, а води до прегряване на електродвигателя и интензивно износване на лентата.
- Прахът, отделян при обработването на материали, съдържащи кварц (силициев двуокис), е вреден за здравето. Да не се обработват материали, съдържащи азбест.
- Когато шлифовате дърво, винаги използвайте торбичка за прах или система за прахоотвеждане.

- не.
- Преди да използвате електроинструмента за обработка на метал, винаги сваляйте торбичката за прах, защото искрите могат за възпламенят праха или торбичката.
- Не докосвайте движещата се лента.
- Убедете се, че сте отстранили всички чужди тела, напр. пирони и винтове от обработвания материал, преди да започнете работа.
- Парцали, кабели, въжета и други подобни предмети никога не трябва да се оставят в близост до работното място.



**ПРЕДУПРЕЖДЕНИЕ:** Преди да включите електроинструмента към захранващата мрежа (контакт, фасунга, бухса) се уверете, че захранващото напрежение е същото, каквото е указано на табелката на електроинструмента. Захранващо напрежение, по-високо от номиналното, може да предизвика сериозни травми на потребителя, както и повреда на машината.

- В случай, че не сте сигурни какво е напрежението, не включвайте електроинструмента.
- В случай, че напрежението е по-ниско от номиналното, електродвигателят ще се повреди.
- Електроинструментът трябва да се използва само по предназначение. Всякаква друга употреба, различаваща се от описаната в тази инструкция, ще се счита за неправилна употреба. Отговорността за всякаква повреда или нараняване, произтичащи от неправилна употреба, ще се носи от потребителя, а не от производителя.
- За да експлоатирате правилно този електроинструмент, трябва да съблюдавате правилата за безопасност, общите инструкции и указанията за работа, посочени тук. Всички потребители трябва да са запознати с тази инструкция за експлоатация и информирани за потенциалните рискове при работата с електроинструмента. Деца и физически слаби хора не трябва да използват електроинструмента. Децата трябва да бъдат под непрекъснато наблюдение ако се намират в близост до място, където се работи с електроинструмента. Задължително е да предприемете и превантивни мерки за безопасност. Същото се отнася и за спазването на основните правила за професионалното здраве и безопасност.
- Производителят не носи отговорност за извършени от потребителя промени върху електроинструмента или за повреди, предизвикани от подобни промени.

Дори когато електроинструментът се използва по предназначение, е невъзможно да се елиминират всички остатъчни рискови фактори. Изброените по-долу опасности могат да възникнат във връзка с конструктивните особености и дизайна на електроинструмента.

- Увреждания на белите дробове, ако не се носи защитна маска.
- Увреждания на слуха, ако не се носят антифони.

- Електроинструментът е предназначен за работа в помещения и зони с нормална пожарна опасност съгласно "Наредба №2 "Противопожарни строително-технически норми". Не се допуска използването му във взривоопасна и пожароопасна среда, при температура на околния въздух над 40°C, в особено влажна среда, при наличие на валежи и в химически активна среда. Работното място трябва да е добре осветено.

## V – Запознаване с електроинструмента

Преди да започнете работа с лентошлифовъчната машина се запознайте с всички оперативни особености и условия за безопасност.

Използвайте електроинструмента и аксесоарите му само по предназначение. Всяко друго приложение е изрично забранено.

1. Торбичка за прах
2. Капачка на четкодържателя
3. Монтажни отвори
4. Електронен регулатор на скоростта (MBS 1100E)
5. Предна ръкохватка
6. Лост за опъване на шлифовъчната лента
7. Индикатор за посоката на въртене на лентата
8. Задвижващ валак
9. Прекъсвач
10. Накрайник за прахоотвеждане
11. Бутон за застопоряване
12. Основна ръкохватка
13. Регулатор за позициониране на шлифовъчната лента върху валаците
14. Подложка от термопластичен еластомер
15. Скоби за захващане

## VI - Указания за работа

Тези електроинструменти се захранват от еднофазно променливо напрежение. Те са с двойна изолация съгласно EN 60745 и IEC 60745 и може да се присъединяват към контакти без защитни клеми. Радиосмущенията съответстват на Директивата за електромагнитна съвместимост 2004/108/ЕС.

### ПРЕДИ ДА ЗАПОЧНЕТЕ РАБОТА



**ПРЕДУПРЕЖДЕНИЕ:** Проверете дали напрежението на електрическата мрежа отговаря на това, означено върху табелката с технически данни на електроинструмента.

- Проверете в какво положение се намира прекъсвачът. Електроинструментът трябва да се присъ-

единява и отделя от захранващата мрежа само при изключен прекъсвач. Ако поставите щепсела в контакт докато прекъсвачът е във включено положение, електроинструментът веднага ще се задейства, което е предпоставка за злополука.

- Убедете се в изправността на захранващия кабел и щепсел. Ако захранващият кабел е повреден, замената трябва да се извърши от производителя или от негов сервизен специалист, за да се избегнат опасностите от замената.

## ПУСКАНЕ / СПИРАНЕ

**Кратковременно задействане:** (Фиг. 1)

Пускане: Прекъсвач (9) се натиска.

Спиране: Прекъсвач (9) се отпуска.

**Продължителна работа:** (Фиг. 2)

Пускане: Прекъсвач (9) се натиска и в натиснато състояние се застопорява с бутон (11).

Спиране: Прекъсвач (9) се натиска еднократно и се отпуска веднага.

## МОНТАЖ НА ШЛИФОВЪЧНА ЛЕНТА



**ПРЕДУПРЕЖДЕНИЕ:** Изключете електроинструмента и извадете щепсела на захранващия кабел от контакта.

1. Издърпайте лоста за опъване на лентата (6) и отстранете старата лента. (Фиг. 3)
2. Проверете дали новата лента се полага лесно и не е износена по краищата.
3. Стрелките на лентата трябва да сочат в една и съща посока със стрелката върху лентошлифовъчната машина. (Фиг. 4)
4. Върнете лоста (6) в първоначалната му позиция. (Фиг. 5)
5. Поставете щепсела в контакта и държейки здраво електроинструмента го включете. Оставете шлифовъчната лента да се повърти за известно време.
6. Докато лентата се движи, използвайте регулатора (13), за да нагласите лентата по средата на валика (8). (Фиг. 6)
7. Повторете тези действия, докато лентата е правилно подравнена.
8. Включете електроинструмента, за да се уверите, че всичко е настроено правилно.



**ПРЕДУПРЕЖДЕНИЕ:** Не работете с електроинструмента, ако лентата му е износена или повредена.



**ПРЕДУПРЕЖДЕНИЕ:** Не се допуска шлифоването на дърво и метал с една и съща лента. Металните частици се набиват в лентата и ще уредят дървената повърхност.

## ИЗБОР НА ЛЕНТА

1. От специализираните магазини могат да бъдат закупени различни видове шлифовъчни ленти: едра (зърненост 40), средна (зърненост 80 и 100) и фина (зърненост 120).
2. Използвайте едрата лента за груба обработка, средната - за по-fino заглаждане, а фината - за довършителни работи.
3. Най-добрият вариант е да направите пробно шлифоване, за да определите оптималната степен, която е необходима за конкретната работа.
4. За да се възползвате изцяло от предимствата на лентошлифовъчната машина, винаги закупувайте ленти с доказано високо качество.

**ЗАБЕЛЕЖКА:** След шлифоване с лентошлифовъчната машина, използвайте виброшлифовъчна машина за постигане на идеални резултати.

## РЕГУЛИРАНЕ СКОРОСТТА НА ЛЕНТАТА (MBS 1100E)

Скоростта на лентата може да се зададе плавно посредством завъртане на електронния регулатор (4) дори по време на работа.

Оптималната скорост на лентата зависи от нейната зърненост и от обработвания материал и се определя опитно. Препоръчителни стойности на скоростта са посочени в таблицата на стр. 84.

## ШЛИФОВАНЕ

1. Тези електроинструменти са предназначени за шлифоване на дърво, метал, пластмаса и други подобни материали. Използват се главно за бързо снемане на голямо количество от материала. Не използвайте тези машини за обработка на магнезий.
2. Уверете се, че лентата е добре поставена.
3. Поставете щепсела на захранващия кабел в контакта.
4. Задайте необходимата скорост посредством електронния регулатор (4) (само за (MBS 1100E). Максималната скорост съответства на символ G, а минималната - на символ A. Производителността и качеството на обработваната повърхност зависят от зърнеността на лентата и скоростта. Колкото по-висока е скоростта, толкова по-голямо е количеството отнет материал и по-гладка обработваната повърхност.
5. Натиснете прекъсвача и оставете електроинструмента да достигне максимална скорост преди да започнете работа.
6. Натиснете бутона за застопоряване ако желаете да работите продължително.
7. Допрете машината до обработвания материал и приложете малък натиск. (Фиг. 7)
8. Шлифовайте по посока на структурата на материала с паралелни, застъпващи се движения.
9. За да сваляте боя или да заглаждате много неравен дървен материал, шлифовайте под ъгъл от 45° в двете посоки и после завършете с движението в посока на структурата на материала.
10. Използвайте предния валик само при шлифо-

ване на ъгли и неправилни форми.

11. Отстранете инструмента от обработвания материал преди да го изключите.
12. Не забравяйте, че трябва да пазите ръцете си далече от движещата се лента, защото тя продължи да се върти известно време след като машината бъде изключена.
13. Носете защитни очила, антифони и прахозащитна маска.

## ПРАХООТВЕЖДАНЕ

1. Извадете щепсела на захранващия кабел от контакта.
2. Плътно затегнете пластмасовия накрайник на торбичката за прах в накрайника за прахоотвеждане (10). (Фиг. 8)
3. Преди да свалите торбичката за прах, извадете щепсела на захранващия кабел от контакта.



**ПРЕДУПРЕЖДЕНИЕ:** За оптимално премахване на праха почиствайте торбичката, когато тя се напълни до половина. Не използвайте торбичката за прах, когато шлифовате метал. Горещите метални частици могат да подпалят праха или останалите в торбичката дървени частици.

**Почистване на торбичката за прах:** Свалете и изпразнете торбичката, като леко я потупате, за да отстраните праха. От време на време сваляйте торбичката и я обръщайте наопаки, за да изчеткате праха от плата с мека четка.

4. Може да използвате адаптер за свързване към битова прахосмукачка или система за прахоотвеждане.
5. Адаптерът се поставя в накрайника за прахоотвеждане (10).

## РАБОТА С МАШИНАТА В СТАЦИОНАРНО ПОЛОЖЕНИЕ (Фиг. 9)

Тази машина може да се монтира неподвижно към работна маса.

- Поставете гумената подложка (14) върху работната маса, както е указано на надписите върху нея. Никога не монтирайте машината върху работна маса без гумената подложка.
- Обърнете машината с лентата нагоре и я поставете в средата на гумената подложка. Монтажните отвори (3) трябва да бъдат откъм страната на оператора.
- Прокарайте шпилките на скобите (15) през монтажните отвори (3).
- С помощта на скобите (15) закрепете машината върху работната маса.
- Затегнете на ръка скобите с крилчатите гайки. Убедете се че скобите са затегнати правилно, но не ги затягайте прекомерно.
- Убедете се че машината е надеждно закрепена към работната маса преди да я включите.

Като използвате бутона за застопоряване можете да използвате машината в режим продължителна работа.

## ПРИНАДЛЕЖНОСТИ

**MBS 1100:** монтирана на машината шлифовъчна лента със зърненост 80, торбичка за прах.

**MBS 1100E:** монтирана на машината шлифовъчна лента със зърненост 80, комплект 4 шлифовъчни ленти (зърненост 60 - 2 бр., зърненост 80 -1 бр., зърненост 100 - 1 бр.), подложка от термопластичен еластомер, скоби за захващане - 2 бр., торбичка за прах.

## VII - Поддръжка



**ПРЕДУПРЕЖДЕНИЕ:** Винаги изключвайте електроинструмента и изваждайте щепсела от контакта преди всякаква проверка или поддръжка.

Проверявайте редовно дали винтовете на корпуса са здраво притегнати. При продължителна употреба винтовете може да се разхлабят от вибрациите. Редовно смазвайте всички движещи се части.

## ПОДМЯНА НА ЧЕТКИТЕ

Когато четките се износят, двете четки трябва да се подменят едновременно с оригинални четки в сервиз на SPARKY за гаранционна и извънгаранционна поддръжка."

## ПОЧИСТВАНЕ

За безопасна работа поддържайте винаги чисти машината и вентилационните отвори. Редовно проверявайте дали във вентилационната решетка близо до електродвигателя или около превключвателите не е проникнал прах или чужди тела. Използвайте мека четка за да отстраните събрания се прах. За да предпазите очите си, по време на почистването носете защитни очила. Ако корпусът на машината се нуждае от почистване, избършете го с мека влажна кърпа. Може да се използва слаб препарат за миене.



**ПРЕДУПРЕЖДЕНИЕ:** Не се допуска употребата на спирт, бензин или други разтворители. Никога не използвайте разяждащи препарати за почистване на пластмасовите части.



**ПРЕДУПРЕЖДЕНИЕ:** Не се допуска влизането на вода в контакт с машината.

**ВАЖНО:** За да се осигури безопасната работа с електроинструмента и неговата надеждност, всички дейности по ремонта, поддръжката и регулирането (включително проверката и подмяната на четките) трябва да се извършват в оторизираните сервиси на SPARKY с използване само на оригинални резервни части.

## VIII - Гаранция

Гаранционният срок на електроинструментите SPARKY се определя в гаранционна карта.

Неизправности, появили се в следствие на естествено износване, претоварване или неправилна експлоатация, се изключват от гаранционните задължения.

Неизправности, появили се в следствие на влагане на некачествени материали и/или производствени грешки, се отстраняват без допълнително заплащане чрез замяна или ремонт.

Рекламация на дефектирал електроинструмент SPARKY се признава, когато машината се върне на доставчика или се представи на оторизиран гаранционен сервиз в неразглобено (първоначално) състояние.

## Забележки

Внимателно прочетете цялата инструкция за използване преди да използвате това изделие.

Производителят си запазва правото да въвежда подобрения и промени в своите изделия и да променя спецификациите без предупреждение.

Спецификациите могат да се различават за отделните страни.



	150 ...	320	A – B	<ul style="list-style-type: none"> <li>- Sanding down varnishes</li> <li>- Lacke anschleifen</li> <li>- Ponçage des laques</li> <li>- Asportazione di rivestimenti di vernice</li> <li>- Quitar recubrimientos de barniz</li> <li>- Retirada de revestimentos de verniz</li> <li>- Szlifowanie lakieru</li> <li>- Удаление лаков</li> <li>- Видалення лаків</li> <li>- Сваляне на лакови покрития</li> </ul>
	60	–	D – E	<ul style="list-style-type: none"> <li>- Sanding paint</li> <li>- Farbe abschleifen</li> <li>- Enlèvement d'une ancienne couche de peinture</li> <li>- Asportazione di colore</li> <li>- Quitar pintura</li> <li>- Retirada de pinturas</li> <li>- Szlifowanie farby</li> <li>- Снятие краски</li> <li>- Зняття фарби</li> <li>- Сваляне на боя</li> </ul>
	60 ...	240	D – E	<ul style="list-style-type: none"> <li>- Sanding wood</li> <li>- Holz schleifen</li> <li>- Ponçage du bois</li> <li>- Levigatura di legname</li> <li>- Rectificado de madera</li> <li>- Lixação de madeira</li> <li>- Szlifowanie drewna</li> <li>- Шлифование древесины</li> <li>- Шліфування деревини</li> <li>- Шлифоване на дърво</li> </ul>
	150 ...	280	C – D	<ul style="list-style-type: none"> <li>- Machining veneer</li> <li>- Furnier bearbeiten</li> <li>- Transformation des placages</li> <li>- Trattamento di piallaccio</li> <li>- Procesamiento de contrachapado</li> <li>- Processamento de folheado</li> <li>- Obróbka forniru</li> <li>- Обработка фанеры</li> <li>- Обробка фанери</li> <li>- Обработване на фурнир</li> </ul>
	80 ...	150	C – D	<ul style="list-style-type: none"> <li>- Sanding aluminium</li> <li>- Aluminium schleifen</li> <li>- Ponçage de l'aluminium</li> <li>- Levigatura di alluminio</li> <li>- Rectificado de aluminio</li> <li>- Lixação de alumínio</li> <li>- Szlifowanie aluminium</li> <li>- Шлифование алюминия</li> <li>- Шліфування алюмінію</li> <li>- Шлифоване на алуминий</li> </ul>
	40 ...	120	C – D	<ul style="list-style-type: none"> <li>- Derusting metal</li> <li>- Metall entrosten</li> <li>- Dérouillage des métaux</li> <li>- Rimozione di ruggine</li> <li>- Limpeza de herrumbre</li> <li>- Limpeza de ferrugem</li> <li>- Usuwanie rdzy z metalu</li> <li>- Снятие ржавчины</li> <li>- Зняття іржі</li> <li>- Почистване на ръжда</li> </ul>
	100 ...	400	A – C	<ul style="list-style-type: none"> <li>- Sanding plexiglass</li> <li>- Plexiglas schleifen</li> <li>- Ponçage du plexiglas</li> <li>- Levigatura di plexiglas</li> <li>- Rectificado de plexiglas</li> <li>- Lixação de plexiglass</li> <li>- Szlifowanie plexi</li> <li>- Шлифование плексигласа</li> <li>- Шліфування плексигласу</li> <li>- Шлифоване на плексиглас</li> </ul>



## **ОФИЦИАЛЬНЫЙ ДИЛЕР В УКРАИНЕ:**

[storgom.ua](http://storgom.ua)

### **ГРАФИК РАБОТЫ:**

Пн. – Пт.: с 8:30 по 18:30

Сб.: с 09:00 по 16:00

Вс.: с 10:00 по 16:00

### **КОНТАКТЫ:**

+38 (044) 360-46-77

+38 (066) 77-395-77

+38 (097) 77-236-77

+38 (093) 360-46-77

Детальное описание товара:

<https://storgom.ua/product/shlifmashina-lentochnaia-sparky-mbs-11-0e.html>

Другие товары: <https://storgom.ua/setevye-lentochnye-shlifmashiny.html>