

DEWALT®

XR LI-ION

www.DEWALT.com

DCN692

DCN695

English (***original instructions***)

5

Українська (*переклад з оригінальної інструкції*)

20

Fig. A

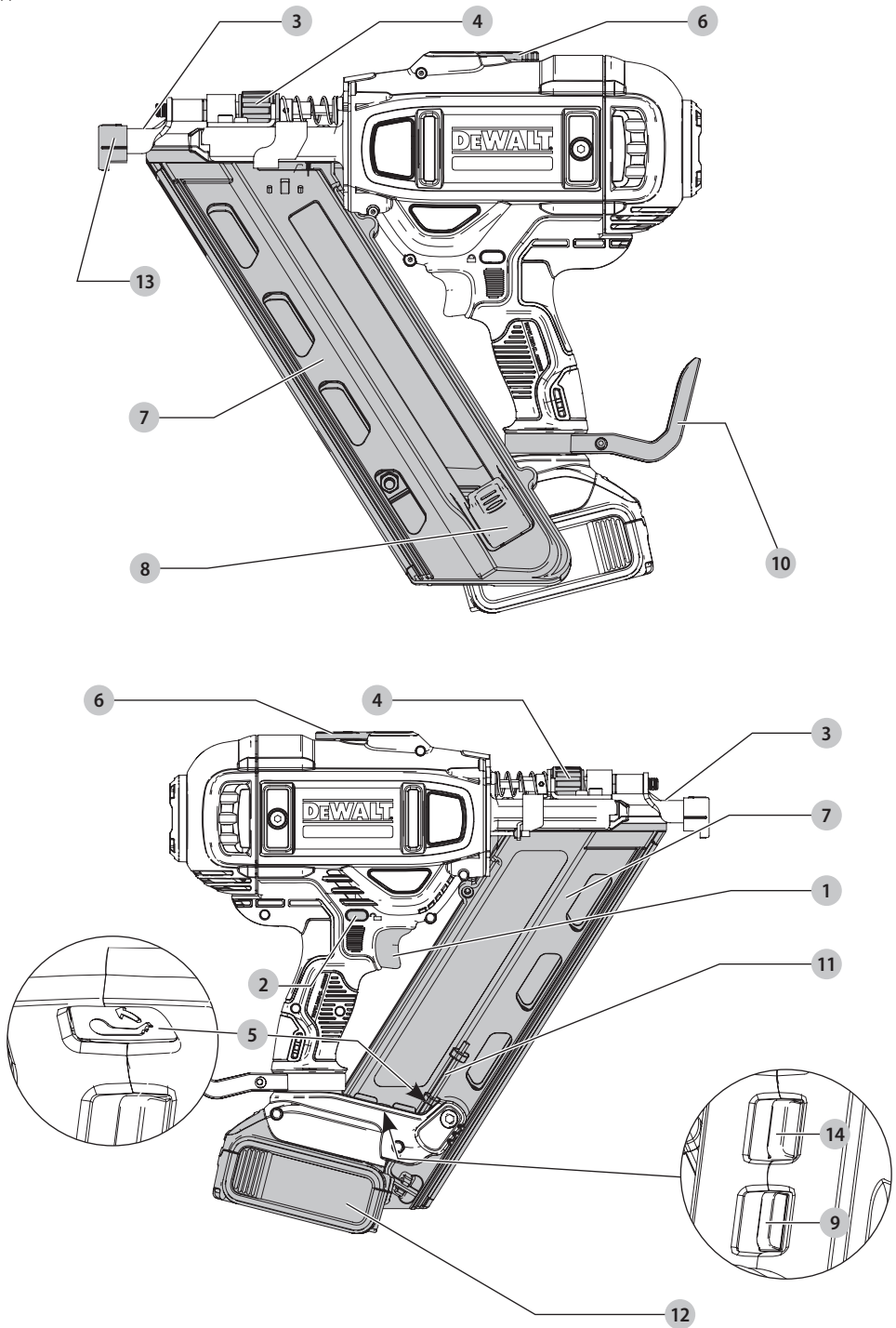


Fig. B

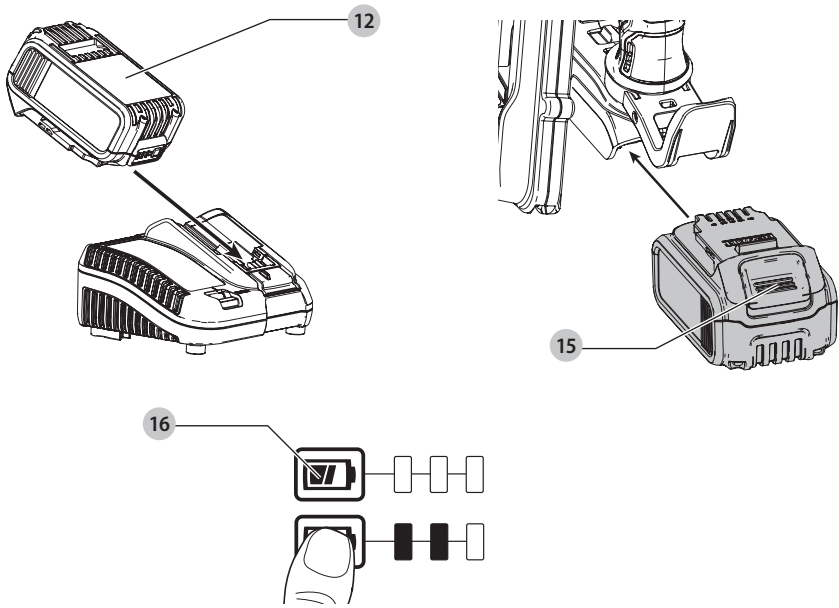


Fig. C

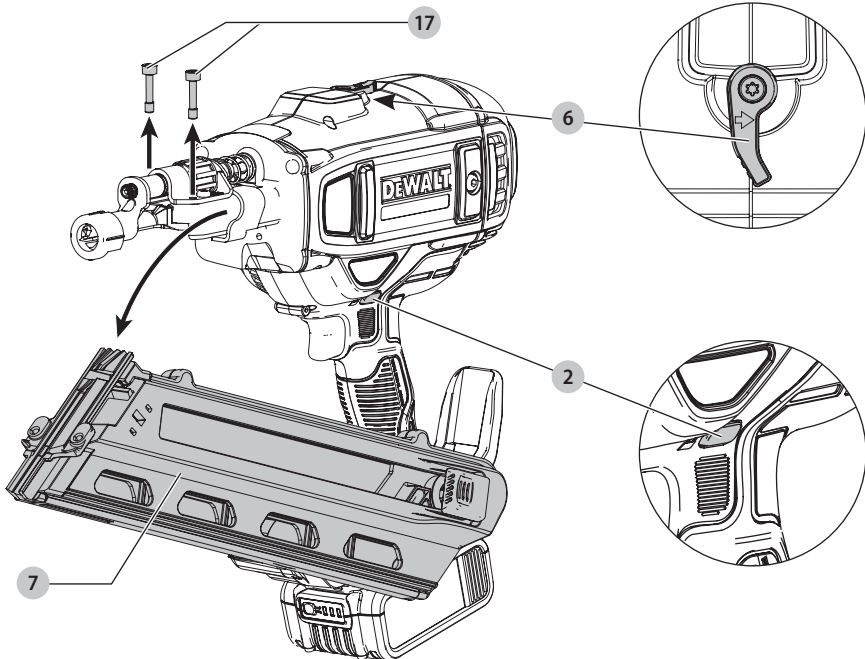


Fig. D

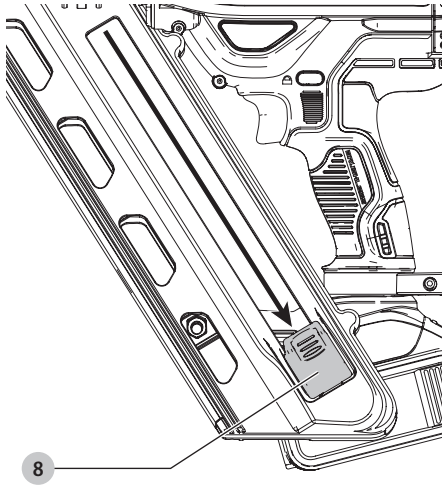


Fig. E

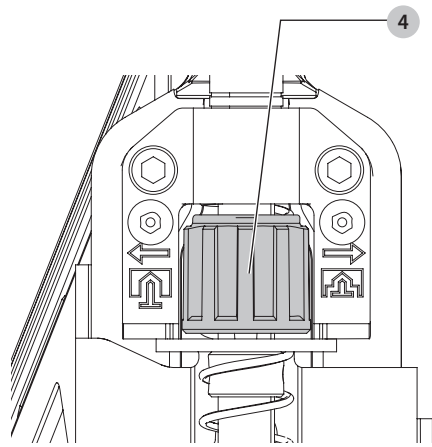


Fig. F

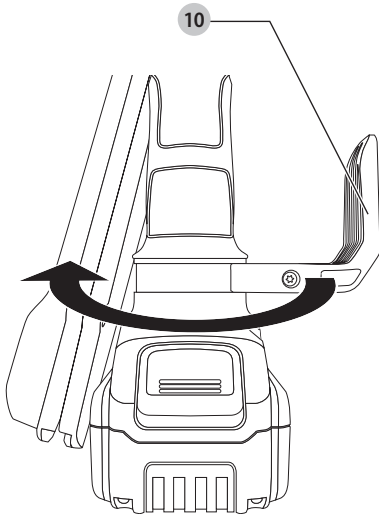


Fig. G

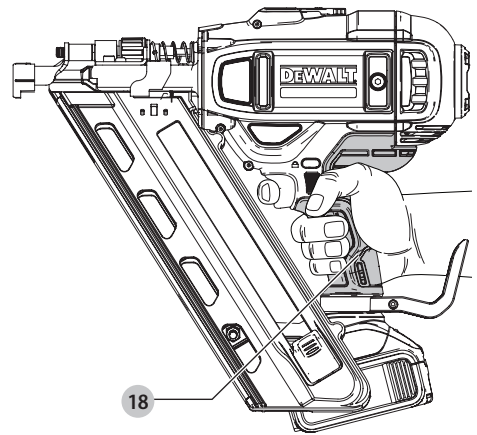


Fig. H

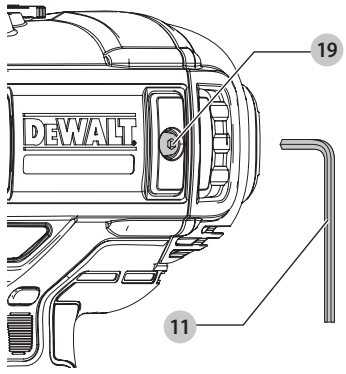


Fig. I

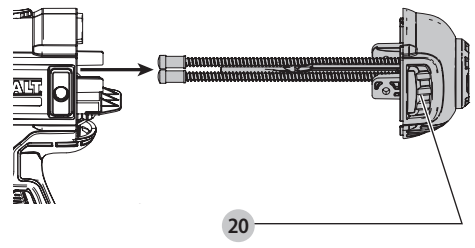


Fig. J

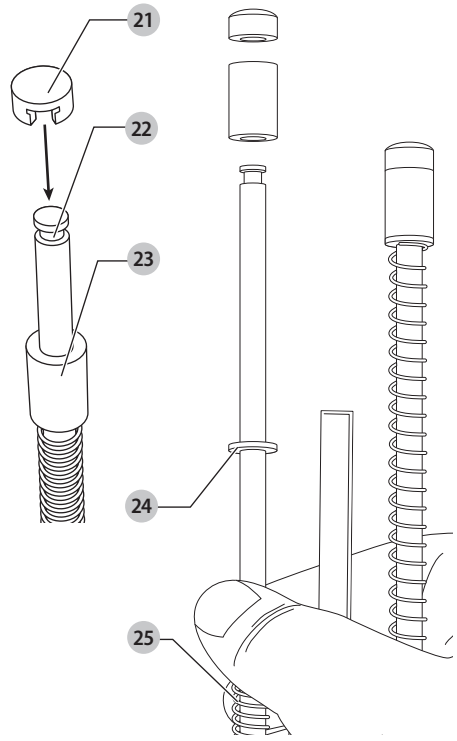


Fig. K

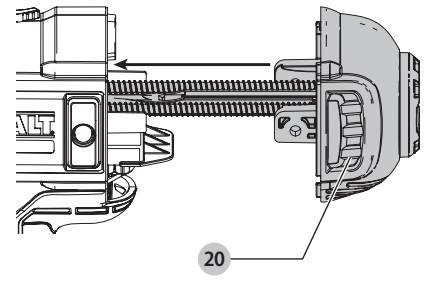
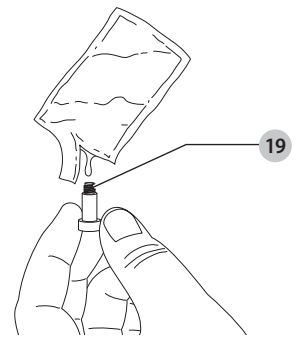


Fig. L



18V XR LI-ION CORDLESS FRAMING NAILER

DCN692, DCN695

Congratulations!

You have chosen a DEWALT tool. Years of experience, thorough product development and innovation make DEWALT one of the most reliable partners for professional power tool users.

Technical Data

		DCN692	DCN695
Voltage	V _{bc}	18	18
Type		3	3
Actuating mode		Sequential/ Bump	RapidCycle Sequential/ Sequential
Magazine angle		33°	33°
Fasteners			
length	mm	50–90	50–90
shank diameter	mm	2.8–3.3	2.8–3.3
angle		30–34°	30–34°
head geometry		clipped or offset round	clipped or offset round
collation type		paper or wire weld	paper or wire weld
Weight (without battery pack)	kg	3.6	3.6
Drive energy	J	95	95

Noise values and/or vibration values (triax vector sum) according to EN60745-2-16:

L _{PA} (sound pressure)	dB(A)	83	83
L _{WA} (sound power)	dB(A)	94	94
K _{WA} (uncertainty for the given sound level)	dB(A)	3	3
Vibration emission value	m/s ²	3.3	3.3
a _h = Uncertainty K =	m/s ²	1.5	1.5

The vibration and/or noise emission level given in this information sheet has been measured in accordance with a standardised test given in EN60745 and may be used to compare one tool with another. It may be used for a preliminary assessment of exposure.

WARNING: The declared vibration and/or noise emission level represents the main applications of the tool. However if the tool is used for different applications, with different accessories or poorly maintained, the vibration and/or noise emission may differ. This may significantly increase the exposure level over the total working period.

An estimation of the level of exposure to vibration and/or noise should also take into account the times when the tool is switched off or when it is running but not actually doing the job. This may significantly reduce the exposure level over the total working period.

Identify additional safety measures to protect the operator from the effects of vibration and/or noise such as: maintain

the tool and the accessories, keep the hands warm (relevant for vibration), organisation of work patterns.

EC-Declaration of Conformity

Machinery Directive



18V XR Li-Ion Cordless Framing Nailer DCN692, DCN695

DEWALT declares that these products described under **Technical Data** are in compliance with:

2006/42/EC, EN60745-1:2009+A11:2010, EN60745-2-16:2010.

These products also comply with Directive 2014/30/EU and 2011/65/EU. For more information, please contact DEWALT at the following address or refer to the back of the manual.

The undersigned is responsible for compilation of the technical file and makes this declaration on behalf of DEWALT.

Markus Rompel
Vice-President Engineering, PTE-Europe
DEWALT, Richard-Klinger-Straße 11,
D-65510, Idstein, Germany
28.11.17



WARNING: To reduce the risk of injury, read the instruction manual.

Definitions: Safety Guidelines

The definitions below describe the level of severity for each signal word. Please read the manual and pay attention to these symbols.



DANGER: Indicates an imminently hazardous situation which, if not avoided, **will** result in **death or serious injury**.



WARNING: Indicates a potentially hazardous situation which, if not avoided, **could** result in **death or serious injury**.



CAUTION: Indicates a potentially hazardous situation which, if not avoided, **may** result in **minor or moderate injury**.

NOTICE: Indicates a practice **not related to personal injury** which, if not avoided, **may** result in **property damage**.



Denotes risk of electric shock.



Denotes risk of fire.

Batteries				Chargers/Charge Times (Minutes)									
Cat #	V _{DC}	Ah	Weight (kg)	DCB104	DCB107	DCB112	DCB113	DCB115	DCB116	DCB117	DCB118	DCB132	DCB119
DCB546	18/54	6.0/2.0	1.05	60	270	170	140	90	80	40	60	90	X
DCB547	18/54	9.0/3.0	1.46	75*	420	270	220	135*	110*	60	75*	135*	X
DCB548	18/54	12.0/4.0	1.44	120	540	350	300	180	150	80	120	180	X
DCB181	18	1.5	0.35	22	70	45	35	22	22	22	22	22	45
DCB182	18	4.0	0.61	60/40**	185	120	100	60	60/45**	60/40**	60/40**	60	120
DCB183/B	18	2.0	0.40	30	90	60	50	30	30	30	30	30	60
DCB184/B	18	5.0	0.62	75/50**	240	150	120	75	75/60**	75/50**	75/50**	75	150
DCB185	18	1.3	0.35	22	60	40	30	22	22	22	22	22	X
DCB187	18	3.0	0.54	45	140	90	70	45	45	45	45	45	90
DCB189	18	4.0	0.54	60	185	120	100	60	60	60	60	60	120

*Date code 201811475B or later

**Date code 201536 or later

GENERAL POWER TOOL SAFETY WARNINGS



WARNING: Read all safety warnings, instructions, illustrations and specifications provided with this power tool. Failure to follow all instructions listed below may result in electric shock, fire and/or serious injury.

SAVE ALL WARNINGS AND INSTRUCTIONS FOR FUTURE REFERENCE

The term "power tool" in the warnings refers to your mains-operated (corded) power tool or battery-operated (cordless) power tool.

1) Work Area Safety

- Keep work area clean and well lit.** Cluttered or dark areas invite accidents.
- Do not operate power tools in explosive atmospheres, such as in the presence of flammable liquids, gases or dust.** Power tools create sparks which may ignite the dust or fumes.
- Keep children and bystanders away while operating a power tool.** Distractions can cause you to lose control.

2) Electrical Safety

- Power tool plugs must match the outlet. Never modify the plug in any way. Do not use any adapter plugs with earthed (grounded) power tools.** Unmodified plugs and matching outlets will reduce risk of electric shock.
- Avoid body contact with earthed or grounded surfaces, such as pipes, radiators, ranges and refrigerators.** There is an increased risk of electric shock if your body is earthed or grounded.
- Do not expose power tools to rain or wet conditions.** Water entering a power tool will increase the risk of electric shock.
- Do not abuse the cord. Never use the cord for carrying, pulling or unplugging the power tool. Keep cord away from heat, oil, sharp edges or moving parts.** Damaged or entangled cords increase the risk of electric shock.

- When operating a power tool outdoors, use an extension cord suitable for outdoor use.** Use of a cord suitable for outdoor use reduces the risk of electric shock.
- If operating a power tool in a damp location is unavoidable, use a residual current device (RCD) protected supply.** Use of an RCD reduces the risk of electric shock.

3) Personal Safety

- Stay alert, watch what you are doing and use common sense when operating a power tool. Do not use a power tool while you are tired or under the influence of drugs, alcohol or medication.** A moment of inattention while operating power tools may result in serious personal injury.
- Use personal protective equipment. Always wear eye protection.** Protective equipment such as a dust mask, non-skid safety shoes, hard hat or hearing protection used for appropriate conditions will reduce personal injuries.
- Prevent unintentional starting. Ensure the switch is in the off-position before connecting to power source and/or battery pack, picking up or carrying the tool.** Carrying power tools with your finger on the switch or energising power tools that have the switch on invites accidents.
- Remove any adjusting key or wrench before turning the power tool on.** A wrench or a key left attached to a rotating part of the power tool may result in personal injury.
- Do not overreach. Keep proper footing and balance at all times.** This enables better control of the power tool in unexpected situations.
- Dress properly. Do not wear loose clothing or jewellery. Keep your hair and clothing away from moving parts.** Loose clothes, jewellery or long hair can be caught in moving parts.
- If devices are provided for the connection of dust extraction and collection facilities, ensure these are connected and properly used.** Use of dust collection can reduce dust-related hazards.

- h) **Do not let familiarity gained from frequent use of tools allow you to become complacent and ignore tool safety principles.** A careless action can cause severe injury within a fraction of a second.

4) Power Tool Use and Care

- a) **Do not force the power tool. Use the correct power tool for your application.** The correct power tool will do the job better and safer at the rate for which it was designed.
- b) **Do not use the power tool if the switch does not turn it on and off.** Any power tool that cannot be controlled with the switch is dangerous and must be repaired.
- c) **Disconnect the plug from the power source and/or remove the battery pack, if detachable, from the power tool before making any adjustments, changing accessories, or storing power tools.** Such preventive safety measures reduce the risk of starting the power tool accidentally.
- d) **Store idle power tools out of the reach of children and do not allow persons unfamiliar with the power tool or these instructions to operate the power tool.** Power tools are dangerous in the hands of untrained users.
- e) **Maintain power tools and accessories. Check for misalignment or binding of moving parts, breakage of parts and any other condition that may affect the power tool's operation. If damaged, have the power tool repaired before use.** Many accidents are caused by poorly maintained power tools.
- f) **Keep cutting tools sharp and clean.** Properly maintained cutting tools with sharp cutting edges are less likely to bind and are easier to control.
- g) **Use the power tool, accessories and tool bits etc. in accordance with these instructions, taking into account the working conditions and the work to be performed.** Use of the power tool for operations different from those intended could result in a hazardous situation.
- h) **Keep handles and grasping surfaces dry, clean and free from oil and grease.** Slippery handles and grasping surfaces do not allow for safe handling and control of the tool in unexpected situations.

5) Battery Tool Use and Care

- a) **Recharge only with the charger specified by the manufacturer.** A charger that is suitable for one type of battery pack may create a risk of fire when used with another battery pack.
- b) **Use power tools only with specifically designated battery packs.** Use of any other battery packs may create a risk of injury and fire.
- c) **When battery pack is not in use, keep it away from other metal objects, like paper clips, coins, keys, nails, screws or other small metal objects, that can make a connection from one terminal to another.** Shorting the battery terminals together may cause burns or a fire.
- d) **Under abusive conditions, liquid may be ejected from the battery; avoid contact. If contact accidentally occurs, flush with water. If liquid**

contacts eyes, additionally seek medical help. Liquid ejected from the battery may cause irritation or burns.

- e) **Do not use a battery pack or tool that is damaged or modified.** Damaged or modified batteries may exhibit unpredictable behaviour resulting in fire, explosion or risk of injury.
- f) **Do not expose a battery pack or tool to fire or excessive temperature.** Exposure to fire or temperature above 130 °C may cause explosion.
- g) **Follow all charging instructions and do not charge the battery pack or tool outside the temperature range specified in the instructions.** Charging improperly or at temperatures outside the specified range may damage the battery and increase the risk of fire.

6) Service

- a) **Have your power tool serviced by a qualified repair person using only identical replacement parts.** This will ensure that the safety of the power tool is maintained.
- b) **Never service damaged battery packs.** Service of battery packs should only be performed by the manufacturer or authorized service providers.

Safety Instructions for Cordless Nailers

- **Always assume that the tool contains fasteners.** Careless handling of the nailer can result in unexpected firing of fasteners and personal injury.
- **Do not point the tool towards yourself or anyone nearby.** Unexpected triggering will discharge the fastener causing an injury.
- **Do not actuate the tool unless the tool is placed firmly against the workpiece.** If the tool is not in contact with the workpiece, the fastener may be deflected away from your target.
- **Keep hands and body parts away from the discharge area of the tool.** While in use NEVER grasp the tool by the magazine or canister, a mis-driven nail can exit the nose causing injury.
- **Disconnect the tool from the power source when the fastener jams in the tool.** While removing a jammed fastener, the nailer may be accidentally activated if it is plugged in.
- **Do not use this nailer for fastening electrical cables.** It is not designed for electric cable installation and may damage the insulation of electric cables thereby causing electric shock or fire hazards.



WARNING: If the tool has been dropped or you suspect tool damage perform tool operation check as defined in the mode selection section of the manual. If it doesn't perform according to the manual, stop using the tool and have it serviced at an authorized DEWALT service centre.

- Always wear safety glasses.
- Always wear ear protection.
- Only use fasteners of the type specified in the manual.
- Do not use any stands for mounting the tool to a support.
- Do not disassemble or block any parts of the fastener driving tool such as the contact trip.

- Prior to each operation check that the safety and triggering mechanism is functioning properly and that all nuts and bolts are tight.
- Do not use the DCN692
 - when changing from one driving location to another involving the use of scaffoldings, stairs, ladders or ladder-like constructions, e.g., roof laths, etc.;
 - when closing boxes or crates;
 - when fitting transportation safety systems, e.g., on vehicles, wagons, etc.

For exemptions check your local national workplace regulations.

- Always check local workplace regulations.
- Do not use the tool as a hammer.
- Never actuate the fastener driving tool into free space.
- In the work area, carry the tool at the workplace using only one hand, and never with the trigger actuated.
- Consider the conditions in the work area. Fasteners can penetrate thin workpieces or slip off corners and edges of the work piece, and thus put people at risk.
- Do not drive fasteners close to the edge of the workpiece.
- Do not drive fasteners on top of other fasteners.

Residual Risks

The following risks are inherent to the use of these machines:

- Injuries caused by improper handling of the tool.
- Loss of control due to not gripping tool firmly.
- Muscle strain of arms and hands, especially when working overhead. Always take regular breaks when working for long periods of time.

In spite of the application of the relevant safety regulations and the implementation of safety devices, certain residual risks cannot be avoided. These are:

- Impairment of hearing.
- Risk of personal injury due to flying particles.
- Risk of burns due to accessories becoming hot during operation.
- Risk of personal injury due to prolonged use.
- Loss of control caused by recoil.
- Risk of injury caused by pinch points, sharp edges and improper handling of workpiece.
- Risk of injury caused by sharp edges when changing nails or inserting nail sticks.

Chargers

DEWALT chargers require no adjustment and are designed to be as easy as possible to operate.

Electrical Safety

The electric motor has been designed for one voltage only. Always check that the battery pack voltage corresponds to the voltage on the rating plate. Also make sure that the voltage of your charger corresponds to that of your mains.



Your DEWALT charger is double insulated in accordance with EN60335; therefore no earth wire is required.

If the supply cord is damaged, it must be replaced only by DEWALT or an authorised service organisation.

Mains Plug Replacement (U.K. & Ireland Only)

If a new mains plug needs to be fitted:

- Safely dispose of the old plug.
- Connect the brown lead to the live terminal in the plug.
- Connect the blue lead to the neutral terminal.



WARNING: No connection is to be made to the earth terminal.

Follow the fitting instructions supplied with good quality plugs. Recommended fuse: 3 A.

Using an Extension Cable

An extension cord should not be used unless absolutely necessary. Use an approved extension cable suitable for the power input of your charger (see **Technical Data**). The minimum conductor size is 1 mm²; the maximum length is 30 m.

When using a cable reel, always unwind the cable completely.

Important Safety Instructions for All Battery Chargers

SAVE THESE INSTRUCTIONS: This manual contains important safety and operating instructions for compatible battery chargers (refer to **Technical Data**).

- Before using charger, read all instructions and cautionary markings on charger, battery pack, and product using battery pack.



WARNING: Shock hazard. Do not allow any liquid to get inside charger. Electric shock may result.



WARNING: We recommend the use of a residual current device with a residual current rating of 30mA or less.



CAUTION: Burn hazard. To reduce the risk of injury, charge only DEWALT rechargeable batteries. Other types of batteries may burst causing personal injury and damage.



CAUTION: Children should be supervised to ensure that they do not play with the appliance.

NOTICE: Under certain conditions, with the charger plugged into the power supply, the exposed charging contacts inside the charger can be shorted by foreign material. Foreign materials of a conductive nature such as, but not limited to, steel wool, aluminum foil or any buildup of metallic particles should be kept away from charger cavities. Always unplug the charger from the power supply when there is no battery pack in the cavity. Unplug charger before attempting to clean.

- **DO NOT attempt to charge the battery pack with any chargers other than the ones in this manual.** The charger and battery pack are specifically designed to work together.
- **These chargers are not intended for any uses other than charging DEWALT rechargeable batteries.** Any other uses may result in risk of fire, electric shock or electrocution.
- **Do not expose charger to rain or snow.**

- **Pull by plug rather than cord when disconnecting charger.** This will reduce risk of damage to electric plug and cord.
- **Make sure that cord is located so that it will not be stepped on, tripped over, or otherwise subjected to damage or stress.**
- **Do not use an extension cord unless it is absolutely necessary.** Use of improper extension cord could result in risk of fire, electric shock, or electrocution.
- **Do not place any object on top of charger or place the charger on a soft surface that might block the ventilation slots and result in excessive internal heat.** Place the charger in a position away from any heat source. The charger is ventilated through slots in the top and the bottom of the housing.
- **Do not operate charger with damaged cord or plug—** have them replaced immediately.
- **Do not operate charger if it has received a sharp blow, been dropped, or otherwise damaged in any way.** Take it to an authorised service centre.
- **Do not disassemble charger; take it to an authorised service centre when service or repair is required.** Incorrect reassembly may result in a risk of electric shock, electrocution or fire.
- **In case of damaged power supply cord, the supply cord must be replaced immediately by the manufacturer, its service agent or similar qualified person to prevent any hazard.**
- **Disconnect the charger from the outlet before attempting any cleaning.** This will reduce the risk of electric shock. Removing the battery pack will not reduce this risk.
- **NEVER attempt to connect two chargers together.**
- **The charger is designed to operate on standard 230V household electrical power. Do not attempt to use it on any other voltage.** This does not apply to the vehicular charger.







Charging a Battery (Fig. B)

1. Plug the charger into an appropriate outlet before inserting battery pack.
2. Insert the battery pack **12** into the charger, making sure the battery pack is fully seated in the charger. The red (charging) light will blink repeatedly indicating that the charging process has started.
3. The completion of charge will be indicated by the red light remaining ON continuously. The battery pack is fully charged and may be used at this time or left in the charger. To remove the battery pack from the charger, push the battery release button **15** on the battery pack.

NOTE: To ensure maximum performance and life of lithium-ion battery packs, charge the battery pack fully before first use.

Charger Operation

Refer to the indicators below for the charge status of the battery pack.

Charge Indicators		
	Charging	
	Fully Charged	
	Hot/Cold Pack Delay*	

*The red light will continue to blink, but a yellow indicator light will be illuminated during this operation. Once the battery pack has reached an appropriate temperature, the yellow light will turn off and the charger will resume the charging procedure.

The compatible charger(s) will not charge a faulty battery pack. The charger will indicate faulty battery by refusing to light.

NOTE: This could also mean a problem with a charger.

If the charger indicates a problem, take the charger and battery pack to be tested at an authorised service centre.

Hot/Cold Pack Delay

When the charger detects a battery pack that is too hot or too cold, it automatically starts a Hot/Cold Pack Delay, suspending charging until the battery pack has reached an appropriate temperature. The charger then automatically switches to the pack charging mode. This feature ensures maximum battery pack life.

A cold battery pack will charge at a slower rate than a warm battery pack. The battery pack will charge at that slower rate throughout the entire charging cycle and will not return to maximum charge rate even if the battery pack warms.

The DCB118 charger is equipped with an internal fan designed to cool the battery pack. The fan will turn on automatically when the battery pack needs to be cooled. Never operate the charger if the fan does not operate properly or if ventilation slots are blocked. Do not permit foreign objects to enter the interior of the charger.

Electronic Protection System

XR Li-Ion tools are designed with an Electronic Protection System that will protect the battery pack against overloading, overheating or deep discharge.

The tool will automatically turn off if the Electronic Protection System engages. If this occurs, place the lithium-ion battery pack on the charger until it is fully charged.

Wall Mounting

These chargers are designed to be wall mountable or to sit upright on a table or work surface. If wall mounting, locate the charger within reach of an electrical outlet, and away from a corner or other obstructions which may impede air flow. Use the back of the charger as a template for the location of the mounting screws on the wall. Mount the charger securely using drywall screws (purchased separately) at least 25.4 mm long with a screw head diameter of 7–9 mm, screwed into wood to an optimal depth leaving approximately 5.5 mm of the screw exposed. Align the slots on the back of the charger with the exposed screws and fully engage them in the slots.

Charger Cleaning Instructions



WARNING: Shock hazard. Disconnect the charger from the AC outlet before cleaning. Dirt and grease may be removed from the exterior of the charger using a cloth or soft non-metallic brush. Do not use water or any cleaning solutions. Never let any liquid get inside the tool; never immerse any part of the tool into a liquid.

Battery Packs

Important Safety Instructions for All Battery Packs

When ordering replacement battery packs, be sure to include catalogue number and voltage.

The battery pack is not fully charged out of the carton. Before using the battery pack and charger, read the safety instructions below. Then follow charging procedures outlined.

READ ALL INSTRUCTIONS

- **Do not charge or use battery in explosive atmospheres, such as in the presence of flammable liquids, gases or dust.** Inserting or removing the battery from the charger may ignite the dust or fumes.
- **Never force battery pack into charger. Do not modify battery pack in any way to fit into a non-compatible charger as battery pack may rupture causing serious personal injury.**
- Charge the battery packs only in DeWALT chargers.
- **DO NOT** splash or immerse in water or other liquids.
- **Do not store or use the tool and battery pack in locations where the temperature may fall below 4 °C (34 °F) (such as outside sheds or metal buildings in winter), or reach or exceed 40 °C (104 °F) (such as outside sheds or metal buildings in summer).**
- **Do not incinerate the battery pack even if it is severely damaged or is completely worn out.** The battery pack can explode in a fire. Toxic fumes and materials are created when lithium-ion battery packs are burned.
- **If battery contents come into contact with the skin, immediately wash area with mild soap and water.** If battery liquid gets into the eye, rinse water over the open eye for 15 minutes or until irritation ceases. If medical attention is needed, the battery electrolyte is composed of a mixture of liquid organic carbonates and lithium salts.
- **Contents of opened battery cells may cause respiratory irritation.** Provide fresh air. If symptoms persists, seek medical attention.



WARNING: Burn hazard. Battery liquid may be flammable if exposed to spark or flame.



WARNING: Never attempt to open the battery pack for any reason. If battery pack case is cracked or damaged, do not insert into charger. Do not crush, drop or damage battery pack. Do not use a battery pack or charger that has received a sharp blow, been dropped, run over or damaged in any way (i.e., pierced with a nail, hit with a hammer, stepped on). Electric shock or electrocution

may result. Damaged battery packs should be returned to service centre for recycling.



WARNING: Fire hazard. Do not store or carry the battery pack so that metal objects can contact exposed battery terminals. For example, do not place the battery pack in aprons, pockets, tool boxes, product kit boxes, drawers, etc., with loose nails, screws, keys, etc.



CAUTION: When not in use, place tool on its side on a stable surface where it will not cause a tripping or falling hazard. Some tools with large battery packs will stand upright on the battery pack but may be easily knocked over.

Transportation



WARNING: Fire hazard. Transporting batteries can possibly cause fire if the battery terminals inadvertently come in contact with conductive materials. When transporting batteries, make sure that the battery terminals are protected and well insulated from materials that could contact them and cause a short circuit. **NOTE:** Lithium-ion batteries should not be put in checked baggage.

DeWALT batteries comply with all applicable shipping regulations as prescribed by industry and legal standards which include UN Recommendations on the Transport of Dangerous Goods; International Air Transport Association (IATA) Dangerous Goods Regulations, International Maritime Dangerous Goods (IMDG) Regulations, and the European Agreement Concerning The International Carriage of Dangerous Goods by Road (ADR). Lithium-ion cells and batteries have been tested to section 38.3 of the UN Recommendations on the Transport of Dangerous Goods Manual of Tests and Criteria.

In most instances, shipping a DeWALT battery pack will be excepted from being classified as a fully regulated Class 9 Hazardous Material. In general, only shipments containing a lithium-ion battery with an energy rating greater than 100 Watt Hours (Wh) will require being shipped as fully regulated Class 9. All lithium-ion batteries have the Watt Hour rating marked on the pack. Furthermore, due to regulation complexities, DeWALT does not recommend air shipping lithium-ion battery packs alone regardless of Watt Hour rating. Shipments of tools with batteries (combo kits) can be air shipped as excepted if the Watt Hour rating of the battery pack is no greater than 100 Wh. Regardless of whether a shipment is considered excepted or fully regulated, it is the shipper's responsibility to consult the latest regulations for packaging, labeling/marketing and documentation requirements.

The information provided in this section of the manual is provided in good faith and believed to be accurate at the time the document was created. However, no warranty, expressed or implied, is given. It is the buyer's responsibility to ensure that its activities comply with the applicable regulations.

Transporting the FLEXVOLT™ Battery

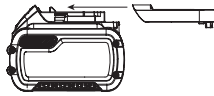
The DeWALT FLEXVOLT™ battery has two modes: **Use** and **Transport**.

Use Mode: When the FLEXVOLT™ battery stands alone or is in a DeWALT 18V product, it will operate as an 18V battery. When

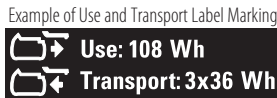
the FLEXVOLT™ battery is in a 54V or a 108V (two 54V batteries) product, it will operate as a 54V battery.

Transport Mode: When the cap is attached to the FLEXVOLT™ battery, the battery is in Transport mode. Keep the cap for shipping.

When in Transport mode, strings of cells are electrically disconnected within the pack resulting in 3 batteries with a lower Watt hour (Wh) rating as compared to 1 battery with a higher Watt hour rating. This increased quantity of 3 batteries with the lower Watt hour rating can exempt the pack from certain shipping regulations that are imposed upon the higher Watt hour batteries.



For example, the Transport Wh rating might indicate 3 x 36 Wh, meaning 3 batteries of 36 Wh each.



The Use Wh rating might indicate 108 Wh (1 battery implied).

Storage Recommendations

1. The best storage place is one that is cool and dry away from direct sunlight and excess heat or cold. For optimum battery performance and life, store battery packs at room temperature when not in use.
2. For long storage, it is recommended to store a fully charged battery pack in a cool, dry place out of the charger for optimal results.

NOTE: Battery packs should not be stored completely depleted of charge. The battery pack will need to be recharged before use.


Labels on Charger and Battery Pack


In addition to the pictographs used in this manual, the labels on the charger and the battery pack may show the following pictographs:


 Read instruction manual before use.




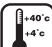
 See **Technical Data** for charging time.


 Do not probe with conductive objects.


 Do not charge damaged battery packs.


 Do not expose to water.

 Have defective cords replaced immediately


 Charge only between 4 °C and 40 °C.


 Only for indoor use.

 Discard the battery pack with due care for the environment.
LI-ION

 Charge DEWALT battery packs only with designated DEWALT chargers. Charging battery packs other than the designated DEWALT batteries with a DEWALT charger may make them burst or lead to other dangerous situations.

 Do not incinerate the battery pack.

 USE (without transport cap). Example: Wh rating indicates 108 Wh (1 battery with 108 Wh).

 TRANSPORT (with built-in transport cap). Example: Wh rating indicates 3 x 36 Wh (3 batteries of 36 Wh).

Battery Type

The following SKU(s) operate on a 18 volt battery pack: DCN692, DCN695

These battery packs may be used: DCB181, DCB182, DCB183, DCB183B, DCB184, DCB184B, DCB185, DCB187, DCB189, DCB546, DCB547, DCB548. Refer to **Technical Data** for more information.

Package Contents

The package contains:

- 1 Nailer
- 1 Charger (except N models)
- 1 Non-mar tip
- 1 Kitbox (except N models)
- 1 Li-Ion battery pack (C1, D1, L1, M1, P1, S1, T1, X1, Y1 models)
- 2 Li-Ion battery packs (C2, D2, L2, M2, P2, S2, T2, X2, Y2 models)
- 3 Li-Ion battery packs (C3, D3, L3, M3, P3, S3, T3, X3, Y3 models)
- 1 Instruction manual

NOTE: Battery packs, chargers and kitboxes are not included with N models. Battery packs and chargers are not included with NT models. B models include Bluetooth® battery packs.

NOTE: The Bluetooth® word mark and logos are registered trademarks owned by the Bluetooth®, SIG, Inc. and any use of such marks by DEWALT is under license. Other trademarks and trade names are those of their respective owners.

- Check for damage to the tool, parts or accessories which may have occurred during transport.
- Take the time to thoroughly read and understand this manual prior to operation.

Markings on Tool

The following pictograms are shown on the tool:



Read instruction manual before use.



Wear ear protection.



Wear eye protection.



Visible radiation. Do not stare into light.



Length of nails.



Nail thickness.



Loading capacity.



Suitable nail collation angle.

Date Code Position

The date code, which also includes the year of manufacture, is printed into the housing.

Example:

2020 XX XX

Year of Manufacture

Description (Fig. A)



WARNING: Never modify the power tool or any part of it. Damage or personal injury could result.

- 1 Trigger
- 2 Trigger safety lock-off
- 3 Contact trip
- 4 Depth adjustment wheel
- 5 Low battery and jam/stall indicator light
- 6 Stall release lever
- 7 Magazine
- 8 Pusher latch
- 9 Mode selector switch
- 10 Rotating rafter/belt hook
- 11 On-board hex wrench
- 12 Battery pack
- 13 No-mar tip
- 14 Speed selector switch

Intended Use

The DCN692 and DCN695 cordless framing nailers have been designed for driving nails into wooden workpieces.

The DCN692 cordless framing nailer is designed for sequential/bump modes. Nailers designed for sequential/bump modes

MUST NOT be used on scaffoldings, stairs, ladders or ladder-like constructions, e.g., roof laths. For exemptions check your local national workplace regulations.

The DCN695 cordless framing nailer is designed for sequential use only, whether in standard sequential mode, or RapidCycle sequential mode for faster nailing. Nailers designed for sequential only mode **MAY BE** used on scaffoldings, stairs, ladders or ladder-like constructions, e.g., roof laths.

DO NOT use under wet conditions or in the presence of flammable liquids or gases.

These cordless nailers are professional power tools.

Do not let children come into contact with the tool. Supervision is required when inexperienced operators use this tool.

- **Young children and the infirm.** This appliance is not intended for use by young children or infirm persons without supervision.
- This product is not intended for use by persons (including children) suffering from diminished physical, sensory or mental abilities; lack of experience, knowledge or skills unless they are supervised by a person responsible for their safety. Children should never be left alone with this product.

ASSEMBLY AND ADJUSTMENTS



WARNING: To reduce the risk of serious personal injury, turn tool off and disconnect battery pack before making any adjustments or removing/installing attachments or accessories. An accidental start-up can cause injury.



WARNING: Use only DEWALT battery packs and chargers.

Inserting and Removing the Battery Pack from the Tool (Fig. B)

NOTE: Make sure your battery pack 12 is fully charged.

To Install the Battery Pack into the Tool Handle

1. Align the battery pack 12 with the rails inside the tool's handle (Fig. B).
2. Slide it into the handle until the battery pack is firmly seated in the tool and ensure that you hear the lock snap into place.

To Remove the Battery Pack from the Tool

1. Press the release button 15 and firmly pull the battery pack out of the tool handle.
2. Insert battery pack into the charger as described in the charger section of this manual.

Fuel Gauge Battery Packs (Fig. B)

Some DEWALT battery packs include a fuel gauge which consists of three green LED lights that indicate the level of charge remaining in the battery pack.

To actuate the fuel gauge, press and hold the fuel gauge button 16. A combination of the three green LED lights will illuminate designating the level of charge left. When the level of charge in the battery is below the usable limit, the fuel gauge will not illuminate and the battery will need to be recharged.

NOTE: The fuel gauge is only an indication of the charge left on the battery pack. It does not indicate tool functionality and is subject to variation based on product components, temperature and end-user application.

Rotating Rafter/Belt Hook (Fig. F)

The rafter/belt hook **10** and can be easily positioned to the left or right of the tool to accommodate left- or right-handed users. If use of the hook is not desired at all, it can be rotated to the front or back of the handle base.

Loading The Tool (Fig. D)

WARNING: Always lock tool off and disconnect battery pack before loading and unloading fasteners.

- Slide the spring-loaded pusher latch **8** to the base of the magazine to lock it into place.
- Select an appropriate collated nail stick. (Refer to **Technical Data.**) DeWALT would always recommend that you use DeWALT branded first fix nails.

WARNING: Since accessories, other than those offered by DeWALT, have not been tested with this product, use of such accessories with this tool could be hazardous. To reduce the risk of injury, only DeWALT recommended accessories should be used with this product.

- Insert collated nail stick into the loading slot on side of the magazine. Be sure the fasteners ride on their heads in the nail channel.
- Close the magazine by releasing the pusher latch. Carefully allow the latch to slide forward and engage the nail strip.

Dry Fire Lock Out

The nailer is equipped with a dry fire lock out which restricts the tool from actuating when the magazine is nearly empty. When approximately 7 to 9 nails remain in the magazine, the tool dry fire lock actuates. Refer to **Loading the Tool** to reload a stick of collated nails.

NOTE: If heavy force is placed on the tool it is possible to override the lock out. This protects the tool from potential damage if dropped.


Adjusting the Driving Depth (Fig. E)


The nail driving depth can be adjusted using the depth adjustment wheel.

- To drive the nail shallower, rotate the depth adjustment wheel **4** to the left, toward the shallow nail icon.
- To sink a nail deeper, rotate the depth adjustment wheel **4** to the right, toward the deeper nail icon.

Selecting the Mode (Fig. A)


DCN692


To select sequential action mode, slide the mode selector switch **9** to display the single nail icon .

To select contact trip mode (also known as bump mode), slide the mode selector switch **9** to display the three nail icon .

NOTE: Maximum power for driving long nails is achieved in sequential mode, so limit use of bump mode when driving longer nails.

DCN695

To select standard sequential mode, slide the mode selector switch **9** to display the single arrow .

To select RapidCycle sequential action mode, slide the mode selector switch **9** to display the double arrow .

NOTE: Battery life in RapidCycle sequential mode will be shorter than in standard sequential mode. Leaving the tool in standard sequential will give maximum battery life.

Speed Selection (Fig. A)

This nailer is equipped with a dual speed selection switch **14** located on the foot.

- For shorter nails, select speed 1 by setting the switch to the left most position.
- For longer nails and more rigorous applications, select speed 2 by setting the switch to the right most position.

In the event that nails are not driving to depth in speed setting 1, you may have to switch to speed setting 2 for additional driving power.

NOTICE: Firing nails under 71 mm in length using speed setting 2 will cause excessive wear to your tool and may result in early failures.

Speed Setting	Benefit	Application	Typical Nail Length
2	Power to drive longer nails	Stud Work	71 – 90 mm
		Noggings	
		Joists	
		Timber framing	
1	Increased tool durability, Increased battery life, Increased speed of firing, Less recoil	Flooring	50 – 70 mm
		Cladding	
		Fencing	
		Boarding	
		Battening	

OPERATION

Instructions for Use

WARNING: Always observe the safety instructions and applicable regulations.

WARNING: To reduce the risk of serious personal injury, turn tool off and disconnect battery pack before making any adjustments or removing/ installing attachments or accessories. An accidental start-up can cause injury.

WARNING: If the tool has been dropped or you suspect tool damage perform tool operation check as defined in the mode selection section of the manual. If it doesn't perform according to the manual, stop using the tool and have it serviced at an Authorized DeWALT Service Centre.

Proper Hand Position (Fig. C)



WARNING: To reduce the risk of serious personal injury, **ALWAYS** use proper hand position as shown.



WARNING: To reduce the risk of serious personal injury, **ALWAYS** hold securely in anticipation of a sudden reaction.

Proper hand position requires one hand on the main handle **12** as shown.

Preparing The Tool (Fig. A)

1. Remove the battery pack **12** from the tool and ensure the tool is locked off.
2. Remove all nails from the magazine **7**.
3. Check if the contact trip **3** can move freely.
4. Reload the nails to the magazine.
5. Insert battery pack.



WARNING: Do not use the tool if the contact trip or nail pusher cannot move freely.



NOTICE: NEVER spray or in any other way apply lubricants or cleaning solvents inside the tool. This can seriously affect the life and performance of the tool.

Running in the Tool

Please note that this tool requires a run-in period before it operates with full power due to parts which need to mesh or wear in together. It may be that the tool does not drive long nails flush consistently during this period.

Actuating The Tool (Fig. A)

The tool can be operated using one of two modes:

Sequential Action Mode

The sequential action mode is used for intermittent nailing when very careful and accurate placement is desired. It also offers the maximum delivery of power for driving the longest nails.

1. Using the mode selector switch **9**, select the sequential action mode or .
2. Release the trigger safety lock-off **2**.
3. Push the contact trip **3** against the work surface.
4. Pull the trigger switch **1** to actuate the tool.
5. Release the trigger and raise the nailer from the work surface.
6. Repeat steps 3–5 to actuate the next nail.

Contact Trip Mode

DCN692

Contact trip mode (also known as bump mode) is used for rapid nailing on flat, stationary surfaces and typically most effective for application driving shorter nails.

1. Using the mode selector switch **9** to select the bump action mode .
2. Release the trigger safety lock-off **2**.
3. To drive a single nail, operate the tool as described for sequential action:

- a. Push the contact trip **3** against the work surface.
 - b. Pull the trigger switch **1** to actuate the tool. Each trigger pull with the contact trip pushed against the work surface will drive one nail.
4. To drive several nails, depress and hold the trigger switch **1**, and then push the contact trip **3** repeatedly against the work surface.



WARNING: Do not keep the trigger depressed when the tool is not in use. Keep the trigger safety lock-off **2** in the locked position to prevent accidental actuation when the tool is not in use.

5. When changing between sequential and bump modes, it may be necessary to adjust the driving depth. Refer to **Adjusting the Driving Depth** for instructions.

RapidCycle Mode

DCN695

The RapidCycle mode is ideal for when the user fires many nails in a sequence and needs to move more rapidly. The tool still operates in a full sequential mode, but the motor readies itself for the next nail immediately after firing to minimise time spent waiting for the motor to get up to speed.

1. Use the mode selector switch **9** to select the RapidCycle mode .
2. Release the trigger safety lock-off **2**.
3. To drive a single nail, operate the tool as described in the sequential action:
 - a. Push the contact trip **3** against the work piece.
 - b. Pull the trigger switch **1** to actuate the tool. (You will hear the motor spin up after the nail has been driven).
4. To drive several nails simply repeat the directions in point 3. above. If you do not fire a nail within 2 seconds of the previous then the motor will coast down to rest.

Using the Trigger Lock-Off (Fig. C)

Each DeWALT nailer is equipped with a trigger lock-off **2** which when pushed to the right as shown in Figure C, prevents the tool from firing a nail by locking the trigger and bypassing power to the motor.

When the trigger lock-off is pressed to the left, the tool will be fully operational. The trigger lock-off should always be locked off whenever any adjustments are made or when tool is not in immediate use.



No-Mar Tip (Fig. A)

When using this tool on materials that you do not want to mark, such as wood cladding, use the plastic no-mar tip **13** over the contact trip **3**.

NOTE: For maximum depth of drive, especially with long nails, the no-mar covered should be removed.

LED Indicator (Fig. A)

Your nailer is equipped with a LED indicator light **5** to alert you of a jam/stall. Also refer to the **Troubleshooting Guide** for further instruction.

		JAM/STALL CONDITION Rotate the stall release lever to release. Refer to Stall Release .
-----------------------------------------------------------------------------------	-----------------------------------------------------------------------------------	----------------------------------------------------------------------------------------------------------

Stall Release (Fig. A, C)

If the nailer is used in rigorous application where all available energy in the motor is used to drive a fastener, the tool may stall. The driver blade did not complete the drive cycle and the jam/stall indicator **5** will flash. Rotate the stall release lever **6** on the tool and the mechanism will release. If the driver blade does not automatically return to the home position, proceed to **Clearing a Jammed Nail**. If the unit continues to stall please review the mode selection, material and fastener length to be sure that it is not too rigorous an application.

If continuous stalling occurs, review speed selection.

Depending upon the application, a different speed setting may be necessary.

Clearing a Jammed Nail (Fig. A, C)

If a nail becomes jammed in the nosepiece, the jam/stall indicator light **5** will flash.

NOTE: The jam could be as a result of debris build up in the nose channel. Please check and clear out any debris as outlined below immediately if you notice any change of performance in the tool.

1. Remove battery pack from tool and engage trigger safety lock-off **2**.
2. Slide the spring-loaded pusher latch **8** to the base of the magazine to lock it into place and unload nail strip.
3. Using the hex wrench **11** provided, loosen the two hex bolts **17** at the top of the magazine.
4. Rotate the magazine **7** forward.
5. Remove jammed/bent nail, using pliers if necessary. Clear out any debris in the nail channel if required.
6. If driver blade is in the down position, rotate the stall release lever **6** on the top of the nailer.
NOTE: If the driver blade will not reset after rotating the stall release lever, manually resetting the blade with a long screwdriver may be necessary.
7. Rotate the magazine back into position under the nose of the tool and tighten hex bolts **17**.
8. Reinsert battery pack.
NOTE: The tool will disable itself and not reset until the battery pack has been removed and reinserted.
9. Reinsert nails into magazine (refer to **Loading the Tool**).
10. Release the pusher latch **8**.
11. Disengage the trigger safety lock-off **2** when ready to continue nailing.

If nails become jammed in the nosepiece frequently, have the tool serviced by an authorised DeWALT service centre.

MAINTENANCE

Your power tool has been designed to operate over a long period of time with a minimum of maintenance. Continuous satisfactory operation depends upon proper tool care and regular cleaning.

WARNING: To reduce the risk of serious personal injury, turn tool off and disconnect battery pack before making any adjustments or removing/installing attachments or accessories. An accidental start-up can cause injury.

The charger and battery pack are not serviceable.



Lubrication

Your power tool requires no additional lubrication.



NOTICE: NEVER spray or in any other way apply lubricants or cleaning solvents inside the tool. This can seriously affect the life and performance of the tool.



Cleaning



WARNING: Blow dirt and dust out of the main housing with dry air as often as dirt is seen collecting in and around the air vents. Wear approved eye protection and approved dust mask when performing this procedure.



WARNING: Never use solvents or other harsh chemicals for cleaning the non-metallic parts of the tool. These chemicals may weaken the materials used in these parts. Use a cloth dampened only with water and mild soap. Never let any liquid get inside the tool; never immerse any part of the tool into a liquid.

Optional Accessories



WARNING: Since accessories, other than those offered by DeWALT, have not been tested with this product, use of such accessories with this tool could be hazardous. To reduce the risk of injury, only DeWALT recommended accessories should be used with this product.

Consult your dealer for further information on the appropriate accessories.

DCN6901 Return Spring Replacement Kit (Fig. H–L)

Over time driver blade return springs will wear and eventually need replacement. It will become apparent that the springs will need replacement when the driver blade does not return home after every shot. To verify - open the magazine as in the **Clearing a Jammed Nail** section and if the springs have worn out you will be able to move the driver backwards and forwards in the nail channel with very little resistance.

The tool has been designed in a way that it is easily possible for the return springs to be replaced in less than 5 minutes on site using accessory DCN6901-XJ.



WARNING: For your own safety, read the tool instruction manual before using any accessory. Failure to heed these warnings may result in personal injury and serious damage to the tool and the accessory. When servicing this tool, use only identical replacement parts.

NOTICE: All the mechanical parts of the spring replacement kit are shown for convenience and verification of inclusion. The kit also contains a packet of Loctite** adhesive for use in step 9. Refer to Figure L.

To Change Broken Return Springs

NOTE: Springs should be replaced as a pair, using only the correct DeWALT accessory spring replacement kit.

- Using the key **11** provided, loosen the two screws **19** on either side of the unit. Refer to Figure H.
- Remove the return system **20** from the unit. Refer to Figure I.
- Slide the spring rail clip **21** off of the spring rail **22**. Refer to Figure J.
- Twist and remove the spring bumper **23** and remove the washer **24** and return spring **25**. Refer to Figure J.
- Mount the new return spring and washer on to the spring rail **22**. While compressing the spring with the washer near the opposite end of the rail, twist on the new spring bumper until it is past the groove for the spring rail clip.
- Mount the new spring rail clip securely and position the bumper against the clip.
- Repeat steps 3–6 for the second spring.
NOTE: Check the return of the profile by sliding the profile up the spring rail and letting it go. It should return due to the force from the springs.
- Slide the return system **20** back into the unit. Refer to Figure K. It is important to try the alignment of the profile and the flywheel before screwing the return system back on to the unit. This can be done by connecting a battery and pushing then releasing the nose of the unit against a bench or hard surface. This will start the motor spinning.
NOTE: When the profile and the flywheel are correctly aligned, you will hear the motor coast back down from full speed. If the profile and the flywheel are not correctly aligned the motor it may not start up, may slow down much faster than normal along with a loud grinding noise from the unit. If this happens remove and reseat the return system.
- Once the return system is correctly seated, open the provided sachet of Loctite® and apply a small amount on the thread of the two screws **19** and remount the two screws using the key and tighten securely. Refer to Figure L



WARNING: Always test the unit by firing short nails in to soft wood, to ensure that the tool is working properly. If tool does not operate properly, contact a recognized DeWALT service centre immediately.



WARNING: LOCTITE** SACHET CONTENTS MAY IRRITATE EYES, SKIN, AND RESPIRATORY SYSTEM. USE ENTIRE CONTENTS ON OPENING. Do not breath fumes. Do not get in eyes or on skin or clothing. Use only in a well ventilated

area. Keep out of reach of children.

FIRST AID TREATMENT: Contains polyglycol dimethacrylate, polyglycol oleate propylene glycol, titanium dioxide, and cumene hydroperoxide. If swallowed, call a Poison Control Centre or doctor immediately. Do not induce vomiting. If breathed in move person to fresh air. If in eyes, rinse with water for 15 minutes. Obtain medical attention. If on skin, rinse well with water. If on clothes, remove clothes.

*Loctite® is a registered trademark of Henkel Corp.

Protecting the Environment



Separate collection. Products and batteries marked with this symbol must not be disposed of with normal household waste.

Products and batteries contain materials that can be recovered or recycled reducing the demand for raw materials. Please recycle electrical products and batteries according to local provisions. Further information is available at www.2helpU.com.

Rechargeable Battery Pack

This long life battery pack must be recharged when it fails to produce sufficient power on jobs which were easily done before. At the end of its technical life, discard it with due care for our environment:

- Run the battery pack down completely, then remove it from the tool.
- Li-Ion cells are recyclable. Take them to your dealer or a local recycling station. The collected battery packs will be recycled or disposed of properly.

TROUBLESHOOTING GUIDE

MANY COMMON PROBLEMS CAN BE SOLVED EASILY BY UTILIZING THE CHART BELOW.

For more serious or persistent problems, contact your nearest authorised DeWALT repair agent, or contact your DeWALT office at the address indicated in this manual.



WARNING: To reduce the risk of serious personal injury, ALWAYS lock off the tool and disconnect battery pack from tool before all repairs.

SYMPTOM	CAUSE	FIX
Motor does not run with trigger depressed	Trigger lock in locked position	Unlock trigger lock.
	Tool is stalled, locking the motor from rotating	Rotate the stall release lever on the tool and the mechanism will release. If driver blade does not return, remove battery and manually push driver blade back to home position.
	Tool is in the sequential actuation mode	Depress contact trip first before firing or switch to bump mode (DCN692 only).
	Tool internal electronics need to be reset	Remove battery, wait 3 seconds and reinsert.
	Motor stops running after 5 seconds	Normal operation, release trigger and redepress.
	Terminals are dirty or damaged	See authorised DeWALT repair agent.
	Damaged internal electronics	See authorised DeWALT repair agent.
	Damaged trigger	See authorised DeWALT repair agent.
Motor does not run with contact trip depressed	Battery is hot	Let the battery cool or replace it with a cool pack.
	Tool is hot	Let the tool cool down before continuing use.
	Trigger lock in locked position	Unlock trigger lock.
	Dry fire lock out engaged, blocking contact trip from traveling fully	Load more nails into magazine.
	Tool is stalled, locking the motor from rotating	Rotate the stall release lever on the tool and the mechanism will release. If driver blade does not return, remove battery and manually push driver blade back to home position.
	Bent contact trip	See authorised DeWALT repair agent.
	Motor stops running after 5 seconds	Normal operation, release contact trip and redepress.
	Terminals are dirty or damaged	See authorised DeWALT repair agent.
Tool does not actuate (motor runs but will not fire)	Damaged internal electronics	See authorised DeWALT repair agent.
	Damaged trigger	See authorised DeWALT repair agent.
	Battery is hot	Let the battery cool or replace it with a cool pack.
	Tool is hot	Let the tool cool down before continuing use.
	Dry fire lock out engaged, blocking contact trip from traveling fully	Load nails into magazine.
	Low battery charge or damaged battery	Check charge level if pack shows state-of-charge. Charge or replace battery pack if necessary.
	Jammed nail/driver blade not returned to home position	Remove battery, clear jammed nail, cycle stall release lever, (push driver blade up manually if necessary) reinsert battery pack.
	Damaged driver/return assembly	Replace driver/return assembly. See authorised DeWALT repair agent.
Motor starts up but generates a lot of noise	Jammed internal mechanism	See authorised DeWALT repair agent.
	Damaged internal electronics	See authorised DeWALT repair agent.
	Jammed nail and driver blade is stuck in down position	Use stall release lever, clear any jammed nails, and return driver blade manually if necessary.
	Damaged driver/return assembly	Replace driver/return assembly. See authorised DeWALT repair agent.

ENGLISH

SYMPTOM	CAUSE	FIX
Drive blade continues to get stuck in down position	Jammed nail and driver blade is stuck in down position	Use stall release lever, clear and jammed nails, and return driver blade manually if necessary.
	Damaged driver/return assembly	Replace driver/return assembly. See authorised DEWALT repair agent.
	Material and fastener length	If the unit continues to stall (forcing the need to rotate the Stall release lever) choose the appropriate material and fastener length that is not too rigorous an application.
	Debris in nosepiece	Clean nose area and watch closely for small pieces of broken nails stuck in the track.
	Tool is not yet run-in	New tools can take 500–1000 nails for parts to mesh and wear in together. Drive shorter nails during this period if experiencing difficulty driving nails flush.
Tool operates but does not drive fasteners fully	Use of incorrect speed	If trying to drive longer ring shank nails in soft woods, or driving ring shank nails into harder materials in speed 1 - adjust speed setting to position 2.
	Depth adjust set too shallow	Rotate depth adjust to a deeper setting.
	Tool not firmly applied to workpiece	Apply adequate force to tool securing it tightly to workpiece. Refer to instruction manual.
	Bump mode selected with long nails (DCN692 only)	Select sequential mode.
	Material and fastener length	If the unit continues to stall (forcing the need to rotate the Stall release lever) choose the appropriate material and fastener length that is not too rigorous of an application.
	Damaged or worn driver blade tip	Replace driver/return assembly. See authorised DEWALT repair agent.
	Tool used with no-mar tip	Remove no-mar tip.
	Damaged actuation mechanism	See authorised DEWALT repair agent.
Tool operates, but no fastener is driven	Tool is not yet run-in	New tools can take 500–1000 nails for parts to mesh and wear in together. Drive shorter nails during this period if experiencing difficulty driving nails flush.
	Use of incorrect speed	If trying to drive longer ring shank nails in soft woods, or driving ring shank nails into harder materials in speed 1 - adjust speed setting to position 2.
	No nails in magazine	Load nails in magazine.
	Wrong size or angle nails	Use only the recommended nails. Refer to Technical Data .
	Debris in nosepiece	Clean nose area and watch closely for small pieces of broken nails stuck in the track.
	Debris in magazine	Clean magazine.
	Worn magazine	Replace magazine. See authorised DEWALT repair agent.
Damaged or worn driver blade	Replace driver blade. See authorised DEWALT repair agent.	
Damaged pusher spring	Replace spring; see authorised DEWALT repair agent.	

SYMPTOM	CAUSE	FIX
Jammed nail	Wrong size or angle nails	Use only the recommended nails. Refer to Technical Data .
	Magazine screws not secured after previous jam clear/inspection	Make sure to tighten magazine hex bolts with wrench provided.
	Damaged or worn driver blade	Replace driver blade. See authorised DEWALT repair agent.
	Material and fastener length	If the unit continues to stall (forcing the need to rotate the Stall release lever) choose the appropriate material and fastener length that is not too rigorous an application.
	Debris in nosepiece	Clean nose area and watch closely for small pieces of broken nails stuck in the track.
	Worn magazine	Replace magazine. See authorised DEWALT repair agent.
	Damaged pusher spring	Replace spring. See authorised DEWALT repair agent.
	Dry fire lock out is engaged with only 7–9 nails remaining in magazine and the user is applying excessive force to contact trip, overriding the lockout	Load more nails in magazine to disengage dryfire lockout.
	Tool is not yet run-in	New tools can take 500–1000 nails for parts to mesh and wear in together. Drive shorter nails during this period if experiencing difficulty driving nails flush.
	Use of incorrect speed.	If trying to drive longer ring shank nails in soft woods, or driving ring shank nails into harder materials in speed 1 - adjust speed setting to position 2.

АКУМУЛЯТОРНИЙ ЦВЯХОЗАБИВНИЙ ПІСТОЛЕТ XR 3 ЛІТІЙ-ІОННИМ АКУМУЛЯТОРОМ 18 В DCN692, DCN695

Вітаємо вас!

Ви обрали інструмент виробництва компанії DeWALT. Ретельна розробка продукції, багаторічний досвід фірми у виробництві інструментів, різні вдосконалення, все це зробило інструменти DeWALT є одними із найнадійніших помічників для тих, хто використовує електричні інструменти у своїй професії.

Технічні дані

		DCN692	DCN695
Напруга	$V_{\text{пост. струму}}$	18	18
Тип		3	3
Пусковий режим		Послідовний/ серійний	Послідовний швидкий режим RapidCycle/ стандартний послідовний
Кут нахилу обойми		33°	33°
Кріпильні елементи			
довжина	мм	50–90	50–90
діаметр хвостовика	мм	2,8–3,3	2,8–3,3
кут		30–34°	30–34°
форма головки		обрізана або кругла із зміщенням	обрізана або кругла із зміщенням
тип набору цвяхів		обойма цвяхів, з'єднаних паперовою стрічкою або дротом	обойма цвяхів, з'єднаних паперовою стрічкою або дротом
Маса (без акумулятора)	кг	3,6	3,6
Потужність забивання	J	95	95

Значення рівня шуму та вібрації (триаксимальна векторна сума) відповідно до стандарту EN60745-2-16:

L_{PA} (звукотиск)	дБ(A)	83	83
L_{WA} (звукова потужність)	дБ(A)	94	94
K_{WA} (похибка для даного рівня гучності)	дБ(A)	3	3
Значення вібрації a_{rh}	m/s^2	3,3	3,3
Похибка K	m/s^2	1,5	1,5

Значення вібрації та/або шуму, наведене в цьому документі, було виміряне згідно зі стандартизованим тестом, викладеним в EN60745 та може використовуватись для порівняння інструментів. Це значення вібрації можна також використовувати для попередньої оцінки впливу вібрації.

⚠ ПОПЕРЕДЖЕННЯ: Заявлене значення вібрації та/або шуму відповідає вимогам цільового використання

інструмента. Однак якщо інструмент використовується для виконання інших завдань, або з іншими витратними матеріалами/насадками, або не обслуговується належним чином, значення вібрації та/або шуму може відхилитися. Це може значно збільшити рівень впливу протягом усього періоду роботи.

Оцінка рівня впливу вібрації та/або шуму має враховувати час, протягом якого інструмент є вимкненим, а також час, протягом якого він є ввімкненим, але не використовується. Це може значно зменшити рівень впливу протягом усього періоду роботи.

Визначення додаткових заходів безпеки для захисту оператора від впливу вібрації та/або шуму: технічне обслуговування інструмента та приладдя, утримання рук у теплі (має значення для вібрації), організація режиму роботи.

Декларація про відповідність ЄС

ДИРЕКТИВА ДЛЯ МЕХАНІЧНОГО ОБЛАДНАННЯ



Акумуляторний цвяхозабивний пістолет xr з літій-іонним акумулятором 18 в DCN692, DCN695

DeWALT заявляє, що описані в розділі **Технічні дані** пристрої відповідають стандартам:

2006/42/EC, EN60745-1:2009+A11:2010, EN60745-2-16:2010.

Ці продукти також відповідають вимогам Директив 2014/30/EU та 2011/65/EU. Для отримання додаткової інформації звертайтеся до компанії DeWALT за адресою, зазначеною нижче або наприкінці цього керівництва.

Нижчепідписаний несе відповідальність за упорядкування файлу технічних характеристик та робить цю заяву від імені компанії DeWALT..

Маркус Ромпель
Віце-президент з машинобудування, PTE-Europe
DeWALT, Richard-Klinger-Straße 11,
D-65510, Ідштайн, Німеччина
28.11.17



ПОПЕРЕДЖЕННЯ: Уважно прочитайте керівництво з експлуатації для зниження ризику отримання травм.

Батареї				Зарядні пристрої/час зарядки (у хвиликах)									
Кат. №	V _{dc}	Ah	Маса (kg)	DCB104	DCB107	DCB112	DCB113	DCB115	DCB116	DCB117	DCB118	DCB132	DCB119
DCB546	18/54	6,0/2,0	1,05	60	270	170	140	90	80	40	60	90	X
DCB547	18/54	9,0/3,0	1,46	75*	420	270	220	135*	110*	60	75*	135*	X
DCB548	18/54	12,0/4,0	1,44	120	540	350	300	180	150	80	120	180	X
DCB181	18	1,5	0,35	22	70	45	35	22	22	22	22	22	45
DCB182	18	4,0	0,61	60/40**	185	120	100	60	60/45**	60/40**	60/40**	60	120
DCB183/B	18	2,0	0,40	30	90	60	50	30	30	30	30	30	60
DCB184/B	18	5,0	0,62	75/50**	240	150	120	75	75/60**	75/50**	75/50**	75	150
DCB185	18	1,3	0,35	22	60	40	30	22	22	22	22	22	X
DCB187	18	3,0	0,54	45	140	90	70	45	45	45	45	45	90
DCB189	18	4,0	0,54	60	185	120	100	60	60	60	60	60	120

*Код дати 201811475В або пізніше

**Код дати 201536 або пізніше

Позначення: інструкції з техніки безпеки

Умовні позначення, наведені нижче, описують рівень важливості кожної попереджувальної вказівки. Прочитайте керівництво з експлуатації та зверніть увагу на символи, наведені нижче.



НЕБЕЗПЕЧНО: Вказує на безпосередню загрозу, яка, якщо її не уникнути, призведе до смерті або серйозної травми.



ПОПЕРЕДЖЕННЯ: Вказує на потенційну загрозу, ігнорування якої може призвести до смерті або серйозної травми.



УВАГА: Вказує на потенційну загрозу, ігнорування якої може призвести до травми легкої або середньої тяжкості.

ПРИМІТКА: Вказує на ситуацію, не пов'язану з особистою травмою. Ігнорування цієї ситуації може призвести до пошкодження майна.



Вказує на ризик ураження електричним струмом.



Вказує на ризик виникнення пожежі.

ЗАГАЛЬНІ ПРАВИЛА БЕЗПЕКИ ПРИ ЕКСПЛУАТАЦІЇ ЕЛЕКТРИЧНОГО ІНСТРУМЕНТА



ПОПЕРЕДЖЕННЯ: Ознайомтеся з усіма попередженнями, інструкціями з техніки безпеки, зображеннями та специфікаціями, які поставляються з даним електричним інструментом. Невиконання нижченаведених інструкцій може призвести до ураження електричним струмом, пожежі та/або серйозних тілесних ушкоджень.

ЗБЕРІГАЙТЕ ВСІ ПОПЕРЕДЖЕННЯ ТА ІНСТРУКЦІЇ ДЛЯ ПОДАЛЬШОГО ВИКОРИСТАННЯ

Термін «електричний інструмент» в усіх попередженнях стосується використовуваних вами інструментів, що

живляться від мережі енергопостачання (з електричним кабелем) або від акумуляторів (без кабелю).

1) Безпека робочої зони

- Робоча зона завжди має бути чистою та добре освітленою.** Захаращена або темна робоча зона призводить до нещасних випадків.
- Не використовуйте електричні інструменти у вибухонебезпечній атмосфері, наприклад поруч із вогненебезпечними рідинами, газами та пилом.** Електричні інструменти створюють іскри, що можуть запалити пил або пар.
- Тримайте дітей та сторонніх подалі під час використання інструмента.** Відвернення уваги може призвести до втрати контролю.

2) Електрична безпека

- Вилка електричного інструмента повинна відповідати розетці. Ніколи жодним чином не змінюйте вилку. Не використовуйте адаптери з замкнутими на землю (заземленими) електричними інструментами.** Немодифіковані вилки та розетки, що підходять до них, зменшують ризик ураження електричним струмом.
- Уникайте контакту тіла з заземленими поверхнями, такими як труби, радіатори, плити та холодильники.** Якщо ваше тіло заземлене, збільшується ризик ураження електричним струмом.
- Не залишайте електричні інструменти під дощем або в умовах підвищеної вологості.** Вода, що потрапляє в електричний інструмент, підвищує ризик ураження електричним струмом.
- Не використовуйте кабель живлення не за призначенням. Ніколи не переносьте, не тягніть та не відключайте електричний інструмент від розетки живлення за допомогою шнура.** Тримайте шнур подалі від високих температур, мастила, гострих предметів та рухомих деталей. Пошкоджені або перекручені шнури підвищують ризик ураження електричним струмом.

- e) **При використанні електричного інструмента на вулиці, використовуйте подовжувальний шнур, що підходить для використання на вулиці.** Використання шнура, що призначений для використання поза приміщенням, знижує ризик ураження електричним струмом.
- f) **Якщо неможливо уникнути використання електричного інструмента в умовах підвищеної вологості, використовуйте живлення, захищене пристроєм залишкового струму (RCD).** Використання RCD знижує ризик ураження електричним струмом.

3) Особиста безпека

- a) **Будьте в стані готовності, дивіться, що ви робите, та будьте розсудливі, працюючи з електричним інструментом. Не використовуйте електричний інструмент, коли ви втомлені або знаходитесь під впливом наркотичних речовин, алкоголю або ліків.** Втрата уваги під час роботи з електричним інструментами може призвести до серйозних травм.
 - b) **Використовуйте особисті засоби безпеки. Завжди використовуйте засоби захисту очей.** Засоби безпеки, такі як протипилова маска, неслизькі безпечні черевичи, захисний шолом та засоби захисту слухового апарату при використанні для відповідних умов зменшують імовірність особистих травм.
 - c) **Уникайте випадкового запуску. Переконайтесь в тому, що вимикач знаходиться в позиції Вимк., перш ніж підключати інструмент до джерела живлення та/або акумулятора, переміщувати або переносити.** Може статися нещасний випадок, коли ви переносите інструмент, тримаючи палець на вимикачі, або підключаєте живлення до вимикача в позиції Увімк.
 - d) **Зніміть усі ключі для регулювання або гайкові ключі, перш ніж вмикати електричний інструмент.** Гайковий ключ, що залишився прикріпленим до якоїсь деталі електричного пристрою, що обертається, може призвести до травм.
 - e) **Не прикладайте надмірного зусилля. Завжди утримуйте правильну постановку ніг і рівновагу.** Це дає вам змогу краще контролювати інструмент в неочікуваних ситуаціях.
 - f) **Одягайтеся відповідним чином. Не вдягайте вільний одяг або прикраси. Тримайте ваше волосся та одяг подалі від рухомих деталей.** Вільний одяг, прикраси або довге волосся можуть зачепитися за рухомі деталі.
 - g) **Якщо передбачені пристрої для підключення до засобів виділення та збирання пилу, переконайтеся, що вони правильно підключені та використовуються.** Використання таких пристроїв зменшує ризик виникнення небезпечних ситуацій, що пов'язані з потраплянням пилу.
 - h) **Навіть якщо ви добре знаєте інструмент та часто його використовуєте, не розслабляйтесь та не забувайте про принципи техніки безпеки.** Необережні дії можуть за долю секунди призвести до важких тілесних ушкоджень.
- ### 4) Використання електричного інструмента та догляд за ним
- a) **Не прикладайте надмірних зусиль під час роботи з інструментом. Використовуйте електричний інструмент, який відповідає завданню, що виконується.** Правильно обраний інструмент виконає завдання краще та безпечніше за умов, для яких він був розроблений.
 - b) **Не використовуйте інструмент, якщо його неможливо ввімкнути та вимкнути за допомогою вимикача.** Будь-який електричний інструмент, яким неможливо керувати за допомогою вимикача, є небезпечним і має бути відремонтований.
 - c) **Якщо вилка знімна, відключіть її від джерела живлення та/або вийміть акумулятор, перш ніж виконувати будь-які налаштування, змінювати додаткове обладнання або зберігати інструмент.** Ці профілактичні заходи зменшують ризик випадкового запуску електричного інструмента.
 - d) **Зберігайте вимкнені електричні інструменти в недоступному для дітей місці та не дозволяйте особам, що не знайомі з електричним інструментом або цими інструкціями, використовувати електричний інструмент.** Електричні інструменти є небезпечними, якщо вони використовуються некваліфікованими користувачами.
 - e) **Технічне обслуговування електричних інструментів та приладдя. Перевіряйте неспіввісність, заїдання рухомих деталей, наявність пошкоджених частин та інших факторів, які можуть впливати на роботу електричного інструмента.** Якщо є пошкодження, відремонтуйте електричний інструмент перед використанням. Нещасні випадки часто є результатом того, що інструмент не пройшов відповідного технічного обслуговування.
 - f) **Різальні інструменти мають бути гострими та чистими.** Правильно доглянуті різальні інструменти з гострими різальними кромками мають меншу імовірність заїдання, та ними легше керувати.
 - g) **Використовуйте електричний інструмент, додаткові інструменти та деталі інструменту тощо у відповідності до цих інструкцій та відповідно до даного типу електричних інструментів, зважаючи на умови використання та роботу, яка має бути виконана.** Використання електричних інструментів не за призначенням може призвести до виникнення небезпечних ситуацій.

- h) **Всі ручки та поверхні для тримання інструмента мають бути сухими, без залишків мастила.** Слизькі ручки та поверхні для тримання не дозволяють безпечно працювати та контролювати інструмент у неочікуваних ситуаціях.

5) Використання та догляд за інструментом, що живиться від акумулятора

- a) **Заряджайте інструмент лише за допомогою зарядного пристрою, вказаного виробником.** Зарядний пристрій, що підходить до одного типу акумуляторів, може призвести до пожежі в разі використання з іншим акумулятором.
- b) **Використовуйте електричні інструменти лише з призначеними для них акумуляторами.** Використання інших акумуляторів може призвести до травм або пожежі.
- c) **Коли акумулятори не використовуються, зберігайте їх подалі від металевих предметів, як скріпки, монети, ключі, цвяхи, гвинти або інші невеликі предмети, що можуть призвести до замикання двох контактів.** Коротке замикання клем акумулятора може призвести до вибуху або пожежі.
- d) **За невідповідних умов використання рідина може витікати з акумулятора; уникайте контакту з цією рідиною.** Якщо контакт таки стався, промийте забруднену ділянку водою. Якщо рідина потрапила в очі, промийте водою та зверніться до лікаря. Рідина, що витікає з акумулятора, може призвести до подразнень та опіків.
- e) **Не використовуйте пошкоджені або модифікований акумулятор або інструмент.** Пошкоджені або модифіковані акумулятори можуть поводити себе непередбачуваним чином, призводячи до пожежі, вибуху або тілесним ушкодженням.
- f) **Не надавайте акумулятор та інструмент дії вогню та надмірних температур.** Дія вогню або температури вище 130 °C може спричинити вибух.
- g) Виконуйте всі інструкції щодо зарядки; **заряджайте акумулятор та інструмент тільки в межах температурного діапазону, вказаного в інструкціях.** Неналежна зарядка або зарядка поза межами вказаного температурного діапазону може пошкодити акумулятор та підвищити ризик пожежі.

6) Обслуговування

- a) **Надавайте ваш електричний інструмент для обслуговування кваліфікованим спеціалістом з ремонту та використовуйте тільки ідентичні замініні деталі.** Це забезпечить безпеку електричного пристрою.
- b) **Ніколи не обслуговуйте пошкоджені акумулятори самостійно.** Обслуговування акумуляторів мають виконувати представники виробника або працівники офіційного сервісного центру.

Інструкції з безпеки для акумуляторних цвяхів

- **Завжди припускайте, що інструмент містить застібки.** Необережне поводження з цвяхом може призвести до несподіваного голодування і травм.
- **Не вказуйте інструмент на себе чи когось поблизу.** Несподіване спрацювання розвантажить застібку, спричинивши травму.
- **Не вмикайте інструмент, якщо інструмент не буде щільно прилягати до заготовки.** Якщо інструмент не контактує із заготовлею, застібка може бути віддалена від вашої цілі.
- **Тримайте руки та частини тіла подалі від області вивантаження інструменту.** Під час використання НІКОЛИ не захоплюйте інструмент за журнал чи каністра, неправильно прибитий ніготь може вийти з носа, спричинивши травму.
- **Відключіть інструмент від джерела живлення, коли застібка застрягне в інструменті.** Під час виймання застряглого застібки, цвях може бути випадково активований, якщо він підключений.
- **Не використовуйте цей цвях для кріплення електричних кабелів.** Він не розроблений для встановлення електричного кабелю і може пошкодити ізоляцію електричних кабелів, тим самим спричинивши ураження електричним струмом або пожежу.



ПОПЕРЕДЖЕННЯ: Якщо інструмент був упущений або ви підозрюєте ушкодження інструменту, виконайте перевірку роботи інструменту, як визначено в розділі вибору режиму керівництва. Якщо це працює відповідно до посібника, припиніть користуватися інструментом і відправте його в сервісний центр DEWALT.

- Завжди носіть захисні окуляри.
- Завжди носіть засоби захисту вух.
- Використовуйте тільки кріплення типу, зазначеного в інструкції.
- Не використовуйте підставки для кріплення інструменту до опори.
- Не розбирайте та не блокуйте будь-які частини інструмента приводу кріплення, наприклад, контактне відключення.
- Перед кожною операцією перевірте, чи справно працює механізм безпеки та спрацювання і чи всі гайки та болти затягнуті.
- Не використовуйте DCN692
 - при переході від одного місця руху до іншого, що передбачає використання лісів, сходів, драбин або сходових конструкцій, наприклад, решіток даху тощо;
 - при закритті ящиків або ящиків;
 - при встановленні систем безпеки транспорту, наприклад, на транспортних засобах, вагонах тощо.

На випадок звільнення перевірте місцеві національні норми на робочому місці.

- Завжди перевіряйте місцеві правила робочого місця.
- Не використовуйте інструмент як молоток.
- Ніколи не вмикайте інструмент для застібки на вільний простір.
- У робочій зоні носіть інструмент на робочому місці, використовуючи лише одну руку, і ніколи не спрацюуйте за допомогою курок.
- Розглянемо умови в робочій зоні. Кріплення може проникати в тонкі заготовки або зісковзувати з кутів і країв деталі, тим самим надаючи людей небезпечі.
- Не засувайте кріплення впритул до краю заготовки.
- Не забувайте кріплення поверх інших кріпильних елементів.

Залишкові ризики

Наступні ризики притаманні використанню цих машин:

- Травми, спричинені неправильним поводженням із інструментом.
- Втрата контролю через неправильне захоплення інструменту.
- М'язове напруження рук і рук, особливо при роботі над головою. Завжди робіть регулярні перерви при роботі протягом тривалих періодів часу.

Незважаючи на застосування відповідних правил безпеки та впровадження запобіжних пристроїв, певних залишкових ризиків не уникнути. Це:

- Погіршення слуху.
- Ризик травмування людей через літаючі частинки.
- Ризик опіку через нагрівання аксесуарів під час операції.
- Ризик отримання травм через тривале використання.
- Втрата контролю, викликана віддачею.
- Небезпека травм, спричинених щипками, гострими краями та неправильним поводженням із заготовлею.
- Небезпека травм, спричинених гострими краями при зміні нігтів або вставлянні нігтьових паличок.

Зарядні пристрої

DEWALT не вимагають налаштувань і розроблені для максимального простого використання.

Електрична безпека

Електричний двигун розроблений для роботи лише з одним значенням напруги. Завжди перевіряйте, що напруга акумулятора відповідає напрузі, що вказана в технічних даних. Також переконайтесь, що напруга зарядного пристрою відповідає напрузі мережі живлення.



Ваш DEWALT Ваш зарядний пристрій виробництва компанії DEWALT має подвійну ізоляцію відповідно до EN60335; тому заземлення не є необхідним.

Якщо кабель живлення пошкоджений, його необхідно замінити на спеціальний кабель, який можна

замовити в офіційних сервісних центрах DEWALT. організація обслуговування.

Використання електричного подовжувача

Використовуйте подовжувальний шнур лише за абсолютної необхідності. Використовуйте лише рекомендований подовжувальний шнур, що відповідає споживаній потужності вашого зарядного пристрою (див. **Технічні дані**). Мінімальний розмір січення проводника становить 1 мм²; максимальна довжина — 30 м.

При використанні кабельного барабану завжди витягуйте весь кабель.

Важливі інструкції з техніки безпеки для всіх зарядних пристроїв

ЗБЕРІГАЙТЕ ЦІ ІНСТРУКЦІЇ: У цьому керівництві містяться важливі інструкції з техніки безпеки та використання для сумісних зарядних пристроїв (див. «Технічні дані»).

- Перед використанням зарядного пристрою прочитайте всі інструкції та попередження на зарядному пристрої, акумуляторах та продукті, для якого ці акумулятори використовуються.



ПОПЕРЕДЖЕННЯ: Небезпека ураження електричним струмом. Не допускайте потрапляння рідини в зарядний пристрій. Це може призвести до ураження електричним струмом.



ПОПЕРЕДЖЕННЯ: Ми рекомендуємо використовувати пристрій з керуванням диференційним струмом з номінальним значенням диференційного струму 30 мА або менше.



УВАГА: Небезпека опіку. Для зниження ризику виникнення травм заряджайте лише акумулятори DEWALT. акумуляторні батареї. Інші типи акумуляторів можуть вибухнути, спричинивши тілесні ушкодження та пошкодження майна.



УВАГА: Уважно слідкуйте за тим, щоб діти не гралися з пристроєм.

ПРИМІТКА: За певних умов, коли зарядний пристрій підключений до мережі живлення, незахищені контакти всередині зарядного пристрою можуть замкнутися будь-яким стороннім предметом.

Сторонні предмети, що проводять струм, наприклад металева стружка, алюмінієва фольга або будь-які металеві деталі, необхідно зберігати подалі від зарядного пристрою. Завжди відключайте зарядний пристрій від розетки, коли батарея не встановлена в зарядний пристрій. Відключіть зарядний пристрій від мережі живлення перед його очищенням

- **НЕ намагайтеся заряджати акумулятор зарядними пристроями, що не вказані в цьому керівництві.** Зарядний пристрій та акумулятори даної моделі розроблені для сумісної експлуатації.
- **Ці зарядні пристрої не призначені ні для чого іншого, крім зарядки акумуляторів DEWALT акумуляторні батареї.** Використання з іншими

акумуляторами може призвести до виникнення пожежі або ураження електричним струмом.

- **Не піддавайте зарядний пристрій впливу дощу або снігу.**
- **При відключенні зарядного пристрою від мережі живлення тягніть за вилку, а не за кабель.** Це зменшить ризик пошкодження вилки та кабелю.
- **Переконайтеся, що кабель розміщений так, щоб на нього не наступали, не ходили по ньому та не піддавали його іншим фізичним впливам.**
- **Не використовуйте подовжувальний шнур окрім випадків, коли це абсолютно необхідно.**
Використання невідповідних подовжувальних шнурів може призвести до пожежі або ураження електричним струмом.
- **Не кладіть будь-які предмети на зарядний пристрій та не залишайте зарядний пристрій на м'якій поверхні, що може заблокувати вентиляційні отвори та призвести до надмірного нагрівання.** Розташуйте зарядний пристрій подалі від джерел тепла. Зарядний пристрій вентилюється крізь отвори у верхній та нижній частинах корпусу.
- **Не використовуйте зарядний пристрій із пошкодженим кабелем або вилкою** — їх потрібно негайно замінити.
- **Не використовуйте зарядний пристрій, якщо той отримав різкий удар, впав або був пошкоджений іншим чином.** Віднесіть його до авторизованого сервісного центру.
- **Якщо зарядний пристрій вимагає технічного обслуговування або ремонту, не розбирайте його самотужки, а віднесіть до авторизованого сервісного центру.** Невідповідні способи використання можуть призвести до виникнення пожежі або ураження електричним струмом.
- Якщо кабель живлення пошкоджено, для уникнення небезпеки його необхідно негайно замінити, звернувшись до виробника, спеціаліста сервісного центру або іншого кваліфікованого спеціаліста.
- **Відключайте зарядний пристрій від розетки перед його очищенням.** Це дозволяє знизити ризик ураження електричним струмом. Видалення акумулятора не знижує ризик.
- **НИКОЛИ не намагайтесь з'єднати два зарядні пристрої.**
- **Цей зарядний пристрій розрахований на роботу зі стандартною напругою побутової електромережі 230 В. Не намагайтесь використовувати його з іншою напругою.** Це не стосується автомобільних зарядних пристроїв.

Зарядка акумулятора (Рис. [Fig.] B)

1. Підключіть зарядний пристрій до відповідної розетки перед встановленням акумулятора.

2. Вставте акумулятор **12** у зарядний пристрій до упору. Червоний індикатор («зарядка») буде блимати, вказуючи на початок процесу зарядки.
3. Коли зарядку завершено, червоний індикатор горить, не блимаючи. Це означає, що акумулятор повністю заряджений та може використовуватися одразу або залишатися в зарядному пристрої. Щоб витягнути акумулятор із зарядного пристрою, натисніть кнопку деблокування **15** на акумуляторі.

ПРИМІТКА: щоб забезпечити максимальну продуктивність та тривалість роботи літій-іонного акумулятора, повністю зарядіть його перед першим використанням.

Робота зарядного пристрою

Нижче описані індикатори стану зарядки акумулятора.

Індикатори зарядки		
	Заряджається	
	Повністю заряджений	
	Затримка через надмірно високу/низьку температуру акумулятора*	

*Червоний індикатор буде продовжувати миготіти, а жовтий індикатор буде горіти під час виконання цього завдання. Коли акумулятор досягне прийнятної температури, жовтий індикатор згасне, а зарядний пристрій відновить процес зарядки.

Сумісний зарядний пристрій не буде заряджати несправний акумулятор. Зарядний пристрій розпізнає несправну батарею та не ввімкне світловий індикатор.

ПРИМІТКА: Це також може свідчити про проблему з зарядним пристроєм.

Якщо виявлено проблему із зарядним пристроєм, віднесіть зарядний пристрій та акумулятор для перевірки в авторизований сервісний центр.

Затримка через надмірно високу/низьку температуру акумулятора

Якщо зарядний пристрій визначає, що акумулятор є надмірно гарячим або холодним, він автоматично вмикає режим температурної затримки, припиняючи процес зарядки, доки акумулятор не досягне відповідної температури. Після досягнення прийнятної температури зарядний пристрій автоматично перемикається в режим зарядки акумулятора. Ця функція забезпечує максимальний термін служби акумулятора.

Холодний акумулятор буде заряджатися повільніше порівняно з теплим акумулятором. Такий акумулятор буде заряджатися повільніше протягом всього циклу зарядки та не повернеться до максимального значення зарядки, навіть якщо нагріється.

Зарядний пристрій DCB118 оснащений внутрішнім вентилятором, призначеним для охолодження акумулятора. Вентилятор автоматично вмикається, коли акумулятор потребує охолодження. Ніколи не використовуйте зарядний

пристрій, якщо вентилятор працює неналежним чином або вентиляційні отвори заблоковані. Уникайте потрапляння сторонніх предметів усередину зарядного пристрою.

Електронна система захисту

Інструменти з літій-іонними акумуляторами XR розроблені з використанням електронної системи захисту, яка захищає акумулятор від перевантаження, перегрівання або глибокої розрядки.

Пристрій автоматично вимикається, якщо спрацює електронна система захисту. Якщо це сталося, встановіть літій-іонний акумулятор в зарядний пристрій до повної зарядки.

Кріплення на стіну

Ці зарядні пристрої можна закріпити на стіні, чи поставити на стіл або іншу робочу поверхню. При кріпленні на стіну розташуйте зарядний пристрій недалеко від електричної розетки, а також подалі від кутів та інших перешкод, що заважають повітряному потоку. Скористайтеся задньою частиною зарядного пристрою в якості шаблону для розташування кріпильних гвинтів на стіні. Надійно зафіксуйте зарядний пристрій за допомогою шурупів (потрібно придбати окремо) довжиною приблизно 25,4 мм з голівкою діаметром 7–9 мм, що закручуються в дерев'яну поверхню до оптимальної глибини, щоб залишилося приблизно 5,5 мм. Вирівняйте отвори на задній поверхні зарядного пристрою з виступаючими шурупами, після чого повністю вставте шурупи в отвори.

Інструкції з очищення зарядного пристрою



ПОПЕРЕДЖЕННЯ: *Небезпека ураження електричним струмом. Відключіть зарядний пристрій від розетки змінного струму перед його очищенням. Бруд та жир можна видалити з поверхні зарядного пристрою за допомогою ганчірки або м'якої неметалевої щітки. Не використовуйте воду та мийні розчини. Не дозволяйте рідині потрапляти всередину інструмента та ніколи не занурюйте деталі інструмента в рідину.*

Акумулятор

Важливі інструкції з техніки безпеки для різних типів акумуляторів

При замовленні змінних акумуляторів не забудьте вказати номер за каталогом та напругу.

Новий акумулятор заряджений не повністю. Перед використанням акумулятора та зарядного пристрою прочитайте всі нижче наведені інструкції з техніки безпеки. Після цього виконайте всі вказані пункти процедури зарядки.

ПРОЧИТАЙТЕ ВСІ ІНСТРУКЦІЇ

- **Не заряджайте та не використовуйте акумулятор у вибухонебезпечних умовах, наприклад в присутності легкозаймистих рідин, газів або пилу.** Під час встановлення або виймання батареї з зарядного пристрою може спалахнути пил або пара.

- **На прикладайте зусилля, вставляючи акумулятор в зарядний пристрій. Жодним чином не модифікуйте акумулятор, аби встановити його в несумісний зарядний пристрій, адже акумулятор може розірватися та спричинити серйозні травми.**
- Використовуйте тільки зарядні пристрої DEWALT для заряджання акумуляторів.
- **НЕ занурюйте акумулятор у воду та інші рідини та не бризкайте на нього.**
- **Не зберігайте та не використовуйте інструмент та акумулятор у місцях, де температура може сягати або перевищувати 40 °C (104 °F) (наприклад, біля гаражів або металевих будівель влітку).**
- **Не спалюйте акумулятор, навіть якщо він сильно пошкоджений або повністю зношений.** Акумулятор може вибухнути у вогні. Коли літій-іонні акумулятори горять, утворюються токсичні випаровування та речовини.
- **Якщо вміст акумулятора потрапив на шкіру, негайно промийте це місце м'яким милом та водою.** Якщо рідина з акумулятора потрапила в очі, промийте відкрите око протягом 15 хвилин або доки подразнення не зникне. Якщо необхідно звернутися до лікаря, акумуляторний електроліт складається з суміші рідких органічних вуглекислих солей та солей літію.
- **Вміст відкритого акумулятора може спричинити подразнення дихальних шляхів.** Вийдіть на свіже повітря. Якщо симптоми не зникають, зверніться до лікаря.



ПОПЕРЕДЖЕННЯ: *Небезпека опіку. Рідина з акумулятора може спалахнути, якщо на неї потрапить іскра або полум'я.*



ПОПЕРЕДЖЕННЯ: *За жодних умов не намагайтесь відкрити акумулятор. За будь-якого пошкодження акумулятора не встановлюйте його у зарядний пристрій. Не бийте, не кидайте та не пошкоджуйте акумулятор. Не використовуйте акумулятор та зарядний пристрій, якщо ті отримали різкий удар, впали або були пошкоджені іншим чином (наприклад, були проколоті цвяхом, вдарені молотком, на них наступили). Це може призвести до ураження електричним струмом. Пошкоджені акумулятори необхідно повернути до сервісного центру ля переробки.*



ПОПЕРЕДЖЕННЯ: *Небезпека виникнення пожежі. Зберігайте та переносьте акумулятор так, щоб металеві предмети не торкалися його відкритих контактів. Наприклад, не кладіть акумулятор у фартух, кишені, ящики з інструментами, коробки з наборами приладдя, шухляди тощо, де можуть бути цвяхи, гвинти, ключі тощо.*



УВАГА: *Коли інструмент не використовується, залишайте його на боці на стабільній поверхні в такому місці, де через нього не можна*

перечититися та власти. Деякі інструменти з великими акумуляторами можуть стояти на батареї, але їх можна легко перекинути.

Транспортування



ПОПЕРЕДЖЕННЯ: Небезпека виникнення

пожежі. Під час перевезення акумуляторів може виникнути пожежа, якщо контакти акумулятора випадково ввійдуть в контакт з електропровідним матеріалом. Під час перевезення акумуляторів переконайтесь, що їхні контакти захищені та добре ізольовані від матеріалів, які можуть увійти з ними в контакт та викликати коротке замикання.

ПРИМІТКА: При перевезенні літій-іонних акумуляторів не можна здавати їх в багаж.

Акумулятори DEWALT відповідають всім нормам перевезення, описаним у галузевих та законодавчих положеннях, включно з рекомендаціями ООН про перевезення небезпечних вантажів, правилами перевезення небезпечних вантажів Міжнародної організації повітряного транспорту (IATA), міжнародними правилами перевезення небезпечних вантажів водним транспортом (IMDG) та Європейській угоді про міжнародне дорожнє перевезення небезпечних вантажів (ADR). Літій-іонні елементи живлення та акумулятори були перевірені відповідно до розділу 38.3 керівництва з тестів та критеріїв щодо перевезення небезпечних вантажів Рекомендацій ООН.

У більшості випадків перевезення акумуляторів DEWALT може бути класифіковано як перевезення небезпечних речовин, що повністю підпадають під клас 9. Загалом тільки вантажі, що містять літій-іонні акумулятори ємністю більше за 100 ват-годин (Вт-год.), вимагають транспортування відповідно до норм перевезення небезпечних речовин, що повністю підпадають під Клас 9. На всі літій-іонні акумулятори нанесено значення ват-годин. Крім того, через складності законодавчих норм компанія DEWALT не рекомендує транспортування окремо літій-іонних акумуляторів повітряним транспортом, незалежно від показника ват-годин. Перевезення інструментів з акумуляторами (у комплекті) можна виконувати повітряним транспортом, якщо значення ват-годин не перевищує 100 Вт-год.

Незалежно від того, чи вантаж вважається виключеним або повністю регламентованим, вантажовідправник несе відповідальність за відповідність останнім нормам щодо вимог до упаковки, етикеток/маркування та документації. Інформація, що наводиться у цьому розділі керівництва, сумлінно перевірена та вважається дійсною на момент складання документації. Проте чинні нормативи можуть підлягати змінам. Покупець несе відповідальність за те, щоб його дії відповідали певним нормам.

Транспортування батареї FLEXVOLT™

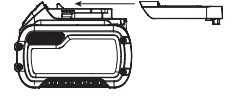
Батарея DEWALT FLEXVOLT™ має два режими: **використання та транспортування.**

Режим використання. при використанні батареї FLEXVOLT™ окремо або в продукті DEWALT 18В вона працює як батарея потужністю 18 В. Якщо батарею FLEXVOLT™

встановлено у пристрій потужністю 54 В або 108 В (дві батареї 54 В), вона буде працювати як батарея 54 В.

Режим транспортування. якщо на батарею FLEXVOLT™ встановлено кришку, вона знаходиться у режимі транспортування. Не знімайте цю кришку при транспортуванні.

У режимі транспортування послідовність електричних елементів акумулятора роз'єднана, що створює 3 акумулятори з меншим значенням Вт-год в порівнянні з 1 акумулятором із більшим значенням цього показника. Ці 3 акумулятори з нижчим значенням ват-годин можуть бути виключені з певних норм транспортування, що застосовуються для акумуляторів з більшим значенням ват-годин.



Наприклад, показник транспортування може бути 3 × 36 Вт-год, що означає 3 акумулятори по 36 Вт-год кожний. При цьому показник Вт-год в режимі використання може бути вказаний як 108 Вт-год (1 акумулятор).

Приклад маркування способів використання та транспортування



Рекомендації щодо зберігання

1. Найкращим місцем для зберігання інструмента є прохолодне сухе місце, куди не потрапляють прямі сонячні промені та немає доступу тепла та холоду. Для оптимальної продуктивності та терміну служби батарей зберігайте їх за кімнатної температури, коли вони не використовуються.
2. При тривалому зберіганні для оптимального результату рекомендується помістити повністю заряджений акумулятор у сухе прохолодне місце поза зарядним пристроєм.

ПРИМІТКА: Не рекомендується зберігати акумулятор повністю розрядженим. Акумулятор потрібно перезарядити перед використанням.

Етикетки на зарядному пристрої та акумуляторі

Крім символів, що використовуються у цьому керівництві, етикетки на зарядному пристрої та акумуляторі можуть містити наведені нижче позначки.



Прочитайте інструкції цього керівництва перед використанням.



Див. розділ «Технічні дані» щодо часу зарядки.



Не торкайтеся електропровідними предметами.



Не заряджайте пошкоджені акумулятори.

УКРАЇНЬСЬКА



Не піддавайте впливу води.



Негайно замінійте пошкоджений дріт живлення.



Заряджайте акумулятор за температури 4–40 °С.



Лише для використання в приміщенні.



Утилізуйте акумулятори з належною турботою про навколишнє середовище.



Заряджайте акумулятори DEWALT лише за допомогою спеціальних зарядних пристроїв DEWALT. Зарядка інших акумуляторних батарей, ніж призначені DEWALT, у зарядному пристрої DEWALT може призвести до їх вибуху або інших небезпечних ситуацій.



Не спляйте акумулятори.



ВИКОРИСТАННЯ (без кришки для транспортування).
Приклад: Значення Вт-год становить 108 Вт-год (1 акумулятор потужністю 108 Вт-год).



ТРАНСПОРТУВАННЯ (зі встановленою кришкою для транспортування). Приклад: Значення Вт-год становить 3 × 36 Вт-год (3 акумулятори потужністю 36 Вт-год).

Тип акумулятора

Пристрій DCN692, DCN695 працює від акумулятора потужністю 18 вольт.

Для експлуатації придатні акумулятори наступних моделей: DCB181, DCB182, DCB183, DCB183B, DCB184, DCB184B, DCB185, DCB187, DCB189, DCB546, DCB547, DCB548. Див. додаткову інформацію у розділі **Технічні дані**.

Комплект поставки

До комплекту входить:

- 1 Цвяхозабивний пістолет
- 1 Зарядний пристрій (за виключенням моделей N)
- 1 Захисний наконечник
- 1 Комплект допоміжного приладдя (а виключенням моделей N)
- 1 Літій-іонний акумулятор (моделі C1, D1, L1, M1, P1, S1, T1, X1, Y1)
- 2 Літій-іонні акумулятори (моделі C2, D2, L2, M2, P2, S2, T2, X2, Y2)
- 3 Літій-іонні акумулятори (моделі C3, D3, L3, M3, P3, S3, T3, X3, Y3)
- 1 Керівництво з експлуатації

ПРИМІТКА. Акумулятори, зарядні пристрої та комплекти допоміжного приладдя не входять до комплексу моделей N. Акумулятори та зарядні пристрої не входять до комплексу

моделей NT. Моделі B включають акумулятори для приладів з підтримкою Bluetooth®.

ПРИМІТКА. Текстовий знак та логотипи Bluetooth® є зареєстрованими товарними знаками, що належать компанії Bluetooth®, SIG, Inc. Будь-яке використання таких знаків компанією DEWALT здійснюється згідно з ліцензією. Інші торгові марки й торгові назви належать відповідним власникам.

- *Перевірте інструмент, деталі та приладдя на пошкодження, що могли виникнути під час транспортування.*
- *Перед використанням уважно прочитайте та повністю зрозумійте цей посібник.*

Маркування на інструменті

На інструменті є наступні піктограми:



Прочитайте інструкції цього керівництва перед використанням.



Використовуйте засоби захисту слуху.



Використовуйте засоби захисту очей.



Видиме випромінювання Не дивіться на джерело світла.



Довжина цвяхів.



Товщина цвяхів.



Місткість обойми.



Відповідний кут встановлення цвяхів в обоймі.

Розташування коду дати

Код дати, що включає також рік виробництва, зазначений на корпусі.

Приклад:

2020 XX XX
Рік виробництва

Опис (рис. А)



УВАГА! Ніколи не модифікуйте електричні інструменти та їх деталі. Це може призвести до пошкодження майна або тілесних ушкоджень.

- 1 Спусковий курок
- 2 Запобіжний блокіратор спускового курка
- 3 Контактний вимикач
- 4 Коліщатко регулюванням глибини
- 5 Світлові індикатори низького заряду акумулятора і заклинювання/заїдання

- 6 Важіль розблокування двигуна
- 7 Обойма
- 8 Засувка штовхача
- 9 Перемикач режимів роботи
- 10 Обертова кліпса/гак для ременя
- 11 Шестигранний гайковий ключ із комплекту
- 12 Акумулятор
- 13 Наконечник
- 14 Перемикач вибору швидкості

Сфера застосування

Акумуляторні цвяхозабивні пістолети DCN692 та DCN695 призначені для забивання цвяхів у дерев'яну поверхню.

Акумуляторний цвяхозабивний пістолет DCN692 призначений для режимів послідовної/серійної подачі. Цвяхозабивні пістолети, які призначені для режимів послідовної/серійної подачі, **НЕ ПОВИННІ** використовуватися на будівельних лісах, сходинах, сходах або драбинах, наприклад, на покрівельній драбці. Перевірте місцеві національні норми щодо використання робочого місця, щоб дізнатися про можливі виключення.

Акумуляторний цвяхозабивний пістолет DCN695 призначений тільки для послідовного використання, як у стандартному послідовному режимі, так і у швидкому послідовному режимі RapidCycle для швидкого прибивання цвяхів. Цвяхозабивні пістолети, які призначені тільки для режимів послідовної подачі, **МОЖУТЬ** використовуватися на будівельних лісах, сходинах, сходах або драбинах, наприклад, на покрівельній драбці.

НЕ використовуйте за умов підвищеної вологості або в присутності легкозаймистих рідин та газів.

Ці акумуляторні цвяхозабивні пістолети є професійними інструментами.

Не дозволяйте дітям підходити до небезпечної відстані та торкатися інструмента. Використання інструмента недовідченими операторами потребує нагляду.

- Цей пристрій не призначений для використання особами (включаючи дітей) із зниженими фізичними, сенсорними або розумовими можливостями або особами, яким бракує досвіду або знань за винятком випадків, коли такі особи працюють під наглядом особи, яка несе відповідальність за їх безпеку. Не можна залишати дітей наодинці з цим приладом.

МОНТАЖ ТА НАЛАШТУВАННЯ



ПОПЕРЕДЖЕННЯ: Щоб знизити ризик серйозних тілесних ушкоджень, вимкніть інструмент та відключіть акумулятор перед виконанням будь-яких налаштувань або зніманням/встановленням додаткового обладнання або приладдя. Випадковий запуск може призвести до травм.



ПОПЕРЕДЖЕННЯ: Використовуйте тільки DEWALT акумулятори та зарядні пристрої.

Установка акумулятора в інструмент та його виймання (Рис. В)

ПРИМІТКА. Переконайтеся, що ваш акумулятор **12** повністю заряджений.

Для встановлення акумулятора у ручку інструмента

1. Вирівняйте акумулятор **12** по напрямних у ручці інструменту (Рис. В).
2. Вставте акумулятор у ручку до упору та переконайтеся, що ви почули звук клацання акумулятора, що став на місце.

Виймання акумулятора з інструмента

1. Натисніть кнопку розблокування **15** та витягніть акумулятор з ручки інструмента.
2. Вставте акумулятор у зарядний пристрій, як описано у розділі щодо зарядного пристрою цього керівництва.

Акумулятори з індикатором рівня заряду (Рис. В)

Деякі акумулятори DEWALT оснащені індикатором заряду з трьох зелених світлодіодів, що вказують рівень заряду акумулятора, що залишився.

Щоб увімкнути індикатор заряду, натисніть та утримуйте кнопку індикатора заряду **16**. Три зелені світлодіоди будуть горіти відповідним чином, відображуючи рівень зарядки акумулятора. Коли рівень заряду акумулятора нижче відповідного ліміту, індикатор рівня заряду не горить, а акумулятор потрібно зарядити.

ПРИМІТКА: Індикатор рівня зарядки показує лише рівень зарядки, що залишився в акумуляторі. Він не показує функціональність інструмента, а його показники можуть змінюватись відповідно до комплекtnості інструмента, температури та способу застосування.

Обертова кліпса/гак для ременя (рис. F)

Кліпсу/гак для ременя **10** можливо встановити ліво або вправо від інструмента для користувачів, які виконують роботу лівою або правою рукою.

Якщо використання гака не бажане, тоді його можна повернути в передню або задню частину основи ручки.

Завантаження інструмента (рис. D)



УВАГА! Завжди вимикайте інструмент і від'єднуйте акумуляторну батарею перед завантаженням та вивантаженням закріплених елементів.

1. Посуньте підпружинену засувку штовхача **8** до основи обойми для фіксації на місці.
2. Виберіть належний набір підібраних цвяхів. (Див. розділ «Технічні характеристики».) Компанія DEWALT завжди рекомендує використовувати фірмові цвяхи DEWALT.



УВАГА! Через те, що інші аксесуари, що не рекомендовані компанією DEWALT, не були перевірені з цим продуктом, використання таких аксесуарів з цим інструментом може бути небезпечним. Щоб

знизити ризик травми, використовуйте лише аксесуари, рекомендовані компанією DEWALT.

- Вставте набір підібраних цвяхів в завантажувальний паз з бічної сторони обійми. Переконайтесь, що голівки закріпних елементів знаходяться в каналі для цвяхів.
- Закрийте обійму, відпустивши засувку штовхача. Обережно дайте засувці зісковзнути вперед і зарядити смужку цвяхів.

Блокування спуску курка за відсутності цвяхів

На цвяхозабивному пістолеті передбачено блокування спуску курка за відсутності цвяхів, що запобігає спрацюванню інструменту, коли обійма майже порожня. Коли в обіймі залишається від 7 до 9 цвяхів, активується система блокування спуску курка за відсутності цвяхів. Див. розділ «Завантаження інструмента» для завантаження набору підібраних за розміром цвяхів.

ПРИМІТКА. Якщо прикласти значне зусилля до інструменту, це може зняти блокування. Це дозволяє захистити інструмент від потенційного пошкодження при падінні.

Налаштування глибини забивання (рис. Е)

Глибину забивання цвяха можна регулювати за допомогою коліщатка регулювання глибини.

- Щоб зменшити глибину забивання цвяха, поверніть колесо регулювання глибини 4 вліво у напрямку маленької піктограми цвяху.
- Щоб збільшити глибину забивання цвяха, поверніть коліщатко регулювання глибини 4 вправо у напрямку великої піктограми цвяху.

Вибір режиму (рис. А)

DCN692

Для вибору режиму послідовної подачі посуňte перемикач режимів роботи 9 так, щоб відображалася позначка з одним цвяхом 7.

Для вибору режиму серійної подачі (також відомого як поштовховий режим) посуňte перемикач режимів роботи 9 так, щоб відображалася позначка з трьома цвяхами 777.

ПРИМІТКА. Максимальна потужність для забивання довгих цвяхів досягається в послідовному режимі, тому обмежте використання поштовхового режиму під час руху довгих цвяхів.

DCN695

Для вибору режиму послідовної подачі посуňte перемикач режимів роботи 9 так, щоб відображалася позначка з однією стрілкою.

Для вибору швидкого режиму послідовної подачі посуňte перемикач режимів роботи 9 так, щоб відображалася позначка з подвійною стрілкою.

ПРИМІТКА. Час роботи акумулятора в швидкому режимі послідовної подачі RapidCycle буде значно менше, ніж в стандартному послідовному режимі. При залишенні

інструмента в стандартному режимі послідовної подачі забезпечується максимальний час роботи від акумулятора.

Вибір швидкості (рис. А)

Цвяхозабивний пістолет оснащений подвійним перемикачем вибору швидкості 14, розташованим у нижній частині.

- Для коротших цвяхів виберіть швидкість 1, встановивши перемикач у самому лівому положенні.
- Для довгих цвяхів виберіть швидкість 2, встановивши перемикач у самому правому положенні.

Якщо цвяхи не заглиблюються при швидкості 1, можливо, доведеться перемикнути на швидкість 2, щоб отримати додаткову привідну потужність.

ПРИМІТКА. Забивання цвяхів менше 71 мм в м'які матеріали на 2 швидкості призведе до надмірного зносу інструменту і може привести до його передчасної поломки.

Налаштування швидкості	Переваги	Застосування	Типова довжина цвяха
2	Потужність, потрібна для забивання довгих цвяхів	Каркасна конструкція	71 – 90 мм
		Горизонтальна розпірка	
		Балки	
		Дерев'яна конструкція	
1	Підвищена довговічність інструменту, збільшений термін служби акумулятора, збільшена швидкість забивання, менша віддача	Підлога	50 – 70 мм
		Облицювання	
		Паркан	
		Дерев'яна обшивка	
		Дощата перегородка	


РЕЖИМ РОБОТИ


Інструкції з використання

- ⚠ ПОПЕРЕДЖЕННЯ:** Завжди дотримуйтесь усіх інструкцій з техніки безпеки та відповідних норм.
- ⚠ ПОПЕРЕДЖЕННЯ:** Щоб знизити ризик серйозних тілесних ушкоджень, вимкніть інструмент та відключіть акумулятор перед виконанням будь-яких налаштувань або зніманням/встановленням додаткового обладнання або приладдя. Випадковий запуск може призвести до травм.
- ⚠ УВАГА!** Якщо інструмент було скинуто або ви підозрюєте пошкодження інструменту, виконайте перевірку роботи інструменту, як визначено в розділі вибору режиму цього

посібника. Якщо проблема не усунута відповідно до посібника, не використовуйте цей інструмент і відправте його в авторизований сервісний центр компанії DEWALT.

Належне положення рук (Рис. С)


 **ПОПЕРЕДЖЕННЯ:** Щоб знизити ризик серйозних травм, **ЗАВЖДИ** правильно розташуйте руки, як показано.


 **ПОПЕРЕДЖЕННЯ:** Щоб знизити ризик серйозних травм, **ЗАВЖДИ** надійно тримайте інструмент, щоб попередити випадкову віддачу.

Правильне положення рук полягає в тому, щоб одна рука знаходилась на основній ручці, як показано на рис. D.

Підготовка інструмента (рис. А)

1. Витягніть акумуляторну батарею **12** із інструмента та переконайтесь, що інструмент заблокований.
2. Витягніть всі цвяхи з обойми **7**.
3. Перевірте, що контактний вимикач **3** вільно пересувається.
4. Вставте цвяхи в обойму.
5. Вставте акумуляторну батарею.

 **УВАГА!** Не використовуйте інструмент, якщо контактний вимикач або штовхач цвяхів не пересувається вільно.

 **ПРИМІТКА. НИКОЛИ** не розпорошуйте і не застосовуйте будь-яким іншим чином мастильні матеріали або миючі засоби на основі розчинників всередині інструменту. Це може серйозно вплинути на термін служби і експлуатаційні характеристики інструменту.

Запуск інструмента



Зверніть увагу, що цей інструмент вимагає випробувального запуску, перш ніж він буде працювати з повною потужністю через деталі, яким потрібно притертися разом. Можливо, в цей період довгі цвяхи не зможуть виходити безперервно.

Активация інструменту (рис. А)

Інструмент може працювати у двох режимах:

Режим послідовної подачі


Режим послідовної подачі застосовується для переривчастого забивання цвяхів, коли потрібне дуже обережне та точне розміщення. Він також забезпечує максимальну енергію для забивання найдовших цвяхів.


1. За допомогою перемикача режимів **9** виберіть режим послідовної подачі  або .
2. Відпустіть запобіжник спускового курка **2**.
3. Притисніть контактний вимикач **3** до робочої поверхні.
4. Потягніть спусковий курок **1** для приведення інструменту в дію.
5. Відпустіть спусковий курок і підніміть цвяхозабивний пістолет з робочої поверхні.
6. Повторіть кроки 3-5 для забивання наступного цвяха.

Режим контактного вимикача

DCN692

Режим контактного вимикача (також відомий як поштовховий режим) використовується для швидкого забивання цвяхів на рівних, нерухомих поверхнях і, як правило, найбільш ефективний для забивання коротких цвяхів.

1. За допомогою перемикача режимів **9** виберіть режим поштовхової подачі .
2. Відпустіть запобіжник спускового курка **2**.
3. Для забивання одного цвяха використовуйте інструмент так, як ви його використовували в режимі послідовної подачі:
 - a. Притисніть контактний вимикач **3** до робочої поверхні.
 - b. Потягніть тригерний перемикач **1** для приведення інструменту в дію. При кожному натисканні спускового курка з натиснутим контактним вимикачем до робочої поверхні відбувається забивання лише одного цвяха.
4. Для забивання декількох цвяхів, натисніть та утримуйте тригерний перемикач **1**, і далі декілька разів посліп притисніть контактний вимикач **3** до робочої поверхні.

 **УВАГА!** Не натискайте тригерний перемикач, коли інструмент не використовується. Розмістіть запобіжник спускового курка **2** в положенні блокування, щоб запобігти випадковому спрацюванню, коли інструмент не використовується.

5. При переході між режимами послідовної та поштовхової може знадобитися регулювання глибини забивання. Див. розділ «**Регулювання глибини забивання**» для отримання інструкцій.

Режим RapidCycle

DCN695

Режим RapidCycle ідеально підходить, коли користувач забиває багато цвяхів послідовно і йому потрібно рухатись швидше. Інструмент як і раніше працює в повному режимі послідовної подачі, але двигун готовий до наступного цвяха відразу після пострілу, щоб мінімізувати час, витрачений на очікування двигуна, щоб набрати швидкість.

1. За допомогою перемикача режимів **9** виберіть режим RapidCycle .
2. Відпустіть запобіжник спускового курка **2**.
3. Для забивання одного цвяха, використовуйте інструмент так, як ви його використовували в режимі послідовної подачі:
 - a. Притисніть контактний вимикач **3** до робочої поверхні.
 - b. Потягніть тригерний перемикач **1** для приведення інструменту в дію. (Ви почувете, як двигун крутиться після того, як цвях забитий).
4. Для забивання декількох цвяхів виконайте інструкції, вказані на кроку 3. Якщо ви не забили цвях протягом

2-х секунд від попереднього, то двигун перейде у положення спокою.

Використання запобіжника спускового курка (рис. С)

Кожен цвяхозабивний пістолет DEWALT оснащений запобіжником спускового курка **2**, який при натисканні вправо, як показано на рис. С, запобігає викиду цвяхів шляхом блокування спускового курка і зняття живлення з двигуна.

Коли запобіжник спускового курка натиснутий вліво, інструмент працює в повну силу. Завжди блокуйте запобіжник спускового курка для виконання будь-яких регулювань або коли інструмент не використовується.

Наконечник (рис. А)

Використовуючи цей інструмент для матеріалів, які ви не хочете маркувати, наприклад, облицювання деревини, використовуйте пластиковий наконечник **13** над контактним вимикачем **3**.

ПРИМІТКА. Для досягнення максимальної глибини забивання, особливо з довгими цвяхами, наконечник слід зняти.

Світлодіодний індикатор (рис. А)

Цвяхозабивний пістолет має світлодіодний індикатор **5** для сповіщення про затиснення/заїдання. Також дивіться розділ «Інструкції щодо виявлення та усунення несправностей» для отримання подальших інструкцій.

		<p>СТАН ЗАКЛИНЮВАННЯ/ ЗАЇДАННЯ</p> <p>Поверніть важіль розблокування для вивільнення. Див. розділ <i>Розблокування</i>.</p>
-----------------------------------------------------------------------------------	-----------------------------------------------------------------------------------	------------------------------------------------------------------------------------------------------------------------------------

Розблокування (рис. А, С)

Якщо цвяхозабивний пістолет використовується з більш твердим матеріалом, коли вся доступна енергія в двигуні використовується для переміщення кріпильних елементів, інструмент може заклинювати. Бойок не завершить цикл руху, і спалахне індикатор **5** заклинювання/заїдання. Поверніть важіль розблокування **6** на інструменті, і механізм звільниться. Якщо бойок не повертається автоматично в початкове положення, тоді див. розділ «Видалення застряглого цвяха». Якщо пристрій продовжує заїдати, перевірте обраний режим, матеріал і довжину кріпильного елемента, щоб переконачити, що він не дуже жорсткий для цього використання.

Якщо заїдання відбувається постійно, перевірте обрану швидкість. Залежно від застосування, може знадобитися інше налаштування швидкості.

Видалення застряглого цвяха (рис. А, С)

Якщо цвях застряг у наконечнику, блимає індикатор заклинювання/заїдання **5**.

ПРИМІТКА. Заклинювання може виникнути внаслідок накопичення сміття в каналі наконечника. Перевірте та очистіть будь-яке сміття, як зазначено нижче, якщо ви помітили будь-які зміни в роботі інструменту.

1. Вийміть акумуляторну батарею з інструменту і увімкніть блокування спускового курка **2**.
2. Посуньте підпружинену засувку штовхача **8** до основи обойми для фіксації на місці та вийміть стрічку цвяхів.
3. За допомогою шестигранного ключа **11** з комплекту, послабте два шестигранних болта **17** в верхній частині обойми.
4. Поверніть обойму **7** вперед.
5. Видаліть застряглий/погнутий цвях, при необхідності скористайтесь плоскогубцями. При необхідності видаліть будь-яке сміття в каналі цвяха.
6. Якщо бойок знаходиться в нижньому положенні, поверніть важіль зняття заїдання **6** в верхній частині пістолета.

ПРИМІТКА. Якщо після повороту важеля зняття заїдання бойок не встав на місце, може знадобитися ручне встановлення бойка за допомогою довгої викрутки.

7. Поверніть обойму назад в положення під соплом інструменту і затягніть шестигранні болти. **17**.
 8. Вставте акумуляторну батарею.
- ПРИМІТКА.** Інструмент самостійно відключиться і не перезавантажиться до тих пір, поки акумуляторна батарея не буде знята та вставлена заново.
9. Вставте цвяхи в обойму (див. розділ «Завантаження інструмента»).
 10. Відпустіть засувку штовхача **8**.
 11. Вимкніть блокування спускового курка, коли **2** буде готові продовжувати забивати цвях.

Якщо цвяхи застрягають в наконечнику занадто часто, зверніться по допомогу до авторизованого сервісного центру компанії DEWALT.

ТЕХНІЧНЕ ОБСЛУГОВУВАННЯ

Ваш електричний інструмент призначений для роботи протягом довгого часу з мінімальним обслуговуванням. Довга задовільна робота приладу залежить від належного обслуговування приладу та регулярного його очищення.

⚠ ПОПЕРЕДЖЕННЯ: Щоб знизити ризик серйозних тілесних ушкоджень, вимкніть інструмент та відключіть акумулятор перед виконанням будь-яких налаштувань або зніманням/встановленням додаткового обладнання або приладдя. Випадковий запуск може призвести до травм.

Зарядний пристрій та акумулятор не підлягають обслуговуванню.



Змащування

Ваш електричний інструмент не вимагає додаткового змащування.



ПРИМІТКА. **НИКОЛИ** не розпорошуйте і не застосовуйте будь-яким іншим чином мастильні матеріали або м'ячі засоби на основі розчинників всередині інструменту. Це може серйозно вплинути на термін служби і експлуатаційні характеристики інструменту.



Очищення



ПОПЕРЕДЖЕННЯ: Коли пил та бруд стають помітними та починають накопичуватися біля вентиляційних отворів, видавайте бруд та пил зсередини основного корпусу за допомогою сухого повітря. Використовуйте рекомендовані засоби захисту органів зору та рекомендовану протипилову маску при виконанні цієї операції.



ПОПЕРЕДЖЕННЯ: Ніколи не використовуйте розчинники та інші агресивні хімічні засоби для очищення неметалевих деталей інструменту. Такі хімічні речовини можуть нанести шкоду матеріалам, що використовуються в цих деталях. Використовуйте вологу ганчірку, змочену лише водою з м'яким милом. Не дозволяйте рідині потрапляти всередину інструменту та ніколи не занурюйте деталі інструменту в рідину.

Додаткові аксесуари



ПОПЕРЕДЖЕННЯ: Оскільки інше приладдя, що не зазначене виробником DEWALT, не перевірялося з цим пристроєм, його використання з інструментом може бути небезпечним. Необхідно використовувати лише рекомендовані DEWALT приладдя з цим пристроєм, щоб знизити ризик отримання травми.

Зверніться до свого дилера для отримання подальшої інформації щодо відповідного приладдя.

DCN6901 комплект для заміни зворотної пружини (рис. H–L)

З часом зворотні пружини бойка зношуються і потребують заміни. Стає очевидним, що пружини потребуватимуть заміни, коли бойок не повернеться в початкове положення після кожного пострілу цвяхом. Для перевірки – відкрийте обойму, як зазначено у розділі «**Виймання застряглого цвяха**» і якщо пружини зносились, ви зможете переміщати бойок назад і вперед по каналу для цвяхів з дуже невеликим опором.

Інструмент був розроблений таким чином, що зворотні пружини можна легко замінити менш ніж за 5 хвилин на робочому місці за допомогою аксесуара DCN6901-XJ.



УВАГА! У цілях безпеки перед використанням будь-якого додаткового приладдя прочитайте керівництво з експлуатації інструмента. Недотримання правил техніки безпеки може призвести до отримання травми і серйозного пошкодження інструменту та додаткового приладдя. При технічному обслуговуванні даного пристрою використовуйте тільки ідентичні запасні деталі.

ПРИМІТКА. Для зручності і перевірки наявності всі механічні деталі змінного комплекту пружин показані на рисунку. Набір також містить пакет клею Loctite®** для використання на кроку 9. Див. рис. L.

Для заміни пошкоджених зворотних пружин

ПРИМІТКА. Пружини слід замінити як пару, використовуючи лише належний комплект для заміни від компанії DEWALT.

1. За допомогою ключа **11**, послабте два гвинти **19** з обох сторін пристрою. Див. рис. H.
2. Вийміть систему повернення **20** з пристрою. Див. рис. I.
3. Посуньте затискач напрямної пружини **21** від напрямної пружини **22**. Див. рис. J.
4. Прокрутіть і зніміть пружинний бампер **23** і зніміть шайбу **24** та зворотню пружину **25**. Див. рис. J.
5. Встановіть нову зворотню пружину і шайбу на напрямну пружини **22**. Стискаючи пружину з шайбою біля протилежного кінця напрямної, перевірте новий пружинний бампер, поки він не пройде повз паз для затискача пружинної напрямної.
6. Закріпіть надійно новий затискач пружинної напрямної та встановіть бампер навпроти затискача.
7. Повторіть кроки 3–6 для другої пружини.

ПРИМІТКА. Перевірте повернення профіля, перемістивши профіль вгору по пружинній напрямній і відпустивши його. Він має повернутися під дією пружин.

8. Установіть зворотний механізм **20** назад у пристрій. Дивіться рисунок K. Необхідно вирівняти положення профіля і маховика перед тим, як прикручувати зворотний механізм до пристрою. Це можна зробити, якщо встановити акумулятор і притиснути, а потім відпустити наконечник інструмента до верстата або твердої поверхні. Це запустить обертання двигуна.

ПРИМІТКА. При правильному вирівнюванні профіля і маховика ви почуєте, як двигун повертається у вихідне положення з повної швидкості. Якщо профіль і маховик не вирівняні, двигун може не запуститися, може сповільнюватися набагато швидше, ніж зазвичай, і супроводжуватися гучним скреготливим звуком від пристрою. У такому випадку видаліть і повторно встановіть зворотний механізм.

9. Після того, як зворотний механізм буде правильно встановлений, відкрийте поданий пакетик Loctite®,

нанесіть невелику кількість на різьблення двох гвинтів **19** і встановіть два гвинта за допомогою ключа та надійно затягніть. Див. рис. L.

⚠ УВАГА! Завжди перевіряйте пристрій, забуваючи цвяхи в м'яку деревину, щоб упевнитися, що інструмент працює належним чином. Якщо інструмент не працює належним чином, негайно зверніться до авторизованого сервісного центру DEWALT.

⚠ УВАГА! ПАКЕТИК LOCTITE®** МІСТИТЬ РЕЧОВИНИ, ЯКІ МОЖУТЬ ПРИЗВЕСТИ ДО ПОДРАЗНЕННЯ ОЧЕЙ, ШКІРИ ТА ДИХАЛЬНИХ ШЛЯХІВ. ЗАСТОСУЙТЕ ВЕСЬ ВМІСТ ПАКЕТИКА ПРИ ВІДКРИТТІ. Не вдихайте пари. Не допускайте потрапляння в очі, на шкіру чи одяг. Використовуйте інструмент тільки у добре вентильованих приміщеннях. Тримайте у недоступному для дітей місці.

ПЕРША ДОПОМОГА Містить полігліколь диметакрилат, полігліколь олеат пропіленгліколь, діоксид титану та гідропероксид кумола. При ковтанні негайно зверніться за медичною допомогою у Центр отруєння. Не викликайте блювоту. Якщо людина вдихнула отруйну речовину, винесіть її на свіже повітря. Якщо отруйна речовина попала в очі, промийте їх водою протягом 15 хвилин. Зверніться за медичною допомогою. Якщо отруйна речовина попала на шкіру, промийте її водою. Якщо отруйна речовина попала на одяг, зніміть одяг.

*Loctite® є зареєстрованою торговою маркою компанії Henkel Corp.

Захист навколишнього середовища



Роздільний збір. Пристрої і акумулятори позначені цим символом, не можна викидати зі звичайним побутовим сміттям.

Пристрої і акумулятори містять матеріали, які можна відновити та переробити, що зменшить потребу у сировині. Утилізуйте електротехнічну продукцію і акумулятори відповідно до місцевих положень.

Більш детальну інформацію можна отримати на сайті

www.2helpU.com.

Придатність акумулятора для перезарядки

Дана модель акумулятора підлягає перезарядці у випадку зниження його потужності при виконанні завдань, що попередньо не вимагали особливих зусиль. Наприкінці терміну служби акумулятора утилізуйте його у спосіб, безпечний для навколишнього середовища.

- Повністю розрядіть акумулятор, потім витягніть його з інструменту.
- Літій-іонні акумулятори можна повторно переробляти. Відправте їх до свого дилера або на місцеву переробну станцію. Там зібрані акумулятори будуть перероблені або знищені належним чином.



Виробник:
"Stanley Black & Decker Deutschland
GmbH" Black-&-Decker Str.40, D-65510
Idstein, Німеччина

ІНСТРУКЦІЇ ЩОДО ВИЯВЛЕННЯ ТА УСУНЕННЯ НЕСПРАВНОСТЕЙ

БІЛЬШІСТЬ ПРОБЛЕМ МОЖЛИВО ЛЕГКО ВИРІШИТИ, ВИКОРИСТОВУЮЧИ ТАБЛИЦЮ НИЖЧЕ.

Для вирішення серйозних або постійних проблем зверніться до найближчого до вас сервісного центру або до місцевого офісу компанії DEWALT за адресою, зазначеною у цих інструкціях.



УВАГА! Щоб зменшити ризик серйозних травм, ЗАВЖДИ вимикайте інструмент та відключайте акумуляторну батарею від інструменту перед проведенням ремонтів.

СИМПТОМ	ПРИЧИНА	РІШЕННЯ
Двигун не працює при натиснутому спусковому курку	Заблокований спусковий курок	Розблокуйте спусковий курок.
	Інструмент зупинився, блокуючи двигун від обертання	Поверніть важіль розблокування на інструменті, і механізм звільниться. Якщо бойок не повертається, вийміть акумулятор і вручну поверніть бойок назад у початкове положення.
	Інструмент знаходиться в режимі послідовного спрацювання	Спочатку натисніть контактний вимикач перед забиванням цвяхів або перейдіть в режим серійної подачі (лише для моделі DCN692).
	Внутрішню електроніку інструменту потрібно скинути	Вийміть акумулятор та зачекайте 3 секунди, потім вставте його на місце.
	Двигун зупиняється через 5 секунд	Штатний режим роботи. Відпустіть спусковий курок і натисніть знову.
	Контакти забруднені або пошкоджені	Зверніться до авторизованого сервісного центра компанії DEWALT.
	Пошкоджена внутрішня електроніка	Зверніться до авторизованого сервісного центра компанії DEWALT.
	Пошкоджений спусковий курок	Зверніться до авторизованого сервісного центра компанії DEWALT.
	Акумулятор гарячий	Дайте акумулятору охолонути або замініть його на прохолодний.
Інструмент гарячий	Дайте інструменту охолонути перед продовженням використання.	
Двигун не працює при натиснутому контактному вимикачі	Заблокований спусковий курок	Розблокуйте спусковий курок.
	Задіяне блокування спуску курка при порожній обоймі, що перешкоджає переміщенню контактної вимикача в повній мірі	Завантажте більше цвяхів в обойму.
	Інструмент зупинився, блокуючи двигун від обертання	Поверніть важіль розблокування на інструменті, і механізм звільниться. Якщо бойок не повертається, вийміть акумулятор і вручну поверніть бойок назад у початкове положення.
	Контактний вимикач погнутий	Зверніться до авторизованого сервісного центра компанії DEWALT.
	Двигун зупиняється через 5 секунд	Штатний режим роботи. Відпустіть контактний вимикач та натисніть знову.
	Контакти забруднені або пошкоджені	Зверніться до авторизованого сервісного центра компанії DEWALT.
	Пошкоджена внутрішня електроніка	Зверніться до авторизованого сервісного центра компанії DEWALT.
	Пошкоджений спусковий курок	Зверніться до авторизованого сервісного центра компанії DEWALT.
	Акумулятор гарячий	Дайте акумулятору охолонути або замініть його на прохолодний.
Інструмент гарячий	Дайте інструменту охолонути перед продовженням використання.	

УКРАЇНЬСЬКА

СИМПТОМ	ПРИЧИНА	РІШЕННЯ
Інструмент не запускається (двигун працює, але не стріляє)	Задіяне блокування спуску курка при порожній обоймі, що перешкоджає переміщенню контактної вимикача в повній мірі	Завантажте цяхи в обойму.
	Низький заряд або пошкоджений акумулятор	Перевірте рівень заряду, якщо акумулятор показує стан заряду. При необхідності зарядіть або замініть акумулятор.
	Заклинений цвях/бойок не повертається в початкове положення	Вийміть акумуляторну батарею, витягніть застряглий цвях, застосуйте важіль блокування, (при необхідності підштовхніть бойок вгору вручну) та вставте акумуляторну батарею назад.
	Пошкоджено бойок/систему повернення в зборі	Замініть бойок/систему повернення в зборі. Зверніться до авторизованого сервісного центра компанії DEWALT.
	Внутрішній механізм заклинено	Зверніться до авторизованого сервісного центра компанії DEWALT.
	Пошкоджена внутрішня електроніка	Зверніться до авторизованого сервісного центра компанії DEWALT.
Двигун запускається, але створює багато шуму	Заклинений цвях і бойок застрягли в нижньому положенні	Застосуйте важіль зняття заїдання, видаліть всі застрягли цяхи та поверніть бойок вручну, якщо необхідно.
	Пошкоджено бойок/систему повернення в зборі	Замініть бойок/систему повернення в зборі. Зверніться до авторизованого сервісного центра компанії DEWALT.
Бойок продовжує застрягати в нижньому положенні	Заклинений цвях і бойок застрягли в нижньому положенні	Застосуйте важіль розблокування, видаліть всі застрягли цяхи та поверніть бойок вручну, якщо необхідно.
	Пошкоджено бойок/систему повернення в зборі	Замініть бойок/систему повернення в зборі. Зверніться до авторизованого сервісного центра компанії DEWALT.
	Матеріал і довжина кріпильного елемента	Якщо пристрій продовжує заїдати (змушуючи повертати важіль зняття заїдання), виберіть відповідний матеріал і довжину кріпильного елемента, не надто радикальні для конкретного випадку застосування.
	Сміття в наконечнику	Очистіть область наконечника і уважно огляньте на предмет дрібних шматочків зламаних цвяхів, що застрягли в напрямній.
	Інструмент ще не прироблений	Для нових інструментів може знадобитися забити 500-1000 цвяхів для зчеплення деталей і їх взаємного притирання. Якщо ви відчуваєте труднощі з забиванням цвяхів в повній мірі, протягом цього періоду використовуйте коротші цяхи.
	Використання неправильної швидкості	При спробі забивання довших круглих ребристих цвяхів в м'яку деревину або забивання круглих ребристих цвяхів в більш тверді матеріали зі швидкістю 1 – встановіть значення швидкості і положення 2.

СИМПТОМ	ПРИЧИНА	РІШЕННЯ
Інструмент працює, але не приводить до дії кріпильні елементи в повній мірі	Налаштування глибини встановлено занадто мало	Поверніть регулятор глибини до більшого значення настройки.
	Інструмент погано прилягає до заготовки	Прикладайте достатнє зусилля до інструменту для його щільного прилягання до заготовки. Зверніться до інструкції.
	Ударний режим вибирається з довгими цвяхами (Лише для моделі DCN692)	Вибір режиму послідовної подачі цвяхів.
	Матеріал і довжина кріпильного елемента	Якщо пристрій продовжує заїдати (змушуючи повертати важіль зняття заїдання), виберіть відповідний матеріал і довжину кріпильного елемента, не надто радикальні для конкретного випадку застосування.
	Пошкоджений або зношений наконечник бойка	Замініть боек/систему повернення в зборі. Зверніться до авторизованого сервісного центра компанії DEWALT.
	Інструмент використовується без наконечника	Зніміть наконечник.
	Пошкоджений приводний механізм	Зверніться до авторизованого сервісного центра компанії DEWALT.
	Інструмент ще не придоблений	Для нових інструментів може знадобитися забити 500-1000 цвяхів для зчеплення деталей і їх взаємного притирання. Якщо ви відчуваєте труднощі з забиванням цвяхів в повній мірі, протягом цього періоду використовуйте коротші цвяхи.
	Використання неправильної швидкості	При спробі забивання довших круглих ребристих цвяхів в м'яку деревину або забивання круглих ребристих цвяхів в більш тверді матеріали зі швидкістю 1 – встановіть значення швидкості в положення 2.
Інструмент працює, але кріпильні елементи не приводяться в дію	В обоймі немає цвяхів	Завантажте цвяхи в обойму.
	Неправильний розмір або кут нахилу цвяхів	Використовуйте лише рекомендовані цвяхи. Див. розділ «Технічні характеристики» .
	Сміття в наконечнику	Очистіть область наконечника і уважно огляньте на предмет дрібних шматочків зламаних цвяхів, що застрягли в напрямній.
	Сміття в обоймі	Очистіть обойму.
	Зношена обойма	Замініть обойму. Зверніться до авторизованого сервісного центра компанії DEWALT.
	Пошкоджений або зношений боек	Замініть боек. Зверніться до авторизованого сервісного центра компанії DEWALT.
	Пошкоджена пружина штовхача	Замініть пружину. Зверніться до авторизованого сервісного центра компанії DEWALT.

СИМПТОМ	ПРИЧИНА	РІШЕННЯ
Застряглий цвях	Неправильний розмір або кут нахилу цвяхів	Використовуйте лише рекомендовані цвяхи. Див. розділ «Технічні характеристики» .
	Обойма не закріплена після попереднього усунення заїдання/огляду	Обов'язково затягніть шестигранні болти журналу за допомогою гайкового ключа з комплекту поставки.
	Пошкоджений або зношений бойок	Замініть бойок. Зверніться до авторизованого сервісного центра компанії DeWALT.
	Матеріал і довжина кріпильного елемента	Якщо пристрій продовжує заїдати (змушуючи повертати важіль зняття заїдання), виберіть відповідний матеріал і довжину кріпильного елемента, не надто радикальні для конкретного випадку застосування.
	Сміття в наконечнику	Очистіть область наконечника і уважно огляньте на предмет дрібних шматочків зламаних цвяхів, що застрягли в напрямній.
	Зношена обойма	Замініть обойму. Зверніться до авторизованого сервісного центра компанії DeWALT.
	Пошкоджена пружина штовхача	Замініть пружину. Зверніться до авторизованого сервісного центра компанії DeWALT.
	Задіяне блокування спуску курка при порожній обоймі спрацює лише при 7-9 цвяхах, що залишилися в обоймі, і користувач докладає надмірне зусилля до контактного вимикача, долаючи блокування	Завантажте більше цвяхів в обойму для зняття блокування холостого спуску курка.
	Інструмент ще не прироблений	Для нових інструментів може знадобитися забити 500-1000 цвяхів для зчеплення деталей і їх взаємного притирання. Якщо ви відчуваєте труднощі з забиванням цвяхів в повній мірі, протягом цього періоду використовуйте коротші цвяхи.
Використання неналежної швидкості.	При спробі забивання довших круглих ребристих цвяхів в м'яку деревину або забивання круглих ребристих цвяхів в більш тверді матеріали зі швидкістю 1 – встановіть значення швидкості в положення 2.	







ОФИЦИАЛЬНЫЙ ДИЛЕР В УКРАИНЕ:

storgom.ua

ГРАФИК РАБОТЫ:

Пн. – Пт.: с 8:30 по 18:30

Сб.: с 09:00 по 16:00

Вс.: с 10:00 по 16:00

КОНТАКТЫ:

+38 (044) 360-46-77

+38 (066) 77-395-77

+38 (097) 77-236-77

+38 (093) 360-46-77

Детальное описание товара: <https://storgom.ua/product/dewalt-908922.html>

Другие товары:

<https://storgom.ua/akkumulyatornye-gvozdezabivnye-pistolety.html>