

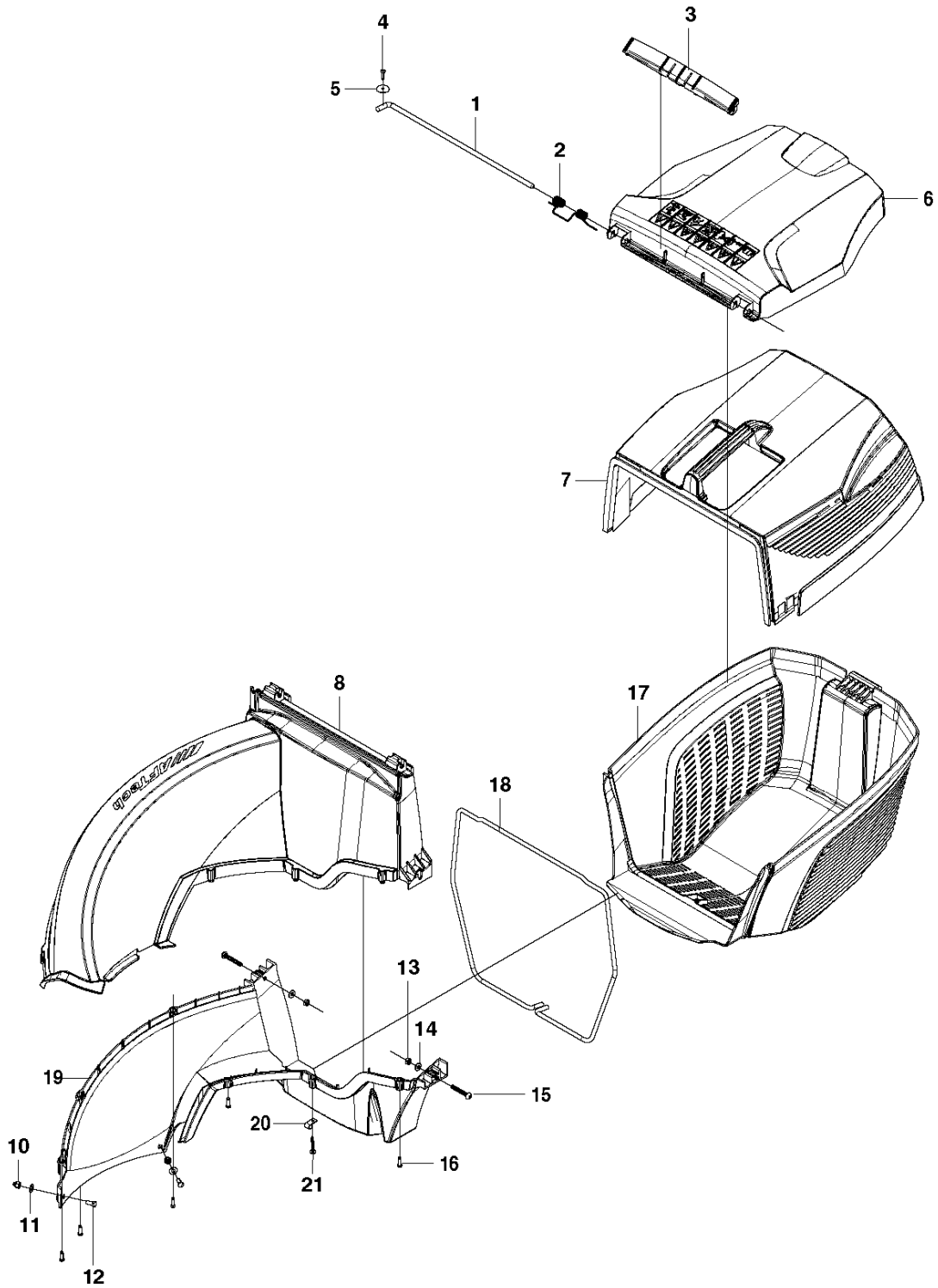


SPARE PARTS LIST

LAWN MOWERS: CONSUMER
WALK-BEHINDS

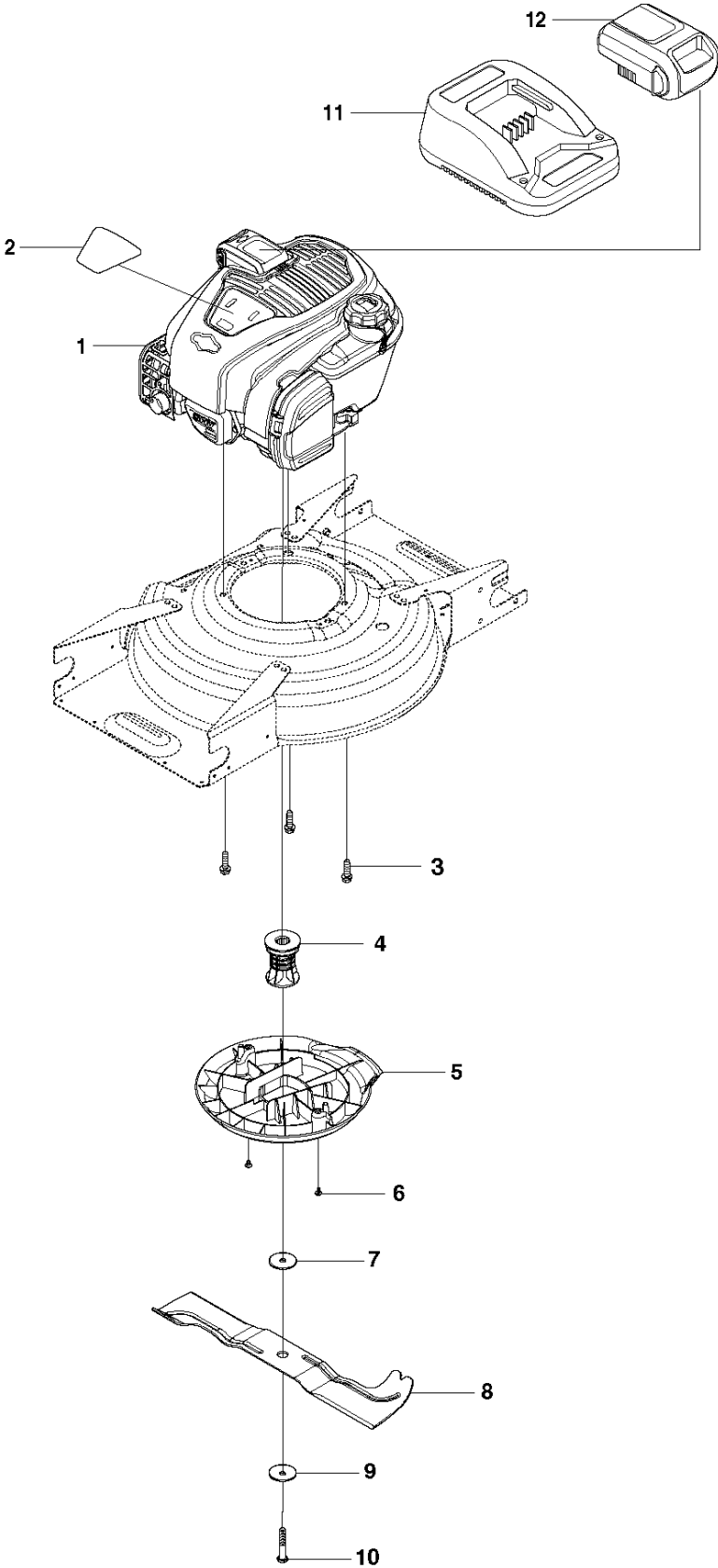
LC348 VI Classic, 967605101, 2016

D ALPHA LC348 VI
COLLECT PARTS



Ref	Part No	Description	Remark	QTY KIT
1	502 24 59-02	AXLE		1
2	502 24 47-01	SPRING		1
3	504 59 81-01	COVER LID		1
4	502 43 53-01	SCREW ITXPANT		1
5	575 88 55-01	WASHER		1
6	501 96 77-01	HATCH		1
7	501 98 77-01	GRASSBAG		1
8	501 96 75-01	CHUTE		1
10	502 30 50-01	CAP NUT		2
11	505 19 84-01	WASHER		2
12	505 15 61-01	SCREW		2
13	732 25 16-01	HEXAGON LOCKING NUT		2
14	505 19 84-01	WASHER		2
15	505 55 77-01	SCREW ITXPANTT		2
16	502 43 53-01	SCREW ITXPANT		5
17	501 98 76-01	GRASSBAG		1
18	502 44 71-01	GRASSBAG		1
19	501 96 73-01	CHUTE		1
20	587 66 30-01	CLIP		1
21	580 91 76-01	SCREW		1

C ALPHA LC348 VI
ENGINE

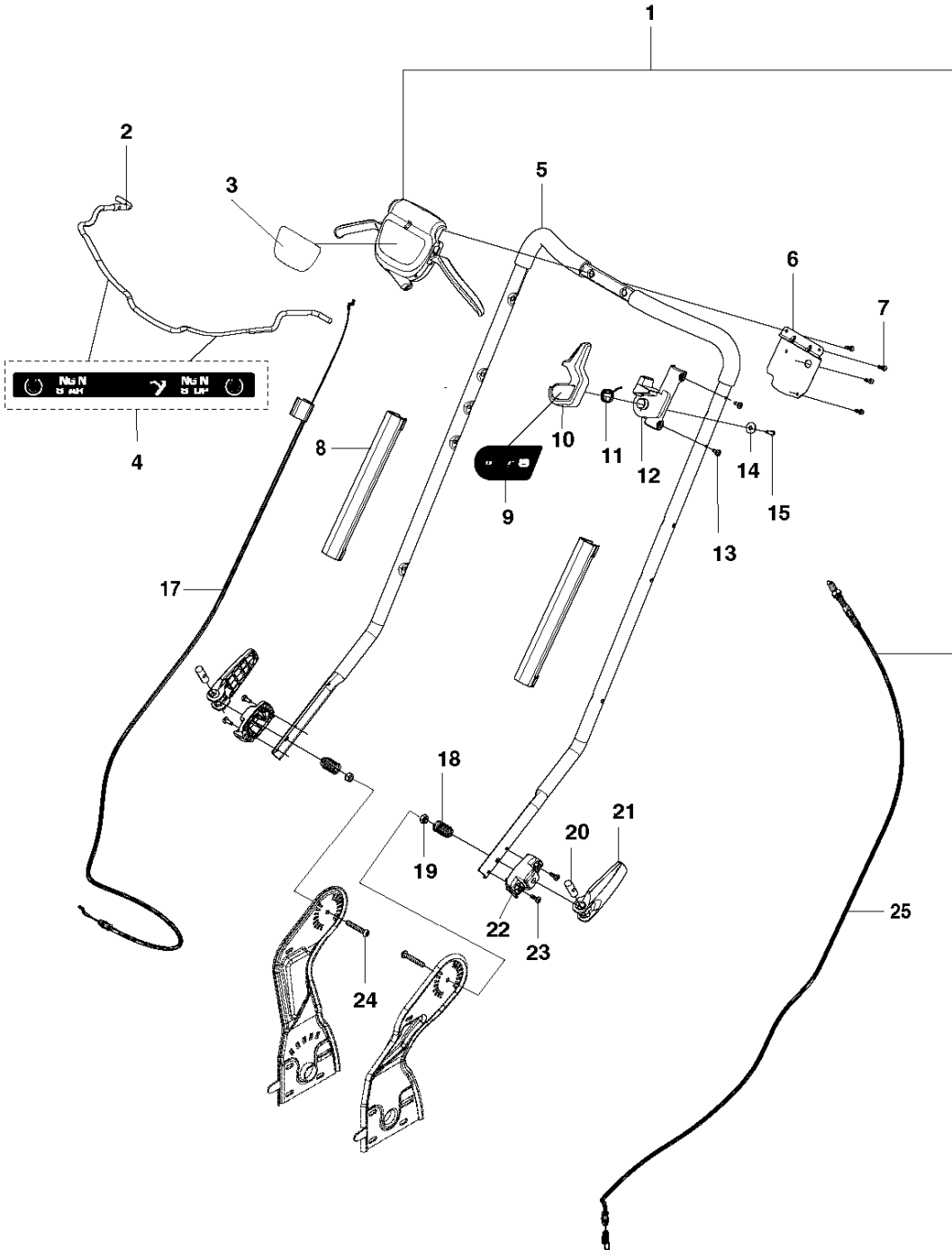


ENGINE

LC348 VI Classic, 967605101, 2016

Ref	Part No	Description	Remark	QTY KIT
1	-	TBD	104M05-S004-89, B&S	
2	588 87 73-01	DECAL		1
3	532 15 04-06	BOLT		3
4	588 64 57-02	BLADE SUPPORT		1
5	501 96 81-01	BELT COVER		1
6	502 43 52-01	SCREW ITPANTT		2
7	503 25 94-01	WASHER		1
8	585 60 75-20	MOWER BLADE		1
9	503 33 25-01	SPRING		1
10	504 45 64-03	SCREW EHHI		1
11	-	TBD	592964, B&S, Will not be in Husqvarna Part number	
12	.	TBD	592908, B&S, Will not be in Husqvarna Part number	

B ALPHA LC348 VI
HANDLE

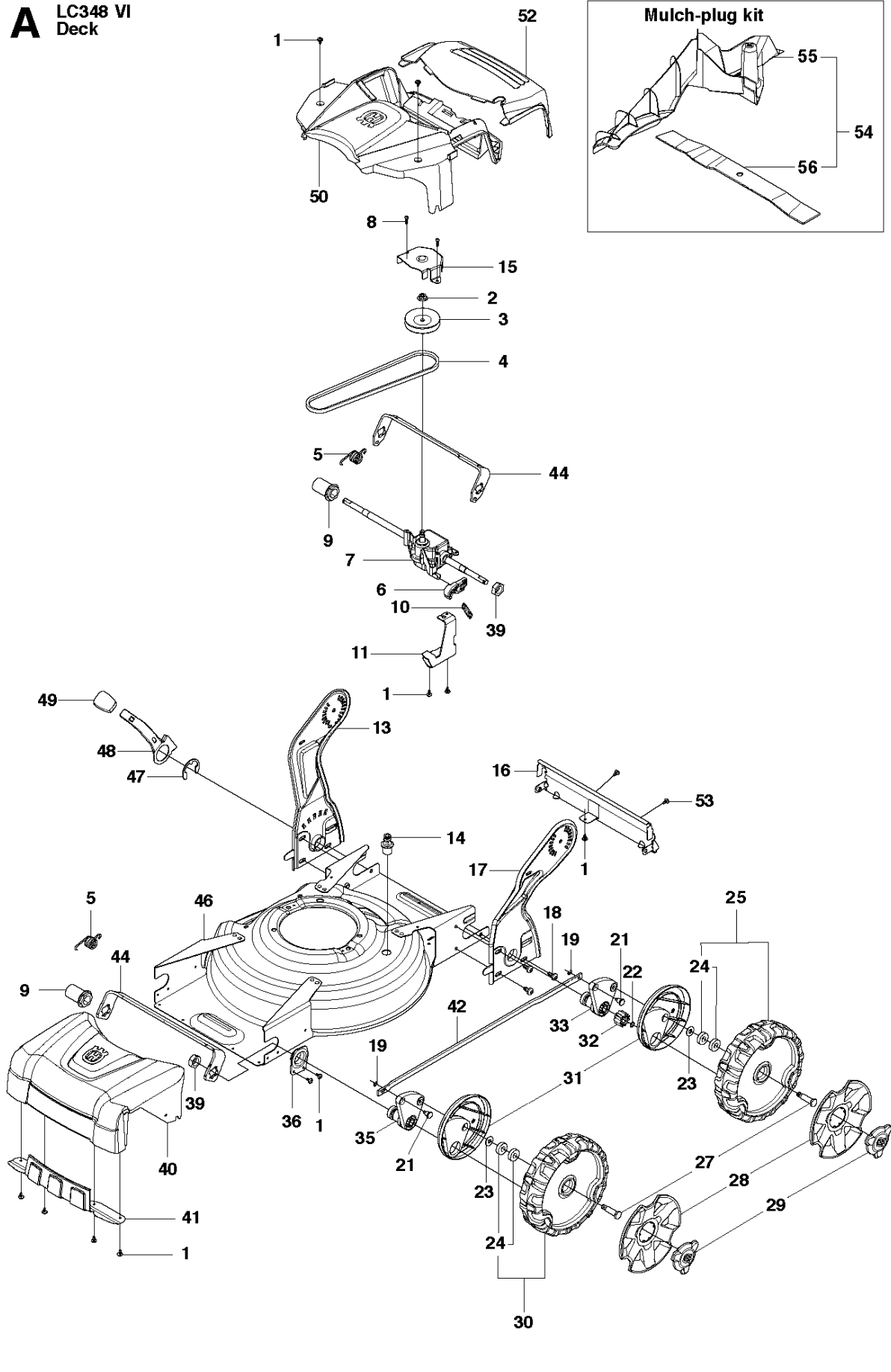


HANDLE

LC348 VI Classic, 967605101, 2016

Ref	Part No	Description	Remark	QTY	KIT
1	584 86 14-01	CONTROL		1	
2	584 44 25-04	BAIL		1	
3	584 82 49-01	LABEL		1	
4	587 24 07-01	DECAL		2	
5	584 86 00-03	HANDLE ASSY		1	
6	577 70 14-01	BRACKET		1	
7	574 39 14-01	SCREW ITPANT		6	
8	584 21 12-01	CABLE HOLDER		2	
9	587 26 07-02	DECAL		1	
10	585 05 43-02	CONTROL LEVER		1	
11	585 05 44-01	TORSION SPRING		1	
12	585 05 44-02	TORSION SPRING		1	
13	502 43 52-01	SCREW ITPANTT		2	
14	734 11 54-41	WASHER		1	
15	574 39 14-01	SCREW ITPANT		1	
17	585 40 20-11	CABLE		1	
18	504 63 81-01	SPRING		2	
19	732 21 18-01	LOCK NUT		2	
20	505 53 11-01	PEN		2	
21	504 13 83-01	LEVER		2	
22	580 77 62-01	ADJUSTMENT DISC		2	
23	502 43 52-03	SCREW ITPANTT		2	
24	505 52 46-01	SCREW ITPANTT		2	
25	577 27 66-02	CABLE		1	1

A LC348 VI Deck



Ref	Part No	Description	Remark	QTY	KIT
1	502 43 52-01	SCREW ITXPANTT		17	
2	504 05 56-01	NUT FLANGE		1	
3	504 05 33-01	PULLEY		1	
4	501 98 66-01	BELT		1	
5	522 02 46-01	SPRING		2	
6	504 04 83-01	LEVER		1	
7	504 04 80-01	GEARBOX		1	
8	502 43 53-01	SCREW ITXPANT		2	
9	522 02 40-01	NUT		2	
10	504 04 87-01	SPRING		1	
11	504 04 86-01	BRACKET		1	
13	504 00 00-03	HANDLE SUPPORT		1	
14	531 20 58-48	CONNECTOR		1	
15	522 61 23-01	BELT GUIDE		1	
16	504 64 15-01	SKID PLATE		1	
17	504 00 32-03	HANDLE SUPPORT		1	
18	506 55 83-02	SCREW EHHFT		6	
19	735 31 09-21	E-CLIP		2	
21	504 62 50-01	SHAFT		2	
22	504 70 28-01	LOCK RING		2	
23	505 22 14-01	WASHER		4	
24	738 21 01-04	BALL BEARING		8	25, 30
25	584 14 22-01	WHEEL ASSY		2	
27	574 25 94-01	SCREW		4	
28	584 15 93-01	HUB CAP		4	
29	584 15 94-01	NUT CAP		4	
30	584 61 16-01	WHEEL ASSY		2	
31	504 62 41-01	DUST COVER		4	
32	544 34 23-01	PINION		2	
33	504 70 98-04	LINK ARM ASSY		2	
35	504 70 98-02	LINK ARM ASSY		2	
36	504 62 49-01	BRACKET		2	
39	505 52 10-01	NUT		2	
40	583 90 18-01	FRONT COVER ASSY		1	
41	502 62 54-02	SKID PLATE		1	
42	504 61 55-02	ROD		1	
44	574 40 60-01	TRANSVERSAL ROD		2	
46	501 37 55-03	CHASSIS		1	
47	735 31 36-21	LOCKWASHER		1	
48	504 83 82-01	LEVER		1	
49	522 59 85-01	KNOB		1	
50	505 10 94-02	REAR COVER		1	
52	505 20 21-01	HATCH		1	
53	502 43 52-01	SCREW ITXPANTT		2	
54	582 04 44-01	MULCH KIT		1	
55	504 13 71-01	MULCH PLUG		1	54
56	502 88 13-10	MOWER BLADE		1	54

ОФИЦИАЛЬНЫЙ ДИЛЕР В УКРАИНЕ:

storgom.ua

ГРАФИК РАБОТЫ:

Пн. – Пт.: с 8:30 по 18:30

Сб.: с 09:00 по 16:00

Вс.: с 10:00 по 16:00

КОНТАКТЫ:

+38 (044) 360-46-77

+38 (066) 77-395-77

+38 (097) 77-236-77

+38 (093) 360-46-77

Детальное описание товара: <https://storgom.ua/product/gazonokosilka-mcculloch-lc-348vi.html>

Другие товары: <https://storgom.ua/benzinovyie-gazonokosilki.html>