

Impact Wrench



Please wear proper safety gear while working.

33841

33842

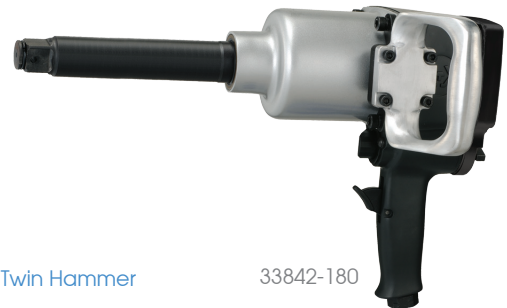
1"

- Nickel chrome molybdenum square driver
- Variable speed trigger
- Muffled on handle exhaust



33841-180

New Twin Hammer



33842-180

KT NO.	Square drive Inch mm	Type Std/Long anvil	Std. Bolt Size Inch mm	Free Speed R.P.M	Max. Torque ft.lb Nm	Overall Length Inch mm	Air Inlet Inch	Air Hose ID	Air Pressure bar PSI	Avg. Air Consumption L/min CFM	Sound DBA	Vib M/S2	Net Weight kgs lbs
33841-180	1" 25.40	Std. anvil	1-27/64" M36	4000	1800 2440	12-3/32" 307	1/2" BSPT / NPT	3/4"	6.2 90	255 9.0	101.56	4.37	10.62 23.41 1 / 2
33842-180	1" 25.40	Long anvil	1-27/64" M36	4000	1800 2440	20-5/64" 510	1/2" BSPT / NPT	3/4"	6.2 90	255 9.0	99.85	5.87	12.52 27.60 1 / 2

33861

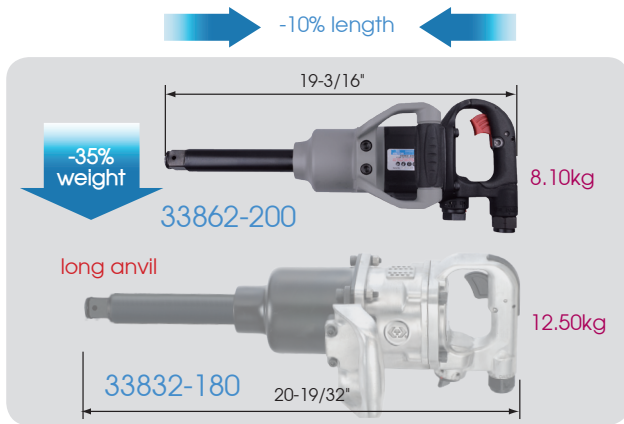
33862

1"

- Light weight durable composite housing
- Nickel chrome molybdenum square driver
- Comfortable rubber handle



Maximum Torque 2000ft.lb !



33861-200

Twin Hammer



33862-200

KT NO.	Square drive Inch mm	Type Std/Long anvil	Std. Bolt Size Inch mm	Free Speed R.P.M	Max. Torque ft.lb Nm	Overall Length Inch mm	Air Inlet Inch	Air Hose ID	Air Pressure bar PSI	Avg. Air Consumption L/min CFM	Sound DBA	Vib M/S2	Net Weight kgs lbs
33861-200	1" 25.40	Std. anvil	1-27/64" M36	5000	2000 2712	13-43/64" 347	1/2" BSPT / NPT	3/4"	6.2 90	255 9.0	106.00	17.20	7.40 16.31 1 / 1
33862-200	1" 25.40	Long anvil	1-27/64" M36	5000	2000 2712	19-3/16" 487	1/2" BSPT / NPT	3/4"	6.2 90	255 9.0	104.00	14.50	8.10 17.86 1 / 1

ОФИЦИАЛЬНЫЙ ДИЛЕР В УКРАИНЕ:

storgom.ua

ГРАФИК РАБОТЫ:

Пн. – Пт.: с 8:30 по 18:30

Сб.: с 09:00 по 16:00

Вс.: с 10:00 по 16:00

КОНТАКТЫ:

+38 (044) 360-46-77

+38 (066) 77-395-77

+38 (097) 77-236-77

+38 (093) 360-46-77

Детальное описание товара:

<https://storgom.ua/product/pnevmaticheskii-gaikovert-king-tony-33841-180.html>

Другие товары: <https://storgom.ua/pnevmogaykoverty.html>