



FDUB 50701

English	5
Čeština	27
Slovenčina	49
Magyarul	71
Polski	93
Русский	115

Multi Function Tool

INSTRUCTION MANUAL

Thank you for your purchase of the multi function tool. For your personal safety, read and understand the Instruction Manual before using. Keep the Instruction Manual in a safe place for future reference.

CONTENTS

1. GENERAL SAFETY INSTRUCTIONS	6
2. SYMBOLS	11
3. GENERAL DESCRIPTION	12
4. ACCESSORIES	12
5. ASSEMBLING AND OPERATING	13
6. MAINTENANCE	22
7. TECHNICAL SPECIFICATIONS	23
8. DISPOSAL	24
9. DECLARATION OF CONFORMI	25

1. GENERAL SAFETY INSTRUCTIONS

⚠ WARNING! Carefully read the instruction manual before use.

Important safety warnings

- ✿ Unpack the product carefully and be sure not to throw away any part of the package before having found all components of the product.
- ✿ Keep the product in a dry place out of reach of children.
- ✿ Read all cautions and instructions. The failure to adhere to warning cautions and instructions may result in an accident, fire and/or a serious injury.

Packaging

The product is placed in a package preventing damage during transport. This package is a raw material therefore it can be handed-over for recycling.

Instructions for use

Before beginning to work with the machine, read the following safety rules and instructions for use. Familiarize with operating elements and the proper use of the device. Keep the manual in a safe place for future reference. We recommend keeping the original package including the inner packaging materials, cash voucher and guarantee card for a period of warranty at minimum. For a case of transportation, pack the machine into the original box from the manufacturer, thus ensuring a maximum protection of the product during a possible transport (e.g. moving or sending into a service station)..



Note: If you hand the machine over to next persons, hand it over together with the manual. Adherence to the attached instructions for use is a precondition for the proper use of the machine. The operation manual includes also instructions for operation, maintenance and repairs.

The manufacturer does not take any responsibility for accidents or damages resulting from the failure to adhere to this manual.

Carefully read, remember and keep these safety instructions

⚠ WARNING! In the use of electric machines and power tools, it is necessary to respect and follow the following safety instructions for the reasons of protection against electric shock, personal injury and danger of fire. The term “power tool” in the instructions below refers both to mains-operated (corded) power tool or battery-operated (cordless) power tool. Save all warnings and instructions for future reference.

Workplace

- ✿ Keep the work area clean and well lit. Cluttered or dark areas in the workplace invite accidents. Store power tools that you don't currently use.
- ✿ Do not operate power tools in environments with danger of occurrence of a fire or explosion, such as in the presence of flammable liquids, gases, or dust. Power tools create sparks which may ignite the dust or fumes.
- ✿ Keep unauthorised persons, especially children, away from the work area while operating a power tool! Distractions can cause you to lose control over the performed activity. In no event leave your power tool unattended. Keep the equipment away from animals.

Electrical Safety

- ✿ Power tool plugs must match the mains socket outlet. Never modify the plug in any way. Do not use any adapter plugs with earthed (grounded) power tools. Undamaged plugs and matching outlets will reduce risk of electric shock. Damaged or fouled supply cables increase the risk of electric shock. If the power cord is damaged, it must be replaced by a new power cord which is available at the authorised service centre or the importer.
- ✿ Avoid body contact with earthed or grounded surfaces such as pipes, radiators, cooking ranges and refrigerators. There is an increased risk of electric shock if your body is earthed or grounded.
- ✿ Do not expose power tools to rain or wet conditions. Never touch the power tool with wet hands. Never wash the power tool under running water or immerse it in water.
- ✿ Never use the supply cable for other than intended purposes. Never use the cord for carrying or pulling the power tool. Never unplug the plug from the outlet by pulling the cable. Keep electric cables away from sharp or hot objects to prevent mechanical damage.
- ✿ The power tool was designed to be powered solely by alternating electric current. Always check if the electric voltage matches the information specified in the type label of the power tool.
- ✿ Never use power tool with damaged electric cable or plug or which has been dropped or is in any way damaged.

- ✿ If an extension cord is used, always check whether its technical parameters match the information specified in the type label of the power tool. When operating a power tool outdoors, use an extension cord suitable for outdoor use. If extension drums are used, these must be rolled out to prevent overheating of the cord.
- ✿ If a power tool is operated in a damp location or outdoors, its operation is only permitted if connected to an electric circuit protected by a residual current device <30 mA. Use of residual current device (RCD) reduces the risk of electric shock.
- ✿ Hold the power tool by insulated gripping surfaces only as the cutting or drilling tool may contact hidden wiring or its own power cord during operation.

Personal Safety

- ✿ Be careful, stay alert and watch what you are doing when operating a power tool. Concentrate on your work. Do not use a power tool while you are tired or under the influence of drugs, alcohol or medication. A moment of inattention while operating power tools may result in serious personal injury. Do not eat, drink and smoke while operating a power tool.
- ✿ Use personal protective equipment. Always wear eye protection. Use protective equipment corresponding to the type of work you are doing. Protective equipment such as dust mask, non-skid safety shoes, hard hat, or hearing protection used in accordance with the working conditions will reduce the risk of personal injury.
- ✿ Prevent unintentional starting. Do not carry the power tool while it is energised or with your finger on the switch or trigger. Ensure the switch or trigger is in the "off" position before connecting to power source. Carrying power tools with your finger on the switch or energising power tools that have the switch on may result in serious injuries.
- ✿ Remove any adjusting key or wrench before turning the power tool on. An adjusting wrench or a key left attached to a rotating part of the power tool may result in personal injury.
- ✿ Keep proper footing and balance at all times. Do not overreach. Never overestimate your own capabilities. Never use power tools while you are tired.
- ✿ Dress properly. Wear work clothes. Do not wear loose clothing or jewellery. Keep your hair, clothing, gloves and other part of your body away from moving or hot parts of the power tool.
- ✿ Connect the equipment to dust exhaustion. If the tools are provided for the connection of dust collection or exhaustion devices, ensure these are properly connected and used. Use of such devices can reduce dust-related hazards.
- ✿ Fix the work-piece tightly. Use a cabinet clamp or a cramp to fix the work-piece you are about to machine.
- ✿ Never use power tools if you are under the influence of alcohol, drugs, medication or other narcotic or addictive substances.
- ✿ This equipment is not intended for use by persons (including children) with limited physical, sensual or mental capacities or lack of experience or knowledge unless they are supervised or instructed about the use of the equipment by a person responsible for their safety. Children must be supervised to make sure they are not playing with the equipment.

Power Tool Use and Maintenance

- ✿ Always disconnect the power tool from the mains in case of any problem during the work, before cleaning the power tool or its maintenance, during each transportation and after the completion of the work! Never operate a power tool if it is damaged in any way.
- ✿ Immediately stop working if the power tool generates abnormal noise or smell.
- ✿ Do not overload the power tool. The power tool will operate better and safer if it is used at the rate for which it was designed. Use correct power tool which is intended for the given activity. The correct power tool will do the job it was designed for better and safer.
- ✿ Do not use the power tool if it cannot be safely turned on and off using the control switch. Use of such power tool is dangerous. Defective switches must be repaired by a certified service provider.
- ✿ Disconnect the tool from the power source before making any adjustments, changing accessories or maintenance. Such preventive safety measure prevents the risk of starting the power tool accidentally.
- ✿ Store idle power tools out of the reach of children and unauthorised persons. Power tools can be dangerous in the hands of untrained users. Store the power tools in a dry and safe place.
- ✿ Keep the power tool in good condition. Check the adjustment of moving parts and their mobility. Check for any damage to the protective guards or other parts which could affect safe operation of the power tool. If damaged, have the power tool properly repaired before further use. Many accidents are caused by poorly maintained power tools.
- ✿ Keep cutting tools sharp and clean. Properly maintained cutting tools with sharp cutting edges facilitate work, reduce the risk of injury and are easier to control. Use of accessories other than those specified in the instructions for use could result in damage to the power tool and cause injuries.
- ✿ Use the power tool, accessories and tool bits etc. in accordance with these instructions and in the manner intended for the particular type of power tool taking into account the working conditions and the work to be performed. Use of the power tool for purposes other than those the power tool was intended for could result in hazardous situations.

Use of Cordless Power Tools

- ✿ Before inserting the battery, make sure the switch is in the "0-OFF" position. Inserting a battery into a switched-on power tool could result in hazardous situations.
- ✿ Charge batteries only using the chargers prescribed by the manufacturer. Using a charger intended for other battery type could result in its damage and occurrence of fire.
- ✿ Use only batteries intended for particular power tool. Use of different batteries could cause injury or occurrence of fire.
- ✿ If the battery is not used, keep it separately from metal objects such as clamps, keys, bolts and other small metal items which could cause connection of one battery contact with the other. Short-circuiting the battery could result in injury, burns or occurrence of fire.

- ✿ Handle the batteries with care. Rough handling could result in leak of chemical substance from the battery. Avoid contact with such substance and if, nonetheless, any contact occurs wash the affected area under running water. If eyes get into contact with the chemical substance seek immediately medical aid. Chemical substance from the battery can cause serious injuries.

Service

- ✿ Do not replace parts of the power tool, do not make any repairs or interfere in any way with the construction of the power tool. Have your power tool repaired by qualified repair persons.
- ✿ Any repair or modification of the product without our company's authorisation is impermissible (it could cause injury or damage to the user).
- ✿ Always have your power tool repaired in a certified service centre. Use only original or recommended replacement parts. This will ensure that your safety and the safety of your power tool is maintained.

2. SYMBOLS



The product complies with the applicable standards and regulations.



Read the Instruction Manual attentively prior to use.



Use eyes protective equipment



Use ears protective equipment



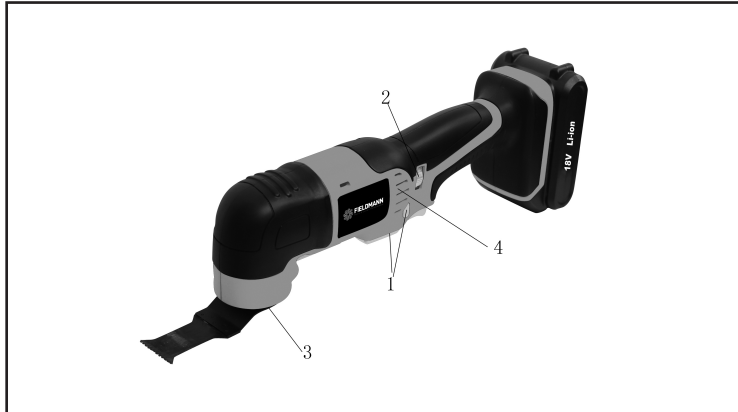
Wear a breathing mask.



Subjected to recycling



3. GENERAL DESCRIPTION



1. ON/OFF Switch
2. Speed Control Wheel
3. Accessory Holder
4. Air Vents

4. ACCESSORIES

AVAILABLE ACCESSORIES

⚠ WARNING: Use only accessories that are recommended for this multi-tool. Follow the instructions that accompany the accessories. The use of improper accessories may result in injury to the operator or damage to the tool.

Before using any accessory carefully read the instructions or the owner's manual for the accessory.

⚠ WARNING: If any part is missing or damaged, do not plug the tool into the power source or install any accessory until the missing or damaged part is replaced.

5. ASSEMBLING AND OPERATING

5.1 INSTALLING ACCESSORIES

All accessories are installed on the multi-tool in a similar manner. For the purposes of describing the accessory installation, the half circle blade is used.

⚠ DANGER! Always remove the plug from the power source before installing or removing accessories or sandpaper. Failing to remove the plug from the power source may result in the tool accidentally being started and causing serious injury to the operator.

1. Press the accessory holder (1). Fig. 1

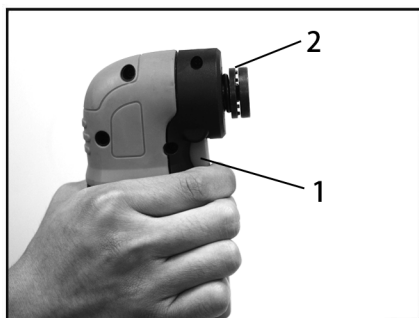


Fig. 1

2. Place the blade (3) on the accessory holder (Fig. 2)

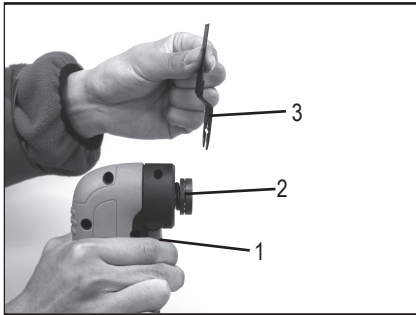




Fig. 2

 **NOTES:**

- ✿ Make sure the alignment holes (6) in the blade fit over the alignment pins (7) in the accessory holder and the printed side of the blade is facing the tool.
 - ✿ The blade can be mounted at various angles left or right of center if required.
3. Thread the screw (1) through the washer (2) and the blade into the accessory holder threaded hole (8)
 4. Turn the screw clockwise until it is finger tight.

 **NOTES:** Check to make sure the convex curve or the washer (9) is facing the head of the screw. Make sure the alignment holes in the blade are still mated with the alignment pins in the accessory holder

5. Firmly tighten the screw with the 5mm hex key.

 **NOTE:** Check to make sure the holes in the blade are still mated with the alignment pins of the accessory holder after the screw is fully tightened.

5.2 INSTALLING SANDPAPER

1. Install the hook & loop sanding pad (1) onto the tool (Fig. 3)
2. Firmly press the sandpaper (2) onto the hook & loop pad.

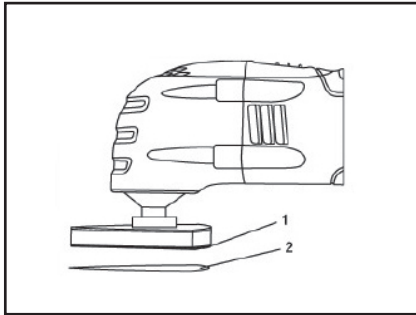


Fig. 3

NOTE:

- ✿ Place the sandpaper so the holes in the sandpaper line up with the matching holes in the hook & loop pad
 - ✿ Press the sandpaper firmly onto the hook & loop pad.
3. To remove the sandpaper, simply peel the sandpaper way from the hook & loop pad (Fig.4).

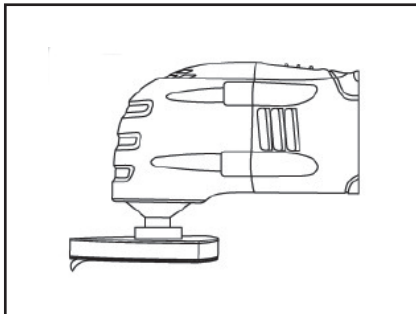


Fig. 4

5.3 ON/OFF SWITCH

- ✿ To turn the tool ON, slide the ON/OFF switch (1) toward the front of the tool (Fig. 5).
- ✿ To turn the tool OFF, slide the ON/OFF switch toward the rear of the tool.

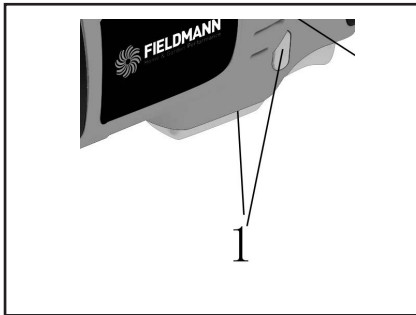


Fig. 5

5.4 SPEED CONTROL WHEEL

The speed of the tool can be adjusted to run the tool at speeds varying between 10000 – 18000 RPM by rotating the speed control wheel (1) located towards the rear of the tool housing (Fig. 6)

- ✿ To increase the speed, rotate the speed control wheel toward the left side of the tool.
- ✿ To decrease the speed, rotate the speed control wheel toward the right side of the tool.

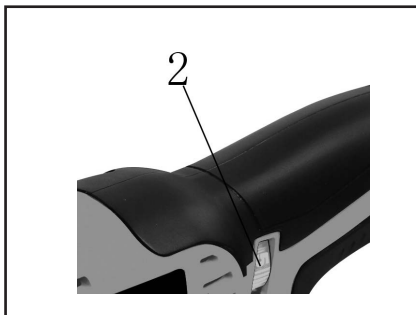


Fig. 6

POZNÁMKA: Speed #1 is the lowest speed. MAX is the highest speed. The optimal speed setting will vary depending upon the type of accessory being used, the surface being worked and the complexity of the project. For general recommendations, see the chart on the following page.

⚠ WARNING : For safety reasons the operator must read the sections of this instruction manual entitled **GENERAL SAFETY INSTRUCTION, SPECIFIC SAFETY RULES and SYMBOLS before using this multi-tool.**

Verify the following every time the multi-tool is used:

- ✿ Safety glasses, safety goggles, or face shield are being worn.
- ✿ Hearing protection is being worn.
- ✿ The blade or sandpaper is in good condition.
- ✿ The accessory is properly tightened onto the accessory holder of the tool.

Failure to observe these safety rules will significantly increase the risk of injury.

5.4 FLUSH CUTTING A DOOR JAMB AND CASING FOR INSTALLING FLOORING

The multi-tool can be used to flush cut a door jamb and casing to allow space for the new flooring to fit nearly under the door jamb and casing. For the purpose of demonstrating the procedure, floor tile is being used.

1. Install the plunge cutting wood saw blade for wood in the tool (Fig. 2).

📖 NOTE: The blade should be centered on the tool housing and NOT installed in the 90° position.

2. Place a scrap piece of floor tile (1) on the floor about 1/2" (25mm) from the door jamb (2)



NOTE: Make sure the “good” side of the tile is facing upward to provide a smooth surface for the blade to follow.

3. Place the tool with the saw blade (3) lightly touching the surface of the tile and the cutting teeth NOT touching the surface to be cut.
4. Set the speed to the fastest speed and turn to tool ON (Fig. 5 & 6)
5. When the tool reach its maximum set speed, carefully plunge the blade into the door jamb while sliding the blade along the floor tile..



NOTE: Hold the tool tightly and do not put too much forward pressure on the saw blade when cutting, as this will cause the tool to vibrate excessively.

6. Continue to make several plunge cuts until the bottom of the door jamb and casing are completely cut off and the loos pieces can be easily removed

Follow the same basic procedure for installing carpet, using a thicker spacer that is the same thickness of the carpet being installed.

5.5 CUTTING A HOLE IN WOOD FLOORING TO INSTALL A HEATING VENT

The multi-tool can be used to cut a hole in wood flooring for installing a heating vent.

1. Install the plunge cutting saw blade for wood in the tool (Fig. 2)



NOTE: The blade should be centered on the tool housing and NOT installed in the 90° position.

2. Place the floor vent on the floor and use a soft lead pencil to trace the required rectangular hole (1) on the flooring (Fig. 8).

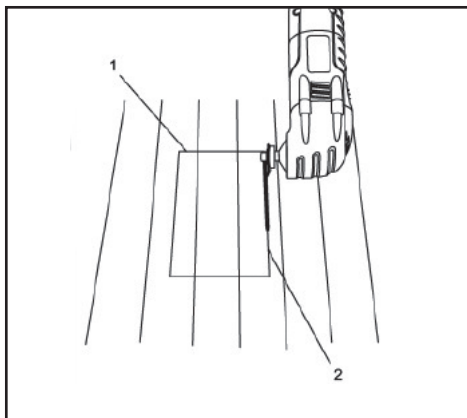



Fig. 8

3. Place the saw blade (2) near the floor surface in the middle of one of the cutting lines.
4. Set the tool speed at a medium speed and turn the tool ON (Fig. 5 & 6)

 **NOTE:** The tool and blade should be at a 45° angle to the floor to allow the corner of the blade to plunge cut into the flooring.

5. While holding the tool tightly, slowly plunge the corner of the blade into the flooring until it cuts through the flooring. Once the plunge cut is complete, set the tool to its highest speed and complete the cut to the corner of the rectangle.
6. Turn the saw OFF, remove it from the cut and proceed to cut in the opposite direction to complete the cut for the first side of the rectangle.
7. Repeat steps #4, #5, #6 to cut the remaining three sides of the rectangle.
8. When all cuts are complete, use a flat blade screw driver to carefully pry the cut-out from the floor.

 **NOTE:** Do **NOT** use the saw blade to pry the cut-out from the floor. You will break the blade. If the cut-out is not easy to pry from the floor, check to make sure each line is cut completely into the corner of the rectangle.


5.6 CUTTING A HOLE IN DRYWALL FOR INSTALLING AN ELECTRICAL OUTLET BOX

The multi-tool can be used to cut a hole in drywall for installing an electrical outlet box.


1. Install the half circle saw blade for wood & drywall in the tool (Fig.2)

 **NOTE:** The blade should be centered on the tool housing and not installed in the 90° position

2. Place the outlet box on the drywall and use a soft lead pencil to trace the required rectangular hole (1) on the drywall
3. Place the corner edge of the saw blade (2) near the drywall in the middle of one of the cutting lines.
4. Set the speed to the highest speed and turn the tool ON (Fig. 5 & 6)
5. When the tool reaches its maximum speed, carefully plunge the blade into the drywall until it cuts through the drywall. Complete the cut to the corner of the rectangle.

 **NOTE:** Hold the tool tightly and do not push too much pressure on the saw blade when cutting.

6. Turn the saw OFF, remove it from the cut and proceed to cut in the opposite direction to complete the cut for the first side of the rectangle.
7. Repeat steps 4, 5 & 6 to cut the remaining three sides of the rectangle.
8. When all cuts are complete, use a flat blade screw driver to carefully pry the cut-out from the drywall.

 **NOTE:** Do not use the saw blade to pry the cut-out from the drywall. You will break the blade. If the cut-out is not easy to pry from the drywall, check to make sure each line is cut completely into the corner of the rectangle.

5.7 USING THE DETAIL SANDER ATTACHMENT

1. Install the sanding pad on the multi-tool as outlined in Fig. 2
2. Install the sandpaper on the sanding pad as outlined in Fig. 3
3. Set the speed control wheel between 4 and MAX as outlined in Fig. 6
4. Turn the switch ON as outlined in Fig. 5

This tool is designed for detail sanding on small surface areas. Place the sandpaper surface of the sanding pad on the work piece to be sanded. Keep the tool moving to avoid gouging the surface. Use coarse sandpaper and lower speeds when sanding rough surfaces and for removing previous finishes. Use fine sandpaper and higher speeds to produce the smoothest surface.

5.8 USING THE SCRAPER BLADE

1. Install the scraper blade on the multi-tool as outlined in Fig. 2, Fig. 1 & 2.
2. Set the speed control wheel to #4 and turn the switch ON as outlined in Fig. 5 & 6.

When using the scraper blade to scrape old finishes or glue from a work piece, place the under the side of the blade flat on the work piece surface and then lift upward on the rear of the tool to allow the blade to form a very slight angle with the work piece surface. Feed the blade slowly into the material that is to be removed. Do not force the tool as slower travel speeds will produce better cutting action and reduce the risk of gouging the work piece.

When using the scraper blade to cut carpet, place a scrap work piece under the carpet where the cut is being made. Set the speed to MAX, turn the tool so the scraper blade is at right angles (perpendicular) to the carpet and the feed the blade into the carpet

6. MAINTENANCE

GENERAL

⚠ WARNING: When servicing, use only identical replacement parts. The use of any other part may create a hazard or cause product damage

Do not use solvents when cleaning plastic parts. Plastics are susceptible to damage from various types of commercial solvents and may be damaged by their use. Use a clean cloth to remove dirt, dust, oil, grease etc.

⚠ WARNING: Do not allow brake fluids, gasoline, petroleum-based products, penetration oils, etc. to come into contact with plastic parts. They contain chemicals that can damage, weaken or destroy plastic.

Do not abuse power tools. Abusive practices can damage the tool and the work piece

⚠ WARNING: Do not attempt to modify tools or create accessories. Any such alteration or modification is misuse and could result in a hazardous condition leading to possible serious injury. It will also void the warranty

LUBRICATION

All of the bearings in this tool are lubricated with a sufficient amount of high-grade lubricant for the life of the unit under normal conditions. Therefore, no further lubrication is required.

7. TECHNICAL SPECIFICATIONS

MULTI FUNCTION TOOL :	
Speed	5 000- 18 000rpm
Protection class:	II
Declared noise level	105dB(A)
Vibration:	ah.D1=3.415ms ⁻² - ah.D1=8.397ms ⁻² , K=1.5ms ⁻²

Instructions Manual - language version only.

Amendments to text and technical parameters are reserved.

Changes in the text, design and technical specifications may change without prior notice and we reserve the right to make these changes. Keep it from turning as the drill bit rotates.

Troubleshooting

1. The trigger is pressed but the device is not working: For the cordless device to work, you need a sufficiently charged battery. The battery will go flat if you do not use the cordless device for an extended period of time. Try charging the battery. Check that the battery is correctly seated in the charger. The charger will heat up while charging, this is normal.
2. The battery is leaking: At extreme temperatures or when under extreme load, a small amount of leakage may occur. If you happen to touch the fluid, immediately wash it off your skin or clothing with soap and water.
3. The battery is not charging and the light on the charger is not lit: If the battery is not charging, check that it is correctly seated in the charger and check that the indicator light is lit. If it is not lit, check that the power plug of the charger is correctly plugged into the socket. If it is, check the socket's fuse/circuit breaker.
4. The body of the device heats up after extended use: Under normal load the body, trigger and battery will heat up because the energy consumed when drilling generates heat. This is normal. Simply allow the device to cool down for several minutes.
5. The battery heats up during use: Energy drawn from the battery generates heat. It does not damage the battery, heat from drawing energy is normal. If you wish to cool the battery down, allow the device to cool down for a few minutes before continuing with work.
6. The battery heats up while charging: This is normal and is the result of chemical reactions taking place inside the battery during the charging process.
7. The charging unit will heat up while charging: This is normal and is caused by the reduction of voltage from 230V to 18V.

8. DISPOSAL

INSTRUCTIONS AND INFORMATION ON DISPOSAL OF USED PACKAGING

Put any used package material to the place determined by the municipality for waste disposal.

DISPOSAL OF USED ELECTRIC AND ELECTRONIC EQUIPMEN



This symbol on products or accompanying documents means that used electric or electronic products must not be put to ordinary municipal waste. Hand over such products to determined collection points for proper disposal, restoration and recycling. Alternatively, in some countries of the European Union or other European countries you can return your products to your local dealer when you buy an equivalent new product. By dutiful disposal of this product you can preserve precious natural resources and you help prevent any potential adverse effects on the environment and human health which could be the results of wrong waste disposal. Ask your local authority or the nearest collection point for additional details. In case of improper disposal of this waste kind penalties can be imposed in accordance with national regulations.

FOR COMPANIES IN THE EUROPEAN UNION COUNTRIES

Should you want to dispose of electric and electronic devices, ask your dealer or vendor for necessary information.

DISPOSAL IN OTHER COUNTRIES OUTSIDE THE EUROPEAN UNION



Should you want to dispose of this product, ask your local authorities or your dealer for necessary information about disposal method

This product fulfils all basic requirements of the EU directives that apply to it.

Text, design and technical specifications can change without prior notice and we reserve the right for their change.

9. DECLARATION OF CONFORMITY

Product / Name: MULTI FUNCTION TOOL / FIELDMANN

Type / Model: FDUB 50701 18V/5000-18000 /min

The product complies with the following directives:

- ✿ The Directive of the European Parliament and the Council No. 2006/95/EC dated 12 December 2006 on the harmonisation of the laws of Member States relating to electrical equipment designed for use within certain voltage limits.
- ✿ The Directive of the European Parliament and the Council No. 2004/108/EC dated 15 December 2004 on the harmonisation of the laws of the Member States relating to electromagnetic compatibility and repealing Directive No. 89/336/EEC.
- ✿ The Directive of the European Parliament and the Council No. 2006/42/EC dated 17 May 2006 on machinery, and amending Directive No. 95/16/EC.
- ✿ The Directive of the European Parliament and the Council No. 2002/95/EC dated 27 January 2003 on the restriction of the use of certain hazardous substances in electrical and electronic equipment.
- ✿ The Directive of the European Parliament and the Council No. 2005/88/EC dated 14 December 2005 amending Directive No. 2000/14/EC on the harmonisation of the laws of the Member States relating to the noise emission in the environment by equipment for use outdoors.

and standards:

- ✿ EN60745-1:2009+A11 :2010
- ✿ EN60745-2-4:2009+A11:2011
- ✿ AfPS GS 2014:01
- ✿ EN55014-1:2006+A1:2009+A2 :2011
- ✿ EN55014-2:1997+A1:2001+A2 :2008
- ✿ EN62321:2009

CE Certification 16

FAST ČR, a.s. is authorised to act on behalf of the manufacturer.

Manufacturer:

FAST ČR, a.s.
Černokostelecká 1621, 251 01 Praha, Czech Republic
Tax ID:: CZ26726548

In Prague, 30 JAN 2016

Name: Zdeněk Pech
Chairman of Board

FAST FAST ČR, a.s.
Černokostelecká 1621, 251 01 Říčany
IČO: 26726548 tel.: +420/ 323 204 111
DIČ: CZ26726548 fax: +420/ 323 204 110



Signature and stamps:

Oscilační bruska

NÁVOD K OBSLUZE

Děkujeme vám, že jste si zakoupili tuto oscilační brusku. Než ji začnete používat, přečtěte si, prosím, pozorně tento návod k obsluze a uschovejte jej pro případ dalšího použití.

OBSAH

1. VŠEOBECNÉ BEZPEČNOSTNÍ PŘEDPISY	28
OBECNÉ BEZPEČNOSTNÍ POKYNY	29
2. SYMBOLY	33
3. OBECNÝ POPIS	34
4. PŘÍSLUŠENSTVÍ	34
5. MONTÁŽ A OBSLUHA	35
6. ÚDRŽBA	44
7. TECHNICKÉ ÚDAJE	45
8. LIKVIDACE	46
9. PROHLÁŠENÍ O SHODĚ	47

1. VŠEOBECNÉ BEZPEČNOSTNÍ PŘEDPISY

⚠ POZOR! Před použitím si pečlivě přečtěte návod k použití.

DŮLEŽITÁ BEZPEČNOSTNÍ UPOZORNĚNÍ

- ✿ Výrobek pečlivě vybalte a dejte pozor, abyste nevyhodili žádnou část obalového materiálu dříve, než najdete všechny součásti výrobku.
- ✿ Výrobek uchovávejte na suchém místě mimo dosah dětí.
- ✿ Čtěte všechna upozornění a pokyny. Zanedbání při dodržování varovných upozornění a pokynů mohou mít za následek úraz elektrickým proudem, požár a/nebo těžká poranění.

OBAL

Výrobek je umístěn v obalu bránícím poškozením při transportu. Tento obal je surovinou a lze jej proto odevzdat k recyklaci.

NÁVOD K POUŽITÍ

Než začnete se strojem pracovat, přečtěte si následující bezpečnostní předpisy a pokyny k používání. Seznamte se s obslužnými prvky a správným používáním zařízení. Návod pečlivě uschovejte pro případ pozdější potřeby. Minimálně po dobu záruky doporučujeme uschovat originální obal včetně vnitřního balicího materiálu, pokladní doklad a záruční list. V případě přepravy zabalte stroj zpět do originální krabice od výrobce, zajistíte si tak maximální ochranu výrobku při případném transportu (např. stěhování nebo odeslání do servisního místa).

📖 POZNÁMKA: Předáváte-li stroj dalším osobám, předejte jej společně s návodem. Dodržování přiloženého návodu k obsluze je předpokladem řádného používání stroje. Návod k obsluze obsahuje rovněž pokyny pro obsluhu, údržbu a opravy.

Výrobce nepřebírá odpovědnost za nehody nebo škody vzniklé následkem nedodržování tohoto návodu.

OBECNÉ BEZPEČNOSTNÍ POKYNY

Tyto bezpečnostní pokyny si pečlivě prostudujte, zapamatujte a uschovejte

⚠ UPOZORNĚNÍ! Při používání elektrických strojů a elektrického nářadí je nutno respektovat a dodržovat následující bezpečnostní pokyny z důvodů ochrany před úrazem elektrickým proudem, zraněním osob a nebezpečím vzniku požáru. Výrazem „elektrické nářadí“ je ve všech níže uvedených pokynech myšleno jak elektrické nářadí napájené ze sítě (napájecím kabelem), tak nářadí napájené z baterií (bez napájecího kabelu). Uschovejte všechna varování a pokyny pro příští použití.

Pracovní prostředí

- ✿ Udržujte pracovní prostor v čistém stavu a dobře osvětlen. Nepořádek a tmavá místa na pracovišti bývají příčinou úrazů. Ukliděte nářadí, které právě nepoužíváte.
- ✿ Nepoužívejte elektrické nářadí v prostředí s nebezpečím vzniku požáru nebo výbuchu, to znamená v místech, kde se vyskytují hořlavé kapaliny, plyny nebo prach. V elektrickém nářadí vzniká na komutátoru jiskření, které může být příčinou vznícení prachu nebo výparů.
- ✿ Při používání el. nářadí zamezte přístupu nepovolaných osob, zejména dětí, do pracovního prostoru! Budete-li vyrušováni, můžete ztratit kontrolu nad prováděnou činností. V žádném případě nenechávejte el. nářadí bez dohledu. Zabraňte zvířatům přístup k zařízení.

Elektrická bezpečnost

- ✿ Vidlice napájecího kabelu elektrického nářadí musí odpovídat síťové zásuvce. Nikdy jakýmkoliv způsobem neupravujte vidlici. K nářadí, které má na vidlici napájecího kabelu ochranný kolík, nikdy nepoužívejte rozdvojký ani jiné adaptéry. Nepoškozené vidlice a odpovídající zásuvky omezí nebezpečí úrazu elektrickým proudem. Poškozené nebo zamotané napájecí kabely zvyšují nebezpečí úrazu elektrickým proudem. Pokud je síťový kabel poškozen, je nutno jej nahradit novým síťovým kabelem, který je možné získat v autorizovaném servisním středisku nebo u dovozce.
- ✿ Vyvarujte se dotyku těla s uzemněnými předměty, jako např. potrubí, tělesa ústředního topení, sporáky a chladničky. Nebezpečí úrazu elektrickým proudem je větší, je-li vaše tělo spojeno se zemí.
- ✿ Nevystavujte elektrické nářadí dešti, vlhku nebo mokru. Elektrického nářadí se nikdy nedotýkejte mokřýma rukama. Elektrické nářadí nikdy neumývejte pod tekoucí vodou ani ho neponořujte do vody.
- ✿ Nepoužívejte napájecí kabel k jinému účelu, než pro jaký je určen. Nikdy nenoste a netahejte elektrické nářadí za napájecí kabel. Nevytahujte vidlici ze zásuvky tahem za kabel. Zabraňte mechanickému poškození elektrických kabelů ostrými nebo horkými předměty.
- ✿ El. nářadí bylo vyrobeno výlučně pro napájení střídavým el. proudem. Vždy zkontrolujte, že elektrické napětí odpovídá údaji uvedenému na typovém štítku nářadí.

- ✿ Nikdy nepracujte s nářadím, které má poškozený el. kabel nebo vidlici, nebo spadlo na zem a je jakýmkoliv způsobem poškozené.
- ✿ V případě použití prodlužovacího kabelu vždy zkontrolujte, že jeho technické parametry odpovídají údajům uvedeným na typovém štítku nářadí. Je-li elektrické nářadí používáno venku, používejte prodlužovací kabel vhodný pro venkovní použití. Při použití prodlužovacích bubnů je nutné je rozvinout, aby nedocházelo k přehřátí kabelu.
- ✿ Je-li elektrické nářadí používáno ve vlhkých prostorech nebo venku, je povoleno jej používat pouze, pokud je zapojeno do el. obvodu s proudovým chráničem ≤ 30 mA. Použití el. obvodu s chráničem /RCD/ snižuje riziko úrazu elektrickým proudem.
- ✿ Ruční el. nářadí držte výhradně za izolované plochy určené k uchopení, protože při provozu může dojít ke kontaktu řezacího či vrtacího příslušenství se skrytým vodičem nebo s napájecí šňůrou nářadí.

Bezpečnost osob

- ✿ Při používání elektrického nářadí buďte pozorní a ostražití, věnujte maximální pozornost činnosti, kterou právě provádíte. Soustředte se na práci. Nepracujte s elektrickým nářadím pokud jste unaveni, nebo jste-li pod vlivem drog, alkoholu nebo léků. I chvilková nepozornost při používání elektrického nářadí může vést k vážnému poranění osob. Při práci s el. nářadím nejezte, nepijte a nekuřte.
- ✿ Používejte ochranné pomůcky. Vždy používejte ochranu zraku. Používejte ochranné prostředky odpovídající druhu práce, kterou provádíte. Ochranné pomůcky jako např. respirátor, bezpečnostní obuv s protiskluzovou úpravou, pokrývka hlavy nebo ochrana sluchu používané v souladu s podmínkami práce snižují riziko poranění osob.
- ✿ Vyvarujte se neúmyslného zapnutí nářadí. Nepřenášejte nářadí, které je připojeno k elektrické síti, s prstem na spínači nebo na spoušti. Před připojením k elektrickému napájení se ujistěte, že spínač nebo spoušť jsou v poloze „vypnuto“. Přenášení nářadí s prstem na spínači nebo zapojování vidlice nářadí do zásuvky se zapnutým spínačem může být příčinou vážných úrazů.
- ✿ Před zapnutím nářadí odstraňte všechny seřizovací klíče a nástroje. Seřizovací klíč nebo nástroj, který zůstane připevněn k otáčející se části elektrického nářadí může být příčinou poranění osob.
- ✿ Vždy udržujte stabilní postoj a rovnováhu. Pracujte jen tam, kam bezpečně dosáhnete. Nikdy nepřeceňujte vlastní sílu. Nepoužívejte elektrické nářadí, jste-li unaveni.
- ✿ Oblékejte se vhodným způsobem. Používejte pracovní oděv. Nenoste volné oděvy ani šperky. Dbejte na to, aby se vaše vlasy, oděv, rukavice nebo jiná část vašeho těla nedostala do přílišné blízkosti rotujících nebo rozpálených částí el.nářadí.
- ✿ Připojte zařízení k odsávání prachu. Jestliže má nářadí možnost připojení zařízení pro zachycování nebo odsávání prachu, zajistěte, aby došlo k jeho řádnému připojení a používání. Použití těchto zařízení může omezit nebezpečí vznikající prachem.
- ✿ Pevně upevněte obrobek. Použijte truhlářskou svěrku nebo svěrák pro upevnění dílu, který budete obrábět.

- ✿ Nepoužívejte elektrické nářadí pokud jste pod vlivem alkoholu, drog, léků nebo jiných omamných či návykových látek.
- ✿ Toto zařízení není určené pro použití osobami (včetně dětí) se sníženými fyzickými, smyslovými nebo mentálními schopnostmi nebo s nedostatkem zkušeností a znalostí, pokud nejsou pod dozorem nebo nedostali pokyny s ohledem na použití zařízení od osoby zodpovědné za jejich bezpečnost. Děti musí být pod dozorem, aby jste se ujistili, že si nehrájí se zařízením.

Používání elektrického nářadí a jeho údržba

- ✿ El. nářadí vždy odpojte z el. sítě v případě jakéhokoliv problému při práci, před každým čišťením nebo údržbou, při každém přesunu a po ukončení práce! Nikdy nepracujte s el. nářadím, pokud je jakýmkoliv způsobem poškozené.
- ✿ Pokud začne nářadí vydávat abnormální zvuk nebo zápach, okamžitě ukončete práci.
- ✿ Elektrické nářadí nepřetěžujte. Elektrické nářadí bude pracovat lépe a bezpečněji, pokud jej budete provozovat v otáčkách, pro které bylo navrženo. Používejte správné nářadí, které je určeno pro danou činnost. Správné nářadí bude lépe a bezpečněji vykonávat práci, pro kterou bylo zkonstruováno.
- ✿ Nepoužívejte elektrické nářadí, které nelze bezpečně zapnout a vypnout ovládacím spínačem. Používání takového nářadí je nebezpečné. Vadné spínače musí být opraveny certifikovaným servisem.
- ✿ Odpojte nářadí od zdroje elektrické energie předtím, než začnete provádět jeho seřizování, výměnu příslušenství nebo údržbu. Toto opatření zamezí nebezpečí náhodného spuštění.
- ✿ Nepoužívané elektrické nářadí ukládejte a uschovejte tak, aby bylo mimo dosah dětí a nepovolaných osob. Elektrické nářadí v rukou nezkušených uživatelů může být nebezpečné. Elektrické nářadí skladujte na suchém a bezpečném místě.
- ✿ Udržujte elektrické nářadí v dobrém stavu. Pravidelně kontrolujte seřízení pohyblivých se částí a jejich pohyblivost. Kontrolujte zda nedošlo k poškození ochranných krytů nebo jiných částí, které mohou ohrozit bezpečnou funkci elektrického nářadí. Je-li nářadí poškozeno, před dalším použitím zajistěte jeho řádnou opravu. Mnoho úrazů je způsobeno špatně udržovaným elektrickým nářadím.
- ✿ Řezací nástroje udržujte ostré a čisté. Správně udržované a naostřené nástroje usnadňují práci, omezují nebezpečí zranění a práce s nimi se snáze kontroluje. Použití jiných příslušenství než těch, která jsou uvedena v návodu k obsluze mohou způsobit poškození nářadí a být příčinou zranění.
- ✿ Elektrické nářadí, příslušenství, pracovní nástroje atd. používejte v souladu s těmito pokyny a takovým způsobem, který je předepsán pro konkrétní elektrické nářadí a to s ohledem na dané podmínky práce a druh prováděné práce. Používání nářadí k jiným účelům, než pro jaké je určeno, může vést k nebezpečným situacím.

Používání akumulátorového nářadí

- ✿ Před vložením akumulátoru se přesvědčte, že je vypínač v poloze „0-vypnuto“. Vložení akumulátoru do zapnutého nářadí může být příčinou nebezpečných situací.
- ✿ K nabíjení akumulátorů používejte pouze nabíječky předepsané výrobcem. Použití nabíječky pro jiný typ akumulátoru může mít za následek jeho poškození a vznik požáru.
- ✿ Používejte pouze akumulátory určené pro dané nářadí. Použití jiných akumulátorů může být příčinou zranění nebo vzniku požáru.
- ✿ Pokud není akumulátor používán, uchovávejte ho odděleně od kovových předmětů jako jsou svorky, klíče, šrouby a jiné drobné kovové předměty, které by mohly způsobit spojení jednoho kontaktu akumulátoru s druhým. Zkratování akumulátoru může zapříčinit zranění, popáleniny nebo vznik požáru.
- ✿ S akumulátory zacházejte šetrně. Při nešetrném zacházení může z akumulátoru uniknout chemická látka. Vyvarujte se kontaktu s touto látkou a pokud i přesto dojde ke kontaktu, vymyjte postižené místo proudem tekoucí vody. Pokud se chemická látka dostane do očí, vyhledejte ihned lékařskou pomoc. Chemická látka z akumulátoru může způsobit vážná poranění.

Servis

- ✿ Nevyměňujte části nářadí, neprovádějte sami opravy, ani jiným způsobem nezasahujte do konstrukce nářadí. Opravy nářadí svěřte kvalifikovaným osobám.
- ✿ Každá oprava nebo úprava výrobku bez oprávnění naší společnosti je nepřípustná (může způsobit úraz, nebo škodu uživateli).
- ✿ Elektrické nářadí vždy nechte opravit v certifikovaném servisním středisku. Používejte pouze originální nebo doporučené náhradní díly. Zajistíte tak bezpečnost Vaši i Vašeho nářadí.

2. SYMBOLY



Tento produkt je vyroben v souladu se schválenými normami.



Před použitím stroje si pozorně přečtěte návod k obsluze.



Použijte ochranné pomůcky na oči



Použijte ochranné pomůcky na uši

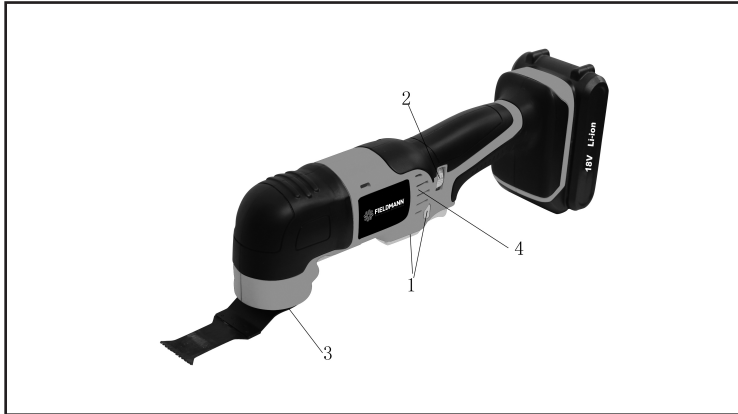


Noste ochrannou prachovou masku



Nevhazujte je do běžného odpadu

3. OBECNÝ POPIS



1. Vypínač
2. Regulátor otáček
3. Držák příslušenství
4. Větrací otvory

4. PŘÍSLUŠENSTVÍ

DISPONIBILNÍ PŘÍSLUŠENSTVÍ

⚠ UPOZORNĚNÍ: Používejte pouze příslušenství doporučené pro toto víceúčelové nářadí. Řiďte se pokyny dodávanými spolu s příslušenstvím. V důsledku používání nevhodného příslušenství může dojít k úrazu obsluhy nebo poškození nářadí.

Před použitím jakéhokoli příslušenství si prosím důkladně přečtěte pokyny nebo návod k použití příslušenství.

⚠ UPOZORNĚNÍ: Jestliže jakákoli součást chybí nebo je poškozena, nepřipojujte nářadí ke zdroji napájení ani neinstalujte žádné příslušenství, dokud nebude chybějící nebo poškozená část nahrazena.

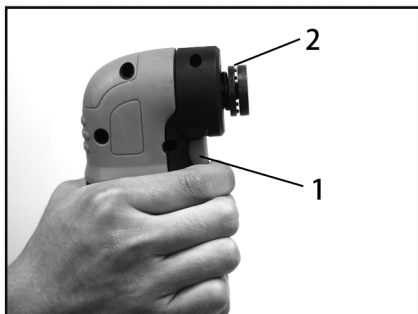
5. MONTÁŽ A OBSLUHA

5.1 INSTALACE PŘÍSLUŠENSTVÍ

Veškeré příslušenství se na víceúčelové nářadí instaluje podobným způsobem. Pro účely nebo popis instalace příslušenství použijeme půlkruhový kotouč.

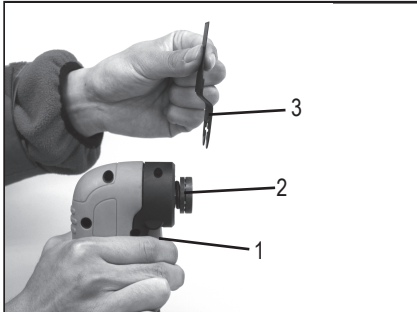
⚠ NEBEZPEČÍ! Před instalací nebo snímáním příslušenství nebo smirkového papíru vždy vytáhněte zástrčku ze zdroje napájení. Jestliže zástrčku nevytáhněte ze zdroje napájení, může dojít k náhodnému spuštění nářadí a vážnému úrazu obsluhy.

1. Stiskněte držák příslušenství (1). Obr. 1



obr. 1


- Umístěte kotouč (3) na držák příslušenství (obr. 2)



obr. 2

 POZNÁMKY:

- ☛ Dbejte, aby lícovací otvory (6) v kotouči dosedly do lícovacích čepů (7) v držáku příslušenství a aby potišťená strana kotouče směřovala čelem k nářadí.
 - ☛ Kotouč lze dle potřeby nasadit pod různými úhly nalevo nebo napravo od středu.
- Přišroubujte šroub (1) skrz podložku (2) a kotouč do otvoru se závitem (8) držáku příslušenství.
 - Otáčejte šroubem ve směru hodinových ručiček a dotáhněte jej rukou.

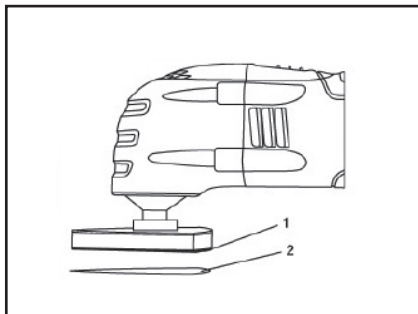
 POZNÁMKY: Přesvědčte se, zda vydutě zakřivená strana podložky (9) směřuje k hlavě šroubu. Dbejte, aby lícovací otvory neustále dosedly do lícovacích čepů v držáku příslušenství.

- Pevně dotáhněte šroub pomocí 5 mm imbusového klíče.

 POZNÁMKA: Dbejte, aby lícovací otvory neustále dosedly do lícovacích čepů v držáku příslušenství.

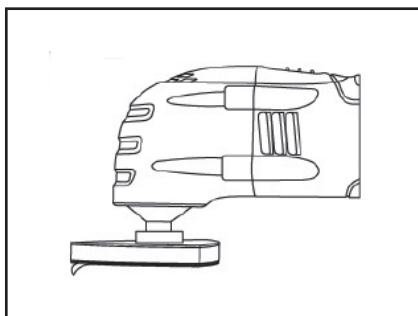
5.2 INSTALACE SMIRKOVÉHO PAPIŘU

1. Nasadíte na nářadí přitlačnou botku (1) se suchým zipem (obr. 3).
2. Na přitlačnou botku se suchým zipem pevně přitlačíte smirkový papír (2)



obr. 3

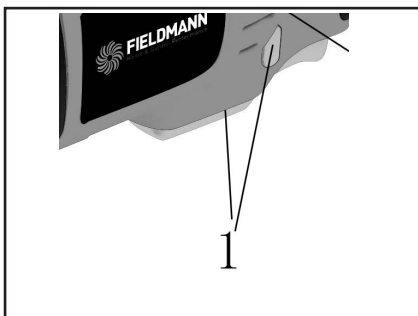
POZNÁMKA: Umístěte smirkový papír tak, aby otvory ve smirkovém papíru lícovaly s příslušnými otvory v přitlačné botce se suchým zipem. Na přitlačnou botku se suchým zipem pevně přitlačte smirkový papír. Chcete-li sejmout smirkový papír, jednoduše jej z přitlačné botky se suchým zipem sloupněte (Obr. 4)



obr. 4

5.3 VYPÍNAČ

- ☛ Chcete-li nářadí zapnout, přesuňte vypínač (1) směrem k přední části nářadí (Obr. 5).
- ☛ Chcete-li nářadí vypnout, přesuňte vypínač směrem k zadní části nářadí (Obr. 5).

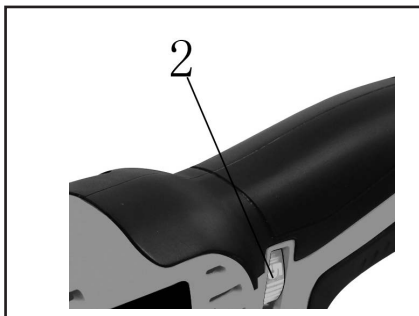


obr. 5

5.4 REGULÁTOR OTÁČEK

Otáčky nářadí lze nastavit tak, aby bylo možno nářadí používat v rozsahu otáček 10000 až 18000 ot/min, a to otáčením regulátoru otáček (1) umístěného v zadní části krytu nářadí (Obr. 6)

- ☛ Chcete-li zvýšit otáčky, otáčejte regulátorem otáček směrem k levé straně nářadí.
- ☛ Chcete-li snížit otáčky, otáčejte regulátorem otáček směrem k pravé straně nářadí.



obr. 6

POZNÁMKA: Otáčky č. 1 jsou nejnižší otáčky. MAX jsou nejvyšší otáčky. Nastavení optimálních otáček je různé podle typu použitého příslušenství, opracovávaného povrchu a složitosti projektu. Všeobecná doporučení jsou uvedena v tabulce na další straně.

⚠ UPOZORNĚNÍ: Z důvodů bezpečnosti je obsluha před použitím tohoto víceúčelového nářadí povinná si přečíst části tohoto návodu s názvem **OBECNÉ BEZPEČNOSTNÍ POKYNY, ZVLÁŠTNÍ BEZPEČNOSTNÍ PRAVIDLA a SYMBOLY.**

Při každém použití víceúčelového nářadí zkontrolujte:

- ☼ Zda jsou použity ochranné brýle nebo ochranný štít.
- ☼ Zda jsou použity chrániče sluchu.
- ☼ Zda je kotouč nebo smirkový papír v dobrém stavu.
- ☼ Zda je příslušenství správně upevněno do držáku příslušenství nářadí.

Nedodržování těchto bezpečnostních pravidel významně zvyšuje riziko úrazu.

5.4 ÚROVŇOVÉ ŘEZÁNÍ DVEŘNÍHO OSTĚNÍ A ZÁRUBŇ PRO OSAZENÍ PODLAHY

Víceúčelové nářadí lze použít pro úrovňové řezání dveřního ostění a zárubně k vytvoření prostoru pro těsné osazení nové podlahy pod dveřní ostění a zárubeň. Pro účely názorného předvedení procedury použijeme podlahovou dlaždici.

1. Nasadte na nářadí zapichovací pilový list na dřevo (obr. 2)

📖 POZNÁMKA: List by měl být vycentrován na krytu nářadí a NIKOLI nasazen pod úhlem 90°.

2. Položená podlahová kusová dlaždice (1) přibližně 1/2" (25mm) od dveřního ostění (2)



POZNÁMKA: Dbejte, aby byla dlaždice otočena „dobrou“ stranou nahoru a poskytla tak listu hladký opěrný povrch.

3. Položte nářadí s řezacím listem (3) tak, aby se lehce dotýkalo povrchu dlaždice a aby se řezací zuby NEDOTÝKALY řezaného povrchu.
4. Nastavte nejvyšší otáčky a zapněte nářadí (Obr. 5 a 6)
5. Jakmile nářadí dosáhne maximálních otáček, opatrně zajedťte listem do dveřního ostění a zároveň jím posouvejte po podlahové dlaždici.



POZNÁMKA: Držte nářadí pevně a nevyvíjejte na řezací list přílišný tlak, jelikož by to mohlo vyvolat nadměrné vibrace nářadí.

6. Proveďte ještě několik zapichovacích řezů, dokud nedojde k úplnému odříznutí spodní části dveřního ostění a zárubně a volné části nelze snadno vyjmout.

Stejný základní postup použijte pro instalaci koberce s použitím tužší podložky, která má stejnou tloušťku jako instalovaný koberec.

5.5 ŘEZÁNÍ OTVORU DO DŘEVĚNÉ PODLAHY PRO INSTALACI PRŮDUCHU TOPENÍ

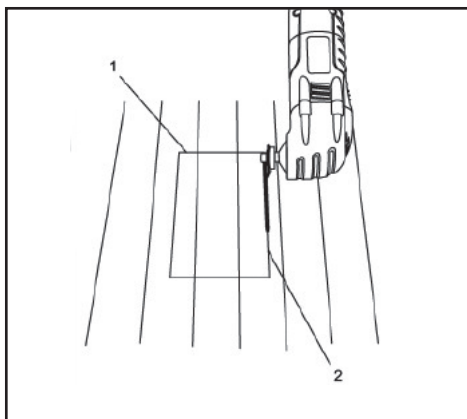
Víceúčelové nářadí lze použít k vyřezání otvoru do dřevěné podlahy pro instalaci průduchu topení.

1. Nasadte na nářadí zapichovací pilový list na dřevo (Obr. 2).




POZNÁMKA: List by měl být vycentrován na krytu nářadí a NIKOLI nasazen pod úhlem 90°.

2. Položte podlahový průduch na podlahu a měkkou tužkou vyznačte na podlaze požadovaný obdélníkový otvor (1) (Obr. 8)




obr. 8

3. Umístěte řezací list (2) těsně nad podlahu ve středu jedné z linií řezu.
4. Nastavte na nářadí střední otáčky a zapněte nářadí (Obr. 5 a 6)

 **POZNÁMKA:** Nářadí a list by měly být vůči podlaze pod úhlem 45°, aby se roh listu mohl zapíchnout do podlahy.

5. Držte nářadí pevně a přitom pomalu zapichujte roh listu do podlahy, dokud se neprořeže skrz ni. Jakmile je zapichovací řez dokončen, nastavte nářadí na nejvyšší otáčky a dokončete řez až do rohu obdélníku.
6. Vypněte pilu, vyjměte ji z řezu a pokračujte v řezání opačným směrem a dokončete řez na první straně obdélníku.
7. Opakujte kroky č. 4, 5, 6 a vyříznete zbývající tři strany obdélníku.
8. Jakmile jsou všechny řezy hotové, použijte plochý šroubovák a opatrně vypáčejte výkrojek z podlahy.

 **POZNÁMKA:** K vypáčení výkrojku z podlahy **NEPOUŽÍVEJTE** pilový list. Došlo by k jeho zlomení. Nelze-li výkrojek z podlahy snadno vypáčet, přesvědčte se, zda je každá linie řezu proříznuta až do samého rohu obdélníku.

5.6 ŘEZÁNÍ OTVORU DO SÁDROKARTONOVÉ STĚNY PRO INSTALACI ELEKTRICKÉ KRABIČKY

Víceúčelové nářadí lze použít k vyřezání otvoru do sádrokartonové stěny pro instalaci elektrické krabičky.


1. Nasadíte na nářadí půlkruhový pilový list na dřevo a sádrokarton (Obr. 2)

 **POZNÁMKA:** List by měl být vycentrován na krytu nářadí a NIKOLI nasazen pod úhlem 90°.

2. Položte krabičku na sádrokartonovou stěnu a měkkou tužkou vyznačte na sádrokartonové stěně požadovaný obdélníkový otvor (1)
3. Umístěte rohovou hranu řezacího listu (2) těsně k sádrokartonové stěně ve středu jedné z linií řezu.
4. Nastavte nejvyšší otáčky a zapněte nářadí (Obr. 5 a 6)
5. Jakmile nářadí dosáhne maximálních otáček, opatrně zajedťte listem do sádrokartonové stěny až do úplného proříznutí. Dokončete řez až do rohu obdélníku.

 **POZNÁMKA:** Držte nářadí pevně a při řezání nevyvíjejte na řezací list přílišný tlak.

6. Vypněte pilu, vyjměte ji z řezu a pokračujte v řezání opačným směrem a dokončete řez na první straně obdélníku.
7. Opakujte kroky č. 4, 5, 6 a vyřízněte zbývající tři strany obdélníku.
8. Jakmile jsou všechny řezy hotové, použijte plochý šroubovák a opatrně vypáčete výkrojek ze sádrokartonové stěny.

 **POZNÁMKA:** K vypáčení výkrojku z podlahy nepoužívejte pilový list. Došlo by k jeho zlomení. Nelze-li výkrojek ze sádrokartonové stěny snadno vypáčit, přesvědčte se, zda je každá linie řezu proříznuta až do samého rohu obdélníku.

5.7 POUŽITÍ NÁSTAVCE PRO JEMNÉ BROUŠENÍ

1. Nasadte na víceúčelové nářadí přítlačnou botku, jak ukazuje Obr. 2
2. Nasadte na přítlačnou botku smirkový papír, jak ukazuje Obr. 3
3. Nastavte regulátor otáček v rozmezí 4 až MAX, jak ukazuje Obr. 6
4. Přepněte vypínač do polohy ZAPNUTO, jak ukazuje Obr. 5

Toto nářadí je určeno k jemnému broušení na malých površích. Položte přítlačnou botku smirkovým papírem na součást, která má být broušena. Nechte nářadí běžet, aby nedošlo k rýhování povrchu. Při broušení drsných povrchů a odstraňování předchozích povrchových úprav použijte hrubý smirkový papír a nižší otáčky. Chcete-li docílit hladšího povrchu, použijte jemný smirkový papír a vyšší otáčky.

5.8 POUŽITÍ ŠKRABÁKU

1. Nasadte na víceúčelové nářadí škrabák, jak ukazuje Obr. 2, Obr. 1 a 2
2. Nastavte regulátor otáček na 4 a přepněte vypínač do polohy ZAPNUTO, jak ukazuje Obr. 5 a 6

Chcete-li použít škrabák pro škrabání starých povrchových úprav nebo lepidla z opracovávaného dílu, položte spodní stranu škrabáku naplocho na povrch opracovávaného dílu a poté přizvedněte zadní část nářadí, čímž bude nářadí pod velmi mírným úhlem oproti povrchu opracovávaného dílu. Škrabák pomalu zasouvejte do materiálu, který má být odstraněn. Neřlačte na nářadí, protože pomalá rychlost posuvu zajišťuje lepší výsledky řezání a snižuje riziko vzniku rýh na opracovávaném dílu.

Chcete-li použít škrabák na řezání koberce, umístěte pod koberec, kde má být řez proveden, nepotřebnou podložku. Nastavte otáčky na MAX, natočte nářadí tak, aby byl škrabák v pravém úhlu (kolmo) ke koberci a zasouvejte škrabák do koberce.

6. ÚDRŽBA

OBECNÉ POKYNY

⚠ UPOZORNĚNÍ: Při provádění servisu používejte výhradně stejné náhradní díly. Při použití jakýchkoli jiných dílů může dojít k nebezpečí úrazu nebo poškození výrobku.

Při čištění plastových částí nepoužívejte rozpouštědla. Plasty jsou náchylné k poškození různými druhy komerčních rozpouštědel a v důsledku použití těchto rozpouštědel by mohlo dojít k jejich poškození. K odstranění nečistot, prachu, oleje, vazelíny, apod. použijte čistý hadřík.

⚠ UPOZORNĚNÍ: Dbejte, aby se plastové součásti nedostaly do kontaktu s brzdovou kapalinou, benzínem, výrobky na bázi ropy, penetračními oleji, apod. Tyto produkty obsahují chemikálie, které poškozují, zeslabují nebo ničí plasty.

Nepoužívejte elektrické nářadí nesprávným či nevhodným způsobem. Používání nářadí nesprávným či nevhodným způsobem může poškodit nářadí i opracovávaný díl.

⚠ UPOZORNĚNÍ: Nepokoušejte se provádět úpravy nářadí nebo vyrábět k němu příslušenství. Jakékoli takové změny či úpravy jsou zneužitím a mohly by vyvolat nebezpečný stav nářadí a vést k případnému vážnému úrazu. V jejich důsledku zaniká rovněž záruka.

MAZÁNÍ

Všechna ložiska v tomto nářadí jsou namazána dostatečným množstvím maziva vysoké kvality na celou životnost zařízení za normálních podmínek. Z toho důvodu není nutné provádět mazání.

7. TECHNICKÉ ÚDAJE

OSCILAČNÍ BRUSK :A	
Rychlost při volnoběhu	5 000 – 18 000 ot./min
Třída ochrany	II
Hladina akustického výkonu	105 dB(A)
Víbrace:	ah.D1=3,415 ms ⁻² – ah.D1=8,397 ms ⁻² , K = 1,5 ms ⁻²

Návod k použití v originálním jazyce.

Změna textu a technických parametrů vyhrazena.

Změny v textu, designu a technických specifikacích se mohou měnit bez předchozího upozornění a vyhrazujeme si právo na jejich změnu.

Řešení problémů

1. Vypínač je stlačený, ale zařízení nepracuje: Aby zařízení pracovalo, potřebuje dostatečně nabitou baterii. Pokud zařízení delší dobu nepoužíváte, baterie se vyčerpává. Pokuste se dobít baterii. Přesvědčete se, že je baterie v nabíječce umístěna správně. Po dobu nabíjení se adaptér zahřívá, což je normální.
2. Baterie teče: Při extrémních teplotách, nebo při extrémním namáhání se může vyskytnout malé prosakování. Pokud se tekutiny dotknete, okamžitě ji z pokožky nebo oblečení smyjte mýdlem a vodou.
3. Baterie se nenabíjí a světlo na nabíječce nesvíí: Pokud se baterie nenabíjí, zkontrolujte, zda je správně vložena v nabíječce a přesvědčete se, že kontrolka svítí. Pokud nesvíí, zkontrolujte, zda zástrčka nabíječky je správně vložena v zásuvce. Pokud ano, zkontrolujte pojistku zásuvky.
4. Tělo zařízení se při delším použití zahřeje: Při normálním zatížení se tělo, vypínač a baterie zahřejí, protože energie spotřebovávaná při používání zařízení produkuje teplo. Je to normální. Zařízení nechte jednoduše několik minut vychladnout.
5. Baterie se při použití zahřeje: Energie čerpaná z baterie vytváří teplo. Nepoškozuje to baterii, teplo z čerpání energie je normální. Pokud chcete baterii zchladit, nechte jednoduše zařízení před pokračováním v práci několik minut vypnutou.
6. Baterie se při nabíjení zahřeje: Je to normální a vyplývá to z chemických reakcí probíhajících uvnitř baterie po dobu procesu nabíjení.
7. Po dobu nabíjení se nabíjecí zařízení zahřeje: Je to normální a vyplývá to ze snížení napětí z 230 V na 18 V.

8. LIKVIDACE

POKYNY A INFORMACE O NAKLÁDÁNÍ S POUŽITÝM OBALEM

Použitý obalový materiál odložte na místo určené obcí k ukládání odpadu.

LIKVIDACE POUŽITÝCH ELEKTRICKÝCH A ELEKTRONICKÝCH ZAŘÍZENÍ



Tento symbol na produktech anebo v průvodních dokumentech znamená, že použité elektrické a elektronické výrobky nesmí být přidány do běžného komunálního odpadu. Ke správné likvidaci, obnově a recyklaci předejte tyto výrobky na určená sběrná místa. Alternativně v některých zemích Evropské unie nebo jiných evropských zemích můžete vrátit své výrobky místnímu prodejci při koupi ekvivalentního nového produktu. Správnou likvidací tohoto produktu pomůžete zachovat cenné přírodní zdroje a napomáháte prevencipotenciálních negativních dopadů na životní prostředí a lidské zdraví, což by mohly být důsledky nesprávné likvidace odpadů. Další podrobnosti si vyžádejte od místního úřadu nebo nejbližšího sběrného místa. Při nesprávné likvidaci tohoto druhu odpadu mohou být v souladu s národními předpisy uděleny pokuty.

PRO PODNIKOVÉ SUBJEKTY V ZEMÍCH EVROPSKÉ UNIE

Chcete-li likvidovat elektrická a elektronická zařízení, vyžádejte si potřebné informace od svého prodejce nebo dodavatele.

LIKVIDACE V OSTATNÍCH ZEMÍCH MIMO EVROPSKOU UNII



Tento symbol je platný v Evropské unii. Chcete-li tento výrobek zlikvidovat, vyžádejte si potřebné informace o správném způsobu likvidace od místních úřadů nebo od svého prodejce.

Tento výrobek splňuje veškeré základní požadavky směrnic EU, které se na něj vztahují.

Změny v textu, designu a technických specifikacích se mohou měnit bez předchozího upozornění a vyhrazujeme si právo na jejich změnu..

9. PROHLÁŠENÍ O SHODĚ

Výrobek / značka: OSCILAČNÍ BRUSKA / FIELDMANN

Typ / model: FDUB 50701 18V/5000-18000 /min

Výrobek je v souladu s níže uvedenými předpisy:

- ☼ Směrnice Evropského parlamentu a Rady 2006/95/ES ze dne 12. prosince 2006 o harmonizaci právních předpisů členských států týkajících se elektrických zařízení určených pro používání v určitých mezích napětí.
- ☼ Směrnice Evropského parlamentu a Rady 2004/108/ES ze dne 15. prosince 2004 o sblížení právních předpisů členských států týkajících se elektromagnetické kompatibility a o zrušení směrnice 89/336/EHS.
- ☼ Směrnice Evropského parlamentu a Rady 2006/42/ES ze dne 17. května 2006 o strojních zařízeních a o změně směrnice 95/16/ES.
- ☼ Směrnice Evropského parlamentu a Rady 2002/95/ES ze dne 27. ledna 2003 o omezení používání některých nebezpečných látek v elektrických a elektronických zařízeních.
- ☼ Směrnice Evropského parlamentu a Rady 2005/88/ES.

a normami:

- ☼ EN60745-1:2009+A11 :2010
- ☼ EN60745-2-4:2009+A11:2011
- ☼ AfPS GS 2014:01
- ☼ EN55014-1:2006+A1:2009+A2 :2011
- ☼ EN55014-2:1997+A1:2001+A2 :2008
- ☼ EN62321:2009

Označení CE: 16

Společnost FAST ČR, a.s. je oprávněna jednat jménem výrobce.

Výrobce:

FAST ČR, a.s.
Černokostecká 1621, 251 01 Praha, Česká republika
DIČ: CZ26726548

V Praze, 30.1.2016

Jméno: Ing. Zdeněk Pech
Předseda představenstva

FAST FAST ČR, a.s.
Černokostecká 1621, 251 01 Říčany
IČO: 26726548 tel.: +420/ 323 204 111
DIČ: CZ26726548 fax: +420/ 323 204 110

Pech

Podpis a razítka:

Multifunkčné náradie

NÁVOD NA OBSLUHU

Ďakujeme vám, že ste si zakúpili toto multifunkčné náradie. Skôr, než ho začnete používať, prečítajte si prosím pozorne tento návod na obsluhu a uschovajte ho pre prípad ďalšieho použitia.

OBSAH

1. VŠEOBECNÉ BEZPEČNOSTNÍ PŘEDPISY	50
VŠEOBECNÉ BEZPEČNOSTNÉ POKYNY	51
2. SYMBOLY	55
3. VŠEOBECNÝ POPIS	56
4. PRÍSLUŠENSTVO	56
5. MONTÁŽ A OBSLUHA	57
6. ÚDRŽBA	66
7. TECHNICKÉ ÚDAJE	67
8. LIKVIDÁCIA	68
9. VYHLÁSENIE O ZHODE	69

1. VŠEOBECNÉ BEZPEČNOSTNÉ PREDPISY

⚠ POZOR! Pred použitím si pozorne prečítajte návod na použitie

Dôležité bezpečnostné upozornenia

- ✿ Výrobok starostlivo vybaľte a dajte pozor, aby ste nevyhodili žiadnu časť obalového materiálu skôr, ako nájdete všetky súčasti výrobku.
- ✿ Výrobok uschovávajte na suchom mieste mimo dosahu detí.
- ✿ Čítajte všetky upozornenia a pokyny. Zanedbanie pri dodržovaní varovných upozornení a pokynov môžu mať za následok úraz elektrickým prúdom, požiar a/alebo ťažké poranenia.

Obal

Výrobok je umiestnený v obale brániacom poškodeniu pri transporte. Tento obal je surovinou a je možné ho preto odovzdať na recykláciu.

Návod na použitie

Kým začnete so strojom pracovať, prečítajte si nasledujúce bezpečnostné predpisy a pokyny na používanie. Zoznámte sa s obslužnými prvkami a správnym používaním zariadenia. Návod starostlivo uschovajte pre prípad neskoršej potreby. Minimálne počas záruky odporúčame uschovať originálny obal vrátane vnútorného baliaceho materiálu, pokladničný doklad a záručný list. V prípade prepravy zabaľte stroj späť do originálnej škatule od výrobcu, zaisťte si tak maximálnu ochranu výrobku pri prípadnom transporte (napr. sfahovaní alebo odoslaní do servisného strediska).

📖 Poznámka: Ak odovzdávate stroj ďalším osobám, odovzdajte ho spoločne s návodom. Dodržiavanie priloženého návodu na obsluhu je predpokladom riadneho používania stroja. Návod na obsluhu obsahuje aj pokyny pre obsluhu, údržbu a opravy.

Výrobca nepreberá zodpovednosť za nehody alebo škody, ktoré vzniknú následkom nedodržiavania tohto návodu.

VŠEOBECNÉ BEZPEČNOSTNÉ POKYNY

Tieto bezpečnostné pokyny si starostlivo preštudujte, zapamätajte a uschovajte

⚠ UPOZORNENIE! Pri používaní elektrických strojov a elektrického náradia je nutné rešpektovať a dodržiavať nasledujúce bezpečnostné pokyny z dôvodu ochrany pred úrazom elektrickým prúdom, zraneniam osôb a nebezpečenstvom vzniku požiaru. Výrazom „elektrické náradie“ sa vo všetkých nižšie uvedených pokynoch myslí elektrické náradie napájané zo siete (napájacím káblom), ako aj náradie napájané z batérií (bez napájacieho kábla). Uschovajte všetky varovania a pokyny pre budúce použitie.

Pracovné prostredie

- ✿ Udržujte pracovný priestor v čistom stave a dobre osvetlený. Neporiadok a tmavé miesta na pracovisku bývajú príčinou úrazov. Odložte náradie, ktoré práve nepoužívate.
- ✿ Nepoužívajte elektrické náradie v prostredí s nebezpečenstvom vzniku požiaru alebo výbuchu, to znamená v miestach, kde sa vyskytujú horľavé kvapaliny, plyny alebo prach. V elektrickom náradí vzniká na komutátore iskrenie, ktoré môže byť príčinou vznietenia prachu alebo výparov.
- ✿ Pri používaní el. náradia zamedzte prístupu nepovolanych osôb, najmä detí, do pracovného priestoru! Ak budete vyrušovaní, môžete stratiť kontrolu nad vykonávanou činnosťou. V žiadnom prípade nenechávajte el. náradie bez dozoru. Zabráňte zvieratám v prístupe k zariadeniu.

Elektrická bezpečnosť

- ✿ Vidlica napájacieho kábla elektrického náradia musí zodpovedať sieťovej zásuvke. Nikdy žiadnym spôsobom neupravujte vidlicu. K náradiu, ktoré má na vidlicu napájacieho kábla ochranný kolík, nikdy nepoužívajte rozdvojky ani iné adaptéry. Nepoškodené vidlice a zodpovedajúce zásuvky znižujú riziko úrazu elektrickým prúdom. Poškodené alebo zamotané napájacie káble zvyšujú nebezpečenstvo úrazu elektrickým prúdom. Ak je sieťový kábel poškodený, je nutné ho nahradiť novým sieťovým káblom, ktorý sa dá získať v autorizovanom servisnom stredisku alebo u dovozcu.
- ✿ Vyvarujte sa dotyku tela s uzemnenými predmetmi, ako napr. potrubie, vykurovacie telesá, sporáky a chladničky. Nebezpečenstvo úrazu elektrickým prúdom je väčšie, ak je vaše telo spojené so zemou.
- ✿ Nevystavujte elektrické náradie dažďu, vlhku alebo mokru. Elektrického náradia sa nikdy nedotýkajte mokrými rukami. Elektrické náradie nikdy neumývajte pod tečúcou vodou ani ho neponárajte do vody.

- ❁ Nepoužívajte napájací kábel na iný účel, než na aký je určený. Nikdy nenoste a nefahajte elektrické náradie za napájací kábel. Nevyťahujte vidlicu zo zásuvky fahaním za kábel. Zabráňte mechanickému poškodeniu elektrických káblov ostrými alebo horúcimi predmetmi.
- ❁ El. náradie bolo vyrobené výlučne na napájanie striedavým el. prúdom. Vždy skontrolujte, že elektrické napätie zodpovedá údaju uvedenému na typovom štítku náradia.
- ❁ Nikdy nepracujte s náradím, ktoré má poškodený el. kábel alebo vidlicu, alebo spadlo na zem a je nejakým spôsobom poškodené.
- ❁ V prípade použitia predlžovacieho kábla vždy skontrolujte, že jeho technické parametre zodpovedajú údajom uvedeným na typovom štítku náradia. Ak sa elektrické náradie používa vonku, používajte predlžovací kábel vhodný na vonkajšie použitie. Pri použití predlžovacích bubnov je nutné ich rozvinúť, aby nedochádzalo k prehriatiu kábla.
- ❁ Ak sa elektrické náradie používa vo vlhkých priestoroch alebo vonku, je povolené ho používať, iba ak je zapojené do el. obvodu s prúdovým chráničom < 30 mA. Použitie el. obvodu s chráničom /RCD/ znižuje riziko úrazu elektrickým prúdom.
- ❁ Ručné el. náradie držte výlučne za izolované plochy určené na uchopenie, pretože pri prevádzke môže dôjsť ku kontaktu rezacieho či vŕtacieho príslušenstva so skrytým vodičom alebo s napájacou šnúrou náradia.

Bezpečnosť osôb

- ❁ Pri používaní elektrického náradia buďte pozorní a ostražití, venujte maximálnu pozornosť činnosti, ktorú práve vykonávate. Sústreďte sa na prácu. Nepracujte s elektrickým náradím, ak ste unavení, alebo ak ste pod vplyvom drog, alkoholu alebo liekov. Aj chvíľková nepozornosť pri používaní elektrického náradia môže viesť k vážnemu poraneniu osôb. Pri práci s el. náradím nejedzte, nepite a nefajčíte.
- ❁ Používajte ochranné pomôcky. Vždy používajte ochranu zraku. Používajte ochranné prostriedky zodpovedajúce druhu práce, ktorú vykonávate. Ochranné pomôcky, ako napr. respirátor, bezpečnostná obuv s protišmykovou úpravou, pokrývka hlavy alebo ochrana sluchu používané v súlade s podmienkami práce znižujú riziko poranenia osôb.
- ❁ Vyvarujte sa neúmyselného zapnutia náradia. Neprenášajte náradie, ktoré je pripojené k elektrickej sieti, s prstom na spínači alebo na spúšti. Pred pripojením k elektrickému napájaniu sa uistite, že spínač alebo spúšť sú v polohe „vypnuté“. Prenášanie náradia s prstom na spínači alebo zapájanie vidlice náradia do zásuvky so zapnutým spínačom môže byť príčinou vážnych úrazov.
- ❁ Pred zapnutím náradia odstráňte všetky nastavovacie kľúče a nástroje. Nastavovací kľúč alebo nástroj, ktorý zostane pripevnený k otáčajúcej sa časti elektrického náradia môže byť príčinou poranenia osôb.
- ❁ Vždy udržiavajte stabilný postoj a rovnováhu. Pracujte len tam, kam bezpečne dosiahnete. Nikdy nepreceňujte vlastnú silu. Nepoužívajte elektrické náradie, ak ste unavení.
- ❁ Obliekajte sa vhodným spôsobom. Používajte pracovný odev. Nenoste voľné odevy ani šperky. Dbajte na to, aby sa vaše vlasy, odev, rukavice alebo iná časť vášho tela nedostala do prílišnej blízkosti rotujúcich alebo rozpálených častí el. náradia.

- ✿ Pripojte zariadenie na odsávanie prachu. Ak má náradie možnosť pripojenia zariadenia na zachytávanie alebo odsávanie prachu, zaistíte, aby došlo k jeho riadnemu pripojeniu a používaniu. Použitie týchto zariadení môže znížiť nebezpečenstvo vznikajúce prachom.
- ✿ Pevne upevnite obrobok. Použite stolársku svorku alebo zverák na upevnenie dielu, ktorý budete obrábať.
- ✿ Nepoužívajte elektrické náradie, ak ste pod vplyvom alkoholu, drog, liekov alebo iných omamných alebo návykových látok.
- ✿ Toto zariadenie nie je určené na použitie osobami (vrátane detí) so zníženými fyzickými, zmyslovými alebo mentálnymi schopnosťami, alebo s nedostatkom skúseností a znalostí, pokiaľ nie sú pod dozorom alebo nedostali pokyny ohľadom použitého zariadenia od osoby zodpovednej za ich bezpečnosť. Deti musia byť pod dozorom, aby ste sa uistili, že sa nehrajú so zariadením.

Používanie elektrického náradia a jeho údržba

- ✿ El. náradie vždy odpojte z el. siete v prípade akéhokoľvek problému pri práci, pred každým čistením alebo údržbou, pri každom presune a po ukončení práce! Nikdy nepracujte s el. náradím, ak je akýmkoľvek spôsobom poškodené.
- ✿ Ak začne náradie vydávať abnormálny zvuk alebo zápach, okamžite ukončíte prácu.
- ✿ Elektrické náradie neprefažujte. Náradie bude pracovať lepšie a bezpečnejšie, ak ho budete prevádzkovať v otáčkach, pre ktoré bolo navrhnuté. Používajte správne náradie, ktoré je určené pre danú činnosť. Správne náradie bude lepšie a bezpečnejšie vykonávať prácu, na ktorú bolo skonštruované.
- ✿ Nepoužívajte elektrické náradie, ktoré nie je možné bezpečne zapnúť a vypnúť ovládacím spínačom. Používanie takého náradia je nebezpečné. Chybné spínače musia byť opravené certifikovaným servisom.
- ✿ Odpojte náradie od zdroja elektrickej energie predtým, než začnete vykonávať jeho nastavovanie, výmenu príslušenstva alebo údržbu. Toto opatrenie zabráni náhodnému spusteniu.
- ✿ Nepoužívané elektrické náradie upracte a uschovajte tak, aby bolo mimo dosahu detí a nepovolaných osôb. Elektrické náradie v rukách neskúsených používateľov môže byť nebezpečné. Elektrické náradie skladujte na suchom a bezpečnom mieste.
- ✿ Udržujte elektrické náradie v dobrom stave. Pravidelne kontrolujte nastavenie pohybujúcich sa častí a ich pohyblivosť. Kontrolujte, či nedošlo k poškodeniu ochranných krytov alebo iných častí, ktoré môžu ohroziť bezpečnú prevádzku náradia. Pokiaľ je náradie poškodené, pred ďalším použitím zaistíte jeho riadnu opravu. Veľa úrazov je spôsobených zle udržiavaným elektrickým náradím.
- ✿ Rezacie nástroje udržiavajte ostré a čisté. Správne udržiavané a naostrené nástroje uľahčujú prácu, obmedzujú nebezpečenstvo zranenia a práca s nimi sa ľahšie kontroluje. Použitie iného príslušenstva než toho, ktoré je uvedené v návode na obsluhu, môže spôsobiť poškodenie náradia a byť príčinou zranenia.

- ✿ Elektrické náradie, príslušenstvo, pracovné nástroje atď. používajte v súlade s týmito pokynmi a takým spôsobom, ktorý je predpísaný pre konkrétne elektrické náradie a to s ohľadom na dané podmienky práce a druh vykonávanej práce. Používanie náradia na iné účely, než na aké je určené, môže viesť k nebezpečným situáciám.

Používanie akumulátorového náradia

- ✿ Pred vložením akumulátora sa presvedčte, že je vypínač v polohe „0 – vypnuté“. Vloženie akumulátora do zapnutého náradia môže byť príčinou nebezpečných situácií.
- ✿ Na nabíjanie akumulátorov používajte len nabíjačky predpísané výrobcom. Použitie nabíjačky pre iný typ akumulátora môže mať za následok jeho poškodenie a vznik požiaru.
- ✿ Používajte iba akumulátory určené pre dané náradie. Použitie iných akumulátorov môže byť príčinou zranenia alebo vzniku požiaru.
- ✿ Ak sa akumulátor nepoužíva, uschovávajte ho oddelene od kovových predmetov, ako sú svorky, kľúče, skrutky a iné drobné kovové predmety, ktoré by mohli spôsobiť spojenie jedného kontaktu akumulátora s druhým. Skratovanie akumulátora môže zapríčiniť zranenie, popáleniny alebo vznik požiaru.
- ✿ S batériami zaobchádzajte šetrne. Pri nešetrnom zaobchádzaní môže z akumulátora uniknúť chemikálie. Vyvarujte sa kontaktu s touto látkou a ak aj napriek tomu dôjde ku kontaktu, vymyte postihnuté miesto prúdom tečúcej vody. Ak sa chemická látka dostane do očí, vyhľadajte ihneď lekársku pomoc. Chemická látka z akumulátora môže spôsobiť vážne poranenia.

Servis

- ✿ Nevymieňajte časti náradia, nevykonávajte sami opravy, ani iným spôsobom nezasahujte do konštrukcie náradia. Opravy náradia zverte kvalifikovaným osobám.
- ✿ Každá oprava alebo úprava výrobku bez oprávnenia našej spoločnosti je neprípustná (môže spôsobiť úraz alebo škodu používateľovi).
- ✿ Elektrické náradie vždy nechajte opraviť v certifikovanom servisnom stredisku. Používajte len originálne alebo odporúčané náhradné diely. Zaisťte tak bezpečnosť vašu i vášho náradia.

2. SYMBOLY



Tento produkt je vyrobený v súlade so schválenými normami.



Pred použitím stroja si pozorne prečítajte návod na obsluhu.



Použite ochranné pomôcky na oči



Použite ochranné pomôcky na uši

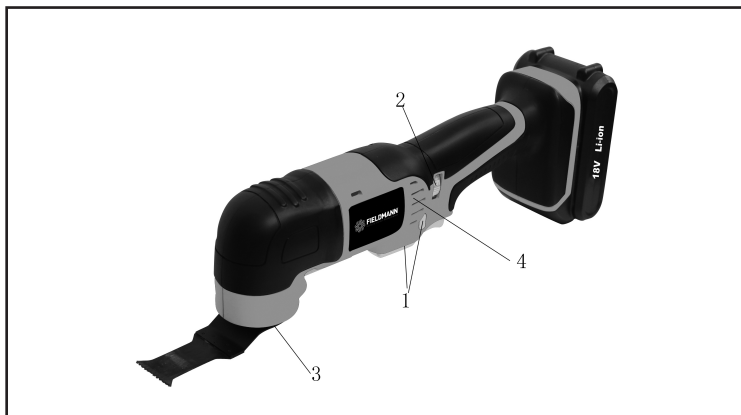


Používajte ochrannú masku proti prachu.



Neodhadzovať

3. VŠEOBECNÝ POPIS



1. Vypínač
2. Regulátor otáčok
3. Držiak príslušenstva
4. Vetracie otvory

4. PRÍSLUŠENSTVO

DISPONIBILNÉ PRÍSLUŠENSTVO

⚠ UPOZORNENIE: Používajte len príslušenstvo odporúčané pre toto viacúčelové náradie. Riadte sa pokynmi dodávanými spolu s príslušenstvom. V dôsledku používania nevhodného príslušenstva môže dôjsť k úrazu obsluhy alebo poškodeniu náradia

Pred použitím akéhokoľvek príslušenstva si prosím dôkladne prečítajte pokyny alebo návod na použitie príslušenstva.

⚠ UPOZORNENIE: Ak niektorá súčasť chýba alebo je poškodená, nezapájajte náradie ku zdroju napájania ani neinštalujte žiadne príslušenstvo, pokiaľ nebude chýbajúca alebo poškodená časť nahradená

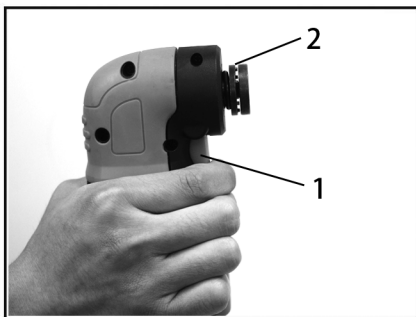
5. MONTÁŽ A OBSLUHA

5.1 INŠTALÁCIA PRÍSLUŠENSTVA

Všetko príslušenstvo sa na viacúčelové náradie inštaluje podobným spôsobom. Pre účely alebo opis inštalácie príslušenstva použijeme polkruhový kotúč..

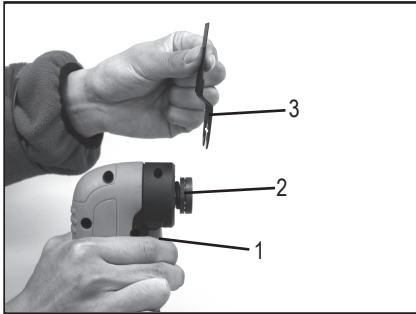
⚠ NEBEZPEČÍ! Pred inštaláciou alebo snímaním príslušenstva alebo brúsneho papiera vždy vytiahnite zástrčku zo zdroja napájania. Ak zástrčku nevytiahnete zo zdroja napájania, môže dôjsť k náhodnému spusteniu náradia a vážnemu úrazu obsluhy.

1. Stlačte držiak príslušenstvo (1). Obr. 1



obr. 1


2. Umiestnite kotúč (3) na držiak príslušenstva (Obr. 2)




obr. 2

 POZNÁMKY:

- ✿ Dbajte na to, aby lícovacie otvory (6) v kotúči dosadli do lícovacích čapov (7) v držiaku príslušenstva a aby potlačená strana kotúča smerovala čelom k náradu.
 - ✿ Kotúč je možné podľa potreby nasadiť pod rôznymi uhlami naľavo alebo napravo od stredu.
3. Priskrutkujte skrutku (1) skrz podložku (2) a kotúč do otvoru so závitom (8) držiaka príslušenstva.
 4. Otáčajte skrutkou v smere hodinových ručičiek a dotiahnite ho rukou.

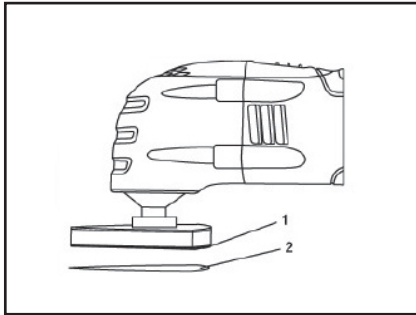
 POZNÁMKY: Presvedčte sa, či vyduťo zakrivená strana podložky (9) smeruje k hlave skrutky. Dbajte na to, aby lícovacie otvory neustále dosadali do lícovacích čapov v držiaku príslušenstva.

5. Pevne dotiahnite skrutku pomocou 5mm imbusového kľúča

 POZNÁMKA: Dbajte na to, aby lícovacie otvory neustále dosadali do lícovacích čapov v držiaku príslušenstva.

5.2 INŠTALÁCIA BRUSNÉHO PAPIERA

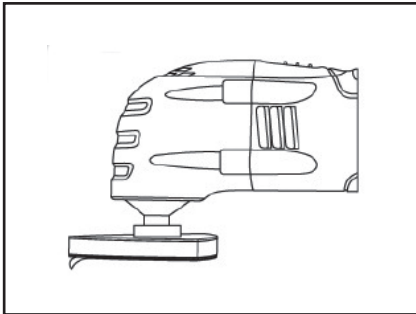
1. Nasadíte na náradie prítlačnú dosku (1) so suchým zipsom (Obr. 3)
2. Na prítlačnú dosku so suchým zipsom pevne prítlačíte brusný papier (2)



obr. 3

POZNÁMKA: Umiestnite brusný papier tak, aby otvory v brúsnom papieri lícovali s príslušnými otvormi v prítlačnej doske so suchým zipsom. Na prítlačnú dosku so suchým zipsom pevne prítlačíte brusný papier.

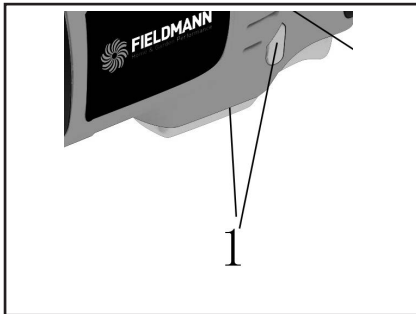
3. Ak chcete odobrať brusný papier, jednoducho ho z prítlačnej dosky so suchým zipsom zlúpnite (Obr. 4)



obr. 4

5.3 VYPÍNAČ

- ✿ Ak chcete náradie zapnúť, presuňte vypínač (1) smerom k prednej časti náradia (Obr. 5).
- ✿ Ak chcete náradie vypnúť, presuňte vypínač smerom k zadnej časti náradia (Obr. 5).

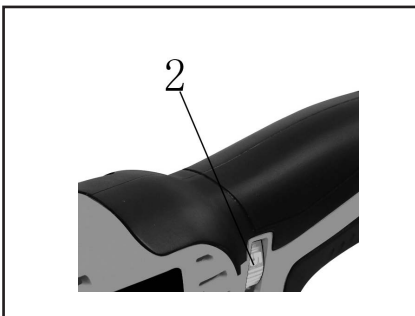


obr. 5

5.4 REGULÁTOR OTÁČOK

Otáčky náradia je možné nastaviť tak, aby bolo možné náradie používať v rozsahu otáčok 10 000 až 18 000 ot/min, a to otáčaním regulátora otáčok (1) umiestneného v zadnej časti krytu náradia (Obr. 6)

- ✿ Ak chcete zvýšiť otáčky, otáčajte regulátorom otáčok smerom k ľavej strane náradia.
- ✿ Ak chcete znížiť otáčky, otáčajte regulátorom otáčok smerom k pravej strane náradia



obr. 6

POZNÁMKA: Otáčky č. 1 sú najnižšie otáčky. MAX sú najvyššie otáčky. Nastavenie optimálnych otáčok je rôzne podľa typu použitého príslušenstva, opracovávaného povrchu a zložitosti projektu. Všeobecné odporúčania sú uvedené v tabuľke na ďalšej strane.

⚠ UPOZORNENIE: Z dôvodov bezpečnosti je obsluha pred použitím tohto viacúčelového náradia povinná si prečítať časti tohto návodu s názvom **VŠEOBECNÉ BEZPEČNOSTNÉ POKYNY, OSOBNÉ BEZPEČNOSTNÉ PRAVIDLÁ a SYMBOLY.**

Pri každom použití viacúčelového náradia skontrolujte:

- ✿ Či sú použité ochranné okuliare alebo ochranný štít.
- ✿ Či sú použité chrániče sluchu.
- ✿ Či je kotúč alebo brusný papier v dobrom stave.
- ✿ Či je príslušenstvo správne upevnené do držiaka príslušenstva náradia.

Nedodržiavanie týchto bezpečnostných pravidiel významne zvyšuje riziko úrazu

5.4 ÚROVNŔOVÉ REZANIE DVERNÉHO OSTENIA A ZÁRUBNE NA OSADENIE PODLAHY

Viacúčelové náradie možno použiť na úrovňové rezanie dverného ostenia a zárubne na vytvorenie priestoru pre tesné osadenie novej podlahy pod dverné ostenie a zárubňu. Na účely názorného predvedenia procedúry použijeme podlahovú dlaždicu.

1. Nasadíte na náradie zapichovací pílový list na drevo (Obr. 2)

📖 POZNÁMKA: List by mal byť vycentrovaný na kryte náradia a NIE nasadený pod uhlom 90°.

2. Položte na podlahu kus rozbitej dlaždice (1) približne 1/2" (25 mm) od dverného ostenia (2)



POZNÁMKA: Dbajte na to, aby bola dlaždica otočená „dobrou“ stranou nahor a poskytla tak listu hladký oporný povrch.

3. Položte náradie s rezacím listom (3) tak, aby sa zľahka dotýkalo povrchu dlaždice a aby sa rezacie zuby NEDOTÝKALI rezaného povrchu.
4. Nastavte najvyššie otáčky a zapnite náradie (Obr. 5 a 6).
5. Keď náradie dosiahne maximálne otáčky, opatrne zújdite listom do dverového ostenia a zároveň ním posúvajte po podlahovej dlaždici.



POZNÁMKA: Držte náradie pevne a nevyvíjajte na rezací list prílišný tlak, pretože by to mohlo vyvolať nadmerné vibrácie náradia.

6. Vykonajte ešte niekoľko zapichovacích rezov, kým nedôjde k úplnému odrezaniu spodnej časti dverného ostenia a zárubne a voľné časti nie je možné ľahko vybrať.

Rovnaký základný postup použijete na inštaláciu koberca s použitím tuhšej podložky, ktorá má rovnakú hrúbku ako inštalovaný koberec.

5.5 REZANIE OTVORU DO DREVENEJ PODLAHY NA INŠTALÁCIU PRIEDUCHU VYKUROVANIA

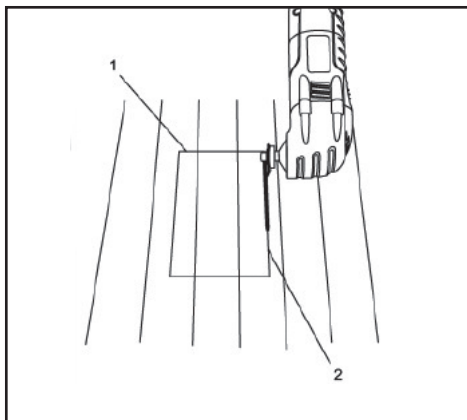
Viacúčelové náradie možno použiť na vyrezanie otvoru do drevenej podlahy na inštaláciu prieduchu vykurovania.

1. Nasadíte na náradie zapichovací pílový list na drevo (Obr. 2)



POZNÁMKA: List by mal byť vycentrovaný na kryte náradia a NIE nasadený pod uhlom 90°.

2. Položte podlahový prieduch na podlahu a mäkkou ceruzkou vyznačte na podlahe požadovaný obdĺžnikový otvor (1) (Obr. 8)



obr. 8

3. Umiestnite rezací list (2) tesne nad podlahu v strede jednej z línií rezu.
4. Nastavte na náradí stredné otáčky a zapnite náradie (Obr. 5 a 6)

 **POZNÁMKA:** Náradie a list by mali byť voči podlahe pod uhlom 45°, aby sa roh listu mohol zapichnúť do podlahy.

5. Držte náradie pevne a pritom pomaly zapichujte roh listu do podlahy, kým sa neprereže skrz ňu. Keď je zapichovací rez dokončený, nastavte náradie na najvyššie otáčky a dokončite rez až do rohu obdĺžnika.
6. Vypnite pílu, vyberte ju z rezu, pokračujte v rezaní opačným smerom a dokončite rez na prvej strane obdĺžnika.
7. Opakujte kroky č. 4, 5, 6 a vyrežte zvyšné tri strany obdĺžnika.
8. Keď sú všetky rezy hotové, použite plochý skrutkovač a opatrne vypáčte výrezok z podlahy.

 **POZNÁMKA:** Na vypáčenie výrezku z podlahy **NEPOUŽÍVAJTE** pílový list. Došlo by k jeho zlomeniu. Ak sa výrezok nedá z podlahy ľahko vypáčiť, presvedčte sa, či je každá línia rezu prerezaná až do samého rohu obdĺžnika.

5.6 REZANIE OTVORU DO SADROKARTÓNOVEJ STENY NA INŠTALÁCIU ELEKTRICKEJ ŠKATUĽKY

Viacúčelové náradie možno použiť na vyrezanie otvoru do sadrokartónovej steny na inštaláciu elektrickej škatuľky.

1. Nasadíte na náradie polkruhový pílový list na drevo a sadrokartón (Obr. 2)

 **POZNÁMKA:** List by mal byť vycentrovaný na kryte náradia a NIE nasadený pod uhlom 90°.

2. Položte škatuľku na sadrokartónovú stenu a mäkkou ceruzkou vyznačte na sadrokartónovej stene požadovaný obdĺžnikový otvor (1)

3. Umiestnite rohový hranu rezacieho listu (2) tesne k sadrokartónovej stene v strede jednej z línií rezu

4. Nastavte najvyššie otáčky a zapnite náradie (Obr. 5 a 6)


5. Keď náradie dosiahne maximálne otáčky, opatrne zújdite listom do sadrokartónovej steny až do úplného prerezania. Dokončíte rez až do rohu obdĺžnika.

 **POZNÁMKA:** Držte náradie pevne a pri rezaní nevyvíjajte na rezací list prílišný tlak.

6. Vypnite pílu, vyberte ju z rezu a pokračujte v rezaní opačným smerom a dokončíte rez na prvej strane obdĺžnika.

7. Opakujte kroky č. 4, 5, 6 a vyrežte zvyšné tri strany obdĺžnika.

8. Keď sú všetky rezy hotové, použite plochý skrutkovač a opatrne vypáčte výrezok zo sadrokartónovej steny.

 **POZNÁMKA:** Na vypáčení výrezku z podlahy nepoužívajte pílový list. Došlo by k jeho zlomeniu. Ak sa výrezok nedá zo sadrokartónovej steny ľahko vypáčiť, presvedčte sa, či je každá línia rezu prerezaná až do samého rohu obdĺžnika.

5.7 POUŽITIE NÁSTAVCA NA JEMNÉ BRÚSENIE

1. Nasadte na viacúčelové náradie prítláčnú dosku, ako ukazuje obr. 2
2. Nasadte na prítláčnú dosku brusný papier, ako ukazuje obr. 3
3. Nastavte regulátor otáčok v rozmedzí 4 až MAX, ako ukazuje obr. 6
4. Prepnite vypínač do polohy ZAPNUTÉ, ako ukazuje obr. 5

Toto náradie je určené na jemné brúsenie na malých povrchoch. Položte prítláčnú dosku brúsnym papierom na súčasť, ktorá má byť brúsená. Nechajte náradie bežať, aby nedošlo k ryhovaniu povrchu. Pri brúsení drsných povrchov a odstraňovaní predchádzajúcich povrchových úprav použite hrubý brusný papier a nižšie otáčky. Ak chcete docieľiť hladší povrch, použite jemný brúsny papier a vyššie otáčky.

5.8 POUŽITIE ŠKRABÁKA

1. Nasadte na viacúčelové náradie škrabák, ako ukazuje obr. 2, obr. 1 a 2
2. Nastavte regulátor otáčok na 4 a prepnite vypínač do polohy ZAPNUTÉ, ako ukazuje obr. 5 a 6

Ak chcete použiť škrabák na škrabanie starých povrchových úprav alebo lepidla z opracovávaného dielu, položte spodnú stranu škrabáka naplocho na povrch opracovávaného dielu a potom nadvihnite zadnú časť náradia, čím bude náradie pod veľmi miernym uhlom oproti povrchu opracovávaného dielu. Škrabák pomaly zasúvajte do materiálu, ktorý má byť odstránený. Netlačte na náradie, pretože pomalá rýchlosť posuvu zaisťuje lepšie výsledky rezania a znižuje riziko vzniku rýh na opracovávanom diele. .

Ak chcete použiť škrabák na rezanie koberca, umiestnite pod koberec, kde má byť rez vykonaný, nepotrebnú podložku. Nastavte otáčky na MAX, natočte náradie tak, aby bol škrabák v pravom uhle (kolmo) ku kobercu a zasúvajte škrabák do koberca.

6. ÚDRŽBA

VŠEOBECNÉ POKYNY

⚠ UPOZORNENIE: Pri vykonávaní servisu používajte výhradne rovnaké náhradné diely. Pri použití akýchkoľvek iných dielov môže dôjsť k nebezpečenstvu úrazu alebo poškodeniu výrobku.

Pri čistení plastových častí nepoužívajte rozpúšťadlá. Plasty sú náchylné k poškodeniu rôznymi druhmi komerčných rozpúšťadiel a v dôsledku použitia týchto rozpúšťadiel by mohlo dôjsť k ich poškodeniu. Na odstránenie nečistôt, prachu, oleja, vazelíny, a pod. použite čistú handričku

⚠ UPOZORNENIE: Dbajte na to, aby sa plastové komponenty nedostali do kontaktu s brzdovou kvapalinou, benzínom, výrobkami na báze ropy, penetračnými olejmi, a pod. Tieto produkty obsahujú chemikálie, ktoré poškodzujú, zoslabujú alebo ničia plasty.

Nepoužívajte elektrické náradie nesprávnym či nevhodným spôsobom. Používanie náradia nesprávnym či nevhodným spôsobom môže poškodiť náradie aj opracovaný diel.

⚠ UPOZORNENIE: Nepokúšajte sa vykonávať úpravy náradia alebo vyrábať k nemu príslušenstvo. Akékoľvek takéto zmeny či úpravy sú zneužitím a mohli by vyvolať nebezpečný stav náradia a viesť k prípadnému vážnemu úrazu. V ich dôsledku zaniká tiež záruka.

MAZANIE

Všetky ložiská v tomto náradí sú namazané dostatočným množstvom maziva vysokej kvality na celú životnosť zariadenia za normálnych podmienok. Z toho dôvodu nie je nutné vykonávať mazanie.

7. TECHNICKÉ ÚDAJE

MULTIFUNKČNÉ NÁRAD: IE	
Otáčky naprázdno	5 000 – 18 000 ot./min
Trieda ochrany	II
Hladina akustického výkonu	105 dB(A)
Víbrace:	ah.D1 = 3,415 ms ⁻² – ah.D1 = 8,397 ms ⁻² , K = 1,5 ms ⁻²

Návod na použitie – len jazyková mutácia.

Zmena textu a technických parametrov vyhradená.

Zmeny v texte, dizajne a technických špecifikáciách sa môžu meniť bez predchádzajúceho upozornenia a vyhradujeme si právo na ich zmenu.

Riešenie problémov

1. Vypínač je stlačený, ale zariadenie nepracuje: Aby akumulátorová zariadenie pracovalo, potrebuje dostatočne nabitú batériu. Ak zariadenie dlhšiu dobu nepoužívate, batéria sa vyčerpáva. Pokúste sa dobiť batériu. Presvedčte sa, že batéria je v nabíjačke umiestnená správne. Počas nabíjania sa adaptér zohreje, ale je to normálne.
2. Batéria tečie: Pri extrémnych teplotách, alebo pri namáhaní sa môže vyskytnúť malé presakovanie. Ak ste sa ho dotkli, okamžite si ho z rúk, pokožky alebo oblečenia umyte mydlom a vodou.
3. Batéria sa nenabíja a svetlo na nabíjačke nesvieti: Ak sa batéria nenabíja, skontrolujte, či je správne vložená v nabíjačke a presvedčte sa, že kontrolka svieti. Ak nie, skontrolujte, či zástrčka nabíjačky je správne vložená v jednotke. Ak áno, skontrolujte, či je zástrčka pripojená k zásuvke. Ak áno, skontrolujte poistku zásuvky.
4. Teleso zariadenie sa počas rozsiahleho použitia zohreje: Pri normálnom zafaznení sa teleso, vypínač a batéria zohrejú, pretože energia spotrebovaná pri použití zariadenia produkuje teplo. Je to normálne. Zariadenie nechajte jednoducho na niekoľko minút vychladnúť.
5. Batéria sa pri použití zohreje: Energia čerpaná z batérie vytvára teplo. Nepoškodíte batériu a teplo z čerpanej energie je normálne. Ak ju chcete schladíť, nechajte jednoducho zariadenie pred pokračovaním v práci schladíť.
6. Batéria sa pri nabíjaní zohreje: Je to normálne a vyplýva to z chemických reakcií prebiehajúcich vo vnútri batérie počas procesu nabíjania.
7. Počas nabíjania sa nabíjacie zariadenie zohreje: Je to normálne a vyplýva to zo zníženia napätia z 230 V na 18 V.

8. LIKVIDÁCIA

POKYNY A INFORMÁCIE O ZAOBCHÁDZANÍ S POUŽITÝM OBALOM

Použitý obalový materiál odložte na miesto určené obcou na ukladanie odpadu.

LIKVIDÁCIA POUŽITÝCH ELEKTRICKÝCH A ELEKTRONICKÝCH ZARIADENÍ



Tento symbol na produktoch alebo v sprievodných dokumentoch znamená, že použité elektrické a elektronické výrobky sa nesmú pridávať do bežného komunálneho odpadu. Na správnu likvidáciu, obnovu a recykláciu odovzdajte tieto výrobky na určené zberné miesta. V niektorých krajinách Európskej únie alebo iných európskych krajinách môžete vrátiť svoje výrobky miestnemu predajcovi pri kúpe ekvivalentného nového produktu. Správnu likvidáciu tohto produktu pomôžete zachovať cenné prírodné zdroje a napomáhate prevencii potenciálnych negatívnych dopadov na životné prostredie a ľudské zdravie, čo by mohlo byť dôsledkom nesprávnej likvidácie odpadov. Ďalšie podrobnosti si vyžiadajte od miestneho úradu alebo najbližšieho zberného miesta. Pri nesprávnej likvidácii tohto druhu odpadu môžu byť v súlade s národnými predpismi udelené pokuty.

PRE PODNIKOVÉ SUBJEKTY V KRAJINÁCH EURÓPSKEJ ÚNIE

Ak chcete likvidovať elektrické a elektronické zariadenia, vyžiadajte si potrebné informácie od svojho predajcu alebo dodávateľa.

LIKVIDÁCIA V OSTATNÝCH KRAJINÁCH MIMO EURÓPSKEJ ÚNIE



Tento symbol je platný v Európskej únii. Ak chcete tento výrobok zlikvidovať, vyžiadajte si potrebné informácie o správnom spôsobe likvidácie od miestnych úradov alebo od svojho predajcu

Tento výrobok spĺňa všetky základné požiadavky smerníc EÚ, ktoré sa naň vzťahujú.

Zmeny v texte, dizajne a technických špecifikáciách sa môžu meniť bez predchádzajúceho upozornenia a vyhradzuje si právo na ich zmenu.

9. VYHLÁSENIE O ZHODE

Výrobok / značka: MULTIFUNKČNÉ NÁRADIE / FIELDMANN

Typ / model: FDUB 50701 18V/5000-18000 /min

Výrobok je v súlade s nižšie uvedenými predpismi:

- * Smernica Európskeho parlamentu a Rady 2006/95/ES z 12. decembra 2006 o harmonizácii právnych predpisov členských štátov týkajúcich sa elektrického zariadenia určeného na používanie v rámci určitých limitov napätia.
- * Smernica Európskeho parlamentu a Rady 2004/108/ES z 15. decembra 2004 o aproximácii právnych predpisov členských štátov vzťahujúcich sa na elektromagnetickú kompatibilitu a o zrušení smernice 89/336/EHS.
- * Smernica Európskeho parlamentu a Rady 2006/42/ES zo 17. mája 2006 o strojových zariadeniach a o zmene a doplnení smernice 95/16/ES.
- * Smernica Európskeho parlamentu a Rady 2002/95/ES z 27. januára 2003 o obmedzení používania určitých nebezpečných látok v elektrických a elektronických zariadeniach.
- * Smernica Európskeho parlamentu a Rady 2005/88/ES.

a normami:

- * EN60745-1:2009+A11 :2010
- * EN60745-2-4:2009+A11:2011
- * AfPS GS 2014:01
- * EN55014-1:2006+A1:2009+A2 :2011
- * EN55014-2:1997+A1:2001+A2 :2008
- * EN62321:2009

Označenie CE: 16

Spoločnosť FAST ČR, a.s. je oprávnená konať menom výrobcu.

Výrobca:

FAST ČR, a.s.
Černokostelecká 1621, 251 01 Praha, Česká republika
DIČ: CZ26726548

V Prahe, 30.1.2016

Meno: Ing. Zdeněk Pech
Predseda predstavenstva

FAST FAST ČR, a.s.
Černokostelecká 1621, 251 01 říčany
IČO: 26726548 tel.: +420/ 323 204 111
DIČ: CZ26726548 fax: +420/ 323 204 110



Podpis a pečiatka:

Multifunkciós Szerszám

HASZNÁLATI ÚTMUTATÓ

Köszönjük, hogy cégünk multifunkciós szerszám megvásárlása mellett döntött. Mielőtt használatba venné, kérjük, olvassa el figyelmesen ezt a használati útmutatót, majd őrizze meg, hogy később bármikor újraolvashassa.

TARTALOM

1. ÁLTALÁNOS BIZTONSÁGI ELŐÍRÁSOK	72
2. SZIMBÓLUMOK	77
3. ÁLTALÁNOS LEÍRÁS	78
4. TARTOZÉKOK.....	78
5. ÖSSZESZERELÉS ÉS KEZELÉS	79
6. KARBANTARTÁS	88
7. TECHNIKAI ADATOK	89
8. MEGSEMMISÍTÉ	90
9. MEGFELELŐSÉGI NYILATKOZAT	91

1. ÁLTALÁNOS BIZTONSÁGI ELŐÍRÁSOK

▲ FIGYELEM! Használat előtt olvassa el figyelmesen a használati útmutatót.

Fontos biztonsági figyelmeztetések


- ☼ Figyelmesen csomagolja ki a terméket, és ügyeljen arra, hogy ne dobja ki a csomagolás semelyik részét mindaddig, amíg meg nem találta a termék valamennyi alkotóelemét.
- ☼ A terméket száraz helyen, gyermekektől távol tartsa.
- ☼ Olvassa el az összes figyelmeztetést és utasítást. A figyelmeztetések be nem tartás áramütéshez, tűzhöz és/vagy súlyos sérülésekhez vezethet.

Csomagolás

A csomagolóanyag szállítás közben óvja a terméket. Ez a csomagolás nyersanyag, ezért újrahasznosítás céljával leadható.

Használati útmutató

Mielőtt megkezdene a munkavégzést a készülékkel, olvassa el figyelmesen a következő biztonsági és használati utasításokat. Ismerkedjen meg a gép kezelőszerveivel, és a helyes használat szabályaival. A használati útmutató őrizze meg egy esetleges későbbi újraolvasáshoz. A csomagolóanyagot, beleértve a belső csomagolóanyagot, a pénztárblokkot és a jótállási jegyet is, ajánlott legalább a jótállás érvényessége alatt megőrizni. Szállítás esetén csomagolja vissza a készüléket a gyártótól kapott eredeti dobozba, így biztosíthatja a termék esetleges szállítás közbeni maximális védelmét (pl. költözés vagy szervizbe küldés).

 **Megjegyzés:** Amennyiben a készüléket más személyeknek kívánja átadni, mellékelje a használati útmutatót is. A mellékelt használati útmutató betartása a sövénynyíró előírásszerű használatának előfeltétele. A használati útmutató egyben használati, kezelési és javítási utasításokat is tartalmaz.

A gyártó nem felel a jelen használati útmutató be nem tartása következtében felmerült sérülésekért károkért.

A biztonsági útmutatót figyelmesen tanulmányozza át, majd a későbbi újraolvasás érdekében őrizze meg

⚠ FIGYELEM! Elektromos gépek és elektromos szerszámok használata estén áramütés, személyi sérülés és tűz keletkezésének elkerülése érdekében tartsa be az alábbi biztonsági rendelkezéseket. Az „elektromos szerszámok” kifejezés alatt minden alábbi szövegrész esetében elektromos hálózathoz (csatlakozókábellel) táplált, illetve akkumulátoros (csatlakozókábel nélküli) elektromos szerszámok értendők. A későbbi újraolvasás érdekében őrizze meg az összes figyelmeztetést és utasítást.

Munkakörnyezet

- ✿ Tartsa rendben, tisztán és megfelelően megvilágítottan a munkavégzés helyszínét. A munkahelyi rendetlenség személyi sérüléshez vezethet. A nem használt szerszámokat rakja el.
- ✿ Ne használja az elektromos szerszámot tűz- és robbanásveszélyes közegben, azaz tűzveszélyes folyadékok, gázok vagy por közelében. Az elektromos szerszámokban a kommutátoron szikrázás jöhet létre, amely a porok vagy gőzök begyulladását okozhatja.
- ✿ Az elektromos szerszámok használata során ügyeljen arra, hogy a munkavégzési helyszínen és annak közelében ne tartózkodjanak hivatlan személyek, különösen gyermekek! Ha a munkájában megzavarják, könnyen elveszítheti a gép feletti ellenőrzését. Soha ne hagyja az elektromos szerszámot felügyelet nélkül. Előzze meg, hogy a szerszámhoz kisgyermekek férhessenek.

Elektromos biztonság

- ✿ Az elektromos szerszám csatlakozókábele villásdugójának meg kell felelnie a hálózati dugalj paramétereinek. Soha semmilyen módon ne alakítsa át a villásdugót. A védőcsapós villásdugóval rendelkező szerszámhoz soha ne használjon elektromos elosztót, se másmilyen adaptereket. Ép villásdugó és megfelelő dugalj használatával megelőzheti az áramütés veszélyét. A sérült vagy összegabalyodott csatlakozókábelek fokozzák az áramütés veszélyét. Ha a csatlakozókábel sérült, új hálózati csatlakozókábellel kell helyettesíteni, amelyet szakszervizből vagy az importőrtől szerezhet be.
- ✿ Kerülje az érintkezést földelt tárgyakkal, pl. csövekkel, fűtőtesttel, tűzhellyel, hűtővel. Az áramütés veszélye nagyobb, ha a teste földelt.
- ✿ Soha ne tegye ki az elektromos szerszámokat eső, víz, nedvesség hatásának. Soha ne érjen az elektromos szerszámhoz vizes kézzel. Az elektromos szerszámot soha nem mossa el folyóvízzel, és ne merítse vízbe.

- ✿ Soha ne használja a csatlakozókábel a rendeltetésétől eltérő célokra. Soha ne hordozza és ne rángassa az elektromos szerszámot a csatlakozókábelnél fogva. Soha ne próbálja a villásdugót a csatlakozókábelnél rángatva kihúzni a dugaljából. A csatlakozókábelek mechanikus megsérülésének megelőzése érdekében óvja a kábeleket az éles vagy forró tárgyaktól.
- ✿ Az elektromos szerszám kizárólag váltóárammal történő táplálásra alkalmas. Minden esetben ellenőrizze le, hogy a hálózati elektromos feszültség értékek megfelelnek a szerszám gyári adattábláján található paramétereknek.
- ✿ Soha ne dolgozzon olyan elektromos szerszámmal, amelynek sérül a csatlakozókábele vagy villásdugója, esetleg leesett a földre vagy más módon megsérült.
- ✿ Hosszabbító kábel használata esetén minden esetben ellenőrizze le, hogy annak műszaki paraméterei megfelelnek a szerszám gyári adattábláján található adatoknak. Ha az elektromos szerszámot kültérben kívánja használni, használjon hozzá kültéri használatra alkalmas hosszabbító kábelt. Hosszabbító kábel dob használata esetén a kábelt annak túlforródásának megelőzése érdekében le kell csévélni a dobról.
- ✿ Amennyiben az elektromos szerszámot nedves belső térben vagy kültérben kívánja használni, kizárólag abban az esetben használható, ha <30 mA-es áramvédelemmel ellátott elektromos áramkörhöz csatlakoztatja. Az áramvédelemmel /RCD/ ellátott elektromos áramkör használata csökkenti az áramütés veszélyét.
- ✿ Az elektromos kéziszerszámot minden esetben kizárólag a fogásra kijelölt, szigetelt pontokon fogja, mivel használat közben a vágó vagy fúró tartozékok rejtett vezetékkel vagy a szerszám csatlakozókábellel érintkezhet.



Személyi biztonság

- ✿ Az elektromos szerszám használata során legyen figyelmes és elővigyázatos, szenteljen maximális figyelmet a végzett tevékenységnek. Összpontosítson a munkára. Soha ne dolgozzon az elektromos szerszámmal ha fáradt, kábító hatású anyagok, alkohol vagy gyógyszerek hatása alatt áll. Egy pillanatnyi figyelmetlenség is súlyos személyi sérüléshez vezethet. Munkavégzés során ne egyen, ne igyon és ne dohányozzon.
- ✿ Használjon személyi munkavédelmi eszközöket. Minden esetben használjon munkaszemüveget. Használjon a végzett munka jellegének megfelelő védőeszközöket. A személyi védőeszközök - pl. arcpajzs, csúszásgátló kivitelű munkacipő, sisak vagy fülvédő csökkentik a személyi sérülések kockázatát.
- ✿ Előzze meg a szerszám nemkívánatos bekapcsolását. Soha ne hordozza az elektromos hálózathoz csatlakoztatott szerszámot úgy, hogy közben az ujját a kapcsológombon tartja. Az elektromos hálózathoz csatlakoztatást megelőzően ellenőrizze le, hogy a főkapcsoló „kikapcsolt” állapotban található. Ha az elektromos szerszámot úgy hordozza, hogy közben az ujját a főkapcsolón tartja, vagy a szerszámot úgy csatlakoztatja az elektromos hálózathoz, hogy a főkapcsoló gomb közben bekapcsolt állású, súlyos személyi sérülés kockázatának teszi ki magát vagy a közelben tartózkodó személyeket.

- ✿ A szerszám bekapcsolása előtt távolítsa el minden állítókulcsot és szerszámot. Az elektromos szerszám forgó részébe csatlakoztatott állítókulcs vagy szerszám súlyos személyi sérülést okozhat.
- ✿ Minden esetben ügyeljen a stabil testtartásra és egyensúly megőrzésére. Kizárólag ott végezze a munkát, ahova biztonságosan elér. Soha ne becsülje túl magát. Ha fáradt, ne használja az elektromos szerszámot.
- ✿ Megfelelő munkaruhát viseljen. Kerülje a bő ruhadarabokat és az ékszereket. Ügyeljen arra, hogy a haja, öltözete vagy teste más részei ne kerüljenek túlságosan közel az elektromos szerszám forgó vagy túlforrósodott részeihez.
- ✿ Használjon porelszívót. Amennyiben az elektromos szerszám lehetővé teszi porelszívó berendezés használatát, biztosítsa annak megfelelő csatlakoztatását és használatát. E berendezések használata csökkenti a por okozta veszély mértékét.
- ✿ Fogja be fixen a munkadarabot. Használjon asztalos satut vagy más befogó eszközt, amely biztonságosan befogja a munkadarabot.
- ✿ Soha ne használja az elektromos szerszámot, ha szeszes italok, kábítószerek, gyógyszerek vagy más kábító vagy függőséget okozó anyagok hatása alatt áll.
- ✿ A készülék nem alkalmas csökkentett fizikai, érzékszervi vagy mentális képességekkel rendelkező, továbbá megfelelő ismeretekkel és tapasztalatokkal nem rendelkező személyek, illetve gyermekek általi használatra, kivéve ha a felelősségükért közvetlen felelősséget viselő személy felügyelete alatt állnak, vagy attól a szerszám használatára vonatkozó utasítást nem kaptak. Gyermekek esetében folyamatos felügyelet biztosítása szükséges annak elkerülése érdekében, hogy ne játszanak a készülékkel.

Az elektromos szerszám használata és karbantartása

- ✿ A munkavégzés során felmerült bármilyen probléma esetében, tisztítás vagy karbantartás, továbbá minden áthelyezés előtt, illetve munkavégzés után minden esetben húzza ki az elektromos szerszámot az elektromos hálózathoz! Soha ne dolgozzon az elektromos szerszámmal, ha az bármilyen módon megsérült.
- ✿ Ha a szerszám szokatlan hangot vagy szagot ad ki, azonnal fejezze be a munkát.
- ✿ Soha ne terhelje túl az elektromos szerszámot. Az elektromos szerszám jobban és biztonságosabban dolgozik, ha az előírt paramétereknek megfelelő fordulatszámra üzemelteti. Az adott tevékenységnek megfelelő, helyes szerszámot használjon. A helyes szerszám jobban és biztonságosabban végzi a rendeltetésének megfelelő munkát.
- ✿ Soha ne használjon olyan elektromos szerszámot, amely nem kapcsolható be vagy ki biztonságosan a főkapcsolóval. Az ilyen szerszám használata veszélyes. A sérült, hibás kapcsoló javítását szakszervizre kell bízni.
- ✿ Húzza ki az elektromos szerszámot az elektromos hálózathoz még azt megelőzően, hogy beállítaná, tartozékot cserélné benne, vagy karbantartási műveletet végezne rajta. Ez az intézkedés megakadályozza, hogy a szerszámot véletlenül elindítsa.

- ✿ A nem használt elektromos szerszámot gyermekektől és hivatlan személyektől távol tartsa. Tapasztalatlan felhasználók kezében az elektromos szerszám használata fokozott kockázattal jár. Az elektromos szerszámot száraz és biztonságos helyen tartsa.
- ✿ Biztosítsa az elektromos szerszám megfelelő műszaki állapotát. Rendszeresen ellenőrizze a mozgó részek beállítását és azok mozgásterét. Ellenőrizze le, hogy a védőburkolatok vagy azok más részei nem sérültek-e. Ha a szerszám sérült, biztosítsa annak előírás szerű megjavítását. Számos baleset oka a rosszul karbantartott elektromos szerszám.
- ✿ Tartsa élesen és tisztán a vágószerszámokat. A helyesen karbantartott és megélezett szerszámok megkönnyítik a munkavégzést, csökkentik a balesetvesztélyt, és a velük folytatott munkavégzés könnyebben ellenőrizhető. A használati útmutatóban feltüntetett tartozékoktól eltérő tartozékok használata a szerszám megsérülését és balesetet okozhat.
- ✿ Az elektromos szerszámokat, azok tartozékait és a munkaeszközöket stb. a konkrét elektromos szerszám használati útmutatójával összhangban használja, figyelembe véve a konkrét munkavégzési feltételeket és a végzett munka jellegét. A szerszám más, mint előírás szerű használata veszélyes helyzetek kialakulásához vezethet.

Akkumulátoros szerszám használata

- ✿ Az akkumulátor behelyezése előtt ellenőrizze le, hogy a főkapcsoló „0-kikapcsolt” állásban található. Az akkumulátor bekapcsolt állapotú szerszámba helyezése jelentős veszélyforrást jelent.
- ✿ Az akkumulátor töltéséhez kizárólag a gyártó által előírt töltőt használjon. Más akkumulátor típushoz használatos töltő használata annak megsérülésének, illetve tűz kialakulásának veszélyével jár.
- ✿ Kizárólag az adott szerszámhoz szánt akkumulátort használjon. Más akkumulátorok használata személyi sérüléshez vagy tűz kialakulásához vezethet.
- ✿ Ha nem használja az akkumulátort, fémtárgyaktól - pl. kapcsok, kulcsok, csavarok és más egyéb apró fémtárgyak - elkülönítve tartsa, mivel azok rövidzárat okozhatnak. Az akkumulátor rövidre zárása személyi sérülést, égési sérülést vagy tüzet okozhat.
- ✿ Az akkumulátorral óvatosan járjon el. Ellenkező esetben az akkumulátorból vegyi anyag szivároghat. Kerülje az érintkezést ezzel a vegyi anyaggal, amennyiben mégis érintkezne vele, folyóvízzel mossa le az érintett felületet. Ha a vegyi anyag szembe jutna, azonnal forduljon orvoshoz. Az akkumulátorban található vegyi anyag súlyos személyi sérülést okozhat.

Szerviz

- ✿ Soha ne próbálja saját maga megjavítani a szerszámot, és ne avatkozzon be annak szerkezetébe. A szerszám javítását minden esetben bízza szakképzett személyre.
- ✿ A termék minden nem szakember által végzett javítása, módosítása tilos (személyi sérüléshez vagy anyagi kárhoz vezethet).
- ✿ Az elektromos szerszámot tanúsított szakszervizben javíttassa meg. Kizárólag eredeti vagy a gyártó által ajánlott pótalkatrészeket használjon. Kizárólag ily módon biztosítható a felhasználó és az elektromos szerszám biztonsága.

2. SZIMBÓLUMOK



A gép a jóváhagyott szabványokkal összhangban került legyártásra.



A gép használatba vétele előtt olvassa el a használati útmutatót.



Használjon védőfelszerelést szem



Használjunk védőfelszerelést fül

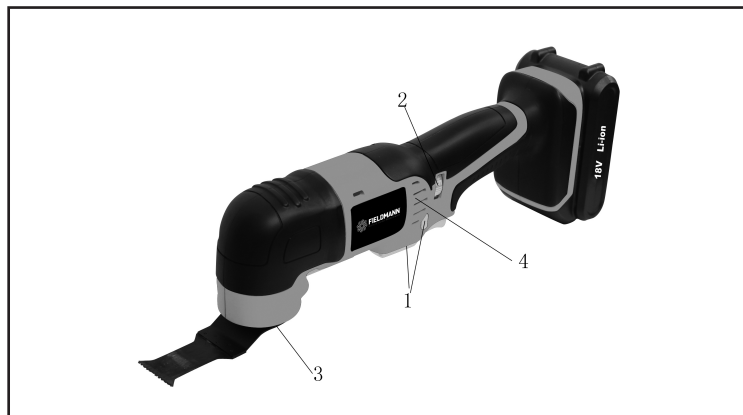


Viseljen egy porvédőálcot



Ne dobja a szemétbe

3. ÁLTALÁNOS LEÍRÁS



1. Kapcsoló
2. Fordulatszám szabályozó
3. Tartozéktartó
4. Szellőzőnyílások

4. TARTOZÉKOK

RENDELKEZÉSRE ÁLLÓ TARTOZÉKOK

⚠ FIGYELEM: Kizárólag a többfunkciós rezgőszerszámhoz ajánlott tartozékokat használjon. A tartozékokkal együtt a csomagolás részét képező használati útmutatóval összhangban járjon el. A nem megfelelő tartozékok használata a kezelőszemélyzet, valamint a szerszám megsérülését okozhatja.

Mindenmű tartozékhasználat előtt, kérjük, olvassa el figyelmesen az utasításokat és a tartozékok használatára vonatkozó előírásokat.

⚠ FIGYELEM: Ha a készülék bármely része hiányzik vagy sérült, ne csatlakoztassa a szerszámot az elektromos hálózathoz és ne csatlakoztasson hozzá semmilyen tartozékot, amíg a hiányzó vagy sérült rész pótlásra nem kerül.

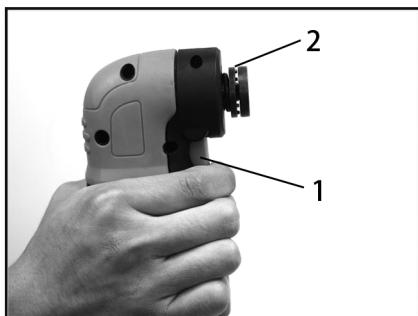
5. ÖSSZESZERELÉS ÉS KEZELÉS

5.1 A BETÉTSZERSZÁMOK FELSZERELÉSE

A többfunkciós rezgőszerszám valamennyi betétszerszámát azonos módon kell a gépre felhelyezni. A tartozékok gépre szerelését a többszegmenses fűrészlapon mutatjuk be.

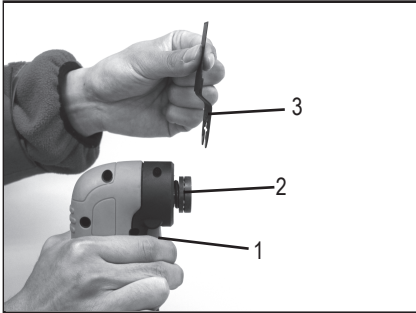
⚠ VESZÉLY! : A betétszerszámok vagy a csiszolópapír felhelyezése vagy eltávolítása előtt minden esetben húzza ki a készülék villásdugóját az elektromos hálózathoz. Ha ezt nem teszi meg, a szerszám véletlenszerűen bekapcsolhat, ami a kezelőszemélyzet súlyos személyi sérülését vonhatja maga után.

1. Nyomja meg a tartozék tartóját (1) 1. ábra



kép. 1


2. Tegye fel a tárcsát (3) a szerszámbefogó egységre (2. kép)




kép. 2

MEGJEGYZÉSEK:

- * Ügyeljen arra, hogy a tárcsa nyílásai (6) a szerszámbefogó egység csapjaira (7) illeszkedjenek, valamint hogy a tárcsa nyomtatott oldala a szerszám felé nézzen.
 - * Szükség esetén a tárcsa a középtől balra vagy jobbra különböző szögek alatt helyezhető fel.
3. Csavarozza át a csavart (1) az alátétlen (2), valamint a tárcsát a szerszámbefogó egység menetes nyílásába (8)
 4. Az óramutatók járásával azonos irányba csavarja a csavart, és kézzel húzza meg.

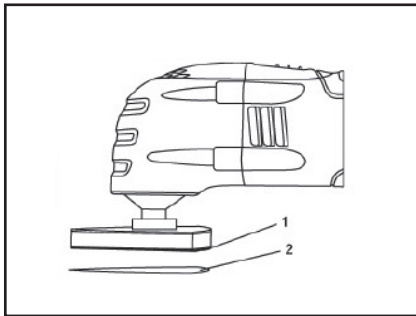
 MEGJEGYZÉSEK: Ellenőrizze le, hogy az alátét (9) domborúan ívelő oldala a csavarfej felé néz. Ügyeljen arra, hogy az illeszkedő nyílások folyamatosan a szerszámbefogó egység csapjaira illeszkedjenek.

5. Húzza meg erősen a csavart az 5 mm-es imbuszkulcs segítségével.

 MEGJEGYZÉS: Ügyeljen arra, hogy az illeszkedő nyílások folyamatosan a szerszámbefogó egység csapjaira illeszkedjenek.

5.2 CSISZOLÓPAPÍR FELSZERELÉSE

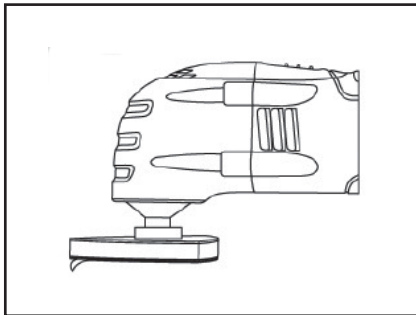
1. Helyezze fel a szerszámra a tépőzáras csiszolótalpat (1) (3. kép)
2. Nyomja fel erősen a tépőzáras csiszolótalpra a csiszolópapírt (2)



kép. 3

MEGJEGYZÉSEK: A csiszolópapírt úgy helyezze fel, hogy a rajta található nyílások a tépőzáras csiszolótalpra megfelelő nyílásaihoz illeszkedjenek. Nyomja fel erősen a tépőzáras csiszolótalpra a csiszolópapírt.

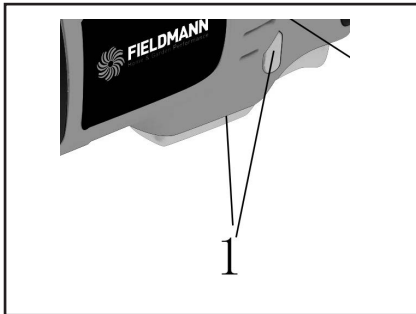
3. Ha le kívánja venni a csiszolópapírt, egyszerűen húzza le a tépőzáras csiszolótalpról (4. kép)



kép. 4

5.3 KAPCSOLÓ

- ☼ Ha be kívánja kapcsolni a szerszámot, tolja a kapcsolót (1) előre a szerszám elülső része felé (5. kép).
- ☼ Ha ki kívánja kapcsolni a szerszámot, tolja a kapcsolót (1) hátra a szerszám hátsó része felé (5. kép).

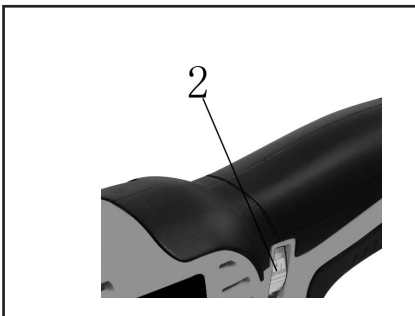


kép. 5

5.4 FORDULATSZÁM SZABÁLYOZÓ

A szerszám fordulatszáma a burkolat hátsó részében található fordulatszám szabályozó gomb (1) elforgatásával 10000 - 18000 ford./perc tartományban állítható be (6. kép)

- ☼ Ha fokozni kívánja a fordulatszámot, forgassa a fordulatszám szabályozó gombot a szerszám bal oldala felé.
- ☼ Ha csökkenteni kívánja a fordulatszámot, forgassa a fordulatszám szabályozó gombot a szerszám jobb oldala felé.



kép. 6

MEGJEGYZÉS: Az 1. sz. fordulatszám a legalacsonyabb. A MAX a legmagasabb fordulatszám. Az optimális fordulatszám az alkalmazott betétszerszámok, a megmunkálni kívánt felület és a projekt bonyolultságának függvényében különbözik. Az általános ajánlások a következő oldalon látható táblázatban olvashatók.

⚠ FIGYELEM: Biztonsági okokból kifolyólag a szerszám kezelőszemélyzete köteles a használatba vétel előtt megismerkedni a jelen használati útmutató **ÁLTALÁNOS BIZTONSÁGI UTASÍTÁSOK, KÜLÖNLEGES BIZTONSÁGI UTASÍTÁSOK és JELZETEK c. fejezeteit.**

A többfunkciós rezgőszerszám minden használatakor ellenőrizze le a következőket:

- ✿ Védőszemüveg és arcpajzs használatának szükségessége.
- ✿ Fülvédő használatának szükségessége.
- ✿ A tárcsa vagy csiszolópapír megfelelő állapota.
- ✿ A betétszerszámok helyes rögzítése a szerszámbefogó egységbe.

E biztonsági szabályok be nem tartása jelentős mértékben csökkenti a balesetveszélyt.

5.4 AJTÓFÉLFA ÉS AJTÓKERET VÁGÁSI SZINTEK PADLÓFEKTETÉSKOR

A többfunkciós szerszám alkalmazható az ajtófélfa és ajtókeret szintbe vágására a padlóburkoló anyag ajtófélfa és ajtókeret alatti új, szorosan illeszkedő fektetéséhez. A lépéssor szemléltetéséhez járólapot veszünk igénybe.

1. Fogja be a szerszámon a süllyeszthető fafűrész lapot (2. kép)

📖 MEGJEGYZÉS: A fűrészlapot ki kell központosítani a szerszám burkolatán, és NEM 90° alatt kell felhelyezni.

2. Helyezzen a padlóra egy darab törött padlólapot (1) megközelítőleg 1/2" (25 mm) távol az ajtófélfától (2) (7. kép)



MEGJEGYZÉS: Ügyeljen arra, hogy a járólap a „jó” oldalával felfelé nézzen, és így sima támasztófelületet nyújtson a fűrészlaphoz.

3. Helyezze a szerszámot a fűrészlappal (3) úgy, hogy enyhén érjen hozzá a járólap felületéhez, és a fűrészfogak NE ÉRJENEK hozzá a vágni kívánt felülethez.
4. Állítsa be a gépen a legmagasabb fordulatszámot, majd kapcsolja be (5. és 6. kép)
5. Amint a szerszám eléri a maximális fordulatszámot, óvatosan tolja a fűrészlapot az ajtófélfába, és ezzel egyidejűleg csúsztassa a járólapon.



MEGJEGYZÉS:

Tartsa fixen a szerszámot, és ne fejtse ki a fűrészlapra túlságosan nagy nyomást, mivel az a szerszám túlzott rezgéséhez vezethet.

6. Végezzen el még néhány szűrővágást, amíg az ajtófélfá és ajtókeret alsó része teljesen le nem válnak és a levágott részek ki nem vehetők.

Azonosan járhat el ha szőnyeget kíván fektetni: használjon a szőnyeggel azonos vastagságú, kemény alátétet.

5.5 NYÍLÁS VÁGÁSA FAPADLÓBA FŰTÉSLEGCSŐ TELEPÍTÉSÉHEZ

A többfunkciós rezgőszerszám megfelelő nyílás kivágásával fűtéslegcső fapadlóba telepítéséhez is felhasználható.

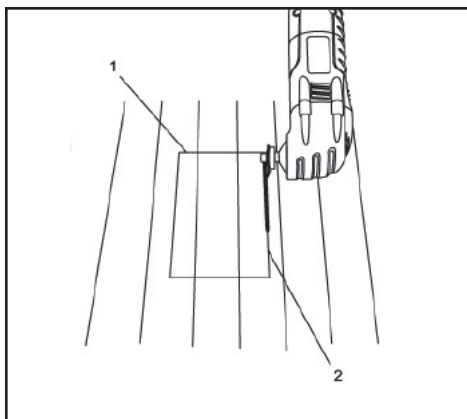
1. Fogja be a szerszámba a szűrőfűrész lapot (2. kép).



MEGJEGYZÉS::

A fűrészlapot ki kell központosítani a szerszám burkolatán, és NEM 90° alatt kell felhelyezni.

2. Helyezze a fűtéslegcsőt a padlóra, és puha ceruzával jelölje be a padlón a kívánt négyszögletes nyílást (1) (8. kép).



kép. 8

3. Helyezze a fűrészlapot (2) szorosan a padló fölé, a vágásvonalak egyikének közepére.
4. A szerszámon közepes fordulatszámot állítson be, majd kapcsolja be (5. és 6. kép).

MEGJEGYZÉS:

A szerszámnak és a fűrészlapnak 45° fokos szöget kell a padlóval bezárnia, hogy a fűrészlap sarka elkapja a padlót.

5. Tartsa fixen a szerszámot, és közben lassan szúrja bele a padlóba a fűrészlap sarkát, amíg át nem vágja. Amint az átvágás sikerült, állítsa a szerszámot a legmagasabb fordulatszámra, és folytassa a vágást egészen a négyszög egyik sarkáig.
6. Kapcsolja ki a fűrészelt, vegye ki a vágásból, majd folytassa ellenkező irányban a fűrészélést, amíg el nem éri a négyszög másik sarkát.
7. Ismétlje meg a 4, 5, 6. lépéseket, és vágja ki a négyszög fennmaradó három oldalát.
8. Amint minden vágással elkészült, vékony csavarhúzó segítségével óvatosan emelje ki a kivágott padlódarabot.

MEGJEGYZÉS:

A padlódarab kiemeléséhez soha **NE HASZNÁLJA** a fűrészlapot. Ellenkező esetben eltörhet. Ha a padlódarab kiemelése nem sikerül, ellenőrizze le, hogy minden vágás egészen a négyszög sarkáig fut.

5.6 NYÍLÁSVÁGÁS GIPSZKARTON FALBA ELEKTROMOS DOBOZOK TELEPÍTÉSÉHEZ

A többfunkciós rezgőszerszám felhasználható gipszkarton falba végzett nyílászágáshoz is, elektromos dobozok telepítéséhez.

1. Fogja be a szerszámba a fa és gipszkarton vágására alkalmas többszegmenses fűrészlapot (2. kép)


 **MEGJEGYZÉS:** A fűrészlapot ki kell központosítani a szerszám burkolatán, és NEM 90° alatt kell felhelyezni.

2. Helyezze a dobozt a gipszkarton falra, és puha ceruzával jelölje be a falon a kívánt négyszögletes nyílást (1)

3. Helyezze a fűrészlapot (2) szorosan a gipszkarton falhoz, a vágásvonalak egyikének középre.

4. Állítsa be a legnagyobb fordulatszámot, majd kapcsolja be a szerszámot (5. és 6. kép)


5. Amint a szerszám eléri a maximális fordulatszámot, óvatosan vágjon bele a gipszkarton falba, majd vágja teljesen át. Folytassa a vágást egészen a négyszög sarkáig.

 **MEGJEGYZÉS:** Tartsa fixen a szerszámot, és ne fejtse ki a fűrészlapra túlságosan nagy nyomást.

6. Kapcsolja ki a fűrészét, vegye ki a vágásból, majd folytassa ellenkező irányban a fűrészélést, amíg el nem éri a négyszög másik sarkát.

7. Ismételje meg a 4, 5, 6. lépéseket, és vágja ki a négyszög fennmaradó három oldalát.

8. Amint minden vágással elkészült, vékony csavarhúzó segítségével óvatosan emelje ki a kivágott faldarabot..

 **MEGJEGYZÉS:** A faldarab kiemeléséhez soha NE HASZNÁLJA a fűrészlapot. Ellenkező esetben eltörhet. Ha a faldarab kiemelése nem sikerül, ellenőrizze le, hogy minden vágás egészen a négyszög sarkáig fut.

5.7 FINOMCSISZOLÓ BETÉTSZERSZÁM HASZNÁLATA

1. Fogja be a többfunkciós rezgőszerszámon a csiszolótalpat a 2. képen látható módon.
2. Helyezze fel a csiszolótalpra a csiszolópapírt a 3. képen látható módon.
3. Állítsa be a fordulatszabályozó gombot 4 - MAX tartományban a 6. képen látható módon.
4. Állítsa a kapcsolót BEKAPCSOLT állásba az 5. képen látható módon.

A szerszám kis felületek finomcsiszolására szolgál. Helyezze a csiszolótalpat a csiszolni kívánt felületre. A felületnek képződő csikok megelőzése érdekében hagyja bekapcsolva a szerszámot. Durva felületek csiszolásához és az előző felületkezelések eltávolításához használjon durva csiszolópapírt és alacsonyabb fordulatszámot. Ha simább felületet kíván elérni, használjon finomabb csiszolópapírt és magasabb fordulatszámot.

5.8 KAPARÓ BETÉTSZERSZÁM HASZNÁLATA

1. Fogja be a kaparó betétszerszámot a 2. képen látható módon, 1. és 2. kép
2. Állítsa a fordulatszám szabályozó gombot 4-es fokozatra, majd állítsa a kapcsolót KIKAPCSOLT állásba az 5. és 6. képen látható módon.

Ha a kaparót a megmunkált munkadarab régi felületkezeléseinek vagy ragasztórétegeinek eltávolítására kívánja használni, helyezze a kaparó alsó felületét laposan a munkadarab felületére, majd emelje fel a szerszám hátsó részét, aminek köszönhetően a szerszám a kis szöveget zár be a munkadarab felületével. Lassan csúsztassa be a kaparót az eltávolítani kívánt anyagba. Ne nyomja a szerszámot, mert a lassú haladás jobb eredményt biztosít, és segít megelőzni a csikképződést a munkadarab felületén.

Ha a kaparót szőnyegvágásra kívánja igénybe venni, helyezzen a vágás helyén a szőnyeg alá alátétet. Állítsa a fordulatszámot MAX-ra, majd fordítsa el a szerszámot (merőlegesen) úgy, hogy a kaparó derékszöveget zárjon be a szőnyeggel, majd csúsztassa a kaparót a szőnyegbe.

6. KARBANTARTÁS

ÁLTALÁNOS UTASÍTÁSOK

▲ FIGYELEM: Javításhoz kizárólag eredeti pótalkatrészeket vegyen igénybe. Bármilyen más alkatrészek alkalmazása esetén személyi sérülés vagy a készülék meghibásodásának veszélye áll fenn..

Műanyag alkatrészek tisztításakor ne használjon oldószereket. A műanyagok a különböző oldószerek hatására megsérülhetnek. A szennyeződések, por, olaj, zsír eltávolításához tiszta törlőrongyot használjon.

▲ FIGYELEM: Ügyeljen arra, hogy a készülék műanyag részei ne érintkezzenek fékfolyadékkal, benzinnel, kőolaj alapú termékekkel, penetráló olajokkal stb. E termékek a műanyagokat károsító, gyöngítő vagy tönkretévő vegyi anyagokat tartalmaznak.

Ne használja az elektromos szerszámot helytelen vagy alkalmatlan módon. Az elektromos szerszám helytelen vagy alkalmatlan használata a szerszám és a munkadarab megsérülését okozhatja.

▲ FIGYELEM: Ne próbálja meg átalakítani a szerszámot, se tartozékokat készíteni hozzá. Mindennemű ilyen módosítás, átalakítás veszéllyel jár, és esetlegesen súlyos személyi sérüléshez vezethet, továbbá a jótállás elvesztésével jár..

KENÉS

A szerszám valamennyi csapággya standard körülmények között egész élettartamra szólóan elegendő, minőségi kenőanyaggal lett ellátva. Ez okból kifolyólag kenésre nincs szükség.

7. TECHNIKAI ADATOK

MULTIFUNKCIÓS SZERSZÁM:	
Üresjárat fordulatszám	5 000 – 18 000 ford./perc
Védőosztály	II
Zajszint	105 dB(A)
Rezgések:	ah.D1 = 3,415 ms ⁻² – ah.D1 = 8,397 ms ⁻² , K=1,5 ms ⁻²

A szöveg és műszaki paraméterek változtatásának joga fenntartva.

Használati útmutató - nyelvi változat.

A szöveg, kivétel és műszaki specifikációk előzetes figyelmeztetés nélkül változhatnak és a változtatások joga fenntartva.

Nehézségek megoldása

1. Az indító be van nyomva, de a fűrőgép nem működik. A akkumulátoros berendezés működéséhez szükséges az akkumulátor megfelelő feltöltése. Ha a berendezés hosszabb ideig nem használjuk, az akkumulátor lemerül. Töltsük újra az akkumulátort. Bizonyosodjunk meg arról, hogy az akkumulátor helyesen van behelyezve a töltőbe. A töltés során az adapter felmelegedik – ez teljesen normális.

2. Az akkumulátorból folyadék folyik ki. Extrém hőmérsékleteknél, vagy terhelésnél előfordulhat kis szivárgás. Ha érintkeztünk a szivárgott anyaggal, ezt azonnal távolítsuk el a bőrünkéről, a ruházatunkról, mossuk le szappanos vízzel.

3. Az akkumulátor nem töltődik, a töltő kijelzője nem világít. Ha az akkumulátor nem töltődik, ellenőrizzük hogy rendesen van-e behelyezve a töltőbe és világít-e a kijelző. Ha nem, ellenőrizzük hogy a töltő hálózati csatlakozója helyesen van-e csatlakoztatva a töltőhöz. Ha igen, ellenőrizzük hogy a töltő csatlakozója helyesen van-e a hálózati csatlakozóban. Ha igen, ellenőrizzük a biztosítékot.

4. A berendezés teste hosszabb használat után felmelegszik. Rendes terhelésnél a test, a kapcsoló és az akkumulátor is felmelegedhet, mivel az elhasznált energia hőt képez a berendezés használatának. Ez normális. várjunk néhány perct, hogy a fűrőgép lehűljön.

5. Használatkor az akkumulátor felmelegszik: Az akkumulátorból merített energia hőt képez. Az akkumulátor nem sérül, és a merített energia által képzett hő normális. Ha le kívánjuk hűteni, hagyjuk egyszerűen a fűrőgépet a munka folytatása előtt lehűlni.

6. Feltöltéskor az akkumulátor felmelegszik: Ez szintén normális jelenség, ezt az akkumulátorban folyó vegyi reakció okozza a töltés során.

7. A töltés során az adapter felmelegszik: Ez normális jelenség, ezt a feszültség változásával kapcsolatos 23V-ról 18V-ra.

8. MEGSEMMISÍTÉS

A HASZNÁLT CSOMAGOLÓANYAG MEGSEMMISÍTÉSE

A készülék csomagolóanyagát az önkormányzat által kijelölt hulladéktelepen adja le.

AZ ELEKTROMOS ÉS ELEKTRONIKUS KÉSZÜLÉKEK MEGSEMMISÍTÉSE



Ez a terméket vagy kísérődokumentumokban feltüntetett jelzés azt jelenti, hogy az elektromos és elektronikus készülékek élettartamuk lejártát követően nem semmisíthetők meg egyszerű kommunális hulladékként. A helyes megsemmisítés és újrahasznosítás érdekében e készülékeket az arra kijelölt gyűjtőhelyeken adja le. Az Európai Unió egyes országában, és néhány más európai országban a terméket azonos termék megvásárlása esetén leadhatja a készülék eladójának is. Az ilyen készülékek helyes megsemmisítésével Ön is hozzájárul az értékes természeti források megőrzéséhez, és segít kiküszöbölni a készülékek potenciálisan negatív kihatásait a környezetre és az emberi egészségre. Ezzel kapcsolatosan további részleteket a helyi önkormányzattól, vagy az Önhöz legközelebbi gyűjtőteleptől kérhet. Az ilyen jellegű hulladék helytelen megsemmisítése esetén a nemzeti törvényi szabályozással összhangban büntetés szabható ki.

AZ EURÓPAI UNIÓ VÁLLALATAI SZÁMÁRA

Amennyiben elektromos vagy elektronikus készülékeket kívánnak megsemmisíteni, ezzel kapcsolatosan kérjenek információkat a készülék forgalmazójától, vagy eladójától.

MEGSEMMISÍTÉS NEM EURÓPAI UNIÓS TAGÁLLAMOK ESETÉN



Ez a jelzet az Európai Unió területén érvényes. Amennyiben a terméket meg kívánja semmisíteni, ezzel kapcsolatosan kérjen információkat az illetékes helyi szervektől, vagy a készülék forgalmazójától

A készülék megfelel az EU irányelvek valamennyi reá vonatkozó alapvető követelményének.

A szöveg, formaterv és a műszaki paraméterek előzetes figyelmeztetés nélkül is változhatnak, a változtatások jogát fenntartjuk.

9. MEGFELELŐSÉGI NYILATKOZAT

Termék / márka: MULTIFUNKIÓS SZERSZÁM/ FIELDMANN

Typ / model: FDUB 50701 18V/5000-18000 /min

A termék megfelel az alábbi ismertetett előírásoknak:

- ☼ Az Európai Parlament és a Tanács 2006/95/ek irányelve (2006. december 12.) a meghatározott feszültséghatáron belüli használatra tervezett elektromos berendezésekre vonatkozó tagállami jogszabályok összehangolásáról.
- ☼ Az Európai Parlament és a Tanács 2004/108/EK irányelve (2004. december 15.) az elektromágneses összeférhetőségre vonatkozó tagállami jogszabályok közelítéséről és a 89/336/EGK irányelv hatályon kívül helyezéséről.
- ☼ Az Európai Parlament és a Tanács 2006/42/EK irányelve (2006. május 17.) a gépekről és a 95/16/EK irányelv módosításáról.
- ☼ Az Európai Parlament és a Tanács 2002/95/ek irányelve (2003. január 27.) egyes veszélyes anyagok elektromos és elektronikus berendezésekben való alkalmazásának korlátozásáról.
- ☼ Az Európai Parlament és a Tanács 2005/88/ES irányelve.

és szabványoknak:

- ☼ EN60745-1:2009+A11 :2010
- ☼ EN60745-2-4:2009+A11:2011
- ☼ AfPS GS 2014:01
- ☼ EN55014-1:2006+A1:2009+A2 :2011
- ☼ EN55014-2:1997+A1:2001+A2 :2008
- ☼ EN62321:2009

CE jelzet: 16

A FAST ČR, a.s. a gyártó nevében eljárni jogosult személy.

Gyártó:

FAST ČR, a.s.
Černokostelecká 1621,251 01 Prága, Cseh Köztársaság
ASZ: CZ26726548

Kelt Prágában, 2016.1.30-án



Pech

Név: Ing. Zdeněk Pech
Az igazgatóság elnöke

Alíírás és bélyegzők:

Narzędzie Wielofunkcyjne

INSTRUKCJA OBSŁUGI

Dziękujemy za dokonanie zakupu narzędzie wielofunkcyjne. Przed rozpoczęciem użytkowania należy dokładnie zapoznać się z treścią niniejszej instrukcji obsługi i zachować ją na przyszłość.

SPIS TREŚCI

1. OGÓLNE PRZEPISY BEZPIECZEŃSTWA	94
OGÓLNE UWAGI DOTYCZĄCE BEZPIECZEŃSTWA	95
2. SYMBOLE	100
3. CHARAKTERYSTYKA OGÓLNA	101
4. WYPOSAŻENIE	101
5. MONTAŻ I OBSŁUGA	102
6. KONSERWACJA	111
7. DANE TECHNICZNE	111
8. LIKWIDACJA	112
9. DEKLARACJA ZGODNOŚCI	113

1. OGÓLNE PRZEPISY BEZPIECZEŃSTWA

⚠ UWAGA! Przed użyciem należy uważnie przeczytać instrukcję użytkownika.

Ważne uwagi dotyczące bezpieczeństwa

- ✿ Produkt należy starannie rozpakować, należy zwrócić uwagę na wyjęcie z opakowania wszystkich części produktu.
- ✿ Produkt należy przechowywać w miejscu suchym, zabezpieczyć przed dostępem dzieci.
- ✿ Przeczytać wszelkie uwagi i instrukcje. Zaniedbania w stosunku do uwag i instrukcji mogą być powodem urazu, pożaru i/lub ciężkiego zranienia.

Opakowanie

Produkt jest zapakowany do opakowania chroniącego go przed uszkodzeniem w czasie transportu. Opakowanie jest surowcem wtórnym i należy poddać je recyklingowi.

Instrukcja obsługi

Przed rozpoczęciem korzystania z urządzenia należy zapoznać się z poniższymi przepisami bezpieczeństwa i instrukcją obsługi. Należy zapoznać się z elementami obsługi i właściwym korzystaniem z urządzenia. Instrukcje należy przechowywać w celu późniejszego z niej korzystania. Przez okres trwania gwarancji zaleca się przechowanie oryginalnego opakowania wraz z materiałami opakunkowymi, dokument zakupu i kartę gwarancyjną. Przechowanie opakowania ułatwi w przyszłości ewentualny transport urządzenia (przeprowadzka, odesłanie do naprawy).

📖 Uwaga: Jeżeli nastąpi przekazanie urządzenia innym użytkownikom, należy przekazać również instrukcję obsługi. Stosowanie się do zaleceń zawartych w instrukcji zapewni właściwe użytkowanie urządzenia. Instrukcja obsługi zawiera również instrukcję konserwacji urządzenia i napraw.

Producent nie ponosi odpowiedzialności za wypadki lub szkody powstałe w wyniku nie stosowania się do niniejszej instrukcji obsługi.

OGÓLNE UWAGI DOTYCZĄCE BEZPIECZEŃSTWA

Należy zapoznać się z niniejszymi uwagami dotyczącymi bezpieczeństwa, zapamiętać je i przechowywać

⚠ UWAGA! Podczas użytkowania maszyn i narzędzi elektrycznych należy stosować się do poniższych uwag w celu uniknięcia porażenia prądem elektrycznym, zranienia i niebezpieczeństwa wywołania pożaru. Pod pojęciem „narzędzia elektryczne” dla celów poniżej zamieszczonych uwag rozumie się narzędzie elektryczne zasilane z instalacji elektrycznej (przewód zasilający) jak również narzędzie zasilane z akumulatora (bez przewodu zasilającego). Należy przechować wszystkie ostrzeżenia i zalecenia w celu wykorzystania w przyszłości.

Środowisko pracy

- ✿ Stanowisko pracy należy utrzymywać w czystości i dbać o prawidłowe oświetlenie. Bałagan i miejsca nie doświetlone na stanowisku pracy bywają przyczyną wypadków. Należy uprzątnąć narzędzia w danej chwili nie używane.
- ✿ Nie używać narzędzi elektrycznych w środowisku zagrożonym pożarem lub wybuchem, tzn. tam gdzie występują ciecz palna, gazy lub zapylenie. W narzędziu elektrycznym powstaje iskrzenie na komutatorze, mogące powodować zapalenie oparów lub pyłu.
- ✿ Przy użytkowaniu narzędzia elektrycznego nie dopuszczać do stanowiska pracy osób postronnych i dzieci! Przeszkadzanie w pracy może spowodować utratę kontroli nad wykonywaną czynnością. Nigdy nie należy pozostawiać narzędzi elektrycznych bez nadzoru. Nie dopuszczać zwierząt w pobliżu urządzeń.

Bezpieczeństwo użytkowania urządzeń elektrycznych

- ✿ Wtyczka przewodu zasilania musi być zgodna z gniazdkiem sieciowym. Nigdy nie należy naprawiać wtyczki. Narzędzia zaopatrzonego we wtyczkę wyposażoną w kontakt ochronny nie należy przyłączać do zasilania używając trójnika lub innego adaptera. Nieuszkodzone wtyczki i odpowiednie gniazda sieciowe zapobiegają porażeniu prądem elektrycznym. Uszkodzone lub splątane przewody zasilające zwiększają zagrożenie porażenia prądem elektrycznym. Jeżeli przewód zasilający jest uszkodzony, należy wymienić go na nieuszkodzony, który można zakupić w autoryzowanym zakładzie naprawczym lub u importera.
- ✿ Wystrzegać się w czasie pracy dotykania przedmiotów uziemionych, jak np. instalacja wodociągowa, grzejniki, kuchenki elektryczne i lodówki. Niebezpieczeństwo porażenia prądem elektrycznym jest większe, jeżeli występuje bezpośredni kontakt z ziemią.

- ✿ Nie narażać narzędzi elektrycznych na bezpośredni kontakt z deszczem, wilgocią. Nie wolno dotykać narzędzi elektrycznych mokrymi rękoma. Nie należy myć narzędzi elektrycznych pod bieżącą wodą ani zanurzać ich we wodzie.
- ✿ Nie używać przewodu zasilającego do celów innych, niż wynika to z jego przeznaczenia. Nigdy nie należy przenosić i ciągnąć urządzeń elektrycznych za przewód zasilający. Nie wyłączać wtyczki pociągając za przewód. Chronić przewody zasilające przed uszkodzeniem mechanicznym spowodowanym przez ostre lub gorące przedmioty.
- ✿ Narzędzie elektryczne jest przystosowane wyłącznie do zasilania prądem elektrycznym zmiennym. Zawsze należy sprawdzić, czy napięcie elektryczne odpowiada wartości zamieszczonej na tabliczce znamionowej narzędzia.
- ✿ Nigdy nie należy używać narzędzia z uszkodzonym przewodem zasilania lub wtyczką, które spadło na podłoże i jest w jakimś stopniu uszkodzone.
- ✿ W przypadku używania przedłużacza należy sprawdzić, czy jego parametry techniczne odpowiadają danym umieszczonym na tabliczce znamionowej narzędzia. Jeżeli narzędzie elektryczne używane jest poza pomieszczeniem zadaszonym, należy stosować przedłużacz odpowiedni do użytkowania poza pomieszczeniami zadaszonymi. W razie stosowania przedłużaczy nawiniętych na bęben, konieczne jest ich rozwinięcie, aby nie dopuścić do przegrzania przewodu.
- ✿ Jeżeli narzędzie elektryczne jest użytkowane w dużych pomieszczeniach lub na zewnątrz budynku, dozwolone jest jego użytkowanie, jeżeli jest podłączone do instalacji zaopatrzonej w wyłącznik różnicowoprądowy/RCD/ < 30 mA. Korzystanie z instalacji wyposażonej w wyłącznik różnicowoprądowy /RCD/ zmniejsza ryzyko porażenia prądem elektrycznym.
- ✿ Ręczne narzędzia elektryczne należy chwycić wyłącznie za izolowane uchwyty, dlatego że podczas pracy może nastąpić kontakt urządzenia tnącego lub wierzącego z ukrytym przewodem elektrycznym lub z przewodem zasilającym narzędzie.

Bezpieczeństwo osób

- ✿ Podczas użytkowania narzędzia elektrycznego należy zachować maksymalną ostrożność i uwagę przy wykonywaniu danej czynności. Należy skoncentrować się na wykonywanej pracy. Nie należy wykonywać prac z użyciem narzędzia elektrycznego w stanie zmęczenia, będąc pod wpływem narkotyków, alkoholu lub leków. Nawet chwilowa nieuwaga może spowodować wypadek. Podczas pracy z użyciem narzędzia elektrycznego nie należy jeść, pić, palić.
- ✿ Należy stosować środki ochrony osobistej. Zawsze należy stosować ochronę oczu. Stosować środki ochrony osobistej odpowiednie dla danego rodzaju prac. Środki ochrony takie jak np. maseczka oddechowa, obuwie o podeszwie antypoślizgowej, przykrycie głowy lub ochronniki słuchu używane stosownie do warunków wykonywanej pracy obniżają ryzyko spowodowania wypadku.

- ✿ Należy wystrzegać się przypadkowego włączenia narzędzia. Nie przemieszczać narzędzia podłączonego do sieci elektrycznej, z palcem na włączniku. Przed podłączeniem narzędzia do sieci należy sprawdzić, czy włącznik jest w położeniu „wyłączony”. Przemieszczanie narzędzia z palcem na włączniku lub włączanie do gniazdka sieciowego z załączonym włącznikiem może być przyczyną wypadku.
- ✿ Przed włączeniem narzędzia należy usunąć wszystkie klucze i przyrządy użyte do regulacji. Klucz do regulacji lub przyrząd, pozostawiony w obracającej się części narzędzia elektrycznego może być przyczyną wypadku.
- ✿ Przy pracy należy zajmować stabilną pozycję i równowagę. Pracować tylko w bezpiecznym zasięgu. Nigdy nie należy przeceniać własnych możliwości. Nie używać narzędzi elektrycznych będąc zmęczonym.
- ✿ Należy stosować odpowiedni ubiór. Stosować ubranie robocze. Nie zakładać luźnych ubrań ani nie zakładać biżuterii. Uważać, aby włosy, odzież, rękawice nie znalazły się w zasięgu obracających się lub rozgrzanych elementów narzędzia elektrycznego.
- ✿ Podłączyć urządzenie do odsysania pyłu. Jeżeli narzędzie posiada opcję podłączenia do urządzenia do wychwytywania lub odsysania pyłu, należy je prawidłowo podłączyć i używać. Stosowanie takiego urządzenia może ograniczyć zagrożenia powodowany przez powstający w trakcie pracy pył.
- ✿ Element obrabiany należy odpowiednio zamocować. Należy stosować ściski stolarskie lub imadło do mocowania obrabianego elementu.
- ✿ Nie pracować z narzędziem elektrycznym będąc pod wpływem alkoholu, narkotyków, leków lub substancji uzależniających.
- ✿ Urządzenie nie może być obsługiwane przez osoby (także dzieci) o obniżonych zdolnościach manualnych lub psychicznych lub nie posiadające odpowiedniego doświadczenia i umiejętności jeżeli nie pozostają pod bezpośrednim nadzorem lub, które nie zostały odpowiednio przeszkolone przez osoby odpowiedzialne za ich bezpieczeństwo. Konieczny jest nadzór zapobiegający dostępowi dzieci do narzędzi.

Użytkowanie narzędzia elektrycznego i jego konserwacja

- ✿ W razie wystąpienia problemów w pracy narzędzia należy odłączyć je od zasilania elektrycznego, tak samo należy postąpić przed przystąpieniem do czyszczenia lub konserwacji, przy każdym przemieszczaniu narzędzia i po zakończeniu pracy! Nigdy nie wolno używać do pracy narzędzia uszkodzonego.
- ✿ Jeżeli narzędzie zacznie emitować nienormalny dźwięk lub zapach, natychmiast należy przerwać pracę.
- ✿ Nie należy przeciążać narzędzia elektrycznego. Narzędzie elektryczne będzie pracować wydajniej i bezpieczniej, jeżeli będzie eksploatowane na obrotach, dla których zostało zaprojektowane. Zawsze należy używać narzędzie sprawne, przeznaczone do wykonywania danej pracy. Odpowiednie narzędzie będzie lepiej i bezpieczniej wykonywać pracę dla wykonywania której zostało zbudowane.

- ✿ Nie użytkować narzędzia elektrycznego, którego nie można bezpiecznie włączyć i wyłączyć używając zainstalowanego włącznika. Użytkowanie takiego narzędzia jest niebezpieczne. Uszkodzony włącznik musi być naprawiony przez autoryzowany zakład naprawczy.
- ✿ Narzędzie należy odłączyć od zasilania zanim przystąpi się do jego regulacji, wymiany oprzyrządowania lub konserwacji. Będzie to przeciwdziałać przypadkowemu uruchomieniu.
- ✿ Nie użytkowane narzędzia elektryczne należy uprzątnąć i schować je poza zasięgiem dostępu dzieci i osób niepowołanych. Narzędzie elektryczne w niedoświadczonych rękach może być niebezpieczne. Narzędzia elektryczne należy przechowywać w suchym i zabezpieczonym miejscu.
- ✿ Narzędzia elektryczne należy utrzymywać w dobrym stanie. Regularnie należy sprawdzać ustawienie części ruchomych i ich ruchomość. Sprawdzać, czy nie doszło do uszkodzenia osłon lub innych elementów, co może wpływać na bezpieczeństwo użytkowania narzędzia. Jeżeli narzędzie jest uszkodzone, przed kolejnym użytkowaniem należy spowodować jego naprawę. Wiele wypadków jest spowodowanych z powodu niewłaściwego stanu narzędzia.
- ✿ Przyrządy przeznaczone do cięcia muszą być ostre i czyste. Prawidłowo zadbane i naostrzone narzędzia ułatwiają wykonywanie pracy, przeciwdziałają wypadkom i praca z użyciem takich przyrządów jest łatwa w kontrolowaniu wykonywanej czynności. Zastosowanie innego oprzyrządowania, niż wymienione w instrukcji obsługi może spowodować uszkodzenie narzędzia i stanowić przyczynę wypadku.
- ✿ Narzędzia elektryczne ich oprzyrządowanie, przyrządy robocze należy stosownie z niniejszymi zaleceniami i w sposób przewidziany dla danego narzędzia elektrycznego, biorąc pod uwagę warunki wykonywanej pracy i jej rodzaj. Używanie narzędzia do innych celów może powodować powstanie zagrożenia.

Użytkowanie narzędzia zasilanego z akumulatora

- ✿ Przed włożeniem akumulatora należy upewnić się, że włącznik znajduje się w pozycji „0 – wyłączone”. Zainstalowanie akumulatora w narzędziu włączonym może skutkować wypadkiem.
- ✿ Do ładowania akumulatora należy używać ładowarki zalecanej przez producenta. Stosowanie ładowarki innego typu może skutkować uszkodzeniem akumulatora i powstaniem pożaru.
- ✿ Stosować akumulatory przeznaczone dla danego narzędzia. Stosowanie innych akumulatorów może powodować zranienie lub powstanie pożaru.
- ✿ Jeżeli akumulator nie jest użytkowany, należy przechowywać go w oddaleniu od przedmiotów metalowych, które mogłyby spowodować zwarcie biegunów akumulatora. Zwarcie w akumulatorze może skutkować poranieniem, poparzeniem jak również może spowodować powstanie pożaru.

- ✿ Z akumulatorami należy postępować ostrożnie. Nieostrożne obchodzenie się z akumulatorem może spowodować wyciek substancji chemicznej z akumulatora. Należy wystrzegać się kontaktu z tą substancją a jeżeli do tego dojdzie należy skażone miejsce spłukać pod bieżącą wodą. Jeżeli substancja chemiczna dostanie się do oczu należy natychmiast udać się po pomoc medyczną. Substancja chemiczna z akumulatora może być przyczyną groźnego zranienia.

Serwis

- ✿ Samowolnie nie można wykonywać wymiany części, napraw i ingerować w budowę narzędzia. Naprawy należy powierzyć wykwalifikowanym pracownikom.
- ✿ Każda samowolna naprawa lub zmiana w budowie narzędzia jest niedopuszczalna bez zgody naszej firmy (w wyniku może nastąpić wypadek).
- ✿ Narzędzia elektryczne należy naprawiać w autoryzowanym zakładzie naprawczym. Należy stosować oryginalne lub zalecane części zamienne. Zapewnia to bezpieczeństwo użytkownika i narzędzia.

2. SYMBOLE



Niniejszy produkt został wyprodukowany zgodnie z obowiązującymi normami.



Przed uruchomieniem urządzenia należy dokładnie zapoznać się z instrukcją obsługi.



Sprzęt ochronny dla oczu



Sprzęt ochronny dla uszu

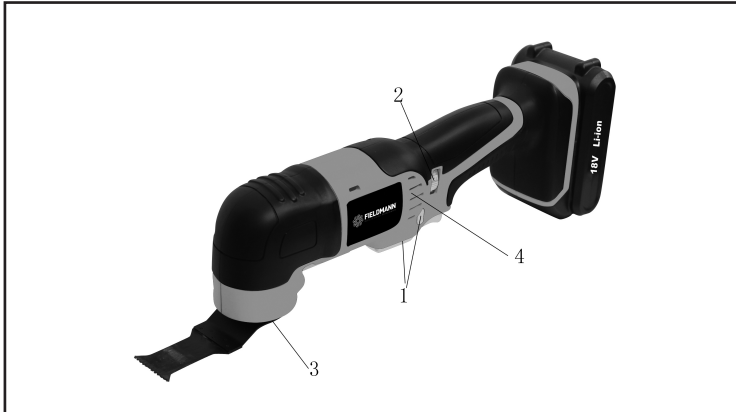


Używać ochronnej maski przeciwpyłowej



Nie wyrzucać

3. CHARAKTERYSTYKA OGÓLNA



1. Wyłącznik
2. Regulator obrotów
3. Uchwyt mocowania osprzętu
4. Otwory wentylacyjne

4. WYPOSAŻENIE

DOSTĘPNY OSPRZĘT

⚠ OSTRZEŻENIE: Należy używać tylko akcesoriów przeznaczonych dla tego wielofunkcyjnego narzędzia. Stosować się do instrukcji załączonej do osprzętu. Stosowanie nieodpowiedniego osprzętu może spowodować wypadek lub uszkodzenie narzędzia. Przed użyciem dowolnego elementu wyposażenia należy dokładnie zapoznać się z zaleceniami lub instrukcją zastosowania wyposażenia.

⚠ OSTRZEŻENIE: Jeżeli zostanie stwierdzony brak lub uszkodzenie dowolnego elementu, nie należy podłączać narzędzia do źródła zasilania, ani montować żadnego osprzętu, do chwili, aż brakujący lub uszkodzony element nie zostanie zastąpiony.

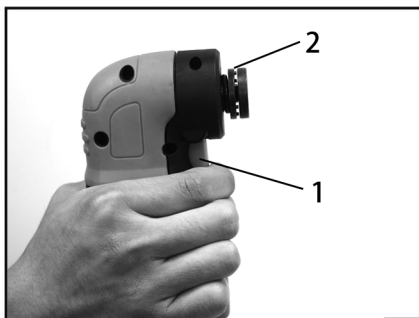
5. MONTAŻ I OBSŁUGA

5.1 MOCOWANIE OSPRZĘTU

Wszelkie elementy stanowiące osprzęt są mocowane do narzędzia wielofunkcyjnego w podobny sposób. Dla celów opisu mocowania osprzętu użyjemy tarczy półkolistej

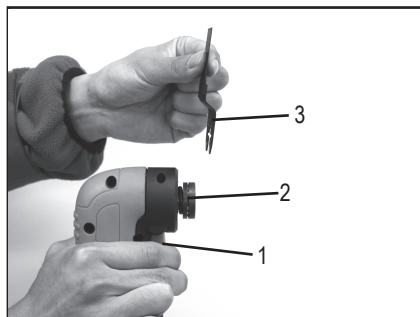
⚠ ZAGROŻENIE : Przed mocowaniem lub zdejmowaniem osprzętu lub papieru ściernego zawsze należy wyciągnąć wtyczkę z gniazda sieciowego. Jeżeli wtyczka nie zostanie odłączona od źródła zasilania może dojść do przypadkowego uruchomienia narzędzia i w efekcie do poważnego poranienia obsługującego.

1. Wciśnij uchwyt wyposażenia (1). Rys. 1



rys. 1


2. Umieścić tarczę (3) na uchwycie osprzętu (rys. 2)




rys. 2

 UWAGI:

- ✿ Należy upewnić się, że otwory montażowe (6) w tarczy zostały umieszczone na czopach naprowadzających (7) znajdujących się w uchwycie osprzętu i aby zadrukowana powierzchnia tarczy była skierowana w stronę narzędzia.
 - ✿ Tarczę w razie konieczności można osadzić pod różnymi kątami w lewo lub w prawo od środka.
3. Csavarozza át a csavart (1) az alátétet (2), valamint a tárcsát a szerszámbe fogó egység menetes nyílásába (8)
 4. Az óramutatók járásával azonos irányba csavarja a csavart, és kézzel húzza meg.

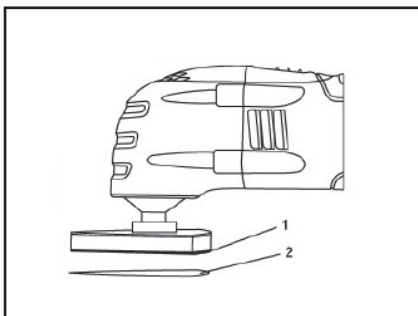
 UWAGI: Sprawdzić, czy wklęsła powierzchnia podkładki (9) skierowana jest w stronę łba śruby. Należy zwracać uwagę, aby otwory montażowe przez cały czas były dociśnięte do gniazd czopów naprowadzających w uchwycie osprzętu.

5. Dokręcić śrubę używając klucza imbusowego 5 mm.

 UWAGA: Należy zwracać uwagę, aby otwory montażowe przez cały czas były dociśnięte do gniazd czopów naprowadzających w uchwycie osprzętu.

5.2 ZAKŁADANIE PAPIERU ŚCIERNEGO

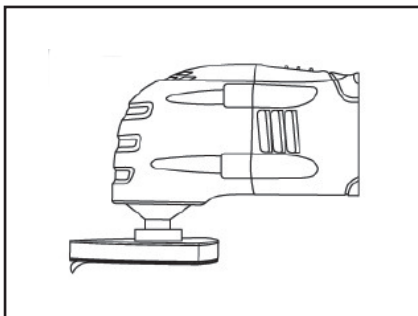
1. Zamontować na narzędziu tarczę dociskową (1) zaopatrzoną w rzep (rys. 3).
2. Do tarczy dociskowej zaopatrzonej w rzep docisnąć papier ścierny (2).



rys. 3

MEGJEGYZÉSEK: Papier ścierny należy umieścić tak, aby otwory w papierze ściernym pokrywały się z odpowiadającymi otworami w tarczy dociskowej zaopatrzonej w rzep. Na Do tarczy dociskowej zaopatrzonej w rzep docisnąć papier ścierny.

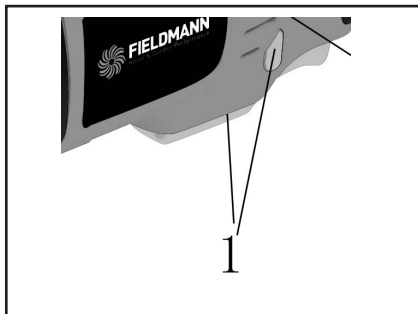
3. Przy zdejmowaniu papieru ściernego, należy zerwać go z tarczy dociskowej zaopatrzonej w rzep (rys. 4).



rys. 4

5.3 WYŁĄCZNIK

- ✿ Aby narzędzie włączyć należy przesunąć wyłącznik (1) w kierunku do przodu narzędzia (rys. 5).
- ✿ Aby narzędzie wyłączyć należy przesunąć wyłącznik w kierunku do tyłu narzędzia (rys. 5).

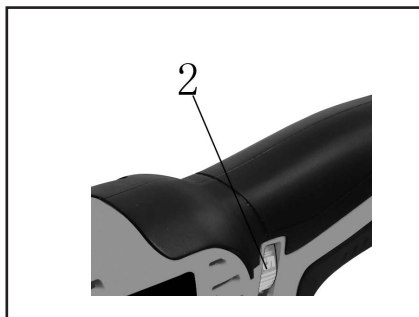


rys. 5

5.4 REGULATOR OBROTÓW

Obroty narzędzia można regulować w zakresie obrotów od 10000 do 18000 obr./min, przestawiając regulator obrotów (1) znajdujący się na tyle obudowy narzędzia (rys. 6).

- ✿ W celu zwiększenia obrotów, należy obracać regulator obrotów w kierunku do lewego boku narzędzia.
- ✿ W celu zmniejszenia obrotów, należy obracać regulator obrotów w kierunku do prawego boku narzędzia.



rys. 6

UWAGA: Obroty nr 1 są to najniższe obroty. MAX są to obroty najwyższe. Regulacja optymalnych obrotów jest uzależniona od typu użytego osprzętu, obrabianej powierzchni i stopnia skomplikowania wykonywanej obróbki. Zalecenia ogólne są zamieszczone w tabeli na kolejnej stronie.

⚠ OSTRZEŻENIE: Ze względów zachowania bezpieczeństwa przed przystąpieniem do użytkowania niniejszego narzędzia wielofunkcyjnego obsługa powinna zapoznać się z rozdziałami niniejszej instrukcji o nazwie **OGÓLNE ZASADY BEZPIECZEŃSTWA, SZCZEGÓLNE ZASADY BEZPIECZEŃSTWA I SYMBOLE.**

Przed każdorazowym użyciem narzędzia wielofunkcyjnego należy sprawdzić

- ☼ Czy są używane okulary ochronne lub maska na twarz.
- ☼ Czy są używane ochronniki słuchu.
- ☼ Czy tarcza lub papier ścierny jest w dobrym stanie.
- ☼ Czy osprzęt jest prawidłowo zamocowany do uchwytu osprzętu narzędzia.

Nie stosowanie się do powyższych zasad zachowania bezpieczeństwa znacząco zwiększa zagrożenie wypadkowe.


5.4 POZIOME PODCINANIE OBRAMIENIA DRZWIOWEGO I OŚCIEŻNICY DRZWIOWEJ DLA OSADZENIA PODŁOGI

Narzędzie wielofunkcyjne można użyć do poziomego podcinania obramienia drzwiowego i ościeżnicy drzwiowej dla dokładnego osadzenia podłogi pod obramienie drzwiowe i ościeżnicę. Dla zilustrowania procesu wykonawstwa użyjemy płytki podłogowej.


1. Osadzić w narzędziu tarczę do cięcia drewna (rys. 2)

📖 UWAGA : Tarcza powinna być wycentryowana do osłony narzędzia a NIGDY nie powinna być osadzona pod kątem 90°.

2. Położyć na podłodze kawałek płytki posadzkowej (1) około 1/2" (25 mm) od obramienia drzwiowego (2)

 **UWAGA:** Należy zadbać, aby płytką obrócona była „dobrą” stroną do góry i aby stanowiła dla tarczy gładką powierzchnię oporową.

3. Ustawić narzędzie z tarczą (3) w taki sposób, aby dotykało lekko powierzchni płytki i aby zęby tnące NIE DOTYKAŁY powierzchni ciętej.
4. Ustawić najwyższe obroty i włączyć narzędzie (rys. 5 i 6)
5. Po osiągnięciu obrotów maksymalnych ostrożnie wprowadzić tarczę do obramienia drzwi jednocześnie przesuując narzędzie po płycie podłogow.

 **UWAGA:** Należy trzymać narzędzie pewnym chwytem jednocześnie nie wywierając na tarczę tnącą zbyt dużego nacisku, mogłoby to spowodować zbyt duże drgania narzędzia.


6. Wykonać kilka cięć, które spowodują odcięcie dolnej części obramienia drzwi i ościeżnicy a odcięte kawałki należy wyjąć.

Podobnie należy postępować przy zakładaniu wykładziny dywanowej z zastosowaniem sztywnej podkładki o takiej samej grubości jaką ma zakładana wykładzina dywanowa.

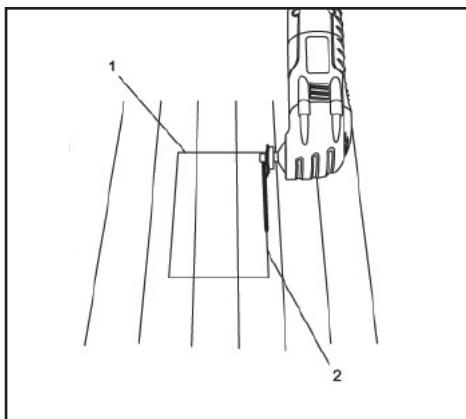
5.5 WYCINANIE W PODŁODZE DREWNIANEJ OTWORU DO ZAINSTALOWANIA KANAŁU POWIETRZNEGO OGRZEWANIA

Narzędzie wielofunkcyjne można użyć do wykonania otworu w podłodze drewnianej dla zainstalowania ramki kanału powietrznego ogrzewania.

1. Osadzić w narzędziu tarczę do cięcia drewna (rys. 2).

 **UWAGA:** Tarcza powinna być wycentrowana do osłony narzędzia a NIGDY nie powinna być osadzona pod kątem 90°.

2. Położyć ramkę na podłodze i miękkim ołówkiem obrysować, wyznaczając na podłodze wymagany prostokątny obrys otworu (1) (rys. 8)



rys. 8

3. Umieścić tarczę tnącą (2) bezpośrednio przy podłodze na środku jednej z linii cięcia.
4. Ustawić średnie obroty i włączyć narzędzie (rys. 5 i 6).

UWAGA: Narzędzie i tarcza tnąca powinna być ustawiona w stosunku do podłogi pod kątem 45°


5. Należy trzymać narzędzie pewnym chwytem jednocześnie delikatnie dociskając do chwili dokonania cięcia na wylot przez podłogę. Po wykonaniu cięcia wprowadzającego należy ustawić najwyższe obroty narzędzia i dokończyć cięcie aż do rogu prostokąta..
6. Wylączyć pilarkę wyjąc z rzazu i następnie kontynuować cięcie w kierunku odwrotnym do chwili zakończenia cięcia na pierwszym boku prostokąta.
7. Powtarzać kroki nr 4, 5, 6 i dokonać cięcia na pozostałych trzech bokach prostokąta.
8. Po zakończeniu cięcia, należy używając płaskiego wkrętaka delikatnie usunąć wycięty element podłogi.

UWAGA: Do usunięcia wyciętego elementu nigdy **NIE UŻYWAĆ** tarczy tnącej. Spowodowałoby to jej złamanie. Jeżeli nie można łatwo wyjąć wyciętego elementu, należy sprawdzić, czy każda linia cięcia jest wykonana do samego rogu prostokąta.

5.6 WYKONYWANIE WYCINANIA OTWORU W PŁYCCIE GIPSOWO-KARTONOWEJ W POD ZAINSTALOWANIE PUSZKI INSTALACJI ELEKTRYCZNEJ

Narzędzia wielofunkcyjnego można użyć do wycinania otworu w płycie gipsowo-kartonowej pod zainstalowanie puszek instalacji elektrycznej.


1. Zamontować na narzędziu półkolistą tarczę do cięcia drewna i płyt gipsowo-kartonowych (rys. 2)

 **UWAGA:** Tarcza powinna być wycentrowana do osłony narzędzia a NIGDY nie powinna być osadzona pod kątem 90°

2. Przyłożyć puszkę do ściany i miękkim ołówkiem obrysować wymagany otwór o kształcie prostokąta (1)
3. Umieścić krawędź tnącą tarczy (2) bezpośrednio przy ścianie na środku jednej z linii cięcia.
4. Ustawić najwyższe obroty i włączyć narzędzie (rys. 5 i 6)
5. Po osiągnięciu obrotów maksymalnych ostrożnie wprowadzić tarczę w ścianę z płyty gipsowo-kartonowej do chwili dokonania cięcia na wylot. Dokończyć cięcie aż do rogu prostokąta.

 **UWAGA:** Należy trzymać narzędzie pewnym chwytem jednocześnie delikatnie dociskając.

6. Wyłączyć pilarkę wyjąć z rzazu i następnie kontynuować cięcie w kierunku odwrotnym do chwili zakończenia cięcia na pierwszym boku prostokąta.
7. Powtarzać kroki nr 4, 5, 6 i dokonać cięć na pozostałych trzech bokach prostokąta.
8. Po zakończeniu cięcia, należy używając płaskiego wkrętaka delikatnie usunąć wycięty element.

 **UWAGA:** Do usunięcia wyciętego elementu nigdy NIE UŻYWAĆ tarczy tnącej. Spowodowałoby to jej złamanie. Jeżeli nie można łatwo wyjąć wyciętego elementu, należy sprawdzić, czy każda linia cięcia jest wykonana do samego rogu prostokąta.

5.7 UŻYCIE NASADKI DO SZLIFOWANIA

1. Nasadzić na narzędzie wielofunkcyjne tarczę dociskową w sposób pokazany na rys. 2
2. Założyć na tarczę dociskową papier ścierny w sposób pokazany na rys. 3
3. Ustawić regulator obrotów w przedziale 4 do MAX w sposób pokazany na rys. 6
4. Przełączyć wyłącznik w pozycję **WŁĄCZONE** w sposób pokazany na rys. 5.

Narzędzie to jest przeznaczone do delikatnego szlifowania małych powierzchni. Położyć tarczę dociskową z papierem ściernym na element, który ma być szlifowany. Narzędzie musi pracować, aby zapobiec powstawaniu rys na powierzchni. Przy szlifowaniu szorstkich powierzchni i usuwaniu pierwotnych warstw wykończenia powierzchni należy stosować papier ścierny o dużym uziarnieniu i niskie obroty. W celu osiągnięcia gładziej powierzchni należy użyć drobnego papieru ściernego i wyższych obrotów.

5.8 UŻYCIE SKROBAKA

1. Nasadzić na narzędzie wielofunkcyjne skrobak w sposób pokazany na rys. 2, rys. 1 i 2.
2. Ustawić regulator obrotów na 4 i przełączyć wyłącznik w pozycję **WŁĄCZONE** w sposób pokazany na rys. 5 i 6.

Jeżeli ma zostać użyty skrobak w celu usunięcia starych warstw wykończenia powierzchni lub kleju z obrabianego elementu, należy ustawić płasko dolną część skrobaka na powierzchni obrabianego elementu i następnie lekko unieść tył narzędzia, co spowoduje ustawienie narzędzia pod niewielkim kątem w stosunku do powierzchni obrabianego elementu. Skrobak należy wolno wprowadzać w materiał, który ma zostać usunięty. Nie należy naciskać na narzędzie, dlatego że niewielka prędkość obróbki gwarantuje lepsze efekty odcinania i zmniejsza ryzyko wystąpienia wrębów na obrabianym elemencie.

Jeżeli skrobak ma być użyty do cięcia wykładziny dywanowej należy pod wykładziną w miejscu cięcia umieścić podkładkę. Ustawić obroty na MAX, ustawić narzędzie tak, aby skrobak był ustawiony prostopadle do wykładziny dywanowej i wprowadzać skrobak w wykładzinę.

6. KONSERWACJA

ZALECENIA OGÓLNE

⚠ OSTRZEŻENIE: Do wykonywania napraw należy używać wyłącznie takich samych części zamiennych. Zastosowanie innych części zamiennych może być przyczyną wypadku lub uszkodzenia produktu.

Do czyszczenia elementów z tworzyw sztucznych nie używać rozpuszczalników. Tworzywa sztuczne są nieodporne na działanie różnych rozpuszczalników występujących w handlu i w wyniku ich zastosowania można spowodować uszkodzenie tych elementów. Do usuwania zabrudzeń, pyłu, oleju, wazeliny itp. należy używać czystą szmatkę.

⚠ OSTRZEŻENIE: Należy uważać, aby elementy z tworzyw sztucznych nie zostały zabrudzone płynem hamulcowym, benzyną, produktami ropopochodnymi, olejem penetracyjnym itp. Produkty te zawierają substancje chemiczne, które uszkadzają, osłabiają lub niszczą tworzywa sztuczne.

Nie użytkować narzędzi elektrycznych w sposób nieprawidłowy lub niewłaściwy. Użytkowanie narzędzi w sposób nieprawidłowy lub niewłaściwy może spowodować uszkodzenie narzędzia i elementu obrabianego.

⚠ OSTRZEŻENIE: Nie dokonywać żadnych zmian w budowie narzędzie lub przystosowywać go do pracy z innym osprzętem. Zmiany takie mogą spowodować zagrożenie wypadkowe. Efektem dokonania takich zmian jest utrata gwarancji

SMAROWANIE

Wszystkie łożyska tego narzędzia są w sposób wystarczający przesmarowane smarem o wysokiej jakości, zapewniającym smarowanie przez cały okres użytkowania narzędzia w warunkach normalnych. Z tego powodu nie jest wymagane ich dodatkowe smarowanie. .

7. DANE TECHNICZNE

NARZĘDZIE WIELOFUNKCYJNE :	
Obroty na biegu jałowym	5 000 – 18 000 obr./min
Klasa ochrony	II
Poziom mocy akustycznej	105 dB(A)
Wibracje:	ah.D1 = 3,415 ms ⁻² – ah.D1 = 8,397 ms ⁻² , K = 1,5 ms ⁻²

Instrukcja użytkowania - tylko wersja językowa.

Zastrzega się możliwość zmiany tekstu i parametrów technicznych.

Zmiany tekstu, designu i danych technicznych mogą być dokonywane bez uprzedniego ostrzeżenia. Zastrzegamy sobie prawo do ich zmiany.

Rozwiązywanie problemów

1. Wtycznik jest wciśnięty, ale wiertarka nie pracuje: Aby aparat mógł pracować, akumulator musi być dostatecznie doładowany. Jeśli aparat nie jest używana przez dłuższy czas, dochodzi do rozładowania akumulatora. Spróbuj doładować akumulator. Upewnij się, że akumulator został bprawidłowo umieszczony w ładowarce. Podczas ładowania akumulator się nagrzewa, co jest normalnym zjawiskiem.
2. Wyciek elektrolitu z akumulatora: Przy skrajnych temperaturach lub przy wysokim obciążeniu może dojść do niewielkiego wycieku elektrolitu. Jeśli dotknąłeś cieczy, natychmiast zmyj ją ze skóry lub ubrania wodą z mydłem.
3. Akumulator się nie doładowuje i światło w ładowarce nie świeci: Jeśli akumulator się nie doładowuje, sprawdź, czy jest on prawidłowo umieszczony w ładowarce i przekonaj się, czy kontrolka świeci. Jeśli kontrolka nie świeci, sprawdź, czy wtyczka ładowarki jest prawidłowo wsunięta do gniazda. Jeśli tak, sprawdź bezpiecznik gniazda.
4. Korpus aparata nagrzewa się przy dłuższym użyciu: Przy normalnym obciążeniu dochodzi do nagrzewania korpusu, wtycznika i akumulatora, ponieważ energia zużywana podczas użycie aparata produkuje ciepło. Jest to normalne zjawisko. Pozostaw wiertarkę na kilka minut do wystygnięcia.
5. Akumulator nagrzewa się podczas użytkowania: Energia pobierana z akumulatora wytwarza ciepło. Nie powoduje to uszkodzenia akumulatora, wytwarzanie ciepła podczas poboru energii jest zjawiskiem normalnym. Jeśli chcesz schłodzić akumulator, pozostaw wiertarkę wyłączonej na kilka minut przed rozpoczęciem nowej pracy.
6. Akumulator nagrzewa się podczas ładowania: Jest to zjawisko normalne wynikające z reakcji chemicznych przebiegających wewnątrz akumulatora podczas procesu ładowania.
7. Podczas ładowania ładowarka się nagrzewa: Jest to normalne zjawisko wynikające z obniżenia napięcia z 230 V na 18 V.

8. LIKWIDACJA

ZALECENIA I INFORMACJE O POSTĘPOWANIU Z ZUŻYTYM OPAKOWANIEM.

Zużyty materiał z opakowania przekazuje się na gminne wysypisko odpadów.

LIKWIDACJA ZUŻYTYCH URZĄDZEŃ ELEKTRYCZNYCH I ELEKTRONICZNYCH



Ten symbol na produktach albo w dokumentach przewodnich oznacza, że zużyte wyroby elektryczne i elektroniczne nie mogą być dodawane do zwykłych odpadów komunalnych. W celu właściwej likwidacji, odzysku i recyklingu trzeba je przekazywać w ustalone zbiorcze miejsca. Alternatywnie w niektórych krajach Unii Europejskiej albo w innych krajach europejskich można zwrócić takie wyroby lokalnemu sprzedawcy przy zakupie nowego, ekwiwalentnego produktu. Właściwa likwidacja tego produktu pomoże zachować cenne źródła naturalne i pomaga w zapobieganiu negatywnym wpływom na środowisko naturalne i zdrowie ludzi, które mogłaby spowodować niewłaściwa likwidacja odpadów. Szczegółowych informacji udziela Urząd gminy albo najbliższe wysypisko odpadów. Przy niewłaściwej likwidacji tego rodzaju odpadu, zgodnie z przepisami krajowymi, może dojść do nałożenia mandatu karnego.

DOTYCZY PODMIOTÓW GOSPODARCZYCH W UNII EUROPEJSKIEJ

Jeżeli trzeba zlikwidować urządzenia elektryczne i elektroniczne, to niezbędne informacje należy uzyskać od swojego sprzedawcy albo dostawcy.

LIKWIDACJA W INNYCH KRAJACH POZA UNIĄ EUROPEJSKĄ



Ten symbol obowiązuje w Unii Europejskiej. Jeżeli chcemy ten wyrób zlikwidować, to niezbędne informacje o właściwym sposobie likwidacji otrzymujemy od urzędów lokalnych albo od swojego sprzedawcy.

Ten wyrób spełnia wszystkie podstawowe wymagania dyrektyw UE, które go dotyczą.

Zmiany w tekście, designie i specyfikacji technicznej mogą nastąpić bez wcześniejszego uprzedzenia i zastrzegamy sobie prawo do ich wprowadzania..

9. DEKLARACJA ZGODNOŚCI

Termék / marka: NARZĘDZIE WIELOFUNKCYJNE / FIELDMANN

Typ / model: FDUB 50701 18V/5 000-18 000 /min

Produkt spełnia wymagania następujących przepisów:

- ✿ Dyrektywa Parlamentu Europejskiego i Rady 2006/95/WE z dnia 12. grudnia 2006 w sprawie harmonizacji ustawodawstw państw członkowskich odnoszących się do sprzętu elektrycznego przewidzianego do stosowania w określonych granicach napięcia.
- ✿ Dyrektywa Parlamentu Europejskiego i Rady 2004/108/WE z dnia 15. grudnia 2004 w sprawie zbliżenia ustawodawstw państw członkowskich odnoszących się do kompatybilności elektromagnetycznej oraz uchylającej dyrektywę 89/336/EWG.
- ✿ Dyrektywa Parlamentu Europejskiego i Rady 2006/42/WE z dnia 17. maja 2006 w sprawiemaszyn, zmieniająca dyrektywę 95/16/WE.
- ✿ Dyrektywa Parlamentu Europejskiego i Rady 2002/95/WE z dnia 27. stycznia 2003 w sprawie ograniczenia stosowania niektórych niebezpiecznych substancji w sprzęcie elektrycznym i elektronicznym.
- ✿ Dyrektywa Parlamentu Europejskiego i Rady 2005/88/WE.

i norm:

- ✿ EN60745-1:2009+A11 :2010
- ✿ EN60745-2-4:2009+A11:2011
- ✿ AfPS GS 2014:01
- ✿ EN55014-1:2006+A1:2009+A2 :2011
- ✿ EN55014-2:1997+A1:2001+A2 :2008
- ✿ EN62321:2009

Oznaczenie CE: 14

Firma FAST ČR, a.s. jest uprawniona do występowania w imieniu producenta.

Producent:

FAST ČR, a.s.
 Černokostelecká 1621,251 01 Praha, Republika Czeska
 NIP: CZ26726548

Praga, 30.1.2016

Jmiej i nazwisko: inż. Zdeněk Pech
 Prezes Zarządu

FAST FAST ČR, a.s.
 Černokostelecká 1621, 251 01 Říčany
 IČO: 26726548 tel.: +420/ 323 204 111
 DIČ: CZ26726548 fax: +420/ 323 204 110



Podpis i pieczętki:

Многофункциональный Инструмент

ИНСТРУКЦИЯ ПО ПРИМЕНЕНИЮ

Благодарим Вас, что Вы приобрели эту электрическую многофункциональный инструмент. Прежде, чем Вы начнете пользоваться ей, прочтите, пожалуйста, внимательно настоящую инструкцию по применению и сохраните ее на случай дальнейшего использования.

СОДЕРЖАНИЕ

1. ОБЩИЕ ПРАВИЛА БЕЗОПАСНОСТИ	116
ОБЩИЕ УКАЗАНИЯ ПО БЕЗОПАСНОСТИ	117
2. СИМВОЛЫ	122
3. ОБЩЕЕ ОПИСАНИЕ	123
4. ПРИНАДЛЕЖНОСТИ	123
5. МОНТАЖ И ОБСЛУЖИВАНИЕ	124
6. ОБСЛУЖИВАНИЕ	133
7. ТЕХНИЧЕСКИЕ ДАННЫЕ	134
8. УТИЛИЗАЦИЯ	135
9. СЕРТИФИКАТ СООТВЕТСТВИЯ	136

1. ОБЩИЕ ПРАВИЛА БЕЗОПАСНОСТИ

⚠ ВНИМАНИЕ! Перед использованием внимательно прочтите инструкцию по эксплуатации.

Важные предупреждения по безопасности

- ✿ Изделие аккуратно распакуйте и следите за тем, чтобы случайно не выбросить какую-нибудь часть упаковки раньше, чем будут распакованы все детали изделия.
- ✿ Изделие храните в сухом месте, недоступном для детей.
- ✿ Прочтите все предупреждения и указания. Пренебрежение соблюдением предупреждений и указаний может привести к поражению электрическим током, пожару и/или получению тяжелых травм.

Упаковка

Изделие уложено в упаковке, предотвращающей повреждение при транспортировке. Эта упаковка является вторсырьем, поэтому ее можно сдать на переработку.

Инструкция по применению

Прежде чем Вы начнете работать с устройством, прочтите следующие предписания по безопасности и указания по применению. Ознакомьтесь с элементами управления и правильным применением устройства. Инструкцию надежно уложите для последующего использования. Минимально в течение гарантийного срока рекомендуем хранить оригинальную упаковку вместе с внутренним упаковочным материалом, кассовый чек и гарантийный талон. В случае транспортировки упакуйте устройство снова в оригинальную коробку изготовителя. Так Вы обеспечите максимальную защиту изделия во время возможной транспортировки (напр. переезд или посылание в сервисный центр).

📖 Примечание: Если будете передавать устройство другим лицам, передавайте его вместе с инструкцией. Соблюдение приложенной инструкции по применению является предпосылкой надлежащего использования устройства. Инструкция по применению содержит также указания по применению, обслуживанию и ремонту.

Изготовитель не берет на себя ответственность за несчастные случаи или ущерб, возникший в результате несоблюдения настоящей инструкции.

ОБЩИЕ УКАЗАНИЯ ПО БЕЗОПАСНОСТИ

Настоящие указания по безопасности внимательно прочтите, запомните и сохраните.

⚠ ВНИМАНИЕ! При использовании электрических устройств и электрического инструмента необходимо соблюдать следующие указания по безопасности для предотвращения поражения электрическим током, получения травм людьми и опасности возникновения пожара. Под выражением «электрический инструмент» во всех нижеприведенных указаниях понимается как электрический инструмент, запитанный от сети (кабелем питания), так и инструмент, запитанный от аккумулятора (без кабеля питания). Сохраните все предупреждения и указания для последующего использования.

Рабочее место

- ✿ Поддерживайте рабочее место в чистом состоянии и хорошо освещенным. Непорядок и темные места на рабочем месте бывают причиной получения травм. Уберите инструмент, которым в настоящий момент не пользуетесь.
- ✿ Не используйте электрический инструмент в среде с опасностью возникновения пожара или взрывоопасной среде, т.е. в местах, где имеются горючие жидкости, газы или пыль. В электрическом инструменте на распределителе возникает искрение, которое может стать причиной возгорания пыли или испарений.
- ✿ При пользовании эл. инструментом предотвращайте доступ в рабочее пространство посторонних лиц, прежде всего, детей! Если вам будут мешать, Вы можете потерять контроль над выполняемой работой. Ни в коем случае не оставляйте эл. инструмент без надзора. Предотвращайте доступ к оборудованию животных.

Электрическая безопасность

- ✿ Штепсель кабеля питания электрического инструмента должен соответствовать сетевой розетке. Никогда никаким способом не переделывайте штепсель. С инструментом, который имеет на штепселе кабеля питания защитный штырек, никогда не применяйте двойники или иные адаптеры. Неповрежденные штепсели и соответствующие розетки предотвратят опасность поражения электрическим током. Поврежденные или замотанные кабели питания увеличивают опасность поражения электрическим током. Если сетевой кабель поврежден, необходимо заменить его новым сетевым кабелем, который можно приобрести в авторизованном сервисном центре или у импортера.

- ✿ Избегайте контакта тела с заземленными предметами, как напр. трубы, элементы центрального отопления, газовые плиты и холодильники. Опасность поражения электрическим током намного выше, если ваше тело соединено с «землей».
- ✿ Не оставляйте электрический инструмент на дожде, во влажной или мокрой среде. Никогда не прикасайтесь к электрическому инструменту мокрыми руками. Никогда не мойте электрический инструмент под проточной водой и не погружайте его в воду.
- ✿ Не применяйте питающий кабель для иных целей, чем для каких он предназначен. Никогда не носите и не тяните электрический инструмент за питающий кабель. Не вынимайте штепсель из розетки, потянув за кабель. Предотвращайте механическое повреждение электрических кабелей острыми или горячими предметами.
- ✿ Эл. инструмент был изготовлен исключительно для питания переменным эл. током. Всегда проверяйте, чтобы электрическое напряжение соответствовало данным, указанным на типовой табличке инструмента.
- ✿ Никогда не работайте с инструментом, у которого поврежден эл. кабель или штепсель, если он падал на пол или поврежден каким-либо иным способом.
- ✿ В случае применения удлинительного кабеля всегда проверяйте, чтобы его технические параметры соответствовали данным, указанным на типовой табличке инструмента. Если электрический инструмент используется на улице, пользуйтесь удлинительным кабелем, пригодным для применения на улице. При применении барабанов с удлинительным кабелем необходимо их размотать, чтобы не возникал перегрев кабеля.
- ✿ Если электрический инструмент используется во влажных помещениях или на улице, разрешается использовать его, только если он подключен к эл. контуру с УЗО ≤ 30 мА. Применение эл. контура с УЗО /RCD/ снижает риск поражения электрическим током.
- ✿ Ручной эл. инструмент держите исключительно за изолированные части, предназначенные для держания, так как при эксплуатации может произойти контакт режущего или сверлящего инструмента со скрытым проводником или с питающим кабелем инструмента.

Безопасность лиц

- ✿ При использовании электрического инструмента будьте внимательны и осторожны, обращайтесь максимальное внимание на действия, которые в настоящий момент производите. Сосредоточьтесь на работе. Не работайте с электрическим инструментом, если вы устали или находитесь под воздействием наркотических веществ, алкоголя или лекарств. Даже секундная невнимательность при пользовании электрическим инструментом может привести к серьезной травме человека. При работе с эл. инструментом не ешьте, не пейте и не курите.

- ✿ Пользуйтесь средствами защиты. Всегда пользуйтесь приспособлением для защиты зрения. Пользуйтесь средствами защиты, соответствующими виду работы, которую вы выполняете. Средства защиты, как напр. респиратор, защитная обувь с противоскользящей подошвой, головной убор или приспособление для защиты слуха, используемые в соответствии с условиями работы, снижают риск получения травм людьми.
- ✿ Избегайте неумышленного включения инструмента. Не переносите инструменты, которые подключены к электрической сети, с пальцем на выключателе или пусковой кнопке. Перед подключением к электрическому питанию убедитесь, что выключатель или пусковая кнопка находятся в положении «выключено». Переноска инструмента с пальцем на выключателе или подключение штепселя инструмента в розетку с включенным выключателем может стать причиной серьезных травм.
- ✿ Перед включением инструмента удалите все регулировочные ключи и инструменты. Регулировочный ключ или инструмент, который останется во вращающейся части электрического инструмента, может стать причиной получения травм людьми.
- ✿ Всегда поддерживайте стабильное положение и равновесие тела. Работайте только там, куда безопасно достанете. Никогда не переоценивайте собственные силы. Не применяйте электрический инструмент, если вы устали.
- ✿ Одевайтесь подходящим способом. Пользуйтесь рабочей одеждой. Не носите свободную одежду или украшения. Обращайте внимание на то, чтобы ваши волосы, одежда, перчатки или иная часть вашего тела не попала в область, непосредственно близкую к вращающимся или раскаленным частям эл. инструмента.
- ✿ Подключите устройство к устройству отведения пыли. Если инструмент имеет возможность подключения оборудования для захвата или отведения пыли, обеспечьте, чтобы было произведено его надлежащее подключение и применение. Применение этих устройств может снизить опасность, возникающую от пыли.
- ✿ Прочно держите обрабатываемую деталь. Пользуйтесь плотницкой струбциной или тисками для закрепления детали, которую будете обрабатывать.
- ✿ Не применяйте электрический инструмент, если вы находитесь под воздействием алкоголя, наркотических веществ, лекарств или иных одурманивающих или вызывающих привыкание веществ.
- ✿ Это оборудование не предназначено для применения лицами (включая детей) со сниженными физическими, чувственными или ментальными способностями или с недостатком опыта и знаний, без надзора или инструктажа по применению оборудования лицами, ответственными за их безопасность. Дети должны быть под надзором, чтобы вы убедились, что они не играют с оборудованием.

Пользование электрическим инструментом и его обслуживание

- ✿ Эл. инструмент всегда отсоедините от эл. сети в случае любой проблемы при работе, перед каждой чисткой или обслуживанием, при каждом перемещении и после окончания работы! Никогда не работайте с эл. инструментом, если он каким-либо образом поврежден.
- ✿ Если инструмент начнет издавать ненормальный звук или запах, немедленно прекратите работу.
- ✿ Электрический инструмент не перегружайте. Электрический инструмент будет работать лучше и безопаснее, если вы будете эксплуатировать его при оборотах, для которых он предназначен. Пользуйтесь правильным инструментом, который предназначен для данной работы. Правильно выбранный инструмент будет лучше и безопаснее выполнять работу, для которой он был сконструирован.
- ✿ Не применяйте электрический инструмент, который нельзя безопасно включить и выключить кнопкой управления. Пользование таким инструментом является опасным. Неисправные выключатели должны быть отремонтированы сертифицированным сервисом.
- ✿ Отсоедините инструмент от источника электрической энергии перед тем, как начнете производить его регулировку, замену приспособления или обслуживание. Эта мера предотвратит опасность случайного включения.
- ✿ Неиспользованный электрический инструмент уберите и храните так, чтобы он находился в месте, недоступном для детей и посторонних лиц. Электрический инструмент в руках неопытных пользователей может быть опасным. Электрический инструмент храните в сухом и безопасном месте.
- ✿ Поддерживайте электрический инструмент в хорошем состоянии. Систематически проверяйте регулировку подвижных частей и их подвижность. Проверяйте, не возникло ли повреждение защитных кожухов или иных частей, которое может угрожать безопасной работе электрического инструмента. Если инструмент поврежден, перед дальнейшим его применением обеспечьте его надлежащий ремонт. Много травм вызвано плохо содержащимся электрическим инструментом.
- ✿ Режущие инструменты поддерживайте острыми и чистыми. Правильно содержащиеся и наточенные инструменты облегчают работу, предотвращают опасность получения травм, а работа с ними легче контролируется. Применение иных принадлежностей, чем тех, которые указаны в инструкции по эксплуатации, могут вызвать повреждение инструмента и стать причиной получения травм.
- ✿ Электрический инструмент, принадлежности, рабочие инструменты и т.д. используйте в соответствии с настоящими указаниями или таким способом, который указан для конкретного электрического инструмента, причем с учетом данных условий работы и вида выполняемой работы. Использование инструмента для иных целей, чем для каких он предназначен, может привести к возникновению опасных ситуаций.

Пользование аккумуляторным инструментом

- ✿ Перед вкладыванием аккумулятора убедитесь, что выключатель находится в положении «0-выключено». Вкладывание аккумулятора во включенный инструмент может стать причиной возникновения опасных ситуаций.
- ✿ Для зарядки аккумуляторов используйте только зарядные устройства, установленные производителем. Применение зарядных устройств, предназначенных для иных типов аккумуляторов, может привести к повреждению аккумулятора и возникновению пожара.
- ✿ Пользуйтесь только аккумуляторами, предназначенными для данного инструмента. Применение иных аккумуляторов может стать причиной получения травм или возникновения пожара.
- ✿ Если аккумулятор не используется, уложите его отдельно от металлических предметов, как например струбины, ключи, шурупы, и иных мелких металлических предметов, которые могли бы вызвать замыкание контактов аккумулятора. Замыкание аккумулятора может вызвать получение травмы, ожога или возникновение пожара.
- ✿ С аккумуляторами обращайтесь аккуратно. При неаккуратном обращении из аккумулятора может вытечь химическое вещество. Избегайте контакта с этим веществом, а если, несмотря на это, вещество попадет на вашу кожу, вымойте поврежденное место под струей проточной воды. Если химическое вещество попадет в глаза, немедленно обратитесь к врачу. Химическое вещество из аккумулятора может вызвать серьезные ранения.

Сервис

- ✿ Не заменяйте части инструмента, не производите самостоятельно ремонт и никаким иным способом не изменяйте конструкцию инструмента. Ремонт инструмента поручите квалифицированным лицам.
- ✿ Каждый ремонт или изменение изделия без согласования с нашей компанией недопустимо (может вызвать получение травмы или нанесение ущерба пользователю).
- ✿ Электрический инструмент всегда передайте для ремонта в сертифицированный сервисный центр. Пользуйтесь только оригинальными или рекомендуемыми запасными частями. Так вы обеспечите безопасность свою и своего инструмента.

2. СИМВОЛЫ



Настоящее изделие изготовлено в соответствии с утвержденными нормами.



Перед применением устройства внимательно прочтите инструкцию по применению.



Используйте средства защиты для глаз



Используйте средства защиты для ушей

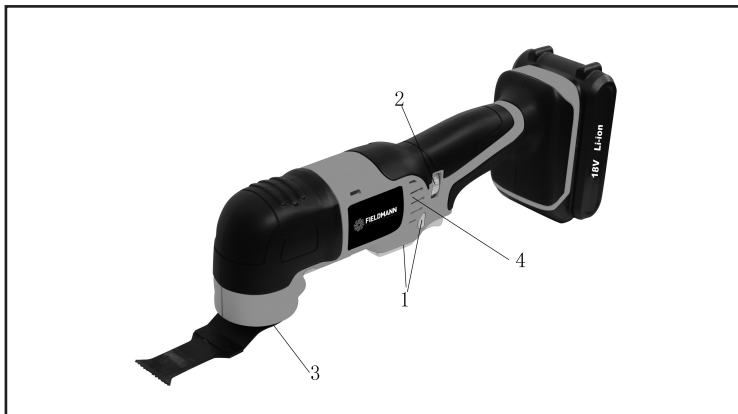


Пользуйтесь защитным респиратором.



Не выбрасывайте в мусорный ящик.

3. ОБЩЕЕ ОПИСАНИЕ



1. Выключатель
2. Регулятор оборотов
3. Держатель принадлежностей
4. Вентиляционные отверстия

4. ПРИНАДЛЕЖНОСТИ

ПРИЛАГАЕМЫЕ ПРИНАДЛЕЖНОСТИ

⚠ UPOZORNĚNÍ: Пользуйтесь только принадлежностями, рекомендуемыми для этого многофункционального инструмента. Руководствуйтесь указаниями, прилагаемыми к принадлежностям. В результате использования неправильной принадлежности может произойти травмирование обслуживающего лица или повреждение инструмента.

Перед использованием какой-либо принадлежности, пожалуйста, внимательно прочтите указания или инструкцию по пользованию принадлежностями.

⚠ ПРЕДУПРЕЖДЕНИЕ: Если какая-либо деталь отсутствует или повреждена, не подключайте инструмент к источнику питания и не устанавливайте никакие принадлежности, пока отсутствующая или поврежденная часть не будет заменена.

5. МОНТАЖ И ОБСЛУЖИВАНИЕ

5.1 УСТАНОВКИ ПРИНАДЛЕЖНОСТЕЙ

Все принадлежности устанавливаются на многофункциональный инструмент подобным способом. Для примера установки принадлежности воспользуемся полукруглым диском.

⚠ ОПАСНО! Перед установкой или снятием принадлежности или наждачной бумаги всегда выньте штепсель из источника питания. Если штепсель не вынуть из источника питания, может произойти случайное включение инструмента и получение серьезной травмы обслуживающего лица

1. Нажмите на держатель аксессуаров (1). Рис. 1

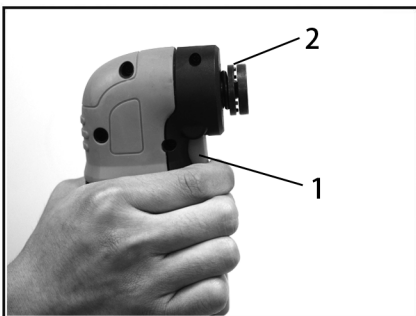


Рис. 1

2. Установите диск (3) на держатель принадлежностей (Рис. 2).

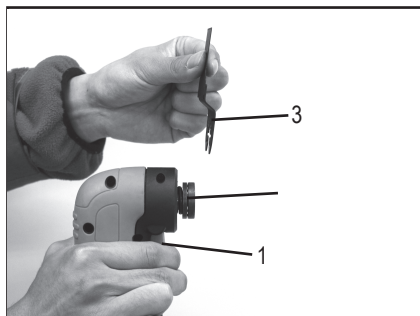




Рис. 2

 **ПРИМЕЧАНИЯ:**

- * Следите за тем, чтобы посадочные отверстия (6) в диске сели на посадочные штыри (7) на держателе принадлежностей, и чтобы сторона диска с напечатанными данными была направлена к инструменту.
 - * Диск по необходимости можно установить под разными углами влево или вправо от центра.
3. Завинчивайте винт (1) на шайбу (2), а диск устанавливайте в отверстие с резьбой (8) держателя принадлежностей.
 4. Завинчивайте винт по ходу часовой стрелки и затяните его рукой.

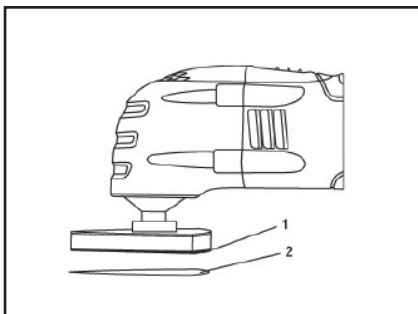
 **ПРИМЕЧАНИЯ:** Убедитесь, что выпуклая сторона шайбы (9) направлена к головке винта. Следите за тем, чтобы посадочные отверстия сели на посадочные штыри на держателе принадлежностей

5. Сильно затяните винт при помощи шестигранного ключа 5 мм.

 **ПРИМЕЧАНИЕ:** Следите за тем, чтобы посадочные отверстия сели на посадочные штыри на держателе принадлежностей.

5.2 УСТАНОВКА НАЖДАЧНОЙ БУМАГИ

1. Установите на инструмент прижимной башмак (1) с липучкой (Рис. 3).
2. К прижимному башмаку с липучкой сильно прижмите наждачную бумагу (2).



obr. 3

ПРИМЕЧАНИЯ: Установите наждачную бумагу так, чтобы отверстия в наждачной бумаге совпали с соответствующими отверстиями в прижимном башмаке с липучкой. К прижимному башмаку с липучкой сильно прижмите наждачную бумагу.

3. Если Вы хотите снять наждачную бумагу, просто отлепите ее от прижимного башмака с липучкой (Рис. 4).

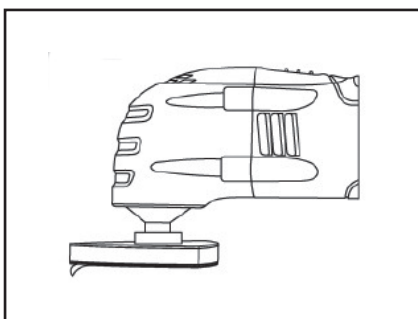


Рис. 4

5.3 ВЫКЛЮЧАТЕЛЬ

- ✿ Если Вы хотите включить инструмент, передвиньте выключатель (1) в направлении к передней части инструмента (Рис. 5).
- ✿ Если Вы хотите выключить инструмент, передвиньте выключатель в направлении к задней части инструмента (Рис. 5).

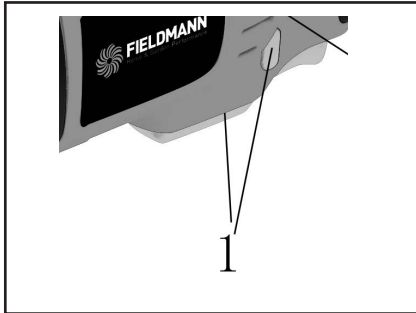


Рис. 5

5.4 РЕГУЛЯТОР ОБОРОТОВ

Обороты инструмента можно настроить так, чтобы можно было использовать инструмент в диапазоне 10000 - 18000 об./мин., вращением регулятора оборотов (1), расположенного в задней части корпуса инструмента (Рис. 6).

- ✿ Если Вы хотите увеличить обороты, вращайте регулятор оборотов в направлении к левой стороне инструмента.
- ✿ Если Вы хотите уменьшить обороты, вращайте регулятор оборотов в направлении к правой стороне инструмента.

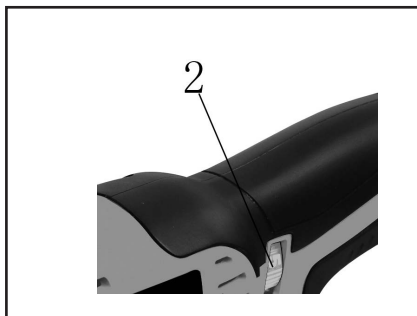




Рис. 6

 **ПРИМЕЧАНИЕ:** Обороты № 1 - это самые низкие обороты. МАКС - это самые высокие обороты. Настройка оптимальных оборотов разная в зависимости от типа используемого инструмента, обрабатываемой поверхности и сложности проекта. Общие рекомендации приведены в таблице на следующей странице

 **ПРЕДУПРЕЖДЕНИЕ:** Для соблюдения безопасности персонал перед использованием этого многофункционального инструмента обязан прочесть части настоящей инструкции под названием **ОБЩИЕ УКАЗАНИЯ ПО ТЕХНИКЕ БЕЗОПАСНОСТИ, СПЕЦИАЛЬНЫЕ ПРАВИЛА ПО ТЕХНИКЕ БЕЗОПАСНОСТИ и СИМВОЛЫ.**

При каждом использовании многофункционального инструмента проверьте:

- ✿ Пользуетесь ли Вы защитными очками или защитным щитком.
- ✿ Пользуетесь ли Вы защитой органов слуха.
- ✿ В хорошем ли состоянии находится диск или наждачная бумага.
- ✿ Правильно ли закреплены принадлежности в держателе принадлежностей инструмента.

Несоблюдение этих правил по технике безопасности значительно увеличивает риск получения травмы.

5.4 РЕЗКА ЗАПОДЛИЦО ОТКОСОВ ДВЕРНОГО ПРОЕМА И ДВЕРНЫХ КОРОБОК ДЛЯ УКЛАДКИ ПОКРЫТИЯ ПОЛА


Многофункциональный инструмент можно использовать для резки заподлицо откосов дверного проема дверных коробок для создания места для плотной укладки нового покрытия пола под откосы дверного проема и коробки. С целью наглядного показа процедуры воспользуемся напольной плиткой.

1. Установите на инструмент пильное полотно для резки дерева заподлицо (Рис. 2)


 **ПРИМЕЧАНИЕ:**

Полотно должно быть отцентрировано на корпусе инструмента и НИ В КОЕМ СЛУЧАЕ не установлено под углом 90°.

2. Положите на пол кусок разбитой плитки (1) примерно в 1/2" (25 мм) от откосов дверного проема (2)

 **ПРИМЕЧАНИЕ:** Следите за тем, чтобы плитка была повернута лицевой стороной наверх, так полотно будет касаться гладкой опорной поверхности.

3. Положите инструмент с пильным полотном (3) так, чтобы он слегка прикоснулся к поверхности плитки, и чтобы режущие зубья НЕ ПРИКАСАЛИСЬ к разрезаемой поверхности.
4. Установите самые высокие обороты и включите инструмент (Рис. 5 и 6).
5. Как только инструмент достигнет максимальных оборотов, аккуратно введите полотно в откосы дверного проема и вместе с тем перемещайте его по напольной плитке.

 **ПРИМЕЧАНИЕ:** Держите инструмент крепко и не слишком сильно давите на режущее полотно, так как это могло бы вызвать чрезмерную вибрацию инструмента.


6. Произведите еще несколько пазовых разрезов, пока не произойдет полного отделения нижней части откосов дверного проема дверных коробок, и свободные части нельзя будет легко вынуть.

Таким же основным порядком действий воспользуйтесь для укладки ковроплена с использованием более жесткой подкладки, обладающей такой же толщиной, как и укладываемый ковроплен.

5.5 ПРОРЕЗАНИЕ ОТВЕРСТИЯ В ДЕРЕВЯННОМ ПОЛУ ДЛЯ УСТАНОВКИ ОТДУШИНЫ ОТОПЛЕНИЯ

Многофункциональный инструмент можно использовать для прорезания отверстия в деревянном полу для установки отдушины отопления

1. Установите на инструмент пильное полотно для резки дерева заподлицо (Рис. 2).

 **ПРИМЕЧАНИЕ:** Полотно должно быть отцентрировано на корпусе инструмента и НИ В КОЕМ СЛУЧАЕ не установлено под углом 90°

2. Положите напольную отдушину на пол и мягким карандашом обозначьте на полу необходимое прямоугольное отверстие (1) (Рис. 8).

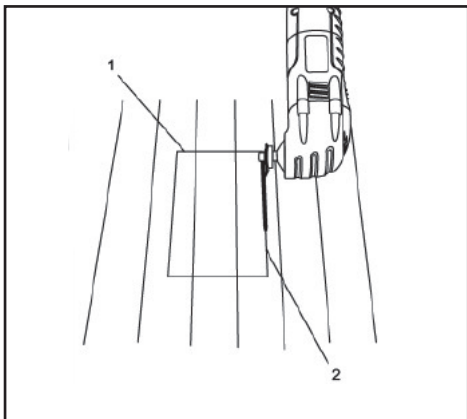




Рис 8

3. Установите режущее полотно (2) близко над полом в центре одной из линий разреза.
4. Установите на инструменте средние обороты и включите инструмент (Рис. 5 и 6)

 **ПРИМЕЧАНИЕ:** Инструмент и полотно должны быть под углом 45° относительно пола, чтобы угол полотна мог врезаться в пол.

5. Держите инструмент крепко и при этом медленно погружайте угол полотна в пол, пока он не прорежет его насквозь. Как только разрез завершен, установите инструмент на самые высокие обороты и доделайте разрез до угла прямоугольника.
6. Выключите пилу, выньте ее из разреза, продолжайте разрез в противоположном направлении и доделайте разрез на первой стороне прямоугольника.
7. Повторите шаги № 4, 5, 6 и вырежьте оставшиеся три стороны прямоугольника.


8. Как только все разрезы готовы, воспользуйтесь плоской отверткой и аккуратно выньте вырезанный кусок из пола.

 **ПРИМЕЧАНИЕ:** Для извлечения вырезанного куска из пола **НЕ ПОЛЬЗУЙТЕСЬ** пильным полотном. Оно может сломаться. Если вырезанный кусок из пола не получается легко вынуть, убедитесь, каждая ли линия разреза прорезана до самого угла прямоугольника.


5.6 ПРОРЕЗАНИЕ ОТВЕРСТИЯ В ГИПСОКАРТОННОЙ СТЕНКЕ ДЛЯ УСТАНОВКИ ЭЛЕКТРОРАСПРЕДЕЛИТЕЛЬНОЙ КОРОБКИ

Многофункциональный инструмент можно использовать для прорезания отверстия в гипсокартонной стенке для установки электрораспределительной коробки.


1. Установите на инструмент полукруглое пильное полотно для дерева и гипсокартона (Рис. 2).

 **ПРИМЕЧАНИЕ:** Полотно должно быть отцентрировано на корпусе инструмента и НИ В КОЕМ СЛУЧАЕ не установлено под углом 90°..

2. Приложите коробку к гипсокартонной стенке и мягким карандашом обозначьте на гипсокартонной стенке необходимое прямоугольное отверстие (1)
3. Установите угловую кромку пильного полотна (2) близко к гипсокартонной стенке в центре одной из линий разреза.
4. Установите самые высокие обороты и включите инструмент (Рис. 5 а б).
5. Как только инструмент достигнет максимальных оборотов, аккуратно введите полотно в гипсокартонную стенку до полного прорезания. Завершите разрез до угла прямоугольника.

 **ПРИМЕЧАНИЕ:** Держите инструмент крепко и при резке не слишком давите на режущее полотно.

6. Выключите пилу, выньте ее из разреза, продолжайте разрез в противоположном направлении и доделайте разрез на первой стороне прямоугольника.
7. Повторите шаги № 4, 5, 6 и вырежьте оставшиеся три стороны прямоугольника.
8. Как только все разрезы готовы, воспользуйтесь плоской отверткой и аккуратно выньте вырезанный кусок из гипсокартонной стенки.

 **ПРИМЕЧАНИЕ:** Для извлечения вырезанного куска из гипсокартонной стенки не **ПОЛЬЗУЙТЕСЬ** пыльным полотном. Оно может сломаться. Если вырезанный кусок из гипсокартонной стенки не получается легко вынуть, убедитесь, каждая ли линия разреза прорезана до самого угла прямоугольника.

5.7 ИСПОЛЬЗОВАНИЕ НАСАДКИ ДЛЯ ТОНКОЙ ШЛИФОВКИ

1. Установите на многофункциональный инструмент прижимной башмак, как показано на Рис. 2.
2. Установите на прижимной башмак наждачную бумагу, как показано на Рис. 3.
3. Установите регулятор оборотов в диапазоне 4 - МАКС, как показано на Рис. 6.
4. Переключите выключатель в положение ВКЛЮЧЕНО, как показано на Рис. 5.

Этот инструмент предназначен для тонкой шлифовки небольших поверхностей. Положите прижимной башмак наждачной бумагой на часть, которая должна быть отшлифована. Дайте инструменту работать, чтобы на поверхности не произошло образования царапин. При шлифовке шероховатых поверхностей и устранении следов предыдущей обработки поверхности воспользуйтесь крупнозернистой наждачной бумагой и более низкими оборотами. Если Вы хотите достичь гладкой поверхности, воспользуйтесь мелкозернистой наждачной бумагой и высокими оборотами.

5.8 ИСПОЛЬЗОВАНИЕ ШАБЕРА

1. Установите на многофункциональный инструмент шабер, как показано на Рис. 2, Рис. 1 и 2.
2. Установите регулятор оборотов на 4 и переключите выключатель в положение ВКЛЮЧЕНО, как показано на Рис. 5 и 6.

Если Вы хотите использовать шабер для соскабливания старых покрытий поверхности или клея с обрабатываемой детали, положите нижнюю сторону шабера плоскостью на поверхность обрабатываемой детали, а после этого приподнимите заднюю часть инструмента, в результате чего инструмент будет под очень небольшим углом к поверхности обрабатываемой детали. Шабер медленно погружайте в материал, который должен быть устранен. Не давите на инструмент, так как медленная скорость перемещения обеспечивает лучшие результаты резки и снижает риск возникновения царапин на обрабатываемой детали

Если Вы хотите использовать шабер для резки ковроплена, установите под ковроплен, где должен быть выполнен разрез, ненужную подкладку. Установите обороты на МАКС, поверните инструмент так, чтобы шабер был под прямым углом (перпендикулярно) к ковроплёну и погружайте шабер в ковроплен.

6. ОБСЛУЖИВАНИЕ

ОБЩИЕ УКАЗАНИЯ

⚠ ПРЕДУПРЕЖДЕНИЕ: При выполнении сервиса пользуйтесь исключительно такими же запасными частями. При использовании каких-либо иных запасных частей может произойти получение серьезной травмы или повреждение изделия.

При чистке пластмассовых частей НЕ ПОЛЬЗУЙТЕСЬ растворителями. Пластмассы чувствительны к воздействию различных видов коммерческих растворителей, и в результате использование этих растворителей могло бы произойти их повреждение. Для устранения загрязнений, пыли, масла, вазелина и т.д. воспользуйтесь чистой тканью.

⚠ ПРЕДУПРЕЖДЕНИЕ: Следите за тем, чтобы на пластмассовые детали не попала тормозная жидкость, бензин, вещества на базе нефти, пенетрационное масло и т.д. Эти продукты содержат химикаты, повреждающие, ослабляющие или повреждающие пластмассу.

НЕ ПОЛЬЗУЙТЕСЬ электрическим инструментом неправильным или неподходящим способом. Использование инструмента неправильным или неподходящим способом может повредить инструмент и обрабатываемую деталь

⚠ ПРЕДУПРЕЖДЕНИЕ: Непытайтесь производить изменения инструмента или изготавливать к нему принадлежности. Любые такие изменения являются неправильным использованием и могли бы вызвать возникновение опасного состояния инструмента и привести к получению серьезной травмы. В результате этого также теряет силу гарантия.

СМАЗКА

Все подшипники в этом инструменте смазаны достаточным количеством смазки высокого качества на весь срок службы устройства при нормальных условиях. Поэтому смазку производить не нужно

7. ТЕХНИЧЕСКИЕ ДАННЫЕ

МНОГОФУНКЦИОНАЛЬНЫЙ ИНСТРУМЕНТ:	
Скорость без нагрузки	5 000-18 000 об./мин
Класс защиты	II
Уровень звуковой мощности	105 dB(A)
Вибрации:	ah.D1 = 3,415ms ⁻² – ah.D1 = 8,397 ms ⁻² , K = 1,5 ms ⁻²

Инструкция по эксплуатации - только языковая версия.

Мы оставляем за собой право вносить изменения в текст и технические характеристики.

Текст, дизайн

и технические характеристики могут меняться без предварительного уведомления.

Решение проблем

1. Выключатель нажат, но аккумуляторное устройство не работает: Для работы аккумуляторного устройства батарея должна иметь достаточный заряд. Если аккумуляторное устройство не используется длительное время, батарея разряжается. Попробуйте зарядить батарею. Убедитесь, что батарея вставлена в зарядное устройство правильно. Во время зарядки адаптер нагревается, что является нормальным явлением.
2. Батарея протекает: При экстремальных температурах или экстремальных нагрузках может возникать небольшое протекание. В случае контакта с жидкостью, немедленно смойте ее с кожи или одежды водой с мылом.
3. Батарея не заряжается а световой индикатор на зарядном устройстве не светится: Если батарея не заряжается, проверьте правильность ее положения в зарядном устройстве и убедитесь, что контрольный индикатор светится. Если не светится, проверьте, правильно ли вставлена вилка зарядного устройства в розетку. Если да, проверьте предохранитель вилки.
4. Корпус аккумуляторного устройства при длительном использовании нагревается: При нормальной нагрузке корпус, выключатель и батарея нагреваются, так как энергия, затраченная при работе аккумуляторного устройства превращается в тепло. Это нормально. Просто дайте аккумуляторное устройство остыть в течение нескольких минут.
5. Батарея при использовании нагревается: Энергия, выделяемая из батареи, генерирует тепло. Батарея при этом не повреждается, выделение тепла в процессе расходования энергии является нормальным явлением. Если хотите охладить батарею, перед продолжением работы просто выключите аккумуляторное устройство на несколько минут.
6. Батарея при зарядке нагревается: Это нормально, такая ситуация является результатом химических реакций, протекающих внутри батареи в течение процесса зарядки.
7. Во время зарядки зарядное устройство нагревается: Это нормально, такая ситуация является результатом снижения напряжения с 230 В до 18 В.

8. УТИЛИЗАЦИЯ

УКАЗАНИЯ И ИНФОРМАЦИЯ ОБ ОБРАЩЕНИИ С БЫВШЕЙ В УПОТРЕБЛЕНИИ УПАКОВКОЙ

Бывший в употреблении упаковочный материал доставьте на место, предназначенное городской администрацией для сбора отходов.

УТИЛИЗАЦИЯ БЫВШЕГО В УПОТРЕБЛЕНИИ ЭЛЕКТРИЧЕСКОГО И ЭЛЕКТРОННОГО ОБОРУДОВАНИЯ.



Этот символ на изделиях или в сопроводительной документации означает, что бывшие в употреблении электрические и электронные изделия не должны выбрасываться в обычные коммунальные отходы. Для правильной утилизации, обновления и переработки сдайте изделия в установленные пункты приема. Альтернативно в некоторых странах Европейского Союза или иных европейских странах можно вернуть свои изделия местному продавцу при покупке эквивалентного нового изделия. Правильной утилизацией этого изделия Вы помогаете сохранению ценных природных ресурсов и помогаете профилактике потенциального негативного влияния на окружающую среду и здоровье человека. Дальнейшие подробности запрашивайте у местной администрации или в ближайшем пункте приема. При неправильной утилизации этого вида отходов в соответствии с государственными предписаниями могут быть наложены штрафы.

ДЛЯ ПРЕДПРИЯТИЙ В СТРАНАХ ЕВРОПЕЙСКОГО СОЮЗА

Если Вы хотите утилизировать электрические и электронные изделия, требуйте необходимую информацию у своего продавца или поставщика

Утилизация в остальных странах за пределами Европейского Союза



Этот символ действует в Европейском Союзе. Если Вы хотите утилизировать это изделие, запрашивайте необходимую информацию о правильном способе утилизации в местной администрации или у своего продавца

Это изделие отвечает всем основным требованиям норм ЕС EU, которые на него распространяются.

Изменения в тексте, дизайне и технологической спецификации могут быть проведены без предварительного предупреждения. Изготовитель оставляет за собой право на их изменение.

9. СЕРТИФИКАТ СООТВЕТСТВИЯ

Изделие / марка: МНОГОФУНКЦИОНАЛЬНЫЙ ИНСТРУМЕНТ/ FIELDMANN

Тип / модель: FDUB 5070118V/5 000-18 000 /min

Изделие отвечает нижеуказанным нормам:

- ✿ Норме Европейского парламента и Совета 2006/95/ES от 12 декабря 2006 г. о согласовании правовых норм стран-членов, касающихся электрооборудования, предназначенной для использования в определенных пределах напряжения.
- ✿ Норме Европейского парламента и Совета 2004/108/ES от 15 декабря 2004 г. о приближении правовых норм стран-членов, касающихся электромагнитной совместимости и об отмене нормы 89/336/EHS.
- ✿ Норме Европейского парламента и Совета 2006/42/ES от 17 мая 2006 г. о механических устройствах и об изменении нормы 95/16/ES.
- ✿ Норме Европейского парламента и Совета 2002/95/ES от 27 января 2003 г. об ограничении использования некоторых опасных веществ в электрических и электронных устройствах.
- ✿ Норме Европейского парламента и Совета 2005/88/ES.

и нормам:

- ✿ EN60745-1:2009+A11 :2010
- ✿ EN60745-2-4:2009+A11:2011
- ✿ AfPS GS 2014:01
- ✿ EN55014-1:2006+A1:2009+A2 :2011
- ✿ EN55014-2:1997+A1:2001+A2 :2008
- ✿ EN62321:2009

Обозначение CE: 16

Компания АО «FAST ČR, a.s.» имеет право выступать от имени изготовителя.

Изготовитель:

АО «FAST ČR, a.s.»
Černokostelecká 1621, 251 01 Praha, Чешская Республика
ИНН: CZ26726548

В Праге, 30.1.2016 г.

Имя, фамилия: Зденек Пех
Председатель совета директоров

FAST FAST ČR, a.s.
Černokostelecká 1621, 251 01 Praha
IČO: 26726548 tel.: +420/ 323 204 111
DIČ: CZ26726548 fax: +420/ 323 204 110



Подпись и печати:





ОФИЦИАЛЬНЫЙ ДИЛЕР В УКРАИНЕ:

storgom.ua

ГРАФИК РАБОТЫ:

Пн. – Пт.: с 8:30 по 18:30

Сб.: с 09:00 по 16:00

Вс.: с 10:00 по 16:00

КОНТАКТЫ:

+38 (044) 360-46-77

+38 (066) 77-395-77

+38 (097) 77-236-77

+38 (093) 360-46-77

Детальное описание товара:

<https://storgom.ua/product/mnogofunktsionalnyi-instrument-fieldmann-fdub-50701.html>

Другие товары:

<https://storgom.ua/akkumulyatornyi-mnogofunkcionalnyi-instrument.html>