



**FIELDMANN**<sup>®</sup>  
Home & Garden Performance



FZP 2000-E

---

English .....	3-20
Čeština.....	21-38
Slovenčina .....	39-56
Magyarul .....	57-74
Polski .....	75-92
Slovenščina .....	93-112

# Chain saw

## USER'S MANUAL

### TABLE OF CONTENTS

1. GENERAL SAFETY INSTRUCTIONS .....	4
2. SYMBOLS .....	5
3. SAFETY INSTRUCTIONS .....	7
4. DESCRIPTION OF THE CHAIN SAW .....	9
5. INSTALLING THE GUIDE BAR AND CHAIN .....	10
6. FILLING THE CHAIN SAW OIL TANK.....	10
7. OPERATING THE CHAIN SAW .....	11
8. CHAIN BRAKE.....	12
9. ADJUSTING THE CHAIN TENSION .....	12
10. USING THE CHAIN SAW .....	13
11. CUTTING.....	13
12. CLEANING AND MAINTENANCE.....	15
13. SHARPENING THE SAW CHAIN .....	16
14. REPLACING THE SAW CHAIN .....	17
15. STORAGE .....	18
16. TECHNICAL SPECIFICATIONS.....	19
17. DISPOSAL .....	19

# 1. GENERAL SAFETY INSTRUCTIONS

## Important safety notice


- ✿ Carefully unpack the product and take care not to throw away any part of the packaging before you find all the parts of the product.
- ✿ Store the product in a dry place out of reach of children.
- ✿ Read all warnings and instructions. Not following warnings or instructions may lead to injury by electrical shock, a fire and/or serious injuries.

## Packaging

The product is packed in a package that prevents damage during transport. This package is a resource and so can be handed over for recycling.

## Operating instructions

Before you start working with the power tool, read the following safety and usage instructions. Understand the operating elements and the correct use of the power tool. Keep the user's manual in a safe place where it can be easily retrieved for future use. Save the original packaging, including the internal packing material, warranty card and proof of purchase receipt, at least for the duration of the warranty. If you need to ship this power tool, pack it in the original cardboard box to ensure maximum protection during shipping or transport (e.g. when moving or when you need to send this power tool for repair to a service centre).

 **Note:** If you hand over the power tool to somebody else, do so together with this user's manual. Following the instructions in the included user's manual is a prerequisite for the proper use of the power tool. The user's manual also contains operating, maintenance and repair instructions.

**The manufacturer takes no responsibility for accidents or damages resulting from not following the instructions in this manual.**

## 2. SYMBOLS



Do not expose the power tool to rain.



Before using the power tool, carefully read the user's manual.



In the event that the power cord is damaged, immediately disconnect it from the power supply.



When working, always use a safety helmet, safety glasses and ear protection.



Careful: danger of kickback.



DANGER! Do not use the power tool if there are children, other persons or animals in your vicinity.



While working use protective gloves.



Use solid insulating work footwear.



Use hearing protection.



Use work gloves.



Be careful of falling branches.

### 3. SAFETY INSTRUCTIONS

#### **ATTENTION!**


Acquaint yourself with all warnings and safety instructions and with operation instructions for the power tool.

#### **ATTENTION!**




Not adhering to warnings or safety instructions may result in injury by electrical shock, a fire and/or serious injury.

#### **ATTENTION!**








Store all warnings and safety instructions in a practical location for future reference.

 **Note:** The term "power tool" in all hereafter provided warnings is defined as an electric power tool powered from the power grid (via a flexible power cord).

#### **Safety in the work area**

-  Keep the work area tidy and well illuminated. Untidiness and dark locations in the workplace are sources of accidents.
-  Do not use the power tool in environments where there is an explosion hazard, where there are flammable liquids, gases or dust. The power tool generates sparks which could ignite dust or vapours.
-  When using the power tool, prevent children and other persons access to the power tool. If you become distracted, you may lose control over the power tool.

#### **Safety when working with power tools**

-  The plug on the flexible power cord must correspond to the power socket outlet. Never modify the plug in any way. Never use any socket adapters with power tools that have a safety earth grounding connection. Plugs that are not damaged by modifications and that correspond to the power socket will limit the danger of injury by electrical shock.
  -  Prevent your body from coming into contact with grounded objects, such as pipes, central heating radiators, stoves and refrigerators. The risk of injury by electrical shock is greater when your body is connected to the ground.
  -  Do not expose the power tool to rain, dampness or wetness. The entry of water into the power tool increases the danger of injury by electrical shock.
  -  Do not use the flexible power cord for other purposes. Never carry or pull the power tool by its power cord or pull the plug out of the socket by the power cord. Protect the power cord against heat, grease, sharp edges and moving parts. Damaged or tangled power cords increase the danger of injury by electrical shock.
  -  If the power tool is used outdoors, use an extension cord suitable for outdoor use. Using extension cords designed for outdoor use limits the risk of injury by electrical shock.
  -  If you will be using the power tool in a damp environment, use a residual current device (RCD) in the power supply circuit. The use of a residual current device reduces the risk of injury by electrical shock.
-  **Note:** The "residual current device" (RCD) may be substituted for by the term "ground fault circuit interrupter" (GFCI) or "earth leakage circuit breaker" (ELCB).

## Safety of people

- ✿ When working with the power tool, always stay alert, watch what you are doing and use common sense. Do not use power tools if you are tired or under the influence of drugs, alcohol or medication. A moment of carelessness when working with power tools may result in serious injury.
- ✿ Use personal protective aids. Always use eye protection. Use protective aids, e.g. respirator, safety footwear with anti-slip soles, hard head cover or hearing protection appropriately to the work conditions; they reduce the risk of injury to persons.
- ✿ Avoid accidentally starting up the power tool. Before connecting to a power source, before connecting the battery, before storage or before carrying the power tool, make sure that the start/stop trigger is in the off position. Carrying the power tool with a finger on the trigger or connecting the power tool's plug with the trigger engaged may cause an accident.
- ✿ Remove all adjustment tools and spanners before turning on the power tool. An adjustment tool or spanner left attached to a rotating part of the power tool may result in injury to persons.
- ✿ Only work in locations that you can reach safely. Always maintain a stable stance and balance. In this way you will have better control over the power tool in unexpected situations.
- ✿ Dress in an appropriate manner. Do not wear loose clothing or jewellery. Make sure that your hair, clothing and gloves are at a sufficient distance from moving parts. Loose clothing, jewellery and long hair may become caught in the moving parts.
- ✿ If there is equipment available for the extraction and collection of dust, make sure that such equipment is connected and used correctly. The use of such equipment may limit the danger posed by the created dust.

## Using power tools and their maintenance

- ✿ Do not overload the power tool. Only use power tools that are appropriate for the work being performed. Appropriate power tools for the given task will do the job better and more safely.
- ✿ Do not use power tools that cannot be turned on and off with a switch. Any electric power tools that cannot be controlled using a switch are dangerous and must be repaired.
- ✿ Before adjusting the power tool, before replacing accessories or if you will not be using the power tool, pull the power plug out of the power socket. These preventative safety measures limit the danger of accidentally turning on the power tool.
- ✿ When not used, store the power tool out of children's reach and do not permit person not acquainted with the power tool or these instructions to use the power tool. A power tool in the hands of inexperienced users is dangerous.
- ✿ Perform maintenance on the tool. Check the adjustment of moving parts and their movement, focus on cracks, broken parts or any other circumstances that may threaten the proper operation of the power tool. If the power tool is damaged, have it repaired before using it again. Many accidents are caused by insufficiently maintained power tools.
- ✿ Keep cutting power tools clean and sharp. Correctly maintained and sharpened cutting power tools are less likely to get stuck on material or to jam and they are also easier to control.
- ✿ Use power tools, accessories, working tools, etc. in accordance with these instructions and in such a manner as prescribed for the specific power tool with respect to the given work conditions and the type of work being carried out. Using power tools for tasks other than for which they are designed may lead to dangerous situations.



## Service

- ✿ Have your power tool repaired by a qualified person that will use original spare parts. In this manner, the same level of safety will be ensured as before the repair of the power tool.

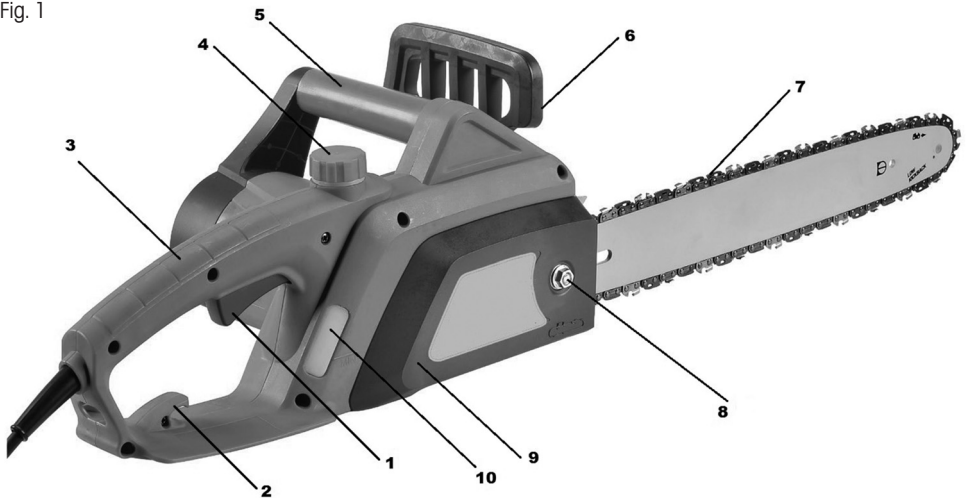
## Storage

- ✿ only move or store the power tool with the protective cover attached
- ✿ carefully clean and perform appropriate maintenance before storing the power tool
- ✿ before transporting the power tool, secure it against oil leakage, damage or injury hazard

# 4. DESCRIPTION OF THE CHAIN SAW

1. Start/stop trigger
2. Power cord safety hook
3. Rear handle
4. Oil tank cap
5. Front handle
6. Safety chain brake
7. Guide bar with chain
8. Guide bar fastening nut
9. Sprocket cover
10. Oil tank window

Fig. 1



### Included contents:

Electric chain saw, 35 cm guide bar, chain, plastic guide bar cover, spare brushes set, mounting wrench.

## 5. INSTALLING THE GUIDE BAR AND CHAIN

### ⚠ ATTENTION!

The chain saw must be disconnected from the power grid.

### ⚠ ATTENTION!

Always wear protective gloves when installing and inspecting the chain to prevent injury from the sharp cutting edges on the chain.

- ✿ The safety brake lever (fig. 1 point 6) must be disengaged (pull it towards the top handle)
- ✿ Using the included socket wrench, screw out the guide bar fastening nut (fig. 1, point 8) and remove the sprocket cover (fig. 1, point 9)
- ✿ Put the chain (fig. 2, point 1) on to the drive sprocket (fig. 2, point 2)
- ✿ Put the guide bar (fig. 2, point 3) on to the guide bolts (fig. 2, point 4) and push it towards the drive sprocket. It is very important that during the installation the adjustment pin (fig. 2, point 5) fits into the hole in the guide bar. The pin can be moved forward and backwards by turning the adjustment bolt (fig. 3, point 1)
- ✿ Seat the chain into the guiding groove on the guide bar. The correct seating direction is indicated on the chain saw and in chapter "Changing the saw chain"
- ✿ Put on the cover (fig. 1, point 9) and fasten it by lightly tightening the guide bar fastening nut.

Fig. 2

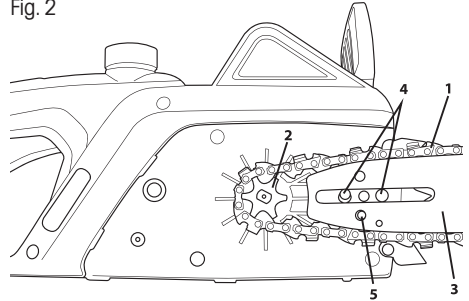
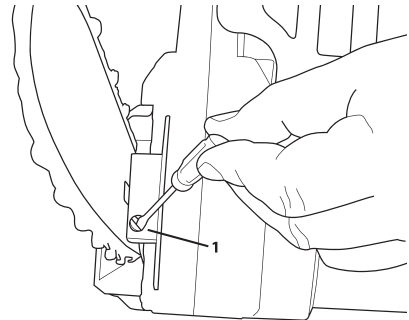


Fig. 3



### ⚠ ATTENTION!

Never fully tighten the nut before the chain is fully tensioned, there is a risk of damaging the chain saw

Tension the chain using the tensioning screw (fig. 3, point 1) and then tighten the guide bar fastening bolt (fig. 1, point 8)

### ⚠ ATTENTION!

The chain is correctly tensioned if it is possible to lift chain off the guide bar and its height in the horizontal position in the middle of the guide bar is 3 to 4 mm.

## 6. FILLING THE CHAIN SAW OIL TANK

### ⚠ ATTENTION!

A new chain requires a certain running-in period, which is usually 5 minutes. The lubrication of the chain is very important during this phase. After this running-in period, check the chain tension and readjust if necessary.

- ✿ The oil tank on the supplied chain saw is empty. Fill this oil tank with oil prior to first use of this chain saw.
- ✿ Only use oil specified for total-loss lubrication
- ✿ Screw off the oil tank cap (fig. 1, point 4).
- ✿ Pour the oil into the tank (take care to prevent the oil from becoming dirty while filling the tank).
- ✿ Screw on the oil tank cap

**⚠ ATTENTION!**

Do not use oil that has already been used or processed because this could damage the oil pump. Only use oil specified for total-loss lubrication

## 7. OPERATING THE CHAIN SAW

### Securing the extension cord.

**⚠ ATTENTION!**

When working with this chain saw, only use extension cords designed for outdoor use. The wire cross-sections on the extension cord must be at least 1.5 mm<sup>2</sup>.

- ✿ To ensure safe operation of this chain saw, it is necessary to secure the power cord in place. Bend the power cord approximately 20 cm before the socket. Thread the bend through the rear handle and fit it into the hook. (fig. 1, point 2)

**⚠ ATTENTION!**

If you use an extension cord longer than 30 m, the power of the chain saw will be reduced.

### Turning on / off

**⚠ ATTENTION!**

The voltage in the power grid must correspond to the voltage on the rating label of the chain saw.

**⚠ ATTENTION!**

Hold the chain saw firmly with both hands when starting and working with it

### Starting

- ✿ Press the trigger safety lock button located on the left above the start/stop trigger and then press the start/stop trigger (fig. 1, point 1). When started, the chain saw will run at maximum speed.

**⚠ ATTENTION!**

If the chain saw does not start, disengage the brake lever (fig. 1, point 6).

### Turning off

- ✿ Release the start/stop trigger (fig. 1, point 1).

**⚠ ATTENTION!**

The chain saw is equipped with a safety chain brake, which will immediately stop the chain when the start/stop trigger is released. If the chain does not immediately come to a stop when the trigger is released, please contact an authorised service centre without delay.

## Checking chain lubrication

Attention: adhere to safety provisions and prevent the guide bar from coming into contact with the surface of the terrain. Use this power tool safely and maintain a minimum distance of 20 cm from the ground.

- ✿ Before starting work, check the chain lubrication and the amount of oil in the oil tank. Start the chain saw and hold it above the ground. If you see a growing oil stain then chain lubrication is working properly. If there are no oil stains on the ground, clean the oil outlet, the top chain tensioning hole and the oil lines or contact an authorised service centre.

# 8. CHAIN BRAKE

- ✿ This chain saw is equipped with an automatic brake that stops the chain in the event of kickback. The brake is automatically engaged as soon as the force of inertia acts on the ballast located inside the brake box.
- ✿ The chain brake may also be engaged manually when the brake lever (fig. 1, point 6) is moved downwards towards the guide bar. The activation of the brake stops the chain movement within 0.12 seconds.

## Checking the working order of the brake.

Check that the brake works properly before every use.

Place the running chain saw on to the ground and for 1 to 2 seconds leave it at full speed. Push the brake lever (fig. 1, point 6) forward. The chain should stop immediately.

### ⚠ ATTENTION!

If the chain stops slowly or does not stop at all, do not use the chain saw and contact an authorised service centre.

If you wish to disengage the brake, pull the brake lever towards the top handle (fig. 1, point 5) so that you hear the typical sound for the disengagement of the brake.

### ⚠ ATTENTION!

Check that the chain brake is in order. A correctly functioning chain brake will protect you against potential injury, which could result from kickback. If the brake is not working properly, have it adjusted or repaired at an authorised service centre.

# 9. ADJUSTING THE CHAIN TENSION

### ⚠ ATTENTION!

Due to the effect of higher temperatures, during operation the saw chain has a tendency to lengthen. A longer chain becomes loose and could slide off the guide bar.

- ✿ Loosen the guide bar fastening nut (fig. 1, point 8).
- ✿ Make sure that the chain is seated in the guiding groove of the guide bar.
- ✿ Use a screwdriver to turn the chain tensioning screw (fig. 3, point 1). Turn the tensioning screw until the required tension is achieved (you should lift the chain in the middle of the guide bar in the horizontal position to a height of 3 to 4 mm).
- ✿ Firmly tighten the guide bar fastening nut (fig. 1, point 8).

### ⚠ ATTENTION!

Do not tension the chain excessively. Excessive tension of a warm chain may result in excessively tension when it cools down.

## 10. USING THE CHAIN SAW

- ✿ Before starting any kind of work, thoroughly acquaint yourself with the sections describing the safety instructions for the operation of the chain saw. We recommend that you acquire experience by practising on waste wood. In this way you will learn about the operating parameters of this chain saws.
- ✿ Always adhere to safety instructions.
- ✿ Only use this chain saw for cutting wood. Cutting any other materials is forbidden.
- ✿ The vibration intensity and type of kickback on this chain saws depends on the type of wood being cut.
- ✿ Do not use this chain saw as a lever for lifting, moving or splitting material.  
If the chain jams in the material that is being cut, stop the chain saw and knock a wooden or plastic wedge into the cut to release the chain. Restart the chain saw and carefully commence cutting.

## 11. CUTTING

### **⚠ ATTENTION!**

Before proceeding, please read the chapter "Safety instructions". We recommend that you gain experience by cutting smaller logs. In this way you will also get to know the chain saw.

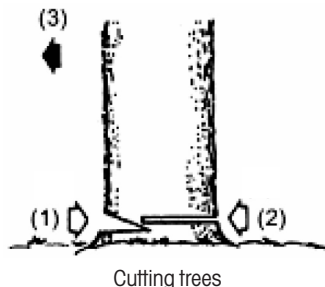
- ✿ Always adhere to safety instructions. The chain saw may only be used for cutting wood. It is forbidden to cut any other materials. Vibrations and kickback differ for various materials. Do not use the chain saw as a lever for lifting, moving or splitting material. It is forbidden to attach any parts or jigs other than those specified in the technical documentation.
- ✿ It is not necessary to push the chain saw into the cut. When the motor is running at full speed, push the chain saw down lightly.
- ✿ If the chain jams in the cut, do not attempt to free it by pulling, rather stretch open the cut using a wedge or crowbar.

### **Safety brake (protection against kickback)**

- ✿ This chain saw is equipped with an automatic chain brake that, if it works correctly, immediately stops the chain in the event of kickback. It is necessary to check the working order of the chain brake before every use of the chain saw. Run the chainsaw at full speed for 1 - 2 seconds and then tilt the front protective cover. The chain must stop immediately even when the motor is running at high speed. If the chain stops slowly or does not stop at all, please contact an authorised service centre.
- ✿ It is extremely important to check the working order of the chain brake and the sharpness of the chain before every use to ensure that the necessary level of safety in the event of a kickback is maintained. Removing safety accessories, incorrect maintenance or when using unsuitable guide bars or chains may, in the event of kickback, result in serious injuries.

## Cutting trees

- ✿ Decide about the direction in which the tree will fall, respecting the wind direction, incline angle of the tree and location of the branches, and consider all other factors before cutting.
- ✿ The area around the tree must be clear, without obstacles, and must enable a stable stance. The escape route must be passable.
- ✿ Cut a wedge into one third of the tree's diameter on the side to which the tree should fall. (see fig. Cutting trees, point 1)
- ✿ From the opposite direction perform a separation cut at a level above the wedge cut. (see fig. Cutting trees, point 2)
- ✿ The tree will fall in the direction towards the wedge cut. (see fig. Cutting trees, point 3)



### ⚠ ATTENTION!

When cutting trees, inform other people in the area about the potential danger. Cutting trees requires experience and we do not recommend performing this task without the necessary experience.

## Cutting logs

### ⚠ ATTENTION!

Always maintain a stable stance. Do not step on logs.

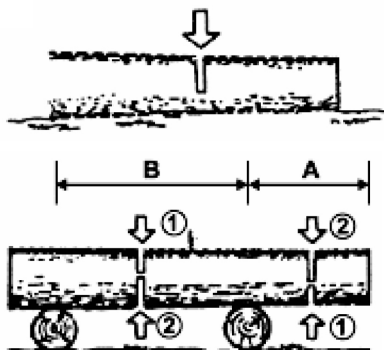
### ⚠ ATTENTION!

Before starting work, check that all components are in their place and that all nuts and bolts are tightened.

- ✿ The log being cut may roll away. Especially when cutting on a slope, always stand above the log being cut.
- ✿ Prevent kickback of the saw by following the instructions in chapter "Safety instructions".
- ✿ Before starting work, assess the direction of the force causing the cut trunk to bend. The final cut needs to always be done from the opposite side of where the bending force is acting to prevent the guide bar from being clamped inside the cut.
- ✿ Only carry the chain saw with the motor turned off and the guide bar protected by the protective cover.

## Log lying on the ground

- ✿ Cut it halfway through, then roll it over and complete the cut from the other side.



## Log above the ground

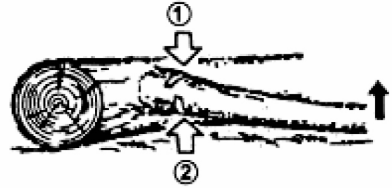
- ✿ In part "A" make a cut from below to a third of the log and then complete the cut from above. In part "B" make a cut from above to a third of the log and then complete the cut from below.

## Removing a fallen tree

- ✿ First find out to which side the branch is bent. Then make the initial cut from the side of the bend and then complete the cut from the opposite side.

### ⚠ ATTENTION!

A bent branch may spring up.



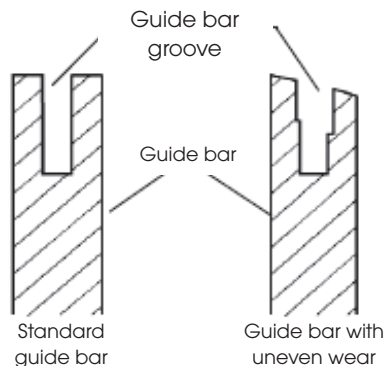
# 12. CLEANING AND MAINTENANCE

## Cleaning the body of the chain saw

Keep the body of the chain saw clean. When cleaning, use a soft cloth dipped in a soap solution. Use this cloth to meticulously clean the body of the chain saw.


## Maintaining the guide bar

- ✿ Most problems with the guide bar arise due to uneven wear. Uneven wear occurs mainly as a result of an incorrectly sharpened chain or an incorrectly set depth gauge. When the guide bar is worn out unevenly, the guiding groove is widened (see Picture). The result is a rattling chain and rivets falling off. The chain saw cannot be used for straight cuts. In such a case, replace the guide bar for a new one.
- ✿ Always check the condition of the guide bar before sharpening the chain. Using a worn out or damaged guide bar is very dangerous. Using a worn out or damaged guide bar will result in damage to the chain. Cutting with such a power tool will also be much more difficult and demanding.



### Normal maintenance of the guide bar

- ✿ Remove the guide bar from the body of the chain saw.
- ✿ Regularly remove sawdust from the guide bar groove. For cleaning use a spatula or a wire.
- ✿ Clean oily grooves at the end of every work day.
- ✿ Replace the guide bar if:
  - it is bent or cracked
  - its groove is very damaged or worn out

 **Note:** To replace the guide bar, follow the instruction contained in this user's manual. You will find the correct guide bar type in the technical specifications.

## 13. SHARPENING THE SAW CHAIN

Keep the saw chain sharp. Cutting will be significantly faster and most importantly safer. A blunt saw chain increases wear on the sprocket, guide bar, chain and motor. If you need to push on the saw and only sawdust with a few splinters are produced then this means that the chain is blunt.

**For this task, we recommend that you contact an authorised service centre**

### Equipment necessary for sharpening a saw chain

- ✿ Round file as per technical specifications
- ✿ Depth gauge
- ✿ File guide
- ✿ Vice
- ✿ Medium-size flat file

### Sharpening the teeth on the chain


Use the file guide set at an angle of  $30^\circ$  (mark A, see figure).

- ✿ Set the saw chain tension to the correct level.
- ✿ Fasten the guide bar in a vice so that you have the chain in a stable position.

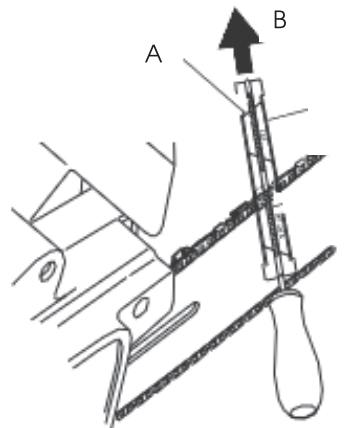
 **Note:** Do not fasten the chain itself.

- ✿ Push the round file, inserted in the file guide, into the groove between the top plate and the depth gauge on the chain. The chain should be touching both the top plate as well as the depth gauge (see figure)

 **Note:** File in the middle of the guide bar.

 **Note:** In the figure you can see the position of the file guide and the direction for filing the teeth on the left side of the chain.

- ✿ Place the file guide at the required angle (mark A, see figure). Check that the mark is at  $30^\circ$  on the file guide aligned with the centre of the guide bar. This will ensure that you will file at an angle of  $30^\circ$ .






- ✿ File the tooth in the direction from inside out (in direction B, see figure) until it is sharp. File only in this direction.

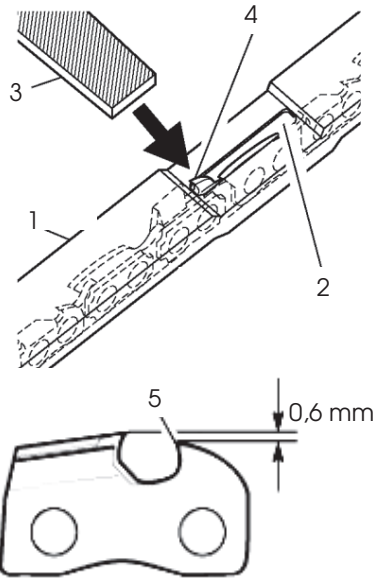
 **Note:** Two to three passes of the file should be sufficient to sharpen the tooth.

### Filing the depth gauge

As a result of sharpening the teeth on the chain, the depth gauge tolerance is reduced. After every second or third sharpening, it is necessary to adjust the depth gauge setting.

- ✿ Place the depth gauge adjustment jig (see fig., point 1) firmly on the top edge of two teeth. Make sure that the groove of the jig is in the groove of the depth gauge (see fig., point 2.)
- ✿ Use a medium-sized flat file (see fig., point 3).
- ✿ File the depth gauge (see fig., point 4) to the level of the depth gauge adjustment jig.
- ✿ Remove the depth gauge adjustment jig. Using a flat file, round the front edge of the depth gauge (see figure). When filing, adhere to the prescribed values (see fig., point 5).

 **Note:** After the chain has been sharpened by hand several times, have the saw chain sharpened at an authorised service centre or sharpen it on a special sharpening machine. This will renew the even sharpness of all teeth.




## 14. REPLACING THE SAW CHAIN

### **ATTENTION!**

When replacing the saw chain, do not clamp the chain saw or the guide bar in a vice.

Always replace the chain if the teeth are excessively worn out and they cannot be sharpened or if the chain snaps. Use only an original spare chain according to the specifications in this user's manual. When replacing the saw chain, always also replace the cogged wheel of the sprocket. This will ensure the correct position of the chain during movement. (Note: You will find the specifications of the correct chain type and the cogged wheel in the technical specifications.)

- ✿ Loosen and remove the bar guide bolt.
- ✿ Remove the sprocket cover.
- ✿ Remove the saw chain.
- ✿ Wind the new chain around the cogged wheel, then along the top groove of the guide bar and around the guide bar nose.

 **Note:** Check that the saw teeth are facing in the correct direction. Put on the chain so that the teeth on the top side of the guide bar are facing towards the guide bar nose (see figure).

- ✿ Before placing the sprocket cover into position, check that the chain tensioning pin is inserted into the adjustment hole on the guide bar.
- ✿ Put the sprocket cover back on to the body of the chain saw.
- ✿ Fasten the sprocket cover using the guide bar bolt.

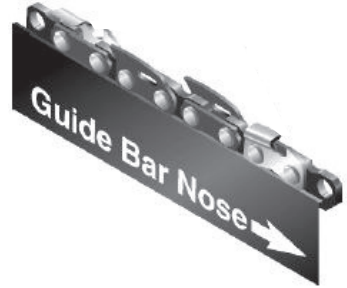
 **ATTENTION!**

Only tighten the bolt by hand.

- ✿ Adjust the tension of the saw chain.
- ✿ Tighten the guide bar bolt.

 **ATTENTION!**

Check that you have not placed the saw chain on the guide bar in the opposite direction. Otherwise, the chain saw will exhibit excessive vibrations and will not cut.



## 15. STORAGE

If you will not use the chain saw for longer than 30 days, proceed as follows.

- ✿ Drain the oil tank.
- ✿ Remove and clean out the guide bar and chain. Submerge the guide bar and chain into a kerosene-based or soap cleaning solution.
- ✿ Then dry the guide bar and the chain.
- ✿ Put the chain into a container filled with oil. This will prevent it from corroding.
- ✿ Gently coat the guide bar with oil.
- ✿ Wipe the body of the chain saw with a cloth. When cleaning, use a soft cloth dipped in a soap solution.
- ✿ Store the chain saw
  - In higher shelves or in locked areas out of children's reach
  - in a dry location

## 16. TECHNICAL SPECIFICATIONS

Power input	1800 W
Voltage/frequency	230 V - 240 V / 50 Hz
Chain pitch	3/8"
Guiding groove width	1.3 mm
Number of chain links	52 links
Length of the guide bar	35 cm
File diameter	4 mm
Cutting speed	12 m/s
Oil tank capacity	220 ml
Weight (with guide bar and chain)	5.0 kg
Level of acoustic power LWA	measured 112 dB(A)

User's manual in original language.

## 17. DISPOSAL

### **INSTRUCTIONS AND INFORMATION REGARDING THE DISPOSAL OF USED PACKAGING MATERIALS**

Dispose of used packaging material at a site designated for waste in your municipality.



The machine and its accessories are manufactured from various materials, e.g. metal and plastic.

Take damaged parts to a recycling centre. Inquire at the relevant government department.

Changes in the text, design and technical specifications may be made without prior notice and we reserve the right to make these changes.



# Řetězová pila

## NÁVOD K OBSLUZE

### OBSAH

1. VŠEOBECNÉ BEZPEČNOSTNÍ PŘEDPISY .....	22
2. SYMBOLY .....	23
3. BEZPEČNOSTNÍ POKYNY .....	25
4. POPIS PILY .....	27
5. INSTALACE VODICÍ LIŠTY A ŘETĚZU .....	28
6. NAPLNĚNÍ NÁDRŽKY PILY OLEJEM .....	28
7. OVLÁDÁNÍ PILY .....	29
8. BRZDA ŘETĚZU .....	30
9. SEŘÍZENÍ NAPNUTÍ ŘETĚZU .....	30
10. POUŽITÍ ŘETĚZOVÉ PILY .....	31
11. ŘEZÁNÍ .....	31
12. ČIŠTĚNÍ A ÚDRŽBA NÁŘADÍ .....	33
13. OSTŘENÍ PILOVÉHO ŘETĚZU .....	34
14. VÝMĚNA PILOVÉHO ŘETĚZU .....	35
15. SKLADOVÁNÍ .....	36
16. TECHNICKÉ ÚDAJE .....	37
17. LIKVIDACE .....	37

# 1. VŠEOBECNÉ BEZPEČNOSTNÍ PŘEDPISY

## Důležitá bezpečnostní upozornění


- ✿ Výrobek pečlivě vybalte a dejte pozor, abyste nevyhodili žádnou část obalového materiálu dříve, než najdete všechny součásti výrobku.
- ✿ Výrobek uchovávejte na suchém místě mimo dosah dětí.
- ✿ Čtěte všechna upozornění a pokyny. Zanedbání při dodržování varovných upozornění a pokynů mohou mít za následek úraz elektrickým proudem, požár a/nebo těžká poranění.

## Obal

Výrobek je umístěn v obalu bránícím poškozením při transportu. Tento obal je surovinou a lze jej proto odevzdat k recyklaci.

## Návod k použití

Než začnete se strojem pracovat, přečtěte si následující bezpečnostní předpisy a pokyny k používání. Seznamte se s obslužnými prvky a správným používáním zařízení. Návod pečlivě uschovejte pro případ pozdější potřeby. Minimálně po dobu záruky doporučujeme uschovat originální obal včetně vnitřního balicího materiálu, pokladní doklad a záruční list. V případě přepravy zabalte stroj zpět do originální krabice od výrobce, zajistíte si tak maximální ochranu výrobku při případném transportu (např. stěhování nebo odeslání do servisního místa).

 **Poznámka:** Předáváte-li stroj dalším osobám, předejte jej společně s návodem.

Dodržování přiloženého návodu k obsluze je předpokladem řádného používání stroje. Návod k obsluze obsahuje rovněž pokyny pro obsluhu, údržbu a opravy.

**Výrobce nepřebírá odpovědnost za nehody nebo škody vzniklé následkem nedodržování tohoto návodu.**

## 2. SYMBOLY



Nevystavujte nářadí dešti.



Před použitím nářadí si pečlivě přečtěte návod k obsluze.



V případě poškození napájecího kabelu ihned nářadí odpojte od napájení.



Při práci vždy použijte ochrannou helmu, brýle a ochranu sluchu.



Pozor nebezpečí zpětného rázu.



NEBEZPEČÍ! Nespouštějte nářadí, pokud se ve vaší blízkosti nacházejí děti, jiné osoby či zvířata.



Při práci používejte ochranné rukavice.



Používejte pevnou izolační pracovní obuv.



Používejte ochranu sluchu.



Používejte pracovní rukavice.



Pozor na padající větve.



## 3. BEZPEČNOSTNÍ POKYNY

### **POZOR!**

Seznamte se se všemi výstražnými a bezpečnostními pokyny a s pokyny pro obsluhu nářadí.

### **POZOR!**

Nedodržení výstražných či bezpečnostních pokynů může vyústit v úraz elektrickým proudem, vznik požáru a/nebo vážný úraz.

### **POZOR!**

Všechny výstražné a bezpečnostní pokyny si uložte na praktické místo pro budoucí použití.




**Poznámka:** Výrazem „elektrické nářadí“ ve všech dále uvedených výstražných pokynech je myšleno elektrické nářadí napájené (pohyblivým přívodem) ze sítě.

### **Bezpečnost pracovního prostředí**

- ☼ Udržujte místo práce uklizené a dobře osvětlené. Nepořádek a tmavá místa na pracovišti bývají příčinou nehod.
- ☼ Nepoužívejte elektrické nářadí v prostředí s nebezpečím výbuchu, kde se vyskytují hořlavé kapaliny, plyny nebo prach. V elektrickém nářadí vznikají jiskry, které mohou zapálit prach nebo výpary.
- ☼ Při používání elektrického nářadí zamezte přístupu dětí a jiných osob k nářadí. Budete-li vyrušováni, můžete ztratit kontrolu nad nářadím.

### **Bezpečnost při práci s elektrickým nářadím**

- ☼ Vidlice pohyblivého přívodu elektrického nářadí musí odpovídat síťové zásuvce. Nikdy jakýmkoliv způsobem neupravujte vidlici. S nářadím, které má ochranné spojení se zemí, nikdy nepoužívejte žádné zásuvkové adaptéry. Vidlice, které nejsou znehodnoceny úpravami, a odpovídající zásuvky omezí nebezpečí úrazu elektrickým proudem.
  - ☼ Vyvarujte se dotyku těla s uzemněnými předměty, jako jsou např. potrubí, tělesa ústředního topení, sporáky a chladničky. Nebezpečí úrazu elektrickým proudem je větší, je-li vaše tělo spojené se zemí.
  - ☼ Nevystavujte elektrické nářadí dešti, vlhku nebo mokru. Vnikne-li do elektrického nářadí voda, zvyšuje se nebezpečí úrazu elektrickým proudem.
  - ☼ Nepoužívejte pohyblivý přívod k jiným účelům. Nikdy nenoste a netahajte elektrické nářadí za přívod ani nevytrhávejte vidlice ze zásuvky tahem za přívod. Chraňte přívod před horkem, mastnotou, ostrými hranami a pohybujícími se částmi. Poškozené nebo zamotané přívody zvyšují nebezpečí úrazu elektrickým proudem.
  - ☼ Je-li elektrické nářadí používáno venku, používejte prodlužovací přívod vhodný pro venkovní použití. Používání prodlužovacího přívodu pro venkovní použití omezuje nebezpečí úrazu elektrickým proudem.
  - ☼ Musíte-li použít elektrické nářadí ve vlhkém prostředí, použijte v napájecím okruhu proudový chránič (RCD). Použití proudového chrániče (RCD) snižuje riziko úrazu elektrickým proudem.
-  **Poznámka:** Výraz „proudový chránič“ (RCD) může být nahrazen termínem „přerušovač zemního spojení“ (GFCI) nebo ochranný jistič (ELCB).

## Bezpečnost osob

- ✿ Při práci s elektrickým nářadím buďte stále pozorní, sledujte, co provádíte, a používejte zdravý rozum. Nepoužívejte elektrické nářadí, jste-li unavení nebo jste-li pod vlivem drog, alkoholu nebo léků. Chvilka nepozornosti při práci s elektrickým nářadím může mít za následek vážné zranění.
- ✿ Používejte osobní ochranné pracovní pomůcky. Vždy používejte ochranu zraku. Ochranné pomůcky, např. respirátor, bezpečnostní obuv s protiskluzovou úpravou, tvrdá pokrývka hlavy nebo ochrana sluchu, používané v souladu s podmínkami práce, snižují nebezpečí poranění osob.
- ✿ Vyvarujte se neúmyslného spuštění. Před připojením k napájecímu zdroji, před připojením baterie, před uložením nebo před přenášením nářadí se ujistěte, zda je spouštěč spínač v poloze vypnuto. Přenášení nářadí s prstem na spínači nebo zapojování vidlice nářadí se zapnutým spínačem může být příčinou nehod.
- ✿ Před zapnutím nářadí odstraňte všechny seřizovací nástroje nebo klíče. Seřizovací nástroj nebo klíč, který ponecháte připevněn k otáčející se části elektrického nářadí, může být příčinou poranění osob.
- ✿ Pracujte jen tam, kam bezpečně dosáhnete. Vždy udržujte stabilní postoj a rovnováhu. Budete tak lépe ovládat elektrické nářadí v nepředvídaných situacích.
- ✿ Oblékejte se vhodným způsobem. Nepoužívejte volné oděvy ani šperky. Dbejte, aby vaše vlasy, oděv a rukavice byly v dostatečné vzdálenosti od pohyblivých částí. Volné oděvy, šperky a dlouhé vlasy mohou být zachyceny pohybujícími se částmi.
- ✿ Jsou-li k dispozici prostředky pro připojení zařízení k odsávání a sběru prachu, zajistěte, aby taková zařízení byla připojena a správně používána. Použití těchto zařízení může omezit nebezpečí způsobená vznikajícím prachem.

## Použití elektrického nářadí a jeho údržba

- ✿ Elektrické nářadí nepřetěžujte. Používejte pouze nářadí, které je vhodné pro prováděnou práci. Správné elektrické nářadí bude lépe a bezpečněji vykonávat práci, pro kterou bylo navrženo.
- ✿ Nepoužívejte elektrické nářadí, které nelze zapnout a vypnout spínačem. Jakékoliv elektrické nářadí, které nelze ovládat spínačem, je nebezpečné a musí být opraveno.
- ✿ Před seřizováním nářadí, před výměnou příslušenství, nebo pokud nářadí nepoužíváte, vytáhněte zástrčku napájecího kabelu ze zásuvky. Tato preventivní bezpečnostní opatření omezují nebezpečí nahodilého spuštění elektrického nářadí.
- ✿ Nepoužívané elektrické nářadí ukládejte mimo dosah dětí a nedovolte osobám, které nebyly seznámeny s elektrickým nářadím nebo s těmito pokyny, aby nářadí používaly. Elektrické nářadí je v rukou nezkušených uživatelů nebezpečné.
- ✿ Provádějte údržbu elektrického nářadí. Kontrolujte seřízení pohybujících se částí a jejich pohyblivost, zaměřte se na praskliny, zlomené součásti a jakékoliv další okolnosti, které mohou ohrozit funkci elektrického nářadí. Je-li nářadí poškozeno, před dalším používáním zajistěte jeho opravu. Mnoho nehod je způsobeno nedostatečně udržovaným elektrickým nářadím.
- ✿ Řezací nástroje udržujte ostré a čisté. Správně udržované a naoštržené řezací nástroje se s menší pravděpodobností zachytí za materiál nebo se zablokují a práce s nimi se snáze kontroluje.
- ✿ Elektrické nářadí, příslušenství, pracovní nástroje atd. používejte v souladu s těmito pokyny a takovým způsobem, jaký byl předepsán pro konkrétní elektrické nářadí, a to s ohledem na dané podmínky práce a druh prováděné práce. Používání elektrického nářadí k provádění jiných činností, než pro jaké bylo určeno, může vést k nebezpečným situacím.

**Servis**

- ✿ Opravy vašeho elektrického nářadí svěřte kvalifikované osobě, která bude používat originální náhradní díly. Tímto způsobem bude zajištěna stejná úroveň bezpečnosti elektrického nářadí jako před opravou.

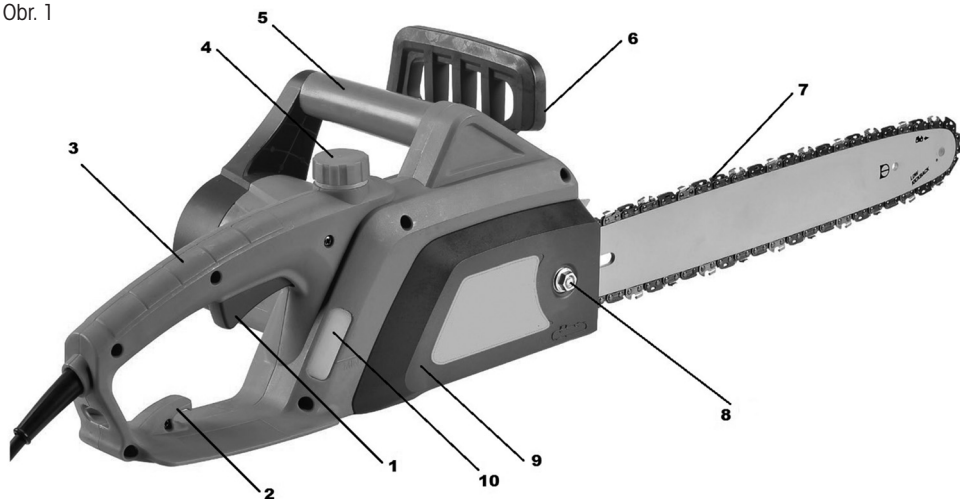
**Skladování**

- ✿ nářadí přepravujte a skladujte pouze s nasazeným ochranným krytem
- ✿ před uložením nářadí pečlivě očistěte a proveďte příslušnou údržbu
- ✿ před přepravou nářadí zajistěte proti úniku oleje, poškození či způsobení úrazu

## 4. POPIS PILY

1. Hlavní spínač
2. Bezpečnostní úchyt přívodního kabelu
3. Zadní rukojeť
4. Zátka olejové nádrže
5. Přední rukojeť
6. Bezpečnostní brzda řetězu
7. Lišta s řetězem
8. Upínací matice lišty
9. Kryt řetězky
10. Kontrolní okénko stavu oleje

Obr. 1

**Obsah balení:**

Elektrická pila, lišta 35 cm, řetěz, plastový kryt lišty, náhradní sada uhlíků, montážní klíč.

## 5. INSTALACE VODICÍ LIŠTY A ŘETĚZU

### ⚠ POZOR!

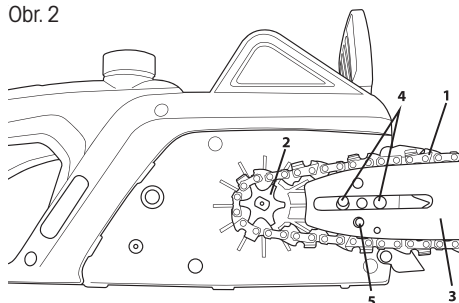
Řetězová pila musí být odpojena od elektrické sítě.

### ⚠ POZOR!

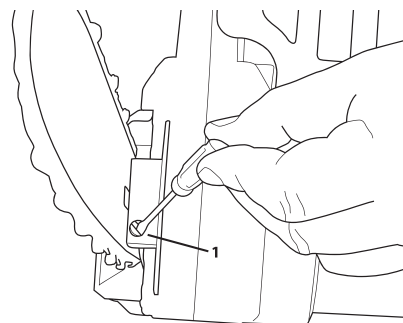
Při instalaci a při provádění kontrol řetězu používejte vždy ochranné rukavice, abyste zabránili zraněním způsobeným ostrými břity řetězu.

- ✿ Páka bezpečnostní brzdy (obr. 1, bod 6) musí být odjištěna (přitáhněte směrem k hornímu madlu)
- ✿ Pomocí přiloženého nástrčného klíče odšroubujte upínací matici lišty (obr. 1, bod 8) a sejměte kryt řetězky (obr. 1, bod 9)
- ✿ Nasadte řetěz (obr. 2, bod 1) na hnací řetězku (obr. 2, bod 2)
- ✿ Nasadte vodící lištu (obr. 2, bod 3) na vodící šrouby (obr. 2, bod 4) a přitlačte ji směrem k hnací řetězce. Je velmi důležité, aby se seřizovací kolík (obr. 2, bod 5) zapadl během instalace do otvoru ve vodící liště. Kolíkem lze pohybovat směrem dopředu a dozadu otáčením seřizovacího šroubu (obr. 3, bod 1)
- ✿ Nasadte řetěz do vodící drážky lišty. Správný směr nasazení je vyznačen na pile, případně v kapitole „Výměna pilového řetězu“
- ✿ Nasadte kryt (obr. 1, bod 9) a upevněte jej lehkým dotažením upínací matice vodící lišty.

Obr. 2



Obr. 3



### ⚠ POZOR!

Před dopnutím řetězu nikdy matku nedotahujte, hrozí poškození pily

Řetěz dopněte odpínacím šroubem (obr. 3, bod 1) a následně dotáhněte upínací matici lišty (obr. 1, bod 8)

### ⚠ POZOR!

Napnutí řetězu je správné, můžete-li řetěz zvednout z vodící lišty a je-li jeho výška v horizontální poloze uprostřed vodící lišty 3 až 4 mm.

## 6. NAPLNĚNÍ NÁDRŽKY PILY OLEJEM

### ⚠ POZOR!

Nový řetěz vyžaduje určitou dobu záběhu, která trvá zhruba 5 minut. V této fázi je velmi důležité mazání řetězu. Po této době záběhu zkontrolujte napnutí řetězu a je-li to nutné, proveďte jeho další seřízení.

- ✿ Nádržka na olej u dodané pily je prázdná. Před prvním použitím pily naplňte tuto nádržku olejem.
- ✿ Používejte pouze olej určený pro ztrátové mazání
- ✿ Odšroubujte víčko plnicího otvoru (obr. 1, bod 4).
- ✿ Nalijte do nádržky olej (dávejte pozor, abyste zabránili znečištění oleje během plnění nádržky).
- ✿ Zašroubujte víčko plnicího otvoru

### **⚠ POZOR!**

Nepoužívejte olej, který byl již použit nebo zpracován, protože by mohlo dojít k poškození olejového čerpadla. Používejte pouze olej určený pro ztrátové mazání

## 7. OVLÁDÁNÍ PILY

### Zajištění prodlužovacího kabelu.

#### **⚠ POZOR!**

Při práci s touto řetězovou pilou používejte pouze prodlužovací kabely určené pro venkovní použití. Příčný průřez vodičů prodlužovacího kabelu musí být minimálně 1,5 mm<sup>2</sup>.

- ✿ Za účelem bezpečného provozu této řetězové pily je nutné zajistit přívodní kabel. Přívodní kabel ve vzdálenosti cca 20 cm od zástrčky přehněte. Ohyb prostrčte otvorem v zadním madle a zajistěte ho do háčku. (obr. 1, bod 2)

#### **⚠ POZOR!**

Bude-li použit prodlužovací kabel delší než 30 m, dojde k poklesu výkonu řetězové pily.

### Zapnutí / Vypnutí

#### **⚠ POZOR!**

Napětí v elektrické síti se musí shodovat s napájecím napětím na výkonovém štítku pily.

#### **⚠ POZOR!**

Při spouštění i během práce držte pilu pevně oběma rukama

### Zapnutí

- ✿ Stiskněte zajišťovací tlačítko spínače, které se nachází vlevo nad hlavním spínačem a potom stiskněte hlavní spínač (obr. 1, bod 1). Po zapnutí začne řetězová pila pracovat v maximálních otáčkách.

#### **⚠ POZOR!**

Nedojde-li k spuštění řetězové pily, uvolněte páku brzdy (obr. 1, bod 6).

### Vypnutí

- ✿ Uvolněte hlavní spínač (obr. 1, bod 1).

#### **⚠ POZOR!**

Pila je vybavena bezpečnostní brzdou řetězu, která zastaví řetěz okamžitě po uvolnění hlavního spínače. V případě, že se řetěz po uvolnění spínače ihned nezastaví, kontaktujte neprodleně autorizované servisní středisko.

## Kontrola mazání řetězu

Pozor: dodržujte bezpečnostní opatření a zabraňte kontaktu vodící lišty s povrchem terénu. Používejte toto nářadí bezpečně a udržujte minimální vzdálenost od země 20 cm.

- ☼ Před zahájením práce zkontrolujte namazání řetězu a množství oleje v nádrži pily. Zapněte pilu a držte ji nad zemí. Uvidíte-li zvětšující se stopy po oleji, mazání řetězu probíhá správně. Nebudou-li na zemi žádné stopy oleje, očistěte výstupní otvor pro olej, horní otvor napínání řetězu a rozvod oleje nebo kontaktujte autorizované servisní středisko.

## 8. BRZDA ŘETĚZU

- ☼ Tato pila je vybavena automatickou brzdou, která zastavuje řetěz v případě zpětného rázu při provozu pily. Brzda se zapne automaticky, jakmile začne působit setrvačná síla na závaží nacházející se uvnitř skříně brzdy.
- ☼ Brzda řetězu může být aktivována také ručně, je-li páka brzdy (obr. 1, bod 6) přesunuta směrem dolů k vodící liště. Aktivace brzdy řetězu zastavuje pohyb řetězu do 0,12 s.

### Kontrola funkce brzdy.

Před každým použitím pily zkontrolujte správnou funkci brzdy.

Položte pilu v chodu na zem a na 1 až 2 sekundy ji nechejte v chodu v maximálních otáčkách. Zatlačte páku brzdy (obr. 1, bod 6) dopředu. Řetěz by se měl ihned zastavit.

#### **⚠ POZOR!**

Zastavuje-li se řetěz pomalu nebo nezastaví-li se vůbec, pilu nepoužívejte a kontaktujte autorizované servisní středisko.

Chcete-li brzdu uvolnit, přitáhněte páku brzdy směrem k horní rukojeti (obr. 1, bod 5) tak, abyste uslyšeli typický zvuk pro uvolnění zablokování.

#### **⚠ POZOR!**

Ujistěte se, zda je funkce brzdy řetězu v pořádku. Správně fungující brzda řetězu Vás ochrání proti případnému úrazu, který může způsobit zpětný ráz. V případě, kdy brzda nepracuje správně, svěťte její seřízení nebo opravu autorizovanému servisu.

## 9. SEŘÍZENÍ NAPNUTÍ ŘETĚZU

#### **⚠ POZOR!**

Během provozu má řetěz pily působením vyšší teploty tendenci se prodlužovat. Delší řetěz se uvolňuje a může sklouznout z vodící lišty.

- ☼ Povolte upínací matici vodící lišty (obr. 1, bod 8).
- ☼ Ujistěte se, že je řetěz nasazen ve vodící drážce vodící lišty.
- ☼ Pro otočení seřizovacího šroubu napnutí řetězu (obr. 3, bod 1) použijte šroubovák. Otáčejte seřizovacím šroubem, dokud nedosáhnete požadovaného napnutí řetězu (měli byste řetěz zvednout uprostřed vodící lišty v horizontální poloze zhruba do výšky 3 až 4 mm).
- ☼ Pevně utáhněte upínací matici vodící lišty (obr. 1, bod 8).

#### **⚠ POZOR!**

Řetěz příliš nenapínejte. Přílišné napnutí zahřátého řetězu může vést k jeho nadměrnému napnutí po vychladnutí.

## 10. POUŽITÍ ŘETĚZOVÉ PILY

- ☼ Před zahájením jakékoli práce se řádně seznámte s částí popisující bezpečnostní předpisy pro obsluhu řetězové pily. Doporučujeme vám, abyste získali zkušenosti při práci s odpadovým dřevem. Tímto způsobem se také seznámíte s provozními parametry této pily.
- ☼ Vždy dodržujte bezpečnostní předpisy.
- ☼ Používejte tuto řetězovou pilu pouze pro řezání dřeva. Řezání jiných materiálů je zakázáno.
- ☼ Intenzita vibrací a typ zpětného rázu u této pily závisí na typu řezaného dřeva.
- ☼ Nepoužívejte tuto řetězovou pilu jako páku pro zvedání, přemístění nebo rozštípnutí materiálu. Dojde-li k uvíznutí řetězu v řezaném materiálu, vypněte pilu a zarazte do řezu dřevěný nebo plastový klín, aby došlo k uvolnění řetězu pily. Znovu spusťte pilu a opatrně zahajte řez.

## 11. ŘEZÁNÍ

### POZOR!

Než budete pokračovat, přečtěte si kapitolu „Bezpečnostní pokyny“. Doporučujeme získat zkušenosti při řezání menších polen. Tím se také s pilou seznámíte.

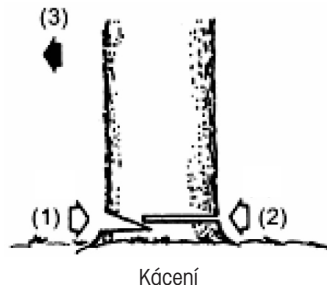
- ☼ Vždy dodržujte bezpečnostní pokyny. Řetězovou pilu lze používat pouze k řezání dřeva. Je zakázáno řezat jiné materiály. Vibrace a zpětný raz se pro různé materiály liší. Pilu nepoužívejte jako páku ke zvedání, přemísťování nebo rozbíjení objektů. Je zakázáno k pile připevňovat součásti nebo přípravky jiné než uvedené v technické dokumentaci.
- ☼ Pilu není nutné do řezu tlačit. Když motor běží na plný plyn, pilu přitlačujte jen zlehka.
- ☼ Dojde-li k zachycení řetězu v řezu, nezkoušejte jej uvolnit tahem, ale řez rozláhněte klínem nebo pákou.

### **Bezpečnostní brzda (ochrana proti zpětnému rázu)**

- ☼ Tato pila je vybavena brzdou řetězu, která, pokud pracuje správně, v případě zpětného rázu ihned řetěz zastaví. Činnost brzdy řetězu je nutno zkontrolovat před každým použitím pily. Pilu spusťte na plný plyn po dobu 1 - 2 sekund a poté sklopte přední ochranný kryt. Řetěz se musí ihned zastavit i při plných otáčkách motoru. Pokud se řetěz zastavuje pomalu nebo nezastaví vůbec, kontaktujte autorizované servisní středisko.
- ☼ Je mimořádně důležité před každým použitím zkontrolovat funkčnost brzdy řetězu a stav nabroušení řetězu, aby byla zachována potřebná úroveň bezpečnosti pily při zpětném rázu. Odstraněním bezpečnostního příslušenství, při nesprávné údržbě či při použití nevhodné lišty nebo řetězu může v případě zpětného rázu dojít k těžkým úrazům.

## Kácení stromu

- ☼ Rozhodněte o směru pádu stromu s přihlédnutím ke směru větru, náklonu stromu a poloze větví a zvažte také všechny ostatní faktory, před započítím práce.
- ☼ Plocha okolo stromu musí být volná, bez překážek, musí umožňovat stabilní postoj. Úniková cesta musí být průchozí.
- ☼ Do třetiny průměru kmenu provedte klínový zářez z té strany, na kterou má strom spadnout. (viz obr. Kácení, bod 1)
- ☼ Z opačné strany provedte oddělovací řez v úrovni nad klínovým zářezem. (viz obr. Kácení, bod 2)
- ☼ Pád stromu bude probíhat směrem ke klínovému zářezu. (viz obr. Kácení, bod 3)



### ⚠ POZOR!

Při kácení stromů upozorněte ostatní osoby v okolí na potenciálně hrozící nebezpečí. Kácení stromů vyžaduje praxi a bez náležitých zkušeností ho nedoporučujeme provádět.

## Řezání polen

### ⚠ POZOR!

Vždy udržujte stabilní postoj. Nestoupejte na polena.

### ⚠ POZOR!

Před započítím práce se ujistěte, že jsou všechny komponenty na svém místě a všechny šrouby a matky jsou dotažené.

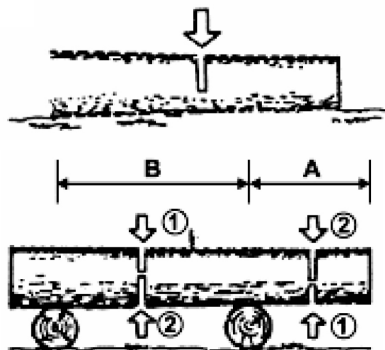
- ☼ Řezané poleno se může odvalovat. Zejména při řezání ve svahu stůjte vždy nad řezaným polenem.
- ☼ Předcházejte zpětnému rázu pily postupováním v souladu s instrukcemi uvedenými v kapitole „Bezpečnostní pokyny“.
- ☼ Před zahájením práce zhodnoťte směr síly způsobující ohýbání řezaného kmene. Závěrečný řez vždy provádějte z opačné strany, než působí ohýbající síla, aby nedošlo k sevření lišty v řezu.
- ☼ Pilu pronášejte pouze za předpokladu, že je motor vypnutý, a lišta chráněna ochranným krytem.

### Poleno ležící na zemi

- ☼ Přeřízněte do poloviny, pote otočte a dořízněte z opačné strany.

### Poleno nad zemí

- ☼ V části „A“ provedte řez zdola do třetiny polena a pote řez dokončete shora. V části „B“ provedte řez shora do třetiny a pote řez dokončete zdola.



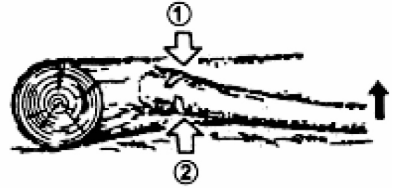


### Odvětvování padlého stromu

- ☼ Nejdříve zjistěte, na kterou stranu je větev ohnuta. Poté proveďte počáteční řez ze strany ohybu a poté dokončete řez z opačné strany.

#### ⚠ POZOR!

Ohnutá větev se může vymrštit.



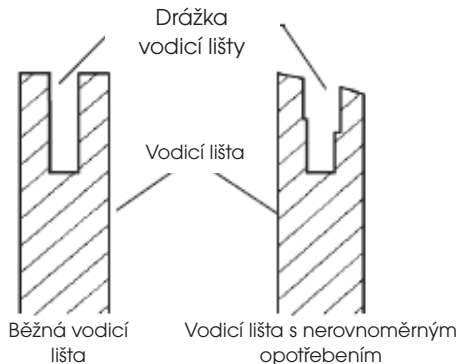
## 12. ČIŠTĚNÍ A ÚDRŽBA NÁŘADÍ

### Čištění tělesa řetězové pily

Udržujte těleso řetězové pily čisté. Při čištění použijte měkký hadřík namočený v mýdlovém roztoku. Tímto hadříkem pečlivě očistěte těleso řetězové pily.


### Údržba vodící lišty

- ☼ Nejvíce potíží s vodící lištou nastává v důsledku nerovnoměrného opotřebení. K nerovnoměrnému opotřebení dochází většinou z důvodu nesprávného naostření řetězu a nesprávného nastavení omezovacího zubu. Při nerovnoměrném opotřebení lišty dochází k rozšiřování vodící drážky (viz Obrázek ). Důsledkem je pak klapání řetězu a odpadávání nýtů. S pilou nelze provádět rovné řezy. V takovém případě vodící lištu vyměňte za novou.
- ☼ Před ostřením řetězu vždy zkontrolujte stav vodící lišty. Použití opotřeбенé nebo poškozené lišty je velmi nebezpečné. Použitím opotřeбенé nebo poškozené lišty dojde k poškození řetězu. Řezání s takovým nástrojem bude také výrazně obtížnější a namáhavější.



### Běžná údržba vodicí lišty

- ✿ Demontujte vodicí lištu z tělesa řetězové pily.
- ✿ Z drážky vodicí lišty pravidelně odstraňujte piliny. Při čištění použijte špachtli nebo drát.
- ✿ Olejové drážky vyčistěte po skončení každého pracovního dne.
- ✿ Vodicí lištu vyměňte, pokud:
  - je ohnutá nebo popraskaná
  - má těžce poškozenou nebo opotřebenou drážku

 **Poznámka:** Při výměně vodicí lišty postupujte dle pokynů uvedených v tomto návodu. Správný typ lišty najdete v přehledu technických údajů.

## 13. OSTŘENÍ PILOVÉHO ŘETĚZU

Pilový řetěz udržujte ostrý. Řezání bude výrazně rychlejší a především bezpečnější. Tupý řetěz zvyšuje opotřebenosti řetězky, vodicí lišty, řetězu a pohonu. Pokud musíte na pilu tlačit a při řezání se tvoří pouze piliny s pár odřezky, znamená to, že je řetěz tupý.

**Za tímto účelem doporučujeme kontaktovat autorizovaný servis**

### Vybavení nezbytné pro ostření pilového řetězu

- ✿ Kulatý pilník viz specifikace technických parametrů
- ✿ Omezovací zub
- ✿ Vodítko pilníku
- ✿ Svěrák
- ✿ Ploché pilník střední velikosti

### Ostření zubů řetězu


Použijte vodítko pro pilování pod úhlem 30° (značka A, viz obrázek).

- ✿ Seřídte napnutí pilového řetězu na správnou úroveň.
- ✿ Upevněte vodicí lištu do svěráku, abyste měli řetěz ve stabilní poloze.

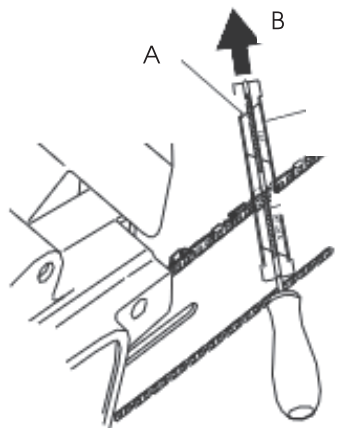
 **Poznámka:** Samotný řetěz neupevňujte.

- ✿ Vtlačte kulatý pilník, vložený do vodítka, do drážky mezi horní plech a omezovací zub na řetězu. Řetěz by se měl dotýkat jak horního plechu, tak omezovacího zubu (viz obrázek).

 **Poznámka:** Pilujte ve středu vodicí lišty.

 **Poznámka:** Na obrázku vidíte umístění vodítka pilníku a směr pilování zubů na levé straně řetězu.

- ✿ Umístěte vodítko pilníku do požadovaného úhlu (značka A, viz obrázek). Ověřte si, že je značka 30° na vodítku pilníku zarovnaná se středem vodicí lišty. Tak se ujistíte, budete pilovat pod úhlem 30°.



✿ Pilujte zub směrem zevnitř ven (ve směru B, viz obrázek), dokud nebude ostrý. Pilujte pouze v tomto směru.

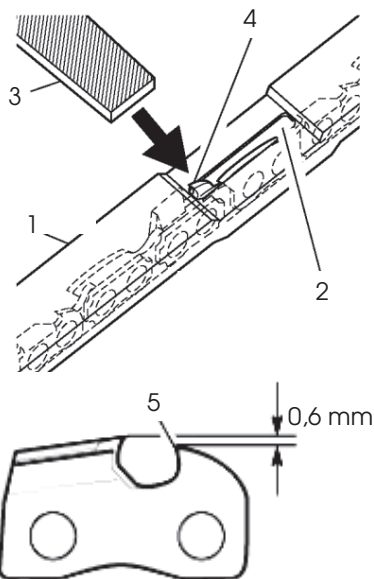
📖 **Poznámka:** K naostření zubu by měly postačit dva až tři tahy pilníkem.

### Pilování omezovacího zubu

Důsledkem ostření zubů řetězu je snížení tolerance omezovacího zubu. Po každém druhém až třetím ostření je nezbytné upravit nastavení omezovacího zubu.

- ✿ Umístěte nástroj pro úpravu omezovacího zubu (viz obr., bod 1) pevně na horní hranu dvou zubů. Ujistěte se, že drážka nástroje zapadá do drážky omezovacího zubu (viz obr., bod 2.)
- ✿ Použijte plochý pilník střední velikosti (viz obr., bod 3).
- ✿ Zapilujte omezovací zub (viz obr., bod 4) do úrovně nástroje pro úpravu omezovacího zubu.
- ✿ Sejměte nástroj pro úpravu omezovacího zubu. Pomocí plochého pilníku zaoblete přední hranu omezovacího zubu (viz obrázek). Při broušení dodržte předepsané hodnoty (viz obr., bod 5).

📖 **Poznámka:** Po několika ručních ostřeních předejte pilový řetěz k naostření autorizovanému servisnímu středisku nebo jej naostřete speciálním ostřícím strojem. Tím obnovíte rovnoměrné naostření všech zubů.




## 14. VÝMĚNA PILOVÉHO ŘETĚZU

### ⚠️ POZOR!

Při výměně pilového řetězu neupínejte řetězovou pilu ani vodicí lištu do svěráku.

Řetěz vyměňte vždy, pokud jsou zuby příliš opotřebené a nelze je naostřit nebo pokud řetěz praskne. Použijte pouze originální náhradní řetěz dle specifikace tohoto návodu k použití. Při výměně řetězu vždy vyměňte také ozubené kolo řetězky. Tím zajistíte správnou pozici řetězu při pohybu. (Poznámka: Specifikaci správného typu řetězu a ozubeného kola najdete v přehledu technických údajů.)


- ✿ Povolte a sejměte šroub vodicí lišty.
- ✿ Sejměte kryt řetězky.
- ✿ Sejměte pilový řetěz.
- ✿ Obtočte nový řetěz kolem ozubeného kola, poté podél horní drážky vodicí lišty a kolem hrotu vodicí lišty.

 **Poznámka:** Ujistěte se, že řezné zuby řetězu směřují správným směrem. Řetěz umístěte tak, aby zuby na horní straně lišty směřovaly k přední hraně lišty (viz obrázek).

- ✿ Před umístěním krytu řetězky do pozice si ověřte, že je regulační hrot napínání řetězu zasunutý do regulačního otvoru vodicí lišty.
- ✿ Umístěte kryt řetězky zpět na těleso pily.
- ✿ Pripevněte kryt řetězky šroubem vodicí lišty.

 **POZOR!**  
Šroub utahujte pouze rukou.

- ✿ Upravte napnutí pilového řetězu.
- ✿ Dotáhněte šroub vodicí lišty.

 **POZOR!**  
Ujistěte se, že jste neumístili pilový řetěz na vodicí lištu v opačném směru. V opačném případě bude pila vykazovat nadměrné vibrace a nebude řezat.



## 15. SKLADOVÁNÍ

V případě, že nebudete pilu používat po dobu delší než 30 dní, postupujte následujícím způsobem.

- ✿ Vypusťte zásobník oleje.
- ✿ Sejměte a vyčistěte vodicí lištu a řetěz. Vodicí lištu a řetěz namočte do čistícího roztoku na bázi petroleje nebo do mýdlového roztoku.
- ✿ Poté vodicí lištu a řetěz osušte.
- ✿ Umístěte řetěz do nádoby s olejem. Tím předejdete jeho korozi.
- ✿ Vodicí lištu lehce natřete olejem.
- ✿ Těleso řetězové pily otřete hadříkem. Při čištění použijte měkký hadřík namočený v mýdlovém roztoku.
- ✿ Řetězovou pilu skladujte
  - ve vyšších regálech či v uzamčených prostorách mimo dosah dětí
  - na suchém místě

## 16. TECHNICKÉ ÚDAJE

Příkon	1800 W
Napětí/frekvence	230 V - 240 V / 50 Hz
Dělení řetězu	3/8"
Šířka vodící drážky	1,3 mm
Počet článků řetězu	52 článků
Délka lišty	35 cm
Průměr pilníku	4 mm
Řezná rychlost	12 m/s
Kapacita olejové nádrže	220 ml
Hmotnost (s lištou a řetězem)	5,0 kg
Hladina akustického výkonu LWA	naměřená 112 dB (A)

Uživatelská příručka je v originálním jazyce.

## 17. LIKVIDACE

### POKYNY A INFORMACE O NAKLÁDÁNÍ S POUŽITÝM OBALEM

Použitý obalový materiál odložte na místo určené obcí k ukládání odpadu.



Stroj a jeho příslušenství jsou vyrobeny z různých materiálů, např. z kovu a plastů. Poškozené součástky odevzdejte do tříděného sběru. Informujte se u příslušného úřadu.



Změny v textu, designu a technických specifikacích se mohou měnit bez předchozího upozornění a vyhražujeme si právo na jejich změnu.



# Reťazová píla

## NÁVOD NA OBSLUHU

### OBSAH

1. VŠEOBECNÉ BEZPEČNOSTNÉ PREDPISY.....	40
2. SYMBOLY .....	41
3. BEZPEČNOSTNÉ POKYNY .....	43
4. POPIS PÍLY .....	45
5. INŠTALÁCIA VODIACEJ LIŠTY A REŤAZE .....	46
6. NAPLNENIE NÁDRŽKY PÍLY OLEJOM .....	46
7. OVLÁDANIE PÍLY .....	47
8. BRZDA REŤAZE.....	48
9. NASTAVENIE NAPNUTIA REŤAZE .....	48
10. POUŽITIE REŤAZOVEJ PÍLY .....	49
11. REZANIE.....	49
12. ČISTENIE A ÚDRŽBA NÁRADIA.....	51
13. OSTRENIE PÍLOVEJ REŤAZE .....	52
14. VÝMENA PÍLOVEJ REŤAZE .....	53
15. SKLADOVANIE.....	54
16. TECHNICKÉ ÚDAJE.....	55
17. LIKVIDÁCIA.....	55

# 1. VŠEOBECNÉ BEZPEČNOSTNÉ PREDPISY

## Dôležité bezpečnostné upozornenia

- ✿ Výrobok starostlivo vybalte a dajte pozor, aby ste nevyhodili žiadnu časť obalového materiálu skôr, než nájdete všetky súčasti výrobku.
- ✿ Výrobok uchovávajte na suchom mieste mimo dosahu detí.
- ✿ Čítajte všetky upozornenia a pokyny. Zanedbanie pri dodržiavaní varovných upozornení a pokynov môže mať za následok úraz elektrickým prúdom, požiar a/alebo ťažké poranenia.

## Obal

Výrobok je umiestnený v obale brániacom poškodeniam pri transporte. Tento obal je surovinou a je preto možné ho odovzdať na recykláciu.

## Návod na použitie

Než začnete so strojom pracovať, prečítajte si nasledujúce bezpečnostné predpisy a pokyny na používanie. Oboznámte sa s obslužnými prvkami a správnym používaním zariadenia. Návod dôkladne uschovajte pre prípad neskoršej potreby. Minimálne počas záručnej lehoty odporúčame uschovať originálny obal vrátane vnútorného baliaceho materiálu, pokladničný doklad a záručný list. V prípade prepravy zabaľte stroj späť do originálnej škatule od výrobcu, zaisťte si tak maximálnu ochranu výrobku pri prípadnom transporte (napr. sťahovaní alebo odoslaní do servisného miesta).

 **Poznámka:** Ak odovzdávate stroj ďalším osobám, odovzdajte ho spoločne s návodom.

Dodržiavanie priloženého návodu na obsluhu je predpokladom riadneho používania stroja. Návod na obsluhu obsahuje tiež pokyny na obsluhu, údržbu a opravy.

**Výrobca nepreberá zodpovednosť za nehody alebo škody vzniknuté následkom nedodržiavania tohto návodu.**



## 2. SYMBOLY



Nevystavujte náradie dažďu.



Pred použitím náradia si starostlivo prečítajte návod na obsluhu.



V prípade poškodenia napájacieho kábla ihneď náradie odpojte od napájania.



Pri práci vždy použite ochrannú helmu, okuliare a ochranu sluchu.



Pozor, nebezpečenstvo spätného rázu.



NEBEZPEČENSTVO! Nespúšťajte náradie, ak sa vo vašej blízkosti nachádzajú deti, iné osoby či zvieratá.



Pri práci používajte ochranné rukavice.



Používajte pevnú izolačnú pracovnú obuv.



Používajte ochranu sluchu.



Používajte pracovné rukavice.



Pozor na padajúce vetvy.

## 3. BEZPEČNOSTNÉ POKYNY

### **POZOR!**

Oboznámte sa so všetkými výstražnými a bezpečnostnými pokynmi a s pokynmi na obsluhu náradia.

### **POZOR!**

Nedodržanie výstražných či bezpečnostných pokynov môže vyústiť do úrazu elektrickým prúdom, vzniku požiaru a/alebo vážneho úrazu.

### **POZOR!**

Všetky výstražné a bezpečnostné pokyny si uložte na praktické miesto na budúce použitie.



**Poznámka:** Výrazom „elektrické náradie“ vo všetkých ďalej uvedených výstražných pokynoch je myslené elektrické náradie napájané (pohyblivým prívodom) zo siete.

### **Bezpečnosť pracovného prostredia**

- ☼ Udržujte miesto práce upratané a dobre osvetlené. Neporiadok a tmavé miesta na pracovisku bývajú príčinou nehôd.
- ☼ Nepoužívajte elektrické náradie v prostredí s nebezpečenstvom výbuchu, kde sa vyskytujú horľavé kvapaliny, plyny alebo prach. V elektrickom náradí vznikajú iskry, ktoré môžu zapáliť prach alebo výpary.
- ☼ Pri používaní elektrického náradia zamedzte prístupu deťi a iných osôb k náradia. Ak budete vyrušovaní, môžete stratiť kontrolu nad náradím.

### **Bezpečnosť pri práci s elektrickým náradím**

- ☼ Vidlica pohyblivého prívodu elektrického náradia musí zodpovedať sieťovej zásuvke. Nikdy akýmkoľvek spôsobom neupravujte vidlicu. S náradím, ktoré má ochranné spojenie so zemou, nikdy nepoužívajte žiadne zásuvkové adaptéry. Vidlice, ktoré nie sú znehodnotené úpravami, a zodpovedajúce zásuvky obmedzia nebezpečenstvo úrazu elektrickým prúdom.
- ☼ Vyvarujte sa dotyku tela s uzemnenými predmetmi, ako sú napr. potrubia, telesá ústredného kúrenia, sporáky a chladničky. Nebezpečenstvo úrazu elektrickým prúdom je väčšie, ak je vaše telo spojené so zemou.
- ☼ Nevystavujte elektrické náradie dažďu, vlhku alebo mokru. Ak vnikne do elektrického náradia voda, zvyšuje sa nebezpečenstvo úrazu elektrickým prúdom.
- ☼ Nepoužívajte pohyblivý prívod na iné účely. Nikdy nenoste a nefahajte elektrické náradie za prívod ani nevytrhávajte vidlicu zo zásuvky ľahom za prívod. Chráňte prívod pred horúčavou, masťou, ostrými hranami a pohybujúcimi sa časťami. Poškodené alebo zamotané prívody zvyšujú nebezpečenstvo úrazu elektrickým prúdom.
- ☼ Ak sa elektrické náradie používa vonku, používajte predlžovací prívod vhodný na vonkajšie použitie. Používanie predlžovacieho prívodu na vonkajšie použitie obmedzuje nebezpečenstvo úrazu elektrickým prúdom.
- ☼ Ak musíte použiť elektrické náradie vo vlhkom prostredí, použite v napájacom okruhu prúdový chránič (RCD). Použitie prúdového chrániča (RCD) znižuje riziko úrazu elektrickým prúdom.



**Poznámka:** Výraz „prúdový chránič“ (RCD) môže byť nahradený termínom „prerušovač zemného spojenia“ (GFCI) alebo ochranný istič (ELCB).

## Bezpečnosť osôb

- ☼ Pri práci s elektrickým náradím buďte stále pozorní, sledujte, čo robíte, a používajte zdravý rozum. Nepoužívajte elektrické náradie, ak ste unavení alebo ak ste pod vplyvom drog, alkoholu alebo liekov. Chvilka nepozornosti pri práci s elektrickým náradím môže mať za následok vážne zranenie.
- ☼ Používajte osobné ochranné pracovné pomôcky. Vždy používajte ochranu zraku. Ochranné pomôcky, napr. respirátor, bezpečnostná obuv s protišmykovou úpravou, tvrdá pokrývka hlavy alebo ochrana sluchu, používané v súlade s podmienkami práce, znižujú nebezpečenstvo poranenia osôb.
- ☼ Vyvarujte sa neúmyselného spustenia. Pred pripojením k napájaciemu zdroju, pred pripojením batérie, pred uložením alebo pred prenášaním náradia sa uistite, či je spúšťač v polohe vypnuté. Prenášanie náradia s prstom na spínači alebo zapájanie vidlice náradia so zapnutým spínačom môže byť príčinou nehôd.
- ☼ Pred zapnutím náradia odstráňte všetky nastavovacie nástroje alebo kľúče. Nastavovací nástroj alebo kľúč, ktorý ponecháte pripnutý k otáčajúcej sa časti elektrického náradia, môže byť príčinou poranenia osôb.
- ☼ Pracujte len tam, kam bezpečne dosiahnete. Vždy udržiajte stabilný postoj a rovnováhu. Budete tak lepšie ovládať elektrické náradie v nepredvídaných situáciách.
- ☼ Obliekajte sa vhodným spôsobom. Nepoužívajte voľné odevy ani šperky. Dbajte na to, aby vaše vlasy, odev a rukavice boli v dostatočnej vzdialenosti od pohyblivých častí. Voľné odevy, šperky a dlhé vlasy môžu byť zachytené pohybujúcimi sa časťami.
- ☼ Ak sú k dispozícii prostriedky na pripojenie zariadenia na odsávanie a zber prachu, zaistite, aby takéto zariadenia boli pripojené a správne sa používali. Použitie týchto zariadení môže obmedziť nebezpečenstvá spôsobené vznikajúcim prachom.

## Použitie elektrického náradia a jeho údržba

- ☼ Elektrické náradie nepreťažujte. Používajte iba náradie, ktoré je vhodné na vykonávanú prácu. Správne elektrické náradie bude lepšie a bezpečnejšie vykonávať prácu, na ktorú bolo navrhnuté.
- ☼ Nepoužívajte elektrické náradie, ktoré nie je možné zapnúť a vypnúť spínačom. Akékoľvek elektrické náradie, ktoré nie je možné ovládať spínačom, je nebezpečné a musí sa opraviť.
- ☼ Pred nastavením náradia, pred výmenou príslušenstva, alebo ak náradie nepoužívate, vyťahnite zástrčku napájacieho kábla zo zásuvky. Tieto preventívne bezpečnostné opatrenia obmedzujú nebezpečenstvo náhodného spustenia elektrického náradia.
- ☼ Nepoužívané elektrické náradie ukladajte mimo dosahu detí a nedovoľte osobám, ktoré neboli oboznámené s elektrickým náradím alebo s týmito pokynmi, aby náradie používali. Elektrické náradie je v rukách neskúsených používateľov nebezpečné.
- ☼ Robte údržbu elektrického náradia. Kontrolujte nastavenie pohybujúcich sa častí a ich pohyblivosť, zamerajte sa na praskliny, zlomené súčasti a akékoľvek ďalšie okolnosti, ktoré môžu ohroziť funkciu elektrického náradia. Ak je náradie poškodené, pred ďalším používaním zaistite jeho opravu. Mnoho nehôd je spôsobených nedostatočne udržiavaným elektrickým náradím.
- ☼ Rezacie nástroje udržiajte ostré a čisté. Správne udržiavané a naostrené rezacie nástroje sa s menšou pravdepodobnosťou zachytia za materiál alebo sa zablokujú a práca s nimi sa ľahšie kontroluje.
- ☼ Elektrické náradie, príslušenstvo, pracovné nástroje atď. používajte v súlade s týmito pokynmi a takým spôsobom, aký bol predpísaný pre konkrétne elektrické náradie, a to s ohľadom na dané podmienky práce a druh vykonávanej práce. Používanie elektrického náradia na vykonávanie iných činností, než na aké bolo určené, môže viesť k nebezpečným situáciám.

**Servis**

- ✿ Opravy vášho elektrického náradia zverte kvalifikovanej osobe, ktorá bude používať originálne náhradné diely. Týmto spôsobom bude zaistená rovnaká úroveň bezpečnosti elektrického náradia ako pred opravou.

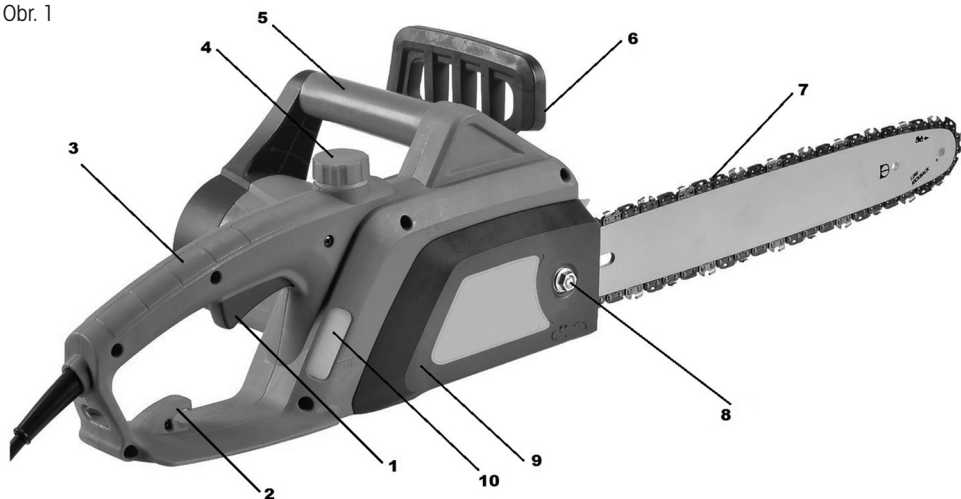
**Skladovanie**

- ✿ náradie prepravujte a skladujte iba s nasadeným ochranným krytom
- ✿ pred uložením náradia starostlivo očistite a urobte príslušnú údržbu
- ✿ pred prepravou náradie zaistíte proti úniku oleja, poškodeniu či spôsobeniu úrazu

## 4. POPIS PÍLY

1. Hlavný spínač
2. Bezpečnostný úchyt prívodného kábla
3. Zadná rukoväť
4. Zátka olejovej nádrže
5. Predná rukoväť
6. Bezpečnostná brzda reťaze
7. Lišta s reťazou
8. Upínacia matica lišty
9. Kryt reťazového kolesa
10. Kontrolné okienko stavu oleja

Obr. 1

**Obsah balenia:**

Elektrická píla, lišta 35 cm, reťaz, plastový kryt lišty, náhradná súprava uhlíkov, montážny kľúč.

## 5. INŠTALÁCIA VODIACEJ LIŠTY A REŤAZE

### ⚠ POZOR!

Reťazová píla musí byť odpojená od elektrickej siete.

### ⚠ POZOR!

Pri inštalácii a pri vykonávaní kontrol reťaze používajte vždy ochranné rukavice, aby ste zabránili zraneniam spôsobeným ostrými ostriami reťaze.

✿ Páka bezpečnostnej brzdy (obr. 1, bod 6) musí byť odistená (pritiahnete smerom k hornému držadlu)

✿ Pomocou priloženého nástroja odkrutkujte upínaciu maticu lišty (obr. 1, bod 8) a odoberte kryt reťazového kolesa (obr. 1, bod 9)

✿ Nasadíte reťaz (obr. 2, bod 1) na hnacie reťazové koleso (obr. 2, bod 2)

✿ Nasadíte vodiacu lištu (obr. 2, bod 3) na vodiace skrutky (obr. 2, bod 4) a pritlačte ju smerom k hnaciemu reťazovému kolesu. Je veľmi dôležité, aby nastavovací kolík (obr. 2, bod 5) zapadol počas inštalácie do otvoru vo vodiacej lište. Kolíkom je možné pohybovať smerom dopredu a dozadu otáčaním nastavovacej skrutky (obr. 3, bod 1)

✿ Nasadíte reťaz do vodiacej drážky lišty. Správny smer nasadenia je vyznačený na pile, prípadne v kapitole „Výmena pílovej reťaze“

✿ Nasadíte kryt (obr. 1, bod 9) a upevníte ho miernym dotiahnutím upínacej matice vodiacej lišty.

### ⚠ POZOR!

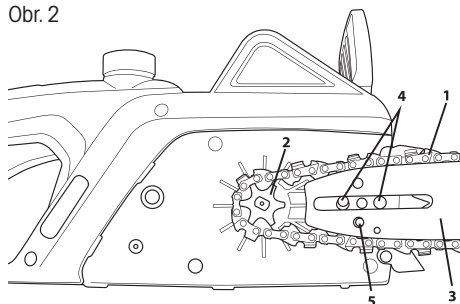
Pred dopnutím reťaze nikdy maticu nedotahujte, hrozí poškodenie píly

Reťaz dopnite odopínacou skrutkou (obr. 3, bod 1) a následne dotiahnite upínaciu maticu lišty (obr. 1, bod 8)

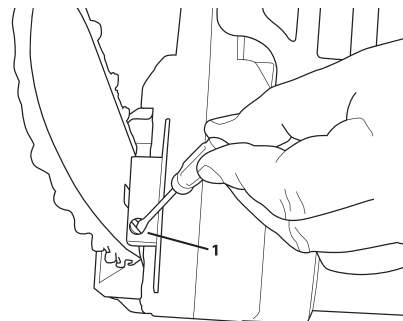
### ⚠ POZOR!

Napnutie reťaze je správne, ak môžete reťaz zdvihnúť z vodiacej lišty a ak je jeho výška v horizontálnej polohe uprostred vodiacej lišty 3 až 4 mm.

Obr. 2



Obr. 3



## 6. NAPLNENIE NÁDRŽKY PÍLY OLEJOM

### ⚠ POZOR!

Nová reťaz vyžaduje určitý čas zábehu, ktorý trvá zhruba 5 minút. V tejto fáze je veľmi dôležité mazanie reťaze. Po tomto čase zábehu skontrolujte napnutie reťaze a ak je to nutné, vykonajte jeho ďalšie nastavenie.

- ✿ Nádržka na olej pri dodanej píle je prázdna. Pred prvým použitím píly naplňte túto nádržku olejom.
- ✿ Používajte iba olej určený na stratové mazanie
- ✿ Odskrutkujte viečko plniaceho otvoru (obr. 1, bod 4).
- ✿ Nalejte do nádržky olej (dávajte pozor, aby ste zabránili znečisteniu oleja počas plnenia nádržky).
- ✿ Zaskrutkujte viečko plniaceho otvoru

**⚠ POZOR!**

Nepoužívajte olej, ktorý bol už použitý alebo spracovaný, pretože by mohlo dôjsť k poškodeniu olejového čerpadla. Používajte iba olej určený na stratové mazanie

## 7. OVLÁDANIE PÍLY

### Zaistenie predlžovacieho kábla.

**⚠ POZOR!**

Pri práci s touto reťazovou pilou používajte iba predlžovacie káble určené na vonkajšie použitie. Priechy prierez vodičov predlžovacieho kábla musí byť minimálne 1,5 mm<sup>2</sup>.

- ✿ Na bezpečnú prevádzku tejto reťazovej píly je nutné zaistiť prívodný kábel. Prívodný kábel vo vzdialenosti cca 20 cm od zástrčky prehňte. Ohyb prestrčte otvorom v zadnom držadle a zaistite ho do háčika. (obr. 1, bod 2)

**⚠ POZOR!**

Ak sa použije predlžovací kábel dlhší než 30 m, dôjde k poklesu výkonu reťazovej píly.

### Zapnutie/Vypnutie

**⚠ POZOR!**

Napätie v elektrickej sieti sa musí zhodovať s napájacím napätím na výkonovom štítku píly.

**⚠ POZOR!**

Pri spúšťaní aj počas práce držte pílu pevne oboma rukami

### Zapnutie

- ✿ Stlačte zaisťovacie tlačidlo spínača, ktoré sa nachádza vľavo nad hlavným spínačom a potom stlačte hlavný spínač (obr. 1, bod 1). Po zapnutí začne reťazová píla pracovať v maximálnych otáčkach.

**⚠ POZOR!**

Ak nedôjde k spusteniu reťazovej píly, uvoľnite páku brzdy (obr. 1, bod 6).

### Vypnutie

- ✿ Uvoľnite hlavný spínač (obr. 1, bod 1).

**⚠ POZOR!**

Píla je vybavená bezpečnostnou brzdou reťaze, ktorá zastaví reťaz okamžite po uvoľnení hlavného spínača. V prípade, že sa reťaz po uvoľnení spínača ihneď nezastaví, kontaktujte bezodkladne autorizované servisné stredisko.

## Kontrola mazania reťaze

Pozor: dodržujte bezpečnostné opatrenia a zabráňte kontaktu vodiacej lišty s povrchom terénu. Používajte toto náradie bezpečne a udržiajte minimálnu vzdialenosť od zeme 20 cm.

- ☼ Pred začatím práce skontrolujte namazanie reťaze a množstvo oleja v nádržke píly. Zapnite pílu a držte ju nad zemou. Ak uvidíte zväčšujúce sa stopy po oleji, mazanie reťaze prebieha správne. Ak nebudú na zemi žiadne stopy oleja, očistite výstupný otvor na olej, horný otvor napínania reťaze a rozvod oleja alebo kontaktujte autorizované servisné stredisko.

## 8. BRZDA REŤAZE

- ☼ Táto píla je vybavená automatickou brzdou, ktorá zastavuje reťaz v prípade spätného rázu pri prevádzke píly. Brzda sa zapne automaticky, hneď ako začne pôsobiť zotrvačná sila na závažie nachádzajúce sa vnútri skrine brzdy.
- ☼ Brzda reťaze sa môže aktivovať aj ručne, ak je páka brzdy (obr. 1, bod 6) presunutá smerom dole k vodiacej lište. Aktivácia brzdy reťaze zastavuje pohyb reťaze do 0,12 s.

### Kontrola funkcie brzdy.

Pred každým použitím píly skontrolujte správnu funkciu brzdy.

Položte pílu v chode na zem a na 1 až 2 sekundy ju nechajte v chode v maximálnych otáčkach. Zatlačte páku brzdy (obr. 1, bod 6) dopredu. Reťaz by sa mala ihneď zastaviť.

#### **⚠ POZOR!**

Ak sa zastavuje reťaz pomaly alebo ak sa nezastaví vôbec, pílu nepoužívajte a kontaktujte autorizované servisné stredisko.

Ak chcete brzdou uvoľniť, pritiahnite páku brzdy smerom k hornej rukoväti (obr. 1, bod 5) tak, aby ste začuli typický zvuk na uvoľnenie zablokovania.

#### **⚠ POZOR!**

Uistite sa, či je funkcia brzdy reťaze v poriadku. Správne fungujúca brzda reťaze vás ochráni proti prípadnému úrazu, ktorý môže spôsobiť spätný ráz. V prípade, keď brzda nepracuje správne, zverte jej nastavenie alebo opravu autorizovanému servisu.

## 9. NASTAVENIE NAPNUTIA REŤAZE

#### **⚠ POZOR!**

Počas prevádzky má reťaz píly pôsobením vyššej teploty tendenciu sa predlžovať. Dlhšia reťaz sa uvoľňuje a môže skĺznuť z vodiacej lišty.

- ☼ Povoľte upínaciu maticu vodiacej lišty (obr. 1, bod 8).
- ☼ Uistite sa, či je reťaz nasadená vo vodiacej drážke vodiacej lišty.
- ☼ Na otočenie nastavovacej skrutky napnutia reťaze (obr. 3, bod 1) použite skrutkovač. Otáčajte nastavovacou skrutkou, kým nedosiahnete požadované napnutie reťaze (mali by ste reťaz zdvihnúť uprostred vodiacej lišty v horizontálnej polohe zhruba do výšky 3 až 4 mm).
- ☼ Pevne utiahnite upínaciu maticu vodiacej lišty (obr. 1, bod 8).

#### **⚠ POZOR!**

Reťaz príliš nenapínajte. Prílišné napnutie zahriatej reťaze môže viesť k jej nadmernému napnutiu po vychladnutí.



## 10. POUŽITIE REŤAZOVEJ PÍLY

- ☼ Pred začatím akejkoľvek práce sa riadne oboznámte s časťou popisujúcou bezpečnostné predpisy na obsluhu reťazovej píly. Odporúčame vám, aby ste získali skúsenosti pri práci s odpadovým drevom. Týmto spôsobom sa zároveň oboznámite s prevádzkovými parametrami tejto píly.
- ☼ Vždy dodržujte bezpečnostné predpisy.
- ☼ Používajte túto reťazovú pílu iba na rezanie dreva. Rezanie iných materiálov je zakázané.
- ☼ Intenzita vibrácií a typ spätného rázu pri tejto píle závisia od typu rezaného dreva.
- ☼ Nepoužívajte túto reťazovú pílu ako páku na zdvíhanie, premiestnenie alebo rozštiepanie materiálu. Ak dôjde k uviaznutiu reťaze v rezanom materiáli, vypnite pílu a zarazte do rezu drevený alebo plastový klin, aby došlo k uvoľneniu reťaze píly. Znovu spustíte pílu a opatrne začinite rez.

## 11. REZANIE

### **⚠ POZOR!**

Skôr ako budete pokračovať, prečítajte si kapitolu „Bezpečnostné pokyny“. Odporúčame získať skúsenosti pri rezaní menších polien. Tým sa zároveň s pílou oboznámite.

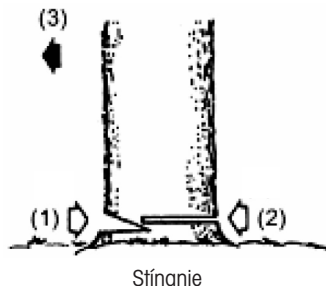
- ☼ Vždy dodržujte bezpečnostné pokyny. Reťazovú pílu je možné používať iba na rezanie dreva. Je zakázané rezať iné materiály. Vibrácie a spätný raz sa pre rôzne materiály líšia. Pílu nepoužívajte ako páku na zdvíhanie, premiestňovanie alebo rozbíjanie objektov. Je zakázané k píle pripieňovať súčasti alebo prípravky iné než uvedené v technickej dokumentácii.
- ☼ Pílu nie je nutné do rezu tlačiť. Keď motor beží na plný plyn, pílu pritláčajte len zľahka.
- ☼ Ak dôjde k zachyteniu reťaze v reze, neskúšajte ho uvoľniť fahom, ale rez roziahnite klinom alebo pákou.

### **Bezpečnostná brzda (ochrana proti spätnému rázu)**

- ☼ Táto píla je vybavená brzdou reťaze, ktorá, ak pracuje správne, v prípade spätného rázu ihneď reťaz zastaví. Činnosť brzdy reťaze je nutné skontrolovať pred každým použitím píly. Pílu spustíte na plný plyn na 1 – 2 sekundy a potom sklopte predný ochranný kryt. Reťaz sa musí ihneď zastaviť aj pri plných otáčkach motora. Ak sa reťaz zastavuje pomaly alebo nezastaví vôbec, kontaktujte autorizované servisné stredisko.
- ☼ Je mimoriadne dôležité pred každým použitím skontrolovať funkčnosť brzdy reťaze a stav nabrúsenia reťaze, aby bola zachovaná potrebná úroveň bezpečnosti píly pri spätnom ráze. Odstránením bezpečnostného príslušenstva, pri nesprávnej údržbe či pri použití nevhodnej lišty alebo reťaze môže v prípade spätného rázu dôjsť k ťažkým úrazom.

## Stínanie stromu

- ☼ Rozhodnite o smere pádu stromu s prihliadnutím k smeru vetra, náklonu stromu a polohe vetvy a zväzte aj všetky ostatné faktory, pred začatím práce.
- ☼ Plocha okolo stromu musí byť voľná, bez prekážok, musí umožňovať stabilný postoj. Úniková cesta musí byť priechodná.
- ☼ Do tretiny priemeru kmeňa urobte klinový zárez z tej strany, na ktorú má strom spadnúť. (pozrite obr. Stínanie, bod 1)
- ☼ Z opačnej strany urobte oddeľovací rez v úrovni nad klinovým zárezom. (pozrite obr. Stínanie, bod 2)
- ☼ Pád stromu bude prebiehať smerom ku klinovému zárezu. (pozrite obr. Stínanie, bod 3)



### ⚠ POZOR!

Pri stínaní stromov upozornite ostatné osoby v okolí na potenciálne hroziace nebezpečenstvo. Stínanie stromov vyžaduje prax a bez náležitých skúseností ho neodporúčame vykonávať.

## Rezanie polien

### ⚠ POZOR!

Vždy udržiavajte stabilný postoj. Nestúpajte na polená.

### ⚠ POZOR!

Pred začatím práce sa uistite, či sú všetky komponenty na svojom mieste a všetky skrutky a matice sú dotiahnuté.

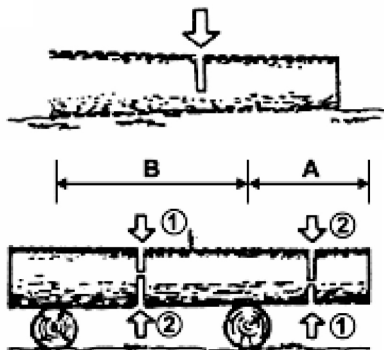
- ☼ Rezané poleno sa môže odvalovať. Najmä pri rezaní na svahu stojte vždy nad rezaným polenom.
- ☼ Predchádzajte spätnému rázu pily postupovaním v súlade s inštrukciami uvedenými v kapitole „Bezpečnostné pokyny“.
- ☼ Pred začatím práce zhodnoďte smer sily spôsobujúcej ohýbanie rezaného kmeňa. Záverečný rez vždy robte z opačnej strany, než pôsobí ohýbajúca sila, aby nedošlo k zovretiu lišty v reze.
- ☼ Pílu prenášajte iba za predpokladu, že je motor vypnutý, a lišta chránená ochranným krytom.

### Poleno ležiace na zemi

- ☼ Prerežte do polovice, potom otočte a dorežte z opačnej strany.

### Poleno nad zemou

- ☼ V časti „A“ urobte rez zdola do tretiny polena a potom rez dokončíte zhora. V časti „B“ urobte rez zhora do tretiny a potom rez dokončíte zdola.

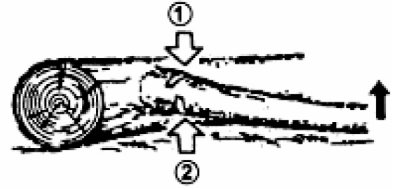


### Odvetvovanie padnutého stromu

- ☼ Najskôr zistíte, na ktorú stranu je vetva ohnutá. Potom urobte začiatočný rez zo strany ohybu a potom dokončíte rez z opačnej strany.

#### ⚠ POZOR!

Ohnutá vetva sa môže vymrštiť.



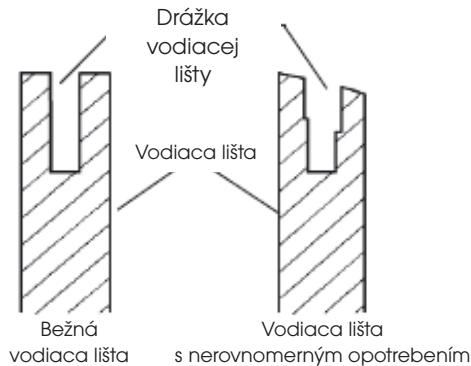
## 12. ČISTENIE A ÚDRŽBA NÁRADIA

### Čistenie telesa reťazovej píly

Udržujte teleso reťazovej píly čisté. Pri čistení použite mäkkú handričku namočenú v mydlovom roztoku. Tuto handričkou starostlivo očistíte teleso reťazovej píly.


### Údržba vodiacej lišty

- ☼ Najviac problémov s vodiacou lištou nastáva v dôsledku nerovnomerného opotrebenia. K nerovnomernému opotrebeniu dochádza väčšinou z dôvodu nesprávneho naostrenia reťaze a nesprávneho nastavenia obmedzovacieho zuba. Pri nerovnomernom opotrebení lišty dochádza k rozširovaniu vodiacej drážky (pozrite Obrázok ). Dôsledkom je potom klepanie reťaze a odpadávanie nitov. S pílou nie je možné robiť rovné rezy. V takom prípade vodiacu lištu vymeňte za novú.
- ☼ Pred ostrením reťaze vždy skontrolujte stav vodiacej lišty. Použitie opotrebenej alebo poškodenej lišty je veľmi nebezpečné. Použitím opotrebenej alebo poškodenej lišty dôjde k poškodeniu reťaze. Rezanie s takýmto nástrojom bude aj výrazne ťažšie a namáhavejšie.



### Bežná údržba vodiacej lišty

- ✿ Demontujte vodiacu lištu z telesa reťazovej píly.
- ✿ Z drážky vodiacej lišty pravidelne odstraňujte piliny. Pri čistení použite špachtľu alebo drôt.
- ✿ Olejové drážky vyčistite po skončení každého pracovného dňa.
- ✿ Vodiacu lištu vymeňte, ak:
  - je ohnutá alebo popraskaná
  - má ťažko poškodenú alebo opotrebenú drážku

 **Poznámka:** Pri výmene vodiacej lišty postupujte podľa pokynov uvedených v tomto návode. Správny typ lišty nájdete v prehľade technických údajov.

## 13. OSTRENIE PÍLOVEJ REŤAZE

Pilovú reťaz udržiavajte ostrú. Rezanie bude výrazne rýchlejšie a predovšetkým bezpečnejšie. Tupá reťaz zvyšuje opotrebenie reťazového kolesa, vodiacej lišty, reťaze a pohonu. Ak musíte na pílu tlačiť a pri rezaní sa tvoria iba piliny s pár odrezkami, znamená to, že je reťaz tupá.

**Pre tento účel odporúčame kontaktovať autorizovaný servis**

### Vybavenie nevyhnutné na ostrenie pílovej reťaze

- ✿ Guľatý pilník – pozrite špecifikácie technických parametrov
- ✿ Obmedzovací zub
- ✿ Vodidlo pilníka
- ✿ Zverák
- ✿ Plochý pilník strednej veľkosti

### Ostrenie zubov reťaze


Použite vodidlo na pilovanie pod uhlom 30° (značka A, pozrite obrázok).

- ✿ Nastavte napnutie pílovej reťaze na správnu úroveň.
- ✿ Upevnite vodiacu lištu do zveráka, aby ste mali reťaz v stabilnej polohe.

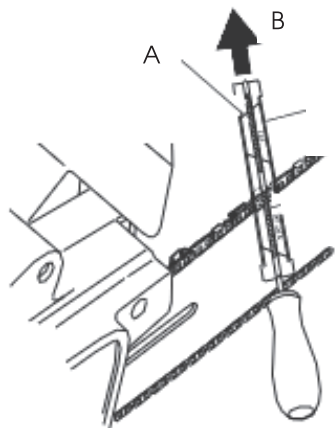
 **Poznámka:** Samotnú reťaz neupevňujte.

- ✿ Vtlačte guľatý pilník, vložený do vodidla, do drážky medzi horný plech a obmedzovací zub na reťazi. Reťaz by sa mala dotýkať ako horného plechu, tak obmedzovacieho zuba (pozrite obrázok).

 **Poznámka:** Pilujte v strede vodiacej lišty.

 **Poznámka:** Na obrázku vidíte umiestnenie vodidla pilníka a smer pilovania zubov na ľavej strane reťaze.

- ✿ Umiestnite vodidlo pilníka do požadovaného uhla (značka A, pozrite obrázok). Overte si, že je značka 30° na vodidle pilníka zarovnaná so stredom vodiacej lišty. Tak sa uistíte, že budete pilovať pod uhlom 30°.



✿ Pilujte zub smerom zvnútra von (v smere B, pozrite obrázok), kým nebude ostrý. Pilujte iba v tomto smere.

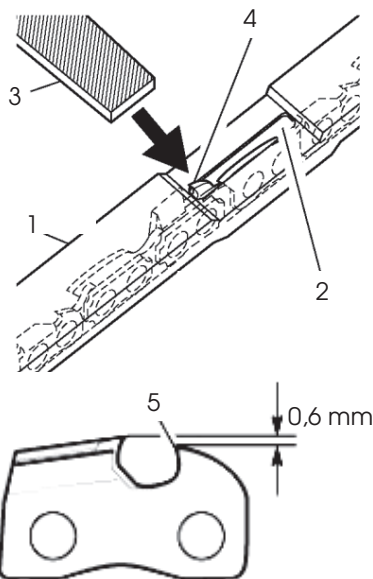
📖 **Poznámka:** Na naoštrenie zuba by mali stačiť dva až tri fahy pilníkom.

### Pilovanie obmedzovacieho zuba

Dôsledkom ostrenia zubov reťaze je zníženie tolerancie obmedzovacieho zuba. Po každom druhom až treťom ostrení je nevyhnutné upraviť nastavenie obmedzovacieho zuba.

- ✿ Umiestnite nástroj na úpravu obmedzovacieho zuba (pozrite obr., bod 1) pevne na hornú hranu dvoch zubov. Uistite sa, či drážka nástroja zapadla do drážky obmedzovacieho zuba (pozrite obr., bod 2.)
- ✿ Použite plochý pilník strednej veľkosti (pozrite obr., bod 3).
- ✿ Opilujte obmedzovací zub (pozrite obr., bod 4) do úrovně nástroja na úpravu obmedzovacieho zuba.
- ✿ Odoberte nástroj na úpravu obmedzovacieho zuba. Pomocou plochého pilníka zaoblíte prednú hranu obmedzovacieho zuba (pozrite obrázok). Pri brúsení dodržte predpísané hodnoty (pozrite obr., bod 5).

📖 **Poznámka:** Po niekoľkých ručných ostreniach odovzdajte pílovú reťaz na naoštrenie autorizovanému servisnému stredisku alebo ho naostríte špeciálnym ostriacim strojom. Tým obnovíte rovnomerné naoštrenie všetkých zubov.




## 14. VÝMENA PÍLOVEJ REŤAZE

### ⚠️ POZOR!

Pri výmene pílovej reťaze neupínajte reťazovú pílu ani vodiacu lištu do zveráka.

Reťaz vymeňte vždy, ak sú zuby príliš opotrebené a nie je možné ich naostriť alebo ak reťaz praskne. Použite iba originálnu náhradnú reťaz podľa špecifikácie tohto návodu na použitie. Pri výmene reťaze vždy vymeňte aj ozubené reťazové koleso. Tým zaistíte správnu pozíciu reťaze pri pohybe. (Poznámka: Špecifikáciu správneho typu reťaze a ozubeného kolesa nájdete v prehľade technických údajov.)

- ✿ Povoľte a odoberte skrutku vodiacej lišty.
- ✿ Odoberte kryt reťazového kolesa.
- ✿ Odoberte pílovú reťaz.
- ✿ Obtočte novú reťaz okolo ozubeného kolesa, potom pozdĺž hornej drážky vodiacej lišty a okolo hrotu vodiacej lišty.

 **Poznámka:** Uistite sa, či rezné zuby reťaze smerujú správnym smerom. Reťaz umiestnite tak, aby zuby na hornej strane lišty smerovali k prednej hrane lišty (pozrite obrázok).

- ✿ Pred umiestnením krytu reťazového kolesa do pozície si overte, či je regulačný hrot napínania reťaze zasunutý do regulačného otvoru vodiacej lišty.
- ✿ Umiestnite kryt reťazového kolesa späť na teleso píly.
- ✿ Pripevnite kryt reťazového kolesa skrutkou vodiacej lišty.

 **POZOR!**

Skrutku uťahujte iba rukou.

- ✿ Upravte napnutie pílovej reťaze.
- ✿ Dotiahnite skrutku vodiacej lišty.

 **POZOR!**

Uistite sa, či ste neumiestnili pílovú reťaz na vodiacu lištu v opačnom smere. V opačnom prípade bude píla vykazovať nadmerné vibrácie a nebude rezať.



## 15. SKLADOVANIE

V prípade, že nebudete pílu používať dlhšie než 30 dní, postupujte nasledujúcim spôsobom.

- ✿ Vypustite zásobník oleja.
- ✿ Odoberte a vyčistite vodiacu lištu a reťaz. Vodiacu lištu a reťaz namočte do čistiaceho roztoku na báze petroleja alebo do mydlového roztoku.
- ✿ Potom vodiacu lištu a reťaz osušte.
- ✿ Umiestnite reťaz do nádoby s olejom. Tým predídete jeho korózii.
- ✿ Vodiacu lištu mierne natrite olejom.
- ✿ Teleso reťazovej píly utrite handričkou. Pri čistení použite mäkkú handričku namočenú v mydlovom roztoku.
- ✿ Refazovú pílu skladujte
  - vo vyšších regáloch či v uzamknutých priestoroch mimo dosahu detí
  - na suchom mieste

## 16. TECHNICKÉ ÚDAJE

Príkonn	1 800 W
Napätie/frekvencia	230 V – 240 V / 50 Hz
Delenie refaze	3/8"
Šírka vodiacej drážky	1,3 mm
Počet článkov reťaze	52 článkov
Dĺžka lišty	35 cm
Priemer pilníka	4 mm
Rezná rýchlosť	12 m/s
Kapacita olejovej nádrže	220 ml
Hmotnosť (s lištou a reťazou)	5,0 kg
Hladina akustického výkonu LWA	nameraná 112 dB (A)

Používateľská príručka je v originálnom jazyku.

## 17. LIKVIDÁCIA

### POKYNY A INFORMÁCIE O ZAOBCHÁDZANÍ S POUŽITÝM OBALOM

Použitý obalový materiál odložte na miesto určené obcou na ukladanie odpadu.



Stroj a jeho príslušenstvo sú vyrobené z rôznych materiálov, napr. z kovu a plastov. Poškodené súčiastky odovzdajte do triedeného zberu. Informujte sa na príslušnom úrade.



Zmeny v texte, dizajne a technických špecifikáciách sa môžu meniť bez predchádzajúceho upozornenia a vyhradujeme si právo na ich zmenu.





# Láncfűrész

## HASZNÁLATI ÚTMUTATÓ

### TARTALOM

1. ÁLTALÁNOS BIZTONSÁGI ELŐÍRÁSOK.....	58
2. SZIMBÓLUMOK.....	59
3. BIZTONSÁGI UTASÍTÁSOK.....	61
4. A FŰRÉSZ LEÍRÁSA.....	63
5. A VEZETŐLEMEZ ÉS A LÁNC FELSZERELÉSE.....	64
6. A FŰRÉSZ TARTÁLYÁNAK FELTÖLTÉSE OLAJJAL.....	64
7. A FŰRÉSZ KEZELÉSE.....	65
8. A LÁNCFÉK.....	66
9. A LÁNC FESZESSÉGÉNEK BEÁLLÍTÁSA.....	66
10. A LÁNCFŰRÉSZ HASZNÁLATA.....	67
11. VÁGÁS.....	67
12. A SZERSZÁM TISZTÍTÁSA ÉS KARBANTARTÁSA.....	69
13. A FŰRÉSZLÁNC ÉLEZÉSE.....	70
14. A FŰRÉSZLÁNC CSERÉJE.....	71
15. TÁROLÁS.....	72
16. MŰSZAKI ADATOK.....	73
17. MEGSEMMISÍTÉS.....	73

# 1. ÁLTALÁNOS BIZTONSÁGI ELŐÍRÁSOK

## Fontos biztonsági figyelmeztetések

- ✿ A terméket óvatosan csomagolja ki, és ügyeljen rá, hogy a csomagolóanyag egyik részét se dobja ki, amíg meg nem találja a termék összes részét.
- ✿ A gépet tartsa száraz helyen és gyermekektől távol.
- ✿ Olvassa el az összes figyelmeztetést és utasítást. A figyelmeztetések és utasítások figyelmen kívül hagyásának áramütés, tűz és/vagy súlyos sérülés lehet a következménye.

## Csomagolás

A termék védőcsomagolásban van, hogy az átszállítás közbeni sérüléstől védve legyen. Ez a csomagolás újrahasznosítható anyagból készült.

## Használati útmutató

Mielőtt használni kezdi a gépet, olvassa el a következő biztonsági előírásokat és a használati utasításokat. Ismerkedjen meg a kezelőelemekkel és a munkaeszköz helyes használatával. Az útmutatót gondosan őrizze meg későbbi szükség esetére. Legalább a jótállás idejére javasolt megőrizni az eredeti csomagolást a belső csomagolóanyagokkal együtt, a pénztárjegyet és a garancialevelet. Szállítás esetén a készüléket csomagolja vissza az eredeti gyári dobozba, ezzel biztosítja a termék maximális védelmét szállítás (pl. költözés vagy szakszervizbe küldés) közben.

 **Megjegyzés:** Ha a gépet újabb személynek adja el, az útmutatóval adja át.

A használati útmutató utasításainak betartása a gép helyes használatának alapja. A használati útmutató szintűgy tartalmaz utasításokat a kezelésre, karbantartásra és javításra vonatkozóan.

**A gyártó nem felel az útmutató utasításainak be nem tartásából adódó balesetekért vagy károkért.**

## 2. JELZÉSEK



A szerszámokat ne tegye ki esőnek.



A szerszám használata előtt olvassa el a használati utasítást.



Ha a tápkábel megsérül, azonnal húzza ki az elektromos hálózathoz.



Munkavégzéshez mindig használjon védősisakot, szemüveget és fülvédőt.



Vigyázzon, a szerszám visszaüthet.



**VESZÉLY!** Ne indítsa el a szerszámot, ha a közelben gyermekek, más személyek vagy állatok vannak.



A munkánál használjon védőkesztyűt.



Szilárd, szigetelő munkacipőt használjon.



Használjon fülvédőt.



Használjon védőkesztyűt.



Vigyázzon a lehulló ágakkal.

## 3. BIZTONSÁGI UTASÍTÁSOK

### **FIGYELEM!**

Ismerkedjen meg az összes figyelmeztető és biztonsági utasítással, valamint a készülék használatára vonatkozó instrukciókkal.

### **FIGYELEM!**

A figyelmeztető és biztonsági utasítások be nem tartása áramütéshez, tűzhöz vagy egyéb sérüléshez vezethet.

### **FIGYELEM!**

Minden figyelmeztető és biztonsági utasítást elérhető helyre tegyen, hogy később is használhassa.



**Megjegyzés:** Az "elektromos szerszám" kifejezés alatt a további figyelmeztetésekben hálózatról (mozgatható vezetékkel) tápellátást felvevő szerszámot értünk.

### **A munkakörnyezet biztonsága**

- ✿ A munkaterületet tartsa tisztán és jól megvilágítva. A rendetlenség és a sötét helyek a munkahelyen balesetet okozhatnak.
- ✿ Ne használjon elektromos szerszámot robbanásveszélyes környezetben, ahol gyúlékony folyadékok, gázok vagy por van. Az elektromos szerszám szikrázhat, ami meggyújthatja a port vagy a kipárolgást.
- ✿ Elektromos szerszám használatakor akadályozza meg, hogy gyermekek vagy más személyek a szerszám közelébe kerüljenek. Ha megzavarják, elvesztheti a szerszám feletti kontrollt.

### **Biztonság elektromos szerszámmal végzett munka közben**

- ✿ Az elektromos szerszám csatlakozóvillájának meg kell felelnie a hálózati aljzatnak. Semmiképpen ne módosítsa a villásdugót. A földelési védelemmel ellátott szerszámhoz soha nem használjon csatlakozóadaptert. A módosításokkal el nem rontott villásdugó és a megfelelő csatlakozó megelőzi az áramütés veszélyét.
- ✿ Kerülje el, hogy a testével hozzérjen földelt tárgyakhoz, pl. csőhöz, a központi fűtés fűtőtestéhez, tűzhelyhez vagy hűtőszekrényhez. Az áramütés veszélye megnő, ha teste érintkezésben van a földdel.
- ✿ Az elektromos szerszámot ne tegye ki esőnek, párának vagy nedvességnek. Ha víz kerül az elektromos szerszámba, nő az áramütés veszélye.
- ✿ Ne használja a mozgatható vezetékét más célra. Soha ne tartsa vagy húzza az elektromos szerszámot a vezetéknél fogva, és a villásdugót se a vezetéknél fogva húzza ki a konnektorból. Óvja a vezetékét a magas hőtől, zsírtól, az éles széléktől és a mozgó alkatrészektől. A sérült vagy összegabalyodott vezeték növeli az áramütés kockázatát.
- ✿ Ha az elektromos szerszámot a szabadban használja, használjon szabadtéri használatra alkalmas hosszabbító kábelt. A szabadtéri használatra alkalmas hosszabbító kábel megelőzi az áramütés veszélyét.
- ✿ Ha az elektromos szerszámot nedves környezetben kell használnia, az áramkörben használjon áramvédőt (RCD). Az áramvédő (RCD) használata csökkenti az áramütés veszélyét.



**Megjegyzés:** Az "áramvédő" (RCD) kifejezés helyettesíthető a "földelés megszakító" (GFC) vagy a "védőbiztosíték" (ELCB) kifejezéssel.

## Személyi biztonság

- ☼ Ha az elektromos szerszámmal dolgozik, figyeljen oda, mit csinál, és használja a józan eszét. Ne használja az elektromos szerszámot, ha fáradt vagy ha drog, alkohol vagy gyógyszer hatása alatt van. Az elektromos szerszámmal végzett munka közben egy pillanatnyi figyelmetlenség is komoly is sérüléshez vezethet.
- ☼ Használjon személyi védelmi eszközöket. Mindig használjon látásvédelmet. A védőeszközök, pl. respirátor, csúszásgátlóval ellátott biztonsági cipő, kemény fejtvédő vagy fülvédő csökkentik a személyi sérülés veszélyét, ha a munkafeltételekkel összhangban használják őket.
- ☼ Vigyázzon, nehogy véletlenül elindítsa. A szerszám tápforráshoz vagy az elemhez való csatlakoztatása, elrakása vagy hordozása előtt bizonyosodjon meg róla, hogy a kapcsoló kikapcsolt állásban van. Ha a szerszám hordozása közben az ujját a kapcsolón tartja, vagy bekapcsolt állapotban a szerszám csatlakozóvillája balesetet okozhat.
- ☼ Az elektromos szerszám bekapcsolása előtt távolítsa el minden beállító eszközt és kulcsot. Ha a beállító eszköz vagy kulcs az elektromos szerszám forgó részéhez erősfíve marad, személyi sérülést okozhat.
- ☼ Csak ott dolgozzon, ahová biztonságosan elér. Mindig őrizze meg stabil állását és egyensúlyát. Így jobban tudja kezelni az elektromos szerszámot előre nem látható helyzetekben.
- ☼ Megfelelő módon öltözzön fel. Ne vegyen fel laza ruhát vagy ékszert. Gondoskodjon róla, hogy haja, ruhája és ruhájai elégséges távolságban legyenek a mozgó részektől. A laza öltözék, ékszer vagy hosszú haj beleakadhat a mozgó részekbe.
- ☼ Ha rendelkezésre állnak olyan eszközök, amelyekkel porszívó vagy porgyűjtő készülék csatlakoztatható, bizonyosodjon meg róla, hogy ilyen készülék csatlakoztatva van, és helyes a használata. Egy ilyen készülék használata csökkenti a felszálló por okozta veszélyt.

## Az elektromos szerszám használata és karbantartása

- ☼ Az elektromos szerszámot ne terhelje túl. Csak olyan szerszámot használjon, ami a végezni kívánt munkára alkalmas.  
A megfelelő elektromos szerszám jobban és biztonságosabban végzi el a munkát, amire tervezték.
- ☼ Ne használjon olyan elektromos szerszámot, amelyet nem lehet kapcsolóval be- és kikapcsolni. Minden elektromos szerszám, amelyet nem lehet kapcsolóval vezérelni, veszélyes, és meg kell javítani.
- ☼ A szerszám beállítása vagy egy tartozék cseréje előtt, illetve ha a szerszámot nem használja, húzza ki a tápkábel dugóját a konnektorból. Ez a megelőző biztonsági intézkedés csökkenti az elektromos szerszám véletlen bekapcsolásának kockázatát.
- ☼ A használaton kívüli elektromos szerszámot olyan helyen tárolja, ahol gyermekek nem férhetnek hozzá, és olyan személyeknek, akik nem ismerkedtek meg az elektromos szerszámmal és ezekkel az utasításokkal, ne engedje meg, hogy a szerszámot használják. Az elektromos szerszám gyakorlatlan személy kezében veszélyes.
- ☼ Rendszeresen végezze el az elektromos szerszám karbantartását. Ellenőrizze a mozgó alkatrészeket, és hogy mozognak-e, figyeljen a repedésekre, a törött alkatrészekre és minden egyéb körülményre, ami veszélyeztetheti az elektromos szerszám működését. Ha a szerszám megsérült, további használat előtt gondoskodjon megjavításáról. Sok baleset származik gondatlanul karbantartott elektromos szerszám használatából.
- ☼ A vágóeszközöket tartsa élesen és tisztán. A megfelelően karbantartott és élezett vágóeszközök kevésbé akadnak bele az anyagban vagy akadnak el, és a munka során könnyen kezelhetők.
- ☼ Az elektromos szerszámot, a tartozékait, a munkaeszközöket stb. ezeknek az utasításoknak megfelelően használja, és olyan módon, ahogy a konkrét elektromos szerszámra vonatkozóan elő van írva, tekintetbe véve az adott munkakörülményeket és a végzett munka jellegét. Ha az elektromos szerszámot más tevékenységre használja, mint amire való, veszélyes helyzetet okozhat.

## Szerviz

- ✿ Elektromos szerszáma javítását bízza szakemberre, aki eredeti pótalkatrészt használ. Így biztosíthatja, hogy az elektromos szerszám biztonsági színvonalja ugyanolyan legyen, mint a javítás előtt volt.

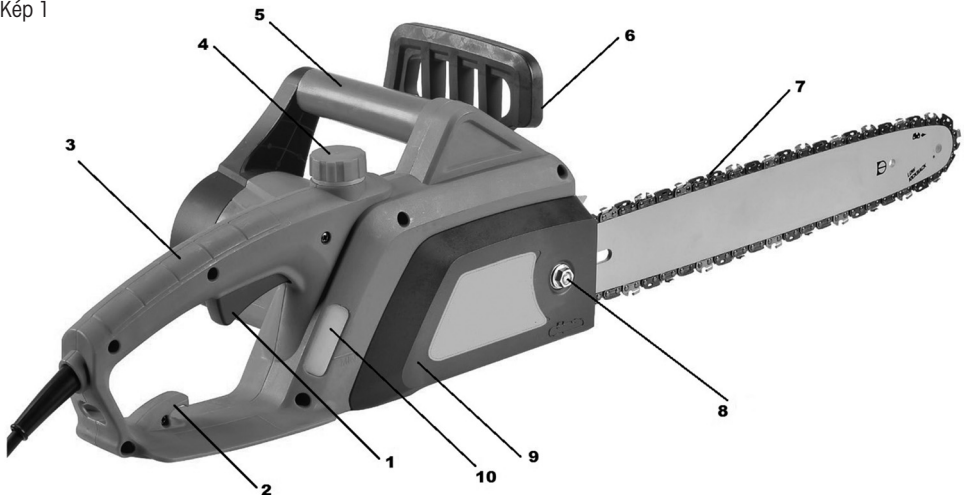
## Tárolás

- ✿ a szerszámot csak a felhelyezett védőfedéllel szállítsa vagy tárolja
- ✿ mielőtt a szerszámot elteszi, gondosan tisztítsa meg, és végezze el a szükséges karbantartást
- ✿ szállítás előtt gondoskodjon róla, hogy ne szökjön az olaj, és a szerszám ne sérüljön vagy ne okozhasson balesetet

# 4. A FŰRÉSZ LEÍRÁSA

1. Főkapcsoló
2. A kábelvezeték biztonsági fogantyúja
3. Hátsó fogantyú
4. Az olajtartály dugója
5. Elülső fogantyú
6. A lánc biztonsági fékje
7. Lánc a lemezzel
8. A lemez feszítő anyacsavarja
9. A lánckerék fedele
10. Olajsztint-ellenőrző ablak

Kép 1



## A csomag tartalma:

Elektromos fűrész, 35 cm-es lemez, lánc, műanyag lemezfedél, tartalék cinkkészlet, szerelőkulcs.

## 5. A VEZETŐLEMEZ ÉS A LÁNC FELSZERELÉSE

### ⚠ FIGYELEM!

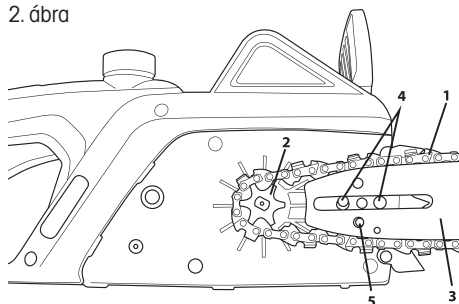
A láncfűrész ki kell húzni a hálózatból.

### ⚠ FIGYELEM!

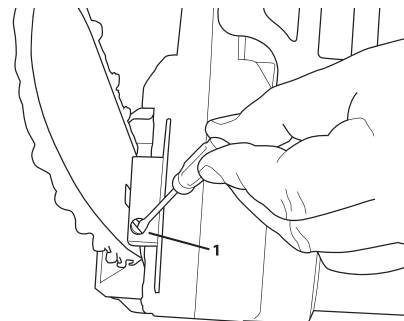
A lánc felszerelésekor és ellenőrzésekor mindig használjon védőkesztyűt, nehogy a lánc éles pengéi sérülést okozzanak.

- ✿ A biztonsági fék karját (1. ábra 6. pont) ki kell biztosítani (húzza a felső fogantyú irányába)
- ✿ A mellékelt dugókulccsal csavarja ki a lemez feszítő anyacsavart (1. ábra 8. pont) és vegye le a lánckerék fedelét (1. ábra 9. pont)
- ✿ Helyezze a láncot (2. ábra 1. pont) a lánckerékre (2. ábra 2. pont)
- ✿ Helyezze a vezetőlemez (2. ábra 3. pont) a vezetőcsavarokra (2. ábra 4. pont), és nyomja a lánckerék irányába. Nagyon fontos, hogy a beállító pecek (2. ábra 5. pont) a felszerelés során beugorjon a vezetőlemezben lévő nyílásba. A pecket előre és hátra lehet mozgatni a beállító csavar forgatásával (3. ábra 1. pont)
- ✿ A láncot illesse a lemez vezetővójába. Az illesztés helyes iránya meg van jelölve a fűrészben, vagy "A fűrészlánc cseréje" fejezetben
- ✿ Tegye fel a fedelet (1. ábra 9. pont), és rögzítse a vezetőlemez feszítőcsavarjának enyhe meghúzásával.

2. ábra



3. ábra



### ⚠ FIGYELEM!

A lánc megfeszítése előtt soha ne húzza meg az anyát, a fűrész meghibásodhat

A láncot feszítse meg a lazító csavarral (3. ábra 1. pont), és ezután húzza meg a lemez feszítőcsavarját (1. ábra 8. pont)

### ⚠ FIGYELEM!

A lánc akkor van megfelelően megfeszítve, ha a láncot le tudja emelni a vezetőlemezről, és a magassága vízszintes állásban a vezetőlemez közepén 3 - 4 mm.

## 6. A FŰRÉSZ TARTÁLYÁNAK FELTÖLTÉSE OLAJJAL

### ⚠ FIGYELEM!

Az új láncnak egy kis bejáratási időre van szüksége, ez mintegy 5 percig tart. Ebben a fázisban nagyon fontos a lánc olajozása. Miután ez az idő eltelt, ellenőrizze a lánc feszességét, és ha szükséges, végezze további beállításokat.



- ✿ A szállított fűrész olajtartálya üres. A fűrész első használata előtt töltsse fel a tartályt olajjal.
- ✿ Kizárólag lánckenő olajat használjon
- ✿ Csavarozza le a töltőnyílás tetejét (1. ábra 4. pont).
- ✿ Öntsön a tartályba olajat (ügyeljen rá, hogy az olaj a tartály feltöltése közben ne szennyeződjön).
- ✿ Csavarozza vissza a töltőnyílás tetejét

**⚠ FIGYELEM!**

Ne használjon használt vagy feldolgozott olajat, mert károsíthatja az olajszivattyút. Kizárólag lánckenő olajat használjon

## 7. A FŰRÉSZ KEZELÉSE

### A hosszabbító kábel rögzítése.

**⚠ FIGYELEM!**

Ha ezzel a láncfűrészrel dolgozik, csak külső használatra szánt hosszabbító kábelt használjon. A hosszabbító kábel keresztmetszete legalább 1,5 mm<sup>2</sup> legyen.

- ✿ A láncfűrész biztonságos működtetése érdekében a vezetékét rögzíteni kell. A vezetékét kb. 20 cm-re a konnektortól hajlítsa meg. A hajlatot dugja át a hátsó fogantyún, és rögzítse a kampóhoz. (1. ábra, 2. pont)

**⚠ FIGYELEM!**

Ha 30 m-nél hosszabb hosszabbító kábelt használ, a láncfűrész teljesítménye csökken.

### Bekapcsolás / Kikapcsolás

**⚠ FIGYELEM!**

Az elektromos hálózat feszültségének azonosnak kell lennie a fűrész teljesítménycímkején feltüntetett feszültséggel.

**⚠ FIGYELEM!**

Indításkor és munka közben stabilan, két kézzel fogja a fűrész

### Bekapcsolás

- ✿ Nyomja meg a kapcsoló biztonsági gombját, ami a főkapcsoló alatt balra található, és aztán nyomja meg a főkapcsolót (1. ábra 1. pont). A bekapcsolás után a fűrész maximális fordulatszámra kezd működni.

**⚠ FIGYELEM!**

Ha nem indul el a láncfűrész, engedje el a fékkart (1. ábra 6. pont).

### Kikapcsolás

- ✿ Engedje el a főkapcsolót (1. ábra 1. pont).

**⚠ FIGYELEM!**

A fűrész biztonsági láncfékkel van ellátva, ami a főkapcsoló elengedése után azonnal megállítja a láncot. Amennyiben a lánc a kapcsoló elengedése után nem áll meg azonnal, sürgősen vegye fel a kapcsolatot a szakszervizzel.

## A lánc olajozásának ellenőrzése

Figyelem: tartsa be a biztonsági intézkedéseket, és akadályozza meg, hogy a vezetőlemez érintkezzen a terület felületével. Biztonságosan használja ezt a szerszámot, és tartsa be a földtől a 20 cm-es minimális távolságot.

- ☼ A munka megkezdése előtt ellenőrizze a lánc olajozását, és az olaj mennyiségét a fűrész tartályában. Kapcsolja be a fűrész, és tartsa a föld felett. Ha növekvő olajfoltokat lát, a fűrész olajozása megfelelő. Ha a földön nincsenek olajfoltok, tisztítsa meg az olajkivezető nyílást, a láncfeszítő felső nyílását és az olajvezetékét, vagy vegye fel a kapcsolatot a szakszervizzel.

## 8. A LÁNCFÉK

- ☼ Ez a fűrész automatikus fékkel van ellátva, amely megállítja a láncot, ha a fűrész működés közben visszaüt. A fék automatikusan bekapcsol, amint a tehetetlenségi erő a fékszekerény belsejében lévő súlyra hatni kezd.
- ☼ A láncfék kézzel is aktiválható, ha a fékkart (1. ábra 6. pont) lefelé tolja a vezetőlemez felé. A fék aktiválása 0,12 másodpercen belül megállítja a lánc mozgását.

### A fék működésének ellenőrzése.

A fűrész minden használata előtt ellenőrizze, megfelelően működik-e a fék.

Tegye a fűrész működés közben a földre, és 1 - 2 másodpercig hagyja menni maximális fordulatszámon.

Tolja a fékkart (1. ábra 6. pont) előre. A láncnak azonnal meg kell állnia.

### ⚠ FIGYELEM!

Ha a lánc lassan áll meg vagy egyáltalán nem, ne használja a fűrész, és vegye fel a kapcsolatba a szakszervizzel.

Ha szeretné a féket kiengedni, húzza a fékkart a felső fogantyú (1. ábra 5. pont) felé, míg meghallja a blokkolás kiengedésére jellemző hangot.

### ⚠ FIGYELEM!

Bizonyosodjon meg róla, hogy a láncfék működése rendben van. A megfelelően működő láncfék megvédi a visszaütés okozta véletlen sérüléstől. Amennyiben a fék nem működik megfelelően, a beállítását vagy javítását bízva szakszervizre.

## 9. A LÁNC FESZESSÉGÉNEK BEÁLLÍTÁSA

### ⚠ FIGYELEM!

A működés során a magas hő hatására a lánc megnyúlhat. A hosszabb lánc kiszabadulhat, és lecsúszhat a vezetőlemeztől.

- ☼ Lazítsa ki a vezetőlemez feszítőanyáját (1. ábra 8. pont).
- ☼ Bizonyosodjon meg róla, hogy a lánc be van illesztve a vezetőlemez vezetővájatába.
- ☼ A láncfeszítő beállító csavar (3. ábra 1. pont) elforgatásához használjon csavarhúzó. Forgassa a beállítócsavart, amíg a lánc el nem éri a kívánt feszességet (a láncot a vezetőlemeztől vízszintes állásban a vezetőlemez közepén 3 - 4 mm magasságba tudja emelni).
- ☼ Erősen húzza meg a vezetőlemez feszítőanyáját (1. ábra 8. pont).

### ⚠ FIGYELEM!

A láncot ne feszítse meg túlságosan. A felmelegedett lánc túlzott megfeszítése túlzott feszességet okoz kihűlés után.

## 10. A LÁNCFŰRÉSZ HASZNÁLATA

- ✿ Mielőtt bármilyen munkába belefog, alaposan ismerkedjen meg a láncfűrész használatára vonatkozó biztonsági előírásokkal. Javasoljuk, hogy gyakoroljon hulladékfán. Így megismerheti a fűrész működési paramétereit is.
- ✿ Mindig tartsa be a biztonsági előírásokat.
- ✿ Ezt a láncfűrész csak fa vágásához használja. Más anyag vágása tilos.
- ✿ A rezgés intenzitása és a visszaütés a vágott fa típusától függ.
- ✿ Ezt a fűrész ne használja emelőként, tárgyak áthelyezésére vagy szétszedésére. Ha a lánc becsipődik a vágott anyagba, kapcsolja ki a fűrész, és verjen be a vágatba egy fa- vagy műanyagéket, hogy a lánc kiszabaduljon. Kapcsolja be újra a fűrész, és óvatosan kezdjen vágni.

## 11. VÁGÁS

### **⚠ FIGYELEM!**

Mielőtt folytatja, olvassa el a "Biztonsági előírások" fejezetet. Javasoljuk, hogy először kisebb hasábokon gyakoroljon. Így megismerkedik a fűrészszel.

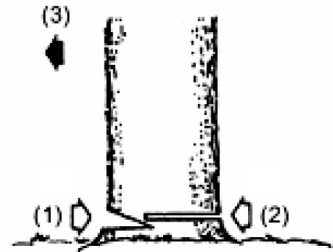
- ✿ Mindig tartsa be a biztonsági utasításokat. A láncfűrész csak fa vágására szabad használni. Más anyagot vágni tilos. A rezgés és a visszaütés anyagonként különbözik. A fűrész ne használja tárgyak felemelésére, áthelyezésére vagy szétlőrésére. Tilos a fűrészhez a műszaki dokumentációban feltüntetettől eltérő alkatrészeket vagy készítményeket csatlakoztatni.
- ✿ A fűrész nem kell a vágatba nyomni. Ha a motor teljes sebességgel megy, a fűrész csak enyhén nyomja.
- ✿ Ha a lánc megakad a vágatban, ne próbálja húzással kiszabadítani, hanem feszítse szét a vágatot egy ékkel vagy bottal.

### **Biztonsági fék (védelem visszaütés ellen)**

- ✿ Ez a fűrész láncfékkel van ellátva, ami, ha megfelelően működik, megállítja a láncot, amint a fűrész visszaüt. A láncfék működését a fűrész minden használata előtt ellenőrizni kell. A fűrész 1 - 2 másodpercre kapcsolja be teljes sebességen, majd hajtja le az elülső védőfedelelet. A láncnak azonnal meg kell állnia, miközben a motor teljes fordulatszámán van. Ha a lánc lassan áll meg vagy egyáltalán nem, vegye fel a kapcsolatba a szakszervizzel.
- ✿ Rendkívül fontos, hogy minden használat előtt ellenőrizze a láncfék működését és a lánc köszörültségi állapotát, hogy gondoskodjon a fűrész megfelelő biztonsági állapotáról visszaütéskor. Ha eltávolítja a biztonsági tartozékokat, helytelenül végzi a karbantartást vagy nem megfelelő lemezt vagy láncot használ, súlyos balesetveszélynek teszi ki magát visszaütés esetén.

## Favágás

- ☼ Amikor a fa dőlési irányáról dönt, vegye figyelembe a szél irányát, a fa hajlását, és az ágak helyzetét, és mérlegeljen minden más tényezőt, mielőtt belefog a munkába.
- ☼ A fa körüli területet tegye szabaddá, akadálymentessé, hogy stabilan tudjon állni. A menekülő útvonal járható legyen.
- ☼ A törzs átmérőjének harmadáig tegyen egy ék formájú bevágást arról az oldalról, amerre a fát dönteni szeretné. (ld. Favágás ábra, 1. pont)
- ☼ A másik oldalról végezzen egy elválasztó vágást az ék formájú bevágás szintje alatt. (ld. Favágás ábra, 2. pont)
- ☼ A fa az ék formájú bevágás irányába fog dőlni. (ld. Favágás ábra, 3. pont)



Favágás

### ⚠ FIGYELEM!

Favágáskor figyelmeztesse az esetleges veszélyre a környéken tartózkodó személyeket. A favágás gyakorlatot igényel, és megfelelő tapasztalat nélkül nem javasoljuk végezni.

## Hasábok aprítása

### ⚠ FIGYELEM!

Mindig álljon stabilan. Ne lépjen rá a hasábokra.

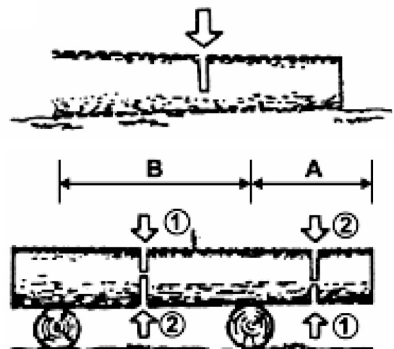
### ⚠ FIGYELEM!

A munka megkezdése előtt bizonyosodjon meg róla, hogy minden alkatrész a helyén van, és minden csavar és anya meg van húzva.

- ☼ A vágott hasáb elgurulhat. Különösen ha lejtőn aprít, mindig a vágott hasáb felett álljon.
- ☼ Előzze meg a fűrész visszaütését azzal, hogy követi a "Biztonsági utasítások" fejezetben leírt instrukciókat.
- ☼ A munka megkezdése előtt mérje fel az aprítandó törzs meghajlását okozó erő irányát. Az utolsó vágást mindig ellenkező irányból ejtse meg, mint amerre a hajlító erő hat, nehogy beakadjon a lemez a vágatba.
- ☼ A fűrész csak úgy vigye máshová, ha a motor ki van kapcsolva, a védőfedél pedig óvja a lemezt.

## Földön fekvő hasáb

- ☼ Vágja át a közepéig, majd fordítsa meg, és vágja tovább a másik oldala felől.



## Föld fölött lévő hasáb

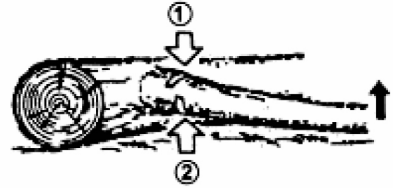
- ☼ Az "A" részben vágja alulról a hasáb harmadáig, majd fejezze be a vágást felülről. A "B" részben vágja felülről a hasáb harmadáig, majd fejezze be a vágást alulról.

### Kidőlt fa legallyazása

- ✿ Először állapítsa meg, merre hajlanak az ágak. Aztán tegyen egy kezdővágást a hajlás oldaláról, majd fejezze be a vágást az ellenkező oldalról.

### ⚠ FIGYELEM!

A meghajlott ág kicsapódhat.



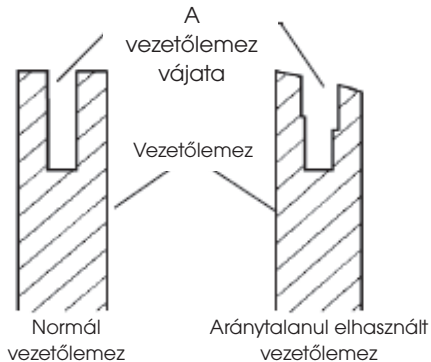
## 12. A SZERSZÁM TISZTÍTÁSA ÉS KARBANTARTÁSA

### A láncfűrész testének tisztítása


Tartsa a láncfűrész testét tisztán. A tisztításhoz puha, szappanos oldatban megnedvesített rongyot használjon. Ezzel a ronggyal óvatosan tisztítsa meg a láncfűrész testét.

### A vezetőlemez karbantartása

- ✿ A vezetőlemez legtöbb hibája az aránytalan elhasználódás következménye. Az aránytalan elhasználódást többnyire az okozza, hogy nem megfelelő a lánc élézése és mélységhatároló beállítása. A lemez aránytalan elhasználódása következtében a vezetővájat kitágul (ld. Ábra). Ennek eredménye a lánc zörgése és a szegecsek kiesése. A fűrészsel nem lehet egyenesen vágni. Ilyen esetben cserélje ki a vezetőlemez újra.
- ✿ A lánc élézése előtt mindig ellenőrizze a vezetőlemez állapotát. Az elhasználódott vagy meghibásodott lemez használata nagyon veszélyes. Az elhasználódott vagy meghibásodott lemez használata a lánc meghibásodásához vezet. Ilyen szerszámmal vágni jóval nehezebb és fárasztóbb.



### A vezetőlemez normál karbantartása

- ✿ Szerelje le a vezetőlemezt a láncfűrész testéről.
  - ✿ A vezetőlemez vágatából rendszeresen távolítsa el a fűrészport. A tisztításhoz használjon kaparót vagy drótot.
  - ✿ Az olajos vágatot minden munkanap befejezése után tisztítsa meg.
  - ✿ A vezetőlemezt cserélje ki, ha:
    - ha elferdült vagy megrepedt
    - ha a vágat súlyosan sérült vagy elhasználódott
-  **Megjegyzés:** A vezetőlemez kicserélésekor a jelen kézikönyv utasításai szerint járjon el. A megfelelő lemeztípust megtalálja a műszaki adatok áttekintésében.

## 13. A FŰRÉSZLÁNC ÉLEZÉSE

A fűrészláncot tartsa élezve. A vágás sokkal gyorsabb és mindenképp előtte biztonságosabb lesz. A tompa lánc gyorsítja a lánckerék, a lánc és a meghajtó elhasználódását. Ha a fűrésznyomnia kell, és vágáskor csak fűrészpor és pár forgács látható, azt jelenti, hogy a lánc tompa.

**Javasoljuk, hogy ehhez lépjen kapcsolatba a szakszervizzel**

### A fűrészlánc élezéséhez elengedhetetlen felszerelés

- ✿ Kerek reszelő ld. műszaki paraméterek specifikációja
- ✿ Mélységátároló
- ✿ Reszelősablon
- ✿ Satu
- ✿ Közepes méretű lapos reszelő

### A lánc szemeinek élezése


Használja a reszelésvezetőt  $30^\circ$  szög alatt (A jel, ld. ábra).

- ✿ Állítsa a fűrészlánc hajlásszögét a megfelelő szintre.
- ✿ Rögzítse a vezetőlemezt a satuba, hogy a lánc stabil pozícióban legyen.

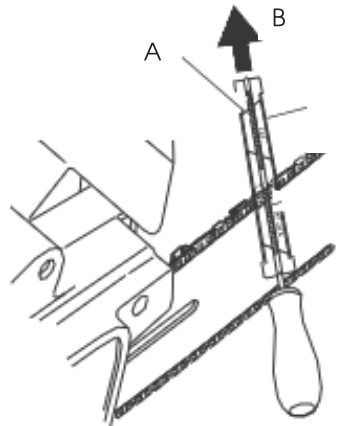
 **Megjegyzés:** Magát a láncot ne fogja be.

- ✿ Nyomja be a vezetőben lévő kerek reszelőt a felső lemez és láncon lévő mélységátároló közti vágatba. A láncnak mind a felső lemez, mind a mélységátárolót érintenie kell (ld. ábra).

 **Megjegyzés:** Csiszolja a vezetőlemez közepét.

 **Megjegyzés:** Az ábrán látja a reszelősablon elhelyezkedését, és a lánc baloldalán lévő szemek csiszolását.

- ✿ Helyezze a reszelő vezetőjét megfelelő szögbe (A jel, ld. ábra). Bizonyosodjon meg róla, hogy a  $30^\circ$  jel a vezetőn egy vonalban van a vezetőlemez közepével. Így biztos lehet benne, hogy  $30^\circ$ -os szög alatt fog reszelni.



- ☼ Reszelje a fogat belülről kifelé (B irányba, ld. ábra), amíg éles nem lesz. Csak ebbe az irányba reszeljen.

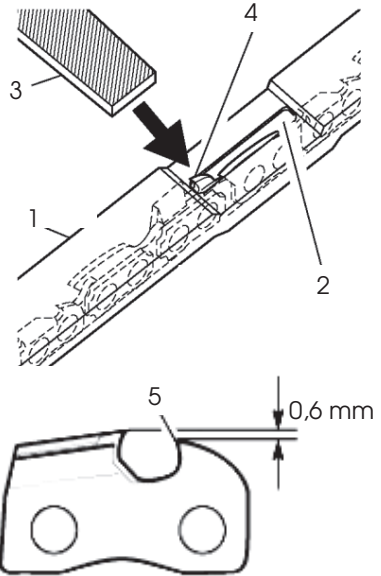
📖 **Megjegyzés:** A fog élezéséhez elég két vagy három húzás a reszelővel.

### A mélységhatároló reszelése

A lánc fogainak élezése azt eredményezi, hogy a mélységhatároló toleranciája csökken. Minden második vagy harmadik élezés után módosítani kell a mélységhatároló beállítását.

- ☼ Helyezze el a mélységhatároló beállító szerszámot (ld. ábra 1. pont) stabilan két fog felső élén. Bizonyosodjon meg róla, hogy a szerszám vágata beilleszkedett a mélységhatároló vágatába (ld. ábra 2. pont)
- ☼ Használja a közepes méretű lapos reszelőt (ld. ábra 3. pont). Reszelje a mélységhatárolót (ld. ábra 4. pont) a mélységhatároló-beállító szerszám szintjéig.
- ☼ Vegye le a mélységhatároló beállító szerszámot. A lapos reszelő segítségével kerekítse le a mélységhatároló elülső élét (ld. ábra). A köszörülés során tartsa be az előírt értékeket (ld. ábra 5. pont).

📖 **Megjegyzés:** Néhány kézi élezést követően adja be a fűrészláncot a szakszervizbe élezni, vagy élezze meg speciális élezőgéppel. Ezzel újra egyenletesség teheti minden fog élét.



## 14. A FŰRÉSZLÁNC CSERÉJE

### ⚠ FIGYELEM!

A fűrészlánc kicserélésekor se a láncfűrész, se a vezetőlemezt ne fogja be satuba.

A láncot mindig cserélje ki, ha a fogai túlságosan elhasználódtak, és nem lehet megélesíteni, vagy ha a lánc elpattan. Csak eredeti, a jelen használati útmutatóban feltüntetett specifikáció szerinti tartalékláncot használjon. A lánc cseréjekor mindig cserélje ki a lánckerék fogaskerekét is. Ezzel biztosíthatja, hogy a lánc megfelelő pozícióban lesz mozgás közben. (Megjegyzés: A megfelelő típusú lánc és fogaskerék specifikációját megtalálja a műszaki adatok áttekintésében.)

- ✿ Lazítsa ki és vegye ki a vezetőlemez csavarját.
- ✿ Vegye le a lánckerék fedelét.
- ✿ Vegye le a fűrészláncot.
- ✿ Forgassa el az új láncot a fogaskerék körül, aztán a vezetőlemez felső vágata mentén, majd a vezetőlemez hegye körül.

**Megjegyzés:** Bizonyosodjon meg róla, hogy a lánccsatorna megfelelő irányba néznek. A láncot úgy helyezze el, hogy a fogak a lemez felső oldalán a lemez elülső pereme felé nézzenek (ld. ábra).

- ✿ Mielőtt a lánckerék fedelét a helyére teszi, ellenőrizze, hogy a lánccsatorna szabályozó hegye a vezetőlemez szabályozó nyílásába van dugva.
- ✿ Helyezze vissza a lánckerék fedelét a fűrésztestre.
- ✿ Rögzítse a lánckerék fedelét a vezetőlemez csavarjával.

**⚠ FIGYELEM!**

A csavart csak kézzel húzza meg.

- ✿ Állítsa be a fűrészlánc feszességét.
- ✿ Húzza de teljesen a vezetőlemez csavarját.

**⚠ FIGYELEM!**

Bizonyosodjon meg róla, hogy a fűrészláncot nem fordított irányban helyezte a vezetőlemezre. Ellenkező esetben a fűrész erősen rezegni fog, és nem vág.



## 15. TÁROLÁS

Abban az esetben, ha több, mint 30 napig nem használja a fűrész, a következőképpen járjon el.

- ✿ Ürítse ki az olajtartályt.
- ✿ Vegye le és tisztítsa meg a vezetőlemezt és a láncot. A vezetőlemezt és a láncot áztassa be petróleumalapú tisztítóoldatba vagy szappanos vízbe.
- ✿ Majd szárítsa meg a vezetőlemezt és a láncot.
- ✿ Tegye a láncot egy olajos edénybe. Ezzel megelőzi a rozsdásodását.
- ✿ A vezetőlemezt gyengén törölje át olajjal.
- ✿ A lánccsatorna testét törölje meg ronggyal. A tisztításhoz puha, szappanos oldatban megnedvesített rongyot használjon.
- ✿ A lánccsatorna tárolja
  - magas polcon vagy zárt helyen, ahol gyermekek nem férhetnek hozzá
  - száraz helyen



## 16. MŰSZAKI ADATOK

Teljesítményfelvétel	1800 W
Feszültség/frekvencia	230 V - 240 V / 50 Hz
A lánc osztása	3/8"
A vezetővázat szélessége	1,3 mm
Láncszemek száma	52 láncszemek
A lemez hossza	35 cm
A reszelő átmérője	4 mm
Vágási sebesség	12 m/s
Az olajtartály kapacitása	220 ml
Tömeg (lemezzel és láncsal)	5,0 kg
Zajszint LWA	mért 112 dB (A)

Eredeti nyelvű felhasználói kézikönyv.

## 17. MEGSEMMISÍTÉS

### UTASÍTÁSOK ÉS TÁJÉKOZTATÓ A HASZNÁLT CSOMAGOLÓANYAGOKRA VONATKOZÓAN

A használt csomagolóanyagot az önkormányzat által kijelölt hulladékgyűjtő helyen adja le.



A gép és tartozékai különböző anyagokból, pl. fémből és műanyagból készültek. A sérült alkatrészeket adja le szelektív gyűjtőhelyen. Tájékoztódjon az illetékes hivatalnál.

Változtatások a szövegben, a kivételben és a műszaki jellemzőkben előzetes figyelmeztetés nélkül történhetnek, a módosításra vonatkozó jog fenntartva.



# Pilarka łańcuchowa

## **INSTRUKCJA OBSŁUGI**

### SPIS TREŚCI

1. OGÓLNE ZASADY BEZPIECZEŃSTWA .....	76
2. SYMBOLE .....	77
3. WSKAZÓWKI BEZPIECZEŃSTWA.....	79
4. OPIS PILARKI .....	81
5. INSTALACJA PROWADNICY I ŁAŃCUCHA .....	82
6. DOLEWANIE OLEJU DO ZBIORNIKA PILARKI .....	82
7. OBSŁUGA PILARKI.....	83
8. HAMULEC ŁAŃCUCHA.....	84
9. REGULACJA NAPIĘCIA ŁAŃCUCHA.....	84
10. OBSŁUGA PILARKI ŁAŃCUCHOWEJ .....	85
11. CIĘCIE .....	85
12. KONSERWACJA I CZYSZCZENIE NARZĘDZIA.....	87
13. OSTRZENIE ŁAŃCUCHA PILARKI .....	88
14. WYMIANA ŁAŃCUCHA PILARKI.....	89
15. PRZECHOWYWANIE.....	90
16. DANE TECHNICZNE .....	91
17. LIKWIDACJA.....	91

# 1. OGÓLNE ZASADY BEZPIECZEŃSTWA

## Ważne instrukcje dotyczące bezpieczeństwa


- ✿ Starannie rozpakuj wyrób, zwracając uwagę, by nie wyrzucić żadnej części materiału opakowaniowego, zanim nie znajdziesz wszystkich elementów produktu.
- ✿ Przechowuj wyrób w suchym miejscu z dala od dzieci.
- ✿ Przeczytaj wszystkie uwagi i wskazówki. Nieprzestrzeganie ostrzeżeń i wskazówek może spowodować porażenie prądem elektrycznym, pożar lub ciężkie obrażenia.

## Opakowanie

Wyrób został umieszczony w opakowaniu chroniącym go przed uszkodzeniem podczas transportu. Opakowanie to jest surowcem i dlatego podlega recyklingowi.

## Instrukcja obsługi

Zanim rozpoczniesz pracę z urządzeniem, przeczytaj następujące zasady bezpieczeństwa i wskazówki dotyczące użytkowania. Zapoznaj się z elementami sterowania i prawidłowym użyciem urządzenia. Instrukcję należy starannie zachować do wglądu. Co najmniej w okresie gwarancyjnym zalecamy zachowanie oryginalnego opakowania łącznie z wewnętrznym materiałem opakowaniowym, dokument kasowy i kartę gwarancyjną. W razie transportu zapakuj maszynę z powrotem do oryginalnego pudełka dostarczonego przez producenta, zapewniając w ten sposób maksymalną ochronę produktu podczas ewentualnego transportu (np. przeprowadzki lub wysyłki do serwisu).

-  **Uwaga:** Jeśli przekazujesz maszynę innym osobom, przekaż ją razem z instrukcją. Przestrzeganie załączonej instrukcji obsługi stanowi podstawę prawidłowego użycia urządzenia. Instrukcja obsługi zawiera również wskazówki dotyczące obsługi, konserwacji i naprawy.

**Producent nie ponosi odpowiedzialności za wypadki lub szkody powstałe na skutek nieprzestrzegania niniejszej instrukcji.**

## 2. SYMBOLE



Nie narażaj narzędzia na działanie deszczu.



Przed użyciem narzędzia dokładnie przeczytaj instrukcję obsługi.



W razie uszkodzenia kabla zasilającego natychmiast odłącz urządzenie od źródła zasilania.



Podczas pracy należy zawsze korzystać z kasku ochronnego, okularów ochronnych i ochronników słuchu.



Uważaj na niebezpieczeństwo odbicia wstecznego.



**NIEBEZPIECZEŃSTWO!** Nie uruchamiaj narzędzia, jeśli w pobliżu znajdują się dzieci, inne osoby lub zwierzęta.



Podczas pracy należy używać rękawic ochronnych.



Używaj mocnego izolacyjnego obuwia roboczego.



Używaj ochronników słuchu.



Korzystaj z rękawic roboczych.



Uważaj na spadające gałęzie.

## 3. WSKAZÓWKI BEZPIECZEŃSTWA

### **UWAGA!**

Zapoznaj się ze wszystkimi poleceniami ostrzegawczymi i poleceniami dotyczącymi bezpieczeństwa oraz z zaleceniami dotyczącymi obsługi narzędzia.

### **UWAGA!**

Nieprzestrzeganie zaleceń ostrzegawczych oraz poleceń dotyczących bezpieczeństwa może być przyczyną porażenia prądem elektrycznym, wybuchu pożaru lub poważnych obrażeń.

### **UWAGA!**

Wszystkie polecenia ostrzegawcze oraz zalecenia dotyczące bezpieczeństwa należy zachować do użytku w przyszłości.



**Uwaga:** Poprzez termin „elektronarzędzie” rozumie się we wszystkich poniższych zaleceniach ostrzegawczych elektronarzędzie zasilane (poprzez elastyczny kabel) z sieci.

### **Bezpieczeństwo środowiska pracy**

- ✿ Utrzymuj miejsce pracy w czystości i dobrze oświetlone. Bałagan i ciemne obszary w miejscu pracy bywają przyczyną wypadków.
- ✿ Nie korzystaj z elektronarzędzia w środowisku zagrażającym wybuchem, w którym znajdują się płyny łatwopalne, gazy lub pył. Podczas używania elektronarzędzia dochodzi do iskrzenia, co może spowodować zapalenie pyłu lub oparów.
- ✿ Nie dopuść, aby dzieci lub osoby trzecie zbliżyły się do pracującego elektronarzędzia. Jeśli Twoja praca będzie zakłócana, możesz stracić panowanie nad narzędziem.

### **Bezpieczeństwo pracy z elektronarzędziem**

- ✿ Wtyczka elastycznego kabla elektronarzędzia musi odpowiadać gniazdku sieciowemu. Nigdy nie dokonuj żadnych przeróbek wtyczki. Do narzędzia posiadającego uziemienie nie należy nigdy używać zasilaczy gniazdkowych. Wtyczki nie poddane przeróbce i odpowiednie gniazдка zapobiegają ryzyku porażenia prądem elektrycznym.
- ✿ Unikaj kontaktu ciała z uziemionymi przedmiotami, takimi jak np. rury, kaloryfery, kuchenki czy lodówki. Niebezpieczeństwo porażenia prądem elektrycznym wzrasta, kiedy Twoje ciało jest w kontakcie z ziemią.
- ✿ Nie narażaj elektronarzędzia na oddziaływanie deszczu, wilgoci lub substancji mokrych. Jeśli do elektronarzędzia przedostanie się woda, wzrasta niebezpieczeństwo porażenia prądem elektrycznym.
- ✿ Elastycznego kabla nie należy używać do innych celów. Nigdy nie przenoś ani nie pociągaj elektronarzędzia za przewód ani nie wyciągaj wtyczki z gniazodka poprzez pociągnięcie za kabel. Chroń przewód przed wysoką temperaturą, tłuszczem, ostrymi krawędziami i poruszającymi się częściami. Uszkodzone lub splątane przewody podwyższają ryzyko porażenia prądem elektrycznym.
- ✿ Jeśli elektronarzędzie jest używane na dworze, skorzystaj z przedłużacza odpowiedniego do użytku na zewnątrz. Korzystanie z przedłużacza przeznaczonego do użytku na zewnątrz zapobiega ryzyku porażenia prądem elektrycznym.
- ✿ Jeśli musisz używać elektronarzędzia w wilgotnym środowisku, wykorzystaj w obwodzie zasilającym wyłącznik różnicowo-prądowy (RCD). Użycie wyłącznika różnicowo-prądowego (RCD) obniża ryzyko porażenia prądem elektrycznym.



**Uwaga:** Termin „wyłącznik różnicowo-prądowy” (RCD) może zostać zastąpiony przez pojęcie „przerywacz ziemnozwarciowy” (GFCI) lub wyłącznik samoczynny (ELCB).

## Bezpieczeństwo osób

- ✿ Podczas pracy z elektronarzędziem zachowaj przez cały czas ostrożność, obserwuj swoją pracę i używaj zdrowego rozsądku. Nie używaj elektronarzędzia, jeśli jesteś zmęczony, pod wpływem narkotyków, alkoholu lub leków. Krótka chwila nieuwagi podczas pracy z elektronarzędziem może doprowadzić do poważnych obrażeń.
- ✿ Używaj środków ochrony osobistej podczas pracy. Zawsze stosuj ochronę wzroku. Pomoce ochronne, np. respirator, obuwie ochronne z powłoką antypoślizgową, twarde nakrycie głowy lub ochronniki słuchu, używane odpowiednio do warunków pracy, obniżają niebezpieczeństwo obrażeń osób.
- ✿ Unikaj nieumyślnego uruchomienia narzędzia. Przed podłączeniem do źródła zasilania, przed włożeniem baterii, przed odłożeniem do przechowania lub przenoszeniem urządzenia upewnij się, że wyłącznik uruchamiający jest nastawiony na pozycję wyłączone. Przenoszenie urządzenia z palcem umieszczonym na wyłączniku lub podłączanie wtyczki z włączonym wyłącznikiem może być przyczyną wypadków.
- ✿ Przed włączeniem narzędzia usuń wszystkie narzędzia regulujące lub klucze. Narzędzia regulujące lub klucze pozostawione i podłączone do obracającej się części elektronarzędzia mogą być przyczyną obrażeń osób.
- ✿ Pracuj tylko tam, gdzie możesz osiągnąć z zachowaniem bezpieczeństwa. Utrzymuj zawsze stabilną postawę i równowagę.  
Dzięki temu w nieoczekiwanych sytuacjach obsługa elektronarzędzia będzie łatwiejsza.
- ✿ Noś odpowiednią odzież. Nie używaj luźnej odzieży ani biżuterii. Zadbaj o to, aby Twoje włosy, odzież i rękawice znajdowały się w dostatecznej odległości od poruszających się części. Luźne ubrania, biżuteria i długie włosy mogą zostać wciągnięte przez poruszające się części.
- ✿ Jeśli do dyspozycji są środki umożliwiający podłączenie urządzenia służącego do odkurzania, zadbaj o to, aby urządzenie takie zostało podłączone i prawidłowo używane. Korzystanie z takich urządzeń może ograniczyć ryzyko związane z zakurzeniem.

## Obsługa elektronarzędzia i jego konserwacja

- ✿ Nie obciążaj nadmiernie elektronarzędzia. Korzystaj wyłącznie z narzędzi dostosowanych do wykonywanej pracy. Odpowiednie elektronarzędzie będzie wykonywać pracę lepiej i bezpieczniej z prędkością, do której zostało zaprojektowane.
- ✿ Nie korzystaj z elektronarzędzia, którego nie można włączyć i wyłączyć za pomocą wyłącznika. Każde elektronarzędzie, którego nie można obsługiwać za pomocą wyłącznika, jest niebezpieczne i musi zostać naprawione.
- ✿ Przed regulacją narzędzia, przed wymianą akcesoriów lub jeśli narzędzie nie jest używane, wyciągnij wtyczkę kabla zasilającego z gniazdka. Te kroki zapobiegawcze obniżają niebezpieczeństwo przypadkowego uruchomienia elektronarzędzia.
- ✿ Nie wykorzystywane elektronarzędzie przechowuj z dala od dzieci i nie pozwól, by było ono używane przez osoby, które nie zostały zapoznane z jego obsługą i niniejszymi poleceniami. Elektronarzędzie w rękach niewykwalifikowanych użytkowników jest niebezpieczne.
- ✿ Dokonuj konserwacji elektronarzędzia. Kontroluj regulację poruszających się części i ich mobilność, zwróć szczególną uwagę na pęknięcia, złamane części i wszelkie inne okoliczności, które mogą zagrazać funkcjonalności elektronarzędzia. Jeśli narzędzie jest uszkodzone, przed kolejnym użyciem dokonaj jego naprawy. Wiele wypadków jest spowodowanych na skutek niedostatecznej konserwacji elektronarzędzi.
- ✿ Narzędzia tnące należy utrzymywać ostre i czyste. W przypadku prawidłowo konserwowanych i ostrzonych narzędzi tnących istnieje mniejsze prawdopodobieństwo, że zahaczą się o materiał czy zablokują się i praca z nimi podlega łatwiejszej kontroli.
- ✿ Elektronarzędzi, akcesoriów, narzędzi roboczych itd. należy używać zgodnie z niniejszymi poleceniami i w taki sposób, jaki jest zalecany dla konkretnych elektronarzędzi przy jednoczesnym uwzględnieniu warunków pracy i rodzaju wykonywanej pracy. Używanie elektronarzędzi do wykonywania innych czynności niż te, do których zostały przeznaczone, może prowadzić do powstania niebezpiecznych sytuacji.



## Serwis

- ✿ Naprawy elektronarzędzia należy powierzyć wykwalifikowanej osobie korzystającej z oryginalnych części zamiennych. W ten sposób zostanie zapewniony taki sam poziom bezpieczeństwa elektronarzędzia jak przed naprawą.

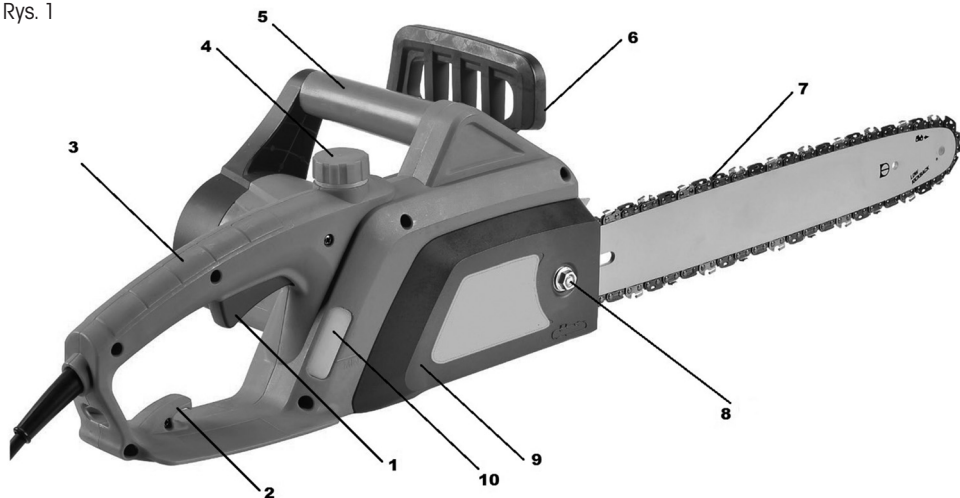
## Przechowywanie

- ✿ narzędzie należy transportować i przechowywać wyłącznie z założoną pokrywą ochronną
- ✿ przed odłożeniem narzędzia do przechowania należy je dokładnie wyczyścić i dokonać odpowiedniej konserwacji
- ✿ przed transportem narzędzia należy je zabezpieczyć przed wyciekami oleju, uszkodzeniem czy spowodowaniem obrażeń

## 4. OPIS PILARKI

1. Wyłącznik główny
2. Uchwyt zabezpieczający kabel doprowadzający
3. Uchwyt tylny
4. Korek zbiornika oleju
5. Uchwyt przedni
6. Hamulec zabezpieczający łańcucha
7. Prowadnica z łańcuchem
8. Nakrętka napinająca prowadnicy
9. Pokrywa koła łańcuchowego
10. Okienko kontrolne poziomu oleju

Rys. 1



### Zawartość opakowania:

Pilarka elektryczna, prowadnica 35 cm, łańcuch, plastikowa pokrywa prowadnicy, zestaw zapasowych węglików, klucz montażowy.

## 5. INSTALACJA PROWADNICY I ŁAŃCUCHA

### ⚠ UWAGA!

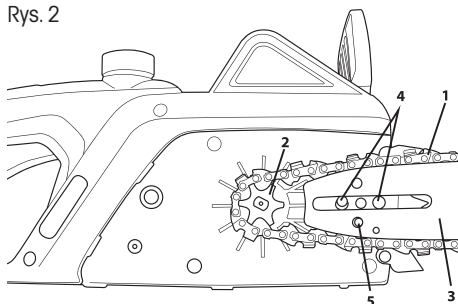
Pilarka łańcuchowa musi być odłączona od sieci elektrycznej.

### ⚠ UWAGA!

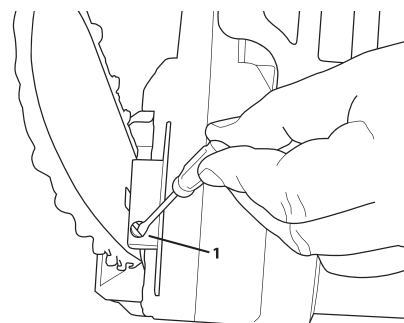
Podczas instalacji i dokonywania kontroli łańcucha należy zawsze korzystać z rękawic ochronnych, aby uniknąć obrażeń spowodowanych przez ostrza łańcucha.

- ✿ Dźwignia hamulca bezpieczeństwa (rys. 1, punkt 6) musi być odbezpieczona (przyciągnąć w kierunku górnego uchwytu).
- ✿ Za pomocą dotychczasowego klucza nasadowego odkręć nakrętkę napinającą prowadnicy (rys. 1, punkt 8) i zdejmij pokrywę koła łańcuchowego (rys. 1, punkt 9).
- ✿ Załóż łańcuch (rys. 2, punkt 1) na koło łańcuchowe (rys. 2, punkt 2).
- ✿ Załóż prowadnicę (rys. 2, punkt 3) na śruby prowadzące (rys. 2, punkt 4) i dociśnij ją w kierunku koła łańcuchowego. Jest bardzo ważne, aby kołek regulujący (rys. 2, punkt 5) został osadzony podczas instalacji w otworze w prowadnicy. Kołkiem można poruszać do przodu i do tyłu przekręcając śrubę regulującą (rys. 3, punkt 1).
- ✿ Włóż łańcuch do rowka w prowadnicy. Prawidłowy kierunek osadzania został pokazany na pilarsce oraz w rozdziale „Wymiana łańcucha pilarki”.
- ✿ Załóż pokrywę (rys.1, punkt 9) i przymocuj ją poprzez delikatne dokręcenie nakrętki napinającej prowadnicy.

Rys. 2



Rys. 3



Napnij łańcuch za pomocą śruby napinającej (rys. 3, punkt 1), a następnie dokręć nakrętkę napinającą (rys. 1, punkt 8).

### ⚠ UWAGA!

Łańcuch jest napięty prawidłowo, jeśli możesz go podnieść z prowadnicy oraz jeśli jego wysokość w pozycji poziomej wynosi pośrodku prowadnicy od 3 do 4 mm.

## 6. DOLEWANIE OLEJU DO ZBIORNIKA PILARKI

### ⚠ UWAGA!

Nowy łańcuch wymaga dotarcia przez ok. 5 minut. Na tym etapie bardzo ważne jest smarowanie łańcucha. Po dotarciu sprawdź napięcie łańcucha i jeśli to konieczne, dokonaj jego regulacji.

- ✿ W dostarczonej pilarce zbiornik oleju jest pusty. Przed pierwszym użyciem pilarki należy napełnić zbiornik olejem.
- ✿ Korzystaj wyłącznie z oleju przeznaczonego do smarowania biodegradowalnego.
- ✿ Odkręć korek wlewu (rys. 1, punkt 4).
- ✿ Wlej do zbiornika olej (uważaj, aby nie dopuścić do zanieczyszczenia oleju podczas jego wlewania do zbiornika).
- ✿ Zakręć korek wlewu.

### **⚠ UWAGA!**

Nie korzystaj z oleju, który był już używany lub poddany obróbce, ponieważ mogłoby dojść do uszkodzenia pompki olejowej. Korzystaj wyłącznie z oleju przeznaczonego do smarowania biodegradowalnego.

## 7. OBSŁUGA PILARKI

### **Zabezpieczenie przedłużacza.**

#### **⚠ UWAGA!**

Podczas pracy z tą pilarką korzystaj wyłącznie z przedłużaczy przeznaczonych do użytku na zewnątrz. Przekrój poprzeczny przewodów przedłużacza powinien wynosić co najmniej 1,5 mm<sup>2</sup>.

- ✿ Aby zapewnić bezpieczną obsługę tej pilarki łańcuchowej, należy zabezpieczyć kabel doprowadzający. Zegnij kabel doprowadzający w odległości ok. 20 cm od wtyczki. Przeciągnij zgięcie przez otwór w tylnym uchwycie i zabezpiecz go na haczyku (rys. 1, punkt 2).

#### **⚠ UWAGA!**

Jeśli będziesz korzystać z przedłużacza o długości ponad 30 m, dojdzie do obniżenia mocy pilarki.

### **Włączanie / wyłączenie**

#### **⚠ UWAGA!**

Napięcie w sieci elektrycznej musi być zgodne z napięciem podanym na tabliczce znamionowej pilarki.

#### **⚠ UWAGA!**

Podczas uruchamiania i podczas pracy należy trzymać pilarkę mocno obiema rękami.

### **Włączanie**

- ✿ Wciśnij przycisk zabezpieczający wyłącznika, znajdujący się na lewo ponad wyłącznikiem głównym, a następnie wciśnij wyłącznik główny (rys. 1, punkt 1). Po włączeniu pilarka zacznie pracować na maksymalnych obrotach.

#### **⚠ UWAGA!**

Jeśli nie dojdzie do uruchomienia pilarki, zwolnij dźwignię hamulca (rys. 1, punkt 6).

### **Wyłączanie**

- ✿ Zwolnij wyłącznik główny (rys. 1, punkt 1).

#### **⚠ UWAGA!**

Pilarka jest wyposażona w hamulec zabezpieczający łańcucha, który zatrzymuje łańcuch natychmiast po zwolnieniu wyłącznika głównego. Jeśli łańcuch zatrzyma się natychmiast po zwolnieniu wyłącznika, skontaktuj się bezwzględnie z autoryzowanym serwisem.

## Kontrola smarowania łańcucha

Uwaga: przestrzegaj zasad bezpieczeństwa i nie dopuść do kontaktu prowadnicy z powierzchnią terenu. Używaj tego narzędzia w bezpieczny sposób i przestrzegaj minimalnej odległości 20 cm od ziemi.

- ✿ Przed rozpoczęciem pracy sprawdź smarowanie łańcucha oraz ilość oleju w zbiorniku pilarki. Włącz pilarkę i trzymaj ją ponad ziemią. Jeśli zauważysz powiększające się plamy od oleju, oznacza to, że smarowanie łańcucha nie przebiega prawidłowo. Jeśli na ziemi nie ma żadnych śladów oleju, oczyść otwór wlewu oleju, górny otwór napinania łańcucha i rozprowadzanie oleju lub skontaktuj się z autoryzowanym serwisem.

# 8. HAMULEC ŁAŃCUCHA

- ✿ Ta pilarka jest wyposażona w automatyczny hamulec, który zatrzymuje łańcuch w przypadku odbicia wstecznego podczas pracy narzędzia. Hamulec włączy się automatycznie, kiedy zacznie oddziaływać siła bezwładności na ciężarkach znajdujących się wewnątrz hamulca.
- ✿ Hamulec łańcucha może zostać również uruchomiony ręcznie, jeśli dźwignia hamulca (rys. 1, punkt 6) jest przesunięta w dół w kierunku prowadnicy. Uruchomienie hamulca łańcucha powoduje zatrzymanie ruchu łańcucha w ciągu 0,12 s.

## Kontrola działania hamulca.

Przed każdym użyciem pilarki sprawdź, czy hamulec działa prawidłowo.

Położ włączoną pilarkę na ziemi i pozwól, aby przez 1 do 2 sekund pracowała na maksymalnych obrotach.

Wciśnij dźwignię hamulca (rys. 1, punkt 6) do przodu. Łańcuch powinien się natychmiast zatrzymać.

### ⚠ UWAGA!

Jeśli łańcuch zatrzymuje się powoli lub nie zatrzymuje się w ogóle, nie używaj pilarki i skontaktuj się z autoryzowanym serwisem.

Jeśli chcesz zwolnić hamulec, przyciągnij dźwignię hamulca w kierunku górnego uchwytu (rys. 1, punkt 5) tak, aby usłyszeć typowy dźwięk zwalniania blokady.

### ⚠ UWAGA!

Upewnij się, czy hamulec łańcucha działa prawidłowo. Prawidłowo działający hamulec łańcucha stanowi ochronę przed ewentualnymi obrażeniami powstającymi na skutek odbicia wstecznego. Jeśli hamulec nie pracuje prawidłowo, powierz jego regulację lub naprawę autoryzowanemu serwisowi.

# 9. REGULACJA NAPIĘCIA ŁAŃCUCHA

### ⚠ UWAGA!

Podczas pracy łańcuch pilarki ma tendencję do wydłużania się na skutek oddziaływania podwyższonej temperatury. Dłuższy łańcuch może się poluzować i spaść z prowadnicy.

- ✿ Poluzuj nakrętkę napinającą prowadnicy (rys. 1, punkt 8).
- ✿ Upewnij się, że łańcuch jest prawidłowo osadzony w rowku prowadnicy.
- ✿ Aby przekręcić śrubę regulującą napinanie łańcucha (rys. 3, punkt 1), skorzystaj ze śrubokrętu. Obracaj śrubą regulującą do momentu osiągnięcia odpowiedniego napięcia łańcucha (powinieneś móc podnieść łańcuch pośrodku prowadnicy w pozycji poziomej do wysokości ok. 3 do 4 mm).
- ✿ Mocno dokręć nakrętkę napinającą prowadnicy (rys. 1, punkt 8).

**⚠ UWAGA!**

Nie nacinaj łańcucha zbyt mocno. Zbyt mocne napięcie rozgrzanego łańcucha może prowadzić do jego nadmiernego napięcia po ostygnięciu.

## 10. OBSŁUGA PILARKI ŁAŃCUCHOWEJ

- ✿ Przed rozpoczęciem jakiegokolwiek pracy przeczytaj dokładnie część dotyczącą przepisów bezpieczeństwa osób obsługujących pilarkę łańcuchową. Zalecamy zdobycie doświadczenia podczas pracy z drewnem odpadowym. W ten sposób zapoznasz się również z parametrami eksploatacyjnymi tej pilarki.
- ✿ Zawsze przestrzegaj przepisów bezpieczeństwa.
- ✿ Tej pilarki łańcuchowej należy używać wyłącznie do cięcia drewna. Cięcie innych materiałów jest zakazane.
- ✿ Intensywność wibracji i typ odbicia wstecznego jest w przypadku tej pilarki uzależniony od typu ciętego drewna.
- ✿ Nie używaj tej pilarki łańcuchowej jako dźwigni do podnoszenia, przemieszczania lub dzielenia materiału. Jeśli dojdzie do zablokowania łańcucha w ciętym materiale, wyłącz pilarkę i wbij w szczelinę, w której wykonywałeś cięcie, drewniany lub plastikowy kołek w celu zwolnienia łańcucha pilarki. Uruchom ponownie pilarkę i ostrożnie rozpocznij cięcie.

## 11. CIĘCIE

**⚠ UWAGA!**

Zanim zaczniesz czytać, zapoznaj się z rozdziałem „Wskazówki bezpieczeństwa”. Zalecamy zdobycie doświadczenia podczas cięcia małych szczap. Dzięki temu można zapoznać się z działaniem pilarki.

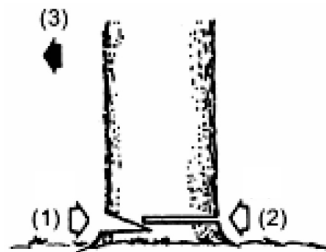
- ✿ Zawsze przestrzegaj zaleceń dotyczących bezpieczeństwa. Pilarki łańcuchowej należy używać wyłącznie do cięcia drewna.  
Zakaz cięcia innych materiałów. Wibracje i odbite wsteczne są inne w przypadku innych materiałów. Pilarki nie należy używać jako dźwigni do podnoszenia, przemieszczania lub rozbijania obiektów. Zakaz dotarcia do pilarki części lub akcesoriów innych niż podane w dokumentacji technicznej.
- ✿ Nie jest konieczne dociskanie pilarki do miejsca cięcia. Kiedy silnik pracuje na pełnych obrotach, pilarkę wystarczy lekko docisnąć.
- ✿ Jeśli dojdzie do zaczepienia się łańcucha w miejscu cięcia, nie próbuj go wyciągać, ale poszerz miejsce cięcia za pomocą klina lub dźwigni.

### Hamulec bezpieczeństwa (ochrona przed odbiciem wstecznym)

- ✿ Ta pilarka jest wyposażona w hamulec łańcucha. Jeśli działa on prawidłowo, w przypadku odbicia wstecznego powoduje natychmiastowe zatrzymanie łańcucha. Funkcjonalność hamulca łańcucha należy sprawdzić każdorazowo przed użyciem pilarki. Uruchom pilarkę na pełne obroty na 1-2 sekundy, a następnie opuść pokrywę ochronną. Łańcuch musi się natychmiast zatrzymać nawet podczas pracy silnika na pełnych obrotach. Jeśli łańcuch zatrzymuje się powoli lub nie zatrzymuje się wcale, skontaktuj się z autoryzowanym serwisem.
- ✿ Sprawdzenie funkcjonalności hamulca łańcucha oraz stopnia naostrzenia łańcucha przed każdym użyciem jest niezwykle ważne po to, aby zachować odpowiedni poziom bezpieczeństwa obsługi pilarki w razie odbicia wstecznego. Usunięcie elementów zabezpieczających, nieprawidłowa konserwacja czy korzystanie z nieodpowiedniej prowadnicy lub łańcucha może być w razie odbicia wstecznego przyczyną ciężkich obrażeń.

## Wycinka drzew

- ✿ Podejmij decyzję co do kierunku obalania drzewa uwzględniając kierunek wiatru, pochylenie drzewa i lokalizację gałęzi. Przed rozpoczęciem pracy rozważ również wszystkie pozostałe czynniki.
- ✿ Okolice drzewa musi być wolna, pozbawiona przeszkód i musi umożliwiać przyjęcie stabilnej pozycji. Droga ewakuacyjna musi być łatwo dostępna.
- ✿ Wykonaj nacięcia klinowe na głębokość jednej trzeciej średnicy drzewa z tej strony, na którą ma drzewo spaść (por. rys. Wycinka, punkt 1).
- ✿ Po przeciwnej stronie dokonaj cięcia oddzielającego na poziomie ponad nacięciem klinowym (por. rys. Wycinka, punkt 2).
- ✿ Drzewo spadnie w kierunku nacięcia klinowego (por. rys. Wycinka, punkt 3).



Wycinka drzew

### ⚠ UWAGA!

Podczas wycinki drzew poinformuj pozostałe osoby znajdujące się w okolicy o potencjalnym niebezpieczeństwie. Wycinka drzew wymaga praktyki. Nie zalecamy jej wykonywania bez odpowiedniego doświadczenia.

## Cięcie szczap

### ⚠ UWAGA!

Utrzymuj zawsze stabilną postawę. Nie stój na szczapach.

### ⚠ UWAGA!

Przed rozpoczęciem pracy upewnij się, że wszystkie komponenty znajdują się na właściwym miejscu i że wszystkie nakrętki są dokręcone.

- ✿ Ścięte kawałki szczapy mogą odpadać. W szczególności podczas cięcia na zewnątrz należy stać zawsze ponad ciętą szczapą.
- ✿ Aby zapobiec odbiciu wstecznemu pilarki, postępuj zgodnie z instrukcjami podanymi w rozdziale „Wskazówki bezpieczeństwa”.
- ✿ Przed rozpoczęciem pracy dokonaj oceny kierunku oddziaływania siły powodującej zginanie ciętego pnia. Końcowe cięcie wykonuj zawsze z odwrotnej strony, niż oddziałuje siła zgięcia tak, aby nie doszło do zaklinowania prowadnicy w nacięciu.
- ✿ Przenoś pilarkę wyłącznie przy wyłączonym silniku i z prowadnicą osłoniętą pokrywą ochronną.

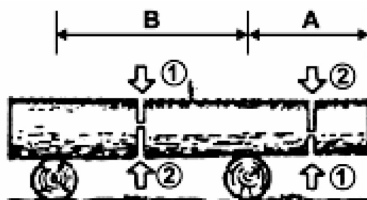
### Szczapa leżąca na ziemi

- ✿ Przetnij szczapę do połowy, następnie przekreśl ją i dokończ cięcie z przeciwnej strony.



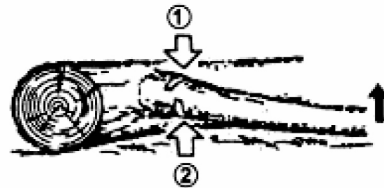
### Szczapa znajdująca się ponad ziemią

- ✿ W części „A” dokonaj cięcia od dołu do jednej trzeciej szczapy, a następnie dokończ cięcie od góry. W części „B” dokonaj cięcia od góry do jednej trzeciej szczapy, a następnie dokończ cięcie od dołu.



### Usuwanie gałęzi z obalonego drzewa

- Najpierw sprawdź, na którą stronę jest zgięta gałąź. Następnie wykonaj początkowe cięcie od strony zgięcia, a potem dokończ cięcie z przeciwnej strony.



### ⚠ UWAGA!

Zgięta gałąź może się odbić.

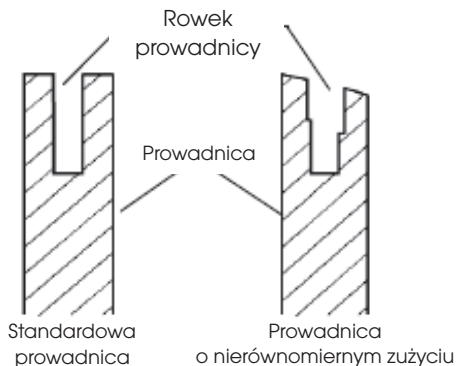
## 12. KONSERWACJA I CZYSZCZENIE NARZĘDZIA

### Czyszczenie korpusu pilarki łańcuchowej


Utrzymuj korpus pilarki w czystości. Podczas czyszczenia korzystaj z miękkiej ścierki zamoczonej w roztworze mydła. Oczyszczyć dokładnie korpus pilarki za pomocą tej ścierki.

### Konserwacja prowadnicy

- Najwięcej problemów dotyczących prowadnicy powstaje na skutek nierównomiernego zużycia. Do nierównomiernego zużycia dochodzi zazwyczaj w wyniku nieprawidłowego zaostrenia łańcucha i niewłaściwych ustawień ogranicznika zagłębienia. W przypadku nierównomiernego zużycia prowadnicy dochodzi do rozszerzenia rowka prowadzącego (por. Rysunek). Jego efektem jest pukanie łańcucha i odpadanie nitów. Za pomocą pilarki nie można wówczas wykonywać równych cięć. W takim wypadku należy wymienić prowadnicę na nową.
- Przed ostrzeniem łańcucha należy zawsze sprawdzić stan prowadnicy. Używanie zużytej lub uszkodzonej prowadnicy jest bardzo niebezpieczne. Na skutek używania zużytej lub uszkodzonej prowadnicy dojdzie do uszkodzenia łańcucha. Wykonywanie cięcia za pomocą takiego narzędzia będzie wyraźnie trudniejsze i bardziej wyczerpujące.



### Standardowa konserwacja prowadnicy

- ✿ Zdemontuj prowadnicę z korpusu pilarki łańcuchowej.
  - ✿ Usuwać regularnie z rowka prowadnicy trociny. Do czyszczenia użyj szpachelki lub drutu.
  - ✿ Po zakończeniu każdego dnia pracy wyczyść rowki olejowe.
  - ✿ Wymień prowadnicę, jeśli:
    - jest zgięta lub pęknięta
    - ma mocno uszkodzony lub zużyty rowek
-  **Uwaga:** Podczas wymiany prowadnicy postępuj zgodnie z zaleceniami podanymi w tej instrukcji. Informacje o prawidłowym typie prowadnicy znajdziesz w przeglądzie danych technicznych.

## 13. OSTRZENIE ŁAŃCUCHA PILARKI

Utrzymuj łańcuch pilarki ostry. Cięcie będzie dzięki temu wyraźnie szybsze, a przede wszystkim bezpieczniejsze. Tępy łańcuch zwiększa zużycie koła łańcuchowego, prowadnicy, łańcucha i napędu. Jeśli musisz naciskać na pilarkę, a podczas cięcia tworzą się wyłacznie trociny i kilka wiórów, oznacza to, że łańcuch jest tępy.

**W tej sytuacji zalecamy skontaktowanie z autoryzowanym serwisem.**

### Wyposażenie niezbędne do ostrzenia łańcucha pilarki

- ✿ Pilnik okrągły - por. specyfikacja parametrów technicznych
- ✿ Ogranicznik zagłębienia
- ✿ Prowadnik pilnika
- ✿ Imadło
- ✿ Pilnik płaski średniego rozmiaru

### Ostrzenie zębów łańcucha


Skorzystaj z prowadnika, aby dokonać piłowania pod kątem 30° (znak A, por. rysunek).

- ✿ Wyreguluj napięcie łańcucha pilarki do prawidłowego poziomu.
- ✿ Przymocuj prowadnicę do imadła, aby łańcuch znajdował się w stabilnej pozycji.

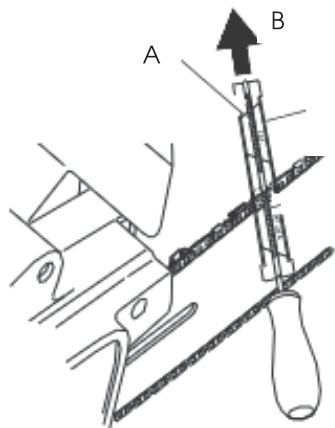
 **Uwaga:** Nie mocuj samego łańcucha.

- ✿ Wciśnij okrągły pilnik, włożony do prowadnicy, do rowka pomiędzy górną blachą a ogranicznikiem zagłębienia na łańcuchu. Łańcuch powinien dotykać zarówno górnej blachy, jak i ogranicznika zagłębienia (por. rysunek).

 **Uwaga:** Piłuj pośrodku prowadnicy.

 **Uwaga:** Na rysunku pokazano umieszczenie prowadnicy pilnika i kierunek piłowania zębów po lewej stronie łańcucha.

- ✿ Umieść prowadnicę pilnika pod właściwym kątem (znak A, por. rysunek). Sprawdź, czy znak 30° umieszczony na prowadnicy pilnika jest wyrównany ze środkiem prowadnicy. W ten sposób upewniesz się, że będziesz piłować pod kątem 30°.






- ✿ Piłuj ząb w kierunku od wewnątrz na zewnątrz (w kierunku B, por. rysunek), aż będzie ostry. Piłuj wyłącznie w tym kierunku.

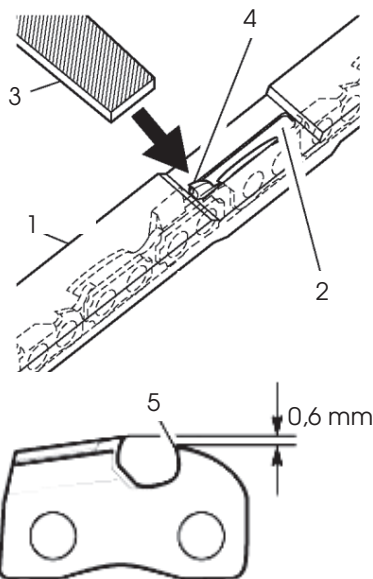
 **Uwaga:** Do zaostrenia zęba powinny wystarczyć dwa do trzech pociągnięć pilnikiem.

### Piłowanie ogranicznika zagłębienia

Efekt ostrzenia zębów łańcucha jest obniżenie tolerancji ogranicznika zagłębienia. Po drugim lub trzecim ostrzeniu konieczna jest regulacja ustawień ogranicznika zagłębienia.

- ✿ Przymocuj narzędzie służące do regulacji ogranicznika zagłębienia (por. rys., punkt 1) do górnej krawędzi dwu zębów. Upewnij się, że rowek narzędzia wpasował się do rowka ogranicznika zagłębienia (por. rys., punkt 2.)
- ✿ Skorzystaj z pilnika płaskiego o średnim rozmiarze (por. rys., punkt 3).
- ✿ Przypiłuj ogranicznik zagłębienia (por. rys., punkt 4) do poziomu narzędzia służącego do regulacji ogranicznika zagłębienia.
- ✿ Zdejmij narzędzie służące do regulacji ogranicznika zagłębienia. Za pomocą pilnika płaskiego zaokrąglij krawędź przednią ogranicznika zagłębienia (por. rysunek). Podczas piłowania przestrzegaj zalecanych wartości (por. rys., punkt 5).

 **Uwaga:** Po wykonaniu kilku ostrzeń ręcznych przekaż łańcuch pilarki do zaostrenia w autoryzowanym serwisie lub zaostrz go za pomocą specjalnej maszyny do ostrzenia. Dzięki temu dojdzie do odnowienia równomiernego zaostrenia wszystkich zębów.




## 14. WYMIANA ŁAŃCUCHA PILARKI

### UWAGA!

Podczas wymiany łańcucha pilarki nie mocuj piły łańcuchowej ani prowadnicy do imadła.

Wymień łańcuch za każdym razem, kiedy zęby są zbyt mocno zużyte i nie można ich zaostrić lub jeśli doszło do pęknięcia łańcucha. Korzystaj wyłącznie z oryginalnego łańcucha zgodnie ze specyfikacją zamieszczoną w niniejszej instrukcji obsługi. Podczas wymiany łańcucha wymień również zębate koło łańcuchowe. Dzięki temu zapewnisz prawidłową pozycję łańcucha przy pracy. (Uwaga: Specyfikacja właściwego typu łańcucha i koła zębatego jest zawarta w przeglądzie danych technicznych.)

- ✿ Poluzuj i zdejmij śrubę prowadnicy.
- ✿ Zdejmij pokrywę koła łańcuchowego.
- ✿ Zdejmij łańcuch pilarki.
- ✿ Nawłń nowy łańcuch wokół koła zębatego, a następnie wzdłuż górnego rowka prowadnicy oraz wokół końcówki prowadnicy.


 **Uwaga:** Upewnij się, że zęby tnące łańcucha są umieszczone w prawidłowym kierunku. Umieść łańcuch tak, aby zęby na górnej stronie prowadnicy były skierowane do przedniej krawędzi prowadnicy (por. rysunek).



- ✿ Przed umieszczeniem pokrywy koła łańcuchowego we właściwej pozycji sprawdź, czy końcówka regulująca napinanie łańcucha jest wsunięta do otworu regulującego prowadnicy.
- ✿ Umieść pokrywę koła łańcuchowego z powrotem na korpusie pilarki.
- ✿ Przymocuj pokrywę koła łańcuchowego za pomocą śruby prowadnicy.

 **UWAGA!**  
Śrubę należy dokręcać wyłącznie ręcznie.

- ✿ Wyreguluj napięcie łańcucha pilarki.
- ✿ Dokręć śrubę prowadnicy.

 **UWAGA!**  
Upewnij się, że nie umieścisz łańcucha pilarki na prowadnicy w odwrotnym kierunku. W przeciwnym razie pilarka będzie nadmiernie wibrować i nie będzie ciąć.

## 15. PRZECHOWYWANIE

Jeśli nie będziesz korzystać z pilarki przez okres dłuższy niż 30 dni, wykonaj następujące kroki.

- ✿ Opróżnij zbiornik na olej.
- ✿ Zdejmij i wyczyść prowadnicę oraz łańcuch. Zanurz prowadnicę i łańcuch w roztworze czyszczącym na bazie ropy lub w roztworze mydlanym.
- ✿ Następnie osusz prowadnicę i łańcuch.
- ✿ Umieść łańcuch w naczyniu z olejem. Zapobiega to jego korozji.
- ✿ Lekko nasmaruj prowadnicę olejem.
- ✿ Wytrzyj korpus pilarki ścierką. Podczas czyszczenia korzystaj z miękkiej ściereki zamoczonej w roztworze mydła.
- ✿ Przechowuj pilarkę łańcuchową
  - na wysokich regałach lub w pomieszczeniach zamkniętych z dala od dzieci
  - w suchym miejscu.

## 16. DANE TECHNICZNE

Pobór mocy	1800 W
Napięcie/częstotliwość	230 V - 240 V / 50 Hz
Podziałka łańcucha	3/8"
Szerokość rowka prowadzącego	1,3 mm
Liczba ogniw łańcucha	52 ogniw
Długość prowadnicy	35 cm
Średnica pilnika	4 mm
Prędkość cięcia	12 m/s
Pojemność zbiornika oleju	220 ml
Waga (z prowadnicą i łańcuchem)	5,0 kg
Poziom mocy akustycznej LWA	zmierzona 112 dB (A)

Instrukcja użytkownika w języku oryginalnym.

## 17. LIKWIDACJA

### WSKAZÓWKI I INFORMACJE DOTYCZĄCE GOSPODARKI ZUŻYTYM OPAKOWANIEM

Zużyty materiał z opakowania należy przekazać na gminne wysypisko odpadów.



Maszyna i jej wyposażenie są wyprodukowane z różnych materiałów, np. z metalu i plastiku. Uszkodzone części należy oddać do punktu selektywnej zbiórki. Szczegółowych informacji udziela odpowiedni urząd.

Zastrzegamy sobie możliwość dokonywania zmian tekstu, designu i danych technicznych wyrobu bez uprzedzenia.



# Verižna žaga

## UPORABNIŠKI PRIROČNIK

### KAZALO VSEBINE

1. SPLOŠNA VARNOSTNA NAVODILA .....	94
2. SIMBOLI .....	95
3. VARNOSTNA NAVODILA.....	97
4. OPIS VERIŽNE ŽAGE .....	99
5. NAMESTITEV MEČA IN VERIGE .....	100
6. TOČENJE OLJA V POSODO ZA OLJE .....	100
7. UPORABA VERIŽNE ŽAGE.....	101
8. ZAPORA VERIGE .....	102
9. NASTAVLJENJE NAPETOSTI VERIGE .....	102
10. UPORABA VERIŽNE ŽAGE.....	103
11. REZANJE.....	103
12. ČIŠČENJE IN VZDRŽEVANJE.....	105
13. OSTRENJE VERIGE .....	106
14. MENJAVA VERIGE .....	107
15. SHRANJEVANJE.....	108
16. TEHNIČNE SPECIFIKACIJE .....	109
17. ODLAGANJE.....	109

# 1. SPLOŠNA VARNOSTNA NAVODILA

## Pomembno varnostno opozorilo


- ✿ Izdelek pazljivo vzemite iz embalaže, pri tem pa pazite, da ne boste zavrgli nobenega dela embalaže, dokler ne boste ugotovili, da so vsi deli tudi prisotni.
- ✿ Žago shranjujte na suho mesto, izven dosega otrok.
- ✿ Preberite vsa opozorila in navodila. Neupoštevanje opozorila ali navodil lahko privede do poškodb zaradi električnega udara, požara in/ali drugih resnih poškodb.

## Embalaža

Izdelek je zapakiran v embalažo, ki preprečuje poškodbe med prevozom. Embalažo je možno v celoti reciklirati.

## Navodila za uporabo

Preden začnete uporabljati verižno žago, si preberite naslednja varnostna in uporabniška navodila. Seznanite se z elementi krmiljenja in pravilno uporabo verižne žage. Uporabniški priročnik imejte na varnem in enostavno dostopnem mestu. Shranite originalno embalažo, material, garancijsko kartico in potrdilo o nakupu, vsaj za obdobje garancije. Če morate verižno žago poslati nazaj, jo zapakirajte v originalno kartonsko škatlo in tako poskrbite za najboljšo zaščito med prevozom (tj. kadar potujete ali kadar morate poslati izdelek v popravilo).

 **Opomba:** Če boste verižno žago prodali ali izročili drugi osebi, ji priložite tudi uporabniški priročnik. Upoštevanje navodil v uporabniškem priročniku, je predpogoj za pravilno uporabo verižne žage. Uporabniški priročnik vsebuje tudi navodila za uporabo, vzdrževanje in popravila.

**Proizvajalec ne odgovarja za nobene nesreče ali poškodbe, ki bi nastale zaradi neupoštevanja navodil v tem priročniku.**

## 2. SIMBOLI



Verižne žage ne izpostavljajte dežju ali vlažnim okoljem.



Pred začetkom dela, si pazljivo preberite uporabniški priročnik.



Če je napajalni kabel poškodovan, ga takoj odklopite iz vira napajanja.



Med delom vedno uporabljajte zaščitno čelado, rokavice in opremo za varovanje sluha.



Pozor: nevarnost povratnega udarca.



POZOR! Verižne žage ne uporabljajte v bližini otrok ali drugih oseb, niti ne blizu živali.



Med delom uporabljajte zaščitne rokavice.



Nosite čvrsto delovno obutev.



Uporabljajte opremo za zaščito sluha.



Uporabljajte delovne rokavice.



Pazite na padajoče veje.



## 3. VARNOSTNA NAVODILA

### **POZOR!**

Pred delom z električnim orodjem, se temeljito seznanite z vsemi opozorili, varnostnimi navodili ter navodili za uporabo.

### **POZOR!**

Neupoštevanje opozorila ali navodil lahko privede do poškodb zaradi električnega udara, požara in/ali drugih resnih poškodb.

### **POZOR!**

Vsa opozorila in varnostna navodila shranite na dostopno mesto, ker jih boste lahko potrebovali.




**Opomba:** Izraz "električno orodje", ki je uporabljen v opozorilih, je mišljen kot izraz za električno orodje, ki se napaja preko omrežja (z napajalnim kablom).

### **Varnost na delovnem mestu**

- ✿ Delovno mesto imejte vedno čisto in dobro osvetljeno. Zanimarjeno in slabo osvetljeno delovno mesto je pogosto vzrok za poškodbe pri delu.
- ✿ Električna orodja ne uporabljajte v okoljih, kjer obstaja nevarnost eksplozije, kjer so vnetljive tekočine, plini ali prah. Električna orodja med delovanjem ustvarjajo iskre, ki lahko zanetijo prah ali hlape.
- ✿ Med uporabo električnega orodja ne dovolite, da bi se otroci ali druge osebe zadrževale v bližini. Če vas med delom karkoli moti, zaradi tega lahko izgubite nadzor nad orodjem.

### **Varnost pri delu z električnim orodjem**

- ✿ Vtičač napajalnega kabla se mora prilegati električni vtičnici. Vtičača nikoli ne predelujte. Za priklop napajalnega kabla električnih orodij z ozemljitvijo, nikoli ne uporabljajte adapterjev za vtičnico. Vtičači, ki so v dobrem stanju in ustrezajo predpisanim standardom za električna orodja, lahko zmanjšajo tveganje za poškodbe zaradi električnega udara.
  - ✿ Med delom z električnim orodjem se ne dotikajte ozemljenih predmetov, kot so vodovodne cevi, radiatorji in napeljava centralnega ogrevanja, pečice in zamrzovalniki. Če se s telesom dotikate ozemljenih predmetov, je tveganje za električni udar večje.
  - ✿ Električnega orodja ne izpostavljajte dežju ali vlažnim okoljem. Če v električno orodje pride voda, se poveča verjetnost za poškodbe zaradi električnega udara.
  - ✿ Gibljivega napajalnega kabla ne uporabljajte za nepredvidena opravila. Električnega orodja nikoli ne prenašajte držeč ga za napajalni kabel, vtičača pa nikoli ne odstranjujte iz vtičnice tako, da povlečete za napajalni kabel. Napajalni kabel zaščitite pred vročino, maščobo, ostrimi predmeti in premikajočimi se deli. Poškodovan ali zamotan napajalni kabel poveča tveganje za poškodbe zaradi električnega udara.
  - ✿ Če električno orodje uporabljate zunaj, za napajanje uporabite podaljšek, ki je namenjen za zunanjo uporabo. Če uporabljate podaljške, ki so namenjeni za zunanjo uporabo, tako zmanjšate tveganje za poškodbe zaradi električnega udara.
  - ✿ Če boste električno orodje uporabljali v vlažnem okolju, uporabite stikalo na diferenčni tok (RCD). Uporaba naprave za odvajanje preostalega (diferenčnega) toka zmanjša nevarnost poškodb zaradi električnega udara.
-  **Opomba:** Izraz "stikalo na diferenčni tok" (RCD) je lahko nadomeščen tudi z izrazom "zaščitno stikalo za preboj proti zemlji" (GFCI) ali "zaščitno stikalo za uhajavi tok" (ELCB).

## Osebna varnost

- ✿ Pri delu z električnim orodjem bodite pozorni, pazite kaj delate, električno orodje pa uporabljajte razumno. Električnih orodij ne uporabljajte, če ste utrujeni ali pod vplivom alkohola oziroma zdravil. Trenutek nepazljivosti pri delu z električnim orodjem lahko privede do resnih poškodb.
- ✿ Uporabljajte osebno zaščitno opremo. Vedno nosite zaščito za oči. Zaščitna oprema, kot so protiprašna maska, čevlji z nedrsečimi podplati, čelada ali ščitniki sluha, uporabljena v pravih okoliščinah, bo zmanjšala možnosti za telesne poškodbe.
- ✿ Izogibajte se nenamernemu zagonu električnega orodja. Preden električno orodje priključite v omrežje in/ali vanj vstavite akumulator, preverite ali je stikalo v položaju za izklop. Prenašanje električnega orodja s prstom na stikalo ali vklop ali z vklopljenim stikalom, kar kliče nesrečo.
- ✿ Preden električno orodje vklopite, odstranite morebitne ključe ali orodje za pritrjevanje. Če ostane ključ ali orodje za nastavitev pritrjeno na vrteči se del električnega orodja, to lahko pride do telesne poškodbe.
- ✿ Električno orodje uporabljajte le na mestih in v položajih, ki jih lahko enostavno dosežete. V vsakem trenutku poskrbite za varno oporo nog in ravnotežje.  
To vam omogoča boljši nadzor nad električnim orodjem ob nepričakovanih dogodkih.
- ✿ Bodite ustrezno oblečeni. Ne nosite ohlapnih oblačil ali nakita. Pazite, da bodo vaši lasje, obleka in rokavice proč od gibajočih se delov električnega orodja. Ohlapna oblačila, nakit in dolgi lasje se lahko hitro ujamejo med premikajoče se dele.
- ✿ Če je električno orodje opremljeno s priključkom za odvajanje in zbiranje prahu, poskrbite, da je ta nameščen in pravilno uporabljen. Uporaba zbiralnika prahu lahko zmanjša nevarnost v zvezi s prahom.

## Uporaba in vzdrževanje električnega orodja

- ✿ Električnega orodja ne preobremenjujte. Uporabljajte je tista električna orodja, ki so primerna za določeno delo.  
Vaše električno orodje bo učinkovitejše in varnejše, če ga boste uporabljali na način, za katerega je zasnovan.
- ✿ Nikoli ne uporabljate električnih orodij s poškodovanim stikalom za vklop in izklop. Vsako električno orodje, ki ga ni mogoče nadzirati s stikalom, je nevarno in mora obvezno v popravilo.
- ✿ Pred izvajanjem nastavitve, menjavo pripomočkov ali shranjevanjem električnega orodja, izvlecite vtiakč iz omrežja in/ali odstranite akumulator iz orodja. Tako lahko bistveno zmanjšate nevarnost nenamernega vklopa električnega orodja.
- ✿ Električnega orodja, ki ga ne uporabljate, shranite izven dosega otrok in ne dovolite, da bi ga uporabljale osebe, ki tovrstne naprave ne poznajo, oziroma ne poznajo teh navodil. Električna orodja v rokah nepooblaščenih oseb so lahko nevarna.
- ✿ Električno orodje skrbno vzdržujte. Preverite poravnavo ali zatikanje gibljivih se delov, preverite, če noben del ni poškodovan in vsa stanja, ki bi lahko vplivala na delovanje električnega orodja. Če je orodje poškodovano, ga pred nadaljnjo uporabo popravite. Veliko nesreč pri delu nastane ravno zaradi slabo vzdrževanega orodja.
- ✿ Električno orodje, ki ga uporabljate za rezanje, naj bo vedno ostro in čisto. Pravilno vzdrževana rezila z ostrimi rezalnimi robovi se manj zatikajo, električno orodje pa je tudi lažje natančno upravljati.
- ✿ Električno orodje, dodatni pribor, orodne vložke ipd. uporabljajte v skladu s temi navodili, pri čemer upoštevajte delovne pogoje in delo, ki ga je treba opraviti. Uporaba električnega orodja za opravila, za katera ni namenjeno, je lahko nevarna.

## Servisiranje

- ✿ Popravila električnega orodja naj izvaja le usposobljen serviser, ki uporablja originalne nadomestne dele. Le tako bo zagotovljeno varno delovanje vašega električnega orodja.

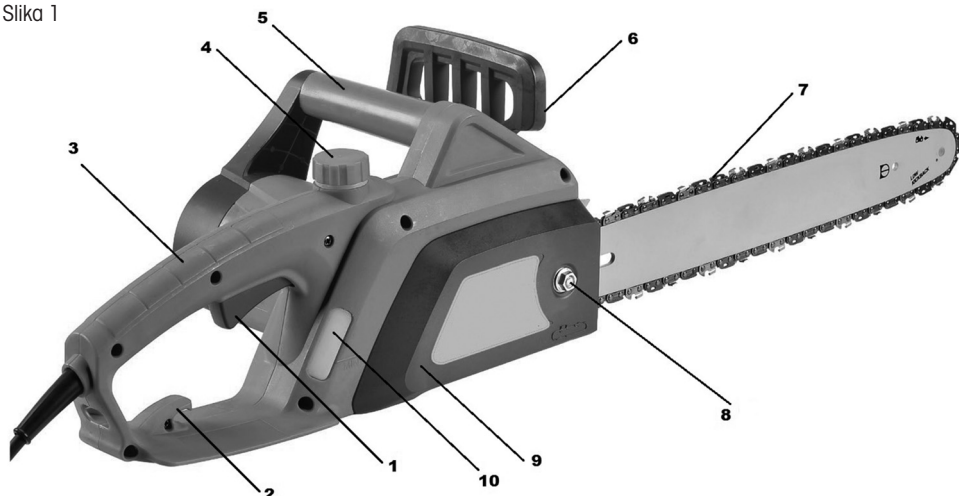
## Shranjevanje

- ✿ med shranjevanjem naj bo na električno orodje nameščen zaščitni pokrov
- ✿ električno orodje pred shranjevanjem pozorno očistite in izvedite ustrezno vzdrževanje
- ✿ pred prevažanjem električnega orodja preverite, če olje v njem dobro tesni, kajti puščanje olja lahko povzroči poškodbe ali ogrozi varnost

# 4. OPIS VERIŽNE ŽAGE

1. Stikalo za vklop/izklop
2. Varnostna kljukica napajalnega kabla
3. Zadnji ročaj
4. Pokrovček posode za olje
5. Sprednji ročaj
6. Zapora premikanja verige
7. Meč z verigo
8. Pritrdilna matica meča
9. Pokrov zobnika
10. Okence posode za olje

Slika 1



## Vsebina paketa:

Električna verižna žaga, 23 cm meč, veriga, plastična zaščita meča, rezervne ščetke, montažni ključ.

## 5. NAMESTITEV MEČA IN VERIGE

### ⚠ POZOR!

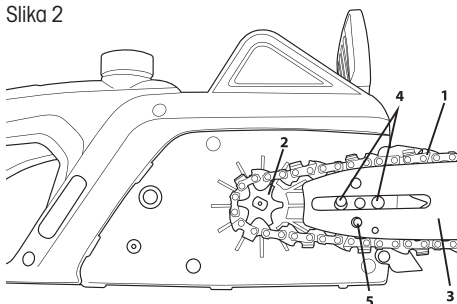
Verižno žago obvezno odklopite z napajanja.

### ⚠ POZOR!

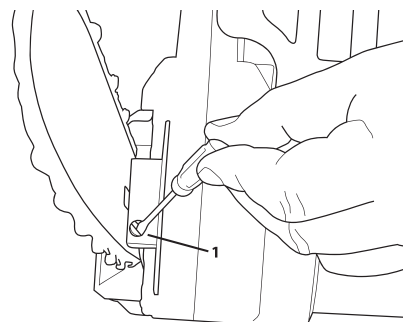
Med nameščanjem ali pregledovanjem verige vedno nosite zaščitne rokavice, sicer se z ostrimi rezili lahko poškodujete.

- ✿ Ročica zapore premikanja verige (slika 1, točka 6) mora biti sproščena (stisnite jo ob ročaj)
- ✿ S priloženim ključem odvijte pritrdilno matico meča (slika 1, točka 8) in odstranite pokrov zobnika (slika 1, točka 9)
- ✿ Namestite verigo (slika 2, točka 1) na pogonski zobnik (slika 2, točka 2)
- ✿ Namestite meč (slika 2, točka 3) na vodili z navoji (slika 2, točka 4) in ga potisnite proti pogonskemu zobniku. Zelo je pomembno, da se prilagojevalni zatič (slika 2, točka 5) usede v luknjo meča. Prilagojevalni zatič lahko, z obračanjem prilagojevalnega vijaka (slika 3, točka 1), premikate naprej in nazaj.
- ✿ Verigo namestite v utor meča. Pravilna usmerjenost verige je prikazana na sami verižni žagi, podrobneje pa je ta tema predstavljena v poglavju "Menjava verige"
- ✿ Pokrov (slika 1, točka 9) namestite nazaj in blago privijte pritrdilno matico meča.

Slika 2



Slika 3



### ⚠ POZOR!

Pritrdilne matice meča nikoli ne privijte do konca, če veriga še ni ustrezno napeta, sicer se slednja lahko poškoduje

Verigo napnete z napenjalnim vijakom (slika 3, točka 1), nato privijte pritrdilni vijak meča (slika 1, točka 8)

### ⚠ POZOR!

Veriga je pravilno napeta, če jo je na sredini meča, ki je v vodoravnem položaju, možno dvigniti za 3 do 4 mm proč od meča.

## 6. TOČENJE OLJA V POSODO ZA OLJE

### ⚠ POZOR!

Novo verigo morate približno 5 minut utekati. V tej fazi je zelo pomembno, da je zagotovljeno zadostno mazanje. Po utekanju preverite napetost verige in jo po potrebi prilagodite.

- ✿ Posoda za olje je ob dobavi verižne žage prazna. V posodo za olje zato natočite ustrezno količino predpisanega olja.
  - ✿ Uporabljajte le olje, ki je namenjeno za mazanje s popolno porabo
  - ✿ Odvijte pokrovček posode za olje (slika 1, točka 4).
  - ✿ V posodo natočite ustrezno količino olja (pazite, da med točenjem olja v posodo za olje ne bodo zašle nečistoče).
  - ✿ Privijte pokrovček posode za olje
- ⚠ POZOR!**  
Nikoli ne uporabljajte rabljenega ali predelanega olja, kajti to lahko poškoduje črpalko za olje. Uporabljajte le olje, ki je namenjeno za mazanje s popolno porabo

## 7. UPORABA VERIŽNE ŽAGE

### Namestitev podaljška.

- ⚠ POZOR!**  
Pri delu z verižno žago uporabljajte le podaljške, ki so namenjeni za zunanjo uporabo. Presek žic takšnega podaljška mora biti vsaj 1,5 mm<sup>2</sup>.
- ✿ Za zagotavljanje varnega delovanja verižne žage, morate podaljšek pravilno namestiti. Najprej odvijte približno 20 m podaljška. Konec podaljška napeljite skozi zadnji ročaj žage in ga pritrdite v držalo. (slika 1, točka 2)
- ⚠ POZOR!**  
Če boste uporabili podaljšek, ki je daljši od 30 m, se bo moč verižne žage zmanjšala.

### Vklop/izklop

- ⚠ POZOR!**  
Napetost omrežja mora ustrezati napetosti, ki je navedena na podatkovni ploščici verižne žage.
- ⚠ POZOR!**  
Ob zagonu verižno žago ob zagonu in med delom trdno držite z obema rokama

### Zaganjanje

- ✿ Pritisnite varovalo stikala za vklop/izklop, ki je levo nad stikalom in slednjega stisnite proti ročaju. (slika 1, točka 1). Ob zagonu bo verižna žaga delovala s polno hitrostjo.
- ⚠ POZOR!**  
Če se verižna žaga ne zažene, sprostite ročico zapore premikanja verige (slika 1, točka 6).

### Ugašanje

- ✿ Sprostite stikalo za vklop/izklop (slika 1, točka 1).
- ⚠ POZOR!**  
Verižna žaga je opremljena z zaporo premikanja verige, ki ob sprostitvi stikala za vklop/izklop takoj zaustavi verigo. Če se veriga takoj po sprostitvi stikala ne zaustavi, se nemudoma posvetujte s serviserjem.

## Preverjanje mazanja verige

Pozor: med delom upoštevajte varnostna priporočila in pazite, da z mečem ne boste zadeli ob podlago ali tla. Električno orodje uporabljajte varno, pri čemer ga držite vsaj 20 cm od tal.

- Pred začetkom dela preverite kakovost mazanja in količino olja v posodi za olje. Zaženite verižno žago in jo držite nad tlemi. Če na podlagi vidite sled olja, je mazanje zadostno. Če na podlagi ne opazite sledi olja, očistite šobo za olje, zgornjo luknjo ter cevi za olje, oziroma se posvetujte s pooblaščenim serviserjem.

## 8. ZAPORA VERIGE

- Ta verižna žaga ima nameščeno samodejno zaporo, ki v primeru povratnega udarca takoj zaustavi verigo. Zapora se samodejno aktivira takoj, ko določena sila pritiska na balastni element v ohišju zapore.
- Zaporo verige lahko aktivirate tudi ročno, tako, da pomaknete ročico zapore premikanja verige (slika 1, točka 6) naprej, proti meču. Aktivacija zapore zaustavi premikanje verige v 0,12 sekunde.

### Preverjanje delovnega zaporedja zapore.

Pred vsako uporabo preverite, če zapora verige pravilno deluje.

Delujočo verižno žago postavite na tla in jo 1 do 2 sekundi pustite delovati s polno hitrostjo. Ročico zapore (slika 1, točka 6) pomaknite naprej. Veriga bi se morala takoj zaustaviti.

#### **⚠ POZOR!**

Če se veriga zaustavi počasi ali se sploh ne zaustavi, verižne žage ne uporabljajte več, temveč jo dostavite k pooblaščenemu serviserju.

Če želite sprostiti zaporo verige, stisnite ročico zapore proti zgornjemu ročaju (slika 1, točka 5) toliko, da boste slišali tipični zvok sprostitve zapore.

#### **⚠ POZOR!**

Preverite, da zapora verige pravilno deluje. Pravilno delovanje zapore verige vas bo zaščitilo pred potencialnimi poškodbami, ki jih lahko povzroči povratni udarec. Če zapora verige ne deluje pravilno, jo dajte nastaviti ali v popravilo k pooblaščenemu serviserju.

## 9. NASTAVLJANJE NAPETOSTI VERIGE

#### **⚠ POZOR!**

Zaradi segrevanja, ki nastane med delovanjem, se veriga lahko raztegne. Daljša veriga je bolj ohlapna in lahko zdrsne z meča.

- Odvijte pritrdilno matico meča (slika 1, točka 8).
- Poskrbite, da bo veriga lepo sedla v utor na meču.
- Napenjalni vijak (slika 3, točka 1) lahko prilagajate z izvijačem. Napenjalni vijak obrnite za toliko, da bo veriga ustrezno napeta (če jo dvignete na sredini vodoravno postavljenega meča, se lahko premakne za 3 do 4 mm).
- Nato pritrdilno matico meča čvrsto privijte (slika 1, točka 8).

#### **⚠ POZOR!**

Verige ne napnite preveč. Če je vroča veriga preveč napeta, se bo pri ohlajanju še bolj napela.

## 10. UPORABA VERIŽNE ŽAGE

- ✿ Preden začnete z delom, se temeljito seznanite z varnostnimi navodili za uporabo verižne žage. Priporočamo vam, da si izkušnje pridobivate z žaganjem odpadnega lesa. Na ta način se boste tudi praktično podučili o podrobnostih uporabe verižne žage.
- ✿ Vedno upoštevajte varnostna navodila.
- ✿ Verižno žago uporabljajte le za rezanje lesa. Rezanje kateregakoli drugega materiala ni dovoljeno.
- ✿ Intenzivnost vibracij in vrsta povratnega udarca verižne žage sta odvisni od vrste lesa, ki ga z njo režete.
- ✿ Te verižne žage ne uporabljajte kot pripomoček za dvigovanje, premikanje ali razvrščanje materiala. Če se verižna žaga ujame v material, ki ga režete, jo ugasnite in v špranjo zabijte lesen ali plastični klin ter izvlecite verižno žago iz nje. Nato verižno žago ponovno zaženite in pazljivo nadaljujte z rezanjem.

## 11. REZANJE

### **⚠ POZOR!**

Pred začetkom dela, si pazljivo preberite poglavje "Varnostna navodila". Priporočamo, da izkušnje pridobivate z rezanjem manjših kosov. Na ta način se boste seznanili z delovanjem verižne žage.

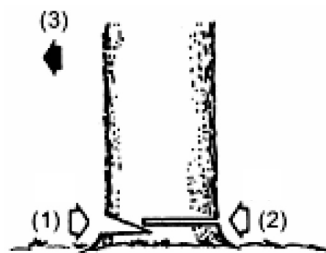
- ✿ Vedno upoštevajte varnostna navodila. Verižno žago lahko uporabljate le za rezanje lesa. Rezanje drugih materialov ni dovoljeno. Vibracije in povratni udarci se pri rezanju različnih materialov razlikujejo. Te verižne žage ne uporabljajte kot pripomoček za dvigovanje, premikanje ali razvrščanje materiala. Na verižno žago ni dovoljeno nameščati nobenih dodatkov, kot le te, ki so navedeni v tehnični dokumentaciji.
- ✿ Verižne žage med žaganjem ni treba pritiskati s silo. Če motor deluje pri polni hitrosti, verižno žago le počasi pritiskajte proti kosu, ki ga žagate.
- ✿ Če se verižna žaga ujame v špranj, je ne poskušajte izvleči s silo, raje jo ugasnite in razširite špranjo z lesenim ali plastičnim klinom.

### **Zapora premikanja verige (zaščita pred povratnim udarcem)**

- ✿ Ta verižna žaga ima nameščeno samodejno zaporo, ki mora v primeru povratnega udarca takoj zaustaviti verigo. Pred vsako uporabo verižne žage obvezno preverite delovanje zapore premikanja verige. Verižno žago zaženite s polno hitrostjo za 1 do 2 sekundi, nato sprednji zaščitni pokrov pomaknite naprej. Veriga se mora takoj zaustaviti, čeprav motor še vedno deluje s polno hitrostjo. Če se veriga zaustavi počasi ali se sploh ne zaustavi, verižno žago dostavite k pooblaščenemu serviserju.
- ✿ Za varno in pravilno uporabo verižne žage je izjemno pomembno, da stalno zagotavljate brezhibno delovanje zapore premikanja verige in tudi ostrino verige, kajti s tem zagotovite varnost tudi v primeru povratnega udarca. Odstranitev varnostnih elementov, neustrezno vzdrževanje ali uporaba nepredpisanega meča oziroma verige, lahko privede do povratnega udarca, ki povzroči poškodbe.

## Žaganje dreves

- ☼ Pred rezanjem določite smer, v katero bo drevo padlo, pri čemer upoštevajte smer pihanja vetra, nagib drevesa in razporeditev vej, ter ostale dejavnike, ki bi lahko bistveno vplivali na padec drevesa.
- ☼ Področje okoli drevesa mora biti čisto, brez ovir, hkrati pa mora zagotavljati stabilen položaj. Predvideti morate tudi smer umika v sili.
- ☼ Na strani, na katero naj bi drevo padlo, približno od ene tretjine premera zažagajte klinasto zarezo. (glejte sliko Žaganje dreves, točka 1)
- ☼ Na nasprotni strani klinaste zareze začnite rezati malce nad njenim nivojem. (glejte sliko Žaganje dreves, točka 2)
- ☼ Drevo bo padlo v smeri klinaste zareze. (glejte sliko Žaganje dreves, točka 3)



Žaganje dreves

### ⚠ POZOR!

Pri žaganju dreves opozorite druge na nevarnost poškodb. Žaganje dreves zahteva ustrezne izkušnje, zato ne priporočamo, da se teh opravil lotevate, če še niste zadosti izkušeni.

## Žaganje hlodov

### ⚠ POZOR!

V vsakem trenutku poskrbite za varno oporo nog in ravnotežje. Ne stojte na hlodih.

### ⚠ POZOR!

Pred začetkom dela preverite, če so vsi deli na svojih mestih, matice ter vijaki pa dobro priviti.

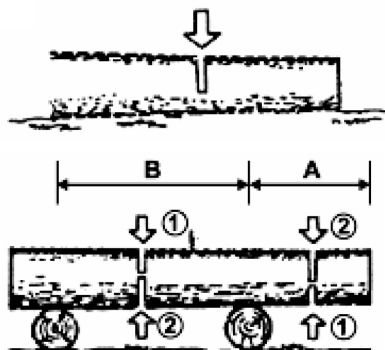
- ☼ Hlod, ki ga odžagate se bo morda odkotalil proč. Če delo opravljate na klančini, vedno stojte nad hlodom, ki ga žagate.
- ☼ Povratne udarce lahko preprečite, če upoštevate navodila v poglavju "Varnostna navodila".
- ☼ Preden začnete z žaganjem, ugotovite, v katero smer delujejo sile na hlodu. Končni rez morate vedno opraviti z nasprotni strani, kot je smer delovanja sile hloda, kajti le tako se meč verižne žage ne bo ujel v špranjo.
- ☼ Verižne žage med prenašanjem nikoli ne zaganjajte, na meču pa imejte nameščen zaščitni pokrov.

### Deblo, ki leži na tleh

- ☼ Najprej zarezite od vrha do polovice, nato deblo obrnite in dokončajte rez z druge strani.

### Deblo, ki je nad tlemi

- ☼ Na delu "A" zarezite od spodaj, do tretjine debela, nato dokončajte rez od zgoraj. Na delu "B" zarezite od zgoraj, do tretjine debela, nato dokončajte rez od spodaj.



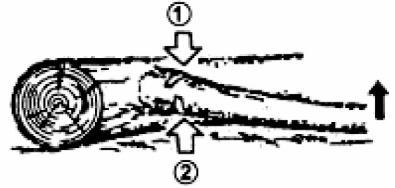


### Razrez padlega drevesa

- ☼ Najprej ugotovite, v katero smer se nagibajo veje. Nato zarezžite v vejo iz smeri v katero se nagiba in dokončajte rez z nasprotno smeri.

#### ⚠ POZOR!

Odžagana veja, ki se nagiba lahko po rezanju udari navzgor.



## 12. ČIŠČENJE IN VZDRŽEVANJE

### Čiščenje ohišja verižne žage

Ohišje verižne žage naj bo vedno čisto. Mehko krpo namočite v milnico in jo ožemite. S to krpo nato podrobno očistite ohišje verižne žage.

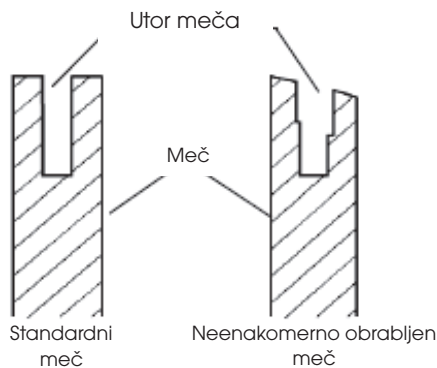
### Vzdrževanje meča

- ☼ Najpogostejše težave z mečem nastanejo zaradi neenakomerne obrabe.

Do neenakomerne obrabe pride zaradi neustrezno naostrenih členov verige ali neustrezno nastavljene globine rezanja. Neenakomerno obrabljen meč ima razširjen utor verige (glejte sliko). Posledica tega je rožljanje verige in izmet zakovic.


Z verižno žago ne morete več rezati ravnih rezov. V takšnem primeru zamenjajte meč z novim.

- ☼ Pred ostrenjem verige preverite stanje meča. Uporaba obrabljenega ali poškodovanega meča lahko privede do poškodb. Če boste uporabljali prekomerno obrabljen ali poškodovan meč, boste poškodovali tudi verigo. Rezanje s takšnim orodjem bo težavnejše in zahtevnejše.



## Običajno vzdrževanje meča

- ✿ Odstranite meč iz ležišča.
- ✿ Iz utora meča redno odstranjajte žaganje in prah. Za čiščenje uporabljajte žično ali ščetinasto ščetko.
- ✿ Vedno po končanem delu očistite oljne nanose očistite.
- ✿ Meč zamenjajte v primeru, da:
  - je upognjen ali počen
  - je njegov utor močno obrabljen ali poškodovan

 **Opomba:** Pri menjavi meča upoštevajte navodila, ki so v tem uporabniškem priročniku. Ustrezni nadomestni meč lahko izberete s pomočjo tehničnih specifikacij.

# 13. Ostrenje verige

Veriga naj bo vedno ostra. Rezanje z ostro verigo bo potekalo veliko hitreje in tudi varneje. Topa veriga povzroča hitrejšo obrabo zobnika, meča, verige in prekomerno obremenjuje motor. Če med žaganjem morate močno pritiskati verižno žago ob obdelovanec, iz špranje pa leti le droben prah in malo ostružkov, to pomeni, da je veriga topa.

**V takšnem primeru vam priporočamo, da se posvetujete s pooblaščenim serviserjem**

## Oprema, ki jo potrebujete za ostrenje verige

- ✿ Okrogla pila, ki je navedena v tehničnih specifikacijah
- ✿ Merilnik globine
- ✿ Vodilo pile
- ✿ Primež
- ✿ Srednje velika ploščata pila

## Ostrenje zob verige


Vodilo pile nastavite pod kotom 30° (oznaka A, glejte sliko).

- ✿ Nastavite napetost verige na predpisano.
- ✿ Meč vpiňte v primež, tako da bo veriga v stabilnem položaju.

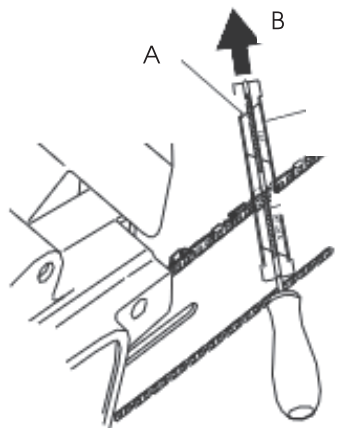
 **Opomba:** Verige ne pritrujite v primež.

- ✿ Ploščato pilo, ki ste jo vstavili v vodilo, potisnite v utor med zgornjo ploščo in merilnikom globine na verigi. Veriga se mora dotikati tako zgornje plošče, kot tudi merilnika globine (glejte sliko)


 **Opomba:** Pila na sredini vodila.

 **Opomba:** Na sliki lahko vidite položaj vodila pile in smer piljenja zoba na levi strani verige.

- ✿ Vodilo postavite na verigo pod predpisanim kotom (oznaka A, glejte sliko). Preverite, če je oznaka 30° na vodilu pile poravnana s sredino meča. To bo zagotovilo, da bo vaša pila pod kotom 30° na meč.




- ✿ S pilo brusite zob v smeri od noter navzven (v smeri B, glejte sliko), dokler slednji ne bo zadosti oster. Brusite le v tej smeri.

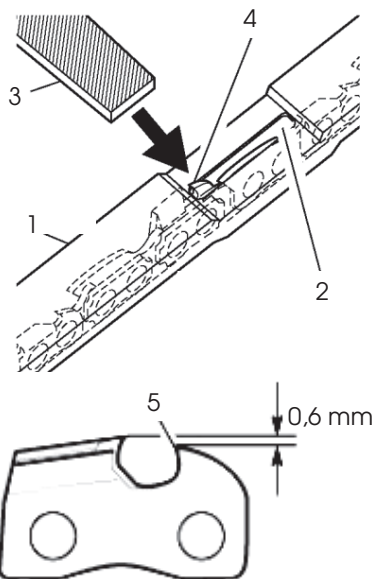
 **Opomba:** Praviloma zob postane zadosti oster, če po njem dvakrat do trikrat povlečete s pilo.

### Uporaba merilnika globine

Kot posledica ostrenja zob verige, se zmanjšuje tudi njihova globina. Po vsakem drugem ali tretjem ostrenju, morate prilagoditi merilnik globine.

- ✿ Prilagojevalnik (glejte sliko, točka 1) čvrsto postavite na konici dveh zaporednih zob. Poskrbite, da se bo utor prilagojevalnika prilagajal zobu (glejte sliko, točka 2).
- ✿ Uporabite srednje veliko ploščato pilo (glejte sliko, točka 3). Merilnik globine (glejte sliko, točka 4) pomikajte vzdolž prilagojevalnika.
- ✿ Odstranite prilagojevalnik. S ploščato pilo poravnajte konico zoba z merilnikom globine (glejte sliko). Med ostrenjem zob upoštevajte predpisane mere (glejte sliko, točka 5).

 **Opomba:** Vsakih nekaj ročnih ostrenj zobe verige, naj slednjo strojno naostril pooblaščen servisler, ki ima specialno napravo za ostrenje. Tako boste zagotovili enakomerno ostrino vseh zob verige.




## 14. Menjava verige

### POZOR!

Pri menjavi verige nikoli ne vpenjajte verižne žage ali meča v primež.

Če opazite, da so zobje verige prekomerno obrabljeni in jih ni več možno naostriti, jo zamenjajte z novo. Uporabite le originalno nadomesno verigo, ki je navedena v tehničnih specifikacijah. Ob menjavi verige zamenjajte tudi zobnik. Tako boste zagotovili, da bo veriga vedno v pravem položaju. (Opomba: Tehnične podatke o predpisani vrsti verige in zobnika si lahko ogledate v tehničnih specifikacijah tega priročnika).

- ✿ Odvijte in odstranite vodilni vijak meča.
- ✿ Odstranite pokrov zobnika.
- ✿ Odstranite verigo.
- ✿ Novo verigo namestite na zobnik, nato jo vstavite v zgornji utor meča ter napeljite okoli sprednjega dela meča.

 **Opomba:** Poskrbite, da bodo zobje verige obrnjeni v pravo smer. Verigo namestite tako, da bodo zobje na zgornjem delu meča obrnjeni naprej (glejte sliko).

- ✿ Preden namestite zobnik v ležišče, preverite, če je zatič za prilagajanje napetosti verige vstavljen v luknjo na meču.
- ✿ Pokrov zobnika namestite nazaj na ohišje verižne žage.
- ✿ Privijte vijak meča in tako pritrdite pokrov zobnika.

 **POZOR!**

Vijak privijte z roko.

- ✿ Nastavite napetost verige.
- ✿ Privijte vijak meča.

 **POZOR!**

Poskrbite, da boste verigo namestili v pravilni smeri.

V nasprotnem primeru bo verižna žaga pri rezanju povzročala prekomerne vibracije in ne bo rezala.



## 15. SHRANJEVANJE

Če verižne žage ne boste uporabljali dlje kot 30 dni, ravnajte sledeče:

- ✿ Iztočite olje iz posode za olje.
- ✿ Odstranite in očistite meč ter verigo. Meč in verigo potopite v posodo s kerozinsko ali milno raztopino.
- ✿ Nato ju temeljito osušite.
- ✿ Čisto in osušeno verigo namestite v posodo z oljem. Tako boste preprečili korozijo.
- ✿ Na meč nanesite tanek sloj olja.
- ✿ Ohišje verižne žage obrišite z mehko krpo. Za čiščenje uporabite mehko krpo, namočeno v milnico.
- ✿ Shranite verižno žago na
  - višje postavljene police ali zaklenjeno omaro, da otroci ne bodo mogli dostopati
  - na suho mesto

## 16. TEHNIČNE SPECIFIKACIJE

Moč	1.800 W
Napetost/frekvenca	230 V - 240 V / 50 Hz
Korak zob	3/8"
Širina vodilnega utora	1,3 mm
Število členov verige	52 členov
Dolžina meča	35 cm
Premer pile	4 mm
Hitrost rezanja	12 m/s
Prostornina posode za olje	220 ml
Teža (z mečem in verigo)	5,0 kg
Raven zvočne moči LWA	merjena 112 dB(A)

Uporabniški priročnik v izvornem jeziku

## 17. ODLAGANJE

### NAVODILA IN INFORMACIJE O ODLAGANJU UPORABLJENE EMBALAŽE

Rabljeno embalažo odlagajte na mestih za ločeno zbiranje odpadkov.



Naprava in njeni dodatki so izdelani iz različnih materialov, npr. iz kovine in plastike. Poškodovane dele dostavite v reciklažni center. Za podrobnosti se posvetujte pri ustreznem državnem organu.



Pridržujemo si pravico za spreminjanje besedila, oblike in tehničnih specifikacij brez opozorila.









Vypnlí prodce. | Vypnlí predajca. | To be filled in by the seller.  
 | Wypelnia sprzedawca. | A kereskedő tölti ki.

Názov: | Názov: | Name: | Nazwa: | Megnevezés:

Typ: | Type: | Típus:

Výrobní číslo: | Výrobné číslo: | Serial number: | Numer seryjny: | Gyártási szám:

 V prípade opravy vyplní servis. | V prípade opravy vyplní servis. | To be filled in by a repair shop  
 in case of repair. | W przypadku naprawy wypelnia serwis. | Javitás esetén a szerviz tölti ki.

Datum oznámení nároku na záruku: | Datum oznámenia nároku na záruku: | Date of notification of the entitlement to warranty: | Data zgłoszenia roszczeń gwarancyjnych: | A jótállási igény bejelentésének időpontja:

 Den: | Deň: | Day: | Dzień: | Nap: ..... Měsíc: | Mesiac: | Month: | Miesiąc: | Hó: ..... Rok: | Year: | Év: **20** .....

Datum převzetí do opravy: | Datum prevzatia do opravy: | Data przyjęcia do naprawy: | Date of accepting for repair: | Javításra átvétel időpontja:

 Den: | Deň: | Day: | Dzień: | Nap: ..... Měsíc: | Mesiac: | Month: | Miesiąc: | Hó: ..... Rok: | Year: | Év: **20** .....

Důvod poruchy: | Dávod poruchy: | Cause of defect: | Przyczyna awarii: | Hiba oka:

A termék azonosításra alkalmas részének meghatározása [amennyiben alkalmazható]:

Číslo prodejního dokumentu: | Číslo predajného dokumentu: | Sales document no.: | Numer dokumentu sprzedawcy: | Vásárlási igazoló bizonylat száma:

Datum nákupu [uvedení do provozu]: | Dátum nákupu [uveďenie do prevádzky]: | Date of purchase [putting into operation]: | Data zakupu [przekazania do eksploatacji]: | A vásárlás [üzem-be helyezés] időpontja:

 Den: | Deň: | Day: | Dzień: | Nap: ..... Měsíc: | Mesiac: | Month: | Miesiąc: | Hó: ..... Rok: | Year: | Év: **20** .....

Razítko prodce: | Pečiatka predajcu: | Seller's stamp: | Pieczęć sprzedawcy: | Kereskedő bélyegzője:

Způsob opravy: | Spósob opravy: | Mode of repair: | Sposób naprawy: | Javitás módja:

Datum vráčení výrobku zpět zákazníkovi: | Dátum vrátenia výrobku späť zákazníkovi: | Date of returning the product back to the customer: | Data zwrotu wyrobu klientowi: | A termék fogyasztó részére való visszaadásának időpontja:

 Den: | Deň: | Day: | Dzień: | Nap: ..... Měsíc: | Mesiac: | Month: | Miesiąc: | Hó: ..... Rok: | Year: | Év: **20** .....

Nová záruční lhůta – prodloužená o délku opravy: | Nová záručná lehota – predĺžená o dĺžku opravy: | New warranty period – extended by the duration of the repair: | Nowy termin gwarancjny – przedłużony o czas naprawy: | A jótállás – kijavítás időtartamával meghosszabbított – új határideje:

 Den: | Deň: | Day: | Dzień: | Nap: ..... Měsíc: | Mesiac: | Month: | Miesiąc: | Hó: ..... Rok: | Year: | Év: **20** .....

Razítko prodce: | Pečiatka servisu: | Stamp of the repair shop: | Pieczęć serwisu: | Szerviz pecsétje:

## Autorizovaná servisní střediska | Autorizované servisné strediská | Authorized service centres

**FAST ČR, a. s.**  
 Černokostelecká 1621  
 CZ 251 01 Říčany  
 Česká republika  
 Tel.: +420/ 323 204 120  
 Fax: +420/ 323 204 121  
 servis.praha@fastcr.cz  
 www.fastcr.cz

**FAST ČR, a. s.**  
 Cejl 31  
 CZ 602 00 Brno  
 Česká republika  
 Tel.: +420/ 531 010 295  
 Fax: +420/ 531 010 296  
 servis.brno@fastcr.cz  
 www.fastcr.cz

**Fast Plus, spol. s r. o.**  
 Na Pántoch 18  
 SK 831 06 Bratislava  
 Slovenská republika  
 Tel.: +421/2/49 105 854  
 Fax: +421/2/49 105 859  
 servis@fastplus.sk  
 www.fastplus.sk

## További információkért | Aby uzyskać więcej informacji | További információkért

**Fast Hungary Kft.**  
 Dulácska u. 1/a.  
 H-2045 Törökbálint  
 Magyarország  
 Tel.: + 36/ 23 330 905  
 Fax: + 36/ 23 330 827  
 info@fasthungary.hu  
 www.fasthungary.hu

**Arconet sp. z o.o.**  
 W celu znalezienia  
 najbliższego serwisu  
 prosimy zadzwonić:  
 0801 44 33 22  
 Lub odwiedzić stronę  
 internetową:  
 www.arconet.pl

**Uab „Senuka Prekybos  
 Centras” Garantinis Servisas**  
 Jonavos G. 62, LT-44192,  
 Kaunas, Lithuania  
 Tel.: +370 37 212 146  
 Tex.: +370 37 212 165  
 garrem@senukai.lt  
 www.senukai.lt



Vom Verkäufer auszufüllen. | Para ser llenado el vendedor. | À remplir par le vendeur.  
 | Popuni prodavatelj. | Da compilare dal venditore. | Door de verkoper in te vullen.

Name: Denominación: Dénomination: Naziv: Nome: Naam:

Typ: Modelo: Type: Tip: Tipo:

Produktionsnummer: | No. de serie: | Numéro de référence: | Numer serijnyj: | Numero di  
 fabbricazione broj szám: | Seriennummer:

Im Falle einer Reparatur vom Service auszufüllen. | Para ser llenado por el servicio, en caso de  
 reparación. | À remplir par le service de réparation en cas de réparation. | U slučaju popravke  
 popuni servis. | Nel caso di un riparo va compilato dal Centro di Assistenza. | Door servicecentrum  
 in te vullen bij reparatie.

Datum der Bekanntmachung des Anspruchs auf Garantie: | Fecha de notificación de derecho a  
 garantía: | Date de notification de l'application de la garantie: | Datum obavijesti jamstvenog  
 zahtjeva: | Data della notifica del diritto alla garanzia: | Datum waarop beroep op garantie is  
 gedaan:

Tag: Día: Jour: | Monat: Mes: Mois: | Jahr: Año: Année: 20  
 Dan: Giorno: Dag: | Mjesec: Mese: Maand: | Godina: Anno: Jaar:

Datum der Übernahme zur Reparatur: | Fecha de aceptación para reparación: | Date de la  
 remise au service de réparation: | Datum prijema za popravak: | Data della presa in carico  
 per riparazione: | Datum waarop reparatie is aangenomen:

Tag: Día: Jour: | Monat: Mes: Mois: | Jahr: Año: Année: 20  
 Dan: Giorno: Dag: | Mjesec: Mese: Maand: | Godina: Anno: Jaar:

Grund der Störung: | Motive de la avería: | Cause du défaut: | Przyczyna awarii: | Motivo del  
 guasto: | Reden van defect

A termék azonosításra alkalmas részének meghatározása [amennyiben alkalmaszatolt]:

Nummer des Verkaufsbeleges: | No. de documento de venta: | Numéro de document de vente:  
 Broj kupoprodajnog dokumenta: | N. documento di vendita: | Nummer van aankoopbewijs:

Datum des Einkaufs [Inbetriebnahme]: | Fecha de compra [puesta en servicio]: | Date d'achat  
 [Mise en service]: | Datum kupnje [puštanja u pogon]: | Data di acquisto [messa in funzione]:  
 Aankoopdatum [ingebruikname]:

Tag: Día: Jour: | Monat: Mes: Mois: | Jahr: Año: Année: 20  
 Dan: Giorno: Dag: | Mjesec: Mese: Maand: | Godina: Anno: Jaar:

Stempel des Verkäufers: | Sello del vendedor: | Tampon du vendeur: | Pečat prodavatelja: |  
 Timbro del venditore: | Stempel van verkoper:

Art der Reparatur: | Forma de reparación: | Type de réparation: | Način popravke: | Tipología  
 di riparazione: | Wijze van repareren:

Datum der Rückgabe des Produktes dem Kunden: | Fecha de devolución del producto al  
 cliente: | Date de la remise du produit au client: | Datum povratka proizvođača natrag kupcu:  
 | Data del ritiro del prodotto da parte del cliente: | Datum waarop klant product weer in  
 ontvangst heeft genomen:

Tag: Día: Jour: | Monat: Mes: Mois: | Jahr: Año: Année: 20  
 Dan: Giorno: Dag: | Mjesec: Mese: Maand: | Godina: Anno: Jaar:

Neue Garantiefrist - verlängert um die Dauer der Reparatur: | Nuevo plazo de garantía -  
 prorrogado por el tiempo de reparación: | Nouveau délai de garantie - prolongé de la durée  
 de la réparation: | Novijamstveni rok - produžen o trajanje popravke: | Nuovo termine di  
 garanzia, rinnovato a seguito di riparazione: | Dnieuw garantietermijn - verlenging met de  
 duur van reparatie

Tag: Día: Jour: | Monat: Mes: Mois: | Jahr: Año: Année: 20  
 Dan: Giorno: Dag: | Mjesec: Mese: Maand: | Godina: Anno: Jaar:

Stempel der Servicestelle: | Sello del servicio | Tampon du service de réparation: | Pečat  
 servisa: | Timbro del Centro di Assistenza Tecnica: | Stempel van servicecentrum:

### Autorisierete Servicestellen | Centros de servicio autorizados | Centres autorisés de réparation

**FAST ČR, a. s.**  
 Černokostelecká 1621  
 CZ 251 01 Říčany  
 Česká republika  
 Tel.: +420/ 323 204 120  
 Fax: +420/ 323 204 121  
 servis.praha@fastcr.cz  
 www.fastcr.cz

**FAST ČR, a. s.**  
 Cejl 31  
 CZ 602 00 Brno  
 Česká republika  
 Tel.: +420/ 531 010 295  
 Fax: +420/ 531 010 296  
 servis.brno@fastcr.cz  
 www.fastcr.cz

**Fast Plus, spol. s r. o.**  
 Na Pántoch 18  
 SK 831 06 Bratislava  
 Slovenská republika  
 Tel.: +421/2/49 105 854  
 Fax: +421/2/49 105 859  
 servis@fastplus.sk  
 www.fastplus.sk

### Autorizirana servisna centra | Centri di Assistenza autorizzati | Geautoriseerde servicecentra

**Fast Hungary Kft.**  
 Dulácska u. 1/a.  
 H-2045 Törökbálint  
 Magyarország  
 Tel.: + 36/ 23 330 905  
 Fax: + 36/ 23 330 827  
 info@fasthungary.hu  
 www.fasthungary.hu

**Arconet sp. z o.o.**  
 W celu znalezienia  
 najbliższego serwisu  
 prosimy zadzwonić:  
 0801 44 33 22  
 Lub odwiedzić stronę  
 internetową:  
 www.arconet.pl

**Uab „Senuku Prekybos  
 Centras” Garantinis Servisas**  
 Jonavos G. 62, Lt-44192,  
 Kaunas, Lithuania  
 Tel.: +370 37 212 146  
 Tel.: +370 37 212 165  
 garrem@senukai.lt  
 www.senukai.lt



Заполняется продавцом.

Название:

---

Тип:

---

Серийный номер изделия

В случае ремонта заполняется сервисной организацией.

Дата обращения в сервисный центр:

Число: ..... Месяц: ..... Год: 20 .....

Дата принятия в ремонт:

Число: ..... Месяц: ..... Год: 20 .....

Причина неисправности:

A termék azonosításra alkalmas részének meghatározása (amennyiben alkalmazható):

---

Номер документа, подтверждающего продажу:

---

Дата покупки (ввода в эксплуатацию):

Число: ..... Месяц: ..... Год: 20 .....

Печать продавца:

Способ ремонта:

---

Дата возврата изделия обратно заказчику:

Число: ..... Месяц: ..... Год: 20 .....

Новый гарантийный срок – продлен на срок проведения ремонта:

Число: ..... Месяц: ..... Год: 20 .....

Печать сервисной организации:

## Авторизованные сервисные центры

## AO «FAST ČR»

Чернокоstellецка 1621  
251 01 Ржичаны  
Чешская Республика  
Тел.: +420/323 204 120  
Факс: +420/323 204 121  
servis.praha@fastcr.cz  
www.fastcr.cz

## AO «FAST ČR»

Цейл 31  
602 00 Брно  
Чешская Республика  
Тел.: +420/531 010 295  
Факс: +420/531 010 296  
servis.brno@fastcr.cz  
www.fastcr.cz

## OOO «FAST Plus»

На Пантох 18  
831 06 Братислава  
Словацкая Республика  
Тел.: +421/2/49 105 854  
Факс: +421/2/49 105 859  
servis@fastplus.sk  
www.fastplus.sk

## Авторизованные сервисные центры

## Fast Hungary Kft.

Dulácska u. 1/a.  
H-2045 Törökbálint  
Мagyarország  
Тел.: + 36/ 23 330 905  
Fax: + 36/ 23 330 827  
info@fasthungary.hu  
www.fasthungary.hu

## Arconet sp. z o.o.

W celu znalezienia  
najbliższego serwisu  
prosimy zadzwonić:  
0801 44 33 22  
Lub odwiedzić stronę  
internetową:  
www.arconet.pl

## Uab „Senukai Prekybos

Centras“ Garantinis Servisas  
Jonavos G. 62, Lt-44192,  
Kaunas, Lithuania  
Тел.: +370 37 212 146  
Тех.: +370 37 212 165  
garrem@senukai.lt  
www.senukai.lt

Продавец предоставляет покупателю гарантию на товар в течение 24 месяцев с момента получения товара покупателем. Гарантия предоставляется при соблюдении следующих условий. Гарантия распространяется только на новый товар, проданный потребителю для целей использования, указанных в соответствующей инструкции по эксплуатации. Покупатель имеет право обратиться с претензией, связанной с ответственностью за некачественный товар (рекламацией), непосредственно к продавцу, у которого был приобретен товар, либо в авторизованный сервисный центр, указанный ниже. Покупатель обязан предъявить рекламацию без необоснованной задержки, чтобы избежать ухудшения исправности, но не позднее, чем до конца истечения гарантийного срока. Покупатель обязан при решении рекламации оказывать содействие, необходимое для проверки наличия заявленного дефекта. В рамках процедуры рассмотрения жалоб принимается только комплектный и, в целях соблюдения гигиенических правил, чистый товар. В случае если претензия является обоснованной, гарантийный срок продлевается на период с момента принятия товара для проведения гарантийного ремонта изделия по момент получения отремонтированного товара покупателем, либо по момент, когда покупатель обязан получить товар после проведения гарантийного ремонта. Покупатель обязан предъявить документы, подтверждающие его право на проведение гарантийного ремонта (документ, подтверждающий покупку, гарантийный талон, документ о вводе в эксплуатацию ...).

**Гарантийные обязательства на товар, главным образом, не распространяются на:**

■ недостатки, на которые была предоставлена скидка ■ износ и повреждения, вызванные обычным использованием изделия ■ повреждения изделия в результате неспециализированной или неправильной установки и монтажа, использования изделия в противоречии с Инструкцией по эксплуатации, действующим законодательством и общеизвестными и обычными способами использования, в связи с использованием товара для других целей, чем те, для которых он предназначен ■ повреждения изделия, вызванные с пренебрежением или неправильным техническим обслуживанием (стихийными бедствиями, пожаром, попаданием воды ...) ■ неисправности изделия, вызванные неадекватным качеством сигнала, помехами электромагнитного поля и т.д. ■ механические повреждения изделия (например, отломанная кнопка, падение ...) ■ повреждения, вызванные использованием неподходящих носителей, расходных материалов (батарей) или в результате ненадлежащих условий эксплуатации (напр., высокой температуры окружающей среды, высокой влажности, ударов ...) ■ повреждения, изменения или другое вмешательство в результате самостоятельного ремонта изделия или ремонта, проведенного неуполномоченным или неавторизованным лицом (сервисным центром) ■ случаи, когда покупатель не подтвердит правомерность своих прав на гарантийный ремонт (когда и где был приобретен товар, на который распространяется гарантия) ■ случаи, когда данные в предоставленных документах отличаются от информации, содержащейся на изделии ■ случаи, когда изделие, на которое заявлена рекламация, не является тождественным с изделием, указанным в документах, которыми покупатель подтверждает свое право на проведение гарантийного ремонта (напр., повреждение серийного номера или гарантийной пломбы устройства, исправление данных в документах ...)







## **ОФИЦИАЛЬНЫЙ ДИЛЕР В УКРАИНЕ:**

[storgom.ua](https://storgom.ua)

### **ГРАФИК РАБОТЫ:**

Пн. – Пт.: с 8:30 по 18:30

Сб.: с 09:00 по 16:00

Вс.: с 10:00 по 16:00

### **КОНТАКТЫ:**

+38 (044) 360-46-77

+38 (066) 77-395-77

+38 (097) 77-236-77

+38 (093) 360-46-77

Детальное описание товара:

<https://storgom.ua/product/elektropila-fieldmann-fzp-2000-e.html>

Другие товары: <https://storgom.ua/elektropily.html>