



FIELDMANN[®]
Home & Garden Performance



FZS 2050-E

English	3-18
Čeština.....	19-34
Slovenčina	35-50
Magyarul	51-66
Polski	67-82
Slovensčina	83-100

Electric string trimmer

USER'S MANUAL

Thank you for purchasing this electric string trimmer. Before you start using it, please, carefully read this user's manual and save it for possible future use.

TABLE OF CONTENTS

1. GENERAL SAFETY INSTRUCTIONS	4
2. EXPLANATION OF INSTRUCTION LABELS ON THE POWER TOOL	5
3. SAFETY INSTRUCTIONS	7
4. DESCRIPTION OF THE POWER TOOL	8
5. ASSEMBLY	9
6. STARTING THE TRIMMER	11
7. CUTTING.....	12
8. MAINTENANCE.....	14
9. DISPOSAL	15
10. DECLARATION OF CONFORMITY	16
11. TECHNICAL SPECIFICATIONS.....	17

1. GENERAL SAFETY INSTRUCTIONS

Important safety notice


- ✿ Carefully unpack the product and take care not to throw away any part of the packaging before you find all the parts of the product.
- ✿ Store the product in a dry place out of reach of children.
- ✿ Read all warnings and instructions. Not following warnings or instructions may lead to injury by electrical shock, a fire and/or serious injuries.

Packaging

The product is packed in a package that prevents damage during transport. This package is a resource and so can be handed over for recycling.

Operating instructions

Before you start working with the power tool, read the following safety and usage instructions. Understand the operating elements and the correct use of the power tool. Keep the user's manual in a safe place where it can be easily retrieved for future use. Save the original packaging, including the internal packing material, warranty card and proof of purchase receipt, at least for the duration of the warranty. If you need to ship this power tool, pack it in the original cardboard box to ensure maximum protection during shipping or transport (e.g. when moving or when you need to send this power tool for repair to a service centre).

 **Note:** If you hand over the power tool to somebody else, do so together with this user's manual. Following the instructions in the included user's manual is a prerequisite for the proper use of the tool. The user's manual also contains operating, maintenance and repair instructions.

The manufacturer takes no responsibility for accidents or damages resulting from not following the instructions in this manual.

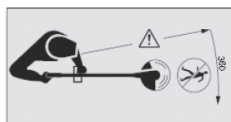
2. EXPLANATION OF INSTRUCTION LABELS ON THE MACHINE



Warning!



Read the user's manual before using.



Keep other persons at a sufficient distance away!



Do not use in rain or in wet conditions.



Always wear eye protection.



While working use protective gloves.



Use solid insulating work footwear.



Use hearing protection.



In the event that the power cord is damaged, immediately disconnect it from the power supply.



DANGER! Do not use the power tool if there are children, other persons or animals in your vicinity.



Be careful not to be hit by deflect objects.

3. SAFETY INSTRUCTIONS

⚠ ATTENTION!

Adhere to safety rules when using this power tool. For your safety and the safety of other people, please carefully read these instructions before using this power tool. Please store these instructions for possible future reference.

- ✿ Wear safety glasses when working with this power tool.
- ✿ Wear gloves when working with this power tool.
- ✿ Do not expose this power tool to rain or high moisture/humidity.
- ✿ Acquaint yourself with the controls and the correct operation of this string trimmer.
- ✿ Never allow children or other persons not acquainted with these instructions to use this string trimmer.
- ✿ Prevent children and other persons and pets from approaching this string trimmer as the grass that is being trimmed and is flying around may contain stones or fragments. If there are other people in the vicinity, especially children, stop using the string trimmer.
- ✿ When working with the string trimmer, do not permit other persons or pets to come closer than 15 metres.
- ✿ Only use the string trimmer during daylight hours or with good artificial lighting.
- ✿ Prior to using the string trimmer or after any impact, always inspect it for signs of wear or damage, and repair it if necessary. Do not use the string trimmer if the cutting tool is not properly secured in place or if it is damaged.
- ✿ Always check that the string trimmer is in good working order, if not, it may endanger the user.
- ✿ Always use protective guards when using the string trimmer.
- ✿ Do not use the string trimmer if the protective guards are damaged.
- ✿ Remove from the work area all stones, metal pieces, roots, other hard items and plastic bags, nylon string and other items that cannot be cut up.
- ✿ Prior to starting the string trimmer, make sure that the nylon cutting edge is not touching stones or fragments.
- ✿ Always keep your hands away from the cutting area, especially when starting the motor.
- ✿ Protect yourself against injury caused by the cutting edge at the length of the trimming line. After spooling on a new trimming line, always return the string trimmer to its normal operating position before starting it.
- ✿ Do not use spare parts or accessories not supplied or recommended by the manufacturer.
- ✿ Always ensure that the ventilation openings are free of fragments.
- ✿ To prevent accidental start up, do not carry the power tool with a finger on the start/stop trigger.
- ✿ Maintain a stable and safe stance when working with the string trimmer.
- ✿ Remove wire, stones and fragments from the area where you will be working.
- ✿ Do not cut hard items. This could result in injury or damage to the string trimmer.

⚠ ATTENTION!

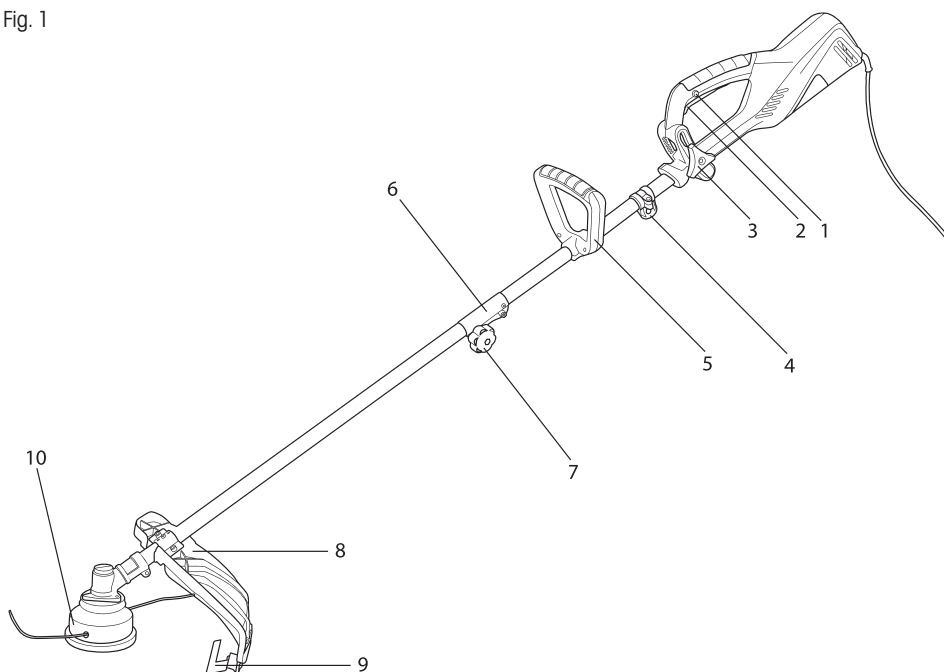
Cutting elements continue to rotate even after the motor is turned off!

- ✿ Do not attempt to stop the cutting tool (nylon line) using your hands. Always allow it to stop on its own. This applies also for the metal three tooth blade.
- ✿ Do not use the string trimmer for cutting grass that is not touching the ground, for example grass on walls or rock gardens, etc.
- ✿ Do not pass over sand or gravel paths with the string trimmer still running.

4. DESCRIPTION OF THE MACHINE

1. Start/stop trigger safety lock
2. Start/stop trigger
3. Handle setting screw
4. Shoulder strap hitch
5. Handle
6. Split shaft coupler
7. Split shaft coupler fastening screw
8. Protective safety guard
9. Trimmer line cutter
10. Semi-automatic string trimmer head / metal three tooth blade

Fig. 1



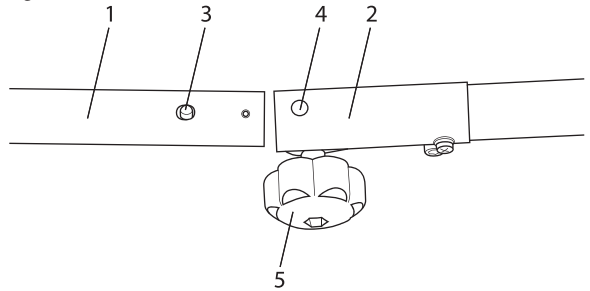
Included contents:

Electric trimmer, string trimmer head, metal three tooth blade, shoulder strap, tool set

5. ASSEMBLY

- * Connect the shaft of the trimmer (Fig 2). Insert the bottom part of the shaft (Fig 2, point 1) into the coupling (Fig 2, point 2), which is a part of the top part of the shaft. The locking pin (Fig 2, point 3) must fit into the hole (Fig 2, point 4). Then secure both parts in place by tightening the screw (Fig 2, point 5). For easier transport of the trimmer, the shaft can again be separated.

Fig. 2



- * Install the protective guard on to the shaft using the supplied screws. The nuts are integrated into the plastic cover (see Fig. 3).
- * Install the handle (Fig 1, point 5) using the included screws. The handle can be moved along the shaft. In this way, everybody can select the ideal comfortable working position. After selecting the ideal working position, tighten the screws.
- * Installing the string trimmer head.
 - Lock the shaft in place by inserting the included hex key (see Fig. 4). To achieve this, it is necessary to align the hole in the protective guard with the hole in the shaft and insert the hex key. Align the holes by turning the protective guard.

Fig. 3

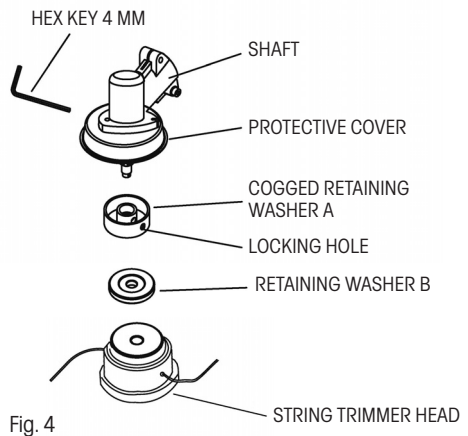
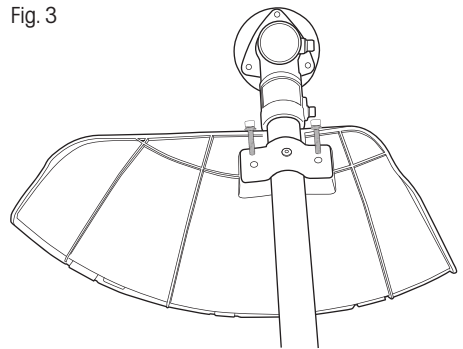


Fig. 4

- Install the individual components in the following order:
 1. Cogged retaining washer A (also equipped with a retaining hole)
 2. Retaining washer B
 3. String trimmer head
- Screw the string trimmer head on to the shaft by turning it clockwise (attention: reverse thread) and tighten firmly.
- Take the hex key out of the retaining hole.

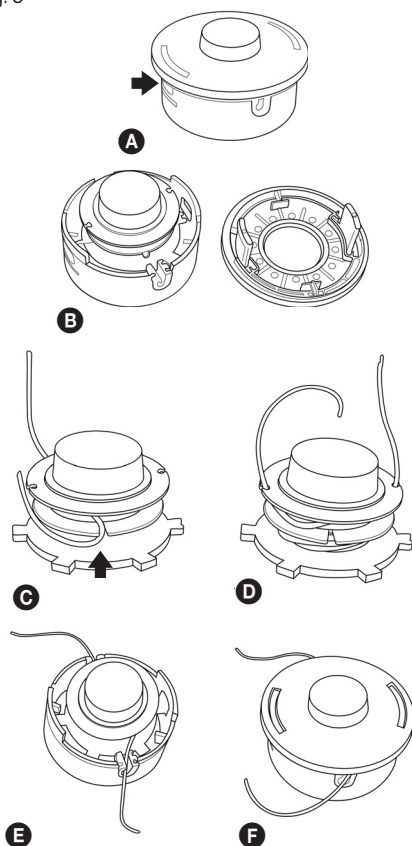
Fig. 5

✿ Winding string trimmer line on to the trimmer head

1. Push in the retaining latches on the side of the head and take off the cover (see Fig. 5, points A&B)
2. Take the spool out of the string trimmer head. Prepare about 2-3 m of string trimmer line with a diameter of 1.6 mm.
3. Bend the string trimmer line in the middle and secure the bend in the groove (see Fig. 5, point C)
4. Wind both ends in parallel on to the spool in a clockwise direction. Secure the ends of the wound on string trimmer line into the prepared holes (see Fig. 5, point D)
5. Return the spool back into the string trimmer head and secure in place with the cover (see Fig. 5, points E&F)

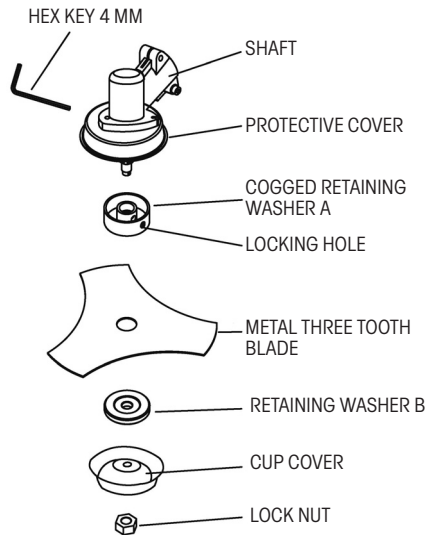
⚠ WARNING

Use only good quality nylon string trimmer line with a diameter of 1.6 mm. Never use wire or wire-reinforced string trimmer line instead of the nylon string trimmer line. Only use the original string trimmer head.



- ✿ Installing the metal three tooth blade
 - Lock the shaft in place by inserting the included 4mm hex key (see Fig. 6). To achieve this, it is necessary to align the hole in the protective guard with the hole in the shaft and insert the hex key. Align the holes by turning the protective guard.
 - Install the individual components in the following order:
 1. Cogged retaining washer A (also equipped with a retaining hole)
 2. Metal three tooth blade
 3. Retaining washer B
 4. Cup cover
 5. Lock nut
 - Make sure that the blade is correctly seated in the distancing part of the cogged retaining washer A
 - Using the supplied socket wrench, turn the blade fastening nut clockwise (attention: reverse thread) until it is securely tightened.
 - Take the hex key out of the retaining hole.

Fig. 6



- ⚠ WARNING**
 IN THE EVENT OF EXCESSIVE VIBRATIONS
 – IMMEDIATELY STOP THE MOTOR

Excessive vibrations of the blade mean that this blade is not installed correctly. Immediately turn off the motor and check the blade. An incorrectly installed blade may cause injuries. Only use original accessories when performing maintenance or servicing this product.

6. STARTING THE TRIMMER

✿ POINTS TO CHECK BEFORE STARTING WORK

1. Check whether any screws, nuts and installation elements are loose. Tighten any loose screws.
2. Make sure that the plastic head guard and the blade is securely fastened in place.
3. Check the blade or the string trimmer head for damage.

⚠ WARNING

- ✿ Prior to starting the trimmer, make sure that the cutting blade/string trimmer head can move freely and is not touching any foreign objects.
- ✿ Hold the trimmer firmly with both hands.. Always stand so that your body is on the left of the shaft tube. Never hold the handle with crossed arms. These instructions also apply to left-handers.

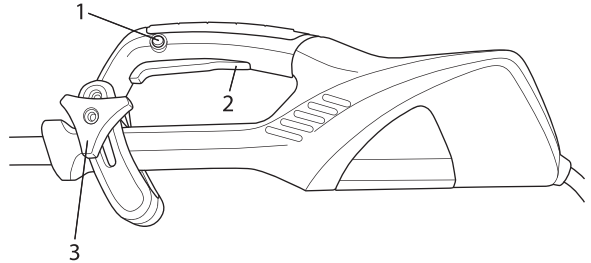
ATTENTION: Exposure to vibrations may damage the health of persons that suffer from circulatory or nerve system problems. If any physical problems become evident, such as desensitisation, loss of sensitivity, loss of usual strength or changes in skin colour, please contact a doctor. These systems usually manifest themselves on fingers, hands or wrists.

Starting the trimmer

First press the start/stop trigger safety lock (Fig. 7, point 1)
Then press the start/stop trigger (Fig. 7, point 2). The trimmer will run at maximum speed.

Note: The position of the handle on which the trigger safety lock and the start/stop trigger are located can be set to an appropriate position after loosening the screws (Fig. 7, point 3).

Fig. 7



Turn off the motor

Release the start/stop trigger (fig. 7, point 2).

7. CUTTING

⚠ WARNING!

When working with any string trimmer or brush cutter model, there is a danger of deflecting stones, metal or small objects and the cut material. Carefully read all the safety directives.

Follow all the instructions provided in this user's manual.

⚠ WARNING!

Use head, eye, face and hearing protection. Use appropriate footwear that will protect your feet and which will ensure a firm stance on slippery surfaces. Do not wear ties, jewellery or loose clothing that could become caught in the moving parts of the tool. Do not wear footwear with an open tip. Do not work barefoot or with bare legs. In certain situations you must use full face and head protection.

Take care to avoid recoil and jamming of the blade.

⚠ WARNING

Always use the shoulder strap.

Set the shoulder strap and its hitch on the tool so that the brush cutter is suspended several centimetres above the terrain. The head of the brush cutter and the metal guard must be level in all directions. Hang the brush cutter on the right side of the body.

⚠ DANGER ZONE

NOBODY APART FROM THE OPERATOR MAY ENTER THE DANGER ZONE OF A 15 METRE RADIUS. THE OPERATOR MUST USE APPROPRIATE EYE, HEARING, FACE, FOOT, LEG AND BODY PROTECTION. PERSONS LOCATED IN THE DANGER ZONE OR IN THE RISK ZONE AFTER THE DANGER ZONE MUST USE EYE PROTECTION AGAINST DEFLECTED OBJECTS. THE RISK IS REDUCED WITH INCREASING DISTANCE FROM THE DANGER ZONE.

CUTTING WITH THE NYLON STRING TRIMMER HEAD

- ✿ The string trimmer head rotates CLOCKWISE.
- ✿ **The trimmer line is extended out semi-automatically. While trimming, simply gently tap the head on the ground, which will push down the button on the underside of the head and the string trimmer line will slide out. The string trimmer line is then shortened to the maximum permitted length on the blade integrated in the plastic guard.**

TRIMMING GRASS

- ✿ During this activity, carefully move the trimmer into the material that you wish to trim. Slowly tilt the head so that the trimmed material is ejected away from you. If you are trimming all the way up to obstacles such as fences, walls and trees, then approach at such an angle that all material is ejected away from you. Slowly move the head with the nylon string trimmer line from right to left until the grass is trimmed all the way to the obstacle but avoid the string trimmer line coming into contact with the obstacle.
- ✿ When trimming in the vicinity of a wire fence or enclosure, proceed carefully so as not to come into contact with the wires. If you exceed the minimum distance from the fence, the string trimmer line will be shortened after impact.
- ✿ When cutting weeds, it is possible to cut one stem at a time. Place the trimmer head with string trimmer line at the bottom part of the weed - never the top because the stem may start quivering and the string trimmer line may become caught in it. Rather than attempting to cut the weed directly, it is better to use only the end of the string trimmer line and to cut the stem slowly.

CLEARING AND TRIMMING EDGES

- ✿ Both these tasks are performed using the head with the nylon line tilted at large angle. Clearing means removing the top vegetation after which only soil remains.
- ✿ Trimming edges means trimming the grass at the edge of lawns that extends on to footpaths and roads.
- ✿ While clearing and trimming edges, hold the tool at a steep angle and in a position where dirt, cut material and stones will not be ejected backwards towards you in the event that they ricochet from a hard surface. Despite the pictures showing how to perform clearing and trimming of edges, every user must find their own position that will suit their body dimensions and working conditions.

WARNING

If a head with a nylon line is used, the correct protective guard must be fitted. If the nylon line extends out too far, it may start fluttering. If you use a head with a nylon line, always use the protective plastic guard with the cutter blade.

WARNING

Be very careful when working above soil or gravel because the nylon line may deflect small stones at a very high speed.

The protective guard on this tool cannot stop objects that ricochet off hard surfaces.

WARNING

Do not trim in places where there are wires and wire mesh. Use protective aids. Do not trim in locations where you cannot see what the trimmer is trimming.

CUTTING USING THE BLADE

CUTTING WEEDS

- ✿ This is cutting performed by a pendular movement of the blade in an arch shape. In this way you can quickly clear a large area of dense grass and weed. Brush cutting should be used for cutting large and tough weeds or woody vegetation.
- ✿ Brush cutting may be performed in both directions or only in one direction, which will mean that the cut material will be ejected away from you. With this type of cutting, the part of the blade moving away from you will do the work. Slightly tilt the blade down to the same side. If you will be brush cutting in both directions, you will be hit by some deflected material.

 **Note:** Do not use the brush cutter blade for cutting trees with a diameter larger than 12 mm.

WARNING

DO NOT TOUCH THE FOLLOWING OBJECTS WITH THE BLADE:
METAL POLES, ELECTRICAL WIRE, RUBBER, MASONRY, STONES, FENCES

WARNING

Do not cut if the metal blade is blunt, cracked or damaged.

Before starting to cut, check that there are no obstacles in the work area such as rocks, metal poles or wound up wires. If you cannot remove these obstacles, mark them out so that they do not come in contact with the blade. Rocks or metal objects will blunt or damage the blade. Wires may wind on to the blade head or may be deflected and cause injuries.

8. MAINTENANCE

- ✿ The string trimmer line may dry out over time. To maintain it in excellent condition, store spare pre-wound spools or loose trimmer line in a plastic bag with a spoon of water.
- ✿ For cleaning the power tool, use only gentle soap and a damp cloth. Do not submerge the power tool in water or spray it with a hose. Do not allow any liquid to enter inside. Do not clean with pressurised water.
- ✿ The trimmer line cutter on the edge of the protective guard may become blunt over time. We recommend that it is regularly resharpened with a file.

9. DISPOSAL

INSTRUCTIONS AND INFORMATION REGARDING THE DISPOSAL OF USED PACKAGING MATERIALS

Dispose of used packaging material at a site designated for waste in your municipality.



The machine and its accessories are manufactured from various materials, e.g. metal and plastic.

Take damaged parts to a recycling centre. Inquire at the relevant government department.

Changes in the text, design and technical specifications may be made without prior notice and we reserve the right to make these changes.

User's manual in original language.

10. DECLARATION OF CONFORMITY

CE DECLARATION OF CONFORMITY

Manufacturer:

FAST ČR, a. s.
Černokostecká 2111, 100 00 Prague 10, Czech Republic
Tax ID number: CZ26726548

Product/brand: ELECTRIC BRUSH CUTTER AND STRING TRIMMER / FIELDMANN

Type/model: FZS 2050 E
230 V, 1 400 W, 50 Hz, Class II

This product meets the directives below:

ES Directive No. 2000/14/ES for noise emissions of outdoor equipment
ES Council Directive No. 2006/42/ES for Machinery
ES Directive No. 2004/108/ES for electromagnetic compatibility (EMC)
EC Directive No. 2002/95/ES for RoHS

and norms:

EN 60335-1/A15:2011
EN 60335-2-91:2003
EN 62233:2008
EN ISO 11806-1:2011
EN 55014-1:2006+A1:2009+A2:2011
EN 55014-2:1997+A1:2001+A2:2008
EN 61000-3-2:2006+A1:2009+A2:2009
EN 61000-3-11:2000

CE mark: 14

FAST ČR, a.s. is authorised to act on behalf of the manufacturer.

Place of issue: Prague

Name: Ing. Zdeněk Pech
Chairman of the Board of Directors

Date of issue: 7. 5. 2014

Signature:

FAST FAST ČR, a.s. 
Černokostecká 1621, 251 01 Říčany
IČO: 26726548 tel.: +420/ 323 204 111
DIČ: CZ26726548 fax: +420/ 323 204 110



11. TECHNICAL SPECIFICATIONS

Model	FZS 2050-E
Voltage/Frequency	230-240V~/50Hz
Electric motor power input	1,400 W
Cutting coverage	42 cm
Type of string trimmer head	Semi-automatic
Idling speed	10,000 rpm
Trimmer line diameter	1.6 mm
Weight without fuel and cutting tools	6.0 kg

Elektrický vyžínač

NÁVOD K OBSLUZE

Děkujeme vám, že jste si zakoupili tuto strunovou sekačku na trávu. Než ji začnete používat, přečtěte si, prosím, pozorně tento návod k obsluze a uschovejte jej pro případ dalšího použití.

OBSAH

1. VŠEOBECNÉ BEZPEČNOSTNÍ PŘEDPISY	20
2. VYSVĚTLENÍ ŠTÍTKŮ S POKYNY NA STROJI	21
3. BEZPEČNOSTNÍ POKYNY	23
4. POPIS STROJE	24
5. SESTAVENÍ	25
6. SPUŠTĚNÍ VYŽÍNAČE	27
7. SEČENÍ	28
8. ÚDRŽBA	30
9. LIKVIDACE	31
10. PROHLÁŠENÍ O SHODĚ	32
11. TECHNICKÉ ÚDAJE	33

1. VŠEOBECNÉ BEZPEČNOSTNÍ PŘEDPISY

Důležitá bezpečnostní upozornění


- ✿ Výrobek pečlivě vybalte a dejte pozor, abyste nevyhodili žádnou část obalového materiálu dříve, než najdete všechny součásti výrobku.
- ✿ Výrobek uchovávejte na suchém místě mimo dosah dětí.
- ✿ Čtěte všechna upozornění a pokyny. Zanedbání při dodržování varovných upozornění a pokynů mohou mít za následek úraz elektrickým proudem, požár a/nebo těžká poranění.

Obal

Výrobek je umístěn v obalu bránícím poškozením při transportu. Tento obal je surovinou a lze jej proto odevzdat k recyklaci.

Návod k použití

Než začnete se strojem pracovat, přečtěte si následující bezpečnostní předpisy a pokyny k používání. Seznamte se s obslužnými prvky a správným používáním zařízení. Návod pečlivě uschovejte pro případ pozdější potřeby. Minimálně po dobu záruky doporučujeme uschovat originální obal včetně vnitřního balicího materiálu, pokladní doklad a záruční list. V případě přepravy zabalte stroj zpět do originální krabice od výrobce, zajistíte si tak maximální ochranu výrobku při případném transportu (např. stěhování nebo odeslání do servisního místa).

 **Poznámka:** Předáváte-li stroj dalším osobám, předejte jej společně s návodem. Dodržování přiloženého návodu k obsluze je předpokladem řádného používání stroje. Návod k obsluze obsahuje rovněž pokyny pro obsluhu, údržbu a opravy.

Výrobce nepřebírá odpovědnost za nehody nebo škody vzniklé následkem nedodržování tohoto návodu.

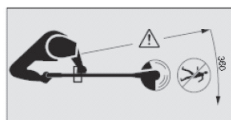
2. VYSVĚTLENÍ ŠTÍTKŮ S POKYNY NA STROJI



Varování!



Před použitím si přečtěte uživatelskou příručku.



Udržujte jiné osoby v dostatečné vzdálenosti!



Nepoužívejte za deště nebo za mokra.



Vždy používejte ochranu očí.



Při práci používejte ochranné rukavice.



Používejte pevnou izolační pracovní obuv.



Používejte ochranu sluchu.



V případě poškození napájecího kabelu ihned nářadí odpojte od napájení.



NEBEZPEČÍ! Nespouštějte nářadí, pokud se ve vaší blízkosti nacházejí děti, jiné osoby či zvířata.



Pozor na vymrštěné předměty.

3. BEZPEČNOSTNÍ POKYNY

⚠ POZOR!

Při používání tohoto stroje dodržujte bezpečnostní pravidla. Pro vaši bezpečnost a bezpečnost ostatních osob si před použitím tohoto stroje laskavě přečtěte tyto pokyny. Uschovejte laskavě tyto pokyny pro možné použití v budoucnu.

- ✿ Při práci s tímto přístrojem noste bezpečnostní brýle.
- ✿ Při práci s tímto přístrojem noste rukavice.
- ✿ Nevystavujte tento přístroj dešti nebo vysoké vlhkosti.
- ✿ Seznamte se s ovládním a správným použitím této sekačky.
- ✿ Nikdy nedovolte dětem nebo osobám neseznámeným s těmito pokyny používat tuto sekačku.
- ✿ Zamezte dětem, ostatním osobám a domácím zvířatům přibližovat se k této sekačce; tráva, jež se přistihává a rozléta do okolí, může obsahovat kameny nebo úlomky. Pokud jsou v blízkosti jiné osoby, obzvláště děti, zastavte používání sekačky.
- ✿ Při práci se sekačkou nedovolte ostatním osobám nebo zvířatům přiblížit se do vzdálenosti bližší než 15 m.
- ✿ Sekačku vždy používejte pouze za denního světla nebo při dobrém umělém osvětlení.
- ✿ Před použitím sekačky nebo po jakémkoli nárazu ji vždy zkontrolujte na známky opotřebením nebo poškození, a pokud je nutno, opravte ji. Nepoužívejte sekačku, není-li řezný nástroj správně zajištěn nebo je poškozen.
- ✿ Vždy zkontrolujte, je-li sekačka v dobrém pracovním stavu; není-li, může to ohrozit uživatele.
- ✿ Při použití strunové sekačky vždy používejte ochranné kryty.
- ✿ Nepoužívejte sekačku, jsou-li ochranné kryty poškozeny.
- ✿ Odstraňte z pracovního prostoru kameny, kovové částičky, kořeny, ostatní tvrdé předměty a plastové sáčky, nylonové šňůry a jiné předměty, jež nelze rozsekat.
- ✿ Před nastartováním sekačky se ujistěte, že se nylonový břit nedotýká kamenů nebo úlomků.
- ✿ Nikdy nepřibližujte ruce a nohy do prostoru pokosu a obzvláště ne, když startujete motor.
- ✿ Chraňte se před poraněním způsobeným řezným ostřím v délce řezné struny. Po natažení nové řezné struny, před spuštěním, vždy vraťte sekačku do její normální provozní pozice.
- ✿ Nepoužívejte náhradní součástky nebo doplňky nedodané nebo nedoporučené výrobcem.
- ✿ Vždy zajistěte, aby větrací otvory byly zbavené úlomků.
- ✿ Abyste zamezili neúmyslnému spuštění, nepřendávejte stroj s prstem na spínači pro zapnutí vypnutí.
- ✿ Při práci se sekačkou udržujte stabilní a bezpečnou pozici.
- ✿ Oblast, na níž budete pracovat, zbavte drátů, kamenů a úlomků.
- ✿ Nesekejte tvrdé předměty. To by mohlo způsobit úraz nebo poškození sekačky.

⚠ POZOR!

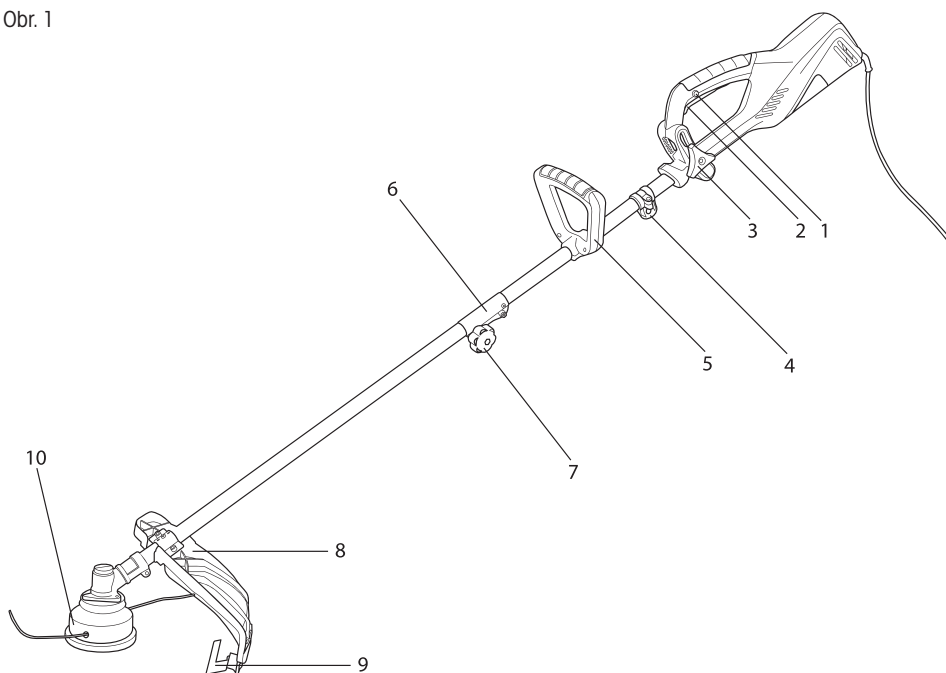
Řezné prvky se po vypnutí motoru dál otáčejí!

- ✿ Nepokoušejte se zastavit řezný nástroj (nylonovou strunu) rukama. Vždy ji nechejte, až se zastaví sama. Toto platí i pro ocelové trojzubce.
- ✿ Nepoužívejte sekačku pro sekání trávy, jež se nedotýká země, například trávy na zídkách nebo skalkách atd.
- ✿ Nepřecházejte přes cesty nebo štěrkové stezky se sekačkou stále v chodu.

4. POPIS STROJE

1. Bezpečnostní pojistka hlavního spínače
2. Hlavní spínač
3. Šroub nastavení madla
4. Závěs ramenního popruhu
5. Madlo
6. Spoj dělené hřídele
7. Šroub zajištění spoje hřídele
8. Ochranný plastový kryt
9. Nůž pro zařiznutí struny
10. Poloautomatická strunová hlava / ocelový trojzubec

Obr. 1



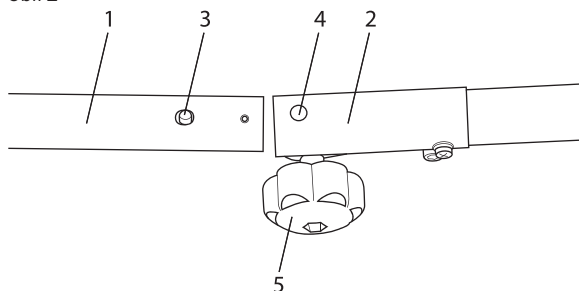
Obsah balení:

Elektrický vyžinač, strunová hlava, ocelový trojzubec, ramenní popruh, sada nářadí

5. SESTAVENÍ

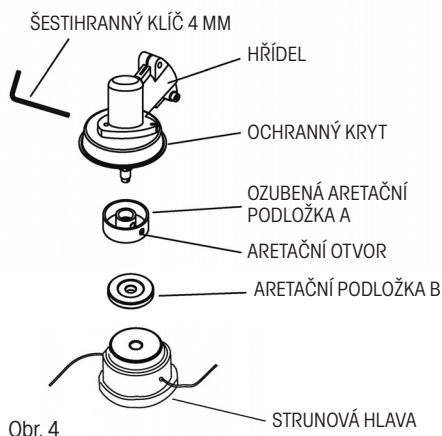
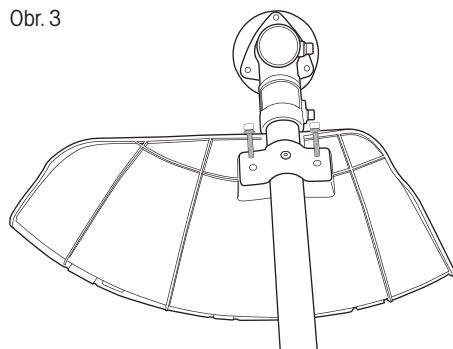
- ✿ Spojte hřídel křovinořezu (Obr 2). Zasuňte spodní část hřídele (obr 2, bod 1) do spoje (Obr 2, bod 2), který je součástí horního dílu hřídele. Aretační kolík (Obr 2, bod 3) musí zapadnout do otvoru (Obr 2, bod 4). Poté oba díly zajistěte dotažením šroubu (obr 2, bod 5). Pro snazší transport vyžínače, lze hřídel opět rozpojit.

Obr. 2



- ✿ Namontujte ochranný kryt na hřídel pomocí přiložených šroubů. Matky jsou integrovány v plastovém krytu (viz obr. 3)
- ✿ Namontujte rukojeř (Obr 1, bod 5) pomocí přiložených šroubů. Rukojeř je možné po hřídeli posouvat. Každý tak může zvolit ideální pozici pro pohodlnou práci. Po zvolení ideální pracovní polohy dotáhněte šrouby.
- ✿ Montáž strunového hlavy.
 - Zablokujte hřídel přiloženým šestihranným klíčem (viz obr 4). Za tímto účelem je nutné srovnat otvor v ochranném krytu s otvorem v hřídeli a zasunout šestihranný klíč. Srovnání otvorů docílíte otáčením ochranného krytu.

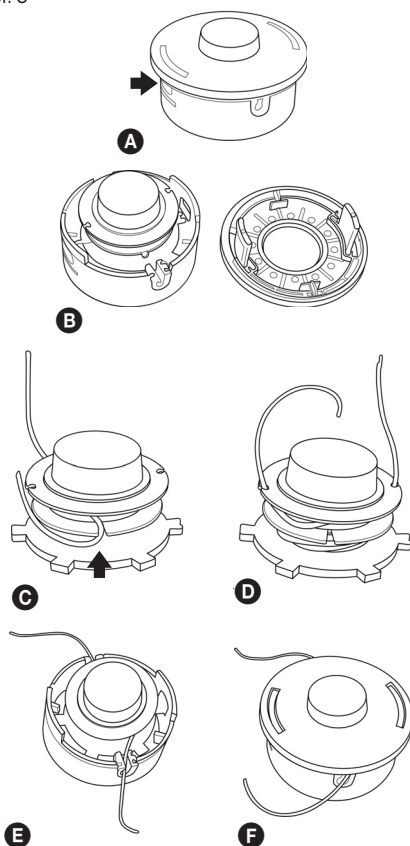
Obr. 3



Obr. 4

- Jednotlivé díly namontujte v tomto pořadí:
 1. Ozubená aretační podložka A (také opatřena otvorem pro aretaci)
 2. Aretační podložka B
 3. Strunová hlava
- Strunovou hlavu našroubujte na hřídel otáčením ve směru pohybu hodinových ručiček (pozor obrácený závit) a řádně ji utáhněte.
- Vyjměte šestihřanný klíč z aretačního otvoru.

Obr. 5



✿ Doplnění struny do strunové hlavy

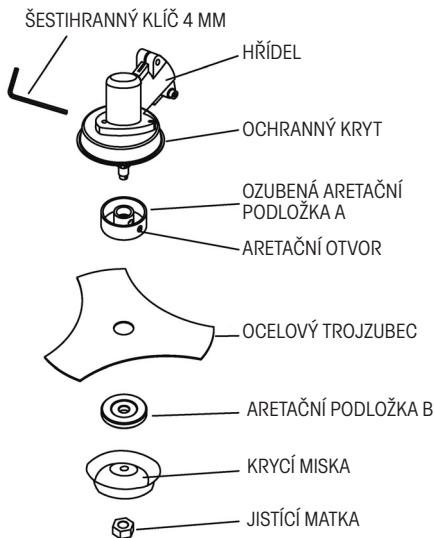
1. Na boku hlavy stáchte aretační západky krytu a kryt sejměte (viz obr 5, body A&B)
2. Vyjměte cívku ze strunové hlavy. Připravte si cca 2 -3 m struny o poměru 1,6 mm.
3. Strunu v polovině přehněte a ohyb zajistěte v drážce (viz obr 5, bod C)
4. Oba konce poté souběžně namotejte na cívku a to ve směru hodinových ručiček. Konce namotané struny zajistěte do připravených otvorů (viz obr 5, bod D)
5. Cívku umístěte zpět do strunové hlavy a zajistěte ji krytem (viz obr 5, bod E&F)

⚠ VAROVÁNÍ

Používejte pouze kvalitní nylonovou strunu s průměrem 1,6 mm. Nikdy místo nylonové struny nepoužívejte drát nebo strunu vyztuženou drátem. Používejte pouze originální strunovou hlavu.

- ✿ **Montáž ocelového trojzubce**
 - Zablokujte hřídel přiloženým šestihhranným klíčem 4mm (viz obr 6). Za tímto účelem je nutné srovnat otvor v ochranném krytu s otvorem v hřídeli a zasunout šestihhranný klíč. Srovnání otvorů docílíte otáčením ochranného krytu.
 - Jednotlivé díly namontujte v tomto pořadí:
 1. Ozubená aretační podložka A (také opatřena otvorem pro aretaci)
 2. Ocelový trojzubec
 3. Aretační podložka B
 4. Krycí miska
 5. Jistící matka
 - Ujistěte se, že nůž dosedá správně do vymezovací části ozubené aretační podložky A
 - Pomocí přiloženého nástřchného klíče otáčejte upevňovací maticí nože ve směru pohybu hodinových ručiček (pozor obrácený závit), dokud nedosáhnete bezpečného utažení.
 - Vyjměte šestihhranný klíč z aretačního otvoru.

Obr. 6



- ⚠ **VAROVÁNÍ**
DOJDE-LI K NADMĚRNÝM VIBRACÍM - OKAMŽITĚ ZASTAVTE MOTOR

Nadměrné vibrace nože znamenají, že tento nůž není správně namontován. Okamžitě zastavte motor a zkontrolujte nůž. Nesprávně namontovaný nůž může způsobit zranění. Při provádění údržby a servisu tohoto výrobku používejte pouze originální příslušenství.

6. SPUŠTĚNÍ VYŽÍNAČE

✿ KONTROLOVANÉ BODY PŘED ZAHÁJENÍM PRÁCE

1. Zkontrolujte, zda nedošlo k uvolnění šroubů, matic a montážních prvků. Uvolněné šrouby dotáhněte.
2. Ujistěte se, zda je plastový kryt hlavy či nože řádně upevněn na svém místě.
3. Ujistěte se, zda nedošlo k poškození nože či strunové hlavy.

⚠ **VAROVÁNÍ**

- ✿ Před spuštěním vyžinače se ujistěte, že se řezný kotouč/strunová hlava volně pohybuje a nedotýká se žádného cizího předmětu.
- ✿ Křovinořez držte pevně oběma rukama. Vždy stůjte tak, abyste měli tělo nalevo od trubky hřídele. Nikdy nedržte rukojeť zkříženýma rukama. Tyto pokyny platí i pro leváky.

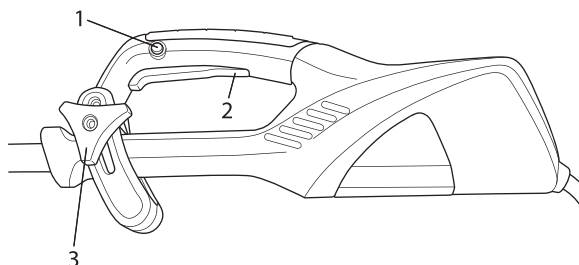
UPOZORNĚNÍ: Vystavení vibracím může způsobit poškození zdraví osob, které trpí problémy oběhového systému nebo nervovými problémy. Pokud se projeví fyzické symptomy, jako znečitlivění, snížení citlivosti, snížení normální síly nebo změny zabarvení pokožky, obraťte se na lékaře. Tyto symptomy se obvykle projevují na prstech, rukou nebo zápěstí.

Spuštění vyžinače

Nejprve stiskněte bezpečnostní pojistku hlavního spínače (Obr 7, bod 1)
Poté stiskněte hlavní vypínač (Obr 7, bod 2).
Vyžinač začne pracovat v maximálních otáčkách

Poznámka: Pozici madla, na kterém je umístěná bezpečnostní pojistka a hlavní spínač je možné nastavit vhodné polohy po povolení šroubu (Obr 7, bod 3).

Obr. 7



Vypnutí motoru

Uvolněte hlavní spínač (obr 7, bod 2)

7. SEČENÍ

⚠ VAROVÁNÍ!

Při práci se všemi modely strunových sekaček nebo křovinořezů může dojít k odmrštění kamenů, kovových nebo malých předmětů a také sekaného materiálu. Pečlivě si přečtěte všechny předpisy týkající se bezpečnosti. Dodržujte pokyny uvedené v tomto návodu k obsluze.

⚠ VAROVÁNÍ!

Používejte ochranu hlavy, zraku, tváře a sluchu. Používejte vhodnou obuv, která bude chránit vaše nohy a která zajistí pevný postoj na kluzkém povrchu. Nenoste kravaty, šperky nebo volné části oděvu, které by mohly být zachyceny pohyblivými díly nářadí. Nenoste obuv s otevřenou špičkou. Nepracujte bosí nebo máte-li holé nohy. V určitých situacích musíte používat úplnou ochranu obličeje a hlavy. Dávejte pozor, aby nedošlo k zpětnému rázu a k zaseknutí nože.

⚠ VAROVÁNÍ

Vždy používejte ramenní popruh.

Nastavte popruh a přičtytku popruhu na nářadí tak, aby byla sekačka zavěšena několik centimetrů nad povrchem terénu. Hlava sekačky a kovový kryt musí být v každém směru zcela srovnány. Zavěste křovinořez na pravou část těla.

⚠ NEBEZPEČNÁ ZÓNA

DO NEBEZPEČNÉ ZÓNY S POLOMĚREM 15 METRŮ NESMÍ MIMO OBSLUHY VSTOUPIT ŽÁDNÉ OSOBY. OBSLUHA MUSÍ POUŽÍVAT VHDNOUT OCHRANU ZRAKU, SLUCHU, TVÁŘE, CHODIDEL, NOHOU A TĚLA. OSOBY NACHÁZEJÍCÍ SE V NEBEZPEČNÉ ZÓNĚ NEBO V RIZIKOVÉ ZÓNĚ ZA NEBEZPEČNOU ZÓNU MUSÍ POUŽÍVAT OCHRANU ZRAKU CHRÁNÍCÍ PŘED ODMRŠTĚNÝMI PŘEDMĚTY. RIZIKO SE SNIŽUJE S ROSTOUCÍ VZDÁLENOSTÍ OD NEBEZPEČNÉ ZÓNY.

SEKÁNÍ POMOCÍ HLAVY S NYLONOVOU STRUNOU

- ☼ Hlava se strunou se otáčí VE SMĚRU POHYBU HODINOVÝCH RUČÍČEK.
- ☼ **Posun struny je prováděn poloautomaticky. Při sečení pouze jemně poklepejte hlavou o povrch země, tím dojde k stlačení tlačítka na spodní straně hlavy a povyjetí struny. Struna je poté do maximální přípustné délky zakrácena o nůž integrovaný v plastovém krytu.**

ZASTŘIHOVÁNÍ TRÁVY

- ☼ Při této činnosti opatrně posunujte sekačku do materiálu, který chcete sekat. Pomalu nakloňte hlavu tak, aby byl posekaný materiál odhazován směrem od vás. Provádíte-li sekání až k překážkám, jako jsou ploty, stěny a stromy, přibližujte se v takovém úhlu, aby se všechen odražený materiál pohyboval směrem od vás. Pomalu pohybujte hlavou s nylonovou strunou zprava doleva, dokud nebude tráva posekaná až k překážce, ale zabraňte tomu, aby se struna dostala do kontaktu s překážkou.
- ☼ Při sekání v blízkosti drátěného plotu nebo ohrady opatrně postupujte tak, abyste se nedostali do kontaktu s dráty. Překročíte-li minimální vzdálenost od plotu, struna se po nárazu do drátu zkrátí.
- ☼ Při sekání plevelů může být prováděno sekání jednoho stonku po druhém. Umístěte hlavu sekačky se strunou k spodní části plevele - nikdy k horní části, protože by mohlo dojít k rozříznutí stonku a zachycení struny. Spíše než používat přímé přesekání plevelů, používejte raději pouze konec struny a přesekejte stonky pomalu.

OSEKÁVÁNÍ A SEKÁNÍ OKRAJŮ

- ☼ Obě z těchto činností jsou prováděny s hlavou s nylonovou strunou nakloněnou ve velkém úhlu. Osekávání je odstraňování horního porostu, po kterém zůstane pouze holá zem.
- ☼ Sekání okrajů je sekání trávy na okrajích záhonů, která přesahuje do chodníků a cest.
- ☼ Během osekávání i sekání okrajů držte nářadí v příkrém úhlu a v poloze, kdy nebudou nečistoty, posekaný materiál a kamínky odhazovány dozadu směrem na vás, dojde-li k jejich odražení od tvrdého povrchu. I když je na obrázcích zobrazeno, jak provádět osekávání i sekání okrajů, každý uživatel si musí najít takovou polohu, která bude vyhovovat jeho tělesným proporcím a pracovním podmínkám.

⚠ VAROVÁNÍ

Je-li použita hlava s nylonovou strunou, na nářadí musí být použit správný ochranný kryt. Je-li nylonová struna vysunuta příliš, může docházet k jejímu třepetání. Používáte-li hlavy s nylonovou strunou, vždy použijte plastový ochranný kryt se zkracovacím nožem.

⚠ VAROVÁNÍ

Při práci prováděné nad holou plochou nebo nad šterkem buďte velmi opatrní, protože nylonová struna může vysokou rychlostí odmrstit malé kamínky.


Ochranný kryt na tomto nářadí nemůže zastavit předměty, které se odrazí od tvrdých povrchů.

⚠ VAROVÁNÍ

Neprovádějte sekání na místech, kde se nachází dráty a drátěné pletivo. Používejte bezpečnostní ochranné prvky. Neprovádějte sekání na místech, kde nemůžete vidět, co bude sekačka sekat.

SEKÁNÍ POMOCÍ NOŽE

KOSENÍ PLEVELŮ

- ✿ Jedná se o sekání kývavým pohybem nože prováděném v oblouku. Tímto způsobem můžete rychle vyčistit plochy zarostlé travinami a plevelem. Kosení by nemělo být používáno při sekání velkých a odolných plevelů nebo dřevitých porostů.
 - ✿ Kosení může být prováděno v obou směrech nebo pouze v jednom směru, což bude znamenat, že posekaný materiál bude odhazován směrem od vás. Při tomto sekání bude pracovat ta část nože, která se otáčí směrem od vás. Nakloňte nůž mírně dolů na stejnou stranu. Budete-li provádět kosení v obou směrech, budete zasaženi některými nečistotami.
-  **Poznámka:** Nepoužívejte nůž na křoviny pro sekání stromků s průměrem, který je větší než 12 mm.

VAROVÁNÍ

NEDOTÝKEJTE SE NOŽEM PŘEDMĚTŮ TOHOTO TYPU:

KOVOVÉ SLOUPKY, ELEKTRICKÉ DRÁTY, GUMA, ZDIVO, KAMENY, PLOTY

VAROVÁNÍ

Neprovádějte sekání, je-li ocelový nůž tupý, prasklý nebo poškozený.

Před zahájením sekání proveďte kontrolu, zda se na pracovní ploše nenachází žádné překážky, jako jsou kameny, kovové sloupky nebo stočené dráty. Nemůžete-li tyto překážky odstranit, označte je tak, aby nedošlo k jejich kontaktu s nožem. Kameny nebo kovové předměty způsobí otupení nebo poškození nože. Dráty se mohou namotat na nožovou hlavu nebo mohou být odmrštěny a mohou způsobit zranění.

8. ÚDRŽBA

- ✿ Struna sekačky může časem vyschnout. Abyste ji udržovali stále ve výborném stavu, skladujte náhradní předvinuté cívky nebo volnou strunu v plastovém sáčku se lžičkou vody.
- ✿ Pro čištění přístroje používejte pouze jemné mýdlo a vlhký hadřík. Neponořujte přístroj do vody, ani jej neostříkávejte hadicí. Nedovoľte, aby se dovnitř dostala jakákoli tekutina. Nečistěte tlakovou vodou.
- ✿ Strunový řezač na okraji ochranného krytu se může po čase otupit. Doporučujeme pravidelně obnovovat ostrost pilníkem.

9. LIKVIDACE

POKYNY A INFORMACE O NAKLÁDÁNÍ S POUŽITÝM OBALEM

Použitý obalový materiál odložte na místo určené obcí k ukládání odpadu.



Stroj a jeho příslušenství jsou vyrobeny z různých materiálů, např. z kovu a plastů. Poškozené součástky odevzdejte do tříděného sběru. Informujte se u příslušného úřadu.



Tento výrobek splňuje veškeré základní požadavky směrnic EU, které se na něj vztahují.

Změny v textu, designu a technických specifikacích se mohou měnit bez předchozího upozornění a vyhrazujeme si právo na jejich změnu.

Návod k použití v originálním jazyce.

10. PROHLÁŠENÍ O SHODĚ

CE PROHLÁŠENÍ O SHODĚ

Výrobce:

FAST ČR, a. s.
Černokostelecká 2111, 100 00 Praha 10, Česká republika
DIČ: CZ26726548

Produkt/značka: ELEKTRICKÝ KŘOVINOŘEZ A SEKAČKA NA TRÁVU/ FIELDMANN

Typ/model: FZS 2050 E
230 V, 1 400 W, 50 Hz, Třída II

Tento produkt splňuje níže uvedené předpisy:

Směrnice ES pro hluk zařízení 2000/14/ES
Směrnice ES Rady 2006/42/ES Strojní zařízení
Směrnice ES pro elektromagnetickou kompatibilitu (EMC) č. 2004/108/ES
Směrnice EC pro RoHS 2002/95/ES

a normy:

EN 60335-1/A15:2011
EN 60335-2-91:2003
EN 62233:2008
EN ISO 11806-1:2011
EN 55014-1:2006+A1:2009+A2:2011
EN 55014-2:1997+A1:2001+A2:2008
EN 61000-3-2:2006+A1:2009+A2:2009
EN 61000-3-11:2000

Označení CE: 14

Společnost FAST ČR, a. s. je oprávněna jednat jménem výrobce.

Místo vydání: Praha

Jméno: Ing. Zdeněk Pech
Předseda správní rady

Datum vydání: 7. 5. 2014

Podpis:

FAST FAST ČR, a.s. 
Černokostelecká 1621, 251 01 Říčany
IČO: 26726548 tel.: +420/ 323 204 111
DIČ: CZ26726548 fax: +420/ 323 204 110



11. TECHNICKÉ ÚDAJE

Model	FZS 2050-E
Napětí/Frekvence.....	230-240V~/50Hz
Příkon elektromotoru	1 400 W
Záběr sečení.....	42 cm
Typ strunové hlavy	Poloautomatická
Otáčky chodu bez zátěže	10 000 ot/min
Průměr struny.....	1,6 mm
Hmotnost bez paliva a žacíh nástrojů	6,0 kg

Elektrická strunová kosačka

NÁVOD NA OBSLUHU

Ďakujeme vám, že ste si kúpili túto strunovú kosačku na trávnu. Skôr ako ju začnete používať, prečítajte si, prosím, pozorne tento návod na obsluhu a uschovajte ho pre prípad ďalšieho použitia.

OBSAH

1. VŠEOBECNÉ BEZPEČNOSTNÉ PREDPISY.....	36
2. VYSVETLENIA K ŠTÍTKOM S POKYNNI NA STROJI	37
3. BEZPEČNOSTNÉ POKYNY	39
4. POPIS STROJA	40
5. ZOSTAVENIE.....	41
6. SPUSTENIE VYŽÍNAČA.....	43
7. KOSENIE	44
8. ÚDRŽBA	46
9. LIKVIDÁCIA.....	47
10. VYHLÁSENIE O ZHODE.....	48
11. TECHNICKÉ ÚDAJE.....	49

1. VŠEOBECNÉ BEZPEČNOSTNÉ PREDPISY

Dôležité bezpečnostné upozornenia


- ✿ Výrobok starostlivo vybalte a dajte pozor, aby ste nevyhodili žiadnu časť obalového materiálu skôr, než nájdete všetky súčasti výrobku.
- ✿ Výrobok uchovávajte na suchom mieste mimo dosahu detí.
- ✿ Čítajte všetky upozornenia a pokyny. Zanedbanie pri dodržiavaní varovných upozornení a pokynov môže mať za následok úraz elektrickým prúdom, požiar a/alebo ťažké poranenia.

Obal

Výrobok je umiestnený v obale brániacom poškodeniam pri transporte. Tento obal je surovinou a je preto možné ho odovzdať na recykláciu.

Návod na použitie

Než začnete so strojom pracovať, prečítajte si nasledujúce bezpečnostné predpisy a pokyny na používanie. Oboznámte sa s obslužnými prvkami a správnym používaním zariadenia. Návod dôkladne uschovajte pre prípad neskoršej potreby. Minimálne počas záručnej lehoty odporúčame uschovať originálny obal vrátane vnútorného baliaceho materiálu, pokladničný doklad a záručný list. V prípade prepravy zabaľte stroj späť do originálnej škatule od výrobcu, zaistíte si tak maximálnu ochranu výrobku pri prípadnom transporte (napr. sťahovaní alebo odoslaní do servisného miesta).

 **Poznámka:** Ak odovzdávate stroj ďalším osobám, odovzdajte ho spoločne s návodom. Dodržiavanie priloženého návodu na obsluhu je predpokladom riadneho používania stroja. Návod na obsluhu obsahuje tiež pokyny na obsluhu, údržbu a opravy.

Výrobca nepreberá zodpovednosť za nehody alebo škody vzniknuté následkom nedodržiavania tohto návodu.

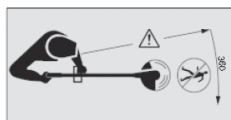
2. VYSVETLENIA K ŠTÍTKOM S POKYNYMI NA STROJI



Varovanie!



Pred použitím si prečítajte používateľskú príručku.



Udržujte iné osoby v dostatočnej vzdialenosti!



Nepoužívajte v daždi alebo zamokra.



Vždy používajte ochranu očí.



Pri práci používajte ochranné rukavice.



Používajte pevnú izolačnú pracovnú obuv.



Používajte ochranu sluchu.



V prípade poškodenia napájacieho kábla ihneď náradie odpojte od napájania.



NEBEZPEČENSTVO! Nespúšťajte náradie, ak sa vo vašej blízkosti nachádzajú deti, iné osoby či zvieratá.



Pozor na vymrštené predmety.

3. BEZPEČNOSTNÉ POKYNY

⚠ POZOR!

Pri používaní tohto stroja dodržujte bezpečnostné pravidlá. Kvôli vašej bezpečnosti a bezpečnosti ostatných osôb si pred použitím tohto stroja láskavo prečítajte tieto pokyny. Ušachovajte, prosím, tieto pokyny kvôli možnému použitiu v budúcnosti.

- ✿ Pri práci s týmto prístrojom noste bezpečnostné okuliare.
- ✿ Pri práci s týmto prístrojom noste rukavice.
- ✿ Nevystavujte tento prístroj dažďu alebo vysokej vlhkosti.
- ✿ Zoznámte sa s ovládaním a správnym použitím tejto kosačky.
- ✿ Nikdy nedovoľte deťom alebo osobám nezoznámeným s týmito pokynmi používať túto kosačku.
- ✿ Zamedzte deťom, ostatným osobám a domácim zvieratám približovať sa k tejto kosačke; tráva, ktorá sa pristrháva a rozlieta do okolia, môže obsahovať kamene alebo úlomky. Ak sú v blízkosti iné osoby, obzvlášť deti, zastavte používanie kosačky.
- ✿ Pri práci s kosačkou nedovoľte ostatným osobám alebo zvieratám priblížiť sa do vzdialenosti bližšej než 15 m.
- ✿ Kosačku vždy používajte iba za denného svetla alebo pri dobrom umelom osvetlení.
- ✿ Pred použitím kosačky alebo po akomkoľvek náraze ju vždy skontrolujte na známky opotrebovania alebo poškodenia, a ak je nutné, opravte ju. Nepoužívajte kosačku, ak nie je rezný nástroj správne zaistený alebo je poškodený.
- ✿ Vždy skontrolujte, či je kosačka v dobrom pracovnom stave; ak nie je, môže to ohroziť používateľa.
- ✿ Pri použití strunovej kosačky vždy používajte ochranné kryty.
- ✿ Nepoužívajte kosačku, ak sú ochranné kryty poškodené.
- ✿ Odstráňte z pracovného priestoru kamene, kovové častičky, korene, ostatné tvrdé predmety a plastové vrecká, nylonové káble a iné predmety, ktoré nie je možné rozsekať.
- ✿ Pred naštartovaním kosačky sa uistite, že sa nylonový nôž nedotýka kameňov alebo úlomkov.
- ✿ Nikdy nepribližujte ruky a nohy do priestoru kosenia a obzvlášť nie vtedy, keď štartujete motor.
- ✿ Chráňte sa pred poranením spôsobeným rezným ostrím v dĺžke reznej struny. Pred spustením po natiahnutí novej reznej struny vždy vráťte kosačku do jej normálnej prevádzkovej pozície.
- ✿ Nepoužívajte náhradné súčiastky alebo doplnky nedodané alebo neodporúčané výrobcom.
- ✿ Vždy zaistite, aby vetracie otvory boli zbavené úlomkov.
- ✿ Aby ste zamedzili neúmyselnému spusteniu, neprenášajte stroj s prstom na spínači na zapnutie/vypnutie.
- ✿ Pri práci s kosačkou udržiavajte stabilnú a bezpečnú pozíciu.
- ✿ Oblasť, na ktorej budete pracovať, zbavte drôtov, kameňov a úlomkov.
- ✿ Nekoste tvrdé predmety. To by mohlo spôsobiť úraz alebo poškodenie kosačky.

⚠ POZOR!

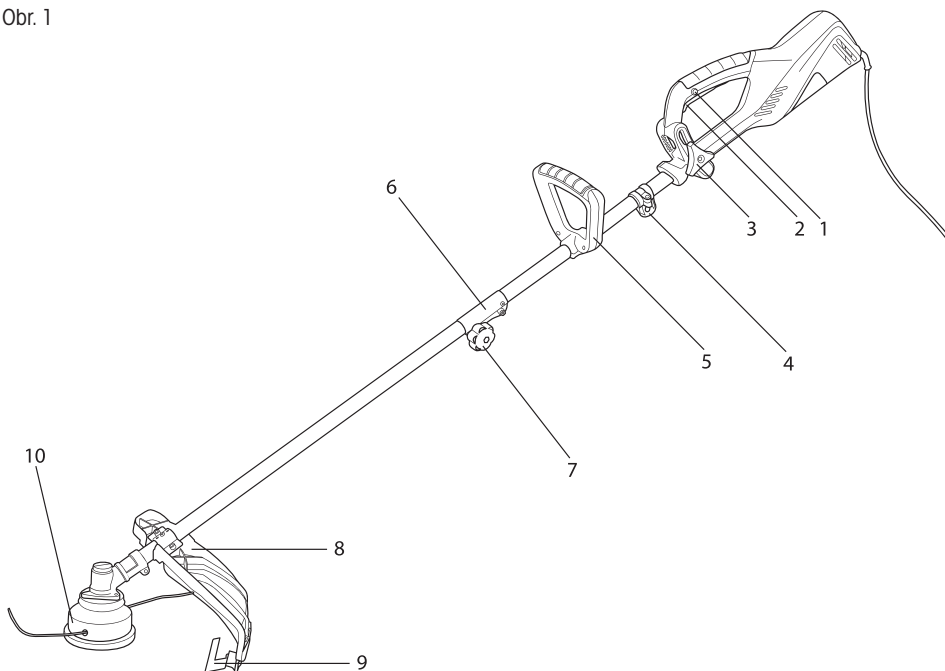
Rezné prvky sa po vypnutí motora ďalej otáčajú!

- ✿ Nepokúšajte sa zastaviť rezný nástroj (nylonovú strunu) rukami. Vždy ju nechajte, až sa zastaví sama. Toto platí aj pre ocelové trojzubce.
- ✿ Nepoužívajte kosačku na kosenie trávy, ktorá sa nedotýka zeme, napríklad trávy na múrikoch alebo skalkách atď.
- ✿ Neprechádzajte cez cesty alebo štrkové chodníčky s kosačkou stále v chode.

4. POPIS STROJA

1. Bezpečnostná poistka hlavného spínača
2. Hlavný spínač
3. Skrutka nastavenia držadla
4. Závaž ramenného popruhu
5. Držadlo
6. Spoj deleného hriadeľa
7. Skrutka zaistenia spoja hriadeľa
8. Ochranný plastový kryt
9. Nôž na zarezanie struny
10. Poloaufomatická strunová hlava / oceľový trojzubec

Obr. 1



Obsah balenia:

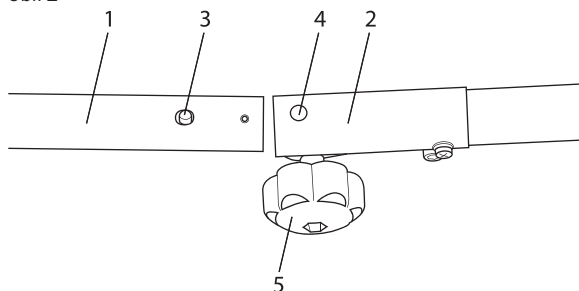
Elektrický vyžínač, strunová hlava, oceľový trojzubec, ramenný popruh, súprava náradia

5. ZOSTAVENIE

- ✿ Spojte hriadeľ krovínorezu (obr. 2). Zasuňte spodnú časť hriadeľa (obr. 2, bod 1) do spoja (obr. 2, bod 2), ktorý je súčasťou horného dielu hriadeľa. Aretačný kolík (obr. 2, bod 3) musí zapadnúť do otvoru (obr. 2, bod 4).

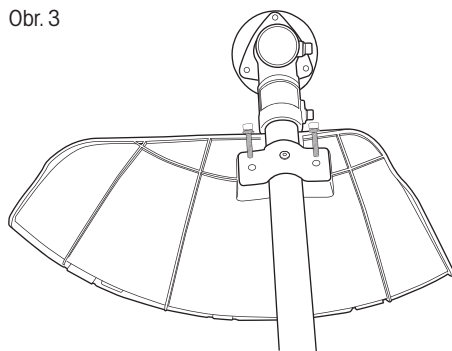
Potom oba diely zaistíte dotiahnutím skrutky (obr. 2, bod 5). Kvôli ľahšiemu transportu vyžinača je možné hriadeľ opäť rozpojiť.

Obr. 2

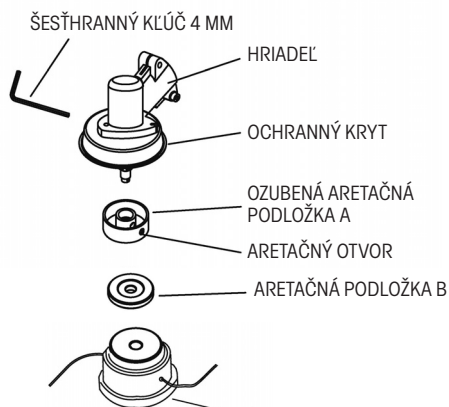


- ✿ Namontujte ochranný kryt na hriadeľ pomocou priložených skrutiek. Matice sú integrované v plastovom kryte (pozrite obr. 3)
- ✿ Namontujte rukoväť (obr. 1, bod 5) pomocou priložených skrutiek. Rukoväť je možné po hriadeľi posúvať. Každý tak môže zvoliť ideálnu pozíciu na pohodlnú prácu. Po zvolení ideálnej pracovnej polohy dotiahnite skrutky.

Obr. 3



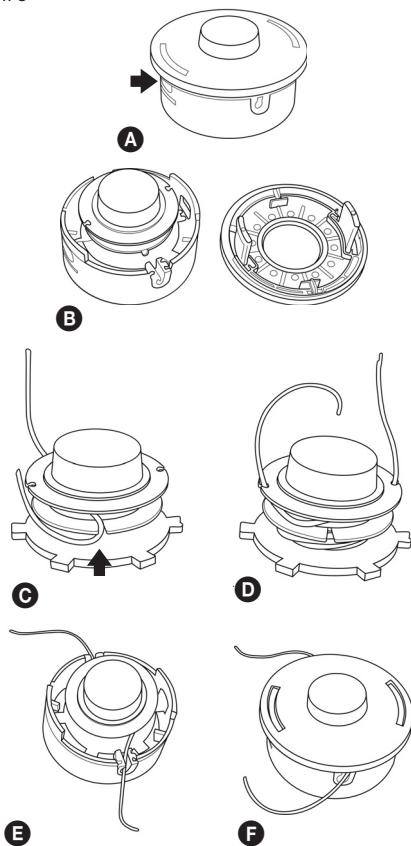
- ✿ Montáž strunovej hlavy.
 - Zablokujte hriadeľ priloženým šesťhranným kľúčom (pozrite obr. 4). Na tento účel je nutné zarovnať otvor v ochrannom kryte s otvorom v hriadeľi a zasunúť šesťhranný kľúč. Zarovnanie otvorov docielite otáčaním ochranného krytu.



Obr. 4

- Jednotlivé diely namontujte v tomto poradí:
 1. Ozubená aretačná podložka A (taktiež má otvor na aretáciu)
 2. Aretačná podložka B
 3. Strunová hlava
- Strunovú hlavu naskrutkujte na hriadeľ otáčaním v smere pohybu hodinových ručičiek (pozor, obrátený závit) a riadne ju dotiahnite.
- Vyberte šesťhranný kľúč z aretačného otvoru.

Obr. 5



✿ Doplňenie struny do strunovej hlavy

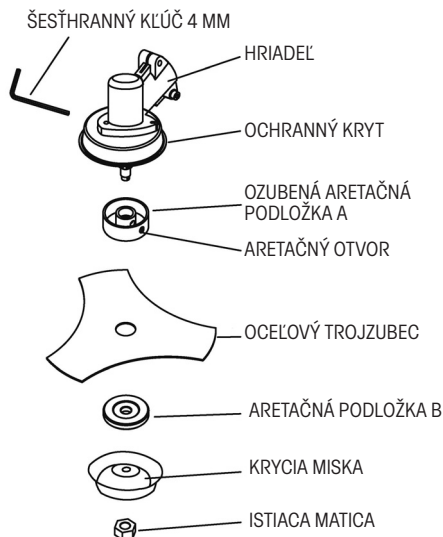
1. Na boku hlavy stlačte aretačné západky krytu a kryt odstráňte (pozrite obr. 5, body A a B)
2. Vyberte cievku zo strunovej hlavy. Pripravte si cca 2 – 3 m struny s priemerom 1,6 mm.
3. Strunu v polovici prehnite a ohyb zaistíte v drážke (pozrite obr. 5, bod C)
4. Oba konce potom súbežne namotajte na cievku, a to v smere hodinových ručičiek. Konce namotanej struny zaistíte do pripravených otvorov (pozrite obr. 5, bod D)
5. Cievku umiestnite späť do strunovej hlavy a zaistíte ju krytom (pozrite obr. 5, body E a F)

⚠ VAROVANIE

Používajte iba kvalitnú nylonovú strunu s priemerom 1,6 mm. Nikdy namiesto nylonovej struny nepoužívajte drôt alebo strunu vystuženú drôtom. Používajte iba originálnu strunovú hlavu.

- ✿ Montáž oceleového trojzubca
 - Zablokujte hriadeľ priloženým šesťhranným kľúčom 4 mm (pozrite obr. 6). Na tento účel je nutné zarovnať otvor v ochrannom kryte s otvorom v hriadeľi a zasunúť šesťhranný kľúč. Zarovnanie otvorov docielite otáčaním ochranného krytu.
 - Jednotlivé diely namontujte v tomto poradí:
 1. Ozubená aretačná podložka A (taktiež má otvor na aretáciu)
 2. Oceleový trojzubec
 3. Aretačná podložka B
 4. Krycia miska
 5. Istiaca matica
 - Uistite sa, že nôž dosadá správne do vymedzovacej časti ozubenej aretačnej podložky A
 - Pomocou priloženého nástrčkového kľúča otáčajte upevňovacou maticou noža v smere pohybu hodinových ručičiek (pozor, obrátený závit), pokým nedosiahnete bezpečné dotiahnutie.
 - Vyberte šesťhranný kľúč z aretačného otvoru.

Obr. 6



- ⚠ **VAROVANIE**
AK DÔJDE K NADMERNÝM VIBRÁCIÁM, OKAMŽITE ZASTAVTE MOTOR

Nadmerné vibrácie noža znamenajú, že tento nôž nie je správne namontovaný. Okamžite zastavte motor a skontrolujte nôž. Nesprávne namontovaný nôž môže spôsobiť zranenie. Pri vykonávaní údržby a servisu tohto výrobku používajte iba originálne príslušenstvo.

6. SPUSTENIE VYŽINAČA

- ✿ KONTROLOVANÉ BODY PRED ZAČATÍM PRÁCE

1. Skontrolujte, či nedošlo k uvoľneniu skrutiek, matíc a montážnych prvkov. Uvoľnené skrutky dotiahnite.
2. Uistite sa, či je plastový kryt hlavy či noža riadne upevnený na svojom mieste.
3. Uistite sa, či nedošlo k poškodeniu noža či strunovej hlavy.

⚠ VAROVANIE

- ✿ Pred spustením vyžinača sa uistite, že sa rezný kotúč / strunová hlava voľne pohybuje a nedotýka sa žiadneho cudzieho predmetu.
- ✿ Krovinoz drzte pevne oboma rukami. Vždy stojte tak, aby ste mali telo naľavo od rúrky hriadeľa. Nikdy nedrzte rukoväť skríženými rukami. Tieto pokyny platia aj pre ľavákov.

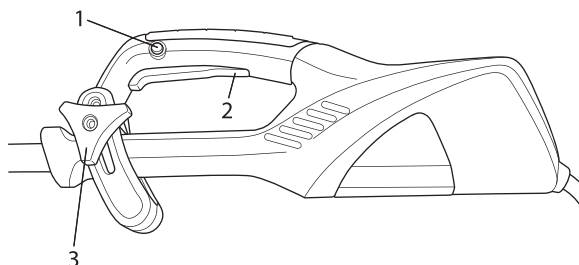
UPOZORNENIE: Vystavenie vibráciám môže spôsobiť poškodenie zdravia osôb, ktoré trpia problémami obehového systému alebo nervovými problémami. Ak sa prejavia fyzické symptómy ako znecitlivenie, zníženie citlivosti, zníženie normálnej sily alebo zmeny zafarbenia pokožky, obráťte sa na lekára. Tieto symptómy sa obvykle prejavajú na prstoch, rukách alebo zápästí.

Spustenie vyžinača

Najprv stlačte bezpečnostnú poistku hlavného spínača (obr. 7, bod 1)
Potom stlačte hlavný vypínač (obr. 7, bod 2).
Vyžinač začne pracovať v maximálnych otáčkach

Poznámka: Pozíciu držadla, na ktorom je umiestnená bezpečnostná poistka a hlavný spínač, je možné nastaviť do vhodnej polohy po povolení skrutky (obr. 7, bod 3).

Obr. 7



Vypnutie motora

Uvoľnite hlavný spínač (obr. 7, bod 2)

7. KOSENIE

⚠ VAROVANIE!

Pri práci so všetkými modelmi strunových kosačiek alebo krovinořezov môže dôjsť k vymršteniu kameňov, kovových alebo malých predmetov a tiež koseného materiálu. Pozorne si prečítajte všetky predpisy týkajúce sa bezpečnosti.

Dodržiujte pokyny uvedené v tomto návode na obsluhu.

⚠ VAROVANIE!

Používajte ochranu hlavy, zraku, tváre a sluchu. Používajte vhodnú obuv, ktorá bude chrániť vaše nohy a ktorá zaistí pevný postoj na klzkom povrchu. Nenoste kravaty, šperky alebo voľné časti odevu, ktoré by mohli byť zachytené pohybujúcimi sa dielmi náradia. Nenoste obuv s otvorenou špičkou. Nepracujte bosí alebo ak máte holé nohy. V určitých situáciách musíte používať úplnú ochranu tváre a hlavy.

Dávajte pozor, aby nedošlo k spätnému rázu a k zaseknutiu noža.

⚠ VAROVANIE

Vždy používajte ramenný popruh.

Nastavte popruh a príchytku popruhu na náradí tak, aby bola kosačka zavesená niekoľko centimetrov nad povrchom terénu. Hlava kosačky a kovový kryt musia byť v každom smere celkom zarovnané. Zavesťe krovinořez na pravú časť tela.

⚠ NEBEZPEČNÁ ZÓNA

DO NEBEZPEČNEJ ZÓNY S POLOMEROM 15 METROV NESMÚ OKREM OBSLUHY VSTÚPIŤ ŽIADNE OSOBY. OBSLUHA MUSÍ POUŽÍVAŤ VHDNÚ OCHRANU ZRAKU, SLUCHU, TVÁRE, CHODIDIEL, NÔH A TELA. OSOBY NACHÁDZAJÚCE SA V NEBEZPEČNEJ ZÓNE ALEBO V RIZIKOVEJ ZÓNE ZA NEBEZPEČNOU ZÓNOU MUSIA POUŽÍVAŤ OCHRANU ZRAKU CHRÁNIACU PRED VYMRŠTENÝMI PREDMETMI. RIZIKO SA ZNIŽUJE S RASTÚCOU VZDIALENOSŤOU OD NEBEZPEČNEJ ZÓNY.

KOSENIE POMOCOU HLAVY S NYLONOVOU STRUNOU

- ☼ Hlava so strunou sa otáča V SMERE POHYBU HODINOVÝCH RUČIČIEK.
- ☼ **Posun struny sa vykonáva poloaufomaticky. Pri kosení iba jemne poklepte hlavou o povrch zeme, tým dôjde k stlačeniu tlačidla na spodnej strane hlavy a miernemu vyjdeniu struny. Struna sa potom do maximálnej prípustnej dĺžky skráti o nôž integrovaný v plastovom kryte.**

ZASTRIHÁVANIE TRÁVY

- ☼ Pri tejto činnosti opatrne posúvajte kosačku do materiálu, ktorý chcete kosíť. Pomaly nakloňte hlavu tak, aby sa pokosený materiál odhadzoval smerom od vás. Ak kosíte až k prekážkam, ako sú ploty, steny a stromy, približujte sa v takom uhle, aby sa všetok odrazený materiál pohyboval smerom od vás. Pomaly pohybujte hlavou s nylonovou strunou sprava doľava, kým nebude tráva pokosená až k prekážke, ale zabráňte tomu, aby sa struna dostala do kontaktu s prekážkou.
- ☼ Pri kosení v blízkosti drôteného plota alebo ohrady opatrne postupujte tak, aby ste sa nedostali do kontaktu s drôťmi. Ak prekročíte minimálnu vzdialenosť od plota, struna sa po náraze do drôtu skráti.
- ☼ Pri kosení buriny sa môže kosíť jedna stonka po druhej. Umiestnite hlavu kosačky so strunou k spodnej časti buriny – nikdy k hornej časti, pretože by mohlo dôjsť k roztráseniu stonky a zachyteniu struny. Namiesto priameho presekávania buriny používajte radšej iba koniec struny a presekajte stonku pomaly.

OSEKÁVANIE A KOSENIE OKRAJOV

- ☼ Obe z týchto činností sa vykonávajú s hlavou s nylonovou strunou naklonenou vo veľkom uhle. Osekávanie je odstraňovanie horného porastu, po ktorom zostane iba holá zem.
- ☼ Kosenie okrajov je kosenie trávy na okrajoch záhonov, ktorá presahuje do chodníkov a ciest.
- ☼ Počas osekávania aj kosenia okrajov držte náradie v príkrom uhle a v polohe, keď sa nebudú nečistoty, pokosený materiál a kamienky odhadzovať dozadu smerom na vás, ak dôjde k ich odrazeniu od tvrdého povrchu. Aj keď je na obrázkoch zobrazené ako osekávať aj kosíť okraje, každý používateľ si musí nájsť takú polohu, ktorá bude vyhovovať jeho telesným proporciám a pracovným podmienkam.

⚠ VAROVANIE

Ak je použitá hlava s nylonovou strunou, na náradí musí byť použitý správny ochranný kryt. Ak je nylonová struna vysunutá príliš, môže dochádzať k jej trepotaniu. Ak používate hlavy s nylonovou strunou, vždy použite plastový ochranný kryt so skracovacím nožom.

⚠ VAROVANIE

Pri práci vykonávanej nad holou plochou alebo nad štrkom buďte veľmi opatrní, pretože nylonová struna môže vysokou rýchlosťou vymrštiť malé kamienky.

Ochranný kryt na tomto náradí nemôže zastaviť predmety, ktoré sa odrazia od tvrdých povrchov.

⚠ VAROVANIE

Nekoste na miestach, kde sa nachádzajú drôty a drôtené pletivo. Používajte bezpečnostné ochranné prvky. Nekoste na miestach, kde nemôžete vidieť, čo bude kosačka kosíť.

KOSENIE POMOCOU NOŽA

KOSENIE BURINY

- ☼ Ide o kosenie kývavým pohybom noža vykonávané v oblúku. Týmto spôsobom môžete rýchlo vyčistiť plochy zarastené travinami a burinou. Kosenie by sa nemalo používať pri sekaní veľkej a odolnej buriny alebo drevitého porastu.
- ☼ Kosíť je možné v oboch smeroch alebo iba v jednom smere, čo bude znamenať, že pokosený materiál sa bude odhadzovať smerom od vás. Pri tomto kosení bude pracovať tá časť noža, ktorá sa otáča smerom od vás. Nakloňte nôž mierne dole na rovnakú stranu. Ak budete kosíť v oboch smeroch, budete zasiahnuť niektorými nečistotami.

 **Poznámka:** Nepoužívajte nôž na kroviny na kosenie stromčekov s priemerom, ktorý je väčší než 12 mm.

VAROVANIE

NEDOTÝKAJTE SA NOŽOM PREDMETOV TOHTO TYPU:

KOVOVÉ STĹPÍKY, ELEKTRICKÉ DRÔTY, GUMA, MURIVO, KAMENE, PLOTY

VAROVANIE

Nekosťte, ak je oceľový nôž tupý, prasknutý alebo poškodený.

Pred začatím kosenia urobte kontrolu, či sa na pracovnej ploche nenachádzajú žiadne prekážky, ako sú kamene, kovové stĺpiky alebo stočené drôty. Ak nemôžete tieto prekážky odstrániť, označte ich tak, aby nedošlo k ich kontaktu s nožom. Kamene alebo kovové predmety spôsobia otupenie alebo poškodenie noža. Drôty sa môžu namotať na nožovú hlavu alebo sa môžu vymrštiť a môžu spôsobiť zranenie.

8. ÚDRŽBA

- ☼ Struna kosačky môže časom vyschnúť. Aby ste ju udržiavali stále vo výbornom stave, skladujte náhradné predvinuté cievky alebo voľnú strunu v plastovom vrecku s lyžičkou vody.
- ☼ Na čistenie prístroja používajte iba jemné mydlo a vlhkú handričku. Neponárajte prístroj do vody ani ho neostrekujte hadicou. Nedovoľte, aby sa dovnútra dostala akákoľvek tekutina. Nečistite tlakovou vodou.
- ☼ Strunový rezač na okraji ochranného krytu sa môže po čase otupiť. Odporúčame pravidelne obnovovať ostrosť pilníkom.

9. LIKVIDÁCIA

POKYNY A INFORMÁCIE O ZAOBCHÁDZANÍ S POUŽITÝM OBALOM

Použitý obalový materiál odložte na miesto určené obcou na ukladanie odpadu.



Stroj a jeho príslušenstvo sú vyrobené z rôznych materiálov, napr. z kovu a plastov.
Poškodené súčiastky odovzdajte do triedeného zberu. Informujte sa na príslušnom úrade.

Zmeny v texte, dizajne a technických špecifikáciách sa môžu meniť bez predchádzajúceho upozornenia a vyhradujeme si právo na ich zmenu.

Používateľská príručka je v originálnom jazyku.

10. VYHLÁSENIE O ZHODE

CE VYHLÁSENIE O ZHODE

Výrobca:

FAST ČR, a. s.
Černokostecká 2111, 100 00 Praha 10, Česká republika
DIČ: CZ26726548

Produkt/značka: ELEKTRICKÝ KROVINOREZ A KOSAČKA NA TRÁVU/ FIELDMANN

Typ/model: FZS 2050 E
230 V, 1 400 W, 50 Hz, Trieda II

Tento produkt spĺňa nižšie uvedené predpisy:

Smernica ES pre hluk zariadenia 2000/14/ES
Smernica ES Rady 2006/42/ES o strojových zariadeniach
Smernica ES pre elektromagnetickú kompatibilitu (EMC) č. 2004/108/ES
Smernica ES pre RoHS 2002/95/ES

a normy:

EN 60335-1/A15:2011
EN 60335-2-91:2003
EN 62233:2008
EN ISO 11806-1:2011
EN 55014-1:2006+A1:2009+A2:2011
EN 55014-2:1997+A1:2001+A2:2008
EN 61000-3-2:2006+A1:2009+A2:2009
EN 61000-3-11:2000

Označenie CE: 14

Spoločnosť FAST ČR, a. s., je oprávnená konať v mene výrobcu.

Miesto vydania: Praha

Meno: Ing. Zdeněk Pech
Predseda správnej rady

Dátum vydania: 7. 5. 2014

Podpis:

FAST FAST ČR, a. s. 
Černokostecká 1621, 251 01 Říčany
IČO: 26726548 tel.: +420/ 323 204 111
DIČ: CZ26726548 fax: +420/ 323 204 110



11. TECHNICKÉ ÚDAJE

Model	FZS 2050-E
Napätie/frekvencia.....	230 – 240 V [~] / 50 Hz
Príkonn elektromotora	1 400 W
Záber kosenia.....	42 cm
Typ strunovej hlavy	Poloautomatická
Otáčky chodu bez záťaže.....	10 000 ot./min.
Priemer struny.....	1,6 mm
Hmotnosť bez paliva a žacích nástrojov.....	6,0 kg

Elektromos damilos fűkasza

HASZNÁLATI ÚTMUTATÓ

Köszönjük, hogy megvásárolta ezt a damilos fűnyírót. Mielőtt használni kezdi, figyelmesen olvassa el ezt a használati útmutatót és őrizze meg a későbbiekre.

TARTALOM

1. ÁLTALÁNOS BIZTONSÁGI ELŐÍRÁSOK.....	52
2. A GÉPEN LEVŐ UTASÍTÁSOKAT TARTALMAZÓ CÍMKÉK MAGYARÁZATA	53
3. BIZTONSÁGI UTASÍTÁSOK.....	55
4. A GÉP LEÍRÁSA.....	56
5. ÖSSZESZERELÉS.....	57
6. A FŰVÁGÓ ELINDÍTÁSA	59
7. VÁGÁS.....	60
8. KARBANTARTÁS.....	62
9. MEGSEMISÍTÉS.....	63
10. MEGFELELŐSÉGI NYILATKOZAT	64
11. MŰSZAKI ADATOK.....	65

1. ÁLTALÁNOS BIZTONSÁGI ELŐÍRÁSOK

Fontos biztonsági figyelmeztetések


- ✿ A terméket óvatosan csomagolja ki, és ügyeljen rá, hogy a csomagolóanyag egyik részét se dobja ki, amíg meg nem találja a termék összes részét.
- ✿ A gépet tartsa száraz helyen és gyermekektől távol.
- ✿ Olvassa el az összes figyelmeztetést és utasítást. A figyelmeztetések és utasítások figyelmen kívül hagyásának áramütés, tűz és/vagy súlyos sérülés lehet a következménye.

Csomagolás

A termék védőcsomagolásban van, hogy az átszállítás közbeni sérüléstől védve legyen. Ez a csomagolás újrahasznosítható anyagból készült.

Használati útmutató

Mielőtt használni kezdi a gépet, olvassa el a következő biztonsági előírásokat és a használati utasításokat. Ismerkedjen meg a kezelőelemekkel és a munkaeszköz helyes használatával. Az útmutatót gondosan őrizze meg későbbi szükség esetére. Legalább a jótállás idejére javasolt megőrizni az eredeti csomagolást a belső csomagolóanyagokkal együtt, a pénztárjegyet és a garancialevelet. Szállítás esetén a készüléket csomagolja vissza az eredeti gyári dobozba, ezzel biztosítja a termék maximális védelmét szállítás (pl. költözés vagy szakszervizbe küldés) közben.

 **Megjegyzés:** Ha a gépet újabb személynek adja el, az útmutatóval adja át. A használati útmutató utasításainak betartása a gép helyes használatának alapja. A használati útmutató szintűgy tartalmaz utasításokat a kezelésre, karbantartásra és javításra vonatkozóan.

A gyártó nem felel az útmutató utasításainak be nem tartásából adódó balesetekért vagy károkért.

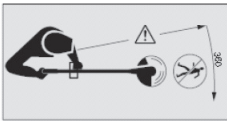
2. A GÉPEN LEVŐ UTASÍTÁSOKAT TARTALMAZÓ CÍMKÉK MAGYARÁZATA



Figyelmeztetés!



Használat előtt olvassa át a felhasználói kézikönyvet.



Más személyeket tartson biztonságos távolságban!



Ne használja esőben és nedves időben.



Mindig viseljen védőszemüveget.



A munkánál használjon védőkesztyűt.



Szilárd, szigetelő munkacipőt használjon.



Használjon fülvédőt.



Ha a tápkábel megsérül, azonnal húzza ki az elektromos hálózathoz.



VESZÉLY! Ne indítsa el a szerszámot, ha a közelben gyermekek, más személyek vagy állatok vannak.



Figyeljen a kidobódó tárgyakra.

3. BIZTONSÁGI UTASÍTÁSOK

⚠ VIGYÁZAT!

A gép használata közben tartsa be a biztonsági utasításokat. Saját és környezete biztonsága érdekében szíveskedjék a gép használata előtt átolvasni ezeket az utasításokat. Tegye el az utasításokat későbbi használat céljából.

- ☼ Ha a géppel dolgozik, használjon védőszemüveget.
- ☼ Ha a géppel dolgozik, vegyen fel kesztyűt.
- ☼ A készüléket ne tegye ki esőnek vagy nagy nedvességnek.
- ☼ Alaposan ismerkedjen meg az összes kezelőelemmel és a fűnyíró helyes használatával.
- ☼ Soha ne engedje meg gyerekeknek vagy olyan személynek, aki ezekkel a használati utasításokkal nem ismerkedett meg, hogy a fűnyíróval dolgozzon.
- ☼ Akadályozza meg, hogy gyermekek, más személyek vagy háziállatok menjenek a fűnyíró közelébe; a lenyírt és szétszóródott fűben kövek és törmelékek lehetnek. Ha a közelben személyek, különösen gyerekek tartózkodnak, függesse fel a fűnyírást.
- ☼ Ha a fűnyíróval dolgozik, ne hagyja, hogy bárki vagy bármely állat 15 m-nél közelebb menjen.
- ☼ A fűnyírót csak nappali fény vagy jó mesterséges megvilágítás mellett használja.
- ☼ A fűnyíró használata előtt és minden ütdés után mindig ellenőrizze, nem tapasztal-e kopásra vagy meghibásodásra utaló jeleket, és ha szükséges, javítsa ki. Ne használja a fűnyíró, ha a vágószerszám nics megfelelően rögzítve vagy sérült.
- ☼ Mindig ellenőrizze, hogy a fűnyíró jó állapotban van-e; ha nem, veszélyes lehet a felhasználóra.
- ☼ A damilos fűnyíró használatakor mindig használjon védőfedeleket.
- ☼ Ne használja a fűnyíró, ha a védőfedelek sérültek.
- ☼ Távolítsa el a munkaterületről a köveket, fémdarabokat, gyökereket, minden más kemény tárgyat és műanyagzacskót, nejlonszínort és egyéb olyan tárgyakat, amelyeket nem lehet szétvágni.
- ☼ A fűnyíró bekapcsolása előtt bizonyosodjon meg róla, hogy a nejlonpenge ne érintkezzen kövekkel vagy törmelékkel.
- ☼ Soha ne tegye a kezét vagy lábát a vágási terület közelébe, különösen akkor, amikor beindítja a motort.
- ☼ Óvakodjon tőle, hogy a vágódamil hosszanti vágóéle sérülést okozzon. Az új vágódamil behelyezése után, mielőtt beindítja a fűnyíró, mindig állítsa vissza a normális üzemi pozíciójába.
- ☼ Ne használjon olyan tartalék alkatrészt vagy kiegészítőt, ami nics mellékelve vagy a gyártó nem javasolja.
- ☼ Mindig gondoskodjon róla, hogy a szellőzőnyílásokat ne torlaszolja el törmelékkel.
- ☼ Annak érdekében, hogy megelőzze a véletlen beindulást, ne tartsa az ujját a be- és kikapcsoló gombon, amikor viszi a gépet.
- ☼ A fűnyíró használata közben mindig stabil és biztonságos helyzetet vegyen fel.
- ☼ Arról a területről, ahol dolgozni fog, távolítsa el a drótokat, köveket és törmelékeket.
- ☼ Ne vágjon kemény tárgyakat. Ez balesetveszélyes, és sérülést okozhat a fűnyírónak.

⚠ VIGYÁZAT!

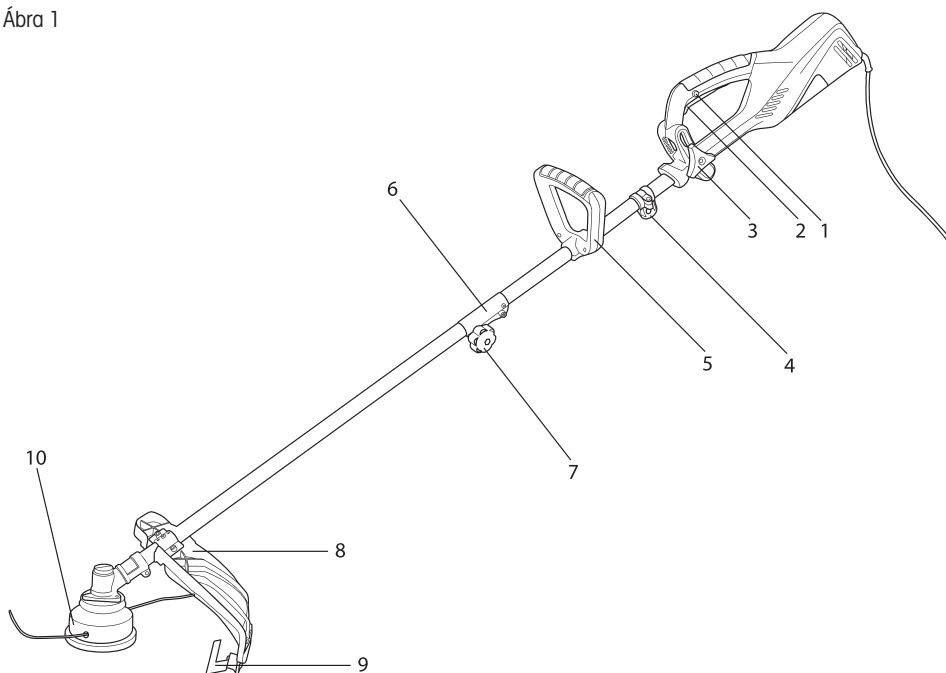
A vágógégségek a motor kikapcsolása után még forognak!

- ☼ Ne akarja leállítani a vágószerszámot (a damilhúrt) kézzel. Mindig várja meg, amíg magától megáll. Ez vonatkozik a háromágú acélkésre is.
- ☼ Ne használja a fűnyíró olyan fű vágására, ami nem érintkezik a talajjal, pl. falon vagy sziklán stb. van.
- ☼ Ne menjen át úton vagy kavicsos ösvényen bekapcsolt motormal.

4. A GÉP LEÍRÁSA

1. A főkapcsoló biztosítéka
2. Főkapcsoló
3. Fogantyú beállító csavar
4. A vállpánt rögzítése
5. Fogantyú
6. Az osztott tengely csatlakozója
7. A tengely csatlakozójának rögzítőcsavarja
8. Műanyag védőburkolat
9. Kés a damil elvágásához
10. Félautomatikus damilfej / háromágú acélkés

Ábra 1



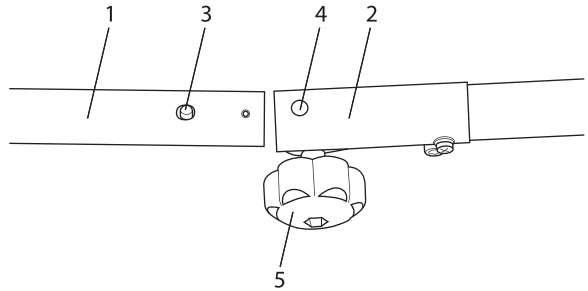
A csomag tartalma:

Elektromos fűvágó, damilfej, háromágú acélkés, vállpánt, szerszámkészlet

5. ÖSSZESZERELÉS

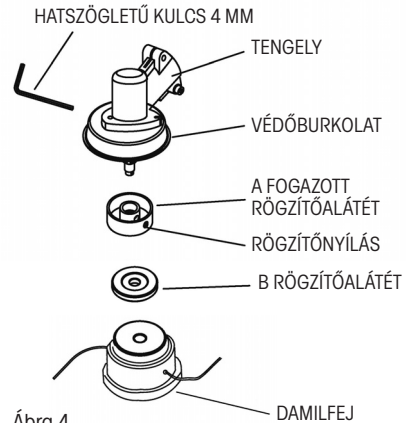
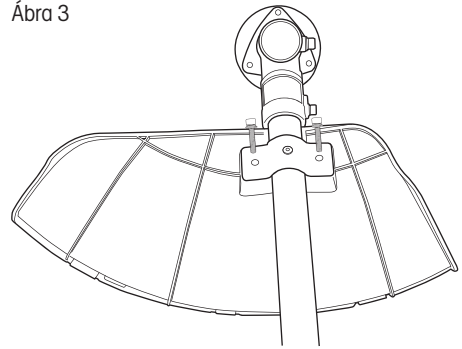
- ✿ Csatlakoztassa a bozótvágó tengelyét (2. ábra). Dugja a tengely alsó részét (2. ábra 1. pont) a csatlakozóba (2. ábra 2. pont), ami a tengely felső részéhez tartozik. A rögzítőpeceknek (2. ábra 3. pont) be kell illeszkednie a nyílásba (2. ábra 4. pont). Ezután mindkét részt rögzítse a csavar meghúzásával (2. ábra 5. pont). A fűvágó könnyebb szállítása érdekében a tengelyt szét lehet választani.

Ábra 2



- ✿ Szerelje fel a védőfedelel a tengelyre a mellékelt csavarok segítségével. Az anyák bele vannak integrálva a műanyagfedélbe (ld. 3. ábra)
- ✿ Szerelje fel a fogantyút (1. ábra 5. pont) a mellékelt csavarok segítségével. A fogantyút a tengelye mentén el lehet tolni. Így mindenki ideális helyzetbe állíthatja a kényelmes munkához. Az ideális pozíció kiválasztása után húzza meg a csavarokat.
- ✿ A damilfej felszerelése.
Rögzítse a tengelyt a mellékelt hatszögletű kulccsal (ld. 4. ábra). Ehhez a védőfedélen található nyílást rá kell illeszteni a tengelyen lévő nyílásra, majd a hatszögletű kulcsot bele kell dugni. A két nyílás összeillesztéséhez forgassa el a védőfedelel.

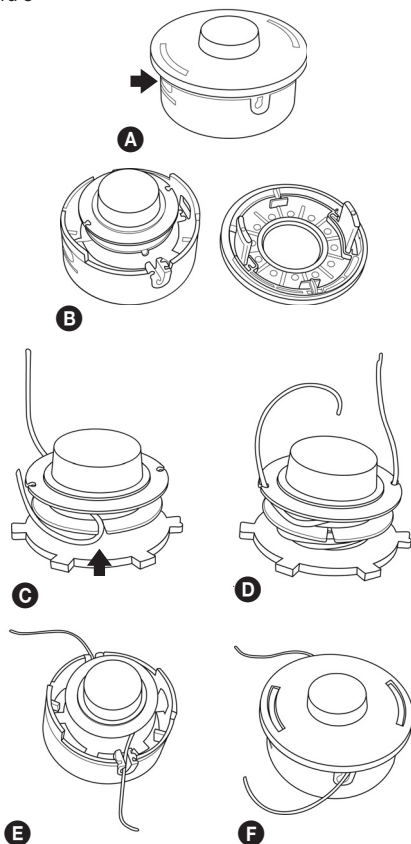
Ábra 3



Ábra 4

- Az egyes alkatrészeket a következő sorrendben szerelje fel:
 1. A fogazott rögzítőalátét (ez is el van látva egy nyílással a rögzítéshez)
 2. B rögzítőalátét
 3. Damilfej
- A damilfejet csavarozza a tengelyre az óramutató járásával megegyező irányú forgatással (vigyázat, fordított menet), és alaposan húzza meg.
- Vegye ki a hatszögletű kulcsot a rögzítőnyílásból.

Ábra 5



☼ Damilpótlás a damilfejen

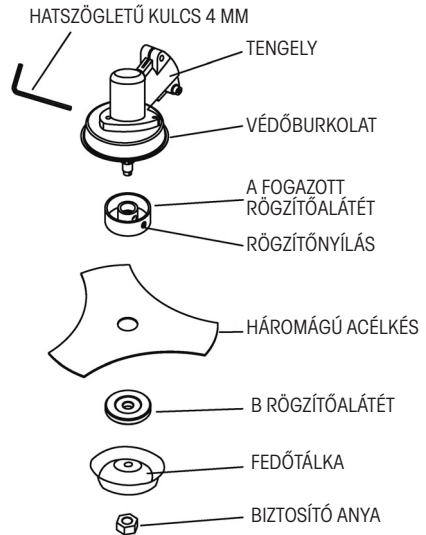
1. A fej oldalán nyomja össze a fedél biztonsági reteszeit, és vegye le a fedelet (ld. 5. ábra A&B pontok)
2. Vegye ki a damilfejből a tárcsát. Készítsen elő egy kb. 2 - 3 m hosszú 1,6 mm átmérőjű damilt.
3. A damilt a közepén hajlítsa meg, és a hajlatot rögzítse a vátatban (ld. 5. ábra C pont)
4. Mindkét végét ezután tekerje fel a tárcsára, mégpedig az óramutató járásával megegyező irányban. A fellekert damil végeit rögzítse az előkészített nyílásokba. (ld. 5. ábra D pont)
5. A tárcsát helyezze vissza a damilfejbe, és rögzítse a fedéllel (ld. 5. ábra E&F pontok)

⚠ **FIGYELEM**

Csak jó minőségű, 1,6 mm átmérőjű nejlondamilt használjon. A nejlondamil helyett soha nem használjon drótot vagy dróttal merevített damilt. Csak eredeti damilfejet használjon.

- ✿ A háromágú acélkés felszerelése
 - Rögzítse a tengelyt a mellékelt 4 mm-es hatszögletű kulccsal (ld. 6. ábra). Ehhez a védőfedélen található nyílást rá kell illeszteni a tengelyen lévő nyílásra, majd a hatszögletű kulcsot bele kell dugni. A két nyílás összeillesztéséhez forgassa el a védőfedelet.
 - Az egyes alkatrészeket a következő sorrendben szerelje fel:
 1. A fogazott rögzítőalátét (ez is el van látva egy nyílással a rögzítéshez)
 2. Háromágú acélkés
 3. B rögzítőalátét
 4. Fedőtálka
 5. Biztosító anya
 - Bizonyosodjon meg róla, hogy a kés megfelelően beilleszkedik-e az A rögzítőalátét távtartó részébe
 - A mellékelt dugókulcs segítségével forgassa a rögzítőanyát az óramutató járásával megegyező irányba (vigyázat, fordított menet), amíg nem szorul meg megfelelően.
 - Vegye ki a hatszögletű kulcsot a rögzítőnyílásból.

Ábra 6



- ⚠ FIGYELEM**
HA TÚLZOTT REMEGÉST ÉRZÉKEL - AZONNAL ÁLLÍTSA LE A MOTORT

A kés túlzott remegése azt jelenti, hogy ez a kés nincs jól felszerelve. Azonnal állítsa meg a motort és ellenőrizze a kést. A hibásan felszerelt kés sérülést okozhat. A termék javítása vagy karbantartása során csak eredeti alkatrészt használjon.

6. A FŰVÁGÓ ELINDÍTÁSA

- ✿ A MUNKA MEGKEZDÉSE ELŐTT ELLENŐRIZENDŐ PONTOK

1. Ellenőrizze, nem lazult-e ki egy csavar, anya vagy alkatrész. A kilazult csavarokat húzza meg.
2. Győződjön meg róla, hogy a műanyag fejtvédő és a kések megfelelően rögzítve vannak-e a helyükön.
3. Győződjön meg róla, nem sérült-e meg a kés vagy a damilfej.

⚠ FIGYELEM

- ✿ Mielőtt beindítja a fűvágót, győződjön meg róla, hogy a vágókorong/ damilfej szabadon mozog, és nem érintkezik semmilyen idegen tárggyal.
- ✿ A bozótívágót mindig két kézzel tartsa. Mindig úgy álljon, hogy a teste balra legyen a tengely csövétől. Soha ne tartsa a fogantyút keresztbe tett kézzel. Ezek az utasítások a balkezesekre is vonatkoznak.

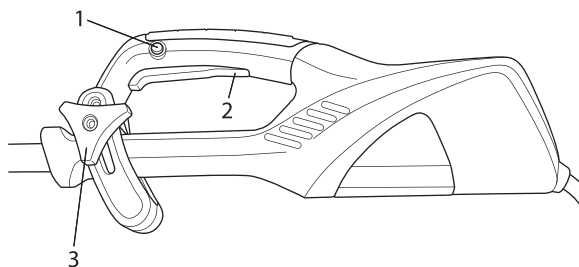
FIGYELMEZTETÉS: A rázkódás árthat annak, akinek a keringési rendszerével vagy idegrendszerével problémái vannak. Ha fizikai tünetek jelennek meg, például érzéketlenség, az érzékenység csökkenése, erőtlenység, vagy színváltozás a bőrön, forduljon orvoshoz. Ezek a tünetek általában az ujjakon, a kézen és a csuklón jelennek meg.

A fűvágó elindítása

Először nyomja meg a főkapcsoló biztosítékát (7. ábra 1. pont)
Ezután nyomja meg a főkapcsolót (7. ábra 2. pont). A fűvágó maximális fordulatszámon működni kezd

Megjegyzés: A fogantyút, amelyen a biztosíték és a főkapcsoló is el van helyezve megfelelő helyzetbe lehet állítani a csavar kilazítása után (7. ábra 3. pont).

Ábra 7



A motor kikapcsolása

Engedje el a főkapcsolót (7. ábra 2. pont)

7. VÁGÁS

⚠ FIGYELMEZTETÉS!

A damilos fűnyírók vagy bozótvágók bármelyik típusának használata közben kivágódhatnak kövek, fém- vagy egyéb kisméretű tárgyak és a vágott anyag. Figyelmesen olvassa el valamennyi biztonsági előírást. Kérjük tartsa be az ebben az útmutatóban található utasításokat.

⚠ FIGYELMEZTETÉS!

Használjon védőeszközöket a feje, szeme, arca és hallása védelmében. Megfelelő lábbelit viseljen, amely megvédi a lábát és csúszós felületen is stabil állást biztosít. Ne viseljen nyakkendőt, ékszert vagy laza ruhadarabot, amelyeket elkaphatnak a szerszám mozgó alkatrészei. Ne viseljen nyitott orrú lábbelit. Ne dolgozzon mezítáb vagy csupasz lábszárral. Bizonyos helyzetekben teljes arc- és fejdélmetet kell használni. Vigyázzon, hogy elkerülje a visszaütést és a kés beakadását.

⚠ FIGYELMEZTETÉS

Mindig használja a vállpántot.

A vállpántot úgy állítsa be, hogy a fűnyíró néhány centiméterrel a talaj felett legyen. A fűnyíró feje és a fémburkolat minden irányban teljesen egy szintben legyen. A bozótvágót a teste jobb oldalára akassza.

⚠ VESZÉLYES ÖVEZET

A 15 M ÁTMÉRŐJŰ VESZÉLYES ÖVEZETBE A GÉP KEZELŐJÉN KÍVÜL SENKI NEM LÉPHET BE. A GÉPKEZELŐNEK MEGFELELŐ SZEM-, FÜL-, ARC-, TALP-, LÁB- ÉS TESTVÉDŐ ESZKÖZÖKET KELL HASZNÁLNI. A VESZÉLYES ÖVEZETBEN, VAGY A VESZÉLYES ÖVEZET MÖGÖTTI KOCKÁZATOS ÖVEZETBEN LEVŐ SZEMÉLYEKNEK VÉDENIÜK KELL A SZEMÜKET A KIVÁGÓDÓ TÁRGYAKTÓL. A KOCKÁZAT A VESZÉLYES ÖVEZETTŐL VALÓ TÁVOLSÁG NÖVEKEDÉSÉVEL CSÖKKEN.

VÁGÁS NEJLONHÚROS FEJ SEGÍTSÉGÉVEL

- ✿ A damilfej AZ ÓRAMUTATÓ JÁRÁSÁVAL MEGEGYEZŐ IRÁNYBAN forog.
- ✿ **A damil kiengedése félautomatikusan történik. A vágás közben csak kissé ütögesse a fejet a földhöz, ezzel benyomódik a fej alsó részén levő gomb és kijön a damil. A damilt ezután a műanyag burkolatba beépített kés a megfelelő méretre vágja.**

A FŰ LEVÁGÁSA

- ✿ Ennél a munkánál óvatosan csúsztassa a gépet a vágni kívánt anyagba. Lassan döntse meg a fejet úgy, hogy a gép a vágott anyagot Öntől távolodó irányba dobja. Ha kerítések, falak, fák, vagy egyéb akadályok közvetlen közelében végzi a vágást, olyan szögben közelítsen, hogy minden vágott anyag Öntől távolodó irányba repüljön. Lassan mozgassa a fejet a damillal jobbról balra, amíg le nem vágta a fűvet egészen az akadályig, de ügyeljen rá, nehogy a damil az akadállyal érintkezzen.
- ✿ Drótkerítés közelében óvatosan járjon el, úgy, hogy ne érjen a drótokhoz. Ha fűl közel kerül a kerítéshez, a damil a grótbá ütközve rövidebb lesz.
- ✿ Gyomok vágásakor egyesével is kivághatja a szárait. Helyezze a damilfejet a gyom alsó részéhez - ne a felsőhöz, mert különben a széthasadhat és a damil elakad. A gyomok közvetlen átvágása helyett inkább csak a damil végét használja és lassan vágja át a szárat.

CSONKOLÁS ÉS PEREMEK VÁGÁSA

- ✿ Mindkét tevékenységet nagy szögben megdöntött damilfejjel kell végezni. A csonkolás a felső növényzet eltávolítása, ami után csak a csupasz föld marad.
- ✿ A peremek vágása az ágyások peremén levő, a járdára és az útra ránövő fű levágása.
- ✿ Csonkoláskor és a peremek vágásakor a szerszámot meredek szögben tartsa, olyan helyzetben, hogy a kemény felülethez történő ütközéskor esetleg kivágódó szennyeződés, levágott anyag és kavicsok ne hátra, Ön felé repüljenek. Ha a képek mutatják is, hogyan végezze a csonkolást és a peremek vágását, minden felhasználónak magának kell megtalálnia a testméreteinek és a munkakörülményeknek megfelelő helyzetet.

⚠ FIGYELMEZTETÉS

Nejlonhúros fej használata esetén a megfelelő védőburkolatot kell használni. Ha a nejlonhúr túlságosan ki van húzva, csapkodhat. Ha nejlonhúros fejet használ, mindig használjon rövidítő késsel felszerelt műanyag védőburkolatot.

⚠ FIGYELMEZTETÉS

Csupasz vagy kavicsos felület felett nagyon óvatosan járjon el, mert a nejlonhúr nagy sebességgel vághatja ki az apró kavicsokat.

A szerszám védőburkolata nem képes a kemény felületről visszapattnó tárgyakat megállítani.

⚠ FIGYELMEZTETÉS

Ne végezzen vágást olyan helyen, ahol drótok vagy drótkerítés van. Használjon biztonsági védőeszközöket. Ne végezzen vágást olyan helyeken, ahol nem láthatja, mit vág.

VÁGÁS KÉS SEGÍTSÉGÉVEL

A GAZ LEKASZÁLÁSA

- ✿ Íves, lengető mozdulatokkal végzett vágásról van szó. Ezzel a módszerrel gyorsan kitisztíthatja a fűvel, gazzal benőtt területeket. Ne használja a kaszáló módszert nagy és ellenálló gyomok vagy fás növényzet vágására.
- ✿ A kaszálást végezheti mindkét irányba, vagy csak egy irányba, ami azt jelenti, hogy a levágott anyag Öntől távolodó irányba repül. Az ilyen vágáskor a késnek az a része dolgozik, amely Öntől távolodó irányban forog. Döntse meg kissé a kést ugyanarra az oldalra. Ha mindkét irányba végzi a kaszálást, szennyeződés fogja érni.

 **Megjegyzés:** Ne használja a bozótívágó kést 12 mm-nél nagyobb átmérőjű fácskák vágására.

FIGYELMEZTETÉS

NE ÉRJEN A KÉSSSEL A KÖVETKEZŐ TÍPUSÚ TÁRGYAKHOZ:
FÉMOSZLOPOK, VILLANYVEZETÉKEK, GUMI, FAL, KÖVEK, KERÍTÉSEK

FIGYELMEZTETÉS

Ne végezzen vágást, ha az acélkés tompa, repedt vagy sérült.

A vágás megkezdése előtt ellenőrizze, hogy a munkafelületen nincsenek-e akadályok, mint pl. kövek, fémoszlopok vagy összetekert drótok. Ha az ilyen akadályokat nem tudja eltávolítani, jelölje meg őket úgy, hogy ne kerüljenek érintkezésbe a késsel. A kövek vagy fémtárgyak kicsorbíthatják vagy megrongálhatják a kést.

A drótok feltekeredhetnek a késfejre vagy kivágódhatnak és ezáltal sérülést okozhatnak.

8. KARBANTARTÁS

- ✿ A fűnyíró damilja idővel kiszáradhat. Hogy kiváló állapotban maradjon, a feltekeret vagy szabad tartalék hűt tárolja műanyag zacskóban egy kiskanál vízzel.
- ✿ A készülék tisztításához csak finom szappant és nedves rongyot használjon. Ne tegye a készüléket vízbe és ne spricceljen rá vizet. Akadályozza meg, hogy bármiféle folyadék kerüljön a belsejébe. Ne tisztítsa víznyomással.
- ✿ A húros vágóél a védőfedél szélén idővel eltompulhat. Javasoljuk, hogy rendszeresen élezze egy reszelővel.

9. MEGSEMMISÍTÉS

UTASÍTÁSOK ÉS TÁJÉKOZTATÓ A HASZNÁLT CSOMAGOLÓANYAGOKRA VONATKOZÓAN

A használt csomagolóanyagot az önkormányzat által kijelölt hulladékgyűjtő helyen adja le.



A gép és tartozékai különböző anyagokból, pl. fémből és műanyagból készültek.
A sérült alkatrészeket adja le szelektív gyűjtőhelyen. Tájékozódjon az illetékes hivatalnál.

Változtatások a szövegben, a kivételben és a műszaki jellemzőkben előzetes figyelmeztetés nélkül történhetnek, a módosításra vonatkozó jog fenntartva.

Eredeti nyelvű felhasználói kézikönyv.

10. MEGFELELŐSÉGI NYILATKOZAT

CE MEGFELELŐSÉGI NYILATKOZAT

Gyártó:

FAST ČR, a. s.
Černokostelecká 2111, 100 00 Praha 10, Cseh Köztársaság
Adószám: CZ26726548

Termék/márka: ELEKTROMOS BOZÓTVÁGÓ ÉS FÚNYÍRÓ/ FIELDMANN

Típus/modell: FZS 2050 E
230 V, 1 400 W, 50 Hz, II. osztály

Ez a termék megfelel az alábbi előírásoknak:

Az EK 2000/14/EK számú irányelve a készülékek zajszintjéről
Az EK vonatkozó 2006/42/EK sz. irányelve Gépi berendezések
Az elektromágneses kompatibilitásra (EMC) vonatkozó 2004/108/EK sz. irányelv
Az EK 2002/95/EK számú RoHS irányelve

és szabványoknak:

EN 60335-1/A15:2011
EN 60335-2-91:2003
EN 62233:2008
EN ISO 11806-1:2011
EN 55014-1:2006+A1:2009+A2:2011
EN 55014-2:1997+A1:2001+A2:2008
EN 61000-3-2:2006+A1:2009+A2:2009
EN 61000-3-11:2000

CE jelölés: 14

A FAST ČR Rt. jogosult a gyártó nevében eljárni.

A kiadás helye: Prága

Név: Ing. Zdeněk Pech
Az igazgatótanács elnöke

A kiadás dátuma: 7. 5. 2014

Alíírás:

FAST FAST ČR, a.s. 
Černokostelecká 1621, 251 01 Říčany
IČO: 26726548 tel.: +420/ 323 204 111
DIČ: CZ26726548 fax: +420/ 323 204 110



11. MŰSZAKI ADATOK

Modell	FZS 2050-E
Feszültség/Frekvencia	230-240V~/50Hz
A villanymotor teljesítményfelvétele	1 400 W
Fűnyírás szélessége.....	42 cm
Damilfej típusa	Félautomata
Forgási sebesség terhelés nélkül	10 000 ford/perc
A damil átmérője.....	1,6 mm
Üzemanyag és vágóegységek nélküli tömeg.....	6,0 kg

Elektryczna kosiarka żyłkowa

INSTRUKCJA OBSŁUGI

Dziękujemy za zakupienie tej kosiarki żyłkowej do trawy. Zanim zaczniesz z niej korzystać, przeczytaj uważnie niniejszą instrukcję obsługi i zachowaj ją do wglądu.

SPIS TREŚCI

1. OGÓLNE ZASADY BEZPIECZEŃSTWA	68
2. WYJAŚNIENIE TABLICZEK ZE WSKAZÓWKAMI ZNAJDUJĄCYCH SIĘ NA MASZYNIÉ	69
3. WSKAZÓWKI BEZPIECZEŃSTWA.....	71
4. OPIS URZĄDZENIA.....	72
5. MONTAŻ.....	73
6. URUCHAMIANIE PODCINARKI.....	75
7. KOSZENIE.....	76
8. KONSERWACJA.....	78
9. LIKWIDACJA.....	79
10. DEKLARACJA ZGODNOŚCI.....	80
11. DANE TECHNICZNE	81

1. OGÓLNE ZASADY BEZPIECZEŃSTWA

Ważne instrukcje dotyczące bezpieczeństwa


- ✿ Starannie rozpakuj wyrób, zwracając uwagę, by nie wyrzucić żadnej części materiału opakowaniowego, zanim nie znajdziesz wszystkich elementów produktu.
- ✿ Przechowuj wyrób w suchym miejscu z dala od dzieci.
- ✿ Przeczytaj wszystkie uwagi i wskazówki. Nieprzestrzeganie ostrzeżeń i wskazówek może spowodować porażenie prądem elektrycznym, pożar lub ciężkie obrażenia.

Opakowanie

Wyrób został umieszczony w opakowaniu chroniącym go przed uszkodzeniem podczas transportu. Opakowanie to jest surowcem i dlatego podlega recyklingowi.

Instrukcja obsługi

Zanim rozpoczniesz pracę z urządzeniem, przeczytaj następujące zasady bezpieczeństwa i wskazówki dotyczące użytkowania. Zapoznaj się z elementami sterowania i prawidłowym użyciem urządzenia. Instrukcję należy starannie zachować do wglądu. Co najmniej w okresie gwarancyjnym zalecamy zachowanie oryginalnego opakowania łącznie z wewnętrznym materiałem opakowaniowym, dokument kasowy i kartę gwarancyjną. W razie transportu zapakuj maszynę z powrotem do oryginalnego pudełka dostarczonego przez producenta, zapewniając w ten sposób maksymalną ochronę produktu podczas ewentualnego transportu (np. przeprowadzki lub wysyłki do serwisu).

 **Uwaga:** Jeśli przekazujesz maszynę innym osobom, przekaz ją razem z instrukcją. Przestrzeganie załączonej instrukcji obsługi stanowi podstawę prawidłowego użycia urządzenia. Instrukcja obsługi zawiera również wskazówki dotyczące obsługi, konserwacji i naprawy.

Producent nie ponosi odpowiedzialności za wypadki lub szkody powstałe na skutek nieprzestrzegania niniejszej instrukcji.

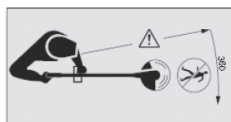
2. WYJAŚNIENIE TABLICZEK ZE WSKAZÓWKAMI ZNAJDUJĄCYCH SIĘ NA MASZYNIE



Ostrzeżenie!



Przed pierwszym użyciem przeczytaj instrukcję.



Utrzymuj pozostałe osoby w dostatecznej odległości!



Nie używaj urządzenia podczas deszczu lub kiedy jest mokro!



Zawsze stosuj ochronę oczu.



Podczas pracy należy używać rękawic ochronnych.



Używaj mocnego izolacyjnego obuwia roboczego.



Używaj ochronników słuchu.



W razie uszkodzenia kabla zasilającego natychmiast odłącz urządzenie od źródła zasilania.



NIEBEZPIECZEŃSTWO! Nie uruchamiaj narzędzia, jeśli w pobliżu znajdują się dzieci, inne osoby lub zwierzęta.



Uważaj na odrzucane przedmioty.

3. WSKAZÓWKI BEZPIECZEŃSTWA

⚠ UWAGA!

Podczas używania tego urządzenia przestrzegaj zasad bezpieczeństwa. Dla własnego bezpieczeństwa oraz bezpieczeństwa pozostałych osób przed użyciem tego urządzenia przeczytaj niniejsze zalecenia. Przechowuj niniejsze zalecenia do ewentualnego użytku w przyszłości.

- ✿ Podczas pracy z tym urządzeniem noś okulary ochronne.
- ✿ Podczas pracy z tym urządzeniem noś rękawice.
- ✿ Nie narażaj tego urządzenia na oddziaływanie deszczu lub wysokiej wilgotności.
- ✿ Zapoznaj się z obsługą i prawidłową eksploatacją tej kosiarki.
- ✿ Nigdy nie pozwól, aby z tej kosiarki korzystały dzieci lub osoby, które nie zostały zapoznane z niniejszymi zaleceniami.
- ✿ Nie pozwól, aby dzieci, pozostałe osoby oraz zwierzęta domowe zbliżyły się do tej kosiarki. Koszona trawa rozrzucona w otoczeniu może zawierać kamienie lub odłamki innych materiałów. Jeśli w pobliżu znajdują się inne osoby, a w szczególności dzieci, przerwij używanie kosiarki.
- ✿ Podczas pracy z kosiarką nie pozwól, aby pozostałe osoby lub zwierzęta zbliżyły się na odległość poniżej 15 m.
- ✿ Używaj kosiarki wyłącznie przy świetle dziennym lub przy dobrym sztucznym oświetleniu.
- ✿ Przed użyciem kosiarki lub po jakimkolwiek uderzeniu sprawdź ślady zużycia lub uszkodzenia i jeśli to konieczne, dokonaj naprawy. Nie używaj kosiarki, jeśli narzędzie tnące nie jest prawidłowo zabezpieczone lub jest uszkodzone.
- ✿ Zawsze sprawdzaj, czy kosiarka jest w dobrym stanie i czy nie może zagrażać użytkownikowi.
- ✿ Podczas użycia kosiarki żyłkowej korzystaj zawsze z pokryw ochronnych.
- ✿ Nie używaj kosiarki, jeśli pokrywy ochronne są uszkodzone.
- ✿ Usuń z powierzchni roboczej kamienie, metalowe części, korzenie, pozostałe twarde przedmioty, plastikowe forebki, nylonowe sznurki i inne przedmioty, których nie można przeciąć.
- ✿ Przed uruchomieniem kosiarki upewnij się, że nylonowe ostrze nie dotyka kamieni lub odłamków innych materiałów.
- ✿ Nigdy nie zbliżaj rąk ani nóg do koszonej powierzchni, w szczególności w chwili uruchamiania silnika.
- ✿ Chroń się przed zranieniami powodowanymi przez ostrze tnące na długości żyłki tnącej. Po nawinięciu nowej żyłki tnącej i przed uruchomieniem urządzenia umieść zawsze kosiarkę w normalnej pozycji roboczej.
- ✿ Nie korzystaj z części zamiennych lub wyposażenia nie dostarczonego lub nie zalecanego przez producenta.
- ✿ Zadbaj zawsze o to, aby w otworach wentylacyjnych nie znajdowały się odłamki materiałów.
- ✿ Aby nie dopuścić do nieumyślnego uruchomienia urządzenia, nie przenoś go z palcem umieszczonym na włączniku.
- ✿ Podczas pracy z kosiarką utrzymuj zawsze stabilną i bezpieczną pozycję.
- ✿ Usuń z obszaru, na którym zamierzasz pracować, druty, kamienie i odłamki materiałów.
- ✿ Nie koś twardych przedmiotów. Mogłoby to spowodować obrażenia lub uszkodzenie kosiarki.

⚠ UWAGA!

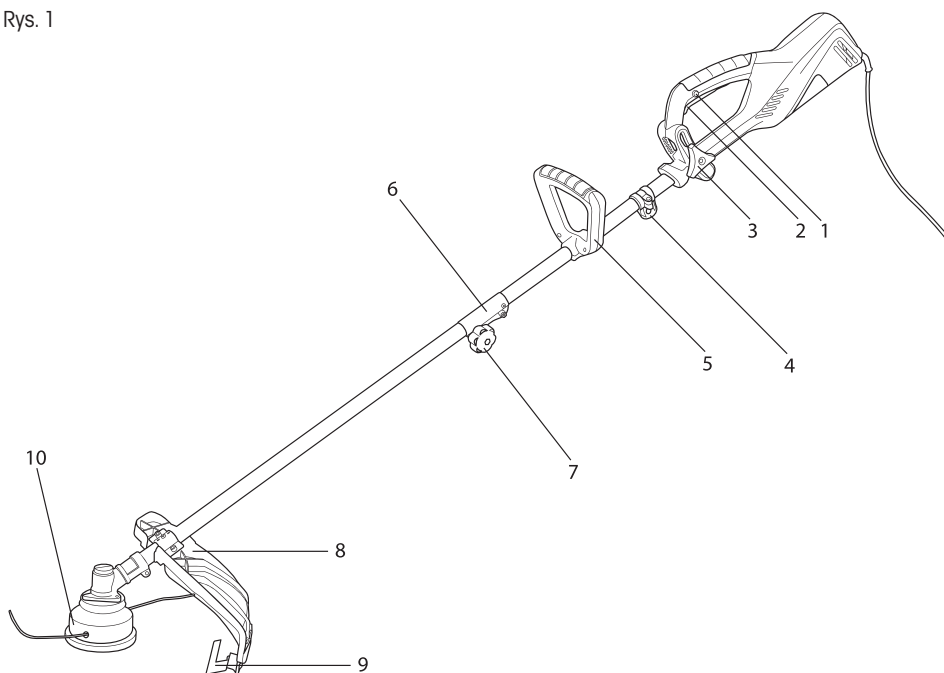
Elementy tnące obracają się nadal po wyłączeniu silnika!

- ✿ Nie próbuj zatrzymać narzędzia tnącego (nylonowej żyłki) rękami. Poczekaj zawsze, aż zatrzyma się sama. Zasada ta obowiązuje również dla tarczy trójzębnej.
- ✿ Nie używaj kosiarki do koszenia trawy, która nie rośnie na ziemi, ale np. na murkach czy w ogródkach skalnych itd.
- ✿ Nie przechodź przez drogi lub żwirowe ścieżki z włączoną kosiarką.

4. OPIS URZĄDZENIA

1. Bezpiecznik wyłącznika głównego
2. Wyłącznik główny
3. Śruba ustawień uchwyty
4. Uchwyt paska na ramię
5. Uchwyt
6. Połączenie rozdzielonego wału
7. Śruba zabezpieczenia połączenia wału
8. Plastikowa pokrywa ochronna
9. Nóż do przycinania żytki
10. Półautomatyczna głowica żytkowa / stalowa tarcza trójzębna

Rys. 1

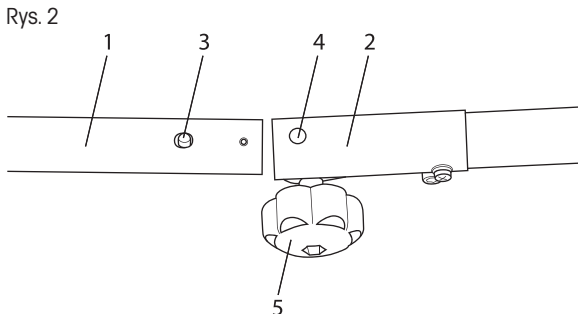


Zawartość opakowania:

Elektryczna przycinarka, głowica żytkowa, stalowa tarcza trójzębna, pasek na ramię, zestaw narzędzi

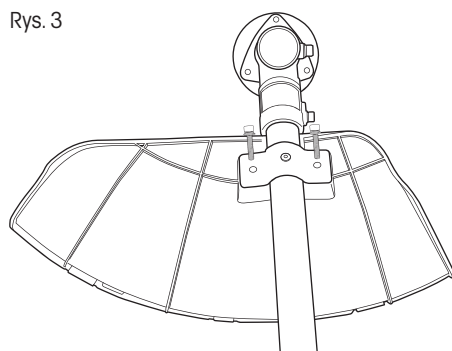
5. MONTAŻ

- ☼ Połączenia wału podkaszarki (Rys. 2).
 Wsuń spodnią część wału (Rys. 2, punkt 1) do połączenia (Rys. 2, punkt 2), wchodzącego w skład górnej części wału. Kołek blokujący (Rys. 2, punkt 3) musi się wpasować do otworu (Rys. 2, punkt 4).
 Następnie zabezpiecz obie części poprzez dokręcenie śruby (Rys. 2, punkt 5). Aby zapewnić łatwiejszy transport przycinarki, wał można ponownie rozłożyć.



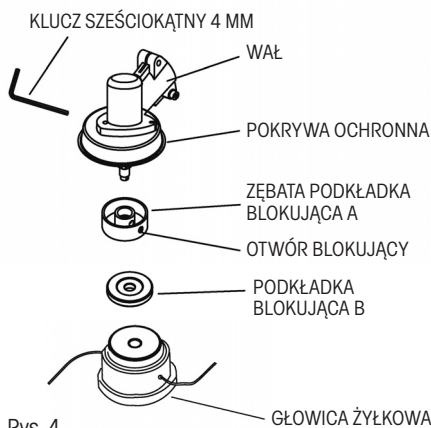
Rys. 2

- ☼ Zamontuj pokrywę ochronną na wale za pomocą dostarczonych śrub. Nakrętki są zintegrowane z plastikową pokrywą (por. rys. 3).
- ☼ Zamontuj rękojeść (Rys. 1, punkt 5) za pomocą dostarczonych śrub. Rękojeść można przesuwając po wale. Dzięki temu można wybrać optymalną pozycję do komfortowej pracy.
 Po wybraniu najlepszej pozycji roboczej dokręć śruby.



- ☼ Montaż głowicy żytkowej.

 - Zablokuj wał za pomocą dołączonego klucza sześciokątnego (por. rys. 4). W tym celu należy wyrównać otwór w pokrywie ochronnej z otworem w wale i wsunąć klucz sześciokątny. Aby wyrównać otwory, przekreślaj pokrywę ochronną.



Rys. 4

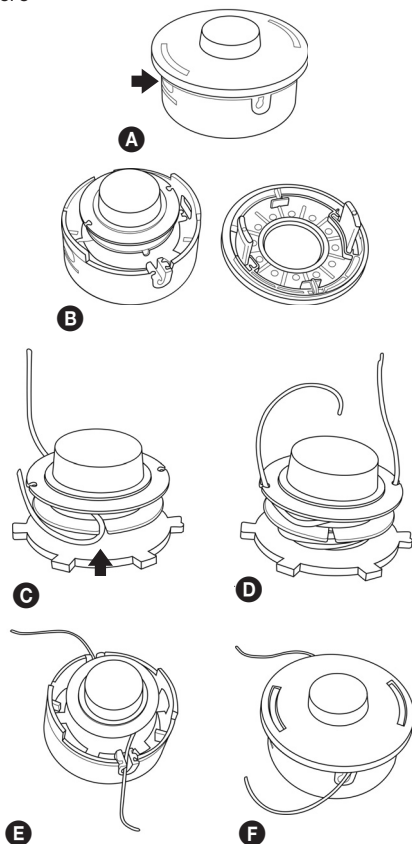
- Zamontuj poszczególne części w następującej kolejności:
 1. Zębata podkładka blokująca A (zawierająca również otwór umożliwiający blokadę)
 2. Podkładka blokująca B
 3. Głowica żyłkowa
- Przykręć głowicę żyłkową do wału obracając ją w kierunku zgodnym z ruchem wskazówek zegara (uwaga - odwrotny gwint) i dokładnie ją dokręć.
- Wyjmij klucz sześciokątny z otworu blokującego.

Rys. 5

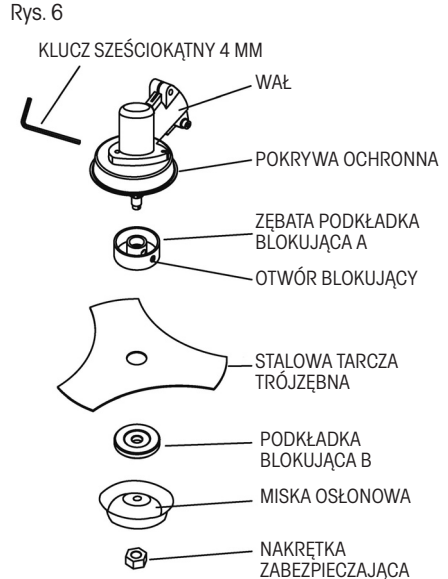
- ✿ Uzupełnianie żyłki w głowicy żyłkowej
 1. Wciśnij zatrzaski blokujące pokrywę znajdujące się z boku głowicy i zdejmij pokrywę (por. rys. 5, punkty A i B).
 2. Wyjmij szpulę z głowicy żyłkowej. Przygotuj ok. 2-3 m żyłki o średnicy 1,6 mm.
 3. Zegnij żyłkę w połowie i umieść zgięte miejsce w koleinie (por. rys. 5, punkt C).
 4. Następnie nawiń jednocześnie oba końce na szpulę w kierunku zgodnym z ruchem wskazówek zegara. Wsuń końce nawiniętej żyłki do przygotowanych otworów (por. rys. 5, punkt D).
 5. Umieść z powrotem szpulę w głowicy żyłkowej i zabezpiecz ją pokrywą (por. rys. 5, punkty E i F).

⚠ OSTRZEŻENIE

Korzystaj wyłącznie z wysokiej jakości żyłki nylonowej o średnicy 1,6 mm. Zamiast nylonowej żyłki nie używaj nigdy drutu ani żyłki wzmocnionej drutem. Używaj wyłącznie oryginalnej głowicy żyłkowej.



- ✿ Montaż stalowej tarczy trójzębnej
 - Zablokuj wał za pomocą dołączonego 4 mm klucza sześciokątnego (por. rys. 6). W tym celu należy wyrównać otwór w pokrywie ochronnej z otworem w wale i wsunąć klucz sześciokątny. Aby wyrównać otwory, przekreślaj pokrywę ochronną.
 - Zamontuj poszczególne części w następującej kolejności:
 1. Zębata podkładka blokująca A (zawierająca również otwór umożliwiający blokadę)
 2. Stalowa tarcza trójzębna
 3. Podkładka blokująca B
 4. Miska osłonowa
 5. Nakrętka zabezpieczająca
 - Upewnij się, że tarcza jest prawidłowo osadzona na części ograniczającej zębatą podkładki blokującej A.
 - Za pomocą dostarczonego klucza nasadowego przykręć nakrętkę mocującą tarczę w kierunku zgodnym z ruchem wskazówek zegara (uwaga - odwrotny gwint) do momentu bezpiecznego dokręcenia.
 - Wyjmij klucz sześciokątny z otworu blokującego.



⚠ OSTRZEŻENIE
JEŚLI DOJDZIE DO NADMIERNYCH WIBRACJI,
NATYCHMIAST ZATRZYMAJ SILNIK.

Nadmierne wibracje tarczy oznaczają, że nie została ona prawidłowo zamontowana. Natychmiast zatrzymaj silnik i skontroluj tarczę. Nieprawidłowo zamontowana tarcza może spowodować obrażenia. Podczas dokonywania konserwacji i serwisu tego produktu korzystaj wyłącznie z oryginalnego wyposażenia.

6. URUCHAMIANIE PODCINARKI

✿ PUNKTY KONTROLOWANE PRZED ROZPOCZĘCIEM PRACY

1. Sprawdź, czy nie doszło do poluzowania śrub, nakrętek i elementów montażowych. Dokręć poluzowane śruby.
2. Upewnij się, czy plastikowa pokrywa głowicy lub tarczy jest prawidłowo przymocowana na swoim miejscu.
3. Upewnij się, czy nie doszło do uszkodzenia tarczy lub głowicy żytkowej.

⚠ OSTRZEŻENIE

- ✿ Przed uruchomieniem przycinarki upewnij się, czy tarcza tnąca/głowica żytkowa porusza się swobodnie i czy nie dotyka żadnego przedmiotu obcego.
- ✿ Trzymaj mocno podkaszarkę obiema rękami. Stój zawsze tak, aby Twoje ciało znajdowało się na lewo od rurki wiatu. Nigdy nie trzymaj rękojeści skrzyżowanymi rękami. Zasada ta dotyczy również osób leworęcznych.

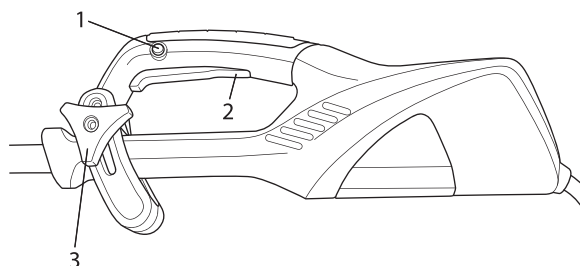
UWAGA: Narazanie się na wibracje może spowodować problemy zdrowotne u osób cierpiących na choroby układu krążenia lub układu nerwowego. W przypadku pojawienia się takich objawów jak drętwienie, obniżenie wrażliwości, obniżenie normalnej siły lub zmiany zabarwienia skóry, należy zwrócić się o pomoc do lekarza. Objawy te dotyczą zazwyczaj palców, rąk lub nadgarstków.

Uruchamianie podcinarki

Najpierw wciśnij bezpiecznik wyłącznika głównego (Rys. 7, punkt 1). Następnie wciśnij wyłącznik główny (Rys. 7, punkt 2). Podcinarka zacznie pracować na najwyższych obrotach.

Uwaga: Uchwyt, na którym jest umieszczony bezpiecznik, oraz wyłącznik główny można ustawić w odpowiedniej pozycji po poluzowaniu śruby (Rys. 7, punkt 3).

Rys. 7



Wyłączanie silnika

Zwolnij wyłącznik główny (rys. 7, punkt 2).

7. KOSZENIE

⚠ OSTRZEŻENIE!

Podczas pracy z wszelkimi modelami kosiarek lub podkaszarek żyłkowych może dojść do odrzucenia kamieni, małych przedmiotów lub skoszonego materiału. Przeczytaj dokładnie wszystkie przepisy dotyczące bezpieczeństwa.

Przestrzegaj wskazówek podanych w niniejszej instrukcji obsługi.

⚠ OSTRZEŻENIE!

Korzystaj z ochrony głowy, wzroku, twarzy i słuchu. Używaj odpowiedniego obuwia chroniącego nogi i zapewniającego stabilność na śliskich powierzchniach. Nie noś krawatów, biżuterii lub luźnej odzieży, która mogłaby zostać wciągnięta przez ruchome części narzędzi. Nie noś obuwia z otwartymi czubkami. Nie pracuj na boso lub z gołymi nogami. W pewnych sytuacjach należy korzystać z całkowitej ochrony twarzy i głowy. Uważaj, aby nie doszło do odrzutu i zaklinowania noża.

⚠ OSTRZEŻENIE

Korzystaj zawsze z paska na ramię.

Ustaw pasek i uchwyt paska na narzędziu tak, aby podkaszarka była zawieszona kilka centymetrów nad powierzchnią terenu. Głowica podkaszarki i metalowa pokrywa muszą być w każdym kierunku wyrównane. Zawieś podkaszarkę po prawej stronie ciała.

⚠ STREFA ZAGROŻENIA

W STREFIE ZAGROŻENIA O PROMIENIU 15 METRÓW NIE MOGĄ SIĘ ZNAJDOWAĆ ŻADNE OSOBY Z WYJĄTKIEM OBSŁUGI. OBSŁUHA MUSI KORZYSTAĆ Z ODPOWIEDNIEJ OCHRONY WZROKU, SŁUCHU, TWARZY, STÓP, NÓG I CIAŁA. OSOBY ZNAJDUJĄCE SIĘ W STREFIE ZAGROŻENIA LUB STREFIE RYZYKA ZNAJDUJĄCEJ SIĘ ZA STREFĄ ZAGROŻENIA MUSZĄ KORZYSTAĆ Z OCHRONY WZROKU ZABEZPIECZAJĄCEJ JE PRZEZ ODRZUCANYMI PRZEDMIOTAMI. RYZYKO MALEJE WRAZ ZE WZROSTEM ODLEGŁOŚCI OD STREFY ZAGROŻENIA.

KOSZENIE ZA POMOCĄ GŁOWICY Z ŻYŁKĄ NYLONOWĄ

- ☼ Głowica z żyłką obraca się W KIERUNKU ZGODNYM Z RUCHEM WSKAZÓWEK ZEGARA.
- ☼ **Przesuwanie żyłki dokonuje się półautomatycznie. Podczas koszenia wystarczy delikatnie stuknąć głowicą w ziemię, dzięki czemu dojdzie do wciśnięcia przycisku znajdującego się na spodzie głowicy i wysunięcia żyłki. Żyłka zostanie następnie skrócona na maksymalną dopuszczalną długość za pomocą noża znajdującego się w plastikowej osłonie.**

PRZYCINANIE TRAWY

- ☼ Podczas tej czynności delikatnie przysuń podkaszarkę do materiału, który chcesz kosić. Powoli pochyl głowicę tak, aby skoszony materiał był odrzucany w kierunku od Ciebie. Jeśli kosić aż do przeszkód takich jak płoty, ściany i drzewa, zbliżaj się do nich pod takim kątem, aby cały koszony materiał był wyrzucany w kierunku od Ciebie. Powoli poruszaj głowicą z żyłką nylonową z prawej strony do lewej, dopóki trawa nie zostanie skoszona aż do przeszkody, nie dopuszczając jednocześnie do tego, aby żyłka dotknęła przeszkody.
- ☼ Podczas koszenia w pobliżu drucianego płotu lub ogrodzenia postępuj ostrożnie tak, aby nie dotykać drutów. Jeśli przekroczysz minimalną odległość od płotu, żyłka po uderzeniu w drut zostanie skrócona.
- ☼ Podczas skoszenia chwastów możesz kosić jedną łodygę po drugiej. Umieść głowicę podkaszarki żyłkowej przy spodniej części chwasta - nigdy przy górnej części, ponieważ mogłoby dojść do drgania łodygi i uchwycenia żyłki. Nie dokonuj bezpośredniego koszenia chwastów, ale używaj raczej końca żyłki i przecinaj łodygę powoli.

SKALPOWANIE I PODKASZANIE KRAWĘDZI

- ☼ Obie z tych czynności należy wykonywać za pomocą głowicy z nylonową żyłką pochyloną pod dużym kątem. Skalpowanie to usuwanie górnych części roślin, po którym pozostaje wyłącznie goła ziemia.
- ☼ Podkaszanie krawędzi to koszenie trawy na krawędziach grządek, które sięgają na chodniki i drogi.
- ☼ Podczas skalpowania i podkaszania krawędzi należy trzymać narzędzia pod kątem ostrym w pozycji, w której zanieczyszczenia, skoszony materiał i kamienie nie będą odrzucane w Twoim kierunku, jeśli dojdzie do ich odbicia od twardej powierzchni. Pomimo tego że rysunki pokazują, jak dokonywać skalpowania i podkaszania krawędzi, każdy użytkownik musi znaleźć sam taką pozycję, która będzie najbardziej odpowiadać proporcjom jego ciała i warunkom pracy.

⚠ OSTRZEŻENIE

Jeśli korzystasz z głowicy z nylonową żyłką, należy założyć na narzędzie odpowiednią pokrywę ochronną. Jeśli żyłka nylonowa jest wysunięta zbyt mocno, może dojść do jej drgania. Jeśli korzystasz z głowicy z nylonową żyłką, używaj zawsze plastikowej pokrywy ochronnej z nożem przycinającym.

⚠ OSTRZEŻENIE

Podczas pracy wykonywanej nad gołą powierzchnią lub nad żwirem zachowaj szczególną ostrożność, ponieważ nylonowa żyłka może z dużą prędkością odrzucać drobne kamyczki. Pokrywa ochronna na tym urządzeniu nie może zatrzymać przedmiotów, które odbijają się od twardych powierzchni.

⚠ OSTRZEŻENIE

Nie dokonuj koszenia w miejscach, gdzie znajdują się druty lub siatka druciana. Należy korzystać z środków ochrony. Nie dokonuj koszenia w miejscach, w których nie można zobaczyć, co zostanie skoszone.

KOSZENIE ZA POMOCĄ NOŻA

KOSZENIE CHWASTÓW

- ✿ Jest to koszenie za pomocą ruchu wahadłowego noża dokonywane po łuku. W ten sposób możesz szybko wyczyścić powierzchnie pokryte trawą i chwastami. Z tego sposobu koszenia nie należy korzystać podczas koszenia dużych i odpornych chwastów lub roślinności drzewiastej.
- ✿ Koszenia można dokonywać w obu kierunkach lub tylko w jednym kierunku, co będzie oznaczać, że skoszony materiał będzie odrzucany w kierunku od Ciebie. Podczas takiego koszenia będzie pracować ta część noża, która obraca się w kierunku od Ciebie. Pochyl nóż lekko w dół w tę samą stronę. Jeśli będziesz dokonywać koszenia w obu kierunkach, przedostaną się na Ciebie niektóre zanieczyszczenia.

 **Uwaga:** Nie używaj noża do zarośli w celu koszenia drzewek o średnicy przekraczającej 12 mm.

OSTRZEŻENIE

NIE DOTYKAJ NOŻEM PRZEDMIOTÓW NASTĘPUJĄCEGO TYPU:
METALOWE SŁUPKI, PRZEWODY ELEKTRYCZNE, GUMA, MUR, KAMIENIE, PŁOTY.

OSTRZEŻENIE

Nie dokonuj koszenia, jeśli stalowa tarcza jest tępą, pękniętą lub uszkodzoną. Przed rozpoczęciem koszenia sprawdź, czy na powierzchni roboczej nie znajdują się żadne przeszkody, jak np. kamienie, metalowe słupki lub zwinione druty. Jeśli nie możesz usunąć tych przeszkód, oznacz je tak, aby nie doszło do ich kontaktu z nożem. Kamienie lub przedmioty metalowe spowodują stępienie lub uszkodzenie noża. Druty mogą się owinąć wokół głowicy noża lub mogą zostać odrzucone i spowodować obrażenia.

8. KONSERWACJA

- ✿ Żyłka kosiarki może po pewnym czasie wyschnąć. Aby była utrzymywana stale w doskonałym stanie, należy przechowywać nawiniętą szpulę lub wolną żyłkę w plastikowej torebce z tyżeczką wody.
- ✿ Do czyszczenia urządzenia należy używać wyłącznie delikatnego mydła i wilgotnej ściereczki. Nie zanurzaj urządzenia w wodzie ani nie przyskaj na nie wężem. Nie pozwól, aby do środka przedostała się jakakolwiek ciecz. Nie czyść wodą pod ciśnieniem.
- ✿ Przycinacz żyłki na krawędzi pokrywy ochronnej może się po pewnym czasie stępić. Zalecamy regularne ostrzenie za pomocą pilnika.

9. LIKWIDACJA

WSKAZÓWKI I INFORMACJE DOTYCZĄCE GOSPODARKI ZUŻYTYM OPAKOWANIEM

Zużyty materiał z opakowania należy przekazać na gminne wysypisko odpadów.



Maszyna i jej wyposażenie są wyprodukowane z różnych materiałów, np. z metalu i plastiku. Uszkodzone części należy oddać do punktu selektywnej zbiórki. Szczegółowych informacji udziela odpowiedni urząd.



Zastrzegamy sobie możliwość dokonywania zmian tekstu, designu i danych technicznych wyrobu bez uprzedzenia.

Instrukcja użytkownika w języku oryginalnym.

10. DEKLARACJA ZGODNOŚCI

CE DEKLARACJA ZGODNOŚCI

Producent:

FAST ČR, a. s.
Černokostelecká 2111, 100 00 Praha 10, Republika Czeska
NIP: CZ26726548

Produkt/marka: ELEKTRYCZNA PODKASZARKA I KOSIARKA DO TRAWY/ FIELDMANN

Typ/model: FZS 2050 E
230 V, 1 400 W, 50 Hz, Klasa II

Ten produkt spełnia poniższe przepisy:

Dyrektywa hałasowa WE 2000/14/WE
Dyrektywa maszynowa Rady WE 2006/42/WE
Dyrektywa WE dotycząca kompatybilności elektromagnetycznej (EMC) nr 2004/108/WE
Dyrektywa WE dotycząca RoHS 2002/95/WE

i normy:

EN 60335-1/A15:2011
EN 60335-2-91:2003
EN 62233:2008
EN ISO 11806-1:2011
EN 55014-1:2006+A1:2009+A2:2011
EN 55014-2:1997+A1:2001+A2:2008
EN 61000-3-2:2006+A1:2009+A2:2009
EN 61000-3-11:2000

Oznaczenie CE: 14

Spółka FAST ČR, a.s. ma prawo działać w imieniu producenta.

Miejsce wydania: Praga

Imię i nazwisko: Inż. Zdeněk Pech
Prezes Zarządu

Data wydania: 7. 5. 2014

Podpis:

FAST FAST ČR, a.s. 
Černokostelecká 1621, 251 01 Říčany
IČO: 26726548 tel.: +420/ 323 204 111
DIČ: CZ26726548 fax: +420/ 323 204 110



11. DANE TECHNICZNE

Model	FZS 2050-E
Napięcie/Częstotliwość	230-240V~/50Hz
Pobór mocy silnika elektrycznego	1 400 W
Szerokość koszenia	42 cm
Typ głowicy żyłkowej	Półautomatyczna
Obroty jałowe silnika	10 000 obr./min
Średnica żyłki	1,6 mm
Ciężar bez paliwa i narzędzi tnących	6,0 kg

Električni rezalnik na nitko

UPORABNIŠKI PRIROČNIK

Zahvaljujemo se vam za nakup električnega rezalnika na nitko. Preden ga boste začeli uporabljati, prosimo, da pozorno preberite ta uporabniški priročnik in ga shranite za kasnejšo uporabo.

KAZALO VSEBINE

1. SPLOŠNA VARNOSTNA NAVODILA	84
2. RAZLAGA OZNAK NA NAPRAVI	85
3. VARNOSTNA NAVODILA.....	87
4. OPIS NAPRAVE	88
5. SESTAVLJANJE	89
6. ZAGANJANJE REZALNIKA	91
7. REZANJE.....	92
8. VZDRŽEVANJE.....	94
9. ODLAGANJE.....	95
10. IZJAVA O SKLADNOSTI.....	96
11. TEHNIČNE SPECIFIKACIJE.....	97

1. SPLOŠNA VARNOSTNA NAVODILA

Pomembno varnostno opozorilo


- ✿ Izdelek pazljivo vzemite iz embalaže, pri tem pa pazite, da ne boste zavrgli nobenega dela embalaže, dokler ne boste ugotovili, da so vsi deli tudi prisotni.
- ✿ Napravo shranjujte na suho mesto, izven dosega otrok.
- ✿ Preberite vsa opozorila in navodila. Neupoštevanje opozorila ali navodil lahko privede do poškodb zaradi električnega udara, požara in/ali drugih resnih poškodb.

Embalaža

Izdelek je zapakiran v embalažo, ki preprečuje poškodbe med prevozom. Embalažo je možno v celoti reciklirati.

Navodila za uporabo

Preden napravo začnete uporabljati, si preberite naslednja varnostna in uporabniška navodila. Seznanite se z elementi krmiljenja in pravilno uporabo naprave. Uporabniški priročnik imejte na varnem in enostavno dostopnem mestu. Shranite originalno embalažo, material, garancijsko kartico in potrdilo o nakupu, vsaj za obdobje garancije. Če morate napravo poslati nazaj, jo zapakirajte v originalno kartonsko škatlo in tako poskrbite za najboljšo zaščito med prevozom (tj. kadar potujete ali kadar morate poslati izdelek v popravilo).

 **Opomba:** Če boste napravo prodali ali izročili drugi osebi, ji priložite tudi uporabniški priročnik. Upoštevanje navodil v uporabniškem priročniku, je predpogoj za pravilno uporabo naprave. Uporabniški priročnik vsebuje tudi navodila za uporabo, vzdrževanje in popravila.

Proizvajalec ne prevzema nobene odgovornosti za nesreče in poškodbe, ki nastanejo zaradi neupoštevanja navodil iz tega priročnika.

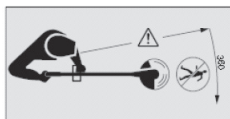
2. RAZLAGA OZNAK NA NAPRAVI



Opozorilo!



Pred uporabo pozorno preberite priročnik.



Prisotni naj bodo med delom z napravo varno oddaljeni.



Naprave ne uporabljajte v dežju ali mokrih okoliščinah.



Vedno nosite zaščito za oči.



Med delom uporabljajte zaščitne rokavice.



Nosite čvrsto delovno obutev.



Uporabljajte opremo za zaščito sluha.



Če je napajalni kabel poškodovan, ga takoj odklopite iz vira napajanja.



POZOR! Naprave ne uporabljajte v bližini otrok ali drugih oseb, niti ne blizu živali.



Pazite, da vas leteči delci ne poškodujejo.

3. VARNOSTNA NAVODILA

⚠ POZOR!

Pri uporabi naprave upoštevajte varnostna pravila. Za vašo varnost in varnost prisotnih med uporabo naprave, si pred začetkom dela pozorno preberite ta navodila. Navodila shranite na dostopno mesto, da jih boste kasneje lahko uporabili.

- ✿ Med delom s to napravo vedno nosite zaščitna očala.
- ✿ Med delom s to napravo vedno nosite zaščitne rokavice.
- ✿ Te električne naprave ne izpostavljate dežju ali drugim mokrim/vlažnim okoliščinam.
- ✿ Pred uporabo rezalnika na nitko, se ustrezno seznanite z elementi in postopki za upravljanje.
- ✿ Otrokom in osebam, ki niso ustrezno seznanjeni s temi navodili, nikoli ne dovolite, da bi uporabljali napravo.
- ✿ Otrokom in drugim osebam ter živalim med uporabo naprave ne dovolite, da bi se približevali, saj so med odrezano in letečo travo lahko tudi kamni ter delci, ki bi jih lahko poškodovali. Če v bližino delujočega rezalnika kdorkoli pride, še posebej, kadar pride otrok, napravo takoj ugasnite.
- ✿ Kadar delate z rezalnikom, ne dovolite, da bi se vam kdorkoli, niti domače živali, približal bližje, kot 15 metrov.
- ✿ Rezalnik na nitko uporabljajte le podnevi, ko je dobra vidljivost.
- ✿ Preden začnete uporabljati rezalnik na nitko, ali po vsaki situaciji, ki bi ga lahko poškodovala, ga preverite glede morebitnih poškodb ali obrabe, ter odpravite morebitne nepravilnosti. Rezalnika na nitko ne uporabljajte, če rezalno orodje ni pravilno nameščeno, oziroma je poškodovano.
- ✿ Stalno skrbite, da bo rezalnik na nitko v dobrem delovnem stanju, sicer lahko povzroči poškodbe.
- ✿ Med uporabo rezalnika na nitko vedno uporabljajte zaščitno varovalo.
- ✿ Če je zaščitno varovalo poškodovano, rezalnika na nitko ne uporabljajte.
- ✿ Pred delom preglejte območje, kjer boste rezalnik na nitko uporabljali in odstranite vse kamne, kovinske delce, korenine, druge trdne predmete in plastične vrečke, ter ostale predmete, ki jih ne boste rezali.
- ✿ Pred zagonom rezalnika na nitko, se prepričajte, da se najlonski rezalni rob ne dotika kamnov ali drugih delcev.
- ✿ Vedno, še posebej pa ob zaganjanju motorja, imejte roke proč od območja z rezilom.
- ✿ Poskrbite, da se boste za delo z rezalnikom na nitko ustrezno zaščitili pred morebitnimi poškodbami, ki bi jih lahko utrpeli zaradi rezalne nitke. Po namestitvi nove rezalne nitke, vedno vrnite rezalnik na nitko v običajni delovni položaj.
- ✿ Nikoli ne uporabljajte rezervnih in nadomestnih delov, ki jih ni odobril proizvajalec naprave.
- ✿ Poskrbite, da bodo prezračevalne odprtine čiste in prehodne.
- ✿ Za preprečitev neželenega zagona, rezalnika med prenašanjem nikoli ne držite s prstom na gumbu za vklop/izklop.
- ✿ Med delom z rezalnikom na nitko imejte vedno stabilen položaj.
- ✿ Pred začetkom dela odstranite žice, kamne in tuje iz območja, kjer boste rezalnik na nitko uporabljali.
- ✿ Z rezalnikom na nitko ne režite trdih predmetov. S tem bi lahko poškodovali sebe ali rezalnik na nitko.

⚠ POZOR!

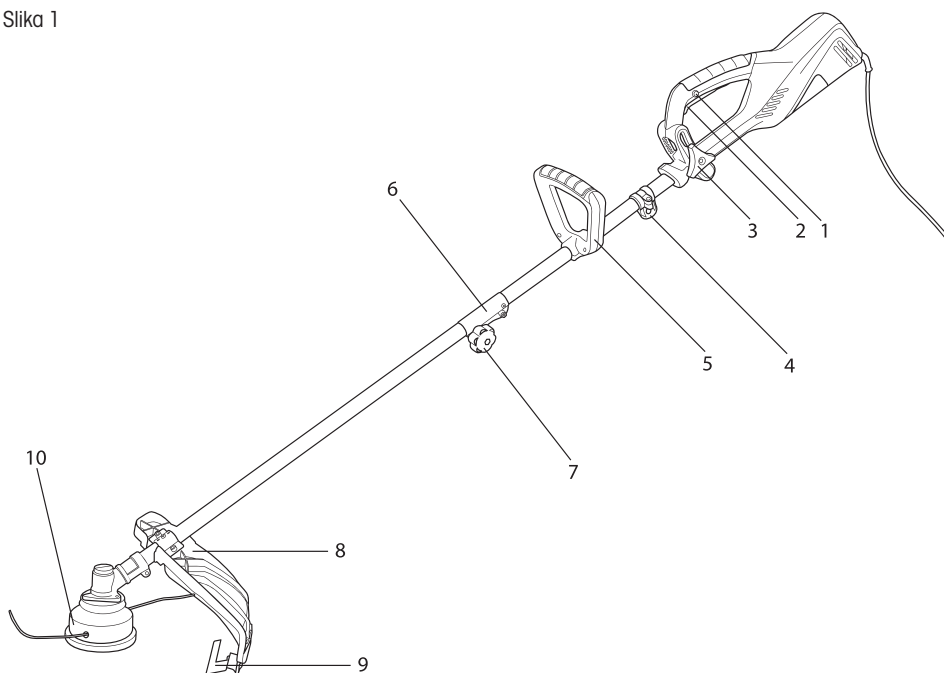
Odrezani delci se vrtilo še potem, ko se motor rezalnika že zaustavi!

- ✿ Nikoli ne poskušajte zaustaviti rezalnika (najlonske nitke) z rokami. Vedno počakajte, da se zaustavi sam. Ta navodila se nanašajo tudi na delo s trizobim rezilom.
- ✿ Rezalnika na nitko ne uporabljajte za rezanje trave, ki ne raste na tleh, razen za rezanje trave na skalnjakih itd.
- ✿ Rezalnika na nitko, ki se še vedno vrtilo, nikoli ne predstavljajte preko peščenih ali neporaslih predelov.

4. OPIS NAPRAVE

1. Varovalka stikala za vklop/izklop
2. Stikalo za vklop/izklop
3. Vijak za nastavitve ročaja
4. Kljukica ramenskega pasu
5. Ročaj
6. Spojnik gredi ročaja
7. Vijak za pritrditev spojnika gredi ročaja
8. Varovalo
9. Rezalnik nitke
10. Polavtomatska glava rezalne nitke/kovinskega trizobega rezila

Slika 1



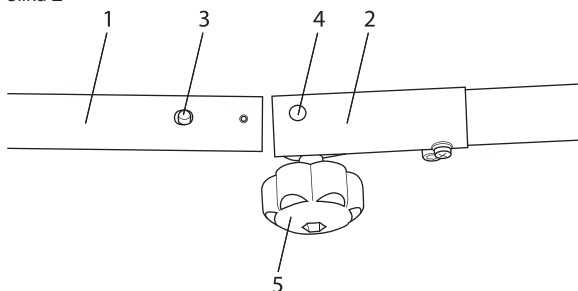
Vsebina paketa:

Električni rezalnik, glava rezalne nitke, kovinsko trizobo rezilo, ramenski pas, komplet orodja

5. SESTAVLJANJE

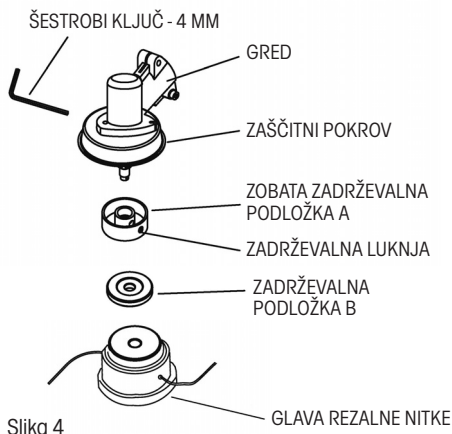
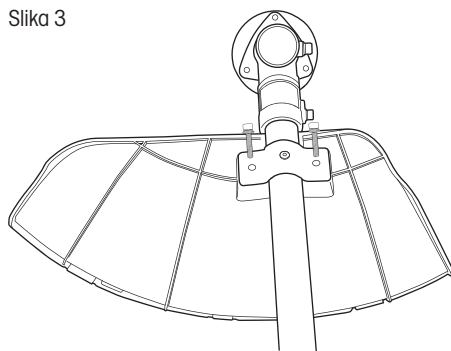
- Spojite gredi rezalnika (slika 2). Vstavite spodnji del gredi (slika 2, točka 1) v spojnik (slika 2, točka 2), ki je del zgornje gredi. Zatič za zaklepanje (slika 2, točka 3) se mora vstaviti v luknjo (slika 2, točka 4). Nato oba dela pritrdite, tako, da privijete vijak (slika 2, točka 5). Za lažje prevažanje rezalnika, lahko gredi ponovno razstavite.

Slika 2



- Na gred namestite varovalo in ga pritrdite s priloženimi vijaki ter maticami. Matice so vdelane v plastični pokrov (glejte sliko 3).
- S priloženimi vijaki privijete ročaj (slika 1, točka 5). Ročaj lahko poljubno namestite vzdolž gredi. Na ta način lahko ročaj namestite v idealen in udoben delovni položaj. Po izbiri idealnega delovnega položaja, privijete vijake.
- Namestitev glave rezalne nitke.
 - V gred vstavite priloženi ključ in jo zadržite na mestu (glejte sliko 4). To storite tako, da poravnate luknjo v varovalu z luknjo v gredi in skozi njo vstavite šestrobi ključ. Luknji poravnate tako, da obračate varovalo.

Slika 3



Slika 4

- Sestavne dele namestite v naslednjem zaporedju: Slika 5

1. Zobata varovalna podložka A (z zadrževalno luknjo)
2. Zadrževalna podložka B
3. Glava rezalne nitke

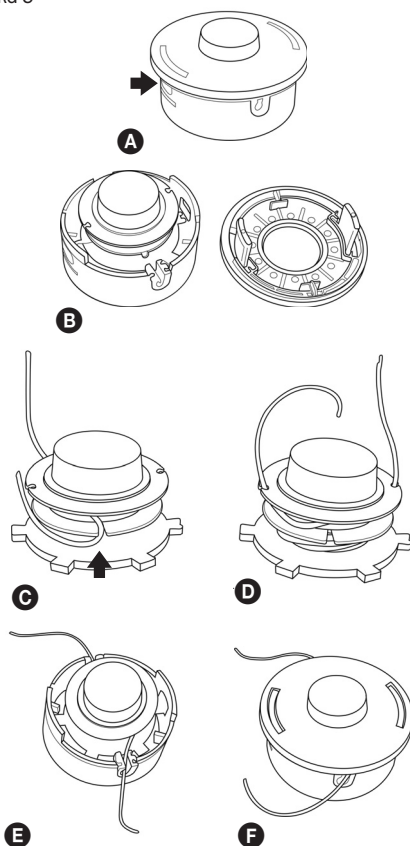
- Glavo rezalne nitke čvrsto privijte na gred v smeri urnega kazalca (pozor: levi navoj).
 - Šestrobi ključ izvlecite iz zadrževalne luknje.

✿ Navijanje rezalne nitke na vreteno

1. Pritisnite zadrževala na stranskem delu glave ter snemite pokrov (glejte sliko 5, točki A in B)
2. Vzemite vreteno nitke iz glave. Pripravite približno 2-3 m najlonske nitke, debeline 1,6 mm.
3. Nitko na sredini prepognite in prepognjeni del vstavite v utor vretena (glejte sliko 5, točka C)
4. Oba dela nitke vzporedno navijte v nasprotni smeri urnega kazalca na vreteno. Konca najlonske nitke vstavite v luknji (glejte sliko 5, točka D)
5. Vreteno vstavite v glavo rezalnika in namestite pokrov (glejte sliko 5, točki E in F)

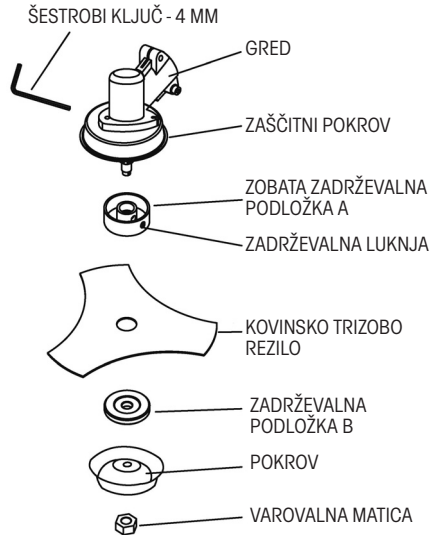
⚠ OPOZORILO

Uporabljajte le kakovostno najlonsko nitko debeline 1,6 mm. Nikoli namesto najlonske nitke ne uporabljajte žice ali z žico ojačane najlonske nitke. Uporabljajte le originalno rezalno glavo.



- ✿ Namestitvev kovinskega trizobega rezila
 - V gred vstavite priloženi 4 mm ključ in jo zadržite na mestu (glejte sliko 6). To storite tako, da poravnate luknjo v varovalu z luknjo v gredi in skozi njo vstavite šeststrobi ključ. Luknji poravnate tako, da obračate varovalo.
 - Sestavne dele namestite v naslednjem zaporedju:
 1. Zobata varovalna podložka A (z zadrževalno luknjo)
 2. Kovinsko trizobo rezilo
 3. Zadrževalna podložka B
 4. Pokrov
 5. Varovalna matica
 - Prepričajte se, da je rezilo pravilno vstavljeno v ležišče zobate zadrževalne podložke A
 - S priloženim natičnim ključem trdno privijte pritrdilno matico rezila proti desni (pozor: levi navoj).
 - Šeststrobi ključ izvlcite iz zadrževalne luknje.

Slika 6



⚠ OPOZORILO
 ČE MED DELOVANJEM REZALNIK ZAČNE
 PREKOMERNO VIBRIRATI – TAKOJ UGASNITE MOTOR

Prekomerne vibracije rezila pomenijo, da rezilo ni pravilno nameščeno. Takoj ugasnite motor in preverite stanje rezila. Nepravilno nameščeno rezilo lahko povzroči poškodbe. Za vzdrževanje in servisiranje te naprave uporabljajte le originalni pribor.

6. ZAGANJANJE REZALNIKA

✿ OPRAVILA PRED ZAČETKOM DELA

1. Preverite, če so vsi vijaki, matice in pritrdilni elementi dobro pritrjeni. Privijte morebitne premalo pritevane vijake.
2. Preverite, če sta plastični ščitnik in rezilo dobro pritrjena.
3. Preverite rezilo ali glave rezalnika glede poškodb.

⚠ OPOZORILO

- ✿ Pred zagonom motorja se prepričajte, da se rezilo/glava rezalnika prosto giblje in se ne dotika ohišja.
- ✿ Rezalnik med delom vedno trdno držite z obema rokama. Vedno stojte tako, da bo vaše telo na levi strani cevi gredi. Nikoli ne držite ročajev s prekrizanimi rokama. Ta navodila veljajo tudi za levičarje.

POZOR: Izpostavljenost tresljajem lahko škodljivo vpliva na zdravje oseb, ki imajo težave z ožiljem ali živčnim sistemom. Če boste med uporabo rezalnika zaznali kakršne koli fizične težave, kot so izguba občutka ali zaznavanja, izguba običajne moči ali spremembo barve kože, se obrnite na zdravnika. Ti simptomi se najpogosteje pojavijo na prstih, dlaneh in zapestju.

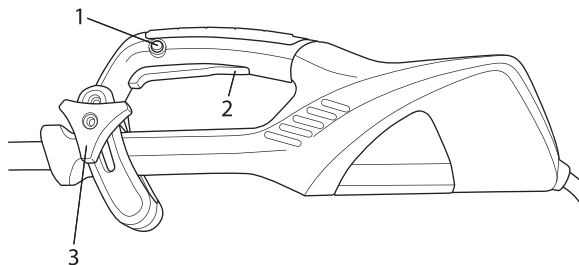
Zaganjanje rezalnika

Najprej pritisnite varovalko stikala za vklop/izklop (slika 7, točka 1).

Nato pritisnite stikalo za vklop/izklop (slika 7, točka 2). Rezalnik se bo začel vrteti z največjo hitrostjo.

Opomba: Položaj ročaja, na katerem sta nameščena varovalka in stikalo za vklop/izklop lahko nastavite v ustrezen položaj, če odvijete vijake (slika 7, točka 3).

Slika 7



Ugasnite motor

Sprostite stikalo za vklop/izklop (slika 7, točka 2).

7. REZANJE

⚠ OPOZORILO!

Pri delu z rezalno nitko ali rezalnikom obstaja nevarnost letečih delcev kamnov, kovine ali materiala, ki ga režete. Pozorno preberite vse varnostne napotke.

Upoštevajte vsa varnostna navodila v tem priročniku.

⚠ OPOZORILO!

Uporabite zaščito za glavo, oči, obraz in ušesa. Uporabljajte ustrezno zaščitno obutev, ki bo varovala vaša stopala in bo hkrati zagotavljala trden oprijem na spolzkih površinah. Med delom ne nosite kravate, nakita ali ohlapnih oblačil, ki bi se lahko ujeti v premikajoče se dele naprave. Ne nosite obutve brez ojačanega sprednjega dela. Med uporabo rezalnika nikoli ne bodite bos. V določenih situacijah, morate uporabiti zaščito za cel obraz in glavo.

Med delom pazite, da ne pride do povratnih udarcev ali ujetja rezalnega orodja.

⚠ OPOZORILO!

Vedno uporabljajte ramenski pas.

Ramenski pas nastavite tako, da bo rezalno orodje rezalnika odmaknjen nekaj centimetrov od tal. Glava rezalnika in kovinsko varovalo morata biti med uporabo v vodoravnem položaju. Rezalnik med delom držite na desni strani telesa.

⚠ NEVARNO OBMOČJE

NIHČE RAZEN UPRAVLJAVCA NAPRAVE SE MED NJENIM DELOVANJEM NSE SME ZADRŽEVATI ZNOTRAJ 15 METRSKEGA OBMOČJA. UPRAVLJAVEC NAPRAVE MORA MED DELOM UPORABLJATI USTREZNO ZAŠČITNO PREMO ZA OČI, SLUH, OBRAZ, STOPALA, NOGE IN TELO. OSEBE, KI SE MED DELOVANJEM NAPRAVE NAHAJAJO ZNOTRAJ NEVARNEGA ALI TVEGANEGA OBMOČJA, MORAJO UPORABLJATI ZAŠČITO PRED LETEČIMI DELCI. TVEGANJE POŠKODB SE ZMANJŠUJE Z ODDALJENOSTJO OD NEVARNEGA OBMOČJA.

REZANJE Z NAJLONSKO NITKO

- ✿ Glava rezalne nitke se vrti V SMERI URNEGA KAZALCA.
- ✿ **Rezalna nitke se podaljšuje polavtomatsko. Med rezanjem le blago udarite z glavo rezalnika ob podlago, pritisk gumba bo sprostil mehanizem za zadrževanje najlonske nitke in slednja se bo podaljšala. Rezalna nitka se bo na rezilu nitke, ki je vstavljeno v plastično varovalo, samodejno skrajšala na največjo dovoljeno razdaljo.**

REZANJE TRAVE

- ✿ Med rezanjem trave pazljivo postopoma premikajte rezalnik proti travi, ki jo želite pokositi. Rezalno glavo blago nagnite, tako, da bo odrezan material lepo izmetavalo proč od vas. Če režete travo poleg ovir, kot so ograde, stene in drevesa, se tem oviram približajte pot takšnim kotom, da bo odrezan material metalo proč od vas. Rezalnik z najlonsko nitko počasi premikajte v polkrožnih gibih od desne proti levi, vse do ovire, vendar pazite, da rezalna nitka ne bo prihajala v stik z oviro.
- ✿ Če kosite travo blizu žičnate ograde, pazite, da najlonska nitka ne bo prišla v stik z žicami. Če se z rezalno nitko preveč približate žici, se bo najlonska nitka ob vsakem trku skrajšala.
- ✿ Pri rezanju debelejših bilk režite eno po eno. Rezalnik z glavo postavite na spodnji del debelejšje bilke - nikoli na zgornjega, zato, ker se slednji lahko začne tresti, najlonska nitka pa se ovije okoli njega. Namesto, da bi poskušali debelejšo bilko prerezati v enem mahu, priporočamo, da ga režete le s koncem nitke, in to počasi.

ČIŠČENJE IN PRIREZOVANJE ROBOV

- ✿ Ti opravili izvajajte tako, da je glava rezalnika nagnjena pod kotom. Čiščenje pomeni, da odstranite vse rastlinje in ostane le zemlja.
- ✿ Prirezovanje robov pomeni rezanje trave na robu trate, ki se razteza ob pešpoteh in cestah.
- ✿ Med čiščenjem in prirezovanjem robov držite orodje pod ostrim kotom na podlago, tako, da se bodo delci odrezanega materiala in ostali delci izmetavali proč od vas, tudi če se odbijejo od trdne površine. Poleg slik, ki prikazujejo kako naj bi izvajali čiščenje in prirezovanje robov, mora vsak uporabnik naprave sam ugotoviti, kateri položaj telesa in naprave je zanj, glede na delovne pogoje, najbolj primeren.

⚠ OPOZORILO!

Če uporabljate glavo z najlonsko nitko, morate nanjo pritrditi ustrezno varovalo. Če se najlonska nitka preveč raztegne, lahko začne opletati. Če uporabljate glavo z najlonsko nitko, na napravo vedno namestite ustrezno varovalo z rezilom najlonske nitke.

⚠ OPOZORILO!

Pri rezanju nad zemljo ali peskom bodite pazljivi, saj najlonska nitka lahko izvrže majhne delce z visoko hitrostjo. Varovalo samo vas ne more ustrezno zaščititi pred letečimi delci, ki se odbijejo od trdnih površin.

⚠ OPOZORILO!

Rezalnika ne uporabljajte na mestih, kjer so žice ter mreže. Uporabljajte zaščitne pripomočke. Rezalnika ne uporabljajte na mestih, kjer ne morete dobro videti, kaj točno režete.

REZANJE Z REZILOM

REZANJE DEBELEJŠIH BILK

- ☼ To rezanje poteka tako, da v loku premikate vrteče se rezilo, vpeto v glavo rezalnika. Na ta način lahko hitro počistite veliko površino goste trave in debelejših bilk. Kovinsko krožno rezilo lahko uporabljate za rezanje debelejših in trdovratnih bilk ter olesenele vegetacije.
- ☼ S kovinskim krožnim rezilom lahko režete v obeh smereh ali le v eni, kar pomeni, da bo rezilo odrezani material vedno izmetavalo proč od vas. Na ta način bo rezilo, ki se vrti proč od vas opravilo svoje delo. Blago nagnite rezilo navzdol. Če boste rezalnik uporabljali v obeh smereh, bo vrteče se rezilo lahko nekaj odrezanega materiala izvrglo proti vam.

 **Opomba:** Rezalnika s kovinskim krožnim rezilom ne uporabljate za rezanje dreves, ki so debelejša od 12 mm.

OPOZORILO!

MED REZANJEM SE Z REZILOM NIKOLI NE REŽITE NASLEDNJIH PREDMETOV:
KOVINSKIH KOLOV, ELEKTRIČNIH ŽIC, GUMIJASTIH PREDMETOV, ZIDOV, KAMNOV, OGRAD

OPOZORILO!

Če je kovinsko krožno rezilo topo, razpokano ali poškodovano, ga prenehajte uporabljati. Preden začnete z rezanjem, preverite, če se na delovnem območju morda nahajajo ovire, kot so kamni, kovinski koli ali žice. Če teh ovir ne morete odstraniti, jih ustrezno označite, da med rezanjem ne boste trčili obnje. Kamenje ali kovinski predmeti bodo otopili ali poškodovali krožno rezilo. Žice se lahko navijejo na glavo rezila, slednjega zvijejo in povzročijo poškodbe.

8. VZDRŽEVANJE

- ☼ Rezalnik na nitko se tekom časa lahko osuši. Za zagotavljanje brezhibnega stanja, shranjujte rezervna vretena ali nadomestno najlonsko vrstico v plastični vrečki, v katero ste dodali žličko vode.
- ☼ Za čiščenje naprave uporabljajte mehko krpo, ki ste jo namočili v blago milnico. Naprave nikoli ne potaplajte v vodo, niti je ne škropite s cevjo za zalivanje. Preprečite, da bi katerakoli tekočina prišla v notranjost naprave. Naprave ne perite z visokotlačnim čistilnikom.
- ☼ Rezilo najlonske nitke rezalnika, ki je nameščeno zaščitnem pokrovi, s časom lahko otopi. Priporočamo, da ga redno ostrite s pilo.

9. ODLAGANJE

NAVODILA IN INFORMACIJE O ODLAGANJU UPORABLJENE EMBALAŽE

Rabljeno embalažo odlagajte na mestih za ločeno zbiranje odpadkov.



Naprava in njeni dodatki so izdelani iz različnih materialov, npr. iz kovine in plastike. Poškodovane dele dostavite v reciklažni center. Za podrobnosti se posvetujte pri ustreznem državnem organu.

Pridržujemo si pravico za spreminjanje besedila, oblike in tehničnih specifikacij brez opozorila.

Uporabniški priročnik v izvornem jeziku

10. IZJAVA O SKLADNOSTI

CE IZJAVA O SKLADNOSTI

Proizvajalec:

FAST ČR, a. s.
Černokostelecká 2111, 100 00 Prague 10, Češka republika
ID številka za DDV: CZ26726548

Izdelek/blagovna znamka: ELEKTRIČNI REZALNIK NA NITKO Z REZILOM/FIELDMANN

Vrsta/model: FZS 2050 E

230 V, 1 400 W, 50 Hz, razred II

Ta izdelek izpolnjuje določila spodnjih direktiv:

ES direktiva št. 2000/14/ES, direktiva o emisiji hrupa strojev, ki se uporabljajo na prostem
ES direktiva Sveta št. 2006/42/ES, direktiva o strojih
ES direktiva št. 2004/108/ES, direktiva o elektromagnetni združljivosti (EMC)
EC direktiva št. 2002/95/ES, direktiva RoHS

in norm:

EN 60335-1/A15:2011
EN 60335-2-91:2003
EN 62233:2008
EN ISO 11806-1:2011
EN 55014-1:2006+A1:2009+A2:2011
EN 55014-2:1997+A1:2001+A2:2008
EN 61000-3-2:2006+A1:2009+A2:2009
EN 61000-3-11:2000

CE oznaka: 14

FAST ČR a.s. je pooblaščen za ukrepanje v imenu proizvajalca.

Kraj izdaje: Praga

Ime: Ing. Zdeněk Pech
Predsednik sveta direktorjev

Datum izdaje: 7. 5. 2014

Podpis:

FAST FAST ČR, a.s. 
Černokostelecká 1821, 251 01 Říčany
IČO: 26726548 tel.: +420/ 323 204 111
DIČ: CZ26726548 fax: +420/ 323 204 110



11. TEHNIČNE SPECIFIKACIJE

Model	FZS 2050-E
Napetost/frekvenca	230-240 V [~] /50 Hz
Moč električnega motorja	1.400 W
Dolžina rezanja	42 cm
Vrsta glave rezalne nitke	Polavtomatska
Število vrtljajev v prostem teku	10.000 vrt/min
Premer najlonske nitke	1,6 mm
Teža brez goriva in rezalnega orodja	6,0 kg

Vyplní prodejce. | Vyplní predajca. | To be filled in by the seller.
 | Wypelnia sprzedawca. | A kereskedő tölti ki.

Název: | Názov: | Name: | Nazwa: | Megnevezés:

Typ: | Type: | Típus:

Výrobní číslo: | Výrobné číslo: | Serial number: | Numer seryjny: | Gyártási szám:

 V prípade opravy vyplní servis. | V prípade opravy vyplní servis. | To be filled in by a repair shop
 in case of repair. | W przypadku naprawy wypelnia serwis. | Javítás esetén a szerviz tölti ki.

Datum oznámení nároku na záruku: | Datum oznámenia nároku na záruku: | Date of notification of the entitlement to warranty: | Data zgłoszenia roszczeń gwarancyjnych: | A jótállási igény bejelentésének időpontja:

 Den: | Deň: | Day: | Dzień: | Nap: Měsíc: | Mesiac: | Month: | Miesiąc: | Hó: Rok: | Ró: | Year: | Év: **20**

Datum převzetí do opravy: | Datum prevzatia do opravy: | Data przyjęcia do naprawy: | Date of accepting for repair: | Javításra átvétel időpontja:

 Den: | Deň: | Day: | Dzień: | Nap: Měsíc: | Mesiac: | Month: | Miesiąc: | Hó: Rok: | Ró: | Year: | Év: **20**

Důvod poruchy: | Dóvod poruchy: | Cause of defect: | Przyczyna awarii: | Hiba oka:

A termék azonosításra alkalmas részreinek meghatározása (amennyiben alkalmazható):

Číslo prodejního dokumentu: | Číslo predajného dokumentu: | Sales document no.: | Number dokumentu sprázdavy: | Vásártást igazoló bizonylat száma:

Datum nákupu (uvedení do provozu): | Dátum nákupu (uviedenie do prevádzky): | Date of purchase (putting into operation): | Data zakupu (przekazania do eksploatacji): | A vásártást (üzem-behelyezés) időpontja:

 Den: | Deň: | Day: | Dzień: | Nap: Měsíc: | Mesiac: | Month: | Miesiąc: | Hó: Rok: | Ró: | Year: | Év: **20**

Razítko prodejce: | Pečiatka predajcu: | Seller's stamp: | Pieczęć sprzedawcy: | Kereskedő bélyegzője:

Způsob opravy: | Spósob opravy: | Mode of repair: | Sposób naprawy: | Javítás módja:

Datum vráčení výrobku zpět zákazníkovi: | Dátum vrátenia výrobku späť zákazníkovi: | Date of returning the product back to the customer: | Data zwrotu wyrobu klientowi: | A termék fogyasztó részére való visszaadásának időpontja:

 Den: | Deň: | Day: | Dzień: | Nap: Měsíc: | Mesiac: | Month: | Miesiąc: | Hó: Rok: | Ró: | Year: | Év: **20**

Nová záruční lhůta – prodloužená o délku opravy: | Nová záručná lehota – predĺžená o dĺžku opravy: | New warranty period – extended by the duration of the repair: | Nowy termin gwarancyjny – przedłużony o czas naprawy: | A jótállás – kijavítás időtartamával meghosszabbított – új határideje:

 Den: | Deň: | Day: | Dzień: | Nap: Měsíc: | Mesiac: | Month: | Miesiąc: | Hó: Rok: | Ró: | Year: | Év: **20**

Razítko servisu: | Pečiatka servisu: | Stamp of the repair shop: | Pieczęć serwisu: | Szerviz pecsétje:

Autorizovaná servisní střediska | Autorizované servisné strediská | Authorized service centres

FAST ČR, a. s.

 Černokostelecká 1621
 CZ 251 01 Říčany
 Česká republika
 Tel.: +420/ 323 204 120
 Fax: +420/ 323 204 121
 servis.praha@fastcr.cz
 www.fastcr.cz

FAST ČR, a. s.

 Cejl 31
 CZ 602 00 Brno
 Česká republika
 Tel.: +420/ 531 010 295
 Fax: +420/ 531 010 296
 servis.brno@fastcr.cz
 www.fastcr.cz

Fast Plus, spol. s r. o.

 Na Pántoch 18
 SK 831 06 Bratislava
 Slovenská republika
 Tel.: +421/2/49 105 854
 Fax: +421/2/49 105 859
 servis@fastplus.sk
 www.fastplus.sk

További információkért | Aby uzyskać więcej informacji | További információkért

Fast Hungary Kft.

 Dulácska u. 1/a.
 H-2045 Törökbálint
 Magyarország
 Tel.: +36/ 23 330 905
 Fax: +36/ 23 330 827
 info@fasthungary.hu
 www.fasthungary.hu

Arconet sp. z o.o.

 W celu znalezienia
 najbliższego serwisu
 prosimy zadzwonić:
 0801 44 33 22
 Lub odwiedzić stronę
 internetową:
 www.arconet.pl

Uab „Senuku Prekybos
Centras“ Garantinis Servisas
 Jonavos G. 62, Lt-44192,
 Kaunas, Lithuania
 Tel.: +370 37 212 146
 Tex.: +370 37 212 165
 garrem@senukai.lt
 www.senukai.lt

Záruční podmínky

Prodávající poskytuje kupujícímu na výrobek záruku v trvání 24 měsíců od převzetí výrobku kupující. Záruka se poskytuje za dle uvedených podmínek. Záruka se vztahuje pouze na nové zboží prodané spotřebiteli za účelem použití uvedeném v příslušné návodu k obsluze. Práva z odpovědnosti za vady (reklamáce) může kupující uplatnit buď u prodávajícího, u kterého byl výrobek zakoupen nebo v níže uvedeném autorizovaném servisu. Kupující je povinen reklamaci uplatnit bez zbytečného odkladu, aby nedocházelo ke zhoršení vady, nejpozději však do konce záruční doby. Kupující je povinen poskytnout při reklamaci součinnost nutnou pro ověření existence reklamované vady. Do reklamčního řízení se přijímá pouze kompletní a z důvodů dodržení hygienických předpisů čistý výrobek. V případě oprávněné reklamáce se záruční doba prodlužuje o dobu od okamžiku uplatnění reklamáce do okamžiku převzetí opraveného výrobku kupujícíem nebo okamžiku, kdy je kupující po skončení oprav povinen výrobek převzít. Kupující je povinen prokázat svá práva reklamováním (doklad o zakoupení výrobku, záruční list, doklad o uvedení výrobku do provozu...).

Záruka ne vztahuje zejména na:

■ vady, na které byla poskytnuta sleva ■ opotřebení a poškození vzniklé běžným užíváním výrobku ■ po-

škození výrobku v důsledku neoborné či neobráběné instalace, použití výrobku v rozporu s návodem k obsluze, platnými právními předpisy a obecně známými a obvyklými způsoby používání, v důsledku použití výrobku k jinému účelu, než ke kterému je určen ■ poškození výrobku v důsledku zanedbané nebo nesprávné údržby ■ poškození výrobku způsobené jeho znečištěním, nehodou a zásahem vyšší moci (živelná událost, požár, vniknutí vody, ...) ■ vady funkčnosti výrobku způsobené nevhodnou kvalitou signálu, rušivým elektromagnetickým polem apod. ■ mechanické poškození výrobku (například omezení knoflíků, pád...) ■ poškození způsobené použitím nevhodných materiálů, například, spotřebního materiálu (baterie) nebo nevhodnými provozními podmínkami (např. vysoké okolní teploty, vysoká vlhkost prostředí, otřesy, ...) ■ poškození, úpravu nebo jiný zásah do výrobku provedený neoprávněnou nebo neautorizovanou osobou (servisem) ■ případy, kdy kupující při reklamaci neprokáže oprávněnost svých práv (kdy a kde reklamovaný výrobek zakoupil) ■ případy, kdy se údaje v předložených dokladech liší od údajů uvedených na výrobku ■ případy, kdy reklamovaný výrobek nelze ztotožnit s výrobkem uvedeným v dokladech, kterými kupující prokazuje svá práva reklamováním (např. použití výrobního čísla nebo záručního plomba přístroje, popisované údaje v dokladech, ...)

Záručné podmínky

Prodávající poskytuje kupujícímu na výrobek 24 měsícov záruku od jeho převzatí kupujícím. Záruka sa poskytuje údaj za nižšie uvedených podmínek. Záruka sa vzťahuje iba na spotrebný tovar predaný spotrebiteľovi na bežné domáce použitie. Práva zo zodpovednosti za vady (reklamácie) môže kupujúci uplatniť buď u predávajúceho, u ktorého bol výrobek zakúpený alebo v nižšie uvedenom autorizovanom servise. Kupujúci je povinný reklamáciu uplatniť bez zbytočného odkladu, aby nedochádzalo ku zhoršeniu chyby, najneskôr však do konca záručnej doby. Kupujúci je povinný pri reklamacii spolupracovať pri overení existence reklamovanej chyby. Do reklamačného procesu sa prijíma iba kompletný a z dôvodu dodržania hygienických predpisov nečistý výrobek. V prípade oprávenej reklamácie sa záručná doba predĺžuje o dobu od okamžiku uplatnenia reklamácie do okamžiku prevzatia opraveného výrobku kupujúcim, kedy je kupujúci po skončení oprav povinný výrobek prevziať. Kupujúci je povinný preukázať svoje práva reklamovateľ (doklad o zakúpení výrobku, záručný list, doklad o uvedení výrobku do prevádzky, ...).

Záruka sa nevzťahuje na:

■ chyby, na ktoré bolo poskytnuté zľavy ■ opotrebenie a poškodenia vzniknuté bežným užívaním výrobku ■ poškodenie výrobku v dôsledku neoborného

či nesprávnej inštalácie, použitia výrobku v rozpore s návodom na použitie s platnými právnymi predpismi a všeobecne známymi a obvyklými spôsobmi používania, v dôsledku použitia výrobku na iný účel, než na ktorý je určený ■ poškodenie výrobku v dôsledku zanedbaného alebo nesprávneho údržby ■ poškodenie výrobku spôsobené jeho znečistením, nehodou a zásahom vyššej moci (živelná udalosť, požiar, vniknutie vody, ...) ■ vady funkčnosti výrobku spôsobené nevhodnou kvalitou signálu, rušivým elektromagnetickým poľom a pod. ■ mechanické poškodenie výrobku (napr. zlomenie gombíka, pád, ...) ■ poškodenie spôsobené použitím nevhodných materiálov, napríklad, spotrebného materiálu (baterie) alebo nevhodnými prevádzkovými podmienkami (napr. vysoké teploty v okolí, vysoká vlhkosť prostredia, otrasy, ...) ■ poškodenie, úpravu alebo iný zásah do výrobku spôsobený neoprávnene alebo neautorizovanou osobou (servisom) ■ prípady, keď kupujúci pri reklamacii nepreukáže oprávnenosť svojich práv (kedy a kde reklamovaný výrobek zakúpil) ■ prípady, keď sa údaje v predložení dokladov líšia od údajov uvedených na výrobku ■ prípady, keď reklamovaný výrobek sa neshoduje s výrobkom uvedeným v dokladoch, ktorými kupujúci preukazuje svoje práva reklamovateľ (napr. použitie výrobného čísla alebo záručnej plomby prístroje, prepisované údaje v dokladoch, ...)

Conditions of guarantee

This product is warranted for the period of 24 months from the date of purchase to the end-user. Warranty is limited to the following conditions. Warranty is referred only to the customer goods using for common domestic use. The claim for service can be applied either at dealer's shop where the product was bought, or at below mentioned authorized service shops. The end-user is obligated to set up a claim immediately when the defects appeared but only till the end of warranty period. The end-user is obligated to cooperate to certify the claiming defects. Only completed and clean (according to hygienic standards) product will be accepted. In case of eligible warranty claim the warranty period will be prolonged by the period from the date of claim application till the date of taking over the product by end-user, or the date the end-user is obligated to take it over. To obtain the service under this warranty, end-user is obligated to certify his claim with fully completed following documents: receipt, certificate of warranty, certificate of installation...

This warranty is void especially if apply as follows: ■ Defects which were put on sale. ■ Wear-out or damage caused by common use.

■ The product was damaged by unprofessional or wrong installation, used in contrary to the applicable instruction manual, used in contrary to legal enactment and common process of use or used for another purpose which has been designed for. ■ The product was damaged by uncareful or insufficient maintenance. ■ The product was damaged by dirt, accident of force majeure (natural disaster, fire, flood, ...) ■ Defects on functionality caused by low quality of signal, electromagnetic field interference etc. ■ The product was mechanically damaged (e.g. broken button, fall, ...) ■ Damage caused by use of unsuitable media, fillings, expendable supplies (batteries) or by unsuitable working conditions (e.g. high temperatures, high humidity, quakes, ...) ■ Repair, modification or other failure action to the product by unauthorized person. ■ End-user did not prove enough his right to claim (time and place of purchase). ■ Data on presented documents differs from data on products. ■ Cases when the claiming product can not be identified according to the presented documents (e.g. the serial number or the warranty seal has been damaged).

Jótállási feltételek

A FAST Hungary Kft. a termékére a fogyasztó részére történő átadástól (vásárlástól), illetve ha az izembe helyezett a forgalmazó vagy annak megbízottja végzi, az izembe helyezett számmal 24 hónapig tartó időtartamra vállal jótállást. A jótállási igény a jótállási jeggyel, a vásárlástól (izembe helyezettől) számmal 1 év éig a termék értékesítő forgalmazójánál, illetve a jótállási jeggy feltüntetett hivatalos szerviznél követhetően is, míg a 13. hónaptól a 24. hónapig kizárólag a hivatalos szerviznél érvényesíthető.

Jótállási jegy hiányában a fogyasztói szerződés megkötését bizonyítottnak kell tekinteni, ha a fogyasztó bemutatja a termék elterelőkének megfizetését illető érdemlően igazolt bizonylatot. Mindezek érdekében kijelöljük tisztelt Vásárlóinknak, hogy örizzük meg a fizetési bizonylatot is. A jótállási időn belüli meghibásodás esetén a fogyasztó(i) elsőbborn - választása szerint - a hibás terméket díjmentesen kiadhatjuk vagy kicserélését követelhetjük, illetve, ha a választott igény teljesítése kevével, vagy ha a jótállási kötelezettség a másik igény teljesítésével összehasonlítva aránytalan többletköltséget eredményezne, (ii) ha

sem kijavítással, sem kicserélésre nincs joga, vagy ha a kötelezett a kijavítást, illetve kicserélést nem vállalta, vagy a kötelezettségnek megfelelő határidőn belül, a fogyasztónak okozott jelentős kényelmetlen nélkül nem tud eleget tenni, a fogyasztó - választása szerint - megfélelő árészálítást igényelhet vagy elállhat a szerződéstől. Jelentéketlen hiba miatt állásnak nincs helye.

A 151/2003. (IX.22.) Kormányrendelet meghatározott tartós fogyasztási cikk meghibásodása miatt a vásárlástól (izembe helyezettől) számmal három munkanapon belül érvényesített csereigény esetén a forgalmazó nem hivatkozhat aránytalan többletköltségre, hanem a forgalmazó köteles a tartós fogyasztási cikket kicserélni, feltéve, hogy a meghibásodás a rendeltetés szerinti használatból adódó. Kijavítás esetén a fogyasztó cikket csak új alkalattal kerülhet beépítésre. A jótállásra kötelezett tökéletesen a joga, hogy a kijavítás vagy kicserélés 15 napon belül megörtőztesse. A rögzített bejelentés, illetve a 100g-nál súlyosabb, vagy tömegközelítés eszközök cikke csomagok nem szállított fogyasztási cikket az izmeltetés helyén kell megjavítani. Ha a javítás az izmelt-

tetés helyén nem végezhető, a le- és felszerelésért, valamint az el- és visszazsárolásért a jótállás kötelezettség jogátoldódik. Nem számít bele a jótállási időbe a kijavított időnek az része, amely alatt a fogyasztó a termékem nem tudta rendeltetés szerinti használni. A jótállási idő a termékem vagy jelentéktelen részének kicserélés (kijavítása) esetén érvényesül (kijavított) termékem (termékszer), valamint a kijavítás következményeként jelentéktelen hiba tekintetében újabb kezdődik.

Nem érvényesíthető a jótállási igény, ha jótállásra kötelezett bizonyítja, hogy a hiba oka a termék fogyasztói részére való átadását követően keletkezett, így például ha a hibát nem rendeltetés szerinti használat, használati útmutató figyelmen kívül hagyása, helytelen szállítás vagy túrólás, lejtés, rongálás, elemi kár, későzűkelen kiváltott hibás (pl. hálozat) felhasználás megengedetlen hibás (nagyoadozás) ■ illetetlen átalakítás, beavatkozás, nem a hivatalos szerviz által végzett javítás ■ fogyasztó feladta képező karbantartási munkát elmulasztotta joga. A jótállás a fogyasztó törvényből eredő jogait nem érinti.

Garanntios taisyklés

Šiam gaminiui suteikiama 24 mėnesių nu įsigijimo datos garantija. Garantija apibrėžia žemiau pateiktomis sąlygomis. Garantija skirta tik gaminiams, skirtiems buitinais naudojimui. Dėl garantinio remonto perkams gali kreiptis į pardavėju arduotieju, kurioje gaminį pirko, arba į nurodytus įgaliojatus techninės priežiūros centrus. Galutinis naudotojas įsipareigoja pateikti pretenziją nedelsiant po defekto atsiradimo, tačiau tik iki garantijos galiojimo periodo pabaigos. Galutinis naudotojas įsipareigoja bendrabdarbiui patvirtinti gaminio defektus, dėl kurių pateikia pretenziją. Priimtas bus tik pilnai sukomplektuoti ir švarus (pagal higienos standartus) gaminys. Jei pretenzija dėl garantinio remonto bus pagrįsta, gamintojas garantijos galiojimo periodas bus prailginamas atitinkamai periodu nu pretenzijos pateikimo datos iki galutinio naudotojas pasims sutaisyta gaminį arba iki datos, kada galutinis naudotojas turėtų pasimti sutaisyta gaminį. Noredams gauti garantinio remonto paslaugas, galutinis naudotojas turi patvirtinti pretenziją pilnai užpildytais skėnėnėmis dokumentais: pirkimo kvitu, garantiniu lauku, instaliavimo sertifikatu...

Garantija netaikoma: ■ Nukainotoms (brokuotoms) prekėms. ■ Įprastinai susidėvioms gaminiams

dalims ■ Gedimams, atsiradusiems neprofesionaliai ar neteisingai gaminiui instaliavus, nesilaikant gamintojo nurodymu instrukcijų, naudojant gaminį ne pagal įstatymu numatytus standartus, ar įprastinai tokio tipo gaminių naudojimo procesus, naudojant gaminį kitai paskirčiai nei numatyta. ■ Gedimams, atsiradusiems dėl netinkamos ar nepakankamos gaminio priežiūros. ■ Gedimams, atsiradusiems dėl netinkamo, neaukulams įrengimo (įstichinių neperlumo, gaisro, potvynio, ...). ■ Gedimams, atsiradusiems dėl prastos kokybės signalo, elektromagnetinio lauko triukščių ir kt. ■ Radus mechaninių pažeidimų (pvz. sulaužyti mygtukai, kritimo požymiai, ...). ■ Gedimams, atsiradusiems naudojant gaminį su netinkamomis laikmenomis, jungiant prie netinkamų duodimo įrašų (pvz. aukštos temperatūros, didelės drėgmės, žaismės derėjimų, ...). ■ Nustadus, kad gaminis taisytas, modifikuotas ar jausdas neįgalotai tai daryti asmenų. ■ Jei galutinis naudotojas neturi visų reikalingu dokumentu, įrodančių jo teisę į garantinį remontą (pvz. dokumentu, kur būtu nurodytas gaminio įsigijimo laikas ir vieta). ■ Jei data pateiktose dokumentuose skiriasi nuo datos ant gaminio.

Warunki gwarancji

Produkt objęty jest 24 – miesięczną gwarancją, począwszy od daty zakupu przez klienta. Gwarancja jest ograniczona tylko do przedstawionych dalej warunków. Gwarancja obejmuje tylko produkty zakupione w Polsce i jest ważna tylko na terytorium Rzeczypospolitej Polskiej. Gwarancja obejmuje tylko produkty funkcjonujące w warunkach gospodarstwa domowego (nie dotyczy produktów oznaczonych jako „Profesjonal”). Zgłoszenia gwarancyjne można składać w autoryzowanym sieci serwisowej lub w sklepie, gdzie produkt został nabyty. Użytkownik jest zobowiązany zgłosić usterkę niezwłocznie po jej wykryciu, a najpóźniej w ostatnim dniu obowiązywania okresu gwarancyjnego. Użytkownik jest zobowiązany do przedstawiania i udokumentowania usterki. Tylko kompletny i czyste produkty (zgodnie z standardami higienicznymi) będą przyjmowane do naprawy. Usterki będą usuwane przez autoryzowany punkt serwisowy w możliwie krótkim terminie, nieprzekraczającym 14 dni roboczych. Okres gwarancji przedłuża się o czas pobytu sprzętu w serwisie. Klient może ubiegać się o wymianę sprzętu na nowy wady, jeżeli punkt serwisowy stwierdzi na piśmie, że usunięcie wady jest niemożliwe. Aby produkt mógł być przyjęty przez serwis, użytkownik jest zobowiązany dostarczyć oryginalny dowód zakupu (paragon lub faktura), podbitej i wypełnionej karty gwarancyjnej, certyfikatu instalacji (niektóre produkty).

Gwarancja zostaje unieważniona, jeśli:

■ usterka była widoczna w chwili zakupu, ■ usterka wynika ze zwykłego użytkowania i zużycia, ■ produkt został uszkodzony z powodu złej instalacji, ■ zastosowanie się do instrukcji obsługi lub użytkownika niezgodnie z z przeznaczeniem, ■ produkt został uszkodzony z powodu złej konserwacji lub jej braku, ■ produkt został uszkodzony z powodu zamieszczania, wypadku lub okoliczności o charakterze silnie wyższym (pożar, wojna, zamieszki itp.), ■ produkt wykazuje działanie z powodu słabego sygnału, za wyjątkiem elektromagnetycznych itp., ■ produkt został uszkodzony mechanicznie (np. wylamany przysmak, upadek, itp.), ■ produkt został uszkodzony z powodu użycia niewłaściwych materiałów eksploatacyjnych, nośników, akcesoriów, baterii, akumulatorów itp. lub z powodu użytkowania w złych warunkach (temperatura, wilgotność, wstrząsy itp.), ■ produkt był na niewłaściwy lub modyfikowany przez nieautoryzowany personel, ■ użytkownik nie jest w stanie udowodnić zakupu (nieczytelny paragon lub faktura), ■ dane na przedstawianych dokumentach są inne niż na urządzeniu, ■ produkt nie może być zidentyfikowany ze względu na uszkodzenie numeru seryjnego lub plomby gwarancyjnej.

Vom Verkäufer auszufüllen. | Para ser llenado el vendedor. | À remplir par le vendeur.
 | Popuni prodavatelj. | Da compilare dal venditore. | Door de verkoper in te vullen.

Name: Denominación: Dénomination: Naziv: Nome: Naam:

Typ: Modelo | Type: Tip: Tipo:

 Produktionsnummer: | No. de serie: | Numéro de référence: | Numer seryjny: | Numero di
 fabbricazione broj szám: | Seriennummer:

 Im Falle einer Reparatur vom Service auszufüllen. | Para ser llenado por el servicio, en caso de
 reparación. | À remplir par le service de réparation en cas de réparation. | U slučaju popravke
 popuni servis. | Nel caso di un riparo va compilato dal Centro di Assistenza. | Door servicecentrum
 in te vullen bij reparatie.

 Datum der Bekanntmachung des Anspruchs auf Garantie: | Fecha de notificación de derecho
 a garantía: | Date de notification de l'application de la garantie: | Datum obavijesti jamstvenog
 zahtjeva: | Data della notifica del diritto alla garanzia: | Datum waarop beroep op garantie is
 gedaan:

 Tag: Día: Jour: | Monat: Mes: Mois: | Jahr: Año: Année: 20
 Dan: Giorno: Dag: | Mjeseć: Mese: Maand: | Godina: Anno: Jaar:

 Datum der Übernahme zur Reparatur: | Fecha de aceptación para reparación: | Date de la
 remise au service de réparation: | Datum prijema za popravak: | Data della presa in carico
 per riparazione: | Datum waarop reparatie is aangenomen:

 Tag: Día: Jour: | Monat: Mes: Mois: | Jahr: Año: Année: 20
 Dan: Giorno: Dag: | Mjeseć: Mese: Maand: | Godina: Anno: Jaar:

 Grund der Störung: | Motivo de la avería: | Cause du défaut: | Przyczyna awarii: | Motivo del
 guasto: | Reden van defect

A termék azonosításra alkalmas részeinek meghatározása (amennyiben alkalmazható):

 Nummer des Verkaufsbeleges: | No. de documento de venta: | Numéro de document de vente:
 Broj kupoprodajnog dokumenta: | N. documento di vendita: | Nummer van aankoopbewijs:

 Datum des Einkaufs (Inbetriebnahme): | Fecha de compra (puesta en servicio): | Date d'achat
 (mise en service): | Datum kupnje (puštanja u pogon): | Data di acquisto (messa in funzione):
 Aankoopdatum (gebruiknaam):

 Tag: Día: Jour: | Monat: Mes: Mois: | Jahr: Año: Année: 20
 Dan: Giorno: Dag: | Mjeseć: Mese: Maand: | Godina: Anno: Jaar:

 Stempel des Verkäufers: | Sello del vendedor: | Tampon du vendeur: | Pečat prodavatelja: |
 Timbro del venditore: | Stempel van verkoper:

 Art der Reparatur: | Forma de reparación: | Type de réparation: | Način popravke: | Tipología
 di riparazione: | Wijze van repareren:

 Datum der Rückgabe des Produktes dem Kunden: | Fecha de devolución del producto al
 cliente: | Date de la remise du produit au client: | Datum povratka proizvođača natrag kupcu:
 | Data del ritiro del prodotto da parte del cliente: | Datum waarop klant product weer in
 ontvangst heeft genomen:

 Tag: Día: Jour: | Monat: Mes: Mois: | Jahr: Año: Année: 20
 Dan: Giorno: Dag: | Mjeseć: Mese: Maand: | Godina: Anno: Jaar:

 Neue Garantiefrist - verlängert um die Dauer der Reparatur: | Nuevo plazo de garantía -
 prorrogado por el tiempo de reparación: | Nouveau délai de garantie - prolongé de la durée
 de la réparation: | Novij jamstveni rok - produžen o trajanje popravke: | Nuovo termine di
 garanzia, rinnovato a seguito di riparazione: | Dnieuw garantietermijn - verlenging met de
 duur van reparatie

 Tag: Día: Jour: | Monat: Mes: Mois: | Jahr: Año: Année: 20
 Dan: Giorno: Dag: | Mjeseć: Mese: Maand: | Godina: Anno: Jaar:

 Stempel der Servicestelle: | Sello del servicio | Tampon du service de réparation: | Pečat
 servisa: | Timbro del Centro di Assistenza Tecnica: | Stempel van servicecentrum:

Autorisierete Servisestellen | Centros de servicio autorizados | Centres autorisés de réparation

FAST ČR, a. s.

 Černokostelecká 1621
 CZ 251 01 Říčany
 Česká republika
 Tel.: +420/ 323 204 120
 Fax: +420/ 323 204 121
 servis.praha@fastcr.cz
 www.fastcr.cz

FAST ČR, a. s.

 Cejl 31
 CZ 602 00 Brno
 Česká republika
 Tel.: +420/ 531 010 295
 Fax: +420/ 531 010 296
 servis.brno@fastcr.cz
 www.fastcr.cz

Fast Plus, spol. s r. o.

 Na Pántoch 18
 SK 831 06 Bratislava
 Slovenská republika
 Tel.: +421/2/49 105 854
 Fax: +421/2/49 105 859
 servis@fastplus.sk
 www.fastplus.sk

Autorizirana servisna centra | Centri di Assistenza autorizzati | Geautoriseerde servicecentra

Fast Hungary Kft.

 Dulácska u. 1/a.
 H-2045 Törökbalint
 Magyarország
 Tel.: +36/ 23 330 905
 Fax: +36/ 23 330 827
 info@fasthungary.hu
 www.fasthungary.hu

Arconet sp. z o.o.

 W celu znalezienia
 najbliższego serwisu
 prosimy zadzwonić:
 0801 44 33 22
 Lub odwiedzić stronę
 internetową:
 www.arconet.pl

Uab „Senukai Prekybos
Centras” Garantinis Servisas
 Jonavos G. 62, LT-44192,
 Kaunas, Lithuania
 Tel.: +370 37 212 146
 Tex.: +370 37 212 165
 garrem@senukai.lt
 www.senukai.lt

Заполняется продавцом.

Название:

Тип:

Серийный номер изделия

В случае ремонта заполняется сервисной организацией.

Дата обращения в сервисный центр:

Число: Месяц: Год: 20

Дата принятия в ремонт:

Число: Месяц: Год: 20

Причина неисправности:

A termék azonosításra alkalmas részeinek meghatározása (amennyiben alkalmazható):

Номер документа, подтверждающего продажу:

Дата покупки (ввода в эксплуатацию):

Число: Месяц: Год: 20

Печать продавца:

Способ ремонта:

Дата возврата изделия обратно заказчику:

Число: Месяц: Год: 20

Новый гарантийный срок – продлен на срок проведения ремонта:

Число: Месяц: Год: 20

Печать сервисной организации:

Авторизованные сервисные центры

AO «FAST ČR»

Чернокостелецка 1621
251 01 Ржичаны
Чешская Республика
Тел.: +420/323 204 120
Факс: +420/323 204 121
servis.praha@fastcr.cz
www.fastcr.cz

AO «FAST ČR»

Цейл 31
602 00 Брно
Чешская Республика
Тел.: +420/531 010 295
Факс: +420/531 010 296
servis.brno@fastcr.cz
www.fastcr.cz

000 «FAST Plus»

На Пантох 18
831 06 Братислава
Словацкая Республика
Тел.: +421/2/49 105 854
Факс: +421/2/49 105 859
servis@fastplus.sk
www.fastplus.sk

Авторизованные сервисные центры

Fast Hungary Kft.

Dulácska u. 1/a.
H-2045 Törökbalint
Magyarország
Тел.: +36/ 23 330 905
Fax: +36/ 23 330 827
info@fasthungary.hu
www.fasthungary.hu

Arconet sp. z o.o.

W celu znalezienia
najbliższego serwisu
prosimy zadzwonić:
0801 44 33 22
Lub odwiedzić stronę
internetową:
www.arconet.pl

Uab „Senuku Prekybos

Centras“ Garantinis Servisas
Jonavos G. 62, LT-44192,
Kaunas, Lithuania
Тел.: +370 37 212 146
Тех.: +370 37 212 165
garrem@senukai.lt
www.senukai.lt

Продавец предоставляет покупателю гарантию на товар в течение 24 месяцев с момента получения товара покупателем. Гарантия предоставляется при соблюдении следующих условий. Гарантия распространяется только на новый товар, проданный потребителю для целей использования, указанных в соответствующей инструкции по эксплуатации. Покупатель имеет право обратиться с претензией, связанной с ответственностью за некачественный товар (рекламацией), непосредственно к продавцу, у которого был приобретен товар, либо в авторизованный сервисный центр, указанный ниже. Покупатель обязан предъявить рекламацию без необоснованной задержки, чтобы избежать ухудшения неисправности, но не позднее, чем до конца истечения гарантийного срока. Покупатель обязан при решении рекламации оказывать содействие, необходимое для проверки наличия заявленного дефекта. В рамках процедуры рассмотрения жалоб принимается только комплектный и, в целях соблюдения гигиенических правил, чистый товар. В случае если претензия является обоснованной, гарантийный срок продлевается на период с момента принятия товара для проведения гарантийного ремонта изделия по момент получения отремонтированного товара покупателем, либо по момент, когда покупатель обязан получить товар после проведения гарантийного ремонта. Покупатель обязан предъявить документы, подтверждающие его право на проведение гарантийного ремонта (документ, подтверждающий покупку, гарантийный талон, документ о вводе в эксплуатацию ...).

Гарантийные обязательства на товар, главным образом, не распространяются на:

■ недостатки, на которые была предоставлена скидка ■ износ и повреждения, вызванные обычным использованием изделия ■ повреждения изделия в результате неспециализированной или неправильной установки и монтажа, использования изделия в противоречии с Инструкцией по эксплуатации, действующим законодательством и общеизвестными и обычными способами использования, в связи с использованием товара для других целей, чем те, для которых он предназначен ■ повреждения изделия, вызванные его загрязнением, аварией и форс-мажорными обстоятельствами (стихийными бедствиями, пожаром, попаданием воды ...) ■ неисправности изделия, вызванные неадекватным качеством сигнала, помехами электромагнитного поля и т.д. ■ механические повреждения изделия (например, отломанная кнопка, падение ...) ■ повреждения, вызванные использованием неподходящих носителей, расходных материалов (батарей) или в результате ненадлежащих условий эксплуатации (напр., высокой температуры окружающей среды, высокой влажности, ударов ...) ■ повреждения, изменения или другое вмешательство в результате самостоятельного ремонта изделия или ремонта, проведенного неуполномоченным или неавторизованным лицом (сервисным центром) ■ случаи, когда покупатель не подтвердит правомерность своих прав на гарантийный ремонт (когда и где был приобретен товар, на который распространяется гарантия) ■ случаи, когда данные в предоставленных документах отличаются от информации, содержащейся на изделии ■ случаи, когда изделие, на которое заявлена рекламация, не является тождественным с изделием, указанным в документах, которыми покупатель подтверждает свое право на проведение гарантийного ремонта (напр., повреждение серийного номера или гарантийной пломбы устройства, исправление данных в документах ...)



ОФИЦИАЛЬНЫЙ ДИЛЕР В УКРАИНЕ:

storgom.ua

ГРАФИК РАБОТЫ:

Пн. – Пт.: с 8:30 по 18:30

Сб.: с 09:00 по 16:00

Вс.: с 10:00 по 16:00

КОНТАКТЫ:

+38 (044) 360-46-77

+38 (066) 77-395-77

+38 (097) 77-236-77

+38 (093) 360-46-77

Детальное описание товара:

<https://storgom.ua/product/elektricheskii-trimmer-fieldmann-fzs-2050-e.html>

Другие товары: <https://storgom.ua/elektrokosy.html>