



**FIELDMANN**<sup>®</sup>  
Home & Garden Performance



FZD 5010 E

---

English .....	3-18
Čeština.....	19-34
Slovenčina .....	35-50
Magyarul .....	51-66
Polski .....	67-82
Slovenščina .....	83-100

# Silent Shredder

## USER'S MANUAL

**Dear customer,**  
**thank you very much for the trust that you have expressed!**  
**Before putting this machine into operation, it is imperative to read this user's manual! In it, you will find all the instructions for normal operation and for achieving a long lifetime of the machine. It is imperative to adhere to all safety instructions contained in this user's manual.**

## CONTENTS

1. GENERAL SAFETY INSTRUCTIONS .....	4
Important safety notice .....	4
Packaging .....	4
User's Manual.....	4
2. SYMBOLS.....	5
3. BEFORE YOU BEGIN.....	6
Operation within the scope of intended use .....	6
4. FOR YOUR SAFETY.....	6
General safety instructions .....	6
Electrical safety.....	7
Maintenance .....	7
Notifications specific to this machine.....	7
5. DESCRIPTION OF THE MACHINE .....	9
Description of the machine (see Fig. 1).....	9
6. ASSEMBLING THE SHREDDER.....	10
7. OPERATING THE SHREDDER.....	11
Turning the shredder on and off (Fig. 5).....	11
Forward / reverse rotation switch (Fig. 5, point 3).....	11
Protection against overload .....	11
Collection box.....	12
Cutting roller cover (Fig. 1, point 11).....	12
8. SETTING UP AND WORKING WITH THE SHREDDER.....	13
Setting the counter-blade distance.....	13
Before turning on.....	13
Material that the shredder can process.....	13
The shredder MUST NOT process the following types of materials: .....	13
9. OPERATION .....	14
10. MAINTENANCE.....	14
11. TROUBLESHOOTING .....	15
12. TECHNICAL SPECIFICATIONS.....	16
13. DISPOSAL.....	17
14. DECLARATION OF CONFORMITY.....	18

# 1. GENERAL SAFETY INSTRUCTIONS

## Important safety notice


- ✿ Carefully unpack the product and take care not to throw away any part of the packaging before you find all the parts of the product.
- ✿ Store the product in a dry place out of reach of children.
- ✿ Read all warnings and instructions. Not following warnings or instructions may lead to injury by electrical shock, a fire and/or serious injuries.

## Packaging

The product is packed in a package that prevents damage during transport. This package is a resource and so can be handed over for recycling.

## User's Manual

Before you start working with the machine, read the following safety and usage instructions. Acquaint yourself with the operating elements and the correct use of the machine. Keep the user's manual in a safe place where it can be easily retrieved for future use. Save the original packaging, including the internal packing material, warranty card and proof of purchase receipt at least for the duration of the warranty. If you need to ship this machine, pack it in the original cardboard box to ensure maximum protection during shipping or transport (e.g. when moving or when sending it for repair to a service centre).

 **NOTE:** If you hand over the machine to somebody else, do so together with this user's manual. Following the instructions in the included user's manual is a prerequisite for the proper use of the machine. The user's manual also contains operating, maintenance and repair instructions.

**The manufacturer takes no responsibility for accidents or damages resulting from not following the instructions in this manual.**



## 2. SYMBOLS



Follow the safety instructions prior to putting into operation.



Prior to putting into operation, read the user's manual and adhere to it.



Danger of amputation.



Do not reach into the funnel.



Risk from deflected objects.



Maintain a safe distance from bystanders.



If the cable is damaged or interrupted, immediately disconnect the plug from the mains.



Power tool noise level.



ATTENTION: Do not use the shredder in humid or rainy weather and protect it against moisture.



Wait for all parts of the shredder to come to a stop.

### Personal protective work aids



Use hearing protection and wear safety glasses when working with the machine.



Use solid footwear when working with the machine.



Use safety gloves when working with the machine.



Use close-fitting work clothes when working with the machine.

## 3. BEFORE YOU BEGIN...

### Operation within the scope of intended use

- ✿ it complies with the state of science and technology and safety provisions in force at the time that it is put into operation within the scope of its intended use. The machine is intended for shredding fibrous and woody organic household and garden material. It cannot be filled with rocks, glass, metals, bones, plastic or textile waste materials.
- ✿ it is not designed for professional use. Any other use is in contradiction with the designated purpose. Operation in contradiction with the determined intended use, modifications made to the machine or the use of parts that were not pre-tested and approved by the manufacturer, may result in unforeseeable damage! All inappropriate use or any activities not described in this user's manual performed with the machine are considered to constitute prohibited misuse that is beyond the legal boundaries for the warranty of the manufacturer.

## 4. FOR YOUR SAFETY

### General safety instructions

- ✿ For the safe operation of this machine, its users must read this user's manual and understand it before first use.
- ✿ Respect all safety instructions! If you do not adhere to the safety instructions, you are endangering yourself and others.
- ✿ Carefully store all user's manuals and safety instructions for future reference.
- ✿ If you sell or hand the machine over to somebody, unconditionally also hand over this user's manual.
- ✿ The machine must only be used when it is free of defects. If the machine or its part is damaged, it must be repaired by a professional.
- ✿ Do not use the machine in places where there is a risk of explosion or in the vicinity of flammable fluids or gasses!
- ✿ Always secure a turned off machine against it being turned on accidentally.
- ✿ Do not use a machine on which its On/Off switch does not work.
- ✿ Prevent children access to the machine! Store the machine so that it is secured against children and unauthorised persons.
- ✿ Do not overload the machine. Only use the machine for the purposes for which it was designed.
- ✿ Always use the required protective safety equipment.
- ✿ Always work very carefully and be in good physical condition: Working when tired or ill, after consuming alcohol, under the influence of medication or narcotics is dangerous because you cannot operate the machine safely.
- ✿ Do not use a heating element with a timer switch or another type of switch that automatically switches on the machine, this would represent a fire hazard.
- ✿ Take steps to ensure that children do not play with the product.
- ✿ Always adhere to valid national and international safety, health and work regulations.

## Electrical safety

- ✿ The machine may only be connected to a power socket with a properly installed protective contact.
- ✿ The machine must be protected by a residual current device (FI switch) with a rated false current not exceeding 30 mA.
- ✿ Prior to connecting the machine it is necessary to ensure that the mains connection corresponds to the values for the connection of the machine.
- ✿ The machine may only be used within the indicated current, power and speed limits (see rating label).
- ✿ Do not touch the power plug with wet hands! Always pull the plug holding the connector, not the cable.
- ✿ Do not bend, crimp, clamp, pull or drive over the power cord; protect it against sharp edges, oil and heat.
- ✿ Do not lift the machine by the power cord and do not use the power cord for any other purposes.
- ✿ Prior to every use, inspect the plug and power cord.
- ✿ In the event that the power cord is damaged, immediately unplug the plug. Do not use a machine with a damaged power cord.
- ✿ If the machine is not being used, the power plug must always be unplugged.
- ✿ Ensure that the machine is turned off before plugging in the power plug.
- ✿ Always turn off the machine before unplugging the power plug.
- ✿ Make sure there is not current in the machine before transporting it.

## Maintenance

- ✿ Pull the power plug out of the power socket before performing any type of work on the machine.
- ✿ Only the maintenance and troubleshooting described in this user's manual may be performed. All other work must be performed by a professional.
- ✿ Use only original spare parts. Only these spare parts are designed for the machine and appropriate. Other spare parts will not only result in the warranty becoming void but may also endanger you and your surroundings.

## Notifications specific to this machine

- ✿ Do not reach into the filling funnel or the ejection chute while it is running. The machine continues to run down for approx. 5 seconds after it is turned off.
- ✿ The machine must be assembled according to the instructions before it is turned on.
- ✿ Check that all screws, bolts, nuts and other fastening components are firmly tightened and that protective elements are properly installed before turning it on.
- ✿ When working with the machine, make sure to maintain a stable and natural stance.
- ✿ Work only under good light and visibility conditions.
- ✿ The operator's clothing must be tight-fitting. Loose clothing must be eliminated. Wear solid footwear and long work pants.
- ✿ Only use the machine outdoors on a firm even surface.
- ✿ Leave sufficient free space around the machine when using it. Do not stand the machine close to a wall.
- ✿ Do not lift, tilt or transport the machine when it is running.
- ✿ Before starting the machine, check that the insertion funnel is empty.
- ✿ Never leave a running machine without supervision.
- ✿ Make sure that no foreign objects enter the machine when it is running, e.g. rocks, glass, metal, soil, plastic, etc. The could damage the motor and the cutting roller.
- ✿ If foreign objects enter the cutting mechanism or the machine makes unusual noises or vibrates unusually, immediately stop the motor and allow the machine to come to a complete stop.

- ✿ Never use the machine without the inserting funnel.
- ✿ If the shredder becomes clogged, first turn the machine off and pull the plug out of the socket and wait for the machine to come to a complete stop before removing the clogged material. Keep the On/Off switch clean and free of foreign objects.
- ✿ Never attempt to hold or remove shredded material while the cutting roller is in motion. Remove clogged shredded material only when the machine is turned off.
- ✿ Prevent direct contact with the rotating cutting roller. Keep hands and feet away from the openings when the machine is running.
- ✿ Do not insert your hands or other body parts or clothing into the filling chamber, ejection chute or in the vicinity of other moving parts.
- ✿ Always remove shredded material from the ejection zone before it accumulates. This will prevent the shredder from clogging and prevent the shredded material from entering the filling funnel by recoil and causing injuries.
- ✿ No other persons or animals may stand within the radius of 3 m around the work area as they could be injured by deflected objects.
- ✿ Do not use the machine on a tiled or concrete floor. The shredded material could deflect and cause injury.
- ✿ The symbols found on your machine must not be removed or covered over. Notifications on the machine that are no longer legible must be replaced with new ones without delay.

## 5. DESCRIPTION OF THE MACHINE

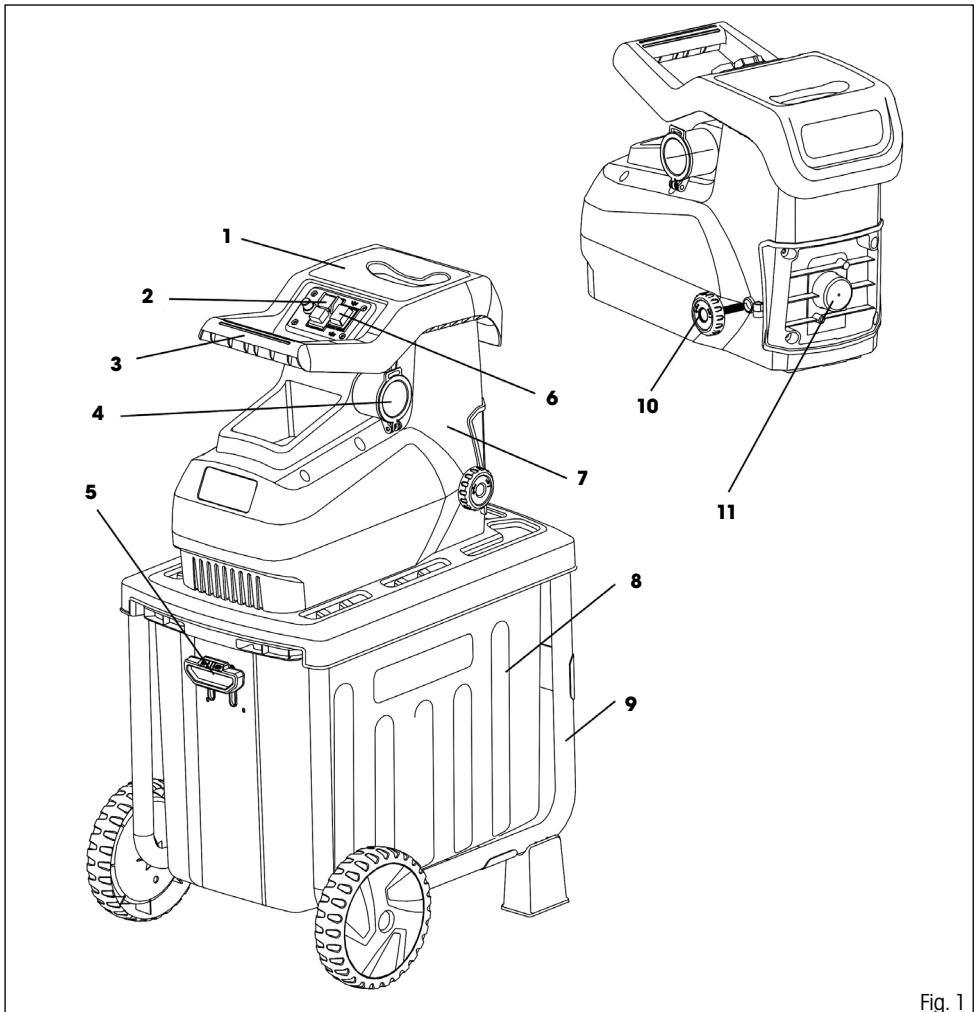


Fig. 1

### Description of the machine (see Fig. 1)

- |                               |                              |
|-------------------------------|------------------------------|
| 1. Filling funnel             | 7. Shredder unit             |
| 2. Power switch               | 8. Collection box            |
| 3. Handle                     | 9. Shredder frame            |
| 4. Power socket               | 10. Cutting adjustment screw |
| 5. Collection box safety lock | 11. Cutting roller cover     |
| 6. Rotation direction switch  |                              |

## 6. ASSEMBLING THE SHREDDER

**⚠ ATTENTION:** Prior to performing any work on the machine, check that it is turned off and disconnected from the power supply.

1. Turn the shredder unit upside down and place it on an even floor. Then place the frame on it and securely attach it using the 6 included screws. Then attach the shredder legs (Fig. 2).

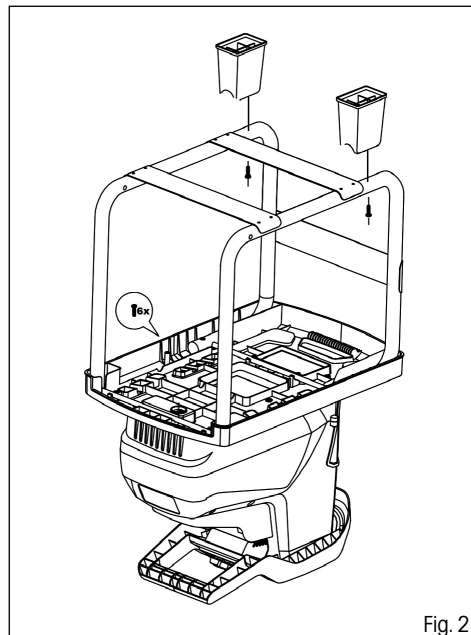


Fig. 2

**⚠ ATTENTION!** Pay attention to the directional alignment of the frame. The holes for the wheel axle must be located on the same side as the handle of the shredder

2. Install the wheels as follows: (Fig. 3)
  - Attach the axle to one of the wheels.
  - Push the axle through the holes in the frame.
  - Attach the second wheel on to the axle. Secure the wheel in place by bending the cotter pin.
  - Attach the wheel cover.
3. Insert the collection box. Then secure in place with the safety lock (Fig. 4)

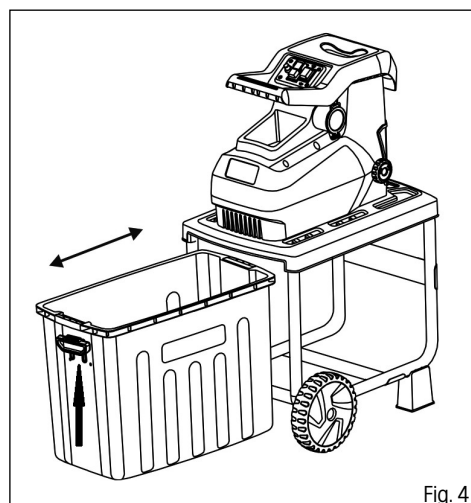


Fig. 4

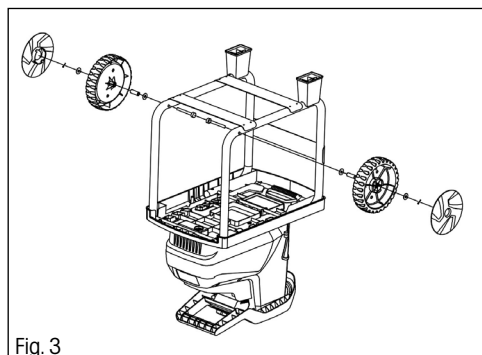


Fig. 3

## 7. OPERATING THE SHREDDER

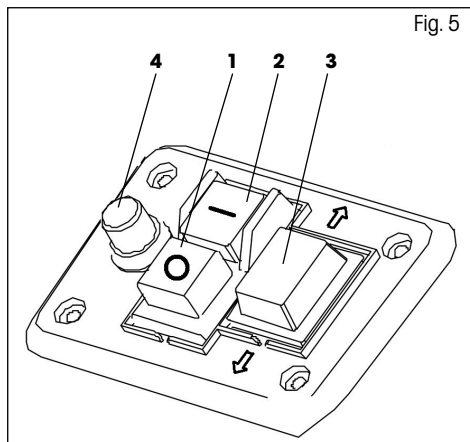
**⚠ WARNING:** Before connecting the machine to a power source, always check that the switch is turned off. Connecting the machine with the switch in the on position may cause it to turn on unexpectedly and result in a serious injury.

### Turning the shredder on and off (Fig. 5)

**⚠ ATTENTION:** If it is not possible to turn the switch on the machine on and off, do not work with the machine. Have faulty switches replaced at an authorised service centre.

- ✿ Press the green button to turn the machine on (Fig. 5, point 2).
- ✿ Press the red button to turn the machine off (Fig. 5, point 1).

**⚠ ATTENTION:** In the event of a power outage, the machine will turn off automatically. To turn it on again, press the green button.



### Forward / reverse rotation switch (Fig. 5, point 3)

**⚠ ATTENTION:** Turn the shredder off before switching the forward / reverse rotation.

Forward position

- ✿ Standard operation of the shredder. The cutting roller rotates forwards.

Reverse position

- ✿ The cutting roller rotates in the opposite direction for the purpose of releasing jammed material.
- ✿ To change the reverse rotation direction it is necessary to intermittently press the green button so that the roller rotates. The roller will stop automatically when the green button is released.

**📖 NOTE:** To shred large branches it may be necessary to repeat the forward and reverse procedure several times. **Prior to changing the rotation direction again, always wait until the shredder comes to a complete stop.**

### Protection against overload

- ✿ The shredder is equipped with overload protection (Fig.5, point 4)
- ✿ In the event of an overload, the motor protection will automatically disconnect the electrical circuit.
- ✿ To renew functionality, proceed as follows:
  1. Turn off the machine so that it is without voltage.

2. Remove the material that clogged the shredder.
3. Allow the motor to cool down for at least five minutes!
4. Press the safety fuse button (Fig. 5, point 4).
5. Reconnect the electrical power supply.
6. Turn on the shredder.

**⚠ ATTENTION:** To prevent accidents, to remove jammed objects, always use a hook or a stick.

### Collection box

- ✿ Always turn the shredder off and disconnect it from the power supply before attaching or removing the collection box.
- ✿ For safety reasons, the handle of the collection box (Fig. 1, point 5) is equipped with a safety lock.
- ✿ For safe operation, check the working order of the safety lock after every two hours of work.
- ✿ Never attempt to put the safety lock of the handle out of operation.

Handle of the collection box:

Handle in the lowered position >>> the collection box is not locked. The safety lock is activated, the shredder cannot be started.

Handle in the raised position >>> the collection box is locked and the shredder is ready for work.

**📖 NOTE:** The machine will not start if the collection box is unlocked. The machine will automatically turn off when the collection box is released during operation.

### Cutting roller cover (Fig. 1, point 11)

#### **⚠ ATTENTION:**

- ✿ Make sure that the machine is turned off and disconnected from the power supply before opening the cutting roller cover.
- ✿ Be careful, the cutting roller does not stop immediately after the machine is stopped. Wait until all components have stopped moving.
- ✿ Put on protective gloves before opening the cover.
- ✿ After removing the cover, it is possible to remove the jammed material that cannot be released through the filling funnel or by reversing the motor.



## 8. SETTING UP AND WORKING WITH THE SHREDDER

### Setting the counter-blade distance

- ✿ For effective operation, it is necessary to set the distance between the counter-blade (Fig. 6, point 2) and the cutting roller (Fig. 6, point 3). The gap between the cutting roller and the counter-blade should be as small as possible.
- ✿ A correct setting will enable the effective shredding of all branch diameters.

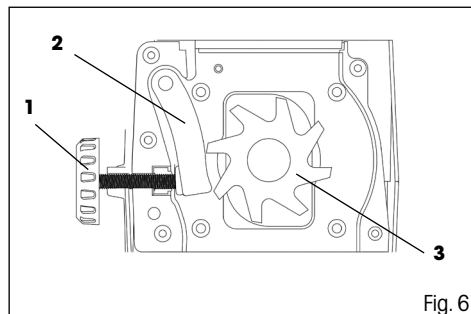


Fig. 6

Setting the distance:

- ✿ Turn on the machine.
- ✿ To pull the counter-blade towards the cutting roller, slowly turn the setting screw (Fig. 6, point 1) clockwise. Keep turning the screw until fine aluminium fillings start falling out of the ejection chute.

**NOTE:** Soft material or wet branches may be torn instead of being cut. This problem may also be caused by the counter-blade, which wears out after frequent use.

### Before turning on

Make sure that:

- ✿ Power cords are not damaged. If there are slits or cracks on a power cord, stop work and replace it immediately.
- ✿ The machine is not damaged and all the screws are pulled tight.
- ✿ The machine is completely and correctly assembled.

Check the power supply:

- ✿ Make sure that the supply voltage corresponds to the rated voltage on the rating label and that the machine is properly grounded.
- ✿ Only use extension cords that have wires with a sufficient cross-section.

### Material that the shredder can process

The shredder can process the following types of materials:

- ✿ All types of branches up to the maximum diameter specified in the technical specifications.
- ✿ Garden waste such as wilted plants or wet grass (shred alternatively with branches).

### The shredder **MUST NOT** process the following types of materials:

- ✿ Glass, metals, plastics, rocks, ceramics, branches thicker than specified in the technical specifications, hard wood, thick wooden boards, fabrics, plastic bags, roots with soil.
- ✿ Wastes that are almost in liquid form, e.g. kitchen scraps.

## 9. OPERATION

- ✿ Place the material into the funnel from the right side.
- ✿ Shred branches immediately after they are cut. When they dry out, they may become very hard.
- ✿ Remove all lateral shoots from the branches if it is not possible to insert them into the shredder.
- ✿ Avoid too much shredded material from accumulating in the collection box. Regularly empty the box because accumulated shredded material may block the ejection chute.
- ✿ Do not insert material that is larger than the maximum branch diameter specified in the technical specifications.
- ✿ Shredding wet garden waste (fallen leaves) will result in clogging. To prevent clogging, alternate the waste with material containing wood.
- ✿ Soft materials or wet branches may be torn instead of being cut. This problem may also be caused by a worn out counter-blade.
- ✿ Before cleaning out the ejection chute, turn off the motor and disconnect the machine from the power supply.

## 10. MAINTENANCE

### **ATTENTION:**

- ✿ Prior to inspecting or performing maintenance on the machine, check that it is turned off and disconnected from the power supply. Be careful, the cutting roller will not stop immediately after the machine is turned off, wait for all the parts to stop moving.
- ✿ Put on protective gloves before inspection or carrying out maintenance.
- ✿ Never use petrol, thinners, alcohol, etc. for cleaning. This could result in discolouration, deformation or cracking.
- ✿ Only use a damp cloth and soft brush for cleaning the machine.
- ✿ Do not use a hose or wash the machine with pressurised water.

After every work session, carry out the following maintenance:

- ✿ Check that all fastening screws and bolts are tightened (tighten them if necessary).
- ✿ Lubricate metal components to protect against corrosion.
- ✿ Maintain holes clean and free of dust.
- ✿ The cutting roller and counter-blade wear out over time. If necessary, inform yourself about replacement at your nearest authorised service centre.

# 11. TROUBLESHOOTING

**⚠ WARNING:** Prior to troubleshooting, turn the machine off, disconnect it from the power supply and wait for it to come to a complete stop.

Problem	Possible cause	Remedy
The motor will not start	No power supply	Check the power supply.
	Faulty power cord	To check, inform yourself at an authorised service centre
	Fuse against overloading was activated	Wait until the machine cools down and press the fuse button.
	The collection box safety lock (the collection box is unlocked)	Check and lock the collection box
The motor can be heard, but is not working	The cutting roller is blocked	Turn off the machine.
		Switch the forward/reverse switch to reverse rotation.
		Turn the machine on until the blockage is cleared.
		Again turn the machine off.
	Switch back to the forward rotation.	
Malfunction of a capacitor	Take the machine to an authorised service centre for repair.	
The shredded material is not being pulled into the shredder	The reverse rotation direction is set.	Turn the machine off and switch the rotation direction using the switch.
	The shredded material is jammed in the filling funnel	Turn the machine off. Switch the forward/reverse switch to reverse rotation. Turn on the machine to release the shredded material, remove undesired material.
		Turn the machine off again.
		Switch back to the forward rotation.
	The shredded material is too soft or wet	Push the material into the shredder
	Incorrectly set counter-blade / cutting roller	Set the counter-blade as described in "Setting up and working with the shredder".
In the event that the cutting roller / counter-blade is heavily worn out, replace it.		
The shredded material is not cleanly chopped up	The counter-blade is not set properly	Set the counter-blade as described in the previous paragraph
The machine turns on but is blocked even by a small load and is soon shut off by the motor protection switch.	The extension cord is too long or the cross-section of its wires is too small. The power socket is too far from the power source or the cross-section of the wires in the power cord is too small	Check that the wire cross-section of the extension cord is at least 1.5 mm <sup>2</sup> , and no longer than 25 m. If a longer power cord is used then the minimum wire cross-section is 2.5 mm <sup>2</sup>

## 12. TECHNICAL SPECIFICATIONS

Rated voltage .....	230–240 V~/50 Hz
Rated power input .....	2800 W
Protection class.....	I
IP Code .....	IP24
Idle speed .....	46 RPM
Maximum branch diameter.....	45 mm
Collection box capacity.....	55 l
Sound pressure level (LPA)* .....	93 dB(A)
Sound power level (LWA)* .....	96 dB(A)
Weight.....	27.6 kg

## 13. DISPOSAL

### **INSTRUCTIONS AND INFORMATION REGARDING THE DISPOSAL OF USED PACKAGING MATERIALS**

Dispose of used packaging material at a site designated for waste in your municipality.



The machine and its accessories are manufactured from various materials, e.g. metal and plastic.

Take damaged parts to a recycling centre. Inquire at the relevant government department.



This product meets all the basic requirements of EU directives that apply to it.

Changes in the text, design and technical specifications may be made without prior notice and we reserve the right to make these changes.

User's manual in the original language.

# 14. DECLARATION OF CONFORMITY

**Manufacturer:**

FAST ČR, a.s.  
Černokostelecká 2111, 100 00 Praha 10, Czech Republic  
VAT no: CZ26726548

**Product / brand:** SILENT SHREDDER / FIELDMANN

**Type / model:** FZD 5010E  
230-240V~ 2800W IP24 46RPM

**The product is inline with regulations listed below:**

EC Directive for low voltage electrical equipment No.2006/95/EC  
EC Council Directive 2006/42/EC Machinery  
EC Directive for Electromagnetic Compatibility (EMC) No.2004/108/EC  
EC Directive for RoHS 2002/95/EC

**and norms:**

EN 60335-1:2002+A11:2004+A1:2004+A12:2006+A2:2006+A13:2008+A14:2010+A15:2011  
EN 13683:2003+A2:2011  
EN 62233:2008  
EN 61000-3-3:2008  
EN 61000-3-2:2006  
EN 55014-1:2006  
EN 55014-2:1997+A1:2001+A2:2008  
EN ISO 3744:1944  
ISO 11094:1991

**CE label:** 15

Company FAST ČR, a.s. is authorized to act on behalf of manufacturer.

**Place of issuance:** Prague

**Name:** Ing. Zdeněk Pech  
Chairman of the Board

**Date of issuance:** 14. 1. 2015

**Signature:**

**FAST** FAST ČR, a.s.   
Černokostelecká 1921, 251 01 Říčany  
IČO: 26726548 tel.: +420/ 323 204 111  
DIČ: CZ26726548 fax: +420/ 323 204 110



# Zahradní štěpkovač

## NÁVOD K OBSLUZE

**Vážení zákaznice, vážený zákazníku, děkujeme mnohokrát za projevenou důvěru! Před prvním uvedením přístroje do provozu si bezpodmínečně přečtete tento návod na obsluhu! Naleznete v něm všechny pokyny pro bezpečné používání a dlouhou životnost přístroje. Bezpodmínečně dodržujte všechny bezpečnostní pokyny, uvedené v tomto návodu!**

## OBSAH

1. VŠEOBECNÉ BEZPEČNOSTNÍ PŘEDPISY .....	20
Důležitá bezpečnostní upozornění .....	20
Obal .....	20
Návod k použití .....	20
2. SYMBOLY .....	21
3. DŘÍVE NEŽ ZAČNETE... .....	22
Použití přiměřené určení .....	22
4. PRO VAŠI BEZPEČNOST .....	22
Všeobecné bezpečnostní pokyny .....	22
Elektrická bezpečnost .....	23
Údržba .....	23
Upozornění specifická pro přístroj .....	23
5. POPIS STROJE.....	25
Popis stroje (viz Obr. 1).....	25
6. SESTAVENÍ ŠTĚPKOVAČE .....	26
7. OBSLUHA ŠTĚPKOVAČE.....	27
Zapnutí a vypnutí štěpkovače (Obr. 5).....	27
Přepínač vpřed / zpětný chod (Obr. 5, bod 3).....	27
Ochrana proti přetížení.....	27
Záchytná nádoba .....	28
Kryt řezného válce (Obr. 1, bod 11) .....	28
8. NASTAVENÍ A PRÁCE SE ŠTĚPKOVAČEM .....	29
Nastavení vzdálenosti protinože .....	29
Před zapnutím .....	29
Materiál, který může štěpkovač zpracovávat .....	29
Štěpkovač NESMÍ zpracovávat následující typy materiálů:.....	29
9. PROVOZ .....	30
10. ÚDRŽBA .....	30
11. ŘEŠENÍ PROBLÉMŮ.....	31
12. TECHNICKÉ ÚDAJE.....	32
13. LIKVIDACE.....	33
14. PROHLÁŠENÍ O SHODĚ .....	34

# 1. VŠEOBECNÉ BEZPEČNOSTNÍ PŘEDPISY

## Důležitá bezpečnostní upozornění


- ✿ Výrobek pečlivě vybalte a dejte pozor, abyste nevyhodili žádnou část obalového materiálu dříve, než najdete všechny součásti výrobku.
- ✿ Výrobek uchovávejte na suchém místě mimo dosah dětí.
- ✿ Čtěte všechna upozornění a pokyny. Zanedbání při dodržování varovných upozornění a pokynů mohou mít za následek úraz elektrickým proudem, požár a/nebo těžká poranění.

## Obal

Výrobek je umístěn v obalu bránícím poškozením při transportu. Tento obal je surovinou a lze jej proto odevzdat k recyklaci.

## Návod k použití

Než začnete se strojem pracovat, přečtěte si následující bezpečnostní předpisy a pokyny k používání. Seznamte se s obslužnými prvky a správným používáním zařízení. Návod pečlivě uschovejte pro případ pozdější potřeby. Minimálně po dobu záruky doporučujeme uschovat originální obal včetně vnitřního balicího materiálu, pokladní doklad a záruční list. V případě přepravy zabalte stroj zpět do originální krabice od výrobce, zajistíte si tak maximální ochranu výrobku při případném transportu (např. stěhování nebo odeslání do servisního místa).

 **POZNÁMKA:** Předáváte-li stroj dalším osobám, předejte jej společně s návodem. Dodržování přiloženého návodu k obsluze je předpokladem řádného používání stroje. Návod k obsluze obsahuje rovněž pokyny pro obsluhu, údržbu a opravy.

**Výrobce nepřebírá odpovědnost za nehody nebo škody vzniklé následkem nedodržování tohoto návodu.**



## 2. SYMBOLY



Před uvedením do provozu dbejte bezpečnostních pokynů.



Před uvedením do provozu si přečtěte návod k použití a řiďte se jím.



Nebezpečí úrazů elektrickým proudem.



Nesahejte do trychtýře.



Nebezpečí způsobené odmrštěnými předměty.



Dodržujte bezpečnou vzdálenost od kolem stojících osob.



Pokud je kabel poškozený nebo přerušený, okamžitě odpojte zástrčku ze sítě.



Hlasitost přístroje.



POZOR: Nepoužívejte štěpkovač za vlhkého či deštivého počasí a chraňte jej před vlhkem.



Vyčkejte na zastavení všech součástí štěpkovače.

### Osobní ochranné pracovní pomůcky



Při práci s přístrojem používejte ochranu sluchu a ochranné brýle.



Při práci s přístrojem používejte pevnou obuv.



Při práci s přístrojem používejte ochranné rukavice.



Při práci s přístrojem noste těsně přiléhající pracovní oděv.

## 3. DŘÍVE NEŽ ZAČNETE...

### Použití přiměřené určení

- ✿ odpovídá stavu vědy a techniky i platným bezpečnostním ustanovením v době uvádění do provozu v rámci jeho použití přiměřenému určení. Přístroj je určen pro drcení vláknitého nebo dřevitého organického materiálu z domácnosti a zahrady. Nelze jej plnit kameny, sklem, kovem, kostmi, umělohmotnými nebo látkovými odpady.
- ✿ není koncipován pro profesionální použití. Každé jiné použití je v rozporu se stanoveným účelem. Použitím, které je v rozporu s určením, změnami na přístroji nebo použitím dílů, které nebyly přezkoušeny a schváleny výrobcem, mohou vzniknout nepředvídatelné škody! Každé nepřiměřené použití popř. všechny v tomto návodu k použití nepopsané činnosti na přístroji jsou nedovoleným zneužitím mimo zákonné hranice ručení výrobce.

## 4. PRO VAŠI BEZPEČNOST

### Všeobecné bezpečnostní pokyny

- ✿ Pro bezpečné zacházení s tímto přístrojem si jeho uživatel musí před prvním použitím přečíst tento návod k použití a porozumět mu.
- ✿ Respektujte všechny bezpečnostní pokyny! Pokud nebudete dbát bezpečnostních pokynů, ohrožujete sebe i ostatní.
- ✿ Všechny návody k použití a bezpečnostní pokyny si dobře uložte pro pozdější použití.
- ✿ Když přístroj prodáváte nebo předáváte dál, bezpodmínečně předejte i tento návod k použití.
- ✿ Přístroj se smí používat pouze tehdy, pokud je bez závady. Pokud je přístroj nebo jeho část poškozená, musí ho opravit odborník.
- ✿ Přístroj nepoužívejte v prostorech ohrožených výbuchem nebo v blízkosti hořlavých kapalin nebo plynů!
- ✿ Vypnutý přístroj vždy zajistěte proti neúmyslnému zapnutí.
- ✿ Nepoužívejte nářadí, u něhož spínač Zap/Vyp řádně nefunguje.
- ✿ Zabraňte dětem v přístupu k přístroji! Uložte přístroj tak, aby byl bezpečně chráněn před dětmi a nepovolanými osobami.
- ✿ Nepřetěžujte přístroj. Používejte přístroj pouze pro účely, pro které byl určen.
- ✿ Používejte vždy požadované osobní ochranné vybavení.
- ✿ Pracujte vždy opatrně a v dobré fyzické kondici: Pracovat během únavy, onemocnění, požití alkoholu, pod vlivem léků a omamných látek je nezodpovědné, protože přístroj nemůžete bezpečně používat.
- ✿ Nepoužívejte topné těleso s časovým spínačem nebo s jiným spínačem, který automaticky spíná přístroj, hrozilo by nebezpečí požáru.
- ✿ Zabezpečte, aby si děti nehrály s výrobkem.
- ✿ Dodržujte vždy platné národní a mezinárodní bezpečnostní, zdravotní a pracovní předpisy.

## Elektrická bezpečnost

- ✿ Přístroj se smí připojit pouze na zásuvku s řádně instalovaným ochranným kontaktem.
- ✿ Zajištění přístroje se musí provést pomocí proudového chrániče (spínač FI) s dimenzovaným chybným proudem nepřesahujícím 30 mA.
- ✿ Před připojením přístroje se musí zabezpečit, aby síťová přípojka odpovídala hodnotám pro připojení přístroje.
- ✿ Přístroj se smí používat pouze v rámci uvedených limitů napětí, výkonu a otáček (viz typový štítek).
- ✿ Nedotýkejte se síťové zástrčky mokřými rukama! Síťovou zástrčku vytahuje vždy za konektor, ne za kabel.
- ✿ Síťový kabel nepřehýbat, nepřiskřípnout, netahat nebo nepřejíždět, chránit před ostrými hranami, olejem a horkem.
- ✿ Přístroj nezdvíhejte za kabel a kabel nepoužívejte na žádné jiné účely.
- ✿ Před každým použitím zkontrolujte zástrčku a kabel.
- ✿ Při poškození síťového kabelu okamžitě vytáhněte síťovou zástrčku. Nikdy nepoužívejte přístroj s poškozeným síťovým kabelem.
- ✿ Pokud se přístroj nepoužívá, musí být síťová zástrčka vždy vytažená.
- ✿ Před zasunutím síťové zástrčky zajistěte, aby byl přístroj vypnutý.
- ✿ Před vytažením síťové zástrčky přístroj vždy vypněte.
- ✿ Pro přepravu uveďte přístroj do stavu bez proudu.

## Údržba

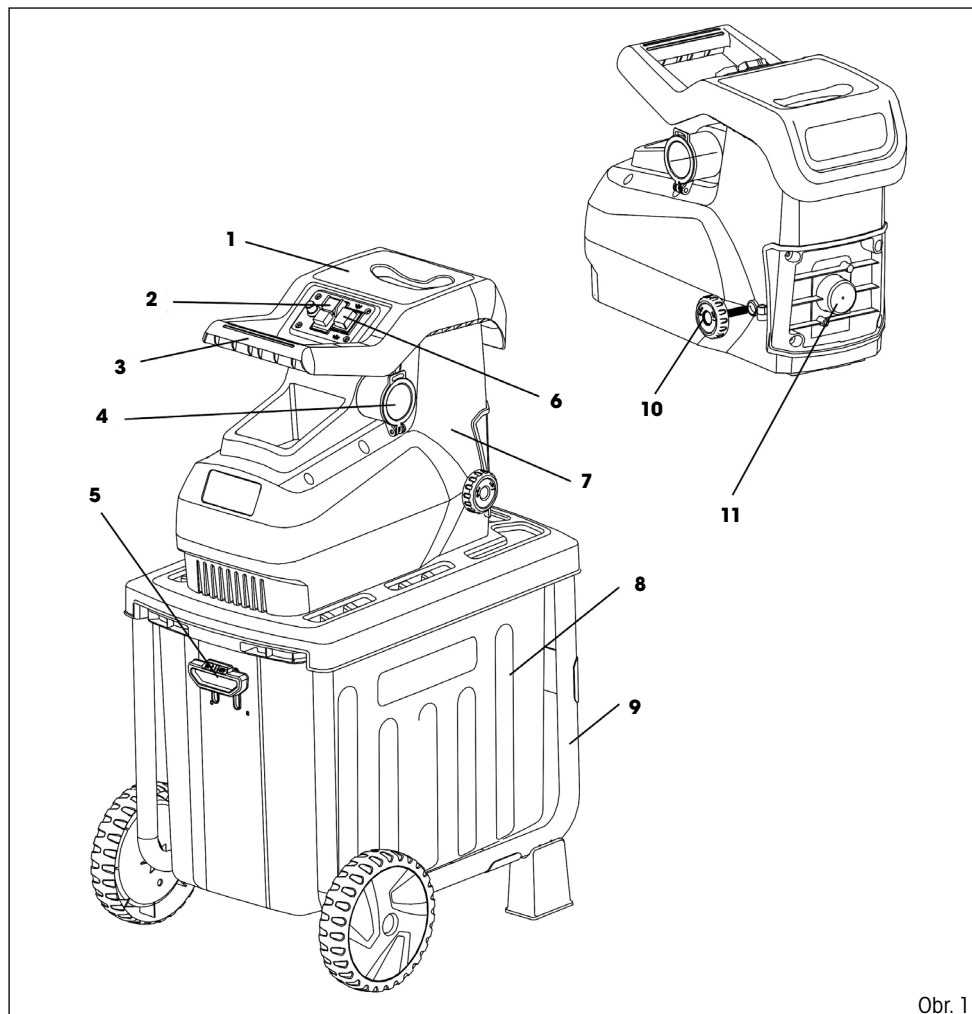
- ✿ Před prováděním jakýchkoliv prací na přístroji vytáhněte síťovou zástrčku ze zásuvky.
- ✿ Provádět se smí jen údržba a odstranění poruch, které popsány v tomto návodu k použití. Všechny ostatní práce musí provádět odborník.
- ✿ Používejte jen originální náhradní díly. Pouze tyto náhradní díly jsou pro zařízení konstruované a vhodné. Jiné náhradní díly mají za následek nejen ztrátu záruky, ale mohou ohrozit vás i vaše okolí.

## Upozornění specifická pro přístroj

- ✿ Během provozu nezasahujte do plnicího trychtýře nebo vyhazovací šachtice. Přístroj po vypnutí ještě cca 5 sekund dobíhá.
- ✿ Před zapnutím je nutno přístroj smontovat dle předpisu.
- ✿ Před zapnutím zkontrolujte, zda jsou pevně dotaženy všechny šrouby, matice a ostatní upevňovací součásti a zda jsou správně namontované ochranné prvky.
- ✿ Při práci se strojem vždy dbejte na jisté a stabilní postavení a přirozenou polohu těla.
- ✿ Pracujte jen při dobrém osvětlení a dobré viditelnosti.
- ✿ Oděv obsluhujícího musí přiléhat k tělu. Volné oděvy je třeba vyloučit. Noste pevnou obuv a dlouhé pracovní kalhoty.
- ✿ Stroj používejte pouze venku, na pevné a rovné ploše.
- ✿ Při práci nechte kolem přístroje dostatek volného prostoru. Přístroj nestavte blízko ke stěně.
- ✿ Přístroj v provozu nezdvíhejte, nenaklánějte nebo nepřevrzuje.
- ✿ Před spuštěním přístroje se ujistěte, že je trychtýř pro vzhazování prázdný.
- ✿ Zapnutý přístroj nenechávejte nikdy bez dozoru.
- ✿ Při provozu dávejte pozor na to, aby se do přístroje nedostaly žádné cizí předměty (jako kameny, sklo, kov, zemina, plast, atd.). Mohly by poškodit motor nebo řezný válec.
- ✿ Pokud by se do řezacího ústrojí dostaly cizí předměty nebo přístroj vydával nezvyklé zvuky nebo nezvykle vibroval, okamžitě vypněte motor a nechte stroj doběhnout.

- ✿ Nikdy nepoužívejte přístroj bez vkládacího trychtýře.
- ✿ Pokud je štěpkovač ucpaný, nejprve přístroj vypněte, vytáhněte zástrčku ze zásuvky a před odstraněním ucpání počkejte na úplný klidový stav přístroje. Udržujte zapínač/vypínač čistý a bez cizích těles.
- ✿ Nikdy se nepokoušejte při pohybujícím se řezném válci přidržovat nebo odstraňovat drcený materiál. Zachycený drcený materiál odstraňujte, pouze když je stroj vypnutý.
- ✿ Zabraňte přímému kontaktu s rotujícím řezným válcem. Pokud je stroj v chodu, mějte ruce a nohy mimo otvory.
- ✿ Nestrkejte ruce nebo jiné části těla nebo oblečení do plnicí komory, vyhazovacího kanálu nebo do blízkosti jiných pohyblivých součástí.
- ✿ Drcený materiál odstraňte z vyhazovací zóny vždy předtím, než dojde k jeho nahromadění. Tak se zabrání ucpání štěpkovače nebo tomu, aby se drcený materiál dostal zpětným rázem zase do plnicího trychtýře a tím způsobil úrazy.
- ✿ V okruhu 3 m kolem pracovního prostoru, se nesmějí zdržovat jiné osoby nebo zvířata, protože by je mohly zranit odmrštěné předměty.
- ✿ Nepoužívejte přístroj na dlážděné nebo betonové ploše. Drcený materiál by se mohl odrazit a způsobit zranění.
- ✿ Symboly, které se nacházejí na Vašem přístroji, se nesmějí odstraňovat ani zakrývat. Upozornění na přístroji, která už nejsou čitelná, musí být neprodleně nahrazena novými.

## 5. POPIS STROJE



Obr. 1

### Popis stroje (viz Obr. 1)

- |  |                          |
|--|--------------------------|
| 1. Plnicí otvor                          | 7. Tělo štěpkovače       |
| 2. Vypínač                               | 8. Záchytná nádoba       |
| 3. Rukojeť                               | 9. Rám štěpkovače        |
| 4. Zástrčka                              | 10. Šroub nastavení řezu |
| 5. Bezpečnostní pojistka záchytné nádoby | 11. Kryt řezného válce   |
| 6. Přepínač chodu                        |                          |

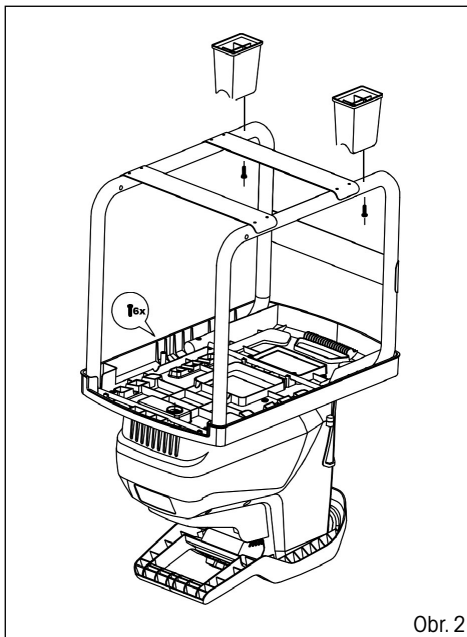
## 6. SESTAVENÍ ŠTĚPKOVAČE

**⚠ UPOZORNĚNÍ:** Před vykonáváním jakýchkoliv prací na stroji se ujistěte, že je vypnutý a odpojený od napájení.

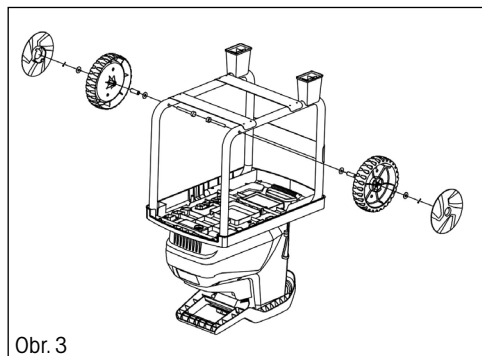
1. Otočte tělo štěpkovače vzhůru nohama a položte jej na rovnou podlahu. Poté na něj umístěte rám a řádně ho zajistěte 6 příloženými šrouby. Následně připevněte nohy štěpkovače (Obr. 2).

**⚠ POZOR!** Věnujte pozornost směrové orientaci rámu. Otvory pro umístění osy kol se musí nacházet na stejné straně jako rukojeť štěpkovače

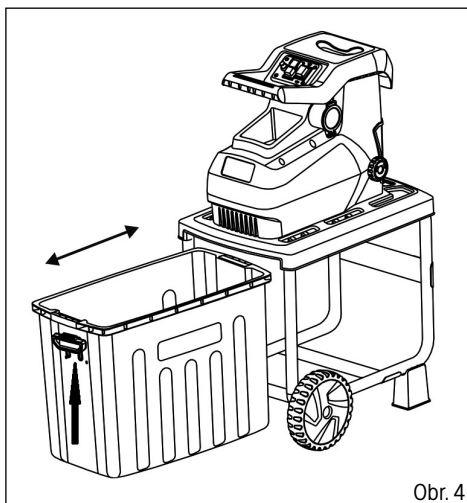
2. Namontujte kola následovně: (Obr. 3)
  - Připevněte osu na jedno z kol.
  - Prostrčte osu otvory v rámu.
  - Připevněte druhé kolo na osu. Zajistěte kolo ohnutím závlačky.
  - Připevněte kryty na kola.
3. Vložte záchytný koš. A poté zajistěte bezpečnostní pojistkou (Obr. 4)



Obr. 2



Obr. 3



Obr. 4

## 7. OBSLUHA ŠTĚPKOVAČE

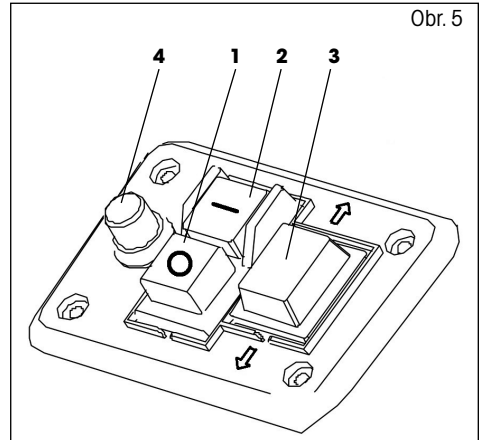
**⚠ VAROVÁNÍ:** Před připojením stroje ke zdroji napájení se vždy ujistěte, že je spínač vypnutý. Připojování zařízení se zapnutým spínačem může způsobit neočekávané zapnutí s následkem vážného zranění.

### Zapnutí a vypnutí štěpkovače (Obr. 5)

**⚠ UPOZORNĚNÍ:** Nelze-li spínač stroje zapnout a vypnout, se strojem nepracujte. Vadné spínače nechejte nahradit v autorizovaném servisním středisku.

- ✿ K zapnutí stroje stiskněte zelené tlačítko (Obr. 5, bod 2).
- ✿ K vypnutí stroje stiskněte červené tlačítko (Obr. 5, bod 1).

**⚠ UPOZORNĚNÍ:** Stroj se automaticky vypne, když dojde k výpadku proudu. K opětovnému zapnutí stiskněte zelené tlačítko.



### Přepínač vpřed / zpětný chod (Obr. 5, bod 3)

**⚠ UPOZORNĚNÍ:** Vypněte štěpkovač před přepnutím přepínače vpřed / zpětný chod.

Poloha vpřed

- ✿ Standardní chod štěpkovače. Řezný válec se otáčí směrem vpřed.

Poloha zpět

- ✿ Řezný válec se otáčí opačným směrem za účelem uvolnění zaseknutého materiálu.
- ✿ Při změně směru na zpětný chod, je nutné přerušovaně stlačovat zelené tlačítko, aby se válec otáčel. Válec se automaticky zastaví, když zelený spínač uvolníte.

**📖 POZNÁMKA:** K rozdrncení velké větve může být nutné několikrát opakování procedury s během štěpkovače vpřed a vzad. **Před opětovnou změnou chodu vždy vyčkejte, než se štěpkovač zcela zastaví.**

### Ochrana proti přetížení

- ✿ Štěpkovač je vybaven pojistkou proti přetížení (Obr. 5, bod 4)
- ✿ V případě přetížení pojistka motoru automaticky přeruší elektrický obvod.
- ✿ Pro obnovení funkce postupujte následovně:
  1. Vypněte stroj tak, aby byl bez napětí.
  2. Odstraňte materiál, který štěpkovač zablokoval
  3. Nechte motor minimálně pět minut vychladnout!

4. Stiskněte tlačítko bezpečnostní pojistky (Obr. 5, bod 4).
5. Znovu připojte napájení elektrinou.
6. Štěpkovač zapněte.

**⚠ UPOZORNĚNÍ:** Aby se zabránilo nehodám, k odstranění zaseknutých předmětů vždy používejte hák nebo tyč.

### Záchytná nádoba

- ✿ Před připevňováním nebo snímáním záchytné nádoby vždy štěpkovač vypněte a odpojte ho od napájení.
- ✿ Rukojeř záchytné nádoby (Obr. 1, bod 5) je z bezpečnostních důvodů vybavena pojistkou.
- ✿ Pro bezpečný provoz kontrolujte funkčnost pojistky po dvou hodinách práce.
- ✿ Nikdy se nepokoušejte bezpečnostní pojistku madla vyřadit z provozu.

Rukojeř záchytné nádoby:

Rukojeř ve spodní poloze >>> záchytná nádoba je odjištěna. Bezpečnostní pojistka je aktivována, štěpkovač nelze spustit.

Rukojeř v horní poloze >>> záchytná nádoba je zajištěna a štěpkovač je připraven k práci.

**📖 POZNÁMKA:** Stroj se nezapne, když je záchytná nádoba odjištěna. Stroj se automaticky vypne, když je záchytná nádoba během práce uvolněna.

### Kryt řezného válce (Obr. 1, bod 11)

#### ⚠ UPOZORNĚNÍ:

- ✿ Před otevřením krytu řezného válce se ujistěte, že je stroj vypnutý a odpojený od napájení.
- ✿ Pozor řezný válec se nezastaví ihned po vypnutí zařízení. Vyčkejte, dokud se všechny díly nezastaví.
- ✿ Před otevřením krytu si oblečte ochranné rukavice.
- ✿ Po sejmutí krytu je možné odstranit zaseknutý materiál, který není možné uvolnit vstupním plnicím otvorem či použitím zpětného chodu.



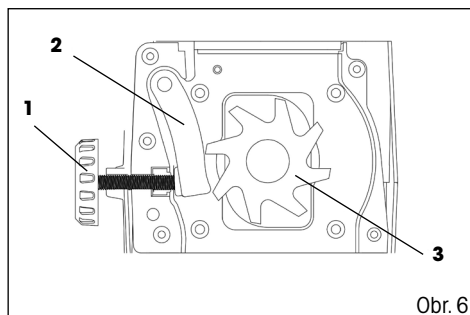
## 8. NASTAVENÍ A PRÁCE SE ŠTĚPKOVAČEM

### Nastavení vzdálenosti protinože

- ✿ Pro efektivní provoz je nutné nastavit vzdálenost mezi protinožem (Obr. 6, bod 2) a řezným válcem (Obr. 6, bod 3). Mezera mezi řezným válcem a protinožem by měla být co nejmenší.
- ✿ Správné nastavení umožní efektivní štěpování všech průměrů štěpkovaných větví.

Nastavení vzdálenosti:

- ✿ Stroj zapněte.
- ✿ Za účelem přitážení protinože k řeznému válci otáčejte pomalu po směru hodinových ručiček šroubem nastavení (Obr. 6, bod 1). Šroubem otáčejte, dokud z otvoru pro vyhazování nezačnou padat jemné hliníkové piliny.



**POZNÁMKA:** Měkký materiál nebo mokré větve se mohou místo řezání trhat. Tento problém může způsobovat i protinůž, který je po častém používání opotřebený.

### Před zapnutím

Ujistěte se, že:

- ✿ Pripojovací kabely nejsou poškozené. Pokud se zde nachází proříznutí nebo trhliny, přerušete práci a ihned jej vyměňte.
- ✿ Stroj není poškozený a všechny šrouby jsou utažené.
- ✿ Stroj je úplně a správně sestaven.

Zkontrolujte napájení:

- ✿ Ujistěte se, že napětí napájení odpovídá jmenovitému napětí na typovém štítku a že je stroj správně uzemněn.
- ✿ Používejte pouze prodlužovací kabely s dostatečným průřezem vodičů.

### Materiál, který může štěpkovač zpracovávat

Štěpkovač může zpracovávat následující typy materiálů:

- ✿ Všechny typy větví až do maximálního průměru, který je uveden v technické specifikaci.
- ✿ Zahradní odpad jako jsou zvaldé rostliny či mokrá tráva (štěpkujte střídavě s větvemi).

### Štěpkovač NESMÍ zpracovávat následující typy materiálů:

- ✿ Sklo, kovy, plasty, kameny, keramika, tlustší větve než je uvedeno v technické specifikaci, tvrdé dřevo, tlusté dřevěné desky, tkaniny, plastické tašky, kořeny se zeminou.
- ✿ Odpadky, které jsou téměř v kapalném skupenství, např. kuchyňské odpadky.

## 9. PROVOZ

- ✿ Materiál vkládejte do násypky z pravé strany.
- ✿ Větve drťte těsně poté, co se nařežou. Když uschnou, mohou se stát velice tvrdými.
- ✿ Odstraňte všechny boční výhonky z větví, v případě, že není možné takové do štěpkovače vsunout.
- ✿ Zabráňte příliš velkému nahromadění štěpky v zachytné nádobě. Nádobu pravidelně vyprazdňujte, nahromaděný rozdrcený materiál může blokovat otvor pro vyhazování.
- ✿ Nevkládejte materiál, který je větší než je maximální průměr větve uvedené v technických specifikacích.
- ✿ Drcení mokrého zahradního odpadu (spadané listí) vyústí v ucpání. Aby se předešlo ucpání, střídejte odpad s materiálem obsahujícím dřevo.
- ✿ Měkké materiály nebo mokré větve mohou být roztrhány místo toho, aby byly rozsekány. Tento problém může také způsobit opotřebený protinůž.
- ✿ Před čištěním otvoru pro vyhazování vypněte motor a odpojte zařízení od napájení.

## 10. ÚDRŽBA

### **⚠ UPOZORNĚNÍ:**

- ✿ Před vykonáváním kontroly či údržby na stroji se ujistěte, že je vypnutý a odpojený od napájení. Pozor řezný válec se nezastaví ihned po vypnutí zařízení, vyčkejte, než se všechny díly zastaví
- ✿ Před vykonáváním kontroly či údržby si oblékněte ochranné rukavice.
- ✿ K čištění nikdy nepoužívejte benzín, ředidlo, alkohol a podobně. Mohlo by dojít k odbarvení, deformaci nebo prasklinám.
- ✿ K čištění stroje používejte pouze vlhký hadřík a měkký kartáček.
- ✿ Nepoužívejte hadici ani stroj nemyjte tlakovou vodou.

Po každé operaci vykonajte následující údržbu:

- ✿ Zkontrolujte, zda jsou všechny upevňovací šrouby utažené (pokud je to nutné, utáhněte je).
- ✿ Kovové díly namažte kvůli ochraně proti korozi.
- ✿ Udržte otvory čisté a bez prachu.
- ✿ Řezný válec a protinůž se v průběhu času opotřebovávají. Pokud je to nezbytné, o výměně se informujte ve Vašem nejbližším autorizovaném servisním středisku.

# 11. ŘEŠENÍ PROBLÉMŮ

**⚠ VAROVÁNÍ:** Před řešením problémů stroj vypněte, odpojte od napájení a vyčkejte, než se zcela zastaví.

Problém	Možná příčina	Náprava
Motor se nezapíná	Žádné napájení	Zkontrolujte napájení.
	Vadný napájecí kabel	Pro kontrolu se informujte v autorizovaném servisním středisku
	Aktivována pojistka proti přetížení	Vyčkejte, než se stroj ochladí a stiskněte tlačítko pojistky.
	Bezpečnostní pojistka záchytného koše (Záchytný koš je odjištěný)	Zkontrolujte a zajistěte záchytný koš
Motor je slyšet, ale nepracuje	Řezný válec je zablokovaný	Vypněte stroj.
		Přepněte přepínač vpřed/zpětný chod do směru pro zpětný chod.
		Stroj zapněte, dokud se zaseknutí neuvolní.
		Znovu stroj vypněte.
	Vraťte směr na otáčení vpřed.	
Porucha kondenzátoru	Pro opravu stroj dopravte do autorizovaného servisního střediska.	
Drcený materiál není vtahován do štěpkovače	Otáčení nastaveno na zpětný chod.	Stroj vypněte a přepněte směr otáčení přepínačem.
	Drcený materiál zachycený v násypce	Stroj vypněte. Přepněte přepínač vpřed/zpětný chod do směru pro zpětný chod. Zapněte zařízení k uvolnění drceného materiálu, odstraňte nečistoty.
		Stroj opět vypněte.
		Vraťte směr na otáčení vpřed.
	Drcený materiál příliš měkký nebo mokrý	Materiál do štěpkovače vtačte
Špatně nastavený protinůž /řezný válec	Nastavte protinůž tak, jak je popsáno v „Nastavení a práce se štěpkovačem“.	
	V případě, že je řezný válec/protinůž silně opotřebovaný, vyměňte jej.	
Drcený materiál není čistě rozsekaný	Pevný protinůž není správně nastaven	Nastavte protinůž viz předchozí odstavec
Stroj se zapne, ale je blokováno i mírným zatížením a brzy se vypne ochranným vypínačem motoru.	Prodlužovací kabel je příliš dlouhý nebo jeho vodiče příliš tenké. Zásuvka je příliš daleko od zdroje napájení nebo jsou vodiče napájecího kabelu příliš tenké	Zkontrolujte, že prodlužovací kabel je nejméně 1,5 mm <sup>2</sup> , maximálně 25 m dlouhý. Při použití delšího kabelu je minimální průřez 2,5 mm <sup>2</sup>

## 12. TECHNICKÉ ÚDAJE

Jmenovité napětí.....	230–240 V~/50 Hz
Jmenovitý příkon.....	2800 W
Třída ochrany.....	I
Krytí.....	IP24
Otáčky volnoběhu.....	46 RPM
Maximální průměr větví.....	45 mm
Kapacita záchytné nádoby.....	55 l
Hladina akustického tlaku (LPA)*.....	93 dB(A)
Hladina akustického výkonu (LWA)*.....	96 dB(A)
Hmotnost.....	27,6 kg

## 13. LIKVIDACE

### POKYNY A INFORMACE O NAKLÁDÁNÍ S POUŽITÝM OBALEM

Použitý obalový materiál odložte na místo určené obcí k ukládání odpadu.



Stroj a jeho příslušenství jsou vyrobeny z různých materiálů, např. z kovu a plastů. Poškozené součástky odevzdejte do tříděného sběru. Informujte se u příslušného úřadu.



Tento výrobek splňuje veškeré základní požadavky směrnic EU, které se na něj vztahují.

Změny v textu, designu a technických specifikacích se mohou měnit bez předchozího upozornění a vyhrazujeme si právo na jejich změnu.

Návod k použití v originálním jazyce.

# 14. PROHLÁŠENÍ O SHODĚ

**Výrobce:**

FAST ČR, a. s.  
Černokostelecká 2111, 100 00 Praha 10, Czech Republic  
DIČ: CZ26726548

**Produkt/značka:** ZAHRADNÍ ŠTĚPKOVAČ/FIELDMANN

**Typ/model:** FZD 5010E  
230-240V~ 2800W IP24 46RPM

**Tento produkt splňuje níže uvedené předpisy:**

Směrnice ES pro nízkonapěťová elektrická zařízení č. 2006/95/ES Směrnice ES Rady 2006/42/ES pro strojní zařízení

Směrnice ES pro elektromagnetickou kompatibilitu (EMC) č. 2004/108/ES

Směrnice ES pro RoHS 2002/95/ES

**a normy:**

EN 60335-1:2002+A11:2004+A1:2004+A12:2006+A2:2006+A13:2008+A14:2010+A15:2011

EN 13683:2003+A2:2011

EN 62233:2008

EN 61000-3-3:2008

EN 61000-3-2:2006

EN 55014-1:2006

EN 55014-2:1997+A1:2001+A2:2008

EN ISO 3744:1944

ISO 11094:1991

**Označení CE:** 15

Společnost FAST ČR, a. s. je oprávněna jednat jménem výrobce.

**Místo vydání:** Praha

**Jméno:** Ing. Zdeněk Pech  
Předseda správní rady

**Datum vydání:** 14. 1. 2015

**Podpis:**

**FAST** FAST ČR, a. s.  
Černokostelecká 1921, 251 01 Říčany  
IČO: 26726548 tel.: +420/ 323 204 111  
DIČ: CZ26726548 fax: +420/ 323 204 110



# Záhradný štiepkovač

## NÁVOD NA OBSLUHU

**Vážená zákazníčka, vážený zákazník,**

**ďakujeme mnohokrát za prejavenu dôveru!**

**Pred prvým uvedením prístroja do prevádzky si bezpodmienečne prečítajte tento návod na obsluhu! Nájdete v ňom všetky pokyny na bezpečné používanie a dlhú životnosť prístroja. Bezpodmienečne dodržujte všetky bezpečnostné pokyny, uvedené v tomto návode!**

## OBSAH

1. VŠEOBECNÉ BEZPEČNOSTNÉ PREDPISY.....	36
Dôležité bezpečnostné upozornenia .....	36
Obal .....	36
Návod na použitie.....	36
2. SYMBOLY .....	37
3. SKÔR AKO ZAČNETE.....	38
Použitie primerané určaniu .....	38
4. PRE VAŠU BEZPEČNOSŤ .....	38
Všeobecné bezpečnostné pokyny .....	38
Elektrická bezpečnosť .....	39
Údržba .....	39
Upozornenia špecifické pre prístroj .....	39
5. POPIS STROJA .....	41
Popis stroja (pozrite Obr. 1).....	41
6. ZOSTAVENIE ŠTIEPKOVAČA .....	42
7. OBSLUHA ŠTIEPKOVAČA .....	43
Zapnutie a vypnutie štiepkovača (Obr. 5).....	43
Prepínač vpred/spätný chod (Obr. 5, bod 3).....	43
Ochrana proti preťaženiu.....	43
Záchytná nádoba.....	44
Kryt rezného valca (Obr. 1, bod 11) .....	44
8. NASTAVENIE A PRÁCA SO ŠTIEPKOVAČOM .....	45
Nastavenie vzdialenosti protinoža .....	45
Pred zapnutím .....	45
Materiál, ktorý môže štiepkovač spracovávať.....	45
Štiepkovač NESMIE spracovávať nasledujúce typy materiálov: .....	45
9. PREVÁDZKA .....	46
10. ÚDRŽBA.....	46
11. RIEŠENIE PROBLÉMOV .....	47
12. TECHNICKÉ ÚDAJE.....	48
13. LIKVIDÁCIA.....	49
14. VYHLÁSENIE O ZHODE .....	50

# 1. VŠEOBECNÉ BEZPEČNOSTNÉ PREDPISY

## Dôležité bezpečnostné upozornenia


- ✿ Výrobok starostlivo vybaľte a dajte pozor, aby ste nevyhodili žiadnu časť obalového materiálu, skôr ako nájdete všetky súčasti výrobku.
- ✿ Výrobok uchovávajte na suchom mieste mimo dosahu detí.
- ✿ Čítajte všetky upozornenia a pokyny. Zanedbanie pri dodržiavaní varovných upozornení a pokynov môže mať za následok úraz elektrickým prúdom, požiar a/alebo ťažké poranenia.

## Obal

Výrobok je umiestnený v obale brániacom poškodeniu pri transporte. Tento obal je surovinou a je preto možné ho odovzdať na recykláciu.

## Návod na použitie

Skôr ako začnete so strojom pracovať, prečítajte si nasledujúce bezpečnostné predpisy a pokyny na používanie. Oboznámte sa s obslužnými prvkami a správnym používaním zariadenia. Návod dôkladne uschovajte pre prípad neskoršej potreby. Minimálne počas záruky odporúčame uschovať originálny obal vrátane vnútorného baliaceho materiálu, pokladničný doklad a záručný list. V prípade prepravy zabaľte stroj späť do originálnej škatule od výrobcu, zaistíte si tak maximálnu ochranu výrobku pri prípadnom transporte (napr. sťahovanie alebo odoslanie do servisného miesta).

 **POZNÁMKA:** Ak odovzdávate stroj ďalším osobám, odovzdajte ho spoločne s návodom. Dodržiavanie priloženého návodu na obsluhu je predpokladom riadneho používania stroja. Návod na obsluhu obsahuje tiež pokyny na obsluhu, údržbu a opravy.

**Výrobca nepreberá zodpovednosť za nehody alebo škody vzniknuté následkom nedodržiavania tohto návodu.**



## 2. SYMBOLY



Pred uvedením do prevádzky dbajte na bezpečnostné pokyny.



Pred uvedením do prevádzky si prečítajte návod na použitie a riaďte sa ním.



Nebezpečenstvo odrezania.



Nesiahajte do lievika.



Nebezpečenstvo spôsobené vymrštenými predmetmi.



Dodržujte bezpečnú vzdialenosť od okolostojacich osôb.



Ak je kábel poškodený alebo prerušený, okamžite odpojte zástrčku od siete.



Hlasitosť prístroja.



POZOR: Nepoužívajte štiepkovač za vlhkého či daždivého počasia a chráňte ho pred vlhkom.



Vyčakajte na zastavenie všetkých súčastí štiepkovača.

### Osobné ochranné pracovné pomôcky



Pri práci s prístrojom používajte ochranu sluchu a ochranné okuliare.



Pri práci s prístrojom používajte pevnú obuv.



Pri práci s prístrojom používajte ochranné rukavice.



Pri práci s prístrojom noste tesne priliehajúci pracovný odev.

## 3. SKÔR AKO ZAČNETE...

### Použitie primerané určaniu

- ✿ zodpovedá stavu vedy a techniky aj platným bezpečnostným ustanoveniam v čase uvádzania do prevádzky v rámci jeho použitia primeranému určaniu. Prístroj je určený na drvenie vlákniťého alebo drevíťého organického materiálu z domácnosti a záhrady. Nie je možné ho plniť kameňmi, sklom, kovom, kosťami, umelohmotnými alebo látkovými odpadmi.
- ✿ nie je koncipovaný na profesionálne použitie. Každé iné použitie je v rozpore so stanoveným účelom. Použitím, ktoré je v rozpore s určením, zmenami na prístroji alebo použitím dielov, ktoré neboli preskúšané a schválené výrobcom, môžu vzniknúť nepredvídateľné škody! Každé neprimerané použitie, príp. všetky činnosti na prístroji, ktoré neboli v tomto návode na použitie popísané, sú nedovoleným zneužitím mimo zákonných hraníc ručenia výrobcu.

## 4. PRE VAŠU BEZPEČNOSŤ

### Všeobecné bezpečnostné pokyny

- ✿ Pre bezpečné zaobchádzanie s týmto prístrojom si jeho používateľ musí pred prvým použitím prečítať tento návod na použitie a porozumieť mu.
- ✿ Rešpektujte všetky bezpečnostné pokyny! Ak nebudete dbať na bezpečnostné pokyny, ohrozujete seba aj ostatných.
- ✿ Všetky návody na použitie a bezpečnostné pokyny si dobre uložte na neskoršie použitie.
- ✿ Keď prístroj predávate alebo odovzdávate ďalej, bezpodmienečne odovzdajte aj tento návod na použitie.
- ✿ Prístroj sa smie používať iba vtedy, ak je bez poruchy. Ak je prístroj alebo jeho časť poškodená, musí ho opraviť odborník.
- ✿ Prístroj nepoužívajte v priestoroch ohrozených výbuchom alebo v blízkosti horľavých kvapalín alebo plynov!
- ✿ Vypnutý prístroj vždy zaisťte proti neúmyselnému zapnutiu.
- ✿ Nepoužívajte náradie, pri ktorom spínač Zap./Vyp. riadne nefunguje.
- ✿ Zabráňte deťom v prístupe k prístroju! Uložte prístroj tak, aby bol bezpečne chránený pred deťmi a nepovolnými osobami.
- ✿ Nepreťažujte prístroj. Používajte prístroj iba na účely, na ktoré bol určený.
- ✿ Používajte vždy požadované osobné ochranné vybavenie.
- ✿ Pracujte vždy opatrne a v dobrej fyzickej kondícii: Pracovať počas únavy, ochorenia, požitia alkoholu, pod vplyvom liekov a omamných látok je nezodpovedné, pretože prístroj nemôžete bezpečne používať.
- ✿ Nepoužívajte ohrievacie teleso s časovým spínačom alebo s iným spínačom, ktorý automaticky spína prístroj, hrozilo by nebezpečenstvo požiaru.
- ✿ Zabezpečte, aby sa deti nehrali s výrobkom.
- ✿ Dodržujte vždy platné národné a medzinárodné bezpečnostné, zdravotné a pracovné predpisy.

## Elektrická bezpečnosť

- ✿ Prístroj sa smie pripojiť iba na zásuvku s riadne inštalovaným ochranným kontaktom.
- ✿ Zaistenie prístroja sa musí vykonať pomocou prúdového chrániča (spínač FI) s dimenzovaným chybným prúdom nepresahujúcim 30 mA.
- ✿ Pred pripojením prístroja sa musí zabezpečiť, aby sieťová prípojka zodpovedala hodnotám na pripojenie prístroja.
- ✿ Prístroj sa smie používať iba v rámci uvedených limitov napätia, výkonu a otáčok (pozrite typový štítok).
- ✿ Nedoťahajte sa sieťovej zástrčky mokrými rukami! Sieťovú zástrčku vyťahujte vždy za konektor, nie za kábel.
- ✿ Sieťový kábel neprehýbajte, nepriškripnite, nefahajte alebo neprechádzajte, chráňte pred ostrými hranami, olejom a horúčavou.
- ✿ Prístroj nezdvíhajte za kábel a kábel nepoužívajte na žiadne iné účely.
- ✿ Pred každým použitím skontrolujte zástrčku a kábel.
- ✿ Pri poškodení sieťového kábla okamžite vytiahnite sieťovú zástrčku. Nikdy nepoužívajte prístroj s poškodeným sieťovým káblom.
- ✿ Ak sa prístroj nepoužíva, musí byť sieťová zástrčka vždy vytiahnutá.
- ✿ Pred zasunutím sieťovej zástrčky zaistíte, aby bol prístroj vypnutý.
- ✿ Pred vytiahnutím sieťovej zástrčky prístroj vždy vypnite.
- ✿ Pre prepravu uveďte prístroj do stavu bez prúdu.

## Údržba

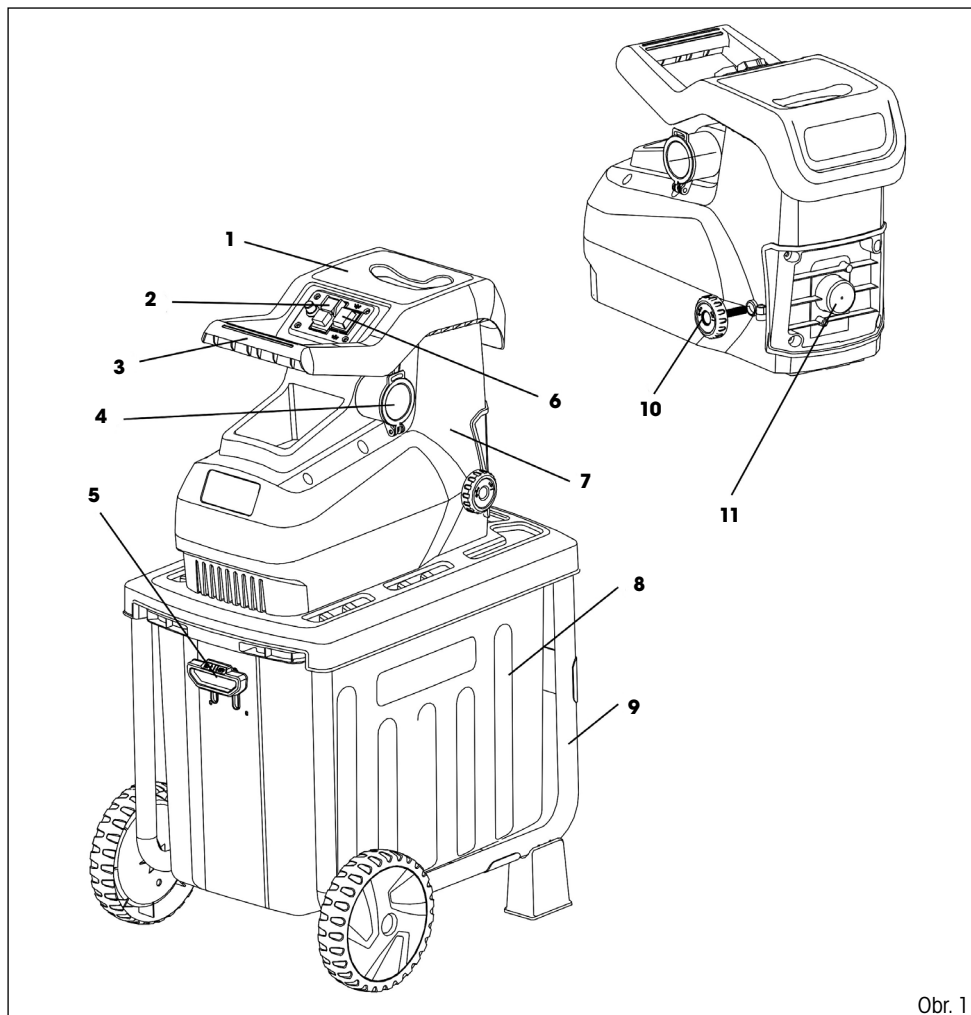
- ✿ Pred vykonávaním akýchkoľvek prác na prístroji vytiahnite sieťovú zástrčku zo zásuvky.
- ✿ Vykonávať sa smie len údržba a odstránenie porúch, ktoré sú popísané v tomto návode na použitie. Všetky ostatné práce musí vykonávať odborník.
- ✿ Používajte len originálne náhradné diely. Iba tieto náhradné diely sú pre zariadenie konštruované a vhodné. Iné náhradné diely majú za následok nielen stratu záruky, ale môžu ohroziť vás aj vaše okolie.

## Upozornenia špecifické pre prístroj

- ✿ Počas prevádzky nezasahujte do plniaceho lievika alebo vyhadzovacej šachtice. Prístroj po vypnutí ešte cca 5 sekúnd dobieha.
- ✿ Pred zapnutím je nutné prístroj zmontovať podľa predpisu.
- ✿ Pred zapnutím skontrolujte, či sú pevne dotiahnuté všetky skrutky, matice a ostatné upevňovacie súčasti a či sú správne namontované ochranné prvky.
- ✿ Pri práci so strojom vždy dbajte na isté a stabilné postavenie a prirodzenú polohu tela.
- ✿ Pracujte len pri dobrom osvetlení a dobrej viditeľnosti.
- ✿ Odev obsluhujúceho musí priliehať k telu. Voľné odevy je potrebné vylúčiť. Noste pevnú obuv a dlhé pracovné nohavice.
- ✿ Stroj používajte iba vonku, na pevnej a rovnej ploche.
- ✿ Pri práci nechajte okolo prístroja dostatok voľného priestoru. Prístroj neumiestňujte blízko k stene.
- ✿ Prístroj v prevádzke nezdvíhajte, nenakláňajte alebo neprepravujte.
- ✿ Pred spustením prístroja sa uistite, či je lievik na vhadzovanie prázdný.
- ✿ Zapnutý prístroj nenechávajte nikdy bez dozoru.
- ✿ Pri prevádzke dávajte pozor na to, aby sa do prístroja nedostali žiadne cudzie predmety (ako kamene, sklo, kov, zemina, plast atď.). Mohli by poškodiť motor alebo rezný valec.
- ✿ Ak by sa do rezacieho ústrojenstva dostali cudzie predmety alebo prístroj vydával nezvyčajné zvuky alebo nezvyčajne vibroval, okamžite vypnite motor a nechajte stroj dobehnúť.

- ✿ Nikdy nepoužívajte prístroj bez vkladacieho lievika.
- ✿ Ak je štiepkovač upchatý, najprv prístroj vypnite, vytiahnite zástrčku zo zásuvky a pred odstránením upchatia počkajte na úplný pokojový stav prístroja. Udržujte zapínač/vypínač čistý a bez cudzích telies.
- ✿ Nikdy sa nepokúšajte pri pohybujúcom sa reznom valci pridržiavať alebo odstraňovať drvený materiál. Zachytený drvený materiál odstraňujte, iba keď je stroj vypnutý.
- ✿ Zabráňte priamemu kontaktu s rotujúcim rezným valcom. Ak je stroj v chode, majte ruky a nohy mimo otvorov.
- ✿ Nestrkajte ruky alebo iné časti tela alebo oblečenia do plniacej komory, vyhadzovacieho kanála alebo do blízkosti iných pohyblivých súčastí.
- ✿ Drvený materiál odstráňte z vyhadzovacej zóny vždy pred tým, než dôjde k jeho nahromadeniu. Tak sa zabráni upchatiu štiepkovača alebo tomu, aby sa drvený materiál dostal spätným rázom zase do plniaceho lievika a tým spôsobil úrazy.
- ✿ V okruhu 3 m okolo pracovného priestoru sa nesmú zdržiavať iné osoby alebo zvieratá, pretože by ich mohli zraniť vymrštené predmety.
- ✿ Nepoužívajte prístroj na dláždenej alebo betónovej ploche. Drvený materiál by sa mohol odraziť a spôsobiť zranenie.
- ✿ Symboly, ktoré sa nachádzajú na vašom prístroji, sa nesmú odstraňovať ani zakrývať. Upozornenia na prístroji, ktoré už nie sú čitateľné, sa musia bezodkladne nahradiť novými.

## 5. POPIS STROJA



Obr. 1

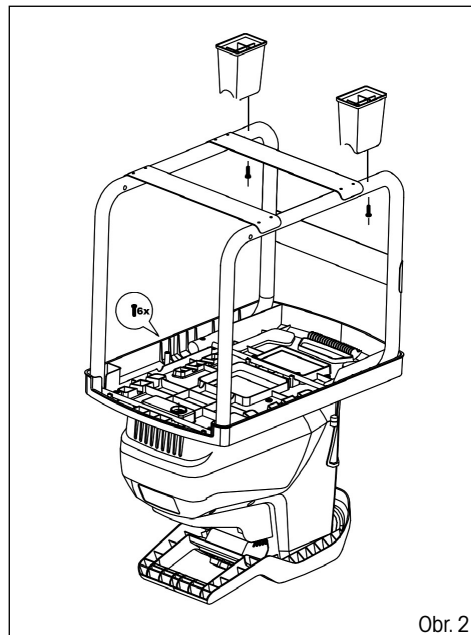
### Popis stroja (pozrite Obr. 1)

- |  |                             |
|--|-----------------------------|
| 1. Plniaci otvor                         | 7. Telo štiepkovača         |
| 2. Vypínač                               | 8. Záchytná nádoba          |
| 3. Rukoväť                               | 9. Rám štiepkovača          |
| 4. Zástrčka                              | 10. Skrutka nastavenia rezu |
| 5. Bezpečnostná poistka záchytnej nádoby | 11. Kryt rezného valca      |
| 6. Prepínač chodu                        |                             |

## 6. ZOSTAVENIE ŠTIEPKOVAČA

**⚠ UPOZORNENIE:** Pred vykonávaním akýchkoľvek prác na stroji sa uistite, či je vypnutý a odpojený od napájania.

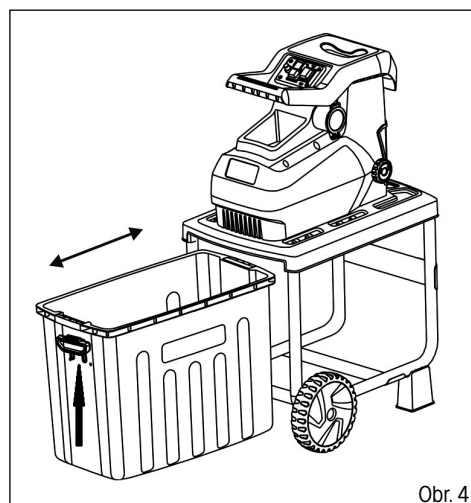
1. Otočte telo štiepkovača hore nohami a položte ho na rovnú podlahu.  
Potom naň umiestnite rám a riadne ho zaistite 6 priloženými skrutkami. Následne pripevnite nohy štiepkovača (Obr. 2).



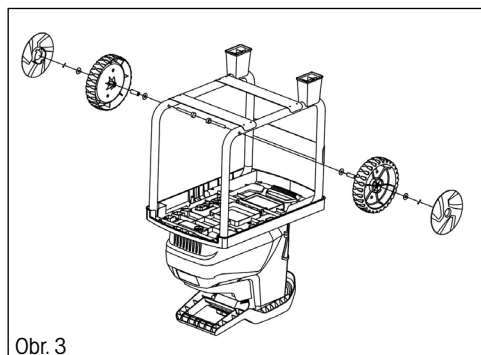
Obr. 2

**⚠ POZOR!** Venujte pozornosť smerovej orientácii rámu. Otvory na umiestnenie osi kolies sa musia nachádzať na rovnej strane ako rukoväť štiepkovača.

2. Namontujte kolesá nasledovne: (Obr. 3)
  - Pripevnite os na jedno z kolies.
  - Prestrčte os otvormi v ráme.
  - Pripevnite druhé koleso na os. Zaistite koleso ohnutím závlačky.
  - Pripevnite kryty na kolesá.
3. Vložte záchytný kôš. A potom zaistite bezpečnostnou poisítkou (Obr. 4)



Obr. 4



Obr. 3

## 7. OBSLUHA ŠTIEPKOVAČA

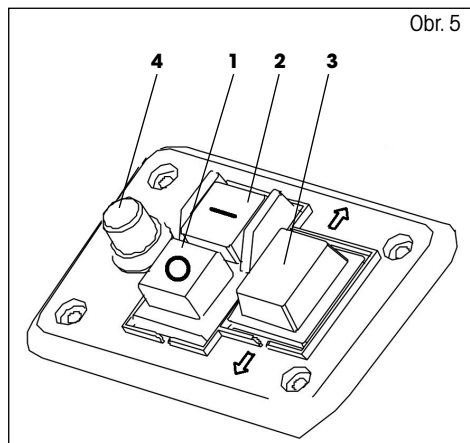
**VAROVANIE:** Pred pripojením stroja k zdroju napájania sa vždy uistite, či je spínač vypnutý. Pripájanie zariadenia so zapnutým spínačom môže spôsobiť neočakávané zapnutie s následkom vážneho zranenia.

### Zapnutie a vypnutie štiepkovača (Obr. 5)

**UPOZORNENIE:** Ak nie je možné spínač stroja zapnúť a vypnúť, so strojom nepracujte. Chybné spínače nechajte nahraďiť v autorizovanom servisnom stredisku.

- ✿ Na zapnutie stroja stlačte zelené tlačidlo (Obr. 5, bod 2).
- ✿ Na vypnutie stroja stlačte červené tlačidlo (Obr. 5, bod 1).

**UPOZORNENIE:** Stroj sa automaticky vypne, keď dôjde k výpadku prúdu. Na opätovné zapnutie stlačte zelené tlačidlo.



### Prepínač vpred/spätný chod (Obr. 5, bod 3)

**UPOZORNENIE:** Vypnite štiepkovač pred prepnutím prepínača vpred/spätný chod.

Poloha vpred

- ✿ Štandardný chod štiepkovača. Rezný valec sa otáča smerom vpred.

Poloha späť

- ✿ Rezný valec sa otáča opačným smerom na uvoľnenie zaseknutého materiálu.
- ✿ Pri zmene smeru na spätý chod, je nutné prerušovane stlačiť zelené tlačidlo, aby sa valec otáčal. Valec sa automaticky zastaví, keď zelený spínač uvoľníte.

**POZNÁMKA:** Na rozdrvenie veľkej vetvy môže byť nutné viacnásobné opakovanie procedúry s chodom štiepkovača vpred a vzad. **Pred opätovnou zmenou chodu vždy vyčkajte, než sa štiepkovač celkom zastaví.**

### Ochrana proti preťaženiu

- ✿ Štiepkovač je vybavený poisťou proti preťaženiu (Obr. 5, bod 4)
- ✿ V prípade preťaženia poisťka motora automaticky preruší elektrický obvod.
- ✿ Na obnovenie funkcie postupujte nasledovne:
  1. Vypnite stroj tak, aby bol bez napätia.
  2. Odstráňte materiál, ktorý štiepkovač zablokoval.
  3. Nechajte motor minimálne päť minút vychladnúť!

4. Stlačte tlačidlo bezpečnostnej poistky (Obr. 5, bod 4).
5. Znovu pripojte napájanie elektrinou.
6. Štiepkovač zapnite.

**⚠ UPOZORNENIE:** Aby sa zabránilo nehodám, na odstránenie zaseknutých predmetov vždy používajte hák alebo tyč.

### Záchytná nádoba

- ✿ Pred pripevňovaním alebo odoberaním záchytnej nádoby vždy štiepkovač vypnite a odpojte ho od napájania.
- ✿ Rukoväť záchytnej nádoby (Obr. 1, bod 5) je z bezpečnostných dôvodov vybavená poistkou.
- ✿ Pre bezpečnú prevádzku kontrolujte funkčnosť poistky po dvoch hodinách práce.
- ✿ Nikdy sa nepokúšajte bezpečnostnú poistku držadla vyradiť z prevádzky.

Rukoväť záchytnej nádoby:

Rukoväť v spodnej polohe >>> záchytná nádoba je odistená. Bezpečnostná poistka je aktivovaná, štiepkovač nie je možné spustiť.

Rukoväť v hornej polohe >>> záchytná nádoba je zaistená a štiepkovač je pripravený na prácu.

**📖 POZNÁMKA:** Stroj sa nezapne, keď je záchytná nádoba odistená. Stroj sa automaticky vypne, keď je záchytná nádoba počas práce uvoľnená.

### Kryt rezného valca (Obr. 1, bod 11)

**⚠ UPOZORNENIE:**

- ✿ Pred otvorením krytu rezného valca sa uistite, či je stroj vypnutý a odpojený od napájania.
- ✿ Pozor, rezný valec sa nezastaví ihneď po vypnutí zariadenia. Vyčkajte, kým sa všetky diely nezastavia.
- ✿ Pred otvorením krytu si oblečte ochranné rukavice.
- ✿ Po odobrať krytu je možné odstrániť zaseknutý materiál, ktorý nie je možné uvoľniť vstupným plniam otvorom či použitím spätného chodu.



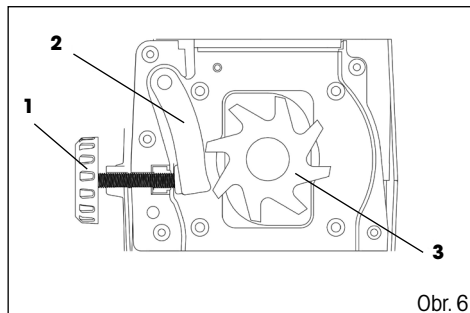
## 8. NASTAVENIE A PRÁCA SO ŠTIEPKOVAČOM

### Nastavenie vzdialenosti protinoža

- ✿ Pre efektívnu prevádzku je nutné nastaviť vzdialenosť medzi protinožom (Obr. 6, bod 2) a rezným valcom (Obr. 6, bod 3). Medzera medzi rezným valcom a protinožom by mala byť čo najmenšia.
- ✿ Správne nastavenie umožní efektívne štiepkovanie všetkých priemerov štiepkovaných vetiev.

Nastavenie vzdialenosti:

- ✿ Stroj zapnite.
- ✿ Na pritiažnutie protinoža k reznému valcu otáčajte pomaly v smere hodinových ručičiek skrutkou nastavenia (Obr. 6, bod 1). Skrutkou otáčajte, kým z otvoru na vyhadzovanie nezačnú padať jemné hliníkové piliny.



Obr. 6

**POZNÁMKA:** Mäkký materiál alebo mokré vetvy sa môžu namiesto rezania trhať. Tento problém môže spôsobiť aj protinož, ktorý je po častom používaní opotrebovaný.

### Pred zapnutím

Uistite sa, či:

- ✿ Pripájacie káble nie sú poškodené. Ak sa tu nachádza prerezanie alebo trhliny, prerušte prácu a ihneď ho vymeňte.
- ✿ Stroj nie je poškodený a všetky skrutky sú utiahnuté.
- ✿ Stroj je úplne a správne zostavený.

Skontrolujte napájanie:

- ✿ Uistite sa, či napätie napájania zodpovedá menovitému napätiu na typovom štítku a či je stroj správne uzemnený.
- ✿ Používajte iba predlžovacie káble s dostatočným prierezom vodičov.

### Materiál, ktorý môže štiepkovač spracovávať

Štiepkovač môže spracovávať nasledujúce typy materiálov:

- ✿ Všetky typy vetiev až do maximálneho priemeru, ktorý je uvedený v technickej špecifikácii.
- ✿ Záhradný odpad, ako sú zvädnuté rastliny či mokrá tráva (štiepkujte striedavo s vetvami.)

### Štiepkovač NESMIE spracovávať nasledujúce typy materiálov:

- ✿ Sklo, kovy, plasty, kamene, keramika, hrubšie vetvy než je uvedené v technickej špecifikácii, tvrdé drevo, hrubé drevené dosky, tkaniny, plastikové tašky, korene so zeminou.
- ✿ Odpadky, ktoré sú takmer v kvapalnom skupenstve, napr. kuchynské odpadky.

## 9. PREVÁDZKA

- ✿ Materiál vkladajte do násypky z pravej strany.
- ✿ Vetvy drvte tesne po tom, čo sa narežú. Keď vyschnú, môžu sa stať veľmi tvrdými.
- ✿ Odstráňte všetky bočné výhonky z vetiev, v prípade, že nie je možné ich do štiepkovača vsunúť.
- ✿ Zabráňte príliš veľkému nahromadeniu štiepky v záchytnej nádobe. Nádobu pravidelne vyprázdňujte, nahromadený rozdrvený materiál môže blokovať otvor na vyhadzovanie.
- ✿ Nevkladajte materiál, ktorý je väčší než je maximálny priemer vetvy uvedený v technických špecifikáciách.
- ✿ Drvenie mokrého záhradného odpadu (popadané lístie) vyústi do upchatia. Aby sa predišlo upchatiu, striedajte odpad s materiálom obsahujúcim drevo.
- ✿ Mäkké materiály alebo mokré vetvy sa môžu roztrhať namiesto toho, aby sa rozsekali. Tento problém môže takisto spôsobiť opotrebovaný protinôž.
- ✿ Pred čistením otvoru na vyhadzovanie vypnite motor a odpojte zariadenie od napájania.

## 10. ÚDRŽBA

### UPOZORNENIE:

- ✿ Pred vykonávaním kontroly či údržby na stroji sa uistite, či je vypnutý a odpojený od napájania. Pozor, rezný valec sa nezastaví ihneď po vypnutí zariadenia, vyčkajte, než sa všetky diely zastavia.
- ✿ Pred vykonávaním kontroly či údržby si oblečte ochranné rukavice.
- ✿ Na čistenie nikdy nepoužívajte benzín, riedidlo, alkohol a podobne. Mohlo by dôjsť k odfarbeniu, deformácii alebo prasklinám.
- ✿ Na čistenie stroja používajte iba vlhkú handričku a mäkkú kefku.
- ✿ Nepoužívajte hadicu ani stroj neumývajte tlakovou vodou.

Po každej operácii vykonajte nasledujúcu údržbu:

- ✿ Skontrolujte, či sú všetky upevňovacie skrutky utiahnuté (ak je to nutné, utiahnite ich).
- ✿ Kovové diely namažte kvôli ochrane proti korózii.
- ✿ Udržte otvory čisté a bez prachu.
- ✿ Rezný valec a protinôž sa v priebehu času opotrebovávajú. Ak je to nevyhnutné, o výmene sa informujte vo vašom najbližšom autorizovanom servisnom stredisku.

# 11. RIEŠENIE PROBLÉMOV

**⚠ VAROVANIE:** Pred riešením problémov stroj vypnite, odpojte od napájania a vyčkajte, než sa celkom zastaví.

Problém	Možná príčina	Náprava
Motor sa nezapína	Žiadne napájanie	Skontrolujte napájanie.
	Chybný napájací kábel	Pre kontrolu sa informujte v autorizovanom servisnom stredisku
	Aktivovaná poisťka proti preťaženiu	Vyčkajte, než sa stroj ochladí a stlačte tlačidlo poisťky.
	Bezpečnostná poisťka záchytného koša (Záchytný kôš je odistený)	Skontrolujte a zaistite záchytný kôš
Motor je počuť, ale nepracuje	Rezný valec je zablokovaný	Vypnite stroj.
		Prepnite prepínač vpred/spätný chod do smeru pre spätný chod.
		Stroj zapnite, kým sa zaseknutie neuvoľní.
		Znovu stroj vypnite.
	Vráťte smer na otáčanie vpred.	
Porucha kondenzátora	Na opravu stroj dopravte do autorizovaného servisného strediska.	
Drvený materiál sa nevŕahaže do štiepkovača	Otáčanie nastavené na spätný chod.	Stroj vypnite a prepnite smer otáčania prepínačom.
	Drvený materiál zachytený v násypke	Stroj vypnite. Prepňte prepínač vpred/spätný chod do smeru pre spätný chod. Zapnite zariadenie na uvoľnenie drveného materiálu, odstráňte nečistoty.
		Stroj opäť vypnite.
		Vráťte smer na otáčanie vpred.
	Drvený materiál príliš mäkký alebo mokrý	Materiál do štiepkovača vŕačte
Zle nastavený protinôž/rezný valec	Nastavte protinôž tak, ako je popísané v časti „Nastavenie a práca so štiepkovačom”. V prípade, že je rezný valec/protinôž silne opotrebovaný, vymeňte ho.	
Drvený materiál nie je čisto rozsekaný	Pevný protinôž nie je správne nastavený	Nastavte protinôž, pozrite predchádzajúci odsek
Stroj sa zapne, ale je blokovaný aj miernym zaťažením a skoro sa vypne ochranným vypínačom motora.	Predžovacia kábel je príliš dlhý alebo jeho vodiče príliš tenké. Zásuvka je príliš ďaleko od zdroja napájania alebo sú vodiče napájacieho kábla príliš tenké	Skontrolujte, či je predžovacia kábel najmenej 1,5 mm <sup>2</sup> , maximálne 25 m dlhý. Pri použití dlhšieho kábla je minimálny prierez 2,5 mm <sup>2</sup>

## 12. TECHNICKÉ ÚDAJE

Menovité napätie .....	230 – 240 V~/50 Hz
Menovitý príkon.....	2800 W
Trieda ochrany .....	I
Krytie .....	IP24
Otáčky voľnobehu .....	46 RPM
Maximálny priemer vetiev .....	45 mm
Kapacita záchytnej nádoby.....	55 l
Hladina akustického tlaku (LPA)* .....	93 dB(A)
Hladina akustického výkonu (LWA)* .....	96 dB(A)
Hmotnosť .....	27,6 kg

## 13. LIKVIDÁCIA

### POKYNY A INFORMÁCIE O ZAOBCHÁDZANÍ S POUŽITÝM OBALOM

Použitý obalový materiál odložte na miesto určené obcou na ukladanie odpadu.



Stroj a jeho príslušenstvo sú vyrobené z rôznych materiálov, napr. z kovu a plastov. Poškodené súčiastky odovzdajte do triedeného zberu. Informujte sa na príslušnom úrade.



Tento výrobok spĺňa všetky základné požiadavky smerníc EÚ, ktoré sa naň vzťahujú.

Zmeny v texte, dizajne a technických špecifikáciách sa môžu meniť bez predchádzajúceho upozornenia a vyhradujeme si právo na ich zmenu.

Návod na použitie v originálnom jazyku.

# 14. VYHLÁSENIE O ZHODE

**Výrobca:**

FAST ČR, a. s.

Černokostelecká 2111, 100 00 Praha 10, Czech Republic

DIČ: CZ26726548

**Produkt/značka:** ZÁHRADNÝ ŠTIEPKOVAČ/FIELDMANN

**Typ/model:**

FZD 5010E

230-240V~ 2800W IP24 46RPM

**Tento produkt spĺňa nižšie uvedené predpisy:**

Smernica ES pre nízkonapäťové elektrické zariadenia č. 2006/95/ES

Smernica ES Rady 2006/42/ES pre strojové zariadenia

Smernica ES pre elektromagnetickú kompatibilitu (EMC) č. 2004/108/ES

Smernica ES pre RoHS 2002/95/ES

**a normy:**

EN 60335-1:2002+A11:2004+A1:2004+A12:2006+A2:2006+A13:2008+A14:2010+A15:2011

EN 13683:2003+A2:2011

EN 62233:2008

EN 61000-3-3:2008

EN 61000-3-2:2006

EN 55014-1:2006

EN 55014-2:1997+A1:2001+A2:2008

EN ISO 3744:1944

ISO 11094:1991

**Označenie CE:** 15

Spoločnosť FAST ČR, a. s., je oprávnená konať v mene výrobcu.

**Miesto vydania:** Praha

**Meno:** Ing. Zdeněk Pech  
Predseda správnej rady

**Dátum vydania:** 14. 1. 2015

**Podpis:**

**FAST** FAST ČR, a. s.   
Černokostelecká 1921, 251 01 Říčany  
IČO: 26726548 tel.: +420/ 323 204 111  
DIČ: CZ26726548 fax: +420/ 323 204 110



# Kerti aprítógép

## HASZNÁLATI ÚTMUTATÓ

**Tisztelt ügyfelünk,**

**nagyon köszönjük az irántunk táplált bizalmát!**

**Az első üzembe helyezés előtt feltétlenül olvassa el ezt a használati útmutatót! Minden utasítást megtalál benne, amelyek elősegítik a készülék biztonságos használatát és hosszú élettartamát. Feltétlenül tartsa be a használati utasításban talált összes biztonsági utasítást!**

## TARTALOM

1. ÁLTALÁNOS BIZTONSÁGI ELŐÍRÁSOK.....	52
Fontos biztonsági figyelmeztetések.....	52
Csomagolás .....	52
Használati útmutató.....	52
2. JELEK .....	53
3. MIELŐTT HOZZÁKEZD... ..	54
Rendeltetésszerű használat .....	54
4. BIZTONSÁGA ÉRDEKÉBEN.....	54
Általános biztonsági előírások .....	54
Elektromos biztonság .....	55
Karbantartás .....	55
A készülékre vonatkozó specifikus figyelmeztetések .....	55
5. A GÉP LEÍRÁSA .....	57
A gép leírása (ld. 1. ábra).....	57
6. AZ APRÍTÓGÉP ÖSSZEÁLLÍTÁSA .....	58
7. AZ APRÍTÓGÉP HASZNÁLATA .....	59
Az aprítógép bekapcsolása és kikapcsolása (5. ábra) .....	59
Előre- / hátramenet kapcsoló (5. ábra, 3. pont).....	59
Túterhelés elleni védelem.....	60
Felfogóedény .....	60
A vágóhenger fedele (1. ábra 11. pont) .....	60
8. BEÁLLÍTÁSOK ÉS MUNKA AZ APRÍTÓGÉPPEL .....	61
Az ellenkés távolságának beállítása .....	61
Bekapcsolás előtt.....	61
Az aprítógéppel feldolgozható anyag .....	61
Az aprítógéppel nem szabad az alábbi anyag típusokat feldolgozni:.....	61
9. ÜZEMELTETÉS .....	62
10. KARBANTARTÁS .....	62
11. HIBAELHÁRÍTÁS .....	63
12. MŰSZAKI ADATOK .....	64
13. MEGSEMISÍTÉS .....	65
14. MEGFELELŐSÉGI NYILATKOZAT .....	66

# 1. ÁLTALÁNOS BIZTONSÁGI ELŐÍRÁSOK

## Fontos biztonsági figyelmeztetések


- ✿ A terméket óvatosan csomagolja ki és ügyeljen arra, hogy a csomagolóanyag egyik részét se dobja ki korábban, mint hogy megtalálja a termék összes részét.
- ✿ A gépet tartsa száraz helyen és gyermekektől távol.
- ✿ Olvassa el az összes figyelmeztetést és utasítást. A figyelmeztetések és utasítások figyelmen kívül hagyásának áramütés, tűz és/vagy komoly sérülés lehet a következménye.

## Csomagolás

A terméket a csomagolása védi a szállítás közbeni sérüléstől. Ez a csomagolás újrahasznosítható anyagból készült.

## Használati útmutató

Mielőtt használni kezdi a gépet, olvassa el a következő biztonsági előírásokat és a használati utasításokat. Ismerkedjen meg a kezelőelemekkel és a készülék helyes használatával. Az útmutatót gondosan őrizze meg későbbi szükség esetére. Javasoljuk, hogy legalább a jótállás idejére őrizze meg a termék eredeti dobozát, csomagolását, pénztárbizonylatát és jótállási jegyét. Szállítás esetén a készüléket csomagolja vissza az eredeti gyári dobozba, ezzel biztosítja a termék maximális védelmét szállítás közben (pl. költözés vagy szakszervizbe küldés).

 **MEGJEGYZÉS:** Ha a gépet másik személynek adja át, az útmutatót is adja oda. A használati útmutató utasításainak betartása a gép helyes használatának alapja. A használati útmutató a kezelésre, karbantartásra és javításra vonatkozó utasításokat is tartalmaz.

**A gyártó nem felel az útmutató utasításainak be nem tartásából adódó balesetekért vagy károkért.**



## 2. JELEK



Üzembe helyezés előtt figyeljen oda a biztonsági utasításokra.



Üzembe helyezés előtt olvassa el a használati útmutatót, és kövesse az olvasottakat.



Megvághatja magát.



Ne nyúljon a tölcserbe.



A kivágódó tárgyak veszélyt okozhatnak.



Tartson biztonságos távolságot a közelben tartózkodó személyektől.



Ha a tápkábel sérült vagy szakadt, azonnal húzza ki a csatlakozót a hálózathoz.



A készülék hangereje.



**VIGYÁZAT:** Ne használja az aprítógépet párás vagy esős időben, és óvja a nedvességtől.



Várja meg, míg az aprítógép minden alkatrésze megáll.

### Személyi védelmi eszközök



A készülékkel végzett munkához használjon fülvédőt és védőszemüveget.



A készülékkel végzett munkához használjon stabil cipőt.



A készülékkel végzett munkához használjon védőkesztyűt.



A készülékkel végzett munkához szűk, testhez simuló munkaruhát használjon.

## 3. MIELŐTT HOZZÁKEZD...

### Rendeltetésszerű használat

- ☼ megfelel a tudomány és technika üzembe helyezés idején ismert színvonalának és megfelel az érvényes biztonsági előírásoknak rendeltetésszerű használat esetén. A készülék rostos vagy fás szerves anyagok aprítására szolgál a háztartásban és a kertben. Nem szabad követ, üveget, fémet, csontot vagy műanyag vagy textil hulladékot beletölteni.
- ☼ nem alkalmas professzionális használatra. Minden egyéb használat ellentétes a megállapított rendeltetéssel. A készülék vagy alkatrész minden olyan használata, módosítása, ami ellentétes a rendeltetéssel, és amelyet a gyártó nem vizsgált meg és hagyott jóvá, előre nem látható károkot okozhat! A készülék minden nem rendeltetésszerű, ill. a jelen kézikönyvben le nem írt tevékenységre történő használata nem engedélyezett visszaélésnek számít, és kívül esik a gyártó jótállási kötelezettségén.

## 4. BIZTONSÁGA ÉRDEKÉBEN

### Általános biztonsági előírások

- ☼ A készülék biztonságos használata érdekében a felhasználónak az első használatbavétel előtt el kell olvasnia és meg kell értenie ezt a használati útmutatót.
- ☼ Minden biztonsági utasítást tartson be! Ha figyelmen kívül hagyja a biztonsági utasításokat, veszélyeztetni magát és másokat.
- ☼ Minden használati utasítást és az útmutatót tegyen el, hogy később is használhassa.
- ☼ Ha a készüléket eladja vagy továbbadja, feltétlenül adja oda a használati útmutatót is.
- ☼ A készüléket csak hibátlan állapotban szabad használni. Ha a készülék vagy valamelyik alkatrésze megsérül, szakembernek kell megjavítania.
- ☼ Ne használja a készüléket robbanásveszélyes környezetben, illetve gyúlékony folyadék és gáz közelében!
- ☼ Mindig gondoskodjon róla, hogy a kikapcsolt készülék ne hagy véletlenül bekapcsolódjon.
- ☼ Ne használja a készüléket, ha a be-/kikapcsoló nem működik megfelelően.
- ☼ Akadályozza meg gyermekek hozzáférését a készülékhez! Úgy tárolja a készüléket, hogy biztonságosan elzárja a gyermekek és illetéktelen személyek elől.
- ☼ Ne terhelje túl a készüléket. A készüléket csak olyan célra használja, amire szolgál.
- ☼ Mindig használja a szükséges személyi védőfelszerelést.
- ☼ Mindig figyelmesen és jó fizikai állapotban dolgozzon: Fáradtan, betegen, alkoholfogyasztás közben, gyógyszer vagy kábítószer hatása alatt dolgozni felelőtlen, mert nem tudja a készüléket biztonságosan használni.
- ☼ Ne használjon időkapcsolót vagy más olyan kapcsolót, ami automatikusan indítja el a készüléket, mert tűzveszélyes.
- ☼ Gondoskodjon róla, hogy a gyermekek ne játsszanak a termékkel.
- ☼ Tartson be minden érvényes nemzeti és nemzetközi biztonsági, egészségügyi és munkavédelmi előírást.

## Elektromos biztonság

- ✿ A készüléket csak megfelelő védőérintkezővel szabad a konnektorba csatlakoztatni.
- ✿ A készülék biztosítását csak legfeljebb 30 mAh névleges zárlati áramú áramvédővel (FI kapcsoló) szabad végezni.
- ✿ A készülék csatlakoztatása előtt gondoskodni kell róla, hogy a hálózati csatlakozó megfeleljen a készülék csatlakoztatásához megadott értéknek.
- ✿ A készüléket csak a megadott feszültség, teljesítmény és fordulatszám határain belül szabad használni (ld. típuscímké).
- ✿ Ne érjen a csatlakozódugóhoz nedves kézzel! A hálózati csatlakozót mindig a dugónál, és ne a kábelnél fogva húzza ki.
- ✿ A hálózati kábelt nem szabad meghajlítani, becsípni, húzni vagy rálépni, óvni kell az éles peremektől, olajtól és forróságtól.
- ✿ A készüléket ne húzza a kábelnél fogva, és a kábelt ne használja semmilyen más célra.
- ✿ Minden használat előtt ellenőrizze a csatlakozódugót és a kábelt.
- ✿ Ha a hálózati kábel megsérül, azonnal húzza ki a csatlakozót. Soha ne használja a készüléket sérült tápkábellel.
- ✿ Ha a készüléket nem használja, a csatlakozó mindig legyen kihúzva.
- ✿ A hálózati csatlakozó bedugása előtt gondoskodjon róla, hogy a készülék ki legyen kapcsolva.
- ✿ Mielőtt kihúzza a csatlakozót, a készüléket mindig kapcsolja ki.
- ✿ Szállítás előtt hozza a készüléket árammentes állapotba.

## Karbantartás

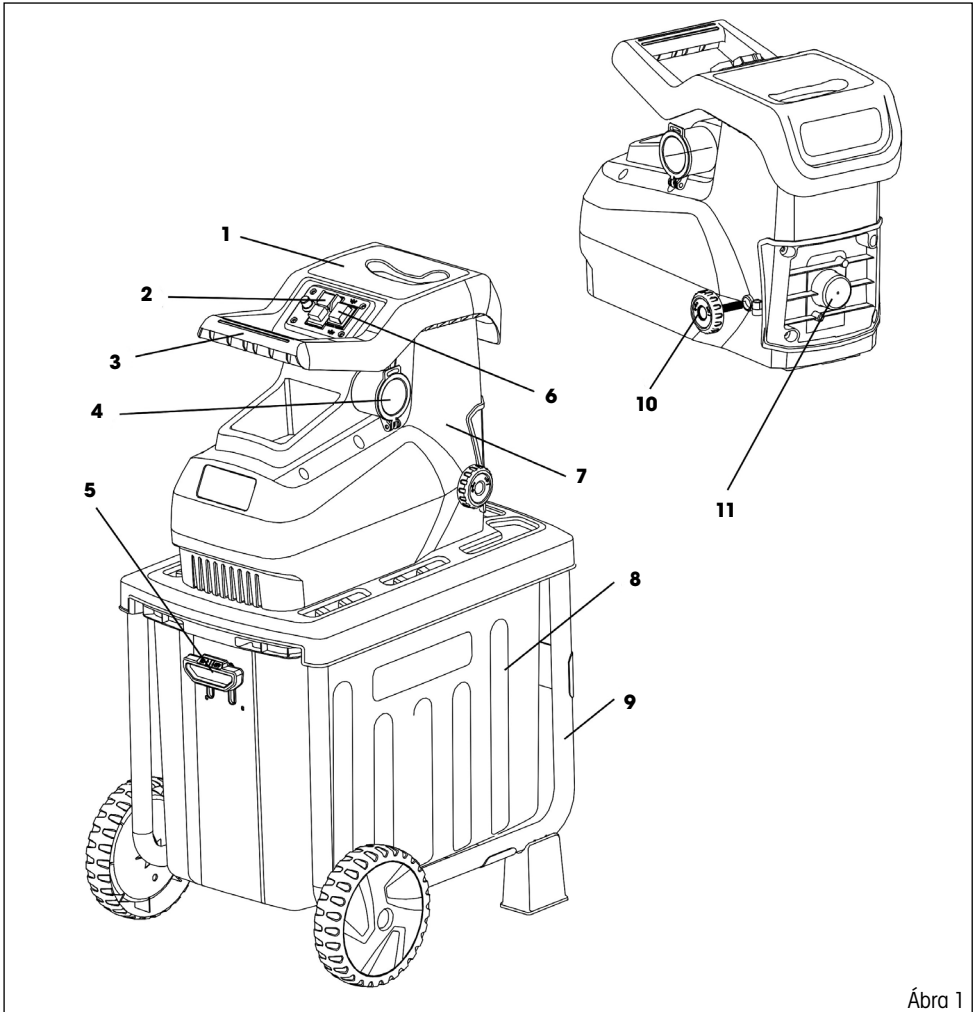
- ✿ Mielőtt bármiféle munkát végez a készüléken, húzza ki a csatlakozót a konnektorból.
- ✿ Csak a jelen útmutatóban leírt karbantartást és hibaelhárítást szabad végezni. Minden egyéb munkát csak szakember végezhet.
- ✿ Csak eredeti pótalkatrészeket használjon. Csak ezek a pótalkatrészek készültek a készülék számára és alkalmasak hozzá. Az egyéb pótalkatrészek nemcsak a jóállás elvesztésével járnak, hanem használatukkal veszélyeztetheti magát és környezetét.

## A készülékre vonatkozó specifikus figyelmeztetések

- ✿ Működés közben ne nyúljon a töltőtöltésérbe vagy a kidobóaknába. A készülék a kikapcsolás után még mintegy 5 másodpercig fut.
- ✿ Bekapcsolás előtt a készüléket előírás szerint össze kell állítani.
- ✿ Bekapcsolás előtt ellenőrizze, hogy megfelelően be van-e húzva minden csavar, anya és egyéb rögzítőelem, és hogy megfelelően fel vannak-e szerelve biztonsági egységek.
- ✿ A géppel végzett munka közben figyeljen a stabil állásra és a természetes testtartásra.
- ✿ Csak jó megvilágítás és látási viszonyok mellett dolgozzon.
- ✿ A kezelő ruhája testre simuló legyen. Ne viseljen laza ruhát. Stabil cipőt és hosszú munkanadrágot viseljen.
- ✿ A gépet csak a szabadban, szilárd és egyenes felületen használja.
- ✿ Munka közben a készülék körül hagyjon elég szabad területet. A készüléket ne állítsa fal közelébe.
- ✿ A működésben levő készüléket ne húzza, ne döntse meg és ne mozdítsa el.
- ✿ A készülék elindítása előtt bizonyosodjon meg róla, hogy a bedobótöltésér üres.
- ✿ A bekapcsolt készüléket soha ne hagyja működésben felügyelet nélkül.
- ✿ Munka közben figyeljen rá, nehogy a készülékbe idegen tárgy (kő, üveg, fém, föld, műanyag, stb.) kerüljön. Ezek árthatnak a motornak vagy a vágóhengernek.

- ✿ Ha a vágóberendezésbe idegen tárgy került, szokatlan hangot ad ki vagy szokatlanul remeg, azonnal kapcsolja ki a motort, és várja meg, míg leáll.
- ✿ Soha ne használja a készüléket a bedobótölcsér nélkül.
- ✿ Ha az aprítógép eldugul, először kapcsolja ki a készüléket, húzza ki a csatlakozódugót a konnektorból, és a dugulás elhárítása előtt várja meg, míg a készülék teljesen nyugalmi helyzetbe kerül. Tartsa a bekapcsolót/kikapcsolót tisztán és idegen tárgytól mentesen.
- ✿ Soha ne próbálja meg a vágott anyagot tartani vagy kivenni, ha a vágóhenger mozog. A beakadt vágnivalót csak akkor távolítsa el, amikor a gép ki van kapcsolva.
- ✿ Kerülje el a forgó vágóhengerrel való közvetlen érintkezést. Ha a gép megy, a kezét és a lábát tartsa a nyílásokon kívül.
- ✿ Ne dugja a kezét vagy más testrészét vagy a ruháját a töltőkamrába, a kidobó csatornába vagy más mozgó alkatrészek közelébe.
- ✿ Az aprított anyagot távolítsa el a kidobó zónából, mielőtt felgyülemlik. Így megakadályozza, hogy az aprítógép elduguljon, vagy az aprított anyag visszakerüljön a töltőtölcsérbe, és ezzel sérülést okozzon.
- ✿ A munkaterület 3 méteres körzetében nem tartózkodhatnak más személyek vagy állatok, mert a kivágódó tárgyak sérülést okozhatnak.
- ✿ Ne használja a készüléket kövezett vagy betonfelületen. Az aprított anyag felpattanhat, és sérülést okozhat.
- ✿ A készülékén található jeleket nem szabad eltávolítani vagy letakarni. A készüléken lévő, már olvashatatlan figyelmeztetéseket sürgősen ki kell cserélni.

## 5. A GÉP LEÍRÁSA



Ábra 1

### A gép leírása (ld. 1. ábra)

- |                                      |                          |
|--------------------------------------|--------------------------|
| 1. Töltőnyílás                       | 7. Az aprítógép teste    |
| 2. Kapcsoló                          | 8. Felfogóedény          |
| 3. Fogantyú                          | 9. Az aprítógép kerete   |
| 4. Csatlakozó                        | 10. Vágásbeállító csavar |
| 5. A felfogóedény biztonsági retesze | 11. A vágóhenger fedele  |
| 6. Menetkapcsoló                     |                          |

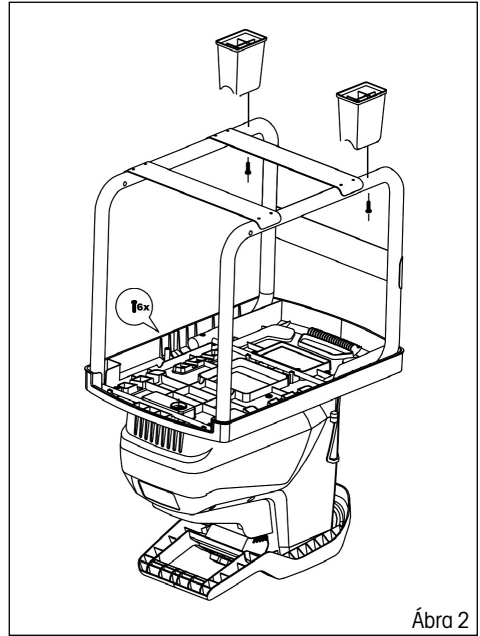
## 6. AZ APRÍTÓGÉP ÖSSZEÁLLÍTÁSA

**⚠ FIGYELEM:** Mielőtt bármiféle munkát végez a gépen, bizonyosodjon meg róla, hogy ki van kapcsolva és ki van húzva a konnektorból.

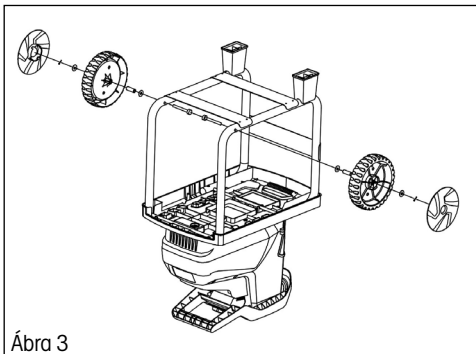
1. Fordítsa fejre az aprítógép testét, és helyezze sima felületre.  
Ezután helyezze rá a keretet, és rögzítse a 6 mellékelt csavarral. Majd erősítse fel az aprítógép lábait (2. ábra).

**⚠ VIGYÁZAT!** Figyeljen a keret irányára.  
A keréktengelyek elhelyezésére szolgáló nyílásoknak az aprítógép fogantyújával azonos oldalra kell kerülniük

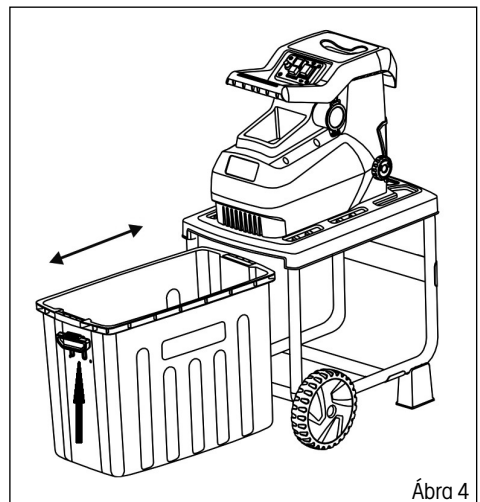
2. Szerelje fel a kerekeket a következő módon: (3. ábra)
  - Erősítse fel a tengelyt az egyik kerékre.
  - Dugja be a tengelyt a nyílásokon keresztül a keretbe.
  - Erősítse fel a másik kereket a tengelyre.  
Rögzítse a kereket a sasszeg elhajlításával.
  - Erősítse fel a fedeleket a kerekekre.
3. Tegye be a felfogóedényt. Majd rögzítse a biztonsági rezzsel (4. ábra)



Ábra 2



Ábra 3



Ábra 4

## 7. AZ APRÍTÓGÉP HASZNÁLATA

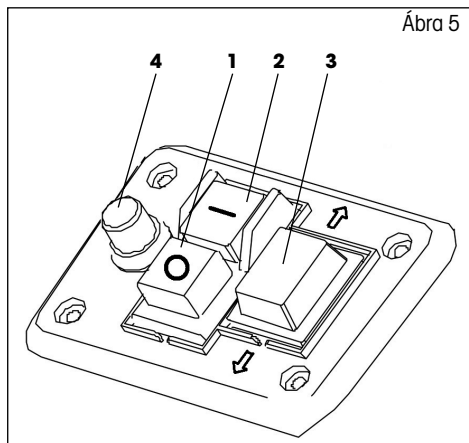
**⚠ FIGYELMEZTETÉS:** A gép tápellátáshoz való csatlakoztatása előtt mindig ellenőrizze, hogy a kapcsoló ki van-e kapcsolva. Ha a készüléket bekapcsolt kapcsolóval csatlakoztatja, az váratlanul beindulhat, és ennek következtében súlyos sérülést okozhat.

### Az aprítógép bekapcsolása és kikapcsolása (5. ábra)

**⚠ FIGYELEM:** Ha a gép nem kapcsolható be vagy ki a kapcsolóval, a géppel ne dolgozzon. A hibás kapcsolót cseréltesse ki a szakszervizben.

- ✿ A gép bekapcsolásához nyomja meg a zöld gombot (5. ábra, 2. pont).
- ✿ A gép kikapcsolásához nyomja meg a piros gombot (5. ábra, 1. pont).

**⚠ FIGYELEM:** Áramkimaradás esetén a gép automatikusan kikapcsol. Az újbóli bekapcsoláshoz nyomja meg a zöld gombot.



### Előre- / hátramenet kapcsoló (5. ábra, 3. pont)

**⚠ FIGYELEM:** Kapcsolja ki az aprítógépet, mielőtt az előre- / hátramenet kapcsolót átkapcsolja.

Előre állás

- ✿ Az aprítógép normál menete. A vágóhenger előrefelé forog.

Hátra állás

- ✿ A vágóhenger fordított irányba forog, hogy kiengedje a felvágott anyagot.
- ✿ Hátramenetbe kapcsoláskor szaggatottan kell a zöld gombot nyomkodni, hogy a henger forogjon. A henger automatikusan megáll, ha elengedi a zöld gombot.

**📖 MEGJEGYZÉS:** A nagyobb ágak felaprításához a foy, mata néhány alkalommal történő megismétlése lehet szükséges az aprítógép előre- és hátramenetével. **Mielőtt ismét módosítja a menetirányt, várja meg, míg az aprítógép teljesen megáll.**

## Túlterhelés elleni védelem

- ✿ Az aprítógép el van látva túlterhelés elleni biztosítékkal (5. ábra 4. pont)
- ✿ Túlterhelés esetén a motor biztosítéka automatikusan megszakítja az áramkört.
- ✿ A működés visszaállításához az alábbi módon cselekedjen:
  1. Kapcsolja ki a képet, hogy áram nélkül maradjon.
  2. Távolítsa el azt az anyagot, ami blokkolta az aprítógépet
  3. Hagyja a motort legalább öt percig hűlni!
  4. Nyomja meg a biztonsági kapcsoló gombját (5. ábra 4. pont).
  5. Újra csatlakoztassa az áramellátást.
  6. Kapcsolja be az aprítógépet.

**⚠ FIGYELEM:** A balesetek elkerülése érdekében a beszorult tárgyak eltávolításához egy rudat vagy kampót használjon.

## Felfogóedény

- ✿ A felfogóedény felerősítése vagy levétele előtt az aprítógépet mindig kapcsolja ki és húzza ki a hálózathoz.
- ✿ A felfogóedény fogója (1. ábra 5. pont) biztonsági okokból egy biztosítékkal van felszerelve.
- ✿ A biztonságos működés érdekében munka közben kétóránként ellenőrizze a biztosíték működését.
- ✿ Soha ne próbálja a fogantyú biztosítékának a működését kikapcsolni.

A felfogóedény fogantyúja:

A fogantyú alsó állásban >>> a felfogóedény ki van oldva. A biztonsági kapcsoló aktiválva van, az aprítógépet nem lehet elindítani.

A fogantyú felső állásban >>> a felfogóedény rögzítve van, és az aprítógép munkára kész.

**📖 MEGJEGYZÉS:** A gép nem indul el, ha a felfogóedény ki van oldva. A gép automatikusan kikapcsol, ha a felfogóedény munka közben kilazul.

## A vágóhenger fedele (1. ábra 11. pont)

### ⚠ FIGYELEM:

- ✿ A vágóhenger fedelének felnyitása előtt bizonyosodjon meg róla, hogy a gép ki van kapcsolva és ki van húzva a hálózathoz.
- ✿ Figyelem, a vágóhenger nem áll meg rögtön a készülék kikapcsolása után. Várja meg, míg minden alkatrész megáll.
- ✿ A fedél felnyitása előtt vegyen fel védőkesztyűt.
- ✿ A fedél levétele után el lehet távolítani azokat a beszorult tárgyakat, amelyeket a bevezető töltőnyíláson keresztül vagy a hátramenet segítségével nem sikerült.



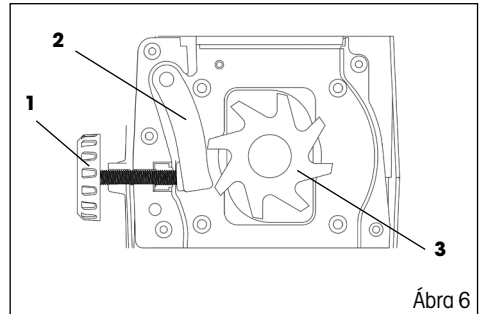
## 8. BEÁLLÍTÁSOK ÉS MUNKA AZ APRÍTÓGÉPPEL

### Az ellenkés távolságának beállítása

- ☼ A hatékony működés érdekében be kell állítani az ellenkés (6. ábra 2. pont) és a vágóhenger (6. ábra 3. pont) közti távolságot. A vágóhenger és az ellenkés közti távolság minél kisebb legyen.
- ☼ A megfelelő beállítás lehetővé teszi a különböző átmérőjű aprítandó ágak hatékony aprítását.

A távolság beállítása:

- ☼ Kapcsolja be a gépet.
- ☼ Az élélenkést úgy tudja a vágóhenger felé nyomni, hogy a beállítócsavart (6. ábra 1. pont) lassan forgatja az óramutató járásával megegyező irányba. Addig forgassa a csavart, míg a kidobónyílásból nem kezdenek finom alumíniumforgácsok hullani.



**MEGJEGYZÉS:** A puha vagy a nedves ágak vágás helyett szakadnak. Ugyanezt okozhatja a gyakori használatban elkopott ellenkés is.

### Bekapcsolás előtt

Bizonyosodjon meg róla, hogy:

- ☼ A csatlakozókábel nem sérült. Ha vágást vagy repedést talál rajta, hagyja abba a munkát, és azonnal cserélje ki.
- ☼ A gép nincs meghibásodva, és minden csavar meg van húzva.
- ☼ A gép teljesen és megfelelően össze van állítva.

Ellenőrizze a tápellátást:

- ☼ Bizonyosodjon meg róla, hogy a tápellátás feszültsége megfelel a típuscímkén található névleges feszültségnek, és hogy a gép megfelelően földelve van.
- ☼ Csak megfelelő keresztmetszetű hosszabbító kábelt használjon.

### Az aprítógéppel feldolgozható anyag

Az aprítógép az alábbi anyag típusokat tudja feldolgozni:

- ☼ Mindenfajta ágat a műszaki specifikációban szereplő legnagyobb átmérőig.
- ☼ Kerti hulladékot, például hervadt növényeket vagy nedves fűvet (ágakkal felváltva aprítsa.)

### Az aprítógéppel nem szabad az alábbi anyag típusokat feldolgozni:

- ☼ Üveg, fém, műanyag, kő, kerámia, a műszaki specifikációban szereplőnél vastagabb ág, kemény fa, vastag falapok, szövet, műanyagcsator, földes gyökerek.
- ☼ Folyékony állapothoz közeli, hulladék, pl. konyhai hulladék.

## 9. ÜZEMELTETÉS

- ☼ Az anyagot tegye a jobboldali töltőedénybe.
- ☼ Az ágakat felvágás után rögtön zúzza össze. Ha megszáradnak, nagyon megkeményedhetnek.
- ☼ Távolítsa el az ágról minden oldalsó hajtást, ha különben nem lehet bedugni az aprítógépbe.
- ☼ Akadályozza meg, hogy a felfogóedényben túlzottan felgyűljenek a fadarabok. Az edényt alaposan tisztítsa ki, az összegyűlt felaprított anyag eltávolíthatja a kidobónyílást.
- ☼ Ne tegyen be nagyobb anyagot, mint a műszaki specifikációban megadott maximális átmérőjű ágak.
- ☼ A nedves kerti hulladék (lehullott levelek) dugulást okozhat. A dugulás megelőzése érdekében a hulladékot válogassa faanyaggal.
- ☼ A puha anyagok vagy nedves ágak aprítás helyett elszakadhatnak. Ilyen problémát okozhat az elhasználódott ellenkés is.
- ☼ A kidobónyílás tisztítása előtt kapcsolja ki a motort, és húzza ki a készülék a hálózathoz.

## 10. KARBANTARTÁS

### FIGYELEM:

- ☼ Mielőtt ellenőrzést vagy karbantartást végez a gépen, bizonyosodjon meg róla, hogy ki van kapcsolva és ki van húzva a konnektorból. Figyelem, a vágóhenger nem áll meg rögtön a készülék kikapcsolása után, várja meg, míg minden alkatrész megáll.
- ☼ Ellenőrzés vagy karbantartás előtt vegyen fel védőkesztyűt.
- ☼ A tisztításhoz soha ne használjon benzint, hígítót, alkoholt és hasonlókat. Színvesztés, deformáció vagy repedés történhet.
- ☼ A gép tisztításához csak nedves rongyot és puha keféket használjon.
- ☼ Ne használjon tömlőt, és a gépet ne mossa vízszaggal.

Minden tevékenység után végezze el az alábbi karbantartást:

- ☼ Ellenőrizze, hogy minden rögzítőcsavar be van-e húzva (ha nem, húzza meg őket).
- ☼ A fémalkatrészeket olajozza meg a rozsdásodás elkerülése érdekében.
- ☼ Tartsa tisztán és pormentesen a nyílásokat.
- ☼ A vágóhenger és az ellenkés idővel elhasználódik. Ha szükséges, a cseréről érdeklődjön a legközelebbi szakszervízben.

# 11. HIBAELEHÁRÍTÁS

**FIGYELEM:** Hibaelhárítás előtt a gépet kapcsolja ki, húzza ki a hálózathoz és várja meg, míg teljesen megáll.

Hiba	Lehetséges ok	Megoldás
A motor nem kapcsol be	Nincs tápellátás	Ellenőrizze a tápellátást.
	Hibás hálózati kábel	A megvizsgálásáról érdeklődjön szakszervizben
	A túlterhelés elleni biztosíték aktiválódott	Várja meg, míg a gép kihűl, és nyomja meg a biztosíték gombját.
	A felfogóedény biztonsági kapcsolója (A felfogóedény ki van oldva)	Ellenőrizze és rögzítse a felfogóedényt
A motort hallani, de nem működik	A vágóhenger eldugult	Kapcsolja ki a gépet.
		Kapcsolja át az előre- / hátramenet kapcsolót hátramenetbe.
		Kapcsolja be a motort, amíg a dugulás el nem múlik.
		A gépet újra kapcsolja ki.
	Kapcsolja vissza a forgásirányt előre.	
A kondenzátor meghibásodása	Javítás céljából a gépet küldje szakszervizbe.	
Az aprítógép nem húzza be a vágandó anyagot	A forgás hátramenetbe van kapcsolva.	Kapcsolja ki a gépet, és a kapcsolóval állítsa át a forgásirányt.
	Az aprított anyag elakad a tartályban	Kapcsolja ki a gépet. Kapcsolja át az előre- / hátramenet kapcsolót hátramenetbe. Kapcsolja be a készüléket, hogy az elakadt anyag kiszabaduljon, távolítsa el a szennyeződések.
		Kapcsolja ki újra a gépet.
		Kapcsolja vissza a forgásirányt előre.
	Az aprítandó anyag túl puha vagy nedves	Nyomja be az anyagot az aprítógépbe
Rosszul beállított ellenkés / vágóhenger	Állítsa be az ellenkést úgy, ahogy a "Beállítások és munka az aprítógéppel" fejezetben le van írva.	
	Amennyiben a vágóhenger/ellenkés túlzottan elhasználódott, cserélje ki.	
Az aprított anyag nincs egyenletesen szétterelődve	A rögzített ellenkés nincs megfelelően beállítva	Állítsa be az ellenkést, ld. az előző bekezdést
A gép be van kapcsolva, de a ygeböngé terhelés is blokkolja, a motor biztonsági kapcsolója pedig gyorsan kikapcsol.	A hosszabbító kábel túl hosszú vagy a vezeték túl vékony. A csatlakozó túl messze van a tápforrástól vagy a vezetékek túl vékonyak	Ellenőrizze, hogy a hosszabbító kábel legalább 1,5 mm <sup>2</sup> , maximum 25 m hosszú. További kábel használata esetén a minimális keresztmetszet 2,5 mm <sup>2</sup>

## 12. MŰSZAKI ADATOK

Névleges feszültség .....	230–240 V~ /50 Hz
Névleges fogyasztás.....	2800 W
Védelmi osztály.....	I
Védelem .....	IP24
Üresjáratú fordulatszám .....	46 RPM
Az ág maximális átmérője.....	45 mm
A felfogóedény kapacitása .....	55 l
Akustikai nyomásszint (LPA)* .....	93 dB(A)
Akustikai teljesítményszint (LWA)* .....	96 dB(A)
Tömeg.....	27,6 kg

## 13. MEGSEMMISÍTÉS

### A HASZNÁLT CSOMAGOLÓANYAGOKRA VONATKOZÓ UTASÍTÁSOK ÉS TÁJÉKOZTATÓ

A használt csomagolóanyagot az önkormányzat által kijelölt hulladékgyűjtő helyen adja le.



A gép és tartozékai különböző anyagokból, pl. fémből és műanyagból készültek.  
A sérült alkatrészeket adja le szelektív gyűjtőhelyen. Tájékozódjon az illetékes hivatalnál.



Ez a termék teljesíti az összes rá vonatkozó EU irányelv követelményeit.

Változtatások a szövegben, a kivitelben és a műszaki jellemzőkben előzetes figyelmeztetés nélkül történhetnek, a módosításra vonatkozó jog fenntartva.

Használati útmutató az eredeti nyelven.

# 14. MEGFELELŐSÉGI NYILATKOZAT

## Gyártó:

Fast ČR, a.s.  
 Černokostelecká 2111, 100 00 Praha 10, Czech Republic  
 Adószám: CZ26726548

**Termék/márka:** KERTI APRÍTÓGÉP/FIELDMANN

**Típus/modell:** FZD 5010E  
 230-240V~ 2800W IP24 46RPM

## Ez a termék megfelel az alábbi előírásoknak:

Az alacsony feszültségű elektromos berendezésekre vonatkozó, 2006/95/EK sz. irányelv  
 Az EK gépi berendezésekre vonatkozó 2006/42/EK sz. irányelve  
 Az elektromágneses kompatibilitásra (EMC) vonatkozó 2004/108/EK sz. irányelv  
 Az EK 2002/95/EK számú RoHS irányelve

## és szabványoknak:

EN 60335-1:2002+A11:2004+A12:2006+A2:2006+A13:2008+A14:2010+A15:2011  
 EN 13683:2003+A2:2011  
 EN 62233:2008  
 EN 61000-3-3:2008  
 EN 61000-3-2:2006  
 EN 55014-1:2006  
 EN 55014-2:1997+A1:2001+A2:2008  
 EN ISO 3744:1944  
 ISO 11094:1991

## CE jelölés: 15

A FAST ČR Rt. jogosult a gyártó nevében eljárni.

**A kiadás helye:** Prága

**Név:** Ing. Zdeněk Pech  
 Az igazgatótanács elnöke

**A kiadás dátuma:** 14. 1. 2015

## Aláírás:

**FAST** FAST ČR, a.s.   
 Černokostelecká 1921, 251 01 Říčany  
 IČO: 26726548 tel.: +420/ 323 204 111  
 DIČ: CZ26726548 fax: +420/ 323 204 110



# Rozdrabniacz ogrodowy

## INSTRUKCJA OBSŁUGI

**Szanowna Klientko, szanowny Kliencie,**

**cieszymy się, że obdarzyli nas Państwo swoim zaufaniem!**

**Przed pierwszym uruchomieniem urządzenia prosimy koniecznie zapoznać się z niniejszą instrukcją obsługi! Zawiera ona wszystkie zalecenia zapewniające bezpieczne użytkowanie i długą żywotność urządzenia. Prosimy o bezwarunkowe przestrzeganie wszystkich zaleceń bezpieczeństwa podanych w niniejszej instrukcji!**

## SPIS TREŚCI

1. OGÓLNE ZASADY BEZPIECZEŃSTWA.....	68
Ważne ostrzeżenia dotyczące bezpieczeństwa.....	68
Opakowanie.....	68
Instrukcja obsługi.....	68
2. SYMBOLE.....	69
3. ZANIM ZACZNIESZ.....	70
Eksploatacja zgodna z przeznaczeniem .....	70
4. TWOJE BEZPIECZEŃSTWO.....	70
Ogólne wskazówki bezpieczeństwa .....	70
Bezpieczeństwo elektryczne .....	71
Konserwacja .....	71
Ostrzeżenia specyficzne dla tego urządzenia .....	71
5. OPIS MASZYNY .....	73
Opis maszyny (por. Rys. 1).....	73
6. MONTAŻ ROZDRABNIACZA .....	74
7. OBSŁUGA ROZDRABNIACZA .....	75
Włączanie i wyłączanie rozdrabniacza (Rys. 5).....	75
Przełącznik do przodu / wstecz (Rys. 5, punkt 3) .....	75
Ochrona przed przeciążeniem.....	76
Pojemnik na ścinki.....	76
Pokrywa bębna tnącego (Rys. 1, punkt 11). .....	76
8. USTAWIENIA I EKSPLOATACJA ROZDRABNIACZA .....	77
Ustawienia odległości przeciwnożnego .....	77
Przed włączeniem .....	77
Materiał, który można opracowywać w rozdrabniaczu.....	77
W rozdrabniaczu NIE WOLNO opracowywać następujących typów materiału: .....	77
9. EKSPLOATACJA .....	78
10. KONSERWACJA.....	78
11. ROZWIĄZYWANIE PROBLEMÓW.....	79
12. DANE TECHNICZNE .....	80
13. LIKWIDACJA.....	81
14. DEKLARACJA ZGODNOŚCI.....	82

# 1. OGÓLNE ZASADY BEZPIECZEŃSTWA

## Ważne ostrzeżenia dotyczące bezpieczeństwa


- ✿ Starannie rozpakuj wyrób, zwracając uwagę, by nie wyrzucić żadnej części materiału opakowaniowego, zanim nie znajdziesz wszystkich elementów produktu.
- ✿ Przechowuj wyrób w suchym miejscu z dala od dzieci.
- ✿ Przeczytaj wszystkie uwagi i wskazówki. Nieprzestrzeganie ostrzeżeń i wskazówek może spowodować porażenie prądem elektrycznym, pożar lub ciężkie obrażenia.

## Opakowanie

Wyrób został umieszczony w opakowaniu chroniącym je przed uszkodzeniem podczas transportu. Opakowanie to jest surowcem i dlatego podlega recyklingowi.

## Instrukcja obsługi

Zanim rozpoczniesz pracę z urządzeniem, przeczytaj następujące zasady bezpieczeństwa i wskazówki dotyczące użytkowania. Zapoznaj się z elementami sterowania i prawidłowym użyciem urządzenia. Instrukcję należy starannie zachować do wglądu. Co najmniej w okresie gwarancyjnym zalecamy zachowanie oryginalnego opakowania łącznie z wewnętrznym materiałem opakowaniowym, dokument kasowy i kartę gwarancyjną. W razie transportu zapakuj maszynę z powrotem do oryginalnego pudełka dostarczonego przez producenta, zapewniając w ten sposób maksymalną ochronę produktu podczas ewentualnego transportu (np. przeprowadzki lub wysyłki do serwisu).

 **UWAGA:** Jeśli przekazujesz maszynę innym osobom, przekaz ją razem z instrukcją. Przestrzeganie załączonej instrukcji obsługi stanowi założenie prawidłowego użycia urządzenia. Instrukcja obsługi zawiera również wskazówki dotyczące obsługi, konserwacji i naprawy.

**Producent nie ponosi odpowiedzialności za wypadki lub szkody powstałe na skutek nieprzestrzegania niniejszej instrukcji.**



## 2. SYMBOLE



Przed uruchomieniem należy przestrzegać zasad bezpieczeństwa.



Przed uruchomieniem należy przeczytać instrukcję obsługi i przestrzegać jej.



Niebezpieczeństwo doznania ran ciętych.



Nie wkładać rąk do lejka załadawkowego.



Niebezpieczeństwo spowodowane wyrzucanymi ciałami obcymi.



Przestrzegać bezpiecznej odległości od znajdujących się w pobliżu osób.



Jeśli kabel jest uszkodzony lub przerwany, natychmiast odłącz wtyczkę od sieci.



Głośność urządzenia.



UWAGA: Nie korzystaj z rozdrabniacza w środowisku wilgotnym lub podczas deszczu i chroń go przed wilgocią.



Poczekaj, aż dojdzie do zatrzymania wszystkich części rozdrabniacza.

### Używaj środków ochrony osobistej podczas pracy



Podczas pracy z urządzeniem należy nosić ochronniki słuchu i okulary ochronne.



Podczas pracy z urządzeniem należy nosić mocne buty.



Podczas pracy z urządzeniem należy korzystać z rękawic ochronnych.



Podczas pracy z urządzeniem należy nosić przylegającą odzież roboczą.

## 3. ZANIM ZACZNIESZ...

### **Eksploatacja zgodna z przeznaczeniem**

- ✿ jest ekwiwalentna do stanu wiedzy i techniki oraz norm bezpieczeństwa obowiązujących w czasie eksploatacji urządzenia zgodnie z jego przeznaczeniem. Urządzenie jest przeznaczone do rozdrabniania włóknistego lub drewnianego materiału organicznego z ogrodu domowego. Nie wolno go napędnąć kamieniami, szkłem, metalem, kośćmi czy też odpadem z tworzyw sztucznych lub tekstyliów.
- ✿ nie jest przeznaczony do profesjonalnego użytku. Jakikolwiek inne użycie jest niezgodne z przeznaczeniem. Eksploatacja niezgodna z przeznaczeniem, dokonywanie zmian w urządzeniu lub korzystanie z części, które nie zostały przetestowane ani zatwierdzone przez producenta może doprowadzić do powstania nieprzewidywalnych szkód! Każda eksploatacja niezgodna z przeznaczeniem oraz wszelkie czynności z wykorzystaniem urządzenia, które nie zostały opisane w niniejszej instrukcji, stanowią przypadek nielegalnego wykorzystania urządzenia nie objęty gwarancją producenta.

## 4. TWOJE BEZPIECZEŃSTWO

### **Ogólne wskazówki bezpieczeństwa**

- ✿ Aby zapewnić bezpieczną obsługę urządzenia użytkownik musi przeczytać i zrozumieć niniejszą instrukcję przed pierwszym użyciem urządzenia.
- ✿ Przestrzegaj wszystkich zaleceń bezpieczeństwa! Jeśli nie będziesz przestrzegać zaleceń bezpieczeństwa, stwarzasz zagrożenie dla siebie i innych.
- ✿ Instrukcję obsługi i wszystkie wskazówki bezpieczeństwa należy zachować do użytku w przyszłości.
- ✿ W przypadku sprzedaży lub przekazania urządzenia należy koniecznie dołączyć do niego niniejszą instrukcję obsługi.
- ✿ Należy korzystać wyłącznie ze sprawnego urządzenia. Jeśli urządzenie lub jego część są uszkodzone, należy oddać je do naprawy przez specjalistę.
- ✿ Nie korzystać z urządzenia w pomieszczeniach zagrożonych wybuchem lub w pobliżu cieczy lub gazów palnych!
- ✿ Wyłączone urządzenie należy zawsze zabezpieczyć przed niezamierzonym włączeniem.
- ✿ Nie używać urządzeń z uszkodzonym włącznikiem/wyłącznikiem.
- ✿ Nie dopuszczać dzieci do urządzeń! Przechowywać urządzenie tak, aby było chronione przed dziećmi i osobami nieupoważnionymi.
- ✿ Nie przeciążać urządzenia. Urządzenia używać wyłącznie zgodnie z przeznaczeniem.
- ✿ Zawsze używać wymaganych środków ochrony osobistej.
- ✿ Podczas pracy należy zawsze zachować ostrożność i być w dobrej kondycji fizycznej: Osoby zmęczone, chore, będące pod wpływem alkoholu, leków lub środków odurzających są nieodpowiedzialne i nie są w stanie bezpiecznie używać urządzenia.
- ✿ Nie należy korzystać z grzałki posiadającej włącznik czasowy lub inny włącznik uruchamiający urządzenie – niebezpieczeństwo wybuchu pożaru.
- ✿ Nie pozwól, aby dzieci korzystały z urządzenia dla zabawy.
- ✿ Należy zawsze przestrzegać obowiązujących przepisów krajowych i międzynarodowych, przepisów dotyczących zdrowia i pracy.

## Bezpieczeństwo elektryczne

- ✿ Urządzenie wolno podłączać tylko do gniazda wtykowego z prawidłowo zainstalowanym stykiem ochronnym.
- ✿ Zabezpieczenie musi być zrealizowane za pomocą ochronnego wyłącznika różnicowego o obliczeniowym prądzie uszkodzeniowym nie większym niż 30 mA.
- ✿ Przed podłączeniem urządzenia należy upewnić się, że przyłączy sieciowe odpowiada danym przyłączeniowym urządzenia.
- ✿ Urządzenie wolno stosować tylko w podanym zakresie napięcia, mocy i nominalnej prędkości obrotowej (patrz tabliczka znamionowa).
- ✿ Nie dotykać wtyczki mokrymi dłońmi! Kabel sieciowy zawsze odłączać pociągając za wtyczkę a nie kabel.
- ✿ Nie wolno zaginać, zgniatć lub przejeżdżać przez kabel sieciowy; chronić przed ostrymi krawędziami, olejem i gorącem.
- ✿ Urządzenia nie wolno podnosić za kabel ani używać kabli w celach niezgodnych z przeznaczeniem.
- ✿ Przed każdym użyciem sprawdzać wtyczkę i przewód.
- ✿ W razie uszkodzenia kabla sieciowego natychmiast wyjąć wtyczkę z gniazda. Nigdy nie używać urządzenia z uszkodzonym kablem sieciowym.
- ✿ Jeśli urządzenie nie jest używane, wtyczka musi być zawsze wyciągnięta z gniazdka.
- ✿ Przed włożeniem wtyczki do kontaktu upewnić się, że urządzenie jest wyłączone.
- ✿ Przed wyciągnięciem wtyczki z kontaktu zawsze wyłączać urządzenie.
- ✿ Na czas transportu odłączyć urządzenie od prądu.

## Konserwacja

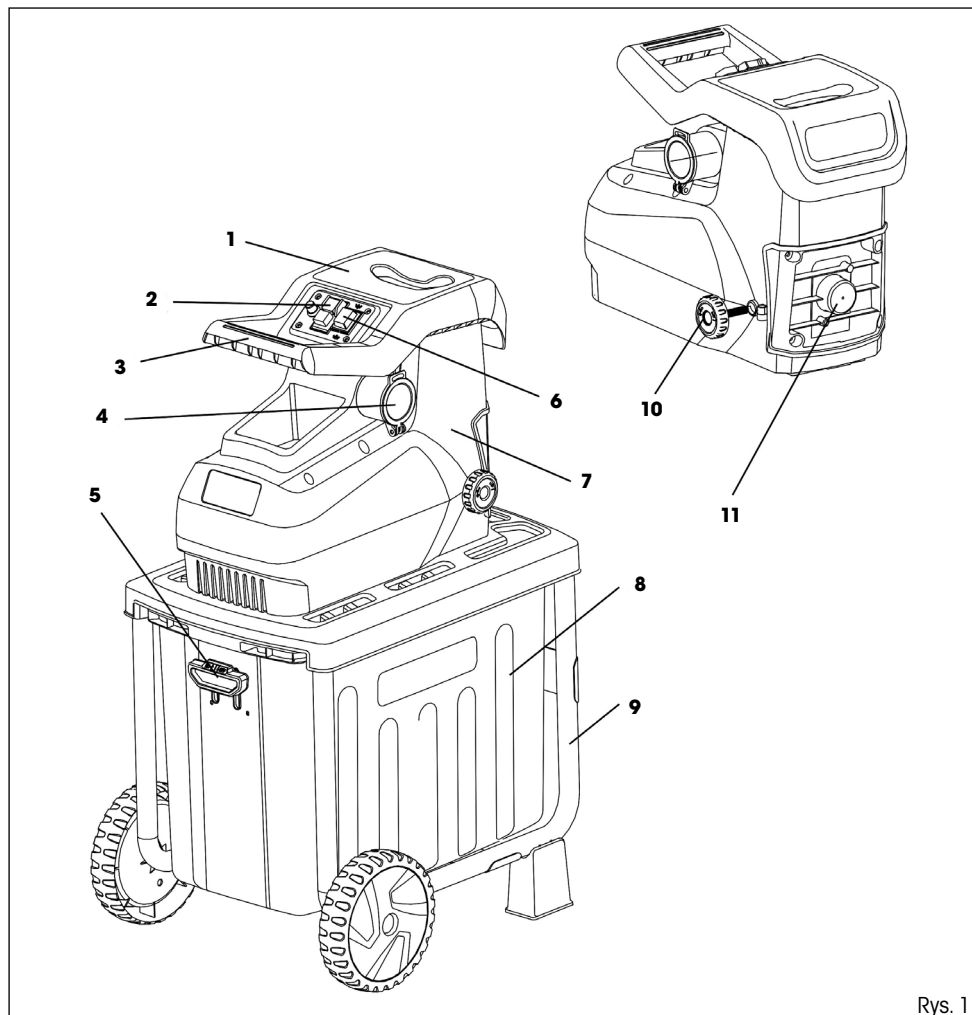
- ✿ Przed wykonywaniem jakichkolwiek prac przy urządzeniu należy zawsze wyciągnąć wtyczkę z gniazdka sieciowego.
- ✿ Samodzielnie wolno wykonywać tylko te prace konserwacyjne i naprawcze, które zostały opisane poniżej. Wszelkie inne prace muszą być wykonane przez specjalistę.
- ✿ Używaj wyłącznie oryginalnych części zamiennych. Tylko te części zamienne są specjalnie skonstruowane i odpowiednie dla tego urządzenia. Inne części zamienne prowadzą nie tylko do utraty gwarancji, ale również mogą stanowić zagrożenie dla użytkownika i środowiska.

## Ostrzeżenia specyficzne dla tego urządzenia

- ✿ Podczas pracy nie wkładać rąk do leja załadawczego lub kanału wylotu. Po wyłączeniu urządzenia pracuje jeszcze przez ok. 5 sekund.
- ✿ Przed uruchomieniem należy dokonać montażu urządzenia zgodnie z instrukcją.
- ✿ Przed uruchomieniem sprawdzić, czy wszystkie śruby, nakrętki i inne elementy mocowania są dokręcone, a wszystkie zabezpieczenia odpowiednio założone.
- ✿ Podczas pracy przy użyciu urządzenia zawsze zwracać uwagę na pewne oparcie i naturalną postawę ciała.
- ✿ Pracować tylko przy dobrym oświetleniu i dobrej widoczności.
- ✿ Ubranie użytkownika musi ściśle przylegać do ciała. Unikać luźnego ubioru. Nosić mocne obuwie i długie spodnie.
- ✿ Urządzenie jest przeznaczone do eksploatacji na zewnątrz, na twardym, równym podłożu.
- ✿ Podczas pracy zachować odpowiedni odstęp wokół urządzenia. Nie ustawiać urządzenia zbyt blisko ścian.
- ✿ Podczas pracy urządzenia nie należy go podnosić, przechylać ani transportować.
- ✿ Przed uruchomieniem urządzenia sprawdzić, czy lej załadawczy jest pusty.
- ✿ Włączonego urządzenia nie pozostawiać bez nadzoru.

- ✿ Podczas pracy zwrócić uwagę, by do urządzenia nie dostały się żadne przedmioty obce (jak kamienie, szkło, metal, ziemia, plastik itd.). Może dojść do stępienia noży i uszkodzenia silnika lub bębna tnącego.
- ✿ Jeżeli do mechanizmu tnącego dostaną się takie przedmioty lub w przypadku, gdy urządzenie wytwarza niepokojące dźwięki i wibracje, należy niezwłocznie wyłączyć silnik i odczekać, aż urządzenie się zatrzyma.
- ✿ Nigdy nie używać urządzenia bez leja załadawczego.
- ✿ Jeżeli rozdrabniacz jest zapchany, należy najpierw wyłączyć urządzenie, wyciągnąć wtyczkę sieciową z gniazda i odczekać, aż urządzenie przestanie pracować, i dopiero wtedy usunąć zator. Przycisk wł./wyl. musi być zawsze czysty i wolny od jakichkolwiek ciał obcych.
- ✿ Nigdy nie próbować przytrzymywać lub usuwać rozdrabnianego materiału podczas pracy bębna tnącego. Zakleszczony materiał usuwać tylko wówczas, gdy urządzenie jest wyłączone.
- ✿ Unikać bezpośredniego kontaktu z obracającym się bębniem tnącym. Podczas pracy urządzenia nie wkładać rąk ani nóg do otworów urządzenia.
- ✿ Nie wkładać rąk, innych części ciała i ubioru do leja załadawczego, kanału wylotu lub w pobliże ruchomych części.
- ✿ Rozdrobniony materiał usuwać regularnie z obszaru wylotu, by nie doprowadzić do tworzenia się stosu. W ten sposób uniknie się zapchania rozdrabniacza, a także zapobiegnie dostaniu się materiału rozdrobnionego z powrotem do leja załadawczego, co może prowadzić do wypadków.
- ✿ W promieniu 3 m wokół obszaru pracy nie mogą przebywać inne osoby albo zwierzęta, gdyż mogłyby one zostać zranione przez wyrzucane przedmioty.
- ✿ Nie używaj urządzenia na utwardzonych lub betonowych powierzchniach. Rozdrobniony materiał może odbić się od podłoża i spowodować obrażenia
- ✿ Symboli znajdujących się na urządzeniu nie wolno usuwać lub zakrywać. Nieczytelne wskazówki znajdujące się na urządzeniu należy natychmiast wymienić.

## 5. OPIS MASZYNY



Rys. 1

### Opis maszyny (por. Rys. 1)

- |                                       |                           |
|---------------------------------------|---------------------------|
| 1. Otwór wyspowy                      | 7. Korpus rozdrabniacza   |
| 2. Wyłącznik                          | 8. Pojemnik na ścinki     |
| 3. Uchwyt                             | 9. Rama rozdrabniacza     |
| 4. Wtyczka                            | 10. Śruba ustawień cięcia |
| 5. Zabezpieczenie pojemnika na ścinki | 11. Pokrywa bębna tnącego |
| 6. Przełącznik                        |                           |

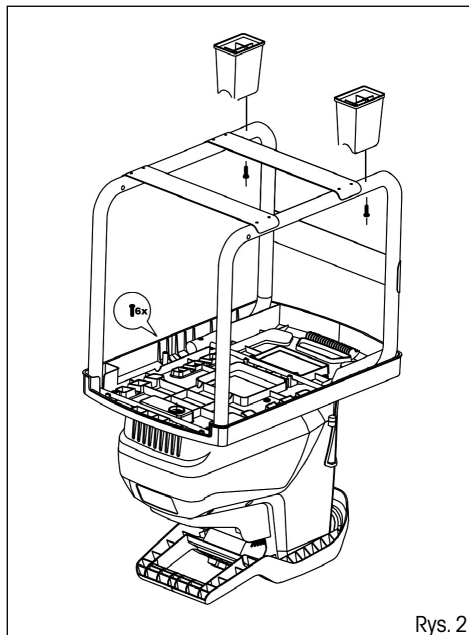
## 6. MONTAŻ ROZDRABNIACZA

**⚠ UWAGA:** Przed rozpoczęciem wykonywania jakichkolwiek prac przy użyciu maszyny upewnij się, że jest ona wyłączona i odłączona od zasilania.

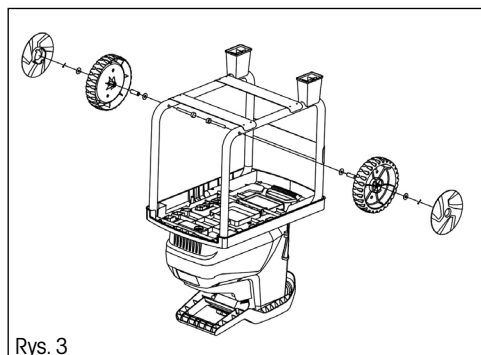
1. Obróć korpus rozdrabniacza do góry nogami i połóż go na równej podłodze. Następnie umieść na nim ramę i przymocuj ją za pomocą 6 dołączonych śrub. Następnie przymocuj nogi rozdrabniacza (Rys. 2).

**⚠ UWAGA!** Zwróć uwagę na kierunek orientacji ramy. Otwory do umieszczenia osi kół muszą się znajdować po tej samej stronie co rękojeść rozdrabniacza.

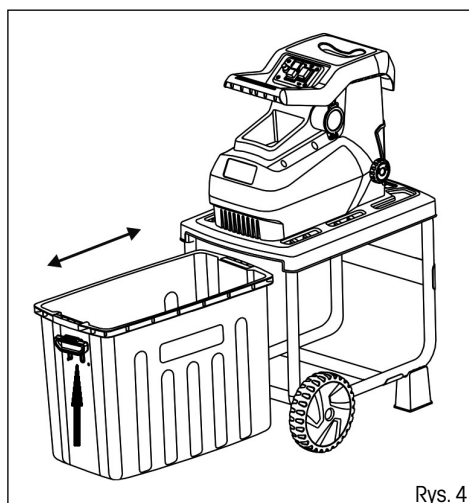
2. Zamontuj koła w następujący sposób: (Rys. 3)
  - Przymocuj oś na jedno z kół.
  - Włóż oś do otworów w ramie.
  - Przymocuj drugie koło na osi. Zabezpiecz koło poprzez zgięcie zawleczki.
  - Przymocuj pokrywę a koła.
3. Włóż pojemnik na ścinki. A następnie zabezpiecz go za pomocą zabezpieczenia (Rys. 4)



Rys. 2



Rys. 3



Rys. 4

## 7. OBSŁUGA ROZDRABNIACZA

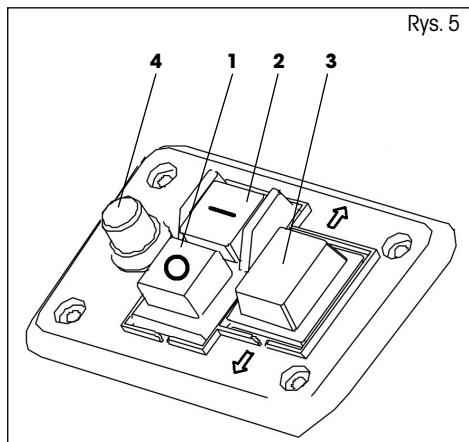
**⚠ OSTRZEŻENIE:** Przed podłączeniem maszyny do źródła zasilania upewnij się, że wyłącznik jest wyłączony. Podłączenie urządzenia z włączonym wyłącznikiem może spowodować nieplanowane włączenie urządzenia i doprowadzić do poważnych obrażeń.

### Włączanie i wyłączanie rozdrabniacza (Rys. 5)

**⚠ UWAGA:** Jeżeli głównego włącznika nie można włączyć i wyłączyć, nie korzystaj z urządzenia. Wadliwe włączniki należy wymienić w autoryzowanym serwisie.

- ✿ Aby włączyć urządzenie, wciśnij zielony przycisk (Rys. 5, punkt 2).
- ✿ Aby wyłączyć urządzenie, wciśnij czerwony przycisk (Rys. 5, punkt 1).

**⚠ UWAGA:** Urządzenie wyłączy się automatycznie w przypadku przerwy w dostawie prądu. W celu ponownego włączenia urządzenia wciśnij zielony przycisk.



### Przełącznik do przodu / wstecz (Rys. 5, punkt 3).

**⚠ UWAGA:** Wyłącz rozdrabniacz przed ustawieniem przełącznika na pozycję do przodu / wstecz.

Pozycja do przodu

- ✿ Standardowa praca rozdrabniacza. Bęben tnący obraca się w kierunku do przodu.

Pozycja wstecz

- ✿ Bęben tnący obraca się w przeciwnym kierunku, dzięki czemu dochodzi do zwolnienia zablokowanego materiału.
- ✿ Po zmianie kierunku pracy na bieg wsteczny należy raz po raz wciskać zielony przycisk, aby wymusić obroty bębna. Do automatycznego zatrzymania bębna dojdzie po zwolnieniu zielonego przycisku.

**📖 UWAGA:** W celu rozdrobnienia dużych gałęzi będzie być może konieczne kilkukrotne powtórzenie procedury z pracą urządzenia do przodu i biegiem wstecznym. **Przed ponowną zmianą kierunku pracy należy poczekać do całkowitego zatrzymania rozdrabniacza.**

## Ochrona przed przeciężeniem

- ✿ Rozdrabniacz jest wyposażony w zabezpieczenie przed przeciężeniem (Rys.5, punkt 4)
- ✿ W przypadku przeciężenia zabezpieczenie silnika automatycznie przerwie obwód elektryczny.
- ✿ Aby odnowić działanie urządzenia, wykonaj następujące kroki:
  1. Odłącz maszynę od źródła napięcia.
  2. Usuń materiał zablokowany w rozdrabniaczu.
  3. Odczekaj co najmniej pięć minut, aż silnik ostygnie!
  4. Wciśnij przycisk bezpiecznika (Rys. 5, punkt 4).
  5. Podłącz ponownie urządzenie do zasilania prądem elektrycznym.
  6. Włącz rozdrabniacz.

**⚠ UWAGA:** Aby zapobiec wypadkom do usunięcia zablokowanych przedmiotów używaj zawsze haka lub drążka.

## Pojemnik na ścinki

- ✿ Przed przymocowaniem lub zdjęciem pojemnika na ścinki należy zawsze wyłączyć rozdrabniarkę i odłączyć ją od zasilania.
- ✿ Rękojeść pojemnika na ścinki (Rys. 1, punkt 5) jest ze względów bezpieczeństwa wyposażona w zabezpieczenie.
- ✿ Aby zapewnić bezpieczną pracę, sprawdź funkcjonalność zabezpieczenia po dwu godzinach pracy.
- ✿ Nigdy nie próbuj demontować zabezpieczenia na rękojeści.

Rękojeść pojemnika na ścinki:

Rękojeść w pozycji na dole >>> pojemnik na ścinki jest odbezpieczony. Zabezpieczenie jest włączone, nie można uruchomić rozdrabniacza.

Rękojeść w pozycji na górze >>> pojemnik na ścinki jest zabezpieczony i przygotowany do pracy.

**📖 UWAGA:** Maszyna się nie włączy, jeśli pojemnik na ścinki jest odbezpieczony. Maszyna wyłączy się automatycznie, jeśli podczas pracy dojdzie do poluzowania pojemnika na ścinki.

## Pokrywa bębna tnącego (Rys. 1, punkt 11).

### ⚠ UWAGA:

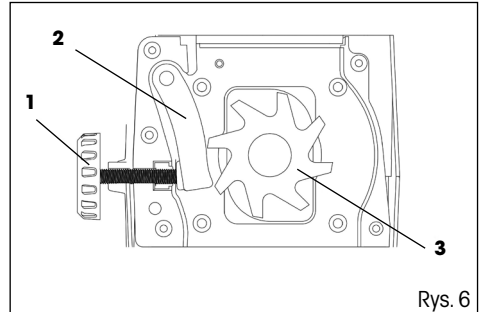
- ✿ Przed otwarciem pokrywy bębna tnącego upewnij się, że maszyna jest wyłączona i odłączona od źródła zasilania.
- ✿ Uwaga, bęben tnący nie zatrzyma się natychmiast po wyłączeniu maszyny. Poczekaj, aż dojdzie do zatrzymania wszystkich części.
- ✿ Przed otwarciem pokrywy załóż rękawice ochronne.
- ✿ Po zdjęciu pokrywy można usunąć zablokowany materiał, którego nie można odblokować przez otwór wyspowy lub z wykorzystaniem biegu wstęcznego.



## 8. USTAWIENIA I EKSPLOATACJA ROZDRABNIACZA

### Ustawienia odległości przeciwnego noża

- ✿ W celu zwiększenia efektywności pracy należy ustawić odległość pomiędzy nożem przeciwnym (Rys. 6, punkt 2) a bębniem tnącym (Rys. 6, punkt 3). Odstęp pomiędzy bębniem tnącym a nożem przeciwnym powinien być jak najmniejszy.
- ✿ Prawidłowe ustawienia umożliwiają efektywne rozdrabnianie gałęzi o wszystkich średnicach.



Ustawianie odstępów:

- ✿ Włącz maszynę.
- ✿ W celu przybliżenia noża przeciwnego do bębna tnącego przekręcaj powoli śrubę ustawień w kierunku zgodnym z ruchem wskazówek zegara (Rys. 6, punkt 1). Przekręcaj śrubę, dopóki z otworu wyrzutowego nie zaczną spadać drobne wiórki aluminiowe.

**UWAGA:** Miękki materiał lub mokre gałęzie mogą zostać rozerwane, nie zaś pocięte. Przyczyną tego problemu może być również zużycie noża przeciwnego.

### Przed włączeniem

Upewnij się, że:

- ✿ Kable doprowadzające nie są uszkodzone. Jeśli kable posiadają nacięcia lub pęknięcia, przerwij pracę i natychmiast je wymień.
- ✿ Maszyna nie jest uszkodzona i wszystkie śruby są dokręcone.
- ✿ Maszyna jest kompletna i prawidłowo zmontowana.

Sprawdź zasilanie:

- ✿ Upewnij się, że napięcie zasilające odpowiada napięciu znamionowemu podanemu na tabliczce znamionowej oraz że maszyna jest prawidłowo uziemiona.
- ✿ Korzystaj wyłącznie z przedłużacz o dostatecznym przekroju przewodów.

### Materiał, który można opracowywać w rozdrabniaczu

W rozdrabniaczu można opracowywać następujące typy materiału:

- ✿ Wszystkie typy gałęzi do maksymalnej średnicy podanej w specyfikacji technicznej.
- ✿ Odpad ogrodowy taki jak zwiędnięte rośliny czy mokra trawa (jest rozdrabniany na przemian z gałęzmi).

### W rozdrabniaczu NIE WOLNO opracowywać następujących typów materiału:

- ✿ Szkło, metal, plastik, kamienie, ceramika, gałęzie o większej grubości niż podano w specyfikacji technicznej, twarde drewno, grube drewniane płyty, tkaniny, plastikowe torebki, korzenie z glebą.
- ✿ Odpady, które mają niemal charakter cieczy, np. odpad kuchenny.

## 9. EKSPLOATACJA

- ✿ Wkładaj materiał do otworu wysypowego z prawej strony.
- ✿ Rozdrabniaj gałęzie natychmiast po ich pocięciu. Jeśli gałęzie wyschną, staną się bardzo twarde.
- ✿ Usuń wszystkie boczne odgałęzienia, o ile nie pozwalają one na wsunięcie gałęzi do rozdrabniacza.
- ✿ Zadbaj o to, by w pojemniku nie gromadziło się zbyt dużo ścinków. Regularnie opróżniaj pojemnik, zgromadzony rozdrobniony materiał może blokować otwór wyrzutowy.
- ✿ Nie wkładaj materiału, który ma większą średnicę gałęzi niż podano w specyfikacji technicznej.
- ✿ Rozdrabnianie mokrego odpadu ogrodowego (liście) doprowadzi do zapchania urządzenia. Aby zapobiec zapchaniu, rozdrabniaj ten materiał na przemian z materiałem zawierającym drewno.
- ✿ Miękkie materiały lub mokre gałęzie mogą zostać poszarpane a nie pocięte. Przyczyną tego problemu może być również zużyty nóż przeciwlęgły.
- ✿ Przed rozpoczęciem czyszczenia otworu wyrzutowego wyłącz silnik i odłącz urządzenie od zasilania.

## 10. KONSERWACJA

### UWAGA:

- ✿ Przed rozpoczęciem kontroli lub konserwacji maszyny upewnij się, że jest ona wyłączona i odłączona od zasilania. Uwaga, bęben tnący nie zatrzyma się natychmiast po wyłączeniu urządzenia. Poczekaj, aż wszystkie części się zatrzymają.
- ✿ Przed rozpoczęciem kontroli lub konserwacji załóż rękawice ochronne.
- ✿ Nigdy nie używaj do czyszczenia benzyny, rozpuszczalnika, alkoholu itp. Mogłoby dojść do zmiany koloru, deformacji lub powstania pęknięć.
- ✿ Do czyszczenia maszyny używaj wyłącznie wilgotnej ścierki i miękkiej szczotki.
- ✿ Nie używaj węża ani nie myj maszyny wodą pod ciśnieniem.

Po każdej operacji dokonaj następującej konserwacji:

- ✿ Sprawdź, czy wszystkie śruby mocujące są dokręcone (dokręć je, jeśli to konieczne).
- ✿ Nasmaruj części metalowe chroniąc je w ten sposób przed korozją.
- ✿ Utrzymuj otwory czyste i niezapylone.
- ✿ Bęben tnący i nóż przeciwlęgły ulegają z biegiem czasu zużyciu. O ile to konieczne, zasięgnij rady w sprawie ich wymiany w najbliższym autoryzowanym serwisie.

# 11. ROZWIĄZYWANIE PROBLEMÓW

**⚠ OSTRZEŻENIE:** Przed przystąpieniem do rozwiązywania problemów wyłącz maszynę, odłącz ją od źródła zasilania i poczekaj, aż się całkowicie zatrzyma.

Problem	Możliwa przyczyna	Rozwiązanie
Silnik się nie włącza.	Brak podłączenia	Sprawdź zasilanie.
	Uszkodzony sieciowy przewód zasilający	W celu przeprowadzenia kontroli skontaktuj się z autoryzowanym serwisem.
	Został uruchomiony bezpiecznik zapobiegający przeciężeniu.	Poczekaj, aż maszyna ostygnie i wciśnij przycisk bezpiecznika.
	Zabezpieczenie pojemnika na ścinki (Pojemnik jest odbezpieczony.)	Sprawdź i zabezpiecz pojemnik na ścinki.
Silnik wydaje dźwięki, ale nie pracuje.	Bęben tnący jest zablokowany.	Wyłącz maszynę.
		Ustaw przełącznik do przodu/wstecz na bieg wsteczny.
		Włącz maszynę i poczekaj, aż dojdzie do odblokowania.
		Ponownie wyłącz maszynę.
	Zmień kierunek obrotów na do przodu.	
Awaria kondensatora	Aby naprawić maszynę, oddaj ją do serwisu.	
Rozdrabniany materiał nie jest wciągany do rozdrabniacza.	Kierunek obrotów jest ustawiony na bieg wsteczny.	Wyłącz maszynę i ustaw kierunek obrotów za pomocą przełącznika.
	Rozdrobniony materiał zablokowany w otworze wyspowym	Wyłącz maszynę. Ustaw przełącznik do przodu/wstecz na bieg wsteczny. Włącz urządzenie, aby doprowadzić do odblokowania rozdrabnianego materiału i usunąć zanieczyszczenia.
		Wyłącz ponownie maszynę.
		Zmień kierunek obrotów na do przodu.
	Rozdrabniany materiał jest zbyt miękki lub mokry.	Wepchnij materiał do rozdrabniacza.
Źle ustawiony nóż przeciwny / bęben tnący	Ustaw nóż przeciwny tak, jak opisano to w „Ustawieniach i obsłudze rozdrabniacza”.	
	Jeśli bęben tnący/nóż przeciwny jest mocno zużyty, wymień go.	
Rozdrabniany materiał nie jest czysto pocięty.	Nóż przeciwny nie jest prawidłowo ustawiony.	Ustaw nóż przeciwny - por. poprzedni rozdział.
Po włączeniu maszyny dochodzi do jej zablokowania nawet przy niewielkim obciążeniu i szybkiego wyłączenia przez zabezpieczający wyłącznik silnika.	Przedłużacz jest zbyt długi lub jego przewodniki są zbyt cienkie. Gniazdo jest zbyt daleko od źródła zasilania lub przewodniki kabla zasilającego są zbyt cienkie.	Sprawdź, czy przedłużacz ma przekrój co najmniej 1,5 mm <sup>2</sup> i czy jego maksymalna długość wynosi 25 m. W razie użycia dłuższego kabla jego minimalny przekrój powinien wynosić 2,5 mm <sup>2</sup>

## 12. DANE TECHNICZNE

Napięcie znamionowe .....	230–240 V~/50 Hz
Nominalny pobór mocy .....	2800 W
Klasa ochrony .....	I
Stopień zabezpieczenia .....	IP24
Prędkość obrotowa biegu jałowego .....	46 RPM
Maksymalna średnica gałęzi .....	45 mm
Pojemność pojemnika na ścinki .....	55 l
Poziom ciśnienia akustycznego (LPA)* .....	93 dB(A)
Poziom mocy akustycznej (LWA)* .....	96 dB(A)
Ciężar .....	27,6 kg

## 13. LIKWIDACJA

### WSKAZÓWKI I INFORMACJE DOTYCZĄCE GOSPODARKI ZUŻYTYM OPAKOWANIEM

Zużyty materiał z opakowania należy przekazać na gminne wysypisko odpadów.



Maszyna i jej wyposażenie są wyprodukowane z różnych materiałów, np. z metalu i plastiku. Uszkodzone części należy oddać do punktu selektywnej zbiórki. Szczegółowych informacji udziela odpowiedni urząd.



Ten produkt spełnia wszelkie podstawowe wymogi dyrektyw UE, które go dotyczą.

Zastrzegamy sobie możliwość dokonywania zmian tekstu, designu i danych technicznych wyrobu bez uprzedzenia.

Instrukcja użycia w języku oryginalnym.

# 14. DEKLARACJA ZGODNOŚCI

**Producent:**

FAST ČR, a. s.  
Černokostelecká 2111, 100 00 Praha 10, Republika Czeska  
NIP: CZ26726548

**Produkt/marka:** ROZDRABNIACZ OGRODOWY/FIELDMANN

**Typ/model:** FZD 5010E  
230-240V~ 2800W IP24 46RPM

**Niniejszy produkt spełnia wymagania następujących przepisów:**

Dyrektywa niskonapięciowa WE nr 2006/95/WE  
Dyrektywa maszynowa WE nr 2006/42/WE  
Dyrektywa w sprawie kompatybilności elektromagnetycznej WE (EMC) nr 2004/108/WE  
Dyrektywa RoHS WE nr 2002/95/WE

**oraz norm:**

EN 6033-1:2002+A11:2004+A1:2004+A12:2006+A2:2006+A13:2008+A14:2010+A15:2011  
EN 13683:2003+A2:2011  
EN 62233:2008  
EN 61000-3-3:2008  
EN 61000-3-2:2006  
EN 55014-1:2006  
EN 55014-2:1997+A1:2001+A2:2008  
EN ISO 3744:1944  
ISO 11094:1991

**Oznaczenie CE:** 15

Spółka FAST ČR, a. s. jest uprawniona do występowania w imieniu producenta.

**Miejsce wydania:** Praga

**Imię i nazwisko:** Ing. Zdeněk Pech  
Prezes Zarządu

**Data wydania:** 14. 01. 2015

**Podpis:**

**FAST** FAST ČR, a. s.  
Černokostelecká 1921, 251 01 Říčany  
IČO: 26726548 tel.: +420/ 323 204 111  
DIČ: CZ26726548 fax: +420/ 323 204 110



# Vrtni drobilnik

## UPORABNIŠKI PRIROČNIK

**Spoštovana uporabnica, uporabnik,**  
**najlepša hvala za zaupanje, ki ste izkazali z nakupom našega izdelka!**  
**Preden boste napravo začeli uporabljati, je nujno, da podrobno preberete ta priročnik!**  
**V njem boste našli vsa navodila za njegovo uporabo in doseganje dolge življenjske dobe.**  
**Nujno je, da pri uporabi naprave natančno sledite vsem navodilom, ki so v tem priročniku.**

## VSEBINA

1. SPLOŠNA VARNOSTNA NAVODILA.....	84
Pomembno varnostno opozorilo.....	84
Embalaza.....	84
Uporabniški priročnik.....	84
2. SIMBOLI.....	85
3. PRED ZAČETKOM UPORABE ...	86
Uporaba za predviden namen.....	86
4. ZA VAŠO VARNOST .....	86
Splošna varnostna navodila.....	86
Električna varnost.....	87
Vzdrževanje.....	87
Specifična navodila za napravo .....	87
5. OPIS NAPRAVE.....	89
Opis naprave (glejte sliko 1).....	89
6. SESTAVLJANJE DROBILNIKA.....	90
7. UPORABA DROBILNIKA.....	91
Vklon in izklon drobilnika (Slika 5).....	91
Stikalo za preklon vrtenja naprej/nazaj (Slika 5, točka 3).....	91
Zaščita pred preobremenitvijo.....	91
Posoda za zbiranje.....	92
Pokrov rezalnega valja (slika 1, točka 11).....	92
8. NAMESTITEV IN UPORABA DROBILNIKA .....	93
Nastavitev odmika protirezila .....	93
Pred vklonom.....	93
Material, ki ga drobilnik lahko obdela.....	93
Drobnik NI primeren za drobljenje naslednjih materialov:.....	93
9. UPORABA .....	94
10. VZDRŽEVANJE .....	94
11. ODPRAVLJANJE TEŽAV.....	95
12. TEHNIČNE SPECIFIKACIJE .....	96
13. ODLAGANJE .....	97
14. IZJAVA O SKLADNOSTI.....	98

# 1. SPLOŠNA VARNOSTNA NAVODILA

## Pomembno varnostno opozorilo


- ✿ Napravo pazljivo vzemite iz embalaže, pri tem pa pazite, da ne boste zavrgli nobenega dela embalaže, dokler ne boste ugotovili, da so vsi deli tudi prisotni.
- ✿ Drobilnik shranjujte na suho mesto, izven dosega otrok.
- ✿ Preberite vsa opozorila in navodila. Neupoštevanje opozorila ali navodil lahko privede do poškodb zaradi električnega udara, požara in/ali drugih resnih poškodb.

## Embalaža

Izdelek je zapakiran v embalažo, ki preprečuje poškodbe med prevozom. Embalažo je možno v celoti reciklirati.

## Uporabniški priročnik

Preden drobilnik začnete uporabljati, si preberite naslednja varnostna in uporabniška navodila. Seznanitev z elementi krmiljenja in pravilna uporaba drobilnika. Uporabniški priročnik imejte na varnem in enostavno dostopnem mestu. Shranite originalno embalažo, material, garancijsko kartico in potrdilo o nakupu, vsaj za obdobje garancije. Če morate drobilnik kamorkoli poslati, ga zapakirajte v originalno kartonsko škatlo in tako poskrbite za najboljšo zaščito med prevozom (tj. kadar drobilnik želite prepeljati na drugo mesto ali ga poslati v popravilo).

 **OPOMBA:** Če boste drobilnik posojali drugi osebi, mu priložite tudi priročnik za uporabo. Upoštevanje navodil v priročniku za uporabo, je predpogoj za pravilno uporabo drobilnika. Uporabniški priročnik vsebuje tudi navodila za uporabo, vzdrževanje in popravila.

**Proizvajalec ne odgovarja za nobene nesreče ali poškodbe, ki bi nastale zaradi neupoštevanja navodil v tem priročniku.**



## 2. SIMBOLI



Pred začetkom uporabe drobilnika, si preberite varnostna navodila.



Pred prvim zagonom naprave, si preberite uporabniški priročnik.



Nevarnost odtrganin.



Ne segajte v lijak.



Nevarnost letečih predmetov.



Poskrbite, da bodo prisotni varno oddaljeni.



Če opazite, da je napajalni kabel poškodovan ali prekinjen, takoj izvlecite vtičač iz vtičnice.



Raven hrupnosti električne naprave.



POZOR: Drobilnika nikoli ne uporabljajte v vlažnem ali deževnem vremenu in ga zaščitite pred vlago.



Pred poseganjem v napravo počakajte, da se vsi vrteči se deli najprej zaustavijo.

### Osebni zaščitni delovni pripomočki



Med uporabo drobilnika uporabljajte zaščito sluha in zaščitna očala.



Med delom z drobilnikom nosite čvrsto obutev.



Med delom z drobilnikom imejte nadežte varnostne rokavice.



Med delom z drobilnikom imejte oblečena oprijeta delovna oblačila.

## 3. PRED ZAČETKOM UPORABE ...

### Uporaba za predviden namen

- ✿ je v skladu z najsdobnejšimi znanstvenimi ter tehnološkimi in varnostnimi predpisi vse dotlej, dokler ga uporabljate za predvideni namen. Naprava je namenjena za drobljenje vlaknastih in lesnih organskih gospodinjstskih ter vrtnih materialov. Vanj ne smete vstavljati kamnov, stekla, kovine, kosti, plastičnih mas ali tekstilnih odpadnih materialov.
- ✿ ni namenjen profesionalni uporabi. Vsaka druga uporaba od predpisane je v nasprotju z namenom uporabe. Uporaba naprave za nepredvideni namen ali namestitvev neodobrenih rezervnih ter dodatnih delov jo lahko nepopravljivo poškoduje! Neustrezna uporaba drobilnika ali kakršne koli dejavnosti, ki niso opisane v tem priročniku, pomenijo njegovo nedovoljeno uporabo, zato tudi prekinejo garancijo proizvajalca.

## 4. ZA VAŠO VARNOST

### Splošna varnostna navodila

- ✿ Za varno delovanje drobilnika, si morajo vsi njegovi uporabniki pred prvo uporabo podrobno prebrati in razumeti ta uporabniški priročnik.
- ✿ Upoštevajte vsa varnostna navodila! Če ne boste upoštevali predpisanih varnostnih navodil, boste s tem ogrozili sebe in druge.
- ✿ Uporabniški priročnik in varnostna navodila shranite za kasnejšo uporabo.
- ✿ Če drobilnik prodajate ali ga drugače izročite drugi osebi, mu morate priložiti tudi ta priročnik.
- ✿ Uporabljate lahko le brezhibno delujoči drobilnik. Če je drobilnik ali katerikoli njegov del poškodovan, ga mora popraviti ustrezno usposobljeni strokovnjak.
- ✿ Drobilnika ne uporabljajte na mestih, kjer obstaja nevarnost eksplozije ali v bližini vnetljivih tekočin in plinov!
- ✿ Nedelujoči drobilnik vedno zavarujte pred nehotenim zagonom.
- ✿ Drobilnika ne uporabljajte, če stikalo za vklop/izklop ne deluje.
- ✿ Otrokom prepričajte dostop do drobilnika! Zato ga shranjujte tako, da bo zavarovan pred dostopom otrok in nepooblaščenih oseb.
- ✿ Drobilnika ne preobremenjujte. Drobilnik uporabljajte izključno za namene, za katere je bil zasnovan.
- ✿ Med uporabo vedno uporabljajte predpisano zaščitno varnostno opremo.
- ✿ drobilnik uporabljajte previdno in le tedaj, ko ste v dobri fizični kondiciji: če drobilnik uporabljate, ko ste utrujeni ali bolni, po zaužitju alkohola, pod vplivom zdravil ali mamil je to tvegano, ker ne morete poskrbeti za varno uporabo.
- ✿ Drobilnika nikoli ne uporabljajte skupaj s časovnim stikalom, ki ga lahko samodejno vklopi, kajti to lahko privede tudi do požara.
- ✿ Poskrbite, da se otroci ne bodo mogli igrati z drobilnikom.
- ✿ Vedno upoštevajte veljavne državne ter mednarodne varnostne, zdravstvene ter delovne predpise.

## Električna varnost

- ✿ Drobilnik lahko priključite le v omrežno vtičnico z ustrežno izolacijo.
- ✿ Vir napajanja drobilnika mora imeti nameščeno napravo za rezidualni tok (FI stikalo) z varovalko, katere nazivni tok ne presega 30 mA.
- ✿ Pred priklopom drobilnik v omrežje, morate poskrbeti, da lastnosti napajanja ustrezajo lastnostim naprave.
- ✿ Drobilnik lahko uporabljate le skladno z navedenimi tehničnimi omejitvami (glejte nazivno ploščico).
- ✿ Napajalnega kabla se ne dotikajte z mokrimi rokami! Kabel lahko izklopite iz vtičnice le tako, da ga držite za vtičač.
- ✿ Napajalnega kabla ne upogibajte, zapletajte in raztegujte, niti se čezenj ne vozite ter ga dobro zaščitite pred ostrimi robovi, olji in vročino.
- ✿ Drobilnika nikoli ne dvigujte za napajalni kabel in slednjega ne uporabljajte za nobene druge namene, kot le za napajanje.
- ✿ Pred vsako uporabo preglejte vtičač in napajalni kabel.
- ✿ Če je napajalni kabel poškodovan, ga takoj odklopite iz vira napajanja. Nikoli ne uporabljate drobilnika s poškodovanim napajalnim kablom.
- ✿ Če drobilnika ne uporabljate, mora biti vtičač vedno izklopljen.
- ✿ Preden drobilnik priklopite v napajanje poskrbite da bo izklopljen.
- ✿ Preden odstranite vtičač iz vtičnice, drobilnik vedno izklopite.
- ✿ Preden drobilnik prestavite, se prepričajte, če v njem ni električnega toka.

## Vzdrževanje

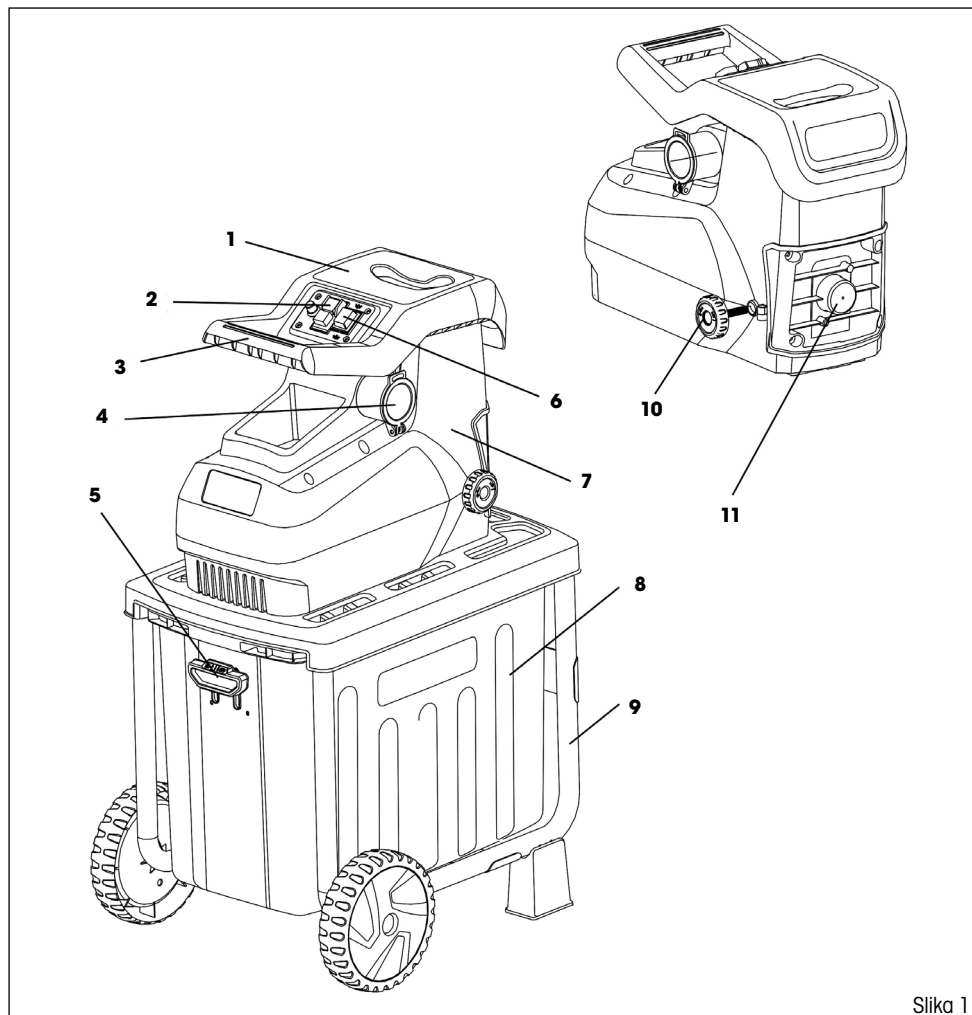
- ✿ Pred kakršnimi koli posegi v drobilnik, izvlecite vtičač iz vtičnice.
- ✿ Na drobilniku lahko izvajate le vzdrževalna in servisna opravila, ki so opisana v tem priročniku. Vsa druga dela lahko izvaja le usposobljeni strokovnjak.
- ✿ Pri teh opravilih uporabljajte le originalne nadomestne dele. Za vgradnjo na drobilnik so primerni le ti nadomestni deli. Če na drobilnik vgradite druge nadomestne dele, to lahko izniči garancijo, hkrati pa ogrozite svojo in občo varnost.

## Specifična navodila za napravo

- ✿ Med delovanjem drobilnika, nikoli ne segajte z roko v lijak za polnjenje ali izmetavanje. Drobilnik po izklopu deluje še približno 5 sekund.
- ✿ Preden drobilnik vklopite, poskrbite, da bo sestavljen skladno z navodili.
- ✿ Preden drobilnik vklopite, preverite, ali so vsi vijaki, matice in druge komponente za pritrdjevanje trdno priviti, zaščitni elemente pa pravilno nameščeni.
- ✿ Pri delu z drobilnikom nenehno vzdržujte pravilni delovni položaj.
- ✿ Drobilnik uporabljajte le v pogojih dobre osvetljenosti in vidljivosti.
- ✿ Uporabnik drobilnika mora nositi oprijeta delovna oblačila. Med delom z napravo ne nosite ohlapnih oblačil. Nosite čvrsto obutev in dolge delovne hlače.
- ✿ Drobilnik uporabljajte le na prostem, na trdni in ravni površini.
- ✿ Med uporabo poskrbite, da bo okoli drobilnika zadosti prostora. Drobilnika ne postavljajte blizu zidu.
- ✿ Med delovanjem drobilnika nikoli ne dvigajte, nagibajte ali prestavljajte.
- ✿ Pred zagonom drobilnika preverite, da je lijak za vstavljanje prazen.
- ✿ Delujočega drobilnika nikoli ne puščajte brez nadzora.
- ✿ Poskrbite, da med delovanjem drobilnika vanj ne bodo zašli tujski, kot so kamenje, kovine, prst, plastika itd. To bi lahko poškodovalo motor in rezalni valj.

- ✿ Če v rezalni mehanizem zaidejo tujki ali naprava začne oddajati neobičajne zvoke oziroma neobičajno vibrira, takoj zaustavite motor in pustite, da se drobilnik popolnoma ustavi.
- ✿ Nikoli ne uporabljajte drobilnika brez nameščenega lijaka za vstavljanje.
- ✿ Če se med delom drobilnik zamaši, ga najprej izklopite in izvlecite vtičač iz vtičnice, nato pa počakajte, da se popolnoma ustavi in šele potem odstranite zamašen material. Stikalo za vklop/izklop naj bo vedno čisto in dostopno.
- ✿ Med vrtenjem rezalnega valja nikoli ne poskušajte zadržati ali odstraniti zdrobljenega materiala. Zamašeni material lahko odstranite le, če je drobilnik izklopljen.
- ✿ Poskrbite, da se ne boste nikoli dotaknili vrtečega se razalnega valja. Med delovanjem drobilnika imejte roke in noge proč od odprtin.
- ✿ Nikoli ne segajte z rokami ali drugimi deli telesa in oblačil neposredno v lijak za polnjenje ali izmetavanje, niti v bližino premikajočih se delov.
- ✿ Zdrobljeni material vedno odstranite iz lijaka za izmetavanje še preden se nakopiči. To preprečuje, da bi se drobilnik zamašil in onemogočil izmetavanje zdrobljenega materiala, zaradi česar lahko pride do poškodb.
- ✿ Med delovanjem drobilnika naj bodo prisotni in živali oddaljeni najmanj 3 metre, saj bi sicer lahko utrpeli poškodbe.
- ✿ Drobilnika ne uporabljajte na opečnatih ali betonskih tleh. Zdrobljen material se od njih lahko odbije in povzroči poškodbe.
- ✿ Oznak na drobilniku ne smete nikoli odstraniti ali prekriti. Oznake na drobilniku, ki jih niso več čitljive, morate takoj nadomestiti.

## 5. OPIS NAPRAVE



Slika 1

### Opis naprave (glejte sliko 1)

- |                                       |                            |
|---------------------------------------|----------------------------|
| 1. Lijak za polnjenje                 | 7. Drobilnik               |
| 2. Stikalo za vklop                   | 8. Posoda za zbiranje      |
| 3. Ročaj                              | 9. Okvir drobilnika        |
| 4. Vtičnica                           | 10. Vijak za nastavljanje  |
| 5. Zaklep posode za zbiranje          | 11. Pokrov rezalnega valja |
| 6. Stikalo za izbiranje smeri vrtenja |                            |

## 6. SESTAVLJANJE DROBILNIKA

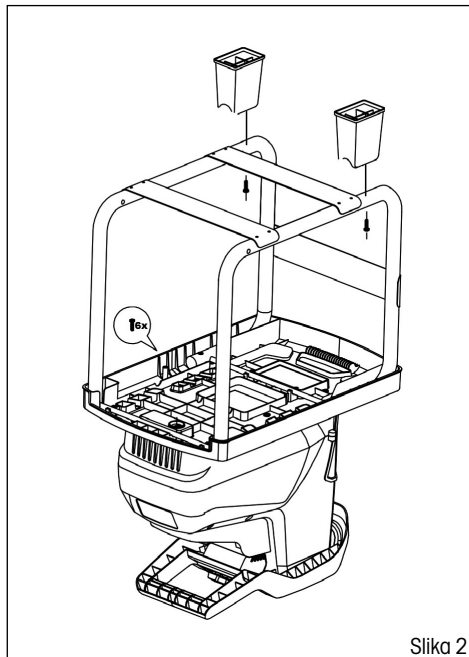
**⚠ POZOR:** Pred vsakim delom na drobilniku, preverite, ali je izklopljen in izključen iz napajanja.

1. Drobilnik obrnite z zgornjim delom navzdol in ga postavite na ravno podlago. Nato namestite okvir in privijte šest priloženih vijakov. Potem pritrдите noge drobilnika (slika 2).

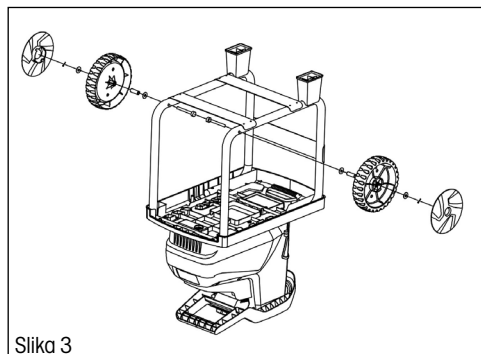
**⚠ POZOR!** Pazite, da bo okvir pravilno obrnjen. Luknje za kolesne osi morajo biti na isti strani kot ročaj drobilnika.

2. Kolesa namestite na naslednji način: (Slika 3)
  - Pritrdite os na enega od koles.
  - Potisnite os skozi luknje v okvirju.
  - Pritrdite drugo kolo na os. Upognite razcepko in poskrbite, da kolo ne bo moglo odpasti.
  - Namestite pokrov kolesa.

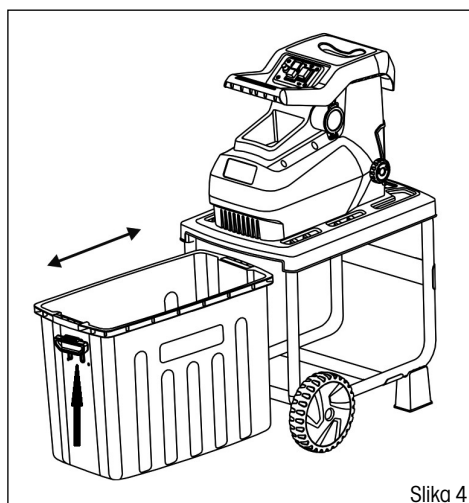
3. Namestite posodo za zbiranje. Nato pritrдите posodo z zaklepom (Slika 4)



Slika 2



Slika 3



Slika 4

## 7. UPORABA DROBILNIKA

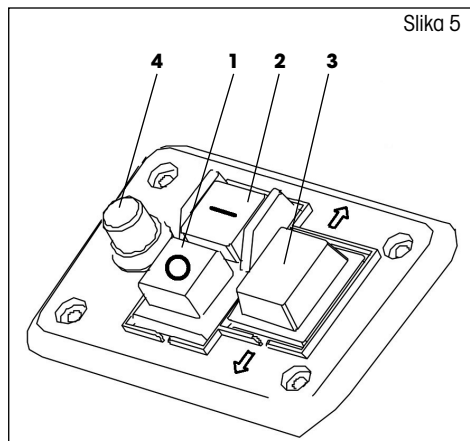
**⚠ OPOZORILO:** Preden drobilnik priklopite na vir napajanja, vedno preverite, ali je stikalo izklopljeno. Priklop drobilnika z vklopljenim stikalom lahko povzroči, da začne nepričakovano delovati in povzroči hude poškodbe.

### Vklop in izklop drobilnika (Slika 5)

**⚠ POZOR:** Če stikalo za vklop in izklop ne deluje, drobilnika ne uporabljajte. Stikalo, ki je v okvari lahko zamenja le pooblaščen servisni center.

- ✿ Za vklop drobilnika pritisnite zeleni gumb (Slika 5, točka 2).
- ✿ Za izklop drobilnika pritisnite zeleni gumb (Slika 5, točka 1).

**⚠ POZOR:** Če pride do izpada električne energije, se bo drobilnik samodejno izklopil. Za ponovni vklop, pritisnete zeleni gumb.



Slika 5

### Stikalo za preklop vrtenja naprej/nazaj (Slika 5, točka 3)

**⚠ POZOR:** Preden preklopite vrtenje drobilnika naprej/nazaj, slednjega najprej izklopite.

Vrtenje naprej

- ✿ Standardno delovanje drobilnika. Rezalni valj se vrti naprej.

Vrtenje nazaj

- ✿ Z vrtenjem rezalnega valja v nasprotni smeri lahko odstranite nakopičeni material.
- ✿ Če želite spremeniti smer vrtenja, morate zaporedoma pritisniti zeleni gumb, tako da se valj vrti. Ko sprostiti zeleni gumb, se valj samodejno zaustavi.

**📖 OPOMBA:** Za drobljenje večjih vej, boste med postopkom morda morali večkrat preklopiti smer vrtenja. **Pred vsako spremembo smeri vrtenja morate obvezno počakati, da se rezalni valj popolnoma zaustavi.**

### Zaščita pred preobremenitvijo

- ✿ Drobilnik ima nameščeno zaščito pred preobremenitvijo (Slika 5, točka 4)
- ✿ V primeru preobremenitve, bo zaščita motorja samodejno prekinila električni tokokrog.
- ✿ Za ponovno delovanje, nadaljujte, kot sledi:
  1. Drobilnik izklopite iz napajanja.
  2. Odstranite nakopičeni material.

3. Počakajte vsaj pet minut in pustite, da se motor ohladi!
4. Pritisnite gumb varovalke (Slika 5, točka 4).
5. Ponovno priklopite električno napajanje.
6. Vključite drobilnik.

**⚠ POZOR:** Za preprečevanje nesreč, pri odstranjevanju nakopičenega materiala vedno uporabljate kljuko ali palico.

## Posoda za zbiranje

- ☼ Pred odstranjevanjem ali nameščanjem posode za zbiranje drobilnik vedno izklopite in ga izključite iz napajanja.
- ☼ Iz varnostnih razlogov ima ročaj posode za zbiranje (Slika 1, točka 5) nameščen varnostni zaklep.
- ☼ Delovanje tega varnostnega zaklepa morate preverjati vsaki dve uri uporabe.
- ☼ Nikoli ne uporabljajte drobilnika, če varnostni zaklep ne deluje brezhibno.

Ročaj posode za zbiranje:

- Ročaj posode za zbiranje v spuščnem položaju >>> posoda za zbiranje ni zaklenjena. Če je varnostni zaklep aktiviran, drobilnika ni mogoče zagnati.
- Ročaj posode za zbiranje v dvignjenem položaju >>> posoda za zbiranje je zaklenjena in drobilnik je pripravljen za uporabo.

**📖 OPOMBA:** Če posoda za zbiranje ni zaklenjena, se drobilnik ne bo hotel zagnati. Če med delovanjem drobilnika odklenete posodo za zbiranje, se bo drobilnik samodejno zaustavil.

## Pokrov rezalnega valja (slika 1, točka 11)

### ⚠ POZOR:

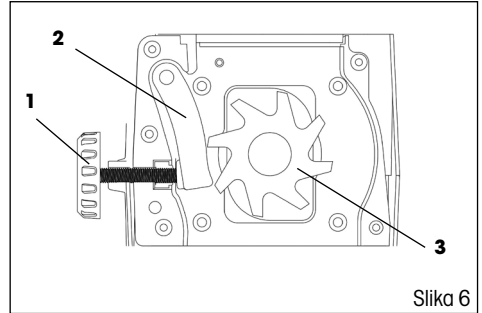
- ☼ Preden odprete pokrov rezalnega valja, naj bo odklopljen iz napajanja.
- ☼ Pazite, saj se rezalni valj ne zaustavi takoj, ko drobilnik izklopite. Počakajte, da se vsi premikajoči se deli zaustavijo.
- ☼ Pred odpiranjem pokrova si namestite zaščitne rokavice.
- ☼ Ko odstranite pokrov, lahko odstranite tudi nakopičeni material, ki ga ne morete odstraniti preko valja za polnjenje ali preklopom vrtenja valja v nasprotno smer.



## 8. NAMESTITEV IN UPORABA DROBILNIKA

### Nastavitev odmika protirezila

- ☼ Za učinkovito delovanje drobilnika morate nastaviti odmik protirezila (Slika 6, točka 2) od rezalnega valja (Slika 6, točka 3). Razlika med rezalnim valjem in protirezilom mora biti čim manjša.
- ☼ Pravilna nastavitev bo omogočila učinkovito drobljenje vej različnih debelin.



Slika 6

Nastavitev odmika:

- ☼ Vključite drobilnik.
- ☼ Za pomik protirezil proti rezalnemu valju, obrnite nastavitveni vijak (Slika 6, točka 1) v smeri urinega kazalca. Nastavitveni vijak obračajte toliko časa, da bodo iz lijaka za izmetavanje začeli leteti drobni aluminijasti opilki.

**OPOMBA:** Mehak material ali mokre vejice bo drobilnik morda prej zmečkal, kot razdrobil. Do tega lahko pride zaradi nameščenega protirezila, ki se po pogosti uporabi obrabi.

### Pred vklopom

Poskrbite za to, da:

- ☼ Bodo napajalni kabli v brezhibnem stanju. Če na napajalnem kablu opazite zarez ali razpoke, prenehajte z delom in uporabite brezhiben kabel.
- ☼ Drobilnik ne bo poškodovan, vsi vijaki in matice pa tesno priviti.
- ☼ Bo drobilnik v celoti in pravilno sestavljen.

Preverite napajanje:

- ☼ Poskrbite, da bo napajalna napetost ustrezala nazivni napetosti na nazivni ploščici, naprava pa pravilno ozemljena.
- ☼ Uporabljajte le podaljške, ki imajo ustrezen presek žice.

### Material, ki ga drobilnik lahko obdela

Drobilnik je primeren za drobljenje naslednjih materialov:

- ☼ Vseh vrst vej do največje debeline, določene v tehničnih specifikacijah.
- ☼ Vrtnih odpadkov, kot so uvenele rastline ali mokra trava (mednje vstavite veje).

### Drobilnik NI primeren za drobljenje naslednjih materialov:

- ☼ Stekla, kovine, plastike, kamenja, keramike, vej, ki so debelejšje kot je navedeno v tehničnih specifikacijah, trdega lesa, debelih lesenih plošč, tkanin, plastičnih vrečk, korenin z zemljo.
- ☼ Odpadkov, ki so skoraj v tekoči obliki, npr. gospodinjskih ostankov.

## 9. UPORABA

- ✿ Material vstavljate v lijak z desne strani.
- ✿ Veje drobite takoj, ko jih boste požagali. Če se veje posušijo, jih boste težje zdrobili.
- ✿ Če vej ne morete vstaviti v lijak, jim najprej porežite stranske poganjke.
- ✿ Poskrbite za sprotno praznjenje zbiralne posode. Le ob rednem praznjenju zbiralne posode ne more priti do zagozdenja materiala.
- ✿ V drobilnik ne vstavljajte materiala, ki je debelejši kot je navedeno v tehničnih specifikacijah.
- ✿ Drobljenje mokrih vrtnih odpadkov (odpadlega listja) bo povzročilo zamašitev. Za preprečitev zamašitve, med vrtno odpadke vstavite tudi veje.
- ✿ Mehak material ali mokre vejice bo drobilnik morda prej zmečkal, kot razdrobil. Do tega lahko pride tudi zaradi topaga protirezila.
- ✿ Pred čiščenjem lijaka za izmetavanje ugasnite motor in odklopite drobilnik iz napajanja.

## 10. VZDRŽEVANJE

### POZOR:

- ✿ Pred vsakim posegom na drobilniku, preverite, ali je slednji izklopljen in izključen iz napajanja. Pred poseganjem v drobilnik počakajte, da se bo rezalni valj ustavil.
- ✿ Pred pregledovanjem ali vzdrževanjem drobilnika si namestite zaščitne rokavice.
- ✿ Za čiščenje nikoli ne uporabljajte bencina, razredčila, alkohola itd. To bi lahko povzročilo obarvanje ali poškodbe delov drobilnika.
- ✿ Za čiščenje drobilnika uporabljajte le vlažno krpo in mehko ščetko.
- ✿ Drobilnika nikoli ne čistite s cevjo ali visokotlačnim čistilnikom.

Po vsakem drobljenju izvedite naslednja vzdrževalna opravila:

- ✿ Preverite, če so vsi pritrilni vijaki priviti (po potrebi jih privijte).
- ✿ Kovinske dele zaščitite pred korozijo.
- ✿ Odprtine v drobilniku naj bodo vedno čiste in brez prahu.
- ✿ Rezalni valj in protirezilo s časom postaneta topa. Če je potrebno, se o zamenjavi delov posvetujte z najbližjim pooblaščenim serviserjem.

# 11. ODPRAVLJANJE TEŽAV

**⚠ OPOZORILO:** Preden začnete odpravljati težavo, drobilnik najprej izključite, odklopite iz napajanja in počakajte, da se popolnoma ustavi.

Težava	Možni vzroki	Ukrep
Motor se ne zažene	Ni napajanja	Preverite električno napajanje.
	Poškodovan napajalni kabel	Za podrobnosti se posvetujte z najbližjim pooblaščenim serviserjem
	Aktivirala se je varovalka pred preobremenitvijo	Počakajte, da se bo drobilnik ohladil in pritisnite gumb varovalke.
	Zaklep zbiralne posode (zbiralna posoda ni pripefa)	Preverite zaklep zbiralne posode
Motor je mogoče slišati, vendar drobilnik ne deluje	Rezalni valj je blokiran	Izklopite drobilnik.
		Preklopite stikalo za vrtenje naprej/nazaj v vrtenje nazaj.
		Vklopite drobilnik in počakajte, da se nakopičeni material odstrani.
		Nato drobilnik izklopite.
	Okvara kondenzatorja	Drobnik dostavite k pooblaščenemu serviserju.
Drobnik ne pomika zdrobljenega materiala	Izbrano je vrtenje nazaj.	Drobnik izklopite in preklopite smer vrtenja s stikalom.
	Zdrobljeni material, se je zgodil v polnilni lijak	Izklopite drobilnik. Preklopite stikalo za vrtenje naprej/nazaj v vrtenje nazaj. Vklopite drobilnik in sprostite zdrobljeni material ter ga odstranite.
		Ponovno izklopite drobilnik.
		Nato drobilnik vklopite z vrtenjem naprej.
	Razrezani material je premehak ali moker	Potisnite material v drobilnik
Neustrezno nastavljeno protirezilo/rezalni valj	Nastavite protirezilo kot je opisano v "Namestitvev in uporaba drobilnika".	V primeru, da sta rezalni valj/protirezilo preveč obrabljena, ju zamenjajte.
		Nastavite protirezilo kot je opisano v prejšnjem odstavku
Zdrobljen material se ne izmeta gladko	Protirezilo ni pravilno nastavljeno	Nastavite protirezilo kot je opisano v prejšnjem odstavku
Drobnik se vrti, vendar že najmanjša vejica aktivira stikalo za zaščito motorja.	Podaljšek je predolg ali ima premajhen presek žic. Vtičnica je predaleč od električnega vira ali ima kabel premajhen presek žic	Poskrbite, da bodo žice podaljška imele presek najmanj 1,5 mm <sup>2</sup> in, da ne bo dolg več kot 25 m. Če je napajalni kabel daljši, tedaj naj bo presek žic vsaj 2,5 mm <sup>2</sup>

## 12. TEHNIČNE SPECIFIKACIJE

Nazivna napetost.....	230-240 V ~ /50 Hz
Nazivna moč: .....	2.800 W
Razred zaščite .....	I
IP koda.....	IP24
Število vrtljajev v prostem teku .....	46 vrt/min
Največja debelina vej.....	45 mm
Kapaciteta zbiralne posode.....	55 l
Raven zvočnega tlaka (LPA)* .....	93 dB(A)
Raven zvočne moči (LWA)* .....	96 dB(A)
Teža .....	27,6 kg

## 13. ODLAGANJE

### NAVODILA IN INFORMACIJE O ODLAGANJU UPORABLJENE EMBALAŽE

Rabljeno embalažo odlagajte na mestih za ločeno zbiranje odpadkov.



Naprava in njeni dodatki so izdelani iz različnih materialov, npr. iz kovine in plastike. Poškodovane dele dostavite v reciklažni center. Za podrobnosti se posvetujte pri ustreznem državnem organu.



Ta izdelek izpolnjuje vse osnovne zahteve, ki jih predpisujejo direktive EU.

Pridržujemo si pravico za spreminjanje besedila, oblike in tehničnih specifikacij brez opozorila.

Uporabniški priročnik v izvirnem jeziku.

# 14. IZJAVA O SKLADNOSTI

**Proizvajalec:**

FAST ČR, a.s.  
 Černokostelecká 2111, 100 00 Praha 10, Czech Republic  
 ID št. za DDV: CZ26726548

**Izdelek/blagovna znamka:** VRTNI DROBILNIK/FIELDMANN

**Vrsta/model:** FZD 5010E  
 230-240V~ 2800W IP24 46RPM

**Izdelek je skladen z naslednjimi predpisi:**

ES direktiva o nizkonapetostni električni opremi, št. 2006/95/ES  
 Direktiva sveta ES 2006/42/ES direktiva o strojih  
 Direktiva ES o elektromagnetni združljivosti (EMC), št. 2004/108/ES  
 ES direktiva RoHS 2002/95/ES

**in normami:**

EN 60335-1:2002+A11:2004+A1:2004+A12:2006+A2:2006+A13:2008+A14:2010+A15:2011  
 EN 13683:2003+A2:2011  
 EN 62233:2008  
 EN 61000-3-3:2008  
 EN 61000-3-2:2006  
 EN 55014-1:2006  
 EN 55014-2:1997+A1:2001+A2:2008  
 EN ISO 3744:1944  
 ISO 11094:1991

**CE oznaka:** 15

Podjetje FAST ČR a.s. je pooblaščen za ukrepanje v imenu proizvajalca.

**Kraj zavarovanja:** Praga

**Ime:** Ing. Zdeněk Pech  
 Predsednik sveta

**Datum zavarovanja:** 14. 1. 2015

**Podpis:**

**FAST** FAST ČR, a.s.   
 Černokostelecká 1921, 251 01 Říčany  
 IČO: 26726548 tel.: +420/ 323 204 111  
 DIČ: CZ26726548 fax: +420/ 323 204 110









Vypni prodaje. | Vypni predajca. | To be filled in by the seller.  
 | Wypełnia sprzedawca. | A kereskedő tölti ki.

Název: | Názov: | Name: | Nazwa: | Megnevezés:

Typ: | Type: | Típus:

Výrobní číslo: | Výrobné číslo: | Serial number: | Numer seryjny: | Gyártási szám:

 V prípade opravy vyplni servis. | V prípade opravy vyplni servis. | To be filled in by a repair shop  
 in case of repair. | W przypadku naprawy wypytania serwis. | Javítás esetén a szerviz tölti ki.

 Datum oznámení nároku na záruku: | Dátum oznámenia nároku na záruku: | Date of notification  
 of the entitlement to warranty: | Data zgłoszenia roszczeń gwarancyjnych: | A jótállási igény  
 bejelentésének időpontja:

 Den: | Deň: | Day: | Dzień: | Nap: ..... Měsíc: | Mesiac: | Month: | Mesiaç: | Hó: ..... Rok: | Year: | Év: **20** .....

 Datum převzetí do opravy: | Dátum prevzatia do opravy: | Data przyjęcia do naprawy: | Date of  
 accepting for repair: | Javításra átvétel időpontja:

 Den: | Deň: | Day: | Dzień: | Nap: ..... Měsíc: | Mesiac: | Month: | Mesiaç: | Hó: ..... Rok: | Year: | Év: **20** .....

Důvod poruchy: | Dávod poruchy: | Cause of defect: | Przyczyna awarii: | Hiba oka:

A termék azonosításra alkalmas részének meghatározása (amennyiben alkalmazható):

 Číslo prodejního dokumentu: | Číslo predajného dokumentu: | Sales document no.: | Numer  
 dokumentu sprzedawcy: | Vásárlási igazoló bizonylat száma:

 Datum nákupu (uvedení do provozu): | Dátum nákupu (uvedenie do prevádzky): | Date of pur-  
 chase (putting into operation): | Data zakupu (przekazania do eksploatacji): | A vásárlás (üzem-  
 be helyezés) időpontja:

 Den: | Deň: | Day: | Dzień: | Nap: ..... Měsíc: | Mesiac: | Month: | Mesiaç: | Hó: ..... Rok: | Year: | Év: **20** .....

 Razítko prodaje: | Pečiatka predajcu: | Seller's stamp: | Pieczęć sprzedawcy: | Kereskedő  
 bélyegzője:

Způsob opravy: | Spôsob opravy: | Mode of repair: | Sposób naprawy: | Javítás módja:

 Datum vráčení výrobku zpět zákazníkovi: | Dátum vrátenia výrobku späť zákazníkovi: | Date  
 of returning the product back to the customer: | Data zwrotu wyrobu klientowi: | A termék  
 fogyasztó részére való visszaadásának időpontja:

 Den: | Deň: | Day: | Dzień: | Nap: ..... Měsíc: | Mesiac: | Month: | Mesiaç: | Hó: ..... Rok: | Year: | Év: **20** .....

 Nová záruční lhůta – prodloužená o délku opravy: | Nová záručná lehota – predĺžená o dĺžku  
 opravy: | New warranty period – extended by the duration of the repair: | Nowy termin gwa-  
 rancyjny – przedłużony o czas naprawy: | A jótállás – kijavítás időtartamával meghosszabbí-  
 tott – új határideje:

 Den: | Deň: | Day: | Dzień: | Nap: ..... Měsíc: | Mesiac: | Month: | Mesiaç: | Hó: ..... Rok: | Year: | Év: **20** .....

 Razítko servisu: | Pečiatka servisu: | Stamp of the repair shop: | Pieczęć serwisu: | Szerviz  
 pecsétje:

## Autorizovaná servisní střediska | Autorizované servisné strediská | Authorized service centres

**FAST ČR, a. s.**

 Černokostelecká 1621  
 CZ 251 01 Říčany  
 Česká republika  
 Tel.: +420/ 323 204 120  
 Fax: +420/ 323 204 121  
 servis.praha@fastcr.cz  
 www.fastcr.cz

**FAST ČR, a. s.**

 Cejl 31  
 CZ 602 00 Brno  
 Česká republika  
 Tel.: +420/ 531 010 295  
 Fax: +420/ 531 010 296  
 servis.brno@fastcr.cz  
 www.fastcr.cz

**Fast Plus, spol. s r. o.**

 Na Pántoch 18  
 SK 831 06 Bratislava  
 Slovenská republika  
 Tel.: +421/2/49 105 854  
 Fax: +421/2/49 105 859  
 servis@fastplus.sk  
 www.fastplus.sk

## További információkért | Aby uzyskać więcej informacji | További információkért

**Fast Hungary Kft.**

 Dulácska u. 1/a.  
 H-2045 Törökbálint  
 Magyarország  
 Tel.: + 36/ 23 330 905  
 Fax: + 36/ 23 330 827  
 info@fasthungary.hu  
 www.fasthungary.hu

**Arconet sp. z o.o.**

 W celu znalezienia  
 najbliższego serwisu  
 prosimy zadzwonić:  
 0801 44 33 22  
 Lub odwiedzić stronę  
 internetową:  
 www.arconet.pl

**Uab „Senukai Prekybos**
**Centras“ Garantinis Servisas**  
 Jonavos G. 62, LT-44192,  
 Kaunas, Lithuania  
 Tel.: +370 37 212 146  
 Tex.: +370 37 212 165  
 garrem@senukai.lt  
 www.senukai.lt



Vom Verkäufer auszufüllen. | Para ser llenado el vendedor. | À remplir par le vendeur.  
 | Popuni prodavatelj. | Da compilare dal venditore. | Door de verkoper in te vullen.

Name: Denominación: Dénomination: Naziv: Nome: Naam:

Typ: Modelo: Type: Tip: Tipo:

Produktionsnummer: | No. de serie: | Numéro de référence: | Numer seryjny: | Numero di  
 fabbricazione broj szám: | Seriennummer:

Im Falle einer Reparatur vom Service auszufüllen. | Para ser llenado por el servicio, en caso de  
 reparación. | À remplir par le service de réparation en cas de réparation. | U slučaju popravke  
 popuni servis. | Nel caso di un riparo va compilato dal Centro di Assistenza. | Door servicecentrum  
 in te vullen bij reparatie.

Datum der Bekanntmachung des Anspruchs auf Garantie: | Fecha de notificación de derecho a  
 garantía: | Date de notification de l'application de la garantie: | Datum obavijesti jamstvenog  
 zahtjeva: | Data della notifica del diritto alla garanzia: | Datum waarop beroep op garantie is  
 gedaan:

Tag: Día: Jour: | Monat: Mes: Mois: | Jahr: Año: Année: 20  
 Dan: Giorno: Dag: | Mjesec: Mese: Maand: | Godina: Anno: Jaar

Datum der Übernahme zur Reparatur: | Fecha de aceptación para reparación: | Date de la  
 remise au service de réparation: | Datum prijema za popravak: | Data della presa in carico  
 per riparazione: | Datum waarop reparatie is aangenomen:

Tag: Día: Jour: | Monat: Mes: Mois: | Jahr: Año: Année: 20  
 Dan: Giorno: Dag: | Mjesec: Mese: Maand: | Godina: Anno: Jaar

Grund der Störung: | Motivo de la avería: | Cause du défaut: | Przyczyna awarii: | Motivo del  
 guasto: | Reden van defect

A termék azonosításra alkalmas részzeinek meghatározása [amennyiben alkalmazható]:

Nummer des Verkaufsbeleges: | No. de documento de venta: | Numéro de document de vente:  
 Broj kupoprodajnog dokumenta: | N. documento di vendita: | Nummer van aankoopbewijs:

Datum des Einkaufs [Inbetriebnahme]: | Fecha de compra [puesta en servicio]: | Date d'achat  
 [Mise en service]: | Datum kupnje [puštanja u pogon]: | Data di acquisto [messa in funzione]:  
 Aankoopdatum [ingebruikname]:

Tag: Día: Jour: | Monat: Mes: Mois: | Jahr: Año: Année: 20  
 Dan: Giorno: Dag: | Mjesec: Mese: Maand: | Godina: Anno: Jaar

Stempel des Verkäufers: | Sello del vendedor: | Tampon du vendeur: | Pečat prodavatelja: |  
 Timbro del venditore: | Stempel van verkoper:

Art der Reparatur: | Forma de reparación: | Type de réparation: | Način popravke: | Tipologia  
 di riparazione: | Wijze van repareren:

Datum der Rückgabe des Produktes dem Kunden: | Fecha de devolución del producto al  
 cliente: | Date de la remise du produit au client: | Datum povratka proizvođa natrag kupcu:  
 | Data del ritiro del prodotto da parte del cliente: | Datum waarop klant product weer in  
 ontvangst heeft genomen:

Tag: Día: Jour: | Monat: Mes: Mois: | Jahr: Año: Année: 20  
 Dan: Giorno: Dag: | Mjesec: Mese: Maand: | Godina: Anno: Jaar

Neue Garantiefrist - verlängert um die Dauer der Reparatur: | Nuevo plazo de garantía -  
 prorrogado por el tiempo de reparación: | Nouveau délai de garantie - prolongé de la durée  
 de la réparation: | Novi jamstveni rok - produžen o trajanje popravke: | Nuovo termine di  
 garanzia, rinnovato a seguito di riparazione: | Dnieuw garantietermijn - verlenging met de  
 duur van reparatie

Tag: Día: Jour: | Monat: Mes: Mois: | Jahr: Año: Année: 20  
 Dan: Giorno: Dag: | Mjesec: Mese: Maand: | Godina: Anno: Jaar

Stempel der Servicestelle: | Sello del servicio | Tampon du service de réparation: | Pečat  
 servisa: | Timbro del Centro di Assistenza Tecnica: | Stempel van servicecentrum:

**Autorisierete Servicestellen | Centros de servicio autorizados | Centres autorisés de réparation**

**FAST ČR, a. s.**  
 Černokostelecká 1621  
 CZ 251 01 Říčany  
 Česká republika  
 Tel.: +420/ 323 204 120  
 Fax: +420/ 323 204 121  
 servis.praha@fastcr.cz  
 www.fastcr.cz

**FAST ČR, a. s.**  
 Cejl 31  
 CZ 602 00 Brno  
 Česká republika  
 Tel.: +420/ 531 010 295  
 Fax: +420/ 531 010 296  
 servis.brno@fastcr.cz  
 www.fastcr.cz

**Fast Plus, spol. s r. o.**  
 Na Pántoch 18  
 SK 831 06 Bratislava  
 Slovenská republika  
 Tel.: +421/2/49 105 854  
 Fax: +421/2/49 105 859  
 servis@fastplus.sk  
 www.fastplus.sk

**Autorizirana servisna centra | Centri di Assistenza autorizzati | Geautoriseerde servicecentra**

**Fast Hungary Kft.**  
 Dulácska u. 1/a.  
 H-2045 Törökbálint  
 Magyarország  
 Tel.: + 36/ 23 330 905  
 Fax: + 36/ 23 330 827  
 info@fasthungary.hu  
 www.fasthungary.hu

**Arconet sp. z o.o.**  
 W celu znalezienia  
 najbliższego serwisu  
 prosimy zadzwonić:  
 0801 44 33 22  
 Lub odwiedzić stronę  
 internetową:  
 www.arconet.pl

**Uab „Senukai Prekybos  
 Centras” Garantinis Servisas**  
 Jonavos G. 62, Lt-44192,  
 Kaunas, Lithuania  
 Tel.: +370 37 212 146  
 Tex.: +370 37 212 165  
 garrem@senukai.lt  
 www.senukai.lt



Заполняется продавцом.

Название:

Тип:

Серийный номер изделия

В случае ремонта заполняется сервисной организацией.

Дата обращения в сервисный центр:

Число: ..... Месяц: ..... Год: 20 .....

Дата принятия в ремонт:

Число: ..... Месяц: ..... Год: 20 .....

Причина неисправности:

A termék azonosításra alkalmas részeinek meghatározása (amennyiben alkalmazható):

Номер документа, подтверждающего продажу:

Дата покупки (ввода в эксплуатацию):

Число: ..... Месяц: ..... Год: 20 .....

Печать продавца:

Способ ремонта:

Дата возврата изделия обратно заказчику:

Число: ..... Месяц: ..... Год: 20 .....

Новый гарантийный срок – продлен на срок проведения ремонта:

Число: ..... Месяц: ..... Год: 20 .....

Печать сервисной организации:

## Авторизованные сервисные центры

**AO «FAST ČR»**

Чернокоστεлецка 1621  
251 01 Ржичаны  
Чешская Республика  
Тел.: +420/323 204 120  
Факс: +420/323 204 121  
servis.praha@fastcr.cz  
www.fastcr.cz

**AO «FAST ČR»**

Цейл 31  
602 00 Брно  
Чешская Республика  
Тел.: +420/531 010 295  
Факс: +420/531 010 296  
servis.brno@fastcr.cz  
www.fastcr.cz

**000 «FAST Plus»**

На Пантох 18  
831 06 Братислава  
Словацкая Республика  
Тел.: +421/2/49 105 854  
Факс: +421/2/49 105 859  
servis@fastplus.sk  
www.fastplus.sk

## Авторизованные сервисные центры

**Fast Hungary Kft.**

Dulácska u. 1/a.  
H-2045 Törökbálint  
Magyarország  
Тел.: + 36/ 23 330 905  
Fax: + 36/ 23 330 827  
info@fasthungary.hu  
www.fasthungary.hu

**Arconet sp. z o.o.**

W celu znalezienia  
najbliższego serwisu  
prosimy zadzwonić:  
0801 44 33 22  
Lub odwiedzić stronę  
internetową:  
www.arconet.pl

**Uab „Senuku Prekybos  
Centras” Garantinis Servisas**

Jonavos G. 62, Lt-44192,  
Kaunas, Lithuania  
Тел.: +370 37 212 146  
Тех.: +370 37 212 165  
garrem@senukai.lt  
www.senukai.lt

Продавец предоставляет покупателю гарантию на товар в течение 24 месяцев с момента получения товара покупателем. Гарантия предоставляется при соблюдении следующих условий. Гарантия распространяется только на новый товар, проданный потребителю для целей использования, указанных в соответствующей инструкции по эксплуатации. Покупатель имеет право обратиться с претензией, связанной с ответственностью за некачественный товар (рекламацией), непосредственно к продавцу, у которого был приобретен товар, либо в авторизованный сервисный центр, указанный ниже. Покупатель обязан предъявить рекламацию без необоснованной задержки, чтобы избежать ухудшения исправности, но не позднее, чем до конца истечения гарантийного срока. Покупатель обязан при решении рекламации оказывать содействие, необходимое для проверки наличия заявленного дефекта. В рамках процедуры рассмотрения жалоб принимается только комплектный и, в целях соблюдения гигиенических правил, чистый товар. В случае если претензия является обоснованной, гарантийный срок продлевается на период с момента принятия товара для проведения гарантийного ремонта изделия по момент получения отремонтированного товара покупателем, либо по момент, когда покупатель обязан получить товар после проведения гарантийного ремонта. Покупатель обязан предъявить документы, подтверждающие его право на проведение гарантийного ремонта (документ, подтверждающий покупку, гарантийный талон, документ о вводе в эксплуатацию ...).

**Гарантийные обязательства на товар, главным образом, не распространяются на:**

■ недостатки, на которые была предоставлена скидка ■ износ и повреждения, вызванные обычным использованием изделия ■ повреждения изделия в результате неспециализированной или неправильной установки и монтажа, использования изделия в противоречии с Инструкцией по эксплуатации, действующим законодательством и общеизвестными и обычными способами использования, в связи с использованием товара для других целей, чем те, для которых он предназначен ■ повреждения изделия, вызванные с пренебрежением или неправильным техническим обслуживанием ■ повреждения изделиями, вызванные его загрязнением, аварией и форс-мажорными обстоятельствами (стихийными бедствиями, пожаром, попаданием воды ...) ■ неисправности изделия, вызванные неадекватным качеством сигнала, помехами электромагнитного поля и т.д. ■ механические повреждения изделия (например, отломанная кнопка, падение ...) ■ повреждения, вызванные использованием неподходящих носителей, расходных материалов (батарей) или в результате ненадлежащих условий эксплуатации (напр., высокой температуры окружающей среды, высокой влажности, ударов ...) ■ повреждения, изменения или другое вмешательство в результате самостоятельного ремонта изделия или ремонта, проведенного неуполномоченным или неавторизованным лицом (сервисным центром) ■ случаи, когда покупатель не подтвердит правомерность своих прав на гарантийный ремонт (когда и где был приобретен товар, на который распространяется гарантия) ■ случаи, когда данные в предоставленных документах отличаются от информации, содержащейся на изделии ■ случаи, когда изделие, на которое заявлена рекламация, не является тождественным с изделием, указанным в документах, которыми покупатель подтверждает свое право на проведение гарантийного ремонта (напр., повреждение серийного номера или гарантийной пломбы устройства, исправление данных в документах ...)





 **FIELDMANN**<sup>®</sup>  
Home & Garden Performance



## **ОФИЦИАЛЬНЫЙ ДИЛЕР В УКРАИНЕ:**

[storgom.ua](http://storgom.ua)

### **ГРАФИК РАБОТЫ:**

Пн. – Пт.: с 8:30 по 18:30

Сб.: с 09:00 по 16:00

Вс.: с 10:00 по 16:00

### **КОНТАКТЫ:**

+38 (044) 360-46-77

+38 (066) 77-395-77

+38 (097) 77-236-77

+38 (093) 360-46-77

Детальное описание товара:

<https://storgom.ua/product/izmelchitel-fieldmann-fzd-5010-e.html>

Другие товары: <https://storgom.ua/izmelchiteli-vetok.html>