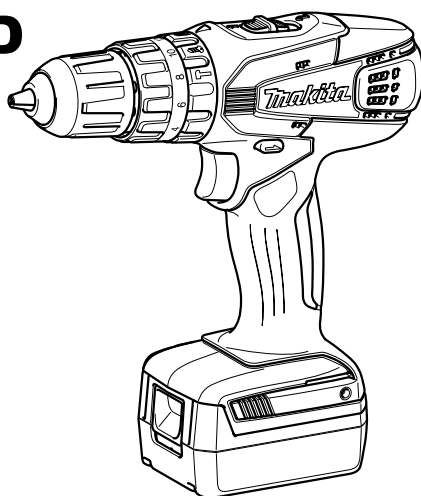
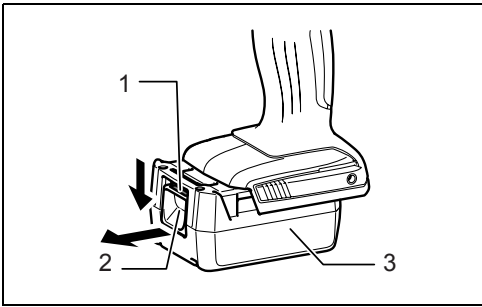




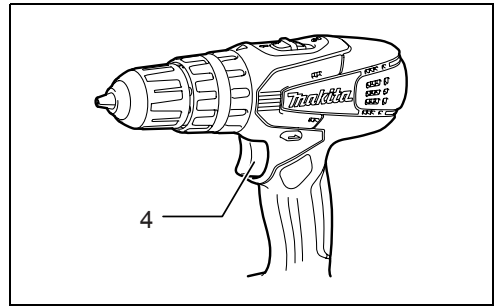
GB	Cordless Hammer Driver Drill	Instruction manual
F	Perceuse Percussion-Visseuse	Manuel d'instructions sans Fil
D	Akku-Bohrhammer	Betriebsanleitung
I	Trapano avvitatore a batterie con percussione	Istruzioni per l'uso
NL	Accuschroef-boorhamermachine	Gebruiksaanwijzing
E	Rotomartillo Atornillador Inalámbrico	Manual de instrucciones
P	Furadeira de Impacto / Parafusadeira a Bateria	Manual de instruções
DK	Ledningsfri slagboremaskine	Brugsanvisning
GR	Κρουστικό δραπανοκατσάβιδο μπαταρίας	Οδηγίες χρήσης

HP347D
HP457D

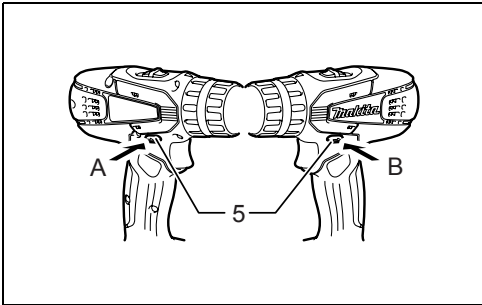




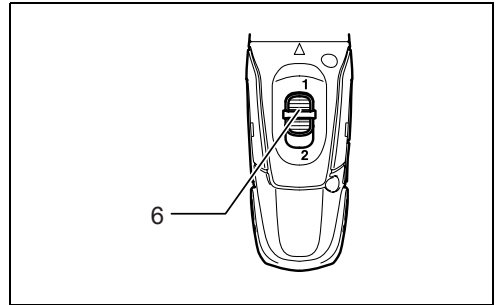
1



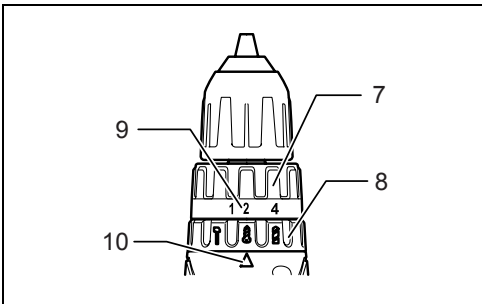
2



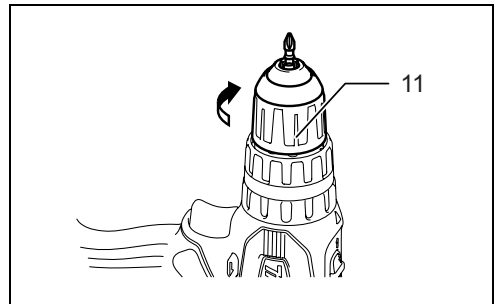
3



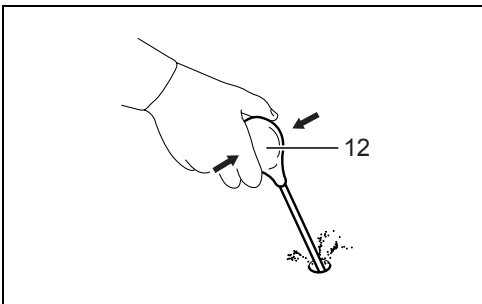
4



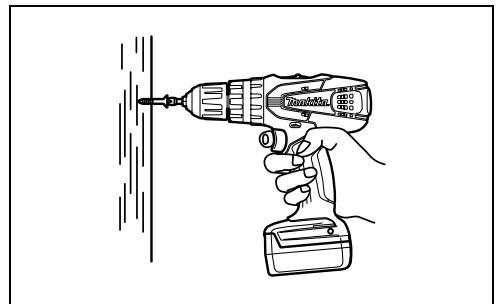
5



6



7



8

ENGLISH (Original instructions)

Explanation of general view

- | | | |
|----------------------|------------------------------|-------------------|
| 1. Red indicator | 5. Reversing switch lever | 9. Graduation |
| 2. Button | 6. Speed change lever | 10. Arrow |
| 3. Battery cartridge | 7. Adjusting ring | 11. Sleeve |
| 4. Switch trigger | 8. Action mode changing ring | 12. Blow-out bulb |

SPECIFICATIONS

Model		HP347D	HP457D
Capacities	Concrete	10 mm	13 mm
	Steel	10 mm	13 mm
	Wood	25 mm	36 mm
	Wood screw	5.1 mm x 63 mm	6 mm x 75 mm
	Machine screw	6 mm	
No load speed (min ⁻¹)	High (2)	0 - 1,400	
	Low (1)	0 - 400	
Blows per minute (min ⁻¹)	High (2)	0 - 21,000	
	Low (1)	0 - 6,000	
Overall length	North/South America	216 mm	246 mm
	Other countries		239 mm
Net weight		1.5 kg	1.7 kg
Rated voltage		D.C. 14.4 V	D.C. 18 V

- Due to our continuing programme of research and development, the specifications herein are subject to change without notice.
- Specifications and battery cartridge may differ from country to country.
- Weight, with battery cartridge, according to EPTA-Procedure 01/2003

Intended use

ENE039-1

The tool is intended for impact drilling in brick, concrete and stone as well as for drilling without impact in wood, metal, ceramic and plastic.

General Power Tool Safety Warnings

GEA010-1

⚠ WARNING Read all safety warnings and all instructions. Failure to follow the warnings and instructions may result in electric shock, fire and/or serious injury.

Save all warnings and instructions for future reference.

CORDLESS HAMMER DRILL SAFETY WARNINGS

GEB056-3

1. **Wear ear protectors when impact drilling.**
Exposure to noise can cause hearing loss.
2. **Use auxiliary handle(s), if supplied with the tool.**
Loss of control can cause personal injury.
3. **Hold power tool by insulated gripping surfaces, when performing an operation where the cutting accessory may contact hidden wiring.** Cutting accessory contacting a "live" wire may make exposed metal parts of the power tool "live" and could give the operator an electric shock.

4. Always be sure you have a firm footing.

Be sure no one is below when using the tool in high locations.

5. **Hold the tool firmly.**
6. **Keep hands away from rotating parts.**
7. **Do not leave the tool running. Operate the tool only when hand-held.**
8. **Do not touch the bit or the workpiece immediately after operation; they may be extremely hot and could burn your skin.**
9. **Some material contains chemicals which may be toxic. Take caution to prevent dust inhalation and skin contact. Follow material supplier safety data.**

SAVE THESE INSTRUCTIONS.

⚠ WARNING:

DO NOT let comfort or familiarity with product (gained from repeated use) replace strict adherence to safety rules for the subject product. **MISUSE** or failure to follow the safety rules stated in this instruction manual may cause serious personal injury.

IMPORTANT SAFETY INSTRUCTIONS

ENC009-1

FOR BATTERY CARTRIDGE

1. Before using battery cartridge, read all instructions and cautionary markings on (1) battery charger, (2) battery, and (3) product using battery.
2. Do not disassemble battery cartridge.
3. If operating time has become excessively shorter, stop operating immediately. It may result in a risk of overheating, possible burns and even an explosion.
4. If electrolyte gets into your eyes, rinse them out with clear water and seek medical attention right away. It may result in loss of your eyesight.
5. Do not short the battery cartridge:
 - (1) Do not touch the terminals with any conductive material.
 - (2) Avoid storing battery cartridge in a container with other metal objects such as nails, coins, etc.
 - (3) Do not expose battery cartridge to water or rain.

A battery short can cause a large current flow, overheating, possible burns and even a breakdown.
6. Do not store the tool and battery cartridge in locations where the temperature may reach or exceed 50°C (122°F).
7. Do not incinerate the battery cartridge even if it is severely damaged or is completely worn out. The battery cartridge can explode in a fire.
8. Be careful not to drop or strike battery.
9. Do not use a damaged battery.

SAVE THESE INSTRUCTIONS.

Tips for maintaining maximum battery life

1. Charge the battery cartridge before completely discharged.
Always stop tool operation and charge the battery cartridge when you notice less tool power.
2. Never recharge a fully charged battery cartridge. Overcharging shortens the battery service life.
3. Charge the battery cartridge with room temperature at 10°C - 40°C (50°F - 104°F). Let a hot battery cartridge cool down before charging it.

FUNCTIONAL DESCRIPTION

⚠ CAUTION:

- Always be sure that the tool is switched off and the battery cartridge is removed before adjusting or checking function on the tool.

Installing or removing battery cartridge (Fig. 1)

- Always switch off the tool before installing or removing of the battery cartridge.
- To remove the battery cartridge, slide it from the tool while sliding the button on the front of the cartridge.

- To install the battery cartridge, align the tongue on the battery cartridge with the groove in the housing and slip it into place. Always insert it all the way until it locks in place with a little click. If you can see the red indicator on the upper side of the button, it is not locked completely. Install it fully until the red indicator cannot be seen. If not, it may accidentally fall out of the tool, causing injury to you or someone around you.
- Do not use force when installing the battery cartridge. If the cartridge does not slide in easily, it is not being inserted correctly.

Battery protection system

The battery cartridge is equipped with the protection system, which automatically cuts off the output power for its long service life.

The tool stops during operation when the tool and/or battery are placed under the following situation. This is caused by the activation of protection system and does not show the tool trouble.

- When the tool is overloaded:
At this time, release the switch trigger, remove the battery cartridge and remove causes of overload and then pull the switch trigger again to restart.
- When battery cells get hot:
If any operation of the switch trigger, the motor will remain stopped. At this time, stop use of the tool and cool the battery cartridge.
- When the remaining battery capacity gets low:
If you pull the switch trigger, the motor runs again but stops soon. In this case, to prevent over discharge, remove the battery cartridge from the tool and charge it.

Switch action (Fig. 2)

⚠ CAUTION:

- Before inserting the battery cartridge into the tool, always check to see that the switch trigger actuates properly and returns to the "OFF" position when released.

To start the tool, simply pull the switch trigger. Tool speed is increased by increasing pressure on the switch trigger. Release the switch trigger to stop.

Reversing switch action (Fig. 3)

This tool has a reversing switch to change the direction of rotation. Depress the reversing switch lever from the A side for clockwise rotation or from the B side for counterclockwise rotation.

When the reversing switch lever is in the neutral position, the switch trigger cannot be pulled.

⚠ CAUTION:

- Always check the direction of rotation before operation.
- Use the reversing switch only after the tool comes to a complete stop. Changing the direction of rotation before the tool stops may damage the tool.
- When not operating the tool, always set the reversing switch lever to the neutral position.

Speed change (Fig. 4)

To change the speed, first switch off the tool and then slide the speed change lever to the "2" side for high speed


or "1" side for low speed. Be sure that the speed change lever is set to the correct position before operation. Use the right speed for your job.


⚠ CAUTION:


- Always set the speed change lever fully to the correct position. If you operate the tool with the speed change lever positioned halfway between the "1" side and "2" side, the tool may be damaged.
- Do not use the speed change lever while the tool is running. The tool may be damaged.

Selecting the action mode (Fig. 5)

This tool employs an action mode changing ring. Select one of the three modes suitable for your work needs by using this ring.

For rotation only, turn the ring so that the arrow on the tool body points toward the  mark on the ring.

For rotation with hammering, turn the ring so that the arrow points toward the  mark on the ring.

For rotation with clutch, turn the ring so that the arrow points toward the  mark on the ring.

⚠ CAUTION:

- Always set the ring correctly to your desired mode mark. If you operate the tool with the ring positioned halfway between the mode marks, the tool may be damaged.

Adjusting the fastening torque (Fig. 5)

The fastening torque can be adjusted in 16 steps by turning the adjusting ring so that its graduations are aligned with the arrow on the tool body. The fastening torque is minimum when the number 1 is aligned with the arrow, and maximum when the number 16 is aligned with the arrow.

Before actual operation, drive a trial screw into your material or a piece of duplicate material to determine which torque level is required for a particular application.

ASSEMBLY

⚠ CAUTION:

- Always be sure that the tool is switched off and the battery cartridge is removed before carrying out any work on the tool.

Installing or removing driver bit or drill bit (Fig. 6)

Turn the sleeve counterclockwise to open the chuck jaws. Place the bit in the chuck as far as it will go. Turn the sleeve clockwise to tighten the chuck.


To remove the bit, turn the sleeve counterclockwise.

OPERATION

Hammer drilling operation

⚠ CAUTION:

- There is a tremendous and sudden twisting force exerted on the tool/bit at the time of hole break-through, when the hole becomes clogged with chips and particles, or when striking reinforcing rods embedded in the concrete.

First, turn the action mode changing ring so that the arrow on the tool body points to the  marking. The adjusting ring can be aligned in any torque levels for this operation. Be sure to use a tungsten-carbide tipped bit.


Position the bit at the desired location for the hole, then pull the switch trigger. Do not force the tool. Light pressure gives best results. Keep the tool in position and prevent it from slipping away from the hole.

Do not apply more pressure when the hole becomes clogged with chips or particles. Instead, run the tool at an idle, then remove the bit partially from the hole. By repeating this several times, the hole will be cleaned out and normal drilling may be resumed.

Blow-out bulb (optional accessory) (Fig. 7)

After drilling the hole, use the blow-out bulb to clean the dust out of the hole.

Screwdriving operation (Fig. 8)

First, turn the action mode changing ring so that the arrow on the tool body points to the  marking. Adjust the adjusting ring to the proper torque level for your work. Then proceed as follows.

Place the point of the driver bit in the screw head and apply pressure to the tool. Start the tool slowly and then increase the speed gradually. Release the switch trigger as soon as the clutch cuts in.

⚠ CAUTION:


- Make sure that the driver bit is inserted straight in the screw head, or the screw and/or bit may be damaged.

NOTE:

- When driving wood screws, predrill pilot holes to make driving easier and to prevent splitting of the workpiece. See the chart.

Nominal diameter of wood screw (mm)	Recommended size of pilot hole (mm)
3.1	2.0 - 2.2
3.5	2.2 - 2.5
3.8	2.5 - 2.8
4.5	2.9 - 3.2
4.8	3.1 - 3.4
5.1	3.3 - 3.6
5.5	3.7 - 3.9
5.8	4.0 - 4.2
6.1	4.2 - 4.4

Drilling operation

First, turn the adjusting ring so that the pointer points to the  marking. Then proceed as follows.

⚠ CAUTION:

- Pressing excessively on the tool will not speed up the drilling. In fact, this excessive pressure will only serve to damage the tip of your bit, decrease the tool performance and shorten the service life of the tool.
- There is a tremendous force exerted on the tool/bit at the time of hole break through. Hold the tool firmly and

exert care when the bit begins to break through the workpiece.

- A stuck bit can be removed simply by setting the reversing switch to reverse rotation in order to back out. However, the tool may back out abruptly if you do not hold it firmly.
- Always secure small workpieces in a vise or similar hold-down device.
- If the tool is operated continuously until the battery cartridge has discharged, allow the tool to rest for 15 minutes before proceeding with a fresh battery.

Drilling in wood

When drilling in wood, the best results are obtained with wood drills equipped with a guide screw. The guide screw makes drilling easier by pulling the bit into the workpiece.

Drilling in metal

To prevent the bit from slipping when starting a hole, make an indentation with a center-punch and hammer at the point to be drilled. Place the point of the bit in the indentation and start drilling.

Use a cutting lubricant when drilling metals. The exceptions are iron and brass which should be drilled dry.

MAINTENANCE

CAUTION:

- Always be sure that the tool is switched off and the battery cartridge is removed before attempting to perform inspection or maintenance.
 - Never use gasoline, benzine, thinner, alcohol or the like. Discoloration, deformation or cracks may result.
- To maintain product SAFETY and RELIABILITY, repairs, any other maintenance or adjustment should be performed by Makita Authorized Service Centers, always using Makita replacement parts.

OPTIONAL ACCESSORIES

CAUTION:

- These accessories or attachments are recommended for use with your Makita tool specified in this manual. The use of any other accessories or attachments might present a risk of injury to persons. Only use accessory or attachment for its stated purpose.

If you need any assistance for more details regarding these accessories, ask your local Makita Service Center.

- Drill bits
- Tungsten-carbide tipped hammer bit
- Phillips bit
- Slotted bit
- Socket bit
- Blow-out bulb
- Safety goggles
- Various type of Makita genuine batteries and chargers
- Rubber pad assembly
- Wool bonnet
- Foam polishing pad
- Plastic carrying case

NOTE:

- Some items in the list may be included in the tool package as standard accessories. They may differ from country to country.

Noise

ENG905-1

The typical A-weighted noise level determined according to EN60745:

Model HP347D

Sound pressure level (L_{pA}): 82 dB (A)
Sound power level (L_{WA}): 93 dB (A)
Uncertainty (K): 3 dB (A)

Model HP457D

Sound pressure level (L_{pA}): 81 dB (A)
Sound power level (L_{WA}): 92 dB (A)
Uncertainty (K): 3 dB (A)

Wear ear protection.

Vibration

ENG900-1

The vibration total value (tri-axial vector sum) determined according to EN60745:

Model HP347D

Work mode: impact drilling into concrete
Vibration emission ($a_{h,ID}$): 9.0 m/s²
Uncertainty (K): 2.0 m/s²

Work mode: drilling into metal
Vibration emission ($a_{h,D}$): 2.5 m/s² or less
Uncertainty (K): 1.5 m/s²

Model HP457D

Work mode: impact drilling into concrete
Vibration emission ($a_{h,ID}$): 7.0 m/s²
Uncertainty (K): 1.5 m/s²

Work mode: drilling into metal
Vibration emission ($a_{h,D}$): 2.5 m/s² or less
Uncertainty (K): 1.5 m/s²

ENG901-1

- The declared vibration emission value has been measured in accordance with the standard test method and may be used for comparing one tool with another.
- The declared vibration emission value may also be used in a preliminary assessment of exposure.

WARNING:

- The vibration emission during actual use of the power tool can differ from the declared emission value depending on the ways in which the tool is used.
- Be sure to identify safety measures to protect the operator that are based on an estimation of exposure in the actual conditions of use (taking account of all parts of the operating cycle such as the times when the tool is switched off and when it is running idle in addition to the trigger time).

For European countries only

ENH101-15

EC Declaration of Conformity

We Makita Corporation as the responsible manufacturer declare that the following Makita machine(s):

Designation of Machine:
Cordless Hammer Driver Drill
Model No./ Type: HP347D, HP457D
are of series production and

Conforms to the following European Directives:
2006/42/EC

And are manufactured in accordance with the following standards or standardised documents:

EN60745

The technical documentation is kept by our authorised representative in Europe who is:

Makita International Europe Ltd.
Michigan Drive, Tongwell,
Milton Keynes, Bucks MK15 8JD, England

23. 8. 2010



Tomoyasu Kato
Director
Makita Corporation
3-11-8, Sumiyoshi-cho,
Anjo, Aichi, 446-8502, JAPAN

NEDERLANDS (Originele instructies)

Verklaring van het onderdelenoverzicht

- | | | |
|-----------------------|------------------------------|--------------------|
| 1. Rode deel | 5. Omkeerschakelaar | 9. Schaalverdeling |
| 2. Knop | 6. Snelheidsinstelknop | 10. Pijl |
| 3. Accu | 7. Instelling | 11. Bus |
| 4. Aan/uit-schakelaar | 8. Werkingsfunctie-keuzering | 12. Blaasbalgje |

TECHNISCHE GEGEVENS

Model	HP347D	HP457D	
Maximale dikten	Beton	10 mm	13 mm
	Staal	10 mm	13 mm
	Hout	25 mm	36 mm
	Houtschroef	5,1 mm x 63 mm	6 mm x 75 mm
	Machineschroef	6 mm	
Nullasttoerental (min ⁻¹)	Hoog (2)	0 - 1.400	
	Laag (1)	0 - 400	
Aantal slagen (min ⁻¹)	Hoog (2)	0 - 21.000	
	Laag (1)	0 - 6.000	
Totale lengte	Noord- en Zuid-Amerika	216 mm	246 mm
	Overige landen		239 mm
Nettogewicht	1,5 kg	1,7 kg	
Nominale spanning	14,4 volt gelijkstroom	18 volt gelijkstroom	

- Als gevolg van ons doorlopende onderzoeks- en ontwikkelingsprogramma, zijn de technische gegevens van dit gereedschap onderhevig aan veranderingen zonder voorafgaande kennisgeving.
- Specificaties en accu's kunnen van land tot land verschillen.
- Gewicht, inclusief de accu, volgens de EPTA-procedure 01/2003

Gebruiksdoelinden

ENE039-1

Het gereedschap is bedoeld voor slagboren in baksteen, beton en steen, en tevens voor boren zonder slagwerking in hout, metaal, keramiek en kunststof.

Algemene veiligheidswaarschuwingen voor elektrisch gereedschap

GEA010-1

⚠ WAARSCHUWING Lees alle veiligheidswaarschuwingen en alle instructies. Het niet volgen van de waarschuwingen en instructies kan leiden tot elektrische schokken, brand en/of ernstig letsel.

Bewaar alle waarschuwingen en instructies om in de toekomst te kunnen raadplegen.

VEILIGHEIDSWAARSCHUWINGEN SPECIFIEK VOOR EEN ACCUBOORHAMERMACHINE

GEB056-3

1. **Draag gehoorbescherming tijdens het slagboren.** Blootstelling aan harde geluiden kan leiden tot gehoorbeschadiging.
2. **Gebruik de hulphandgrepen, als deze bij het gereedschap werden geleverd.** Als u de controle

over het gereedschap verliest, kan dit leiden tot persoonlijk letsel.

3. **Houd het elektrisch gereedschap vast aan het geïsoleerde oppervlak van de handgrepen wanneer u werkt op plaatsen waar het booraccessoire met verborgen bedrading in aanraking kan komen.** Wanneer het bitaccessoire in aanraking komen met onder spanning staande draden, zullen de niet-geïsoleerde metalen delen van het gereedschap onder spanning komen te staan zodat de gebruiker een elektrische schok kan krijgen.
4. **Zorg er altijd voor dat u stevig staat. Zorg ervoor dat er niemand zich onder u bevindt wanneer u het gereedschap op een hoge plaats gebruikt.**
5. **Houd het gereedschap stevig vast.**
6. **Houd uw handen uit de buurt van draaiende delen.**
7. **Laat het gereedschap niet ingeschakeld liggen. Bedien het gereedschap alleen wanneer u het vasthoudt.**
8. **Raak het bit en het werkstuk niet onmiddellijk na gebruik aan. Zij kunnen bijzonder heet zijn en brandwonden op uw huid veroorzaken.**
9. **Sommige materialen bevatten chemische stoffen die giftig kunnen zijn. Neem voorzorgsmaatregelen tegen het inademen van stof en contact met de huid. Volg de veiligheidsinstructies van de leverancier van het materiaal op.**

BEWAAR DEZE INSTRUCTIES.

WAARSCHUWING:

Laat u **NIET** misleiden door een vals gevoel van comfort en bekendheid met het gereedschap (na veelvuldig gebruik) en neem alle veiligheidsvoorschriften van het betreffende product altijd strikt in acht. **VERKEERD GEBRUIK** of het niet volgen van de veiligheidsinstructies in deze gebruiksaanwijzing kan leiden tot ernstig persoonlijk letsel.

BELANGRIJKE VEILIGHEIDSinSTRUCTIES ENC009-1

VOOR ACCU'S

1. Alvorens de accu in gebruik te nemen, leest u eerst alle instructies en waarschuwingsopdrachten op (1) de acculader, (2) de accu en (3) het apparaat waarin de accu wordt aangebracht.
2. Haal de accu niet uit elkaar.
3. Als de gebruikstijd aanzienlijk korter is geworden, stopt u onmiddellijk met het gebruik. Anders kan dit leiden tot kans op oververhitting, mogelijke brandwonden en zelfs een explosie.
4. Als de elektrolyt in uw ogen komt, wast u deze uit met schoon water en raadpleegt u onmiddellijk een arts. Dit kan leiden tot verlies van gezichtsvermogen.
5. Sluit de accu niet kort:
 - (1) Raak de accupolen niet aan met enig geleidend materiaal.
 - (2) Bewaar de accu niet op een plaats waar deze in aanraking kan komen met andere metalen voorwerpen, zoals spijkers, munten, enz.
 - (3) Stel de accu niet bloot aan water of regen. Kortsluiting van de accu kan leiden tot een hoge stroomsterkte, oververhitting, mogelijke brandwonden en zelfs een defect.
6. Bewaar het gereedschap en de accu niet op plaatsen waar de temperatuur kan oplopen tot 50 °C of hoger.
7. Werp de accu niet in een vuur, zelfs niet als deze al ernstig beschadigd of helemaal versleten is. De accu kan in een vuur exploderen.
8. Wees voorzichtig dat u de accu niet laat vallen of ergens tegenaan stoot.
9. Gebruik nooit een beschadigde accu.

BEWAAR DEZE INSTRUCTIES.

Tips voor een lange levensduur van de accu

1. Laad de accu op voordat deze volledig leeg is. Wanneer u merkt dat het gereedschap minder vermogen heeft, stopt u met het gebruik ervan en laadt u eerst de accu op.
2. Laad nooit een volledig opgeladen accu op. Te lang opladen verkort de levensduur van de accu.

3. Laad de accu op bij een omgevingstemperatuur van 10 °C tot 40 °C. Laat een warme accu eerst afkoelen voordat u deze oplaadt.

BESCHRIJVING VAN DE FUNCTIES

LET OP:

- Zorg ervoor dat het gereedschap is uitgeschakeld en dat de accu is verwijderd voordat u de werking van het gereedschap aanpast of controleert.

De accu aanbrengen en verwijderen (zie afb. 1)

- Schakel het gereedschap altijd uit voordat u de accu aanbrengt of verwijdert.
- Om de accu te verwijderen verschuift u de knop aan de voorkant van de accu en schuift u tegelijkertijd de accu van het gereedschap af.
- Om de accu aan te brengen lijnt u de lip op de accu uit met de groef in de behuizing en duwt u de accu op zijn plaats. Steek de accu zo ver mogelijk in het gereedschap tot u een klinkgeluid hoort. Als u het rode deel aan de bovenkant van de knop kunt zien, is de accuadapter niet goed aangebracht. Breng de accuadapter zo ver mogelijk aan tot het rode deel niet meer zichtbaar is. Als u dit niet doet, kan de accu per ongeluk uit het gereedschap vallen en u of anderen in uw omgeving verwonden.
- Oefen geen grote kracht uit bij het aanbrengen van de accu. Als de accu niet gemakkelijk erin kan worden geschoven, wordt deze niet goed aangebracht.

Accubeveiligingssysteem

De accu is voorzien van een beveiligingssysteem dat automatisch het uitgangsvermogen onderbreekt voor een langere levensduur.

Het gereedschap stopt tijdens het gebruik wanneer het gereedschap en/of de accu zich in de volgende situatie bevinden. Dit wordt veroorzaakt door de inwerkingtreding van het beveiligingssysteem en duidt niet op een defect van het gereedschap.

- Bij overbelasting van het gereedschap:

Als dit het geval is, laat u de aan/uit-schakelaar los, verwijdert u de accu, heft u de oorzaak van de overbelasting op en knijpt u daarna de aan/uit-schakelaar weer in om verder te gaan.
- Als de accucellen heet zijn geworden:

Als de aan/uit-schakelaar wordt bediend, blijft het gereedschap stilstaan. Als dit het geval is, bedient u het gereedschap niet meer en laat u de accu afkoelen.
- Als de resterende acculading laag is:

Als u de aan/uit-knop inknijpt, zal de motor weer gaan draaien, maar spoedig stoppen. Om te ver ontladen te voorkomen, verwijdert u in dat geval de accu van het gereedschap en laadt u hem op.

Aan/uit-schakelaars (zie afb. 2)

LET OP:

- Controleer altijd, voordat u de accu in het gereedschap steekt, of de aan/uit-schakelaar op de juiste manier

schakelt en weer terugkeert naar de uit-stand nadat deze is losgelaten.

Om het gereedschap in te schakelen, knijpt u gewoon de aan/uit-schakelaar in. De draaisnelheid van het gereedschap neemt toe naarmate u meer druk uitoefent op de aan/uit-schakelaar. Laat de aan/uit-schakelaar los om het gereedschap te stoppen.

Werking van de omkeerschakelaar (zie afb. 3)

Dit gereedschap is uitgerust met een omkeerschakelaar waarmee u de draairichting kunt omkeren. Druk op de omkeerschakelaar vanaf kant A voor de draairichting rechtsom, of vanaf kant B voor de draairichting linksom. Wanneer de omkeerschakelaar in de middenstand staat, kunt u de aan/uit-schakelaar niet inknippen.

LET OP:

- Controleer altijd de draairichting alvorens het gereedschap te gebruiken.
- Gebruik de omkeerschakelaar alleen nadat het gereedschap volledig tot stilstand is gekomen. Als u de draairichting verandert voordat het gereedschap volledig stilstaat, kan het gereedschap worden beschadigd.
- Als u het gereedschap niet gebruikt, zet u de omkeerschakelaar altijd in de middenstand.

De snelheid veranderen (zie afb. 4)


Om de draaisnelheid van het gereedschap te veranderen, schakelt u eerst het gereedschap uit en verschuift u daarna de snelheidsinstelknop naar stand "2" voor een hoge draaisnelheid, of naar stand "1" voor een lage draaisnelheid. Zorg ervoor dat de snelheidsinstelknop in de juiste stand staat alvorens het gereedschap te bedienen. Gebruik de juiste draaisnelheid voor uw klus.

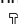
LET OP:


- Zet de snelheidsinstelknop altijd volledig in de gewenste stand. Als u het gereedschap bedient terwijl de snelheidsinstelknop halverwege de standen "1" en "2" staat, kan het gereedschap worden beschadigd.
- Bedien de snelheidsinstelknop niet terwijl het gereedschap draait. Het gereedschap kan hierdoor worden beschadigd.

De werkingsfunctie kiezen (zie afb. 5)

Dit gereedschap is uitgerust met een werkingsfunctie-keuzering. Kies met deze keuzering uit de drie beschikbare werkingsfuncties degene die het meest geschikt is voor uw klus.

Voor alleen ronddraaien, draait u de keuzering zodat de pijlpunt op het gereedschap op het symbool  op de ring staat.

Voor ronddraaien met slagwerking, draait u de keuzering zodat de pijlpunt op het gereedschap op het symbool  op de ring staat.

Voor ronddraaien met slipkoppeling, draait u de keuzering zodat de pijlpunt op het gereedschap op het symbool  op de ring staat.

LET OP:

- Stel de keuzering altijd in op het symbool van de juiste stand voor uw klus. Als u het gereedschap bedient met

de keuzering ingesteld tussen twee symbolen in, kan het gereedschap worden beschadigd.

Het draaikoppel instellen (zie afb. 5)

Het draaikoppel kan in 16 stappen worden ingesteld door de instelring te draaien zodat de gewenste stand op de schaalverdeling is uitgelijnd met de pijlpunt op de behuizing van het gereedschap. Het draaikoppel is minimaal wanneer stand 1 is uitgelijnd met de pijlpunt, en maximaal wanneer stand 16 is uitgelijnd met de pijlpunt. Bepaal het juiste draaikoppelniveau door bij wijze van proef een schroef in het materiaal of een stuk gelijkwaardig materiaal te draaien, alvorens het gereedschap voor de daadwerkelijke klus te gebruiken.

DE ONDERDELEN MONTEREN

LET OP:

- Controleer altijd of het gereedschap is uitgeschakeld en de accu is verwijderd alvorens enige werkzaamheden aan het gereedschap te verrichten.

Het schroefbit of boorbit aanbrengen en verwijderen (zie afb. 6)


Draai de mof linksom om de klauwen in de spankop te openen. Steek het bit zo ver mogelijk in de spankop. Draai de mof rechtsom om de spankop te sluiten. Om het bit te verwijderen, draait u de mof linksom.

BEDIENING

Gebruik als boorhamer

LET OP:

- Op het moment dat het boorgat doorbreekt, het boorgat verstopt raakt met schilfertjes of metaaldeeltjes, of de boorhamer de wapening in het beton raakt, wordt een enorme en plotselinge kracht uitgeoefend op het gereedschap/bit.

Draai eerst de werkingsfunctie-keuzering zodat de pijlpunt op de behuizing van het gereedschap op het symbool  staat. De instelring kan bij deze werkingsfunctie worden ingesteld op ieder draaikoppelniveau.

Zorg ervoor dat u een bit met een hardmetalen punt gebruikt.

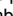
Plaats de punt van de boor op de gewenste plaats waar het boorgat moet komen en knijp vervolgens de aan/uit-schakelaar in. Forceer het gereedschap niet. Een lichte druk geeft de beste resultaten. Houd het gereedschap stevig vast en zorg dat het niet uitglijdt.

Oefen geen grotere druk uit wanneer het boorgat verstopt raakt met schilfertjes of metaaldeeltjes. Laat in zo'n geval het gereedschap langzaam lopen en verwijder de boor gedeeltelijk uit het boorgat. Wanneer dit verschillende keren wordt herhaald, zal het boorgat schoon worden en kunt u normaal verder boren.

Blaasbalgje (los verkrijgbaar) (zie afb. 7)

Gebruik na het boren het blaasbalgje om het stof uit het boorgat te blazen.

Gebruik als schroevendraaier (zie afb. 8)

Draai eerst de werksfunctie-keuzering zodat de pijlpunt op de behuizing van het gereedschap op het symbool  staat. Stel de instelring in op het juiste draaikoppelniveau voor uw klus. Ga daarna als volgt te werk.

Plaats de punt van het schroefbit in de schroefkop en oefen druk uit op het gereedschap. Start het gereedschap op lage snelheid en voer vervolgens de snelheid geleidelijk op. Laat de aan/uit-schakelaar los zodra de koppeling begint te slippen.

LET OP:


- Zorg ervoor dat het schroefbit recht op de schroefkop staat omdat anders de schroef en/of het bit kunnen worden beschadigd.

OPMERKING:

- Bij het schroeven van hout Schroeven moet u de gaten voorboren om het schroeven te vergemakkelijken en te voorkomen dat het werkstuk splijt. Zie de tabel.

Nominale diameter van hout Schroef (mm)	Aanbevolen diameter voorgeboord gat (mm)
3,1	2,0 - 2,2
3,5	2,2 - 2,5
3,8	2,5 - 2,8
4,5	2,9 - 3,2
4,8	3,1 - 3,4
5,1	3,3 - 3,6
5,5	3,7 - 3,9
5,8	4,0 - 4,2
6,1	4,2 - 4,4

Gebruik als boormachine

Draai eerst de instelring zodat de pijlpunt op het symbool  staat. Ga daarna als volgt te werk.

LET OP:

- Het boren zal niet sneller verlopen als u hard op het gereedschap drukt. In feite zal dergelijk hard drukken alleen maar leiden tot beschadiging van de boor, verlaging van de prestaties van het gereedschap, en verkorting van de levensduur van het gereedschap.
- Op het moment dat het boorgat doorbreekt wordt een enorme kracht uitgeoefend op het gereedschap/bit. Houd het gereedschap stevig vast en let goed op wanneer de boor door het werkstuk breekt.
- Een vastgelopen boor kan eenvoudigweg worden verwijderd door de omkeerschakelaar in de stand voor achteruitdraaien te zetten en de boor achteruit uit het gat te laten draaien. Het gereedschap kan echter plotseling achteruit komen als u het niet stevig vasthoudt.
- Zet kleine werkstukken altijd vast in een bankschroef of soortgelijk bevestigingsmiddel.
- Als het gereedschap continu wordt bediend totdat de accu leeg is, laat u het gereedschap gedurende 15 minuten liggen alvorens verder te werken met een volle accu.

Boren in hout

Bij het boren in hout krijgt u de beste resultaten met een houtboor die voorzien is van een geleideschroef. De

geleideschroef zorgt ervoor dat het boren gemakkelijker verloopt door het bit in het werkstuk te trekken.

Boren in metaal

Om te voorkomen dat bij het beginnen van het boren het bit wegglijdt, maakt u een putje met een centerpons en hamer op het punt waar u wilt boren. Plaats de punt van het bit in het putje en begin te boren.

Gebruik bij het boren in metaal een snijolie als smeermiddel. De uitzonderingen hierop zijn ijzer en messing, die droog moeten worden geboord.

ONDERHOUD

LET OP:

- Zorg er altijd voor dat het gereedschap is uitgeschakeld en de accu is verwijderd, voordat u een inspectie of onderhoud uitvoert.
- Gebruik nooit benzine, wasbenzine, thinner, alcohol, enz. Dit kan leiden tot verkleuren, vervormen of barsten.

Om de VEILIGHEID en BETROUWBAARHEID van het gereedschap te handhaven, dienen alle reparaties, onderhoud en afstellingen te worden uitgevoerd door een erkend Makita-servicecentrum, en altijd met gebruikmaking van originele Makita- vervangingsonderdelen.

VERKRIJGBARE ACCESSOIRES

LET OP:

- Deze accessoires of hulpstukken worden aanbevolen voor gebruik met het Makita-gereedschap dat in deze gebruiksaanwijzing wordt beschreven. Het gebruik van andere accessoires of hulpstukken kan gevaar voor persoonlijk letsel opleveren. Gebruik de accessoires of hulpstukken uitsluitend voor de aangegeven gebruiksdoeleinden.

Mocht u meer informatie willen hebben over deze accessoires, dan kunt u contact opnemen met uw plaatselijke Makita-servicecentrum.

- Boorbits
- Boorhamerbit met hardmetalen punt
- Kruiskopschroevendraaierbit
- Platkopschroevendraaierbit
- Dopbit
- Blaasbalgje
- Veiligheidsbril
- Diverse types originele Makita-accu's en -acculaders
- Rubberen accessoire
- Wollen accessoire
- Schuimrubberen polijstaccessoire
- Kunststoffen draagdoos

OPMERKING:

- Sommige items op de lijst kunnen zijn inbegrepen in de doos van het gereedschap als standaard toebehoren. Zij kunnen van land tot land verschillen.

Geluid

ENG905-1

De typische, A-gewogen geluidsniveaus zijn gemeten volgens EN60745:

Model HP347D

Geluidsdrukniveau (L_{pA}): 82 dB (A)
 Geluidsvermogeniveau (L_{WA}): 93 dB (A)
 Onzekerheid (K): 3 dB (A)

Model HP457D

Geluidsdrukniveau (L_{pA}): 81 dB (A)
 Geluidsvermogeniveau (L_{WA}): 92 dB (A)
 Onzekerheid (K): 3 dB (A)

Draag gehoorbescherming.**Trillingen**

ENG900-1

De totale trillingswaarde (triaxiale vectorsom) zoals vastgesteld volgens EN60745:

Model HP347D

Gebruikstoepassing: slagboren in beton
 Trillingsemismissie ($a_{h, ID}$): 9,0 m/s²
 Onzekerheid (K): 2,0 m/s²

Gebruikstoepassing: boren in metaal
 Trillingsemismissie ($a_{h, D}$): 2,5 m/s² of minder
 Onzekerheid (K): 1,5 m/s²

Model HP457D

Gebruikstoepassing: slagboren in beton
 Trillingsemismissie ($a_{h, ID}$): 7,0 m/s²
 Onzekerheid (K): 1,5 m/s²

Gebruikstoepassing: boren in metaal
 Trillingsemismissie ($a_{h, D}$): 2,5 m/s² of minder
 Onzekerheid (K): 1,5 m/s²

ENG901-1

- De opgegeven trillingsemismissiewaarde is gemeten volgens de standaardtestmethode en kan worden gebruikt om dit gereedschap te vergelijken met andere gereedschappen.
- De opgegeven trillingsemismissiewaarde kan ook worden gebruikt voor een beoordeling vooraf van de blootstelling.

⚠ WAARSCHUWING:

- De trillingsemismissie tijdens het gebruik van het elektrisch gereedschap in de praktijk kan verschillen van de opgegeven trillingsemismissiewaarde afhankelijk van de manier waarop het gereedschap wordt gebruikt.
- Zorg ervoor dat veiligheidsmaatregelen worden getroffen ter bescherming van de operator die zijn gebaseerd op een schatting van de blootstelling onder praktijkomstandigheden (rekening houdend met alle fasen van de bedrijfscyclus, zoals de tijdsduur gedurende welke het gereedschap is uitgeschakeld en stationair draait, naast de ingeschakelde tijdsduur).

Alleen voor Europese landen

ENH101-15

EU-verklaring van conformiteit

Wij, Makita Corporation, als de verantwoordelijke fabrikant, verklaren dat de volgende Makita-machine(s):

Aanduiding van de machine:
 Accuschroef-boorhamermachine
 Modelnr./Type: HP347D en HP457D
 in serie zijn geproduceerd en

Voldoen aan de volgende Europese richtlijnen:
 2006/42/EC

En zijn gefabriceerd in overeenstemming met de volgende normen of genormaliseerde documenten:
 EN60745

De technische documentatie wordt bewaard door onze erkende vertegenwoordiger in Europa, te weten:

Makita International Europe Ltd.
 Michigan Drive, Tongwell,
 Milton Keynes, Bucks MK15 8JD, Engeland

23. 8. 2010



Tomoyasu Kato
 Directeur

Makita Corporation
 3-11-8, Sumiyoshi-cho,
 Anjo, Aichi, 446-8502, JAPAN

Makita Corporation
Anjo, Aichi, Japan

www.makita.com

885011-991

ALA

ОФИЦИАЛЬНЫЙ ДИЛЕР В УКРАИНЕ:

storgom.ua

ГРАФИК РАБОТЫ:

Пн. – Пт.: с 8:30 по 18:30

Сб.: с 09:00 по 16:00

Вс.: с 10:00 по 16:00

КОНТАКТЫ:

+38 (044) 360-46-77

+38 (066) 77-395-77

+38 (097) 77-236-77

+38 (093) 360-46-77

Детальное описание товара:

<https://storgom.ua/product/akkumuliatornyi-udarnyi-shurupovert-makita-hp-347-dwe.html>

Другие товары:

<https://storgom.ua/akkumulyatornyye-shurupoverty.html>