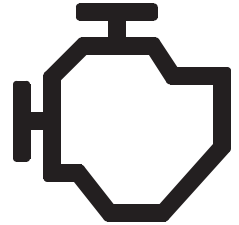




Husqvarna®



HH 163MP, HH 196MP, HH 196OB,
HH 212OB, HH 270MP, HH 270OB,
HH 389MP, HH 389OB

EN Operator's manual
ES Manual de usuario
PT-BR Manual do operador

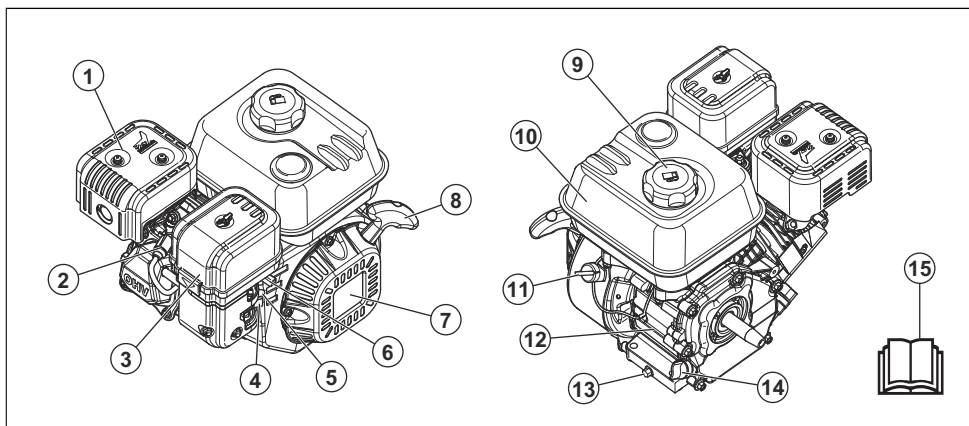
2-19
20-38
39-57

Contents

Introduction.....	2	Maintenance.....	10
Safety.....	5	Troubleshooting.....	14
Assembly.....	6	Transportation, storage and disposal.....	16
Operation.....	8	Technical data.....	17

Introduction

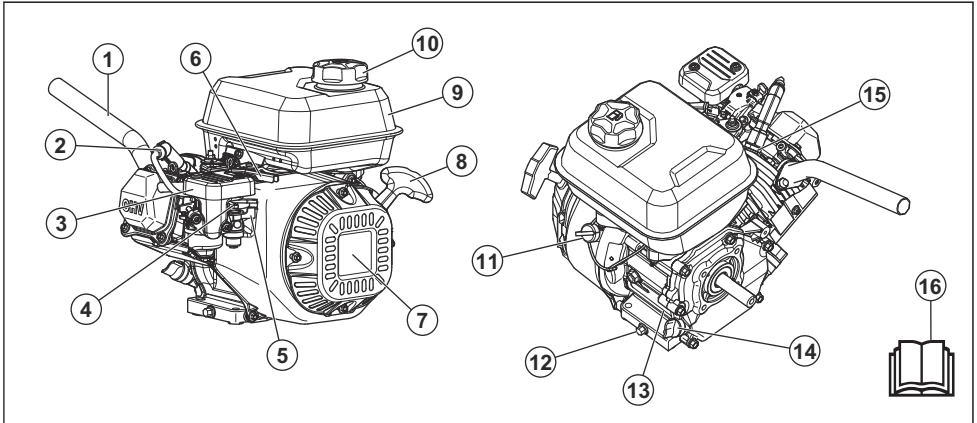
Engine overview



1. Muffler
2. Spark plug
3. Air filter
4. Choke control
5. Fuel valve lever
6. Throttle control
7. Recoil starter
8. Starter rope handle

9. Fuel tank cap
10. Fuel tank
11. Engine ON/OFF switch
12. Serial number
13. Drain plug for engine oil
14. Oil tank cap and dipstick
15. Operator's manual

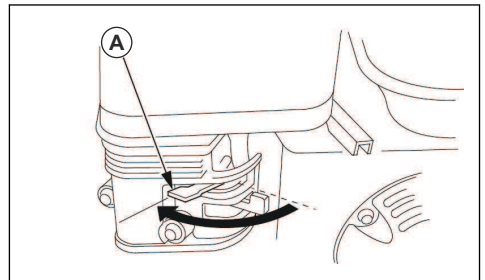
Engine overview (HH 212OB)



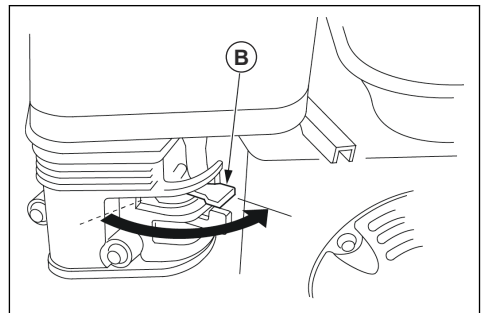
1. Exhaust pipe
2. Ignition cable
3. Air filter
4. Choke control
5. Fuel valve lever
6. Throttle control
7. Recoil starter
8. Starter rope handle
9. Fuel tank
10. Fuel tank cap
11. Engine ON/OFF switch
12. Drain plug for engine oil
13. Serial number
14. Oil tank cap and dipstick
15. Spark plug
16. Operator's manual

Choke control

The choke control opens and closes the choke valve in the carburetor. The choke control position (A) is used during start of a cold engine.



The choke control position (B) is used after start of a cold engine and during start of a warm engine.



Product description

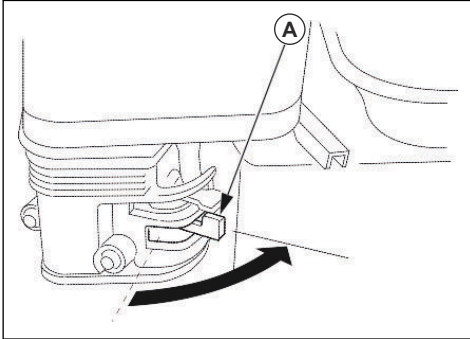
This engine is a 4-stroke combustion engine.

Intended use

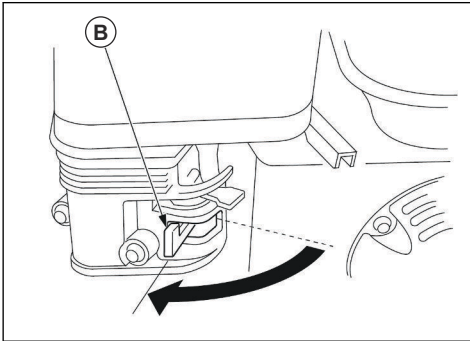
The engine must only be used outdoors or in areas with sufficient airflow.

Fuel valve

The fuel valve opens and closes the flow of fuel between the fuel tank and the carburetor. When the fuel valve lever is in position (A), the fuel valve is open.

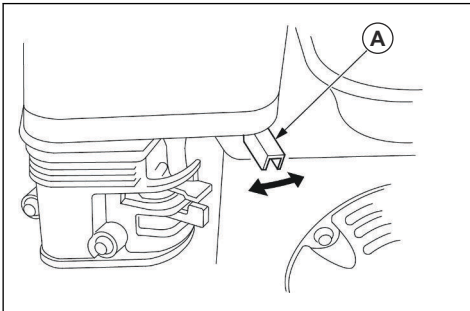


When the fuel valve lever is in position (B), the fuel valve is closed.



Throttle control

The throttle control (A) sets the engine speed. The position to the far right is the highest speed. The position to the far left is the lowest speed.



Serial number

Refer to *Engine overview on page 2* for the position of the serial number. Supply the model name and the serial number when you send an order for spare parts.

Symbols on the product



WARNING! This product can be dangerous and cause serious injury or death to the operator or others. Be careful and use the product correctly.



Read the operator's manual carefully and make sure that you understand the instructions before use.



Choke.



Fuel valve.



High engine speed.



Low engine speed.



Engine oil.



Risk of fire.



Do not breathe in exhaust fumes. The exhaust fumes from the engine contain carbon monoxide, an odorless, poisonous and very dangerous gas. Do not start the engine indoors or in closed spaces.



Hot surface.

Note: Other symbols/decals on the engine refer to certification requirements for some commercial areas.

Product liability

As referred to in the product liability laws, we are not liable for damages that our product causes if:

- the product is incorrectly repaired.
- the product is repaired with parts that are not from the manufacturer or not approved by the manufacturer.

- the product has an accessory that is not from the manufacturer or not approved by the manufacturer.

- the product is not repaired at an approved service center or by an approved authority.

Safety

Safety definitions

Warnings, cautions and notes are used to point out specially important parts of the manual.



WARNING: Used if there is a risk of injury or death for the operator or bystanders if the instructions in the manual are not obeyed.



CAUTION: Used if there is a risk of damage to the product, other materials or the adjacent area if the instructions in the manual are not obeyed.

Note: Used to give more information that is necessary in a given situation.

General safety instructions



WARNING: Read the warning instructions that follow before you use the engine.

- The engine is dangerous if you are not careful or if you use the engine incorrectly. There is a risk of injury or death, or damage to the engine. Before you use the engine, you must read and understand the contents of this operator's manual.
- You must read and understand the operator's manual for the product that uses this engine. There can be more safety instructions for start, stop, operation and maintenance.
- Save all warnings and instructions.
- Do not let a person operate the engine unless they read and understand the contents of the operator's manual.
- Do not let a child operate the engine.
- Do not do modifications to the engine.

Safety instructions for operation



WARNING: Read the warning instructions that follow before you use the engine.

- Make sure that you know how to stop the engine quickly in an emergency.
- The exhaust fumes from the engine contain carbon monoxide which is an odorless, poisonous and very dangerous gas.
- Do not use a combustion engine product indoors or in areas that do not have sufficient airflow.

- Do not use the engine in areas where fire or explosions can occur.

Safety devices on the product



WARNING: Read the warning instructions that follow before you use the product.

- Do not use a product with defective safety devices.
- Do a check of the safety devices regularly. If the safety devices are defective, speak to your Husqvarna service agent.

Engine ON/OFF switch

The engine can only start when the engine ON/OFF switch is set to "ON". The engine stops when you set the engine ON/OFF switch to "OFF".

To do a check of the engine ON/OFF switch

1. Start the engine. Refer to *To start the engine on page 9*.
2. Set the engine ON/OFF switch to "OFF". The engine stops.

Muffler

The muffler keeps the noise levels to a minimum and sends the exhaust fumes away from the operator.

Do not use the product if the muffler is missing or defective. A defective muffler increases the noise level and the risk of fire.



WARNING: The muffler becomes very hot during and after use and when the engine operates at idle speed. Be careful near flammable materials and/or fumes to prevent fire.

To do a check of the muffler

- Examine the muffler regularly to make sure that it is attached correctly and not damaged.

Fuel safety



WARNING: Read the warning instructions that follow before you use the product.

- Fuel is flammable and the fumes are explosive. Be careful with fuel to prevent injury, fire and explosion.

- Do not breathe in the fuel fumes. The fuel fumes are poisonous and can cause injury. Make sure that the airflow is sufficient.
- Do not remove the fuel tank cap or fill the fuel tank when the engine is on.
- Let the engine become cool before you refuel.
- Do not fill fuel in an indoor area. Not sufficient airflow can cause injury or death because of asphyxiation or carbon monoxide.
- Do not smoke near the fuel or the engine.
- Do not put hot objects near the fuel or the engine.
- Do not fill fuel near sparks or flames.
- Before you refuel, open the fuel tank cap slowly and release the pressure carefully.
- Fuel on your skin can cause injury. If you get fuel on your skin, use soap and water to remove the fuel.
- If you spill fuel on your clothing, change clothing immediately.
- Do not fill the fuel tank fully. Heat causes the fuel to expand. Keep a space at the top of the fuel tank.
- Tighten the fuel tank cap fully. If the fuel tank cap is not tightened, there is a risk of fire.
- Before you start the product, move the product to a minimum of 3 m/10 ft from where you refueled.
- Do not start the product if there is fuel or engine oil on the product. Remove the unwanted fuel and engine oil and let the product dry before you start the engine.
- Examine the engine for leaks regularly. If there are leaks in the fuel system, do not start the engine until the leaks are repaired.
- Do not use your fingers to examine the engine for leaks.
- Keep fuel in approved containers only.
- When the product and fuel is in storage, make sure that fuel and fuel fumes cannot cause damage.
- Drain the fuel in an approved container outdoors and away from sparks and flames.

Safety instructions for maintenance



WARNING: Read the warning instructions that follow before you do maintenance on the engine.

- If the maintenance is not done correctly and regularly, the risk of injury and damage to the engine increases.
- Stop the engine and make sure that all parts are cool before you do the maintenance.
- Disconnect the spark plug cap before you do the maintenance.
- The exhaust fumes from the engine are hot and can contain sparks. Do not operate the engine in indoor areas or near flammable material.
- Always use original spare parts. Spare parts that are not approved by the manufacturer, can cause serious injury or death.
- Only do the maintenance as given in this operator's manual. Let an approved service center do all other servicing.
- Let an approved service center do servicing on the engine regularly.

Assembly

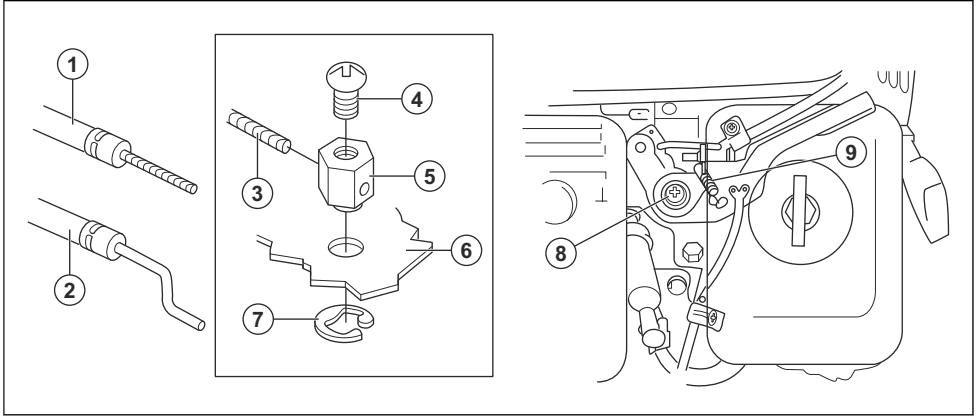
External throttle control and choke control

The throttle control and choke controls have holes for installation of cables for optional external controls. The illustrations show installation examples for a solid wire cable and for a flexible wire cable.

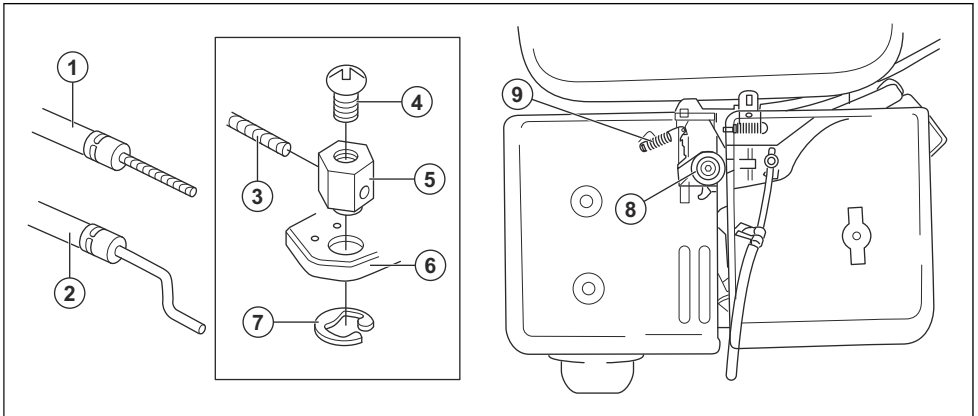
- If a flexible wire cable is installed, it is necessary to add a return spring.
- It is necessary to loosen the friction nut for the throttle control if the throttle is operated with an external throttle control.

External throttle control assembly

HH 163MP, HH 196MP, HH 196OB, HH 212OB:



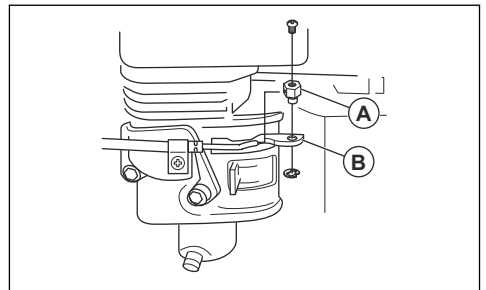
HH 270MP, HH 270OB, HH 389MP, HH 389OB:



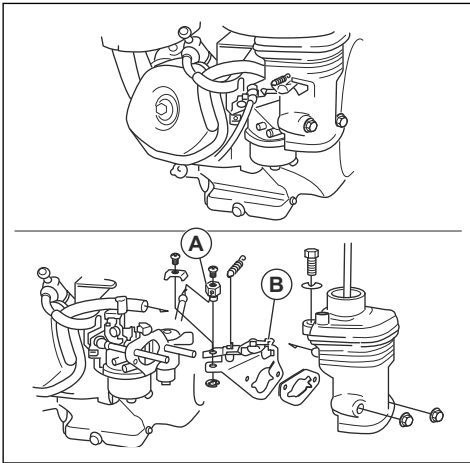
1. Flexible wire
2. Solid wire
3. Wire
4. 4 mm screw (optional)
5. Wire holder (optional)
6. Throttle lever (optional)
7. 5 mm snap ring
8. Friction nut for the throttle lever
9. Return spring

External choke control assembly

HH 163MP, HH 196MP, HH 196OB, HH 212OB:



- A: Wire holder.
- B: Choke control lever.



Operation

Introduction



WARNING: Read and understand the safety chapter before you use the product.

To do before you operate the engine

- Read this operator's manual carefully and make sure that you understand the instructions.
- Fill engine oil and do a check of the engine oil level. Refer to *To do a check of the engine oil level on page 11*.
- Do the daily maintenance. Refer to *Maintenance schedule on page 10*.
- Read the operator's manual for the product that uses this engine. Obey the procedures that must be done before you start the product.

To fill fuel

If available, use low-emission/alkylate gasoline. If low-emission/alkylate gasoline is not available, use good quality unleaded gasoline or leaded gasoline. Use gasoline with an octane number of 90 RON out of North America (87 AKI in North America) or higher, and with a maximum of 10% ethanol (E10).



CAUTION: Do not use gasoline with an octane number less than 90 RON out of North America (87 AKI in North America). This can cause damage to the product.

1. Open the fuel tank cap slowly to release the pressure.

2. Fill slowly with a fuel can. If you spill fuel, remove it with a cloth and let remaining fuel dry off.
3. Clean the area around the fuel tank cap.
4. Tighten the fuel tank cap fully. If the fuel tank cap is not tightened, there is a risk of fire.
5. Move the product a minimum of 3 m (10 ft) from the position where you filled the tank, before a start.

Oxygenated fuel

Oxygenated fuel is gasoline that is mixed with alcohol or an ether compound. Some areas use oxygenated fuel to decrease emissions. The fuel must not contain more than the given percentages of these oxygenates:

- Ethanol: 27% by volume.
 - MTBE: 15% by volume.
 - Methanol: 5% by volume.
-



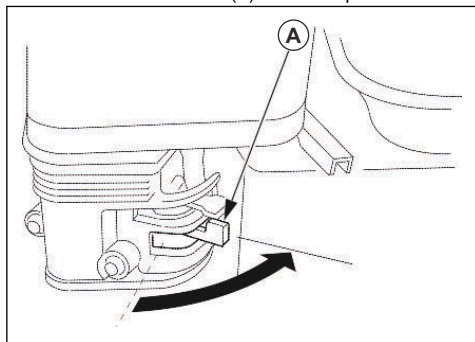
CAUTION: Fuel that contains methanol must also contain cosolvents and corrosion inhibitors as protection for the fuel system.



CAUTION: Oxygenated fuel that contains more than the given percentages of these oxygenates voids the warranty. The engine performance can decrease and the engine can become damaged.

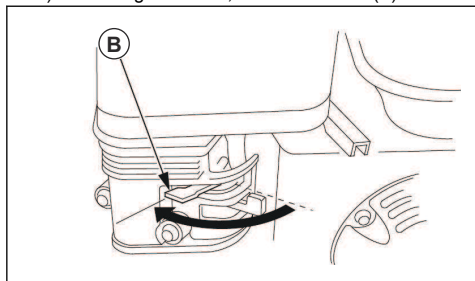
To start the engine

1. Set the fuel valve lever (A) to the ON position.

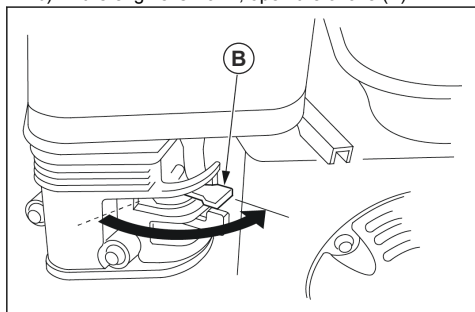


2. Set the choke lever to the correct position.

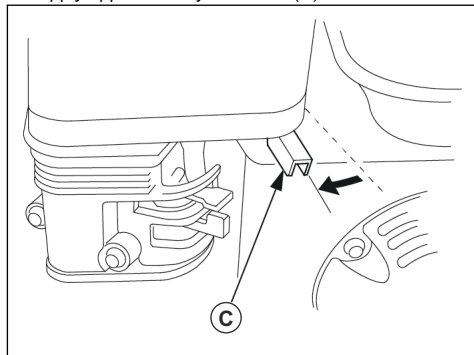
- a) If the engine is cold, close the choke (B).



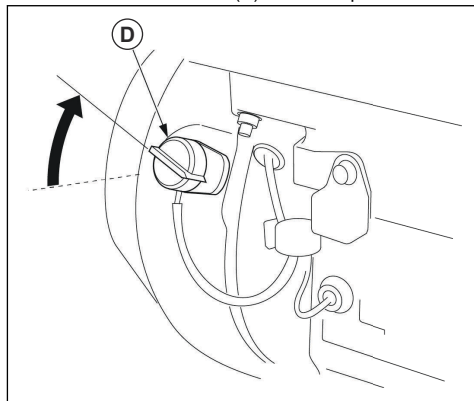
- b) If the engine is warm, open the choke (B).



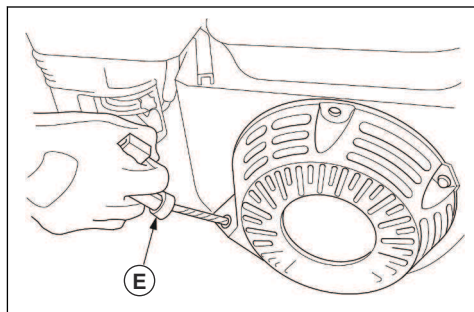
3. Apply approximately $\frac{1}{3}$ throttle (C).



4. Put the ON/OFF switch (D) to the ON position.



5. Pull the starter rope handle (E) slowly until you feel resistance.

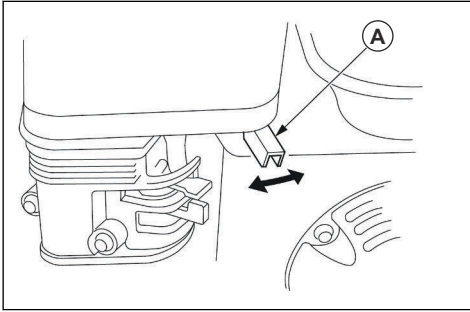


6. Pull the starter rope handle quickly and with force until the engine starts.
7. Move the starter rope handle back slowly into its initial position to prevent damage to the engine.
8. If the engine is cold, open the choke gradually as the engine becomes warm.

To set the engine speed

For recommended engine speed, refer to the operator's manual for the product that uses this engine.

- Move the throttle control (A) to increase or decrease the engine speed.



To stop the engine

1. Move the throttle control to the low speed position.
2. Set the engine ON/OFF switch to OFF. The engine stops.
3. Move the fuel valve to the OFF position.

Maintenance

Introduction



WARNING: Read and understand the safety chapter before you do maintenance on the product.

X = The instructions are given in this operator's manual.

O = This maintenance must be done by a servicing dealer. All instructions are not given in this operator's manual.

Maintenance schedule

* = General maintenance done by the operator. The instructions are not given in this operator's manual.

Engine maintenance	Before use, each 10 h	After the first month or 20 h	Each 3 months or 50 h	Each 6 months or 100 h	Yearly or each 300 h	Each 2 years
Make sure that there are no fuel or oil leaks.	*					
Make sure that nuts and screws are tightened.	*					
Look for signs of damage.	*					
Clean around the muffler and the recoil starter.	*					
Do a check of the fuel level and the engine oil level.	X					
Clean the oil filter.		*		*		
Replace the engine oil.		X		X		
Examine the air filter. Clean the air filter if it is necessary.	X					
Clean the air filter. Clean at shorter intervals if the engine is used in a dusty environment.			X			

Engine maintenance	Before use, each 10 h	After the first month or 20 h	Each 3 months or 50 h	Each 6 months or 100 h	Yearly or each 300 h	Each 2 years
Replace the air filter. Applies to paper element type only.					X	
Clean the sediment cup.				X	X	
Examine and clean the spark plug. Replace the spark plug if it is necessary.				X	X	
Replace the spark plug.					X	
Clean the spark arrestor screen on the muffler.				X	X	
Do a check of the idle speed.					X	
Adjust the valve head clearance for the air intake and the exhaust valves.					O	
Drain the fuel and clean the fuel tank and the fuel filter.					O	
Clean the combustion chamber.					O	
Examine the fuel line. Replace it if it is necessary.						O

To do a check of the engine oil level

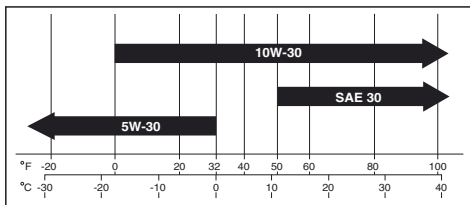
The sensor for low oil level automatically stops the engine before the engine oil level becomes too low but it is recommended to do a check of the engine oil level before each start. The sensor for low oil level is not included on all engine models. Refer to *Technical data on page 17*.



CAUTION: Do not operate the engine with low engine oil level. It can cause damage to the engine.

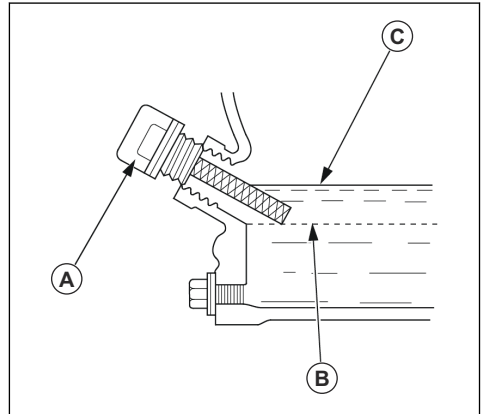


CAUTION: Use detergent engine oil for 4-stroke engines with the viscosity range shown in the illustration.



1. Stop the engine and make sure that it is level.

2. Remove the oil tank cap and dipstick (A).



3. Clean the oil from the dipstick.
4. Put the dipstick back but do not tighten it.
5. Remove the dipstick.
6. Examine the engine oil level on the dipstick.
7. If the engine oil level is low (B), fill engine oil to the edge of the oil tank hole (C).
8. Do a check of the engine oil level again.
9. Install the oil tank cap and dipstick.

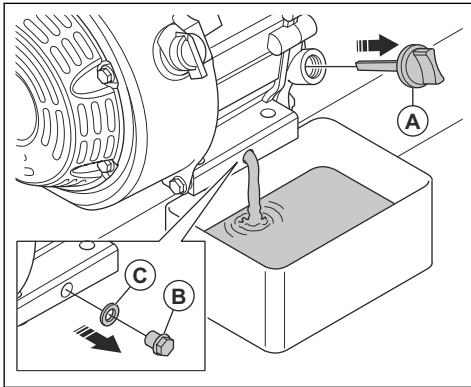
To replace the engine oil

If the engine is cold, start the engine for 1–2 minutes before you drain the engine oil. This makes the engine oil warm and easier to drain.



WARNING: Engine oil is very hot directly after the engine stops. Let the engine become cool before you drain the engine oil. If you spill engine oil on your skin, clean with soap and water.

1. Put a container below the drain plug for the engine oil.
2. Remove the oil tank cap and dipstick (A), the oil drain plug (B) and the washer (C).



3. Let the oil run out into the container.
4. Install the washer and the oil drain plug. Tighten the oil drain plug.
5. Fill to the edge of the hole with new engine oil. Refer to *Technical data on page 17* or the engine manual for the correct type of oil.
6. Tighten the oil tank cap.
7. Do a check of the engine oil level.

To clean or replace the air filter



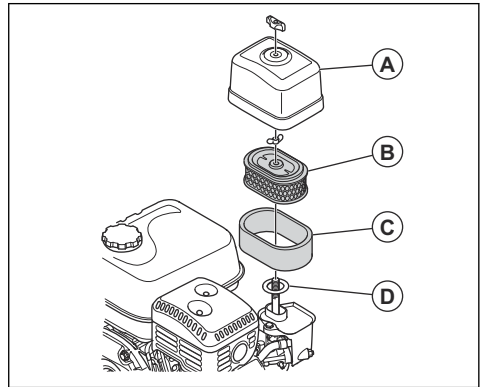
WARNING: Use approved respiratory protection when you clean or replace the air filter. Discard used air filters correctly. The dust in the air filter is dangerous to your health.



WARNING: Do not clean the air filter with compressed air. This causes damage to the air filter and the risk increases that you breathe the dangerous dust.

1. Turn the knob on the air filter cover and remove the air filter cover (A).

2. Remove the paper filter element (B) and the foam filter element (C).



Note: Some models only have a foam filter element and not a paper filter element.

3. Clean the air filter housing with a brush.
4. Examine the air filter elements for damage.



CAUTION: Always replace a damaged air filter, or the dust will go into the engine and cause engine damage.

5. Tap the paper filter element against a hard surface or use a vacuum cleaner to remove the particles.



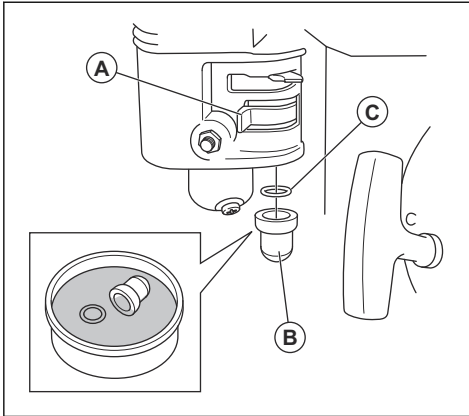
CAUTION: Do not let the nozzle of the vacuum cleaner touch the surface of the paper filter element. Keep a small distance. The sensitive surface of the paper filter element becomes damaged if objects touch it.

6. Clean the foam filter element with a solution of soap and water.
7. Flush the foam filter element in clean water.
8. Compress the foam filter element to remove the water and let the foam filter element dry fully.
9. Lubricate the foam filter element with engine oil.
10. Push a clean cloth against the foam filter element to remove unwanted oil.
11. Install the air filter in the opposite sequence. Make sure that the gasket (D) is in the correct position below the air filter.

To clean the sediment cup

1. Move the fuel valve to the OFF position (A).

- Remove the sediment cup (B) and the O-ring (C).



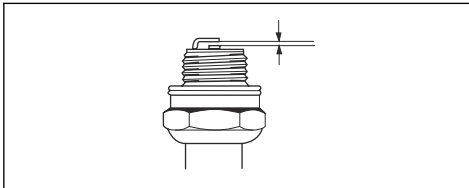
- Clean the sediment cup and the O-ring in solvent that is not flammable.
- Let the sediment cup and the O-ring dry fully.
- Put the O-ring in the fuel valve and install the sediment cup. Tighten the sediment cup fully.
- Move the fuel valve to the ON position.
- Examine the sediment cup for leaks. Replace the O-ring if there is leakage.

To examine and replace the spark plug



CAUTION: Do not try to start the engine if the spark plug or ignition cable is removed.

- Remove the spark plug cap and clean around the spark plug.
- Remove the spark plug with a spark plug wrench.
- Examine the spark plug. Replace it if the electrodes are burned or if the insulation has cracks or damages. If the spark plug is not damaged, clean it with a steel brush.
- Measure the electrode gap and make sure that it is correct. Refer to *Technical data on page 17*.



- If it is necessary, bend the side electrode to adjust the electrode gap.
- Install the spark plug by hand until it touches the spark plug seat.
 - Tighten the spark plug with the spark plug wrench.

- Tighten a used spark plug $\frac{1}{8}$ – $\frac{1}{4}$ of a turn more, and a new spark plug $\frac{1}{2}$ turn more.

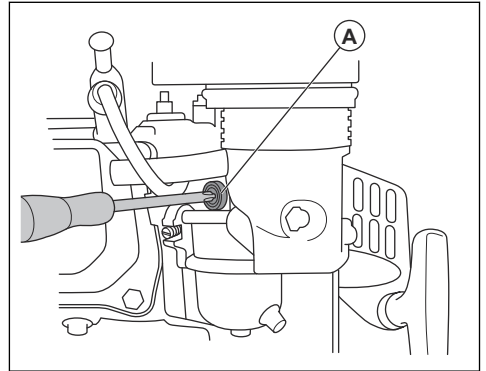


CAUTION: Spark plugs that are not tightened correctly can cause damage to the engine.

- Install the spark plug cap.

To adjust the idle speed

- Start the engine outdoors and let it become warm.
- Move the throttle control to the low speed position.
- Use a tachometer to do a check of the idle speed. Refer to *Technical data on page 17* for correct idle speed.
- Turn the idle speed screw (A) clockwise to adjust the idle speed.



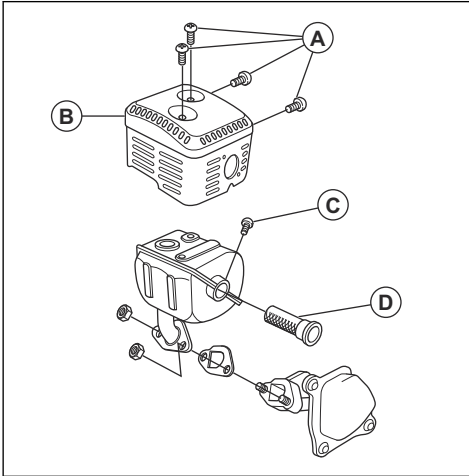
To do a check of the spark arrestor screen



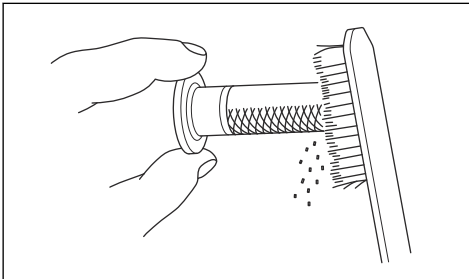
WARNING: In some areas and conditions, you must use a spark arrestor screen to prevent the risk of fire. Obey local regulations.

- Remove the 3 screws from the exhaust deflector and remove the exhaust deflector.

- Remove the 4 screws (A) from the muffler cover (B) and remove the muffler cover.



- Remove the screw (C) from the spark arrester (D) and remove the spark arrester from the muffler.
- Clean the spark arrester screen carefully with a wire brush.



- Examine the spark arrester screen for wear and damage. Replace the spark arrester screen if it is necessary.



CAUTION: Do not use a product with a damaged spark arrester screen.

- Install the spark arrester screen in the opposite sequence.

Carburetor adjustment for high altitude operation

The altitude has an effect on the engine performance and emissions. If the engine is always operated at altitudes higher than 1500 m/5000 ft, it is necessary to adjust the carburetor. Let your servicing dealer do the necessary adjustments.



CAUTION: Do not operate the engine on lower altitudes if the carburetor is adjusted for high altitudes. This causes engine damage. Let your servicing dealer adjust the carburetor to factory specifications.

Emission control system

This engine uses lean carburetor adjustments and other systems to decrease the emissions of dangerous materials in the exhaust fumes. The air intake, the fuel system and the exhaust system are parts of the emission control system. If modifications are done to the emission control system, the emissions increase.

If modifications are done to the speed adjustment mechanism or governor linkage, the engine does not operate as intended. This can also cause increased emissions.

It is necessary to use original spare parts to make sure that the emission control system operates correctly.

The engine must be examined and repaired by an approved servicing dealer if 1 or more of these problems occur:

- The engine is not easy to start or stops again after a start.
- The engine does not operate smoothly at idle speed.
- There are misfires in the engine during operation.
- The exhaust smoke is black or the fuel consumption is high.

Troubleshooting

The engine does not start

Cause	Solution
The fuel valve lever is set to the OFF position.	Move the fuel valve lever to the ON position.
The choke is open.	Close the choke.

Cause	Solution
The ON/OFF switch is set to the OFF position.	Set the ON/OFF switch to the ON position.
There is no fuel in the fuel tank.	Fill fuel.
There is unsatisfactory fuel in the fuel tank.	Drain the fuel tank and the carburetor. Refer to <i>To drain the fuel tank and carburetor on page 16</i> . Fill with clean fuel.
No fuel stabilizer has been added or the fuel tank has not been drained before storage.	
The spark plug is damaged.	Do a check of the electrode gap or replace the spark plug.
The spark plug is wet from fuel.	Remove the spark plug and let it dry. Install the spark plug.



CAUTION: Speak to an approved servicing dealer if the problem stays.

The power of the engine is decreased

Cause	Solution
The air filter is clogged.	Clean or replace the air filter.
The fuel tank contains bad gasoline.	Drain the fuel tank and the carburetor. Refer to <i>To drain the fuel tank and carburetor on page 16</i> . Fill with clean gasoline.
No fuel stabilizer has been added or the fuel tank has not been drained before storage.	
The engine speed is set to low.	Increase the engine speed.



CAUTION: Speak to an approved servicing dealer if the problem stays.

Unusual noises come from the engine

Cause	Solution
The engine is operated with high work loads.	No procedure is necessary.
The fuel tank contains bad gasoline.	Drain the fuel tank and the carburetor. Refer to <i>To drain the fuel tank and carburetor on page 16</i> . Fill with clean gasoline of a different brand. Speak to an approved servicing dealer if the problem stays.



CAUTION: Do not continue to operate the engine if there are unusual noises during

standard work loads. This can cause damage to the engine and void the warranty.

Transportation, storage and disposal

Transportation

- Let the engine become cool for a minimum of 15 minutes before transportation.
- Keep the engine on a level surface during transportation to prevent fuel leakage.
- Make sure that the fuel valve lever is in the OFF position.

To prepare the engine for storage

- Clean the engine.
 - a) Stop the engine and let it become cool.
 - b) Clean all external surfaces.



CAUTION: Do not clean with running water from a hose or a high-pressure washer. Water that goes into the engine can cause damages.

- c) Apply a thin layer of oil to sensitive areas to prevent corrosion.
- Add a fuel stabilizer to the fuel tank or drain the fuel tank and carburetor. Refer to *To add a fuel stabilizer to the fuel* on page 16 and *To drain the fuel tank and carburetor* on page 16.
 - Apply oil to the cylinder. Refer to *To apply oil to the cylinder* on page 17.
 - Put a dust cover on the engine for protection.
 - Put the engine in a location with a good airflow and away from flames and sparks.
 - If it is possible, do not put the engine in a location with high humidity.

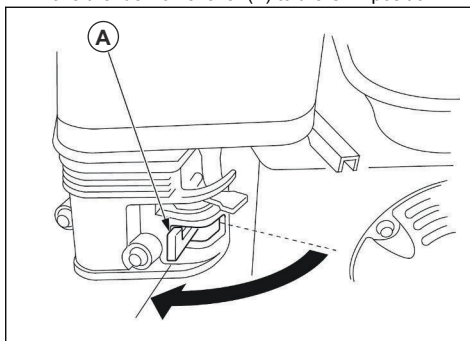
To add a fuel stabilizer to the fuel

1. Put the fuel stabilizer in a fuel container with fresh fuel.
2. Fill the fresh fuel with fuel stabilizer into the fuel tank.
3. Start the engine and let it operate outdoors for 10 minutes. This is to make sure that the fuel with the fuel stabilizer has replaced the fuel without fuel stabilizer.
4. Stop the engine and move the fuel valve lever to the OFF position.

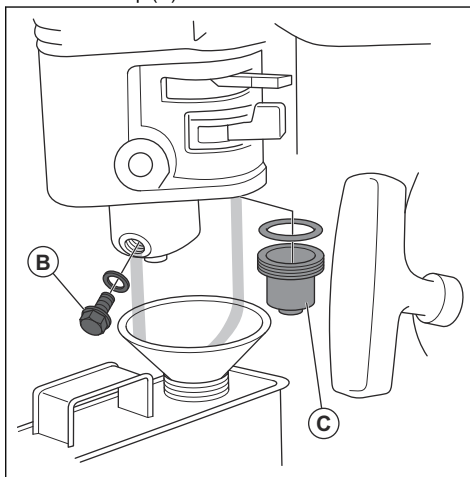
To drain the fuel tank and carburetor

1. Put an applicable fuel container below the carburetor. Use a funnel to prevent fuel leakage.

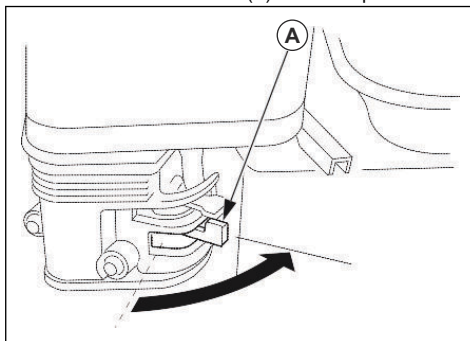
2. Move the fuel valve lever (A) to the OFF position.



3. Remove the carburetor drain plug (B) and the sediment cup (C).



4. Move the fuel valve lever (A) to the ON position.



5. Let the fuel drain from the fuel tank and the carburetor.

6. Install the carburetor drain plug and the sediment cup. Tighten them fully.

To apply oil to the cylinder

1. Remove the spark plug.
2. Put approximately 5 cl of clean engine oil into the cylinder.
3. Pull the starter rope handle approximately 5 times to apply the oil equally in the cylinder.
4. Install the spark plug.
5. Pull the starter rope handle slowly. Pull until you feel resistance.

6. Slowly move the starter rope handle back to its initial position.

Disposal

- Obey the local recycling requirements and applicable regulations.
- Discard all chemicals, such as engine oil or fuel, at a servicing dealer or at an applicable disposal location.
- When the life of the engine has expired, send the engine to a Husqvarna servicing dealer or discard it at a recycling location.

Technical data

	HH 163MP	HH 196MP	HH 196OB	HH 212OB
Engine type	Single cylinder, 4-stroke, forced air cooling, OHV	Single cylinder, 4-stroke, forced air cooling, OHV	Single cylinder, 4-stroke, forced air cooling, OHV	Single cylinder, 4-stroke, forced air cooling, OHV
Engine power, kW/hp @rpm ¹	3.4/4.6 @3600	4.1/5.5 @3600	4.1/5.5 @3600	5.5/7.4 @4600
Max. torque, Nm/rpm	9.5/2500	12.4/2500	12.4/2500	13.5/3000
Fuel consumption, g/kWh	≤395	≤395	≤395	≤395
Idle speed	1800 ±150	1800 ±150	1800 ±150	1800 ±200
Speed fluctuation ratio, %	≤10	≤10	≤10	≤10
Noise, ≤ db(A)	70	70	70	N/A
Bore×stroke, mm	68×45	68×54	68×54	70×55
Displacement, cm ³	163	196	196	212
Compression ratio	8:5:1	8:5:1	8:5:1	8:8:1
Lubrication mode	Splash	Splash	Splash	Splash
Starter	Recoil start	Recoil start	Recoil start	Recoil start
Rotation	Counterclockwise from P.T.O. side	Counterclockwise from P.T.O. side	Counterclockwise from P.T.O. side	Counterclockwise from P.T.O. side
Input valve clearance, mm	0.10–0.15	0.10–0.15	0.10–0.15	0.10–0.15
Output valve clearance, mm	0.15–0.20	0.15–0.20	0.15–0.20	0.15–0.20
Ignition mode	Transistorized magneto ignition	Transistorized magneto ignition	Transistorized magneto ignition	Capacitor discharge ignition
Air filter	Dual-element air filter	Dual-element air filter	Foam filter element	N/A
Fuel tank capacity, l	3.6	3.6	3.6	3.6

¹ The power rating of the engine indicated is the average net output (at specified rpm) of a typical production engine for the engine model measured to SAE standard J1349/ISO1585. Mass production engines may differ from this value. Actual power output for the engine installed on the final product will depend on the operating speed, environmental conditions and other values.

	HH 163MP	HH 196MP	HH 196OB	HH 212OB
Oil tank capacity, l	0.6	0.6	0.6	0.6
Engine oil	SAE 10W-30, API Class SE or SF, for general use	SAE 10W-30, API Class SE or SF, for general use	SAE 10W-30, API Class SE or SF, for general use	SAE 10W-30, API Class SE or SF, for general use
Sensor for low oil level	No	Yes	No	No
Spark plug type	F7TC or equivalent	F7TC or equivalent	F7TC or equivalent	F7TC or equivalent
Electrode gap, mm	0.7–0.8	0.7–0.8	0.7–0.8	0.7–0.8
Dimensions, L×W×H, mm	314×365×338	314×365×338	314×365×338	330×365×350
Net weight, kg	15	16	16	14.7

	HH 270MP	HH 270OB	HH 389MP	HH 389OB
Engine type	Single cylinder, 4-stroke, forced air cooling, OHV	Single cylinder, 4-stroke, forced air cooling, OHV	Single cylinder, 4-stroke, forced air cooling, OHV	Single cylinder, 4-stroke, forced air cooling, OHV
Engine power, kW/hp @rpm ²	6.0/8.0 @3600	6.0/8.0 @3600	8.2/11.0 @3600	8.2/11.0 @3600
Max. torque, Nm/rpm	17.7/2500	17.7/2500	25.1/2500	25.1/2500
Fuel consumption, g/kWh	≤374	≤374	≤374	≤374
Idle speed	1800 ±150	1800 ±150	1800 ±150	1800 ±150
Speed fluctuation ratio, %	≤10	≤10	≤10	≤10
Noise, ≤ db(A)	80	80	80	80
Bore×stroke, mm	77×58	77×58	88×64	88×64
Displacement, cm ³	270	270	389	389
Compression ratio	8:2:1	8:2:1	8:1	8:1
Lubrication mode	Splash	Splash	Splash	Splash
Starter	Recoil start	Recoil start	Recoil start	Recoil start
Rotation	Counterclockwise from P.T.O. side	Counterclockwise from P.T.O. side	Counterclockwise from P.T.O. side	Counterclockwise from P.T.O. side
Input valve clearance, mm	0.10–0.15	0.10–0.15	0.10–0.15	0.10–0.15
Output valve clearance, mm	0.15–0.20	0.15–0.20	0.15–0.20	0.15–0.20
Ignition mode	Transistorized magneto ignition	Transistorized magneto ignition	Transistorized magneto ignition	Transistorized magneto ignition
Air filter	Dual-element air filter	Foam filter element	Dual-element air filter	Foam filter element
Fuel tank capacity, l	6.0	6.0	6.5	6.5

² The power rating of the engine indicated is the average net output (at specified rpm) of a typical production engine for the engine model measured to SAE standard J1349/ISO1585. Mass production engines may differ from this value. Actual power output for the engine installed on the final product will depend on the operating speed, environmental conditions and other values.

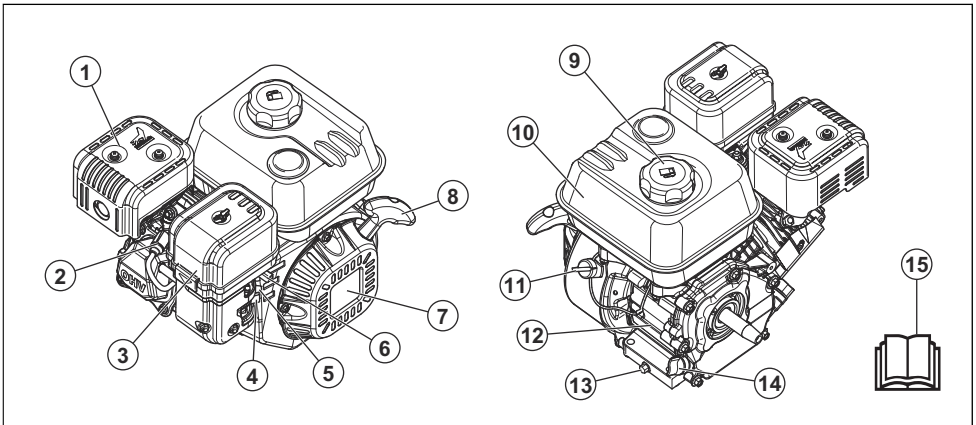
	HH 270MP	HH 270OB	HH 389MP	HH 389OB
Oil tank capacity, l	0.95	0.95	1.1	1.1
Engine oil	SAE 10W-30, API Class SE or SF, for general use	SAE 10W-30, API Class SE or SF, for general use	SAE 10W-30, API Class SE or SF, for general use	SAE 10W-30, API Class SE or SF, for general use
Sensor for low oil level	Yes	No	Yes	No
Spark plug type	F7TC or equivalent	F7TC or equivalent	F7TC or equivalent	F7TC or equivalent
Electrode gap, mm	0.7–0.8	0.7–0.8	0.7–0.8	0.7–0.8
Dimensions, L×W×H, mm	380×430×420	380×430×420	405×450×443	405×450×443
Net weight, kg	25	25	31	31

Contenido

Introducción.....	20	Mantenimiento.....	28
Seguridad.....	23	Resolución de problemas.....	33
Montaje.....	24	Transporte, almacenamiento y eliminación.....	34
Funcionamiento.....	26	Datos técnicos.....	36

Introducción

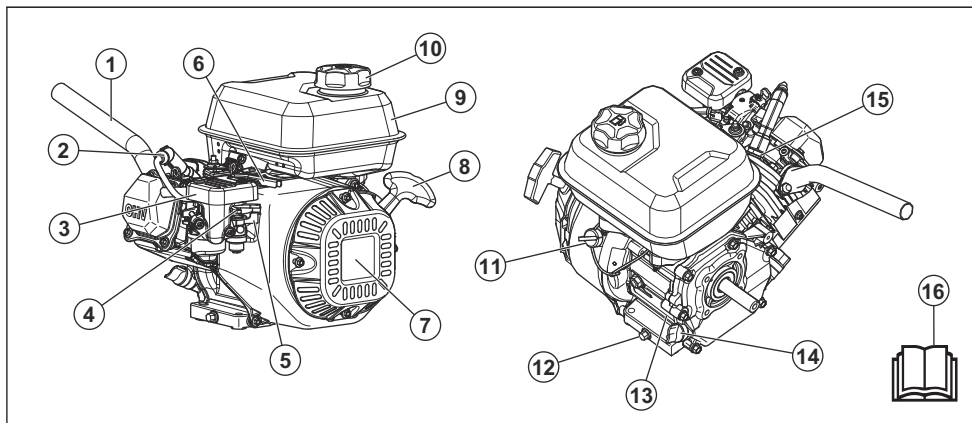
Vista general del motor



1. Silenciador
2. Bujía
3. Filtro de aire
4. Control del estrangulador
5. Palanca de paso de combustible
6. Acelerador
7. Mecanismo de arranque de retroceso
8. Empuñadura de la cuerda de arranque

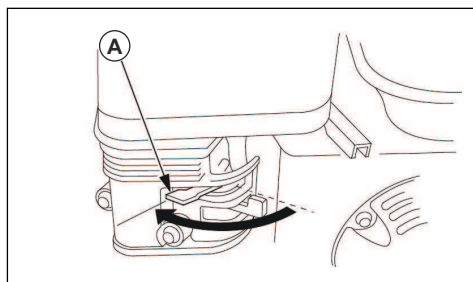
9. Tapón del depósito de combustible
10. Depósito de combustible
11. Interruptor de encendido/apagado del motor
12. Número de serie
13. Tapón de vaciado de aceite de motor
14. Tapón del depósito de aceite y varilla de nivel
15. Manual de usuario

Vista general del motor (HH 212OB)

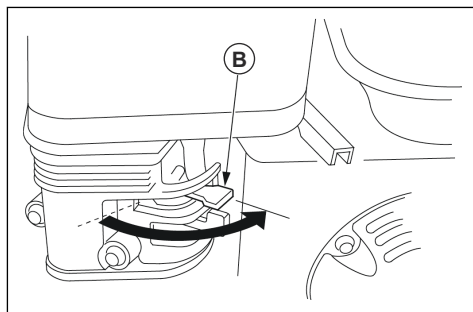


1. Tubo de escape
2. Cable de encendido
3. Filtro de aire
4. Control del estrangulador
5. Palanca de paso de combustible
6. Acelerador
7. Mecanismo de arranque de retroceso
8. Empuñadura de la cuerda de arranque
9. Depósito de combustible
10. Tapón del depósito de combustible
11. Interruptor de encendido/apagado del motor
12. Tapón de vaciado de aceite de motor
13. Número de serie
14. Tapón del depósito de aceite y varilla de nivel
15. Bujía
16. Manual de usuario

estrangulador (A) se utiliza durante el arranque de un motor frío.



La posición del estrangulador (B) se utiliza tras el arranque de un motor frío o durante el arranque de un motor caliente.



Descripción del producto

Es un motor de combustión de 4 tiempos.

Uso previsto

El motor solo debe utilizarse en exteriores o en zonas con suficiente ventilación.

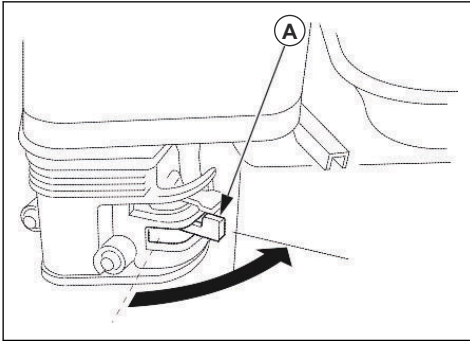
Control del estrangulador

El estrangulador abre y cierra la válvula de descompresión del carburador. La posición del

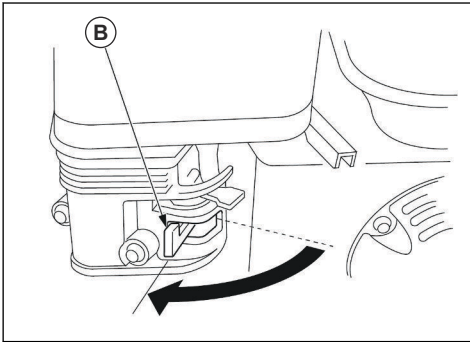
Válvula de combustible

El paso de combustible abre y cierra el flujo de combustible entre el depósito de combustible y el carburador. Cuando la palanca de paso de combustible

está en posición (A), el paso de combustible está abierto.

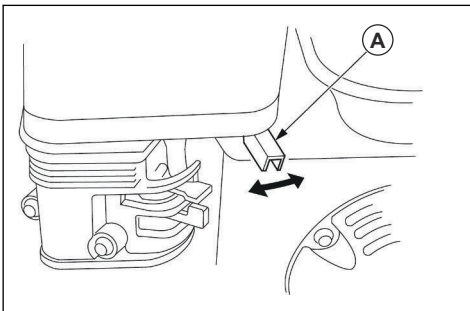


Cuando la palanca de paso de combustible está en posición (B), el paso de combustible está cerrado.



Acelerador

El acelerador (A) ajusta el régimen del motor. La posición hacia el extremo derecho es el régimen más alto. La posición hacia el extremo izquierdo es el régimen más bajo.



Número de serie

Consulte la *Vista general del motor en la página 20* para conocer la posición del número de serie. Indique el

nombre del modelo y el número de serie cuando realice un pedido de piezas de repuesto.

Símbolos que aparecen en el producto



ADVERTENCIA: Este producto puede ser peligroso y ocasionar daños graves o mortales tanto al operador como a cualquier otra persona. Tenga cuidado y utilice el producto correctamente.



Lea detenidamente el manual de usuario y asegúrese de que entiende las instrucciones antes de usar la máquina.



Estrangulador.



Paso de combustible.



Régimen del motor alto.



Régimen del motor bajo.



Aceite de motor.



Riesgo de incendio.



No inhale los gases de escape. Los gases de escape del motor contienen monóxido de carbono, que es un gas inodoro, tóxico y muy peligroso. No arranque el motor en interiores ni en espacios cerrados.



Superficie caliente.

Nota: Los demás símbolos o etiquetas que aparecen en el motor corresponden a requisitos de homologación específicos en algunas zonas comerciales.

Responsabilidad sobre el producto

Como se estipula en las leyes de responsabilidad del producto, no nos hacemos responsables de los daños y perjuicios causados por nuestro producto si:

- El producto se ha reparado incorrectamente.
- El producto se ha reparado con piezas que no eran del fabricante o no autorizadas por el fabricante.

- El producto tiene un accesorio que no es del fabricante o no está autorizado por este.

- El producto no se ha reparado en un centro de servicio autorizado o por un organismo homologado.

Seguridad

Definiciones de seguridad

Las advertencias, precauciones y notas se utilizan para destacar información especialmente importante del manual.



ADVERTENCIA: Indica un riesgo de lesiones o incluso de muerte del usuario o de las personas cercanas si no se respetan las instrucciones del manual.



PRECAUCIÓN: Indica un riesgo de daños en el producto, otros materiales o el área adyacente si no se respetan las instrucciones del manual.

Nota: Se usa para proporcionar más información necesaria en una situación determinada.

Instrucciones generales de seguridad



ADVERTENCIA: Lea las siguientes instrucciones de advertencia antes de utilizar el motor.

- Este motor es peligroso si no se usa con cuidado o si se utiliza de forma incorrecta. Existe el riesgo de sufrir lesiones o la muerte, o de dañar el motor. Antes de usar el motor, lea detenidamente el contenido del manual de usuario.
- También debe leer detenidamente el manual de usuario del producto que utiliza este motor. Es posible que existan más instrucciones de seguridad para el arranque, la parada, el funcionamiento y el mantenimiento.
- Respete todas las advertencias e instrucciones.
- No deje que nadie utilice el motor a menos que haya leído y comprendido el contenido del manual de usuario.
- No deje que un niño maneje el motor.
- No modifique el motor.

Instrucciones de seguridad para el funcionamiento



ADVERTENCIA: Lea las siguientes instrucciones de advertencia antes de utilizar el motor.

- Asegúrese de que sabe cómo detener el motor rápidamente en caso de emergencia.

- Los gases de escape del motor contienen monóxido de carbono, que es un gas inodoro, tóxico y muy peligroso.
- No utilice un producto con motor de combustión en interiores ni en zonas que no estén bien ventiladas.
- No utilice el motor en áreas con riesgo de explosión o incendio.

Dispositivos de seguridad en el producto



ADVERTENCIA: Lea las siguientes instrucciones de advertencia antes de utilizar el producto.

- No utilice un producto que tenga dispositivos de seguridad defectuosos.
- Realice una comprobación de los dispositivos de seguridad con frecuencia. Si los dispositivos de seguridad están defectuosos, hable con su taller de servicio Husqvarna.

Interruptor de encendido/apagado del motor

El motor solo puede arrancar cuando el interruptor de encendido/apagado del motor está en "ON". El motor se detiene cuando el interruptor de encendido/apagado del motor se pone en la posición "OFF".

Comprobación del interruptor de encendido/apagado del motor

1. Arranque el motor. Consulte la sección *Arranque del motor en la página 27*.
2. Coloque el interruptor de encendido/apagado del motor en la posición "OFF". El motor se detiene.

Silenciador

El silenciador mantiene al mínimo los niveles de ruido y aparta los gases de escape del operador.

No utilice el producto si el silenciador no está instalado o está defectuoso. Un silenciador defectuoso aumenta el nivel de ruido y el riesgo de incendio.



ADVERTENCIA: El silenciador se calienta mucho durante y después de su uso, y cuando el motor funciona a ralentí. Tenga cuidado cerca de materiales inflamables o gases para evitar incendios.

Comprobación del silenciador

- Examine el silenciador con frecuencia para asegurarse de que está montado correctamente y que no está dañado.

Seguridad en el uso del combustible



ADVERTENCIA: Lea las siguientes instrucciones de advertencia antes de utilizar el producto.

- El combustible es inflamable y los vapores son explosivos. Tenga cuidado con el combustible para evitar lesiones, incendios y explosiones.
- No inhale los vapores del combustible. Los vapores de combustible son tóxicos y pueden provocar lesiones. Asegúrese de que el flujo de aire sea suficiente.
- No retire el tapón de combustible ni llene el depósito de combustible cuando el motor esté en marcha.
- Deje que el motor se enfríe antes de repostar combustible.
- No reposte combustible en un recinto cerrado. Una circulación de aire insuficiente puede causar lesiones o la muerte por asfixia o inhalación de monóxido de carbono.
- No fume cerca del combustible o el motor.
- No coloque objetos calientes cerca del combustible ni del motor.
- No reposte combustible cerca de chispas o llamas.
- Antes de repostar, abra la tapa del depósito de combustible lentamente y deje salir el exceso de presión con cuidado.
- En contacto con la piel, el combustible puede provocar lesiones. Si el combustible entra en contacto con la piel, utilice agua y jabón para eliminarlo.
- Si derrama combustible sobre la ropa, cámbiese inmediatamente.
- No llene el depósito de combustible por completo. El calor hace que el combustible se expanda. Deje espacio en la parte superior del depósito de combustible.
- Apriete el tapón del depósito de combustible completamente. Si el tapón del depósito de combustible no se aprieta, existe riesgo de incendio.
- Antes de poner en marcha el producto, colóquelo a una distancia mínima de 3 m (10 pies) desde donde haya repostado.
- No arranque el producto si está manchado con combustible o aceite del motor. Elimine el

combustible y el aceite de motor no deseados y deje que el producto se seque antes de arrancar el motor.

- Examine frecuentemente si hay fugas en el motor. Si hay fugas en el sistema de combustible, no arranque el motor hasta que se reparen las fugas.
- No utilice los dedos para examinar el motor en busca de fugas.
- Almacene el combustible solo en recipientes homologados.
- Cuando el producto y el combustible estén almacenados, asegúrese de que ni el combustible ni los vapores que desprende puedan causar daños.
- Vacíe el combustible en un depósito homologado al aire libre y lejos de llamas y chispas.

Instrucciones de seguridad para el mantenimiento



ADVERTENCIA: Lea las siguientes instrucciones de advertencia antes de realizar el mantenimiento del motor.

- Si el mantenimiento no se realiza correctamente y de forma periódica, aumenta el riesgo de que se produzcan lesiones y daños en el motor.
- Pare el motor y asegúrese de que todas las piezas están frías antes de realizar el mantenimiento.
- Desconecte el sombrerete de bujía antes de realizar el mantenimiento.
- Los gases de escape del motor están calientes y pueden contener chispas. No haga funcionar el motor en zonas interiores ni cerca de material inflamable.
- Utilice siempre piezas de repuesto originales. Las piezas de repuesto que no hayan sido autorizadas por el fabricante pueden causar daños graves o la muerte.
- Realice únicamente las tareas de mantenimiento que se indican en este manual de usuario. Lleve el producto a un centro de servicio autorizado para que realicen el resto de tareas de mantenimiento.
- Lleve el motor a un centro de servicio autorizado para realizar el mantenimiento de forma periódica.

Montaje

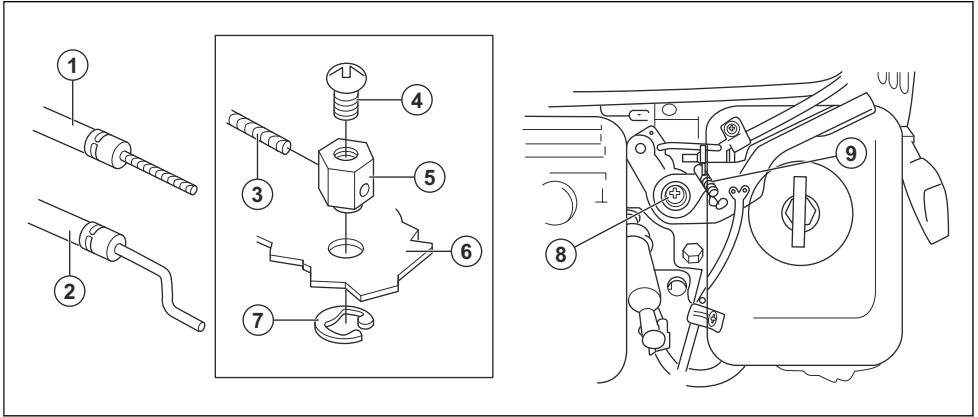
Acelerador y estrangulador externos

El acelerador y el estrangulador tienen orificios para la instalación de cables para los controles externos opcionales. Las ilustraciones muestran ejemplos de instalación para cable sólido y para cable flexible.

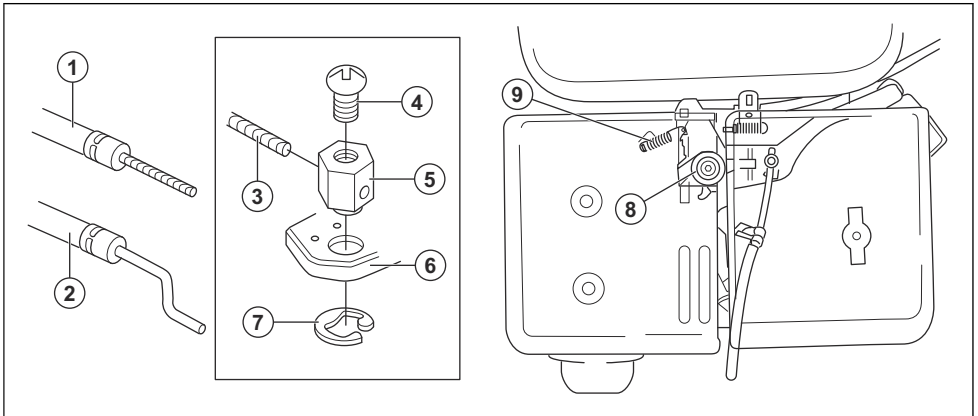
- Si se instala un cable flexible, es necesario añadir un muelle de retorno.
- Es necesario aflojar la tuerca de fricción del acelerador si se acciona con un acelerador externo.

Montaje de acelerador externo

HH 163MP, HH 196MP, HH 196OB, HH 212OB:



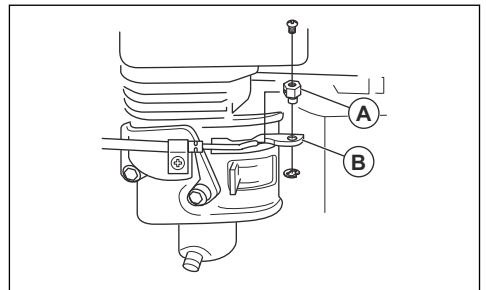
HH 270MP, HH 270OB, HH 389MP, HH 389OB:



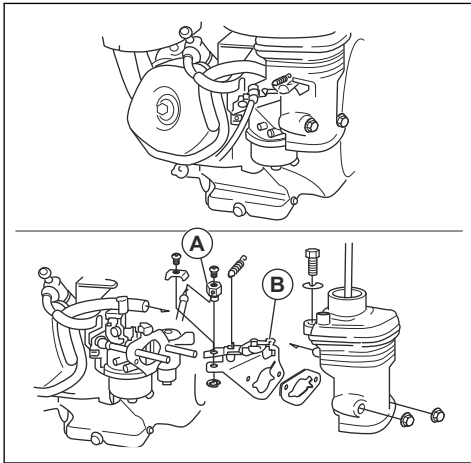
1. Cable flexible
2. Cable sólido
3. Cable
4. Tornillo de 4 mm (opcional)
5. Soporte para cables (opcional)
6. Palanca del acelerador (opcional)
7. Arandela a presión de 5 mm
8. Tuerca de fricción de la palanca del acelerador
9. Muelle de retorno

Montaje de estrangulador externo

HH 163MP, HH 196MP, HH 196OB, HH 212OB:



- A: Soporte para cables.
- B: Palanca del estrangulador.



Funcionamiento

Introducción



ADVERTENCIA: Asegúrese de leer y comprender el capítulo sobre seguridad antes de usar el producto.

Pasos a seguir antes de poner en funcionamiento el motor

- Lea detenidamente este manual de usuario y asegúrese de que entiende las instrucciones.
- Llene con aceite de motor y compruebe el nivel del mismo. Consulte *Comprobación del nivel de aceite del motor en la página 29*.
- Realice el mantenimiento diario. Consulte la sección *Programa de mantenimiento en la página 28*.
- Lea el manual de usuario del producto que utiliza este motor. Siga los procedimientos que se deben efectuar antes de arrancar el producto.

Repostaje de combustible

Si es posible, utilice de gasolina de bajas emisiones/alquilatos. Si no puede utilizar gasolina de bajas emisiones/alquilatos, utilice una gasolina sin plomo o gasolina con plomo de buena calidad. Fuera de Norteamérica, utilice gasolina con un octanaje de 90 RON o más (87 AKI en Norteamérica) y con un máximo de 10 % de etanol (E10).



PRECAUCIÓN: No utilice gasolina con un octanaje inferior a 90 RON fuera de Norteamérica (87 AKI en Norteamérica). Esto puede provocar daños en el producto.

1. Abra el tapón del depósito de combustible lentamente para liberar la presión.
2. Llene lentamente con una lata de combustible. Si derrama combustible, límpielo con un paño y deje que el combustible restante se seque.
3. Limpie la zona de alrededor del tapón del depósito de combustible.
4. Apriete el tapón del depósito de combustible completamente. Si el tapón del depósito de combustible no se aprieta, existe riesgo de incendio.
5. Antes de arrancarlo, lleve el producto a 3 m (10 pies) de distancia como mínimo del punto en el que llenó el depósito.

Combustible oxigenado

El combustible oxigenado es gasolina mezclada con alcohol o un compuesto de éter. Algunas zonas utilizan combustible oxigenado para reducir las emisiones. El combustible no debe contener más que los porcentajes dados de estos oxigenantes:

- Etanol: 27 % en volumen.
- MTBE: 15 % en volumen.
- Metanol: 5 % en volumen.



PRECAUCIÓN: El combustible que contenga metanol también debe contener codisolventes e inhibidores de corrosión para proteger el sistema de combustible.

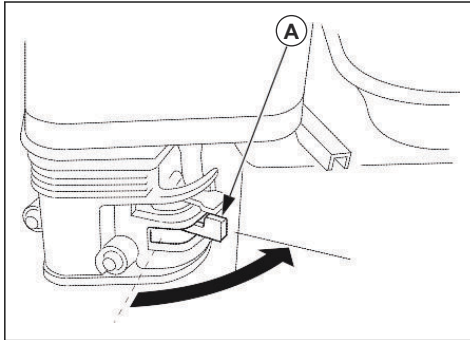


PRECAUCIÓN: El combustible oxigenado que supere los porcentajes dados de estos oxigenantes anulará la garantía. El

rendimiento del motor puede reducirse y el motor puede dañarse.

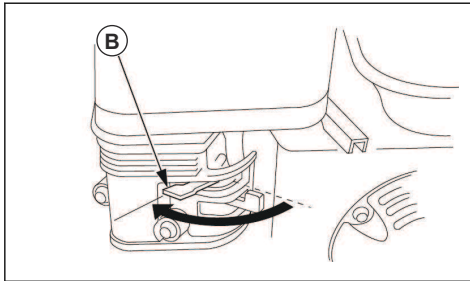
Arranque del motor

1. Coloque la palanca de paso de combustible (A) en la posición ON (encendido).

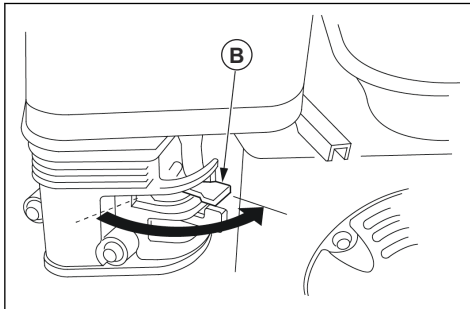


2. Coloque la palanca del estrangulador en la posición correcta.

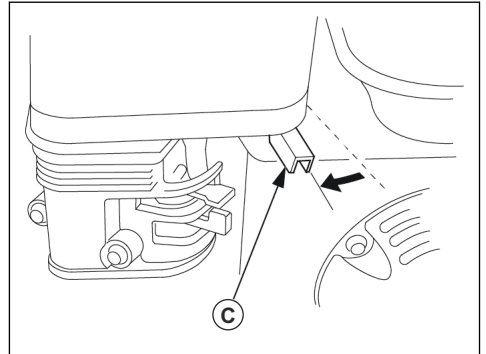
a) Si el motor está frío, cierre el estrangulador (B).



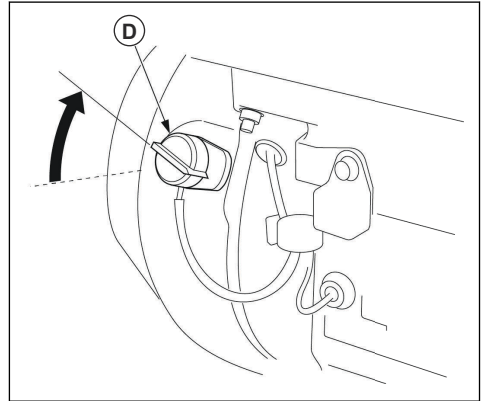
b) Si el motor está caliente, abra el estrangulador (B).



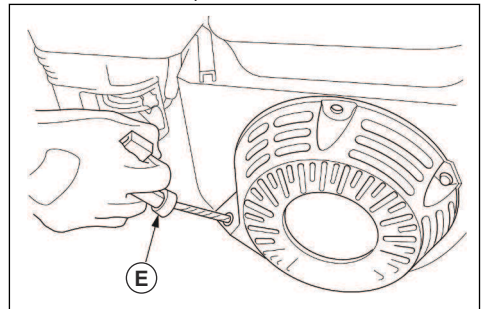
3. Aplique aproximadamente $\frac{1}{3}$ de aceleración (C).



4. Coloque el interruptor de encendido/apagado (D) en la posición ON (encendido).



5. Tire de la empuñadura de la cuerda de arranque (E) lentamente hasta que note resistencia.

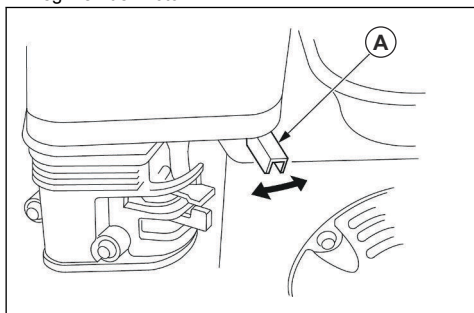


6. Tire de la cuerda de arranque con fuerza y rapidez hasta que el motor arranque.
7. Mueva la empuñadura de la cuerda de arranque lentamente hasta su posición inicial para evitar dañar el motor.
8. Si el motor está frío, abra el estrangulador poco a poco a medida que el motor se calienta.

Ajuste del régimen del motor

Para conocer el régimen del motor recomendado, consulte el manual de usuario del producto que utiliza este motor.

- Mueva el acelerador (A) para aumentar o reducir el régimen del motor.



Para parar el motor

1. Mueva el acelerador a la posición de régimen bajo.
2. Coloque el interruptor de encendido/apagado del motor en la posición OFF. El motor se detiene.
3. Coloque la válvula de paso de combustible en la posición OFF.

Mantenimiento

Introducción



ADVERTENCIA: Asegúrese de leer y comprender el capítulo sobre seguridad antes de realizar tareas de mantenimiento en el producto.

X = Estas instrucciones se indican en este manual de usuario.

O = El mantenimiento se debe realizar en un taller de servicio. No se indican todas las instrucciones en el manual de usuario.

Programa de mantenimiento

* = mantenimiento general realizado por el operador.

Estas instrucciones no se indican en este manual de usuario.

Mantenimiento del motor	Antes de usar, cada 10 horas	Después del primer mes o 20 horas	Cada 3 meses o cada 50 horas	Cada 6 meses o cada 100 horas	Anualmente o cada 300 horas	Cada 2 años
Asegúrese de que no haya fugas de combustible o aceite.	*					
Asegúrese de que las tuercas y los tornillos están bien apretados.	*					
Observe si hay indicios de daños.	*					
Limpie los alrededores del silenciador y del mecanismo de arranque con cuerda.	*					
Compruebe el nivel de combustible y el nivel de aceite del motor.	X					
Limpie el filtro de aceite.		*		*		
Cambie el aceite del motor.		X		X		

Mantenimiento del motor	Antes de usar, cada 10 horas	Después del primer mes o 20 horas	Cada 3 meses o cada 50 horas	Cada 6 meses o cada 100 horas	Anualmente o cada 300 horas	Cada 2 años
Examine el filtro de aire. Limpie el filtro de aire si es necesario.	X					
Limpie el filtro de aire. Limpie el motor con mayor frecuencia si se utiliza en un entorno con polvo.			X			
Sustituya el filtro de aire. Solo se aplica a tipos de elementos de papel.					X	
Limpie la cazoleta de sedimentos.				X	X	
Examine y limpie la bujía. Sustituya la bujía si fuese necesario.				X	X	
Cambie la bujía.					X	
Limpie el apagachispas del silenciador.				X	X	
Compruebe el régimen de ralentí.					X	
Ajuste la holgura de la cabeza de las válvulas de admisión y escape.					O	
Vacíe el combustible y limpie el depósito y el filtro de combustible.					O	
Limpie la cámara de combustión.					O	
Examine la tubería de combustible. Sustitúyalos si fuera necesario.						O

Comprobación del nivel de aceite del motor

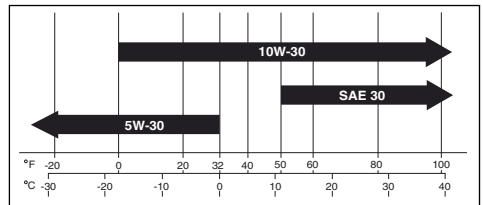
El sensor de nivel de aceite bajo detiene el motor automáticamente antes de que el nivel de aceite sea demasiado bajo, pero es recomendable comprobarlo antes de cada arranque. El sensor de nivel de aceite bajo no se incluye en todos los modelos de motores. Consulte la sección *Datos técnicos en la página 36*.



PRECAUCIÓN: No ponga en funcionamiento el motor con un nivel bajo de aceite de motor. El motor podría sufrir daños.

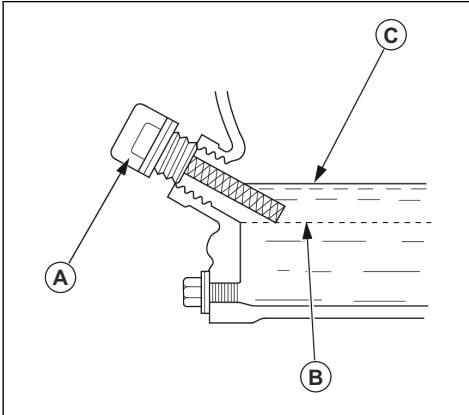


PRECAUCIÓN: Utilice aceite detergente para motores de 4 tiempos con el intervalo de viscosidad que se muestra en la ilustración.



1. Pare el motor y asegúrese de que esté nivelado.

2. Quite el tapón del depósito de aceite y la varilla de nivel (A).



3. Limpie el aceite de la varilla de nivel de aceite.
4. Vuelva a colocar la varilla de nivel, pero no la apriete.
5. Quite la varilla de nivel.
6. Compruebe el nivel de aceite de motor que indica la varilla de nivel.
7. Si el nivel de aceite del motor es bajo (B), llene con aceite de motor hasta el borde del orificio del depósito de aceite (C).
8. Vuelva a comprobar el nivel de aceite de motor.
9. Coloque el tapón del depósito de aceite y la varilla de nivel.

Sustitución del aceite del motor

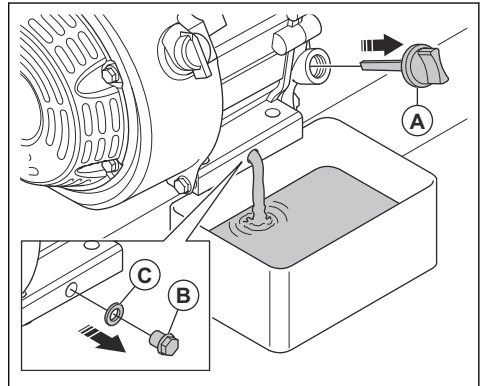
Si el motor está frío, arránquelo durante 1 o 2 minutos antes de drenar el aceite del motor. Esto calienta el aceite del motor y facilita el drenaje.



ADVERTENCIA: El aceite del motor está muy caliente inmediatamente después de apagar el motor. Deje que el motor se enfríe antes de vaciar el aceite del motor. Si derrama aceite del motor y entra en contacto con la piel, lávese con agua y jabón.

1. Ponga un recipiente debajo del tapón de vaciado para el aceite del motor.

2. Retire el tapón del depósito de aceite y la varilla de nivel (A), el tapón de vaciado de aceite (B) y la arandela (C).



3. Deje que el aceite se vierta en el recipiente.
4. Coloque la arandela y el tapón de vaciado de aceite. Apriete el tapón de vaciado de aceite.
5. Llene hasta el borde del orificio con aceite de motor nuevo. Consulte *Datos técnicos en la página 36* o el manual del motor para saber cuál es el tipo de aceite correcto.
6. Apriete el tapón del depósito de aceite.
7. Compruebe el nivel de aceite del motor.

Limpeza o cambio el filtro de aire



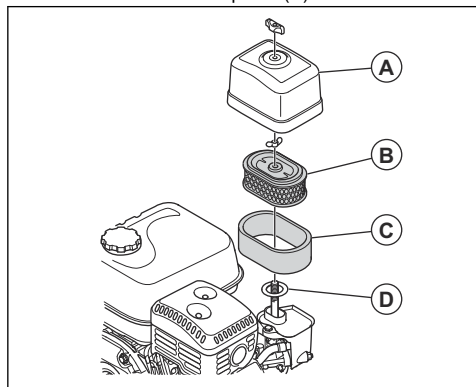
ADVERTENCIA: Use una protección respiratoria homologada al limpiar o sustituir el filtro de aire. Deseche correctamente los filtros de aire usados. El polvo del filtro de aire es peligroso para la salud.



ADVERTENCIA: No limpie el filtro de aire con aire comprimido. Esto provoca daños en el filtro de aire y aumenta el riesgo de respirar polvo peligroso.

1. Gire la palomilla y retire la cubierta del filtro de aire (A).

2. Retire el elemento filtrante de papel (B) y el elemento filtrante de espuma (C).



Nota: Algunos modelos solo tienen un elemento filtrante de espuma y no uno de papel.

3. Limpie la caja del filtro de aire con un cepillo.
4. Examine los elementos del filtro de aire en busca de daños.



PRECAUCIÓN: Sustituya siempre el filtro de aire si está dañado; de lo contrario, entrará polvo en el motor y este resultará dañado.

5. Golpee el elemento filtrante de papel contra una superficie dura o utilice un aspirador para limpiar las partículas.

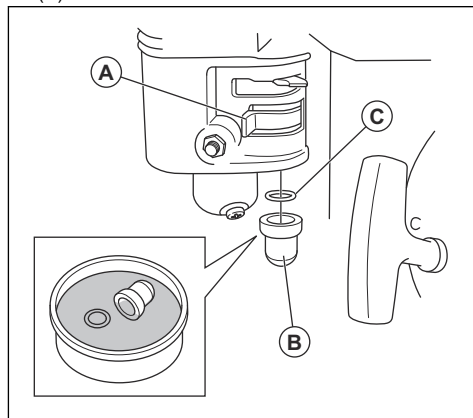


PRECAUCIÓN: No permita que la boquilla del aspirador toque la superficie del elemento filtrante de papel. Guarde una pequeña distancia. La delicada superficie del elemento filtrante de papel podría resultar dañada si entra en contacto con algún objeto.

6. Limpie el elemento filtrante de espuma con agua y jabón.
7. Enjuague el elemento filtrante de espuma con agua limpia.
8. Comprima el elemento filtrante de espuma para eliminar el agua y espere a que se seque por completo.
9. Lubrique el elemento filtrante de espuma con aceite de motor.
10. Frote el elemento filtrante de espuma con un paño limpio para retirar el aceite sobrante.
11. Instale el filtro de aire en orden inverso. Asegúrese de que la junta (D) está en la posición correcta debajo del filtro de aire.

Limpieza de la cazoleta de sedimentos

1. Coloque el paso de combustible en la posición OFF (A).
2. Retire la cazoleta de sedimentos (B) y la junta tórica (C).



3. Limpie la cazoleta de sedimentos y la junta tórica con un disolvente no inflamable.
4. Deje que la cazoleta de sedimentos y la junta tórica se sequen por completo.
5. Coloque la junta tórica en el paso de combustible e instale la cazoleta de sedimentos. Apriete la cazoleta de sedimentos por completo.
6. Coloque el paso de combustible en la posición ON.
7. Compruebe la cazoleta de sedimentos para detectar fugas. Sustituya la junta tórica si hay fugas.

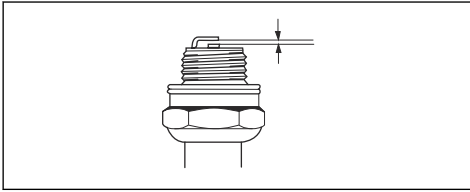
Examen y sustitución de la bujía



PRECAUCIÓN: No intente arrancar el motor si se ha desconectado la bujía o el cable de encendido.

1. Retire el sombrerete de bujía y limpie los alrededores de la bujía.
2. Retire la bujía con una llave para bujías.
3. Examine la bujía. Sustitúyala si los electrodos están quemados o si el aislamiento presenta grietas o daños. Si la bujía no está dañada, límpiela con un cepillo de acero.

- Mida la distancia entre los electrodos y asegúrese de que es la correcta. Consulte la sección *Datos técnicos en la página 36*.



- Si es necesario, doble el electrodo lateral para ajustar la distancia entre los electrodos.
- Coloque la bujía a mano hasta que alcance su asiento.
 - Apriete la bujía con una llave para bujías.
 - Apriete una bujía usada entre $\frac{1}{8}$ y $\frac{1}{4}$ de vuelta más, y una bujía nueva $\frac{1}{2}$ vuelta más.

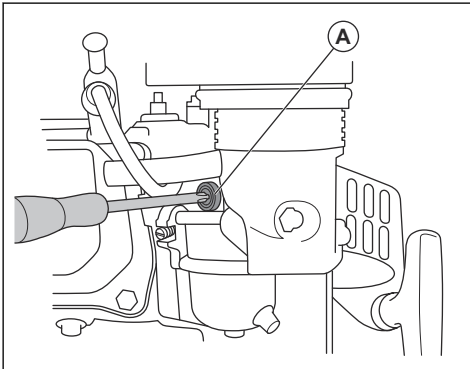


PRECAUCIÓN: Unas bujías mal apretadas pueden causar daños en el motor.

- Instale el sombrerete de bujía.

Para ajustar el régimen de ralentí

- Arranque el motor en el exterior y deje que se caliente.
- Mueva el acelerador a la posición de régimen bajo.
- Utilice un tacómetro para comprobar el régimen de ralentí. Consulte los *Datos técnicos en la página 36* para obtener información sobre el régimen de ralentí correcto.
- Gire el tornillo de ralentí (A) hacia la derecha para ajustar el régimen de ralentí.



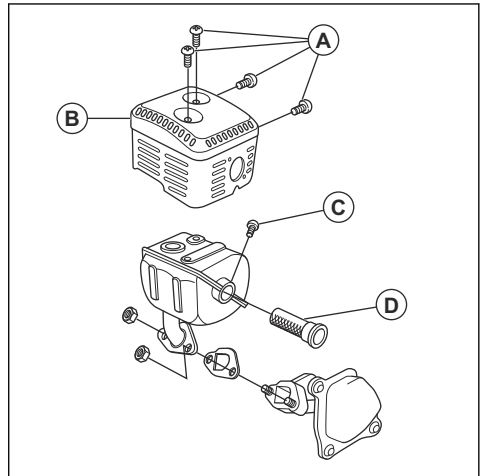
Comprobación de la pantalla apagachispas



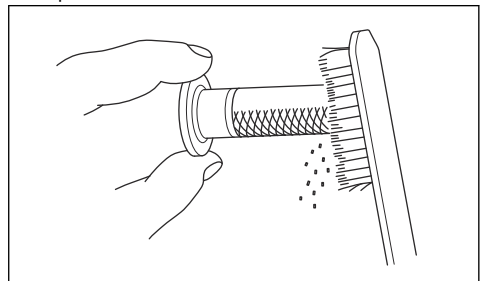
ADVERTENCIA: En algunas zonas y bajo ciertas condiciones, deberá utilizar una pantalla apagachispas para evitar el riesgo

de incendio. Cumpla con las normas locales.

- Retire los 3 tornillos del deflector de escape y el deflector de escape.
- Retire los 4 tornillos (A) de la cubierta del silenciador (B) y la cubierta del silenciador.



- Retire el tornillo (C) de la pantalla apagachispas (D) y extráigala del silenciador.
- Limpie con cuidado la pantalla apagachispas con un cepillo metálico.



- Examine la pantalla apagachispas en busca de desgaste o daños. Sustituya el apagachispas si es necesario.



PRECAUCIÓN: No emplee nunca un producto con una pantalla apagachispas defectuosa.

- Instale la pantalla apagachispas en orden inverso.

Ajuste del carburador para el funcionamiento en gran altitud

La altitud afecta al rendimiento del motor y a las emisiones. Si el motor funciona siempre en altitudes superiores a 1500 m/5000 pies, es necesario ajustar el

carburador. Deje que su taller de servicio efectúe los ajustes necesarios.



PRECAUCIÓN: No ponga en marcha el motor en altitudes inferiores si el carburador está ajustado para grandes altitudes, ya que esto provoca daños en el motor. Deje que su taller de servicio ajuste el carburador conforme a las especificaciones de fábrica.

Sistema de control de emisiones

Este motor utiliza ajustes de carburador pobres y otros sistemas para disminuir las emisiones de sustancias peligrosas en los gases de escape. La toma de aire, el sistema de combustible y el sistema de escape son parte del sistema de control de emisiones. Si se realizan modificaciones en el sistema de control de emisiones, estas aumentarán.

Si se realizan modificaciones en el mecanismo de ajuste de velocidad o en el varillaje del regulador, el motor no funcionará conforme a lo previsto. Esto también puede incrementar las emisiones.

Es necesario utilizar piezas de repuesto originales para garantizar el correcto funcionamiento del sistema de control de emisiones.

Un taller de servicio autorizado debe examinar y reparar el motor en caso de alguno de los siguientes problemas:

- Resulta difícil poner en funcionamiento o detener el motor de nuevo después del primer arranque.
- El motor no funciona correctamente al ralentí.
- Se producen fallos de arranque del motor durante el funcionamiento.
- Los gases de escape son de color negro o el consumo de combustible es elevado.

Resolución de problemas

El motor no arranca

Causa	Solución
La palanca de paso de combustible está en la posición OFF (apagado).	Sítue la palanca de la válvula de combustible en la posición ON.
El estrangulador está abierto.	Cierre el estrangulador.
El interruptor de encendido/apagado está en la posición OFF (apagado).	Ponga el interruptor de encendido/apagado en la posición ON (encendido).
No hay combustible en el depósito de combustible.	Llene con combustible.
El combustible del depósito de combustible es de calidad insuficiente.	Drene el depósito de combustible y el carburador. Consulte la sección <i>Drenaje del depósito de combustible y el carburador en la página 35</i> . Llene con combustible limpio.
No se ha añadido ningún estabilizador de combustible, o el depósito de combustible no se ha drenado antes de guardarlo.	
La bujía está dañada.	Compruebe la distancia entre los electrodos o sustituya la bujía.
La bujía está mojada de combustible.	Retire la bujía y deje que se seque. Instale la bujía.



PRECAUCIÓN: Si el problema persiste, póngase en contacto con un taller de servicio autorizado.

La potencia del motor disminuye.

Causa	Solución
El filtro de aire está obstruido.	Limpie o sustituya el filtro de aire.

Causa	Solución
El depósito de combustible contiene gasolina en mal estado.	Drene el depósito de combustible y el carburador. Consulte la sección <i>Drenaje del depósito de combustible y el carburador en la página 35</i> . Llene con gasolina limpia.
No se ha añadido ningún estabilizador de combustible, o el depósito de combustible no se ha drenado antes de guardarlo.	
El régimen del motor es demasiado bajo.	Aumente el régimen del motor.



PRECAUCIÓN: Si el problema persiste, póngase en contacto con un taller de servicio autorizado.

Emisión de ruidos extraños por el motor

Causa	Solución
El motor funciona con cargas de trabajo elevadas.	No es necesario ningún procedimiento.
El depósito de combustible contiene gasolina en mal estado.	Drene el depósito de combustible y el carburador. Consulte la sección <i>Drenaje del depósito de combustible y el carburador en la página 35</i> . Llene con gasolina limpia de una marca diferente. Si el problema persiste, póngase en contacto con un taller de servicio autorizado.



PRECAUCIÓN: Detenga el motor si emite ruidos extraños durante las cargas de

trabajo normales. Esto puede causar daños en el motor y anular la garantía.

Transporte, almacenamiento y eliminación

Transporte

- Deje que el motor se enfríe durante un mínimo de 15 minutos antes de transportarlo.
- Mantenga el motor en una superficie nivelada durante el transporte para evitar fugas de combustible.
- Asegúrese de que la palanca de paso de combustible se encuentre en la posición OFF (apagado).

Preparación del motor para su almacenamiento

- Limpie el motor.
 - a) Detenga el motor y deje que se enfríe.
 - b) Limpie todas las superficies externas.



PRECAUCIÓN: No limpie con agua corriente procedente de una manguera o de un equipo de limpieza de alta presión. El agua que entra en el motor puede provocar daños.

- c) Aplique una fina capa de aceite en las zonas sensibles para evitar la corrosión.
- Añada un estabilizador de combustible al depósito de combustible o vacíe el depósito de combustible y el carburador. Consulte *Adición de un estabilizador de combustible al combustible en la página 34* y *Drenaje del depósito de combustible y el carburador en la página 35*.
- Aplique aceite al cilindro. Consulte la sección *Aplicación de aceite al cilindro en la página 35*.
- Coloque una cubierta en el motor para protegerlo del polvo.
- Coloque el motor en un lugar con buena ventilación y alejado de llamas y chispas.
- Si es posible, no coloque el motor en un lugar con mucha humedad.

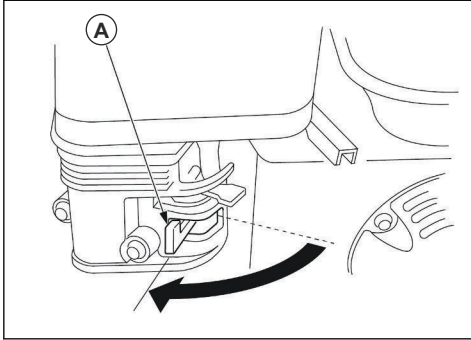
Adición de un estabilizador de combustible al combustible

1. Ponga el estabilizador de combustible en un recipiente de combustible con combustible nuevo.
2. Añada el combustible nuevo con estabilizador al depósito de combustible.

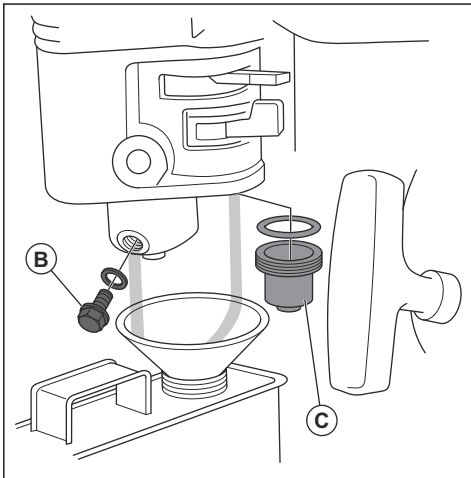
3. Arranque el motor y déjelo en marcha en el exterior durante 10 minutos. Esto sirve para asegurarse de que el combustible con estabilizador de combustible ha sustituido al combustible sin estabilizador.
4. Detenga el motor y ponga la palanca de paso de combustible en la posición OFF (apagado).

Drenaje del depósito de combustible y el carburador

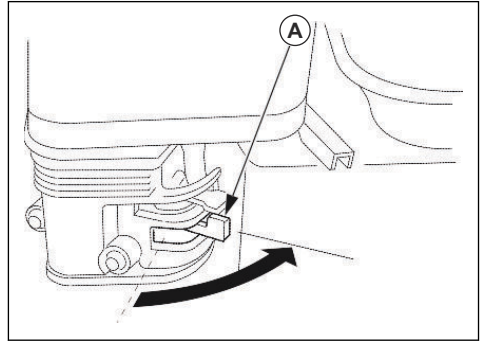
1. Coloque un recipiente de combustible adecuado debajo del carburador. Utilice un embudo para evitar fugas de combustible.
2. Ponga la palanca de paso de combustible (A) en la posición OFF (apagado).



3. Retire el tapón de vaciado del carburador (B) y la cazoleta de sedimentos (C).



4. Ponga la palanca de paso de combustible (A) en la posición ON (encendido).



5. Vacíe el combustible del depósito de combustible y del carburador.
6. Coloque el tapón de vaciado del carburador y la cazoleta de sedimentos. Apriételos completamente.

Aplicación de aceite al cilindro

1. Quite la bujía.
2. Vierta aproximadamente 5 cl de aceite de motor limpio en el cilindro.
3. Tire de la empuñadura de la cuerda de arranque unas 5 veces para distribuir el aceite de manera uniforme en el cilindro.
4. Instale la bujía.
5. Tire de la empuñadura de la cuerda de arranque lentamente. Tire hasta que note resistencia.
6. Mueva lentamente la empuñadura de la cuerda de arranque a su posición inicial.

Eliminación

- Respete los requisitos de reciclaje locales y las normas aplicables.
- Deseche todos los productos químicos, como el aceite de motor o el combustible, en un taller de servicio o una ubicación adecuada para su eliminación.
- Cuando haya caducado la vida útil del motor, envíelo a un taller de servicio Husqvarna o deséchelo en un punto de reciclaje.

Datos técnicos

	HH 163MP	HH 196MP	HH 196OB	HH 212OB
Tipo de motor	Monocilíndrico, 4 tiempos, refrigeración forzada por aire, OHV	Monocilíndrico, 4 tiempos, refrigeración forzada por aire, OHV	Monocilíndrico, 4 tiempos, refrigeración forzada por aire, OHV	Monocilíndrico, 4 tiempos, refrigeración forzada por aire, OHV
Potencia del motor, kW/CV a rpm ³	3,4/4,6 a 3600	4,1/5,5 a 3600	4,1/5,5 a 3600	5,5/7,4 a 4600
Par máx., Nm/rpm	9,5/2500	12,4/2500	12,4/2500	13,5/3000
Consumo de combustible, g/kWh	≤395	≤395	≤395	≤395
Régimen de ralentí	1800 ± 150	1800 ± 150	1800 ± 150	1800 ± 200
Relación de fluctuaciones, %	≤10	≤10	≤10	≤10
Ruido, ≤ dB(A)	70	70	70	N/A
Diámetro×carrera, mm	68×45	68×54	68×54	70×55
Cilindrada, cm ³	163	196	196	212
Relación de compresión	8:5:1	8:5:1	8:5:1	8:8:1
Modo de lubricación	Salpicadura	Salpicadura	Salpicadura	Salpicadura
Mecanismo de arranque	Arranque con cuerda	Arranque con cuerda	Arranque con cuerda	Arranque con cuerda
Rotación	En el sentido contrario a las agujas del reloj desde el lado de la TDF	En el sentido contrario a las agujas del reloj desde el lado de la TDF	En el sentido contrario a las agujas del reloj desde el lado de la TDF	En el sentido contrario a las agujas del reloj desde el lado de la TDF
Holgura de la válvula de entrada, mm	0,10-0,15	0,10-0,15	0,10-0,15	0,10-0,15
Holgura de la válvula de salida, mm	0,15-0,20	0,15-0,20	0,15-0,20	0,15-0,20
Modo de encendido	Encendido por magneto transistorizado	Encendido por magneto transistorizado	Encendido por magneto transistorizado	Encendido de descarga del condensador
Filtro de aire	Filtro de aire de doble elemento	Filtro de aire de doble elemento	Elemento filtrante de espuma	N/A
Capacidad del depósito de combustible, l	3,6	3,6	3,6	3,6
Capacidad del depósito de aceite, litros	0,6	0,6	0,6	0,6

³ La potencia de salida del motor indicada es la potencia neta media (a la velocidad especificada) de un motor de producción típico para el modelo de motor conforme a la norma SAE J1349/ISO1585. Los motores fabricados en serie podrían presentar valores diferentes. La potencia de salida real del motor instalado en el producto final dependerá de la velocidad de funcionamiento, las condiciones medioambientales y otros valores.

	HH 163MP	HH 196MP	HH 196OB	HH 212OB
Aceite del motor	SAE 100W-30, API clase SE o SF, para uso general	SAE 100W-30, API clase SE o SF, para uso general	SAE 100W-30, API clase SE o SF, para uso general	SAE 100W-30, API clase SE o SF, para uso general
Sensor de nivel de aceite bajo	No	Sí	No	No
Tipo de bujía	F7TC o equivalente	F7TC o equivalente	F7TC o equivalente	F7TC o equivalente
Distancia de electrodos, mm	0,7–0,8	0,7–0,8	0,7–0,8	0,7–0,8
Dimensiones, L x An. x Al., mm	314 × 365 × 338	314 × 365 × 338	314 × 365 × 338	330 × 365 × 350
Peso neto, kg	15	16	16	14,7

	HH 270MP	HH 270OB	HH 389MP	HH 389OB
Tipo de motor	Monocilíndrico, 4 tiempos, refrigeración forzada por aire, OHV	Monocilíndrico, 4 tiempos, refrigeración forzada por aire, OHV	Monocilíndrico, 4 tiempos, refrigeración forzada por aire, OHV	Monocilíndrico, 4 tiempos, refrigeración forzada por aire, OHV
Potencia del motor, kW/CV a rpm ⁴	6,0/8,0 a 3600	6,0/8,0 a 3600	8,2/11,0 a 3600	8,2/11,0 a 3600
Par máx., Nm/rpm	17,7/2500	17,7/2500	25,1/2500	25,1/2500
Consumo de combustible, g/kWh	≤374	≤374	≤374	≤374
Régimen de ralentí	1800 ± 150	1800 ± 150	1800 ± 150	1800 ± 150
Relación de fluctuaciones, %	≤10	≤10	≤10	≤10
Ruido, ≤ dB(A)	80	80	80	80
Diámetro×carrera, mm	77×58	77×58	88×64	88×64
Cilindrada, cm ³	270	270	389	389
Relación de compresión	8:2:1	8:2:1	8:1	8:1
Modo de lubricación	Salpicadura	Salpicadura	Salpicadura	Salpicadura
Mecanismo de arranque	Arranque con cuerda	Arranque con cuerda	Arranque con cuerda	Arranque con cuerda
Rotación	En el sentido contrario a las agujas del reloj desde el lado de la TDF	En el sentido contrario a las agujas del reloj desde el lado de la TDF	En el sentido contrario a las agujas del reloj desde el lado de la TDF	En el sentido contrario a las agujas del reloj desde el lado de la TDF
Holgura de la válvula de entrada, mm	0,10–0,15	0,10–0,15	0,10–0,15	0,10–0,15

⁴ La potencia de salida del motor indicada es la potencia neta media (a la velocidad especificada) de un motor de producción típico para el modelo de motor conforme a la norma SAE J1349/ISO1585. Los motores fabricados en serie podrían presentar valores diferentes. La potencia de salida real del motor instalado en el producto final dependerá de la velocidad de funcionamiento, las condiciones medioambientales y otros valores.

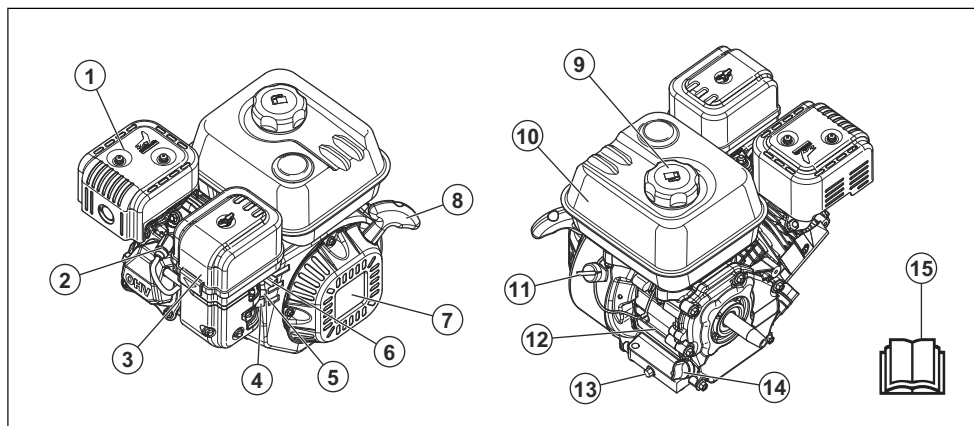
	HH 270MP	HH 270OB	HH 389MP	HH 389OB
Holgura de la válvula de salida, mm	0,15-0,20	0,15-0,20	0,15-0,20	0,15-0,20
Modo de encendido	Encendido por magneto transistorizado	Encendido por magneto transistorizado	Encendido por magneto transistorizado	Encendido por magneto transistorizado
Filtro de aire	Filtro de aire de doble elemento	Elemento filtrante de espuma	Filtro de aire de doble elemento	Elemento filtrante de espuma
Capacidad del depósito de combustible, l	6,0	6,0	6,5	6,5
Capacidad del depósito de aceite, litros	0,95	0,95	1,1	1,1
Aceite del motor	SAE 100W-30, API clase SE o SF, para uso general	SAE 100W-30, API clase SE o SF, para uso general	SAE 100W-30, API clase SE o SF, para uso general	SAE 100W-30, API clase SE o SF, para uso general
Sensor de nivel de aceite bajo	Sí	No	Sí	No
Tipo de bujía	F7TC o equivalente	F7TC o equivalente	F7TC o equivalente	F7TC o equivalente
Distancia de electrodos, mm	0,7-0,8	0,7-0,8	0,7-0,8	0,7-0,8
Dimensiones, L x An. x Al., mm	380 × 430 × 420	380 × 430 × 420	405 × 450 × 443	405 × 450 × 443
Peso neto, kg	25	25	31	31

Conteúdo

Introdução.....	39	Manutenção.....	47
Segurança.....	42	Solução de problemas.....	52
Montagem.....	43	Transporte, armazenamento e descarte.....	53
OPERAÇÃO.....	45	Dados técnicos.....	54

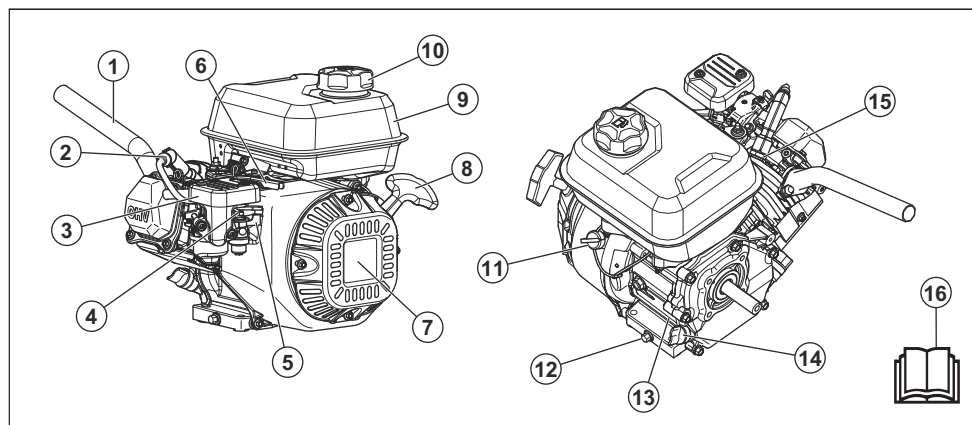
Introdução

Visão geral do motor



- | | |
|---------------------------------------|---|
| 1. Silencioso | 9. Tampa do tanque de combustível |
| 2. Vela de ignição | 10. Tanque de combustível |
| 3. Filtro de ar | 11. Interruptor Liga/Desliga do motor |
| 4. Afogador | 12. Número de série |
| 5. Alavanca da válvula de combustível | 13. Bujão de drenagem do óleo do motor |
| 6. Acelerador | 14. Tampa do tanque de óleo e vareta de nível |
| 7. Motor de partida de recuo | 15. Manual do operador |
| 8. Alça da corda de arranque | |

Visão geral do motor (HH 212OB)



1. Tubo de escape
2. Cabo de ignição
3. Filtro de ar
4. Afogador
5. Alavanca da válvula de combustível
6. Acelerador
7. Motor de partida de recuo
8. Alça da corda de arranque
9. Tanque de combustível
10. Tampa do tanque de combustível
11. Interruptor Liga/Desliga do motor
12. Bujão de drenagem do óleo do motor
13. Número de série
14. Tampa do tanque de óleo e vareta de nível
15. Vela de ignição
16. Manual do operador

Descrição do produto

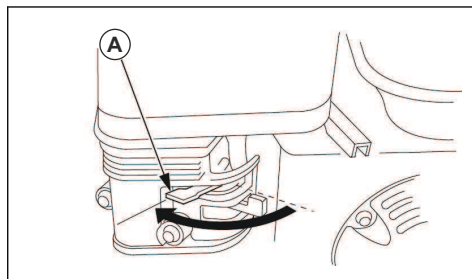
Este é um motor de combustão de 4 tempos.

Uso previsto

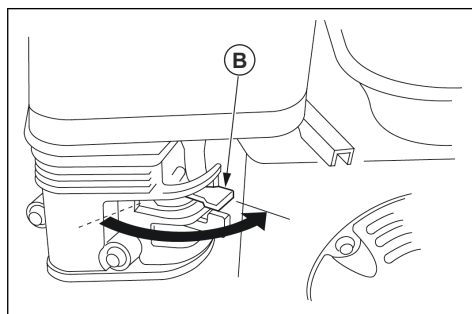
O motor deve ser usado somente em áreas externas ou com fluxo de ar suficiente.

Afogador

O afogador abre e fecha a válvula do estrangulador no carburador. A posição de afogador (A) é usada durante a partida de um motor frio.



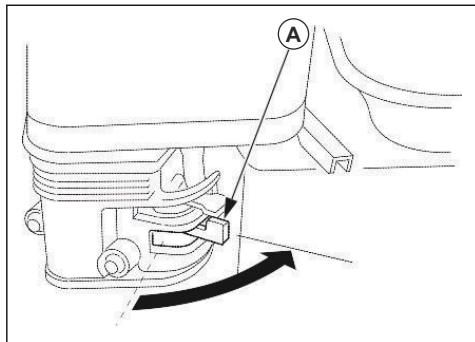
A posição de afogador (B) é usada após a partida de um motor frio e durante a partida de um motor quente.



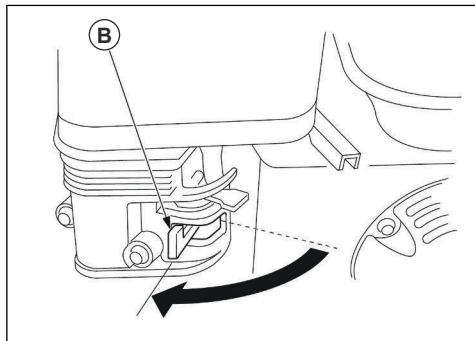
Válvula de combustível

A válvula de combustível abre e fecha o fluxo de combustível entre o tanque de combustível e o

carburador. Quando a alavanca da válvula de combustível está na posição (A), a válvula de combustível está aberta.

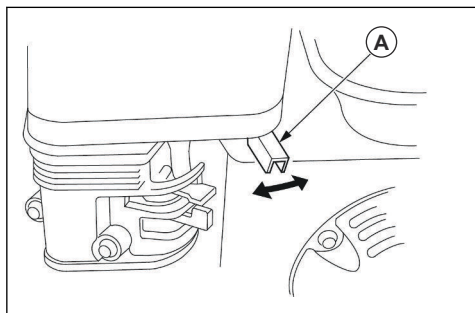


Quando a alavanca da válvula de combustível está na posição (B), a válvula de combustível está fechada.



Acelerador

O acelerador (A) define a rotação do motor. A posição mais à direita é a velocidade mais alta. A posição mais à esquerda é a velocidade mais baixa.



Número de série

Para saber a posição do número de série, consulte *Visão geral do motor na página 39*. Ao enviar um pedido

de peças sobresselentes, forneça o nome e o número de série do modelo.

Símbolos no produto



AVISO! Este produto pode ser perigoso e causar ferimentos graves ou morte do operador ou de outras pessoas. Seja cuidadoso e use o produto corretamente.



Leia o manual do operador e certifique-se de que tenha entendido as instruções antes de usar.



Afogador.



Válvula de combustível.



Alta rotação do motor.



Baixa rotação do motor.



Óleo de motor.



Risco de incêndio.



Não inspire os gases de escape. Os gases de escape do motor contêm monóxido de carbono, um gás inodoro, tóxico e muito perigoso. Não ligue o motor em ambientes internos ou fechados.



Superfície quente.

Observação: Outros símbolos/adesivos no motor referem-se aos requisitos de certificação de outras áreas comerciais.

Responsabilidade legal do produto

Como mencionado na legislação de responsabilidade do produto, não somos responsáveis por danos causados pelo nosso produto caso:

- o produto seja reparado incorretamente.
- o produto seja reparado com peças que não sejam da marca do fabricante ou aprovadas pelo fabricante.

- o produto tenha um acessório que não seja da marca do fabricante ou não seja aprovado pelo fabricante.

- o produto não seja reparado em um centro de atendimento aprovado ou por uma autoridade aprovada.

Segurança

Definições de segurança

Avisos, cuidados e observações são utilizados para chamar a atenção para partes especialmente importantes do manual.



AVISO: Utilizado se existir um risco de ferimentos ou morte para o operador ou a terceiros se as instruções no manual não forem respeitadas.



CUIDADO: Utilizado se existir um risco de danos para o produto, outros materiais ou para a área adjacente, se as instruções no manual não forem respeitadas.

Observação: Utilizados para conferir mais informações necessárias em uma determinada situação.

Instruções gerais de segurança



AVISO: Antes de usar o motor, leia as instruções de aviso a seguir.

- Caso não seja cuidadoso ou use o motor incorretamente, ele poderá ser perigoso. Há risco de ferimentos, morte ou danos ao motor. Antes de usar o motor, leia e entenda o conteúdo deste manual do operador.
- É preciso ler e entender o manual do operador do produto que usa este motor. Pode haver mais instruções de segurança quanto a partida, parada, operação e manutenção.
- Guarde todos os avisos e instruções.
- Não deixe outra pessoa usar o motor, a menos que ela tenha lido e entendido o conteúdo do manual do operador.
- Não permita que crianças operem o motor.
- Não modifique o motor.

Instruções de segurança para operação



AVISO: Antes de usar o motor, leia as instruções de aviso a seguir.

- Certifique-se de saber como parar o motor rapidamente em caso de emergência.
- Os gases de escape do motor contêm monóxido de carbono, um gás inodoro, tóxico e muito perigoso.

- Não use um produto com motor de combustão em ambientes internos ou em áreas que não tenham fluxo de ar suficiente.
- Não use o motor em áreas onde possam ocorrer incêndios ou explosões.

Dispositivos de segurança no produto



AVISO: Antes de usar o produto, leia as instruções de aviso que seguem.

- Não use o produto com dispositivos de segurança com defeito.
- Verifique os dispositivos de segurança regularmente. Se os dispositivos de segurança estiverem com defeito, entre em contato sua Husqvarna oficina autorizada.

Interruptor Liga/Desliga do motor

O motor só pode ser ligado quando o interruptor Liga/Desliga é colocado na posição "Ligado". O motor para quando o interruptor Liga/Desliga é colocado na posição "Desligado".

Para fazer uma verificação do interruptor Liga/Desliga

- Dê a partida no motor. Consulte *Para dar a partida no motor* página 46.
- Coloque o interruptor Liga/Desliga do motor na posição "Desligado". O motor para.

Silencioso

O silencioso mantém os níveis de ruído em um nível mínimo e desvia os gases de escape para longe do operador.

Não utilize o produto se o silenciador estiver ausente ou com defeito. Um silenciador com defeito aumenta o nível de ruído e o risco de incêndio.



AVISO: O silenciador fica muito quente durante e após a utilização e quando o motor funciona em marcha lenta. Tenha cuidado ao se aproximar de materiais inflamáveis e/ou gases de escape para evitar incêndios.

Para fazer uma verificação do silenciador

- Examine o silenciador regularmente, para garantir que está fixado corretamente e não está danificado.

Segurança do combustível



AVISO: Antes de usar o produto, leia as instruções de aviso que seguem.

- O combustível é inflamável e os vapores são explosivos. Tenha cuidado com o combustível para evitar ferimentos, incêndio e explosão.
- Não inspire os vapores de combustível. Os vapores de combustível são venenosos e podem causar ferimentos. Verifique se o fluxo de ar é suficiente.
- Não remova a tampa do reservatório de combustível nem encha o reservatório de combustível quando o motor estiver ligado.
- Deixe o motor esfriar antes de reabastecer.
- Não abasteça com combustível em uma área coberta. Um fluxo de ar insuficiente pode causar ferimentos ou morte por asfixia ou monóxido de carbono.
- Não fume nas proximidades do combustível ou do motor.
- Não coloque objetos quentes nas proximidades do combustível ou do motor.
- Não abasteça com combustível próximo a faíscas ou chamas.
- Antes de reabastecer, abra a tampa do reservatório de combustível lentamente e libere a pressão cuidadosamente.
- Se o combustível cair na sua pele, ele poderá causar ferimentos. Se você derramar combustível na sua pele, use sabão e água para removê-lo.
- Se você derramar combustível em sua roupa, troque as roupas imediatamente.
- Não encha o reservatório de combustível completamente. Calor faz com que o combustível para expandir. Mantenha um espaço na parte superior do depósito de combustível.
- Aperte a tampa do reservatório de combustível. Se a tampa do reservatório de combustível não estiver apertada, há um risco de incêndio.
- Antes de iniciar o produto, mova-o para no mínimo 3 m/10 pés de distância de onde você reabasteceu.
- Não ligue o produto se houver combustível ou óleo de motor sobre ele. Remova o combustível e o óleo

do motor indesejados e deixe o produto secar antes de dar a partida no motor.

- Examine o motor à procura de vazamentos regularmente. Se houver vazamentos no sistema de combustível, não dê a partida no motor até que os vazamentos sejam reparados.
- Não use os dedos para examinar se há vazamentos no motor.
- Mantenha o combustível apenas em recipientes aprovados.
- Quando o produto e o combustível estiverem armazenados, certifique-se de que o combustível e vapores de combustível não possam causar danos.
- Drene o combustível em um recipiente aprovado ao ar livre e longe de faíscas e chamas.

Instruções de segurança para manutenção



AVISO: Antes de fazer a manutenção do motor, leia as instruções de aviso que se seguem.

- Caso a manutenção não seja feita correta e regularmente, o risco de ferimentos e danos ao motor aumentará.
- Desligue o motor e, antes de fazer a manutenção, certifique-se de que todas as peças estejam frias.
- Remova a tampa da vela de ignição antes de efetuar a manutenção.
- Os gases de escape do motor são quentes e podem conter faíscas. Não opere o motor em ambientes internos ou próximo de material inflamável.
- Utilize sempre peças originais. Peças sobressalentes não aprovadas pelo fabricante podem causar ferimentos graves ou morte.
- Faça a manutenção somente como indicado no manual do operador. Deixe que uma oficina autorizada faça todas as demais operações de manutenção.
- Leve o motor regularmente a uma oficina autorizada para a manutenção.

Montagem

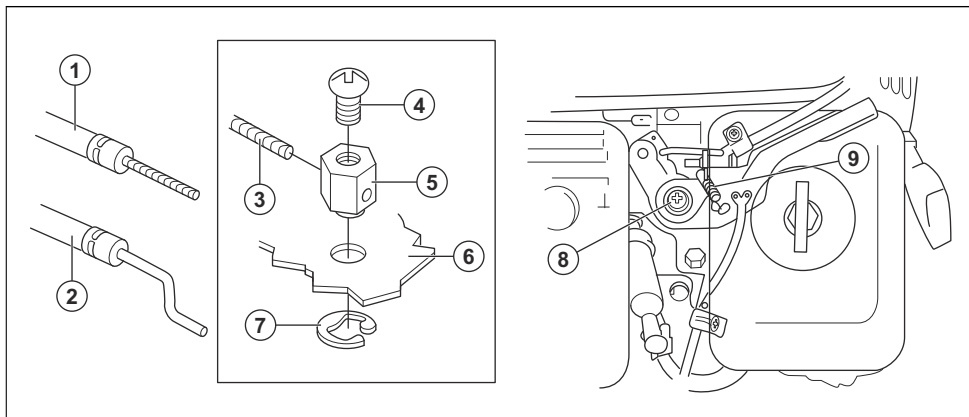
Acelerador externo e afogador

O acelerador e os afogadores têm orifícios para instalação de cabos de controles externos opcionais. As ilustrações mostram exemplos de instalação de um cabo de fio sólido e um cabo de fio flexível.

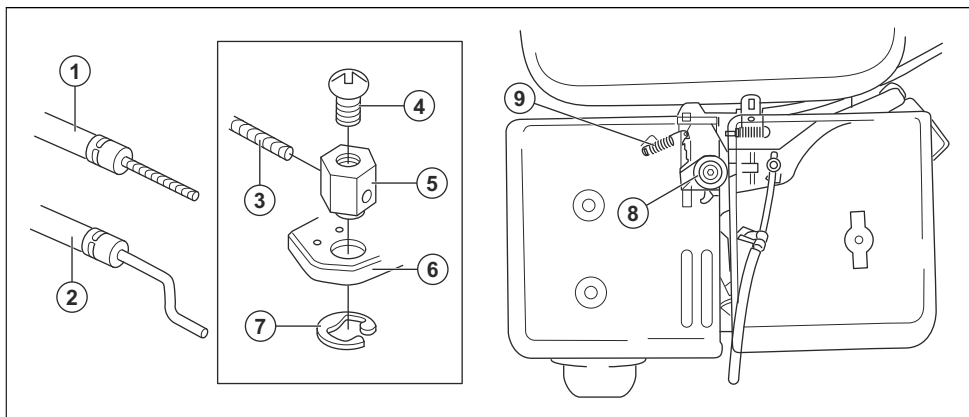
- Caso haja um cabo de fio flexível instalado, será necessário adicionar uma mola de retorno.
- Caso o acelerador seja operado com um acelerador externo, será necessário desapertar a porca de fricção.

Conjunto do acelerador externo

HH 163MP, HH 196MP, HH 196OB, HH 212OB:



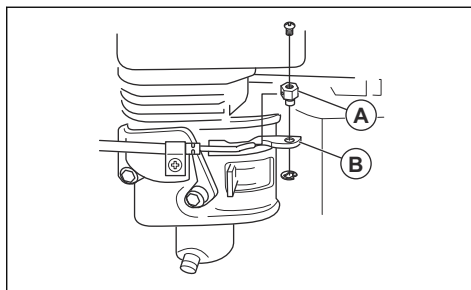
HH 270MP, HH 270OB, HH 389MP, HH 389OB:

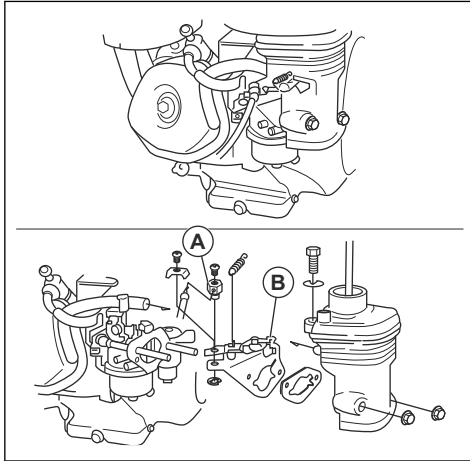


1. Fio flexível
2. Fio sólido
3. Fio
4. Parafuso de 4 mm (opcional)
5. Suporte de fio (opcional)
6. Alavanca do acelerador (opcional)
7. Anel elástico de 5 mm
8. Porca de fricção da alavanca do acelerador
9. Mola de retorno

Conjunto de afogador externo

HH 163MP, HH 196MP, HH 196OB, HH 212OB:





- A: Suporte do fio.
- B: Alavanca do afogador.

OPERAÇÃO

Introdução



AVISO: Leia e compreenda o capítulo sobre segurança antes de usar o produto.

O que fazer antes de operar o motor

- Leia atentamente este manual do operador e certifique-se de que tenha entendido as instruções.
- Abasteça com óleo de motor e verifique o nível de óleo de motor. Consulte *Para verificar o nível do óleo de motoma página48*.
- Faça a manutenção diária. Consulte *Cronograma de manutençãoona página47*.
- Leia o manual do operador do produto que usa este motor. Antes de ligar o produto, siga os procedimentos indicados.

Para abastecer com combustível

Se disponível, utilize gasolina de baixa emissão/alquilato. Caso a gasolina de baixa emissão/alquilato não esteja disponível, use gasolina sem chumbo ou gasolina com chumbo de boa qualidade. Use gasolina com um número de octanas igual a 90 RON fora da América do Norte (87 AKI na América do Norte) ou superior e com, no máximo, 10% de etanol (E10).



CUIDADO: Não use gasolina com um número de octanas inferior a 90 RON fora da América do Norte (87 AKI na América do Norte). Isso pode causar danos ao produto.

1. Abra a tampa do tanque de combustível devagar, para liberar a pressão.

2. Encha o tanque lentamente com o galão de combustível. Se derramar combustível, remova-o com um pano e deixe o restante secar.
3. Limpe a área ao redor da tampa do tanque de combustível.
4. Aperte a tampa do reservatório de combustível. Se a tampa do reservatório de combustível não estiver apertada, há um risco de incêndio.
5. Antes de ligar o motor, mova o produto para, no mínimo, 3 m (10 pés) da posição na qual o tanque foi abastecido.

Combustível oxigenado

O combustível oxigenado é a gasolina misturada com álcool ou um composto de éter. Algumas áreas usam combustível oxigenado para diminuir as emissões. O combustível não deve conter mais do que as porcentagens indicadas desses oxigenados:

- Etanol: 27% por volume.
- MTBE: 15% por volume.
- Metanol: 5% por volume.



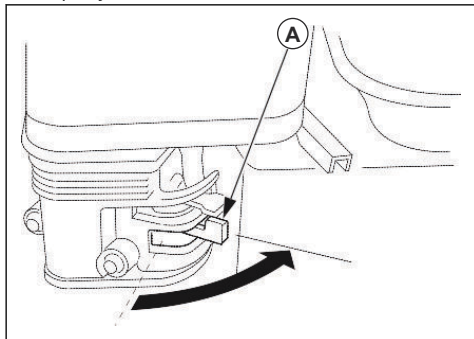
CUIDADO: O combustível que contém metanol também deve conter cossolventes e inibidores de corrosão como proteção para o sistema de combustível.



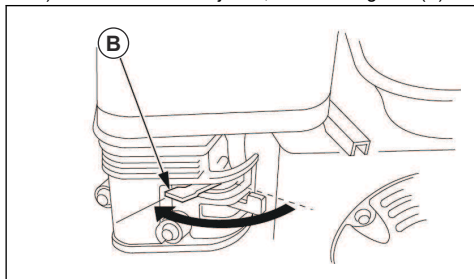
CUIDADO: O combustível oxigenado que contém mais do que as porcentagens indicadas desses oxigenados anula a garantia. O desempenho do motor pode diminuir, e o motor pode ficar danificado.

Para dar a partida no motor

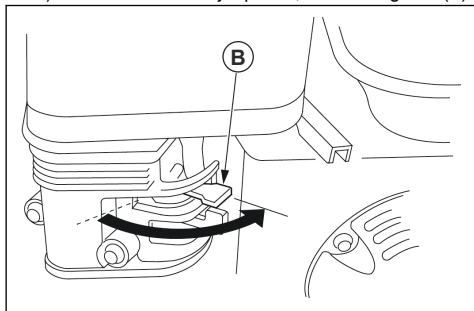
1. Coloque a alavanca da válvula de combustível (A) na posição LIGADO.



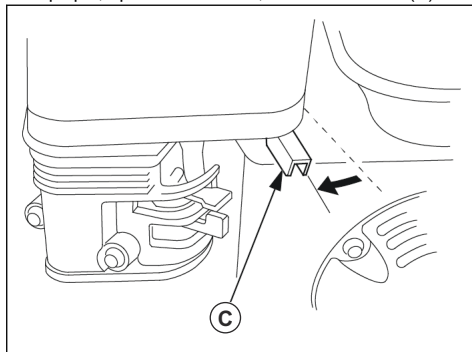
2. Coloque a alavanca do afogador na posição correta.
 - a) Caso o motor esteja frio, feche o afogador (B).



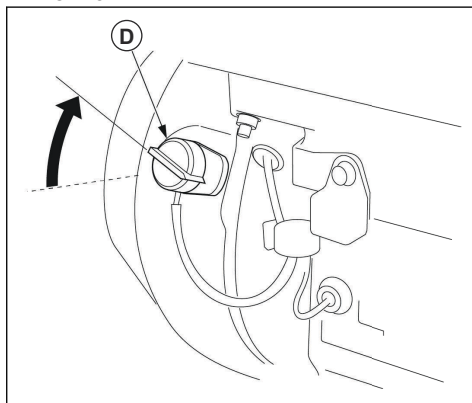
- b) Caso o motor esteja quente, abra o afogador (B).



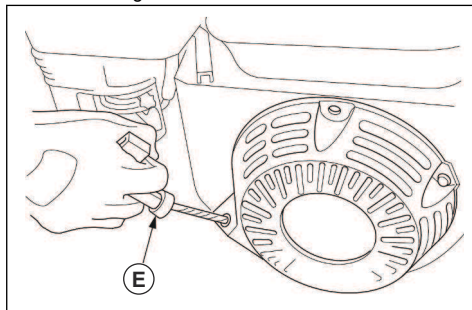
3. Aplique, aproximadamente, $\frac{1}{2}$ do acelerador (C).



4. Coloque o interruptor LIGA/DESLIGA (D) na posição LIGADO.



5. Puxe a alça da corda de arranque (E) lentamente até sentir alguma resistência.

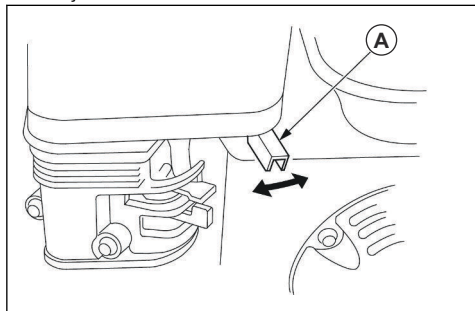


6. Puxe a alça da corda de arranque rápida e fortemente até o motor arrancar.
7. Mova a alça da corda de arranque lentamente de volta à posição inicial para evitar danos ao motor.
8. Caso o motor esteja frio, abra o afogador gradualmente à medida que o motor esquenta.

Ajuste da rotação do motor

Para obter a rotação recomendada do motor, consulte o manual do operador do produto que usa este motor.

- Mova o acelerador (A) para aumentar ou diminuir a rotação do motor.



Parar o motor

1. Mova o acelerador para a posição de marcha lenta.
2. Coloque o interruptor de posição de marcha lenta (LIG/DESL) do motor na posição DESL. O motor para.
3. Mova a válvula de combustível para a posição DESL.

Manutenção

Introdução



AVISO: Leia e compreenda o capítulo de segurança antes realizar a manutenção no produto.

X = As instruções são fornecidas neste manual do operador.

O = A manutenção deve ser feita por um revendedor de manutenção. Este manual do operador não fornece todas as instruções.

Cronograma de manutenção

* = Manutenção geral feita pelo operador. As instruções não são fornecidas neste manual do operador.

Manutenção do motor	Antes do uso, a cada 10 horas	Após o primeiro mês ou 20 horas	A cada 3 meses ou 50 horas	A cada 6 meses ou 100 horas	Anualmente ou a cada 300 horas	A cada 2 anos
Certifique-se de que não haja vazamentos de combustível ou de óleo.	*					
Certifique-se de que as porcas e os parafusos estejam apertados.	*					
Verifique se há sinais de danos.	*					
Limpe ao redor do silencioso e do motor de partida de recuo.	*					
Faça uma verificação do nível de combustível e do nível de óleo do motor.	X					
Limpe o filtro de óleo.		*		*		
Substitua o óleo do motor.		X		X		
Examine o filtro de ar. Se necessário, limpe o filtro de ar.	X					

Manutenção do motor	Antes do uso, a cada 10 horas	Após o primeiro mês ou 20 horas	A cada 3 meses ou 50 horas	A cada 6 meses ou 100 horas	Anualmente ou a cada 300 horas	A cada 2 anos
Limpe o filtro de ar. Caso o motor seja usado em um ambiente com muita poeira, limpe-o em intervalos mais curtos.			X			
Substitua o filtro de ar. Aplica-se somente ao tipo de elemento de papel.					X	
Limpe o copo de sedimentos.				X	X	
Examine e limpe a vela de ignição. Substitua a vela de ignição, se for necessário.				X	X	
Substitua a vela de ignição.					X	
Limpe a tela retentora de faíscas no silenciador.				X	X	
Faça uma verificação da marcha lenta.					X	
Ajuste a folga do cabeçote da válvula para a entrada de ar e as válvulas de escape.					O	
Drene o combustível e limpe o tanque e o filtro de combustível.					O	
Limpe a câmara de combustão.					O	
Verifique a linha de combustível. Substitua se necessário.						O

Para verificar o nível do óleo de motor

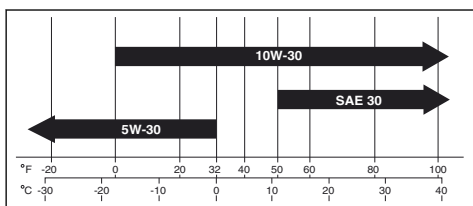
O sensor de baixo nível de óleo para o motor automaticamente antes que o nível fique muito baixo, mas recomenda-se fazer uma verificação do nível de óleo de motor antes de cada partida. O sensor de baixo nível de óleo não está incluso em todos os modelos de motor. Consulte *Dados técnicos* na página 54.



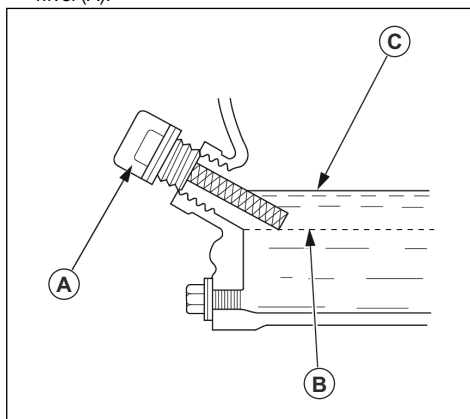
CUIDADO: Não opere o motor com nível baixo de óleo. Isso pode causar danos ao motor.



CUIDADO: Use óleo de motor detergente para motores de 4 tempos com a faixa de viscosidade apresentada na ilustração.



1. Desligue o motor e certifique-se de que ele esteja nivelado.
2. Remova a tampa do tanque de óleo e a vareta de nível (A).



3. Limpe o óleo da vareta.
4. Devolva a vareta de nível ao seu lugar, mas não a aperte.
5. Remova a vareta.

- Verifique a alavanca de óleo de motor na vareta.
- Caso o nível de óleo de motor esteja baixo (B), abasteça com óleo até a borda do orifício do tanque de óleo (C).
- Verifique o nível de óleo de motor.
- Instale a tampa do tanque de óleo e a vareta de nível.

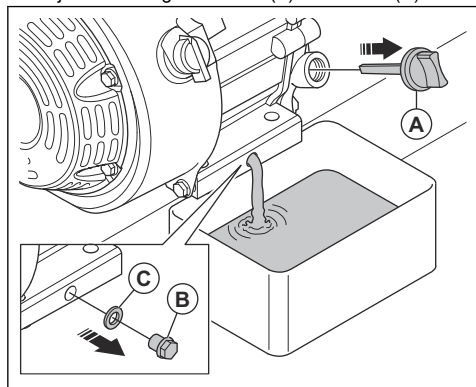
Para substituir o óleo do motor

Se o motor estiver frio, dê partida no motor por 1 a 2 minutos antes de drenar o óleo do motor. Isso torna o óleo do motor quente e mais fácil de ser drenado.



AVISO: O óleo do motor fica muito quente logo após o motor ser desligado. Deixe o motor esfriar antes de drenar o óleo do motor. Se derramar óleo de motor na sua pele, limpe com água e sabão.

- Coloque um recipiente embaixo do bujão de drenagem para recolher o óleo do motor.
- Remova a tampa do tanque de óleo e a vareta (A), o bujão de drenagem do óleo (B) e a arruela (C).



- Escorra o óleo em um recipiente.
- Instale a arruela e o bujão de drenagem do óleo. Aperte o bujão de drenagem do óleo.
- Abasteça até a extremidade do orifício com óleo novo de motor. Consulte *Dados técnicos na página 54* ou o manual do motor para obter o tipo correto de óleo.
- Aperte a tampa do tanque de óleo.
- Faça uma verificação do nível de óleo do motor.

Limpar ou substituir o filtro de ar

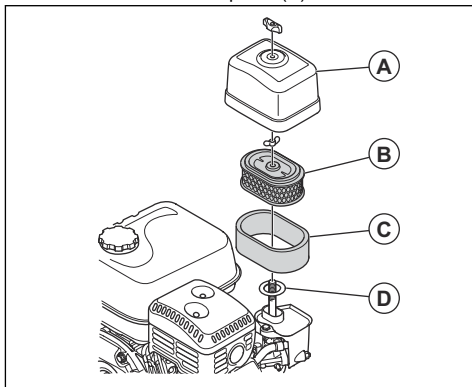


AVISO: Ao limpar ou substituir o filtro de ar, use proteção respiratória aprovada. Descarte os filtros de ar usados corretamente. A poeira no filtro de ar é perigosa para a saúde.



AVISO: Não limpe o filtro de ar com ar comprimido. Isso causa danos ao filtro de ar e o risco aumenta ao respirar a poeira perigosa.

- Gire o botão na tampa do filtro de ar e remova-a (A).
- Remova o elemento do filtro de papel (B) e o elemento do filtro de espuma (C).



Observação: Alguns modelos têm apenas um elemento do filtro de espuma, não um elemento do filtro de papel.

- Limpe o alojamento do filtro de ar com uma escova.
- Examine os elementos do filtro de ar quanto a danos.



CUIDADO: Sempre substitua um filtro de ar danificado, ou a poeira entrará no motor e causará danos.

- Bata no elemento do filtro de papel contra uma superfície dura ou use um aspirador de pó para remover as partículas.



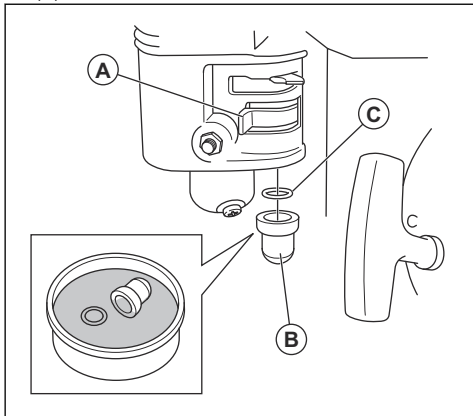
CUIDADO: Não deixe que o bocal do aspirador de pó toque na superfície do elemento do filtro de papel. Mantenha uma pequena distância. A superfície sensível do elemento do filtro de papel será danificada se objetos o tocarem.

- Limpe o elemento do filtro de espuma com uma solução de água e sabão.
- Enxágue o elemento do filtro de espuma com água limpa.
- Comprima o elemento do filtro de espuma para remover a água e deixe o elemento secar totalmente.
- Lubrifique o filtro de espuma com óleo de motor.
- Pressione um pano limpo sobre o elemento do filtro de espuma para retirar o óleo indesejado.

11. Instale o filtro de ar na sequência oposta. Certifique-se de que a junta (D) esteja na posição correta abaixo do filtro de ar.

Limpeza do copo de sedimentos

1. Mova a válvula de combustível para a posição DESLIGADO (A).
2. Remova o copo de sedimentos (B) e o anel o-ring (C).



3. Limpe o copo de sedimentos e o anel o-ring em solvente que não seja inflamável.
4. Deixe o copo de sedimentos e o anel o-ring secarem totalmente.
5. Coloque o anel o-ring na válvula de combustível e instale o copo de sedimentos. Aperte o copo de sedimentos totalmente.
6. Mova a válvula de combustível para a posição LIGADO.
7. Verifique o copo de sedimentos quanto a vazamentos. Caso haja vazamentos, substitua o anel o-ring.

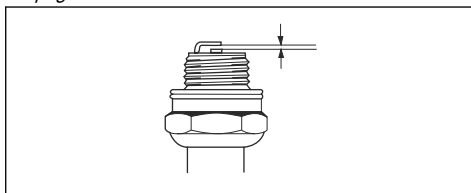
Verificação e substituição da vela de ignição



CUIDADO: Caso a vela ou o cabo de ignição tenham sido removidos, não tente dar a partida no motor.

1. Remova a tampa da vela de ignição e limpe ao redor da vela.
2. Remova a vela de ignição usando uma chave.
3. Examine a vela de ignição. Caso os eletrodos estejam queimados ou o isolamento apresente rachaduras ou danos, substitua a vela. Caso a vela de ignição não esteja danificada, limpe-a com uma escova de aço.

4. Meça a folga do eletrodo e certifique-se de que esteja correta. Consulte *Dados técnicos na página 54*.



- a) Se necessário, dobre o eletrodo lateral para ajustar a folga.
5. Instale a vela de ignição manualmente até que ela encoste na sede.
 6. Aperte a vela de ignição usando a chave.
 - a) Aperte uma vela de ignição usada em mais $\frac{1}{4}$ de volta e uma vela de ignição nova em mais $\frac{1}{2}$ de volta.

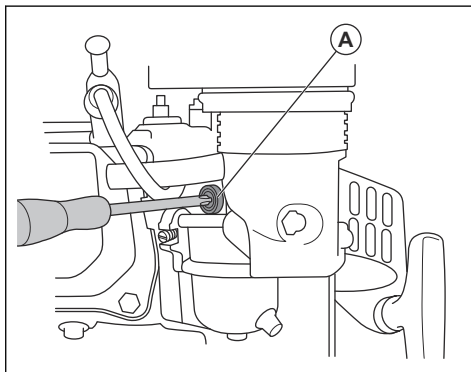


CUIDADO: As velas de ignição não apertadas corretamente podem causar danos ao motor.

7. Instale a tampa da vela de ignição.

Para ajustar a marcha lenta

1. Dê partida no motor ao ar livre e deixe-o aquecer.
2. Mova o acelerador para a posição de marcha lenta.
3. Use um tacômetro para verificar a marcha lenta. Para obter a velocidade de marcha lenta correta, consulte *Dados técnicos na página 54*.
4. Para ajustar a rotação da marcha lenta, gire o parafuso de rotação da marcha lenta (A) no sentido horário.

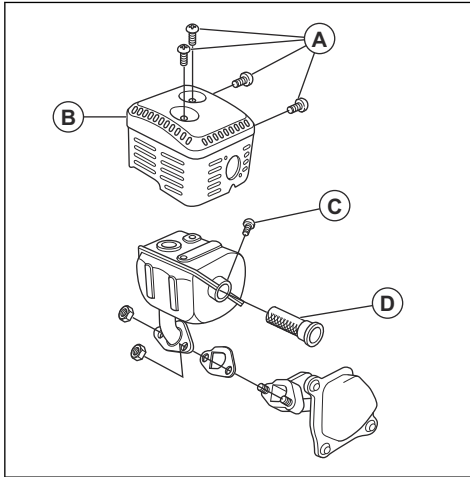


Verificação da tela retentora de faíscas

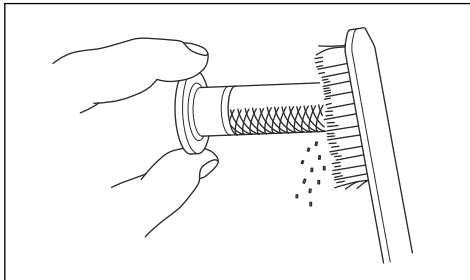


AVISO: Em algumas áreas e condições, é preciso usar uma tela retentora de faíscas para evitar o risco de incêndio. Obedeça aos regulamentos locais.

1. Remova os 3 parafusos do defletor de escape e, em seguida, o próprio defletor.
2. Remova os 4 parafusos (A) da tampa do silencioso (B) e, em seguida, a própria tampa.



3. Remova o parafuso (C) do retentor de faíscas (D) e, em seguida, o próprio retentor de faíscas do silencioso.
4. Limpe a tela retentora de faíscas cuidadosamente usando uma escova de aço.



5. Verifique a tela retentora de faíscas quanto a desgaste e danos. Se necessário, substitua-a.

6. Instale a tela retentora de faíscas na sequência oposta.

Ajuste do carburador para funcionamento em altitude elevada

A altitude tem um efeito sobre o desempenho e as emissões do motor. Caso o motor seja sempre usado em altitudes superiores a 1.500 m (5.000 pés), será necessário ajustar o carburador. Deixe o revendedor de manutenção fazer os ajustes necessários.



CUIDADO: Caso o carburador esteja ajustado para altitudes elevadas, não opere o motor em altitudes mais baixas. Isso causa danos ao motor. Permita que o seu revendedor de manutenção ajuste o carburador de acordo com as especificações de fábrica.

Sistema de controle de emissões

Este motor usa ajustes de carburador enxutos e outros sistemas para diminuir as emissões de materiais perigosos nos gases de escape. A entrada de ar, o sistema de combustível e o sistema de escape integram o sistema de controle de emissões. Caso sejam feitas modificações no sistema de controle de emissões, estas aumentarão.

Caso sejam feitas modificações no mecanismo de ajuste de velocidade ou na articulação do regulador, o motor não funcionará como previsto. Isso também poderá causar um aumento nas emissões.

É necessário usar peças originais para garantir que o sistema de controle de emissões funcione corretamente.

Caso ocorra um ou mais dos problemas descritos a seguir, o motor deverá ser verificado e reparado por um revendedor de manutenção aprovado:

- Dificuldade em dar a partida no motor ou parar o motor após a partida.
- Funcionamento incorreto do motor em marcha lenta.
- Falhas de ignição no motor durante a operação.
- Fumaça do escapamento preta ou consumo de combustível alto.



CUIDADO: Não use um produto com uma tela retentora de faíscas danificada.

Solução de problemas

Não funcionamento do motor.

Causa	Solução
A alavanca da válvula de combustível é colocada na posição DESLIGADO.	Mova a alavanca da válvula de combustível para a posição ON.
O afogador está aberto.	Feche o afogador.
O interruptor LIGA/DESLIGA está na posição DESLIGADO.	Coloque o interruptor LIGA/DESLIGA na posição LIGADO.
Não há combustível no tanque de combustível.	Abastecimento com combustível.
Não há combustível satisfatório no tanque.	Drene o reservatório de combustível e o carburador. Consulte <i>Drenagem do tanque de combustível e do carburador na página 53</i> . Abastecimento com combustível limpo.
Nenhum estabilizador de combustível foi adicionado ou o tanque de combustível não foi drenado antes do armazenamento.	
A vela de ignição está com defeito.	Verifique a folga do eletrodo ou substitua a vela de ignição.
A vela de ignição está úmida com combustível.	Remova a vela de ignição e deixe-a secar. Instale a vela de ignição.



CUIDADO: Caso o problema persista, fale com um revendedor de manutenção aprovado.

A potência do motor diminui

Causa	Solução
O filtro de ar está entupido.	Limpe ou substitua o filtro de ar.
O tanque de combustível contém gasolina ruim.	Drene o reservatório de combustível e o carburador. Consulte <i>Drenagem do tanque de combustível e do carburador na página 53</i> . Abastecimento com gasolina limpa.
Nenhum estabilizador de combustível foi adicionado ou o tanque de combustível não foi drenado antes do armazenamento.	
A rotação do motor é definida para baixa.	Aumente a rotação do motor.



CUIDADO: Caso o problema persista, fale com um revendedor de manutenção aprovado.

Ruídos incomuns são provenientes do motor

Causa	Solução
O motor é operado com altas cargas de trabalho.	Nenhum procedimento é necessário.

Causa	Solução
O tanque de combustível contém gasolina ruim.	Drene o reservatório de combustível e o carburador. Consulte <i>Drenagem do tanque de combustível e do carburador</i> página 53. Abasteça com gasolina limpa de uma marca diferente. Caso o problema persista, fale com um revendedor de manutenção aprovado.



CAUIDADO: Caso ouça ruídos incomuns durante as cargas de trabalho padrão,

interrompa o motor. Isso poderá causar danos ao produto e anular a sua garantia.

Transporte, armazenamento e descarte

Transporte

- Deixe o motor esfriar por pelo menos 15 minutos antes do transporte.
- Mantenha o motor em uma superfície nivelada durante o transporte para evitar vazamentos de combustível.
- Certifique-se de que a alavanca da válvula de combustível esteja na posição DESLIGADO.

Preparação do motor para armazenamento

- Limpe o motor.
 - a) Desligue a extremidade do motor e deixe-o esfriar.
 - b) Limpe todas as superfícies externas.



CAUIDADO: Não as limpe com água corrente de uma mangueira ou de um lavador de alta pressão. A água que entra no motor pode causar danos.

- c) Aplique uma camada fina de óleo em áreas sensíveis para evitar corrosão.
- Adicione um estabilizador de combustível ao tanque ou drene o próprio tanque e o carburador. Consulte *Adição de um estabilizador de combustível ao combustível* na página 53 e *Drenagem do tanque de combustível e do carburador* na página 53.
- Aplique óleo no cilindro. Consulte *Aplicação de óleo no cilindro* na página 54.
- Coloque uma tampa contra poeira no motor para proteção.
- Coloque o motor em um local com um bom fluxo de ar e longe de chamas e faíscas.
- Se possível, não coloque o motor em um local com alta umidade.

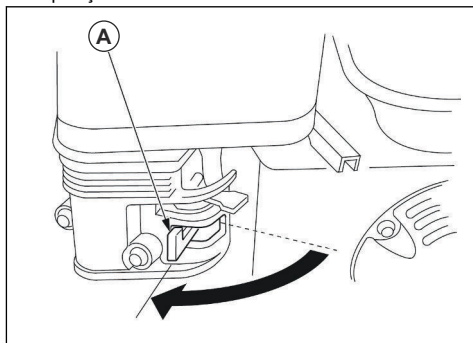
Adição de um estabilizador de combustível ao combustível

1. Coloque o estabilizador de combustível em um recipiente com combustível novo.

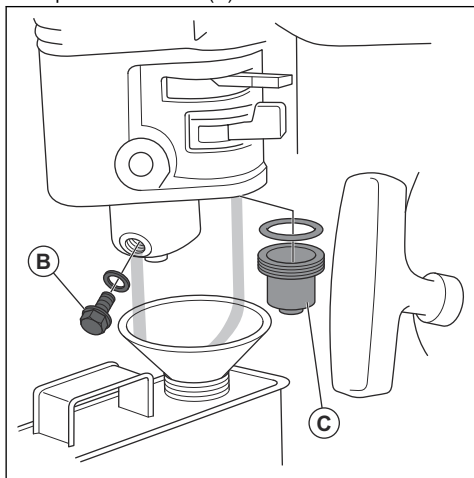
2. Abasteça o tanque com combustível novo e estabilizador de combustível.
3. Dê partida no motor e deixe-o operar por 10 minutos. Isso garantirá que o combustível com o estabilizador tenha substituído o combustível sem o estabilizador.
4. Desligue o motor e mova a alavanca da válvula de combustível para a posição DESLIGADO.

Drenagem do tanque de combustível e do carburador

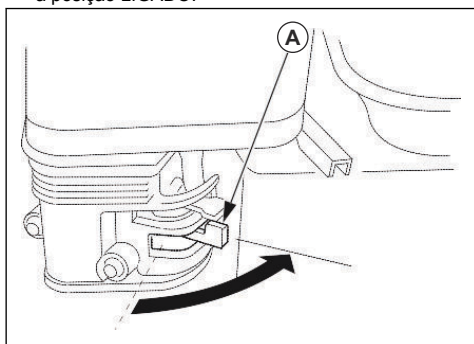
1. Coloque um recipiente de combustível aplicável abaixo do carburador. Use um funil para evitar vazamento de combustível.
2. Mova a alavanca da válvula de combustível (A) para a posição DESLIGADO.



3. Remova o bujão de drenagem do carburador (B) e o copo de sedimentos (C).



4. Mova a alavanca da válvula de combustível (A) para a posição LIGADO.



5. Permita que o combustível seja drenado do tanque e do carburador.
6. Instale o bujão de drenagem do carburador e o copo de sedimentos. Aperte-os totalmente.

Aplicação de óleo no cilindro

1. Remova a vela de ignição.
2. Coloque, aproximadamente, 5 cl de óleo de motor limpo no cilindro.
3. Puxe a alça da corda de arranque cerca de 5 vezes para aplicar o óleo igualmente no cilindro.
4. Instale a vela de ignição.
5. Puxe a alça da corda de arranque lentamente. Puxe-a até sentir resistência.
6. Mova a alça da corda de arranque lentamente de volta à posição inicial.

Descarte

- Respeite os requisitos locais de reciclagem e as regulamentações aplicáveis.
- Descarte todos os produtos químicos, como óleo de motor ou combustível, em um revendedor de manutenção ou em um local apropriado para o descarte.
- Quando a vida útil do motor tiver expirado, envie-o para um revendedor de manutenção Husqvarna ou descarte-o em um local de reciclagem.

Dados técnicos

	HH 163MP	HH 196MP	HH 196OB	HH 212OB
Tipo do motor	Cilindro único, 4 tempos, arrefecimento de ar forçado, OHV	Cilindro único, 4 tempos, arrefecimento de ar forçado, OHV	Cilindro único, 4 tempos, arrefecimento de ar forçado, OHV	Cilindro único, 4 tempos, arrefecimento de ar forçado, OHV
Potência do motor, kW/hp @rpm ⁵	3,4/4,6 @3600	4,1/5,5 @3600	4,1/5,5 @3600	5,5/7,4 @4600
Torque máximo, Nm/rpm	9,5/2500	12,4/2500	12,4/2500	13,5/3000

⁵ A potência nominal do motor indicada é a potência média líquida (em rpm especificado) de um típico motor de produção para o modelo do motor medido no padrão SAE J1349/ISO1585. Os motores de produção em massa podem apresentar diferenças nesse valor. A potência real para o motor instalado no produto final vai depender da velocidade de operação, das condições ambientais e de outros valores.

	HH 163MP	HH 196MP	HH 196OB	HH 212OB
Consumo de combustível, g/kWh	≤395	≤395	≤395	≤395
Marcha lenta	1.800 ±150	1.800 ±150	1.800 ±150	1.800 ±200
Taxa de flutuação de velocidade, %	≤10	≤10	≤10	≤10
Ruído, ≤ db(A)	70	70	70	N/A
Diâmetro interno x curso, mm	68x45	68x54	68x54	70x55
Cilindrada, cm ³	163	196	196	212
Taxa de compressão	8:5:1	8:5:1	8:5:1	8:8:1
Modo de lubrificação	Respingo	Respingo	Respingo	Respingo
Motor de partida	Início do recuo	Início do recuo	Início do recuo	Início do recuo
Rotação	Sentido anti-horário do lado da TDP	Sentido anti-horário do lado da TDP	Sentido anti-horário do lado da TDP	Sentido anti-horário do lado da TDP
Folga da válvula de entrada, mm	0,10-0,15	0,10-0,15	0,10-0,15	0,10-0,15
Folga da válvula de saída, mm	0,15-0,20	0,15-0,20	0,15-0,20	0,15-0,20
Modo de ignição	Ignição magnética transitória	Ignição magnética transitória	Ignição magnética transitória	Ignição de descarga do capacitor
Filtro de ar	Filtro de ar de elemento duplo	Filtro de ar de elemento duplo	Elemento do filtro de espuma	N/A
Capacidade do tanque de combustível, l	3,6	3,6	3,6	3,6
Capacidade do tanque de óleo, l	0,6	0,6	0,6	0,6
Óleo do motor	SAE 10W-30, API Classe SE ou SF, para utilização geral	SAE 10W-30, API Classe SE ou SF, para utilização geral	SAE 10W-30, API Classe SE ou SF, para utilização geral	SAE 10W-30, API Classe SE ou SF, para utilização geral
Sensor de nível baixo de óleo	Não	Sim	Não	Não
Tipo de vela de ignição	F7TC ou equivalente	F7TC ou equivalente	F7TC ou equivalente	F7TC ou equivalente
Folga do eletrodo	0,7-0,8	0,7-0,8	0,7-0,8	0,7-0,8
Dimensões, CxLxA, mm	314x365x338	314x365x338	314x365x338	330x365x350
Peso líquido, kg	15	16	16	14,7

	HH 270MP	HH 270OB	HH 389MP	HH 389OB
Tipo do motor	Cilindro único, 4 tempos, arrefecimento de ar forçado, OHV	Cilindro único, 4 tempos, arrefecimento de ar forçado, OHV	Cilindro único, 4 tempos, arrefecimento de ar forçado, OHV	Cilindro único, 4 tempos, arrefecimento de ar forçado, OHV
Potência do motor, kW/hp @rpm ⁶	6,0/8,0 @3600	6,0/8,0 @3600	8,2/11,0 @3600	8,2/11,0 @3600
Torque máximo, Nm/rpm	17,7/2500	17,7/2500	25,1/2500	25,1/2500
Consumo de combustível, g/kWh	≤374	≤374	≤374	≤374
Marcha lenta	1.800 ±150	1.800 ±150	1.800 ±150	1.800 ±150
Taxa de flutuação de velocidade, %	≤10	≤10	≤10	≤10
Ruído, ≤ db(A)	80	80	80	80
Diâmetro interno × curso, mm	77×58	77×58	88×64	88×64
Cilindrada, cm ³	270	270	389	389
Taxa de compressão	8:2:1	8:2:1	8:1	8:1
Modo de lubrificação	Respingo	Respingo	Respingo	Respingo
Motor de partida	Início do recuo	Início do recuo	Início do recuo	Início do recuo
Rotação	Sentido anti-horário do lado da TDP	Sentido anti-horário do lado da TDP	Sentido anti-horário do lado da TDP	Sentido anti-horário do lado da TDP
Folga da válvula de entrada, mm	0,10-0,15	0,10-0,15	0,10-0,15	0,10-0,15
Folga da válvula de saída, mm	0,15-0,20	0,15-0,20	0,15-0,20	0,15-0,20
Modo de ignição	Ignição magnética transitória	Ignição magnética transitória	Ignição magnética transitória	Ignição magnética transitória
Filtro de ar	Filtro de ar de elemento duplo	Elemento do filtro de espuma	Filtro de ar de elemento duplo	Elemento do filtro de espuma
Capacidade do tanque de combustível, l	6,0	6,0	6,5	6,5
Capacidade do tanque de óleo, l	0,95	0,95	1,1	1,1
Óleo do motor	SAE 10W-30, API Classe SE ou SF, para utilização geral	SAE 10W-30, API Classe SE ou SF, para utilização geral	SAE 10W-30, API Classe SE ou SF, para utilização geral	SAE 10W-30, API Classe SE ou SF, para utilização geral
Sensor de nível baixo de óleo	Sim	Não	Sim	Não

⁶ A potência nominal do motor indicada é a potência média líquida (em rpm especificado) de um típico motor de produção para o modelo do motor medido no padrão SAE J1349/ISO1585. Os motores de produção em massa podem apresentar diferenças nesse valor. A potência real para o motor instalado no produto final vai depender da velocidade de operação, das condições ambientais e de outros valores.

	HH 270MP	HH 270OB	HH 389MP	HH 389OB
Tipo de vela de ignição	F7TC ou equivalente	F7TC ou equivalente	F7TC ou equivalente	F7TC ou equivalente
Folga do eletrodo	0,7-0,8	0,7-0,8	0,7-0,8	0,7-0,8
Dimensões, C×L×A, mm	380×430×420	380×430×420	405×450×443	405×450×443
Peso líquido, kg	25	25	31	31



www.husqvarna.com

Original instructions
Instrucciones originales
Instruções originais

1142434-38



2020-09-24

ОФИЦИАЛЬНЫЙ ДИЛЕР В УКРАИНЕ:

storgom.ua

ГРАФИК РАБОТЫ:

Пн. – Пт.: с 8:30 по 18:30

Сб.: с 09:00 по 16:00

Вс.: с 10:00 по 16:00

КОНТАКТЫ:

+38 (044) 360-46-77

+38 (066) 77-395-77

+38 (097) 77-236-77

+38 (093) 360-46-77

Детальное описание товара:

<https://storgom.ua/product/husqvarna-214298.html>

Другие товары: <https://storgom.ua/benzinovy-e-dvigateli.html>