



2E-PPS5051

User Guide

Посібник користувача

Руководство пользователя

2E VOLODAR

Portable Power Station

Портативна Зарядна Станція

Портативная Зарядная Станция



About

Thank you very much for purchasing our multifunctional portable mobile energy storage system. It has a variety of DC voltage outputs, different ports such as USB, TYPE-C, DC5521, cigarette lighter, etc. It is also equipped with a display that can display the battery status and power. Suitable for a variety of different devices and scenarios, such as electric fans, televisions, drones, mobile phones, tablets, laptops, desktop, computers, small printers, various lamps, small fish tanks, photographic equipment, electric scooters, etc.

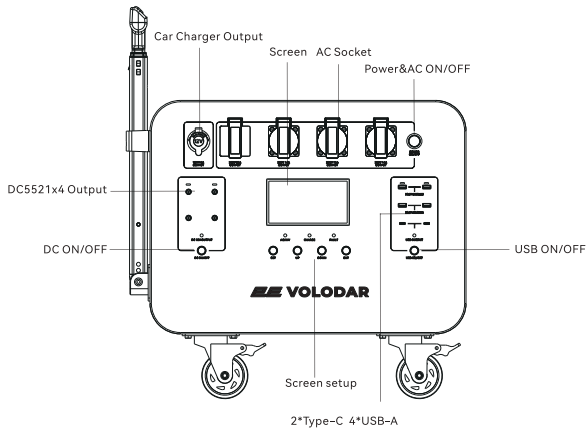
Please read this user manual carefully before using this product and keep it for future reference.

Technical Specifications

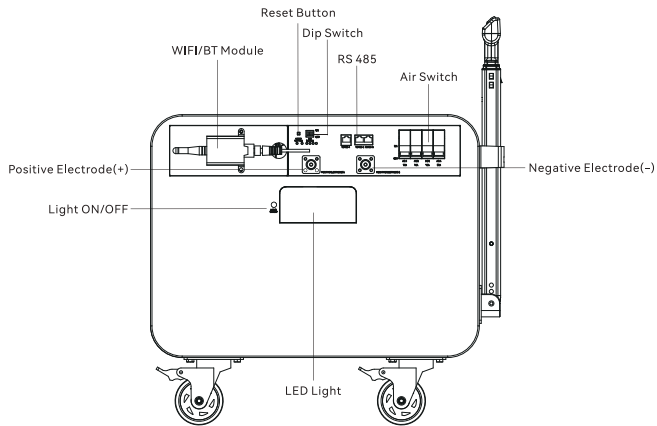
Battery type and Capacity	Grade A LiFePO ₄ 5120Wh/51.2V/100Ah Cycle life: ≥3000 times
Input	AC Input: 220-240V, 50Hz (2500W Max); MPPT Input: 120-450V, 18A (5000W Max);
USB Output	2x USB Type-C: 5V 3A, 9V 3A, 12V 3A, 15V 3A, 20V 5A (100W Max) 4x USB-A: 5V 3A, 9V 2A, 12V 1.5A (single 18W Max, double 15W Max)
DC Output	4x DC 5521 Ports: 12V 10A (120W Max) Car Port: 12V 10A (120W Max)
AC Output	1x AC: 210-230V, 30A, 50 Hz 3x AC: 210-230V, 16A, 50 Hz Max. total output power: 5000W Output Waveform: Pure Sine Wave
Operating Temperature	-10~45° C
Dimensions	520 x 405 x 376 mm
Weight	about 70 kg
Package contents	1x Portable Power Station 1x AC Charging Cable 1x Cigarette lighter to DC5521 Adapter 1x User guide

Identification of parts

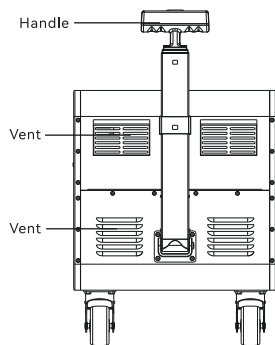
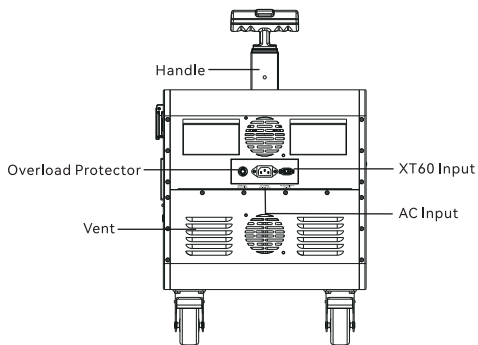
Front view



Back view



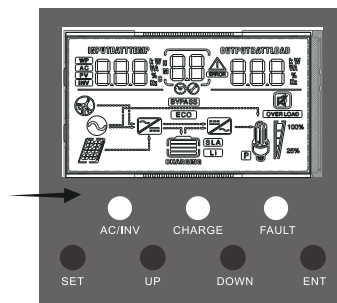
Side view



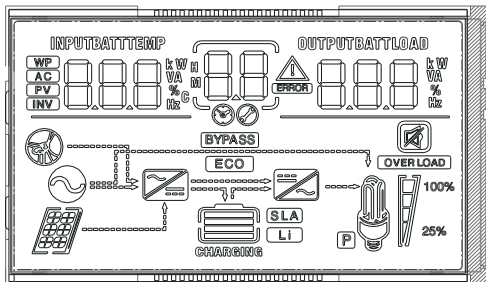
Display

1) Indicator Lights





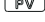



Indicator Light	Color	Description
AC/INV	Yellow	Long bright: Mains output
		Flash: Inverter output
CHARGE	Green	Flash: The battery is charging
		Long bright: Fully charged
FAULT	Red	Light on: Fault State



2) LCD Screen



Icon	Function	Icon	Function
	AC input is connected to the grid		Inverter is working
	Wide voltage AC input mode (APL mode) 90-280V		Bypass working mode (UPS mode) 170-280V
	Solar Panel is connected to PV input		Indicates that the AC output is in an overload state
	Internal battery remaining power: 0%~24% 25%~49% 50%~74% 75%~100%		AC output load: 0%~24% 25%~49% 50%~74% 75%~100%
	Lithium battery is installed		Buzzer is disabled
	Lead-acid battery is installed		Alarm
	Battery is charging		Error has occurred
	AC/PV charging is working		Setup Mode

	AC output is working		Non-setup mode: Alarm or Fault code Setup mode: current parameter
	AC input is working		Inverter is working
	PV input is working		Icon in nod displayed
	Battery voltage, charging current, mains charging power, AC input voltage/frequency, PV input voltage, internal radiator temperature, software version		Non-setup mode: output power, discharge current, software version Setup mode: current parameter value

3) Data viewing in real time

Press “UP” and “DOWN” buttons on LCD screen to view real-time data.

Page	Parameter on the left side	Description	Icon	Function	Description
1	Input batt V	Battery input voltage	Fault code	Output load V	Output voltage
2	PV temperature	Solar panel heat sink temperature		PV output KW	Solar panel output power
3	PV input V	Solar panel input voltage		PV output A	PV output current
4	Input batt A	Battery input current		Output batt A	Battery output current
5	Input batt KW	Battery input power		Output batt KW	Battery output power
6	AC input Hz	Mains input frequency		AC output load Hz	AC output frequency
7	AC input V	Mains input voltage		AC output load A	AC output current
8	Input V	Maintenance parameter		Output load KVA	Total output power
9	INV temperature	Invertor temperature		INV output load KW	Invertor output reactive power

10	APP software version	APP software version	Fault code	Software version	Power Station software version
11	Model battery voltage level	Build-in battery voltage level		Model output power	Power Station output power
12	Model PV voltage level	Solar panel voltage		Model PV charging current level	Solar panel current

Precautions for use:

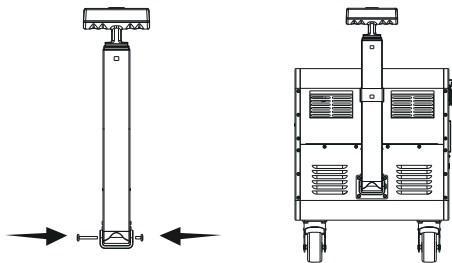
1. Please read all the safety warnings before use and always follow the basic precautions when using this product. Warranty does not cover damages caused by failure to follow instructions.
2. When using the device for the first time, it is recommended to fully charge it in order to avoid inconveniences during use due to lack of power.
3. Close supervision is required when using this product around children to reduce the risk.
4. Charge the product at least every three months to preserve the battery life.
5. Low temperature may affect the battery capacity of the product, the product can be charged in the temperature range of 0 to 40°C, and used in the temperature range of -10 to 45°C.
6. Place, charge and store the product in a well-ventilated place.
7. Wipe the product clean with a dry cloth.
8. When the product is not in use, unplug the power cord from the product outlet.

Safety warning:

1. Use of accessories recommended or sold by non-professional product manufacturers may result in electric shock or equipment damage.
2. Do not use damaged wires or plugs or damaged output cables with this product.
3. Never restrict the ventilation of the product.
4. Do not disassemble the product. Doing so may result in unpredictable risks such as fire, explosion, or electric shock.
5. Avoid exposing the product to rain or using the product in humid environment.
6. Do not use or store the product in a high temperature environment (direct hot sunlight or hot car interior), otherwise the internal battery may overheat, catch fire or fail, shorten its lifespan, and incur other risks.
7. In case of fire, use dry powder fire extinguishers for this product. Do not use water fire extinguisher, which may cause electric shock.
8. Avoid getting dust or foreign objects inside the device, otherwise it may easily cause damage to its internal components.

Installing the folding handle

Use the supplied mounting screws to install the folding handle.



Button functions

Button	Current state	Corresponding action
Power	Standby	Short press: power on/off (Note: the display will light up after output is turned on)
DC	Power on	Short press: turn on/off the DC output
USB	Power on	Short press: turn on/off the USB output
LED	Power on	Short press: turn on the light (brightness 1-2) > SOS > Strobe > Turn off the light
SET	Power on	Short press: enter/exit settings menu
UP	Power on	Short press: Previous selection
DOWN	Power on	Short press: Next selection
ENT	Power on	Short press in settings menu: confirm/enter option

Note. When the device is turned on press AC button to turn on the screen. When the screen backlight is off, press SET, UP, DOWN or ENT button to turn on the backlight.

Warning: Changing the settings can damage the components and cause the charging station and devices connected to it to fail. The manufacturer is not responsible for direct or indirect damages caused by changing these parameters.

To enter the setting menu and exit the setting menu, press the “SET” button. After entering the setting menu, the parameter number [00] will flash. Press the “UP” and “DOWN” buttons to select the code of the parameter item to be set. Then press the “ENT” button to enter the parameter editing state. The value of the parameter will be flashing. Adjust the value of the parameter through the “UP” and “DOWN” buttons, and finally press the “ENT” button to complete the parameter editing and return to the parameter selection state.

No	Parameter Name	Setting Options	Description
00	Quit	[00] ESC	Exit settings menu
01	Work first mode	[01] UTI Default	<p>SOL: PV priority mode, switching to the Mains when the PV fails or the battery is lower than the set value of parameter [04].</p> <p>UTI: Mains priority mode, switching to inverter only when the mains fail.</p> <p>SBU: Inverter priority mode, switching to the mains only when the battery is under voltage or lower than the set value of parameter [04].</p>
02	Output frequency	[02] 50.0Hz/60.0Hz	230V 50Hz or 120V 60Hz mode
03	AC input voltage range	[03] UPS Default	Operating mode from the mains 170~280 V = UPS mode; 90~280 V = APL mode.
04	Conversion to mains electricity	[04] 46.0V Default	When parameter [01] =SOL/SBU and the battery voltage is lower than the set value, the output switches from Inverter to mains. Settings range 44V~52V
05	City battery	[05] 56.0V Default	When parameter [01] =SOL/SBU and the battery voltage is higher than the set value, the output is switched from mains to inverter. Settings range 48V~60V
06	Charging mode	[06] SNU Default	<p>CSO: PV priority charging; only when the PV charging fails, the mains charging is started.</p> <p>CUB: Mains priority charging; only when the mains charging fails, the PV charging is started.</p> <p>SNU: PV and Mains hybrid charging; PV charging is a priority, and when the PV energy is insufficient, the Mains charging supplements. When the PV energy is sufficient, the Mains charging stops.</p> <p>OSO: Only PV charging, with the Mains charging not activated.</p>
07	Maximum charging current	[07] 60A Default	Settings range: 0~80A

08	Battery type	[08] L16	<p>USE: User-defined battery: all battery parameters can be set.</p> <p>SLd: Sealed lead-acid battery: constant-voltage charge voltage: 57.6V, floating charge voltage: 55.2V.</p> <p>FLd: Vented lead-acid battery: constant-voltage charge voltage: 58.4V, floating charge voltage: 55.2V.</p> <p>GEL: Colloidal lead-acid battery: constant-voltage charge voltage: 56.8V, floating charge voltage: 55.2V.</p> <p>LF14/LF15/LF16: F16 default) Lithium iron phosphate battery: LF14/LF15/LF16, corresponding to 14 strings, 15 strings and 16 strings of lithium iron phosphate battery; for 16 strings, default constant-voltage charge voltage is 56.8V; for 15 strings, default constant-voltage charge voltage is 53.2V; for 14 strings, default constant-voltage charge voltage is 49.2V; allow adjustable.</p>
09	Increase charging voltage	[09] 57.6V Default	Charging voltage. The setting range is 48V~58.4V, the step is 0.4V. Valid only when the battery type is custom and it is a lithium battery
10	Increase the maximum charging time	[10] 120 Default	Maximum charging time with constant voltage [09]. The setting range is 5min~900min with a step of 5 minutes. Valid only when the battery type is custom and it is a lithium battery
11	Float voltage	[11] 55.2V Default	Float charge voltage. The setting range is 48V~58.4V, the step is 0.4V. Valid only when the battery type is custom
12	Over-discharge voltage	[12] 42V Default	Over-discharge voltage. When the battery voltage is lower than the judgment point, the inverter output will be turned off after time delay [13]. The setting range is 40V~46V, the step is 0.4V. Valid only when the battery type is custom and it is a lithium battery
13	Over-discharge delay time	[13] 5S Default	Over-discharge delay time. When the battery voltage is lower than the parameter [12], the Inverter output will be turned off after delaying the time set by this parameter. The setting range is 5S~50S, the step is 5S. Valid only when the battery type is custom and it is a lithium battery

14	Battery undervoltage alarm point	[14] 44V Default	Battery undervoltage alarm point. When the battery voltage is lower than the judgment point, an alarm will be reported (the output will not be turned off). The setting range is 40V~52V, the step is 0.4V. Valid only when the battery type is custom and it is a lithium battery
15	Battery Discharge Limit Voltage	[15] 40V Default	The battery discharge limit voltage. When the battery voltage is lower than the judgment point, the output will be turned off immediately. The setting range is 40V~52V, the step is 0.4V. Valid only when the battery type is custom and it is a lithium battery
16	Balanced charge	[16] ENA Default	Turn on equalization charging. Valid only for open lead-acid and sealed lead-acid batteries
17	Balanced charging voltage	[17] 58.4V Default	Balanced charging voltage. The setting range is 48V~58.4V, the step is 0.4V. Valid only for open lead-acid and sealed lead-acid batteries
18	Equalization charging time	[18] 120 Default	Equalization charging time. The setting range is 5min~900min, the step is 5 minutes. Valid only for open lead-acid and sealed lead-acid batteries
19	Equalization charge delay	[19] 120 Default	Balanced charging delay. Setting range 5min~900min, the step is 5 minutes. Valid only for open lead-acid and sealed lead-acid batteries
20	Equalization charge derating time	[20] 30 Default	Equalization charge derating time. Setting range is 0~30 days, the step is 1 day. Valid only for open lead-acid and sealed lead-acid batteries
21	Turn on equalization charging	[21] DIS Default	Stop equalizing charging immediately
22	Energy saving mode	[22] DIS Default	Disable energy saving mode
23	Overload restarts automatically	[23] ENA Default	Overload automatic restart. If the output is turned off due to overload, the machine will restart the output after 3 minutes delay. After 5 restarts in a row it will not restart anymore.

24	Over temperature automatic restart	[24] ENA Default	Over-temperature automatic restart. If the over-temperature occurs, the output will be turned off and will be restarted when the temperature drops
25	Buzzer alarm	[25] ENA Default	Turn on the alarm
26	Mode switch reminder	[26] ENA Default	When the status of the main input source changes, an alarm will be triggered
27	Inverter overload transfer to bypass	[27] ENA Default	When the inverter is overloaded, it will automatically switch to the mains
28	Mains charging current	[28] 230V/50A, 120V/30A Default	AC input current. Setting range 0~50A (for 230V); 0~30A (for 120V)
29	Output phase adjustment function	[29] DIS Default	Output phase adjustment function
30	R485 address setting	[30] 1 Default	RS485 communication address. Setting range 1~254
35	Battery Undervoltage recovery point	[35] 50.4V Default	When the battery voltage is low, it must be higher than this setting value to restore the battery inverter output power. Setting range: 44V~58.4V
37	Full battery recharge recovery point	[37] 52V Default	When the battery is fully charged, the inverter stops charging. When the battery voltage is lower than this voltage value, charging will be resumed
38	AC output voltage setting	[38] 230V Default	AC output voltage. Can be set to: 200/208/220/230/240V

DIP Switches

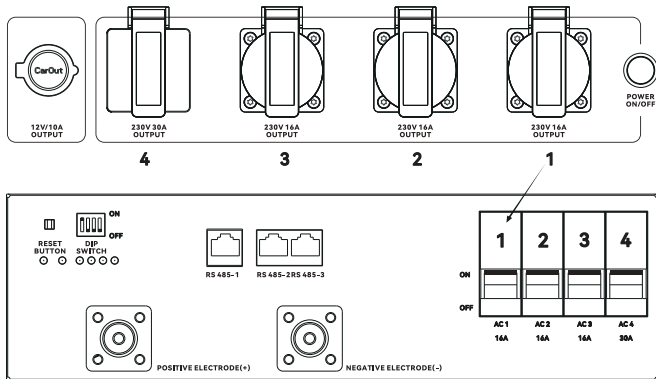
When the battery module is used in parallel, you can use the DIP switch to set the address to distinguish different battery modules. Default setting for this power station is Address #1. The DIP switch definition is shown in the table below.

Address	DIP switch position				Operating mode
	1	2	3	4	
0	OFF	OFF	OFF	OFF	Single mode
1	ON	OFF	OFF	OFF	Master (host)
2	OFF	ON	OFF	OFF	Slave 2
3	ON	ON	OFF	OFF	Slave 3
4	OFF	OFF	ON	OFF	Slave 4
5	ON	OFF	ON	OFF	Slave 5
6	OFF	ON	ON	OFF	Slave 6
7	ON	ON	ON	OFF	Slave 7
8	OFF	OFF	OFF	OFF	Slave 8
9	ON	OFF	OFF	ON	Slave 9
10	OFF	ON	OFF	ON	Slave 10
11	ON	ON	OFF	ON	Slave 11
12	OFF	OFF	ON	ON	Slave 12
13	ON	OFF	ON	ON	Slave 13
14	OFF	ON	ON	ON	Slave 14
15	ON	ON	ON	ON	Slave 15

Attention! Avoid setting the same addresses for different battery modules. This may cause the system to crash.

Air Switches

Each Air switch corresponds to each AC output port. When the product is turned on, turn the air switch up to turn on and down to turn off the corresponding AC port.



System fault codes

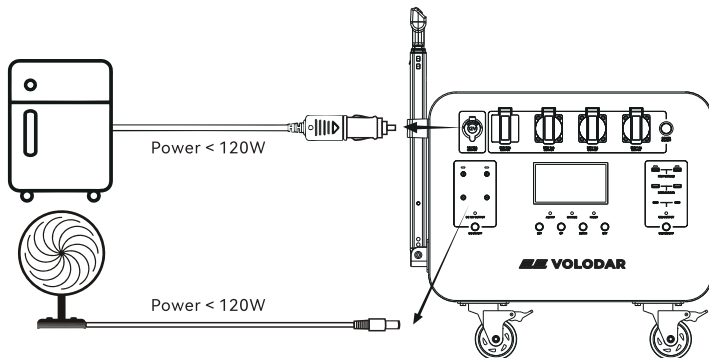
Error Code	Fault	Does it affect the output?	Description
[01]	BatVoltLow	Yes	Battery low voltage warning
[02]	BatOverCurrSw	Yes	Battery discharge/average current/overcurrent software protection
[03]	BatOpen	Yes	Battery is not connected
[04]	BatLowEod	Yes	Battery low voltage stop alarm
[05]	BatOverCurrHw	Yes	Battery overcurrent hardware protection

[06]	BatOverVolt	Yes	Charging overvoltage Protection
[07]	BusOverVoltHw	Yes	Hardware circuit protection against overvoltage
[08]	BusOverVoltSw	Yes	Software circuit protection against overvoltage
[09]	PvVoltHigh	No	PV overvoltage protection
[10]	PvBoostOCSw	No	Software PV circuit protection against overcurrent
[11]	PvBoostOCHw	No	Hardware PV circuit protection against overcurrent
[12]	bLineLoss	No	Mains disconnected
[13]	OverloadBypass	Yes	Bypass overload protection
[14]	Overloadinverter	Yes	Inverter overload protection
[15]	ACOverCurrHw	Yes	Inverter overcurrent hardware protection
[16]	-	-	-
[17]	InvShort	Yes	Inverter short circuit protection
[18]	-	-	-
[19]	OverTemperMppt	No	PV radiator over temperature protection
[20]	OverTemperInv	Yes	Inverter radiator over temperature protection
[21]	FanFail	Yes	Fan failure
[22]	EEPROM	Yes	Memory failure
[23]	ModelNumErr	Yes	Model setting error
[26]	Rlyshort	Yes	Inverter AC output to AC input short circuit protection
[29]	BusVoltLOW	Yes	High voltage circuit low voltage protection

Using the Power Station

1) Powering DC appliances

Turn on the power switch, press the DC/Car Charger Output ON/OFF button, the DC sockets and the car charger will start to work and output 12V. Connect the electrical appliance to the desired power interface.



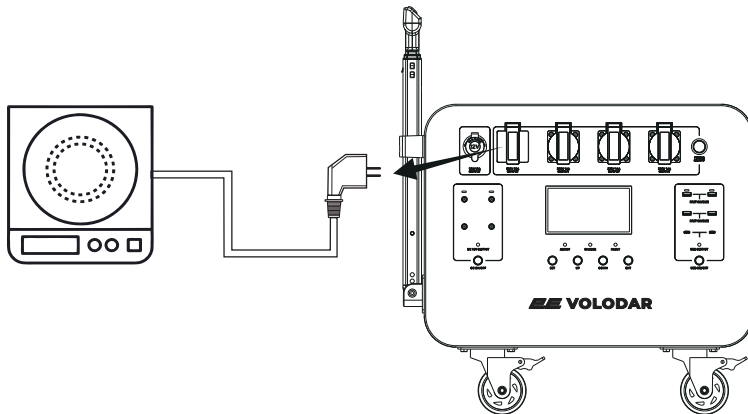
Protection Mode:

Short circuit/over power protection: If the DC output has a short circuit or the output is overpowered (load > 120W), the device will turn off the DC output for protection. After troubleshooting, turn the DC output back on to power the device.

The DC output voltage range of this device is 11.4V-12.6V, and the maximum output current is 10A.

2) Powering AC appliances

Turn on the power switch, connect the device's power plug to the portable power station's AC port, then press the AC button and the device will supply power to the device.



Warning. Different countries have different interface specifications and voltage standards. Before use, be sure to carefully check whether the output characteristics of the product match the input characteristics of the electrical appliance, otherwise it may cause damage to the device.

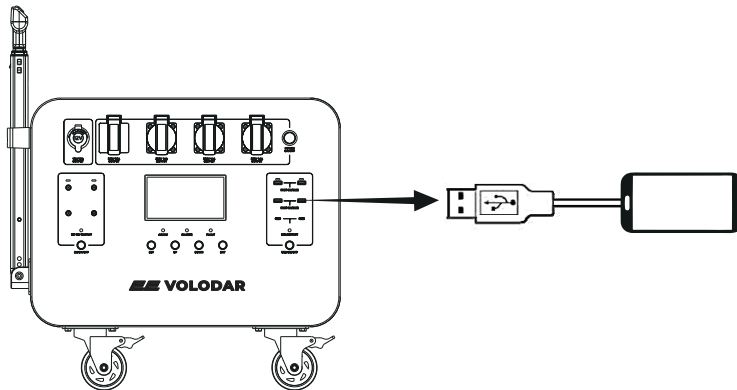
(When the AC outlet is not in use, turn off the AC switch in time to save power.)

Protection Mode:

Short Circuit/Over Power Protection: If the AC output is shorted or the load power exceeds 5000W, the device will turn off the AC output for protection. Once the problem is corrected, turn on the AC output to supply power to the device.

3) Powering USB digital devices

Turn on the power switch, connect the USB cable of the digital device to the USB interface of this product, turn on the USB output to supply power to the digital device. If the power does not start, plug and unplug the USB cable again.

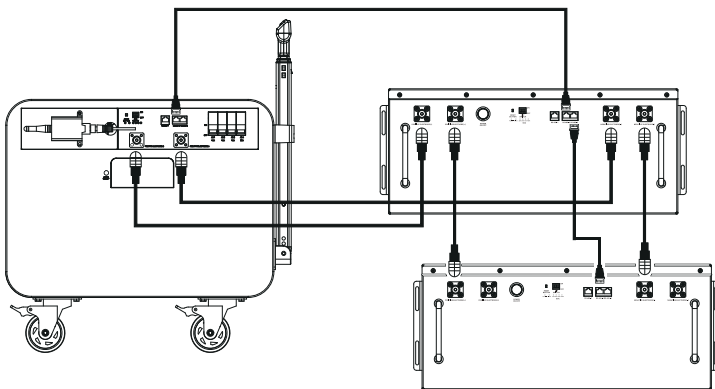


4) Connecting the external batteries

The capacity of the device can be increased using original 2E external batteries. Up to 15 additional batteries can be connected to one power station.

Warning. Always turn off power station before connecting external batteries.

- 1) Turn off the power station before connecting batteries.
- 2) Connect RS communication sockets with a communication cable as shown on the picture.
- 3) Connect Positive and negative sockets with corresponding cables as shown on the picture.
- 4) Turn on the power buttons on power station and battery(batteries), then turn on desired outputs.



Note: External batteries are sold separately. For more info please check official website <https://2e.ua/en/products-category/power-station/>

5) Charging the product

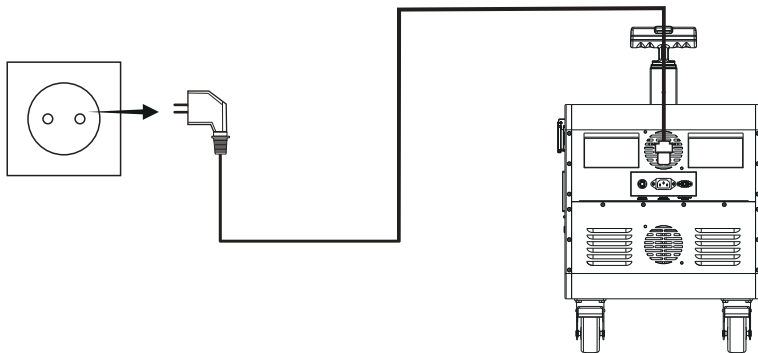
Cold Weather

Cold weather can influence battery capacity. In sub-zero temperature ($<0^{\circ}\text{C}$), you may be able to discharge the product, but you should not charge it. Otherwise, the battery of the product would be greatly damaged and the capacity may not even be recovered.

Attention: The operating environment should meet all requirements in this manual. Make sure that the air inlet/outlet is not blocked

a. Charging with AC power cord

Connect the product to a household AC outlet using the AC power cord. Turn on the station. If the battery indicator icon on the product display blinks, the product is charging. The charge level is indicated on the LCD display. When it reaches 100%, the product is fully charged. Remove the AC power cord from the AC outlet in time.

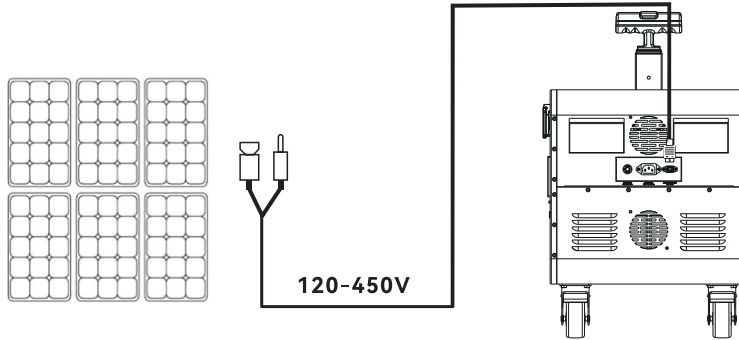


Note. This product supports 2500W maximum input power.

b. Charging with a solar panel

1) Place the solar panel in a place with strong direct sunlight.

2) Connect the output of the solar panel to the charging input of this product. Turn on the Power Button, if the battery indicator icon on the product display blinks, the product is charging. The charge level is indicated on the LCD display. When it reaches 100%, the product is fully charged.



MPPT technology: This product supports solar panel charging using MPPT technology. With its MPPT controller, this product can monitor the output voltage and current changes from the solar panel and get the best charging performance.

Series charging scheme: this product allows connecting solar panels in series to achieve best charging result. DC input parameters are 120-450V (5000W Max).

Actual performance may vary depending on climate, temperature, battery condition and other factors.

6) UPS function

This product supports UPS function. When you connect a computer to the AC input port of this product, it may use AC power from mains instead of battery power to operate. If there is a sudden power failure, this product can automatically switch to battery power mode within 20ms.

Application scenario

(1) Outdoor

Car equipment: car fridge, car vacuum cleaner, pump and another car equipment;

Camping equipment: garden electric tools (power tools such as blowers, lawnmowers, electric drills, electric saws), LED lights, etc.

(2) Indoor

Refrigerator, kitchen devices such as kettle, toaster, blender, coffee maker, gas boiler, laptops, phones, lighting, etc.

Examples of loads

(1) Most electrical appliances in the market apply to the specifications of 12V/30A (XT60 or SPC45), 12V/10A, cigarette lighter, USB-A, and USB-C output ports of charger. But still, the charging of some products may activate the over-current protection if it generates an instantaneous high current at the moment of starting.

(2) Charger can power electrical products with 5500W or less rated power. Though the figure is under 5000W, overload protection will still be activated when the appliance generates a massive instantaneous start-up power. Therefore, it's recommended to apply charger to electrical products with lower-rated power.

(3) If an output over-current, overload, or short circuit occurs, device will turn off the corresponding output port. Then it will automatically start again at an interval of 15s). If the output repeatedly stops, turn the equipment off. Please get in touch with the seller or maintenance group first for professional help.

(4) When the battery level drops to 0%, the DC and AC output will automatically turn off. Please check the battery level before using device to protect and enhance battery cycle life.

(5) This device supports charging and discharging simultaneously, and please keep the equipment laid flat during use, charging, and discharging.

Estimation of operating time

Smartphone

360-370 Times
10W

LED Light Bulb

Around 180-190 hrs
20W

Television

Around 48-50 hrs
75W

Electronic Tools

Around 45-46 hrs
80W

Refrigerator

Around 39-41 hrs
90W

Gas boiler

Around 18-19 hrs
200W

$5120\text{Wh} \times \text{DOD} \times \eta \div (\text{load power}) = \text{charging time}$

Note: DOD is the battery discharge depth, η is the local inverter efficiency.
And the units of load power and charging time are Watt and Hour. DOD=80%,
 η =90%

Elimination of the most common problems during use

Fault	Troubleshooting	Solution
External device is not charging	1. The device is not properly connected to the charger	Make sure the product is properly connected to the charger. Check for poor contact in the connections.
	2. The contact is good, but the charging indicator is not on	Turn on the output port button. If there is still no result, the charger might be broken, please contact after-sales service
	3. The charging indicator is on, device is still not charging	The device might be broken, please contact device after-sales service
Charger does not output power	1. The equipment is not properly connected to the charger	Make sure the equipment is properly connected to the charger. Check for poor contact in the connections.
	2. The output port is not turned on	Press the output port button
	3. Low output power	Charge the charger
	4. Still no output power after eliminating 1.2.3 points	The charger might be broken, please contact after-sales service
Charger interrupts power output	1. The rated power or instantaneous starting power of the equipment used is greater than the power of the product.	Select higher power energy storage products
	2. The alarm symbol appears on the display screen. A beep sounds and the product automatically turns off the output.	A short circuit has occurred in the equipment. Please check the wires and connections.
	3. Power output still interrupts after eliminating 1.2. points	The charger or your device might be broken, please contact after-sales service

1. Can this product be carried on a plane?

No, because this product contains high capacity battery. In accordance with international air transport standards, the transportation of products with batteries with a capacity of more than 100 Wh is prohibited.

2. If the power of the equipment is within the rated output of the product, can it be used?

a. If the power consumption of the product is less than 20% of the total power of the charger, it can be used at the same time with other products.

b. products with a rated or peak power that exceeds the allowable parameters cannot be used with this charger

3. Why does the device make a sound while using it?

The product uses an air-cooling system, and the built-in fan is better conducive to heat dissipation. A little noise during operation is normal.

4. Is it normal for the charger to get warm while charging?

Charger heating when charging is a normal phenomenon, the standard temperature of the device when charging is in line with national safety standards, you can rest assured to use it!

Warranty

The warranty period is one year.

The warranty period starts from the date of purchase by the consumer.

The warranty does not cover the following cases:

1. Cosmetic damages, scratches on the body;
2. Disassembly and repair by non-authorized staff without permission;
3. Product performance failure caused by human factors.
4. Damage caused by irresistible factors such as natural disasters, lightning and accidents.

Про пристрій

Щиро дякуємо за придбання багатофункціональної портативної електростанції 2E. Вона має виходи постійного струму, різні порти, такі як USB, TYPE-C, автомобільний прикурювач тощо. Вона також оснащена LED ліхтарем і дисплеєм, який може відображати стан батареї та пристрою. Електростанція підходить для живлення різноманітних пристроїв, таких як електричні вентилятори, телевізори, дрони, мобільні телефони, планшети, ноутбуки, настільні комп'ютери, принтери, різні лампи, акваріуми, фотообладнання, електросамокати та ін.

Перед використанням продукту уважно прочитайте цей посібник користувача та збережіть його для подальшого використання.

Спрощена декларація про відповідність

Справжнім «Малід Лімітед» заявляє, що тип радіобладнання портативна зарядна станція 2E-PPS5051 з опціональним бездротовим модулем відповідає Технічному регламенту радіобладнання. Повний текст декларації про відповідність доступний на вебсайті за такою адресою: <https://2e.ua/docs/>

Назва модуля: WFBLE

Діапазон частот роботи радіобладнання: 2.412 ГГц - 2.484 ГГц

Максимальна потужність випромінювання: 16.98 дБм

Версія програмного забезпечення: V 2.7.5

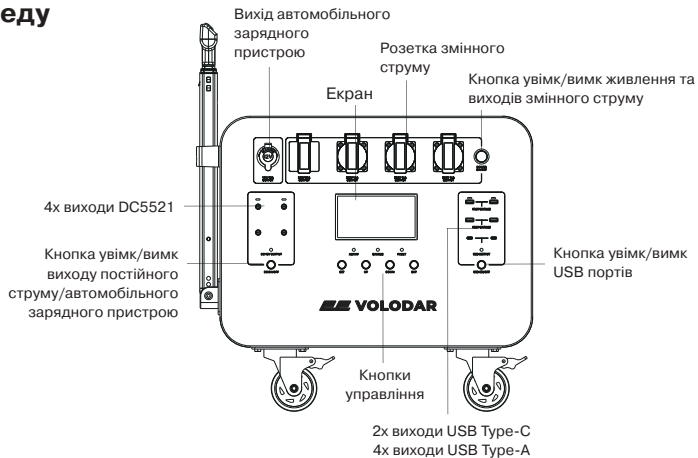


Технічні характеристики

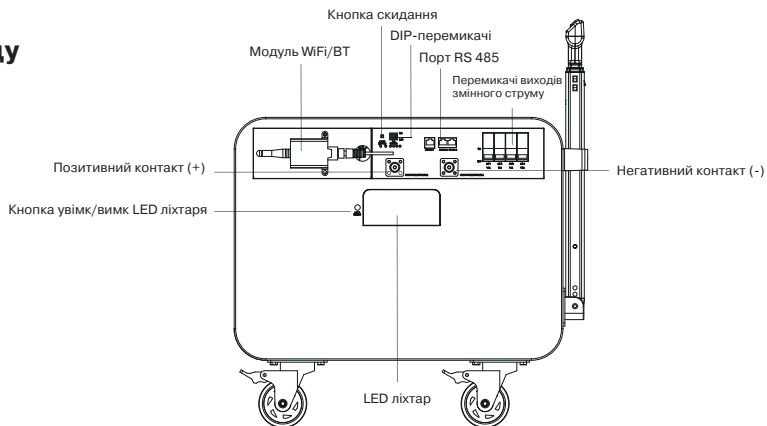
Тип і ємність акумулятора	Клас A LiFePO ₄ 5120 Вт/г 51,2 В 100 А/г Термін служби батареї: ≥ 3000 циклів
Входи	Вхід змінного струму: 220-240 В, 50 Гц (макс. 2500 Вт); Вхід MPPT: 120-450 В (макс. 5000 Вт);
Виходи USB	2x USB Type-C: 5В 3А, 9В 3А, 12В 3В, 15В 3А, 20В 5А (макс. 100 Вт) 4x USB-A: 5В 3А, 9В 2А, 12В 1,5А (один 18 Вт макс., два одночасно 15 Вт макс.)
Виходи постійного струму	4x виходи DC 5521: 12В 10А (макс. 120 Вт) Автомобільний порт: 12 В 10 А (макс. 120 Вт)
Виходи змінного струму	1 вихід: 210-230 В, 30А, 50 Гц 3 виходи: 210-230 В, 16А, 50 Гц Загальна максимальна вихідна потужність: 5000 Вт Форма вихідного сигналу: чиста синусоїда
Робоча температура	-10~45° C
Розміри	520 x 405 x 376 мм
Вага	близько 70 кг
Комплектація	1x Портативна електростанція 1x Кабель для зарядки від джерела змінного струму 1x Адаптер прикурювач > DC5521 1x Посібник користувача

Компоненти пристрою

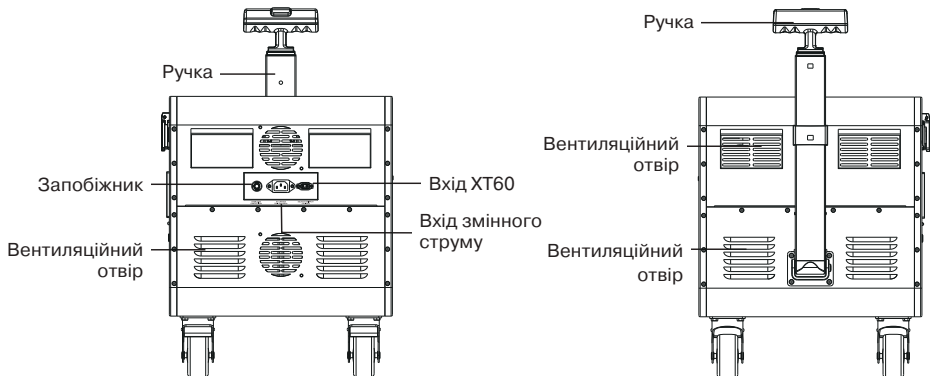
Вид спереду



Вид ззаду



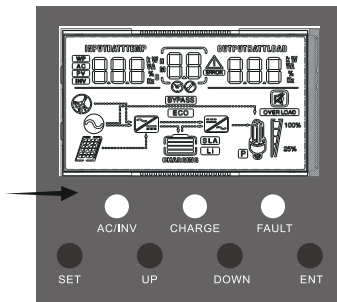
Вид збоку



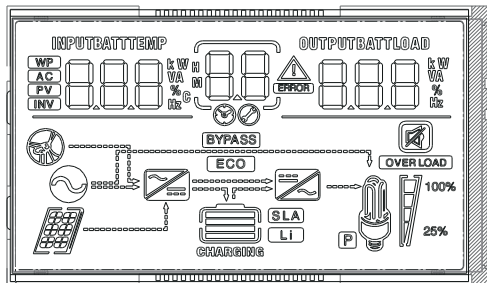
Дисплей

1) Світлові індикатори









Світловий індикатор	Колір	Опис
AC/INV	Жовтий	Світлиться: Живлення від мережі Блимає: Живлення від інвертора
CHARGE	Зелений	Блимає: Акумулятор заряджається Світлиться: Акумулятор повністю заряджений
FAULT	Червоний	Світлиться: Помилка в пристрої



2) РК-екран



Значок	Функція	Значок	Функція
	Вхід змінного струму підключено до мережі		Інвертор працює
	Режим роботи від джерела змінного струму зі значними коливаннями напруги 90-280 В (режим APL)		Режим роботи ДБЖ 170-280 В
	Сонячна панель підключена до входу XT60		Вихід змінного струму перевантажений
	Залишок заряду внутрішньої батареї: 0%~24% 25%~49% 50%~74% 75%~100%		Навантаження виходів змінного струму: 0%~24% 25%~49% 50%~74% 75%~100%
	Під'єднано літєвий акумулятор		Звуковий сигнал вимкнено
	Під'єднано свинцево-кислотний акумулятор		Тривога
	Акумулятор заряджається		Сталася помилка
	Пристрій заряджається		Режим налаштування

	Вихід змінного струму активний		Режим налаштування вимк.: тривога або код несправності Режим налаштування ввімк.: поточний параметр
	Вхід змінного струму активний		Інвертор працює
	Вхід XT60 активний		Значок не відображається
	Напруга акумулятора, струм заряджання, потужність заряджання від мережі, вхідна напруга/частота змінного струму, вхідна напруга з сонячної панелі, внутрішня температура радіатора, версія програмного забезпечення		Режим налаштування вимк.: вихідна потужність, струм розряду, версія програмного забезпечення Режим налаштування ввімк.: поточне значення параметра

3) Перегляд даних в реальному часі

Натисніть кнопки «UP» та «DOWN» на РК-екрані, щоб переглянути дані в реальному часі.

Сторінка	Параметр зліва	Опис	Значок	Параметр права	Опис
1	Input batt V	Вхідна напруга батареї	Код помилки	Output load V	Вихідна напруга
2	PV temperature	Температура радіатора входу XT60		PV output KW	Вихідна потужність сонячної панелі
3	PV input V	Вхідна напруга входу XT60		PV output A	Вихідний струм сонячної панелі
4	Input batt A	Вхідний струм акумулятора		Output batt A	Вихідний струм акумулятора
5	Input batt KW	Вхідна потужність батареї		Output batt KW	Вихідна потужність акумулятора
6	AC input Hz	Вхідна частота мережі		AC output load Hz	Вихідна частота змінного струму
7	AC input V	Вхідна напруга мережі		AC output load A	Вихідний змінний струм

8	Input V	Параметр обслуговування	Код помилки	Output load KVA	Загальна вихідна потужність
9	INV temperature	Температура інвертора		INV output load KW	Вихідна реактивна потужність інвертора
10	APP software version	Версія програмного забезпечення APP		Software version	Версія програмного забезпечення електростанції
11	Model battery voltage level	Рівень напруги вбудованої батареї		Model output power	Вихідна потужність електростанції
12	Model PV voltage level	Напруга на вході XT60		Model PV charging current level	Струм на вході XT60

Запобіжні заходи при використанні:

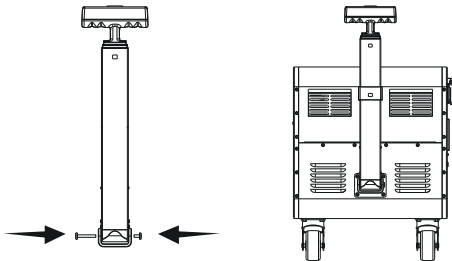
1. Будь ласка, прочитайте всі попередження перед використанням і завжди дотримуйтесь основних заходів безпеки при використанні цього продукту. Гарантія не поширюється на пошкодження, спричинені недотриманням цих інструкцій.
2. Перед першим використанням рекомендується повністю зарядити пристрій. Після повної зарядки пристрою вентилятор системи охолодження продовжуватиме працювати ще приблизно 2 хвилини після відключення живлення (конкретний час може змінюватись в залежності від температури).
3. Продукт можна використовувати у присутності дітей лише під суворим контролем дорослих.
4. Заряджайте виріб не менше одного разу на три місяці, щоб продовжити термін служби батареї.
5. Низька температура може вплинути на ємність акумулятора, продукт можна заряджати в діапазоні температур від 0 до 40°C і використовувати в діапазоні температур від -10 до 45°C.
6. Розташовуйте, заряджайте та зберігайте виріб у добре провітрюваному місці.
7. За потреби очистіть виріб сухою тканиною.
8. Якщо виріб не використовується, від'єднайте кабель живлення від виробу.

Попередження:

1. Використання аксесуарів, рекомендованих або проданих несертифікованими виробниками продукції, може призвести до ураження електричним струмом або пошкодження обладнання.
2. Не використовуйте пошкоджені дроти, вилки або пошкоджені вихідні кабелі з цим пристроєм.
3. Ніколи не обмежуйте вентиляцію виробу.
4. Не розбирайте виріб. Це може призвести до непередбачуваних наслідків, таких як пожежа, вибух або ураження електричним струмом.
5. Не використовуйте виріб в дощ та у вологому середовищі.
6. Не використовуйте і не зберігайте виріб в умовах високої температури (наприклад під прямим сонячним світлом або в нагрітому салоні автомобіля), інакше внутрішня батарея може перегрітися, спалахнути або вийти з ладу, що скоротить термін її служби та створить інші ризики.
7. У разі пожежі використовуйте порошкові вогнегасники. Не використовуйте водяний вогнегасник, це може призвести до ураження електричним струмом.
8. Уникайте потрапляння всередину пристрою пилу або сторонніх предметів. Це може призвести до пошкодження внутрішніх компонентів.

Установка відкидної ручки

Використовуйте кріпильні гвинти, що входять у комплект, щоб встановити складну ручку.



Функції кнопок

Кнопка	Стан пристрою	Дія
Power	В режимі очікування	Коротке натискання: увімкнути станцію (Примітка: дисплей засвітиться після ввімкнення виходу змінного струму)
DC	Ввімкнений	Коротке натискання: увімкнути/вимкнути виходи постійного струму
USB	Ввімкнений	Коротке натискання: увімкнути/вимкнути виходи USB
SET	Ввімкнений	Коротке натискання: вхід/вихід в Меню налаштувань
UP	Ввімкнений	Коротке натискання: попередній вибір
DOWN	Ввімкнений	Коротке натискання: наступний вибір
ENT	Ввімкнений	Коротке натискання в меню налаштувань: підтвердження/введення опції

Примітка. Коли пристрій увімкнено, натисніть кнопку AC, щоб увімкнути екран. Коли підсвічування екрана вимкнено, натисніть кнопку SET, UP, DOWN або ENT, щоб увімкнути підсвічування.

Попередження: зміна налаштувань пристрою може пошкодити компоненти та призвести до виходу з ладу зарядної станції та підключених до неї пристроїв. Виробник не несе відповідальності за прямі чи непрямі збитки, спричинені зміною цих параметрів.

Щоб увійти в меню налаштувань і вийти з меню налаштувань, натисніть кнопку «SET». Після входу в меню налаштувань блиматиме номер параметра [00]. Натисніть кнопки «UP» та «DOWN», щоб вибрати код елемента параметра, який потрібно встановити. Потім натисніть кнопку «ENT», щоб увійти в режим редагування параметрів. Значення параметра буде блимати. Налаштуйте значення параметра за допомогою кнопок «UP» та «DOWN» і натисніть кнопку «ENT», щоб завершити редагування параметра та повернутися до стану вибору параметра. Значення «ENA» (enabled) вказує, що параметр ввімкнено; «DIS» - (disabled) вказує, що параметр вимкнено.

№	Назва параметра	Параметри налаштування	Опис
00	Quit	[00] ESC	Вийти з меню налаштувань
01	Work first mode	[01] UT1 за замовчуванням	SOL: Режим пріоритету сонячних панелей. Коли сонячні панелі не дають достатній рівень заряду, або заряд батареї нижчий за встановлений рівень [04], відбувається перемикання на мережу. UT1: режим пріоритету електромережі. В разі збою напруги в мережі відбувається перемикання на інвертор. SBU: Режим пріоритету інвертора. Перемикання на мережу відбувається тільки, коли напруга батареї падає нижче встановленого значення параметра [04].
02	Output frequency	[02] 50.0Hz/60.0Hz	Режим 230 В 50 Гц або 120 В 60 Гц
03	AC input voltage range	[03] UPS за замовчуванням	Режим роботи від мережі 170 ~ 280 В = режим UPS; 90 ~ 280 В = режим APL.
04	Conversion to mains electricity	[04] 46.0V за замовчуванням	Коли параметр [01] = SOL/SBU і напруга батареї нижча за встановлене значення, вихід перемикається з інвертора на мережу. Діапазон налаштувань 44В ~ 52В
05	City battery	[05] 56.0V за замовчуванням	Коли параметр [01]=SOL/SBU і напруга батареї вище встановленого значення, вихід перемикається з мережі на інвертор. Діапазон налаштувань 48В ~ 60В
06	Charging mode	[06] SNU за замовчуванням	CSO: Пріоритетне заряджання від сонячних панелей. Тільки коли заряджання від панелей не відбувається, починається заряджання від мережі. CUB: Пріоритетне заряджання від мережі. Лише коли заряджання від мережі не доступне, починається заряджання від сонячних панелей. SNU: Гібридний режим заряджання. Зарядка від сонячних панелей є пріоритетом. Коли енергії недостатньо, вмикається одночасна зарядка від мережі. Коли фотоелектричної енергії достатньо, заряджання від мережі призупиняється. OSO: Заряджання лише від сонячних панелей. Заряджання від мережі дезактивовано.

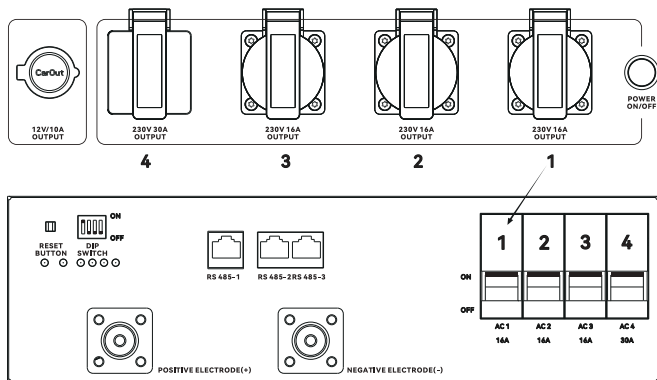
07	Maximum charging current	[07] 60A за замовчуванням	Діапазон налаштувань: 0 ~ 80 A
08	Battery type	[08] L16 за замовчуванням	<p>USE: Акумулятор, визначений користувачем: дозволяє встановити всі параметри акумулятора.</p> <p>Sld: Необслуговувана свинцево-кислотна батарея: напруга заряду: 57,6 В, напруга плаваючого заряду: 55,2 В.</p> <p>FLd: Обслуговувана свинцево-кислотна батарея: постійна напруга заряду: 58,4 В, напруга плаваючого заряду: 55,2 В.</p> <p>GEL: Колоїдна свинцево-кислотна батарея: постійна напруга заряду: 56,8 В, плаваюча напруга заряду: 55,2 В.</p> <p>LF14/LF15/LF16: Літій-залізо-фосфатна батарея: Аббревіатури LF14/LF15/LF16 відповідають 14, 15 і 16 елементним літій-залізо-фосфатним батареям; для 16 елементної батареї напруга заряду за замовчуванням становить 56,8 В; для 15 елементної - 53,2 В; для 14 елементної - 49,2 В; Ці параметри можна регулювати.</p>
09	Increase charging voltage	[09] 57.6V за замовчуванням	Напруга зарядки. Діапазон налаштувань 48 В ~ 58,4 В, крок 0,4 В. Дійсний, лише якщо тип батареї [8] встановлено, як USE і встановлена літєва батарея
10	Increase the maximum charging time	[10] 120 за замовчуванням	Максимальний час зарядки при постійній напрузі параметру [09]. Діапазон налаштувань становить 5 хв ~ 900 хв з кроком 5 хвилин. Дійсний, лише якщо тип батареї [8] встановлено, як USE і встановлена літєва батарея
11	Float voltage	[11] 55.2V за замовчуванням	Плаваюча напруга заряду. Діапазон налаштувань 48 В ~ 58,4 В, крок 0,4 В. Дійсний, лише якщо тип батареї [8] встановлено, як USE
12	Over-discharge voltage	[12] 42V за замовчуванням	Занизька напруга. Коли напруга батареї нижча за задане значення, вихід інвертора буде вимкнено після затримки [13]. Діапазон налаштувань 40 В ~ 46 В, крок 0,4 В. Дійсний, лише якщо тип батареї [8] встановлено, як USE і встановлена літєва батарея

13	Over-discharge delay time	[13] 5S за замовчуванням	Час затримки перерозряду. Коли напруга батареї нижча за параметр [12], вихід інвертора буде вимкнено після затримки часу, встановленого цим параметром. Діапазон налаштувань 5 сек. ~ 50 сек., крок 5 сек. Дійсний, лише якщо тип батареї [8] встановлено, як USE і встановлена літєва батарея
14	Battery undervoltage alarm point	[14] 44V за замовчуванням	Сповіщення про знижену напругу батареї. Коли напруга батареї нижча за встановлене значення, буде ввімкнено тривогу (вихід не буде вимкнено). Діапазон налаштувань 40 В ~ 52 В, крок 0,4 В. Дійсний, лише якщо тип батареї [8] встановлено, як USE і встановлена літєва батарея
15	Battery Discharge Limit Voltage	[15] 40V за замовчуванням	Гранична напруга розряду акумулятора. Коли напруга батареї нижча за встановлене значення, вихід буде негайно вимкнено. Діапазон налаштувань 40 В ~ 52 В, крок 0,4 В. Дійсний, лише якщо тип батареї [8] встановлено, як USE і встановлена літєва батарея
16	Balanced charge	[16] ENA за замовчуванням	Увімкнути вирівнювальну зарядку. Дійсний, лише якщо тип батареї [8] встановлено, як SLd
17	Balanced charging voltage	[17] 58.4V за замовчуванням	Напруга плаваючого заряду. Діапазон налаштувань 48 В ~ 58,4 В, крок 0,4В. Дійсний, лише якщо тип батареї [8] встановлено, як FLd або SLd
18	Equalization charging time	[18] 120 за замовчуванням	Час вирівнювальної зарядки. Діапазон налаштувань 5 хв ~ 900 хв, крок 5 хв. Дійсний, лише якщо тип батареї [8] встановлено, як FLd або SLd
19	Equalization charge delay	[19] 120 за замовчуванням	Затримка вирівнювальної зарядки. Діапазон налаштувань 5 хв ~ 900 хв, крок 5 хв. Дійсний, лише якщо тип батареї [8] встановлено, як FLd або SLd
20	Equalization charge derating time	[20] 30 за замовчуванням	Час зниження вирівнювального заряду. Діапазон налаштувань 0 ~ 30 днів, крок 1 день. Дійсний, лише якщо тип батареї [8] встановлено, як FLd або SLd
21	Turn on equalization charging	[21] DIS за замовчуванням	Вирівнювальна зарядка

22	Energy saving mode	[22] DIS за замовчуванням	Режим енергозбереження
23	Overload restarts automatically	[23] ENA за замовчуванням	Автоматичний перезапуск після перевантаження. Якщо вихід було вимкнено через перевантаження, станція перезапустить його через 3 хвилини. Після 5 перезапусків поспіль вихід буде відключено.
24	Over temperature automatic restart	[24] ENA за замовчуванням	Автоматичний перезапуск при перегріві. Якщо трапиться перегрів, вихід буде вимкнено та перезапущено, коли температура впаде до норми.
25	Buzzer alarm	[25] ENA за замовчуванням	Звуковий сигнал тривоги
26	Mode switch reminder	[26] ENA за замовчуванням	Коли змінюється стан джерела вхідної напруги, спрацьовує сигнал тривоги
27	Inverter overload transfer to bypass	[27] ENA за замовчуванням	При перевантаженні інвертор автоматично перемикається на мережу
28	Mains charging current	[28] 230V/50A, 120V/30A за замовчуванням	Вхідний змінний струм. Діапазон налаштування 0 ~ 50 А (для мереж 230 В); 0 ~ 30 А (для мереж 120 В)
29	Output phase adjustment function	[29] DIS за замовчуванням	Функція регулювання вихідної фази
30	R485 address setting	[30] 1 за замовчуванням	Адреса порту RS485. Діапазон налаштувань 1~254
35	Battery Undervoltage recovery point	[35] 50.4V за замовчуванням	Коли напруга батареї низька, вона має бути вищою за це значення налаштування, щоб відновити вихідну потужність інвертора батареї. Діапазон налаштувань: 44 В ~ 58,4 В
37	Full battery recharge recovery point	[37] 52V за замовчуванням	Коли батарея повністю заряджена, інвертор припиняє зарядку. Коли напруга батареї стає нижчою за це значення, зарядка відновлюється
38	AC output voltage setting	[38] 230V за замовчуванням	Вихідна напруга виходів змінного струму. Можна встановити на: 200/208/220/230/240 В

Перемикачі виходів змінного струму

Кожен перемикач відповідає окремому вихідному порту змінного струму. Коли станцію увімкнено, поверніть перемикач вгору, щоб увімкнути, і вниз, щоб вимкнути відповідний порт змінного струму.



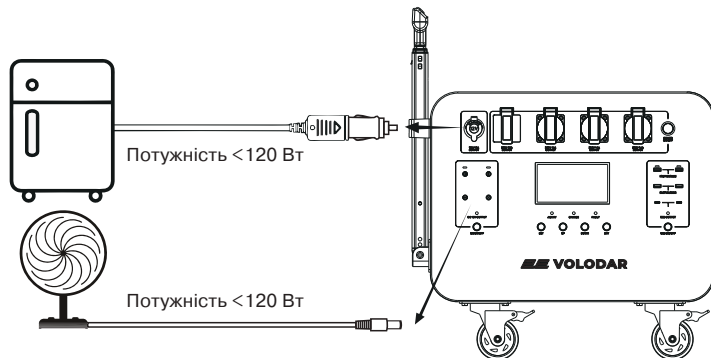
Системні коди помилок

Код помилки	Несправність	Чи впливає на подачу живлення?	Опис
[01]	BatVoltLow	Так	Попередження про низьку напругу акумулятора
[02]	BatOverCurrSw	Так	Програмний захист від розряду акумулятора/ середнього навантаження по струму/ перевантаження по струму
[03]	BatOpen	Так	Акумулятор не підключений
[04]	BatLowEod	Так	Сигнал зупинки батареї через низьку напругу
[05]	BatOverCurrHw	Так	Апаратний захист батареї від перевантаження

[06]	BatOverVolt	Так	Захист від перенапруги при зарядці
[07]	BusOverVoltHw	Так	Апаратний захист ланцюга від перенапруги
[08]	BusOverVoltSw	Так	Програмний захист ланцюга від перенапруги
[09]	PvVoltHigh	Ні	захист входу постійного струму від перенапруги
[10]	PvBoostOCSw	Ні	Програмний захист входу постійного струму від перевантаження по струму
[11]	PvBoostOCHw	Ні	Апаратний захист входу постійного струму від перевантаження по струму
[12]	bLineLoss	Ні	Мережа 220 В відключена
[13]	OverloadBypass	Так	Захист в режимі UPS від перевантаження
[14]	Overloadinverter	Так	Захист інвертора від перевантаження
[15]	ACOverCurrHw	Так	Апаратний захист інвертора від перевантаження по струму
[16]	-	-	-
[17]	InvShort	Так	Захист інвертора від короткого замикання
[18]	-	-	-
[19]	OverTemperMppt	Ні	Захист радіатора входу постійного струму від перегріву
[20]	OverTemperInv	Так	Захист інверторного радіатора від перегріву
[21]	FanFail	Так	Несправність вентилятора
[22]	EEPROM	Так	Збій пам'яті
[23]	ModelNumErr	Так	Помилка налаштування моделі
[26]	Rlyshort	Так	Захист від короткого замикання на вході змінно-го струму інвертора
[29]	BusVoltLOW	Так	Захист від низької напруги високовольного ланцюга

1) Живлення приладів постійного струму

Увімкніть вимикач живлення (натисніть кнопку ON/OFF), розетка постійного струму та автомобільний зарядний пристрій почнуть працювати та видавати 12 В. Підключіть електроприлад до потрібного інтерфейсу живлення.



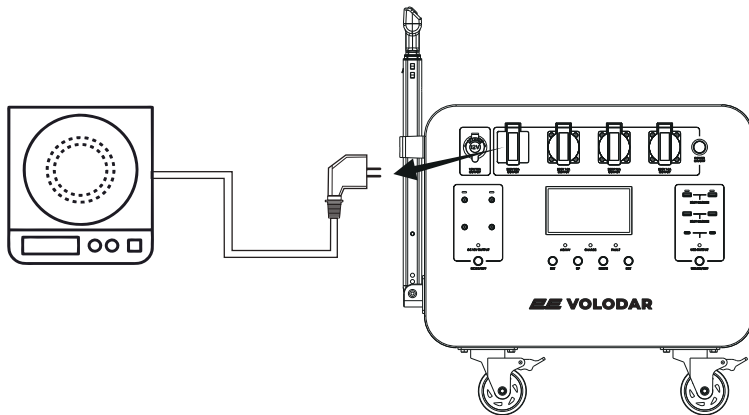
Режим захисту:

Захист від короткого замикання/перевищення потужності: якщо на виході постійного струму є коротке замикання або вихідна потужність перевищена (навантаження > 120 Вт), пристрій вимкне вихід постійного струму для захисту. Після усунення проблеми знову увімкніть вихід постійного струму, щоб заживити пристрій.

Діапазон вихідної напруги постійного струму цього пристрою становить 11,4-12,6 В, а максимальний вихідний струм становить 10 А.

2) Живлення приладів змінного струму

Увімкніть вимикач живлення, підключіть вилку живлення пристрою до порту змінного струму портативної електростанції, потім натисніть кнопку виходів змінного струму і пристрій подасть живлення.



УВАГА. Різні країни мають різні характеристики інтерфейсу живлення та стандарти напруги. Перед використанням обов'язково ретельно перевірте, чи відповідають вихідні характеристики виробу вхідним характеристикам вашого електроприладу, інакше це може призвести до його пошкодження.

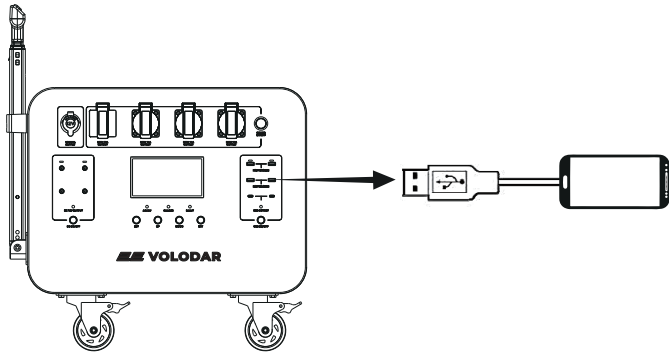
(Коли розетка змінного струму не використовується, вимкніть порт змінного струму, щоб заощадити електроенергію.)

Режим захисту:

Захист від короткого замикання/перевищення потужності: якщо вихід змінного струму замикається або сумарне споживання перевищує навантаження 5000 Вт, пристрій відключить вихід змінного струму для захисту. Після усунення проблеми увімкніть вихід змінного струму, щоб заживити пристрій.

3) Живлення цифрових пристроїв по USB

Увімкніть живлення станції, підключіть USB-кабель цифрового пристрою до USB-інтерфейсу, увімкніть вихід USB, щоб подати живлення на цифровий пристрій. Якщо живлення не запускається, від'єднайте і знову підключіть кабель USB.

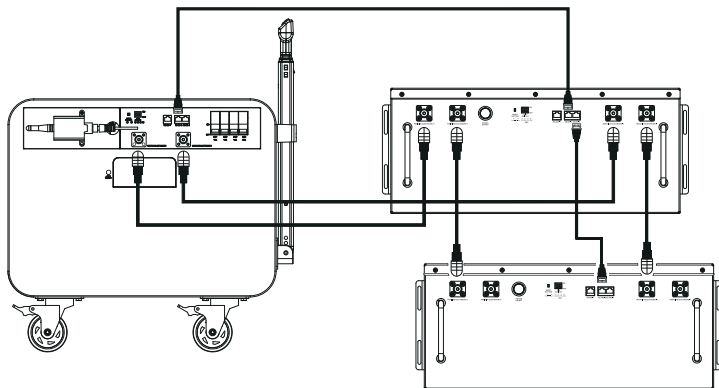


4) Підключення зовнішніх батарей

Ємність пристрою можна збільшити за допомогою зовнішніх акумуляторів 2E. До однієї електростанції можна підключити до 15 додаткових акумуляторів.

УВАГА. Завжди вимикайте електростанцію перед підключенням зовнішніх батарей.

- 1) Вимкніть всі пристрої перед підключенням.
- 2) Переведіть DIP-перемикачі на всіх пристроях у правильне положення, як показано в таблиці нижче.
- 3) Під'єднайте комунікаційні роз'єми за допомогою кабелів зв'язку, як показано на малюнку.
- 4) Підключіть позитивні та негативні контакти відповідними кабелями, як показано на малюнку.
- 5) Увімкніть кнопки живлення на електростанції та батареї (батареях), потім увімкніть потрібні виходи на станції.



Примітка: зовнішні батареї продаються окремо. Для отримання додаткової інформації відвідайте офіційний сайт <https://2e.ua/uk/products-category/power-station/>

DIP-перемикачі

Коли модуль батареї використовується паралельно, ви можете використовувати DIP-перемикач, щоб встановити адресу для розрізнення різних модулів. Стандартним налаштуванням для цієї електростанції є адреса №1. Визначення всіх положень DIP-перемикача наведено в таблиці нижче.

Адреса	Положення DIP-перемикача				Опис
	1	2	3	4	
0	ВИМК	ВИМК	ВИМК	ВИМК	Single mode (Одиночний режим)
1	УВИМК	ВИМК	ВИМК	ВИМК	Master (host)
2	ВИМК	УВИМК	ВИМК	ВИМК	Slave 2
3	УВИМК	УВИМК	ВИМК	ВИМК	Slave 3
4	ВИМК	ВИМК	УВИМК	ВИМК	Slave 4
5	УВИМК	ВИМК	УВИМК	ВИМК	Slave 5
6	ВИМК	УВИМК	УВИМК	ВИМК	Slave 6
7	УВИМК	УВИМК	УВИМК	ВИМК	Slave 7
8	ВИМК	ВИМК	ВИМК	УВИМК	Slave 8
9	УВИМК	ВИМК	ВИМК	УВИМК	Slave 9
10	ВИМК	УВИМК	ВИМК	УВИМК	Slave 10
11	УВИМК	УВИМК	ВИМК	УВИМК	Slave 11
12	ВИМК	ВИМК	УВИМК	УВИМК	Slave 12
13	УВИМК	ВИМК	УВИМК	УВИМК	Slave 13
14	ВИМК	УВИМК	УВИМК	УВИМК	Slave 14
15	УВИМК	УВИМК	УВИМК	УВИМК	Slave 15

Увага! Уникайте встановлення однакових адрес для різних модулів.
Це може призвести до виходу з ладу системи.

5) Заряджання станції

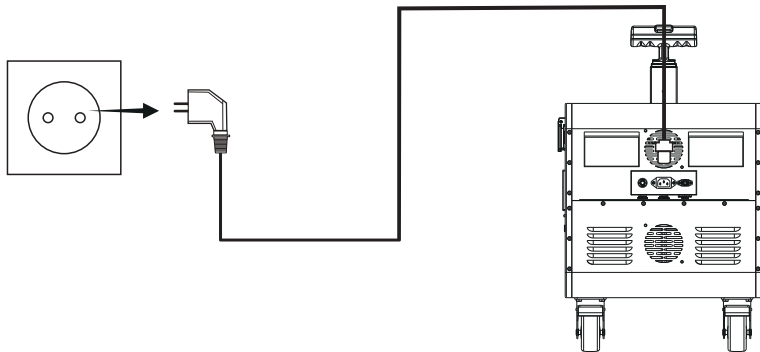
Холодна погода

Холодна погода може вплинути на ємність батареї. При мінусовій температурі ($<0^{\circ}\text{C}$) ви можете використовувати (розряджати) виріб, але не заряджати його. В іншому випадку батарея може бути сильно пошкоджена, і її ємність може не відновитись.

Увага: Середовище, в якому використовуються виріб, має відповідати всім вимогам цього посібника. Переконайтеся, що вентиляційні отвори пристрою не заблоковані.

а. Зарядка за допомогою шнура живлення

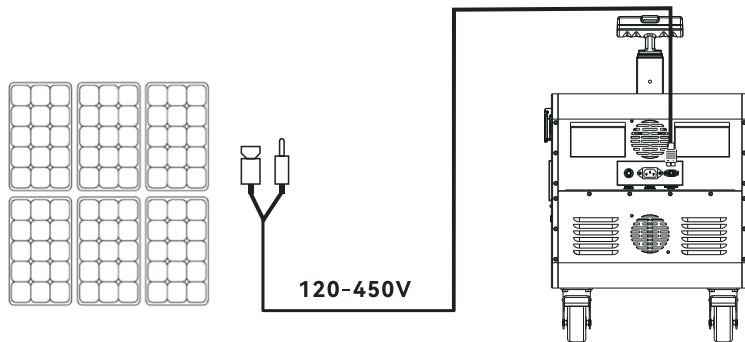
Підключіть виріб до розетки змінного струму за допомогою шнура живлення. Увімкніть станцію. Якщо значок індикатора акумулятора на дисплеї виробу блимає, значить виріб заряджається. Рівень заряду відображається на РК-дисплеї. Коли він досягає 100%, станція повністю заряджена. Після заряджання вийміть шнур живлення змінного струму з розетки.



Примітка. Цей продукт підтримує максимальну вхідну потужність 2500 Вт.

б. Зарядка від сонячної панелі

- 1) Розташуйте сонячну панель у місці з прямими сонячними променями.
- 2) Підключіть вихід сонячної панелі до зарядного входу станції. Увімкніть станцію. Якщо значок індикатора акумулятора на дисплеї виробу блимає, значить виріб заряджається. Рівень заряду відображається на РК-дисплеї. Коли він досягає 100%, станція повністю заряджена.



Технологія MPPT: Цей продукт підтримує зарядження від сонячних панелей за технологією MPPT. Завдяки контролеру MPPT цей продукт може відстежувати зміни вихідної напруги та струму від сонячної панелі та отримувати найкращу ефективність зарядження.

Підключення декількох сонячних панелей: цей продукт дозволяє підключати сонячні панелі послідовно для досягнення найкращого результату зарядження. Вхідні параметри постійного струму: 120-450 В (макс. 5000 Вт);

Фактична продуктивність зарядження може відрізнятися залежно від погоди, температури, стану батареї та інших факторів.

6) Функція ДБЖ

Цей продукт підтримує функцію ДБЖ. Коли ви підключаєте комп'ютер до вхідного порту змінного струму цього виробу, для роботи він може використовувати живлення змінного струму від мережі замість живлення від акумулятора. У разі раптового збою живлення цей продукт може автоматично перейти в режим живлення від акумулятора протягом 20 мс.

Сценарії використання

(1) На вулиці

Автомобільна техніка: автомобільний холодильник, пилосос, насос та інша техніка;
Спорядження для кемпінгу: садові електроінструменти (повітродувки, газонокосарки, електричні дрилі, електричні пилки), світлодіодні ліхтарі тощо.

(2) У приміщенні

Холодильник, кухонні пристрої, такі як чайник, тостер, блендер, кавоварка, газові котли, ноутбуки, телефони, освітлення і т.д.

Приклади навантажень

- (1) Більшість електроприладів на ринку відповідають параметрам 12 В/30 А або 12 В/10 А (ХТ60 або SPC45), та живляться від прикурювача, вихідних портів USB-A та USB-C зарядного пристрою. Але при зарядці деяких продуктів може спрацювати захист від перевантаження по струму, якщо вони генерують миттєвий високий струм у момент запуску.
- (2) Пристрій може живити електричні прилади з номінальною потужністю не більше 5000 Вт. Навіть якщо показник пристрою становить менше 5000 Вт, захист від навантаження все одно може бути активований, коли пристрій генерує велику миттєву пускову потужність. Тому рекомендується використовувати цей пристрій для електротехнічних виробів з меншою номінальною потужністю.
- (3) У разі перевантаження струму або короткого замикання на виході пристрій відключить відповідний вихідний порт. Потім він автоматично запуститься знову з інтервалом. Якщо подача енергії постійно припиняється, вимкніть обладнання і зв'яжіться з продавцем або зверніться до сервісного центру за професійною допомогою.
- (4) Коли рівень заряду батареї впаде до 0%, виходи постійного та змінного струму автоматично вимкнуться. Будь ласка, перевірте рівень заряду батареї перед використанням пристрою для захисту та збільшення терміну служби батареї.
- (5) Цей пристрій підтримує одночасну зарядку та розрядку. Будь ласка, тримайте обладнання в горизонтальному положенні під час використання, зарядки та розрядки.

Смартфон

360-370 раз
10 Вт

Світлодіодна лампа

Близько 180-190 годин
20 Вт

Телевізор

Близько 48-50 годин
75 Вт

Електроінструмент

Близько 45-46 годин
80 Вт

Холодильник

Близько 39-41 годин
90 Вт

Газовий котел

Близько 18-19 годин
200 Вт

$5120 \text{ Вт год} \times \text{DOD} \times \eta \div (\text{потужність навантаження}) = \text{час роботи}$

Примітка: DOD – це глибина розряду батареї, η – ККД інвертора.

Одиницями потужності навантаження та часу зарядки є ват та година.

DOD = 90%, η = 90%

Усунення найбільш розповсюджених проблем при використанні

Несправність	Можлива проблема	Рішення
Зовнішній пристрій не заряджається	1. Зовнішній пристрій неправильно підключений до станції	Переконайтеся, що пристрій правильно підключено до станції. Перевірте надійність з'єднань.
	2. З'єднання надійні, але індикатор заряджання не світиться	Перевірте, чи ввімкнутий вихідний порт. Якщо він не вмикається, пристрій може бути зламаним, зверніться до сервісного центру.
	3. Індикатор заряджання світиться, пристрій не заряджається.	Пристрій, який ви намагаєтеся заряджати, може бути зламаним, зверніться до центру післяпродажного обслуговування пристрою.
Зарядний пристрій не видає потужність	1. Устаткування неправильно підключене до зарядного пристрою.	Перевірте, чи правильно підключено обладнання до зарядного пристрою. Перевірте наявність ненадійних контактів у з'єднаннях.
	2. Вихідний порт не увімкнено	Увімкніть відповідний вихідний порт
	3. Низька вихідна потужність	Зарядіть пристрій
	4. Вихідна потужність, як і раніше, відсутня після перевірки пунктів 1.2.3.	Зарядний пристрій може бути зламаним, зверніться до сервісного центру.
Зарядний пристрій перериває вихідну потужність	1. Номінальна потужність або миттєва пускова потужність устаткування, що використовується більші, ніж потужність виробу.	Виберіть більш потужні накопичувачі енергії
	2. На дисплеї з'являється символ тривоги. Лунає звуковий сигнал, і пристрій автоматично вимикає вихід.	У обладнанні, що використовується, сталося коротке замикання. Будь ласка, перевірте дроти та з'єднання. Якщо проблема лишається, зверніться до центру післяпродажного обслуговування обладнання.
	3. Вихідна потужність все ще переривається після усунення пунктів 1.2.	Зарядний пристрій може бути зламаним, зверніться до сервісного центру.

Поширені запитання:

1. Чи можна перевозити цей продукт літаком?

Ні, оскільки цей продукт містить акумулятор великої ємності. Відповідно до міжнародних стандартів повітряного транспорту перевезення виробів із батареями ємністю понад 100 Вт год заборонено.

2. Якщо потужність обладнання знаходиться в межах номінальної потужності продукту, чи його можна використовувати?

а. Якщо споживана потужність продукту становить менше 20% загальної потужності зарядного пристрою, його можна використовувати одночасно з іншими продуктами.

б. Вироби з номінальною або піковою потужністю, що перевищує допустимі параметри, не можна використовувати з цим зарядним пристроєм

3. Чому пристрій видає шум під час використання?

У продукті використовується система повітряного охолодження, а вбудований вентилятор краще сприяє розсіюванню тепла. Невеликий шум під час роботи є нормальним явищем.

4. Чи нормально, що зарядний пристрій нагрівається під час заряджання?

Нагрів зарядного пристрою під час заряджання є нормальним явищем, температура пристрою заряджання відповідає національним стандартам безпеки.

Гарантія

Гарантійний термін продукту становить 1 рік.

Гарантійний термін починається з дати покупки товару.

Гарантія не поширюється на такі випадки:

1. Косметичні ушкодження, подряпини на корпусі;
2. Якщо пристрій розбирав і ремонтував неуповноважений персонал без ліцензії чи дозволу;
3. Збої у роботі продукту, спричинені людським фактором.
4. Ушкодження, спричинені непереборними чинниками, такими як стихійні лиха, блискавки та нещасні випадки.

Авторизований сервісний центр ІП «І-АР-СІ»

Адреса: вул. Марка Вовчка, 18-А, Київ, 04073, Україна

Тел.: 0 800 300 345; (044) 230 34 84; 390 55 12

www.erc.ua/service

ГАРАНТІЙНИЙ ТАЛОН

Найменування виробу: _____

Номер моделі/Серійний номер: _____

Дата продажу: _____

Найменування та адреса торговельної організації:

Підпис продавця: _____

Виріб перевірено в присутності споживача:

Печатка
торговельної
організації

* Відривні талони на технічне обслуговування надаються авторизованим сервісним центром.

Благодарим за приобретение многофункциональной портативной электростанции 2E. Она имеет выходы постоянного тока, разные порты, такие как USB, TYPE-C, автомобильный порт и т.д. Она также оснащена беспроводной зарядкой и дисплеем, отображающим состояние батареи и устройства. Электростанция подходит для питания различных устройств, таких как электрические вентиляторы, телевизоры, дроны, мобильные телефоны, планшеты, ноутбуки, настольные компьютеры, принтеры, различные лампы, аквариумы, фотооборудование, электросамокаты и т.д.

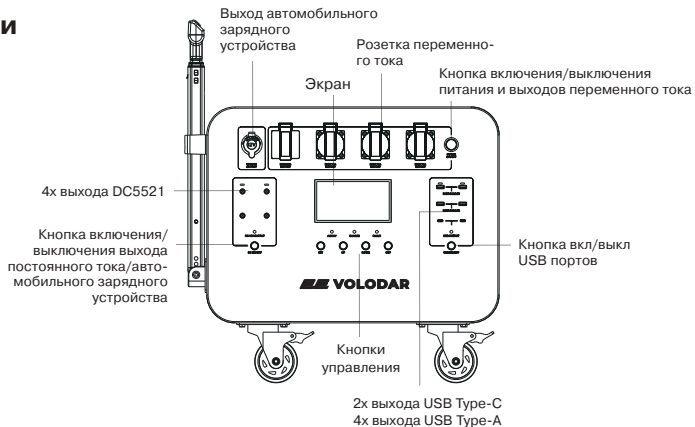
Перед использованием продукта внимательно прочтите это руководство пользователя и сохраните его для дальнейшего использования.

Технические характеристики

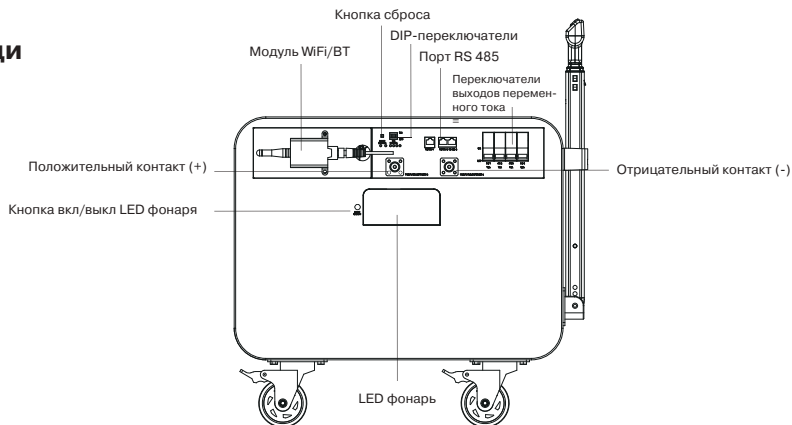
Тип и емкость аккумулятора	Класс А LiFePO ₄ 5120 Вт/ч 51,2 В 100 А/ч Срок службы батареи: ≥ 3000 циклов
Входы	Вход переменного тока: 220-240 В, 50 Гц (макс. 2500 Вт); Вход MPPT: 120-450 В (макс. 5000 Вт);
Выходы USB	2x USB Type-C: 5В 3А, 9В 3А, 12В 3В, 15В 3А, 20В 5А (макс. 100 Вт) 4x USB-A: 5В 3А, 9В 2А, 12В 1,5А (один 18 Вт макс., два одновременно 15 Вт макс.)
Выходы постоянного тока	4x выхода DC 5521: 12В 10А (макс. 120 Вт) Автомобильный порт: 12 В 10 А (макс. 120 Вт)
Выходы переменного тока	1 выход: 210-230 В, 30А, 50 Гц 3 выхода: 210-230 В, 16А, 50 Гц Общая максимальная выходная мощность: 5000 Вт. Форма выходного сигнала: чистая синусоида
Рабочая температура	-10~45° С
Размеры	520 x 405 x 376 мм
Вес	около 70 кг
Комплектация	1x Портативная электростанция 1x Кабель для зарядки от источника переменного тока 1x Адаптер прикуриватель > DC5521 1x Руководство пользователя

Компоненты устройства

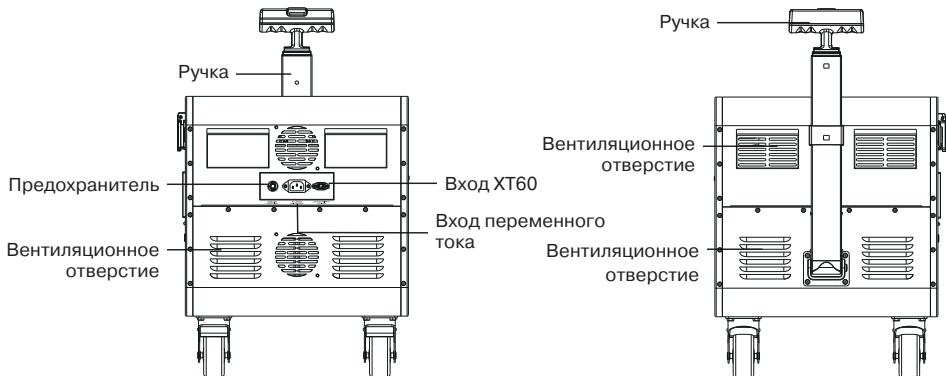
Вид спереди



Вид сзади



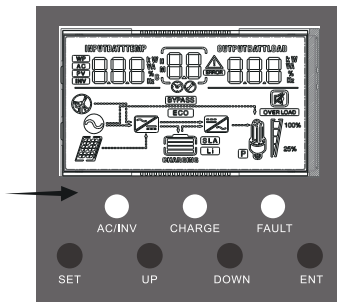
Вид сбоку



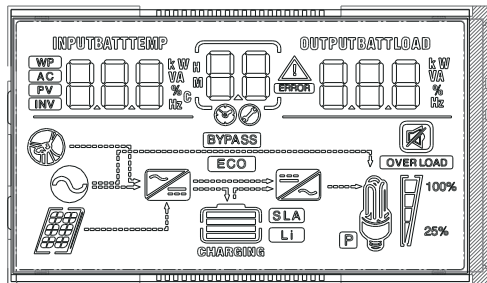
Дисплей

1) Световые индикаторы









Световой индикатор	Цвет	Описание
AC/INV	Желтый	Светится: Питание от сети Мигает: Питание от инвертора
CHARGE	Зеленый	Мигает: Аккумулятор заряжается Светится: Аккумулятор полностью заряжен
FAULT	Красный	Светится: Ошибка устройства



2) ЖК-экран



Значок	Функция	Значок	Функция
	Вход переменного тока подключен к сети		Инвертор активен
	Режим работы от источника переменного тока со значительными колебаниями напряжения 90-280 В (режим APL)		Режим работы ИБП 170-280 В
	Солнечная панель подключена к входу XT60		Выход переменного тока перегружен
	Остаток заряда внутренней батареи: 0%~24% 25%~49% 50%~74% 75%~100%		Погрузка выходов переменного тока: 0%~24% 25%~49% 50%~74% 75%~100%
	Установлен литиевый аккумулятор		Звуковой сигнал выключен
	Установлен свинцово-кислотный аккумулятор		Тревога
	Аккумулятор заряжается		Произошла ошибка
	Устройство заряжается		Режим настройки

	Выход переменного тока активен		Режим настройки выкл.: тревога или код неисправности Режим настройки вкл.: текущий параметр
	Вход переменного тока активен		Инвертор работает
	Вход XT60 активен		Значок не отображается
	Напряжение аккумулятора, ток зарядки, мощность зарядки от сети, входное напряжение/частота переменного тока, входное напряжение с солнечной панели, внутренняя температура радиатора, версия программного обеспечения		Режим настройки выкл.: выходная мощность, ток разряда, версия программного обеспечения Режим настройки вкл.: текущее значение параметра

3) Просмотр данных в реальном времени

Нажмите кнопки UP и DOWN на ЖК-экране, чтобы просмотреть данные в реальном времени.

Страница	Параметр слева	Описание	Значок	Параметр справа	Описание
1	Input batt V	Входное напряжение батареи	Код ошибки	Output load V	Выходное напряжение
2	PV temperature	Температура радиатора входа XT60		PV output KW	Выходная мощность солнечной панели
3	PV input V	Входящее напряжение входа XT60		PV output A	Выходной ток солнечной панели
4	Input batt A	Входящий ток аккумулятора		Output batt A	Выходной ток аккумулятора
5	Input batt KW	Входная мощность питания батареи		Output batt KW	Выходная мощность аккумулятора
6	AC input Hz	Входящая частота сети		AC output load Hz	Выходная частота выхода переменного тока
7	AC input V	Входное напряжение сети		AC output load A	Выходной ток выхода переменного тока

8	Input V	Параметр обслуживания	Код ошибки	Output load KVA	Общая выходная мощность
9	INV temperature	Температура инвертора		INV output load KW	Выходная реактивная мощность инвертора
10	APP software version	Версия программного обеспечения APP		Software version	Версия программного обеспечения электростанции
11	Model battery voltage level	Уровень напряжения встроенной батареи		Model output power	Выходная мощность электростанции
12	Model PV voltage level	Напряжение входа XT60		Model PV charging current level	Ток на входе XT60

Меры предосторожности при использовании:

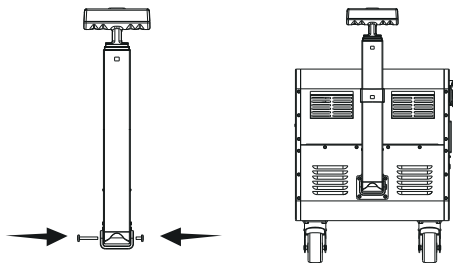
1. Пожалуйста, прочтите все предупреждения перед использованием и всегда соблюдайте основные меры безопасности при использовании этого продукта. Гарантия не распространяется на повреждения, вызванные несоблюдением этих инструкций.
2. Перед первым использованием рекомендуется полностью зарядить устройство. После полной зарядки устройства вентилятор системы охлаждения может продолжать работать еще 2 минуты после отключения питания (конкретное время может изменяться в зависимости от температуры).
3. Продукт можно использовать в присутствии детей только под строгим контролем взрослых.
4. Заряжайте изделие не менее одного раза в три месяца, чтобы продлить срок службы батареи.
5. Низкая температура может повлиять на емкость аккумулятора, продукт можно заряжать в диапазоне температур от 0 до 40°C и использовать в диапазоне температур от -10 до 45°C.
6. Располагайте, заряжайте и храните изделие в хорошо проветриваемом месте.
7. При необходимости очистите изделие сухой тканью.
8. Если устройство не используется, отсоедините кабель питания от изделия.

Предупреждение:

1. Использование аксессуаров, рекомендованных или проданных несертифицированными производителями продукции, может привести к поражению электрическим током или повреждению оборудования.
2. Не используйте поврежденные провода, вилки или кабели с данным устройством.
3. Никогда не ограничивайте вентиляцию изделия.
4. Не разбирайте изделие. Это может привести к непредсказуемым последствиям, таким как пожар, взрыв или поражение электрическим током.
5. Не используйте изделие в дожде и влажной среде.
6. Не используйте и не храните изделие в условиях высокой температуры (например, под прямым солнечным светом или в нагретом салоне автомобиля), иначе внутренняя батарея может перегреться, загореться или выйти из строя, что сократит срок службы и создает другие риски.
7. При пожаре используйте порошковые огнетушители. Не используйте водяной огнетушитель, это может привести к поражению электрическим током.
8. Избегайте попадания внутрь пыли или посторонних предметов. Это может привести к повреждению внутренних компонентов.

Установка откидной ручки

Чтобы установить складную откидную ручку, используйте крепежные винты, входящие в комплект.



Кнопка	Состояние устройства	Действие
Power	В режиме ожидания	Краткое нажатие: включить станцию (Примечание: дисплей загорится после включения выходов переменного тока)
DC	Включен	Краткое нажатие: включение/выключение выхода постоянного тока
USB	Включен	Краткое нажатие: включить/выключить выходы USB
SET	Включен	Краткое нажатие: вход/выход в Меню настроек
UP	Включен	Краткое нажатие: предварительный выбор
DOWN	Включен	Краткое нажатие: следующий выбор
ENT	Включен	Краткое нажатие в меню настроек: подтверждение/ввод опции

Примечание. Когда устройство включено, нажмите кнопку AC, чтобы включить экран. Когда подсветка экрана отключена, нажмите кнопку SET, UP, DOWN или ENT, чтобы включить подсветку.

Предупреждение: изменение настроек устройства может повредить компоненты и привести к выходу из строя зарядной станции и подключенных к ней устройств. Производитель не несет ответственности за прямые или косвенные убытки, вызванные изменением этих параметров.

Чтобы войти в меню настроек и выйти из меню настроек, нажмите кнопку «SET». После входа в меню настроек будет мигать номер параметра [00]. Нажмите кнопки «UP» и «DOWN», чтобы выбрать код параметра, который требуется установить. Затем нажмите кнопку «ENT», чтобы войти в режим редактирования параметров. Значение параметра будет мигать. Настройте параметры с помощью кнопок «UP» и «DOWN» и нажмите кнопку «ENT», чтобы завершить изменение параметра и вернуться в состояние выбора параметра. Значение «ENA» (enabled) указывает, что параметр включен; «DIS» - (disabled) указывает, что параметр выключен.

№	Название параметра	Параметр настройки	Описание
00	Quit	[00] ESC	Выйти из меню настроек
01	Work first mode	[01] UTI по умолчанию	SOL: Режим приоритета солнечных панелей. Когда солнечные панели не дают достаточный уровень заряда или заряд батареи ниже установленного уровня [04], происходит переключение на сеть. UTI: режим приоритета сети. При сбое напряжения в сети происходит переключение на инвертор. SBU: Режим приоритета инвертора. Переключение на сеть происходит только когда напряжение батареи падает ниже установленного значения параметра [04].
02	Output frequency	[02] 50.0Hz/60.0Hz	Режим 230 В 50 Гц или 120 В 60 Гц
03	AC input voltage range	[03] UPS по умолчанию	Режим работы от сети 170~280 В = режим UPS; 90 ~ 280 В = режим APL.
04	Conversion to mains electricity	[04] 46.0V по умолчанию	Когда параметр [01] = SOL/SBU и напряжение батареи ниже установленного значения, выход переключается с инвертора на сеть. Диапазон настроек 44В~52В
05	City battery	[05] 56.0V по умолчанию	Когда параметр [01]=SOL/SBU и напряжение батареи выше установленного значения, выход переключается из сети на инвертор. Диапазон настроек 48В~60В
06	Charging mode	[06] SNU по умолчанию	CSO: Приоритетная зарядка от солнечных панелей. Только когда зарядка от панелей не происходит, начинается зарядка от сети. CUB: Приоритетная зарядка сети. Только когда зарядка от сети недоступна, начинается зарядка от солнечных панелей. SNU: Гибридный режим подзарядки. Зарядка от солнечных панелей является приоритетом. Когда энергии недостаточно, включается одновременная зарядка от сети. Когда фотоэлектрической энергии достаточно, зарядка от сети приостанавливается. OSO: Зарядка только от солнечных панелей. Зарядка от сети деактивирована.

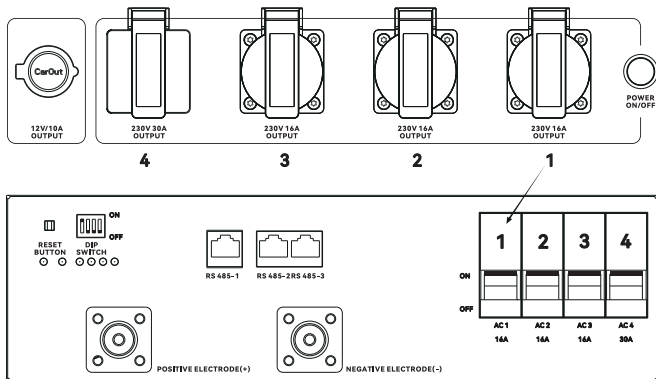
07	Maximum charging current	[07] 60A по умолчанию	Диапазон настроек: 0 ~ 80 А
08	Battery type	[08] L16 по умолчанию	<p>USE: Аккумулятор, определенный пользователем. позволяет установить все параметры аккумулятора.</p> <p>SLd: Необслуживаемая свинцово-кислотная батарея: напряжение заряда: 57,6 В, напряжение плавающего заряда: 55,2 В.</p> <p>FLd: Обслуживаемая свинцово-кислотная батарея: постоянное напряжение заряда: 58,4 В, напряжение плавающего заряда: 55,2 В.</p> <p>GEL: Коллоидная свинцово-кислотная батарея: постоянное напряжение заряда: 56,8 В, плавающее напряжение заряда: 55,2 В.</p> <p>LF14/LF15/LF16: Литий-железо-фосфатная батарея: Аббревиатуры LF14/LF15/LF16 соответствуют 14, 15 и 16 элементным литий-железо-фосфатным батареям; для 16 элементной батареи напряжение заряда по умолчанию составляет 56,8 В; для 15 элементной – 53,2 В; для 14 элементной – 49,2 В; Эти настройки можно регулировать.</p>
09	Increase charging voltage	[09] 57.6V по умолчанию	Напряжение зарядки. Диапазон настроек 48 В ~ 58,4 В, шаг 0,4 В. Действителен, только если тип батареи [8] установлен, как USE и установлена литиевая батарея
10	Increase the maximum charging time	[10] 120 по умолчанию	Максимальное время зарядки при постоянном напряжении параметра [09]. Диапазон настройки составляет 5 мин ~ 900 мин с шагом 5 минут. Действителен, только если тип батареи [8] установлен, как USE и установлена литиевая батарея
11	Float voltage	[11] 55.2V по умолчанию	Плавающее напряжение заряда. Диапазон настроек 48 В ~ 58,4 В, шаг 0,4 В. Действителен, только если тип батареи [8] установлен, как USE
12	Over-discharge voltage	[12] 42V по умолчанию	Слишком низкое напряжение. Когда напряжение батареи ниже заданного значения, выход инвертора будет выключен после задержки [13]. Диапазон настроек 40 В ~ 46 В, шаг 0,4 В. Действителен, только если тип батареи [8] установлен, как USE и установлена литиевая батарея

13	Over-discharge delay time	[13] 5S по умолчанию	Время задержки переразряда. Когда напряжение батареи ниже параметра [12], выход инвертора будет выключен после задержки времени, установленного этим параметром. Диапазон настроек 5 сек. ~ 50 сек., шаг 5 сек. Действителен, только если тип батареи [8] установлен, как USE и установлена литиевая батарея
14	Battery undervoltage alarm point	[14] 44V по умолчанию	Уведомление о пониженном напряжении батареи. Когда напряжение батареи падает ниже установленного значения, будет включена тревога (выход не будет выключен). Диапазон настроек 40 В ~ 52 В, шаг 0,4 В. Действителен, только если тип батареи [8] установлен, как USE и установлена литиевая батарея
15	Battery Discharge Limit Voltage	[15] 40V по умолчанию	Предельное напряжение разряда аккумулятора. Когда напряжение батареи падает ниже установленного значения, выход будет немедленно выключен. Диапазон настроек 40 В ~ 52 В, шаг 0,4 В. Действителен, только если тип батареи [8] установлен, как USE и установлена литиевая батарея
16	Balanced charge	[16] ENA по умолчанию	Включить выравнивающую зарядку. Действителен, только если тип батареи [8] установлен, как SLd
17	Balanced charging voltage	[17] 58.4V по умолчанию	Напряжение плавающего заряда. Диапазон настроек 48 В ~ 58,4 В, шаг 0,4 В. Действителен, только если тип батареи [8] установлен, как FLd или SLd
18	Equalization charging time	[18] 120 по умолчанию	Длительность выравнивающей зарядки. Диапазон настроек 5 мин ~ 900 мин, шаг 5 мин. Действителен, только если тип батареи [8] установлен, как FLd или SLd
19	Equalization charge delay	[19] 120 по умолчанию	Задержка выравнивающей зарядки. Диапазон настроек 5 мин ~ 900 мин, шаг 5 мин. Действителен, только если тип батареи [8] установлен, как FLd или SLd
20	Equalization charge derating time	[20] 30 по умолчанию	Время понижения выравнивающего заряда. Диапазон настроек 0 ~ 30 дней, шаг 1 день. Действителен, только если тип батареи [8] установлен, как FLd или SLd
21	Turn on equalization charging	[21] DIS по умолчанию	Выравнивающая зарядка

22	Energy saving mode	[22] DIS по умолчанию	Режим энергосбережения
23	Overload restarts automatically	[23] ENA по умолчанию	Автоматический перезапуск после перегрузки. Если выход отключен из-за перегрузки, станция перезапустит его через 3 минуты. После 5 перезапусков подряд выход будет отключен.
24	Over temperature automatic restart	[24] ENA по умолчанию	Автоматический перезапуск при перегреве. Если произойдет перегрев, выход будет выключен и перезапущен, когда температура снизится до нормы.
25	Buzzer alarm	[25] ENA по умолчанию	Звуковой сигнал тревоги
26	Mode switch reminder	[26] ENA по умолчанию	Когда меняется состояние источника входного напряжения, срабатывает сигнал тревоги
27	Inverter overload transfer to bypass	[27] ENA по умолчанию	При перегрузке инвертор автоматически переключается на сеть
28	Mains charging current	[28] 230V/50A, 120V/30A по умолчанию	Входящий переменный ток. Диапазон настройки 0 ~ 50 А (для сетей 230 В); 0 ~ 30 А (для сетей 120 В)
29	Output phase adjustment function	[29] DIS по умолчанию	Функция регулировки выходной фазы
30	R485 address setting	[30] 1 по умолчанию	Адрес порта RS485. Диапазон настроек 1 ~ 254
35	Battery Undervoltage recovery point	[35] 50.4V по умолчанию	Когда напряжение батареи низкое, оно должно быть выше этого настройки, чтобы восстановить выходную мощность инвертора батареи. Диапазон настроек: 44 В ~ 58,4 В
37	Full battery recharge recovery point	[37] 52V по умолчанию	Когда батарея полностью заряжена, инвертор прекращает зарядку. Когда напряжение батареи становится ниже этого значения, зарядка восстанавливается.
38	AC output voltage setting	[38] 230V по умолчанию	Выходное напряжение выходов переменного тока. Можно установить на: 200/208/220/230/240 В

Переключатели выходов переменного тока

Каждый переключатель соответствует отдельному выходному порту переменного тока. Когда станция включена, переведите переключатель вверх, чтобы включить, и вниз, чтобы отключить соответствующий порт переменного тока.



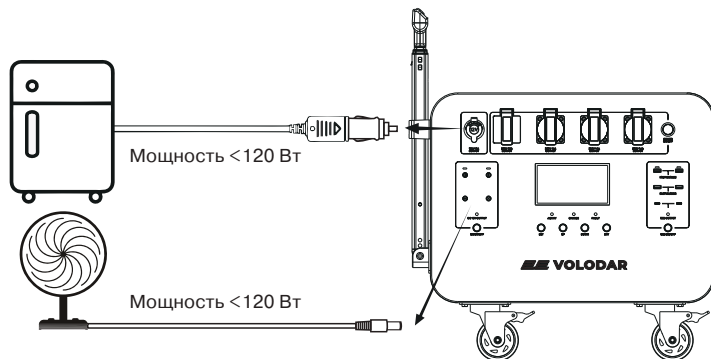
Системные коды ошибок

Код ошибки	Неисправность	Влияет ли на выход?	Описание
[01]	BatVoltLow	Да	Предупреждение о низком напряжении аккумулятора
[02]	BatOverCurrSw	Да	Программная защита от разряда аккумулятора/средней нагрузки по току/перегрузки по току
[03]	BatOpen	Да	Аккумулятор не подключен
[04]	BatLowEod	Да	Сигнал остановки батареи из-за низкого напряжения
[05]	BatOverCurrHw	Да	Аппаратная защита батареи от перегрузки

[06]	BatOverVolt	Да	Защита от перенапряжения при зарядке
[07]	BusOverVoltHw	Да	Аппаратная защита цепи от перенапряжения
[08]	BusOverVoltSw	Да	Программная защита цепи от перенапряжения
[09]	PvVoltHigh	Нет	Защита входа постоянного тока от перенапряжения
[10]	PvBoostOCSw	Нет	Программная защита входа постоянного тока от перегрузки по току
[11]	PvBoostOCHw	Нет	Аппаратная защита входа постоянного тока от перегрузки по току
[12]	bLineLoss	Нет	Сеть 220 В отключена
[13]	OverloadBypass	Да	Защита в режиме UPS от перегрузки
[14]	Overloadinverter	Да	Защита инвертора от перегрузки
[15]	ACOverCurrHw	Да	Аппаратная защита инвертора от перегрузки по току
[16]	-	-	-
[17]	InvShort	Да	Защита инвертора от короткого замыкания
[18]	-	-	-
[19]	OverTemperMppt	Нет	Защита радиатора входа постоянного тока от перегреваперегріву
[20]	OverTemperInv	Да	Защита инверторного радиатора от перегрева
[21]	FanFail	Да	Неисправность вентилятора
[22]	EEPROM	Да	Сбой памяти
[23]	ModelNumErr	Да	Ошибка настройки модели
[26]	Rlyshort	Да	Защита от короткого замыкания на входе переменного тока инвертора
[29]	BusVoltLOW	Да	Защита от низкого напряжения высоковольтной цепи

1) Питание приборов постоянного тока

Включите питание станции (нажмите кнопку ON/OFF), розетку постоянного тока и автомобильное зарядное устройство. Они начнут работать и выдавать 12 В. Подключите электроприбор к нужному интерфейсу питания.



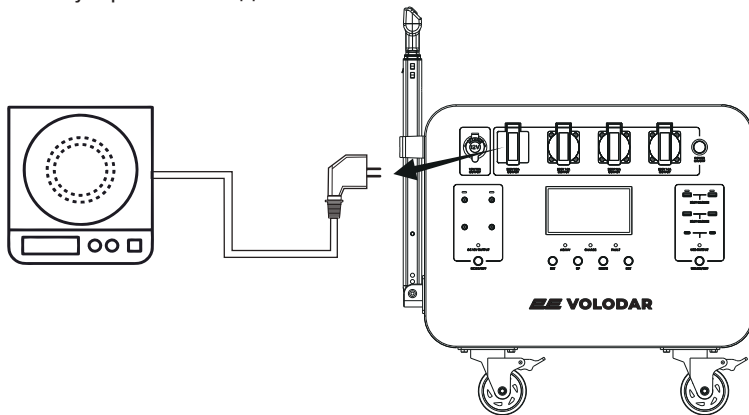
Режим защиты:

Защита от короткого замыкания/превышения мощности: если на выходе постоянного тока имеется короткое замыкание или выходная мощность превышена (нагрузка > 120 Вт), устройство выключит выход постоянного тока для защиты. После устранения проблемы снова включите выход постоянного тока, чтобы запитать устройство.

Диапазон выходного напряжения постоянного тока этого устройства составляет 11,4-12,6 В, а максимальный выходной ток составляет 10 А.

2) Питание приборов переменного тока

Включите выключатель питания, подключите вилку питания устройства к порту переменного тока портативной электростанции, затем нажмите кнопку выхода переменного тока и устройство подаст питание.



ВНИМАНИЕ. Разные страны имеют разные характеристики интерфейса питания и стандарты напряжения. Перед использованием обязательно проверьте, соответствуют ли исходные характеристики изделия входным характеристикам электроприбора, иначе это может привести к его повреждению.

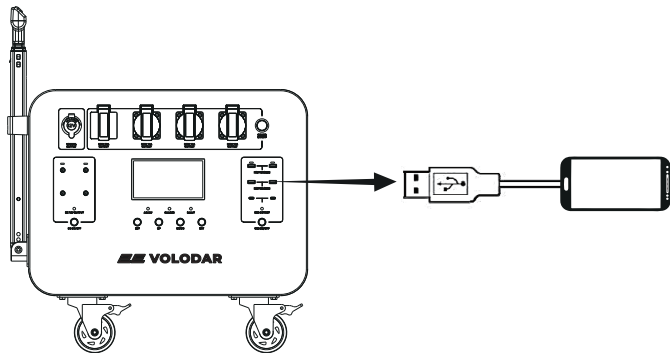
(Если не используется розетка переменного тока, выключите порт переменного тока, чтобы сэкономить заряд.)

Режим защиты:

Защита от короткого замыкания/превышения мощности: если выход переменного тока замыкается или мощность превышает нагрузку 5000 Вт, устройство отключит выход переменного тока для защиты. После устранения неполадки включите выход переменного тока, чтобы запитать устройство.

3) Питание цифровых устройств по USB

Включите питание станции, подключите USB-кабель цифрового устройства к интерфейсу USB, включите выход USB, чтобы подать питание на цифровое устройство. Если питание не запускается, отсоедините и снова подключите кабель USB.

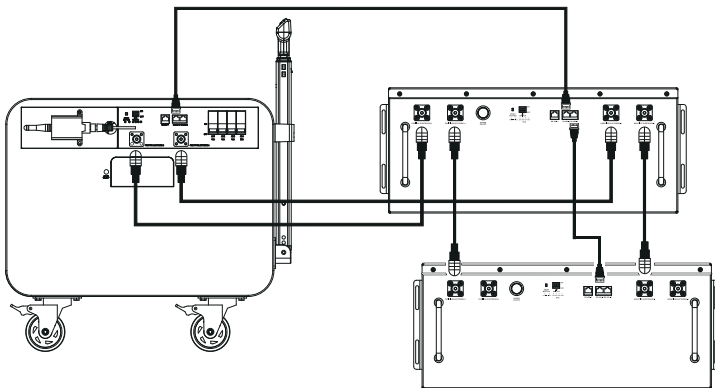


4) Подключение внешних батарей

Емкость устройства можно увеличить с помощью внешних аккумуляторных батарей 2E. К одной электростанции можно подключить до 15 дополнительных батарей.

ВНИМАНИЕ. Перед подключением внешних батарей всегда выключайте электростанцию.

- 1) Перед подключением батарей выключите электростанцию.
- 2) Подключите коммуникационные разъемы RS с помощью кабеля связи, как показано на рисунке.
- 3) Подключите плюсовые и минусовые разъемы соответствующими кабелями, как показано на рисунке.
- 4) Включите кнопки питания на электростанции и аккумуляторе (батареях), затем включите необходимые выходы.



Примечание: внешние батареи 2E продаются отдельно.
Для получения дополнительной информации посетите официальный сайт <https://2e.ua/ru/products-category/power-station/>

DIP-переключатели

Когда модуль батареи подключается параллельно, вы можете использовать переключатель DIP, чтобы установить адрес для определения различных модулей. Стандартной настройкой для этой электростанции является адрес №1. Определение всех положений переключателя DIP приведено в таблице ниже.

Адрес	Положение DIP-переключателя				Описание
	1	2	3	4	
0	ВЫКЛ	ВЫКЛ	ВЫКЛ	ВЫКЛ	Single mode (Одиночный режим)
1	ВКЛ	ВЫКЛ	ВЫКЛ	ВЫКЛ	Master (host)
2	ВЫКЛ	ВКЛ	ВЫКЛ	ВЫКЛ	Slave 2
3	ВКЛ	ВКЛ	ВЫКЛ	ВЫКЛ	Slave 3
4	ВЫКЛ	ВЫКЛ	ВКЛ	ВЫКЛ	Slave 4
5	ВКЛ	ВЫКЛ	ВКЛ	ВЫКЛ	Slave 5
6	ВЫКЛ	ВКЛ	ВКЛ	ВЫКЛ	Slave 6
7	ВКЛ	ВКЛ	ВКЛ	ВЫКЛ	Slave 7
8	ВЫКЛ	ВЫКЛ	ВЫКЛ	ВКЛ	Slave 8
9	ВКЛ	ВЫКЛ	ВЫКЛ	ВКЛ	Slave 9
10	ВЫКЛ	ВКЛ	ВЫКЛ	ВКЛ	Slave 10
11	ВКЛ	ВКЛ	ВЫКЛ	ВКЛ	Slave 11
12	ВЫКЛ	ВЫКЛ	ВКЛ	ВКЛ	Slave 12
13	ВКЛ	ВЫКЛ	ВКЛ	ВКЛ	Slave 13
14	ВЫКЛ	ВКЛ	ВКЛ	ВКЛ	Slave 14
15	ВКЛ	ВКЛ	ВКЛ	ВКЛ	Slave 15

Внимание! Избегайте установки одинаковых адресов для разных модулей. Это может привести к выходу из строя системы.

5) Зарядка станции

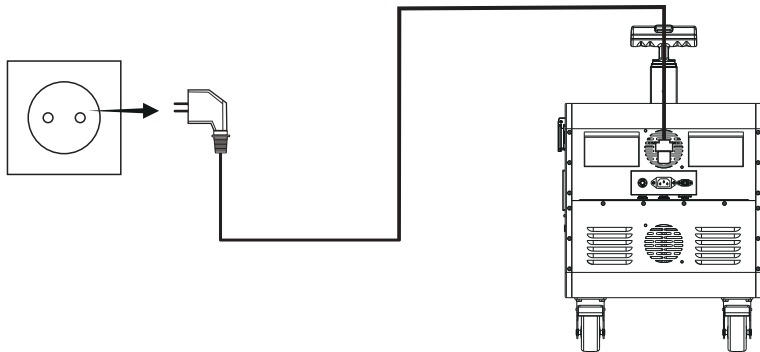
Холодная погода

Холодная погода может повлиять на емкость батареи. При минусовой температуре ($<0^{\circ}\text{C}$) можно использовать (разряжать) изделие, но не заряжать его. В противном случае батарея может быть повреждена, и ее емкость может не восстановиться.

Внимание: Среда, в которой используется изделие, должна отвечать всем требованиям данного руководства. Убедитесь, что вентиляционные отверстия не заблокированы.

а. Зарядка с помощью шнура питания

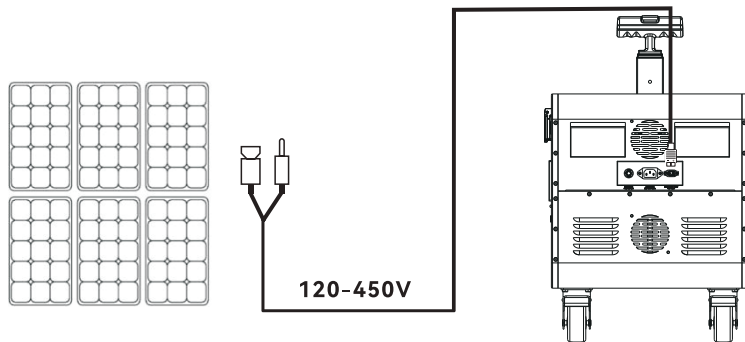
Подключите устройство к розетке переменного тока с помощью шнура питания. Включите станцию. Если значок индикатора аккумулятора мигает на дисплее изделия, значит, устройство заряжается. Уровень заряда отображается на ЖК-дисплее. Когда он достигает 100%, станция полностью заряжена. После зарядки извлеките шнур питания из розетки.



Примечание. Этот продукт поддерживает максимальную входную мощность 2500 Вт.

в. Зарядка от солнечной панели

- 1) Разместите солнечную панель в месте с прямыми солнечными лучами.
- 2) Подключите выход солнечной панели к зарядному входу станции. Включите станцию. Если значок индикатора аккумулятора мигает на дисплее изделия, значит, устройство заряжается. Уровень заряда отображается на ЖК-дисплее. Когда он достигает 100%, станция полностью заряжена.



Технология MPPT: Этот продукт поддерживает подзарядку от солнечных панелей по технологии MPPT. Благодаря контроллеру MPPT, этот продукт может отслеживать изменения выходного напряжения и тока от солнечной панели и получать наилучшую эффективность зарядки.

Подключение нескольких солнечных панелей: этот продукт позволяет подключать солнечные панели последовательно для достижения наилучшего результата зарядки. Входные параметры постоянного тока: 120–450 В (макс. 5000 Вт);

Фактическая производительность зарядки может отличаться в зависимости от погоды, температуры, состояния батареи и других факторов.

6) Функция ИБП

Этот продукт поддерживает функцию ИБП. При подключении компьютера к входному порту переменного тока данная станция может использовать питание от сети переменного тока вместо питания от аккумулятора. В случае внезапного сбоя питания этот продукт может автоматически перейти в режим питания от аккумулятора в течение 20 мс.

Сценарии использования

(1) На улице

автомобильная техника: автомобильный холодильник, пылесос, насос и другая техника;
Снаряжение для кемпинга: садовые электроинструменты (воздуходувки, газонокосилки, электрические дрели, электрические пилы), светодиодные фонари и т.д.

(2) В помещении

Холодильник, кухонные устройства, такие как чайник, тостер, блендер, кофеварка, газовые котлы, ноутбуки, телефоны, освещение и т.д.

Примеры нагрузок

(1) Большинство электроприборов на рынке соответствуют параметрам 12 В/30 А или 12 В/10 А (XT60 или SPC45) и питаются от прикуривателя, выходных портов USB-A и USB-C зарядного устройства. Но при зарядке некоторых продуктов может сработать защита от перегрузки по току, если они создают мгновенный высокий ток в момент запуска.

(2) Устройство может питать электрические приборы с номинальной мощностью не более 1500 Вт. Даже если показатель устройства составляет менее 5500 Вт, защита от нагрузки все равно может быть активирована, когда устройство генерирует большую мгновенную пусковую мощность. Поэтому рекомендуется использовать устройство для электротехнических изделий с меньшей номинальной мощностью.

(3) При перегрузке по току или коротком замыкании на выходе устройство отключит соответствующий выходной порт. Затем он автоматически запустится снова с интервалом. Если подача энергии постоянно прекращается, выключите оборудование и свяжитесь с продавцом или обратитесь в сервисный центр за профессиональной помощью.

(4) Когда уровень заряда батареи упадет до 0%, выходы постоянного и переменного тока автоматически выключатся. Перед использованием устройства для защиты и увеличения срока службы батареи проверьте уровень заряда батареи.

(5) Устройство поддерживает одновременную зарядку и разрядку. Пожалуйста, держите оборудование в горизонтальном положении во время использования, зарядки и разрядки.

Смартфон

360-370 раз
10 Вт

Светодиодная лампа

Около 180-190 часов
20 Вт

Телевизор

Около 48-50 часов
75 Вт

Электроинструмент

Около 45-46 часов
80 Вт

Холодильник

Около 39-41 час
90 Вт

Газовый котел

Около 18-19 часов
200 Вт

$5120 \text{ Вт ч} \times \text{DOD} \times \eta \div (\text{мощность нагрузки}) = \text{время работы}$

Примечание: DOD – это глубина разряда батареи, η – КПД инвертора.

Единицами мощности нагрузки и времени зарядки являются ватт и час.

DOD=90%, η =90%

Устранение наиболее распространенных проблем при использовании

Неисправность	Возможная проблема	Решение
Внешнее устройство не заряжается	1. Внешнее устройство неправильно подключено к станции	Убедитесь, что устройство правильно подключено к станции. Проверьте надежность соединений.
	2. Соединения надежны, но индикатор зарядки не горит.	Убедитесь, что выходной порт включен. Если он не включается, устройство может быть неисправно, обратитесь в сервисный центр.
	3. Индикатор зарядки горит, устройство не заряжается.	Устройство, которое вы пытаетесь заряжать, может быть неисправным, обратитесь в центр послепродажного обслуживания устройства.
Зарядное устройство не выдает мощность	1. Оборудование неправильно подключено к зарядному устройству.	Проверьте правильность подключения оборудования к зарядному устройству. Проверьте наличие ненадежных контактов в соединениях.
	2. Выходной порт не включен	Включите соответствующий выходной порт
	3. Низкая выходная мощность	Зарядите устройство
	4. Выходная мощность по-прежнему отсутствует после проверки пунктов 1.2.3.	Зарядное устройство может быть неисправным, обратитесь в сервисный центр.
Зарядное устройство прерывает выходную мощность	1. Номинальная мощность или мгновенная пусковая мощность оборудования, используемого больше, чем мощность изделия.	Выберите более мощные накопители энергии
	2. На дисплее отображается символ тревоги. Раздается звуковой сигнал, и устройство автоматически выключает выход.	В используемом оборудовании произошло короткое замыкание. Проверьте провода и соединения. Если проблема остается, обратитесь в центр послепродажного обслуживания оборудования.
	3. Выходная мощность все еще прерывается после устранения пунктов 1.2.	Зарядное устройство может быть неисправным, обратитесь в сервисный центр.

Распространенные вопросы:

1. Можно ли перевозить этот продукт самолетом?

Нет, поскольку этот продукт содержит аккумулятор большой емкости. Согласно международным стандартам воздушного транспорта перевозка изделий с батареями емкостью свыше 100 Вт час запрещена.

2. Если мощность оборудования находится в пределах номинальной мощности продукта, можно ли его использовать?

- a. Если потребляемая мощность составляет менее 20% общей мощности зарядного устройства, его можно использовать одновременно с другими продуктами.
- б. Изделия с номинальной или пиковой мощностью, превышающей допустимые параметры, нельзя использовать с этим зарядным устройством

3. Почему устройство производит шум при использовании?

В продукте используется система воздушного охлаждения, а встроенный вентилятор лучше способствует рассеиванию тепла. Небольшой шум при работе является нормальным явлением.

4. Нормально, что зарядное устройство нагревается во время зарядки?

Нагрев зарядного устройства во время зарядки, является нормальным явлением, температура зарядного устройства соответствует национальным стандартам безопасности.

Гарантия

Гарантийный срок продукта составляет год.

Гарантийный срок начинается с даты покупки товара.

Гарантия не распространяется на следующие случаи:

1. Косметические повреждения, царапины на корпусе;
2. Если устройство разбирали и ремонтировал неуполномоченный персонал без лицензии или разрешения;
3. Сбои в работе продукта, вызванные человеческим фактором.
4. Повреждения, вызванные непреодолимыми факторами, такими как стихийные бедствия, молнии и несчастные случаи.



Portable Power Station
Портативна Зарядна Станція
Портативная Зарядная Станция



<https://2e.ua/>



ОФИЦИАЛЬНЫЙ ДИЛЕР В УКРАИНЕ:

storgom.ua

ГРАФИК РАБОТЫ:

Пн. – Пт.: с 8:30 по 18:30

Сб.: с 09:00 по 16:00

Вс.: с 10:00 по 16:00

КОНТАКТЫ:

+38 (044) 360-46-77

+38 (066) 77-395-77

+38 (097) 77-236-77

+38 (093) 360-46-77

Детальное описание товара:

<https://storgom.ua/product/2e-209191.html>

Другие товары: <https://storgom.ua/zaryadnye-stancii.html>