



2E-PPS1512

User Guide

Посібник користувача
Руководство пользователя

2E SYLA

**Portable Power Station
Портативна Зарядна Станція
Портативная Зарядная Станция**



About

Thank you very much for purchasing our multifunctional portable mobile energy storage system. It has a variety of DC voltage outputs, different ports such as USB, TYPE-C, DC5521, cigarette lighter, etc. It is also equipped with 3W LED lighting and a display that can display the battery status and power. Suitable for a variety of different devices and scenarios, such as electric fans, televisions, drones, mobile phones, tablets, laptops, desktop, computers, small printers, various lamps, small fish tanks, photographic equipment, electric scooters, etc.

Please read this user manual carefully before using this product and keep it for future reference.

Technical Specifications

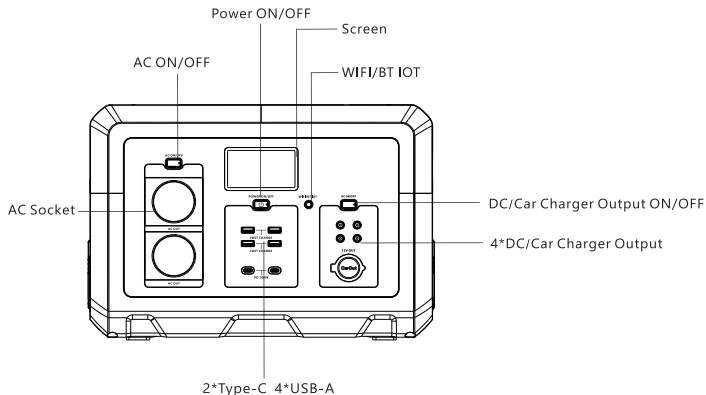
Battery type and Capacity:	Grade A LiFePO4 1280Wh/51.2V/25000mAh Cycle life: ≥2000 times
Input	AC Input: 220-240V, 50Hz (1200W Max); MPPT Input: 10-60V 13A (400W Max);
USB Output	2x USB Type-C: 5V 3A, 9V 3A, 12V 3A, 15V 3A, 20V 5A (100W Max)
	4x USB-A: 5V 3A, 9V 2A, 12V 1.5A(single 18W Max, double 15W Max)
DC Output	4x DC 5521 Ports: 12V 10A (120W Max)
Car Port	12V 10A (120W Max)
AC Output	2x AC: 210-230V, 50 Hz, 1500 W Max, 3000 W Peak Power
	Output Waveform: Pure Sine Wave
Operation Temperature	-10°C~45°C
Dimension	374 x 265 x 263 mm
Weight About	17 kg

Package contents:

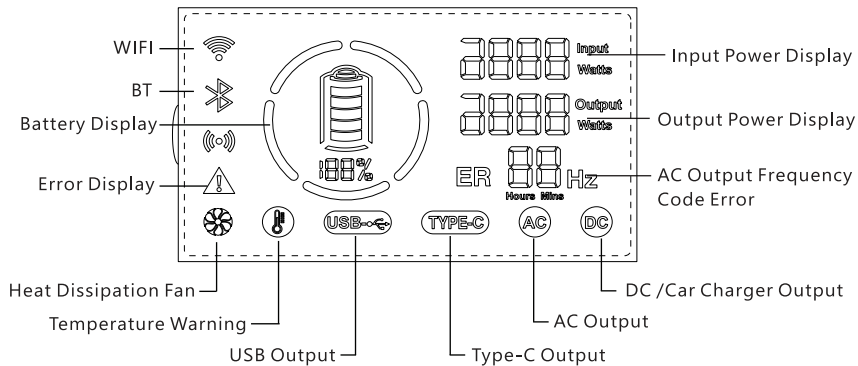
- 1x Portable Power Station
- 1x AC Charging Cable
- 1x Cigarette lighter to XT60 Adapter
- 1x Cigarette lighter to DC5521 Adapter
- 1x User guide

Identification of parts

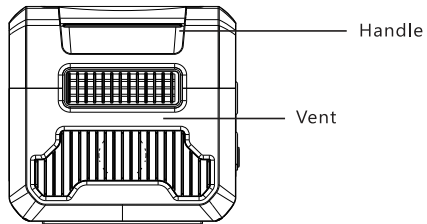
Front view



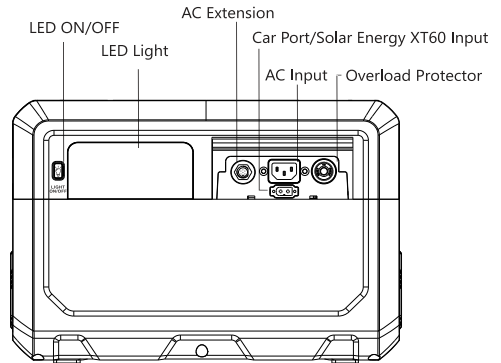
Display



Side view



Rear view



Precautions for use:

1. Please read all the safety warnings before use and always follow the basic precautions when using this product. Warranty does not cover damages caused by failure to follow instructions.
2. When using the device for the first time, it is recommended to fully charge it in order to avoid inconveniences during use due to lack of power.
3. Close supervision is required when using this product around children to reduce the risk.
4. Charge the product at least every three months to preserve the battery life.
5. Low temperature may affect the battery capacity of the product, the product can be charged in the temperature range of 0 to 40°C, and used in the temperature range of -10 to 45°C.
6. Place, charge and store the product in a well-ventilated place.
7. Wipe the product clean with a dry cloth.
8. When the product is not in use, unplug the power cord from the product outlet.

Safety warning:

1. Use of accessories recommended or sold by non-professional product manufacturers may result in electric shock or equipment damage.
2. Do not use damaged wires or plugs or damaged output cables with this product.
3. Never restrict the ventilation of the product.
4. Do not disassemble the product. Doing so may result in unpredictable risks such as fire, explosion, or electric shock.
5. Avoid exposing the product to rain or using the product in humid environment.
6. Do not use or store the product in a high temperature environment (direct hot sunlight or hot car interior), otherwise the internal battery may overheat, catch fire or fail, shorten its lifespan, and incur other risks.
7. In case of fire, use dry powder fire extinguishers for this product. Do not use water fire extinguisher, which may cause electric shock.
8. Avoid getting dust or foreign objects inside the device, otherwise it may easily cause damage to its internal components.

Button functions

Button	Current state	Corresponding action
Power	Standby	Long press (1.5 seconds): power on Short press: turn on the USB ports Long press (> 10 seconds): reset MCU
AC	Power on	Short press: turn on/off the AC output. The buzzer will sound. Long press: turn on/off the buzzer (the buzzer is on by default). The buzzer will sound.
WiFi/BT/IoT	Power on	Long press: reset WiFi/BT settings
DC	Power on	Long press: turn off the front lighting. The buzzer will sound.
LED	Power on	Short press: Turn on the light (brightness 1-2-3)> Strobe > SOS > Turn off the light Long press: turn off the light. The buzzer will sound. Auto turn off the light: after 2 hours without pressing any button.
Power + LED	Power on	Short press: exit charging mode Long press (3 seconds): system reset
Power + AC	Power on	Power Long press + AC Short press: switch the AC output voltage. Voltage display flashes.
AC	Power on	Long press: turn on/off the buzzer
AC + LED	Power on	Long press: view the system software version
Other function	/	1. Auto turn off the backlight: no operations for 30 seconds. 2. Auto turn off USB-A and TYPE-C port: no load for 5 minutes. 3. Auto turn off DC and AC output: small/no current for 4 hours. 4. Auto standby: 8 minutes without load.

Note. When the screen backlight is off, first press any button to turn on the backlight, and then activate the function with the corresponding button.

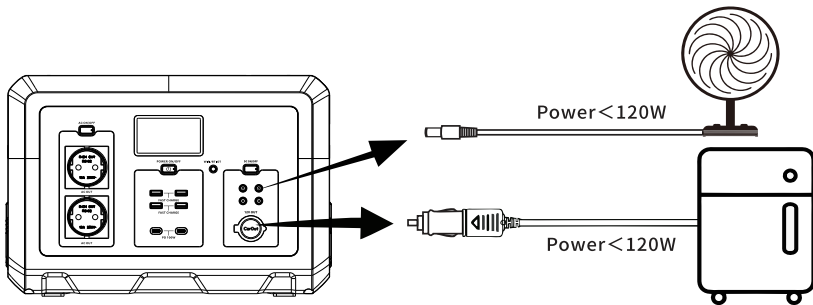
System fault codes

Er 01	DC OOCB : DC and car charger output overcurrent
Er 02	DC OSCB : DC and car charger output short circuit
Er 03	AC Error : AC Module malfunction
Er 04	PD Error : One-way PD Type-C Interface malfunction
Er 05	PCBA OTP : PCBA temperature is too high
Er 06	BAT LTP : Battery temperature is too low
Er 07	USBA ERR : USBA interface malfunction
Er 08	DC COVP : DC charging voltage is too high
Er 09	BAT OTP : Battery temperature is too high
Er 10	BAT OCP: The battery is over-current (65 A).Turn off part of the output, otherwise the system will intervene.
Er 11	BAT UVP : Battery undervoltage warning
Er 12	BAT LOW : Battery low voltage warning
Er 14	BMS: Communication error

Using the Power Station

1. Powering DC appliances

Turn on the power switch, press the DC/Car Charger Output ON/OFF button, the DC socket and the car charger will start to work and output 12V. Connect the electrical appliance to the desired power interface.



Protection Mode:

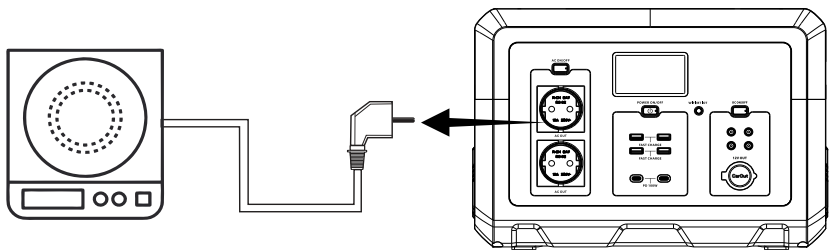
Short circuit/over power protection: If the DC output has a short circuit or the output is overpowered (load > 120W), the device will turn off the DC output for protection. After troubleshooting, turn the DC output back on to power the device.

- The DC output voltage range of this device is 11.4V-12.6V, and the maximum output current is 10A.

2. Powering AC appliances

Turn on the power switch, connect the device's power plug to the portable power station's AC port, then press the AC button and the device will supply power to the device.

Warning. Different countries have different interface specifications and voltage standards. Before use, be sure to carefully check whether the output characteristics of the product match the input characteristics of the electrical appliance, otherwise it may cause damage to the device.



(When the AC outlet is not in use, turn off the AC switch in time to save power.)

Protection Mode:

Short Circuit/Over Power Protection: If the AC output is shorted or the load power exceeds 1500W or peak power exceeds 3000W, the device will turn off the AC output for protection. Once the problem is corrected, turn on the AC output to supply power to the device.

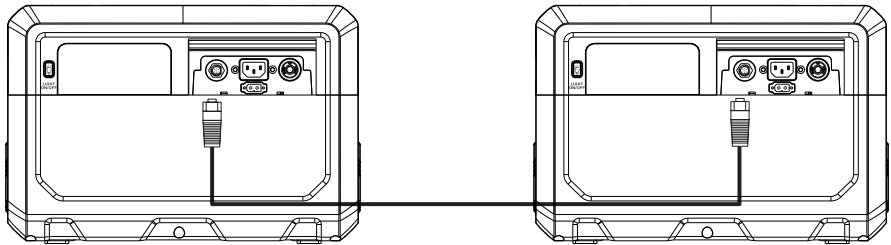
3. Connecting the expansion power cable

This power station supports the 2E Dual Power parallel connection system, which allows you to connect two identical power stations in parallel, doubling their power and capacity.

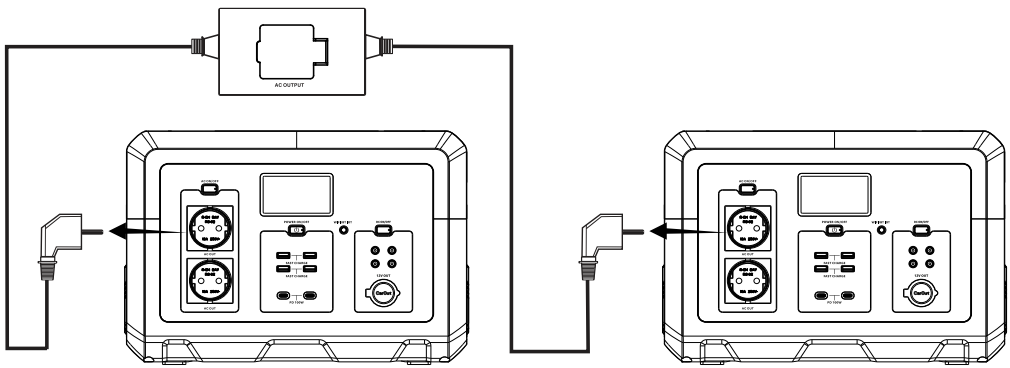
Warning. Always turn off both power stations before connecting in parallel. Only connecting 2 identical power stations is allowed.

Different countries have different interface specifications and voltage standards. Before use, be sure to carefully check whether the output characteristics of the product match the input characteristics of the electrical appliance, otherwise it may cause damage to the device.

- 1) Turn off both power stations if they are on.
- 2) Connect a high-power device to the AC Parallel Connection Block (Power Block). Connect the device cable to a spare plug if necessary.



- 3) Connect the 2 power station communication sockets with a communication cable.
- 4) Connect the power station's 2 AC output sockets to the Power Block using the included AC cables.

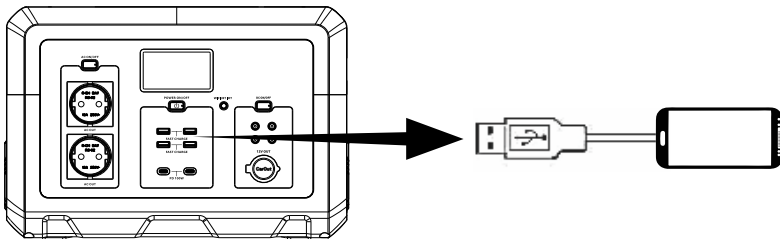


5) Turn on the power switches, then press the AC buttons on both stations and the units will receive power.

Note: Parallel connection system sold separately.

4. Powering USB digital devices

Turn on the power switch, connect the USB cable of the digital device to the USB interface of this product, turn on the USB output to supply power to the digital device. If the power does not start, plug and unplug the USB cable again.



5. Charging the product

Cold Weather

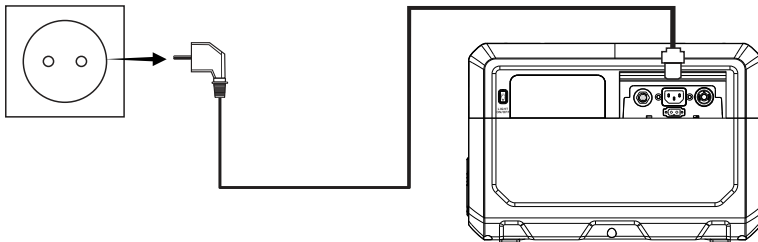
Cold weather can influence battery capacity. In sub-zero temperature ($<0^{\circ}\text{C}$), you may be able to discharge the product, but you should not charge it. Otherwise, the battery of the product would be greatly damaged and the capacity may not even be recovered.

Attention: The operating environment should meet all requirements in this manual. Make sure that the air inlet/outlet is not blocked

a. Charging with AC power cord

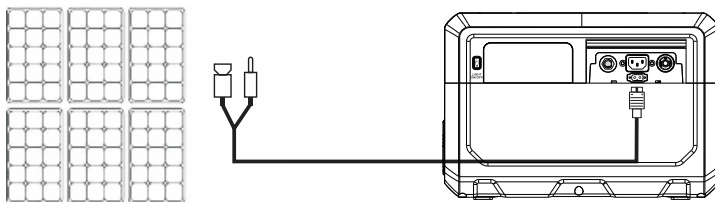
Connect the product to a household AC outlet using the AC power cord. If the battery indicator icon on the product display blinks, the product is charging. The charge level is indicated on the LCD display. When it reaches 100%, the product is fully charged. Remove the AC power cord from the AC outlet in time.

Note. This product supports 1200W maximum input power.



b. Charging with a solar panel

- 1) Place the solar panel in a place with strong direct sunlight.
- 2) Connect the output of the solar panel to the charging input of this product. If the battery indicator icon on the product display blinks, the product is charging. The charge level is indicated on the LCD display. When it reaches 100%, the product is fully charged.



MPPT technology:

This product supports solar panel charging using MPPT technology. With its MPPT controller, this product can monitor the output voltage and current changes from the solar panel and get the best charging performance.

c. Charging with car 12V cigarette lighter socket

Use the included charging cable to plug it into your car's 12V cigarette lighter socket. If the battery indicator icon on the product display blinks, the product is charging. The charge level is indicated on the LCD display. When it reaches 100%, the product is fully charged.

Note. To avoid discharging the car battery, it is recommended to charge the product while the car engine is running.

Using the app

Search «tuya smart» app in App Store (for iOS devices) or Google Play (for Android devices), then download this app to control the device remotely via Wi-Fi or Bluetooth.



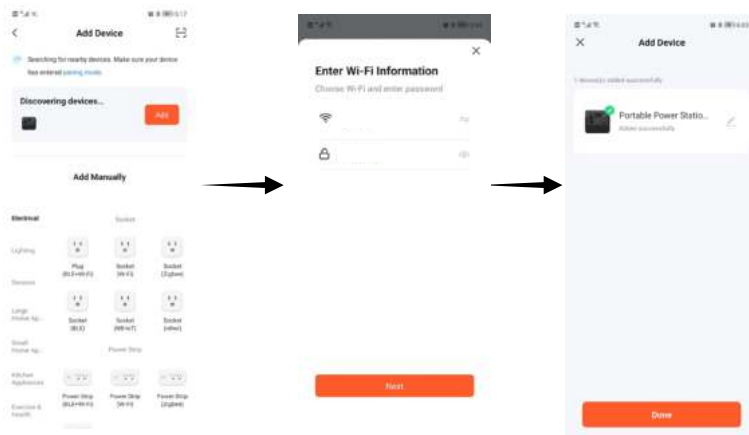
Step 1:

Press and hold the WIFI/BT/IOT button on the power station for 3 seconds until the WiFi icon flashes. Turn on WiFi and Bluetooth on your phone. Open «Tuya Smart» app and click «Add device».



Step 2:

If you are using WiFi, connect to your 2.4G WiFi network. Chose 2E SYLA from the device list. Enter the password and activate the communication function of your device for data synchronization.



After connecting successfully, you will be able to control your device in the WiFi environment. You can also control it via Bluetooth in the absence of WiFi.



Application scenario

(1) Outdoor

Car equipment: car fridge, car vacuum cleaner, pump and another car equipment;

Camping equipment: garden electric tools (power tools such as blowers, lawnmowers, electric drills, electric saws), LED lights, etc.

(2) Indoor

Refrigerator, kitchen devices such as kettle, toaster, blender, coffee maker, gas boiler, laptops, phones, lighting, etc.

Examples of loads

- (1) Most electrical appliances in the market apply to the specifications of 12V/30A (XT60 or SPC45), 12V/10A, cigarette lighter, USB-A, and USB-C output ports of charger. But still, the charging of some products may activate the over-current protection if it generates an instantaneous high current at the moment of starting.
- (2) Charger can power electrical products with 1500W or less rated power. Though the figure is under 1500W, overload protection will still be activated when the appliance generates a massive instantaneous start-up power. Therefore, it's recommended to apply charger to electrical products with lower-rated power.
- (3) If an output over-current, overload, or short circuit occurs, device will turn off the corresponding output port. Then it will automatically start again at an interval of 15s). If the output repeatedly stops, turn the equipment off. Please get in touch with the seller or maintenance group first for professional help.
- (4) When the battery level drops to 0%, the DC and AC output will automatically turn off. Please check the battery level before using device to protect and enhance battery cycle life.
- (5) This device supports charging and discharging simultaneously, and please keep the equipment laid flat during use, charging, and discharging.

Estimation of operating time

Smartphone

85-95 Times

10W

LED Light Bulb

Around 43-46hrs

20W

Television

Around 11-12hrs

75W

Electronic Tools

Around 10-12hrs

80W

Refrigerator

Around 9-10hrs

90W

Gas boiler

Around 4-5hrs

200W

$1280 \text{ Wh} \times \text{DOD} \times \eta \div (\text{load power}) = \text{charging time}$

Note: DOD is the battery discharge depth, η is the local inverter efficiency.

And the units of load power and charging time are Watt and Hour. DOD=80%, η =90%

Elimination of the most common problems during use

Fault	Troubleshooting	Solution
External device is not charging	1. The device is not properly connected to the charger (charging indicator is off).	Make sure the product is properly connected to the charger. Check for poor contact in the connections.
	2. The contact is good, but the charging indicator is not on.	Turn on the output port button. If there is still no result, the charger might be broken, please contact after-sales service.
	3. The charging indicator is on, device is still not charging.	The device might be broken, please contact device after-sales service.
Charger does not output power	1. The equipment is not properly connected to the charger.	Make sure the equipment is properly connected to the charger. Check for poor contact in the connections.
	2. The output port switch is not turned on.	Press the output port button.
	3. Low output power.	Charge the charger.
	4. Still no output power after eliminating 1.2.3 points.	The charger might be broken, please contact after-sales service.
Charger interrupts power output	1. The rated power or instantaneous starting power of the equipment used is greater than the power of the product.	Select higher power energy storage products or try the parallel connection to deliver power from 2 power stations.
	2. The alarm symbol appears on the display screen. A beep sounds and the product automatically turns off the output.	A short circuit has occurred in the equipment. Please check the wires and connections.
	3. Power output still interrupts after eliminating 1.2.points.	The charger or your device might be broken, please contact after-sales service.

FAQ:

1. Can this product be carried on a plane?

No, because this product contains high capacity battery. In accordance with international air transport standards, the transportation of products with batteries with a capacity of more than 100 Wh is prohibited.

2. If the power of the equipment is within the rated output of the product, can it be used?

- a. If the power consumption of the product is less than 120W, it can be used at the same time with other products.
- b. products with a rated or peak power that exceeds the allowable parameters cannot be used with this charger

3. Why does the device make a sound while using it?

The product uses an air-cooling system, and the built-in fan is better conducive to heat dissipation. A little noise during operation is normal.

4. Is it normal for the charger to get warm while charging?

Charger heating when charging is a normal phenomenon, the standard temperature of the device when charging is in line with national safety standards, you can rest assured to use it!

Warranty

The warranty period is one year.

The warranty period starts from the date of purchase by the consumer.

The warranty does not cover the following cases:

1. Cosmetic damages, scratches on the body;
2. Disassembly and repair by non-authorized staff without permission;
3. Product performance failure caused by human factors.
4. Damage caused by irresistible factors such as natural disasters, lightning and accidents.

Щиро дякуємо за придбання багатофункціональної портативної електростанції 2E. Вона має виходи постійного струму, різні порти, такі як USB, TYPE-C, автомобільний прикурювач тощо. Вона також оснащена світлодіодною лампою і дисплеєм, який може відображати стан батареї та пристрою. Електростанція підходить для живлення різноманітних пристроїв, таких як електричні вентилятори, телевізори, дрони, мобільні телефони, планшети, ноутбуки, настільні комп'ютери, принтери, різні лампи, акваріуми, фотообладнання, електросамокати та ін

Перед використанням продукту уважно прочитайте цей посібник користувача та збережіть його для подальшого використання.

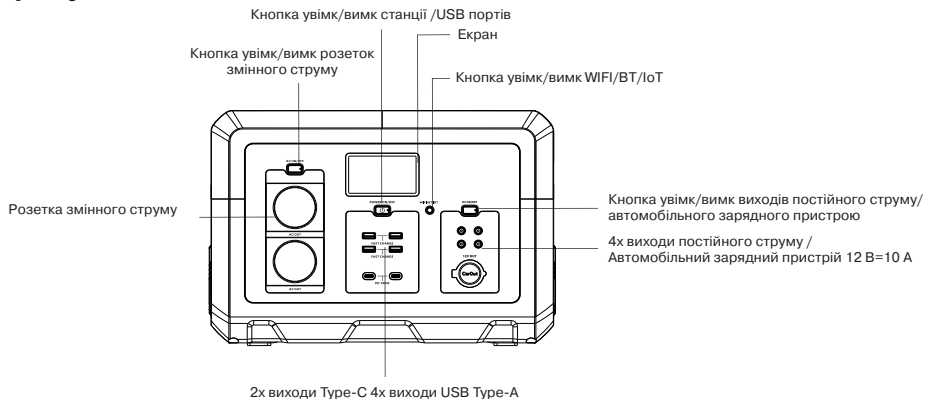
Технічні характеристики

Тип і ємність акумулятора:	Клас А LiFePO ₄ 1280 Вт/г 51,2 В 25000 мА/г
Термін служби батареї:	≥ 2000 циклів
Входи:	Вхід змінного струму: 220-240 В, 50 Гц (макс. 1200 Вт);
	Вхід MPPT: 10-60 В 13 А (макс. 400 Вт)
Виходи USB:	2x USB Type-C: 5В 3А, 9В 3А, 12В 3В, 15В 3А, 20В 5А (макс. 100 Вт)
	4x USB-A: 5В 3А, 9В 2А, 12В 1,5А (один 18 Вт макс., два одночасно 15 Вт макс.)
Виходи постійного струму:	4x виходи DC 5521: 12В 10А (макс. 120 Вт)
	Автомобільний порт 12 В 10 А (макс. 120 Вт)
Виходи змінного струму:	2x виходи: 210-230 В, 50 Гц, 1500 Вт макс. (3000 Вт макс. пікове навантаження)
	Форма вихідного сигналу: чиста синусоїда
Робоча температура	-10~45°C
Розміри	374 x 265 x 263 мм
Вага	близько 17 кг

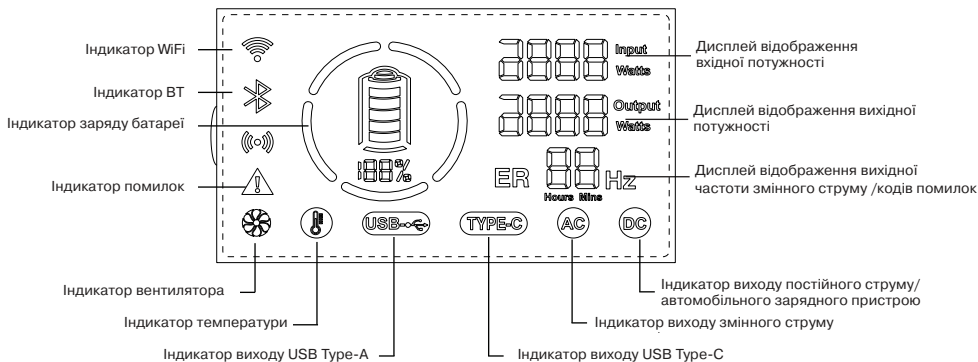
Комплектація:

- 1 Портативна електростанція
- 1x Кабель для зарядки від джерела змінного струму
- 1x Адаптер прикурювач > XT60
- 1x Адаптер прикурювач > DC5521
- 1x Посібник користувача

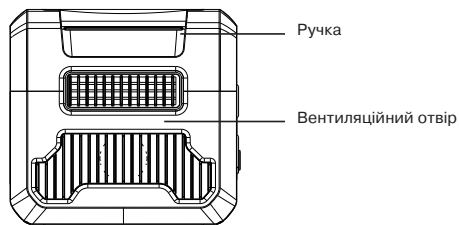
Вид спереду



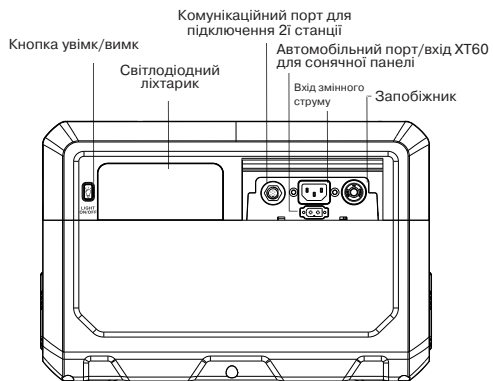
Дисплей



Вид збоку



Вид ззаду



Запобіжні заходи при використанні:

1. Будь ласка, прочитайте всі попередження перед використанням і завжди дотримуйтесь основних заходів безпеки при використанні цього продукту. Гарантія не поширюється на пошкодження, спричинені недотриманням цих інструкцій.
2. Перед першим використанням рекомендується повністю зарядити пристрій. Після повної зарядки пристрою вентилятор системи охолодження продовжуватиме працювати ще приблизно 2 хвилини після відключення живлення (конкретний час може змінюватись в залежності від температури).
3. Продукт можна використовувати у присутності дітей лише під суворим контролем дорослих.
4. Заряджайте виріб не менше одного разу на три місяці, щоб продовжити термін служби батареї.
5. Низька температура може вплинути на ємність акумулятора, продукт можна заряджати в діапазоні температур від 0 до 40°C і використовувати в діапазоні температур від -10 до 45°C.
6. Розташуйте, заряджайте та зберігайте виріб у добре провітрюваному місці.
7. За потреби очистіть виріб сухою тканиною.
8. Якщо виріб не використовується, від'єднайте кабель живлення від виробу.

Попередження:

1. Використання аксесуарів, рекомендованих або проданих несертифікованими виробниками продукції, може призвести до ураження електричним струмом або пошкодження обладнання.
2. Не використовуйте пошкоджені дроти, вилки або пошкоджені вихідні кабелі з цим пристроєм.
3. Ніколи не обмежуйте вентиляцію виробу.
4. Не розбирайте виріб. Це може призвести до непередбачуваних наслідків, таких як пожежа, вибух або ураження електричним струмом.
5. Не використовуйте виріб в дощ та у вологому середовищі.
6. Не використовуйте і не зберігайте виріб в умовах високої температури (наприклад під прямим сонячним світлом або в нагрітому салоні автомобіля), інакше внутрішня батарея може перегрітись, спалахнути або вийти з ладу, що скоротить термін її служби та створить інші ризики.
7. У разі пожежі використовуйте порошкові вогнегасники. Не використовуйте водяний вогнегасник, це може призвести до ураження електричним струмом.
8. Уникайте потрапляння всередину пристрою пилу або сторонніх предметів. Це може призвести до пошкодження внутрішніх компонентів.

Функції кнопок

Кнопка	Стан пристрою	Дія
Power	В режимі очікування	Тривале натискання (1,5 секунди): увімкнути пристрій Коротке натискання: увімкнути порти USB Тривале натискання (> 10 секунд): перезавантажити мікроконтролер
AC	Ввімкнений	Коротке натискання: увімк/вимк вихід змінного струму. Пролунає звуковий сигнал. Тривале натискання: увімк/вимк зумер (зумер увімкнено за замовчуванням). Пролунає звуковий сигнал.
WiFi/BT/IoT	Ввімкнений	Тривале натискання: скинути налаштування WiFi/BT
DC	Ввімкнений	Тривале натискання: вимкнути підсвітку. Пролунає звуковий сигнал.
LED	Ввімкнений	Коротке натискання: Увімкнути світло (яскравість 1-2-3)> Стробоскоп > SOS > Вимкнути світло Тривале натискання: вимкнути світло. Пролунає звуковий сигнал. Автоматичне відключення світла: через 2 години без натискання жодної кнопки.
Power + LED	Ввімкнений	Коротке натискання: вихід із режиму зарядки Тривале натискання (3 секунди): скидання системи
Power + AC	Ввімкнений	Тривале натискання кнопки Power + натискання кнопки AC: перемикання вихідної напруги змінного струму. Замерехтить дисплей напруги.
AC	Ввімкнений	Тривале натискання: увімкнути/вимкнути зумер
AC + LED	Ввімкнений	Тривале натискання: переглянути версію програмного забезпечення системи
Інші функції	/	<ol style="list-style-type: none">1. Автоматичне вимкнення підсвічування: жодних операцій протягом 30 секунд.2. Автоматичне відключення портів USB-A і TYPE-C: без навантаження протягом 5 хвилин.3. Автоматичне вимкнення портів постійного та змінного струму: низьке/без навантаження протягом 4 годин.4. Автоматичний режим очікування: 8 хвилин без навантаження.

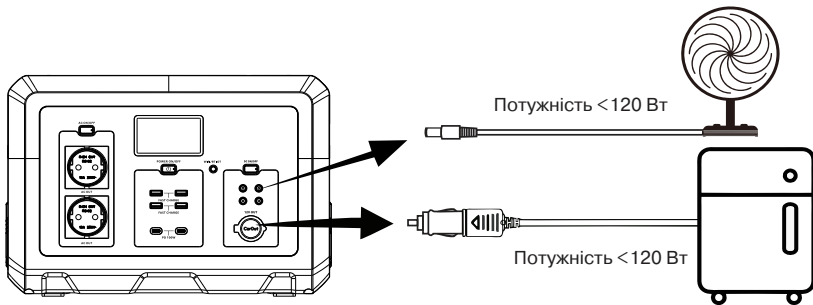
Примітка. Коли підсвічування екрана вимкнено, спочатку натисніть будь-яку кнопку, щоб увімкнути підсвічування, а потім активуйте функцію відповідною кнопкою.

Коди помилок системи

Er 01	DC OSCP: перевищення по струму на виході постійного струму/ автомобільному зарядному пристрої
Er 02	DC OSCF : Коротке замикання на виході постійного струму/ автомобільному зарядному пристрої
Er 03	AC Error : Несправність модуля змінного струму
Er 04	PD Error : Несправність одностороннього інтерфейсу PD порту USB Type-C
Er 05	PCBA OTP : Температура головної плати занадто висока
Er 06	BAT LTP : Температура батареї занадто низька
Er 07	USBA ERR : Несправність інтерфейсу порту USB Type-A
Er 08	DC COVP : Зарядна напруга постійного струму занадто висока
Er 09	BAT OTP : Температура батареї занадто висока
Er 10	BAT OCP: Вихідний струм акумулятора перевищив 65 А. Вимкніть частину пристроїв, інакше система відключить виходи.
Er 11	BAT UVP : Зависока напруга акумулятора
Er 12	BAT LOW : Занизька напруга акумулятора
Er 14	BMS: Помилка зв'язку

1. Живлення приладів постійного струму

Увімкніть вимикач живлення (натисніть кнопку ON/OFF), розетка постійного струму та автомобільний зарядний пристрій почнуть працювати та видавати 12 В. Підключіть електроприлад до потрібного інтерфейсу живлення.



Режим захисту:

Захист від короткого замикання/перевищення потужності: якщо на виході постійного струму є коротке замикання або вихідна потужність перевищена (навантаження > 120 Вт), пристрій вимкне вихід постійного струму для захисту. Після усунення проблеми знову увімкніть вихід постійного струму, щоб заживити пристрій.

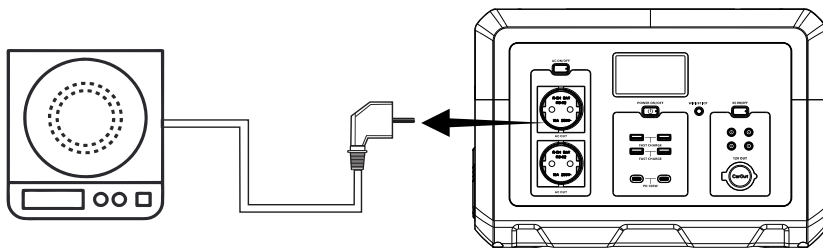
- Діапазон вихідної напруги постійного струму цього пристрою становить 11,4-12,6 В, а максимальний вихідний струм становить 10 А.

2. Живлення приладів змінного струму

Увімкніть вимикач живлення, підключіть вилку живлення пристрою до порту змінного струму портативної електростанції, потім натисніть кнопку виходів змінного струму і пристрій подасть живлення.

УВАГА. Різні країни мають різні характеристики інтерфейсу живлення та стандарти напруги. Перед використанням обов'язково ретельно перевірте, чи відповідають вихідні характеристики виробу вхідним характеристикам вашого електроприладу, інакше це може призвести до його пошкодження.

(Коли розетка змінного струму не використовується, вимкніть порт змінного струму, щоб заощадити електроенергію.)



Режим захисту:

Захист від короткого замикання/перевищення потужності: якщо вихід змінного струму замикається або потужність перевищує навантаження 1500 Вт або пікове навантаження перевищує 3000 Вт, пристрій відключить вихід змінного струму для захисту. Після усунення проблеми увімкніть вихід змінного струму, щоб заживити пристрій.

3. Підключення кабелів паралельного з'єднання станцій

Дана електростанція підтримує систему паралельного з'єднання 2E Dual Power, яка дозволяє паралельно з'єднати дві однакові електростанції, подвоюючи їх потужність і ємність.

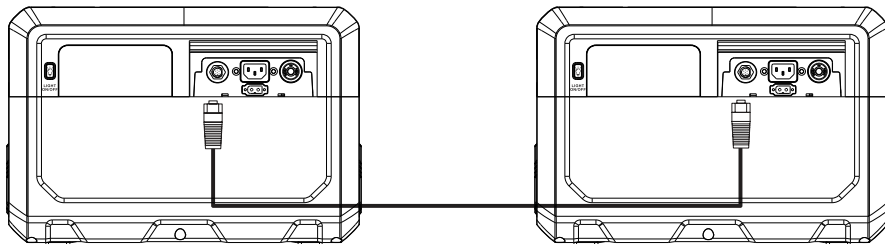
УВАГА. Завжди вимикайте обидві електростанції перед паралельним підключенням.

Допускається підключення тільки 2 однакових електростанцій.

Різні країни мають різні характеристики інтерфейсу живлення та стандарти напруги.

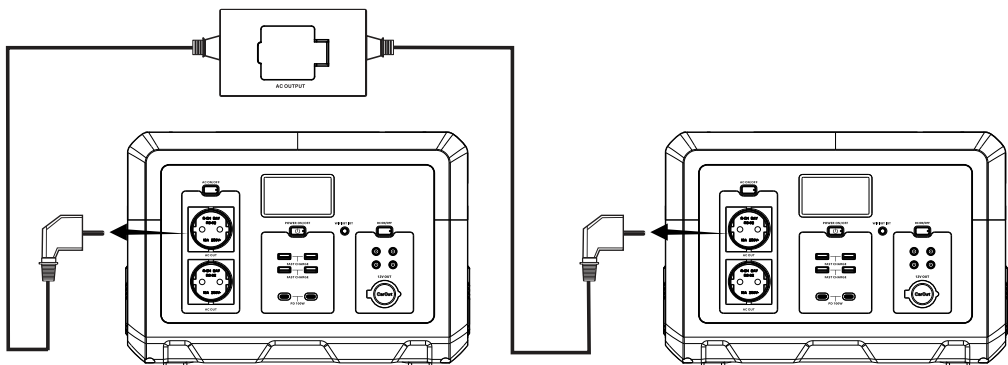
Перед використанням обов'язково ретельно перевірте, чи відповідають вихідні характеристики виробу вхідним характеристикам вашого електроприладу, інакше це може призвести до його пошкодження.

- 1) Вимкніть обидві електростанції, якщо вони включені.
- 2) Підключіть потужний пристрій до блоку паралельного підключення 2E Dual Power. Підключіть кабель пристрою до запасної вилки при потребі.
- 3) З'єднайте 2 комунікаційні роз'єми електростанцій за допомогою комунікаційного кабелю.



4) Підключіть 2 вихідні розетки змінного струму електростанцій до блоку паралельного підключення за допомогою кабелів, що входять у комплект набору.

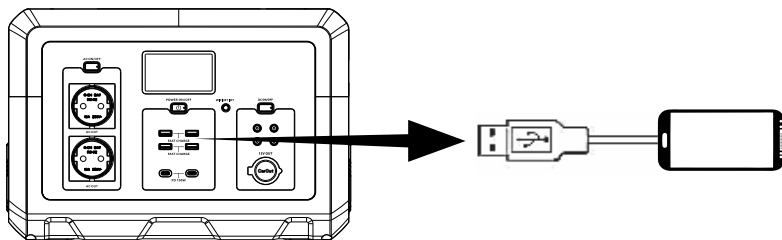
5) Увімкніть живлення станцій, потім увімкніть виходи змінного струму на обох станціях, і пристрій почне подавати живлення.



Примітка: Система паралельного з'єднання 2E Dual Power продається окремо.

4. Живлення цифрових пристроїв по USB

Увімкніть живлення станції, підключіть USB-кабель цифрового пристрою до USB-інтерфейсу, увімкніть вихід USB, щоб подати живлення на цифровий пристрій. Якщо живлення не запускається, від'єднайте і знову підключіть кабель USB.



5. Заряджання станції

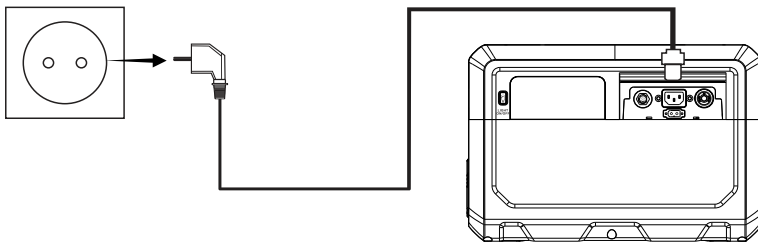
Холодна погода

Холодна погода може вплинути на ємність батареї. При мінусовій температурі ($<0^{\circ}\text{C}$) ви можете використовувати (розряджати) виріб, але не заряджати його. В іншому випадку батарея може бути сильно пошкоджена, і її ємність може не відновитись.

Увага: Середовище, в якому використовуються виріб, має відповідати всім вимогам цього посібника. Переконайтеся, що вентиляційні отвори пристрою не заблоковані.

а. Зарядка за допомогою шнура живлення

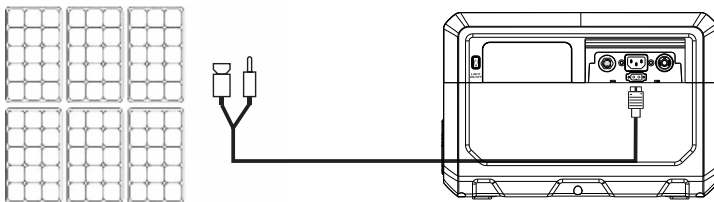
Підключіть виріб до розетки змінного струму за допомогою шнура живлення. Якщо значок індикатора акумулятора на дисплеї виробу блимає, значить виріб заряджається. Рівень заряду відображається на РК-дисплеї. Коли він досягає 100%, станція повністю заряджена. Після заряджання вийміть шнур живлення змінного струму з розетки.



Примітка. Цей продукт підтримує максимальну вхідну потужність 1200 Вт.

в. Зарядка від сонячної панелі

- 1) Розташуйте сонячну панель у місці з прямими сонячними променями.
- 2) Підключіть вихід сонячної панелі до зарядного входу станції. Якщо значок індикатора акумулятора на дисплеї блимає, значить виріб заряджається. Рівень заряду відображається на РК-дисплеї. Коли він досягає 100%, станція повністю заряджена.



Технологія MPPT:

Цей продукт підтримує зарядання від сонячних панелей за технологією MPPT. Завдяки контролеру MPPT цей продукт може відстежувати зміни вихідної напруги та струму від сонячної панелі та отримувати найкращу ефективність зарядання.

Фактична продуктивність зарядання може відрізнятися залежно від погоди, температури, стану батареї та інших факторів.

с. Зарядка від автомобільного прикурювача 12В

Використовуйте кабель для зарядання, що входить у комплект, щоб підключити станцію до гнізда прикурювача 12 В автомобіля. Якщо значок індикатора акумулятора на дисплеї блимає, це означає, що виріб заряджається. Рівень заряду відображається на РК-дисплеї. Коли він досягає 100%, станція повністю заряджена.

Примітка. Щоб уникнути розрядки автомобільного акумулятора, рекомендується заряджати виріб, коли двигун автомобіля працює.

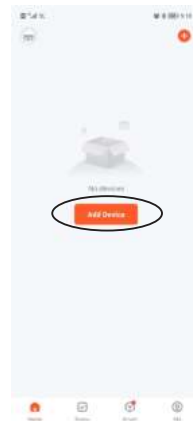
Використання додатку

Знайдіть програму «tuya smart» в App Store (для пристроїв iOS) або Google Play (для пристроїв Android), а потім завантажте цю програму, щоб дистанційно керувати пристроєм через Wi-Fi або Bluetooth.



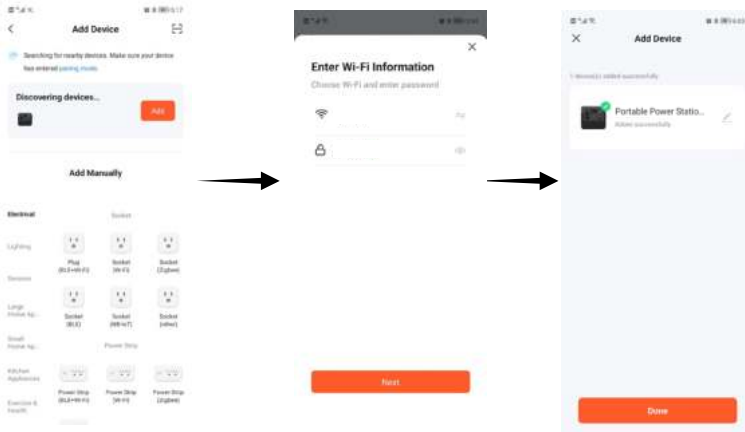
Крок 1:

Натисніть і утримуйте кнопку WIFI/BT/IOT на електростанції протягом 3 секунд, доки не почне блимати значок WiFi. Увімкніть WiFi і Bluetooth на телефоні. Відкрийте програму «Tuya Smart» і натисніть «Додати пристрій».



Крок 2:

Якщо ви використовуєте Wi-Fi, підключіться до мережі Wi-Fi 2.4G. Виберіть 2E SYLA зі списку пристроїв. Введіть пароль і активуйте функцію зв'язку вашого пристрою для синхронізації даних.



Після успішного підключення ви зможете керувати своїм пристроєм у середовищі WiFi. Ви також можете керувати ним через Bluetooth за відсутності WiFi. Процедура підключення є аналогічною.



Сценарії використання

(1) На вулиці

Автомобільна техніка: автомобільний холодильник, пилосос, насос та інша техніка;
Спорядження для кемпінгу: садові електроінструменти (повітрорудвки, газонокосарки, електричні дрилі, електричні пилки), світлодіодні ліхтарі тощо.

(2) У приміщенні

Холодильник, кухонні пристрої, такі як чайник, тостер, блендер, кавоварка, газові котли, ноутбуки, телефони, освітлення і т.д.

Приклади навантажень

- (1) Більшість електроприладів на ринку відповідають параметрам 12 В/30 А або 12 В/10 А (ХТ60 або SPC45), та живляться від прикурювача, вихідних портів USB-A та USB-C зарядного пристрою. Але при зарядці деяких продуктів може спрацювати захист від перевантаження по струму, якщо вони генерують миттєвий високий струм у момент запуску.
- (2) Пристрій може жити електричні прилади з номінальною потужністю не більше 1500 Вт. Навіть якщо показник пристрою становить менше 1500 Вт, захист від навантаження все одно може бути активований, коли пристрій генерує велику миттєву пускову потужність. Тому рекомендується використовувати цей пристрій для електротехнічних виробів з меншою номінальною потужністю.
- (3) У разі перевантаження струму або короткого замикання на виході пристрій відключить відповідний вихідний порт. Потім він автоматично запуститься знову з інтервалом. Якщо подача енергії постійно припиняється, вимкніть обладнання і зв'яжіться з продавцем або зверніться до сервісного центру за професійною допомогою.
- (4) Коли рівень заряду батареї впаде до 0%, виходи постійного та змінного струму автоматично вимкнуться. Будь ласка, перевірте рівень заряду батареї перед використанням пристрою для захисту та збільшення терміну служби батареї.
- (5) Цей пристрій підтримує одночасну зарядку та розрядку. Будь ласка, тримайте обладнання в горизонтальному положенні під час використання, зарядки та розрядки.

Смартфон

85-95 раз
10 Вт

Світлодіодна лампа

Близько 43-46 годин
20 Вт

Телевізор

Близько 11-12 годин
75 Вт

Електроінструмент

Близько 10-12 годин
80 Вт

Холодильник

Близько 9-10 годин
90 Вт

Газовий котел

Близько 4-5 годин
200 Вт

$1280 \text{ Вт} \times \text{DOD} \times \eta \div (\text{потужність навантаження}) = \text{час роботи}$

Примітка: DOD – це глибина розряду батареї, η – ККД інвертора.
Одиницями потужності навантаження та часу зарядки є ват та година.
DOD = 90%, η = 90%

Усунення найбільш розповсюджених проблем при використанні

Несправність	Можлива проблема	Рішення
Зовнішній пристрій не заряджається	1. Зовнішній пристрій неправильно підключений до станції	Переконайтеся, що пристрій правильно підключено до станції. Перевірте надійність з'єднань.
	2. З'єднання надійні, але індикатор заряджання не світиться	Перевірте, чи ввімкнутий вихідний порт. Якщо він не вмикається, пристрій може бути зламаним, зверніться до сервісного центру.
	3. Індикатор заряджання світиться, пристрій не заряджається.	Пристрій, який ви намагаєтеся заряджати, може бути зламаним, зверніться до центру післяпродажного обслуговування пристрою.
Зарядний пристрій не видає потужність	1. Устаткування неправильно підключене до зарядного пристрою.	Перевірте, чи правильно підключено обладнання до зарядного пристрою. Перевірте наявність ненадійних контактів у з'єднаннях.
	2. Вихідний порт не увімкнено	Увімкніть відповідний вихідний порт
	3. Низька вихідна потужність	Зарядіть пристрій
	4. Вихідна потужність, як і раніше, відсутня після перевірки пунктів 1.2.3.	Зарядний пристрій може бути зламаним, зверніться до сервісного центру.
Зарядний пристрій перериває вихідну потужність	1. Номінальна потужність або миттєва пускова потужність устаткування, що використовується більші, ніж потужність виробу.	Виберіть більш потужні накопичувачі енергії або спробуйте паралельне з'єднання, щоб забезпечити живлення від 2 електростанцій
	2. На дисплеї з'являється символ тривоги. Лунає звуковий сигнал, і пристрій автоматично вимикає вихід.	У обладнанні, що використовується, сталося коротке замикання. Будь ласка, перевірте дроти та з'єднання. Якщо проблема лишається, зверніться до центру післяпродажного обслуговування обладнання.
	3. Вихідна потужність все ще переривається після усунення пунктів 1.2.	Зарядний пристрій може бути зламаним, зверніться до сервісного центру.

Поширені запитання:

1. Чи можна перевозити цей продукт літаком?

Ні, оскільки цей продукт містить акумулятор великої ємності. Відповідно до міжнародних стандартів повітряного транспорту перевезення виробів із батареями ємністю понад 100 Вт год заборонено.

2. Якщо потужність обладнання знаходиться в межах номінальної потужності продукту, чи його можна використовувати?

- а. Якщо споживана потужність продукту становить менше 20% загальної потужності зарядного пристрою, його можна використовувати одночасно з іншими продуктами.
- б. Вироби з номінальною або піковою потужністю, що перевищує допустимі параметри, не можна використовувати з цим зарядним пристроєм

3. Чому пристрій видає шум під час використання?

У продукті використовується система повітряного охолодження, а вбудований вентилятор краще сприяє розсіюванню тепла. Невеликий шум під час роботи є нормальним явищем.

4. Чи нормально, що зарядний пристрій нагрівається під час заряджання?

Нагрів зарядного пристрою під час заряджання є нормальним явищем, температура пристрою заряджання відповідає національним стандартам безпеки.

Гарантія

Гарантійний термін продукту становить рік.

Гарантійний термін починається з дати покупки товару.

Гарантія не поширюється на такі випадки:

1. Косметичні ушкодження, подряпини на корпусі;
2. Якщо пристрій розбирав і ремонтував неуповноважений персонал без ліцензії чи дозволу;
3. Збої у роботі продукту, спричинені людським фактором.
4. Ушкодження, спричинені непереборними чинниками, такими як стихійні лиха, блискавки та нещасні випадки.

Гарантія

Гарантійний термін продукту становить 1 рік.

Гарантійний термін починається з дати покупки товару.

Гарантія не поширюється на такі випадки:

1. Косметичні ушкодження, подряпини на корпусі;
2. Якщо пристрій розбирав і ремонтував неуповноважений персонал без ліцензії чи дозволу;
3. Збої у роботі продукту, спричинені людським фактором.
4. Ушкодження, спричинені непереборними чинниками, такими як стихійні лиха, блискавки та нещасні випадки.

Авторизований сервісний центр ІП «І-АР-СІ»

Адреса: вул. Марка Вовчка, 18-А, Київ, 04073, Україна

Тел.: 0 800 300 345; (044) 230 34 84; 390 55 12

www.erc.ua/service

ГАРАНТІЙНИЙ ТАЛОН

Найменування виробу: _____

Номер моделі/Серійний номер: _____

Дата продажу: _____

Найменування та адреса торговельної організації:

Підпис продавця: _____

Виріб перевірено в присутності споживача:

Печатка
торговельної
організації

* Відривні талони на технічне обслуговування надаються авторизованим сервісним центром.

Благодарим за приобретение многофункциональной портативной электростанции 2E. Она имеет выходы постоянного тока, разные порты, такие как USB, TYPE-C, автомобильный порт и т.д. Она также оснащена светодиодной лампой и дисплеем, отображающим состояние батареи и устройства. Электростанция подходит для питания различных устройств, таких как холодильник, индукционная плита, духовка, электрические вентиляторы, телевизоры, дроны, мобильные телефоны, планшеты, ноутбуки, настольные компьютеры, принтеры, различные лампы, аквариумы, фотооборудование, электросамокаты и т.д.

Перед использованием продукта внимательно прочтите это руководство пользователя и сохраните его для дальнейшего использования.

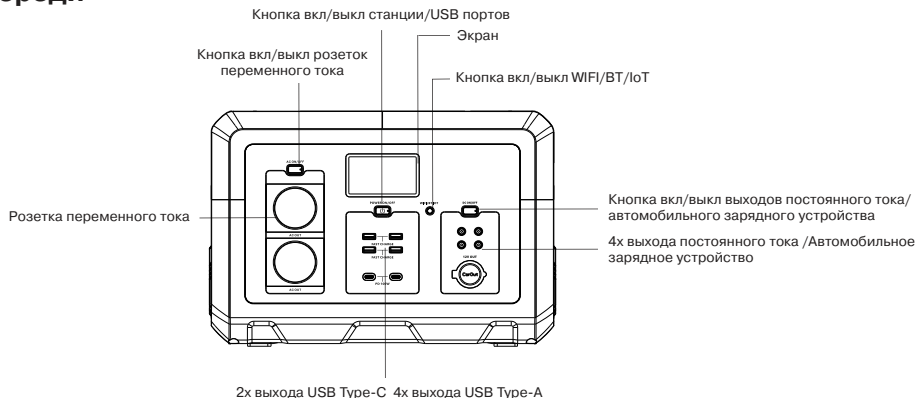
Технические характеристики

Тип и емкость аккумулятора:	Класс A LiFePO4 1280 Вт/ч 51,2 В 25000 мА/ч
Срок службы батареи:	≥ 2000 циклов
Входы:	Вход переменного тока: 220-240 В, 50 Гц (макс. 1200 Вт)
	Вход MPPT: 10-60 В 13 А (макс. 400 Вт)
Выходы USB:	2x USB Type-C: 5В 3А, 9В 3А, 12В 3А, 15В 3А, 20В 5А (макс. 100 Вт)
	4x USB-A: 5В 3А, 9В 2А, 12В 1,5А (один 18 Вт макс., два одновременно 15 Вт макс.)
Выходы постоянного тока:	4x выхода DC 5521: 12В 10А (макс. 120 Вт)
	Автомобильный порт 12В 10А (макс. 120 Вт)
Выходы переменного тока:	2x выхода: 210-230 В, 50 Гц, 1500 Вт макс. (3000 Вт макс. пиковой нагрузки)
	Форма выходного сигнала: чистая синусоида
Рабочая температура:	-10~45°C
Размеры:	374 x 265 x 263 мм
Вес	около 17 кг

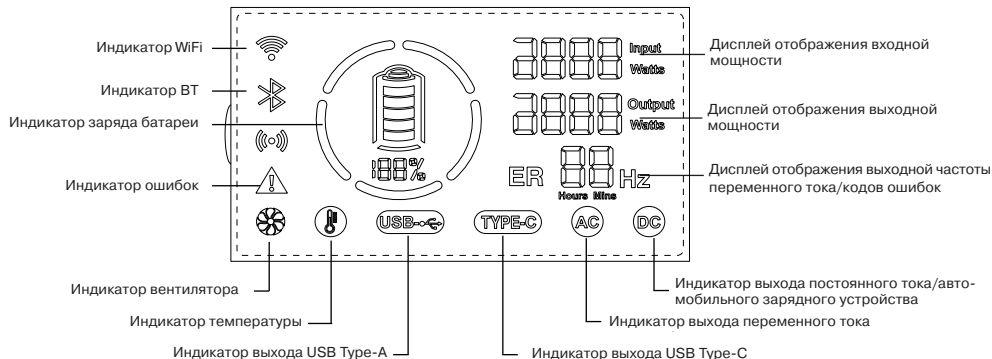
Комплектация:

- 1 Портативная электростанция
- 1x Кабель для зарядки от источника переменного тока
- 1x Адаптер прикуриватель > XT60
- 1x Адаптер прикуриватель > DC5521
- 1x Руководство пользователя

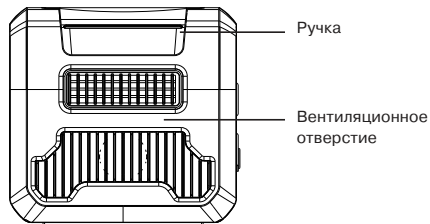
Вид спереди



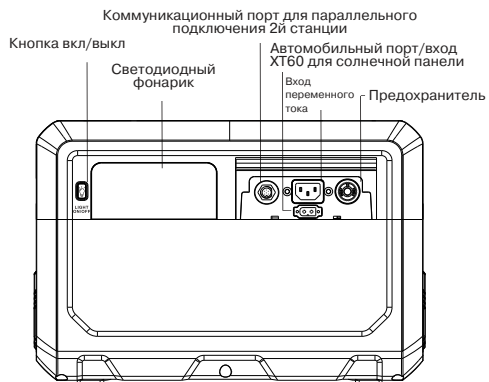
Дисплей



Вид сбоку



Вид сзади



Меры предосторожности при использовании:

1. Пожалуйста, прочтите все предупреждения перед использованием и всегда соблюдайте основные меры безопасности при использовании этого продукта. Гарантия не распространяется на повреждения, вызванные несоблюдением этих инструкций.
2. Перед первым использованием рекомендуется полностью зарядить устройство. После полной зарядки устройства вентилятор системы охлаждения может продолжать работать еще 2 минуты после отключения питания (конкретное время может изменяться в зависимости от температуры).
3. Продукт можно использовать в присутствии детей только под строгим контролем взрослых.
4. Заряжайте изделие не менее одного раза в три месяца, чтобы продлить срок службы батареи.
5. Низкая температура может повлиять на емкость аккумулятора, продукт можно заряжать в диапазоне температур от 0 до 40°C и использовать в диапазоне температур от -10 до 45°C.
6. Располагайте, заряжайте и храните изделие в хорошо проветриваемом месте.
7. При необходимости очистите изделие сухой тканью.
8. Если устройство не используется, отсоедините кабель питания от изделия.

Предупреждение:

1. Использование аксессуаров, рекомендованных или проданных несертифицированными производителями продукции, может привести к поражению электрическим током или повреждению оборудования.
2. Не используйте поврежденные провода, вилки или кабели с данным устройством.
3. Никогда не ограничивайте вентиляцию изделия.
4. Не разбирайте изделие. Это может привести к непредсказуемым последствиям, таким как пожар, взрыв или поражение электрическим током.
5. Не используйте изделие в дожде и влажной среде.
6. Не используйте и не храните изделие в условиях высокой температуры (например, под прямым солнечным светом или в нагретом салоне автомобиля), иначе внутренняя батарея может перегреться, загореться или выйти из строя, что сократит срок службы и создает другие риски.
7. При пожаре используйте порошковые огнетушители. Не используйте водяной огнетушитель, это может привести к поражению электрическим током.
8. Избегайте попадания внутрь пыли или посторонних предметов. Это может привести к повреждению внутренних компонентов.

Функции кнопок

Кнопка	Состояние устройства	Действие
Power	В режиме ожидания	Длительное нажатие (1,5 секунды): включить устройство Краткое нажатие: включить порты USB Длительное нажатие (> 10 секунд): перезагрузить микроконтроллер
AC	Включен	Краткое нажатие: вкл/выкл выход переменного тока. Раздастся звуковой сигнал. Длительное нажатие: вкл/выкл зуммер (зуммер включен по умолчанию). Раздастся звуковой сигнал.
WiFi/BT/IoT	Включен	Длительное нажатие: сброс настроек WiFi/BT
DC	Включен	Длительное нажатие: выключить подсветку. Раздастся звуковой сигнал.
LED	Включен	Краткое нажатие: Включить свет (яркость 1-2-3)> Стробоскоп > SOS > Отключить свет Длительное нажатие: выключить свет. Раздастся звуковой сигнал. Автоматическое отключение света: через 2 часа без нажатия кнопки.
Power + LED	Включен	Краткое нажатие: выход из режима зарядки Длительное нажатие (3 секунды): сброс системы
Power + AC	Включен	Длительное нажатие кнопки Power + нажатие кнопки AC: переключение выходного напряжения переменного тока. Замерцает дисплей напряжения.
AC	Включен	Длительное нажатие: включить/выключить зуммер
AC + LED	Включен	Продолжительное нажатие: просмотр версии программного обеспечения системы
Інші функції	/	<ol style="list-style-type: none"> 1. Автоматическое отключение подсветки: никаких операций в течение 30 секунд. 2. Автоматическое отключение портов USB-A и TYPE-C: нет нагрузки в течение 5 минут. 3. Автоматическое отключение портов постоянного и переменного тока: низкая/нет нагрузки в течение 4 часов. 4. Автоматический режим ожидания: 8 минут нет нагрузки.

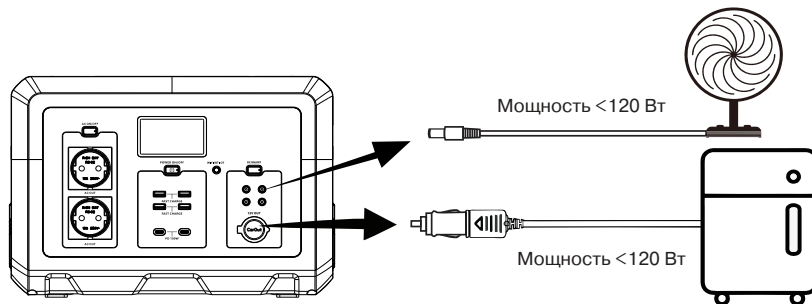
Примечание. Когда подсветка экрана выключена, сначала нажмите любую кнопку, чтобы включить подсветку, а затем включите функцию соответствующей кнопкой.

Коды ошибок системы

Er 01	DC OSCP: превышение по току на выходе постоянного тока/ автомобильном зарядном устройстве
Er 02	DC OSCF : короткое замыкание на выходе постоянного тока/ автомобильном зарядном устройстве
Er 03	AC Error : Неисправность модуля переменного тока
Er 04	PD Error : Неисправность одностороннего интерфейса PD порта USB Type-C
Er 05	PCBA OTP: Температура главной платы слишком высока
Er 06	BAT LTP: Температура батареи слишком низкая
Er 07	USBA ERR : Неисправность интерфейса порта USB Type-A
Er 08	DC COVP : Зарядное напряжение постоянного тока слишком высокое
Er 09	BAT OTP: Температура батареи слишком высока
Er 10	BAT OCP: Выходной ток аккумулятора превысил 65 А. Выключите часть устройств, в противном случае система отключит выходы.
Er 11	BAT UVP : Слишком высокое напряжение аккумулятора.
Er 12	BAT LOW : Слишком низкое напряжение аккумулятора
Er 14	BMS: Ошибка связи

1. Питание приборов постоянного тока

Включите питание станции (нажмите кнопку ON/OFF), включите розетку постоянного тока и автомобильное зарядное устройство. Они начнут работать и выдавать 12 В. Подключите электроприбор к нужному интерфейсу питания.



Режим защиты:

Защита от короткого замыкания/превышения мощности: если на выходе постоянного тока имеется короткое замыкание или выходная мощность превышена (нагрузка > 120 Вт), устройство выключит выход постоянного тока для защиты. После устранения проблемы снова включите выход постоянного тока, чтобы запитать устройство.

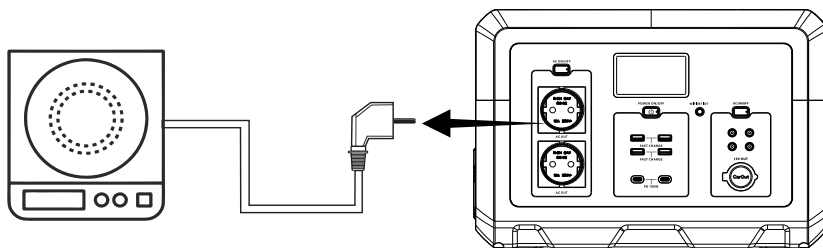
- Диапазон выходного напряжения постоянного тока этого устройства составляет 11,4-12,6 В, а максимальный выходной ток составляет 10 А.

2. Питание приборов переменного тока

Включите выключатель питания, подключите вилку питания устройства к порту переменного тока портативной электростанции, затем нажмите кнопку выхода переменного тока и устройство подаст питание.

ВНИМАНИЕ. Разные страны имеют разные характеристики интерфейса питания и стандарты напряжения. Перед использованием обязательно проверьте, соответствуют ли исходные характеристики изделия входным характеристикам электроприбора, иначе это может привести к его повреждению.

(Если не используется розетка переменного тока, выключите порт переменного тока, чтобы сэкономить заряд.)



Режим защиты:

Защита от короткого замыкания/превышения мощности: если выход переменного тока замыкается или мощность превышает нагрузку 1500 Вт или пиковая нагрузка превышает 3000 Вт, устройство отключит выход переменного тока для защиты. После устранения неполадки включите выход переменного тока, чтобы запитать устройство.

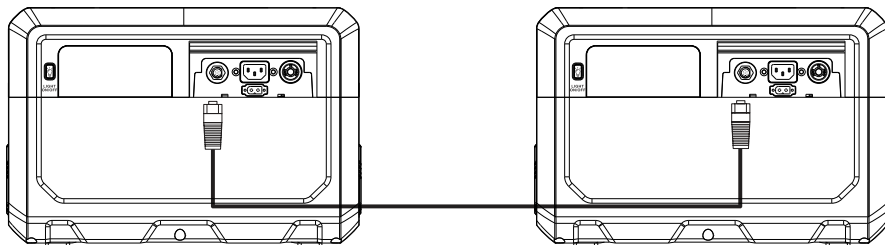
3. Подключение кабелей для параллельного соединения станций

Данная электростанция поддерживает систему параллельного соединения 2E Dual Power, позволяющую параллельно соединить две одинаковые электростанции, удваивая их мощность и емкость.

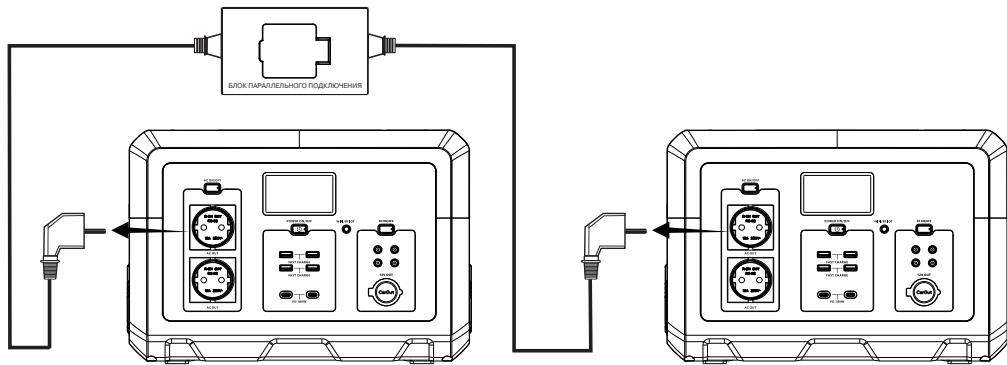
ВНИМАНИЕ. Перед параллельным подключением всегда выключайте обе электростанции. Допускается подключение только 2 одинаковых электростанций.

Разные страны имеют разные характеристики интерфейса питания и стандарты напряжения. Перед использованием обязательно тщательно проверьте, соответствуют ли исходные характеристики изделия входным характеристикам электроприбора, иначе это может привести к его повреждению.

- 1) Выключите обе электростанции, если они включены.
- 2) Подключите мощное устройство к блоку параллельного подключения 2E Dual Power. При необходимости соедините кабель устройства с запасной вилкой.
- 3) Соедините 2 коммуникационных разъема электростанций с помощью коммуникационного кабеля.



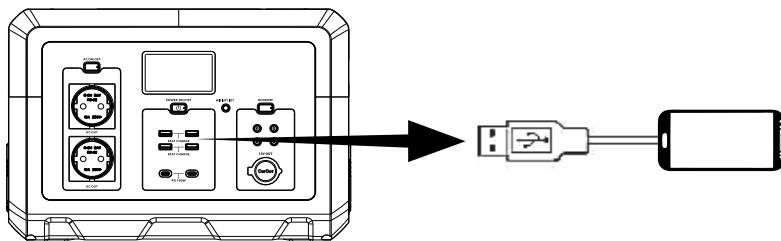
- 4) Подключите 2 выходные розетки переменного тока электростанций к блоку параллельного подключения с помощью кабелей, входящих в комплект набора.
- 5) Включите питание станций, затем включите выходы переменного тока на обеих станциях, и устройство начнет подавать питание.



Примечание: Система параллельного соединения 2E Dual Power продается отдельно.

4. Питание цифровых устройств по USB

Включите питание станции, подключите USB-кабель цифрового устройства к интерфейсу USB, включите выход USB, чтобы подать питание на цифровое устройство. Если питание не запускается, отсоедините и снова подключите кабель USB.



5. Зарядка станции

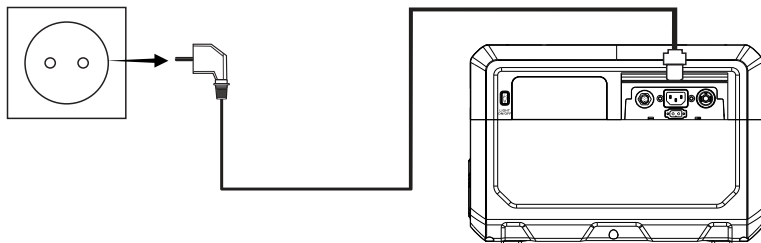
Холодная погода

Холодная погода может повлиять на емкость батареи. При минусовой температуре ($<0^{\circ}\text{C}$) можно использовать (разряжать) изделие, но не заряжать его. В противном случае батарея может быть повреждена, и ее емкость может не восстановиться.

Внимание: Среда, в которой используется изделие, должна отвечать всем требованиям данного руководства. Убедитесь, что вентиляционные отверстия не заблокированы.

а. Зарядка с помощью шнура питания

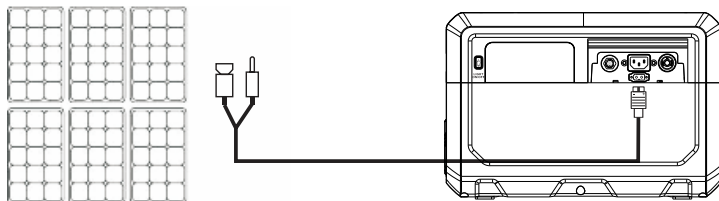
Подключите устройство к розетке переменного тока с помощью шнура питания. Если значок индикатора аккумулятора мигает на дисплее изделия, значит, устройство заряжается. Уровень заряда отображается на ЖК-дисплее. Когда он достигает 100%, станция полностью заряжена. После зарядки извлеките шнур питания из розетки.



Примечание. Этот продукт поддерживает максимальную входную мощность 1200 Вт.

в. Зарядка от солнечной панели

- 1) Разместите солнечную панель в месте с прямыми солнечными лучами.
- 2) Подключите выход солнечной панели к зарядному входу станции. Если значок индикатора аккумулятора мигает на дисплее изделия, значит, устройство заряжается. Уровень заряда отображается на ЖК-дисплее. Когда он достигает 100%, станция полностью заряжена.



Технология MPPT:

Этот продукт поддерживает подзарядку от солнечных панелей по технологии MPPT. Благодаря контроллеру MPPT, этот продукт может отслеживать изменения выходного напряжения и тока от солнечной панели и получать наилучшую эффективность зарядки.

Фактическая производительность зарядки может отличаться в зависимости от погоды, температуры, состояния батареи и других факторов.

с. Зарядка от автомобильного прикуривателя 12 В

Используйте кабель для зарядки, входящий в комплект, чтобы подключить его к разъему прикуривателя 12 В автомобиля. Если значок индикатора аккумулятора мигает на дисплее изделия, это означает, что изделие заряжается. Уровень заряда отображается на ЖК-дисплее. Когда он достигает 100%, станция полностью заряжена.

Примечание. Во избежание разрядки автомобильного аккумулятора рекомендуется заряжать устройство, когда двигатель автомобиля работает.

Использование приложения

Найдите приложение «tuya smart» в App Store (для устройств iOS) или Google Play (для устройств Android), а затем загрузите это приложение, чтобы дистанционно управлять устройством через Wi-Fi или Bluetooth.



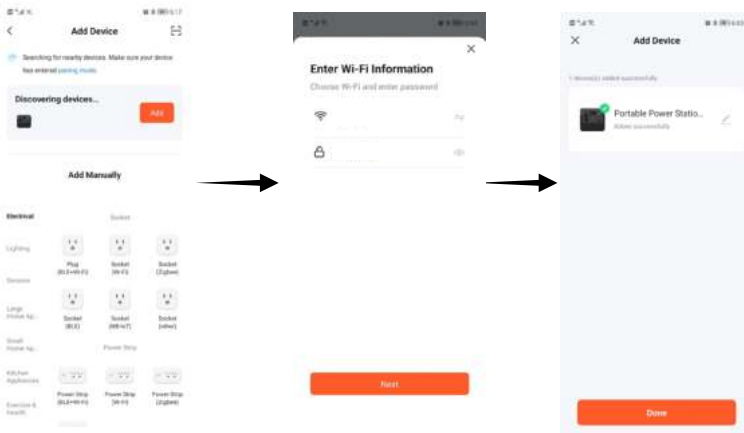
Шаг 1:

Нажмите и удерживайте кнопку WIFI/BT/IOT на электро-станции в течение 3 секунд, пока не начнет мигать значок WiFi. Включите на телефоне WIFI и Bluetooth. Откройте приложение «TuYa Smart» и нажмите «Добавить устройство».



Шаг 2:

Если используется Wi-Fi, подключитесь к сети Wi-Fi 2.4G. Выберите 2E SYLA в списке устройств. Введите пароль и включите функцию связи устройства для синхронизации данных.



После успешного подключения вы можете управлять своим устройством в среде WiFi. Вы также можете управлять им через Bluetooth при отсутствии WiFi. Процедура подключения аналогична.



Сценарии использования

(1) На улице

Автомобильная техника: автомобильный холодильник, пылесос, насос и другая техника; Снаряжение для кемпинга: садовые электроинструменты (воздуходувки, газонокосилки, электрические дрели, электрические пилы), светодиодные фонари и т.д.

(2) В помещении

Холодильник, кухонные устройства, такие как чайник, тостер, блендер, кофеварка, газовые котлы, ноутбуки, телефоны, освещение и т.д.

Примеры нагрузок

- (1) Большинство электроприборов на рынке соответствуют параметрам 12 В/30 А или 12 В/10 А (ХТ60 или SPC45) и питаются от прикуривателя, выходных портов USB-A и USB-C зарядного устройства. Но при зарядке некоторых продуктов может сработать защита от перегрузки по току, если они создают мгновенный высокий ток в момент запуска.
- (2) Устройство может питать электрические приборы с номинальной мощностью не более 1500 Вт. Даже если показатель устройства составляет менее 1500 Вт, защита от нагрузки все равно может быть активирована, когда устройство генерирует большую мгновенную пусковую мощность. Поэтому рекомендуется использовать устройство для электротехнических изделий с меньшей номинальной мощностью.
- (3) При перегрузке по току или коротком замыкании на выходе устройство отключит соответствующий выходной порт. Затем он автоматически запустится снова с интервалом. Если подача энергии постоянно прекращается, выключите оборудование и свяжитесь с продавцом или обратитесь в сервисный центр за профессиональной помощью.
- (4) Когда уровень заряда батареи упадет до 0%, выходы постоянного и переменного тока автоматически выключатся. Перед использованием устройства для защиты и увеличения срока службы батареи проверьте уровень заряда батареи.
- (5) Устройство поддерживает одновременную зарядку и разрядку. Пожалуйста, держите оборудование в горизонтальном положении во время использования, зарядки и разрядки.

Расчет времени работы внешних устройств при 100% заряде батареи

Смартфон

85-95 раз
10 Вт

Светодиодная лампа

Около 43-46 часов
20 Вт

Телевизор

Около 11-12 часов
75 Вт

Электроинструмент

Около 10-12 часов
80 Вт

Холодильник

Около 9-10 часов
90 Вт

Газовый котел

Около 4-5 часов
200 Вт

$1280 \text{ Вт} \times \text{DOD} \times \eta \div (\text{мощность нагрузки}) = \text{время работы}$

Примечание: DOD – это глубина разряда батареи, η – КПД инвертора.
Единицами мощности нагрузки и времени зарядки являются ватт и час.
DOD = 90%, η = 90%

Устранение наиболее распространенных проблем при использовании

Неисправность	Возможная проблема	Решение
Внешнее устройство не заряжается	1. Внешнее устройство неправильно подключено к станции	Убедитесь, что устройство правильно подключено к станции. Проверьте надежность соединений.
	2. Соединения надежны, но индикатор зарядки не горит.	Убедитесь, что выходной порт включен. Если он не включается, устройство может быть неисправно, обратитесь в сервисный центр.
	3. Индикатор зарядки горит, устройство не заряжается.	Устройство, которое вы пытаетесь заряжать, может быть неисправным, обратитесь в центр послепродажного обслуживания устройства.
Зарядное устройство не выдает мощность	1. Оборудование неправильно подключено к зарядному устройству.	Проверьте правильность подключения оборудования к зарядному устройству. Проверьте наличие ненадежных контактов в соединениях.
	2. Выходной порт не включен	Включите соответствующий выходной порт
	3. Низкая выходная мощность	Зарядите устройство
	4. Выходная мощность по-прежнему отсутствует после проверки пунктов 1.2.3.	Зарядное устройство может быть неисправным, обратитесь в сервисный центр.
Зарядное устройство прерывает выходную мощность	1. Номинальная мощность или мгновенная пусковая мощность оборудования, используемого больше, чем мощность изделия.	Выберите более мощные накопители энергии или попробуйте параллельное соединение, чтобы обеспечить питание от 2 электростанций
	2. На дисплее отображается символ тревоги. Раздается звуковой сигнал, и устройство автоматически выключает выход.	В используемом оборудовании произошло короткое замыкание. Проверьте провода и соединения. Если проблема остается, обратитесь в центр послепродажного обслуживания оборудования.
	3. Выходная мощность все еще прерывается после устранения пунктов 1.2.	Зарядное устройство может быть неисправным, обратитесь в сервисный центр.

Распространенные вопросы:

1. Можно ли перевозить этот продукт самолетом?

Нет, поскольку этот продукт содержит аккумулятор большой емкости. Согласно международным стандартам воздушного транспорта перевозка изделий с батареями емкостью свыше 100 Вт час запрещена.

2. Если мощность оборудования находится в пределах номинальной мощности продукта, можно ли его использовать?

- а. Если потребляемая мощность составляет менее 20% общей мощности зарядного устройства, его можно использовать одновременно с другими продуктами.
- б. Изделия с номинальной или пиковой мощностью, превышающей допустимые параметры, нельзя использовать с этим зарядным устройством

3. Почему устройство производит шум при использовании?

В продукте используется система воздушного охлаждения, а встроенный вентилятор лучше способствует рассеиванию тепла. Небольшой шум при работе является нормальным явлением.

4. Нормально, что зарядное устройство нагревается во время зарядки?

Нагрев зарядного устройства во время зарядки, является нормальным явлением, температура зарядного устройства соответствует национальным стандартам безопасности.

Гарантия

Гарантийный срок продукта составляет год.

Гарантийный срок начинается с даты покупки товара.

Гарантия не распространяется на следующие случаи:

1. Косметические повреждения, царапины на корпусе;
2. Если устройство разбирал и ремонтировал неуполномоченный персонал без лицензии или разрешения;
3. Сбои в работе продукта, вызванные человеческим фактором.
4. Повреждения, вызванные непреодолимыми факторами, такими как стихийные бедствия, молнии и несчастные случаи.



Portable Power Station
Портативна Зарядна Станція
Портативная Зарядная Станция

 <https://2e.ua/>



ОФИЦИАЛЬНЫЙ ДИЛЕР В УКРАИНЕ:

storgom.ua

ГРАФИК РАБОТЫ:

Пн. – Пт.: с 8:30 по 18:30

Сб.: с 09:00 по 16:00

Вс.: с 10:00 по 16:00

КОНТАКТЫ:

+38 (044) 360-46-77

+38 (066) 77-395-77

+38 (097) 77-236-77

+38 (093) 360-46-77

Детальное описание товара:

<https://storgom.ua/product/2e-209189.html>

Другие товары: <https://storgom.ua/zaryadnye-stancii.html>