



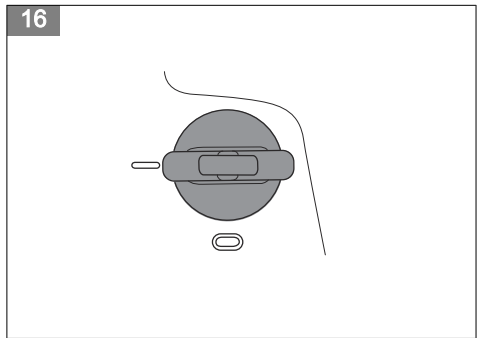
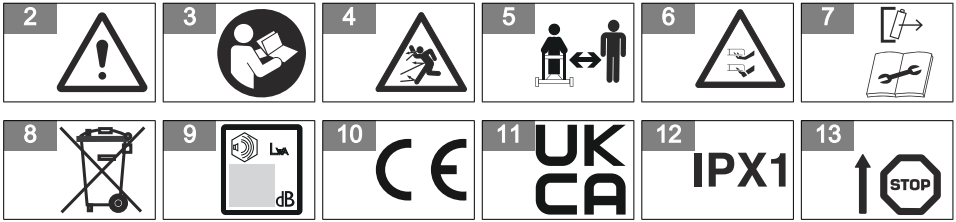
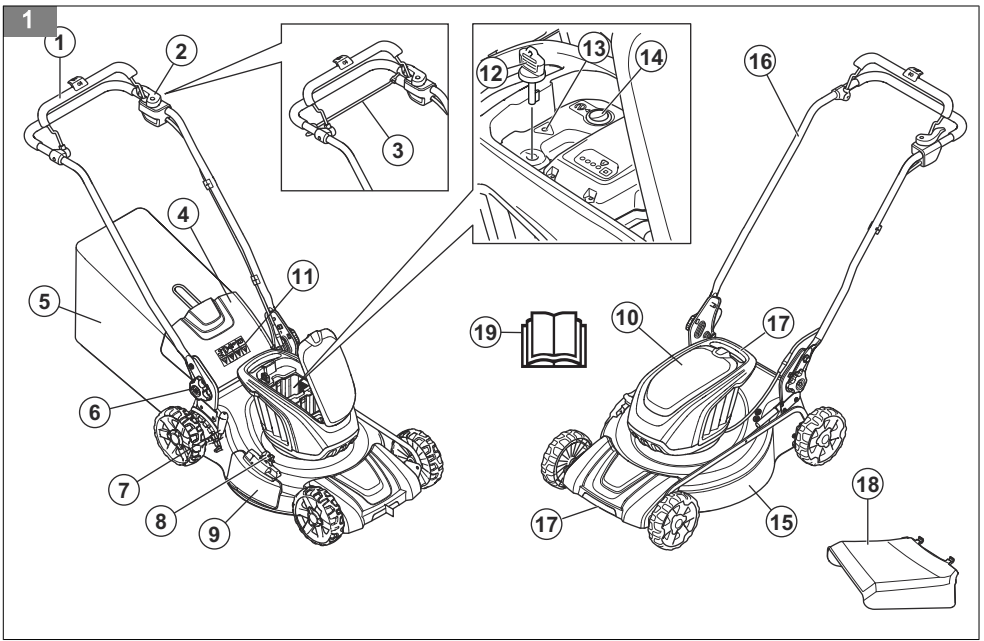
# Husqvarna®



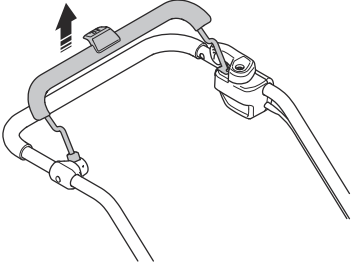
## LC 251i, LC 251iS



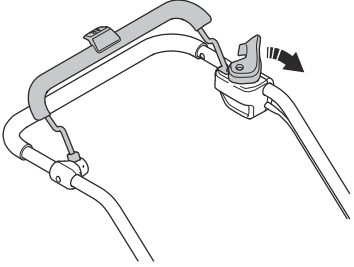
EN	Operator's manual	8-25
BG	Ръководство за експлоатация	26-45
CS	Návod k použití	46-62
DA	Brugsanvisning	63-79
DE	Bedienungsanweisung	80-99
EL	Οδηγίες χρήσης	100-118
ES	Manual de usuario	119-136
ET	Kasutusjuhend	137-153
FI	Käyttöohje	154-170
FR	Manuel d'utilisation	171-189
HR	Priručnik za korištenje	190-206
HU	Használati utasítás	207-224
IT	Manuale dell'operatore	225-242
JA	取扱説明書	243-259
LT	Operatoriaus vadovas	260-276
LV	Lietošanas pamācība	277-294
NL	Gebruiksaanwijzing	295-312
NO	Bruksanvisning	313-329
PL	Instrukcja obsługi	330-347
PT	Manual do utilizador	348-365
RO	Instrucțiuni de utilizare	366-383
RU	Руководство по эксплуатации	384-403
SK	Návod na obsluhu	404-420
SL	Navodila za uporabo	421-437
SR	Priručnik za rukovaoca	438-454
SV	Bruksanvisning	455-471
TR	Kullanım kılavuzu	472-488
UK	Посібник користувача	489-507



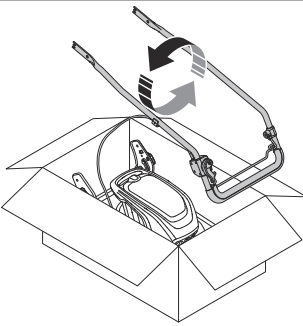
17



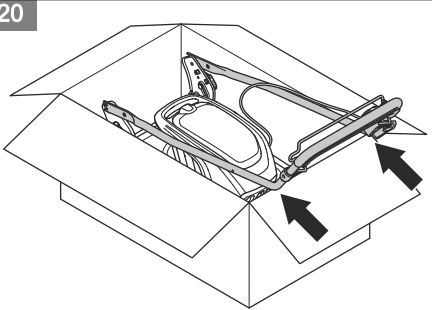
18



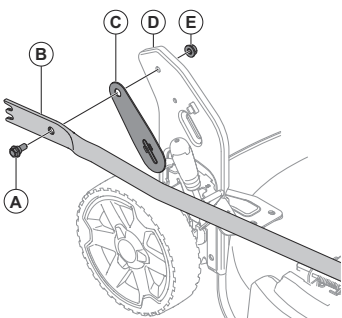
19



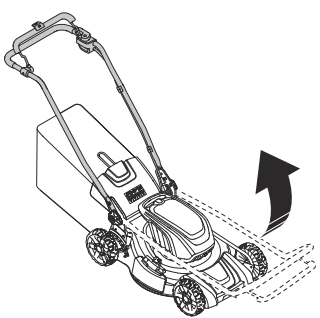
20



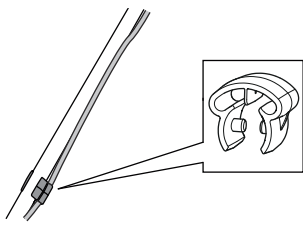
21



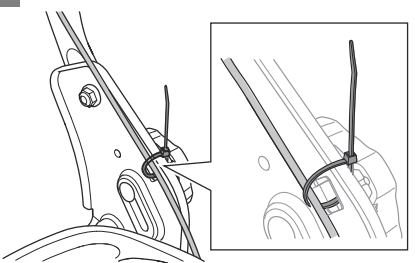
22



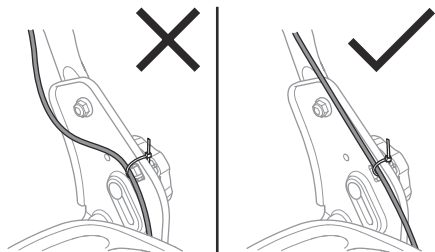
23



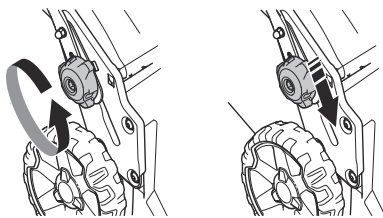
24



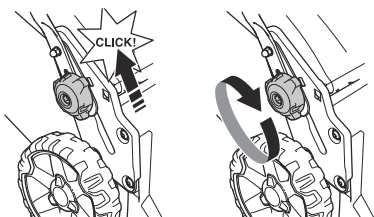
25



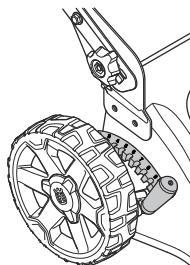
26



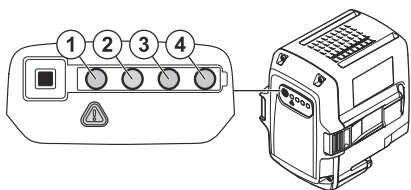
27



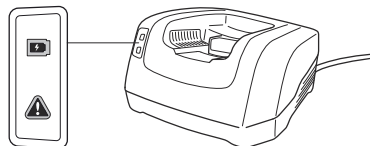
28



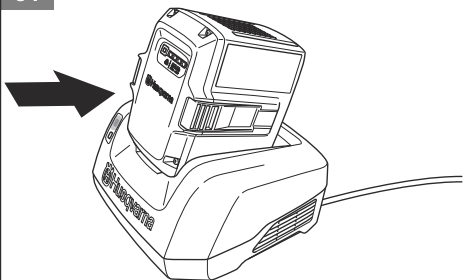
29



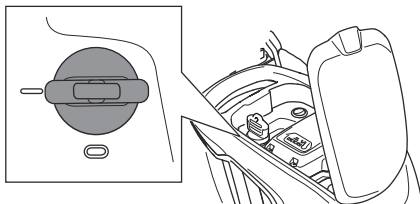
30



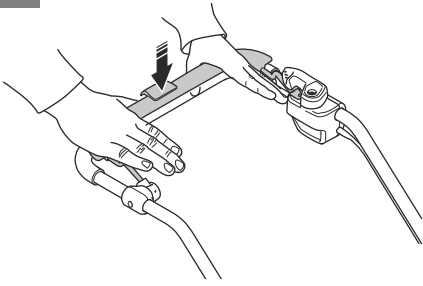
31



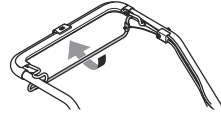
32



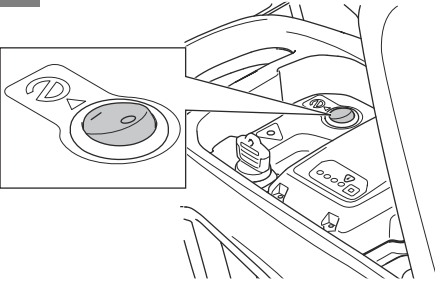
33



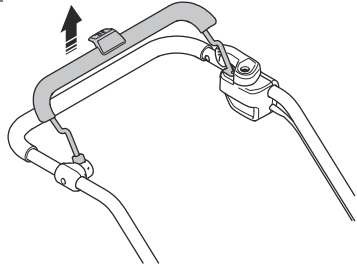
34



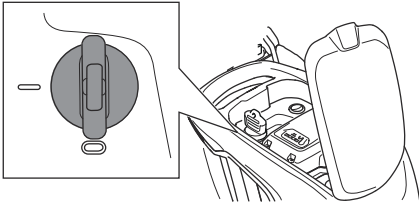
35



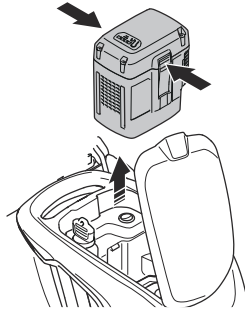
36



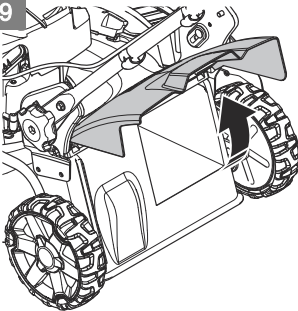
37



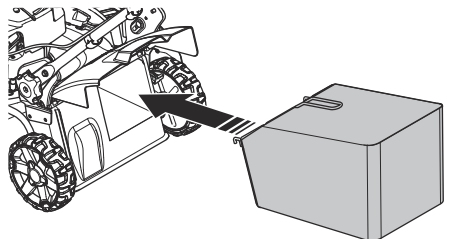
38

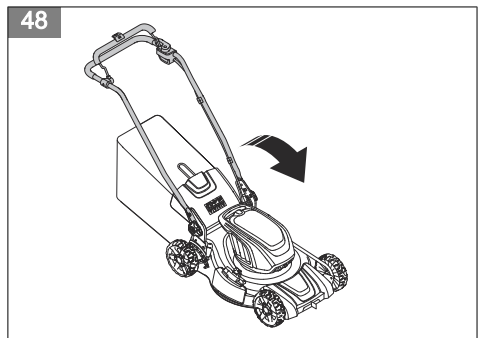
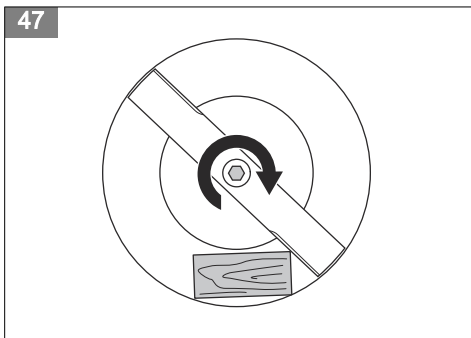
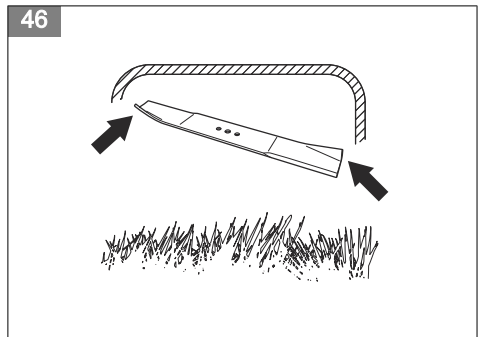
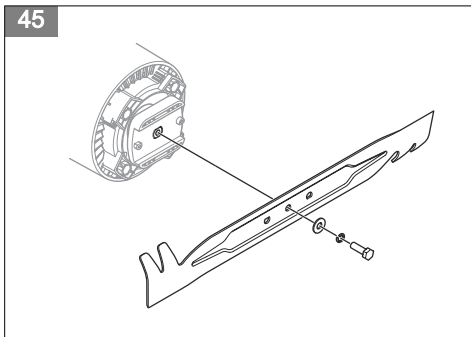
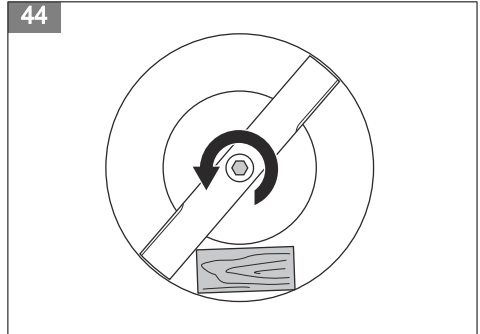
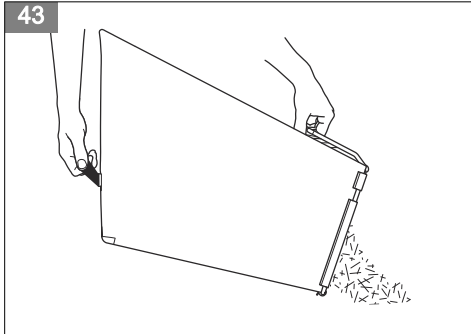
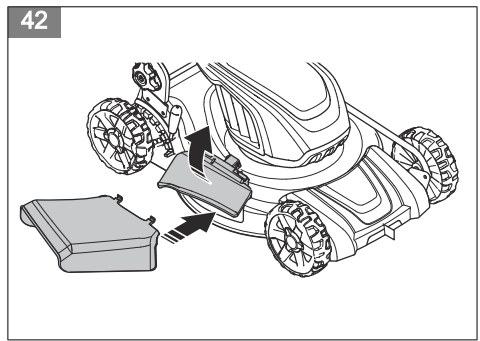
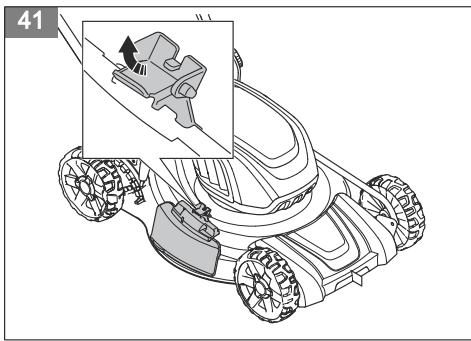


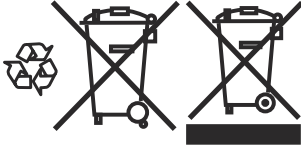
39



40







---

# Contents

---

Introduction.....	8	Troubleshooting.....	18
Safety.....	9	Transportation, storage and disposal.....	20
Assembly.....	14	Technical data.....	22
Operation.....	14	Declaration of Conformity.....	24
Maintenance.....	17		

---

## Introduction

---

### Product description

The product is a pedestrian-controlled rotary lawn mower. The grass is collected in a grass catcher. Attach the side discharge deflector for side discharge of the grass.

### Product overview

(Fig. 1)

1. Motor brake handle
2. Start inhibitor
3. Drive bail (LC 251iS)
4. Rear cover
5. Grass catcher
6. Handle knob
7. Cutting height lever
8. Discharge lock
9. Side discharge cover
10. Battery lid
11. Symbols
12. Safety key
13. Warning indicator (error LED)
14. SavE button
15. Cutting cover
16. Handle / Handlebar
17. Lift handles
18. Side discharger
19. Operator's manual

### Symbols on the product

- (Fig. 2)      WARNING
- (Fig. 3)      Read the instructions.
- (Fig. 4)      WARNING - Beware of thrown objects.
- (Fig. 5)      Keep bystanders away.
- (Fig. 6)      WARNING – Keep hands and feet away from the blades.

### Intended use

Use the product to cut grass. Do not use the product for other tasks.

- (Fig. 7)      WARNING – Disconnect battery before maintenance.

- (Fig. 8)      The product or package of the product is not domestic waste. Recycle it at a recycling station for electrical and electronic equipment.

- (Fig. 9)      Noise emission to the environment label as per EU and UK directives and regulations, and New South Wales legislation "Protection of the Environment Operations (Noise Control) Regulation 2017". The guaranteed sound power level of the product is specified in *Technical data on page 22* and on the label.

- (Fig. 10)      This attachment is in accordance with applicable EC directives.

- (Fig. 11)      This product conforms to applicable UK regulations.

- (Fig. 12)      The product is drip protected.

- (Fig. 13)      Release the motor brake handle to stop.

- (Fig. 14)      Scannable code.

---

**Note:** Other symbols/decals on the product refer to certification requirements for some markets.

---

### Label on the product

(Fig. 15)

DANGER – Keep hands and feet away.



## Product damage

We are not responsible for damages to our product if:

- the product is incorrectly repaired.
- the product is repaired with parts that are not from the manufacturer or not approved by the manufacturer.

- the product has an accessory that is not from the manufacturer or not approved by the manufacturer.
- the product is not repaired at an approved service center or by an approved authority.

---

## Safety

---

### Safety definitions

Warnings, cautions and notes are used to point out specially important parts of the manual.



**WARNING:** Used if there is a risk of injury or death for the operator or bystanders if the instructions in the manual are not obeyed.



**CAUTION:** Used if there is a risk of damage to the product, other materials or the adjacent area if the instructions in the manual are not obeyed.

**Note:** Used to give more information that is necessary in a given situation.

### General product safety warnings



**WARNING:** Read all safety warnings, instructions, illustrations and specifications provided with this product. Failure to follow all instructions listed below may result in electric shock, fire and/or serious injury.

#### Save all warnings and instructions for future reference.

The term "product" in the warnings refers to your mains-operated (corded) product or battery-operated (cordless) product.

#### Work area safety

- **Keep work area clean and well lit.** Cluttered or dark areas invite accidents.
- **Do not operate the product in explosive atmospheres, such as in the presence of flammable liquids, gases or dust.** The product creates sparks which may ignite the dust or fumes.
- **Keep children and bystanders away while operating the product.** Distractions can cause you to lose control.

#### Electrical safety

- **Product plugs must match the outlet. Never modify the plug in any way. Do not use any adapter plugs with earthed (grounded) products.** Unmodified plugs

and matching outlets will reduce risk of electric shock.

- **Avoid body contact with earthed or grounded surfaces, such as pipes, radiators, ranges and refrigerators.** There is an increased risk of electric shock if your body is earthed or grounded.
- **Do not expose products to rain or wet conditions.** Water entering a product will increase the risk of electric shock.
- **Do not abuse the cord. Never use the cord for carrying, pulling or unplugging the product. Keep cord away from heat, oil, sharp edges or moving parts.** Damaged or entangled cords increase the risk of electric shock.
- **When operating a product outdoors, use an extension cord suitable for outdoor use.** Use of a cord suitable for outdoor use reduces the risk of electric shock.
- **If operating a product in a damp location is unavoidable, use a residual current device (RCD) protected supply.** Use of an RCD reduces the risk of electric shock.

#### Personal safety

- **Stay alert, watch what you are doing and use common sense when operating a product. Do not use a product while you are tired or under the influence of drugs, alcohol or medication.** A moment of inattention while operating products may result in serious personal injury.
- **Use personal protective equipment. Always wear eye protection.** Protective equipment such as dust mask, non-skid safety shoes, hard hat or hearing protection used for appropriate conditions will reduce personal injuries.
- **Prevent unintentional starting. Ensure the switch is in the off-position before connecting to power source and/or battery pack, picking up or carrying the product.** Carrying products with your finger on the switch or energising products that have the switch on invites accidents.
- **Remove any adjusting key or wrench before turning the product on.** A wrench or a key left attached to a rotating part of the product may result in personal injury.
- **Do not overreach. Keep proper footing and balance at all times.** This enables better control of the product in unexpected situations.

- **Dress properly. Do not wear loose clothing or jewellery. Keep your hair and clothing away from moving parts.** Loose clothes, jewellery or long hair can be caught in moving parts.
- **If devices are provided for the connection of dust extraction and collection facilities, ensure these are connected and properly used.** Use of dust collection can reduce dust-related hazards.
- **Do not let familiarity gained from frequent use of products allow you to become complacent and ignore product safety principles.** A careless action can cause severe injury within a fraction of a second.
- **When battery pack is not in use, keep it away from other metal objects, like paper clips, coins, keys, nails, screws or other small metal objects, that can make a connection from one terminal to another.** Shorting the battery terminals together may cause burns or a fire.
- **Under abusive conditions, liquid may be ejected from the battery; avoid contact. If contact accidentally occurs, flush with water. If liquid contacts eyes, additionally seek medical help.** Liquid ejected from the battery may cause irritations or burns.
- **Do not use a battery pack or tool that is damaged or modified.** Damaged or modified batteries may exhibit unpredictable behavior resulting in fire, explosion or risk of injury.

## Product use and care

- **Do not force the product. Use the correct product for your application.** The correct product will do the job better and safer at the rate for which it was designed.
- **Do not use the product if the switch does not turn it on and off.** Any product that cannot be controlled with the switch is dangerous and must be repaired.
- **Disconnect the plug from the power source and/or remove the battery pack, if detachable, from the product before making any adjustments, changing accessories, or storing products.** Such preventive safety measures reduce the risk of starting the product accidentally.
- **Store idle products out of the reach of children and do not allow persons unfamiliar with the product or these instructions to operate the product.** Products are dangerous in the hands of untrained users.
- **Maintain products and accessories. Check for misalignment or binding of moving parts, breakage of parts and any other condition that may affect the product's operation. If damaged, have the product repaired before use.** Many accidents are caused by poorly maintained products.
- **Keep cutting tools sharp and clean.** Properly maintained cutting tools with sharp cutting edges are less likely to bind and are easier to control.
- **Use the product, accessories and tool bits etc. in accordance with these instructions, taking into account the working conditions and the work to be performed.** Use of the product for operations different from those intended could result in a hazardous situation.
- **Keep handles and grasping surfaces dry, clean and free from oil and grease.** Slippery handles and grasping surfaces do not allow for safe handling and control of the product in unexpected situations.

## Battery tool use and care

- **Recharge only with the charger specified by the manufacturer.** A charger that is suitable for one type of battery pack may create a risk of fire when used with another battery pack.
- **Use products only with specifically designated battery packs.** Use of any other battery packs may create a risk of injury and fire.

## Service

- **Have your product serviced by a qualified repair person using only identical replacement parts.** This will ensure that the safety of the product is maintained.
- **Never service damaged battery packs.** Service of battery packs should only be performed by the manufacturer or authorized service providers.

## Lawnmower safety warnings

- **Do not use the lawnmower in bad weather conditions, especially when there is a risk of lightning.** This decreases the risk of being struck by lightning.
- **Thoroughly inspect the area for wildlife where the lawnmower is to be used.** Wildlife may be injured by the lawnmower during operation.
- **Thoroughly inspect the area where the lawnmower is to be used and remove all stones, sticks, wires, bones, and other foreign objects.** Thrown objects can cause personal injury.
- **Before using the lawnmower, always visually inspect to see that the blade and the blade assembly are not worn or damaged.** Worn or damaged parts increase the risk of injury.
- **Check the grass catcher frequently for wear or deterioration.** A worn or damaged grass catcher may increase the risk of personal injury.
- **Keep guards in place. Guards must be in working order and be properly mounted.** A guard that is loose, damaged, or is not functioning correctly may result in personal injury.

- **Keep all cooling air inlets clear of debris.** Blocked air inlets and debris may result in overheating or risk of fire.
- **While operating the lawnmower, always wear non-slip and protective footwear. Do not operate the lawnmower when barefoot or wearing open sandals.** This reduces the chance of injury to the feet from contact with the moving blade.
- **While operating the lawnmower, always wear long trousers.** Exposed skin increases the likelihood of injury from thrown objects.
- **Do not operate the lawnmower in wet grass. Walk, never run.** This reduces the risk of slipping and falling which may result in personal injury.
- **Do not operate the lawnmower on excessively steep slopes.** This reduces the risk of loss of control, slipping and falling which may result in personal injury.
- **When working on slopes, always be sure of your footing, always work across the face of slopes, never up or down and exercise extreme caution when changing direction.** This reduces the risk of loss of control, slipping and falling which may result in personal injury.
- **Use extreme caution when reversing or pulling the lawnmower towards you. Always be aware of your surroundings.** This reduces the risk of tripping during operation.
- **Do not touch blades and other hazardous moving parts while they are still in motion.** This reduces the risk of injury from moving parts.
- **When clearing jammed material or cleaning the lawnmower, make sure all power switches are off and the battery pack is disconnected.** Unexpected operation of the lawnmower may result in serious personal injury.
- **When clearing jammed material or cleaning the lawnmower, make sure all power switches are off and remove the disabling device.** Unexpected operation of the lawnmower may result in serious personal injury.

### Residual current device

- Use a residual current device with a tripping current of maximum 30 mA.

### General safety instructions



**WARNING:** Read the warning instructions that follow before you use the product.

- This product is dangerous if used incorrectly or if you are not careful. Injury or death can occur if you do not obey the safety instructions.
- This product produces an electromagnetic field during operation. This field may under some circumstances interfere with active or passive medical implants. To reduce the risk of serious or fatal injury we recommend persons with medical implants to consult their physician and the medical implant manufacturer before operating this product.
- Always be careful and use your common sense. If you are not sure how to operate the product in a special situation, stop and speak to your Husqvarna dealer before you continue.
- Keep in mind that the operator will be held responsible for accidents that involve other persons or their property.
- Keep the product clean. Make sure that you can clearly read signs and decals.
- Never allow children or people unfamiliar with these instructions to use the appliance. Local regulations may restrict the age of the operator.
- Always monitor a person, with decreased physical capacity or mental capacity, that uses the product. A responsible adult must be there at all times.
- Do not use the product if you are tired, ill, or under the influence of alcohol, drugs or medicine. This has a negative effect on your vision, alertness, coordination and judgment.
- Do not use the product if it is damaged or does not operate correctly.
- Do not change this product or use it if it is possible that it has been changed by others.
- Use this product to cut grass lawns only. It is not permitted to use it for other tasks.
- Use personal protective equipment. Refer to *Personal protective equipment on page 12*.
- Make sure that you know how to stop the motor quickly in an emergency.
- Do not operate the product in rain or wet conditions. The risk of electrical shock increases if water enters the product.
- Do not operate the product unless the blade and all covers are attached correctly. An incorrectly attached blade can come loose and cause personal injury.
- Make sure that the blade does not hit objects such as stones and roots. This can do damage to the blade and bend the motor shaft. A bent axle causes heavy vibration and a very high risk that the blade becomes loose.
- If the blade hits an object or if vibrations occur, stop the product immediately. Stop the motor, turn the safety key to 0 and remove the battery. Wait until moving parts stop. Examine the product for damages. Tighten loose parts. Repair damages and replace damaged parts. Let an approved service agent do the repair.

### Work safety



**WARNING:** Read the warning instructions that follow before you use the product.

- Never attach the motor brake handle permanently to the handle when the motor is started.
- Put the product on a stable, flat surface and start it. Make sure that the blade does not hit the ground or other objects.
- Always stay behind the product when you operate it.
- Let all the wheels stay on the ground and keep 2 hands on the handle when you operate the product. Keep your hands and feet away from the rotating blades.
- Do not tilt the product when you start the motor or during operation of the product.
- Be careful when you pull the product rearward.
- Never lift up the product when the motor is started. If you must lift the product, first stop the motor, turn the safety key to 0 and remove the battery.
- Do not walk rearward when you operate the product.
- Stop the motor when it is necessary to tilt the product for transportation or before you move across areas without grass, for example paths made of gravel, stone and asphalt.
- Do not run with the product when the motor is started. Always walk when you operate the product.
- Stop the motor before you change the cutting height. Never make adjustments with the motor started.
- Never let the product stay out of view with the motor started. Stop the motor and make sure that the cutting equipment does not rotate.
- The vibrations in the product during operation can be different from the declared vibration value in *Technical data on page 22*. The difference is caused by variations in how the product is used. If you operate the product frequently or for long periods of time, take breaks regularly to prevent injury from vibrations.

## Safety instructions for operation

### Personal protective equipment



**WARNING:** Read the warning instructions that follow before you use the product.

- Personal protective equipment cannot fully prevent injury but it decreases the degree of injury if an accident does occur. Let your dealer help you select the right equipment.
- Use heavy-duty slip-resistant boots or shoes. Do not use open shoes or go with bare feet.
- Use heavy, long pants.
- Use protective gloves when necessary, for example when you attach, examine or clean the cutting equipment.
- We recommend to use hearing protection.

## Safety devices on the product



**WARNING:** Read the warning instructions that follow before you use the product.

- Do not use a product with safety devices that are damaged or do not operate correctly.
- Do not remove or do modifications to safety devices.
- Do a check of the safety devices regularly. If the safety devices are damaged or do not operate correctly, speak to your Husqvarna service agent.

### To do a check of the cutting cover

The cutting cover decreases vibrations in the product and decreases the risk of injury from the blade.

- Examine the cutting cover to make sure that there are no damages such as cracks.

### To do a check of the safety key

The safety key is below the battery lid. The safety key connects the battery that supplies the motor with power.

- Start and stop the motor to do a check of the safety key.
- If the safety key operates correctly, the motor can only start when the safety key is in position 1. (Fig. 16)

### To do a check of the rear cover

The rear cover decreases the risk that objects eject in the direction of the operator.

- Make sure that the rear cover is not damaged.
- Make sure that the springs that close the rear cover are not damaged.
- Replace damaged springs and damaged parts.
- Make sure that the rear cover can move smoothly on the hinges.

### To do a check of the motor brake handle

The motor brake handle stops the motor. When the motor brake handle is released, the motor stops.

- Start the product. Refer to *To start the product on page 15*.
- Release the motor brake handle. (Fig. 17)
- Make sure that the product stops. If the motor does not stop in 3 seconds, let an approved Husqvarna service agent adjust the motor brake.

### To do a check of the start inhibitor

Do a check of the start inhibitor to make sure that it prevents operation of the motor.

1. Push the motor brake handle in the direction of the handlebar. The start inhibitor stops the movement.
2. Push the start inhibitor out. (Fig. 18)

3. Release the start inhibitor and make sure that it goes back to its initial position.

## Battery safety

---



**WARNING:** Read the warning instructions that follow before you use the product.

---

- Use Husqvarna rechargeable batteries as a power supply for related Husqvarna products only. To prevent injury, do not use the battery as a power supply for other devices.
- Do not use non-rechargeable batteries.
- Risk of electrical shock. Do not connect the battery terminals to keys, coins, screws or other metal. This can cause a short circuit of the battery.
- Do not put objects into the air slots of the battery.
- Keep the battery away from sunlight, heat or open flame. The battery can explode and cause burns and/or chemical burns.
- Keep the battery away from rain and wet conditions.
- Keep the battery away from microwaves and high pressure.
- Do not try to disassemble or break the battery.
- If the battery leaks, do not let the liquid touch your body or eyes. If you have touched the liquid, clean the area with a large quantity of water and get medical aid.
- Use the battery in the product only when the ambient temperature is between 5 °C - 40 °C.
- Use the battery charger only when the ambient temperature is between 5 °C - 40 °C.
- The battery will not charge if the battery temperature is more than 50 °C.
- Do not clean the battery or the battery charger with water. Refer to *To clean the battery and the battery charger on page 17*.
- Do not use a damaged battery.
- Keep batteries in storage away from metal objects such as nails, coins, jewellery.

## Battery charger safety

---



**WARNING:** Read the warning instructions that follow before you use the product.

---

- Use the QC battery chargers to charge Husqvarna replacement batteries only.
- Risk of electrical shock or short circuit. Do not put objects into the air slots of the charger. Do not try to disassemble the battery charger. Do not connect the charger terminals to metal objects. Use an approved mains socket.
- This product produces an electromagnetic field during operation. This field may under some circumstances interfere with active or passive medical implants. To reduce the risk of serious or

fatal injury, we recommend persons with medical implants to consult their physician and the medical implant manufacturer before operating this product.

- Regularly make sure that the power cord of the battery charger is not damaged and that there are no cracks in it.
- Do not lift the battery charger by the power cord. To disconnect the battery charger from a mains socket, pull out the plug. Do not pull the power cord.
- Keep the power cord and extension cables away from water, oil and sharp edges. Make sure that the cable is not pinched in doors, fences or equivalent. It can cause the charger to become energized.
- Do not clean the battery charger with water.
- The battery charger can be used by children aged from 8 years and above and persons with reduced physical, sensory, or mental capabilities or lack of experience and knowledge if they have been given supervision or instruction concerning use of the battery charger in a safe way and understand the hazards involved. Children shall not play with the battery charger. Cleaning and user maintenance shall not be made by children without supervision.
- Do not charge non-rechargeable batteries in the battery charger.
- Do not use the battery charger near flammable materials or materials that can cause corrosion. Do not cover the battery charger. Pull out the plug to the battery charger if there is smoke or fire.
- Do not use a damaged battery charger.
- Only charge the battery indoors in a room with good airflow and away from sunlight. Do not charge the battery in wet conditions.

## Safety instructions for maintenance

---



**WARNING:** Read the warning instructions that follow before you use the product.

---

- To prevent accidental start during maintenance, turn the safety key to 0 and remove the battery. Wait at minimum 5 seconds before you start the maintenance.
- Only do the maintenance work written in this operator's manual. More extensive work and professional repairs must be done by an approved service agent. Speak to your nearest service agent for more information.
- Do the maintenance work correctly to increase the lifetime of the product and decrease the risk of accidents.
- Replace damaged, worn or broken parts. Always use original spare parts from the manufacturer. Other spare parts can cause damage to the product and increase the risk of accidents.
- To prevent injury, do not remove or do modifications to safety devices.

- Put on heavy duty gloves when you use the cutting equipment. The blade is very sharp and cuts can easily occur.
- Keep the cutting edges sharp and clean for the best and safest performance.
- Let your service agent regularly examine the product and make necessary adjustments and repairs.
- Obey the instructions for how to change accessories. Only use accessories from the manufacturer.
- When not in operation, keep the product, battery and battery charger apart in a dry, indoor and locked area. Make sure that children and persons that are not approved cannot get access to the product, battery or battery charger.

---

## Assembly

---

### Introduction



**WARNING:** Before you assemble the product, read the safety chapter.



**WARNING:** To prevent accidental start during assembly, turn the safety key to 0, remove the battery and wait at minimum 5 seconds.

### To assemble the handle

**Note:** It is recommended that 2 persons do this procedure.

**Note:** Do not remove the product from the box when you assemble the handle. The box can be used for support for the handle during the assembly.

1. Lift and rotate the handle. (Fig. 19)



**CAUTION:** Be careful and make sure that the cable does not become damaged when you rotate the handle.

2. Put the handle on top of the product. Tilt the handle against the box for support of the handle. Refer to the illustration. (Fig. 20)

3. Push the screw (A) through the handle (B), the plastic washer (C) and the handle support bracket (D). (Fig. 21)
4. Tighten the nut (E) fully.
5. Remove the product from the box.
6. Fold the handle to upright position. (Fig. 22)
7. Set the handle height to the lowest position. Refer to *To adjust the handle on page 14*.
8. Attach the cable to the lower part of the handle with the cable clip. (Fig. 23)
9. Attach the lower part of the cable to the handle support bracket with the cable tie. Cut off the remaining part of the cable tie. (Fig. 24)

**Note:** Make sure that the cable is correctly attached. A cable that is too loose cause damage to the cable when the grass catcher is installed. (Fig. 25)

### To adjust the handle

1. Loosen the lower knobs.
2. Move the knobs to the lower end of the grooves on the left and the right side of the product. (Fig. 26)
3. Set the handle height in one of the 2 available positions.
4. Move the knobs up in the direction of the handle until they stop and you hear a click. (Fig. 27)
5. Tighten the knobs fully.

---

## Operation

---

### Introduction



**WARNING:** Before you operate the product, you must read and understand the safety chapter.

### Husqvarna Connect

Husqvarna Connect is a free app for your mobile device. The Husqvarna Connect app gives extended functions for your Husqvarna product:

- Extended product information.

- Information about, and help with, product parts and servicing.

### To start to use Husqvarna Connect

1. Download the Husqvarna Connect app on your mobile device.
2. Register in the Husqvarna Connect app.
3. Do the instruction steps in the Husqvarna Connect app to connect and register the product.

### To set the product in operation position

1. Make sure that the lower knobs are loose. Refer to *To adjust the handle on page 14*.

2. Fold the handle to upright position. (Fig. 22)
3. Move the knobs up in the direction of the handle until they stop and you hear a click. (Fig. 27)
4. Tighten the knobs fully.



**WARNING:** Do not operate the product unless the handle is fully folded up and set in one of the applicable height positions. Refer to *To adjust the handle on page 14*.

## To set the cutting height

1. Move the cutting height lever rearward to increase the cutting height.
2. Move the cutting height lever forward to decrease the cutting height. (Fig. 28)



**CAUTION:** Do not set the cutting height too low. The blades can hit the ground if the surface of the lawn is not level.

## Battery



**WARNING:** Before you use the battery, you must read and understand the safety chapter. You must also read and understand the operator's manual for the battery and the battery charger.

Keep the battery and the battery charger in correct ambient temperatures.

	Ambient temperature
Operation of the battery	5 °C - 40 °C
Charging of the battery	5 °C - 40 °C

## Battery status

The display shows the remaining battery capacity and if there are problems with the battery. Push the battery indicator button to get information of the state of charge of the battery. The warning symbol on the battery is on when an error has occurred. Refer to *Battery on page 18*.

(Fig. 29)

LED lights	Battery status
All LEDs are lit	Fully charged (76-100%)
LED 1, LED 2, LED 3 are lit	The battery is 51%-75% charged
LED 1, LED 2 are lit	The battery is 26%-50% charged

LED lights	Battery status
LED 1 is lit	The battery is 6%-25% charged.
LED 1 flashes	The battery is 0%-5% charged.

## To charge the battery

Charge the battery before the first use. The battery is only 30% charged when supplied to the customer.

**Note:** The battery charger must be connected to the voltage and frequency specified on the rating plate.

The battery does not charge if the battery temperature is above 50°C. The battery charger decreases the temperature of the battery before it starts to charge.

1. Connect one end of the power cord for the battery charger into the socket of the battery charger.
2. Connect the other end of the power cord for the battery charger in an grounded mains socket. The LED on the battery charger flashes green one time. (Fig. 30)
3. Put the battery in the battery charger. The green light on the charger comes on when the battery is correctly connected to the battery charger. (Fig. 31)
4. When all LEDs on the battery have come on the battery is fully charged. Charge the battery for maximum 24 hours.
5. To disconnect the battery charger from the mains socket, pull the plug, not the power cord.
6. Remove the battery from the battery charger.

## To start the product

1. Open the battery lid.
2. Put a charged battery in 1 of the battery holders. For longer operation time, put a second charged battery in the other battery holder.
3. Turn the safety key to 1. (Fig. 32)
4. Stay behind the product.
5. Loosen the start inhibitor. (Fig. 18)
6. Push the motor brake handle in the direction of the handlebar. (Fig. 33)

## To use the drive on the wheels (LC 251iS)

- Push the drive bail in the direction of the handlebar. (Fig. 34)
- Release the drive bail to disengage the drive, for example when you go near an obstacle.
- Before you pull the product rearward, disengage the drive and push the product forward approximately 10 cm.

## To use the Save™ function

The product has a battery saving function (Save™) that gives longer operation time.

- Push the Save™ button to position 1 to start the function. (Fig. 35)
- Push the Save™ button to position 0 to stop the function.

**Note:** The Save™ function stops automatically if the ground conditions make it necessary to have a higher output. The Save™ function starts automatically again when the ground conditions let it.

## High load function

When the product cuts long or wet grass, the motor automatically increases rpm. The motor goes back to standard mode when high load is not necessary.

## Motor stalling

During operation, the blade and motor can temporarily stop because of obstacles such as grass blockage below the cutting cover. If this occurs and you keep the motor brake handle pushed down, the product restarts automatically. If the product does not restart in 5-10 seconds, it can be necessary to clean below the cutting cover. Refer to *To clean the product on page 17*.



**WARNING:** If the motor stops, the product tries to restart automatically for 5-10 seconds. Wait for a minimum of 15 seconds before you do a check of the cutting cover.



**WARNING:** Before a check of the cutting cover, release the motor brake handle, turn the safety key to 0, remove the battery and wait for a minimum of 5 seconds. There is a risk of injury if the obstacle is removed and the product accidentally starts.

## To stop the product



**WARNING:** Turn the safety key to 0 before you let the product out of view.

1. Release the motor brake handle to stop the motor. (Fig. 36)

**Note:** For LC 251iS. To stop the drive of the wheels, release the drive bail.

2. Open the battery lid and turn the safety key to 0. (Fig. 37)
3. To remove the battery, push the 2 release buttons and pull out the battery. (Fig. 38)

4. Charge the battery if it is weak. For more information, refer to *To charge the battery on page 15*.

## To use the product with the grass catcher



**WARNING:** Do not operate the product without a grass catcher installed or without the rear cover closed. Objects can eject and cause injury to the operator.

1. Lift the rear cover. (Fig. 39)
2. Put the grass catcher on the bracket.
3. Release the rear cover and put it on top of the grass bag frame. (Fig. 40)

## To change the product to side discharge mode

1. Lift the rear cover and remove the grass bag, if it is installed.
2. Close the rear cover and make sure that it is tightly closed against the product.
3. Lift the discharge lock. (Fig. 41)
4. Open the side discharge cover and install the side discharge deflector onto the support pins. (Fig. 42)
5. Let the side discharge cover close against the side discharge deflector. Make sure that the side discharge deflector is tightly in position before you operate the product.

## To empty the grass catcher



**CAUTION:** Lift the grass catcher when you move it to prevent wear.

1. Lift the grass catcher with the frame handle.
2. Use the frame handle and the bag handle when you empty the grass catcher. (Fig. 43)

## To get a good result

- Always use a sharp blade. A blunt blade gives an irregular result and the cut surface of the grass becomes yellow. A sharp blade also uses less energy than a blunt blade.
- Do not cut more than 1/3 of the length of the grass. Use the highest cutting height when you start to cut the grass. Examine the result and lower the cutting height to an applicable level. If the grass is very long, operate slowly and cut 2 times if it is necessary.
- Cut in different directions each time to prevent stripes in the lawn.
- Lift the rear cover and remove the grass catcher.
- If a mulch plug and a mulch blade are attached, remove them.



- Close the rear cover before you operate the product. When you operate the product, the cut grass discharges below the rear cover.
- Keep the cutting cover clean. Buildup from grass and dirt on the inner side of the cutting cover can decrease the cutting result. Refer to *To clean the product on page 17*.

## Maintenance

### Introduction



**WARNING:** Before you do maintenance, you must read and understand the safety chapter.

For all servicing and repair work on the product, special training is necessary. We guarantee the availability of professional repairs and servicing.

For more detailed information, refer to [www.husqvarna.com](http://www.husqvarna.com).

### Maintenance schedule

The maintenance intervals are calculated from daily use of the product. The intervals change if the product is not used daily.

For maintenance identified with \* refer to instructions in *Safety on page 9*.

	Each use	Monthly	Each season
Do a general inspection	X		
Clean the product	X		
Do a check of the start inhibitor *	X		
Make sure that the safety devices on the product are not defective *	X		
Examine the cutting equipment	X		
Examine the cutting cover *	X		
Do a check of the motor brake handle *	X		
Examine the battery for damage	X		
Do a check of the battery charge	X		
Make sure that the release buttons on the battery operates correctly and that the battery locks into the product	X		
Examine the battery charger for damage and make sure that it operates correctly.		X	
Examine the connections between the battery and the product. Also examine the connection between the battery and the battery charger.			X

### To do a general inspection

- Make sure that the nuts and screws on the product are tightened.
- Make sure that the cables on the product are not in a position where they can get damaged.

### To clean the product

- Clean plastic parts with a clean and dry cloth.
- Do not use water to clean the product. Water can enter the battery or the motor and cause short circuit or damage to the product.
- Do not use a high pressure washer to clean the product.

- Do not flush water directly on the motor.
- Use a brush to remove leaves, grass and dirt.

### To clean the battery and the battery charger



**WARNING:** Do not clean the battery or the battery charger with water.



**WARNING:** Do not use any chemical substances to clean the battery.

- Make sure that the battery and the battery charger are clean and dry before you put the battery into the battery charger.
- Clean the battery terminals with compressed air or use a soft and dry cloth.
- Clean the surfaces of the battery and the battery charger with a soft and dry cloth.

can become trapped between the blade and stationary parts.

## To examine the cutting equipment



**WARNING:** To prevent accidental start, turn the safety key to 0, remove the battery and wait a minimum 5 seconds.



**WARNING:** Use protective gloves when you do maintenance on the cutting equipment. The blade is very sharp and cuts can easily occur.

1. Examine the cutting equipment for damage or cracks. Always replace a damaged cutting equipment.
2. Look at the blade to see if it is damaged or blunt.

**Note:** It is necessary to balance the blade after it is sharpened. Let a service center sharpen, replace and balance the blade. If you hit an obstacle that causes the product to stop, replace the damaged blade. Let the service center estimate if the blade can be sharpened or must be replaced.

## To replace the blade

Refer to *Technical data on page 22* for the correct type of blade.



**WARNING:** Lock the blade with a block of wood to prevent injury to fingers when you replace the blade. The blade can be moved when the motor is off and fingers

1. Lock the blade with a block of wood. (Fig. 44)
2. Remove the blade bolt, the washers and the blade. (Fig. 45)
3. Examine the blade support and blade bolt to see if there are damages.
4. Examine the motor shaft to make sure that it is not bent.
5. When you attach the new blade, point the angled ends of the blade in the direction of the cutting cover. (Fig. 46)
6. Make sure that the blade is aligned with the center of the motor shaft.
7. Lock the blade with a piece of wood. Attach the washers and tighten the bolt with a torque of 23 – 28 Nm. (Fig. 47) (Fig. 45)
8. Pull the blade around by hand and make sure that it turns freely.



**WARNING:** Use heavy duty gloves. The blade is very sharp and cuts can easily occur.

9. Start the product to do a test of the blade. If the blade is not correctly attached, there is vibration in the product or the cutting result is unsatisfactory.

## To do a check of the side discharge deflector

The side discharge deflector is attached to the side discharge opening of the product. It decreases the risk of objects to eject in the direction of the mow position of the operator.

1. Make sure that the side discharge deflector is not damaged.
2. Examine the side discharge deflector. Make sure that you do not see defects, such as cracks or broken springs that push the door to close.
3. Replace the side discharge deflector or the springs if they are damaged.

# Troubleshooting

## Battery

LED on the battery	Cause	Solution
The green LED flashes.	The battery voltage is low.	Charge the battery. Refer to <i>To charge the battery on page 15</i> .

LED on the battery	Cause	Solution
The battery error LED flashes.	The battery is too cold or too hot to use.	Let the battery cool down or move it indoors to warm it up. When the battery has the correct temperature, it can be used again. Use the battery in the product only when the ambient temperature is 5 °C–40 °C.
	The battery is empty.	Charge the battery. Refer to <i>To charge the battery on page 15</i> .
The battery error LED comes on.	There is a permanent battery error.	Speak to your Husqvarna servicing dealer.

## Battery charger

LED on the battery charger	Cause	Solution
The error LED flashes or comes on.	The battery charger is too cold or too hot to use.	Let the battery charger cool down or move it indoors to warm it up. When the battery charger has the correct temperature, it can be used again. Use the battery charger when the ambient temperature is 5 °C–40 °C.
	Other errors.	Speak to your Husqvarna servicing dealer.

## Lawn mower

The warning indicator (error LED) is found below the battery lid.

Problem	Error LED (number of flashes)	Cause	Solution
Error LED flashes. The product does not operate correctly.	3	The blade is blocked.	Turn the safety key to 0 to prevent accidental start. Remove the battery and wait a minimum of 5 seconds. Remove possible obstacles and make sure that the blade can rotate freely. If the problem continues, speak to your Husqvarna servicing dealer.
	5	The motor speed drops too much, and the motor stops.	Increase the cutting height. Refer to <i>To set the cutting height on page 15</i> .
	6 <sup>1</sup>	The wheels or transmission is blocked.	Turn the safety key to 0 to prevent accidental start. Remove the battery and wait a minimum of 5 seconds. Remove the possible obstacles and make sure that the wheels can rotate freely. If the problem continues, speak to your Husqvarna servicing dealer.
	10	The motor control is too hot.	Stop the motor and wait until it has become cool.

<sup>1</sup> LC 251iS

Problem	Error LED (number of flashes)	Cause	Solution
Error LED flashes. The product stops.	No flashes	Battery connector failure.	Examine the battery connector.
	3	There is overload in the motor.	Increase the cutting height. Refer to <i>To set the cutting height on page 15.</i>
	8	The battery is weak.	Charge the battery. Refer to <i>To charge the battery on page 15.</i>
	9	Battery error or no signal from battery.	Put the battery in the product correctly and examine the battery connector. If the error LED on the battery flashes. Refer to <i>Battery on page 18.</i>
	15	Incorrect start procedure. The motor brake handle has been engaged before the motor starts.	Release the motor brake handle and wait approximately 5 seconds. Push the motor brake handle down again to start the product.
Other errors.	If other errors occur, turn the safety key to 0, remove the battery and speak to your Husqvarna servicing dealer.		

---

## Transportation, storage and disposal

---

### Introduction



**WARNING:** To prevent accidental start during transport and storage turn the safety key to 0, remove the battery and wait a minimum of 5 seconds.

### To set the product in transport position

1. Loosen the lower knobs.
2. Move the knobs to the lower end of the grooves on the left and the right side of the product. (Fig. 26)
3. Fold the handle forward. (Fig. 48)

### Transportation

- The Dangerous Goods Legislation requirements apply to the contained Li-ion batteries.
- For commercial transports special requirements on package and labels must be obeyed.
- Make sure that you obey the regulations for dangerous material when you prepare the product for transport. Local regulations can apply.
- Always remove the battery for transport.
- Put tape on the battery connectors and make sure that the battery cannot move around during transport.
- Attach the product during transport.
- Always remove the battery for storage.
- To prevent accidents, make sure that the battery is not connected to the product during storage.
- Keep the battery charger in a closed and dry space.
- Keep the battery and the battery charger in a dry space where there is no moisture or frost.
- Disconnect the battery from the battery charger during storage.
- Do not keep the battery where static electricity can occur. Do not keep the battery in a metal box.
- Keep the product where the ambient temperature is between -10°C and 40°C.
- Keep the battery where the ambient temperature is between 5 °C and 25 °C and out of sunlight.
- Keep the battery charger where the ambient temperature is between 5 °C and 45 °C and out of sunlight.
- Make sure that the battery is charged to 30% - 50% before you put it in storage for long periods.
- Keep the product, battery and battery charger in a locked area out of reach for children and not approved persons.
- Clean the product and make sure that the grass catcher is empty.
- Do the maintenance procedures given in this operator's manual. Refer to *Maintenance on page 17.*
- Do a complete servicing before you put the product in storage for a long time.

### Storage

- Before storage, let the product become cool.

## Disposal

Symbols on the product or the packaging of the product indicate that this product cannot be handled as domestic waste. It must be submitted to an appropriate recycling station for the recovery of electrical and electronic equipment.

By ensuring that this product is taken care of correctly, you can help to counteract the potential negative impact on the environment and people that can otherwise result through the incorrect waste management of this product. For more detailed information about recycling this product, contact your municipality, your domestic waste service or the shop from where you purchased the product.

(Fig. 49)

## Technical data

### Technical data

	LC 251i	LC 251IS
<b>Cutting motor</b>		
Motor type	BLDC (brushless)36V	BLDC (brushless)36V
Motor speed – SavE, rpm	2600/min	2600/min
Motor speed – Nominal, rpm	3000/min	3000/min
Motor speed – High load, rpm	3500/min	3500/min
Motor output – max. kW	1.4	1.4
Motor output – Nominal, kW	0.9	0.9
<b>Drive motor</b>		
Motor output – Nominal, kW	N/A	0.4
Self walk speed, km/h	N/A	4.0
Speed adjustment levels	N/A	1
<b>Weight</b>		
Weight without bag (excl. battery), kg	25.5	27
Weight with bag (incl. 2 x BLi30), kg	31.5	33
<b>Battery</b>		
Type of battery	Husqvarna Battery Series	Husqvarna Battery Series
<b>Battery runtime</b>		
Battery runtime, min, (free run) with SavE activated, with one Husqvarna 7.5 Ah battery (BLi30).	58	51
Battery runtime, min, (free run) with standard mode activated, with one Husqvarna 7.5 Ah battery (BLi30).	42	38
<b>Noise emissions <sup>2</sup></b>		
Sound power level, measured dB (A)	96	96
Sound power level, guaranteed L <sub>WA</sub> dB (A)	98	98
<b>Sound levels <sup>3</sup></b>		
Sound pressure level at the operator's ear, dB (A)	85	85
<b>Vibration levels <sup>4</sup></b>		

<sup>2</sup> Noise emissions in the environment measured as sound power (L<sub>WA</sub>) in conformity with EC directive 2000/14/EC.

<sup>3</sup> Reported data for noise pressure level has an uncertainty factor (K) of 1.5 dB (A).

<sup>4</sup> Reported data for vibration level has an uncertainty factor (K) of 1.5m/s<sup>2</sup>. The declared vibration total value has been measured in accordance with standard EN 62841-4-3, Annex I and may be used for comparing one machine with another and in a preliminary assessment of exposure..

	LC 251i	LC 251iS
Handle, m/s <sup>2</sup>	0.7	0.7
<b>Cutting equipment</b>		
Cutting height, mm	25-75	25-75
Cutting width, mm	510	510
Blade - standard	Collection 5928704-01	Collection 5928704-01
Grass catcher capacity, liter	65	65

Approved batteries	Type	Battery capacity, Ah	Voltage, V	Weight, lb/kg
BLi30	Lithium-ion	7.5	36	4.2/1.9
40-B140	Lithium-ion	4.0	36	2.6/1.2

Approved chargers for the specified batteries, BLi	Input voltage, V	Frequency, Hz	Power, W
40-C80	100-240	50-60	68.8
QC250	100-240	50-60	250

---

# Declaration of Conformity

---

## EU Declaration of Conformity

We, **Husqvarna AB**, SE-561 82 Huskvarna, Sweden, tel: +46-36-146500, declare on our sole responsibility that the product:

<b>Description</b>	Lawn Mower
<b>Brand</b>	Husqvarna
<b>Type / Model</b>	LC 251i, LC 251iS
<b>Identification</b>	Serial numbers dating from 2023 and onwards

complies fully with the following EU directives and regulations:

<b>Regulation</b>	<b>Description</b>
2006/42/EC	"relating to machinery"
2014/30/EU	"relating to electromagnetic compatibility"
2000/14/EC	"relating to the noise emissions in the environment"
2011/65/EU	"on the restriction of the use of certain hazardous substances in electrical and electronic equipment"

and that the following standards and/or technical specifications are applied: EN 62841-1:2015/A11:2022, EN IEC 62841-4-3:2021/A11:2021, EN IEC 55014-1:2021, EN IEC 55014-2:2021, EN IEC 63000:2018

Notified Body: 0404, SMP Svensk Maskinprovning AB, Box 4053, SE-904 03 Umeå, Sweden has certified conformity with the council's directive 2000/14/EC, conformity assessment procedure: Annex VI.

For information relating to noise emissions, refer to *Technical data on page 22*.

Huskvarna, 2023-12-11



Claes Losdal, Development Manager/Garden Products  
Husqvarna AB

Responsible for technical documentation





# UK Declaration of Conformity

We, **Husqvarna AB**, SE-561 82 Huskvarna, Sweden, tel: +46-36-146500, declare on our sole responsibility that the product:

<b>Description</b>	Lawn Mower
<b>Brand</b>	Husqvarna
<b>Type / Model</b>	LC 251i, LC 251iS
<b>Identification</b>	Serial numbers dating from 2023 and onwards

complies fully with the following UK regulations:

<b>Description</b>
The Restriction of the Use of Certain Hazardous Substances in Electrical and Electronic Equipment Regulations 2012
The Supply of Machinery (Safety) Regulations 2008
Electromagnetic Compatibility Regulations 2016
The Noise Emission in the Environment by Equipment for use Outdoors Regulations 2001, schedule 9

and that the following standards and/or technical specifications are applied: EN 62841-1:2015/A11:2022, EN IEC 62841-4-3:2021/A11:2021, EN IEC 55014-1:2021, EN IEC 55014-2:2021, EN IEC 63000:2018

UK Importer:  
Husqvarna UK Ltd  
Preston Road, Co. Durham  
DL5 6UP

Notified Body: 0404, SMP Svensk Maskinprovning AB, Box 4053, SE-904 03 Umeå, Sweden has certified conformity with the council's directive 2000/14/EC, conformity assessment procedure: Annex VI.

For information relating to noise emissions, refer to *Technical data on page 22*.

Huskvarna, 2023-12-11



Claes Losdal, Development Manager/Garden Products  
Husqvarna AB

Responsible for technical documentation



---

## Съдържание

---

Въведение.....	26	Отстраняване на проблеми.....	39
Безопасност.....	27	Транспортиране, съхранение и изхвърляне.....	41
Монтаж.....	33	Технически характеристики.....	43
Операция.....	34	Декларация за съответствие.....	45
Поддръжка.....	37		

---

## Въведение

---

### Описание на продукта

Продуктът е пешеходно управлявана ротационна косачка за трева. Тревата се събира в кош за трева. Закрепете страничния разтоварващ дефлектор за странично разтоварване на тревата.

### Общ преглед на продукта

(Фиг. 1)

1. Ръкохватка за спирачката на двигателя
2. Блокировка на стартирането
3. Дръжка за задвижване (LC 251iS)
4. Заден капак
5. Кош за трева
6. Въртяща се ръкохватка
7. Лост за височината на рязане
8. Блокировка за разтоварване
9. Капак на страничното разтоварване
10. Капак на акумулаторната батерия
11. Символи
12. Ключ за безопасност
13. Индикатор за предупреждение (светодиод за грешка)
14. Бутон SavE
15. Капак на режещите части
16. Ръкохватка/удължителна дръжка
17. Повдигащи ръкохватки
18. Странично устройство за разтоварване
19. Ръководство за оператора

### Символи върху продукта

- (Фиг. 2) ПРЕДУПРЕЖДЕНИЕ
- (Фиг. 3) Прочетете инструкциите.
- (Фиг. 4) ПРЕДУПРЕЖДЕНИЕ – пазете се от изхвърлени предмети.
- (Фиг. 5) Не допускайте наблизо странични наблюдатели.
- (Фиг. 6) ПРЕДУПРЕЖДЕНИЕ – дръжете ръцете и краката си настрана от ножовете.

### Предназначение

Използвайте продукта за косене на трева. Не използвайте продукта за други задачи.

(Фиг. 7) ПРЕДУПРЕЖДЕНИЕ – разкачете акумулаторната батерия преди техническо обслужване.

(Фиг. 8) Продуктът или опаковката на продукта не е битов отпадък. Рециклирайте го в станция за рециклиране за електрическо и електронно оборудване.

(Фиг. 9) Етикет за шумовите емисии за околната среда съгласно директивите и регламентите на ЕС и Обединеното кралство и законодателството на Нов Южен Уелс "Регламент 2017 относно защитата от дейности, оказващи влияние на околната среда (контрол на шума)". Гарантираното ниво на звуковата мощност на продукта е посочено в *Технически характеристики на страница 43* и на етикета.

(Фиг. 10) Тази приставка отговаря на изискванията на приложимите директиви на ЕО.

(Фиг. 11) Този продукт съответства на приложимите регламенти на Обединеното кралство.

(Фиг. 12) Този продукт е защитен от капки.

(Фиг. 13) Освободете ръкохватката за спирачката на двигателя, за да спрете.

(Фиг. 14) Код с възможност за сканиране.

---

**Забележка:** Останалите символи/стикери на продукта се отнасят до изисквания по отношение на сертификати за определени пазари.

---

## Етикет върху продукта

(Фиг. 15)

ОПАСНОСТ – Дръжте ръцете и краката си настрана.

## Повреда на продукта

Ние не носим отговорност за повреди по нашия продукт, ако:

- продуктът е неправилно ремонтиран.
- продуктът е ремонтиран с части, които не са от производителя или не са одобрени от производителя.
- продуктът има принадлежност, която не е от производителя или не е одобрена от производителя.
- продуктът не е ремонтиран в одобрен сервизен център или от одобрен орган.

---

# Безопасност

---

## Дефиниции за безопасност

Предупреждения, знаци за внимание и бележки се използват за указване на особено важни части на инструкцията.



**ПРЕДУПРЕЖДЕНИЕ:** Използва се, ако има опасност от нараняване или смърт за оператора или за околните, ако не се спазват инструкциите в ръководството.



**ВНИМАНИЕ:** Използва се, ако има опасност от повреждане на машината, други материали или съседната зона, ако не се спазват инструкциите в ръководството.

**Забележка:** Използва се за предоставяне на повече информация, която е необходима в дадена ситуация.

## Общи предупреждения за безопасност за продукта



**ПРЕДУПРЕЖДЕНИЕ:** Прочетете всички предупреждения за безопасност, инструкции, илюстрации и спецификации, предоставени с този продукт. Неспазването на всички инструкции, изброени по-долу, може да доведе до електрически удар, пожар и/или сериозно нараняване.

**Запазете всички предупреждения и инструкции за бъдещи справки.** Терминът "продукт" в предупрежденията се отнася за продукт с електрическо задвижване (с кабел) или такъв с акумулаторна батерия (безжичен).

## Безопасност на работната област

- **Поддържайте работната област работния участък чиста и добре осветена.** Мръсните и тъмните области са по-предразполагащи към инциденти.
- **Не работете с продукта в експлозивна среда, като например в присъствието на запалителни течности, газове или прах.** Продуктът създава искри, които може да запалят праха или дима.
- **Дръжте децата и околните настрана, докато работите с продукта.** Разсейването може да доведе до загуба на контрол.

## Електрическа безопасност

- **Щепселите на продукта трябва да съответстват на контакта. Никога не променяйте щепселите по какъвто и да било начин. Не използвайте никакви адаптерни щепсели със заземени продукти.** Немодифицираните щепсели и съответстващи им контакти ще намалят рисковете от токов удар.
- **Избягвайте контакт на тялото със заземени или замасени повърхности, като тръби, радиатори и хладилници.** Има повишен риск от електрически удар, ако Вашето тяло е заземено или замасено.
- **Не излагайте продуктите на дъжд или мокра околна среда.** Навлизането на вода в продукта повишава риска от токов удар.
- **Не насилвайте кабела. Никога не използвайте кабела за носене, дърпане или изключване на продукта от мрежата. Пазете шнура далече от топлинни източници, масло, остри ръбове или движещи се части.** Повредените или заплетени кабели увеличават риска от токов удар.
- **Когато работите с продукта навън, използвайте удължителен кабел, който е подходящ за употреба на открито.** Кабелът, който е подходящ за употреба на открито, намалява риска от токов удар.
- **Ако работата с електрически инструмент на влажно място е неизбежна, използвайте захранване с устройство за дефектнотокова защита (RCD).** Използването на RCD намалява риска от електрически удар.

## Лична безопасност

- **Бъдете нащрек, внимавайте какво правите и бъдете разсъдливи, когато работите с продукта. Не използвайте продукта, когато сте изморени или когато сте под влиянието на наркотици, алкохол или лекарства.** Един миг невнимание по време на работа с продуктите може да доведе до тежко телесно нараняване.
- **Използвайте лични предпазни средства. Винаги носете защитни средства за очите.** Предпазните средства като респираторна маска, непързалаци се предпазни обувки, твърда каска или антифони, използвани за съответните условия, ще намалят телесните повреди.
- **Не допускате нежелано стартиране. Уверете се, че превключвателят е в изключено положение, преди да свържете захранващия източник и/или акумулаторната батерия, когато вземате или носите продукта.** Носенето на продукти с пръст на превключвателя или включването в мрежата на продукти с прекъсвач във включено положение е предпоставка за злополуки.
- **Отстранете всички ключове за регулиране или гаечни ключове, преди да включите продукта.** Гаечен ключ или ключ, който е оставен присъединен към въртящата се част на продукта, може да доведе до нараняване.
- **Не се протягайте прекалено надалеч, докато работите. Поддържайте съответната стъпка и баланс през цялото време.** Това осигурява по-добър контрол на продукта в неочаквани ситуации.
- **Обличайте се подходящо. Никога не носете широки дрехи или украшения. Дръжте косата и дрехите си далеч от движещите се части на инструмента.** Свободновисящи дрехи, бижута или дълга коса могат да бъдат захванати от движещите се части.
- **Ако са предоставени устройства за свързване на изсмукване на прах и съдове за събиране, уверете се, че те са свързани и се използват правилно.** Използването на съдове за събиране на прах може да намали опасностите, свързани с праха.
- **Не позволявайте на натрупания опит от честата употреба на продукти да Ви вдъхне прекомерна увереност и да игнорирате принципите за безопасност.** Едно нехайно действие може да причини сериозно нараняване за част от секундата.

## Използване и грижа за продукта

- **Не насилвайте продукта. Използвайте подходящия продукт за Вашето приложение.** Подходящият продукт ще свърши работата по-добре и по-безопасно със скоростта, за която е бил създаден.
- **Не използвайте продукта, ако превключвателят не го включва и изключва.** Всеки продукт, който

не може да се управлява с превключвателя, е опасен и трябва да бъде ремонтиран.

- **Разкачете щепсела от електрическия източник и/или премахнете акумулаторната батерия от продукта, ако може да се отстрани, преди да правите каквито и да било настройки, да сменяте принадлежностите или да съхранявате продукти.** Тези предпазни мерки намаляват риска от нежелано стартиране на продукта.
- **Съхранявайте неизползваните продукти на недостъпно за деца място и не разрешавайте на хора, които не са запознати с продукта или с тези инструкции, да работят с него.** Продуктите са опасни в ръцете на необучени потребители.
- **Поддържайте продуктите и принадлежностите.** Проверявайте за разценоване или задиране на движещите се части, счупвания на части или други състояния, които могат да се отразят на работата на продукта. **Ако продуктът бъде повреден, дайте го за ремонт, преди да го използвате.** Много инциденти възникват с лошо поддържани продукти.
- **Поддържайте режещите инструменти остри и чисти.** Правилно поддържаните режещи инструменти са остри режещи краища са по-трудни за огъване и се контролират по-лесно.
- **Използвайте продукта, принадлежностите, приставките и др. в съответствие с тези инструкции, като имате предвид условията и естеството на работата, която извършвате.** Използването на продукта за операции, различни от тези, за които е предназначен, може да доведе до опасни ситуации.
- **Поддържайте ръкохватките и повърхностите за хващане сухи, чисти и без масло и грес.** Хлъзгавите ръкохватки и повърхности за хващане не позволяват безопасно боравене и контрол над продукта при непредвидени ситуации.

## Употреба и грижа за инструмента на батерия

- **Презареждайте само със зарядно устройство, определено от производителя.** Зарядно устройство, което е подходящо за един вид батерия, може да създаде опасност от злополука, когато се използва с друга батерия.
- **Използвайте продуктите само със специално определени акумулаторни батерии.** Използването на други батерии може да създаде опасност от нараняване и пожар.
- **Когато батерията не е в употреба, дръжте я далеч от други метални предмети, като кламери, монети, ключове, пирони, винтове или други, които могат да свържат едната клемма с другата.** Окъсяване на изводите на батерията може да предизвика изгаряния или пожар.
- **При злоупотреба от акумулатора може да бъде изхвърлена течност – избягвайте допир. В случай на случаен контакт изплакнете с**

вода. Ако течността попадне в очите, потърсете допълнителна медицинска помощ. Течност, изхвърлена от акумулатора, може да причини раздразнения или изгаряния.

- **Не използвайте акумулаторната батерия или продукт, който е променен или повреден.** Повредените или модифицирани батерии могат да имат непредсказуемо поведение, което да доведе до пожар, експлозия или опасност от нараняване.
- **Не излагайте акумулаторната батерия или уреда на огън или прекомерна температура.** Излагането на огън или температура над 130°C/265°F може да предизвика експлозия.
- **Спазвайте всички инструкции за зареждане и не зареждайте акумулаторната батерия или уреда извън температурния диапазон, посочен в инструкциите.** Неправилното зареждане или зареждането при температури извън определения диапазон може да повредят акумулаторната батерия и да увеличат риска от пожар.

## Обслужване

- **Техническото обслужване на Вашия продукт трябва да се извършва от квалифицирано лице, като се използват само идентични резервни части.** Това ще гарантира поддържането на безопасността на продукта.
- **Никога не обслужвайте повредени акумулаторни батерии.** Обслужването на акумулаторни батерии трябва да се извършва само от производителя или оторизирани сервиси.

## Предупреждения за безопасност на косачката за трева

- **Не използвайте косачката за трева при лоши метеорологични условия, особено когато има риск от мъгливи.** Това намалява риска да бъдете ударени от мъглия.
- **Проверете внимателно площта, където ще се използва косачката за трева, за наличието на диви животни.** По време на работа косачката за трева може да нарани диви животни.
- **Проверете внимателно площта, където ще се използва косачката за трева, и отстранете всички камъни, пръчки, проводници, кости и други чужди предмети.** Изхвърлените предмети могат да причинят телесна повреда.
- **Преди употреба винаги проверявайте визуално косачката за трева, за да се уверите, че ножът и модулет на ножа не са износени или повредени.** Износените или повредени части увеличават риска от нараняване.
- **Проверявайте често коша за трева за износвания или влошаване на качествата.** Износеният или повреден кош за трева може да увеличи риска от телесна повреда.

- **Дръжте предпазителите на място.** Предпазителите трябва да са в изправност за работа и да са правилно монтирани. Разхлабен, повреден или неправилно функциониращ предпазител може да доведе до телесна повреда.
- **Поддържайте всички входни отвори за охлаждащ въздух чисти от отпадъци.** Блокираните входни отвори за въздух и остатъците може да доведат до прегряване или риск от пожар.
- **По време на работа с косачката за трева винаги носете непълзгащи се и защитни обувки. Не работете с косачката за трева, когато сте боси или носите отворени сандали.** Това намалява вероятността от нараняване на краката при контакт с движещия се нож.
- **Когато работите с косачката за трева, винаги носете дълги панталони.** Съществува вероятност откритите части на кожата да бъдат наранени от изхвърлени предмети.
- **Не работете с косачката за трева в мокра трева. Ходете, никога не тичайте.** Това намалява риска от подхлъзване и падане, което може да доведе до телесна повреда.
- **Не работете с косачката за трева по прекалено стръмни наклони.** Това намалява риска от загуба на контрол, подхлъзване и падане, което може да доведе до телесна повреда.
- **Когато работите по наклони, винаги се уверявайте, че сте стъпили добре, винаги работете напречно на наклоните, никога нагоре или надолу, и бъдете изключително внимателни при смяна на посоката.** Това намалява риска от загуба на контрол, подхлъзване и падане, което може да доведе до телесна повреда.
- **Бъдете изключително внимателни при движение на заден ход или при дръпане на косачката за трева към себе си.** Внимавайте за заобикалящата среда. Това намалява риска от преобръщане по време на работа.
- **Не докосвайте ножовете и други опасни движещи се части, докато те все още се движат.** Това намалява риска от нараняване от движещи се части.
- **Когато отстранявате заседнал материал или почиствате косачката за трева, се уверете, че всички прекъсвачи са изключени и акумулаторната батерия е разкачена.** Неочакваното задействане на косачката за трева може да доведе до сериозна телесна повреда.
- **Когато отстранявате заседнал материал или почиствате косачката за трева, се уверете, че всички прекъсвачи са изключени и отстранете устройството за изключване.** Неочакваното задействане на косачката за трева може да доведе до сериозна телесна повреда.

## Дефектнотокова защита

- Използвайте дефектнотокова защита с максимален ток на задействане от 30 mA.

## Общи инструкции за безопасност



**ПРЕДУПРЕЖДЕНИЕ:** Прочетете следващите предупредителни инструкции, преди да използвате продукта.

- Този продукт е опасен, ако се използва неправилно или ако не сте внимателни. Неспазването на инструкциите за безопасност може да доведе до нараняване или смърт.
- Този продукт създава електромагнитно поле по време на работа. При някои условия това поле може да предизвика смущения в активни или пасивни медицински импланти. За да намалите риска от тежко или смъртоносно нараняване, ние препоръчваме лицата с медицински импланти да говорят с лекаря си и производителя на медицинския имплант, преди да започнат да работят с този продукт.
- Винаги бъдете внимателни и подхождайте разумно. Ако не сте сигурни как да работите с продукта при специална ситуация, спрете и се обърнете към Вашия дилър на Husqvarna, преди да продължите.
- Имайте предвид, че операторът носи отговорност за злополуки, включващи други лица или тяхното имущество.
- Поддържайте продукта чист. Уверете се, че разчитате ясно знаците и стикерите.
- Никога не позволявайте на деца или на хора, непознати с тези инструкции, да използват уреда. Местните регламенти може да поставят възрастови ограничения за оператора.
- Винаги наблюдавайте лице с намален физически или умствен капацитет, което използва продукта. През цялото време трябва да присъства отговорен възрастен.
- Не използвайте продукта, ако сте уморени, болни или под въздействието на алкохол, наркотици или лекарства. Това състояние оказва отрицателно въздействие върху Вашето зрение, бдителност, координация и преценка.
- Не използвайте продукта, ако е повреден или не работи правилно.
- Не променяйте този продукт и не го използвайте, ако има вероятност той да е бил променен от други лица.
- Използвайте лични предпазни средства. Вижте *Лични предпазни средства на страница 31*.
- Уверете се, че знаете как бързо да спрете двигателя при аварийна ситуация.
- Не използвайте продукта при дъжд или влага. Опасността от токов удар се повишава при навлизане на вода в продукта.
- Не работете с продукта, докато ножът и всички капаци не се монтират правилно. Неправилно монтираният нож може да се разхлаби и да причини телесна повреда.
- Уверете се, че ножът няма да се удря в обекти, като например камъни и корени. Това може да доведе до повреда на ножа и до огъване на двусекционния вал на двигателя. Огънатата ос предизвиква силни вибрации и има много голяма опасност ножът да се разхлаби.
- Ако ножът се удари в някакъв обект или се получат вибрации, спрете веднага продукта. Спрете двигателят, завъртете ключа за безопасност на 0 и отстранете акумулатора. Изчакайте спирането на движещите се части. Проверете продукта за повреди. Затегнете разхлабените части. Отстранете повредите и сменете повредените части. Възложете ремонта на упълномощен сервис.
- Никога не прикрепяйте ръкохватката за спирачката на двигателя за постоянно върху дръжката, когато двигателят е стартиран.
- Поставете продукта върху стабилна, равна повърхност и го стартирайте. Уверете се, че ножът не се допира в земята или в други предмети.
- Винаги стойте зад продукта, когато го използвате.
- Всички колела трябва да бъдат на земята и да държите дръжката с 2 ръце, когато работите с продукта. Дръжте ръцете и краката си далеч от въртящите се ножове.
- Не накланяйте продукта при стартиране на двигателя или по време на работа на продукта.
- Бъдете внимателни, когато дърпате продукта назад.
- Никога не повдигайте продукта при стартиран двигател. Ако се наложи да вдигате продукта, първо спрете двигателя, завъртете ключа за безопасност на 0 и отстранете акумулатора.
- Не се движете назад при работа с продукта.
- Спрете двигателя, когато е необходимо да наклоните продукта за транспортиране или когато преминавате през области без трева, като пътеки от чакъл, камък и асфалт.
- Не тичайте с продукта, докато двигателят работи. Винаги ходете, когато работите с продукта.
- Спрете двигателя, преди да промените височината на рязане. Никога не извършвайте регулировки при работещ двигател.

## Безопасност при работа



**ПРЕДУПРЕЖДЕНИЕ:** Прочетете следващите предупредителни указания, преди да използвате продукта.

- Използвайте този продукт само за косене на морави. Не се допуска използването му за други цели.

- Никога не оставяйте продукта без надзор, когато двигателят работи. Спрете двигателя и се уверете, че режещото оборудване не се върти.
- Вибрациите на продукта по време на работа могат да се различават от декларираната стойност на вибрациите в *Технически характеристики на страница 43*. Разликата е в резултат на различните начини на използване на продукта. Ако работите с продукта често или за дълги периоди от време, правете редовно почивки, за да предотвратите нараняване от вибрации.
- Проверете капака срещу порязване, за да се уверите, че няма повреди, като например пукнатини.

### За проверка на ключа за безопасност

Ключът за безопасност е под капака на акумулатора. Ключът за безопасност свързва акумулатора, който захранва двигателя с енергия.

- Стартирайте и спрете двигателя, за да извършите проверка на ключа за безопасност.
- Ако ключът за безопасност работи правилно, двигателят стартира само когато ключът е в положение 1. (Фиг. 16)

## Инструкции за безопасност за работа

### Лични предпазни средства



**ПРЕДУПРЕЖДЕНИЕ:** Прочетете следващите предупредителни указания, преди да използвате продукта.

- Личните предпазни средства не изключват изцяло риска от нараняване, но намаляват степента на нараняването при злополука. Нека Вашият доставчик Ви помогне да изберете подходящото оборудване.
- Носете ботуши или обувки, устойчиви на хлъзгане. Не носете отворени обувки и не ходете боси.
- Използвайте дълги панталони от здрав плат.
- Когато е необходимо, носете защитни ръкавици, например, когато закрепвате, проверявате или почиствате режещото оборудване.
- Препоръчваме използване на средства за защита на слуха.

### Устройства за безопасност на продукта



**ПРЕДУПРЕЖДЕНИЕ:** Прочетете следващите предупредителни инструкции, преди да използвате продукта.

- Не използвайте продукт с устройства за безопасност, които са повредени или не работят правилно.
- Не отстранявайте и не правете модификации по устройствата за безопасност.
- Извършвайте редовно проверка на устройствата за безопасност. Ако устройствата за безопасност са повредени или не работят правилно, се обърнете към Вашия сервиз на Husqvarna.

### За проверка на капака срещу порязване

Капакът срещу порязване намалява вибрациите в продукта и опасността от нараняване, причинени от острието.

### За извършване на проверка на задния капак

Задният капак намалява риска от изхвърляне на предмети по посока на оператора.

- Уверете се, че задният капак не е повреден.
- Уверете се, че пружините, които затварят задния капак, не са повредени.
- Сменйте повредените пружини и части.
- Уверете се, че задният капак може да се движи свободно върху пантите.

### За проверка на ръкохватката на спирачката на двигателя

Ръкохватка за спирачка на двигателя спира двигателя. Когато ръкохватката за спирачка на двигателя бъде пусната, двигателят спира.

- Стартирайте продукта. Вижте *За стартиране на продукта на страница 35*.
- Освободете ръкохватката на спирачката на двигателя. (Фиг. 17)
- Уверете се, че продуктът спира. Ако двигателят не спре след 3 секунди, позволете на одобрен сервиз на Husqvarna да регулира спирачката на двигателя.

### За проверка на блокировката на стартирането

Направете проверка на блокировката на стартирането, за да се уверите, че тя не допускат работата на двигателя.

1. Натиснете ръкохватката за спирачка на двигателя по посока на управлението. Блокировката на пускането спира движението.
2. Натиснете блокировката на пускането навън. (Фиг. 18)
3. Освободете блокировката на пускането и се уверете, че тя се е върнала в първоначалното си положение.

## Безопасност на акумулаторната батерия



**ПРЕДУПРЕЖДЕНИЕ:** Прочетете следващите предупредителни инструкции, преди да използвате продукта.

- Използвайте акумулаторни батерии Husqvarna като източник на захранване само за продукти Husqvarna. За да предотвратите нараняване, не използвайте акумулаторната батерия като източник на захранване за други устройства.
- Не използвайте непрезаряждаеми акумулаторни батерии.
- Опасност от електрически удар. Не свързвайте клемите на акумулаторната батерия с ключове, монети, винтове или други метални предмети. Това може да причини късо съединение на акумулаторната батерия.
- Не поставяйте предмети във въздушните отвори на акумулаторната батерия.
- Съхранявайте акумулаторната батерия далеч от слънчева светлина, топлина или открит огън. Акумулаторната батерия може да експлодира и да причини изгаряния и/или химически изгаряния.
- Съхранявайте акумулаторната батерия далеч от дъжд или влага.
- Съхранявайте акумулаторната батерия далеч от микровълни и високо налягане.
- Не се опитвайте да разглобите или счупите акумулаторната батерия.
- Ако в акумулаторната батерия има теч, не оставяйте течността да влиза в контакт с тялото или очите. Ако сте докоснали течността, измийте мястото с обилно количество вода и потърсете медицинска помощ.
- Използвайте акумулаторната батерия в продукта само когато околната температура е в границите на 5°C – 40°C.
- Използвайте зарядното устройство за акумулаторни батерии само когато околната температура е в границите на 5°C – 40°C.
- Акумулаторната батерия няма да се зарежда, ако нейната температура е по-висока от 50°C.
- Не почиствайте акумулаторната батерия или зарядното устройство за акумулаторни батерии с вода. Направете справка с *За почистване на акумулаторната батерия и зарядното устройство за акумулаторни батерии на страница 38*.
- Не използвайте повредена акумулаторна батерия.
- Съхранявайте акумулаторните батерии далеч от метални предмети, като например пирони, монети, бижута.

## Инструкции за безопасност за зарядното устройство на акумулаторната батерия



**ПРЕДУПРЕЖДЕНИЕ:** Прочетете следващите предупредителни инструкции, преди да използвате продукта.

- Използвайте QC зарядни устройства за акумулаторни батерии зареждане само на резервни акумулаторни батерии Husqvarna.
- Риск от токов удар или късо съединение. Не поставяйте предмети във въздушните отвори на зарядното устройство. Не опитвайте да разглобите зарядното устройство за акумулаторни батерии. Не свързвайте клемите на зарядното устройство към метални предмети. Използвайте одобрен стенов контакт.
- Този продукт създава електромагнитно поле по време на работа. При някои условия това поле може да предизвика смущения в активни или пасивни медицински импланти. За да намалите риска от сериозно или смъртоносно нараняване, ние препоръчваме лицата с медицински импланти да говорят с лекаря си и производителя на медицинския имплант, преди да започнат да работят с този продукт.
- Редовно проверявайте дали захранващият шнур на зарядното устройство за акумулаторни батерии не е повреден и дали няма пукнатини по него.
- Не повдигайте зарядното устройство за акумулаторни батерии, като го държите за захранващия шнур. За да изключите зарядното устройство за акумулаторни батерии от стенов контакт, извадете щепсела. Не дърпайте захранващия шнур.
- Дръжте захранващия шнур и удължаващите кабели далеч от вода, масло и остри ръбове. Уверете се, че кабелът не е прищипан от врати, огради и подобни. Това може да причини появата на напрежение в зарядното устройство.
- Не почиствайте зарядното устройство за акумулаторни батерии с вода.
- Зарядното устройство за акумулаторни батерии може да се използва от деца на възраст 8 и повече години и лица с намалени физически, сетивни или умствени способности или без знания и опит, ако са под наблюдение или са получили инструкции за безопасното използване на зарядното устройство за акумулаторни батерии и разбират свързаните с това рискове. Децата не трябва да си играят със зарядното устройство за акумулаторни батерии. Почистването и техническото обслужване от потребителя не трябва да се извършват от деца без наблюдение.



- Не зареждайте непрезареждаеми акумулаторни батерии в зарядното устройство за акумулаторни батерии.
- Не използвайте зарядното устройство за акумулаторни батерии близо до запалими материали или материали, които могат да причинят корозия. Не покривайте зарядното устройство за акумулаторни батерии. Ако има дим или огън, извадете щепсела на зарядното устройство за акумулаторни батерии.
- Не използвайте повредено зарядно устройство за акумулаторни батерии.
- Зареждайте акумулаторната батерия само на закрито, в помещение с добра вентилация и далеч от слънчева светлина. Не зареждайте акумулаторната батерия във влажна условия.

## Инструкции за безопасност при техническо обслужване



**ПРЕДУПРЕЖДЕНИЕ:** Прочетете следващите предупредителни указания, преди да използвате продукта.

- За да предотвратите случайно стартиране по време на техническо обслужване, завъртете ключа за безопасност на 0 и извадете акумулатора. Изчакайте най-малко 5 секунди преди да започнете техническото обслужване.
- Изпълнявайте стъпките от техническото обслужване, посочени в тази инструкция за експлоатация. По-значителни ремонтни дейности и професионални ремонти трябва да се

извършват от одобрен сервиз. За повече информация говорете с най-близкия до Вас сервиз.

- Извършете правилно техническото обслужване, за да увеличите срока на експлоатация на продукта и да намалите опасността от инциденти.
- Заменете повредени, износени или счупени части. Винаги използвайте оригинални резервни части от производителя. Други резервни части могат да доведат до повреждане на продукта и да увеличат риска от злополуки.
- За предотвратяване на нараняване не отстранявайте устройствата за безопасност и не ги модифицирайте.
- Сложете ръкавици за тежки условия, когато използвате режещото оборудване. Ножът е много остър и можете лесно да се порежете.
- Поддържайте режещите краища остри и чисти за най-добра и безопасна производителност.
- Редовно проверявайте продукта при Вашия сервиз и извършвайте необходимите корекции и ремонтни дейности.
- Следвайте инструкциите за смяна на аксесоарите. Използвайте само аксесоари от производителя.
- Когато не ги използвате, съхранявайте продукта, акумулатора и зарядното устройство отделно на закрито сухо и заключено място. Уверете се, че деца и лица, които не са одобрени, не могат да получат достъп до продукта, акумулатора или зарядното устройство.

## Монтаж

### Въведение



**ПРЕДУПРЕЖДЕНИЕ:** Преди да слобите машината, прочетете главата за безопасност.



**ПРЕДУПРЕЖДЕНИЕ:** За да предотвратите случайно стартиране по време на монтаж, завъртете ключа за безопасност на 0, отстранете акумулатора и изчакайте най-малко 5 секунди.

### За монтиране на ръкохватката

**Забележка:** Препоръчително е тази процедура да се извършва от 2-ма души.

**Забележка:** Не отстранявайте продукта от кутията, когато монтирате ръкохватката. Кутията

може да се използва за опора на ръкохватката по време на монтажа.

1. Повдигнете и завъртете ръкохватката. (Фиг. 19)



**ВНИМАНИЕ:** Бъдете внимателни и се уверете, че кабелът няма да се повреди, когато завъртите ръкохватката.

2. Поставете ръкохватката върху продукта. Наклонете ръкохватката към кутията за опора на ръкохватката. Направете справка с илюстрацията. (Фиг. 20)
3. Прекарайте чрез натискане винта (A) през ръкохватката (B), пластмасовата шайба (C) и опорната скоба на ръкохватката (D). (Фиг. 21)
4. Затегнете гайката (E) докрай.
5. Отстранете продукта от кутията.
6. Сгънете ръкохватката в изправено положение. (Фиг. 22)

7. Задайте височината на ръкохватката до най-ниското положение. Направете справка с *За регулиране на ръкохватката на страница 34*.
8. Закрепете кабела към долната част на ръкохватката със скобата за кабел. (Фиг. 23)
9. Закрепете долната част на кабела към опорната скоба на ръкохватката с кабелната връзка. Отрежете останалата част от кабелната връзка. (Фиг. 24)

**Забележка:** Уверете се, че кабелът е правилно закрепен. Твърде разхлабен кабел

причинява повреда на кабела при монтиране на коша за трева. (Фиг. 25)

## За регулиране на ръкохватката

1. Разхлабете долните копчета.
2. Преместете фиксаторите към долния край на каналите от лявата и дясната страна на продукта. (Фиг. 26)
3. Задайте височината на дръжката в едно от 2 възможни положения.
4. Преместете фиксаторите по посока на дръжката, докато спрат и се чуе щракване. (Фиг. 27)
5. Затегнете напълно фиксаторите.

## Операция

### Въведение



**ПРЕДУПРЕЖДЕНИЕ:** Преди работа с продукта трябва да прочетете и разберете главата за безопасност.



**ПРЕДУПРЕЖДЕНИЕ:** Не работете с продукта, ако ръкохватката не е сгъната докрай нагоре и не е зададена в едно от приложимите положения за височина. Направете справка с *За регулиране на ръкохватката на страница 34*.

### Husqvarna Connect

Husqvarna Connect е безплатно приложение за Вашето мобилно устройство. Приложението Husqvarna Connect осигурява разширени функции за Вашия продукт на Husqvarna:

- Разширена продуктова информация.
- Информация и помощ за частите на продукта и сервисното обслужване.

### За да започнете да използвате Husqvarna Connect

1. Изтеглете приложението Husqvarna Connect на Вашето мобилно устройство.
2. Регистрирайте се в приложението Husqvarna Connect.
3. Изпълнете стъпките с инструкции в приложението Husqvarna Connect, за да свържете и регистрирате продукта.

### За задаване на продукта в положение за работа

1. Уверете се, че долните фиксатори са разхлабени. Направете справка с *За регулиране на ръкохватката на страница 34*.
2. Сгънете ръкохватката в изправено положение. (Фиг. 22)
3. Преместете фиксаторите нагоре по посока на ръкохватката, докато спрат и чуете щракване. (Фиг. 27)
4. Затегнете напълно фиксаторите.

### За регулиране на височината на рязане

1. Преместете назад лоста за височина на рязане, за да увеличите височината на рязане.
2. Преместете напред лоста за височина на рязане, за да намалите височината на рязане. (Фиг. 28)



**ВНИМАНИЕ:** Не настройвайте твърде ниска височина на рязане. Ножовите могат да се ударят в земята, ако повърхността на моравата не е равна.

### Акумулатор



**ПРЕДУПРЕЖДЕНИЕ:** Преди да използвате акумулатора, трябва да прочетете и разберете главата за безопасност. Вие трябва също да прочетете и разберете ръководството на оператора за акумулатора и зарядното устройство.

Поддържайте подходяща околна температура за акумулаторната батерия и зарядното устройство.

	Околна температура
Работа на акумулаторната батерия	5°C – 40°C

	<b>Околна температура</b>
Зареждане на акумулаторната батерия	5°C – 40°C

## Състояние на акумулаторната батерия

Дисплеят показва оставащия капацитет на акумулаторната батерия и дали има проблеми с нея. Натиснете бутона на индикатора върху акумулаторната батерия, за да получите информация за състоянието ѝ на зареждане. Символът за предупреждение върху акумулаторната батерия се включва, когато възникне грешка. Направете справка с *Акумулаторна батерия на страница 39*.

(Фиг. 29)

Светодиодни светлини	Състояние на акумулаторната батерия
Всички светодиоди светят	Напълно заредена (76 – 100%)
Светодиоди 1, 2, 3 светят	Акумулаторната батерия е заредена на 51% – 75%
Светодиоди 1 и 2 светят	Акумулаторната батерия е заредена на 26% – 50%
Светодиод 1 свети	Акумулаторната батерия е заредена на 6% – 25%.
Светодиод 1 мига	Акумулаторната батерия е заредена на 0% – 5%.

## За зареждане на акумулатора

Заредете акумулатора преди използване за първи път. Акумулаторът е зареден само на 30%, когато се доставя на клиента.

**Забележка:** Зарядното устройство на акумулатора трябва да бъде свързано към напрежението и честотата, посочени на типовата табелка.

Акумулаторът не се зарежда, ако температурата на акумулатора е над 50°C. Зарядното устройство намалява температурата на акумулатора, преди да започне да зарежда.

- Свържете единия край на захранващия шнур на зарядното устройство в гнездото на зарядното устройство.
- Свържете другия край на захранващия шнур за зарядното устройство в заземен контакт. Светодиодът на зарядното устройство примигва един път в зелено. (Фиг. 30)

- Поставете батерията в зарядното устройство. Когато акумулаторът е правилно свързан към зарядното устройство, на зарядното устройство светва зелена светлина. (Фиг. 31)
- Когато всички светодиоди на акумулатора светнат, акумулаторът е напълно зареден. Зареждайте акумулатора за най-много 24 часа.
- За да разкачите зарядното устройство на акумулатора от контакта, издърпайте щепсела, а не кабела.
- Извадете батерията от зарядното устройство.

## За стартиране на продукта

- Отворете капака на акумулатора.
- Поставете зареден акумулатор в 1 от отделенията за акумулатора. За по-дълъг период на работа поставете втори зареден акумулатор в другото отделение за акумулатор.
- Завъртете ключа за безопасност на 1. (Фиг. 32)
- Останете зад продукта.
- Разхлабете инхибитора за стартиране. (Фиг. 18)
- Натиснете ръкохватката за спирачката на двигателя по посока на управлението. (Фиг. 33)

## За да използвате задвижването на колелата (LC 251iS)

- Дръпнете дръжката за задвижване по посока на ръкохватката. (Фиг. 34)
- Освободете дръжката за задвижване, за да изключите задвижването, например, когато приближите препятствие.
- Преди да дръпнете продукта назад, изключете задвижването и бутнете продукта напред приблизително 10 cm.

## За да използвате функцията SaveE™

Продуктът разполага с функция за пестене на енергия на акумулатора (SaveE™), която осигурява по-дълго време на работа.

- Натиснете бутона SaveE™ в позиция 1, за да стартирате функцията. (Фиг. 35)
- Натиснете бутона SaveE™ в позиция 0, за да спрете функцията.

**Забележка:** Функцията SaveE™ спира автоматично, ако условията на терена изискват по-висока мощност. Функцията SaveE™ стартира автоматично отново, когато условията на терена го позволяват.

## Функция на високо натоварване

Когато продуктът реже дълга или влажна трева, двигателят автоматично повишава оборотите. Двигателят се връща към стандартен режим, когато не е необходимо голямо натоварване.

## Спиране на двигателя

По време на работа ножът и двигателят могат да спрат временно поради прелятствия, като например натрупване на трева под капака на режещите части. Ако се случи това и Вие държите ръкохватката за спирачката на двигателя натисната надолу, продуктът се рестартира автоматично. Ако продуктът не се рестартира в рамките на 5 – 10 секунди, може да се окаже необходимо да се почисти пространството под капака на режещите части. Направете справка с *За почистване на машината на страница 38*.



**ПРЕДУПРЕЖДЕНИЕ:** Ако двигателят спре, продуктът се опитва да се рестартира автоматично в продължение на 5 – 10 секунди. Изчакайте минимум 15 секунди, преди да извършите проверка на капака на режещите части.



**ПРЕДУПРЕЖДЕНИЕ:** Преди да извършите проверка на капака на режещите части, освободете ръкохватката за спирачката на двигателя, завъртете ключа за безопасност на 0, отстранете акумулаторната батерия и изчакайте минимум 5 секунди. Има риск от нараняване, ако след отстраняването на прелятствието продуктът стартира неочаквано.

## За спиране на продукта



**ПРЕДУПРЕЖДЕНИЕ:** Завъртете ключа за безопасност на 0, преди да оставите продукта без надзор.

1. Освободете ръкохватката за спирачката на двигателя, за да спрете двигателя. (Фиг. 36)

**Забележка:** За LC 251iS. За да спрете задвижването на колелата, освободете дръжката за задвижване.

2. Отворете капака на акумулаторната батерия и завъртете ключа за безопасност на 0. (Фиг. 37)
3. За да отстраните акумулаторната батерия, натиснете 2-та бутон за освобождаване и извадете акумулаторната батерия. (Фиг. 38)
4. Заредете акумулаторната батерия, ако е изтощена. За повече информация направете справка с *За зареждане на акумулатора на страница 35*.

## За използване на продукта с коша за трева



**ПРЕДУПРЕЖДЕНИЕ:** Не работете с продукта без монтиран кош за трева или без задният капак да е затворен. Възможно е да се изхвърлят предмети и да причинят нараняване на оператора.

1. Повдигнете задния капак. (Фиг. 39)
2. Поставете коша за трева върху скобата.
3. Освободете задния капак и го поставете върху рамката на торбата за трева. (Фиг. 40)

## За превключване на продукта към режим на странично разтоварване

1. Повдигнете задния капак и отстранете торбата за трева, ако е монтирана.
2. Затворете задния капак и се уверете, че е плътно затворен към продукта.
3. Повдигнете блокировката за разтоварване. (Фиг. 41)
4. Отворете капака за странично разтоварване и монтирайте страничния разтоварващ дефлектор върху опорните щифтове. (Фиг. 42)
5. Оставете капака за странично разтоварване да се затвори към страничния разтоварващ дефлектор. Уверете се, че страничният разтоварващ дефлектор е фиксиран здраво на съответното положение, преди да започнете работа с продукта.

## За изпраждане на коша за трева



**ВНИМАНИЕ:** Повдигнете коша за трева, когато го местите, за да предотвратите износване.

1. Повдигнете коша за трева с ръкохватката на рамката.
2. Използвайте ръкохватката на рамката и ръкохватката на торбичката, когато изпраздате коша за трева. (Фиг. 43)

## За получаване на добър резултат

- Винаги използвайте остър нож. Косенето със затъпен нож е неравномерно и окосената повърхност пожълтява. При работа с остър нож също така се използва по-малко енергия отколкото при работа със затъпен нож.

- Не отрязвайте повече от 1/3 от дължината на тревата. Използвайте най-голямата височина на рязане, когато започнете да режете тревата. Вижте какъв е резултатът и намалете височината на рязане до подходящо ниво. Ако тревата е много висока, работете бавно и окосете 2 пъти, ако е необходимо.
- Режете всеки път в различни посоки, за да избегнете образуването на линии в моравата.
- Повдигнете задния капак и извадете коша за трева.
- Ако има монтирани приставка за мулчиране и острие за мулчиране, извадете ги.
- Затворете задния капак преди работа с продукта. Когато работите с продукта, изрязаната трева се извежда под задния капак.
- Поддържайте капака за рязане чист. Натрупването на трева и замърсявания по вътрешната страна на капака на режещите части могат да намалят резултата от рязането. Вижте *За почистване на машината на страница 38.*

## Поддръжка

### Въведение



**ПРЕДУПРЕЖДЕНИЕ:** Преди да извършите техническо обслужване, трябва да прочетете и разберете главата за безопасност.

За всички работи по обслужването и поправката на продукта е необходимо специално обучение. Осигуряваме предлагане на професионални ремонти и обслужване.

За по-подробна информация направете справка с [www.husqvarna.com](http://www.husqvarna.com).

### Разписание за техническо обслужване

Интервалите за техническо обслужване са изчислени в зависимост от ежедневната употреба на продукта. Интервалите се променят, ако продуктът не се използва ежедневно.

За техническо обслужване, маркирано с \*, направете справка с инструкциите в *Безопасност на страница 27.*

	При всяка употреба	Всеки месец	Всеки сезон
Извършване на обща проверка	X		
Почистване на продукта	X		
Извършване на проверка на блокировката на стартирането *	X		
Уверяване, че устройствата за безопасност на продукта не са дефектни *	X		
Преглед на режещото оборудване	X		
Преглед на капака на режещите части *	X		
Извършване на проверка на ръкохватката за спирачката на двигателя *	X		
Проверка на акумулаторната батерия за повреда	X		
Извършване на проверка на заряда на акумулаторната батерия	X		
Уверяване, че бутоните за освобождаване на акумулаторната батерия работят правилно и че акумулаторната батерия е фиксирана в продукта	X		
Проверете зарядното устройство за акумулаторни батерии за повреда и се уверете, че работи правилно.		X	
Проверете връзките между акумулаторната батерия и продукта. Освен това проверете връзката между акумулаторната батерия и зарядното устройство за акумулаторни батерии.			X

## За извършване на обща проверка

- Уверете се, че всички гайки и винтове на продукта са затегнати.
- Уверете се, че кабелите на продукта не са в положение, в което могат да бъдат повредени.

## За почистване на машината

- Почиствайте пластмасовите части със суха кърпа.
- Не използвайте вода за почистване на продукта. Водата може да навлезе в акумулатора или в двигателя и да причини късо съединение или повреда на продукта.
- Не мийте продукта с устройство за миене под високо налягане.
- Не пръскайте вода директно върху двигателя.
- За отстраняване на листа, трева и прах използвайте четка.

## За почистване на акумулаторната батерия и зарядното устройство за акумулаторни батерии



**ПРЕДУПРЕЖДЕНИЕ:** Не почиствайте акумулаторната батерия или зарядното устройство за акумулаторни батерии с вода.



**ПРЕДУПРЕЖДЕНИЕ:** Не използвайте никакви химически вещества за почистване на акумулаторната батерия.

- Преди да поставите акумулаторната батерия в зарядното устройство за акумулаторни батерии, се уверете, че акумулаторната батерия и зарядното устройство за акумулаторни батерии са чисти и сухи.
- Почистете клемите на акумулаторната батерия със сгъстен въздух или използвайте мека и суха кърпа.
- Почистете повърхностите на акумулаторната батерия и зарядното устройство за акумулаторни батерии с мека и суха кърпа.

## За проверка на режещото оборудване



**ПРЕДУПРЕЖДЕНИЕ:** За да предотвратите случайно стартиране, завъртете ключа за безопасност на 0, отстранете акумулатора и изчакайте най-малко 5 секунди.



**ПРЕДУПРЕЖДЕНИЕ:** Носете защитни ръкавици, когато ще изпълнявате дейности, свързани с техническото обслужване на режещото оборудване. Ножът е много остър и можете лесно да се порежете.

1. Проверете режещото оборудване за повреди или пукнатини. Винаги заменяйте повреденото режесто оборудване.
2. Погледнете ножа, за да разберете дали не е повреден или затъпен.

**Забележка:** Необходимо е да балансирате ножа след заточване. Ножът се заточва, сменя и балансира от сервизен център. Ако ударите препятствие и вследствие на това продуктът спре, сменете повредения нож. Оставете специалистите в сервиза да преценят дали ножът ще трябва да се заточи, или да се смени.

## За смяна на ножа

Направете справка с *Технически характеристики на страница 43* за правилния тип нож.



### ПРЕДУПРЕЖДЕНИЕ:

Фиксирайте ножа с дървено блокче, за да предотвратите нараняването на пръстите Ви при смяна на ножа. Когато двигателят е изключен, ножът може да се премести и пръстите да бъдат захванати между ножа и неподвижните части.

1. Фиксирайте ножа с дървено блокче. (Фиг. 44)
2. Отстранете болта на ножа, шайбите и ножа. (Фиг. 45)
3. Проверете опората на ножа и болта на ножа, за да видите дали има повреди.
4. Проверете двусекционния вал на двигателя, за да се уверите, че не е огънат.
5. Когато закрепвате новия нож, насочете извитите краища на ножа по посока към капака на режещите части. (Фиг. 46)
6. Уверете се, че ножът е подравнен с центъра на двусекционния вал на двигателя.
7. Фиксирайте ножа с парче дърво. Закрепете шайбите и затегнете болта с въртящ момент 23 – 28 Nm. (Фиг. 47) (Фиг. 45)
8. Раздвижете ножа на ръка и се уверете, че той се върти свободно.



### ПРЕДУПРЕЖДЕНИЕ:

Използвайте ръкавици с висока здравина. Ножът е много остър и можете лесно да се порежете.

9. Стартирайте продукта, за да извършите тест на ножа. Ако ножът не е закрепен правилно, продуктът вибрира или резултатът от косенето е незадоволителен.

## За да извършите проверка на страничния разтоварващ дефлектор

Страничният разтоварващ дефлектор е закрепен към отвора за странично разтоварване на продукта. Той намалява опасността от изхвърляне на предмети по посока към косящия оператор.

1. Уверете се, че страничният разтоварващ дефлектор не е повреден.
2. Проверете страничния разтоварващ дефлектор. Уверете се, че не виждате дефекти, като пукнатини или счупени пружини, които избухват вратата да се затвори.
3. Сменете страничния разтоварващ дефлектор или пружините, ако са повредени.

## Отстраняване на проблеми

### Акумулаторна батерия

Светодиод върху акумулаторната батерия	Причина	Решение
Зеленият светодиод мига.	Напрежението на акумулаторната батерия е ниско.	Заредете акумулаторната батерия. Направете справка с <i>За зареждане на акумулатора на страница 35</i> .
Светодиодът за грешка върху акумулаторната батерия мига.	Акумулаторната батерия е прекалено студена или прекалено гореща за използване.	Оставете акумулаторната батерия да се охлади или я преместете на закрито, за да я загреете. Когато акумулаторната батерия е с правилната температура, тя може да се използва отново. Използвайте акумулаторната батерия в продукта само когато околната температура е 5°C – 40°C.
	Акумулаторната батерия е изтощена.	Заредете акумулаторната батерия. Направете справка с <i>За зареждане на акумулатора на страница 35</i> .
Светодиодът за грешка върху акумулаторната батерията светва.	Има постоянна грешка в акумулаторната батерия.	Обърнете се към Вашия сервизен дилър на Husqvarna.

### Зарядно устройство за акумулатора

Светодиод на зарядното устройство	Причина	Решение
Светодиодът за грешка мига или светва.	Зарядното устройство за акумулаторни батерии е прекалено студено или прекалено горещо за използване.	Оставете зарядното устройство за акумулаторни батерии да се охлади или го преместете на закрито, за да го загреете. Когато зарядното устройство за акумулаторни батерии е с правилната температура, то може да се използва отново. Използвайте зарядното устройство за акумулаторни батерии само когато околната температура е 5°C – 40°C.
	Други грешки.	Обърнете се към Вашия сервизен дилър на Husqvarna.

## Косачка за трева

Индикаторът за предупреждение (светодиод за грешка) се намира под капака на акумулаторната батерия.

Проблем	Светодиод за грешка (брой прегигвания)	Причина	Решение
Светодиодът за грешка мига. Продуктът не работи правилно.	3	Ножът е блокиран.	Завъртете ключа за безопасност на 0, за да предотвратите случайно стартиране. Отстранете акумулаторната батерия и изчакайте минимум 5 секунди. Отстранете потенциалните препятствия и се уверете, че ножът може да се върти свободно. Ако проблемът продължава, се обърнете към Вашия сервизен дилър на Husqvarna.
	5	Оборотите на двигателя спадат прекалено много и двигателят спира.	Увеличете височината на рязане. Направете справка с <i>За регулиране на височината на рязане на страница 34</i> .
	6 <sup>5</sup>	Колелата или трансмисията е блокирана.	Завъртете ключа за безопасност на 0, за да предотвратите случайно стартиране. Отстранете акумулаторната батерия и изчакайте минимум 5 секунди. Отстранете потенциалните препятствия и се уверете, че колелата могат да се въртят свободно. Ако проблемът продължава, се обърнете към Вашия сервизен дилър на Husqvarna.
	10	Управлението на двигателя е прекалено горещо.	Спрете двигателя и изчакайте, докато се охлади.

<sup>5</sup> LC 251iS



Проблем	Светодиод за грешка (брой премигвания)	Причина	Решение
Светодиодът за грешка мига. Продуктът спира.	Без премигвания	Грешка в конектора на акумулаторната батерия.	Проверете конектора на акумулаторната батерия.
	3	Има претоварване в двигателя.	Увеличете височината на рязане. Направете справка с <i>За регулиране на височината на рязане на страница 34</i> .
	8	Акумулаторната батерия е изтощена.	Заредете акумулаторната батерия. Направете справка с <i>За зареждане на акумулатора на страница 35</i> .
	9	Грешка в акумулаторната батерия или липса на сигнал от нея.	Поставете правилно акумулаторната батерия и проверете конектора на акумулаторната батерия. Ако светодиодът за грешка на акумулаторната батерия мига. Направете справка с <i>Акумулаторна батерия на страница 39</i> .
	15	Неправилна процедура за стартиране. Ръкохватката за спирачката на двигателя е била задействана преди стартирането на двигателя.	Освободете ръкохватката за спирачката на двигателя и изчакайте приблизително 5 секунди. Натиснете ръкохватката за спирачката на двигателя отново надолу, за да стартирате продукта.
Други грешки.	Ако възникнат други грешки, завъртете ключа за безопасност на 0, отстранете акумулаторната батерия и се обърнете към Вашия сервизен дилър на Husqvarna.		

## Транспортиране, съхранение и изхвърляне

### Въведение



**ПРЕДУПРЕЖДЕНИЕ:** За да предотвратите случайно стартиране по време на транспортиране и съхранение, завъртете ключа за безопасност на 0, отстранете акумулаторната батерия и изчакайте минимум 5 секунди.

### За задаване на продукта в положение при транспортиране

1. Разхлабете долните фиксатори.
2. Преместете фиксаторите към долния край на каналите от лявата и дясната страна на продукта. (Фиг. 26)
3. Сгънете ръкохватката напред. (Фиг. 48)

### Транспортиране

- В сила са изискванията на Законодателството за опасни продукти, отнасящи се до литиево-йонни акумулатори.

- За търговско транспортиране трябва да се спазват специалните изисквания върху опаковката и етикетите.
- Уверете се, че спазвате разпоредбите за опасни материали, когато подготвяте продукта за транспорт. Може да са в сила местни разпоредби.
- Винаги изваждайте акумулатора при транспортиране.
- Поставете тиксо върху конекторите на акумулатора и се уверете, че акумулаторът не може да се движи по време на транспортиране.
- Закрепете продукта по време на транспортиране.

### Съхранение

- Оставете продукта да се охлади, преди да го приберете за съхранение.
- Винаги изваждайте акумулатора за съхранение.
- За да се избегнат инциденти, се уверете, че акумулаторът не е свързан към продукта по време на съхранение.

- Съхранявайте зарядното устройство в затворено и сухо помещение.
- Съхранявайте акумулатора и зарядното устройство на сухо място, където няма влага или скреж.
- При съхранение разкачете акумулатора от зарядното устройство.
- Не съхранявайте акумулатора, където може да се натрупа статично електричество. Не съхранявайте акумулаторната батерия в метална кутия.
- Съхранявайте продукта на място, на което околната температура е между  $-10^{\circ}\text{C}$  и  $40^{\circ}\text{C}$ .
- Съхранявайте акумулаторната батерия на място, на което околната температура е между  $5^{\circ}\text{C}$  и  $25^{\circ}\text{C}$ , и далеч от слънчева светлина.
- Съхранявайте зарядното устройство на място, на което околната температура е между  $5^{\circ}\text{C}$  и  $45^{\circ}\text{C}$ , и далеч от слънчева светлина.
- Уверете се, че акумулаторът е зареден до 30% – 50% преди съхранение за продължителен период.
- Съхранявайте продукта, акумулатора и зарядното устройство в заключено помещение без достъп за деца или неупълномощени лица.
- Почистете продукта и се уверете, че кошът за трева е празен.
- Извършвайте процедурите по техническото обслужване, посочени в това ръководство за оператора. Вижте *Поддръжка на страница 37*.
- Извършете цялостно сервизно обслужване, преди оставите продукта за продължително съхранение.

## Изхвърляне

Символите на продукта или на неговата опаковка показват, че този продукт не може да бъде третиран като битов отпадък. Той трябва да бъде подаден в съответната рециклираща станция за използване на електрическо и електронно оборудване.

Подавайки този продукт на правилното място, вие спомагате за предотвратяване на потенциалното негативно отражение върху околната среда и хората, което би могло да настъпи иначе в резултат на неправилно изхвърляне на този продукт. За повече подробна информация относно рециклирането на този продукт се свържете с местната администрация, услугите за битови отпадъци или магазина, откъдето сте закупили продукта.

(Фиг. 49)

## Технически характеристики

### Технически характеристики

	LC 251i	LC 251iS
<b>Двигател на режещия апарат</b>		
Тип на двигателя	BLDC (безчетков) 36 V	BLDC (безчетков) 36 V
Обороти на двигателя – SavE, об/мин	2600/min	2600/min
Обороти на двигателя – номинални, об/мин	3000/min	3000/min
Обороти на двигателя – високо натоварване, об/мин	3500/min	3500/min
Изходна мощност на двигателя – макс. kW	1,4	1,4
Изходна мощност на двигателя – номинална, kW	0,9	0,9
<b>Задвижващ двигател</b>		
Изходна мощност на двигателя – номинална, kW	Не е налично	0,4
Обороти за самостоятелно задвижване, km/h	Не е налично	4,0
Нива за регулиране на оборотите	Не е налично	1
<b>Тегло</b>		
Тегло без торба (без акумулаторна батерия), kg	25,5	27
Тегло с торба (вкл. 2 x BLi30), kg	31,5	33
<b>Акумулаторна батерия</b>		
Тип акумулаторна батерия	Серия акумулаторни батерии Husqvarna	Серия акумулаторни батерии Husqvarna
<b>Време на работа на акумулаторната батерия</b>		
Време за работа на акумулаторната батерия, мин, (свободна работа) при активирана функция SavE, с една акумулаторна батерия Husqvarna 7,5 Ah (BLi30).	58	51
Време за работа на акумулаторната батерия, мин, (свободна работа) при активиран стандартен режим, с една акумулаторна батерия Husqvarna 7,5 Ah (BLi30).	42	38
<b>Шумови емисии <sup>6</sup></b>		
Ниво на звуковата мощност, измерено, измерена dB (A)	96	96
Ниво на звуковата мощност, гарантирано L <sub>WA</sub> dB (A)	98	98
<b>Нива на шума <sup>7</sup></b>		

<sup>6</sup> Емисии на шума в околната среда, измерени като звукова мощност (L<sub>WA</sub>) в съответствие с директива на ЕО 2000/14/ЕО.

<sup>7</sup> Отчетените данни за нивото на звуковото налягане имат фактор на несигурност (K) от 1,5 dB(A).

	LC 251i	LC 251iS
Ниво на звуковото налягане при ухото на оператора, dB (A)	85	85
<b>Нива на вибрациите <sup>8</sup></b>		
Ръкохватка, m/s <sup>2</sup>	0,7	0,7
<b>Режещо оборудване</b>		
Височина на рязане, mm	25-75	25 – 75
Ширина на рязане, mm	510	510
Нож – стандартен	Колекция 5928704-01	Колекция 5928704-01
Капацитет на коша за трева, литър	65	65

Одобрени акумулаторни батерии	Тип	Капацитет на акумулаторната батерия, Ah	Напрежение, V	Тегло, lb/kg
BLi30	Литиевойонен	7,5	36	4,2/1,9
40-B140	Литиевойонен	4,0	36	2,6/1,2

Одобрени зарядни устройства за определени акумулаторни батерии, BLi	Входно напрежение, V	Честота, Hz	Мощност, W
40-C80	100 – 240	50 – 60	68,8
QC250	100 – 240	50 – 60	250

<sup>8</sup> Отчетените данни за нивата на вибрациите имат фактор на несигурност (K) от 1,5 m/s<sup>2</sup>. Обявената обща стойност на вибрациите е измерена в съответствие със стандарт EN 62841-4-3, приложение I, и може да се използва за сравняване на една машина с друга и при предварителна оценка на излагането.

# Декларация за съответствие

## Декларация за съответствие на ЕС

Ние, **Husqvarna AB**, SE-561 82 Huskvarna, Швеция,  
тел.: +46-36-146500, декларираме на своя собствена  
отговорност, че продуктът:

<b>Описание</b>	Косачка за трева
<b>Марка</b>	Husqvarna
<b>Тип/модел</b>	LC 251i, LC 251iS
<b>Идентификация</b>	Серийни номера от 2023 и нататък

отговаря напълно на следните директиви и  
регламенти на ЕС:

Регламент	Описание
2006/42/ЕО	"относно машините"
2014/30/ЕС	"относно електромагнитната съвместимост"
2000/14/ЕО	"относно шумовите емисии в околната среда"
2011/65/ЕС	"по отношение на ограничението за използване на определени опасни вещества в електрическо и електронно оборудване"

и че следните стандарти и/или технически  
характеристики са приложени: EN 62841-1:2015/  
A11:2022, EN IEC 62841-4-3:2021/A11:2021, EN  
IEC 55014-1:2021, EN IEC 55014-2:2021, EN IEC  
63000:2018

Нотифициран орган: 0404, SMP Svensk  
Maskinprovning AB, Box 4053, SE-904 03 Umeå,  
Sweden, сертифицира за съответствие с Директива  
на съвета 2000/14/ЕО, процедура за оценка на  
съответствието: приложение VI.

За информация относно шумови емисии направете  
справка с *Технически характеристики на страница  
43.*

Huskvarna, 2023-12-11



Claes Losdal, мениджър "Разработки и развитие/  
градински продукти", Husqvarna AB

Отговорен за техническата документация



---

## Obsah

---

Úvod.....	46	Odstraňování problémů.....	57
Bezpečnost.....	47	Přeprava, skladování a likvidace.....	58
Montáž.....	52	Technické údaje.....	60
Provoz.....	53	Prohlášení o shodě.....	62
Údržba.....	55		

---

## Úvod

---

### Popis výrobku

Výrobek je rotační sekačka na trávu s péší obsluhou. Koš na trávu slouží ke sběru posečené trávy. Chcete-li používat boční výhoz trávy, namontujte deflektor bočního výhozu.

### Popis výrobku

(Obr. 1)

1. Rukojeť brzdy motoru
2. Inhibitor spuštění
3. Páka pojezdu (LC 251iS)
4. Zadní kryt
5. Koš na trávu
6. Knoflík řídítek
7. Páka pro nastavení výšky sečení
8. Pojistka výhozu
9. Kryt bočního výhozu
10. Víko baterie
11. Symboly
12. Bezpečnostní klíček
13. Varovná kontrolka (chybová kontrolka LED)
14. Tlačítko SavE (Úspora energie)
15. Kryt žacího ústrojí
16. Rukojeť/řídítka
17. Zvedací rukojeť
18. Deflektor bočního výhozu
19. Návod k používání

### Symboly na výrobku

- (Obr. 2) VAROVÁNÍ
- (Obr. 3) Přečtěte si pokyny.
- (Obr. 4) VAROVÁNÍ – Dávejte pozor na odmrštěné předměty.
- (Obr. 5) Udržujte dostatečnou vzdálenost od osob v okolí.
- (Obr. 6) VAROVÁNÍ – Ruce a nohy udržujte mimo dosah nožů.

### Zamýšlené použití

Výrobek používejte k sečení trávy. K jiným činnostem výrobek nepoužívejte.

- (Obr. 7) VAROVÁNÍ – Před údržbou odpojte baterii.
- (Obr. 8) Výrobek ani obal výrobku nelze zlikvidovat jako domácí odpad. Odevzdejte jej ve stanici pro recyklaci elektrických a elektronických zařízení.
- (Obr. 9) Štítek s emisemi hluku do okolí podle směrnic a předpisů Evropské unie a Spojeného království a nařízení o regulaci hluku v australském Novém Jižním Walesu „Protection of the Environment Operations (Noise Control) Regulation 2017“. Garantovaná hladina akustického výkonu tohoto výrobku je uvedena v části *Technické údaje na strani 60* a na štítku.
- (Obr. 10) Tento nástavec vyhovuje platným směrnicím ES.
- (Obr. 11) Tento výrobek vyhovuje platným předpisům Spojeného království.
- (Obr. 12) Výrobek je chráněn proti kapající vodě.
- (Obr. 13) Uvolněním rukojeti brzdy motoru zastavíte.
- (Obr. 14) Skenovatelný kód.

---

**Povšimněte si:** Další symboly/štítky na výrobku se týkají certifikačních požadavků pro určité obchodní trhy.

---

### Štítek na výrobku

(Obr. 15)

NEBEZPEČÍ – Udržujte ruce a nohy z dosahu.

## Poškození výrobku

Neneseme odpovědnost za poškození výrobku, pokud:

- byl výrobek nesprávně opraven.
- byl výrobek opraven pomocí součástí od jiného výrobce nebo součástí, které nejsou výrobcem schváleny.

---

## Bezpečnost

---

### Definice týkající se bezpečnosti

Varování, upozornění a poznámky slouží jako upozornění na specifické důležité části návodu.



**VÝSTRAHA:** Používá se v případě nebezpečí úrazu nebo usmrcení obsluhy nebo okolních osob, pokud nejsou dodrženy pokyny uvedené v této příručce.



**VAROVÁNÍ:** Používá se v případě nebezpečí poškození výrobku, dalších materiálů či škod na majetku v blízkém okolí, pokud nejsou dodrženy pokyny uvedené v této příručce.

**Povšimněte si:** Používá se k poskytnutí dalších informací, které jsou nezbytné v dané situaci.

### Obecná bezpečnostní upozornění k výrobku



**VÝSTRAHA:** Prohlédněte si všechny bezpečnostní pokyny, pokyny, ilustrace a technické údaje dodané s tímto výrobkem. Při nedodržení některého z pokynů uvedených níže může dojít k úrazu elektrickým proudem, požáru nebo vážnému poranění.

**Uložte si veškerá upozornění a pokyny pro použití v budoucnu.** Termín „výrobek“ v upozorněních označuje přístroj napájený ze sítě (kabelem) nebo napájený baterií (bezdrátový).

### Bezpečnost pracovního prostoru

- **Udržujte pracovní prostor čistý a dobře osvětlený.** Přeplněné či tmavé prostory nahrávají nehodám.
- **Nepoužívejte produkt ve výbušném prostředí, například v přítomnosti hořlavých kapalin, plynů či prachu.** Výrobek vytváří jiskry, které mohou zapálit prach nebo výpary.
- **Při práci s výrobkem musí být děti i okolostojící osoby v dostatečné vzdálenosti.** Rozptýlení může způsobit, že ztratíte kontrolu nad nástrojem.

- má výrobek příslušenství od jiného výrobce nebo příslušenství, které není výrobcem schváleno.
- výrobek nebyl opraven ve schváleném servisním středisku nebo schváleným odborníkem.

### Bezpečnost při používání el. energie

- **Zástrčky výrobku musí odpovídat použité elektrické zásuvce. Zástrčku nikdy žádným způsobem neupravujte. U uzemněných výrobků nepoužívejte žádné adaptéry.** Původní zástrčky a odpovídající zásuvky snižují nebezpečí úrazu elektrickým proudem.
- **Zabraňte tělesnému kontaktu s uzemněnými povrchy, např. trubkami, radiátory, sporáky a chladničkami.** Pokud je lidské tělo uzemněno, hrozí větší nebezpečí úrazu el. proudem.
- **Výrobek nevystavujte dešti ani vlhku.** Vniknutí vody do výrobku zvyšuje nebezpečí úrazu elektrickým proudem.
- **Nezacházejte hrubě s napájecím kabelem. Výrobek nikdy nenoste za kabel. Za kabel netahejte a výrobek neodpojte od sítě taháním za kabel. Nevystavujte napájecí kabel působení tepla, oleje, nepoškozte ho ostrými hranami nebo pohyblivými částmi.** Poškozený nebo ohnutý kabel zvyšuje nebezpečí úrazu elektrickým proudem.
- **Při používání výrobku venku použijte prodlužovací kabel určený pro venkovní použití.** Použití kabelu určeného pro venkovní použití snižuje nebezpečí úrazu elektrickým proudem.
- **Pokud je nezbytné pracovat s výrobkem ve vlhkém prostředí, použijte zdroj s proudovým chráničem.** Použití proudového chrániče snižuje nebezpečí úrazu elektrickým proudem.

### Osobní bezpečnost

- **Při práci s výrobkem dávejte pozor, sledujte, co děláte, a používejte zdravý rozum. Výrobek nepoužívejte, pokud jste unaveni nebo jste pod vlivem drog, alkoholu či léků.** Při práci s výrobkem stačí okamžitá nepozornost a následkem může být vážný úraz.
- **Používejte osobní ochranné pomůcky. Vždy používejte ochranu zraku.** Ochranné vybavení, např. protiprachová maska, neklouzavá ochranná obuv, přilba nebo ochrana sluchu, použité správným způsobem snižují nebezpečí úrazu.
- **Zabraňte náhodnému spuštění. Před připojením ke zdrojům napájení nebo vložením baterií, zvednutím nebo přenášením výrobku se přesvědčte, že je vypínač v poloze vypnuto.** Přenášení výrobku s prstem na spínači nebo připojování výrobku se

zapnutým spínačem ke zdroji napětí zvyšuje riziko nehody.

- **Před zapnutím výrobku odstraňte jakékoliv seřizovací nebo dotahovací klíče.** Klíč ponechaný na rotující části výrobku může způsobit úraz.
- **Nenatahujte se příliš daleko. Neustále pevně stůjte a držte rovnováhu.** Budete tak mít lepší kontrolu nad výrobkem v neočekávaných situacích.
- **Noste vhodný oděv. Nenoste volné oblečení ani šperky. Udržujte vlasy a oděv mimo dosah pohyblivých částí.** Pohyblivé části mohou zachytit volný oděv, šperky nebo dlouhé vlasy.
- **Pokud jsou zařízení přizpůsobena pro připojení odsávačů a lapačů prachu, musí být připojeny a správně použity.** Použitím lapačů prachu snižujete rizika spojená s výskytem prachu.
- **Nedovoďte, aby rutina nabytá častým používáním výrobku způsobila, že začnete být neopatrní a budete ignorovat bezpečnostní zásady při zacházení s výrobkem.** Neopatrný úkon může způsobit vážné zranění ve zlomku sekundy.

## Použití výrobku a péče o výrobek

- **Výrobek nepřetěžujte. Používejte výrobek, který je pro danou aplikaci určený.** Takový výrobek vykoná práci lépe, bezpečněji a rychleji, pro kterou byl navržen.
- **Výrobek nepoužívejte, pokud nefunguje přepínač pro zapnutí a vypnutí.** Každý výrobek, který nelze ovládat přepínačem, je nebezpečný a musí být opraven.
- **Před jakýmkoli nastavením, výměnou příslušenství nebo uložením elektrického nástroje odpojte zástrčku od napájení nebo z výrobku vytáhněte baterie, pokud je to možné.** Taková preventivní bezpečnostní opatření snižují riziko náhodného spuštění výrobku.
- **Nepoužívaný výrobek ukládejte mimo dosah dětí a nedovoďte, aby s ním pracovaly osoby, které ho dobře neznají nebo si nepřečetly tento návod k použití.** Výrobky jsou v rukou neproškolených uživatelů nebezpečné.
- **Provádějte údržbu výrobku a příslušenství. Kontrolujte chybné zarovnání nebo spojení pohyblivých částí, poškozené jakýchkoliv částí nebo jiné stavy, které mohou ovlivnit provoz výrobku. Pokud je výrobek poškozen, nechte ho před použitím opravit.** Mnohé nehody jsou způsobeny špatnou údržbou výrobků.
- **Udržujte řezací nástroje ostré a čisté.** Správně udržované řezací nástroje s ostrým ostřím jsou méně náchylné k „zakousnutí“ a snadněji se ovládají.
- **Používejte výrobek, příslušenství a další části podle těchto pokynů. V úvahu je třeba brát pracovní podmínky a prováděnou práci.** Použití výrobku k jinému účelu, než pro který je určen, může mít za následek vznik nebezpečné situace.

- **Rukojeti a uchopovací plochy udržujte suché, čisté a bez zbytků oleje a maziva.** Kluzké rukojeti a uchopovací plochy neumožňují bezpečné ovládání a v neočekávaných situacích může dojít ke ztrátě kontroly.

## Použití nástrojů napájených z baterie a péče o ně

- **Baterii dobijte pouze nabíječkou specifikovanou výrobcem.** Použití nabíječky vhodné pro jeden typ baterie může pro jiný typ baterie představovat nebezpečí vzniku požáru.
- **Výrobky používejte pouze s příslušnými speciálními bateriovými moduly.** Při použití jakékoli jiné baterie hrozí riziko úrazu a požáru.
- **Když baterii nepoužíváte, udržujte ji stranou od kovových předmětů, např. kancelářských sponek, mincí, klíčů, hřebíků, šroubů nebo jiných malých kovových předmětů, které by mohly spojit kontakty baterie.** Při zkratování kontaktů baterie může dojít k popáleninám nebo k požáru.
- **V nevhodných podmínkách může dojít k vytečení kapaliny z baterie; vyvarujte se kontaktu s kapalinou.** Pokud dojde k náhodnému kontaktu, opláchněte postižené místo vodou. Při zasažení očí kapalinou vyhledejte lékařskou pomoc. Kapalina vyteklá z baterie může způsobit podráždění nebo popáleniny.
- **Nepoužívejte poškozenou nebo upravenou baterii nebo výrobek.** Poškozené nebo upravené baterie mohou vykazovat neočekávané chování vedoucí k požáru, výbuchu nebo nebezpečí poranění.
- **Nevystavuje baterii ani nástroj ohni a nadměrným teplotám.** Vystavení ohni a teplotám nad 130 °C / 265 °F může způsobit explozi.
- **Dodržujte veškeré pokyny k nabíjení a nenabíjejte baterii ani nástroj mimo rozsah teplot uvedený v pokynech.** Nesprávné nabíjení nebo nabíjení při teplotách mimo uvedený rozsah může mít za následek poškození baterie a zvýšené nebezpečí požáru.

## Servis

- **Servis výrobku smí provádět pouze kvalifikovaná osoba za použití identických náhradních součástí.** To zajistí udržení bezpečnosti výrobku.
- **Nikdy neprovádějte servis poškozených baterií.** Servis baterií smí provádět pouze výrobce nebo autorizovaný servis.

## Bezpečnostní upozornění pro sekačku

- **Sekačku nepoužívejte při špatném počasí, zvláště pokud hrozí riziko blesku.** Snižte tak riziko zasažení bleskem.
- **Důkladně zkontrolujte, zda se v prostoru, kde chcete sekačku používat, nenachází žádná zvířata.** Během provozu sekačky může dojít ke zranění divoké zvěře.
- **Prostor, kde chcete sekačku používat důkladně zkontrolujte a odstraňte kameny, klacky, dráty, kosti**



a další předměty. Odmrštěné předměty mohou způsobit zranění.

- **Před sekáním vždy vizuálně zkontrolujte, zda nejsou nůž, šroub nože a sestava nože opotřebené nebo poškozené.** Opotřebené nebo poškozené součásti zvyšují riziko poranění.
- **Často kontrolujte, zda není koš na trávu opotřebený nebo poškozený.** Opotřebený nebo poškozený koš na trávu může zvýšit riziko úrazu.
- **Ochranné kryty stroje musí být vždy připevněny. Ochranné kryty musí být v pořádku a správně připevněny.** Pokud je ochranný kryt uvolněný, poškozený nebo nefunguje správně, může dojít ke zranění.
- **Všechny větrací otvory udržujte čisté.** Ucpané větrací otvory mohou způsobit přehřátí nebo požár.
- **Při manipulaci se sekačkou noste vždy ochrannou protiskluzovou obuv. Sekačku neprovozujte naboso nebo v otevřených sandálech.** Tím snížíte riziko poranění nohou při kontaktu s pohybujícím se sekacím nožem.
- **Při sečení vždy noste dlouhé kalhoty.** Odhalená pokožka zvyšuje riziko zranění odletujícími předměty.
- **Sekačkou nesekejte mokrou trávu. Stroj používejte za chůze, nikdy za běhu.** Snížíte tak riziko uklouznutí, pádu a možného úrazu.
- **Se sekačkou nevjíždějte na příliš strmé svahy.** Snížíte tak riziko ztráty kontroly, uklouznutí, pádu a možného úrazu.
- **Při práci na svazích dbejte na to, abyste stáli pevně, pohybovali se napříč svahem a nikdy ne do kopce nebo z kopce. Dbejte zvýšené opatností při změně směru.** Snížíte tak riziko ztráty kontroly, uklouznutí, pádu a možného úrazu.
- **Při couvání nebo přitahování sekačky k sobě buďte zvláště opatrní. Vždy dávejte pozor na své okolí.** Tím snížíte riziko zakopnutí.
- **Nedotýkejte se nožů ani jiných pohyblivých nebezpečných součástí, dokud se nezastaví.** Tím snížíte riziko poranění pohyblivými součástmi.
- **Před odstraněním uvízlého materiálu nebo čištěním sekačky se ujistěte, že je vše vypnuto a vyjměte deaktivací zařízení.** Nečekané spuštění sekačky může způsobit vážné zranění.
- **Před odstraněním uvízlého materiálu nebo čištěním sekačky se ujistěte, že je vše vypnuto a vyjměte deaktivací zařízení.** Nečekané spuštění sekačky může způsobit vážné zranění.

## Proudový chránič

- Používejte zásuvku chráněnou proudovým chráničem s vypínacím proudem nepřesahujícím 30 mA.

## Obecné bezpečnostní pokyny



**VÝSTRAHA:** Před použitím výrobku si přečtete následující varování.

- Tento výrobek je nebezpečný, nepoužívá-li se správně nebo není-li věnována provozu řádná pozornost. Nedodržení bezpečnostních pokynů může vést ke zranění nebo usmrcení.
- Tento výrobek vytváří během provozu elektromagnetické pole. Toto pole může za určitých okolností narušovat funkci aktivních či pasivních implantovaných lékařských přístrojů. Za účelem snížení rizika možného zranění nebo smrtelného úrazu doporučujeme osobám s implantovanými lékařskými přístroji poradit se před použitím výrobku s lékařem a s výrobcem implantovaného lékařského přístroje.
- Buďte stále opatrní a používejte zdravý rozum. Pokud si nejste jisti, jak výrobek ovládat ve zvláštních situacích, vypněte jej a obraťte se na prodejce Husqvarna, než budete pokračovat v práci.
- Mějte na paměti, že obsluha je odpovědná za nehody a škody vzniklé jiným osobám nebo na jejich majetku.
- Udržujte výrobek čistý. Ujistěte se, že jsou značky a štítky dobře čitelné.
- Nikdy nedovolte dětem nebo osobám, které se neseznámily s těmito pokyny, aby zařízení používaly. Věk obsluhy může být omezen místními předpisy.
- Vždy dohlížejte na osoby s fyzickým nebo mentálním postižením při práci s výrobkem. Vždy musí být přítomna zodpovědná dospělá osoba.
- Nepoužívejte výrobek, jste-li unavení, nemocní nebo pod vlivem alkoholu, drog nebo léků. To by mohlo ovlivnit váš zrak, ostrážitost, koordinaci a úsudek.
- Nepoužívejte výrobek, pokud je poškozený nebo nefunguje správně.
- Nikdy neupravujte výrobek a nepoužívejte jej, pokud je možné, že jej upravil někdo jiný.

## Bezpečnost práce



**VÝSTRAHA:** Před použitím výrobku si přečtete následující varování.

- Tento výrobek používejte výhradně k sečení trávy. Není dovoleno používat výrobek k jiným činnostem.
- Používejte osobní ochranné pomůcky. Další informace jsou uvedeny v části *Osobní ochranné prostředky na strani 50*.
- Ujistěte se, že víte, jak v případě nouze rychle zastavit motor.
- Neprovozujte výrobek v dešti a vlhku. Nebezpečí úrazu elektrickým proudem se zvyšuje, přijde-li výrobek do styku s vodou.

- Neprovodíte výrobek, pokud není správně namontovaný nůž a všechny kryty. V opačném případě by se mohl nůž uvolnit a způsobit zranění osob.
- Zajistěte, aby nůž nenarazil do předmětů, jako jsou kameny a kořeny. Mohlo by dojít k poškození nože a ohnutí hřídele motoru. Ohnutý hřídel způsobuje velké vibrace a hrozí velmi vysoké riziko uvolnění nože.
- Pokud nůž narazí do nějakého předmětu nebo se objeví vibrace, okamžitě zastavte výrobek. Zastavte motor, otočte bezpečnostní klíček do polohy 0 a vyjměte baterii. Vyčkejte na zastavení pohyblivých součástí. Zkontrolujte, zda není výrobek poškozený. Povolené díly dotáhněte. Opravte závady a vyměňte poškozené díly. Opravy by měl provést schválený servis.
- Po nastartování motoru nikdy nepřipevňujte rukojeť brzd motoru trvale k rukojeti sekačky.
- Umístěte výrobek na stabilní, rovný povrch a nastartujte jej. Zkontrolujte, zda nůž nemůže přijít do kontaktu se zemí nebo cizími objekty.
- Při provozu vždy stůjte za výrobkem.
- Při provozu nechte všechna kola spočívat na zemi a držte rukojeť oběma rukama. Ruce a nohy udržujte mimo dosah rotujících břitů.
- Výrobek nenaklánejte při spouštění motoru nebo během provozu.
- Buďte opatrní při tažení výrobku dozadu.
- Nikdy výrobek nezvedejte, když je spuštěný motor. Pokud musíte výrobek zvednout, nejprve vypněte motor, otočte bezpečnostní klíček do polohy 0 a vyjměte baterii.
- Při provozování výrobku nechoďte směrem dozadu.
- Vypněte motor, pokud je nutné výrobek naklonit kvůli přepravě nebo před přejezdem ploch bez trávy, jako jsou cesty ze štěrku, kamenů nebo asfaltu.
- Neběhejte s výrobkem, když je spuštěný motor. Při provozu výrobku vždy pouze chodte.
- Před změnou výšky sečení vypněte motor. Nikdy neupravujte nastavení při spuštěném motoru.
- Nikdy nenechte výrobek se spuštěným motorem bez dozoru. Vypněte motor a ujistěte se, že se žací ústrojí neotáčí.
- Vibrace spuštěného výrobku se mohou lišit od hodnoty uvedené v části *Technické údaje na strani 60*. Rozdíly způsobují různá použití výrobku. Pokud výrobek provozujete často nebo po delší časové intervaly, dělejte pravidelné přestávky, abyste předešli zraněním způsobeným vibracemi.
- Osobní ochranné prostředky nemohou zcela eliminovat nebezpečí úrazu, ale v případě nehody pomáhají snížit míru poranění. Požádejte prodejce, aby vám pomohl vybrat správné vybavení.
- Používejte odolnou obuv s protiskluzovou podrážkou. Nepoužívejte otevřenou obuv ani nepracujte naboso.
- Používejte silné, dlouhé kalhoty.
- Při určitých činnostech používejte ochranné rukavice, například při nasazování, prohlídce nebo čištění žacího ústrojí.
- Doporučujeme používat ochranu sluchu.

## Bezpečnostní zařízení na produktu



**VÝSTRAHA:** Před použitím výrobku si přečtěte následující varování.

- Nepoužívejte výrobek s poškozenými bezpečnostními zařízeními nebo se zařízeními, která nefungují správně.
- Neodstraňujte ani neupravujte bezpečnostní zařízení.
- Pravidelně kontrolujte bezpečnostní zařízení. Pokud jsou bezpečnostní zařízení poškozená nebo nefungují správně, obraťte se na schválený servis Husqvarna.

### Kontrola krytu žacího ústrojí

Kryt žacího ústrojí snižuje vibrace výrobku a snižuje nebezpečí poranění nožem.

- Zkontrolujte kryt žacího ústrojí, aby bylo zajištěno, že nevykazuje známky poškození, např. praskliny.

### Kontrola bezpečnostního klíčku

Bezpečnostní klíček se nachází pod víkem baterie. Bezpečnostní klíček připojuje baterii, která slouží jako napájecí zdroj motoru.

- Kontrolu funkce bezpečnostního klíčku provedete spuštěním a vypnutím motoru.
- V případě správné funkce bezpečnostního klíčku se motor spustí, pouze když je klíček otočený do polohy 1. (Obr. 16)

### Kontrola zadního krytu

Zadní kryt snižuje riziko vylétávání předmětů směrem k obsluze.

- Zkontrolujte, zda není zadní kryt poškozený.
- Zkontrolujte, zda pružiny, které zavírají zadní kryt, nejsou poškozené.
- Vyměňte poškozené pružiny a další poškozené díly.
- Zkontrolujte, zda se zadní kryt může plynule pohybovat na závěsech.

## Bezpečnostní pokyny pro provoz

### Osobní ochranné prostředky



**VÝSTRAHA:** Před použitím výrobku si přečtěte následující varování.

## Kontrola rukojeti brzdy motoru

Rukojeť brzdy motoru slouží k zastavení motoru. Když uvolníte rukojeť brzdy motoru, motor se zastaví.

- Nastartujte výrobek. Další informace jsou uvedeny v části *Spuštění výrobku na strani 54*.
- Uvolníte rukojeť brzdy motoru. (Obr. 17)
- Ujistěte se, že se výrobek zastavil. Pokud se motor nevyplne během 3 sekund, požádejte schváleného servisního pracovníka Husqvarna o seřízení brzdy motoru.

## Kontrola inhibitoru spuštění

Proveďte kontrolu inhibitoru spuštění a ujistěte se, že brání provozu motoru.

1. Zatlačte rukojeť brzdy motoru směrem k řídkům. Inhibitor spuštění přeruší pohyb.
2. Zatlačte inhibitor spuštění směrem ven. (Obr. 18)
3. Uvolněte inhibitor spuštění a ujistěte se, že se vrátí do své výchozí polohy.

## Bezpečnostní pokyny týkající se baterií



**VÝSTRAHA:** Před použitím výrobku si přečtěte následující varování.

- Dobíjecí baterie Husqvarna používejte jako zdroj napájení pouze pro příslušné výrobky Husqvarna. Abyste zabránili zranění, nepoužívejte baterii jako zdroj napájení pro jiná zařízení.
- Nepoužívejte baterie, které nejsou určené k dobíjení.
- Nebezpečí úrazu elektrickým proudem. Svorky baterie nepřipojujte ke klíčům, mincím, šroubkům nebo jiným kovovým předmětům. Může to způsobit zkrat baterie.
- Nevkládejte do větracích otvorů baterie žádné předměty.
- Chraňte baterii před sluncem, teplem nebo otevřeným ohněm. Baterie může explodovat a způsobit popáleniny nebo chemické popáleniny.
- Chraňte baterii před deštěm a vlhkým prostředím.
- Chraňte baterii před mikrovlnami a vysokým tlakem.
- Baterii nikdy nerozebírejte nebo nerozbíjejte.
- Pokud baterie netěsní, kapalina nesmí přijít do styku s kůží a očima. V případě styku s kapalinou omyjte zasaženou oblast velkým množstvím vody a vyhledejte lékařskou pomoc.
- Baterii ve výrobku používejte pouze při okolních teplotách v rozsahu 5–40 °C.
- Nabíječku používejte pouze při okolních teplotách v rozsahu 5–40 °C.
- Baterie se nebude nabíjet, pokud je její teplota vyšší než 50 °C.
- Baterii ani nabíječku baterií nečistěte vodou. Viz část *Čištění baterie nebo nabíječky baterií na strani 56*.
- Nepoužívejte poškozenou baterii.

- Baterie uchovávejte mimo dosah kovových předmětů, jako jsou např. hřebíky, mince nebo šperky.

## Bezpečnostní pokyny pro nabíječku baterií



**VÝSTRAHA:** Před použitím výrobku si přečtěte následující varování.

- Nabíječku QC používejte pouze pro nabíjení náhradních baterií Husqvarna.
- Hrozí nebezpečí zkratu a úrazu elektrickým proudem. Nevkládejte do větracích otvorů nabíječky žádné předměty. Nabíječku baterií nerozebírejte. Nepřipojujte svorky nabíječky ke kovovým předmětům. Používejte schválenou elektrickou zásuvku.
- Tento výrobek vytváří během provozu elektromagnetické pole. Toto pole může za určitých okolností narušovat funkci aktivních či pasivních implantovaných lékařských přístrojů. Za účelem snížení rizika možného zranění nebo smrtelného úrazu doporučujeme osobám s implantovanými lékařskými přístroji poradit se před použitím výrobku s lékařem a s výrobcem implantovaného lékařského přístroje.
- Pravidelně kontrolujte, zda není napájecí kabel poškozený a nejsou na něm praskliny.
- Nabíječku nezvedejte pomocí napájecího kabelu. Když nabíječku baterií odpojujete z elektrické zásuvky, tahejte za zástrčku. Netahejte za napájecí kabel.
- Uchovávejte napájecí kabel a prodlužovací šňůry mimo dosah vody, oleje a ostrých hran. Dejte pozor, aby nebyl kabel přivřen ve dveřích, nezachytil se za plot a podobně. Mohlo by dojít k probíjení nabíječky.
- Nečistěte nabíječku vodou.
- Nabíječku baterií smí používat děti starší 8 let a osoby se sníženými fyzickými, smyslovými nebo duševními schopnostmi nebo nedostatečnými zkušenostmi či znalostmi pod dozorem odpovědné osoby nebo pokud jim taková osoba poskytne pokyny, které zajistí, že budou nabíječku používat bezpečným způsobem. Děti si s nabíječkou nesmí hrát. Čištění a údržbu nesmí provádět děti bez dozoru.
- V nabíječce nenabíjejte baterie, které nejsou dobíjecí.
- Nabíječku nepoužívejte v blízkosti hořlavých nebo korozivních materiálů. Nabíječku baterií nezakrývejte. V případě, že zaznamenáte kouř nebo požár, vytáhněte zástrčku kabelu nabíječky baterií ze zásuvky.
- Nepoužívejte poškozenou nabíječku.
- Baterii nabíjejte pouze uvnitř, a to v dobře odvětrané místnosti a mimo dosah slunečních paprsků. Nenabíjejte baterii ve vlhkém prostředí.

## Bezpečnostní pokyny pro údržbu



**VÝSTRAHA:** Před použitím výrobku si přečtěte následující varování.

- Neúmyslnému spuštění během údržby můžete zabránit tím, že otočíte bezpečnostní klíček do polohy 0 a vyjmete baterii. Před započetím údržby vyčkejte minimálně 5 sekund.
- Provádějte pouze údržbu uvedenou v tomto návodu k používání. Rozsáhlejší zásahy a profesionální opravy musí provést schválený servisní pracovník. Pro další informace se obraťte na nejbližšího servisního pracovníka.
- Správným provedením údržby zvýšíte životnost výrobku a snížíte nebezpečí nehod.
- Poškozené, opotřebené či prasklé součásti vyměňte. Vždy používejte originální náhradní díly od výrobce.

Jiné náhradní díly mohou výrobek poškodit a zvýšit riziko nehod.

- Abyste zabránili zranění, neodstraňujte ani neupravujte bezpečnostní zařízení.
- Při manipulaci s žacím ústrojím používejte silné rukavice. Nůž je velmi ostrý a může snadno dojít k pořežení.
- Pro dosažení nejlepšího výsledku a bezpečnosti zajistěte, aby byla ostří nože čistá a ostrá.
- Zajistěte pravidelné kontroly a provádění potřebného seřízení a oprav výrobku u servisního pracovníka.
- Dodržujte pokyny pro výměnu příslušenství. Používejte výhradně příslušenství od výrobce.
- Pokud není výrobek, baterie a nabíječka baterií právě v provozu, uchovávejte je samostatně v suchém, vnitřním a uzamčeném prostoru. Zajistěte, aby k výrobku, baterii či nabíječce baterií neměly přístup děti ani nepovolané osoby.

## Montáž

### Úvod



**VÝSTRAHA:** Před montáží produktu si pročtěte kapitolu bezpečnosti.



**VÝSTRAHA:** Neúmyslnému spuštění během montáže můžete zabránit tím, že otočíte bezpečnostní klíček do polohy 0, vyjmete baterii a počkáte alespoň 5 sekund.

### Montáž řídítek

**Povšimněte si:** Tento postup doporučujeme provádět ve dvou lidech.

**Povšimněte si:** Při montáži řídítek nevyjímejte výrobek z krabice. Krabici lze během montáže použít jako podpěru pro řídítka.

1. Zvedněte a otočte řídítka. (Obr. 19)



**VAROVÁNÍ:** Řídítka otáčejte opatrně, aby nedošlo k poškození kabelu.

2. Nasadte řídítka na výrobek. Nakloňte řídítka a opřete je o krabici. Podívejte se na obrázek. (Obr. 20)

3. Prostrčte šroub (A) rukojetí (B), plastovou podložkou (C) a podpůrným držákem řídítek (D). (Obr. 21)
4. Zcela utáhněte matici (E).
5. Vyjměte výrobek z krabice.
6. Zvedněte řídítka do vzpřímené polohy. (Obr. 22)
7. Nastavte výšku řídítek do nejnižší polohy. Viz část *Nastavení rukojeti na strani 52*.
8. Připojte kabel ke spodní části řídítek pomocí kabelové svorky. (Obr. 23)
9. Stahovacím páskem připevněte dolní část kabelu k podpůrnému držáku řídítek. Odřízněte zbývající část stahovacího pásku. (Obr. 24)

**Povšimněte si:** Zkontrolujte, zda je kabel správně připevněn. Pokud je kabel příliš volný, může se při instalaci koše na trávu poškodit. (Obr. 25)

### Nastavení rukojeti

1. Povolte spodní matice.
2. Posuňte knoflíky na spodní konec drážek na pravé i na levé straně výrobku. (Obr. 26)
3. Nastavte výšku rukojeti do jedné ze 2 dostupných poloh.
4. Posuňte knoflíky směrem k rukojeti, dokud se nezastaví a neuslyšíte cvaknutí. (Obr. 27)
5. Knoflíky řádně utáhněte.

## Úvod



**VÝSTRAHA:** Před používáním produktu je třeba, abyste si přečetli a porozuměli kapitole o bezpečnosti.

## Husqvarna Connect

Husqvarna Connect je bezplatná aplikace pro mobilní zařízení. Aplikace Husqvarna Connect dodá vašemu výrobku Husqvarna doplňkové funkce:

- Rozšířené informace o výrobku.
- Informace o dílech a servisu a nápověda pro tyto položky.

## Jak začít používat aplikaci Husqvarna Connect

1. Stáhněte si aplikaci Husqvarna Connect do svého mobilního zařízení.
2. V aplikaci Husqvarna Connect se zaregistrujte.
3. Při připojování a registraci výrobku postupujte podle pokynů v aplikaci Husqvarna Connect.

## Nastavení výrobku do provozní polohy

1. Zkontrolujte, že jsou dolní knoflíky uvolněné. Viz část *Nastavení rukojeti na strani 52*.
2. Zvedněte řídítka do vzpřímené polohy. (Obr. 22)
3. Posuňte knoflíky směrem k řídítkům, dokud se nezastaví a neuslyšíte cvaknutí. (Obr. 27)
4. Knoflíky řádně utáhněte.



**VÝSTRAHA:** Nepoužívejte výrobek, pokud nejsou řídítka zcela vyklopena a nastavena do jedné z příslušných provozních poloh nastavení výšky. Viz část *Nastavení rukojeti na strani 52*.

## Nastavení výšky sečení

1. Chcete-li zvýšit výšku sečení, posuňte páku pro nastavení výšky sečení dozadu.
2. Posunem páky pro nastavení výšky sečení dopředu výšku sečení snížíte. (Obr. 28)



**VAROVÁNÍ:** Nenastavujte výšku sečení příliš nízkou. V případě, že není povrch trávníku rovný, mohou nože přijít do styku se zemí.

## Baterie



**VÝSTRAHA:** Před použitím baterie je třeba, abyste si přečetli a porozuměli kapitole o bezpečnosti. Rovněž je nezbytné, abyste si přečetli a pochopili návod k používání baterie a nabíječky baterií.

Baterii i nabíječku skladujte za správné okolní teploty.

	Okolní teplota
Provoz baterie	5 až 40 °C
Nabíjení baterie	5 až 40 °C

## Stav baterie

Displej ukazuje zbývající kapacitu baterie a zda došlo k problémům s baterií. Stisknutím tlačítka ukážete stavu baterie získáte informace o stavu nabití baterie. Pokud dojde k chybě, rozsvítí se na baterii výstražný symbol. Viz část *Baterie na strani 57*.

(Obr. 29)

Kontrolky LED	Stav baterie
Všechny kontrolky LED svítí.	Plné nabití (76–100 %).
Svítil kontrolky LED 1, LED 2, LED 3.	Baterie je nabitá na 51–75 %.
Svítil kontrolky LED 1, LED 2.	Baterie je nabitá na 26–50 %.
Svítil kontrolka LED 1.	Baterie je nabitá na 6–25 %.
Bliká kontrolka LED 1.	Baterie je nabitá na 0–5 %.

## Nabití baterie

Před prvním použitím baterii nabijte. Baterie je při dodání zákazníkovi nabitá pouze na 30 %.

**Povšimněte si:** Nabíječka baterií musí být připojena ke zdroji o napětí a frekvenci uvedené na typovém štítku.

Pokud teplota baterie přesahuje 50 °C, baterie se nenabíjí. Před zahájením nabíjení zajistí nabíječka baterií snížení teploty baterie.

1. Připojte jeden konec napájecího kabelu nabíječky baterií do zásuvky na nabíječe baterií.

- Připojte druhý konec napájecího kabelu nabíječky baterií do uzemněné elektrické zásuvky. Kontrolka LED na nabíječce baterií jednou zeleně blikne. (Obr. 30)
- Vložte baterii do nabíječky baterií. Když je baterie správně připojena k nabíječce baterií, rozsvítí se na nabíječce zelené světlo. (Obr. 31)
- Když svítí všechny kontrolky LED baterie, baterie je plně nabitá. Baterii nabíjejte maximálně po dobu 24 hodin.
- Když nabíječku baterií odpojujete z elektrické zásuvky, tahějte za zástrčku, nikoliv za kabel.
- Vyjměte baterii z nabíječky.

## Spuštění výrobku

- Otevřete víko baterie.
- Vložte nabitou baterii do některého z držáků baterie. Pro dosažení delší doby provozu vložte druhou nabitou baterii do druhého držáku baterie.
- Otočte bezpečnostní klíček do polohy 1. (Obr. 32)
- Postavte se za výrobek.
- Povolte inhibitor spouštění. (Obr. 18)
- Zatlačte rukojeť brzdy motoru směrem k řídkům. (Obr. 33)

## Použití pohonu kol (LC 251iS)

- Zatlačte páku pojezdu směrem k rukojeti. (Obr. 34)
- V blízkosti překážek uvolněte páku pojezdu, aby se deaktivoval pohon.
- Pokud chcete táhnout výrobek dozadu, odpojte pohon a zatlačte výrobek dopředu přibližně 10 cm.

## Použití funkce SavE™

Výrobek má funkci úspory energie v bateriích (SavE™), která prodlužuje dobu provozu.

- Funkci zapnete stisknutím tlačítka SavE™ do pozice 1. (Obr. 35)
- Stisknutím tlačítka SavE™ do pozice 0 funkci vypnete.

**Povšimněte si:** Funkce SavE™ se vypne automaticky, pokud terénní podmínky vyžadují vyšší výkon. Jakmile to terénní podmínky dovolí, funkce SavE™ se automaticky znovu zapne.

## Funkce vysokého zatížení

Když výrobek seká dlouhou či mokrou trávu, motor automaticky zvýší své otáčky. Když není režim vysokého zatížení potřeba, motor se vrátí do standardního režimu.

## Zastavení motoru

Během provozu se může nůž a motor dočasně zastavit z důvodu překážek, jako je například nahromadění trávy

pod krytem žacího ústrojí. Pokud v takovém případě ponecháte rukojeť brzdy motoru stisknutou, výrobek se automaticky znovu nastartuje. Pokud se výrobek do 5 až 10 sekund znovu nenastartuje, bude zřejmě nutné vyčistit žací ústrojí. Viz část *Čištění výrobku na straně 56*.



**VÝSTRAHA:** Pokud se motor zastaví, výrobek se pokusí automaticky znovu nastartovat po dobu 5 až 10 sekund. Před kontrolou krytu žacího ústrojí počkejte minimálně 15 sekund.



**VÝSTRAHA:** Před kontrolou stavu žacího ústrojí uvolněte rukojeť brzdy motoru, otočte bezpečnostní klíček do polohy 0, vyjměte baterii a počkejte minimálně 5 sekund. Pokud byste pouze odstranili překážku provozu, hrozí riziko poranění náhodným spuštěním výrobku.

## Zastavení výrobku



**VÝSTRAHA:** Než ponecháte výrobek bez dozoru, otočte bezpečnostní klíček do polohy 0.

- Zastavte motor uvolněním rukojeti brzdy motoru. (Obr. 36)

**Povšimněte si:** Pro model LC 251iS: Chcete-li zastavit pohon kol, uvolněte páku pojezdu.

- Otevřete víko baterie a otočte bezpečnostní klíček do polohy 0. (Obr. 37)
- Chcete-li baterii vyjmout, stiskněte dvě tlačítka pro uvolnění baterie a baterii vytáhněte. (Obr. 38)
- Pokud je baterie vybitá, nabíjete ji. Více informací naleznete v části *Nabití baterie na straně 53*.

## Používání výrobku s košem na trávu



**VÝSTRAHA:** Nepoužívejte výrobek bez nainstalovaného koše na trávu nebo s otevřeným zadním krytem. Vyletující předměty mohou zranit obsluhu.

- Zvedněte zadní kryt. (Obr. 39)
- Vložte koš na trávu do držáku.
- Uvolněte zadní kryt a položte ho na horní stranu rámu koše na trávu. (Obr. 40)

## Přestavba výrobku na režim bočního vyhazování

- Zdvihněte zadní kryt a demontujte koš na trávu, je-li instalovaný.

- Zavřete zadní kryt a zkontrolujte, zda je pevně zavřený a těsně přiléhá k výrobku.
- Zvedněte pojistku vyhazování. (Obr. 41)
- Otevřete kryt bočního vyhazování a namontujte deflektor bočního vyhazování na podpůrné čepy. (Obr. 42)
- Zavřete kryt bočního vyhazování tak, aby spočíval na deflektoru bočního vyhazování. Zkontrolujte, zda je deflektor pro boční vyhazování důkladně upevněný, než budete výrobek používat.

- Nesekejte více než 1/3 výšky trávy. Při prvním sekání trávy použijte nejvyšší výšku sekání. Zkontrolujte výsledek a případně snižte výšku sečení na požadovanou úroveň. Pokud je tráva velmi vysoká, sekejte pomalu a v případě potřeby 2krát.
- Sekejte vždy v jiném směru, aby na trávníku nevznikly pruhy.
- Zvedněte zadní kryt a vyjměte koš na trávu.
- Pokud je namontována mulčovací vložka a mulčovací nůž, odstraňte je.
- Než začnete s výrobkem pracovat, zavřete zadní kryt. Při práci s výrobkem bude posečená tráva vylétávat pod zadním krytem.
- Udržujte kryt žacího ústrojí čistý. Nahromaděná tráva a nečistoty na vnitřní straně krytu žacího ústrojí mohou zhoršit výsledek sečení. Další informace jsou uvedeny v části *Čištění výrobku na strani 56*.

## Vyprázdnění koše na trávu



**VAROVÁNÍ:** Při přesouvání koš na trávu zvedněte, aby se zabránilo jeho opotřebením.

- Zdvihněte koš na trávu pomocí rukojeti na rámu.
- Při vyprázdnění koše na trávu použijte rukojet' na rámu a rukojet' na koši. (Obr. 43)

## Jak docílit dobrých výsledků

- Používejte vždy ostrý nůž. Při použití tupého nože je stříh nepravidelný a posečený povrch trávy žlutne. Ostrý nůž také vyžaduje méně energie než tupý nůž.

## Údržba

### Úvod



**VÝSTRAHA:** Před prováděním údržby je třeba, abyste si přečetli kapitolu o bezpečnosti a porozuměli jí.

Pro servis a opravy výrobku je nezbytné speciální školení. Garantujeme dostupnost profesionálních oprav a servisu.

Podrobnější informace jsou uvedeny v části [www.husqvarna.com](http://www.husqvarna.com).

### Plán údržby

Intervaly údržby se vypočítávají na základě každodenního používání výrobku. Intervaly se mění, není-li výrobek používán denně.

U údržby označené symbolem \* vyhledejte pokyny v části *Bezpečnost na strani 47*.

	Každé použití	Měsíčně	Každou sezónu
Provedte běžnou kontrolu.	X		
Vyčistěte výrobek.	X		
Zkontrolujte inhibitor spuštění.*	X		
Zkontrolujte, zda nejsou bezpečnostní zařízení výrobku vadná.*	X		
Zkontrolujte žací ústrojí.	X		
Zkontrolujte kryt žacího ústrojí.*	X		
Zkontrolujte rukojet' brzdy motoru.*	X		
Zkontrolujte, zda není baterie poškozena.	X		
Zkontrolujte úroveň nabití baterie.	X		

	Každé použití	Měsíčně	Každou sezónu
Zkontrolujte, zda na baterii fungují tlačítka pro uvolnění baterie a zda baterie drží ve výrobku.	X		
Zkontrolujte, zda není nabíječka baterií poškozena a ujistěte se, že funguje správně.		X	
Zkontrolujte připojení mezi baterií a výrobkem. Rovněž zkontrolujte připojení mezi baterií a nabíječkou baterií.			X

## Provedení běžné kontroly

- Zajistěte, aby byly matice a šrouby na výrobku správně dotaženy.
- Zkontrolujte, že kabely výrobku nejsou na místě, kde by mohlo dojít k jejich poškození.

## Čištění výrobku

- Plastové části čistěte čistou a suchou utěrkou.
- Nečistěte výrobek vodou. Voda může proniknout do baterie nebo motoru a způsobit zkrat nebo poškození výrobku.
- K čištění výrobku nepoužívejte vodu pod vysokým tlakem.
- Motor nesmí být přímo oplachován vodou.
- Pomocí kartáče odstraňte listí, trávu a nečistoty.

## Čištění baterie nebo nabíječky baterií



**VÝSTRAHA:** Baterii ani nabíječku baterií nečistěte vodou.



**VÝSTRAHA:** K čištění baterie nepoužívejte žádné chemické látky.

- Než vložíte baterii do nabíječky, zkontrolujte, zda jsou baterie a nabíječka baterie čisté a suché.
- Očistěte kontakty baterie stlačeným vzduchem nebo použijte měkkou a suchou utěrkou.
- Očistěte povrch baterie a nabíječku baterie měkkou a suchou utěrkou.

## Kontrola žacího ústrojí



**VÝSTRAHA:** Neúmyslnému spuštění můžete zabránit tak, že otočíte bezpečnostní klíček do polohy 0, vyjmete baterii a počkáte alespoň 5 sekund.



**VÝSTRAHA:** Při provádění údržby žacího ústrojí používejte ochranné rukavice. Nůž je velmi ostrý a může snadno dojít k pořezání.

1. Zkontrolujte žací ústrojí ohledně poškození a prasklin. Poškozené žací ústrojí vždy vyměňte.
2. Prohlédněte nůž a zkontrolujte, zda není poškozený nebo tupý.

**Povšimněte si:** Po ostření je nezbytné nůž vyvážít. Výměnu, ostření a vyvážení nože svěřte servisnímu středisku. Dojde-li k nárazu do překážky, po kterém dochází k vypínání výrobku, vyměňte poškozený nůž. O tom, zda je možné nůž nabrousit či zda je nutné ho vyměnit, rozhodne servisní středisko.

## Postup výměny nože

Viz část *Technické údaje na strani 60*, kde naleznete informace o správném typu nože.



**VÝSTRAHA:** Nůž zajistěte dřevěným špalíkem, abyste při výměně zabránili zranění prstů. Při vypnutém motoru lze nožem pohybovat a hrozí nebezpečí zachycení prstů mezi nožem a nepohyblivými součástmi.

1. Zajistěte nůž pomocí dřevěného špalíku. (Obr. 44)
2. Odmontujte šroub nože, podložky a nůž. (Obr. 45)
3. Prohlédněte držák nože a šroub nože a zkontrolujte, zda nejsou poškozené.
4. Prohlédněte hřídel motoru a ujistěte se, že není ohnutý.
5. Při montáži nového nože nasměrujte zahnuté konce nože ve směru krytu žacího ústrojí. (Obr. 46)
6. Zkontrolujte, zda je nůž zarovnaný se středem hřídele motoru.
7. Zajistěte nůž pomocí dřevěného špalíku. Nasadte podložky a dotáhněte šroub utahovacím momentem 23 – 28 Nm. (Obr. 47) (Obr. 45)
8. Otočte nožem rukou a zkontrolujte, zda se volně otáčí.



**VÝSTRAHA:** Používejte odolné rukavice. Nůž je velmi ostrý a může snadno dojít k pořezání.



9. Nastartujte výrobek a proveďte test nože. Pokud není nůž správně připevněn, výrobek vibruje a výsledky sečení nejsou uspokojivé.

## Kontrola deflektoru pro boční vyhazování

Deflektor pro boční vyhazování je připevněn k otvoru pro boční vyhazování na výrobku. Při sečení snižuje nebezpečí odmrštění předmětů do prostoru obsluhy.

1. Zkontrolujte, zda není deflektor pro boční vyhazování poškozený.
2. Prohlédněte deflektor pro boční vyhazování. Zkontrolujte přítomnost vad, jako jsou praskliny nebo prasklé pružiny, které tlačí dvířka do zavřené polohy.
3. V případě poškození vyměňte deflektor pro boční vyhazování nebo pružiny.

---

## Odstraňování problémů

---

### Baterie

Kontrolka LED na baterii	Příčina	Řešení
Zelená kontrolka LED bliká.	Napětí baterie je nízké.	Nabijte baterii. Viz část <i>Nabití baterie na strani 53</i> .
Bliká chybová kontrolka LED baterie.	Baterie je příliš studená nebo příliš horká pro použití.	Nechte baterii vychladnout nebo ji přesuňte do interiéru, aby se zahřála. Když má baterie správnou teplotu, lze ji znovu použít. Baterii ve výrobku používejte pouze při okolních teplotách v rozsahu 5–40 °C.
	Baterie je vybitá.	Nabijte baterii. Viz část <i>Nabití baterie na strani 53</i> .
Rozsvítí se chybová kontrolka LED baterie.	Došlo k trvalé chybě baterie.	Obrat'te se na servisního prodejce Husqvarna.

### Nabíječka baterií

Kontrolka LED na nabíječce baterií	Příčina	Řešení
Chybová kontrolka LED bliká nebo svítí.	Nabíječka je příliš studená nebo příliš horká pro použití.	Nechte nabíječku vychladnout nebo ji přesuňte do interiéru, aby se zahřála. Když má nabíječka správnou teplotu, lze ji znovu použít. Nabíječku používejte při okolních teplotách v rozsahu 5–40 °C.
	Jiné chyby.	Obrat'te se na servisního prodejce Husqvarna.

### Sekačka na trávu

Výstražná kontrolka (chybová kontrolka LED) se nachází pod krytem baterie.

Problém	Chybová kontrolka LED (počet bliknutí)	Příčina	Řešení
Bliká chybová kontrolka LED. Výrobek nepracuje správně.	3	Nůž je zablokovaný.	Otočte bezpečnostní klíček do polohy 0, aby nedošlo k náhodnému spuštění. Vyměňte baterii a počkejte alespoň 5 sekund. Odstraňte případné překážky a zkontrolujte, zda se nůž může volně otáčet. Pokud problém přetrvává, obraťte se na servis Husqvarna.
	5	Otáčky motoru klesnou příliš nízkou a motor se zastaví.	Zvyšte výšku sečení. Viz část <i>Nastavení výšky sečení na strani 53</i> .
	6 <sup>9</sup>	Zablokovaná kola nebo převodovka.	Otočte bezpečnostní klíček do polohy 0, aby nedošlo k náhodnému spuštění. Vyměňte baterii a počkejte alespoň 5 sekund. Odstraňte případné překážky a zkontrolujte, zda se kola mohou volně otáčet. Pokud problém přetrvává, obraťte se na servis Husqvarna.
	10	Došlo k přehřátí ovládání motoru.	Zastavte motor a počkejte, než vychladne.
Bliká chybová kontrolka LED. Výrobek se vypíná.	Nebliká	Selhání konektoru baterie.	Zkontrolujte konektor baterie.
	3	Motor je přetížený.	Zvyšte výšku sečení. Viz část <i>Nastavení výšky sečení na strani 53</i> .
	8	Baterie je slabá.	Nabijte baterii. Viz část <i>Nabití baterie na strani 53</i> .
	9	Chyba baterie nebo žádný signál z baterie.	Vložte správně baterii do výrobku a zkontrolujte konektor baterie. Pokud chybová kontrolka LED na baterii bliká. Viz část <i>Baterie na strani 57</i> .
	15	Nesprávné spuštění. Rukojeť brzd motoru byla aktivována před spuštěním motoru.	Uvolněte rukojeť brzd motoru a počkejte přibližně 5 sekund. Opětovným zatlačením rukojeti brzd motoru dolů výrobek spustíte.
Jiné chyby.	Pokud se objeví jiná chyba, otočte bezpečnostní klíček do polohy 0, vyměňte baterii a obraťte se na servis Husqvarna.		

## Přeprava, skladování a likvidace

### Úvod



**VÝSTRAHA:** Neúmyslnému spuštění během přepravy a skladování můžete zabránit tím, že otočíte bezpečnostní klíček do polohy 0, vyjměte baterii a počkáte alespoň 5 sekund.

### Nastavení produktu do přepravní polohy

1. Povolte spodní matici.
2. Posuňte knoflíky na spodní konec drážek na pravé i na levé straně výrobku. (Obr. 26)
3. Sklopte říditka dopředu. (Obr. 48)

<sup>9</sup> LC 251IS

## Přeprava

- Na dodané Li-ion baterie se vztahují požadavky legislativy o nebezpečném zboží.
- Při komerční přepravě musí být dodrženy speciální požadavky na balení a označení.
- Při přípravě výrobku k přepravě nezapomeňte dbát předpisů pro nebezpečné materiály. Mohou platit místní předpisy.
- Při přepravě vždy vyjměte baterii.
- Přeplepte konektory baterie páskou a zajistěte, aby se baterie při přepravě nemohla pohybovat.
- Během přepravy výrobek zajistěte.

## Skladování

- Před uložením nechte výrobek vychladnout.
- Při skladování baterii vždy vyjměte.
- Abyste zabránili nehodám, zajistěte, aby při skladování nebyla baterie připojená k výrobku.
- Nabíječku baterií uchovávejte na uzavřeném a suchém místě.
- Baterii a nabíječku baterií uchovávejte na suchém místě, kde nehrozí vlhkost či mraz.
- Při skladování baterii odpojte od nabíječky baterií.
- Neskladujte baterii v místech, kde může docházet k výbojům statické elektřiny. Neskladujte baterii v kovovém obalu.
- Umístěte výrobek na místo, kde je teplota v rozsahu  $-10$  až  $40$  °C.
- Baterii uchovávejte na místě s teplotou mezi  $5$  a  $25$  °C a mimo dosah slunečních paprsků.
- Nabíječku baterií uchovávejte na místě s teplotou mezi  $5$  a  $45$  °C a mimo dosah slunečních paprsků.
- Ujistěte se, že je baterie před dlouhodobým uskladněním nabitá na  $30$  % až  $50$  %.
- Produkt, baterii a nabíječku baterií skladujte v uzamčeném prostoru mimo dosah dětí a nepovolaných osob.
- Vyčistěte výrobek a ujistěte se, že je koš na trávu prázdný.
- Provedte postupy údržby uvedené v tomto návodu k používání. Další informace jsou uvedeny v části *Údržba na straně 55*.
- Před dlouhodobým skladováním proveďte kompletní údržbu výrobku.

## Likvidace

Symbole na produktu nebo jeho obalu označují, že tento výrobek nesmí být likvidován jako domácí odpad. Musí být odevzdán do příslušné recyklační stanice pro recyklaci elektrických a elektronických zařízení.

Zajištěním odpovídající likvidace tohoto výrobku pomůžete zabránit potenciálnímu negativnímu dopadu na životní prostředí a zdraví lidí, který by jinak mohl být důsledkem nesprávné likvidace tohoto výrobku. Podrobnější informace o recyklaci tohoto výrobku získáte na městském úřadě, u služby zajišťující

zpracování domácího odpadu nebo v prodejně, kde jste výrobek zakoupili.

(Obr. 49)

## Technické údaje

### Technické údaje

	LC 251i	LC 251IS
<b>Žací motor</b>		
Typ motoru	BLDC (bezkomutátorový) 36 V	BLDC (bezkomutátorový) 36 V
Otáčky motoru – SavE, ot/min	2600/min	2600/min
Otáčky motoru – jmenovité, ot/min	3000/min	3000/min
Otáčky motoru – vysoké zatížení, ot/min	3500/min	3500/min
Výkon motoru – max., kW	1,4	1,4
Výkon motoru – jmenovitý, kW	0,9	0,9
<b>Hnací motor</b>		
Výkon motoru – jmenovitý, kW	Není k dispozici	0,4
Rychlost vlastního pojezdu, km/h	Není k dispozici	4
Úrovně rychlosti	Není k dispozici	1
<b>Hmotnost</b>		
Hmotnost bez koše (bez baterie), kg	25,5	27
Hmotnost s košem (vč. 2 x BLi30), kg	31,5	33
<b>Baterie</b>		
Typ baterie	Řada baterií Husqvarna	Řada baterií Husqvarna
<b>Doba provozu baterie</b>		
Provozní doba baterie, min, (volný chod) s aktivovanou funkcí SavE, s jednou baterií Husqvarna 7,5 Ah (BLi30)	58	51
Provozní doba baterie, min, (volný chod) s aktivovaným standardním režimem, s jednou baterií Husqvarna 7,5 Ah (BLi30)	42	38
<b>Emise hluku <sup>10</sup></b>		
Hladina akustického výkonu, změřená dB (A)	96	96
Hladina akustického výkonu, zaručená L <sub>WA</sub> dB (A)	98	98
<b>Hladiny hluku <sup>11</sup></b>		
Hladina akustického tlaku na sluch obsluhy, dB (A)	85	85

<sup>10</sup> Emise hluku do okolního prostředí měřené jako akustický výkon (L<sub>WA</sub>) v souladu se směrnicí 2000/14/ES.

<sup>11</sup> Uváděná data pro hladinu akustického tlaku mají faktor odchylky (K) 1,5 dB (A).

	LC 251i	LC 251iS
<b>Úrovně vibrací<sup>12</sup></b>		
Řídítka, m/s <sup>2</sup>	0,7	0,7
<b>Žací ústrojí</b>		
Výška sečení, mm	25–75	25–75
Šířka sečení, mm	510	510
Nůž – standardní	Sběrný 5928704-01	Sběrný 5928704-01
Kapacita koše na trávu, litry	65	65

Schválené baterie	Typ	Kapacita baterie, Ah	Napětí, V	Hmotnost, lb/kg
BLi30	Lithium-iontová	7,5	36	4,2/1,9
40-B140	Lithium-iontová	4	36	2,6/1,2

Schválené nabíječky pro uvedené baterie, BLI	Vstupní napětí, V	Frekvence, Hz	Výkon, W
40-C80	100–240	50–60	68,8
QC250	100–240	50–60	250

<sup>12</sup> Uváděná data pro hladinu vibrací mají faktor odchylky (K) 1,5 m/s<sup>2</sup>. Deklarovaná celková hodnota vibrací byla měřena podle normy EN 62841-4-3, příloha I a lze ji použít ke vzájemnému porovnávání strojů i k předběžnému zhodnocení působení na uživatele.

# Prohlášení o shodě

## Prohlášení o shodě EU

Společnost **Husqvarna AB**, SE-561 82 Huskvarna,  
Švédsko, tel.: +46-36-146500, na svou výhradní  
odpovědnost prohlašuje, že výrobek:

<b>Popis</b>	Sekačka na trávu
<b>Značka</b>	Husqvarna
<b>Typ/Model</b>	LC 251i, LC 251iS
<b>Identifikace</b>	Výrobní čísla od roku 2023 a dále

je zcela ve shodě s následujícími směrnici a předpisy  
EU:

<b>Nařízení</b>	<b>Popis</b>
2006/42/ES	„o strojních zařízeních“
2014/30/EU	„o elektromagnetické kompatibilitě“
2000/14/ES	„týkající se emisí hluku do okolního prostředí“
2011/65/EU	„o omezení používání některých nebezpečných látek v elektrických a elektronických zařízeních“

a že byly použity následující normy nebo technické  
specifikace: EN 62841-1:2015/A11:2022, EN IEC  
62841-4-3:2021/A11:2021, EN IEC 55014-1:2021, EN  
IEC 55014-2:2021, EN IEC 63000:2018

Oznámený subjekt: 0404, SMP Svensk Maskinprovning  
AB, Box 4053, SE-904 03 Umeå, Sweden obdržel  
osvědčení o shodě se směrnicí rady 2000/14/ES, postup  
posouzení shody: Dodatek VI.

Informace o emisích hluku najdete v části *Technické  
údaje na strani 60*.

Huskvarna, 2023-12-11



Claes Losdal, ředitel vývoje zahradního sortimentu,  
Husqvarna AB

Osoba odpovědná za technickou dokumentaci



---

## Indhold

---

Indledning.....	63	Fejlfinding.....	74
Sikkerhed.....	64	Transport, opbevaring og bortskaffelse.....	76
Montering.....	69	Tekniske data.....	77
Drift.....	70	Overensstemmelseserklæring.....	79
Vedligeholdelse.....	72		

---

## Indledning

---

### Produktbeskrivelse

Produktet er en roterende plæneklipper med gående fører. Græsset opsamles i en græsopsamler. Monter sideudkastdeflektoren for sideudkast af græsset.

### Produktoversigt

(Fig. 1)

1. Motorbremsehåndtag
2. Startspærre
3. Bøjle til fremtræk (LC 251iS)
4. Bageste dæksel
5. Græsopsamler
6. Reguleringshåndgreb
7. Klippehøjdehåndtag
8. Lås til udkast
9. Sideudkastdæksel
10. Batterilåg
11. Symboler
12. Sikkerhedsnøgle
13. Advarselsindikator (fejl-LED)
14. SavE-knap
15. Klippebord
16. Håndtag/styrestang
17. Løftehåndtag
18. Sideudkast
19. Brugervejledning

### Symboler på produktet

- (Fig. 2)      ADVARSEL
- (Fig. 3)      Læs instruktionerne.
- (Fig. 4)      ADVARSEL - Pas på genstande, der slynges ud.
- (Fig. 5)      Hold andre personer på afstand.
- (Fig. 6)      ADVARSEL - Hold hænder og fødder væk fra knivene.

### Anvendelsesformål

Brug produktet til at slå græs. Brug ikke produktet til andre opgaver.

- (Fig. 7)      ADVARSEL - Frakobl batteriet før vedligeholdelse.
- (Fig. 8)      Produktet og produktemballagen er ikke almindeligt husholdningsaffald. Aflever det på en genbrugsstation til elektrisk og elektronisk udstyr.
- (Fig. 9)      Mærkat vedrørende emission af støj til omgivelserne i henhold til direktiver og regulativer i EU og Storbritannien og New South Wales' lovgivning om "Beskyttelse af miljøet (støjbegrænsning) forordning 2017". Produktets garanterede lydeffektniveau er angivet i *Tekniske data på side 77* og på mærkaten.
- (Fig. 10)      Dette udstyr er i overensstemmelse med gældende CE-direktiver.
- (Fig. 11)      Dette produkt er i overensstemmelse med gældende UK-bestemmelser.
- (Fig. 12)      Produktet er drypbeskyttet.
- (Fig. 13)      Slip motorbremsehåndtaget for at stoppe.
- (Fig. 14)      Kode, der kan scannes.
- 
- Bemærk:** Andre symboler/mærkater på produktet henviser til certificeringskrav på visse markeder.
- 
- Mærkat på produktet**
- (Fig. 15)      FARE – Hold hænder og fødder væk.

## Skader på produktet

Vi er ikke ansvarlige for skader på vores produkt, hvis:

- produktet er forkert repareret.
- produktet er repareret med dele, der ikke er fra producenten eller ikke er godkendt af producenten

- produktet har tilbehør, der ikke er fra producenten eller ikke er godkendt af producenten.
- produktet ikke er repareret på et godkendt servicecenter eller af en godkendt myndighed.

## Sikkerhed

### Sikkerhedsdefinitioner

Advarsler, forholdsregler og bemærkninger bruges til at pege på særligt vigtige dele af brugsanvisningen.



**ADVARSEL:** Bruges, hvis føreren udsætter sig selv eller omkringstående personer for risiko for personskade eller dødsfald ved tilsidesættelse af instruktionerne i brugsanvisningen.



**BEMÆRK:** Bruges, hvis der er risiko for skader på produktet, andre materialer eller det omgivende område ved tilsidesættelse af instruktionerne i brugsanvisningen.

**Bemærk:** Bruges til at give yderligere oplysninger, der er nødvendige i en given situation.

### Generelle sikkerhedsadvarsler for produktet



**ADVARSEL:** Læs alle sikkerhedsadvarsler, instruktioner, illustrationer og specifikationer, der følger med dette produkt. Hvis du ignorerer de nedenfor anførte instruktioner, kan det medføre elektrisk stød, brand og/eller alvorlige skader.

**Opbevar alle advarsler og instruktioner til senere brug.** Betegnelsen "produkt" i advarslerne henviser til dit produkt, som drives af strøm fra elektricitetsnettet (med ledning) eller fra batteri (ledning frit).

### Sikkerhed i arbejdsområdet

- **Hold arbejdsområdet rent og godt oplyst.** Rodede eller mørke områder er en invitation til ulykker.
- **Betjen ikke produktet i områder med eksplosionsfare som f.eks. i nærheden af brændbare væsker, luftarter eller støv.** Produktet danner gnister, som kan antænde støvet eller dampene.
- **Hold børn og omkringstående personer væk, mens produktet betjenes.** Distraction kan få dig til at miste styringen.

### Elektrisk sikkerhed

- **Stikket på produktet skal passe til stikkontakten. Man må aldrig ændre på stikket. Benyt ikke adapterstik i forbindelse med jordet produkt.** Uændrede stik og passende stikkontakter reducerer risikoen for elektrisk stød.
- **Undgå kropskontakt med jodede genstande som f.eks. rør, radiatorer, komfurer og køleskabe.** Der er øget risiko for elektrisk stød, hvis din krop har forbindelse til jord.
- **Udsæt ikke produkter for regn eller våde omgivelser.** Vand, som trænger ind i et produkt, øger risikoen for elektrisk stød.
- **Behandl kablet forsigtigt. Benyt aldrig ledningen til at bære eller trække produktet eller til at trække stikket ud. Hold ledningen væk fra varme, olie, skarpe kanter eller bevægelige dele.** Beskadigede eller filtrede kabler forøger risikoen for elektrisk stød.
- **Når du betjener et produkt udendørs, skal du benytte en forlængerledning, der egner sig til udendørs brug.** Brug af en ledning, der er egnet til udendørs brug, reducerer risikoen for elektrisk stød.
- **Hvis det ikke kan undgås at arbejde med et produkt under fugtige forhold, skal der benyttes en elforsyning, som er beskyttet med en fejlstrømsafbryder (RCD).** En fejlstrømsafbryder nedsætter risikoen for elektrisk stød.

### Personlig sikkerhed

- **Vær opmærksom, hold øje med, hvad du foretager dig, og brug sund fornuft, når du betjener et produkt. Benyt ikke et produkt, hvis du er træt eller er påvirket af narkotika, alkohol eller medicin.** Et øjeblik uopmærksomhed under betjening af produkter kan resultere i alvorlig personskade.
- **Bær personligt beskyttelsesudstyr. Brug altid beskyttelsesbriller.** Beskyttelsesudstyr som støvmaske, skridsikre sikkerhedssko, beskyttelseshjelm eller høreværn, som benyttes til de relevante formål vil nedsætte risikoen for personskade.
- **Sørg for at forhindre uønsket start af værktøjet. Sørg for, at kontakten er i frakoblet position, før du slutter produktet til strømkilden og/eller batterienheden, samt når du tager eller bærer produktet.** At bære produkter med fingeren på kontakten eller at sætte strøm til produkter med tændt kontakt udgør en risiko for ulykker.



- **Fjern alle indstillingsværktøjer og skruenøgler, før elværktøjet tændes.** En skruenøgle eller et værktøj, der efterlades fastsiddende i en roterende del af produktet, kan forårsage personskade.
- **Stræk dig ikke for langt. Sørg for altid at have godt fodfæste og god balance.** Dette sikrer bedre kontrol over produktet i uventede situationer.
- **Bær det korrekte tøj. Undgå at bære løstsiddende tøj eller smykker. Hold hår og tøj væk fra bevægelige dele.** Løst tøj, smykker eller langt hår kan blive fanget af bevægelige dele.
- **Hvis der forefindes udstyr til støvudsugning og -opsamling, skal du sikre, at det er tilsluttet, og at det bruges korrekt.** Brug af støvopsamling kan nedbringe støvrelaterede farer.
- **Lad ikke erfaringen fra tidligere brug af produkter gøre dig eftergivende, så du ignorerer sikkerhedsprincipperne for produktet.** En uforsigtig handling kan give alvorlige skader på en brøkdæl af et sekund.

## Brug og pleje af produktet

- **Tving aldrig produktet.** Brug det korrekte produkt til din opgave. Det korrekte produkt udfører arbejdet bedre og mere sikkert ved den hastighed, som det er konstrueret til.
- **Brug ikke produktet, hvis kontakten ikke kan slå det til og fra.** Ethvert produkt, som ikke kan styres med kontakten, er farligt og skal repareres.
- **Tag stikket ud af stikkontakten og/eller fjern batterienheden, hvis den kan tages ud, fra produkter, før du foretager justeringer, skifter tilbehør eller sætter dem til opbevaring.** Denne form for forebyggende sikkerhedsforanstaltninger nedsætter risikoen for, at produktet sættes i gang ved et uheld.
- **Når de ikke er i brug, skal produkter opbevares uden for børns rækkevidde, og personer, der ikke er bekendt med produktet eller disse instruktioner, må ikke kunne komme til at betjene produktet.** Produkter er farlige i hænderne på utrænede brugere.
- **Vedligeholdelse af produkter og tilbehør. Kontrollér, om bevægelige dele sidder korrekt, eller om de binder. Se også efter, om der er defekte dele, og kontrollér alle andre forhold, som kan påvirke driften af produktet. Hvis produktet er beskadiget, skal det repareres, før det bruges igen.** Mange ulykker skyldes dårligt vedligeholdte produkter.
- **Hold skæreprodukter skarpe og rene.** Korrekt vedligeholdte skæreprodukter med skarpe klinger er mindre tilbøjelige til at binde og er lettere at styre.
- **Benyt produktet, tilbehøret, værktøjsbits osv. i overensstemmelse med disse instruktioner, og tag højde for arbejdsforholdene og det arbejde, der skal udføres.** Hvis produktet bruges til andre formål end de tiltænkte, kan der opstå en farlig situation.
- **Hold håndtag og gribeblader tørre, rene og frie for olie og fedt.** Glatte håndtag og gribeblader muliggør ikke sikker håndtering og kontrol af produktet i uventede situationer.

## Brug og pleje af batteriredskaber

- **Genoplad kun med den oplader, som producenten foreskriver.** En oplader, der egner sig til en bestemt type batteripakke, kan medføre risiko for brand, hvis den benyttes sammen med en anden batteripakke.
- **Brug kun produkter sammen med de batterienheder, der er beregnet specifikt til dem.** Brug af andre batterienheder medfører risiko for skader og brand.
- **Når batterienheden ikke anvendes, skal du holde den væk fra andre metalgenstande, såsom papir, clips, mønter, nøgler, søm, skruer eller andre små metalgenstande, der kan kortslutte polerne.** Kortslutning af batteripolerne kan forårsage forbrændinger eller brand.
- **Under ugunstige forhold kan der sprøjte væske ud fra batteriet, undgå kontakt.** Hvis væsken alligevel berøres, skal der skylles med vand. Hvis du får væske i øjnene, skal du søge læge. Væske, der trænger ud af batteriet, kan forårsage irritation og ætsningsskader.
- **Brug ikke en batteripakke eller et værktøj, som er beskadiget eller modificeret.** Beskadigede eller modificerede batterier kan opføre sig uforudsigeligt og medføre brand, eksplosion eller risiko for personskade.
- **Udsæt ikke en batteripakke eller et værktøj for brand eller høje temperaturer.** Udsættelse for brand eller temperatur over 130 °C / 265 °F kan forårsage eksplosion.
- **Følg alle opladningsanvisninger, og oplad ikke batteripakken eller værktøjet uden for det temperaturområde, der er angivet i instruktionerne.** Forkert opladning eller opladning ved temperaturer uden for det specificerede område kan beskadige batteriet og øge risikoen for brand.

## Service

- **Få en kvalificeret reparatør til at foretage service på produktet, og brug kun originale reservedele.** Dette sikrer, at produktet altid fungerer sikkert.
- **Der må aldrig udføres service på beskadigede batteripakker.** Service på batteripakker bør kun udføres af producenten eller autoriserede serviceudbydere.

## Sikkerhedsadvarsler for plæneklippere

- **Brug ikke plæneklipperen i dårligt vejr, specielt hvis der er risiko for lynnedslag.** Dette mindsker risikoen for at blive ramt af lynnedslag.
- **Undersøg grundigt det område, hvor plæneklipperen skal bruges, for at se, om der er dyr.** Vilde dyr kan komme til skade af plæneklipperen under betjening.
- **Undersøg grundigt det område, hvor plæneklipperen skal bruges, og fjern alle sten, pinde, kabler, knogler og andre uvedkommende genstande.** Udkastede genstande kan forårsage alvorlige personskader.

- **Før brug skal plæneklipperen altid efterses visuelt for at se, at kniven, knivbolten og knivenheden ikke er slidte eller beskadigede.** Beskadigede eller slidte dele øger risikoen for personskade.
- **Græsopsamleren skal hyppigt kontrolleres for slitage og effektivitetsforringelse.** En slidt eller beskadiget græsopsamler kan øge risikoen for personskade.
- **Hold skærmene på plads. Skærmene skal være i driftsklar stand og monteret korrekt.** En skærm, der er løs, beskadiget eller ikke fungerer korrekt, kan medføre personskade.
- **Hold alle køleluftsindtag fri for snavs.** Blokerede luftindtag og snavs kan medføre overophedning eller risiko for brand.
- **Brug altid skridsikkert og beskyttende fodtøj, når du betjener plæneklipperen. Betjen ikke plæneklipperen med bare fødder eller åbne sandaler.** Dette reducerer risikoen for, at fødderne kommer i kontakt med den bevægelige kniv.
- **Bær altid lange bukser, når du betjener plæneklipperen.** Blotlagt hud øger sandsynligheden for skader fra udslyngede genstande.
- **Betjen ikke plæneklipperen i vådt græs. Gå. Løb aldrig.** Dette reducerer risikoen for at glide og falde, hvilket kan medføre personskade.
- **Betjen ikke plæneklipperen på meget stejle skråninger.** Dette reducerer risikoen for tab af kontrol og for at glide og falde, hvilket kan medføre personskade.
- **Når du arbejder på skråninger, skal du altid være sikker på, at du står godt fast. Arbejd altid på tværs af skråninger, aldrig op eller ned, og udvis stor forsigtighed, når du skifter retning.** Dette reducerer risikoen for tab af kontrol og for at glide og falde, hvilket kan medføre personskade.
- **Vær yderst forsigtig, når du bakker eller trækker plæneklipperen mod dig selv. Vær altid opmærksom på omgivelserne.** Dette reducerer risikoen for at snuble under drift.
- **Rør ikke ved knive og andre farlige bevægelige dele, mens de stadig er i bevægelse.** Dette reducerer risikoen for personskade som følge af bevægelige dele.
- **Når du fjerner fastsiddende materiale eller rengør plæneklipperen, skal du sørge for, at alle kontakter er slået fra, og at batteripakken er frakoblet.** Uventet betjening af plæneklipperen kan medføre alvorlig personskade.
- **Når du fjerner fastsiddende materiale eller rengør plæneklipperen, skal du sørge for, at alle kontakter er slået fra, og at den enhed, der ikke virker, er frakoblet.** Uventet betjening af plæneklipperen kan medføre alvorlig personskade.

## Fejlstrømsafbryder

- Brug en fejlstrømsafbryder med en udløsningsstrøm på maks. 30 mA.

## Generelle sikkerhedsinstruktioner



**ADVARSEL:** Læs følgende advarselsinstruktioner, inden du bruger produktet.

- Dette produkt er farligt, hvis det bruges forkert, eller hvis du ikke er forsigtig. Personskade eller dødsfald kan forekomme, hvis du ikke overholder sikkerhedsinstruktionerne.
- Dette produkt danner et elektromagnetisk felt under betjening. Dette felt kan i visse tilfælde påvirke aktive eller passive medicinske implantater. For at reducere risikoen for alvorlige eller dødbringende kvæstelser anbefaler vi, at personer med medicinske implantater kontakter deres læge og producenten af det medicinske implantat, før de tager produktet i brug.
- Vær altid forsigtig, og brug din sunde fornuft. Hvis du ikke er sikker på, hvordan produktet betjenes en særlig situation: Stop, og kontakt Husqvarna-forhandleren, inden du fortsætter.
- Vær opmærksom på, at brugeren er ansvarlig for ulykker, der involverer andre personer eller disses ejendom.
- Hold produktet rent. Sørg for, at skilte og mærkater er tydeligt læsbare.
- Lad aldrig børn eller personer, der ikke kender apparatet, bruge det. Der kan være lokale regler for, hvor gammel brugeren skal være.
- Hold altid øje med personer med nedsat fysisk eller mental kapacitet, der bruger produktet. En voksen skal være til stede hele tiden.
- Brug ikke produktet, hvis du er træt, syg eller påvirket af alkohol, narkotika eller medicin. Det har en negativ virkning på synet, overblikket, koordinationssevnen og dømmekraften.
- Brug ikke produktet, hvis det er beskadiget eller ikke fungerer korrekt.
- Foretag ikke ændringer på produktet, og undlad at bruge det, hvis der er risiko for, at det er blevet ændret af andre.

## Arbejdssikkerhed



**ADVARSEL:** Læs følgende advarselsinstruktioner, inden du bruger produktet.

- Brug kun produktet til græsslåning. Det er ikke tilladt at bruge det til andre opgaver.
- Bær personligt beskyttelsesudstyr. Se *Personligt beskyttelsesudstyr på side 67*.

- Sørg for, at du ved, hvordan du standser motoren hurtigt i nødstilfælde.
- Betjen ikke produktet i regn eller våde omgivelser. Risikoen for elektrisk stød øges, hvis der trænger vand ind i produktet.
- Betjen ikke produktet, medmindre kniven og alle afskærmninger er monteret korrekt. En forkert monteret klinge kan løsne sig og forårsage personskade.
- Sørg for, at kniven ikke rammer genstande som f.eks. sten og rødder. Det kan beskadige klingens og bøjle motorakslen. En bøjet aksel giver kraftige vibrationer og stor risiko for, at kniven løsner sig.
- Hvis kniven rammer en genstand, eller der opstår vibrationer, skal du straks standse produktet. Stands motoren, drej sikkerhedsnøglen til 0, og afmonter batteriet. Vent, indtil bevægelige dele stopper. Undersøg, om produktet er blevet beskadiget. Spænd løse dele. Reparer skader, og udskift beskadigede dele. Lad et godkendt serviceværksted udføre reparationen.
- Fastgør aldrig motorbremsehåndtaget permanent på styret, når motoren er startet.
- Anbring produktet på et stabilt, fladt underlag, og start det. Sørg for, at kniven ikke rammer jorden eller andre genstande.
- Hold dig altid bag produktet, mens du betjener det.
- Lad alle hjulene blive på jorden, og hold 2 hænder på styret, når du betjener produktet. Hold hænder og fødder på sikker afstand af de roterende knive.
- Vip ikke produktet, når du starter motoren eller under betjening af produktet.
- Vær forsigtig, når du trækker produktet baglæns.
- Løft aldrig produktet, når motoren er startet. Hvis du skal løfte produktet, skal du først stoppe motoren, dreje sikkerhedsnøglen til 0 og afmontere batteriet.
- Gå ikke baglæns, når du bruger produktet.
- Stands motoren, når det er nødvendigt at vippe produktet i forbindelse med transport, eller før du kører på tværs af områder uden græs, f.eks. stier lavet af grus, sten og asfalt.
- Undlad at køre med produktet, når motoren er startet. Gå altid fremad, når du bruger produktet.
- Stands motoren, inden du ændrer klippehøjden. Udfør aldrig justeringer, mens motoren kører.
- Efterlad aldrig produktet uden opsyn, når motoren er startet. Stands motoren, og sørg for, at skæreudstyret ikke roterer.
- Vibrationerne i produktet under betjening kan være forskellige fra den angivne vibrationsværdi i *Tekniske data på side 77*. Forskellen skyldes variationer i, hvordan produktet anvendes. Hvis du bruger produktet ofte eller i længere tid ad gangen, skal du holde pauser regelmæssigt for at undgå skader som følge af vibrationer.

## Sikkerhedsinstruktioner for drift

### Personligt beskyttelsesudstyr



**ADVARSEL:** Læs følgende advarelsinstruktioner, inden du bruger produktet.

- Personligt beskyttelsesudstyr udelukker ikke fuldstændigt risikoen for personskader, men det mindsker graden af skaderne i tilfælde af, at der skulle ske en ulykke. Lad forhandleren hjælpe dig med at vælge det rigtige udstyr.
- Brug kraftige, skridsikre støvler eller sko. Brug ikke åbne sko, og gå heller ikke på bare fødder.
- Brug kraftige, lange bukser.
- Brug om nødvendigt beskyttelseshandsker, f.eks. ved montering, eftersyn eller rengøring af skæreudstyret.
- Vi anbefaler brugen af hørøværn.

### Sikkerhedsanordninger på produktet



**ADVARSEL:** Læs følgende advarelsinstruktioner, inden du bruger produktet.

- Brug ikke et produkt med sikkerhedsanordninger, der er beskadigede eller ikke fungerer korrekt.
- Du må ikke fjerne eller foretage ændringer af sikkerhedsanordninger.
- Kontrollér sikkerhedsanordningerne regelmæssigt. Hvis sikkerhedsanordningerne er beskadigede eller ikke fungerer korrekt, skal du kontakte dit Husqvarna-serviceværksted.

### Sådan kontrolleres klippeskjoldet

Klippeskjoldet mindsker vibrationer i produktet og reducerer risikoen for skader fra klingens.

- Undersøg klippeskjoldet for at sikre, at der ikke er skader såsom revner.

### Sådan kontrolleres sikkerhedsnøglen

Sikkerhedsnøglen er under batterilåget. Sikkerhedsnøglen forbinder det batteri, der forsyner motoren med strøm.

- Start og stop motoren for at kontrollere sikkerhedsnøglen.
- Hvis sikkerhedsnøglen fungerer korrekt, kan motoren kun starte, når nøglen er i position 1. (Fig. 16)

### Sådan kontrolleres det bageste dæksel

Det bageste dæksel mindsker risikoen for, at genstande slynges ud i retning mod operatøren.

- Sørg for, at det bageste dæksel ikke er beskadiget.

- Sørg for, at fjedrene, der lukker det bageste dæksel, ikke er beskadiget.
- Udskift beskadigede fjedre og dele.
- Sørg for, at det bageste dæksel kan bevæge sig frit på hængslerne.

## Sådan kontrolleres motorbremsehåndtaget

Motorbremsehåndtaget standser motoren. Når motorbremsehåndtaget slippes, standser motoren.

- Start produktet. Se *Sådan startes produktet på side 71*.
- Slip motorbremsehåndtaget. (Fig. 17)
- Sørg for, at produktet standser. Hvis motoren ikke standser inden for 3 sekunder, skal et godkendt Husqvarna-serviceværksted justere motorbremsen.

## Sådan kontrolleres startspærren

Efterse startspærren for at sikre, at den forhindrer drift af motoren.

1. Skub bøjlen til fremtrækket i retning mod styret. Startspærren standser bevægelsen.
2. Skub startspærren ud. (Fig. 18)
3. Slip startspærren, og sørg for, at den returnerer til udgangspositionen.

## Batterisikkerhed



**ADVARSEL:** Læs følgende advarselsinstruktioner, inden du bruger produktet.

- Brug kun genopladelige Husqvarna-batterier som strømforsyning til relaterede Husqvarna-produkter. For at undgå personskade må batteriet ikke anvendes som strømforsyning til andre produkter.
- Undgå at bruge ikke-genopladelige batterier.
- Risiko for elektrisk stød. Tilslut ikke batteripolerne til nøgler, mønter, skruer eller andre metalgenstande. Dette kan medføre en kortslutning af batteriet.
- Sæt ikke genstande ind i batteriets luftspalte.
- Hold batteriet væk fra sollys, varme og åben ild. Batteriet kan eksplodere og forårsage forbrændinger og/eller kemiske forbrændinger.
- Hold batteriet væk fra regn og våde omgivelser.
- Hold batteriet væk fra mikrobølger og højt tryk.
- Forsøg ikke at skille batteriet ad eller ødelægge det.
- Hvis batteriet lækker, skal du sørge for, at væsken ikke kommer i kontakt med hud eller øjne. Ved kontakt med væsken skal du skylle området med en stor mængde vand og derefter opsøge lægehjælp.
- Brug kun batteriet i produktet, hvis omgivelsestemperaturen er mellem 5 °C og 40 °C.
- Brug kun batteriopladeren, hvis omgivelsestemperaturen er mellem 5 °C og 40 °C.
- Batteriet oplades ikke, hvis batteriets temperatur er højere end 50 °C.

- Batteriet eller batteriopladeren må aldrig rengøres med vand. Se *Sådan rengøres batteriet og batteriopladeren på side 73*.
- Brug ikke et beskadiget batteri.
- Opbevar batterierne væk fra metalgenstande som f.eks. søm, mønter og smykker.

## Batteriopladersikkerhed



**ADVARSEL:** Læs følgende advarselsinstruktioner, inden du bruger produktet.

- Brug udelukkende QC-batteriopladerne til at oplade udskiftelige Husqvarna-batterier.
- Risiko for elektrisk stød eller kortslutning. Sæt ikke genstande ind i opladerens luftspalter. Forsøg aldrig at adskille batteriopladeren. Forbind ikke batteriopladerens poler med metalgenstande. Brug en godkendt stikkontakt.
- Dette produkt danner et elektromagnetisk felt under betjening. Dette felt kan i visse tilfælde påvirke aktive eller passive medicinske implantater. For at reducere risikoen for alvorlige eller dødbringende kvæstelser anbefaler vi, at personer med medicinske implantater kontakter deres læge og producenten af det medicinske implantat, før de tager produktet i brug.
- Undersøg regelmæssigt, at ledningen til batteriopladeren er intakt, og at der ikke er revner i den.
- Løft aldrig batteriopladeren ved hjælp af ledningen. Træk stikket ud for at afbryde batteriopladeren fra stikkontakten. Træk ikke i strømkablet.
- Hold strømledningen og forlængerledninger væk fra vand, olie og skarpe kanter. Sørg for, at ledningen ikke bliver klemt i døre, hegn eller lignende. Det kan medføre, at opladeren bliver strømførende.
- Batteriopladeren må aldrig rengøres med vand.
- Denne batterioplader kan bruges af børn fra 8 år og opad samt af personer med nedsatte fysiske, følelsesmæssige eller mentale evner eller manglede erfaring og viden, hvis de er under opsyn eller har modtaget træning i brugen af batteriopladeren på en sikker måde og forstår farerne, der er forbundet med brugen. Børn må ikke lege med batteriopladeren. Rengøring og vedligeholdelse må ikke udføres af børn uden overvågning.
- Ikke-genopladelige batterier må ikke oplades i batteriopladeren.
- Brug ikke batteriopladeren i nærheden af brandfarlige materialer eller materialer, der kan medføre korrosion. Tildæk ikke batteriopladeren. I tilfælde af røgafgivelse eller brand skal batteriopladeren afbrydes fra stikkontakten.
- Brug ikke en beskadiget batterioplader.
- Oplad kun batteriet indendørs på et sted med god ventilation og beskyttet mod direkte sollys. Oplad ikke batteriet under våde forhold.

## Sikkerhedsinstruktioner for vedligeholdelse



**ADVARSEL:** Læs følgende advarselsinstruktioner, inden du bruger produktet.

- For at undgå utilsigtet start i forbindelse med vedligeholdelse, skal du dreje sikkerhedsnøglen til 0 og fjerne batteriet. Vent i mindst 5 sekunder, før du påbegynder vedligeholdelse.
- Foretag kun den form for vedligeholdelsesarbejde, der er angivet i denne brugsanvisning. Mere omfattende arbejde og professionelle reparationer skal udføres af et godkendt serviceværksted. Kontakt dit nærmeste serviceværksted for at få flere oplysninger.
- Udfør vedligeholdelsesarbejde korrekt for at øge levetiden for produktet og mindske risikoen for ulykker.
- Udskift beskadigede, slidte eller defekte dele. Brug altid originale reservedele fra producenten. Andre reservedele kan beskadige produktet og øge risikoen for ulykker.
- For at forhindre skader må du ikke fjerne eller foretage ændringer af sikkerhedsanordninger.
- Ifør dig kraftige handsker, når du anvender skæreudstyret. Kniven er meget skarp, og du kan nemt komme til at skære dig.
- Hold klingerne skarpe og rene for at sikre den bedst mulige ydeevne.
- Lad jævnligt serviceværkstedet efterse produktet og foretage de nødvendige justeringer og reparationer.
- Følg vejledningen for, hvordan du udskifter tilbehør. Brug kun tilbehør fra producenten.
- Når de ikke er i drift, skal du holde produktet, batteriet og batteriopladeren adskilt et tørt, indendørs og aflåst sted. Sørg for, at børn og personer, som ikke er godkendt, ikke kan få adgang til produktet, batteriet eller batteriopladeren.

## Montering

### Indledning



**ADVARSEL:** Før du samler produktet, skal du læse sikkerhedskapitlet.



**ADVARSEL:** For at undgå utilsigtet start under monteringen, skal du dreje sikkerhedsnøglen til 0, fjerne batteriet og vente i mindst 5 sekunder.

### Sådan samles håndtaget

**Bemærk:** Det anbefales, at 2 personer udfører denne procedure.

**Bemærk:** Fjern ikke produktet fra æsken, når du samler håndtaget. Æsken kan bruges som støtte for håndtaget under samlingen.

1. Løft og drej håndtaget. (Fig. 19)



**BEMÆRK:** Vær forsigtig, og sørg for, at kablet ikke bliver beskadiget, når du drejer håndtaget.

2. Sæt håndtaget oven på produktet. Vip håndtaget mod kassen for at understøtte håndtaget. Se illustrationen. (Fig. 20)

3. Skub skruen (A) gennem håndtaget (B), plastikskiven (C) og håndtagets støttebeslag (D). (Fig. 21)
4. Spænd møtrikken (E) helt.
5. Fjern produktet fra æsken.
6. Fold håndtaget ud i opretstående stilling. (Fig. 22)
7. Indstil håndtagshøjden til den laveste position. Se *Sådan justeres håndtaget på side 69*.
8. Fastgør kablet til den nederste del af håndtaget med kabelklemmen. (Fig. 23)
9. Fastgør den nederste del af kablet til håndtagets støttebeslag med kabelbinderen. Skær den resterende del af kabelbinderen af. (Fig. 24)

**Bemærk:** Sørg for, at kablet er fastgjort korrekt. Er kablet for løst, kan det blive beskadiget, når græsopsamleren monteres. (Fig. 25)

### Sådan justeres håndtaget

1. Løsn de nederste skruehåndtag.
2. Flyt grebene til den nederste ende af rillerne på venstre og højre side af produktet. (Fig. 26)
3. Sæt håndtagets højde i en af de 2 mulige stillinger.
4. Flyt grebene op i retning af håndtaget, indtil de stopper, og der høres et klik. (Fig. 27)
5. Spænd skruehåndtagene hårdt.

## Indledning



**ADVARSEL:** Før du bruger produktet, skal du læse og forstå kapitlet om sikkerhed.

## Husqvarna Connect

Husqvarna Connect er en gratis app til din mobile enhed. Appen Husqvarna Connect giver udvidede funktioner til dit Husqvarna produkt:

- Yderligere produktoplysninger.
- Oplysninger om, og hjælp til, dele og service.

## Sådan kommer du i gang med at bruge Husqvarna Connect

1. Download Husqvarna Connect appen på din mobile enhed.
2. Tilmeld dig i Husqvarna Connect appen.
3. Følg instruktionerne i Husqvarna Connect appen for at tilslutte og registrere produktet.

## Sådan sættes produktet i driftsstilling

1. Sørg for, at de nederste knapper er løse. Se *Sådan justeres håndtaget på side 69*.
2. Fold håndtaget ud i opretstående stilling. (Fig. 22)
3. Flyt grebene op i retning af håndtaget, indtil de stopper, og der høres et klik. (Fig. 27)
4. Spænd grebene helt.



**ADVARSEL:** Brug ikke produktet, medmindre håndtaget er foldet helt op og indstillet i en af de relevante højdepositioner. Se *Sådan justeres håndtaget på side 69*.

## Sådan indstilles klippehøjden

1. Flyt klippehøjdehåndtaget bagud for at øge klippehøjden.
2. Flyt klippehøjdehåndtaget fremad for at mindske klippehøjden. (Fig. 28)



**BEMÆRK:** Indstil ikke klippehøjden for lavt. Knivene kan ramme jorden, hvis græsplænenes overflade ikke er jævn.

## Batteri



**ADVARSEL:** Inden brug af produktet skal du læse og sætte dig ind i kapitlet om sikkerhed. Du skal også læse og sætte

dig ind i brugsanvisningen for batteriet og batteriopladeren.

Opbevar batteriet og batteriopladeren i de korrekte omgivende temperaturer.

	Omgivelsestemperatur
Betjening af batteriet	5 °C - 40 °C
Opladning af batteriet	5 °C - 40 °C

## Batteristatus

Displayet viser batteriets resterende batterikapacitet, og om der er problemer med batteriet. Tryk på batteriindikatorknappen for at få oplysninger om status for opladning af batteriet. Advarselssymbolet på batteriet er tændt, når der er sket en fejl. Se *Batteri på side 74*.

(Fig. 29)

LED-lygter	Batteristatus
Alle LED'er er tændt	Fuldt opladet (76-100 %)
LED 1, LED 2 og LED 3 er tændt	Batteriet er opladet 51-75 %
LED 1 og LED 2 er tændt	Batteriet er opladet 26-50 %
LED 1 er tændt	Batteriet er opladet 6-25 %.
LED 1 blinker	Batteriet er opladet 0-5 %.

## Sådan oplades batteriet

Oplad batteriet, inden første ibrugtagning. Batteriet er kun 30 % opladet, når det leveres til kunden.

**Bemærk:** Batteriopladeren skal tilsluttes til den spænding og frekvens, der fremgår af typeskiltet.

Batteriet oplades ikke, hvis batteriets temperatur er over 50 °C. Batteriopladeren sænker batteriets temperatur, før det begynder at oplade.

1. Forbind den ene ende af ledningen til batteriopladeren til stikket på batteriopladeren.
2. Forbind den anden ende af ledningen til batteriopladeren til en jordet stikkontakt. LED'en på batteriopladeren blinker grønt én gang. (Fig. 30)
3. Isæt batteriet i batteriopladeren. Den grønne lampe på opladeren lyser, når batteriet er korrekt forbundet med batteriopladeren. (Fig. 31)

4. Når alle LED'erne på batteriet er tændt, er batteriet fuldt opladet. Oplad batteriet i maks. 24 timer.
5. For at afbryde batteriopladeren fra stikkontakten, skal du trække i stikket, ikke i ledningen.
6. Fjern batteriet fra batteriopladeren.

## Sådan startes produktet

1. Åbn batterilåget.
2. Isæt et opladet batteri i 1 af batterirummene. For længere driftstid, skal du isætte et andet opladet batteri i det andet batterirum.
3. Drej sikkerhedsnøglen til 1. (Fig. 32)
4. Stil dig bag produktet.
5. Løsn startspærren. (Fig. 18)
6. Skub bøjlen til fremtrækket i retning mod styret. (Fig. 33)

## Sådan bruges hjulenes fremtræk ((LC 251iS))

- Skub bøjlen til fremtrækket i retning mod styret. (Fig. 34)
- Slip bøjlen til fremtrækket for at frakoble det, f.eks. når du nærmer dig en forhindring.
- Før produktet trækkes baglæns, frakobles fremtrækket, og produktet skubbes ca. 10 cm fremad.

## Sådan bruges SavE™-funktionen

Produktet har en batterisparefunktion (SavE™), der giver længere driftstid.

- Tryk SavE™-knappen til position 1 for at starte funktionen. (Fig. 35)
- Tryk SavE™-knappen til position 0 for at standse funktionen.

**Bemærk:** SavE™-funktionen standser automatisk, hvis terrænforholdene gør det nødvendigt at have en højere effekt. SavE™-funktionen starter automatisk igen, når terrænforholdene gør det muligt.

## Høj belastningsfunktion

Når produktet klipper langt eller vådt græs, øger motoren automatisk o/min. Motoren skifter tilbage til standardtilstand, når høj belastning ikke er nødvendig.

## Motoren stopper

Under betjening kan kniven og motoren midlertidigt stoppe på grund af forhindringer som f.eks. græsblokering under klippeskjoldet. Hvis dette sker, og du holder motorbremsehåndtaget trykket ned, så genstarter produktet automatisk. Hvis produktet ikke genstarter i løbet af 5-10 sekunder, kan det være nødvendigt at rengøre under klippeskjoldet. Se *Sådan rengøres produktet på side 73*.



**ADVARSEL:** Hvis motoren stopper, så forsøger produktet at genstarte automatisk i 5-10 sekunder. Vent i mindst 15 sekunder, før du udfører en kontrol af klippeskjoldet.



**ADVARSEL:** Før en kontrol af klippeskjoldet skal du slippe motorbremsehåndtaget, dreje sikkerhedsnøglen til 0, fjerne batteriet og vente i mindst 5 sekunder. Der er risiko for personskade, hvis forhindringen fjernes, og produktet starter ved et uheld.

## Sådan standses produktet



**ADVARSEL:** Drej sikkerhedsnøglen til 0, før du efterlader produktet uden opsyn.

1. Slip motorbremsehåndtaget for at standse motoren. (Fig. 36)

**Bemærk:** For LC 251iS. For at stoppe hjuldrevet skal du slippe drivbøjlen.

2. Åbn batterilåget, og drej sikkerhedsnøglen til 0. (Fig. 37)
3. Fjern batteriet ved at trykke på de 2 udløserknapper og trække batteriet ud. (Fig. 38)
4. Oplad batteriet, hvis det er svagt. For yderligere oplysninger, se *Sådan oplades batteriet på side 70*.

## Sådan betjenes produktet sammen med græsopsamleren



**ADVARSEL:** Betjen ikke produktet, hvis der ikke er monteret en græsopsamler, eller hvis det bageste dæksel ikke er lukket. Genstande kan slynges ud og forårsage personskade på operatøren.

1. Løft det bageste dæksel. (Fig. 39)
2. Fastgør græsopsamleren til beslaget.
3. Skru det bageste dæksel af, og anbring det oven på græsopsamlerens ramme. (Fig. 40)

## Sådan ændres produktet, så græsset kastes til siden

1. Løft det bageste dæksel, og fjern græsposen, hvis den er monteret.
2. Luk det bageste dæksel, og sørg for, at det slutter tæt til produktet.
3. Løft udkasterlåsen. (Fig. 41)
4. Åbn sideudkastdækslet, og monter sideudkastdeflektoren på støttestifterne. (Fig. 42)

- Lad sideudkastdækslet lukke mod sideudkastdeflektoren. Sørg for, at sideudkastdeflektoren sidder helt fast, før du betjener produktet.

## Sådan tømmes græsopsamleren



**BEMÆRK:** Løft græsopsamleren, når du flytter den, for at undgå slitage.

- Løft græsopsamleren med rammens håndtag.
- Brug ramnehåndtaget og posens håndtag, når du tømmes græsopsamleren. (Fig. 43)

## Sådan opnår du et godt resultat

- Sørg altid for, at klingen er skarp. En sløv klinge giver et uregelmæssigt resultat, og græssets snitflade bliver gul. En skarp klinge bruger desuden mindre energi end en sløv klinge.

- Klip aldrig mere end  $\frac{1}{3}$  af græssets længde. Benyt den højeste klippehøjde, når du begynder at slå græsset. Efterse resultatet, og sænk derefter klippehøjden til det ønskede niveau. Hvis græsset er meget højt, skal du køre langsomt og om nødvendigt klippe 2 gange.
- Klip i forskellige retninger hver gang for at undgå striber i græsplænen.
- Løft bagklappen, og tag græsopsamleren ud.
- Hvis der er monteret en bioklipprop og en findelingsklinge, skal de fjernes.
- Luk det bageste dæksel, før du betjener produktet. Når du betjener produktet, udkastes det afskårne græs under det bageste dæksel.
- Hold klippeafskærmningen ren. Ophobning af græs og snavs på indersiden af klippeafskærmningen kan forringe klipperesultatet. Se *Sådan rengøres produktet på side 73*.

## Vedligeholdelse

### Indledning



**ADVARSEL:** Inden der foretages vedligeholdelse, skal du læse og forstå kapitlet om sikkerhed.

Alt service- og reparationsarbejde på produktet kræver specialuddannelse. Vi garanterer faglig korrekt reparation og service.

Se [www.husqvarna.com](http://www.husqvarna.com) for at få mere detaljerede oplysninger.

### Vedligeholdelsesskema

Vedligeholdelsesintervallerne er fastlagt baseret på daglig brug af produktet. Intervallerne ændres, hvis produktet ikke bruges dagligt.

For vedligeholdelse mærket med \* henvises til vejledningen i *Sikkerhed på side 64*.



	Hver brug	Månedligt	Hver sæson
Foretag et generelt eftersyn	X		
Rengør produktet	X		
Sådan kontrolleres startspærren*	X		
Sørg for, at sikkerhedsanordningerne på produktet ikke er defekte*	X		
Efterse klippeudstyret	X		
Efterse klippebordet*	X		
Kontrollér motorbremsehåndtaget*	X		
Efterse batteriet for skader	X		
Kontrollér batteriopladeren	X		
Sørg for, at udløserknapperne på batteriet fungerer korrekt, og at batteriet låses på plads i produktet	X		
Efterse batteriopladeren for skader, og sørg for, at den fungerer korrekt.		X	
Efterse forbindelserne mellem batteriet og produktet. Efterse også forbindelsen mellem batteriet og batteriopladeren.			X

## Sådan udføres et generelt eftersyn

- Sørg for, at møtrikker og skruer på produktet er spændt.
- Sørg for, at ledningerne på produktet ikke er placeret på en måde, så de kan blive beskadiget.

## Sådan rengøres produktet

- Rengør plasticdele med en ren og tør klud.
- Brug ikke vand til rengøring af produktet. Vand kan trænge ind i batteriet eller motoren og forårsage kortslutning eller beskadigelse af produktet.
- Brug ikke en højtryksenner til at rengøre produktet.
- Sprøjt aldrig vand direkte på motoren.
- Brug en børste til at fjerne blade, græs og snavs.

## Sådan rengøres batteriet og batteriopladeren



**ADVARSEL:** Batteriet eller batteriopladeren må aldrig rengøres med vand.



**ADVARSEL:** Brug ikke kemiske stoffer til at rengøre batteriet.

- Sørg for, at batteriet og opladeren er rene og tørre, før du sætter batteriet i batteriopladeren.
- Rengør batteriets poler med trykluft eller med en blød og tør klud.

- Rens overfladerne på batteriet og batteriopladeren med en blød og tør klud.

## Sådan efterses skæreudstyret



**ADVARSEL:** For at undgå utilsigtet start, skal du dreje sikkerhedsnøglen til 0, fjerne batteriet og vente i mindst 5 sekunder.



**ADVARSEL:** Brug handsker, når du udfører vedligeholdelse på skæreudstyret. Klingen er meget skarp, og du kan nemt komme til at skære dig.

1. Efterse skæreudstyret for skader eller revner. Udskift altid skæreudstyret, hvis det er beskadiget.
2. Kig på klingen for at se, om den er beskadiget eller sløv.

**Bemærk:** Kniven skal afbalanceres, efter den er blevet slebet. Lad et servicecenter skærpe, udskift og afbalancere klingen. Hvis du rammer en forhindring, der får produktet til at standse, udskiftes den beskadigede klinge. Lad servicecenteret vurdere, om klingen kan files, eller om den skal udskiftes.

## Sådan udskiftes bladet

Se *Tekniske data på side 77* for den korrekte type blad.



**ADVARSEL:** Lås kniven med en trækloids for at forhindre skader på fingrene, når du udskifter kniven. Kniven kan bevæge sig, når motoren er slukket, og fingrene kan komme i klemme mellem kniven og de stationære dele.

1. Lås kniven med en trækloids. (Fig. 44)
2. Fjern knivbolten, skiverne og kniven. (Fig. 45)
3. Efterse knivophæng og knivbolt for at se, om der er skader.
4. Efterse motorakslen for at sikre, at den ikke er bøjet.
5. Når du sætter den nye kniv på, skal knivens spidser pege i retning af klippebordet. (Fig. 46)
6. Sørg for, at klingens flugter med motorakslens centrum.
7. Lås kniven med et stykke træ. Monter skiverne, og spænd bolten med et tilspændingsmoment på 23 – 28 Nm. (Fig. 47) (Fig. 45)
8. Træk kniven rundt pr. håndkraft, og kontrollér, at den drejer frit.



**ADVARSEL:** Brug sikkerhedshandsker. Kniven er meget

skarp, og du kan nemt komme til at skære dig.

9. Start produktet for at afprøve kniven. Hvis kniven ikke er korrekt fastgjort, forekommer der vibrationer i produktet, eller klipperesultatet bliver utilfredsstillende.

## Sådan kontrollerer du sideudkastdeflektoren

Sideudkastdeflektoren er fastgjort til produktets sideudkaståbning. Den mindsker risikoen for, at genstande slynges ud i retning af brugerens klippeposition.

1. Sørg for, at sideudkastdeflektoren ikke er beskadiget.
2. Efterse sideudkastdeflektoren. Sørg for, at der ikke er fejl, for eksempel revner eller ødelagte fjedre, som skubber døren i.
3. Udskift sideudkastdeflektoren eller fjedrene, hvis de er beskadigede.

## Fejlfinding

### Batteri

LED på batteriet	Årsag	Løsning
Den grønne LED blinker.	Batterispændingen er lav.	Oplad batteriet. Se <i>Sådan oplades batteriet på side 70</i> .
Batteriets fejl-LED blinker.	Batteriet er for koldt eller for varmt til brug.	Lad batteriet køle ned, eller flyt det indendørs, så det kan varmes op. Når batteriet har den korrekte temperatur, kan det bruges igen. Brug kun batteriet i produktet, hvis omgivelsestemperaturen er mellem 5 °C og 40 °C.
	Batteriet er afladet.	Oplad batteriet. Se <i>Sådan oplades batteriet på side 70</i> .
Batteriets fejl-LED tændes.	Der er en permanent batterifejl.	Kontakt din Husqvarna-serviceforhandler.

## Batterioplader

Lysdiode på batteriopladeren	Årsag	Løsning
Fejl-LED'en blinker eller tændes.	Batteriopladeren er for kold eller for varm til brug.	Lad batteriopladeren køle ned, eller flyt den indendørs, så den kan varmes op. Når batteriopladeren har den korrekte temperatur, kan den bruges igen. Brug batteriopladeren, hvis omgivelsestemperaturen er mellem 5 °C og 40 °C.
	Andre fejl.	Kontakt din Husqvarna-serviceforhandler.

## Plæneklipper

Advarselsindikatoren (fejl-LED) findes under batterilåget.

Problem	Fejl-LED (antal blink)	Årsag	Løsning
Fejl-LED blinker. Produktet fungerer ikke korrekt.	3	Klingen er blokeret.	Drej sikkerhedsnøglen til 0 for at forhindre utilsigtet start. Tag batteriet ud, og vent mindst 5 sekunder. Fjern eventuelle forhindringer, og sørg for, at klingen kan rotere frit. Hvis problemet fortsætter, skal du kontakte din Husqvarna-serviceforhandler.
	5	Motoromdrejningstallet falder for meget, og motoren standser.	Øg klippehøjden. Se <i>Sådan indstilles klippehøjden på side 70</i> .
	6 <sup>13</sup>	Hjulene eller transmissionen er blokeret.	Drej sikkerhedsnøglen til 0 for at forhindre utilsigtet start. Tag batteriet ud, og vent mindst 5 sekunder. Fjern eventuelle forhindringer, og sørg for, at hjulene kan rotere frit. Hvis problemet fortsætter, skal du kontakte din Husqvarna-serviceforhandler.
	10	Kontrolenheden til motoren er for varm.	Stand motoren, og vent, indtil den er blevet kold.
Fejl-LED blinker. Produktet standser.	Ingen blink	Fejl ved batteristik.	Efterse batteristikket.
	3	Der er overbelastning i motoren.	Øg klippehøjden. Se <i>Sådan indstilles klippehøjden på side 70</i> .
	8	Batteriet er svagt.	Oplad batteriet. Se <i>Sådan oplades batteriet på side 70</i> .
	9	Batterifejl eller intet signal fra batteri.	Isæt batteriet korrekt i produktet, og efterse batteristikket. Hvis fejl-LED'en på batteriet blinker. Se <i>Batteri på side 74</i> .
	15	Forkert startprocedure. Motorbremsehåndtaget er blevet aktiveret, før motoren starter.	Slip motorbremsehåndtaget, og vent ca. 5 sekunder. Tryk motorbremsehåndtaget ned igen for at starte produktet.

<sup>13</sup> LC 251iS

Problem	Fejl-LED (antal blink)	Årsag	Løsning
Andre fejl.			Hvis der opstår andre fejl, skal du dreje tændingsnøglen til 0, afmontere batteriet og kontakte din Husqvarna-serviceforhandler.

## Transport, opbevaring og bortskaffelse

### Indledning



**ADVARSEL:** For at undgå utilsigtet start under transport og opbevaring, skal du dreje sikkerhedsnøglen til 0, fjerne batteriet og vente i mindst 5 sekunder.

### Sådan sættes produktet i transportposition

1. Løsn de nederste greb.
2. Flyt grebene til den nederste ende af rillerne på venstre og højre side af produktet. (Fig. 26)
3. Fold håndtaget fremad. (Fig. 48)

### Transport

- Lovkravene om farligt gods gælder for de indeholdte li-ion-batterier.
- Ved kommerciel transport skal særlige krav vedrørende emballering og mærkning overholdes.
- Sørg for at overholde bestemmelserne for farligt materiale, når du klargør produktet til transport. Lokale bestemmelser kan være gældende.
- Fjern altid batteriet ved transport.
- Sæt tape på batteristikkene, og sørg for, at batteriet ikke kan rykke sig under transporten.
- Fastspænd produktet under transport.

### Opbevaring

- Lad produktet køle af før opbevaring.
- Fjern altid batteriet ved opbevaring.
- For at forhindre ulykker, skal du sørge for, at batteriet ikke er tilsluttet produktet under opbevaring.
- Opbevar batteriopladeren et lukket og tørt sted.
- Opbevar batteriet og batteriopladeren et tørt sted, hvor der ikke er fugt eller frost.
- Afbryd forbindelsen mellem batteriet og batteriopladeren under opbevaring.
- Batteriet må ikke opbevares, hvor der kan forekomme statisk elektricitet. Opbevar ikke batteriet i en metalkasse.
- Opbevar produktet på et sted, hvor omgivelsestemperaturen er mellem -10 °C og 40 °C.
- Opbevar batteriet ved omgivelsestemperaturer mellem 5 °C og 25 °C og væk fra sollys.

- Opbevar batteriopladerne ved omgivelsestemperaturer mellem 5 °C og 45°C og væk fra sollys.
- Sørg for, at batteriet er ladet op til 30 % - 50 %, før du sætter det til opbevaring i længere tid.
- Opbevar produktet, batteriet og batteriopladeren et låst sted, der er utilgængeligt for børn og ikke-godkendte personer.
- Rengør produktet, og sørg for, at græsopsamleren er tom.
- Foretag den form for vedligeholdelse, der er beskrevet i denne brugervejledning. Se *Vedligeholdelse på side 72*.
- Udfør fuld service, før du sætter produktet til opbevaring i længere tid.

### Bortskaffelse

Symbolerne på produktet eller emballagen angiver, at produktet ikke må behandles som almindeligt husholdningsaffald. Det skal afleveres til en passende genbrugsstation med henblik på genvinding af elektrisk og elektronisk udstyr.

Hvis du sørger for, at dette produkt håndteres korrekt, kan du være med til at modvirke potentielle negative indvirkninger på mennesker og miljø, som ellers kan være et resultat af fejlagtig affaldshåndtering i forbindelse med dette produkt. Nærmere oplysninger om genanvendelse af dette produkt fås hos kommunen, det lokale renovationselskab eller forretningen, hvor produktet er købt.

(Fig. 49)

## Tekniske data

### Tekniske data

	LC 251i	LC 251iS
<b>Klippemotor</b>		
Motorstype	BLDC (børsteløs) 36 V	BLDC (børsteløs) 36 V
Motoromdrejningstal - SavE, o/min.	2600/min.	2600/min.
Motoromdrejningstal – nominelt, o/min.	3000/min.	3000/min.
Motoromdrejningstal – høj belastning, o/min.	3500/min.	3500/min.
Motoreffekt - maks. kW	1,4	1,4
Motoreffekt – nominel, kW	0,9	0,9
<b>Køremotor</b>		
Motoreffekt – nominel, kW	N/A	0,4
Selvkørende hastighed, km/t	N/A	4,0
Justering af hastighedsniveauer	N/A	1
<b>Vægt</b>		
Vægt uden pose (ekskl. batteri), kg	25,5	27
Vægt med pose (inkl. 2 x BLi30), kg	31,5	33
<b>Batteri</b>		
Batteritype	Husqvarna Batteriserie	Husqvarna Batteriserie
<b>Batteriets driftstid</b>		
Batteriets driftstid, min. (friløb) med SavE aktiveret, med et 7,5 Ah Husqvarna-batteri (BLi30).	58	51
Batteriets driftstid, min. (friløb) med standardtilstand aktiveret, med et 7,5 Ah Husqvarna-batteri (BLi30).	42	38
<b>Støjemissioner <sup>14</sup></b>		
Lydeffektniveau, målt dB(A)	96	96
Lydeffektniveau, garanteret L <sub>WA</sub> dB (A)	98	98
<b>Lydniveauer <sup>15</sup></b>		
Lydryksniveau ved brugerens øre, dB(A)	85	85
<b>Vibrationsniveauer <sup>16</sup></b>		
Styr, m/s <sup>2</sup>	0,7	0,7

<sup>14</sup> Støjemissioner til omgivelserne målt som lydeffekt (L<sub>WA</sub>) i henhold til EF-direktiv 2000/14/EF.

<sup>15</sup> Rapporterede data for lydryksniveau har en usikkerhedsfaktor (K) på 1,5 dB(A).

<sup>16</sup> Rapporterede data for vibrationsniveau har en usikkerhedsfaktor (K) på 1,5m/s<sup>2</sup>. Den angivne samlede vibrationsværdi er målt i henhold til standard EN 62841-4-3, bilag I, og kan anvendes til at sammenligne en maskine med en anden og i en indledende vurdering af udsættelse for vibrationer.

	LC 251i	LC 251iS
<b>Klippødstyr</b>		
Klippehøjde, mm	25-75	25-75
Klippebredde, mm	510	510
Kniv – standard	Opsamling 5928704-01	Opsamling 5928704-01
Græsopsamlerens kapacitet, liter	65	65

Godkendte batterier	Type	Batterikapacitet, Ah	Spænding, V	Vægt, kg
BLi30	Lithiumion	7,5	36	1,9
40-B140	Lithiumion	4,0	36	1,2

Godkendte opladere til de angivne batterier, BLi	Indgangsspænding, V	Frekvens, Hz	Effekt, watt
40-C80	100-240	50-60	68,8
QC250	100-240	50-60	250

# Overensstemmelseserklæring

## EU-overensstemmelseserklæring

Vi, **Husqvarna AB**, SE-561 82 Huskvarna, Sverige,  
tlf.: +46-36-146500 erklærer under eneansvar, at det  
pågældende produkt:

<b>Beskrivelse</b>	Plæneklipper
<b>Varemærke</b>	Husqvarna
<b>Type / model</b>	LC 251i, LC 251iS
<b>Identifikation</b>	Serienumrene fra 2023 og fremefter

overholder følgende EU-direktiver og bestemmelser:

<b>Regulativ</b>	<b>Beskrivelse</b>
2006/42/EF	"vedrørende maskiner"
2014/30/EU	"vedrørende elektromagnetisk kompatibilitet"
2000/14/EF	"vedrørende støjemissioner til omgivelserne"
2011/65/EU	"om begrænsning af anvendelsen af visse farlige stoffer i elektrisk og elektronisk udstyr"

og at følgende standarder og/eller tekniske  
specifikationer anvendes: EN 62841-1:2015/A11:2022,  
EN IEC 62841-4-3:2021/A11:2021, EN IEC  
55014-1:2021, EN IEC 55014-2:2021, EN IEC  
63000:2018

Bemyndiget organ: 0404, SMP Svensk Maskinprovning  
AB, Box 4053, SE-904 03 Umeå, Sweden har bekræftet,  
at bestemmelserne i Rådets direktiv 2000/14/EF,  
procedure for overensstemmelsesvurdering: Bilag VI.

Vedr. oplysninger om støjemission, se *Tekniske data på  
side 77*.

Huskvarna, 2023-12-11



Claes Losdal, udviklingschef/haveprodukter, Husqvarna  
AB

Ansvarlig for teknisk dokumentation



---

# Inhalt

---

Einleitung.....	80	Fehlerbehebung.....	92
Sicherheit.....	81	Transport, Lagerung und Entsorgung.....	94
Montage.....	87	Technische Daten.....	97
Betrieb.....	88	Konformitätserklärung.....	99
Wartung.....	90		

---

## Einleitung

---

### Produktbeschreibung

Das Gerät ist ein handgeführter Rasenmäher. Das Gras wird in einem Grasfänger gesammelt. Bringen Sie das seitliche Auswurfprallblech für den Seitenauswurf des Grases an.

### Geräteübersicht

(Abb. 1)

1. Motorbremsgriff
2. Startsperr
3. Antriebsgriff (LC 251iS)
4. Heckklappe
5. Grasfänger
6. Griffknopf
7. Schnitthöhenhebel
8. Auswurfsperr
9. Abdeckung Seitenauswurf
10. Akkudeckel
11. Symbole
12. Sicherheitsschlüssel
13. Warnanzeige (Fehler-LED)
14. SavE-Taste (Energiespartaste)
15. Schneidwerkabdeckung
16. Griff/Lenker
17. Hebegriffe
18. Seitenauswurf
19. Bedienungsanleitung

### Symbole auf dem Gerät

(Abb. 2)      WARNUNG

(Abb. 3)      Lesen Sie die Anweisungen.

(Abb. 4)      WARNUNG: Achten Sie auf hochgeschleuderte Gegenstände.

(Abb. 5)      Zuschauer sollten einen Sicherheitsabstand einhalten.

(Abb. 6)      WARNUNG: Halten Sie Hände und Füße von den Klängen fern.

### Verwendungszweck

Verwenden Sie das Gerät zum Schneiden von Gras.  
Verwenden Sie das Gerät nicht für andere Aufgaben.

(Abb. 7)      WARNUNG: Trennen Sie vor der Wartung den Akku.

(Abb. 8)      Das Gerät und die Verpackung des Geräts dürfen nicht über den Hausmüll entsorgt werden. Recyceln Sie es an einer Recyclingstation für elektrische und elektronische Geräte.

(Abb. 9)      Etikett mit Geräuschemissionen gemäß EU- und UK-Richtlinien und Verordnungen sowie der australischen „Protection of the Environment Operations (Noise Control) Regulation 2017“ (Umweltschutz-/Lärmschutzbestimmung) von New South Wales. Der garantierte Schalleistungspegel des Geräts ist unter *Technische Daten auf Seite 97* und auf dem Etikett angegeben.

(Abb. 10)      Dieses Anbaugerät stimmt mit den geltenden CE-Richtlinien überein.

(Abb. 11)      Dieses Gerät entspricht den geltenden UK-Richtlinien.

(Abb. 12)      Das Gerät ist tropfgeschützt.

(Abb. 13)      Lassen Sie den Motorbremsgriff los, um den Motor zu stoppen.

(Abb. 14)      Scanbarer Code.

---

**Hinweis:** Sonstige Symbole/Aufkleber auf dem Gerät beziehen sich auf Zertifizierungsanforderungen, die in einigen Märkten gelten.

---



## Etikett auf dem Gerät

(Abb. 15)

GEFAHR: Halten Sie mit Händen und Füßen sicheren Abstand.

## Produktschäden

Wir haften nicht für Schäden an unserem Produkt, wenn:

- das Gerät nicht ordnungsgemäß repariert wird.

- das Gerät mit Teilen repariert wird, die nicht vom Hersteller stammen oder nicht vom Hersteller zugelassen sind.
- ein Zubehörtel mit dem Gerät verwendet wird, das nicht vom Hersteller stammt oder nicht vom Hersteller zugelassen ist.
- das Gerät nicht bei einem zugelassenen Service Center oder von einem zugelassenen Fachmann repariert wird.

---

# Sicherheit

---

## Sicherheitsdefinitionen

Warnungen, Vorsichtsmaßnahmen und Hinweise werden verwendet, um auf besonders wichtige Teile der Bedienungsanleitung hinzuweisen.



**WARNUNG:** Wird verwendet, wenn bei Nichtbeachtung der Anweisungen in diesem Handbuch die Gefahr von Verletzung oder Tod des Bedieners oder anderer Personen besteht.



**ACHTUNG:** Wird verwendet, wenn bei Nichtbeachtung der Anweisungen in diesem Handbuch die Gefahr von Schäden am Gerät, an anderen Materialien oder in der Umgebung besteht.

**Hinweis:** Für weitere Informationen, die in bestimmten Situationen nötig sind.

## Allgemeine Sicherheitshinweise zum Gerät



**WARNUNG:** Beachten Sie alle für das Gerät vorgesehenen Sicherheitshinweise, Anleitungen, Abbildungen und technischen Daten. Wenn Sie die unten stehenden Anweisungen nicht befolgen, kann dies zu elektrischen Schlägen, Brand und/oder schweren Verletzungen führen.

Bewahren Sie alle Warnhinweise und Anweisungen für spätere Referenzzwecke auf. Die Bezeichnung „Gerät“ in den Warnhinweisen bezieht sich auf ein Gerät mit Netzbetrieb (über ein Kabel) oder Akkubetrieb (kabellos).

## Sicherheit im Arbeitsbereich

- **Sorgen Sie für einen sauberen und gut ausgeleuchteten Arbeitsbereich.** Durch zugestellte oder dunkle Arbeitsbereiche steigt die Unfallgefahr stark an.

- **Betreiben Sie das Gerät niemals an Orten, an denen Explosionsgefahr besteht, z. B. in der Nähe von leicht entzündlichen Flüssigkeiten, Gasen oder Staubsammlungen.** Bei der Arbeit mit dem Gerät kann es zu Funkenbildung kommen, wodurch sich Stäube oder Dämpfe entzünden können.
- **Sorgen Sie bei der Arbeit mit dem Gerät dafür, dass sich keine Kinder oder unbefugte Personen in der Nähe befinden.** Durch Ablenkungen können Sie die Kontrolle über das Werkzeug verlieren.

## Elektrische Sicherheit

- **Die Netzstecker des Geräts müssen zur Steckdose passen. Der Netzstecker darf in keiner Weise verändert werden. Verwenden Sie bei Geräten mit Schutzkontakt (geerdet) niemals Adapterstecker.** Nicht modifizierte Stecker und Steckdosen reduzieren das Risiko eines Elektroschocks.
- **Vermeiden Sie Körperkontakt mit geerdeten Gegenständen wie Rohrleitungen, Heizungen, Herden oder Kühlschränken.** Bei Körperkontakt mit geerdeten Gegenständen besteht ein erhöhtes Stromschlagrisiko.
- **Setzen Sie das Gerät weder Regen noch Feuchtigkeit aus.** Wenn Wasser in das Gerät eindringt, erhöht sich das Stromschlagrisiko.
- **Verwenden Sie das Anschlusskabel nicht missbräuchlich. Verwenden Sie das Anschlusskabel niemals zum Tragen oder Heranziehen des Geräts, und ziehen Sie den Stecker nicht am Anschlusskabel aus der Steckdose. Halten Sie das Kabel fern von Hitzequellen, Öl, scharfen Kanten und beweglichen Teilen.** Beschädigte oder verdrehte Anschlusskabel erhöhen das Stromschlagrisiko.
- **Wenn Sie das Gerät im Freien benutzen, verwenden Sie ein für den Außeneinsatz geeignetes Verlängerungskabel.** Die Verwendung eines für den Außeneinsatz geeigneten Kabels verringert das Risiko eines elektrischen Schlags.
- **Falls der Einsatz des Geräts in einer feuchten Umgebung nicht zu vermeiden ist, benutzen Sie eine Stromversorgung mit FI-Schutzschalter (RCD).** Die Verwendung eines FI-Schutzschalters verringert das Risiko eines Stromschlags.

## Persönliche Sicherheit

- **Bleiben Sie aufmerksam, achten Sie auf das, was Sie tun, und setzen Sie Ihren gesunden Menschenverstand ein, wenn Sie mit dem Gerät arbeiten. Verwenden Sie das Gerät nicht, wenn Sie müde sind oder unter dem Einfluss von Drogen, Alkohol oder Medikamenten stehen.** Bei der Arbeit mit dem Gerät können bereits kurze Phasen der Unaufmerksamkeit zu schweren Verletzungen führen.
- **Tragen Sie eine persönliche Schutzausrüstung. Tragen Sie stets einen Augenschutz.** Schutzausrüstung wie Atemschutzmaske, rutschsichere Sicherheitsschuhe, Schutzhelm und Gehörschutz senkt bei angemessenem Einsatz das Verletzungsrisiko.
- **Vermeiden Sie ein versehentliches Starten. Achten Sie darauf, dass sich der Schalter in der AUS-Stellung befindet, bevor Sie das Gerät an die Stromversorgung und/oder den Akku anschließen oder es hochheben oder herumtragen.** Durch Herumtragen des Geräts mit dem Finger am Schalter bzw. das Einstecken des Steckers bei betätigtem Schalter erhöht sich das Unfallrisiko.
- **Entfernen Sie sämtliche Einstellschlüssel, bevor Sie das Gerät einschalten.** Ein an einem beweglichen Teil des Geräts angebrachter Schlüssel kann zu Verletzungen führen.
- **Arbeiten Sie nicht über die normale Reichweite hinaus. Achten Sie jederzeit darauf, sicher zu stehen und das Gleichgewicht zu bewahren.** Dadurch haben Sie das Gerät in unerwarteten Situationen besser im Griff.
- **Kleiden Sie sich richtig. Tragen Sie niemals lose sitzende Kleidung oder Schmuck. Halten Sie Haar und Kleidung von beweglichen Teilen fern.** Lose sitzende Kleidung, Schmuck oder langes Haar kann von beweglichen Teilen erfasst werden.
- **Wenn Anschlüsse für Staubabsaug- und Staubsammelvorrichtungen vorhanden sind, sorgen Sie dafür, dass diese richtig angeschlossen und eingesetzt werden.** Die Verwendung von Staubsammelvorrichtungen kann staubbedingte Gefahren verringern.
- **Auch wenn Sie durch häufige Verwendung bestens mit dem Gerät vertraut sind, dürfen Sie keinesfalls nachlässig werden und die Sicherheitsgrundsätze ignorieren.** Eine achtlose Handlung kann im Bruchteil einer Sekunde zu schweren Verletzungen führen.

## Produktverwendung und -pflege

- **Wenden Sie keine Gewalt an. Beschränken Sie sich für Ihren Einsatz auf das korrekte Gerät.** Das korrekte Gerät wird die Aufgabe besser und sicherer und mit der Leistung ausführen, für die es ausgelegt ist.
- **Benutzen Sie das Gerät nicht, wenn es sich nicht am Schalter ein- und ausschalten lässt.** Jedes Gerät,

das nicht mit dem Schalter betätigt werden kann, stellt eine Gefahr dar und muss repariert werden.

- **Trennen Sie das Gerät von der Stromversorgung bzw. entfernen Sie den Akku, bevor Sie Einstellungen vornehmen, Zubehörteile austauschen oder das Gerät verstauen.** Mit diesen Präventivmaßnahmen reduzieren Sie das Risiko eines versehentlichen unkontrollierten Starts des Gerätes.
- **Lagern Sie nicht benutzte Geräte außerhalb der Reichweite von Kindern, und lassen Sie nicht zu, dass Personen das Gerät bedienen, die nicht mit dem Gerät selbst und/oder diesen Anweisungen vertraut sind.** Die Geräte stellen in ungeschulten Händen eine Gefahr dar.
- **Pflegen Sie das Gerät und das Zubehör. Prüfen Sie, ob bewegliche Teile falsch eingestellt sind oder klemmen und ob Teile gebrochen oder so weit beschädigt sind, dass der sichere Betrieb des Geräts beeinträchtigt werden kann. Bei Beschädigungen lassen Sie das Gerät reparieren, bevor Sie es benutzen.** Viele Unfälle sind auf schlechte Gerätewartung zurückzuführen.
- **Halten Sie Schneidwerkzeuge scharf und sauber.** Ordnungsgemäß gewartete Schneidwerkzeuge mit scharfen Schneidkanten bleiben seltener hängen und sind einfacher zu bedienen.
- **Benutzen Sie das Gerät, Zubehör, Werkzeugspitzen und Ähnliches in Übereinstimmung mit diesen Anweisungen und auf die für das jeweilige Elektrowerkzeug bestimmungsgemäße Weise und beachten Sie dabei die jeweiligen Arbeitsbedingungen und die Art der auszuführenden Arbeiten.** Der Einsatz des Geräts für bestimmungswidrige Zwecke kann zu Gefahrensituationen führen.
- **Halten Sie die Handgriffe und Griffflächen trocken, sauber und frei von Öl und Fett.** Wenn Handgriffe und Griffflächen rutschig sind, kann das Gerät in unerwarteten Situationen nicht sicher bedient und kontrolliert werden.

## Verwendung und Pflege von akkubetriebenen Werkzeugen

- **Eine Aufladung darf nur mit dem vom Hersteller vorgeschriebenen Ladegerät durchgeführt werden.** Durch ein für einen bestimmten Akkutyp geeignetes Ladegerät kann Brandgefahr entstehen, wenn es für einen anderen Akku verwendet wird.
- **Verwenden Sie Geräte nur mit speziell für sie ausgezeichneten Akkus.** Die Verwendung anderer Akkus kann zu Verletzungs- und Brandgefahr führen.
- **Wird der Akku nicht verwendet, halten Sie ihn von Metallgegenständen wie Büroklammern, Münzen, Schlüsseln, Nägeln, Schrauben oder anderen kleineren Metallobjekten fern, da es zu einer Überbrückung der Kontakte kommen könnte.** Durch Kurzschluss der Akkuklemmen kann es zu Verbrennungen oder Bränden kommen.

- **Unter missbräuchlichen Bedingungen kann Flüssigkeit aus dem Akku austreten; vermeiden Sie Kontakt damit. Bei versehentlichem Hautkontakt sofort mit Wasser abspülen. Sollten Ihre Augen damit in Berührung gekommen sein, suchen Sie sofort ärztliche Hilfe auf.** Durch austretende Flüssigkeit aus dem Akku kann es zu Reizungen oder Verbrennungen kommen.
- **Verwenden Sie keinen Akku und kein Werkzeug, der bzw. das defekt ist oder modifiziert wurde.** Beschädigte oder modifizierte Akkus können ein unvorhersehbares Verhalten aufweisen, welches zu Feuer, Explosionen oder Verletzungsgefahren führen kann.
- **Setzen Sie Akku oder Werkzeug niemals Feuer oder sehr hohen Temperatur aus.** Feuer oder Temperaturen über 130 °C/265 F können zu einer Explosion führen.
- **Befolgen Sie die Ladeanweisungen und laden Sie den Akku oder das Werkzeug niemals bei Temperaturen außerhalb den in der Anleitung angegebenen Temperaturbereichen auf.** Unsachgemäßes Aufladen oder Aufladen bei Temperaturen außerhalb des angegebenen Bereichs kann den Akku beschädigen und die Brandgefahr erhöhen.

## Service

- **Lassen Sie Ihr Gerät von einem qualifizierten Fachmann reparieren, und bestehen Sie darauf, dass nur Originalersatzteile verwendet werden.** Auf diese Weise wird die Sicherheit des Geräts nicht beeinträchtigt.
- **Warten Sie niemals beschädigte Akkus.** Akkus dürfen nur vom Hersteller oder von autorisierten Serviceanbietern gewartet werden.

## Sicherheitshinweise für Rasenmäher

- **Verwenden Sie den Rasenmäher nicht bei schlechten Wetterverhältnissen, insbesondere dann, wenn das Risiko eines Blitzschlags besteht.** Dadurch wird die Gefahr eines Blitzschlags reduziert.
- **Untersuchen Sie den Bereich, in dem der Rasenmäher eingesetzt werden soll, sorgfältig auf Tiere.** Tiere können im Betrieb durch den Rasenmäher verletzt werden.
- **Inspizieren Sie sorgfältig das Gelände, in dem der Rasenmäher eingesetzt werden soll, und entfernen Sie alle losen Gegenstände wie Steine, Stöcke, Kabel, Knochen und sonstige Fremdoobjekte.** Aufgeschleuderte Gegenstände können schwere Verletzungen verursachen.
- **Bevor Sie den Rasenmäher verwenden, stellen Sie sicher, dass Klinge und Klingeneinheit nicht abgenutzt oder beschädigt sind.** Abgenutzte oder beschädigte Teile erhöhen das Verletzungsrisiko.
- **Überprüfen Sie den Grasfänger regelmäßig auf Verschleiß und abnehmende Leistung.** Ein

abgenutzter oder beschädigter Grasfänger kann das Risiko von Verletzungen erhöhen.

- **Nehmen Sie keine Veränderungen an den Schutzvorrichtungen vor. Die Schutzvorrichtungen müssen funktionstüchtig und ordnungsgemäß angebracht sein.** Eine lose, beschädigte oder nicht ordnungsgemäß funktionierende Schutzvorrichtung kann zu Verletzungen führen.
- **Halten Sie alle Kühllufteinlässe frei von Verunreinigungen.** Verstopfte Luftpfeileinlässe und Verunreinigungen können zu Überhitzung oder Brandgefahr führen.
- **Tragen Sie beim Betrieb des Rasenmähers stets rutschfeste Sicherheitsschuhe. Bedienen Sie den Rasenmäher nicht barfuß oder mit offenen Sandalen.** Dadurch wird die Gefahr von Verletzungen an den Füßen durch Kontakt mit der rotierenden Klinge verringert.
- **Tragen Sie beim Betrieb des Rasenmähers stets eine lange Hose.** Freiliegende Haut erhöht die Wahrscheinlichkeit von Verletzungen durch aufgeschleuderte Gegenstände.
- **Verwenden Sie den Rasenmäher nicht in feuchtem Gras. Gehen Sie, auf keinen Fall dürfen Sie laufen.** So reduzieren Sie die Verletzungsgefahr durch Wegrutschen und Stürze.
- **Betreiben Sie den Rasenmäher nicht an übermäßig steilen Hängen.** So reduzieren Sie die Verletzungsgefahr durch Kontrollverlust, Wegrutschen oder Stürze.
- **Achten Sie bei Arbeiten an Hängen immer auf festen Stand, arbeiten Sie immer quer statt längs zum Hang, und gehen Sie beim Richtungswechsel mit äußerster Vorsicht vor.** So reduzieren Sie die Verletzungsgefahr durch Kontrollverlust, Wegrutschen oder Stürze.
- **Lassen Sie besondere Vorsicht walten, wenn Sie den Rasenmäher rückwärts bewegen oder zum Körper ziehen. Achten Sie stets auf Ihre Umgebung.** So reduzieren Sie die Stolpergefahr im Betrieb.
- **Berühren Sie keine Klingen und andere gefährliche bewegliche Teile, während diese sich noch bewegen.** So reduzieren Sie die Verletzungsgefahr durch bewegliche Teile.
- **Stellen Sie beim Beseitigen von eingeklemmtem Material oder beim Reinigen des Rasenmähers sicher, dass alle Schalter ausgeschaltet sind und der Akku getrennt ist.** Ein unerwarteter Start des Rasenmähers kann zu schweren Verletzungen führen.
- **Stellen Sie beim Beseitigen von eingeklemmtem Material oder beim Reinigen des Rasenmähers sicher, dass alle Schalter ausgeschaltet sind und der Netzstecker getrennt ist.** Ein unerwarteter Start des Rasenmähers kann zu schweren Verletzungen führen.

## Fehlerstromschutzschalter

- Verwenden Sie einen Fehlerstromschutzschalter mit einem Auslösestrom von maximal 30 mA.

## Allgemeine Sicherheitshinweise

---



**WARNUNG:** Lesen Sie die folgenden Warnhinweise, bevor Sie das Gerät verwenden.

---

- Dieses Gerät ist gefährlich, wenn es falsch bedient wird oder Sie unvorsichtig sind. Wenn die Sicherheitshinweise nicht befolgt werden, kann dies zu Verletzungen oder zum Tod führen.
  - Dieses Gerät erzeugt beim Betrieb ein elektromagnetisches Feld. Dieses Feld kann sich unter bestimmten Bedingungen auf die Funktionsweise aktiver oder passiver medizinischer Implantate auswirken. Um die Gefahr von Situationen, die zu schweren oder tödlichen Verletzungen führen können, auszuschließen, sollten Personen mit einem medizinischen Implantat vor der Nutzung dieses Geräts ihren Arzt und den Hersteller des Implantats konsultieren.
  - Lassen Sie immer Vorsicht walten, und arbeiten Sie mit gesundem Menschenverstand. Wenn Sie sich nicht sicher sind, wie das Gerät in einer bestimmten Situation zu bedienen ist, unterbrechen Sie die Arbeit und wenden sich an Ihren Husqvarna-Händler, bevor Sie fortfahren.
  - Denken Sie daran, dass der Bediener für Unfälle mit anderen Personen oder deren Eigentum verantwortlich ist.
  - Halten Sie das Gerät sauber. Stellen Sie sicher, dass Symbole und Aufkleber deutlich lesbar sind.
  - Verhindern Sie, dass Kinder oder Personen, die mit den Anweisungen nicht vertraut sind, das Gerät benutzen. Unter Umständen gelten gesetzlich vorgeschriebene Altersbeschränkungen für den Bediener.
  - Stellen Sie sicher, dass Personen mit verminderter physischer oder psychischer Leistungsfähigkeit dieses Gerät nicht unbeaufsichtigt verwenden. Es muss immer ein verantwortlicher Erwachsener anwesend sein.
  - Verwenden Sie das Gerät nicht, wenn Sie müde oder krank sind oder unter Einfluss von Alkohol, Drogen oder Medikamenten stehen. Dies wirkt sich negativ auf Ihre Sehkraft, Ihre Aufmerksamkeit sowie Ihr Koordinations- und Urteilsvermögen aus.
  - Verwenden Sie das Gerät nicht, wenn es beschädigt ist oder nicht ordnungsgemäß funktioniert.
  - Verändern oder verwenden Sie dieses Gerät nicht, wenn die Möglichkeit besteht, dass es durch Dritte verändert wurde.
- Verwenden Sie dieses Gerät nur zum Mähen von Rasenflächen. Es ist nicht erlaubt, das Gerät für andere Aufgaben zu verwenden.
  - Tragen Sie eine persönliche Schutzausrüstung. Siehe *Persönliche Schutzausrüstung auf Seite 85*.
  - Stellen Sie sicher, dass Sie wissen, wie der Motor in einem Notfall schnell gestoppt werden kann.
  - Verwenden Sie das Gerät nicht im Regen oder in feuchter Umgebung. Das Risiko eines elektrischen Schlags wird erhöht, wenn Wasser in das Gerät eindringt.
  - Starten Sie das Gerät nicht, bevor die Klinge und alle Abdeckungen korrekt befestigt sind. Eine falsch befestigte Klinge kann sich lösen und Verletzungen verursachen.
  - Stellen Sie sicher, dass die Klinge nicht auf Gegenstände wie Steine und Wurzeln trifft. Dies kann die Klinge beschädigen und die Motorwelle verbiegen. Eine verbogene Achse führt zu starken Vibrationen und birgt ein hohes Risiko, dass die Klinge sich löst.
  - Wenn die Klinge auf ein Objektiv trifft oder Vibrationen auftreten, müssen Sie das Gerät sofort abstellen. Stoppen Sie den Motor, drehen Sie den Sicherheitsschlüssel auf 0 und nehmen Sie den Akku heraus. Warten Sie, bis die beweglichen Teile stillstehen. Das Gerät auf Beschädigungen untersuchen. Befestigen Sie alle lockeren Teile. Reparieren bzw. ersetzen Sie alle beschädigten Teile. Lassen Sie die Reparatur von einer zugelassenen Servicewerkstatt durchführen.
  - Befestigen Sie den Motorbremsbügel niemals fest am Griff, wenn der Motor läuft.
  - Stellen Sie das Gerät auf eine stabile, flache Oberfläche und starten Sie es. Stellen Sie sicher, dass die Klinge nicht den Boden oder ein anderes Objekt berührt.
  - Bleiben Sie immer hinter dem Gerät, wenn Sie es betreiben.
  - Lassen Sie alle Räder auf dem Boden bleiben, und halten Sie den Griff mit beiden Händen, wenn Sie das Gerät betreiben. Halten Sie Hände und Füße von den rotierenden Klingen fern.
  - Kippen Sie das Gerät nicht, wenn Sie den Motor starten oder das Gerät betreiben.
  - Seien Sie vorsichtig, wenn Sie das Gerät nach hinten ziehen.
  - Heben Sie das Gerät nicht hoch, wenn der Motor läuft. Wenn Sie das Produkt anheben müssen, stoppen Sie zuerst den Motor, drehen Sie den Sicherheitsschlüssel auf 0 und nehmen Sie den Akku heraus.
  - Gehen Sie nicht rückwärts, wenn Sie das Gerät betreiben.
  - Stellen Sie den Motor ab, wenn das Gerät für den Transport gekippt oder auf grasfreien Flächen (z. B. Kies-, Pflaster- oder Asphaltwege) bewegt werden soll.

## Arbeitssicherheit

---



**WARNUNG:** Lesen Sie die folgenden Warnhinweise, bevor Sie das Gerät benutzen.

---

- Rennen Sie nicht mit dem Gerät, wenn der Motor läuft. Gehen Sie immer, wenn Sie das Gerät benutzen.
- Stellen Sie den Motor ab, bevor Sie die Schnitthöhe verändern. Verändern Sie die Einstellungen niemals, wenn der Motor läuft.
- Lassen Sie das Gerät niemals aus den Augen, wenn der Motor läuft. Stellen Sie den Motor ab und stellen Sie sicher, dass sich die Schneidausrüstung nicht dreht.
- Die Vibrationen des Geräts im Betrieb können von dem in *Technische Daten auf Seite 97* angegebenen Vibrationswert abweichen. Diese Abweichung entsteht durch die verschiedenen Nutzungsweisen des Geräts. Wenn Sie das Gerät häufig oder über längere Zeit betreiben, legen Sie regelmäßig Pausen ein, um Verletzungen durch Vibrationen zu vermeiden.

## Sicherheitshinweise für den Betrieb

### Persönliche Schutzausrüstung



**WARNUNG:** Lesen Sie die folgenden Warnhinweise, bevor Sie das Gerät benutzen.

- Die persönliche Schutzausrüstung kann Verletzungen nicht vollständig vermeiden, vermindert aber den Umfang der Verletzungen und Schäden bei einem Unfall. Lassen Sie sich bei der Auswahl der richtigen Ausrüstung von Ihrem Händler beraten.
- Tragen Sie rutschfeste Sicherheitsstiefel oder -schuhe. Verwenden Sie keine offenen Schuhe, und gehen Sie nicht barfuß.
- Tragen Sie schwere, lange Hosen.
- Tragen Sie bei Bedarf Schutzhandschuhe, beispielsweise bei der Montage, der Untersuchung oder der Reinigung der Schneidausrüstung.
- Wir empfehlen die Verwendung eines Gehörschutzes.

### Sicherheitsvorrichtungen am Gerät



**WARNUNG:** Lesen Sie die folgenden Warnhinweise, bevor Sie das Gerät verwenden.

- Verwenden Sie kein Gerät mit Sicherheitsvorrichtungen, die beschädigt sind oder nicht ordnungsgemäß funktionieren.
- Sicherheitsvorrichtungen dürfen nicht entfernt oder verändert werden.
- Führen Sie regelmäßig eine Überprüfung der Sicherheitsvorrichtungen durch. Wenn die Sicherheitsvorrichtungen beschädigt sind oder nicht ordnungsgemäß funktionieren, wenden Sie sich an den Kundendienst von Husqvarna.

## So überprüfen Sie den Schneidschutz

Der Schneidschutz verringert Vibrationen im Gerät und das Verletzungsrisiko durch die Klinge.

- Untersuchen Sie die Schneidewerkabdeckung, um sicherzustellen, dass es keine Beschädigungen wie zum Beispiel Risse gibt.

## So kontrollieren Sie den Sicherheitsschlüssel

Der Sicherheitsschlüssel befindet sich unter der Akkuabdeckung. Mit dem Sicherheitsschlüssel wird der Akku angeschlossen, der den Motor mit Strom versorgt.

- Starten und stoppen Sie den Motor, um den Sicherheitsschlüssel zu kontrollieren.
- Wenn der Sicherheitsschlüssel ordnungsgemäß funktioniert, kann der Motor nur starten, wenn der Sicherheitsschlüssel auf Position 1 steht. (Abb. 16)

## So prüfen Sie die hintere Abdeckung

Die hintere Abdeckung verringert das Risiko, dass Gegenstände in Richtung des Bedieners ausgeworfen werden.

- Vergewissern Sie sich, dass die hintere Abdeckung nicht beschädigt ist.
- Stellen Sie sicher, dass die Federn, die die hintere Abdeckung schließen, nicht beschädigt sind.
- Ersetzen Sie beschädigte Federn und Teile.
- Stellen Sie sicher, dass sich die hintere Abdeckung problemlos an den Scharnieren bewegen lässt.

## Motorbremsgriff prüfen

Der Motorbremsgriff stoppt den Motor. Wenn der Motorbremsgriff losgelassen wird, stoppt der Motor.

- Starten Sie das Gerät. Siehe *So starten Sie das Gerät auf Seite 89*.
- Lassen Sie den Motorbremsgriff los. (Abb. 17)
- Vergewissern Sie sich, dass das Gerät zum Stehen gekommen ist. Wenn der Motor nicht innerhalb von 3 Sekunden stoppt, lassen Sie die Motorbremse von einer autorisierten Husqvarna-Servicewerkstatt einstellen.

## Startsperre prüfen

Führen Sie eine Prüfung der Startsperre durch, um sicherzustellen, dass diese den Betrieb des Motors verhindert.

1. Drücken Sie den Motorbremsgriff in Richtung des Lenkers. Die Startsperre stoppt die Bewegung.
2. Drücken Sie die Startsperre heraus. (Abb. 18)
3. Lösen Sie die Startsperre, und stellen Sie sicher, dass sie sich zurück in die Ausgangsstellung bewegt.

## Sicherer Umgang mit Akkus

---



**WARNUNG:** Lesen Sie die folgenden Warnhinweise, bevor Sie das Gerät verwenden.

---

- Verwenden Sie die wiederaufladbaren Akkus von Husqvarna nur als Stromversorgung für zugehörige Husqvarna Produkte. Um Verletzungen zu vermeiden, verwenden Sie den Akku nicht zur Energieversorgung anderer Geräte.
- Verwenden Sie keine nicht aufladbaren Akkus.
- Es besteht die Gefahr von elektrischen Schlägen. Verbinden Sie die Akkuklemmen nicht mit Schlüsseln, Münzen, Schrauben oder anderen metallischen Gegenständen. Dadurch kann es zu einem Kurzschluss des Akkus kommen.
- Legen Sie keine Gegenstände in die Luftschlitze des Akkus.
- Halten Sie den Akku von direkter Sonneneinstrahlung, Hitze oder offenem Feuer fern. Der Akku kann explodieren und Verbrennungen und/oder chemische Verbrennungen verursachen.
- Halten Sie den Akku von Regen und Feuchtigkeit fern.
- Halten Sie den Akku von Mikrowellen und hohem Druck fern.
- Versuchen Sie nicht, den Akku zu zerlegen oder aufzubrechen.
- Wenn aus dem Akku Flüssigkeit austritt, vermeiden Sie Haut- oder Augenkontakt mit dieser. Sollten Sie dennoch mit der Flüssigkeit in Berührung gekommen sein, reinigen Sie den Bereich mit ausreichend Wasser und suchen Sie medizinische Hilfe auf.
- Der Akku darf nur im Gerät verwendet werden, wenn die Umgebungstemperatur zwischen 5 und 40 °C liegt.
- Das Akkuladegerät darf nur verwendet werden, wenn die Umgebungstemperatur zwischen 5 und 40 °C liegt.
- Der Akku wird nicht aufgeladen, wenn die Akkutemperatur mehr als 50 °C beträgt.
- Reinigen Sie weder den Akku noch das Ladegerät mit Wasser. Siehe *So reinigen Sie den Akku und das Ladegerät auf Seite 91*.
- Verwenden Sie keinen beschädigten Akku.
- Lagern Sie Akkus getrennt von Metallgegenständen wie Nägeln, Münzen und Schmuck.

## Sicherer Umgang mit dem Ladegerät

---



**WARNUNG:** Lesen Sie die folgenden Warnhinweise, bevor Sie das Gerät verwenden.

---

- Verwenden Sie die QC Ladegeräte nur zum Laden von Husqvarna Akkus.

- Stromschlag- oder Kurzschlussgefahr. Legen Sie keine Gegenstände in die Luftschlitze des Ladegeräts. Das Ladegerät nicht zerlegen. Verbinden Sie die Anschlüsse des Ladegeräts nicht mit Metallgegenständen. Verwenden Sie eine geprüfte Netzsteckdose.
- Dieses Gerät erzeugt beim Betrieb ein elektromagnetisches Feld. Dieses Feld kann sich unter bestimmten Bedingungen auf die Funktionsweise aktiver oder passiver medizinischer Implantate auswirken. Um die Gefahr von Situationen, die zu schweren oder tödlichen Verletzungen führen können, auszuschließen, sollten Personen mit einem medizinischen Implantat vor der Nutzung dieses Geräts ihren Arzt und den Hersteller des Implantats konsultieren.
- Prüfen Sie regelmäßig, dass das Netzkabel des Akkuladegeräts nicht beschädigt ist und dass keine Risse vorhanden sind.
- Heben Sie das Ladegerät nicht am Netzkabel an. Um das Ladegerät von der Steckdose zu trennen, ziehen Sie am Netzstecker. Ziehen Sie nicht am Netzkabel.
- Achten Sie darauf, dass Netzkabel und Verlängerungskabel nicht mit Wasser, Öl oder scharfen Kanten in Berührung kommen. Achten Sie darauf, dass die Kabel nicht in Türen, Zäunen o. ä. eingeklemmt werden. Es besteht sonst die Gefahr, dass das Ladegerät unter Strom gestellt wird.
- Reinigen Sie das Ladegerät nicht mit Wasser.
- Das Akkuladegerät kann von Kindern ab 8 Jahren sowie von Personen mit eingeschränkten physischen, sensorischen oder psychischen Fähigkeiten bzw. Personen ohne jegliche Erfahrung oder Kenntnisse verwendet werden, wenn sie beaufsichtigt werden oder ihnen die sichere Verwendung des Ladegeräts ausführlich erklärt wurde und sie sich der Gefahren bewusst sind. Kinder dürfen nicht mit dem Ladegerät spielen. Reinigung und Wartung durch den Benutzer dürfen nicht von Kindern ohne Aufsicht durchgeführt werden.
- Setzen Sie keine nicht wiederaufladbaren Akkus in das Ladegerät ein.
- Das Ladegerät darf nicht in der Nähe von entflammaren Materialien oder Materialien, die Korrosion verursachen können, verwendet werden. Das Ladegerät darf nicht abgedeckt werden. Bei Rauchentwicklung oder Feuer muss der Stecker des Ladegeräts sofort aus der Steckdose gezogen werden.
- Verwenden Sie kein beschädigtes Ladegerät.
- Laden Sie den Akku nur in geschlossenen Räumen an einem Ort mit guter Luftzirkulation und ohne direkte Sonneneinstrahlung. Auf keinen Fall Akkus in feuchter Umgebung laden.

## Sicherheitshinweise für die Wartung



**WARNUNG:** Lesen Sie die folgenden Warnhinweise, bevor Sie das Gerät benutzen.

- Um ein unbeabsichtigtes Starten während der Wartung zu vermeiden, drehen Sie den Sicherheitsschlüssel auf 0 und nehmen Sie den Akku heraus. Warten Sie mindestens 5 Sekunden, bevor Sie mit der Wartung beginnen.
- Führen Sie die Wartung nur gemäß dieser Betriebsanleitung durch. Größere Eingriffe und professionelle Reparaturen sind von einer zugelassenen Servicewerkstatt auszuführen. Weitere Informationen erhalten Sie von Ihrer Servicewerkstatt.
- Führen Sie die Wartungsarbeiten zur Erhöhung der Lebensdauer des Geräts und Verringerung der Unfallgefahr ordnungsgemäß aus.
- Ersetzen Sie beschädigte, abgenutzte oder defekte Teile. Verwenden Sie nur die vom Hersteller angebotenen Originalersatzteile. Andere Ersatzteile können das Gerät beschädigen und die Unfallgefahr erhöhen.
- Um Verletzungen zu vermeiden, entfernen oder verändern Sie keine Sicherheitsvorrichtungen.
- Tragen Sie beim Umgang mit der Schneidausrüstung schwere Arbeitshandschuhe. Die Klinge ist sehr scharf, und man schneidet sich sehr leicht.
- Halten Sie die Schnittkanten sauber und scharf für die beste und sicherste Leistung.
- Ihre Servicewerkstatt sollte das Gerät regelmäßig überprüfen und notwendige Einstellungen und Reparaturen vornehmen.
- Befolgen Sie die Anweisungen für das Auswechseln von Zubehörteilen. Verwenden Sie nur Zubehör vom Gerätehersteller.
- Wenn es nicht in Betrieb ist, bewahren Sie Gerät, Akku und Ladegerät getrennt an einem trockenen und abgeschlossenen Ort auf. Achten Sie darauf, dass Kinder und unbefugte Personen keinen Zugriff auf das Gerät, den Akku oder das Ladegerät haben.

## Montage

### Einleitung



**WARNUNG:** Lesen Sie das Kapitel über Sicherheit vor der Montage des Produkts.



**WARNUNG:** Um ein unbeabsichtigtes Starten bei der Montage zu verhindern, drehen Sie den Sicherheitsschlüssel auf 0, entfernen Sie den Akku und warten Sie mindestens 5 Sekunden.

### So montieren Sie den Griff

**Hinweis:** Es wird empfohlen, dass 2 Personen dieses Verfahren durchführen.

**Hinweis:** Nehmen Sie das Gerät nicht aus der Verpackung, wenn Sie den Griff montieren. Die Verpackung kann während der Montage als Stütze für den Griff verwendet werden.

1. Den Griff anheben und drehen. (Abb. 19)



**ACHTUNG:** Achten Sie darauf, dass das Kabel nicht beschädigt wird, wenn Sie den Griff drehen.

2. Platzieren Sie den Griff oben auf dem Gerät. Neigen Sie den Griff so, dass der Karton als Stütze dient. Siehe Abbildung. (Abb. 20)

3. Schieben Sie die Schraube (A) durch den Griff (B), die Kunststoffscheibe (C) und die Griffhalterung (D). (Abb. 21)
4. Ziehen Sie die Mutter (E) vollständig fest.
5. Nehmen Sie das Gerät aus der Verpackung.
6. Klappen Sie den Griff nach oben. (Abb. 22)
7. Stellen Sie die Handgriffhöhe auf die niedrigste Stufe ein. Siehe *So stellen Sie den Handgriff ein auf Seite 87*.
8. Befestigen Sie das Kabel mit der Kabelklemme am unteren Teil des Handgriffs. (Abb. 23)
9. Befestigen Sie den unteren Teil des Kabels mit dem Kabelbinder an der Griffhalterung. Schneiden Sie den verbleibenden Teil des Kabelbinders ab. (Abb. 24)

**Hinweis:** Vergewissern Sie sich, dass das Kabel richtig angebracht ist. Wenn das Kabel zu locker sitzt, kann es beschädigt werden, wenn der Grasfänger montiert wird. (Abb. 25)

### So stellen Sie den Handgriff ein

1. Lösen Sie die unteren Knöpfe.
2. Schieben Sie die Knöpfe zum unteren Ende der Nuten an der linken und rechten Seite des Geräts. (Abb. 26)
3. Stellen Sie die Höhe des Griffs in einer der 2 verfügbaren Positionen ein.
4. Bewegen Sie die Knöpfe nach oben in Richtung Griff, bis sie den Anschlag erreichen und ein Klicken zu hören ist. (Abb. 27)

5. Ziehen Sie die Knöpfe vollständig fest.

## Betrieb

### Einleitung



**WARNUNG:** Vor dem Betrieb des Gerätes müssen Sie die Sicherheitsinformationen lesen und verstehen.

### Husqvarna Connect

Husqvarna Connect ist eine kostenlose App für Ihr Mobilgerät. Die Husqvarna Connect App bietet erweiterte Funktionen für Ihr Gerät:

- Erweiterte Produktinformationen
- Informationen über Produktteile und -wartung sowie entsprechende Hilfe dazu.

### So verwenden Sie Husqvarna Connect

1. Laden Sie die Husqvarna Connect App auf Ihr Mobiltelefon.
2. Anmeldung bei der Husqvarna Connect App.
3. Befolgen Sie die Anweisungen in der Husqvarna Connect App, um sich zu verbinden und das Gerät zu registrieren.

### So bringen Sie das Gerät in die Betriebsposition

1. Stellen Sie sicher, dass die unteren Knöpfe locker sind. Siehe *So stellen Sie den Handgriff ein auf Seite 87*.
2. Klappen Sie den Griff nach oben. (Abb. 22)
3. Bewegen Sie die Knöpfe nach oben in Richtung Griff, bis sie den Anschlag erreichen und ein Klicken zu hören ist. (Abb. 27)
4. Ziehen Sie die Knöpfe vollständig fest.



**WARNUNG:** Das Gerät darf nur in Betrieb genommen werden, wenn der Griff ganz hochgeklappt und in einer der vorgesehenen Höhenstufen arretiert ist. Siehe *So stellen Sie den Handgriff ein auf Seite 87*.

### So stellen Sie die Schnitthöhe ein

1. Bewegen Sie den Schnitthöhenhebel nach hinten, um die Schnitthöhe zu erhöhen.
2. Bewegen Sie den Schnitthöhenhebel nach vorne, um die Schnitthöhe zu verringern. (Abb. 28)



**ACHTUNG:** Stellen Sie die Schnitthöhe nicht zu niedrig ein. Die Klingen können auf

den Boden treffen, wenn die Oberfläche des Rasens nicht eben ist.

### Akku



**WARNUNG:** Vor dem Betrieb des Akkus müssen Sie die Sicherheitsinformationen lesen und verstehen. Sie müssen außerdem Bedienungsanleitung für den Akku und das Ladegerät lesen und verstehen.

Sorgen Sie für die richtigen Umgebungstemperaturen von Akku und Ladegerät.

	Umgebungstemperatur
Betrieb des Akkus	5 bis 40 °C
Laden des Akkus	5 bis 40 °C

### Akkuladezustand

Auf der Anzeige werden der verbleibende Ladezustand und eventuelle Störungen des Akkus angezeigt. Drücken Sie die Akkuanzeigtaste, um Informationen zum Ladezustand des Akkus zu erhalten. Das Warnsymbol auf dem Akku ist an, wenn eine Störung vorliegt. Siehe *Akku auf Seite 92*.

(Abb. 29)

LED-Leuchten	Akkuladezustand
Alle LEDs leuchten	Volle Ladung (76-100 %)
LED 1, LED 2 und LED 3 leuchten	Der Akku ist zu 51-75 % geladen.
LED 1 und LED 2 leuchten	Der Akku ist zu 26-50 % geladen.
LED 1 leuchtet	Der Akku ist zu 6-25 % geladen.
LED 1 blinkt	Der Akku ist zu 0-5 % geladen.

### So laden Sie den Akku

Laden Sie den Akku vor dem ersten Gebrauch. Der Akku ist bei der Auslieferung an den Kunden nur zu 30 % geladen.

**Hinweis:** Das Ladegerät muss mit der auf dem Typenschild angegebenen Spannung und Frequenz angeschlossen werden.



Der Akku wird nicht aufgeladen, wenn die Akkutemperatur über 50 °C beträgt. Das Ladegerät verringert die Temperatur des Akkus, bevor es zu laden beginnt.

1. Schließen Sie ein Ende des Netzkabels für das Ladegerät an die Anschlussbuchse des Ladegeräts an.
2. Schließen Sie das andere Ende des Netzkabels für das Ladegerät an eine geerdete Steckdose an. Die LED am Ladegerät blinkt einmal grün. (Abb. 30)
3. Die Batterie in das Ladegerät einlegen. Die grüne Leuchte auf dem Ladegerät leuchtet auf, wenn der Akku richtig mit dem Ladegerät verbunden ist. (Abb. 31)
4. Wenn alle LEDs am Akku leuchten, ist der Akku vollständig aufgeladen. Laden Sie den Akku für maximal 24 Stunden.
5. Um das Ladegerät von der Steckdose zu trennen, ziehen Sie am Netzstecker und nicht am Netzkabel.
6. Den Akku aus dem Ladegerät entnehmen.

## So starten Sie das Gerät

1. Öffnen Sie den Akkudeckel.
2. Legen Sie einen aufgeladenen Akku in einen der Akkuhalter ein. Für eine längere Betriebsdauer legen Sie einen zweiten aufgeladenen Akku in den anderen Akkuhalter ein.
3. Drehen Sie den Sicherheitsschlüssel auf 1. (Abb. 32)
4. Halten Sie sich immer hinter dem Gerät auf.
5. Lösen Sie die Startsperrung. (Abb. 18)
6. Drücken Sie den Motorbremsgriff in Richtung des Lenkers. (Abb. 33)

## So treiben Sie die Räder an (LC 251iS)

- Drücken Sie den Antriebsgriff in die Richtung des Lenkers. (Abb. 34)
- Lassen Sie den Antriebsgriff los, um den Antrieb zu deaktivieren, z. B. wenn Sie sich einem Hindernis nähern.
- Bevor Sie das Gerät nach hinten ziehen, kuppeln Sie den Antrieb aus und schieben das Gerät ca. 10 cm nach vorne.

## So verwenden Sie die SavE™-Funktion

Das Gerät ist mit einer Akkusparfunktion (SavE™) ausgestattet, um die Betriebsdauer zu verlängern.

- Drücken Sie die SavE™-Taste in Position 1, um die Funktion zu starten. (Abb. 35)
- Drücken Sie die SavE™-Taste in Position 0, um die Funktion zu stoppen.

**Hinweis:** Die SavE™-Funktion stoppt automatisch, wenn die Bodenbeschaffenheit eine höhere Leistung

erfordert. Die SavE™-Funktion startet automatisch erneut, wenn die Bodenbeschaffenheit es zulässt.

## Funktion für hohe Belastung

Wenn das Produkt langes oder nasses Gras schneidet, wird die Motordrehzahl automatisch erhöht. Der Motor wechselt zurück zum normalen Modus, wenn eine hohe Belastung nicht erforderlich ist.

## Motor stirbt ab

Im Betrieb können Klinge und Motor durch Hindernisse (z. B. Verstopfung durch Gras unter der Schneidwerkabdeckung) blockiert und abgewürgt werden. Wenn dies geschieht und Sie den Motorbremsgriff gedrückt halten, macht das Gerät einen automatischen Neustart. Wenn das Gerät nicht innerhalb von 5-10 Sekunden neu startet, muss der Bereich unter der Schneidwerkabdeckung eventuell gereinigt werden. Siehe *So reinigen Sie das Gerät auf Seite 91*.



**WARNUNG:** Wenn der Motor anhält, versucht das Gerät 5-10 Sekunden lang, automatisch neu zu starten. Warten Sie mindestens 15 Sekunden, bevor Sie die Schneidwerkabdeckung überprüfen.



**WARNUNG:** Bevor Sie die Schneidwerkabdeckung prüfen, lösen Sie den Motorbremsgriff, drehen den Sicherheitsschlüssel auf 0, entnehmen den Akku und warten mindestens 5 Sekunden. Wenn das Hindernis entfernt wird, besteht Verletzungsgefahr durch einen versehentlichen Neustart des Geräts.

## So stoppen Sie das Gerät



**WARNUNG:** Stellen Sie den Sicherheitsschlüssel auf 0, bevor Sie das Gerät unbeaufsichtigt lassen.

1. Lösen Sie den Motorbremsgriff, um den Motor auszuschalten. (Abb. 36)

**Hinweis:** Für LC 251iS. Um den Antrieb der Räder zu stoppen, lassen Sie den Antriebsgriff los.

2. Öffnen Sie die Akkuabdeckung, und drehen Sie den Sicherheitsschlüssel auf 0. (Abb. 37)
3. Um den Akku zu entfernen, drücken Sie die 2 Entriegelungstasten und ziehen den Akku heraus. (Abb. 38)
4. Laden Sie den Akku, wenn er schwach ist. Weitere Informationen finden Sie unter *So laden Sie den Akku auf Seite 88*.

## So verwenden Sie das Gerät mit dem Grasfänger



**WARNUNG:** Bedienen Sie das Gerät nicht ohne Grasfänger oder mit geöffneter hinterer Abdeckung. Objekte können herausgeschleudert werden und den Bediener verletzen.

1. Heben Sie die hintere Abdeckung an. (Abb. 39)
2. Bringen Sie den Grasfänger auf der Halterung an.
3. Lösen Sie die hintere Abdeckung, und legen Sie sie auf den Rahmen des Grasfangbeutels. (Abb. 40)

## So versetzen Sie das Gerät in den Modus „Seitenauswurf“

1. Heben Sie die hintere Abdeckung an, und entfernen Sie den Grasfangbeutel (sofern vorhanden).
2. Schließen Sie die hintere Abdeckung, und stellen Sie sicher, dass sie dicht am Gerät abschließt.
3. Heben Sie die Auswurfsperrung an. (Abb. 41)
4. Öffnen Sie die Abdeckung des Seitenauswurfs, und montieren Sie das seitliche Auswurfprallblech auf die Aufлагestifte. (Abb. 42)
5. Die Abdeckung des Seitenauswurfs muss mit dem seitlichen Auswurfprallblech abschließen. Stellen Sie sicher, dass das seitliche Auswurfprallblech fest sitzt, bevor Sie das Gerät in Betrieb nehmen.

## So leeren Sie den Grasfänger



**ACHTUNG:** Heben Sie den Grasfänger an, wenn Sie ihn bewegen, um Verschleiß zu vermeiden.

1. Heben Sie den Grasfänger mit dem Rahmengriff an.
2. Verwenden Sie den Rahmengriff und den Beutelgriff, wenn Sie den Grasfänger leeren. (Abb. 43)

## So erhalten Sie ein gutes Arbeitsergebnis

- Benutzen Sie immer eine scharfe Klinge. Eine stumpfe Klinge liefert ein unregelmäßiges Ergebnis, und die Schnittfläche des Grasses wird gelb. Eine scharfe Klinge verbraucht außerdem weniger Energie als eine stumpfe Klinge.
- Schneiden Sie nicht mehr als  $\frac{1}{3}$  der Länge des Grasses ab. Verwenden Sie die höchste Schnitthöhe, wenn Sie mit dem Schneiden des Grasses beginnen. Überprüfen Sie das Ergebnis, und senken Sie die Schnitthöhe auf eine entsprechende Stufe. Wenn das Gras sehr lang ist, gehen Sie langsam vor, und mähen Sie bei Bedarf zweimal.
- Mähen Sie bei jedem Mal in eine andere Richtung, um Streifen auf dem Rasen zu vermeiden.
- Heben Sie die hintere Abdeckung an, und entfernen Sie den Grasfänger.
- Wenn ein Mulcheinsatz und eine Mulchklinge angebracht sind, entfernen Sie diese.
- Schließen Sie die hintere Abdeckung, bevor Sie das Gerät verwenden. Wenn Sie das Gerät verwenden, wird das geschnittene Gras unterhalb der hinteren Abdeckung ausgeworfen.
- Halten Sie die Schneidwerkabdeckung sauber. Ansammlungen von Gras und Schmutz auf der Innenseite der Schneidwerkabdeckung können das Schneidergebnis beeinträchtigen. Siehe *So reinigen Sie das Gerät auf Seite 91*.

## Wartung

### Einleitung



**WARNUNG:** Bevor Sie eine Wartung durchführen, müssen Sie das Kapitel über die Sicherheit lesen und verstehen.

Für alle Wartungs- und Reparaturarbeiten am Produkt ist eine spezielle Schulung erforderlich. Wir garantieren die Verfügbarkeit von professionellen Reparaturen und Wartungsarbeiten.

Genauere Informationen finden Sie unter [www.husqvarna.com](http://www.husqvarna.com).

### Wartungsplan

Die Wartungsintervalle werden anhand der täglichen Nutzung des Geräts berechnet. Die Intervalle ändern sich, wenn das Gerät nicht täglich verwendet wird.

Für Wartungsarbeiten, die mit \* gekennzeichnet sind, siehe Anweisungen unter *Sicherheit auf Seite 81*.

	Nach jedem Einsatz	Monatlich	Zu jeder Jahreszeit
Eine allgemeine Inspektion durchführen	X		
Das Gerät reinigen	X		

	Nach jedem Einsatz	Monatlich	Zu jeder Jahreszeit
Die Startsperr prüfen *	X		
Sicherstellen, dass die Sicherheitsvorrichtungen am Gerät nicht beschädigt sind *	X		
Die Schneidaustrüstung prüfen	X		
Die Schneidwerkabdeckung prüfen *	X		
Den Motorbremsbügel prüfen *	X		
Den Akku auf Schäden kontrollieren	X		
Den Ladezustand des Akkus überprüfen	X		
Sicherstellen, dass die Entriegelungstasten am Akku richtig funktionieren und der Akku in das Gerät einrastet	X		
Das Ladegerät auf Beschädigungen überprüfen und sicherstellen, dass es ordnungsgemäß funktioniert.		X	
Die Verbindungen zwischen Akku und Gerät überprüfen. Die Verbindung zwischen Akku und Ladegerät ebenfalls überprüfen.			X

## So führen Sie eine allgemeine Inspektion durch

- Stellen Sie sicher, dass die Muttern und Schrauben am Produkt nicht beschädigt sind.
- Stellen Sie sicher, dass die Kabel an dem Produkt nicht so liegen, dass sie beschädigt werden könnten.

## So reinigen Sie das Gerät

- Kunststoffteile mit einem sauberen und trockenen Tuch reinigen.
- Verwenden Sie kein Wasser zur Reinigung des Produkts. Wasser kann in den Akku oder den Motor eindringen und einen Kurzschluss oder andere Schäden am Produkt verursachen.
- Reinigen Sie das Gerät nicht mit einem Hochdruckreiniger.
- Lassen Sie kein Wasser direkt auf den Motor gelangen.
- Verwenden Sie einen Pinsel, um Blätter, Gras und Schmutz zu entfernen.

## So reinigen Sie den Akku und das Ladegerät



**WARNUNG:** Reinigen Sie weder den Akku noch das Ladegerät mit Wasser.



**WARNUNG:** Verwenden Sie keine chemischen Substanzen zum Reinigen des Akkus.

- Stellen Sie sicher, dass der Akku und das Ladegerät sauber und trocken sind, bevor Sie den Akku in das Ladegerät einlegen.
- Reinigen Sie die Akkuklemmen mit Druckluft oder einem weichen, trockenen Tuch.
- Reinigen Sie die Oberflächen des Akkus und des Ladegeräts mit einem weichen, trockenen Tuch.

## So prüfen Sie die Schneidaustrüstung



**WARNUNG:** Um ein unbeabsichtigtes Starten zu verhindern, drehen Sie den Sicherheitsschlüssel auf 0, entfernen Sie den Akku und warten Sie mindestens 5 Sekunden.



**WARNUNG:** Tragen Sie Schutzhandschuhe, wenn Sie an der Schneidaustrüstung eine Wartung durchführen. Die Klinge ist sehr scharf und man schneidet sich sehr leicht.

1. Prüfen Sie die Schneidaustrüstung auf Beschädigungen oder Risse. Wechseln Sie eine beschädigte Schneidaustrüstung unbedingt aus.
2. Schauen Sie sich die Klinge an, um festzustellen, ob sie beschädigt oder stumpf ist.

**Hinweis:** Nach dem Schärfen muss die Klinge ausbalanciert werden. Lassen Sie eine Servicewerkstatt die Klinge schärfen, ersetzen und ausbalancieren. Wenn Sie auf ein Hindernis treffen, das das Produkt zum Halten bringt, ersetzen Sie die beschädigte Klinge.

Lassen Sie die Werkstatt beurteilen, ob die Klinge geschliffen werden kann oder ersetzt werden muss.

## So tauschen Sie die Klinge aus

Siehe *Technische Daten auf Seite 97* für weitere Informationen zum richtigen Klingentyp.



**WARNUNG:** Sichern Sie die Klinge mit einem Holzblock, um Verletzungen der Finger beim Austausch der Klinge zu vermeiden. Die Klinge lässt sich bei ausgeschaltetem Motor bewegen, sodass die Finger zwischen Klinge und feststehenden Teilen eingeklemmt werden können.

1. Arretieren Sie die Klinge mit einem Holzblock. (Abb. 44)
2. Entfernen Sie die Klingenschraube, die Scheiben und die Klinge. (Abb. 45)
3. Prüfen Sie die Halterung und den Bolzen der Klinge, um festzustellen, ob Beschädigungen vorliegen.
4. Prüfen Sie die Motorwelle, um sicherstellen, dass sie nicht geknickt ist.
5. Wenn Sie die neue Klinge montieren, zeigen die abgewinkelten Enden der Klinge in die Richtung der Schneidwerkabdeckung. (Abb. 46)
6. Stellen Sie sicher, dass die Klinge mit der Mitte der Motorwelle ausgerichtet ist.
7. Arretieren Sie die Klinge mit einem Stück Holz. Befestigen Sie die Scheiben, und ziehen Sie die Schraube mit einem Drehmoment von 23 – 28 Nm fest. (Abb. 47) (Abb. 45)

8. Drehen Sie die Klinge mit der Hand, um sicherzustellen, dass sie sich einwandfrei dreht.



**WARNUNG:** Tragen Sie Sicherheitshandschuhe. Die Klinge ist sehr scharf, und man schneidet sich sehr leicht.

9. Starten Sie das Gerät, um die Klinge zu prüfen. Wenn die Klinge nicht richtig befestigt ist, gibt es im Gerät Vibrationen, oder das Schneidergebnis ist unbefriedigend.

## So prüfen Sie das seitliche Auswurfprallblech

Das seitliche Auswurfprallblech ist an der seitlichen Auswurföffnung des Geräts angebracht. Es verringert die Gefahr, dass Gegenstände in die Richtung der Mähposition des Bedieners ausgeworfen werden.

1. Vergewissern Sie sich, dass das seitliche Auswurfprallblech nicht beschädigt ist.
2. Untersuchen Sie das seitliche Auswurfprallblech. Stellen Sie sicher, dass keine Schäden zu sehen sind, z. B. Risse oder gebrochene Federn, durch die die Tür zuge drückt wird.
3. Ersetzen Sie das seitliche Auswurfprallblech oder die Federn, wenn sie beschädigt sind.

## Fehlerbehebung

### Akku

LED-Anzeige am Akku	Ursache	Lösung
Die grüne LED blinkt.	Die Akkuspannung ist niedrig.	Batterie aufladen. Siehe <i>So laden Sie den Akku auf Seite 88</i> .
Die Akku-Warn-LED blinkt.	Der Akku ist für die Verwendung zu kalt oder zu warm.	Den Akku abkühlen lassen oder in den Innenbereich verlagern, um ihn zu erwärmen. Wenn der Akku die richtige Temperatur hat, kann er wieder verwendet werden. Der Akku darf nur im Gerät verwendet werden, wenn die Umgebungstemperatur zwischen 5 und 40 °C liegt.
	Der Akku ist leer.	Batterie aufladen. Siehe <i>So laden Sie den Akku auf Seite 88</i> .
Die Akku-Fehler-LED leuchtet auf.	Es liegt ein dauerhafter Akkufehler vor.	Wenden Sie sich an Ihren Husqvarna Servicehändler.

## Ladegerät

Die LED am Akkuladegerät	Ursache	Lösung
Die Fehler-LED blinkt oder leuchtet auf.	Das Akkuladegerät ist für die Verwendung zu kalt oder zu warm.	Das Akkuladegerät abkühlen lassen oder in den Innenbereich verlagern, um es zu erwärmen. Wenn das Akkuladegerät die richtige Temperatur hat, kann es wieder verwendet werden. Das Akkuladegerät darf nur verwendet werden, wenn die Umgebungstemperatur zwischen 5 und 40 °C liegt.
	Andere Fehler.	Wenden Sie sich an Ihren Husqvarna Servicehändler.

## Rasenmäher

Die Warnanzeige (Fehler-LED) befindet sich unter der Akkuabdeckung.

Problem	Fehler-LED (Blinkanzahl)	Ursache	Lösung
Fehler-LED blinkt. Das Gerät arbeitet nicht korrekt.	3	Die Klinge ist blockiert.	Den Sicherheitsschlüssel auf 0 drehen, um ein versehentliches Starten zu verhindern. Den Akku entfernen und mindestens 5 Sekunden warten. Mögliche Hindernisse entfernen und sicherstellen, dass sich die Klinge frei drehen kann. Wenn das Problem weiterhin besteht, wenden Sie sich an Ihren Husqvarna Servicehändler.
	5	Die Motordrehzahl fällt zu stark ab, und der Motor stoppt.	Die Schnitthöhe erhöhen. Siehe <i>So stellen Sie die Schnitthöhe ein auf Seite 88</i> .
	6 <sup>17</sup>	Die Räder sind oder das Getriebe ist blockiert.	Den Sicherheitsschlüssel auf 0 drehen, um ein versehentliches Starten zu verhindern. Den Akku entfernen und mindestens 5 Sekunden warten. Potenzielle Hindernisse entfernen und sicherstellen, dass sich die Räder frei drehen können. Wenn das Problem weiterhin besteht, wenden Sie sich an Ihren Husqvarna Servicehändler.
	10	Die Motorsteuerung ist zu heiß.	Den Motor abschalten und warten, bis er sich abgekühlt hat.

<sup>17</sup> LC 251iS

Problem	Fehler-LED (Blinkanzahl)	Ursache	Lösung
Fehler-LED blinkt. Das Gerät schaltet sich ab.	Kein Blinken	Akku-Anschluss defekt.	Akku-Anschluss überprüfen.
	3	Der Motor ist überlastet.	Die Schnitthöhe erhöhen. Siehe <i>So stellen Sie die Schnitthöhe ein auf Seite 88</i> .
	8	Der Akku ist schwach.	Batterie aufladen. Siehe <i>So laden Sie den Akku auf Seite 88</i> .
	9	Akkufehler oder kein Signal vom Akku.	Den Akku korrekt in das Gerät einsetzen und den Akku-Anschluss überprüfen. Wenn die Fehler-LED am Akku blinkt. Siehe <i>Akku auf Seite 92</i> .
15	Falsche Vorgehensweise beim Anlassen. Der Motorbremsgriff wurde vor dem Motorstart betätigt.	Den Motorbremsgriff lösen und ca. 5 Sekunden warten. Den Motorbremsgriff erneut nach unten drücken, um das Gerät zu starten.	
Andere Fehler.	Wenn andere Fehler auftreten, stellen Sie den Sicherheitsschlüssel auf 0, entfernen den Akku und wenden sich an Ihren Husqvarna Servicehändler.		

## Transport, Lagerung und Entsorgung

### Einleitung



**WARNUNG:** Um ein unbeabsichtigtes Starten bei Transport und Lagerung zu verhindern, drehen Sie den Sicherheitsschlüssel auf 0, entfernen den Akku und warten mindestens 5 Sekunden.

### So bringen Sie das Gerät in die Transportposition

1. Lösen Sie die unteren Knöpfe.
2. Schieben Sie die Knöpfe zum unteren Ende der Nuten an der linken und rechten Seite des Geräts. (Abb. 26)
3. Klappen Sie den Griff nach vorn. (Abb. 48)

### Transport

- Die enthaltenen Lithium-Ionen-Batterien unterliegen den gesetzlichen Bestimmungen zu gefährlichen Gütern.
- Für gewerbliche Transporte müssen besondere Anforderungen bei Verpackung und Kennzeichnung eingehalten werden.
- Stellen Sie sicher, dass Sie sich an die Vorschriften für gefährliche Güter halten, wenn Sie das Produkt für den Transport vorbereiten. Gegebenenfalls gelten örtliche Vorschriften.
- Entnehmen Sie die für den Transport stets den Akku.

- Decken Sie die Akkustecker mit Klebeband ab und stellen Sie sicher, dass der Akku sich während des Transports nicht bewegen kann.
- Sichern Sie das Produkt während des Transports.

### Lagerung

- Lassen Sie das Gerät vor der Lagerung abkühlen.
- Entnehmen Sie für die Lagerung stets den Akku.
- Stellen Sie zur Vermeidung von Unfällen sicher, dass der Akku während der Lagerung nicht an das Produkt angeschlossen bleibt.
- Bewahren Sie das Ladegerät an einem geschlossenen und trockenen Ort auf.
- Bewahren Sie den Akku und das Ladegerät an einem trockenen Ort ohne Feuchtigkeit oder Frost auf.
- Trennen Sie den Akku während der Lagerung vom Ladegerät.
- Lagern Sie den Akku nicht an einem Ort, an dem es zu elektrostatischen Entladungen kommen kann. Bewahren Sie den Akku nicht in einem Metallkasten auf.
- Lagern Sie das Gerät bei einer Umgebungstemperatur zwischen  $-10$  und  $40$  °C.
- Lagern Sie den Akku an einem Ort mit einer Umgebungstemperatur zwischen  $5$  und  $25$  °C, und setzen Sie ihn nicht direkter Sonneneinstrahlung aus.
- Lagern Sie das Akkuladegerät an einem Ort mit einer Umgebungstemperatur zwischen  $5$  und  $45$  °C,

und setzen Sie es nicht direkter Sonneneinstrahlung aus.

- Stellen Sie sicher, dass der Akkustand mindestens zwischen 30 und 50 % beträgt, bevor Sie das Produkt für längere Zeit einlagern.
- Bewahren Sie das Produkt, den Akku und das Ladegerät an einem verschließbaren Ort und für Kinder und unbefugte Personen unzugänglich auf.
- Reinigen Sie das Gerät, und stellen Sie sicher, dass der Grasfänger leer ist.
- Führen Sie die Wartungsarbeiten durch, die in dieser Betriebsanleitung beschrieben sind. Siehe *Wartung auf Seite 90*.
- Führen Sie eine vollständige Wartung durch, bevor Sie das Gerät längere Zeit einlagern.

## Entsorgung

Durch Symbole auf dem Produkt oder seiner Verpackung wird angezeigt, dass dieses Produkt nicht über den Hausmüll entsorgt werden darf. Es ist einer entsprechenden Recycling-Einrichtung zuzuführen, damit elektrische und elektronische Komponenten wiedergewonnen werden können.

Dadurch, dass Sie sicherstellen, dass Sie mit diesem Produkt sorgfältig umgehen, können Sie helfen, den potentiellen negativen Auswirkungen auf die Umwelt und Ihre Mitmenschen entgegenzuwirken, die sich andernfalls durch eine unsachgemäße Entsorgung dieses Produkts ergeben können. Genauere Informationen über die ordnungsgemäße Entsorgung dieses Produkts erhalten Sie bei Ihrer Stadtverwaltung, Ihrem Abfallentsorgungsunternehmen oder dem Geschäft, in dem Sie Ihr Produkt gekauft haben.

(Abb. 49)

## Entsorgen von Elektro- und Elektronik-Altgeräten

Gilt nur für Deutschland



Die durchgestrichene Abfalltonne weist darauf hin, dass Sie gesetzlich verpflichtet sind, dieses Gerät getrennt vom unsortierten Siedlungsabfall zu entsorgen. Die Entsorgung im Restmüll oder im gelben Sack ist verboten. Wenn das Produkt Einwegbatterien oder Akkus enthält, die nicht dauerhaft installiert sind, müssen diese vor der Entsorgung des Produkts entfernt und separat als Batterien bzw. Akkus entsorgt werden.

### Entfernen von Batterien, Akkus und Leuchtmitteln:

Batterien, Akkus oder Leuchtmittel, die aus dem Produkt entfernt werden können, ohne es zu beschädigen, müssen vor der Entsorgung entfernt und separat als Batterien, Akkus oder Leuchtmittel entsorgt werden. Die

folgenden Batterien oder Akkus sind in diesem Produkt enthalten:

- **Akkutyp:** Li-ion
- **Chemie:** Lithium

### Informationen zur Rückgabe von Elektro- und Elektronik-Altgeräten für Privathaushalte:

Wie im Folgenden näher beschrieben, sind bestimmte Verreiber verpflichtet, Elektro- und Elektronik-Altgeräte kostenlos zurückzunehmen.

Vertreiber von Elektro- und Elektronikgeräten mit einer Verkaufsfläche von mindestens 400 m<sup>2</sup> und Lebensmittelhändler mit einer Gesamtverkaufsfläche von mindestens 800 m<sup>2</sup>, die mehrmals im Kalenderjahr oder beständig Elektro- und Elektronikgeräte abgeben und verkaufen, sind unter den folgenden Umständen zur Rücknahme von Geräten verpflichtet:

1. Beim Verkauf eines neuen Elektro- oder Elektronikgeräts muss der Verreiber ein Altgerät desselben Gerätetyps kostenlos zurücknehmen, das im Wesentlichen die gleichen Funktionen wie das neue Gerät bereitstellt. Dies muss an dem Standort, an dem das Gerät abgegeben wird, oder in unmittelbarer Nähe geschehen. Privathaushalte gelten auch als der Ort, an dem das Gerät abgegeben wird, sofern das Produkt dorthin geliefert wird: In diesem Fall werden Altgeräte ohne Kosten für den Endbenutzer abgeholt.
2. Der Verreiber muss Altgeräte mit einem Durchmesser von weniger als 25 cm auf Wunsch des Endbenutzers an der Verkaufsstelle oder in unmittelbarer Nähe zurücknehmen. Diese Rückgabe muss nicht mit dem Kauf von Elektro- oder Elektronikgeräten in Verbindung stehen und ist auf drei Altgeräte pro Gerätetyp beschränkt.

Bei Abschluss des Kaufvertrags für ein neues Elektro- oder Elektronikgerät muss der Verreiber den Endbenutzer über sein Recht informieren, das Altgerät zurückzugeben oder kostenlos abholen zu lassen, und den Endbenutzer fragen, ob er beabsichtigt, ein Altgerät bei der Lieferung des neuen Geräts zurückzugeben.

Dies gilt auch für den Vertrieb über Telekommunikation, wenn die Lager- und Versandfläche für Elektro- und Elektronikgeräte mindestens 400 m<sup>2</sup> beträgt oder wenn die gesamte Lager- und Versandfläche mindestens 800 m<sup>2</sup> beträgt, wobei die kostenlose Abholung von Elektro- oder Elektronikgeräten auf die folgenden Kategorien beschränkt ist:

- 1 (Wärmeüberträger)
- 2 (Geräte mit Displays) und
- 4 (große Geräte mit mindestens einer äußeren Abmessung von mehr als 50 cm)

Für alle anderen Elektro- und Elektronikgeräte muss der Verreiber entsprechende Rücknahmestellen in angemessener Nähe zum Endverbraucher sicherstellen. Dies gilt auch für Altgeräte, bei denen keine äußere Abmessung 25 cm überschreitet, die der Endbenutzer

zurückgeben möchte, ohne ein neues Gerät zu erwerben.

### **Datenschutz**

Alle Endbenutzer von Elektro- und Elektronik-Altgeräten sind dafür verantwortlich, alle personenbezogenen Daten von den zu entsorgenden Elektro- und Elektronik-Altgeräten zu löschen.

### **WEEE-Registrierungsnummer**

Husqvarna                      10168717

### **Sammlungs- und Verwertungsraten**

Gemäß der WEEE-Richtlinie sind die EU-Mitgliedstaaten verpflichtet, Daten über Elektro- und Elektronik-Altgeräte zu sammeln und diese Daten an die Europäische Kommission zu übermitteln. Weitere Informationen hierzu finden Sie auf der BMUV-Website: <https://www.bmu.de/themen/wasser-ressourcen-abfall/kreislaufwirtschaft/statistiken/elektro-und-elektronikaltgeraete>



# Technische Daten

## Technische Daten

	LC 251i	LC 251iS
<b>Schneidmotor</b>		
Motortyp	BLDC (bürstenlos) 36 V	BLDC (bürstenlos) 36 V
Motordrehzahl – SavE, U/min	2600/min	2600/min
Motordrehzahl – Nennwert, U/min	3000/min	3000/min
Motordrehzahl – hohe Belastung, U/min	3500/min	3500/min
Motorleistung – max. kW	1,4	1,4
Motorleistung – Nennwert, kW	0,9	0,9
<b>Antriebsmotor</b>		
Motorleistung – Nennwert, kW	k.A.	0,4
Eigene Gehgeschwindigkeit, km/h	k.A.	4,0
Anpasswerte Geschwindigkeit	k.A.	1
<b>Gewicht</b>		
Gewicht ohne Beutel (ohne Akku), kg	25,5	27
Gewicht mit Tasche (inkl. 2x Bli30), kg	31,5	33
<b>Akku</b>		
Akkutyp	Husqvarna-Akkuserie	Husqvarna-Akkuserie
<b>Akkulaufzeit</b>		
Mindest-Akkulaufzeit (Leerlauf) bei aktiviertem SavE-Modus, mit einem Husqvarna 7,5-Ah-Akku (Bli30).	58	51
Mindest-Akkulaufzeit (Leerlauf) bei aktiviertem Standardmodus, mit einem Husqvarna 7,5-Ah-Akku (Bli30).	42	38
<b>Geräuschemissionen</b> <sup>18</sup>		
Schallleistungspegel, gemessen dB (A)	96	96
Schallleistungspegel, garantiert L <sub>WA</sub> dB (A)	98	98
<b>Schallpegel</b> <sup>19</sup>		
Schalldruckpegel am Ohr des Bedieners, dB (A)	85	85
<b>Vibrationspegel</b> <sup>20</sup>		

<sup>18</sup> Umweltbelastende Geräuschemissionen, gemessen als Schallleistung (L<sub>WA</sub>) gemäß EG-Richtlinie 2000/14/EG.

<sup>19</sup> Die für den Schalldruckpegel angegebenen Werte haben einen Messunsicherheitsfaktor von 1,5 dB(A).

<sup>20</sup> Die für den Vibrationspegel angegebenen Werte haben einen Messunsicherheitsfaktor von 1,5m/s<sup>2</sup>. Der angegebene Vibrationsgesamtwert wurde gemäß EN 62841-4-3, Anhang 1 gemessen und kann zum Maschinenvergleich sowie für eine vorläufige Beurteilung der Exposition herangezogen werden.

	<b>LC 251i</b>	<b>LC 251iS</b>
Griff, m/s <sup>2</sup>	0,7	0,7
<b>Schneidausrüstung</b>		
Schnitthöhe, mm	25-75	25-75
Schnittbreite, mm	510	510
Klinge – Standard	Aufnahme 5928704-01	Aufnahme 5928704-01
Grasfängervolumen, Liter	65	65

Zugelassene Akkus	Typ	Akkukapazität, Ah	Spannung, V	Gewicht, lb/kg
BLi30	Lithium-Ionen	7,5	36	4,2/1,9
40-B140	Lithium-Ionen	4,0	36	2,6/1,2

Zugelassene Ladegeräte für die angegebenen Akkus, BLi	Eingangsspannung, V	Frequenz, Hz	Leistung, W
40-C80	100-240	50-60	68,8
QC250	100–240	50–60	250

# Konformitätserklärung

## EU-Konformitätserklärung

Die **Husqvarna AB**, SE-561 82 Huskvarna, Schweden,  
Tel.: +46-36-146500, erklärt in alleiniger Verantwortung,  
dass das Gerät:

<b>Beschreibung</b>	Rasenmäher
<b>Marke</b>	Husqvarna
<b>Typ/Modell</b>	LC 251i, LC 251iS
<b>Identifizierung</b>	Seriennummern ab 2023

die folgenden EU-Richtlinien und -Verordnungen erfüllt:

<b>Verordnung</b>	<b>Beschreibung</b>
2006/42/EG	„Maschinenrichtlinie“
2014/30/EG	„EMV-Richtlinie“
2000/14/EG	„über umweltbelastende Geräuschemissionen von zur Verwendung im Freien vorgesehenen Geräten und Maschinen“
2011/65/EG	„zur Beschränkung der Verwendung bestimmter gefährlicher Stoffe in Elektro- und Elektronikgeräten“

und dass die folgenden Normen und/oder technischen  
Daten angewendet werden: EN 62841-1:2015/  
A11:2022, EN IEC 62841-4-3:2021/A11:2021, EN  
IEC 55014-1:2021, EN IEC 55014-2:2021, EN IEC  
63000:2018

Benannte Stelle: 0404, SMP Svensk Maskinprovning  
AB, Box 4053, SE-904 03 Umeå, Sweden bestätigte  
die Konformität mit der Richtlinie 2000/14/EG,  
Konformitätsbewertungsverfahren nach: Anhang VI.

Informationen zu Geräuschemissionen finden Sie unter  
*Technische Daten auf Seite 97.*

Huskvarna, 2023-12-11



Claes Losdal, Entwicklungsleiter/Gartenprodukte,  
Husqvarna AB

Verantwortlich für die technische Dokumentation



---

## Περιεχόμενα

---

Εισαγωγή.....	100	Αντιμετώπιση προβλημάτων.....	113
Ασφάλεια.....	101	Μεταφορά, αποθήκευση και απόρριψη.....	115
Συναρμολόγηση.....	107	Τεχνικά στοιχεία.....	116
Λειτουργία.....	108	Δήλωση συμμόρφωσης.....	118
Συντήρηση.....	111		

---

## Εισαγωγή

---

### Περιγραφή προϊόντος

Το προϊόν είναι ένα ωθούμενο χλοοκοπτικό πεζού χειριστή με κύλινδρο. Το χορτάρι συλλέγεται σε έναν συλλέκτη χόρτου. Τοποθετήστε τον εκτροπέα πλευρικής εξαγωγής για την πλευρική εξαγωγή του χόρτου.

### Επισκόπηση προϊόντος

(Εικ. 1)

1. Λαβή φρένου μοτέρ
2. Αναστολέας εκκίνησης
3. Ασφάλεια κίνησης (LC 251iS)
4. Πίσω κάλυμμα
5. Συλλέκτης χόρτου
6. Χειρολαβή
7. Μοχλός ρύθμισης του ύψους κοπής
8. Ασφάλεια εξαγωγής
9. Κάλυμμα πλευρικής εξαγωγής
10. Καπάκι μπαταρίας
11. Σύμβολα
12. Κλειδί ασφαλείας
13. Προειδοποιητική λυχνία (LED σφάλματος)
14. Κομπτί λειτουργίας εξοικονόμησης SavE
15. Κάλυμμα κοπής
16. Λαβή / χειρολαβή
17. Λαβές ανύψωσης
18. Πλευρική εξαγωγή
19. Εγχειρίδιο χρήσης

### Σύμβολα στο προϊόν

- (Εικ. 2) ΠΡΟΕΙΔΟΠΟΙΗΣΗ
- (Εικ. 3) Διαβάστε τις οδηγίες.
- (Εικ. 4) ΠΡΟΕΙΔΟΠΟΙΗΣΗ - Προσοχή σε αντικείμενα που εκτοξεύονται.
- (Εικ. 5) Απομακρύνετε τυχόν παριστάμενα άτομα.
- (Εικ. 6) ΠΡΟΕΙΔΟΠΟΙΗΣΗ – Κρατήστε τα χέρια και τα πόδια σας μακριά από τις λεπίδες.

### Προβλεπόμενη χρήση

Χρησιμοποιήστε το προϊόν για την κοπή γρασιδιού. Μην χρησιμοποιείτε το προϊόν για άλλες εργασίες.

(Εικ. 7) ΠΡΟΕΙΔΟΠΟΙΗΣΗ – Αποσυνδέστε την μπαταρία πριν από τη συντήρηση.

(Εικ. 8) Το προϊόν ή η συσκευασία του προϊόντος δεν αποτελεί οικιακό απόρριμμα. Ανακυκλώστε το σε κέντρο ανακύκλωσης ηλεκτρικού και ηλεκτρονικού εξοπλισμού.

(Εικ. 9) Ετικέτα εκπομπών θορύβου στο περιβάλλον σύμφωνα με οδηγίες και κανονισμούς της ΕΕ και του Η.Β. και τη νομοθεσία της Νότιας Νέας Ουαλίας "Κανονισμός για την προστασία των περιβαλλοντικών δράσεων (έλεγχος θορύβου) του 2017". Η εγγυημένη στάθμη θορύβου του προϊόντος καθορίζεται στην ενότητα *Τεχνικά στοιχεία στη σελίδα 116* και στην ετικέτα.

(Εικ. 10) Αυτό το εξάρτημα συμμορφώνεται με τις ισχύουσες οδηγίες ΕΚ.

(Εικ. 11) Αυτό το προϊόν συμμορφώνεται με τις ισχύουσες οδηγίες του Η.Β.

(Εικ. 12) Το προϊόν διαθέτει προστασία από διαρροές νερού.

(Εικ. 13) Για να διακόψετε τη λειτουργία, αφήστε τη λαβή του φρένου του μοτέρ.

(Εικ. 14) Κωδικός με δυνατότητα σάρωσης.

---

**Περιεχόμενα** Άλλα σύμβολα/σήματα που υπάρχουν στο προϊόν αναφέρονται σε απαιτήσεις πιστοποίησης για ορισμένες αγορές.

---

## Επικέτα στο προϊόν

(Εικ. 15)

ΚΙΝΔΥΝΟΣ – Μην πλησιάζετε τα χέρια και τα πόδια σας.

## Ζημιά στο προϊόν

Δεν φέρουμε ευθύνη για ζημιές στο προϊόν μας εάν:

- Το προϊόν έχει επισκευαστεί λανθασμένα.

- Το προϊόν έχει επισκευαστεί με εξαρτήματα που δεν προέρχονται από τον κατασκευαστή ή που δεν έχουν εγκριθεί από τον κατασκευαστή.
- Το προϊόν διαθέτει ένα αξεσουάρ που δεν προέρχεται από τον κατασκευαστή ή που δεν έχει εγκριθεί από τον κατασκευαστή.
- Το προϊόν δεν έχει επισκευαστεί σε εγκεκριμένο κέντρο σέρβις ή από εγκεκριμένη αρχή.

## Ασφάλεια

### Ορισμοί για την ασφάλεια

Για την επισήμανση ειδικών σημαντικών τμημάτων του εγχειριδίου χρησιμοποιούνται προειδοποιήσεις, συστάσεις προσοχής και σημειώσεις.



**ΠΡΟΕΙΔΟΠΟΙΗΣΗ:** Χρησιμοποιείται όταν υπάρχει κίνδυνος τραυματισμού ή θανάτου του χειριστή ή άλλων παριστάμενων ατόμων, αν δεν τηρηθούν οι οδηγίες που παρέχονται στο εγχειρίδιο.



**ΠΡΟΣΟΧΗ:** Χρησιμοποιείται όταν υπάρχει κίνδυνος πρόκλησης ζημιάς στο προϊόν, σε άλλα υλικά ή στον παρακείμενο χώρο, αν δεν τηρηθούν οι οδηγίες που παρέχονται στο εγχειρίδιο.

**Περιεχόμενα** Χρησιμοποιείται για παροχή περισσότερων πληροφοριών, οι οποίες χρειάζονται σε μια δεδομένη κατάσταση.

### Γενικές προειδοποιήσεις ασφαλείας για το προϊόν



**ΠΡΟΕΙΔΟΠΟΙΗΣΗ:** Διαβάστε όλες τις προειδοποιήσεις, τις οδηγίες, τις εικόνες και τις προδιαγραφές ασφαλείας που παρέχονται με αυτό το προϊόν. Η μη τήρηση όλων των οδηγιών που αναφέρονται παρακάτω μπορεί να προκαλέσει ηλεκτροπληξία, πυρκαγιά ή/και σοβαρό τραυματισμό.

**Φυλάξτε τις προειδοποιήσεις και τις οδηγίες για μελλοντική αναφορά.** Ο όρος "πρόϊόν" που χρησιμοποιείται στις προειδοποιήσεις αναφέρεται σε προϊόν που τροφοδοτείται από το δίκτυο ρεύματος (με καλώδιο) ή σε προϊόν που τροφοδοτείται από μπαταρία (χωρίς καλώδιο).

### Ασφάλεια στο χώρο εργασίας

- Διατηρείτε το χώρο εργασίας καθαρό και με καλό φωτισμό. Οι ακατάστατοι ή σκοτεινοί χώροι ενέχουν τον κίνδυνο ατυχημάτων.

- **Μην χειρίζεστε το προϊόν σε εκρηκτικές ατμόσφαιρες, π.χ. στον ίδιο χώρο με εύφλεκτα υγρά, αέρια ή σωματίδια σκόνης.** Το προϊόν δημιουργεί σπινθήρες, οι οποίοι ενδέχεται να προκαλέσουν την ανάφλεξη των σωματιδίων σκόνης ή των καπνών.
- **Κατά τον χειρισμό του προϊόντος, δεν πρέπει να βρίσκονται κοντά παιδιά ή άλλοι παρευρισκόμενοι.** Ενδέχεται να αποσπάσουν την προσοχή σας, με αποτέλεσμα να χάσετε τον έλεγχο.

### Ασφάλεια με το ηλεκτρικό ρεύμα

- **Το βύσμα του προϊόντος πρέπει να ταιριάζει στην πρίζα. Μην τροποποιείτε ποτέ το βύσμα. Μην χρησιμοποιείτε προσαρμογείς με γειωμένα προϊόντα.** Η χρήση μη τροποποιημένων φις και αντίστοιχων πριζών μειώνει τον κίνδυνο ηλεκτροπληξίας.
- **Αποφεύγετε την επαφή του σώματος με γειωμένες επιφάνειες, όπως σωλήνες, καλοριφέρ, κουζίνες και ψυγεία.** Υπάρχει αυξημένος κίνδυνος ηλεκτροπληξίας, αν το σώμα σας έρθει σε επαφή με τη γείωση.
- **Μην εκθέτετε τα προϊόντα στη βροχή ή σε συνθήκες υγρασίας.** Σε περίπτωση εισχώρησης νερού στο προϊόν, αυξάνεται ο κίνδυνος ηλεκτροπληξίας.
- **Μην προκαλείτε φθορά στο καλώδιο. Μην χρησιμοποιείτε ποτέ το καλώδιο για τη μεταφορά, το τράβηγμα ή την αποσύνδεση του προϊόντος. Φυλάσσετε το καλώδιο μακριά από θερμότητα, λάδια, αιχμηρές άκρες ή κινούμενα εξαρτήματα.** Εάν το καλώδιο καταστραφεί ή εμπλακεί, αυξάνεται ο κίνδυνος ηλεκτροπληξίας.
- **Όταν χρησιμοποιείτε ένα προϊόν σε εξωτερικό χώρο, χρησιμοποιήστε ένα καλώδιο προέκτασης που είναι κατάλληλο για χρήση σε εξωτερικό χώρο.** Η χρήση καλωδίου κατάλληλου για εξωτερικό χώρο μειώνει τον κίνδυνο ηλεκτροπληξίας.
- **Αν η χρήση ενός προϊόντος σε χώρο με υγρασία είναι αναπόφευκτη, χρησιμοποιήστε παροχή ρεύματος με διάταξη προστασίας από ρεύματα διαρροής (RCD).** Η χρήση μιας συσκευής RCD μειώνει τον κίνδυνο ηλεκτροπληξίας.

### Προσωπική ασφάλεια

- **Να είστε σε εγρήγορση, να παρακολουθείτε αυτό που κάνετε και να χρησιμοποιείτε την κοινή λογική όταν χρησιμοποιείτε ένα προϊόν. Μην χρησιμοποιείτε προϊόντα όταν είστε κουρασμένοι ή υπό την επήρεια**

ναρκωτικών, αλκοόλ ή φαρμάκων. Μια στιγμή απροσεξίας κατά τον χειρισμό των προϊόντων μπορεί να οδηγήσει σε σοβαρό τραυματισμό.

- **Πρέπει να χρησιμοποιείτε προσωπικό εξοπλισμό προστασίας. Φοράτε πάντοτε προστατευτικά γυαλιά.** Ο εξοπλισμός προστασίας, όπως προστατευτική μάσκα αναπνοής, αντιολισθητικά παπούτσια ασφαλείας, κράνος ή προστατευτικά ακοής σε κατάλληλες συνθήκες, μειώνει τον κίνδυνο τραυματισμών.
- **Φροντίστε ώστε να μην είναι εφικτή η ακούσια εκκίνηση. Βεβαιωθείτε ότι ο διακόπτης βρίσκεται στη θέση Off προτού συνδέσετε το προϊόν στην πηγή τροφοδοσίας ή/και στην μπαταρία και προτού πιέσετε ή μεταφέρετε το προϊόν.** Η μεταφορά των προϊόντων, ενώ έχετε το χέρι σας στον διακόπτη, ή η σύνδεση ενεργοποιημένων προϊόντων σε πρίζα ενέχει κίνδυνο ατυχήματος.
- **Αφαιρέστε τυχόν κλειδιά προσαρμογής ή σύσφιξης, προτού ενεργοποιήσετε το προϊόν.** Ένα κλειδί σύσφιξης ή ρύθμισης που παραμένει προσαρτημένο σε κινούμενο μέρος του προϊόντος μπορεί να προκαλέσει τραυματισμό.
- **Μην τεντώνετε υπερβολικά. Να πατάτε καλά τα πόδια σας και να διατηρείτε την ισορροπία σας συνεχώς.** Έτσι επιτυγχάνεται καλύτερος έλεγχος του προϊόντος σε τυχόν απρόβλεπτες καταστάσεις.
- **Φοράτε κατάλληλα ρούχα. Μην φοράτε φαρδιά ρούχα ή κοσμήματα. Φροντίστε τα μαλλιά και τα ρούχα σας να βρίσκονται σε απόσταση από τα κινούμενα εξαρτήματα.** Τα φαρδιά ρούχα, τα κοσμήματα ή τα μακριά μαλλιά ενδέχεται να πιαστούν σε κινούμενα μέρη.
- **Εάν παρέχονται διατάξεις για τη σύνδεση συστημάτων συλλογής και απομάκρυνσης σκόνης, βεβαιωθείτε ότι αυτές έχουν συνδεθεί και χρησιμοποιούνται σωστά.** Να χρησιμοποιείτε σύστημα συλλογής σκόνης για να μειώσετε τους κινδύνους που σχετίζονται με τη σκόνη.
- **Ακόμη και αν χρησιμοποιείτε συχνά και είστε εξοικειωμένοι με τα προϊόντα, μην επαναπαύεστε και μην παραβλέπετε τις αρχές ασφαλείας των εργαλείων.** Μια απρόσεκτη ενέργεια μπορεί να προκαλέσει σοβαρό τραυματισμό σε κλάσμα του δευτερολέπτου.

## Χρήση και φροντίδα προϊόντος

- **Μην ασκείτε δύναμη το προϊόν.** Χρησιμοποιήστε το κατάλληλο προϊόν για την εφαρμογή σας. Το κατάλληλο προϊόν θα προσφέρει υψηλότερη απόδοση και ασφάλεια κατά την εργασία σας στο βαθμό για τον οποίο έχει σχεδιαστεί.
- **Μην χρησιμοποιείτε το προϊόν, εάν δεν μπορεί να ενεργοποιηθεί και να απενεργοποιηθεί με τον διακόπτη.** Ένα προϊόν που δεν μπορεί να ελεγχθεί από τον διακόπτη είναι επικίνδυνο και πρέπει να επισκευαστεί.
- **Αποσυνδέστε το βύσμα από την πηγή τροφοδοσίας ή/και αφαιρέστε την μπαταρία, αν είναι αποσπώσιμη, από το προϊόν πριν από την πραγματοποίηση**

ρυθμίσεων, την αλλαγή αξεσουάρ ή την αποθήκευση ηλεκτρικών εργαλείων. Αυτά τα προληπτικά μέτρα ασφαλείας μειώνουν τον κίνδυνο ακούσιας εκκίνησης του προϊόντος.

- **Φυλάσσετε τα προϊόντα που βρίσκονται σε αδράνεια μακριά από παιδιά και μην επιτρέπετε σε άτομα που δεν είναι εξοικειωμένα με αυτά ή με τις οδηγίες να χρησιμοποιούν το προϊόν.** Τα προϊόντα είναι επικίνδυνα στα χέρια μη εκπαιδευμένων χρηστών.
- **Συντηρείτε τα προϊόντα και τα αξεσουάρ. Ελέγξτε το προϊόν για τυχόν εσφαλμένη ευθυγράμμιση ή κινούμενα εξαρτήματα που μαγκώνουν, σπασμένα εξαρτήματα ή άλλες καταστάσεις που ενδέχεται να επηρεάσουν τη λειτουργία του προϊόντος. Σε περίπτωση ζημιάς, φροντίστε για την επεικευή του προϊόντος προτού το χρησιμοποιήσετε.** Πολλά ατυχήματα προκαλούνται από προϊόντα που δεν συντηρούνται σωστά.
- **Διατηρείτε τα εργαλεία κοπής αιχμηρά και καθαρά.** Εάν τα εργαλεία κοπής συντηρούνται σωστά, με αιχμηρές άκρες κοπής, είναι λιγότερο πιθανή η εμπλοκή τους και πιο εύκολος ο έλεγχός τους.
- **Χρησιμοποιείτε το προϊόν, τα εξαρτήματα και τα τρυπάνια σύμφωνα με τις οδηγίες αυτές, λαμβάνοντας υπόψη τις συνθήκες εργασίας και την εργασία που πρέπει να εκτελεστεί.** Η χρήση του προϊόντος για εργασίες διαφορετικές από αυτές για τις οποίες προορίζεται μπορεί να οδηγήσει σε επικίνδυνες καταστάσεις.
- **Διατηρήστε τις χειρολαβές και τις επιφάνειες κρατήματος στεγνές και καθαρές, χωρίς λάδια και γράσο.** Οι ολισθηρές λαβές και επιφάνειες κρατήματος δεν επιτρέπουν τον ασφαλή χειρισμό και έλεγχο του προϊόντος σε απρόβλεπτες καταστάσεις.

## Χρήση και φροντίδα εργαλείων μπαταρίας

- **Να επαναφορτίζετε μόνο με το φορτιστή που ορίζεται από τον κατασκευαστή.** Ένας φορτιστής κατάλληλος για έναν τύπο συστοιχίας μπαταριών μπορεί να δημιουργήσει κίνδυνο φωτιάς κατά τη χρήση με άλλη συστοιχία μπαταριών.
- **Χρησιμοποιείτε προϊόντα μόνο με τις προδιαγραφόμενες μπαταρίες.** Η χρήση οποιασδήποτε άλλης μπαταρίας μπορεί να προκαλέσει κίνδυνο τραυματισμού και πυρκαγιάς.
- **Όταν η μπαταρία δεν χρησιμοποιείται, πρέπει να την φυλάσσετε μακριά από άλλα μεταλλικά αντικείμενα, όπως συνδετήρες, νομίσματα, κλειδιά, καρφιά, βίδες ή άλλα μικρά μεταλλικά αντικείμενα, που μπορεί να προκαλέσουν ένωση των πόλων.** Η βραχυκύκλωση των ακροδεκτών της μπαταρίας μεταξύ τους μπορεί να προκαλέσει εγκαύματα ή πυρκαγιά.
- **Σε περίπτωση ακατάλληλου χειρισμού, μπορεί να εκπνευστεί υγρό από την μπαταρία. Αποφεύγετε κάθε επαφή. Σε περίπτωση τυχαίας επαφής, ξεπλύνετε με νερό. Εάν το υγρό έρθει σε επαφή με τα μάτια, ζητήστε επίσης ιατρική βοήθεια.** Η εκτόξευση υγρού από την μπαταρία μπορεί να προκαλέσει ερεθισμούς ή εγκαύματα.

- **Μην χρησιμοποιείτε μπαταρίες ή εργαλεία που έχουν υποστεί ζημιά ή μετατροπές.** Οι μπαταρίες που έχουν υποστεί ζημιά ή τροποποίηση μπορεί να παρουσιάσουν απρόβλεπτη συμπεριφορά με αποτέλεσμα να προκληθεί κίνδυνος πυρκαγιάς, έκρηξης ή τραυματισμού.
- **Μην εκθέτετε τις μπαταρίες ή τα εργαλεία σε φωτιά ή υπερβολική θερμοκρασία.** Η έκθεση σε φωτιά ή θερμοκρασίες πάνω από 130 °C/265 °F μπορεί να προκαλέσει έκρηξη.
- **Ακολουθήστε όλες τις οδηγίες φόρτισης και μην φορτίζετε τις μπαταρίες ή τα εργαλεία εκτός του εύρους θερμοκρασίας που προδιαγράφεται στις οδηγίες.** Η φόρτιση με λανθασμένο τρόπο ή σε θερμοκρασίες εκτός του προδιαγραφόμενου εύρους μπορεί να προκαλέσει ζημιά στην μπαταρία και αυξάνει τον κίνδυνο πυρκαγιάς.

## Υπηρεσία

- **Αναθέστε το σέρβις του προϊόντος σας σε εξειδικευμένο τεχνικό για επισκευή με τη χρήση μόνο πανωρότυπων ανταλλακτικών.** Έτσι διασφαλίζεται η ασφάλεια του προϊόντος.
- **Μην εκτελείτε εργασίες σέρβις σε κατεστραμμένες μπαταρίες.** Οι εργασίες σέρβις σε μπαταρίες θα πρέπει να εκτελούνται μόνο από τον κατασκευαστή ή από εξουσιοδοτημένα καταστήματα σέρβις.

## Προειδοποιήσεις ασφαλείας για το ωθούμενο χλοοκοπτικό

- **Μην χρησιμοποιείτε το ωθούμενο χλοοκοπτικό σε κακές καιρικές συνθήκες, ιδιαίτερα όταν υπάρχει κίνδυνος κεραυνού.** Έτσι μειώνεται ο κίνδυνος να σας χτυπήσει κεραυνός.
- **Επιθεωρήστε προσεκτικά την περιοχή όπου θα χρησιμοποιηθεί το ωθούμενο χλοοκοπτικό για ύπαρξη πανίδας.** Η πανίδα μπορεί να τραυματιστεί από το ωθούμενο χλοοκοπτικό κατά τη διάρκεια της λειτουργίας.
- **Επιθεωρήστε προσεκτικά την περιοχή όπου θα χρησιμοποιηθεί το ωθούμενο χλοοκοπτικό και αφαιρέστε όλες τις πέτρες, τα κλαδιά, τα καλώδια, τα κόκκαλα και οποιαδήποτε άλλα ξένα αντικείμενα.** Τα αντικείμενα που εκτοξεύονται μπορούν να προκαλέσουν τραυματισμό.
- **Πριν από τη χρήση, επιθεωρείτε πάντα οπτικά το ωθούμενο χλοοκοπτικό για να βεβαιωθείτε ότι η λεπίδα και το συγκρότημα λεπίδας δεν έχουν φθαρεί ή καταστραφεί.** Τα εξαρτήματα που έχουν υποστεί φθορά ή ζημιά αυξάνουν τον κίνδυνο τραυματισμού.
- **Ελέγχετε συχνά τον συλλέκτη χόρτου για φθορά ή μειωμένη απόδοση.** Ο φθαρμένος ή κατεστραμμένος συλλέκτης χόρτου μπορεί να αυξήσει τον κίνδυνο προσωπικού τραυματισμού.
- **Διατηρείτε τα προστατευτικά στη θέση τους.** Τα προστατευτικά πρέπει να βρίσκονται σε λειτουργική κατάσταση και να είναι σωστά τοποθετημένα. Εάν ένα προστατευτικό είναι χαλαρό, έχει υποστεί ζημιά ή δεν λειτουργεί σωστά, μπορεί να προκληθεί τραυματισμός.
- **Διατηρήστε όλες τις εισαγωγές αέρα φύξης καθαρές από υπολείμματα.** Οι φραγμένες εισαγωγές αέρα και τα υπολείμματα μπορεί να προκαλέσουν υπερθέρμανση ή κίνδυνο πυρκαγιάς.
- **Κατά τη λειτουργία του ωθούμενου χλοοκοπτικού, φοράτε πάντα αντολισθητικά και προστατευτικά παπούτσια.** Μην χρησιμοποιείτε το ωθούμενο χλοοκοπτικό με γυμνά πόδια ή φορώντας σανδάλια. Αυτό μειώνει την πιθανότητα τραυματισμού των ποδιών από επαφή με την κινούμενη λεπίδα.
- **Κατά τη λειτουργία του ωθούμενου χλοοκοπτικού, φοράτε πάντα μακριά παντελόνια.** Το εκτεθειμένο δέρμα αυξάνει την πιθανότητα τραυματισμού από αντικείμενα που εκτινάσσονται.
- **Μην χρησιμοποιείτε το ωθούμενο χλοοκοπτικό σε νυκτο γρασίδι.** Περπατάτε, ποτέ μην τρέχετε. Αυτό μειώνει τον κίνδυνο ολίσθησης και πτώσης, γεγονός που μπορεί να οδηγήσει σε τραυματισμό.
- **Μην χρησιμοποιείτε το ωθούμενο χλοοκοπτικό σε υπερβολικά απότομα πρανή.** Αυτό μειώνει τον κίνδυνο απώλειας ελέγχου, ολίσθησης και πτώσης, γεγονός που μπορεί να οδηγήσει σε τραυματισμό.
- **Κατά την εργασία σε πρανή, πρέπει πάντα να είστε σίγουροι πού πατάτε, να εργάζεστε πάντα κινούμενοι εγκάρσια στις επιφάνειες με κλίση, ποτέ προς τα πάνω ή προς τα κάτω, και να είστε ιδιαίτερα προσεκτικοί κατά την αλλαγή κατεύθυνσης.** Αυτό μειώνει τον κίνδυνο απώλειας ελέγχου, ολίσθησης και πτώσης, γεγονός που μπορεί να οδηγήσει σε τραυματισμό.
- **Πρέπει να είστε εξαιρετικά προσεκτικοί κατά την οπισθοπορεία ή όταν τραβάτε το ωθούμενο χλοοκοπτικό προς το μέρος σας. Να είστε πάντα προσεκτικοί με το περιβάλλον σας.** Αυτό μειώνει τον κίνδυνο παραπατήματος στη διάρκεια της λειτουργίας.
- **Μην αγγίζετε τις λεπίδες και άλλα επικίνδυνα κινούμενα μέρη ενώ βρίσκονται ακόμη σε κίνηση.** Αυτό μειώνει τον κίνδυνο τραυματισμού από κινούμενα μέρη.
- **Όταν απομακρύνετε υλικά που μπλοκάρουν τη λειτουργία ή όταν καθαρίζετε το ωθούμενο χλοοκοπτικό, βεβαιωθείτε ότι όλοι οι διακόπτες ισχύος είναι σβηστοί και ότι η μπαταρία είναι αποσυνδεδεμένη.** Η μη αναμενόμενη λειτουργία του ωθούμενου χλοοκοπτικού μπορεί να οδηγήσει σε σοβαρό τραυματισμό.
- **Όταν απομακρύνετε υλικά που μπλοκάρουν τη λειτουργία ή όταν καθαρίζετε το ωθούμενο χλοοκοπτικό, βεβαιωθείτε ότι όλοι οι διακόπτες ισχύος είναι σβηστοί και αφαιρέστε τη διάταξη απενεργοποίησης.** Η μη αναμενόμενη λειτουργία του ωθούμενου χλοοκοπτικού μπορεί να οδηγήσει σε σοβαρό τραυματισμό.

## Διάταξη προστασίας από ρεύματα διαρροής

- Χρησιμοποιήστε μια διάταξη προστασίας από ρεύματα διαρροής με ρεύμα ενεργοποίησης το ανώτερο έως 30 mA.

## Γενικές οδηγίες ασφαλείας



**ΠΡΟΕΙΔΟΠΟΙΗΣΗ:** Προτού χρησιμοποιήσετε το προϊόν, διαβάστε τις παρακάτω προειδοποιητικές οδηγίες.

- Αυτό το προϊόν είναι επικίνδυνο αν δεν χρησιμοποιηθεί σωστά ή αν δεν είστε προσεκτικοί. Αν δεν τηρείτε τις οδηγίες ασφαλείας, μπορεί να προκληθεί τραυματισμός ή θάνατος.
- Αυτό το προϊόν παράγει ηλεκτρομαγνητικό πεδίο κατά τη λειτουργία του. Το πεδίο αυτό, υπό ορισμένες συνθήκες, μπορεί να προκαλέσει παρεμβολές σε ενεργά ή παθητικά ιατρικά εμφυτεύματα. Για να μειωθεί ο κίνδυνος σοβαρών ή θανατηφόρων τραυματισμών, συνιστούμε στα άτομα με ιατρικά εμφυτεύματα να συμβουλευτούν τον θεράποντα ιατρό τους και τον κατασκευαστή του ιατρικού εμφυτεύματος, προτού θέσουν το προϊόν σε λειτουργία.
- Πρέπει πάντα να προσέχετε και να χρησιμοποιείτε την κοινή λογική. Αν δεν είστε βέβαιοι πώς να χειριστείτε το προϊόν σε μια ιδιαίτερη κατάσταση, σταματήστε και μιλήστε με τον αντιπρόσωπο της Husqvarna προτού συνεχίσετε.
- Πρέπει να θυμάστε ότι ο χειριστής θεωρείται υπεύθυνος για ατυχήματα που μπορεί να προκληθούν σε άλλα άτομα ή στην περιοχή τους.
- Να διατηρείτε το προϊόν καθαρό. Βεβαιωθείτε ότι μπορείτε να διαβάσετε καθαρά τις ενδείξεις και τα σήματα.
- Μην επιτρέπετε ποτέ σε παιδιά ή άλλα άτομα, που δεν έχουν εξοικειωθεί με αυτές τις οδηγίες, να χρησιμοποιήσουν τη συσκευή. Οι τοπικοί κανονισμοί μπορεί να θέτουν περιορισμούς για την ηλικία του χειριστή.
- Αν το προϊόν χρησιμοποιείται από ένα άτομο με μειωμένη σωματική ή διανοητική ικανότητα, θα πρέπει πάντα να το επιβλέπετε. Πρέπει να είναι παρών ένας υπεύθυνος ενήλικας ανά πάσα στιγμή.
- Μην χρησιμοποιείτε το προϊόν, αν είστε κουρασμένοι, άρρωστοι ή υπό την επήρεια αλκοόλ, ναρκωτικών ή φαρμάκων. Αυτά έχουν αρνητικές συνέπειες στην όραση, την αυτοσυγκέντρωση, τον συντονισμό και την κρίση σας.
- Μην χρησιμοποιείτε το προϊόν εάν έχει υποστεί ζημιά ή εάν δεν λειτουργεί σωστά.
- Μην τροποποιείτε το προϊόν και μην το χρησιμοποιείτε αν είναι εμφανές ότι έχει τροποποιηθεί από άλλους.

## Ασφάλεια στην εργασία



**ΠΡΟΕΙΔΟΠΟΙΗΣΗ:** Προτού χρησιμοποιήσετε το προϊόν, διαβάστε τις παρακάτω προειδοποιητικές οδηγίες.

- Να χρησιμοποιείτε το προϊόν μόνο για την κοπή χόρτου γκαζόν. Δεν επιτρέπεται η χρήση του για άλλες εργασίες.
- Πρέπει να χρησιμοποιείτε προσωπικό εξοπλισμό προστασίας. Ανατρέξτε στην ενότητα *Προσωπικός εξοπλισμός προστασίας στη σελίδα 105*.
- Βεβαιωθείτε ότι γνωρίζετε πώς να σταματήσετε τον κινητήρα γρήγορα σε περίπτωση έκτακτης ανάγκης.
- Μην χρησιμοποιείτε το προϊόν σε συνθήκες βροχής ή υγρασίας. Αν εισέλθει νερό στο προϊόν, αυξάνεται ο κίνδυνος ηλεκτροπληξίας.
- Μην λειτουργείτε το προϊόν αν δεν είναι σωστά συνδεδεμένη η λεπίδα και όλα τα καλύμματα. Αν η λεπίδα δεν είναι σωστά συνδεδεμένη, μπορεί να χαλαρώσει και να προκληθεί προσωπικός τραυματισμός.
- Να βεβαιώνετε ότι ο δίσκος δεν χτυπάει αντικείμενα, όπως πέτρες και ρίζες. Αυτό μπορεί να προκαλέσει ζημιά στη λεπίδα και να λυγίσει τον άξονα του κινητήρα. Ο λυγισμένος άξονας προκαλεί ισχυρή δόνηση και πολύ υψηλό κίνδυνο χαλάρωσης της λεπίδας.
- Σε περίπτωση πρόσκρουσης της λεπίδας σε αντικείμενο ή αν διαπιστώσετε κραδασμούς, διακόψτε αμέσως τη λειτουργία του προϊόντος. Σβήστε τον κινητήρα, γυρίστε το κλειδί ασφαλείας στη θέση "0" και αφαιρέστε την μπαταρία. Περιμένετε μέχρι να σταματήσουν τα κινούμενα μέρη. Ελέγξτε το προϊόν για ζημιές. Σφίξτε τα χαλαρωμένα εξαρτήματα. Επισκευάστε τις ζημιές και αντικαταστήστε τα κατεστραμμένα εξαρτήματα. Η επισκευή θα πρέπει να γίνεται από εγκεκριμένο αντιπρόσωπο σέρβις.
- Μην συνδέετε ποτέ μόνιμη τη λαβή φρένου του κινητήρα στη λαβή όταν έχει εκκινήσει ο κινητήρας.
- Τοποθετήστε το προϊόν σε μια σταθερή, επίπεδη επιφάνεια και εκκινήστε το. Να βεβαιώνετε ότι η λεπίδα δεν χτυπάει στο έδαφος ή σε άλλα αντικείμενα.
- Να παραμένετε πάντα πίσω από το προϊόν κατά τη λειτουργία.
- Κατά τη λειτουργία του προϊόντος, θα πρέπει όλοι οι τροχοί να ακουμπούν στο έδαφος και να διατηρείτε και τα 2 χέρια πάνω στη λαβή. Φροντίστε τα χέρια και τα πόδια σας να βρίσκονται μακριά από τις περιστρεφόμενες λεπίδες.
- Μην γέρνετε το προϊόν όταν εκκινείτε τον κινητήρα ή όταν το προϊόν λειτουργεί.
- Να είστε προσεκτικοί όταν τραβάτε το προϊόν προς τα πίσω.
- Μην ανασηκώνετε ποτέ το προϊόν όταν έχει εκκινήσει ο κινητήρας. Αν πρέπει να ανασηκώσετε το προϊόν, σβήστε πρώτα τον κινητήρα, γυρίστε το κλειδί ασφαλείας στη θέση "0" και αφαιρέστε την μπαταρία.
- Μην περπατάτε προς τα πίσω όταν χρησιμοποιείτε το προϊόν.
- Σταματήστε τον κινητήρα όταν πρέπει να γείρετε το προϊόν για μεταφορά ή πριν να μετακινηθείτε



σε περιοχές χωρίς χορτάρι, για παράδειγμα σε μονοπάτια από χαλίκι, πέτρα και άσφαλτο.

- Μην τρέχετε με το προϊόν όταν έχει εκκινήσει ο κινητήρας. Να περπατάτε πάντα προς τα εμπρός όταν χρησιμοποιείτε το προϊόν.
- Σβήστε τον κινητήρα προτού αλλάξετε το ύψος κοπής. Μην προβαίνετε ποτέ σε ρυθμίσεις ενώ έχει εκκινήσει ο κινητήρας.
- Μην αφήνετε ποτέ το προϊόν εκτός του οπτικού σας πεδίου ενώ έχει εκκινήσει ο κινητήρας. Βεβαιωθείτε ότι ο εξοπλισμός κοπής δεν περιστρέφεται, προτού σβήσετε τον κινητήρα.
- Οι δονήσεις στο προϊόν στη διάρκεια της λειτουργίας μπορεί να διαφέρουν από την αναγραφόμενη τιμή δόνησης στο *Τεχνικά στοιχεία στη σελίδα 116*. Η διαφορά οφείλεται σε διακυμάνσεις στον τρόπο χρήσης του προϊόντος. Εάν χρησιμοποιείτε το προϊόν συχνά ή για μεγάλα χρονικά διαστήματα, πρέπει να κάνετε τακτικά διαλείμματα για να αποφεύγετε τραυματισμούς από δονήσεις.

## Οδηγίες ασφαλείας για τη λειτουργία

### Προσωπικός εξοπλισμός προστασίας



**ΠΡΟΕΙΔΟΠΟΙΗΣΗ:** Προτού χρησιμοποιήσετε το προϊόν, διαβάστε τις παρακάτω προειδοποιητικές οδηγίες.

- Ο προσωπικός εξοπλισμός προστασίας δεν μπορεί να εξαλείψει τον κίνδυνο τραυματισμών, ωστόσο μειώνει τη σοβαρότητά τους σε περίπτωση ατυχήματος. Ο αντιπρόσωπος θα σας βοηθήσει να επιλέξετε τον σωστό εξοπλισμό.
- Να χρησιμοποιείτε αντιολισθητικές μπότες ή παπούτσια βαρέως τύπου. Να μην χρησιμοποιείτε το προϊόν με ανοιχτά παπούτσια ή ζυπόλυτο.
- Χρησιμοποιήστε χοντρά, μακριά παντελόνια.
- Όταν χρειάζεται, να χρησιμοποιείτε προστατευτικά γάντια, για παράδειγμα κατά την τοποθέτηση, την επιθεώρηση ή τον καθαρισμό του εξοπλισμού κοπής.
- Συνιστάται η χρήση προστατευτικών ακοής.

### Συσκευές ασφαλείας στο προϊόν



**ΠΡΟΕΙΔΟΠΟΙΗΣΗ:** Προτού χρησιμοποιήσετε το προϊόν, διαβάστε τις παρακάτω προειδοποιητικές οδηγίες.

- Μην χρησιμοποιείτε το προϊόν με συσκευές ασφαλείας που έχουν υποστεί ζημιά ή δεν λειτουργούν σωστά.
- Μην αφαιρείτε και μην τροποποιείτε τις διατάξεις ασφαλείας.
- Πρέπει να κάνετε τακτικά έλεγχο των συσκευών ασφαλείας. Εάν οι συσκευές ασφαλείας έχουν υποστεί ζημιά ή δεν λειτουργούν σωστά, απευθυνθείτε στον αντιπρόσωπο σέρβις της Husqvarna.

## Για τον έλεγχο του καλύμματος κοπής

Το κάλυμμα κοπής μειώνει τους κραδασμούς στο προϊόν και μειώνεται ο κίνδυνος τραυματισμού από τη λεπίδα.

- Εξετάστε το κάλυμμα κοπής για να βεβαιωθείτε ότι δεν υπάρχουν φθορές όπως ρωγμές.

### Έλεγχος του κλειδιού ασφαλείας

Το κλειδί ασφαλείας βρίσκεται κάτω από το καπάκι της μπαταρίας. Το κλειδί ασφαλείας συνδέει την μπαταρία που τροφοδοτεί με ρεύμα τον κινητήρα.

- Για να ελέγξετε το κλειδί ασφαλείας, εκκινήστε και σβήστε τον κινητήρα.
- Αν το κλειδί ασφαλείας λειτουργεί σωστά, ο κινητήρας μπορεί να εκκινήσει μόνο όταν το κλειδί ασφαλείας βρίσκεται στη θέση 1. (Εικ. 16)

### Έλεγχος του πίσω καλύμματος

Το πίσω κάλυμμα μειώνει τον κίνδυνο εκτίναξης αντικειμένων προς την κατεύθυνση του χειριστή.

- Βεβαιωθείτε ότι το πίσω κάλυμμα δεν έχει υποστεί ζημιά.
- Βεβαιωθείτε ότι τα ελατήρια που κλείνουν το πίσω κάλυμμα δεν είναι χαλασμένα.
- Αντικαταστήστε τα ελατήρια και τα εξαρτήματα που έχουν υποστεί ζημιά.
- Βεβαιωθείτε ότι το πίσω κάλυμμα μπορεί να κινηθεί ομαλά πάνω στους μεντεσέδες.

### Έλεγχος της λαβής του φρένου του κινητήρα

Χρησιμοποιήστε τη λαβή φρένου του κινητήρα, για να σβήσετε τον κινητήρα. Εάν απελευθερώσετε τη λαβή φρένου του κινητήρα, ο κινητήρας σβήνει.

- Θέστε το προϊόν σε λειτουργία. Ανατρέξτε στην ενότητα *Εκκίνηση λειτουργίας του προϊόντος στη σελίδα 109*.
- Απελευθερώστε τη λαβή φρένου του κινητήρα. (Εικ. 17)
- Βεβαιωθείτε ότι το προϊόν σταματά. Αν ο κινητήρας δεν σβήσει εντός 3 δευτερολέπτων, απευθυνθείτε σε έναν εγκεκριμένο αντιπρόσωπο σέρβις της Husqvarna για τη ρύθμιση του φρένου του κινητήρα.

### Έλεγχος του αναστολέα εκκίνησης

Ελέγξτε τον αναστολέα εκκίνησης για να βεβαιωθείτε ότι εμποδίζει τη λειτουργία του κινητήρα.

1. Σπρώξτε τη λαβή φρένου του κινητήρα προς την κατεύθυνση της χειρολαβής. Ο αναστολέας εκκίνησης σταματά να κινείται.
2. Σπρώξτε τον αναστολέα εκκίνησης προς τα έξω. (Εικ. 18)
3. Αφήστε τον αναστολέα εκκίνησης και βεβαιωθείτε ότι επιστρέφει στην αρχική του θέση.

## Ασφάλεια μπαταρίας



**ΠΡΟΕΙΔΟΠΟΙΗΣΗ:** Προτού χρησιμοποιήσετε το προϊόν, διαβάστε τις παρακάτω προειδοποιητικές οδηγίες.

- Χρησιμοποιείτε επαναφορτιζόμενες μπαταρίες της Husqvarna ως πηγή ηλεκτρικής ισχύος μόνο για τα σχετικά προϊόντα της Husqvarna. Για την αποφυγή τραυματισμών, μην χρησιμοποιείτε την μπαταρία ως πηγή ηλεκτρικής ισχύος για άλλες συσκευές.
- Μην χρησιμοποιείτε μη επαναφορτιζόμενες μπαταρίες.
- Κίνδυνος ηλεκτροπληξίας. Μην συνδέετε τους ακροδέκτες της μπαταρίας σε κλειδιά, νομίσματα, βίδες ή άλλα μεταλλικά αντικείμενα. Αυτό μπορεί να προκαλέσει βραχυκύκλωμα της μπαταρίας.
- Μην τοποθετείτε αντικείμενα μέσα στις εγκοπές αερισμού της μπαταρίας.
- Διατηρείτε την μπαταρία μακριά από την ηλιακή ακτινοβολία, τη θερμότητα ή τις γυμνές φλόγες. Η μπαταρία μπορεί να εκραγεί και να προκαλέσει εγκαύματα ή/και χημικά εγκαύματα.
- Διατηρείτε την μπαταρία μακριά από συνθήκες βροχής και υγρασίας.
- Διατηρείτε την μπαταρία μακριά από πηγές μικροκυμάτων και υψηλής πίεσης.
- Μην προσπαθήσετε να αποσυναρμολογήσετε ή να διαλύσετε την μπαταρία.
- Αν η μπαταρία εμφανίσει διαρροή, φροντίστε το υγρό να μην έρθει σε επαφή με το δέρμα ή τα μάτια σας. Αν έρθετε σε επαφή με το υγρό, καθαρίστε την περιοχή με μεγάλη ποσότητα νερού και ζητήστε ιατρική βοήθεια.
- Χρησιμοποιείτε την μπαταρία του προϊόντος μόνο όταν η θερμοκρασία περιβάλλοντος είναι μεταξύ 5 °C και 40 °C.
- Χρησιμοποιείτε τον φορτιστή μπαταρίας μόνο όταν η θερμοκρασία περιβάλλοντος είναι μεταξύ 5 °C και 40 °C.
- Η μπαταρία δεν θα φορτίσει εάν η θερμοκρασία της μπαταρίας είναι πάνω από 50 °C.
- Μην καθαρίζετε την μπαταρία ή τον φορτιστή μπαταρίας με νερό. Ανατρέξτε στην ενότητα *Καθαρισμός της μπαταρίας και του φορτιστή μπαταρίας στη σελίδα 111*.
- Μην χρησιμοποιείτε κατεστραμμένες μπαταρίες.
- Φυλάσσετε τις μπαταρίες μακριά από μεταλλικά αντικείμενα, όπως καρφιά, νομίσματα και κοσμήματα.

## Ασφάλεια φορτιστή μπαταρίας



**ΠΡΟΕΙΔΟΠΟΙΗΣΗ:** Προτού χρησιμοποιήσετε το προϊόν, διαβάστε τις παρακάτω προειδοποιητικές οδηγίες.

- Χρησιμοποιείτε τους φορτιστές μπαταρίας QC για να φορτίσετε μόνο τις ανταλλακτικές μπαταρίες της Husqvarna.
- Κίνδυνος ηλεκτροπληξίας ή βραχυκυκλώματος. Μην τοποθετείτε αντικείμενα μέσα στις εγκοπές αερισμού του φορτιστή. Μην επιχειρείτε να αποσυναρμολογήσετε τον φορτιστή μπαταρίας. Μην συνδέετε ποτέ τους ακροδέκτες του φορτιστή σε μεταλλικά αντικείμενα. Χρησιμοποιήστε μια συγκεκριμένη πρίζα.
- Αυτό το προϊόν παράγει ηλεκτρομαγνητικό πεδίο κατά τη λειτουργία του. Το πεδίο αυτό, υπό ορισμένες συνθήκες, μπορεί να προκαλέσει παρεμβολές σε ενεργά ή παθητικά ιατρικά εμφυτεύματα. Προκειμένου να μειωθεί ο κίνδυνος παθήσεων που μπορεί να προκαλέσουν τραυματισμό ή θάνατο, συνιστούμε στα άτομα με ιατρικά εμφυτεύματα να συμβουλευτούν το θεράποντα ιατρό τους και τον κατασκευαστή του ιατρικού εμφυτεύματος, πριν να θέσουν το προϊόν σε λειτουργία.
- Να βεβαιώνετε τακτικά ότι το καλώδιο ρεύματος του φορτιστή της μπαταρίας δεν έχει υποστεί ζημιά και ότι δεν παρουσιάζει ρωγμές.
- Μην σηκώνετε τον φορτιστή μπαταρίας από το καλώδιο ρεύματος. Για να αποσυνδέσετε τον φορτιστή της μπαταρίας από την πρίζα, τραβήξτε το βύσμα. Μην τραβάτε το καλώδιο.
- Διατηρείτε το καλώδιο ρεύματος και το καλώδιο επέκτασης μακριά από νερό, λάδι και αιχμηρές γωνίες. Βεβαιωθείτε ότι το καλώδιο δεν έχει μαγκώσει σε πόρτες, φράκτες ή παρόμοια σημεία. Μπορεί να προκληθεί κίνδυνος τροφοδοσίας ρεύματος στο φορτιστή.
- Μην καθαρίζετε τον φορτιστή μπαταρίας με νερό.
- Ο φορτιστής της μπαταρίας μπορεί να χρησιμοποιηθεί από παιδιά ηλικίας από 8 ετών και άνω και από άτομα με περιορισμένες σωματικές, αισθητήριες ή διανοητικές ικανότητες ή από άτομα χωρίς εμπειρία και γνώση, εφόσον τον χρησιμοποιούν υπό επιτήρηση ή έχουν λάβει οδηγίες σχετικά με την ασφαλή χρήση του και κατανοούν τους κινδύνους που ενέχονται. Τα παιδιά δεν πρέπει να παίζουν με το φορτιστή της μπαταρίας. Τα παιδιά δεν πρέπει να εκτελούν εργασίες καθαρισμού και συντήρησης χωρίς επίβλεψη.
- Μην φορτίζετε μη επαναφορτιζόμενες μπαταρίες με το φορτιστή της μπαταρίας.
- Μην χρησιμοποιείτε τον φορτιστή μπαταρίας κοντά σε εύφλεκτα υλικά ή υλικά που μπορούν να προκαλέσουν διάβρωση. Μην καλύπτετε το φορτιστή μπαταρίας. Σε περίπτωση έκλυσης καπνού ή πυρκαγιάς, βγάλτε τον φορτιστή μπαταρίας από την πρίζα.
- Μην χρησιμοποιείτε έναν κατεστραμμένο φορτιστή μπαταρίας.
- Φορτίστε την μπαταρία μόνο σε εσωτερικό και καλά αεριζόμενο χώρο μακριά από την ηλιακή ακτινοβολία. Μην φορτίζετε την μπαταρία σε συνθήκες υγρασίας.

## Οδηγίες ασφαλείας για τη συντήρηση



**ΠΡΟΕΙΔΟΠΟΙΗΣΗ:** Προτού χρησιμοποιήσετε το προϊόν, διαβάστε τις παρακάτω προειδοποιητικές οδηγίες.

- Για την αποφυγή ακούσιας εκκίνησης κατά τις εργασίες συντήρησης, γυρίστε το κλειδί ασφαλείας στη θέση "0" και αφαιρέστε την μπαταρία. Περιμένετε τουλάχιστον για 5 δευτερόλεπτα προτού ξεκινήσετε τις εργασίες συντήρησης.
- Να πραγματοποιείτε μόνο τις εργασίες συντήρησης που περιλαμβάνονται στο παρόν εγχειρίδιο χρήσης. Οι εκτεταμένες εργασίες και οι επαγγελματικές επισκευές πρέπει να εκτελούνται από εγκεκριμένο αντιπρόσωπο σέρβις. Επικοινωνήστε με τον πλησιέστερο αντιπρόσωπο σέρβις για περισσότερες πληροφορίες.
- Να εκτελείτε σωστά τις εργασίες συντήρησης για να αυξήσετε τη διάρκεια ζωής του προϊόντος και να μειώσετε τον κίνδυνο ατυχημάτων.
- Φροντίστε να αντικαθιστάτε τυχόν κατεστραμμένα, φθαρμένα ή σπασμένα εξαρτήματα. Να

χρησιμοποιείτε πάντα γνήσια ανταλλακτικά από τον κατασκευαστή. Άλλα ανταλλακτικά μπορεί να προκαλέσουν ζημία στο προϊόν και να αυξήσουν τον κίνδυνο ατυχημάτων.

- Για την αποφυγή τραυματισμών, μην αφαιρείτε και μην τροποποιείτε τις συσκευές ασφαλείας.
- Φοράτε ανθεκτικά γάντια όταν χρησιμοποιείτε τον εξοπλισμό κοπής. Η λεπίδα είναι πολύ κοφτερή και μπορεί εύκολα να κοπείτε.
- Διατηρείτε την κοπτική ακμή αιχμηρή και καθαρή για καλύτερη απόδοση και μεγαλύτερη ασφάλεια.
- Να αναθέτετε στον αντιπρόσωπο σέρβις να ελέγχει συχνά το προϊόν και να κάνει τις απαραίτητες ρυθμίσεις και επισκευές.
- Τηρείτε τις οδηγίες για την αλλαγή των αξεσουάρ. Χρησιμοποιήστε μόνο αξεσουάρ του κατασκευαστή.
- Αποθηκεύετε το προϊόν, την μπαταρία και τον φορτιστή μπαταρίας ξεχωριστά σε κλειδωμένο εσωτερικό χώρο χωρίς υγρασία, όταν δεν τα χρησιμοποιείτε. Βεβαιωθείτε ότι τα παιδιά και τα μη εξουσιοδοτημένα άτομα δεν έχουν πρόσβαση στο προϊόν, την μπαταρία ή τον φορτιστή μπαταρίας.

## Συναρμολόγηση

### Εισαγωγή



**ΠΡΟΕΙΔΟΠΟΙΗΣΗ:** Πριν συναρμολογήσετε το προϊόν, διαβάστε το κεφάλαιο για την ασφάλεια.



**ΠΡΟΕΙΔΟΠΟΙΗΣΗ:** Για την αποφυγή ακούσιας εκκίνησης κατά τη συναρμολόγηση, γυρίστε το κλειδί ασφαλείας στη θέση "0", αφαιρέστε την μπαταρία και περιμένετε τουλάχιστον για 5 δευτερόλεπτα.

### Συναρμολόγηση της λαβής

**Περιεχόμενα** Συναρμολογείται η εκτέλεση αυτής της διαδικασίας από 2 άτομα.

**Περιεχόμενα** Μην αφαιρείτε το προϊόν από το κουτί, όταν συναρμολογείτε τη λαβή. Το κουτί μπορεί να χρησιμοποιηθεί για στήριξη της λαβής κατά τη συναρμολόγηση.

1. Ανασηκώστε και περιστρέψτε τη λαβή. (Εικ. 19)



**ΠΡΟΣΟΧΗ:** Να είστε προσεκτικοί και να βεβαιώνετε ότι δεν προκαλείται ζημιά στο καλώδιο όταν περιστρέψετε τη λαβή.

2. Τοποθετήστε τη λαβή στο επάνω μέρος του προϊόντος. Γείρετε τη λαβή προς το κουτί για να την στηρίξετε. Ανατρέξτε στην εικόνα. (Εικ. 20)
3. Περάστε τη βίδα (A) μέσα από τη λαβή (B), την πλαστική ροδέλα (C) και τον βραχίονα στήριξης της λαβής (D). (Εικ. 21)
4. Σφίξτε καλά το παξιμάδι (E).
5. Αφαιρέστε το προϊόν από το κουτί.
6. Διπλώστε τη λαβή στην όρθια θέση. (Εικ. 22)
7. Ρυθμίστε το ύψος της λαβής στη χαμηλότερη θέση. Ανατρέξτε στην ενότητα *Ρύθμιση της λαβής στη σελίδα 107*.
8. Στερεώστε το καλώδιο στο χαμηλότερο μέρος της λαβής με το κλιπ. (Εικ. 23)
9. Στερεώστε το κάτω μέρος του καλωδίου στον βραχίονα στήριξης της λαβής με το δερματικό καλωδίων. Κόψτε το υπόλοιπο κομμάτι του δερματικού καλωδίων. (Εικ. 24)

**Περιεχόμενα** Βεβαιωθείτε ότι το καλώδιο έχει στερεωθεί σωστά. Ένα υπερβολικά χαλαρό καλώδιο μπορεί να πάθει ζημιά όταν θα τοποθετηθεί ο συλλέκτης χόρτου. (Εικ. 25)

### Ρύθμιση της λαβής

1. Χαλαρώστε τις κάτω χειρόβιδες.
2. Μετακινήστε τους μοχλούς στο κατώτερο άκρο των αυλακώσεων από την αριστερή και τη δεξιά πλευρά του προϊόντος. (Εικ. 26)

3. Ρυθμίστε το ύψος της χειρολαβής σε μία από τις 2 διαθέσιμες θέσεις.
4. Μετακινήστε τους μοχλούς προς την κατεύθυνση της χειρολαβής μέχρι να σταματήσουν και να ακούσετε ένα κλικ. (Εικ. 27)

5. Σφίξτε πλήρως τις χειρόβιδες.

## Λειτουργία

### Εισαγωγή



**ΠΡΟΕΙΔΟΠΟΙΗΣΗ:** Προτού χρησιμοποιήσετε το προϊόν, πρέπει να διαβάσετε και να κατανοήσετε το κεφάλαιο για την ασφάλεια.

### Husqvarna Connect

Η Husqvarna Connect είναι μια δωρεάν εφαρμογή για τη φορητή συσκευή σας. Η εφαρμογή Husqvarna Connect παρέχει εκτεταμένες λειτουργίες για το προϊόν σας Husqvarna:

- Περισσότερες πληροφορίες για το προϊόν.
- Πληροφορίες και βοήθεια για τα ανταλλακτικά και το σέρβις του προϊόντος.

### Για να αρχίσετε να χρησιμοποιείτε το προϊόν Husqvarna Connect

1. Κατεβάστε την εφαρμογή Husqvarna Connect στη φορητή συσκευή σας.
2. Εγγραφείτε στην εφαρμογή Husqvarna Connect.
3. Ακολουθήστε τα βήματα με τις οδηγίες που θα βρείτε στην εφαρμογή Husqvarna Connect για να συνδέσετε και να δηλώσετε το προϊόν.

### Τοποθέτηση του προϊόντος στη θέση λειτουργίας

1. Βεβαιωθείτε ότι οι κάτω χειρόβιδες είναι χαλαρές. Ανατρέξτε στην ενότητα *Ρύθμιση της λαβής στη σελίδα 107*.
2. Διπλώστε τη λαβή στην όρθια θέση. (Εικ. 22)
3. Μετακινήστε τις χειρόβιδες προς την κατεύθυνση της λαβής μέχρι να σταματήσουν και να ακούσετε ένα κλικ. (Εικ. 27)
4. Σφίξτε καλά τις χειρόβιδες.



**ΠΡΟΕΙΔΟΠΟΙΗΣΗ:** Μην χρησιμοποιείτε το προϊόν εάν η λαβή δεν είναι πλήρως αναδιπλωμένη και δεν έχει ρυθμιστεί σε μία από τις κατάλληλες θέσεις ύψους. Ανατρέξτε στην ενότητα *Ρύθμιση της λαβής στη σελίδα 107*.

### Για να ρυθμίσετε το ύψος κοπής

1. Μετακινήστε το μοχλό ύψους κοπής προς τα πίσω για να αυξήσετε το ύψος κοπής.

2. Μετακινήστε το μοχλό ύψους κοπής προς τα εμπρός για να μειώσετε το ύψος κοπής. (Εικ. 28)



**ΠΡΟΣΟΧΗ:** Μην ρυθμίζετε το ύψος κοπής πολύ χαμηλά. Οι λεπίδες μπορεί να χτυπήσουν στο έδαφος αν η επιφάνεια του χλοοτάπητα δεν είναι επίπεδη.

### Μπαταρία



**ΠΡΟΕΙΔΟΠΟΙΗΣΗ:** Προτού χρησιμοποιήσετε την μπαταρία, πρέπει να διαβάσετε και να κατανοήσετε το κεφάλαιο σχετικά με την ασφάλεια. Πρέπει επίσης να διαβάσετε και να κατανοήσετε το εγχειρίδιο χρήσης για την μπαταρία και τον φορτιστή της μπαταρίας.

Διατηρείτε την μπαταρία και τον φορτιστή μπαταρίας στις σωστές θερμοκρασίες περιβάλλοντος.

	Θερμοκρασία περιβάλλοντος
Λειτουργία της μπαταρίας	5 °C - 40 °C
Φόρτιση μπαταρίας	5 °C - 40 °C

### Κατάσταση μπαταρίας

Στην οθόνη εμφανίζονται η εναπομένουσα χωρητικότητα της μπαταρίας και τυχόν προβλήματα της μπαταρίας. Πατήστε το κουμπί ένδειξης μπαταρίας για πληροφορίες σχετικά με την κατάσταση φόρτισης της μπαταρίας. Το προειδοποιητικό σύμβολο στην μπαταρία ανάβει όταν παρουσιαστεί σφάλμα. Ανατρέξτε στην ενότητα *Μπαταρία στη σελίδα 113*.

(Εικ. 29)

Ενδεικτικές λυχνίες LED	Κατάσταση μπαταρίας
Όλες οι ενδεικτικές λυχνίες LED είναι αναμμένες	Πλήρως φορτισμένη (76-100%)
Οι ενδεικτικές λυχνίες LED 1, LED 2, LED 3 είναι αναμμένες	Η μπαταρία είναι φορτισμένη κατά 51%-75%
Οι ενδεικτικές λυχνίες LED 1, LED 2 είναι αναμμένες	Η μπαταρία είναι φορτισμένη κατά 26%-50%

Ενδεικτικές λυχνίες LED	Κατάσταση μπαταρίας
Η ενδεικτική λυχνία LED 1 είναι αναμμένη	Η μπαταρία είναι φορτισμένη κατά 6%-25%.
Αναβοσβήνει η λυχνία LED 1	Η μπαταρία είναι φορτισμένη κατά 0%-5%.

## Φόρτιση της μπαταρίας

Φορτίστε την μπαταρία πριν από την πρώτη χρήση. Η μπαταρία είναι φορτισμένη μόνο κατά 30% όταν παρέχεται στον πελάτη.

**Περιεχόμενα** Ο φορτιστής της μπαταρίας πρέπει να συνδέεται σε παροχή με τάση και συχνότητα ίδια με αυτή που ορίζεται στην πινακίδα στοιχείων.

Η φόρτιση της μπαταρίας δεν είναι δυνατή αν η θερμοκρασία της μπαταρίας είναι μεγαλύτερη από 50 °C. Ο φορτιστής της μπαταρίας μειώνει τη θερμοκρασία πριν ξεκινήσει η φόρτιση.

1. Συνδέστε το ένα άκρο του καλωδίου ρεύματος του φορτιστή μπαταρίας στην υποδοχή του φορτιστή μπαταρίας.
2. Συνδέστε το άλλο άκρο του καλωδίου ρεύματος του φορτιστή μπαταρίας σε μια γειωμένη πρίζα. Η ενδεικτική λυχνία LED στον φορτιστή της μπαταρίας θα αναβοσβήσει με πράσινο χρώμα μία φορά. (Εικ. 30)
3. Τοποθετήστε την μπαταρία στο φορτιστή μπαταρίας. Όταν η μπαταρία συνδεθεί σωστά στον φορτιστή, ανάβει η πράσινη λυχνία στον φορτιστή. (Εικ. 31)
4. Η μπαταρία είναι πλήρως φορτισμένη, όταν ανάψουν όλες οι λυχνίες LED στην μπαταρία. Ο μέγιστος χρόνος φόρτισης της μπαταρίας δεν θα πρέπει να υπερβαίνει τις 24 ώρες.
5. Για να αποσυνδέσετε τον φορτιστή της μπαταρίας από την πρίζα, τραβήξτε το φως και όχι το καλώδιο.
6. Αφαιρέστε την μπαταρία από το φορτιστή.

## Εκκίνηση λειτουργίας του προϊόντος

1. Ανοίξτε το καπάκι της μπαταρίας.
2. Τοποθετήστε μια φορτισμένη μπαταρία σε μία από τις βάσεις μπαταρίας. Για μεγαλύτερη διάρκεια λειτουργίας, τοποθετήστε μια δεύτερη φορτισμένη μπαταρία στην άλλη βάση μπαταρίας.
3. Γυρίστε το κλειδί ασφαλείας στη θέση "1". (Εικ. 32)
4. Να παραμένετε πίσω από το προϊόν.
5. Χαλαρώστε τον αναστολέα εκκίνησης. (Εικ. 18)
6. Σπρώξτε τη λαβή φρένου του κινητήρα προς την κατεύθυνση της χειρολαβής. (Εικ. 33)

## Χρήση της κίνησης στους τροχούς (LC 251IS)

- Πιέστε την ασφάλεια κίνησης προς την κατεύθυνση της χειρολαβής. (Εικ. 34)
- Απελευθερώστε την ασφάλεια κίνησης για να αποδεσμεύσετε την κίνηση, για παράδειγμα όταν βρίσκεστε κοντά σε κάποιο εμπόδιο.
- Πρωτό τραβήξετε το προϊόν προς τα πίσω, αποσυμπλέξτε τον μηχανισμό μετάδοσης κίνησης και σπρώξτε το προϊόν προς τα εμπρός κατά περίπου 10 cm.

## Για να χρησιμοποιήσετε τη λειτουργία SavE™

Το προϊόν διαθέτει μια λειτουργία εξοικονόμησης μπαταρίας (SavE™) για μεγαλύτερη διάρκεια λειτουργίας.

- Πατήστε το κουμπί SavE™ στη θέση 1 για να ξεκινήσει η λειτουργία. (Εικ. 35)
- Πατήστε το κουμπί SavE™ στη θέση 0 για να διακόψετε τη λειτουργία.

**Περιεχόμενα** Η λειτουργία SavE™ αυτόματα αν οι συνθήκες εδάφους απαιτούν υψηλότερη απόδοση. Η λειτουργία SavE™ εκκινείται ξανά αυτόματα όταν επιτρέψουν οι συνθήκες εδάφους.

## Λειτουργία υψηλού φορτίου

Οι σ.α.λ. του κινητήρα αυξάνονται αυτόματα, όταν το προϊόν κόβει μακρύ ή νωπό χορτάρι. Ο κινητήρας επιστρέφει σε κανονική λειτουργία όταν δεν απαιτείται υψηλό φορτίο.

## Σβήσιμο του μοτέρ

Στη διάρκεια της λειτουργίας, η λεπίδα και το μοτέρ μπορεί να σταματήσουν προσωρινά, λόγω εμποδίων όπως το μπλοκάρισμα του χορταριού κάτω από το κάλυμμα κοπής. Εάν συμβεί αυτό και διατηρήσετε πατημένη τη λαβή του φρένου του μοτέρ, το προϊόν θα επανεκκινήσει αυτόματα. Αν το προϊόν δεν επανεκκινήσει σε 5-10 δευτερόλεπτα, μπορεί να χρειαστεί να καθαρίσετε την περιοχή κάτω από το κάλυμμα κοπής. Ανατρέξτε στην ενότητα *Καθαρισμός του προϊόντος στη σελίδα 111*.



**ΠΡΟΕΙΔΟΠΟΙΗΣΗ:** Αν σταματήσει το μοτέρ, το προϊόν προσπαθεί να επανεκκινήσει αυτόματα για 5-10 δευτερόλεπτα. Περιμένετε τουλάχιστον 15 δευτερόλεπτα προτού ελέγξετε το κάλυμμα κοπής.



**ΠΡΟΕΙΔΟΠΟΙΗΣΗ:** Πριν από τον έλεγχο του καλύμματος κοπής, αφήστε τη λαβή του φρένου του μοτέρ, γυρίστε

το κλειδί ασφαλείας στη θέση 0, αφαιρέστε την μπαταρία και περιμένετε τουλάχιστον 5 δευτερόλεπτα. Υπάρχει κίνδυνος τραυματισμού σε περίπτωση αφαίρεσης του εμπόδιου και της τυχαίας εκκίνησης του προϊόντος.

## Διακοπή λειτουργίας του προϊόντος



**ΠΡΟΕΙΔΟΠΟΙΗΣΗ:** Γυρίστε το κλειδί ασφαλείας στη θέση "0" προτού αφήσετε το προϊόν εκτός του οπτικού σας πεδίου.

1. Αφήστε τη λαβή του φρένου του μοτέρ για να σβήσετε τον κινητήρα. (Εικ. 36)

**Περιεχόμενα** Για τα LC 251iS. Για να διακόψετε την κίνηση στους τροχούς, απελευθερώστε την ασφάλεια οδήγησης.

2. Ανοίξτε το καπάκι της μπαταρίας και γυρίστε το κλειδί ασφαλείας στη θέση "0". (Εικ. 37)
3. Για να αφαιρέσετε την μπαταρία, πατήστε τα 2 κουμπιά απασφάλισης και τραβήξτε την μπαταρία προς τα έξω. (Εικ. 38)
4. Φορτίστε την μπαταρία, αν η στάθμη φόρτισης είναι πολύ χαμηλή. Για περισσότερες πληροφορίες, ανατρέξτε στην ενότητα *Φόρτιση της μπαταρίας στη σελίδα 109*.

## Χρήση του προϊόντος με τον συλλέκτη χόρτου



**ΠΡΟΕΙΔΟΠΟΙΗΣΗ:** Μην χρησιμοποιείτε το προϊόν χωρίς να έχετε τοποθετήσει τον συλλέκτη χόρτου ή χωρίς να έχετε κλείσει το πίσω κάλυμμα. Μπορεί να εκτιναχθούν αντικείμενα και να προκαλέσουν τραυματισμό στον χειριστή.

1. Ανασηκώστε το πίσω κάλυμμα. (Εικ. 39)
2. Τοποθετήστε τον συλλέκτη χόρτου στον βραχίονα.
3. Απασφαλίστε το πίσω κάλυμμα και τοποθετήστε το πάνω στο πλαίσιο του σάκου χόρτου. (Εικ. 40)

## Αλλαγή του προϊόντος σε λειτουργία πλευρικής εξαγωγής κομμένου χόρτου

1. Ανασηκώστε το πίσω κάλυμμα και αφαιρέστε τον σάκο χόρτου, αν υπάρχει.
2. Κλείστε το πίσω κάλυμμα και βεβαιωθείτε ότι έχει κλείσει καλά στο προϊόν.

3. Ανασηκώστε την ασφάλεια εξαγωγής. (Εικ. 41)
4. Ανοίξτε το κάλυμμα πλευρικής εξαγωγής και τοποθετήστε τον εκτροπέα πλευρικής εξαγωγής πάνω στους πείρους στήριξης. (Εικ. 42)
5. Αφήστε το κάλυμμα πλευρικής εξαγωγής να κλείσει πάνω στον εκτροπέα πλευρικής εξαγωγής. Βεβαιωθείτε ότι ο εκτροπέας πλευρικής εξαγωγής είναι καλά τοποθετημένος προτού χρησιμοποιήσετε το προϊόν.

## Άδειασμα του συλλέκτη χόρτου



**ΠΡΟΣΟΧΗ:** Ανασηκώστε τον συλλέκτη χόρτου όταν τον μετακινείτε, για να αποφύγετε τη φθορά.

1. Ανασηκώστε το συλλέκτη χόρτου με τη λαβή του πλαισίου.
2. Χρησιμοποιήστε τη χειρολαβή πλαισίου και τη χειρολαβή τσάντας όταν αδειάζετε τον συλλέκτη χόρτου. (Εικ. 43)

## Για ένα καλό αποτέλεσμα

- Να χρησιμοποιείτε πάντα μια ακονισμένη λεπίδα. Η στομωμένη λεπίδα δίνει ένα ακανόνιστο αποτέλεσμα και η επιφάνεια κοπής του γρασιδιού γίνεται κίτρινη. Επίσης, η ακονισμένη λεπίδα χρησιμοποιεί λιγότερη ενέργεια από μια στομωμένη λεπίδα.
- Να μην κόβετε ποτέ πάνω από το 1/3 του μήκους του γρασιδιού. Όταν αρχίζετε να κόβετε το γρασίδι, χρησιμοποιήστε το υψηλότερο ύψος κοπής. Εξετάστε το αποτέλεσμα και χαμηλώστε το ύψος κοπής σε κατάλληλο επίπεδο. Αν το γρασίδι είναι πολύ μακρύ, κινηθείτε αργά και κόψτε 2 φορές, αν είναι απαραίτητο.
- Να κόβετε κάθε φορά σε διαφορετικές κατευθύνσεις για να αποφεύγετε τις ρίγες στο γρασίδι.
- Ανασηκώστε το πίσω κάλυμμα και αφαιρέστε το συλλέκτη χόρτου.
- Αν έχουν τοποθετηθεί πώμα χορτολίπασματος και λεπίδα χορτολίπανσης, αφαιρέστε τα.
- Κλείστε το πίσω κάλυμμα προτού χρησιμοποιήσετε το προϊόν. Όταν χρησιμοποιείτε το προϊόν, το κομμένο χόρτο εκτοξεύεται κάτω από το πίσω κάλυμμα.
- Διατηρείτε το κάλυμμα κοπής καθαρό. Η συσσώρευση χορταριού και ακαθαρσιών στην εσωτερική πλευρά του καλύμματος κοπής μπορεί να μειώσει το αποτέλεσμα κοπής. Ανατρέξτε στην ενότητα *Καθαρισμός του προϊόντος στη σελίδα 111*.

# Συντήρηση

## Εισαγωγή



**ΠΡΟΕΙΔΟΠΟΙΗΣΗ:** Προτού εκτελέσετε εργασίες συντήρησης, πρέπει να διαβάσετε και να κατανοήσετε το κεφάλαιο για την ασφάλεια.

Για όλες τις εργασίες συντήρησης και επισκευής στο προϊόν, είναι απαραίτητη ειδική εκπαίδευση. Μπορούμε να εγγυηθούμε για τη διαθεσιμότητα των επαγγελματικών επισκευών και τη συντήρηση.

Για λεπτομερέστερες πληροφορίες, ανατρέξτε στη σελίδα [www.husqvarna.com](http://www.husqvarna.com).

## Πρόγραμμα συντήρησης

Τα διαστήματα συντήρησης υπολογίζονται με βάση την καθημερινή χρήση του προϊόντος. Τα διαστήματα αλλάζουν αν το προϊόν δεν χρησιμοποιείται καθημερινά.

Για τις εργασίες συντήρησης που προσδιορίζονται με αστερίσκο (\*), ανατρέξτε στις οδηγίες στην ενότητα *Ασφάλεια στη σελίδα 101*.

	Σε κάθε χρήση	Κάθε μήνα	Σε κάθε σεζόν
Εκτέλεση γενικής επιθεώρησης	X		
Καθαρισμός του προϊόντος	X		
Έλεγχος του αναστολέα εκκίνησης *	X		
Έλεγχος μη ύπαρξης ελαττώματος των συσκευών ασφαλείας στο προϊόν*	X		
Έλεγχος του εξοπλισμού κοπής	X		
Έλεγχος του καλύμματος κοπής *	X		
Έλεγχος της λαβής φρένου του κινητήρα *	X		
Έλεγχος της μπαταρίας για τυχόν ζημιές	X		
Έλεγχος της φόρτισης της μπαταρίας	X		
Έλεγχος σωστής λειτουργίας των κουμπιών απασφάλισης της μπαταρίας και σωστής ασφάλισης της μπαταρίας στο προϊόν	X		
Ελέγξτε τον φορτιστή μπαταρίας για τυχόν ζημιές και βεβαιωθείτε ότι λειτουργεί σωστά.		X	
Ελέγξτε τις συνδέσεις μεταξύ της μπαταρίας και του προϊόντος. Επιπλέον, ελέγξτε τη σύνδεση μεταξύ της μπαταρίας και του φορτιστή μπαταρίας.			X

## Εκτέλεση γενικής επιθεώρησης

- Βεβαιωθείτε ότι τα παξιμάδια και οι βίδες πάνω στο προϊόν είναι σφιγμένα.
- Βεβαιωθείτε ότι τα καλώδια στο προϊόν δεν βρίσκονται σε σημείο όπου μπορούν να υποστούν ζημιά.

## Καθαρισμός του προϊόντος

- Καθαρίζετε τα πλαστικά εξαρτήματα με καθαρό και στεγνό πανί.
- Μην χρησιμοποιείτε νερό για να καθαρίσετε το προϊόν. Το νερό μπορεί να εισχωρήσει στην μπαταρία ή στον κινητήρα και να προκαλέσει βραχυκύκλωμα ή ζημιά στο προϊόν.
- Μην χρησιμοποιείτε σύστημα πλύσης με υψηλή πίεση για να καθαρίσετε το προϊόν.

- Μην ρίχνετε νερό απευθείας επάνω στον κινητήρα.
- Χρησιμοποιήστε μια βούρτσα για να αφαιρέσετε φύλλα, γρασιδί και ακαθαρσίες.

## Καθαρισμός της μπαταρίας και του φορτιστή μπαταρίας



**ΠΡΟΕΙΔΟΠΟΙΗΣΗ:** Μην καθαρίζετε την μπαταρία ή τον φορτιστή μπαταρίας με νερό.



**ΠΡΟΕΙΔΟΠΟΙΗΣΗ:** Μην χρησιμοποιείτε χημικές ουσίες για τον καθαρισμό της μπαταρίας.

- Βεβαιωθείτε ότι η μπαταρία και ο φορτιστής είναι καθαροί και στεγνοί προτού τοποθετήσετε την μπαταρία στον φορτιστή.
- Καθαρίστε τους πόλους της μπαταρίας με πεπιεσμένο αέρα ή χρησιμοποιήστε μαλακό και στεγνό πανί.
- Καθαρίστε τις επιφάνειες της μπαταρίας και του φορτιστή της μπαταρίας με μαλακό και στεγνό πανί.

παγιδευτούν ανάμεσα στη λεπίδα και τα μη κινούμενα εξαρτήματα.

1. Ασφαλίστε τη λεπίδα με έναν ξύλινο τάκο. (Εικ. 44)
2. Αφαιρέστε τη βίδα της λεπίδας, τις ροδέλες και τη λεπίδα. (Εικ. 45)
3. Εξετάστε την υποστήριξη και τη βίδα της λεπίδας για να δείτε εάν υπάρχουν φθορές.
4. Βεβαιωθείτε ότι ο άξονας του μοτέρ δεν είναι λυγισμένος.
5. Όταν συνδέετε μια καινούργια λεπίδα, στρέψτε τα άκρα της λεπίδας που σχηματίζουν γωνία προς την κατεύθυνση του καλύμματος κοπής. (Εικ. 46)
6. Βεβαιωθείτε ότι η λεπίδα είναι ευθυγραμμισμένη με το κέντρο του άξονα του μοτέρ.
7. Ασφαλίστε τη λεπίδα με ένα κομμάτι ξύλο. Τοποθετήστε τις ροδέλες και σφίξτε τη βίδα με ροπή 23 – 28 Nm. (Εικ. 47) (Εικ. 45)
8. Περιστρέψτε τη λάμα με το χέρι και βεβαιωθείτε ότι μπορεί να περιστραφεί χωρίς προβλήματα.

## Έλεγχος εξοπλισμού κοπής



**ΠΡΟΕΙΔΟΠΟΙΗΣΗ:** Για την αποφυγή ακούσιας εκκίνησης, γυρίστε το κλειδί ασφαλείας στη θέση "0", αφαιρέστε την μπαταρία και περιμένετε τουλάχιστον για 5 δευτερόλεπτα.



**ΠΡΟΕΙΔΟΠΟΙΗΣΗ:** Να χρησιμοποιείτε προστατευτικά γάντια όταν κάνετε συντήρηση του εξοπλισμού κοπής. Η λεπίδα είναι πολύ κοφτερή και μπορεί εύκολα να κοπείτε.

1. Ελέγξτε τον εξοπλισμό κοπής για ζημιές ή ρωγμές. Πρέπει πάντα να αντικαθιστάτε τον εξοπλισμό κοπής, αν έχει υποστεί ζημιά.
2. Κοιτάξτε τη λεπίδα για να δείτε εάν είναι φθαρμένη ή στομωμένη.



### ΠΡΟΕΙΔΟΠΟΙΗΣΗ:

Χρησιμοποιείτε γάντια βαρέος τύπου. Η λεπίδα είναι πολύ κοφτερή και μπορεί εύκολα να κοπείτε.

9. Εκκινήστε το προϊόν για να δοκιμάσετε τη λεπίδα. Αν η λεπίδα δεν είναι σωστά συνδεδεμένη, θα υπάρχουν κραδασμοί στο προϊόν ή το αποτέλεσμα κοπής δεν θα είναι ικανοποιητικό.

**Περιεχόμενα** Είναι απαραίτητο να ζυγοσταθμιστεί η λεπίδα μετά το ακόνισμα. Να αναθέτετε το ακόνισμα, την αντικατάσταση και τη ζυγοστάθμιση της λεπίδας σε ένα κέντρο σέρβις. Αν χτυπήσετε κάποιο εμπόδιο και σταματήσει το προϊόν, αντικαταστήστε τη φθαρμένη λεπίδα. Το κέντρο σέρβις θα αξιολογήσει αν η λεπίδα μπορεί να ακονιστεί ή πρέπει να αντικατασταθεί.

## Αντικατάσταση της λεπίδας

Ανατρέξτε στην ενότητα *Τεχνικά στοιχεία στη σελίδα 116* για τον σωστό τύπο λεπίδας.



**ΠΡΟΕΙΔΟΠΟΙΗΣΗ:** Ασφαλίστε τη λεπίδα με ένα κομμάτι ξύλο για να αποφύγετε τον τραυματισμό των δαχτύλων σας κατά την αντικατάσταση της λεπίδας. Η λεπίδα μπορεί να μετακινηθεί όταν το μοτέρ είναι σβηστό και τα δάχτυλά σας μπορεί να

## Έλεγχος του εκτροπέα πλευρικής εξαγωγής

Ο εκτροπέας πλευρικής εξαγωγής είναι τοποθετημένος στο άνοιγμα πλευρικής εξαγωγής του προϊόντος. Μειώνει τον κίνδυνο εκτίναξης αντικειμένων προς την κατεύθυνση χλοοκοπής του χειριστή.

1. Βεβαιωθείτε ότι ο εκτροπέας πλευρικής εξαγωγής δεν έχει υποστεί ζημιά.
2. Ελέγξτε τον εκτροπέα πλευρικής εξαγωγής. Βεβαιωθείτε ότι δεν υπάρχουν ελαττώματα, όπως ρωγμές ή χαλασμένα ελατήρια που κάνουν την πόρτα να κλείσει.
3. Αντικαταστήστε τον εκτροπέα πλευρικής εξαγωγής ή τα ελατήρια, εάν έχουν υποστεί ζημιά.



## Αντιμετώπιση προβλημάτων

### Μπαταρία

Λυχνία LED στην μπαταρία	Αιτία	Λύση
Η πράσινη λυχνία LED αναβοσβήνει.	Η τάση της μπαταρίας είναι χαμηλή.	Φορτίστε την μπαταρία. Ανατρέξτε στην ενότητα <i>Φόρτιση της μπαταρίας στη σελίδα 109</i> .
Η λυχνία LED σφάλματος της μπαταρίας αναβοσβήνει.	Η μπαταρία είναι πολύ κρύα ή πολύ ζεστή για χρήση.	Αφήστε την μπαταρία να κρυώσει ή προθερμάνετε την σε εσωτερικό χώρο. Όταν η θερμοκρασία της μπαταρίας είναι σωστή, μπορεί να χρησιμοποιηθεί ξανά. Χρησιμοποιείτε την μπαταρία του προϊόντος μόνο όταν η θερμοκρασία περιβάλλοντος είναι μεταξύ 5 °C και -40 °C.
	Η μπαταρία είναι άδεια.	Φορτίστε την μπαταρία. Ανατρέξτε στην ενότητα <i>Φόρτιση της μπαταρίας στη σελίδα 109</i> .
Η λυχνία LED σφάλματος της μπαταρίας ανάβει.	Υπάρχει μόνιμο σφάλμα μπαταρίας.	Απευθυνθείτε στον αντιπρόσωπο σέρβις της Husqvarna.

### Φορτιστής μπαταρίας

Λυχνία LED στον φορτιστή της μπαταρίας	Αιτία	Λύση
Η λυχνία LED σφάλματος αναβοσβήνει ή ανάβει.	Ο φορτιστής μπαταρίας είναι πολύ κρύος ή πολύ ζεστός για χρήση.	Αφήστε τον φορτιστή μπαταρίας να κρυώσει ή μετακινήστε τον σε εσωτερικό χώρο για να ζεσταθεί. Όταν ο φορτιστής μπαταρίας έχει τη σωστή θερμοκρασία, μπορεί να χρησιμοποιηθεί ξανά. Χρησιμοποιήστε το φορτιστή μπαταρίας όταν η θερμοκρασία περιβάλλοντος είναι 5 °C-40 °C.
	Άλλα σφάλματα.	Απευθυνθείτε στον αντιπρόσωπο σέρβις της Husqvarna.

### Ωθούμενο χλοοκοπτικό

Η προειδοποιητική λυχνία (LED σφάλματος) βρίσκεται κάτω από το κάλυμμα της μπαταρίας.

Πρόβλημα	Λυχνία LED σφάλματος (αριθμός αναβοσβήσιμων)	Αιτία	Λύση
Η ενδεικτική λυχνία LED σφάλματος αναβοσβήνει. Το προϊόν δεν λειτουργεί σωστά.	3	Η λεπίδα έχει μπλοκάρει.	Γυρίστε το κλειδί ασφαλείας στη θέση 0 για να εμποδίσετε την ακούσια εκκίνηση. Αφαιρέστε την μπαταρία και περιμένετε τουλάχιστον 5 δευτερόλεπτα. Αφαιρέστε τυχόν εμπόδια και βεβαιωθείτε ότι η λεπίδα μπορεί να περιστραφεί ελεύθερα. Αν το πρόβλημα παραμένει, απευθυνθείτε στον αντιπρόσωπο σέρβις της Husqvarna.
	5	Η ταχύτητα του μοτέρ μειώνεται υπερβολικά και το μοτέρ σταματά.	Αυξήστε το ύψος κοπής. Ανατρέξτε στην ενότητα <i>Για να ρυθμίσετε το ύψος κοπής στη σελίδα 108</i> .
	6 <sup>21</sup>	Οι τροχοί ή το σύστημα μετάδοσης κίνησης είναι μπλοκαρισμένα.	Γυρίστε το κλειδί ασφαλείας στη θέση 0 για να εμποδίσετε την ακούσια εκκίνηση. Αφαιρέστε την μπαταρία και περιμένετε τουλάχιστον 5 δευτερόλεπτα. Αφαιρέστε τυχόν εμπόδια και βεβαιωθείτε ότι οι τροχοί μπορούν να περιστραφούν ελεύθερα. Αν το πρόβλημα παραμένει, απευθυνθείτε στον αντιπρόσωπο σέρβις της Husqvarna.
	10	Το σύστημα ελέγχου του μοτέρ έχει ζεσταθεί πολύ.	Σταματήστε το μοτέρ και περιμένετε μέχρι να κρυώσει.
Η ενδεικτική λυχνία LED σφάλματος αναβοσβήνει. Το προϊόν σταματά να λειτουργεί.	Δεν αναβοσβήνει καμία λυχνία	Βλάβη συνδέσμου μπαταρίας.	Ελέγξτε τον σύνδεσμο της μπαταρίας.
	3	Υπάρχει υπερφόρτωση στο μοτέρ.	Αυξήστε το ύψος κοπής. Ανατρέξτε στην ενότητα <i>Για να ρυθμίσετε το ύψος κοπής στη σελίδα 108</i> .
	8	Η μπαταρία έχει χαμηλή στάθμη φόρτισης.	Φορτίστε την μπαταρία. Ανατρέξτε στην ενότητα <i>Φόρτιση της μπαταρίας στη σελίδα 109</i> .
	9	Σφάλμα μπαταρίας ή έλλειψη σήματος από την μπαταρία.	Τοποθετήστε σωστά την μπαταρία στο προϊόν και ελέγξτε τον σύνδεσμο της μπαταρίας. Αν η λυχνία LED σφάλματος στην μπαταρία αναβοσβήνει. Ανατρέξτε στην ενότητα <i>Μπαταρία στη σελίδα 113</i> .
	15	Λανθασμένη διαδικασία εκκίνησης. Η λαβή του φρένου του μοτέρ πατήθηκε προτού εκκινήσει το μοτέρ.	Αφήστε τη λαβή του φρένου του μοτέρ και περιμένετε περίπου 5 δευτερόλεπτα. Πιέστε ξανά τη λαβή του φρένου του μοτέρ προς τα κάτω για να εκκινήσετε το προϊόν.
Άλλα σφάλματα.	Εάν προκύψουν άλλα σφάλματα, γυρίστε το κλειδί ασφαλείας στη θέση 0, αφαιρέστε την μπαταρία και απευθυνθείτε στον αντιπρόσωπο σέρβις της Husqvarna.		

<sup>21</sup> LC 251iS

# Μεταφορά, αποθήκευση και απόρριψη

## Εισαγωγή



**ΠΡΟΕΙΔΟΠΟΙΗΣΗ:** Για να μην εκκινήθει κατά λάθος το προϊόν κατά τη διάρκεια της μεταφοράς και της αποθήκευσης, γυρίστε το κλειδί ασφαλείας στη θέση 0, αφαιρέστε την μπαταρία και περιμένετε τουλάχιστον για 5 δευτερόλεπτα.

## Ρύθμιση του προϊόντος στη θέση μεταφοράς

1. Χαλαρώστε τις κάτω χειρόβιδες.
2. Μετακινήστε τις χειρόβιδες στο κατώτερο άκρο των αυλακώσεων από την αριστερή και τη δεξιά πλευρά του προϊόντος. (Εικ. 26)
3. Διπλώστε τη λαβή προς τα εμπρός. (Εικ. 48)

## Μεταφορά

- Οι απαιτήσεις της νομοθεσίας περί μεταφοράς επικίνδυνων εμπορευμάτων ισχύει για τις μπαταρίες ιόντων λιθίου που περιλαμβάνονται.
- Για τις εμπορικές μεταφορές πρέπει να τηρούνται οι ειδικές απαιτήσεις που αναγράφονται στη συσκευασία και στις ετικέτες.
- Βεβαιωθείτε ότι τηρείτε τους κανονισμούς για επικίνδυνα υλικά κατά τη μεταφορά του προϊόντος. Μπορεί να ισχύουν τοπικοί κανονισμοί.
- Για τη μεταφορά, πρέπει πάντα να αφαιρείτε την μπαταρία.
- Τοποθετήστε ταινία στους συνδέσμους της μπαταρίας και βεβαιωθείτε ότι η μπαταρία δεν μπορεί να μετακινηθεί κατά τη μεταφορά.
- Στερεώστε το προϊόν κατά τη μεταφορά.

## Αποθήκευση

- Πριν από την αποθήκευση, αφήστε το προϊόν να κρυώσει.
- Για την αποθήκευση, πρέπει πάντα να αφαιρείτε την μπαταρία.
- Για την αποφυγή ατυχημάτων, βεβαιωθείτε ότι η μπαταρία δεν είναι συνδεδεμένη στο προϊόν κατά την αποθήκευση.
- Αποθηκεύστε τον φορτιστή της μπαταρίας σε κλειστό χώρο χωρίς υγρασία.
- Αποθηκεύστε την μπαταρία και τον φορτιστή σε χώρο χωρίς υγρασία ή παγετό.
- Αποσυνδέστε την μπαταρία από τον φορτιστή προτού την αποθηκεύσετε.
- Μην αποθηκεύετε την μπαταρία σε χώρους όπου μπορεί να προκληθεί στατικός ηλεκτρισμός. Μην αποθηκεύετε την μπαταρία σε μεταλλικό κουτί.

- Αποθηκεύστε το προϊόν μόνο σε χώρο όπου η θερμοκρασία περιβάλλοντος είναι μεταξύ  $-10^{\circ}\text{C}$  και  $40^{\circ}\text{C}$ .
- Αποθηκεύστε την μπαταρία σε χώρο όπου η θερμοκρασία κυμαίνεται μεταξύ  $5^{\circ}\text{C}$  και  $25^{\circ}\text{C}$ , μακριά από την ηλιακή ακτινοβολία.
- Αποθηκεύστε τον φορτιστή μπαταρίας σε χώρο όπου η θερμοκρασία κυμαίνεται μεταξύ  $5^{\circ}\text{C}$  και  $45^{\circ}\text{C}$ , μακριά από την ηλιακή ακτινοβολία.
- Βεβαιωθείτε ότι η μπαταρία είναι φορτισμένη κατά 30% - 50% προτού την αποθηκεύσετε για μεγάλο χρονικό διάστημα.
- Αποθηκεύστε το προϊόν, την μπαταρία και τον φορτιστή μπαταρίας σε χώρο που κλειδώνεται, ώστε να μην έχουν πρόσβαση παιδιά και μη εξουσιοδοτημένα άτομα.
- Καθαρίστε το προϊόν και βεβαιωθείτε ότι ο συλλέκτης χόρτου είναι άδειος.
- Εκτελέστε τις εργασίες συντήρησης που περιγράφονται σε αυτό το εγχειρίδιο χρήσης. Ανατρέξτε στην ενότητα *Συντήρηση στη σελίδα 111*.
- Πραγματοποιήστε πλήρες σέρβις του προϊόντος προτού το αποθηκεύσετε για μεγάλο χρονικό διάστημα.

## Απόρριψη

Τα σύμβολα που υπάρχουν πάνω στο προϊόν ή στη συσκευασία του, υποδεικνύουν ότι δεν πρέπει να μεταχειριστείτε το συγκεκριμένο προϊόν ως οικιακό απόρριμμα. Αντιθέτως, πρέπει να το παραδώσετε σε κατάλληλο σταθμό ανακύκλωσης για ανάκτηση του ηλεκτρικού και ηλεκτρονικού εξοπλισμού.

Εξασφαλίζοντας τη σωστή απόρριψη του προϊόντος, συνεισφέρετε στην αντιμετώπιση πιθανών αρνητικών επιπτώσεων που θα μπορούσε να έχει στο περιβάλλον και τους ανθρώπους η λανθασμένη απόρριψη αυτού του προϊόντος. Για περισσότερες πληροφορίες σχετικά με την ανακύκλωση αυτού του προϊόντος, απευθυνθείτε στο δήμο σας, την τοπική υπηρεσία συλλογής απορριμμάτων ή το κατάστημα από το οποίο αγοράσατε το προϊόν.

(Εικ. 49)

## Τεχνικά στοιχεία

### Τεχνικά στοιχεία

	LC 251i	LC 251IS
<b>Μοτέρ κοπής</b>		
Τύπος μοτέρ	BLDC (χωρίς ψήκτρες) 36V	BLDC (χωρίς ψήκτρες) 36V
Ταχύτητα κινητήρα - Λειτουργία SavE, σ.α.λ.	2600/λεπτό	2600/λεπτό
Ταχύτητα μοτέρ - Ονομαστική, σ.α.λ.	3000/λεπτό	3000/λεπτό
Ταχύτητα μοτέρ - Υψηλό φορτίο, σ.α.λ.	3500/λεπτό	3500/λεπτό
Ισχύς μοτέρ – μέγ. kW	1,4	1,4
Ισχύς μοτέρ - Ονομαστική, kW	0,9	0,9
<b>Μοτέρ πορείας</b>		
Ισχύς μοτέρ - Ονομαστική, kW	Δ/Υ	0,4
Ταχύτητα αυτόματης πορείας, km/h	Δ/Υ	4,0
Επίπεδα ρύθμισης ταχύτητας	Δ/Υ	1
<b>Βάρος</b>		
Βάρος χωρίς σακούλα (χωρίς μπαταρία), kg	25,5	27
Βάρος με σακούλα (περιλαμβάνεται 2 x BLi30), kg	31,5	33
<b>Μπαταρία</b>		
Τύπος μπαταρίας	Σειρά μπαταριών της Husqvarna	Σειρά μπαταριών της Husqvarna
<b>Χρόνος λειτουργίας μπαταρίας</b>		
Χρόνος λειτουργίας μπαταρίας, λεπτά, (ελεύθερη λειτουργία) με ενεργοποιημένη τη λειτουργία εξοικονόμησης SavE, με μία μπαταρία (BLi30) 7,5 Ah της Husqvarna.	58	51
Χρόνος λειτουργίας μπαταρίας, λεπτά, (ελεύθερη λειτουργία) με ενεργοποιημένη την τυπική λειτουργία, με μία μπαταρία (BLi30) 7,5 Ah της Husqvarna.	42	38
<b>Εκπομπές θορύβου <sup>22</sup></b>		
Στάθμη ηχητικής ισχύος, μετρούμενη τιμή σε dB (A)	96	96
Στάθμη ηχητικής ισχύος, εγγυημένη L <sub>WA</sub> dB (A)	98	98
<b>Στάθμες ήχου <sup>23</sup></b>		
Στάθμη ηχητικής πίεσης στο αυτί του χειριστή, σε dB (A)	85	85

<sup>22</sup> Οι εκπομπές θορύβου στο περιβάλλον μετρούνται ως ηχητική ισχύς (L<sub>WA</sub>) σε συμμόρφωση με την Οδηγία 2000/14/ΕΚ.

<sup>23</sup> Ο συντελεστής αβεβαιότητας (K) των αναφερόμενων δεδομένων για το επίπεδο πίεσης θορύβου είναι 1,5 dB (A).

	LC 251i	LC 251iS
<b>Στάθμες κραδασμών<sup>24</sup></b>		
Λαβή, m/s <sup>2</sup>	0,7	0,7
<b>Εξοπλισμός κοπής</b>		
Ύψος κοπής, mm	25-75	25-75
Πλάτος κοπής, mm	510	510
Λεπίδα - τυπική	Καλάθι 5928704-01	Καλάθι 5928704-01
Χωρητικότητα συλλέκτη χόρτου, λίτρα	65	65

Εγκεκριμένες μπαταρίες	Τύπος	Χωρητικότητα μπαταρίας, Ah	Τάση, V	Βάρος, lb/kg
BLi30	Ιόντων λιθίου	7,5	36	4,2/1,9
40-B140	Ιόντων λιθίου	4,0	36	2,6/1,2

Εγκεκριμένοι φορτιστές για προδιαγραφόμενες μπαταρίες, BLi	Τάση εισόδου, V	Συχνότητα, Hz	Ισχύς, W
40-C80	100-240	50-60	68,8
QC250	100-240	50-60	250

<sup>24</sup> Ο συντελεστής αβεβαιότητας (K) των αναφερόμενων δεδομένων για τη στάθμη δόνησης είναι 1,5 m/s<sup>2</sup>. Η δηλωθείσα συνολική τιμή κραδασμών μετρήθηκε σύμφωνα με το πρότυπο EN 62841-4-3, Παράρτημα Ι, και μπορεί να χρησιμοποιηθεί για τη σύγκριση μηχανημάτων και στην προκαταρκτική αξιολόγηση της έκθεσης.

## Δήλωση συμμόρφωσης

### Δήλωση συμμόρφωσης ΕΕ

Εμείς, η **Husqvarna AB**, SE-561 82 Huskvarna, Σουηδία,  
τηλ.: +46-36-146500, δηλώνουμε με αποκλειστική μας  
ευθύνη ότι το προϊόν:

<b>Περιγραφή</b>	Ωθούμενο χλοοκοπτικό
<b>Μάρκα</b>	Husqvarna
<b>Τύπος / Μοντέλο</b>	LC 251i, LC 251iS
<b>Αναγνώριση</b>	Αριθμοί σειράς με ημερομηνία από το 2023 και έπειτα

συμμορφώνεται πλήρως με τις ακόλουθες οδηγίες και  
τους κανονισμούς της ΕΕ:

<b>Κανονισμός</b>	<b>Περιγραφή</b>
2006/42/EK	"σχετικά με τα μηχανήματα"
2014/30/EE	"σχετικά με την ηλεκτρομαγνητική συμβατότητα"
2000/14/EK	"σχετικά με τις εκπομπές θορύβου στο περιβάλλον"
2011/65/EE	"σχετικά με τον περιορισμό της χρήσης ορισμένων επικίνδυνων ουσιών σε είδη ηλεκτρικού και ηλεκτρονικού εξοπλισμού"

και ότι εφαρμόζονται τα παρακάτω πρότυπα ή/και  
τεχνικές προδιαγραφές: EN 62841-1:2015/A11:2022, EN  
IEC 62841-4-3:2021/A11:2021, EN IEC 55014-1:2021,  
EN IEC 55014-2:2021, EN IEC 63000:2018

Κοινοποιημένος φορέας: O 0404, SMP Svensk  
Maskinprovning AB, Box 4053, SE-904 03 Umeå,  
Sweden έχει πιστοποιήσει τη συμμόρφωση με  
την οδηγία 2000/14/EK του Συμβουλίου, διαδικασία  
αξιολόγησης συμμόρφωσης: Παράρτημα VI.

Για πληροφορίες σχετικά με τις εκπομπές θορύβου,  
ανατρέξτε στην ενότητα *Τεχνικά στοιχεία στη σελίδα 116*.

Husqvarna, 2023-12-11



Claes Losdal, Υπεύθυνος ανάπτυξης/Προϊόντα κήπου  
Husqvarna AB

Υπεύθυνος για την τεχνική τεκμηρίωση



---

# Contenido

---

Introducción.....	119	Resolución de problemas.....	131
Seguridad.....	120	Transporte, almacenamiento y eliminación.....	133
Montaje.....	126	Datos técnicos.....	134
Funcionamiento.....	126	Declaración de conformidad.....	136
Mantenimiento.....	129		

---

## Introducción

---

### Descripción del producto

El producto es un cortacésped giratorio conducido a pie. La hierba se recoge en un recogedor de césped. Monte el deflector de descarga lateral si desea que la hierba se descargue por un lateral.

### Uso previsto

Utilice el producto para cortar hierba. No utilice el producto para otras tareas.

### Descripción del producto

(Fig. 1)

1. Palanca del freno del motor
2. Inhibidor de arranque
3. Palanca de transmisión (LC 251iS)
4. Cubierta trasera
5. Recogedor de césped
6. Pomo con tuerca del manillar
7. Palanca de altura de corte
8. Bloqueo de descarga
9. Cubierta de descarga lateral
10. Tapa de la batería
11. Símbolos
12. Llave de seguridad
13. Indicador de advertencia (LED de error)
14. Botón SavE
15. Cubierta del equipo de corte
16. Manillar
17. Asas de elevación
18. Descargador lateral
19. Manual de usuario

(Fig. 7)

**ADVERTENCIA:** Desconecte la batería antes de realizar el mantenimiento.

(Fig. 8)

Ni el producto ni su embalaje son residuos domésticos. Recíclelos en un centro de reciclaje para equipos eléctricos y electrónicos.

(Fig. 9)

Etiqueta de emisiones sonoras al medioambiente conforme con las directivas y normativas europeas y del Reino Unido, y con la regulación de 2017 sobre de protección del medioambiente (control de ruidos) (Protection of the Environment Operations - Noise Control) de la legislación de Nueva Gales del Sur. El nivel de potencia acústica garantizado del producto se especifica en el apartado *Datos técnicos en la página 134* y en la etiqueta.

(Fig. 10)

Este equipo cumple con las directivas CE vigentes.

(Fig. 11)

Este producto cumple con las directivas del Reino Unido vigentes.

(Fig. 12)

El producto está protegido contra salpicaduras.

(Fig. 13)

Suelte la palanca del freno del motor para detenerse.

(Fig. 14)

Código escaneable.

### Símbolos que aparecen en el producto

(Fig. 2)

**ADVERTENCIA**

(Fig. 3)

Lea las instrucciones.

(Fig. 4)

**ADVERTENCIA:** Tenga cuidado con los objetos que salen despedidos.

(Fig. 5)

Mantenga alejados a los transeúntes.

(Fig. 6)

**ADVERTENCIA:** Mantenga los pies y las manos alejados de las cuchillas.

---

**Nota:** Los demás símbolos y etiquetas que aparecen en el producto corresponden a requisitos de homologación específicos en algunos mercados.

---

## Etiqueta del producto

(Fig. 15)

PELIGRO: Mantenga las manos y los pies alejados.

## Daños en el producto

No nos hacemos responsables de los daños que pueda sufrir el producto si:

- El producto se ha reparado incorrectamente.
- El producto se ha reparado con piezas que no eran del fabricante o no autorizadas por el fabricante.
- El producto tiene un accesorio que no es del fabricante o no está autorizado por este.
- El producto no se ha reparado en un centro de servicio autorizado o por un organismo homologado.

---

# Seguridad

---

## Definiciones de seguridad

Las advertencias, precauciones y notas se utilizan para destacar información especialmente importante del manual.



**ADVERTENCIA:** Indica un riesgo de lesiones o incluso de muerte del usuario o de las personas cercanas si no se respetan las instrucciones del manual.



**PRECAUCIÓN:** Indica un riesgo de daños en el producto, otros materiales o el área adyacente si no se respetan las instrucciones del manual.

**Nota:** Se usa para proporcionar más información necesaria en una situación determinada.

## Instrucciones generales de seguridad del producto



**ADVERTENCIA:** Lea todas las advertencias de seguridad, instrucciones, ilustraciones y especificaciones que se incluyen con este producto. Si no se siguen las instrucciones que aparecen a continuación, puede producirse una descarga eléctrica, un incendio o lesiones graves.

**Conserve todas las advertencias e instrucciones para su consulta.** El término «producto» empleado en las advertencias hace referencia tanto al producto que funciona con conexión eléctrica a la red (con cable) como al que funciona con batería (inalámbrico).

## Seguridad en el área de trabajo

- **Mantenga el área de trabajo limpia y bien iluminada.** Las zonas abarrotadas de cosas u oscuras favorecen los accidentes.
- **No utilice el producto en ambientes explosivos como aquellos en los que hay líquidos, gases o polvo inflamables.** El producto produce chispas que pueden inflamar el polvo o los vapores.

- **Mantenga alejados a los niños y a otras personas mientras utiliza el producto.** Las distracciones pueden hacer que pierda el control de esta.

## Seguridad eléctrica

- **El enchufe del producto debe ser apto para la toma de corriente utilizada. Nunca modifique el enchufe. No utilice adaptadores en productos con conexión a tierra.** Los enchufes sin modificar y las tomas de corriente del mismo tipo ayudan a reducir el riesgo de descarga eléctrica.
- **Evite el contacto de su cuerpo con superficies puestas a tierra como tuberías, radiadores, cocinas y neveras.** Si su cuerpo está en contacto con el suelo, existe un mayor riesgo de descarga eléctrica.
- **No exponga el producto a la lluvia ni a ambientes húmedos.** Si entra agua en el producto, aumentará el riesgo de recibir descargas eléctricas.
- **Maneje el cable con cuidado. No lo utilice nunca para transportar el producto, tirar de él o desenchufarlo. Manténgalo alejado de fuentes de calor, aceite, aristas vivas o piezas móviles.** Los cables dañados o enredados incrementan el riesgo de descarga eléctrica.
- **Cuando trabaje con un producto en exteriores, utilice un alargador apto para exteriores.** Utilizar un cable adecuado para su uso en exteriores reduce el riesgo de descarga eléctrica.
- **Si es necesario utilizar el producto en un lugar húmedo, utilice un interruptor diferencial como protección.** La utilización de un interruptor diferencial reduce el riesgo de descargas eléctricas.

## Seguridad personal

- **Esté siempre atento, fíjese en lo que está haciendo y utilice el sentido común cuando maneje el producto. No utilice el producto si está cansado o bajo los efectos de estupefacientes, alcohol o medicamentos.** Un momento de descuido puede causar lesiones graves.
- **Utilice el equipo de protección personal. Protéjase siempre los ojos.** El equipo de protección, como la mascarilla antipolvo, los zapatos de seguridad antideslizantes, el casco o los protectores auditivos, utilizados en función de las condiciones de trabajo, reducirá el riesgo de lesiones.
- **Evite el encendido accidental de la herramienta. Asegúrese de que el interruptor está en la posición**



**de apagado antes de conectar el producto a la fuente de alimentación o la batería, cogerlo o transportarlo.** Transportar el producto con el dedo puesto sobre el interruptor o conectar la alimentación con el interruptor en la posición de encendido puede provocar accidentes.

- **Quite todas las clavijas de ajuste o llaves de tuercas antes de encender el producto.** Una llave de tuercas o clavija de ajuste que se ha dejado colocada en una pieza giratoria del producto puede causar lesiones.
- **No se estire demasiado. Mantenga una posición correcta y el equilibrio en todo momento.** Así podrá controlar mejor el producto en situaciones imprevistas.
- **Utilice la ropa adecuada. No utilice nunca ropa amplia ni joyas. Mantenga el pelo y la ropa alejados de las piezas móviles.** La ropa holgada, las joyas o el pelo largo pueden quedar atrapados en las piezas móviles.
- **Si se suministran equipos de aspiración o captación de polvo, asegúrese de que estén conectados y se utilicen correctamente.** El uso de estos equipos puede reducir los riesgos derivados del polvo.
- **Evite que la familiaridad adquirida con el uso frecuente del producto le lleve a confiarse e ignorar las medidas de seguridad del mismo.** Una acción negligente puede causar lesiones graves en una fracción de segundo.

## Uso y cuidado del producto

- **No fuerce el producto. Utilice el producto adecuado para el trabajo que deba realizar.** Con el producto apropiado hará el trabajo mejor y con mayor seguridad a la potencia para la que fue diseñado.
- **No utilice el producto si el interruptor no funciona.** Los productos que no se puedan controlar con el interruptor son peligrosos y deben repararse.
- **Desconecte el enchufe de la fuente de alimentación o quite la batería del producto, si se puede, antes de realizar cualquier ajuste, cambiar accesorios o guardar el producto.** Las medidas de seguridad preventivas reducen el riesgo de poner en marcha el producto de forma accidental.
- **Si no utiliza el producto, guárdelo fuera del alcance de los niños y no permita que personas no familiarizadas con su uso o con estas instrucciones lo manejen.** El producto puede ser peligroso en manos de usuarios no cualificados.
- **Efectúe el mantenimiento del producto y de los accesorios. Compruebe que no haya partes móviles mal alineadas o trabadas, piezas rotas o cualquier otra circunstancia que pueda afectar al funcionamiento del producto.** Si detecta daños, lleve el producto a reparar antes de usarlo. Muchos accidentes se deben al uso de productos que carecen de un mantenimiento adecuado.
- **Mantenga las herramientas de corte afiladas y limpias.** Las herramientas de corte con aristas afiladas y un mantenimiento adecuado tienen menos

probabilidades de trabarse y son más fáciles de controlar.

- **Utilice el producto, accesorios, útiles, etc., según se indica en estas instrucciones, teniendo en cuenta las condiciones de trabajo y la tarea que debe realizar.** El uso del producto para trabajos distintos a aquellos para los que fue diseñado podría dar lugar a situaciones peligrosas.
- **Mantenga los mangos y superficies de agarre secos, limpios y sin aceite ni grasa.** Las superficies de agarre y los mangos resbaladizos no permiten manejar y controlar de forma segura el producto ante cualquier imprevisto.

## Uso y cuidado de la herramienta con batería

- **Efectúe las recargas únicamente con el cargador especificado por el fabricante.** Un cargador apto para un tipo de batería puede comportar riesgo de incendio al utilizarse con otra batería distinta.
- **Utilice los productos exclusivamente con su batería específica.** El uso de otra batería puede comportar riesgo de lesiones e incendio.
- **Cuando no utilice la batería, manténgala alejada de objetos metálicos que puedan conectar un terminal a otro, como clips, monedas, llaves, clavos, tornillos u otros objetos metálicos pequeños.** Un cortocircuito en los terminales de la batería puede causar quemaduras o un incendio.
- **En condiciones extremas, el líquido puede salir expulsado de la batería; evite cualquier contacto. Si se produjera un contacto accidentalmente, enjuáguese con agua. Además, si el líquido entra en contacto con los ojos, busque asistencia médica.** El líquido expulsado de la batería puede causar irritaciones o quemaduras.
- **No utilice una batería o herramienta defectuosa, dañada o modificada.** Las baterías dañadas o modificadas pueden comportarse de forma impredecible y provocar incendios, explosiones o riesgo de lesiones.
- **No exponga la batería o la herramienta al fuego ni a temperaturas excesivas.** La exposición al fuego o a temperaturas superiores a 130 °C/265 °F puede causar una explosión.
- **Siga todas las instrucciones de carga y no cargue la batería o herramienta fuera del rango de temperatura especificado en las instrucciones.** La carga incorrecta o a temperaturas fuera del intervalo especificado puede dañar la batería y aumentar el riesgo de incendio.

## Servicio

- **Solo técnicos cualificados que utilicen piezas de repuesto originales deben llevar a cabo las tareas de mantenimiento del producto.** De este modo se garantiza la seguridad del producto.
- **No revise baterías dañadas.** La revisión de las baterías solo debe realizarla el fabricante o un proveedor de servicio autorizado.

## Advertencias de seguridad sobre el cortacésped

- **No utilice el cortacésped con condiciones meteorológicas adversas, especialmente si hay riesgo de tormenta eléctrica.** Así disminuirá el riesgo de recibir un rayo.
- **Inspeccione a fondo la zona donde se va a utilizar el cortacésped por si hubiera animales.** El cortacésped puede ser peligroso para los animales durante su funcionamiento.
- **Inspeccione a fondo la zona donde va a utilizar el cortacésped y retire todas las piedras, palos, alambres, huesos y cualquier otro objeto extraño.** Los objetos que salen despedidos pueden provocar lesiones.
- **Antes de utilizar el cortacésped, inspecciónelo visualmente para comprobar que la cuchilla y el conjunto de la cuchilla no están desgastados ni dañados.** Las piezas dañadas o desgastadas aumentan el riesgo de lesiones.
- **Compruebe el recogedor de césped con frecuencia para ver si presenta desgaste o deterioro.** Un recogedor de césped desgastado o dañado puede aumentar el riesgo de lesiones.
- **Mantenga las protecciones colocadas en su lugar. Las protecciones deben estar en buen estado y montadas correctamente.** Una protección suelta, dañada o que no funcione correctamente puede provocar lesiones.
- **Mantenga las entradas de refrigeración limpias de todo tipo de suciedad.** Las entradas de aire obstruidas y los residuos pueden provocar el sobrecalentamiento de la máquina o riesgo de incendio.
- **Durante el funcionamiento del cortacésped, use siempre calzado antideslizante y de protección. No utilice el cortacésped sin calzado o con sandalias abiertas.** Así reducirá la posibilidad de sufrir lesiones en los pies por contacto con la cuchilla.
- **Cuando utilice el cortacésped, use siempre pantalones largos.** La piel expuesta aumenta la probabilidad de sufrir lesiones por objetos que pueden salir despedidos.
- **No utilice el cortacésped en hierba húmeda. Camine, en ningún caso corra.** Así reducirá el riesgo de resbalones y caídas, lo que puede provocar lesiones.
- **No utilice el cortacésped en pendientes excesivamente pronunciadas.** Así reducirá el riesgo de perder el control, resbalar o caer, lo que puede provocar lesiones.
- **Cuando trabaje en pendientes, asegúrese siempre de tener los pies firmemente asentados, trabaje siempre en perpendicular a la superficie de las pendientes, nunca hacia arriba o hacia abajo, y extreme la precaución al cambiar de dirección.** Así reducirá el riesgo de perder el control, resbalar o caer, lo que puede provocar lesiones.

- **Sea extremadamente prudente cuando dé marcha atrás o tire del cortacésped hacia usted. Sea siempre consciente del espacio que le rodea.** Así reducirá el riesgo de tropezar durante el uso de la máquina.
- **No toque las cuchillas ni otras piezas peligrosas mientras estén en movimiento.** Así reducirá el riesgo de sufrir lesiones por contacto con piezas móviles.
- **Antes de retirar material atascado o limpiar el cortacésped, asegúrese de que todos los interruptores de alimentación estén apagados y de que la batería esté desconectada.** El funcionamiento imprevisto del cortacésped puede provocar lesiones graves.
- **Antes de retirar material atascado o limpiar el cortacésped, asegúrese de que todos los interruptores de alimentación estén apagados y de quitar el dispositivo de desactivación de la máquina.** El funcionamiento imprevisto del cortacésped puede provocar lesiones graves.

## Interruptor diferencial

- Utilice un interruptor diferencial con una corriente de activación máxima de 30 mA.

## Instrucciones generales de seguridad



**ADVERTENCIA:** Lea las siguientes instrucciones de advertencia antes de utilizar el producto.

- Este producto es una herramienta peligrosa si se usa incorrectamente o si no se tiene cuidado. Puede causar lesiones graves o incluso la muerte si no siguen las instrucciones de seguridad.
- Este producto genera un campo electromagnético durante el funcionamiento. Este campo magnético puede, en determinadas circunstancias, interferir con implantes médicos activos o pasivos. Para reducir el riesgo de que se den condiciones que provocarían lesiones graves o letales, las personas que utilizan implantes médicos deben consultar con su médico y con el fabricante del implante antes de poner en marcha este producto.
- Proceda siempre con cuidado y utilice el sentido común. Si no está seguro de cómo manejar el producto en una situación en particular, pare y consulte con su distribuidor Husqvarna antes de continuar.
- Tenga en cuenta que el usuario será el responsable de los accidentes que involucren a otras personas o a su propiedad.
- Mantenga el producto limpio. Asegúrese de que puede leer claramente las etiquetas.
- No permita que niños ni adultos que no estén familiarizados con estas instrucciones utilicen el aparato. La legislación local puede restringir la edad del usuario.
- Si una persona con discapacidad física o mental usa el producto, asegúrese de supervisarla en todo

momento. Debe haber presente en todo momento una persona mayor de edad responsable.

- No utilice el producto si está cansado, enfermo o si se encuentra bajo los efectos de alcohol, drogas o medicamentos. Esto tiene un efecto negativo en su visión, capacidad de reacción, coordinación y capacidad de decisión.
- No utilice el producto si está dañado o no funciona correctamente.
- No modifique este producto ni lo utilice si puede haber sido modificado por otras personas.

## Seguridad en el trabajo



**ADVERTENCIA:** Lea las siguientes instrucciones de advertencia antes de utilizar el producto.

- Utilice este producto para cortar solamente césped. No está permitido utilizar el producto para otras tareas.
- Utilice el equipo de protección personal. Consulte la sección *Equipo de protección personal en la página 123*.
- Asegúrese de que sabe cómo detener el motor rápidamente en caso de emergencia.
- No utilice el producto bajo la lluvia ni en ambientes húmedos. El riesgo de sacudida eléctrica aumenta si entra agua en el producto.
- No utilice el producto a menos que la cuchilla y todas las cubiertas estén fijadas correctamente. Una cuchilla fijada incorrectamente puede soltarse y provocar daños personales.
- Asegúrese de que la cuchilla no golpea ningún objeto, como piedras y raíces. Esto puede causar daños a la cuchilla y doblar el eje del motor. Un eje doblado causa vibraciones excesivas y un riesgo muy alto de que la cuchilla se suelte.
- Si la cuchilla choca con algún objeto o si se producen vibraciones, pare el producto inmediatamente. Detenga el motor, gire la llave de seguridad a la posición 0 y retire la batería. Espere hasta que las piezas móviles se detengan. Examine el producto para comprobar si presenta daños. Apriete las piezas sueltas. Repare los daños y cambie las piezas dañadas. Lleve el cortacésped a un taller de servicio homologado para que hagan las reparaciones.
- No acople la palanca del freno del motor permanentemente al manillar cuando el motor esté encendido.
- Ponga el producto en una superficie plana y estable, y arránquelo. Asegúrese de que la cuchilla no entre en contacto con el suelo u otros objetos.
- Manténgase siempre detrás del producto durante su uso.
- Mientras utilice el producto, mantenga todas las ruedas apoyadas en el suelo y las dos manos en

el manillar. Mantenga alejados las manos y los pies de las hojas giratorias.

- No incline el producto cuando arranque el motor ni durante su uso.
- Tenga cuidado cuando tire del producto hacia atrás.
- Nunca levante el producto con el motor en marcha. Si tiene que levantar el producto, en primer lugar detenga el motor, gire la llave de seguridad a la posición 0 y retire la batería.
- No camine hacia atrás mientras utiliza el producto.
- Pare el motor cuando sea necesario inclinar el producto para transportarlo o para llevarlo por zonas sin hierba, como caminos de grava, piedra y asfalto.
- No corra con el producto con el motor en marcha. Camine siempre mientras utiliza el producto.
- Detenga el motor antes de cambiar la altura de corte. Nunca realice ajustes con el motor en marcha.
- No deje el producto desatendido con el motor en marcha. Pare el motor y asegúrese de que el equipo de corte no gire.
- Las vibraciones del producto durante el funcionamiento pueden ser diferentes del valor de vibraciones declarado en *Datos técnicos en la página 134*. La diferencia se debe a las variaciones en la forma en la que se utiliza el producto. Si utiliza el producto con frecuencia o durante largos periodos de tiempo, haga descansos con frecuencia para evitar lesiones por vibraciones.

## Instrucciones de seguridad para el funcionamiento

### Equipo de protección personal



**ADVERTENCIA:** Lea las siguientes instrucciones de advertencia antes de utilizar el producto.

- El equipo de protección personal no elimina completamente el riesgo de lesiones, pero reduce la gravedad de las lesiones en caso de accidente. Deje que el distribuidor le ayude a seleccionar el equipo adecuado.
- Utilice botas o zapatos de trabajo antideslizantes. No utilice calzado abierto ni vaya descalzo.
- Utilice pantalones largos gruesos.
- Utilice guantes protectores cuando sea necesario, por ejemplo, para el montaje, inspección o limpieza del equipo de corte.
- Recomendamos utilizar protectores auriculares.

### Dispositivos de seguridad en el producto



**ADVERTENCIA:** Lea las siguientes instrucciones de advertencia antes de utilizar el producto.

- No utilice ningún producto con dispositivos de seguridad dañados o que no funcionen correctamente.
- No retire ni modifique los dispositivos de seguridad.
- Realice una comprobación de los dispositivos de seguridad con frecuencia. Si los dispositivos de seguridad están dañados o no funcionan correctamente, póngase en contacto con su taller de servicio Husqvarna.

1. Empuje la palanca del freno del motor hacia el manillar. El inhibidor de arranque impide el movimiento.
2. Empuje el inhibidor de arranque hacia fuera. (Fig. 18)
3. Suelte el inhibidor de arranque y asegúrese de que regresa a su posición inicial.

## Comprobación de la cubierta del equipo de corte

La cubierta del equipo de corte disminuye las vibraciones en el producto y el riesgo de lesiones provocadas por la cuchilla.

- Examine la cubierta de corte para asegurarse de que no haya daños como, por ejemplo, grietas.

## Comprobación de la llave de seguridad

La llave de seguridad se encuentra debajo de la tapa de la batería. La llave de seguridad conecta la batería que suministra electricidad al motor.

- Arranque y detenga el motor para realizar una comprobación de la llave de seguridad.
- Si la llave de seguridad funciona correctamente, el motor solo arranca cuando la llave está en la posición 1. (Fig. 16)

## Comprobación de la cubierta trasera

La cubierta trasera reduce el riesgo de que salgan despedidos objetos hacia el usuario.

- Asegúrese de que la cubierta trasera no esté dañada.
- Asegúrese de que los muelles que cierran la cubierta trasera no estén rotos.
- Sustituya los muelles y piezas dañados.
- Asegúrese de que la cubierta trasera se mueve sin dificultad en las bisagras.

## Comprobación de la maneta de freno del motor

La maneta del freno del motor detiene el motor. Cuando se suelta la maneta del freno del motor, el motor se para.

- Arranque el producto. Consulte la sección *Arranque del producto en la página 127*.
- Suelte la palanca del freno del motor. (Fig. 17)
- Asegúrese de que el producto se detiene. Si el motor no se detiene en 3 segundos, lleve el producto a un taller de servicio Husqvarna autorizado para realizar el ajuste del freno del motor.

## Comprobación del inhibidor de arranque

Compruebe el inhibidor de arranque para verificar que evita el funcionamiento del motor.

## Seguridad de la batería



**ADVERTENCIA:** Lea las siguientes instrucciones de advertencia antes de utilizar el producto.

- Utilice solamente baterías recargables Husqvarna como fuente de alimentación para otros productos Husqvarna relacionados. Para evitar lesiones, no utilice la batería como fuente de alimentación de otros dispositivos.
- No utilice baterías no recargables.
- Riesgo de descarga eléctrica. Evite que los terminales de la batería entren en contacto con llaves, monedas, tornillos u otros objetos metálicos. Esto puede provocar un cortocircuito en la batería.
- No coloque objetos en las ranuras de ventilación de la batería.
- Mantenga la batería lejos de la luz directa del sol, de fuentes de calor o de las llamas. La batería puede explotar y provocar quemaduras o quemaduras químicas.
- Mantenga la batería resguardada de la lluvia y la humedad.
- Mantenga la batería lejos de microondas y fuentes de alta presión.
- No intente desmontar o romper la batería.
- Si se produce una fuga en la batería, no permita que el líquido entre en contacto con el cuerpo ni con los ojos. Si toca el líquido, limpie el área con abundante agua y busque asistencia médica.
- Utilice la batería del producto únicamente cuando la temperatura ambiente se encuentre entre los 5 °C y los 40 °C.
- Utilice el cargador de la batería únicamente cuando la temperatura ambiente se encuentre entre los 5 °C y los 40 °C.
- La batería no se cargará si su temperatura es superior a 50 °C.
- No limpie la batería ni el cargador con agua. Consulte *Limpeza de la batería y el cargador de batería en la página 130*.
- No utilice una batería dañada.
- Guarde la batería alejada de objetos metálicos, como clavos, monedas o joyas.

## Seguridad del cargador de batería



**ADVERTENCIA:** Lea las siguientes instrucciones de advertencia antes de utilizar el producto.

- Utilice solamente cargadores de baterías QC para cargar las baterías de repuesto Husqvarna.
- Riesgo de descarga eléctrica o cortocircuito. No coloque objetos en las ranuras de ventilación del cargador. No intente desmontar el cargador de batería. No conecte los terminales del cargador a objetos metálicos. Utilice una toma de corriente homologada.
- Este producto genera un campo electromagnético durante el funcionamiento. Este campo magnético puede, en determinadas circunstancias, interferir con implantes médicos activos o pasivos. Para reducir el riesgo de que se den condiciones que provocarían lesiones graves o letales, las personas que utilizan implantes médicos deben consultar con su médico y con el fabricante del implante antes de utilizar este producto.
- Compruebe con regularidad que el cable de alimentación del cargador de batería no esté dañado ni agrietado.
- No levante el cargador de batería tirando del cable de alimentación. Para desconectar el cargador de batería de la toma de corriente, tire del enchufe. No tire del cable de alimentación.
- Mantenga el cable de alimentación y los cables alargadores apartados de agua, aceite y cantos afilados. Proceda con cuidado para evitar que el cable se enganche en puertas, vallas o similares. De lo contrario, el cargador podría transmitir corriente.
- No limpie el cargador de la batería con agua.
- Los niños mayores de ocho años y las personas con facultades físicas, psíquicas o sensoriales disminuidas, o sin la experiencia y los conocimientos necesarios pueden usar el cargador de batería si se les supervisa o instruye en lo que respecta al uso seguro del aparato y comprenden los peligros existentes. Los niños no deben jugar con el cargador de batería. Los niños no deberán llevar a cabo la limpieza ni operaciones de mantenimiento sin supervisión.
- No intente cargar baterías no recargables en el cargador de batería.
- No utilice el cargador de batería cerca de materiales inflamables o corrosivos. No tape el cargador de batería. Desenchufe el cargador de batería si produce humo o se incendia.
- No utilice un cargador de batería dañado.

- Cargue la batería solo en interiores, en una estancia con buena ventilación y lejos de la luz solar directa. No cargue la batería en un entorno húmedo.

## Instrucciones de seguridad para el mantenimiento



**ADVERTENCIA:** Lea las siguientes instrucciones de advertencia antes de utilizar el producto.

- Para evitar el arranque accidental durante el mantenimiento, gire la llave de seguridad a la posición 0 y retire la batería. Espere al menos 5 segundos antes de empezar los trabajos de mantenimiento.
- Realice únicamente las tareas de mantenimiento que figuran en este manual de usuario. Las tareas de mayor envergadura y las reparaciones profesionales se deben realizar en un taller de servicio autorizado. Póngase en contacto con su taller de servicio más cercano para obtener más información.
- Realice los trabajos de mantenimiento correctamente para aumentar la vida útil del producto y reducir el riesgo de accidentes.
- Cambie las piezas dañadas, desgastadas o rotas. Utilice siempre piezas de repuesto originales del fabricante. Si utiliza otras piezas de repuesto podría dañar el producto y aumentaría el riesgo de accidentes.
- No retire los dispositivos de seguridad ni realice cambios en ellos para prevenir lesiones.
- Utilice guantes resistentes al utilizar el equipo de corte. La cuchilla está muy afilada y se pueden producir cortes con mucha facilidad.
- Mantenga los bordes cortantes afilados y limpios para obtener los mejores resultados con la máxima seguridad.
- Diríjase a su taller de servicio para que examine el producto regularmente y para que realice ajustes y reparaciones necesarios.
- Respete las instrucciones correspondientes al cambio de accesorios. Utilice únicamente los accesorios del fabricante.
- Cuando no esté en funcionamiento, mantenga el producto, la batería y cargador de batería aparte en un lugar seco, interior y bajo llave. Asegúrese de que los niños y personas que no cuenten con autorización no puedan acceder al producto, la batería o el cargador de batería.

---

# Montaje

---

## Introducción



**ADVERTENCIA:** Antes de montar este producto, lea el capítulo sobre seguridad.



**ADVERTENCIA:** Para evitar un arranque accidental durante el montaje, gire la llave de seguridad hasta la posición 0, retire la batería y espere al menos 5 segundos.

## Montaje del manillar

**Nota:** Es recomendable que este procedimiento lo realicen 2 personas.

**Nota:** Para montar el manillar, no saque el producto de la caja. La caja se puede utilizar como soporte para el manillar durante el montaje.

1. Levante y gire el manillar. (Fig. 19)



**PRECAUCIÓN:** Tenga cuidado y asegúrese de que el cable no resulte dañado al girar el manillar.

2. Coloque el manillar sobre el producto. Incline el manillar contra la caja para apoyarlo. Consulte la ilustración. (Fig. 20)

3. Coloque el tornillo (A) a través del manillar (B), la arandela de plástico (C) y el soporte del manillar (D). (Fig. 21)
4. Apriete la tuerca (E) completamente.
5. Saque el producto de la caja.
6. Coloque el manillar en posición vertical. (Fig. 22)
7. Ajuste la altura del manillar en la posición más baja. Consulte *Ajuste del mango en la página 126*.
8. Sujete el cable a la parte inferior del manillar con el clip para cables. (Fig. 23)
9. Fije la parte inferior del cable al soporte del manillar con la brida para cables. Corte la parte restante de la brida. (Fig. 24)

**Nota:** Asegúrese de que el cable esté bien sujeto. Si el cable está demasiado suelto, resultará dañado cuando se instale el recogedor de césped. (Fig. 25)

## Ajuste del mango

1. Afloje las ruedecillas inferiores.
2. Mueva los mandos hacia el extremo inferior de las ranuras en el lado izquierdo y derecho del producto. (Fig. 26)
3. Ajuste la altura del manillar en una de las 2 posiciones disponibles.
4. Mueva los mandos hacia arriba, en dirección al manillar, hasta que finalice su recorrido y escuche un clic. (Fig. 27)
5. Apriete las ruedecillas por completo.

---

# Funcionamiento

---

## Introducción



**ADVERTENCIA:** Antes de utilizar el producto, debe leer y entender el capítulo sobre seguridad.

## Husqvarna Connect

Husqvarna Connect es una aplicación gratuita para su dispositivo móvil. La aplicación Husqvarna Connect proporciona más funciones para su producto Husqvarna:

- Información ampliada sobre el producto.
- Información y asistencia sobre piezas y mantenimiento de productos.

### Para empezar a utilizar Husqvarna Connect

1. Descargue la aplicación Husqvarna Connect en su dispositivo móvil.

2. Registre una cuenta en la aplicación Husqvarna Connect.
3. Siga las instrucciones de la aplicación Husqvarna Connect para conectarse y registrar el producto.

## Ajuste del producto en la posición de funcionamiento

1. Asegúrese de que los pomos con tuerca inferiores estén flojos. Consulte *Ajuste del mango en la página 126*.
2. Coloque el manillar en posición vertical. (Fig. 22)
3. Mueva los pomos con tuerca hacia arriba, en dirección al manillar, hasta que finalice su recorrido y escuche un clic. (Fig. 27)
4. Apriete los pomos con tuerca a fondo.



**ADVERTENCIA:** No utilice el producto si el manillar no está completamente desplegado y colocado en la posición de altura correspondiente. Consulte *Ajuste del mango en la página 126*.

## Para ajustar la altura de corte

1. Mueva la palanca de altura de corte hacia atrás para aumentar la altura de corte.
2. Mueva la palanca de altura de corte hacia delante para reducir la altura de corte. (Fig. 28)



**PRECAUCIÓN:** No ajuste la altura de corte demasiado baja. Las cuchillas pueden golpear el suelo si la superficie del césped no está nivelada.

## Batería



**ADVERTENCIA:** Antes de usar la batería, debe leer y entender el capítulo sobre seguridad. También debe leer y comprender el manual de usuario de la batería y el cargador de la batería.

Mantenga la batería y el cargador de la batería en lugares con una temperatura ambiente correcta.

	Temperatura ambiente
Funcionamiento de la batería	5 °C - 40 °C
Carga de la batería	5 °C - 40 °C

## Estado de la batería

El display muestra la capacidad restante de la batería y si hay algún problema con esta. Pulse el botón del indicador de la batería para obtener información sobre su estado de carga. El símbolo de advertencia de la batería se enciende cuando se produce un error. Consulte *Batería en la página 131*.

(Fig. 29)

Indicadores LED	Estado de la batería
Todos los LED están encendidos	Carga completa (76-100 %)
LED 1, LED 2 y LED 3 encendidos	La batería tiene una carga del 51 %-75 %
LED 1 y LED 2 encendidos	La batería tiene una carga del 26 %-50 %
LED 1 encendido	La batería tiene una carga del 6 %-25 %.

Indicadores LED	Estado de la batería
El LED 1 parpadea	La batería tiene una carga del 0 %-5 %.

## Para cargar la batería

Cargue la batería antes de utilizarla por primera vez. La batería solo tiene un 30 % de carga cuando se entrega al cliente.

**Nota:** El cargador de la batería debe estar conectado a la tensión y la frecuencia indicadas en la placa de características.

La batería no se cargará si su temperatura es superior a 50 °C. El cargador de batería disminuye la temperatura de la batería antes de empezar a cargarse.

1. Conecte un extremo del cable de alimentación del cargador de batería a la toma de este último.
2. Conecte el otro extremo del cable de alimentación del cargador de batería a un enchufe de corriente con toma de tierra. El LED del cargador de batería parpadea de color verde una vez. (Fig. 30)
3. Coloque la batería en el cargador. La luz verde del cargador se enciende cuando la batería está conectada correctamente al cargador de batería. (Fig. 31)
4. Cuando todos los LED de la batería se hayan encendido, la batería estará totalmente cargada. Cargue la batería durante un máximo de 24 horas.
5. Para desconectar el cargador de la toma de corriente, tire del enchufe, no del cable de alimentación.
6. Retire la batería del cargador.

## Arranque del producto

1. Abra la tapa de la batería.
2. Coloque una batería cargada en uno de los compartimentos de batería. Para prolongar la autonomía, coloque una segunda batería cargada en el otro compartimento de batería.
3. Gire la llave de seguridad a 1. (Fig. 32)
4. Manténgase detrás del producto.
5. Afloje el inhibidor de arranque. (Fig. 18)
6. Empuje la palanca del freno del motor hacia el manillar. (Fig. 33)

## Uso de la transmisión de las ruedas (LC 251IS)

- Empuje el mango de transmisión hacia el manillar. (Fig. 34)
- Suelte el mango de transmisión para desacoplar la transmisión, por ejemplo, cuando se acerque a un obstáculo.

- Antes de tirar del producto hacia atrás, desacople la transmisión y empuje el producto hacia adelante aproximadamente 10 cm.

## Uso de la función Save™

El producto cuenta con una función de ahorro de batería (Save™) que le permite funcionar durante más tiempo.

- Coloque el botón Save™ en la posición 1 para iniciar la función. (Fig. 35)
- Coloque el botón Save™ en la posición 0 para detener la función.

**Nota:** La función Save™ se detiene automáticamente si las condiciones del terreno requieren una mayor potencia. La función Save™ se vuelve a activar automáticamente cuando las condiciones del terreno lo permitan.

## Función de carga alta

Cuando el producto corta hierba larga o húmeda, el motor aumenta automáticamente las revoluciones. El motor regresa al modo normal cuando no se necesitan cargas altas.

## Parada del motor

Durante el funcionamiento, la cuchilla y el motor pueden detenerse temporalmente debido a obstáculos como la acumulación de hierba bajo la cubierta del equipo de corte. Si esto ocurre y mantiene la palanca del freno del motor presionada, el producto arrancará de nuevo automáticamente. Si el producto no vuelve a arrancar en 5-10 segundos, puede que sea necesario limpiar la cubierta del equipo de corte. Consulte *Limpieza del producto en la página 130*.



**ADVERTENCIA:** Si el motor se detiene, el producto intentará arrancar automáticamente durante 5-10 segundos. Espere al menos 15 segundos antes de comprobar la cubierta del equipo de corte.



**ADVERTENCIA:** Antes de inspeccionar la cubierta del equipo de corte, suelte la palanca del freno del motor, gire la llave de seguridad a la posición 0, retire la batería y espere al menos 5 segundos. Si al intentar retirar los obstáculos, el producto se pusiera en marcha accidentalmente, podría sufrir lesiones.

## Parada del producto



**ADVERTENCIA:** Gire la llave de seguridad a la posición 0 antes de dejar el producto fuera de la vista.

1. Suelte la palanca del freno del motor para detener el motor. (Fig. 36)

**Nota:** Para LC 251iS. Para detener solo la transmisión de las ruedas, suelte la palanca de la transmisión.

2. Abra la tapa de la batería y gire la llave de seguridad a la posición 0. (Fig. 37)
3. Para extraer la batería, presione los 2 botones de liberación y tire de ella hacia fuera. (Fig. 38)
4. Cargue la batería si el nivel de carga es bajo. Para obtener más información, consulte *Para cargar la batería en la página 127*.

## Uso del producto con el recogedor de césped



**ADVERTENCIA:** No utilice el producto sin el recogedor de césped colocado o sin la cubierta trasera cerrada. Pueden salir despedidos objetos y lesionar al usuario.

1. Levante la cubierta trasera. (Fig. 39)
2. Coloque el recogedor de césped en el soporte.
3. Suelte la cubierta trasera y colóquela sobre el bastidor de la bolsa para césped. (Fig. 40)

## Cambio del producto al modo de descarga lateral

1. Levante la cubierta trasera y retire la bolsa para césped, si estuviera instalada.
2. Cierre la cubierta trasera y asegúrese de que está bien cerrada contra el producto.
3. Levante el bloqueo de descarga. (Fig. 41)
4. Abra la cubierta de descarga lateral e instale el deflector de descarga lateral en los pasadores de soporte. (Fig. 42)
5. Deje que la cubierta de descarga lateral se cierre contra el deflector de descarga lateral. Asegúrese de que el deflector de descarga lateral está firmemente fijado en su posición antes de utilizar el producto.

## Vaciado del recogedor de césped



**PRECAUCIÓN:** Levante el recogedor de césped cuando lo desplace para evitar desgastes.

1. Levante el recogedor de césped con el mango del bastidor.
2. Utilice el mango del bastidor y el asa de la bolsa al vaciar el recogedor de césped. (Fig. 43)



## Para obtener un buen resultado

- Use siempre una cuchilla afilada. Un cuchilla roma proporciona un resultado irregular y la superficie de corte de la hierba adquiere un tono amarillo. Una cuchilla afilada también utiliza menos energía que una cuchilla roma.
- No corte más de 1/3 de la longitud del césped. Cuando empiece a cortar la hierba, utilice la altura de corte más alta. Examine el resultado y baje la altura de corte al nivel que corresponda. Si la hierba está muy larga, vaya despacio y realice dos pasadas si es necesario.
- Corte en direcciones distintas cada vez para evitar crear rayas en el césped.
- Levante la cubierta trasera y extraiga el recogedor de césped.
- Si hay un triturador y una cuchilla trituradora instalados, retírelos.
- Cierre la cubierta trasera antes de utilizar el producto. Cuando se utiliza el producto, la hierba cortada se expulsa por debajo de la cubierta trasera.
- Mantenga limpia la cubierta del equipo de corte. La acumulación de hierba y suciedad en el interior de esta cubierta puede reducir el resultado del corte. Consulte la sección *Limpieza del producto en la página 130*.

## Mantenimiento

### Introducción



**ADVERTENCIA:** Antes de realizar cualquier trabajo de mantenimiento, debe leer y entender el capítulo sobre seguridad.

Para todos los trabajos de mantenimiento y reparación del producto, es necesario realizar una formación especial. Husqvarna garantiza que los trabajos de mantenimiento y reparación sean realizados por profesionales.

Para obtener información detallada, consulte [www.husqvarna.com](http://www.husqvarna.com).

### Programa de mantenimiento

Los intervalos de mantenimiento se calculan a partir del uso diario del producto. Los intervalos cambian si el producto no se utiliza a diario.

Para las tareas de mantenimiento identificadas con un asterisco (\*), consulte las instrucciones de *Seguridad en la página 120*.

	En cada uso	Mensualmente	Cada temporada
Realice una inspección general	X		
Limpie el producto	X		
Realice una comprobación del inhibidor de arranque*	X		
Compruebe que los dispositivos de seguridad del producto no estén dañados*	X		
Inspeccione el equipo de corte	X		
Examine la cubierta de corte*	X		
Realice una comprobación de la palanca del freno del motor*	X		
Examine la batería en busca de posibles daños	X		
Compruebe la carga de la batería	X		
Compruebe que los botones de liberación de la batería funcionan correctamente y que la batería se acopla al producto	X		
Examine el cargador de batería en busca de posibles daños y asegúrese de que funciona correctamente.		X	
Examine las conexiones entre la batería y el producto. Examine también la conexión entre la batería y el cargador de batería.			X

## Para realizar una inspección general

- Asegúrese de que las tuercas y los tornillos del producto estén bien apretados.
- Asegúrese de que los cables del producto no están en una posición en la que puedan resultar dañados.

## Limpieza del producto

- Limpie las piezas de plástico con un paño limpio y seco.
- No utilice agua para limpiar el producto. El agua puede entrar en la batería o el motor y causar un cortocircuito o daños en el producto.
- No utilice un equipo de limpieza a alta presión para limpiar el producto.
- No vierta agua directamente sobre el motor.
- Use un cepillo para retirar las hojas, la hierba y la suciedad.

## Limpieza de la batería y el cargador de batería



**ADVERTENCIA:** No limpie la batería ni el cargador con agua.



**ADVERTENCIA:** No utilice sustancias químicas para limpiar la batería.

- Asegúrese de que la batería y el cargador estén limpios y secos antes de colocar la batería en el cargador.
- Limpie los bornes de la batería con aire comprimido o con un paño suave y seco.
- Limpie las superficies de la batería y el cargador con un paño suave y seco.

## Para inspeccionar el equipo de corte



**ADVERTENCIA:** Para evitar un arranque accidental, gire la llave de seguridad hasta la posición 0, retire la batería y espere al menos 5 segundos.



**ADVERTENCIA:** Utilice guantes protectores cuando realice el mantenimiento del equipo de corte. La cuchilla está muy afilada y se pueden producir cortes con mucha facilidad.

1. Inspeccione el equipo de corte para comprobar si presenta daños o grietas. Sustituya siempre un equipo de corte dañado.
2. Inspeccione la cuchilla para comprobar si está dañada o roma.

**Nota:** Después de afilar la cuchilla, es necesario equilibrarla. El afilado, la sustitución y el equilibrado de la cuchilla deben realizarse en un centro de servicio. Si choca con un obstáculo que haga que el producto se pare, sustituya la cuchilla dañada. Lleve el producto a un centro de servicio, donde estimarán si la cuchilla puede afilarse o debe sustituirse.

## Sustitución de la cuchilla

Consulte *Datos técnicos en la página 134* para saber cuál es el tipo de cuchilla correcto.



**ADVERTENCIA:** Bloquee la cuchilla con un bloque de madera para evitar lesiones en los dedos mientras la sustituye. La cuchilla podría moverse con el motor apagado y los dedos podrían quedar atrapados entre la cuchilla y las piezas fijas.

1. Bloquee la cuchilla con un bloque de madera. (Fig. 44)
2. Retire el tornillo de la cuchilla, las arandelas y la cuchilla. (Fig. 45)
3. Examine el soporte de la cuchilla y el tornillo de la cuchilla para comprobar si presentan daños.
4. Examine el eje del motor para asegurarse de que no está doblado.
5. Cuando instale la nueva cuchilla, colóquela con los extremos en ángulo en dirección a la cubierta del equipo de corte. (Fig. 46)
6. Asegúrese de que la cuchilla quede alineada con el centro del eje del motor.
7. Bloquee la cuchilla con un trozo de madera. Coloque las arandelas y apriete el tornillo a 23 – 28 Nm de par. (Fig. 47) (Fig. 45)
8. Mueva la cuchilla en distintas direcciones manualmente y compruebe que gira libremente.



**ADVERTENCIA:** Utilice guantes de protección de alta resistencia. La cuchilla está muy afilada y se pueden producir cortes con mucha facilidad.

9. Arranque el producto para hacer una prueba de la cuchilla. Si la cuchilla no está correctamente fijada, se producirán vibraciones en el producto o el resultado del corte no será satisfactorio.

## Comprobación del deflector de descarga lateral

El deflector de descarga lateral está sujeto a la abertura de descarga lateral del producto. Reduce el riesgo de expulsión de objetos en dirección al usuario.

1. Asegúrese de que el deflector de descarga lateral no esté dañado.

2. Examine el deflector de descarga lateral. Asegúrese de que no ve defectos, como alguna grieta o que alguno de los muelles que empujan la puerta para cerrarla esté roto.
3. Sustituya el deflector de descarga lateral o los muelles en caso de estar dañados.

---

## Resolución de problemas

---

### Batería

Indicador LED de la batería	Causa	Solución
El LED verde parpadea.	La tensión de la batería es baja.	Cargue la batería. Consulte <i>Para cargar la batería en la página 127</i> .
El LED de error de la batería parpadea.	La batería está demasiado fría o demasiado caliente para utilizarla.	Deje que la batería se enfríe o llévela a un lugar resguardado para que se caliente. Cuando la batería alcance la temperatura adecuada, podrá usarse de nuevo. Utilice la batería del producto únicamente cuando la temperatura ambiente se encuentre entre los 5 °C y los 40 °C.
	La batería está descargada.	Cargue la batería. Consulte <i>Para cargar la batería en la página 127</i> .
El LED de error de la batería se enciende.	Hay un error permanente de la batería.	Acuda a un taller de servicio Husqvarna.

### Cargador de batería

LED del cargador de batería	Causa	Solución
El LED de error parpadea o se enciende.	El cargador de batería está demasiado frío o demasiado caliente para utilizarlo.	Deje que el cargador de batería se enfríe o llévelo a un lugar resguardado para que se caliente. Cuando el cargador de batería alcance la temperatura adecuada, podrá usarse de nuevo. Utilice el cargador de la batería cuando la temperatura ambiente se encuentre entre los 5 °C y los 40 °C.
	Otros errores.	Acuda a un taller de servicio Husqvarna.

### Cortacésped

El indicador de advertencia (LED de error) se encuentra debajo de la tapa de la batería.

Problema	LED de error (número de parpadeos)	Causa	Solución
El LED de error parpadea. El producto no funciona correctamente.	3	La cuchilla está bloqueada.	Gire la llave de seguridad a la posición 0 para evitar un arranque accidental. Extraiga la batería y espere al menos 5 segundos. Retire todos los obstáculos posibles y asegúrese de que la cuchilla pueda girar libremente. Si el problema persiste, póngase en contacto con su taller de servicio Husqvarna.
	5	El régimen del motor desciende demasiado y el motor se detiene.	Aumente la altura de corte. Consulte <i>Para ajustar la altura de corte en la página 127</i> .
	6 <sup>25</sup>	Las ruedas o la transmisión están bloqueadas.	Gire la llave de seguridad a la posición 0 para evitar un arranque accidental. Extraiga la batería y espere al menos 5 segundos. Retire todos los obstáculos posibles y asegúrese de que las ruedas puedan girar libremente. Si el problema persiste, póngase en contacto con su taller de servicio Husqvarna.
	10	El control del motor está demasiado caliente.	Detenga el motor y espere hasta que se haya enfriado.
El LED de error parpadea. El producto se detiene.	Sin parpadeos	Fallo del conector de la batería.	Examine el conector de la batería.
	3	Se ha producido una sobrecarga en el motor.	Aumente la altura de corte. Consulte <i>Para ajustar la altura de corte en la página 127</i> .
	8	El nivel de carga de la batería es bajo.	Cargue la batería. Consulte <i>Para cargar la batería en la página 127</i> .
	9	Error de batería o ausencia de señal de la batería.	Coloque la batería en el producto correctamente y examine el conector de la batería. Si el LED de error de la batería parpadea. Consulte <i>Batería en la página 131</i> .
	15	Procedimiento de arranque incorrecto. La palanca del freno del motor se ha activado antes del arranque del motor.	Suelte la palanca del freno del motor y espere aproximadamente 5 segundos. Baje la palanca del freno del motor para volver a arrancar el producto.
Otros errores.	Si se producen otros errores, gire la llave de seguridad a la posición 0, retire la batería y dirijase a un taller de servicio Husqvarna.		

<sup>25</sup> LC 251iS

---

# Transporte, almacenamiento y eliminación

---

## Introducción



**ADVERTENCIA:** Para evitar un arranque accidental durante el transporte o el almacenamiento, gire la llave de seguridad a la posición 0, retire la batería y espere al menos 5 segundos.

## Ajuste del producto en la posición de transporte

1. Afloje los pomos con tuerca inferiores.
2. Mueva los pomos con tuerca hasta el extremo inferior de las ranuras en ambos lados del producto. (Fig. 26)
3. Incline el manillar hacia delante. (Fig. 48)

## Transporte

- Las disposiciones de la legislación sobre mercancías peligrosas se aplican a las baterías de iones de litio incluidas en el producto.
- Para los transportes comerciales, se deben acatar los requisitos especiales sobre embalajes y etiquetas.
- Asegúrese de que se cumplan las disposiciones sobre materiales peligrosos cuando prepare el producto para su transporte. Se pueden aplicar las regulaciones locales.
- No olvide extraer la batería para el transporte.
- Coloque cinta aislante en los conectores de la batería y asegúrese de que la batería no se desplace durante el transporte.
- Fije el producto durante el transporte.

## Almacenamiento

- Antes de guardarlo, espere a que el producto se enfríe.
- Extraiga siempre la batería para el almacenamiento.
- Para evitar accidentes, asegúrese de que la batería no esté conectada al producto durante el almacenamiento.
- Mantenga el cargador de batería en un lugar cerrado y seco.
- Mantenga la batería y el cargador de batería en un lugar seco donde no haya humedad ni escarcha.
- Cuando guarde la batería, desconéctela del cargador.
- No almacene la batería en lugares donde pueda generarse electricidad estática. No guarde la batería en una caja metálica.
- Cuando guarde el producto, hágalo en un lugar con una temperatura ambiente comprendida entre -10 °C y 40 °C.

- Guarde la batería en un lugar con una temperatura ambiente comprendida entre 5 °C y 25 °C, y protegida de la luz solar.
- Guarde el cargador de la batería en un lugar con una temperatura ambiente comprendida entre 5 °C y 45 °C, y protegido de la luz solar.
- Asegúrese de que la batería esté cargada al 30 %-50 % antes de guardarla durante largos periodos de tiempo.
- Mantenga el producto, la batería y cargador de batería en un lugar bajo llave fuera del alcance de los niños y de personas sin autorización.
- Limpie el producto y no olvide vaciar el recogedor de césped.
- Lleve a cabo las tareas de mantenimiento que se indican en este manual de usuario. Consulte la sección *Mantenimiento en la página 129*.
- Realice un mantenimiento completo del producto antes de guardarlo durante un largo periodo de tiempo.

## Eliminación

Los símbolos del producto o del embalaje del producto indican que este producto no puede desecharse como residuo doméstico. Debe enviarse a una estación de reciclaje apropiada para la recuperación de piezas eléctricas y electrónicas.

Si se asegura de que se trata este producto correctamente, puede ayudar a contrarrestar el posible impacto negativo para el medio ambiente y las personas que podría darse por una gestión incorrecta de los residuos del mismo. Si desea información más detallada sobre el reciclaje de este producto, póngase en contacto con su ayuntamiento, el servicio de recogida de basuras o la tienda donde lo adquirió.

(Fig. 49)

## Datos técnicos

### Datos técnicos

	LC 251i	LC 251IS
<b>Motor de corte</b>		
Tipo de motor	BLDC (sin escobillas) 36 V	BLDC (sin escobillas) 36 V
Régimen del motor - SavE, rpm	2600/min.	2600/min.
Régimen del motor (nominal), rpm	3000/min.	3000/min.
Régimen del motor (carga alta), rpm	3500/min.	3500/min.
Potencia del motor (máx.), kW	1,4	1,4
Potencia del motor (nominal), kW	0,9	0,9
<b>Motor de accionamiento</b>		
Potencia del motor (nominal), kW	N/P	0,4
Velocidad de movimiento, km/h	N/P	4,0
Niveles de ajuste de velocidad	N/P	1
<b>Peso</b>		
Peso sin bolsa (ni batería), kg	25,5	27
Peso con bolsa (incl. 2 BLi30), kg	31,5	33
<b>Batería</b>		
Tipo de batería	Batería Husqvarna	Batería Husqvarna
<b>Duración de la batería</b>		
Autonomía de la batería, min., (funcionamiento continuo) con modo SavE activado, con una batería Husqvarna de 7,5 Ah (BLi30).	58	51
Autonomía de la batería, min., (funcionamiento continuo) con modo estándar activado, con una batería Husqvarna de 7,5 Ah (BLi30).	42	38
<b>Emisiones de ruido <sup>26</sup></b>		
Nivel de potencia acústica medido, dB(A)	96	96
Nivel de potencia acústica garantizado L <sub>WA</sub> dB(A)	98	98
<b>Niveles acústicos <sup>27</sup></b>		
Nivel de presión sonora en el oído del usuario, dB(A)	85	85

<sup>26</sup> Emisiones sonoras en el entorno medidas como potencia acústica (L<sub>WA</sub>) según la directiva 2000/14/CE.

<sup>27</sup> Los datos indicados sobre el nivel de presión acústica tienen un factor de incertidumbre (K) de 1,5 dB(A).

	LC 251i	LC 251iS
<b>Niveles de vibración</b> <sup>28</sup>		
Manillar, m/s <sup>2</sup>	0,7	0,7
<b>Equipo de corte</b>		
Altura de corte, mm	25-75	25-75
Anchura de corte, mm	510	510
Cuchilla estándar	Recogedor 5928704-01	Recogedor 5928704-01
Capacidad del recogedor de césped, litros	65	65

Baterías homologadas	Tipo	Capacidad de la batería, Ah	Tensión, V	Peso, lb/kg
BLi30	Ion-litio	7,5	36	4,2/1,9
40-B140	Ion-litio	4,0	36	2,6/1,2

Cargadores de batería homologados para las baterías especificadas, BLi	Tensión de entrada, V	Frecuencia, Hz	Potencia, W
40-C80	100-240	50-60	68,8
QC250	100-240	50-60	250

<sup>28</sup> Los datos indicados sobre los niveles de vibración tienen un factor de incertidumbre (K) de 1,5 m/s<sup>2</sup>. El valor total de vibración indicado se ha medido conforme al Anexo I de la norma EN 62841-4-3 y puede utilizarse para comparar máquinas entre sí y para realizar una evaluación preliminar de la exposición.

# Declaración de conformidad

## Declaración de conformidad CE

Nosotros, **Husqvarna AB**, SE-561 82 Huskvarna (Suecia), tel. +46-36-146500, declaramos bajo nuestra exclusiva responsabilidad que el producto:

<b>Descripción</b>	Cortacésped
<b>Marca</b>	Husqvarna
<b>Tipo/Modelo</b>	LC 251i, LC 251iS
<b>Identificación</b>	Números de serie a partir del año 2023

Cumple las siguientes directivas y normas de la UE:

<b>Norma</b>	<b>Descripción</b>
2006/42/CE	"relativa a las máquinas"
2014/30/UE	"relativa a la compatibilidad electromagnética"
2000/14/CE	"relativa a las emisiones sonoras en el entorno"
2011/65/UE	"relativa a restricciones de utilización de determinadas sustancias peligrosas en aparatos eléctricos y electrónicos"

Y que se aplican las especificaciones técnicas o los estándares siguientes: EN 62841-1:2015/A11:2022, EN IEC 62841-4-3:2021/A11:2021, EN IEC 55014-1:2021, EN IEC 55014-2:2021, EN IEC 63000:2018

Organismo notificado: 0404, SMP Svensk Maskinprovning AB, Box 4053, SE-904 03 Umeå, Sweden ha certificado la conformidad con la Directiva del Consejo 2000/14/CE, Procedimiento de evaluación de conformidad: Anexo VI.

Para obtener información respecto a las emisiones sonoras, consulte *Datos técnicos en la página 134*.

Huskvarna, 2023-12-11



Claes Losdal, director de desarrollo/productos para jardín de Husqvarna AB

Responsable de la documentación técnica





---

## Sisukord

---

Sissejuhatus.....	137	Veaotsing.....	147
Ohutus.....	138	Transportimine, hoiulepanek ja utiliseerimine.....	149
Kokkupanek.....	143	Tehnilised andmed.....	151
Töö.....	143	Vastavusdeklaratsioon.....	153
Hooldamine.....	146		

---

## Sissejuhatus

---

### Toote kirjeldus

Tooteks on lükatav ja pöörlev muruniiduk. Muru kogutakse rohkogurisse. Kinnitage rohu külglajaviske väljaviske suunaja.

### Toote tutvustus

(Joon. 1)

1. Mootori pidurikäepide
2. Käivitustökesti
3. Veo käepide (LC 251iS)
4. Tagumine kate
5. Rohukogur
6. Käepideme nupp
7. Lõikekõrguse hoob
8. Väljaviske lukk
9. Külglajaviske kate
10. Akukaas
11. Sümbolid
12. Ohutusüliti
13. Hoiatuse indikaator (tõrke LED-tuli)
14. SavE-nupp
15. Lõikekorpus
16. Käepide / juhtraud
17. Tõstekäepidemed
18. Külglajavise
19. Kasutusjuhend

### Sümbolid tootel

- (Joon. 2) HOIATUS!
- (Joon. 3) Lugege läbi juhised.
- (Joon. 4) HOIATUS! Olge tähelepanelik paiskuvate esemete suhtes.
- (Joon. 5) Hoidke kõrvalseisjad eemale.
- (Joon. 6) HOIATUS! Hoidke käed ja jalad teradest eemal.

### Kasutusotstarve

Kasuta toodet muru pügamiseks. Ära kasuta toodet muude tööde tegemiseks.

- (Joon. 7) HOIATUS! Enne hooldamist ühendage aku lahti.
- (Joon. 8) Toode või toote pakend ei kuulu olmejäätmete hulka. Toimetage see elektri- ja elektroonikajäätmete vastuvõtupunkti.
- (Joon. 9) Müraemissioonile viitav keskkonnasilt vastavalt ELi ja UK direktiividele ja määrustele ja Uus Lõuna-Walesi õigusaktile „Protection of the Environment Operations (Noise Control) Regulation 2017“. Toote garanteeritud helivõimsuse taseme andmed leiate jaotisest *Tehnilised andmed lk 151* ja sildil.
- (Joon. 10) See lõikeosa vastab EL-i kehtivatele direktiividele.
- (Joon. 11) See toode vastab kehtivatele UK direktiividele.
- (Joon. 12) Toode on pritsmekindel.
- (Joon. 13) Seiskamiseks vabastage mootori pidurikäepide.
- (Joon. 14) Skannitav kood.

---

**Märkus:** Ülejäänud seadmel toodud sümbolid/tähised vastavad teatud riikides kehtivatele sertifitseerimisnõuetele.

---

### Silt seadmel

- (Joon. 15)  
OHT! Hoidke käed ja jalad eemal.

## Toote kahjustused

Me ei vastuta meie tootele tekitatud kahjude eest, kui:

- toodet on valesti parandatud;
- toote parandamisel on kasutatud osi, mis ei ole tootja poolt valmistatud või heaks kiidetud;

---

## Ohutus

---

### Ohutuse määratlused

Mõistetega „hoiatus”, „ettevaatus” ja „märkus” juhitakse tähelepanu eriti olulistele kohtadele kasutusjuhendis.



**HOIATUS:** Tähistab kasutusjuhendi juhiste eiramise korral kasutaja või kõrvalseisjate kehavigastuse või surmaga lõppeva õnnetuse ohtu.



**ETTEVAATUST:** Tähistab kasutusjuhendi juhiste eiramise korral seadme, muude esemete või läheduses asuvate objektide kahjustamise ohtu.

**Märkus:** Tähistab antud olukorras vajalikku lisateavet.

### Üldised tooteohutuse hoiatused



**HOIATUS:** Lugege läbi kõik tootega kaasas olevad hoiatused, juhised, tehnilised andmed ning tutvuge joonistega. Alltoodud juhiste eiramine võib põhjustada elektrilöögi, tulekahju ja/või ohtliku kehavigastuse.

**Hoidke kõik ohutusala märgused ja juhised edasiseks kasutamiseks alles.** Hoiatustes kasutatud mõiste „toode” tähistab võrgutoitel (juhtmega) elektritööriista või akutoitel (juhtmata) elektritööriista.

### Tööala ohutus

- **Hoidke tööala puhas ja tagage hea valgustus.** Segamini või hämarad alad on õnnetusealtid.
- **Ärge kasutage toodet plahvatusohtlikus keskkonnas, näiteks tuleohtlike vedelike, gaaside või tolmu läheduses.** Toode võib tekitada sädemeid, mis võivad tolmu või auru süüdata.
- **Hoidke toote kasutamise ajal lapsed ja kõrvalseisjad tööalast eemal.** Tähelepanu hajumine võib põhjustada kontrolli kaotamist.

### Elektriohutus

- Elektritööriista pistikud peavad pistikupesaga ühilduma. Ärge muutke pistikut mis tahes viisil. Ärge kasutage maandusega toodete puhul adapterpistikuid. Muutmata pistikud ja sobivad pistikupesad vähendavad elektrilöögi ohtu.

- tootel on kasutatud tarvikut, mis ei ole tootja poolt valmistatud või heaks kiidetud;
- toodet ei ole parandatud volitatud hoolduskeskuses või volitatud isiku poolt.

- **Väldi kehalist kokkupuudet maandatud pindadega (nt torud, radiaatorid, elektriliidid ja külmikud).** Keha maandamise korral on elektrilöögi oht suurem.
- **Ärge laske toodetel kokku puutuda vihma ega niiskusega.** Toote sisse tunginud vesi suurendab elektrilöögiohtu.
- **Kasutage juhete õigesti. Ärge kunagi kasutage kaablit toote kandmiseks, tõmbamiseks või pistikupesast eemaldamiseks. Kaitske juhete kuumuse, õli, teravate servade ja liikuvate osade eest.** Kahjustatud või sõlmes juhe suurendab elektrilöögi ohtu.
- **Tootega õues töötamisel kasutage välitingimustes kasutamiseks sobivat pikendusjuhet.** Välitingimustes kasutamiseks sobiva pikendusjuhtme kasutamine vähendab elektrilöögi ohtu.
- **Kui toote kasutamine niiskes keskkonnas on vältimatu, kasutage rikkevoolukaitsmega (RCD) kaitstud toidete.** RCD kasutamine vähendab elektrilöögi ohtu.

### Inimeste kaitsmine

- **Olge toote kasutamisel tähelepanelik, jälgige oma tegevust ja kasutage tervet mõistust. Ärge kasutage toodet, kui olete väsinud või uimastite, alkoholi või ravimite mõju all.** Hetkeline tähelepanematus toote kasutamise ajal võib lõppeda raskete kehavigastustega.
- **Kasuta isikukaitsevahendeid. Kasutage alati kaitseprille.** Asjakohastes tingimustes kaitsevahendite (nt tolumask, mittelibisevad turvajalatsid, kiiver või kõrvaklapid) kasutamine vähendab kehavigastuste ohtu.
- **Vältige soovimatut käivitumist. Enne toote ühendamist toiteallika ja/või akuga, üles tõstmist või kandmist veenduge, et lüliti oleks väljalülitatud asendis.** Kui kannate toodet nii, et sõrm on toitelüliti, või ühendate toote vooluvõrku, kui toitelüliti on sisse lülitatud, võib see lõppeda õnnetusega.
- **Eemaldage enne seadme sisselülitamist kõik reguleerimis- ja nutrivõtmed.** Seadme pöörleva osa külge jäetud nutri- või muu võti võib tekitada kehavigastusi.
- **Ärge küünitage liiga kaugemale. Säilitage kogu aeg kindel jalgealune ja tasakaal.** See tagab ootamatutes olukordades seadme üle parema kontrolli.
- **Kandke nõuetekohaselt riideid. Ärge kandke lahtiseid rõivaid ega ehteid. Hoidke juuksed ja rõivad liikuvatest osadest eemal.** Lahtised rõivad, ehted või

pidak juuksed võivad liikuvate osade vahele kinni jääda.

- **Kui seadmetel on ühendus tolmueemaldus- ja kogumisseadmete jaoks, veenduge, et need on ühendatud ja neid kasutatakse õigesti.**  
Tolmukogumise kasutamise abil saab vähendada tolmuga seotud ohte.
- **Ärge muutuge tööriistade sagedasest kasutusest hooletuks ning ärge eirake tööriistade ohutu kasutamise põhimõtteid.** Hooletu tegevus võib ka murdosa sekundi jooksul põhjustada tõsiselt kehavigastusi.

## Toote kasutamine ja hooldamine

- **Ärge koormake toodet üle. Kasutage rakenduse jaoks õiget toodet.** Õige toode teeb töö ära paremini, ohutumalt ja ettenähtud kiirusel.
- **Ärge kasutage toodet, kui see lülitit vajutamisel ei lülitu sisse ega välja.** Mis tahes toode, mida pole võimalik lülitit abil juhtida, on ohtlik ja tuleb viivitamatult parandada.
- **Enne toote reguleerimist, tarvikute vahetamist või hoiustamist eemaldage pistik toiteallikast ja/või eemaldage toote küljest aku, kui see on eemaldatav.** Taolised ennetavad ohutusmeetmed vähendavad toote tahtmatu käivitamise ohtu.
- **Hoidke toodet, mida te parasjagu ei kasuta, lastele kättesaamatus kohas ning ärge lubage toodet kasutada isikutel, kes ei oska seda kasutada või pole neid juhiseid läbi lugenud.** Toodet on väljaõppeta kasutajate käes ohtlikud.
- **Hooldage tooteid ja lisatarvikuid. Kontrollige liikuvate osade joondust ja kinnitusi, osade purunemist või muid toote kasutamist mõjutada võivaid tegureid.** Kahjustuse korral laske seade enne kasutamist remontida. Paljude õnnetuste põhjuseks on toote puudulik hooldus.
- **Hoidke lõikevahendid teravad ja puhtad.** Nõuetekohaselt hooldatud teravate lõikeservadega lõikevahendite kinnikiilumise tõenäosus on väiksem ja neid on hõlpsam juhtida.
- **Järgige toote, tarvikute, tööriistaotsakute jm kasutamisel neid juhiseid ning arvestage töötingimuste ja -ülesandega.** Toote kasutamine muuks kui ettenähtud otstarbeks võib põhjustada ohtliku olukorra.
- **Hoidke käepidemed ja haardepinnad kuivad, puhtad ning õli- ja määrdevabad.** Libedate käepidemete ja haardepindade korral ei ole ootamatutes olukordades võimalik toodet ohutult käsitseda ja juhtida.

## Akutööriistade kasutamine ja hooldamine

- **Kasutage laadimiseks ainult tootja soovitatud laadijat.** Ühte tüüpi aku laadimiseks sobiv laadija võib koos teist tüüpi akuga kasutades tuleohtu põhjustada.
- **Kasutage toodetega vaid spetsiaalselt neile loodud akusid.** Teisi akukogumeid kasutades riskite vigastuste ja tulekahjuga.

- **Kui aku pole hetkel kasutuses, hoidke seda eemal teistest metallesemetest (nt kirjaklambrid, münnid, võtmed, naelad, kruvid vms väiksed metalliesemed), mis võiksid akuklemme omavahel ühendada.** Akuklemmide lühistamine võib põhjustada põletushaavu või tulekahju.
- **Väärkasutamise korral võib akut vedelikku lekkida; vältige kokkupuudet.** Kokkupuute korral loputage kannatada saanud kohta veega. Kui vedelik satub silma, loputage silma veega ja pöörduge arsti poole. Akust lekkinud vedelik võib põhjustada ärritust või põletushaavu.
- **Ärge kasutage defektset või muudetud akut või tööriista.** Kahjustatud või muudetud akut võivad käituda ettearvamatult ning põhjustada tule-, plahvatus- või vigastusohtu.
- **Ärge laske akul või tööriistal puutuda kokku tulega või liiga kõrgete temperatuuridega.** Kokkupuude üle 130 °C temperatuuriga võib põhjustada plahvatuse.
- **Järgige kõiki laadimisjuhiseid ja ärge vahetage akut või tööriista temperatuuril, mis jääb väljapoole juhistes kirjeldatud temperatuurivahemikku.** Aku laadimine valesti või väljaspool selleks ettenähtud temperatuurivahemikku võib akut kahjustada ja suurendada tuleohtu.

## Teenus

- **Laske toodet hooldada kvalifitseeritud remonditehnikul, kasutades ainult identseid varuosi.** See tagab toote ohutuse säilimise.
- **Ärge kunagi hooldage kahjustatud akusid.** Akusid võib hooldada üksnes tootja või volitatud teenusepakkuja.

## Muruniiduki ohutusalsed hoiatused

- **Ärge kasutage muruniidukit halva ilmaga (eelkõige äikesetorni ajal).** See vähendab pikselöögi ohtu.
- **Kontrollige põhjalikult, kas muruniiduki kasutuskoahas on elusloodust.** Muruniiduk võib töötades elusloodust kahjustada.
- **Kontrollige hoolikalt muruniiduki kasutuskohta ning eemaldage sealt kõik kivid, oksad, traadid, luud ja muud võõrkehad.** Õhku paiskuvad esemed võivad tekitada kehavigastusi.
- **Enne muruniiduki kasutamist kontrollige alati visuaalselt, et lõiketera, terapolt või terakoost ei oleks kulunud ega kahjustatud.** Kulunud või kahjustatud osad suurendavad kehavigastuse ohtu.
- **Kontrollige rohukogurit sageli kulumise või kahjustumise suhtes.** Kulunud või kahjustatud rohukogur võib suurendada kehavigastuse ohtu.
- **Hoidke kaitsmed paigaldatuna.** Kaitsmed peavad olema töökorras ja õigesti paigaldatud. Kaitse, mis on lahti tulnud, kahjustunud või ei tööta korralikult, võib tekitada kehavigastusi.
- **Hoidke kõik jahutusõhu sisselaskeavad prahist puhtad.** Blokeeritud õhu sisselaskeavad ja prahist võivad põhjustada ülekuumenemist või tuleohtu.

- **Kandke muruniiduki kasutamisel alati libisemiskindlaid kaitsejalatseid. Ärge kasutage muruniidukit paljajalu ega lahtiste sandaalidega.** See vähendab liikuva lõiketeraga kokkupuutel jalalabade vigastusohtu.
- **Kandke muruniidukiga töötamisel alati pikki pükse.** Katmata naha korral suureneb paiskuvatest esemetest tingitud vigastusoht.
- **Muruniidukit ei tohi kasutada märja muru korral. Kõndige ja ärge kunagi jookske.** See vähendab libisemis- ja kukkumisohtu, mis võib lõppeda kehavigastusega.
- **Ärge kasutage muruniidukit liiga järsudel kallakutel.** See vähendab kontrolli kaotamise ning libisemis- ja kukkumisohtu, mis võib lõppeda kehavigastusega.
- **Kallakul töötades tagage alati kindel asend, töötage masinaga risti üle kallaku, mitte otse üles või alla, ning olge suuna muutmisel äärmiselt ettevaatlik.** See vähendab kontrolli kaotamise ning libisemis- ja kukkumisohtu, mis võib lõppeda kehavigastusega.
- **Tagurdamisel ja muruniiduki enda poole tõmbamisel olge väga ettevaatlik. Olge tähelepanelik oma ümbruse suhtes.** See vähendab töötamise komistamisohu.
- **Ärge puudutage lõiketerasid ja muid ohtlikke liikuvaid osi, kui need alles liiguvad.** See vähendab liikuvate osade põhjustatud vigastusohtu.
- **Kui eemaldate kinnikiilunud materjali või puhastate muruniidukit, veenduge, et kõik toitelülitid oleks välja lülitatud ja akud oleks lahti ühendatud.** Muruniiduki ootamatu tööle hakkamine võib tekitada raske kehavigastuse.
- **Kui eemaldate kinnikiilunud materjali või puhastate muruniidukit, veenduge, et kõik toitelülitid oleks välja lülitatud ja blokeeriv seadis eemaldatud.** Muruniiduki ootamatu tööle hakkamine võib tekitada raske kehavigastuse.

### Rikkevoolukaitse

- Kasutage rikkevoolukaitset, mille rakendusivool on kuni 30 mA.

### Üldised ohutuseeskirjad



**HOIATUS:** Enne toote kasutamist lugege läbi järgmised hoiatused.

- Seade on ohtlik, kui seda kasutada valesti või ettevaatamatult. Ohutuseeskirjade eiramine võib põhjustada kehavigastuse või surma.
- Toode tekitab töötades elektromagnetvälja. Teatud tingimustel võib väli häirida aktiivsete või passiivsete meditsiiniliste implantaatide tööd. Raskete või surmaga lõppevate kehavigastuste ohu vähendamiseks soovime meditsiinilisi implantaate kasutataval inimestel pidada enne selle seadme kasutamist nõu oma arsti ja implantaadi valmistajaga.

- Olge alati ettevaatlik ja toimige arukalt. Kui te pole kindel, kuidas toodet eriolukorras kasutada, lõpetage töö ja pidage enne jätkamist nõu Husqvarna edasimüüjaga.
- Arvestage, et teiste isikute ja nende varaga seotud õnnetuste korral kannab vastutust seadme kasutaja.
- Hoidke seade puhas. Veenduge, et märgid ja tähised oleksid selgelt loetavaid.
- Ärge kunagi lubage lastel või nende juhustega mittetutvunud inimestel seadet kasutada. Kohalikud kehtivad eeskirjad võivad piirata kasutaja lubatud vanust.
- Kui seadet kasutab piiratud füüsiliste või vaimsete võimetega isik, peab ta olema kogu aeg järelevalve all. Vastutusvõimelise täiskasvanu peab kogu aeg kasutama juures viibima.
- Ärge kasutage toodet, kui olete väsinud, haige või tarvitanud alkoholi, narkootikume või ravimeid. Sellel on negatiivne mõju teie nägemisele, tähelepanuvõimele, liikumisele ja otsustamisvõimele.
- Ärge kasutage toodet, kui see on kahjustatud või ei tööta korralikult.
- Ärge muutke seadet, nii et see ei vasta enam tehase originaalmudelitele; ärge kasutage seadet, kui arvate, et seda on muutnud keegi teine.

### Tööohutus



**HOIATUS:** Enne toote kasutamist loe läbi järgnevad hoiatused.

- Kasutage seda toodet ainult muru niitmiseks. Muude toimingute tegemiseks toodet kasutada ei tohi.
- Kasuta isikukaitsevahendeid. Vt jaotist *Isikukaitsevahendid lk 141*.
- Veenduge, et teate, kuidas hädaolukorras mootorit kiiresti seisata.
- Toodet ei tohi kasutada vihma käes või märjas keskkonnas. Tootesse pääsenud vesi suurendab elektrilöögi ohtu.
- Ärge kasutage toodet enne, kui lõiketera ja katted on õigesti kinnitatud. Valesti kinnitatud lõiketera võib lahti tulla ja inimesi vigastada.
- Veenduge, et lõiketera ei puutuks kokku esemetega (nt kivide ja juurtega). See võib lõiketera kahjustada ja põhjustada mootori võlli väändumist. Paindega telg põhjustab tugevat vibratsiooni ja suurt lõiketera lahtitulemise ohtu.
- Kui lõiketera puutub kokku mõne esemega või esineb vibratsioon, peatage toode viivitamatult. Seisake mootor, keerake ohutuslülitid asendisse 0 ja eemaldage aku. Oodake, kuni liikuvad osad peatuvad. Kontrollige toodet kahjustuste suhtes. Kinnitage lahtised osad korralikult. Parandage kahjustused ja asendage kahjustatud osad. Laske parandustöid teha volitatud hooldustöökojas.
- Kui mootor töötab, ärge kinnitage kunagi mootori pidurikäepidet püsivalt käepideme külge.

- Asetage toode stabiilsele ja tasasele pinnale ning käivitage see. Veenduge, et löiketera ei puutuks vastu maad ega muid esemeid.
- Olge toote kasutamisel alati toote taga.
- Toote kasutamisel hoidke mõlema käega käepidemest ja kõik toote rattad maas. Hoia käed ja jalad pöörlevatest teradest eemal.
- Vältige mootori käivitamisel või toote kasutamisel toote kallutamist.
- Olge toote tagasisuunas tõmbamisel ettevaatlik.
- Kui mootor on käivitatud, ärge tõstke toodet. Kui teil on vaja toode üles tõsta, seisake esmalt mootor, keerake ohutuslüli asendisse 0 ja eemaldage aku.
- Ärge kõndige toote kasutamise ajal tagurpidi.
- Seisake mootor, kui toodet on vaja transportimiseks kallutada või kui peate ületama ilma muruta ala, näiteks kruusa-, kivi- või asfalte.
- Ärge lükake toodet joostes, kui mootor on käivitatud. Toote kasutamise ajal kõndige.
- Enne löikamiskõrguse muutmist seisake mootor. Ärge kunagi tehke reguleerimisi, kui mootor töötab.
- Ärge laske toodet silmist, kui mootor töötab. Seisake mootor ja veenduge, et löikeosa ei pöörleks.
- Toote kasutamise ajal esinev vibratsioon võib jaotises *Tehnilised andmed lk 151* esitatud vibratsiooniäärtusest erineda. Erinevus tuleneb toote erinevatest kasutusviisidest. Kui kasutate toodet sageli või kaua aega, tehke regulaarselt pause, et vältida vibratsioonist tingitud vigastusi.

## Ohutusjuhised kasutamisel

### Isikukaitsevahendid



**HOIATUS:** Enne toote kasutamist loe läbi järgnevad hoiatused.

- Isikukaitsevarustus ei välista täielikult kehavigastuste ohtu, kuid vähendab õnnetusjuhtumi korral kehavigastuse raskusastet. Olge varustuse valimiseks pöörduge edasimüüja poole.
- Kandke vastupidavaid saapaid või jalatseid, mis on libisemiskindlad. Ärge kandke avatud jalatseid ega olge paljajalu.
- Kandke tugevaid pikki pükse.
- Vajaduse korral kandke kaitsekindaid, näiteks löikeosa kinnitades, kontrollides või puhastades.
- Soovitame kasutada kuulmiskaitset.

### Toote ohutusseadised



**HOIATUS:** Enne toote kasutamist lugege läbi järgmised hoiatused.

- Ärge kasutage toodet, mille ohutusseadmed on kahjustatud või ei tööta korralikult.

- Ärge eemaldage ohutusseadmeid ega tehke neis muudatusi.
- Kontrollige ohutusseadiseid regulaarselt. Kui ohutusseadmed on kahjustatud või ei tööta korralikult, pöörduge Husqvarna hooldustöökoja poole.

### Löikeosa kate kontrollimine

Löikeosa kate vähendab toote vibratsiooni ja löiketerast tingitud vigastuste ohtu.

- Kontrollige löikeosa kahjustuste (nt pragude) suhtes.

### Ohutuslüli kontrollimine

Ohutuslüli asub akukaane all. Ohutuslüli abil ühendatakse aku, mis varustab mootori toitega.

- Ohutuslüli kontrollimiseks käivitage ja seisake mootor.
- Kui ohutuslüli on töokorras, siis käivitus mootor üksnes ohutuslüli keeramisel asendisse 1. (Joon. 16)

### Tagumise kate kontrollimine

Tagumine kate vähendab esemete kasutaja suunas paiskumise ohtu.

- Veenduge, et tagumine kate oleks kahjustamata.
- Veenduge, et tagumise kate sulgurvedrud oleksid terved.
- Purunenud vedrud ja kahjustatud osad tuleb välja vahetada.
- Veenduge, et tagumine kate liiguks hingedel sujuvalt.

### Mootori pidurikäepideme kontrollimine

Mootori pidurikäepideme abil saab mootori seisata. Mootori pidurikäepideme vabastamisel mootor seiskub.

- Käivitage seade. Vt jaotist *Toote käivitamine lk 144*.
- Vabasta mootori pidurikäepideme. (Joon. 17)
- Veendu, et toode on seiskunud. Kui mootor kolme sekundi jooksul ei seisku, laske mootoripidurit Husqvarna volitatud hooldustöökojas reguleerida.

### Käivitustõkesti kontrollimine

Kontrollige, kas käivitustõkesti takistab mootori tööd.

1. Lükake mootori pidurikäepidet juhtraua suunas. Käivitustõkesti peatab liikumise.
2. Lükake käivitustõkesti välja. (Joon. 18)
3. Laske käivitustõkesti lahti ja veenduge, et see läheks tagasi lähteasendisse.

### Aku ohutus



**HOIATUS:** Enne toote kasutamist lugege läbi järgmised hoiatused.

- Kasutage seotud Husqvarna toodete toiteallikana alati üksnes Husqvarna taaslaetavaid akusid. Kehavigastuse vältimiseks ärge kasutage akut muude seadmete toiteallikana.
- Ärge kasutage mittelaetavaid akusid.
- Elektrilöögi oht. Ärge ühendage akuklemme võtmete, müntide, kruvide või muude metallesemetega. See võib tekitada akus lühise.
- Ärge asetage esemeid aku õhuavade sisse ja ette.
- Vältige aku kokkupuudet otsese päikesevalguse, kuumuse ja lahtise leegiga. Aku võib plahvatada ja põhjustada põletusi ja/või keemilisi põletusi.
- Vältige aku kokkupuudet vihma ja märja keskkonnaga.
- Vältige aku kokkupuudet mikrolainete ja kõrgsurvega.
- Ärge demonteerige ega lõhkuge akut.
- Aku lekke korral vältige vedeliku kokkupuudet keha ja silmadega. Kui vedelik satub kehale, puhastage kokkupuutunud ala rohke veega ja seejärel pöörduge arsti poole.
- Kasutage toote akut üksnes juhul, kui õhutemperatuur on vahemikus 5 °C kuni 40 °C.
- Kasutage akulaadijat üksnes juhul, kui õhutemperatuur on vahemikus 5 °C kuni 40 °C.
- Akut ei laeta, kui aku temperatuur on üle 50 °C.
- Ärge puhastage akut või akulaadijat veega. Vt jaotisest *Aku ja akulaadija puhastamine lk 146*.
- Ärge kasutage kahjustatud akut.
- Ladustage akusid metallesemetest (nt naelad, mündid, ehted) eemal.

## Akulaadija ohutus



**HOIATUS:** Enne toote kasutamist lugege läbi järgmised hoiatused.

- Kasutage Husqvarna asendusakude laadimiseks ainult QC akulaadijaid.
- Elektrilöögi ja lühise oht. Ärge asetage esemeid laadija õhuavade sisse ja ette. Ärge püüdke akulaadijat lahti monteerida. Ärge ühendage laadija klemme metallesemete külge. Kasutage heakskiidetud võrgupistikupesas.
- Toode tekitab töötades elektromagnetvälja. Teatud tingimustel võib väli häirida aktiivsete või passiivsete meditsiiniliste implantaatide tööd. Raskete või surmaga lõppevate kahjustuste ohu vähendamiseks soovitage meditsiinilisi implantaate kasutamisel inimestel pidada enne selle toote kasutamist nõu oma arsti ja implantaadi valmistajaga.
- Kontrollige regulaarselt, kas akulaadija toitejuhe on kahjustada saanud ja kas sellel on pragusid.
- Ärge tõstke akulaadijat toitejuhtmest hoides. Akulaadija võrgupistikupesast lahutamiseks tõmmake pistikut. Ärge tõmmake toitejuhet.
- Vältige toitejuhtme ja pikendusjuhtme kokkupuudet vee, õli ja teravate servadega. Jälgige, et juhe

ei jääks uste, väravate jms vahele. See võib põhjustada laadija sattumise pingele alla.

- Ärge puhastage akulaadijat veega.
- Akulaadijat võivad kasutada lapsed alates 8. eluaastast ja isikud, kellel on vähenenud füüsilised, sensoorsed või vaimsed võimed või puudulikud teadmised ja kogemused, kui neid jälgib või juhendab vastutav isik, kes tagab, et nad kasutavad akulaadijat ohutult ning mõistavad seotud ohtusid. Lapsed ei tohi akulaadijaga mängida. Lapsed ei tohi seadet ilma järelevalveta puhastada ega hooldada.
- Ärge laadige akulaadijas mittelaetavaid akusid.
- Ärge kasutage akulaadijat tuleohtlike või korrosiooni tekitavate materjalide läheduses. Ärge katke akulaadijat. Suitu või tule tekke korral eemaldage pistik akulaadijast.
- Ärge kasutage kahjustatud akulaadijat.
- Laadige akut ainult hea õhuvahetusega siseruumis ja päikesevalguse eest kaitsuna. Ärge laadige akut märjas keskkonnas.

## Ohutusjuhised hooldamisel



**HOIATUS:** Enne toote kasutamist loe läbi järgnevad hoiatused.

- Hooldustööde ajal juhusliku käivitumise vältimiseks keerake ohutuslüliti asendisse 0 ja eemaldage aku. Enne hooldustööde alustamist oodake vähemalt viis sekundit.
- Hooldage toodet ainult selle kasutusjuhendi järgi. Põhjalikumad ja keerukamad tööd laske teha volitatud hooldustöökojas. Lisateavet küsige lähimast hooldustöökojast.
- Toote kasutusea tõstmiseks ja õnnetuste ohu vähendamiseks tehke kõik hooldustööd korrektselt.
- Asendage kahjustatud, kulunud ja katkised osad. Kasutage alati tootja originaalvaruosi. Muud varuosad võivad toodet kahjustada ja suurendada õnnetuste ohtu.
- Vigastuste vältimiseks ärge eemaldage ohutusseadmeid ega tehke neile muudatusi.
- Lõikeosa käsitsedes kandke alati tugevaid kindaid. Lõiketera on väga terav ja võib kergesti põhjustada lõikevigastusi.
- Parima ja ohutuima töö tagamiseks hoidke lõikeservad teravana ja puhtana.
- Laske hooldustöökojas toodet korrapäraselt kontrollida ning teha vajalikke seadistamisi ja parandusi.
- Järgige tarvikute vahetamise juhiseid. Kasutage ainult tootja valmistatud tarvikuid.
- Kui toodet ei kasutata, eraldage toode, aku ja akulaadija ning hoidke neid kuivas ja lukustatud siseruumis. Veenduge, et lastel ja ilma vastava volituseteta kõrvalistel isikutel puuduks juurdepääs tootele, akule ja akulaadijale.

---

## Kokkupanek

---

### Sissejuhatus



**HOIATUS:** Enne toote kokkupanemist lugege läbi ohutust puudutav peatükk.



**HOIATUS:** Kokkupanemise ajal juhusliku käivitumise vältimiseks keerake ohutusiülii asendisse 0, eemaldage aku ja oodake vähemalt viis sekundit.

### Käepideme kokkupanek

**Märkus:** Seda toimingut tuleks teha kahekesi.

**Märkus:** Ärge käepideme monteerimisel toodet karbist eemaldage. Karpi saab monteerimise ajal kasutada käepideme toestamiseks.

1. Tõstke ja pöörake käepidet. (Joon. 19)



**ETTEVAATUST:** Olge ettevaatlik ja veenduge, et tross ei saa käepideme pööramise ajal kahjustada.

2. Asetage käepide tootele. Kallutage käepidet toestamiseks vastu karpi. Vaata joonist. (Joon. 20)

3. Lükake kruvi (A) läbi käepideme (B), plastseibi (C) ja käepideme tugikronsteini (D). (Joon. 21)
4. Keerake mutter (E) täiesti kinni.
5. Eemaldage toode karbist.
6. Pöörake käepide püstasendisse. (Joon. 22)
7. Seadke käepide madalaimasse asendisse. Vt jaotisest *Käepideme reguleerimine lk 143*.
8. Kinnitage tross käepideme madalama osa külge trossiklambriga. (Joon. 23)
9. Kinnitage trossi madalam osa käepideme tugikronsteini külge köidikuga. Lõigake köidiku liigne osa ära. (Joon. 24)

**Märkus:** Veenduge, et tross oleks õigesti kinnitatud. Liiga lõtv tross võib rohukoguri paigaldamisel saada kahjustada. (Joon. 25)

### Käepideme reguleerimine

1. Keerake alumised hoovad lahti.
2. Liigutage nupud toote vasakul ja paremal küljel olevatesse soonetes. (Joon. 26)
3. Reguleerige käepideme kõrgus ühte kahest võimalikust asendist.
4. Liigutage nuppusid üles käepideme suunas, kuni need peatuvad ja kostub klõpsatus. (Joon. 27)
5. Keerake nupud korralikult kinni.

---

## Töö

---

### Sissejuhatus



**HOIATUS:** Enne seadme kasutamist lugege põhjalikult läbi ohutust puudutav jaotis.

### Husqvarna Connect

Husqvarna Connect on mobiilsideseadmetele mõeldud tasuta rakendus. Rakendus Husqvarna Connect annab teie Husqvarna tootele lisafunktsionaalsuse:

- Täiendav tooteteave.
- Toote osade ja hoolduse alane teave ja abi.

### Toote Husqvarna Connect kasutamise alustamine

1. Laadige Husqvarna Connect rakendus oma mobiilsideseadmesse.
2. Registreeruge Husqvarna Connect rakenduses.
3. Toote ühendamiseks ja registreerimiseks järgige Husqvarna Connect rakenduse juhiseid.

### Toote seadmine tööasendisse

1. Veenduge, et alumised nupud on lahti. Vt jaotisest *Käepideme reguleerimine lk 143*.
2. Pöörake käepide püstasendisse. (Joon. 22)
3. Liigutage nuppusid üles käepideme suunas, kuni need peatuvad ja kostab klõpsatus. (Joon. 27)
4. Keerake nupud korralikult kinni.



**HOIATUS:** Kasutage toodet ainult juhul, kui käepide on täiesti üles liigutatud ja ühte kõrguse asendisse seatud. Vt jaotisest *Käepideme reguleerimine lk 143*.

### Lõikamiskõrguse reguleerimine

1. Lõikamiskõrguse suurendamiseks tõmmake lõikamiskõrguse hooba tagasisuunas.
2. Lõikamiskõrguse vähendamiseks lükake lõikamiskõrguse hooba edasisuunas. (Joon. 28)



**ETTEVAATUST:** Ärge seadistage lõikamiskõrgust liiga madalaks. Kui muru pole tasane, võivad lõiketerad puutuda vastu maad.

## Aku



**HOIATUS:** Enne aku kasutamist lugege läbi ohutust puudutav jaotis ja veenduge, et oleksite kõigest aru saanud. Samuti tuleb läbi lugeda aku ja akulaadija kasutusjuhend ning veenduda, et kogu teave on arusaadav.

Hoidke akut ja akulaadijat õigel õhutemperatuuril.

	Õhutemperatuur
Aku kasutamine	5 °C kuni 40 °C
Aku laadimine	5 °C kuni 40 °C

## Aku olek

Ekraanil kuvatakse aku järelejäänud mahtuvus ja akuga seotud mis tahes probleemeid. Aku laetustaseme nägemiseks vajutage aku indikaatori nuppu. Akul olev hoiatussümbol süttib tõrke ilmnemisel. Vt jaotisest *Aku lk 147*.

(Joon. 29)

LED-tuled	Aku olek
Kõik LED-tuled põlevad	Täis (76–100%)
LED 1, LED 2, LED 3 põlevad	Aku on laetud 51–75%
LED 1, LED 2 põlevad	Aku on laetud 26–50%
LED 1 põleb	Aku on laetud 6–25%.
Vilgub LED-tuli 1	Aku on 0–5% laetud.

## Aku laadimine

Enne esimest kasutuskorda laadige aku täis. Kliendile tarnimisel on aku laetud üksnes 30% ulatuses.

**Märkus:** Akulaadija tuleb ühendada tüübisildil näidatud pingele ja sagedusega võrku.

Aku laadimist ei toimu, kui aku temperatuur on üle 50 °C. Enne laadimise alustamist langetab akulaadija aku temperatuuri vajalikule tasemele.

1. Ühendage akulaadija toitejuhtme üks ots akulaadija pesasse.
2. Ühendage akulaadija toitejuhtme teine ots maandatud võrgupistikupesasse. Akulaadijal olev roheline märgutuli vilgub üks kord. (Joon. 30)

3. Asetage aku akulaadijasse. Kui aku on akulaadijaga õigesti ühendatud, süttib laadijal roheline tuli. (Joon. 31)
4. Kui aku kõik märgutuled põlevad, on aku täis. Ärge laadige akut kauem kui 24 tundi.
5. Akulaadija toitejuhtme võrgupistikupesast lahutamisel tõmmake pistikust, mitte juhtmest.
6. Eemaldage aku laadijast.

## Toote käivitamine

1. Avage akukaas.
2. Asetage laetud aku ühte akuhoidikusse. Tööea pikendamiseks asetage teise akuhoidikusse teine laetud aku.
3. Keerake ohutuslülitit asendisse 1. (Joon. 32)
4. Olge toote taga.
5. Avage käivitustõkesti. (Joon. 18)
6. Lükake mootori pidurikäepidet juhtraua suunas. (Joon. 33)

## Veo kasutamine ratastel (LC 251iS)

- Lükake veo käepidet juhtraua suunas. (Joon. 34)
- Veo vabastamiseks vabastage veo käepide näiteks siis, kui lähene teakistusele.
- Enne seadme tagasisuunas tõmbamist vabastage vedu ja lükake seadet umbes 10 cm edasisuunas.

## Funktsiooni SavE™ kasutamine

Toode on varustatud akusäästufunktsiooniga (SavE™), mis pikendab aku tööaega.

- Funktsiooni käivitamiseks lükka nupp SavE™ asendisse 1. (Joon. 35)
- Funktsiooni seiskamiseks lükka nupp SavE™ asendisse 0.

**Märkus:** Funktsioon SavE™ seiskub automaatselt, kui pinnaolud nõuavad suuremat väljundit. Funktsioon SavE™ käivitub automaatselt uuesti, kui pinnaolud seda võimaldavad.

## Suure koormuse funktsioon

Kui seade niidab märga või pikka rohtu, suureneb mootori pöörete arv minutis automaatselt. Kui koormus langeb, lülitub mootor automaatselt tagasi tavarežiimile.

## Mootori seiskumine

Kasutamise ajal võivad lõiketera ja mootor takistuste tõttu ajutiselt seiskuda, näiteks kui lõikekorpuse all tekib muruummistus. Kui sellisel juhul hoiate mootori pidurikäepidet allavajutatuna, taaskäivitub toode automaatselt. Kui toode 5-10 sekundi jooksul ei käivitu, võib olla vaja lõikekorpuse alune puhastada. Vt jaotist *Toote puhastamine lk 146*.





**HOIATUS:** Kui mootor seiskub, proovib mootor 5-10 sekundi jooksul automaatselt taaskäivituda. Enne lõikekorpuse kontrollimist oodake vähemalt 15 sekundit.



**HOIATUS:** Enne lõikekorpuse kontrollimist vabastage mootori pidurikäepide, keerake ohutusüliti asendisse 0, eemaldage aku ja oodake vähemalt viis sekundit. Takistuse eemaldamise ja toote ootamatu käivitumise korral esineb vigastusohu.

## Toote seiskamine



**HOIATUS:** Keera ohutusüliti asendisse 0, enne kui lasete tootel eemale liikuda.

1. Mootori seiskamiseks vabastage mootori pidurikäepide. (Joon. 36)

**Märkus:** Mudeli LC 251iS puhul. Rataste veo peatamiseks vabastage veojõu käepide.

2. Avage akukaas ja keerake ohutusüliti asendisse 0. (Joon. 37)
3. Aku eemaldamiseks vajutage kahte vabastusnuppu ja tõmmake aku välja. (Joon. 38)
4. Laadige akut, kui see on tühjenenud. Lisateavet vt *Aku laadimine lk 144.*

## Toote kasutamine rohkoguriga



**HOIATUS:** Ärge kasutage toodet, kui rohkogur pole paigaldatud või tagumine kate suletud. Vastasel juhul võivad esemed õhku paiskuda ja kasutajat vigastada.

1. Kergitage tagakaant. (Joon. 39)
2. Asetage rohkogur kronsteinile.
3. Vabastage tagumine kate ja laske sel toetuda rohkukoti raami ülaservale. (Joon. 40)

## Toote seadistamine külgeväljaviske režiimile

1. Tõstke tagumine kate üles ja eemaldage rohkukott (kui see on paigaldatud).

2. Sulgege tagumine kate ja veenduge, et see on tihkelt suletud vastu toodet.
3. Tõstke väljaviske lukku. (Joon. 41)
4. Avage külgeväljaviskekate ja paigaldage külgeväljaviske suunaja tugitihvtidele. (Joon. 42)
5. Laske külgeväljaviskekattel sulguda vastu külgeväljaviskesuunajat. Veenduge, e külgeväljaviskesuunaja on tugevalt omal kohal, enne kui alustate tootega tööd.

## Rohkuguri tühjendamine



**ETTEVAATUST:** Kulumise vältimiseks tõsta rohkogur liigutamise ajal üles.

1. Tõstke rohkogur raami käepideme abil üles.
2. Rohkuguri tühjendamisel kasuta raami käepidet ja koti käepidet. (Joon. 43)

## Hea tulemuse saavutamiseks

- Kasutage vahedat lõiketera. Nüri tera annab ebaühtlase tulemuse ja muru lõigatud osa muutub kollaseks. Terav lõiketera on nüri teraga võrreldes energiasäästlikum.
- Lõigake kuni pool muru pikkusest. Kui alustate niitmist, alustage kõrgeima lõikamiskõrgusega. Vaadake tulemust ja seadistage lõikamiskõrgus soovitud madalamale tasemele. Kui rohi on väga pikk, sõitke aeglaselt ja vajadusel niitke kaks korda.
- Niitke iga kord erinevas suunas, et ära hoida triipude tekkimist murule.
- Kergitage tagakaant ja eemaldage rohkogur.
- Kui seadmele on paigaldatud multšikork ja multšimistera, eemaldage need.
- Enne seadme kasutamist sulgege tagumine kate. Seadme töötamise ajal väljub lõigatud rohi tagumise katte alt.
- Hoidke lõikamiskate puhtana. Lõikekorpuse siseküljele kogunevad rohuäägid ja mustus võivad lõikamistõhusust vähendada. Vt jaotist *Toote puhastamine lk 146.*

# Hooldamine

## Sissejuhatus



**HOIATUS:** Enne seadme hooldamist lugege põhjalikult läbi ohutust puudutav peatükk.

Seadme hooldamiseks ja remontimiseks on vaja erioskusi. Tagame asjatundliku remondi- ja hooldustöö.

Lisateavet vt [www.husqvarna.com](http://www.husqvarna.com).

## Hooldusgraafik

Hooldusintervallide arvutamisel on aluseks võetud seadme igapäevane kasutamine. Intervallid muutuvad, kui seadet igapäevaselt ei kasutata.

Tärniga (\*) tähistatud hooldustööde kohta leiате juhised peatükist *Ohutus lk 138*.

	Igal kasutuskorral	Iga kuu	Igal hooajal
Tee üldkontroll	X		
Toote puhastamine	X		
Kontrollige käivitusõkestit *	X		
Veenduge, et toote ohutusseadistel poleks defekte *	X		
Lõikevarustuse kontrollimine	X		
Lõikekorpuse kontrollimine *	X		
Kontrollige mootori pidurikäepidet *	X		
Veenduge, et akul poleks kahjustusi	X		
Kontrollige aku laetust	X		
Veenduge, et aku vabastusnupud töötaksid korralikult ning et aku lukustuks kindlalt seadme külge	X		
Veenduge, et akulaadijal poleks kahjustusi ja et see töötaks korrektselt.		X	
Kontrollige aku ja seadme vahelisi ühendusi. Samuti kontrollige aku ja akulaadija vahelisi ühendusi.			X

## Üldkontrolli läbiviimine

- Veenduge, et toote mutrid ja kruvid oleksid pingutatud.
- Veenduge, et toote juhtmed ei oleks sellises asendis, kus need võiksid kahjustada saada.

## Toote puhastamine

- Puhastage plastosi puhta ja kuiva lapiga.
- Ärge puhastage seadet veega. Vesi võib pääseda aku või mootori sisse ja põhjustada lühise või kahjustada toodet.
- Ärge kasutage seadme puhastamiseks survepesurit.
- Ärge valage vett otse mootorile.
- Eemaldage lehed, muru ja pori harja abil.

## Aku ja akulaadija puhastamine



**HOIATUS:** Ärge puhastage akut või akulaadijat veega.



**HOIATUS:** Ärge kasutage aku puhastamiseks mis tahes kemikaale.

- Enne aku asetamist akulaadijasse veenduge, et aku ja akulaadija oleksid puhtad ja kuivad.
- Puhastage akuklemmid suruõhu või pehme ja kuiva riidelapiga.
- Puhastage aku ja akulaadija välispinnad pehme ja kuiva riidelapiga.

## Lõikeosa kontrollimine



**HOIATUS:** Juhusliku käivitumise vältimiseks keerake ohutuslüli asendisse 0, eemaldage aku ja oodake vähemalt viis sekundit.



**HOIATUS:** Lõikeosa hooldamisel kandke kaitsekindaid. Lõiketera on väga terav ja võib kergesti põhjustada löikevigastusi.

1. Kontrollige lõikeosa kahjustuste ja mõrade suhtes. Kahjustatud lõikeosa tuleb alati välja vahetada.
2. Kontrollige, kas lõiketera on kahjustatud või nüri.

**Märkus:** Teritamise järel tuleb lõiketera tasakaalustada. Lõiketera teritamine, asendamine ja tasakaalustamine usaldage hooldustehnikule. Kui toode pörkub vastu eset, mis põhjustab toote seiskumise, vahetage välja kahjustatud lõiketera. Laske hoolduskeskuses hinnata, kas tera saab teritada või tuleb see välja vahetada.

## Lõiketera vahetamine

Vt jaotisest *Tehnilised andmed lk 151* õiget tüüpi lõiketera leidmiseks.



**HOIATUS:** Lukustage lõiketera mõne puuklotsiga, et vältida lõiketera vahetamisel sõrmede vigastamist. Lõiketera võib liikuda, kui mootor on välja lülitatud, ning sõrmed võivad lõiketera ja liikumatute osade vahele jääda.

1. Lukustage lõiketera mõne puuklotsiga. (Joon. 44)

2. Eemaldage lõiketera polt, seibid ja lõiketera. (Joon. 45)
3. Eemaldage lõiketera tugi ja polt ning kontrollige, kas esineb kahjustusi.
4. Kontrollige mootori võlli ja veenduge, et see poleks väändunud.
5. Uue lõiketera kinnitamisel suunake nurksed otsad lõikekorpuse poole. (Joon. 46)
6. Veenduge, et lõiketera ja mootori võlli kese oleksid kohakuti.
7. Lukustage lõiketera puutükiga. Kinnitage seibid ja pingutage polti momendiga 23 – 28 Nm. (Joon. 47) (Joon. 45)
8. Keerake tera käega, veendumaks, et see pöörleb vabalt.



**HOIATUS:** Kasutage tugevaid kindaid. Lõiketera on väga terav ja võib kergesti põhjustada löikevigastusi.

9. Tera katsetamiseks käivitage toode. Kui tera on valesti kinnitatud, siis toode vibreerib ja niitmistulemus pole rahuldav.

## Külgväljaviskesuunaja kontrollimine

Külgväljaviskesuunaja on kinnitatud toote külgväljaviskeavaale. See vähendab niiduki kasutaja suunas paiskuvatest esemetest tingitud ohtu.

1. Veenduge, et külgväljaviskesuunaja oleks kahjustamata.
2. Uurige külgväljaviskesuunajat. Veenduge, et sellel pole kahjustusi, nt mõrad või murdunud vedrud, mis suruvad luuki kinni.
3. Kui külgväljaviskamisesuunaja või vedrud on kahjustatud, vahetage need välja.

## Veotsing

### Aku

Aku LED-tuli	Põhjus	Lahendus
Roheline LED-tuli vilgub.	Akupinge on madal.	Laadige akut. Vt jaotisest <i>Aku laadimine lk 144</i> .
Aku tõrke LED-tuli vilgub.	Aku on kasutamiseks liiga külm või liiga kuum.	Laske akul jahtuda või pange see siseruumi soojenema. Kui aku on saavutanud õige temperatuuri, saab seda uuesti kasutada. Kasutage toote akut üksnes juhul, kui õhutemperatuur on vahemikus 5 °C kuni 40 °C.
	Aku on tühi.	Laadige akut. Vt jaotisest <i>Aku laadimine lk 144</i> .

Aku LED-tuli	Põhjus	Lahendus
Süttib aku tõeke LED-tuli.	Esineb püsiv akutõrge.	Põõrduge Husqvarna hooldusesindusse.

## Akulaadija

Akulaadija LED-tuli	Põhjus	Lahendus
Tõrke LED-tuli vilgub või süttib.	Akulaadija on kasutamiseks liiga külm või liiga kuum.	Laske akulaadijal jahtuda või pange see siseruumi soojenema. Kui akulaadija on saavutanud õige temperatuuri, saab seda uuesti kasutada. Kasutage akulaadijat, kui õhutemperatuur on vahemikus 5 °C kuni 40 °C.
	Muud tõrked.	Põõrduge Husqvarna hooldusesindusse.

## Muruniiduk

Hoiatusindikaator (tõeke LED-tuli) asub akukatte all.

Probleem	Tõrke LED-tuli (vilkumiste arv)	Põhjus	Lahendus
Tõrke-LED-tuli vilgub. Toode ei tõõta korralikult.	3	Lõiketera liikumine on takistatud.	Keerake õhutõslõliti asendisse 0, et vältida juhuslikku kõivitumist. Eemaldage aku ja oodake vähemalt 5 sekundit. Eemaldage võimalikud takistused ja veenduge, et lõiketerad liiguksid vabalt. Kui probleem püsib, põõrduge oma Husqvarna hooldusesindusse.
	5	Mootori kiirus langeb liigselt ja mootor seiskub.	Suurendage lõikekõrgust. Vt jaotisest <i>Lõikamiskõrguse reguleerimine lk 143</i> .
	6 <sup>29</sup>	Rattad või õlekanne on blokeeritud.	Keerake õhutõslõliti asendisse 0, et vältida juhuslikku kõivitumist. Eemaldage aku ja oodake vähemalt 5 sekundit. Eemaldage võimalikud takistused ja veenduge, et terad liiguvad vabalt. Kui probleem püsib, põõrduge oma Husqvarna hooldusesindusse.
	10	Mootori juhtseade on liiga kuum.	Seisake mootor ja oodake, kuni see on jahtunud.

<sup>29</sup> LC 251iS

Probleem	Törke LED-tuli (vilgumiste arv)	Põhjus	Lahendus
Törke-LED-tuli vilgub. Seade seisukub.	Ei vilgu	Akukonnektori tõrge.	Kontrollige akukonnektorit.
	3	Mootor on ülekoormatud.	Suurendage löikekõrgust. Vt jaotisest <i>Lõikamiskõrguse reguleerimine lk 143</i> .
	8	Aku on tühjenenud.	Laadige akut. Vt jaotisest <i>Aku laadimine lk 144</i> .
	9	Aku tõrge või aku signaali pole.	Asetage aku õigesti seadmesse ja kontrollige akukonnektorit. Kui aku tõrke LED-tuli vilgub. Vt jaotisest <i>Aku lk 147</i> .
	15	Vale käivitustoiming. Mootori pidurikäepide on rakendatud enne mootori käivitumist.	Vabastage mootori pidurikäepide ja oodake umbes 5 sekundit. Lükake mootori pidurikäepide uuesti alla toote käivitamiseks.
Muud tõrked.	Muude tõrgete ilmnemise korral keerake ohutuslülitit asendisse 0, eemaldage aku ja pöörduge oma Husqvarna hooldusesindusse.		

## Transportimine, hoialepanek ja utiliseerimine

### Sissejuhatus



**HOIATUS:** Transportimise ja hoiustamise ajal juhusliku käivitumise vältimiseks keerake ohutuslülitit asendisse 0, eemaldage aku ja oodake vähemalt viis sekundit.

- Õnnetuste vältimiseks veenduge, et aku ja seade poleks hoiustamise ajal ühendatud.
- Hoidke akulaadijat suletud ja kuivas kohas.
- Hoidke akut ja akulaadijat kuivas kohas, kus pole niiskust ja miinuskraade.
- Ladustamise ajaks lahutage aku akulaadija küljest.
- Ärge hoidke akut kohas, kus võib tekkida staatiline elekter. Ära hoiaku akut metallkastis.
- Hoidke toodet kohas, kus õhutemperatuur jääb vahemikku  $-10\text{ }^{\circ}\text{C}$  kuni  $40\text{ }^{\circ}\text{C}$ .
- Hoidke akut kohas, kus õhutemperatuur jääb vahemikku  $5\text{ }^{\circ}\text{C}$  kuni  $25\text{ }^{\circ}\text{C}$  ja kuhu ei paista otsene päikesevalgus.
- Hoidke akulaadijat kohas, kus õhutemperatuur jääb vahemikku  $5\text{ }^{\circ}\text{C}$  kuni  $45\text{ }^{\circ}\text{C}$  ja kuhu ei paista otsene päikesevalgus.
- Enne aku pikemaajalist hoiustamist laadige see 30–50% ulatuses täis.
- Hoidke seadet, akut ja akulaadijat suletud ruumis, kuhu ei pääse lapsed ja volitamata kõrvalised isikud.
- Puhastage toode ja veenduge, et rohkogur oleks tühi.
- Tehke kasutusjuhendis toodud hooldustoimingud. Vt jaotist *Hooldamine lk 146*.
- Enne toote pikaajalist hoiustamist tehke sellele täishooldus.

### Seadme seadmine transportasendisse

1. Keerake alumised hoovad lahti.
2. Liigutage nupud toote vasakul ja paremal küljel olevatesse soonetesse. (Joon. 26)
3. Keerake käepidid ettepoole. (Joon. 48)

### Transportimine

- Liitium-ioonakudele kehtivad ohtlike kaupade veonõuded.
- Kaubandusliku transpordi korral tuleb järgida pakendamise ja märgistamise erinõudeid.
- Toote transportimiseks ettevalmistamisel järgige kindlasti ohtlikele ainetele kehtivaid eeskirju. Kehtida võivad ka kohalikud eeskirjad.
- Transpordi ajaks tuleb aku alati eemaldada.
- Katke akukonnektorid isoleerteibiga ja veenduge, et aku ei saaks transportimise ajal liikuma hakata.
- Kinnitage seade transportimise ajaks.

### Hoiustamine

- Enne hoiustamist laske tootel jahtuda.
- Hoiustamise ajaks tuleb aku alati eemaldada.

### Kõrvaldamine

Tootel või selle pakendil olevad sümbolid viitavad, et toodet ei tohi visata olmeprügi hulka. See tuleb

toimetada ettenähtud vastuvõtupunkti, kus elektri- ja elektroonikaseadmed võetakse uuesti ringlusesse.

Hoolitsedes toote eest õigel viisil aitate vähendada võimalikke negatiivseid mõjusid keskkonnale ja inimestele, mis võivad avalduda toote vale käitlemise korral. Lisateabe saamiseks toote ringlussevõtu kohta pöörduge vastava kohaliku ametkonna, jäätmekäitlusettevõtte või toote müünud kaupluse poole.

(Joon. 49)

## Tehnilised andmed

### Tehnilised andmed

	LC 251i	LC 251iS
<b>Lõikemootor</b>		
Mootori tüüp	BLDC (harjadeta) 36 V	BLDC (harjadeta) 36 V
Mootori pöörlemissagedus – SavE, p/min	2600/min	2600/min
Mootori pöörlemissagedus – nimisagedus, p/min	3000/min	3000/min
Mootori pöörlemissagedus – suur koormus, p/min	3500/min	3500/min
Mootori väljundvõimsus – max kW	1,4	1,4
Mootori väljundvõimsus – nimivõimsus, kW	0,9	0,9
<b>Veomootor</b>		
Mootori väljundvõimsus – nimivõimsus, kW	–	0,4
Iseliikumiskiirus, km/h	–	4,0
Reguleeritavad kiirusetasemed	–	1
<b>Kaal</b>		
Mass ilma kotita (v.a aku), kg	25,5	27
Mass koos kotiga (sh kaks BLi30), kg	31,5	33
<b>Aku</b>		
Aku tüüp	Husqvarna Akuseeria	Husqvarna Akuseeria
<b>Aku tööaeg</b>		
Aku tööaeg, min, (vabajooksul) SavE on aktiveeritud, ühe Husqvarna 7,5 Ah akuga (BLi30).	58	51
Aku tööaeg, min, (vabajooksul) standardrežiim on aktiveeritud, ühe Husqvarna 7,5 Ah akuga (BLi30).	42	38
<b>Müratasemed</b> <sup>30</sup>		
Helivõimsuse tase, mõõdetud dB(A)	96	96
Helivõimsuse tase, garanteeritud L <sub>WA</sub> dB(A)	98	98
<b>Helitasemed</b> <sup>31</sup>		
Helirõhutase kasutaja kõrva juures, dB(A)	85	85
<b>Vibratsioonitase</b> <sup>32</sup>		

<sup>30</sup> Müraeemissioon ümbritsevasse keskkonda, mõõdetud helivõimsuse tasemena (L<sub>WA</sub>) vastavalt EÜ direktiivile 2000/14/EÜ

<sup>31</sup> Helirõhu taseme kohta esitatud andmete määramatuse tegur (K) on 1,5 dB(A).

<sup>32</sup> Vibratsioonitasemete kohta esitatud andmete määramatuse tegur (K) on 1,5 m/s<sup>2</sup>. Esitatud vibratsiooni koguväärtust on mõõdetud vastavalt standardi EN 62841-4-3 lisale I ning seda võidakse kasutada masinate omavaheliseks võrdlemiseks ja kokkupuute esialgseks hindamiseks.

	<b>LC 251i</b>	<b>LC 251iS</b>
Käepide, m/s <sup>2</sup>	0,7	0,7
<b>Lõikeosa</b>		
Lõikekõrgus, mm	25–75	25–75
Lõikelaius, mm	510	510
Lõiketera – standard	Kogumine 5928704-01	Kogumine 5928704-01
Rohukoguri maht liitrites	65	65

Heakskidetud akud	Tüüp	Aku mahtuvus, Ah	Pinge, V	Kaal, kg
BLi30	Liitiumioonaku	7,5	36	1,9
40-B140	Liitiumioonaku	4,0	36	1,2

Määratletud akude heakskidetud akulaadljad, BLi	Sisendpinge, V	Sagedus, Hz	Võimsus, W
40-C80	100-240	50–60	68,8
QC250	100-240	50-60	250



# Vastavusdeklaratsioon

## EÜ vastavusdeklaratsioon

Husqvarna AB, SE-561 82 Huskvarna, Rootsi, tel: +46  
3614 6500, kinnitab ainuvastutusel, et toode:

<b>Kirjeldus</b>	Muruniiduk
<b>Kaubamärk</b>	Husqvarna
<b>Tüüp/mudel</b>	LC 251i, LC 251iS
<b>Identifitseerimine</b>	Seerianumbrid alates 2023. aastast

vastab täielikult järgmistele EÜ direktiividele ja määrustele:

Määrus	Kirjeldus
2006/42/EÜ	„masinadirektiiv“
2014/30/EL	„elektromagnetilise ühilduvuse direktiiv“
2000/14/EÜ	„seadmete müra kohta käiv direktiiv“
2011/65/EL	„elektri- ja elektroonikaseadmetes teatavate ohtlike ainete kasutamise piiramise direktiiv“

ja et kohalduvad järgmised standardid ja/või tehnilised spetsifikatsioonid: EN 62841-1:2015/A11:2022, EN IEC 62841-4-3:2021/A11:2021, EN IEC 55014-1:2021, EN IEC 55014-2:2021, EN IEC 63000:2018

Teavitatud asutus: 0404, SMP Svensk Maskinprovning AB, Box 4053, SE-904 03 Umeå, Sweden  
kinnitab vastavust nõukogu direktiivile 2000/14/EÜ, vastavushindamise menetlus: lisa VI.

Lisateavet mürataseme kohta vt *Tehnilised andmed lk 151*.

Huskvarna, 2023-12-11



Claes Losdal, aiandustoodete arendusdirektor,  
Husqvarna AB

Tehnilise dokumentatsiooni eest vastutaja



---

## Sisällys

---

Johdanto.....	154	Vianmäärittäminen.....	164
Turvallisuus.....	155	Kuljettaminen, säilyttäminen ja hävittäminen.....	166
Asentaminen.....	160	Tekniset tiedot.....	168
Käyttö.....	160	Vaatimustenmukaisuusvakuutus.....	170
Huolto.....	163		

---

## Johdanto

---

### Tuotekuvaus

Tuote on kävellen ohjattava ja pyörivä ruohonleikkuri. Leikattu ruoho kerätään ruohonkerääjään. Kiinnitä sivullepuhalluksen ohjain ruohon sivullepuhallusta varten.

### Tuotteen kuvaus

(Kuva 1)

1. Moottorin jarrukahva
2. Käynnistyksenesto
3. Vetojärjestelmän sanka (LC 251iS)
4. Takasuojus
5. Ruohonkerääjä
6. Työntöaisan nappi
7. Leikkuukorkeuden säätövipu
8. Puhalluksen lukko
9. Sivullepuhalluksen suojus
10. Akun kansi
11. Symbolit
12. Turva-avain
13. Varoitusmerkkivalo (vian merkkivalo)
14. SavE-painike
15. Leikkuusuojus
16. Kahva/kahvasto
17. Nostokahvat
18. Sivullepuhallin
19. Käyttöohje

### Tuotteen symbolit

(Kuva 2) VAROITUS

(Kuva 3) Lue ohjeet.

(Kuva 4) VAROITUS – Varo sinkoutuvia esineitä.

(Kuva 5) Pidä sivulliset loitolla.

(Kuva 6) VAROITUS – Pidä kätesi ja jalkasi poissa terien läheisyydestä.

### Käyttötarkoitus

Käytä laitetta ruohon leikkuuseen. Älä käytä laitetta muihin tehtäviin.

(Kuva 7) VAROITUS – Irrota akku ennen huoltotoimenpiteitä.

(Kuva 8) Laitetta tai sen pakkausta ei saa hävittää kotitalousjätteen mukana. Vie se asianmukaiseen sähkö- ja elektroniikkalaitteiden keräyspisteeseen.

(Kuva 9) Melupäästöt ympäristöön -tarra EU:n ja Yhdistyneen kuningaskunnan direktiivien ja säädösten mukaisesti sekä Uuden Etelä-Walesin "Protection of the Environment Operations (Noise Control) Regulation 2017" -asetuksen mukaisesti. Tuotteen taattu äänentehotaso on määriteltävä kohdassa *Tekniset tiedot sivulla 168* ja arvokilvessä.

(Kuva 10) Tämä lisälaitte täyttää sovellettavien EY-direktiivien vaatimukset.

(Kuva 11) Tämä tuote täyttää sovellettavien UK-säädösten vaatimukset.

(Kuva 12) Laitte on suojattu pystysuoraan tippuvalla vedeltä.

(Kuva 13) Pysäytä vapauttamalla moottorin jarrukahva.

(Kuva 14) Skannattava koodi.

---

**Huomautus:** Muita laitteen symboleita/tarroja tarvitaan joillakin markkina-alueilla ilmaisemaan sertifiointivaatimuksia.

---

## Laiteen tarra

(Kuva 15)

VAARA – Pidä kädet ja jalat etäällä.

## Tuotteen vaurioituminen

Emme ole vastuussa tuotteen vaurioitumisesta, jos:

- tuote on korjattu virheellisesti
- tuotteen korjaamiseen on käytetty muita kuin valmistajan omia tai sen hyväksymiä osia
- tuotteessa on muu kuin valmistajan oma tai sen hyväksymä lisävaruste
- tuotetta ei ole korjattu valtuutetussa huoltopisteessä tai hyväksytyllä asiantuntijalla.

# Turvallisuus

## Turvallisuusmääritelmät

Varoituksia, huomioita ja huomautuksia käytetään, kun jotakin käyttöohjeen osaa halutaan erityisesti korostaa.



**VAROITUS:** Tätä käytetään, jos käyttöohjeen noudattamatta jättämisestä voi seurata käyttäjän tai sivullisen vamma tai kuolema.



**HUOMAUTUS:** Tätä käytetään, jos käyttöohjeen noudattamatta jättämisestä voi seurata koneen, muiden materiaalien tai ympäristön vaurioituminen.

**Huomautus:** Tätä käytetään tietyissä tilanteissa tarvittavien lisätietojen antamiseen.

## Yleiset tuoteturvavaroitukset



**VAROITUS:** Lue kaikki tämän laitteen mukana tulevat turvavaroitukset, ohjeet, kuvat ja tekniset tiedot. Alla olevien ohjeiden noudattamatta jättäminen voi johtaa sähköiskun, tulipaloon ja/tai vakavaan tapaturmaan.

**Säästä kaikki varoitukset ja ohjeet tulevaa käyttöä varten.** Termillä "laite" tarkoitetaan varoituksissa verkkosähköllä toimivaa (johdollista) laitetta tai akkukäyttöistä (johdotonta) laitetta.

## Työalueen turvallisuus

- **Pidä työalue siistinä ja hyvin valaistuna.** Sotkuiset tai hämärät alueet ovat alttiita onnettomuuksille.
- **Älä käytä laitetta räjähdysriskissä ympäristössä, esimerkiksi herkästi syttyvien nesteiden, kaasujen tai pölyn läheisyydessä.** Laitteesta lähtevät kipinät voivat sytyttää pölyn tai kaasut.
- **Pidä lapset ja sivulliset poissa, kun käytät laitetta.** Häiriöt voivat saada sinut menettämään työkalun hallinnan.

## Sähköturvallisuus

- **Laitteen pistokkeen on sovittava pistorasiaan. Älä koskaan muuta pistoketta millään tavoin. Älä käytä**

**mitään pistokesovittimia maadoitettujen laitteiden kanssa.** Muuttamattomat pistokkeet ja sopivat pistorasiat vähentävät sähköiskun vaaraa.

- **Varo koskettamasta maadoitettuja pintoja, kuten putkia, kattoreita, liesiä ja jääkaappeja.** Sähköiskun riski kasvaa, jos käyttäjän keho on maadoitettu.
- **Älä altista laitteita sateelle tai märille olosuhteille.** Laitteeseen päässyt vesi lisää sähköiskun vaaraa.
- **Älä vahingoita johtoa. Älä koskaan käytä johtoa laitteen kantamiseen, vetämiseen tai irrottamiseen pistorasiasta. Pidä johto etäällä kuumuudesta, öljystä, terävistä reunoista tai liikkuvista osista.** Vialliset tai solmussa olevat johdot lisäävät sähköiskuvaaraa.
- **Kun käytät laitetta ulkona, käytä ulkotoihin sopivaa jatkojohtoa.** Ulkokäyttöön sopivan johdon käyttäminen vähentää sähköiskun vaaraa.
- **Mikäli laitteen käyttämistä kosteassa ei voida välttää, käytä virtalähdettä, jossa on vikavirtasuojakytkin (RCD).** Vikavirtasuojakytkimen käyttäminen vähentää sähköiskuvaaraa.

## Henkilökohtainen turvallisuus

- **Pysy valppaana, katso mitä teet ja käytä tervettä järkeä käyttäessäsi laitetta. Älä käytä laitetta väsyneenä tai alkoholin, huumeiden tai lääkeytyksen vaikutuksen alaisena.** Hetken epähuomio laitteita käytettäessä voi johtaa vakavaan henkilövahinkoon.
- **Käytä henkilökohtaisia suojarusteita. Pidä aina silmäsuojia.** Hengityssuojain, luistamattomat turvakengät, kypärä, kuulosuojaimet ja muut suojarusteet niitä vaativissa oloissa käytettyinä vähentävät henkilövahinkoja.
- **Estä tahaton käynnistys. Varmista, että katkaisin on OFF-asennossa ennen virtalähteen ja/tai akun kytkemistä, laitteeseen tarttumista tai sen kantamista.** Laitteiden kantaminen sormi kytkimellä tai virran kytkeminen laitteeseen, kun kytkin on käyttöasennossa, altistaa onnettomuuksille.
- **Irrota mahdolliset säätöavaimet ennen virran kytkemistä laitteeseen.** Laitteen pyöryvään osaan kiinnitetty avain voi aiheuttaa henkilövahingon.
- **Älä kurota. Säilytä aina tukeva asento ja tasapaino.** Tämä mahdollistaa laitteen paremman hallinnan odottamattomissa tilanteissa.
- **Pukeudu oikein. Älä käytä löysästi istuvia vaatteita tai koruja. Pidä hiukset ja vaatteet etäällä liikkuvista**

osista. Löysät vaatteet, korut tai pitkät hiukset voivat tarttua liikkuviin osiin.

- **Jos käytävissä on kytkentämahdollisuus pölynpistojarjestelmälle, varmista, että se kytketään ja että sitä käytetään oikein.** Pölynpistojarjestelmän käyttö voi vähentää pölyyn liittyviä riskejä.
- **Vaikka olisit käyttänyt laitteita usein ja tuntisit ne hyvin, muista aina ottaa huomioon laitteen turvamääräykset.** Huolimaton toiminta voi aiheuttaa vakavia vahinkoja sekunnin murto-osassa.

## Laitteen käyttäminen ja huoltaminen

- **Älä käytä laitetta väkisin. Käytä käyttötarkoitukseen sopivaa laitetta.** Oikea laite tekee työn paremmin ja turvallisemmin nopeudella, jota varten se on suunniteltu.
- **Älä käytä laitetta, jos virtaa ei voi katkaista virtakytkimellä.** Mikä tahansa laite, jota ei voi hallita virtakytkimellä, on vaarallinen, ja se pitää korjata.
- **Irrota pistoke pistorasiasta ja/tai akku laitteesta, mikäli mahdollista, ennen kuin teet mitään säätöjä, vaihdat lisävarusteita tai varastoit laitteita.** Nämä ennakoivat turvatoimet vähentävät laitteen vahingossa käynnistymisen vaaraa.
- **Varastoi käyttämättömät laitteet pois lasten ulottuvilta äläkä anna henkilöiden, jotka eivät tunne laitetta tai näitä ohjeita, käyttää laitetta.** Laitteet ovat vaarallisia taitamattomien käyttäjien käsissä.
- **Pidä laitteet ja lisävarusteet hyvässä kunnossa.** Tarkista, etteivät liikkuvat osat ole pois kohdaltaan tai juuttuneet, että mikään osa ei ole rikkoutunut ja että mikään muu olosuhde ei vaikuta laitteen toimintaan. Jos laite on vahingoittunut, korjauta se ennen käyttöä. Monet onnettomuudet johtuvat huonosti huolletusta laitteesta.
- **Pidä leikkaustyökalut terävinä ja puhtaina.** Oikein huolletut leikkaustyökalut, joiden leikkausreunat ovat terävät, eivät juutu kiinni niin helposti ja ovat helpommin hallittavissa.
- **Käytä laitetta, lisävarusteita, teriä jne. näiden ohjeiden mukaisesti ottaen huomioon työskentelyolosuhteet ja suoritettavan työn laadun.** Laitteen käyttäminen ennakoituista poikkeavissa olosuhteissa voi johtaa vaaratilanteeseen.
- **Pidä kahvat ja tarttumapinnat kuivina, puhtaina ja öljyttöminä sekä puhtaana vasellinista.** Liukkaat kahvat ja tarttumapinnat eivät mahdollista laitteen turvallista käsittelyä ja hallintaa odottamattomissa tilanteissa.

## Akkukäyttöisten työkalujen käyttö ja huolto

- **Lataa akku ainoastaan valmistajan tarkoitukseen nimeämällä laturilla.** Tietynlaiseen akustoon soveltuva laturi voi aiheuttaa toisen akuston lataamiseen käytettynä tulipalon vaaran.
- **Liitä tuotteisiin ainoastaan niissä käytettäviksi hyväksytyjä akkuja.** Muunlaisten akkujen käyttö voi aiheuttaa tapaturmien tai tulipalon vaaran.

- **Kun akkua ei käytetä, pidä se etäällä metalliesineistä, kuten paperiliittimistä, kolikoista, avaimista, nautoista, ruuveista tai muista pienistä metalliesineistä, jotka saattavat aiheuttaa kosketuksen liittinten välillä.** Akkuliitinten saattaminen keskenään oikosulkuun voi aiheuttaa palovammoja tai tulipalon.
- **Akusta voi tihkua nestettä väärissä olosuhteissa. Vältä kosketusta akkunesteeseen. Jos akkunestettä joutuu iholle, huuhtele ihoalue vedellä. Jos neste joutuu kosketuksiin silmien kanssa, ota myös yhteyts lääkäriin.** Akkuneste voi aiheuttaa ihoärsytystä tai palovammoja.
- **Älä käytä vaurioitunutta tai muutettua akkua tai työkalua.** Jos tuotteessa käytetään vaurioituneita tai muutettuja akkuja, tuote ei välttämättä toimi asianmukaisesti. Seurauksena saattaa olla tulipalo, räjähdys tai tapaturma.
- **Älä altista akkua tai työkalua tulelle tai korkeille lämpötiloille.** Laitteen altistuminen tulelle tai yli 130 °C:n lämpötilalle voi aiheuttaa räjähdyksen.
- **Noudata kaikkia latausohjeita äläkä lataa akkua tai työkalua ohjeissa määritetyn lämpötila-alueen ulkopuolella.** Akun lataaminen väärin tai sallituista lämpötiloista poikkeavissa olosuhteissa voi vahingoittaa akkua ja lisätä tulipaloriskiä.

## Palvelu

- **Anna laitteen korjaaminen pätevän korjaajan tehtäväksi. Koneessa saa käyttää vain täysin samanlaisia varaosia.** Näin taataan, että laitteen käyttöturvallisuus säilyy ennallaan.
- **Älä koskaan huolla vahingoittuneita akkuja.** Akkuja saavat huoltaa vain valmistaja ja valtuutetut palveluntarjoajat.

## Ruohonleikkurin turvavaroitukset

- **Älä käytä ruohonleikkuria epäsuotuisissa sääolosuhteissa, etenkin jos salamointi on mahdollista.** Näin pienennät salamansukujen riskiä.
- **Tarkista ruohonleikkurin käyttöalue perusteellisesti eläimien varalta.** Eläimet voivat loukkaantua ruohonleikkurin käytön aikana.
- **Tarkista ruohonleikkurin käyttöalue huolellisesti ennen käyttöä ja poista kaikki kivet, risut, johdot, luut ja muut vierasesineet.** Sinkoutuvat esineet voivat aiheuttaa henkilövahinkoja.
- **Tarkasta aina ennen ruohonleikkurin käyttöä silmämääräisesti, että terä ja teräkköönpano eivät ole kuluneet tai vaurioituneet.** Vaurioituneet tai kuluneet osat lisäävät loukkaantumisvaaraa.
- **Tarkasta ruohonkerääjä usein kulumisen tai heikkenemisen varalta.** Kulunut tai vaurioitunut ruohonkerääjä voi lisätä loukkaantumisriskiä.
- **Pidä suojukset paikoillaan. Suojusten on oltava toimintakunnossa ja oikein asennettuina.** Irrallinen, huonosti toimiva suojus voi aiheuttaa henkilövahinkoja.

- **Pidä kaikki jäädytysilman tuloaukot puhtaina roskista.** Tukkeutuneet tuloaukot ja roskat voivat aiheuttaa ylikuumentumista tai tulipalon vaaran.
- **Käytä aina ruohonleikkurin käytön aikana luistamattomia suojajalkineita. Älä käytä ruohonleikkuria avojaloin tai avoimet sandaalit jalassa.** Tämä vähentää jalkojen loukkaantumisen vaaraa, jos ne osuvat liikkuviin teriin.
- **Käytä pitkiä housuja aina ruohonleikkuria käyttäessäsi.** Paljas iho lisää lentävistä esineistä aiheutuvan loukkaantumisen todennäköisyyttä.
- **Älä käytä ruohonleikkuria märeillä nurmikolla. Liiku kävelyvauhtia, älä juosten.** Tämä vähentää liukastumisen ja kaatumisen vaaraa, josta voi aiheutua henkilövahinkoja.
- **Älä käytä ruohonleikkuria hyvin jyrkissä rinteissä.** Tämä vähentää hallinnan menettämisen, liukastumisen ja kaatumisen vaaraa, josta voi aiheutua henkilövahinkoja.
- **Kun työskentelet rinteissä, pidä jalkasi tukevasti maassa. Käytä konetta aina sivusuunnassa rinteeseen nähden äläkä koskaan ala- tai yläsuunnassa. Ole erittäin varovainen, kun vaihdat suuntaa.** Tämä vähentää hallinnan menettämisen, liukastumisen ja kaatumisen vaaraa, josta voi aiheutua henkilövahinkoja.
- **Noudata äärimmäistä varovaisuutta, kun peruutat tai vedät ruohonleikkuria itseesi päin. Tarkkaile aina ympäristöäsi.** Tämä vähentää kompastumisriskiä käytön aikana.
- **Älä koske teriin tai muihin vaarallisiin liikkuviin osiin, kun ne liikkuvat.** Tämä vähentää liikkuvista osista aiheutuvan loukkaantumisen riskiä.
- **Kun irrotat juutunutta materiaalia tai puhdistat ruohonleikkuria, varmista, että kaikki virtakytkimet on asetettu OFF-asentoon ja että akku on irrotettu.** Ruohonleikkurin odottamaton käynnistyminen voi aiheuttaa vakavia henkilövahinkoja.
- **Kun irrotat juutunutta materiaalia tai puhdistat ruohonleikkuria, varmista, että kaikki virtakytkimet on asetettu OFF-asentoon, ja irrota käytönestolaite.** Ruohonleikkurin odottamaton käynnistyminen voi aiheuttaa vakavia henkilövahinkoja.

## Vikavirtasuojakytkin

- Käytä vikavirtasuojakytkintä, jonka laukaisuvirta on enintään 30 mA.

## Yleiset turvallisuusohjeet



**VAROITUS:** Lue seuraavat varoitukset ennen tuotteen käyttöä.

- Tämä laite on vaarallinen, jos sitä käytetään huolimattomasti tai virheellisesti. Turvaohjeiden noudattamatta jättäminen voi aiheuttaa vammoja tai kuoleman.
- Tuote muodostaa käytön aikana sähkömagneettisen kentän. Kenttä saattaa joissakin olosuhteissa

häiritä aktiivisten tai passiivisten lääketieteellisten implanttien toimintaa. Vakavien tai hengenvaarallisten tapaturmien ehkäisemiseksi kehotamme lääketieteellisiä implantteja käyttäviä henkilöitä neuvottelemaan lääkärin ja lääketieteellisen implantin valmistajan kanssa ennen tuotteen käyttämistä.

- Ole aina varovainen ja käytä tervettä järkeä. Jos et ole varma, miten tuotetta käytetään erityistilanteessa, sammuta tuote ja ota yhteys Husqvarna-jälleenmyyjään, ennen kuin jatkat.
- Muista, että käyttäjä on vastuussa muille ihmisille tai heidän omaisuudelleen aiheutuvista vahingoista.
- Pidä laite puhtaana. Varmista, että tuotteen merkit ja tarrat ovat luettavissa.
- Älä anna lasten tai henkilöiden, jotka eivät ole tutustuneet näihin ohjeisiin, käyttää laitetta. Paikalliset määräykset saattavat rajoittaa käyttäjän ikää.
- Valvo aina laitetta käyttävää henkilöä, jonka fyysiset tai psyykkiset kyvyt ovat heikentyneet. Vastuullisen aikuisen on oltava aina paikalla.
- Älä käytä laitetta jos olet väsynyt tai sairas tai alkoholin, huumaavien aineiden tai lääkkeiden vaikutuksen alaisena. Niillä on negatiivinen vaikutus näkökykyysi, vireytesi, harkintakykyysi ja kehosi hallintaan.
- Älä käytä tuotetta, jos se on vahingoittunut tai jos se ei toimi oikein.
- Älä tee koneeseen muutoksia tai käytä konetta, mikäli epäilet jonkun muun muuttaneen sitä.

## Työturvallisuus



**VAROITUS:** Lue seuraavat varoitusohjeet ennen laitteen käyttämistä.

- Käytä tätä tuotetta ainoastaan nurmikoiden leikkaamiseen. Laitetta ei saa käyttää muihin käyttötarkoituksiin.
- Käytä henkilökohtaisia suojavarusteita. Katso kohta *Henkilökohtainen suojavarustus sivulla 158.*
- Opettele pysäyttämään moottori nopeasti hätätilassa.
- Älä käytä laitetta sateella tai märissä olosuhteissa. Sähköiskun vaara kasvaa, jos laitteeseen pääsee vettä.
- Älä käytä tuotetta, ellei sen terää ja kaikkia suojuksia ole kiinnitetty asianmukaisesti. Virheellisesti kiinnitetty terä saattaa irrota ja aiheuttaa henkilövahinkoja.
- Varmista, ettei terä osu kiiviin ja juuriin. Tämä voi vaurioittaa terää, ja moottorin akseli voi vääntyä. Vääntynyt akseli aiheuttaa voimakasta värinää. Tällöin on erittäin suuri riski, että terä irtoaa.
- Jos terä osuu esineeseen tai alkaa täristä, pysäytä tuote välittömästi. Sammuta moottori, käännä turvakytkin asentoon 0 ja irrota akku. Odota,

kunnes liikkuvat osat pysähtyvät. Tarkista laite vaurioiden varalta. Kiristä löystyneet osat. Korjaa vauriot ja vaihda vaurioituneet osat. Anna huoltotyö valtuutetun huoltoliikkeen tehtäväksi.

- Älä koskaan liitä moottorin jarrukahvaa pysyvästi kahvaan moottoria käynnistettäessä.
- Aseta laite kiinteälle, tasaiselle alustalle ja käynnistä se. Varmista, ettei terä pääse osumaan maahan tai mihinkään esineeseen.
- Ole aina laitteen takana käyttäessäsi sitä.
- Pidä kaikki renkaat maassa ja molemmat kätesi työntöaisalla käyttäessäsi laitetta. Pidä kädet ja jalat poissa pyörivien terien läheisyydestä.
- Älä kallista laitetta, kun käynnistät moottorin tai käytät laitetta.
- Ole varovainen vetäessäsi laitetta taaksepäin.
- Älä koskaan nosta laitetta moottorin käynnistyksen aikana. Jos laite on nostettava, sammuta ensin moottori, käännä turvakytin asentoon 0 ja irrota akku.
- Älä kävele taaksepäin käyttäessäsi laitetta.
- Pysäytä moottori, kun tuotetta on kallistettava kuljetusta varten tai ennen kuin siirryt alueille, joilla ei ole ruohoa, esimerkiksi sorasta, kivistä tai asfaltista tehdyille poluille.
- Älä juokse laitteen kanssa, kun moottoria käynnistetään. Kävele aina, kun käytät laitetta.
- Sammuta moottori ennen kuin muutat leikkuukorkeutta. Älä koskaan tee säätöjä moottorin käydessä.
- Älä koskaan jätä laitetta ilman valvontaa moottorin käydessä. Sammuta moottori ja varmista, ettei terävarustus pyöri.
- Laitteen tärinä käytön aikana voi erota kohdassa *Tekniset tiedot sivulla 168* ilmoitetusta tärinäarvosta. Ero johtuu tuotteen käyttötavan vaihtelusta. Jos käytät laitetta usein tai pitkään, pidä taukoja säännöllisesti, jotta tärinä ei aiheuta vammoja.

## Turvallisuusohjeet käyttöä varten

### Henkilökohtainen suojavarustus



**VAROITUS:** Lue seuraavat varoitusohjeet ennen laitteen käyttämistä.

- Henkilökohtaiset suojavarusteet eivät poista tapaturmien vaaraa, mutta ne lieventävät vammoja onnettomuus tilanteessa. Anna jälleenmyyjän auttaa oikeiden varusteiden valinnassa.
- Käytä kestäviä luistamattomia saappaita tai kenkiä. Älä käytä avonaisia jalkineita tai kulje paljain jaloin.
- Käytä vahvakankaisia, pitkiä housuja.
- Käytä suojakäsineitä tarvittaessa, esimerkiksi terävarustuksen asennuksen, tarkastuksen ja puhdistuksen aikana.
- Suosittelemme kuulonsuojaimien käyttöä.

## Tuotteen turvalaitteet



**VAROITUS:** Lue seuraavat varoitukset ennen tuotteen käyttöä.

- Älä käytä tuotetta vahingoittuneiden tai viallisten turvalaitteiden kanssa.
- Älä poista turvalaitteita tai tee niihin muutoksia.
- Tarkasta turvalaitteet säännöllisesti. Jos turvalaitteet ovat vahingoittuneet tai eivät toimi oikein, ota yhteys Husqvarna-huoltoliikkeeseen.

### Leikkuusuojuksen tarkistaminen

Leikkuusuojus vähentää laitteen tärinää ja terän aiheuttamaa tapaturmavaaraa.

- Tarkista leikkuusuojus vaurioiden, kuten halkeamien, varalta.

### Turva-avaimen tarkistaminen

Turva-avain on akun kannen alla. Turva-avain kytkee akun, joka tuottaa tehoa moottorille.

- Tarkista turva-avaimen toiminta käynnistämällä ja sammuttamalla moottori.
- Jos turva-avain toimii oikein, moottori käynnistyy vain, kun avain on käännetty asentoon 1. (Kuva 16)

### Takasuojuksen tarkistaminen

Takasuojaus vähentää esineiden sinkoutumista käyttäjän suuntaan.

- Varmista, ettei takasuojus ole vaurioitunut.
- Varmista, että takasuojuksen sulkevat jouset eivät ole vaurioituneet.
- Vaihda vaurioituneet jouset ja vahingoittuneet osat.
- Varmista, että takasuojus voi liikkua juohevasti saranoillaan.

### Moottorin jarrukahvan tarkistaminen

Moottorin jarrukahva pysäyttää moottorin. Kun moottorin jarrukahva vapautetaan, moottori pysähtyy.

- Käynnistä laite. Katso kohta *Laitteen käynnistäminen sivulla 161*.
- Vapauta moottorin jarrukahva. (Kuva 17)
- Varmista, että laite pysähtyy. Jos moottori ei pysähdy 3 sekunnissa, anna valtuutetun Husqvarna-huoltoliikkeen säätää moottorijarru.

### Käynnistykseneston tarkistaminen

Tarkista käynnistyksenesto ja varmista, että se estää moottorin toiminnan.

1. Työnnä moottorin jarrukahvaa kahvaston suuntaan. Käynnistyksenesto pysäyttää liikkeen.
2. Työnnä käynnistyksenesto ulos. (Kuva 18)
3. Vapauta käynnistyksenesto ja varmista, että se palaa alkuasentoonsa.

## Akkuturvallisuus



**VAROITUS:** Lue seuraavat varoitukset ennen tuotteen käyttöä.

- Käytä ladattavia Husqvarna-akkuja vain yhteensopivien Husqvarna-tuotteiden virtalähteenä. Tapaturmien välttämiseksi akkuja ei saa käyttää muiden laitteiden virtalähteenä.
- Älä käytä akkuja, joita ei voi ladata.
- Sähköiskun vaara. Älä koske akun napoihin avaimella, kolikolla, ruuvilla tai muilla metalliesineillä. Tämä voi aiheuttaa akun oikosulun.
- Älä aseta esineitä akun ilma-aukkoihin.
- Pidä akku suojassa auringonvalolta, kuumuudelta ja avotulelta. Akku voi räjähtää ja aiheuttaa palo- ja/tai syöpymisvammoja.
- Suojaa akku sateelta ja kosteilta olosuhteilta.
- Älä altista akku mikroaaltoille ja korkealle paineelle.
- Älä yritä purkaa tai rikkoa akkuja.
- Jos akku vuotaa, älä anna nesteen joutua kosketuksiin kehon tai silmien kanssa. Jos nestettä joutuu iholle, puhdista alue hefi runsaalla vedellä ja hakeudu lääkäriin.
- Käytä tuotteen akkuja ainoastaan 5–40 °C:n lämpötiloissa.
- Käytä akkulatoria ainoastaan 5–40 °C:n lämpötiloissa.
- Akku ei lataudu, jos akun lämpötila on yli 50 °C.
- Älä pese akkuja tai akkulatoria vedellä. Katso kohdasta *Akun ja akkulatorin puhdistaminen sivulla 163*.
- Älä käytä vaurioitunutta akkuja.
- Säilytä akkuja varastossa kaukana metalliesineistä kuten nautoista, kolikoista ja koruista.

## Akkulatorin turvallisuus



**VAROITUS:** Lue seuraavat varoitukset ennen tuotteen käyttöä.

- Käytä QC-akkulatureita vain Husqvarna-akkujen lataukseen.
- Sähköiskun tai oikosulun vaara. Älä aseta esineitä laturin ilmarakoihin. Älä yritä purkaa akkulatoria. Älä liitä laturin liittimiä metalliesineisiin. Käytä hyväksytyä pistorasiata.
- Tuote muodostaa käytön aikana sähkömagneettisen kentän. Kenttä saattaa joissakin olosuhteissa häiritä aktiivisten tai passiivisten lääketieteellisten implanttien toimintaa. Vakavien tai hengenvaarallisten tapaturmien ehkäisemiseksi kehotamme lääketieteellisiä implanteja käyttäviä henkilöitä neuvottelemaan lääkärin ja lääketieteellisen implantin valmistajan kanssa ennen laitteen käyttämistä.

- Tarkista säännöllisesti, että akkulatorin virtajohto ei ole vaurioitunut ja ettei siinä ole murtumia.
- Älä nosta akkulatoria virtajohdosta. Irrota akkulatori pistorasiasta vetämällä pistoke ulos. Älä vedä virtajohdosta.
- Pidä virtajohto ja jatkojohdot poissa veden, öljyn ja terävien reunojen ulottuvilta. Pidä huolta, ettei kaapeli kiristy ovien, aitojen tai muiden vastaavien esineiden kohdalla. Se voi muuttaa laturin jännitteelliseksi.
- Älä puhdista akkulatoria vedellä.
- Yli 8-vuotiaat lapset ja henkilöt, joiden fyysinen, sensorinen tai henkinen toimintakyky on alentunut tai joilla ei ole riittävää kokemusta tai taitoja laitteen käyttöön, saavat käyttää akkulatoria, mikäli he ovat saaneet ohjausta tai ohjeita akkulatorin turvallisesta käytöstä ja ymmärtävät siihen liittyvät vaarat. Lapset eivät saa leikkiä akkulatorilla. Lapset eivät saa puhdistaa tai huoltaa laturia ilman valvontaa.
- Älä lataa akkulatorilla akkuja, jotka eivät sovellu uudelleenlataukseen.
- Älä käytä akkulatoria herkästi syttyvien materiaalien tai syöpymistä aiheuttavien materiaalien lähellä. Älä peitä akkulatoria. Jos havaitset savua tai tulta, irrota akkulatorin pistoke pistorasiasta.
- Älä käytä vaurioitunutta akkulatoria.
- Lataa akkuja vain sisätiloissa poissa auringonvalosta ja tilassa, jossa on hyvä ilmanvaihto. Älä lataa akkuja määrissä olosuhteissa.

## Turvaohjeet huoltoa varten



**VAROITUS:** Lue seuraavat varoitusohjeet ennen laitteen käyttämistä.

- Jotta laite ei käynnisty vahingossa huollon aikana, käännä turvakytin asentoon 0 ja irrota akku. Odota vähintään viisi sekuntia ennen huollon aloittamista.
- Tee laitteelle ainoastaan käyttöohjekirjassa mainitut huoltotoimenpiteet. Laajemmat toimenpiteet ja ammattimaiset korjaukset on teetettävä valtuutetussa huoltoilikkeessä. Kysy lisätietoja lähimmästä huoltoilikkeestä.
- Laitteen oikeanlainen huoltaminen pidentää sen käyttöikää ja pienentää onnettomuusvaaraa.
- Vaihda vaurioituneet, kuluneet tai rikkoutuneet osat. Käytä aina valmistajan alkuperäisiä varaosia. Muut varaosat voivat vahingoittaa laitetta ja lisätä onnettomuusriskiä.
- Älä poista turvalaitteita tai tee niihin muutoksia vammojen ennaltaehkäisemiseksi.
- Käytä työrukkasia, kun käsittelet terävarustusta. Terä on erittäin terävä ja aiheuttaa helposti haavoja.
- Pidä leikkausreunat terävinä ja puhtaina, jotta laitteen suorituskyky ja turvallisuus pysyvät mahdollisimman hyvänä.
- Anna huoltoilikkeen tarkastaa laite säännöllisesti ja tarvittaessa säätää ja korjata se.

- Noudata lisävarusteiden vaihtoa koskevia ohjeita. Käytä ainoastaan valmistajan lisävarusteita.
- Kun laitetta ei käytetä, säilytä se, akku ja akkulaturi erillään kuivassa ja lukitussa sisätilassa. Varmista,

että lapset ja asiattomat henkilöt eivät pääse käsiksi laitteeseen, akkuun tai akkulaturiin.

---

## Asentaminen

---

### Johdanto



**VAROITUS:** Ennen kuin kokoat tuotteen, lue turvallisuutta koskeva luku.



**VAROITUS:** Jotta kone ei käynnisty vahingossa asennuksen aikana, käännä turva-avain asentoon 0, irrota akku ja odota vähintään viisi sekuntia.

### Kahvan asentaminen

**Huomautus:** Toimenpiteen suorittamiseen suositellaan kahta henkilöä.

**Huomautus:** Älä poista tuotetta pakkauksesta, kun kokoat kahvan. Pakkausta voi käyttää kahvan tukemiseen kokoonpanon aikana.

1. Nosta ja kierrä kahvaa. (Kuva 19)



**HUOMAUTUS:** Ole varovainen ja varmista, että kaapeli ei vahingoitu, kun kierrät kahvaa.

2. Aseta kahva tuotteen päälle. Kallista kahvaa pakkausta vasten kahvan tukemiseksi. Katso lisätietoja kuvasta. (Kuva 20)

3. Työnnä ruuvi (A) kahvan (B), muovisen aluslevyn (C) ja kahvan tukikiinnikkeen (D) läpi. (Kuva 21)
4. Kiristä mutteri (E) kokonaan.
5. Poista tuote pakkauksesta.
6. Taita kahva pystyasentoon. (Kuva 22)
7. Laske kahva alimpaan asentoon. Katso kohdasta *Kahvan säätäminen sivulla 160*.
8. Kiinnitä kaapeli kahvan alaosaan kaapelipidikkeellä. (Kuva 23)
9. Kiinnitä kaapelin alaosa kahvan tukikiinnikkeeseen nippusiteellä. Katkaise nippusiteen ylimääräinen osa. (Kuva 24)

**Huomautus:** Varmista, että kaapeli on kiinnitetty oikein. Liian löysä kaapeli vaurioittaa kaapelia, kun tuotteeseen on asennettu ruohonkerääjä. (Kuva 25)

### Kahvan säätäminen

1. Irrota alemmat nupit.
2. Liu'uta nupit urien alaosaan laitteen molemmin puolin. (Kuva 26)
3. Aseta kahvan korkeus jompaankumpaan käytettävissä olevista asennoista.
4. Liu'uta nuppeja ylöspäin kahvaa kohti, kunnes ne pysähtyvät ja kuulet naksahduksen. (Kuva 27)
5. Kiristä nupit huolellisesti.

---

## Käyttö

---

### Johdanto



**VAROITUS:** Lue turvallisuutta käsittelevä luku niin, että ymmärrät sen sisällön, ennen laitteen käyttämistä.

### Husqvarna Connect

Husqvarna Connect on ilmainen mobiililaitesovellus. Husqvarna Connect -sovellus saat lisätoimintoja Husqvarna-koneeseen:

- Enemmän tuotetietoja.
- Tietoja koneen osista ja huolto-ohjeita.

### Husqvarna Connect -käytön aloittaminen

1. Lataa Husqvarna Connect -sovellus mobiililaitteeseesi.
2. Rekisteröi Husqvarna Connect -sovelluksessa.
3. Liitä ja rekisteröi kone Husqvarna Connect -sovelluksen ohjeiden mukaan.

### Laitteen asettaminen käyttöasentoon

1. Varmista, että alemmat nupit ovat löysällä. Katso kohdasta *Kahvan säätäminen sivulla 160*.
2. Taita kahva pystyasentoon. (Kuva 22)
3. Liu'uta nuppeja ylöspäin kahvaa kohti, kunnes ne pysähtyvät ja kuulet naksahduksen. (Kuva 27)
4. Kiristä nupit huolellisesti.





**VAROITUS:** Älä käytä tuotetta, ellei kahva ole kokonaan taitettu ylös ja asetettu johonkin soveltuvaan korkeusasentoon. Katso kohdasta *Kahvan säätäminen sivulla 160.*

## Leikkuukorkeuden asettaminen

1. Lisää leikkuukorkeutta siirtämällä leikkuukorkeuden säätövipua taaksepäin.
2. Vähennä leikkuukorkeutta siirtämällä leikkuukorkeuden säätövipua eteenpäin. (Kuva 28)



**HUOMAUTUS:** Älä aseta leikkuukorkeutta liian alhaiseksi. Jos ruohikon pinta ei ole tasainen, terät voivat osua maahan.

## Akku



**VAROITUS:** Ennen kuin käytät akkua, lue turvallisuutta käsittelevä luku niin, että ymmärrät sen sisällön. Lue myös akun ja akkulaturin käyttöohje niin, että ymmärrät sen sisällön.

Säilytä akku ja laturi oikeassa lämpötilassa.

	Ympäristön lämpötila
Akun käyttö	5–40 °C
Akun lataaminen	5–40 °C

## Akun tila

Näyttö osoittaa akun varaustason ja mahdolliset akkuun liittyvät ongelmat. Painamalla akun varaustilan ilmaisinta näet akun varaustilan. Virheen tapahtuessa akun varoitusymboli syttyy. Katso kohdasta *Akku sivulla 164.*

(Kuva 29)

LED-merkkivalot	Akun tila
Kaikki LED-merkkivalot palavat	Täysin ladattu (76–100 %)
LED 1, LED 2 ja LED 3 palavat	Akku on ladattu 51–75 prosenttiin.
LED 1 ja LED 2 palavat	Akku on ladattu 26–50 prosenttiin.
LED 1 palaa	Akku on ladattu 6–25 prosenttiin.
LED 1 vilkkuu	Akku on ladattu 0–5 prosenttiin.

## Akun lataaminen

Lataa akku ennen ensimmäistä käyttökertaa. Akun varaus on toimitettaessa vain 30 %.

**Huomautus:** Akkulaturi on kytkettävä tyyppikilven mukaiseen jännitteeseen ja taajuuteen.

Akku ei lataudu, jos akun lämpötila on yli 50 °C. Akkulaturi viilentää akkua ennen kuin se alkaa latautua.

1. Kytke akkulaturin virtajohdon toinen pää akkulaturin liitäntään.
2. Kytke sitten akkulaturin virtajohdon toinen pää maadoitettuun pistorasiaan. Akkulaturin vihreä merkkivalo vilkkuu kerran. (Kuva 30)
3. Aseta akku akkulaturiin. Laturin vihreä valo syttyy, kun akku on kytketty oikein akkulaturiin. (Kuva 31)
4. Kun akun kaikki LED-merkkivalot syttyvät, akku on ladattu täyteen. Lataa akkua enintään 24 tuntia.
5. Kun irrotat akkulaturin pistorasiasta, älä vedä johdosta, vaan pistokkeesta.
6. Irrota akku akkulaturista.

## Laitteen käynnistäminen

1. Avaa akun kansi.
2. Aseta ladattu akku yhteen akun pidikkeeseen. Pidennä käyttöaikaa asettamalla toinen ladattu akku toiseen akun pidikkeeseen.
3. Käännä turva-avain asentoon 1. (Kuva 32)
4. Seiso laitteen takana.
5. Avaa käynnistyksenesto. (Kuva 18)
6. Työnnä moottorin jarrukahvaa kahvaston suuntaan. (Kuva 33)

## Vetojärjestelmän käyttäminen pyörillä (LC 251iS)

- Työnnä vetojärjestelmän sankaa kahvaston suuntaan. (Kuva 34)
- Kytke vetojärjestelmä pois käytöstä vapauttamalla vetojärjestelmän sankaa esimerkiksi lähestyessäsi estettä.
- Ennen kuin vedät tuotetta taaksepäin, kytke vetojärjestelmä pois käytöstä ja työnnä tuotetta eteenpäin noin 10 cm.

## Save™-toiminnon käyttäminen

Laitteessa on akkua säästävä toiminto (Save™), joka pidentää käyttöaikaa.

- Käynnistä toiminto painamalla Save™-painike asentoon 1. (Kuva 35)
- Pysäytä toiminto painamalla Save™-painike asentoon 0.

---

**Huomautus:** SavE™-toiminto sammuu automaattisesti, jos nurmikon olosuhteet vaativat suurempaa tehoa. SavE™-toiminto käynnistyy automaattisesti uudelleen, kun nurmikon olosuhteet sallivat sen.

---

## Suuri kuormitus -toiminto

Kun laitteella leikataan korkeaa tai märkää ruohoa, moottori lisää automaattisesti kierrosnopeutta. Moottori siirtyy takaisin normaaliin tilaan, kun suuri kuormitus ei ole tarpeen.

## Moottori sammuu

Käytön aikana terä ja moottori voivat pysähtyä väliaikaisesti esimerkiksi leikkuusuojuksen alla olevan ruohotukoksen vuoksi. Jos näin käy ja pidät moottorin jarrukahvaa painettuna alas, laite käynnistyy automaattisesti uudelleen. Jos laite ei käynnisty uudelleen 5–10 sekunnin kuluessa, leikkuusuojuksen alus täytyy mahdollisesti puhdistaa. Katso kohta *Laitteen puhdistaminen sivulla 163*.



**VAROITUS:** Jos moottori pysähtyy, laite yrittää käynnistyä automaattisesti uudelleen 5–10 sekunnin ajan. Odota vähintään 15 sekuntia, ennen kuin tarkistat leikkuusuojuksen.



**VAROITUS:** Ennen kuin tarkistat leikkuusuojuksen, vapauta moottorin jarrukahva, käännä turva-avain asentoon 0, irrota akku ja odota vähintään viisi sekuntia. Jos este poistetaan ja laite käynnistyy vahingossa, seurauksena on loukkaantumisaara.

## Laitteen pysäyttäminen



**VAROITUS:** Käännä turva-avain asentoon 0, ennen kuin jätät laitteen ilman valvontaa.

1. Pysäytä moottori vapauttamalla moottorin jarrukahva. (Kuva 36)

**Huomautus:** Malli LC 251S. Jos haluat pysäyttää vetojärjestelmän, vapauta vetojärjestelmän sanka.

2. Avaa akun kansi ja käännä turva-avain asentoon 0. (Kuva 37)
3. Irrota akku painamalla kahta vapautuspainiketta ja vedä akku ulos. (Kuva 38)
4. Lataa akku, jos sen lataustaso on alhainen. Katso lisätietoja kohdasta *Akun lataaminen sivulla 161*.

## Tuotteen käyttö ruohonkeraajä asennettuna



**VAROITUS:** Älä käytä tuotetta, jos ruohonkeraajä ei ole paikallaan tai jos takasuojus ei ole suljettuna. Mahdolliset sinkoutuvat esineet voivat vahingoittaa käyttäjää.

1. Nosta takasuojus ylös. (Kuva 39)
2. Aseta ruohonkeraajä pidikkeeseen.
3. Vapauta takasuojus ja aseta se ruohopussin rungon päälle. (Kuva 40)

## Tuotteen vaihtaminen sivullepuhallustilaan

1. Nosta takasuojus ja irrota keruupussi, jos se on asennettu.
2. Sulje takasuojus ja varmista, että se on tiukasti kiinni tuotetta vasten.
3. Nosta puhalluslaitteen lukko ylös. (Kuva 41)
4. Avaa sivullepuhalluksen suojuus ja asenna sivullepuhalluksen ohjain tukitappeihin. (Kuva 42)
5. Anna sivullepuhalluksen suojuksen sulkeutua sivullepuhalluksen ohjainta vasten. Varmista ennen laitteen käyttöä, että sivullepuhalluksen ohjain on tiukasti paikallaan.

## Ruohonkeraajän tyhjentäminen



**HUOMAUTUS:** Nosta ruohonkeraajä liikuttaessasi sitä. Tämä estää sen kulumisen.

1. Nosta ruohonkeraajää rungon kahvasta.
2. Käytä rungon ja pussin kahvaa, kun tyhjännät ruohonkeraajän. (Kuva 43)

## Hyvän tuloksen saavuttaminen

- Käytä aina hyvin teroitettua terää. Tylsä terä leikkaa epätasaisesti ja ruohosta tulee keltaista leikatun pinnan kohdalta. Hyvin teroitettu terä käyttää myös tylsää terää vähemmän energiaa.
- Älä leikkaa enempää kuin 1/3 ruohon pituudesta. Käytä korkeinta leikkuukorkeutta, kun alat leikata ruohoa. Tutkittuasi leikkuutuloksen voit laskea leikkuukorkeuden haluamalle tasolle. Jos ruoho on erittäin pitkää, kulje hitaasti ja leikkaa nurmikko tarvittaessa kaksi kertaa.
- Leikkaa joka kerta eri suuntiin, jotta nurmikkoon ei tule raitoja.
- Nosta takasuojusta ja irrota ruohonkeraajä.
- Jos silppurin tulppa ja silppuamisterä on kiinnitetty, irrota ne.

- Sulje takasuojus ennen laitteen käyttämistä. Kun käytät laitetta, ruohosilppu purkautuu takasuojuksen alle.

- Pidä leikkusuojus puhtaana. Leikkusuojuksen sisäpuolelle kertynyt ruoho ja lika voivat heikentää leikkutuloksia. Katso kohta *Laitteen puhdistaminen sivulla 163*.

## Huolto

### Johdanto



**VAROITUS:** Ennen minkäänlaisten huoltotöiden aloittamista sinun on luettava turvallisuutta käsittelevä luku niin, että ymmärrät sen sisällön.

Kaikkiin tuotteelle tehtäviin huolto- ja korjaustöihin tarvitaan erityiskoulutus. Takaamme, että tuotteemme huolletaan ja korjataan ammattimaisesti.

Katso lisätietoja kohdasta [www.husqvarna.com](http://www.husqvarna.com).

### Huoltokaavio

Huoltovälit on laskettu tuotteen päivittäisen käytön perusteella. Välit voivat muuttua, jos tuotetta ei käytetä päivittäin.

Lisätietoja \*-merkillä merkityistä huolloista on kohdassa *Turvallisuus sivulla 155*.

	Jokaisella käyttökerralla	Kuukausittain	Kerran käyttökaudessa
Tee yleistarkastus	X		
Puhdista tuote	X		
Tarkista käynnistyksenesto*	X		
Varmista, että tuotteen turvalaitteissa ei ole vikoja*	X		
Tarkista terävarustus	X		
Tarkista leikkusuojus*	X		
Tarkista moottorin jarrukahva*	X		
Tarkista akku vaurioiden varalta	X		
Tarkista akun varaustila	X		
Tarkista, että akun vapautuspainikkeet toimivat asianmukaisesti ja että akku lukittuu tuotteeseen	X		
Tarkista akkulaturi vaurioiden varalta ja varmista, että se toimii asianmukaisesti.		X	
Tarkista akun ja laitteen väliset kytkennät. Tarkista myös akun ja akkulaturin välinen kytkentä.			X

### Yleistarkastus

- Varmista, että tuotteen kaikki ruuvit ja mutterit on kiristetty.
- Varmista, että laitteen kaapelit on asennettu siten, että ne eivät vahingoitu.

### Laitteen puhdistaminen

- Puhdista muoviosat puhtaalla ja kuivalla liinalla.
- Älä käytä vettä, kun puhdistat laitetta. Vesi voi päästä akkuun tai moottoriin ja vaurioittaa laitetta tai aiheuttaa oikosulun.
- Älä käytä laitteen puhdistamiseen painepesuria.

- Älä suihkuta vettä suoraan moottorin päälle.
- Poista lehdet, ruoho ja lika harjalla.

### Akun ja akkulaturin puhdistaminen



**VAROITUS:** Älä pese akkua tai akkulaturia vedellä.



**VAROITUS:** Älä puhdista akkua kemiallisilla aineilla.

- Varmista, että akku ja akkulaturi ovat puhtaita ja kuivia ennen kuin laitat akun akkulaturiin.
- Puhdista akun liittimet paineilmalla tai pehmeällä, kuivalla liinalla.
- Puhdista akun ja akkulaturin pinnat pehmeällä, kuivalla liinalla.

moottori on sammutettu, ja sormet voivat jäädä terän ja liikkumattomien osien väliin.

## Terävarustuksen tarkistaminen



**VAROITUS:** Jotta kone ei käynnisty vahingossa, käännä turva-avain asentoon 0, irrota akku ja odota vähintään viisi sekuntia.



**VAROITUS:** Käytä suojakäsineitä huoltaessasi terävarustusta. Terä on erittäin terävä ja aiheuttaa helposti haavoja.

1. Tutki terävarustus vaurioiden tai halkeamien varalta. Vaurioitunut terävarustus on aina vaihdettava.
2. Tarkista, onko terä vaurioitunut tai tylsä.

**Huomautus:** Terä on tasapainotettava oikein teroituksen jälkeen. Anna huoltoliikkeen teroittaa, vaihtaa ja tasapainottaa terä. Jos osut esteeseen niin, että tuote pysähtyy, vaihda vaurioitunut terä. Anna huoltoliikkeen arvioida, voiko terän teroittaa vai onko se vaihdettava.

## Terän vaihtaminen

Katso kohdasta *Tekniset tiedot sivulla 168* tarkistaaksesi oikean terätyyppin.



**VAROITUS:** Lukitse terä puukiilalla, jotta sormet eivät pääse vahingoittumaan terää vaihdettaessa. Terää voi liikuttaa, kun

1. Lukitse terä puukiilalla. (Kuva 44)
2. Irrota teräpultti, aluslevyt ja terä. (Kuva 45)
3. Tutki terän tuki ja teräpultti vaurioiden varalta.
4. Tutki moottorin akseli ja varmista, ettei se ole vääntynyt.
5. Asenna uusi terä siten, että terän taitetut kulmat osoittavat leikkuusuojuksen suuntaan. (Kuva 46)
6. Varmista, että terä on kohdistettu moottorin akselin keskiosan kanssa.
7. Lukitse terä puukiilalla. Kiinnitä aluslevyt paikalleen ja kiristä pultti momenttiin 23 – 28 Nm. (Kuva 47) (Kuva 45)
8. Pyöritä terää käsin ja varmista, että se pyörii vapaasti.



**VAROITUS:** Käytä paksuja käsineitä. Terä on erittäin terävä ja aiheuttaa helposti haavoja.

9. Testaa terää käynnistämällä tuote. Jos terä ei ole kiinnitetty asianmukaisesti, tuote tärisee tai sen leikkuutulos ei ole tyydyttävä.

## Sivullepuhalluksen ohjaimen tarkistaminen

Sivullepuhalluksen ohjain on kiinnitetty laitteen sivullepuhallusaukkoon. Se vähentää poistettavan aineksen sinkoutumista koneen käyttäjän suuntaan.

1. Varmista, ettei sivullepuhalluksen ohjain ole vaurioitunut.
2. Tarkista sivullepuhalluksen ohjain. Varmista, ettei ohjaimessa ole näkyviä vikoja, kuten halkeamia tai katkenneita jousia, jotka sulkevat luukun.
3. Vaihda sivullepuhalluksen ohjain tai jouset, jos ne ovat vahingoittuneet.

## Vianmäärittys

### Akku

Akun merkkivalo	Syy	Ratkaisu
Vihreä merkkivalo vilkkuu.	Akun jännite on alhainen.	Lataa akku. Katso kohdasta <i>Akun lataaminen sivulla 161</i> .
Akun vian merkkivalo vilkkuu.	Akkua ei voi käyttää, koska se on liian kylmä tai liian kuuma.	Anna akun jäähtyä tai siirrä se sisätilaan lämpenemään. Kun akun lämpötila on oikea, sitä voi käyttää. Käytä tuotteen akkua ainoastaan 5–40 °C:n lämpötiloissa.
	Akku on tyhjä.	Lataa akku. Katso kohdasta <i>Akun lataaminen sivulla 161</i> .

Akun merkkivalo	Syy	Ratkaisu
Akun vian merkkivalo syttyy.	Akussa on pysyvä virhe.	Ota yhteyttä Husqvarna-huoltopisteeseen.

## Akkulaturi

Akkulaturin merkkivalo	Syy	Ratkaisu
Virheen LED-merkkivalo vilkkuu tai syttyy.	Akkulaturia ei voi käyttää, koska se on liian kylmä tai liian kuuma.	Anna akkulaturin jäähtyä tai siirrä se sisätilaan lämpenemään. Kun akkulaturin lämpötila on oikea, sitä voi käyttää. Käytä akkulaturia 5–40 °C:n lämpötiloissa.
	Muut virheet.	Ota yhteyttä Husqvarna-huoltopisteeseen.

## Ruohonleikkuri

Varoitusmerkkivalo (vian merkkivalo) on akun kannen alapuolella.

Ongelma	Vian merkkivalo (vilkkadusten määrä)	Syy	Ratkaisu
Vian merkkivalo vilkkuu. Laitteessa on toimintahäiriö.	3	Terä on jumissa.	Käännä turva-avain asentoon 0, jotta laite ei käynnisty vahingossa. Irrota akku ja odota vähintään viisi sekuntia. Poista mahdolliset esteet ja varmista, että terä pyörii vapaasti. Jos ongelma jatkuu, ota yhteys Husqvarna-huoltoliikkeeseen.
	5	Moottorin nopeus laskee liikaa ja moottori pysähtyy.	Nosta leikkuukorkeutta. Katso kohdasta <i>Leikkuukorkeuden asettaminen sivulla 161</i> .
	6 <sup>33</sup>	Pyörissä tai voimansiirrossa on tukos.	Käännä turva-avain asentoon 0, jotta laite ei käynnisty vahingossa. Irrota akku ja odota vähintään viisi sekuntia. Poista mahdolliset esteet ja varmista, että pyörät pyörivät vapaasti. Jos ongelma jatkuu, ota yhteys Husqvarna-huoltoliikkeeseen.
	10	Moottorin ohjaus on liian kuuma.	Sammuta moottori ja odota, että se jäähtyy.

<sup>33</sup> LC 251iS

Ongelma	Vian merkkipalo (vilkahdusten määrä)	Syy	Ratkaisu
Vian merkkipalo vilkkuu. Laite pysähtyy.	Merkkipalo ei vilku	Akkuliitinvika.	Tarkista akkuliitin.
	3	Moottori on ylikuormittunut.	Nosta leikkuukorkeutta. Katso kohdasta <i>Leikkuukorkeuden asettaminen sivulla 161</i> .
	8	Akun varaus on heikko.	Lataa akku. Katso kohdasta <i>Akun lataaminen sivulla 161</i> .
	9	Akkuvika tai akusta ei saada signaalia.	Aseta akku laitteeseen asianmukaisesti ja tarkista akkuliitin. Jos akun vian merkkipalo vilkkuu. Katso kohdasta <i>Akku sivulla 164</i> .
	15	Väärä käynnistysmenettely. Moottorin jarrukahva on kytketty ennen moottorin käynnistymistä.	Vapauta moottorin jarrukahva ja odota noin viisi sekuntia. Käynnistä laite painamalla moottorin jarrukahva uudelleen alas.
Muut virheet.	Jos muita virheitä ilmenee, käännä turva-avain asentoon 0, irrota akku ja ota yhteys Husqvarna-huoltooliikkeeseen.		

## Kuljettaminen, säilyttäminen ja hävittäminen

### Johdanto



**VAROITUS:** Jotta kone ei käynnisty vahingossa korjaus- ja huoltotöiden aikana, käännä turva-avain asentoon 0, irrota akku ja odota vähintään viisi sekuntia.

### Laitteen asettaminen kuljetusasentoon

1. Löysennä alempia nuppeja.
2. Liu'uta nupit urien alaosaan tuotteen molemmin puolin. (Kuva 26)
3. Taita kahva eteenpäin. (Kuva 48)

### Kuljettaminen

- Vaarallisten aineiden lainsäädännön määräykset koskevat tuotteessa olevia litiumioniakkuja.
- Tavarakuljetuksessa on noudatettava pakkausta ja merkintöjä koskevia erityismääräyksiä.
- Muista noudattaa vaarallisia aineita koskevia määräyksiä, kun valmistelet laitetta kuljetukseen. Myös mahdollisia paikallisia määräyksiä on noudatettava.
- Irrota akku aina kuljetuksen ajaksi.
- Teippaa akkuliitimet ja varmista, että akku ei pääse liikkumaan kuljetuksen aikana.
- Kiinnitä laite kuljetuksen ajaksi.

### Säilytys

- Anna laitteen jäähtyä ennen varastointia.
- Irrota akku aina säilytyksen ajaksi.
- Onnettomuuksien välttämiseksi varmista, ettei akku ole kytkettynä laitteeseen säilytyksen aikana.
- Säilytä akkulatoria ainoastaan suljetussa ja kuivassa paikassa.
- Säilytä akkua ja akkulatoria kuivassa paikassa, jossa lämpötila ei laske pakkasen puolelle.
- Irrota akku akkulatorista varastoinnin ajaksi.
- Älä säilytä akkua paikassa, jossa on staattista sähköä. Älä säilytä akkua metallilaatikossa.
- Säilytä laitetta paikassa, jonka lämpötila on -10...40 °C.
- Säilytä akkua 5–25 °C:n lämpötilassa ja poissa suorasta auringonvalosta.
- Säilytä akkulatoria 5–45 °C:n lämpötilassa ja poissa suorasta auringonvalosta.
- Varmista, että akun varastaso on 30–50 % ennen pitkäaikaista säilytystä.
- Säilytä laitetta, akkua ja akkulatoria lukitussa tilassa lasten ja asiaankuuluttomien henkilöiden ulottumattomissa.
- Puhdista laite ja varmista, että ruohonkerääjä on tyhjä.
- Huolla tuote ainoastaan käyttöohjekirjassa annettujen ohjeiden mukaisesti. Katso kohta *Huolto sivulla 163*.

- Tee täysi huolto ennen pitkäaikaista säilytystä.

## Hävittäminen

Laitteessa tai sen pakkauksessa olevat symbolit osoittavat, ettei laitetta saa hävittää kotitalousjätteen mukana. Se on toimitettava asianmukaiseen sähkö- ja elektroniikkalaitteiden keräyspisteeseen.

Varmistamalla laitteen asianmukaisen hävittämisen autat vähentämään mahdollisia negatiivia ympäristövaikutuksia, joita tämän laitteen virheellisestä hävittämisestä koituisi. Lisätietoja tämän laitteen kierrätyksestä saat ottamalla yhteyden kotikuntasi viranomaisiin, jätehuoltoon tai laitteen myyneeseen liikkeeseen.

(Kuva 49)

# Tekniset tiedot

## Tekniset tiedot

	LC 251i	LC 251IS
<b>Leikkuuomotti</b>		
Moottorityyppi	BLDC (harjaton) 36 V	BLDC (harjaton) 36 V
Moottorin nopeus – SavE, r/min	2 600/min	2 600/min
Moottorin nopeus – nimellinen, r/min	3 000/min	3 000/min
Moottorin nopeus – suuri kuormitus, r/min	3 500/min	3 500/min
Moottorin teho – enintään, kW	1,4	1,4
Moottorin teho – nimellisteho, kW	0,9	0,9
<b>Ajomootori</b>		
Moottorin teho – nimellisteho, kW	–	0,4
Liikkumisnopeus, km/h	–	4,0
Nopeuden säätötasot	–	1
<b>Paino</b>		
Paino ilman laukkaa (ilman akkua), kg	25,5	27
Paino laukun kanssa (sis. 2 x BLi30), kg	31,5	33
<b>Akku</b>		
Akkutyyppe	Husqvarna-akkusarja	Husqvarna-akkusarja
<b>Akun käyttöaika</b>		
Akun käyttöaika, min. (vapaa käyttö) SavE-toiminto käytössä, yksi 7,5 Ah:n Husqvarna-akku (Bli30).	58	51
Akun käyttöaika, min. (vapaa käyttö) normaali tila käytössä, yksi 7,5 Ah:n Husqvarna-akku (Bli30).	42	38
<b>Melupäästöt</b> <sup>34</sup>		
Äänentehotaso, mitattu dB(A)	96	96
Äänentehotaso, taattu L <sub>WA</sub> dB(A)	98	98
<b>Äänitasot</b> <sup>35</sup>		
Äänenpainetaso käyttäjän korvan tasalla, dB(A)	85	85
<b>Tärinätasot</b> <sup>36</sup>		
Työntöaisa, m/s <sup>2</sup>	0,7	0,7

<sup>34</sup> Melupäästö ympäristöön äänitehona (L<sub>WA</sub>) EY-direktiivin 2000/14/EY mukaisesti mitattuna.

<sup>35</sup> Äänenpainetaso ilmoitettujen tietojen tyypillinen epävarmuus on K eli 1,5 dB(A).

<sup>36</sup> Ilmoitettujen tärinätasojen epävarmuus on K eli 1,5 m/s<sup>2</sup>. Ilmoitettu tärinän kokonaisarvo on mitattu standardin EN 62841-4-3 liitteen I mukaisesti, ja sen avulla koneita voi verrata keskenään ja sitä voi käyttää myös altistuksen alustavassa arvioinnissa.



	LC 251i	LC 251iS
<b>Terävarustus</b>		
Leikkuukorkeus, mm	25–75	25–75
Leikkuuleveys, mm	510	510
Terä – vakio	Keruulaite 5928704-01	Keruulaite 5928704-01
Ruohonkerääjän tilavuus litroina	65	65

Hyväksytyt akut	Tyyppi	Akun kapasiteetti, Ah	Jännite, V	Paino, lb/kg
BLi30	Litiumioni	7,5	36	4,2/1,9
40-B140	Litiumioni	4,0	36	2,6/1,2

Hyväksytyt laturit määritetyille BLi-akuille	Tulojännite, V	Taajuus, Hz	Teho, W
40-C80	100–240	50–60	68,8
QC250	100–240	50–60	250

# Vaatimustenmukaisuusvakuutus

## EU-vaatimustenmukaisuusvakuutus

Husqvarna AB, SE-561 82 Huskvarna, Ruotsi, puh. +46  
36 146500, vakuuttaa täten, että tuote:

<b>Kuvaus</b>	Ruohonleikkuri
<b>Tuotemerkki</b>	Husqvarna
<b>Tyyppi/malli</b>	LC 251i, LC 251iS
<b>Tunniste</b>	Sarjanumerot vuodesta 2023 alkaen

vastaavat täysin seuraavien EU:n direktiivien ja  
asetusten vaatimuksia:

<b>Asetus</b>	<b>Kuvaus</b>
2006/42/EC	konedirektiivi
2014/30/EU	EMC-direktiivi
2000/14/EC	Melupäästädirektiivi
2011/65/EU	Direktiivi tiettyjen vaarallisten aineiden käytön rajoittamisesta sähkö- ja elektroniikkalaitteissa

ja että asiassa sovelletaan seuraavia standardeja ja/tai  
teknisiä tietoja: EN 62841-1:2015/A11:2022, EN IEC  
62841-4-3:2021/A11:2021, EN IEC 55014-1:2021, EN  
IEC 55014-2:2021, EN IEC 63000:2018

Ilmoitettu tarkastuslaitos: 0404, SMP Svensk  
Maskinprovning AB, Box 4053, SE-904 03  
Umeå, Sweden vakuuttaa yhdenmukaisuuden  
neuvoston direktiivin 2000/14/EY mukaisesti,  
vaatimustenmukaisuuden arviointimenettely: liite VI.

Katso lisätietoja melupäästöistä osiosta *Tekniset tiedot*  
*sivulla 168*.

Huskvarna, 2023-12-11



Claes Losdal, kehityspäällikkö/puutarhatuotteet,  
Husqvarna AB

Teknisestä dokumentaatiosta vastaava edustaja



---

## Sommaire

---

Introduction.....	171	Dépannage.....	183
Sécurité.....	172	Transport, entreposage et mise au rebut.....	185
Montage.....	178	Caractéristiques techniques.....	187
Utilisation.....	178	Déclaration de conformité.....	189
Entretien.....	181		

---

## Introduction

---

### Description du produit

Le produit est une tondeuse rotative à pousser. L'herbe est recueillie dans un bac de ramassage. Fixez le déflecteur d'éjection latérale pour l'éjection latérale de l'herbe.

### Aperçu du produit

(Fig. 1)

1. Poignée de frein moteur
2. Antidémarrage
3. Manette d'entraînement (LC 251iS)
4. Capot arrière
5. Bac de ramassage
6. Bouton de poignée
7. Levier de hauteur de coupe
8. Verrou d'éjection
9. Couvercle latéral d'éjection
10. Couvercle de batterie
11. Symboles
12. Clé de sécurité
13. Témoin d'avertissement (LED d'erreur)
14. Bouton SavE
15. Capot de coupe
16. Poignée/Guidon
17. Poignées de levage
18. Éjecteur latéral
19. Manuel d'utilisation

### Symboles concernant le produit

- (Fig. 2)      **AVERTISSEMENT**
- (Fig. 3)      Lisez les instructions.
- (Fig. 4)      **AVERTISSEMENT** - Prenez garde aux projections d'objets.
- (Fig. 5)      Éloignez les personnes à proximité.
- (Fig. 6)      **AVERTISSEMENT** - Maintenez vos mains et vos pieds à distance des lames.

### Utilisation prévue

Utilisez le produit pour couper l'herbe. N'utilisez pas ce produit pour d'autres travaux.

- (Fig. 7)      **AVERTISSEMENT** - Débranchez la batterie avant l'entretien.

- (Fig. 8)      Le produit ou son emballage ne font pas partie des ordures ménagères. Déposez-le dans une station de recyclage pour équipements électriques et électroniques.

- (Fig. 9)      Étiquette relative aux émissions sonores dans l'environnement selon les directives et réglementations européennes et du Royaume-Uni et la législation de la Nouvelle-Galles du Sud « Protection of the Environment Operations (Noise Control) Regulation 2017 ». Le niveau de puissance sonore garanti du produit est spécifié à la section *Caractéristiques techniques à la page 187* et sur l'étiquette.

- (Fig. 10)      Cet accessoire est conforme aux directives CE en vigueur.

- (Fig. 11)      Ce produit est conforme aux directives applicables en vigueur au Royaume-Uni.

- (Fig. 12)      Le produit est protégé contre les gouttes d'eau.

- (Fig. 13)      Relâchez la poignée de frein moteur pour arrêter.

- (Fig. 14)      Code optiquement lisible.

---

**Remarque:** les autres symboles/autocollants présents sur le produit concernant des exigences de certification spécifiques à certains marchés.

---

## Étiquette sur le produit

(Fig. 15)

DANGER - Gardez les mains et les pieds à l'écart.

## Endommagement du produit

Nous ne sommes pas responsables des dommages subis par le produit si :

- le produit n'est pas correctement réparé ;

- le produit est réparé avec des pièces qui ne proviennent pas du fabricant ou qui ne sont pas homologuées par le fabricant ;
- le produit est équipé d'un accessoire qui ne provient pas du fabricant ou qui n'est pas homologué par le fabricant ;
- le produit n'est pas réparé par un centre d'entretien agréé ou par une autorité homologuée.

---

## Sécurité

---

### Définitions de sécurité

Des avertissements, des recommandations et des remarques sont utilisés pour souligner des parties spécialement importantes du manuel.



**AVERTISSEMENT:** Symbole utilisé en cas de risque de blessures ou de mort pour l'opérateur ou les personnes à proximité si les instructions du manuel ne sont pas respectées.



**REMARQUE:** Symbole utilisé en cas de risque de dommages pour le produit, d'autres matériaux ou les environs si les instructions du manuel ne sont pas respectées.

**Remarque:** Symbole utilisé pour donner des informations supplémentaires pour une situation donnée.

### Consignes générales de sécurité des produits



**AVERTISSEMENT:** Lisez l'ensemble des avertissements de sécurité, des consignes, des illustrations et des spécifications fournies avec ce produit. Le non-respect des consignes énumérées ci-dessous peut être à l'origine d'un choc électrique, d'un incendie et/ou de blessures graves.

**Conservez toutes ces consignes et instructions pour toute consultation ultérieure.** Le terme « produit » utilisé dans les avertissements fait référence à votre produit sur secteur (filaire) ou à votre produit alimenté par batterie (sans fil).

### Sécurité dans l'espace de travail

- **Maintenez un espace de travail propre et bien éclairé.** Les espaces encombrés ou sombres exposent à des accidents.

- **Ne l'utilisez pas dans des atmosphères explosives, en présence de gaz, de poussières ou de liquides inflammables par exemple.** Le produit provoque des étincelles qui peuvent enflammer la poussière ou les vapeurs.
- **Tenez les enfants et les spectateurs à distance lorsque le produit est en marche.** Un moment d'inattention peut vous faire perdre le contrôle.

### Sécurité électrique

- **Les fiches des produits doivent être compatibles avec la prise. N'apportez jamais de modifications à la fiche. N'utilisez pas d'adaptateurs avec des produits mis à la terre.** Des fiches non modifiées et des prises compatibles réduisent le risque de choc électrique.
- **Évitez tout contact physique avec les surfaces mises à la terre telles que les tuyaux, les radiateurs, les cuisinières et les réfrigérateurs.** Le risque d'électrocution est plus important si le corps est relié à la terre.
- **Protégez les produits de la pluie et de l'humidité.** Toute infiltration d'eau dans un produit augmente le risque d'électrocution.
- **Ne malmenez pas le cordon. N'utilisez jamais le cordon pour porter, tirer ou débrancher le produit. Maintenez le cordon d'alimentation à l'écart de la chaleur, de bords tranchants ou de pièces en mouvement.** Les fils endommagés ou emmêlés augmentent le risque de choc électrique.
- **Lorsqu'un produit est utilisé en extérieur, installez une rallonge adaptée à un usage extérieur.** L'utilisation d'un cordon d'alimentation pour usage extérieur réduit le risque d'électrocution.
- **Si vous n'avez pas d'autre choix que d'utiliser un produit dans un endroit humide, utilisez une alimentation protégée par un disjoncteur différentiel de fuite à la terre (RCD).** L'utilisation d'un RCD réduit le risque de choc électrique.

### Sécurité du personnel

- **Restez attentif, regardez ce que vous faites et ayez recours à votre bon sens lorsque vous utilisez un produit. N'utilisez pas un produit si vous êtes fatigué ou sous l'emprise de drogues, d'alcool ou de médicaments.** Un moment d'inattention pendant

l'utilisation des produits peut entraîner des blessures corporelles graves.

- **Utilisez un équipement de protection personnelle. Travaillez toujours avec des lunettes de protection.** Les équipements de protection tels que le masque anti-poussière, les chaussures de sécurité antidérapantes, le casque ou le protège-oreilles utilisés dans des conditions appropriées réduisent les blessures corporelles.
- **Évitez tout démarrage intempestif. Vérifiez que l'interrupteur est en position d'arrêt avant de brancher le produit sur l'alimentation et/ou la batterie, de le ramasser ou de le transporter.** Le fait de garder le doigt sur l'interrupteur pendant le transport des produits ou de mettre les produits sous tension alors que l'interrupteur est en position de marche entraîne un risque d'accident.
- **Retirez toute clé ou clavette de réglage avant de mettre le produit sous tension.** Une clé ou une clavette reliée à une pièce rotative du produit peut entraîner des blessures corporelles.
- **Ne vous éloignez pas trop. Restez toujours en équilibre et sur vos appuis.** Cela favorise le contrôle du produit dans les situations inattendues.
- **Habilitez-vous correctement. Ne portez jamais de vêtements amples ou de bijoux. Éloignez vos vêtements amples, les bijoux et les cheveux longs peuvent être happés par les pièces en mouvement.**
- **Si des dispositifs sont fournis pour raccorder des systèmes de collecte et d'extraction de la poussière, vérifiez qu'ils sont correctement branchés et utilisés.** L'utilisation de systèmes de collecte de poussière peut réduire les risques associés à la poussière.
- **La connaissance des produits, acquise par l'usage fréquent de ces derniers, ne doit pas vous dispenser d'être prudent et d'appliquer les principes de sécurité.** Une action inconsiderée peut provoquer de graves blessures en une fraction de seconde.

## Utilisation et entretien du produit

- **Ne forcez pas le produit. Utilisez le produit convenant à l'application.** Le produit approprié réalisera mieux son travail et de façon plus sûre, à la vitesse pour laquelle il a été conçu.
- **N'utilisez pas le produit si l'interrupteur ne permet pas la mise sous tension ou l'arrêt.** Tout produit impossible à commander avec l'interrupteur est dangereux et doit être réparé.
- **Débranchez la fiche de la prise et/ou retirez la batterie, si celle-ci est amovible, avant de procéder aux réglages, de changer les accessoires ou de stocker les produits.** Ces mesures de sécurité préventive réduisent le risque de mise sous tension accidentelle du produit.
- **Rangez les produits hors de la portée des enfants et ne laissez pas des personnes qui ne connaissent pas le produit ou ces consignes utiliser le produit.** Les produits sont dangereux s'ils se retrouvent entre les mains d'utilisateurs non formés.

- **Veillez à entretenir les produits et leurs accessoires. Vérifiez que des pièces en mouvement ne sont pas désalignées ou grippées, que des composants ne sont pas cassés ou détériorés de façon telle à nuire au bon fonctionnement du produit. S'il est endommagé, faites réparer le produit avant toute réutilisation.** De nombreux accidents sont dus à des produits mal entretenus.
- **Maintenez les outils tranchants aiguisés et propres.** Des outils tranchants correctement entretenus avec des bords aiguisés sont moins susceptibles de se coincer et sont plus faciles à contrôler.
- **Utilisez le produit, les accessoires, les mèches, etc. en suivant ces consignes et en tenant compte des conditions de travail et de la tâche à réaliser.** L'utilisation du produit pour des opérations autres que celles pour lesquelles il a été prévu peut entraîner des situations dangereuses.
- **Les poignées et les surfaces de maintien doivent toujours être propres, sèches et sans traces d'huile ni de graisse.** Les poignées et les surfaces de maintien glissantes ne permettent pas une manipulation et un contrôle sûrs du produit dans des situations inattendues.

## Utilisation et entretien d'un outil à batterie

- **Ne rechargez la machine qu'avec le chargeur indiqué par le fabricant.** Un chargeur convenant à un type de bloc de batteries particulier peut entraîner un risque d'incendie s'il est utilisé avec un autre bloc.
- **Utilisez les produits uniquement avec les batteries spécifiquement préconisées.** L'utilisation d'une autre batterie peut entraîner un risque de blessure et d'incendie.
- **Lorsque la batterie n'est pas utilisée, maintenez-la à distance d'objets métalliques, tels que des trombones, pièces de monnaie, clés, clous, vis, ou autres petits objets en métal risquant de relier une borne à l'autre.** Court-circuiter les bornes de batterie entraîne un risque de brûlures et d'incendie.
- **En cas d'utilisation abusive, du liquide peut s'échapper de la batterie ; évitez tout contact. En cas de contact accidentel, rincez à l'eau. En cas de contact avec les yeux, consultez un médecin.** Le liquide échappé de la batterie peut causer irritations et brûlures.
- **N'utilisez pas un bloc batterie ou un outil endommagé ou modifié.** Les batteries endommagées ou modifiées peuvent présenter un comportement imprévisible pouvant provoquer un incendie, une explosion ou un risque de blessure.
- **N'exposez pas un bloc batterie ou un outil au feu ou à des températures trop élevées.** L'exposition au feu ou à des températures supérieures à 130 °C / 265 °F peut provoquer une explosion.
- **Respectez toutes les instructions de charge et ne chargez pas le bloc batterie ou l'outil en dehors de la plage de température spécifiée dans les instructions.** Ne pas charger la batterie correctement ou la charger à des températures comprises en dehors de

la plage spécifiée peut endommager la batterie et augmenter le risque d'incendie.

## Service

- **Confiez l'entretien de votre produit à un mécanicien qualifié qui utilisera uniquement des pièces de rechange identiques.** Cela permet de garantir la sécurité du produit.
- **Ne jamais entretenir des batteries endommagées.** L'entretien des batteries doit être effectué uniquement par le fabricant ou des fournisseurs de services agréés.

## Consignes de sécurité de la tondeuse

- **N'utilisez pas la tondeuse par mauvais temps, en particulier lorsqu'il y a un risque de foudre.** Cela permet de réduire le risque d'être frappé par la foudre.
- **Inspectez soigneusement la zone où la tondeuse doit être utilisée, afin de repérer la faune éventuelle.** En effet, elle peut être blessée par la tondeuse pendant son fonctionnement.
- **Inspectez attentivement la zone où la tondeuse doit être utilisée et retirez toutes les pierres, les bouts de bois, les câbles, les os et autres corps étrangers.** Les objets projetés peuvent entraîner des blessures.
- **Avant toute utilisation de la tondeuse, effectuez toujours une inspection visuelle pour vérifier que la lame et l'ensemble de lame ne sont ni usés ni endommagés.** L'utilisation de pièces usées ou endommagées augmente le risque de blessure.
- **Contrôlez régulièrement le bac de ramassage pour détecter tout signe d'usure ou de détérioration.** Un bac de ramassage usé ou endommagé peut augmenter le risque de blessures.
- **Maintenez les protections en place. Les protections doivent être en bon état de marche et correctement montées.** Une protection desserrée, endommagée ou ne fonctionnant pas correctement peut entraîner des blessures.
- **Veillez à ce qu'aucun débris ne se loge dans les arrivées d'air de refroidissement.** L'obstruction des arrivées d'air et la présence de débris peuvent entraîner une surchauffe ou un risque d'incendie.
- **Lors de l'utilisation de la tondeuse, portez toujours des chaussures de protection et antidérapantes. N'utilisez pas la tondeuse si vous êtes pieds nus ou si vous portez des sandales.** Cela réduit le risque de blessure aux pieds en cas de contact avec la lame en mouvement.
- **Lorsque vous utilisez la tondeuse, portez toujours un pantalon.** Le risque de blessures dues à la projection d'objets est plus grand lorsque la peau est exposée.
- **La tondeuse ne doit pas être utilisée sur de l'herbe humide. Marchez, ne courez jamais.** Vous risquez de glisser et de tomber, ce qui peut entraîner des blessures.
- **Évitez d'utiliser la tondeuse sur des pentes trop raides.** Vous limitez ainsi le risque de perte de

contrôle, de glissade et de chute, sources de blessures éventuelles.

- **Lorsque vous travaillez sur une pente, veillez toujours à garder l'équilibre, en tondant l'herbe latéralement et non verticalement. Soyez prudent lorsque vous changez de direction.** Vous limitez ainsi le risque de perte de contrôle, de glissade et de chute, sources de blessures éventuelles.
- **Soyez extrêmement vigilant lorsque vous reculez ou tirez la tondeuse vers vous. Soyez toujours conscient de l'environnement qui vous entoure.** Vous limitez ainsi le risque que vous trébuchiez pendant l'utilisation.
- **Ne touchez pas les lames et les autres pièces mobiles dangereuses lorsqu'elles sont encore en mouvement.** Vous réduisez ainsi le risque de blessures dues aux pièces mobiles.
- **Lorsque vous dégagez les débris de végétaux coincés ou que vous procédez au nettoyage de la tondeuse, assurez-vous que tous les interrupteurs d'alimentation sont en position d'arrêt et que la batterie est débranchée.** Une utilisation inappropriée de la tondeuse peut entraîner des blessures graves.
- **Lorsque vous dégagez les débris de végétaux coincés ou que vous procédez au nettoyage de la tondeuse, assurez-vous que tous les interrupteurs d'alimentation sont en position d'arrêt et retirez le dispositif de désactivation.** Une utilisation inappropriée de la tondeuse peut entraîner des blessures graves.

## Disjoncteur différentiel de fuite à la terre

- Utilisez un disjoncteur différentiel de fuite à la terre avec un courant de déclenchement de 30 mA maximum.

## Instructions générales de sécurité



**AVERTISSEMENT:** lisez les instructions qui suivent avant d'utiliser le produit.

- Ce produit est dangereux s'il est utilisé de manière incorrecte ou imprudente. Des blessures graves ou mortelles peuvent se produire si vous ne respectez pas les instructions de sécurité.
- Ce produit génère un champ électromagnétique durant son fonctionnement. Ce champ peut dans certaines circonstances perturber le fonctionnement d'implants médicaux actifs ou passifs. Pour réduire le risque de blessures graves ou mortelles, nous recommandons aux personnes portant des implants médicaux de consulter leur médecin et le fabricant de leurs implants avant d'utiliser ce produit.
- Soyez toujours prudent et utilisez votre bon sens. Si vous ne savez pas comment faire fonctionner le produit dans une situation particulière, ne l'utilisez pas et contactez votre revendeur Husqvarna avant de poursuivre.

- N'oubliez pas que l'opérateur sera tenu responsable des accidents occasionnés à des tiers et à leurs biens.
- Maintenez le produit propre. Assurez-vous que vous pouvez lire clairement les avertissements et les autocollants.
- N'autorisez jamais des enfants ou des personnes qui ne sont pas familiarisées avec ces instructions à se servir de cet appareil. Les réglementations locales peuvent limiter l'âge de l'utilisateur.
- Surveillez constamment les personnes aux capacités physiques ou mentales réduites qui utilisent ce produit. Un adulte responsable doit être présent à tout moment.
- N'utilisez jamais le produit si vous êtes fatigué ou malade, ou si vous êtes sous l'emprise d'alcool, de drogues ou de médicaments. Cela a un effet négatif sur votre vision, votre vigilance, votre coordination et votre jugement.
- N'utilisez pas le produit s'il est endommagé ou s'il ne fonctionne pas correctement.
- Ne modifiez jamais le produit et ne l'utilisez jamais s'il est susceptible d'avoir été modifié par un tiers.
- N'attachez jamais la poignée de frein moteur en permanence à la poignée de commande quand le moteur est mis en marche.
- Placez le produit sur une surface stable et plane, puis lancez-le. Vérifiez que la lame ne touche pas le sol ou tout autre objet.
- Restez toujours derrière le produit lorsque vous l'utilisez.
- Faites reposer toutes les roues sur le sol et conservez vos deux mains sur la poignée lorsque vous faites fonctionner le produit. maintenez les mains et les pieds à distance des lames en rotation.
- N'inclinez pas le produit lorsque vous démarrez le moteur ou pendant le fonctionnement du produit.
- Soyez prudent lorsque vous tirez le produit vers l'avant.
- Ne soulevez jamais le produit quand le moteur est mis en marche. Si vous devez soulever le produit, arrêtez d'abord le moteur, tournez la clé de contact sur 0 et déposez la batterie.
- Ne marchez pas vers l'arrière lorsque vous utilisez le produit.
- Arrêtez le moteur lorsqu'il est nécessaire d'incliner le produit pour le transport ou avant de vous déplacer dans des zones sans herbe, par exemple des chemins avec des graviers, des pierres et en asphalte.
- Ne courez pas lorsque vous utilisez le produit et que le moteur est mis en marche. Vous devez toujours marcher lorsque vous utilisez le produit.
- Arrêtez le moteur avant de modifier la hauteur de coupe. N'effectuez jamais de réglages pendant que le moteur tourne.
- Ne quittez jamais le produit des yeux pendant que le moteur tourne. Arrêtez le moteur et assurez-vous que l'équipement de coupe ne tourne pas.
- Les vibrations dans le produit pendant le fonctionnement peuvent être différentes de la valeur de vibration déclarée ici *Caractéristiques techniques à la page 187*. Cette différence est due à des variations dans la façon d'utiliser le produit. Si vous utilisez le produit fréquemment ou pendant de longues périodes, faites régulièrement des pauses pour éviter les blessures dues aux vibrations.

## Sécurité du travail



**AVERTISSEMENT:** Lisez les instructions qui suivent avant d'utiliser le produit.

- Utilisez le produit uniquement pour couper les pelouses. Il est interdit d'utiliser le produit pour d'autres travaux.
- Utilisez un équipement de protection personnelle. Reportez-vous à la section *Équipement de protection individuel à la page 175*.
- Assurez-vous de savoir comment couper le moteur rapidement en cas d'urgence.
- Le produit ne doit pas être exposé à la pluie ou à l'humidité. Le risque de choc électrique augmente si de l'eau pénètre dans le produit.
- Faites fonctionner le produit uniquement si la lame et tous les couvercles sont fixés correctement. Une lame fixée de manière inadéquate risque de se détacher et de causer des blessures personnelles.
- Assurez-vous que la lame ne touche pas des objets tels que des pierres et des racines. Cela peut endommager la lame et tordre l'arbre du moteur. Un arbre tordu génère de fortes vibrations, il y a alors un risque important que la lame se détache.
- Arrêtez immédiatement le produit s'il vibre ou bute sur un objet. Arrêtez le moteur, tournez la clé de sécurité sur 0 et déposez la batterie. Attendez l'arrêt des pièces mobiles. Vérifiez que le produit n'est pas endommagé. Serrez les pièces desserrées. Réparez les dommages et remplacez les pièces endommagées. Faites réaliser les réparations par un agent d'entretien agréé.

## Consignes de sécurité pour le fonctionnement

### Équipement de protection individuel



**AVERTISSEMENT:** Lisez les instructions qui suivent avant d'utiliser le produit.

- L'équipement de protection individuel ne protège pas complètement des blessures, mais il diminue la gravité des blessures en cas d'accident. Faites appel à votre revendeur pour vous aider à sélectionner l'équipement adéquat.

- Portez des bottes ou chaussures antidérapantes à usage intensif. Ne portez pas de chaussures ouvertes et ne soyez pas pieds nus lorsque vous utilisez le produit.
- Utilisez des pantalons longs et épais.
- Portez des gants de protection en cas de besoin, par exemple lorsque vous fixez, examinez ou nettoyez l'équipement de coupe.
- Nous vous recommandons d'utiliser une protection auditive.

## Dispositifs de sécurité sur le produit



**AVERTISSEMENT:** lisez les instructions qui suivent avant d'utiliser le produit.

- N'utilisez pas un produit dont les dispositifs de sécurité sont endommagés ou ne fonctionnent pas correctement.
- Ne retirez ou ne modifiez pas les dispositifs de sécurité.
- Contrôlez les dispositifs de sécurité régulièrement. Si les dispositifs de sécurité sont endommagés ou ne fonctionnent pas correctement, contactez votre agent d'entretien Husqvarna.

## Pour contrôler le capot de coupe

Le capot de coupe réduit les vibrations dans le produit et réduit le risque de blessures provoquées par la lame.

- Examinez le capot de coupe pour vous assurer qu'il ne présente pas de dommages tels que des fissures.

## Pour contrôler la clé de sécurité

La clé de sécurité se trouve sous le couvercle de la batterie. La clé de sécurité est reliée à la batterie qui alimente le moteur.

- Démarrez et arrêtez le moteur pour contrôler la clé de sécurité.
- Si la clé de sécurité fonctionne correctement, le moteur démarre seulement lorsque la clé de sécurité est en position 1. (Fig. 16)

## Pour contrôler le couvercle arrière

Le couvercle arrière diminue le risque d'éjection d'objets en direction de l'opérateur.

- Assurez-vous que le couvercle arrière n'est pas endommagé.
- Assurez-vous que les ressorts qui ferment le couvercle arrière ne sont pas endommagés.
- Remplacez les ressorts endommagés et les pièces endommagées.
- Assurez-vous que le couvercle arrière peut se déplacer correctement sur les charnières.

## Pour contrôler la poignée du frein moteur

La poignée de frein moteur arrête le moteur. Lorsque la poignée de frein moteur est relâchée, le moteur s'arrête.

- Faites démarrer le produit. Reportez-vous à la section *Démarrage du produit à la page 179*.
- Relâchez la poignée de frein moteur. (Fig. 17)
- Assurez-vous que le produit s'arrête. Si le moteur ne s'arrête pas au bout de 3 secondes, demandez à un atelier Husqvarna spécialisé agréé de régler le frein moteur.

## Pour contrôler l'antidémarrage

Contrôlez l'antidémarrage afin de vous assurer qu'il empêche le fonctionnement du moteur.

1. Poussez la poignée de frein moteur en direction du guidon. L'antidémarrage arrête le mouvement.
2. Poussez l'antidémarrage. (Fig. 18)
3. Relâchez l'antidémarrage et assurez-vous qu'il revient dans sa position initiale.

## Consignes de sécurité relatives à l'utilisation de la batterie



**AVERTISSEMENT:** lisez les instructions qui suivent avant d'utiliser le produit.

- Utilisez des batteries rechargeables Husqvarna pour alimenter les produits Husqvarna uniquement. Afin d'éviter toute blessure, n'utilisez pas la batterie comme source d'alimentation pour d'autres produits.
- N'utilisez pas de batteries non rechargeables.
- Risque de choc électrique. Ne branchez pas les bornes de la batterie à des clés, des pièces de monnaie, des vis ou tout autre élément métallique. Cela peut provoquer un court-circuit de la batterie.
- Ne placez pas d'objets dans les fentes d'aération de la batterie.
- Protégez la batterie des rayons directs du soleil, de la chaleur et des flammes nues. La batterie peut exploser et provoquer des brûlures et/ou des brûlures chimiques.
- Protégez la batterie de la pluie et de l'humidité.
- Protégez la batterie des micro-ondes et des hautes pressions.
- N'essayez pas de démonter ou de casser la batterie.
- En cas de fuite de la batterie, ne laissez pas le liquide entrer en contact avec votre peau ou vos yeux. Si vous avez touché le liquide, nettoyez la zone avec beaucoup d'eau et contactez un médecin.
- N'utilisez la batterie du produit que si la température ambiante est comprise entre 5 °C et 40 °C.
- N'utilisez le chargeur de batterie que si la température ambiante est comprise entre 5 °C et 40 °C.



- La batterie ne charge pas si la température de la batterie est supérieure à 50 °C.
- Ne nettoyez pas la batterie ou le chargeur de batterie avec de l'eau. Reportez-vous à la section *Pour nettoyer la batterie et le chargeur de batterie à la page 182.*
- N'utilisez pas une batterie endommagée.
- Conservez les batteries à distance des objets métalliques, tels que les clous, les pièces de monnaie ou les bijoux.

## Consignes de sécurité relatives au chargeur de batterie



**AVERTISSEMENT:** lisez les instructions qui suivent avant d'utiliser le produit.

- Utilisez uniquement des chargeurs de batterie QC pour charger les batteries de recharge Husqvarna.
- Risque de choc électrique ou de court-circuit. Ne placez pas d'objets dans les fentes d'aération du chargeur. N'essayez pas de démonter le chargeur de batterie. Ne raccordez pas les bornes du chargeur à des objets métalliques. Utilisez une prise de courant murale homologuée.
- Ce produit génère un champ électromagnétique durant son fonctionnement. Ce champ peut dans certaines circonstances perturber le fonctionnement d'implants médicaux actifs ou passifs. Pour réduire le risque de blessures graves ou mortelles, les personnes portant des implants médicaux doivent consulter leur médecin et le fabricant de leur implant avant d'utiliser cet appareil.
- Assurez-vous régulièrement que le cordon d'alimentation du chargeur de batterie n'est pas endommagé et qu'il ne présente aucune fissure.
- Ne soulevez pas le chargeur de batterie par le cordon d'alimentation. Pour débrancher le chargeur de batterie d'une prise de courant murale, tirez sur la fiche. Ne tirez pas le cordon d'alimentation.
- Conservez le cordon d'alimentation et les rallonges à l'abri de l'eau, de l'huile et des bords tranchants. Veillez à ce que le câble ne soit pas coincé dans des portes, des clôtures ou tout autre élément similaire. Le chargeur pourrait être mis sous tension.
- Ne nettoyez pas le chargeur de batterie avec de l'eau.
- Ce chargeur de batterie peut être utilisé par des enfants âgés de 8 ans et plus et par des personnes ayant des handicaps physiques, sensoriels ou mentaux ou manquant d'expérience et de connaissances, à condition qu'ils soient sous surveillance ou qu'ils aient reçu les instructions appropriées concernant l'utilisation du chargeur de batterie en toute sécurité et qu'ils aient bien compris les risques encourus. Les enfants ne doivent pas jouer avec le chargeur de batterie. Le nettoyage et les opérations d'entretien à effectuer par l'utilisateur

ne doivent pas être réalisés par des enfants laissés sans surveillance.

- Ne placez aucune batterie non rechargeable dans le chargeur de batterie.
- N'utilisez pas le chargeur de batterie à proximité de matériaux inflammables ou de matériaux pouvant provoquer la formation de corrosion. Ne recouvrez pas le chargeur de batterie. En cas de dégagement de fumée ou de début d'incendie, débranchez aussitôt la fiche reliée au chargeur de batterie.
- N'utilisez pas de chargeur de batterie endommagé.
- Rechargez la batterie uniquement en intérieur, dans un endroit bien aéré et à l'abri de la lumière du soleil. Ne rechargez pas la batterie dans des conditions humides.

## Instructions de sécurité pour l'entretien



**AVERTISSEMENT:** Lisez les instructions qui suivent avant d'utiliser le produit.

- Afin d'éviter tout démarrage accidentel pendant l'entretien, tournez la clé de sécurité sur 0 et retirez la batterie. Attendez au moins 5 secondes avant de commencer l'entretien.
- Effectuez uniquement les tâches d'entretien décrites dans le présent manuel d'utilisation. Les interventions plus poussées et les réparations professionnelles doivent être effectuées par un agent d'entretien agréé. Contactez votre agent d'entretien le plus proche pour plus d'informations.
- Effectuez l'entretien correctement afin de prolonger la durée de vie du produit et de réduire les risques d'accident.
- Remplacez les pièces endommagées, usées ou cassées. Utilisez toujours des pièces de rechange d'origine du fabricant. L'utilisation d'autres pièces de rechange peut endommager le produit et augmenter le risque d'accident.
- Afin de limiter les risques de blessure, ne retirez ou ne modifiez pas les dispositifs de sécurité.
- Portez des gants de protection robustes lorsque vous manipulez l'équipement de coupe. La lame est très tranchante et des coupures peuvent survenir facilement.
- Maintenez les bords tranchants aiguisés et propres pour obtenir des performances optimales et sûres.
- Laissez à l'agent d'entretien le soin de contrôler régulièrement le produit et d'effectuer les réglages et les réparations nécessaires.
- Respectez les instructions relatives au remplacement des accessoires. Utilisez uniquement des accessoires obtenus auprès du fabricant.
- Lorsqu'ils ne sont pas utilisés, conservez le produit avec la batterie et le chargeur de batterie à part dans un endroit sec, en intérieur et verrouillé. Veillez à ce que les enfants et les personnes non autorisées ne

puissent avoir accès au produit, à la batterie ou au chargeur de batterie.

---

## Montage

---

### Introduction



**AVERTISSEMENT:** Avant d'installer le produit, consultez le chapitre sur la sécurité.



**AVERTISSEMENT:** Pour éviter tout démarrage accidentel lors du montage, tournez la clé de sécurité sur 0, retirez la batterie et attendez au moins 5 secondes.

### Pour monter la poignée

**Remarque:** Cette procédure doit être effectuée par deux personnes.

**Remarque:** Ne retirez pas le produit de la boîte lors du montage de la poignée. La boîte peut servir de support à la poignée pendant l'assemblage.

1. Soulevez et faites tourner la poignée. (Fig. 19)



**REMARQUE:** Prenez garde à ce que le câble ne soit pas endommagé lorsque vous tournez la poignée.

2. Placez la poignée sur le produit. Inclinez la poignée contre la boîte pour soutenir la poignée. Reportez-vous à l'illustration. (Fig. 20)
3. Poussez la vis (A) dans la poignée (B), la rondelle en plastique (C) et le support de poignée (D). (Fig. 21)

4. Serrez entièrement l'écrou (E).
5. Retirez le produit de la boîte.
6. Mettez la poignée en position verticale. (Fig. 22)
7. Réglez la hauteur de poignée sur la position la plus basse. Reportez-vous à la section *Pour régler la poignée à la page 178*.
8. Fixez le câble à la partie inférieure de la poignée avec le collier de câble. (Fig. 23)
9. Fixez la partie inférieure du câble au support de la poignée à l'aide du serre-câble. Coupez la partie restante du serre-câble. (Fig. 24)

**Remarque:** Vérifiez que le câble est fixé correctement. Un câble trop desserré risque d'endommager le câble lorsque le collecteur d'herbe est installé. (Fig. 25)

### Pour régler la poignée

1. Desserrez les boutons inférieurs.
2. Faites glisser les boutons jusqu'aux extrémités inférieures des rainures sur le côté gauche et le côté droit de la machine. (Fig. 26)
3. Réglez la hauteur de la poignée selon l'une des deux positions disponibles.
4. Déplacez les boutons vers le haut, en direction de la poignée, jusqu'à ce qu'ils s'arrêtent et qu'un clic se fasse entendre. (Fig. 27)
5. Serrez fermement les boutons.

---

## Utilisation

---

### Introduction



**AVERTISSEMENT:** Avant d'utiliser le produit, vous devez lire et comprendre le chapitre sur la sécurité.

### Husqvarna Connect

Husqvarna Connect est une application gratuite pour votre appareil mobile. L'application Husqvarna Connect offre des fonctions étendues à votre produit Husqvarna :

- Informations produit détaillées.
- Informations et aide sur les pièces et l'entretien du produit.

### Pour commencer à utiliser Husqvarna Connect

1. Téléchargez l'application Husqvarna Connect sur votre appareil mobile.
2. Enregistrez-vous sur l'application Husqvarna Connect.
3. Suivez les instructions de l'application Husqvarna Connect pour vous connecter et enregistrer le produit.

## Pour régler le produit en position de fonctionnement

1. Assurez-vous que les boutons inférieurs sont desserrés. Reportez-vous à la section *Pour régler la poignée à la page 178*.
2. Mettez la poignée en position verticale. (Fig. 22)
3. Déplacez les boutons vers le haut, en direction de la poignée, jusqu'à ce qu'ils s'arrêtent et qu'un clic se fasse entendre. (Fig. 27)
4. Serrez fermement les boutons.



**AVERTISSEMENT:** N'utilisez pas le produit tant que la poignée n'est pas complètement repliée et réglée dans l'une des positions de hauteur possibles. Reportez-vous à la section *Pour régler la poignée à la page 178*.

## Pour régler la hauteur de coupe

1. Déplacez le levier de hauteur de coupe vers l'arrière pour augmenter la hauteur de coupe.
2. Déplacez le levier de hauteur de coupe vers l'avant pour diminuer la hauteur de coupe. (Fig. 28)



**REMARQUE:** La hauteur de coupe ne doit pas être réglée trop bas. Les lames peuvent toucher le sol si la surface de la pelouse n'est pas plane.

## Batterie



**AVERTISSEMENT:** Avant d'utiliser la batterie, vous devez lire et comprendre le chapitre sur la sécurité. Vous devez également lire et comprendre le manuel d'utilisation de la batterie et du chargeur de batterie.

Maintenez la batterie et le chargeur de batterie à des températures ambiantes correctes.

	Température ambiante
Fonctionnement de la batterie	5 °C à 40 °C
Charge de la batterie	5 °C à 40 °C

## État de la batterie

L'écran indique la capacité restante de la batterie ainsi que tout problème éventuel lié à la batterie. Appuyez sur le bouton de l'indicateur de batterie pour obtenir des informations sur l'état de charge de la batterie. Le symbole d'avertissement sur la batterie s'allume en cas

d'erreur. Reportez-vous à la section *Batterie à la page 183*.

(Fig. 29)

Voyants LED	État de la batterie
Toutes les LED sont allumées	Batterie complètement chargée (76-100 %)
Les LED 1, LED 2 et LED 3 sont allumées	La batterie est chargée à 51 %-75 %
Les LED 1 et LED 2 sont allumées	La batterie est chargée à 26 %-50 %
La LED 1 est allumée	La batterie est chargée à 6 %-25 %
La LED 1 clignote	La batterie est chargée à 0 %-5 %

## Pour charger la batterie

Chargez la batterie avant la première utilisation. La batterie n'est chargée qu'à 30 % au moment de sa livraison au client.

**Remarque:** Le chargeur de batterie doit être raccordé à la tension et à la fréquence indiquées sur la plaque signalétique.

La batterie ne se charge pas si la température de la batterie est supérieure à 50 °C. Le chargeur de batterie diminue la température de la batterie avant le début de la charge.

1. Branchez une extrémité du cordon d'alimentation du chargeur de batterie dans la prise du chargeur de batterie.
2. Branchez l'autre extrémité du cordon d'alimentation du chargeur de batterie dans une prise secteur mise à la masse. La DEL sur le chargeur de batterie clignote une fois en vert. (Fig. 30)
3. Placez la batterie dans le chargeur de batterie. Le témoin vert du chargeur s'allume lorsque la batterie est correctement branchée au chargeur de batterie. (Fig. 31)
4. La batterie est totalement rechargée quand toutes les DEL sur la batterie sont allumées. Chargez la batterie pendant 24 heures au maximum.
5. Pour débrancher le chargeur de batterie de la prise secteur, tirez sur la fiche et non sur le cordon d'alimentation.
6. Dégagez la batterie du chargeur de batterie.

## Démarrage du produit

1. Ouvrez le couvercle de la batterie.

2. Insérez une batterie chargée dans l'un des supports de batterie. Pour une durée de fonctionnement accrue, placez une deuxième batterie chargée dans l'autre support de batterie.
3. Tournez la clé de sécurité sur 1. (Fig. 32)
4. Restez derrière le produit.
5. Relâchez l'antidémarrage. (Fig. 18)
6. Poussez la poignée de frein moteur en direction du guidon. (Fig. 33)

## Pour appliquer l'entraînement aux roues (LC 251iS)

- Poussez la manette de commande en direction du guidon. (Fig. 34)
- Relâchez la manette de commande pour désengager l'entraînement, lorsque vous vous rendez à proximité d'un obstacle par exemple.
- Avant de tirer le produit vers l'arrière, désengagez l'entraînement et poussez le produit d'environ 10 cm vers l'avant.

## Utilisation de la fonction SavE™

Le produit est équipé d'une fonction d'économie de la batterie (SavE™) qui garantit une durée de fonctionnement prolongée.

- Poussez le bouton SavE™ en position 1 pour démarrer la fonction. (Fig. 35)
- Appuyez sur le bouton SavE™ en position 0 pour arrêter la fonction.

**Remarque:** La fonction SavE™ s'arrête automatiquement lorsque les conditions de terrain nécessitent une puissance plus élevée. La fonction SavE™ redémarre automatiquement lorsque les conditions de terrain le permettent.

## Fonction charge élevée

Lorsque le produit coupe de l'herbe haute ou humide, le régime moteur augmente automatiquement. Le moteur repasse en mode standard lorsqu'une charge élevée n'est plus requise.

## Calage du moteur

Au cours de l'utilisation, la lame et le moteur peuvent s'arrêter temporairement en raison d'obstacles tels qu'un bourrage d'herbe sous le carter de coupe. Si cela se produit et que vous maintenez la poignée du frein moteur enfoncée, le produit redémarre automatiquement. Si le produit ne redémarre pas dans les 5 à 10 secondes, il peut être nécessaire de nettoyer le dessous du carter de coupe. Reportez-vous à la section *Pour nettoyer le produit à la page 182*.



**AVERTISSEMENT:** Si le moteur s'arrête, le produit tente de redémarrer automatiquement pendant 5 à 10 secondes.

Attendez au moins 15 secondes avant de contrôler le carter de coupe.



**AVERTISSEMENT:** Avant de contrôler le carter de coupe, relâchez la poignée du frein moteur, tournez la clé de sécurité sur 0, retirez la batterie et attendez au moins 5 secondes. Il existe un risque de blessure si l'obstacle est retiré et que le produit démarre accidentellement.

## Pour arrêter le produit



**AVERTISSEMENT:** Tournez la clé de sécurité sur 0 avant de quitter le produit des yeux.

1. Relâchez la poignée de frein moteur pour arrêter le moteur. (Fig. 36)

**Remarque:** Pour LC 251iS. Pour arrêter l'entraînement des roues, relâchez la manette de commande.

2. Ouvrez le couvercle de batterie et tournez la clé de sécurité sur 0. (Fig. 37)
3. Pour retirer la batterie, appuyez sur les 2 boutons de déverrouillage et sortez la batterie. (Fig. 38)
4. Chargez la batterie si son niveau est faible. Pour plus d'informations, reportez-vous à la section *Pour charger la batterie à la page 179*.

## Pour utiliser le produit avec le collecteur d'herbe



**AVERTISSEMENT:** N'utilisez pas le produit sans qu'un collecteur d'herbe soit installé ou sans que le couvercle arrière soit fermé. Les objets peuvent s'éjecter et blesser l'opérateur.

1. Soulevez le capot arrière. (Fig. 39)
2. Placez le collecteur d'herbe sur le support.
3. Relâchez le couvercle arrière et placez-le sur le dessus du châssis du collecteur d'herbe. (Fig. 40)

## Pour passer le produit en mode éjection latérale

1. Soulevez le couvercle arrière et retirez le sac à herbe, s'il est installé.
2. Fermez le couvercle arrière et assurez-vous qu'il est bien fermé contre le produit.
3. Soulevez le verrou d'éjection. (Fig. 41)

4. Ouvrez le couvercle d'éjection latérale et posez le déflecteur d'éjection latérale sur les goupilles de support. (Fig. 42)
5. Laissez le couvercle d'éjection latérale se fermer contre le déflecteur d'éjection latérale. Assurez-vous que le déflecteur d'éjection latérale est bien en place avant d'utiliser le produit.

## Vider le collecteur d'herbe



**REMARQUE:** Soulevez le collecteur d'herbe lorsque vous le déplacez pour éviter toute usure.

1. Soulevez le collecteur d'herbe à l'aide de la poignée du châssis.
2. Utilisez la poignée du châssis et la poignée du sac pour vider le collecteur d'herbe. (Fig. 43)

## Pour obtenir de bons résultats

- Utilisez toujours une lame correctement affûtée. Une lame émoussée produit un résultat irrégulier et l'herbe jaunira à la surface de la coupe. De plus, une lame affûtée consomme moins d'énergie qu'une lame émoussée.

- Ne coupez pas plus d'un tiers de la longueur de l'herbe. Utilisez la hauteur de coupe la plus élevée lorsque vous commencez à couper l'herbe. Examinez le résultat et abaissez la hauteur de coupe à un niveau convenable. Si l'herbe est très longue, tondez lentement, et deux fois si nécessaire.
- Tondez toujours dans différentes directions afin d'éviter de faire des lignes dans la pelouse.
- Relevez le capot arrière et retirez le collecteur d'herbe.
- Si un obturateur et une lame de broyeur sont montés, déposez-les.
- Fermez le couvercle arrière avant d'utiliser le produit. Lorsque vous faites fonctionner le produit, l'herbe coupée est évacuée sous le couvercle arrière.
- Assurez-vous que le carter de coupe reste propre. L'accumulation d'herbe et de saleté sur la face intérieure du carter de coupe peut réduire la qualité du résultat de coupe. Reportez-vous à la section *Pour nettoyer le produit à la page 182.*

## Entretien

### Introduction



**AVERTISSEMENT:** Avant d'effectuer des travaux d'entretien, vous devez lire et comprendre le chapitre sur la sécurité.

Une formation spécifique est nécessaire pour effectuer tous les travaux d'entretien et de réparation du produit. Nous garantissons qu'il vous est possible d'obtenir des services de réparation et d'entretien effectués par des professionnels.

Pour des informations plus détaillées, reportez-vous à [www.husqvarna.com](http://www.husqvarna.com).

### Calendrier d'entretien

Les intervalles d'entretien sont calculés selon une utilisation quotidienne du produit. Les intervalles sont différents si le produit n'est pas utilisé tous les jours.

Pour les travaux d'entretien suivis d'un astérisque (\*), reportez-vous aux instructions de la section *Sécurité à la page 172.*

	Toutes utilisations	Mensuel	À chaque saison
Procédez à une inspection générale	X		
Nettoyez le produit	X		
Contrôlez l'antidémarrage *	X		
Assurez-vous que les dispositifs de sécurité sur le produit ne sont pas défectueux *	X		
Inspectez l'équipement de coupe	X		
Inspectez le capot de coupe *	X		
Contrôlez la poignée du frein moteur *	X		

	Toutes utilisations	Mensuel	À chaque saison
Examinez la batterie afin de détecter d'éventuels dommages	X		
Contrôlez le niveau de charge de la batterie	X		
Vérifiez que les boutons de déverrouillage de la batterie fonctionnent correctement et que la batterie se fixe dans le produit	X		
Examinez le chargeur de batterie afin de détecter d'éventuels dommages et assurez-vous qu'il fonctionne correctement.		X	
Examinez les connexions entre la batterie et le produit. Examinez également la connexion entre la batterie et le chargeur de batterie.			X

## Pour faire une inspection générale

- Assurez-vous que les vis et les écrous du produit sont serrés.
- Assurez-vous que les câbles sur le produit ne sont pas dans une position où ils risquent d'être endommagés.

## Pour nettoyer le produit

- Nettoyez les éléments en plastique avec un chiffon sec et propre.
- N'utilisez pas d'eau pour nettoyer le produit. L'eau pourrait pénétrer dans la batterie ou le moteur et provoquer un court-circuit ou endommager le produit.
- N'utilisez pas de nettoyeur haute pression pour le nettoyage du produit.
- Ne jetez pas d'eau directement sur le moteur.
- Utilisez une brosse pour enlever les feuilles, l'herbe et la saleté.

## Pour nettoyer la batterie et le chargeur de batterie



**AVERTISSEMENT:** Ne nettoyez pas la batterie ou le chargeur de batterie avec de l'eau.



**AVERTISSEMENT:** N'utilisez pas de substances chimiques pour nettoyer la batterie.

- Assurez-vous que la batterie et le chargeur de batterie sont propres et secs avant de placer la batterie dans le chargeur de batterie.
- Nettoyez les bornes de la batterie avec de l'air comprimé ou un chiffon sec et doux.
- Nettoyez les surfaces de la batterie et du chargeur de batterie avec un chiffon sec et doux.

## Pour inspecter l'équipement de coupe



**AVERTISSEMENT:** Pour éviter tout démarrage accidentel, tournez la clé de sécurité sur 0, retirez la batterie et attendez au moins 5 secondes.



**AVERTISSEMENT:** Utilisez des gants de protection lorsque vous procédez à l'entretien de l'équipement de coupe. La lame est très tranchante et des coupures peuvent survenir facilement.

1. Inspectez l'équipement de coupe afin de détecter d'éventuels dommages ou fissures. Remplacez toujours un équipement de coupe endommagé.
2. Inspectez la lame pour voir si elle est endommagée ou émoussée.

**Remarque:** Il est nécessaire d'équilibrer la lame après l'avoir affûtée. Demandez à un centre d'entretien d'affûter, de remplacer et d'équilibre la lame. Si vous heurtez un obstacle qui entraîne l'arrêt du produit, remplacez la lame endommagée. Demandez au centre d'entretien d'évaluer si la lame peut être affûtée ou si elle doit être remplacée.

## Pour remplacer la lame

Reportez-vous à la section *Caractéristiques techniques* à la page 187 pour connaître le type de lame approprié.



**AVERTISSEMENT:** Bloquez la lame avec une cale en bois pour éviter de vous blesser les doigts lors du remplacement de la lame. La lame peut entrer en mouvement lorsque le moteur est éteint et vos doigts peuvent se retrouver coincés entre la lame et les pièces fixes.

1. Bloquez la lame avec une cale en bois. (Fig. 44)

2. Déposez le boulon de lame, les rondelles et la lame. (Fig. 45)
3. Examinez le support de lame et le boulon de lame pour voir s'ils sont endommagés.
4. Examinez l'arbre du moteur pour vous assurer qu'il n'est pas tordu.
5. Lorsque vous fixez la nouvelle lame, orientez le tranchant en direction du capot de coupe. (Fig. 46)
6. Assurez-vous que la lame est alignée par rapport au centre de l'arbre du moteur.
7. Bloquez la lame avec une cale en bois. Fixez les rondelles, puis serrez le boulon à un couple de 23 – 28 Nm. (Fig. 47) (Fig. 45)
8. Déplacez la lame à la main et vérifiez qu'elle tourne librement.

très tranchante et des coupures peuvent survenir facilement.

9. Démarrez le produit pour tester la lame. Si la lame n'est pas correctement fixée, le produit vibre ou le résultat de coupe n'est pas satisfaisant.

## Contrôle du déflecteur d'éjection latérale

Le déflecteur d'éjection latérale est fixé à l'ouverture d'éjection latérale du produit. Il réduit les risques de projection d'objets vers la position de tonte de l'utilisateur.

1. Assurez-vous que le déflecteur d'éjection latérale n'est pas endommagé.
2. Examinez le déflecteur d'éjection latérale. Assurez-vous qu'aucun défaut n'est présent, tels que des fissures ou des ressorts cassés qui entraînent une fermeture forcée du capot.
3. Remplacez le déflecteur d'éjection latérale ou les ressorts s'ils sont endommagés.



**AVERTISSEMENT:** Utilisez des gants de travail épais. La lame est

## Dépannage

### Batterie

LED sur la batterie	Cause	Solution
La LED verte clignote.	La tension de la batterie est faible.	Rechargez la batterie. Reportez-vous à la section <i>Pour charger la batterie à la page 179.</i>
La LED d'erreur de la batterie clignote.	La batterie est trop froide ou trop chaude pour être utilisée.	Laissez la batterie refroidir ou déplacez-la à l'intérieur pour la réchauffer. Lorsque la température de la batterie est correcte, elle peut à nouveau être utilisée. N'utilisez la batterie du produit que si la température ambiante est comprise entre 5 °C et 40 °C.
	La batterie est vide.	Rechargez la batterie. Reportez-vous à la section <i>Pour charger la batterie à la page 179.</i>
La LED d'erreur de la batterie s'allume.	Cela indique une erreur de batterie permanente.	Contactez votre atelier d'entretien Husqvarna.

## Chargeur de batterie

LED sur le chargeur de batterie	Cause	Solution
La LED d'erreur clignote ou s'allume.	Le chargeur de batterie est trop froid ou trop chaud pour être utilisé.	Laissez le chargeur de batterie refroidir ou déplacez-le à l'intérieur pour le réchauffer. Lorsque la température du chargeur de batterie est correcte, il peut à nouveau être utilisé. N'utilisez le chargeur de batterie que si la température ambiante est comprise entre 5 °C et 40 °C.
	Autres erreurs.	Contactez votre atelier d'entretien Husqvarna.

## Tondeuse à gazon

Le voyant d'avertissement (LED d'erreur) se trouve sous le couvercle de la batterie.

Problème	LED d'erreur (nombre de clignotements)	Cause	Solution
La LED d'erreur clignote. Le produit ne fonctionne pas correctement.	3	La lame est bloquée.	Tournez la clé de sécurité sur 0 pour éviter tout démarrage accidentel. Retirez la batterie et attendez au moins 5 secondes. Retirez les obstacles éventuels et assurez-vous que la lame peut tourner librement. Si le problème persiste, contactez votre atelier d'entretien Husqvarna.
	5	La vitesse du moteur chute trop et le moteur s'arrête.	Augmentez la hauteur de coupe. Reportez-vous à la section <i>Pour régler la hauteur de coupe à la page 179.</i>
	6 <sup>37</sup>	Les roues ou la transmission sont bloquées.	Tournez la clé de sécurité sur 0 pour éviter tout démarrage accidentel. Retirez la batterie et attendez au moins 5 secondes. Retirez les obstacles éventuels et assurez-vous que les roues peuvent tourner librement. Si le problème persiste, contactez votre atelier d'entretien Husqvarna.
	10	La commande du moteur est trop chaude.	Arrêtez le moteur et attendez qu'il refroidisse.

<sup>37</sup> LC 251iS



Problème	LED d'erreur (nombre de clignotements)	Cause	Solution
La LED d'erreur clignote. Le produit s'arrête.	Aucun clignotement	Défaillance du connecteur de batterie.	Examinez le connecteur de batterie.
	3	Il y a une surcharge dans le moteur.	Augmentez la hauteur de coupe. Reportez-vous à la section <i>Pour régler la hauteur de coupe à la page 179.</i>
	8	La batterie est faible.	Rechargez la batterie. Reportez-vous à la section <i>Pour charger la batterie à la page 179.</i>
	9	Erreur de batterie ou pas de signal de batterie.	Placez la batterie dans le produit correctement et examinez le connecteur de batterie. Si la LED d'erreur clignote sur la batterie. Reportez-vous à la section <i>Batterie à la page 183.</i>
	15	Procédure de démarrage incorrecte. La poignée du frein moteur a été engagée avant le démarrage du moteur.	Relâchez la poignée du frein moteur et attendez environ 5 secondes. Appuyez de nouveau sur la poignée du frein moteur pour démarrer le produit.
Autres erreurs.	Si d'autres erreurs se produisent, tournez la clé de sécurité sur 0, retirez la batterie et contactez votre atelier d'entretien Husqvarna.		

## Transport, entreposage et mise au rebut

### Introduction



**AVERTISSEMENT:** Pour éviter tout démarrage accidentel lors du transport et du remisage, tournez la clé de sécurité sur 0, retirez la batterie et attendez au moins 5 secondes.

### Pour régler le produit en position de transport

1. Desserrez les boutons inférieurs.
2. Faites glisser les boutons jusqu'aux extrémités inférieures des rainures sur le côté gauche et le côté droit de la machine. (Fig. 26)
3. Pliez la poignée vers l'avant. (Fig. 48)

### Transport

- La législation sur les marchandises dangereuses s'applique aux batteries au lithium-ion fournies.
- Les exigences spécifiques au transport commercial indiquées sur l'emballage et les étiquettes doivent être respectées.
- Assurez-vous de toujours respecter la législation sur les matières dangereuses lorsque vous préparez

le produit pour le transport. Des réglementations locales peuvent s'appliquer.

- Retirez toujours la batterie lorsque vous déplacez le produit.
- Posez du ruban adhésif sur les connecteurs de batterie et assurez-vous que la batterie ne puisse pas bouger pendant le transport.
- Sécurisez le produit pendant le transport.

### Remisage

- Avant de remiser le produit, laissez-le refroidir.
- Retirez toujours la batterie lorsque vous entreposez le produit.
- Pour éviter tout accident, assurez-vous que la batterie n'est pas reliée au produit au moment du remisage.
- Conservez le chargeur de batterie dans un endroit sec et fermé.
- Conservez la batterie et le chargeur de batterie dans un endroit sec, à l'abri de l'humidité et du gel.
- Débranchez la batterie du chargeur lors du remisage.
- Ne conservez pas la batterie dans un endroit présentant un risque d'électricité statique. Ne conservez pas la batterie dans une boîte métallique.

- Conservez le produit à une température ambiante comprise entre -10 °C et 40 °C.
- Entrez la batterie dans un endroit où la température ambiante est comprise entre 5 °C et 25 °C, à l'abri du soleil.
- Entrez le chargeur de batterie dans un endroit où la température ambiante est comprise entre 5 °C et 45 °C, à l'abri du soleil.
- Assurez-vous que la batterie est chargée entre 30 % et 50 % avant de la remettre pendant de longues périodes.
- Conservez le produit, la batterie et le chargeur de batterie dans un endroit verrouillé, hors de portée des enfants et des personnes non autorisées.
- Nettoyez le produit et assurez-vous que le collecteur d'herbe est vide.
- Effectuez les tâches d'entretien décrites dans le présent manuel d'utilisation. Reportez-vous à la section *Entretien à la page 181*.
- Effectuez un entretien complet avant de remettre le produit pendant de longues périodes.

## Mise au rebut

Les symboles figurant sur le produit ou l'emballage indiquent que ce produit ne peut pas être traité comme un déchet domestique ordinaire. Il doit être déposé dans un site de recyclage prévu pour la récupération d'équipements électriques et électroniques.

En prenant soin correctement de ce produit, vous contribuez à compenser l'éventuel effet négatif sur l'environnement et les personnes, qui autrement pourrait être engendré par la mauvaise gestion de la mise au rebut du produit. Pour obtenir de plus amples informations sur le recyclage de ce produit, contactez votre municipalité, votre service des ordures ménagères ou le magasin où vous avez acheté ce produit.

(Fig. 49)

## Caractéristiques techniques

### Caractéristiques techniques

	LC 251i	LC 251iS
<b>Moteur de coupe</b>		
Type de moteur	BLDC (sans balais)36 V	BLDC (sans balais)36 V
Vitesse du moteur - SavE, tr/min	2 600/min	2 600/min
Vitesse du moteur - nominale, tr/min	3 000/min	3 000/min
Vitesse du moteur - charge élevée, tr/min	3 500/min	3 500/min
Sortie du moteur - max. kW	1,4	1,4
Sortie moteur - nominale, kW	0,9	0,9
<b>Moteur d'entraînement</b>		
Sortie moteur - nominale, kW	N/A	0,4
Vitesse de marche, km/h	N/A	4,0
Niveaux de réglage de la vitesse	N/A	1
<b>Poids</b>		
Poids sans sac (sans batterie), kg	25,5	27
Poids avec sac (y compris 2 x BLi30), kg	31,5	33
<b>Batterie</b>		
Type de batterie	Gamme de machines à batterie Husqvarna	Gamme de machines à batterie Husqvarna
<b>Durée de fonctionnement de la batterie</b>		
Durée de fonctionnement de la batterie, min., (fonctionnement libre) avec fonction SavE activée et une batterie Husqvarna de 7,5 Ah (BLi30).	58	51
Durée de fonctionnement de la batterie, min., (fonctionnement libre) avec mode standard activé et une batterie Husqvarna de 7,5 Ah (BLi30).	42	38
<b>Émissions sonores</b> <sup>38</sup>		
Niveau de puissance acoustique mesuré, dB (A)	96	96
Niveau de puissance acoustique garanti $L_{WA}$ , dB (A)	98	98
<b>Niveaux sonores</b> <sup>39</sup>		
Niveau de pression sonore à l'oreille de l'utilisateur, dB(A)	85	85

<sup>38</sup> Émissions sonores dans l'environnement mesurées comme puissance acoustique ( $L_{WA}$ ) selon la directive européenne CE 2000/14/CE.

<sup>39</sup> Les données reportées pour le niveau de pression sonore présentent un facteur d'incertitude (K) de 1,5 dB (A).

	LC 251i	LC 251iS
<b>Niveaux de vibrations</b> <sup>40</sup>		
Poignée, m/s <sup>2</sup>	0,7	0,7
<b>Équipement de coupe</b>		
Hauteur de coupe, mm	25-75	25-75
Largeur de coupe, mm	510	510
Lame - standard	Collecte 5928704-01	Collecte 5928704-01
Capacité du collecteur d'herbe, litres	65	65

Batteries homologuées	Type	Capacité de la batterie, Ah	Tension, V	Poids, lb/kg
BLi30	Lithium-ion	7,5	36	4,2/1,9
40-B140	Lithium-ion	4,0	36	2,6/1,2

Chargeurs agréés pour les batteries spécifiées, BLI	Tension d'entrée, V	Fréquence, Hz	Puissance, W
40-C80	100-240	50-60	68,8
QC250	100-240	50-60	250

<sup>40</sup> Les données reportées pour le niveau de vibration présentent un facteur d'incertitude (K) de 1,5 m/s<sup>2</sup>. La valeur totale déclarée des vibrations résulte d'une mesure conforme à la norme EN 62841-4-3, Annexe I, et peut être utilisée pour comparer une machine à une autre et dans le cadre d'une évaluation préliminaire de l'exposition.

# Déclaration de conformité

## Déclaration de conformité UE

Nous, **Husqvarna AB**, SE-561 82 Huskvarna, Suède,  
tél : +46-36-146500, déclarons sous notre entière  
responsabilité que le produit :

<b>Description</b>	Tondeuse
<b>Marque</b>	Husqvarna
<b>Type/Modèle</b>	LC 251i, LC 251iS
<b>Identification</b>	Les numéros de série à partir de 2023 et ultérieurs

est entièrement conforme à la réglementation et aux  
directives de l'UE suivantes :

Réglementation	Description
2006/42/EC	« relative aux machines »
2014/30/UE	« relative à la compatibilité électromagnétique »
2000/14/EC	« relative aux émissions sonores dans l'environnement »
2011/65/UE	« relative à la limitation de l'utilisation de certaines substances dangereuses au sein d'équipements électriques et électroniques »

et que les normes et/ou les spécifications techniques  
suivantes sont appliquées : EN 62841-1:2015/  
A11:2022, EN IEC 62841-4-3:2021/A11:2021, EN  
IEC 55014-1:2021, EN IEC 55014-2:2021, EN IEC  
63000:2018

Organisme notifié : 0404, SMP Svensk Maskinprovning  
AB, Box 4053, SE-904 03 Umeå, Sweden a certifié  
être conforme à la Directive du Conseil 2000/14/CE,  
procédure d'évaluation de la conformité : Annexe VI.

Pour toute information relative aux émissions sonores,  
voir *Caractéristiques techniques à la page 187*.

Huskvarna, 2023-12-11



Claes Losdal, Directeur du développement/Articles de  
jardinage Husqvarna AB

Responsable de la documentation technique



---

## Sadržaj

---

Uvod.....	190	Rješavanje problema.....	200
Sigurnost.....	191	Prijevoz, spremanje i zbrinjavanje.....	202
Sastavljanje.....	196	Tehnički podaci.....	204
Rad.....	196	Izjava o sukladnosti.....	206
Održavanje.....	199		

---

## Uvod

---

### Opis proizvoda

Proizvod je rotacijska kosilica za travu kojom upravlja pješak. Trava se skuplja u sakupljaču trave. Za bočno pražnjenje trave pričvrstite bočni usmjerivač za pražnjenje.

### Pregled proizvoda

(Sl. 1)

1. Ručka kočnice motora
2. Blokada pokretanja
3. Poluga pogona (LC 251iS)
4. Stražnji poklopac
5. Sakupljač trave
6. Kotačić upravljača
7. Poluga za visinu rezanja
8. Blokada pražnjenja
9. Poklopac za bočno pražnjenje
10. Poklopac baterije
11. Simboli
12. Sigurnosni ključ
13. Indikator upozorenja (LED svjetlo pogreške)
14. Gumb SavE
15. Pokrov noža
16. Ručka/upravljač
17. Ručka za podizanje
18. Bočni otvor za izbacivanje
19. Korisnički priručnik

### Simboli na proizvodu

(Sl. 2) UPOZORENJE

(Sl. 3) Pročitajte upute.

(Sl. 4) UPOZORENJE – pazite na izbačene predmete.

(Sl. 5) Promatračima onemogućite pristup.

(Sl. 6) UPOZORENJE – šake i stopala držite podalje od noževa.

### Namjena

Proizvod upotrebljavajte za rezanje trave. Proizvod nemojte upotrebljavati za druge zadatke.

(Sl. 7) UPOZORENJE – odspojite bateriju prije održavanja.

(Sl. 8) Ni proizvod ni njegova ambalaža ne spadaju u kućanski otpad. Reciklirajte ga u reciklažnoj stanici za električnu i elektroničku opremu.

(Sl. 9) Najlepnica emisije buke u okoliš u skladu s direktivama i propisima EU i UK te propisom Novog Južnog Walesa „Zaštita od radova u okolišu (kontrola buke) iz 2017“. Zajamčena razina jačine zvuka proizvoda naznačena je u *Tehnički podaci na stranici 204* i na naljepnici.

(Sl. 10) Ovaj priključak ispunjava primjenjive direktive EZ-a.

(Sl. 11) Ovaj je proizvod u skladu s važećim direktivama UK-a.

(Sl. 12) Ovaj je proizvod zaštićen od curenja.

(Sl. 13) Za zaustavljanje otpustite ručku kočnice motora.

(Sl. 14) Kôd koji se može skenirati.

---

**Napomena:** Drugi simboli/naljepnice na proizvodu odnose se na zahtjeve za certifikaciju na pojedinim tržištima.

---

### Naljepnice na proizvodu

(Sl. 15)

OPASNOST – ruke i stopala držite podalje.

## Oštećenje proizvoda

U sljedećim okolnostima nećemo biti odgovorni za oštećenja proizvoda:

- proizvod nepravilno popravljen
- proizvod popravljen dijelovima koje nije proizveo proizvođač ili nemaju odobrenje proizvođača

- proizvod ima dodatnu opremu koje nije proizveo proizvođač ili nemaju odobrenje proizvođača
- proizvod nije popravljen u odobrenom servisnom centru ili kod ovlaštene osobe.

---

## Sigurnost

---

### Sigurnosne definicije

Upozorenjima, oprezima i napomenama naglašavaju se posebno važni dijelovi priručnika.



**UPOZORENJE:** Koristi se kada nepoštivanje uputa iz priručnika može uzrokovati smrt ili ozljede rukovatelja ili promatrača.



**OPREZ:** Koristi se kada nepoštivanje uputa iz priručnika može uzrokovati oštećenje proizvoda ili drugih materijala u neposrednoj blizini.

**Napomena:** Koristi se prikaz neophodnih dodatnih informacija za zadanu situaciju.

### Opća sigurnosna upozorenja za proizvod



**UPOZORENJE:** Pročitajte sva sigurnosna upozorenja, upute, ilustracije i specifikacije isporučene s ovim proizvodom. Nepoštivanje svih uputa u nastavku može uzrokovati električni udar, požar i/ili ozbiljne ozljede.

**Spremite sva upozorenja i upute za buduće potrebe.**

Pojam „proizvod“ u upozorenjima odnosi se na proizvod napajana iz mreže (žični) ili baterijski proizvod (bežični).

### Sigurnost na radnom mjestu

- **Radno mjesto mora biti čisto i dobro osvijetljeno.** Zakrčeni i tamni prostori čest su uzrok nesreća.
- **Proizvod nemojte koristiti u eksplozivnim okruženjima, primjerice u prisutnosti zapaljivih tekućina, plinova ili prašine.** Proizvod proizvodi iskre koje mogu zapaliti prašinu ili isparavanja.
- **Tijekom rada s proizvodom u blizini se ne smiju zadržavati djeca ni promatrači.** Svako ometanje može uzrokovati gubitak nadzora nad strojem.

### Električna sigurnost

- **Utikači proizvodi moraju odgovarati utičnicama. Nemojte ni na koji način mijenjati utikač. Proizvode**

**sa uzemljenjem nemojte upotrebljavati s utikačima za prilagodbu.** Neizmijenjeni utikači i odgovarajuće utičnice smanjuju opasnost od strujnog udara.

- **Izbjegavajte tjelesni kontakt s uzemljenim površinama kao što su cijevi, radijatori, štednjaci i hladnjaci.** Ako vam je tijelo uzemljeno, povećava se opasnost od strujnog udara.
- **Proizvode nemojte izlagati kiši ili mokrim uvjetima.** Voda koja prodire u proizvod povećava opasnost od strujnog udara.
- **Pazite na kabel. Kabel nemojte upotrebljavati za prenošenje, povlačenje ili isključivanje proizvoda. Držite ga podalje od vrućine, ulja, oštih rubova ili pokretnih dijelova.** Oštećeni ili isprepleteni kabeli povećavaju opasnost od strujnog udara.
- **Kada proizvod upotrebljavate na otvorenom, morate upotrebljavati odgovarajući produžni kabel.** Kabel predviđen za upotrebu na otvorenom smanjuje opasnost od strujnog udara.
- **Ako proizvod morate upotrebljavati na vlažnom mjestu, upotrijebite uređaj zaštićen zaštitnim uređajem diferencijalne struje (RCD).** Korištenje RCD uređaja smanjuje rizik od strujnog udara.

### Osobna sigurnost

- **Budite usredotočeni, pazite što radite i razumno upotrebljavajte proizvod. Proizvod nemojte upotrebljavati umorni ili pod djelovanjem droga, alkohola ili lijekova.** Trenutak nepažnje pri upotrebi proizvoda može uzrokovati ozbiljne tjelesne ozljede.
- **Upotrebljavajte opremu za osobnu zaštitu. Uvijek nosite zaštitu za oči.** Upotreba zaštitne opreme poput maske za prašinu, protuključnih zaštitnih cipela, kacije i štitnika za uši u odgovarajućim uvjetima smanjuje opasnost od tjelesnih ozljeda.
- **Spriječite nehotično pokretanje stroja. Prije priključivanja proizvoda na napajanje i/ili baterijski komplet te podizanja ili prenošenja sklopka mora biti u isključenom položaju.** Držanje prsta na sklopki prilikom prenošenja proizvoda ili priključivanje napajanja proizvoda na kojima je sklopka uključena povećava opasnost od nezgode.
- **Prije uključivanja proizvoda izvadite klin za prilagođavanje ili uklonite ključ.** Ako ključ ili klin ostanu na pokretnom dijelu proizvoda, može doći do ozljeda.
- **Ne posežite predaleko. Uvijek imajte dobar oslonac i održavajte ravnotežu.** To omogućuje bolju kontrolu proizvoda u neočekivanim situacijama.

- **Nosite prikladnu odjeću. Nemojte nositi široku odjeću ni nakit.** Kosu i odjeću držite podalje od pomičnih dijelova. Široka odjeća, nakit ili duga kosa mogu zapeti u pokretnim dijelovima stroja.
- **Ako su priloženi uređaji za povezivanje mehanizama za izdvajanje i prikupljanje prašine, pripazite na njihovo pravilno priključivanje i upotrebu.** Upotreba mehanizama za prikupljanje prašine može smanjiti opasnosti uzrokovane prašinom.
- **Zbog rutine nastale čestom primjenom proizvoda nemojte postati samodopadni te zanemarivati sigurnosna pravila.** Neoprezan rad u djeliću sekunde može uzrokovati ozbiljnu ozljedu.

## Korištenje i održavanje

- **Nemojte preopterećivati proizvod. Upotrebljavajte proizvod koja odgovara namjeni.** Odgovarajućim proizvodom posao ćete obaviti bolje i sigurnije, brzinom za koju je dizajniran.
- **Nemojte upotrebljavati proizvod ako sklopka nije moguće uključiti i isključiti.** Proizvod kojim ne možete upravljati sa sklopkom opasan je i mora se popraviti.
- **Prije bilo kakvih izmjena, zamjene dodatne opreme ili spremanja proizvoda odspojite utikač od izvora napajanja i/ili izvadite baterijski paket iz proizvoda, ako je to moguće.** Te preventivne sigurnosne mjere smanjuju opasnost od nehotičnog pokretanja proizvoda.
- **Proizvode koji nisu u uporabi uskladištite izvan dohvata djece, a osobama koje nisu upoznate s proizvodom i nisu pročitale ove upute nemojte dopustiti upotrebu proizvoda.** Proizvodi mogu biti opasni kada njima rukuju neiskusni korisnici.
- **Održavajte proizvode i dodatnu opremu. Provjerite usklađenost pokretnih dijelova, povezanost pokretnih dijelova, cjelovitost dijelova te sva druga stanja koja mogu utjecati na rad proizvoda. Ako postoje oštećenja, prije upotrebe popravite proizvod.** Brojne nezgode uzrokovane su lošim održavanjem proizvoda.
- **Alati za rezanje moraju biti oštri i čisti.** Ispravno održavani alati za rezanje s oštrim reznim oštricama neće se zablokirati te ih je lakše kontrolirati.
- **Proizvod, dodatnu opremu, svrdla itd. upotrebljavajte u skladu s ovim uputama, uzimajući u obzir uvjete rada i posao koji je potrebno obaviti.** Upotreba proizvoda za radove za koje nije namijenjen može uzrokovati opasne situacije.
- **Ručke i prihvatne površine moraju biti suhe, čiste i bez tragova ulja i masti.** Klizave ručke i prihvatne površine u neočekivanim situacijama onemogućuju sigurno rukovanje i kontrolu nad proizvodom.

## Upotreba i čišćenje alata za bateriju

- **Bateriju punite samo punjačem koji je odredio proizvođač.** Punjač prikladan za jedan tip baterije može izazvati rizik od požara ako se koristi s drugom baterijom.

- **Proizvode upotrebljavajte samo uz posebno namijenjene baterijske komplete.** Upotreba bilo koje druge baterije može izazvati rizik od ozljede ili požara.
- **Kad bateriju ne koristite, držite je daleko od ostalih metalnih predmeta kao što su spojnice za papir, novčići, ključevi, čavli, vijci ili drugi mali metalni predmeti koji bi mogli dovesti do spoja između priključaka.** Kratki spoj između priključaka baterije može prouzročiti opekline ili požar.
- **U uvjetima lošeg postupanja, iz baterije može štrcnuti tekućina, izbjegavajte dodir s njom. Ako slučajno dođe do dodira, isperite vodom. Ako tekućina dođe u dodir s očima, potražite i liječničku pomoć.** Tekućina koja štrcne iz baterije može izazvati iritacije ili opekline.
- **Nemojte upotrebljavati baterijski komplet ili alat koji je oštećen ili modificiran.** Oštećene ili modificirane baterije mogu se nepredvidivo ponašati i time dovesti do požara, eksplozije ili opasnosti od ozljede.
- **Baterijski komplet ni alat nemojte izlagati vatri ni ekstremnim temperaturama.** Izlaganje vatri ili temperatura većima od 130 °C / 265 °F može dovesti do eksplozija.
- **Pridržavajte se svih uputa za punjenje i baterijski komplet ni alat nemojte puniti izvan temperaturnog raspona navedenog u uputama.** Neispravno punjenje ili držanje na temperaturama izvan navedenog raspona može oštetiti bateriju i povećati mogućnost požara.

## Usluga

- **Proizvod mora servisirati obučeni serviser isključivo s jednakim zamjenskim dijelovima.** Time se osigurava zadržavanje sigurnosti proizvoda.
- **Oštećene baterijske pakete nikada nemojte servisirati.** Servisiranje baterijskih paketa dopušteno je samo proizvođaču ili ovlaštenim servisnim distributerima.

## Sigurnosna upozorenja za kosilicu

- **Izbjegavajte upotrebu kosilice u lošim vremenskim uvjetima, pogotovo ako postoji opasnost od grmljavninskog nevremena.** Time smanjujete opasnost od udara munje.
- **Temeljito provjerite ima li u području upotrebe kosilice divljih životinja.** Kosilica u pogonu može ozlijediti divlje životinje.
- **Temeljito pregledajte područje upotrebe kosilice te uklonite sve kamenje, grane, žice, kosti i druge strane predmete.** Izbačeni predmeti mogu uzrokovati tjelesne ozljede.
- **Prije upotrebe kosilice obavezno vizualno provjerite jesu li nož i sklop noža neoštećeni.** Oštećeni ili istrošeni dijelovi povećavaju opasnost od ozljede.
- **Često provjeravajte je li sakupljač trave istrošen ili pohaban.** Oštećeni ili istrošeni sakupljač trave povećava opasnost od tjelesne ozljede.
- **Štitnici moraju biti postavljeni. Štitnici moraju biti ispravni i pravilno postavljeni.** Nepričvršćen, oštećen



ili neispravan štitnik može uzrokovati tjelesnu ozljedu.

- **Sve ulaze rashladnog zraka čistite od ostataka.** Neprohodni ulazi zraka i ostaci mogu uzrokovati pregrijavanje ili opasnost od požara.
- **Tijekom rada s kosilicom obavezno nosite protukliznu i zaštitnu obuću. Kosilicu nemojte upotrebljavati bosonogi ni u otvorenim sandalama.** Tako smanjujete mogućnost ozljede stopala pri kontaktu s nožem u pokretu.
- **Tijekom upotrebe kosilice obavezno nosite duge hlače.** Vjerojatnost ozljeđivanja izbačenim predmetima povećava se kada je koža izložena.
- **Kosilicu nemojte pogoniti u mokroj travi. Hodajte, nemojte trčati.** Tako smanjujete opasnost od klizanja i pada, pri čemu može doći do osobne ozljede.
- **Kosilicu nemojte upotrebljavati na izrazito strmim kosinama.** Tako smanjujete opasnost od gubitka kontrole, klizanja i pada, pri čemu može doći do osobne ozljede.
- **Kada radite na kosinama, uvijek provjerite uporište, uvijek radite poprečno duž kosine, nikada uz ili niz, i budite iznimno pažljivi pri promjeni smjera.** Tako smanjujete opasnost od gubitka kontrole, klizanja i pada, pri čemu može doći do osobne ozljede.
- **Budite iznimno oprezni prilikom hoda unatrag ili povlačenja kosilice prema sebi. Uvijek budite svjesni svoje okoline.** Tako smanjujete opasnost od pada tijekom rada.
- **Nemojte dodirivati noževe i druge opasne pokretne dijelove dok su još u pokretu.** Time smanjujete opasnost od ozljeđivanja na pokretnim dijelovima.
- **Pri uklanjanju zaglavljenog materijala ili pranju kosilice provjerite jesu li sve električne sklopke isključene, a baterijski komplet odspojen.** Neočekivano pokretanje kosilice može uzrokovati ozbiljne tjelesne ozljede.
- **Pri uklanjanju zaglavljenog materijala ili pranju kosilice provjerite jesu li sve električne sklopke isključene te uklonite uređaj za isključivanje.** Neočekivano pokretanje kosilice može uzrokovati ozbiljne tjelesne ozljede.

## Zaštitni uređaj diferencijalne struje

- Upotrijebite zaštitni uređaj diferencijalne struje sa strujom okidanja od najviše 30 mA.

## Opće sigurnosne upute



**UPOZORENJE:** Prije upotrebe proizvoda pročitajte upute upozorenja u nastavku.

- Proizvod je opasan ako ga koristite nepravilno ili ako niste oprezni. Nepoštivanje sigurnosnih uputa može uzrokovati ozljede ili smrt.
- Proizvod tijekom rada proizvodi elektromagnetsko polje. To polje u određenim okolnostima može ometati aktivne ili pasivne medicinske implantate.

Za smanjenje opasnosti od smrtonosne ozljede osobama s medicinskim implantatima prije korištenja uređaja preporučujemo obraćanje liječniku i proizvođaču medicinskog implantata.

- Uvijek budite pažljivi i razumni. Ako u posebnim situacijama niste sigurni u način upotrebe stroja, prije nastavka stanite i obratite se svom distributeru tvrtke Husqvarna.
- Imajte na umu kako se rukovatelj smatra odgovornim za nezgode koje uključuju druge osobe ili njihovo vlasništvo.
- Proizvod održavajte čistim. Znakovi i naljepnice moraju biti jasno čitljivi.
- Djeci ili osobama koje nisu upoznate s ovim uputama ne dopuštajte da upotrebljavaju uređaj. Dob korisnika može biti prisutna ograničena lokalnim propisima.
- Osobu smanjenih fizičkih ili mentalnih sposobnosti obavezno nadzirite tijekom uporabe proizvoda. Cijelo vrijeme mora biti prisutna odgovorna odrasla osoba.
- Proizvod nemojte upotrebljavati kada ste umorni, bolesni ili pod utjecajem alkohola, droge ili lijekova. To negativno utječe na vaš vid, pažnju, koordinaciju i prosudbu.
- Nemojte upotrebljavati proizvod ako je oštećen ili neispravan.
- Nemojte izmjenjivati proizvod ili ga upotrebljavati ako postoji mogućnost da je izmijenjen.

## Sigurnost pri radu



**UPOZORENJE:** Prije upotrebe proizvoda pročitajte upozoravajuće upute u nastavku.

- Proizvod upotrebljavajte samo za košenje travnjaka. Upotreba za druge zadatke nije dopuštena.
- Upotrebljavajte opremu za osobnu zaštitu. Pogledajte *Oprema za osobnu zaštitu na stranici 194*.
- Provjerite znate li brzo zaustaviti motor u slučaju nužde.
- Proizvod nemojte pogoniti na kiši ni u mokrim uvjetima. Ako voda prođe u proizvod, povećava se opasnost od električnog udara.
- Proizvod upotrebljavajte samo ako su nož i svi štitnici pravilno postavljeni. Nepravilno postavljen nož može se otpustiti i uzrokovati osobne ozljede.
- Pazite da nožem ne udarate u predmete poput kamenja ili korijenja. Time možete oštetiti nož i saviti vratilo motora. Savijena osovina ozrukuje snažne vibracije i vrlo visoku opasnost od otpuštanja noža.
- Ako nožem udarite u predmet ili osjetite vibracije, odmah zaustavite proizvod. Zaustavite motor, okrenite sigurnosni ključ na 0 i uklonite bateriju. Pričekajte na zaustavljanje pokretnih dijelova. Pregledajte je li proizvod oštećen. Zategnite nepričvršćene dijelove. Popravite oštećenja i

zamijenite oštećene dijelove. Popravke prepustite odobrenom servisnom agentu.

- Ručicu kočnice motora nikada trajno nemojte pričvrstiti za ručku kada je motor u pogonu.
- Proizvod postavite na stabilnu, ravnu površinu i pokrenite ga. Noževi ne smiju udarati u tlo ili druge predmete.
- Tijekom rukovanja proizvodom obavezno budite iza njega.
- Tijekom rukovanja proizvodom svi kotači trebaju biti na tlu, a obje ruke na ručki. Šake i stopala držite podalje od rotirajućih noževa.
- Nemojte naginjati proizvod tijekom pokretanja motora ili njegovog pogona.
- Budite pažljivi pri povlačenju proizvoda unatrag.
- Proizvod nikada nemojte podizati kada je motor pokrenut. Ako morate podići proizvod, prvo zaustavite motor, okrenite sigurnosni ključ na 0 i uklonite bateriju.
- Tijekom rada s proizvodom nemojte hodati unatrag.
- Zaustavite motor kada je proizvod nužno nagnuti radi transporta ili prelaska preko površina bez trave, primjerice šljunčanih, kamenih ili asfaltnih putova.
- Nemojte trčati s proizvodom kada je motor pokrenut. Obavezno hodajte tijekom rada s proizvodom.
- Prije promjene visine rezanja zaustavite motor. Nemojte provoditi prilagodbe s pokrenutim motorom.
- Proizvod s pokrenutim motorom ne ispuštajte iz vida. Zaustavite motor i provjerite je li rezna oprema zaustavljena.
- Vibracije na proizvodu u pogonu mogu se razlikovati od vrijednosti vibracija navedenih pod *Tehnički podaci na stranici 204*. Razlikuju uzrokuju varijacije u načinu upotrebe proizvoda. Ako proizvod često pogonite dugo, redovito odmarajte kako biste spriječili ozljede uzrokovane vibriranjem.

## Sigurnosne upute za rad

### Oprema za osobnu zaštitu



**UPOZORENJE:** Prije upotrebe proizvoda pročitajte upozoravajuće upute u nastavku.

- Oprema za osobnu zaštitu ne može u potpunosti spriječiti ozljede, no smanjuje stupanj ozljede u slučaju nezgode. Pri odabiru odgovarajuće opreme zatražite pomoć ovlaštenog trgovca.
- Nosite čizme otporne na klizanje ili cipele za teške uvjete rada. Nemojte nositi otvorene cipele ili biti bos.
- Nosite teške, duge hlače.
- Prema potrebi nosite zaštitne rukavice, primjerice prilikom pričvršćivanja, pregleda ili čišćenja rezne opreme.
- Preporučujemo upotrebu zaštite sluha.

## Sigurnosni uređaji na proizvodu



**UPOZORENJE:** Prije upotrebe proizvoda pročitajte upute upozorenja u nastavku.

- Proizvod nemojte upotrebljavati sa sigurnosnim uređajima koji su oštećeni ili nisu ispravni.
- Sigurnosne uređaje nije dopušteno uklanjati ili izmjenjivati.
- Redovito pregledavajte sigurnosne uređaje. Ako su sigurnosni uređaji oštećeni ili nisu ispravni, obratite se ovlaštenom serviseru tvrtke Husqvarna.

### Provjera reznog poklopca

Rezni poklopac smanjuje vibriranje proizvoda te opasnost od ozljede nožem.

- Provjerite ima li na pokrovu noža oštećenja, primjerice napuklina.

### Provjera sigurnosnog ključa

Sigurnosni ključ nalazi se ispod poklopca baterije. Sigurnosni ključ priključuje bateriju koja napaja motor.

- Pokrenite i zaustavite motor kako biste provjerili sigurnosni ključ.
- Ako sigurnosni ključ ispravno funkcionira, motor se pokreće samo kad je sigurnosni ključ u položaju 1. (Sl. 16)

### Provjera stražnjeg poklopca

Stražnji poklopac smanjuje opasnost od odbacivanja predmeta u smjeru rukovatelja.

- Provjerite je li stražnji poklopac neoštećen.
- Provjerite jesu li opruge koje zatvaraju stražnji poklopac neoštećene.
- Zamijenite oštećene opruge i oštećene dijelove.
- Provjerite pomiče li se stražnji poklopac neometano na šarkama.

### Provjera ručice kočnice motora

Ručicom kočnice motora zaustavljate motor. Motor se zaustavlja po otpuštanju ručice kočnice motora.

- Pokrenite proizvod. Pogledajte *Pokretanje proizvoda na stranici 197*.
- Otpustite ručicu kočnice motora. (Sl. 17)
- Provjerite je li se proizvod zaustavio. Ako se motor ne zaustavi za 3 sekunde, podesite kočnicu motora kod serviseru tvrtke Husqvarna.

### Provjera blokade paljenja

Ispitajte blokadu pokretanja kako biste se uvjerali da sprječava pogon motora.

1. Ručicu kočnice motora gurnite prema upravljaču. Blokada pokretanja zaustavlja pomak.
2. Istisnite blokadu pokretanja. (Sl. 18)

3. Otpustite blokadu pokretanja i provjerite vraća li se u početni položaj.

## Sigurnost baterije



**UPOZORENJE:** Prije upotrebe proizvoda pročitajte upute upozorenja u nastavku.

- Upotrebljavajte punjive baterije tvrtke Husqvarna samo za napajanje odgovarajućih proizvoda tvrtke Husqvarna. Bateriju nemojte upotrebljavati za napajanje drugih proizvoda jer postoji opasnost od ozljeda.
- Nemojte upotrebljavati baterije koje nisu punjive.
- Opasnost od strujnog udara. Polove baterije nemojte spajati s ključevima, kovanicama, vijcima ili drugim metalom. Tako može doći do kratkog spoja baterije.
- Nemojte umetati predmete u zračne utore baterije.
- Bateriju zaštitite od sunčeve svjetlosti, vrućine i otvorenog plamena. Baterija može eksplodirati i uzrokovati opekline i/ili kemijske opekline.
- Zaštitite bateriju od kiše i mokrih uvjeta.
- Zaštitite bateriju od mikrovalova i visokog tlaka.
- Bateriju nemojte rastavljati ili razbijati.
- Ako baterija počne propuštati, nemojte dopustiti da vam tekućina dospije na kožu ili u oči. Ako ste dodirnuli tekućinu, isperite površinu velikom količinom vode i zatražite medicinsku pomoć.
- Bateriju u proizvodu primjenjujte samo pri temperaturama okoline između 5 °C – 40 °C.
- Punjač baterije upotrebljavajte samo pri temperaturama okoline između 5 °C – 40 °C.
- Baterija se neće puniti ako je njezina temperatura viša od 50 °C.
- Bateriju ili punjač baterije nikada nemojte čistiti vodom. Pogledajte *Čišćenje baterije i punjača baterije na stranici 199*.
- Nemojte upotrebljavati oštećenu bateriju.
- Baterije skladištite dalje od metalnih predmeta poput čavala, kovanica i nakita.

## Sigurnost punjača baterije



**UPOZORENJE:** Prije upotrebe proizvoda pročitajte upute upozorenja u nastavku.

- Punjače baterija QC upotrebljavajte samo za punjenje zamjenskih baterija tvrtke Husqvarna.
- Opasnost od strujnog udara ili kratkog spoja. Nemojte umetati predmete u zračne utore punjača. Nemojte rastavljati punjač baterije. Priključke baterije nemojte spajati metalnim predmetima. Upotrebljavajte odobrenu mrežnu utičnicu.
- Proizvod tijekom rada proizvodi elektromagnetsko polje. To polje u određenim okolnostima može ometati aktivne ili pasivne medicinske implantate. Za smanjenje opasnosti od uvjeta koji mogu

uzrokovati ozljede ili smrt, osobama s medicinskim implantatima prije korištenja ovog uređaja preporučujemo obraćanje liječniku i proizvođaču medicinskog implantata.

- Redovno provjeravajte je li kabel za napajanje punjača baterije neoštećen te je li ispucao.
- Punjač baterije nemojte podizati za električni kabel. Za odspajanje punjača baterije od zidne utičnice izvucite utikač. Nemojte povlačiti kabel za napajanje.
- Kabel za napajanje i produžne kabele držite podalje od vode, ulja i oštarih rubova. Kabel nemojte prignječiti vratima, ogradama i sl. To može nariniti napon na punjač.
- Punjač baterije nemojte prati vodom.
- Ovak punjač baterije mogu koristiti djeca od 8 godina i starija te osobe s umanjenim fizičkim, osjetilnim ili mentalnim sposobnostima ili nedostatkom iskustva i znanja ako je osiguran njihov nadzor ili ako su upućeni u sigurno korištenje uređaja te razumiju obuhvaćene opasnosti. Djeca se ne smiju igrati punjačem baterije. Čišćenje i održavanje ne smiju provoditi djeca bez nadzora.
- Punjačima baterije nije dopušteno puniti baterije koje se ne mogu puniti.
- Punjač baterije nemojte upotrebljavati u blizini zapaljivih materijala ili materijala koji mogu uzrokovati koroziju. Nemojte pokrivati punjač baterije. Ako dođe do razvoja dima ili požara, odspojite utikač punjača baterije.
- Nemojte upotrebljavati oštećen punjač baterije.
- Bateriju puniti isključivo u zatvorenom, dobro prozračenom zatvorenom prostoru bez izravne sunčeve svjetlosti. Bateriju nije dopušteno puniti u vlažnim uvjetima.

## Sigurnosne upute za održavanje



**UPOZORENJE:** Prije upotrebe proizvoda pročitajte upozoravajuće upute u nastavku.

- kako biste spriječili nenamjerno pokretanje tijekom održavanja, okrenite sigurnosni ključ na 0 i uklonite bateriju. Pričekajte najmanje 5 sekundi prije početka održavanja.
- Provodite samo održavanje opisano u ovom korisničkom priručniku. Opsežnije radove i profesionalne popravke obavezno provodi ovlaštenu servisni agent. Za više informacija obratite se najbližem serviseru.
- Pravilno provedite radove održavanja kako biste produljili vijek trajanja proizvoda i smanjili opasnost od nezgoda.
- Zamijenite oštećene, istrošene ili polomljene dijelove. Obavezno upotrebljavajte originalne rezervne dijelove odgovarajućeg proizvođača. Drugi rezervni dijelovi mogu oštetiti proizvod i povećavaju opasnost od nezgoda.

- Kako biste spriječili ozljede, nemojte uklanjati ili izmjenjivati sigurnosne uređaje.
- Tijekom rada s reznom opremom nosite rukavice na teške uvjete rada. Nož je vrlo oštar i lako dolazi do posjekotina.
- Rezne rubove održavajte naoštrenima i čistima kako biste osigurali najsigurnije radne značajke.
- Redovno pregledavajte proizvod i provodite potrebne prilagodbe i popravke kod servisera.

- Pridržavajte se uputa za zamjenu dodatne opreme. Upotrebljavajte isključivo dodatnu opremu proizvođača.
- Kada ih ne upotrebljavate, proizvod, bateriju i punjač baterije skladištite odvojeno u zatvorenom, suhom i zaključanom prostoru. Djeci i neovlaštenim osobama onemogućite pristup proizvodu, bateriji i punjaču.

---

## Sastavljanje

---

### Uvod



**UPOZORENJE:** Prije sastavljanja proizvoda pročitajte poglavlje o sigurnosti.



**UPOZORENJE:** Kako biste spriječili nenamjerno pokretanje pri sastavljanju okrenite sigurnosni ključ na 0, uklonite bateriju i pričekajte najmanje 5 sekundi.

### Sastavljanje ručke

**Napomena:** Preporučuje se da ovaj postupak provode 2 osobe.

**Napomena:** Proizvod nemojte vaditi iz kutije kada sastavljate ručku. Kutija se može koristiti kao oslonac za ručku tijekom sastavljanja.

1. Podignite i okrenite ručku. (Sl. 19)



**OPREZ:** Budite pažljivi i pazite da se kabel ne ošteti prilikom okretanja ručke.

2. Postavite ručku na vrh proizvoda. Postavite ručku uz kutiju kako biste je poduprli. Pogledajte ilustraciju. (Sl. 20)

3. Postavite vijak (A) kroz ručku (B), plastičnu podlošku (C) i potporni nosač ručke (D). (Sl. 21)
4. Maticu (E) zategnite do kraja.
5. Uklonite proizvod iz kutije.
6. Preklopite ručku u uspravan položaj. (Sl. 22)
7. Visinu ručke postavite u najniži položaj. Pogledajte *Prilagodba ručke na stranici 196*.
8. Spojite kabele na donji dio ručke uz pomoć priključne stezaljke. (Sl. 23)
9. Donji dio kabela pomoću vezice pričvrstite na potporni nosač ručke. Odrežite preostali dio vezice za kabel. (Sl. 24)

**Napomena:** Provjerite je li kabel pravilno pričvršćen. Ako je postavljen sakupljač trave, labav kabel može oštetiti kabel. (Sl. 25)

### Prilagodba ručke

1. Otpustite donje vijke.
2. Pomaknite kotačiće u donji dio utora na lijevoj i desnoj strani proizvoda. (Sl. 26)
3. Postavite visinu ručke u jednu od dva dostupna položaja.
4. Pomicite kotačiće gore u smjeru ručke dok se ne zaustave uz škljocaj. (Sl. 27)
5. Kotačiće zategnite do kraja.

---

## Rad

---

### Uvod



**UPOZORENJE:** Prije rada s proizvodom morate pročitati i usvojiti poglavlje o sigurnosti.

### Husqvarna Connect

Husqvarna Connect besplatna je aplikacija za mobilni uređaj. Aplikacija Husqvarna Connect pruža vam dodatne funkcije za proizvod Husqvarna.

- Opširnije informacije o proizvodu.

- Dodatne informacije i pomoć za dijelove i servisiranje proizvoda.

### Početak rada sa Husqvarna Connect

1. Preuzmite aplikaciju Husqvarna Connect na svoj mobilni uređaj.
2. Prijavite se na aplikaciju Husqvarna Connect.
3. Pratite upute u aplikaciji Husqvarna Connect kako biste se spojili i registrirali proizvod.

## Postavljanje proizvoda u položaj za rad

1. Provjerite jesu li donji kotačići dobro pričvršćeni. Pogledajte *Prilagodba ručke na stranici 196*.
2. Preklonite ručku u uspravan položaj. (Sl. 22)
3. Pomičite kotačiće prema gore u smjeru ručke dok se ne zaustave uz škljocaj. (Sl. 27)
4. Kotačiće zategnite do kraja.



**UPOZORENJE:** Proizvod nemojte upotrebljavati ako ručka nije potpuno podignuta i postavljena u jedan od primjenjivih položaja visine. Pogledajte *Prilagodba ručke na stranici 196*.

## Za postavljanje visine rezanja

1. Polugu za visinu rezanja pomaknite unatrag kako biste povećali visinu rezanja.
2. Polugu za visinu rezanja pomaknite naprijed kako biste smanjili visinu rezanja. (Sl. 28)



**OPREZ:** Visinu rezanja nemojte postaviti prenisko. Noževi mogu udariti u tlo ako površina travnjaka nije ravna.

## Baterija



**UPOZORENJE:** Prije upotrebe baterije morate pročitati i usvojiti poglavlje o sigurnosti. Također morate pročitati i usvojiti korisnički priručnik za bateriju i punjač baterije.

Bateriju i punjač čuvajte na ispravnoj temperaturi okoline.

	Temperatura okoline
Rad baterije	5 °C – 40 °C
Punjenje baterije	5 °C – 40 °C

## Status baterije

Na zaslону se prikazuje preostali kapacitet baterije te postoje li problemi s baterijom. Pritisnite gumb indikatora baterije da biste saznali stanje napunjenosti baterije. Kada dođe do pogreške uključuje se simbol upozorenja na bateriji. Pogledajte *Baterija na stranici 200*.

(Sl. 19)

LED indikatori	Status baterije
Svi LED indikatori svijetle	Potpuno napunjena (76 – 100%)

LED indikatori	Status baterije
Svijetle indikatori LED 1, LED 2 i LED 3	Baterija je napunjena 51 – 75 %.
Svijetle indikatori LED 1 i LED 2	Baterija je napunjena 26 – 50 %.
Svijetli LED indikator 1.	Baterija je napunjena 6 – 25 %.
LED 1 indikator treperi	Baterija je napunjena 0 – 5 %.

## Zamjena baterije

Prije prve upotrebe napunite bateriju. Baterija je pri isporuci kupcu napunjena samo 30%.

**Napomena:** Punjač baterije morate spojiti na napon i frekvenciju koji su navedeni na natpisnoj pločici.

Baterija se ne puni ako je temperatura baterije viša od 50 °C. Punjač baterije smanjuje temperaturu baterije prije početka punjenja.

1. Jedan kraj kabela za napajanje punjača baterije priključite na utičnicu na punjaču baterije.
2. Drugi kraj kabela za napajanje punjača baterije priključite na uzemljenu mrežnu utičnicu. LED indikator na punjaču baterije zatreperi jednom zelenom bojom. (Sl. 30)
3. Postavite bateriju u punjač baterije. Ako je baterija pravilno priključena na punjač baterije, na punjaču se uključuje zeleni indikator. (Sl. 31)
4. Kada na bateriji svijetle svi LED indikatori, baterija je potpuno napunjena. Bateriju puniti najdulje 24 sata.
5. Za odspajanje punjača baterije od mrežne utičnice povucite priključak, ne kabel.
6. Izvadite bateriju iz punjača baterije.

## Pokretanje proizvoda

1. Otvorite poklopac baterije.
2. Napunjenu bateriju stavite u 1 od pretinaca za baterije. Za dulje vrijeme rada umetnite i drugu napunjenu bateriju u drugi pretinac za baterije.
3. Okrenite sigurnosni ključ na 1. (Sl. 32)
4. Stanite iza proizvoda.
5. Otpustite blokadu pokretanja. (Sl. 18)
6. Ručicu kočnice motora gurnite prema upravljaču. (Sl. 33)

## Upotreba pogona na kotačima (LC 251iS)

- Gurnite polugu pogona u smjeru upravljača. (Sl. 34)
- Otpustite polugu pogona kako biste odspojili pogon, primjerice kada se približavate prepreci.

- Prije povlačenja proizvoda unatrag odspojite pogon i gurnite proizvod prema naprijed za pribl. 10 cm.

## Upotreba funkcije SavE™

Proizvod ima funkciju za uštedu baterije (SavE™) koja omogućuje dulje vrijeme rada.

- Pritisnite gumb SavE™ u položaj 1 da biste pokrenuli funkciju. (Sl. 35)
- Pritisnite gumb SavE™ u položaj 0 da biste zaustavili funkciju.

**Napomena:** Funkcija SavE™ automatski se zaustavlja ako uvjeti na tlu zahtijevaju veću snagu. Funkcija SavE™ automatski se ponovno uključuje kada to dopuste uvjeti na tlu.

## Funkcija za velika opterećenja

Kada proizvodom kosite vlažnu travu, motor automatski povećava broj o/min. Motor se vraća u standardni način rada kada više nije potrebna velika snaga.

## Zaustavljanje motora

Tijekom rada može doći do privremenog zaustavljanja noža i motora uzrokovanog preprekama poput nakupina trave ispod reznog poklopca. Ako se to dogodi, ručicu kočnice motora zadržite pritisnutu i proizvod se automatski ponovno pokreće. Ako se proizvod ponovno ne pokrene za 5 – 10 sekundi, može biti nužno očistiti ispod reznog poklopca. Pogledajte *Za čišćenje proizvoda na stranici 199*.



**UPOZORENJE:** Ako se motor zaustavi, proizvod se kroz 5 – 10 sekundi pokušava automatski ponovno pokrenuti. Na provjeru reznog poklopca pričekajte najmanje 15 sekundi.



**UPOZORENJE:** Prije provjere reznog poklopca otpustite ručicu kočnice motora, sigurnosni ključ okrenite na 0, uklonite bateriju i pričekajte najmanje 5 sekundi. Ako dođe do otpuštanja prepreke i nehotičnog pokretanja proizvoda, može doći do ozljede.

## Zaustavljanje proizvoda



**UPOZORENJE:** Prije ostavljanja proizvoda bez nadzora okrenite sigurnosni ključ na 0.

1. Otpustite ručku kočnice motora kako biste zaustavili motor. (Sl. 36)

**Napomena:** Za LC 251iS. Kako biste zaustavili pogon kotača, otpustite polugu pogona.

2. Otvorite poklopac baterije i okrenite sigurnosni ključ na 0. (Sl. 37)
3. Za uklanjanje baterije pritisnite dva gumba za otpuštanje i izvadite bateriju. (Sl. 38)
4. Zamijenite slabu bateriju. Više informacija potražite pod *Zamjena baterije na stranici 197*.

## Upotreba proizvoda sa sakupljačem trave



**UPOZORENJE:** Proizvod nemojte upotrebljavati bez ugrađenog sakupljača trave ni s otvorenim stražnjim poklopcem. Može doći do odbacivanja predmeta i ozljede rukovatelja.

1. Podignite stražnji poklopac. (Sl. 39)
2. Postavite sakupljač trave na nosač.
3. Otpustite stražnji poklopac i naslonite ga na vrh okvira vreće za travu. (Sl. 40)

## Prijelaz proizvoda u način rada za bočno pražnjenje

1. Podignite stražnji poklopac i uklonite vreću za travu, ako je postavljena.
2. Zatvorite stražnji poklopac i provjerite je li dobro zatvoren.
3. Podignite blokadu pražnjenja. (Sl. 41)
4. Otvorite poklopac za bočno pražnjenje i postavite bočni usmjerivač za pražnjenje na noseće klinove. (Sl. 42)
5. Dopustite da se poklopac za bočno pražnjenje zatvori uz bočni usmjerivač za pražnjenje. Prije rada s proizvodom provjerite je li bočni usmjerivač za pražnjenje pričvršćen u svom položaju.

## Pražnjenje sakupljača trave



**OPREZ:** Podignite sakupljač trave kad ga pomičete kako biste spriječili habanje.

1. Podignite sakupljač trave pomoću ručke na okviru.
2. Koristite ručku na okviru i ručku na vreći kad praznite sakupljač trave. (Sl. 43)

## Za dobar ishod

- Uvijek upotrebljavajte oštar nož. Tup nož daje nepravilne rezultate, a rezana površina trave požuti. Oštar nož također troši manje energije od tupog.
- Nemojte rezati više od 1/3 od duljine trave. Travu započnite kositi s najvišom visinom rezanja. Provjerite rezultat i spustite visinu rezanja na prihvatljivu razinu. Ako je trava vrlo dugačka, radite polako i po potrebi kosite dva puta.

- Svaki put kosite u drugom smjeru kako biste spriječili nastanak traka na travnjaku.
- Podignite stražnji poklopac i uklonite sakupljač trave.
- Ako su postavljeni priključak za sječku i nož za sječku, uklonite ih.
- Prije upotrebe proizvoda zatvorite stražnji poklopac. Pri upotrebi proizvoda trava se izbacuje ispod stražnjeg poklopca.
- Pokrov noža mora biti čist. Nakupine trave i prljavštine s unutarnje strane pokrova noža mogu umanjiti rezultate rezanja. Pogledajte *Za čišćenje proizvoda na stranici 199.*

## Održavanje

### Uvod



**UPOZORENJE:** Prije održavanja morate pročitati i usvojiti poglavlje o sigurnosti.

Za sve radove servisiranja i održavanja na proizvodu potrebna je posebna obuka. Jamčimo dostupnost profesionalnih popravaka i servisa.

Detaljnije informacije potražite pod [www.husqvarna.com](http://www.husqvarna.com).

### Raspored održavanja

Intervali održavanja izračunati su za dnevnu upotrebu proizvoda. Intervali se mijenjaju ako se proizvod ne upotrebljava svakodnevno.

Za održavanja označena s \* pogledajte upute u *Sigurnost na stranici 191.*

	Svaka upotreba	Mjesečno	Svake sezone
Provedite opći pregled	X		
Čišćenje proizvoda	X		
Provjerite blokadu paljenja *	X		
Provjerite ispravnost sigurnosnih uređaja na proizvodu *	X		
Pregledajte reznu opremu	X		
Pregledajte pokrov noža *	X		
Provjerite ručku kočnice motora *	X		
Provjerite je li baterija oštećena.	X		
Provjerite napunjenost baterije.	X		
Provjerite ispravnost gumba za otpuštanje baterije i pričvršćivanje baterije u proizvodu.	X		
Provjerite je li punjač baterije oštećen i uvjerite se u njegovu ispravnost rada.		X	
Pregledajte spojeve između baterije i proizvoda. Također pregledajte spojeve između baterije i punjača baterije.			X

### Za opći pregled

- Provjerite jesu li zategnuti matice i vijci na proizvodu.
- Kabeli na proizvodu ne smiju biti u položaju u kojem se mogu oštetiti.

### Za čišćenje proizvoda

- Plastične dijelove čistite čistom i suhom krpom.
- Proizvod nemojte čistiti vodom. Voda može prodrijeti u bateriju ili motor i uzrokovati kratki spoj ili oštetiti proizvod.

- Za čišćenje proizvoda nemojte koristiti visokotlačni stroj za pranje.
- Nemojte liti vodu izravno na motor.
- Četkom uklonite lišće, travu i onečišćenja.

### Čišćenje baterije i punjača baterije



**UPOZORENJE:** Bateriju ili punjač baterije nikada nemojte čistiti vodom.



**UPOZORENJE:** Bateriju nemojte čistiti nikakvim kemijskim sredstvima.

- Prije umetanja baterije u punjač baterije provjerite jesu li baterija i punjač baterije čisti i suhi.
- Očistite polove baterije komprimiranim zrakom ili upotrijebite mekanu i suhu krpu.
- Površine baterije i punjač baterije očistite mekanom i suhom krpom.

## Za pregled rezne opreme



**UPOZORENJE:** Kako biste spriječili nenamjerno pokretanje sigurnosni ključ okrenite na 0, uklonite bateriju i pričekajte najmanje 5 sekundi.



**UPOZORENJE:** Tijekom održavanja rezne opreme nosite zaštitne rukavice. Nož je vrlo oštar i lako dolazi do posjekotina.

1. Pregledajte ima li na reznoj opremi oštećenja ili pukotina. Oštećenu reznu opremu obavezno zamijenite.
2. Pregledajte nož kako biste ustanovili je li oštećen ili tup.

**Napomena:** Nakon oštrenja nož je nužno uravnotežiti. Nož naoštrite, zamijenite i uravnotežite u servisnom centru. Ako se pri udaru u prepreku proizvod zaustavi, zamijenite oštećeni nož. Procjenu za oštrenje ili zamjenu noža prepustite servisnom centru.

## Zamjena noža

Pogledajte *Tehnički podaci na stranici 204* za ispravnu vrstu noža.



**UPOZORENJE:** Blokirajte nož drvenim blokom kako biste spriječili ozljede prstiju pri zamjeni noža. Nož je pomičan

kada je motor isključen te može doći do zaglavljena prstiju između noža i nepomičnih dijelova.

1. Blokirajte nož drvenim blokom. (Sl. 44)
2. Skinite vijak noža, podloške i nož. (Sl. 45)
3. Provjerite jesu li nosač noža i vijak noža neoštećeni.
4. Pregledajte vratilo motora kako biste se uvjerali da nije savijeno.
5. Zaobljene rubove novog noža pri postavljanju usmjerite prema pokrovu noža. (Sl. 46)
6. Nož mora biti poravnat sa središtem vratila motora.
7. Blokirajte nož komadom drva. Postavite podloške i zategnite vijak na zatezni moment od 23 – 28 Nm. (Sl. 47) (Sl. 45)
8. Ručno povucite nož u krug kako biste provjerili okreće li se slobodno.



**UPOZORENJE:** Nosite rukavice za teške uvjete rada. Nož je vrlo oštar i lako dolazi do posjekotina.

9. Pokrenite proizvod kako biste ispitali nož. Ako nož nije ispravno pričvršćen, proizvod vibrira ili ishod košenja nije zadovoljavajuć.

## Provjera bočnog usmjerivača za pražnjenje

Bočni usmjerivač za pražnjenje pričvršćen je na bočni otvor za pražnjenje na proizvodu. Smanjuje opasnost od izbacivanja predmeta u smjeru položaja u kojem rukovatelj kosi.

1. Provjerite je li bočni usmjerivač za pražnjenje neoštećen.
2. Pregledajte bočni usmjerivač za pražnjenje. Uvjerite se da nema oštećenja, npr. pukotine ili slomljene opruge koje zatvaraju vrata.
3. Zamijenite oštećeni bočni usmjerivač za pražnjenje ili opruge.

## Rješavanje problema

### Baterija

LED indikator na bateriji	Uzrok	Rješenje
Zeleni LED indikator treperi.	Napon baterije je nizak.	Napunite bateriju. Pogledajte <i>Zamjena baterije na stranici 197</i> .



LED indikator na bateriji	Uzrok	Rješenje
LED indikator pogreške na bateriji treperi.	Baterija je prehladna ili prevruća za upotrebu.	Pričekajte da se baterija ohladi ili je premjestite van da se zagrije. Kada baterija postigne odgovarajuću temperaturu, možete je ponovo upotrijebiti. Bateriju u proizvodu primjenjujte samo pri temperaturama okoline između 5 °C – -40 °C.
	Baterija je prazna.	Napunite bateriju. Pogledajte <i>Zamjena baterije na stranici 197</i> .
Uključuje se LED indikator upozorenja za bateriju.	Došlo je do trajne pogreške na bateriji.	Obratite se servisnom zastupniku tvrtke Husqvarna.

## Punjač baterije

LED indikator na punjaču baterije	Uzrok	Rješenje
LED indikator pogreške treperi ili se uključuje.	Punjač baterije je prehladan ili prevruć za upotrebu.	Pričekajte da se punjač baterije ohladi ili ga premjestite van da se zagrije. Kada punjač baterija postigne odgovarajuću temperaturu, možete ga ponovo upotrijebiti. Punjač baterije upotreb- ljavajte pri temperaturama okoline između 5 °C – -40 °C.
	Ostale pogreške.	Obratite se servisnom zastupniku tvrtke Husqvarna.

## Kosilica

Indikator upozorenja (LED indikator pogreške) nalazi se ispod poklopca za bateriju.

Problem	LED pogreške (broj treperenja)	Uzrok	Rješenje
Treperenje LED indikatora za pogreške. Proizvod ne radi ispravno.	3.	Nož je blokiran.	Okrenite sigurnosni ključ u položaj 0 kako biste spriječili nenamjerno pokretanje. Izvadite bateriju i pričekajte najmanje 5 sekundi. Uklonite moguće prepreke i provjerite okreću li se noževi neometano. Ako se problem nastavi pojavljivati, obratite se Husqvarna dobavljaču.
	5.	Prevelik pad brzine motora i zaustavljanje motora.	Povećajte visinu rezanja. Pogledajte <i>Za postavljanje visine rezanja na stranici 197</i> .
	6. <sup>41</sup>	Kotači ili mjenjač su blokirani.	Okrenite sigurnosni ključ u položaj 0 kako biste spriječili nenamjerno pokretanje. Izvadite bateriju i pričekajte najmanje 5 sekundi. Uklonite moguće prepreke i provjerite okreću li se kotači neometano. Ako se problem nastavi pojavljivati, obratite se Husqvarna dobavljaču.
	10.	Pregrijano je upravljanje motorom.	Zaustavite motor i pričekajte da se ohladi.

<sup>41</sup> LC 251iS

Problem	LED pogreške (broj treperenja)	Uzrok	Rješenje
Treperenje LED indikatora za pogreške. Proizvod se zaustavlja.	Nema bljeskova	Kvar priključka baterije.	Pregledajte priključak baterije.
	3.	Motor je preopterećen.	Povećajte visinu rezanja. Pogledajte <i>Za postavljanje visine rezanja na stranici 197.</i>
	8.	Baterija je slaba.	Napunite bateriju. Pogledajte <i>Zamjena baterije na stranici 197.</i>
	9.	Pogreška baterije ili nema signala baterije.	Pravilno umetnite bateriju u proizvod i pregledajte priključak baterije. Ako na bateriji treperi LED indikator pogrešku. Pogledajte <i>Baterija na stranici 200.</i>
	15.	Neprotivan postupak pokretanja. Ručka kočnice motora bila je aktivirana prije pokretanja motora.	Otpustite ručku kočnice motora i pričekajte približno 5 sekundi. Ponovno gurnite ručku kočnice motora prema dolje za pokretanje proizvoda.
Ostale pogreške.	Ako dođe od pogreške, sigurnosni ključ okrenite na 0, izvadite bateriju i obratite se Husqvarna dobavljaču.		

## Prijevoz, spremanje i zbrinjavanje

### Uvod



**UPOZORENJE:** Kako biste spriječili nenamjerno pokretanje tijekom prijevoza i pri sastavljanju, sigurnosni ključ okrenite na 0, uklonite bateriju i pričekajte najmanje 5 sekundi.

### Postavljanje proizvoda u položaj za prijevoz

- Otpustite donje kotačiće.
- Pomaknite kotačiće u donji dio utora na lijevoj i desnoj strani proizvoda. (Sl. 26)
- Preklopite ručku prema naprijed. (Sl. 48)

### Prijevoz

- Na sadržane litij-ionske baterije primjenjuju se zahtjevi zakona o opasnim tvarima.
- Za komercijalne transporte morate poštivati posebne zahtjeve za pakiranje i oznake.
- Provjerite poštivanje propisa za opasne materijale tijekom pripreme proizvoda za transport. Primjenjuju se lokalni propisi.
- Prije prijevoza obavezno izvadite bateriju.
- Preljepite priključke baterije trakom i onemogućite pomicanje baterije tijekom transporta.
- Pričvrstite proizvod tijekom transporta.

### Skладиštenje

- Prije skladištenja proizvoda pričekajte na njegovo hlađenje.
- Prije skladištenja obavezno izvadite bateriju.
- Kako biste spriječili nezgode, bateriju tijekom skladištenja nemojte ostaviti priključenu na proizvod.
- Punjač baterije spremite u zatvoren, suh prostor.
- Bateriju i punjač baterije spremite u suh prostor u koji ne može prodrijeti vlaga ili mraz.
- Bateriju za skladištenje uklonite s punjača baterije.
- Bateriju nemojte skladištiti u prostoru u kojem može nastati statički elektricitet. Akumulator nemojte čuvati u metalnoj kutiji.
- Proizvod čuvajte na temperaturi okoline između - 10 °C i 40 °C.
- Bateriju čuvajte na temperaturi okoline između 5 °C i 25 °C, zaštićenu od sunčeve svjetlosti.
- Punjač baterije čuvajte na temperaturi okoline između 5 °C i 45 °C, zaštićen od sunčeve svjetlosti.
- Prije dugotrajnog skladištenja obavezno napunite bateriju na 30% do 50%.
- Proizvod, bateriju i punjač baterije skladištite u zaključanom prostoru izvan dosega djece i neodobrenih osoba.
- Očistite proizvod i provjerite je li sakupljač trave prazan.
- Provodite postupke održavanja iz ovog korisničkog priručnika. Pogledajte *Održavanje na stranici 199.*

- Prije dugotrajnog skladištenja provedite cjeloviti servis proizvoda.

## Odlaganje

Oznake na proizvodu ili ambalaži proizvoda znače da se proizvod ne smije odlagati zajedno s komunalnim otpadom. Umjesto toga, potrebno ga je odnijeti u propisani reciklažni centar za prihvata električne i elektroničke opreme.

Ispravnim rukovanjem proizvodom pomažete u ublažavanju negativnih učinaka po okoliš i osobe do kojih može doći u slučaju pogrešnog upravljanja otpadnim tvarima ovog proizvoda. Pojednosti o recikliranju proizvoda zatražite od lokalnih tijela uprave, komunalne službe ili u prodavaonici u kojoj ste kupili proizvod.

(Sl. 49)

## Tehnički podaci

### Tehnički podaci

	LC 251i	LC 251IS
<b>Rezni motor</b>		
Vrsta motora	BLDC (beskontaktni) 36 V	BLDC (beskontaktni) 36 V
Broj okretaja motora – SavE, o/min	2600/min	2600/min
Broj okretaja motora – nazivni, o/min	3000/min	3000/min
Broj okretaja motora – veliko opterećenje, o/min	3500/min	3500/min
Snaga motora – maks. kW	1,4	1,4
Snaga motora – nazivna, kW	0,9	0,9
<b>Pogonski motor</b>		
Snaga motora – nazivna, kW	N/D	0,4
Brzina samostalnog hoda, km/h	N/D	4,0
Razine prilagodbe brzine	N/D	1.
<b>Težina</b>		
Težina bez vreće (bez baterije), kg	25,5	27.
Težina s vrećom (s 2 x Bli30), kg	31,5	33.
<b>Baterija</b>		
Vrsta baterije	Serije baterije Husqvarna	Serije baterije Husqvarna
<b>Trajanje baterije</b>		
Trajanje baterije, min, (slobodni pogon) s uključenom funkcijom SavE, s jednom baterijom tvrtke Husqvarna od 7,5 Ah (Bli30).	58	51.
Trajanje baterije, min, (slobodni pogon) s uključenim standardnim načinom rada, s jednom baterijom tvrtke Husqvarna od 7,5 Ah (Bli30).	42	38.
<b>Emisije buke</b> <sup>42</sup>		
Razina jačine zvuka, mjerena u dB (A)	96	96
Razina jačine zvuka, zajamčena L <sub>WA</sub> dB (A)	98	98
<b>Jačina zvuka</b> <sup>43</sup>		
Razine tlaka zvuka na uhu rukovatelja, dB (A)	85	85

<sup>42</sup> Emisije buke u okoliš izmjerene kao jačina zvuka (L<sub>WA</sub>) u skladu s Direktivom EZ 2000/14/EC.

<sup>43</sup> Navedeni podaci za razinu tlaka zvuka imaju čimbenik nesigurnosti (K) od 1,5 dB (A).

	LC 251i	LC 251iS
<b>Razine vibracije</b> <sup>44</sup>		
Ručka, m/s <sup>2</sup>	0,7	0,7
<b>Rezna oprema</b>		
Visina rezanja, mm	25 – 75	25 – 75
Širina rezanja, mm	510	510
Nož – standardni	Sakupljač 5928704-01	Sakupljač 5928704-01
Zapremnina sakupljača trave, litre	65	65

Odobreni baterije	Vrsta	Kapacitet baterije, Ah	Napon, V	Težina, lb/kg
BLi30	Litij-ionska	7,5	36.	4,2/1,9
40-B140	Litij-ionska	4,0	36.	2,6/1,2

Odobreni punjači za navedene baterije, BLi	Ulazni napon, V	Frekvencija, Hz	Snaga, W
40-C80	100 – 240	50 – 60	68,8
QC250	100 – 240	50 – 60	250

<sup>44</sup> Navedeni podaci o razini vibracija imaju čimbenik nesigurnosti (K) od 1,5 m/s<sup>2</sup>. Navedena ukupna vrijednost vibracija izmjerena je u skladu sa standardom EN 62841-4-3, dodatkom I, i može se koristiti za međusobnu usporedbu alata u preliminarnoj procjeni izloženosti.

# Izjava o sukladnosti

## EU izjava o sukladnosti

Mi, **Husqvarna AB**, SE-561 82 Huskvarna, Švedska, tel.:  
+46-36-146500, pod punom odgovornošću izjavljujemo  
da proizvod:

<b>Opis</b>	Kosilica
<b>Marka</b>	Husqvarna
<b>Vrsta/model</b>	LC 251i, LC 251IS
<b>Identifikacija</b>	Serijski brojevi iz 2023 i noviji

u potpunosti su sukladni sljedećim EU direktivama i  
propisima:

<b>Propis</b>	<b>Opis</b>
2006/42/EC	„o strojevima“
2014/30/EU	„o elektromagnetskoj kompatibilnosti“
2000/14/EC	„koja se odnosi na emisije buke u okoliš“
2011/65/EU	„o ograničenoj upotrebi određenih opasnih tvari u električnoj i elektroničkoj opremi“

i primjenjuju se sljedeće norme i/ili tehničke  
specifikacije: EN 62841-1:2015/A11:2022, EN IEC  
62841-4-3:2021/A11:2021, EN IEC 55014-1:2021, EN  
IEC 55014-2:2021, EN IEC 63000:2018

Prijavljeno tijelo: 0404, SMP Svensk Maskinprovning  
AB, Box 4053, SE-904 03 Umeå, Sweden, certificiralo  
je sukladnost s Direktivom Vijeća 2000/14/EC, postupak  
kontrole kvalitete: Dodatak VI.

Informacije o emisiji buke potražite u odjeljku *Tehnički  
podaci na stranici 204.*

Huskvarna, 2023-12-11



Claes Losdal, razvojni menadžer / proizvođač za vrtove,  
Husqvarna AB

Osoba odgovorna za tehničku dokumentaciju



---

# TARTALOMJEGYZÉK

---

Bevezető.....	207	Hibaelhárítás.....	218
Biztonság.....	208	Szállítás, tárolás és ártalmatlanítás.....	221
Összeszerelés.....	213	Műszaki adatok.....	222
Üzemeltetés.....	214	Megfelelőségi nyilatkozat.....	224
Karbantartás.....	217		

---

## Bevezető

---

### Termékleírás

A termék egy gyalog kísért forgóképes fűnyíró. A fű egy fűgyűjtőben kerül gyűjtésre. Szerelje fel az oldalsó kidobóelterelőt a fű oldalsó ürítéséhez.

### A termék áttekintése

(ábra 1)

1. Motorfékfogantyú
2. Indításgátló
3. Kerékhajtás-kapcsoló kar (LC 251iS)
4. Hátsó burkolat
5. Fűgyűjtő
6. Gombfogantyú
7. Vágási magasságot szabályozó kar
8. Kidobó retesze
9. Oldalsó kidobófedél
10. Akkumulátorfedél
11. Szimbólumok
12. Biztonsági kulcs
13. Figyelmeztetésjelző (hibajelző LED)
14. SavE gomb
15. Vágóburkolat
16. Fogantyú
17. Emelőfogantyúk
18. Oldalsó kidobó
19. Kezelői kézikönyv

### A terméken található jelzések

- (ábra 2) FIGYELMEZTETÉS
- (ábra 3) Olvassa el az utasításokat.
- (ábra 4) VIGYÁZAT – Ügyeljen az esetlegesen kirepülő tárgyakra.
- (ábra 5) Tartsa távol a nézelődőket.
- (ábra 6) VIGYÁZAT – Tartsa távol a kezét és a lábát a késektől.

### Rendeltetésszerű használat

A termék fűnyírásra szolgál. Ne használja a terméket egyéb feladatokra.

- (ábra 7) VIGYÁZAT – Karbantartás előtt válassza le az akkumulátort.
- (ábra 8) A termék és a termék csomagolása nem minősül háztartási hulladéknak. Újrahasznosítását egy elektromos és elektronikus berendezések újrahasznosítására szolgáló ponton kell elvégezni.
- (ábra 9) Az EU és az Egyesült Királyság irányelveinek és jogszabályainak, és New South Wales „Környezetben történő munkavégzés szabályozása (zajszabályozás), 2017” irányelvének megfelelő környezeti zajkibocsátási címke. A termék garantált hangteljesítményszintjére vonatkozó adatok megtalálhatók az alábbi részen: *Műszaki adatok*222. oldalon és a címkén.
- (ábra 10) Ez a tartozék megfelel a vonatkozó EK irányelveknek.
- (ábra 11) A termék megfelel a vonatkozó egyesült királyságbeli irányelveknek.
- (ábra 12) A termék cseppálló.
- (ábra 13) A leállításhoz engedje el a motorfékfogantyút.
- (ábra 14) Beolvasható kód.

---

**Megjegyzés:** A terméken szereplő többi jel/címke egyes piacok specifikus vizsgáztatási követelményeire vonatkozik.

---

## Jelzés a terméken

(ábra 15)

VESZÉLY – Tartsa távol a kezét és a lábát.

## A termék károsodása

A termékben keletkezett károkért nem vállalunk felelősséget, amennyiben:

- a termék javítását helytelenül végezték;
- a termék javítása nem a gyártótól származó vagy általa jóváhagyott alkatrészekkel történt;
- a terméket nem a gyártótól származó vagy általa jóváhagyott kiegészítővel szerelték fel;
- a termék javítását nem hivatalos szakszerviz vagy jóváhagyott egyéb szerviz végezte.

## Biztonság

### Biztonsági meghatározások

A figyelmeztetések, óvintézkedések és megjegyzések a használati utasítás kiemelten fontos részeire hívják fel a figyelmet.



**FIGYELMEZTETÉS:** Akkor használatos, ha a kézikönyv utasításainak be nem tartása esetén fennáll a kezelő vagy a közelben tartózkodók sérülésének vagy halálának veszélye.



**VIGYÁZAT:** Akkor használatos, ha a kézikönyv utasításainak be nem tartása esetén fennáll a vagyoni kár, illetve a termék vagy a környező terület károsodásának veszélye.

**Megjegyzés:** További információt biztosít az adott helyzetben szükséges tennivalókról.

### Általános termékbiztonsági figyelmeztetések



**FIGYELMEZTETÉS:** Olvassa el a jelen termékre vonatkozó összes biztonsági utasítást, útmutatást, ábrát és specifikációt. A az alább felsorolt utasítások figyelmen kívül hagyása áramütést, tüzet és/vagy komoly sérülést okozhat.

Tegyen el minden figyelmeztetést és utasítást, mert a jövőben szüksége lehet rájuk. A „termék” kifejezés a figyelmeztetésekben a hálózatról működő (vezetékes) termékre vagy az akkumulátorról (vezeték nélküli) működő termékre vonatkozik.

### A munkaterület biztonsága

- **Tartsa a munkaterületet tisztán és világítsa meg jól.** A zsúfolt vagy sötét területeken könnyen bekövetkeznek balesetek.
- **Ne működtesse a terméket robbanásveszélyes környezetben, pl. gyúlékony folyadékok, gázok vagy por jelenlétében.** A termék szikrát vethet, amely begyűjthetja a port vagy a kipárolgást.

- **Tartsa távol a gyermekeket és a szemlélődőket a termék működtetése közben.** A figyelem elvonása miatt elvesztheti az uralmát a szerszám felett.

### Elektromos biztonság

- **A termék dugaszának illeszkednie kell az aljzatba. A dugón soha semmilyen átalakítást ne végezzen. Ne használjon adaptercsatlakozót a földelt termékekhez.** Kisebb az áramütés veszélye, ha eredeti dugókat és hozzájuk illő aljzatokat használ.
- **Kerülje el a földelt felületekkel, pl. csövekkel, radiátorokkal, tűzhelyekkel és hűtőszekrényekkel való érintkezést.** Megnövekszik az áramütés veszélye, ha a teste le van földelve.
- **Ne tegye ki a termékeket esőnek vagy nedves környezetnek.** A termékbe jutó víz növeli az áramütés kockázatát.
- **Ne bányon durván a kábellel. A kábelt ne használja a termék hordozására, húzására vagy a dugasz kihúzására. Tartsa távol a kábelt hőtől, olajtól, éles széléktől vagy mozgó alkatrészekről.** A sérült vagy összegabalyodott kábelek megnövelik az áramütés kockázatát.
- **Ha kültérben használja a terméket, használjon kültéri használatra megfelelő hosszabbítókábelét.** A kültéri alkalmazáshoz megfelelő hosszabbító használata csökkenti az áramütés veszélyét.
- **Ha a termék feltétlenül nedves helyen kell használni, alkalmazzon élettvédelmi relét (RCD) védett tápellátást.** RCD használatával csökkenthető az áramütés kockázata.

### Személyes biztonság

- **Legyen elővigyázatos, figyeljen arra, amit csinál, és használja a józan eszét a termék működtetése során. Ne használja a terméket, ha fáradt, illetve ha gyógyszer, gyógykezelés vagy alkohol hatása alatt áll.** A termékek működése közben egy pillanatnyi figyelemkiesés is súlyos személyi sérülést okozhat.
- **Használjon személyi védőfelszerelést. Mindig használjon szemvédőt.** A megfelelő környezetben a védőfelszerelések, például a pormaszok, a csúszásgátló védőcipő, a kemény fejtető és a fülvédő használata csökkenti a személyi sérülések kockázatát.
- **Akadályozza meg a véletlen indítást. Ellenőrizze, hogy a bekapcsoló gomb kikapcsolt állásban van-**



- **e, mielőtt csatlakoztatja az áramforrást és/vagy az akkumulátort, illetve felveszi vagy szállítja a terméket.** Balesetet okozhat, ha a terméket úgy viszi, hogy az ujjja a kapcsolón van, vagy ha a bekapcsolt terméket áram alá helyezi.
- **Távolítson el minden beállító kulcsot vagy csavarkulcsot, mielőtt bekapcsolná a terméket.** A termék forgó alkatrészéhez csatlakozó kulcs vagy más szerszám személyi sérülést okozhat.
- **Ne nyújtózkodjon a termékkel. Mindig szilárdan álljon a talajon, és őrizze meg az egyensúlyát.** Így jobban uralhatja a terméket váratlan helyzetekben.
- **Öltözködjön megfelelően. Ne viseljen ékszereket, rövidnadrágot, szandált, illetve ne legyen mezítláb.** Tartsa távol a haját és ruházatát a mozgó alkatrészekről. A mozgó alkatrészek bekapathatják a laza ruhát, az ékszert vagy a hosszú haját.
- **Ha a készülékhez csatlakoztatható porgyűjtő berendezés, mindig csatlakoztassa és használja azt.** A porgyűjtő alkalmazása csökkenti a porral kapcsolatos veszélyeket.
- **A termékek rendszeres használatából adódó tapasztalata ne vezessen oda, hogy a termékeket könnyelműen, a szerszámbiztonsági alapelvek figyelmen kívül hagyásával működteti.** Egy gondatlanul kivitelezett művelet akár egy századmásodperc alatt is súlyos sérüléshez vezethet.

## A termék használata és karbantartása

- **Ne terhelje túl a terméket. Használja a feladathoz megfelelő terméket.** A megfelelő termék jobb és biztonságosabb munkát fog végezni azon a sebességen, amire tervezték.
- **Ne használja a terméket, ha a kapcsoló nem kapcsolja ki vagy be.** A kapcsolóval nem vezérelhető termékek veszélyesek és javításra szorulnak.
- **Húzza ki a dugaszt az áramforrásból és/vagy vegye ki az akkumulátort (amennyiben kivethető), ha bármilyen beállítást végez, kicseréli egy tartozékot vagy tárolja a termékeket.** Az ilyen megelőző biztonsági intézkedések csökkentik a termék véletlen elindításának veszélyét.
- **A nem használt termékeket tartsa távol a gyermekektől, és ne engedje, hogy olyan személyek működtessék, akik nem ismerik a terméket és ezeket az utasításokat.** A termékek képtelen felhasználók kezében veszélyt jelentenek.
- **Végezze el a termékek és a tartozékok karbantartását. Ellenőrizze, hogy a mozgó alkatrészek helyükön vannak-e, nem szorulnak-e, nem törtek-e le részek, illetve nem áll-e fenn más olyan állapot, amely befolyásolhatja a termék működését. Ha sérült, a használat előtt javíttassa meg a terméket.** Sok balesetet rosszul karbantartott termékek okoznak.
- **Tartsa élesen és tisztán a vágószerszámokat.** A megfelelően karbantartott, éles vágószerszámok kevésbé hajlamosak a beszorulásra, és könnyebb kezelni őket.

- **A terméket, a kiegészítőket és az alkatrészeket stb. ezen utasításokkal összhangban használja, vegye figyelembe a munkakörülményeket és az elvégzendő feladatot.** Ha a terméket nem a rendeltetésének megfelelően használják, veszélyes helyzet állhat elő.
- **A fogantyúkat és fogófelületeket tartsa szárazon, tisztán, olaj- és zsírmentesen.** A csúszós fogantyúk és fogófelületek nem teszik lehetővé a termék biztonságos kezelését és irányítását váratlan helyzetekben.

## Az akkumulátor használata és karbantartása

- **Csak a gyártó által meghatározott töltővel töltsen.** Az a töltő, amelyik az egyik típusú akkumulátorhoz használható, tűzveszélyes lehet, ha másik típusú akkumulátorral használják.
- **A termékeket csak a típusuknak megfelelő akkumulátorokkal használja.** Bármilyen más típusú akkumulátor használata sérülés- és tűzveszélyes.
- **Amikor az akkumulátort nem használja, tartsa távol más fémtárgyaktól, például gémkapcsoktól, érméktől, kulcsoktól, tűktől, csavaroktól vagy más kisebb fémtárgyaktól, amelyek összekapcsolhatják a sarukat.** Az akkumulátorsaruk rövidre zárása égést vagy tüzet okozhat.
- **Nem megfelelő körülmények hatására az akkumulátorból folyadék szivároghat ki. Kerülje az érintkezést. Ha ez véletlenül mégis megtörténik, öblítse le vízzel. Ha a folyadék szembe kerül, forduljon orvoshoz.** Az akkumulátorból távozó folyadék irritációt vagy égési sérülést okozhat.
- **Ne használjon sérült vagy módosított akkumulátort vagy szerszámot.** A sérült vagy módosított akkumulátorok kiszámíthatatlanul viselkedhetnek, ami tüzet, robbanást vagy sérülést okozhat.
- **Az akkumulátort vagy szerszámot ne tegye ki tűznek vagy túl magas hőmérsékletnek.** A tűznek való kitettség, illetve a 130 °C/265 °F feletti hőmérséklet robbanást okozhat.
- **Kövesse a töltésre vonatkozó utasításokat, és ne töltsen az akkumulátort vagy a szerszámot az utasításokban megadott hőmérséklet-tartományon kívül.** A nem megfelelő, illetve a megadott tartományon kívül eső hőmérsékleten való töltés károsíthatja az akkumulátort és növeli a tűzveszélyt.

## Szolgáltatás

- **A termék szervizelését képzett szerelővel végeztesse el, aki kizárólag eredeti cserealkatrészeket használ.** Ez biztosítja, hogy a termék továbbra is biztonságos maradjon.
- **Soha ne szervizelje a sérült akkumulátort.** Az akkumulátor szervizelését csak a gyártó vagy egy hivatalos szolgáltató végezheti el.

## A fűnyírógépre vonatkozó biztonsági figyelmeztetések

- **Rossz időjárási körülmények között – főleg villámlás veszélye esetén – ne használja a fűnyírógépet.** Ez csökkenti a villámcsapás veszélyét.
- **Alaposan vizsgálja meg vadvilág szempontjából azt a területet, ahol a fűnyírógépet használni kívánja.** A vadon élő állatok megsérülhetnek a fűnyírógép működése közben.
- **Alaposan vizsgálja át a területet, ahol a fűnyírógépet használni kívánja, és távolítsa el minden követ, botot, drótot, csontot és egyéb idegen tárgyat.** A felcsapódó tárgyak súlyos személyi sérülést okozhatnak.
- **A fűnyírógép használata előtt mindig ellenőrizze szemrevételezéssel, hogy a kés és a vágószerkezet nem kopott-e vagy sérült-e.** A kopott vagy sérült alkatrészek növelik a sérülésveszélyt.
- **Rendszeresen ellenőrizze, hogy nem észlelhető-e kopás vagy minőségromlás a fűgyűjtőn.** A kopott vagy sérült fűgyűjtő növelheti a személyi sérülés kockázatát.
- **Tartsa a védőburkolatokat a helyükön.** A védőburkolatoknak működőképesnek kell lenniük, és megfelelően kell felszerelni őket. A meglazult, sérült vagy nem megfelelően funkcionáló védőburkolat személyi sérülést okozhat.
- **Minden hűtőlevegő bemeneti nyílást tartson törmelékeltől mentesen.** Az eltömődött levegőbemeneti nyílások és a törmelék túlmelegedést vagy tűzveszélyt okozhatnak.
- **A fűnyírógép működtetése közben mindig viseljen csúszásmentes munkavédelmi lábbelit. Ne használja a fűnyírógépet mezítláb vagy nyitott szandálban.** Ez csökkenti a mozgó késsel való érintkezés miatti lábsérülés kockázatát.
- **A fűnyírógép használata közben mindig viseljen hosszú nadrágot.** A szabadon hagyott bőrfelületek növelik a repülő tárgyak okozta sérülés valószínűségét.
- **Ne működtesse a fűnyírógépet nedves fűvön. Sétáljon, soha ne fusson.** Ez csökkenti az esetleges személyi sérüléshez vezető elcsúszás vagy elesés kockázatát.
- **Ne üzemeltesse a fűnyírógépet túlságosan meredek lejtőkön.** Ez csökkenti az esetleges személyi sérüléshez vezető irányításvetítés, elcsúszás vagy elesés kockázatát.
- **Ha lejtőn dolgozik, mindig ügyeljen arra, hogy stabilan áll, mindig a lejtőn keresztben dolgozzon, soha ne felfelé vagy lefelé, és irányváltáskor legyen rendkívül óvatos.** Ez csökkenti az esetleges személyi sérüléshez vezető irányításvetítés, elcsúszás vagy elesés kockázatát.
- **Legyen különösen körültekintő, ha a fűnyírógépet maga felé húzza, vagy hátrafelé halad. Mindig figyeljen oda a környezetére.** Ez csökkenti a használat közbeni megbotlás kockázatát.

- **Ne érintse meg a késeket és más veszélyes mozgó alkatrészeket, amíg azok mozgásban vannak.** Ez csökkenti a mozgó alkatrészek okozta sérülések kockázatát.
- **A beragadt anyagok eltávolításakor és a fűnyírógép tisztításakor győződjön meg arról, hogy minden főkapcsoló ki van-e kapcsolva, és az akkumulátor le van-e választva.** A fűnyíró váratlan bekapcsolódása súlyos személyi sérülést okozhat.
- **A beragadt anyagok eltávolításakor és a fűnyírógép tisztításakor győződjön meg arról, hogy minden főkapcsoló ki van-e kapcsolva, és távolítsa el a tiltószekélyt.** A fűnyíró váratlan bekapcsolódása súlyos személyi sérülést okozhat.

## Életvédelmi relé

- Használjon egy legfeljebb 30 mA-es kioldóáramra be szabályozott életvédelmi relét.

## Általános biztonsági utasítások



**FIGYELMEZTETÉS:** A termék használata előtt olvassa el az alábbi figyelmeztetéseket.

- Ez a termék veszélyes, ha helytelenül használja, vagy ha nem vigyáz. A biztonsági utasítások be nem tartása sérüléssel vagy halállal járhat.
- A termék működés közben elektromágneses mezőt hoz létre. Ez bizonyos körülmények esetén hatással lehet az aktív vagy passzív orvosi implantátumokra. A súlyos vagy halálos sérülés kockázatának csökkentése érdekében azt javasoljuk, hogy az orvosi implantátumot használt személyek a termék alkalmazása előtt kérjék ki orvosuk vagy az orvosi implantátum gyártójának tanácsát.
- Mindig megfontoltan és előrelátóan cselekedjen. Ha nem biztos benne, hogyan kell a terméket speciális helyzetben üzemeltetni, akkor hagyja abba a tevékenységet, és beszéljen a Husqvarna kereskedőjével a folytatás előtt.
- Ne feledje, hogy a kezelő felelős a másokat és a mások tulajdonát érő balesetekért is.
- Tartsa tisztán a terméket. Ügyeljen arra, hogy a jelek és címkék jól olvashatóak legyenek.
- Soha ne engedje, hogy gyermekek vagy a kezelési utasításokat nem ismerő személyek használják a készüléket. A helyi rendelkezések adott esetben kezelési korhatárt szabhatnak meg.
- Csökkentse fizikai vagy szellemi képességekkel rendelkező személy csak felügyelet mellett használhatja a terméket. Egy felelős felnőttnek mindig jelen kell lennie.
- Ne használja a terméket, ha fáradt, beteg, illetve alkohol, drog vagy gyógyszer hatása alatt áll. Ez negatív hatással van a látására, az éberségére, a koordinációjára és az ítélőképességére.
- Ne használja a terméket, ha az sérült vagy nem működik megfelelően.

- Ne változtassa meg a terméket, vagy ne használja, ha feltehetőleg valaki más változtatásokat hajtott végre rajta.

## Munkabiztonság



**FIGYELMEZTETÉS:** A termék használata előtt olvassa el az alábbi figyelmeztetéseket.

- Ezt a terméket kizárólag füves pázsitok nyírására használja. A termék más feladatokra történő használata nem megengedett.
- Használjon személyi védőfelszerelést. Lásd: *Személyi védőfelszerelés 211. oldalon.*
- Mindenképpen legyen tisztában azzal, hogy vészhelyzet esetén hogyan kell gyorsan leállítani a motort.
- Ne működtesse a terméket esős vagy nedves körülmények között. A termékbe jutó víz növeli az áramütés kockázatát.
- Ne használja a készüléket, hacsak a kés és az összes borítás nincs megfelelően rögzítve. A nem megfelelően rögzített kés kilazulhat, és személyi sérülést okozhat.
- Ügyeljen arra, hogy a kés ne ütközzön olyan tárgyakra, mint például kövek és gyökerek. Ez kárt tehet a késben, és meghajlíthatja a motor tengelyét. A meghajlott tengely erős rezgést okoz, és így nagyon nagy a kockázata annak, hogy a kés meglazul.
- Ha a kés valamilyen tárgynak ütközik vagy rezegni kezd, azonnal állítsa le a terméket. Állítsa le a motort, fordítsa a biztonsági kulcsot „0” állásba, és vegye ki az akkumulátort. Várjon, amíg a mozgó alkatrészek megállnak. Ellenőrizze, hogy a termék sérülésmentes-e. Szorítsa meg a laza alkatrészeket. Javítsa meg a sérüléseket, és cserélje ki a sérült alkatrészeket. Bízva hivatalos szervizműhelyre a javítást.
- Amikor a motor működésben van, soha ne rögzítse tartósan a motorfékgantyút a fogantyúhoz.
- Helyezze a terméket stabil, vízszintes felületre, és kapcsolja be. Gondoskodjon arról, hogy a kés ne ütközzön se a talajba, se egyéb tárgyakra.
- Mindig maradjon a termék mögött, amikor működteti.
- A termék üzemeltetése során minden kerék legyen a talajon, és tartsa két kézzel a fogantyút. Tartsa távol kezét és lábát a forgó késektől.
- Ne döntse meg a terméket a motor indításakor vagy a termék működése közben.
- Legyen óvatos, amikor hátrafelé húzza a terméket.
- Soha ne emelje fel a terméket, ha a motor jár. Ha mindenképpen fel kell emelnie a terméket, először állítsa le a motort, a biztonsági kulcsot fordítsa „0” állásba, és vegye ki az akkumulátort.
- Ne sétáljon hátrafelé a termék működtetése során.
- Állítsa le a motort, ha a terméket szállításhoz meg kell döntenie, vagy mielőtt olyan területeken haladna

át, ahol nincs fű, például kavicsos, kövezett és aszfaltozott járdák.

- Ne fusson a termékkel, ha a motor jár. Mindig sétáljon a termék működtetése során.
- Mielőtt megváltoztatná a vágási magasságot, állítsa le a motort. Soha ne végezzen beállításokat, amikor a motor jár.
- Soha ne hagyja a terméket felügyelet nélkül járó motor esetén. Állítsa le a motort és győződjön meg arról, hogy a vágószerkezet nem forog.
- A termék működés közbeni rezgései eltérhetnek az itt megadott rezgésértékektől: *Műszaki adatok 222. oldalon.* Az eltérést a termék eltérő használati módja okozza. Ha a terméket gyakran vagy hosszú ideig használja, a rezgések okozta sérülések elkerülése érdekében rendszeresen tartson szünetet.

## Biztonsági utasítások az üzemeltetéshez

### Személyi védőfelszerelés



**FIGYELMEZTETÉS:** A termék használata előtt olvassa el az alábbi figyelmeztetéseket.

- A személyi védőfelszerelés nem küszöböli ki teljes mértékben a sérülés kockázatát, de csökkenti a sérülés mértékét, ha bekövetkezik a baleset. A megfelelő felszerelés kiválasztásában kérje a kereskedő segítségét.
- Használjon nagy teherbírású, csúszásmentes bakancsot vagy cipőt. Ne használja nyitott cipőben vagy meztláb a terméket.
- Viseljen vastag, hosszú szárú nadrágot.
- Viseljen védőkesztyűt, például a vágószerkezet felhelyezésekor, ellenőrzésekor vagy tisztításakor.
- Javasoljuk, hogy használjon hallásvédőt.

### Biztonsági eszközök a terméken



**FIGYELMEZTETÉS:** A termék használata előtt olvassa el az alábbi figyelmeztetéseket.

- Ne használja a terméket sérült vagy nem megfelelően működő biztonsági eszközökkel.
- Ne távolítsa el és ne végezzen módosításokat a biztonsági eszközökhöz.
- Rendszeresen ellenőrizze a biztonsági eszközöket. Ha a biztonsági eszközök sérültek vagy nem működnek megfelelően, forduljon a Husqvarna szakszervizhez.

### A vágóburkolat ellenőrzése

A vágóburkolat csökkenti a termék rezgését és a kés okozta sérülések kockázatát.

- Vizsgálja meg a vágóburkolatot, hogy nincs rajta sérülés, például repedés.

## A biztonsági kulcs ellenőrzése

A biztonsági kulcs az akkumulátorfedél alatt helyezkedik el. A biztonsági kulcs csatlakoztatja a motort ellátó akkumulátort.

- A biztonsági kulcs ellenőrzéséhez indítsa be, majd állítsa le a motort.
- Ha a biztonsági kulcs megfelelően működik, a motor csak akkor indítható be, ha a biztonsági kulcs az „1” állásba van fordítva. (ábra 16)

## A hátsó burkolat ellenőrzése

A hátsó burkolat csökkenti annak veszélyét, hogy a tárgyak a kezelő felé verődjenek fel.

- Ellenőrizze, hogy a hátsó burkolat sértetlen-e.
- Ellenőrizze, hogy a hátsó burkolatot bezáró rugók nem sérültek-e.
- Cserélje ki a sérült rugókat és a meghibásodott alkatrészeket.
- Ellenőrizze, hogy a hátsó burkolat gördülékenyen mozog-e a zsanérokon.

## A motorfékfogantyú ellenőrzése

A motorfékfogantyú a motor leállítására szolgál. Ha elengedi a motorfékfogantyút, a motor leáll.

- Indítsa be a terméket. Lásd: *A termék elindítása 215. oldalon.*
- Engedje el a motorfékfogantyút. (ábra 17)
- Ügyeljen arra, hogy a termék megálljon. Ha a motor 3 másodpercen belül nem áll le, állítsa be egy hivatalos Husqvarna szakszervizben a motorféket.

## Az indításgátló ellenőrzése

Bizonyosodjon meg arról, hogy az indításgátló megakadályozza a motor elindulását.

1. Nyomja a motorfékfogantyút a fogantyú irányába. Az indításgátló megakadályozza a mozgást.
2. Nyomja kifelé az indításgátlót. (ábra 18)
3. Engedje ki az indításgátlót, és győződjön meg arról, hogy az visszatér alaphelyzetbe.

## Az akkumulátorral kapcsolatos biztonsági előírások



**FIGYELMEZTETÉS:** A termék használata előtt olvassa el az alábbi figyelmeztetéseket.

- A Husqvarna tölthető akkumulátorokat csak a kompatibilis Husqvarna termékek tápellátására használja. Ne használja az akkumulátort más eszközök áramforrásaként, mivel ez balesetveszélyes.
- Ne használjon nem újratölthető akkumulátorokat.

- Elektromos áramütés veszélye. Ne érintse az akkumulátorsarukat kulcsokhoz, érmékhez, csavarokhoz vagy egyéb fémhez. Ez az akkumulátor rövidzárlatát okozhatja.
- Ne tegyen tárgyakat az akkumulátor szellőzőnyílásaiba.
- Tartsa távol az akkumulátort a közvetlen napsütéstől, hőtől és nyílt lángtól. Az akkumulátor felrobbanhat, és súlyos égési, illetve vegyi égési sérüléseket okozhat.
- Tartsa az akkumulátort esős, nedves környezettől távol.
- Tartsa az akkumulátort mikrohullámoktól és magas nyomástól távol.
- Soha ne próbálkozzon az akkumulátor szétszerelésével vagy széttörésével.
- Ha az akkumulátor szivárog, ne hagyja, hogy a folyadék bőrre vagy szembe kerüljön. Ha a folyadékhoz ért, nagy mennyiségű vízzel tisztítsa meg az adott testfelületet, és forduljon orvoshoz.
- Az akkumulátort csak 5 °C és 40 °C közötti környezeti hőmérséklet mellett használja a termékben.
- Az akkumulátortöltőt csak 5 °C és 40 °C közötti környezeti hőmérséklet mellett használja.
- Az akkumulátor nem töltődik fel, ha az akkumulátor hőmérséklete 50 °C-nál magasabb.
- Soha ne tisztítsa vízzel az akkumulátort vagy az akkumulátortöltőt. Lásd: *Az akkumulátor és az akkumulátortöltő tisztítása 217. oldalon.*
- Ne használjon sérült akkumulátort.
- A tárolás során tartsa az akkumulátorokat távol a fém tárgyaktól, például szegektől, érméktől, ékszerektől.

## Az akkumulátortöltő készülék biztonsága



**FIGYELMEZTETÉS:** A termék használata előtt olvassa el az alábbi figyelmeztetéseket.

- A QC akkumulátortöltőket csak a Husqvarna csereakkumulátorok töltésére használja.
- Áramütés vagy rövidzárlat veszélye. Ne tegyen tárgyakat a töltő szellőzőnyílásaiba. Ne próbálkozzon az akkumulátortöltő szétszerelésével. Ne érintsen a töltő csatlakozóihoz fémtárgyat. Használjon jóváhagyott hálózati aljzatot.
- A termék működés közben elektromágneses mezőt hoz létre. Ez bizonyos körülmények esetén hatással lehet az aktív vagy passzív orvosi implantátumokra. A súlyos vagy halálos sérülés kockázatának csökkentése érdekében azt javasoljuk, hogy az orvosi implantátumot használó személyek a termék alkalmazása előtt kérjék ki orvosuk vagy az orvosi implantátum gyártójának tanácsát.
- Rendszeresen ellenőrizze, hogy az akkumulátortöltő tápkábele nem sérült-e, és hogy nincs rajta repedés.

- Ne emelje fel az akkumulátortöltőt a tápkábelnél fogva. Az akkumulátortöltőt fali aljzatból történő kihúzásához a dugaszt húzza. Ne a tápkábel húzza.
- Tartsa távol a hálózati tápkábelt és a hosszabbítókábelt a víztől, az olajtól és az éles élektől. Ügyeljen rá, hogy a kábel ne csipődjön be ajtóba, korlátba vagy hasonló tárgyba. Ilyen esetben a töltő feszültség alá kerülhet.
- Soha ne tisztítsa vízzel az akkumulátortöltőt.
- Az akkumulátortöltőt 8 éven felüli gyermekek, illetve csökkent fizikai, érzékelési vagy szellemi képességekkel rendelkező, vagy az akkumulátortöltő működtetésében járatlan személyek is használhatják, amennyiben ezt felügyelet mellett teszik, illetve ismerik a készülék biztonságos működtetésének módját és az azzal járó veszélyeket. Gyermekek nem játszhatnak az akkumulátortöltővel. Gyermekek csak felügyelet mellett végezhetnek tisztítást és karbantartást.
- Ne töltsön nem újratölthető akkumulátorokat a töltővel.
- Ne használja az akkumulátortöltőt gyúlékony anyagok vagy olyan anyagok közelében, amelyek korróziót okozhatnak. Ne takarja le a töltőkészüléket. Amennyiben a töltő füstölni vagy égni kezdene, húzza ki a dugóját.
- Ne használjon sérült akkumulátortöltőt.
- Az akkumulátort csak jó szellőzésű helyiségben, napfénytől távol töltsen. Ne töltsen az akkumulátort nedves körülmények között.
- A véletlen beindítás elkerülése érdekében karbantartáskor fordítsa a biztonsági kulcsot „0” állásba, és távolítsa el az akkumulátort. A karbantartás megkezdése előtt várjon legalább 5 másodpercet.
- Csak a felhasználói kézikönyvben megadott karbantartást végezze el. Komolyabb beavatkozásokat és szakszerű javításokat csak hivatalos szerviznek végezhet. Bővebb információért forduljon a legközelebbi szakszervizhez.
- A termék élettartamának növelése és a balesetveszély elkerülése érdekében végezze el szakszerűen a karbantartási műveleteket.
- A sérült, kopott vagy törött alkatrészt cserélje ki. Mindig a gyártó eredeti pótalkatrészeit használja. Más pótalkatrészek károsíthatják a terméket, és növelhetik a balesetveszélyt.
- A sérülések elkerülése érdekében ne távolítsa el és ne végezzen módosításokat a biztonsági eszközökön.
- A vágószerszemet használata során viseljen strapabíró védőkesztyűt. A kés nagyon éles, könnyen megvághatja magát.
- A legjobb és legbiztonságosabb teljesítmény érdekében tartsa a vágóéleket élesen és tisztán.
- Rendszeresen ellenőriztesse a gépet a szakszervizzel, és végeztesse el a szükséges beállításokat és javításokat.
- Kövesse a tartozékcserére vonatkozó utasításokat. Kizárólag a gyártótól származó tartozékokat használja.
- Ha nincs használatban, tartsa a terméket, az akkumulátort és az akkumulátortöltőt elkülönítve egy száraz, beltéri és zárt területen. Gondoskodjon róla, hogy gyermekek és felhatalmazással nem bíró személyek ne férhessenek hozzá a termékhez, az akkumulátorhoz és az akkumulátortöltőhöz.

## Biztonsági utasítások a karbantartáshoz



**FIGYELMEZTETÉS:** A termék használata előtt olvassa el az alábbi figyelmeztetéseket.

## Összeszerelés

### Bevezető



**FIGYELMEZTETÉS:** A termék összeszerelése előtt olvassa el a biztonságra vonatkozó fejezetet.



**FIGYELMEZTETÉS:** A véletlen beindítás elkerülése érdekében az összeszereléskor fordítsa a biztonsági kulcsot „0” állásba, vegye ki az akkumulátort, és várjon legalább 5 másodpercet.

### A fogantyú összeszerelése

**Megjegyzés:** Javasoljuk, hogy ezt az eljárást 2 személy végezze el.

**Megjegyzés:** A fogantyú összeszerelésekor ne vegye ki a terméket a dobozból. A dobozt használhatja a fogantyú megtámasztásához az összeszerelés során.

1. Emelje meg és forgassa el a fogantyút. (ábra 19)



**VIGYÁZAT:** Legyen óvatos, és ügyeljen arra, hogy a kábel ne sérüljön meg a fogantyú elforgatásakor.

- Helyezze a fogantyút a termék tetejére. A fogantyú megtámasztásához döntse a fogantyút a doboz felé. Lásd az illusztrációt. (ábra 20)
- Nyomja át a csavart (A) a fogantyún (B), a műanyag alátétet (C) és a fogantyú tartókonvolján (D). (ábra 21)
- Húzza meg teljesen az anyát (E).
- Vegye ki a terméket a dobozból.
- Hajtsa ki a fogantyút a legfelső pozícióba. (ábra 22)
- Állítsa a fogantyú magasságát a legalacsonyabb helyzetbe. Lásd: *A fogantyú beállítása 214. oldalon.*
- A kábelrögzítő segítségével rögzítse a kábelt a fogantyú alsó részéhez. (ábra 23)
- Csatlakoztassa a kábel alsó részét a fogantyú tartókonvoljához a kábelkötegelővel. Vágja le a kábelkötegelő fennmaradó részét. (ábra 24)

**Megjegyzés:** Ellenőrizze, hogy a kábel megfelelően van-e csatlakoztatva. Ha túl laza a kábel, az a kábel sérülését okozhatja a fűújtő felszerelésekor. (ábra 25)

## A fogantyú beállítása

- Lazítsa meg az alsó csavarokat.
- A gombokat a termék bal és jobb oldalán is csúsztassa a hornyok alsó végébe. (ábra 26)
- Állítsa a fogantyú magasságát a két lehetséges pozíció egyikébe.
- A gombokat ütközésig csúsztassa a fogantyú irányába, amíg egy kattánót nem hall. (ábra 27)
- Teljesen húzza meg a gombokat.

## Üzemeltetés

### Bevezető



**FIGYELMEZTETÉS:** A termék működtetése előtt el kell olvasnia és meg kell értenie a biztonságról szóló fejezetet.

### Husqvarna Connect

A Husqvarna Connect egy ingyenes mobilalkalmazás. A Husqvarna Connect alkalmazás kibővített funkciókat biztosít Husqvarna termékéhez:

- Bővebb termékinformációk.
- Információk és segítség a termékalkatrészekkel és a szervizeléssel kapcsolatban.

### A Husqvarna Connect használatának megkezdése

- Töltse le a Husqvarna Connect alkalmazást mobilszközére.
- Regisztráljon egy fiókot a Husqvarna Connect alkalmazásban.
- A termék csatlakoztatásához és regisztrálásához kövesse a Husqvarna Connect alkalmazásban megjelenő utasításokat.

### A termék működési pozícióba állítása

- Győződjön meg róla, hogy az alsó gombok lazák. Lásd: *A fogantyú beállítása 214. oldalon.*
- Hajtsa ki a fogantyút a legfelső pozícióba. (ábra 22)
- A gombokat ütközésig csúsztassa a fogantyú irányába, amíg egy kattánót nem hall. (ábra 27)
- Teljesen húzza meg a gombokat.



**FIGYELMEZTETÉS:** Csak akkor működtesse a terméket, ha a fogantyú teljesen fel van hajtva, és a megfelelő magassági helyzetek egyikébe be van állítva. Lásd: *A fogantyú beállítása 214. oldalon.*

### A vágási magasság beállítása

- Mozgassa a vágási magasságot szabályozó kart hátrafelé a vágási magasság növeléséhez.
- Mozgassa a vágási magasságot szabályozó kart előre felé a vágási magasság csökkentéséhez. (ábra 28)



**VIGYÁZAT:** Ne állítsa túl alacsonyra a vágási magasságot. A kések a talajba ütközhetnek, ha a pázsit felülete nem egyenes.

### Akkumulátor



**FIGYELMEZTETÉS:** Az akkumulátor használata előtt el kell olvasnia és meg kell értenie a biztonságról szóló fejezetet. Olvassa el figyelmesen az akkumulátorhoz és az akkumulátortöltőhöz mellékelt használati útmutatót is.

Tartsa az akkumulátort és az akkumulátortöltőt megfelelő környezeti hőmérsékleten.

	Környezeti hőmérséklet
Az akkumulátor használata	5 °C – 40 °C

	<b>Könyezeti hőmérséklet</b>
Az akkumulátor fel-töltése	5 °C – 40 °C

## Az akkumulátor állapota

A kijelző jelzi az akkumulátor töltöttségét, valamint azt, hogy van-e valami probléma az akkumulátorral. Nyomja meg az akkumulátorjelző gombot az akkumulátor töltöttségi állapotára vonatkozó információk megtekintéséhez. Hiba esetén az akkumulátor figyelmeztető lámpája világít. Lásd: *Akkumulátor218. oldalon.*

(ábra 29)

LED lámpák	Az akkumulátor állapota
Minden LED világít	Teljes töltöttség (76–100%)
Az 1., 2. és 3. LED világít	Az akkumulátor töltöttsége 51–75%-os.
Az 1. és 2. LED világít	Az akkumulátor töltöttsége 26–50%-os.
Az 1. LED világít	Az akkumulátor töltöttsége 6–25%-os.
Az 1. LED villog	Az akkumulátor töltöttsége 0–5%-os

## Az akkumulátor töltése

Az első használat előtt tölts fel az akkumulátort. Az akkumulátor gyárilag csak 30%-ra van feltöltve.

**Megjegyzés:** Az akkumulátortöltőt a típusablán szereplő feszültségű és frekvenciájú áramforráshoz kell csatlakoztatni.

Ha az akkumulátor hőmérséklete 50 °C felett van, a töltés nem indul el. Az akkumulátortöltő csökkenti az akkumulátor hőmérsékletét, mielőtt megkezdene annak töltését.

- Csatlakoztassa az akkumulátortöltőhöz való tápkábel egyik végét az akkumulátortöltő aljzatához.
- Csatlakoztassa az akkumulátortöltőhöz való tápkábel másik végét egy földelt hálózati aljzathoz. Egyszer zölden felvillan a töltő LED-je. (ábra 30)
- Helyezze az akkumulátort a töltőbe. Az akkumulátor és a töltő közötti helyes érintkezésről a töltőn lévő zöld lámpa világítása tanúskodik. (ábra 31)
- Ha az akkumulátoron az összes LED világít, az akkumulátor teljesen fel van töltve. Az akkumulátort legfeljebb 24 óráig töltsé.
- Az akkumulátortöltő fali aljzataból történő kihúzásához a dugaszt húzza, ne a tápkábelt.

- Vegye ki az akkumulátort a töltőből.

## A termék elindítása

- Nyissa fel az akkumulátorfedelel.
- Helyezze a feltöltött akkumulátort az akkumulátortartók egyikébe. Hosszabb használati idő esetén tegyen egy második feltöltött akkumulátort a másik akkumulátortartóba.
- Állítsa a biztonsági kulcsot „1” állásba. (ábra 32)
- Maradjon a termék mögött.
- Oldja ki az indításgátlót. (ábra 18)
- Nyomja a motorérfogantyút a fogantyú irányába. (ábra 33)

## A kerekeken levő meghajtó használata (LC 251IS)

- Nyomja a kerékajítás kapcsoló kart a fogantyú irányába. (ábra 34)
- Engedje el a kerékajítás kapcsoló kart, hogy kikapcsolja a meghajtást, például amikor akadály közelébe ér.
- Mielőtt maga felé húzza a gépet, kapcsolja ki a meghajtást, és tolja előre a gépet kb. 10 cm-re.

## A SavE™ funkció használata ( )

A termék akkumulátorkímélő funkcióval (SavE™) rendelkezik, amely hosszabb üzemidőt biztosít.

- A funkció elindításához nyomja meg a SavE™ gombot, hogy az „1” állásban legyen. (ábra 35)
- A funkció leállításához nyomja meg a SavE™ gombot, hogy az „0” állásban legyen.

**Megjegyzés:** A SavE™ funkció automatikusan leáll, ha a talajkörmények nagyobb teljesítményt követelnek meg. A SavE™ funkció automatikusan újra bekapcsol, ha a talajkörmények lehetővé teszik.

## Nagy terhelésű üzemmód funkció

Ha a termékkel hosszú vagy nedves fűvet vág, a motor automatikusan növeli a fordulatszámot. A motor normál módba tér vissza, ha a nincs szükség nagy terhelésre.

## A motor leállása

Használat közben a kés és a motor ideiglenesen leállhat olyan akadályok miatt, mint például a fű összetörődése a vágóburkolat alatti. Ha ez bekövetkezik, és a motorérfogantyút lenyomva tartja, a termék automatikusan újraindul. Ha a készülék 5-10 másodpercen belül nem indul újra, szükség lehet a vágóburkolat alatti terület kitisztítására. Lásd: *A termék tisztítása217. oldalon.*



**FIGYELMEZTETÉS:** Ha a motor leáll, a termék 5-10 másodpercig automatikusan próbál újraindulni. Várjon

legalább 15 másodpercet, mielőtt ellenőrizné a vágófelelet.



### FIGYELMEZTETÉS:

A vágóburkolat ellenőrzése előtt engedje el a motorfékfogantyút, fordítsa a biztonsági kulcsot „0” állásba, vegye ki az akkumulátort, és várjon legalább 5 másodpercet. Az akadály eltávolítása után a termék véletlen elindulása sérülésveszélyt okozhat.

## A termék leállítása



**FIGYELMEZTETÉS:** Mindig állítsa a biztonsági kulcsot „0” állásba, ha a terméket felügyelet nélkül hagyja.

1. A motor leállításához engedje fel a motorfékfogantyút. (ábra 36)

### Megjegyzés:

A(z) LC 251iS típus esetében. A kerékajtás leállításához engedje el a kerékajtás-kapcsoló kart.

2. Nyissa fel az akkumulátorfedelelet, és fordítsa a biztonsági kulcsot „0” állásba. (ábra 37)
3. Az akkumulátor eltávolításához nyomja meg a két kioldógombot, és húzza ki az akkumulátort. (ábra 38)
4. Töltse fel a gyenge töltöttségű akkumulátort. További információért lásd: *Az akkumulátor töltése 215. oldalon.*

## A termék használata fűgyűjtővel



**FIGYELMEZTETÉS:** Ne működtesse a terméket, ha nincs felszerelve fűgyűjtő, vagy nincs lezárva a hátsó burkolat. A termék tárgyakat repíthet szét, amelyek a kezelő sérülését okozhatják.

1. Emelje fel a hátsó burkolatot. (ábra 39)
2. Helyezze a fűgyűjtőt a rögzítőkeretre.
3. Engedje el a hátsó burkolatot, és tegye a fűzsák keretének tetejére. (ábra 40)

## A termék átállítása oldalsó kidobás üzemmódra

1. Emelje fel a hátsó burkolatot, és távolítsa el a fűzsákot (ha be van helyezve).

2. Zárja le a hátsó burkolatot, és ellenőrizze, hogy szorosan a termékhez rögzül-e.
3. Emelje fel a kidobó reteszt. (ábra 41)
4. Nyissa fel az oldalsó fűkidobó fedelét, és szerelje fel az oldalsó kidobóelterelőt a tartócsapokra. (ábra 42)
5. Hagyja az oldalsó fűkidobó fedelét szorosan az oldalsó kidobóelterelőhöz rögzülni. A termék használata előtt ellenőrizze, hogy az oldalsó kidobóelterelő szorosan rögzült-e a helyén.

## A fűgyűjtő kiürítése



**VIGYÁZAT:** Emelje meg a fűgyűjtőt annak mozgatásakor, hogy elkerülje az elhasználódását.

1. A keret fogantyújánál fogva emelje fel a fűgyűjtőt.
2. A fűgyűjtő kiürítéskor használja a vázon és a zsákon található fogantyút. (ábra 43)

## Megfelelő eredmény elérése

- Használjon mindig éles kést. A tompa kés egyenetlen eredményt ad, és a fű vágási felülete megsárgul. Az éles kés egyben kevesebb energiát igényel, mint a tompa kés.
- Ne nyírjon le többet a fű hosszának  $\frac{1}{3}$ -ánál. A fűnyírás megkezdésekor használja a legmagasabb vágási magasságot. Vizsgálja meg az eredményt, és csökkentse a vágási magasságot egy megfelelő szintre. Ha nagyon magas a fű, lassan és szükség esetén 2-szer nyírjon.
- Minden alkalommal más irányban haladjon, hogy ne alakuljanak ki sávok a pázsiton.
- Emelje fel a hátsó burkolatot, és vegye ki a fűgyűjtőt.
- Ha van felszerelve mulcsozó dugó és mulcsozó kés, szerelje le azokat.
- Zárja le a hátsó burkolatot, mielőtt használni kezdené a terméket. A termék használatakor a levágott fű a hátsó burkolat alatt ürül.
- Tartsa tisztán a vágóburkolatot. A vágóburkolat belső oldalán lerakódott fű és szennyeződés ronthatja a vágási eredményt. Lásd: *A termék tisztítása 217. oldalon.*



# Karbantartás

## Bevezetés



**FIGYELMEZTETÉS:** Karbantartás előtt el kell olvasnia és meg kell értenie a biztonságról szóló fejezetet.

A gépen végzett minden szerviz- és javítási munkát szakképzettséget igényel. Garantáljuk a professzionális javítások és szervizelés lehetőségét.

Részletesebb információért lásd: [www.husqvarna.com](http://www.husqvarna.com).

## Karbantartási terv

A karbantartási intervallumok meghatározásakor a termék napi használatát feltételeztük. Az intervallum változik, ha a terméket nem napi rendszerességgel használja.

A \* szimbólummal jelölt karbantartási műveletekhez lásd: *Biztonság208. oldalon*.

	Minden használat során	Havi	Évszakonként
Végezzen általános ellenőrzést	X		
Tisztítsa meg a terméket	X		
Ellenőrizze az indításgátlót *	X		
Ellenőrizze, hogy nem hibásak-e a termék biztonsági eszközei *	X		
Ellenőrizze a vágószerkezetet	X		
Ellenőrizze a vágóburkolatot *	X		
Ellenőrizze a motorfékfogantyút *	X		
Ellenőrizze, nem sérült-e az akkumulátor	X		
Ellenőrizze az akkumulátor töltöttségét	X		
Ellenőrizze, működnek-e az akkumulátor kioldógombjai, és megfelelően rögzül-e az akkumulátor a termékben	X		
Ellenőrizze az akkumulátortöltő épségét; győződjön meg arról, hogy megfelelően működik-e.		X	
Ellenőrizze az akkumulátor és a termék közötti csatlakozásokat. Ellenőrizze az akkumulátor és az akkumulátortöltő közötti csatlakozásokat is.			X

## Általános ellenőrzés

- Ellenőrizze, hogy az anyák és csavarok meg vannak-e szorítva a terméken.
- Ellenőrizze, hogy a termék kábelei úgy helyezkednek-e el, hogy ne tudjanak megsérülni.

## A termék tisztítása

- A műanyag részeket tiszta, száraz törlőkendővel tisztítsa.
- A termék tisztításához ne használjon vizet. A víz az akkumulátorba vagy a motorba jutva azok rövidzárlatát vagy a termék károsodását okozhatja.
- Ne használjon nagynyomású mosót a termék tisztításához.
- Ne irányítsa a vízsugarat közvetlenül a motorra.

- Kefével távolítsa el a leveleket, a fűvet és az egyéb szennyeződések.

## Az akkumulátor és az akkumulátortöltő tisztítása



**FIGYELMEZTETÉS:** Soha ne tisztítsa vízzel az akkumulátort vagy az akkumulátortöltőt.



**FIGYELMEZTETÉS:** Az akkumulátor tisztításához ne használjon vegyi anyagokat.

- Mielőtt az akkumulátort a töltőkészülékbe helyezné, győződjön meg róla, hogy az akkumulátor és az akkumulátortöltő tiszta és száraz-e.
- Az akkumulátorsaruk tisztítását sűrített levegővel vagy egy puha és száraz ruhával végezze.
- Az akkumulátor és a töltőkészülék felületének tisztítását puha és száraz ruhával végezze.

és az ujjak beszorulhatnak a kés és az álló alkatrészek közé.

## A vágószerkezet ellenőrzése



**FIGYELMEZTETÉS:** A véletlen beindítás elkerülése érdekében fordítsa a biztonsági kulcsot „0” állásba, vegye ki az akkumulátort, és várjon legalább 5 másodpercet.



**FIGYELMEZTETÉS:** A vágószerkezet karbantartásakor használjon védőkesztyűt. A kés nagyon éles, könnyen megvághatja magát.

1. Ellenőrizze a vágószerkezetet sérülés, repedés szempontjából. Mindig cserélje ki a sérült vágószerkezetet.
2. Nézze meg a kést, hogy sérült-e vagy tompa-e.

**Megjegyzés:** A kés élezését követően ki kell egyensúlyozni. Végeztesse a kés élezését, cseréjét és kiegyensúlyozását szervizközponttal. Ha olyan akadályba ütközött, amely megállította a terméket, cserélje ki a sérült kést. Vizsgálta meg a szervizközpontban, hogy élezhető-e a kés, vagy pedig cserét igényel-e.

## A kés cseréje

Lásd: *Műszaki adatok222. oldalon* a megfelelő késtípust illetően.



**FIGYELMEZTETÉS:** A kés cseréjekor rögzítse a kést egy fadarabbal, hogy elkerülje az ujjak sérülését. A kés elmozdulhat, ha a motor ki van kapcsolva,

1. Rögzítse a kést egy fadarabbal. (ábra 44)
2. Távolítsa el a késtartó csavart, az alátétet és a kést. (ábra 45)
3. Ellenőrizze a késtámszot és a késtartó csavart, hogy sérült-e.
4. Ellenőrizze a motor tengelyét, hogy nincs-e meghajolva.
5. Az új kés rögzítésekor a kés ferde vége a vágóburkolat felé nézzen. (ábra 46)
6. Győződjön meg róla, hogy a kés igazodik a motortengely középpontjához.
7. Rögzítse a kést egy fadarabbal. Helyezze fel az alátétet, és húzza meg a csavart 23 – 28 Nm nyomatékkal. (ábra 47) (ábra 45)
8. Forgassa meg a kést kézzel, és figyelje, hogy szabadon forog-e.



## FIGYELMEZTETÉS:

Használjon strapabíró kesztyűt. A kés nagyon éles, könnyen megvághatja magát.

9. Indítsa be a terméket, hogy tesztelje a kést. Ha a kés nincs megfelelően rögzítve, a termékben rezgés tapasztalható, vagy a vágási eredmény nem kielégítő.

## Az oldalsó kidobóelterelő ellenőrzése

Az oldalsó kidobóelterelő a termék oldalsó kidobónyílására van rögzítve. Csökkenti annak veszélyét, hogy a tárgyak a kezelő fűnyírási pozíciója felé repüljenek.

1. Ellenőrizze, hogy az oldalsó kidobóelterelő nem sérült-e.
2. Ellenőrizze az oldalsó kidobóelterelőt. Ellenőrizze, hogy nem lát-e hibákat, például nincsenek-e repedések, illetve nem törtek-e el az ajtó bezáródását biztosító rugók.
3. Ha az oldalsó kidobóelterelő vagy a rugók sérültek, cserélje ki őket.

## Hibaelhárítás

### Akkumulátor

LED az akkumulátoron	Ok	Megoldás
A zöld LED villog.	Az akkumulátor feszültsége alacsony.	Töltse fel az akkumulátort. Lásd: <i>Az akkumulátor töltése215. oldalon.</i>

LED az akkumulátoron	Ok	Megoldás
Az akkumulátor hibajelző LED-je villog.	Az akkumulátor túl hideg vagy túl meleg a használathoz.	Hagyja lehűlni, vagy vigye beltéri helyiségbe, és melegítse fel az akkumulátort. Ha az akkumulátor hőmérséklete megfelelő, ismét használható. Az akkumulátort csak 5 °C és 40 °C közötti környezeti hőmérséklet mellett használja a termékben.
	Az akkumulátor lemerült.	Töltse fel az akkumulátort. Lásd: <i>Az akkumulátor töltése</i> 215. oldalon.
Az akkumulátor hibajelző LED-je világít.	Maradandó akkumulátorhiba tapasztalható.	Forduljon az illetékes Husqvarna márkaszervizhez.

## Akkumulátortöltő

LED az akkumulátortöltőn	Ok	Megoldás
A hibajelző LED villog vagy világítani kezd.	Az akkumulátortöltő túl hideg vagy túl meleg a használathoz.	Hagyja lehűlni, vagy vigye beltéri helyiségbe, és melegítse fel az akkumulátortöltőt. Ha az akkumulátortöltő hőmérséklete megfelelő, ismét használható. Az akkumulátortöltőt csak 5 °C és 40 °C közötti környezeti hőmérséklet mellett használja.
	Egyéb hibák.	Forduljon az illetékes Husqvarna márkaszervizhez.

## Fűnyíró

A figyelmeztetésjelző (hibajelző LED) az akkumulátorfedél alatt található.

Probléma	Hibajelző LED (világítások száma)	Ok	Megoldás
Villog a hibajelző LED. A termék nem működik megfelelően.	3	A kés megszorult.	A véletlen beindítás megelőzéséhez mindig állítsa a biztonsági kulcsot „0” állásba. Távolítsa el az akkumulátort, és várjon legalább 5 másodpercet. Távolítsa el az esetleges akadályokat, és ellenőrizze, hogy a kés szabadon forog-e. Ha a probléma továbbra is fennáll, forduljon az illetékes Husqvarna márkaszervizhez.
	5	A motor fordulatszámja túlságosan lecsökken, majd a motor leáll.	Növelje a vágási magasságot. Lásd: <i>A vágási magasság beállítása</i> 214. oldalon.
	6 <sup>45</sup>	A kerekek vagy a sebességváltó be vannak akadva.	A véletlen beindítás megelőzéséhez mindig állítsa a biztonsági kulcsot „0” állásba. Távolítsa el az akkumulátort, és várjon legalább 5 másodpercet. Távolítsa el az esetleges akadályokat, és ellenőrizze, hogy a kerekek szabadon tudnak-e forogni. Ha a probléma továbbra is fennáll, forduljon az illetékes Husqvarna márkaszervizhez.
	10	A motorvezérlő túl forró.	Állítsa le a motort, és várjon, amíg lehűl.
Villog a hibajelző LED. A termék leáll.	Nem villog	Akkumulátorcsatlakozó hiba.	Vizsgálja meg az akkumulátor csatlakozóját.
	3	A motor túlterhelése tapasztalható.	Növelje a vágási magasságot. Lásd: <i>A vágási magasság beállítása</i> 214. oldalon.
	8	Az akkumulátor töltöttségi szintje alacsony.	Töltse fel az akkumulátort. Lásd: <i>Az akkumulátor töltése</i> 215. oldalon.
	9	Akkumulátorhiba, vagy nincs jel az akkumulátortól.	Helyezze be megfelelően az akkumulátort, és ellenőrizze az akkumulátorcsatlakozót. Ha az akkumulátoron lévő hibajelző LED villog. Lásd: <i>Akkumulátor</i> 218. oldalon.
	15	Nem megfelelő indítási folyamat. A motorfékfogantyút a motor beindítása előtt behúzza.	Engedje el a motorfékfogantyút, és várjon kb. 5 másodpercet. A termék elindításához húzza be újra a motorfékfogantyút.
Egyéb hibák.	Egyéb hibák esetén fordítsa a biztonsági kulcsot „0” állásba, vegye ki az akkumulátort, és forduljon az illetékes Husqvarna márkaszervizhez.		

<sup>45</sup> LC 251IS

---

# Szállítás, tárolás és ártalmatlanítás

---

## Bevezetés



**FIGYELMEZTETÉS:** A szállítás és tárolás közbeni véletlen beindítás elkerülése érdekében fordítsa a biztonsági kulcsot „0” állásba, vegye ki az akkumulátort, és várjon legalább 5 másodpercet.

## A termék szállítási helyzetbe állítása

1. Lazítsa meg az alsó csavarokat.
2. A gombokat a termék bal és jobb oldalán is csúsztassa a hornyok alsó végébe. (ábra 26)
3. Hajtsa előre a fogantyút. (ábra 48)

## Szállítás

- A mellékelt lítium-ion akkumulátorokra a veszélyes anyagokra vonatkozó jogszabályok követelményei érvényesek.
- Kereskedelmi szállításnál be kell tartani a csomagoláson és címkéken szereplő speciális előírásokat.
- Ügyeljen rá, hogy betartsa a veszélyes anyagokra vonatkozó jogszabályokat a termék szállításra való előkészítésekor. Az esetleges helyi jogszabályokat is be kell tartani.
- Szállításhoz mindig vegye ki az akkumulátort.
- Tegyen ragasztószalagot az akkumulátor csatlakozóira, és gondoskodjon róla, hogy az akkumulátor ne mozdulhasson el a szállítás során.
- Szállításkor rögzítse a terméket.

## Tárolás

- Tárolás előtt hagyja lehűlni a terméket.
- Tároláshoz mindig vegye ki az akkumulátort.
- A baleset megelőzése érdekében tároláskor az akkumulátor ne csatlakozzon a termékhez.
- Az akkumulátortöltőt zárt, száraz helyen tárolja.
- Az akkumulátort és az akkumulátortöltőt száraz helyen tárolja, ahol nem alakul ki nedvesség vagy fagy.
- A tárolás során csatlakoztassa le az akkumulátort az akkumulátortöltőtől.
- Ne tartsa az akkumulátort olyan helyen, ahol elektrosztatikus töltés lehet jelen. Ne tartsa az akkumulátort fém dobozban.
- A terméket olyan helyen tárolja, ahol a környezeti hőmérséklet  $-10\text{ °C}$  és  $40\text{ °C}$  között van.
- Olyan helyen tárolja az akkumulátort, ahol a környezeti hőmérséklet mindig  $5\text{ °C}$  és  $25\text{ °C}$  közé esik, és védve van a napfénytől.

- Olyan helyen tárolja az akkumulátortöltőt, ahol a környezeti hőmérséklet mindig  $5\text{ °C}$  és  $45\text{ °C}$  közé esik, és védve van a napfénytől.
- A hosszú ideig való tárolás előtt győződjön meg róla, hogy az akkumulátor legalább 30–50%-os töltöttségű.
- Tartsa a terméket, az akkumulátort és az akkumulátortöltőt gyermekektől és jogosulatlan személyektől elzárt területen.
- Tisztítsa meg a terméket, és győződjön meg arról, hogy a fűgyújtó üres.
- Végezze el a jelen kezelői kézikönyvben megadott karbantartási eljárásokat. Lásd: *Karbantartás217. oldalon.*
- A termék hosszú ideig való tárolása előtt végezze el annak teljes karbantartását.

## Hulladékként való kezelés

A terméken vagy a csomagolásán található szimbólum azt jelzi, hogy ezt a terméket nem szabad a háztartási hulladék közé helyezni. A megfelelő újrafeldolgozó pontra el kell juttatni az elektromos és elektronikus berendezések hasznosítása érdekében.

A termék megfelelő kezelésének biztosításával segíthet kiküszöbölni azokat a környezetre és az emberre gyakorolt potenciális negatív hatásokat, amelyeket a termék helytelen hulladékkezelése okozhat. A termék újrahasznosításával kapcsolatban az önkormányzat, a hulladékartalmatlanítási szolgáltatást végző vállalkozás, illetve a terméket értékesítő szakkereskedés nyújthat részletesebb tájékoztatást.

(ábra 49)

# Műszaki adatok

## Műszaki adatok

	LC 251i	LC 251IS
<b>Nyírómotor</b>		
Motor típus	BLDC (szénkefe nélküli) 36 V	BLDC (szénkefe nélküli) 36 V
Motor fordulatszáma – SavE, ford./perc	2600/min	2600/min
Motor fordulatszáma – névleges, ford./perc	3000/min	3000/min
Motor fordulatszáma – nagy terhelés, ford./perc	3500/perc	3500/perc
Motor teljesítménye – max. kW	1,4	1,4
Motor teljesítménye – névleges, kW	0,9	0,9
<b>Hajtómotor</b>		
Motor teljesítménye – névleges, kW	n.a.	0,4
Önjárás sebessége, km/h	n.a.	4,0
Sebességfokozatok száma	n.a.	1
<b>Tömeg</b>		
Tömeg zsák nélkül (akkumulátor nélkül), kg	25,5	27
Tömeg zsákkal (2 db BLi30 akkumulátorral), kg	31,5	33
<b>Akkumulátor</b>		
Akkumulátor típusa	Husqvarna akkumulátor so- rozat	Husqvarna akkumulátor so- rozat
<b>Akkumulátor üzemideje</b>		
Akkumulátor üzemideje, min., (üresjárat) SavE funkció- val, egy 7,5 Ah-s Husqvarna akkumulátorral (BLi30).	58	51
Akkumulátor üzemideje, min., (üresjárat) normál üzem- módban, egy 7,5 Ah-s Husqvarna akkumulátorral (BLi30).	42	38
<b>Zajkibocsátás</b> <sup>46</sup>		
Hangteljesítményszint, mért dB (A) érték	96	96
Hangteljesítményszint, garantált, L <sub>WA</sub> dB (A)	98	98
<b>Zajszintek</b> <sup>47</sup>		
Hangnyomásszint a felhasználó fülénél, dB (A)	85	85

<sup>46</sup> A környezetben a 2000/14/EK sz. EK irányelvvel összhangban hangteljesítményként mért zajkibocsátás (L<sub>WA</sub>).

<sup>47</sup> A hangnyomásszintre vonatkozó jelentési adatok bizonytalansági tényezője (K) 1,5 dB (A).

	LC 251i	LC 251iS
<b>Rezgésszintek</b> <sup>48</sup>		
Fogantyú, m/s <sup>2</sup>	0,7	0,7
<b>Vágófelszerelés</b>		
Vágási magasság, mm	25-75	25-75
Vágószélesség, mm	510	510
Kés – standard	Gyűjtés, 5928704-01	Gyűjtés, 5928704-01
Fűgyűjtő űrtartalma, liter	65	65

Jóváhagyott akkumulátorok	Típus	Akkumulátor kapacitása, Ah	Feszültség, V	Tömeg, font/kg
BLi30	Lítium-ion	7,5	36	4,2/1,9
40-B140	Lítium-ion	4,0	36	2,6/1,2

A megadott akkumulátorokhoz jóváhagyott töltők, BLi	Bemeneti feszültség, V	Frekvencia, Hz	Teljesítmény, W
40-C80	100-240	50-60	68,8
QC250	100-240	50-60	250

<sup>48</sup> A rezgésszintre vonatkozó jelentési adatok bizonytalansági tényezője (K) 1,5 m/s<sup>2</sup>. A teljes rezgés deklarált értékének mérése az EN 62841-4-3 szabvány I. mellékletével összhangban történt, és felhasználható az egyes gépek összehasonlítására, valamint a kitettség előzetes értékelésére.

# Megfelelőségi nyilatkozat

## EU megfelelési nyilatkozat

A **Husqvarna AB**, SE-561 82 Huskvarna, Sweden (tel.: +46-36-146500), a saját felelősségére kijelenti, hogy a termék:

<b>Leírás</b>	Fűnyíró
<b>Márka</b>	Husqvarna
<b>Típus/modell</b>	LC 251i, LC 251iS
<b>Megjelölés</b>	2023-as és újabb sorozatszámok

teljes mértékben megfelelnek a következő EU-irányelveknek és szabályozásoknak:

<b>Szabályozás</b>	<b>Leírás</b>
2006/42/EK	„gépre vonatkozó”
2014/30/EU	„elektromágneses megfeleléségre vonatkozó”
2000/14/EK	„környezeti zajkibocsátásra vonatkozó”
2011/65/EU	„az egyes veszélyes anyagok elektromos és elektronikus berendezésekben való alkalmazásának korlátozására vonatkozó”

valamint hogy az alábbi szabványok és/vagy műszaki előírások kerültek alkalmazásra: EN 62841-1:2015/ A11:2022, EN IEC 62841-4-3:2021/A11:2021, EN IEC 55014-1:2021, EN IEC 55014-2:2021, EN IEC 63000:2018

Bejelentett tanúsítási szervezet: A(z) 0404, SMP Svensk Maskinprovning AB, Box 4053, SE-904 03 Umeå, Sweden igazolja a Bizottság 2000/14/EK jelű irányelve VI., megfelelésértékelési eljárás című függelékének való megfelelést.

A zajkibocsátásra vonatkozó tájékoztatást illetően tekintse át a következőt: *Műszaki adatok222. oldalon.*

Huskvarna, 2023-12-11



Claes Losdal, Fejlesztési Igazgató/Kertművelési termékek, Husqvarna AB

A műszaki dokumentációk felelőse





---

## Sommario

---

Introduzione.....	225	Ricerca guasti.....	236
Sicurezza.....	226	Trasporto, stoccaggio e smaltimento.....	238
Montaggio.....	231	Dati tecnici.....	240
Utilizzo.....	232	Dichiarazione di conformità.....	242
Manutenzione.....	235		

---

## Introduzione

---

### Descrizione del prodotto

Il prodotto è un tagliaerba rotativo con operatore a piedi. L'erba viene raccolta in un raccoglierba. Montare il deflettore di scarico laterale per lo scarico laterale dell'erba.

### Panoramica del prodotto

(Fig. 1)

1. Leva del freno motore
2. Inibitore di avviamento
3. Impugnatura di comando (LC 251iS)
4. Coperchio posteriore
5. Raccoglierba
6. Manopola dell'impugnatura
7. Leva altezza di taglio
8. Blocco di scarico
9. Coperchio di scarico laterale
10. Coperchio della batteria
11. Simboli
12. Chiave di sicurezza
13. Spia (LED di errore)
14. Pulsante Save
15. Coperchio di taglio
16. Impugnatura / manubrio
17. Maniglia di sollevamento
18. Sistema di scarico laterale
19. Manuale dell'operatore

### Simboli riportati sul prodotto

(Fig. 2) AVVERTENZA

(Fig. 3) Leggere le istruzioni.

(Fig. 4) AVVERTENZA - Prestare attenzione agli oggetti lanciati.

(Fig. 5) Tenere lontano persone e animali dalla zona di lavoro.

(Fig. 6) AVVERTENZA - Tenere mani e piedi lontani dalle lame.

### Uso previsto

Utilizzare il prodotto per tagliare l'erba. Non utilizzare il prodotto per altre attività.

(Fig. 7) AVVERTENZA - Scollegare la batteria prima di eseguire la manutenzione.

(Fig. 8) Il prodotto o l'imballaggio del prodotto non è un rifiuto domestico. Riciclarlo in una stazione di riciclaggio per apparecchiature elettriche ed elettroniche.

(Fig. 9) Emissioni di rumore nell'ambiente in conformità alle direttive e alle norme UE e UK e alla norma del Nuovo Galles del Sud in materia di protezione dell'ambiente "Protection of the Environment Operations (Noise Control) Regulation 2017". Il livello di potenza sonora garantito del prodotto è specificato in *Dati tecnici alla pagina 240* nonché sull'etichetta.

(Fig. 10) Il presente accessorio è conforme alle vigenti direttive CE.

(Fig. 11) Questo prodotto è conforme alle direttive del Regno Unito vigenti.

(Fig. 12) Il prodotto è protetto da gocciolamento.

(Fig. 13) Rilasciare l'impugnatura del freno motore per arrestarlo.

(Fig. 14) Codice scansionabile.

---

**Nota:** I restanti simboli/decalcomanie sul prodotto riguardano particolari requisiti necessari per ottenere la certificazione in alcuni mercati.

---

### Etichetta sul prodotto

(Fig. 15)

PERICOLO - Tenere a distanza mani e piedi.

## Danni al prodotto

Non siamo responsabili dei danni al prodotto se:

- Il prodotto viene riparato in modo errato.
- Il prodotto viene riparato con parti che non provengono o non sono omologate dal produttore.

---

# Sicurezza

---

## Definizioni di sicurezza

Le avvertenze, le precauzioni e le note sono utilizzate per evidenziare le parti importanti del manuale.



**AVVERTENZA:** Utilizzato se è presente un rischio di lesioni o morte dell'operatore o di passanti nel caso in cui le istruzioni del manuale non vengano rispettate.



**ATTENZIONE:** Utilizzato se è presente un rischio di danni al prodotto, ad altri materiali oppure alla zona adiacente nel caso in cui le istruzioni del manuale non vengano rispettate.

**Nota:** Utilizzato per fornire ulteriori informazioni necessarie in una determinata situazione.

## Avvertenze generali di sicurezza sul prodotto



**AVVERTENZA:** Leggere tutte le specifiche, illustrazioni, istruzioni e avvertenze di sicurezza fornite con questo prodotto. La mancata osservanza di tutte le istruzioni elencate di seguito può dare luogo a scosse elettriche, incendi e/o gravi lesioni.

**Conservare tutte le avvertenze e le istruzioni per la futura consultazione.** Nelle avvertenze, il termine "prodotto" si riferisce al prodotto alimentato tramite rete elettrica (con cavo) o a batteria (senza fili).

## Sicurezza dell'area di lavoro

- **Tenere l'area di lavoro pulita e ben illuminata.** Il disordine e le aree di lavoro non illuminate possono essere causa di incidenti.
- **Non mettere in funzione il prodotto in ambienti esplosivi, quali quelli che comportano la presenza di liquidi infiammabili, gas o polvere.** Il prodotto genera scintille che possono incendiare polveri o fumi.
- **Evitare che bambini e altre persone si avvicinino mentre il prodotto è in funzione.** Le distrazioni possono causare la perdita del controllo.

- Il prodotto contiene un accessorio che non proviene o non è omologato dal produttore.
- Il prodotto non viene riparato presso un centro di assistenza autorizzato o presso un'autorità competente.

## Sicurezza elettrica

- **Le spine del prodotto devono essere adatte alla presa. Evitare assolutamente di apportare modifiche alla spina. Non utilizzare adattatori con prodotti dotati di messa a terra.** Le spine non modificate e le prese adatte allo scopo riducono il rischio di scosse elettriche.
- **Evitare il contatto con superfici messe a massa o collegate a terra, come condutture, radiatori, stufe e frigoriferi.** Sussiste un maggior rischio di scosse elettriche nel momento in cui il corpo è messo a massa.
- **Non esporre i prodotti a pioggia o umidità.** L'ingresso di acqua nel prodotto aumenta il rischio di scosse elettriche.
- **Non rovinare il cavo elettrico. Non utilizzare mai il cavo per trasportare, tirare o staccare dalla presa il prodotto. Non avvicinare il cavo a fonti di calore, olio, spigoli taglienti e neppure a parti della macchina che siano in movimento.** I cavi danneggiati o attorcigliati fanno aumentare il rischio di scosse elettriche.
- **Qualora si utilizzi il prodotto all'aperto, servirsi di un cavo di prolunga adatto.** L'uso di un filo di prolunga omologato per l'impiego all'aperto riduce il rischio di scosse elettriche.
- **Se l'impiego del prodotto in ambienti umidi è inevitabile, utilizzare una fonte di alimentazione con interruttore differenziale (salvavita).** L'utilizzo del salvavita riduce il rischio di scosse elettriche.

## Sicurezza personale

- **Durante l'utilizzo del prodotto, prestare attenzione e utilizzare il buonsenso. Non utilizzare un prodotto quando si è stanchi o sotto l'effetto di droghe, alcol o farmaci.** Un momento di disattenzione può provocare lesioni personali gravi.
- **Usare sempre abbigliamento protettivo personale. Indossare sempre una protezione per gli occhi.** L'uso in condizioni adeguate dell'abbigliamento protettivo (come mascherina protettiva, calzature di sicurezza antiscivolo, elmetto o cuffie protettive) riduce le lesioni personali.
- **Prevenire la messa in funzione accidentale. Assicurarsi che l'interruttore sia in posizione OFF prima di effettuare il collegamento alla fonte di alimentazione e/o al pacco batterie, o di sollevare o trasportare il prodotto.** Trasportare il prodotto tenendo le dita sull'interruttore oppure accendere

prodotti con l'interruttore acceso, può provocare incidenti.

- **Rimuovere eventuali chiavi o strumenti di regolazione prima di accendere il prodotto.** Una chiave o altro attrezzo rimasto attaccato a parti rotanti del prodotto può provocare lesioni personali.
- **Operare in sicurezza. Operare sempre facendo attenzione a posizionare bene i piedi e a mantenere l'equilibrio.** In questo modo è possibile ottenere un migliore controllo del prodotto in situazioni impreviste.
- **Vestirsi in maniera adeguata. Non indossare abiti troppo ampi o gioielli. Tenere capelli e indumenti lontani dalle parti in movimento.** Lasciati liberi, indumenti, gioielli o capelli lunghi possono restare impigliati nelle parti in movimento.
- **Qualora vengano forniti strumenti per il collegamento a strutture di estrazione e raccolta della polvere, accertarsi che queste siano collegate e usate in modo adeguato.** La raccolta della polvere può ridurre i rischi legati alla presenza di questo agente.
- **La familiarità e l'esperienza acquisite a seguito dell'uso frequente del prodotto non devono essere motivo di distrazione nell'utilizzo dello stesso. Non ignorare i principi di sicurezza del prodotto.** Un'azione incauta può provocare gravi danni in una frazione di secondo.

## Cura e utilizzo del prodotto

- **Non esercitare forza sul prodotto. Utilizzare il prodotto adatto all'applicazione.** Il prodotto corretto svolgerà il lavoro al meglio e in modo più sicuro se utilizzato alla velocità per la quale è stato progettato.
- **Non utilizzare il prodotto se non è possibile accenderlo o spegnerlo tramite interruttore.** Nel caso in cui il prodotto non possa essere controllato tramite interruttore è una situazione di pericolo e, pertanto, è necessario ripararlo.
- **Scollegare la spina dalla fonte di alimentazione e/o rimuovere dal prodotto il pacco batterie, se staccabile, prima di procedere a eventuali regolazioni, sostituzioni di accessori o alla conservazione dei prodotti.** Tali misure di sicurezza preventive riducono il rischio di avvio accidentale del prodotto.
- **Riporre i prodotti quando spenti fuori dalla portata dei bambini e non consentirne l'utilizzo a persone che non hanno familiarità con tali prodotti e con queste istruzioni.** Se utilizzati da persone non preparate, tali prodotti sono pericolosi.
- **Effettuare la manutenzione del prodotto e degli accessori. Verificare l'eventuale presenza di un allineamento non corretto o inceppamento delle parti in movimento, la rottura di pezzi o altra condizione che possa compromettere il funzionamento del prodotto. Qualora danneggiato, riparare il prodotto prima dell'uso.** Numerosi incidenti sono provocati da prodotti sottoposti a manutenzione inadeguata.
- **Mantenere affilati e puliti gli strumenti da taglio.** Con una manutenzione adeguata, gli strumenti da taglio

con bordi affilati risultano più facili da controllare e meno pericolosi.

- **Utilizzare il prodotto, gli accessori, le punte ecc. come indicato nelle presenti istruzioni, tenendo conto delle condizioni di lavoro e della prestazione da effettuare.** L'utilizzo del prodotto per usi diversi da quelli previsti può provocare situazioni di pericolo.
- **Mantenere le impugnature e le superfici di presa asciutte, pulite e prive di olio e grasso.** Le impugnature e le superfici di presa scivolose non consentono una manipolazione e un controllo sicuri del prodotto in situazioni impreviste.

## Utilizzo e manutenzione della batteria

- **Ricaricare l'attrezzo esclusivamente utilizzando il caricabatterie specificato dal produttore.** L'utilizzo di un caricabatterie indicato per un altro tipo di batteria potrebbe provocare rischio di incendio.
- **Utilizzare i prodotti esclusivamente con le batterie specificate.** L'utilizzo di altri pacchi batteria potrebbe provocare lesioni e incendi.
- **Se la batteria non viene utilizzata, tenerla lontana da altri oggetti metallici, come graffette, monete, chiavi, chiodi, viti o altri piccoli oggetti metallici che potrebbero consentire il collegamento tra i terminali.** Provocare il cortocircuito dei terminali della batteria potrebbe causare ustioni o provocare un incendio.
- **In condizioni non ottimali, la batteria potrebbe perdere liquido; evitare il contatto. Qualora il contatto avvenisse, sciacquare la parte con acqua. Se il liquido entra negli occhi, chiamare immediatamente un medico.** Il liquido fuoriuscito dalla batteria potrebbe causare irritazioni o ustioni.
- **Non usare batterie o utensili danneggiati o modificati.** Batterie danneggiate o modificate possono manifestare un comportamento imprevedibile, con rischio di incendi, esplosioni e lesioni.
- **Non esporre batterie o utensili al fuoco o a temperature elevate.** L'esposizione al fuoco o una temperatura superiore a 130 °C (265°F) può provocare esplosioni.
- **Seguire tutte le istruzioni per il caricamento della batteria e non caricare la batteria o l'utensile al di fuori dell'intervallo di temperatura indicato nelle istruzioni.** Ricaricare in modo inappropriato o a temperature che non rientrano nell'intervallo specificato può danneggiare la batteria e aumentare il rischio di incendio.

## Servizio

- **Fare riparare il prodotto da personale specializzato utilizzando esclusivamente pezzi di ricambio originali.** Ciò consente di mantenere il prodotto in perfette condizioni di sicurezza.
- **Non riparare mai le batterie danneggiate.** Gli interventi di manutenzione sul pacco batterie devono essere eseguiti esclusivamente dal produttore o da centri assistenza autorizzati.

## Avvertenze per la sicurezza del tagliaerba

- **Non utilizzare il tagliaerba in condizioni climatiche sfavorevoli, specialmente se vi è rischio di fulmini.** Ciò riduce il rischio di essere colpiti da un fulmine.
- **Ispesinare attentamente l'area in cui deve essere utilizzato il tagliaerba per verificare l'eventuale presenza di fauna selvatica.** Durante l'utilizzo, il tagliaerba può provocare lesioni alla fauna selvatica.
- **Controllare attentamente l'area in cui deve essere utilizzato il tagliaerba e rimuovere tutti i sassi, bastoncini, cavi, ossa e qualsiasi altro oggetto estraneo presente.** Gli oggetti che vengono scagliati possono provocare lesioni personali.
- **Prima di utilizzare il tagliaerba, controllare sempre che la lama e il gruppo lama non siano danneggiati o usurati.** Le parti danneggiate o usurate aumentano il rischio di lesioni.
- **Controllare frequentemente la presenza di usura e danni sul raccogliherba.** Un raccogliherba usurato o danneggiato può aumentare il rischio di lesioni personali.
- **Mantenere le protezioni in posizione. Le protezioni devono essere in buone condizioni e montate correttamente.** Una protezione allentata, danneggiata o non correttamente funzionante può provocare lesioni personali.
- **Tenere i detriti lontano dalle prese d'aria di raffreddamento.** L'ostruzione delle prese d'aria e la presenza di detriti possono provocare surriscaldamento o rischio di incendio.
- **Durante l'utilizzo del tagliaerba, indossare sempre calzature antiscivolo e protettive. Non utilizzare il tagliaerba a piedi nudi o indossando sandali aperti.** Così facendo si riduce il rischio di lesioni ai piedi dovute al contatto con la lama in movimento.
- **Durante l'uso del tagliaerba, indossare sempre pantaloni lunghi.** La pelle esposta aumenta la probabilità di lesioni causate da oggetti proiettati.
- **Non utilizzare il tagliaerba sull'erba bagnata. Procedere adagio, non correre.** Così facendo si riduce il rischio di scivolamento e caduta con conseguenti lesioni personali.
- **Non utilizzare il tagliaerba su pendenze eccessive.** Così facendo si riduce il rischio di perdita di controllo, scivolamento e caduta con conseguenti lesioni personali.
- **Quando si lavora su pendenze, assicurarsi sempre di avere una posizione stabile, lavorare sempre trasversalmente lungo le pendenze, mai guardando a monte o a valle e prestare la massima attenzione quando durante i cambi di direzione.** Così facendo si riduce il rischio di perdita di controllo, scivolamento e caduta con conseguenti lesioni personali.
- **Prestare la massima attenzione durante la retromarcia o quando si tira il tagliaerba verso di sé. Prestare sempre attenzione all'ambiente circostante.** In questo modo si riduce il rischio di inciampare durante il funzionamento.

- **Non toccare le lame e altre parti in movimento pericolose mentre sono ancora in movimento.** In questo modo si riduce il rischio di lesioni dovute alle parti in movimento.
- **Durante la rimozione del materiale inceppato o la pulizia del tagliaerba, assicurarsi che tutti gli interruttori di corrente siano spenti e che la batteria sia scollegata.** L'azionamento imprevisto del tagliaerba può causare gravi lesioni personali.
- **Durante la rimozione del materiale inceppato o la pulizia del tagliaerba, assicurarsi che tutti gli interruttori di corrente siano spenti e rimuovere il dispositivo inibitore.** L'azionamento imprevisto del tagliaerba può causare gravi lesioni personali.

## Interruttore differenziale

- Utilizzare un interruttore differenziale con una corrente di intervento massima di 30 mA.

## Istruzioni di sicurezza generali



**AVVERTENZA:** Leggere le seguenti avvertenze prima di utilizzare il prodotto.

- Questo prodotto è pericoloso se utilizzato in maniera impropria o se non si presta attenzione. La mancata osservanza delle istruzioni di sicurezza può causare lesioni anche fatali.
- Durante il funzionamento, questo prodotto genera un campo elettromagnetico. Tale campo può interferire, in alcuni casi, con persone portatrici di impianti medici attivi o passivi. Per ridurre il rischio di condizioni che possono implicare lesioni gravi o mortali, i portatori di tali impianti devono consultare il proprio medico e il produttore dell'impianto prima di utilizzare questo prodotto.
- Usare la massima cautela e il buon senso. Se non si è sicuri di come utilizzare il prodotto in una particolare situazione, fermarsi e rivolgersi al proprio rivenditore Husqvarna prima di continuare.
- Tenere presente che l'operatore potrà essere ritenuto responsabile di eventuali incidenti che coinvolgano altre persone o i loro beni.
- Tenere pulito il prodotto. Assicurarsi che sia possibile leggere chiaramente simboli e decalcomanie.
- Non consentire mai l'uso dell'apparecchio a bambini o persone che non conoscono le presenti istruzioni. Alcune normative locali possono limitare l'età dell'operatore.
- Controllare sempre qualsiasi persona, dalle capacità fisiche o mentali ridotte, che utilizzi il prodotto. È necessaria sempre la supervisione di un adulto responsabile.
- Non utilizzare il prodotto quando si è stanchi, ammalati o sotto effetto di alcool, farmaci o medicinali. Essi potrebbero compromettere la vista, l'attenzione, il coordinamento e il giudizio.

- Non utilizzare il prodotto se danneggiato o se non funziona correttamente.
- Non modificare il prodotto né utilizzarlo nel caso in cui vi sia la possibilità che sia stato modificato da altri.

## Sicurezza sul lavoro



**AVVERTENZA:** Leggere le seguenti avvertenze prima di utilizzare il prodotto.

- Utilizzare il prodotto esclusivamente per tagliare il prato. Non è consentito utilizzare il prodotto per altri scopi.
- Usare sempre abbigliamento protettivo personale. Fare riferimento a *Dispositivi di protezione individuale alla pagina 229*.
- Assicurarsi di saper spegnere il motore rapidamente in caso di emergenza.
- Non utilizzare il prodotto con pioggia o umidità. Il rischio di scosse elettriche aumenta se l'acqua penetra nel prodotto.
- Non azionare il prodotto senza prima aver montato correttamente la lama e tutti i coperchi. Una lama non correttamente fissata potrebbe allentarsi e causare lesioni personali.
- Assicurarsi che la lama non urti oggetti quali pietre e radici. Ciò potrebbe provocare danni alla lama e piegare l'albero motore. Un asse piegato provoca forti vibrazioni e un alto rischio di allentamento della lama.
- Qualora la lama urti contro un oggetto o all'insorgere di vibrazioni arrestare immediatamente il prodotto. Arrestare il motore, ruotare la chiave di sicurezza su 0 e rimuovere la batteria. Attendere l'arresto delle parti mobili. Verificare la presenza di eventuali danni al prodotto. Serare le parti allentate. Riparare e sostituire le parti danneggiate. Affidare la riparazione a una officina autorizzata.
- Non fissare l'impugnatura del freno motore in modo permanente al manubrio quando il motore è avviato.
- Posizionare il prodotto su una superficie piana e stabile e avviarlo. Assicurarsi che la lama non venga a contatto con il terreno o con altri oggetti.
- Collocarsi sempre posteriormente al prodotto quando lo si utilizza.
- Consentire a tutte le ruote di restare a contatto con il suolo e tenere le 2 mani sull'impugnatura mentre si aziona il prodotto. Tenere mani e piedi lontani dalle lame rotanti.
- Non inclinare il prodotto quando si avvia il motore o durante il funzionamento del prodotto.
- Prestare attenzione quando si tira il prodotto verso di sé.
- Non sollevare mai il prodotto a motore avviato. Se è necessario sollevare il prodotto, arrestare prima di tutto il motore, poi ruotare la chiave di sicurezza su 0 e rimuovere la batteria.

- Non camminare all'indietro quando si utilizza il prodotto.
- Arrestare il motore quando è necessario inclinare il prodotto per il trasporto o prima di spostarsi su aree senza erba, ad esempio percorsi di ghiaia, pietra e asfalto.
- Non correre con il prodotto quando il motore è acceso. Camminare sempre durante l'utilizzo del prodotto.
- Arrestare il motore prima di apportare qualsiasi modifica all'altezza di taglio. Non effettuare mai regolazioni quando il motore è acceso.
- Non perdere mai di vista il prodotto quando il motore è acceso. Arrestare il motore e assicurarsi che l'attrezzatura di taglio non giri.
- Le vibrazioni nel prodotto durante il funzionamento possono essere diverse dal valore delle vibrazioni dichiarato in *Dati tecnici alla pagina 240*. La differenza è causata da variazioni del modo in cui viene utilizzato il prodotto. Se utilizzate il prodotto frequentemente o per lunghi periodi di tempo, fate regolarmente delle pause per evitare lesioni dovute alle vibrazioni.

## Istruzioni di sicurezza per il funzionamento

### Dispositivi di protezione individuale



**AVVERTENZA:** Leggere le seguenti avvertenze prima di utilizzare il prodotto.

- L'uso di abbigliamento protettivo personale non elimina il rischio di lesioni, ma ne riduce la gravità in caso di incidente. Farsi consigliare dal rivenditore per la scelta dell'attrezzatura adatta.
- Utilizzare robusti stivali o scarpe antiscivolo. Non utilizzare il prodotto con calzature aperte o a piedi nudi.
- Utilizzare pantaloni lunghi di tessuto pesante.
- Indossare guanti protettivi ove necessario, ad esempio per montare, ispezionare o pulire l'attrezzatura di taglio.
- Si consiglia di utilizzare cuffie protettive.

### Dispositivi di sicurezza sul prodotto



**AVVERTENZA:** Leggere le seguenti avvertenze prima di utilizzare il prodotto.

- Non utilizzare un prodotto usando dispositivi di sicurezza danneggiati o che non funzionano correttamente.
- Non rimuovere o apportare modifiche ai dispositivi di sicurezza.
- Effettuare regolarmente un controllo dei dispositivi di sicurezza. Se i dispositivi di sicurezza sono

danneggiati o non funzionano correttamente, rivolgersi al centro di assistenza Husqvarna.

## Controllo del coperchio di taglio

Il coperchio di taglio riduce le vibrazioni del prodotto e il rischio di ferirsi con la lama.

- Esaminare il coperchio di taglio per accertarsi che non presenti danni quali crepe.

## Controllo della chiave di sicurezza

La chiave di sicurezza si trova sotto il coperchio della batteria. La chiave di sicurezza si collega alla batteria che alimenta il motore.

- Avviare e arrestare il motore per effettuare un controllo della chiave di sicurezza.
- Se la chiave di sicurezza funziona correttamente, il motore può avviarsi solo quando la chiave di sicurezza è in posizione 1. (Fig. 16)

## Controllo del coperchio posteriore

Il coperchio posteriore riduce il rischio che gli oggetti vengano scagliati nella direzione dell'operatore.

- Assicurarsi che il coperchio posteriore non sia danneggiato.
- Assicurarsi che le molle che chiudono il coperchio posteriore non siano danneggiate.
- Sostituire le molle e le parti danneggiate.
- Assicurarsi che il coperchio posteriore possa muoversi agevolmente sulle cerniere.

## Effettuare un controllo dell'impugnatura del freno motore

L'impugnatura del freno motore arresta il motore. Quando si rilascia l'impugnatura del freno motore, il motore si arresta.

- Avviare il prodotto. Fare riferimento a *Avviamento del prodotto alla pagina 233*.
- Rilasciare l'impugnatura del freno motore. (Fig. 17)
- Accertarsi che il prodotto si arresti. Se il motore non si arresta entro 3 secondi, far regolare il freno motore presso un'officina Husqvarna autorizzata.

## Effettuare un controllo dell'inibitore di avviamento

Effettuare un controllo dell'inibitore di avviamento per accertarsi che impedisca il funzionamento del motore.

1. Spingere l'impugnatura del freno motore in direzione del manubrio. L'inibitore di avviamento arresta il movimento.
2. Tirare fuori l'inibitore di avviamento. (Fig. 18)
3. Rilasciare l'inibitore di avviamento e accertarsi che ritorni nella sua posizione iniziale.

## Sicurezza batterie



**AVVERTENZA:** Leggere le seguenti avvertenze prima di utilizzare il prodotto.

- Utilizzare le batterie ricaricabili Husqvarna come alimentazione per i soli prodotti Husqvarna in questione. Per evitare il rischio di lesioni, non utilizzare la batteria come fonte di alimentazione per altri dispositivi.
- Non utilizzare batterie non ricaricabili.
- Rischio di scosse elettriche. Non collegare i morsetti della batteria a chiavi, monete, viti o altro tipo di metallo. Ciò può causare un corto circuito della batteria.
- Non inserire oggetti nelle feritoie di aerazione della batteria.
- Tenere la batteria lontano dalla luce del sole, dal calore o da fiamme libere. La batteria può esplodere e causare bruciate e/o ustioni chimiche.
- Tenere la batteria lontano da pioggia e umidità.
- Tenere la batteria lontano da microonde e alta pressione.
- Non tentare di smontare o rompere la batteria.
- In caso di perdite dalla batteria, non lasciare che il liquido entri in contatto con il corpo o con gli occhi. In caso di contatto con il liquido, pulire l'area con grandi quantità di acqua e consultare un medico.
- Utilizzare la batteria nel prodotto esclusivamente quando la temperatura ambiente è compresa tra 5 °C e 40 °C.
- Utilizzare il caricabatterie esclusivamente quando la temperatura ambiente è compresa tra 5 °C e 40 °C.
- La batteria non si carica se la sua temperatura è superiore a 50 °C.
- Non pulire la batteria o il caricabatterie con acqua. Fare riferimento a *Per pulire la batteria e il caricabatterie alla pagina 235*.
- Non utilizzare un prodotto danneggiato.
- Conservare le batterie lontano da oggetti metallici, come ad esempio chiodi, monete, gioielli.

## Sicurezza del caricabatterie



**AVVERTENZA:** Leggere le seguenti avvertenze prima di utilizzare il prodotto.

- Utilizzare i caricabatterie QC per caricare esclusivamente le batterie di ricambio Husqvarna.
- Rischio di scosse elettriche o cortocircuiti. Non inserire oggetti nelle feritoie di aerazione del caricabatterie. Non tentare di smontare il caricabatterie. Non collegare i terminali del caricabatterie a oggetti metallici. Utilizzare una presa di rete omologata.
- Durante il funzionamento, questo prodotto genera un campo elettromagnetico. Tale campo può

- interferire, in alcuni casi, con persone portatrici di impianti medici attivi o passivi. Per ridurre il rischio di condizioni che possono implicare lesioni personali gravi o mortali, i portatori di tali impianti devono consultare il proprio medico e il produttore dell'impianto prima di utilizzare questo prodotto.
- Verificare regolarmente che il cavo di alimentazione del caricabatterie non sia danneggiato e che non vi siano crepe.
  - Non sollevare il caricabatterie tramite il cavo di alimentazione. Per scollegare il caricabatterie da una presa di rete, tirare la spina. Non tirare il cavo di alimentazione.
  - Tenere il cavo di alimentazione e le prolunghe lontani da acqua, olio e bordi appuntiti. Fare attenzione affinché il cavo non si incastri in porte, ostacoli o simili. Questo potrebbe causare scosse elettriche al contatto con il caricabatterie.
  - Non pulire il caricabatteria con acqua.
  - Il caricabatterie può essere utilizzato da bambini a partire da 8 anni di età e da parte di persone con ridotte capacità fisiche, sensoriali o mentali, oppure con mancanza di esperienza e conoscenza, se vengono controllati o ricevono istruzioni sull'utilizzo sicuro del caricabatterie e se comprendono i rischi. I bambini non devono giocare con il caricabatterie. La pulizia e la manutenzione non devono essere eseguite da bambini senza la supervisione di adulti.
  - Non caricare batterie non ricaricabili nel caricabatterie.
  - Non utilizzare il caricabatterie in prossimità di materiali infiammabili o materiali corrosivi. Non coprire il caricabatterie. Staccare la spina del caricabatterie in caso di fumo o incendio.
  - Non utilizzare un caricabatterie danneggiato.
  - Caricare la batteria solo in luoghi chiusi, in una stanza con un buon flusso d'aria e lontano dalla luce del sole. Non caricare la batteria in condizioni di umidità.
- Per evitare l'avviamento accidentale durante la manutenzione, ruotare la chiave di sicurezza su 0 e rimuovere la batteria. Attendere almeno 5 secondi prima di iniziare la manutenzione.
  - Eseguire esclusivamente gli interventi di manutenzione riportati nel presente manuale operatore. Per operazioni più complesse e riparazioni professionali, rivolgersi a una officina autorizzata. Per ulteriori informazioni, rivolgersi all'officina più vicina.
  - Eseguire gli interventi di manutenzione correttamente in modo da aumentare la durata di vita del prodotto e ridurre il rischio di incidenti.
  - Sostituire le parti danneggiate, usurate o rotte. Utilizzare sempre parti di ricambio originali raccomandati dal produttore. Altri pezzi di ricambio possono danneggiare il prodotto e aumentare il rischio di incidenti.
  - Per evitare lesioni, non rimuovere o apportare modifiche ai dispositivi di sicurezza.
  - Indossare guanti per lavori pesanti quando si utilizza l'attrezzatura di taglio. La lama è molto affilata e ci si può ferire facilmente.
  - Mantenere i bordi taglienti affilati e puliti per prestazioni più sicure e ottimali
  - Far esaminare regolarmente il prodotto da un'officina per messe a punto e riparazioni necessarie.
  - Rispettare le istruzioni per la sostituzione degli accessori. Utilizzare solo accessori del produttore.
  - Quando non in uso, tenere il prodotto, la batteria e il caricabatterie lontano in un luogo all'interno, chiuso a chiave e asciutto. Assicurarsi che i bambini e le persone non autorizzate non abbiano accesso al prodotto, alla batteria o al caricabatterie.

## Istruzioni di sicurezza per la manutenzione



**AVVERTENZA:** Leggere le seguenti avvertenze prima di utilizzare il prodotto.

## Montaggio

### Introduzione

0, rimuovere la batteria e attendere almeno 5 secondi.



**AVVERTENZA:** Prima di montare il prodotto, leggere il capitolo sulla sicurezza.



**AVVERTENZA:** Per evitare l'avviamento accidentale durante il montaggio, ruotare la chiave di sicurezza su

### Montaggio dell'impugnatura

**Nota:** Si consiglia di eseguire questa procedura in 2 persone.

**Nota:** Non rimuovere il prodotto dalla scatola quando si monta l'impugnatura. La scatola può essere utilizzata come supporto durante il montaggio.

1. Sollevare e ruotare l'impugnatura. (Fig. 19)



**ATTENZIONE:** Fare attenzione e assicurarsi che il cavo non si danneggi quando si ruota l'impugnatura.

2. Posizionare l'impugnatura sulla parte superiore del prodotto. Inclinare l'impugnatura verso la scatola come supporto. Fare riferimento alla figura. (Fig. 20)
3. Spingere la vite (A) attraverso l'impugnatura (B), la rondella in plastica (C) e la staffa di supporto dell'impugnatura (D). (Fig. 21)
4. Serrare completamente il dado (E).
5. Rimuovere il prodotto dalla scatola.
6. Ripiegare l'impugnatura in posizione eretta. (Fig. 22)
7. Impostare l'altezza dell'impugnatura sulla posizione più bassa. Fare riferimento a *Regolazione dell'impugnatura alla pagina 232*.
8. Fissare il cavo sulla parte inferiore dell'impugnatura con il fermacavo. (Fig. 23)

9. Fissare la parte inferiore del cavo sulla staffa di supporto dell'impugnatura con la fascetta stringicavo. Tagliare la parte rimanente della fascetta stringicavo. (Fig. 24)

**Nota:** Assicurarsi che il cavo sia fissato correttamente. Se il cavo è troppo lasco può danneggiarsi quando il raccogliherba è installato. (Fig. 25)

## Regolazione dell'impugnatura

1. Allentare le manopole inferiori.
2. Spostare le manopole verso l'estremità inferiore delle scanalature dei lati sinistro e destro del prodotto. (Fig. 26)
3. Impostare l'altezza dell'impugnatura su una delle 2 posizioni disponibili.
4. Spostare le manopole verso l'alto in direzione dell'impugnatura fino a quando un clic ne segnala l'arresto. (Fig. 27)
5. Stringere completamente le manopole.

## Utilizzo

### Introduzione



**AVVERTENZA:** Prima di utilizzare il prodotto, è necessario leggere e comprendere il capitolo relativo alla sicurezza.

### Husqvarna Connect

Husqvarna Connect è un'app gratuita per i dispositivi mobili. L'app Husqvarna Connect fornisce funzioni estese per il prodotto Husqvarna:

- Informazioni aggiuntive sul prodotto.
- Dettagli, guida, parti del prodotto e manutenzione.

### Primo utilizzo Husqvarna Connect

1. Scaricare l'app Husqvarna Connect sul proprio dispositivo mobile.
2. Registrarsi nell'app Husqvarna Connect.
3. Attenersi alle istruzioni dell'app Husqvarna Connect per collegare e registrare il prodotto.

### Per fissare il prodotto in posizione di funzionamento

1. Assicurarsi che le manopole inferiori siano allentate. Fare riferimento a *Regolazione dell'impugnatura alla pagina 232*.

2. Ripiegare l'impugnatura in posizione eretta. (Fig. 22)
3. Spostare le manopole verso l'alto in direzione dell'impugnatura fino a quando un clic ne segnala l'arresto. (Fig. 27)
4. Stringere completamente le manopole.



**AVVERTENZA:** Non azionare il prodotto a meno che l'impugnatura non sia completamente ripiegata e impostata in una delle posizioni di altezza applicabili. Fare riferimento a *Regolazione dell'impugnatura alla pagina 232*.

### Per impostare l'altezza di taglio

1. Per aumentare l'altezza di taglio, spingere la leva dell'altezza di taglio all'indietro.
2. Per diminuire l'altezza di taglio, spingere la leva dell'altezza di taglio in avanti. (Fig. 28)



**ATTENZIONE:** Non impostare l'altezza di taglio troppo in basso. Se la superficie del prato non è piana, le lame possono urtare il terreno.



## Batteria



**AVVERTENZA:** Prima di utilizzare la batteria, leggere e comprendere il capitolo sulla sicurezza. È inoltre importante leggere e comprendere il manuale operatore della batteria e del caricabatterie.

Mantenere la batteria e il caricabatteria a una temperatura ambiente adeguata.

	Temperatura ambiente
Funzionamento della batteria	5 °C - 40 °C
Caricamento della batteria	5 °C - 40 °C

### Stato della batteria

Il display mostra la capacità residua della batteria e se sussistono problemi con la batteria stessa. Premere il pulsante indicatore dello stato della batteria per ricevere le informazioni sullo stato di carica della batteria. Il simbolo d'avvertenza sulla batteria si accende quando si verifica un errore. Fare riferimento a *Batteria alla pagina 236*.

(Fig. 29)

Luci LED	Stato della batteria
Tutti i LED accesi	Completamente carica (76-100%)
LED 1, LED 2, LED 3 accesi	La batteria è carica al 51%-75%
LED 1, LED 2 accesi	La batteria è carica al 26%-50%
LED 1 acceso.	La batteria è carica allo 6%-25%.
Il LED 1 lampeggia	La batteria è carica allo 0%-5%.

### Per caricare la batteria

Caricare la batteria prima del primo utilizzo. Quando viene fornita al cliente, la batteria è carica solo al 30%.

**Nota:** Il caricabatterie deve essere collegato alla rete elettrica e alla frequenza indicate sulla targhetta dati di funzionamento.

La batteria non si ricarica se la sua temperatura è superiore a 50°C. Il caricabatteria riduce la temperatura della batteria prima di iniziare la ricarica.

1. Collegare un'estremità del cavo di alimentazione del caricabatteria alla presa del caricabatterie.

2. Collegare l'altra estremità del cavo di alimentazione del caricabatteria ad una presa di corrente con messa a terra. Il LED sul caricabatterie lampeggia verde per una volta. (Fig. 30)
3. Inserire la batteria nel caricabatterie. La luce verde sul caricabatterie si accende quando la batteria è collegata correttamente al caricabatterie. (Fig. 31)
4. Quando tutti i LED sulla batteria sono accesi, la batteria è completamente carica. Caricare la batteria per massimo 24 ore.
5. Per scollegare il caricabatterie dalla presa di rete, estrarre la spina e non il cavo di alimentazione.
6. Rimuovere la batteria dal caricabatterie.

### Avviamento del prodotto

1. Aprire il coperchio della batteria.
2. Inserire una batteria carica in 1 dei vani batteria. Per tempi di funzionamento più lunghi, mettere una seconda batteria carica nell'altro vano batteria.
3. Ruotare la chiave di sicurezza su 1. (Fig. 32)
4. Collocarsi dietro il prodotto.
5. Allentare l'inibitore dell'avviamento. (Fig. 18)
6. Spingere l'impugnatura del freno motore in direzione del manubrio. (Fig. 33)

### Per applicare trazione alle ruote (LC 251iS)

- Premere l'impugnatura di comando in direzione del manubrio. (Fig. 34)
- Rilasciare l'impugnatura di comando per disinnestare la trazione, ad esempio quando ci si avvicina a un ostacolo.
- Prima di tirare il prodotto verso di sé, disinnestare la trazione e spingere il prodotto in avanti di circa 10 cm.

### Utilizzo della funzione Save™

Il prodotto dispone di una funzione di risparmio batteria (Save™) che permette tempi di funzionamento più lunghi.

- Premere il pulsante Save™ in posizione 1 per avviare la funzione. (Fig. 35)
- Premere il pulsante Save™ in posizione 0 per arrestare la funzione.

**Nota:** La funzione Save™ si arresta automaticamente se le condizioni del terreno rendono necessaria una resa superiore. La funzione Save™ si riavvia automaticamente quando le condizioni del terreno lo consentono.

### Funzione carico elevato

Quando il prodotto taglia erba lunga o umida, il motore aumenta automaticamente i giri/min. Il motore torna

alla modalità standard quando il carico elevato non è necessario.

## Stallo del motore

Durante il funzionamento, la lama e il motore possono arrestarsi temporaneamente a causa di ostacoli come ad esempio l'ostruzione dell'erba sotto il coperchio di taglio. Se ciò si verifica e si tiene premuta la maniglia del freno motore, il prodotto si riavvia automaticamente. Se il prodotto non si riavvia entro 5-10 secondi, può essere necessario fare pulizia sotto il coperchio. Fare riferimento a *Per pulire il prodotto alla pagina 235*.



**AVVERTENZA:** Se il motore si arresta, il prodotto tenta di riavviarsi automaticamente per 5-10 secondi. Attendere almeno 15 secondi prima di controllare il coperchio di taglio.



**AVVERTENZA:** Prima di controllare il coperchio di taglio, rilasciare la maniglia del freno motore, ruotare la chiave di sicurezza su 0, rimuovere la batteria e attendere almeno 5 secondi. Se l'ostacolo viene rimosso e il prodotto si avvia accidentalmente, sussiste il rischio di lesioni.

## Arresto del prodotto



**AVVERTENZA:** Ruotare la chiave di sicurezza in posizione 0 prima di lasciare incustodito il prodotto.

1. Rilasciare l'impugnatura del freno motore per arrestare il motore. (Fig. 36)

**Nota:** Per LC 251iS. Per arrestare la trazione delle ruote, rilasciare l'impugnatura di comando.

2. Aprire il coperchio della batteria e ruotare la chiave di sicurezza in posizione 0. (Fig. 37)
3. Per rimuovere la batteria, premere i 2 pulsanti di rilascio ed estrarre la batteria. (Fig. 38)
4. Caricare la batteria se è debole. Per ulteriori informazioni, fare riferimento a *Per caricare la batteria alla pagina 233*.

## Utilizzo del prodotto con il raccoglierba



**AVVERTENZA:** Non utilizzare il prodotto senza aver installato un raccoglierba o senza aver chiuso il coperchio posteriore. Gli oggetti possono essere scagliati e causare lesioni all'operatore.

1. Sollevare il coperchio posteriore. (Fig. 39)
2. Posizionare il raccoglierba sulla staffa.

3. Rilasciare il coperchio posteriore e appoggiarlo sul lato superiore del telaio del sacco per l'erba. (Fig. 40)

## Passaggio del prodotto alla modalità di scarico laterale

1. Sollevare il coperchio posteriore e rimuovere il sacco per l'erba, se installato.
2. Chiudere il coperchio posteriore e accertarsi che sia chiuso saldamente sul prodotto.
3. Sollevare il blocco di scarico. (Fig. 41)
4. Aprire la copertura dello scarico laterale e installare il deflettore di scarico laterale sui perni di supporto. (Fig. 42)
5. Lasciare che la copertura di scarico laterale aderisca al deflettore di scarico laterale. Accertarsi che il deflettore di scarico laterale sia fissato in posizione prima di azionare il prodotto.

## Svuotamento del raccoglierba



**ATTENZIONE:** Sollevare il raccoglierba quando lo si sposta per evitare che si usuri.

1. Sollevare il raccoglierba utilizzando l'impugnatura del telaio.
2. Utilizzare l'impugnatura del telaio e quella del sacco quando si svuota il raccoglierba. (Fig. 43)

## Per ottenere un buon risultato

- Utilizzare sempre una lama ben affilata. Una lama non tagliente fornisce un risultato irregolare e la superficie di taglio dell'erba ingiallisce. Una lama affilata inoltre consuma minore energia di una lama affilata.
- Non tagliare più di  $\frac{1}{3}$  dell'altezza dell'erba. Applicare l'altezza di taglio massima quando si inizia a tagliare l'erba. Esaminare il risultato e ridurre l'altezza di taglio al livello applicabile. Se l'erba è molto alta, procedere lentamente e tagliarla 2 volte, se necessario.
- Tagliare sempre in direzioni diverse per evitare di formarsi di strisce sul prato.
- Sollevare il coperchio posteriore e rimuovere il raccoglierba.
- Se sono collegati un tappo e una lama mulching, rimuoverli.
- Chiudere il coperchio posteriore prima di azionare il prodotto. Durante l'utilizzo del prodotto, l'erba tagliata si scarica sotto il coperchio posteriore.
- Mantenere pulito il coperchio di taglio. L'accumulo di erba e sporizia sul lato interno del coperchio di taglio può ridurre il risultato del taglio. Fare riferimento a *Per pulire il prodotto alla pagina 235*.

# Manutenzione

## Introduzione



**AVVERTENZA:** Prima di svolgere la manutenzione, leggere e comprendere il capitolo relativo alla sicurezza.

Per tutti gli interventi di assistenza e riparazione sul prodotto, è necessaria una formazione specifica. La nostra azienda garantisce la disponibilità di personale qualificato per le riparazioni e l'assistenza.

Per ulteriori informazioni dettagliate, fare riferimento a [www.husqvarna.com](http://www.husqvarna.com).

## Programma di manutenzione

Gli intervalli di manutenzione sono calcolati sulla base di un uso quotidiano del prodotto. Gli intervalli cambiano se il prodotto non viene usato quotidianamente.

Per gli interventi di manutenzione contrassegnati con il simbolo \*, fare riferimento alle istruzioni in *Sicurezza alla pagina 226*.

	A ciascun utilizzo	Una volta al mese	Ogni stagione
Effettuare un'ispezione generale	X		
Pulire il prodotto	X		
Eseguire un controllo dell'inibitore di avviamento *	X		
Accertarsi che i dispositivi di sicurezza del prodotto non siano difettosi *	X		
Controllare l'attrezzatura di taglio	X		
Controllare il coperchio di taglio *	X		
Controllare l'impugnatura del freno motore *	X		
Controllare la presenza di eventuali danni alla batteria	X		
Effettuare un controllo dello stato di carica della batteria	X		
Accertarsi che i pulsanti di rilascio sulla batteria funzionino correttamente e che tengano la batteria bloccata sul prodotto.	X		
Controllare che il caricabatterie non sia danneggiato e che funzioni correttamente.		X	
Controllare i collegamenti tra la batteria e il prodotto. Controllare anche il collegamento tra la batteria e il caricabatterie.			X

## Per effettuare un'ispezione generale

- Controllare che tutti i dadi e le viti del prodotto siano ben serrati.
- Accertarsi che i cavi del prodotto non sono in una posizione in cui possono danneggiarsi.

## Per pulire il prodotto

- Pulire le parti in plastica con un panno pulito e asciutto.
- Non utilizzare acqua per pulire il prodotto. L'acqua può penetrare nella batteria o nel motore e causare un corto circuito o danni al prodotto.
- Non utilizzare una lancia ad alta pressione per pulire il prodotto.
- Non dirigere getti d'acqua sul motore.

- Utilizzare una spazzola per rimuovere foglie, erba e sporcizia.

## Per pulire la batteria e il caricabatterie



**AVVERTENZA:** Non pulire la batteria o il caricabatterie con acqua.



**AVVERTENZA:** Non utilizzare sostanze chimiche per pulire la batteria.

- Accertarsi che la batteria e il caricabatterie siano puliti e asciutti prima di inserire la batteria nel caricabatterie.

- Pulire i terminali della batteria con aria compressa o con un panno morbido e asciutto.
- Pulire le superfici della batteria e del caricabatterie con un panno morbido e asciutto.

## Per controllare l'attrezzatura di taglio



**AVVERTENZA:** Per evitare l'avviamento accidentale, ruotare la chiave di sicurezza su 0, rimuovere la batteria e attendere almeno 5 secondi.



**AVVERTENZA:** Indossare guanti protettivi quando si esegue la manutenzione dell'attrezzatura di taglio. La lama è molto affilata e ci si può ferire facilmente.

1. Controllare l'attrezzatura di taglio per individuare danni o crepe. Sostituire sempre l'attrezzatura di taglio danneggiata.
2. Osservare la lama per controllare che non sia danneggiata o usurata.

**Nota:** Dopo l'affilatura la lama deve essere bilanciata. Rivolgersi a un centro assistenza per l'affilatura, la sostituzione e il bilanciamento. Se si urta un ostacolo che provoca l'arresto del prodotto, sostituire la lama danneggiata. Il centro di assistenza può valutare se la lama può essere affilata o deve essere sostituita.

## Per sostituire la lama

Fare riferimento a *Dati tecnici alla pagina 240* per il tipo di lama corretto.



**AVVERTENZA:** Bloccare la lama con un blocco di legno per evitare lesioni alle dita durante la sostituzione della lama. La lama può essere spostata quando il motore è spento e le dita possono rimanere intrappolate tra la lama e le parti fisse.

1. Bloccare la lama con un blocco di legno. (Fig. 44)
2. Rimuovere il bullone della lama, le rondelle e la lama. (Fig. 45)
3. Esaminare il supporto e il bullone della lama per verificare la presenza di eventuali danni.
4. Esaminare l'albero motore per accertarsi che non sia piegato.
5. Quando si fissa la nuova lama, assicurarsi che gli angoli finali della lama puntino in direzione del coperchio di taglio. (Fig. 46)
6. Assicurarsi che la lama sia allineata con il centro dell'albero motore.
7. Bloccare la lama con un pezzo di legno. Montare le rondelle e serrare il bullone a una coppia di 23 – 28 Nm. (Fig. 47) (Fig. 45)
8. Girare manualmente la lama per verificare che possa ruotare liberamente.



**AVVERTENZA:** Utilizzare dei guanti da lavoro spessi. La lama è molto affilata e ci si può ferire facilmente.

9. Avviare il prodotto per eseguire una prova della lama. Se la lama non è collegata correttamente, si verificano delle vibrazioni nel prodotto o il risultato del taglio è insoddisfacente.

## Controllo del deflettore di scarico laterale

Il deflettore di scarico laterale è collegato all'apertura di scarico laterale del prodotto. Esso riduce i rischi di lancio di oggetti verso la posizione di taglio dell'operatore.

1. Assicurarsi che il deflettore di scarico laterale non sia danneggiato.
2. Esaminare il deflettore di scarico laterale. Accertarsi che non presenti difetti, come crepe o molle danneggiate che spingono lo sportello a chiudersi.
3. Sostituire il deflettore di scarico laterale o le molle se sono danneggiati.

## Ricerca guasti

### Batteria

LED della batteria	Causa	Soluzione
Il LED verde lampeggia.	La tensione della batteria è bassa.	Caricare la batteria. Fare riferimento a <i>Per caricare la batteria alla pagina 233</i> .

LED della batteria	Causa	Soluzione
Il LED di errore della batteria lampeggia.	La batteria è troppo fredda o troppo calda per essere usata.	Lasciare raffreddare la batteria o spostarla all'interno per riscaldarla. Quando la batteria ha la temperatura corretta, può essere usata di nuovo. Utilizzare la batteria nel prodotto esclusivamente quando la temperatura ambiente è compresa tra 5 °C e -40 °C.
	La batteria è scarica.	Caricare la batteria. Fare riferimento a <i>Per caricare la batteria alla pagina 233</i> .
Il LED di errore della batteria si accende.	Si è verificato un errore permanente della batteria.	Contattare il rivenditore con servizio di assistenza Husqvarna.

## Caricabatterie

LED del caricabatterie	Causa	Soluzione
La spia LED di errore lampeggia o si accende.	Il caricabatterie è troppo freddo o troppo caldo per essere usato.	Lasciare raffreddare il caricabatterie o spostarlo all'interno per riscaldarlo. Quando il caricabatterie raggiunge la temperatura corretta, può essere usato di nuovo. Utilizzare il caricabatterie quando la temperatura ambiente è compresa tra 5 °C e -40 °C.
	Altri errori.	Contattare il rivenditore con servizio di assistenza Husqvarna.

## Tagliaerba

La spia (LED di errore) si trova sotto il coperchio della batteria.

Problema	LED di errore (numero di lampeggi)	Causa	Soluzione
Il LED di errore lampeggia. Il prodotto non funziona correttamente.	3	La lama è bloccata.	Portare la chiave di sicurezza su 0 per evitare l'avviamento accidentale. Rimuovere la batteria e attendere almeno 5 secondi. Rimuovere eventuali ostacoli e accertarsi che la lama possa ruotare liberamente. Se il problema persiste, contattare il centro assistenza Husqvarna.
	5	La velocità del motore diminuisce eccessivamente e il motore si arresta.	Aumentare l'altezza di taglio. Fare riferimento a <i>Per impostare l'altezza di taglio alla pagina 232</i> .
	6 <sup>49</sup>	Le ruote o la trasmissione sono bloccate.	Portare la chiave di sicurezza su 0 per evitare l'avviamento accidentale. Rimuovere la batteria e attendere almeno 5 secondi. Rimuovere eventuali ostacoli e accertarsi che le ruote possano girare liberamente. Se il problema persiste, contattare il centro assistenza Husqvarna.
	10	Il comando del motore è troppo caldo.	Arrestare il motore e attendere che si raffreddi.

<sup>49</sup> LC 251iS

Problema	LED di errore (numero di lampeggi)	Causa	Soluzione
Il LED di errore lampeggia. Il prodotto si arresta.	Nessun lampeggio	Guasto del connettore della batteria.	Esaminare il connettore della batteria.
	3	Vi è un sovraccarico nel motore.	Aumentare l'altezza di taglio. Fare riferimento a <i>Per impostare l'altezza di taglio alla pagina 232.</i>
	8	La batteria è scarica.	Caricare la batteria. Fare riferimento a <i>Per caricare la batteria alla pagina 233.</i>
	9	Errore batteria o nessun segnale dalla batteria.	Inserire correttamente la batteria nel prodotto e controllare il connettore della batteria. Se il LED di errore della batteria lampeggia. Fare riferimento a <i>Batteria alla pagina 236.</i>
	15	Procedura di avviamento non corretta. L'impugnatura del freno motore è stata innestata prima dell'avviamento del motore.	Rilasciare l'impugnatura del freno motore e attendere circa 5 secondi. Spingere nuovamente verso il basso l'impugnatura del freno motore per avviare il prodotto.
Altri errori.	Se si verificano altri errori, ruotare la chiave di sicurezza su 0, rimuovere la batteria e rivolgersi al centro assistenza Husqvarna.		

## Trasporto, stoccaggio e smaltimento

### Introduzione



**AVVERTENZA:** Per evitare l'avviamento accidentale durante il trasporto e la conservazione, ruotare la chiave di sicurezza su 0, rimuovere la batteria e attendere almeno 5 secondi.

### Disposizione del prodotto in posizione di trasporto

1. Allentare le manopole inferiori.
2. Spostare le manopole verso l'estremità inferiore delle scanalature dei lati sinistro e destro del prodotto. (Fig. 26)
3. Ripiegare l'impugnatura in avanti. (Fig. 48)

### Trasporto

- I requisiti di legge sulle merci pericolose si applicano alle batterie agli ioni di litio incluse.
- Rispettare i requisiti speciali riportati sulla confezione e sulle etichette per il trasporto commerciale.
- Durante la preparazione al trasporto del prodotto, attenersi alle normative relative ai materiali pericolosi. Possono essere in vigore alcune normative locali.

- Rimuovere sempre la batteria per il trasporto.
- Applicare del nastro sui connettori della batteria e assicurarsi che la batteria rimanga fissa in posizione durante il trasporto.
- Fissare il prodotto durante il trasporto.

### Rimessaggio

- Prima di riporre il prodotto, lasciarlo raffreddare.
- Rimuovere sempre la batteria per lo stoccaggio.
- Per evitare incidenti, assicurarsi che la batteria non sia collegata al prodotto una volta riposto.
- Conservare il caricabatterie in un ambiente chiuso e asciutto.
- Conservare la batteria e il caricabatterie in un luogo asciutto, privo di umidità e protetto dal gelo.
- Scollegare la batteria dal caricabatterie durante lo stoccaggio.
- Non conservare la batteria in aree elettricamente statiche. Non conservare mai la batteria in una scatola di metallo.
- Conservare il prodotto a una temperatura ambiente compresa tra -10 °C e 40 °C.
- Conservare la batteria a una temperatura ambiente compresa tra 5 °C e 25 °C e non esposta alla luce del sole.

- Conservare il caricabatterie a una temperatura ambiente compresa tra 5 °C e 45 °C e non esposto alla luce del sole.
- Accertarsi che la batteria sia carica al 30% - 50% prima di riporla per lunghi periodi.
- Conservare il prodotto, la batteria e il caricabatterie in un luogo chiuso a chiave, fuori dalla portata di bambini e di persone non autorizzate.
- Pulire il prodotto e assicurarsi che il raccogliherba sia vuoto.
- Eseguire gli interventi di manutenzione riportati nel presente manuale operatore. Fare riferimento a *Manutenzione alla pagina 235*.
- Eseguire una manutenzione completa prima di riporre il prodotto per lunghi periodi.

## Smaltimento

I simboli sul prodotto o sull'imballaggio indicano che il presente prodotto non può essere trattato come rifiuto domestico. Deve essere portato presso un centro di raccolta specializzato nel recupero di apparecchiature elettriche ed elettroniche.

Trattando questo prodotto correttamente, si contribuisce a contrastare il potenziale impatto negativo sull'ambiente e sulle persone che può altrimenti sortire da una gestione impropria del prodotto come rifiuto. Per informazioni più dettagliate sul riciclaggio di questo prodotto, contattare l'autorità municipale, il servizio rifiuti domestici o il punto vendita in cui è stato acquistato.

(Fig. 49)

## Dati tecnici

### Dati tecnici

	LC 251i	LC 251IS
<b>Motore di taglio</b>		
Tipo di motore	BLDC (senza spazzole) 36 V	BLDC (senza spazzole) 36 V
Velocità del motore – SavE, giri/min	2600/min	2600/min
Velocità del motore – Nominale, giri/min	3000/min	3000/min
Velocità del motore - Carico elevato, giri/min	3500/min	3500/min
Potenza del motore - max kW	1,4	1,4
Potenza del motore - Nominale, kW	0,9	0,9
<b>Motore di azionamento</b>		
Potenza del motore - Nominale, kW	N/D	0,4
Velocità conduzione automatica, km/h	N/D	4,0
Livelli di regolazione della velocità	N/D	1
<b>Peso</b>		
Peso senza sacchetto (batteria esclusa), kg	25,5	27
Peso con sacchetto (incl. 2 x BLi30), kg	31,5	33
<b>Batteria</b>		
Tipo di batteria	Serie a batteria Husqvarna	Serie a batteria Husqvarna
<b>Prestazione della batteria</b>		
Prestazione della batteria, min. (free run) con modalità SavE attivata, con una batteria Husqvarna da 7,5 Ah (BLi30).	58	51
Prestazione della batteria, min. (free run) con modalità standard attivata, con una batteria Husqvarna da 7,5 Ah (BLi30).	42	38
<b>Emissioni di rumore</b> <sup>50</sup>		
Livello di potenza acustica, misurato dB(A)	96	96
Livello acustico, garantito L <sub>WA</sub> dB(A)	98	98
<b>Livelli di rumorosità</b> <sup>51</sup>		
Livello di pressione acustica all'orecchio dell'operatore, dB(A)	85	85

<sup>50</sup> Emissioni di rumore nell'ambiente misurate come potenza sonora (L<sub>WA</sub>) in base alla direttiva CE 2000/14/CE.

<sup>51</sup> I dati riportati per il livello di pressione acustica presentano un fattore di incertezza di 1,5 dB(A).



	LC 251i	LC 251iS
<b>Livelli di vibrazioni</b> <sup>52</sup>		
Impugnatura, m/s <sup>2</sup>	0,7	0,7
<b>Attrezzatura di taglio</b>		
Altezza di taglio, mm	25-75	25-75
Larghezza di taglio, mm	510	510
Lama - standard	Raccolta 5928704-01	Raccolta 5928704-01
Capacità del sacco raccoglierba, litri	65	65

Batterie approvate	Tipo	Capacità batteria, Ah	Tensione, V	Peso, lb/kg
BLi30	Ioni di litio	7,5	36	4,2/1,9
40-B140	Ioni di litio	4,0	36	2,6/1,2

Caricabatteria omologati per le batterie specificate, BLi	Tensione di entrata, V	Frequenza, Hz	Potenza, W
40-C80	100-240	50-60	68,8
QC250	100-240	50-60	250

<sup>52</sup> I dati riportati per il livello di vibrazioni presentano un fattore di incertezza (K) di 1,5 m/s<sup>2</sup>. Il valore totale dichiarato relativo alle vibrazioni è stato misurato in conformità allo standard EN 62841-4-3 Allegato I e può essere utilizzato per confrontare le macchine e in una valutazione preliminare dell'esposizione.

# Dichiarazione di conformità

## Dichiarazione di conformità UE

Husqvarna AB, SE-561 82 Huskvarna, Svezia, tel.:  
+46-36-146500, dichiara sotto la propria esclusiva  
responsabilità che il prodotto indicato:

<b>Descrizione</b>	Tagliaerba
<b>Marchio</b>	Husqvarna
<b>Tipo / Modello</b>	LC 251i, LC 251iS
<b>Identificazione</b>	Numeri di serie a partire da 2023 e successivi

È pienamente conforme alle seguenti norme e direttive  
UE:

<b>Regolamento</b>	<b>Descrizione</b>
2006/42/CE	"sulle macchine"
2014/30/UE	"sulla compatibilità elettromagnetica"
2000/14/CE	"sull'emissione di rumore nell'ambiente"
2011/65/UE	"sulle restrizioni dell'uso di determinate sostanze pericolose nelle apparecchiature elettriche ed elettroniche"

e che sono applicati gli standard e/o le specifiche  
tecniche seguenti: EN 62841-1:2015/A11:2022, EN IEC  
62841-4-3:2021/A11:2021, EN IEC 55014-1:2021, EN  
IEC 55014-2:2021, EN IEC 63000:2018

Organo competente: 0404, SMP Svensk  
Maskinprovning AB, Box 4053, SE-904 03 Umeå,  
Sweden ha certificato la conformità alla Direttiva del  
Consiglio 2000/14/CE, procedura di valutazione della  
conformità: Allegato VI

Per informazioni sulle emissioni acustiche, fare  
riferimento a *Dati tecnici alla pagina 240*.

Huskvarna, 2023-12-11



Claes Lossdal, Responsabile sviluppo/Prodotti da  
giardino, Husqvarna AB

Responsabile della documentazione tecnica



---

## 目次

---

はじめに.....	243	トラブルシューティング.....	253
安全性.....	244	搬送、保管、廃棄.....	255
組立.....	249	主要諸元.....	257
Operation( 操作 ).....	249	適合宣言.....	259
メンテナンス.....	252		

---

## はじめに

---

### 製品の説明

本製品は、手押し式ロータリー芝刈機です。芝はグラスキャッチャーに収集されます。芝を横に排出するには、サイドデイスチャージデフレクターを取り付けます。

### 製品の概要

(図 1)

1. モーターブレーキハンドル
2. 始動抑制装置
3. ドライブベイル (LC 251iS)
4. 後部カバー
5. グラスキャッチャー
6. ハンドルノブ
7. 刈高調整レバー
8. デイスチャージロック
9. サイドデイスチャージカバー
10. バッテリーリッド
11. シンボルマーク
12. 安全キー
13. 警告インジケータ ( エラー LED )
14. SavE ボタン
15. カuttingカバー
16. ハンドル / ハンドルバー
17. リフトハンドル
18. サイドデイスチャージャー
19. 取扱説明書

### 製品に表記されるシンボルマーク

- (図 2)      警告
- (図 3)      すべての指示をお読みください。
- (図 4)      警告 - 飛んでくる物体に気をつけてください。
- (図 5)      そばに人がいないようにしてください。
- (図 6)      警告 - ブレードに手や足を近づけないでください。

### 用途

本製品は芝刈り用です。他の作業に本製品を使用しないでください。

- (図 7)      警告 - メンテナンスの前にはバッテリーを外してください。
- (図 8)      本製品や本製品のパッケージは、一般廃棄物ではありません。電気・電子機器のリサイクル業者にリサイクルを依頼してください。
- (図 9)      環境に対する騒音レベルは EC 指令と英国の指令および規制、ニューサウスウェールズの法規「Protection of the Environment Operations ( Noise Control ) Regulation 2017」に準拠しています。本製品の保証音響レベルは次の場所とラベルに記載されています： **主要諸元 257 ページ**。
- (図 10)      本アタッチメントは EC 規格適合製品です。
- (図 11)      本製品の保証音響レベルは次の場所とラベルに記載されています：
- (図 12)      本製品は防滴対応です。
- (図 13)      モーターブレーキハンドルを放すと、モーターは停止します。
- (図 14)      スキャン用のコード

---

**注記：** 本製品に付いている他のシンボル / 銘板は、一部の市場地域に向けた認定条件を示します。

---

### 本製品のラベル

- (図 15)
- 危険 - 手や足を近づけないでください。

## 製品の損傷

以下の場合、当社は製品の損傷について責任を負いません。

- 本製品が誤って修理された場合。
- メーカーによるものではない部品、またはメーカーの認可していない部品を使用して本製品を修理した場合。

- メーカーによるものではないアクセサリ、またはメーカーの認可していないアクセサリを本製品に使用した場合。
- 認定サービスセンターまたは認定販売店で本製品が修理されていない場合。

## 安全性

### 安全性の定義

警告、注意、注記は、取扱説明書の特に重要な部分を示しています。



**警告：** 取扱説明書の指示に従わない場合、使用者が負傷したり、死亡したりするか、あるいは付近の人に損傷を与える危険があることを意味します。



**注意：** 取扱説明書の指示に従わない場合、製品や他の物品、または隣接するエリアに損傷を与える危険があることを意味します。

**注記：** 特定の状況で必要とされる詳細情報を提供するために使用されます。

### 製品に関する一般的な安全上の警告



**警告：** 本製品に付属する安全に関する警告、注意事項、図、仕様をすべてお読みください。下記のすべての指示に従わない場合、感電、火災、あるいは深刻な傷害を招くことがあります。

すべての警告や説明は、以後の参考のために保管してください。警告の「製品」とは、電源で動作する（コード付）製品またはバッテリー駆動（コードレス）の製品を指します。

### 作業エリアの安全

- 作業エリアはきれいにし、適切な照度を保ってください。乱雑な場所や暗い場所では、事故が起こりやすくなります。
- 可燃性の液体や気体、塵がある所など、爆発性環境の中では本製品を動作させないでください。本製品は、塵やガスを発火させる火花を発生することがあります。
- 本製品の操作中は子供やそばにいる人たちと十分な距離を置いてください。注意が散漫になって、操作ミスを引き起こす可能性があります。

### 電気保安

- 製品のプラグはコンセントに適合しなければなりません。決してプラグを改造しないでください。アダプタープラグをアースの付いた（接地された）製品

とともに使用しないでください。改造されていないプラグおよび型の同じコンセントを使用すれば、感電のリスクが低くなります。

- パイプやラジエータ、レンジ、冷蔵庫など、アースの付いた表面または接地された表面に触れないようにしてください。体が接地していたりアースされていたりすると、感電のリスクが高くなります。
- 製品を雨露や湿潤な環境にさらさないでください。製品内に水が入ると、感電のリスクが高まります。
- コードを本来の目的以外に使用しないでください。コードを持って製品を移動したり、引っ張ったり、電源を抜いたりしないでください。熱やオイル、とがった先端や可動部品にコードを近づけないでください。コードが破損したり絡まると、感電のリスクが高くなります。
- 屋外で製品を操作する場合は、屋外での使用に適した延長コードを使用してください。屋外での使用に適したコードを使用することで、感電の危険性は少なくなります。
- 湿気のある場所で製品を使用しなければならない場合は、電源を保護するために漏電遮断器（RCD）を使用してください。RCDの使用は感電の危険性を低減します。

### 個人の安全

- 製品を使用するときは、十分に気をつけて慎重に行動し、常識に従ってください。疲労時、医薬品およびアルコールの影響が残っている状態で製品を使用しないでください。製品の操作中は、一瞬の不注意が重大な人的損傷につながる可能性があります。
- 身体保護具を使用してください。常に眼の保護具を着用してください。防塵マスクや滑り止め用の安全靴、ヘルメット、イヤマフを使用すると、負傷の危険性が少なくなります。
- 予期せぬ始動を防止してください。電源およびバッテリーパックを接続する場合や本製品を持ち運ぶ場合は、必ずスイッチがオフの位置にあることを確認してください。スイッチに指を置いて製品を運んだり、製品のスイッチが入った状態で給電すると、事故につながります。
- 製品の電源を入れる前に、調整キーやレンチを外してください。本製品の回転部品にレンチやキーが取り付けられていると負傷の原因となります。
- 無理な体勢で作業しないでください。常に、安定した足場とバランスを保つようにしてください。これにより、予期しない事態でも本製品を安定した状態に保つことができます。

- 適切な服装を心がけてください。ゆったりした衣服や装身具を身につけないでください。可動部品に髪の毛や衣服を近づけないでください。ゆったりした衣服や装身具、長髪は可動部品に絡まるおそれがあります。
- 集塵装置の接続用装備が提供されている場合、それが接続されて正しく使用されているか確認してください。集塵装置を使用すると、塵に関連する危険を回避できます。
- 製品を頻繁に使用することによる慣れで、安全への関心を失ってツールの安全原則を無視することは非常に危険です。不注意により、一瞬で深刻な事故が発生するおそれがあります。

## 製品の使用と手入れ

- 本製品に無理な力を加えないでください。用途に合った適切な製品を使用してください。適切な製品を使用することで、設計された速度でより良く安全に作業を行います。
- スイッチが機能しない場合は本製品を使用しないでください。スイッチで制御できない製品は危険なため、修理する必要があります。
- 製品の調整、アクセサリの変更、または製品の保管前は、電源プラグを外し、製品からバッテリーパックを取り外してください（着脱可能な場合）。予防的な安全対策を行うことで、誤って本製品を始動させる危険性が少なくなります。
- 使用していない製品は子供の手の届かない所に保管して、製品や製品の取り扱い方法に詳しくない人が操作しないように注意してください。不慣れたユーザーが製品を扱うと危険です。
- 製品とアクセサリのメンテナンスを行ってください。可動部品の誤調整や巻き付き、部品の破損や製品の動作に影響するその他の状態が発生していないことを確認します。破損している場合は、本製品を修理してから使用してください。多くの事故は、製品の保守不備によって発生します。
- 切削工具は研いだ状態で清潔に保ちます。正しくメンテナンスされて研いだ切削工具は、バインドすることも少なく、制御が簡単です。
- 本製品、アクセサリ、工具ビットなどは、作業条件と作業について考慮して、取扱説明書に従って使用してください。本製品の用途と異なる作業に本製品を使用すると、危険な状況を招くことがあります。
- ハンドル部および保持面は乾燥させて、オイルや油が付着しないようにきれいな状態を保ってください。ハンドルと保持面が滑りやすいと、予期しない状況で製品の安全な取り扱いや制御ができません。

## バッテリーツールの使用と手入れ

- メーカー指定の充電器のみを使って充電してください。1種類のバッテリーパックのみに適合する充電器は、それ以外のバッテリーパックの充電で使用すると、火災を起こす恐れがあります。
- 製品には、指定された専用バッテリーパックのみを使用してください。それ以外のバッテリーパックを使用すると、怪我や火災を招く危険があります。
- バッテリーパックを使用しないときは、ペーパーリップ、コイン、キー、爪ぎり、ネジなどの金物、

あるいは端子間を短絡する恐れがある他の小さな金物から遠ざけるようにしてください。バッテリー端子の短絡は、火傷や火災を引き起こす恐れがあります。

- 劣悪な環境では、液体がバッテリーから漏れ出すことがあります。そのような場合、液体には触れないようご注意ください。もし万が一誤って触れてしまった場合、水で洗い流してください。液体が目に入ってしまった場合、医師の診察を受けてください。バッテリーから漏れ出した液体は、炎症や火傷を引き起こすことがあります。
- 故障した、または改造されたバッテリーパックやツールは使用しないでください。故障した、または改造されたバッテリーは、予測不可能な挙動を起こし、発火や破裂、障害の原因となる可能性があります。
- バッテリーパックやツールを火や高温にさらさないでください。火または 130°C (265°F) 以上の温度環境にさらすと爆発する恐れがあります。
- 充電の手順にすべて従い、指示された温度範囲外でバッテリーパックまたはツールを充電しないでください。充電を不適切に行ったり、指定された範囲から外れた温度環境で行ったりした場合、バッテリーの損傷や火災発生危険の増加につながることがあります。

## サービス

- 製品のサービスは、資格のある修理担当者が同じ交換部品を使って行うようにしてください。こうすることで、製品の安全性を維持できます。
- 損傷したバッテリーパックを決して修理しようとししないでください。バッテリーパックの修理は、メーカーまたは販売店しか行えません。

## 芝刈機に関する安全上の警告

- 悪天候の場合、特に雷発生の危険がある場合は、芝刈機を使用しないでください。これは、落雷の危険を避けるためです。
- 芝刈機を使用するエリアの野生動物について十分に調査してください。芝刈機の動作中に野生動物が負傷する可能性があります。
- 芝刈機を使用するエリアを十分に調査して、すべての石、枝、ケーブル、骨などの異物を取り除いてください。飛んでくる物によって負傷する可能性があります。
- 芝刈機を使用する前に、必ずブレードとブレードアセンブリが摩耗または損傷していないことを目視で点検してください。パーツが摩耗または損傷していると、負傷する可能性が高くなります。
- グラスキャッチャーに摩耗や劣化がないか、頻繁に確認してください。グラスキャッチャーが磨耗または損傷していると、負傷する危険性が高くなります。
- ガードを取り付けてください。適切に動作するガードを正しく取り付ける必要があります。ガードに緩みや損傷がある場合や適切に動作しない場合は、負傷につながるおそれがあります。
- すべての冷却用吸気口から異物を取り除いてください。冷却用吸気口が異物で塞がれていると、火災を起こす危険性があります。

- 芝刈機の操作中は常に滑りにくい保護靴を着用してください。裸足やサンダルで芝刈機の操作をしないでください。動作中のブレードと足が接触しないようにすることで負傷の可能性が減少します。
- 芝刈機の操作中は、必ず長ズボンを着用してください。肌が露出していると、飛ばされた物体によって負傷する可能性が高くなります。
- 芝刈機は濡れた手で操作しないでください。歩きながら操作し、決して走らないでください。滑って転倒して負傷する可能性が減少します。
- 芝刈機は急斜面では使用しないでください。制御が効かずに滑って転倒して負傷する可能性が減少します。
- 斜面で作業する場合は、常に足元を確認して、斜面を上を下することは避けて横方向に移動してください。方向を変えるときは横に注意を払ってください。制御が効かずに滑って転倒して負傷する可能性が減少します。
- 芝刈機を後退させるとき、または手前に引くときは、細心の注意を払ってください。常に周囲に気をつけてください。これにより、運転中の転倒のリスクが低減されます。
- ブレードやその他の危険な可動部品が動いている間は触れないでください。これにより、可動部品による負傷のリスクが低減されます。
- 詰まった物体を取り除くときや芝刈機を清掃するときは、すべての電源スイッチがオフで、バッテリーパックが外れていることを確認してください。誤って芝刈機が作動すると、重傷の原因となる可能性があります。
- 詰まった物体を取り除くときや芝刈機を清掃するときは、すべての電源スイッチがオフで、無効化装置が取り外されていることを確認してください。誤って芝刈機が作動すると、重傷の原因となる可能性があります。

## 漏電遮断器

- トリップ電流が 30 mA 以下の漏電遮断器を使用してください。

## 一般的な安全注意事項



**警告：** 本製品を使用する前に、以下の警告指示をお読みください。

- 本製品は、慎重かつ適切に使用しないと、危険な道具となります。安全注意事項に従わないと、負傷や死亡事故が発生するおそれがあります。
- 本製品では、運転中に電磁場が発生します。この電磁場は、ある条件下でアクティブ、またはパッシブな医療用インプラントに影響を及ぼすことがあります。深刻な傷害または致命傷の危険を避けるため、医療用インプラントを使用している方は、本製品を使用する前に主治医および医療用インプラントの製造元に相談することをお勧めします。
- 常に常識に基づいて注意して使用してください。特殊な状況での本製品の操作方法がわからない場合、作業を続ける前に本製品を停止して、Husqvarna 販売店までご連絡ください。

- 第三者やその所有物が事故に巻き込まれた場合、その責任は、作業者にあることをご注意ください。
- 本製品は清潔に保ってください。標識やラベルがはっきりと読み取れるようにしてください。
- 子供や使用方法に習熟していない人に、本製品を使用させないでください。地域の規制によっては、使用者の年齢制限がある場合があります。
- 身体的、精神的にハンデを負った人が本製品を使用する場合は常に監視してください。責任を有する大人が常にそばにいる必要があります。
- 疲労時、疾病時、アルコールや医薬品の影響が残っているときは、本製品を使用しないでください。視力、注意力、動作、判断力に悪影響を与えます。
- 損傷した製品や正しく動作しない製品を使用しないでください。
- 本製品を改造しないでください。また、本製品が改造されている可能性がある場合は使用しないでください。

## 安全な作業



**警告：** 本製品を使用する前に、以下の警告指示をお読みください。

- 本製品は芝生刈りにのみ使用してください。他の作業には使用できません。
- 身体保護具を使用してください。身体保護具 247 ページを参照してください。
- 緊急時にモーターをすばやく停止する方法を必ず確認してください。
- 雨降りや湿潤な環境下で本製品を操作しないでください。本製品に水が入ると、感電の危険性が高まります。
- ブレードやすべてのカバーを適切に装着してから本製品を始動させてください。ブレードが適切に装着されていないと、緩んで、怪我をすることがあります。
- ブレードが石や根などの物体にぶつからないように気を付けてください。ブレードが損傷したり、モーターシャフトが曲がったりするおそれがあります。シャフトが曲がると振動が激しくなり、ブレードが緩む危険性が非常に高くなります。
- ブレードが物に当たったり振動が発生したりした場合は、すぐに本製品を停止してください。モーターを停止し、安全キーを 0 の位置に回してバッテリーを取り外します。可動部品が停止するまで待ちます。製品に損傷がないか点検します。緩んだ部品を締め付けます。損傷部を修理するか、破損した部品を交換します。販売店にメンテナンスを依頼してください。
- モーターの始動時は、モーターブレーキハンドルをハンドルに完全に固定しないでください。
- 製品を平らで安定した面に置き、始動します。ブレードが地面やその他の物に触れないよう、注意してください。
- 本製品の操作時は、必ず製品の後ろに立ってください。

- 製品を操作するときは、すべてのホイールを地面につけ、両手でハンドルをつかんで操作してください。回転しているブレードに手や足を近づけないでください。
- モーターの始動時や本製品の動作中には、本製品を傾けないでください。
- 製品を後方に引くときは注意してください。
- モーターの作動中は、本製品を持ち上げないでください。本製品を持ち上げる必要がある場合は、まずモーターを停止させ、安全キーを0の位置に回してバッテリーを取り外してください。
- 本製品を操作するときは、後ろ向きに歩かないでください。
- 搬送のために本製品を傾ける必要がある場合や、砂利、石、アスファルトの道など草のない場所を通過する前には、モーターを停止します。
- モーターの作動中は、本製品を操作しながら走らないでください。製品を操作するときは、必ず歩いてください。
- 刈高を変更する場合は、まずモーターを停止してください。モーターが作動している状態での調整は決して行わないでください。
- モーターが作動している状態で、見えない場所に製品を放置しないでください。モーターを停止し、カッティング装置が回転していないことを確認してください。
- 動作中の本製品の振動は、*主要諸元 257* ページの公称振動値とは異なる場合があります。これは製品の使用方法が異なることが理由です。本製品を頻繁に、または長期間使用する場合は、振動による負傷を防ぐために定期的に休憩を取ってください。
- 損傷している、または正しく動作していない安全装置を取り付けた状態で、製品を使用しないでください。
- 安全装置を取り外したり、改造しないでください。
- 安全装置は定期的に点検してください。安全装置が損傷している、または正しく動作していない場合は、Husqvarna サービス販売店にお問い合わせください。

## カッティングカバーの点検方法

カッティングカバーは、本製品の振動を抑え、ブレードで負傷する危険性を低減します。

- カッティングカバーを点検して、亀裂などの損傷がないことを確認してください。

## 安全キーの点検

安全キーはバッテリーカバーの下にあります。安全キーは、電源を供給するバッテリーとモーターを接続します。

- 安全キーを点検するには、モーターを始動および停止します。
- 安全キーが正しく機能している場合は、安全キーが1の位置にあるときのみモーターが始動します。(図16)

## リヤカバーの点検

リヤカバーは、作業者の方向に物体が飛ぶ危険を低減します。

- リヤカバーに損傷がないことを確認します。
- リヤカバーを閉じるスプリングに損傷がないことを確認します。
- 損傷したスプリングおよび部品を交換します。
- リヤカバーがヒンジ上でスムーズに動くことを確認します。

## モーターブレーキハンドルの点検

モーターブレーキハンドルは、モーターを停止させるためのものです。モーターブレーキハンドルを放すと、モーターが停止します。

- 本製品を始動します。本製品の始動方法 250 ページを参照してください。
- モーターブレーキハンドルを放します。(図17)
- 本製品が停止することを確認します。モーターが3秒で停止しない場合は、Husqvarna の認証サービス代理店にモーターブレーキの調整を依頼してください。

## 始動抑制装置の点検

始動抑制装置を点検して、モーターの作動を抑制することを確認します。

1. ハンドルバーの方向にモーターブレーキハンドルを押します。始動抑制装置により動きが停止します。
2. 始動抑制装置を押します。(図18)
3. 始動抑制装置を放して、最初の位置に戻ることを確認します。

## 操作のための安全注意事項

### 身体保護具



**警告：** 本製品を使用する前に、以下の警告指示をお読みください。

- 身体保護具で怪我を完全に防止できるわけではありませんが、万が一事故が起こった場合、負傷の度合いを軽減することができます。適切な保護具の選択については、販売店にご相談ください。
- 丈夫で滑りやすいブーツや靴を着用してください。開放部の多い靴を使用したり、裸足で作業を行ったりしないでください。
- 厚手の長ズボンを着用してください。
- カッティング装置の取り付け、点検、清掃を行う場合は、必要に応じて保護グローブを着用してください。
- イヤマフを使用することをお勧めします。

### 本製品の安全装置



**警告：** 本製品を使用する前に、以下の警告指示をお読みください。

## バッテリーの安全



**警告：** 本製品を使用する前に、以下の警告指示をお読みください。

- Husqvarna 充電式バッテリーは、対応する Husqvarna 製品の電源としてのみ使用してください。負傷を防ぐため、このバッテリーを他の装置の電源として使用しないでください。
- 充電式ではないバッテリーは使用しないでください。
- 感電するおそれがあります。バッテリーの端子を鍵や硬貨、ネジや他の金属に接触させないでください。バッテリーが短絡する原因になります。
- バッテリーのエアスロットに物が入らないようにしてください。
- バッテリーは直射日光や熱、裸火から保護してください。バッテリーが爆発して、やけどや化学熱傷を負うおそれがあります。
- バッテリーは雨から遠ざけて、濡れない状態に維持してください。
- バッテリーは電子レンジや高圧から保護してください。
- バッテリーを分解したり壊したりしないでください。
- バッテリーから漏れが発生した場合、身体や目に液体が触れないようにしてください。液体に触れた場合は、触れた箇所を大量の水で洗い流し、医療機関に相談してください。
- 本製品のバッテリーは、周囲温度が 5°C ~ 40°C の場合のみ使用してください。
- バッテリー充電器は、周囲温度が 5°C ~ 40°C の場合のみ使用してください。
- バッテリーの温度が 50°C を超えると、バッテリーは充電されません。
- バッテリーまたはバッテリー充電器は、水で洗淨しないでください。参照： *バッテリーとバッテリー充電器の清掃方法 252 ページ*。
- 損傷したバッテリーは使用しないでください。
- バッテリーは、くぎ、硬貨、宝飾品などの金属から離して保管してください。

## バッテリー充電器の安全性



**警告：** 本製品を使用する前に、以下の警告指示をお読みください。

- Husqvarna 交換用バッテリーの充電には、QC バッテリー充電器のみを使用してください。
- 感電や短絡のおそれがあります。充電器のエアスロットに物を入れないでください。バッテリー充電器を分解しないでください。充電器の端子を金属に接触させないでください。認可された主電源ソケットを使用してください。
- 本製品では、運転中に電磁場が発生します。この電磁場は、ある条件下でアクティブ、またはパッシブな医療用インプラントに影響を及ぼすことがありま

す。深刻な傷害または致命傷の危険を避けるため、医療用インプラントを使用している方は、本製品を使用する前に主治医および医療用インプラントの製造元に相談することをお勧めします。

- 定期的に充電器の電源コードを点検し、損傷や亀裂がないことを確認してください。
- 電源コードを持ってバッテリー充電器を持ち上げないでください。主電源ソケットからバッテリー充電器を取り外す際は、プラグを引っ張ってください。電源コードを引っ張らないでください。
- 電源コードや延長ケーブルが、水、油、鋭利な物に接触しないようにしてください。ケーブルがドアやフェンスなどに挟まっていないことを確認してください。充電器が通電する可能性があります。
- バッテリー充電器を水で洗淨しないでください。
- 本バッテリー充電器は、8 才以上の子供、身体的、知覚的、精神的障害のある方、または経験や知識のない方でも、本バッテリー充電器の安全な使用に関する監督または指示を受け、関連する危険について理解することで使用できます。子供を充電器で遊ばせないでください。保護者による監督のない限り、子供にクリーニングおよびメンテナンスを行わせないでください。
- 充電不可能なバッテリーを本バッテリー充電器で充電しないでください。
- 可燃性の物質や、腐食の原因となる物質の近くでは、バッテリー充電器を使用しないでください。バッテリー充電器を覆わないでください。煙や火災が発生した場合、バッテリー充電器の電源プラグをコンセントから引き抜いてください。
- 損傷したバッテリー充電器を使用しないでください。
- バッテリーは、通気がよく直射日光が当たらない室内でのみ充電してください。濡れた状態でバッテリーを充電しないでください。

## メンテナンスのための安全注意事項



**警告：** 本製品を使用する前に、以下の警告指示をお読みください。

- メンテナンス中に誤って始動しないようにするために、安全キーを 0 の位置に回して、バッテリーを取り外します。5 秒以上待ってから、メンテナンスを開始してください。
- 本取扱説明書に記載されているメンテナンスのみを実施してください。本書に記載されている内容以外のメンテナンスやプロによる修理は必ず販売店に依頼してください。詳しくは、最寄りのサービス代理店までお問い合わせください。
- 適切にメンテナンス作業を実施すると、製品の寿命が延び、事故のリスクを低減することができます。
- 損傷、摩耗、破損した部品は交換してください。必ずメーカーが推奨する純正スベアーツのみを使用してください。その他のスベアーツを使用すると、本製品が損傷し、事故の危険性が高まる可能性があります。



- ・ 負傷を防ぐために、安全装置を修理または改造しないでください。
- ・ カutting装置を取り扱う際は、丈夫な作業用手袋を着用してください。ブレードは非常に鋭利なため、切り傷を負う危険性があります。
- ・ 最も安全で最良の性能を実現するために、カuttingエッジを目立てし、清潔に保ってください。
- ・ サービス代理店に本製品の定期検査を依頼し、必要な調整や修理を受けてください。
- ・ アクセサリーの交換は、手順に従って実施してください。純正のアクセサリーのみを使用してください。
- ・ 操作しないときは、製品、バッテリー、バッテリー充電器を乾燥した、屋内の鍵のかかる場所に保管してください。子供や許可されていない人が、製品、バッテリー、バッテリー充電器に近づけないようにしてください。

## 組立

### はじめに



**警告：** 製品を組み立てる前に、安全の章をよく読んでください。



**警告：** 組み立て中に誤って始動しないようにするために、安全キーを0の位置に返し、バッテリーを取り外してから最低5秒間待ってください。

### ハンドルの組み立て

**注記：** この手順は2人で行うことを推奨します。

**注記：** ハンドルを組み立てる際に、ボックスから本製品を取り出さないでください。ボックスは、組み立て時にハンドルを支えるために使用できます。

1. ハンドルを持ち上げて回転させます。(図 19)



**注意：** ハンドルを回転させる際に、ケーブルが損傷しないよう注意してください。

2. ハンドルを本製品の上に置きます。ハンドルを支えるために、ハンドルを傾けてボックスに載せます。図を参照してください。(図 20)

3. ネジ(A)をハンドル(B)、プラスチックワッシャー(C)、ハンドルサポートブラケット(D)に通します。(図 21)
4. ナット(E)を完全に締めつけます。
5. 本製品をボックスから取り出します。
6. ハンドルを直立位置に展開します。(図 22)
7. ハンドルの高さを最低位置に設定します。参照：/ハンドルの調節方法 249 ページ。
8. ケーブルクリップでケーブルをハンドル下部に固定します。(図 23)
9. ケーブルタイで、ケーブル下部をハンドルサポートブラケットに固定します。ケーブルタイの残りの部分を切断します。(図 24)

**注記：** ケーブルが正しく取り付けられていることを確認します。ケーブルが緩すぎると、グラスキャッチャーを取り付ける際にケーブルが損傷する原因となります。(図 25)

### ハンドルの調節方法

1. 下側ノブを緩めます。
2. 本製品の左右にある溝の下端までノブを動かします。(図 26)
3. ハンドルを2つの高さのいずれかにセットします。
4. ノブをハンドル方向に、カチッと音がするまで上方に動かします。(図 27)
5. ノブを完全に締め込みます。

## Operation ( 操作 )

### はじめに



**警告：** 本製品を操作する前に、安全に関する章をお読みになり、内容を理解してください。

### Husqvarna Connect

Husqvarna Connect は、モバイルデバイス用の無料アプリです。Husqvarna Connect アプリは、お持ちのHusqvarna 製品の拡張機能を提供します。

- ・ 拡張製品情報。

- ・ 製品の部品とサービスに関する情報とヘルプ。

### Husqvarna Connect の使い方

1. Husqvarna Connect アプリをモバイルデバイスにダウンロードします。
2. Husqvarna Connect アプリで登録を行います。
3. Husqvarna Connect アプリの指示に沿って、製品を接続して登録します。

### 製品を操作位置にセットする方法

1. 下側ノブが緩んでいることを確認します。参照：/ハンドルの調節方法 249 ページ。

2. ハンドルを直立位置に展開します。(図 22)
3. カチッと音がして止まるまでノブをハンドル方向上方に動かします。(図 27)
4. ノブを完全に締め込みます。



**警告：** ハンドルが完全に折り畳まれ、適切な高さのいずれかに設定されていない限り、本製品を操作しないでください。  
参照：ハンドルの調節方法 249 ページ。

## 刈高の設定方法

1. 刈高を高くするには、刈高レバーを後方に動かします。
2. 刈高を低くするには、刈高レバーを前方に動かします。(図 28)



**注意：** 刈高を低く設定しすぎないでください。芝生の表面が水平でない場合、ブレードが地面に当たるとおそれがあります。

## バッテリー



**警告：** バッテリーを使用する前に、安全に関する章をお読みにになり、内容を理解してください。バッテリーおよびバッテリー充電器の取扱説明書もお読みにになり、内容を理解してください。

バッテリーとバッテリー充電器を適切な周辺温度の場所に保管します。

	周辺温度
バッテリーの作動	5°C ~ -40°C
バッテリーの充電	5°C ~ -40°C

## バッテリーステータス

ディスプレイには、バッテリー残量やバッテリーに関する問題が表示されます。バッテリーインジケータボタンを押すと、バッテリーの充電状態の情報が表示されます。エラーが発生すると、バッテリーに関する警告マークが点灯します。参照：バッテリー 253 ページ。

(図 29)

LED ランプ	バッテリーステータス
すべての LED が点灯	フル充電 (76 ~ 100%)
LED 1、LED 2、LED 3 が点灯	バッテリーは 51% ~ 75% 充電済み
LED 1、LED 2 が点灯	バッテリーは 26% ~ 50% 充電済み
LED 1 が点灯	バッテリーは 6% ~ 25% 充電済み。

LED ランプ	バッテリーステータス
LED 1 が点滅	バッテリーは 0% ~ 5% 充電済み。

## バッテリーの充電方法

初めて使用する前に、バッテリーを充電してください。お客様への出荷時、バッテリーは 30% のみ充電されています。

**注記：** バッテリー充電器は、銘板で指定された電圧と周波数の電源に接続する必要があります。

バッテリーの温度が 50°C を超えている場合は、バッテリーが充電されません。バッテリー充電器は、バッテリーの温度が下がってから充電を開始します。

1. バッテリー充電器用電源コードの片端をバッテリー充電器のソケットに接続します。
2. バッテリー充電器用電源コードのもう一方の端を、アースされている主電源ソケットに接続します。バッテリー充電器の LED が一度緑色で点滅します。(図 30)
3. バッテリーをバッテリー充電器に取り付けます。バッテリーがバッテリー充電器に正しく接続されると、バッテリー充電器の緑色のランプが点灯します。(図 31)
4. バッテリーの LED がすべて点灯したら、バッテリーはフル充電されています。バッテリーを最大 24 時間充電します。
5. 主電源ソケットからバッテリー充電器を取り外す際は、電源コードではなくプラグを引いてください。
6. バッテリー充電器からバッテリーを外します。

## 本製品の始動方法

1. バッテリーカバーを開けます。
2. 充電済みバッテリーをバッテリーホルダーのいずれかに入れます。動作時間を長くするには、2 つ目の充電したバッテリーをもう一方のバッテリーホルダーに入れます。
3. 安全キーを 1 に回します。(図 32)
4. 製品の後ろに立ってください。
5. 始動抑制装置を緩めます。(図 18)
6. ハンドルバーの方向にモーターブレーキハンドルを押します。(図 33)

## ドライブホイールの使用 (LC 251iS)

- ハンドルバーの方向にドライブペイルを押します。(図 34)
- 障害物に近づいたときなどは、ドライブペイルを放してドライブを解除します。
- ドライブを解除し、本製品を約 10 cm 前方に押してから、後ろ向きに引きまます。

## SavE™ 機能の使用法

本製品には、長時間の動作を実現するバッテリー節約機能 (SavE™) が備わっています。

- SavE™ ボタンを 1 の位置に押すと、機能が始動します。(図 35)
- SavE™ ボタンを 0 の位置に押すと、機能が停止します。

**注記：** 地面の状態に応じて高い出力が必要になると、SavE™ 機能は自動的に停止します。SavE™ 機能は、地面の状態により、自動的に再開されます。

## 高負荷機能

長い芝や濡れた芝を刈り取るときは、モーターの回転数が自動的に増加します。高負荷が不要になると、モーターは標準モードに戻ります。

## モーターの失速

動作中、カッティングカバーの下に詰まった草などの障害物が原因で、ブレードとモーターが一時的に停止することがあります。この場合、モーターブレーキハンドルを押し下げて維持すると、本製品は自動的に再始動します。5～10 秒以内に本製品が再始動しない場合は、カッティングカバーの下の清掃が必要になることがあります。参照：製品の清掃方法 252 ページ。



**警告：** モーターが停止すると、本製品は 5～10 秒間、自動的に再始動を試みます。カッティングカバーを点検する前に、15 秒以上待ちます。



**警告：** カッティングカバーを点検する前に、モーターブレーキハンドルを放して、安全キーを回して 0 に合わせ、バッテリーを取り外して 5 秒以上待ちます。障害物を取り除いた状態で本製品が誤って始動すると、負傷するおそれがあります。

## 本製品の停止方法



**警告：** 目の届かないところに本製品を置く場合は、安全キーを「0」の位置に回します。

1. モーターブレーキハンドルを放すと、モーターは停止します。(図 36)

**注記：** LC 251iS の場合。ホイールの駆動を停止するには、ドライブペダルを解除します。

2. バッテリーリッドを開いて、安全キーを「0」の位置に回します。(図 37)
3. バッテリーを取り外すには、2 つの解除ボタンを押して、バッテリーを引き出します。(図 38)

4. バッテリーの充電が不足している場合は、充電してください。詳しくは、次を参照：バッテリーの充電方法 250 ページ。

## グラスキャッチャーを取り付けて使用する



**警告：** グラスキャッチャーが取り付けられていない場合、またはリヤカバーが閉じていない場合は、本製品を操作しないでください。物体が飛び出して、作業者が負傷するおそれがあります。

1. 後部カバーを持ち上げます。(図 39)
2. グラスキャッチャーをブラケットに取り付けます。
3. リヤカバーを外し、グラスバッグフレームの上に置きます。(図 40)

## サイドディスチャージモードへの変更

1. グラスバッグが取り付けられている場合は、リヤカバーを持ち上げて、グラスバッグを取り外します。
2. リヤカバーを閉じ、本製品に対してしっかり閉まっていることを確認します。
3. ディスチャージロックを持ち上げます。(図 41)
4. サイドディスチャージカバーを開き、サイドディスチャージデフレクターを支持ピンに取り付けます。(図 42)
5. サイドディスチャージデフレクターに対してサイドディスチャージカバーを閉じます。本製品を操作する前に、サイドディスチャージデフレクターが所定の位置にしっかりと固定されていることを確認します。

## グラスキャッチャーを空にする方法



**注意：** グラスキャッチャーを動かす際は、摩耗防止のため持ち上げてください。

1. フレームハンドルを使ってグラスキャッチャーを持ち上げます。
2. グラスキャッチャーを空にする際は、フレームハンドルとバッグハンドルを使用します。(図 43)

## 良好に芝を刈る方法

- 必ず鋭利なブレードを使用してください。ブレードが鈍っていると、刈り取りにばらつきが出て、芝の切口が黄ばみます。鋭利なブレードを使用すると、鈍いブレードを使用した場合より労力が少なくて済みます。
- 芝の長さの 1/3 以上刈らないでください。芝刈りの開始時は、刈高を最も高く設定します。結果を確認し、必要なレベルまで刈高を下げます。芝が非常に長い場合は、ゆっくり操作し、必要に応じて刈り取り作業を 2 回行ないます。
- 1 回目と 2 回目は別の方向に向かって刈り、芝面に筋がつかないようにします。

- リヤカバーを持ち上げてグラスキャッチャーを取り外します。
- マルチプラグとマルチブレードが取り付けられている場合は、取り外します。
- 製品を操作する前に、後部カバーを閉じてください。製品を操作すると、刈り取られた芝が後部カバーの下に排出されます。
- カッティングカバーの汚れは落としてください。カッティングカバーの内側に草や土がたまると芝刈りの結果が悪くなります。製品の清掃方法 252 ページを参照してください。

## メンテナンス

### はじめに



**警告：** メンテナンスを行う前に、安全に関する章をお読みになり、内容を理解してください。

本製品のすべての整備と修理作業には、特別な訓練が必要です。当社では責任をもって専門的な修理と整備作業を提供します。

詳しくは、[www.husqvarna.com](http://www.husqvarna.com) を参照してください。

### メンテナンスのスケジュール

メンテナンス間隔は、本製品が毎日使用されることを前提に算出されています。本製品を毎日使用しない場合は、メンテナンス間隔が変わります。

「\*」が付いているメンテナンスについては、次を参照：安全性 244 ページ。

	使用ごと	毎月	季節ごと
一般点検の実施	X		
製品の清掃	X		
始動抑制装置の点検 *	X		
本製品の安全装置に不具合がないことを確認 *	X		
カッティング装置の点検	X		
カッティングカバーの点検 *	X		
モーターブレーキハンドルの点検 *	X		
バッテリーに損傷がないことを点検	X		
バッテリー充電の点検	X		
バッテリーリリースボタンが正常に作動し、バッテリーが本製品にロックされることを確認	X		
バッテリー充電器に損傷がないか点検し、正しく作動することを確認します。		X	
バッテリーと本製品の接続部を点検します。バッテリーとバッテリー充電器の接続部も点検します。			X

### 一般点検の実施方法

- 製品のナットとネジが締め込まれていることを確認してください。
- 製品のケーブルが損傷しやすい場所に配置されていないことを確認してください。

### 製品の清掃方法

- プラスチック部品は清潔で乾燥した布で清掃してください。
- 本製品を水で洗淨しないでください。バッテリーやモーターに水が浸入して、本製品が短絡したり、破損したりする原因となります。

- 本製品の清掃には高圧水を使用しないでください。
- モーターに直接水をかけないでください。
- ブラシで、葉、草、土を取り除いてください。

### バッテリーとバッテリー充電器の清掃方法



**警告：** バッテリーまたはバッテリー充電器は、水で洗淨しないでください。



**警告：** バッテリーの清掃には化学物質を使用しないでください。

- バッテリーをバッテリー充電器にセットする前に、バッテリーとバッテリー充電器に汚れがなく、乾燥していることを確認してください。
- 圧縮空気を使用してバッテリー端子を清掃するか、柔らかい乾いた布で拭いてください。
- バッテリーとバッテリー充電器の表面を柔らかい乾いた布で拭いてください。

## カッティング装置の点検方法



**警告：** 誤って始動しないようにするために、安全キーを0の位置に回し、バッテリーを取り外してから最低5秒間待ってください。



**警告：** カッティング装置のメンテナンスを実施するときは、保護グローブを着用してください。ブレードは非常に鋭利なため、切り傷を負う危険性があります。

1. カッティング装置に損傷やひび割れがないかどうか点検してください。損傷したカッティング装置は必ず交換してください。
2. ブレードが破損していないか、鈍くなっていないかを確認してください。

**注記：** ブレードの目立て後は、ブレードのバランス調整が必要です。サービスセンターに依頼して、ブレードの目立て、交換、バランス調整を受けてください。製品が障害物に当たって停止した場合は、破損したブレードを交換してください。サービスセンターに依頼して、ブレードの目立てが可能かどうか、交換が必要かどうかを判断してもらってください。

## ブレードの交換

適切なブレードのタイプについては、**主要諸元 257 ページ**を参照してください。



**警告：** ブレードを交換するときは、指を負傷しないようにブレードを木製ブロックでロックします。ブレードは、モーターがオ

フのときに動かすことができるため、ブレードと固定部品の間指が挟まれる可能性があります。

1. ブレードを木製ブロックでロックします。(図 44)
2. ブレードボルト、ワッシャー、ブレードを取り外します。(図 45)
3. ブレードサポートとブレードボルトに破損がないかどうか点検します。
4. モーターシャフトが曲がっていないかどうか点検します。
5. 新しいブレードを取り付けるときは、角度がついたブレードの端の部分のカッティングカバー方向に向けます。(図 46)
6. ブレードがモーターシャフトの中心と合っていることを確認します。
7. ブレードを木片でロックします。ワッシャーを取り付け、ボルトを 23–28 Nm のトルクで締めつけます。(図 47) (図 45)
8. 手でブレードを引き回して、引っかかりなく回転することを確認します。



**警告：** 丈夫な作業用手袋を着用してください。ブレードは非常に鋭利なため、切り傷を負う危険性があります。

9. 製品を始動してブレードのテストを実施します。ブレードが正しく取り付けられていない場合、製品に振動が発生するか、良好な刈り取り結果を得られません。

## サイドディスチャージデフレクターの点検方法

サイドディスチャージデフレクターは、本製品のサイドディスチャージ開口部に取り付けます。これにより、芝刈り時に作業の方に物体が飛ぶ危険性を低減します。

1. サイドディスチャージデフレクターに損傷がないことを確認します。
2. サイドディスチャージデフレクターを点検します。ドアを閉めるスプリングの亀裂や破損などといった不具合がないことを確認してください。
3. サイドディスチャージデフレクターまたはスプリングが損傷している場合は、交換します。

## トラブルシューティング

### バッテリー

バッテリーの LED	原因	解決策
緑色の LED が点滅します。	バッテリーの電圧が低下しています。	バッテリーを充電してください。参照： <b>バッテリーの充電方法 250 ページ</b> 。

バッテリーの LED	原因	解決策
バッテリーエラー LED が点滅します。	バッテリーの温度が低すぎるかまたは高すぎるため、使用できません。	バッテリーの温度が下がるまで待つか、屋内に入れて温度を上げます。バッテリーの温度が適切になると、使用できるようになります。本製品にバッテリーは、周囲温度が 5°C ~ -40°C の場合にのみ使用してください。
	バッテリーは空です。	バッテリーを充電してください。参照： <i>バッテリーの充電方法 250</i> ページ。
バッテリーエラー LED が点灯します。	永続的なバッテリーエラーが発生しています。	Husqvarna サービス販売店にお問い合わせください。

## バッテリー充電器

バッテリー充電器の LED	原因	解決策
エラー LED が点滅または点灯します。	バッテリー充電器の温度が低すぎるか高すぎるため、使用できません。	バッテリー充電器の温度が下がるまで待つか、室内に入れて温度を上げます。バッテリー充電器の温度が適切になると、再度使用できるようになります。バッテリー充電器は、周囲温度が 5°C ~ -40°C の場合にのみ使用してください。
	その他のエラー。	Husqvarna サービス販売店にお問い合わせください。

## 芝刈機

警告インジケータ (エラー LED) はバッテリーリッドの下部にあります。

問題	エラー LED (点滅回数)	原因	解決策
エラー LED が点滅。製品が正常に動作しない。	3	ブレードのブロック。	誤って始動しないようにするために、安全キーを 0 に回します。バッテリーを取り外して 5 秒以上待ちます。障害物を取り除いて、ブレードがスムーズに回転するかを確認してください。問題が解決しない場合は、Husqvarna サービス販売店にお問い合わせください。
	5	モーター回転数が大幅に低下し、モーターが停止しています。	刈高を上げてください。参照： <i>刈高の設定方法 250</i> ページ。
	6 <sup>53</sup>	ホイールまたはトランスミッションがブロックされています。	誤って始動しないようにするために、安全キーを 0 に回します。バッテリーを取り外して 5 秒以上待ちます。障害物を取り除いて、ホイールがスムーズに回転することを確認してください。問題が解決しない場合は、Husqvarna サービス販売店にお問い合わせください。
	10	モーターコントロールが高温です。	モーターを停止し、温度が下がるまで待ちます。

<sup>53</sup> LC 251iS

問題	エラー LED (点滅回数)	原因	解決策
エラー LED が点滅。製品が停止する。	点滅しない	バッテリーコネクターの不具合です。	バッテリーコネクターを点検します。
	3	モーターに過負荷がかかっています。	刈高を上げてください。参照：刈高の設定方法 250 ページ。
	8	バッテリーの充電が不足しています。	バッテリーを充電してください。参照：バッテリーの充電方法 250 ページ。
	9	バッテリーのエラー、またはバッテリーからの信号がありません。	バッテリーを製品に正しく取り付け、バッテリーのコネクターを点検してください。バッテリーのエラー LED が点滅する場合は、参照：バッテリー 253 ページ。
	15	始動の手順が間違っています。モーターが始動する前にモーターブレーキハンドルが操作されました。	モーターブレーキハンドルを放して約 5 秒待ちます。モーターブレーキハンドルを押し下げて本製品を始動します。
その他のエラー。	その他のエラーが発生した場合は、安全キーを「0」に回し、バッテリーを取り外して、Husqvarna サービス販売店にお問い合わせください。		

## 搬送、保管、廃棄

### はじめに



**警告：** 搬送時や保管時に誤って始動しないようにするために、安全キーを 0 の位置に回し、バッテリーを取り外してから最低 5 秒間待ってください。

### 製品を搬送位置にセットする方法

1. 下側ノブを緩めます。
2. 本製品の左右にある溝の下端までノブを動かします。(図 26)
3. ハンドルを前方に折り畳みます。(図 48)

### 搬送

- 付属のリチウムイオン電池には、危険物の規制に関する規制が適用されます。
- 商用搬送においては、梱包およびラベル付けに関する特別な要件を遵守する必要があります。
- 本製品の搬送準備をする際は、危険物に関する規制を遵守していることを確認してください。地域の規制が適用されることがあります。
- 搬送時は常にバッテリーを外してください。
- バッテリーのコネクターにテープを貼り、搬送中にバッテリーが動かないようにしてください。
- 搬送中、本製品を固定してください。

### 保管

- 保管する前に本製品を冷ましてください。
- 保管時は常にバッテリーを外してください。
- 事故防止のため、保管時はバッテリーが本製品に接続されていないことを確認してください。
- バッテリー充電器は、密閉された乾燥した場所に保管してください。
- 湿気や霜が発生しない乾燥した場所に、バッテリーとバッテリー充電器を保管してください。
- 保管時は、バッテリーをバッテリー充電器から取り外してください。
- 静電気が発生するような場所にはバッテリーを保管しないでください。バッテリーは金属製の箱に保管しないでください。
- 本製品は、周囲温度が  $-10^{\circ}\text{C}$  ~  $40^{\circ}\text{C}$  の場所に保管してください。
- バッテリーは、周囲温度が  $5^{\circ}\text{C}$  ~  $25^{\circ}\text{C}$  の環境で直射日光に当たらない場所に保管してください。
- バッテリー充電器は、周囲温度  $5^{\circ}\text{C}$  ~  $45^{\circ}\text{C}$  の環境で直射日光に当たらない場所に保管してください。
- バッテリーを長期間保管する前に、バッテリー充電量を 30% ~ 50% にしてください。
- 製品、バッテリー、バッテリー充電器は、鍵のかかる場所に保管し、子供や許可されていない人の手が届かないようにしてください。
- 本製品を清掃し、グラスキャッチャーが空であることを確認します。

- 取扱説明書に記載されているメンテナンスを実施してください。メンテナンス 252 ページを参照してください。
- 本製品を長期間保管する前に、完全なメンテナンスを実行してください。

## 廃棄

本製品や本製品パッケージ上のマークは、本製品が家庭ゴミとして取り扱われてはならないことを示します。電気・電子機器の再利用を行うため、適切なりサイクル営業所に引き渡す必要があります。

以上を遵守することで、本製品は正しく処理され、本製品を不適切に廃棄した場合に環境や人に与えられる悪影響を防止することができます。本製品のリサイクルについての詳細は、あなたの所在する地区の地方自治体、廃棄物処理サービス、本製品を購入した代理店に連絡してください。

(図 49)



## 主要諸元

### 主要諸元

	LC 251i	LC 251iS
<b>カッティングモーター</b>		
モータータイプ	BLDC ( ブラシレス ) 36 V	BLDC ( ブラシレス ) 36 V
モーター速度 - SavE、r/min	2600 / 分	2600 / 分
モーター速度 - 標準、r/min	3000 / 分	3000 / 分
モーター速度 - 高負荷、r/min	3500 / 分	3500 / 分
モーター出力 - 最大、kW	1.4	1.4
モーター出力 - 公称、kW	0.9	0.9
<b>駆動モーター</b>		
モーター出力 - 公称、kW	該当なし	0.4
自走速度、km/h	該当なし	4.0
速度調整レベル	該当なし	1
<b>質量</b>		
質量 ( バッグなし、バッテリーを除く )、kg	25.5	27
重量 ( バッグあり、BLi30 x 2 )、kg	31.5	33
<b>バッテリー</b>		
バッテリーの種類	Husqvarna バッテリーシリーズ <sup>54</sup>	Husqvarna バッテリーシリーズ <sup>54</sup>
<b>バッテリー稼働時間</b>		
バッテリー稼働時間 ( / 分、無負荷、SavE オン、Husqvarna 7.5 Ah バッテリー ( BLi30 ) 1 個の場合 )	58	51
バッテリー稼働時間 ( / 分、無負荷、標準モードオン、Husqvarna 7.5 Ah バッテリー ( BLi30 ) 1 個の場合 )	42	38
<b>騒音排出<sup>54</sup></b>		
音響パワーレベル、測定 dB ( A )	96	96
音響パワーレベル、保証 L <sub>WA</sub> dB ( A )	98	98
<b>サウンドレベル<sup>55</sup></b>		
使用者の耳における音圧レベル ( dB ( A ) )	85	85
<b>振動レベル<sup>56</sup></b>		
ハンドル、m/s <sup>2</sup>	0.7	0.7

<sup>54</sup> 環境における騒音の排出は、EC 指令 2000/14/EC に従って、音響パワー ( L<sub>WA</sub> ) として測定。

<sup>55</sup> 報告データによれば、騒音圧力レベルの不確定性係数 ( K ) は 1.5 dB ( A ) です。

<sup>56</sup> 報告データによれば、振動レベルの不確定性係数 ( K ) は 1.5 m/s<sup>2</sup> です。公称振動合成値は規格 EN 62841-4-3、付録 I に従って測定されており、装置間の比較および振動暴露の予備評価に使用できます。

	LC 251i	LC 251iS
<b>カッティング装置</b>		
刈高、mm	25 ~ 75	25-75
刈幅、mm	510	510
ブレード - 標準	集草 5928704-01	集草 5928704-01
グラスキャッチャーの容量、リットル	65	65

認可されたバッテリー	タイプ	バッテリー容量 (Ah)	電圧 (V)	質量、ポンド / kg
BLi30	リチウムイオン	7.5	36	4.2/1.9
40-B140	リチウムイオン	4.0	36	2.6/1.2

指定バッテリーに適合する認定充電器、BLi	入力電圧、V	周波数、Hz	電力、W
40-C80	100/240	50/60	68.8
QC250	100 ~ 240	50 ~ 60	250

# 適合宣言

## EU 適合宣言

ハスクバーナ社 ( Husqvarna AB, SE-561 82 Huskvarna, Sweden、電話番号 : +46-36-146500 ) は、単独責任のもとで、以下の製品の適合を宣言します。

名称	芝刈機
ブランド	Husqvarna
タイプ / モデル	LC 251i, LC 251iS
ID	2023 年以降の製造番号

が以下の EU 指令および規制を完全に順守し、

規制	名称
2006/42/EC	「機械類に関する」
2014/30/EU	「電磁環境適合性に関する」
2000/14/EC	「環境への騒音排出に関する」
2011/65/EU	「電気・電子製品に含まれる特定有害物質の使用制限に関する」

および以下の規格または技術仕様が適用されています :  
EN 62841-1:2015/A11:2022, EN IEC 62841-4-3:2021/  
A11:2021, EN IEC 55014-1:2021, EN IEC  
55014-2:2021, EN IEC 63000:2018

試験機関 : 0404, SMP Svensk Maskinprovning AB, Box  
4053, SE-904 03 Umeå, Sweden が評議会指令  
2000/14/EC 適合性評価補足 VI の準拠を確認しました。

騒音排出に関する詳細 : [主要諸元 257 ページ](#)。

Huskvarna, 2023-12-11



開発マネージャー / ガーデン製品担当 Claes Losdal,  
Husqvarna AB

正式代表兼技術文書担当



---

# TURINYS

---

Įvadas.....	260	Gedimai ir jų šalinimas.....	271
Sauga.....	261	Transportavimas, saugojimas ir utilizavimas.....	272
Surinkimas.....	266	Techniniai duomenys.....	274
Naudojimas.....	266	Atitikties deklaracija.....	276
Techninė priežiūra.....	269		

---

## Įvadas

---

### Gaminio aprašas

Šis gaminys yra savaeigė sukamoji vejapjovė. Žolė renkama į žolės rinktuvą. Pritvirtinkite išmetimo deflektorių šoniniam žolės išmetimui.

### Gaminio apžvalga

(Pav. 1)

1. Variklio stabdymo rankena
2. Apsauga nuo netyčinio paleidimo
3. Pavaros rankena (LC 251iS)
4. Galinis gaubtas
5. Žolės rinktuvas
6. Rankenėlė
7. Pjovimo aukščio reguliavimo svirtis
8. Išmetimo užraktas
9. Šoninio išmetimo gaubtas
10. Akumuliatoriaus gaubtas
11. Ženkla
12. Apsauginis raktelis
13. Įspėjimo indikatorius (klaidos šviesos diodas)
14. „SavE“ mygtukas
15. Pjovimo gaubtas
16. Rankena / valdymo rankena
17. Kėlimo rankenos
18. Šoninio išmetimo įtaisas
19. Naudojimo instrukcija

### Simboliai ant gaminio

(Pav. 2) ĮSPĖJIMAS

(Pav. 3) Perskaitykite instrukcijas.

(Pav. 4) ĮSPĖJIMAS – saugokitės išsviestų objektų.

(Pav. 5) Pašaliniai asmenys turi laikytis atokiau.

(Pav. 6) ĮSPĖJIMAS – saugokite rankas bei kojas ir nekiškite jų prie peilių.

### Numatytasis naudojimas

Gaminį naudokite žolei pjauti. Nenaudokite gaminio kitiems darbams.

(Pav. 7) ĮSPĖJIMAS – prieš atlikdami techninę apžiūrą atjunkite akumuliatorių.

(Pav. 8) Gaminys ar gaminio pakuotė nepriskiriami buitinėms atliekoms. Nuvežkite jį į elektros ir elektronikos įrenginių perdirbimo punktą.

(Pav. 9) Triukšmo emisijos į aplinką ženklimas atitinka ES ir Jungtinės Karalystės direktyvas bei reglamentus ir Naujojo Pietų Velso įstatymą „2017 m. aplinkos apsaugos (triukšmo kontrolės) reglamentas“. Gaminio garantuotasis garso galios lygis nurodytas *Techniniai duomenys psl. 274* ir etiketėje.

(Pav. 10) Šis įtaisas atitinka jam taikomas EB direktyvas.

(Pav. 11) Šis gaminys atitinka taikytinų JK reglamentų nuostatas.

(Pav. 12) Gaminys apsaugotas nuo lašėjimo.

(Pav. 13) Norėdami sustabdyti, atleiskite variklio stabdymo rankeną.

(Pav. 14) Nuskaitomas kodas.

---

**Pasižymėkite:** Kiti ant gaminio pateikti simboliai (etiketės) skirti kai kurių rinkų sertifikavimo reikalavimams.

---

### Etiketė ant gaminio

(Pav. 15)

PAVOJINGA – rankas ir kojas laikykite toliau

## Produkto pažeidimai

Mes neatsakome už mūsų gaminio sugadinimą, jei:

- gaminys netinkamai suremontuotas;
- gaminys suremontuotas naudojant kito gamintojo arba gamintojo nepatvirtintas dalis;

- gaminys turi kito gamintojo arba gamintojo nepatvirtintą priedą;
- gaminys suremontuotas ne patvirtintame techninės priežiūros centre arba jį suremontavo ne patvirtintas atstovas.

## Sauga

### Saugos ženklų reikšmės

Įspėjimai, perspėjimai ir pastabos yra skirtos atkreipti dėmesį į ypač svarbias vadovo dalis.



**PERSPĖJIMAS:** Naudojamas, kai naudotojui ar šalia esantiems asmenims kyla mirtino arba sunkaus sužeidimo pavojus arba, jei nesilaikoma vadove pateiktų nurodymų.



**PASTABA:** Naudojamas, kai kyla pavojus sugadinti gaminį, kitas medžiagas arba padaryti žalą aplinkai, jei nesilaikoma vadove pateiktų nurodymų.

**Pasižymėkite:** Naudojamas papildomai informacijai apie konkrečią situaciją pateikti.

### Bendrieji gaminio saugos įspėjimai



**PERSPĖJIMAS:** Perskaitykite visus saugos įspėjimus, instrukcijas, iliustracijas ir specifikacijas, pateikiamas su šiuo gaminiumi. Nesilaikydami toliau nurodytų instrukcijų galite sukelti gaisrą, gauti elektros smūgį ir (ar) rimtai susižeisti.

**Saugokite visus įspėjimus ir instrukcijas, nes jų gali prireikti vėliau.** Terminas „gaminys“ įspėjimuose reiškia iš elektros tinklo maitinamą (laidinį) gaminį arba akumuliatoriumi maitinamą (belaidį) gaminį.

### Sauga darbo vietoje

- **Darbo vieta turi būti švari ir gerai apšviesta.** Netvarkingose arba tamsiose darbo vietose dažnai įvyksta nelaimės.
- **Nenaudokite gaminio sprogiose aplinkose, pavyzdžiui, ten, kur yra degių skysčių, dujų arba dulkių.** Gaminys kibirkščiuoja, todėl gali užsiliepsnoti dulksa arba garai.
- **Naudodami gaminį, neleiskite arti būti vaikams ir pašaliniais asmenims.** Išsiblaškę galite prarasti įrenginio kontrolę.

### Elektrosauga

- **Gaminį kištukai turi atitikti elektros lizdus. Niekada nebandykite koku nors būdu perdaryti kištuko. Jei**

**naudojate įžemintus gaminis, nenaudokite jokių kištukų adapterių.** Jeigu kištukai nėra perdaryti ir atitinka elektros lizdus, elektros smūgio pavojus yra mažesnis.

- **Nesilieskite prie elektros laidininkų paviršių, pavyzdžiui, vamzdžių, radiatorių, viryklių ir šaldytuvų.** Jei kūnas taps elektros laidininku, iškils elektros smūgio pavojus.
- **Nelaikykite gaminį lietuje arba drėgnoje aplinkoje.** Į gaminį patekęs vanduo padidina elektros smūgio pavojų.
- **Tinkamai naudokite laidą. Niekada neneškite gaminio laikydami už laido, netraukite jo ir nebandykite traukdami už jo ištraukti kištuką. Laikykite laidą atokiai nuo šilumos šaltinių, tepalų, aštrių briaunų ar judančių dalių.** Dėl pažeistų arba susipainiojusių laidų padidėja elektros smūgio rizika.
- **Jei gaminį naudojate lauke, naudokite laukę skirtą naudoti ilgintuvą.** Naudojant laukę skirtą naudoti ilgintuvą, sumažėja elektros smūgio rizika.
- **Jeigu gaminį būtina naudoti drėgnoje aplinkoje, naudokite liekamosios srovės [taisu (LSI)] apsaugotą maitinimo šaltinį.** Naudojant LSI, sumažėja elektros smūgio pavojus.

### Asmens sauga

- **Naudodami gaminį būkite budrūs, stebėkite savo veiksmus ir vadovaukitės sveiku protu. Nenaudokite gaminio, jei esate pavargę, apsvaigę nuo narkotikų, alkoholio arba vaistų.** Dirbant gaminiumi netgi akimirksnis neatidumo gali tapti sunkaus sužeidimo priežastimi.
- **Naudokite asmenines apsaugines priemones. Visuomet užsidėkite akių apsaugos priemones.** Dėl atitinkamomis sąlygomis naudojamų apsauginių priemonių, pavyzdžiui, respiratorių, neslystančių apsauginių batų, šalmo arba apsauginių ausinių, sumažėja sužeidimų rizika.
- **Saugokitės atsitiktinio įsijungimo. Prieš prijungdami gaminį prie maitinimo šaltinio ir (arba) akumuliatorių bloko, paimdami arba nešdami įrenginį, įsitikinkite, kad jungiklis yra išjungimo padėtyje.** Jei nešite gaminiumi laikydami pirštą ant jungiklio ar prijungsite jį prie maitinimo šaltinio, kai jungiklis yra įjungimo padėtyje, gali įvykti nelaimingas atsitikimas.
- **Prieš įjungdami gaminį, pašalinkite iš jo visus reguliavimo raktus ar veržliarakčius.** Besisukančiose gaminio dalyse paliktas veržliaraktis arba raktas gali sužeisti.

- **Per plačiai neužsimokite. Visada tvirtai stovėkite ant kojų ir laikykite pusiausvyrą.** Tokiu būdu geriau kontroliuosite gaminį netikėtose situacijose.
- **Apsirenkite tinkamai. Niekada nedėvėkite palaidų drabužių ar papuošalų. Nelaikykite plaukų ir drabužių arti judančių dalių.** Palaidi drabužiai, papuošalai arba ilgi plaukai gali įkliūti į judančias dalis.
- **Jeigu naudojate įtaisus, skirtus dulkių surinkimo įrenginiams prijungti, įsitinkinkite, kad jie tinkamai prijungti ir naudojami.** Naudojant dulkių surinkimo įrenginius, sumažėja su dulkelėmis susijusių pavojų rizika.
- **Ilgą laiką naudotis gaminiais ir prie jų prispažę nenusistokite paisyti gaminų saugos principų.** Dėl neatsargių veiksmų galite sunkiai susižeisti vos per akimirka.

## Gaminio naudojimas ir priežiūra

- **Dirbdami su gaminiais nenaudokite jėgos. Naudokite savo darbui tinkamą gaminį.** Naudojant numatytam tikslui skirtą gaminį, darbas bus atliktas saugiau ir greičiau.
- **Jeigu paspaudus jungiklį gaminys neišjungia arba neišsijungia, nenaudokite jo.** Gaminys, kurio nepavyksta tinkamai valdyti jungikliu, kelia pavojų ir turi būti pataisytas.
- **Prieš reguliuodami gaminį, keisdami priedus arba padėdami saugoti gaminį, ištraukite maitinimo laido kiškuką iš elektros maitinimo šaltinio ir (arba) išimkite akumuliatorių bloką iš gaminio, jei tai įmanoma.** Laikantis šių prevencinių saugos priemonių, sumažėja netyčinio gaminio įjungimo rizika.
- **Nenaudojamus gaminį laikykite vaikams nepasiekiamoje vietoje ir neleiskite naudoti gaminio asmenims, kurie nemoka juo naudotis arba nėra susipažinę su šiomis instrukcijomis.** Nekvalifikuotų naudotojų rankose gaminiai yra pavojingi.
- **Prižiūrėkite gaminį ir jų priedus. Patikrinkite, ar sureguliuotos ir nestranga judančios dalys, ar nėra sulūžusių dalių ir kitų veiksnių, kurie gali daryti įtaką gaminio veikimui. Jei gaminys sugedęs, prieš naudodami jį sutaisykite.** Daug nelaimingų atsitikimų įvyksta dėl netinkamai prižiūrimų gaminų.
- **Pjovimo įrankiai turi būti pagalšti ir švarūs.** Tinkamai prižiūrėti pjovimo įrankiai su aštriomis pjovimo briaunomis rečiau užstringa ir juos paprasčiau valdyti.
- **Gaminį, priedus, antgalius ir pan. naudokite taip, kaip nurodyta šiose instrukcijose, atsižvelgdami į darbo sąlygas ir atliekamą darbą.** Naudodami gaminį ne pagal paskirtį, galite sukelti pavojų.
- **Rankenos ir laikomieji paviršiai visuomet turi būti sausi ir švarūs (neištepti alyva ar tepalais).** Slidžios rankenos ir laikymosi paviršiai neleidžia saugiai valdyti ir kontroliuoti gaminio netikėtose situacijose.

## Akumuliatorių įrankių naudojimas ir priežiūra

- **Akumuliatorius kraukite tik gamintojo nurodytu įkrovikliu.** Įkroviklis, tinkamas vienam akumuliatorių

blokui, gali sukelti gaisro pavojų, naudojamas kitam akumuliatorių blokui įkrauti.

- **Gaminį naudokite tik su jiems skirtais akumuliatorių blokais.** Naudojant bet kokį kitą akumuliatorių bloką kyla sužeidimo ir gaisro pavojus.
- **Nenaudojamą akumuliatorių bloką laikykite toliau nuo metalinių daiktų, galinčių sukurti jungtį tarp gnybtų, pavyzdžiui sąvaržėlių, monetų, raktų, vinių, varžtų ir kitų smulkių metalinių daiktų.** Trumpai sujungus akumuliatoriaus gnybtus gali kilti gaisras arba galite nudegti.
- **Esant nepalankioms sąlygoms, iš akumuliatoriaus gali imti tekėti skystis. Nelieskite jo. Ant odos netyčia patekusį skystį nuplaukite vandeniu. Skysčiui patekus į akis kreipkitės medicininės pagalbos.** Iš akumuliatoriaus ištekėjęs skystis gali sudirginti arba nudeginti.
- **Nenaudokite pažeisto arba modifikuoto akumuliatorių bloko arba įrankio.** Naudojant pažeistus ar modifikuotus akumuliatorius, jų veikimas gali būti neprognozuojamas ir jie gali sukelti gaisrą, sprogamą ar sužaloti.
- **Saugokite akumuliatorių bloką arba įrankį nuo ugnies ir didelės temperatūros.** Sąlytis su ugnimi arba 130 °C (265 °F) temperatūra gali sukelti sprogamą.
- **Laikytės visų įkrovimo nurodymų ir neįkraukite akumuliatorių bloko ar įrankio, esant nurodytame diapazone neišsitenkančiai temperatūrai.** Netinkamai įkraunant arba esant nurodytame diapazone neišsitenkančiai temperatūrai gali būti pažeistas akumuliatorius ir padidėti gaisro tikimybė.

## Techninė priežiūra

- **Gaminio techninę priežiūrą privalo atlikti kvalifikuotas remonto specialistas, naudodamas tik tokias pačias pakaitines dalis.** Tokiu būdu bus užtikrinta gaminio sauga.
- **Niekada neatlikite pažeistų akumuliatorių blokų techninės priežiūros.** Akumuliatorių blokų techninę priežiūrą gali atlikti tik gamintojas arba įgalioti paslaugų teikėjai.

## Vejapjovės saugos įspėjimai

- **Nenaudokite vejapjovės blogomis oro sąlygomis, ypač jei yra žaibo pavojus.** Taip sumažinsite pavojų būti nutrenktiems žaibo.
- **Kruopščiai apžiūrėkite plotą, kuriame bus naudojama vejapjovė, ar nėra laukinių gyvūnų.** Veikianti vejapjovė gali juos sužeisti.
- **Nuodogniai patikrinkite vietą, kur bus naudojama vejapjovė, ir pašalinkite akmenis, pagalius, vielas, kaulus ir kitus pašalinius objektus.** Iššviesti daiktai gali sužaloti.
- **Prieš naudodami vejapjovę, apžiūrėkite peilį ir peilio agregatą, kad jie nebūtų pažeisti ar susidėvėję.** Dėl susidėvėjusių ar apgadintų dalių didėja sužeidimo pavojus.

- **Nuolat tikrinkite, ar žolės rinktuvas nesusidėvėjo ir nėra sugadintas.** Susidėvėjęs arba pažeistas žolės rinktuvas gali didinti sužeidimų pavojų.
- **Apsaugos turi būti savo vietoje. Apsaugos turi atlikti savo funkciją ir būti tinkamai sumontuotos.** Atsilaisvinusi, pažeista arba netinkamai veikianti apsauga gali sužaloti dirbantįjį.
- **Visos aušinimo oro tiekimo angos turi būti švarios.** Užsikimšusios oro tiekimo angos ir nešvarumai gali sukelti perkaitimo arba gaisro pavojų.
- **Dirbdami su veļapjove visada avėkite neslystančius ir apsauginius batus. Nenaudokite veļapjovės basi arba avėdami atvirą avalynę.** Tokiu būdu sumažinsite pavojų susižeisti kojas dėl sąlyčio su judančiu peiliu.
- **Dirbdami su veļapjove, visada mūvēkite ilgus kelnes.** Dirbant atidengta oda, didėja tikimybė susižeisti dėl išsviedžiamų objektų.
- **Nenaudokite veļapjovės drėgnoje žolėje. Eikite, niekada nebėkite.** Tokiu būdu sumažės pavojus paslysti ir nugriūti, tad išvengsite sužalojimų.
- **Nenaudokite veļapjovės ant pemelyų stačių šlaitų.** Tokiu būdu sumažės pavojus nesuvaldyti įrenginio, paslysti ir nugriūti, tad išvengsite sužalojimų.
- **Dirbdami šlaituose visada įsitinkinkite, kad tvirtai stovite, šlaitu visada kilkite horizontaliai, niekada nedirbkite judėdami aukštyn ir žemyn, būkite ypač atsargūs keisdami judėjimo kryptį.** Tokiu būdu sumažės pavojus nesuvaldyti įrenginio, paslysti ir nugriūti, tad išvengsite sužalojimų.
- **Apgrėždami arba traukdami veļapjovę į save, būkite itin atsargūs. Visada stebėkite aplinką.** Taip sumažėja pavojus dirbant apvirsti.
- **Nelieskite peilių ir kitų pavojingų judančių dalių, kol jos vis dar juda.** Taip sumažės pavojus susižaloti dėl judančių dalių.
- **Valydami užstrigusią medžiagą arba valydami veļapjovę, įsitinkinkite, kad visi maitinimo jungikliai išjungti ir akumuliatorių blokas atjungtas.** Veļapjovei pradėjus netikėtai veikti, galima sunkiai susižaloti.
- **Valydami užstrigusią medžiagą arba valydami veļapjovę, įsitinkinkite, kad visi maitinimo jungikliai išjungti ir išjungimo įrenginys nuimtas.** Veļapjovei pradėjus netikėtai veikti, galima sunkiai susižaloti.

### Liekamosios srovės įtaisas

- Liekamosios srovės įtaisą naudokite, kai išjungimo srovė ne didesnė nei 30 mA.

### Bendrieji saugos nurodymai



**PERSPĖJIMAS:** Prieš naudodami gaminį, perskaitykite toliau esančius įspėjimus.

- Netinkamai arba neatidžiai naudojant šis gaminys yra pavojingas. Jei nesilaikysite saugos nurodymų, kyla sužeidimų arba mirties pavojus.

- Šis gaminys veikdamas sukuria elektromagnetinį lauką. Tam tikromis aplinkybėmis šis laukas gali trikdyti aktyviųjų arba pasyviųjų medicininių implantų veiklą. Kad sumažėtų sunkių ar mirtinų sužeidimų pavojus, medicininių implantų turintiems asmenims rekomenduojame prieš naudojant šį gaminį pasitarti su gydytoju ir implanto gamintoju.
- Visada elkitės atsargiai ir vadovaukitės sveiku protu. Jei tiksliai nežinote, kaip naudoti gaminį konkrečioje situacijoje, sustabdykite darbą ir prieš tęsdami darbą pasitarkite su „Husqvarna“ pardavimu atstovu.
- Atsiminkite, kad už nelaimingus atsitikimus, kurių metu nukentęs asmuo ar turtas, bus atsakingas naudotojas.
- Rūpinkitės gaminio švara. Įsitinkinkite, kad galite aiškiai perskaityti ženklus ir lipdukus.
- Neleiskite vaikams bei suaugusiesiems, nesuapipažinusiems su instrukcijomis, naudotis įrenginiu. Kad pagal vietos teisės aktus ribojamas naudotojo amžius.
- Visada prižiūrėkite gaminį naudojančią fizinę arba protinę negalią turintį asmenį. Būтина nuolatinė atsakingo suaugusiojo priežiūra.
- Nedirbkite su gaminiu, jeigu esate pavargę, sergate arba esate apsvaigę alkoholio, narkotinių medžiagų ar vaistų. Tai neigiamai veikia jūsų regėjimą, nuovoką ar koordinaciją.
- Nenaudokite gaminio, jei jis yra pažeistas arba neveikia tinkamai.
- Nekeiskite gaminio ir nenaudokite jo, jei jį galėjo pakeisti kiti.

### Darbo sauga



**PERSPĖJIMAS:** Prieš naudodami gaminį, perskaitykite toliau esančius įspėjimus.

- Gaminį naudokite tik veļų žolei pjauti. Neleidžiama jo naudoti kitoms užduotims atlikti.
- Naudokite asmenines apsaugines priemones. Žr. *Asmeninės apsauginės priemonės psl. 264.*
- Įsitinkinkite, kad žinote, kaip greitai sustabdyti variklį nelaimės atveju.
- Nenaudokite gaminio lietuje arba drėgnoje aplinkoje. Į gaminį patekus vandens, padidėja elektros smūgio pavojus.
- Nenaudokite gaminio tinkamai neuždengę peilio ir neuždėję kitų dangčių. Netinkamai uždėtas peilis gali atsilaisvinti ir sužeisti.
- Užtikrinkite, kad peilis neatsitrenktų į tokius objektus, kaip akmenys ir šaknys. Tai gali sugadinti peilį ir sulenkti variklio veleną. Sulenkta ašis sukelia didelę vibraciją ir kyla didžiulis pavojus, kad peilis atsilaisvins.
- Jei į peilį atsitrenkia objektas arba susidaro vibracijos, nedelsdami sustabdykite gaminį. Išjunkite variklį, pasukite apsauginį raktelį į padėtį „0“ ir išimkite akumuliatorių. Palaukite, kol

judančios dalys sustos. Patikrinkite, ar gaminys neapgradintas. Priveržkite atsilaisvinusias dalis. Pataisykite pažeidimus ir pakeiskite pažeistas dalis. Taisymo darbus leiskite atlikti įgaliotam techninės priežiūros atstovui.

- Niekada nepritvirtinkite variklio stabdymo rankenos prie rankenos visam laikui, kai variklis veikia.
- Padėkite gaminį ant stabilaus, plokščio paviršiaus ir paleiskite jį. Patikrinkite, ar peilis neliečia žemės ar kokių kitų daiktų.
- Visada būkite už gaminio, kai jį naudojate.
- Prižiūrėkite, kad visi ratukai būtų ant žemės ir abi rankas laikykite ant rankenos, kai naudojate gaminį. Saugokite rankas bei kojas ir neikiškite jų prie besisukančių peilių.
- Nepakreipkite gaminio, kai paleidžiate variklį arba naudodami gaminį.
- Būkite atsargūs, kai gaminį traukiate atgal.
- Dirbant varikliui niekada nekelkite gaminio. Jei reikia pakelti gaminį, pirmiausia išjunkite variklį, pasukite apsauginį raktelį į padėtį „0“ ir išimkite akumuliatorių.
- Naudodami gaminį neikite atgal.
- Kai reikia pakreipti gaminį, kad jį būtų galima gabenti, arba prieš pereinant iš vienos vietos kitą sritimi, kurioje nėra žolės, pvz., žvyro, akmenų ar asfalto takais, sustabdykite variklį.
- Dirbant varikliui nebėkite su gaminiumi. Naudodami gaminį visada eikite.
- Prieš pakeisdami pjovimo aukštį pirmiausia išjunkite variklį. Niekada nereguliuokite varikliui veikiant.
- Niekada nepaleiskite gaminio iš akių, kai veikia variklis. Išjunkite variklį ir įsitinkinkite, kad pjovimo įranga nesisuka.
- Gaminio vibracijos jam veikiant gali skirtis nuo deklaruojamos vibracijos vertės, nurodytos *Techniniai duomenys psl. 274*. Skirtumas lemia skirtingas gaminio naudojimas. Jei gaminį naudojate dažnai arba ilgą laiką tarpą, reguliariai darykite pertraukas, kad nesusižeistumėte dėl vibracijų.

## Naudojimo saugos instrukcijos

### Asmeninės apsauginės priemonės



**PERSPĖJIMAS:** Prieš naudodami gaminį, perskaitykite toliau esančius įspėjimus.

- Asmeninės apsauginės priemonės nepadės visiškai išvengti pavojaus susižeisti, tačiau nelaimingo atsitikimo atveju mažiau nukentėsite. Leiskite prekybos atstovui padėti pasirinkti tinkamą įrangą.
- Avėkite patvarius, neslystančius batus. Neavėkite atvirų batų ir nebūkite basi.
- Dėvėkite storas, ilgas kelnes.
- Kai būtina, pvz., montuojant, apžiūrint arba valant pjovimo įrangą, užsimaukite apsaugines pirštines.
- Rekomenduojame naudoti apsaugines ausines.

### Gaminio apsauginės priemonės



**PERSPĖJIMAS:** Prieš naudodami gaminį, perskaitykite toliau esančius įspėjimus.

- Nenaudokite gaminio su saugos įtaisais, kurie yra pažeisti arba tinkamai neveikia.
- Nepašalinkite ir nemodifikuokite gaminio apsauginių priemonių.
- Reguliariai tikrinkite apsaugines priemones. Jei saugos įtaisai pažeisti arba tinkamai neveikia, kreipkitės į Husqvarna techninės priežiūros atstovą.

### Atlikite pjovimo gaubto patikrą.

Pjovimo gaubtas sumažina gaminio vibracijas ir sumažina disko keliamą sužeidimų pavojų.

- Apžiūrėkite pjovimo gaubtą, kad įsitikintumėte, jog nėra pažeidimų, pvz., įtrūkių.

### Apsauginio raktelio patikra

Apsauginis raktelis yra po akumulatoriaus gaubtu.

Apsauginis raktelis prijungia akumuliatorių, kuris tiekia varikliui energiją.

- Norėdami patikrinti apsauginį raktelį, paleiskite ir sustabdykite variklį.
- Jei apsauginis raktelis veikia tinkamai, variklį galima paleisti tik pasukus raktelį į padėtį „1“. (Pav. 16)

### Galinio gaubto patikra

Galinis gaubtas sumažina objektų išsviedimo naudotojo kryptimi riziką.

- Įsitinkinkite, kad galinis gaubtas nepažeistas.
- Įsitinkinkite, kad spyruoklės, kurios uždaro galinį gaubtą, nėra pažeistos.
- Pakeiskite pažeistas spyruokles ir apgradintas dalis.
- Įsitinkinkite, kad galinis gaubtas gali sklandžiai judėti lankstais.

### Variklio stabdymo rankenos patikra

Variklio stabdymo rankena sustabdo variklį. Atleidus variklio stabdymo rankeną variklis sustoja.

- Paleiskite gaminį. Žr. *Gaminio paleidimas psl. 268*.
- Atleiskite variklio stabdymo rankeną. (Pav. 17)
- Įsitinkinkite, kad gaminys sustoja. Jei variklis nesustoja per 3 sekundes, paprašykite, kad įgaliotasis „Husqvarna“ techninės priežiūros atstovas sureguliuotų variklio stabdį.

### Apsaugos nuo netyčinio užvedimo patikra

Patikrinkite apsaugą nuo netyčinio užvedimo ir įsitinkinkite, kad ji neleidžia užvesti variklio.

1. Pastumkite variklio stabdymo rankeną link gaminio rankenos. Apsauga nuo netyčinio užvedimo neleidžia judėti.



2. Išstumkite apsaugą nuo netyčinio užvedimo. (Pav. 18)
3. Atleiskite apsaugą nuo netyčinio užvedimo ir įsitikinkite, kad ji grįžta į savo pradinę padėtį.

## Akumuliatorių naudojimo sauga



**PERSPĖJIMAS:** Prieš naudodami gaminį, perskaitykite toliau esančius įspėjimus.

- Kaip susijusių „Husqvarna“ gaminių maitinimo šaltinį naudokite tik „Husqvarna“ įkraunamus akumulatorius. Kad išvengtumėte sužeidimų, nenaudokite akumulatoriaus kaip kitų gaminių maitinimo šaltinio.
- Nenaudokite neįkraunamų akumuliatorių.
- Elektros smūgio pavojus. Nejunkite akumulatoriaus gnybtų prie raktų, monetų, atsuktuvų ar kitų metalinių daiktų. Galite sukelti akumulatoriaus trumpąjį jungimą.
- Nekiškite objektų į akumulatoriaus oro angas.
- Saugokite akumuliatorių nuo tiesioginių saulės spindulių, karščio ar atviros ugnies. Akumulatorius gali sprogti ir sukelti terminius ir (arba) cheminius nudegimus.
- Saugokite akumuliatorių nuo lietaus ir drėgmės.
- Saugokite akumuliatorių nuo mikrobangų ir aukšto slėgio.
- Nebandykite akumulatoriaus išmontuoti ar sulaužyti.
- Jei iš akumulatoriaus teka skystis, saugokite nuo jo kūną ir akis. Jei palietėte skystį, gerai nuplaukite šią vietą vandeniu ir kreipkitės pagalbos į medikus.
- Akumuliatorių gaminyje naudokite tik kai aplinkos temperatūra yra nuo 5 °C iki 40 °C.
- Akumulatoriaus įkroviklį naudokite tik kai aplinkos temperatūra yra nuo 5 °C iki 40 °C.
- Jei akumulatoriaus temperatūra yra didesnė nei 50 °C, jo nepavyks įkrauti.
- Nevalykite akumulatoriaus ar įkroviklio vandeniu. Žr. *Akumulatoriaus ir akumulatoriaus įkroviklio valymas psl. 270.*
- Sugadinto akumulatoriaus nenaudokite.
- Laikykite akumulatorius atokiau nuo metalinių daiktų, pavyzdžiui, vinių, monetų, juvelyrinių dirbinių.

## Įkroviklio sauga



**PERSPĖJIMAS:** Prieš naudodami gaminį, perskaitykite toliau esančius įspėjimus.

- „Husqvarna“ pakaitiniams akumulatoriams įkrauti naudokite tik QC akumuliatorių įkroviklius.
- Elektros smūgio ar trumpojo jungimo pavojus. Nekiškite objektų į įkroviklio oro angas. Nebandykite išmontuoti akumulatoriaus įkroviklio. Neprijunkite

įkroviklio gnybtų prie metalinių daiktų. Naudokite patvirtintą elektros tinklo lizdą.

- Šis gaminys veikdamas sukuria elektromagnetinį lauką. Tam tikromis aplinkybėmis šis laukas gali trikdyti aktyviųjų arba pasyviųjų medicininių implantų veiklą. Kad sumažėtų sunkaus ar netgi mirtino sužeidimo pavojus, medicininių implantų turintiems asmenims rekomenduojame prieš naudojant šį gaminį pasitarti su gydytoju ir implanto gamintoju.
- Nuolat patikrinkite akumulatoriaus įkroviklio maitinimo laidą, ar jis nepažeistas ir nėra įtrūkimų.
- Nekeikite akumulatoriaus įkroviklio už maitinimo laido. Norėdami atjungti akumulatoriaus įkroviklį nuo elektros lizdo, traukite už kištuko. Netraukite už elektros laido.
- Maitinimo laidą ir ilginamuosius kabelius saugokite nuo vandens, alyvos ir aštrių kampų. Būkite atidūs, kad kabelio neprispaustų durys, tvoros ar pan. Priešingu atveju įkrovikliu gali imti tekėti elektros srovė.
- Nevalykite akumulatoriaus įkroviklio vandeniu.
- Akumulatoriaus įkroviklį gali naudoti vaikai nuo 8 metų amžiaus ir kiti asmenys su ribotais fiziniais, jutimaisiais ar protiniais sugebėjimais, arba stokojantys patirties ar žinių, jei yra prižiūrimi arba instruktuoti dėl saugaus akumulatoriaus įkroviklio naudojimo ir supranta gresiančius pavojus. Vaikams su akumulatoriaus įkrovikliu žaisti negalima. Be priežiūros vaikai neturėtų valyti prietaiso ir atlikti naudotojo priežiūros darbų.
- Akumuliatorių įkrovikliu nekraukite neįkraunamų akumuliatorių.
- Nenaudokite akumulatoriaus įkroviklio šalia degių arba koroziją sukeliančių medžiagų. Neuždenkite įkroviklio. Pastebėję dūmus ar liepsną, ištraukite akumulatoriaus įkroviklio kištuką.
- Nenaudokite sugadinto akumulatoriaus įkroviklio.
- Įkraukite akumuliatorių tik viduje, gerai vėdinamoje patalpoje, saugodami nuo saulės spindulių. Nekraukite akumulatoriaus drėgnomis sąlygomis.

## Priežiūros saugos instrukcijos



**PERSPĖJIMAS:** Prieš naudodami gaminį, perskaitykite toliau esančius įspėjimus.

- Kad atlikdami priežiūros darbus išvengtumėte netyčinio užvedimo, pasukite apsauginį raktelį į padėtį „0“ ir išimkite akumuliatorių. Palaukite bent 5 sekundes ir tik tada pradėkite priežiūros darbus.
- Atlikite tik naudojimo instrukcijoje nurodytus techninės priežiūros darbus. Sudėtingesnius ir profesionalius remonto darbus turi atlikti patvirtintas techninės priežiūros atstovas. Jei reikia daugiau informacijos, kreipkitės į artimiausią techninės priežiūros atstovą.

- Kad gaminys tarnautų ilgiau ir sumažėtų nelaimingų atsitikimų pavojus, tinkamai atlikite priežiūros darbus.
- Pakeiskite pažeistas, sulūžusias arba susidėvėjusias dalis. Visada naudokite gamintojo originalias atsargines dalis. Naudojat kitas atsargines dalis, galima pažeisti gaminį ir gali padidėti nelaimingų atsitikimų pavojus.
- Kad nesusižalotumėte, nepašalinkite ir nemodifikuokite apsauginių priemonių.
- Naudodami pjovimo įrangą, mūvėkite storas darbinės pirštines. Peilis labai aštrus ir gali lengvai įpjauti.

- Kad darbas vyktų saugiai ir efektyviai, pasirūpinkite, kad pjovimo briaunos būtų aštrios.
- Leiskite savo techninės priežiūros atstovui reguliariai tikrinti gaminį ir atlikti reikiamus nustatymo ir remonto darbus.
- Laikykitės priedų keitimo nurodymų. Naudokite tik gamintojo priedus.
- Kai nenaudojate, laikykite gaminį, akumuliatorių ir akumuliatoriaus įkroviklį atskirai, sausoje užrakintoje patalpoje. Pasirūpinkite, kad vaikai ir pašaliniai asmenys negalėtų pasiekti gaminio, akumuliatoriaus ar akumuliatoriaus įkroviklio.

## Surinkimas

### Įvadas



**PERSPĖJIMAS:** Prieš surinkdami produktą perskaitykite skyrių apie saugą.



**PERSPĖJIMAS:** Kad surinkimo metu išvengtumėte netyčinio paleidimo, pasukite apsauginį raktelį į padėtį „0“, išimkite akumuliatorių ir palaukite mažiausiai 5 sekundes.

### Rankenos surinkimas

**Pasižymėkite:** Patartina, kad šią procedūrą atliktų 2 asmenys.

**Pasižymėkite:** Kai montuojate rankeną, neišimkite gaminio iš dėžės. Montuojant rankeną dėžę galima pasitelkti kaip rankenos atramą.

1. Pakelkite ir pasukite rankeną. (Pav. 19)



**PASTABA:** Būkite atsargūs ir pasirūpinkite, kad sukdam rankeną nepažeistumėte kabelio.

2. Uždėkite rankeną ant gaminio viršaus. Pakreipkite rankeną link dėžės, kad ji rėmtųsi į dėžę. Žr. paveikslėlį. (Pav. 20)

3. Įstumkite varžtą (A) per rankeną (B), plastikinę poveržlę (C) ir rankenos atraminį laikiklį (D). (Pav. 21)
4. Iki galo priveržkite veržlę (E).
5. Išimkite gaminį iš dėžės.
6. Atlenkite rankeną į viršų. (Pav. 22)
7. Nustatykite rankeną į žemiausią padėtį. Žr. *Rankenos reguliavimas psl. 266.*
8. Laidų spaustuku pritvirtinkite kabelį prie rankenos apatinės dalies. (Pav. 23)
9. Laidų tvirtinimo dirželiu pritvirtinkite kabelį prie rankenos atraminio laikiklio. Likusią laidų tvirtinimo dirželio dalį nupjaukite. (Pav. 24)

**Pasižymėkite:** Įsitikinkite, kad kabelis tinkamai pritvirtintas. Jei kabelis per laisvai pritvirtintas, jį galima pažeisti montuojant žolės rinktuvą. (Pav. 25)

### Rankenos reguliavimas

1. Atsukite apatines rankenėles.
2. Stumkite rankenėles iki apatinio griovelių krašto kairėje ir dešinėje produkto pusėje. (Pav. 26)
3. Nustatykite rankenos aukštį į vieną iš dviejų aukščio padėčių.
4. Stumkite rankenėles į viršų link rankenos, kol jos sustos ir išgirsite spragtelėjimą. (Pav. 27)
5. Iki galo priveržkite rankenėles.

## Naudojimas

### Įvadas



**PERSPĖJIMAS:** Prieš naudodami gaminį perskaitykite ir supraskite saugos skyriaus informaciją.

### Husqvarna Connect

Husqvarna Connect yra nemokama programėlė, skirta mobiliesiems įrenginiams. Programėlė Husqvarna Connect suteikia Husqvarna gaminiui papildomas funkcijas:

- Papildoma informacija apie gaminį.

- Informacija ir patarimai apie gaminio dalis ir priežiūrą.

## Norėdami pradėti naudoti Husqvarna Connect

1. Atsisiųskite „Husqvarna Connect“ programėlę į mobilųjį įrenginį.
2. Užsiregistruokite „Husqvarna Connect“ programėlėje.
3. Norėdami prisijungti ir užregistruoti gaminį, vykdykite „Husqvarna Connect“ programėlėje pateiktas instrukcijas.

## Gaminio paruošimas naudoti

1. Įsitikinkite, kad apatinės rankenėlės iki galo neprivertžtos. Žr. *Rankenos reguliavimas psl. 266*.
2. Atlenkite rankeną į viršų. (Pav. 22)
3. Stumkite rankenėles į viršų link rankenos, kol jos sustos ir išgirsite spragtelėjimą. (Pav. 27)
4. Iki galo priveržkite rankenėles.



**PERSPĖJIMAS:** Nenaudokite gaminio, kol rankena nebus iki galo užlenkta aukštyn ir nustatyta į vieną iš taikomų aukščio padėčių. Žr. *Rankenos reguliavimas psl. 266*.

## Pjovimo aukščio nustatymas

1. Kad padidintumėte pjovimo aukštį, pjovimo aukščio svirtį palenkite atgal.
2. Kad sumažintumėte pjovimo aukštį, pjovimo aukščio svirtį palenkite į priekį. (Pav. 28)



**PASTABA:** Nenustatykite per žemo pjovimo aukščio. Peiliai gali užkliudyti žemę, jei vejos paviršius nelygus.

## Akumuliatorius



**PERSPĖJIMAS:** Prieš naudodami akumuliatorių perskaitykite ir supraskite saugos skyriaus informaciją. Taip pat turite perskaityti ir suprasti akumuliatoriaus bei akumuliatoriaus įkroviklio naudojimo instrukcijas.

Akumuliatorių ir akumuliatoriaus įkroviklį laikykite tinkamoje aplinkos temperatūroje.

	Aplinkos temperatūra
Akumuliatoriaus veikimas	5–40 °C
Akumuliatoriaus įkrovimas	5–40 °C

## Akumuliatoriaus būseną

Ekране rodoma likusi akumuliatoriaus talpa ir galimos akumuliatoriaus problemos. Paspauskite akumuliatoriaus indikatorius mygtuką, kad peržiūrėtumėte akumuliatoriaus įkrovos būseną. Akumuliatoriaus įspėjimo simbolis užsidega, kai įvyksta klaida. Žr. *Akumuliatorius psl. 271*.

(Pav. 29)

Šviesos diodai	Akumuliatoriaus būseną
Šviečia visi diodai	Visiškai įkrautas (76–100 %)
Šviečia 1, 2 ir 3 diodai	Akumuliatorius įkrautas 51–75 %.
Šviečia 1, 2 diodai	Akumuliatorius įkrautas 26–50 %.
Šviečia 1 diodas	Akumuliatorius įkrautas 6–25 %.
Mirksi 1 diodas	Akumuliatorius įkrautas 0–5 %

## Akumuliatoriaus įkrovimas

Prieš naudodami pirmą kartą, akumuliatorių įkraukite. Klientui pateikiamas akumuliatorius yra įkrautas tik 30 %.

**Pasižymėkite:** Akumuliatorių įkroviklį būtina prijungti prie parametru plokštelėje nurodytos įtampos ir dažnio maitinimo lizdo.

Akumuliatorius neįkraunamas, jei jo temperatūra aukštesnė nei 50 °C. Prieš pradėdamas įkrauti, akumuliatoriaus įkroviklis sumažina akumuliatoriaus temperatūrą.

1. Prijunkite vieną akumuliatoriaus įkroviklio maitinimo laido galą prie akumuliatoriaus įkroviklio lizdo.
2. Prijunkite kitą akumuliatoriaus įkroviklio maitinimo laido galą prie įžeminto elektros lizdo. Akumuliatoriaus įkroviklio LED indikatorius vieną kartą sumirksės žaliai. (Pav. 30)
3. Akumuliatorių įstatykite į įkroviklį. Prijungus akumuliatorių prie akumuliatoriaus įkroviklio, įkroviklyje įsižiebia žalia lemputė. (Pav. 31)
4. Įsižiebus visiems akumuliatoriaus LED indikatoriams, akumuliatorius yra visiškai įkrautas. Akumuliatorių kraukite daugiausia 24 valandas.
5. Norėdami atjungti akumuliatoriaus įkroviklį nuo elektros lizdo, traukite už kištuko, o ne už maitinimo laido.
6. Iš įkroviklio išimkite akumuliatorių.

## Gaminio paleidimas

1. Atidarykite akumulatoriaus gaubtą.
2. Įkrautą akumuliatorių įstatykite į vieną iš akumulatoriaus laikiklių. Jei norėsite dirbti ilgiau, įstatykite antrą įkrautą akumuliatorių į kitą akumulatoriaus laikiklį.
3. Pasukite apsauginį raktelį į padėtį „1“. (Pav. 32)
4. Stovėkite už gaminio.
5. Atleiskite apsaugą nuo netyčinio paleidimo. (Pav. 18)
6. Pastumkite variklio stabdymo rankeną link gaminio rankenos. (Pav. 33)

## Ratų pavaros naudojimas (LC 251iS)

- Pavaros rankeną pastumkite valdymo rankenos kryptimi. (Pav. 34)
- Atleiskite pavaros rankeną, kad išjungtumėte pavarą, pvz., kai priartėjate prie kliūtis.
- Prieš patraukdami gaminį atgal, išjunkite pavarą ir pastumkite įrenginį į priekį apie 10 cm.

## Kaip naudoti SavE™ funkciją

Gaminys turi akumulatoriaus energijos taupymo funkciją (SavE™), kuri užtikrina ilgesnę veikimo trukmę.

- Paspauskite mygtuką „SavE™“ į 1 padėtį, kad paleistumėte funkciją. (Pav. 35)
- Paspauskite mygtuką „SavE™“ į 0 padėtį, kad sustabdytumėte funkciją.

**Pasižymėkite:** Funkcija „SavE™“ automatiškai sustoja, jei dėl žemės sąlygų reikalinga didesnė galia. Funkcija „SavE™“ vėl automatiškai paleidžiama, kai tai leidžia žemės sąlygos.

## Didelės apkrovos funkcija

Gaminį pjaunant aukštą ar šlapią žolę, variklio sūkliai automatiškai padidinami. Kai didelės apkrovos funkcija nebūtina, variklis vėl pradeda veikti standartiniu režimu.

## El. variklio užgesimas

Naudojant gaminį, peilis ir variklis gali laikinai sustoti dėl kliūčių, pvz., užsikimšimo žole po pjovimo įrangos gaubtu. Jei taip nutinka ir laikote el. variklio stabdymo rankeną nuspausta, gaminys bando automatiškai pasileisti iš naujo. Jei gaminys iš naujo nepasileidžia per 5–10 sekundžių, gali reikėti nuvalyti sritį po pjovimo įrangos gaubtu. Žr. *Gaminio valymas psl. 270.*



**PERSPĖJIMAS:** Jei el. variklis sustoja, gaminys 5–10 sekundžių bando automatiškai pasileisti iš naujo. Paaukite mažiausiai 15 sekundžių ir tik tuomet tikrinkite pjovimo įrangos gaubtą.



**PERSPĖJIMAS:** Prieš tikrindami pjovimo įrangos gaubtą, atleiskite el. variklio stabdymo rankeną, pasukite apsauginį raktelį į padėtį „0“, išimkite akumuliatorių ir palaukite mažiausiai 5 sekundes. Jei kliūtis pašalinama ir gaminys netyčia paleidžiamas, kyla pavojus susižaloti.

## Gaminio sustabdymas



**PERSPĖJIMAS:** Prieš palikdami gaminį be priežiūros, pasukite apsauginį raktelį į „0“ padėtį.

1. Norėdami sustabdyti variklį, atleiskite variklio stabdymo rankeną. (Pav. 36)

**Pasižymėkite:** Skirta LC 251iS. Norėdami sustabdyti ratų pavarą, atleiskite pavaros rankeną.

2. Atidarykite akumulatoriaus gaubtą ir pasukite apsauginį raktelį į padėtį „0“. (Pav. 37)
3. Norėdami išimti akumuliatorių, paspauskite 2 atlaisvinimo mygtukus ir ištraukite akumuliatorių. (Pav. 38)
4. Jei akumulatoriaus įkrova žema, įkraukite jį. Daugiau informacijos žr. *Akumulatoriaus įkrovimas psl. 267.*

## Gaminio su žolės rinktuvu naudojimas



**PERSPĖJIMAS:** Nenaudokite gaminio nepritvirtinę žolės rinktuvo arba neuždareę galinio gaubto. Objektai gali išskrieti ir sužaloti gaminio naudotoją.

1. Pakelkite galinį dangtį. (Pav. 39)
2. Žolės rinktuvą uždėkite ant laikiklio.
3. Atleiskite galinį gaubtą ir uždėkite ant žolės krepšio rėmo. (Pav. 40)

## Gaminio pritaikymas šoniniam žolės išmetimui

1. Pakelkite galinį gaubtą ir išimkite žolės krepšį, jei jis yra įdėtas.
2. Uždarykite galinį gaubtą ir įsitikinkite, kad jis sandariai prisispaudęs prie gaminio.
3. Pakelkite išmetimo užraktą. (Pav. 41)
4. Atidarykite šoninio išmetimo gaubtą ir pritvirtinkite šoninio išmetimo deflektorių ant laikiančiųjų kaiščių. (Pav. 42)
5. Paleiskite šoninio išmetimo gaubtą, kad jis užsidarytų uždengdamas šoninio išmetimo deflektorių. Prieš naudodamiesi gaminiumi įsitikinkite, kad šoninio išmetimo deflektorius yra patikimai įtvirtintas.

## Žolės rinktuvo ištuštinimas



**PASTABA:** Perkeldami žolės rinktuvą, pakelkite jį, kad jis nesidėvėtų.

1. Pakelkite žolės rinktuvą už rėmo rankenos.
2. Tuštinami žolės rinktuvą, laikykite už rėmo rankenos ir maišo rankenos. (Pav. 43)

## Gerų rezultatų gavimas

- Visada naudokite pagalastą peilį. Atšipęs peilis netaisyklingai nupjauna ir žolės paviršius pagelsta. Be to, aštrus peilis naudoja mažiau energijos nei atšipęs.
- Nepjaukite daugiau nei 1/3 žolės ilgio. Pradėdami pjauti žolę, naudokite aukščiausią pjovimo aukštį. Patikrinkite rezultatą ir sumažinkite pjovimo aukštį iki tinkamo lygio. Jeigu žolė tikrai aukšta, judėkite lėtai ir, jei reikia, pjaukite 2 kartus.

- Kiekvieną kartą pjaukite skirtingomis kryptimis, kad vejoje nesusidarytų dryžiai.
- Pakelkite galinį gaubtą ir išimkite žolės rinktuvą.
- Jei mulčiavimo priedas ir mulčiavimo peilis uždėti, nuimkite juos.
- Prieš naudodami gaminį, uždarykite galinį gaubtą. Kai naudojate gaminį, nupjauta žolė išmetama po galiniu dangčiu.
- Pjovimo dangtis turi būti visuomet švarus. Prikibus žolė ir purvas vidinėje pjovimo dangčio pusėje gali turėti įtakos pjovimo rezultatams. Žr. *Gaminio valymas psl. 270*.

## Techninė priežiūra

### Įvadas



**PERSPĖJIMAS:** Prieš atlikdami priežiūros darbus perskaitykite ir supraskite saugos skyriaus informaciją.

Visiems gaminio techninės priežiūros ir remonto darbams reikia specialių apmokymų. Garantuojame profesionalaus remonto ir techninės priežiūros darbų pasiekiamumą.

Išsamesnės informacijos žr. [www.husqvarna.com](http://www.husqvarna.com).

### Techninės priežiūros grafikas

Techninės priežiūros intervalai apskaičiuojami pagal kasdienį gaminio naudojimą. Intervalai keičiasi, jei gaminys nenaudojamas kasdien.

Techninės priežiūros informacijos, pažymėtos \*, ieškokite instrukcijoje *Sauga psl. 261*.

	Kiekvieną kartą naudojant	Kas mėnesį	Kas sezoną
Atlikti bendrąją apžiūrą	X		
Gaminio valymas	X		
Patikrinti apsaugą nuo netyčinio užvedimo *	X		
Įsitikinti, kad gaminio saugos įtaisai nepažeisti *	X		
Patikrinti pjovimo įrangą	X		
Patikrinti pjovimo gaubtą *	X		
Patikrinti variklio stabdymo rankeną *	X		
Patikrinti, ar nepažeistas akumuliatorius	X		
Patikrinti akumuliatoriaus įkrovą	X		
Patikrinti, ar tinkamai veikia akumuliatoriaus atlaisvinimo mygtukai ir ar akumuliatorius užsifiksuoja gaminyje	X		

	Kiekvieną kartą naudojant	Kas mėnesį	Kas sezoną
Patikrinti, ar nepažeistas akumulatoriaus įkroviklis, ir įsitikinti, kad jis veikia tinkamai		X	
Patikrinti jungtis tarp akumulatoriaus ir gaminio. Taip pat patikrinti jungtį tarp akumulatoriaus ir akumulatoriaus įkroviklio.			X

## Bendroji apžiūra

- Įsitinkite, kad gaminio varžlės ir varžtai priveržti.
- Įsitinkite, kad gaminio kabeliai nėra tokioje padėtyje, kurioje jie galėtų būti pažeisti.

## Gaminio valymas

- Plastikines dalis valykite švaria ir sausa šluoste.
- Valydami gaminį nenaudokite vandens. Vandeniui pateikus į akumuliatorių arba variklį gali įvykti trumpasis jungimas arba gaminys gali sugesti.
- Gaminio neplaukite aukšto slėgio plovimo aparatu.
- Nepilkite vandens tiesiai ant variklio.
- Lapus, žolę ir purvą nuvalykite šepečiu.

## Akumulatoriaus ir akumulatoriaus įkroviklio valymas



**PERSPĖJIMAS:** Nevalykite akumulatoriaus ar įkroviklio vandeniu.



**PERSPĖJIMAS:** Akumuliatoriui valyti nenaudokite jokių cheminių medžiagų.

- Prieš prijungdami akumuliatorių prie įkroviklio, įsitinkite, kad akumulatorius ir akumulatoriaus įkroviklis yra švarūs ir sausi.
- Nupūskite akumulatoriaus gnybtus suspaustu oru ir nuvalykite švelnia ir sausa šluoste.
- Nuvalykite akumuliatorių ir akumulatoriaus įkroviklį švelnia ir sausa šluoste.

## Pjovimo įrangos patikrinimas



**PERSPĖJIMAS:** Kad išvengtumėte netyčinio paleidimo, pasukite apsauginį raktelį į padėtį „0“, išimkite akumuliatorių ir palaukite mažiausiai 5 sekundes.



**PERSPĖJIMAS:** Pjovimo įrangos techninės priežiūros darbus atlikite apsimovę apsaugines pirštines. Peilis labai aštrus ir gali lengvai įpjauti.

1. Patikrinkite, ar pjovimo įranga nepažeista ir neįskilusi. Visada pakeiskite pažeistą pjovimo įrangą.
2. Apžiūrėkite peilį, ar jis nepažeistas ir neatšipęs.

**Pasižymėkite:** Pagalandus peilį jį reikia subalansuoti. Pagaląsti, pakeisti ir subalansuoti peilį turi techninės priežiūros centro darbuotojai. Jei susidūrėte su kliūtimi, dėl kurios įrenginys sustojo, pakeiskite pažeistą peilį. Leiskite techninės priežiūros centro darbuotojams nuspręsti, ar peilį dar galima galąsti, ar jau reikia keisti.

## Disko keitimas

Žr. *Techniniai duomenys psl. 274* apie tinkamą peilio tipą žr.



**PERSPĖJIMAS:** Užfiksuokite peilį medžio bloku, kad keisdami peilį nesusižalotumėte pirštų. Kai variklis išjungtas, peilį galima judinti ir pirštai gali įstrigti tarp peilio ir nejudančių dalių.

1. Užfiksuokite peilį medžio bloku. (Pav. 44)
2. Išimkite peilio varžtą, poveržles ir peilį. (Pav. 45)
3. Patikrinkite peilio atramą ir peilio tvirtinimo varžtą, ar jie nepažeisti.
4. Patikrinkite variklio veleną, kad įsitikintumėte, ar jis nesulenktas.
5. Įdėję naują peilį nukreipkite jo kampus pjovimo įrangos gaubto kryptimi. (Pav. 46)
6. Įsitinkite, kad peilis sulgyjuotas su variklio veleno centru.
7. Užfiksuokite peilį medžio gabalu. Uždėkite poveržles ir priveržkite varžtą 23 – 28 Nm sukimo momentu. (Pav. 47) (Pav. 45)
8. Ranka pasukite peilį ir patikrinkite, ar jis laisvai sukasi.



**PERSPĖJIMAS:** Apsimaukite pirštines sunkiam darbu. Peilis labai aštrus ir gali lengvai įpjauti.

9. Paleiskite gaminį, kad išbandytumėte peilį. Jei peilis netinkamai uždėtas, gaminys vibruoja arba pjaunama nepakankamai gerai.

## Šoninio išmetimo deflektoriaus patikra

Šoninio išmetimo deflektorius yra pritvirtintas prie produkto šoninio išmetimo angos. Tai sumažina riziką, kad objektai bus išsviesti link naudotojo.

1. Įsitikinkite, kad šoninio išmetimo deflektorius nepažeistas.

2. Patikrinkite šoninio išmetimo deflektorių. Įsitikinkite, kad nematote jokių defektų, pvz. įtrūkimų arba sulūžusių spyruoklių, kurios uždaro duris.
3. Pakeiskite pažeistą šoninio išmetimo deflektorių arba spyruokles.

---

## Gedimai ir jų šalinimas

---

### Akumuliatorius

Akumuliatoriaus LED	Priežastis	Sprendimas
Mirksi žalias šviesos diodas.	Akumuliatoriaus įtampa žema.	Įkraukite akumuliatorių. Žr. <i>Akumuliatoriaus įkrovimas psl. 267</i> .
Mirksi akumuliatoriaus klaidos LED indikatorius.	Akumuliatorius yra per šaltas arba per karštas, todėl jo negalima naudoti.	Leiskite akumuliatoriui atvėsti arba nuneškite jį į patalpą, kad išiltų. Kai akumuliatorius yra tinkamos temperatūros, jį galima vėl naudoti. Akumuliatorių gaminyje naudokite tik kai aplinkos temperatūra yra nuo 5 °C iki 40 °C.
	Akumuliatorius išsekęs.	Įkraukite akumuliatorių. Žr. <i>Akumuliatoriaus įkrovimas psl. 267</i> .
Įsizižiebja klaidos LED indikatorius.	Įvyko nepataisoma akumuliatoriaus klaida.	Kreipkitės į Husqvarna techninės priežiūros atstovą.

### Akumuliatoriaus įkroviklis

Akumuliatoriaus įkroviklio LED	Priežastis	Sprendimas
Klaidos LED mirksi arba šviečia.	Akumuliatoriaus įkroviklis yra per šaltas arba per karštas, todėl jo negalima naudoti.	Leiskite akumuliatoriaus įkrovikliui atvėsti arba nuneškite jį į patalpą, kad išiltų. Kai akumuliatoriaus įkroviklis yra tinkamos temperatūros, jį galima vėl naudoti. Akumuliatoriaus įkroviklį naudokite tik kai aplinkos temperatūra yra nuo 5 °C iki 40 °C.
	Kitos klaidos.	Kreipkitės į Husqvarna techninės priežiūros atstovą.

### Vejapjovė

Įspėjimo indikatorius (klaidos LED) yra po akumuliatoriaus gaubtu.

Problema	Klaidos šviesos diodas (mirksnių skaičius)	Priežastis	Sprendimas
Mirksi klaidos diodas. Gaminys neveikia tinkamai.	3	Peilis blokuojamas.	Pasukite apsauginį raktelį į „0“ padėtį, kad gaminys netyčia nebūtų paleistas. Išimkite akumuliatorių ir palaukite bent 5 sekundes. Pašalinkite galimas kliūtis ir įsitikinkite, kad peilis gali laisvai sukstis. Jei problema išlieka, kreipkitės į „Husqvarna“ techninės priežiūros atstovą.
	5	Variklio greitis per daug sumažėja ir variklis sustoja.	Padidinkite pjovimo aukštį. Žr. <i>Pjovimo aukščio nustatymas psl. 267.</i>
	6 <sup>57</sup>	Ratai arba transmisija blokuojami.	Pasukite apsauginį raktelį į „0“ padėtį, kad gaminys netyčia nebūtų paleistas. Išimkite akumuliatorių ir palaukite bent 5 sekundes. Pašalinkite galimas kliūtis ir įsitikinkite, kad ratai gali laisvai sukstis. Jei problema išlieka, kreipkitės į „Husqvarna“ techninės priežiūros atstovą.
	10	Per daug įkaitęs variklio valdiklis.	Išjunkite variklį ir palaukite, kol jis atvės.
Mirksi klaidos diodas. Gaminys sustoja.	Diodas nemirksi	Akumuliatoriaus jungties gedimas.	Patikrinkite akumuliatoriaus jungtį.
	3	Variklio perkrova.	Padidinkite pjovimo aukštį. Žr. <i>Pjovimo aukščio nustatymas psl. 267.</i>
	8	Silpna akumuliatoriaus įkrova.	Įkraukite akumuliatorių. Žr. <i>Akumuliatoriaus įkrovimas psl. 267.</i>
	9	Akumuliatoriaus klaida arba nėra akumuliatoriaus signalo.	Tinkamai įstatykite akumuliatorių į gaminį ir patikrinkite akumuliatoriaus jungtį. Jei klaidos diodas akumuliatoriuje mirksi. Žr. <i>Akumuliatorius psl. 271.</i>
	15	Netinkama paleidimo procedūra. Variklio stabdymo rankena suaktyvinta prieš užvedant variklį.	Atleiskite variklio stabdymo rankeną ir palaukite apie 5 sekundes. Dar kartą paspauskite variklio stabdymo rankeną žemyn, kad paleistumėte gaminį.
Kitos klaidos.	Jei atsiranda kitų klaidų, pasukite apsauginį raktelį į padėtį „0“, išimkite akumuliatorių ir kreipkitės į „Husqvarna“ techninės priežiūros atstovą.		

## Transportavimas, saugojimas ir utilizavimas

### Įvadas

padėtį „0“, išimkite akumuliatorių ir palaukite mažiausiai 5 sekundes.



**PERSPĖJIMAS:** Kad gabenant arba sandėliuojant išvengtumėte netyčinio paleidimo, pasukite apsauginį raktelį į

### Gaminio nustatymas į gabenimo padėtį

1. Atsukite apatines rankenėles.

<sup>57</sup> LC 251IS



2. Stumkite rankenėles iki apatinio griovelių krašto kairėje ir dešinėje gaminio pusėje. (Pav. 26)
3. Nulenkite rankeną pirmyn. (Pav. 48)

## Transportavimas

- Įdėtiems ličio jonų akumulatoriams taikomos pavojingų krovinių gabenimo taisyklės.
- Jeigu krovinis gabenamas komerciniu transportu, būtina laikytis specialių reikalavimų dėl pakavimo ir žymėjimo.
- Ruošdamiesi gaminį transportuoti, užtikrinkite, kad būtų laikomasi pavojingų medžiagų tvarkymo taisyklių. Gali būti taikomi vietos teisės aktai.
- Transportavimo metu visuomet išimkite akumulatorių.
- Ant akumulatoriaus jungčių užklijuokite izoliacinę juostą ir įsitikinkite, kad transportuojant akumulatorius nejudės.
- Transportuodami gaminį, jį pritvirtinkite.

## Laikymas

- Prieš sandėliuodami, leiskite gaminiui atvėsti.
- Sandėliuodami visuomet išimkite akumulatorių.
- Kad išvengtumėte nelaimingų atsitikimų, įsitikinkite, jog akumulatorius sandėliuojant nėra prijungtas prie gaminio.
- Akumulatoriaus įkroviklį laikykite uždaroje ir sausoje aplinkoje.
- Akumulatorių ir akumulatoriaus įkroviklį laikykite sausoje ir šiltoje vietoje.
- Sandėliuodami atjunkite akumulatorių nuo akumulatoriaus įkroviklio.
- Nelaikykite akumulatoriaus tokioje vietoje, kur gali susidaryti statinis krūvis. Nelaikykite akumulatoriaus metalinėje dėžutėje.
- Gaminį saugokite vietoje, kurios aplinkos temperatūra yra nuo  $-10\text{ }^{\circ}\text{C}$  iki  $40\text{ }^{\circ}\text{C}$ .
- Akumulatorių laikykite vietoje, kurios aplinkos temperatūra yra nuo  $5\text{ }^{\circ}\text{C}$  iki  $25\text{ }^{\circ}\text{C}$  ir kurios nepasiekia tiesioginiai saulės spinduliai.
- Akumulatoriaus įkroviklį laikykite vietoje, kurios aplinkos temperatūra yra nuo  $5\text{ }^{\circ}\text{C}$  iki  $45\text{ }^{\circ}\text{C}$  ir kurios nepasiekia tiesioginiai saulės spinduliai.
- Prieš sandėliuodami ilgesnį laiką pasirūpinkite, kad akumulatorius būtų įkrautas 30–50 %.
- Gaminį, akumulatorių ir akumulatoriaus įkroviklį laikykite rakinamoje patalpoje, kur jų negalėtų pasiekti vaikai ir pašaliniai asmenys.
- Nuvalykite gaminį ir įsitikinkite, kad žolės rinktuvas yra tuščias.
- Atlikite naudojimo instrukcijoje nurodytas techninės priežiūros procedūras. Žr. *Techninė priežiūra psl. 269*.
- Prieš sandėliuodami gaminį ilgesnį laiką, atlikite visus techninės priežiūros darbus.

## Utilizavimas

Ant gaminio ar ant jo pakuotės pateikti simboliai rodo, kad šio gaminio negalima išmesti kartu su buitineis atliekomis. Įrenginį reikia atiduoti į atitinkamą perdirbimo įmonę, kuri utillizuotų elektrines ir elektronines dalis.

Rūpindamiesi, kad šis gaminytis būtų tvarkomas teisingai, padedate išvengti galimo neigiamo poveikio aplinkai ir žmonėms, kurį gali sukelti netinkamas šio gaminio atliekų tvarkymas. Jei reikia daugiau informacijos apie šio gaminio perdirbimą, kreipkitės į savivaldybę, buitinių atliekų tvarkymo tarnybą arba parduotuvej, kurioje įsigijote gaminį.

(Pav. 49)

# Techniniai duomenys

## Techniniai duomenys

	LC 251i	LC 251IS
<b>Pelių variklis</b>		
Variklio tipas	BLDC (be šepetėlių) 36 V	BLDC (be šepetėlių) 36 V
Variklio greitis – „SavE“, rpm	2600/min	2600/min
Variklio greitis – nominalus, rpm	3000/min	3000/min
Variklio greitis – didelė apkrova, rpm	3500/min	3500/min
Variklio galingumas – maks., kW	1,4	1,4
Variklio galingumas – nominalus, kW	0,9	0,9
<b>Pavaros variklis</b>		
Variklio galingumas – nominalus, kW	Netaikoma	0,4
Savaeigis greitis, km/h	Netaikoma	4,0
Greičio reguliavimo lygiai	Netaikoma	1
<b>Svoris</b>		
Svoris be maišo (be akumulatoriaus), kg	25,5	27
Svoris su maišu (su 2 x „Bli30“), kg	31,5	33
<b>Akumulatorius</b>		
Akumulatoriaus tipas	„Husqvarna“ akumuliatorių serija	„Husqvarna“ akumuliatorių serija
<b>Akumulatoriaus veikimo laikas</b>		
Akumulatoriaus veikimo laikas, min., (laisva eiga), esant suaktyvintai „SavE“ funkcijai, su vienu „Husqvarna“ 7,5 Ah akumuliatoriumi („Bli30“).	58	51
Akumulatoriaus veikimo laikas, min., (laisva eiga), įrangai veikiant standartiniu režimu, su vienu „Husqvarna“ 7,5 Ah akumuliatoriumi (Bli30).	42	38
<b>Skleidžiamas triukšmas</b> <sup>58</sup>		
Garso galios lygis, išmatuotas dB (A)	96	96
Garso galios lygis, garantuojamas L <sub>WA</sub> dB (A)	98	98
<b>Garso lygiai</b> <sup>59</sup>		
Naudotojo ausį veikiantis garso slėgis, dB (A)	85	85

<sup>58</sup> Triukšmas, skleidžiamas į aplinką, išmatuotas kaip garso galia (L<sub>WA</sub>) pagal EB direktyvą 2000/14/EB.

<sup>59</sup> Nurodyto triukšmo slėgio lygio paklaidos veiksnys (K) – 1,5 dB(A).

	LC 251i	LC 251iS
<b>Vibracijos lygis</b> <sup>60</sup>		
Rankena, m/s <sup>2</sup>	0,7	0,7
<b>Pjovimo įranga</b>		
Pjovimo aukštis, mm	25–75	25–75
Pjovimo plotis, mm	510	510
Peilis – standartinis	Surinkimo 5928704-01	Surinkimo 5928704-01
Žolės rinktuvo galia, litrais	65	65

Patvirtinti akumuliatoriai	Tipas	Akumuliatoriaus talpa, Ah	Įtampa, V	Svoris, svar. / kg
BLi30	Ličio jonų	7,5	36	4,2 / 1,9
40-B140	Ličio jonų	4,0	36	2,6 / 1,2

Patvirtinti įkrovikliai nurodytiems akumuliatoriams, BLi	Įvado įtampa, V	Dažnis, Hz	Galia, W
40-C80	100–240	50–60	68,8
QC250	100–240	50–60	250

<sup>60</sup> Nurodytų vibracijos lygių paklaidos veiksnys (K) – 1,5 m/s<sup>2</sup>. Nurodyta suminė vibracijos vertė išmatuota pagal EN 62841-4-3, I priedą, ir ja galima remtis, norint palyginti vieną įrenginį su kitu bei atliekant preliminarų poveikio vertinimą.

# Atitikties deklaracija

## ES atitikties deklaracija

Mes, **Husqvarna AB**, SE-561 82 Huskvarna, Švedija, tel. +46-36-146500, atsakingai patvirtiname, kad gaminys:

<b>Aprašymas</b>	Vejapjovė
<b>Gamintojas</b>	Husqvarna
<b>Tipas / modelis</b>	LC 251i, LC 251iS
<b>Identifikacijos numeris</b>	Serijos numeriai nuo šios datos: 2023 ir vėlesni

visiškai atitinka šias ES direktyvas ir reglamentus:

<b>Reglamentas</b>	<b>Aprašymas</b>
2006/42/EB	„dėl mašinų“
2014/30/ES	„dėl elektromagnetinio suderinamumo“
2000/14/EB	„dėl į aplinką skleidžiamo triukšmo“
2011/65/ES	„dėl tam tikrų pavojingų medžiagų naudojimo elektros ir elektroninėje įrangoje apribojimo“

ir kad laikomasi šių standartų ir (arba) techninių specifikacijų: EN 62841-1:2015/A11:2022, EN IEC 62841-4-3:2021/A11:2021, EN IEC 55014-1:2021, EN IEC 55014-2:2021, EN IEC 63000:2018

Notifikuotoji įstaiga: 0404, SMP Svensk Maskinprovning AB, Box 4053, SE-904 03 Umeå, Sweden patvirtino atitiktį Tarybos direktyvai 2000/14/EB; atitikties įvertinimo procedūra: VI priedas.

Daugiau informacijos apie triukšmo emisiją žr. *Techniniai duomenys psl. 274.*

Huskvarna, 2023-12-11



Claes Losdal, plėtros vadovas / sodo gaminiai,  
„Husqvarna AB“

Atsakingas už techninę dokumentaciją



---

## Saturs

---

Ievads.....	277	Problēmu novēršana.....	288
Drošība.....	278	Pārvadāšana, glabāšana un utilizēšana.....	290
Montāža.....	283	Tehniskie dati.....	292
Lietošana.....	284	Atbilstības deklarācija.....	294
Apkope.....	286		

---

## Ievads

---

### Izstrādājuma apraksts

Izstrādājums ir gājējam vadāms rotējošais zāles plāvējs. Zāle tiek savākta zāles savācējā. Piestipriniet sānu izmetes novirzītāju zāles sānu izmetes atverei.

### Izstrādājuma pārskats

(Att. 1)

1. Motora bremzes rokturis
2. Iedarbināšanas kavētājs
3. Piedziņas rokturis (LC 251iS)
4. Aizmugurējais pārsegs
5. Zāles savācējs
6. Roktura fiksators
7. Plaušanas augstuma svira
8. Izmetes bloķētājs
9. Sānu izmetes pārsegs
10. Akumulatora pārsegs
11. Simboli
12. Drošības atslēga
13. Brīdinājuma indikators (klūdas LED)
14. Poga Save
15. Plaušanas pārsegs
16. Rokturis/roktura stienis
17. Pacelšanas rokturi
18. Sānu izmetes bloks
19. Lietošanas rokasgrāmata

### Simboli uz izstrādājuma

- (Att. 2) BRĪDINĀJUMS.
- (Att. 3) Izlasiet norādījumus.
- (Att. 4) BRĪDINĀJUMS. Sargieties no izvīstiem priekšmetiem.
- (Att. 5) Nepieļaujiet citu personu atrašanos darba zonā.
- (Att. 6) BRĪDINĀJUMS. Netuviniet rokas un kājas asmeņiem.

### Paredzētā lietošana

Izmantojiet izstrādājumu, lai apgrieztu zāli. Nelietojiet izstrādājumu citiem uzdevumiem.

(Att. 7) BRĪDINĀJUMS. Pirms apkopes atvienojiet akumulatoru.

(Att. 8) Izstrādājums vai iepakojums nav sadzīves atkritumi. Utilizējiet to elektrisko un elektronisko ierīču pārstrādes uzņēmumā.

(Att. 9) Trokšņa emisijas vidē uzlīme atbilstoši ES un Apvienotās Karalistes Jaundienvīdveļs tiesību aktam "Darba vides aizsardzības (trokšņa kontroles) regula (2017)". Izstrādājuma garantētais skaņas jaudas līmenis ir norādīts *Tehniskie dati lpp. 292* un uz etiķetes.

(Att. 10) Šis piederums atbilst spēkā esošajām EK direktīvām.

(Att. 11) Šis izstrādājums atbilst spēkā esošajiem AK noteikumiem.

(Att. 12) Izstrādājums ir aizsargāts pret šķidrumu iekļūšanu tajā.

(Att. 13) Atlaidiet motora bremžu rokturi, lai apturētu.

(Att. 14) Skenējams kods.

---

**Piezīme:** Pārējie uz izstrādājuma norādītie simboli/norādes atbilst dažu valstu sertifikācijas prasībām.

---

### Marķējumi uz izstrādājuma

(Att. 15)

**BĪSTAMI!** Netuviniet rokas un kājas.

## Produkta bojājumi

Mēs neatbildam par mūsu produkta bojājumiem, ja:

- ir veikts nepareizs produkta remonts;
- produkta remonts ir veikts, izmantojot detaļas, ko nav nodrošinājis vai apstiprinājis ražotājs;

- produktam tiek pievienots piederums, ko nav nodrošinājis vai apstiprinājis ražotājs;
- produkta remonts nav veikts pilnvarotā remontdarbniecībā vai pie pilnvarota speciālista.

## Drošība

### Drošības definīcijas

Brīdinājumi, norādes "Uzmanību!" un piezīmes tiek izmantotas, lai izceltu īpaši svarīgas lietotāja rokasgrāmatas daļas.



**BRĪDINĀJUMS:** Tiek izmantota tad, ja rokasgrāmatā sniegto instrukciju neievērošanas dēļ operatoram vai blakus esošajām personām draud traumu vai nāves risks.



**IEVĒROJIET:** Tiek izmantota tad, ja rokasgrāmatā sniegto instrukciju neievērošanas dēļ rodas izstrādājuma, citu materiālu vai blakus esošās teritorijas bojājuma risks.

**Piezīme:** Tiek izmantota, lai sniegtu plašāku informāciju, kas nepieciešama attiecīgajā situācijā.

### Vispārīgi izstrādājuma drošības brīdinājumi



**BRĪDINĀJUMS:** Izlasiet visus drošības brīdinājumus, norādījumus, apskatiet attēlus un tehniskos datus, kas iekļauti šī izstrādājuma komplektā. Tālāk norādīto brīdinājumu un norādījumu neievērošana var radīt strāvas triecienu, aizdegšanos un/vai nopietnas traumas.

**Saglabājiet visus brīdinājumus un norādījumus turpmākām uzziņām.** Brīdinājumos izmantotais termins "izstrādājums" attiecas uz elektrisku izstrādājumu (ar barošanas kabeli) vai uz izstrādājumu ar akumulatoru (bez barošanas kabeļa).

### Darba zonas drošība

- **Darba zonai jābūt tīrai un labi apgaismotai.** Nekārtīgas un tumšas vietās bieži notiek negadījumi.
- **Nelietojiet izstrādājumu sprādzienbīstamā vidē, piemēram, viegli uzliesmojošu šķidrumu, gāzu vai putekļu tuvumā.** Produkts rada dzirksteles, kas var izraisīt putekļu vai izgarojumu aizdegšanos.

- **Produkta lietošanas laikā neļaujiet tuvumā atrasties bērniem un citām personām.** Uzmanības novēršanas dēļ varat zaudēt kontroli.

### Elektrodrošība

- **Izstrādājuma kontaktspraudņiem jāatbilst elektrofilka kontakttīgzdām. Nekādā gadījumā nepārveidojiet kontaktspraudņil iezemētiem izstrādājumiem nedrīkst izmantot nekādus pārejas spraudņus.** Nepārveidotie kontaktspraudņi un atbilstošas kontakttīgzdas samazina strāvas triecienu risku.
- **Nepieļaujiet ķermeņa saskari ar iezemētām virsmām, piemēram, caurulēm, radiatoriem, plītim un ledusskapjiem.** Ja ir izveidojies ķermeņa zemējums, pastāv paaugstināts strāvas triecienu risks.
- **Nepakļaujiet izstrādājuma lietus vai mitruma iedarbībai.** Ūdens, kas iekļuvis izstrādājumā, palielina elektriskās strāvas triecienu risku.
- **Lietojot kabeli, ievērojiet piesardzību. Nekad neizmantojiet barošanas kabeli ierīces pārmēsāšanai, vilkšanai vai atvienošanai no kontakttīgzdām. Sargiet kabeli no karstuma, eļļas, asām malām un kustīgām detaļām.** Bojāti vai savijušies vadi paaugstina strāvas triecienu risku.
- **Lietojot izstrādājumu ārpus telpām, izmantojiet piemērotu ārpus telpu pagarinātāju.** Lietošanai ārpus telpām piemērota pagarinātāja lietošana samazina elektriskās strāvas triecienu risku.
- **Ja no izstrādājuma lietošanas mitros apstākļos nevar izvairīties, izmantojiet paliekošas strāvas ierīci (Residual Current Device, RCD).** Izmantojot RCD, tiek samazināts elektriskās strāvas triecienu risks.

### Individuālā aizsardzība

- **Lietojot izstrādājumu, ievērojiet piesardzību, pārdomājiet savas darbības un rīkojieties saprātīgi. Nelietojiet izstrādājumu, kad esat noguris vai narkotiku, alkohola vai zāļu iespaidā.** Pat neuzmanības mirklis, lietojot izstrādājumu, var radīt smagu traumu.
- **Lietojiet individuālos aizsardzības līdzekļus. Vienmēr lietojiet acu aizsargus.** Individuālo aizsardzības līdzekļu, piemēram, putekļu maskas, aizsargapavu ar nesīdīošām zolēm, ķiveres vai dzirdes aizsarglīdzekļu, lietošana attiecīgos apstākļos samazina traumu gūšanas risku.
- **Nepieļaujiet nejaušu ieslēgšanu. Pirms produkta pievienošanas strāvas padeves avotam un/vai akumulatoram, pacelšanas vai pārvietošanas**

**pārbaudiet, vai slēdzis ir izslēgtā stāvoklī.**

Izstrādājuma pārmēsāšana, turot pirkstu uz slēdža, vai izstrādājuma pieslēgšana barošanai, ja ir ieslēgts slēdzis, var izraisīt negadījumus.

- **Pirms produkta ieslēgšanas noņemiet regulēšanas atslēgu vai uzgriežņu atslēgu.** Uz produkta rotējošajām detaļām atstāta uzgriežņu atslēga vai atslēga var radīt traumu.
- **Nesniedzieties pārāk tālu. Vienmēr stāviet stabili un saglabājiet līdzsvaru.** Tādējādi var labāk vadīt produktu negaidītās situācijās.
- **Attiecīgi apģērbieties. Nevalkājiet vaļīgu apģērbu vai rotaslietas. Nepieļaujiet matu un apģērba saskari ar kustīgajām daļām.** Vaļīgas drēbes, rotaslietas vai gari mati var iekerties kustīgajās detaļās.
- **Ja komplektācijā ir iekļautas pievienojamas putekļu iesūkšanas ierīces un savākšanas tvertnes, pārbaudiet, vai tās ir pietīprinātas un tiek pareizi izmantotas.** Putekļu savākšanas līdzekļu izmantošana var samazināt putekļu radītos draudus.
- **Nekļūstiet nevērīgs pret darbarīka drošas izmantošanas principiem un neignorējiet tos pat tad, ja bieži izmantojat darbarīkus un esat ļoti apguvis to lietošanu.** Neuzmanīga rīcība var izraisīt nopietnu traumu vienā acumirklī.

## Izstrādājuma lietošana un apkope

- **Nespiediet produktu ar spēku. Izmantojiet konkrētajam darbam piemērotu produktu.** Izmantojot pareizo produktu ar tam paredzēto ātrumu, darbu var paveikt labāk un drošāk.
- **Nelietojiet produktu, ja, nospiežot slēdzi, tas neieslēdzas vai neizslēdzas.** Produkts, kuru nevar vadīt, izmantojot slēdzi, rada draudus un ir jāremontē.
- **Pirms jebkādu regulēšanas darbu veikšanas, piederumu maiņas vai izstrādājuma novietošanas uzglabāšanai atvienojiet kontaktspraudni no barošanas avota un/vai izņemiet akumulatoru.** Šādi piesardzības pasākumi samazina produkta nejaušanas palaišanas risku.
- **Ja izstrādājumu neizmantojat, novietojiet to bērniem nepieejamā vietā un neļaujiet to lietot personām, kas nepārzina tā lietošanu vai šeit sniegtos norādījumus.** Nonākot rokās lietotājam bez atbilstošām zināšanām, izstrādājumi ir bīstami.
- **Veiciet izstrādājumu un piederumu tehnisko apkopi.** Pārbaudiet kustīgo detaļu nobīdi vai saķeri, detaļu bojāumus un jebkādas citus faktorus, kas var ietekmēt izstrādājuma darbību. Ja izstrādājums ir bojāts, pirms tā lietošanas veiciet remontu. Daudzu nelaimes gadījumu iemesls ir slikti uzturēts izstrādājums.
- **Griezējinstrumenti jāuztur asi un tīri.** Pareizi uzturēti griezējinstrumenti ar asiem asmeņiem retāk saliecas, un tos ir vieglāk vadīt.
- **Lietojiet produktu, piederumus un asmeņus u.c. detaļas atbilstoši šeit sniegtajiem norādījumiem, ņemot vērā darba apstākļus un veicamos**

**uzdevumus.** Produkta lietošana neparedzētiem mērķiem var radīt bīstamas situācijas.

- **Rokturkiem un turēšanas virsmām ir jābūt sausām, tīrām un uz tām nedrīkst būt eļļas un smērvielas.** Slideni rokturi un satveršanas virsmas traucē drošu izstrādājuma izmantošanu un vadību negaidītās situācijās.

## Akumulatora rīka lietošana un apkope

- **Uzlādei izmantojiet tikai ražotāja norādīto lādētāju.** Lādētājs, kas ir piemērots viena tipa akumulatora blokam, var kļūt ugunsbīstams, lietojot to ar cita veida akumulatora bloku.
- **Izmantojiet iekārtas tikai ar tām paredzētajiem akumulatoru blokiem.** Jēbkura cita akumulatora bloka lietošana var radīt traumas un ugunsgrēka risku.
- **Kad akumulatora bloks netiek izmantots, turiet to drošā attālumā no metāla priekšmetiem, piemēram, papīra saspрудēm, monētām, atslēgām, naglām, skrūvēm un citiem nelieliem metāla priekšmetiem, kas var savienot spailes.** Akumulatora spaiļu savienošana var radīt apdegumus vai aizdegšanos.
- **Nepareizi lietojot, no akumulatora var iztecēt šķidrums; izvairieties no saskares ar to. Ja nejauši notiek saskare, noskalojiet skarto vietu ar lielu daudzumu ūdens. Ja šķidrums iekļūst acīs, vērsieties pēc medicīniskās palīdzības.** No baterijas iztecējis šķidrums var radīt kairinājumu vai apdegumus.
- **Nelietojiet akumulatoru bloku vai darbarīku, ja tas ir bojāts vai pārveidots.** Bojāts vai pārveidots akumulators var darboties neparedzami, izraisot aizdegšanos, eksploziju vai traumu gušanas risku.
- **Nepakļaujiet akumulatoru bloku vai darbarīku ugunij vai pārmērīgi augstai temperatūrai.** Ja pakļausit iekārtu uguns iedarbībai vai tādas temperatūras iedarbībai, kas pārsniedz 130°C (265°F), var notikt sprādziens.
- **Nemiet vērā visas uzlādes instrukcijas un nelādējiet akumulatoru bloku vai darbarīku temperatūrā, kas ir ārpus instrukcijās norādītā diapazona.** Nepareiza uzlāde vai uzlāde temperatūrā, kas ir ārpus norādītā diapazona, var bojāt akumulatoru un palielināt ugunsgrēka risku.

## Apkope

- **Uzticiet izstrādājuma apkopi kvalificētam remontdarbu speciālistam, kas izmanto tikai oriģinālas rezerves daļas.** Tādējādi tiks garantēta izstrādājuma lietošanas drošība.
- **Nekad neveiciet bojātu akumulatoru apkopi.** Akumulatoru apkopi drīkst veikt tikai ražotājs vai pilnvarots apkopes nodrošinātājs.

## Zāles plāvēja drošības brīdinājumi

- **Nelietojiet zāles plāvēju sliktos laika apstākļos, jo īpaši tad, ja ir iespējams pērkona negaiss.** Tas palielina risku, ka jums varētu iespert zibens.

- **Rūpīgi pārbaudiet, vai teritorijā, kurā izmantosit zāles plāvēju, nav savvaļas dzīvnieku.** Zāles plaušanas laikā savvaļas dzīvnieki var tikt savainoti.
- **Rūpīgi pārbaudiet vietu, kur lietosit zāles plāvēju, un noņemiet akmeņus, zarus, vadus, kaulus un citus svešķermeņus.** Izsviesti priekšmeti var radīt smagu traumu.
- **Pirms zāles plāvēja lietošanas vienmēr vizuāli pārbaudiet, vai asmens un asmens mezgls nav nodilis vai bojāts.** Nodilušas vai bojātas detaļas palielina traumu gūšanas risku.
- **Regulāri pārbaudiet, vai zāles savācējs nav nodilis vai bojāts.** Noliegts vai bojāts zāles savācējs var palielināt traumas gūšanas risku.
- **Vienmēr izmantojiet aizsargus. Aizsargiem jābūt darba kārtībā un pareizi uzstādītiem.** Valģis, bojāts aizsargs vai tāds, kas nedarbojas pareizi, var radīt traumu.
- **Visas dzesēšanas gaisa atveres vienmēr uzturiet fīras.** Nosprostoti gaisa ievadi un nefūrumi var izraisīt pārkaršanu un aizdegšanos.
- **Izmantojot zāles plāvēju, vienmēr uzvelciet neslidošus aizsargapavus. Neizmantojiet zāles plāvēju, ja staigājat basām kājām vai valējās sandalēs.** Tādējādi tiek samazināta iespēja gūt traumu, saskaroties ar kustīgu plaušanas asmeni.
- **Lietojot zāles plāvēju, vienmēr valkājiet garās bikses.** Nenosegta āda palielina izsviestu priekšmetu radītas traumas gūšanas iespēju.
- **Neizmantojiet zāles plāvēju mitrā zālē. Ejiet, nekādā gadījumā neskrieniet.** Šādi samazināsit paslīdēšanas un nokrišanas risku, kas var radīt traumas.
- **Nelietojiet zāles plāvēju lielā slīpumā.** Šādi samazināsit līdzsvara zuduma iespējamību, paslīdēšanas un nokrišanas risku, kas var radīt traumas.
- **Strādājot nogāzēs, vienmēr pārliecinieties par kāju novietojumu, vienmēr strādājiet šķērsām nogāzei, nekad augšup vai lejup un ievērojiet īpašu piesardzību, mainot virzienu.** Šādi samazināsit līdzsvara zuduma iespējamību, paslīdēšanas un nokrišanas risku, kas var radīt traumas.
- **Esiet īpaši uzmanīgi, virzoties atpakaļ vai velkot zāles plāvēju pie sevis. Vienmēr vērojiet apkārtni.** Šādi samazināsit zāles plāvēja apgāšanās risku strādājot.
- **Nepieskarities asmeņiem un citām bīstamām rotējošām detaļām, kamēr tās vēl kustas.** Šādi samazināsit kustīgu detaļu radītu traumu risku.
- **Pirms izņemt iestrēgušu materiālu vai fīrāt zāles plāvēju, pārliecinieties, ka visi barošanas slēdži ir izslēgti un akumulatora bloks ir atvienots.** Neparedzēta zāles plāvēja darbība var radīt smagu traumu.
- **Pirms izņemt iestrēgušu materiālu vai fīrāt zāles plāvēju, pārliecinieties, ka visi barošanas slēdži ir izslēgti, un noņemiet atspējošanas ierīci.** Neparedzēta zāles plāvēja darbība var radīt smagu traumu.

## Paliekošās strāvas ierīce

- Izmantojiet paliekošās strāvas ierīci ar vismaz 30 mA lielu ieslēgšanās strāvu.

## Vispārīgi drošības norādījumi



**BRĪDINĀJUMS:** Pirms izstrādājuma lietošanas izlasiet tālāk izklāstītos brīdinājumus.

- Šis izstrādājums ir bīstams, ja to lieto nepareizi vai ja nerīkojaties piesardzīgi. Drošības instrukciju neievērošana var izraisīt traumas vai nāvi.
- Šis izstrādājums darbības laikā rada elektromagnētisko lauku. Zināmos apstākļos šis lauks var traucēt aktīvā vai pasīvā medicīniskā implantāta darbību. Lai samazinātu nopietnas traumas gūšanas vai dzīvības zaudēšanas risku, mēs iesakām personām, kam ir medicīniskie implantāti, pirms šī izstrādājuma lietošanas konsultēties ar savu ārstu un medicīniskā implantāta ražotāju.
- Vienmēr rīkojieties piesardzīgi un saprātīgi. Ja neesat drošs par to, kā izmantot šo izstrādājumu konkrētā situācijā, pārtrauciet darbu un sazinieties ar savu Husqvarna izplatītāju, pirms turpināt.
- Paturiet prātā, ka operators ir atbildīgs par negadījumiem, kuros iesaistītas citas personas.
- Gādājiet, lai izstrādājums ir tīrs. Pārliecinieties, ka varat skaidri izlasīt zīmes un uzlīmes.
- Nekādā gadījumā neļaujiet lietot ierīci bērniem vai cilvēkiem, kas nepārzina instrukcijas. Vietējie normatīvi var ierobežot operatora vecumu.
- Ja produktu izmanto persona ar samazinātām fiziskajām vai garīgajām spējām, vienmēr uzraugiet šo personu. Tuvumā vienmēr jābūt pieaugušajam.
- Neizmantojiet šo izstrādājumu, ja esat noguris, slims vai esat alkohola, narkotiku vai medikamentu izraisītā reibumā. Šāds stāvoklis negatīvi ietekmē jūsu redzi, modrību, koordināciju un spriestspēju.
- Nelietojiet šo izstrādājumu, ja tas ir bojāts vai nedarbojas pareizi.
- Neveiciet izmaiņas šajā izstrādājumā un neizmantojiet to, ja ir iespējams, ka citas personas tajā ir veikušas izmaiņas.

## Darba drošība



**BRĪDINĀJUMS:** Pirms sākat lietot šo izstrādājumu, izlasiet tālāk izklāstītos brīdinājumus.

- Izmantojiet šo izstrādājumu tikai zālienu plaušanai. Izstrādājumu nav atļauts izmantot citu darbu veikšanai.
- Lietojiet individuālos aizsardzības līdzekļus. Skatiet: *Individuālie aizsarglīdzekļi lpp. 281.*



- Pārliedzinieties, vai zināt, kā ārkārtas situācijā ātri apturēt dzinēju.
- Nedarbiniet izstrādājumu lietus laikā un nepakļaujiet to lietus vai mitruma iedarbībai. Ja izstrādājumā iekļūst ūdens, palielinās elektrotraumas risks.
- Nedarbiniet izstrādājumu, ja asmens un visi pārsegi nav piestiprināti pareizi. Nepareizi piestiprināts asmens var kļūt vaļīgs un izraisīt traumas personai.
- Pārliedzinieties, ka asmens neatsitas pret priekšmetiem, piemēram, akmeņiem un saknēm. Tas var sabojāt asmeni un saliekt dzinēja vārpstu. Saliekts asmens izraisa stipru vibrāciju un rada ļoti lielu risku, ka asmens kļūst vaļīgs.
- Ja asmens saskaras ar priekšmetu vai rodas spēcīgas vibrācijas, nekavējoties izslēdziet izstrādājumu. Izslēdziet dzinēju, pagrieziet drošības atslēgu pozīcijā "0" un izņemiet akumulatoru. Uzgaidiet, līdz kustīgās detaļas apstājas. Pārbaudiet, vai izstrādājumam nav bojājumu. Pieveļciat vaļīgās detaļas. Novērsiet bojājumus un nomainiet bojātās detaļas. Uzticiet remontdarbu veikšanu apstiprinātām apkopes uzņēmumam.
- Nekādā gadījumā nepiestipriniet motora bremžu rokturi rokturim, kad motors ir iedarbināts.
- Novietojiet izstrādājumu uz stabilas, līdzsma virsmas un iedarbiniet to. Pārliedzinieties, vai asmens nepieskaras zemei vai citiem priekšmetiem.
- Darbinot izstrādājumu, vienmēr stāviet aiz tā.
- Lietojot izstrādājumu, pārbaudiet, lai visi riteņi atrodas uz zemes un turiet rokturi ar abām rokām. Turiet rokas un kājas drošā attālumā no rotējošiem nažiem.
- Nesasveriet zāles plāvēju, kad iedarbināt tā motoru vai zāles plāvēja lietošanas laikā.
- Esiet piesardzīgi, velkot izstrādājumu atpakaļ.
- Nekādā gadījumā neceliet izstrādājumu uz augšu motora darbības laikā. Ja zāles plāvējs ir jāpacel, vispirms izslēdziet dzinēju, pagrieziet drošības atslēgu pozīcijā "0" un izņemiet akumulatoru.
- Neejiet at muguriski izstrādājuma lietošanas laikā.
- Apturiet motoru, ja nepieciešams savvērt zāles plāvēju transportēšanai vai pirms pārvietošanās pa laukumiem bez zāles, piemēram, grants, akmens un asfalta ceļiem.
- Nekādā gadījumā neskrīniet ar izstrādājumu motora darbības laikā. Darbinot izstrādājumu, vienmēr ejiet.
- Apturiet dzinēju, pirms maināt griešanas augstumu.
- Nekādā gadījumā nemēģiniet veikt regulēšanu motora darbības laikā.
- Nekad neatstājiet izstrādājumu bez uzraudzības motora darbības laikā. Izslēdziet dzinēju un pārliedzinieties, vai griešanas aprīkojums nerotē.
- Zāles plāvēja vibrācija darbības laikā var atšķirties no vibrācijas vērtības, kas norādīta *Tehniskie dati* /pp. 292. Atšķirības ir atkarīgas no zāles plāvēja izmantošanas veida. Ja zāles plāvējs tiek lietots bieži vai ilgstoši, regulāri ieturiet pauzes, lai novērstu vibrācijas radītas traumas.

## Norādījumi par drošu darbu

### Individuālie aizsarglīdzekļi



**BRĪDINĀJUMS:** Pirms sākat lietot šo izstrādājumu, izlasiet tālāk izklāstītos brīdinājumus.

- Šādi līdzekļi nevar pilnībā novērst traumu gūšanas risku, taču samazina traumu smaguma pakāpi, ja negadījums tomēr notiek. Ļaujiet izplatītajam palīdzēt jums izvēlēties pareizo aprīkojumu.
- Velciet izturīgus zābakus vai kurpes, kas neslīd. Nevelciet vaļējas kurpes un neejiet ar basām kājām.
- Uzvelciet izturīgas garās bikses.
- Vajadzības gadījumā izmantojiet aizsargcimdus, piemēram, piestiprinot, pārbaudot vai tīrot griešanas aprīkojumu.
- Ieteicams izmantot dzirdes aizsarglīdzekļus.

### Izstrādājuma drošības ierīces



**BRĪDINĀJUMS:** Pirms izstrādājuma lietošanas izlasiet tālāk izklāstītos brīdinājumus.

- Nelietojiet izstrādājumu ar drošības ierīcēm, kas ir bojātas vai nedarbojas pareizi.
- Nenonemiet un nepārveidojiet drošības ierīces.
- Regulāri pārbaudiet drošības ierīces. Ja drošības ierīces ir bojātas vai nedarbojas pareizi, sazinieties ar Husqvarna apkopes dienesta pārstāvi.

### Griezēja pārsega pārbaude

Griezēja pārsegs samazina izstrādājuma vibrācijas un asmens radītu ievainojumu gūšanas risku.

- Pārbaudiet griezēja pārsegu, lai pārliedzinātos, vai nav bojājumu, piemēram, plaisu.

### Drošības atslēgas pārbaude

Drošības atslēga ir zem akumulatora pārsega. Drošības atslēga savieno akumulatoru, kas dzinējam nodrošina jau.

- Lai pārbaudītu drošības atslēgu, iedarbiniet un izslēdziet motoru.
- Ja drošības atslēga darbojas pareizi, motoru var iedarbināt tikai, kad drošības atslēga tiek pagriezta pozīcijā "1". (Att. 16)

### Aizmugurējā pārsega pārbaude

Aizmugurējais pārsegs mazina operatora virzienā izsviestu priekšmetu iespējamību.

- Pārbaudiet, vai nav bojāts aizmugurējais pārsegs.
- Pārbaudiet, vai nav salauztas atsperes, kas aizver aizmugurējo pārsegu.
- Nomainiet bojātās atsperes un bojātās daļas.

- Pārbaudiet, vai aizmugurējais pārsegs eņģēs kustas brīvi.

## Motora bremžu roktura pārbaude

Dzinēja bremžu rokturis aptur dzinēju. Atlaižot dzinēja bremžu rokturi, dzinējs apstājas.

- Iedarbiniet ierīci. Skatiet: *Izstrādājuma iedarbināšana lpp. 285.*
- Atbrīvojiet dzinēja bremžu rokturi. (Att. 17)
- Pārļiecinieties, vai izstrādājums ir apstādināts. Ja dzinējs neapstājas 3 sekundēs, lieciet pilnvarotā Husqvarna apkopes pārstāvim noregulēt dzinēja bremzes.

## Iedarbināšanas ierobežotāja pārbaude

Pārbaudiet iedarbināšanas ierobežotāju, lai pārļiecinātos, ka tas novērš dzinēja darbību.

1. Nospiediet motora bremžu rokturi roktura virzienā. Iedarbināšanas ierobežotājs aptur kustību.
2. Izstumiet iedarbināšanas ierobežotāju. (Att. 18)
3. Atļaidiet iedarbināšanas ierobežotāju un pārļiecinieties, ka tas atgriežas sākotnējā pozīcijā.

## Akumulatora drošība



**BRĪDINĀJUMS:** Pirms izstrādājuma lietošanas izlasiet tālāk izklāstītos brīdinājumus.

- Izmantojiet Husqvarna atkārtoti uzlādējamus akumulatorus kā barošanas avotu tikai saistītiem Husqvarna izstrādājumiem. Lai nepieļautu traumu gūšanas risku, akumulatoru nedrīkst izmantot kā citu izstrādājumu strāvas avotu.
- Nelietojiet vienreiz lietojamās baterijas.
- Elektriskās strāvas trieciena risks. Nesavienojiet akumulatora spaiļes ar atslēgām, monētām, skrūvēm vai citiem metāla priekšmetiem. Tas var izraisīt akumulatora īssavienojumu.
- Neievietojiet nekādus priekšmetus akumulatora gaisa atverēs.
- Neglabājiet akumulatoru vietās, ka ir pakļautas tiešai saulesgaismai, karstumam vai atklātām liesmām. Akumulatorus var sprāgt un radīt apdegumus un/vai ķīmiskos apdegumus.
- Akumulatoru nedrīkst pakļaut lietus un mitruma ietekmei.
- Akumulatoru nedrīkst pakļaut mikroviļņu un augsta spiediena ietekmei.
- Akumulatoru nedrīkst izjaukt vai saspīest.
- Ja rodas noplūde no akumulatora, neļaujiet šķidrums saskarties ar ķermeni vai acīm. Ja pieskaraties šķidrumam, nomazgājiet skarto vietu ar lielu daudzumu ūdens un meklējiet medicīnisko palīdzību.

- Izmantojiet akumulatoru zāles plāvējā tikai, ja apkārtējās vides temperatūra ir diapazonā no 5 līdz 40 °C.
- Izmantojiet akumulatora lādētāju tikai, ja apkārtējās vides temperatūra ir diapazonā no 5 līdz 40 °C.
- Akumulators netiks uzlādēts, ja akumulatora temperatūra pārsniedz 50 °C.
- Neīrīet akumulatoru un tā lādētāju ar ūdeni. Skatiet šeit: *Akumulatora un akumulatora lādētāja tīrīšana lpp. 287.*
- Nelietojiet bojātu akumulatoru.
- Uzglabājiet akumulatorus vietā, kur tuvumā nav metāla priekšmetu, piemēram, naglu, monētu, rotaslietu.

## Akumulatora lādētāja drošības norādes



**BRĪDINĀJUMS:** Pirms izstrādājuma lietošanas izlasiet tālāk izklāstītos brīdinājumus.

- Izmantojiet QC akumulatoru lādētājus tikai Husqvarna rezerves akumulatoru uzlādei.
- Pastāv elektriskās strāvas trieciena vai īssavienojuma risks. Neievietojiet nekādus priekšmetus lādētāja gaisa atverēs. Nemēģiniet izjaukt akumulatora lādētāju. Nesavienojiet lādētāja spaiļes ar metāla priekšmetiem. Izmantojiet pārbaudītu elektrotīkla kontaktligzdu.
- Šis izstrādājums darbības laikā rada elektromagnētisko lauku. Zināmos apstākļos šis lauks var traucēt aktīvā vai pasīvā medicīniskā implantāta darbību. Lai samazinātu smagu vai nāvējošu traumu gūšanas risku, ieteicams tām personām, kurām ir medicīniskie implantāti, pirms šī izstrādājuma lietošanas konsultēties ar ārstu un medicīniskā implantāta ražotāju.
- Regulāri pārļiecinieties, ka akumulatora lādētāja barošanas kabelis nav bojāts un saplaisājis.
- Nevelciet akumulatora lādētāju aiz barošanas kabeļa. Lai akumulatora lādētāju atvienotu no elektrotīkla kontaktligzdas, velciet aiz kontaktspraudņa. Nevelciet aiz barošanas kabeļa.
- Nenovietojiet barošanas kabeli un pagarinājuma kabeļus ūdens, eļļas un asu apmaļu tuvumā. Raugieties, lai kabelis netiktu iespiests durvīs, žogos un līdzīgās konstrukcijās. Lādētājs var ieslēgties.
- Neīrīet akumulatora lādētāju ar ūdeni.
- Akumulatora lādētāju drīkst izmantot bērni no 8 gadu vecuma un cilvēki ar ierobežotām fiziskām, sensorām vai garīgām spējām vai bez pieredzes un zināšanām tikai atbildīgās personas uzraudzībā vai pēc akumulatora lādētāja drošas lietošanas norādījumu saņemšanas un iespējamo risku izprašanas. Bērni nedrīkst spēlēties ar akumulatora lādētāju. Ierīces tīrīšanu un apkopi bērni drīkst veikt tikai atbildīgās personas uzraudzībā.
- Neizmantojiet akumulatora lādētāju tādu akumulatoru uzlādei, kas nav atkārtoti uzlādējami.

- Nelietojiet akumulatora lādētāju viegli uzliesmojošu materiālu vai materiālu, kas var izraisīt koroziju, tuvumā. Nepārkļāviet akumulatora lādētāju. Ja konstatējat dūmus vai uguni, izraujiet akumulatora lādētāja kontaktspraudni.
- Nelietojiet bojātu akumulatora lādētāju.
- Uzlādējiet akumulatoru tikai tādās telpās, kur ir laba gaisa plūsma un nav saules gaismas. Neuzlādējiet akumulatoru mitrumā.
- Veiciet apkopes darbus pareizi, lai palielinātu izstrādājuma darbību un samazinātu nelaimes gadījumu risku.
- Nomainiet bojātās, nodilušās un salūzušās detaļas. Izņemot tikai oriģinālās ražotāja rezerves daļas. Citas rezerves daļas var izraisīt izstrādājuma bojājumus un palielināt negadījumu risku.
- Nenonemiet un nepārveidojiet drošības ierīces, lai neradītu traumas.
- Lietojot griešanas aprīkojumu, uzvelciet izturīgus cimdus. Asmens ir ļoti ass, un ar to var viegli sagriezties.
- Uzturiet griezēja malas ir asas un tīras, lai nodrošinātu vislabāko un drošāko veiktspēju.
- Ļaujiet izstrādājumu regulāri pārbaudīt apkopes centra darbiniekiem un veikt nepieciešamos regulēšanas un remonta darbus.
- Ievērojiet piederumu maiņas norādījumus. Lietojiet tikai ražotāja apstiprinātos piederumus.
- Kad izstrādājumu neizmantojat, turiet to, akumulatoru un akumulatora lādētāju atstatu vienu no otra sausās un slēgtās telpās. Nodrošiniet, lai bērni un nepiederības personas nepieklūst izstrādājumam, akumulatoram vai akumulatora lādētājam.

## Norādījumi par drošu apkopi



**BRĪDINĀJUMS:** Pirms sākat lietot šo izstrādājumu, izlasiet tālāk izklāstītos brīdinājumus.

- Lai nepieļautu nejašu iedarbināšanu apkopes laikā, pagrieziet drošības atslēgu stāvoklī "0" un izņemiet akumulatoru. Uzgaidiet vismaz 5 sekundes, pirms sākat apkopi.
- Veiciet tikai tos apkopes darbus, kas norādīti lietošanas rokasgrāmatā. Sarežģīti un profesionāli remontdarbi jāveic pilnvarotā apkopes uzņēmumā. Lai saņemtu papildinformāciju, sazinieties ar tuvāko apkopes pārstāvi.

## Montāža

### Ievads



**BRĪDINĀJUMS:** Pirms izstrādājuma montāžas izlasiet sadaļu par drošību.



**BRĪDINĀJUMS:** Lai nepieļautu nejašu iedarbināšanu montāžas laikā, pagrieziet drošības atslēgu pozīcijā "0", izņemiet akumulatoru un nogaidiet vismaz 5 sekundes.

### Roktura salikšana

**Piezīme:** Šī darba veikšanai ieteicams piesaistīt palīgu.

**Piezīme:** Saliekot rokturi, neizņemiet zāles plāvēju no kastes. Kastī var izmantot roktura atbalstam montāžas laikā.

1. Paceliet un pagrieziet rokturi. (Att. 19)



**IEVĒROJIET:** Esiet uzmanīgi un pārliecinieties, ka, pagriežot rokturi, netiek bojāts kabelis.

2. Novietojiet rokturi zāles plāvēja augšpusē. Sasveriet rokturi pret kastī, lai atbalstītu rokturi. Skatiet attēlu. (Att. 20)
3. Izbīdīet skrūvi (A) caur rokturi (B), plastmasas paplāksni (C) un roktura balsta kronšteinu (D). (Att. 21)
4. Pilnībā pievelciet uzgriezni (E).
5. Izņemiet zāles plāvēju no kastes.
6. Uzlokiet rokturi. (Att. 22)
7. Iestatiet rokturi zemākajā stāvoklī. Skatiet šeit: *Roktura regulēšana lpp. 283.*
8. Piestipriniet kabeli roktura apakšdaļai, izmantojot kabelu skavu. (Att. 23)
9. Piestipriniet kabelu apakšdaļu roktura balsta kronšteinam ar kabelu savilcēju. Nogrīziet atlikušo kabelu savilcēja daļu. (Att. 24)

**Piezīme:** Pārbaudiet, vai kabelis ir piestiprināts pareizi. Pārāk vaļīgs kabelis var bojāt kabeli, ja ir uzstādīts zāles savācējs. (Att. 25)

### Roktura regulēšana

1. Attalaidiet apakšējos fiksatorus.
2. Pārvietojiet fiksatorus uz riavu apakšējo galu izstrādājuma kreisajā un labajā pusē. (Att. 26)
3. Iestatiet roktura augstumu vienā no diviem pieejamiem stāvokļiem.

4. Pārvietojiet fiksatorus uz augšu roktura virzienā, līdz tie apstājas un atskan klikšķis. (Att. 27)

5. Pilnībā pievelciet fiksatorus.

## Lietošana

### Ievads



**BRĪDINĀJUMS:** Pirms sākat darbu ar produktu, izlasiet nodaļu par drošību un pārliecinieties, vai saprotat to.

### Husqvarna Connect

Husqvarna Connect ir bezmaksas lietotne jūsu mobilajai ierīcei. Lietotne Husqvarna Connect nodrošina paplašinātas funkcijas jūsu Husqvarna izstrādājumam:

- Paplašināta izstrādājuma informācija.
- Informācija par izstrādājuma daļām un apkopi un palīdzība ar to.

### Lai sāktu izmantot Husqvarna Connect

1. Lejupielādējiet Husqvarna Connect lietotni savā mobilajā ierīcē.
2. Reģistrējieties Husqvarna Connect lietotnē.
3. Izpildiet Husqvarna Connect lietotnē sniegtos norādījumus, lai savienotu un reģistrētu produktu.

### Zāles plāvēja iestatīšana darba stāvoklī

1. Pārliecinieties, ka apakšējie fiksatori nav pievilkti. Skatiet šeit: *Roktura regulēšana lpp. 283.*
2. Uzlokiet rokturi. (Att. 22)
3. Pārvietojiet fiksatorus uz augšu roktura virzienā, līdz tie apstājas un atskan klikšķis. (Att. 27)
4. Pilnībā pievelciet fiksatorus.



**BRĪDINĀJUMS:** Nelietojiet zāles plāvēju, iekams tā rokturis nav pilnībā uzlocīts un iestatīts kādā no augstuma stāvokļiem. Skatiet šeit: *Roktura regulēšana lpp. 283.*

### Pļaušanas augstuma regulēšana

1. Lai palielinātu griešanas augstumu, pārvietojiet griešanas augstuma sviru uz aizmuguri.
2. Lai samazinātu griešanas augstumu, pārvietojiet griešanas augstuma sviru uz priekšu. (Att. 28)



**IEVĒROJIET:** Neiestatiet griešanas augstumu pārāk zemu. Ja zāliena virsma nav līdzena, asmeņi var saskarties ar zemi.

### Akumulators



**BRĪDINĀJUMS:** Pirms izmantojat akumulatoru, izlasiet nodaļu par drošību un pārliecinieties, vai saprotat to. Izlasiet arī akumulatora un akumulatora lādētāja komplektā iekļauto lietotāja rokasgrāmatu un pārliecinieties, vai izprotat to.

Glabājiet akumulatoru un tā lādētāju pareizā apkārtējās vides temperatūrā.

	Apkārtējās vides temperatūra
Akumulatora darbināšana	5–40 °C
Akumulatora uzlāde	5–40 °C

### Akumulatora statuss

Displejā ir redzams akumulatora atlikušais uzlādes līmenis un akumulatora kļūdu ziņojumi. Nospiediet akumulatora indikatora pogu, lai saņemtu informāciju par akumulatora uzlādes stāvokli. Ja radusies kļūda, iedegas akumulatora brīdinājuma simbols. Skatiet šeit: *Akumulators lpp. 288.*

(Att. 29)

LED indikatori	Akumulatora statuss
Deg visi LED indikatori	Pilnībā uzlādēts (76–100%)
Deg 1., 2. un 3. LED indikators	Akumulatora uzlādes līmenis ir 51–75%.
Deg 1. un 2. LED indikators	Akumulatora uzlādes līmenis ir 26–50%.
Deg 1. LED indikators	Akumulatora uzlādes līmenis ir 6–25%.
Mirgo 1. LED indikators	Akumulatora uzlādes līmenis ir 0–5%.

### Akumulatora uzlāde

Pirms pirmās lietošanas reizes uzlādējiet akumulatoru. Akumulators ir tikai 30% uzlādēts, kad tiek piegādāts klientam.

**Piezīme:** Pievienojiet akumulatora lādētāju strāvas avotam, kura spriegums un frekvence atbilst uz datu plāksnītes norādītajiem.

Akumulators netiek lādēts, ja tā temperatūra pārsniedz 50 °C. Akumulatora lādētājs samazina akumulatora temperatūru, pirms tiek sākta uzlāde.

1. Savienojiet vienu akumulatora lādētāja strāvas vada galu ar akumulatora lādētāja ligzdu.
2. Savienojiet akumulatora lādētāja strāvas vada otru galu ar zemētu kontaktligzdu. Vienreiz iemirgosies akumulatora lādētāja zaļais LED indikators. (Att. 30)
3. Ievietojiet akumulatoru lādētājā. Kad akumulators ir pareizi savienots ar akumulatora lādētāju, tajā deg zaļais indikators. (Att. 31)
4. Kad deg visi akumulatora LED indikatori, akumulators ir pilnībā uzlādēts. Akumulatora uzlādes laiks nedrīkst pārsniegt 24 stundas.
5. Lai atvienotu akumulatora lādētāju no kontaktligzdas, velciet kontaktdakšu, nevis strāvas vadu.
6. Izņemiet akumulatoru no lādētāja.

## Izstrādājuma iedarbināšana

1. Atveriet akumulatora vāciņu.
2. Ievietojiet uzlādētu akumulatoru vienā no akumulatoru turētājiem. Lai nodrošinātu ilgāku darbību, ievietojiet otru uzlādētu akumulatoru otrajā akumulatora turētājā.
3. Pagrieziet drošības atslēgu stāvoklī "1". (Att. 32)
4. Stāviet aiz izstrādājuma.
5. Atbrīvojiet iedarbināšanas ierobežotāju. (Att. 18)
6. Nospiediet motora bremžu rokturi roktura virzienā. (Att. 33)

## Piedziņas izmantošana riteņiem (LC 251iS)

- Pabīdīet piedziņas rokturi stūres virzienā. (Att. 34)
- Atlaidiet piedziņas rokturi, lai atvienotu piedziņu, piemēram, ja ejat tuvu šķērslim.
- Pirms velkat izstrādājumu uz aizmuguri, atvienojiet piedziņu un pastumiet izstrādājumu uz priekšu par aptuveni 10 cm.

## Funkcijas SavE™ izmantošana

Izstrādājumam ir akumulatora enerģijas taupīšanas funkcija (SavE™), kas nodrošina ilgāku akumulatora darbības laiku.

- Lai sāktu funkciju, nospiediet pogu SavE™ pozīcijā "1". (Att. 35)
- Lai apturētu funkciju, nospiediet pogu SavE™ pozīcijā "0".

**Piezīme:** Funkcija SavE™ tiek apturēta automātiski, ja reljefa apstākļu dēļ ir nepieciešama augstāka jauda. Funkcija SavE™ automātiski tiek atsākta atkal, kad to atļauj reljefa apstākļi.

## Lielas slodzes funkcija

Ja ar produktu tiek griezta gara vai mitra zāle, dzinējs automātiski palielina apgriezīnu skaitu. Kad liela jauda nav nepieciešama, dzinējs pāriet atpakaļ standarta režīmā.

## Motora noslāpšana

Darbības laikā asmens un motors var īslaicīgi apstāties šķēršļu dēļ, piemēram, uzkrājoties zālei zem plaušanas pārsega. Ja tā notiek un motora bremzes rokturis ir nospiests, zāles plāvējs mēģina automātiski atsākt darbību. Ja zāles plāvējs neatsāk darboties 5–10 sekunžu laikā, var būt nepieciešams iztīrīt plaušanas pārsega apakšdaļu. Ja mirgo brīdinājuma indikators (C), informāciju par ieteicamo tukšgaitas ātrumu skatiet šeit: *Produkta tīrīšana lpp. 287.*



**BRĪDINĀJUMS:** Ja motors apstājas, zāles plāvējs automātiski mēģina atsākt darbu pēc 5–10 sekundēm. Nogaidiet vismaz 15 sekundes un tikai tad veiciet plaušanas pārsega pārbaudi.



**BRĪDINĀJUMS:** Pirms plaušanas pārsega pārbaudes atlaidiet motora bremzes rokturi, pagrieziet drošības atslēgu stāvoklī 0, izņemiet akumulatoru un uzgaidiet vismaz 5 sekundes. Pastāv traumas gūšanas risks, ja šķērslis tiek noņemts un zāles plāvējs nejauši sāk darboties.

## Zāles plāvēja apturēšana



**BRĪDINĀJUMS:** Pagrieziet drošības atslēgu stāvoklī "0", pirms novēršat uzmanību no zāles plāvēja.

1. Atlaidiet motora bremzes rokturi, lai apturētu motoru. (Att. 36)

**Piezīme:** Modelim LC 251iS. Lai apturētu riteņu piedziņu, atlaidiet piedziņas rokturi.

2. Atveriet akumulatora pārsegu un pagrieziet drošības atslēgu stāvoklī "0". (Att. 37)
3. Lai izņemtu akumulatoru, nospiediet abas atbrīvošanas pogas un izņemiet akumulatoru. (Att. 38)
4. Ja akumulatora uzlādes līmenis ir nepietiekams, uzlādējiet akumulatoru. Papildinformāciju skatiet šeit: *Akumulatora uzlāde lpp. 284.*

## Zāles plāvēja lietošana ar zāles savācēju



**BRĪDINĀJUMS:** Nelietojiet zāles plāvēju bez uzstādīta zāles savācēja vai ar neaizvērtu aizmugurējo pārsegu. Var tikt izsviesti priekšmeti, un operators var gūt traumu.

1. Paceliet aizmugurējo pārsegu. (Att. 39)
2. Novietojiet zāles savācēju uz kronšteina.
3. Atļaidiet aizmugurējo pārsegu un novietojiet virs zāles maisa rāmja. (Att. 40)

## Zāles plāvēja iestatīšana sānu izmetes režīmā

1. Paceliet aizmugurējo pārsegu un noņemiet zāles maisu, ja uzstādīts.
2. Aizveriet aizmugurējo pārsegu un pārliecinieties, ka tas pilnībā pieguļ zāles plāvējam.
3. Paceliet izmetes blokētāju. (Att. 41)
4. Atveriet sānu izmetes pārsegu un uzstādi sānu izmetes novirzītāju uz balsta tapām. (Att. 42)
5. Sānu izmetes pārsegam pilnībā jāpieguļ sānu izmetes novirzītājam. Pirms zāles plāvēja iedarbināšanas pārliecinieties, ka sānu izmetes novirzītājs ir pilnībā nostiprināts.

## Zāles savācēja iztukšošana



**IEVĒROJIET:** Lai novērstu zāles savācēja nolietošanos, paceliet to, kad pārvietojat.

## Apkope

### levads



**BRĪDINĀJUMS:** Pirms veicat apkopi, izlasiet nodaļu par drošību un pārliecinieties, vai izprotat to.

Lai veiktu visus izstrādājuma apkopes un remonta darbus, ir nepieciešama īpaša apmācība. Mēs garantējam profesionāla remonta un apkopes pieejamību.

1. Paceliet zāles savācēju, izmantojot rāmja rokturi.
2. Kad iztukšojat zāles savācēju, izmantojiet rāmja un maisa rokturi. (Att. 43)

## Labā rezultāta panākšana

- Vienmēr lietojiet tikai asus asmeņus. Lietojot trulu asmeni, plaušanas rezultāts ir nevienmērīgs, un noplautā zāles virsma kļūst dzeltena. Ass asmens arī patērē mazāk enerģijas nekā truls asmens.
- Neplaujiet vairāk par  $\frac{1}{3}$  no zāles garuma. Sākot plaut zāli, izmantojiet augstāko griešanas augstumu. Pārbaudiet rezultātu un nolaidiet plaušanas augstumu līdz pieņemamam līmenim. Ja zāle ir ļoti gara, plaujiet lēni un, ja nepieciešams, dariet to divreiz.
- Katru reizi plaujiet dažādos virzienus, lai zālienā neatstātu svītras.
- Paceliet aizmugurējo pārsegu un noņemiet zāles savācēju.
- Ja ir pievienots mulčēšanas aizbāznis un mulčēšanas asmens, noņemiet tos.
- Pirms produkta lietošanas aizveriet aizmugurējo vāku. Kad lietojat produktu, nogrieztā zāles tiek izvadīta zem aizmugurējā pārsega.
- Uzturiet plaušanas pārsegu tīru. Zāles un netīrumu uzkrāšanās plaušanas pārsega iekšpusē var pasliktināt plaušanas rezultātu. Skatiet: *Produkta tīrīšana lpp. 287.*

Papildinformāciju skatiet šeit: [www.husqvarna.com](http://www.husqvarna.com).

## Tehniskās apkopes grafiks

Apkopes intervāli tiek aprēķināti atbilstoši zāles plāvēja ikdienas lietošanai. Intervāli mainās, ja zāles plāvēju neizmanto katru dienu.

Attiecībā uz tehnisko apkopi, kas atzīmēta ar \*, skatiet norādījumus šeit: *Drošība lpp. 278.*

	Katrā lietošanas reizē	Reizi mēnesī	Katru sezonu
Veiciet vispārīgu pārbaudi	X		
Notīriet zāles plāvēju	X		

	Katrā lie- tošanas reizē	Reizi mē- nesī	Katru se- zonu
Pārbaudiet iedarbināšanas kavētāju*	X		
Pārliedzieties, ka zāles plāvēja drošības ierīces nav bojātas*	X		
Pārbaudiet pļaušanas aprīkojumu	X		
Pārbaudiet pļaušanas pārsegu*	X		
Pārbaudiet motora bremzes rokturi*	X		
Pārbaudiet, vai akumulators nav bojāts	X		
Pārbaudiet akumulatora uzlādi	X		
Pārliedzieties, ka akumulatora atbrīvošanas pogas darbojas pareizi un zāles plāvēja akumulators fiksējas.	X		
Pārbaudiet, vai akumulators nav bojāts un darbojas pareizi.		X	
Pārbaudiet savienojumus starp akumulatoru un zāles plāvēju. Pārbaudiet arī savienojumu starp akumulatoru un akumulatora lādētāju.			X

## Vispārējās pārbaudes veikšana

- Pārliedzieties, vai uzgriežņi un skrūves uz izstrādājuma ir cieši pievilkti.
- Pārliedzieties, vai produkta kabeli nav novietoti tā, ka tie var tikt bojāti.

## Produkta tīrīšana

- Plastmasas daļas notīriet ar tīru un sausu drāniņu.
- Produkta tīrīšanai neizmantojiet ūdeni. Ūdens var iekļūt akumulatorā vai dzinējā un rādīt īssavienojumu vai produkta bojājumus.
- Produktu nedrīkst skalot ar augstspiediena ūdens strūklu.
- Nekādā gadījumā neļaujiet ūdeni tieši uz dzinēja.
- Izmantojiet suku, lai notīrītu lapas, zāli un neīrumus.

## Akumulatora un akumulatora lādētāja tīrīšana



**BRĪDINĀJUMS:** Neīrīriet akumulatoru un tā lādētāju ar ūdeni.



**BRĪDINĀJUMS:** Akumulatora tīrīšanai neizmantojiet ķīmikālijas.

- Pirms ievietojat akumulatoru lādētājā, pārliedzieties, ka akumulators un akumulatora lādētājs ir tīrs un sauss.
- Tīriet akumulatora spailes ar saspīestu gaisu vai izmantojiet mīkstu un sausu drānu.
- Tīriet akumulatora un lādētāja virsmas ar mīkstu un sausu drānu.

## Griešanas aprīkojuma pārbaudīšana



**BRĪDINĀJUMS:** Lai nepieļautu nejaušu iedarbināšanu, pagrieziet drošības atslēgu pozīcijā "0", izņemiet akumulatoru un nogaidiet vismaz 5 sekundes.



**BRĪDINĀJUMS:** Veicot griešanas aprīkojuma apkopi, velciet aizsargcimdus. Asmens ir ļoti ass, un ar to var viegli sagriezties.

1. Pārbaudiet, vai griešanas aprīkojums nav bojāts vai ieplaisājis. Vienmēr nomainiet bojātu griešanas ierīci.
2. Apskatiet asmeni, lai redzētu, vai tas nav bojāts vai truls.

**Piezīme:** Vajadzības gadījumā pēc asmens uzasināšanas to balansējiet. Ļaujiet servisa centram asināt, nomainīt un balansēt asmeni. Ja saskaraties ar šķērslī, kas liek izstrādājumam apstāties, nomainiet bojāto asmeni. Lai apkopes centra pārstāvis novērtē, vai asmens ir jāuzasina, vai arī tas ir jānomaina.

## Asmens maiņa

Skatiet šeit: *Tehniskie dati lpp. 292* Informāciju par pareizu asmens veidu skatiet šeit:



**BRĪDINĀJUMS:** Fiksējiet asmeni ar koka kluci, lai, nomainot asmeni, nesavainotu pirkstus. Asmeni var pārvietot, kad motors ir izslēgts, citādi starp asmeni un nekustīgajām daļām var tikt iespiesti pirksti.

1. Fiksējiet asmeni ar koka kluci. (Att. 44)
2. Izskrūvējiet asmeņa skrūvi, noņemiet paplāksnes un asmeni. (Att. 45)
3. Pārbaudiet, vai nav bojāts asmens balsts un asmens skrūve.
4. Pārbaudiet motora vārpstu, lai pārliecinātos, ka tā nav saliekta.
5. Kad piestiprināt jauno asmeni, vēršiet asmens saliekto galus plaušanas pārsega virzienā. (Att. 46)
6. Pārliecinieties, ka asmens ir salāgots ar dzinēja vārpstas vidusdaļu.
7. Fiksējiet asmeni ar koka gabalu. Piestipriniet paplāksnes un pievelciet skrūvi ar 23 – 28 Nm griezes momentu. (Att. 47) (Att. 45)
8. Ar roku pagrieziet asmeni un pārbaudiet, vai tas griežas brīvi.



**BRĪDINĀJUMS:** Uzvelciet biezus cimdus. Asmens ir ļoti ass, un ar to var viegli sagriezties.

9. Iedarbiniet zāles plāvēju, lai pārbaudītu asmeni. Ja asmens nav pareizi piestiprināts, zāles plāvējs vibrē vai plaušanas rezultāts nav apmierinošs.

## Sānu izmetes novirzītāja pārbaude

Sānu izmetes novirzītājs ir piestiprināts izstrādājuma sānu izmetējatverei. Tas samazina risku, ka priekšmeti var tikt izsviesti operatora virzienā.

1. Pārbaudiet, vai nav bojāts sānu izmetes novirzītājs.
2. Pārbaudiet sānu izmetes novirzītāju. Pārbaudiet, vai nav redzamu bojājumu, piemēram, plaisu. Pārbaudiet arī, vai nav bojātas atsperes, kas piespiež durvis.
3. Nomainiet sānu izmetes novirzītāju un atsperes, ja tie ir bojāti.

## Problēmu novēršana

### Akumulators

LED indikators uz akumulatora	Cēlonis	Risinājums
LED indikators mirgo zaļā krāsā.	Zems akumulatora spriegums.	Uzlādējiet akumulatoru. Skatiet šeit: <i>Akumulatora uzlāde lpp. 284.</i>
Mirgo akumulatora kļūdas LED indikators.	Akumulators ir pārāk auksts vai pārāk karsts, lai to lietotu.	Ļaujiet, lai akumulators atdziest, vai ienesiet to telpā, lai sasildītu. Kad akumulators ir sasniedzis pareizu temperatūru, to var atkal lietot. Izmantojiet akumulatoru zāles plāvējā tikai, ja apkārtējās vides temperatūra ir diapazonā no 5 līdz 40 °C.
	Akumulators ir tukšs.	Uzlādējiet akumulatoru. Skatiet šeit: <i>Akumulatora uzlāde lpp. 284.</i>
Iedegas akumulatora kļūdas LED indikators.	Ir radusies vispārēja akumulatora kļūda.	Sazinieties ar Husqvarna apkopes sniedzēju.



## Akumulatora lādētājs

LED indikators uz akumulatora lādētāja	Cēlonis	Risinājums
Mirgo vai iedegas kļūdas LED indikators.	Akumulatora lādētājs ir pārāk auksts vai pārāk karsts, lai to lietotu.	Ļaujiet, lai akumulatora lādētājs atdziest, vai pārvietojiet lādētāju uz telpām, lai tas sasilst. Kad akumulatora lādētājs sasniedz pareizu temperatūru, to var atkal lietot. Izmantojiet akumulatora lādētāju tikai tad, ja apkārtējās vides temperatūra ir diapazonā no 5 līdz 40 °C.
	Citas kļūdas.	Sazinieties ar Husqvarna apkopes sniedzēju.

## Zāles plāvējs

Brīdinājuma indikators (kļūdas LED indikators) atrodas zem akumulatora vāka.

Problēma	Kļūdas LED indikators (mirgošanas reižu skaits)	Cēlonis	Risinājums
Mirgo kļūdas LED indikators. Zāles plāvējs nedarbojas pareizi.	3	Asmens ir bloķēts.	Lai nepieļautu nejaušu iedarbināšanu, pagrieziet drošības atslēgu stāvoklī "0". Izņemiet akumulatoru un uzgaidiet vismaz 5 sekundes. Noņemiet iespējamus šķēršļus un pārliecinieties, ka asmens brīvi griežas. Ja problēma joprojām pastāv, sazinieties ar Husqvarna apkopes dienesta pārstāvi.
	5	Motora apgriezumu skaits būtiski samazinās, un motors apstājas.	Palieliniet plaušanas augstumu. Skatiet šeit: <i>Plaušanas augstuma regulēšana lpp. 284.</i>
	6 <sup>61</sup>	Riteņi vai transmisija ir bloķēta.	Lai nepieļautu nejaušu iedarbināšanu, pagrieziet drošības atslēgu stāvoklī "0". Izņemiet akumulatoru un uzgaidiet vismaz 5 sekundes. Noņemiet iespējamus šķēršļus un pārliecinieties, vai riteņi var brīvi griezties. Ja problēma joprojām pastāv, sazinieties ar Husqvarna apkopes dienesta pārstāvi.
	10	Motora vadības bloks ir pārāk karsts	Apturiet motoru un uzgaidiet, līdz tas atdziest.

<sup>61</sup> LC 251iS

Problēma	Kļūdas LED indikators (mirgošanas reižu skaits)	Cēlonis	Risinājums
Mirgo kļūdas LED indikators. Izstrādājums apstājas.	Indikatoris nemirgo	Akumulatora savienotāja kļūda.	Pārbaudiet akumulatora savienotāju.
	3	Motora pārslodze.	Palieliniet plaušanas augstumu. Skatiet šeit: <i>Plaušanas augstuma regulēšana lpp. 284.</i>
	8	Zems akumulatora uzlādes līmenis.	Uzlādējiet akumulatoru. Skatiet šeit: <i>Akumulatora uzlāde lpp. 284.</i>
	9	Akumulatora kļūda vai netiek saņemts signāls no akumulatora.	Ievietojiet akumulatoru pareizi un pārbaudiet akumulatora savienotāju. Ja mirgo kļūdas LED indikators uz akumulatora. Skatiet šeit: <i>Akumulators lpp. 288.</i>
	15	Nepareiza iedarbināšana. Motora bremzes rokturis nospiežs pirms motora iedarbināšanas.	Atļaidiet motora bremzes rokturi un uzgaidiet apmēram 5 sekundes. Lai iedarbinātu zāles plāvēju, vēlreiz nospiediet motora bremzes rokturi.
Citas kļūdas.	Ja rodas citas kļūdas, pagrieziet drošības atslēgu stāvoklī "0", izņemiet akumulatoru un sazinieties ar Husqvarna apkopes dienesta pārstāvi.		

## Pārvadāšana, glabāšana un utilizēšana

### Ievads



**BRĪDINĀJUMS:** Lai nepieļautu nejaušu iedarbināšanu transportēšanas un uzglabāšanas laikā, pagrieziet drošības atslēgu stāvoklī "0", izņemiet akumulatoru un uzgaidiet vismaz 5 sekundes.

### Zāles plāvēja iestatīšana transportēšanas stāvoklī

1. Atļaidiet apakšējos fiksatorus.
2. Pārvietojiet fiksatorus uz rievu apakšējo galu zāles plāvēja kreisajā un labajā pusē. (Att. 26)
3. Salokiet rokturi uz priekšu. (Att. 48)

### Transportēšana

- Uz iekļautajiem litija jonu akumulatoriem attiecas likumu prasības par bīstamajām precēm.
- Komerčiālai transportēšanai ir jāievēro īpašas prasības uz iepakojuma un uzlīmēm.
- Noteikti ievērojiet noteikumus, kas attiecas uz bīstamiem materiāliem, kad produktu sagatavo transportēšanai. Spēkā var būt vietēji noteikumi.
- Transportēšanas laikā izņemiet akumulatoru.

- Uzlieciet lenti uz akumulatora savienotājiem un pārliecinieties, vai akumulators transportēšanas laikā nevar kustēties.
- Transportēšanas laikā nostipriniet produktu.

### Glabāšana

- Pirms uzglabāšanas ļaujiet zāles plāvējam atdzist.
- Glabāšanas laikā izņemiet akumulatoru.
- Lai novērstu nelaimes gadījumus, produkta glabāšanas laikā akumulatoram ir jābūt atvienotam no produkta.
- Turiet akumulatora lādētāju slēgtā un sausā vietā.
- Turiet akumulatoru un akumulatora lādētāju sausā vietā, kur nav mitruma vai sala ietekmes.
- Uzglabāšanas laikā atvienojiet akumulatoru no akumulatora lādētāja.
- Neglabājiet akumulatoru vietās, kur var rasties statiskā elektrība. Neglabājiet akumulatoru metāla kārbā.
- Uzglabājiet zāles plāvēju vietā, kur apkārtējā temperatūra ir diapazonā no -10 °C līdz 40 °C.
- Uzglabājiet akumulatoru vietā, kur apkārtējās vides temperatūra ir diapazonā no 5 °C līdz 25 °C un akumulatoru neapspīd tieša saules gaisma.
- Uzglabājiet akumulatora lādētāju vietā, kur apkārtējā temperatūra ir diapazonā no 5 °C līdz 45 °C un lādētāju neapspīd tieša saules gaisma.

- Akumulatora uzlādes līmenim pirms ilgstošas glabāšanas jābūt 30–50%.
- Glabājiet produktu, akumulatoru un akumulatora lādētāju slēgtā vietā, kas nav pieejama bērniem un nesankcionētiem personām.
- Notīriet zāles plāvēju un pārliecinieties, ka zāles uztvērējs ir tukšs.
- Veiciet tikai tās apkopes darbības, kas norādītas lietotāja rokasgrāmatā. Skatiet: *Apkope lpp. 286*.
- Pilnībā notīriet zāles plāvēju, pirms novietojat to ilgstošai uzglabāšanai.

## Atbrīvošanās no produkta

Simboli uz produkta vai tā iepakojuma norāda, ka no šī produkta nedrīkst atbrīvioties kā no sadzīves atkritumiem. Tas ir jānodod atbilstošā elektrisko un elektronisko ierīču pārstrādes uzņēmumā.

Nodrošinot, ka šis izstrādājums tiek pareizi pārstrādāts, varat palīdzēt novērst iespējamo negatīvo ietekmi uz vidi un cilvēkiem. Pretējā gadījumā tiek veikta nepareiza šī izstrādājuma utilizēšana. Lai uzzinātu vairāk par šī izstrādājuma pārstrādi, sazinieties ar vietējo pašvaldību, atkritumu pārstrādes uzņēmumu vai veikalu, kurā iegādājāties šo izstrādājumu.

(Att. 49)

## Tehniskie dati

### Tehniskie dati

	LC 251i	LC 251IS
<b>Pļaušanas motors</b>		
Motora tips	BLDC (bezsuku) 36 V	BLDC (bezsuku) 36 V
Motora apgriezienu skaits — SavE, apgr./min	2600/min	2600/min
Motora apgriezienu skaits — nominālais, apgr./min	3000/min	3000/min
Motora apgriezienu skaits — liela slodze, apgr./min	3500/min	3500/min
Motora jauda — maks., kW	1,4	1,4
Motora jauda — nominālā, kW	0,9	0,9
<b>Piedziņas motors</b>		
Motora jauda — nominālā, kW	NAV PIEEJAMS	0,4
Kustības ātrums, km/h	NAV PIEEJAMS	4,0
Ātruma regulēšanas līmeņi	NAV PIEEJAMS	1.
<b>Svars</b>		
Svars bez maisa (bez akumulatora), kg	25,5	27
Svars ar maisu (ietverts 2 x BLi30), kg	31,5	33
<b>Akumulators</b>		
Akumulatora tips	Husqvarna akumulatoru sērija	Husqvarna akumulatoru sērija
<b>Akumulatora darbības laiks</b>		
Akumulatora darbības laiks, minimālais (brīvgaita), ar ieslēgtu funkciju SavE un vienu Husqvarna 7,5 Ah akumulatoru (BLi30).	58	51
Akumulatora darbības laiks, minimālais (brīvgaita) ar ieslēgtu standarta režīmu, ar vienu Husqvarna 7,5 Ah akumulatoru (BLi30).	42	38
<b>Trokšņa emisija</b> <sup>62</sup>		
Skaņas jaudas līmenis, izmērītais dB (A)	96	96
Skaņas jaudas līmenis, garantētais L <sub>WA</sub> dB (A)	98	98
<b>Skaņas līmeņi</b> <sup>63</sup>		
Skaņas spiediena līmenis pie operatora auss, dB (A)	85	85

<sup>62</sup> Atbilstoši EK direktīvai 2000/14/EK trokšņa emisija apkārtņē ir mērīta kā akustiskā jauda (L<sub>WA</sub>).

<sup>63</sup> Iesniegtajiem datiem par trokšņa spiediena līmeni ir 1,5 dB(A) nenoteiktības koeficients (K).

	LC 251i	LC 251iS
<b>Vibrācijas līmeņi</b> <sup>64</sup>		
Rokturis, m/s <sup>2</sup>	0,7	0,7
<b>Pļaušanas aprīkojums</b>		
Pļaušanas augstums, mm	25–75	25–75
Pļaušanas platums, mm	510	510
Asmens — standarta	Savākšana, 5928704-01	Savākšana, 5928704-01
Zāles savācēja tilpums, litri	65	65

Apstiprinātie akumulatori	Tips	Akumulatora ietilpība, Ah	Spriegums (V)	Svars, mārciņas/kg
BLi30	Litija jonu	7,5	36	4,2/1,9
40-B140	Litija jonu	4,0	36	2,6/1,2

Apstiprinātie lādētāji norādītajiem akumulatoriem, BLi	Ieejas spriegums, V	Frekvence, Hz	Jauda, W
40-C80	100–240	50–60	68,8
QC250	100–240	50–60	250

<sup>64</sup> Iesniegtajiem datiem par vibrācijas līmeni ir 1,5 m/s<sup>2</sup> nenoteiktības koeficients (K). Deklarētā vibrācijas kopējā vērtība ir mērīta saskaņā ar standarta EN 62841-4-3 I pielikumu, un to var izmantot, lai salīdzinātu vienu ierīci ar otru un veiktu sākotnējo ietekmes izvērtējumu.

# Atbilstības deklarācija

## ES atbilstības deklarācija

Mēs, **Husqvarna AB**, SE-561 82 Huskvarna, Zviedrija, tālr. +46-36-146500, ar pilnu atbildību apliecinām, ka šis izstrādājums:

<b>Apraksts</b>	Zāles pļaujmašīna
<b>Zīmols</b>	Husqvarna
<b>Tips/modelis</b>	LC 251i, LC 251iS
<b>Identifikācija</b>	Ar sērijas numuriem no 2023 un turpmākiem sērijas numuriem

pilnībā atbilst šādām ES direktīvām un noteikumiem:

<b>Noteikums</b>	<b>Apraksts</b>
2006/42/EK	“par iekārtām”
2014/30/ES	“par elektromagnētisko savietojamību”
2000/14/EK	“par trokšņa emisiju vidē”
2011/65/ES	Par dažādu bīstamo vielu lietošanas ierobežojumiem elektriskajos un elektroniskajos aprīkojumos

un ir ievēroti zemāk norādītie saskaņotie standarti un/vai tehniskie dati: EN 62841-1:2015/A11:2022, EN IEC 62841-4-3:2021/A11:2021, EN IEC 55014-1:2021, EN IEC 55014-2:2021, EN IEC 63000:2018

Informētā valsts iestāde: 0404, SMP Svensk Maskinprovning AB, Box 4053, SE-904 03 Umeå, Sweden ir apstiprinājusi atbilstību Eiropas Padomes direktīvai 2000/14/EK, atbilstības izvērtēšanas kārtībai: VI pielikums.

Lai iegūtu informāciju par trokšņa emisiju, skatiet šeit: *Tehniskie dati lpp. 292.*

Huskvarna, 2023-12-11



Claes Losdal, nodaļas vadītājs/dārzkopības izstrādājumi, Husqvarna AB

Atbildīgais par tehnisko dokumentāciju



---

## Inhoud

---

Inleiding.....	295	Probleemoplossing.....	307
Veiligheid.....	296	Vervoer, opslag en verwerking.....	308
Montage.....	302	Technische gegevens.....	310
Werking.....	302	Verklaring van overeenstemming.....	312
Onderhoud.....	305		

---

## Inleiding

---

### Productbeschrijving

Het product is een roterende duwmaaier. Het gras wordt verzameld in een grasopvangbak. Bevestig de uitworptrechter aan de zijkant voor zijuitworp van het gras.

### Productoverzicht

(Fig. 1)

1. Remhendel van de motor
2. Startvergrendeling
3. Aandrijfhendel (LC 251iS)
4. Achterklep
5. Grasopvangbak
6. Knop van hendel
7. Maaihoogtehendel
8. Uitworptvergrendeling
9. Kap voor zijuitworp
10. Accudeksel
11. Symbolen
12. Veiligheidsleutel
13. Waarschuwingsindicator (fout-led)
14. SavE-knop
15. Kap van maaidek
16. Hendel/handgreep
17. Handgreeptangen
18. Zijuitworp
19. Gebruikershandleiding

### Symbolen op het product

- (Fig. 2) WAARSCHUWING
- (Fig. 3) Lees de instructies.
- (Fig. 4) WAARSCHUWING - Pas op voor weggeslingerde voorwerpen.
- (Fig. 5) Houd omstanders uit de buurt.
- (Fig. 6) WAARSCHUWING - Houd uw handen en voeten uit de buurt van de bladen.

### Gebruik

Gebruik het product om gras te maaien. Gebruik het product niet voor andere taken.

- (Fig. 7) WAARSCHUWING - Koppel de accu voorafgaand aan het onderhoud los.
- (Fig. 8) Het product of de verpakking ervan is geen huishoudelijk afval. Lever het in bij een recyclepunt voor elektrische en elektronische apparatuur.
- (Fig. 9) Geluidsemissies naar het omgevingslabel volgens de richtlijnen en voorschriften van de EU en het VK en de wetgeving van Nieuw-Zuid-Wales "Protection of the Environment Operations (Noise Control) Regulation 2017". Het gegarandeerde geluidsvermogensniveau van het product staat vermeld in *Technische gegevens op pagina 310* en op het label.
- (Fig. 10) Dit opzetstuk voldoet aan de geldende EG-richtlijnen.
- (Fig. 11) Dit product voldoet aan geldende VK-regelgeving.
- (Fig. 12) Het product is druppeldicht.
- (Fig. 13) Laat de remhendel van de motor los om te stoppen.
- (Fig. 14) Scanbare code.

---

**Let op:** Andere symbolen/stickers op het product hebben betrekking op certificeringseisen voor bepaalde markten.

---

### Label op het product

(Fig. 15)

GEVAAR - Houd handen en voeten uit de buurt.

## Schade aan het product

We zijn niet verantwoordelijk voor schade aan ons product als:

- het product niet goed is gerepareerd.
- het product is gerepareerd met onderdelen die niet van de fabrikant afkomstig zijn, of onderdelen die niet zijn goedgekeurd door de fabrikant.

- het product een accessoire bevat dat niet afkomstig is van de fabrikant of niet is goedgekeurd door de fabrikant.
- het product niet is gerepareerd door een erkend servicepunt of door een erkende autoriteit.

---

## Veiligheid

---

### Veiligheidsdefinities

Waarschuwingen, voorzorgsmaatregelen en opmerkingen worden gebruikt om te wijzen op belangrijke delen van de handleiding.



**WAARSCHUWING:** Wordt gebruikt om te wijzen op de kans op ernstig of fataal letsel voor de gebruiker of omstanders wanneer de instructies in de handleiding niet worden gevolgd.



**OPGELET:** Wordt gebruikt indien er een risico bestaat op schade aan het product en andere eigendommen of aan de omgeving wanneer de instructies in de handleiding niet worden gevolgd.

**Let op:** Geven verdere informatie die nodig is in een bepaalde situatie.

### Algemene productveiligheidswaarschuwingen



**WAARSCHUWING:** Lees alle veiligheidswaarschuwingen, instructies, illustraties en specificaties die worden meegeleverd met dit product. Het niet opvolgen van ieder van de onderstaande instructies kan leiden tot elektrische schokken, brand en/of ernstig letsel.

**Bewaar alle waarschuwingen en instructies voor later gebruik.** De term "product" in de waarschuwingen verwijst zowel naar producten die op het lichtnet (met snoer) werken als producten die met een accu (snoerloos) werken.

### Veiligheid van het werkgebied

- **Zorg ervoor dat de werkplek schoon en goed verlicht is.** In rommelige of donkere gebieden gebeuren eerder ongelukken.
- **Gebruik het product niet in een explosiegevaarlijke omgeving, bijv. in de buurt van ontvlambare**

**vloeistoffen, gasen of stof.** Het product creëert vonken waardoor het stof of de dampen kunnen ontbranden.

- **Houd kinderen en omstanders op afstand wanneer u het product gebruikt.** U kunt de controle over het apparaat verliezen als u afgeleid wordt.

### Elektrische veiligheid

- **Productstekkers moeten geschikt zijn voor het betreffende stopcontact. Wijzig nooit de stekker. Gebruik nooit een adapterstekker in combinatie met geaarde producten.** Ongewijzigde stekkers en overeenkomende stopcontacten verkleinen het risico op elektrische schokken.
- **Vermijd lichamelijk contact met geaarde oppervlakken, zoals buizen, radiatoren, fornuizen en koelkasten.** Er is een verhoogd risico op elektrische schokken als uw lichaam geaard is.
- **Stel de producten niet bloot aan regen of natte omstandigheden.** Water dat in een product binnendringt, verhoogt het risico op elektrische schokken.
- **Gebruik de kabel niet voor oneigenlijke doeleinden. Gebruik de kabel nooit om het product te dragen, te trekken of om de stekker uit het stopcontact te trekken. Houd de kabel uit de buurt van warmte, olie, scherpe randen en bewegende onderdelen.** Beschadigde of in de knoop geraakte kabels verhogen het risico op elektrische schokken.
- **Gebruik een verlengkabel die geschikt is voor gebruik buitenshuis wanneer u buiten werkt met een product.** Het gebruik van een kabel die geschikt is voor gebruik buitenshuis, vermindert het risico op elektrische schokken.
- **Als gebruik van een product in een vochtige omgeving onvermijdelijk is, gebruik dan een netvoeding met aardlekschakelaar (RCD).** Gebruik van een RCD vermindert het risico op elektrische schokken.

### Persoonlijke veiligheid

- **Wees altijd alert, kijk wat u doet en gebruik uw gezonde verstand wanneer u het product gebruikt. Gebruik het product niet als u moes bent of onder invloed bent van drugs, alcohol of medicijnen.** Eén moment van onoplettendheid tijdens het gebruik van



producten kan ernstig lichamenlijk letsel tot gevolg hebben.

- **Maak altijd gebruik van persoonlijke beschermingsmiddelen. Draag altijd oogbescherming.** Beschermingsmiddelen zoals een stofmasker, veiligheidsschoenen met antislipprofiel, een veiligheidshelm of gehoorbescherming in relevante werkomstandigheden beperken letsel.
- **Voorkom een onbedoelde start. Zorg ervoor dat de schakelaar in de stand OFF staat voordat u het product aansluit op een spanningsbron en/of accupack, oppakt of draagt.** Het dragen van producten met uw vinger op de schakelaar of het onder spanning zetten van producten waarvan de schakelaar op aan staat, kan makkelijk leiden tot ongelukken.
- **Verwijder eventuele (instel) sleutels voordat u het product inschakelt.** Een sleutel die is bevestigd aan een draaiend onderdeel van het product kan persoonlijk letsel tot gevolg hebben.
- **Voorkom overstrekken. Zorg dat u te allen tijde stevig en in balans staat.** Hierdoor hebt u een betere controle over het product in onverwachte situaties.
- **Draag geschikte kleding. Draag geen losse kleding of sieraden. Houd uw haar en kleding uit de buurt van bewegende onderdelen.** Losse kleding, sieraden of lang haar kunnen verstrikt raken in bewegende onderdelen.
- **Als de mogelijkheid bestaat voor het opvangen van stof moet u ervoor zorgen dat deze is aangesloten en op de juiste wijze wordt gebruikt.** Het gebruik van stofopvang kan stofgerelateerde gevaren beperken.
- **Laat de vertrouwdheid met de door u gebruikte producten door het frequente gebruik ervan niet toe leiden dat u de veiligheidsprincipes negeert.** Een onzorgvuldige handeling kan binnen een fractie van een seconde leiden tot ernstig letsel.

## Gebruik en onderhoud van het product

- **Forceer het product niet. Gebruik het juiste product voor de toepassing.** Het juiste product voert de werkzaamheden waarvoor het is ontworpen beter en veiliger uit.
- **Gebruik het product niet als de On/Off-schakelaar niet werkt.** Producten die niet bediend kunnen worden met de schakelaar zijn gevaarlijk en moeten gerepareerd worden.
- **Haal de stekker uit het stopcontact en/of verwijder het accupack, indien verwijderbaar, van het product voordat u aanpassingen maakt, accessoires verwisselt of producten opbergt.** Dergelijke preventieve veiligheidsmaatregelen verlagen het risico op het onbedoeld starten van het product.
- **Berg producten die u niet nodig hebt op buiten het bereik van kinderen en laat personen die onbekend zijn met het product of deze instructies niet werken met het product.** Producten zijn gevaarlijk in handen van ongetrainde gebruikers.
- **Onderhoud de producten en de accessoires. Controleer het apparaat op verkeerde uitlegning of**

**bevestiging van bewegende onderdelen, breuk van onderdelen en andere condities die de werking van het product negatief kunnen beïnvloeden. Als het product is beschadigd, moet u het laten repareren voordat u het gebruikt.** Veel ongelukken worden veroorzaakt door slecht onderhouden producten.

- **Houd snijgereedschappen scherp en schoon.** Goed onderhouden snijgereedschappen met scherpe snijranden zullen minder gauw vastlopen en zijn eenvoudiger onder controle te houden.
- **Gebruik het product, de accessoires, gereedschapsbits en dergelijke in overeenstemming met deze instructies en houd hierbij rekening met de werkomstandigheden en het type klus dat moet worden uitgevoerd.** Als u het product voor andere toepassingen gebruikt dan waarvoor het is bedoeld, kan er een gevaarlijke situatie ontstaan.
- **Houd de handgrepen en grijppoppervlakken droog, schoon en vrij van olie en vet.** Als handgrepen en grijppoppervlakken glad zijn, kan dit ervoor zorgen dat het product in onverwachte situaties niet veilig kan worden gehanteerd en bediend.

## Gebruik en onderhoud van gereedschap met accu

- **Laad het gereedschap alleen op met de lader die door de fabrikant is gespecificeerd.** Een lader die voor een bepaald type accu geschikt is, kan een risico op brand creëren als de lader met een andere accu wordt gebruikt.
- **Gebruik producten enkel met de specifiek hiervoor bedoelde accupacks.** Als er andere accupacks worden gebruikt, bestaat er risico op letsel en brand.
- **Als het accupack niet gebruikt wordt, houd hem dan uit de buurt van andere metalen voorwerpen, zoals paperclips, munten, sleutels, spijkers, schroeven of andere kleine metalen voorwerpen die een verbinding tussen de twee klemmen kunnen maken.** Als er kortsluiting tussen de accuaansluitingen ontstaat, kunnen er brandwonden of brand ontstaan.
- **Als het accupack verkeerd wordt gebruikt, kan er vloeistof uit de accu komen; zorg dat u deze niet aanraakt. Als u per ongeluk in contact komt met de vloeistof, afspoelen met water. Als er vloeistof in de ogen komt dient u medische hulp in te roepen.** Vloeistof die uit accu's loopt, kan irritatie of brandwonden veroorzaken.
- **Gebruik geen accupack of product dat beschadigd of gewijzigd is.** Beschadigde of aangepaste accu's kunnen onvoorspelbaar gedrag vertonen, wat kan leiden tot brand, explosies of letsel.
- **Stel het accupack of product niet bloot aan vuur of hoge temperaturen.** Blootstelling aan vuur of temperaturen hoger dan 130 °C kan een explosie veroorzaken.
- **Volg alle oplaad instructies op en laad de accu of het product niet op bij temperaturen die buiten het in de instructies gespecificeerde bereik vallen.** Door onjuist opladen of opladen bij temperaturen die buiten het gespecificeerde bereik liggen, kan de

accu beschadigd raken en neemt het risico op brand toe.

## Service

- **Laat uw product onderhouden door een gekwalificeerde onderhoudsmonteur met gebruikmaking van uitsluitend identieke vervangende onderdelen.** Hierdoor blijft de veiligheid van het product gehandhaafd.
- **Voer nooit onderhoud uit aan beschadigde accupacks.** Onderhoud aan accupacks mag alleen worden uitgevoerd door de fabrikant of geautoriseerde dienstverleners.

## Veiligheidswaarschuwingen voor gazonmaaier

- **Gebruik de gazonmaaier niet bij slechte weersomstandigheden, vooral wanneer er een risico op blikseminslag bestaat.** Dit vermindert het risico op blikseminslag.
- **Inspecteer het gebied waar de gazonmaaier wordt gebruikt zorgvuldig op de aanwezigheid van dieren.** Wilde dieren kunnen gewond raken wanneer u in hun nabijheid de gazonmaaier gebruikt.
- **Onderwerp het gebied waar de gazonmaaier gebruikt gaat worden aan een grondige inspectie en verwijder alle stenen, stokken, draden, beenderen, en andere voorwerpen.** Weggeslingerde objecten kunnen lichamen letsel veroorzaken.
- **Voer vóór het gebruik van de gazonmaaier altijd een visuele inspectie uit om te kijken of het blad en de mesmontage niet versleten of beschadigd zijn.** Versleten of beschadigde onderdelen verhogen het risico op letsel.
- **Controleer de grasopvangbak regelmatig op slijtage of veroudering.** Een versleten of beschadigde grasopvangbak kan het risico op letsel verhogen.
- **Houd beschermkappen op hun plaats. Beschermkappen moeten in goede staat en correct gemonteerd zijn.** Een beschermkap die los zit, beschadigd is of niet goed functioneert, kan leiden tot lichamen letsel.
- **Houd alle koelluchtinlaten vrij van vuil.** Geblokeerde luchtinlaten en vuil kunnen leiden tot oververhitting of brandgevaar.
- **Draag tijdens het gebruik van de gazonmaaier altijd beschermend schoeisel met antislipzool. Bedien de gazonmaaier niet op blote voeten of met open sandalen aan.** Dit vermindert de kans op letsel aan de voeten door contact met het bewegende blad.
- **Draag tijdens de bediening van de gazonmaaier altijd een lange broek.** Blootliggende huid verhoogt de kans op letsel door weggeslingerde voorwerpen.
- **Gebruik de gazonmaaier niet op nat gras. U dient uitsluitend te lopen, nooit te rennen.** Dit verkleint het risico op uitglijden en vallen, wat kan leiden tot lichamen letsel.
- **Gebruik de gazonmaaier niet op extreem steile hellingen.** Dit verkleint het risico van controleverlies,

uitglijden en vallen, wat kan leiden tot lichamen letsel.

- **Wees bij het werken op hellingen altijd zeker van uw grip, werk altijd dwars over het oppervlak van hellingen, nooit omhoog of omlaag en wees uiterst voorzichtig wanneer u van richting verandert.** Dit verkleint het risico van controleverlies, uitglijden en vallen, wat kan leiden tot lichamen letsel.
- **Wees uiterst voorzichtig wanneer u achteruitgaat of de gazonmaaier naar u toe trekt. Let altijd op uw omgeving.** Dit verlaagt het risico op struikelen tijdens het bedrijf.
- **Raak bladen en andere gevaarlijke bewegende delen niet aan als ze nog bewegen.** Dit verlaagt het risico op letsel door bewegende delen.
- **Als u vastgelopen materiaal verwijdert of de gazonmaaier reinigt, moet u ervoor zorgen dat alle schakelaars zijn uitgeschakeld en dat het accupack is losgekoppeld.** Onverwacht bedrijf van de gazonmaaier kan leiden tot ernstig lichamen letsel.
- **Als u vastgelopen materiaal verwijdert of de gazonmaaier reinigt, moet u ervoor zorgen dat alle schakelaars zijn uitgeschakeld en het uitschakelproduct verwijderen.** Onverwacht bedrijf van de gazonmaaier kan leiden tot ernstig lichamen letsel.

## Aardlekschakelaar

- Gebruik een aardlekschakelaar met een afschakelstroom van maximaal 30 mA.

## Algemene veiligheidsinstructies



**WAARSCHUWING:** Lees de volgende waarschuwingen voordat u het product gaat gebruiken.

- Dit product is gevaarlijk als het verkeerd wordt gebruikt, of als u niet voorzichtig bent. Letsel of overlijden kunnen het gevolg zijn als u de veiligheidsvoorschriften negeert.
- Dit product produceert tijdens bedrijf een elektromagnetisch veld. Dit veld kan onder bepaalde omstandigheden de werking van actieve of passieve medische implantaten verstoren. Om het risico op ernstig of dodelijk letsel te beperken, raden we personen met een medisch implantaat aan om contact op te nemen met hun arts en de fabrikant van het medische implantaat alvorens dit product te gaan gebruiken.
- Wees altijd voorzichtig en gebruik uw gezond verstand. Als u niet zeker weet hoe u het product moet bedienen in een bepaalde situatie, stop dan en informeer bij uw Husqvarna dealer voordat u verdergaat.
- Denk erom dat de bediener of gebruiker verantwoordelijk is voor ongelukken of beschadigingen aan eigendommen.

- Houd het product schoon. Zorg ervoor dat u de aanduidingen en stickers duidelijk kunt lezen.
- Laat kinderen of mensen die niet bekend zijn met deze gebruiksaanwijzing het apparaat niet gebruiken. Er kunnen plaatselijke regels zijn met betrekking tot de minimumleeftijd voor het bedienen van dit apparaat.
- Houd personen met een lichamelijke of geestelijke beperking die het product gebruiken, altijd in de gaten. Er moet te allen tijde een verantwoordelijke volwassene aanwezig zijn.
- Gebruik het product nooit als u moe of ziek bent, of onder invloed van alcohol, drugs of medicijnen verkeert. Dit heeft een negatief effect op uw visie, alertheid, coördinatie en oordeel.
- Gebruik het product niet als het beschadigd is of niet correct werkt.
- Wijzig dit product niet of gebruik het niet als het door anderen kan zijn gewijzigd.

## Werkveiligheid



**WAARSCHUWING:** Lees de volgende waarschuwingen voordat u het product gaat gebruiken.

- Gebruik dit product alleen om gazons te maaien. Het is niet toegestaan om het product voor andere doeleinden te gebruiken.
- Maak altijd gebruik van persoonlijke beschermingsmiddelen. Zie *Persoonlijke beschermingsuitrusting op pagina 299*.
- Zorg ervoor dat u weet hoe u de motor in een noodsituatie snel kunt stoppen.
- Gebruik het product niet in regen of natte omstandigheden. Het risico van een elektrische schok neemt toe als water het product binnendringt.
- Gebruik dit product alleen als het mes en alle afdekkingen correct zijn bevestigd. Een verkeerd bevestigd mes kan losraken en letsel veroorzaken.
- Zorg ervoor dat het mes geen voorwerpen raakt zoals stenen en wortels. Hierdoor kan het mes beschadigd raken en de motoras verbuigen. Een gebogen as veroorzaakt zware trillingen en een zeer groot risico dat het mes losraakt.
- Stop het product onmiddellijk als het mes een voorwerp wordt geraakt of als zich trillingen voordoen. Stop de motor, zet de veiligheidssleutel in de stand "0" en verwijder de accu. Wacht tot de bewegende delen stoppen. Controleer het product op schade. Zet loszittende delen vast. Repareer en vervang beschadigde onderdelen. Laat reparatie aan de gazonmaaier uitvoeren door een erkende servicewerkplaats.
- Bevestig de motorremhendel nooit permanent aan de handgreep wanneer de motor wordt gestart.
- Plaats het product op een stabiele, vlakke ondergrond en start het. Zorg ervoor dat het mes

niet in aanraking komt met de grond of andere voorwerpen.

- Blijf altijd achter het product wanneer u het gebruikt.
- Zorg dat alle wielen op de grond blijven en houd 2 handen op de handgreep tijdens de bediening van het product. Houd handen en voeten uit de buurt van roterende messen.
- Til het product niet op als u de motor start of tijdens het bedrijf van het product.
- Wees voorzichtig wanneer u het product naar achteren trekt.
- Til het product nooit op terwijl de motor draait. Als u het product moet optillen, zet dan eerst de motor uit, zet de veiligheidssleutel op 0 en verwijder de accu.
- Loop niet achteruit wanneer u het product bedient.
- Stop de motor als het product moet worden opgetild voor transport of voordat u dit over gebieden zonder gras beweegt, zoals grind-, stenen- en asfaltpaden.
- Loop niet hard met het product wanneer de motor is ingeschakeld. Loop altijd rustig wanneer u het product bedient.
- Zet de motor uit voordat u de maaihoogte wijzigt. Voer nooit afstellingen uit terwijl de motor draait.
- Houd altijd toezicht op het product wanneer de motor draait. Schakel de motor uit en zorg ervoor dat de snijuitrusting niet draait.
- De trillingen in het product tijdens het bedrijf kunnen anders zijn dan de opgegeven trillingswaarde in *Technische gegevens op pagina 310*. Het verschil wordt veroorzaakt door variaties in productgebruik. Als u het product regelmatig of gedurende langere tijd gebruikt, moet u regelmatig onderbrekingen inlassen om letsel door trillingen te voorkomen.

## Veiligheidsinstructies voor bediening

### Persoonlijke beschermingsuitrusting



**WAARSCHUWING:** Lees de volgende waarschuwingen voordat u het product gaat gebruiken.

- Persoonlijke beschermingsuitrusting kunnen niet alle risico's uitsluiten maar kunnen de ernst van eventueel letsel helpen beperken. Vraag uw dealer u te helpen bij het kiezen van de juiste beschermingsmiddelen.
- Gebruik zware antislipplaatzen of -schoenen. Draag geen open schoenen en loop niet op blote voeten.
- Draag een lange broek van stevige stof.
- Draag zo nodig beschermende handschoenen, bijvoorbeeld bij het monteren, inspecteren of reinigen van de snijuitrusting.
- Wij adviseren om gehoorbescherming te dragen.

## Veiligheidsvoorzieningen op het product



**WAARSCHUWING:** Lees de volgende waarschuwingen voordat u het product gaat gebruiken.

- Gebruik geen producten met veiligheidsvoorzieningen die beschadigd zijn of niet correct werken.
- Verwijder geen veiligheidsvoorzieningen en voer er geen veranderingen aan uit.
- Controleer de veiligheidsvoorzieningen regelmatig op een juiste werking. Als de veiligheidsvoorzieningen beschadigd zijn of niet goed werken, neem dan contact op met uw Husqvarna-servicewerkplaats.

### De kap van het maaidek controleren

De kap van het maaidek vermindert trillingen in het product en vermindert het risico op letsel door het mes.

- Controleer de kap van het maaidek om te zien of er geen schade is, zoals barsten.

### De veiligheidsleutel controleren

De veiligheidsleutel bevindt zich onder het accudeksel. De veiligheidsleutel zorgt voor verbinding met de accu die de motor van voeding voorziet.

- Start de motor en schakel die weer uit bij wijze van controle van de veiligheidssleutel.
- Als de veiligheidssleutel naar behoren werkt, kan de motor alleen worden gestart wanneer de veiligheidssleutel in stand 1 staat. (Fig. 16)

### De achterklep controleren

De achterklep verkleint het risico dat objecten in de richting van de gebruiker worden uitgeworpen.

- Controleer of de achterklep niet beschadigd is.
- Controleer of de veren die de achterklep sluiten niet beschadigd zijn.
- Vervang beschadigde veren en onderdelen.
- Controleer of de achterklep soepel kan bewegen op de scharnieren.

### De remhendel van de motor controleren

De remhendel van de motor stopt de motor. Als de remhendel van de motor wordt losgelaten, stopt de motor.

- Start het product. Zie *Het product starten op pagina 303*.
- Laat de remhendel van de motor los. (Fig. 17)
- Controleer of het product stopt. Als de motor niet binnen 3 seconden stopt, laat de motorrem dan afstellen door een erkende Husqvarna servicewerkplaats.

## Controleer de startvergrendeling

Controleer de startvergrendeling om er zeker van te zijn dat deze de werking van de motor voorkomt.

1. Druk de hendel van de motorrem in de richting van de handgreep. De startvergrendeling stopt de beweging.
2. Duw de startvergrendeling naar buiten. (Fig. 18)
3. Laat de startvergrendeling los en controleer of deze teruggaat naar de oorspronkelijke stand.

### Veiligheid bij accu's



**WAARSCHUWING:** Lees de volgende waarschuwingen voordat u het product gaat gebruiken.

- Gebruik uitsluitend oplaadbare batterijen van Husqvarna als voedingsbron voor gerelateerde producten van Husqvarna. Gebruik de accu niet als voedingsbron voor andere apparaten, om letsel te voorkomen.
- Gebruik geen niet-oplaadbare accu's.
- Risico van elektrische schok. Breng de accuklemmen niet in contact met sleutels, munten, schroeven of ander metaal. Dit kan kortsluiting van de accu veroorzaken.
- Plaats geen voorwerpen in de luchtspleten van de accu.
- Bescherm de accu tegen direct zonlicht, warmte of open vuur. De accu kan exploderen en brandwonden en/of chemische brandwonden veroorzaken.
- Bescherm de accu tegen regen en vocht.
- Houd de accu uit de buurt van magnetrons en hoge druk.
- Probeer de accu niet te demonteren of te slopen.
- Als er een accu lekt, zorg er dan voor dat de vloeistof niet in aanraking komt met uw huid of ogen. Als u in aanraking bent gekomen met de vloeistof, reinig het oppervlak dan met een ruime hoeveelheid water en raadpleeg een arts.
- Gebruik de accu in het product enkel bij omgevingstemperaturen tussen 5 en 40 °C.
- Gebruik de acculader enkel bij omgevingstemperaturen tussen 5 en 40 °C.
- De accu wordt niet opgeladen als de temperatuur van de accu hoger is dan 50 °C.
- Reinig de accu of acculader nooit met water. Raadpleeg *Accu en acculader reinigen op pagina 306*.
- Gebruik geen beschadigde accu.
- Sla accu's op uit de buurt van metalen voorwerpen, bijvoorbeeld spijkers, munten en sieraden.

## Veiligheidsvoorschriften voor acculader



**WAARSCHUWING:** Lees de volgende waarschuwingen voordat u het product gaat gebruiken.

- Gebruik de QC-acculaders uitsluitend om vervangende accu's van Husqvarna op te laden.
- Gevaar voor elektrische schokken en kortsluiting. Plaats geen voorwerpen in de lichtspleten van de lader. Probeer de acculader niet te demonteren. Verbind de laadcontacten niet met metalen objecten. Gebruik een goedgekeurde wandcontactdoos.
- Dit product produceert tijdens bedrijf een elektromagnetisch veld. Dit veld kan onder bepaalde omstandigheden de werking van actieve of passieve medische implantaten verstoren. Om het risico op ernstig of fataal letsel te beperken, raden we personen met een medisch implantaat aan om contact op te nemen met hun arts en de fabrikant van het medische implantaat voordat ze dit product gaan bedienen.
- Controleer regelmatig of de voedingskabel van de acculader niet beschadigd of gescheurd is.
- Til de acculader niet op aan de voedingskabel. Trek aan de stekker om de acculader uit de wandcontactdoos te halen. Trek niet aan de voedingskabel.
- Houd de voedingskabel en de verlengsnoeren uit de buurt van water, olie en scherpe randen. Let op dat de kabel niet bekneld raakt tussen deuren, hekken e.d. Anders kan de lader onder spanning komen te staan.
- Reinig de acculader nooit met water.
- De acculader kan worden gebruikt door kinderen vanaf 8 jaar en ouder en andere personen die ondanks hun fysieke, sensorische of geestelijke handicap of gebrek aan ervaring en kennis onder toezicht of instructie van een verantwoordelijke persoon in staat zijn veilig gebruik te maken van de acculader en op de hoogte zijn van alle gevaren. Kinderen mogen niet spelen met de acculader. Kinderen mogen het apparaat niet zonder toezicht reinigen of onderhouden.
- Laad niet-oplaadbare accu's niet op in de acculader.
- Gebruik de acculader niet in de buurt van brandbare materialen of materialen die corrosie kunnen veroorzaken. Dek de acculader niet af. Haal de stekker van de acculader uit de wandcontactdoos bij rookontwikkeling of brand.
- Gebruik geen beschadigde acculader.

- De accu mag alleen binnenshuis worden opgeladen op een plek met voldoende ventilatie en zonder direct zonlicht. Laad de accu niet op in vochtige omstandigheden.

## Veiligheidsinstructies voor onderhoud



**WAARSCHUWING:** Lees de volgende waarschuwingen voordat u het product gaat gebruiken.

- Om te voorkomen dat het product tijdens onderhoud per ongeluk wordt gestart, draait u de veiligheidsleutel naar 0 en verwijdert u de accu. Wacht minstens 5 seconden voordat u begint met het onderhoud.
- Voer alleen onderhoudswerkzaamheden uit zoals beschreven in deze bedieningshandleiding. Verdergaande werkzaamheden en professionele reparaties moeten door een erkende servicewerkplaats worden uitgevoerd. Neem contact op met uw dichtstbijzijnde servicewerkplaats voor meer informatie.
- Voer de onderhoudswerkzaamheden naar behoren uit om de levensduur van het product te verlengen en het risico op ongevallen te verlagen.
- Vervang beschadigde, versleten of defecte onderdelen. Gebruik altijd originele reserveonderdelen van de fabrikant. Andere reserveonderdelen kunnen het product beschadigen en het risico op ongelukken verhogen.
- Verwijder geen veiligheidsvoorzieningen en voer er geen veranderingen aan uit om letsel te voorkomen.
- Draag handschoenen voor zwaar gebruik wanneer u de snijuitrusting hanteert. Het mes is zeer scherp en kan gemakkelijk snijwonden veroorzaken.
- Houd de snijkanten scherp en schoon voor optimale prestaties en veiligheid.
- Laat het product regelmatig controleren door uw servicewerkplaats en laat noodzakelijke aanpassingen en reparaties uitvoeren.
- Volg de instructies voor het vervangen van accessoires. Gebruik alleen accessoires van de fabrikant.
- Houd het product, de accu en de acculader, wanneer deze niet in gebruik zijn, apart in een droge, afgesloten locatie binnenshuis. Zorg dat kinderen en niet-geautoriseerde personen geen toegang hebben tot het product, de accu of de acculader.

---

# Montage

---

## Inleiding



**WAARSCHUWING:** Lees het hoofdstuk over veiligheid voordat u het product monteert.



**WAARSCHUWING:** Voorkom onbedoeld starten tijdens de montage door de veiligheidssleutel op 0 te zetten, de accu te verwijderen en ten minste 5 seconden te wachten.

## De hendel monteren

**Let op:** Het wordt aanbevolen deze procedure uit te voeren met 2 personen.

**Let op:** Verwijder het product niet uit de doos terwijl u de handgreep monteert. De doos kan worden gebruikt ter ondersteuning van de handgreep tijdens de montage.

1. Trek de handgreep omhoog en draai hem. (Fig. 19)



**OPGELET:** Wees voorzichtig en zorg dat de kabel niet beschadigd raakt wanneer u de handgreep draait.

2. Plaats de handgreep bovenop het product. Kantel de handgreep tegen de doos om de handgreep te ondersteunen. Zie de afbeelding. (Fig. 20)
3. Duw de schroef (A) door de handgreep (B), de kunststof ring (C) en de steunbeugel van de handgreep (D). (Fig. 21)

4. Draai de moer (E) volledig vast.
5. Verwijder het product uit de doos.
6. Klap de handgreep omhoog. (Fig. 22)
7. Stel de hoogte van de handgreep af in de laagste stand. Raadpleeg *De handgreep afstellen op pagina 302*.
8. Bevestig de kabel aan het onderste gedeelte van de handgreep met behulp van de kabelklem. (Fig. 23)
9. Bevestig het onderste deel van de kabel met de kabelbinder aan de steunbeugel van de handgreep. Snijd het resterende deel van de kabelbinder af. (Fig. 24)

**Let op:** Controleer of de kabel juist is aangesloten. Een te losse kabel veroorzaakt schade aan de kabel wanneer de grasopvangbak wordt gemonteerd. (Fig. 25)

## De handgreep afstellen

1. Draai de onderste knoppen los.
2. Beweeg de knoppen naar het onderste uiteinde van de sleuven aan de linker- en rechterzijde van het product. (Fig. 26)
3. Stel de hendelhoogte af op een van de twee beschikbare posities.
4. Beweeg de knoppen omhoog naar de handgreep tot de aanslag en u een klik hoort. (Fig. 27)
5. Draai de knoppen volledig vast.

---

# Werking

---

## Inleiding



**WAARSCHUWING:** Voordat u het product gaat gebruiken, dient u het hoofdstuk over veiligheid te lezen en hebben begrepen.

## Husqvarna Connect

Husqvarna Connect is een gratis app voor uw mobiele apparaat. De Husqvarna Connect-app biedt uitgebreide functies voor uw Husqvarna-product:

- Uitgebreide productinformatie.
- Informatie over, en hulp bij, onderdelen en onderhoud van uw product.

## Husqvarna Connect gebruiken

1. Download de Husqvarna Connect-app op uw mobiele apparaat.
2. Registreer in de Husqvarna Connect-app.
3. Volg de instructies in de Husqvarna Connect-app om verbinding te maken met het product en dit te registreren.

## Product in de werkstand zetten

1. Controleer of de onderste knoppen loszitten. Raadpleeg *De handgreep afstellen op pagina 302*.
2. Klap de handgreep omhoog. (Fig. 22)
3. Beweeg de knoppen omhoog naar de handgreep tot de aanslag en u een klik hoort. (Fig. 27)

4. Draai de knoppen volledig vast.



**WAARSCHUWING:** Gebruik het product niet als de hendel niet volledig is opgeklapt en in een van de toepasselijke hoogteposities is gezet. Raadpleeg *De handgreep afstellen op pagina 302*.

## Maaihoogte afstellen

1. Breng de maaihoogtehendel naar achteren om de maaihoogte te vergroten.
2. Breng de maaihoogtehendel naar voren om de maaihoogte te verkleinen. (Fig. 28)



**OPGELET:** Stel de maaihoogte niet te laag in. Als het oppervlak van het gazon niet waterpas is, kunnen de messen de grond raken.

## Accu



**WAARSCHUWING:** Voordat u het product gebruikt, dient u het hoofdstuk over veiligheid te lezen en hebben begrepen. Zorg er ook voor dat u de bedieningshandleiding bij de accu en de acculader hebt gelezen en begrepen.

Houd de accu en de acculader in de correcte omgevingstemperaturen.

	Omgevingstemperatuur
Accu gebruiken	5 °C – 40 °C
Accu laden	5 °C – 40 °C

## Accustatus

Het display geeft de resterende accucapaciteit aan en geeft aan of er problemen zijn met de accu. Druk op de accu-indicatieknop voor informatie over de laadstatus van de accu. Het waarschuwingssymbool op de accu gaat branden als er een fout is opgetreden. Raadpleeg *Accu op pagina 307*.

(Fig. 29)

Ledlampjes	Accustatus
Alle leds branden	Volledig opgeladen (76-100%)
Led 1, led 2, led 3 branden	De accu is 51%-75% opgeladen
Led 1, led 2 branden	De accu is 26%-50% opgeladen
Led 1 brandt	De accu is 6%-25% geladen.

Ledlampjes	Accustatus
LED 1 knippert	De accu is 0%-5% geladen.

## De accu opladen

Laad de accu voor het eerste gebruik op. De accu is slechts 30% opgeladen wanneer deze aan de klant wordt geleverd.

**Let op:** De acculader moet worden aangesloten op de spanning en frequentie die overeenkomen met de specificaties op het productplaatje.

De accu wordt niet opgeladen als de accutemperatuur hoger is dan 50°C. De acculader verlaagt de temperatuur van de accu voordat deze begint te laden.

1. Sluit een uiteinde van de voedingskabel voor de acculader aan op de aansluiting van de acculader.
2. Sluit het andere uiteinde van de voedingskabel van de acculader aan op een geaarde wandcontactdoos. De LED op de acculader licht eenmaal groen op. (Fig. 30)
3. Plaats de accu in de acculader. Het groene lampje op de lader gaat branden wanneer de accu correct is aangesloten op de acculader. (Fig. 31)
4. Wanneer alle LED's op de accu branden, is de accu volledig opgeladen. Laad de accu max. 24 uur op.
5. Om de acculader uit de wandcontactdoos los te koppelen, dient u aan de stekker, niet aan de kabel te trekken.
6. Haal de accu uit de acculader.

## Het product starten

1. Open het accudeksel.
2. Plaats een opgeladen accu in één van de accuhouders. Plaats een tweede opgeladen accu in de andere accuhouder voor een langere bedrijfstijd.
3. Draai de veiligheidssleutel naar 1. (Fig. 32)
4. Blijf achter het product.
5. Maak de startvergrendeling los. (Fig. 18)
6. Druk de hendel van de motorrem in de richting van de handgreep. (Fig. 33)

## De aandrijving op de wielen gebruiken (LC 251iS)

- Druk de aandrijfhendel in de richting van de handgreep. (Fig. 34)
- Laat de aandrijfhendel los om de aandrijving uit te schakelen, bijvoorbeeld wanneer u bij een obstakel komt.
- Voordat u het product naar achteren trekt, moet u de aandrijving uitschakelen en het product ongeveer 10 cm naar voren duwen.

## De functie SavE™ gebruiken

Het product heeft een accubesparingsfunctie (SavE™) die voor een langere bedrijfstijd zorgt.

- Duw de knop SavE™ naar positie 1 om de functie te starten. (Fig. 35)
- Duw de knop SavE™ naar positie 0 om de functie uit te schakelen.

**Let op:** De functie SavE™ stopt automatisch als de bodemgesteldheid een hoger vermogen vereist. De functie SavE™ start automatisch opnieuw als de bodemgesteldheid dit toelaat.

## Functie voor hoge belasting

Als het product lang of vochtig gras maait, verhoogt de motor automatisch het toerental. De motor gaat terug naar de standaardmodus wanneer een hoge belasting niet noodzakelijk is.

## Afslaan van de motor

Tijdens het bedrijf kunnen het blad en de motor tijdelijk stoppen vanwege obstakels zoals blokkering door gras onder de kap van het maaidek. Als dit gebeurt en u de remhendel van de motor ingedrukt houdt, zal het product proberen om automatisch opnieuw op te starten. Als het product niet binnen 5-10 seconden opnieuw wordt opgestart, kan het nodig zijn om onder de kap van het maaidek te reinigen. Zie *Product reinigen op pagina 305*.



**WAARSCHUWING:** Als de motor stopt, probeert het product gedurende 5-10 seconden automatisch opnieuw op te starten. Wacht minimaal 15 seconden voordat u de kap van het maaidek controleert.



**WAARSCHUWING:** Voordat de kap van het maaidek wordt gecontroleerd moet de remhendel van de motor worden losgelaten, moet de veiligheidssleutel naar 0 worden gezet, moet de accu worden verwijderd en moet minimaal 5 seconden worden gewacht. Er is risico op letsel als het obstakel wordt verwijderd en het product onbedoeld wordt gestart.

## Product stoppen



**WAARSCHUWING:** Zet de veiligheidssleutel op 0 wanneer u geen toezicht houdt op het product.

1. Laat de remhendel van de motor los om de motor te stoppen. (Fig. 36)

**Let op:** Voor LC 251iS. Om de aandrijving van de wielen te stoppen laat u de aandrijfhendel los.

2. Open het accudeksel en zet de veiligheidssleutel in de stand 0. (Fig. 37)
3. Om de accu te verwijderen, drukt u op de 2 ontgrendelknoppen en verwijdert u de accu. (Fig. 38)
4. Laad de accu op wanneer deze zwak is. Voor meer informatie, zie *De accu opladen op pagina 303*.

## Het product gebruiken met de grasopvangbak



**WAARSCHUWING:** Gebruik het product niet zonder een grasopvangbak of zonder gesloten achterklep. Voorwerpen kunnen worden uitgeworpen en letsel veroorzaken bij de gebruiker.

1. Til de achterklep op. (Fig. 39)
2. Plaats de grasopvangbak op de steun.
3. Maak de achterklep los en plaats deze op het frame van de grasopvangzak. (Fig. 40)

## Het product wijzigen naar zijuitworp

1. Til de achterklep op en verwijder de graszak, als deze is aangebracht.
2. Sluit de achterklep en zorg ervoor dat deze stevig tegen het product zit.
3. Til de trechtervergrendeling op. (Fig. 41)
4. Open de afdekking van de zijuitworp en breng de uitwortrechter aan de zijkant aan op de steunpennen. (Fig. 42)
5. Laat de afdekking van de zijuitworp tegen de uitwortrechter aan de zijkant sluiten. Zorg ervoor dat de uitwortrechter aan de zijkant stevig op zijn plaats zit voordat u het product gebruikt.

## De grasopvangbak legen



**OPGELET:** Til de grasopvangbak op wanneer u deze verplaatst om slijtage te voorkomen.

1. Til de grasopvangbak op met de framehendel.
2. Gebruik de framehendel en de zakhendel wanneer u de grasopvangbak leegt. (Fig. 43)

## Een goed resultaat verkrijgen

- Gebruik altijd een scherp mes. Een bot mes geeft een onregelmatig resultaat en het snijvlak van het gras wordt geel. Een scherp mes verbruikt ook minder energie dan een bot mes.



- Maai nooit meer dan 1/3e van de lengte van het gras af. Gebruik de hoogste maaihoogte wanneer u het gras gaat maaien. Controleer het resultaat en verlaag de snijhoogte tot een geschikt niveau. Als het gras echt lang is, rijd dan langzaam en maai zo nodig 2 keer.
- Maai elke keer in een andere richting, om het ontstaan van strepen in het gazon te voorkomen.
- Til de achterklep op en verwijder de grasopvangbak.
- Verwijder aangekoppelde mulchpluggen en mulchmessen.
- Sluit de achterklep voordat u het product gebruikt. Wanneer u het product gebruikt, wordt het gemaaid gras onder de achterklep uitgeworpen.
- Houd de kap van het maaidek schoon. Door ophoping van gras en vuil aan de binnenkant van de kap van het maaidek kunnen de maieresultaten verminderen. Zie *Product reinigen op pagina 305*.

## Onderhoud

### Inleiding



**WAARSCHUWING:** Voordat u onderhoud gaat uitvoeren, dient u het hoofdstuk over veiligheid te lezen en hebben begrepen.

Voor alle onderhouds- en reparatiewerkzaamheden aan het product is speciale training nodig. Wij garanderen de beschikbaarheid van professionele reparaties en onderhoud.

Zie [www.husqvarna.com](http://www.husqvarna.com) voor meer gedetailleerde informatie.

### Onderhoudsschema

De onderhoudsintervallen worden berekend op basis van het dagelijks gebruik van het product. De intervallen veranderen als het product niet dagelijks wordt gebruikt.

Voor onderhoud dat is gemarkeerd met \*: zie de instructies in *Veiligheid op pagina 296*.

	Elk gebruik	Maandelijks	Elk seizoen
Algemene inspectie uitvoeren	X		
Product reinigen	X		
Controleer de startvergrendeling *	X		
Controleer of de veiligheidsvoorzieningen op het product in orde zijn *	X		
Snijuitrusting controleren	X		
Kap van het maaidek controleren *	X		
Controleer de remhendel van de motor *	X		
Controleer de accu op beschadigingen	X		
Controleer het laadniveau van de accu	X		
Controleer of de ontgrendelknoppen op de accu naar behoren werken en de accu in het product wordt vergrendeld	X		
Controleer de acculader op beschadiging en zorg dat deze naar behoren werkt.		X	
Controleer de verbindingen tussen de accu en het product. Controleer ook de verbinding tussen de accu en de acculader.			X

### Algemene inspectie uitvoeren

- Controleer of de moeren en schroeven op het product goed zijn vastgedraaid.
- Zorg dat de kabels van het product zich in een positie vinden waarin ze niet beschadigd kunnen raken.

### Product reinigen

- Reinig de kunststof onderdelen met een schone en droge doek.
- Gebruik geen water om het product te reinigen. Water kan de accu of de motor binnendringen en kortsluiting of schade aan het product veroorzaken.
- Reinig het product niet met een hogedrukspuit.
- Laat nooit water rechtstreeks op de motor stromen.

- Gebruik een borstel om bladeren, gras en vuil te verwijderen.

## Accu en acculader reinigen



**WAARSCHUWING:** Reinig de accu of acculader nooit met water.



**WAARSCHUWING:** Gebruik nooit chemische middelen om de accu te reinigen.

- Zorg ervoor dat de accu en de acculader schoon en droog zijn voordat u de accu in de acculader plaatst.
- Reinig de accupolen met perslucht of gebruik een zachte en droge doek.
- Reinig de oppervlakken van de accu en de acculader met een zachte en droge doek.

## Snijuitrusting controleren



**WAARSCHUWING:** Voorkom onbedoeld starten door de veiligheidssleutel op 0 te zetten, de accu te verwijderen en ten minste 5 seconden te wachten.



**WAARSCHUWING:** Draag beschermende handschoenen wanneer u onderhoud aan de snijuitrusting uitvoert. Het mes is zeer scherp en kan gemakkelijk snijwonden veroorzaken.

1. Controleer de snijuitrusting op beschadiging of scheuren. Vervang beschadigde snijuitrusting altijd.
2. Kijk naar het mes om te zien of dit is beschadigd of bot is.

**Let op:** Het mes moet na het slijpen worden gebalanceerd. Laat het slijpen, vervangen en balanceren door een servicecentrum uitvoeren. Als u een obstakel raakt waardoor het product stopt, vervang dan het beschadigde mes. Laat het servicecentrum beoordelen of het mes kan worden geslepen of moet worden vervangen.

## Mes vervangen

Raadpleeg *Technische gegevens op pagina 310* voor het juiste type blad.



**WAARSCHUWING:** Vergrendel het blad met een houten blok om letsel aan vingers te voorkomen als u het blad vervangt. Het blad kan worden bewogen als de motor uitgeschakeld is en de vingers kunnen vast komen te zitten tussen het blad en de stationaire delen.

1. Zet het mes vast met een houten blok. (Fig. 44)
2. Verwijder de bladbout, de sluitringen en het blad. (Fig. 45)
3. Controleer de messteun en de mesbout om te zien of er schade is.
4. Controleer de motoras om te controleren of deze niet is verbogen.
5. Wanneer u het nieuwe mes bevestigt, richt dan de gebogen uiteinden van het mes naar de kap van het maaidek. (Fig. 46)
6. Controleer of het mes is uitgelijnd met het midden van de motoras.
7. Zet het blad vast met een stuk blok. Bevestig de sluitringen en draai de bout vast met een aanhaalmoment van 23 – 28 Nm. (Fig. 47) (Fig. 45)
8. Draai het mes met de hand rond en controleer of het vrij draait.



**WAARSCHUWING:** Draag handschoenen van dikke stof. Het mes is zeer scherp en kan gemakkelijk snijwonden veroorzaken.

9. Start het product om het mes te testen. Als het mes niet goed is bevestigd, zijn er trillingen in het product of is het maieresultaat niet goed.

## De uitworptrechter aan de zijkant controleren

De uitworptrechter aan de zijkant is bevestigd aan de uitvoeropening aan de zijkant van het product. Het vermindert de kans dat objecten worden uitgeworpen in de richting van de maaipositie van de gebruiker.

1. Controleer of de uitworptrechter aan de zijkant niet beschadigd is.
2. Controleer de uitworptrechter aan de zijkant. Controleer of u geen defecten ziet, zoals barsten of defecte veren die de deur dichtdrukken.
3. Vervang de uitworptrechter aan de zijkant of de veren als deze beschadigd zijn.

---

## Probleemoplossing

---

### Accu

Led op de accu	Oorzaak	Oplossing
De groene led knippert.	De accuspanning is laag.	Laad de accu op. Raadpleeg <i>De accu opladen op pagina 303</i> .
De fout-led van de accu knippert.	De accu is te koud of te heet om te gebruiken.	Laat de accu afkoelen of breng deze naar binnen om warm te worden. Als de accu de juiste temperatuur heeft, kan deze weer worden gebruikt. Gebruik de accu in het product enkel bij omgevingstemperaturen tussen 5 en 40 °C.
	De accu is leeg.	Laad de accu op. Raadpleeg <i>De accu opladen op pagina 303</i> .
De fout-led van de accu gaat branden.	Er is sprake van een permanente accufout.	Neem contact op met uw Husqvarna servicedealer.

### Acculader

Led op de acculader	Oorzaak	Oplossing
De fout-led knippert of gaat branden.	De acculader is te koud of te heet om te gebruiken.	Laat de acculader afkoelen of breng deze naar binnen om warm te worden. Als de acculader de juiste temperatuur heeft, kan deze weer worden gebruikt. Gebruik de acculader bij omgevingstemperaturen tussen 5 en 40 °C.
	Andere fouten.	Neem contact op met uw Husqvarna servicedealer.

### Gazonmaaier

Het waarschuwingslampje (fout-led) bevindt zich onder het accudeksel.

Probleem	Fout-led (aantal keer knippen)	Oorzaak	Oplossing
Fout-led knippert. Het product werkt niet correct.	3	Het blad is geblokkeerd.	Draai de veiligheidssleutel naar 0 om onbedoeld starten te voorkomen. Verwijder de accu en wacht minimaal 5 seconden. Verwijder mogelijke obstakels en zorg ervoor dat het blad vrij kan draaien. Als het probleem zich blijft voordoen, neemt u contact op met uw Husqvarna-service-dealer.
	5	Het motortoerental daalt te veel en de motor stopt.	Vergroot de maaihoogte. Raadpleeg <i>Maaihoogte afstellen op pagina 303</i> .
	6 <sup>65</sup>	De wielen of transmissie zijn geblokkeerd.	Draai de veiligheidssleutel naar 0 om onbedoeld starten te voorkomen. Verwijder de accu en wacht minimaal 5 seconden. Verwijder de mogelijke obstakels en zorg ervoor dat de wielen vrij kunnen draaien. Als het probleem zich blijft voordoen, neemt u contact op met uw Husqvarna-servicedealer.
	10	De motorregeling is te warm.	Stop de motor en wacht tot hij is afgekoeld.
Fout-led knippert. Het product stopt.	"No" knippert	Storing accuconnector.	Controleer de accuconnector.
	3	De motor is overbelast.	Vergroot de maaihoogte. Raadpleeg <i>Maaihoogte afstellen op pagina 303</i> .
	8	De accu is zwak.	Laad de accu op. Raadpleeg <i>De accu opladen op pagina 303</i> .
	9	Accufout of geen signaal van de accu.	Plaats de accu correct in het product en controleer de accuconnector. Als de fout-led op de accu knippert. Raadpleeg <i>Accu op pagina 307</i> .
	15	Onjuiste startprocedure. De remhendel van de motor is ingeschakeld voordat de motor start.	Laat de remhendel van de motor los en wacht ongeveer 5 seconden. Druk de remhendel van de motor opnieuw omhoog om het product te starten.
Andere fouten.	Als er andere fouten optreden, draait u de veiligheidssleutel naar 0, verwijdert u de accu en neemt u contact op met uw Husqvarna-servicedealer.		

## Vervoer, opslag en verwerking

### Inleiding

zetten, de accu te verwijderen en ten minste 5 seconden te wachten.



**WAARSCHUWING:** Voorkom onbedoeld starten tijdens transport en opslag door de veiligheidssleutel op 0 te

### Product in de transportstand zetten

1. Draai de onderste knoppen los.

<sup>65</sup> LC 251iS

2. Beweeg de knoppen naar het onderste uiteinde van de sleuven aan de linker- en rechterzijde van het product. (Fig. 26)
3. Klap de hendel naar voren. (Fig. 48)

## Transport

- De wettelijke vereisten voor gevaarlijke stoffen zijn van toepassing voor de Li-ion-accu's die in het product zitten.
- Voor commercieel transport moet aan speciale vereisten voor de verpakking en labels worden voldaan.
- Zorg dat u de regels voor gevaarlijke materialen in acht neemt bij het voorbereiden van het product voor transport. Er kunnen lokale voorschriften van toepassing zijn.
- Verwijder voor transport altijd de accu.
- Plaats tape op de accuconnectors en zorg ervoor dat de accu niet kan bewegen tijdens transport.
- Zet het product vast tijdens transport.

## Opslag

- Laat het product voor opslag afkoelen.
- Verwijder voor opslag altijd de accu.
- Om ongevallen te voorkomen, dient u ervoor te zorgen dat de accu tijdens opslag niet op het product is aangesloten.
- Bewaar de acculader in een afgesloten en droge ruimte.
- Bewaar de accu en de acculader op een droge, vocht- en vorstvrije plaats.
- Koppel de accu tijdens opslag los van de accu.
- Bewaar de accu niet op plaatsen waar statische elektriciteit aanwezig is. Bewaar de accu niet in een metalen doos.
- Bewaar het product in omgevingstemperaturen tussen -10 °C en 40 °C.
- Bewaar de accu in omgevingstemperaturen tussen 5 °C en 25 °C en nooit in direct zonlicht.
- Bewaar de acculader in omgevingstemperaturen tussen 5 °C en 45 °C en nooit in direct zonlicht.
- Zorg ervoor dat de accu tussen de 30% en 50% is opgeladen alvorens langdurige opslag.
- Bewaar het product, de accu en de acculader in een afgesloten ruimte, buiten bereik van kinderen en onbevoegden.
- Reinig het product en zorg ervoor dat de grasopvangbak leeg is.
- Voer de onderhoudsprocedures uit die in deze bedieningshandleiding staan beschreven. Zie *Onderhoud op pagina 305*.
- Voer een volledige servicebeurt uit voordat u het product voor langere tijd opslaat.

## Afvoeren

Symbolen op het product of op de verpakking van het product geven aan dat dit product niet

beschouwd kan worden als huishoudelijk afval. Het moet worden ingeleverd bij een geschikt inzamelstation voor het terugwinnen van elektrische en elektronische apparatuur.

Als u ervoor zorgt dat dit product goed wordt verwerkt, helpt u mogelijk negatieve gevolgen voor het milieu en mensen door verkeerd afvalbeheer van dit product tegen te gaan. Neem voor meer informatie over het recyclen van dit product contact op met de gemeente, het afvalverwerkingsbedrijf of de winkel waar u het product hebt gekocht.

(Fig. 49)

# Technische gegevens

## Technische gegevens

	LC 251i	LC 251IS
<b>Maaimotor</b>		
Motortype	BLDC (borstelloos) 36 V	BLDC (borstelloos) 36 V
Motortoerental – SavE, tpm	2600/min	2600/min
Motortoerental – nominaal, tpm	3000/min	3000/min
Motortoerental – hoge belasting, tpm	3500/min	3500/min
Uitgangsvermogen motor – max. kW	1,4	1,4
Uitgangsvermogen motor – nominaal, kW	0,9	0,9
<b>Aandrijfmotor</b>		
Uitgangsvermogen motor – nominaal, kW	N.v.t.	0,4
Loopsnelheid, km/h	N.v.t.	4,0
Afstelniveaus voor snelheid	N.v.t.	1
<b>Gewicht</b>		
Gewicht zonder zak (excl. accu), kg	25,5	27
Gewicht met zak (incl. 2 x Bli30), kg	31,5	33
<b>Accu</b>		
Type accu	Accuserie Husqvarna	Accuserie Husqvarna
<b>Gebruiksduur accu</b>		
Gebruiksduur accu, min., (onbelast gebruik) met SavE geactiveerd, met één Husqvarna 7,5 Ah-accu (Bli30).	58	51
Gebruiksduur accu, min., (onbelast gebruik) met standaardmodus geactiveerd, met één Husqvarna 7,5 Ah-accu (Bli30).	42	38
<b>Geluidsemissies</b> <sup>66</sup>		
Geluidsvermogeniveau, gemeten dB(A)	96	96
Geluidsvermogensniveau, gegarandeerd L <sub>WA</sub> dB (A)	98	98
<b>Geluidsniveaus</b> <sup>67</sup>		
Geluidsdruk niveau bij het oor van de gebruiker, dB (A)	85	85
<b>Trillingsniveau</b> <sup>68</sup>		

<sup>66</sup> Geluidsemissie naar de omgeving gemeten als geluidsvermogen (L<sub>WA</sub>) volgens EG-richtlijn 2000/14/EG.

<sup>67</sup> De gerapporteerde gegevens voor het geluidsdruk niveau hebben een onzekerheidsfactor (K) van 1,5 dB(A).

<sup>68</sup> Gerapporteerde gegevens voor het trillingsniveau hebben een onzekerheidsfactor (K) van 1,5m/s<sup>2</sup>. De opgegeven totale trillingswaarde is gemeten overeenkomstig de norm EN 62841-4-3, bijlage I en kan worden gebruikt om machines onderling te vergelijken en voor een voorlopige beoordeling van de blootstelling.

	LC 251i	LC 251iS
Hendel, m/s <sup>2</sup>	0,7	0,7
<b>Snijuitrusting</b>		
Maaishoogte, mm	25-75	25-75
Maaibreedte, mm	510	510
Blad - standaard	Opvang 5928704-01	Opvang 5928704-01
Capaciteit grasopvangbak, liter	65	65

Goedgekeurde accu's	Type	Accucapaciteit, Ah	Spanning, V	Gewicht, lb/kg
BLi30	Lithium-ion	7,5	36	4,2/1,9
40-B140	Lithium-ion	4,0	36	2,6/1,2

Goedgekeurde laders voor de gespecificeerde accu's, BLi	Ingangsspanning, V	Frequentie, Hz	Vermogen, W
40-C80	100-240	50-60	68,8
QC250	100-240	50-60	250

# Verklaring van overeenstemming

## EU-verklaring van overeenstemming

Wij, **Husqvarna AB**, SE-561 82 Huskvarna,  
Zweden, tel: +46-36-146500, verklaren onder onze  
alleenverantwoordelijkheid dat het product:

<b>Beschrijving</b>	Gazonmaaier
<b>Merk</b>	Husqvarna
<b>Type / model</b>	LC 251i, LC 251iS
<b>Identificatie</b>	Serienummers vanaf 2023 en verder

volledig voldoet aan de volgende EU-richtlijnen en  
-regelgeving:

<b>Verordening</b>	<b>Beschrijving</b>
2006/42/EG	"betreffende machines"
2014/30/EU	"betreffende elektromagnetische compatibiliteit"
2000/14/EG	"betreffende de geluidsemissies in het milieu"
2011/65/EU	"inzake beperking van het gebruik van bepaalde gevaarlijke stoffen in elektrische en elektro- nische apparatuur"

en dat de volgende normen en/of technische  
specificaties zijn toegepast: EN 62841-1:2015/  
A11:2022, EN IEC 62841-4-3:2021/A11:2021, EN  
IEC 55014-1:2021, EN IEC 55014-2:2021, EN IEC  
63000:2018

Aangemelde instantie: 0404, SMP Svensk  
Maskinprovning AB, Box 4053, SE-904 03 Umeå,  
Sweden is gecertificeerd conform Richtlijn 2000/14/EG  
van de Raad, beoordelingsprocedure voor conformiteit:  
Bijlage VI.

Voor informatie over geluidsemissies, zie *Technische  
gegevens op pagina 310*.

Huskvarna, 2023-12-11



Claes Losdal, Development Manager/Garden Products,  
Husqvarna AB

Verantwoordelijk voor technische documentatie





---

# INNHold

---

Innledning.....	313	Feilsøking.....	323
Sikkerhet.....	314	Transport, oppbevaring og avhending.....	325
Montering.....	319	Tekniske data.....	327
Drift.....	319	Samsvarserklæring.....	329
Vedlikehold.....	322		

---

## Innledning

---

### Produktbeskrivelse

Produktet er en roterende skyvgressklipper. Gresset samles i oppsamleren. Monter deflektoren for sideutkast for å kaste ut gresset.

### Produktoversikt

(Fig. 1)

1. Motorbremshåndtak
2. Startspørre
3. Sikkerhetsbøyle (LC 251iS)
4. Bakdeksel
5. Oppsamler
6. Håndtaksknott
7. Spak for regulering av klippehøyde
8. Utkastlås
9. Sideutkastdeksel
10. Batterideksel
11. Symboler
12. Tenningsnøkkel
13. Varsellampe (feilindikator)
14. SavE-knapp
15. Klippedeksel
16. Håndtak/styrestang
17. Løftehåndtak
18. Sideutkaster
19. Bruksanvisning

### Symboler på produktet

(Fig. 2)      ADVARSEL

(Fig. 3)      Les instruksjonene.

(Fig. 4)      ADVARSEL – vær oppmerksom på objekter som kan slynges ut.

(Fig. 5)      Hold tilskuere på avstand.

(Fig. 6)      ADVARSEL – hold hender og føtter borte fra bladene.

### Bruksområder

Bruk produktet til å klippe gress. Ikke bruk produktet til andre oppgaver.

(Fig. 7)      ADVARSEL – koble fra batteriet før vedlikehold.

(Fig. 8)      Produktet og produktemballasjen er ikke restavfall. Resirkuler det på et gjenvinningsanlegg for elektrisk og elektronisk utstyr.

(Fig. 9)      Støyutslipp til omgivelsene som i EU-direktiver og forskrifter, britiske direktiver og forskrifter og New South Wales-forskriften «Protection of the Environment Operations (Noise Control) Regulation 2017». Garantert lydeffektnivå for produktet er angitt i *Tekniske data på side 327* og på etiketten.

(Fig. 10)      Dette utstyret er i overensstemmelse med gjeldende EU-direktiver.

(Fig. 11)      Dette produktet samsvarer med gjeldende britiske direktiver.

(Fig. 12)      Produktet er dryppebeskyttet.

(Fig. 13)      Slipp motorbremshåndtaket for å stoppe.

(Fig. 14)      Kode som kan skannes.

---

**Merk:** Øvrige symboler/klistremerker angitt på produktet gjelder sertifiseringskrav for visse markeder.

---

### Etikett på produktet

(Fig. 15)

FARE – hold hender og føtter unna.

## Skader på produktet

Vi er ikke ansvarlige for skader på produktet vårt hvis:

- Produktet er reparert på feil måte.
- Produktet er reparert med deler som ikke kommer fra produsenten eller som ikke er godkjent av produsenten.

- Produktet har et tilbehør som ikke kommer fra produsenten eller som ikke er godkjent av produsenten.
- Produktet er ikke reparert på et godkjent servicesenter eller av en godkjent aktør.

---

## Sikkerhet

---

### Sikkerhetsdefinisjoner

Advarsler, oppfordringer og merknader brukes for å understreke spesielt viktige deler av bruksanvisningen.



**ADVARSEL:** Brukes hvis det er fare for personskade eller død for brukeren eller andre personer om instruksjonene i håndboken ikke følges.



**OBS:** Brukes hvis det er fare for skade på produktet, annet materiell eller nærliggende områder om instruksjonene i håndboken ikke følges.

**Merk:** Brukes for å gi mer nødvendig informasjon for en spesifikk situasjon.

### Generelle sikkerhetsadvarsler for produkt



**ADVARSEL:** Les alle sikkerhetsadvarsler, instruksjoner, illustrasjoner og spesifikasjoner som fulgte med dette produktet. Hvis du ikke følger alle instruksjonene som er angitt nedenfor, kan det føre til elektrisk støt, brann og/eller alvorlige skader.

**Ta vare på alle advarsler og instruksjoner for fremtidig bruk.** Begrepet «produkt» i advarslene refererer til elektriske produkter som drives av nettstrøm (med ledning) eller batteri (uten ledning).

### Sikkerhet i arbeidsområdet

- **Hold arbeidsområdet rent og godt opplyst.** Rot og dårlig opplyste områder kan lett føre til ulykker.
- **Ikke bruk produktet i eksplosiv atmosfære, for eksempel der det finnes brennbare væsker, gasser eller støv.** Produktet danner gnister som kan antenne støv eller gasser.
- **Hold barn og andre tilskuere på avstand når produktet er i bruk.** Distraksjoner kan føre til at du mister kontrollen.

### El-sikkerhet

- **Støpselet til produktet må passe til stikkkontakten. Du må aldri modifisere støpselet på noen måte. Ikke bruk adapterpluggen sammen med jordede produkter.** Når støpselet/pluggen ikke er modifisert og stikkkontakten passer, vil dette redusere faren for elektrisk støt.
- **Unngå kroppskontakt med jordede flater, for eksempel rør, radiatorer, komfyrer og kjøleskap.** Faren for elektrisk støt øker hvis kroppen til brukeren er jordet.
- **Produktet må ikke utsettes for regn eller fuktighet.** Hvis det kommer vann inn et produkt, øker faren for elektrisk støt.
- **Ledningen må håndteres forsiktig. Bruk aldri ledningen til å bære, trekke med deg, eller til å trekke ut støpselet til produktet. Hold ledningen unna varme, olje, skarpe kanter og bevegelige deler.** Skadet eller sammenflokete ledninger øker faren for elektrisk støt.
- **Når et produkt brukes utendørs, må det brukes en skjøteledning som er egnet for utendørsbruk.** Bruk av ledning for utendørs bruk reduserer faren for elektrisk støt.
- **Hvis et produkt må brukes på et fuktig sted, bør det være koblet til en strømkrets som er beskyttet av jordfeilbryter.** Bruk av jordfeilbryter reduserer faren for elektrisk støt.

### Personlig sikkerhet

- **Vær oppmerksom, følg med på det du gjør, og bruk sunn fornuft når du bruker et produkt. Ikke bruk et produkt hvis du er tretthet eller påvirket av narkotika, alkohol eller medisiner.** Et øyeblikks uoppmerksomhet under bruk av produkter kan føre til alvorlig personskade.
- **Bruk personlig verneutstyr. Bruk alltid vernebriller.** Bruk av verneutstyr som støvmaske, vernesko med antisklisåle, hjelm og hørselvern der det kreves, reduserer faren for personskade.
- **Unngå utilsiktet oppstart. Forsikre deg om at bryteren står i av-stillingen før du kobler til strømforsyningen og/eller batteripakken, tar opp produktet eller bærer produktet.** Hvis du bærer et produkt med en finger på bryteren eller med produktet påslått, kan dette lett føre til ulykker.

- **Fjern eventuelle justeringsnøkler før du slår på produktet.** Nøklene som sitter på de roterende delene av produktet, kan føre til personskade.
- **Ikke strekk deg for langt. Hold alltid føttene på bakken og en balansert stilling.** Dette gir deg bedre kontroll over produktet i uventede situasjoner.
- **Bruk egnede klær. Bruk ikke løstsittende klær eller smykker. Hold hår og klær borte fra bevegelige deler.** Løstsittende klær, smykker eller langt hår kan sette seg fast i bevegelige deler.
- **Hvis apparatet er forsynt med tilkobling for støvsuger eller oppsamler, må du forsikre deg om at disse er riktig tilkoblet og brukes på riktig måte.** Bruk av støvoppsamler kan redusere faren for støvrelaterte skader.
- **Selv om du har lang erfaring med bruk av produkter, må du ikke bli uforsiktig eller ignorere sikkerhetsreglene.** En uforsiktig handling kan føre til alvorlig personskade i løpet av en brøkdell av et sekund.

## Bruk og vedlikehold av produktet

- **Ikke bruk makt på produktet. Bruk riktig produkt til den aktuelle oppgaven.** Riktig produkt vil gjøre jobben bedre og sikrere i den hastigheten den er konstruert for.
- **Ikke bruk produktet hvis bryteren ikke lar seg slå på og av.** Produkter som ikke kan kontrolleres med bryteren, er farlige, og må repareres.
- **Koble støpselet fra strømforsyningen og/eller batteripakken fra produktet, hvis det er avtakbart, før du foretar justeringer, skifter tilbehør eller legger unna produktet for oppbevaring.** Slike forebyggende sikkerhetstiltak reduserer faren for at produktet starter ved et uhell.
- **Produkter som ikke er i bruk, må oppbevares utilgjengelig for barn. Ikke la produkter brukes av personer som ikke er kjent med produktene eller disse instruksjonene.** Produkter er farlige når de brukes av uerfarne brukere.
- **Vedlikehold produkter og tilbehør. Kontroller for feil innretting eller festing av bevegelige deler, brudd på deler eller andre tilstander som kan påvirke produktets funksjon. Hvis produktet er ødelagt, må det repareres før bruk.** Mange ulykker forårsakes av dårlig vedlikeholdte produkter.
- **Hold skjæreværktøy skarpe og rene.** Riktig vedlikeholdte skjæreværktøy med skarpe skjærekanter har mindre fare for å sette seg fast, og er lettere å kontrollere.
- **Bruk produktet, tilbehør og verktøybitts osv. i henhold til disse instruksjonene, og i forhold til arbeidsforholdene og arbeidet som skal utføres.** Bruk av produkter til andre oppgaver enn de er laget for, kan føre til farlige situasjoner.
- **Hold håndtakene og gripeflatene tørre, rene og frie for olje og fett.** Glatte håndtak og gripeflater gjør trygg håndtering og kontroll av produktet i uventede situasjoner umulig.

## Bruk og pleie av batteriverktøy

- **Må bare lades med laderen som er spesifisert av produsenten.** En lader som passer til én batteripakke kan skape brannfare hvis den brukes med en annen batteripakke.
- **Produkter skal bare brukes med spesielt angitt batteripakker.** Bruk av andre batteripakker kan medføre fare for personskade og brann.
- **Når batteriet ikke er i bruk, må det holdes unna andre metallgjenstander som binders, mynter, nøkler, spiker, skruer og andre små metallgjenstander som kan danne en forbindelse fra den ene batteripolen til den andre.** Kortslutning av batteripolene kan føre til forbrenning eller brann.
- **Hvis batteriet utsettes for store påkjenninger, kan det komme væske ut av det. Unngå i så fall kontakt med denne væsken. Skyll med vann hvis kontakt oppstår ved et uhell. Hvis du får væske i øynene, kontakt lege øyeblikkelig.** Væske som kommer ut av batteriet kan forårsake irritasjon eller forbrenninger.
- **Ikke bruk batteripakken eller verktøyet hvis det er skadet eller endret.** Skadede eller endrede batterier kan ha en uforutsigbar adferd, noe som kan føre til brann, eksplosjoner eller personskader.
- **Ikke eksponer en batteripakke eller et verktøy for brann eller for høy temperatur.** Eksponering for flammer eller temperaturer over 130 °C (265 °F) kan føre til eksplosjon.
- **Følg alle instruksjoner for lading, og ikke lad batteripakken eller verktøyet utenfor temperaturområdet som er angitt i instruksjonene.** Lading på feil måte eller ved temperaturer utenfor det angitte området kan påføre batteriet skade og øke faren for brann.

## Service

- **La en kvalifisert reparatør utføre service kun med identiske reservedeler.** Dette sørger for at produktets sikkerhet opprettholdes.
- **Utfør aldri service på skadede batteripakker.** Service av batteripakker skal kun utføres av produsenten eller autoriserte serviceleverandører.

## Sikkerhetsadvarsler for gressklipperen

- **Ikke bruk gressklipperen i dårlig vær, spesielt ikke når det er fare for lyn og torden.** Dette øker faren for å bli truffet av lynnedslag.
- **Inspiser området grundig for dyreliv der gressklipperen skal brukes.** Dyreliv kan skades av gressklipperen under bruk.
- **Kontroller området grundig der gressklipperen skal brukes, og fjern alle steiner, pinner, ledninger, bein og andre fremmedlegemer.** Gjenstander som slynges ut, kan forårsake personskade.
- **Før du bruker gressklipperen må du alltid inspisere skjærebladet og knivsammenstillingen etter synlige tegn på slitasje eller skade.** Skadede deler øker faren for personskade.

- **Kontroller gressutkasteren ofte med tanke på slitasje eller skader.** En slitt eller skadet gressoppsamler kan øke faren for personskade.
- **Hold dekslene på plass. Dekslene må være i god stand og være riktig montert.** Et deksel som er løst, skadet eller som ikke fungerer som det skal, kan føre til personskade.
- **Sørg for at det ikke kommer rusk inn i kjøleluftinntaket.** Blokkerte luftinntak og rusk kan føre til overoppheting eller brannfare.
- **Bruk alltid sklisikkert og beskyttende fottøy når du bruker gressklipperen. Ikke vær barbert eller bruk åpne sandaler når du bruker gressklipperen.** Dette reduserer faren for skade på føttene fra kontakt med skjærebladet når det er i bevegelse.
- **Bruk alltid lange bukser når du bruker gressklipperen.** Hud som ikke er tildekket er mer sannsynlig å skades av gjenstander som kan slynges ut.
- **Ikke bruk gressklipperen i vått gress. Gå, ikke løp.** Dette reduserer faren for å skli og falle, som kan føre til personskade.
- **Ikke bruk gressklipperen i svært bratte skråninger.** Dette reduserer risikoen for å miste kontrollen, skli og falle, som kan føre til personskade.
- **Når du arbeider i skråninger, må du alltid stå støtt, alltid arbeide på tvers av skråninger, aldri opp eller ned dem, og være svært forsiktig når du skifter retning.** Dette reduserer risikoen for å miste kontrollen, skli og falle, som kan føre til personskade.
- **Vær ekstremt forsiktig når du kjører i revers eller trekker gressklipperen mot deg. Vær alltid oppmerksom på omgivelsene dine.** Dette reduserer faren for å snuble under drift.
- **Ikke ta på skjærebladene eller andre farlige bevegelige deler mens de fortsatt er i bevegelse.** Dette reduserer faren for skader fra bevegelige deler.
- **Når du fjerner fastkjørt materiale eller rengjør gressklipperen, må du kontrollere at alle strømbrytere er av, og at batteripakken er koblet fra.** Uventet bruk av gressklipperen kan føre til alvorlig personskade.
- **Når du fjerner fastkjørt materiale eller rengjør gressklipperen, må du kontrollere at alle strømbrytere er av, og fjerner deaktiveringssenheten.** Uventet bruk av gressklipperen kan føre til alvorlig personskade.

- Dette produktet er farlig hvis det brukes feil, eller hvis du ikke er forsiktig. Personskade eller død kan forekomme hvis du ikke følger sikkerhetsinstruksjonene.
- Dette produktet danner et elektromagnetisk felt når det er i bruk. Dette feltet kan under visse forhold forstyrre aktive eller passive medisinske implantater. For å redusere faren for hendelser som kan føre til alvorlig eller livstruende skade, anbefaler vi at personer med medisinske implantater rådfører seg med lege og produsenten av det medisinske implantatet før dette produktet tas i bruk.
- Vær alltid forsiktig, og bruk sunn fornuft. Hvis du ikke er sikker på hvordan du skal bruke produktet i en bestemt situasjon, må du stoppe og snakke med Husqvarna-forhandleren før du fortsetter.
- Husk at brukeren er ansvarlig for ulykker som involverer andre personer eller deres eiendom.
- Hold produktet rent. Sørg for at du kan lese skilt og merker.
- La aldri barn eller personer som ikke har satt seg inn i bruksanvisningen, bruke apparatet. Brukerens lavalder kan være fastsatt i lokale forskrifter.
- Hold alltid øye med personer med redusert fysisk eller mental kapasitet når de bruker produktet. En ansvarlig voksen må alltid være til stede.
- Ikke bruk produktet dersom du er trett eller syk eller under påvirkning av alkohol, andre rusmidler eller medisiner. Disse tingene har en negativ effekt på synet, vurderingsevnen og dømmekraften din.
- Ikke bruk produktet hvis det er skadet eller ikke fungerer som det skal.
- Ikke modifierer dette produktet, og ikke bruk det dersom det er mulig at andre har modificert det.

## Arbeidssikkerhet



**ADVARSEL:** Les de følgende advarselinstruksjonene før du bruker produktet.

- Bruk dette produktet bare til å klippe gressplener. Det er ikke tillatt å bruke det til andre formål.
- Bruk personlig verneutstyr. Se *Personlig verneutstyr på side 317*.
- Sørg for at du vet hvordan du stopper motoren raskt i en nødsituasjon.
- Produktet må ikke brukes i regn eller fuktige omgivelser. Fare for elektrisk støt øker hvis det kommer vann inn i produktet.
- Ikke bruk produktet med mindre kniven og alle deksler er riktig montert. En kniv som er feilmontert, kan løsne og forårsake personskade.
- Pass på at kniven ikke kommer borti gjenstander som steiner og røtter. Dette kan skade kniven og bøye motorakselen. En bøyd aksel kan forårsake mye vibrasjon og utgjør en svært høy fare for at kniven blir løs.

## Reststrømenhet

- Bruk en reststrømenhet med en utløsningsstrøm på maksimalt 30 mA.

## Generelle sikkerhetsinstruksjoner



**ADVARSEL:** Les de følgende advarselinstruksjonene før du bruker produktet.

- Hvis kniven treffer en gjenstand eller det oppstår kraftige vibrasjoner, må produktet stanses øyeblikkelig. Stopp motoren, vri tenningsnøkkelen til 0, og fjern batteriet. Vent til alle bevegelige deler har stoppet. Kontroller produktet for skader. Stram til løse deler. Reparer skader og skift ut skadde deler. La et godkjent serviceverksted utføre reparasjonen.
- Du må aldri feste motorbrems håndtaket permanent til håndtaket når motoren er i gang.
- Plasser produktet på et stabilt, flatt underlag, og start det. Pass på at kniven ikke berører bakken eller andre gjenstander.
- Hold deg alltid bak produktet når du bruker det.
- La alle hjulene være på bakken, og hold begge hender på håndtaket når du bruker produktet. Hold hender og føtter borte fra de roterende knivene.
- Ikke vipp produktet når du starter motoren eller under bruk av produktet.
- Vær forsiktig når du trekker produktet bakover.
- Du må aldri løfte produktet når motoren er i gang. Hvis du har behov for å løfte produktet, må du først stoppe motoren, vri tenningsnøkkelen til 0 og fjerne batteriet.
- Ikke gå bakover når du bruker produktet.
- Stopp motoren når det er nødvendig å vippe produktet for transport eller før du beveger deg over områder uten gress, for eksempel gangveier med grus, stein og asfalt.
- Ikke løp med produktet når motoren er på. Du må alltid gå mens du bruker produktet.
- Stopp motoren før du endrer klippehøyde. Utfør aldri justeringer mens motoren er i gang.
- La aldri produktet være ute av syne mens motoren er i gang. Stopp motoren, og forsikre deg om at skjæreutstyret ikke roterer.
- Vibrasjonene i produktet under drift kan være forskjellige fra den oppgitte vibrasjonsverdien i *Tekniske data på side 327*. Forskjellen skyldes variasjoner i hvordan produktet brukes. Hvis du bruker produktet ofte eller over lengre tid, må du ta pauser regelmessig for å unngå skader fra vibrasjonene.

## Sikkerhetsinstruksjoner for drift

### Personlig verneutstyr



**ADVARSEL:** Les de følgende advarelsinstruksjonene før du bruker produktet.

- Verneutstyr kan aldri fullstendig forhindre skade, men det reduserer skadeomfanget hvis ulykken inntreffer. Spør forhandleren din om hjelp til å velge riktig utstyr.
- Bruk kraftige, sklisikre støvler eller sko. Ikke bruk åpne sko eller gå barbeint.
- Bruk tykke langbukser.

- Bruk vernehansker når det er nødvendig, for eksempel når du fester, undersøker eller rengjør skjæreutstyret.
- Vi anbefaler at du bruker hørselsvern.

### Sikkerhetsutstyr på produktet



**ADVARSEL:** Les de følgende advarelsinstruksjonene før du bruker produktet.

- Ikke bruk et produkt med sikkerhetsutstyr som er skadet eller ikke fungerer som det skal.
- Ikke fjern eller gjør endringer på sikkerhetsutstyr.
- Utfør regelmessig kontroll av sikkerhetsutstyr. Hvis sikkerhetsutstyret er skadet eller ikke fungerer som det skal, må du kontakte Husqvarna-serviceverkstedet.

### Slik kontrollerer du klippedekselet

Klippedekselet gir mindre vibrasjoner og minsker risikoen for skader forårsaket av kniven.

- Undersøk klippedekselet for å sikre at det ikke er noen skader, for eksempel sprekker.

### Slik kontrollerer du tenningsnøkkelen

Tenningsnøkkelen er under batteridekselet. Tenningsnøkkelen kobler til batteriet som forsyner motoren med strøm.

- Skru motoren på og av for å utføre en kontroll av tenningsnøkkelen.
- Hvis tenningsnøkkelen fungerer riktig, kan motoren bare starte når tenningsnøkkelen er i posisjon 1. (Fig. 16)

### Slik kontrollerer du det bakre dekselet

Det bakre dekselet reduserer risikoen for at objekter kastes ut i retning av brukeren.

- Kontroller at det bakre dekselet ikke er skadet.
- Pass på at fjærene som lukker det bakre dekselet, ikke er skadet.
- Bytt ut skadede fjærer og deler.
- Kontroller at det bakre dekselet kan bevege seg jevnt på hengslene.

### Kontroller motorbrems håndtaket

Motorbrems håndtaket stopper motoren. Når du slipper motorbrems håndtaket, stopper motoren.

- Start produktet. Se *Slik starter du produktet på side 320*.
- Slipp motorbrems håndtaket. (Fig. 17)
- Kontroller at produktet stopper. Hvis motoren ikke stopper innen tre sekunder, må du la et godkjent Husqvarna-serviceverksted justere motorbremsen.

## Kontroller startspærren

Utfør en kontroll av startspærren for å sikre at den hindrer driften av motoren.

1. Trykk motorbrems håndtaket i retning av styret. Startspærren stopper bevegelsen.
2. Skyv startspærren ut. (Fig. 18)
3. Løsne startspærren, og kontroller at den går tilbake til sin opprinnelige posisjon.

## Batterisikkerhet



**ADVARSEL:** Les de følgende advarselsinstruksjonene før du bruker produktet.

- Bruk bare Husqvarna oppladbare batterier som strømforsyning for relaterte Husqvarna-produkter. For å unngå personskader må du ikke bruke batterier som strømforsyning for andre enheter.
- Ikke bruk ikke-oppladbare batterier.
- Fare for elektrisk støt. Ikke la batteripolene komme i kontakt med nøkler, mynter, skruer eller andre metallgjenstander. Dette kan føre til kortslutning av batteriet.
- Ikke sett gjenstander inn i luftåpningene til batteriet.
- Hold batteriet unna sollys, varme og åpen ild. Batteriet kan eksplodere og forårsake forbrenninger og/eller kjemiske forbrenninger.
- Hold batteriet unna regn og fuktighet.
- Hold batteriet unna mikrobølger og høyt trykk.
- Ikke prøv å demontere eller ødelegge batteriet.
- Hvis batteriet lekker, må væsken ikke komme i kontakt med hud eller øyne. Hvis du har berørt væsken, må du rengjøre området med store mengder vann og oppsøke legehjelp.
- Bruk batteriet i produktet bare i omgivelsestemperaturer fra 5 °C til 40 °C.
- Bruk batteriladeren bare i omgivelsestemperaturer fra 5 °C til 40 °C.
- Batteriet lades ikke hvis batteritemperaturen er på over 50 °C.
- Ikke rengjør batteriet eller batteriladeren med vann. Se *Slik rengjør du batteriet og batteriladeren på side 322*.
- Ikke bruk et skadet batteri.
- Oppbevar batteriene unna metallgjenstander, for eksempel spikre, mynter og smykker.

## Sikker bruk av batteriladeren



**ADVARSEL:** Les de følgende advarselsinstruksjonene før du bruker produktet.

- Bruk QC-batteriladere bare til å lade Husqvarna-erstatningsbatteriene.

- Fare for elektrisk støt eller kortslutning. Ikke sett gjenstander inn i luftåpningene til laderen. Ikke prøv å demontere batteriladeren. Ikke la ladekontaktene berøre metallgjenstander. Bruk en godkjent stikkontakt.
- Dette produktet danner et elektromagnetisk felt når det er i bruk. Dette feltet kan under visse forhold forstyrre aktive eller passive medisinske implantater. For å redusere faren for forhold som kan føre til alvorlig eller livstruende skade, anbefaler vi at personer med medisinske implantater rådfører seg med sin lege og produsenten av det medisinske implantatet før dette produktet tas i bruk.
- Kontroller regelmessig at strømledningen til batteriladeren ikke er skadet, og at det ikke er sprekker i den.
- Ikke løft batteriladeren etter strømledningen. For å koble laderen fra stikkontakten drar du i støpselet. Ikke dra i ledningen.
- Hold strømledningen og skjøteledninger borte fra vann, olje og skarpe kanter. Pass på at kabelen ikke kommer i klem i dører, gjerder eller lignende. Det kan føre til at laderen blir strømførende.
- Ikke rengjør batteriladeren med vann.
- Batteriladeren kan brukes av barn over 8 år og personer med nedsatte fysiske og mentale evner eller personer uten erfaring eller kunnskap hvis de får tilsyn eller instruksjoner om hvordan de bruker batteriladeren på en sikker måte, og forstår farene ved bruken. Barn skal ikke leke med batteriladeren. Rengjøring og vedlikehold skal ikke utføres av barn uten tilsyn.
- Ikke lad engangsbatterier i batteriladeren.
- Ikke bruk batteriladeren i nærheten av brennbare materialer eller materialer som kan forårsake korrosjon. Batteriladeren må ikke tildekkes. Trekk ut støpselet til batteriladeren hvis det oppstår røyk eller brann.
- Ikke bruk en skadet batterilader.
- Bare lad batteriet innendørs på et sted som har god luftsirkulasjon og er beskyttet mot direkte sollys. Ikke lad batteriet i fuktige omgivelser.

## Sikkerhetsinstruksjoner for vedlikehold



**ADVARSEL:** Les de følgende advarselsinstruksjonene før du bruker produktet.

- Når du skal hindre utilsiktet start under vedlikehold, vrir du om tenningsnøkkelen til 0 og tar ut batteriet. Vent i minst 5 sekunder før du begynner vedlikeholdet.
- Utfør bare vedlikeholdsarbeid som er beskrevet i denne bruksanvisningen. Mer omfattende inngrep og profesjonelle reparasjoner skal utføres av et godkjent serviceverksted. Snakk med nærmeste serviceverksted for mer informasjon.

- Utfør vedlikeholdsarbeidet på riktig måte for å øke levetiden til produktet og redusere risikoen for ulykker.
- Skift ut alle skadde, slitte eller ødelagte deler. Bruk bare originale reservedeler fra produsenten. Andre reservedeler kan forårsake skade på produktet og øke risikoen for ulykker.
- For å forhindre skade må du ikke fjerne eller gjøre endringer på sikkerhetsutstyret.
- Ta på kraftige hansker når du bruker skjæreutstyret. Kniven er svært skarp, og det er lett å skjære seg.
- Hold skjærekantene skarpe og rene for best og sikrest ytelse.
- La serviceverkstedet undersøke produktet regelmessig og utføre de nødvendige justeringene og reparasjonene.
- Følg instruksjonene for utskifting av tilbehør. Bruk bare tilbehør fra produsenten.
- Når de ikke er i bruk, oppbevarer du produktet, batteriet og batteriladeren fra hverandre i et tørt, innendørs og avlåst område. Kontroller at barn og personer som ikke er autoriserte, ikke kan få tilgang til produktet, batteriet eller batteriladeren.

---

## Montering

---

### Innledning



**ADVARSEL:** Før du monterer produktet, må du lese kapittelet om sikkerhet.



**ADVARSEL:** Når du skal hindre utilsiktet start ved montering, vrir du tenningsnøkkelen til 0, tar ut batteriet og venter i minst fem sekunder.

### Slik monterer du håndtaket

**Merk:** Det anbefales at to personer utfører denne prosedyren.

**Merk:** Ikke fjern produktet fra esken når du monterer håndtaket. Boksen kan brukes som støtte for håndtaket under monteringen.

1. Løft og dreii håndtaket. (Fig. 19)



**OBS:** Vær forsiktig, og kontroller at kabelen ikke blir skadet når du roterer håndtaket.

2. Sett håndtaket oppå produktet. Vipp håndtaket mot boksen for å støtte opp håndtaket. Se illustrasjonen. (Fig. 20)

3. Dytt skruen (A) gjennom håndtaket (B), plastskiven (C) og støttebraketten på håndtaket (D). (Fig. 21)
4. Trekk til mutteren (E) helt.
5. Ta produktet ut av esken.
6. Fell opp håndtaket til oppfelt posisjon. (Fig. 22)
7. Sett håndtakshøyden til laveste stilling. Se *Slik justerer du håndtaket på side 319*.
8. Fest kabelen til den nedre delen av håndtaket med kabelklemmen. (Fig. 23)
9. Fest den nedre delen av kabelen til støttebraketten på håndtaket med kabelstripsen. Kutt av den overflødig delen av kabelstripsen. (Fig. 24)

**Merk:** Påse at kabelen er festet riktig. En for løs kabel forårsaker skade på kabelen når oppsamleren er montert. (Fig. 25)

### Slik justerer du håndtaket

1. Løsne de nedre knottene.
2. Flytt knottene til den nedre enden av sporene på venstre og høyre side av produktet. (Fig. 26)
3. Angi høyden på håndtaket til én av de to tilgjengelige posisjonene.
4. Flytt knottene oppover i retning av håndtaket til de stopper og du hører et klikk. (Fig. 27)
5. Trekk til knottene helt.

---

## Drift

---

### Innledning



**ADVARSEL:** Før du bruker produktet, må du lese og forstå kapittelet om sikkerhet.

### Husqvarna Connect

Husqvarna Connect er en kostnadsfri app for mobilenheten din. Husqvarna Connect-appen gir utvidede funksjoner for Husqvarna-produktet ditt:

- utvidet produktinformasjon
- informasjon om og hjelp med produktdele og service

## Slik begynner du å bruke Husqvarna Connect

1. Last ned Husqvarna Connect-appen på mobilenheten din.
2. Utfør registrering i Husqvarna Connect-appen.
3. Følg instruksjonene i Husqvarna Connect-appen for å koble til og registrere produktet.

## Slik setter du produktet i arbeidsstilling

1. Kontroller at de nedre knottene er løse. Se *Slik justerer du håndtaket på side 319*.
2. Fell opp håndtaket til oppfelt posisjon. (Fig. 22)
3. Flytt knottene oppover i retning av styret til de stopper og du hører et klikk. (Fig. 27)
4. Trekk til knottene helt.



**ADVARSEL:** Ikke bruk produktet med mindre håndtaket er helt foldet opp og satt i en av de aktuelle høydeposisjonene. Se *Slik justerer du håndtaket på side 319*.

## Slik regulerer du klippehøyden

1. Flytt spaken for klippehøyde bakover for å øke klippehøyden.
2. Flytt spaken for klippehøyde forover for å senke klippehøyden. (Fig. 28)



**OBS:** Ikke sett klippehøyden for lavt. Knivene kan treffe bakken hvis overflaten av plenen ikke er vannrett.

## Batteri



**ADVARSEL:** Før du bruker batteriet, må du lese og forstå kapittelet om sikkerhet. Du må også lese og forstå bruksanvisningen for batteriet og batteriladeren.

Batteriet og batteriladeren må oppbevares i riktig omgivelsestemperatur.

	Omgivelsestemperatur
Bruk av batteriet	5 °C til 40 °C
Lade batteriet	5 °C til 40 °C

## Batteristatus

Displayet viser gjenværende batterikapasitet og eventuelle problemer med batteriet. Trykk på batteriindikatorknappen for å få informasjon om batteriets ladestatus. Advarselssymbolet på batteriet lyser hvis en feil oppstår. Se *Batteri på side 323*.

(Fig. 29)

LED-lamper	Batteristatus
Alle LED-indikatorer lyser	Fullt ladet (76–100 %)
LED 1, LED 2, LED 3 lyser	Batteriet er 51–75 % ladet
LED 1, LED 2 lyser	Batteriet er 26–50 % ladet
LED 1 lyser	Batteriet er 0–25 % ladet
LED 1 blinker	Batteriet er 0–5 % ladet

## Slik lader du batteriet

Lad batteriet før første gangs bruk. Batteriet er bare 30 % oppladet når det leveres til kunden.

**Merk:** Batteriladeren må kobles til den spenningen og frekvensen som er angitt på typeskiltet.

Batteriet lades ikke hvis batteritemperaturen er over 50 °C. Batteriladeren reduserer batteriets temperatur før den begynner å lade.

1. Koble den ene enden av strømledningen for batteriladeren inn i kontakten på batteriladeren.
2. Koble den andre enden av strømledningen for batteriladeren inn i en jordet stikkontakt. LED-indikatoren på batteriladeren blinker grønt én gang. (Fig. 30)
3. Sett batteriet i batteriladeren. Den grønne lampen på laderen tennes når batteriet er riktig koblet til laderen. (Fig. 31)
4. Når alle LED-indikatorene på batteriet lyser, er batteriet fulladet. Lad batteriet i maks. 24 timer.
5. For å koble laderen fra stikkontakten må du dra i selve støpselet, ikke i ledningen.
6. Fjern batteriet fra batteriladeren.

## Slik starter du produktet

1. Åpne batterilokket.
2. Sett et oppladet batteri inn i en av batteriholderne. For å få lengre driftstid kan du sette et annet oppladet batteri inn i den andre batteriholderen.
3. Vri tenningsnøkkelen til 1. (Fig. 32)
4. Stå bak produktet.
5. Løsne startsperran. (Fig. 18)
6. Trykk motorbrems håndtaket i retning av styret. (Fig. 33)

## Slik brukes hjuldriften (LC 251iS)

- Skyv sikkerhetsbøylen i retning av styret. (Fig. 34)
- Løsne sikkerhetsbøylen for å frakoble driften, for eksempel når du går nær en hindring.
- Før du trekker produktet bakover, må du koble ut driften og skyve produktet forover med ca. 10 cm.



## Slik bruker du SavE™-funksjonen

Produktet har en batterisparefunksjon (SavE™) som gir lengre driftstid.

- Skyv SavE™-knappen til posisjon 1 for å starte funksjonen. (Fig. 35)
- Skyv SavE™-knappen til posisjon 0 for å stoppe funksjonen.

**Merk:** SavE™-funksjonen stopper automatisk hvis bakkeforholdene gjør det nødvendig med høyere effekt. SavE™-funksjonen starter automatisk igjen når bakkeforholdene tillater det.

## Høybelastningsfunksjon

Når produktet klipper langt eller vått gress, øker motoren automatisk turtallet. Motoren går tilbake til standardmodus når høy last ikke er nødvendig.

## Motoren kveles

Under drift kan skjærebladet og motoren stoppe midlertidig på grunn av hindringer, for eksempel fordi klippedekselet blokkeres av gress. Hvis dette skjer, og du fortsetter å holde motorbremshåndtaket trykket ned, starter produktet automatisk på nytt. Hvis produktet ikke starter på nytt innen 5–10 sekunder, kan det være nødvendig å rengjøre klippedekselet. Se *Slik rengjør du produktet på side 322*.



**ADVARSEL:** Hvis motoren stopper, prøver produktet automatisk å starte på nytt i 5–10 sekunder. Vent i minst 15 sekunder før du kontrollerer klippedekselet.



**ADVARSEL:** Før du kontrollerer klippedekselet, slipp du motorbremshåndtaket, vri tenningsnøkkelen til 0, tar ut batteriet og venter i minst 5 sekunder. Det er fare for personskaade hvis hindringen fjernes og produktet starter ved et uhell.

## Slik stopper du produktet



**ADVARSEL:** Vri tenningsnøkkelen til 0 før du slipper produktet ut av syne.

1. Slipp motorbremshåndtaket for å stoppe motoren. (Fig. 36)

**Merk:** For LC 251iS. Hvis du vil stoppe hjuldriften, slipp du sikkerhetsbøylen.

2. Åpne batteridekselet og vri tenningsnøkkelen til 0. (Fig. 37)

3. Når du skal ta ut batteriet, trykker du på de to utløserknappene og trekker ut batteriet. (Fig. 38)
4. Låd batteriet hvis nivået er lavt. Hvis du vil ha mer informasjon, kan du se *Slik lader du batteriet på side 320*.

## Slik bruker du produktet med oppsamleren



**ADVARSEL:** Ikke bruk produktet uten en oppsamler montert, eller uten at det bakre dekselet er lukket. Objekter kan bli kastet ut og forårsake skade på brukeren.

1. Løft det bakre dekselet. (Fig. 39)
2. Sett oppsamleren på braketten.
3. Løsne det bakre dekselet, og plasser det oppå gressposerammen. (Fig. 40)

## Slik bytter du til modusen for sideutkast

1. Løft det bakre dekselet, og fjern gressposen (hvis den er på).
2. Lukk det bakre dekselet, og kontroller at det sitter tett inntil produktet.
3. Løft utkastlåsen. (Fig. 41)
4. Åpne sideutkastdekselet, og fest deflektoren for sideutkast til støttepinnene. (Fig. 42)
5. La sideutkastdekselet hvile mot deflektoren for sideutkast. Pass på at deflektoren for sideutkast sitter godt på plass før du begynner å bruke produktet.

## Slik tømmer du oppsamleren



**OBS:** Løft oppsamleren når du flytter den, for å unngå slitasje.

1. Løft oppsamleren ved å holde i ramnehåndtaket.
2. Bruk ramnehåndtaket og oppsamlerhåndtaket når du tømmer oppsamleren. (Fig. 43)

## Slik får du et godt resultat

- Bruk alltid en godt slipt kniv. En sløv kniv gir ujevnt resultat, og gressets klippeoverflate blir gul. En skarp kniv bruker også mindre energi enn en sløv kniv.
- Ikke klipp mer enn 1/3 av lengden på gresset. Bruk den høyeste klippehøyden når du begynner å klippe gresset. Undersøk resultatet, og senk klippehøyden til det aktuelle nivået. Hvis gresset er veldig langt, skyver du gressklipperen langsomt og klipper to ganger om nødvendig.
- Klipp i forskjellige retninger hver gang, for å unngå striper i plenen.
- Løft det bakre dekselet, og ta av oppsamleren.

- Hvis en finfordelingsplugg og en finfordelingskniv er festet, tar du dem av.
- Lukk bakdekeleet før du bruker produktet. Når du bruker produktet, tømmes det klippede gresset under bakdekeleet.
- Hold klippedekeleet rent. Oppsamling av gress og smuss på innsiden av klippedekeleet kan gi et dårligere klipperesultat. Se *Slik rengjør du produktet på side 322*.

## Vedlikehold

### Innledning



**ADVARSEL:** Før du utfører vedlikeholdsarbeid, må du lese og forstå kapittelet om sikkerhet.

For alt vedlikehold og reparasjonsarbeid på produktet er det nødvendig med spesiell opplæring. Vi garanterer fagmessig reparasjon og service.

Hvis du vil ha mer detaljert informasjon, kan du se [www.husqvarna.com](http://www.husqvarna.com).

### Vedlikeholdsskjema

Vedlikeholdsintervallene er beregnet med utgangspunkt i daglig bruk av produktet. Intervallene kan endres hvis produktet ikke brukes daglig.

For vedlikehold merket med \* kan du se instruksjonene i *Sikkerhet på side 314*.

	Hver bruk	Månedlig	Hver sesong
Utfør en generell inspeksjon.	X		
Hvordan robotklipperen rengjøres	X		
Kontroller startsperran*.	X		
Pass på at sikkerhetsutstyret på produktet ikke er defekt*.	X		
Kontroller skjæreutstyret.	X		
Kontroller klippedekeleet*.	X		
Kontroller motorbrems håndtaket*.	X		
Kontroller batteriet for skader.	X		
Kontroller batteriets lade nivå.	X		
Kontroller at utløserknappene på batteriet fungerer riktig og at batteriet låses fast i produktet.	X		
Undersøk batteriladeren for skader, og sørg for at den fungerer på riktig måte.		X	
Undersøk forbindelsene mellom batteriet og produktet. Undersøk også forbindelsen mellom batteriet og batteriladeren.			X

### Slik utfører du en generell inspeksjon

- Kontroller at mutrene og skruene på produktet er trukket til.
- Sørg for at kablene på produktet ikke er i en posisjon der de kan bli skadet.

### Slik rengjør du produktet

- Rengjør plastdeler med en tørr, ren klut.
- Ikke bruk vann til å rengjøre produktet. Vann kan komme inn i batteriet eller motoren og forårsake kortslutning eller skade på produktet.
- Produktet må ikke rengjøres med høytrykksspyler.
- Ikke spyl vann direkte på motoren.

- Bruk en børste for å fjerne løv, gress og smuss.

### Slik rengjør du batteriet og batteriladeren



**ADVARSEL:** Ikke rengjør batteriet eller batteriladeren med vann.



**ADVARSEL:** Ikke bruk kjemikalier til å rengjøre batteriet.

- Kontroller at batteriet og batteriladeren er rene og tørre før du setter batteriet i batteriladeren.
- Rengjør batteriklemmene med trykluft, eller bruk en myk og tørr klut.
- Rengjør overflatene på batteriet og batteriladeren med en myk og tørr klut.

## Slik kontrollerer du skjæreutstyret



**ADVARSEL:** Når du skal hindre utilsiktet start, vrir du tenningsnøkkelen til 0, tar ut batteriet og venter i minst fem sekunder.



**ADVARSEL:** Bruk vernehansker når du utfører vedlikehold på skjæreutstyret. Kniven er svært skarp, og det er lett å kutte seg.

1. Kontroller skjæreutstyret med henblikk på skader og sprekkdannelse. Bytt alltid ut skadet skjæreutstyr.
2. Sjekk om kniven er skadet eller sløv.

**Merk:** Kniven må balanseres etter at den er slipt. La et servicecenter slippe, skifte og balansere kniven. Hvis du treffer en hindring som fører til at produktet stopper, må du skifte ut den skadde kniven. La serviceverkstedet vurdere om kniven kan slipes eller om den må skiftes ut.

## Slik skifter du ut skjærebladet

Se *Tekniske data på side 327* for informasjon om riktig type skjæreblad.



**ADVARSEL:** Lås skjærebladet med en trekloss for å hindre skade på fingrene når du skifter det. Skjærebladet kan flyttes når motoren er av. Fingre kan komme i klem mellom bladet og ikke-bevegelige deler.

1. Lås skjærebladet med en trekloss. (Fig. 44)
2. Fjern bladbolten, skivene og bladet. (Fig. 45)
3. Kontroller støtten og bolten for skjærebladet for å se etter skader.
4. Undersøk motorakselen for å forsikre deg om at den ikke er bøyd.
5. Når du fester det nye skjærebladet, må du peke de vinklede endene av bladet i retning av klippedekselet. (Fig. 46)
6. Kontroller at skjærebladet er på linje med midten av motorakselen.
7. Lås skjærebladet med en trekloss. Fest skivene, og trekk til bolten med et moment på 23 – 28 Nm. (Fig. 47) (Fig. 45)
8. Trekk skjærebladet rundt for hånd, og kontroller at det roterer fritt.



**ADVARSEL:** Bruk solide arbeidshansker. Skjærebladet er svært skarpt, og det er lett å skjære seg.

9. Start produktet for å teste skjærebladet. Hvis bladet ikke er riktig festet, vil produktet vibrere, eller klipperesultatet vil ikke bli bra nok.

## Slik kontrollerer du deflektoren for sideutkast

Deflektoren for sideutkast er festet til åpningen for sideutkast på produktet. Den reduserer risikoen for at gjenstander slynges i retning av brukeren.

1. Kontroller at deflektoren for sideutkast ikke er skadet.
2. Undersøk deflektoren for sideutkast. Se etter skader som sprekker eller ødelagte fjærer som skyver døren igjen.
3. Bytt ut fjærene eller deflektoren for sideutkast hvis de er skadede.

# Feilsøking

## Batteri

LED-indikator på batteriet	Årsak	Løsning
Den grønne LED-lampen blinker.	Batterispenningen er lav.	Lad batteriet. Se <i>Slik lader du batteriet på side 320</i> .
Feilindikatoren for batteriet blinker.	Batteriet er for kaldt eller for varmt for bruk.	La batteriet avkjøles, eller ta det med innendørs for å varme det opp. Når batteriet har riktig temperatur, kan det brukes igjen. Bruk batteriet i produktet bare i omgivelsestemperaturer fra 5 °C til -40 °C.
	Batteriet er utladet.	Lad batteriet. Se <i>Slik lader du batteriet på side 320</i> .

LED-indikator på batteriet	Årsak	Løsning
Feilindikatoren for batteriet tennes.	Det har oppstått en permanent batterifeil.	Ta kontakt med Husqvarna-serviceforhandleren din.

## Batterilader

Indikatorlampe på batteriladeren	Årsak	Løsning
LED-feilindikatoren blinker eller tennes.	Batteriladeren er for kald eller for varm for bruk.	La batteriladeren avkjøles, eller ta den med innendørs for å varme den opp. Når batteriladeren har riktig temperatur, kan den brukes igjen. Bruk batteriladeren bare i omgivelsestemperaturer fra 5 °C til 40 °C.
	Andre feil.	Ta kontakt med Husqvarna-serviceforhandleren din.

## Gressklipper

Varsellampen (feilindikatoren) er plassert under batterilokket.

Problem	Feilindikator (antall lysblink)	Årsak	Løsning
Feilindikatoren blinker. Produktet fungerer ikke som det skal.	3	Skjærebladet er blokkert.	Vri tenningsnøkkelen til 0 for å forhindre utilsiktet start. Fjern batteriet, og vent i minst 5 sekunder. Fjern mulige hindringer, og pass på at skjærebladet kan rotere fritt. Hvis problemet vedvarer, må du kontakte Husqvarna-serviceforhandleren.
	5	Motorturtallet faller for mye, og motoren stopper.	Øk klippehøyden. Se <i>Slik regulerer du klippehøyden på side 320</i> .
	6 <sup>69</sup>	Hjulene eller transmisjonen er blokkert.	Vri tenningsnøkkelen til 0 for å forhindre utilsiktet start. Fjern batteriet, og vent i minst 5 sekunder. Fjern mulige hindringer, og sørg for at hjulene kan rotere fritt. Hvis problemet vedvarer, må du kontakte Husqvarna-serviceforhandleren.
	10	Motorstyringen er for varm.	Stopp motoren, og vent til den er avkjølt.

<sup>69</sup> LC 251iS

Problem	Feilindikator (antall lysblink)	Årsak	Løsning
Feilindikatoren blinker. Produktet stopper.	Ingen lysblink	Batterikontaktfeil.	Undersøk batterikontakten.
	3	Det er overbelastning i motoren.	Øk klippehøyden. Se <i>Slik regulerer du klippehøyden på side 320.</i>
	8	Batteriet er svakt.	Lad batteriet. Se <i>Slik lader du batteriet på side 320.</i>
	9	Batterifeil eller ingen signaler fra batteriet.	Sett batteriet inn i produktet på riktig måte, og undersøk batterikontakten. Hvis feilindikatoren på batteriet blinker. Se <i>Batteri på side 323.</i>
	15	Feil startprosedyre. Motorbremshåndtaket er aktivert før motoren starter.	Slipp motorbremshåndtaket, og vent i ca. 5 sekunder. Trykk motorbremshåndtaket ned igjen for å starte produktet.
Andre feil.	Hvis det oppstår andre feil, må du vri tenningsnøkkelen til 0, ta ut batteriet, og ta kontakt med et Husqvarna-serviceverksted.		

## Transport, oppbevaring og avhending

### Innledning



**ADVARSEL:** For å forhindre utilsiktet start under transport og lagring, vrir du tenningsnøkkelen til 0, tar ut batteriet og venter i minst 5 sekunder.

### Slik setter du produktet i transportstilling

- Løsne de nedre knottene.
- Flytt knottene til den nedre enden av sporene på venstre og høyre side av produktet. (Fig. 26)
- Vipp styret forover. (Fig. 48)

### Transport

- Loven om farlige varer gjelder de medfølgende Li-ion-batteriene.
- For kommersiell transport må spesielle krav på emballasje og etiketter følges.
- Sørg for at du overholder lovene om farlig materiale når du klargjør produktet for transport. Lokale forskrifter kan gjelde.
- Ta alltid ut batteriet før transport.
- Sett teip på batterikontaktene, og forsikre deg om at batteriet ikke kan bevege seg rundt under transport.
- Sikre produktet under transport.

### Oppbevaring

- La produktet avkjøles før du setter det til oppbevaring.
- Ta alltid ut batteriet når du skal oppbevare produktet.
- For å hindre ulykker må du sikre at batteriet ikke er koblet til produktet under oppbevaring.
- Oppbevar batteriladeren på et innelukket og tørt sted.
- Hold batteriet og laderen på et tørt sted der det ikke er fukt eller frost.
- Koble batteriet fra batteriladeren under oppbevaring.
- Batteriet må ikke oppbevares der det kan forekomme statisk elektrisitet. Ikke oppbevar batteriet i en metallkasse.
- Oppbevar produktet på et sted der omgivelsestemperaturen er mellom  $-10^{\circ}\text{C}$  og  $40^{\circ}\text{C}$ .
- Oppbevar batteriet et sted omgivelsestemperaturen er mellom  $5^{\circ}\text{C}$  og  $25^{\circ}\text{C}$  og borte fra sollys.
- Oppbevar batteriladeren et sted omgivelsestemperaturen er mellom  $5^{\circ}\text{C}$  og  $45^{\circ}\text{C}$  og borte fra sollys.
- Kontroller at batteriet er ladet til 30–50 % før du setter det til oppbevaring i lange perioder.
- Oppbevar produktet, batteriet og batteriladeren i et låsbart område, utilgjengelige for barn og uautoriserte personer.
- Rengjør produktet, og kontroller at gressoppsamleren er tom.
- Utfør vedlikeholdsprosedyrene som er beskrevet i denne bruksanvisningen. Se *Vedlikehold på side 322.*

- Utfør en fullstendig service før du setter produktet til oppbevaring i lang tid.

## **Avhending**

Symbolene på produktet eller produktemballasjen indikerer at produktet ikke skal håndteres som husholdningsavfall. Produktet skal innleveres til et gjenvinningsanlegg som gjenvinner elektrisk og elektronisk utstyr.

Ved å sikre at produktet håndteres på riktig måte, kan du bidra til å motvirke potensielt negative virkninger på miljø og mennesker, som kan oppstå som følge av at produktet ikke avfallshåndteres på riktig måte. Kontakt det lokale renovasjonsvesenet eller forhandleren der du kjøpte produktet hvis du ønsker mer detaljert informasjon.

(Fig. 49)

## Tekniske data

### Tekniske data

	LC 251i	LC 251iS
<b>Klippemotor</b>		
Motorstype	BLDC (børsteløs) 36 V	BLDC (børsteløs) 36 V
Motorhastighet – SavE, turtall	2600/min	2600/min
Motorhastighet – nominell, turtall	3000/min	3000/min
Motorhastighet – høybelastning, turtall	3500/min	3500/min
Motoreffekt – maks. kW	1,4	1,4
Motoreffekt – nominell, kW	0,9	0,9
<b>Drivmotor</b>		
Motoreffekt – nominell, kW	Ikke tilgjengelig	0,4
Selvgående hastighet, km/t	Ikke tilgjengelig	4,0
Nivåer for hastighetsjustering	Ikke tilgjengelig	1
<b>Vekt</b>		
Vekt uten pose (uten batteri), kg	25,5	27
Vekt med pose (inkl. 2 stk. BLi30), kg	31,5	33
<b>Batteri</b>		
Batteritype	Husqvarna-batteriserien	Husqvarna-batteriserien
<b>Batteriets driftstid</b>		
Batteriets driftstid, min. (frikjøring) med SavE aktivert, med ett Husqvarna 7,5 Ah-batteri (BLi30)	58	51
Batteriets driftstid, min., (frikjøring) med standardmodus aktivert, med ett Husqvarna 7,5 Ah-batteri (BLi30)	42	38
<b>Støyutslipp</b> <sup>70</sup>		
Lydeffektnivå, målt dB (A)	96	96
Lydeffektnivå, garantert L <sub>WA</sub> dB (A)	98	98
<b>Lydnivåer</b> <sup>71</sup>		
Lydrykknivå ved brukerens øre, dB (A)	85	85
<b>Vibrasjonsnivåer</b> <sup>72</sup>		
Håndtak, m/s <sup>2</sup>	0,7	0,7

<sup>70</sup> Utslipp av støy til omgivelsene målt som lydeffekt (L<sub>WA</sub>) samsvarer med EF-direktiv 2000/14/EF.

<sup>71</sup> Rapporterte data for lydtrykksnivå har en usikkerhetsfaktor (K) på 1,5 dB (A).

<sup>72</sup> Rapporterte data for vibrasjonsnivåer har en usikkerhetsfaktor (K) på 1,5m/s<sup>2</sup>. Det oppgitte totale vibrasjonsnivået er målt i samsvar med EN 62841-4-3, Vedlegg I, og kan brukes til å sammenligne en maskin med en annen og i en innledende vurdering av eksponering.

	LC 251i	LC 251iS
<b>Klippøutstyr</b>		
Klippehøyde, mm	25–75	25–75
Klippebredde, mm	510	510
Kniv – standard	Samling 5928704-01	Samling 5928704-01
Gressoppsamlerkapasitet, liter	65	65

Godkjente batterier	Type	Batterikapasitet, Ah	Spenning, V	Vekt, lb/kg
BLi30	Litium-ion	7,5	36	4,2 / 1,9
40-B140	Litium-ion	4,0	36	2,6/1,2

Godkjente ladere for de spesifiserte batteriene, BLi	Inngangsspenning, V	Frekvens, Hz	Effekt, W
40-C80	100–240	50–60	68,8
QC250	100–240	50–60	250



---

# Samsvarserklæring

---

## EU-samsvarserklæring

Vi, **Husqvarna AB**, SE-561 82 Huskvarna, Sverige, tlf.:  
+46 36 146500, erklærer på eget ansvar at produktet:

<b>Beskrivelse</b>	Gressklipper
<b>Merke</b>	Husqvarna
<b>Type/modell</b>	LC 251i, LC 251iS
<b>ID</b>	Serienumre datert 2023 og senere

fullstendig overholder følgende EU-direktiver og  
-forskrifter:

<b>Regulering</b>	<b>Beskrivelse</b>
2006/42/EC	«angående maskiner»
2014/30/EU	«om elektromagnetisk kompatibilitet»
2000/14/EC	«angående utslipp av støy til omgivelsene»
2011/65/EU	«om begrensning av bruk av visse farlige stoffer i elektrisk og elektronisk utstyr»

og at følgende standarder eller tekniske spesifikasjoner  
er anvendt: EN 62841-1:2015/A11:2022, EN IEC  
62841-4-3:2021/A11:2021, EN IEC 55014-1:2021, EN  
IEC 55014-2:2021, EN IEC 63000:2018

Kontrollorgan: 0404, SMP Svensk Maskinprovning AB,  
Box 4053, SE-904 03 Umeå, Sweden Har bekreftet  
samsvar med rådsdirektivet 2000/14/EF, prosedyre for  
overensstemmelsesvurdering: Vedlegg VI.

For informasjon som gjelder støyutslipp, kan du se  
*Tekniske data på side 327.*

Huskvarna, 2023-12-11



Claes Losdal, Utviklingssjef/hageproduktansvarlig,  
Husqvarna AB

Ansvarlig for teknisk dokumentasjon



---

# SPIS TREŚCI

---

Wstęp.....	330	Rozwiązywanie problemów.....	342
Bezpieczeństwo.....	331	Transport, przechowywanie i utylizacja.....	344
Montaż.....	337	Dane techniczne.....	345
Przeznaczenie.....	337	Deklaracja zgodności.....	347
Przegląd.....	340		

---

## Wstęp

---

### Opis produktu

Produkt jest rotacyjną kosiarką obsługiwaną przez operatora. Trawa zbierana jest do pojemnika na trawę. Zamontować deflektor wyrzutu boczno w celu wykonania wyrzutu boczno trawy.

### Przegląd produktu

(Rys. 1)

1. Dźwignia hamulca silnikowego
2. Blokada rozruchu
3. Dźwignia napędu (LC 251iS)
4. Pokrywa tylna
5. Pojemnik na trawę
6. Pokrętko uchwytu
7. Dźwignia regulacji wysokości koszenia
8. Blokada wyrzutu
9. Pokrywa wyrzutu boczno
10. Pokrywa akumulatora
11. Symbole
12. Kluczyk bezpieczeństwa
13. Kontrolka ostrzegawcza (diody LED błędo)
14. Przycisk Save
15. Osłona modułu tnącego
16. Uchwyt / uchwyt sterowniczy
17. Uchwyty do podnoszenia
18. Wyrzut boczno
19. Instrukcja obsługi

### Symbole znajdujące się na produkcie

(Rys. 2) OSTRZEŻENIE

(Rys. 3) Przeczytać instrukcje.

(Rys. 4) OSTRZEŻENIE – uważać na odrzucane przedmioty.

(Rys. 5) Osoby postronne powinny zachować odpowiednią odległość.

(Rys. 6) OSTRZEŻENIE – nie zbliżać rąk i stóp do noży.

### Przeznaczenie

Produkt służy fo cięcia trawy. Nie używać produktu do innych zadań.

(Rys. 7) OSTRZEŻENIE – przed przystąpieniem do konserwacji odłączyć akumulator.

(Rys. 8) Tego produktu ani opakowania nie można traktować jak odpadów domowych. Należy poddawać je recyklingowi w zatwierdzonym punkcie zbiórki sprzętu elektrycznego i elektronicznego.

(Rys. 9) Etykieta emisji hałasu do środowiska zgodnie z dyrektywami oraz przepisami UE i Wielkiej Brytanii, a także przepisami Nowej Południowej Walii „Protection of the Environment Operations (Noise Control) Regulation 2017”. Gwarantowany poziom mocy akustycznej urządzenia jest określony w *Dane techniczne na stronie 345* oraz na etykiecie.

(Rys. 10) Niniejszy osprzęt jest zgodny z obowiązującymi dyrektywami wspólnoty europejskiej.

(Rys. 11) Ten produkt jest zgodny z przepisami obowiązującymi w Wielkiej Brytanii.

(Rys. 12) Produkt jest zabezpieczony przed przeciekaniem.

(Rys. 13) Zwolnić dźwignię hamulca silnikowego, aby zatrzymać.

(Rys. 14) Kod do przeskanowania

---

**Uwaga:** Pozostałe symbole/naklejki samoprzylepne umieszczone na produkcie dotyczą wymogów związanych z certyfikatami w niektórych krajach.

---

## Etykieta znajdująca się na produkcie

(Rys. 15)

NIEBEZPIECZEŃSTWO – nie zbliżać rąk ani stóp.

## Uszkodzenie produktu

Nie odpowiadamy za uszkodzenia naszego produktu, w przypadku gdy:

- produkt jest nieprawidłowo naprawiany.

- produkt jest naprawiany przy użyciu części niepochodzących od producenta lub niezatwierdzonych przez producenta.
- produkt jest wyposażony w akcesoria niepochodzące od producenta lub niezatwierdzone przez producenta.
- produkt nie jest naprawiany w autoryzowanym centrum serwisowym lub przez autoryzowaną placówkę.

---

## Bezpieczeństwo

---

### Definicje dotyczące bezpieczeństwa

Ostrzeżenia, uwagi i informacje są używane do zwrócenia uwagi na szczególnie ważne sekcje instrukcji obsługi.



**OSTRZEŻENIE:** Jest używane, gdy istnieje ryzyko poważnych obrażeń, śmierci operatora lub uszkodzenia otoczenia w wyniku nieprzestrzegania instrukcji obsługi.



**UWAGA:** Jest używane, gdy istnieje ryzyko uszkodzenia materiałów lub urządzenia w wyniku nieprzestrzegania instrukcji obsługi.

**Uwaga:** Stosuje się, aby przekazać więcej informacji, które są przydatne w danej sytuacji.

### Ostrzeżenia dotyczące bezpieczeństwa ogólnego produktu



**OSTRZEŻENIE:** Zapoznać się ze wszystkimi ostrzeżeniami dotyczącymi bezpieczeństwa, instrukcjami, ilustracjami i specyfikacjami dołączonymi do tego produktu. Niezastosowanie się do wszystkich poniższych instrukcji może spowodować porażenie prądem, pożar i/lub poważne obrażenia.

Zachować wszystkie ostrzeżenia i instrukcje do korzystania z nich w przyszłości. Termin „produkt” w ostrzeżeniach dotyczy Twojego produktu zasilanego prądem z sieci elektrycznej (z przewodem) lub produktu zasilanego prądem z akumulatora (bezp przewodowego).

### Bezpieczeństwo miejsca pracy

- **Miejsce pracy powinno być czyste i dobrze oświetlone.** Obszary zaciemnione i takie, w których panuje nieład, mogą powodować wypadki.
- **Nie należy używać produktu w atmosferze wybuchowej, takiej jak w przypadku obecności**

łatwopalnych cieczy, gazów lub pyłów. Produkt tworzy iskry, które mogą zapalić pył lub opary.

- **Podczas pracy z użyciem produktu należy uważać, aby dzieci i osoby postronne nie zbliżyły się do miejsca pracy.** W wyniku utraty uwagi możesz stracić kontrolę nad urządzeniem.

### Bezpieczeństwo elektryczne

- **Wtyczki produktu muszą pasować do gniazdka. Zabrania się dokonywania przeróbek wtyczki. Nie wolno stosować adapterów wtyczek produktów z uziemieniem.** Nieprzerobione wtyczki i dopasowane gniazdka pozwalają zredukować ryzyko porażenia prądem.
- **Należy unikać kontaktu ciała z powierzchniami uziemionymi, takimi jak rury, grzejniki, kuchenki i lodówki.** Uziemienie ciała powoduje zwiększenie ryzyka porażenia prądem.
- **Nie wystawiać produktu na działanie deszczu ani wilgoci.** Przedostanie się wody do produktu zwiększa ryzyko porażenia prądem.
- **Nie niszczyć przewodu. Nie wolno używać przewodu do przenoszenia, ciągnięcia lub odłączania produktu. Przewód należy utrzymywać z dala od źródeł ciepła, olejów, ostrych krawędzi lub ruchomych części.** Uszkodzone lub splecione kable zwiększają zagrożenie porażenia prądem.
- **Używając produktu na zewnątrz budynków, należy stosować przedłużacz przystosowany do użytku zewnętrznego.** Stosowanie przewodu przeznaczonego do użytku na zewnątrz budynków pozwala ograniczyć ryzyko porażenia prądem.
- **Jeśli produkt musi być używany w warunkach dużej wilgotności, stosować zasilanie chronione wyłącznikiem różnicowo-prądowym (RCD).** Korzystanie z wyłącznika różnicowo-prądowego zmniejsza ryzyko porażenia prądem.

### Bezpieczeństwo osób

- **Podczas używania produktu należy zachować skupienie, obserwować wykonywane czynności i kierować się zdrowym rozsądkiem. Produktu nie wolno używać w przypadku zmęczenia ani pod wpływem narkotyków, alkoholu lub leków.** Chwila nieuwagi podczas obsługi produktu może doprowadzić do poważnych obrażeń.

- **Stosować środki ochrony osobistej. Należy zawsze stosować środki ochrony wzroku.** Sprzęt ochronny, taki jak maski, antypoślizgowe buty robocze, kask lub środki ochrony słuchu stosowane w odpowiednich warunkach pozwalają obniżyć ryzyko odniesienia obrażeń.
- **Należy zapobiec niezamierzonemu rozruchowi. Przed podłączeniem do źródła zasilania i/lub akumulatora, podniesieniem lub przenoszeniem produktu należy upewnić się, że przełącznik znajduje się w położeniu wyłączenia.** Przeniesienie produktu z palcem na przełączniku lub włączenie zasilania produktu, który ma przełącznik w pozycji włączonej, sprzyja wypadkom.
- **Przed włączeniem produktu należy usunąć wszelkie klucze i inne narzędzia.** Klucze lub inne narzędzia, pozostawione przy obracającej się części produktu, mogą spowodować obrażenia ciała.
- **Nie należy przeceniać swoich możliwości. Stać na stabilnym podłożu i zachować równowagę.** Pozwoli to zachować lepszą kontrolę nad produktem w nieoczekiwanych sytuacjach.
- **Należy odpowiednio się ubierać. Nie należy zakładać luźnych ubrań i nosić biżuterii. Włosy oraz ubranie należy trzymać z dala od elementów ruchomych.** Luźna odzież, biżuteria lub długie włosy mogą zostać wciągnięte przez ruchome części.
- **Jeśli dołączone jest wyposażenie służące do podłączenia urządzeń odprowadzających i gromadzących pył, należy zadbać o jego podłączenie i właściwe używanie.** Stosowanie urządzeń odprowadzających pył może ograniczyć zagrożenia związane z obecnością pyłu.
- **Częste używanie produktu nie zwalnia operatora z obowiązku zachowania czujności i przestrzegania zasad bezpieczeństwa dotyczących używania produktu.** Nierozważne działanie może doprowadzić do poważnych obrażeń w ułamku sekundy.

## **Eksploatacja i konserwacja produktu**

- **Nie wymuszać większych osiągnięć produktu. Używać produktu dopasowanego do zastosowania.** Właściwy produkt pozwoli lepiej i bezpieczniej wykonać pracę z przewidzianą prędkością.
- **Nie wolno używać produktu, jeśli nie można go włączyć lub wyłączyć przy użyciu przełącznika.** Jeśli produkt nie może być kontrolowany za pomocą przełącznika, jest on niebezpieczny i musi zostać oddany do naprawy.
- **Przed dokonaniem jakichkolwiek regulacji, zmianą akcesoriów lub pozostawieniem produktu na czas przechowywania należy odłączyć wtyczkę od źródła zasilania i/lub, jeśli jest to możliwe, wymontować akumulator.** Takie działanie zapobiegawcze redukuje ryzyko przypadkowego uruchomienia produktu.
- **Nie używany produkt należy przechowywać w miejscu niedostępnym dla dzieci. Nie wolno pozwalać, aby produkt obsługiwały osoby nie zaznajomione z produktem lub niniejszymi**

**instrukcjami.** W rękach nieprzeszkolonych użytkowników produkty mogą być niebezpieczne.

- **Konserwować produkty i akcesoria. Produkt należy sprawdzić pod kątem niedopasowania ruchomych części, uszkodzenia elementów i innych nieprawidłowości, które mogą mieć wpływ na jego działanie. W przypadku uszkodzenia naprawić produkty przed jego ponownym użyciem.** Powodem wielu wypadków jest niewłaściwa konserwacja produktów.
- **Narzędzia tnące należy utrzymywać w stanie naostrzonym i czystym.** Właściwie konserwowane narzędzia tnące, z ostrymi krawędziami tnącymi dają mniejsze prawdopodobieństwo zacinania i łatwiej je kontrolować.
- **Produkty, oprzyrządowanie i końcówki itp. muszą być używane zgodnie z niniejszymi instrukcjami, biorąc pod uwagę warunki robocze oraz wykonywane zadanie.** Używanie produktu do zadań innych niż te, do których jest przeznaczony, może być niebezpieczne.
- **Utrzymywać uchwyty i powierzchnie do chwytania w stanie suchym, czystym oraz wolnym od smaru i oleju.** Śliskie uchwyty i powierzchnie do chwytania uniemożliwiają bezpieczną obsługę i kontrolę produktu w nieoczekiwanych sytuacjach.

## **Użytkowanie i konserwacja narzędzia elektrycznego zasilanego akumulatorem**

- **Ładować jedynie za pomocą ładowarki wskazanej przez producenta.** Ładowarka przeznaczona do jednego rodzaju akumulatora może grozić pożarem w przypadku wykorzystania jej do ładowania innego rodzaju akumulatora.
- **Urządzeń należy używać wyłącznie w połączeniu z określonym rodzajem akumulatorów.** Użycie akumulatorów innego rodzaju może stworzyć zagrożenie obrażeniami ciała i pożarem.
- **Kiedy akumulator nie jest używany, należy przechowywać go z dala od innych metalowych przedmiotów, takich jak spinacze do papieru, monety, klucze, gwoździe i śruby oraz innych niewielkich metalowych przedmiotów, które mogłyby połączyć dwa zaciski akumulatora.** Spięcie zacisków akumulatora może spowodować oparzenia lub pożar.
- **W niewłaściwych warunkach z akumulatora może wypłynąć płyn. Należy unikać kontaktu z tym płynem. Jeżeli dojdzie do kontaktu, przemyć wodą. Jeśli dojdzie do kontaktu płynu z oczami, należy dodatkowo skorzystać z pomocy medycznej.** Płyn wydostający się z akumulatora może wywołać podrażnienia lub oparzenia.
- **Nie używać akumulatora ani narzędzia, jeśli są one uszkodzone lub zostały zmodyfikowane.** Uszkodzone lub zmodyfikowane akumulatory mogą charakteryzować się nieprzewidywalnymi właściwościami skutkującymi pożarem, eksplozją lub ryzykiem doznania obrażeń przez użytkownika.

- **Nie wystawiać akumulatora ani narzędzia na działanie ognia bądź nadmiernej temperatury.** Narażenie na pożar lub temperaturę przekraczającą 130°C (265°F) może spowodować wybuch.
- **Postępować zgodnie ze wszystkimi instrukcjami dotyczącymi ładowania i nie ładować akumulatora ani narzędzia w temperaturach wykraczających poza zakres określony w instrukcji.** Nieprawidłowe ładowanie lub ładowanie w temperaturach wykraczających poza dopuszczalny zakres może uszkodzić akumulator i zwiększyć ryzyko pożaru.

## Serwis

- **Produkt może serwisować wyłącznie wykwalifikowany personel serwisowy przy użyciu identycznych części zamiennych.** Zapewni to bezpieczeństwo użytkownika produktu.
- **Pod żadnym pozorem nie należy serwisować uszkodzonych akumulatorów.** Akumulatory może serwisować wyłącznie producent lub autoryzowany serwis.

## Ostrzeżenia dotyczące bezpieczeństwa użytkownika kosiarki

- **Nie używać kosiarki w złych warunkach pogodowych, szczególnie jeśli istnieje ryzyko wystąpienia burzy.** Zmniejsza to ryzyko porażenia piorunem.
- **Dokładnie sprawdzić obszar, w którym ma być używana kosiarka, pod kątem występowania dzikich zwierząt.** Pracująca kosiarka jest niebezpieczna dla dzikich zwierząt.
- **Należy dokładnie sprawdzić miejsce, w którym będzie używana kosiarka, i usunąć wszelkie kamienie, patyki, druty, kości i inne przedmioty.** Wyrzucane przedmioty mogą spowodować obrażenia.
- **Przed użyciem kosiarki należy zawsze wzrokowo sprawdzić, czy noże, śruba noży i zespół noży nie są zużyte ani uszkodzone.** Zużyte lub uszkodzone części zwiększają ryzyko odniesienia obrażeń.
- **Regularnie sprawdzaj pojemnik na trawę pod kątem zużycia.** Zużyty lub uszkodzony pojemnik na trawę może zwiększyć ryzyko odniesienia obrażeń.
- **Oslony muszą być założone. Oslony muszą być sprawne i prawidłowo zamontowane.** Poluzowana, uszkodzona lub nieprawidłowo działająca osłona może spowodować obrażenia.
- **Utrzymywać wszelkie wloty powietrza chłodzącego w czystości.** Zablokowane wloty powietrza i zanieczyszczenia mogą spowodować przegrzanie lub wywołać pożar.
- **Podczas obsługi kosiarki należy zawsze nosić obuwie przeciwpoślizgowe i ochronne. Nie obsługiwać kosiarki boso lub w sandałach.** Zmniejsza to ryzyko obrażeń stóp w wyniku kontaktu z ruchomymi nożami.
- **Podczas używania kosiarki należy zawsze nosić długie spodnie.** Odsłonięta skóra jest bardziej

narażona na obrażenia powodowane przez wyrzucane przedmioty.

- **Nie używać kosiarki do koszenia mokrej trawy. Należy iść, nie biec.** Zmniejsza to ryzyko poślizgnięcia się i upadku, a tym samym odniesienia obrażeń.
- **Nie wolno używać kosiarki na zbyt stromych zboczach.** Zmniejsza to ryzyko utraty kontroli, poślizgnięcia się i upadku, a tym samym odniesienia obrażeń.
- **Podczas pracy na pochylnościach należy zawsze stawać na stabilnym podłożu i pracować w poprzek zbocza, a nie w górę lub w dół, a także zachować szczególną ostrożność przy zmianie kierunku jazdy.** Zmniejsza to ryzyko utraty kontroli, poślizgnięcia się i upadku, a tym samym odniesienia obrażeń.
- **Należy zachować szczególną ostrożność przy wycofywaniu lub przyciąganiu kosiarki do siebie. Należy zawsze uważać na otoczenie.** Zmniejsza to ryzyko potknięcia się podczas pracy.
- **Nie wolno dotykać noży ani innych niebezpiecznych ruchomych części, gdy są w ruchu.** Zmniejsza to ryzyko odniesienia obrażeń przez ruchome części.
- **Na czas usuwania zakleszczonego materiału lub czyszczenia kosiarki należy upewnić się, że wszystkie przełączniki znajdują się w pozycji wyłączenia, a akumulator jest odłączony.** Nieoczekiwane uruchomienie kosiarki może spowodować poważne obrażenia ciała.
- **Na czas usuwania zakleszczonego materiału lub czyszczenia kosiarki należy upewnić się, że wszystkie przełączniki znajdują się w pozycji wyłączenia, a następnie usunąć urządzenie wyłączenia.** Nieoczekiwane uruchomienie kosiarki może spowodować poważne obrażenia ciała.

## Wyłącznik różnicowo-prądowy

- Stosować wyłącznik różnicowo-prądowy o prądzie wyzwalającym nie większym niż 30 mA.

## Ogólne zasady bezpieczeństwa



**OSTRZEŻENIE:** Przed rozpoczęciem użytkowania produktu przeczytać następujące ostrzeżenia.

- Produkt ten może być niebezpieczny w przypadku jego nieprawidłowego użytkowania i niezachowania ostrożności. Nieprzestrzeganie instrukcji bezpieczeństwa może spowodować obrażenia ciała lub śmierć.
- Niniejszy produkt podczas pracy wytwarza pole elektromagnetyczne. W pewnych okolicznościach pole to może zakłócać pracę aktywnych lub pasywnych implantów medycznych. Przed użyciem tego produktu osoby z wszczepionym implantem medycznym powinny skonsultować się z lekarzem i producentem implantu w celu ograniczenia ryzyka poważnych lub śmiertelnych obrażeń.

- Zawsze zachowywać ostrożność i kierować się zdrowym rozsądkiem. Jeśli nie ma pewności, w jaki sposób należy obsługiwać ten produkt w konkretnej sytuacji, przed wznowieniem pracy należy porozmawiać z dealerem Husqvarna.
- Pamiętać o tym, że operator ponosi odpowiedzialność za wypadki z udziałem innych ludzi i ich własności.
- Utrzymywać produkt czystym. Upewnić się, że można łatwo odczytać oznaczenia i naklejki.
- Nie wolno pozwalać dzieciom ani osobom, które nie zapoznały się z niniejszymi instrukcjami obsługi, na obsługiwanie urządzenia. Przepisy lokalne mogą narzucać ograniczenia dotyczące wieku operatora urządzenia.
- Należy zawsze kontrolować osobę o ograniczonych możliwościach fizycznych lub umysłowych podczas używania produktu. Zawsze musi jej towarzyszyć odpowiedzialna osoba dorosła.
- Osoba, która jest zmęczona, chora lub pod wpływem alkoholu, narkotyków lub leków nie może obsługiwać urządzenia. Stany te mają negatywny wpływ na wzrok, uwagę, koordynację i osąd.
- Jeżeli produkt jest uszkodzony lub nie działa prawidłowo, nie należy go używać.
- Nie wolno dokonywać w maszynie zmian stanowiących modyfikację jej oryginalnej wersji. Nie używać maszyny, jeżeli istnieje podejrzenie, że ktoś inny wprowadził w niej zmiany.

## Pracuj bezpiecznie



**OSTRZEŻENIE:** Przed rozpoczęciem użytkowania produktu przeczytać następujące ostrzeżenia.

- Używać maszyny wyłącznie do przycinania trawników. Nie jest dozwolone wykorzystanie maszyny do innych zadań.
- Stosować środki ochrony osobistej. Patrz *Środki ochrony osobistej na stronie 334*.
- Należy zawsze wiedzieć, jak szybko wyłączyć silnik w razie awarii.
- Nie używać urządzenia podczas deszczu ani w wilgotnym otoczeniu. Dostanie się wody do wnętrza urządzenia zwiększa ryzyko porażenia prądem.
- Nie należy obsługiwać maszyny, jeśli ostrze oraz wszystkie pokrywy nie zostały prawidłowo zamocowane. Nieprawidłowo zamocowane ostrze może się obluźnić i spowodować obrażenia.
- Należy upewnić się, że ostrze nie uderza w żadne obiekty, takie jak kamienie czy korzenie. Może to spowodować uszkodzenie ostrza oraz wygięcie wału silnika. Zgięta oś powoduje silne wibracje oraz bardzo wysokie zagrożenie obluźwaniem ostrza.
- Jeśli ostrze uderzy w jakikolwiek obiekt lub jeśli wystąpią wibracje, należy natychmiast wyłączyć maszynę. Wyłącz silnik, przekręć kluczyk

- bezpieczeństwa do położenia „0” i wyjmij akumulator. Poczekać, aż ruchome części zatrzymają się. Należy sprawdzić maszynę pod kątem uszkodzeń. Dokręcić luźne części. Naprawić uszkodzenia i wymienić uszkodzone części. Wykonanie przeglądu należy zlecić autoryzowanemu warsztatowi obsługi technicznej.
- Nigdy nie należy na stałe przymocowywać uchwytu hamulca silnikowego do uchwytu podczas pracy silnika.
- Maszynę należy ustawić na stabilnej, płaskiej powierzchni i ją urochomić. Należy upewnić się, że ostrza nie uderzają w podłoże lub inne przedmioty.
- Podczas obsługi maszyny zawsze należy stać za nią.
- Podczas obsługi maszyny należy upewnić się, że wszystkie koła dotykają podłoża oraz trzymać na kierownicy obie dłonie. Nie zbliżać rąk i stóp do obracających się noży.
- Nie przechylać produktu podczas uruchamiania silnika ani podczas pracy produktu.
- Należy zachować ostrożność podczas ciągnięcia maszyny do tyłu.
- Nigdy nie należy podnosić maszyny przy włączonym silniku. Jeśli konieczne jest podniesienie urządzenia, należy najpierw wyłączyć silnik, przekręcić kluczyk bezpieczeństwa do położenia „0” i wyjąć akumulator.
- Nie należy poruszać się do tyłu podczas obsługi maszyny.
- Gdy zachodzi konieczność przechylenia produktu na czas transportu lub przed rozpoczęciem jazdy po obszarach bez trawy, np. po ścieżkach wykonanych ze żwiru, kamienia lub asfaltu, zatrzymać silnik.
- Nie należy biegać z maszyną przy włączonym silniku. Podczas obsługi maszyny zawsze należy poruszać się chodem.
- Przed zmianą wysokości koszenia należy wyłączyć silnik. Nie wolno przeprowadzać regulacji, gdy silnik pracuje.
- Nigdy nie należy pozostawiać maszyny poza zasięgiem wzroku przy włączonym silniku. Należy wyłączyć silnik i upewnić się, że narzędzia tnące nie obracają się.
- Drgania produktu podczas pracy mogą różnić się od wartości drgań deklarowanej w *Dane techniczne na stronie 345*. Różnica jest spowodowana różnymi sposobami użytkowania produktu. W przypadku częstej lub dłuższej eksploatacji produktu należy regularnie robić przerwy, aby zapobiec obrażeniu ciała w wyniku wibracji.

## Instrukcje bezpieczeństwa dotyczące obsługi

### Środki ochrony osobistej



**OSTRZEŻENIE:** Przed rozpoczęciem użytkowania produktu przeczytać następujące ostrzeżenia.

- Środki ochrony osobistej nie eliminują ryzyka odniesienia obrażeń, ograniczają natomiast ich rozmiar w razie zaistnienia wypadku. Skorzystaj z pomocy dealera przy wyborze odpowiedniego sprzętu.
- Należy używać mocnego, przeciwpoślizgowego obuwia ochronnego lub obuwia roboczego. Nie należy używać otwartego obuwia lub chodzić boso.
- Stosować wytrzymałe, długie spodnie.
- W razie potrzeby, na przykład podczas mocowania, badania czy czyszczenia narzędzi tnących, stosować rękawice ochronne.
- Zalecamy stosowanie ochronników słuchu.

## Urządzenia zabezpieczające na produkcji



**OSTRZEŻENIE:** Przed rozpoczęciem użytkowania produktu przeczytać następujące ostrzeżenia.

- Nie używać produktu z urządzeniami zabezpieczającymi, które są uszkodzone lub nie działają prawidłowo.
- Nie wolno wymontowywać ani modyfikować urządzeń zabezpieczających.
- Regularnie przeprowadzać kontrole urządzeń zabezpieczających. Jeśli urządzenia zabezpieczające są uszkodzone lub nie działają prawidłowo, należy skontaktować się z warsztatem obsługi technicznej Husqvarna.

## Sprawdzanie osłony modułu tnącego

Osłona modułu tnącego ogranicza drgania urządzenia i obniża ryzyko odniesienia obrażeń od ostrza.

- Zbadać osłonę modułu tnącego, aby upewnić się, że nie nosi ona znamion uszkodzenia, takich jak pęknięcia.

## Sprawdzanie kluczyka bezpieczeństwa

Kluczyk bezpieczeństwa znajduje się pod pokrywą akumulatora. Kluczyk bezpieczeństwa służy do podłączenia akumulatora, który zasila silnik.

- Uruchomić i wyłączyć silnik, aby przeprowadzić kontrolę kluczyka bezpieczeństwa.
- Jeżeli kluczyk bezpieczeństwa działa prawidłowo, silnik uruchomi się tylko po przekręceniu kluczyka w położenie 1. (Rys. 16)

## Sprawdzanie tylnej pokrywy

Tylna pokrywa ogranicza ryzyko wyrzucenia przedmiotów w kierunku operatora.

- Upewnić się, że tylna pokrywa nie jest uszkodzona.
- Upewnić się, że sprężyny zamykające tylną pokrywę nie są uszkodzone.
- Wymienić uszkodzone sprężyny i części.
- Upewnić się, że tylna pokrywa porusza się swobodnie w zawiasach.

## Sprawdzanie uchwytu hamulca silnika

Uchwyt hamulca silnika zatrzymuje silnik. Po zwolnieniu uchwytu hamulca silnika następuje wyłączenie silnika.

- Uruchomić produkt. Patrz *Uruchamianie urządzenia na stronie 338*.
- Zwolnić uchwyt hamulca silnika. (Rys. 17)
- Sprawdzić, czy urządzenie się zatrzymuje. Jeśli silnik nie wyłączy się w czasie 3 sekund, autoryzowany punkt serwisowy Husqvarna powinien wyregulować hamulec silnika.

## Sprawdzanie blokady rozruchu

Skontrolować zabezpieczenie przed niepożądanym uruchomieniem urządzenia, aby upewnić się, że zapobiega ono uruchomieniu silnika.

1. Pchnąć dźwignię hamulca silnika w stronę drążka sterującego. Zabezpieczenie przed niepożądanym uruchomieniem urządzenia zatrzymuje ruch.
2. Popchnąć zabezpieczenie przed niepożądanym uruchomieniem na zewnątrz. (Rys. 18)
3. Zwolnić zabezpieczenie przed niepożądanym uruchomieniem urządzenia, aby upewnić się, że powróci do swojego położenia wyjściowego.

## Zasady bezpieczeństwa związane z akumulatorem



**OSTRZEŻENIE:** Przed rozpoczęciem użytkowania produktu przeczytać następujące ostrzeżenia.

- Używać akumulatorów Husqvarna wyłącznie do zasilania powiązanych produktów Husqvarna. Aby uniknąć obrażeń, nie należy używać akumulatora jako źródła zasilania innych produktów.
- Nie używać baterii jednorazowego użytku.
- Ryzyko porażenia prądem. Nie przykładać zacisków akumulatora do kluczy, monet, śrub lub innych metalowych przedmiotów. Może to spowodować zwarcie akumulatora.
- Nie wkładać żadnych przedmiotów do szczelin powietrznych akumulatora.
- Chronić akumulator przed bezpośrednim działaniem promieni słonecznych, wysoką temperaturą i otwartym płomieniem. Akumulator może wybuchnąć i spowodować oparzenia i/lub oparzenia chemiczne.
- Akumulator należy chronić przed deszczem i wodą.
- Akumulator należy chronić przed działaniem mikrofal i wysokiego ciśnienia.
- Nie próbować rozbierać ani rozbić akumulatora.
- Jeśli doszło do wycieku z akumulatora, unikać kontaktu cieczy ze skórą i oczami. W przypadku dotknięcia cieczy przemyć skórę dużą ilością wody i zgłosić się do lekarza.
- Akumulator produktu może być używany wyłącznie przy temperaturze otoczenia od 5 do 40°C.

- Ładowarka akumulatora może być używana wyłącznie przy temperaturze otoczenia od 5 do 40°C.
- Akumulator nie będzie się ładować, jeżeli jego temperatura przekroczy 50°C.
- Do czyszczenia akumulatora i ładowarki nie należy używać wody. Patrz *Czyszczenie akumulatora i ładowarki na stronie 341*.
- Nie wolno używać uszkodzonego akumulatora.
- Przechowywać akumulatory z dala od metalowych przedmiotów, takich jak gwoździe, monety czy biżuteria.

## Zasady bezpieczeństwa w czasie obsługi ładowarki



**OSTRZEŻENIE:** Przed rozpoczęciem użytkowania produktu przeczytać następujące ostrzeżenia.

- Używać ładowarki QC jedynie do ładowania akumulatorów wymiennych Husqvarna.
- Istnieje ryzyko porażenie prądem i zwarcia. Nie wkładać żadnych przedmiotów do szczelin wentylacyjnych ładowarki. Nie należy podejmować prób rozmontowania ładowarki. Nie zwierać końcówek ładowarki metalowymi przedmiotami. Należy korzystać z zatwierdzonego gniazda zasilania.
- Niniejszy produkt podczas pracy wytwarza pole elektromagnetyczne. W pewnych okolicznościach pole to może zakłócać pracę aktywnych lub pasywnych implantów medycznych. Przed przystąpieniem do pracy z produktem, w celu ograniczenia ryzyka poważnych lub śmiertelnych obrażeń, osoby posiadające implanty medyczne powinny skonsultować się z lekarzem oraz ich producentem.
- Należy regularnie sprawdzać, czy przewód zasilający ładowarki do akumulatora nie jest uszkodzony i popękany.
- Nie podnosić ładowarki do akumulatora za przewód zasilający. Aby odłączyć ładowarkę do akumulatora od gniazda, wyciągnąć wtyczkę. Nie ciągnąć za przewód.
- Uważać, aby przewód zasilający i przedłużacze nie stykały się z wodą, olejem ani nie dotykały ostrych krawędzi. Uważać także, aby przewód nie został zakleszczony w drzwiach, furkach, plotach itp. Może to spowodować, że ładowarka znajdzie się pod napięciem.
- Do czyszczenia ładowarki nie należy używać wody.
- Ładowarka do akumulatora może być używana przez dzieci, które przekroczyły 8 rok życia, oraz przez osoby o ograniczonych zdolnościach fizycznych, sensorycznych bądź umysłowych lub nie posiadające odpowiedniego doświadczenia i wiedzy, jeśli są one pod nadzorem lub zostały poinstruowane w zakresie bezpiecznego użytkowania ładowarki

i rozumieją wiążące się z nią zagrożenia. Dzieci nie mogą bawić się ładowarką do akumulatora. Dzieci nie mogą bez nadzoru czyścić urządzenia ani przeprowadzać jego konserwacji.

- Nie należy ładować akumulatorów nieprzeznaczonych do ładowania.
- Nie używać ładowarki do akumulatora w pobliżu łatwopalnych materiałów lub materiałów, które mogą powodować korozję. Ładowarki nie należy przykrywać. W razie zauważenia dymu lub ognia należy odłączyć ładowarkę od źródła zasilania.
- Nie wolno używać uszkodzonej ładowarki do akumulatora.
- Należy ładować akumulator wyłącznie wewnątrz budynku, w pomieszczeniu z dobrym przepływem powietrza i z dala od światła słonecznego. Nie ładować akumulatora w wilgotnym otoczeniu.

## Instrukcje bezpieczeństwa dotyczące konserwacji



**OSTRZEŻENIE:** Przed rozpoczęciem użytkowania produktu przeczytać następujące ostrzeżenia.

- Aby zapobiec przypadkowemu włączeniu w trakcie prac konserwacyjnych, należy przekręcić kluczyk bezpieczeństwa w położenie „0” i wyjąć akumulator. Przed rozpoczęciem prac konserwacyjnych odczekać co najmniej 5 s.
- Należy wykonywać jedynie prace konserwacyjne opisane w instrukcji obsługi. Większe i bardziej skomplikowane prace oraz profesjonalne naprawy muszą być wykonywane w autoryzowanym punkcie serwisowym. Więcej informacji można uzyskać w najbliższym punkcie serwisowym.
- Prace konserwacyjne należy wykonywać w prawidłowy sposób, aby zwiększyć żywotność produktu i zmniejszyć ryzyko wypadków.
- Wymienić uszkodzone, zużyte lub zniszczone części. Zawsze należy używać oryginalnych części zamiennych, dostarczanych przez producenta. Inne części zamienne mogą spowodować uszkodzenie produktu i zwiększyć ryzyko wypadków.
- Nie wolno wymontowywać ani modyfikować urządzeń zabezpieczających, ponieważ grozi to odniesieniem obrażeń.
- Podczas obsługi osprzętu tnącego należy zakładać specjalistyczne rękawice. Nóż jest bardzo ostry i może łatwo doprowadzić do skaleczenia.
- Aby uzyskać jak najlepsze efekty i zapewnić bezpieczeństwo, należy utrzymywać krawędzie tnące naostrzone i czyste.
- Regularnie oddawać urządzenie do autoryzowanego punktu serwisowego w celu jego kontroli i dokonania koniecznych regulacji lub napraw.
- Należy przestrzegać instrukcji wymiany akcesoriów. Używać wyłącznie akcesoriów od producenta urządzenia.



- Gdy urządzenie nie jest użytkowane, należy przechowywać produkt, akumulator i ładowarkę z dala od siebie, w suchym i zamkniętym

pomieszczeniu. Upewnij się, że dzieci ani osoby niepowołane nie mogą uzyskać dostępu do produktu, akumulatora ani ładowarki.

---

## Montaż

---

### Wstęp



**OSTRZEŻENIE:** Przed montażem produktu należy przeczytać rozdział dotyczący bezpieczeństwa.



**OSTRZEŻENIE:** Aby uniknąć niezamierzonego uruchomienia w trakcie montażu, należy przekreślić kluczik zabezpieczający w położeniu „0”, wyjąć akumulator i odczekać przynajmniej 5 s.

### Montaż uchwytu

**Uwaga:** Zaleca się, aby procedurę wykonywały 2 osoby.

**Uwaga:** Nie należy wyjmować urządzenia z opakowania przed zmontowaniem uchwytu. Opakowanie może służyć jako podpora uchwytu podczas montażu.

1. Podnieść i obrócić uchwyt. (Rys. 19)



**UWAGA:** Podczas obracania uchwytu należy zachować ostrożność i upewnić się, że przewód nie uległ uszkodzeniu.

2. Umieścić uchwyt na górze urządzenia. Przechylić uchwyt i oprzeć go o opakowanie. Zapoznać się z ilustracją. (Rys. 20)

3. Przepchnąć śrubę (A) przez uchwyt (B), plastikową podkładkę (C) i wspornik uchwytu (D). (Rys. 21)
4. Całkowicie dokręcić nakrętkę (E).
5. Wyjąć urządzenie z opakowania.
6. Złożyć uchwyt do pozycji pionowej. (Rys. 22)
7. Ustawić wysokość uchwytu na najniższe położenie. Patrz *Regulacja uchwytu na stronie 337*.
8. Używając zacisku przewodu, zamocować przewód do dolnej części uchwytu. (Rys. 23)
9. Używając opaski kablowej, zamocować dolną część przewodu do wspornika uchwytu. Odciąć pozostałą część opaski kablowej. (Rys. 24)

**Uwaga:** Upewnij się, że przewód jest prawidłowo zamocowany. Zbyt luźny przewód może ulec uszkodzeniu podczas montażu pojemnika na trawę. (Rys. 25)

### Regulacja uchwytu

1. Poluzować dolne pokrętła.
2. Przesunąć pokrętła do dolnych końców rowków po lewej i prawej stronie produktu. (Rys. 26)
3. Ustawić wysokość uchwytu w jedną z 2 dostępnych pozycji.
4. Przesunąć pokrętła w górę w kierunku uchwytu aż do zatrzaśnięcia. (Rys. 27)
5. Dokręcić do końca pokrętła.

---

## Przeznaczenie

---

### Wstęp



**OSTRZEŻENIE:** Przed użyciem urządzenia należy przeczytać ze zrozumieniem rozdział poświęcony bezpieczeństwu.

### Husqvarna Connect

Husqvarna Connect to darmowa aplikacja na urządzenia mobilne. Husqvarna ConnectHusqvarna

- Extended product information.
- Information about, and help with, product parts and servicing.

### Rozpoczęcie użytkowania Husqvarna Connect

1. Pobierz aplikację Husqvarna Connect na swoim urządzeniu mobilnym.
2. Zarejestruj się w aplikacji Husqvarna Connect.
3. Wykonaj instrukcje wyświetlane w aplikacji Husqvarna Connect, aby nawiązać połączenie i zarejestrować produkt.

### Ustawienie kosiarki w pozycji roboczej

1. Upewnij się, że dolne pokrętła są poluzowane. Patrz *Regulacja uchwytu na stronie 337*.
2. Złożyć uchwyt do pozycji pionowej. (Rys. 22)

- Przesunąć pokrętkę w górę w kierunku uchwytu aż do zatrzaśnięcia. (Rys. 27)
- Dokręcić do końca pokrętkę.



**OSTRZEŻENIE:** Nie wolno używać produktu, jeśli uchwyt nie jest całkowicie złożony do góry i ustawiony w jednej z odpowiednich pozycji wysokości. Patrz *Regulacja uchwytu na stronie 337*.

## Regulacja wysokości koszenia

- Przesunąć dźwignię wysokości koszenia do tyłu w celu zwiększenia wysokości koszenia.
- Przesunąć dźwignię wysokości koszenia do przodu w celu zmniejszenia wysokości koszenia. (Rys. 28)



**UWAGA:** Nie należy ustawiać zbyt niskiej wysokości koszenia. Ostrza mogą uderzyć w podłoże, jeśli powierzchnia trawnika nie jest równa.

## Akumulator



**OSTRZEŻENIE:** Przed rozpoczęciem korzystania z akumulatora należy przeczytać ze zrozumieniem rozdział poświęcony bezpieczeństwu. Należy również przeczytać uważnie instrukcję obsługi dołączonej do akumulatora i ładowarki.

Zapewnić akumulatorowi i ładowarce prawidłową temperaturę otoczenia.

	Temperatura otoczenia
Działanie akumulatora	5–40°C
Ładowanie akumulatora	5–40°C

## Stan akumulatora

Na wyświetlaczu pokazywane są informacje o stanie naładowania akumulatora i sygnalizowane ewentualne problemy. Aby uzyskać informacje o stanie naładowania akumulatora, należy nacisnąć przycisk wskaźnika akumulatora. W przypadku wystąpienia błędu włącza się symbol ostrzegawczy na akumulatorze. Patrz *Akumulator na stronie 342*.

(Rys. 29)

Diody LED	Stan akumulatora
Świecą się wszystkie diody LED.	W pełni naładowany (76–100%).

Diody LED	Stan akumulatora
Świecą się diody LED 1, LED 2, LED 3.	Poziom naładowania akumulatora: 51%–75%
Świecą się diody LED 1, LED 2.	Poziom naładowania akumulatora: 26%–50%
Świeci dioda LED 1	Poziom naładowania akumulatora: 6%–25%.
Miga dioda LED 1	Poziom naładowania akumulatora: 0%–5%.

## Ładowanie akumulatora

Przed pierwszym użyciem należy naładować akumulator. W chwili dostawy do klienta akumulator jest naładowany jedynie w 30%.

**Uwaga:** Ładowarka do akumulatora musi zostać podłączona do napięcia i częstotliwości wskazanych na tabliczce znamionowej.

Akumulator nie ładuje się, gdy temperatura akumulatora przekracza 50°C. Przed rozpoczęciem ładowania ładowarka zmniejsza temperaturę akumulatora.

- Podłączyć jeden koniec przewodu zasilającego ładowarki do gniazda ładowarki.
- Podłączyć drugi koniec przewodu zasilającego ładowarki do gniazda sieciowego z uziemieniem. Dioda ładowarki błysnie jeden raz na zielono. (Rys. 30)
- Włożyć akumulator do ładowarki. Kiedy akumulator jest prawidłowo podłączony do ładowarki, włącza się na niej zielona dioda. (Rys. 31)
- Akumulator jest całkowicie naładowany, gdy włączą się wszystkie diody. Akumulator można ładować przez maks. 24 godziny.
- Aby odłączyć ładowarkę od gniazda sieciowego, należy ciągnąć za wtyczkę, a nie za przewód.
- Akumulator należy wyjąć z ładowarki.

## Uruchamianie urządzenia

- Otworzyć pokrywę akumulatora.
- Umieścić naładowany akumulator w 1 z uchwytów akumulatora. Aby zapewnić dłuższy czas pracy, należy umieścić dodatkowy naładowany akumulator w drugim uchwycie akumulatora.
- Obróć kluczyk bezpieczeństwa do położenia 1. (Rys. 32)
- Należy pozostawać za maszyną.
- Poluzować opóźniacz rozruchu. (Rys. 18)
- Pchnąć dźwignię hamulca silnika w stronę dźwigni sterującego. (Rys. 33)

## Korzystanie z napędu kół (LC 251iS)

- Popchnąć dźwignię napędu w stronę drążka sterującego. (Rys. 34)
- Zwolnić dźwignię napędu, aby odłączyć napęd na przykład w sytuacji zbliżania się do przeszkody.
- Przed pociągnięciem maszyny do tyłu należy odłączyć napęd i popchnąć maszynę do przodu o około 10 cm.

## Korzystanie z funkcji Save™

Urządzenie wyposażone jest w funkcję oszczędzania akumulatora (Save™), która zapewnia dłuższy czas pracy.

- Aby uruchomić funkcję, należy przekręcić przycisk Save™ w położenie 1. (Rys. 35)
- Przekręcenie przycisku Save™ w położenie 0 wyłączy funkcję.

**Uwaga:** Funkcja Save™ zostanie wyłączona automatycznie, jeśli okaże się, że stan podłoża wymaga zastosowania większej mocy. Funkcja Save™ ponownie uruchomi się automatycznie, gdy tylko stan podłoża na to pozwoli.

## Funkcja dużego obciążenia

Jeżeli urządzenie jest używane do ścinania mokrej lub długiej trawy, silnik automatycznie zwiększy prędkość obrotową. Silnik powróci do trybu standardowego, gdy wysokie obciążenie nie będzie już potrzebne.

## Silnik gaśnie

Podczas pracy nóż i silnik mogą chwilowo zatrzymać się z powodu przeszkód, takich jak nagromadzona trawa pod pokrywą zespołu tnącego. W takim przypadku, jeśli dźwignia hamulca silnikowego jest nadal wciśnięta w dół, urządzenie automatycznie uruchamia się ponownie. Jeśli urządzenie nie uruchomi się ponownie w ciągu 5-10 sekund, konieczne może być wyczyszczenie obszaru pod pokrywą zespołu tnącego. Patrz *Czyszczenie produktu na stronie 341*.



**OSTRZEŻENIE:** Jeśli silnik się zatrzyma, urządzenie będzie próbować automatycznie uruchomić się ponownie przez 5-10 sekund. Przed sprawdzeniem pokrywy zespołu tnącego należy odczekać co najmniej 15 sekund.



**OSTRZEŻENIE:** Przed sprawdzeniem pokrywy zespołu tnącego zwolnić dźwignię hamulca silnikowego, przekręcić kluczyk bezpieczeństwa do pozycji 0, wyjąć akumulator i odczekać co najmniej 5 sekund. Jeśli przeszkoda zostanie usunięta i produkt przypadkowo uruchomi się, można odnieść obrażenia.

## Wyłączanie produktu



**OSTRZEŻENIE:** Przed pozostawieniem produktu poza zasięgiem wzroku należy ustawić kluczyk bezpieczeństwa w położeniu 0.

1. Aby wyłączyć silnik, należy zwolnić dźwignię hamulca silnikowego. (Rys. 36)

**Uwaga:** W przypadku LC 251iS. Aby wyłączyć napęd kół, należy zwolnić dźwignię napędu.

2. Otworzyć pokrywę akumulatora i obrócić kluczyk bezpieczeństwa w położenie „0”. (Rys. 37)
3. Aby wyjąć akumulator, nacisnąć 2 przyciski zwalniające i go wyciągnąć. (Rys. 38)
4. Jeżeli poziom naładowania akumulatora jest niski, należy go naładować. Aby uzyskać więcej informacji, patrz *Ładowanie akumulatora na stronie 338*.

## Używanie produktu z pojemnikiem na trawę



**OSTRZEŻENIE:** Nie wolno obsługiwać produktu bez zamontowania pojemnika na trawę lub z otwartą tylną pokrywą. Przedmioty mogą zostać wyrzucone i spowodować obrażenia operatora.

1. Unieść tylną osłonę. (Rys. 39)
2. Umieścić pojemnik na trawę na wsporniku.
3. Zdjąć tylną pokrywę i umieścić ją na ramie torby na trawę. (Rys. 40)

## Ustawianie trybu wyrzutu bocznego urządzenia

1. Unieść tylną pokrywę i wyjąć torbę na trawę, jeśli jest zamontowana.
2. Zamknąć tylną pokrywę i upewnić się, że jest szczelnie zamknięta względem urządzenia.
3. Podnieść blokadę wyrzutu. (Rys. 41)
4. Otworzyć pokrywę wyrzutu bocznego i zamontować deflektor wyrzutu bocznego na sworzniach podtrzymujących. (Rys. 42)
5. Pokrywa wyrzutu bocznego musi być szczelnie zamknięta względem deflektora wyrzutu bocznego. Przed rozpoczęciem korzystania z produktu należy upewnić się, że deflektor wyrzutu bocznego jest prawidłowo zamocowany.

## Opróżnianie pojemnika na trawę



**UWAGA:** Aby zapobiec zużyciu, podczas przenoszenia pojemnika na trawę należy go podnieść.

1. Podnieść pojemnik na trawę za pomocą uchwytu ramy.
2. Podczas opróżniania pojemnika na trawę należy trzymać uchwyty ramy i worka. (Rys. 43)

## Użykiwanie dobrych rezultatów

- Używać zawsze dobrze naostrzonych ostrzy. Stępione ostrze daje nierównomierne rezultaty, a ścinana powierzchnia żółknie. Naostrzone ostrze zużywa również mniej energii niż ostrze stępione.
- Nie należy kosić więcej niż  $\frac{1}{4}$  długości trawy. Na początku koszenia trawy należy ustawić najwyższą wysokość cięcia. Zbadać rezultaty i obniżyć wysokość koszenia do odpowiedniego poziomu. Jeśli trawa jest bardzo długa, w razie konieczności należy ścinać ją powoli i dwukrotnie.

- Kosić za każdym razem w różnych kierunkach, aby uniknąć powstawania pasów na trawniku.
- Unieść tylną pokrywę i wyjąć pojemnik na trawę.
- Jeżeli zamontowana jest wkładka mulczująca lub nóż mulczujący, należy je wymontować.
- Przed przystąpieniem do używania urządzenia należy zamknąć tylną pokrywę. W trakcie pracy urządzenia ścięta trawa jest wyrzucana pod tylną pokrywę.
- Utrzymywać osłonę zespołu tnącego w czystości. Nagromadzenie trawy i zanieczyszczeń po wewnętrznej stronie osłony zespołu tnącego może zmniejszyć efekt koszenia. Patrz *Czyszczenie produktu na stronie 341*.

## Przegląd

### Wstęp



**OSTRZEŻENIE:** Przed przeprowadzeniem konserwacji należy przeczytać i zrozumieć rozdział o bezpieczeństwie.

Do wykonywania wszelkich prac serwisowych i naprawczych konieczne jest specjalistyczne przeszkolenie. Gwarantujemy dostępność profesjonalnych napraw i usług serwisowych.

Aby uzyskać więcej szczegółowych informacji, patrz [www.husqvarna.com](http://www.husqvarna.com).

### Plan konserwacji

Odstępy pomiędzy konserwacjami obliczane są w oparciu o codzienne wykorzystanie produktu. Odstępy te ulegają zmianie, jeśli maszyna nie jest użytkowana codziennie.

Czynności konserwacyjne oznaczone znakiem \* objaśniono w instrukcjach w części *Bezpieczeństwo na stronie 331*.

	Każde użycie	Co miesiąc	Co sezon
Przeprowadzenie ogólnego przeglądu	X		
Czyszczenie urządzenia	X		
Sprawdzić zabezpieczenie przed niepożądanym uruchomieniem.*	X		
Sprawdzić, czy urządzenia zabezpieczające są sprawne.*	X		
Kontrola osprzętu tnącego	X		
Sprawdzanie osłony cięcia*	X		
Sprawdzić uchwyt hamulca silnika.*	X		
Sprawdzić akumulator pod kątem uszkodzeń.	X		
Sprawdzić naładowanie akumulatora.	X		
Sprawdzić, czy przyciski zwalniające akumulator działają prawidłowo oraz czy blokują go na miejscu w urządzeniu.	X		

	Każde użycie	Co miesiąc	Co sezon
Sprawdzić, czy ładowarka nie jest uszkodzona oraz czy działa prawidłowo.		X	
Sprawdzić połączenia pomiędzy akumulatorem a urządzeniem. Sprawdzić również połączenie pomiędzy akumulatorem a ładowarką.			X

## Przegląd ogólny

- Należy upewnić się, że nakrętki i śruby maszyny są dokręcone.
- Upewnić się, że przewody urządzenia nie znajdują się w położeniu, w którym mogłyby ulec uszkodzeniu.

## Czyszczenie produktu

- Plastikowe części należy czyścić czystą i suchą ściereczką.
- Do czyszczenia urządzenia nie należy używać wody. Woda mogłaby dostać się do akumulatora lub silnika i wywołać zwarcie lub uszkodzenie urządzenia.
- Nie używać myjek wysokociśnieniowych do czyszczenia urządzenia.
- Nie polewać silnika bezpośrednio wodą.
- W celu usunięcia liści, trawy i brudu należy użyć szczotki.

## Czyszczenie akumulatora i ładowarki



**OSTRZEŻENIE:** Do czyszczenia akumulatora i ładowarki nie należy używać wody.



**OSTRZEŻENIE:** Do czyszczenia akumulatora nie należy używać żadnych substancji chemicznych.

- Przed włożeniem akumulatora do ładowarki należy sprawdzić, czy akumulator i ładowarka są czyste i suche.
- Zaciski akumulatora należy czyścić sprężonym powietrzem lub miękką i suchą szmatką.
- Powierzchnie akumulatora i ładowarki należy czyścić miękką i suchą szmatką.

## Kontrola osprzętu tnącego



**OSTRZEŻENIE:** Aby uniknąć niezamierzonego uruchomienia, należy przekręcić kluczik zabezpieczający do położenia 0, wyjąć akumulator i odczekać przynajmniej 5 s.



**OSTRZEŻENIE:** W trakcie konserwacji narzędzi tnących należy korzystać z rękawic ochronnych. Ostrze jest

bardzo ostre i może łatwo doprowadzić do skaleczenia.

- Należy skontrolować, czy osprzęt tnący nie jest uszkodzony bądź pęknięty. Zawsze wymieniać uszkodzony osprzęt tnący.
- Obejrzeć ostrze i upewnić się, że nie jest uszkodzone lub stępione.

**Uwaga:** Po ostrzeniu ostrze należy wypoziomować. Ostrzenie, wymiana i poziomowanie ostrza winno zostać przeprowadzone przez centrum serwisowe. W przypadku uderzenia w przeszkodę, która zatrzymuje maszynę, należy wymienić uszkodzone ostrze. Pozwolić, aby przedstawiciel serwisowy oszacował, czy ostrze można naostrzyć czy wymienić.

## Wymiana noża

Patrz *Dane techniczne na stronie 345* w celu uzyskania informacji na temat prawidłowego typu noża.



**OSTRZEŻENIE:** Zablokować nóż drewnianym klockiem, aby zapobiec obrażeniom palców podczas wymiany noży. Gdy silnik jest wyłączony, nóż nadal może się poruszać, przez co może dojść do przycięcia palców między nożem a nieruchomymi częściami.

- Zablokować nóż przy użyciu drewnianego bloku. (Rys. 44)
- Wykręcić śrubę noża, wyjąć podkładki i nóż. (Rys. 45)
- Skontrolować wspornik noża oraz śrubę noża pod kątem uszkodzeń.
- Skontrolować wał silnika, aby upewnić się, że nie jest zgięty.
- Podczas mocowania nowego noża należy skierować zakrzywione końce noża ku pokrywie zespołu tnącego. (Rys. 46)
- Upewnić się, że nóż jest wyrównany względem środka wału silnika.
- Zablokować nóż drewnianym klockiem. Zamocować podkładki i dokręcić śrubę momentem dokręcania wynoszącym 23 – 28 Nm. (Rys. 47) (Rys. 45)
- Obracać nożem za pomocą ręki i sprawdzić, czy obraca się swobodnie.



**OSTRZEŻENIE:** Nosić solidne rękawice ochronne. Nóż jest bardzo ostry i może łatwo doprowadzić do skaleczenia.

9. Uruchomić maszynę w celu przetestowania noża. Jeśli nóż nie został zamontowany prawidłowo, maszyna będzie wibrować lub rezultaty koszenia będą niezadowalające.

## Kontrola deflektora wyrzutu bocznego

Deflektor wyrzutu bocznego jest przymocowany do otworu wyrzutu bocznego produktu. Zmniejsza ryzyko

wyrzucenia przedmiotów w kierunku operatora podczas koszenia.

1. Należy upewnić się, że deflektor wyrzutu bocznego nie jest uszkodzony.
2. Przeprowadzić kontrolę deflektora wyrzutu bocznego. Upewnić się, że nie występują uszkodzenia, takie jak rysy lub pęknięte sprężyny, które mogłyby spowodować zamknięcie drzwi.
3. Wymienić deflektor wyrzutu bocznego lub sprężyny, jeżeli uległy uszkodzeniu.

## Rozwiązywanie problemów

### Akumulator

Dioda na akumulatorze	Przyczyna	Rozwiązanie
Miga zielona dioda LED.	Napięcie akumulatora jest niskie.	Naładować akumulator. Patrz <i>Ładowanie akumulatora na stronie 338</i> .
Miga dioda LED błędu akumulatora.	Akumulator jest za zimny lub za gorący, aby można było go używać.	Należy poczekać aż akumulator ostygnie, lub umieścić w pomieszczeniu celem jego ogrzania. Gdy akumulator odzyska właściwą temperaturę, będzie mógł być ponownie używany. Akumulator produktu może być używany wyłącznie przy temperaturze otoczenia od 5 do 40°C.
	Akumulator rozładowany.	Naładować akumulator. Patrz <i>Ładowanie akumulatora na stronie 338</i> .
Zaświeci się dioda LED błędu.	Występuje błąd akumulatora.	Zwrócić się do punktu serwisowego Husqvarna.

### Ładowarka

Dioda na ładowarce	Przyczyna	Rozwiązanie
Dioda LED błędu miga lub zapala się.	Ładowarka jest za zimna lub za gorąca, aby można było jej używać.	Należy poczekać, aż ładowarka ostygnie, lub umieścić w pomieszczeniu celem jej ogrzania. Gdy ładowarka odzyska właściwą temperaturę, będzie mogła być ponownie używana. Ładowarka akumulatora może być używana przy temperaturze otoczenia od 5 do 40°C.
	Inne błędy.	Zwrócić się do punktu serwisowego Husqvarna.

### Kosiarka

Wskaźnik ostrzegawczy (dioda LED błędu) znajduje się pod pokrywą akumulatora.

Problem	Dioda LED błędu (liczba błysków)	Przyczyna	Rozwiązanie
Miga dioda LED błędu. Produkt nie działa prawidłowo.	3	Nóż jest zablokowany.	Aby zapobiec przypadkowemu uruchomieniu silnika, należy przekręcić kluczyk bezpieczeństwa w położenie 0. Wyjąć akumulator i odczekać co najmniej 5 sekund. Usunąć wszelkie przeszkody i upewnić się, że nóż może się swobodnie obracać. Jeżeli problem nie ustępuje, skontaktować się z punktem serwisowym Husqvarna.
	5	Prędkość obrotowa silnika spada zbyt mocno i silnik wyłącza się.	Zwiększyć wysokość koszenia. Patrz <i>Regulacja wysokości koszenia na stronie 338</i> .
	6 <sup>73</sup>	Koła lub przekładnia są zablokowane.	Aby zapobiec przypadkowemu uruchomieniu silnika, należy przekręcić kluczyk bezpieczeństwa w położenie 0. Wyjąć akumulator i odczekać co najmniej 5 sekund. Usunąć wszelkie przeszkody i upewnić się, że koła mogą się swobodnie obracać. Jeżeli problem nie ustępuje, skontaktować się z punktem serwisowym Husqvarna.
	10	Sterownik silnika jest zbyt gorący.	Wyłączyć silnik i poczekać, aż ostygnie.
Miga dioda LED błędu. Produkt zatrzymuje się.	Brak migania	Usterka złącza akumulatora.	Sprawdzić złącze akumulatora.
	3	Silnik jest przeciążony.	Zwiększyć wysokość koszenia. Patrz <i>Regulacja wysokości koszenia na stronie 338</i> .
	8	Akumulator jest słaby.	Naładować akumulator. Patrz <i>Ładowanie akumulatora na stronie 338</i> .
	9	Błąd akumulatora lub brak sygnału z akumulatora.	Prawidłowo umieścić akumulator w urządzeniu i sprawdzić złącze akumulatora. Jeśli miga dioda błędu na akumulatorze. Patrz <i>Akumulator na stronie 342</i> .
15	Nieprawidłowa procedura rozruchu. Dźwignię hamulca silnikowego zaciągnięto przed uruchomieniem silnika.	Zwolnić dźwignię hamulca silnikowego i odczekać około 5 sekund. Ponownie nacisnąć dźwignię hamulca silnikowego, aby uruchomić urządzenie.	
Inne błędy.	W przypadku wystąpienia innego błędu obrócić kluczyk bezpieczeństwa do położenia 0, wyjąć akumulator i skonsultować się z punktem serwisowym Husqvarna.		

<sup>73</sup> LC 251iS

---

# Transport, przechowywanie i utylizacja

---

## Wstęp



**OSTRZEŻENIE:** Aby uniknąć niezamierzonego uruchomienia w trakcie transportu i przechowywania, należy przekręcić kluczyk bezpieczeństwa w położenie 0, wyjąć akumulator i odczekać przynajmniej 5 sekund.

## Ustawianie urządzenia w pozycji transportowej

1. Poluzować dolne pokręta.
2. Przesunąć pokręta do dolnych końców rowków po lewej i prawej stronie produktu. (Rys. 26)
3. Złożyć rękojeść do przodu. (Rys. 48)

## Transport

- Przepisy dotyczące towarów niebezpiecznych mają zastosowanie do dołączonych akumulatorów litowo-jonowych.
- W przypadku transportu komercyjnego należy przestrzegać specjalnych wymagań umieszczonych na opakowaniu i etykietach.
- W trakcie przygotowywania urządzenia do transportu należy upewnić się, że postępuje się zgodnie z przepisami dotyczącymi materiałów niebezpiecznych. Mogą obowiązywać również lokalne przepisy.
- Zawsze wyjmować akumulator na czas transportu.
- Na złączach akumulatora należy przykleić taśmę i upewnić się, że akumulator nie może się przemieszczać w trakcie transportu.
- W trakcie transportu urządzenie należy zamocować.

## Przechowywanie

- Przed pozostawieniem na okres przechowania odczekać, aż urządzenie ostygnie.
- Zawsze wyjmować akumulator do przechowania.
- Aby uniknąć wypadków, upewnić się, że akumulator jest odłączony od produktu podczas przechowywania.
- Akumulator należy trzymać w zamkniętym i suchym miejscu.
- Akumulator i ładowarkę należy trzymać w suchym miejscu, w którym nie występuje wilgoć ani mróz.
- Na czas przechowywania odłączyć akumulator od ładowarki.
- Nie przechowywać akumulatora w miejscu, gdzie może występować elektryczność statyczna. Nie przechowywać akumulatora w metalowym pojemniku.

- Produkt należy przechowywać w temperaturze otoczenia w zakresie od  $-10^{\circ}\text{C}$  do  $40^{\circ}\text{C}$ .
- Akumulator należy przechowywać w temperaturze otoczenia od  $5^{\circ}\text{C}$  do  $25^{\circ}\text{C}$ , w miejscu osłoniętym przed działaniem promieni słonecznych.
- Ładowarkę należy przechowywać w temperaturze otoczenia od  $5^{\circ}\text{C}$  do  $45^{\circ}\text{C}$ , w miejscu osłoniętym przed działaniem promieni słonecznych.
- Przed odstawieniem urządzenia na dłuższe przechowywanie należy upewnić się, że poziom naładowania akumulatora wynosi 30%–50%.
- Urządzenie, akumulator i ładowarkę należy trzymać w zamkniętym pomieszczeniu, niedostępnym dla dzieci ani osób nieupoważnionych.
- Wyczyścić produkt i upewnić się, że pojemnik na trawę jest pusty.
- Konserwację należy przeprowadzać wyłącznie według instrukcji użytkownika. Patrz *Przegląd na stronie 340*.
- Przed pozostawieniem produktu na dłuższy okres przechowywania należy go wyczyścić oraz przeprowadzić pełny przegląd.

## Utylizacja

Symbole znajdujące się na urządzeniu oraz na opakowaniu informują o tym, że nie wolno traktować go jak zwykłego odpadu domowego. Musi ono zostać oddane do odpowiedniego punktu pobierania surowców wtórnych, zajmującego się przetwarzaniem urządzeń elektrycznych oraz elektronicznych.

Przekazując produkt w odpowiednie miejsce, pomagasz przeciwdziałać jego potencjalnemu negatywnemu wpływowi na środowisko naturalne i ludzi. Aby uzyskać więcej informacji na temat recyklingu niniejszego produktu, skontaktować się z urzędem miasta lub gminy, przedsiębiorstwem gospodarki komunalnej albo punktem sprzedaży, w którym produkt został kupiony.

(Rys. 49)



## Dane techniczne

### Dane techniczne

	LC 251i	LC 251iS
<b>Napęd noży</b>		
Typ silnika	BLDC (bezszcotkowy) 36 V	BLDC (bezszcotkowy) 36 V
Prędkość silnika – SavE, obr./min	2600/min	2600/min
Prędkość silnika – nominalna, obr./min	3000/min	3000/min
Prędkość silnika – duże obciążenie, obr./min	3500/min	3500/min
Moc silnika – maks., kW	1,4	1,4
Moc silnika – nominalna, kW	0,9	0,9
<b>Silnik napędowy</b>		
Moc silnika – nominalna, kW	N/D	0,4
Prędkość chodu, km/h	N/D	4,0
Poziomy regulacji prędkości	N/D	1
<b>Waga</b>		
Waga bez torby (bez akumulatora), kg	25,5	27
Waga z torbą (w tym 2 x Bli30), kg	31,5	33
<b>Akumulator</b>		
Typ akumulatora	Akumulatory z serii Husq-varna	Akumulatory z serii Husq-varna
<b>Czas pracy na akumulatorze</b>		
Czas pracy akumulatora, min, (swobodna praca) z aktywną funkcją SavE, z jednym akumulatorem 7,5 Ah (Bli30).	58	51
Czas pracy akumulatora, min, (swobodna praca) w trybie standardowym, z jednym akumulatorem 7,5 Ah (Bli30).	42	38
<b>Poziom hałas<sup>74</sup></b>		
Zmierzony poziom mocy akustycznej, dB(A)	96	96
Poziom głośności, gwarantowana moc akustyczna L <sub>WA</sub> dB(A)	98	98
<b>Poziomy głośności<sup>75</sup></b>		
Poziomy ciśnienia akustycznego przy uchu operatora, dB(A)	85	85

<sup>74</sup> Emisję hałasu do otoczenia zmierzono jako moc akustyczną (L<sub>WA</sub>), zgodnie z dyrektywą Rady 2000/14/WE.

<sup>75</sup> Współczynnik niepewności (K) pomiaru zarejestrowanych danych dotyczących poziomu ciśnienia akustycznego wynosi 1,5 dB(A).

	LC 251i	LC 251iS
<b>Poziomy drgań <sup>76</sup></b>		
Uchwyt, m/s <sup>2</sup>	0,7	0,7
<b>Osprzęt tnący</b>		
Wysokość koszenia, mm	25-75	25-75
Szerokość koszenia, mm	510	510
Ostrze — standard	5928704-01	5928704-01
Pojemność zbiornika na trawę, l	65	65

Zatwierdzone akumulatory	Typ	Pojemność akumulatora, Ah	Napięcie, V	Waga, funty/kg
BLi30	Litowo-jonowy	7,5	36	4,2/1,9
40-B140	Litowo-jonowy	4,0	36	2,6/1,2

Zatwierdzone ładowarki obsługujące określone akumulatory, BLi	Napięcie wejściowe, V	Częstotliwość, Hz	Moc, W
40-C80	100-240	50-60	68,8
QC250	100-240	50-60	250

<sup>76</sup> Współczynnik niepewności (K) pomiaru zarejestrowanych danych dotyczących poziomych drgań wynosi 1,5m/s<sup>2</sup>. Zadeklarowana całkowita wartość drgań została zmierzona zgodnie z normą EN 62841-4-3, załącznik I, i może być używana do porównywania różnych maszyn oraz do wstępnej oceny jej wielkości.

# Deklaracja zgodności

## Deklaracja zgodności UE

Firma **Husqvarna AB**, SE-561 82 Huskvarna,  
Szwecja, tel.: +46-36-146500, deklarujemy z pełną  
odpowiedzialnością, że produkt:

<b>Opis</b>	Kosiarka
<b>Marka</b>	Husqvarna
<b>Typ/model</b>	LC 251i, LC 251iS
<b>Identyfikacja</b>	Numery seryjne z roku 2023 i nowsze

spełnia wszystkie wymogi określone w odpowiednich  
dyrektywach i przepisach UE:

<b>Przepis</b>	<b>Opis</b>
2006/42/WE	„w sprawie maszyn”
2014/30/UE	„w sprawie kompatybilności elektromagnetycznej”
2000/14/WE	„dotycząca emisji hałasu do środowiska”
2011/65/UE	„dotycząca ograniczenia użycia niektórych substancji niebezpiecznych w sprzęcie elektrycznym i elektronicznym”

oraz został zaprojektowany zgodnie z następującymi  
normami i parametrami technicznymi: EN 62841-1:2015/  
A11:2022, EN IEC 62841-4-3:2021/A11:2021, EN  
IEC 55014-1:2021, EN IEC 55014-2:2021, EN IEC  
63000:2018

Jednostka notyfikowana: 0404, SMP Svensk  
Maskinprovning AB, Box 4053, SE-904 03 Umeå,  
Sweden potwierdza zgodność z dyrektywą rady  
2000/14/WE, procedura oceny zgodności: Załącznik VI.

Informacje dotyczące emisji hałasu, patrz *Dane  
techniczne na stronie 345*.

Huskvarna, 2023-12-11

Claes Losdal, Szef ds. Rozwoju Produkcji/Produkty  
ogrodowe, Husqvarna AB

Osoba odpowiedzialna za dokumentację techniczną



---

# ÍNDICE

---

Introdução.....	348	Resolução de problemas.....	359
Segurança.....	349	Transporte, armazenamento e eliminação.....	362
Montagem.....	354	Especificações técnicas.....	363
Funcionamento.....	355	Declaração de conformidade.....	365
Manutenção.....	358		

---

## Introdução

---

### Descrição do produto

O produto é um corta-relva giratório de controlo apeado. A relva é apanhada num coletor de relva. Fixe o defletor de descarga lateral para a descarga lateral da relva.

### Vista geral do produto

(Fig. 1)

1. Punho do travão do motor
2. Inibidor de arranque
3. Manipulo de direção (LC 251iS)
4. Cobertura traseira
5. Coletor de relva
6. Botão do punho
7. Alavanca da altura de corte
8. Bloqueio de descarga
9. Cobertura de descarga lateral
10. Tapa da bateria
11. Símbolos
12. Chave de segurança
13. Indicador de aviso (LED de erro)
14. Botão SavE (economia)
15. Tapa de corte
16. Punho/barra de direção
17. Punhos de elevação
18. Descarga lateral
19. Manual do utilizador

### Símbolos no produto

- (Fig. 2) ATENÇÃO
- (Fig. 3) Leia as instruções.
- (Fig. 4) AVISO – Tenha cuidado com objetos projetados.
- (Fig. 5) Mantenha as outras pessoas afastadas.
- (Fig. 6) AVISO – Mantenha as mãos e os pés afastados das lâminas.

### Finalidade

Utilize o produto para cortar a relva. Não utilize o produto para outras tarefas.

- (Fig. 7) AVISO – Desligue a bateria antes da manutenção.
- (Fig. 8) O produto ou a respetiva embalagem não são resíduos domésticos. Recicle o equipamento numa estação de reciclagem para equipamentos elétricos e eletrónicos.
- (Fig. 9) Emissão de ruído para a etiqueta ambiental de acordo com as diretivas e regulamentos da União Europeia e do Reino Unido e o regulamento "Protection of the Environment Operations (Noise Control) Regulation 2017" (regulamento de proteção de operações no meio ambiente [controlo do ruído] de 2017) da Nova Gales do Sul. O nível de potência sonora garantido do produto está especificado nas *Especificações técnicas na página 363* e na etiqueta.
- (Fig. 10) Este acessório está em conformidade com as diretivas aplicáveis da CE.
- (Fig. 11) Este produto está em conformidade com os regulamento aplicáveis do Reino Unido.
- (Fig. 12) O produto está protegido contra gotejamento.
- (Fig. 13) Solte o punho do travão do motor para parar.
- (Fig. 14) Código para leitura.

---

**Nota:** Os restantes símbolos/autocolantes existentes no produto dizem respeito às exigências de homologação de alguns países.

---

## Etiqueta no produto

(Fig. 15)

PERIGO – Mantenha as mãos e os pés afastados.

## Danos no produto

Não somos responsáveis por danos no nosso produto se:

- o produto tiver sido incorretamente reparado.
- o produto tiver sido reparado com peças que não sejam do fabricante ou que não sejam aprovadas pelo fabricante.
- o produto tiver um acessório que não seja do fabricante ou que não seja aprovado pelo fabricante.
- o produto não tiver sido reparado por um centro de assistência autorizado ou por uma autoridade aprovada.

---

# Segurança

---

## Definições de segurança

Os avisos, as precauções e as notas são utilizados para indicar partes especialmente importantes do manual.



**ATENÇÃO:** Utilizado no caso de existir risco de ferimento ou morte para o utilizador ou transeuntes, se não forem respeitadas as instruções do manual.



**CUIDADO:** Utilizado se existir risco de danos para o produto, para outros materiais ou para a área adjacente, se não forem respeitadas as instruções do manual.

**Nota:** Utilizado para disponibilizar informações adicionais necessárias numa determinada situação.

## Avisos gerais de segurança do produto



**ATENÇÃO:** Leia todos os avisos de segurança, as instruções, as ilustrações e as especificações fornecidos com este produto. O incumprimento das instruções indicadas abaixo poderá resultar em choques elétricos, incêndios e/ou ferimentos graves.

**Guarde todos os avisos e instruções para referência futura.** O termo "produto" nos avisos refere-se a produtos (com fios) ligados à corrente elétrica ou a produtos (sem fios) de funcionamento a bateria.

## Segurança no local de trabalho

- **Mantenha a área de trabalho limpa e bem iluminada.** Áreas desarrumadas ou escuras convidam ao acidente.
- **Não utilize o produto em ambientes explosivos, tal como na presença de poeiras, gases ou líquidos inflamáveis.** O produto cria faíscas que podem inflamar poeiras ou gases.

- **Mantenha as crianças e restantes pessoas afastadas enquanto opera o produto.** As distrações podem fazê-lo perder o controlo.

## Segurança no manejo de eletricidade

- **As fichas dos produtos têm de corresponder à tomada. Nunca modifique a ficha de qualquer forma. Não utilize quaisquer fichas adaptadoras com produtos ligados à terra.** As fichas inalteradas e as tomadas correspondentes reduzem o risco de choque elétrico.
- **Evite o contacto corporal com superfícies ligadas à terra, tais como tubos, radiadores, fogões e frigoríficos.** Existe um risco acrescido de choque elétrico se o seu corpo estiver em contacto com a terra.
- **Não exponha os produtos à chuva ou a condições de humidade.** A entrada de água num produto aumenta o risco de choque elétrico.
- **Não danifique o fio elétrico. Nunca utilize o cabo elétrico para transportar, puxar ou desligar o produto. Mantenha o cabo elétrico afastado de fontes de calor, óleo, arestas afiadas ou de peças em movimento.** Os fios elétricos danificados ou emaranhados aumentam o risco de choque elétrico.
- **Ao utilizar um produto no exterior, utilize uma extensão elétrica adequada para utilização em exteriores.** A utilização de um cabo elétrico adequado para utilização no exterior reduz o risco de choque elétrico.
- **Se não puder evitar utilizar um produto num local húmido, utilize uma fonte de alimentação com corta-circuito com um dispositivo diferencial residual (DDR).** A utilização de um RCD reduz o risco de choque elétrico.

## Segurança pessoal

- **Mantenha-se em alerta, tenha atenção ao que está a fazer e use o bom senso ao utilizar um produto. Não utilize um produto se estiver cansado ou sob a influência de drogas, álcool ou medicação.** Um momento de desatenção ao utilizar os produtos pode resultar em lesões pessoais graves.

- **Use equipamento de proteção pessoal. Use sempre proteção ocular.** A utilização de equipamento de proteção como máscara antipoeira, calçado de segurança antiderrapante, capacete ou protetores acústicos nas condições apropriadas irá reduzir os ferimentos pessoais.
- **Prevenção de arranque não intencional. Certifique-se de que o interruptor se encontra desligado antes de ligar o produto à fonte de alimentação e/ou à bateria, ou de o pegar ou transportar.** Transportar os produtos com o dedo no interruptor ou ligar os produtos à corrente elétrica com o interruptor ligado é um convite aos acidentes.
- **Remova qualquer chave de ajuste ou chave de porcas antes de ligar o produto.** Uma chave de porcas ou uma chave ligada a uma peça em rotação do produto pode resultar em lesões pessoais.
- **Não se debruce. Mantenha o equilíbrio e os pés sempre bem assentes.** Isto permite um melhor controlo do produto em situações inesperadas.
- **Vista-se adequadamente. Não use peças de roupa soltas ou jóias. Mantenha o cabelo e roupas longe de quaisquer peças em movimento.** Roupas soltas, jóias ou cabelo comprido podem ser apanhados nas peças em movimento.
- **Se forem fornecidos dispositivos para a ligação de equipamentos de extração e de recolha de poeiras, assegure-se de que estes estão ligados e são utilizados corretamente.** A utilização da recolha de poeiras pode reduzir os riscos relacionados com poeiras.
- **Siga sempre os princípios de segurança dos produtos, mesmo que já esteja familiarizado com os mesmos devido a utilização frequente.** Uma ação descuidada pode provocar ferimentos graves numa fração de segundo.

## Utilização e tratamento do produto

- **Não force o produto. Utilize o produto adequado para a sua aplicação.** O produto adequado proporcionará melhores resultados e permitirá uma utilização em segurança para os fins a que se destina.
- **Não utilize o produto se o interruptor não ligar ou desligar.** Qualquer produto que não possa ser controlado com o interruptor é perigoso e tem de ser reparado.
- **Desligue a ficha da fonte de alimentação elétrica e/ou retire a bateria, se amovível, do produto antes de efetuar quaisquer ajustes, mudar acessórios ou guardar os produtos.** Estas medidas de prevenção reduzem o risco de ligar o produto acidentalmente.
- **Guarde os produtos que não estão a ser utilizados fora do alcance das crianças e não permita que qualquer pessoa não familiarizada com o produto ou com estas instruções utilize o produto.** Os produtos são perigosos nas mãos de utilizadores inexperientes.
- **Efetue a manutenção dos produtos e dos acessórios. Verifique a existência de bloqueios**

**ou de falhas no alinhamento das peças móveis, danos nas peças e qualquer outra condição que possa afetar o funcionamento do produto. Se estiver danificado, repare o produto antes de o utilizar.** Muitos acidentes são causados por produtos com uma manutenção inadequada.

- **Mantenha as ferramentas de corte afiadas e limpas.** Ferramentas de corte com as zonas de corte afiadas e bem mantidas têm menos probabilidades de bloquear e são mais fáceis de controlar.
- **Use o produto, acessórios e brocas, etc. de acordo com estas instruções, tomando em consideração as condições de funcionamento e o trabalho a ser executado.** A utilização do produto para operações diferentes das previstas pode resultar numa situação perigosa.
- **Mantenha os punhos e as superfícies onde se segura secos, limpos e sem óleo nem massa lubrificante.** As superfícies onde se segura e os punhos escorregadios não permitem um controlo e um manuseamento seguros do produto em situações inesperadas.

## Utilização e manutenção da bateria

- **Recarregue a bateria apenas com o carregador especificado pelo fabricante.** Um carregador adequado para um tipo de bateria pode criar risco de incêndio quando usado com outra bateria.
- **Utilize produtos apenas com as baterias especificamente concebidas para os mesmos.** A utilização de quaisquer outras baterias pode criar risco de ferimentos e incêndio.
- **Quando a bateria não está a ser utilizada, mantenha-a afastada de outros objetos metálicos, como clips, moedas, chaves, pregos, parafusos ou outros objetos metálicos pequenos que possam fazer a ligação entre os dois terminais.** Provocar curto-circuitos nos terminais das baterias pode provocar queimaduras ou um incêndio.
- **Em condições extremas, é possível que o líquido da bateria varta; evite o contacto. Se ocorrer algum contacto accidental, lave com água. Se o líquido entrar em contacto com os olhos, procure assistência médica adicional.** O líquido vertido da bateria pode provocar irritações ou queimaduras.
- **Não utilize uma bateria ou uma ferramenta que se encontre danificada ou modificada.** As baterias danificadas ou modificadas podem apresentar um comportamento imprevisível que pode resultar em incêndios, explosões ou ferimentos graves.
- **Não exponha uma bateria ou uma ferramenta a fogo ou temperaturas excessivas.** A exposição a incêndios ou a temperaturas acima de 130 °C/265 °F pode provocar uma explosão.
- **Siga todas as instruções de carregamento e não carregue a bateria ou a ferramenta fora do intervalo de temperatura especificado nas instruções.** Os carregamentos impróprios ou a temperaturas fora do intervalo especificado podem danificar a bateria e aumentar o risco de incêndio.

## Assistência

- **Garanta que a manutenção do seu produto é efetuada por um técnico de reparações qualificado e que utilize apenas peças de substituição idênticas.** Desta forma, garante a manutenção da segurança do produto.
- **Nunca deve efetuar a manutenção de baterias danificadas.** A manutenção das baterias deve ser efetuada apenas pelo fabricante ou por prestadores de serviços autorizados.

## Avisos de segurança do corta-relva

- **Não utilize o corta-relva em más condições climáticas, principalmente quando existir risco de ocorrência de relâmpagos.** Isto diminui o risco de ser atingido por relâmpagos.
- **Inspeção cuidadosamente a área quanto à existência de vida selvagem no local onde o corta-relva será utilizado.** A vida selvagem pode ser ferida pelo corta-relva durante o funcionamento.
- **Inspeção minuciosamente a área onde o corta-relva será utilizado e retire todas as pedras, paus, fios, ossos e outros objetos estranhos.** Os objetos projetados podem causar ferimentos pessoais.
- **Antes de utilizar o corta-relva, verifique sempre visualmente se a lâmina e o conjunto da lâmina apresentam sinais de desgaste ou danos.** As peças gastas ou danificadas aumentam o risco de ferimentos.
- **Verifique frequentemente o desgaste ou a deterioração do coletor de relva.** Um coletor de relva gasto ou danificado pode aumentar o risco de ferimentos pessoais.
- **Mantenha as proteções no devido lugar. As proteções devem estar em bom estado de funcionamento e corretamente montadas.** Uma proteção solta, danificada ou a funcionar incorretamente pode resultar em ferimentos pessoais.
- **Mantenha todas as entradas de ar de refrigeração livres de detritos.** Entradas de ar obstruídas e detritos podem resultar em sobreaquecimento ou risco de incêndio.
- **Durante o funcionamento do corta-relva, utilize sempre calçado antiderrapante e de proteção. Não utilize o corta-relva se estiver descalço ou com sandálias abertas.** Isto reduz a possibilidade de ferimentos nos pés devido ao contacto com a lâmina em movimento.
- **Durante a utilização do corta-relva, utilize sempre calças compridas.** A pele exposta aumenta a probabilidade de ferimentos causados por objetos projetados.
- **Não utilize o corta-relva em relva molhada. Caminhe, nunca corra.** Isto reduz o risco de escorregamento e queda, que pode resultar em ferimentos pessoais.
- **Não utilize o corta-relva em declives excessivamente íngremes.** Isto reduz o risco de

perda de controlo, escorregamento e queda, que pode resultar em ferimentos pessoais.

- **Ao trabalhar em declives, certifique-se sempre da colocação dos pés, trabalhe sempre ao longo da face dos declives, nunca para cima ou para baixo, e tenha muito cuidado ao mudar de direção.** Isto reduz o risco de perda de controlo, escorregamento e queda, que pode resultar em ferimentos pessoais.
- **Tenha muito cuidado ao fazer marcha-atrás ou ao puxar o corta-relva para si. Preste atenção ao que o rodeia.** Isto reduz o risco de tropeçar durante o funcionamento.
- **Não toque nas lâminas nem noutras peças móveis perigosas enquanto estas ainda estiverem em movimento.** Isto reduz o risco de ferimentos provocados por peças móveis.
- **Quando estiver a retirar material encravado ou a limpar o corta-relva, certifique-se de que todos os interruptores estão desligados, bem como a bateria.** O funcionamento inesperado do corta-relva pode resultar em ferimentos pessoais graves.
- **Quando estiver a retirar material encravado ou a limpar o corta-relva, certifique-se de que todos os interruptores estão desligados e remova o dispositivo de desativação.** O funcionamento inesperado do corta-relva pode resultar em ferimentos pessoais graves.

## Dispositivo diferencial residual

- Utilize um dispositivo diferencial residual com uma corrente de disparo máxima de 30 mA.

## Instruções de segurança gerais



**ATENÇÃO:** Leia as instruções de aviso que se seguem antes de utilizar o produto.

- Este produto é perigoso se for utilizado de forma incorreta ou se não o utilizador for cuidadoso. Podem ocorrer ferimentos graves ou mesmo morte se as instruções de segurança não forem respeitadas.
- Este produto produz um campo eletromagnético durante o funcionamento. Em determinadas circunstâncias, este campo pode interferir com o funcionamento de implantes médicos ativos ou passivos. Para diminuir o risco de ferimentos graves ou mortais, recomendamos que os portadores de implantes médicos consultem o seu médico e o fabricante do implante antes de utilizar este produto.
- Seja sempre cuidadoso e use o seu senso comum. Se não tiver a certeza sobre como utilizar o produto numa situação especial, pare e fale com o seu distribuidor Husqvarna antes de continuar.
- Tenha em atenção que o utilizador é responsável pelos acidentes que incluam outras pessoas ou a respetiva propriedade.
- Mantenha o produto limpo. Certifique-se de que pode ler claramente os sinais e os autocolantes.

- Não permita a utilização do equipamento por crianças ou pessoas não familiarizadas com estas instruções. As normas locais podem restringir a idade do utilizador.
- Monitorize sempre a utilização do produto por pessoas com diminuição da capacidade física ou mental. Tem de estar sempre presente um adulto responsável.
- Não utilize o produto se estiver cansado, doente ou sob a influência de álcool, drogas ou medicamentos. Estes têm um efeito negativo na sua visão, atenção, capacidade de discernimento ou controlo físico.
- Não utilize o produto se este estiver danificado ou não funcionar corretamente.
- Não altere este produto e não o utilize se houver a possibilidade de ter sido alterado por outros.

## Segurança do trabalho



**ATENÇÃO:** Leia as instruções de aviso que se seguem antes de utilizar o produto.

- Utilize este produto apenas para cortar relva. Não é permitido utilizá-lo para outras tarefas.
- Use equipamento de proteção pessoal. Consulte *Equipamento de proteção pessoal na página 352*.
- Certifique-se de que sabe como desligar o motor rapidamente em caso de emergência.
- Não utilize o produto em condições de chuva ou de humidade. O risco de choque elétrico aumenta se entrar água no produto.
- Não utilize o produto, a menos que a lâmina e todas as coberturas estejam corretamente montadas. Uma lâmina montada incorretamente pode soltar-se e causar ferimentos pessoais.
- Certifique-se de que a lâmina não atinge objetos como pedras e raízes. Isto pode causar danos à lâmina e dobrar o eixo do motor. Um eixo dobrado provoca fortes vibrações e um elevado risco de a lâmina se soltar.
- Se a lâmina atingir um objeto ou ocorrerem vibrações, pare o produto imediatamente. Desligue o motor, rode a chave de segurança para a posição 0 e retire a bateria. Aguarde até que as peças móveis parem. Examine se o produto apresenta sinais de danos. Aperte peças soltas. Repare os danos e substitua as peças danificadas. Solicite a realização da reparação numa oficina autorizada.
- Nunca ligue o manípulo de travão do motor de modo permanente ao punho durante o arranque do motor.
- Coloque o produto numa superfície estável e plana e ligue-o. Certifique-se de que a lâmina não atinge o solo ou outros objetos.
- Mantenha-se sempre por trás do produto quando o operar.
- Mantenha todas as rodas no chão e as duas mãos sobre o punho quando utilizar o produto. Mantenha as mãos e os pés afastados das lâminas rotativas.

- Não incline o produto quando ligar o motor ou durante o funcionamento do produto.
- Tenha cuidado quando puxar o produto para trás.
- Nunca levante o produto quando ligar o motor. Se tiver de levantar o produto, desligue primeiro o motor, rode a chave de segurança para a posição 0 e retire a bateria.
- Não caminhe para trás quando operar o produto.
- Pare o motor quando for necessário inclinar o produto para transporte ou antes de se deslocar em áreas sem relva, por exemplo, caminhos em grama, pedra e asfalto.
- Não corra com o produto quando o motor está ligado. Caminhe sempre que operar o produto.
- Pare o motor antes de mudar a altura de corte. Nunca efetue ajustes com o motor ligado.
- Nunca deixe o produto fora de vista com o motor ligado. Pare o motor e certifique-se de que o equipamento de corte não roda.
- As vibrações no produto durante o funcionamento podem ser diferentes do valor de vibração declarado em *Especificações técnicas na página 363*. A diferença é causada por variações na forma como o produto é utilizado. Se utilizar o produto com frequência ou durante longos períodos de tempo, faça pausas regularmente para evitar ferimentos provocados por vibrações.

## Instruções de segurança para funcionamento

### Equipamento de proteção pessoal



**ATENÇÃO:** Leia as instruções de aviso que se seguem antes de utilizar o produto.

- O equipamento de proteção pessoal não previne totalmente os ferimentos mas diminui a respetiva gravidade em caso de acidente. Obtenha ajuda junto do seu concessionário para selecionar o equipamento certo.
- Use botas ou sapatos antiderrapantes resistentes. Não use calçado aberto nem ande com os pés descalços.
- Use calças compridas e resistentes.
- Use luvas de proteção sempre que necessário, por exemplo, ao fixar, examinar ou limpar o equipamento de corte.
- Recomendamos a utilização de protetores acústicos.

### Dispositivos de segurança no produto



**ATENÇÃO:** Leia as instruções de aviso que se seguem antes de utilizar o produto.



- Não utilize um produto com dispositivos de segurança danificados ou que não funcionem corretamente.
- Não remova os dispositivos de segurança, nem os modifique.
- Verifique regularmente os dispositivos de segurança. Se os dispositivos de segurança estiverem danificados ou não funcionarem corretamente, contacte a sua oficina autorizada Husqvarna.

### Verificar a cobertura de corte

A cobertura de corte reduz as vibrações no produto e o risco de ferimentos causados pela lâmina.

- Examine a cobertura de corte para se certificar de que não existem danos, como fissuras.

### Verificar a chave de segurança

A chave de segurança encontra-se por baixo da tampa da bateria. A chave de segurança liga a bateria que alimenta o motor.

- Ligue e desligue o motor para verificar o funcionamento da chave de segurança.
- Se a chave de segurança funcionar corretamente, o motor pode arrancar apenas quando a chave de segurança se encontra na posição 1. (Fig. 16)

### Verificar a cobertura traseira

A cobertura traseira diminui o risco de projeção de objetos na direção do utilizador.

- Certifique-se de que a cobertura traseira não está danificada.
- Certifique-se de que as molas que fecham a cobertura traseira não estão danificadas.
- Substitua as molas e as peças danificadas.
- Certifique-se de que a cobertura traseira consegue mover-se facilmente nas dobradiças.

### Verificar o punho do travão do motor

O manípulo de travão do motor para o motor. Quando soltar o manípulo de travão do motor, o motor para.

- Ligue o produto. Consulte *Ligar o produto na página 356*.
- Solte o manípulo de travão do motor. (Fig. 17)
- Certifique-se de que o produto para. Se o motor não parar em 3 segundos, solicite o ajuste do travão do motor numa oficina Husqvarna autorizada.

### Verificar o inibidor de arranque

Verifique o inibidor de arranque para se certificar de que este impede o funcionamento do motor.

1. Empurre o manípulo de travão do motor no sentido da barra de direção. O inibidor de arranque para o movimento.
2. Empurre o inibidor de arranque para fora. (Fig. 18)

3. Solte o inibidor de arranque e certifique-se de que este volta à respetiva posição inicial.

## Segurança da bateria



**ATENÇÃO:** Leia as instruções de aviso que se seguem antes de utilizar o produto.

- Utilize baterias recarregáveis Husqvarna como fonte de alimentação apenas para produtos Husqvarna relacionados. Para evitar ferimentos, não utilize a bateria como fonte de alimentação para outros produtos.
- Não utilize baterias não recarregáveis.
- Risco de choque elétrico. Não ligue os terminais da bateria a chaves, moedas, parafusos ou outros metais. Caso contrário, pode provocar um curto-circuito da bateria.
- Não coloque objetos nas aberturas de ventilação da bateria.
- Mantenha a bateria afastada do sol, calor ou de chamas abertas. A bateria pode explodir e causar queimaduras e/ou queimaduras químicas.
- Mantenha a bateria afastada de chuva e condições de humidade.
- Mantenha a bateria afastada de micro-ondas e alta pressão.
- Não tente desmontar ou partir a bateria.
- Em caso de fuga da bateria, evite o contacto do líquido com a pele ou com os olhos. Em caso de contacto com o líquido, limpe a área com água abundante e procure assistência médica.
- Utilize a bateria do produto apenas quando a temperatura ambiente se encontrar entre os 5 °C e os 40 °C.
- Utilize o carregador de bateria apenas quando a temperatura ambiente se encontrar entre os 5 °C e os 40 °C.
- A bateria não carrega se a respetiva temperatura for superior a 50 °C.
- Não limpe a bateria nem o carregador de bateria com água. Consulte *Limpar a bateria e o carregador de bateria na página 358*.
- Não utilize uma bateria danificada.
- Mantenha as baterias armazenadas afastadas de objetos metálicos como, por exemplo, pregos, moedas, joias.

## Segurança do carregador de bateria



**ATENÇÃO:** Leia as instruções de aviso que se seguem antes de utilizar o produto.

- Utilize carregadores de bateria QC para carregar apenas baterias de substituição Husqvarna.
- Risco de choque elétrico ou curto-circuito. Não coloque objetos nas aberturas de ventilação do

carregador. Não tente desmontar o carregador de bateria. Não ligue os terminais do carregador a objetos metálicos. Utilize uma tomada de parede aprovada.

- Este produto produz um campo eletromagnético durante o funcionamento. Em determinadas circunstâncias, este campo pode interferir com o funcionamento de implantes médicos ativos ou passivos. Para diminuir o risco de condições que podem causar ferimentos ou morte, recomendamos que os portadores de implantes médicos consultem o seu médico e o fabricante do implante antes de utilizar este produto.
- Certifique-se regularmente de que o cabo de alimentação do carregador de bateria não está danificado nem apresenta fissuras.
- Não utilize o cabo de alimentação para levantar o carregador de bateria. Para desligar o carregador de bateria de uma tomada elétrica, puxe a ficha. Não puxe o cabo de alimentação.
- Mantenha o cabo de alimentação e os cabos de extensão afastados de água, de óleo e de arestas afiadas. Certifique-se de que o cabo não fica entalado em portas, cercas ou equivalente. Isto pode fazer com que o carregador fique sob tensão.
- Não limpe o carregador de bateria com água.
- O carregador de bateria pode ser utilizado por crianças a partir dos 8 anos de idade e por pessoas com capacidades físicas, sensoriais ou mentais reduzidas, ou falta de experiência e conhecimentos, desde que as mesmas se encontrem sob supervisão ou tenham recebido instruções acerca da utilização segura do carregador da bateria e compreendam os perigos envolvidos. As crianças não devem brincar com o carregador de bateria. As tarefas de limpeza e manutenção a cargo do utilizador não devem ser efetuadas por crianças sem a devida supervisão.
- Não carregue baterias não recarregáveis no carregador de bateria.
- Não utilize o carregador de bateria próximo de materiais inflamáveis ou materiais que possam provocar corrosão. Não cubra o carregador de bateria. Em caso de fumo ou fogo, desligue o carregador de bateria da tomada.
- Não utilize um carregador de bateria danificado.
- Carregue a bateria apenas em espaços interiores com boa ventilação e sem exposição à luz solar. Não carregue a bateria em condições de humidade.

## Instruções de segurança para manutenção



**ATENÇÃO:** Leia as instruções de aviso que se seguem antes de utilizar o produto.

- Para evitar um arranque acidental durante a manutenção, rode a chave de segurança para a posição 0 e retire a bateria. Aguarde pelo menos 5 segundos antes de começar a manutenção.
- Efetue apenas os trabalhos de manutenção indicados neste manual do operador. As intervenções maiores e as reparações profissionais têm de ser efetuadas por uma oficina autorizada. Para mais informações, contacte a sua oficina autorizada.
- Efetue os trabalhos de manutenção corretamente para aumentar a vida útil do produto e reduzir o risco de acidentes.
- Substitua as peças danificadas, gastas ou partidas. Utilize peças sobresselentes originais do fabricante. Outras peças sobresselentes podem causar danos no produto e aumentar o risco de acidentes.
- Para evitar a ocorrência de ferimentos, não remova os dispositivos de segurança, nem os modifique.
- Calce luvas resistentes quando utilizar o equipamento de corte. A lâmina é muito afiada e pode facilmente provocar cortes.
- Mantenha as extremidades cortantes afiadas e limpas para garantir um desempenho melhor e mais seguro.
- Solicite à sua oficina autorizada a inspeção regular do produto e a realização dos ajustes e reparações necessários.
- Cumpra as instruções relativas à substituição dos acessórios. Utilize apenas os acessórios do fabricante.
- Quando não estiverem em funcionamento, mantenha o produto, a bateria e carregador da bateria afastados num local seco, interior e fechado à chave. Certifique-se de que as crianças e as pessoas não autorizadas não conseguem ter acesso ao produto, à bateria ou ao carregador da bateria.

## Montagem

### Introdução



**ATENÇÃO:** Antes de montar o produto, leia o capítulo sobre segurança.



**ATENÇÃO:** Para evitar um arranque acidental durante a montagem, rode a chave de segurança para a posição 0, retire a bateria e aguarde pelo menos 5 segundos.

## Montar o punho

**Nota:** Recomenda-se que este procedimento seja efetuado por 2 pessoas.

**Nota:** Não remova o produto da caixa quando montar o punho. A caixa pode ser utilizada como suporte para o punho durante a montagem.

1. Levante e rode o punho. (Fig. 19)



**CUIDADO:** Tenha cuidado e certifique-se de que o cabo não fica danificado quando rodar o punho.

2. Coloque o punho na parte superior do produto. Incline o punho contra a caixa para servir de apoio. Consulte a ilustração. (Fig. 20)
3. Empurre o parafuso (A) através do punho (B), da anilha de plástico (C) e do suporte do punho (D). (Fig. 21)
4. Aperte totalmente a porca (E).
5. Remova o produto da caixa.
6. Dobre o punho para a posição vertical. (Fig. 22)

7. Defina a altura do punho para a posição mais baixa. Consulte *Ajustar o punho na página 355*.
8. Fixe o cabo à parte inferior do punho com o grampo do cabo. (Fig. 23)
9. Fixe a parte inferior do cabo ao suporte do punho com a abraçadeira. Corte a parte restante da abraçadeira. (Fig. 24)

**Nota:** Certifique-se de que o cabo está corretamente fixo. Um cabo que esteja demasiado solto pode ficar danificado quando o coletor de relva é instalado. (Fig. 25)

## Ajustar o punho

1. Desaperte os manipuladores inferiores.
2. Desloque os botões para a extremidade inferior das ranhuras, dos lados esquerdo e direito do produto. (Fig. 26)
3. Defina a altura do punho para uma das 2 posições disponíveis.
4. Desloque os botões para cima em direção ao punho, até pararem e ouvir um clique. (Fig. 27)
5. Aperte os botões totalmente.

## Funcionamento

### Introdução



**ATENÇÃO:** Antes de utilizar o produto, tem ler e compreender o capítulo sobre segurança.

### Husqvarna Connect

A Husqvarna Connect é uma aplicação gratuita para o seu dispositivo móvel. A aplicação Husqvarna Connect disponibiliza funções alargadas para o seu produto Husqvarna:

- Informações alargadas sobre o produto.
- Informações sobre, e ajuda relacionada com peças e manutenção do produto.

### Começar a utilizar Husqvarna Connect

1. Transfira a aplicação Husqvarna Connect para o seu dispositivo móvel.
2. Registe-se na aplicação Husqvarna Connect.
3. Siga os passos das instruções na aplicação Husqvarna Connect para ligar e registar o produto.

### Colocar o produto na posição de funcionamento

1. Certifique-se de que os botões inferiores estão soltos. Consulte *Ajustar o punho na página 355*.

2. Dobre o punho para a posição vertical. (Fig. 22)
3. Desloque os botões para cima em direção ao punho, até pararem e ouvir um clique. (Fig. 27)
4. Aperte os botões totalmente.



**ATENÇÃO:** Não utilize o produto a não ser que o punho esteja totalmente dobrado para cima e colocado numa das posições de altura aplicáveis. Consulte *Ajustar o punho na página 355*.

### Para definir a altura de corte

1. Mova a alavanca da altura de corte para trás para aumentar a altura de corte.
2. Mova a alavanca da altura de corte para a frente para diminuir a altura de corte. (Fig. 28)



**CUIDADO:** Não regule a altura de corte demasiado baixa. As lâminas podem entrar em contacto com o solo se a superfície do relvado não estiver nivelada.

### Bateria



**ATENÇÃO:** Antes de utilizar a bateria, tem de ler e compreender o capítulo sobre segurança. Também tem de ler e

compreender o manual do operador da bateria e do carregador da bateria.

Mantenha a bateria e o respetivo carregador de bateria a temperaturas ambiente corretas.

	Temperatura ambiente
Utilização da bateria	5 °C - 40 °C
Carregamento da bateria	5 °C - 40 °C

## Estado da bateria

O visor indica a capacidade restante da bateria e a existência de problemas com a mesma. Prima o botão indicador da bateria para obter informações sobre o estado de carga da bateria. O símbolo de aviso na bateria acende-se quando ocorre um erro. Consulte *Bateria na página 359*.

(Fig. 29)

Luzes LED	Estado da bateria
Todos os LED acesos	Carga completa (76%-100%)
LED 1, LED 2 e LED 3 acesos	A bateria tem uma carga de 51%-75%
LED 1 e LED 2 acesos	A bateria tem uma carga de 26%-50%
LED 1 aceso	A bateria tem uma carga de 6%-25%.
LED 1 intermitente	A bateria tem uma carga de 0%-5%.

## Carregar a bateria

Carregue a bateria antes da primeira utilização. A bateria tem apenas 30% de carga quando é entregue ao cliente.

**Nota:** O carregador da bateria tem de ser ligado à tensão e à frequência especificadas na etiqueta de tipo.

A bateria não carrega se a sua temperatura for superior a 50 °C. O carregador da bateria diminui a temperatura da bateria antes de começar a carregar.

1. Ligue uma extremidade do cabo de alimentação do carregador da bateria à tomada do carregador da bateria.
2. Ligue a outra extremidade do cabo de alimentação do carregador da bateria a uma tomada elétrica com ligação à terra. O LED do carregador da bateria pisca a verde uma vez. (Fig. 30)

3. Coloque a bateria no carregador da bateria. A luz verde do carregador acende-se se a bateria estiver corretamente ligada ao carregador da bateria. (Fig. 31)
4. A bateria está totalmente carregada quando todos os LED se acenderem. Carregue a bateria no máximo durante 24 horas.
5. Para desligar o carregador da bateria da tomada, retire a ficha e não o cabo de alimentação.
6. Retire a bateria do carregador da bateria.

## Ligar o produto

1. Abra a tampa da bateria.
2. Coloque uma bateria carregada num dos suportes da bateria. Para prolongar o tempo de funcionamento, coloque uma segunda bateria carregada no outro suporte da bateria.
3. Rode a chave de segurança para a posição 1. (Fig. 32)
4. Mantenha-se atrás do produto.
5. Desaperte o inibidor de arranque. (Fig. 18)
6. Empurre o manípulo de travão do motor no sentido da barra de direção. (Fig. 33)

## Utilizar a transmissão das rodas (LC 251iS)

- Empurre o manípulo de direção no sentido da barra de direção. (Fig. 34)
- Solte o manípulo de direção para desengatar a transmissão, por exemplo quando se aproximar de um obstáculo.
- Antes de puxar o produto para trás, desengate a transmissão e empurre o produto para a frente aproximadamente 10 cm.

## Utilizar a função SavE™

O produto inclui uma função de poupança da bateria (SavE™), que permite uma utilização mais prolongada.

- Coloque o botão SavE™ na posição 1 para iniciar a função. (Fig. 35)
- Coloque o botão SavE™ na posição 0 para parar a função.

**Nota:** A função SavE™ é desativada automaticamente se as condições do solo exigirem uma maior potência. A função SavE™ volta a ativar-se automaticamente quando as condições do solo assim o permitirem.

## Função de carga elevada

Quando o produto estiver a cortar relva alta ou molhada, o motor aumenta automaticamente as rpm. O motor regressa ao modo padrão quando não houver carga elevada.

## Paragem do motor

Durante o funcionamento, a lâmina e o motor podem parar temporariamente devido a obstáculos, tais como obstruções de relva por baixo da cobertura de corte. Se isto ocorrer e mantiver o punho do travão do motor pressionado, o produto reinicia-se automaticamente. Se o produto não reiniciar em 5 a 10 segundos, pode ser necessário limpar a parte inferior da cobertura de corte. Consulte *Limpar o produto na página 358*.



**ATENÇÃO:** Se o motor parar, o produto tenta reiniciar automaticamente durante 5 a 10 segundos. Aguarde, no mínimo, 15 segundos antes de verificar a cobertura de corte.



**ATENÇÃO:** Antes de verificar a cobertura de corte, solte o punho do travão do motor, rode a chave de segurança para a posição 0, remova a bateria e aguarde, no mínimo, 5 segundos. Existe o risco de ferimentos se o obstáculo for removido e o produto arrancar acidentalmente.

## Parar o produto



**ATENÇÃO:** Rode a chave de segurança para a posição 0 antes de deixar o produto fora de vista.

1. Solte o punho do travão do motor para parar o motor. (Fig. 36)

**Nota:** Para LC 251iS. Para parar as rodas, solte o manípulo de direção.

2. Abra a tampa da bateria e rode a chave de segurança para a posição 0. (Fig. 37)
3. Para remover a bateria, prima os 2 botões de desengate e retire a bateria. (Fig. 38)
4. Carregue a bateria se estiver fraca. Para mais informações, consulte *Carregar a bateria na página 356*.

## Utilizar o produto com o coletor de relva



**ATENÇÃO:** Não utilize o produto sem um coletor de relva instalado ou sem a cobertura traseira fechada. Podem ser projetados objetos que podem ferir o utilizador.

1. Levante a cobertura traseira. (Fig. 39)

2. Coloque o coletor de relva no suporte.
3. Solte a cobertura traseira e coloque-a na parte superior da estrutura do saco de relva. (Fig. 40)

## Colocar o produto em modo de descarga lateral

1. Levante a cobertura traseira e remova o saco de relva, caso esteja instalado.
2. Feche a cobertura traseira e certifique-se de que está bem fechada contra o produto.
3. Levante o bloqueio de descarga. (Fig. 41)
4. Abra a cobertura de descarga lateral e instale o defletor de descarga lateral nos pinos de apoio. (Fig. 42)
5. Permita que a cobertura de descarga lateral se feche contra o defletor de descarga lateral. Antes de utilizar o produto, certifique-se de que o defletor de descarga lateral está bem posicionado.

## Esvaziar o coletor de relva



**CUIDADO:** Levante o coletor de relva quando o deslocar para evitar o desgaste.

1. Levante o coletor de relva com o punho da estrutura.
2. Utilize o punho da estrutura e o punho do saco quando esvaziar o coletor de relva. (Fig. 43)

## Para obter bons resultados

- Utilize sempre uma lâmina bem afiada. Uma lâmina romba produz um resultado irregular e a superfície de corte da relva fica amarela. Uma lâmina afiada também gasta menos energia que uma lâmina romba.
- Não corte mais do que  $\frac{1}{3}$  do comprimento da relva. Utilize a maior altura de corte ao começar a cortar a relva. Examine o resultado e reduza a altura de corte para um nível aplicável. Caso a relva esteja muito comprida, avance lentamente e corte duas vezes, se necessário.
- Corte em diferentes direções de cada vez, para evitar a formação de linhas no relvado.
- Levante a cobertura traseira e retire o coletor de relva.
- Se instalados, retire o tampão de trituração e a lâmina de trituração.
- Feche a cobertura traseira antes de utilizar o produto. Quando utilizar o produto, a relva cortada vai para baixo da cobertura traseira.
- Mantenha a cobertura de corte limpa. A acumulação de relva e sujidade no lado interior da cobertura de corte pode diminuir o resultado de corte. Consulte *Limpar o produto na página 358*.

# Manutenção

## Introdução



**ATENÇÃO:** Antes de efetuar a manutenção, tem de ler e compreender o capítulo sobre segurança.

É necessário ter formação especial para realizar qualquer tarefa de manutenção ou reparação. Garantimos a disponibilidade de reparações e manutenção profissionais.

Para obter informações mais detalhadas, consulte [www.husqvarna.com](http://www.husqvarna.com).

## Esquema de manutenção

Os intervalos de manutenção são calculados a partir da utilização diária do produto. Os intervalos são alterados se o produto não for utilizado diariamente.

Relativamente às tarefas de manutenção identificadas com \*, consulte as instruções em *Segurança na página 349*.

	A cada utilização	Mensalmente	A cada estação
Efetuar uma inspeção geral	X		
Limpar o produto	X		
Verificar o inibidor de arranque*	X		
Certificar-se de que os dispositivos de segurança do produto não estão danificados*	X		
Examinar o equipamento de corte	X		
Examinar a tampa de corte*	X		
Verificar o punho do travão do motor*	X		
Verificar a existência de danos na bateria	X		
Verificar a carga da bateria	X		
Certificar-se de que os botões de libertação da bateria funcionam corretamente e de que a bateria bloqueia no produto	X		
Verifique a existência de danos no carregador de bateria e certifique-se de este que funciona corretamente.		X	
Verifique as ligações entre a bateria e o produto. Verifique também a ligação entre a bateria e o carregador de bateria.			X

## Para efetuar uma inspeção geral

- Certifique-se de que as porcas e os parafusos do produto estão apertados.
- Certifique-se de que os cabos no produto não estão numa posição suscetível a danos.

## Limpar o produto

- Limpe os componentes plásticos com um pano seco e limpo.
- Não utilize água para limpar o produto. A água pode entrar na bateria ou no motor, provocando um curto-circuito ou danos no produto.
- Não utilize uma máquina de lavar à pressão para limpar o produto.
- Não verta água diretamente no motor.

- Utilize uma escova para remover folhas, relva e sujidade.

## Limpar a bateria e o carregador de bateria



**ATENÇÃO:** Não limpe a bateria nem o carregador de bateria com água.



**ATENÇÃO:** Não utilize substâncias químicas para limpar a bateria.

- Certifique-se de que a bateria e o carregador de bateria estão limpos e secos antes de colocar a bateria no carregador de bateria.
- Limpe os terminais da bateria com ar comprimido ou com um pano macio e seco.
- Limpe as superfícies da bateria e o carregador de bateria com um pano macio e seco.

## Para examinar o equipamento de corte



**ATENÇÃO:** Para evitar um arranque acidental, rode a chave de segurança para a posição 0, retire a bateria e aguarde pelo menos 5 segundos.



**ATENÇÃO:** Use luvas de proteção quando realizar a manutenção do equipamento de corte. A lâmina é muito afiada e pode facilmente provocar cortes.

1. Examine se o equipamento de corte está danificado ou se apresenta fissuras. Substitua sempre um equipamento de corte danificado.
2. Olhe para a lâmina para verificar se está danificada ou romba.

**Nota:** É necessário estabilizar a lâmina depois de ser afiada. Afie, substitua e estabilize a lâmina numa oficina especializada. Se atingir um obstáculo que faça o produto parar, substitua a lâmina danificada. Um centro de assistência deve avaliar se a lâmina pode ser afiada ou se tem de ser substituída.

## Substituir a lâmina

Consulte *Especificações técnicas na página 363* para saber qual o tipo de lâmina correto.



**ATENÇÃO:** Bloqueie a lâmina com um bloco de madeira para evitar ferimentos nos dedos quando substituir a lâmina. A lâmina pode ser deslocada quando o motor está

desligado e os dedos podem ficar presos entre a lâmina e as peças fixas.

1. Bloqueie a lâmina com um bloco de madeira. (Fig. 44)
2. Remova o parafuso da lâmina, as anilhas e a lâmina. (Fig. 45)
3. Examine o suporte e o parafuso da lâmina para verificar se existem danos.
4. Examine o eixo do motor para se certificar de que não se encontra dobrado.
5. Quando colocar a lâmina nova, aponte as extremidades angulares da lâmina na direção da cobertura de corte. (Fig. 46)
6. Certifique-se de que a lâmina está alinhada com a parte central do eixo do motor.
7. Bloqueie a lâmina com um bloco de madeira. Fixe as anilhas e aperte o parafuso com um binário de 23 – 28 Nm. (Fig. 47) (Fig. 45)
8. Faça rodar a lâmina com a mão de modo a assegurar-se de que roda livremente.



**ATENÇÃO:** Use luvas resistentes. A lâmina é muito afiada e pode facilmente provocar cortes.

9. Ligue o produto para testar a lâmina. Se a lâmina não estiver corretamente ligada, o produto vibra ou o resultado de corte não é satisfatório.

## Verificar o defletor de descarga lateral

O defletor de descarga lateral está fixo à abertura de descarga lateral do produto. Isto reduz o risco de projeção de objetos na direção da posição de corte do utilizador.

1. Certifique-se de que o defletor de descarga lateral não está danificado.
2. Examine o defletor de descarga lateral. Certifique-se de que não são detetados defeitos, como fissuras ou molas partidas que forcem o fecho da porta.
3. Substitua o defletor de descarga lateral ou as molas se estas estiverem danificadas.

## Resolução de problemas

### Bateria

LED na bateria	Causa	Solução
LED verde intermitente.	A tensão da bateria é baixa.	Carregue a bateria. Consulte <i>Carregar a bateria na página 356</i> .

LED na bateria	Causa	Solução
O LED de erro da bateria fica intermitente.	A bateria está demasiado fria ou demasiado quente para utilizar.	Deixe a bateria arrefecer ou desloque-a para um espaço interior para a aquecer. Quando a bateria estiver na temperatura correta, esta pode ser utilizada novamente. Utilize a bateria do produto apenas quando a temperatura ambiente se encontrar entre os 5 °C e os 40 °C.
	A bateria está descarregada.	Carregue a bateria. Consulte <i>Carregar a bateria na página 356</i> .
O LED de erro da bateria acende-se.	Existe um erro permanente da bateria.	Contacte o seu distribuidor com assistência técnica Husqvarna.

## Carregador de bateria

LED no carregador de bateria	Causa	Solução
O LED de erro fica intermitente ou acende-se.	O carregador de bateria está demasiado frio ou demasiado quente para utilizar.	Deixe o carregador de bateria arrefecer ou desloque-o para um espaço interior para o aquecer. Quando o carregador de bateria estiver na temperatura correta, pode ser utilizado novamente. Utilize o carregador de bateria quando a temperatura ambiente se encontrar entre os 5 °C e os 40 °C.
	Outros erros.	Contacte o seu distribuidor com assistência técnica Husqvarna.

## Corta-relva

O indicador de aviso (LED de erro) encontra-se por baixo da tampa da bateria.



Problema	LED de erro (número de intermitências)	Causa	Solução
LED de erro intermitente. O produto não funciona corretamente.	3	A lâmina está bloqueada.	Rode a chave de segurança para a posição 0 para evitar um arranque acidental. Retire a bateria e aguarde, no mínimo, 5 segundos. Retire possíveis obstáculos e certifique-se de que a lâmina consegue rodar livremente. Se o problema persistir, contacte o seu distribuidor com assistência técnica da Husqvarna.
	5	A rotação do motor desce demasiado e o motor para.	Aumente a altura de corte. Consulte <i>Para definir a altura de corte na página 355</i> .
	6 <sup>77</sup>	As rodas ou a transmissão estão bloqueadas.	Rode a chave de segurança para a posição 0 para evitar um arranque acidental. Retire a bateria e aguarde, no mínimo, 5 segundos. Retire possíveis obstáculos e certifique-se de que as rodas conseguem rodar livremente. Se o problema persistir, contacte o seu distribuidor com assistência técnica da Husqvarna.
	10	O controlo do motor está demasiado quente.	Desligue o motor e aguarde até arrefecer.
LED de erro intermitente. O produto para.	Sem intermitências	Avaria do conetor da bateria.	Examine o conetor da bateria.
	3	Existe uma sobrecarga no motor.	Aumente a altura de corte. Consulte <i>Para definir a altura de corte na página 355</i> .
	8	A bateria está fraca.	Carregue a bateria. Consulte <i>Carregar a bateria na página 356</i> .
	9	Bateria com erro ou sem sinal.	Coloque a bateria no produto corretamente e examine o conetor da bateria. Se o LED de erro da bateria ficar intermitente. Consulte <i>Bateria na página 359</i> .
	15	Procedimento de arranque incorreto. O punho do travão do motor foi engatado antes de o motor arrancar.	Solte o punho do travão do motor e aguarde cerca de 5 segundos. Empurre novamente o punho do travão do motor para baixo para ligar o produto.
Outros erros.	Se ocorrerem outros erros, rode a chave de segurança para a posição 0, retire a bateria e contacte o seu revendedor com assistência técnica da Husqvarna.		

<sup>77</sup> LC 251iS

---

# Transporte, armazenamento e eliminação

---

## Introdução



**ATENÇÃO:** Para evitar um arranque acidental durante o transporte e armazenamento, rode a chave de segurança para a posição 0, remova a bateria e aguarde, pelo menos, 5 segundos.

## Colocar o produto na posição de transporte

1. Desaperte os botões inferiores.
2. Desloque os botões para a extremidade inferior das ranhuras, dos lados esquerdo e direito do produto. (Fig. 26)
3. Dobre o punho para a frente. (Fig. 48)

## Transporte

- Os requisitos da legislação sobre mercadorias perigosas aplicam-se às baterias de íões de lítio incluídas.
- Para um transporte comercial, é necessário cumprir os requisitos especiais na embalagem e nas etiquetas.
- Quando preparar o produto para transporte, certifique-se de que cumpre os regulamentos sobre mercadorias perigosas. Podem aplicar-se normas locais.
- Retire sempre a bateria para transporte.
- Coloque fita adesiva nos conectores da bateria e certifique-se de que a bateria não pode mover-se durante o transporte.
- Prenda o produto durante o transporte.

## Armazenamento

- Antes do armazenamento, deixe o produto arrefecer.
- Retire sempre a bateria durante o armazenamento.
- Para evitar acidentes, certifique-se de que a bateria não está ligada ao produto durante o armazenamento.
- Armazene o carregador da bateria apenas em espaços interiores secos.
- Armazene a bateria e o carregador da bateria num local seco, sem humidade nem gelo.
- Desligue a bateria do carregador da bateria durante o armazenamento.
- Não armazene a bateria num local onde possa haver eletricidade estática. Não armazene a bateria numa caixa metálica.
- Armazene o produto num local onde a temperatura ambiente se encontre entre -10 °C e 40 °C.

- Armazene a bateria num local onde a temperatura ambiente varie entre 5 °C e 25 °C e onde não fique exposta à luz solar.
- Armazene o carregador de bateria num local onde a temperatura ambiente varie entre 5 °C e 45 °C e onde não fique exposto à luz solar.
- Antes de armazenar a bateria durante longos períodos de tempo, certifique-se de que está carregada a 30-50%.
- Mantenha o produto, a bateria e o carregador de bateria num local fechado à chave, fora do alcance de crianças e de pessoas não autorizadas.
- Limpe o produto e certifique-se de que o coletor de relva está vazio.
- Realize os procedimentos de manutenção indicados neste manual do utilizador. Consulte *Manutenção na página 358*.
- Antes de armazenar o produto durante longos períodos de tempo, efetue uma manutenção completa do mesmo.

## Eliminação

Os símbolos no produto ou na respetiva embalagem indicam que este produto não deve ser tratado como um resíduo doméstico. Tem de ser enviado para uma estação de reciclagem adequada para a recuperação de equipamentos elétricos e eletrónicos.

Ao garantir que este produto é tratado corretamente, pode ajudar a neutralizar o potencial impacto negativo sobre o meio ambiente e as pessoas, que de outra forma pode resultar da gestão incorreta dos resíduos deste produto. Para informações mais detalhadas sobre a reciclagem deste produto, contacte o seu município, o serviço de recolha de resíduos domésticos ou a loja onde adquiriu o produto.

(Fig. 49)

## Especificações técnicas

### Especificações técnicas

	LC 251i	LC 251iS
<b>Motor de corte</b>		
Tipo de motor	BLDC (sem escovas) 36 V	BLDC (sem escovas) 36 V
Velocidade do motor – SavE, rpm	2600/min	2600/min
Rotação do motor – nominal, rpm	3000/min	3000/min
Rotação do motor – carga elevada, rpm	3500/min	3500/min
Potência do motor – máx. kW	1,4	1,4
Potência do motor – nominal, kW	0,9	0,9
<b>Motor direto</b>		
Potência do motor – nominal, kW	N/A	0,4
Velocidade de autodeslocação, km/h	N/A	4,0
Níveis de regulação de velocidade	N/A	1
<b>Peso</b>		
Peso sem saco (excl. bateria), kg	25,5	27
Peso com saco (incl. 2 x BLi30), kg	31,5	33
<b>Bateria</b>		
Tipo de bateria	Gama de equipamentos a bateria da Husqvarna	Gama de equipamentos a bateria da Husqvarna
<b>Tempo de funcionamento da bateria</b>		
Tempo de funcionamento da bateria, mín., (funcionamento livre) com SavE ativado, com uma bateria Husqvarna de 7,5 Ah (BLi30).	58	51
Tempo de funcionamento da bateria, mín., (funcionamento livre) com modo standard ativado, com uma bateria Husqvarna de 7,5 Ah (BLi30).	42	38
<b>Emissões de ruído <sup>78</sup></b>		
Nível de potência sonora, medido dB (A)	96	96
Nível de potência sonora, garantido L <sub>WA</sub> dB (A)	98	98
<b>Níveis sonoros <sup>79</sup></b>		
Nível de pressão sonora ao nível do ouvido do utilizador, dB (A)	85	85

<sup>78</sup> Emissões de ruído para as imediações, medidas sob forma de potência sonora (L<sub>WA</sub>) em conformidade com a diretiva da CE 2000/14/CE.

<sup>79</sup> Os dados comunicados relativamente ao nível de pressão sonora têm um fator de incerteza (K) de 1,5 dB(A).

	LC 251i	LC 251iS
<b>Níveis de vibração</b> <sup>80</sup>		
Punho, m/s <sup>2</sup>	0,7	0,7
<b>Equipamento de corte</b>		
Altura de corte, mm	25-75	25-75
Largura de corte, mm	510	510
Lâmina – padrão	Recolha 5928704-01	Recolha 5928704-01
Capacidade do coletor de relva, litros	65	65

Baterias aprovadas	Tipo	Capacidade da bateria, Ah	Tensão, V	Peso, lb / kg
BLi30	lões de lítio	7,5	36	4,2/1,9
40-B140	lões de lítio	4,0	36	2,6/1,2

Carregadores aprovados para as baterias especificadas, BLi	Tensão de entrada, V	Frequência, Hz	Potência, W
40-C80	100-240	50-60	68,8
QC250	100-240	50-60	250

<sup>80</sup> Os dados comunicados relativamente ao nível de vibração têm um fator de incerteza (K) de 1,5m/s<sup>2</sup>. O valor total de vibração declarado foi medido em conformidade com a norma EN 62841-4-3, Anexo I, e pode ser utilizado para comparar uma máquina com outra e numa avaliação preliminar da exposição.

# Declaração de conformidade

## Declaração UE de conformidade

A **Husqvarna AB**, SE-561 82 Huskvarna, Suécia,  
tel.: +46-36-146500, declara, sob sua inteira  
responsabilidade, que o produto:

<b>Descrição</b>	Corta-relva
<b>Marca</b>	Husqvarna
<b>Tipo/Modelo</b>	LC 251i, LC 251iS
<b>Identificação</b>	Números de série referentes a 2023 e posteriores

está em plena conformidade com as seguintes diretivas  
e regulamentos da UE:

<b>Regulamento</b>	<b>Descrição</b>
2006/42/CE	"relativa a máquinas"
2014/30/UE	"relativa à compatibilidade eletromagnética"
2000/14/CE	"relativa a emissões de ruído para o ambiente"
2011/65/UE	"relativa à restrição do uso de determinadas substâncias perigosas em equipamento elétrico e eletrônico"

e que as seguintes normas e/ou especificações técnicas  
são aplicadas: EN 62841-1:2015/A11:2022, EN IEC  
62841-4-3:2021/A11:2021, EN IEC 55014-1:2021, EN  
IEC 55014-2:2021, EN IEC 63000:2018

Entidade competente: 0404, SMP Svensk  
Maskinprovning AB, Box 4053, SE-904 03 Umeå,  
Sweden atribuiu a certificação de conformidade com  
a Diretiva 2000/14/CE do Conselho, procedimento de  
avaliação de conformidade: Anexo VI.

Para mais informações sobre as emissões de ruído,  
consulte *Especificações técnicas na página 363*.

Huskvarna, 2023-12-11



Claes Losdal, chefe de desenvolvimento/produtos de  
jardinagem, Husqvarna AB

Responsável pela documentação técnica



---

# CUPRINS

---

Introducere.....	366	Depanarea.....	377
Siguranță.....	367	Transportul, depozitarea și eliminarea.....	379
Asamblarea.....	372	Date tehnice.....	381
Funcționarea.....	373	Declarație de conformitate.....	383
Întreținerea.....	375		

---

## Introducere

---

### Descrierea produsului

Produsul este o mașină rotativă pentru tuns gazonul controlată de un operator-pieton. Iarba se adună într-un colector de iarbă. Atașați deflectorul de descărcare laterală pentru descărcarea laterală a ierbii.

### Prezentare generală a produsului

(Fig. 1)

1. Maneta frânei de motor
2. Inhibitor de pornire
3. Manetă de transmisie (LC 251iS)
4. Capac posterior
5. Colector de iarbă
6. Rozetă pe mâner
7. Pârghie pentru înălțimea de tăiere
8. Dispozitivul de blocare pentru descărcare
9. Capac de descărcare laterală
10. Capacul bateriei
11. Simboluri
12. Cheie de siguranță
13. Indicator de avertisment (LED de eroare)
14. Butonul Save
15. Capac de tăiere
16. Mâner
17. Mânere de ridicare
18. Descărcare laterală
19. Manual de utilizare

### Simbolurile de pe produs

(Fig. 2) AVERTISMENT

(Fig. 3) Citiți instrucțiunile.

(Fig. 4) AVERTISMENT – Feriți-vă de obiecte proiectate.

(Fig. 5) Țineți trecătorii la distanță.

(Fig. 6) AVERTISMENT – Feriți-vă mâinile și picioarele de cuțite.

### Domeniul de utilizare

Utilizați produsul pentru a tăia iarba. Nu utilizați produsul pentru alte sarcini.

(Fig. 7) AVERTISMENT – Deconectați bateria înaintea lucrărilor de întreținere.

(Fig. 8) Nici produsul și nici ambalajul său nu sunt deșeuri menajere. Reciclați la un centru de reciclare pentru echipamente electrice și electronice.

(Fig. 9) Etichetă privind emisiile de zgomot în mediu, conform directivelor și reglementărilor din UE și Regatul Unit și legislației din New South Wales „Regulamentul privind măsurile de protecție a mediului (controlul zgomotului) din 2017”. Nivelul de putere sonoră garantat al produsului este specificat în *Date tehnice la pagina 381* și pe etichetă.

(Fig. 10) Acest accesoriu este conform cu directivele UE aplicabile.

(Fig. 11) Acest produs respectă reglementările aplicabile din Regatul Unit.

(Fig. 12) Produsul este protejat de scurgere.

(Fig. 13) Eliberați maneta frânei de motor pentru oprire.

(Fig. 14) Cod scanabil.

---

**Nota:** Celelalte simboluri/autocolante de pe produs se referă la cerințele de certificare pentru unele piețe.

---

### Etichetele de pe produs

(Fig. 15)

PERICOL – Țineți picioarele și mâinile la distanță.

## Deteriorarea produsului

Nu suntem responsabili pentru deteriorarea produsului dacă:

- produsul este reparat necorespunzător.
- produsul este reparat cu piese care nu provin de la producător sau care nu sunt aprobate de acesta.

- produsul are un accesoriu care nu provine de la producător sau care nu este aprobat de acesta.
- produsul nu este reparat la un centru de service omologat sau de o autoritate omologată.

---

## Siguranță

---

### Definiții privind siguranța

Avertismentele, atenționările și notele sunt utilizate pentru a desemna părți foarte importante din manual.



**AVERTISMENT:** Se utilizează dacă există risc de vătămare sau de deces pentru operator sau pentru trecători, în cazul în care instrucțiunile din manual nu sunt respectate.



**ATENȚIE:** Se utilizează dacă există un risc de deteriorare a produsului, a altor materiale sau a zonelor învecinate, dacă instrucțiunile din manual nu sunt respectate.

**Nota:** Se utilizează pentru a furniza mai multe informații care sunt necesare într-o situație dată.

### Avertismente generale privind siguranța produsului



**AVERTISMENT:** Citiți toate avertismentele, instrucțiunile, ilustrațiile și specificațiile de siguranță furnizate cu acest produs. Nerespectarea instrucțiunilor enumerate mai jos poate avea ca rezultat electrocutare, incendii și/sau vătămări corporale grave.

**Păstrați toate avertismentele și instrucțiunile pentru consultare ulterioară.** Termenul „produs” folosit în avertismente se referă la produsul acționat de la rețeaua de alimentare (cu cablu) sau pe baterii (fără cablu).

### Siguranța zonei de lucru

- **Păstrați zona de lucru curată și bine iluminată.** Zonele dezordonate sau întunecoase provoacă accidente.
- **Nu întrebuințați produsul în atmosfere explozive, cum ar fi în prezența lichidelor, gazelor și prafului inflamabile.** Produsul scoate scântei care pot aprinde praful sau degajările.
- **Țineți la distanță copiii și alte persoane în timpul folosirii produsului.** Distragerea atenției poate cauza pierderea controlului.

### Siguranța privind echipamentele electrice

- **Ștecărele produsului trebuie să se potrivească cu priza. Nu modificați niciodată ștecărul. Nu utilizați adaptoare de ștecăr cu produsele cu împământare (legate la masă).** Ștecărele nemodificate și prizele potrivite reduc riscul de electrocutare.
- **Evitați contactul dintre propriul corp și suprafețele cu împământare sau legate la masă, cum ar fi țevi, calorifere, plite și congelatoare.** Există un pericol sporit de electrocutare dacă împământarea sau legarea la masă se face prin corpul dvs.
- **Nu expuneți produsele la ploaie sau la condiții de umezeală.** Apa care pătrunde într-un produs va spori pericolul de electrocutare.
- **Nu folosiți cablul în mod abuziv. Nu utilizați niciodată cablul la transportarea, tragerea sau deconectarea produsului. Țineți cablul departe de căldură, ulei, mυχii ascuțiți sau piese în mișcare.** Cablurile deteriorate sau încurcate sporesc pericolul de electrocutare.
- **Când lucrați cu produsul afară, folosiți un cablu prelungitor potrivit pentru utilizarea la exterior.** Folosirea unui cablu adecvat pentru utilizarea la exterior reduce riscul de electrocutare.
- **Dacă întrebuințarea unui produs într-un loc cu umiditate mare este inevitabilă, utilizați o sursă cu dispozitiv de protecție împotriva curenților reziduali (RCD).** Folosirea unui dispozitiv pentru curent rezidual reduce pericolul de electrocutare.

### Siguranța personală

- **Fiți mereu atenți, uitați-vă la ce faceți și dați dovadă de simț practic când utilizați produsul. Nu utilizați produsul când sunteți obosit sau sub influența drogurilor, a alcoolului sau a medicamentelor.** Un moment de neatenție în timpul întrebuințării produselor poate duce la vătămări corporale grave.
- **Utilizați echipament individual de protecție. Purtați întotdeauna ochelari de protecție.** Echipamentele de protecție, cum ar fi masca împotriva prafului, încălțăminte de protecție antiderapantă, casca sau protecția pentru auz utilizate în condiții corespunzătoare, vor reduce riscul de vătămări corporale.
- **Evitați pornirea accidentală. Verificați dacă comutatorul este în poziția oprit înainte de conectarea la o sursă de alimentare și/sau la acumulatori, înainte de ridicarea sau transportarea**

**produsul.** Transportarea produselor cu degetul pe comutator sau activarea produselor care au comutatorul pornit pot genera accidente.

- **Îndepărtați toate cheile de reglare sau cheile fixe înainte de a porni produsul.** O cheie fixă care a rămas prinsă la o piesă rotativă a produsului poate duce la răniri.
- **Nu vă întindeți prea mult. Sprijiniți-vă bine pe picioare și păstrați-vă echilibrul.** Aceasta permite un control mai bun asupra produsului în situații neașteptate.
- **Îmbrăcați-vă corespunzător. Nu purtați haine largi sau bijuterii. Țineți părul și îmbrăcămintea la distanță de piesele în mișcare.** Hainele largi, bijuteriile sau părul lung se pot prinde în piesele în mișcare.
- **Dacă dispozitivele sunt dotate cu racorduri la instalații de extragere și colectare a prafului, asigurați-vă că acestea sunt conectate și utilizate corespunzător.** Colectarea prafului poate reduce pericolele provocate de acesta.
- **Nu vă încredeți în familiaritatea dobândită din utilizarea frecventă a produselor și nu neglijați principiile lor de siguranță.** O acțiune neglijentă poate duce la vătămări corporale grave într-o fracțiune de secundă.

## Utilizarea și întreținerea produsului

- **Nu forțați produsul. Utilizați produsul adecvat pentru operațiunea dvs.** Cu produsul adecvat veți efectua lucrarea mai rapid și în condiții mai sigure, la viteza de lucru pentru care a fost proiectat.
- **Nu utilizați produsul dacă nu poate fi pornit și oprit de la comutator.** Orice produs imposibil de controlat cu comutatorul este periculos și trebuie reparat.
- **Deconectați ștecărul de la sursa de alimentare și/sau scoateți acumulatorul, dacă este detașabil, de la produs înainte de a face reglaje, de a schimba accesoriile sau de a depozita produsul.** Astfel de măsuri preventive de siguranță reduc riscul pornirii accidentale a produsului.
- **Nu lăsați produsele nefolosite la îndemâna copiilor și nu permiteți persoanelor care nu sunt familiarizate cu produsele sau cu instrucțiunile acestea să le folosească.** Produsele sunt periculoase în mâinile utilizatorilor neinstruiți.
- **Întrețineți produse și accesoriile. Verificați ca piesele în mișcare să nu fie nealiniat sau îndoite, ca piesele să nu fie deteriorate și să nu existe alte situații care ar putea afecta funcționarea produsului. Dacă produsul se strică, duceți-l la reparat înainte de a-l utiliza iar.** Multe accidente sunt provocate de produsele prost întreținute.
- **Păstrați unelte de tăiere ascuțite și curate.** Este mai puțin probabil ca unelte de tăiere cu tăișuri ascuțite întreținute corespunzător să se blocheze și sunt mai ușor de controlat.
- **Utilizați produsul, accesoriile, capetele de unealtă etc. în conformitate cu aceste instrucțiuni, luând în considerare condițiile de lucru și operațiunea care urmează a fi efectuată.** Utilizarea produsului pentru

operațiuni diferite de cele pentru care a fost realizat poate duce la situații periculoase.

- **Mențineți mânerul și suprafețele de prindere uscate, curate, fără ulei și unsoare.** Mănerul și suprafețele de prindere alunecoase nu permit manipularea și controlarea în siguranță a produsului în situații neprevăzute.

## Utilizarea și întreținerea uneltei cu baterie

- **Reîncărcați numai cu încărcătorul specificat de producător.** Un încărcător adecvat pentru un tip de baterie poate constitui pericol de incendiu atunci când este utilizat cu un alt tip de baterie.
- **Utilizați produsele numai cu bateriile special indicate.** Utilizarea unui alt tip de acumulatori poate constitui pericol de vătămări corporale și de incendiu.
- **Când acumulatorul nu este utilizat, păstrați-l departe de alte obiecte metalice, precum agrafe de birou, monede, chei, cuie, șuruburi sau alte obiecte mici de metal, care pot crea o conexiune între borne.** Scurtcircuitarea bornelor bateriei poate cauza arsuri sau incendii.
- **În condiții de utilizare neadecvată, din baterie pot ieși stropi de lichid; evitați contactul. Totuși, dacă intrați accidental în contact cu lichidul respectiv, spălați cu apă. Dacă lichidul intră în contact cu ochii, consultați un medic.** Lichidul care se scurge din baterie poate cauza iritații sau arsuri.
- **Nu utilizați acumulatori sau unelte deteriorate sau modificate.** Bateriile deteriorate sau modificate pot prezenta un comportament impredictibil, ce pot duce la incendii, explozii sau pericol de vătămări corporale.
- **Nu expuneți acumulatorii sau uneltele la flăcări sau temperaturi excesive.** Expunerea la flăcări sau la temperaturi de peste 130°C/265°F poate cauza explozii.
- **Urmați toate instrucțiunile de încărcare și nu încărcați acumulatorul sau uneltele în afara intervalului de temperatură specificat în instrucțiuni.** Încărcarea incorectă sau la temperaturi în afara intervalului specificat poate duce la deteriorarea bateriei și la creșterea pericolului de incendiu.

## Service

- **Produsul dvs. trebuie reparat numai de un tehnician calificat, care să folosească numai piese de schimb identice.** Astfel se garantează păstrarea siguranței produsului.
- **Nu reparați niciodată acumulatori deteriorați.** Repararea acumulatorilor trebuie efectuată numai de producător sau de furnizorii de servicii autorizați.

## Avertismente privind siguranța mașinii de tuns gazonul

- **Nu utilizați mașina de tuns gazonul în condiții de vreme nefavorabilă, mai ales când există risc de descărcări electrice.** Aceasta reduce riscul de a fi lovit de trăsnet.



- **Verificați temeinic zona unde urmează a fi utilizată mașina, pentru a vedea dacă nu există animale sălbatice.** Animalele sălbatice ar putea fi rănite de mașină în timp ce este în funcțiune.
- **Verificați temeinic zona unde urmează a fi utilizată mașina și înlăturați toate pietrele, bețele, cablurile, oasele și alte obiecte străine.** Obiectele proiectate pot provoca vătămări corporale.
- **Înainte de a utiliza mașina, efectuați întotdeauna o inspecție vizuală pentru a vedea dacă cușitul și ansamblul cușitului nu sunt uzate sau deteriorate.** Componentele deteriorate sau uzate sporesc riscul de vătămare corporală.
- **Verificați frecvent colectorul de iarbă pentru a detecta eventualele semne de uzură sau deteriorare.** Un colector de iarbă uzat sau deteriorat poate crește riscul de vătămări corporale.
- **Păstrați apărătorile montate. Apărătorile trebuie să fie în stare adecvată pentru lucru și montate corect.** O apărătoare slabită, deteriorată sau care nu funcționează corect poate duce la vătămări corporale.
- **Mențineți toate admisile de aer de răcire neobstrucționate de resturi.** Blocarea admisilor de aer și resturile pot duce la supraîncălzire sau incendiu.
- **În timp ce folosiți mașina, purtați mereu încălțăminte antiderapantă de protecție. Nu întrebuiți mașina în picioarele goale sau purtând pantofi deschiși la vârf.** Astfel reduceți riscul de rănire a picioarelor în eventualitatea contactului cu cușitul aflat în mișcare.
- **Când folosiți mașina de tuns gazonul, purtați întotdeauna pantaloni lungi.** Pielea expusă crește probabilitatea rănirii de către obiectele proiectate.
- **Nu utilizați mașina pe iarbă udă. Mergeți, nu alergați niciodată.** Astfel reduceți riscul de alunecare și cădere, care pot provoca vătămări corporale.
- **Nu întrebuiți mașina pe pante prea înclinate.** Astfel scade riscul de a pierde controlul, de a aluneca sau de a cădea, care pot duce la vătămări corporale.
- **Când lucrați pe pante, asigurați-vă întotdeauna că aveți o poziție stabilă. Lucrați mereu orizontal pe suprafața pantei, niciodată în sus și în jos și aveți foarte mare grijă când schimbați direcția.** Astfel scade riscul de a pierde controlul, de a aluneca sau de a cădea, care pot duce la vătămări corporale.
- **Aveți mare grijă când dați înapoi sau când trageți mașina de tuns gazonul spre dvs. Aveți mereu grijă la zona din jur.** Astfel se reduce riscul de împiedicare în timpul lucrului.
- **Nu atingeți cușitele și alte componente mobile periculoase în timp ce încă se află în mișcare.** Astfel reduceți riscul de vătămări corporale produse de componentele în mișcare.
- **Când desprindeți materialul blocat sau curățați mașina de tuns gazonul, asigurați-vă că toate întreprătoarele sunt oprite și acumulatorul este scos din priză.** Acționarea neașteptată a mașinii poate duce la vătămări corporale grave.
- **Când desprindeți materialul blocat sau curățați mașina de tuns gazonul, asigurați-vă că toate întreprătoarele sunt oprite și scoateți dispozitivul de dezactivare.** Acționarea neașteptată a mașinii poate duce la vătămări corporale grave.

## Dispozitiv de protecție împotriva curentului rezidual

- Utilizați un dispozitiv de protecție împotriva curentului rezidual cu un curent de declanșare de maximum 30 mA.

## Instrucțiuni generale de siguranță



**AVERTISMENT:** Înainte de a utiliza produsul, citiți instrucțiunile de avertizare de mai jos.

- Acest produs este periculos dacă este utilizat incorect sau dacă nu sunteți atent. Nerespectarea instrucțiunilor de siguranță poate cauza vătămări corporale sau decesul.
- În timpul funcționării, acest produs generează un câmp electromagnetic. În anumite condiții, acest câmp poate interfera cu implanturile medicale active sau pasive. Pentru a reduce riscul de vătămări corporale grave sau mortale, recomandăm persoanelor cu implanturi medicale să consulte medicul și producătorul implantului medical înainte de a utiliza acest produs.
- Procedați întotdeauna cu atenție și folosiți-vă judecata. Dacă nu sunteți sigur cum să utilizați produsul într-o situație specială, opriți-l și adresați-vă distribuitorului Husqvarna înainte de a continua.
- Rețineți că operatorul poartă responsabilitatea privind orice accidente care implică alte persoane sau bunurile lor.
- Păstrați produsul curat. Asigurați-vă că puteți citi clar semnele și autocolantele.
- Nu lăsați niciodată copiii sau persoanele nefamiliarizate cu aceste instrucțiuni să folosească aparatul. Este posibil ca reglementările locale să limiteze vârsta operatorului.
- Monitorizați permanent o persoană cu capacități fizice sau mintale reduse, care utilizează produsul. Un adult responsabil trebuie să fie prezent în permanență.
- Nu utilizați produsul atunci când sunteți obosit, bolnav sau dacă ați consumat alcool, droguri sau ați luat medicamente. Acestea vă afectează negativ acuitatea vizuală, atenția, coordonarea și judecata.
- Nu folosiți produsul dacă este deteriorat sau dacă nu funcționează corect.
- Nu modificați acest produs și nu îl utilizați dacă este posibil să fi fost modificat de către alte persoane.

## Siguranța în lucru



**AVERTISMENT:** Înainte de a utiliza produsul, citiți instrucțiunile de avertizare de mai jos.

- Utilizați acest produs numai pentru tunderea gazonului. Nu este permisă utilizarea acestui produs pentru alte lucrări.
- Utilizați echipamentul de protecție personală. Consultați *Echipament individual de protecție la pagina 370*.
- Asigurați-vă că știți cum să opriți rapid motorul în caz de urgență.
- Nu utilizați produsul în ploaie sau în condiții de umezeală. Riscul de electrocutare crește dacă apa pătrunde în produs.
- Nu utilizați produsul decât dacă au fost montate corect cuțitul și toate capacele. Un cuțit montat incorect se poate slăbi, provocând vătămări corporale.
- Asigurați-vă că lama nu lovește obiecte, precum pietre și rădăcini. Acestea pot deteriora cuțitul și pot îndoi arborele motorului. Un ax îndoit poate genera vibrații puternice și prezintă un risc foarte ridicat de slăbire a cuțitului.
- Dacă lama lovește un obiect sau dacă observați vibrații, opriți produsul imediat. Opriți motorul, rotiți cheia de siguranță la 0 și scoateți bateria. Așteptați până se opresc componentele aflate în mișcare. Verificați dacă produsul este deteriorat. Strângeți componentele slăbite. Reparați avariile și înlocuiți componentele deteriorate. Reparațiile trebuie efectuate de un agent de service autorizat.
- Nu atașați niciodată maneta frânei de motor la mâner, în mod permanent, atunci când motorul este pornit.
- Poziționați produsul pe o suprafață stabilă, plană și porniți-l. Asigurați-vă că lama nu atinge solul sau alte obiecte.
- Stați întotdeauna în spatele produsului atunci când îl utilizați.
- Mențineți toate roțile pe sol și țineți ambele mâini pe mâner când utilizați produsul. Feriți-vă mâinile și picioarele de cuțitele rotative.
- Nu înclinați produsul când porniți motorul sau în timp ce întrebuințați produsul.
- Fiți atent atunci când trageți produsul în spate.
- Nu ridicați niciodată produsul când motorul este pornit. Dacă trebuie să ridicați produsul, mai întâi opriți motorul, rotiți cheia de siguranță la 0 și scoateți bateria.
- Nu mergeți cu spatele în timp ce utilizați produsul.
- Opriți motorul când este necesar să înclinați produsul pentru transport sau înainte de a trece peste o zonă fără iarbă, de exemplu poteci de pietriș, piatră sau asfalt.

- Nu alergați cu produsul când motorul este pornit. Întotdeauna mergeți în timp ce utilizați produsul.
- Opriți motorul înainte de a schimba înălțimea de tăiere. Nu efectuați niciodată reglări cu motorul pornit.
- Nu lăsați niciodată produsul să iasă din câmpul vizual cu motorul pornit. Opriți motorul și asigurați-vă că echipamentul de tăiere nu se rotește.
- Vibrațiile produsului în timpul funcționării pot fi diferite de valoarea de vibrații declarată în *Date tehnice la pagina 381*. Diferența este dată de variațiile din modulele de utilizare a produsului. Dacă întrebuințați produsul frecvent sau pe durate mari, faceți pauze dese pentru a preveni afecțiunile fizice determinate de vibrații.

## Instrucțiuni de siguranță pentru utilizare

### Echipament individual de protecție



**AVERTISMENT:** Înainte de a utiliza produsul, citiți instrucțiunile de avertizare de mai jos.

- Echipamentul individual de protecție nu pot elimina complet riscul de rănire, însă pot reduce gravitatea rănilor în cazul unui accident. Distribuitorul vă poate ajuta să alegeți echipamentul corect.
- Utilizați întotdeauna ghete sau pantofi pentru regim greu de lucru, cu rezistență la alunecare. Nu folosiți pantofi decupați și nu operați produsul desculți.
- Utilizați pantaloni lungi, groși.
- Purtați mănuși de protecție atunci când este necesar, de exemplu atunci când conectați, inspecțiți sau curățați echipamentul de tăiere.
- Recomandăm folosirea de echipament de protecție a auzului.

### Dispozitivele de siguranță de pe produs



**AVERTISMENT:** Înainte de a utiliza produsul, citiți instrucțiunile de avertizare de mai jos.

- Nu utilizați un produs cu dispozitive de siguranță care sunt deteriorate sau care nu funcționează corect.
- Nu înlăturați și nu aduceți modificări la dispozitivele de siguranță.
- Verificați regulat dispozitivele de siguranță. În cazul în care dispozitivele de siguranță sunt deteriorate sau nu funcționează corect, adresați-vă Husqvarna agentului de service.

### Verificarea capacului de tăiere

Capacul de tăiere reduce vibrațiile în produs și scade riscul de rănire de la cuțit.

- Examinați capacul de tăiere și asigurați-vă că nu există defecte, precum fisuri.

## Pentru a efectua verificarea cheii de siguranță

Cheia de siguranță este sub capacul bateriei. Cheia de siguranță conectează bateria care alimentează motorul cu energie.

- Porniți și opriți motorul pentru a verifica cheia de siguranță.
- În cazul în care cheia de siguranță funcționează corect, motorul pornește doar atunci când cheia de siguranță este în poziția 1. (Fig. 16)

## Verificarea capacului posterior

Carcasa posterioară reduce riscul ejectării obiectelor în direcția operatorului.

- Asigurați-vă că capacul posterior nu este deteriorat.
- Asigurați-vă că arcurile care închid capacul posterior nu sunt deteriorate.
- Înlocuiți arcurile deteriorate și componentele deteriorate.
- Asigurați-vă că capacul posterior se poate deplasa lin pe balamale.

## Verificați maneta frânei de motor

Maneta frânei de motor oprește motorul. Când maneta frânei de motor este eliberată, motorul se oprește.

- Porniți produsul. Consultați *Pornirea produsului la pagina 374*.
- Eliberați maneta frânei de motor. (Fig. 17)
- Asigurați-vă că produsul se oprește. Dacă motorul nu se oprește în 3 secunde, solicitați unui agent de service autorizat Husqvarna să regleze frâna de motor.

## Verificarea inhibitorului de pornire

Verificați inhibitorul de pornire pentru a vă asigura că acesta împiedică funcționarea demarorului.

1. Împingeți maneta frânei de motor în direcția mânerului. Inhibitorul de pornire oprește mișcarea.
2. Împingeți inhibitorul de pornire în afară. (Fig. 18)
3. Eliberați inhibitorul de pornire și asigurați-vă că revine la poziția sa inițială.

## Siguranța bateriei



**AVERTISMENT:** Înainte de a utiliza produsul, citiți instrucțiunile de avertizare de mai jos.

- Utilizați numai baterii reîncărcabile Husqvarna ca sursă de alimentare pentru produsele Husqvarna asociate. Pentru a evita rănirea, nu folosiți bateria ca sursă de alimentare pentru alte dispozitive.
- Nu utilizați baterii nereîncărcabile.
- Risc de electrocutare. Nu conectați bornele bateriei la chei, monede, șuruburi sau alte metale. Aceasta poate cauza scurtcircuitarea bateriei.

- Nu puneți obiecte în fantele de aerisire a bateriei.
- Feriți bateria de lumina solară, de căldură sau de flăcări deschise. Bateria poate exploda și provoca arsuri și/sau arsuri chimice.
- Feriți bateria de ploaie și de condiții de umezeală.
- Feriți bateria de microunde și de înaltă presiune.
- Nu încercați să demontați sau să spargeți bateria.
- Dacă există scurgeri de lichid dintr-o baterie, nu lăsați lichidul să intre în contact cu pielea sau ochii. Dacă ați atins lichidul, curățați zona cu apă din abundență și consultați medicul.
- Utilizați bateria din produs numai când temperatura ambiantă este între 5 și 40 °C.
- Utilizați încărcătorul bateriei numai când temperatura ambiantă este între 5 și 40 °C.
- Bateria nu se va încărca dacă temperatura sa depășește 50 °C.
- Nu curățați niciodată cu apă bateria sau încărcătorul de baterii. Consultați *Curățarea bateriei și încărcătorului la pagina 376*.
- Nu utilizați o baterie deteriorată.
- Depozitați bateriile la distanță de obiecte de metal, de exemplu cuie, monede, bijuterii.

## Siguranța încărcătorului de baterii



**AVERTISMENT:** Înainte de a utiliza produsul, citiți instrucțiunile de avertizare de mai jos.

- Utilizați numai încărcătoare de baterii QC pentru a încărca bateriile de schimb Husqvarna.
- Pericol de electrocutare sau de scurtcircuit. Nu puneți obiecte în fantele de aerisire a încărcătorului. Nu încercați să dezasmblați încărcătorul de baterii. Nu conectați bornele încărcătorului la obiecte metalice. Folosiți o priză de curent aprobată.
- În timpul funcționării, acest produs generează un câmp electromagnetic. În anumite condiții, acest câmp poate interfera cu implanturile medicale active sau pasive. Pentru a reduce riscul vătămare gravă sau de deces, recomandăm persoanelor cu implanturi medicale să se consulte cu medicul și cu producătorul implantului medical înainte de a utiliza acest produs.
- Asigurați-vă periodic că cablul de alimentare al încărcătorului de baterii nu este deteriorat și că nu prezintă fisuri.
- Nu ridicați încărcătorul de baterii ținând de cablul de alimentare. Pentru a deconecta încărcătorul de baterii de la priza de perete, trageți de ștecăr. Nu trageți de cablul de alimentare.
- Țineți cablul de alimentare și prelungitoarele la distanță de apă, ulei și muchii ascuțite. Asigurați-vă că acest cablu nu este prins în uși, garduri sau în alte locuri similare. În caz contrar, încărcătorul poate intra sub tensiune.
- Nu curățați încărcătorul de baterii folosind apă.

- Acest încărcător de baterii poate fi utilizat de către copiii cu vârsta peste 8 ani și de către persoane ce au capacități fizice, senzoriale sau mentale reduse sau care nu au experiența și cunoștințele necesare, dacă sunt supravegheate sau au primit instrucțiuni referitoare la utilizarea încărcătorului de baterii în siguranță și înțeleg riscurile implicate. Copiii nu trebuie să se joace cu încărcătorul de baterii. Curățarea și întreținerea nu trebuie efectuate de copii fără supraveghere.
- Nu încărcați baterii nereîncărcabile în încărcătorul de baterii.
- Nu utilizați încărcătorul de baterii în apropiere de materiale inflamabile sau materiale care pot cauza coroziune. Nu acoperiți încărcătorul bateriei. În caz de fum sau de incendiu, scoateți ștecărul încărcătorului de baterii.
- Nu utilizați un încărcător de baterii deteriorat.
- Încărcați bateria numai în interior, într-o încăpere cu aerisire adecvată și departe de lumina soarelui. Nu încărcați bateria în medii umede.
- Efectuați numai lucrările de întreținere care se regăsesc în acest manual al operatorului. Lucrările mai complexe și reparațiile profesionale trebuie efectuate de un agent de service autorizat. Discutați cu agentul de service cel mai apropiat de dvs. pentru mai multe informații.
- Efectuați lucrările de întreținere în mod corect pentru a prelungi durata de viață a produsului și reduce pericolul de accidente.
- Înlocuiți piesele deteriorate, uzate sau defecte. Utilizați întotdeauna piese de schimb originale de la producător. Alte piese de schimb pot deteriora produsul și pot crește riscul de accidente.
- Pentru a preveni rănirea, nu demontați și nu aduceți modificări la dispozitivele de siguranță.
- Puneți-vă mănuși de protecție rezistente atunci când utilizați echipamentul de tăiere. Cuțitul este foarte ascuțit și vă puteți tăia foarte ușor.
- Mențineți tășurile de tăiere ascuțite și curățate pentru performanță și siguranță optimă.
- Permiteți agentului de service să verifice periodic produsul și să efectueze reglaje și reparațiile necesare.
- Respectați instrucțiunile privind modul de schimbare a accesoriilor. Utilizați numai accesoriile furnizate de producător.
- Atunci când nu este în funcțiune, păstrați produsul, bateria și încărcătorul în interior, într-un loc uscat și încuiat. Asigurați-vă că persoanele neavizate și copiii nu au acces la produs, la baterie sau la încărcător.

## Instrucțiuni de siguranță pentru întreținere



**AVERTISMENT:** Înainte de a utiliza produsul, citiți instrucțiunile de avertizare de mai jos.

- Pentru a preveni pornirea accidentală în timpul operațiilor de întreținere, rotiți cheia de siguranță la 0 și scoateți bateria. Așteptați minimum 5 secunde înainte de a începe lucrările de întreținere.

## Asamblarea

### Introducere



**AVERTISMENT:** Înainte de a asambla produsul, citiți capitolul privind siguranța.



**AVERTISMENT:** Pentru a preveni pornirea accidentală în timpul asamblării, rotiți cheia de siguranță la 0, scoateți bateria și așteptați minimum 5 secunde.

### Asamblarea mânerului

**Nota:** Este recomandat ca această procedură să fie realizată de 2 persoane.

**Nota:** Nu îndepărtați produsul din cutie atunci când asamblați mânerul. Cutia poate fi utilizată drept suport pentru mâner în timpul asamblării.

1. Ridicați și rotiți mânerul. (Fig. 19)



**ATENȚIE:** Aveți grijă și asigurați-vă că cablul nu se deteriorează atunci când rotiți mânerul.

2. Puneți mânerul pe produsul. Înclinați mânerul față de cutie pentru a-l sprijini. Consultați ilustrația. (Fig. 20)
3. Împingeți șurubul (A) prin mâner (B), șaiba de plastic (C) și consola de susținere a mânerului (D). (Fig. 21)
4. Strângeți complet piulița (E).
5. Scoateți produsul din cutie.
6. Pliăți mânerul în poziție verticală. (Fig. 22)
7. Setaj înălțimea mânerul la setarea cea mai mică. Consultați *Pentru a regla mânerul la pagina 373*.
8. Fixați cablul la partea inferioară a mânerului cu ajutorul clemei. (Fig. 23)
9. Atașați partea inferioară a cablului la consola de montare a mânerului cu legătura pentru cablu. Tăiați partea rămasă a legăturii pentru cablu. (Fig. 24)

**Nota:** Asigurați-vă că cablul este fixat corect. Un cablul care nu este suficient de strâns poate duce la deteriorarea acestuia atunci când colectorul de iarbă este montat. (Fig. 25)

## Pentru a regla mânerul

1. Slăbiți butoanele inferioare.
2. Deplasați butoanele spre capătul inferior al canelurilor de pe partea stângă și de pe partea dreaptă a produsului. (Fig. 26)

3. Setați înălțimea mânerului într-una dintre cele 2 poziții disponibile.
4. Deplasați butoanele în sus în direcția mânerului, până când acestea se opresc și se aude un clic. (Fig. 27)
5. Strângeți rozetele până la capăt.

## Funcționarea

### Introducere



**AVERTISMENT:** Înainte de a utiliza produsul, trebuie să citiți și să înțelegeți capitolul privind siguranța.

### Husqvarna Connect

Husqvarna Connect este o aplicație gratuită pentru dispozitivul dvs. mobil. Aplicația Husqvarna Connect vă oferă funcții extinse pentru produsul dvs. Husqvarna:

- Informații pe larg despre produs.
- Informații despre piese pentru produse și service și asistență pentru acestea.

### Pentru a începe să utilizați Husqvarna Connect

1. Descărcați aplicația Husqvarna Connect pe dispozitivul dvs. mobil.
2. Înregistrați-vă în aplicația Husqvarna Connect.
3. Urmați pașii cu instrucțiuni din aplicația Husqvarna Connect pentru a conecta și înregistra produsul.

### Așezarea produsului în poziția de funcționare

1. Asigurați-vă că rozetele inferioare nu sunt foarte strânse. Consultați *Pentru a regla mânerul la pagina 373*.
2. Pliati mânerul în poziție verticală. (Fig. 22)
3. Deplasați butoanele în sus în direcția mânerului, până când acestea se opresc și se aude un clic. (Fig. 27)
4. Strângeți butoanele până la capăt.



**AVERTISMENT:** Nu folosiți produsul decât dacă mânerul este pliat complet în sus și fixat la una din pozițiile de înălțime corespunzătoare. Consultați *Pentru a regla mânerul la pagina 373*.

### Pentru a seta înălțimea de tăiere

1. Deplasați spre spate pârghia înălțimii de tăiere pentru a mări înălțimea de tăiere.
2. Deplasați înainte pârghia înălțimii de tăiere pentru a reduce înălțimea de tăiere. (Fig. 28)



**ATENȚIE:** Nu setați o înălțime de tăiere prea scăzută. Cuțitele pot atinge solul dacă suprafața gazonului nu este plană.

### Baterie



**AVERTISMENT:** Înainte de a utiliza bateria, trebuie să citiți și să înțelegeți capitolul privind siguranța. Trebuie, de asemenea, să citiți și înțelegeți informațiile din manualul operatorului privind bateria și încărcătorul.

Păstrați bateria și încărcătorul la temperaturile ambiante corecte.

	Temperatură ambiantă
Folosirea bateriei	5-40 °C
Încărcarea bateriei	5-40 °C

### Stare baterie

Afișajul arată capacitatea rămasă a bateriei și dacă există probleme cu ea. Apăsăți butonul indicator al bateriei pentru a obține informații despre starea de încărcare a bateriei. Simbolul de avertisment de pe baterie se aprinde când apare o eroare. Consultați *Baterie la pagina 377*.

(Fig. 29)

Lumini LED	Stare baterie
Toate LED-urile sunt aprinse	Complet încărcată (76-100%)

Lumini LED	Stare baterie
Sunt aprinse LED-urile 1, 2 și 3	Bateria este încărcată în proporție de 51-75%
Sunt aprinse LED-urile 1 și 2	Bateria este încărcată în proporție de 26-50%
Este aprins LED-ul 1	Bateria este încărcată în proporție de 6-25%.
LED-ul 1 se aprinde intermitent	Bateria este încărcată în proporție de 0%-5%.

## Încărcarea bateriei

Încărcați bateria înainte de prima utilizare. Bateria este încărcată în proporție de doar 30 % la livrarea către client.

**Nota:** Încărcătorul trebuie conectat la o sursă de alimentare având tensiunea și frecvența specificate pe plăcuța de identificare.

Bateria nu se încarcă dacă temperatura acesteia este mai mare de 50° C. Încărcătorul de baterii reduce temperatura bateriei înainte de a începe încărcarea.

1. Conectați un capăt al cablului de alimentare al încărcătorului la mufa acestuia.
2. Conectați celălalt capăt al cablului de alimentare al încărcătorului la o priză de curent cu împământare. LED-ul de pe încărcătorul bateriei se aprinde o singură dată, în culoarea verde. (Fig. 30)
3. Introduceți bateria în încărcătorul aferent. Lumina verde de pe încărcător se aprinde atunci când bateria este conectată corect la încărcător. (Fig. 31)
4. Atunci când toate LED-urile de pe baterie sunt aprinse, bateria este încărcată complet. Încărcați bateria timp de maximum 24 de ore.
5. Pentru a decupla încărcătorul de baterii de la priză de curent, trageți de ștecher și nu de cablul de alimentare.
6. Scoateți bateria din încărcător.

## Pornirea produsului

1. Deschideți capacul bateriei.
2. Introduceți o baterie încărcată în unul dintre suporturile pentru baterii. Pentru o durată mai lungă de funcționare, puneți a doua baterie încărcată în celălalt suport pentru baterii.
3. Rotiți cheia de siguranță la 1. (Fig. 32)
4. Stați în spatele produsului.
5. Slăbiți inhibitorul de pornire. (Fig. 18)
6. Împingeți maneta frânei de motor în direcția mânerului. (Fig. 33)

## Utilizarea transmisiei pe roți (LC 251iS)

- Împingeți maneta de transmisie în direcția mânerului. (Fig. 34)
- Eliberați maneta de transmisie pentru a dezactiva transmisia, de exemplu atunci când vă apropiați de un obstacol.
- Înainte de a trage produsul în spate, decuplați transmisia și împingeți produsul înainte cu aproximativ 10 cm.

## Utilizarea funcției Save™ Save™

Produsul are o funcție de economisire a bateriei (Save™) care îi asigură o durată mai lungă de funcționare.

- Apăsăți butonul Save™ în poziția 1 pentru a porni funcția. (Fig. 35)
- Apăsăți butonul Save™ în poziția 2 pentru a opri funcția.

**Nota:** Funcția Save™ se dezactivează automat când condițiile la sol impun o putere mai mare. Funcția Save™ se activează din nou automat când condițiile la sol o permit.

## Funcționarea cu sarcină ridicată

Atunci când produsul taie iarbă lungă sau umedă, motorul își mărește automat turația. Motorul revine la modul standard când sarcina ridicată nu mai este necesară.

## Oprirea motorului

În timpul funcționării, cușitul și motorul se pot opri temporar din cauza unor obstacole precum blocarea ierbii sub capacul de tăiere. Dacă se întâmplă acest lucru și țineți maneta frânei de motor apăsată în jos, produsul repornește automat. Dacă produsul nu repornește în 5-10 secunde, poate fi necesar să curățați sub capacul de tăiere. Consultați *Curățarea produsului la pagina 376*.



**AVERTISMENT:** Dacă motorul se oprește, produsul încearcă să repornească automat timp de 5-10 secunde. Așteptați cel puțin 15 secunde înainte de a vă uita sub capacul de tăiere.



**AVERTISMENT:** Înainte de a verifica sub capacul de tăiere, eliberați maneta frânei de motor, rotiți cheia de siguranță la 0, scoateți bateria și așteptați cel puțin 5 secunde. Există riscul de accidentare dacă obstacolul este îndepărtat și produsul pornește accidental.

## Oprirea produsului



**AVERTISMENT:** Rotiți cheia de siguranță la poziția 0 înainte să lăsați produsul să iasă din câmpul vizual.

1. Eliberați maneta frânei de motor pentru a opri motorul. (Fig. 36)

**Nota:** Pentru LC 251iS. Pentru a opri acționarea roților, eliberați maneta de transmisie.

2. Deschideți capacul bateriei și rotiți cheia de siguranță la 0. (Fig. 37)
3. Pentru a scoate bateria, apăsați cele 2 butoane de eliberare și trageți bateria în afară. (Fig. 38)
4. Încărcați bateria dacă este slabă. Pentru mai multe informații, consultați *Încărcarea bateriei la pagina 374*.

## Utilizarea produsului cu colectorul de iarbă



**AVERTISMENT:** Nu utilizați produsul fără un colector de iarbă sau fără ca capacul posterior să fie închis. Obiectele pot ejecta și pot cauza vătămarea operatorului.

1. Ridicați capacul posterior. (Fig. 39)
2. Puneți colectorul de iarbă pe consolă.
3. Scoateți capacul posterior și puneți-l pe cadrul sacului de iarbă. (Fig. 40)

## Trecerea produsului în modul de descărcare laterală

1. Ridicați capacul posterior și scoateți sacul de iarbă, dacă este montat.
2. Închideți capacul posterior și asigurați-vă că este bine închis pe produs.
3. Ridicați dispozitivul de blocare pentru descărcare. (Fig. 41)

4. Deschideți capacul de descărcare laterală și instalați deflectorul de descărcare laterală pe știfturile de sprijin. (Fig. 42)
5. Lăsați capacul de descărcare laterală să se închidă pe deflectorul de descărcare laterală. Asigurați-vă că deflectorul de descărcare laterală este bine poziționat înainte de a utiliza produsul.

## Golirea colectorului de iarbă



**ATENȚIE:** Ridicați colectorul de iarbă când îl mișcați, pentru a preveni uzura sa.

1. Ridicați colectorul de iarbă prinzându-l de mânerul cadrului.
2. Folosiți mânerul cadrului și mânerul sacului când golii colectorul de iarbă. (Fig. 43)

## Obținerea rezultatelor bune

- Utilizați întotdeauna o lamă ascuțită. O lamă tocită oferă rezultate neregulate, iar suprafața tăiată a ierbii se îngălbeneste. De asemenea, o lamă ascuțită folosește mai puțină energie decât o lamă tocită.
- Nu tăiați niciodată mai mult de 1/3 din lungimea ierbii. Folosiți cea mai mare înălțime de tăiere când începeți să tăiați iarba. Verificați rezultatul și coborâți înălțimea de tăiere la un nivel convenabil. Dacă iarba este foarte înaltă, deplasați aparatul încet și tundeți de două ori, dacă este necesar.
- Tăiați de fiecare dată în altă direcție, pentru a preveni formarea de dungi pe gazon.
- Ridicați capacul posterior și scoateți colectorul de iarbă.
- Dacă obturatorul pentru resturi vegetale și cuțitul de mărunțire sunt atașate, îndepărtați-le.
- Închideți capacul posterior, înainte de utilizarea produsului. Atunci când utilizați produsul, iarba tăiată este evacuată pe sub capacul posterior.
- Păstrați capacul de tăiere curat. Acumularea de iarbă și de murdărie pe partea interioară a capacului de tăiere poate reduce calitatea rezultatului tăierii. Consultați *Curățarea produsului la pagina 376*.

## Întreținerea

### Introducere



**AVERTISMENT:** Înainte de a efectua orice operații de întreținere, citiți și înțelegeți capitolul privind siguranța.

Toate lucrările de service și de reparații la produs necesită instruire specială. Garantăm disponibilitatea unor lucrări profesionale de reparații și service.

Pentru informații mai detaliate, consultați [www.husqvarna.com](http://www.husqvarna.com).

### Program de întreținere

Intervalele de întreținere sunt calculate având în vedere o utilizare zilnică a produsului. Intervalele se modifică dacă produsul nu este utilizat zilnic.

Pentru operațiunile de întreținere marcate cu \*, consultați instrucțiunile din *Siguranță la pagina 367*.

	La fiecare utilizare	Lunar	În fiecare sezon
Efectuați o inspecție generală	X		
Curățați produsul	X		
Verificați inhibitorul de pornire *	X		
Asigurați-vă că dispozitivele de siguranță de pe produs nu sunt defecte *	X		
Examinați echipamentul de tăiere	X		
Examinați capacul de tăiere *	X		
Verificați maneta frânei de motor *	X		
Verificați dacă bateria este deteriorată	X		
Verificați nivelul de încărcare a bateriei	X		
Asigurați-vă că butoanele de eliberare de pe baterie funcționează corect și că bateria este fixată în produs	X		
Verificați dacă încărcătorul de baterii nu prezintă deteriorări și asigurați-vă că funcționează corect.		X	
Examinați conexiunile dintre baterie și produs. Examinați, de asemenea, conexiunea dintre baterie și încărcător.			X

## Pentru a efectua o inspecție generală

- Asigurați-vă că șuruburile și piulițele produsului sunt strânse.
- Asigurați-vă că cablurile de pe produs nu sunt într-o poziție în care să poată fi deteriorate.

## Curățarea produsului

- Curățați componentele din plastic cu o cârpă curată și uscată.
- Nu utilizați apă pentru a curăța produsul. Apa poate pătrunde în baterie sau în motor și poate provoca scurtcircuitate sau poate avaria produsul.
- Nu utilizați o instalație de spălare cu presiune ridicată pentru a curăța produsul.
- Nu stropiți niciodată direct motorul cu apă.
- Folosiți o perie pentru a elimina frunzele, iarba și murdăria.

## Curățarea bateriei și încărcătorului



**AVERTISMENT:** Nu curățați niciodată cu apă bateria sau încărcătorul bateriei.



**AVERTISMENT:** Nu folosiți chimicale pentru a curăța bateria.

- Asigurați-vă că bateria și încărcătorul sunt curate și uscate înainte să introduceți bateria în încărcător.
- Curățați bornele bateriei cu aer comprimat sau cu o cârpă moale și uscată.
- Curățați suprafețele bateriei și încărcătorul cu o cârpă moale și uscată.

## Pentru a examina echipamentul de tăiere



**AVERTISMENT:** Pentru a preveni pornirea accidentală, rotiți cheia de siguranță la 0, scoateți bateria și așteptați cel puțin 5 secunde.



**AVERTISMENT:** Purtați mănuși de protecție când efectuați întreținerea echipamentului de tăiere. Cuțitul este foarte ascuțit și vă puteți tăia foarte ușor.

1. Examinați echipamentul de tăiere pentru a identifica eventuale deteriorări sau crăpături. Înlocuiți întotdeauna un echipament de tăiere deteriorat.
2. Observați cuțitul pentru a vedea dacă este deteriorat sau tocit.

**Nota:** După ascuțirea cuțitului, acesta trebuie echilibrat. Solicitați unui centru de service să ascuțească, să monteze la loc și să echilibreze cuțitul. Dacă loviți



un obstacol care determină produsul să se oprească, înlocuiți cuțitul deteriorat. Solicitați centrului de service să estimeze dacă lama poate fi ascuțită sau trebuie înlocuită.

## Înlocuirea cuțitului

Consultați *Date tehnice la pagina 381* pentru tipul corect de cuțit.



**AVERTISMENT:** Blocați cuțitul cu o bucată de lemn pentru a preveni rănirea degetelor când îl înlocuiți. Cuțitul se poate mișca și când motorul e oprit, iar degetele se pot prinde între cuțit și piesele fixe.

1. Blocați cuțitul cu o bucată de lemn. (Fig. 44)
2. Îndepărtați șurubul cuțitului, șabele și cuțitul. (Fig. 45)
3. Examinați suportul și șurubul cuțitului pentru a vedea dacă există deteriorări.
4. Examinați arborele motorului pentru a vă asigura că nu s-a îndoit.
5. Când montați un cuțit nou, îndreptați capetele oblice ale cuțitului în direcția capacului de tăiere. (Fig. 46)
6. Asigurați-vă că cuțitul este aliniat cu centrul arborelui motorului.

7. Blocați cuțitul cu o bucată de lemn. Montați șabele și strângeți șurubul la un cuplu de 23 – 28 Nm. (Fig. 47) (Fig. 45)
8. Învârțiți cuțitul cu mâna și asigurați-vă că se rotește liber.



**AVERTISMENT:** Purtați mănuși de protecție rezistente. Cuțitul este foarte ascuțit și vă puteți tăia foarte ușor.

9. Porniți produsul pentru a efectua un test al cuțitului. Dacă cuțitul nu este prins corect, produsul vibrează sau rezultatele de tăiere sunt nesatisfăcătoare.

## Verificarea deflectorului de descărcare laterală

Deflectorul de descărcare laterală este atașat la deschiderea pentru descărcare laterală a produsului. Scade riscul expulzării de obiecte în direcția poziției de tăiere a operatorului.

1. Asigurați-vă că deflectorul de descărcare laterală nu este deteriorat.
2. Examinați deflectorul de descărcare laterală. Asigurați-vă că nu vedeți defecte, cum ar fi crăpături sau arcuri rupte care împing ușa pentru închidere.
3. Înlocuiți deflectorul de descărcare laterală sau arcurile, dacă sunt deteriorate.

## Depanarea

### Baterie

LED pe baterie	Cauză	Soluție
Ledul verde se aprinde intermitent.	Tensiunea bateriei este joasă.	Încărcați bateria. Consultați <i>Încărcarea bateriei la pagina 374</i> .
Ledul de eroare al bateriei luminează intermitent.	Bateria este prea rece sau prea fierbinte pentru a fi utilizată.	Lăsați bateria să se răcească sau mutați-o în interior pentru a o încălzi. Când bateria are temperatura corectă, aceasta poate fi utilizată din nou. Utilizați bateria din produs numai când temperatura ambiantă este între 5 și -40 °C.
	Bateria este descărcată.	Încărcați bateria. Consultați <i>Încărcarea bateriei la pagina 374</i> .
Ledul de eroare a bateriei se aprinde.	Există o eroare permanentă la baterie.	Adresați-vă reprezentatului dvs. de service Husqvarna.

## Încărcător de baterii

LED-ul de pe încărcătorul de baterii	Cauză	Soluție
LED-ul de eroare se aprinde intermitent sau rămâne aprins.	Încărcătorul bateriei este prea rece sau prea fierbinte pentru a fi utilizat.	Lăsați încărcătorul bateriei să se răcească sau mutați-l în interior pentru a-l încălzi. Când încărcătorul bateriei are temperatura corectă, acesta poate fi utilizat din nou. Utilizați încărcătorul bateriei când temperatura ambiantă este între 5 și -40 °C.
	Alte erori.	Adresați-vă reprezentatului dvs. de service Husqvarna.

## Mașină de tuns iarbă

Indicatorul de avertisment (LED de eroare) se află sub capacul bateriei.

Problemă	LED de eroare (număr de aprinderi intermitente)	Cauză	Soluție
LED-ul de eroare luminează intermitent. Produsul nu funcționează corect.	3	Cuțitul este blocat.	Rotiți cheia de siguranță la poziția 0 pentru a preveni pornirea accidentală. Scoateți bateria și așteptați minimum 5 secunde. Îndepărtați posibilele obstacole și asigurați-vă că cuțitul se poate roti liber. Dacă problema persistă, apelați la reprezentatului dvs. Husqvarna de service.
	5	Turația motorului scade prea mult și motorul se oprește.	Măriți înălțimea de tăiere. Consultați <i>Pentru a seta înălțimea de tăiere la pagina 373.</i>
	6 <sup>81</sup>	Transmisia sau roțile sunt blocate.	Rotiți cheia de siguranță la poziția 0 pentru a preveni pornirea accidentală. Scoateți bateria și așteptați minimum 5 secunde. Îndepărtați posibilele obstacole și asigurați-vă că roțile se pot roti liber. Dacă problema persistă, apelați la reprezentatului dvs. Husqvarna de service.
	10	Controlul motorului este prea fierbinte.	Oprii motorul și așteptați până când acesta se răcește.

<sup>81</sup> LC 251iS

Problemă	LED de eroare (număr de aprinderi intermitente)	Cauză	Soluție
LED-ul de eroare luminează intermitent. Produsul se oprește.	Fără luminare intermitentă	Defecțiune la nivelul conectorului bateriei.	Examinați conectorul bateriei.
	3	Motorul este suprasolicitat.	Măriți înălțimea de tăiere. Consultați <i>Pentru a seta înălțimea de tăiere la pagina 373.</i>
	8	Bateria este slabă.	Încărcați bateria. Consultați <i>Încărcarea bateriei la pagina 374.</i>
	9	Eroare la nivelul bateriei sau nu există semnal de la baterie.	Instalați bateria corect în produs și examinați conectorul bateriei. Dacă LED-ul de eroare de pe baterie se aprinde intermitent, Consultați <i>Baterie la pagina 377.</i>
	15	Procedură de pornire incorectă. Maneta frânei de motor a fost cuplată înainte de pornirea motorului.	Eliberați maneta frânei de motor și așteptați circa 5 secunde. Apăsăți din nou în jos maneta frânei de motor pentru a porni produsul.
Alte erori.	Dacă apar alte erori, rotiți cheia de siguranță la 0, scoateți bateria și apelați la reprezentantul dvs. Husqvarna de service.		

## Transportul, depozitarea și eliminarea

### Introducere



**AVERTISMENT:** Pentru a preveni pornirea accidentală în timpul transportului și depozitării, rotiți cheia de siguranță la 0, scoateți bateria și așteptați cel puțin 5 secunde.

### Așezarea produsului în poziția pentru transport

- Slăbiți butoanele inferioare.
- Deplasați butoanele spre capătul inferior al canelurilor de pe partea stângă și de pe partea dreaptă a produsului. (Fig. 26)
- Pliăți mânerul în față. (Fig. 48)

### Transportul

- Cerințele din legislația privind bunurile periculoase se aplică pentru bateriile Li-ion incluse.
- Pentru transporturile comerciale cerințele speciale de pe ambalaj și etichete trebuie respectate.
- Respectați cu atenție reglementările privind materialele periculoase atunci când pregătiți produsul pentru transport. Pot exista reglementări locale aplicabile.
- Înainte de transport scoateți întotdeauna bateria.

- Aplicați bandă pe bornele bateriei și asigurați-vă că aceasta nu se poate deplasa în timpul transportului.
- Fixați produsul în timpul transportului.

### Depozitarea

- Înainte de a depozita produsul, lăsați-l să se răcească.
- Înainte de depozitare scoateți întotdeauna bateria.
- Pentru a preveni accidentele, asigurați-vă că bateria nu este conectată la produs în timpul depozitării.
- Păstrați încărcătorul într-un spațiu închis și uscat.
- Păstrați bateria și încărcătorul de baterie într-un spațiu uscat unde nu pătrunde umezeala sau înghețul.
- Deconectați bateria de la încărcător în timpul depozitării.
- Nu depozitați bateria într-un loc unde poate apărea electricitatea statică. Nu depozitați bateria într-o cutie metalică.
- Păstrați produsul într-un loc unde temperatura ambiantă este între -10 și 40 °C.
- Păstrați bateria într-un loc unde temperatura este cuprinsă între 5 și 25 °C și departe de lumina soarelui.
- Păstrați încărcătorul de baterii într-un loc unde temperatura este cuprinsă între 5 și 45 °C și departe de lumina soarelui.

- Asigurați-vă că bateria este încărcată în proporție de 30% - 50% înainte de a o depozita pe o perioadă lungă.
- Păstrați produsul, bateria și încărcătorul de baterii într-un loc încuiat, la care nu au acces copiii și persoanele neavizate.
- Curățați produsul și asigurați-vă că colectorul de iarbă este gol.
- Efectuați procedurile de întreținere descrise în acest manual. Consultați *Întreținerea la pagina 375*.
- Efectuați un service complet înainte de a depozita produsul pentru o perioadă lungă de timp.

## Dezafectarea

Simbolurile de pe produs sau de pe ambalajul acestuia indică faptul că acest produs nu poate fi tratat ca deșeu menajer. Trebuie trimis la un centru de reciclare corespunzător pentru recuperarea echipamentelor electrice și electronice.

Asigurându-vă că aveți grijă de acest produs în mod corect, puteți contribui la neutralizarea impactului negativ potențial asupra mediului înconjurător și asupra persoanelor; în caz contrar, putând conduce la gestionarea incorectă a deșeurilor acestui produs. Pentru informații mai detaliate referitoare la reciclarea acestui produs, contactați autoritățile, serviciul pentru deșeuri menajere sau magazinul de unde ați achiziționat produsul.

(Fig. 49)

## Date tehnice

### Date tehnice

	LC 251i	LC 251iS
<b>Motor de tăiere</b>		
Tip de motor	BLDC (fără perii) de 36 V	BLDC (fără perii) de 36 V
Turația motorului – SavE, rpm	2600/min	2600/min
Turația motorului - Valoarea nominală, rpm	3000/min	3000/min
Turația motorului - Sarcină ridicată, rpm	3500/min	3500/min
Putere motor – Valoare max., kW	1,4	1,4
Putere motor - Valoare nominală, kW	0,9	0,9
<b>Motorul de antrenare</b>		
Putere motor - Valoare nominală, kW	N/A	0,4
Viteză de deplasare independentă, km/h	N/A	4
Nivelurile de reglare a vitezei	N/A	1
<b>Greutate</b>		
Greutate fără sac (fără baterie), kg	25,5	27
Greutate cu sac (cu 2 baterii BLi30), kg	31,5	33
<b>Baterie</b>		
Tip de baterie	Serie baterie Husqvarna	Serie baterie Husqvarna
<b>Timp funcționare baterie</b>		
Durata de utilizare a bateriei, minute, (funcționare liberă) cu funcția SavE activată, cu o baterie Husqvarna de 7,5 Ah (BLi30).	58	51
Durata de utilizare a bateriei, minute, (funcționare liberă) cu modul standard activat, cu o baterie Husqvarna de 7,5 Ah (BLi30).	42	38
<b>Emisii de zgomot <sup>82</sup></b>		
Nivel de putere acustică, măsurat dB(A)	96	96
Nivel de putere acustică garantat L <sub>WA</sub> dB(A)	98	98
<b>Niveluri de zgomot <sup>83</sup></b>		
Nivel de presiune a sunetului la urechea operatorului, dB(A)	85	85

<sup>82</sup> Emisiile de zgomot în mediu măsurate ca putere acustică (L<sub>WA</sub>) în conformitate cu directiva CE 2000/14/CE.

<sup>83</sup> Datele raportate pentru nivelul de presiune sonoră au un factor de incertitudine (K) de 1,5 dB(A).

	LC 251i	LC 251iS
<b>Niveluri de vibrații</b> <sup>84</sup>		
Măner, m/s <sup>2</sup>	0,7	0,7
<b>Accesorii de tăiere</b>		
Înălțime de tăiere, mm	25-75	25-75
Lățime de tăiere, mm	510	510
Lamă - standard	Colectare 5928704-01	Colectare 5928704-01
Capacitate colector de iarbă, litri	65	65

Baterii aprobate	Tip	Capacitate baterie, Ah	Tensiune, V	Greutate, lb/kg
BLi30	Litiu-ion	7,5	36	4,2 / 1,9
40-B140	Litiu-ion	4	36	2,6/1,2

Încărcătoarele aprobate pentru bateriile specificate, BLi	Tensiune de intrare, V	Frecvență, Hz	Putere, W
40-C80	100-240	50-60	68,8
QC250	100-240	50-60	250

<sup>84</sup> Datele raportate pentru nivelul de vibrații au un factor de incertitudine (K) de 1,5 m/s<sup>2</sup>. Valoarea totală a vibrației declarate a fost măsurată în concordanță cu standardul EN 62841-4-3, Anexa I și poate fi utilizată pentru compararea utilajelor, precum și în cadrul unei evaluări preliminare a expunerii.

## Declarație de conformitate

### Declarație de conformitate UE

Noi, **Husqvarna AB**, SE-561 82 Huskvarna, Suedia, tel.:  
+46-36-146500, declarăm pe propria răspundere, că  
produsul:

<b>Descriere</b>	Mașină de tuns gazonul
<b>Marcă</b>	Husqvarna
<b>Tip/Model</b>	LC 251i, LC 251iS
<b>Identificare</b>	Numerele de serie începând cu 2023

respectă în totalitate următoarele directive și  
reglementări UE:

<b>Reglementare</b>	<b>Descriere</b>
2006/42/CE	„privind utilajele”
2014/30/UE	„aferență compatibilității electromagnetice”
2000/14/CE	„privind emisiile de zgomot în mediul înconjurător”
2011/65/UE	„privind restricțiile de utilizare a anumitor substanțe periculoase în echipamentele electrice și electronice”

și că au fost aplicate următoarele standarde și/sau  
specificații tehnice: EN 62841-1:2015/A11:2022, EN IEC  
62841-4-3:2021/A11:2021, EN IEC 55014-1:2021, EN  
IEC 55014-2:2021, EN IEC 63000:2018

Organismul notificat: 0404, SMP Svensk  
Maskinprovning AB, Box 4053, SE-904 03 Umeå,  
Sweden a certificat conformitatea cu directiva  
2000/14/CE a consiliului, procedura de evaluare a  
conformității: Anexa VI.

Pentru informații privind emisiile de zgomot, consultați  
*Date tehnice la pagina 381.*

Huskvarna, 2023-12-11



Claes Losdal, Director de Dezvoltare / Produse de  
grădinărit, Husqvarna AB

Responsabil pentru documentația tehnică



---

## Содержание

---

Введение.....	384	Поиск и устранение неисправностей.....	397
Безопасность.....	385	Транспортировка, хранение и утилизация.....	399
Сборка.....	392	Технические данные.....	401
Эксплуатация.....	392	Декларация соответствия.....	403
Техническое обслуживание.....	395		

---

## Введение

---

### Описание изделия

Изделие представляет собой роторную газонокосилку с пешеходным управлением. Трава собирается в травосборник. Установите дефлектор бокового выброса для бокового выброса травы.

### Обзор изделия

(Рис. 1)

1. Рукоятка моторного тормоза
2. Ограничитель запуска
3. Петля привода (LC 251iS)
4. Задняя крышка
5. Травосборник
6. Регулятор рукоятки
7. Рычаг регулировки высоты кошения
8. Фиксатор узла выброса
9. Крышка бокового выброса
10. Крышка аккумулятора
11. Условные обозначения
12. Предохранительный ключ
13. Предупреждающий индикатор (светодиодный индикатор ошибки)
14. Кнопка SavE
15. Кожух режущего оборудования
16. Рукоятка / рукоятка управления
17. Подъемные рукоятки
18. Боковой выброс
19. Руководство по эксплуатации

### Символы на изделии

(Рис. 2) ПРЕДУПРЕЖДЕНИЕ

(Рис. 3) Прочтите инструкции.

(Рис. 4) ПРЕДУПРЕЖДЕНИЕ: остерегайтесь отбрасываемых предметов.

(Рис. 5) Не допускайте приближения посторонних лиц.

(Рис. 6) ПРЕДУПРЕЖДЕНИЕ: не подносите руки и ноги к ножам.

### Назначение

Используйте изделие для стрижки травы. Запрещается использовать изделие для других видов работ.

(Рис. 7) ПРЕДУПРЕЖДЕНИЕ: перед техническим обслуживанием отсоедините аккумулятор.

(Рис. 8) Запрещается утилизировать данное изделие и его упаковку в качестве бытовых отходов. Изделие необходимо передать в пункт переработки электрического и электронного оборудования.

(Рис. 9) Табличка с уровнем эмиссии шума в окружающую среду в соответствии с директивами и нормативами Европейского союза, Великобритании и законодательством Нового Южного Уэльса "Регламент 2017 года по защите окружающей среды (контроль уровня шума)". Гарантированный уровень мощности звука изделия указан в разделе *Технические данные на стр. 401* и на табличке.

(Рис. 10) Данное оборудование отвечает требованиям соответствующих директив ЕС.

(Рис. 11) Данное изделие соответствует действующим директивам Великобритании.

(Рис. 12) Данное изделие имеет защиту от брызг.

(Рис. 13) Для остановки отпустите рукоятку моторного тормоза.

(Рис. 14) Сканируемый код.



---

**Примечание:** Другие символы/наклейки на изделии относятся к специальным требованиям сертификации на определенных рынках.

---

## Маркировка на агрегате

(Рис. 15)

ОПАСНО: не допускайте контакта с руками и ногами.

## Повреждение изделия

Мы не несем ответственности за повреждение изделия в следующих случаях:

- ненадлежащий ремонт изделия;
- использование для ремонта изделия неоригинальных деталей или деталей, не одобренных производителем;
- использование неоригинальных дополнительных принадлежностей или принадлежностей, не одобренных производителем;
- ремонт изделия в неавторизованном сервисном центре или неквалифицированным специалистом.

---

# Безопасность

---

## Инструкции по технике безопасности

Предупреждения, предостережения и примечания используются для выделения особо важных пунктов руководства.



### **ПРЕДУПРЕЖДЕНИЕ:**

Используется, когда несоблюдение инструкций руководства может привести к травмам или смерти оператора или находящихся рядом посторонних лиц.



**ВНИМАНИЕ:** Используется, когда несоблюдение инструкций руководства может привести к повреждению изделия, других материалов или прилегающей территории.

---

**Примечание:** Используется для предоставления дополнительных сведений о конкретной ситуации.

---

## Общие меры предосторожности при работе с агрегатом



### **ПРЕДУПРЕЖДЕНИЕ:**

**Ознакомьтесь со всеми предупреждениями, инструкциями, иллюстрациями и положениями, касающимися техники безопасности и прилагаемыми к данному агрегату.** Несоблюдение всех указанных ниже инструкций может привести к поражению электрическим током, пожару и/или тяжелым травмам.

---

Сохраните все предупреждающие указания и инструкции для последующего обращения. Под словом "агрегат" в данном документе понимается электрический агрегат, работающий от сети (проводной) либо от аккумулятора (беспроводной).

---

## Техника безопасности на рабочем месте

- **Рабочее место должно содержаться в чистоте и быть хорошо освещено.** Загромождения или отсутствие освещения могут стать причиной несчастных случаев.
- **Не пользуйтесь агрегатом во взрывоопасной атмосфере, например, в присутствии легковоспламеняющихся жидкостей, газов или пыли.** Агрегат производит искры, которые могут воспламенить пыль или пары жидкостей.
- **Не допускайте приближения детей и посторонних лиц к вам во время работы агрегата.** Это может отвлечь ваше внимание и привести к потере управления.

## Электрическая безопасность

- **Вилка агрегата должна соответствовать электрической розетке. Запрещается изменять конструкцию вилки. Запрещается использовать переходники при работе с заземленными агрегатами.** Отсутствие изменений в конструкции вилок и их соответствие розеткам снижает опасность поражения электрическим током.
- **Избегайте контакта любых частей тела с заземленными поверхностями, такими как трубы, батареи отопления, кухонные плиты и холодильники.** Заземление тела увеличивает риск поражения электрическим током.
- **Не подвергайте агрегаты воздействию воды или высокой влажности.** Попадание воды внутрь агрегата увеличивает риск поражения электрическим током.
- **Используйте шнур только по прямому назначению. Никогда не носите и не тяните агрегат за шнур и не дергайте за него, чтобы выключить агрегат из розетки. Держите шнур вдали от источников тепла, масла, острых углов или движущихся деталей.** Эксплуатация поврежденного или запутанного шнура увеличивает риск поражения электротоком.

- При работе с агрегатом вне помещений используйте подходящий удлиннитель для наружных работ. Применение шнура, предназначенного для уличного использования, снижает опасность поражения электрическим током.
- Если неизбежно требуется применение агрегата во влажной среде, используйте источник питания, оснащенный устройством защитного отключения (УЗО). Применение УЗО снижает опасность поражения электрическим током.

## Личная безопасность

- При работе с агрегатом будьте бдительны, следите за своими действиями и руководствуйтесь здравым смыслом. Не используйте агрегат, если вы устали или находитесь под воздействием наркотических средств, алкоголя или лекарств. Малейшая невнимательность при работе с агрегатом может обернуться серьезными травмами.
- Пользуйтесь средствами индивидуальной защиты. Всегда носите защитные очки. Средства индивидуальной защиты, такие как респиратор, нескользящая защитная обувь, каска или средства защиты органов слуха, существенно снижают риск получения травм.
- Примите меры по предотвращению случайного включения агрегата. Перед подключением агрегата к источнику питания и/или аккумуляторному блоку, его подъемом или переноской убедитесь, что переключатель находится в выключенном положении. Не переносите агрегат, держа палец на переключателе, а также не подавайте питание на агрегаты с включенным переключателем, т.к. это может привести к несчастному случаю.
- Уберите все гаечные и регулировочные ключи, прежде чем включать агрегат. Ключ, оставленный на вращающейся части агрегата, может стать причиной травмы.
- Не вытягивайте руки с агрегатом слишком далеко. Всегда сохраняйте равновесие и устойчиво ставьте ноги. Это позволит лучше контролировать агрегат в случае возникновения непредвиденной ситуации.
- Надевайте соответствующую одежду. Не надевайте свободную одежду или украшения. Не допускайте попадания волос и одежды в движущиеся части агрегата. Свободная одежда, украшения или длинные волосы могут попасть в движущиеся части.
- Если агрегат может дополнительно оснащаться устройствами для сбора и удаления пыли, убедитесь, что они подключаются и используются надлежащим образом. Такие устройства способствуют снижению опасностей, связанных с наличием пыли.
- Не допускайте, чтобы чувство уверенности, приобретенное вследствие частого

использования агрегата, позволило вам забыть об опасностях и игнорировать принципы обеспечения безопасности. Неосторожные действия могут привести к тяжелой травме за долю секунды.

## Эксплуатация агрегата и уход за ним

- Не перегружайте агрегат. Убедитесь, что агрегат подходит для выполнения конкретной задачи. Правильно подобранный агрегат лучше и надежнее справится с задачей, соответствующей его конструктивным характеристикам.
- Не пользуйтесь агрегатом, если его переключатель не работает. Если управление агрегатом с помощью переключателя невозможно, такой агрегат представляет опасность и подлежит обязательному ремонту.
- Прежде чем производить какую-либо настройку агрегата, заменяя принадлежности или убирать его на хранение, отключите агрегат от источника питания и/или снимите аккумуляторный блок (если снимается). Эти меры предосторожности позволяют исключить риск случайного включения агрегата.
- Храните неиспользуемые агрегаты в недоступном для детей месте и не позволяйте работать с агрегатом лицам, не ознакомленным с ним и с данными правилами техники безопасности. Агрегаты в руках неопытных пользователей являются источником опасности.
- Поддерживайте агрегат и принадлежности в надлежащем состоянии. Проверяйте точность настройки и отсутствие заедания движущихся частей, отсутствие поломок деталей и иных неисправностей, которые могут нарушить работу агрегата. В случае обнаружения какой-либо неисправности устраните ее перед использованием агрегата. Многие несчастные случаи возникают из-за недостаточно тщательного ухода за агрегатами.
- Поддерживайте остроту и чистоту режущих инструментов. Исправные режущие инструменты с острыми режущими кромками меньше подвержены поломкам и более просты в управлении.
- Используйте агрегат, принадлежности, наконечники и т. д. в соответствии с данными инструкциями, принимая во внимание условия работы и специфику выполняемой задачи. Применение агрегата не по назначению может создать опасные ситуации
- Рукоятки и поверхности захвата должны быть сухими и чистыми, без следов масла и смазки. Скользкие рукоятки и поверхности захвата препятствуют безопасному обращению и управлению агрегатом в непредвиденных ситуациях.

## Эксплуатация и обслуживание аккумуляторного инструмента

- **Выполняйте подзарядку только с помощью зарядного устройства, указанного производителем.** Зарядное устройство, подходящее для одного типа блока аккумуляторов, может создать опасность возгорания при использовании с блоком аккумуляторов другого типа.
- **Используйте оборудование только со специально предназначенными блоками аккумуляторов.** Использование других блоков аккумуляторов может создать опасность травмы или возгорания.
- **Когда блок аккумуляторов не используется, храните его вдали от других металлических предметов, таких как скрепки, монеты, ключи, гвозди, винты или прочие мелкие предметы, которые могут замкнуть клеммы аккумулятора.** Замыкание клемм аккумулятора может привести к ожогам или пожару.
- **При неправильном обращении из аккумулятора может вытечь жидкость; не допускайте контакта с вытекшей жидкостью.** При случайном прикосновении промойте место соприкосновения водой. При попадании жидкости в глаза обратитесь за медицинской помощью. Вытекающая из аккумулятора жидкость может привести к раздражению или ожогу.
- **Запрещается использовать блок аккумуляторов или инструмент, если они повреждены или модифицированы.** Поврежденные или подвергнутые модификации аккумуляторы могут работать неисправно, что приведет к возникновению пожара, взрыва или риску травм.
- **Не подвергайте блок аккумуляторов или инструмент воздействию огня или чрезмерно высоких температур.** Воздействие огня или температуры выше 130°C / 265°F может привести к взрыву.
- **Точно следуйте всем инструкциям по зарядке и ни в коем случае не заряжайте блок аккумуляторов или инструмент при температуре, выходящей за пределы указанного в инструкциях диапазона.** Ненадлежащая зарядка или зарядка при температуре выше или ниже указанного диапазона может привести к повреждению аккумулятора и повышенному риску пожара.

## Сервисное обслуживание

- **Сервисное обслуживание агрегата должны выполнять квалифицированные специалисты по ремонту оборудования с использованием только идентичных запчастей.** Это гарантирует безопасность эксплуатации агрегата.
- **Никогда не выполняйте обслуживание поврежденных аккумуляторных блоков.** Обслуживание аккумуляторных блоков должно выполняться только производителем или

специалистами авторизованных сервисных центров.

## Меры предосторожности при эксплуатации газонокосилки

- **Не используйте газонокосилку в плохих погодных условиях, особенно если существует риск удара молнии.** Это позволяет уменьшить риск поражения молнией.
- **Внимательно осмотрите участок, где будет использоваться газонокосилка, на наличие диких животных.** Во время работы газонокосилка может травмировать диких животных.
- **Внимательно осмотрите место эксплуатации газонокосилки, уберите все камни, палки, провода, кости и прочие посторонние предметы.** Отбрасываемые предметы могут стать причиной травмы.
- **Каждый раз перед эксплуатацией газонокосилки осматривайте нож и его крепление на наличие износа и повреждений.** Поврежденные или изношенные детали повышают риск получения травмы.
- **Регулярно проверяйте травосборник на наличие износа или повреждений.** Поврежденный или изношенный травосборник повышает риск получения травмы.
- **Кожухи должны быть всегда установлены.** Кожухи должны быть исправны и установлены надлежащим образом. Незакрепленный, поврежденный или неправильно используемый кожух может стать причиной травмы.
- **Следите за тем, чтобы на воздухозаборниках не было загрязнений.** Засоренные воздухозаборники и мусор могут привести к перегреву или возгоранию.
- **При работе с газонокосилкой всегда надевайте защитную обувь с нескользящей подошвой.** Запрещается работать с газонокосилкой босиком или в открытой обуви. Эта мера необходима для снижения вероятности получения травм ног от контакта с вращающимся ножом.
- **При эксплуатации газонокосилки обязательно надевайте длинные брюки.** Непокрытые участки тела подвержены большому риску получения травмы от отбрасываемых предметов.
- **Запрещается эксплуатировать газонокосилку на влажной траве.** Во время эксплуатации изделия следует идти, ни в коем случае не бежать. Это снижает риск поскользывания и падения и, как следствие, получения травм.
- **Не используйте газонокосилку на очень крутых склонах.** Это снижает риск потери управления, поскользывания и падения и, как следствие, получения травм.
- **При работе на склонах всегда сохраняйте устойчивое положение, перемещайтесь поперек склона, никогда не двигайтесь вверх или вниз и будьте предельно осторожны при изменении**

направления движения. Это снижает риск потери управления, поскользывания и падения и, как следствие, получения травм.

- **Будьте особенно внимательны при перемещении газонокосилки назад или на себя. Всегда следите за окружающей обстановкой.** Это снижает риск спотыкания во время работы.
- **Не прикасайтесь к ножам и другим опасным движущимся частям, пока они находятся в движении.** Это снижает риск получения травм от движущихся частей.
- **Перед удалением застрявшего материала или очисткой газонокосилки проверьте, что все переключатели питания отключены и аккумуляторный блок отсоединен.** Неожиданное срабатывание газонокосилки может привести к серьезной травме.
- **Перед удалением застрявшего материала или очисткой газонокосилки проверьте, что все переключатели питания отключены и устройство отключения снято.** Неожиданное срабатывание газонокосилки может привести к серьезной травме.

### Устройство защитного отключения

- Используйте устройство защитного отключения с током отключения не более 30 мА.

### Общие инструкции по технике безопасности



**ПРЕДУПРЕЖДЕНИЕ:** В обязательном порядке прочитайте следующие инструкции по технике безопасности, прежде чем приступить к эксплуатации изделия.

- При небрежном или неправильном обращении изделие может представлять собой опасность. Несоблюдение инструкций по технике безопасности может привести к травмам или смерти.
- Во время работы данное изделие создает электромагнитное поле. В определенных обстоятельствах это поле может создавать помехи для пассивных и активных медицинских имплантатов. В целях снижения риска серьезной или смертельной травмы лицам с медицинскими имплантатами рекомендуется проконсультироваться с врачом и изготовителем имплантата, прежде чем приступить к эксплуатации данного изделия.
- Всегда соблюдайте осторожность и руководствуйтесь здравым смыслом. Если вы не уверены, как правильно эксплуатировать изделие в определенной ситуации, прекратите работу и проконсультируйтесь с дилером Husqvarna, прежде чем продолжать.

- Помните: ответственность за несчастные случаи, угрожающие другим людям или их имуществу, несет оператор изделия.
- Содержите изделие в чистоте. Следите за тем, чтобы знаки и наклейки были легко читаемыми.
- Ни в коем случае не позволяйте использовать оборудование детям или лицам, не ознакомившимся с данными инструкциями. Допустимый возраст пользователя может быть ограничен местным законодательством.
- Не оставляйте без присмотра людей с физическими или умственными нарушениями, использующих изделие. Они должны постоянно находиться под присмотром взрослого.
- Ни в коем случае не используйте изделие, если вы устали, больны или находитесь под воздействием алкоголя, наркотических веществ или лекарственных препаратов. Это может повлиять на ваше зрение, реакцию, координацию или оценку действительности.
- Не используйте изделие, если оно повреждено или работает неправильно.
- Запрещается вносить изменения в изделие или использовать его, если вы подозреваете, что конструкция была модифицирована.

### Техника безопасности



**ПРЕДУПРЕЖДЕНИЕ:** В обязательном порядке прочитайте следующие инструкции по технике безопасности, прежде чем приступить к эксплуатации агрегата.

- Агрегат предназначен исключительно для скашивания травы на газонах. Запрещается использовать агрегат не по назначению.
- Пользуйтесь средствами индивидуальной защиты. См. раздел *Средства индивидуальной защиты на стр. 389*.
- Убедитесь, что вы знаете, как быстро остановить двигатель в аварийной ситуации.
- Запрещается эксплуатировать агрегат под дождем или в условиях высокой влажности. При попадании воды внутрь агрегата повышается риск поражения электрическим током.
- Ни в коем случае не используйте агрегат с отсутствующими или неправильно установленными кожухами или ножом. Неправильно установленный нож может высвободиться и причинить травму.
- Следите за тем, чтобы в нож не попали посторонние предметы, например, камни и корни. Это может затупить нож и привести к искривлению вала двигателя. При сгибании оси увеличивается уровень вибрации, что может привести к снижению надежности крепления ножа.

- В случае удара ножа об посторонний предмет или возникновения вибрации незамедлительно остановите агрегат. Остановите двигатель, поверните предохранительный ключ в положение "0" и снимите аккумулятор. Дождитесь остановки движущихся частей. Проверьте агрегат на наличие повреждений. Затяните ослабленные детали. Выполните ремонт и замену поврежденных деталей. Обратитесь в авторизованный сервисный центр для выполнения ремонта.
- Во время работы двигателя не прижимайте рукоятку моторного тормоза к рукоятке агрегата на длительный период времени.
- При запуске агрегат должен находиться на устойчивой, ровной поверхности. Убедитесь, что нож не касается грунта или любого другого предмета.
- При работе с агрегатом всегда стойте сзади.
- При работе с агрегатом все колеса должны стоять на земле; держите рукоятку обеими руками. Не приближайте руки или ноги к вращающимся ножам.
- Не наклоняйте агрегат при запуске двигателя или во время работы.
- Соблюдайте осторожность, когда тянете агрегат назад.
- Запрещается поднимать агрегат во время работы двигателя. В случае необходимости поднять агрегат сначала выключите двигатель, поверните предохранительный ключ в положение "0" и извлеките аккумулятор.
- Запрещается двигаться назад при работе с агрегатом.
- Остановите двигатель, если необходимо наклонить агрегат для транспортировки или перед перемещением по участкам без травы, например по дорожкам из гравия, камня или асфальта.
- Запрещается бегать с агрегатом во время работы двигателя. Работайте с агрегатом в спокойном темпе.
- Выключайте двигатель, прежде чем изменить высоту стрижки. Ни в коем случае не выполняйте регулировку при работающем двигателе.
- Ни в коем случае не выпускайте из вида агрегат с работающим двигателем. Остановите двигатель и убедитесь, что режущее оборудование не вращается.
- Вибрации агрегата во время работы могут отличаться от заявленного значения, приведенного в разделе *Технические данные на стр. 401*. Эта разница объясняется зависимостью уровня вибрации от условий эксплуатации агрегата. При частом или продолжительном использовании агрегата регулярно делайте перерывы во избежание травм от вибрации.

## Инструкции по безопасности во время эксплуатации

### Средства индивидуальной защиты



**ПРЕДУПРЕЖДЕНИЕ:** В обязательном порядке прочитайте следующие инструкции по технике безопасности, прежде чем приступать к эксплуатации агрегата.

- Средства индивидуальной защиты не могут полностью исключить риск получения травмы, но при несчастном случае они снижают тяжесть травмы. За помощью по правильному выбору оборудования обращайтесь к дилеру.
- Используйте прочные, противоскользящие ботинки. Запрещается надевать открытую обувь или работать босиком.
- Надевайте прочные длинные брюки.
- При необходимости надевайте защитные перчатки, например, при закреплении, проверке или очистке режущего оборудования.
- Рекомендуется использовать защитные наушники.

### Защитные устройства на изделии



**ПРЕДУПРЕЖДЕНИЕ:** В обязательном порядке прочитайте следующие инструкции по технике безопасности, прежде чем приступать к эксплуатации изделия.

- Не используйте изделие, если защитные устройства повреждены или работают неправильно.
- Запрещается снимать защитные устройства или вносить в них какие-либо изменения.
- Регулярно выполняйте проверку защитных устройств. Если защитные устройства повреждены или работают неправильно, обратитесь в сервисный центр Husqvarna.

### Проверка режущей деки

Режущая дека снижает уровень вибрации изделия и риск травмирования ножом.

- Проверьте режущую дека и убедитесь, что на ней отсутствуют повреждения, такие как трещины.

### Проверка предохранительного ключа

Предохранительный ключ расположен под крышкой аккумулятора. Предохранительный ключ подключает аккумулятор, от которого на двигатель поступает питание.

- Чтобы проверить работу предохранительного ключа, запустите и остановите двигатель.

- Если ключ исправен, то двигатель можно запустить только при переводе ключа в положение "1". (Рис. 16)

## Проверка задней крышки

Задняя крышка снижает риск выброса предметов в сторону оператора.

- Убедитесь, что задняя крышка не повреждена.
- Убедитесь, что пружины, закрывающие заднюю крышку, не повреждены.
- Замените сломанные пружины и поврежденные детали.
- Убедитесь, что задняя крышка плавно перемещается на петлях.

## Проверка рукоятки моторного тормоза

Рукоятка моторного тормоза предназначена для остановки двигателя. При отпускании рукоятки тормоза двигатель останавливается.

- Запустите агрегат. См. раздел *Запуск агрегата на стр. 394*.
- Отпустите рукоятку моторного тормоза. (Рис. 17)
- Убедитесь, что агрегат остановился. Если двигатель не остановится через 3 секунды, обратитесь в авторизованный сервисный центр Husqvarna для регулировки моторного тормоза.

## Проверка работы ограничителя запуска

Проверьте ограничитель запуска и убедитесь, что он блокирует работу двигателя.

1. Прижмите рукоятку моторного тормоза в направлении рукоятки агрегата. Ограничитель запуска остановит движение рукоятки.
2. Поверните ограничитель запуска в направлении, указанном стрелкой. (Рис. 18)
3. Разблокируйте ограничитель запуска и убедитесь, что он возвращается в исходное положение.

## Техника безопасности при работе с аккумулятором



**ПРЕДУПРЕЖДЕНИЕ:** В обязательном порядке прочитайте следующие инструкции по технике безопасности, прежде чем приступать к эксплуатации изделия.

- Используйте перезаряжаемые аккумуляторы Husqvarna только с теми изделиями Husqvarna, для которых они предназначены. Во избежание травм запрещается использовать аккумулятор в качестве источника питания для других устройств.
- Запрещается использовать одноразовые аккумуляторы.

- Риск поражения электрическим током. Не допускайте контакта клемм аккумулятора с ключами, монетами, винтами или другими металлическими предметами. Это может привести к короткому замыканию аккумулятора.
- Не размещайте посторонние предметы на воздухозаборниках аккумулятора.
- Аккумулятор не должен подвергаться воздействию солнечного света, тепла или открытого пламени. Аккумулятор может взорваться и стать причиной ожогов, в том числе химических.
- Защищайте аккумулятор от дождя и сырости.
- Не подвергайте аккумулятор воздействию микроволн и высокого давления.
- Не пытайтесь разбирать или ломать аккумулятор.
- При возникновении утечки из аккумулятора не допускайте попадания жидкости на кожу или в глаза. При контакте с жидкостью промойте затронутый участок большим количеством воды и обратитесь за медицинской помощью.
- Используйте аккумулятор в изделии только при температуре окружающей среды в диапазоне от 5 до 40 °C.
- Используйте зарядное устройство только при температуре окружающей среды в диапазоне от 5 до 40 °C.
- Аккумулятор не будет заряжаться, если его температура превышает 50 °C.
- Очистка аккумулятора или зарядного устройства водой запрещена. См. раздел *Очистка аккумулятора и зарядного устройства на стр. 396*.
- Запрещается использовать поврежденный аккумулятор.
- Храните аккумуляторы вдали от металлических предметов, таких как гвозди, монеты или ювелирные изделия.

## Техника безопасности при работе с зарядным устройством для аккумулятора



**ПРЕДУПРЕЖДЕНИЕ:** В обязательном порядке прочитайте следующие инструкции по технике безопасности, прежде чем приступать к эксплуатации изделия.

- Для зарядки перезаряжаемых аккумуляторов Husqvarna используйте только зарядные устройства QC.
- Риск поражения электрическим током или короткого замыкания. Не размещайте посторонние предметы на воздухозаборниках зарядного устройства. Не пытайтесь разбирать зарядное устройство. Запрещается подключать клеммы зарядного устройства к металлическим предметам. Используйте одобренную сетевую розетку.

- Во время работы данное изделие создает электромагнитное поле. В определенных обстоятельствах это поле может создавать помехи для пассивных и активных медицинских имплантатов. В целях снижения риска серьезной или смертельной травмы лицам с медицинскими имплантатами рекомендуется проконсультироваться с врачом и изготовителем имплантата, прежде чем приступать к эксплуатации данного изделия.
- Регулярно проверяйте шнур питания зарядного устройства на отсутствие повреждений или трещин.
- Не поднимайте зарядное устройство за шнур питания. Для отсоединения зарядного устройства от сетевой розетки потяните за вилку. Не тяните за шнур питания.
- Не допускайте контакта шнура питания и удлинителя с водой, маслом или острыми краями. Проверьте, что шнур не застрял в двери, заборе и т.д. В противном случае зарядное устройство может оказаться под напряжением.
- Запрещается очищать зарядное устройство водой.
- Дети старше 8 лет и лица с ограниченными физическими, сенсорными или умственными способностями или недостатком опыта и знаний могут использовать зарядное устройство только под надзором или после ознакомления с инструкциями относительно безопасной эксплуатации зарядного устройства и возможными рисками. Не позволяйте детям играть с зарядным устройством. Очистка и техническое обслуживание не должны проводиться детьми без надзора.
- Запрещается заряжать одноразовые аккумуляторы в зарядном устройстве.
- Запрещается использовать зарядное устройство вблизи легковоспламеняющихся материалов и материалов, которые вызывают коррозию. Не накрывайте зарядное устройство. В случае появления дыма или огня извлеките вилку зарядного устройства из розетки.
- Запрещается использовать поврежденное зарядное устройство.
- Заряжайте аккумулятор только в хорошо проветриваемом помещении вдали от солнечных лучей. Запрещается заряжать аккумулятор в условиях высокой влажности.

## Инструкции по технике безопасности во время технического обслуживания



**ПРЕДУПРЕЖДЕНИЕ:** В обязательном порядке прочитайте следующие инструкции по технике безопасности, прежде чем приступать к эксплуатации агрегата.

- Во избежание случайного запуска во время обслуживания поверните предохранительный ключ в положение "0" и извлеките аккумулятор. Подождите не менее 5 секунд, прежде чем приступить к обслуживанию.
- Выполняйте техобслуживание строго в соответствии с инструкциями, приведенными в руководстве по эксплуатации. Более масштабные работы по обслуживанию и профессиональному ремонту должны выполняться специалистами авторизованного сервисного центра. Для получения дополнительной информации обратитесь в ближайшее представительство компании.
- Чтобы продлить срок службы агрегата и снизить вероятность несчастных случаев, соблюдайте все требования к проведению обслуживания.
- Замените поврежденные, сломанные или изношенные детали. Всегда используйте оригинальные запчасти от производителя. Другие запчасти могут привести к повреждению агрегата и повысить риск несчастных случаев.
- Во избежание травм не вносите никакие изменения в защитные устройства и не снимайте их.
- При работе с режущим оборудованием используйте прочные перчатки. Нож очень острый, что при неосторожном обращении может легко привести к порезам.
- Для повышения качества и безопасности работы регулярно затачивайте и чистите режущие кромки.
- Регулярно обращайтесь в сервисный центр для проверки агрегата и выполнения необходимых регулировок и ремонта.
- Соблюдайте указания по замене принадлежностей. Пользуйтесь только оригинальными принадлежностями.
- Храните агрегат, аккумулятор и зарядное устройство по отдельности в сухом помещении под замком. Не допускайте к агрегату, аккумулятору и зарядному устройству детей и лиц, не имеющих соответствующего разрешения.

---

## Сборка

---

### Введение



**ПРЕДУПРЕЖДЕНИЕ:** Прежде чем выполнять сборку изделия, прочитайте раздел, посвященный технике безопасности.



**ПРЕДУПРЕЖДЕНИЕ:** Во избежание случайного запуска во время сборки переведите предохранительный ключ в положение "0", извлеките аккумулятор и подождите не менее 5 секунд.

### Сборка рукоятки

**Примечание:** Рекомендуется выполнять эту процедуру вдвоем.

**Примечание:** При сборке рукоятки не извлекайте изделие из коробки. Коробку можно использовать в качестве опоры для рукоятки во время сборки.

1. Поднимите и переверните рукоятку. (Рис. 19)



**ВНИМАНИЕ:** Соблюдайте осторожность и убедитесь, что при повороте рукоятки кабель не будет поврежден.

2. Положите рукоятку сверху изделия. Разместите рукоятку так, чтобы она опиралась на коробку. См. рисунок. (Рис. 20)

3. Вставьте винт (А) в рукоятку (В), установите пластиковую шайбу (С) и опорный кронштейн рукоятки (D). (Рис. 21)
4. Полностью затяните гайку (Е).
5. Извлеките изделие из коробки.
6. Установите рукоятку в вертикальное положение. (Рис. 22)
7. Установите регулятор высоты рукоятки в крайнее нижнее положение. См. раздел *Регулировка рукоятки на стр. 392*.
8. Закрепите кабель на нижней части рукоятки с помощью кабельного зажима. (Рис. 23)
9. Закрепите нижнюю часть кабеля на опорном кронштейне рукоятки с помощью кабельной стяжки. Обрежьте лишнюю часть кабельной стяжки. (Рис. 24)

**Примечание:** Проверьте правильность крепления кабеля. Плохо закрепленный кабель может быть поврежден при установке травосборника. (Рис. 25)

### Регулировка рукоятки

1. Ослабьте нижние ручки.
2. Переместите ручки в нижние положения в пазах с левой и правой стороны изделия. (Рис. 26)
3. Установите рукоятку в одно из 2 доступных положений по высоте.
4. Переместите ручки вверх в направлении рукоятки до упора. Вы должны услышать щелчок. (Рис. 27)
5. Надежно затяните ручки.

---

## Эксплуатация

---

### Введение



**ПРЕДУПРЕЖДЕНИЕ:** Перед эксплуатацией прибора необходимо внимательно изучить раздел безопасности.

### Husqvarna Connect

Husqvarna Connect представляет собой бесплатное приложение для мобильного устройства. Приложение Husqvarna Connect позволяет пользоваться расширенными функциями вашего изделия Husqvarna:

- Дополнительная информация об изделии.

- Сведения о деталях и помощь в техническом обслуживании.

### Как начать использовать Husqvarna Connect

1. Загрузите приложение Husqvarna Connect на свое мобильное устройство.
2. Зарегистрируйтесь в приложении Husqvarna Connect.
3. Выполните пошаговые инструкции в приложении Husqvarna Connect для подключения и регистрации изделия.



## Установка изделия в рабочее положение

1. Убедитесь, что нижние регуляторы ослаблены. См. раздел *Регулировка рукоятки на стр. 392*.
2. Установите рукоятку в вертикальное положение. (Рис. 22)
3. Переместите регуляторы вверх к рукоятке до упора и щелчка. (Рис. 27)
4. Полностью затяните регуляторы.



**ПРЕДУПРЕЖДЕНИЕ:** Не используйте изделие, если рукоятка не поднята полностью вверх и не установлена в одно из положений регулировки по высоте. См. раздел *Регулировка рукоятки на стр. 392*.

## Регулировка высоты стрижки

1. Переведите рычаг регулировки высоты стрижки назад, чтобы увеличить высоту стрижки.
2. Переведите рычаг регулировки высоты стрижки вперед, чтобы уменьшить высоту стрижки. (Рис. 28)



**ВНИМАНИЕ:** Не устанавливайте высоту стрижки слишком низко. Ножи могут удариться о землю, если поверхность газона неровная.

## Аккумулятор



**ПРЕДУПРЕЖДЕНИЕ:** Перед эксплуатацией аккумулятора ознакомьтесь с разделом, посвященным безопасности, и усвойте его содержание. Прочтите и усвойте также все сведения, приведенные в руководстве по эксплуатации аккумулятора и зарядного устройства.

Храните аккумулятор и зарядное устройство при допустимой температуре окружающей среды.

	Температура окружающей среды
Эксплуатация аккумулятора	от 5 до 40 °С
Зарядка аккумулятора	от 5 до 40 °С

## Состояние аккумулятора

На дисплее отображается оставшаяся емкость аккумулятора и уведомления о его неисправностях (при наличии). Нажмите кнопку индикатора

аккумулятора, чтобы получить информацию о состоянии заряда аккумулятора. Предупреждающий символ на аккумуляторе загорается в случае возникновения ошибки. См. раздел *Аккумулятор на стр. 397*.

(Рис. 29)

Светодиодные индикаторы	Состояние аккумулятора
Все светодиоды горят	Аккумулятор полностью заряжен (76–100%)
Светодиоды 1, 2, 3 горят	Аккумулятор заряжен на 51–75%
Светодиоды 1, 2 горят	Аккумулятор заряжен на 26–50%
Светодиодный индикатор 1 горит	Аккумулятор заряжен на 6–25%.
Светодиод 1 мигает	Аккумулятор заряжен на 0–5%.

## Зарядка аккумулятора

Зарядите аккумулятор перед первым использованием. Поставляемый аккумулятор заряжен только на 30%.

**Примечание:** Подсоединяйте зарядное устройство к сети питания с напряжением и частотой, указанными на паспортной табличке.

Зарядка не выполняется, если температура аккумулятора превышает 50 °С. Прежде чем начать зарядку, зарядное устройство охлаждает аккумулятор до приемлемой температуры.

1. Вставьте один конец силового кабеля зарядного устройства в гнездо зарядного устройства.
2. Второй конец силового кабеля зарядного устройства вставьте в заземленную розетку сети электропитания. Светодиод на зарядном устройстве мигнет зеленым цветом один раз. (Рис. 30)
3. Вставьте аккумулятор в зарядное устройство. При правильном подключении аккумулятора к зарядному устройству загорается индикатор зеленого цвета. (Рис. 31)
4. Когда на аккумуляторе загорятся все светодиоды, это означает полную зарядку. Длительность зарядки аккумулятора не должна превышать 24 часа.
5. Чтобы отсоединить зарядное устройство от розетки, потяните не за кабель, а за штекер.
6. Извлеките аккумулятор из зарядного устройства.

## Запуск агрегата

1. Откройте крышку аккумулятора.
2. Вставьте заряженный аккумулятор в 1 из держателей аккумулятора. Чтобы продлить время работы, вставьте второй заряженный аккумулятор в другой держатель аккумулятора.
3. Переведите предохранительный ключ в положение "1". (Рис. 32)
4. Стойте сзади агрегата.
5. Разблокируйте ограничитель запуска. (Рис. 18)
6. Прижмите рукоятку моторного тормоза в направлении рукоятки агрегата. (Рис. 33)

## Использование привода колес (LC 251iS)

- Потяните петлю привода в направлении рукоятки. (Рис. 34)
- Отпустите петлю привода, чтобы отключить привод, например, при приближении к препятствию.
- Прежде чем потянуть изделие назад, отключите привод и толкните изделие вперед примерно на 10 см.

## Использование функции Save™

На агрегате предусмотрена функция экономии заряда аккумулятора (Save™), которая продлевает время работы.

- Нажмите на часть кнопки Save™ с "1" для включения функции. (Рис. 35)
- Нажмите на часть кнопки Save™ с "0" для выключения функции.

**Примечание:** Функция Save™ автоматически отключается в тех случаях, когда состояние грунта требует более высокой мощности. Функция Save™ автоматически возобновляет работу, когда это позволяет состояние грунта.

## Функция высокой нагрузки

При стрижке высокой или влажной травы двигатель автоматически увеличивает число оборотов. Когда надобность в высокой нагрузке отпадает, двигатель возвращается в стандартный режим работы.

## Остановка двигателя

Во время работы нож и двигатель могут временно остановиться из-за помех, например из-за скопления травы под кожухом режущего оборудования. Если это происходит и вы держите рукоятку моторного тормоза прижатой, изделие автоматически перезапустится. Если изделие не перезапускается в течение 5–10 секунд, возможно, необходимо очистить область под кожухом

режущего оборудования. См. раздел *Очистка изделия на стр. 396.*



**ПРЕДУПРЕЖДЕНИЕ:** Если двигатель останавливается, изделие автоматически пытается перезапуститься в течение 5–10 секунд. Подождите не менее 15 секунд, прежде чем проверять кожух режущего оборудования.



**ПРЕДУПРЕЖДЕНИЕ:** Перед проверкой кожуха режущего оборудования отпустите рукоятку моторного тормоза, поверните предохранительный ключ в положение "0", извлеките аккумулятор и подождите не менее 5 секунд. При случайном запуске изделия во время удаления помехи существует риск получения травмы.

## Выключение изделия



**ПРЕДУПРЕЖДЕНИЕ:** Прежде чем оставить изделие без присмотра, переведите предохранительный ключ в положение "0".

1. Отпустите рукоятку моторного тормоза, чтобы остановить двигатель. (Рис. 36)

**Примечание:** Для LC 251iS. Чтобы остановить только привод колес, отпустите скобу привода.

2. Откройте крышку аккумулятора и поверните предохранительный ключ в положение "0". (Рис. 37)
3. Чтобы извлечь аккумулятор, нажмите на 2 кнопки разблокировки и извлеките аккумулятор. (Рис. 38)
4. Зарядите аккумулятор, если он разряжен. Дополнительную информацию см. в разделе *Зарядка аккумулятора на стр. 393.*

## Использование изделия с травосборником



**ПРЕДУПРЕЖДЕНИЕ:** Не используйте изделие, если травосборник не установлен или задняя крышка не закрыта. Предметы могут быть выброшены, что приведет к травмированию оператора.

1. Поднимите заднюю крышку. (Рис. 39)
2. Установите травосборник на кронштейн.

- Снимите заднюю крышку и разместите ее на верхней части рамы мешка травосборника. (Рис. 40)

## Переоснащение изделия для использования в режиме бокового выброса

- Поднимите заднюю крышку и снимите мешок травосборника (при наличии).
- Закройте заднюю крышку и убедитесь, что она плотно прижата к изделию.
- Поднимите фиксатор узла выброса. (Рис. 41)
- Откройте крышку бокового выброса и установите дефлектор бокового выброса на опорные штифты. (Рис. 42)
- Дайте крышке бокового выброса опуститься к дефлектору бокового выброса. Перед началом работы с изделием убедитесь, что дефлектор бокового выброса надежно установлен.

## Опорожнение травосборника



**ВНИМАНИЕ:** При перемещении поднимите травосборник для предотвращения износа.

- Поднимите травосборник с помощью ручки рамы.
- При опорожнении травосборника используйте ручку рамы и ручку сборника. (Рис. 43)

## Достижение оптимальных результатов

- Всегда пользуйтесь хорошо заточенным ножом. Затупившийся нож будет косить траву неровно, и в месте среза трава будет желтеть. При использовании острого ножа также затрачивается меньше энергии, чем при работе с затупившимся ножом.
- Не срезайте более  $\frac{1}{2}$  всей длины травы. При начале кошения устанавливайте максимальную высоту стрижки. Проверьте полученный результат и уменьшите высоту кошения до необходимого уровня. Если трава высокая, передвигайте газонокосилку медленно. При необходимости выполните кошение дважды.
- Если вы хотите избежать образования полос на вашем газоне, следует каждый раз стричь его в разных направлениях.
- Поднимите заднюю крышку и снимите травосборник.
- Снимите установленные пробку и нож для мульчирования.
- Прежде чем включить агрегат, закройте заднюю крышку. Во время работы агрегата срезанная трава выбрасывается под заднюю крышку.
- Следите за чистой кожуха режущего оборудования. Скопление травы и грязи на внутренней стороне кожуха режущего оборудования может привести к ухудшению качества кошения. См. раздел *Очистка изделия на стр. 396*.

## Техническое обслуживание

### Вводная информация



**ПРЕДУПРЕЖДЕНИЕ:** Перед выполнением техобслуживания необходимо внимательно изучить и понять информацию в раздел по технике безопасности.

Для выполнения любых работ по сервисному обслуживанию и ремонту изделия необходимо пройти специальное обучение. Мы гарантируем доступность услуг по профессиональному ремонту и сервисному обслуживанию.

Дополнительную информацию см. в разделе [www.husqvarna.com](http://www.husqvarna.com).

### График технического обслуживания

График технического обслуживания составлен исходя из ежедневного использования изделия. Если изделие не используется ежедневно, интервалы техобслуживания изменятся.

Сведения о техническом обслуживании, отмеченном знаком \*, см. в инструкциях в разделе *Безопасность на стр. 385*.

	При каждом использовании	Ежемесячно	Каждый сезон
Выполните общий осмотр	X		
Очистите изделие	X		
Проверьте работу ограничителя запуска*	X		

	При каждом использовании	Ежемесячно	Каждый сезон
Убедитесь, что защитные устройства изделия не повреждены*	X		
Проверьте режущее оборудование	X		
Проверьте кожух режущего оборудования*	X		
Проверьте рукоятку моторного тормоза*	X		
Проверьте аккумулятор на наличие повреждений	X		
Проверьте уровень заряда аккумулятора	X		
Проверьте работу кнопок блокировки и надежность установки аккумулятора в изделии	X		
Проверьте состояние и правильность работы зарядного устройства.		X	
Проверьте соединения между аккумулятором и изделием. Проверьте также соединения между аккумулятором и зарядным устройством.			X

## Выполнение общего осмотра

- Проверьте затяжку гаек и винтов на изделии.
- Убедитесь, что расположение кабелей не допускает возможности их повреждения.

## Очистка изделия

- Очистите пластмассовые детали чистой и сухой тканью.
- Не используйте воду для очистки изделия от загрязнений. Попадание воды в аккумулятор или двигатель может вызвать короткое замыкание или повредить изделие.
- Не используйте моечный агрегат высокого давления для очистки изделия.
- Не направляйте струю воды непосредственно на двигатель.
- Используйте щетку для удаления листьев, травы и грязи.

## Очистка аккумулятора и зарядного устройства



**ПРЕДУПРЕЖДЕНИЕ:** Очистка аккумулятора или зарядного устройства водой запрещена.



**ПРЕДУПРЕЖДЕНИЕ:** Не используйте химические реагенты для очистки аккумулятора.

- Прежде чем устанавливать аккумулятор в зарядное устройство, убедитесь, что аккумулятор и зарядное устройство чистые и сухие.

- Используйте для очистки клемм аккумулятора сжатый воздух или мягкую и сухую ткань.
- Очистите поверхности аккумулятора и зарядного устройства мягкой и сухой тканью.

## Проверка режущего оборудования



**ПРЕДУПРЕЖДЕНИЕ:** Во избежание случайного запуска переведите предохранительный ключ в положение "0", извлеките аккумулятор и подождите не менее 5 секунд.



**ПРЕДУПРЕЖДЕНИЕ:** Надевайте защитные перчатки при техобслуживании режущего оборудования. Нож очень острый, что при неосторожном обращении может легко привести к порезам.

1. Проверьте режущее оборудование на наличие повреждений или трещин. Всегда заменяйте поврежденное режущее оборудование.
2. Осмотрите нож на наличие повреждений или следов притупления.

**Примечание:** После заточки ножа необходимо выполнить его балансировку. Обратитесь в сервисный центр для выполнения заточки, замены и балансировки ножа. При столкновении с препятствием, которое привело в остановку изделия, замените поврежденный нож. Сервисный центр должен определить, следует ли заточить нож или лучше его заменить.

## Замена ножа

См. раздел *Технические данные на стр. 401*, где приведены сведения о подходящем типе ножа.



### ПРЕДУПРЕЖДЕНИЕ:

Заблокируйте нож деревянным бруском, чтобы избежать травм пальцев при замене ножа. Нож может смещаться при выключенном двигателе, в результате чего пальцы могут застрять между ним и неподвижными деталями.

1. Заблокируйте нож деревянным бруском. (Рис. 44)
2. Снимите болт ножа, шайбы и нож. (Рис. 45)
3. Проверьте опору и болт ножа на наличие повреждений.
4. Осмотрите вал двигателя на наличие деформаций.
5. При установке нового ножа находящиеся под углом края должны быть обращены в направлении кожуха режущего оборудования. (Рис. 46)
6. Убедитесь, что нож выставлен по центру вала двигателя.
7. Заблокируйте нож деревянным бруском. Установите шайбы и затяните болт моментом 23 – 28 Н·м. (Рис. 47) (Рис. 45)

8. Проверните нож рукой и убедитесь, что он свободно вращается.



### ПРЕДУПРЕЖДЕНИЕ:

Используйте прочные защитные перчатки. Нож очень острый, и при неосторожном обращении он может легко привести к порезам.

9. Запустите изделие, чтобы проверить работу ножа. Если нож установлен неправильно, вы ощутите вибрацию изделия или результат кошения будет неудовлетворительным.

## Проверка дефлектора бокового выброса

Дефлектор бокового выброса крепится к отверстию бокового выброса на изделии. Он снижает риск отбрасывания предметов в направлении рабочего положения оператора.

1. Убедитесь, что дефлектор бокового выброса не поврежден.
2. Осмотрите дефлектор бокового выброса. Убедитесь в отсутствии дефектов, таких как трещины или сломанные пружины, которые закрывают дверцу.
3. В случае повреждения замените дефлектор бокового выброса или пружины.

## Поиск и устранение неисправностей

### Аккумулятор

Светодиодный индикатор на аккумуляторе	Причина	Решение
Зеленый светодиодный индикатор мигает.	Низкое напряжение аккумулятора.	Зарядите аккумулятор. См. раздел <i>Зарядка аккумулятора на стр. 393</i> .
Светодиодный индикатор ошибки на аккумуляторе мигает.	Аккумулятор может быть слишком холодным или слишком горячим для использования.	Дайте аккумулятору остыть или переместите его в помещение, чтобы прогреть его. Когда температура аккумулятора будет соответствовать норме, его можно использовать снова. Используйте аккумулятор в изделии только при температуре окружающей среды в диапазоне от 5 до 40 °C.
	Аккумулятор разряжен.	Зарядите аккумулятор. См. раздел <i>Зарядка аккумулятора на стр. 393</i> .
Загорается светодиодный индикатор ошибки на аккумуляторе.	Возникла постоянная ошибка аккумулятора.	Обратитесь в сервисный центр Husqvarna.

## Зарядное устройство

Светодиодный индикатор на зарядном устройстве аккумулятора	Причина	Решение
Светодиодный индикатор ошибки мигает или загорается.	Слишком высокая или слишком низкая температура зарядного устройства для использования.	Дайте зарядному устройству остыть или переместите его в помещение, чтобы прогреть его. Когда температура зарядного устройства будет в норме, его можно использовать снова. Используйте зарядное устройство при температуре окружающей среды в диапазоне от 5 до 40 °C.
	Прочие ошибки.	Обратитесь в сервисный центр Husqvarna.

## Газонокосилка

Предупреждающий индикатор (светодиодный индикатор ошибки) расположен под крышкой аккумулятора.

Проблема	Светодиодный индикатор ошибки (количество миганий)	Причина	Решение
Мигает светодиодный индикатор ошибки. Изделие не работает надлежащим образом.	3	Нож заблокирован.	Переведите предохранительный ключ в положение "0" во избежание случайного запуска. Извлеките аккумулятор и подождите не менее 5 секунд. Устраните возможные препятствия и убедитесь, что нож может свободно вращаться. Если проблема по-прежнему не устранена, обратитесь в сервисный центр Husqvarna.
	5	Слишком низкая частота вращения двигателя привела к остановке двигателя.	Увеличьте высоту кошения. См. раздел <i>Регулировка высоты стрижки на стр. 393</i> .
	6 <sup>85</sup>	Колеса или трансмиссия заблокированы.	Переведите предохранительный ключ в положение "0" во избежание случайного запуска. Извлеките аккумулятор и подождите не менее 5 секунд. Устраните возможные препятствия и убедитесь, что колеса могут свободно вращаться. Если проблема по-прежнему не устранена, обратитесь в сервисный центр Husqvarna.
	10	Перегрев системы управления двигателем.	Остановите двигатель и подождите, пока он остынет.

<sup>85</sup> LC 251iS

Проблема	Светодиодный индикатор ошибки (количество миганий)	Причина	Решение
Мигает светодиодный индикатор ошибки. Изделие останавливается.	Не мигает	Неисправность разъема аккумулятора.	Осмотрите разъем аккумулятора.
	3	Перегрузка двигателя.	Увеличьте высоту кошения. См. раздел <i>Регулировка высоты стрижки на стр. 393.</i>
	8	Слишком низкий заряд аккумулятора.	Зарядите аккумулятор. См. раздел <i>Зарядка аккумулятора на стр. 393.</i>
	9	Ошибка аккумулятора или отсутствие сигнала от аккумулятора.	Установите аккумулятор в изделие надлежащим образом и проверьте разъем аккумулятора. Если на аккумуляторе мигает светодиодный индикатор ошибки. См. раздел <i>Аккумулятор на стр. 397.</i>
	15	Неверная процедура запуска. Рукоятка моторного тормоза задействована до запуска двигателя.	Отпустите рукоятку моторного тормоза и подождите приблизительно 5 секунд. Еще раз нажмите на рукоятку моторного тормоза, чтобы запустить изделие.
Прочие ошибки.	При возникновении других ошибок поверните предохранительный ключ в положение "0", извлеките аккумулятор и обратитесь в сервисный центр Husqvarna.		

## Транспортировка, хранение и утилизация

### Вводная информация



**ПРЕДУПРЕЖДЕНИЕ:** Во избежание случайного запуска во время транспортировки и хранения переведите предохранительный ключ в положение "0", извлеките аккумулятор и подождите не менее 5 секунд.

### Установка изделия в положение для транспортировки

1. Ослабьте нижние регуляторы.
2. Переместите регуляторы в нижние положения в пазах с левой и правой стороны изделия. (Рис. 26)
3. Сложите рукоятку вперед. (Рис. 48)

### Транспортировка

- На литий-ионные аккумуляторы в комплекте изделия распространяются требования, предъявляемые к опасным товарам.

- Соблюдайте специальные требования к перевозке коммерческим транспортом, указанные на упаковке и ярлыках.
- При подготовке изделия к транспортировке тщательно выполняйте все требования, предъявляемые к опасным веществам. Могут также применяться требования местного законодательства.
- Перед транспортировкой всегда извлекайте аккумулятор.
- Заклейте разъемы аккумулятора лентой и закрепите аккумулятор таким образом, чтобы во время транспортировки он не мог сместиться.
- Надежно закрепите изделие на время транспортировки.

### Хранение

- Перед помещением агрегата на хранение дайте ему остыть.
- Перед транспортировкой всегда извлекайте аккумулятор.
- Во избежание несчастных случаев при помещении агрегата на хранение убедитесь, что к нему не подключен аккумулятор.

- Храните зарядное устройство в закрытом и сухом помещении.
- Храните аккумулятор и зарядное устройство в сухом отапливаемом помещении.
- Храните аккумулятор отдельно от зарядного устройства.
- Не допускается хранение аккумулятора в местах, где возможно возникновение статического электричества. Нельзя хранить аккумулятор в металлической коробке.
- Храните агрегат при температуре окружающей среды в диапазоне от -10 до 40 °С.
- Храните аккумулятор при температуре окружающей среды в диапазоне от 5 до 25 °С и не подвергайте воздействию прямых солнечных лучей.
- Храните зарядное устройство при температуре окружающей среды в диапазоне от 5 до 45 °С и не подвергайте воздействию прямых солнечных лучей.
- Перед помещением аккумулятора на длительное хранение убедитесь, что он заряжен до 30-50%.
- Храните агрегат, аккумулятор и зарядное устройство в запечатом помещении, вне доступа детей и лиц, не имеющих соответствующего разрешения.
- Очистите агрегат и опустошите травосборник.
- Выполняйте техобслуживание в соответствии с инструкциями, приведенными в данном руководстве по эксплуатации. См. раздел *Техническое обслуживание на стр. 395*.
- Перед помещением агрегата на длительное хранение проведите полное обслуживание.

## Утилизация

Обозначения на изделии или его упаковке указывают, что данное изделие не может быть утилизировано в качестве бытовых отходов. Оно должно быть передано в соответствующий пункт для переработки электрического и электронного оборудования.

Обеспечив надлежащую утилизацию данного изделия, вы сможете предотвратить потенциальное отрицательное влияние на окружающую среду и здоровье людей, которое иначе могло быть последствием неправильной утилизации. Более подробную информацию о переработке данного изделия получите в Городском управлении, у службы, занимающейся переработкой бытовых отходов либо в магазине, где вы приобрели изделие.

(Рис. 49)



## Технические данные

### Технические данные

	LC 251i	LC 251iS
<b>Двигатель режущего оборудования</b>		
Тип двигателя	BLDC (бесщеточный, постоянного тока), 36 В	BLDC (бесщеточный, постоянного тока), 36 В
Частота вращения двигателя — SavE, об/мин	2600 об/мин	2600 об/мин
Частота вращения двигателя — номинальная, об/мин	3000 об/мин	3000 об/мин
Частота вращения двигателя — высокая нагрузка, об/мин	3500 об/мин	3500 об/мин
Мощность двигателя — макс., кВт	1,4	1,4
Мощность двигателя — номинальная, кВт	0,9	0,9
<b>Приводной двигатель</b>		
Мощность двигателя — номинальная, кВт	Неприменимо	0,4
Скорость самостоятельного хода, км/ч	Неприменимо	4,0
Уровни регулировки скорости	Неприменимо	1
<b>Вес</b>		
Вес без травосборника (без аккумулятора), кг	25,5	27
Вес с травосборником (вкл. 2 x BLi30), кг	31,5	33
<b>Аккумулятор</b>		
Тип аккумулятора	Аккумулятор серии Husqvarna	Аккумулятор серии Husqvarna
<b>Время работы от аккумулятора</b>		
Время работы от аккумулятора, минуты, (на холостом ходу) с включенной функцией SavE, с одним аккумулятором Husqvarna 7,5 А·ч (BLi30).	58	51
Время работы от аккумулятора, минуты, (на холостом ходу) в стандартном режиме, с одним аккумулятором Husqvarna 7,5 А·ч (BLi30).	42	38
<b>Излучение шума <sup>86</sup></b>		
Уровень мощности звука, измеренный, дБ(А)	96	96
Уровень мощности звука, гарантированный, L <sub>WA</sub> , дБ(А)	98	98
<b>Уровни шума <sup>87</sup></b>		

<sup>86</sup> Излучение шума в окружающую среду измеряется как мощность звука (L<sub>WA</sub>) согласно директиве ЕС 2000/14/ЕС.

<sup>87</sup> Указанные данные об уровне шумового давления имеют погрешность (К) 1,5 дБ(А).

	LC 251i	LC 251iS
Уровень звукового давления на уши оператора, дБ(А)	85	85
<b>Уровни вибрации</b> <sup>88</sup>		
На рукоятке, м/с <sup>2</sup>	0,7	0,7
<b>Режущее оборудование</b>		
Высота кошения, мм	25–75	25–75
Ширина кошения, мм	510	510
Нож (стандартный)	Collection 5928704-01	Collection 5928704-01
Емкость травосборника, л	65	65

Рекомендованные аккумуляторы	Тип	Емкость аккумулятора, А·ч	Напряжение, В	Масса, фунт / кг
BLi30	Литий-ионный	7,5	36	4,2 / 1,9
40-B140	Литий-ионный	4,0	36	2,6 / 1,2

Рекомендованные зарядные устройства для указанных аккумуляторов, BLi	Входное напряжение, В	Частота, Гц	Мощность, Вт
40-C80	100–240	50–60	68,8
QC250	100–240	50–60	250

<sup>88</sup> Указанные данные об уровне вибрации имеют погрешность (К) 1,5 м/с<sup>2</sup>. Заявленное суммарное значение вибрации измерено в соответствии со стандартом EN 62841-4-3, приложение I, и может быть использовано для сравнения одного изделия с другим, а также для предварительной оценки воздействия.

# Декларация соответствия

## Декларация соответствия требованиям ЕС

Мы, компания **Husqvarna AB**, SE-561 82  
Husqvarna, Швеция, тел.: +46-36-146500, с полной  
ответственностью заявляем, что изделие:

<b>Описание</b>	Газонокосилка
<b>Марка</b>	Husqvarna
<b>Тип / Модель</b>	LC 251i, LC 251iS
<b>Идентификация</b>	Серийные номера начиная с 2023 года и далее

полностью соответствует следующим директивам и  
нормативам ЕС:

<b>Норматив</b>	<b>Описание</b>
2006/42/ЕС	"О механическом оборудовании"
2014/30/EU	"Об электромагнитной совместимости"
2000/14/ЕС	"Об излучении шума в окружающую среду"
2011/65/EU	"Об ограничении использования определенных опасных веществ в электрическом и электронном оборудовании"

а также требованиям следующих стандартов  
и/или технических регламентов: EN 62841-1:2015/  
A11:2022, EN IEC 62841-4-3:2021/A11:2021, EN  
IEC 55014-1:2021, EN IEC 55014-2:2021, EN IEC  
63000:2018

Уполномоченная организация: 0404, SMP Svensk  
Maskinprovning AB, Box 4053, SE-904 03 Umeå,  
Sweden подтвердила соответствие Директиве  
Совета ЕС 2000/14/ЕС, процедура оценки  
соответствия: Приложение VI.

Информацию по излучению шума см. в разделе  
*Технические данные на стр. 401.*

Husqvarna, 2023-12-11



Клаес Лосдал (Claes Losdal), директор отдела  
разработок/садовая техника, Husqvarna AB

Ответственный за техническую документацию



141400, Московская обл., Г. Химки, ул. Ленинградская,  
владение 39, строение 6, здание II этаж 4,  
помещение ОВ02\_04,  
телефон горячей линии 8-800-200-1689

---

## Obsah

---

Úvod.....	404	Riešenie problémov.....	415
Bezpečnosť.....	405	Preprava, skladovanie a likvidácia.....	417
Montáž.....	410	Technické údaje.....	418
Prevádzka.....	411	Vyhlásenie o zhode.....	420
Údržba.....	413		

---

## Úvod

---

### Popis výrobku

Tento výrobok je rotačná kosačka na trávu s chodiacou obsluhou. Tráva sa zhromažďuje do zberného koša. Pripevnite bočný vyhadzovací deflektor na bočné vyhadzovanie trávy.

### Prehľad výrobku

(Obr. 1)

1. Rukoväť motorovej brzdy
2. Poistka naštartovania
3. Páka pohonu (LC 251iS)
4. Zadný kryt
5. Zberný kôš
6. Gombík na rukoväti
7. Páka výšky rezu
8. Vyhadzovacia poistka
9. Kryt bočného vyhadzovania
10. Kryt akumulátora
11. Symboly
12. Bezpečnostný kľúč
13. Výstražný indikátor (chybová dióda LED)
14. Tlačidlo Save
15. Kryt rezacej časti
16. Držadlo/rukoväť
17. Zdvíhacie rukoväte
18. Bočné vyhadzovanie
19. Návod na obsluhu

### Symboly na výrobku

(Obr. 2) UPOZORNENIE

(Obr. 3) Prečítajte si pokyny.

(Obr. 4) UPOZORNENIE – Dávajte pozor na vymršťované predmety.

(Obr. 5) Vykážte ostatné osoby z pracovného priestoru.

(Obr. 6) UPOZORNENIE – Ruky a nohy držte v bezpečnej vzdialenosti od nožov.

### Plánované použitie

Produkt používajte na kosenie trávy. Výrobok nepoužívajte na iné účely.

(Obr. 7) UPOZORNENIE – Pred vykonávaním údržby odpojte batériu.

(Obr. 8) Výrobok alebo jeho obal nepredstavuje komunálny odpad. Recyklujte ho v recyklačnej stanici určenej pre elektrické a elektronické zariadenia.

(Obr. 9) Označenie týkajúce sa emisie hluku do okolia podľa smerníc a nariadení EÚ a UK a legislatívy v štáte New South Wales „Protection of the Environment Operations (Noise Control) Regulation 2017“ (Nariadenie o ochrane životného prostredia pri prevádzke (kontrola hluku) z roku 2017). Garantovaná hladina akustického výkonu produktu je uvedená v *Technické údaje na strane 418* a na štítku.

(Obr. 10) Tento nadstavec je v súlade s príslušnými smernicami EÚ.

(Obr. 11) Tento výrobok je v súlade s príslušnými právnymi predpismi Spojeného kráľovstva.

(Obr. 12) Tento výrobok je chránený proti kvapkajúcej vode.

(Obr. 13) Zastavte uvoľnením rukoväti motorovej brzdy.

(Obr. 14) Snímateľný kód.

---

**Poznámka:** Ostatné symboly/emblémy na výrobku odkazujú na zvláštne požiadavky certifikácie pre určité trhy.

---

## Štítko na výrobku

(Obr. 15)

NEBEZPEČENSTVO – Udržiavajte ruky a chodidlá v dostatočnej vzdialenosti.

## Poškodenie výrobku

Nie sme zodpovední za škody na našom výrobku v prípade:

- nesprávne vykonanej opravy výrobku,
- opravy výrobku, pri ktorej neboli použité diely od výrobcu alebo diely schválené výrobcom,
- používania príslušenstva od iného výrobcu alebo príslušenstva, ktoré nie je schválené výrobcom,
- opravy výrobku, ktoré neboli vykonané v schválenom servisnom stredisku alebo schválenými kompetentnými osobami.

---

## Bezpečnosť

---

### Bezpečnostné definície

Výstrahy, upozornenia a poznámky slúžia na zdôraznenie mimoriadne dôležitých častí návodu.



**VÝSTRAHA:** Používa sa, ak pre obsluhu alebo osoby v okolí existuje nebezpečenstvo poranenia alebo smrti v prípade nedodržania pokynov v návode.



**VAROVANIE:** Používa sa, ak hrozí nebezpečenstvo poškodenia produktu, iných materiálov alebo okolitej oblasti v prípade nedodržania pokynov v návode.

**Poznámka:** Používa sa na poskytnutie informácií nad rámec nevyhnutných informácií v danej situácii.

### Všeobecné bezpečnostné upozornenia pre výrobok



**VÝSTRAHA:** Prečítajte si všetky bezpečnostné upozornenia a pokyny a pozrite si ilustrácie a uvedené technické údaje tohto výrobku. Nedodržanie všetkých nižšie uvedených pokynov môže spôsobiť zásah elektrickým prúdom, požiar alebo ťažké zranenia.

**Uchovajte si všetky upozornenia a pokyny pre budúce použitie.** Výraz „výrobok“ v upozorneniach označuje výrobok napájané z elektrickej siete (s káblom) alebo batérie (bez kábla).

### Bezpečnosť na pracovisku

- **Udržiavajte pracovisko v čistote a dobre osvetlené.** Neporiadok alebo nedostatočné osvetlenie spôsobujú nehody.
- **Nepoužívajte výrobok vo výbušnom ovzduší, napríklad v prítomnosti horľavých kvapalín, plynov alebo prachu.** Výrobok vytvára iskry, ktoré môžu zapáliť prach alebo výpary.

- **Pri používaní výrobku zabráňte deťom a okolostojacím, aby sa zdržiavali vo vašej blízkosti.** Rušivé podnety môžu spôsobiť stratu kontroly.

### Elektrická bezpečnosť

- **Zástrčky výrobku musia zodpovedať zásuvke elektrickej siete. Nikdy a žiadnym spôsobom nemodifikujte elektrickú zástrčku. S uzemnenými výrobkami nepoužívajte žiadne adaptérové zástrčky.** Ak sa zástrčky neupravujú a používajú sa zodpovedajúce zásuvky, zníži sa riziko úrazu elektrickým prúdom.
- **Zabráňte kontaktu tela s uzemnenými povrchmi, ako sú rúry, radiátory, sporáky a chladničky.** Riziko úrazu elektrickým prúdom je vyššie, ak je vaše telo uzemnené.
- **Výrobky nevystavujte pôsobeniu dažďa ani vlhkosti.** Ak sa do výrobku dostane voda, zvyšuje sa nebezpečenstvo úrazu elektrickým prúdom.
- **Nepoužívajte kábel nesprávnym spôsobom. Kábel nikdy nepoužívajte na prenášanie, ťahanie ani odpájanie výrobku. Chráňte šnúru pred horúčavou, olejom, ostrými hranami alebo pohybujúcimi sa dielcami.** Poškodené alebo zamatované káble zvyšujú riziko úrazu elektrickým prúdom.
- **Pri používaní výrobku v exteriéri používajte predlžovací kábel vhodný na vonkajšie použitie.** Použitie kábla určeného do vonkajšieho prostredia znižuje riziko zásahu elektrickým prúdom.
- **Ak je nevyhnutné použiť výrobok vo vlhkom prostredí, na napájanie použite vedenie vybavené prúdovým chráničom (RCD).** Použitie napájania z vedenia vybaveného prúdovým chráničom (RCD) výrazne znižuje riziko zasiahnutia elektrickým prúdom.

### Osobná bezpečnosť

- **Pracujte opatrne, dávajte pozor a pri používaní výrobku postupujte rozumne. Výrobok nepoužívajte, keď ste unavení alebo pod vplyvom drog, alkoholu alebo liekov.** Chvilka nepozornosti pri používaní výrobkov môže zapríčiniť vážny úraz.
- **Používajte osobné ochranné pomôcky. Vždy noste ochranné prostriedky očí.** Ochranné vybavenie, ako sú napríklad masky proti prachu, bezpečnostné topánky s protišmykovou podrážkou, prilby alebo

chrániče sluchu použité vo vhodných prípadoch znižujú počet osobných poranení.

- **Zabráňte neúmyselnému spusteniu zariadenia. Pred pripojením k elektrickej sieti alebo batérii overte zdvihnutím alebo prenesením výrobku, či je vypínač vo vypnutej polohe.** Prenášanie výrobkov s prstom na vypínači alebo napájanie výrobkov, ktoré majú vypínač zapnutý, zvyšuje riziko nehôd.
- **Pred zapnutím výrobku vyberte nastavovací kľúč alebo kľúč na matice.** Kľúč nasadený na rotačnú časť výrobku môže spôsobiť poranenie osôb.
- **Nenaťahujte sa príliš ďaleko. Vždy si udržiavajte rovnováhu a správny postoj.** To umožňuje lepšie ovládanie výrobku v neočakávaných situáciách.
- **Vhodne sa oblečte. Nenoste voľné oblečenie alebo šperky. Udržujte svoje vlasy a oblečenie mimo dosahu pohyblivých častí.** Voľné oblečenie, šperky alebo dlhé vlasy sa môžu zachytiť v pohyblivých častiach.
- **Ak je možné pripojiť zariadenia na odsávanie a zber prachu, overte, či sú tieto zariadenia pripojené a či sa správne používajú.** Používanie zberača prachu môže obmedziť nebezpečenstvá týkajúce sa prachu.
- **Nedovoľte, aby vás skúsenosti získané častým používaním produktov uspokojili, a ignorovali by ste bezpečnostné pravidlá pri používaní produktov.** Neopatrné konanie môže v zlomku sekundy spôsobiť vážne poranenie.

## Používanie výrobku a starostlivosť o neho

- **Netlačte na výrobok silou. Používajte správny výrobok na dané použitie.** Správny výrobok vykoná prácu lepšie a bezpečnejšie pri rýchlosti, na akú je určený.
- **Nepoužívajte výrobok, ak sa nedá zapnúť a vypnúť vypínačom.** Akýkoľvek výrobok, ktorý sa nedá ovládať vypínačom, je nebezpečný a musí sa opraviť.
- **Pred akoukoľvek úpravou, výmenou príslušenstva alebo skladovaním výrobkov odpojte zástrčku zo zdroja napájania a/alebo vyberte akumulátory (ak je to možné).** Takéto preventívne bezpečnostné opatrenia znižujú riziko náhodného spustenia výrobku.
- **Nepoužívané výrobky udržiavajte mimo dosahu detí a nedovoľte osobám, ktoré nepoznajú tento výrobok alebo tieto pokyny, aby výrobok používali.** Výrobky sú nebezpečné v rukách neskúsených používateľov.
- **Vykonávajte údržbu výrobkov a príslušenstva. Skontrolujte vychýlenie alebo ohnutie pohyblivých častí, nalomenie častí a akékoľvek iné poškodenie, ktoré môže ovplyvniť prevádzku výrobku. Ak je výrobok poškodený, dajte ho pred použitím opraviť.** Mnoho nehôd je spôsobených nedostatočne udržiavanými výrobkami.
- **Rezacie nástroje udržiavajte nabrúsené a v čistote.** Správne udržiavané rezacie nástroje s ostrými hranami sú menej náchylné na ohnutie a ľahšie sa ovládajú.

- **Používajte výrobok, príslušenstvo, hroty nástroja atď. v súlade s týmito pokynmi, pričom vezmite do úvahy pracovné podmienky a typ vykonávanej práce.** Používanie výrobku na iné ako určené účely môže vyvolať nebezpečnú situáciu.
- **Rukoväti a úchytne povrchy udržiavajte suché, čisté a neznečistené olejom a mazivom.** Šmyklivé rukoväti a úchytne povrchy neumožňujú bezpečnú manipuláciu a ovládanie výrobku v neočakávaných situáciách.

## Používanie nástroja napájaného akumulátorom a starostlivosť oň

- **Nabíjajte iba pomocou nabíjačky špecifikovanej výrobcom.** Nabíjačka, ktorá je vhodná pre jeden typ akumulátora, môže byť použitá s iným akumulátorom predstavovať nebezpečenstvo požiaru.
- **Výrobok používajte iba s presne určenými akumulátormi.** Pri použití akéhokoľvek iného akumulátora môže hroziť nebezpečenstvo poranenia a požiaru.
- **Keď sa akumulátor nepoužíva, udržiajte ho mimo dosahu kovových predmetov, ako sú spony na papier, mince, kľúče, klince, skrutky alebo iné drobné kovové predmety, ktoré môžu vytvoriť spoj medzi svorkami.** Skratovanie svoriek akumulátora môže spôsobiť spálenie alebo požiar.
- **Pri neopatrnom zaobchádzaní môže z akumulátora uniknúť tekutina. Nedotýkajte sa jej. V prípade náhodného kontaktu umyte postihnuté miesto vodou. Ak sa dostane kvapalina z akumulátora do očí, vyhľadajte aj lekársku pomoc.** Kvapalina vystrekujúca z akumulátora môže spôsobiť podráždenie alebo popáleniny.
- **Nepoužívajte poškodený alebo upravený akumulátor alebo nástroj.** Poškodené alebo upravené akumulátory môžu mať za následok nepredvídateľné fungovanie a spôsobiť požiar, výbuch alebo predstavovať nebezpečenstvo poranenia.
- **Akumulátor alebo nástroj nevystavujte ohňu alebo nadmerne vysokým teplotám.** Pri vystavení ohňu alebo teplote nad 130 °C (265°F) môže dôjsť k výbuchu.
- **Dodržiavajte všetky pokyny na nabíjanie a pri nabíjaní nevystavujte akumulátor alebo nástroj teplotám, ktoré sú mimo teplotného rozsahu uvedeného v pokynoch.** Pri nesprávnom nabíjaní alebo pri vonkajších teplotách mimo uvedeného rozsahu hrozí poškodenie akumulátora a zvyšuje sa nebezpečenstvo požiaru.

## Služba

- **Výrobok zverte do opravy iba kvalifikovanému odborníkovi a používajte iba originálne náhradné diely.** Tým sa zaisťuje zachovanie bezpečnosti výrobku.
- **Poškodené akumulátory nikdy neservisujte sami.** Servis akumulátorov smie vykonávať len výrobca alebo autorizovaný servis.

## Bezpečnostné upozornenia pre kosačku

- **Kosačku nepoužívajte počas nepriaznivých poveternostných podmienok, najmä ak hrozí riziko bleskov.** Zníži sa tým riziko zasiahnutia bleskom.
- **Skontrolujte, či sa v priestore, kde sa má kosačka používať, nenachádzajú voľne žijúce živočíchy.** Počas prevádzky kosačky môže dôjsť k zraneniu voľne žijúcich živočíchov.
- **Pozorne skontrolujte priestor, v ktorom sa bude kosačka používať, a odstráňte všetky kamene, konáre, káble, kosti a iné cudzie predmety.** Vymrštené predmety môžu spôsobiť poranenie osôb.
- **Pred použitím kosačky vždy vizuálne skontrolujte, či nie sú nôž a zostava noža opotrebované alebo poškodené.** Opotrebované alebo poškodené diely zvyšujú riziko poranenia.
- **Pravidelne kontrolujte prípadné opotrebovanie alebo poškodenie zberného koša.** Opotrebovaný alebo poškodený zberný koš môže zvýšiť riziko poranenia osôb.
- **Neodstraňujte ochranné kryty. Ochranné kryty musia byť v dobrom prevádzkovom stave a správne osadené.** Uvoľnený, poškodený alebo nesprávne fungujúci ochranný kryt môže viesť k zraneniu osôb.
- **Všetky vstupné otvory chladiaceho vzduchu udržiavajte čisté od zvyškov.** Upchaté vstupné otvory vzduchu a zvyšky môžu viesť k prehriatiu alebo riziku požiaru.
- **Počas používania kosačky vždy noste protišmykovú a ochrannú obuv. Kosačku nepoužívajte, ak ste bosí alebo máte obuté otvorené sandále.** Zníži sa tým riziko poranenia chodidiel kontaktom s pohybujúcim sa nožom.
- **Pri práci s kosačkou vždy noste dlhé nohavice.** Odhalená pokožka zvyšuje pravdepodobnosť poranenia vymrštenými predmetmi.
- **Kosačku nepoužívajte na mokrej tráve. Pri práci so zariadením kráčajte, nebežte.** Znižuje sa tým riziko pošmyknutia, spadnutia a následného zranenia.
- **Kosačku nepoužívajte na príliš strmých svahoch.** Znižuje sa tým riziko straty kontroly, pošmyknutia, spadnutia a následného zranenia.
- **Pri práci na svahoch vždy dbajte na to, aby ste mali pevné postavenie, vždy pracujte naprieč svahom, nikdy smerom nahor alebo nadol a buďte mimoriadne opatrní pri zmene smeru.** Znižuje sa tým riziko straty kontroly, pošmyknutia, spadnutia a následného zranenia.
- **Pri cúvaní alebo ťahaní kosačky smerom k sebe buďte mimoriadne opatrní. Vždy sledujte svoje okolie.** Znižuje sa tým riziko zakopnutia počas práce.
- **Nedotýkajte sa nožov ani iných nebezpečných pohyblivých častí, kým sú v pohybe.** Znižuje sa tým riziko poranenia pohyblivými časťami.
- **Pri odstraňovaní zaseknutého materiálu alebo čistení kosačky sa uistite, že sú vypnuté všetky vypínače a akumulátor je odpojený.** Neočakávané

zapnutie kosačky môže viesť k vážnemu zraneniu osôb.

- **Pri odstraňovaní zaseknutého materiálu alebo čistení kosačky sa uistite, že sú vypnuté všetky vypínače a odpojte deaktivčné zariadenie.** Neočakávané zapnutie kosačky môže viesť k vážnemu zraneniu osôb.

## Prúdový chránič

- Použite prúdový chránič s vypinacím prúdom maximálne 30 mA.

## Všeobecné bezpečnostné pokyny



**VÝSTRAHA:** Skôr než budete výrobok používať, prečítajte si nasledujúce výstrahy.

- Tento výrobok je nebezpečný, ak sa nepoužíva správne alebo ak nie ste pri jeho používaní opatrní. V prípade nedodržania bezpečnostných pokynov hrozí poranenie alebo usmrtienie.
- Tento výrobok vytvára počas prevádzky elektromagnetické pole. Toto pole môže za určitých okolností spôsobovať rušenie aktívnych alebo pasívnych implantovaných zdravotníckych pomôcok. Na zníženie rizika vážneho alebo smrteľného zranenia odporúčame, aby sa osoby s implantovanými pomôckami poradili so svojim lekárom a výrobcom pomôcky ešte pred použitím tohto výrobku.
- Vždy zachovávajte opatrnosť a riaďte sa zdravým úsudkom. Ak si v určitých situáciách nie ste istí, ako máte výrobok používať, výrobok nepoužívajte a pred pokračovaním v práci sa poraďte s predajcom spoločnosti Husqvarna.
- Nezabudnite, že operátor bude zodpovedný za nehody zahŕňajúce iné osoby alebo ich majetok.
- Výrobok udržiavajte čistý. Symboly a emblémy musia byť čitateľné.
- Nikdy nedovoľte používať zariadenie deťom ani osobám, ktoré sa neoboznámili s návodom na používanie. Miestne predpisy môžu obmedzovať vek používateľa.
- Osoby so zníženými fyzickými alebo duševnými schopnosťami musia byť počas používania výrobku vždy pod dozorom. Vyžaduje sa neustála prítomnosť zodpovednej dospeljej osoby.
- Výrobok nepoužívajte, ak ste unavení, chorí alebo ste pod vplyvom alkoholu, drog alebo liekov. Vyššie uvedené prípady majú negatívny vplyv na váš zrak, ostražitosť, koordináciu a úsudok.
- Ak je výrobok poškodený alebo nefunguje správne, nepoužívajte ho.
- Výrobok žiadnym spôsobom neupravujte ani nepoužívajte, ak existuje možnosť, že bol upravený inými osobami.

## Bezpečnosť pri práci



**VÝSTRAHA:** Skôr než budete výrobok používať, prečítajte si nasledujúce výstrahy.

- Tento výrobok používajte len na kosenie trávy. Výrobok sa nesmie používať na iné úlohy.
- Používajte osobné ochranné pomôcky. Pozrite si časť *Osobné ochranné prostriedky na strane 408*.
- Naučte sa, ako v prípade núdze rýchlo zastaviť motor.
- Výrobok nepoužívajte na daždi alebo vlhkých miestach. V prípade preniknutia vody do výrobku sa zvyšuje riziko zásahu elektrickým prúdom.
- Výrobok nepoužívajte, pokiaľ nie sú nôž a všetky kryty správne upevnené. Nesprávne pripojený nôž sa môže uvoľniť a spôsobiť poranenia osôb.
- Uistite sa, že nôž nenarazí na predmety, ako sú napr. kamene alebo korene. Môže dôjsť k poškodeniu noža a ohnutiú hriadeľa motora. Ohnutá náprava spôsobuje silné vibrácie a vzniká veľké nebezpečenstvo uvoľnenia noža.
- Ak nôž narazí na predmet alebo ak cítite vibrácie, výrobok okamžite vypnite. Zastavte motor, otočte bezpečnostný kľúč do polohy 0 a odstráňte batériu. Počkajte, kým sa zastavia pohyblivé časti. Skontrolujte, či nie je výrobok poškodený. Dotiahnite uvoľnené časti. Opravte akékoľvek poškodenie a vymeňte poškodené diely. Opravu zverte schválenému servisnému zástupcovi.
- Keď je naštartovaný motor, rukoväť motorovej brzdy nesmie byť nikdy trvalo pripevnená k rukoväti.
- Položte výrobok na stabilný, rovný povrch a naštartujte ho. Uistite sa, že sa nôž nedostane do kontaktu so zemou alebo inými predmetmi.
- Pri obsluhu vždy stojte za výrobkom.
- Pri obsluhu výrobku dávajte pozor, aby všetky kolesá dosadali na zem a rukoväť držte oboma rukami. Udržujte ruky a chodidlá mimo dosahu rotujúcich nožov.
- Pri štartovaní motora alebo počas prevádzky výrobok nenakláňajte.
- Pri ťahaní výrobku smerom dozadu buďte opatrní.
- Výrobok nikdy nedvíhajte, keď je spustený motor. Ak výrobok musíte zdvihnúť, najskôr zastavte motor, otočte bezpečnostný kľúč do polohy 0 a odstráňte batériu.
- Počas obsluhy výrobku necúvajte.
- Zastavte motor, keď je potrebné výrobok nakloniť z dôvodu prepravy alebo pred presunom cez plochy bez porastu trávy, napríklad cesty zo štrky, kameňa a asfaltu.
- Keď je zapnutý motor, s výrobkom neutekajte. Počas obsluhy výrobku vždy kráčajte.
- Pred zmenou výšky rezu zastavte motor. Nikdy nevykonávajte nastavenia so zapnutým motorom.

- Nikdy nenechávajte výrobok bez dozoru, keď je zapnutý motor. Zastavte motor a uistite sa, že sa rezná zariadenie neotáča.
- Vibrácie výrobku počas prevádzky sa môžu líšiť od deklarovanej hodnoty vibrácií v časti *Technické údaje na strane 418*. Rozdiel je spôsobený variáciami v spôsobe používania výrobku. Ak výrobok používate často alebo dlhodobo, robte pravidelné prestávky, aby ste predišli poraneniam spôsobeným vibráciami.

## Bezpečnostné pokyny pre prevádzku

### Osobné ochranné prostriedky



**VÝSTRAHA:** Skôr než budete výrobok používať, prečítajte si nasledujúce výstrahy.

- Osobné ochranné prostriedky nedokážu úplne vylúčiť riziko, ale môžu znížiť vážnosť zranenia v prípade nehody. Váš predajca vám pomôže pri výbere správnych prostriedkov.
- Noste odolné protišmykové topánky. Výrobok neobsluhujte v otvorených topánkach ani s bosými nohami.
- Noste dlhé odolné nohavice.
- Keď je to potrebné, používajte ochranné rukavice, ako napríklad pri montáži, kontrole alebo čistení rezného zariadenia.
- Odporúčame používať chrániče sluchu.

### Bezpečnostné zariadenia na výrobku



**VÝSTRAHA:** Skôr než budete výrobok používať, prečítajte si nasledujúce výstrahy.

- Výrobok nepoužívajte s bezpečnostnými zariadeniami, ktoré sú poškodené alebo nefungujú správne.
- Neodstraňujte ani neupravujte bezpečnostné zariadenia.
- Pravidelne kontrolujte bezpečnostné zariadenia. Ak sú bezpečnostné zariadenia poškodené alebo nefungujú správne, obráťte sa na servisného zástupcu Husqvarna.

### Kontrola krytu rezacej časti

Kryt rezacej časti tlmi vibrácie vo výrobku a znižuje riziko poranenia kotúčom.

- Skontrolujte kryt rezacej časti, aby ste sa uistili, že na ňom nie sú žiadne známky poškodenia, ako sú napr. praskliny.

### Kontrola bezpečnostného kľúča

Bezpečnostný kľúč sa nachádza pod krytým batérie. Bezpečnostný kľúč slúži na pripojenie batérie, ktorá napája motor.



- Pred vykonaním kontroly bezpečnostného kľúča naštartujte a vypnite motor.
- Ak bezpečnostný kľúč funguje správne, motor sa môže spustiť iba vtedy, keď je bezpečnostný kľúč v polohe 1. (Obr. 16)

## Kontrola zadného krytu

Zadný kryt znižuje riziko vstupu predmetov do smeru prevádzky.

- Skontrolujte, či zadný kryt nie je poškodený.
- Skontrolujte, či pružiny, ktoré uzatvárajú zadný kryt, nie sú poškodené.
- Poškodené súčiastky a pružiny vymeňte.
- Skontrolujte, či sa zadný kryt hladko pohybuje na pántoch.

## Kontrola rukoväti motorovej brzdy

Rukoväť motorovej brzdy slúži na zastavenie motora. Keď rukoväť motorovej brzdy uvoľníte, motor sa zastaví.

- Zapnite výrobok. Pozrite si časť *Zapnutie výrobku na strane 412*.
- Uvoľníte rukoväť motorovej brzdy. (Obr. 17)
- Skontrolujte, či sa výrobok zastavil. Ak sa motor v priebehu 3 sekúnd nezastaví, požiadajte servisného zástupcu spoločnosti Husqvarna o nastavenie motorovej brzdy.

## Kontrola poistky naštartovania

Skontrolujte poistku naštartovania, aby ste sa uistili, že zabraňuje prevádzke motora.

1. Potlačte páku pohonu smerom k hornej rukoväti. Poistka naštartovania zastaví pohyb.
2. Zatlačte poistku naštartovania smerom von. (Obr. 18)
3. Uvoľníte poistku naštartovania a uistite sa, že sa vráti do svojej pôvodnej polohy.

## Bezpečnosť batérie



**VÝSTRAHA:** Skôr než budete výrobok používať, prečítajte si nasledujúce výstrahy.

- Ako napájací zdroj používajte nabíjateľné batérie Husqvarna len pre výrobky typu Husqvarna. V prípade iných zariadení nepoužívajte batériu ako zdroj napájania, aby ste zabránili riziku zranenia.
- Nepoužívajte nenabíjateľné akumulátory.
- Nebezpečenstvo zásahu elektrickým prúdom. Nepripájajte konektory batérie ku kľúčom, minciam, skrutkám ani k iným kovovým predmetom. Môže dôjsť k skratu batérie.
- Do vetracích otvorov batérie nekladajte žiadne predmety.
- Batériu nevystavuje priamemu slnečnému žiareniu, teplu ani otvorenému ohňu. Batéria môže vybuchnúť a spôsobiť popálenie alebo poeleptanie.

- Batériu nevystavuje dažďu ani vlhku.
- Batériu nevystavuje mikrovlnnému žiareniu ani vysokému tlaku.
- Nepokúšajte sa rozoberať ani rozdrviť batériu.
- V prípade úniku kvapaliny z batérie zabráňte zasiahnutiu pokožky a očí kvapalinou. V prípade kontaktu s kvapalinou umyte zasiahnutú oblasť veľkým množstvom vody a vyhľadajte lekársku pomoc.
- Batériu vo výrobku používajte iba vtedy, keď je teplota okolitého prostredia v rozsahu 5 °C – 40 °C.
- Nabíjačku batérií používajte iba vtedy, keď je teplota okolitého prostredia v rozsahu 5 °C – 40 °C.
- Batéria sa nenabije, ak je jej teplota vyššia než 50 °C.
- Batériu ani nabíjačku batérií nečistite vodou. V časti *Čistenie batérie a nabíjačky batérií na strane 414*.
- Nepoužívajte poškodenú batériu.
- Batérie uchovávajte v bezpečnej vzdialenosti od kovových predmetov, ako sú napr. klince, mince, šperky.

## Bezpečnosť nabíjačky batérií



**VÝSTRAHA:** Skôr než budete výrobok používať, prečítajte si nasledujúce výstrahy.

- Na nabíjanie náhradných batérií Husqvarna používajte len nabíjačky batérií QC.
- Riziko zasiahnutia elektrickým prúdom alebo skratu. Do vetracích otvorov nabíjačky nekladajte žiadne predmety. Nabíjačku batérií sa nepokúšajte rozoberať. Koneckovy nabíjačky nikdy nepripájajte ku kovovým predmetom. Používajte schválenú elektrickú zásuvku.
- Tento výrobok vytvára počas prevádzky elektromagnetické pole. Toto pole môže za určitých okolností spôsobovať rušenie aktívnych alebo pasívnych implantovaných zdravotníckych pomôcok. Zníženie rizika podmienok, ktoré môžu viesť k vážnemu alebo aj smrteľnému poraneniu, si vyžaduje, aby sa osoby s implantovanými pomôckami poradili so svojim lekárom a výrobcom pomôcky ešte pred použitím tohto výrobku.
- Pravidelne kontrolujte, či napájací kábel nabíjačky batérií nie je poškodený a či na ňom nie sú praskliny.
- Nabíjačku batérií nedvíhajte za napájací kábel. Pri odpájaní nabíjačky batérií od sieťovej zásuvky ťahajte za zástrčku. Neťahajte za napájací kábel.
- Udržiavajte všetky napájacie káble a predlžovacie káble v bezpečnej vzdialenosti od vody, oleja a ostrých hrán. Ubezpečte sa, že kábel nie je privityý vo dverách, plotoch a podobne. Môže to spôsobiť, že nabíjačka bude pod napätím.
- Nabíjačku batérií nečistite vodou.
- Nabíjačku batérií smú používať deti od 8 rokov a osoby s obmedzenými fyzickými,

zmyslovými alebo mentálnymi schopnosťami alebo s nedostatkom skúseností a vedomostí, pokiaľ sú pod dohľadom alebo boli poučené o bezpečnom používaní nabíjačky batérií a chápu súvisiace riziká. Deti sa nesmú s nabíjačkou batérií hrať. Deti nesmú vykonávať čistenie ani údržbu zariadenia, ak nie sú pod dozorom.

- Nenabíjateľné batérie v nabíjačke nenabíjajte.
- Nabíjačku batérií nepoužívajte v blízkosti horľavých materiálov alebo materiálov, ktoré spôsobujú koróziu. Nabíjačku batérií nezakrývajte. V prípade výskytu dymu alebo ohňa odpojte zástrčku nabíjačky batérií.
- Nepoužívajte poškodenú nabíjačku.
- Batériu nabíjajte len v interiéri izieb s dobrým prúdením vzduchu a mimo slnečného svetla. Batériu nenabíjajte vo vlhkom prostredí.

## Bezpečnostné pokyny pre údržbu



**VÝSTRAHA:** Skôr než budete výrobok používať, prečítajte si nasledujúce výstrahy.

- Otočte bezpečnostný kľúč do polohy 0 a vyberte akumulátor, aby ste zabránili náhodnému spusteniu počas údržby. Pred začiatkom údržby počkajte minimálne 5 sekúnd.
- Vykonávajte len údržbu uvedenú v tomto návode na obsluhu. Náročnejšie práce a profesionálne opravy

musí vykonávať schválený servisný zástupca. Ďalšie informácie získate od najbližšieho servisného zástupcu.

- Správnym vykonaním údržby zvýšite životnosť výrobku a znížite nebezpečenstvo nehôd.
- Vymeňte všetky poškodené, opotrebované alebo zlomené diely. Vždy používajte originálne náhradné diely od výrobcu. Iné náhradné diely môžu spôsobiť poškodenie výrobku a zvýšiť riziko nehôd.
- Aby ste predišli zraneniam, neodstraňujte ani neupravujte bezpečnostné zariadenia.
- Pri používaní rezného zariadenia používajte odolné rukavice. Nôž je veľmi ostrý a ľahko môže dôjsť k porezaniu.
- Rezné hrany udržiavajte ostré a čisté, aby ste dosiahli ten najlepší a najbezpečnejší výkon.
- Nechajte výrobok pravidelne prehliadnúť servisným zástupcom a vykonať na ňom potrebné nastavenia a opravy.
- Pri výmene príslušenstva sa riadte pokynmi. Používajte iba príslušenstvo od daného výrobcu.
- Keď sa výrobok, batéria a nabíjačka batérií nepoužívajú, skladujte ich oddelene na suchom mieste uzamknuté v interiéri. Zistíte, aby sa k výrobku, batérii ani k nabíjačke batérií nedostali deti ani neoprávnené osoby.

## Montáž

### Úvod



**VÝSTRAHA:** Pred zostavením výrobku si prečítajte kapitolu o bezpečnosti.



**VÝSTRAHA:** Neúmyselnému spusteniu počas montáže predídete otočením bezpečnostného kľúča do polohy 0, vybratím batérie a dodržaním aspoň 5-sekundovej prestávky.

### Montáž rukoväti

**Poznámka:** Odporúča sa, aby tento postup vykonávali 2 osoby.

**Poznámka:** Pri montáži rukoväte nevyberajte produkt z krabice. Krabicu môžete počas montáže použiť ako podporu rukoväte.

1. Zdvihnite a otočte rukoväť. (Obr. 19)



**VAROVANIE:** Dávajte pozor a pri otáčaní rukoväte sa uistite, že sa kábel nepoškodil.

2. Rukoväť položte na vrch výrobku. Nakloňte rukoväť ku krabici, aby ste jej poskytli oporu. Pozrite si náčres. (Obr. 20)
3. Nasuňte skrutku (A) cez rukoväť (B), plastovú podložku (C) a podporu rukoväti (D). (Obr. 21)
4. Maticu (E) utiahnite na doraz.
5. Vyberte výrobok z krabice.
6. Vyklapte rukoväť do vzpriamenej polohy. (Obr. 22)
7. Nastavte rukoväť do najnižšej polohy. V časti *Nastavenie rukoväti na strane 411*.
8. Pomocou káblovej svorky pripievte káble k nižšej časti rukoväte. (Obr. 23)
9. Pomocou káblovej pásky pripojte spodnú časť kábla k podpornému držiaku rukoväte. Odrežte zostávajúcu časť káblovej spony. (Obr. 24)

**Poznámka:** Skontrolujte, či je kábel správne nainštalovaný. Kábel, ktorý je príliš uvoľnený, môže pri inštalácii zberného koša poškodiť kábel. (Obr. 25)

## Nastavenie rukoväti

1. Uvoľníte spodné gombíky.
2. Posuňte gombíky smerom k spodnej časti drážok na ľavej a pravej strane výrobku. (Obr. 26)

3. Nastavte výšku rukoväti do jednej z 2 dostupných polôh.
4. Posuňte gombíky nahor smerom k rukoväti, kým sa nezastavia a nebudete počuť kliknutie. (Obr. 27)
5. Gombíky utiahnite na doraz.

## Prevádzka

### Úvod



**VÝSTRAHA:** Pred používaním výrobku si musíte prečítať kapitolu o bezpečnosti a porozumieť informáciám, ktoré sa v nej uvádzajú.

### Husqvarna Connect

Husqvarna Connect je bezplatná aplikácia pre mobilné zariadenia. Aplikácia Husqvarna Connect prináša rozšírené funkcie pre výrobok Husqvarna:

- Rozšírené informácie o výrobku.
- Informácie a podpora vzťahujúce sa na súčasti výrobku a servis.

### Ak chcete začať, použite Husqvarna Connect

1. Stiahnite si aplikáciu Husqvarna Connect do mobilného zariadenia.
2. Zaregistrujte sa v aplikácii Husqvarna Connect.
3. Ak chcete pripojiť a zaregistrovať produkt, postupujte podľa pokynov v aplikácii Husqvarna Connect.

### Nastavenie výrobku do prevádzkovej polohy

1. Skontrolujte, či spodné gombíky nie sú uvoľnené. V časti *Nastavenie rukoväti na strane 411*.
2. Vyklopte rukoväť do vzpriamenej polohy. (Obr. 22)
3. Posuňte gombíky nahor smerom k rukoväti, kým sa nezastavia a nebudete počuť kliknutie. (Obr. 27)
4. Gombíky utiahnite na doraz.



**VÝSTRAHA:** Výrobok nepoužívajte, pokiaľ nie je rukoväť úplne vyklopená a nastavená do jednej z príslušných výškových polôh. V časti *Nastavenie rukoväti na strane 411*.

### Nastavenie výšky rezu

1. Ak chcete zvýšiť výšku rezu, posuňte páku výšky rezu smerom dozadu.
2. Ak chcete znížiť výšku rezu, posuňte páku výšky rezu smerom dopredu. (Obr. 28)



**VAROVANIE:** Nenastavujte výšku rezu príliš nízko. Ak nie je povrch trávnik rovinný, nože môžu narážať o zem.

### Batéria



**VÝSTRAHA:** Pred používaním batérie si musíte prečítať kapitolu o bezpečnosti a porozumieť informáciám, ktoré sa v nej uvádzajú. Okrem toho si musíte prečítať návod na obsluhu batérie a nabíjačky batérií a porozumieť jeho obsahu.

Batériu a nabíjačku udržiavajte pri správnej teplote okolia.

	Teplota okolitého prostredia
Prevádzka batérie	5 °C – 40 °C
Nabíjanie batérie	5 °C – 40 °C

### Stav batérie

Na displeji sa zobrazuje zostávajúca kapacita batérie a prípadné problémy s batériou. Stlačením tlačidla indikátora batérie získate informáciu o stave nabitia batérie. Výstražný symbol na batérii sa rozsvieti, keď sa vyskytne chyba. V časti *Batéria na strane 415*.

(Obr. 29)

Svetlá LED	Stav batérie
Všetky LED svetlá svietia	Plne nabitá (76 – 100 %)
Svieti LED 1, LED 2, LED 3	Batéria je nabitá na 51 % – 75 %
Svieti LED 1, LED 2	Batéria je nabitá na 26 % – 50 %
Svieti LED 1	Batéria je nabitá na 6 % – 25 %.
Bliká dióda LED 1	Batéria je nabitá na 0 % – 5 %.

### Nabíjanie batérie

Batériu nabíjajte pred prvým použitím. Pri dodaní zákazníkovi je batéria nabitá len na 30 % kapacity.

**Poznámka:** Nabíjačka batérie musí byť pripojená k sieti s napätím a frekvenciou, ktoré sa uvádzajú na výkonnovom štítku.

Batéria sa nenabíja, ak teplota batérie prekročí 50 °C. Pred začiatkom nabíjania nabíjačka batérií zníži teplotu batérie.

1. Jeden koniec napájacieho kábla nabíjačky batérií pripojte k zásuvke na nabíjačke batérií.
2. Druhý koniec napájacieho kábla nabíjačky batérií pripojte k uzemnenej sieťovej zásuvke. Indikátor LED na nabíjačke batérií raz blikne nazeleno. (Obr. 30)
3. Vložte batériu do nabíjačky batérií. Po správnom pripojení batérie k nabíjačke batérií sa na nabíjačke rozsvieti zelený indikátor. (Obr. 31)
4. Keď svietia všetky indikátory LED na batérii, batéria je plne nabitá. Batériu nabíjajte maximálne 24 hodín.
5. Pri odpájaní nabíjačky batérií od sieťovej zásuvky ťahajte za zástrčku, nie za šnúru.
6. Vyberte batériu z nabíjačky batérií.

## Zapnutie výrobku

1. Otvorte kryt batérie.
2. Vložte nabitú batériu do jedného z držiakov batérie. Na zaistenie dlhšieho času prevádzky vložte druhú nabitú batériu do druhého držiaka batérie.
3. Otočte bezpečnostný kľúč do polohy 1. (Obr. 32)
4. Stojte za výrobkom.
5. Povoľte poistku naštartovania. (Obr. 18)
6. Potlačte páku pohonu smerom k hornej rukoväti. (Obr. 33)

## Používanie pohonu na kolesách (LC 251iS)

- Potlačte páku pohonu smerom k hornej rukoväti. (Obr. 34)
- Uvoľnením páky pohonu deaktivujete pohon, napr. keď sa pohybujete v blízkosti prekážok.
- Pred potiahnutím výrobku smerom dozadu deaktivujte pohon a potlačte výrobok zhruba 10 cm dopredu.

## Používanie SavE™ funkcie

Výrobok je vybavený funkciou na šetrenie energie batérie (SavE™), ktorá mu umožní dosiahnuť dlhší prevádzkový čas.

- Funkciu spustíte stlačením tlačidla SavE™ do polohy 1. (Obr. 35)
- Funkciu zastavíte stlačením tlačidla SavE™ do polohy 0.

**Poznámka:** Funkcia SavE™ sa preruší automaticky, ak si stav terénu vyžaduje použiť vyšší výkon. Funkcia SavE™ sa automaticky opäť spustí, keď to stav terénu umožní.

## Funkcia vysokého zaťaženia

Keď výrobok kosí dlhú alebo mokrú trávu, motor automaticky zvýši otáčky. Motor sa vráti do štandardného režimu, keď už vysoké zaťaženie nie je potrebné.

## Zastavenie motora

Počas prevádzky sa môže nôž a motor dočasne zastaviť kvôli prekážkam, ako je napríklad upchatie trávou pod krytom rezacej časti. Ak k tomu dôjde a držíte stlačenú rukoväť motorovej brzdy, výrobok sa automaticky znova spustí. Ak sa výrobok do 5 – 10 sekúnd znova nespustí, možno budete musieť vyčistiť priestor pod krytom rezacej časti. V časti *Čistenie výrobku na strane 414*.



**VÝSTRAHA:** Ak sa motor zastaví, výrobok sa za 5 – 10 sekúnd pokúsi automaticky znova spustiť. Pred kontrolou krytu rezacej časti počkajte minimálne 15 sekúnd.



**VÝSTRAHA:** Pred kontrolou krytu rezacej časti uvoľníte rukoväť motorovej brzdy, otočte bezpečnostný kľúč do polohy 0, vyberte akumulátor a počkajte minimálne 5 sekúnd. V prípade odstránenia prekážky a náhodného spustenia výrobku hrozí nebezpečenstvo poranenia.

## Zastavenie výrobku



**VÝSTRAHA:** Skôr než spustíte výrobok z dohľadu, otočte bezpečnostný kľúč do polohy 0.

1. Motor zastavíte uvoľnením brzdovej rukoväti motora. (Obr. 36)

**Poznámka:** V prípade modelov LC 251iS. Ak chcete zastaviť pohon kolies, uvoľníte páku pohonu.

2. Otvorte kryt akumulátora a otočte bezpečnostný kľúč do polohy 0. (Obr. 37)
3. Akumulátor vyberte zatlačením 2 uvoľňovacích tlačidiel a potiahnutím akumulátora smerom von. (Obr. 38)
4. Ak má akumulátor nízku kapacitu, nabite ho. Ďalšie informácie získate v časti *Nabíjanie batérie na strane 411*.

## Používanie výrobku so zberným košom



**VÝSTRAHA:** Výrobok nepoužívajte bez nainštalovaného zberného koša alebo bez zatvoreného zadného krytu. Predmety môžu vyletieť a spôsobiť zranenie obsluhy.

1. Nadvihnite zadný kryt. (Obr. 39)
2. Umiestnite zberný kôš na podperu.
3. Uvoľnite zadný kryt a položte ho na vrchnú časť rámu vaku na trávu. (Obr. 40)

## Zmena nastavenia výrobku do režimu bočného vyhadzovania

1. Zdvihnite zadný kryt a vyberte vak na trávu, ak je namontovaný.
2. Zatvorte zadný kryt a skontrolujte, či je pevne prilieha k výrobku.
3. Zdvihnite vyhadzovaciu poistku. (Obr. 41)
4. Otvorte kryt bočnej výsypky a namontujte bočný vyhadzovací deflektor na podporné čapy. (Obr. 42)
5. Nechajte kryt bočnej výsypky dolahnúť na bočný vyhadzovací deflektor. Kým sa začne výrobok používať, skontrolujte, či je bočný vyhadzovací deflektor pevne na svojom mieste.

## Vyprázdnenie zberného koša



**VAROVANIE:** Pri premiestňovaní zdvihnite zberný kôš, aby ste predišli opotrebovaniu.

1. Zberný kôš zdvihnite pomocou rukoväti rámu.
2. Keď vyprázdňujete zberný kôš, používajte rukoväť konštrukcie a rukoväť vaku. (Obr. 43)

## Zabezpečenie optimálnych výsledkov

- Vždy používajte ostrý nôž. Tupý nôž poskytuje nepravdivé výsledky kosenia a pokosený povrch trávniku zožltne. Ostrý nôž spotrebuje menej energie ako tupý nôž.
- Nekoste viac ako 1/3 dĺžky trávy. Keď začínate kosiť trávu, používajte najvyššiu výšku rezu. Skontrolujte výsledok a znížte výšku rezu na príslušnú úroveň. Ak je tráva veľmi vysoká, pohybujte sa pomaly a ak je to potrebné, pokoste ju dvakrát.
- Zakaždým koste iným smerom, aby ste predišli vzniku pruhov na trávniku.
- Nadvihnite zadný kryt a vyberte zberný kôš.
- Ak sa používa mulčovacia zarážka a mulčovací nôž, demontujte ich.
- Pred používaním výrobku zatvorte zadný kryt. Pri používaní výrobku sa pokosená tráva vyhadzuje pod zadným krytom.
- Udržiavajte kryt kosačky čistý. Nahromadenie trávy a nečistoty na vnútornej strane krytu kosačky môže viesť k horšiemu výsledku kosenia. Pozrite si časť *Čistenie výrobku na strane 414*.

## Údržba

### Úvod



**VÝSTRAHA:** Pred vykonávaním akejkoľvek údržby si musíte prečítať kapitolu o bezpečnosti a porozumieť jej.

Údržba a opravné práce na výrobku si vyžadujú špeciálne školenie. Zaručujeme dostupnosť profesionálnych opravných prác a údržby.

Podrobnejšie informácie nájdete na stránke [www.husqvarna.com](http://www.husqvarna.com).

### Plán údržby

Intervaly údržby sú vypočítané na základe každodenného používania výrobku. Ak sa výrobok nepoužíva každý deň, tieto intervaly sa menia.

Informácie o prvkoch údržby označených symbolom \* nájdete v pokynoch v časti *Bezpečnosť na strane 405*.

	Pri každom použití	Mesačne	Každú sezónu
Vykonajte všeobecnú kontrolu	X		
Čistenie výrobku	X		
Skontrolujte poistku naštartovania *	X		
Skontrolujte, či sú bezpečnostné zariadenia na výrobku nepoškodené *	X		

	Pri každom použití	Mesačne	Každú sezónu
Skontrolujte rezné zariadenie	X		
Skontrolujte kryt rezacej časti *	X		
Skontrolujte rukoväť motorovej brzdy *	X		
Skontrolujte, či nie je poškodený akumulátor	X		
Skontrolujte nabitie akumulátora	X		
Skontrolujte, či uvoľňovacie tlačidlá na akumulátore fungujú správne a riadne zaistia akumulátor vo výrobku	X		
Skontrolujte, či nabíjačka batérií nie je poškodená, a presvedčte sa, či funguje správne.		X	
Skontrolujte prepojenia medzi batériou a výrobkom. Skontrolujte aj prepojenie medzi akumulátorom a nabíjačkou akumulátorov.			X

## Vykonanie všeobecnej kontroly

- Uistite sa, že sú dotiahnuté matice a skrutky na výrobku.
- Skontrolujte, či káble výrobku nie sú v polohe, v ktorej by sa mohli poškodiť.

## Čistenie výrobku

- Plastové diely čistite čistou a suchou handričkou.
- Výrobok neumývajte vodou. Voda môže preniknúť do batérie alebo motora a spôsobiť skrat alebo poškodenie výrobku.
- Na čistenie výrobku nepoužívajte vysokotlakový čistič.
- Nikdy nelejte vodu priamo na motor.
- Pomocou kefy odstráňte listy, trávu a nečistoty.

## Čistenie batérie a nabíjačky batérií



**VÝSTRAHA:** Batériu ani nabíjačku batérií nečistite vodou.



**VÝSTRAHA:** Na čistenie akumulátora nepoužívajte žiadne chemické látky.

- Pred vložením batérie do nabíjačky batérií skontrolujte, či sú batéria a nabíjačka batérií čisté a suché.
- Svorky batérie čistite stlačeným vzduchom alebo mäkkou a suchou handričkou.
- Povrch batérie a nabíjačky batérií čistite mäkkou a suchou handričkou.

## Kontrola rezného zariadenia



**VÝSTRAHA:** Aby ste zabránili náhodnému spusteniu, otočte bezpečnostný kľúč do polohy 0, vyberte batériu a počkajte minimálne 5 sekúnd.



**VÝSTRAHA:** Pri vykonávaní údržby rezného zariadenia používajte ochranné rukavice. Nôž je veľmi ostrý a ľahko môže dôjsť k porezaniu.

1. Skontrolujte, či sa na reznom zariadení nenachádzajú známky poškodenia alebo praskliny. Poškodené rezné zariadenie vždy vymeňte.
2. Skontrolujte, či nie je poškodený alebo tupý nôž.

**Poznámka:** Po nabrúsení je potrebné nôž vyrovnat'. Nôž nechajte nabrúsiť, vymeniť a vyrovnat' v servisnom stredisku. Ak narazíte na predmet, ktorý spôsobí zastavenie výrobku, vymeňte poškodený nôž. Nechajte, aby servisné stredisko rozhodlo, či je možné nôž nabrúsiť alebo sa musí vymeniť.

## Výmena noža

V časti *Technické údaje na strane 418* nájdete informácie o správnom type noža.



**VÝSTRAHA:** Aby ste zabránili poraneniu prstov pri výmene noža, zaistite ho dreveným blokom. Nôž sa môže pohybovať, keď je motor vypnutý, a prsty sa môžu zaseknúť medzi nožom a nepohyblivými časťami.

1. Pomocou dreveného bloku zaistíte nôž. (Obr. 44)

- Odstráňte maticu noža, podložky a nôž. (Obr. 45)
- Skontrolujte držiak noža a skrutku noža kvôli známkam poškodenia.
- Skontrolujte hriadeľ motora a uistite sa, že nie je ohnutý.
- Pri upevňovaní nového noža nasmerujte zošikmené konce noža v smere krytu rezacej časti. (Obr. 46)
- Uistite sa, že je nôž zarovnaný so stredom hriadeľa motora.
- Pomocou kusu dreva zaistite nôž. Pripevnite čističe a utiahnite skrutku na uťahovací moment 23 – 28 Nm. (Obr. 47) (Obr. 45)
- Rukou potočte nožom a uistite sa, že sa voľne otáča.
- Zapnite výrobok a otestujte nôž. Ak nôž nie je správne upevnený, výrobok vibruje alebo poskytuje neuspokojivé výsledky kosenia.

## Kontrola bočného vyhadzovacieho deflektora

Bočný vyhadzovací deflektor je pripevnený na otvore bočného vyhadzovania na výrobku. Deflektor slúži na zníženie rizika vymrštenia predmetov smerom do priestoru, v ktorom sa pri kosení nachádza používateľ.

- Skontrolujte, či bočný vyhadzovací deflektor nie je poškodený.
- Skontrolujte bočný vyhadzovací deflektor. Skontrolujte, či nie sú viditeľné poškodenia, ako sú praskliny alebo zlomené pružiny, ktoré tlačia dvere na zatvorenie.
- Poškodený bočný vyhadzovací deflektor alebo poškodené pružiny vymeňte.



**VÝSTRAHA:** Používajte odolné rukavice. Nôž je veľmi ostrý a ľahko môže dôjsť k porezaniu.

## Riešenie problémov

### Batéria

Indikátory LED na batérii	Príčina	Riešenie
Bliká zelený indikátor LED.	Napätie batérie je nízke.	Nabite batériu. V časti <i>Nabíjanie batérie na strane 411</i> .
Bliká indikátor LED chyby batérie.	Batéria je príliš studená alebo príliš horúca na použitie.	Nechajte batériu vychladnúť alebo ju preneste dovnútra, aby sa zohrial. Keď má batéria správnu teplotu, môžete ju znova použiť. Batériu vo výrobku používajte iba vtedy, keď je teplota okolitého prostredia 5 °C – 40 °C.
	Batéria je vybitá.	Nabite batériu. V časti <i>Nabíjanie batérie na strane 411</i> .
Rozsvieti sa indikátor LED chyby batérie.	Vyskytla sa trvalá chyba batérie.	Obráťte sa na svojho servisného predajcu Husqvarna.

### Nabíjačka batérie

Indikátor LED na nabíjačke batérií	Príčina	Riešenie
Bliká alebo sa rozsvieti indikátor LED, ktorý signalizuje poruchu.	Nabíjačka batérie je príliš studená alebo príliš horúca na použitie.	Nechajte nabíjačku batérie vychladnúť alebo ju preneste dovnútra, aby sa zohrial. Keď má nabíjačka batérie správnu teplotu, môžete ju znova použiť. Nabíjačku batérií používajte keď je teplota okolitého prostredia 5 °C – 40 °C.
	Iné chyby.	Obráťte sa na svojho servisného predajcu Husqvarna.

## Kosačka na trávú

Výstražný indikátor (dióda LED na signalizáciu chýb) sa nachádza pod krytom akumulátora.

Problém	Dióda LED na signalizáciu chýb (počet bliknutí)	Príčina	Riešenie
Bliká LED dióda signalizujúca poruchu. Generátor nefunguje správne.	3	Nôž je blokovaný.	Otočte bezpečnostný kľúč do polohy 0, aby sa zabránilo náhodnému spusteniu. Vyberte batériu a počkajte minimálne 5 sekúnd. Odstráňte možné prekážky a zabezpečte, aby sa nôž mohol voľne otáčať. Ak problém pretrváva, obráťte sa na servisného predajcu spoločnosti Husqvarna.
	5	Otáčky motora výrazne klesajú a motor sa zastavuje.	Zvýšte výšku rezu. V časti <i>Nastavenie výšky rezu na strane 411</i> .
	6 <sup>89</sup>	Kolesá alebo prevodovka sú zablokované.	Otočte bezpečnostný kľúč do polohy 0, aby sa zabránilo náhodnému spusteniu. Vyberte batériu a počkajte minimálne 5 sekúnd. Odstráňte možné prekážky a zabezpečte, aby sa kolesá mohli voľne otáčať. Ak problém pretrváva, obráťte sa na servisného predajcu spoločnosti Husqvarna.
	10	Riadenie motora je príliš horúce.	Zastavte motor a počkajte, kým nevychladne.
Bliká LED dióda signalizujúca poruchu. Výrobok sa zastaví.	Žiadne blikanie	Chyba konektora akumulátora.	Skontrolujte konektor akumulátora.
	3	Motor je preťažený.	Zvýšte výšku rezu. V časti <i>Nastavenie výšky rezu na strane 411</i> .
	8	Kapacita batérie je nízka.	Nabite batériu. V časti <i>Nabíjanie batérie na strane 411</i> .
	9	Chyba batérie alebo žiaden signál z batérie.	Vložte batériu do výrobku správne a skontrolujte konektor batérie. Ak bliká chybový indikátor LED na batérii. V časti <i>Batéria na strane 415</i> .
	15	Nesprávny postup štartovania. Pred spustením motora bola aktivovaná rukoväť motorovej brzdy.	Uvoľníte rukoväť motorovej brzdy a počkajte približne 5 sekúnd. Výrobok spustíte opätovným stlačením rukoväti motorovej brzdy nadol.
Iné chyby.	Ak sa vyskytnú ďalšie chyby, otočte bezpečnostný kľúč do polohy 0, vyberte akumulátor a obráťte sa na servisného predajcu spoločnosti Husqvarna.		

<sup>89</sup> LC 251iS



---

# Preprava, skladovanie a likvidácia

---

## Úvod



**VÝSTRAHA:** Neúmyselnému spusteniu počas prepravy a skladovania predídete otočením bezpečnostného kľúča do polohy 0, vybratím akumulátora a dodržaním aspoň 5-sekundovej prestávky.

- Výrobok, batériu a nabíjačku batérie skladujte v uzamknutom priestore mimo dosahu detí a neoprávnených osôb.
- Vyčistite výrobok a uistite sa, že zberný kôš je prázdny.
- Vykonávajte údržbu uvedenú v tomto návode na obsluhu. Pozrite si časť *Údržba na strane 4.13*.
- Pred dlhodobým uskladnením vykonajte kompletný servis výrobku.

## Nastavenie výrobku do transportnej polohy

1. Uvoľníte spodné gombíky.
2. Posuňte gombíky smerom k spodnej časti drážok na ľavej a pravej strane výrobku. (Obr. 26)
3. Skopte držadlo dopredu. (Obr. 48)

## Preprava

- Právne predpisy upravujúce nebezpečný tovar sa vzťahujú aj na používané lítium-iónové batérie.
- Pri obchodnej preprave treba dodržiavať špeciálne požiadavky týkajúce sa balenia a štítkov.
- Počas prípravy výrobku na prepravu zaistíte, aby ste splnili právne predpisy týkajúce sa nebezpečných materiálov. Na túto situáciu sa môžu vzťahovať aj miestne nariadenia.
- Pred prepravou vždy vyberte batériu.
- Konektory batérie prelepte páskou a zaistíte, aby sa batéria počas prepravy nehýbala.
- Počas prepravy výrobok zaistíte.

## Skladovanie

- Pred uskladnením nechajte výrobok vychladnúť.
- Pred uložením vždy vyberte batériu.
- Aby ste predišli nehodám, ubezpečte sa, že batéria nie je počas skladovania pripojená k výrobku.
- Nabíjačku batérie skladujte v uzavretých a suchých priestoroch.
- Batériu a nabíjačku batérie skladujte v uzavretých a suchých priestoroch, kde nie sú vystavené vlhkosti ani mrazu.
- Počas skladovania odpojte batériu od nabíjačky.
- Neskladujte batériu na mieste s výskytom statickej elektriny. Batériu nekladajte do kovovej skrinky.
- Výrobok skladujte pri teplote okolitého prostredia v rozsahu -10 °C až 40 °C.
- Batériu skladujte pri teplote okolitého prostredia v rozsahu 5 °C až 25 °C a nevystavujte ju priamemu slnečnému svetlu.
- Nabíjačku batérie skladujte pri teplote okolitého prostredia v rozsahu 5 °C až 45 °C a nevystavujte ju priamemu slnečnému svetlu.
- Pred dlhodobým skladovaním sa uistite, že batéria je nabitá na 30 – 50 % kapacity.

## Likvidácia

Symbols na výrobku alebo na obale výrobku označujú, že sa tento výrobok nesmie likvidovať ako domáci odpad. Musí sa odovzdať do príslušnej recyklačnej stanice pre recykliáciu elektrických a elektronických zariadení.

Zaistením správnej likvidácie tohto výrobku pomôžete zabrániť potenciálnemu negatívnemu dopadu na životné prostredie a zdravie ľudí, ktorý by inak mohol byť dôsledkom nesprávnej likvidácie tohto výrobku. Podrobnejšie informácie o recykliácii tohto výrobku získate na mestskom úrade, od služby zaisťujúcej spracovanie domáceho odpadu alebo v predajni, kde ste výrobok zakúpili.

(Obr. 49)

## Technické údaje

### Technické údaje

	LC 251i	LC 251IS
<b>Kosiaci motor</b>		
Typ motora	BLDC (bezkontaktný) 36 V	BLDC (bezkontaktný) 36 V
Otáčky motora – SavE, ot./min.	2600/min	2600/min
Otáčky motora – menovité, ot./min.	3000/min	3000/min
Otáčky motora – vysoké zaťaženie, ot./min.	3500/min	3500/min
Výstupný výkon motora – max., kW	1,4	1,4
Výstupný výkon motora – menovitý, kW	0,9	0,9
<b>Hnací motor</b>		
Výstupný výkon motora – menovitý, kW	–	0,4
Rýchlosť kráčania, km/h	–	4,0
Úrovne nastavenia rýchlosti	–	1
<b>Hmotnosť</b>		
Hmotnosť bez obalu (bez batérie), kg	25,5	27
Hmotnosť s košom (vrátane 2 x Bli30), kg	31,5	33
<b>Batéria</b>		
Typ batérie	Rad akumulátorov Husqvarna	Rad akumulátorov Husqvarna
<b>Prevádzková doba batérie</b>		
Prevádzková doba akumulátora, min. (prevádzka na prázdno) s aktivovanou funkciou SavE, s 7,5 Ah akumulátorom Husqvarna (Bli30).	58	51
Prevádzková doba akumulátora, min. (prevádzka na prázdno) s aktivovaným štandardným režimom, s 7,5 Ah akumulátorom Husqvarna (Bli30).	42	38
<b>Emisie hluku<sup>90</sup></b>		
Nameraná hladina akustického výkonu, dB (A)	96	96
Zaručená úroveň hlučnosti L <sub>WA</sub> dB(A)	98	98
<b>Úrovne hlučnosti<sup>91</sup></b>		
Hladina akustického tlaku pri uchu obsluhy, dB (A)	85	85

<sup>90</sup> Hladina hluku meraná ako akustický tlak (L<sub>WA</sub>) v súlade s európskou smernicou 2000/14/ES.

<sup>91</sup> Uvádzané údaje o hladine akustického tlaku majú faktor neistoty (K) 1,5 dB (A).

	LC 251i	LC 251iS
<b>Úrovne vibrácií<sup>92</sup></b>		
Rukoväť, m/s <sup>2</sup>	0,7	0,7
<b>Rezné zariadenie</b>		
Výška rezu, mm	25 – 75	25 – 75
Šírka rezu, mm	510	510
Nôž – štandardný	Zberač 5928704-01	Zberač 5928704-01
Kapacita zberného koša, litre	65	65

Schválené batérie	Typ	Kapacita batérie, Ah	Napätie, V	Hmotnosť, kg (lb)
BLi30	Lítium-iónová	7,5	36	4,2/1,9
40-B140	Lítium-iónová	4,0	36	2,6/1,2

Schválené nabíjačky pre uvedené batérie, BLI	Vstupné napätie, V	Frekvencia, Hz	Výkon, W
40-C80	100 – 240	50 – 60	68,8
QC250	100–240	50–60	250

<sup>92</sup> Uvádzané údaje týkajúce sa hladiny vibrácií majú faktor neistoty (K) 1,5m/s<sup>2</sup>. Deklarovaná celková hodnota vibrácií bola meraná v súlade s Prílohou 1 normy EN 62841-4-3 a môže sa použiť na porovnanie jedného stroja s iným a na predbežné posúdenie expozície.

# Vyhlásenie o zhode

## Vyhlásenie o zhode EÚ

My, spoločnosť **Husqvarna AB**, SE-561 82 Huskvarna, Švédsko, tel.: +46-36-146500, vyhlasujeme s plnou zodpovednosťou, že výrobok:

<b>Popis</b>	Kosačka na trávu
<b>Značka</b>	Husqvarna
<b>Typ/model</b>	LC 251i, LC 251iS
<b>Identifikácia</b>	Výrobné čísla od roku 2023 a novšie

plne spĺňa nasledujúce smernice a nariadenia EÚ:

Nariadenie	Popis
2006/42/ES	„o strojových zariadeniach“
2014/30/EÚ	„o elektromagnetickej kompatibilite“
2000/14/ES	„týkajúca sa emisie hluku v prostredí pochádzajúceho zo zariadení používaných vo voľnom priestranstve“
2011/65/EÚ	„o obmedzení používania určitých nebezpečných látok v elektrických a elektronických zariadeniach“

a že sa pri ňom uplatňujú nasledujúce normy a technické špecifikácie: EN 62841-1:2015/A11:2022, EN IEC 62841-4-3:2021/A11:2021, EN IEC 55014-1:2021, EN IEC 55014-2:2021, EN IEC 63000:2018

Notifikovaný orgán: 0404, SMP Svensk Maskinprovning AB, Box 4053, SE-904 03 Umeå, Sweden osvedčil zhodu so smernicou Rady 2000/14/ES, posudzovanie zhody: príloha VI.

Informácie týkajúce sa emisií hluku nájdete v časti *Technické údaje na strane 418*.

Huskvarna, 2023-12-11



Claes Losdal, Manažér vývoja/Produkty pre záhradu  
Husqvarna AB

Zodpovedný za technickú dokumentáciu



---

# VSEBINA

---

Uvod.....	421	Odpravljanje težav.....	432
Varnost.....	422	Transport skladiščenje in odstranitev.....	433
Montaža.....	427	Tehnični podatki.....	435
Delovanje.....	427	Izjava o skladnosti.....	437
Vzdrževanje.....	430		

---

## Uvod

---

### Opis izdelka

Naprava je rotacijska kosilnica. Pokošena trava se zbira v zbiralniku za travo. Za stranski izmet trave namestite deflektor.

### Pregled izdelka

(Sl. 1)

1. Motorna zavorna ročica
2. Blokada vžiga
3. Pogonska ročica (LC 251iS)
4. Zadnji pokrov
5. Zbiralnik za travo
6. Gumb ročaja
7. Ročica za nastavitev višine košnje
8. Blokada izmeta
9. Pokrov stranske izmetne odprtine
10. Pokrov baterije
11. Simboli
12. Varnostni ključ
13. Opozorilna lučka (lučka LED za napako)
14. Gumb Save
15. Pokrov rezila
16. Ročica/ročaj
17. Dvižni ročici
18. Stranski izmet
19. Navodila za uporabo

### Simboli na izdelku

- (Sl. 2) OPOZORILO
- (Sl. 3) Preberite navodila.
- (Sl. 4) OPOZORILO – Pazite na leteče predmete.
- (Sl. 5) Osebe naj se zadržujejo na varni razdalji.
- (Sl. 6) OPOZORILO – Z rokami in nogami ne segajte v območje rezila.

### Namen uporabe

Izdelek uporabite za rezanje trave. Izdelka ne uporabljajte za druga opravila.

- (Sl. 7) OPOZORILO – Pred vzdrževanjem odklopite baterijo.
- (Sl. 8) Izdelek ali embalaža izdelka ne spadata med gospodinjske odpadke. Treba ga je reciklirati v zbirnem centru za reciklažo električne in elektronske opreme.
- (Sl. 9) Emisija hrupa v okolje je skladna z direktivami in uredbami EU, ZK ter zakonodajo Novega južnega Walesa, in sicer z direktivo "Zaščita okolja pri delu (nadzor hrupa) iz 2017". Zajamčena raven zvočne moči izdelka je navedena na in v *Tehnični podatki na strani 435* in na oznaki.
- (Sl. 10) Priključek je v skladu z veljavnimi direktivami ES.
- (Sl. 11) Izdelek je v skladu z veljavnimi direktivami ZK.
- (Sl. 12) Izdelek je zaščiten pred kapljicami.
- (Sl. 13) Za zaustavitev sprostite ročico zavore motorja.
- (Sl. 14) Bralna koda.

---

**Opomba:** Ostali simboli in oznake na izdelku se nanašajo na zahteve za certifikacijo, ki veljajo za nekatere trge.

---

### Nalepke na izdelku

(Sl. 15)

NEVARNOST – Ne približujte rok in nog.

## Škoda izdelka

Za škodo na izdelku ne odgovarjamo, če:

- Izdelek ni pravilno popravljen.
- Izdelek je popravljen z deli, ki jih ni izdelal ali odobril proizvajalec.

- Na izdelku je nameščena dodatna oprema, ki je ni izdelal ali odobril proizvajalec.
- Izdelek ni bil popravljen v pooblaščenem servisnem centru ali pri pooblaščenem organu.

## Varnost

### Varnostne definicije

Opozorila, svarila in opombe opozarjajo na posebej pomembne dele priročnika.



**OPOZORILO:** Se uporabi, če obstaja nevarnost telesne poškodbe ali smrti uporabnika ali opazovalcev ob neupoštevanju navodil v tem priročniku.



**POZOR:** Se uporabi, če obstaja nevarnost poškodbe izdelka, drugih materialov ali okolice ob neupoštevanju navodil v tem priročniku.

**Opomba:** Se uporabi za podajanje podrobnejših informacij, potrebnih v dani situaciji.

### Splošna varnostna opozorila za izdelek



**OPOZORILO:** Preberite vsa varnostna opozorila, navodila, slike in specifikacije, dobavljene s tem izdelkom. Neupoštevanje vseh spodaj navedenih navodil lahko povzroči električni udar, požar in/ali težko telesno poškodbo.

**Shranite vsa opozorila in navodila za bodočo uporabo.** Izraz »izdelek« v opozorilih se nanaša na (ožičen) izdelek na omrežni pogon ali (brezžičen) izdelek na akumulatorski pogon.

### Varnost delovnega področja

- **Poskrbite za čistočo in dobro osvetlitev delovnega področja.** Prenatrpani ali mračni prostori kar kličejo nesrečo.
- **Izdelka ne uporabljajte v eksplozivnem okolju, na primer v bližini vnetljivih tekočin, plinov ali prahu.** Izdelek sproža iskre, ki lahko vžgejo prah ali hlape.
- **Ne dovolite, da bi bili med uporabo izdelka prisotni otroci ali opazovalci.** Odvrtačanje pozornosti lahko povzroči izgubo nadzora.

### Električna varnost

- **Vtiči izdelka se morajo ujemati z vtičnico. Vtiča na noben način ne predelujte. Z ozemljenim izdelkom ne uporabljajte adapterjev za vtič.** Nepredelani

vtiči in ustrezne vtičnice poskrbijo za zmanjšano nevarnost električnega udara.

- **Izogibajte se telesnega stika z ozemljenimi površinami, kot so cevi, radiatorji, štedilniki in hladilniki.** Če je vaše telo ozemljeno, se nevarnost električnega udara poveča.
- **Izdelka ne izpostavljajte dežju ali vlagi.** Vлага, ki vdre v izdelek, povečuje nevarnost električnega udara.
- **Ne ravnajte grobo s kablom. Kabla nikoli ne uporabljajte za prenašanje, vlečenje ali odkapljanje izdelka iz vtičnice. Kabel ne sme priti v stik z vročino toplote, oljem, ostrimi robovi ali premikajočimi deli.** Poškodovani ali zavozlani kabli povečujejo nevarnost električnega udara.
- **Če uporabljate izdelek zunaj, uporabljajte kabelski podaljšek, ki je primeren za zunanjo uporabo.** Za zmanjšanje nevarnosti električnega udara uporabljajte kabel, primeren za zunanjo uporabo.
- **Če se ne morete izogniti upravljanju izdelka v vlažnem okolju, uporabite zaščitno napravo na diferenčni tok (RCD).** Uporaba naprave RCD zmanjšuje nevarnost električnega udara.

### Osebnostna zaščita

- **Med uporabo izdelka bodite pozorni, pazite na svoja dejanja in ravnajte razumno. Ne uporabljajte izdelka, ko ste utrujeni oziroma pod vplivom drog, alkohola ali zdravil.** Trenutek nepozornosti med uporabo izdelka lahko povzroči hudo telesno poškodbo.
- **Uporabljajte osebno zaščitno opremo. Vedno uporabljajte zaščito za oči.** Zaščitna oprema, na primer prašna maska, čevlji z neдрsečimi podplati, čelada ali zaščita za sluh, uporabljena v pravih okoliščinah, zmanjšuje nevarnost osebnih poškodb.
- **Izogibajte se neželenemu zagonu. Preden izdelek priključite na omrežje ali akumulator, ga vzamete v roke ali ga prenašate, se prepričajte, da je stikalo v položaju za izklop.** Prenašanje izdelka s prstom na stikalo ali priključ izdelka z vklopljenim stikalom lahko povzroči nesrečo.
- **Preden izdelek vklopite, odstranite ključ za nastavitve ali izvijač.** Če ostane ključ na vrtečem delu izdelka, lahko povzroči telesne poškodbe.
- **Ne hodite predaleč. Vedno zanesljivo stopajte in pazite na ravnotežje.** To vam omogoča boljši nadzor nad izdelkom ob nepričakovanih dogodkih.
- **Primerno se oblecite. Ne nosite ohlapnih oblačil in nakita. Z lasmi in oblačili ne segajte v območje gibljivih delov.** Ohlapne obleke, nakit ali dolgi lasje se lahko zapletejo v premične dele.

- Če se naprave opremljene s priključkom za odvajanje in zbiranje prahu, mora biti ta zaseden in pravilno uporabljen. Zbiranje prahu lahko zmanjša nevarnost zaradi vdihavanja tega.
- Kljub morebitni pogosti uporabi izdelka bodite previdni in upoštevajte varnostna opozorila za izdelek. Neprimerna uporaba lahko v trenutku povzroči hudo telesno poškodbo.

## Uporaba in nega izdelka

- **Ne preobremenjujte izdelka.** Pri delu uporabljajte ustrezen izdelek. Pravi izdelek bo delo opravil bolje in varneje, če deluje pri hitrosti, za katero je bil zasnovan.
- **Izdelka ne uporabljajte, če stikalo za vklop/izklop ne deluje.** Izdelek, ki ga ni mogoče upravljati s stikalom, je nevaren in ga je treba popraviti.
- **Pred izvajanjem nastavitve, menjavo priključkov ali shranjevanjem izdelka izvilcite vtič iz omrežne vtičnice in/ali odstranite baterijo iz izdelka, če je to mogoče.** Taki preventivni ukrepi pomagajo zmanjšati nevarnost neželenega vklopa izdelka.
- **Izdelek, ki ga ne potrebujete, shranite zunaj dosega otrok in ne dovolite, da bi ga uporabljale osebe, ki ne poznajo izdelka ali teh navodil.** Izdelek je v rokah nepoučenih uporabnikov nevaren.
- **Vzdržujte izdelek in dodatno opremo.** Preverite poravnavo ali zatikanje gibljivih delov. **Prepričajte se, da noben del ni poškodovan, in preverite vsa druga stanja, ki bi lahko vplivala na delovanje izdelka. Če je izdelek poškodovan, ga pred uporabo odnesite v popravilo.** Veliko nesreč povzročijo slabo vzdrževani izdelki.
- **Rezila naj bodo vedno ostra in čista.** Pravilno vzdrževana rezila z ostrimi rezalnimi robovi se manj zatikajo in jih je lažje kontrolirati.
- **Izdelek, dodatno opremo, rezalne ploščice ipd. uporabljajte skladno s temi navodili ter upoštevajte delovne pogoje in delo, ki ga boste opravljali.** Uporaba izdelka za opravila, za katera ta izdelek ni namenjen, je lahko nevarna.
- **Ročaji in prijemalne površine naj bodo suhi, čisti in brez ostankov olja in masti.** Če so ročaji in prijemalne površine spolzki, ne omogočajo varne uporabe in upravljanja izdelka v nepričakovanih razmerah.

## Uporaba in nega baterije

- **Baterijo polnite le s polnilnikom, ki ga določi proizvajalec.** Polnilnik, ki je primeren za eno vrsto baterij, lahko poveča nevarnost požara pri drugih baterijah.
- **Izdelke uporabljajte le s točno določenimi baterijami.** Če uporabite druge baterije, se lahko poveča nevarnost poškodb in požara.
- **Ko baterije ne uporabljate, ne sme priti v stik z drugimi kovinskimi predmeti, kot so sponke za papir, kovanci, ključi, žebli, vijaki ali drugi majhni kovinski predmeti, ki lahko vzpostavijo povezavo med dvema**

poloma. Kratek stik med poloma baterije lahko povzroči opekline ali požar.

- **Ob nepravilni in grobi uporabi lahko iz baterije izteka tekočina; izogibajte se stiku s tekočino. Če se tekočina nehote dotaknete, sperite roke z vodo. Če pride tekočina v stik z očmi, poiščite zdravniško pomoč.** Tekočina, ki izteka iz akumulatorja, lahko povzroči draženje ali opekline.
- **Ne uporabljajte poškodovanega ali spremenjenega baterijskega paketa ali orodja.** Poškodovane ali predelane baterije se lahko obnašajo nepredvidljivo in lahko posledično zagorijo, eksplodirajo ali predstavljajo nevarnost poškodb.
- **Baterijskega paketa ali orodja ne izpostavljajte ognju ali previsokim temperaturam.** Izpostavljenost ognju ali temperaturam nad 130 °C (265 °F) lahko povzroči eksplozijo.
- **Upoštevajte vsa navodila za polnjenje in ne polnite baterijskega paketa ali orodja pri temperaturah zunaj temperaturnega območja, navedenega v navodilih.** Neustrezna zamenjava ali temperature zunaj dovoljenega območja lahko povzročijo poškodbe baterije in povečajo nevarnost požara.

## Servis

- **Popravila izdelka sme izvajati usposobljen serviser, pri tem pa mora uporabljati originalne nadomestne dele.** S tem zagotovite ohranitev kakovosti in varnosti izdelka.
- **Ne servisirajte poškodovanih baterijskih enot.** Baterijo lahko servisirajo samo pooblašteni serviserji in proizvajalec.

## Varnostna opozorila za kosilnico

- **Kosilnice ne uporabljajte v slabem vremenu, zlasti ko obstaja nevarnost bliskanja.** S tem zmanjšate nevarnost udara strele.
- **Prepričajte se, da na območju, na katerem nameravate uporabiti kosilnico, ni prostoživečih živali.** Kosilnica lahko med delovanjem poškoduje prostoživeče živali.
- **Skrbno preglejte območje, na katerem boste uporabljali kosilnico, ter odstranite vse kamne, veje, kable, kosti in druge predmete.** Zaradi izmeta predmetov lahko pride do telesnih poškodb.
- **Pred uporabo kosilnice se vedno vizualno prepričajte, da rezilo in sklop rezila nista obrabljena ali poškodovana.** Obrabljene ali poškodovane deli povečajo nevarnost telesnih poškodb.
- **Pogosto preverjajte, ali je zbiralnik za travo obrabljen ali dotrajan.** Obrabljen ali poškodovan zbiralnik za travo lahko poveča tveganje za telesne poškodbe.
- **Ščitniki naj ostanejo na mestu. Ščitniki morajo biti v delujočem stanju in pravilno nameščeni.** Razrahljan, poškodovan ali nedelujoč ščitnik lahko povzroči telesne poškodbe.
- **Dovodi hladilnega zraka morajo biti prosti.** Zamašeni dovodi za zrak in umazanija lahko povzročijo pregrevanje ali nevarnost požara.

- **Med uporabo kosilnice vedno nosite nedrsečo zaščitno obutev. Kosilnice ne uporabljajte bosí ali v sandalih.** S tem zmanjšate možnost poškodb stopal zaradi stika s premikajočim se rezilom.
- **Med uporabo kosilnice obvezno nosite dolge hlače.** Izpostavljena koža poveča verjetnost poškodb zaradi letetih predmetov.
- **Kosilnice ne uporabljajte na mokri travi. Hodite, nikoli ne tečite.** S tem zmanjšate tveganje zdrsa in padca, ki lahko povzroči telesne poškodbe.
- **Kosilnice ne uporabljajte na strminah z izjemno velikim naklonom.** S tem zmanjšate tveganje izgube nadzora, zdrsa in padca, ki lahko povzroči telesne poškodbe.
- **Pri delu na strminah se vedno prepričajte, da stojite na stabilni podlagi, vedno delajte v vodoravni smeri, nikoli navzgor ali navzdol, in bodite izjemno previdni pri spreminjanju smeri.** S tem zmanjšate tveganje izgube nadzora, zdrsa in padca, ki lahko povzroči telesne poškodbe.
- **Pri obračanju ali vleki kosilnice proti sebi bodite izjemno previdni. Pazite na okolico.** Tako zmanjšate tveganje spotikanja med uporabo kosilnice.
- **Rezila in drugih nevarnih gibljivih delov se ne dotikajte, kadar se premikajo.** Tako zmanjšate tveganje telesnih poškodb zaradi gibljivih delov.
- **Pri odstranjevanju zagozdenega materiala ali čiščenju kosilnice se prepričajte, da so vsa vklopna stikala izključena in da je akumulatorska enota odklopljena.** Nepričakovano delovanje kosilnice lahko povzroči hude telesne poškodbe.
- **Pri odstranjevanju zagozdenega materiala ali čiščenju kosilnice se prepričajte, da so vsa vklopna stikala izključena in da odklopna enota odstranjena.** Nepričakovano delovanje kosilnice lahko povzroči hude telesne poškodbe.

### Naprava na diferenčni tok

- Uporabljajte napravo na diferenčni tok s sprožilnim tokom največ 30 mA.

### Splošna varnostna navodila



**OPOZORILO:** Pred uporabo izdelka preberite navodila v povezavi z opozorili v nadaljevanju.

- Ta izdelek je lahko nevaren, če ga ne uporabljate pravilno ali če niste previdni. Če ne upoštevate varnostnih navodil, lahko nastopijo poškodbe ali celo smrt.
- Izdelek med delovanjem ustvarja elektromagnetno polje. To polje lahko v nekaterih pogojih interferira z aktivnimi ali pasivnimi medicinskimi vsadki. Emisije hrupa za oznako okolja v skladu z EU (vključno z zakonodajo avstralske zvezne države New South Wales) ter direktivami in uredbami Združenega kraljestva.

- Vedno bodite previdni in ravnajte razumno. Če niste prepričani, kako upravljati ta izdelek v določeni situaciji, prenehajte z delom in se pogovorite s prodajalcem Husqvarna.
- Ne pozabite, da je uporabnik odgovoren za nesreče, ki jih povzroči drugim ljudem ali njihovi lastnini.
- Izdelek redno čistite. Pozorno preberite znake in nalepke.
- Naprave ne smejo uporabljati otroci ali osebe, ki niso seznanjene z navodili. Lokalni predpisi lahko omejujejo starost uporabnika.
- Če izdelek uporabljajo osebe z zmanjšanimi fizičnimi ali intelektualnimi sposobnostmi, jih nenehno nadzorujte. Vedno mora biti prisotna odgovorna odrasla oseba.
- Izdelka ne uporabljajte, ko ste utrujeni, bolni, ali pod vplivom alkohola, drog ali zdravil. To negativno vpliva na vaš vid, pozornost, koordinacijo in presojo.
- Če izdelek ne deluje pravilno ali je okvarjen, ga ne uporabljajte.
- Izdelka ne spreminjajte ali uporabljajte, če obstaja možnost, da so ga spremenile tretje osebe.

### Varnost pri delu



**OPOZORILO:** Pred uporabo izdelka preberite navodila v povezavi z opozorili v nadaljevanju.

- Ta izdelek uporabljajte izključno za košnjo trave. Ne uporabljajte ga za druga opravila.
- Uporabljajte osebno zaščitno opremo. Glejte *Osebna zaščitna oprema na strani 425*.
- V zasilnem primeru morate znati motor hitro izklopiti.
- Izdelka ne uporabljajte dežju ali visoki vlagi. Nevarnost električnega udara se poveča, če v izdelek vdre voda.
- Izdelka ne uporabljajte, če rezilo in vsi pokrovi niso nameščeni pravilno. Nepravilno nameščeno rezilo lahko odleti in povzroči poškodbe.
- Pazite, da rezilo ne udarja ob predmete, npr. kamenje in korenine. To lahko poškoduje rezilo in ukrivi motorno gred. Zvita os povzroča vibracije in zelo visoko tveganje, da rezilo odleti.
- Če rezilo trči ob predmet ali začutite vibracije, izdelek nemudoma izklopite. Izklopite motor, varnostni ključ obrnite v položaj 0 in odstranite baterijo. Počakajte, da se gibljivi deli ustavijo. Preglejte, ali je izdelek morda poškodovan. Trdno pritrdite razrahljane dele. Popravite poškodbe in zamenjajte poškodovane dele. Popravilo naj izvede pooblaščen servisler.
- Ročice zavore motorja nikoli ne pritrdite trajno na ročaj, ko motor deluje.
- Izdelek vklopite na stabilni in ravni podlagi. Prepričajte se, da rezilo ne trči ob tla ali druge predmete.
- Vedno bodite za izdelkom, ko ga upravljate.



- Ko upravljate izdelek, morajo biti vsa kolesa na tleh, prav tako pa imejte na ročaju obe roki. Z dlanmi in stopali se ne približujte vrtljivim rezilom.
- Ne nagibajte izdelka med njegovim delovanjem in zagonom motorja.
- Ko izdelek potegnete nazaj, bodite previdni.
- Izdelka ne dvigajte, ko motor deluje. Če morate izdelek dvigniti, najprej izklopite motor, nato varnostni ključ obrnite v položaj 0 in odstranite baterijo.
- Med uporabo izdelka ne hodite vzvratno.
- Če morate izdelek nagniti zaradi prenašanja ali preden se premikate po območjih brez trave, na primer po poteh iz gramoza, kamna ali asfalta, izklopite motor.
- Pri delujočem motorju ne tecite z izdelkom. Pri uporabi tega izdelka vedno hodite.
- Pred spreminjanjem višine reza ustavite motor. Ne izvajajte nastavitve, ko motor deluje.
- Izdelek z delujočim motorjem morate imeti vedno na očeh. Izklopite motor in se prepričajte, da se rezalna oprema ne vrti.
- Tresljaji v izdelku med njegovim delovanjem se lahko razlikujejo od vrednosti treslajev, navedenih v razdelku *Tehnični podatki na strani 435*. Razlika je posledica različnih načinov uporabe izdelka. Če izdelek uporabljate pogosto ali dlje časa, delajte redne premore, da preprečite telesne poškodbe zaradi treslajev.

## Varnostna navodila za uporabo

### Osebnna zaščitna oprema



**OPOZORILO:** Pred uporabo izdelka preberite navodila v povezavi z opozorili v nadaljevanju.

- Osebnna zaščitna oprema ne more popolnoma preprečiti poškodb, vendar v primeru nesreče omili posledice. Prodajalec naj vam pomaga izbrati ustrezno opremo.
- Uporabite trpežno obutev, ki ne drsi. Ne bodite bosih ali nosite odprtih čevljev.
- Oblečene imejte trpežne, dolge hlače.
- Po potrebi uporabite zaščitne rokavice, npr. kadar pritrjujete, pregledujete ali čistite rezalno opremo.
- Priporočamo uporabo zaščitne za sluš.

### Varnostne naprave na izdelku



**OPOZORILO:** Pred uporabo izdelka preberite navodila v povezavi z opozorili v nadaljevanju.

- Ne uporabljajte izdelka z varnostnimi napravami, ki so poškodovane ali ne delujejo pravilno.
- Ne odstranjujte in ne spreminjajte varnostnih naprav.

- Redno preverjajte varnostne naprave. Če so varnostne naprave poškodovane ali ne delujejo pravilno, se obrnite na servisnega zastopnika Husqvarna.

### Preverjanje pokrova rezila

Pokrov rezila zmanjšuje moč vibracij v izdelku in zmanjšuje nevarnost poškodb, katerih vzrok bi lahko bilo rezilo.

- Preglejte pokrov rezila in se prepričajte, da nima poškodb, kot so razpoke.

### Preverjanje varnostnega ključa

Varnostni ključ je pod pokrovom baterije. Varnostni ključ skrbi za povezavo baterije, ki napaja motor.

- Zaženite in izklopite motor, da preverite varnostni ključ.
- Če varnostni ključ deluje pravilno, se motor zažene, ko varnostni ključ obrnete v položaj 1. (Sl. 16)

### Preverjanje zadnjega pokrova

Zadnji pokrov zmanjša nevarnost izmeta predmetov v smeri uporabnika.

- Prepričajte se, da zadnji pokrov ni poškodovan.
- Prepričajte se, da vzmeti, ki zapirajo zadnji pokrov, niso poškodovane.
- Poškodovane vzmeti in dele zamenjajte.
- Prepričajte se, da se lahko zadnji pokrov neovirano premika na tečajih.

### Preverjanje zavorne ročice motorja

Zavorna ročica motorja izklopi motor. Ko spustite zavorno ročico motorja, se motor ustavi.

- Zaženite izdelek. Glejte *Zagon izdelka na strani 428*.
- Sprostite motorno zavorno ročico. (Sl. 17)
- Prepričajte se, da se je izdelek zaustavil. Če se motor ne izklopi v 3 sekundah, mora izdelek preveriti pooblaščen servisler Husqvarna, ki mora nato nastaviti motorno zavoro.

### Preverjanje blokade vžiga

Preverite blokado vžiga in se prepričajte, da onemogoča zagon motorja.

1. Ročico motorne zavore potisnite v smer ročaja. Blokado vžiga ustavi premikanje.
2. Blokado vžiga potisnite ven. (Sl. 18)
3. Sprostite gumb blokade vžiga in se prepričajte, da se vrne v izhodiščni položaj.

### Varna uporaba baterije



**OPOZORILO:** Pred uporabo izdelka preberite navodila v povezavi z opozorili v nadaljevanju.

- Kot vir napajanja uporabljajte akumulatorske baterije Husqvarna; samo za povezane izdelke Husqvarna. Za preprečevanje poškodb akumulatorske baterije ne uporabljajte za napajanje drugih naprav.
- Ne uporabljajte baterij za enkratno uporabo.
- Nevarnost električnega udara. Poli baterije ne smejo priti v stik s ključi, kovanci, vijaki ali drugimi kovinskimi deli. To lahko povzroči kratak stik akumulatorske baterije.
- V zračne reže akumulatorske baterije ne vstavljajte predmetov.
- Akumulatorske baterije ne izpostavljajte neposredni sončni svetlobi, vročini ali odprtemu ognju. Akumulatorska baterija lahko eksplodira in povzroči opekline in/ali kemične opekline.
- Akumulatorska baterije ne izpostavljate dežju in vlagi.
- Akumulatorske baterije ne izpostavljajte mikrovalovom in visokemu tlaku.
- Akumulatorske baterije ne poskušajte razstaviti ali odpreti.
- Če baterija pušča, pazite, da tekočina ne pride v stik s telesom ali očmi. Če ste se tekočine dotaknili, območje očistite z obilo vode in poiščite zdravniško pomoč.
- Akumulatorsko baterijo uporabljajte samo v okolju s temperaturami med 5 °C in 40 °C.
- Polnilnik akumulatorske baterije uporabljajte samo v okolju s temperaturami med 5 °C in 40 °C.
- Če temperatura akumulatorske baterije presega 50 °C, se baterija ne bo polnila.
- Akumulatorske baterije ali polnilnika nikoli ne čistite z vodo. Glejte, *Čiščenje baterije in baterijskega polnilnika na strani 431*.
- Ne uporabljajte poškodovane akumulatorske baterije.
- Akumulatorske baterije med skladiščenjem ne smejo priti v stik s kovinskimi predmeti, na primer žebli, kovanci ali nakitom.

## Varna uporaba polnilnika baterije



**OPOZORILO:** Pred uporabo izdelka preberite navodila v povezavi z opozorili v nadaljevanju.

- Za polnjenje nadomestnih baterij Husqvarna uporabljajte samo polnilnike baterij QC.
- Nevarnost električnega udara ali kratkega stika. V zračne reže polnilnika ne vstavljajte predmetov. Polnilnika baterije ne poskušajte razstaviti. Poli na polnilniku se ne smejo dotikati kovinskih predmetov. Uporabljajte homologirano omrežno vtičnico.
- Izdelek med delovanjem ustvarja elektromagnetno polje. To polje lahko v nekaterih pogojih interferira z aktivnimi ali pasivnimi medicinskimi vsadki. Da bi zmanjšali nevarnost ki bi lahko povzročila telesne poškodbe ali smrt, priporočamo, da se osebe z medicinskimi vsadki pred uporabo izdelka

posvetujejo s svojim zdravnikom in proizvajalcem vsadka.

- Redno preverjajte, da napajalni kabel polnilnika ni poškodovan in ni napakan.
- Polnilnika akumulatorske baterije ne dvigujte za napajalni kabel. Polnilnik baterije odklopite iz stenske vtičnice tako, da povlečete vtič. Nikoli ne vlecite za napajalni kabel.
- Pazite, da se napajalni kabel in kabelski podaljški ne dotaknejo vode, olja in ostrih robov. Kabli ne smejo biti preščišnjeni med vrata, ograje in podobne dele. Zaradi tega je lahko polnilnik pod napetostjo.
- Polnilnika akumulatorske baterije nikoli ne čistite z vodo.
- Polnilnik akumulatorske baterije lahko uporabljajo otroci, stari 8 let in več, ter osebe z omejenimi telesnimi, zaznavalnimi ali duševnimi sposobnostmi ali s pomanjkanjem izkušenj in znanja, če so pri tem pod nadzorom ali jih o varni uporabi ter morebitnih nevarnostih podučijo odgovorna oseba. Otroci se s polnilnikom akumulatorske baterije ne smejo igrati. Otroci naprave brez nadzora ne smejo čistiti, ali opravljati običajnih uporabnikovih vzdrževalnih posegov.
- V polnilniku akumulatorske baterije ne polnite baterij za enkratno uporabo.
- Polnilnika akumulatorske baterije ne uporabljajte v bližini gorljivih materialov ali materialov, ki povzročajo korozijo. Polnilnika akumulatorske baterije ne pokrivajte. V primeru dima ali požara izvlcite vtič polnilnika baterije.
- Ne uporabljajte poškodovan polnilnik akumulatorske baterije.
- Akumulatorsko baterijo polnite le v zaprtih prostorih z dobrim prezračevanjem, kjer je zaščiten pred neposredno sončno svetlobo. Akumulatorske enote ne polnite v stiku z vodo ali vlago.

## Varnostna navodila za vzdrževanje



**OPOZORILO:** Pred uporabo izdelka preberite navodila v povezavi z opozorili v nadaljevanju.

- Za preprečevanje neželenega zagona med vzdrževanjem morate varnostni ključ obrniti v položaj 0 in odstraniti baterijo. Pred začetkom vzdrževalnih del počakajte najmanj 5 sekund.
- Vzdrževalna dela opravite tako, kot piše v teh navodilih za uporabo. Zahtevnejše posege in profesionalna popravila mora opraviti pooblaščen servisier. Za več informacij se obrnite na najbližjega servisnega zastopnika.
- Vzdrževalna dela opravljajte pravilno in tako podaljšajte življenjsko dobo izdelka ter zmanjšajte nevarnost nesreč.
- Zamenjajte poškodovane, obrabljene ali zlomljene dele. Vedno uporabljajte originalne nadomestne

- dele proizvajalca. Drugi nadomestni deli lahko poškodujejo izdelek in povečajo nevarnost nesreč.
- Da preprečite nastanek telesnih poškodb, ne odstranjujte in ne spreminjajte varnostnih naprav.
  - Pri delu z rezalno opremo morate nositi močne zaščitne rokavice. Rezilo je izjemno ostro, zato lahko hitro pride do ureznin.
  - Za najboljše in najvarnejše delovanje morajo biti rezalni robovi ostrí in čisti.
  - Izdelek naj redno preverja in po potrebi nastavlja ter popravlja pooblaščen servisna delavnica.

- Upoštevajte navodila za zamenjavo dodatne opreme. Uporabljajte samo dodatno opremo, ki jo odobri proizvajalec.
- Ko izdelka ne uporabljate, morate izdelek, baterijo in polnilnik baterije hraniti ločeno v suhem, zaprtem in zaklenjenem prostoru. Otroci in osebe, katerim uporaba ni dovoljena, ne smejo imeti dostopa do izdelka, baterije ali polnilnika baterije.

---

## Montaža

---

### Uvod



**OPOZORILO:** Preden sestavite izdelek, preberite poglavje o varnosti.



**OPOZORILO:** Neželen vklop med sestavljanjem preprečite tako, da ključ obrnete v položaj 0, odstranite baterijo in počakate vsaj 5 sekund.

### Namestitev ročice

**Opomba:** Priporočamo, da postopek opravi 2 osebi.

**Opomba:** Izdelka med nameščanjem ročaja ne odstranite iz škatle. Škatlo lahko med nameščanjem uporabite kot podporo za ročaj.

1. Dvignite in obrnite ročaj. (Sl. 19)



**POZOR:** Pazite, da med obračanjem ročaja ne poškodujete pletenice.

2. Ročaj položite na vrh izdelka. Nagnite ga ob škatlo za oporo. Glejte sliko. (Sl. 20)

3. Potisnite vijak (A) skozi ročaj (B), plastično podložko (C) in podporni nosilec ročaja (D). (Sl. 21)
4. Matico (E) popolnoma zategnite.
5. Izdelek odstranite iz škatle.
6. Ročaj preklopite v navpičen položaj. (Sl. 22)
7. Višino ročaja spustite v najnižji položaj. Glejte, *Nastavitev ročaja na strani 427.*
8. Pletenico pritrdite s sponko na spodnji del ročaja. (Sl. 23)
9. Spodnji del pletenice pritrdite s kabelsko vezico na nosilni okvirček ročaja. Odrežite preostanek kabelske vezice. (Sl. 24)

**Opomba:** Prepričajte se, da je pletenica pravilno nameščena. Če je nameščen zbiralnik za travo, se lahko preohlapna pletenica poškoduje. (Sl. 25)

### Nastavitev ročaja

1. Sprostite spodnja gumbna vijaka.
2. Gumbna vijaka na levi in desni strani izdelka pomaknite v spodnji del utorov. (Sl. 26)
3. Višino ročice prestavite v enega od 2 razpoložljivih položajev.
4. Premaknite gumbna vijaka do konca navzgor proti ročici, da zaslišite klik. (Sl. 27)
5. Popolnoma zategnite gumbne vijake.

---

## Delovanje

---

### Uvod



**OPOZORILO:** Pred uporabo izdelka morate prebrati in razumeti poglavje o varnosti.

### Husqvarna Connect

Husqvarna Connect je brezplačna aplikacija za vašo mobilno napravo. Aplikacija Husqvarna Connect omogoča razširitev funkcij vašega izdelka Husqvarna:

- Dodatne informacije o izdelku.
- Informacije o izdelku, delih in servisu ter pomoč.

### Začetek uporabe: Husqvarna Connect

1. V mobilno napravo si prenesite aplikacijo Husqvarna Connect.
2. Registrirajte se v aplikaciji Husqvarna Connect.
3. Za vzpostavitev povezave in registracijo izdelka sledite navodilom v aplikaciji Husqvarna Connect.

## Nastavitev kosilnice v delovni položaj

1. Prepričajte se, da sta spodnja gumbna vijaka sproščena. Glejte, *Nastavitev ročaja na strani 427*.
2. Ročaj prekopite v navpičen položaj. (Sl. 22)
3. Gumbna vijaka pomaknite popolnoma navzgor proti ročici, dokler ne zaslišite klika. (Sl. 27)
4. Popolnoma zategnite gumbne vijake.



**OPOZORILO:** Izdelek uporabljajte samo, če je ročaj pomaknjen do konca navzgor in je nastavljen v enem od ustreznih višinskih položajev. Glejte, *Nastavitev ročaja na strani 427*.

## Nastavitev višine košnje

1. Povlecite ročico za nastavitev višine košnje nazaj, da povečate višino rezanja.
2. Potisnite ročico za nastavitev višine košnje naprej, da znižate višino rezanja. (Sl. 28)



**POZOR:** Ne nastavite višino rezanja prenizko. Rezila lahko trčijo ob tla, če površina travnika ni ravna.

## Akumulator



**OPOZORILO:** Pred uporabo baterije morate prebrati in razumeti poglavje o varnosti. Prebrati in razumeti morate tudi navodila za uporabo, ki so priložena bateriji in polnilniku.

Baterijo in polnilnik baterije shranjujte v prostoru s pravilno temperaturo.

	Temperatura okolice
Delovanje baterije	Od 5 °C do 40 °C
Polnjenje baterije	Od 5 °C do 40 °C

## Stanje baterije

Na zaslonu je prikazana preostala napolnjenost baterije in podatki o morebitnih težavah z akumulatorsko baterijo. Za prikaz stanja napolnjenosti baterije pritisnite gumb indikatorja na njej. V primeru napake sveti na skumulatorski bateriji opozorilni indikator. Glejte, *Akumulatorska baterija na strani 432*.

(Sl. 29)

Indikatorji LED	Stanje baterije
Vsi indikatorji LED svetijo	Polna napolnjenost (76–100 %)

Indikatorji LED	Stanje baterije
Svetijo indikatorji LED 1, 2 in 3	Akumulatorska baterija je napolnjena med 51 % in 75 %.
Svetita indikatorja LED 1 in 2	Akumulatorska baterija je napolnjena med 26 % in 50 %.
Sveti indikator LED 1	Napolnjenost akumulatorske baterije je med 6 % in 25 %.
Indikator LED 1 utripa	Napolnjenost akumulatorske baterije je med 0 % in 5 %.

## Polnjenje baterije

Baterijo pred prvo uporabo napolnite. Baterija je ob dobavi napolnjena na 30 %.

**Opomba:** Baterijski polnilnik mora biti priključen na napetost in frekvenco, ki sta navedena na tipski ploščici.

Če je temperatura baterije višja od 50 °C, se ne polni. Polnilnik baterije pred polnjenjem zniža temperaturo baterije.

1. En konec napajalnega kabla vstavite v konektor v polnilniku baterije.
2. Drugi konec napajalnega kabla polnilnika priključite v primerno ozemljeno električno vtičnico. Indikator LED na polnilniku baterije enkrat utripne zeleno. (Sl. 30)
3. Baterijo vstavite v polnilnik baterije. Zeleni indikator na polnilniku se vklopi, ko je baterija pravilno vstavljena v polnilnik. (Sl. 31)
4. Ko se vsi indikatorji LED na bateriji vklopijo, je baterija popolnoma napolnjena. Baterijo polnite največ 24 ur.
5. Polnilnik baterije iz stenske vtičnice izvlecite za vtič, ne za kabel.
6. Odstranite baterijo iz polnilnika.

## Zagon izdelka

1. Odprite pokrov za baterijo.
2. Napolnjeno baterijo vstavite v 1 od prostorov za baterije. Za daljše delovanje v drug prostorček vstavite še eno napolnjeno baterijo.
3. Varnostni ključ obrnite v položaj 1. (Sl. 32)
4. Ostanite za izdelkom.
5. Sprostite blokado vžiga. (Sl. 18)
6. Ročico motorne zavore potisnite v smer ročaja. (Sl. 33)

## Za pogon koles (LC 251iS)

- Pogonsko ročico potisnite v smer ročaja. (Sl. 34)
- Sprostite pogonsko ročico, da izklopite pogon, npr. ko ste blizu ovire.
- Preden izdelek povlečete vzvratno, sprostite pogonsko ročico in izdelek potisnite naprej približno 10 cm.

## Uporaba funkcije SavE™

Izdelek je opremljen s funkcijo varčevanja z baterijo (SavE™), ki omogoča daljši čas delovanja.

- Pritisnite gumb SavE™ v položaj 1, da začnete izvajati funkcijo. (Sl. 35)
- Znova pritisnite gumb SavE™ v položaj 0, če želite funkcijo izklopiti.

**Opomba:** Funkcija SavE™ se samodejno izklopi, če je zaradi pogojev tal potrebna večja moč. Funkcija SavE™ se znova samodejno zažene, ko pogoji tal to dopuščajo.

## Funkcija visoke obremenitve

Ko izdelek kosi dolgo ali mokro travo, motor samodejno poviša število vrtljajev. Motor znova preklopi v normalni način, ko višja obremenitev ni več potrebovana.

## Ugašanje motorja

Med delovanjem izdelka se lahko rezilo in motor začasno ustavita zaradi ovir, kot je zagozdena trava pod pokrovom rezila. Če se to zgodi in držite zavorno ročico motorja potisnjeno navzdol, se izdelek samodejno znova zažene. Če se izdelek ne zažene znova v 5–10 sekundah, boste morda morali očistiti pod pokrovom rezila. Glejte *Čiščenje izdelka na strani 430*.



**OPOZORILO:** Če se motor zaustavi, se izdelek poskuša v 5–10 sekundah samodejno znova zagnati. Počakajte najmanj 15 sekund, preden preverite pokrov rezila.



**OPOZORILO:** Preden preverite pokrov rezila, sprostite zavorno ročico motorja, obrnite varnostni ključ v položaj 0, odstranite baterijo in počakajte najmanj 5 sekund. Če se ovira odstrani in se izdelek nenamerno zažene, obstaja nevarnost telesnih poškodb.

## Zaustavitev izdelka



**OPOZORILO:** Pred zpuščanjem izdelka morate varnostni ključ obrniti v položaj 0.

1. Za izklop motorja sprostite ročico motorne zavore. (Sl. 36)

**Opomba:** Za LC 251iS. Če želite izklopiti pogon koles, sprostite pogonsko ročico.

2. Odprite pokrov baterije in varnostni ključ obrnite v položaj 0. (Sl. 37)
3. Za odstranitev akumulatorske baterije pritisnite 2 gumba za sprostitev baterije, nato pa jo izvlecite. (Sl. 38)
4. Napolnite baterijo, če je izpraznjena. Za več informacij glejte razdelek *Polnjenje baterije na strani 428*.

## Uporaba izdelka z zbiralnikom za travo



**OPOZORILO:** Izdelka ne uporabljajte, če ni nameščen zbiralnik za travo ali zaprt zadnji pokrov. Predmeti so lahko izvrženi in poškodujejo uporabnika.

1. Dvignite zadnji pokrov. (Sl. 39)
2. Na nosilec namestite zbiralnik za travo.
3. Sprostite zadnji pokrov in ga namestite na ogrodje vreče za travo. (Sl. 40)

## Priprava izdelka za stranski izmet

1. Dvignite zadnji pokrov in odstranite vrečo za travo, če je nameščena.
2. Zaprite zadnji pokrov in se prepričajte, da se tesno prilega ob izdelek.
3. Dvignite blokado izmeta. (Sl. 41)
4. Odprite pokrov stranskega izmeta in na nosilne zatiče namestite deflektor. (Sl. 42)
5. Pokrov stranskega izmeta se mora zapreti ob deflektor. Pred uporabo izdelka mora biti deflektor za stranski izmet trdno nameščen.

## Praznjenje zbiralnika za travo



**POZOR:** Ko se premaknete, dvignite zbiralnik za travo, da preprečite obrabo.

1. Primate ročaj na ogrodju in privzdignite zbiralnik za travo.
2. Pri praznjenju zbiralnika za travo si pomagajte z ročajem na ogrodju in ročajem vreče. (Sl. 43)

## Kako doseči dober rezultat

- Vedno uporabljajte ostra rezila. Če uporabljate topo rezilo, bo trava pokošena neenakomerno, ob zarezah pa lahko postane tudi rumena. Ostro rezilo prav tako porabi manj energije kot topo rezilo.

- Ne odrežite več kot tretjino dolžine travnih bilk. Za začetek košnje uporabite najvišjo višino. Preglejte rezultat in nastavite višino košnje na ustrezno višino. Če je trava zelo visoka, napredujte počasi in po potrebi kosite dvakrat.
- Vsakič kosite v različnih smereh, da se na travi ne bi pojavile črte.
- Privzdignite zadnji pokrov in odstranite zbiralnik za travo.
- Če sta nameščena vložek za mulčenje in rezilo za mulčenje, ju odstranite.
- Pred uporabo izdelka zaprite zadnji pokrov. Ko uporabljate izdelek, poteka izmet pokošene trave pod zadnjim pokrovom.
- Pokrov kosišča mora biti čist. Obloge iz trave in umazanije na notranji strani pokrova kosišča lahko zmanjša učinkovitost košnje. Glejte *Čiščenje izdelka na strani 430*.

## Vzdrževanje

### Uvod



**OPOZORILO:** Pred izvajanjem vzdrževalnih del morate prebrati in razumeti poglavje o varnosti.

Za servisiranje in popravila na izdelku posebno usposabljanje ni potrebno. Zagotavljamo, da vam bodo na voljo strokovna popravila in servisiranje.

Za več informacij glejte [www.husqvarna.com](http://www.husqvarna.com).

### Urnik vzdrževanja

Izračunani intervali vzdrževanja veljajo za vsakodnevno uporabo izdelka. Intervali se spremenijo, če izdelka ne uporabljate vsakodnevno.

Vzdrževalni posegi, označeni z \*, veljajo za navodila v *Varnost na strani 422*.

	Pri vsaki uporabi	Mesečno	Vsako sezono
Opravite splošen pregled	X		
Izdelek očistite	X		
Preverite blokado vžiga *	X		
Prepričajte se, da varnostne naprave izdelka niso poškodovane *	X		
Preglejte rezalno opremo	X		
Preglejte pokrov rezila *	X		
Preverite ročico motorne zavore *	X		
Preverite, ali je baterija poškodovana	X		
Preverite napolnjenost baterije	X		
Prepričajte se, da gumba za sprostitve na bateriji delujeta pravilno in omogočata pravi zaklep baterije v izdelku	X		
Preverite, ali je polnilnik baterije poškodovan, in se prepričajte, da pravilno deluje.		X	
Preverite povezave med baterijo in izdelkom. Preverite tudi povezave med baterijo in polnilnikom baterije.			X

### Izvajanje splošnih pregledov

- Prepričajte se, da so matice in vijaki na izdelku dobro priviti.
- Prepričajte se, da kablji na izdelku niso v položaju, v katerem bi se lahko poškodovali.

- Izdelka ne čistite z vodo. Voda lahko vdre v baterijo ali motor in povzroči kratki stik ali poškoduje izdelek.
- Izdelka ne čistite z visokotlačnim čistilnikom.
- Vode ne zlivajte neposredno na motor.
- S krtačo odstranite listje, travo in umazanijo.

### Čiščenje izdelka

- Plastične dele čistite s čisto in suho krpo.

## Čiščenje baterije in baterijskega polnilnika



**OPOZORILO:** Baterije ali polnilnika nikoli ne čistite z vodo.



**OPOZORILO:** Izdelka ne čistite s kemičnimi snovmi.

- Pred vstavljanjem baterije v polnilnik baterije se prepričajte, da sta baterija in polnilnik baterije čista in suha.
- Pola baterije očistite s stisnjenim zrakom ali za čiščenje uporabite mehko in suho krpo.
- Površine baterije in polnilnika očistite z mehko in suho krpo.

## Kako pregledati rezalno opremo



**OPOZORILO:** Neželen vklop preprečite tako, da varnostni ključ obrnete v položaj 0, odstranite baterijo in počakate vsaj 5 sekund.



**OPOZORILO:** Pri vzdrževanju rezalne opreme uporabite zaščitne rokavice. Rezilo je izjemno ostro, zato lahko hitro pride do uresnjen.

1. Preverite, ali je rezalna oprema poškodovana oziroma razpokana. Če je rezalna oprema poškodovana, jo zamenjajte.
2. Preverite, ali je rezilo poškodovano ali topo.

**Opomba:** Rezilo morate po brušenju postaviti v ravnovesje. Izdelek peljite na servisni center, da rezilo nabrusijo, zamenjajo in uravnovesijo. Če trčite ob oviro in se izdelek ustavi, zamenjajte poškodovano rezilo. Pooblaščen servisna delavnica naj oceni, ali lahko rezilo izostrijo ali pa ga je treba zamenjati.

## Zamenjava rezil

Glejte, *Tehnični podatki na strani 435* za pravilno vrsto rezila.



**OPOZORILO:** Preden zamenjate rezilo, ga zablokirajte z leseno klado, da preprečite poškodbe prstov. Rezilo se lahko premakne, ko je motor izklopljen, prsti pa se lahko ujamejo med rezilo in nepremičnimi deli.

1. Rezilo blokirajte z leseno klado. (Sl. 44)
2. Odstranite vijak rezila, podložko in rezilo. (Sl. 45)
3. Preverite, ali sta nosilec in vijak rezila poškodovana.
4. Preverite motorno gred in se prepričajte, da ni zvita.
5. Ko pritrdite novo rezilo, usmerite nagnjene strani rezila v smer pokrova rezila. (Sl. 46)
6. Prepričajte se, da je rezilo poravnano s središčem motorne gredi.
7. Rezilo blokirajte s kosom lesa. Pritrdite podložko in privijte vijak in podložko z zateznim momentom 23 – 28 Nm. (Sl. 47) (Sl. 45)
8. Ročno zavrtite rezilo in se prepričajte, da se prosto obrača.



**OPOZORILO:** Nosite trpežne rokavice. Rezilo je izjemno ostro, zato lahko hitro pride do uresnjen.

9. Izdelek vklopite, da preizkusite rezilo. Če rezilo ni pritrjeno pravilno, bo izdelek vibriral, rezultat košnje pa ne bo zadovoljiv.

## Preverjanje deflektorja za stranski izmet

Deflektor za stranski izmet je pritrjen na odprtino za stranski izmet na izdelku. Tako zmanjšuje nevarnost izmeta predmetov proti uporabniku, ki kosi.

1. Prepričajte se, da deflektor za stranski izmet ni poškodovan.
2. Preglejte deflektor za stranski izmet. Ne sme biti opaznih napak, kot so razpoke ali zlomljene vzmeti, ki zapirajo vrata.
3. Če so deflektor za stranski izmet ali vzmeti poškodovani, jih zamenjajte.

---

## Odpravljanje težav

---

### Akumulatorska baterija

LED na bateriji	Vzrok	Rešitev
Zeleni LED-indikator utripa.	Napetost akumulatorske baterije je prenizka.	Napolnite baterijo. Glejte, <i>Polnjenje baterije na strani 428</i> .
LED-indikator za napako baterije utripa.	Baterija je premrzla ali prevroča za uporabo.	Počakajte, da se baterija ohladi ali jo odnesite v topel prostor, da se ogreje. Ko bo temperatura baterije ustrezna, jo lahko spet uporabljate. Akumulatorsko baterijo uporabljajte samo v okolju s temperaturami med 5 °C in -40 °C.
	Baterija je prazna.	Napolnite baterijo. Glejte, <i>Polnjenje baterije na strani 428</i> .
LED-indikator za napako baterije sveti.	Prišlo je do trajne napake akumulatorske baterije.	Obrnite se na servisnega zastopnika Husqvarna.

### Polnilnik akumulatorske baterije

Lučka LED na polnilniku baterije	Vzrok	Rešitev
Indikator LED za napako utripa ali zasveti.	Polnilnik akumulatorske baterije je premrzel ali prevroč za uporabo.	Počakajte, da se polnilnik akumulatorske baterije ohladi ali ga odnesite v topel prostor, da se ogreje. Ko bo temperatura polnilnik akumulatorske baterije ustrezna, ga lahko spet uporabljate. Polnilnik akumulatorske baterije uporabljajte samo v okolju s temperaturami med 5 °C in -40 °C.
	Druge napake.	Obrnite se na servisnega zastopnika Husqvarna.

### Vrtna kosilnica

Opozorilni indikator (lučka LED za napako) je pod pokrovom baterije.



Težava	Lučka LED za napako (število utripov)	Vzrok	Rešitev
Utripanje lučke LED za napako. Izdelek ne deluje pravilno.	3	Rezilo je blokirano.	Obrnite kontaktni ključ v položaj 0, da preprečite nenameren zagon. Odstranite baterijo in počakajte najmanj 5 sekund. Odstranite morebitne ovire in se prepričajte, da se rezilo lahko prosto vrti. Če težave ne morete odpraviti, se obrnite na servisnega zastopnika družbe Husqvarna.
	5	Število vrtljajev motorja preveč upade in motor se izklopi.	Dvig višine košnje. Glejte, <i>Nastavitev višine košnje na strani 428</i> .
	6 <sup>93</sup>	Kolesa ali menjalnik so blokirana.	Obrnite kontaktni ključ v položaj 0, da preprečite nenameren zagon. Odstranite baterijo in počakajte najmanj 5 sekund. Odstranite morebitne ovire in se prepričajte, da se rezilo lahko prosto vrti. Če težave ne morete odpraviti, se obrnite na servisnega zastopnika družbe Husqvarna.
	10	Krmilnik motorja je prevroč.	Izklopite motor in počakajte, da se ohladi.
Utripanje lučke LED za napako. Izdelek se zaustavi.	Brez utripanja	Napaka priključka baterije.	Preverite priključek baterije.
	3	V motorju prihaja do preobremenjenosti.	Dvig višine košnje. Glejte, <i>Nastavitev višine košnje na strani 428</i> .
	8	Napolnjenost baterije je nizka.	Napolnite baterijo. Glejte, <i>Polnjenje baterije na strani 428</i> .
	9	Napaka baterije ali baterija ne oddaja signala.	Baterijo pravilno vstavite v izdelek in preverite priključek baterije. Če indikator LED na bateriji utripa. Glejte, <i>Akumulatorska baterija na strani 432</i> .
	15	Napačen postopek zagona. Motorna zavorna ročica je aktivirana pred zagonom motorja.	Sprostite motorno zavorno ročico in počakajte približno 5 sekund. Motorno zavorno ročico znova potisnite navzdol, da zaženete izdelek.
Druge napake.	Če pride do drugih napak, obrnite ključ v položaj 0, odstranite akumulatorsko baterijo in se obrnite na pooblaščenega serviserja Husqvarna.		

## Transport skladiščenje in odstranitev

### Uvod

da ključ obrnete v položaj 0, odstranite baterijo in počakate vsaj 5 sekund.



**OPOZORILO:** Neželen vklop med prevozom in skladiščenjem preprečite tako,

<sup>93</sup> LC 251iS

## Nastavitev izdelka v transportni položaj

1. Sprostite spodnja gumbna vijaka.
2. Gumbna vijaka na levi in desni strani izdelka pomaknite v spodnji del utorov. (Sl. 26)
3. Ročaj prekopite naprej. (Sl. 48)

## Prevoz

- Za vstavljene litij-ionske baterijske enote veljajo zahteve zakonodaje o nevarnem blagu.
- Pri transportu v komercialne namene morate upoštevati posebne zahteve, navedene na pakiranju in nalepkah.
- Pri pripravi izdelka za transport morate upoštevati uredbe za ravnanje z nevarnimi materiali. Veljajo lokalni predpisi.
- Baterijo pri prevozu vedno odstranite.
- Na priključke baterije namestite izolacijski trak in se prepričajte, da se baterija med transportom ne more premikati.
- Med izdelek pritrdite.

## Shranjevanje

- Pustite, da se izdelek ohladi, preden ga shranite.
- Baterijo pri skladiščenju vedno odstranite.
- Za preprečevanje nesreč baterija med skladiščenjem ne sme biti priklopljena.
- Polnilnik baterije vedno hranite v zaprtem in suhem prostoru.
- Baterijo in polnilnik baterije hranite v zaprtem prostoru, kjer ni vlage ali nevarnosti zamrzovanja.
- Med shranjevanjem baterijo odstranite iz polnilnika.
- Baterijske ne shranjujte na mestu, kjer je lahko prisotna statična elektrika. Baterije ne shranjujte v kovinski škatli.
- Izdelek shranjujte v prostoru s temperaturo med  $-10\text{ }^{\circ}\text{C}$  in  $40\text{ }^{\circ}\text{C}$ .
- Baterijo shranjujte v prostoru s temperaturo med  $5\text{ }^{\circ}\text{C}$  in  $25\text{ }^{\circ}\text{C}$ , ki je zaščiten pred neposredno sončno svetlobo.
- Polnilnik baterije shranjujte v prostoru s temperaturo med  $5\text{ }^{\circ}\text{C}$  in  $45\text{ }^{\circ}\text{C}$ , ki je zaščiten pred neposredno sončno svetlobo.
- Pred dolgotrajnejšim skladiščenjem mora biti baterija napolnjena med 30 % in 50 %.
- Izdelek, baterijo in polnilnik hranite v zaklenjenem prostoru, do katerega otroci in nepooblaščen osebe nimajo dostopa.
- Očistite izdelek in se prepričajte, da je zbiralnik za travo prazen.
- Vzdrževalna dela opravite tako, kot je navedeno v teh navodilih za uporabo. Glejte *Vzdrževanje na strani 430*.
- Če nameravate izdelek shraniti za dalj časa, najprej opravite popoln servis.

## Odlaganje

Simboli na izdelku ali njegovi embalaži opozarjajo, da izdelka ne smete obravnavati kot gospodinjskega odpadka. Odnesti ga je treba v ustrezno zbirališče, kjer bodo poskrbeli za recikliranje električnih in elektronskih naprav.

Z zagotavljanjem pravilne obravnave izdelka boste pomagali preprečiti njegov morebiten škodljiv učinek na okolje in ljudi, do katerega bi lahko prišlo, kot posledica nepravilnega upravljanja z odpadki. Podrobnejše informacije o recikliranju tega izdelka lahko dobite v svoji občini, v komunalnem podjetju ali v trgovini, kjer ste ga kupili.

(Sl. 49)

## Tehnični podatki

### Tehnični podatki

	LC 251i	LC 251iS
<b>Motor rezalne enote</b>		
Tip motorja	BLDC (brezkrtični) 36 V	BLDC (brezkrtični) 36 V
Št. vrt. motorja – SavE, vrt/min	2600 vrt/min	2600 vrt/min
Št. vrt. motorja – nazivno, vrt/min	3000/min	3000/min
Št. vrt. motorja – visoka obremenitev, vrt/min	3500 vrt/min	3500 vrt/min
Najvišja izhodna moč motorja v kW	1,4	1,4
Nazivna izhodna moč motorja v kW	0,9	0,9
<b>Pogonski motor</b>		
Nazivna izhodna moč motorja v kW	Ni navedeno	0,4
Hitrost samohodnega pogona, km/h	Ni navedeno	4,0
Stopnje hitrosti	Ni navedeno	1
<b>Teža</b>		
Teža brez vreče (brez baterije), kg	25,5	27
Teža z vrečo (vklj. z 2 x BLi30), kg	31,5	33
<b>Akumulatorska baterija</b>		
Vrsta baterije	Serijska baterij Husqvarna	Serijska baterij Husqvarna
<b>Avtonomija baterije</b>		
Avtonomija akumulatorske baterije, najkrajša, (prosto delovanje) z aktivirano funkcijo SavE, z eno akumulatorsko baterijo Husqvarna z močjo 7,5 Ah (BLi30).	58	51
Avtonomija akumulatorske baterije, najkrajša, (prosto delovanje) z aktiviranim standardnim načinom, z eno akumulatorsko baterijo Husqvarna z močjo 7,5 Ah (BLi30).	42	38
<b>Emisije hrupa<sup>94</sup></b>		
Raven zvočne moči, izmerjena v dB (A)	96	96
Raven zvočne moči, zajamčena L <sub>WA</sub> v dB(A)	98	98
<b>Nivoji hrupa<sup>95</sup></b>		
Nivo zvočnega tlaka pri ušesu operaterja, dB(A)	85	85

<sup>94</sup> Emisije hrupa v okolje, merjene kot moč zvoka (L<sub>WA</sub>), v skladu z direktivo ES 2000/14/ES.

<sup>95</sup> Dejavnik negotovosti (K) sporočenih podatkov za raven zvočnega tlaka je 1,5 dB(A).

	LC 251i	LC 251iS
<b>Ravni vibracij</b> <sup>96</sup>		
Ročaj, m/s <sup>2</sup>	0,7	0,7
<b>Rezalna oprema</b>		
Višina reza v mm	25-75	25-75
Širina rezanja, mm	510	510
Standardno rezilo	Zbiranje 5928704-01	Zbiranje 5928704-01
Prostornina zbiralnika za travo, litri	65	65

Homologirane baterije	Vrsta	Zmogljivost akumulatorja v Ah	Napetost, V	Teža, lb/kg
BLi30	Litij-ionska	7,5	36	4,2/1,9
40-B140	Litij-ionska	4,0	36	2,6/1,2

Odobreni polnilniki za določene baterije, BLi	Vhodna napetost, V	Frekvenca, Hz	Moč, W
40-C80	100-240	50-60	68,8
QC250	100-240	50-60	250

<sup>96</sup> Dejavnik negotovosti (K) sporočenih podatkov za raven vibracij je 1,5 m/s<sup>2</sup>. Navedena skupna vrednost vibracij je bila izmerjena v skladu s prilogo B standarda EN 62841-4-3 ter se lahko uporablja za primerjavo dveh strojev in za predhodno oceno izpostavljenosti.

# Izjava o skladnosti

## Izjava EU o skladnosti

Mi, **Husqvarna AB**, SE--561 82 Huskvarna, Švedska,  
tel.: +46-36-146500, izjavljamo na lastno odgovornost,  
da je izdelek:

<b>Opis</b>	Vrtna kosilnica
<b>Znamka</b>	Husqvarna
<b>Vrsta/model</b>	LC 251i, LC 251iS
<b>Identifikacija</b>	Serijske številke od letnika 2023 dalje

v celoti skladen z naslednjimi direktivami in uredbami  
EU:

<b>Uredba</b>	<b>Opis</b>
2006/42/ES	"o strojih"
2014/30/EU	"o elektromagnetni združljivosti"
2000/14/EC	"o emisijah hrupa v okolico"
2011/65/EU	"o omejevanju uporabe nekaterih nevarnih snovi v električni in elektronski opremi"

in so pri tem v veljavi naslednji standardi in/ali  
tehnične specifikacije: EN 62841-1:2015/A11:2022, EN  
IEC 62841-4-3:2021/A11:2021, EN IEC 55014-1:2021,  
EN IEC 55014-2:2021, EN IEC 63000:2018

Priglašeni organ: 0404, SMP Svensk Maskinprovning  
AB, Box 4053, SE-904 03 Umeå, Sweden, je potrdil  
skladnost z direktivo Sveta 2000/14/ES, postopki  
ugotavljanja skladnosti: Priloga VI.

Za informacije v zvezi z emisijami hrupa glejte poglavje  
*Tehnični podatki na strani 435.*

Husqvarna, 2023-12-11



Claes Losdal, Vodja oddelka za razvoj vrtno opreme,  
Husqvarna AB

Odgovorni za tehnično dokumentacijo



---

## Sadržaj

---

Uvod.....	438	Rešavanje problema.....	449
Bezbednost.....	439	Transport, skladištenje i odlaganje.....	450
Sklapanje.....	444	Tehnički podaci.....	452
Rukovanje.....	445	Deklaracija o usklađenosti.....	454
Održavanje.....	447		

---

## Uvod

---

### Opis proizvoda

Proizvod je rotaciona kosačica koju kontroliše rukovalac. Trava se sakuplja u hvatač trave. Postavite usmeravač za bočno pražnjenje ako želite da se trava izbacuje bočno.

### Pregled proizvoda

(Sl. 1)

1. Ručica kočnice motora
2. Inhibitor pokretanja
3. Pritiskivač pogona (LC 251iS)
4. Zadnji poklopac
5. Hvatač trave
6. Dugme ručice
7. Poluga visine košenja
8. Blokada pražnjenja
9. Poklopac bočnog pražnjenja
10. Poklopac baterije
11. Simboli
12. Bezbednosni ključ
13. Indikator upozorenja (LED greške)
14. Dugme SavE
15. Poklopac košenja
16. Ručka/upravljlač
17. Ručke za podizanje
18. Uređaj za bočno pražnjenje
19. Uputstvo za rukovaoca

### Simboli na proizvodu

(Sl. 2) UPOZORENJE

(Sl. 3) Pročitajte uputstva.

(Sl. 4) UPOZORENJE – pazite se izbačenih predmeta.

(Sl. 5) Udaljite druga lica.

(Sl. 6) UPOZORENJE – udaljite šake i stopala od noževa.

### Namena

Koristite proizvod za košenje trave. Nemojte koristiti proizvod za druge zadatke.

(Sl. 7) UPOZORENJE – iskopčajte akumulator pre radova na održavanju.

(Sl. 8) Ovaj proizvod ili pakovanje ne treba tretirati kao kućni otpad. Reciklirajte ga na lokaciji za recikliranje električne i elektronske opreme.

(Sl. 9) Oznaka emisije buke u okruženje u skladu sa direktivama i propisima EU i UK i propisom o zaštiti radova u okruženju (kontrola buke) Novog Južnog Velsa iz 2017. Garantovani nivo zvučne snage za ovaj proizvod naveden je u *Tehnički podaci na stranici 452* i na nalepnici.

(Sl. 10) Ovaj priključak je u saglasnosti sa važećim direktivama EZ.

(Sl. 11) Proizvod je usaglašen sa važećim direktivama UK.

(Sl. 12) Proizvod ima zaštitu od kapanja.

(Sl. 13) Otpustite ručicu kočnice motora za zaustavljanje.

(Sl. 14) Kôd koji se može skenirati.

---

**Napomena:** Ostali simboli/nalepnice koji su navedeni na proizvodu važe za specifične zahteve sertifikata na određenim tržištima.

---

### Nalepnica na proizvodu

(Sl. 15)

OPASNOST – udaljite šake i stopala.

## Oštećenje proizvoda

Nismo odgovorni za oštećenja proizvoda u sledećim slučajevima:

- proizvod je popravljen na pogrešan način
- proizvod je popravljen korišćenjem delova koji nisu napravljeni ili odobreni od strane proizvođača

- proizvod ima opremu koja ne potiče ili nije odobrena od strane proizvođača
- proizvod nije popravljen u ovlašćenom servisnom centru ili od strane ovlašćenog stručnjaka

---

## Bezbednost

---

### Bezbednosne definicije

Upozorenja, mere opreza i napomene se koriste da ukažu na naročito važne delove korisničkog uputstva.



**UPOZORENJE:** Koristi se ako, usled nepoštovanja uputstava, postoji rizik od nastanka telesnih povreda ili smrti kod rukovaoca ili prisutnih osoba.



**OPREZ:** Koristi se ako, usled nepoštovanja uputstava, postoji rizik od nastanka oštećenja na proizvodu, drugim materijalima ili susednim oblastima.

**Napomena:** Koristi se za pružanje više informacija koje su neophodne u datoj situaciji.

### Opšta bezbednosna upozorenja za proizvod



**UPOZORENJE:** Pročitajte sva bezbednosna upozorenja, uputstva, ilustracije i specifikacije koje su obezbeđene uz ovaj proizvod. Nepridržavanje svih uputstava navedenih u nastavku može da dovede do strujnog udara, požara i/ili teških telesnih povreda.

Sačuvajte sva upozorenja i uputstva kao referencu za kasnije. Izraz „proizvod“ iz upozorenja odnosi se na proizvod koji se napaja preko električne mreže (putem kabla) ili akumulatora (bežično).

### Bezbednost u radnom području

- **Držite radnu oblast čistom i dobro osvetljenom.** U neurednim ili mračnim oblastima nezgode se češće dešavaju.
- **Ne radite sa proizvodom u eksplozivnim okruženjima, npr. u prisustvu zapaljivih tečnosti, gasova ili prašine.** Proizvod stvara iskre koje mogu da zapale prašinu ili isparenja.
- **Deca i posmatrači treba da se udalje dok koristite proizvod.** Skretanje pažnje može da dovede do toga da izgubite kontrolu.

### Električna bezbednost

- **Utikači proizvoda moraju da odgovaraju utičnici. Nikad nemojte ni na koji način da modifikujete utikač. Nemojte da koristite adaptere pri radu sa uzemljenim proizvodom.** Nemodifikovani utikači i odgovarajuće utičnice će smanjiti rizik od strujnog udara.
- **Izbegavajte telesni kontakt sa uzemljenim površinama kao što su cevi, radijatori, šporeti i frižideri.** Postoji povećani rizik od strujnog udara ukoliko je vaše telo uzemljeno.
- **Nemojte izlagati proizvod kiši ili vlazi.** Ako voda prodre u proizvod, povećaće se opasnost od strujnog udara.
- **Nemojte nepropisno da postupate sa kablom. Ne koristite kabl za nošenje, vuču ili isključivanje proizvoda. Držite kabl dalje od izvora toplote, ulja, oštrih ivica i pokretnih delova.** Oštećeni ili zamršeni kablovi povećavaju rizik od strujnog udara.
- **Kad koristite proizvod na otvorenom, koristite produžni kabl koji je pogodan za upotrebu na otvorenom.** Korišćenje kabla koji je pogodan za upotrebu na otvorenom smanjuje rizik od strujnog udara.
- **Ako ne može da se izbegne korišćenje proizvoda na vlažnom mestu, koristite napajanje preko zaštitnog uređaja diferencijalne struje (RCD).** Upotreba zaštitnog uređaja diferencijalne struje (RCD) smanjuje opasnost od strujnog udara.

### Lična bezbednost

- **Budite na oprezu, ne skrećite pogled sa onoga što radite i rukujte proizvodom zdravorazumski. Nemojte da koristite proizvod ako ste umorni ili pod dejstvom droge, alkohola ili lekova.** Trenutak nepažnje prilikom korišćenja proizvoda može da dovede do teških telesnih povreda.
- **Koristite ličnu zaštitnu opremu. Uvek nosite zaštitu za oči.** Zaštitna oprema poput zaštitne maske od prašine, sigurnosnih neklizajućih cipela, kacige ili zaštitne za sluh koja se koristi u odgovarajućim uslovima smanjuje telesne povrede.
- **Sprečite slučajno pokretanje. Uverite se da je prekidač u isključenom položaju pre priključivanja na izvor napajanja i/ili prenosivi punjač akumulatora, podizanja ili nošenja proizvoda.** Nošenje proizvoda sa prstom na prekidaču ili napajanje proizvoda sa prekidačem u položaju za uključivanje može da dovede do nezgode.

- **Uklonite ključ za podešavanje ili francuski ključ pre uključivanja proizvoda.** Francuski ključ ili ključ koji ostanu pričvršćeni za obrtni deo proizvoda mogu da dovedu do telesne povrede.
- **Nemojte se preterano naginjati. Uvek budite oslonjeni na obe noge i pazite na ravnotežu.** To će vam omogućiti bolju kontrolu nad proizvodom u nepredviđenim situacijama.
- **Budite propisno odeveni. Nemojte da nosite nakit ili široku odeću.** Vodite računa da vam kosa i odeća ne dođu u dodir sa pokretnim delovima. Pokretni delovi mogu da zakače široku odeću, nakit ili dugu kosu.
- **Ukoliko su obezbeđeni uređaji za povezivanje aparata za izbacivanje ili sakupljanje prašine, proverite da li su povezani i da li se pravilno koriste.** Korišćenje aparata za prikupljanje prašine može da smanji broj kvarova koji su nastali usled prašine.
- **Nemojte dozvoliti da vam iskustvo koje ste stekli kroz čestu upotrebu proizvoda stvori osećaj samopouzdanja i da se ne pridržavate principa u vezi sa bezbednošću.** Nemarna radnja može da izazove teške povrede u deliću sekunde.

## Upotreba i održavanje proizvoda

- **Ne silite proizvod.** Koristite proizvod koji odgovara nameni. Adekvatan proizvod će bolje i sigurnije obaviti posao u meri za koju je napravljen.
- **Ne koristite proizvod ako ga prekidač ne uključuje ili ne isključuje.** Svaki proizvod koji ne može da se kontroliše putem prekidača je opasan i mora da se popravi.
- **Isključite utikač iz izvora električne energije i/ili uklonite akumulator, ako se može odvojiti, sa proizvoda pre nego što pristupite bilo kakvom podešavanju, promeni dodatne opreme ili skladištenju proizvoda.** Takve bezbednosne preventivne mere smanjuju rizik od slučajnog uključivanja proizvoda.
- **Proizvod koji se ne koristi čuvajte dalje od dohvata dece i nemojte da dozvoljavate rad sa alatom osobama koje nisu upoznate sa njim ili ovim uputstvima.** Proizvod je opasan kada njime rukuju neobučeni korisnici.
- **Održavajte proizvode i dodatke.** Proverite da li su pokretni i vezni delovi pravilno postavljeni, da li postoje pukotine na delovima i sva druga stanja koja mogu uticati na rad proizvoda. Ukoliko je oštećen, proizvod odnesite na popravku pre korišćenja. Mnoge nezgode su prouzrokovali loše održavani proizvodi.
- **Održavajte alat za sečenje oštirim i čistim.** Alat za sečenje koji se pravilno održava i ima oštre rezne vrhove se ređe krivi i lakše kontroliše.
- **Proizvod, pribor, delove alata itd. koristite u skladu sa ovim uputstvima uzimajući u obzir radne uslove i posao koji treba da se obavi.** Korišćenje proizvoda za operacije za koje nije namenjen može da dovede do opasnih situacija.
- **Ručke i prihvatne površine bi trebalo da budu suve, čiste i bez ostatka ulja i maziva.** Klizave ručke

i prihvatne površine ne omogućavaju bezbedno rukovanje i kontrolu proizvoda u neočekivanim situacijama.

## Upotreba i održavanje akumulatorskog alata

- **Punite samo punjačem koji je naznačen od strane proizvođača.** Punjač koji je odgovarajući za jedan tip akumulatora može stvoriti rizik od požara kada se koristi sa drugim akumulatorom.
- **Koristite proizvode samo sa posebno naznačenim akumulatorima.** Korišćenje drugih akumulatora može stvoriti rizik od telesne povrede i požara.
- **Kad se akumulator ne koristi držite ga dalje od metalnih predmeta, kao što su spajalice, novčići, ključevi, ekseri, zavrtnji ili slični mali metalni predmeti koji mogu da naprave spoj između polova akumulatora.** Kratko spajanje polova akumulatora može da izazove opekotine ili požar.
- **U opasnim uslovima, tečnost može da prsne iz akumulatora; izbegavajte kontakt.** Ako do kontakta slučajno dođe, isperite to mesto vodom. Ako tečnost dođe u kontakt sa očima, dodatno potražite lekarsku pomoć. Tečnost koja prsne iz akumulatora može da prouzrokuje iritaciju ili opekotine.
- **Ne koristite akumulatore i uređaje koji su oštećeni ili modifikovani.** Oštećeni ili modifikovani akumulatori mogu biti nepredvidivi što može dovesti do vatre, eksplozije ili rizika od povrede.
- **Akumulator ili uređaj nemojte da izlažete vatri ili previsokoj temperaturi.** Izlaganje vatri ili temperaturi iznad 130 °C / 265 °F može dovesti do eksplozije.
- **Pridržavajte se svih uputstava za punjenje i nemojte da punite akumulator ili uređaj izvan opsega temperature koji je naveden u uputstvima.** Nepravilno punjenje ili temperature izvan navedenog opsega mogu oštetiti akumulator i povećati rizik od požara.

## Usluga

- **Servisiranje proizvoda poverite kvalifikovanom serviseru koji isključivo koristi iste rezervne delove.** Tako ćete biti sigurni u očuvanje bezbednosti proizvoda.
- **Nikad ne servisirajte oštećene akumulatore.** Servisiranje akumulatora treba da vrše samo proizvođač ili ovlašćeni serviseri.

## Bezbednosna upozorenja za kosačicu

- **Nemojte koristiti kosačicu po lošim vremenskim uslovima, naročito kada postoji opasnost od grmljavine.** Time se smanjuje rizik od udara groma.
- **Proverite ima li životinja na prostoru u kom će se kosačica koristiti.** Kosačica može da povredi životinje tokom rada.
- **Pažljivo pregledajte oblast u kojoj će se kosačica koristiti i uklonite sve kamenje, grane, žice, kosti i ostale strane predmete.** Izbačeni predmeti mogu da nanesu telesne povrede.



- **Pre korišćenja kosačice, uvek vizuelno proverite noževe i sklop noževa da biste videli jesu li pohabani ili oštećeni.** Pohabani i oštećeni delovi povećavaju rizik od povrede.
- **Često proveravajte da li je sakupljač trave pohaban ili istrošen.** Pohaban ili oštećen hvatač trave povećava rizik od povrede.
- **Vodite računa da štitnici budu postavljeni. Štitnici moraju biti u radnom stanju i propisno postavljeni.** Štitnik koji je labav, oštećen ili ne funkcioniše ispravno može dovesti do povrede.
- **Održavajte sve ulaze vazduha za hlađenje čistim od otpadaka.** Blokirani ulazi, vazduha i otpaci mogu da izazovu prekomerno zagrevanje ili rizik od požara.
- **Dok rukujete kosačicom, uvek nosite neklizajuću i zaštitnu obuću. Ne rukujte kosačicom bosih ili u otvorenim sandalima.** Time se smanjuje mogućnost povrede stopala usled kontakta sa nožem koji se okreće.
- **Dok rukujete kosačicom, uvek nosite duge nogavice.** Izložena koža povećava verovatnoću povrede izbačenim predmetima.
- **Ne koristite kosačicu u mokroj travi. Hodajte, ne trčite.** Time se smanjuje rizik od klizanja i pada koji može da dovede do povrede.
- **Nemojte rukovati kosačicom na previše strmim nagibima.** Tako ćete smanjiti rizik od gubitka kontrole, klizanja i pada koji može da dovede do povrede.
- **Prilikom rada na nagibima, uvek obezbedite dobar oslonac stopala, uvek radite koso preko nagiba, nikada nagore ili nadole i budite naročito pažljivi kad se okrećete.** Tako ćete smanjiti rizik od gubitka kontrole, klizanja i pada koji može da dovede do povrede.
- **Vodite računa kad se krećete unazad ili vučete kosačicu ka sebi. Uvek vodite računa o okruženju.** Tako se smanjuje rizik od saplitanja tokom rada.
- **Ne dodirujte noževe i ostale opasne pokretne delove sve dok se kreću.** Time se smanjuje rizik od povrede pokretnim delovima.
- **Prilikom uklanjanja zaglavljenog materijala ili čišćenja kosačice, uverite se da su svi prekidači za pokretanje isključeni i da je baterija odvojena.** Neočekivan rad kosačice može da dovede do teških telesnih povreda.
- **Prilikom uklanjanja zaglavljenog materijala ili čišćenja kosačice, uverite se da su svi prekidači za pokretanje isključeni i uklonite uređaj za onemogućavanje.** Neočekivan rad kosačice može da dovede do teških telesnih povreda.

### Zaštitni uređaj diferencijalne struje

- Koristite zaštitni uređaj diferencijalne struje sa prekidnom strujom ne većom od 30 mA.

## Opšta bezbednosna uputstva



**UPOZORENJE:** Pročitajte upozoravajuća uputstva koja slede pre korišćenja proizvoda.

- Proizvod je opasan ako se koristi na nepravilan način ili ako niste oprezni. Može doći do telesne povrede ili smrti ako se ne pridržavate bezbednosnih uputstava.
- Ovaj proizvod pri radu stvara elektromagnetno polje. Ovo polje u određenim uslovima može da izazove smetnje na aktivnim i pasivnim medicinskim implantatima. Kako bi se smanjio rizik od teških ili smrtnih povreda, preporučujemo osobama koje imaju medicinske implante da se pre upotrebe ovog uređaja konsultuju sa lekarom ili proizvođačem implanta.
- Uvek budite pažljivi i koristite zdrav razum. Ako niste sigurni kako da rukujete proizvodom u određenoj situaciji, prekinite rad i obratite se Husqvarna prodavcu pre nastavka rada.
- Imajte na umu da će se rukovalac smatrati odgovornim za nesrećne slučajeve koji uključuju druge osobe ili njihovu imovinu.
- Održavajte proizvod čistim. Pobrinite se da jasno možete pročitati znakove i nalepnice.
- Nikada nemojte dozvoliti deci ili osobama koje nisu pročitale ova uputstva da koriste uređaj. Uzrast rukovaoca je možda ograničen lokalnim propisima.
- Uvek nadzirite osobu sa smanjenim fizičkim ili mentalnim sposobnostima koja koristi proizvod. Odgovorna odrasla osoba mora biti prisutna sve vreme.
- Nemojte koristiti proizvod kada ste umorni, bolesni ili pod uticajem alkohola, droge ili lekova. To negativno utiče na vaš vid, opreznost, koordinaciju i rasuđivanje.
- Nemojte koristiti uređaj ako je oštećen ili neispravan.
- Nemojte vršiti izmene na proizvodu i nemojte koristiti proizvod ako postoji mogućnost da su druge osobe vršile izmene na njemu.

## Bezbednost na radu



**UPOZORENJE:** Pročitajte upozoravajuća uputstva koja slede pre korišćenja proizvoda.

- Koristite ovaj proizvod samo za košenje travnjaka. Nije dozvoljeno njegovo korišćenje za druge zadatke.
- Koristite ličnu zaštitnu opremu. Pogledajte *Lična zaštitna oprema na stranici 442*
- Naučite kako da brzo zaustavite motor u slučaju opasnosti.

- Nemojte raditi sa proizvodom po kiši ili u vlažnim uslovima. Opasnost od strujnog udara se povećava ako voda prodre u proizvod.
- Nemojte raditi sa proizvodom ako sečivo i svi poklopci nisu pravilno postavljeni. Nepravilno postavljeno sečivo se može otkaçiti i prouzrokovati telesnu povredu.
- Pobrinite se da sečivo ne udara o predmete kao što su kamenje ili korenje. To može dovesti do oštećenja sečiva i savijanja osovine motora. Savijena osovina proizvodi velike vibracije i postoji povećana opasnost da se sečivo olabavi.
- Ako sečivo udari o predmet ili ako se pojave vibracije, odmah zaustavite proizvod. Zaustavite motor, okrenite bezbednosni ključ u položaj 0 i uklonite akumulator. Sačekajte da se pokretni delovi zaustave. Pregledajte proizvod u pogledu oštećenja. Pritegnite labave delove. Opravite oštećenja, zamenite oštećene delove. Neka odobreni serviser obavli popravku.
- Nikada nemojte postavljati ručicu kočnice motora trajno na ručku kada je motor pokrenut.
- Postavite proizvod na stabilnu, ravnu površinu i pokrenite ga. Vodite računa da sečivo ne dodiruje tlo ili druge predmete.
- Uvek stojte iza proizvoda kada radite sa njim.
- Vodite računa da svi točkici ostanu na tlu i držite dve ruke na ručki kada rukujete proizvodom. Udaljite šake i stopala od rotirajućih noževa.
- Ne naginjte proizvod pri pokretanju motora i tokom rada.
- Budite pažljivi kada povlačite proizvod unazad.
- Nikada nemojte podizati proizvod kada je motor pokrenut. Ako morate podići proizvod, prvo zaustavite motor, okrenite bezbednosni ključ u položaj 0 i uklonite akumulator.
- Nemojte hodati unazad kada radite sa proizvodom.
- Zaustavite motor ako treba nagnuti ili preneti proizvod ili preko područja bez trave, na primer, stazica napravljenih od šljunka, kamena i asfalta.
- Nemojte trčati sa proizvodom kada je motor pokrenut. Uvek hodajte kada radite sa proizvodom.
- Zaustavite motor pre nego što promenite visinu košenja. Nikada nemojte da vršite podešavanja dok je motor pokrenut.
- Nikada nemojte dozvoliti da proizvod ostane bez nadzora dok je motor pokrenut. Zaustavite motor i uverite se da se oprema za košenje ne okreće.
- Vibracije tokom rada mogu da se razlikuju od vrednosti koju navodi *Tehnički podaci na stranici 452*. Odstupanje izazivaju razlike u načinu korišćenja proizvoda. Ako proizvod koristite često ili dugo, redovno pauzirajte da biste sprečili nastanak povreda od vibracija.

## Bezbednosna uputstva za rad

### Lična zaštitna oprema



**UPOZORENJE:** Pročitajte upozoravajuća uputstva koja slede pre korišćenja proizvoda.

- Lična zaštitna oprema ne može da u potpunosti spreči telesnu povredu, ali ona umanjuje stepen telesne povrede ako dođe do nesrećnog slučaja. Neka vam vaš prodavac pomogne u izboru odgovarajuće opreme.
- Nosite čvrste neklizajuće cizme ili cipele. Nemojte nositi obuću sa otvorenim prstima ili iciposonogi.
- Uvek nosite duge pantalone od čvrstog materijala.
- Nosite zaštitne rukavice po potrebi, na primer, kada pričvršćujete, pregledate ili čistite opremu za košenje.
- Preporučujemo da koristite zaštitu za sluh.

### Bezbednosni uređaji na proizvodu



**UPOZORENJE:** Pročitajte upozoravajuća uputstva koja slede pre korišćenja proizvoda.

- Nemojte da koristite bezbednosne uređaje koji su oštećeni ili neispravni.
- Ne uklanjajte i ne prepravljajte bezbednosne uređaje.
- Redovno proveravajte bezbednosne uređaje. Ako su bezbednosni uređaji oštećeni ili neispravni, obratite se svom Husqvarna servisnim agentu.

### Provera poklopc mehanizma za košenje

Poklopac mehanizma za košenje smanjuje vibracije u proizvodu, kao i rizik od povrede nožem.

- Pregledajte poklopac košenja kako biste se uverili da nema oštećenja kao što su naprsline.

### Provera bezbednosnog ključa

Bezbednosni ključ se nalazi ispod poklopc akumulatora. Bezbednosni ključ povezuje akumulator koji snabdeva motor napajanjem.

- Pokrenite i zaustavite motor da biste izvršili proveru bezbednosnog ključa.
- Ako bezbednosni ključ ispravno radi, motor se može pokrenuti samo kada je ključ u položaju 1. (Sl. 16)

### Provera zadnjeg poklopc

Zadnji poklopac smanjuje rizik da predmeti budu izbačeni u smeru rukovaoca.

- Uverite se da zadnji poklopac nije oštećen.
- Uverite se da opruge koje zatvaraju zadnji poklopac nisu polomljene.
- Zamenite polomljene opruge i oštećene delove.

- Uverite se da se zadnji poklopac može slobodno pomerati na šarkama.

## Provera ručice kočnice motora

Ručica kočnice motora zaustavlja motor. Kada je ručica kočnice motora otpuštena, motor se zaustavlja.

- Pokrenite proizvod. Pogledajte *Pokretanje proizvoda na stranici 446*
- Otpustite ručicu kočnice motora. (Sl. 17)
- Uverite se da se proizvod zaustavlja. Ako se motor ne zaustavi u roku od 3 sekunde, neka ovlašćeni Husqvarna servisni agent izvrši podešavanje kočnice motora.

## Provera inhibitora pokretanja

Izvršite proveru inhibitora pokretanja kako biste se uverili da sprečava rad motora.

1. Pritisnite ručicu kočnice motora u smeru upravljača. Inhibitor pokretanja zaustavlja kretanje.
2. Pritisnite inhibitor pokretanja ka spolja. (Sl. 18)
3. Otpustite inhibitor pokretanja i uverite se da se vraća u početni položaj.

## Bezbedna upotreba akumulatora



**UPOZORENJE:** Pročitajte upozoravajuća uputstva koja slede pre korišćenja proizvoda.

- Koristite Husqvarna punjive akumulatora kao izvor napajanja samo za odgovarajuće Husqvarna proizvode. Kako bi se sprečila telesna povreda, nemojte koristiti bateriju kao izvor napajanja za druge uređaje.
- Ne koristite baterije za jednokratnu upotrebu.
- Opasnost od strujnog udara. Nemojte povezivati terminale baterije na ključevce, kovanice, vijke ili druge metalne predmete. To može dovesti do kratkog spoja baterije.
- Nemojte stavljati predmete u proreze za vazduh baterije.
- Držite bateriju tako da ne bude izložen sunčevoj svetlosti, toploti ili otvorenom plamenu. Akumulator može da eksplodira i izazove opekotine i/ili hemijske opekotine.
- Držite bateriju tako da ne bude izložena kiši i vlažnim uslovima.
- Držite bateriju dalje od mikrotalasnih pećnica i visokog pritiska.
- Nemojte pokušavati da rastavite ili lomite bateriju.
- Ako baterija curi, ne dozvolite da vam ta tečnost dospe na kožu ili u oči. Ako ste dodirnuli tečnost, isperite površinu velikom količinom vode i obratite se doktoru.
- Akumulator u proizvodu koristite samo kad je temperatura okoline između 5 °C i 40 °C.

- Punjač akumulatora koristite samo kad je temperatura okoline između 5 °C i 40 °C.
- Akumulator se neće puniti ako mu je temperatura veća od 50 °C.
- Nemojte čistiti bateriju ili punjač baterija vodom. Pogledajte *Čišćenje akumulatora i punjača akumulatora na stranici 448*.
- Nemojte koristiti oštećen akumulator.
- Držite akumulatora uskladištene tako da budu udaljeni od metalnih predmeta kao što su ekseri, kovanice, nakit.

## Bezbedna upotreba punjača baterije



**UPOZORENJE:** Pročitajte upozoravajuća uputstva koja slede pre korišćenja proizvoda.

- Koristite QC punjača akumulatora samo za punjenje Husqvarna zamenskih akumulatora.
- Opasnost od strujnog udara ili kratkog spoja. Nemojte stavljati predmete u proreze za vazduh punjača. Nemojte pokušavati da rasklopite punjač baterije. Nemojte povezivati terminale punjača na metalne predmete. Koristite odobrenu mrežnu utičnicu.
- Ovaj proizvod pri radu stvara elektromagnetno polje. Ovo polje u određenim uslovima može da izazove smetnje na aktivnim i pasivnim medicinskim implantatima. U cilju smanjenja rizika od uslova od nastanka teških ili smrtnih povreda, preporučujemo osobama koje imaju medicinske implante da se pre upotrebe ovog uređaja konsultuju sa lekarom ili proizvođačem implanta.
- Redovno proveravajte da kabl za napajanje punjača akumulatora nije oštećen i da na njemu ne postoje naprsline.
- Nemojte podizati punjač akumulatora za kabl za napajanje. Da biste iskopčali punjač baterije sa mrežne utičnice, povucite utikač. Ne vucite kabl za napajanje.
- Držite kabl za napajanje i produžni kabl dalje od vode, ulja i oštih ivica. Uverite se da kabl nije priklješten vratima, ogradom ili sličnim stvarima. Time punjač može da dođe pod napon.
- Nemojte čistiti punjač akumulatora vodom.
- Ovaj punjač akumulatora mogu koristiti deca uzrasta 8 godina i starija i osobe sa smanjenim fizičkim, senzornim ili mentalnim sposobnostima ili nedostatkom iskustva i znanja ako su pod nadzorom ili su upućeni u pogledu korišćenja punjača akumulatora na bezbedan način i razumeju povezanu opasnost. Deca ne smeju da se igraju sa punjačem akumulatora. Deca ne smeju da čiste i održavaju uređaj bez nadzora.
- Nemojte puniti jednokratne baterije.
- Nemojte koristiti punjač akumulatora u blizini zapaljivih materijala ili materijala koji mogu da izazovu koroziju. Nemojte pokrivati punjač baterija.

Izvucite utikač kabla iz punjača baterije ako se pojave dim ili vatra.

- Nemojte koristiti oštećen punjač akumulatora.
- Akumulator puniti samo u zatvorenom prostoru u prostoriji sa dobrom ventilacijom i podalje od sunčeve svetlosti. Nemojte puniti bateriju u vlažnim uslovima.

## Bezbednosna uputstva za održavanje



**UPOZORENJE:** Pročitajte upozoravajuća uputstva koja slede pre korišćenja proizvoda.

- Kako biste sprečili slučajno pokretanje tokom održavanja, okrenite bezbednosni ključ u položaj 0 i uklonite akumulator. Sačekajte najmanje 5 sekundi pre nego što počnete da vršite održavanje.
- Vršite samo one radove na održavanju proizvoda koji su navedeni u ovom korisničkom uputstvu. Svaki veći zahvat i profesionalne popravke mora da izvrši ovlašćeni serviser. Obratite se najbližem servisnom agentu za više informacija.

- Pravilno vršite rad na održavanju kako biste povećali radni vek proizvoda i smanjili rizik od nesrećnih slučajeva.
- Zamenite oštećene, pohabane ili pokvarene delove. Uvek koristite originalne rezervne delove proizvođača. Ostali rezervni delovi mogu da oštete proizvod i povećavaju rizik od nezgoda.
- Da biste sprečili povrede, ne uklanjajte i ne prepravljajte bezbednosne uređaje.
- Nosite čvrste rukavice kada koristite opremu za košenje. Sečivo je veoma oštro i lako dolazi do posekotine.
- Održavajte rezne ivice oštirim i čistim kako biste dobili najbolje i najbezbednije performanse.
- Neka servisni agent redovno proverava proizvod i vrši potrebna podešavanja i popravke.
- Pridržavajte se uputstava za zamenu opreme. Koristite samo opremu od proizvođača.
- Kada se ne koriste, čuvajte proizvod, akumulator i punjač akumulatora odvojeno na suvom i zaključanom zatvorenom mestu. Pobrinite se da deca i neovlašćene osobe ne mogu imati pristup proizvodu, akumulatoru ili punjaču akumulatora.

## Sklapanje

### Uvod



**UPOZORENJE:** Pre sklapanja proizvoda, pročitajte poglavlje o bezbednosti.



**UPOZORENJE:** Kako biste sprečili slučajno pokretanje tokom sklapanja, okrenite bezbednosni ključ u položaj 0, uklonite akumulator i sačekajte najmanje 5 sekundi.

3. Gurnite zavrtanj (A) kroz ručku (B), plastičnu podlošku (C) i nosač ručke (D). (Sl. 21)
4. Pritegnite navrtku (E) do kraja.
5. Izvadite proizvod iz kutije.
6. Savijte ručku u uspravan položaj. (Sl. 22)
7. Postavite visinu ručke u najniži položaj. Pogledajte *Podešavanje ručke na stranici 444*.
8. Pričvrstite kabl na donji deo ručke pomoću spojnice za kabl. (Sl. 23)
9. Pričvrstite donji deo kabla na nosač ručke pomoću kablovske vezice. Odsecite preostali deo kablovske vezice. (Sl. 24)

### Sklapanje ručke

**Napomena:** Preporučuje se da ovaj postupak obave dve osobe.

**Napomena:** Nemojte uklanjati proizvod iz kutije kada sklapate ručku. Kutija se može koristiti kao potpora za ručku tokom sklapanja.

1. Podignite i okrenite ručku. (Sl. 19)



**OPREZ:** Budite pažljivi i pobrinite se da se kabl ne ošteti prilikom okretanja ručke.

2. Stavite ručku na vrh proizvoda. Nagnite ručku prema kutiji za potporu ručke. Pogledajte ilustraciju. (Sl. 20)

**Napomena:** Uverite se da je kabl pravilno postavljen. Kabl koji je previše labav uzrokuje oštećenje kabla kada se postavi hvatač trave. (Sl. 25)

### Podešavanje ručke

1. Olabavite donju dugmad.
2. Pomerite dugmad u donji kraj žlebova na levoj i desnoj strani proizvoda. (Sl. 26)
3. Stavite ručku u jedan od 2 položaja za visinu.
4. Pomerite dugmad nagore u smeru ručke dok se ne zaustave i ne čujete klik zvuk. (Sl. 27)
5. Potpuno zategnite dugmad.

# Rukovanje

## Uvod



**UPOZORENJE:** Pre rada sa proizvodom, morate pročitati i razumeti poglavlje o bezbednosti.

## Husqvarna Connect

Husqvarna Connect je besplatna aplikacija za mobilne uređaje. Aplikacija Husqvarna Connect pruža proširene funkcije za proizvod Husqvarna:

- Dodatne informacije o proizvodu.
- Informacije o delovima proizvoda i servisiranju i pomoći u vezi s njima.

## Da biste počeli koristiti Husqvarna Connect

1. Preuzmite aplikaciju Husqvarna Connect na svoj mobilni uređaj.
2. Registrujte se u aplikaciji Husqvarna Connect.
3. Pratite uputstva u aplikaciji Husqvarna Connect da biste se spojili i registrovali proizvod.

## Stavljanje proizvoda u položaj za rad

1. Uverite se da su donja dugmad otpuštena. Pogledajte *Podešavanje ručke na stranici 444*.
2. Savijte ručku u uspravan položaj. (Sl. 22)
3. Pomerite dugmad nagore u smeru ručke dok se ne zaustave i ne čujete klik zvuk. (Sl. 27)
4. Potpuno zategnite dugmad.



**UPOZORENJE:** Ne koristite proizvod ako ručka nije potpuno otvorena i postavljena u jedan od datih položaja za visinu. Pogledajte *Podešavanje ručke na stranici 444*.

## Podešavanje visine košenja

1. Pomerite polugu visine košenja unazad da biste povećali visinu košenja.
2. Pomerite polugu visine košenja unapred da biste smanjili visinu košenja. (Sl. 28)



**OPREZ:** Nemojte postavljati visinu košenja suviše nisko. Sečiva mogu da udare o tlo ako površina travnjaka nije ujednačena.

## Akumulator



**UPOZORENJE:** Pre korišćenja akumulatora, morate pročitati i razumeti poglavlje o bezbednosti. Takođe morate

pročitati i razumeti korisničko uputstvo za akumulator i punjač akumulatora.

Akumulator i punjač akumulatora čuvajte na odgovarajućoj temperaturi.

	Temperatura sredine
Radni opseg akumulatora	5 °C – 40 °C
Punjenje akumulatora	5 °C – 40 °C

## Status baterije

Displej prikazuje preostali kapacitet akumulatora kao i da li postoje problemi sa akumulatorom. Pritisnite dugme indikatora akumulatora kako biste dobili informacije o statusu punjenja akumulatora. Simbol upozorenja na akumulatoru se prikazuje kada je došlo do greške. Pogledajte *Akumulator na stranici 449*.

(Sl. 29)

LED svetla	Status baterije
Sve LED lampice svetle	Potpuno napunjeno (76–100%)
LED br. 1, LED br. 2, LED br. 3 svetle	Akumulator je 51–75% napunjen
LED br. 1, LED br. 2 svetle	Akumulator je 26–50% napunjen
LED br. 1 svetli	Akumulator je 6–25% napunjen.
LED br. 1 trepće	Akumulator je 0–5% napunjen.

## Punjenje akumulatora

Napunite akumulator pre prvog korišćenja. Akumulator je samo 30% napunjen prilikom isporuke kupcu.

**Napomena:** Punjač akumulatora je potrebno povezati na napon i frekvenciju navedenu na nazivnoj pločici.

Akumulator se ne puni ako je temperatura akumulatora iznad 50 °C. Punjač akumulatora smanjuje temperaturu akumulatora pre početka punjenja.

1. Povežite jedan kraj kabla za napajanje za punjač akumulatora u utičnicu punjača akumulatora.

2. Povežite drugi kraj kabla za napajanje za punjač akumulatora u uzemljenu mrežnu utičnicu. LED lampica na punjaču akumulatora trepće zeleno jedanput. (Sl. 30)
3. Stavite akumulator u punjač akumulatora. Zelena lampica na punjaču svetli kada je akumulator ispravno povezan na punjač akumulatora. (Sl. 31)
4. Akumulator je potpuno napunjen kada na njemu svetle sve LED lampice. Puniti akumulator najviše 24 sata.
5. Da biste iskopčali punjač akumulatora iz mrežne utičnice, povucite utikač, a ne kabl za napajanje.
6. Izvadite akumulator iz punjača akumulatora.

## Pokretanje proizvoda

1. Otvorite poklopac akumulatora.
2. Stavite napunjen akumulator u 1 od odeljaka za akumulator. Za duže vreme rada, stavite drugi napunjen akumulator u drugi odeljak za akumulator.
3. Okrenite bezbednosni ključ u položaj 1. (Sl. 32)
4. Stanite iza proizvoda.
5. Olabavite inhibitor pokretanja. (Sl. 18)
6. Pritisnite ručicu kočnice motora u smeru upravljača. (Sl. 33)

## Korišćenje pogona na točkicama (LC 251iS)

- Gurnite pritiskivač pogona u smeru upravljača. (Sl. 34)
- Otpustite pritiskivač pogona da biste deaktivirali pogon, na primer, kada se nalazite blizu prepreke.
- Pre nego što povučete proizvod unazad, odvojte pogon i gurnite proizvod ka napred približno 10 cm.

## Korišćenje funkcije SavE™

Proizvod ima funkciju uštede akumulatora (SavE™) koja pruža duže vreme rada.

- Pritisnite dugme SavE™ u položaj 1 da biste pokrenuli funkciju. (Sl. 35)
- Pritisnite dugme SavE™ u položaj 0 da biste zaustavili funkciju.

**Napomena:** Funkcija SavE™ se automatski zaustavlja ako uslovi tla zahtevaju veću izlaznu snagu. Funkcija SavE™ se automatski ponovo pokreće kada uslovi tla to dozvoljavaju.

## Funkcija velikog opterećenja

Kada se proizvodom kosi visoka ili vlažna trava, motor automatski povećava broj obrtaja. Motor se vraća u standardni režim kada veliko opterećenje nije potrebno.

## Zaustavljanje motora

Tokom rada, nož i motor mogu da se privremeno zaustave zbog prepreka kao što su zapušenje travom ispod poklopca košenja. Ako dođe do toga, i držite pritisnutu ručicu kočnice motora, proizvod će probati da se automatski ponovo pokrene. Ako se proizvod ne pokrene ponovo za 5–10 sekundi, treba očistiti prostor ispod poklopca košenja. Pogledajte *Čišćenje proizvoda na stranici 448*.



**UPOZORENJE:** Ako se motor zaustavi, proizvod će probati da se automatski ponovo pokrene za 5–10 sekundi. Sačekajte najmanje 15 sekundi pre nego što proverite poklopac košenja.



**UPOZORENJE:** Pre provere poklopca košenja pustite ručicu kočnice motora, okrenite bezbednosni ključ u položaj 0, uklonite akumulator i sačekajte najmanje 5 sekundi. Rizik od povrede ako se prepreka ukloni i proizvod slučajno proradi.

## Zaustavljanje proizvoda



**UPOZORENJE:** Okrenite bezbednosni ključ u položaj 0 pre nego što ostavite proizvod bez nadzora.

1. Otpustite ručicu kočnice motora da biste zaustavili motor. (Sl. 36)

**Napomena:** Za LC 251iS. Da biste zaustavili pogon točkova, otpustite pritiskivač pogona.

2. Otvorite poklopac baterije i okrenite bezbednosni ključ u položaj 0. (Sl. 37)
3. Da biste uklonili bateriju, pritisnite 2 dugmeta za otpuštanje i izvucite bateriju. (Sl. 38)
4. Napunite bateriju ako je prazna. Za više informacija pogledajte *Punjenje akumulatora na stranici 445*.

## Korišćenje proizvoda sa hvatačem trave



**UPOZORENJE:** Nemojte raditi sa proizvodom bez postavljenog hvatača trave ili bez zatvorenog zadnjeg poklopca. Predmeti mogu da budu izbačeni i prouzrokuju povredu rukovaoca.

1. Podignite zadnji poklopac. (Sl. 39)
2. Postavite hvatač trave na držač.
3. Otpustite zadnji poklopac i postavite ga na vrh rama vreće za travu. (Sl. 40)

## Promena proizvoda u režim bočnog pražnjenja

1. Podignite zadnji poklopac i uklonite vreću za travu ako je postavljena.
2. Zatvorite zadnji poklopac i uverite se da dobro naleže na proizvod.
3. Podignite blokadu pražnjenja. (Sl. 41)
4. Otvorite poklopac za bočno pražnjenje i postavite bočni usmeravač na osovinice. (Sl. 42)
5. Neka se poklopac za bočno pražnjenje nasloni na usmeravač. Uverite se da usmeravač za bočno pražnjenje dobro naleže na mesto pre korišćenja proizvoda.

## Pražnjenje hvatača trave



**OPREZ:** Podignite hvatač trave kada ga pomerite da biste sprečili habanje.

1. Podignite hvatač trave sa ručkom rama.
2. Upotrebite ručku rama i ručku trave kada praznite hvatač trave. (Sl. 43)

## Za dobre rezultate

- Uvek koristite oštro sečivo. Tupo sečivo daje neujednačeni rezultat i pokošena površina trave postaje žuta. Oštro sečivo takođe koristi manje energije nego tupo sečivo.
- Nemojte kositi više od 1/3 dužine trave. Kad počnete da kosite travu, koristite najveću visinu košenja. Pregledajte rezultat i spustite visinu košenja na prihvatljiviji nivo. Ako je trava veoma visoka, vozite polako i kosite 2 puta ako bude potrebno.
- Kosite u različitim smerovima svaki put da biste izbegli pruge na travnjaku.
- Podignite zadnji poklopac i uklonite hvatač trave.
- Ako su postavljeni priključak za usitnjavanje i sečivo za usitnjavanje, uklonite ih.
- Zatvorite zadnji poklopac pre rada proizvodom. Kad koristite proizvod, pokošena trava se izbacuje ispod zadnjeg poklopca.
- Poklopac košenja mora da bude čist. Naslage trave i prijavštine s unutarnje strane poklopca košenja mogu da umanje rezultate košenja. Pogledajte *Čišćenje proizvoda na stranici 448*

## Održavanje

### Uvod



**UPOZORENJE:** Pre održavanja, morate pročitati i razumeti poglavlje o bezbednosti.

Za sva servisiranja i popravke proizvoda, potrebna je specijalna obuka. Garantujemo dostupnost stručnih popravki i servisiranja.

Za detaljnije informacije pogledajte [www.husqvarna.com](http://www.husqvarna.com).

### Šema održavanja

Intervali održavanja su izračunati na osnovu svakodnevnog korišćenja proizvoda. Intervali se menjaju ako se proizvod ne koristi svakodnevno.

Za održavanja obeležena znakom \*, pogledajte uputstva u *Bezbednost na stranici 439*.

	Svaka upotreba	Mesečno	Svaka sezona
Izvršite generalni pregled	X		
Očistite proizvod	X		
Proverite inhibitor pokretanja *	X		
Uverite se da su bezbednosni uređaji na proizvodu ispravni *	X		
Pregledajte opremu za košenje	X		
Pregledajte poklopac košenja *	X		
Proverite ručicu kočnice motora *	X		
Pregledajte bateriju u pogledu oštećenja	X		
Proverite punjenje baterije	X		
Uverite se da dugmad za otpuštanje na bateriji ispravno rade i da baterija pravilno stoji u proizvodu	X		

	Svaka upotreba	Mesečno	Svaka sezona
Pregledajte punjač baterije u pogledu oštećenja i uverite se da ispravno radi.		X	
Pregledajte konektore između baterije i proizvoda. Takođe pregledajte konektore između baterije i punjača baterije.			X

## Vršenje opšteg pregleda

- Uverite se da su navrtke i zavrtnji na proizvodu zategnuti.
- Uverite se da kablovi na proizvodu nisu u položaju u kojem se mogu oštetiti.

## Čišćenje proizvoda

- Očistite plastične delove čistom i suvom krpom.
- Nemojte čistiti proizvod vodom. Voda može da prodre u akumulator ili motor i izazove kratak spoj ili oštećenje proizvoda.
- Nemojte da koristite čistač pod visokim pritiskom za čišćenje proizvoda.
- Nemojte direktno ispirati motor vodom.
- Uklonite lišće, travu i prljavštinu pomoću četke.

## Čišćenje akumulatora i punjača akumulatora



**UPOZORENJE:** Nemojte čistiti akumulator ili punjač akumulatora vodom.



**UPOZORENJE:** Nemojte da koristite hemijske supstance za čišćenje akumulatora.

- Uverite se da su akumulator i punjač akumulatora čisti i suvi pre stavljanja akumulatora na punjač akumulatora.
- Očistite terminale akumulatora komprimovanim vazduhom ili pomoću meke i suve krpe.
- Očistite površine akumulatora i punjača akumulatora pomoću meke i suve krpe.

## Pregled opreme za rezanje



**UPOZORENJE:** Kako biste sprečili slučajno pokretanje, okrenite bezbednosni ključ u položaj 0, uklonite akumulator i sačekajte najmanje 5 sekundi.



**UPOZORENJE:** Nosite zaštitne rukavice kada vršite održavanje na opremi za košenje. Sečivo je veoma oštro i lako dolazi do posekotina.

1. Pregledajte opremu za košenje u pogledu oštećenja ili naprslina. Uvek zamenite oštećenu opremu za košenje.
2. Pregledajte sečivo da biste videli je li oštećeno ili tupo.

**Napomena:** Nakon oštrenja sečiva potrebno ga je balansirati. Neka servisni centar naoštri, zameni i balansira sečivo. Ako udarite o prepreku nakon čega se proizvod zaustavi, zamenite oštećeno sečivo. Neka servisni centar odredi da li sečivo može da se naoštri ili mora da se zameni.

## Zamena noža

Pogledajte *Tehnički podaci na stranici 452* za potreban tip noža.



**UPOZORENJE:** Blokirajte nož komadom drveta da biste sprečili povrede prstiju tokom zamene noža. Nož može da se pomeri kad je motor isključen i prsti mogu da se uhvate između noža i nepomičnih delova.

1. Blokirajte nož pomoću komada drveta. (Sl. 44)
2. Uklonite vijak noža, podloške i nož. (Sl. 45)
3. Pregledajte nosač noža i vijak noža kako biste videli postoje li oštećenja.
4. Pregledajte osovinu motora kako biste se uverili da nije savijena.
5. Kada postavite nov nož, usmerite savijene krajeve noža u smeru poklopca košenja. (Sl. 46)
6. Pobrinite se da je nož poravnat sa sredinom osovine motora.
7. Blokirajte nož pomoću komada drveta. Postavite podloške i zategnite vijak na moment pritezanja od 23 – 28 Nm. (Sl. 47) (Sl. 45)
8. Povucite nož rukom da biste proverili da li se slobodno okreće.



**UPOZORENJE:** Nosite čvrste rukavice. Nož je veoma oštar i lako dolazi do posekotina.

9. Pokrenite proizvod kako biste testirali nož. Ako nož nije ispravno postavljen, pojaviće se vibriranje proizvoda ili rezultat košenja neće biti zadovoljavajući.



## Provera bočnog usmerivača

Bočni usmeravač se postavlja na otvor za bočno izbacivanje na proizvodu. To smanjuje opasnost od izbacivanja predmeta u pravcu rukovaoca.

1. Uverite se da bočni usmerivač nije oštećen.

2. Pregledajte bočni usmeravač. Uverite se da nema oštećenja, kao što su naprsline ili pokidane opruge koje zatvaraju vrata.
3. Zamenite bočni usmerivač ili opruge ako ima oštećenja.

---

## Rešavanje problema

---

### Akumulator

LED lampice na akumulatoru	Uzrok	Rešenje
Zelena LED lampica trepće.	Napon akumulatora je nizak.	Napunite bateriju. Pogledajte <i>Punjenje akumulatora na stranici 445</i> .
LED lampica greške akumulatora trepće.	Akumulator je previše hladan ili previše vruć za korišćenje.	Pustite da se baterija ohladi ili je unesite u zatvoreni prostor da se zagreje. Kada baterija dostigne ispravnu temperaturu, možete je ponovo koristiti. Akumulator u proizvodu koristite samo kad je temperatura okoline između 5 °C i -40 °C.
	Akumulator je prazan.	Napunite bateriju. Pogledajte <i>Punjenje akumulatora na stranici 445</i> .
LED lampica greške na akumulatoru se uključuje.	Javila se trajna greška akumulatora.	Obratite se Husqvarna serviseru.

### Punjač akumulatora

LED lampice na punjaču baterije	Uzrok	Rešenje
LED lampica greške trepće ili se uključuje.	Punjač akumulatora je previše hladan ili previše vruć za korišćenje.	Pustite da se akumulator ohladi ili ga unesite u zatvoreni prostor da se zagreje. Kada punjač akumulatora dostigne ispravnu temperaturu, možete ga ponovo koristiti. Punjač akumulatora koristite kad je temperatura okoline između 5 °C i -40 °C.
	Druge greške.	Obratite se Husqvarna serviseru.

### Kosačica za travu

Indikator upozorenja (LED greške) nalazi se ispod poklopca baterije.

Problem	LED greške (broj treptaja)	Uzrok	Rešenje
LED greške trepće. Proizvod ne radi kako bi trebalo.	3.	Nož je blokiran.	Okrenite bezbednosni ključ u položaj 0 da biste sprečili slučajno pokretanje. Uklonite bateriju i sačekajte najmanje 5 sekundi. Uklonite moguće prepreke i uverite se da se nož slobodno okreće. Ako se problem nastavi, obratite se Husqvarna serviseru.
	5	Brzina motora prekomerno opada i motor se zaustavlja.	Povećajte visinu košenja. Pogledajte <i>Podešavanje visine košenja na stranici 445.</i>
	6. <sup>97</sup>	Točkovi ili menjač su blokirani.	Okrenite bezbednosni ključ u položaj 0 da biste sprečili slučajno pokretanje. Uklonite bateriju i sačekajte najmanje 5 sekundi. Uklonite moguće prepreke i uverite se da se točkovi slobodno okreću. Ako se problem nastavi, obratite se Husqvarna serviseru.
	10.	Kontrola motora je prevruća.	Zaustavite motor i sačekajte da se ohladi.
LED greške trepće. Proizvod se zaustavlja.	Ne trepće	Kvar konektora baterije.	Pregledajte konektor baterije.
	3.	Motor je preopterećen.	Povećajte visinu košenja. Pogledajte <i>Podešavanje visine košenja na stranici 445.</i>
	8.	Baterija je slaba.	Napunite bateriju. Pogledajte <i>Punjenje akumulatora na stranici 445.</i>
	9.	Greška baterije ili nema signala sa baterije.	Pravilno postavite bateriju u proizvod i pregledajte konektor baterije. Ako LED greške na bateriji trepće. Pogledajte <i>Akumulator na stranici 449.</i>
	15.	Procedura paljenja nije pravilno obavljena. Ručica kočnice motora je aktivirana pre pokretanja motora.	Otpustite ručicu kočnice motora i sačekajte oko 5 sekundi. Ponovo gurnite ručicu kočnice motora nadole da biste pokrenuli proizvod.
Druge greške.	Ako se pojave druge greške, okrenite bezbednosni ključ u položaj 0, uklonite bateriju i obratite se Husqvarna serviseru.		

## Transport, skladištenje i odlaganje

### Uvod

položaj 0, uklonite akumulator i sačekajte najmanje 5 sekundi.



**UPOZORENJE:** Kako biste sprečili slučajno pokretanje tokom transporta i skladištenja, okrenite bezbednosni ključ u

<sup>97</sup> LC 251iS

## Stavljanje proizvoda u položaj za transport

1. Olabavite donju dugmad.
2. Pomerite dugmad u donji kraj žlebova na levoj i desnoj strani proizvoda. (Sl. 26)
3. Sklopite ručku unapred. (Sl. 48)

## Transport

- Zahtevi u pogledu transporta opasnih materija primenjuju se na sadržane litijum-jonske akumulatore.
- Za komercijalni transport moraju se poštovati posebni zahtevi koji su navedeni na pakovanju i nalepnicama.
- Pobrinite se da se pridržavate propisa za transport opasnih materija prilikom pripreme proizvoda za transport. Lokalni propisi se mogu primenjivati.
- Uvek uklonite akumulator pre transporta.
- Stavite traku na konektore akumulatora i uverite se da se akumulator ne može pomerati tokom transporta.
- Fiksirajte proizvod tokom transporta.

## Skladištenje

- Pre skladištenja treba sačekati da se proizvod ohladi.
- Uvek uklonite akumulator pre skladištenja.
- Kako bi se sprečili nesrećni slučajevi, uverite se da akumulator nije povezan na proizvod tokom skladištenja.
- Držite punjač akumulatora u zatvorenom i suvom prostoru.
- Držite akumulator i punjač akumulatora u suvom prostoru gde nema vlage ili mraza.
- Iskopčajte akumulator sa punjača akumulatora tokom skladištenja.
- Ne čuvajte akumulator na mestima gde može doći do statičkog pražnjenja. Ne čuvajte akumulator u metalnoj kutiji.
- Čuvajte proizvod na mestu gde je temperatura između  $-10\text{ }^{\circ}\text{C}$  i  $40\text{ }^{\circ}\text{C}$ .
- Čuvajte akumulator na mestu gde je temperatura između  $5\text{ }^{\circ}\text{C}$  i  $25\text{ }^{\circ}\text{C}$  i van direktne sunčeve svetlosti.
- Čuvajte punjač akumulatora na mestu gde je temperatura između  $5\text{ }^{\circ}\text{C}$  i  $45\text{ }^{\circ}\text{C}$  i van direktne sunčeve svetlosti.
- Pobrinite se da je akumulator napunjen na 30% - 50% pre skladištenja na duži vremenski period.
- Čuvajte proizvod, akumulator i punjač akumulatora na zaključanom mestu izvan domašaja dece i neovlašćenih osoba.
- Očistite proizvod i uverite se da je hvatač trave prazan.
- Obavljajte poslove održavanja opisane u ovom korisničkom uputstvu. Pogledajte *Održavanje na stranici 447*

- Obavite kompletan servis pre nego što uskladištite proizvod na duži vremenski period.

## Odlaganje

Simboli na proizvodu ili njegovom pakovanju ukazuju na to da se ovim proizvodom ne može rukovati kao otpadom iz domaćinstva. On se mora odneti u odgovarajući reciklažni pogon za obnavljanje električne i elektronske opreme.

Starajući se da se na odgovarajući način pobrinite za ovaj proizvod, možete da pomognete da se ublaži mogući negativni uticaj na životnu sredinu i ljude, do kojeg bi u suprotnom došlo u slučaju nepravilnog odlaganja ovog proizvoda na otpad. Za detaljnije informacije o recikliranju ovog proizvoda, obratite se vašoj opštini, „Gradskoj čistoći“ ili osoblju u prodavnici u kojoj ste proizvod kupili.

(Sl. 49)

## Tehnički podaci

### Tehnički podaci

	LC 251i	LC 251IS
<b>Motor košenja</b>		
Tip motora	BLDC (bez četkica) 36 V	BLDC (bez četkica) 36 V
Brzina motora – SavE, o/min	2600/min	2600/min
Brzina motora – nominalna, o/min	3000/min	3000/min
Brzina motora – veliko opterećenje, o/min	3500/min	3500/min
Izlazna snaga motora – maks. kW	1,4	1,4
Izlazna snaga motora – nominalna, kW	0,9	0,9
<b>Pogonski motor</b>		
Izlazna snaga motora – nominalna, kW	N/A	0,4
Brzina samostalnog hoda, km/h	N/A	4,0
Nivoi podešavanja brzine	N/A	1.
<b>Težina</b>		
Masa bez kese (bez baterije), kg	25,5	27.
Masa sa kesom (sa 2 x BLi30), kg	31,5	33.
<b>Baterija</b>		
Vrsta baterije	Husqvarna serija baterije	Husqvarna serija baterije
<b>Vreme rada baterije</b>		
Vreme rada baterije, min. (slobodan rad) sa aktiviranom funkcijom SavE, sa jednom Husqvarna baterijom od 7,5 Ah (BLi30).	58	51.
Vreme rada baterije, min. (slobodan rad) sa aktiviranim standardnim režimom, sa jednom Husqvarna baterijom od 7,5 Ah (BLi30).	42.	38.
<b>Emisija buke <sup>98</sup></b>		
Nivo zvučne snage, mereno dB (A)	96	96
Nivo zvučne snage, garantovano L <sub>WA</sub> dB (A)	98	98
<b>Nivoi zvuka <sup>99</sup></b>		
Nivo zvučnog pritiska na uho rukovaoca, dB (A)	85	85

<sup>98</sup> Emisije buke u životnoj sredini merene kao zvučna snaga (L<sub>WA</sub>) u skladu sa direktivom 2000/14/EZ.

<sup>99</sup> Prijavljeni podaci o nivou pritiska buke imaju nepouzdanost (K) od 1,5 dB(A).

	LC 251i	LC 251iS
<b>Nivoi vibracije</b> <sup>100</sup>		
Ručka, m/s <sup>2</sup>	0,7	0,7
<b>Oprema za košenje</b>		
Visina košenja, mm	25–75	25–75
Širina košenja, mm	510	510
Nož – standardni	Sakupljač 5928704-01	Sakupljač 5928704-01
Kapacitet hvatača trave, litre	65	65

Odobrena baterija	Tip	Kapacitet baterije, Ah	Napon, V	Težina, lb/kg
BLi30	Litijum-jonska	7,5	36.	4,2/1,9
40-B140	Litijum-jonska	4,0	36.	2,6/1,2

Odobreni punjači za navedene baterije, BLi	Ulazni napon, V	Frekvencija, Hz	Snaga, W
40-C80	100–240	50–60	68,8
QC250	100–240	50–60	250

<sup>100</sup> Prijavljeni podaci o nivou vibracije imaju nepouzdanost (K) od 1,5 m/s<sup>2</sup>. Deklarisana ukupna jačina vibracija izmerena je u skladu sa standardom EN 62841-4-3, Aneks I, i može da se koristi za poređenje mašina i za preliminarnu ocenu izloženosti.

# Deklaracija o usklađenosti

## EU deklaracija o usaglašenosti

Mi, **Husqvarna AB**, SE-561 82 Huskvarna, Švedska, tel: +46-36-146500, izjavljujemo pod punom odgovornošću da je proizvod:

<b>Opis</b>	Kosačica za travu
<b>Marka</b>	Husqvarna
<b>Tip/model</b>	LC 251i, LC 251iS
<b>Identifikacija</b>	Serijski brojevi od 2023 i nadalje

su u potpunosti usaglašeni sa sledećim EU direktivama i propisima:

<b>Propis</b>	<b>Opis</b>
2006/42/EZ	„koji se odnose na mašine“
2014/30/EU	„koji se odnose na elektromagnetsku kompatibilnost“
2000/14/EZ	„koji se odnose na emisiju buke u okruženju“
2011/65/EU	„koji se odnose na ograničenje upotrebe određenih opasnih supstanci u električnoj i elek-tronskoj opremi“

i da su sledeći standardi i/ili tehničke specifikacije primenjeni: EN 62841-1:2015/A11:2022, EN IEC 62841-4-3:2021/A11:2021, EN IEC 55014-1:2021, EN IEC 55014-2:2021, EN IEC 63000:2018

Ovlašćeno telo: 0404, SMP Svensk Maskinprovning AB, Box 4053, SE-904 03 Umeå, Sweden je sertifikovalo usaglašenost sa direktivom veća 2000/14/EC, postupak za procenu usklađenosti: Aneks VI.

Za informacije o emisiji buke pogledajte *Tehnički podaci na stranici 452*.

Huskvarna, 2023-12-11



Claes Losdal, menadžer razvoja / baštenski proizvodi,  
Husqvarna AB

Odgovoran za tehničku dokumentaciju



---

## Innehåll

---

Introduktion.....	455	Felsökning.....	465
Säkerhet.....	456	Transport, förvaring och kassering.....	467
Montering.....	461	Tekniska data.....	469
Drift.....	461	Försäkran om överensstämmelse.....	471
Underhåll.....	464		

---

## Introduktion

---

### Produktbeskrivning

Produkten är en rotorgräsklippare som styrs av en gående person. Gräset samlas i en gräsupsamlare. Om du vill att gräset ska kastas ut på sidan monterar du sidoutkastdeflektorn.

### Produktöversikt

(Fig. 1)

1. Motorbromsbygel
2. Startspärr
3. Drivbygel (LC 251iS)
4. Bakre kåpa
5. Gräsupsamlare
6. Handtag
7. Klipphöjdsspak
8. Utkastlås
9. Sidoutkastets kåpa
10. Batterilock
11. Symboler
12. Säkerhetsnyckel
13. Varningsindikator (lysdiod för fel)
14. SavE-knapp
15. Klippkåpa
16. Handtag/styre
17. Lyfthandtag
18. Sidoutkast
19. Bruksanvisning

### Symboler på produkten

- (Fig. 2)      **WARNING**
- (Fig. 3)      Läs instruktionerna.
- (Fig. 4)      **WARNING** – Se upp för föremål som slungas iväg.
- (Fig. 5)      Håll kringstående på avstånd.
- (Fig. 6)      **WARNING** – Håll händer och fötter borta från knivarna.

### Avsedd användning

Använd produkten för att klippa gräs. Använd inte produkten till andra uppgifter.

- (Fig. 7)      **WARNING** – Koppla bort batteriet före underhåll.

- (Fig. 8)      Produkten eller dess förpackning är inte hushållsavfall. Återvinn den vid en återvinningsstation för elektrisk och elektronisk utrustning.

- (Fig. 9)      Miljömärkning för bulleremission enligt direktiv och bestämmelser för EU och Storbritannien samt New South Wales-lagen "Protection of the Environment Operations (Noise Control) Regulation 2017". Produktens garanterade ljudeffektnivå anges i *Tekniska data på sida 469* och på etiketten.

- (Fig. 10)      Utrustningen överensstämmer med gällande EG-direktiv.

- (Fig. 11)      Produkten överensstämmer med gällande brittiska direktiv.

- (Fig. 12)      Produkten har droppskydd.

- (Fig. 13)      Stoppa genom att släppa motorbromsbygeln.

- (Fig. 14)      Kod som kan skannas.

---

**Notera:** Övriga symboler/etiketter på produkten avser specifika krav för certifieringar på vissa marknader.

---

### Märkning på produkten

(Fig. 15)

FARA – Håll händer och fötter borta.

## Produktskada

Vi ansvarar inte för skador på vår produkt om:

- produkten repareras felaktigt
- produkten repareras med delar som inte kommer från tillverkaren eller inte har godkänts av tillverkaren

- produkten har ett tillbehör som inte kommer från tillverkaren eller inte har godkänts av tillverkaren
- produkten inte repareras vid ett godkänt servicecenter eller av en godkänd person.

---

## Säkerhet

---

### Säkerhetsdefinitioner

Varningar, försiktighetsåtgärder och anmärkningar används för att betona speciellt viktiga delar i bruksanvisningen.



**WARNING:** Används om det finns risk för skador eller dödsfall för användaren eller kringstående om anvisningarna i bruksanvisningen inte följs.



**OBSERVERA:** Används om det finns risk för skada på produkten, annat material eller det angränsande området om anvisningarna i bruksanvisningen inte följs.

**Notera:** Används för att ge mer information som är nödvändig i en viss situation.

### Allmänna säkerhetsvarningar



**WARNING:** Gå igenom alla säkerhetsvarningar, instruktioner, illustrationer och specifikationer som medföljer produkten. Om du inte följer instruktionerna nedan kan det leda till elektriska stötar, brand och/eller allvarliga skador.

**Spara alla varningar och instruktioner som referens.** I varningarna syftar begreppet "produkten" på en produkt som antingen är ansluten till en strömkälla (med sladd) eller drivs av batteri (sladdlöst).

### Säkerhet i arbetsområdet

- **Arbetsområdet ska hållas välordnat och välbelyst.** I rörliga eller mörka arbetsområden händer det lätt olyckor.
- **Använd inte produkten i explosiva miljöer, t.ex. i närvaro av brandfarliga vätskor, gaser eller damm.** Gnistor från produkten kan antända damm eller ångor.
- **Håll barn och åskådare på avstånd när du använder produkten.** Om du blir distraherad kan du tappa kontrollen.

### Elsäkerhet

- **Produktens sticpropp måste passa i eluttaget. Förändra aldrig sticckontakten på något sätt. Använd inga adapterkontakter med jordade produkter.** Oförändrade sticckontakter och motsvarande vägguttag minskar riskerna för elektriska stötar.
- **Undvik kroppskontakt med jordade ytor, t.ex. rör, kylare, spisar och kylskåp.** Risken för elektriska stötar ökar om kroppen är jordad.
- **Utsätt inte produkter för regn eller väta.** Om vatten tränger in i produkten ökar risken för elstötar.
- **Använd inte sladden på fel sätt. Använd inte sladden för att bära eller dra produkten eller för att koppla ur produkten från eluttaget. Håll sladden borta från värme, olja, vassa kanter och rörliga delar.** Skadade eller trassliga sladdar ökar risken för elektriska stötar.
- **När du använder en produkt utomhus ska du även använda en förlängningssladd för utomhusbruk.** Om du använder en sladd för utomhusbruk minskar risken för elektriska stötar.
- **Om det är oundvikligt att köra en produkt i en fuktig miljö ska du använda en jordfelsbrytare.** Med jordfelsbrytare minskar risken för elektriska stötar.

### Personssäkerhet

- **Var på din vakt, var uppmärksam på vad du gör och använd sunt förnuft när du använder produkten. Använd inte produkten om du är trött, om du har druckit alkohol eller om du har tagit andra droger eller mediciner.** Ett ögonblick av ouppmärksamhet när du använder produkter kan leda till allvarlig personskada.
- **Använd personlig skyddsutrustning. Använd alltid ögonskydd.** Lämplig skyddsutrustning som ansiktsmask, halkfria skyddsskor, hjälm eller hörselskydd minskar risken för personskador.
- **Förebygg att elverkytget startar oavsiktligt. Se till att strömbrytaren är fränslagen innan du ansluter elverkytget till en strömkälla och/eller ett batteri och innan du tar upp eller bär produkten.** Risken för olyckor är stor om du bär produkter med fingret på strömbrytaren eller tillför ström till produkter med strömbrytaren påslagen.
- **Ta bort eventuella justeringsnycklar eller skiftnycklar innan du slår på produkten.** Skiftnycklar som lämnas kvar i produktens rörliga delar kan orsaka personskada.



- **Sträck dig inte för långt. Ha alltid ett stadigt fotfäste och god balans.** Det ger dig större kontroll över produkten i oväntade situationer.
- **Klä dig rätt. Använd inte löst sittande kläder eller smycken. Håll hår och kläder borta från rörliga delar.** Lösa kläder, smycken eller långt hår kan fastna i rörliga delar.
- **Om det finns anordningar för anslutning av enheter för uppsamling av damm, se då till att dessa är ordentligt anslutna och att de används på rätt sätt.** Dammuppsamling kan minska dammrelaterad fara.
- **Tillåt inte dig själv att bli för avslappnad, även om du har erfarenhet av regelbunden användning av produkter, så att du börjar strunta i produktsäkerheten.** En slarvig handling kan orsaka allvarlig skada på mindre än en sekund.

## Produkternas användning och skötsel

- **Använd inte onödigt kraft med produkten. Använd den produkt som är rätt för aktuellt syfte.** Med rätt produkt utför du ett bättre och säkrare jobb med den hastighet som produkten är utformad för.
- **Använd inte produkten om du inte kan starta och stänga av den med strömbrytaren.** Produkter som inte kan regleras med strömbrytaren är farliga och måste repareras.
- **Koppla bort kontakten från strömkällan och/eller ta ut batteriet (om det kan tas bort) innan du gör några justeringar, byter tillbehör eller förvarar produkter.** Sådana förebyggande säkerhetsåtgärder minskar risken för att produkten startas oavsiktligt.
- **Förvara produkter utom räckhåll för barn när de inte används. Se till att personer som inte tidigare har hanterat produkter eller som inte har läst instruktionerna inte använder dem.** Produkter är farliga om de används av ovana användare.
- **Underhåll produkter och tillbehör. Kontrollera att rörliga delar ligger i linje och inte kärvar. Kontrollera även om det finns skadade delar eller om det föreligger andra förhållanden som kan påverka produktfunktionen. Om produkten är skadad ska den repareras innan den används igen.** Många olyckor sker på grund av att rätt underhåll inte har utförts på produkter.
- **Håll kapverktyg skarpa och rena.** Väl underhållna klippande verktyg med vassa eggar kärvar mer sällan och är lättare att kontrollera.
- **Använd produkten och tillbehör enligt de här instruktionerna. Tänk på att ta hänsyn till arbetsförhållandena och det arbete som ska utföras.** Användning av produkten i andra syften än de avsedda kan resultera i en farlig situation.
- **Håll handtagen och greppytorna torra, rena och fria från olja och fett.** Hala handtag och greppytor innebär att det inte är säkert att hantera och styra produkten i oväntade situationer.

## Använda och underhålla batteridrivna verktyg

- **Ladda endast upp med den laddare som anges av tillverkaren.** En laddare som är lämplig för en typ av

batteripack kan utgöra en brandrisk när den används med ett annat batteripack.

- **Använd endast produkter med särskilt avsedda batteripack.** Användning av andra batteripack kan innebära risk för skada och brand.
- **När batteripacket inte används ska du hålla det borta från andra metallföremål, som gem, mynt, nycklar, spikar, skruvar och andra små metallföremål, som kan skapa en anslutning mellan kontakterna.** Kortslutning av batteriets kontakter kan orsaka brännskador eller brand.
- **Vid felaktig användning kan vätska spruta ut från batteriet. Undvik kontakt. Om kontakt inträffar av misstag ska du skölja med vatten. Om du får vätska i ögonen ska du uppsöka läkare.** Vätska som sprutar ut från batteriet kan orsaka irritation eller sveda.
- **Använd inte ett batteripack eller ett verktyg som är trasigt eller modifierat.** Skadade eller modifierade batterier kan fungera på ett oväntat sätt vilket kan leda till brand, explosion eller risk för skada.
- **Utsätt inte ett batteripack eller ett verktyg för brand eller extrema temperaturer.** Om det utsätts för brand eller temperaturer över 130 °C kan en explosion inträffa.
- **Följ alla anvisningar för laddning och ladda inte batteripacket eller verktyget utanför det temperaturintervall som anges i instruktionerna.** Felaktig laddning eller temperaturer utanför det specificerade området kan skada batteriet och öka risken för brand.

## Tjänst

- **Låt en kvalificerad reparatör, som endast använder identiska reservdelar, underhålla produkten.** På så sätt garanterar du att säkerheten för produkten upprätthålls.
- **Utför aldrig underhåll på skadade batteripack.** Underhåll på batteripack bör endast utföras av tillverkaren eller auktoriserade tjänsteleverantörer.

## Säkerhetsvarningar för gräsklippare

- **Använd inte gräsklipparen i dåligt väder, i synnerhet inte vid risk för blixtnedslag.** Det minskar risken att träffas av blixten.
- **Kontrollera om det finns vilda djur i området där gräsklipparen ska användas.** Vilda djur kan skadas av gräsklipparen under drift.
- **Kontrollera noga området där gräsklipparen ska användas och ta bort alla stenar, grejor, kablar, ben och andra främmande föremål.** Utslungade föremål kan orsaka personskador.
- **Innan du använder gräsklipparen är det viktigt att kontrollera att kniven och knivmonteringen inte är slitna eller skadade.** Slitna eller skadade delar ökar skaderisken.
- **Kontrollera gräsuppsamlaren ofta med avseende på slitage eller fel.** En slitna eller skadad gräsuppsamlare kan öka risken för personskador.

- **Se till att skydden sitter på plats. Skydden måste vara i funktionsdugligt skick och vara korrekt monterade.** Skydd som är lösa, skadade eller inte fungerar som de ska kan leda till personskador.
- **Håll alla kallluftstagn borta från skräp.** Blockerade luftintag och skräp kan leda till överhettning eller brandrisk.
- **Använd alltid halksäkra skyddsskor när du använder gräsklipparen. Använd aldrig gräsklipparen barfota eller med öppna sandaler.** Detta minskar risken för skador på fötterna av den rörliga kniven.
- **Ha alltid på dig långbyxor när du använder gräsklipparen.** Exponerad hud ökar risken för skador från utkastade föremål.
- **Använd inte gräsklipparen i vått gräs. Gå – spring aldrig.** Detta minskar risken för att halka och falla, som kan leda till personskador.
- **Kör inte gräsklipparen i för branta lutningar.** Detta minskar risken för att du tappar kontrollen, halkar eller ramlar, som kan resultera i personskador.
- **När du arbetar i lutningar ska du alltid stå stadigt, alltid arbeta tvärs över lutningen snarare än uppifrån och ner och vara oerhört försiktig när du byter riktning.** Detta minskar risken för att du tappar kontrollen, halkar eller ramlar, som kan resultera i personskador.
- **Var extremt försiktig när du backar eller drar gräsklipparen mot dig. Var alltid uppmärksam på din omgivning.** Då minskar risken för att snubbla under användningen.
- **Vidrör inte knivar eller andra farliga rörliga delar medan de fortfarande är i rörelse.** Detta minskar risken för skador som orsakas av rörliga delar.
- **När du tar bort material som har fastnat eller rengör gräsklipparen måste du se till att alla strömbrytare är avstängda och att batteriet är frånkopplat.** Övriga rörelser av gräsklipparen kan leda till allvarliga personskador.
- **När du tar bort material som har fastnat eller rengör gräsklipparen måste du se till att alla strömbrytare är avstängda och ta bort den avaktiverande enheten.** Övriga rörelser av gräsklipparen kan leda till allvarliga personskador.

### Jordfelsbrytare

- Använd en jordfelsbrytare med en utlösingsström på högst 30 mA.

### Allmänna säkerhetsanvisningar



**VARNING:** Läs varningsinstruktionerna nedan innan du använder produkten.

- Denna produkt är farlig om den används på fel sätt, och om du inte är försiktig. Skada eller dödsfall kan inträffa om du inte följer säkerhetsinstruktionerna.
- Denna produkt alstrar ett elektromagnetiskt fält under drift. Detta fält kan under vissa

omständigheter ge påverkan på aktiva eller passiva medicinska implantat. För att reducera risken för omständigheter som kan leda till allvarliga eller livshotande skador rekommenderar vi därför personer med implantat att rådgöra med läkare samt tillverkaren av det medicinska implantatet innan denna produkt används.

- Var alltid försiktig och använd sunt förnuft. Om du inte vet hur du ska använda produkten i en särskild situation ska du stanna den och tala med en Husqvarna-återförsäljare innan du fortsätter.
- Tänk på att användaren kommer att hållas ansvarig för olyckor som involverar andra människor eller deras egendom.
- Håll produkten ren. Se till att du kan läsa skyltar och dekalering tydligt.
- Låt aldrig barn eller personer som inte känner till de här instruktionerna använda produkten. Lokala föreskrifter kan ange en åldersgräns för användning.
- Övervaka alltid en person med nedsatt fysisk eller mental kapacitet som använder produkten. En vuxen person måste vara närvarande hela tiden.
- Använd aldrig produkten om du är trött, sjuk eller om du är påverkad av alkohol, droger eller läkemedel. Detta har en negativ inverkan på din syn, ditt omdöme och din kroppskontroll.
- Använd inte produkten om den är skadad eller inte fungerar korrekt.
- Modifiera aldrig den här produkten och använd den inte om det är möjligt att den har blivit modifierad av andra.

### Arbets säkerhet



**VARNING:** Läs varningsinstruktionerna nedan innan du använder produkten.

- Använd enbart den här produkten för att klippa gräsmattor. Det är inte tillåtet att använda den för andra uppgifter.
- Använd personlig skyddsutrustning. Se *Personlig skyddsutrustning på sida 459*.
- Se till att du vet hur man snabbt stoppar motorn i en nödsituation.
- Använd inte produkten i regn eller vid blöta förhållanden. Risken för elektriska stötar ökar om vatten kommer in i produkten.
- Använd inte produkten utan att kniven och alla kåpor är korrekt monterade. En felaktigt monterad kniv kan lossna och orsaka personskador.
- Se till att kniven inte slår emot föremål som stenar och rötter. Detta kan göra att kniven skadas och böja motoraxeln. En böjd axel orsakar kraftiga vibrationer och risken för att kniven lossnar blir mycket hög.
- Om kniven träffar ett föremål eller om det uppstår vibrationer ska du omedelbart stanna produkten. Stäng av motorn, vrid säkerhetsnyckeln till 0 och ta ur batteriet. Vänta tills alla rörliga delar står stilla.

Kontrollera om det finns några skador på produkten. Dra åt lösa delar. Reparera skador och byt ut skadade delar. Låt en godkänd serviceverkstad utföra reparationer.

- Fäst aldrig motorbromsbygeln permanent på handtaget när motorn är igång.
- Ställ produkten på ett stabilt plant underlag och starta den. Se till att kniven inte vidrör marken eller andra föremål.
- Håll dig alltid bakom produkten när du använder den.
- Låt alla hjul stå på marken och håll båda händerna på handtaget när du använder produkten. Håll händer och fötter borta från de roterande knivarna.
- Luta inte produkten när du startar motorn eller under användning av produkten.
- Var försiktig när du drar produkten bakåt.
- Lyft aldrig upp produkten när motorn är igång. Om du måste lyfta upp produkten stänger du av motorn, vrider säkerhetsnyckeln till 0 och tar loss batteriet.
- Gå inte baklänges när du använder produkten.
- Stäng av motorn när du behöver luta produkten för transport eller innan du förflyttar dig över ytor utan gräs, till exempel vägar med grus, sten och asfalt.
- Spring inte med produkten när motorn är igång. Gå alltid när du använder produkten.
- Stäng av motorn innan du ändrar klipphöjden. Gör aldrig justeringar med motorn igång.
- Lämna aldrig produkten utanför ditt synfält med motorn igång. Stäng av motorn och se till att skärutrustningen inte roterar.
- Vibrationerna i produkten under drift kan skilja sig från deklarerat vibrationsvärde i *Tekniska data på sida 469*. Skillnaden beror på skillnader i användning av produkten. Om du använder produkten ofta eller under långa perioder bör du ta pauser regelbundet för att förhindra skador till följd av vibrationer.

## Säkerhetsinstruktioner för drift

### Personlig skyddsutrustning



**VARNING:** Läs varningsinstruktionerna nedan innan du använder produkten.

- Personlig skyddsutrustning kan inte eliminera skaderisken helt, men den reducerar effekten av en skada vid ett eventuellt olyckstillbud. Be din återförsäljare om hjälp med att välja rätt utrustning.
- Använd kraftiga halksäkra kängor eller skor. Använd inte öppna skor och var inte barfota.
- Använd tjockare långbyxor.
- Använd skyddshandskar vid behov, till exempel när du ansluter, undersöker eller rengör skärutrustningen.
- Vi rekommenderar att du använder hörselskydd.

## Säkerhetsanordningar på produkten



**VARNING:** Läs varningsinstruktionerna nedan innan du använder produkten.

- Använd inte en produkt med säkerhetsanordningar som är skadade eller som inte fungerar korrekt.
- Ta inte bort och gör inga ändringar på säkerhetsanordningar.
- Kontrollera säkerhetsanordningarna regelbundet. Om säkerhetsanordningarna är skadade eller om de inte fungerar korrekt ska du kontakta en Husqvarna-serviceverkstad.

### Kontrollera klippkåpan

Klippkåpan dämpar vibrationerna och minskar risken för skador orsakade av kniven.

- Undersök klippkåpan för att se till att där inte finns några skador, t.ex. sprickor.

### Kontrollera säkerhetsnyckeln

Säkerhetsnyckeln finns under batteriluckan.

Säkerhetsnyckeln kopplar in batteriet som matar motorn med ström.

- Starta och stäng av motorn för att kontrollera säkerhetsnyckeln.
- Om säkerhetsnyckeln fungerar korrekt startar motorn endast när nyckeln är i position 1. (Fig. 16)

### Kontrollera den bakre kåpan

Den bakre kåpan minskar risken att föremål slungas ut i användarens riktning.

- Se till att den bakre kåpan inte är skadad.
- Se till att fjädrarna som stänger den bakre kåpan inte är skadade.
- Om fjädrarna eller några andra delar är skadade byter du dem.
- Se till att den bakre kåpan kan röra sig utan problem på gångjärnen.

### Kontrollera motorbromsbygeln

Motorbromsbygeln stänger av motorn. När motorbromsbygeln släpps stannar motorn.

- Starta produkten. Se *Starta produkten på sida 462*.
- Släpp motorbromsbygeln. (Fig. 17)
- Se till att produkten stannar. Om motorn inte stannar inom tre sekunder ska du låta en godkänd Husqvarna-serviceverkstad justera motorbromsen.

### Kontrollera startspärren

Gör en kontroll av startspärren för att se till att den hindrar drift av motorn.

1. Tryck motorbromsbygeln i handtagets riktning. Startspärren stoppar rörelsen.

- Tryck ut startspärren. (Fig. 18)
- Lossa startspärren och se till att den går tillbaka till ursprungsläget.

## Batterisäkerhet



**VARNING:** Läs varningsinstruktionerna nedan innan du använder produkten.

- Använd endast laddningsbara batterier från Husqvarna som strömkälla för relaterade Husqvarna-produkter. På grund av risken för skador ska du inte använda batteriet som strömkälla för andra enheter.
- Använd inte batterier som inte är laddningsbara.
- Risk för elektrisk stöt. Anslut inte batteripolerna till nycklar, mynt, skruvar eller andra metallföremål. Det kan orsaka kortslutning i batteriet.
- Placera inte föremål i luftspringorna på batteriet.
- Håll batteriet borta från direkt solljus, värme och öppen eld. Batteriet kan explodera och orsaka brännskador och/eller kemiska brännskador.
- Håll batteriet borta från regn och fuktiga förhållanden.
- Håll batteriet borta från mikrovågor och högt tryck.
- Försök inte ta isär eller krossa batteriet.
- Om batteriet läcker ska du inte låta vätskan komma i kontakt med huden eller ögonen. Om du har rört vid vätskan ska du rengöra området med stora mängder vatten och kontakta läkare.
- Använd endast batteriet i produkten när omgivningstemperaturen är 5–40 °C.
- Använd endast batteriladdaren när omgivningstemperaturen är 5–40 °C.
- Batteriet laddas inte om batteritemperaturen överstiger 50 °C.
- Rengör inte batteriet eller batteriladdaren med vatten. Se *Rengöra batteriet och batteriladdaren på sida 464*.
- Använd inte ett skadat batteri.
- Håll batterier som förvaras borta från metallföremål, exempelvis spikar, mynt och smycken.

## Säkerhet, batteriladdare



**VARNING:** Läs varningsinstruktionerna nedan innan du använder produkten.

- Använd endast QC-batteriladdare för att ladda utbytesbatterier från Husqvarna.
- Risk för elektrisk stöt eller kortslutning. Placera inte föremål i luftspringorna på laddaren. Försök inte plocka isär batteriladdaren. Anslut inte laddarens kontakter till metallföremål. Använd ett godkänt eluttag.
- Denna produkt alstrar ett elektromagnetiskt fält under drift. Detta fält kan under vissa

omständigheter ge påverkan på aktiva eller passiva medicinska implantat. För att reducera risken för omständigheter som kan leda till allvarliga eller livshotande skador rekommenderar vi därför personer med implantat att rådgöra med läkare samt tillverkaren av det medicinska implantatet innan denna maskin används.

- Kontrollera regelbundet att strömkabeln till batteriladdaren är oskadad och att inga sprickor finns.
- Lyft inte batteriladdaren i strömkabeln. Koppla bort batteriladdaren från eluttaget genom att dra i kontakten. Dra inte i strömkabeln.
- Håll strömkabel och skarvsladdar borta från vatten, olja och skarpa kanter. Var uppmärksam så att inte kabeln kläms i dörrar, stängsel eller liknande. Det kan annars medföra att laddaren blir strömförande.
- Rengör inte batteriladdaren med vatten.
- Batteriladdaren kan användas av barn från 8 år och uppåt och personer med olika funktionshinder eller bristande erfarenhet och kunskap om de hålls under uppsikt eller får instruktioner om säker användning av batteriladdaren och förstår de risker användandet medför. Barn får inte leka med batteriladdaren. Rengöring och underhåll får inte utföras av barn utan tillsyn.
- Ladda aldrig batterier som inte är laddningsbara i batteriladdaren.
- Använd inte batteriladdaren nära brandfarliga material eller material som kan orsaka korrosion. Täck inte över batteriladdaren. Dra ut stickkontakten till batteriladdaren vid rökutveckling eller brand.
- Använd inte en skadad batteriladdare.
- Ladda endast batteriet inomhus där den inte utsätts för solljus och i ett rum med bra luftflöde. Ladda inte batteriet vid fuktiga förhållanden.

## Säkerhetsinstruktioner för underhåll



**VARNING:** Läs varningsinstruktionerna nedan innan du använder produkten.

- För att förhindra oavsiktligt start vid underhåll ska du vrida säkerhetsnyckeln till 0 och ta bort batteriet. Vänta i minst fem sekunder innan du påbörjar underhåll.
- Utför endast det underhållsarbete som anges i den här bruksanvisningen. Mer omfattande arbete och professionell reparation ska utföras av en godkänd serviceverkstad. Tala med din närmaste serviceverkstad för mer information.
- Utför underhållsarbete på rätt sätt för att öka produktens livslängd och minska risken för olyckor.
- Byt ut skadade, slitna och trasiga delar. Använd alltid reservdelar i original från tillverkaren. Andra reservdelar kan orsaka skador på produkten och öka risken för olyckor.

- Undvik risken för skador: Ta inte bort och gör inga ändringar på säkerhetsanordningar.
- Använd kraftiga arbetshandskar när du använder skärutrustningen. Kniven är mycket vass och skärskador uppstår lätt.
- Håll den skärande delen skarp och ren för bästa och säkraste prestanda.
- Låt din serviceverkstad regelbundet kontrollera produkten och göra nödvändiga inställningar och reparationer.
- Följ instruktionerna för byte av tillbehör. Använd endast tillbehör från tillverkaren.
- När den inte används ska du hålla produkten, batteriet och batteriladdaren ifrån varandra på ett torrt och låst utrymme inomhus. Se till att barn och personer som inte är godkända inte kan få tillgång till produkten, batteriet eller batteriladdaren.

---

## Montering

---

### Introduktion



**VARNING:** Innan du monterar produkten ska du läsa säkerhetskapitlet.



**VARNING:** Förhindra oavsiktlig start vid montering genom att vrida säkerhetsnyckeln till 0, ta bort batteriet och vänta minst fem sekunder.

### Montera handtaget

**Notera:** Vi rekommenderar att två personer utför denna procedur.

**Notera:** Ta inte ut produkten ur kartongen när du monterar handtaget. Kartongen kan användas som stöd för handtaget under monteringen.

1. Lyft och vrid handtaget. (Fig. 19)



**OBSERVERA:** Var försiktig och se till att kabeln inte skadas när du vrider handtaget.

2. Placera handtaget ovanpå produkten. Luta handtaget mot kartongen för att stödja handtaget. Se bilden. (Fig. 20)

3. För skruven (A) genom handtaget (B), plastbrickan (C) och handtagets stödfäste (D). (Fig. 21)
4. Dra åt muttern (E) helt.
5. Ta ut produkten ur kartongen.
6. Vik handtaget till upprätt läge. (Fig. 22)
7. Ställ in handtagshöjden på det lägsta läget. Se *Justera handtaget på sida 461*.
8. Fäst kabeln vid handtagets nedre del med kabelklämman. (Fig. 23)
9. Fäst den nedre delen av kabeln vid handtagets stödfäste med buntbandet. Klipp av den återstående delen av buntbandet. (Fig. 24)

**Notera:** Se till att kabeln är korrekt ansluten. Om kabeln är för lös kan den skadas när gräsuppsamlaren är installerad. (Fig. 25)

### Justera handtaget

1. Lossa de nedre vreden.
2. Flytta vreden till den nedre delen av spåren på produktens vänstra och högra sida. (Fig. 26)
3. Ställ in handtagshöjden till ett av två tillgängliga lägen.
4. Skjut vreden uppåt mot handtaget tills det tar stopp och du hör ett klick. (Fig. 27)
5. Dra åt vreden helt.

---

## Drift

---

### Introduktion



**VARNING:** Innan du använder produkten måste du läsa igenom och förstå kapitlet om säkerhet.

### Husqvarna Connect

Husqvarna Connect är en kostnadsfri app för mobila enheter. Husqvarna Connect-appen utökar funktionerna för Husqvarna-produkten:

- Mer produktinformation.
- Information om, och hjälp med, produktdelar och service.

### Börja använda Husqvarna Connect

1. Hämta Husqvarna Connect-appen på din mobila enhet.
2. Utför registreringen i Husqvarna Connect-appen.
3. Följ instruktionerna i Husqvarna Connect-appen för att ansluta och registrera produkten.

## Ställa in produkten i arbetsläge

1. Se till att de nedre vreden är lösa. Se *Justera handtaget på sida 461*.
2. Vik handtaget till upprätt läge. (Fig. 22)
3. Skjut vreden uppåt mot handtaget tills det tar stopp och du hör ett klick. (Fig. 27)
4. Dra åt vreden helt.



**WARNING:** Använd inte produkten om inte handtaget är helt uppfällt och inställt i något av de aktuella höjdlägena. Se *Justera handtaget på sida 461*.

## Ställa in klipphöjden

1. Flytta klipphöjdsspaken bakåt för att höja klipphöjden.
2. Flytta klipphöjdsspaken framåt för att sänka klipphöjden. (Fig. 28)



**OBSERVERA:** Ställ inte in för låg klipphöjd. Knivarna kan träffa marken om gräsmattans yta inte är plan.

## Batteri



**WARNING:** Innan du använder batteriet måste du läsa igenom och förstå kapitlet om säkerhet. Du måste också läsa igenom och förstå den bruksanvisning som medföljer batteriet och batteriladdaren.

Förvara batteriet och batteriladdaren i rätt omgivningstemperatur.

	Omgivningstemperatur
Användning av batteri	5–40 °C
Laddning av batteri	5–40 °C

## Batteristatus

Displayen visar den återstående batterikapaciteten och om det föreligger problem med batteriet. Tryck på batteriindikatorknappen för att få information om batteriets laddningsstatus. Varningssymbolen på batteriet tänds när ett fel har inträffat. Se *Batteri på sida 465*.

(Fig. 29)

Lysdioder	Batteristatus
Alla lysdioder är tända	Fulladdat (76–100 %)
Lysdiod 1, 2 och 3 lyser	Batteriet är 51–75 % laddat.

Lysdioder	Batteristatus
Lysdiod 1 och 2 lyser	Batteriet är 26–50 % laddat.
Lysdiod 1 lyser	Batteriet är 6–25 % laddat.
Lysdiod 1 blinkar	Batteriet är 0–5% laddat.

## Ladda batteriet

Ladda batteriet före första användning. Batteriet är endast 30 % laddat när det levereras till kunden.

**Notera:** Batteriladdaren måste vara kopplad till den spänning och frekvens som anges på typskylten.

Batteriet laddas inte om batteritemperaturen är över 50 °C. Batteriladdaren sänker batteriets temperatur innan den börjar ladda.

1. Anslut den ena änden av batteriladdarens nätsladd till batteriladdarens uttag.
2. Anslut den andra änden av batteriladdarens nätsladd till ett jordat eluttag. Lysdioden på batteriladdaren blinkar grönt en gång. (Fig. 30)
3. Sätt i batteriet i batteriladdaren. Den gröna lampan på laddaren tänds när batteriet är korrekt anslutet till laddaren. (Fig. 31)
4. När alla lysdioder på batteriet lyser är batteriet fulladdat. Ladda batteriet i högst 24 timmar.
5. Koppla bort batteriladdaren ur vägguttaget genom att dra i kontakten, inte i nätsladden.
6. Ta ut batteriet ur batteriladdaren.

## Starta produkten

1. Öppna batteriluckan.
2. Sätt i ett laddat batteri i ett av batterifacken. För längre drifttid sätter du ett andra laddat batteri i det andra batterifacket.
3. Vrid säkerhetsnyckeln till 1. (Fig. 32)
4. Stå bakom produkten.
5. Lossa startspärren. (Fig. 18)
6. Tryck motorbromsbygeln i handtagets riktning. (Fig. 33)

## Använda drivningen på hjulen (LC 251iS)

- Tryck drivbygeln mot styret. (Fig. 34)
- Släpp drivbygeln för att koppla ur drivningen, t.ex. när du går nära ett hinder.
- Innan du drar produkten bakåt, stäng av drivenheten och putta fram den ca 10 cm.

## Använda Save™-funktionen

Produkten har en batterisparfunktion (Save™) som ger längre drifttid.

- Tryck Save™-knappen till läge 1 för att starta funktionen. (Fig. 35)
- Tryck Save™ -knappen till läge 0 för att stoppa funktionen.

**Notera:** Save™-funktionen stängs automatiskt av om markförhållandena kräver högre effekt. Save™-funktionen startas automatiskt igen när markförhållandena tillåter.

## Funktion för hög belastning

När produkten klipper högt eller vått gräs ökar motorn automatiskt varvtalet. Motorn återgår till standardläge när hög belastning inte längre behövs.

## Motorn stannar

Under drift kan kniven och motorn tillfälligt stanna på grund av hinder, till exempel gräsansamling under klippkåpan. Om detta inträffar och du håller motorbromshandtaget nedtryckt startar produkten om automatiskt. Om produkten inte startar om på 5–10 sekunder kan det vara nödvändigt att göra rent under klippskyddet. Se *Rengöra produkten på sida 464*.



**WARNING:** Om motorn stannar försöker produkten starta om automatiskt i 5–10 sekunder. Vänta i minst 15 sekunder innan du kontrollerar klippkåpan.



**WARNING:** Innan du kontrollerar klippkåpan: Släpp motorbromsbygeln, vrid säkerhetsnyckeln till 0, ta ut batteriet och vänta i minst fem sekunder. Det finns risk för skador om hindret tas bort och produkten oavsiktligt startar.

## Stoppa produkten



**WARNING:** Vrid säkerhetsnyckeln till 0 innan du lämnar produkten utom synhåll.

1. Släpp motorbromsbygeln för att stänga av motorn. (Fig. 36)

**Notera:** För LC 251iS. Släpp drivbygeln för att stoppa hjulens drivning.

2. Öppna batteriluckan och vrid säkerhetsnyckeln till läget 0. (Fig. 37)
3. För att ta bort batteriet trycker du på de två frigöringsknapparna och drar ut batteriet. (Fig. 38)

4. Ladda batteriet om det är svagt. Mer information finns här *Ladda batteriet på sida 462*.

## Använda produkten med gräsuppsamlaren ( )



**WARNING:** Använd inte produkten om inte gräsuppsamlaren är installerad eller om den bakre kåpan inte är stängd. Föremål kan slungas ut och orsaka skador på användaren.

1. Lyft den bakre kåpan. (Fig. 39)
2. Placera gräsuppsamlaren i hållaren.
3. Frigör den bakre kåpan och placera den på ramen till gräsuppsamlaren. (Fig. 40)

## Ändra produkten till sidoutkastläge

1. Lyft upp den bakre kåpan och ta bort gräsuppsamlaren, om den är monterad.
2. Stäng den bakre kåpan och se till att den sitter tätt emot produkten.
3. Lyft utkastsläset. (Fig. 41)
4. Öppna sidoutkastkåpan och montera sidoutkastdeflektorn på stödtapparna. (Fig. 42)
5. Se till att sidoutkastkåpan ligger mot sidoutkastdeflektorn. Se till att sidoutkastdeflektorn sitter ordentligt fast innan du använder produkten.

## Tömma gräsuppsamlaren



**OBSERVERA:** För att förhindra slitage ska du lyfta gräsuppsamlaren när du flyttar den.

1. Lyft gräsuppsamlaren med hjälp av ramens handtag.
2. Använd ramhandtaget och påshandtaget när du tömmer gräsuppsamlaren. (Fig. 43)

## Få ett bra resultat

- Använd alltid en vass kniv. En slö kniv ger ett ojämnt resultat och gräsets snittyta blir gul. En vass kniv förbrukar mindre energi än en slö kniv.
- Klipp inte mer än en tredjedel av gräsets längd. Använd den högsta klipphöjden när du börjar klippa gräset. Undersök resultatet och sänk klipphöjden till en lämplig nivå. Om gräset är väldigt långt kör du sakta och klipper två gånger, om det behövs.
- Klipp i olika riktningar varje gång för att undvika ränder i gräsmattan.
- Lyft upp den bakre kåpan och ta loss gräsuppsamlaren.
- Om en mulchingplugg och en mulchingkniv är monterade tar du bort dem.

- Stäng den bakre kåpan innan du använder produkten. När du använder produkten kastas gräsklipppet ut under den bakre kåpan.

- Håll klippkåpan ren. Ansamling av gräs och smuts på insidan av klippkåpan kan försämra klippresultatet. Se *Rengöra produkten på sida 464*.

## Underhåll

### Introduktion



**VARNING:** Innan du utför underhåll måste du läsa och förstå kapitlet om säkerhet.

För allt service- och reparationsarbete på produkten krävs särskild utbildning. Vi garanterar att du kan få en fackmannamässig reparation och service utförd.

Mer information finns här i [www.husqvarna.com](http://www.husqvarna.com).

### Underhållsschema

Underhållsintervallen beräknas utifrån daglig användning av produkten. Intervallen ändras om produkten inte används dagligen.

För underhåll som markeras med \*, se anvisningarna i *Säkerhet på sida 456*.

	Varje användning	Varje månad	Varje säsong
Utför en allmän inspektion	X		
Rengör produkten	X		
Kontrollera startspärren*	X		
Kontrollera att produktens säkerhetsanordningar inte är defekta*	X		
Kontrollera skärutrustningen	X		
Kontrollera klippkåpan*	X		
Kontrollera motorbromsbygeln*	X		
Undersök batteriet med avseende på skador	X		
Kontrollera batteriladdningen	X		
Se till att frigöringsknapparna på batteriet fungerar och låser fast batteriet i produkten	X		
Undersök om batteriladdaren har skador och se till att den fungerar som den ska.		X	
Undersök anslutningarna mellan batteriet och produkten. Undersök även anslutningen mellan batteriet och batteriladdaren.			X

### Allmän inspektion

- Se till att skruvar och muttrar på produkten är åtdragna.
- Se till att produktens kablar inte är i ett läge där de kan skadas.

### Rengöra produkten

- Rengör plastdelar med en ren och torr trasa.
- Använd inte vatten för att rengöra produkten. Vatten kan tränga in i batteriet eller motorn och orsaka kortslutning eller skada på produkten.
- Undvik att använda högttrycksvätt när du rengör maskinen.
- Spola inte vatten direkt på motorn.

- Använd en borste för att ta bort löv, gräs och smuts.

### Rengöra batteriet och batteriladdaren



**VARNING:** Rengör inte batteriet eller batteriladdaren med vatten.



**VARNING:** Använd inga kemiska ämnen vid rengöring av batteriet.

- Se till att batteriet och batteriladdaren är rena och torra innan du sätter i batteriet i batteriladdaren.



- Rengör batteripolerna med tryckluft eller med en mjuk, torr trasa.
- Rengör ytorna på batteriet och batteriladdaren med en mjuk, torr trasa.

avstängd och fingrarna fastna mellan kniven och de fasta delarna.

## Kontrollera skärutrustningen



**VARNING:** Förhindra oavsiktlig start genom att vrida säkerhetsnyckeln till 0, ta bort batteriet och vänta minst fem sekunder.



**VARNING:** Använd skyddshandskar när du utför underhåll på skärutrustningen. Kniven är mycket vass och skärskador uppstår lätt.

1. Kontrollera så att skärutrustningen inte är skadad eller har sprickor. Byt alltid ut skadad skärutrustning.
2. Titta på kniven för att se om den är skadad eller slö.

**Notera:** Kniven måste balanseras när den har slipats. Låt en serviceverkstad slipa, byta och balansera kniven. Om du träffar ett hinder som gör att produkten stannar ska du byta ut den skadade kniven. Låt serviceverkstaden bedöma om kniven kan slipas eller måste ersättas.

## Byta knivar

Se *Tekniska data på sida 469* för rätt typ av kniv.



**VARNING:** Lås fast kniven med en träbit för att förhindra skador på fingrarna vid knivbyte. Kniven kan förflyttas när motorn är

1. Lås kniven med en träbit. (Fig. 44)
2. Ta bort knivbulten, brickorna och kniven. (Fig. 45)
3. Kontrollera knivstödet och knivbulten för att se om det finns skador.
4. Kontrollera motoraxeln för att se till att den inte är böjd.
5. När du monterar en ny kniv ska du rikta knivens vinkel ändrar mot klippkåpan. (Fig. 46)
6. Se till att kniven är i linje med motoraxelns mitt.
7. Lås kniven med en träbit. Montera brickorna och dra åt bulten med ett vridmoment på 23 – 28 Nm. (Fig. 47) (Fig. 45)
8. Dra runt kniven för hand och se till att den roterar fritt.



**VARNING:** Använd kraftiga arbetshandskar. Kniven är mycket vass och skärskador uppstår lätt.

9. Starta produkten för att testa kniven. Om kniven inte är korrekt monterad känner du vibrationer i produkten eller så är klippresultat otillfredsställande.

## Kontrollera sidoutkastdeflektorn

Sidoutkastdeflektorn sitter fast i sidoutkastöppningen på produkten. Den minskar risken för att föremål slungas ut mot dig.

1. Se till att den sidoutkastdeflektorn inte är skadad.
2. Kontrollera sidoutkastdeflektorn. Se till att det inte finns några skador, som sprickor eller trasiga fjädrar, som medför att det inte går att stänga dörren.
3. Byt sidoutkastdeflektorn eller fjädrarna om de är skadade.

## Felsökning

### Batteri

Lysdiod på batteriet	Orsak	Lösning
Den gröna lysdioden blinkar.	Batterispänningen är låg.	Ladda batteriet. Se <i>Ladda batteriet på sida 462</i> .
Batteriets varningslam-pa blinkar.	Batteriet är för kallt eller för varmt för att användas.	Låt batteriet svalna eller ta in det inomhus för att värma det. När batteriet har rätt temperatur kan du använda det. Använd endast batteriet i produkten när omgivningstemperaturen är 5–40 °C.
	Batteriet är tomt.	Ladda batteriet. Se <i>Ladda batteriet på sida 462</i> .

Lysdiod på batteriet	Orsak	Lösning
Batteriets varningslampan tänds.	Det förekommer ett permanent batterifel.	Kontakta en Husqvarna-serviceverkstad.

## Batteriladdare

Lysdiod på batteriladdaren	Orsak	Lösning
Varningslampan blinkar eller tänds.	Batteriladdaren är för kall eller för varm för att användas.	Låt batteriladdaren svalna eller ta in den inomhus för att värma den. När batteriladdaren har rätt temperatur kan du använda den. Använd endast batteriladdaren när omgivningstemperaturen är 5–40 °C.
	Andra fel.	Kontakta en Husqvarna-serviceverkstad.

## Gräsklippare

Varningsindikatorn (lampan för fel) finns under batterilocket.

Problem	Varningslampan (antal blinkningar)	Orsak	Lösning
Varningslampan blinkar. Produkten fungerar inte som den ska.	3	Kniven är igensatt.	Vrid säkerhetsnyckeln till 0 för att förhindra oavsiktlig start. Ta ut batteriet och vänta minst fem sekunder. Avlägsna eventuella hinder och se till att kniven kan rotera fritt. Om problemet fortsätter kontaktar du en Husqvarna-serviceverkstad.
	5	Motorns varvtal sjunker för mycket och motorn stängs av.	Öka klipphöjden. Se <i>Ställa in klipphöjden på sida 462</i> .
	6 <sup>101</sup>	Hjulen eller transmissionen är blockerade.	Vrid säkerhetsnyckeln till 0 för att förhindra oavsiktlig start. Ta ut batteriet och vänta minst fem sekunder. Avlägsna eventuella hinder och se till att hjulen kan rotera fritt. Om problemet fortsätter kontaktar du en Husqvarna-serviceverkstad.
	10	Motorstyrningen är för varm.	Stäng av motorn och vänta tills den har svalnat.

<sup>101</sup> LC 251iS

Problem	Varningslampan (antal blinkningar)	Orsak	Lösning
Varningslampan blinkar. Produkten stannar.	Inga blinkningar	Batterianslutningsfel.	Undersök batterianslutningen.
	3	Motorn är överbelastad.	Öka klipphöjden. Se <i>Ställa in klipphöjden på sida 462.</i>
	8	Batteriet är svagt.	Ladda batteriet. Se <i>Ladda batteriet på sida 462.</i>
	9	Batterifel eller ingen signal från batteriet.	Sätt batteriet i produkten på rätt sätt och undersök batterianslutningen. Om varningslampan på batteriet blinkar. Se <i>Batteri på sida 465.</i>
	15	Felaktigt startförfarande. Motorns bromshandtag har aktiverats innan motorn startar.	Släpp motorns bromshandtag och vänta cirka fem sekunder. Tryck ner motorns bromshandtag igen för att starta produkten.
Andra fel.	Om andra fel uppstår vrid du säkerhetsnyckeln till 0, tar bort batteriet och kontaktar en Husqvarna-serviceverkstad.		

## Transport, förvaring och kassering

### Introduktion



**VARNING:** Förhindra oavsiktlig start vid transport och förvaring genom att vrida säkerhetsnyckeln till 0, ta bort batteriet och vänta minst fem sekunder.

### Ställa in produkten i transportläge

- Lossa de nedre vreden.
- Flytta vreden till den nedre delen av spåren på produktens vänstra och högra sida. (Fig. 26)
- Vik handtaget framåt. (Fig. 48)

### Transport

- Kraven i lagstiftningen för farligt gods gäller för de medföljande litiumjonbatterierna.
- För kommersiella transporterna måste särskilda krav på förpackning och etiketter följas.
- Se till att du följer kraven gällande farligt material när du förbereder produkten för transport. Lokala föreskrifter kan gälla.
- Ta alltid loss alltid batteriet vid transport.
- Sätt tejp på batterikontakterna och se till att batteriet inte kan röra sig under transport.
- Sätt fast produkten under transport.

### Lagerförvaring

- Låt produkten svalna innan du ställer undan den.
- Ta alltid ut batteriet vid förvaring.

- Förhindra olyckor genom att se till att batteriet inte är kopplat till produkten vid förvaring.
- Förvara batteriladdaren på en sluten och torr plats.
- Förvara batteriet och batteriladdaren på en torr plats där det inte finns någon fukt eller frost.
- Koppla ur batteriet från batteriladdaren vid förvaring.
- Förvara inte batteriet där statisk elektricitet kan uppkomma. Förvara inte batteriet i en metallåda.
- Förvara produkten i temperaturer mellan -10 och 40 °C.
- Förvara batteriet i temperaturer mellan 5 och 25 °C, inte i direkt solljus.
- Förvara batteriladdaren i temperaturer mellan 5 och 45 °C, inte i direkt solljus.
- Se till att batteriet är 30–50 % laddat innan du förvarar det under längre perioder.
- Förvara produkten, batteriet och batteriladdaren i ett låst utrymme utom räckhåll för barn och personer som inte är godkända.
- Rengör produkten och se till att gräsuppsamlaren är tom.
- Utför underhåll enligt anvisningarna i den här bruksanvisningen. Se *Underhåll på sida 464.*
- Gör en fullständig service innan du ska ställa undan produkten under en längre tid.

### Kassering

Symbolen på produkten eller dess förpackning indikerar att denna produkt inte får hanteras som hushållsavfall. Istället ska den överlämnas till lämplig

återvinningsstation för återvinning av elektrisk och elektronisk utrustning.

Genom att se till att denna produkt omhändertas ordentligt kan du hjälpa till att motverka potentiella negativa konsekvenser på miljö och människor, vilka annars kan orsakas genom oriktig avfallshantering av denna produkt. För mer detaljerad information om återvinning av denna produkt, kontakta din kommun, din hushållsavfallsservice eller affären där du köpte produkten.

(Fig. 49)

## Tekniska data

### Tekniska data

	LC 251i	LC 251iS
<b>Klippmotor</b>		
Motorotyp	BLDC (borstlös) 36 V	BLDC (borstlös) 36 V
Motorvarvtal – SavE, varv/min	2600/min	2600/min
Motorvarvtal – nominellt, varv/min	3000/min	3000/min
Motorvarvtal – hög belastning, varv/min	3500/min	3500/min
Motoreffekt – max. kW	1,4	1,4
Motoreffekt – nominell, kW	0,9	0,9
<b>Drivmotor</b>		
Motoreffekt – nominell, kW	Ej tillämpligt	0,4
Självgående hastighet, km/h	Ej tillämpligt	4,0
Nivåer för varvtalsreglering	Ej tillämpligt	1
<b>Vikt</b>		
Vikt utan väska (exkl. batteri), kg	25,5	27
Vikt med väska (inkl. 2 st. BLi30), kg	31,5	33
<b>Batteri</b>		
Batterityp	Husqvarna batteriserie	Husqvarna batteriserie
<b>Batteritid</b>		
Batteritid, min. (fri drift) med SavE aktiverat, med ett Husqvarna-batteri på 7,5 Ah (BLi30).	58	51
Batteritid, min. (fri drift) med standardläge aktiverat, med ett Husqvarna-batteri på 7,5 Ah (BLi30).	42	38
<b>Bulleremission</b> <sup>102</sup>		
Ljudeffektnivå, uppmätt dB(A)	96	96
Ljudeffektnivå, garanterad L <sub>WA</sub> dB(A)	98	98
<b>Ljudnivåer</b> <sup>103</sup>		
Ljudtrycksnivå vid användarens öra, dB(A)	85	85
<b>Vibrationsnivåer</b> <sup>104</sup>		
Handtag, m/s <sup>2</sup>	0,7	0,7

<sup>102</sup> Bulleremission till omgivningen uppmätt som ljudeffekt (L<sub>WA</sub>) enligt EG-direktiv 2000/14/EG.

<sup>103</sup> Rapporterade data för ljudtrycksnivå har en osäkerhetsfaktor (K) på 1,5 dB(A).

<sup>104</sup> Rapporterade data för vibrationsnivå har en osäkerhetsfaktor (K) på 1,5m/s<sup>2</sup>. Det deklarerade totala vibrationsvärdet har uppmätts i enlighet med SS-EN 62841-4-3, bilaga 1 och kan användas för jämförelse av en maskin med en annan samt vid en preliminär bedömning av exponering.

	LC 251i	LC 251iS
<b>Skärutrustning</b>		
Klipphöjd, mm	25–75	25–75
Klippbredd, mm	510	510
Kniv – standard	Uppsamling 5928704-01	Uppsamling 5928704-01
Gräsuppsamlarens kapacitet, liter	65	65

Godkända batterier	Typ	Batterikapacitet, Ah	Spänning, V	Vikt, lb/kg
BLi30	Litiumjonbatteri	7,5	36	4,2/1,9
40-B140	Litiumjonbatteri	4,0	36	2,6/1,2

Laddare som är godkända för de angivna batterierna, BLi	Ingående spänning, V	Frekvens, Hz	Effekt, W
40-C80	100–240	50–60	68,8
QC250	100–240	50–60	250

# Försäkran om överensstämmelse

## EU-försäkran om överensstämmelse

Vi, **Husqvarna AB**, 561 82 Huskvarna, Sverige, tel:  
+46-36-146500, försäkrar på eget ansvar att produkten:

<b>Beskrivning</b>	Gräsklippare
<b>Varumärke</b>	Husqvarna
<b>Typ/Modell</b>	LC 251i, LC 251iS
<b>Identifiering</b>	Serienummer daterade 2023 och framåt

uppfyller alla krav i följande EU-direktiv och förordningar:

<b>Lagstiftning</b>	<b>Beskrivning</b>
2006/42/EG	"om maskiner"
2014/30/EU	"angående elektromagnetisk kompatibilitet"
2000/14/EC	"angående emission av buller till omgivningen"
2011/65/EU	"angående begränsning av användning av vissa farliga ämnen i elektrisk och elektronisk utrustning"

och att följande standarder och/eller tekniska specifikationer tillämpas: EN 62841-1:2015/A11:2022, EN IEC 62841-4-3:2021/A11:2021, EN IEC 55014-1:2021, EN IEC 55014-2:2021, EN IEC 63000:2018

Anmänt organ: 0404, SMP Svensk Maskinprovning AB, Box 4053, SE-904 03 Umeå, Sweden har intygat överensstämmelse med rådets direktiv 2000/14/EG, procedur för utvärdering av överensstämmelse: bilaga VI.

För information om bulleremissioner, se *Tekniska data på sida 469*.

Huskvarna, 2023-12-11



Claes Losdal, utvecklingschef/trädgårdsprodukter,  
Husqvarna AB

Ansvarig för teknisk dokumentation



## İçindekiler

Giriş.....	472	Sorun giderme.....	482
Güvenlik.....	473	Taşıma, depolama ve atma.....	484
Montaj.....	478	Teknik veriler.....	486
Çalışma.....	478	Uyumluluk Bildirimi.....	488
Bakım.....	481		

## Giriş

### Ürün açıklaması

Ürün, yaya kumandalı bir döner çim biçme makinesidir. Çim, çim toplama sepetinde toplanır. Yandan çim boşaltımı için yandan boşaltma saptırıcısını takın.

### Ürüne genel bakış

(Şek. 1)

1. Motor fren kolu
2. Başlatma engelleyici
3. Tahrik kolu (LC 251iS)
4. Arka kapak
5. Çim toplama sepeti
6. Tutma yeri topuzu
7. Kesim yüksekliği kolu
8. Boşaltma kilidi
9. Yandan boşaltma kapağı
10. Akü kapağı
11. Semboller
12. Güvenlik anahtarı
13. Uyarı göstergesi (hata LED'i)
14. SavE düğmesi
15. Kesim kapağı
16. Tutma yeri/Gidon
17. Kaldırma tutma yerleri
18. Yandan boşaltıcı
19. Kullanım kılavuzu

### Ürün üzerindeki semboller

(Şek. 2) UYARI

(Şek. 3) Talimatları okuyun.

(Şek. 4) UYARI - Fırlayan nesnelere karşı dikkatli olun.

(Şek. 5) Hiç kimsenin yaklaşmasına izin vermeyin.

(Şek. 6) UYARI – Ellerinizi ve ayaklarınızı bıçaklardan uzakta tutun.

### Kullanım amacı

Ürünü çim biçmek için kullanın. Ürünü başka işler için kullanmayın.

(Şek. 7) UYARI – Bakımdan önce akünün bağlantısını kesin.

(Şek. 8) Ürün ya da ürünün ambalajı evsel atık değildir. Ürünü, elektrikli ve elektronik ekipmanlar için bir geri dönüşüm istasyonunda geri dönüştürün.

(Şek. 9) AB ve BK direktifleri ile yönetmelikleri ve Yeni Güney Galler mevzuatı "Çevre Koruma Operasyonları (Gürültü Kontrolü) Yönetmeliği 2017" uyarınca çevreye yayılan gürültü emisyonu etiketi. Ürünün garantili ses gücü düzeyi *Teknik veriler sayfa: 486* bölümünde ve etiketin üstünde belirtilmektedir.

(Şek. 10) Bu ataşman yürürlükteki AT direktiflerine uygundur.

(Şek. 11) Bu ürün yürürlükteki Birleşik Krallık yönetmeliklerine uygundur.

(Şek. 12) Ürün damlamaya karşı korumalıdır.

(Şek. 13) Durdurmak için motor fren kolunu serbest bırakın.

(Şek. 14) Taranabilir kod.

**Not:** Ürünün üzerindeki diğer semboller/etiketler, bazı pazarların sertifikalandırma gereklilikleri ile ilgilidir.

### Ürün üzerindeki etiket

(Şek. 15)

TEHLİKE – El ve ayaklarınızı uzak tutun.



## Üründe oluşabilecek hasarlar

Aşağıdaki durumlarda ürünümüzde oluşabilecek hasarlardan sorumlu olmayız:

- ürünün hatalı bir şekilde onarılması,
- ürünün, üretici tarafından onaylanmayan veya üreticiden alınmayan parçalarla tamir edilmesi,

- üründe, üreticiden alınmayan veya üretici tarafından onaylanmayan bir aksesuar bulunması,
- ürünün, onaylı bir servis merkezinde veya yetkili bir kurum tarafından tamir edilmemesi.

## Güvenlik

### Güvenlik tanımları

Kılavuzdaki önemli kısımları vurgulamak için uyarılar ve notlar kullanılmıştır.



**UYARI:** Kılavuzdaki talimatlara uyulmadığı takdirde operatör veya çevredeki kişiler için ciddi yaralanma veya ölüm tehlikesi varsa kullanılır.



**DİKKAT:** Kılavuzdaki talimatlara uyulmadığı takdirde ürünün, diğer malzemelerin veya çevrenin zarar görme riski olduğunda kullanılır.

**Not:** Belirli bir durumda bilgi verilmesi gerektiğinde kullanılır.

### Genel ürün güvenlik uyarıları



**UYARI:** Bu ürünle birlikte verilen tüm güvenlik uyarılarını, talimatları, çizimleri ve teknik özellikleri okuyun. Aşağıda listelenen talimatların göz ardı edilmesi elektrik çarpmasına, yangına ve/veya ciddi yaralanmaya neden olabilir.

**Tüm uyarı ve talimatları ilerde başvurmak üzere saklayın.** Uyarılardaki "ürün" şebeke akımıyla çalışan (kablolu) ürününüzü veya aküyle çalışan (kablosuz) ürününüzü belirtmektedir.

### Çalışma alanı güvenliği

- **Çalışma alanını temiz ve iyi aydınlatılmış tutun.** Kalabalık veya karanlık alanlar kazalara neden olabilir.
- **Ürünü yanıcı maddelerin, gazların veya tozların bulunduğu patlayıcı ortamlarda çalıştırmayın.** Ürün, toz veya gazı ateşleyebilecek kıvılcımlar çıkarır.
- **Ürünü kullanırken çocukları ve çevredekileri uzaktan tutun.** Dikkatinizin dağılması, kontrolü kaybetmeniz neden olabilir.

### Elektrik güvenliği

- **Ürün fişleri prize uygun olmalıdır. Hiçbir zaman fişler üzerinde herhangi bir değişiklik yapmayın. Topraklı (topraklanmış) ürünlerle herhangi bir adaptör fiş**

**kullanmayın.** Değiştirilmemiş fişler ve uygun prizler, elektrik çarpması riskini azaltır.

- **Boru, radyatör, fırın, buzdolabı gibi topraklı yüzeylerle vücut temasından kaçının.** Vücudunuz topraklı ise elektrik çarpması riski artar.
- **Ürünleri yağmura veya ıslak koşullara maruz bırakmayın.** Ürüne su girdiğinde elektrik çarpması riski artar.
- **Kabloyu kötü kullanmayın. Kabloyu asla ürünü taşımak, çekmek veya fişini çıkarmak için kullanmayın. Kabloyu ısıdan, yağdan, keskin kenarlardan veya hareketli parçalardan uzaktan tutun.** Hasar görmüş veya dolaşmış kablolar, elektrik çarpması riskini artırır.
- **Ürünü dış mekanda kullanırken, dış mekanda kullanımı için uygun bir uzatma kablosu kullanın.** Dış mekanda için uygun bir kordon kullanmak, elektrik çarpması riskini azaltır.
- **Ürünü mutlaka nemli bir ortamda çalıştırmaz gerekiyorsa artık akım cihazı (RCD) korumalı bir güç kaynağı kullanın.** RCD kullanmak elektrik çarpması riskini azaltır.

### Kişisel güvenlik

- **Ürünü kullanırken tetikte olun, dikkatinizi yaptığınız işe verin ve sağduyulu olun. Yorgunken veya uyuşturucu, alkol ya da ilaç etkisi altındayken ürünü kullanmayın.** Ürünleri kullanırken bir anlık bir dikkatsizlik, ciddi yaralanmaya neden olabilir.
- **Kişisel koruyucu ekipmanlar kullanın. Daima koruyucu gözlük takınız.** Uygun durumlarda toz maskesi, kaymayan güvenlik ayakkabıları, çelik başlık veya kulak koruma ekipmanı gibi koruyucu ekipman kullanımı yaralanmaları azaltır.
- **İstenmeyen çalıştırmaları önleyin. Güç kaynağına ve/veya akü grubuna bağlamadan, ürünü kaldırmadan veya taşımadan önce anahtarın kapalı konumda olduğundan emin olun.** Ürünleri parmağınızın çalıştırma düğmesindeyken taşımak veya açık elektrikli ürünlere enerji vermek kazalara yol açabilir.
- **Ürünü açmadan önce ayarlamaya anahtarlarını veya İngiliz anahtarlarını çıkarın.** Ürünün dönen kısmına takılı bırakılan İngiliz anahtarları veya anahtar yaralanmaya neden olabilir.
- **Makineyi kullanırken erişim alanınızın dışındaki yerlere uzanmaya çalışmayın. Her zaman yere sağlam basın ve dengeyi koruyun.** Bu, ürünün beklenmedik durumlarda daha iyi kontrolünü sağlar.

- **Gerektiği gibi giyinin Bol elbise veya takı giymeyin. Saçınızı ve kıyafetinizi hareketli parçalardan uzakta tutun.** Hareketli parçalara bol giysiler, takılar veya uzun saçlar takılabilir.
- **Cihazlar toz çekme ve toplama takımı bağlantısı ile geldiyse bunların bağlı olduğundan ve düzgün kullanıldığından emin olun.** Toz toplama özelliği tozla ilgili tehlikeleri azaltabilir.
- **Ürünleri sık kullanmanın verdiği aşinalıkla kendinizi rahat hissedip ürün güvenlik ilkelerini görmezden gelmeyin.** Dikkatsizce gerçekleştirilen işlemler bir anda ciddi yaralanmalara neden olabilir.

## Ürün kullanımı ve bakımı

- **Ürünü zorlamayın. Yapacağınız iş için doğru ürünü kullanın.** Doğru ürün, tasarlandığı oranda işi daha iyi ve güvenli yapar.
- **Anahtar, ürünü açıp kapatmıyorsa ürünü kullanmayın.** Anahtar ile kontrol edilemeyen ürünler tehlikelidir ve onarılmalıdır.
- **Herhangi bir ayarlama yapmadan, aksesuar değiştirmeden veya ürünleri depolamadan önce ürünün fişini güç kaynağından çekin ve/veya çıkarılabilirse akü grubunu çıkarın.** Bu tür önleyici güvenlik önlemleri, ürünün kazara çalıştırılma riskini azaltır.
- **Kullanılmayan ürünleri çocukların erişemeyeceği yerde saklayın ve ürüne veya bu talimatlara yabancı olan kişilerin ürünü çalıştırmasına izin vermeyin.** Ürünler, eğitimsiz kullanıcıların elinde tehlikelidir.
- **Ürün ve aksesuarların bakımını yapın.** Hareketli parçaların yanlış konumlandırılması veya bağlanması, parçaların kırılması ve ürünün çalışmasını etkileyebilecek herhangi bir durum olup olmadığını kontrol edin. Hasarıysa kullanmadan önce ürünü tamir ettirin. Çoğu kaza yetersiz bakım yapılmış ürünlerden kaynaklanmaktadır.
- **Kesme araçlarını keskin ve temiz tutun.** Bakımı düzgün yapılmış, kesen tarafları yeterli keskinlikte olan kesme araçlarının takılma ihtimali daha az olup kontrol etmesi daha kolaydır.
- **Ürün, aksesuarlar, araç parçaları vb. bileşenleri, çalışma koşullarını ve yapılacak işi göz önünde bulundurarak bu talimatlara uygun şekilde kullanın.** Ürünün tasarlanan amaçları dışında kullanılması tehlikeli bir duruma yol açabilir.
- **Tutma yerlerini ve kavrama yüzeylerini kuru, temiz, gres ve yağdan arındırılmış halde tutun.** Kaygan tutma yerleri ve kavrama yüzeyleri beklenmedik durumlarda ürünün güvenli şekilde kullanılmasına ve kontrol edilmesine izin vermez.

## Akülü alet kullanımı ve bakımı

- **Sadece üreticinin belirttiği şarj aletiyle şarj edin.** Bir akü grubu için uygun olan bir şarj aleti başka bir akü grubuyla kullanıldığında yangın riski doğurabilir.
- **Ürünleri yalnızca özel olarak belirlenmiş akü gruplarıyla kullanın.** Farklı türde akü gruplarının kullanılması yangın ve yaralanma riski doğurabilir.

- **Akü grubu kullanımda değilken ataç, bozuk para, anahtar, çivi, vida veya diğer küçük metal cisimler gibi bir ucun başka bir uca bağlanmasına neden olabilecek cisimlerden uzak tutun.** Akü uçlarının kısa devre yapması vücudun yanmasına veya yangına neden olabilir.
- **Zorlayıcı koşullarda aküden elektrolit sızabilir; dokunmayın. Kazayla temas ederseniz bol suyla yıkayın. Sıvı göze temas ederse ayrıca doktora başvurun.** Aküden sızan sıvı cildin tahriş olmasına veya yanıklara neden olabilir.
- **Hasarlı veya değiştirilmiş bir akü grubu veya alet kullanmayın.** Hasarlı veya üzerinde değişiklik yapılmış aküler yangın, patlama ya da yaralanma riski ile sonuçlanabilecek beklenmedik davranışlar sergileyebilir.
- **Akü grubunu veya aleti ateşe veya aşırı sıcaklığa maruz bırakmayın.** Bunların ateşe veya 130°C/265°F üzeri sıcaklığa maruz kalması patlamaya neden olabilir.
- **Tüm şarj etme talimatlarına uyun ve akü grubunu ya da aleti talimatlarda belirtilen sıcaklık aralığı dışında şarj etmeyin.** Belirtilen sıcaklık aralığının dışında veya hatalı olarak yapılan şarj işlemleri, aküye zarar verebilir ve yangın riskini artırabilir.

## Hizmet

- **Ürününüzün yalnızca aynı yedek parçalar kullanan uzman bir tamirci tarafından onarılmasını sağlayın.** Bu, ürünün güvenliğinin sağlanması için gereklidir.
- **Hasarlı akü gruplarına asla servis işlemi uygulamayın.** Akü gruplarının servis işlemleri yalnızca üretici veya yetkili servis sağlayıcıları tarafından gerçekleştirilmelidir.

## Çim biçme makinesi güvenlik uyarıları

- **Çim biçme makinesini kötü hava koşullarında; özellikle de yıldırım düşmesi riski olduğu durumlarda kullanmayın.** Bu, bir yıldırım tarafından çarpılma riskini azaltır.
- **Çim biçme makinesinin kullanılacağı alandaki doğal hayatı dikkatlice inceleyin.** Çalışma sırasında doğal hayat, çim biçme makinesi nedeniyle zarar görebilir.
- **Çim biçme makinesinin kullanılacağı alanı dikkatlice kontrol edin; tüm taşları, dal parçalarını, telleri, kemikleri ve diğer yabancı nesnelere kaldırın.** Fırlayan nesnelere yaralanmalara neden olabilir.
- **Çim biçme makinesini kullanmadan önce daima bıçağın ve bıçak tertibatının aşınmış veya hasarlı olup olmadığını gözle kontrol edin.** Aşınmış veya hasarlı parçalar yaralanma riskini artırır.
- **Çim toplama sepetinde yıpranma veya bozulma olup olmadığını sık sık kontrol edin.** Aşınmış veya hasarlı çim toplama sepeti, yaralanma riskini artırabilir.
- **Siperlikleri yerinde tutun. Siperlikler çalışır durumda olmalı ve düzgün şekilde monte edilmelidir.** Gevşek, hasarlı veya düzgün çalışmayan bir siperlik, yaralanmalara neden olabilir.

- **Soğutma havası girişlerinde döküntü olmadığından emin olun.** Tıkalı hava girişleri ve döküntüler aşırı ısınmaya veya yangın riskine neden olabilir.
- **Çim biçme makinesini kullanırken her zaman kaymayan ve koruyucu ayakkabı giyin.** Çim biçme makinesini çıplak ayakla veya açık sandalet giyerek kullanmayın. Bu, ayakların hareket eden bıçağa temas etmesiyle oluşabilecek yaralanma olasılığını azaltır.
- **Çim biçme makinesini kullanırken her zaman uzun pantolon giyin.** Açıkta kalan cilt, fırlatılan nesnelere kaynaklanan yaralanma olasılığını artırır.
- **Çim biçme makinesini ıslak çimende kullanmayın. Yürüyün, asla koşmayın.** Bu, yaralanmaya neden olabilecek kayma ve düşme riskini azaltır.
- **Çim biçme makinesini aşırı dik eğimlerde kullanmayın.** Bu, yaralanmaya neden olabilecek kontrol kaybı, kayma ve düşme riskini azaltır.
- **Eğimli yerlerde çalışırken her zaman yere sağlam basın, makineyi eğimli yüzeye paralel kullanın, asla yukarı veya aşağı doğru kullanmayın ve yön değiştirirken çok dikkatli olun.** Bu, yaralanmaya neden olabilecek kontrol kaybı, kayma ve düşme riskini azaltır.
- **Çim biçme makinesini geri hareket ettiren veya kendinize doğru çekerken çok dikkatli olun. Her zaman çevrenize dikkat edin.** Bu, çalışma sırasında takılma riskini azaltır.
- **Hareket halindeyken bıçaklara ve diğer tehlikeli hareketli parçalara dokunmayın.** Bu, hareketli parçalardan kaynaklanan yaralanma riskini azaltır.
- **Sıkışmış malzemeyi temizlerken veya çim biçme makinesini temizlerken, tüm güç anahtarlarının kapalı olduğundan ve aku grubu bağlantısının kesildiğinden emin olun.** Çim biçme makinesinin beklenmedik şekilde çalışması ciddi yaralanmalara neden olabilir.
- **Sıkışmış malzemeyi temizlerken veya çim biçme makinesini temizlerken, tüm güç anahtarlarının kapalı olduğundan emin olun ve devre dışı bırakma cihazını çıkarın.** Çim biçme makinesinin beklenmedik şekilde çalışması ciddi yaralanmalara neden olabilir.

### Artık akım cihazı

- Maksimum 30 mA kesme akımı olan bir artık akım cihazı kullanın.

### Genel güvenlik talimatları



**UYARI:** Ürünü kullanmadan önce aşağıdaki uyarı talimatlarını okuyun.

- Bu ürün yanlış kullanıldığında veya dikkatli olmazsanız tehlikelidir. Güvenlik talimatlarına uyulmaması yaralanmalara veya ölüme yol açabilir.
- Bu ürün, çalışırken elektromanyetik bir alan oluşturur. Bu alan, bazı koşullarda aktif veya pasif tıbbi implantlarda parazitlenmeye neden olabilir.

Ciddi yaralanmaya veya ölüme neden olabilecek durumların ortaya çıkma riskini azaltmak için tıbbi implantı olan kişilerin, bu ürünü çalıştırmadan önce doktorlarına ve tıbbi implant üreticilerine danışmalarını öneririz.

- Her zaman dikkatli olun ve sağduyunuzu kullanın. Özel bir durumda ürünü nasıl kullanacağınızdan önce değişseniz durun ve devam etmeden önce Husqvarna bayinizle görüşün.
- Diğer insanları veya bu insanlara ait mülkleri içeren kazalardan operatörün sorumlu tutulacağını unutmayın.
- Ürünü temiz tutun. İşaretleri ve etiketleri net bir şekilde okuyabildiğinizden emin olun.
- Çocukların veya bu kullanma talimatlarını bilmeyen kişilerin cihazı kullanmasına asla izin vermeyin. Yerel yönetmeliklerde operatör yaşı konusunda bir sınırlama olabilir.
- Fiziksel veya zihinsel kapasitesi düşük olan bir kişi ürünü kullanırken bu kişiyi daima gözetim altında tutun. Sorumluluk sahibi bir yetişkin her zaman orada olmalıdır.
- Ürünü yorgunken, hastayken veya alkol ya da ilaç etkisi altındayken kullanmayın. Bu durum görüş, dikkat, koordinasyon ve doğru bir şekilde düşünmenizi olumsuz yönde etkiler.
- Hasarlıya veya düzgün çalışmıyorsa ürünü kullanmayın.
- Başkaları tarafından değiştirilmiş olma olasılığı varsa bu ürünü değiştirmeyin veya kullanmayın.

### Çalışma güvenliği



**UYARI:** Ürünü kullanmadan önce aşağıdaki uyarı talimatlarını okuyun.

- Bu ürünü yalnızca çimenlik alanlarda çim kesmek için kullanın. Ürünün başka işler için kullanılması yasaktır.
- Kişisel koruyucu ekipmanlar kullanın. Bkz. *Kişisel koruyucu ekipman sayfa: 476*.
- Acil bir durumda motoru hızlı bir şekilde nasıl kapatacağınızı öğrenin.
- Ürünü yağmurda veya ıslak koşullarda çalıştırmayın. Ürünün içine su girerse elektrik çarpması riski artar.
- Bıçağı ve tüm kapakları doğru bir şekilde takmadan ürünü çalıştırmayın. Yanlış bir şekilde takılan bıçak gevşeyerek yaralanmanıza neden olabilir.
- Bıçağın taş veya kök gibi nesnelere çarpmasına dikkat edin. Bu, bıçağa zarar verebilir ve motor milini bükebilir. Bükülmüş aks, ağır titreşime ve çok yüksek bir bıçak gevşemesi riskine neden olabilir.
- Bıçak bir cisme çarpar veya titreşim oluşursa ürünü hemen durdurun. Motoru durdurun, güvenlik anahtarını 0 konumuna getirin ve aküyü çıkarın. Hareketli parçalar durana kadar bekleyin. Üründe hasar olup olmadığını kontrol edin. Gevşek parçaları

sıkın. Hasarları onarın ve hasarlı parçaları değiştirin. Onarımı yetkili bir servis noktasında yaptırın.

- Motor çalıştırıldığında motor fren kolunu asla sürekli olarak kola takmayın.
- Ürünü sabit ve düz bir yüzeye koyup çalıştırın. Bıçağın yere veya diğer cisimlere çarpmadığından emin olun.
- Ürünü çalıştırırken her zaman arkasında durun.
- Ürünü kullanırken tüm tekerleklerin yere basmasını sağlayın ve 2 elinizi kolun üzerinde tutun. El ve ayaklarınızı döner bıçaklardan uzak tutun.
- Motoru çalıştırırken veya ürünün çalışması sırasında ürünü eğmeyin.
- Ürünü arkaya doğru çekerken dikkatli olun.
- Motor çalışırken ürünü hiçbir zaman yukarı kaldırmayın. Ürünü kaldırmayı gerekiyorsa öncelikle motoru durdurun, güvenlik anahtarını 0 konumuna getirin ve aküyü çıkarın.
- Ürünü kullanırken arkaya doğru yürümeyin.
- Ürünü taşımak için yatırmanızı gerektiğinde veya çim bulunmayan alanlarda (örneğin çakıl, taş ve asfalttan yapılan yollar) hareket etmeden önce motoru durdurun.
- Motor çalışırken ürünle birlikte koşmayın. Ürünü kullanırken her zaman yürüyün.
- Kesme yüksekliğini değiştirmeden önce motoru durdurun. Motor çalışırken asla ayarlama yapmayın.
- Motor çalışırken ürünün görüş alanından çıkmasına asla izin vermeyin. Motoru durdurun ve kesme donanımının dönmediğinden emin olun.
- Çalışma sırasında üründeki titreşimler, *Teknik veriler sayfa da: 486* bölümünde belirtilen titreşim değerinden farklı olabilir. Fark, ürünün kullanım şeklindeki değişikliklerden kaynaklanır. Ürünü sıklıkla veya uzun süre kullanıyorsanız titreşimlerden kaynaklanabilecek yaralanmaları önlemek için düzenli olarak mola verin.

## Kullanım için güvenlik talimatları

### Kişisel koruyucu ekipman



**UYARI:** Ürünü kullanmadan önce aşağıdaki uyarı talimatlarını okuyun.

- Kişisel koruyucu ekipmanlar yaralanma riskini tamamen engelleyemez ancak bir kaza durumunda yaralanmanın derecesini azaltır. Bayinizin doğru ekipmanı seçmenize yardımcı olmasını sağlayın.
- Ağır hizmet tipi kaymayan botlar veya ayakkabılar kullanın. Açık ayakkabılar giymeyin veya çıplak ayakla yürümeyin.
- Kalın, uzun pantolonlar giyin.
- Kesme donanımını takma, kontrol etme veya temizleme gibi gerekli durumlarda koruyucu eldivenler kullanın.
- Kulak koruma ekipmanı kullanmanızı öneririz.

## Ürünün üzerindeki güvenlik araçları



**UYARI:** Ürünü kullanmadan önce aşağıdaki uyarı talimatlarını okuyun.

- Güvenlik araçları hasarlı olan veya düzgün çalışmayan bir ürünü kullanmayın.
- Güvenlik araçlarını çıkarmayın veya araçların üzerinde değişiklik yapmayın.
- Güvenlik araçlarını düzenli olarak kontrol edin. Güvenlik araçları hasarlıysa veya düzgün çalışmıyorsa Husqvarna servis noktanıza görüşün.

### Kesme kapağını kontrol etme

Kesme kapağı, üründeki titreşimleri ve bıçakla yaralanma riskini azaltır.

- Çatlak gibi hasarlar olmadığından emin olmak için kesme kapağını inceleyin.

### Güvenlik anahtarını kontrol etme

Güvenlik anahtarı, akü kapağının altındadır. Güvenlik anahtarı, motora güç sağlayan aküye bağlıdır.

- Güvenlik anahtarını kontrol etmek için motoru çalıştırın ve durdurun.
- Güvenlik anahtarı doğru çalışıyorsa motor sadece güvenlik anahtarı 1 konumuna getirildiğinde çalışır. (Şek. 16)

### Arka kapağı kontrol etme

Arka kapak, nesnelerin operatöre doğru fırlama riskini azaltır.

- Arka kapağın hasarlı olmadığından emin olun.
- Arka kapağı kapatan yayların hasarlı olmadığından emin olun.
- Hasarlı yayları ve parçaları değiştirin.
- Arka kapağın menteşeler üzerinde sorunsuz şekilde hareket edebildiğinden emin olun.

### Motor freni tutma yerini kontrol etme

Motor fren kolu motoru durdurur. Motor fren kolu serbest bırakıldığında motor durur.

- Ürünü çalıştırın. Bkz. *Ürünü çalıştırma sayfa da: 479*.
- Motor fren kolunu serbest bırakın. (Şek. 17)
- Ürünün durduğundan emin olun. Motor 3 saniye içinde durmazsa motor frenini onaylı bir Husqvarna servis noktasına ayarlatın.

### Başlatma engelleyiciyi kontrol etme

Motorun çalışmasını engellediğinden emin olmak için başlatma engelleyiciyi kontrol edin.

1. Motor freni kolunu gidonun yönünde itin. Başlatma engelleyici hareketi durdurur.
2. Başlatma engelleyiciyi dışarı doğru itin. (Şek. 18)

3. Başlatma engelleyicisi serbest bırakın ve başlangıç konumuna geri döndüğünden emin olun.

## Akü güvenliği



**UYARI:** Ürünü kullanmadan önce aşağıdaki uyarı talimatlarını okuyun.

- İlgili Husqvarna ürünleri için güç kaynağı olarak yalnızca Husqvarna şarj edilebilir akülerini kullanın. Yaralanmayı önlemek için aküyü başka cihazların güç kaynağı olarak kullanmayın.
- Şarj edilebilir olmayan akü kullanmayın.
- Elektrik çarpması riski. Akü terminallerini anahtarlara, madeni paralara, vidalara veya diğer metallere bağlamayın. Bu, aküde kısa devreye neden olabilir.
- Akünün hava deliklerine herhangi bir nesne koymayın.
- Aküyü güneş ışığından, ısı kaynaklarından veya açık alevden uzak tutun. Akü patlayabilir ve yanıklara ve/veya kimyasal yanıklara neden olabilir.
- Aküyü yağmurdan ve ıslak koşullardan uzak tutun.
- Aküyü mikrodalgalardan ve yüksek basınçtan uzak tutun.
- Aküyü parçalarına ayırmaya veya kırmaya çalışmayın.
- Aküde sızıntı varsa sıvının vücudunuza veya gözlerinize temas etmesine izin vermeyin. Sıvıya temas ederseniz etkilenen bölgeyi bol suyla yıkayın ve tıbbi yardım alın.
- Üründeki aküyü yalnızca 5°C - 40°C arasındaki ortam sıcaklıklarında kullanın.
- Akü şarj cihazını yalnızca 5°C - 40°C arasındaki ortam sıcaklıklarında kullanın.
- Akü sıcaklığı 50°C'nin üzerindeyse akü şarj olmaz.
- Aküyü veya akü şarj cihazını suyla temizlemeyin. Bkz. *Aküyü ve akü şarj cihazını temizleme sayfa: 481.*
- Hasarlı bir aküyü kullanmayın.
- Aküleri çivi, madeni para, mücevher gibi metal nesnelere uzak bir yerde saklayın.

## Akü şarj cihazı güvenliği



**UYARI:** Ürünü kullanmadan önce aşağıdaki uyarı talimatlarını okuyun.

- QC akü şarj cihazlarını yalnızca Husqvarna yedek akülerini şarj etmek için kullanın.
- Elektrik çarpması veya kısa devre riski. Şarj cihazının hava deliklerine herhangi bir nesne koymayın. Akü şarj cihazını parçalarına ayırmaya çalışmayın. Şarj cihazı terminallerini metal nesnelere bağlamayın. Onaylı bir duvar prizi kullanın.
- Bu ürün, çalışırken elektromanyetik bir alan oluşturur. Bu alan, bazı koşullarda aktif veya pasif

tıbbi implantlarda parazitlenmeye neden olabilir. Ciddi yaralanmaya veya ölüme neden olabilecek durumların ortaya çıkma riskini azaltmak için tıbbi implantı olan kişilerin, bu ürünü çalıştırmadan önce doktorlarına ve tıbbi implant üreticilerine danışmalarını öneririz.

- Akü şarj cihazının güç kablosunun hasarlı olmadığını ve üzerinde çatlaklar bulunmadığını düzenli olarak kontrol edin.
- Akü şarj cihazını güç kablosundan çıkartıp kaldırmayın. Akü şarj cihazını duvar prizinden çıkarmak için fişi çekin. Güç kablosunu çekmeyin.
- Güç kablosunu ve uzatma kablolarını sudan, yağdan ve keskin kenarlardan uzak tutun. Kabloların kapılara, çitlere veya benzeri yerlere sıkışmadığından emin olun. Bu durum şarj cihazının elektrik yüklenmesine sebep olabilir.
- Akü şarj cihazını suyla temizlemeyin.
- Akü şarj cihazı, gözetim altında tutuldukları ya da akü şarj cihazının güvenli şekilde kullanımına ilişkin talimatlar sağlandığı ve gerçekleştirilecek tehlikeler açıklandığı sürece 8 yaş ve üzeri çocuklar ve fiziksel, duyuusal veya zihinsel yetenekleri sınırlı olan ya da yetersiz deneyim ve bilgiye sahip kişiler tarafından kullanılabilir. Çocuklar akü şarj cihazı ile oynamamalıdır. Temizlik ve kullanıcı bakım işlemleri gözetim olmadan çocuklar tarafından gerçekleştirilmemelidir.
- Akü şarj cihazında şarj edilemeyen aküleri şarj etmeyi denemeyin.
- Akü şarj cihazını, yanıcı malzemelerin veya korozyona neden olabilecek malzemelerin yakınında kullanmayın. Akü şarj cihazının üzerine kapatmayın. Duman veya ateş çıkması durumunda akü şarj cihazının fişini çekip çıkarın.
- Hasarlı bir akü şarj cihazını kullanmayın.
- Aküyü yalnızca kapalı alanda, iyi hava akışı olan ve güneş ışığından uzak bir odada şarj edin. Aküyü ıslak koşullarda şarj etmeyin.

## Bakım için güvenlik talimatları



**UYARI:** Ürünü kullanmadan önce aşağıdaki uyarı talimatlarını okuyun.

- Bakım sırasında yanlışlıkla çalıştırmayı önlemek için güvenlik anahtarını 0 konumuna getirin ve aküyü çıkarın. Bakıma başlamadan önce en az 5 saniye bekleyin.
- Yalnızca bu kullanım kılavuzunda belirtilen bakım çalışmasını yapın. Bu kapsamın dışındaki işlemler ve profesyonel onarımlar, onaylı bir servis noktası tarafından yapılmalıdır. Daha fazla bilgi için size en yakın servis noktası ile görüşün.
- Ürünün ömrünü uzatmak ve kaza riskini azaltmak için bakım işini doğru şekilde yapın.
- Hasarlı, aşınmış veya bozuk parçaları değiştirin. Her zaman üreticinin orijinal yedek parçalarını kullanın.

- Diğer yedek parçalar üründe hasara neden olabilir ve kaza riskini artırabilir.
- Yaralanmaları önlemek için güvenlik cihazlarını çıkarmayın veya cihazların üzerinde değişiklik yapmayın.
  - Kesme donanımını kullanırken ağır hizmet tipi eldiven giyin. Bıçak çok keskindir ve kolaylıkla kesiklere yol açabilir.
  - En iyi ve en güvenli performans için kesme kenarlarının keskin ve temiz olmasına özen gösterin.

- Servis noktanızın düzenli olarak ürünü kontrol etmesini ve gerekli ayarları ve onarımları yapmasını sağlayın.
- Aksesuar değiştirmeyle ilgili talimatlara uyun. Yalnızca üreticiden gelen aksesuarları kullanın.
- Çalışmadığı zaman ürünü, aküyü ve akü şarj cihazını ayrı olarak kuru, kapalı ve kilitli bir alanda saklayın. Çocukların ve onaylı olmayan kişilerin ürüne, aküye veya akü şarj cihazına erişemediklerinden emin olun.

## Montaj

### Giriş



**UYARI:** Ürünü monte etmeden önce, güvenlik bölümünü okuyun.



**UYARI:** Montaj sırasında yanlışlıkla çalıştırmayı önlemek için güvenlik anahtarını 0 konumuna getirin, aküyü çıkarın ve en az 5 saniye bekleyin.

### Tutma yerinin takılması

**Not:** Bu prosedürü 2 kişinin gerçekleştirmesi önerilir.

**Not:** Tutma yerini takarken ürünü kutudan çıkarmayın. Kutu, montaj sırasında tutma yerini desteklemek için kullanılabilir.

1. Tutma yerini kaldırın ve döndürün. (Şek. 19)



**DİKKAT:** Dikkatli olun ve tutma yerini döndürürken kablounun hasar görmediğinden emin olun.

2. Tutma yerini ürünün üst kısmına yerleştirin. Tutma yerini desteklemek için kutuya doğru eğin. Resme başvurun. (Şek. 20)

3. Vidayı (A) iterek tutma yerinin (B), plastik pulun (C) ve tutma yeri destek braketinin (D) içinden geçirin. (Şek. 21)
4. Somunu (E) tamamen sıkın.
5. Ürünü kutudan çıkarın.
6. Tutma yerini dik konuma gelecek şekilde katlayın. (Şek. 22)
7. Tutma yerinin yüksekliğini en alt konuma getirin. Bkz. *Tutma yerinin ayarlanması sayfa: 478*.
8. Kabloyu kablo klipsiyle tutma yerinin alt kısmına takın. (Şek. 23)
9. Kablounun alt kısmını kablo bağı ile tutma yeri destek braketine takın. Kablo bağının kalan kısmını kesin. (Şek. 24)

**Not:** Kablounun doğru şekilde takıldığından emin olun. Çok gevşek olan bir kablo, çim toplama sepeti takıldığında kabloda hasara neden olabilir. (Şek. 25)

### Tutma yerinin ayarlanması

1. Alt düğmeleri gevşetin.
2. Düğmeleri ürünün sol ve sağ tarafındaki girintilerin alttaki ucuna getirin. (Şek. 26)
3. Kol yüksekliğini mevcut 2 konumdan birine ayarlayın.
4. Düğmeleri durana ve tık sesi duyulana kadar kol yönünde yukarı hareket ettirin. (Şek. 27)
5. Düğmeleri tamamen sıkın.

## Çalışma

### Giriş



**UYARI:** Ürünü kullanmadan önce güvenlik bölümünü okuyup anlamalısınız.

### Husqvarna Connect

Husqvarna Connect, mobil cihazınız için ücretsiz bir uygulamadır. Husqvarna Connect uygulaması, Husqvarna ürününüz için ayrıntılı işlevler sunar:

- Ayrıntılı ürün bilgileri.
- Ürün parçaları ve servis hakkında bilgi ve yardım.

### Husqvarna Connect uygulamasını kullanmaya başlamak için

1. Husqvarna Connect uygulamasını mobil cihazınıza indirin.
2. Husqvarna Connect uygulamasında kaydolun.
3. Ürünü bağlamak ve kaydetmek için Husqvarna Connect uygulamasındaki talimatları izleyin.

## Ürünü çalıştırma konumuna getirme

1. Alt düğmelerin gevşek olduğundan emin olun. Bkz. *Tutma yerinin ayarlanması sayfa: 478.*
2. Tutma yerini dik konuma gelecek şekilde katlayın. (Şek. 22)
3. Düğmeleri durana ve tık sesi duyulana kadar tutma yeri yönünde yukarı hareket ettirin. (Şek. 27)
4. Düğmeleri tamamen sıkın.



**UYARI:** Tutma yeri tamamen katlanıp uygun yükseklik konumlarından birine ayarlanmadıkça ürünü çalıştırmayın. Bkz. *Tutma yerinin ayarlanması sayfa: 478.*

## Kesme yüksekliğini ayarlama

1. Kesme yüksekliğini artırmak için kesme yüksekliği kolunu arkaya getirin.
2. Kesme yüksekliğini azaltmak için kesme yüksekliği kolunu öne getirin. (Şek. 28)



**DİKKAT:** Kesme yüksekliğini çok alçakta belirlemeyin. Çimenlik alanın yüzeyi düz değilse bıçaklar yere çarpabilir.

## Akü



**UYARI:** Aküyü kullanmadan önce güvenlik bölümünü okuyup anlamalısınız. Akü ve akü şarj cihazına ait kullanım kılavuzunu da okuyup anlamalısınız.

Aküyü ve akü şarj cihazını doğru ortam sıcaklıklarında tutun.

	Ortam sıcaklığı
Akü çalışma sıcaklığı	5°C - 40°C
Akü şarj etme sıcaklığı	5°C - 40°C

## Akü durumu

Ekranında, kalan akü kapasitesi ve aküyle ilgili sorun olup olmadığı gösterilir. Akünün şarj durumu hakkında bilgi almak için akü gösterge düğmesine basın. Bir hata meydana geldiğinde akünün üzerindeki uyarı simgesi yanar. Bkz. *Akü sayfa: 482.*

(Şek. 29)

LED lambalar	Akü durumu
Tüm LED'ler yanıyor	Tamamen dolu (%76-100)

LED lambalar	Akü durumu
LED 1, LED 2, LED 3 yanıyor	Akü %51 - %75 dolu
LED 1, LED 2 yanıyor	Akü %26 - %50 dolu
LED 1 yanıyor	Akü %6 - %25 dolu.
LED 1 yanıp sönüyor	Akü %0 - %5 dolu.

## Aküyü şarj etme

İlk kullanımdan önce aküyü şarj edin. Akü, müşteriye tedarik edildiğinde yalnızca %30 oranında doludur.

**Not:** Akü şarj cihazı, nominal değerler plakasında belirtilen voltaj ve frekansa bağlanmalıdır.

Akü sıcaklığı 50°C'nin üzerindeyse akü şarj olmaz. Akü şarj cihazı, şarj işlemine başlamadan önce akünün sıcaklığını düşürür.

1. Akü şarj cihazının güç kablosunun bir ucunu akü şarj cihazının soketine bağlayın.
2. Akü şarj cihazının güç kablosunun diğer ucunu topraklamalı bir elektrik prizine bağlayın. Akü şarj cihazındaki LED bir kez yeşil renkte yanıp söner. (Şek. 30)
3. Aküyü şarj cihazına yerleştirin. Akü, akü şarj cihazına doğru şekilde bağlandığında, şarj cihazı üzerindeki yeşil ışık yanar. (Şek. 31)
4. Akü üzerindeki tüm LED'ler yandığında akü tam olarak şarj olmuştur. Aküyü en fazla 24 saat boyunca şarj edin.
5. Akü şarj cihazını elektrik prizinden çıkarmak için güç kablosunu değil fişi çekin.
6. Aküyü şarj cihazından çıkarın.

## Ürünü çalıştırma

1. Akü kapağını açın.
2. Akü tutucularının 1'ine şarj olmuş bir akü yerleştirin. Daha uzun süreli çalışma için şarj olmuş ikinci bir aküyü diğer akü tutucusuna yerleştirin.
3. Güvenlik anahtarını 1 konumuna getirin. (Şek. 32)
4. Ürünün arkasında durun.
5. Başlatma engelleyiciyi gevşetin. (Şek. 18)
6. Motor freni kolunu gidonun yönünde itin. (Şek. 33)

## Tekerleklerde tahrik kullanılması (LC 251iS)

- Tahrik kolunu gidonun yönünde itin. (Şek. 34)
- Örneğin bir engele yaklaştığınızda, tahriki devre dışı bırakmak için tahrik kolunu serbest bırakın.
- Ürünü geriye doğru çekmeden önce tahriki devre dışı bırakın ve ürünü yaklaşık 10 cm ileri itin.

## SavE™ işlevini kullanma

Üründe, daha uzun süre çalışma sağlayan bir akü tasarruf işlevi (SavE™) bulunur.

- İşlevi başlatmak için SavE™ düğmesini 1 konumuna getirin. (Şek. 35)
- İşlevi durdurmak için SavE™ düğmesini 0 konumuna getirin.

**Not:** Zemin koşulları daha yüksek bir çıkış gerektirirse SavE™ işlevi otomatik olarak durur. Zemin koşulları uygun olduğunda SavE™ işlevi otomatik olarak tekrar çalışır.

## Yüksek yük işlevi

Ürün uzun veya ıslak çim keserken motor otomatik olarak devri yükseltir. Yüksek yük gerektirmede motor, standart moda geri döner.

## Motor duruyor

Çalışma sırasında bıçak ve motor, kesme kapağının altındaki çimden kaynaklanan tıkanma gibi engeller nedeniyle geçici olarak durabilir. Bu durum meydana gelir ve motor fren kolunu basılı tutarsanız ürün otomatik olarak yeniden çalışır. Ürün 5-10 saniye içinde yeniden çalışmazsa kesme kapağının alt kısmını temizlemek gerekebilir. Talimatlar için bkz. *Ürünün temizlenmesi sayfa: 481*.



**UYARI:** Motor durursa ürün 5-10 saniye boyunca otomatik olarak yeniden çalışmayı dener. Kesme kapağını kontrol etmeden önce en az 15 saniye bekleyin.



**UYARI:** Kesme kapağını kontrol etmeden önce motor fren kolunu serbest bırakın, güvenlik anahtarını 0 konumuna getirin, aküyü çıkarın ve en az 5 saniye bekleyin. Tıkanıklık giderildiği sırada ürün yanlışlıkla çalışırsa yaralanma riski vardır.

## Ürünü durdurma



**UYARI:** Ürünü görüş alanınızın dışında bırakmadan önce güvenlik anahtarını 0 konumuna getirin.

1. Motoru durdurmak için motor fren kolunu serbest bırakın. (Şek. 36)

**Not:** LC 251iS için. Tekerleklerin tahrikini durdurmak için tahrik kolunu serbest bırakın.

2. Akü kapağını açın ve güvenlik anahtarını 0 konumuna getirin. (Şek. 37)
3. Aküyü çıkarmak için 2 serbest bırakma düğmesine basın ve aküyü çekip çıkarın. (Şek. 38)

4. Akünün gücü zayıfsa aküyü şarj edin. Daha fazla bilgi için bkz. *Aküyü şarj etme sayfa: 479*.

## Ürünü çim toplama sepetiyle kullanma



**UYARI:** Ürünü çim toplama sepeti takılı olmadan veya arka kapağı kapatmadan kullanmayın. Nesnelere fırlayabilir ve operatörün yaralanmasına neden olabilir.

1. Arka kapağı kaldırın. (Şek. 39)
2. Çim toplama sepetini braketin üzerine koyun.
3. Arka kapağı serbest bırakın ve çim torbası çerçevesinin üzerine koyun. (Şek. 40)

## Ürünü yandan boşaltma moduna getirme

1. Arka kapağı kaldırın ve takılıysa çim torbasını çıkarın.
2. Arka kapağı kapatın ve ürüne doğru sıkıca kapalı olduğundan emin olun.
3. Boşaltma kilidini kaldırın. (Şek. 41)
4. Yandan boşaltma kapağını açın ve yandan boşaltma sapırcısını destek pimlerine takın. (Şek. 42)
5. Yandan boşaltma kapağını yandan boşaltma sapırcısına doğru kapatın. Ürünü çalıştırmadan önce yandan boşaltma sapırcısının sıkıca yerine oturduğundan emin olun.

## Çim toplama sepetini boşaltma



**DİKKAT:** Aşınmayı önlemek için çim toplama sepetini hareket ettirenken yukarı kaldırın.

1. Çim toplama sepetini çerçeve kolu ile kaldırın.
2. Çim toplama sepetini boşaltırken çerçeve tutma yerini ve torba tutma yerini kullanın. (Şek. 43)

## İyi sonuç alma

- Her zaman keskin bıçak kullanın. Kır bıçak, düzensiz bir sonuç verir ve çimin kesme yüzeyi sarı olur. Ayrıca keskin bıçak kır bıçaktan daha az güç kullanır.
- Çim boyunun 1/2'sinden fazlasını kesmeyin. Çim kesmeye başlarken en yüksek kesme yüksekliğini kullanın. Sonucu inceleyin ve kesme yüksekliğini uygun seviyeye indirin. Çimler çok uzunsu makineyi yavaş kullanın ve gerekirse 2 kere kesin.
- Her seferinde farklı yönlerde keserek çimenlik alanda çizgi oluşmasını önleyin.
- Arka kapağı kaldırın ve çim toplama sepetini sökün.
- Malç tapası ve malç bıçağı takılıysa bunları çıkarın.
- Ürünü çalıştırmadan önce arka kapağı kapatın. Çalışma sırasında kesilen çim arka kapağın alt kısmından boşaltılır.



- Kesme kapağını temiz tutun. Kesme kapağının iç tarafında çim ve kir birikmesi kesme performansını zayıflatabilir. Bkz. *Ürünün temizlenmesi sayfa: 481.*

## Bakım

### Giriş



**UYARI:** Bakım yapmadan önce güvenlik bölümünü okuyup anlamanız gerekir.

Ürüne uygulanacak tüm servis ve onarım işlemleri için özel eğitim gereklidir. Profesyonel onarım ve servis hizmetlerinin mevcut bulunduğunu garanti etmekteyiz.

Daha ayrıntılı bilgi için bkz. [www.husqvarna.com](http://www.husqvarna.com).

### Bakım takvimi

Bakım aralıkları, ürünün günlük kullanımına göre hesaplanır. Ürün her gün kullanılmıyorsa aralıklar değişir.

\* İşaretili bakım işlemleri için şu bölümdeki talimatlara bakın: *Güvenlik sayfa: 473.*

	Her kulla- nımda	Aylık	Her mev- simde
Genel inceleme yapma	X		
Ürünü temizleme	X		
Başlatma engelleyiciyi kontrol edin *	X		
Üründeki güvenlik araçlarının hatalı olmadığından emin olun *	X		
Kesme ekipmanını inceleme	X		
Kesim kapağını inceleme *	X		
Motor fren kolunu kontrol edin *	X		
Aküde hasar olup olmadığını kontrol edin	X		
Akü şarjını kontrol edin	X		
Aküdeki serbest bırakma düğmelerinin doğru şekilde çalıştığından ve akünün ürüne sabitlendiğinden emin olun	X		
Akü şarj cihazında hasar olup olmadığını kontrol edin ve cihazın doğru şekilde çalıştığından emin olun.		X	
Akü ile ürün arasındaki bağlantıları kontrol edin. Akü ile akü şarj cihazı arasındaki bağlantıyı da kontrol edin.			X

### Genel denetim yapma

- Ürünün üzerindeki somun ve vidaların sıkı olduğundan emin olun.
- Üründeki kabloların hasar görebilecekleri bir konumda olmadığından emin olun.

### Ürünün temizlenmesi

- Plastik parçaları temiz ve kuru bir bezle temizleyin.
- Ürünü temizlemek için su kullanmayın. Aküye veya motora su girebilir ve üründe kısa devreye veya hasara neden olabilir.
- Ürünü temizlemek için yüksek basınçlı yıkayıcı kullanmayın.
- Motora doğrudan su tutmayın.

- Yaprak, çim ve kirleri gidermek için fırça kullanın.

### Aküyü ve akü şarj cihazını temizleme



**UYARI:** Aküyü veya akü şarj cihazını suyla temizlemeyin.



**UYARI:** Aküyü temizlemek için kimyasal maddeler kullanmayın.

- Aküyü akü şarj cihazına yerleştirmeden önce akünün ve akü şarj cihazının temiz ve kuru olduğundan emin olun.

- Akü terminallerini basınçlı hava ile temizleyin veya yumuşak ve kuru bir bez ile silin.
- Akü ve akü şarj cihazının yüzeylerini yumuşak ve kuru bir bezle temizleyin.

parmaklarınız, bıçak ile sabit parçalar arasında sıkışabilir.

## Kesme donanımını kontrol etme



**UYARI:** Yanlışlıkla çalıştırmayı önlemek için güvenlik anahtarını 0 konumuna getirin, aküyü çıkarın ve en az 5 saniye bekleyin.



**UYARI:** Kesme donanımına bakım yaptığınızda koruyucu eldivenler kullanın. Bıçak çok keskindir ve kolaylıkla kesiklere yol açabilir.

1. Kesme donanımında hasar veya çatlak olup olmadığını inceleyin. Hasarlı bir kesme donanımını kesinlikle değiştirin.
2. Hasarlı veya kör olup olmadığını anlamak için bıçağı bakın.

**Not:** Bilendikten sonra bıçağı dengelemek gerekir. Bıçağın bir servis merkezinde bilenmesini, değiştirilmesini ve dengelenmesini sağlayın. Ürünün durmasına neden olan bir engele çarparsanız hasarlı bıçağı değiştirin. Bıçağın bilenip bilenmeyeceğini veya değiştirmek gerekip gerekmediğine servis merkezinin karar vermesini sağlayın.

## Bıçağı değiştirme

Bkz. *Teknik veriler sayfada: 486* bölümüne başvurun.



**UYARI:** Bıçağı değiştirirken parmaklarınızın yaralanmasını önlemek için bıçağı bir tahta blok ile kilitleyin. Motor kapalıyken bıçak hareket ettirilebilir ve

1. Bıçağı ahşap bir blokla kilitleyin. (Şek. 44)
2. Bıçak civatasını, rondelayı ve bıçağı çıkarın. (Şek. 45)
3. Bıçak desteğinde ve bıçak civatasında hasar olup olmadığını kontrol edin.
4. Motor milini inceleyip bükülmediğinden emin olun.
5. Yeni bıçak taktığınızda bıçağın açılı uçlarını kesme kapağı yönüne doğrultun. (Şek. 46)
6. Bıçağın, motor milinin orta kısmıyla hizalandığından emin olun.
7. Bıçağı bir tahta parçasıyla sabitleyin. Rondelayı takıp civatayı 23 – 28 Nm'lik torkla sıkın. (Şek. 47) (Şek. 45)
8. Bıçağı elinizle çekerek döndürün ve serbestçe döndüğünden emin olun.



**UYARI:** Ağır hizmet tipi eldiven kullanın. Bıçak çok keskindir ve kolaylıkla kesiklere yol açabilir.

9. Bıçağı test etmek için ürünü çalıştırın. Bıçak doğru bir şekilde takılmadıysa üründe titreşim olur veya kesme işleminin sonucu başarısızdır.

## Yandan boşaltma sapırcısını kontrol etme

Yandan boşaltma sapırcısı, ürünün yandan boşaltma ağızına takılıdır. Sapırcı, nesnelere operatörün biçme konumuna doğru fırlama riskini azaltır.

1. Yandan boşaltma sapırcısının zarar görmemiş olduğundan emin olun.
2. Yandan boşaltma sapırcısını kontrol edin. Çatlak veya kapağı iterek kapatan yayların kırık olması gibi kusurlar bulunmadığından emin olun.
3. Hasarlıysa yandan boşaltma sapırcısını veya yayları değiştirin.

## Sorun giderme

### Akü

Aküdeki LED	Neden	Çözüm
Yeşil LED yanıp sönüyor.	Akü voltajı düşüktür.	Aküyü şarj edin. Bkz. <i>Aküyü şarj etme sayfada: 479.</i>
Akü hata LED'i yanıp sönüyor.	Akü kullanılmayacak kadar soğuk ya da sıcaktır.	Akünün soğumasını bekleyin veya ısınması için kapalı mekana taşıyın. Akü doğru sıcaklığa geldiğinde tekrar kullanılabilir. Üründeki aküyü yalnızca ortam sıcaklığı 5°C - 40°C arasında olduğunda kullanın.
	Akü boştur.	Aküyü şarj edin. Bkz. <i>Aküyü şarj etme sayfada: 479.</i>

Aküdeki LED	Neden	Çözüm
Akü hata LED'i yanıyor.	Kalıcı akü hatası vardır.	Husqvarna servis bayiniz ile iletişime geçin.

## Akü şarj cihazı

Akü şarj cihazındaki LED	Neden	Çözüm
Hata LED'i yanıyor veya yanıp sönüyor.	Akü şarj cihazı kullanılmayacak kadar soğuk ya da sıcaktır.	Akü şarj cihazının soğumasını bekleyin veya ısınması için kapalı mekana taşıyın. Akü şarj cihazı doğru sıcaklığa geldiğinde tekrar kullanılabilir. Akü şarj cihazını yalnızca ortam sıcaklığı 5°C - 40°C arasında olduğunda kullanın.
	Diğer hatalar.	Husqvarna servis bayiniz ile iletişime geçin.

## Çim biçme makinesi

Uyarı göstergesi (hata LED'i) akü kapağının altında bulunur.

Sorun	Hata LED'i (yanıp sönmeye sayısı)	Neden	Çözüm
Hata LED'i yanıp sönüyor. Ürün düzgün çalışmıyor.	3	Bıçak tıkalı.	Yanlışlıkla çalıştırmayı önlemek için güvenlik anahtarını 0 konumuna getirin. Aküyü çıkarın ve en az 5 saniye bekleyin. Olası engelleri kaldırın ve bıçağın serbestçe dönebildiğinden emin olun. Sorun devam ederse Husqvarna servis bayinizle görüşün.
	5	Motor devri çok düşüyor ve motor duruyor.	Kesim yüksekliğini artırın. Bkz. <i>Kesme yüksekliğini ayarlama sayfa: 479.</i>
	6 <sup>105</sup>	Tekerlekler veya şanzıman engelleniyor.	Yanlışlıkla çalıştırmayı önlemek için güvenlik anahtarını 0 konumuna getirin. Aküyü çıkarın ve en az 5 saniye bekleyin. Olası engelleri kaldırın ve tekerleklerin serbestçe dönebildiğinden emin olun. Sorun devam ederse Husqvarna servis bayinizle görüşün.
	10	Motor denetleyicisi çok sıcak.	Motoru durdurun ve soğuyana kadar bekleyin.

<sup>105</sup> LC 251iS

Sorun	Hata LED'i (yanıp sönme sayısı)	Neden	Çözüm
Hata LED'i yanıp sönüyor. Ürün duruyor.	Yanıp sönme yok	Akü konektörü arızası.	Akü konektörünü kontrol edin.
	3	Motorda aşırı yüklenme var.	Kesim yüksekliliğini artırın. Bkz. <i>Kesme yüksekliliğini ayarlama sayfada: 479.</i>
	8	Akünün gücü zayıf.	Aküyü şarj edin. Bkz. <i>Aküyü şarj etme sayfada: 479.</i>
	9	Akü hatası oluştu veya akü sinyali yok.	Aküyü ürüne doğru şekilde yerleştirin ve akü konektörünü kontrol edin. Aküdeki hata LED'i yanıp sönüyorsa: Bkz. <i>Akü sayfada: 482.</i>
	15	Hatalı çalıştırma prosedürü. Motor çalışmadan önce motor fren kolu devreye alınmıştır.	Motor fren kolunu serbest bırakın ve yaklaşık 5 saniye bekleyin. Ürünü çalıştırmak için motor fren kolunu tekrar aşağı itin.
Diğer hatalar.	Başka hatalar olursa güvenlik anahtarını 0 konumuna getirin, aküyü çıkarın ve Husqvarna servis bayinizle görüşün.		

## Taşıma, depolama ve atma

### Giriş



**UYARI:** Taşıma ve depolama sırasında yanlışlıkla çalışmayı önlemek için güvenlik anahtarını 0 konumuna getirin, aküyü çıkarın ve en az 5 saniye bekleyin.

### Ürünü taşıma konumuna getirme

- Alt düğmeleri gevşetin.
- Düğmeleri ürünün sol ve sağ tarafındaki girintilerin alttaki ucuna getirin. (Şek. 26)
- Tutma yerini öne doğru katlayın. (Şek. 48)

### Taşıma

- Ürün içindeki Lityum iyon aküler Tehlikeli Maddeler Kanunu gerekliliklerine tabidir.
- Ticari amaçlı taşımalarda, paketteki ve etiketlerdeki özel gerekliliklere uyulmalıdır.
- Ürünü taşıma için hazırlarken tehlikeli malzeme yönetmeliklerine uydunuzdan emin olun. Yerel yönetmelikler uygulanabilir.
- Ürünü taşırken aküyü kesinlikle çıkarın.
- Akü konektörlerine bant yapıştırın ve taşıma sırasında akünün hareket edemeyeceğinden emin olun.
- Taşıma sırasında ürünü bağlayın.

### Saklama

- Depolamadan önce ürünün soğumasını bekleyin.

- Ürünü depolarken aküyü kesinlikle çıkarın.
- Kazaları önlemek için depolama sırasında akünün ürüne bağlı olmadığından emin olun.
- Akü şarj cihazını kapalı ve kuru bir alanda tutun.
- Aküyü ve akü şarj cihazını, nem veya don olmayan kuru bir alanda tutun.
- Depolama sırasında aküyü şarj cihazından ayırın.
- Aküyü, statik elektrik oluşabilecek yerlerde tutmayın. Aküyü metal bir kutuda tutmayın.
- Ürünü, ortam sıcaklığının -10°C ile 40°C arasında olduğu bir yerde tutun.
- Aküyü, ortam sıcaklığının 5°C ile 25°C arasında olduğu ve güneş ışığı almayan yerlerde tutun.
- Akü şarj cihazını, ortam sıcaklığının 5°C ile 45°C arasında olduğu ve güneş ışığı almayan yerlerde tutun.
- Uzun süreli depolamadan önce akünün %30 - %50 dolu olduğundan emin olun.
- Ürünü, aküyü ve akü şarj cihazını, çocukların ve onaylı olmayan kişilerin erişemeyeceği kilitli bir alanda tutun.
- Ürünü temizleyin ve çim toplama sepetinin boş olduğundan emin olun.
- Bu kullanım kılavuzunda verilen bakım prosedürlerini gerçekleştirin. Bkz. *Bakım sayfada: 481.*
- Ürünü uzun süre depolamadan önce ürüne eksiksiz bir bakım yapın.

### Atma

Ürün veya ürün ambalajı üzerinde bulunan semboller, bu ürünün evsel atık olarak değerlendirilemeyeceğini

belirtir. Elektrikli ve elektronik ekipman, kurtarma için uygun bir geri dönüşüm istasyonuna gönderilmelidir.

Bu ürüne doğru önemin verilmesini sağlayarak, çevreye ve insanlara olabilecek potansiyel negatif etkisini önlemeye yardımcı olabilirsiniz, aksi takdirde bu ürünün yanlış atık yönetimi durumunda negatif etkiler meydana gelebilir. Bu ürünün geri dönüşümü hakkında daha ayrıntılı bilgi için belediyenize, mahallenizdeki atık hizmetine veya ürünü satın aldığınız mağazaya danışın.

(Şek. 49)

## Teknik veriler

### Teknik veriler

	LC 251i	LC 251IS
<b>Kesim motoru</b>		
Motor tipi	BLDC (fırçasız) 36 V	BLDC (fırçasız) 36 V
Motor devri – SavE, dev/dak.	2600/dak	2600/dak
Motor devri – Nominal, dev/dak	3000/dak	3000/dak
Motor devri – Yüksek yük, dev/dak	3500/dak	3500/dak
Motor çıkışı – maks. kW	1,4	1,4
Motor çıkışı – Nominal, kW	0,9	0,9
<b>Tahrik motoru</b>		
Motor çıkışı – Nominal, kW	Geçerli değil	0,4
Kendi kendine yürüme hızı, km/sa	Geçerli değil	4,0
Devir ayar seviyeleri	Geçerli değil	1
<b>Ağırlık</b>		
Torbasis ağırlık (akü hariç), kg	25,5	27
Torbayla birlikte ağırlık (2 adet BLi30 dahil), kg	31,5	33
<b>Akü</b>		
Akü tipi	Husqvarna Akü Serisi	Husqvarna Akü Serisi
<b>Akü çalışma süresi</b>		
Bir adet Husqvarna 7,5 Ah akü (BLi30) ile birlikte SavE etkin durumdayken dakika cinsinden akü çalışma süresi (serbest çalışma).	58	51
Bir adet Husqvarna 7,5 Ah akü (BLi30) ile birlikte standart mod etkin durumdayken dakika cinsinden akü çalışma süresi (serbest çalışma).	42	38
<b>Gürültü emisyonu</b> <sup>106</sup>		
Ses gücü düzeyi, ölçülmüş dB (A)	96	96
Ses gücü düzeyi, garantili L <sub>WA</sub> dB (A)	98	98
<b>Ses düzeyleri</b> <sup>107</sup>		
Operatörün kulağındaki ses basıncı düzeyi, dB (A)	85	85

<sup>106</sup> 2000/14/AT sayılı AT direktifi uyarınca ses gücü (L<sub>WA</sub>) olarak çevrede ölçülen gürültü emisyonu düzeyi.

<sup>107</sup> Ses basıncı düzeyi için bildirilen verilerde 1,5 dB (A) değerinde belirsizlik faktörü (K) mevcuttur.

	LC 251i	LC 251iS
<b>Titreşim düzeyleri</b> <sup>108</sup>		
Tutma yeri, m/sn <sup>2</sup>	0,7	0,7
<b>Kesme ekipmanı</b>		
Kesim yüksekliği, mm	25-75	25-75
Kesim genişliği, mm	510	510
Bıçak - standart	Collection 5928704-01	Collection 5928704-01
Çim toplama sepeti kapasitesi, litre	65	65

Onaylı aküler	Tip	Akü kapasitesi, Ah	Voltaj, V	Ağırlık, lb / kg
BLi30	Lityum iyon	7,5	36	4,2 / 1,9
40-B140	Lityum iyon	4,0	36	2,6 / 1,2

Belirtilen aküler için onaylı şarj cihazları, BLi	Giriş voltajı, V	Frekans, Hz	Güç, W
40-C80	100-240	50-60	68,8
QC250	100-240	50-60	250

<sup>108</sup> Titreşim düzeyleri için bildirilen verilerde 1,5 m/sn<sup>2</sup> değerinde belirsizlik faktörü (K) mevcuttur. Beyan edilen toplam titreşim değeri EN 62841-4-3 standardı, Ek I'e göre hesaplanmıştır ve bir makineyi bir diğeriyle karşılaştırmak ve maruz kalma ön değerlendirmesi yapmak için kullanılabilir.

# Uyumluluk Bildirimi

## AB Uyumluluk Bildirimi

Biz, **Husqvarna AB**, SE-561 82 Huskvarna, İsveç, tel: +46-36-146500 olarak tek sorumlu vasfıyla ürüne ilişkin aşağıdaki beyanlarda bulunmaktayız:

<b>Açıklama</b>	Çim Bıçme Makinesi
<b>Marka</b>	Husqvarna
<b>Tip/Model</b>	LC 251i, LC 251iS
<b>Kimlik</b>	2023 ve sonrası tarihli seri numaraları

aşağıdaki AB direktifleri ve yönetmelikleriyle tamamen uyumludur:

<b>Düzenleme</b>	<b>Açıklama</b>
2006/42/AT	"makinelele ilgili"
2014/30/AB	"elektromanyetik uyumlulukla ilgili"
2000/14/AT	"çevredeki gürültü emisyonlarıyla ilgili"
2011/65/AB	"elektrikli ve elektronik ekipmanlarda belirli tehlikeli maddelerin kullanımının kısıtlanmasıyla ilgili"

ve aşağıdaki standartlar ve/veya teknik özellikler uygulanmıştır: EN 62841-1:2015/A11:2022, EN IEC 62841-4-3:2021/A11:2021, EN IEC 55014-1:2021, EN IEC 55014-2:2021, EN IEC 63000:2018

Onaylanmış Kuruluş: 0404, SMP Svensk Maskinprovning AB, Box 4053, SE-904 03 Umeå, Sweden 2000/14/AT konsey direktifi, uyumluluk değerlendirme prosedürü: Ek VI ile uyumluluğu belgelemiştir.

Gürültü emisyonları ile ilgili bilgi için bkz. *Teknik veriler sayfa: 486*.

Huskvarna, 2023-12-11



Claes Losdal, Geliştirme Müdürü/Bahçe Ürünleri  
Husqvarna AB

Teknik dokümantasyon sorumlusu

Türk ithalat şirketi daha fazla bilgi için temas edilecek:  
Çullas Orman Bahçe ve Tarım Mak. San. Tic. A.Ş.  
Suadiye Mh. Bağdat Cd. No:455/4  
Kadıköy – 34740 İstanbul / Türkiye  
Telefon: +90 216 519 88 82  
Faks: +90 216 519 88 78  
info@cullas.com.tr





---

## Зміст

---

Вступ.....	489	Усунення несправностей.....	502
Безпека.....	490	Транспортування, зберігання й утилізація.....	504
Збирання.....	496	Технічні дані.....	505
Експлуатація.....	497	Декларація відповідності.....	507
ТЕХНІЧНЕ ОБСЛУГОВУВАННЯ.....	500		

---

## Вступ

---

### Опис виробу

Цей виріб – обертальна газонокосарка, керована пішим оператором. Трава збирається в травозбірник. Під'єднайте викидний дефлектор для викидання трави вбік.

### Огляд виробу

(Мал. 1)

1. Ручка зупинення двигуна
2. Обмежувач запуску
3. Привідна скоба (LC 251iS)
4. Задній кожух
5. Травозбірник
6. Фіксатор ручки
7. Важіль регулювання висоти різання
8. Фіксатор викиду
9. Кришка бічного викиду
10. Кришка акумулятора
11. Позначення
12. Ключ безпеки
13. Індикатор попередження (світлодіод помилки)
14. Кнопка SavE
15. Кожух леца
16. Ручка/рукоятка
17. Ручки для підймання
18. Бічний викид
19. Посібник користувача

### Символи на виробі

- (Мал. 2) ПОПЕРЕДЖЕННЯ
- (Мал. 3) Прочитайте інструкцію.
- (Мал. 4) ПОПЕРЕДЖЕННЯ. Остерігайтеся об'єктів, що можуть відлетіти.
- (Мал. 5) Не підпускайте сторонніх осіб.
- (Мал. 6) ПОПЕРЕДЖЕННЯ. Тримайте руки й ноги на безпечній відстані від лез, що обертаються.

### Призначення

Користуйтеся виробом для зрізання трави. Забороняється використовувати виріб для інших завдань.

- (Мал. 7) ПОПЕРЕДЖЕННЯ. Перш ніж виконувати технічне обслуговування, від'єднайте акумулятор.

- (Мал. 8) Цей виріб і його пакування не можна утилізувати разом із побутовими відходами. Утилізацію необхідно проводити на підприємстві з переробки відходів електричного й електронного обладнання.

- (Мал. 9) Етикетка з інформацією щодо шумових викидів у навколишнє середовище відповідно до вимог директив і нормативних актів ЄС і Сполученого Королівства та Закону про збереження навколишнього середовища (контроль шуму) 2017 р. Нового Південного Уельсу. Гарантований рівень звукової потужності виробу вказано в розділі *Технічні дані на сторінці 505* і на етикетці.

- (Мал. 10) Це приладдя відповідає вимогам застосованих директив ЄС.

- (Мал. 11) Цей виріб відповідає вимогам застосованих норм Сполученого Королівства.

- (Мал. 12) Виріб має захист від потрапляння крапель.

- (Мал. 13) Щоб зупинити двигун, відпустіть ручку зупинення двигуна.

- (Мал. 14) Сканований код.

---

**Зверніть увагу:** Інші позначення на виробі відповідають вимогам сертифікації для певних ринків.

---

## Маркування на виробі

(Мал. 15)

НЕБЕЗПЕКА. Тримайте руки й ноги на безпечній відстані.

## Пошкодження виробу

Ми не несемо відповідальності за пошкодження, якщо:

- виріб було неправильно відремонтовано;
- виріб було відремонтовано із використанням деталей, виготовлених не виробником або не затверджених ним;
- виріб обладнано аксесуаром, виготовленим не виробником або не затвердженим ним;
- виріб було відремонтовано в неавторизованому сервісному центрі або неавторизованою компанією;

---

# Безпека

---

## Визначення щодо безпеки

Попередження, застереження й примітки служать для наголошення на особливо важливих положеннях посібника.



**ПОПЕРЕДЖЕННЯ:** Вказує на те, що в разі порушення інструкцій, наведених у цьому посібнику, існує небезпека поранення або смерті оператора чи інших осіб, що знаходяться поруч.



**УВАГА:** Вказує на те, що в разі порушення інструкцій, наведених у цьому посібнику, існує небезпека пошкодження виробу, інших матеріалів або навколишніх об'єктів.

**Зверніть увагу:** Використовується для надання додаткової інформації щодо певної ситуації.

## Загальні правила техніки безпеки для виробу



**ПОПЕРЕДЖЕННЯ:** Ознайомтеся з усіма попередженнями, правилами техніки безпеки, інструкціями, рисунками й технічними характеристиками до цього виробу. Недотримання наведених далі інструкцій може призвести до враження електричним струмом, пожежі та / або серйозних травм.

**Збережіть усі попереджувальні знаки й інструкції для їх використання в майбутньому.** Терміном «виріб» у попередженнях позначається ваш виріб, що працює від електромережі (з кабелем), або акумуляторний (безпроводний) виріб.

## Безпека в робочій зоні

- **Забезпечуйте порядок та добре освітлення в робочій зоні.** Безлад і погане освітлення сприяють нещасним випадкам.
- **Не використовуйте інструмент у вибухонебезпечному середовищі, наприклад поблизу легкозаймистих рідин, газів або пилу.** Виріб утворює іскри, від яких можуть зайнятися пил чи випари.
- **Не підпускайте до себе дітей і сторонніх осіб, коли працюєте з виробом.** Ви можете відволіктися та втратити контроль.

## Електробезпека

- **Вилки виробу мають підходити до розетки. У жодному разі не змінюйте вилку будь-яким чином. Під час роботи із заземленими виробами не використовуйте жодних перехідників.** Вилки оригінальної конструкції та відповідні за типом розетки зменшують ризик ураження електричним струмом.
- **Уникайте тілесного контакту із заземленими поверхнями, такими як труби, радіатори, кухонні плити й холодильники.** Існує підвищений ризик ураження електричним струмом, якщо ваше тіло заземлене.
- **Не тримайте виріб під дощем або у вологих умовах.** Потрапання води у виріб підвищує ризик ураження електричним струмом.
- **Використовуйте кабель лише за призначенням. За жодних умов не використовуйте кабель для перенесення чи перетягування виробу й не тягніть за нього, щоб вийняти вилку з розетки. Тримайте кабель подалі від джерела тепла, мастила, гострих країв або рухомих деталей.** Пошкоджені чи залуптані кабелі збільшують ризик ураження електричним струмом.
- **Під час експлуатації виробу надворі використовуйте подовжувальний кабель, що підходить для застосування надворі.** Використання кабелю, який підходить для

застосування надворі, знижує ризик ураження електричним струмом.

- **Якщо застосування виробу у вологому середовищі неможливо уникнути, використовуйте джерело живлення, обладнане пристроєм захисного відключення (ПЗВ).** Використання ПЗВ знижує ризик ураження електричним струмом.

## Особиста безпека

- **Будьте пильними, слідкуйте за тим, що робите, і дотримуйтеся здорового глузду під час експлуатації виробу. Не використовуйте виріб, коли ви втомлені або перебуваєте під впливом наркотиків, алкоголю чи лікарських засобів.** Утрата уваги на мить під час експлуатації виробу може призвести до серйозної травми.
- **Використовуйте засоби індивідуального захисту. Обов'язково необхідно користуватися засобами захисту для очей.** Захисне спорядження, наприклад респиратор, черевки з нековзною підошвою, каска або захисні навушники за використання у відповідних умовах зменшують ризик травмування.
- **Запобігайте випадковому запуску. Переконайтеся, що вимикач перебуває у вимкненому положенні, перш ніж підключати виріб до джерела живлення чи акумуляторної батареї, піднімати або переносити його.** Небезпечно переносити виріб, тримаючи палець на перемикачі, або заряджати його, коли перемикач установлено в положення ввімкнення, оскільки це може призвести до нещасних випадків.
- **Перед увімкненням виробу приберіть будь-які регульовальні або гайкові ключі.** Якщо залишити на деталі виробу, яка обертається, регульовальний або гайковий ключ, це може призвести до травмування.
- **Не тягніться. Завжди дотримуйтеся правильної дистанції і балансування.** Це дасть змогу краще контролювати виріб у несподіваних ситуаціях.
- **Одягайтеся правильно. Не вдягайте просторий широкий одяг, не надягайте на себе ювелірні вироби. Тримайте волосся й одяг подалі від рухомих частин.** Просторий широкий одяг, ювелірні вироби або довге волосся можуть потрапити в рухомі деталі.
- **У разі наявності обладнання з видалення й збору пилу переконайтеся в тому, що воно під'єднано та використовується правильно.** Використання обладнання для збору пилу зменшує ризики, пов'язані з пилом.
- **Досвід роботи, набутий упродовж регулярного використання цього виробу, не є підставою для недбалості експлуатації виробу й нехтування технікою безпеки.** Необережні дії можуть миттєво призвести до тяжких травм.

## Експлуатація виробу та догляд за ним

- **Не докладайте силу до виробу. Використовуйте виріб, що підходить для ваших потреб.** Виріб краще, безпечніше й швидше виконає ту роботу, для якої він призначений.
  - **Не використовуйте виріб, якщо вимикач не працює.** Будь-який виріб, яким неможливо керувати за допомогою вимикача, є небезпечним і підлягає ремонту.
  - **Коли ви збираєтеся виконувати будь-які налаштування, замінювати приладдя або залишати виріб на зберігання, спочатку витягніть штекер із розетки живлення чи змінний акумуляторний блок із виробу.** Такі запобіжні заходи зменшують ризик ненавмисного запуску виробу.
  - **Вимкнені вироби зберігайте в недоступному для дітей місці й не дозволяйте користуватися ними особам, які не ознайомилися з порядком використання виробу або цієї інструкцією.** Вироби становлять небезпеку в руках невідготовлених користувачів.
  - **Виконуйте технічне обслуговування виробів і приладдя. Перевіряйте виріб на предмет зміщення чи вигину рухомих деталей, поломок деталей і будь-якого іншого стану, що може негативно позначитися на роботі виробу.** У разі пошкодження відремонтуйте виріб, перш ніж користуватися ним. Багато нещасних випадків виникають унаслідок недостатнього технічного обслуговування виробів.
  - **Підтримуйте різальні елементи в нагостреному та чистому стані.** Різальні елементи, що добре обслуговуються та мають гострі різальні кромки, будуть легше керуватися та з меншою імовірністю будуть заклинані.
  - **Використовуйте виріб, приладдя й біти відповідно до цієї інструкції, урахувавши умови та характер роботи, яку потрібно виконати.** Використання виробу для виконання непередбачених операцій може призвести до небезпечної ситуації.
  - **Рукоятки та поверхні для тримання мають бути сухими, чистими й знежиреними.** Утримування виробу за слизькі рукоятки чи інші поверхні для тримання є порушенням правил техніки безпеки й заважає керувати виробом у непередбачених ситуаціях.
- ## Використання інструментів з акумуляторною батареєю та догляд за ними
- **Зарядку батареї слід здійснювати виключно за допомогою зарядного пристрою, зазначеного виробником.** Використання зарядного пристрою, призначеного для роботи з батареями одного типу, з батареями іншого типу може спричинити пожежу.
  - **Використовуйте пристрої лише із сумісними акумуляторними блоками.** Використання

акумуляторних батарей інших типів може призвести до травмування чи пожежі.

- Якщо акумуляторний блок не використовується, слід тримати його подалі від металевих предметів, таких як скріпки, монети, ключі, цвяхи, гвинти й інші дрібні металеві предмети, які можуть з'єднати один контакт батареї з іншим. Замикання контактів акумулятора може призвести до опіків або пожежі.
- У разі неправильного застосування з акумулятора може випліскуватися рідина; уникайте контакту з нею. При випадковому контакті промийте місце контакту водою. В разі потрапляння рідини в очі на додаток до їхнього інтенсивного промивання зверніться по медичну допомогу. Рідина з акумуляторної батареї може викликати подразнення та опіки.
- Не використовуйте пошкоджені чи змінені акумуляторний блок або інструмент. Із пошкодженими чи видозміненими батареями може статися непередбачуване: вони можуть зайнятися, вибухнути або створити інший ризик травмування оператора.
- Захищайте акумуляторний блок та інструмент від вогню й надмірних температур. Під впливом вогню або температури понад 130 °C (265°F) може статися вибух.
- Дотримуйтеся всіх інструкцій із заряджання й не заряджайте акумуляторний блок чи інструмент поза межами діапазону температур, зазначеного в інструкціях. Неналежне заряджання за температури поза межами зазначеного діапазону може пошкодити акумулятор і підвищує ризик займання.

## Служба

- Сервісне обслуговування виробу має виконувати кваліфікований майстер за використання лише ідентичних запасних частин. Це гарантуватиме підтримання безпечної роботи виробу.
- За жодних умов не виконуйте технічного обслуговування пошкоджених акумуляторних блоків. Технічне обслуговування акумуляторних блоків має виконуватися лише виробником або повноваженим постачальником послуг.

## Попередження щодо техніки безпеки під час роботи з газонокосаркою

- Не використовуйте газонокосарку за несприятливих погодних умов, особливо якщо є ризик удару блискавки. Недотримання цієї вимоги підвищує ризик ураження блискавкою.
- Ретельно огляньте ділянку, де використовуватиметься газонокосарка, на наявність будь-якої живності. Під час використання газонокосарки ви можете завдати шкоди тваринам.
- Ретельно перевірте ділянку, де використовуватиметься газонокосарка, і приберіть каміння, палиці, проводи, кістки й інші

сторонні предмети. Предмети, що розлітаються, можуть спричинити тяжкі травми.

- Перед використанням завжди здійснюйте огляд, перевіряючи лезо та його вузол для виявлення ознак зношування чи пошкодження. Зношені й пошкоджені деталі підвищують ризик травмування.
- Достатньо часто перевіряйте травозбірник на наявність ознак зношення чи псування. Пошкоджений чи зношений травозбірник може спричинити травмування.
- Захист має бути на своєму місці. Захист має бути справним і правильно встановленим. Погано закріплений, пошкоджений або несправний захист може призвести до травмування.
- Не допускайте засмічення вентиляційних отворів. Заблоковані вентиляційні отвори та сміття можуть призвести до перегрівання або пожежі.
- Під час роботи з газонокосаркою завжди використовуйте захисне взуття, яке не ковзає. Не використовуйте газонокосарку босоніж або у відкритому взутті. Таким чином ви знизите ризик травмування ніг унаслідок контакту з рухомих лезом.
- Під час використання газонокосарки завжди надягайте довгі штани. Предмети, які відлітають, можуть пошкодити відкриті ділянки шкіри.
- Не використовуйте газонокосарку на вологій траві. Пересувайтеся повільно, ніколи не біжіть. Це зменшує ризик ковзання й падіння, які можуть призвести до травмування.
- Не використовуйте газонокосарку на надмірно крутих схилах. Це зменшує ризик втрати керування, ковзання й падіння, які можуть призвести до травмування.
- Під час роботи на схилах завжди впевнено стійте на ногах, косіть поперек схилів і ніколи не косіть угору або вниз та будьте надзвичайно обережними під час зміни напрямку. Це зменшує ризик втрати керування, ковзання й падіння, які можуть призвести до травмування.
- Будьте вкрай обережними, коли розвертаєте або рухаєте газонокосарку в напрямку до себе. Завжди стежте за тим, що відбувається навколо. Це дасть змогу зменшити ризик спотикання під час роботи.
- Не торкайтеся лез чи інших небезпечних деталей, поки вони рухаються. Це дасть змогу зменшити ризик травмування рухомими деталями.
- Під час видалення застряглих обрізків або чищення газонокосарки всі вимикачі електроживлення мають перебувати у вимкненому положенні, а акумуляторний блок має бути від'єднано. Неочікуваний запуск газонокосарки може призвести до тяжкого травмування.
- Під час видалення застряглих обрізків або чищення газонокосарки всі вимикачі електроживлення мають перебувати у

вимкненому положенні, а пристрій блокування має бути видалено. Неочікуваний запуск газокосарки може призвести до тяжкого травмування.

### Пристрій захисного вимкнення

- Використовуйте пристрій захисного вимкнення зі струмом вимкнення щонайбільше 30 мА.

### Загальні правила техніки безпеки



**ПОПЕРЕДЖЕННЯ:** Перш ніж розпочати використання виробу, уважно прочитайте наведені нижче попередження.

- Цей виріб може бути небезпечним у разі неправильного або недбалого використання. Порушення правил техніки безпеки може призвести до травм або смерті.
- Під час роботи цього виробу утворюється електромагнітне поле. Це поле може за деяких умов взаємодіяти з активними чи пасивними медичними імплантатами. Щоб зменшити ризик тяжких або смертельних травм, рекомендуємо особам із медичними імплантатами проконсультуватися зі своїм лікарем і виробником медичного імплантату перед початком експлуатації цього виробу.
- Завжди будьте обережні й керуйтеся здоровим глуздом. Якщо ви маєте сумніви щодо того, як користуватися виробом у конкретній ситуації, припиніть роботу й проконсультуйтеся з дилером Husqvarna.
- Пам'ятайте, що оператор несе відповідальність за нещасні випадки, у результаті яких постраждали інші особи або їхнє майно.
- Тримайте пристрій у чистоті. Переконайтеся, що знаки та наклейки читабельні.
- У жодному разі не дозволяйте користуватися приладом дітям або людям, які не ознайомилися із цим посібником. Вік оператора може обмежуватися місцевими нормами.
- Завжди наглядуйте за особами з обмеженими фізичними чи розумовими можливостями, які використовують виріб. Біля виробу, що працює, має завжди перебувати відповідальна доросла особа.
- Забороняється використовувати виріб, якщо ви втомлені, хворі, чи перебуваєте під впливом наркотиків, алкоголю або медикаментів. Ці фактори мають негативний вплив на ваш зір, зосередженість, свідомість і координацію рухів.
- Не використовуйте виріб, який пошкоджений або працює неналежним чином.
- Заборонено вносити зміни в конструкцію виробу чи виконувати ремонт виробу, якщо є підозра, що його було змінено сторонніми особами.

### Техніка безпеки



**ПОПЕРЕДЖЕННЯ:** Перш ніж розпочати використання виробу, уважно прочитайте наведені нижче попередження.

- Використовуйте виріб лише для скошування трав'яних газонів. Заборонено використовувати виріб для інших цілей.
- Використовуйте засоби індивідуального захисту. Див. *Засоби індивідуального захисту на сторінці 494*.
- Дізнайтеся, як швидко зупинити двигун в екстреній ситуації.
- Не використовуйте виріб під дощем або в умовах підвищеної вологості. Потраплення води у виріб збільшує загрозу ураження електричним струмом.
- Забороняється використовувати виріб без правильно встановленого леза та всіх кожухів. Неправильно встановлене лезо може від'єднатися і призвести до травм.
- Слідкуйте, щоб лезо не зачіпляло сторонні предмети на кшталт камення та коріння. Це може призвести до пошкодження леза та згинання вала двигуна. Зігнута вісь викликає значні вібрації та призводить до ризику від'єднання леза від виробу.
- У разі удару леза об будь-який сторонній предмет чи появи вібрації негайно зупиніть виріб. Зупиніть двигун, переведіть запобіжник у положення «0» і вийміть акумулятор. Зачекайте, доки рухомі деталі зупиняться. Перевіряйте виріб на наявність пошкоджень. Надійно закріпіть деталі, що рохзхиталися. Відремонтуйте пошкодження й замініть пошкоджені деталі. Доручайте ремонт авторизованому центру обслуговування.
- Забороняється закріплювати ручку зупинення двигуна на рукоятці, коли працює двигун.
- Поставте виріб на тверду рівну поверхню й увімкніть його. При цьому лезо не повинно торкатися землі або інших предметів.
- Під час роботи з виробом завжди залишайтеся позаду нього.
- Під час роботи з виробом всі колеса мають залишатися на землі, а обидві руки треба тримати на ручці. Тримайте руки й ноги на безпечній відстані від лез, що обертаються.
- Не нахильте виріб під час запуску двигуна чи використання.
- Будьте обережні під час руху у зворотному напрямку.
- Забороняється піднімати виріб, коли двигун увімкнений. Якщо треба підняти виріб, спочатку зупиніть двигун, переведіть запобіжник у положення «0» і вийміть акумулятор.
- Не рухайтесь у зворотному напрямку під час роботи з виробом.

- Коли потрібно нахилити виріб для перенесення або перед його переміщенням ділянкою без трави, як-от асфальтом чи брушлаткою, вимикайте двигун.
- Не бігайте з виробом, коли двигун увімкнений. Під час роботи з виробом необхідно ходити зі звичайною швидкістю.
- Вимикайте двигун, перш ніж змінювати висоту різання. Забороняється виконувати регулювання при ввімкненому двигуні.
- Забороняється залишати виріб без нагляду коли двигун працює. Зупиніть двигун та переконайтеся, що ріжуче обладнання не обертається.
- Рівень вібрації виробу під час роботи може відрізнитися від заявленого в розділі *Технічні дані на сторінці 505*. Відмінність зумовлена різними умовами використання виробу. Якщо ви використовуєте виріб часто або впродовж довгого часу, регулярно робіть перерви, щоб уникнути травмування внаслідок вібрації.

- Регулярно перевіряйте захисні пристрої. Якщо запобіжні пристрої пошкоджені або не працюють належним чином, зверніться до центру обслуговування Husqvarna.

### Перевірка кожуха леза

Кожух леза частково поглинає вібрацію виробу та знижує небезпеку травмування лезом.

- Огляньте кожух леза та переконайтеся, що він не має пошкоджень на кшталт тріщин.

### Перевірка ключа безпеки

Ключ безпеки знаходиться під кришкою акумуляторного відсіку. Ключ безпеки під'єднує акумулятор, який у свою чергу живить двигун.

- Для перевірки ключа безпеки запустіть і зупиніть двигун.
- Якщо ключ безпеки справний, двигун заводиться, лише якщо повернути ключ у положення «1». (Мал. 16)

### Перевірка задньої кришки

Задня кришка знижує ризик потрапляння в оператора предметів, що відкидаються від виробу.

- Перевірте, чи не пошкоджено задню кришку.
- Переконайтеся, що пружини, які закривають задню кришку, не пошкоджені.
- Пошкоджені пружини або деталі необхідно замінити.
- Переконайтеся, що задня кришка плавно рухається на петлях.

### Перевірка ручки зупинення двигуна

Ручка зупинення двигуна зупиняє двигун. За відпускання ручки зупинення двигуна він зупиняється.

- Запустіть виріб. Див. *Запуск виробу на сторінці 498*.
- Відпустіть ручку зупинення двигуна. (Мал. 17)
- Переконайтеся, що виріб зупиняється. Якщо двигун не зупиняється протягом 3 секунд, необхідно передати виріб в авторизований центр обслуговування Husqvarna для налаштування гальма двигуна.

### Перевірка обмежувача запуску

Перевірте обмежувач запуску, щоб переконатися, що він дійсно блокує роботу двигуна.

1. Перемістіть ручку зупинення двигуна в напрямку рукоятки. Обмежувач запуску блокує рух.
2. Потягніть обмежувач запуску. (Мал. 18)
3. Відпустіть обмежувач запуску та переконайтеся, що він повертається до початкового положення.

## Правила техніки безпеки під час використання

### Засоби індивідуального захисту



**ПОПЕРЕДЖЕННЯ:** Перш ніж розпочати використання виробу, уважно прочитайте наведені нижче попередження.

- Засоби індивідуального захисту не можуть повністю усунути небезпеку травмування, але в разі нещасного випадку знизять ступінь тяжкості травми. Дозвольте дилеру допомогти вам із вибором підходящого обладнання.
- Використовуйте взуття із захистом від ковзання для роботи у важких умовах. Забороняється використовувати відкрите взуття або працювати взагалі без нього.
- Використовуйте цупкі довгі штани.
- За потреби використовуйте рукавички, наприклад, якщо необхідно приєднати, оглянути або почистити різальне обладнання.
- Рекомендуємо використовувати засоби захисту органів слуху.

### Запобіжне обладнання на виробі



**ПОПЕРЕДЖЕННЯ:** Перш ніж розпочати використання виробу, уважно прочитайте наведені нижче попередження.

- Не використовуйте виріб із запобіжними пристроями, які пошкоджені або не працюють належним чином.
- Не демонуйте й не змінюйте захисні пристрої.

## Заходи безпеки під час роботи з акумуляторами



**ПОПЕРЕДЖЕННЯ:** Перш ніж розпочати використання виробу, уважно прочитайте наведені нижче попередження.

- Для живлення виробів Husqvarna необхідно використовувати лише акумулятори Husqvarna. Щоб уникнути травмування, заборонено використовувати акумулятор як джерело живлення для інших приладів.
- Не використовуйте одноразові акумулятори.
- Небезпека враження електричним струмом. Заборонено під'єднувати клеми акумулятора до ключів, монет, гвинтів або інших металевих предметів. Це може призвести до короткого замикання в акумуляторі.
- Заборонено вставляти предмети у вентиляційні отвори акумулятора.
- Тримайте акумулятор подалі від прямих сонячних променів, джерел тепла й відкритого вогню. Акумулятор може вибухнути, що призведе до опіків та/або хімічних опіків.
- Бережіть акумулятор від дощу та вологи.
- Захищайте акумулятор від впливу мікрохвиль чи високого тиску.
- Заборонено розбирати чи ламати акумулятор.
- У разі витікання рідини з акумулятора стежте, щоб вона не потрапила на тіло чи в очі. Якщо рідина потрапила на шкіру, промийте вражену ділянку великою кількістю води й зверніться по медичну допомогу.
- Використовуйте акумулятор виробу лише за температури навколишнього середовища від 5 °C до 40 °C.
- Використовуйте зарядний пристрій акумулятора лише за температури навколишнього середовища від 5 °C до 40 °C.
- Акумулятор не заряджатиметься, якщо його температура перевищує 50 °C.
- Заборонено мити батарею чи заряджальний пристрій водою. Дивіться розділ *Чистення акумулятора й заряджального пристрою на сторінці 500*.
- Не користуйтеся пошкодженим акумулятором.
- Зберігайте акумулятор подалі від металевих предметів на кшталт цвяхів, монет, ювелірних виробів.

## Заходи безпеки під час роботи із зарядним пристроєм



**ПОПЕРЕДЖЕННЯ:** Перш ніж розпочати використання виробу, уважно прочитайте наведені нижче попередження.

- Для заряджання замінних акумуляторів Husqvarna необхідно використовувати лише зарядні пристрої QC.
- Ризик короткого замикання й ураження електричним струмом. Забороняється вставляти предмети у вентиляційні отвори зарядного пристрою. Заборонено розбирати зарядний пристрій. Не торкайтеся металевих предметів контактами зарядного пристрою. Використовуйте сертифіковані електричні розетки.
- Під час роботи цього виробу утворюється електромагнітне поле. Це поле може за деяких умов взаємодіяти з активними чи пасивними медичними імплантатами. Щоб зменшити ризик тяжких або смертельних травм, рекомендуємо особам із медичними імплантатами проконсультуватися зі своїм лікарем і виробником медичного імплантату перед початком експлуатації цього виробу.
- Регулярно перевіряйте шнур живлення зарядного пристрою на предмет пошкоджень та тріщин.
- Заборонено підіймати зарядний пристрій, тримаючи його за шнур живлення. Щоб від'єднати зарядний пристрій від настінної розетки, витягніть штепсельну вилку. У жодному разі не тягніть за шнур живлення.
- Тримайте шнур живлення та подовжувачі на безпечній відстані від води, мастил і гострих предметів. Переконайтеся, що кабелі не здавлено дверима, огорожею або іншими предметами. У такому випадку зарядний пристрій може опинитися під напругою.
- Заборонено мити зарядний пристрій водою.
- Дітям віком від 8 років та особі з обмеженими фізичними, сенсорними або психічними можливостями або особі, які не мають досвіду та знань, можуть використовувати зарядний пристрій лише під наглядом або після належного інструктажу щодо безпечного його використання, за умови розуміння ними пов'язаних із таким використанням ризиків. Дітям заборонено грати із зарядним пристроєм. Дітям заборонено виконувати чищення та обслуговування без нагляду.
- Не намагайтеся заряджати одноразові батареї за допомогою зарядного пристрою.
- Заборонено використовувати зарядний пристрій поблизу легкозаймистих або корозійних матеріалів. Заборонено закривати зарядний пристрій. При появі диму чи вогню витягніть штепсель зарядного пристрою з розетки.
- Не користуйтеся пошкодженим зарядним пристроєм.
- Заряджати акумулятор слід тільки в добре провітрюваних приміщеннях та подалі від сонячного світла. Не заряджайте акумулятор у вологому середовищі.

## Правила техніки безпеки під час обслуговування



**ПОПЕРЕДЖЕННЯ:** Перш ніж розпочати використання виробу, уважно прочитайте наведені нижче попередження.

- Для запобігання ненавмисному запуску двигуна під час обслуговування переведіть ключ безпеки в положення «0» та вийміть акумулятор. Перед початком обслуговування зачекайте щонайменше 5 секунд.
- Виконуйте лише те технічне обслуговування, що наведене в цьому посібнику користувача. Більш серйозні роботи й професійний ремонт повинні виконуватися співробітниками авторизованих центрів обслуговування. Більш детальної інформації можна дізнатися в найближчому центрі обслуговування.
- Виконуйте технічне обслуговування правильно, адже це допоможе збільшити термін експлуатації виробу та зменшити небезпеку виникнення нещасних випадків.
- Замінійте пошкоджені, зношені або зламані деталі. Завжди використовуйте лише оригінальні

запасні частини виробника. Інші запасні частини можуть пошкодити виріб і підвищити ризик нещасних випадків.

- Щоб запобігти травмуванню, не знімайте захисні пристрої та не змінюйте їх конструкцію.
- Під час роботи з різальним обладнанням завжди надягайте міцні рукавиці. Лезо дуже гостре, ним можна легко порізатися.
- Для найкращої продуктивності та безпеки слід підтримувати різальні кромки гострими та чистими.
- Регулярно віддавайте виріб у центр обслуговування, де його будуть перевіряти, робити необхідні налаштування або ремонт.
- Дотримуйтеся інструкцій щодо заміни аксесуарів. Користуйтеся аксесуарами лише від виробника обладнання.
- Коли виріб не використовується, зберігайте його окремо від акумулятора та зарядного пристрою в сухому закритому приміщенні. Переконайтеся, що діти та особи без належної підготовки не зможуть отримати доступ до виробу, акумулятора чи зарядного пристрою.

## Збирання

### Вступ



**ПОПЕРЕДЖЕННЯ:** Перед монтажем виробу необхідно прочитати розділ про заходи безпеки.



**ПОПЕРЕДЖЕННЯ:** Щоб запобігти випадковому ввімкненню виробу під час збирання, поверніть ключ безпеки в положення «0», вийміть акумуляторну батарею та почекайте принаймні 5 секунд.

### Монтаж ручки

**Зверніть увагу:** Рекомендовано, щоб цю процедуру виконували 2 людини.

**Зверніть увагу:** Не виймайте пристрій із коробки, коли збираєте ручку. Коробку можна використовувати як опору для ручки під час складання.

1. Підніміть і поверніть ручку. (Мал. 19)



**УВАГА:** Будьте обережні та стежте, щоб під час обертання ручки не пошкодити кабель.

2. Установіть ручку зверху пристрою. Обіпріть ручку на коробку. Див. ілюстрацію. (Мал. 20)
3. Вставте гвинт (A) таким чином, щоб він пройшов крізь ручку (B), пластикову шайбу (C) і кріпильний кронштейн ручки (D). (Мал. 21)
4. Повністю затягніть гайку (E).
5. Вийміть пристрій із коробки.
6. Розкладіть ручку у вертикальне положення. (Мал. 22)
7. Установіть ручку на мінімальну висоту. Дивіться розділ *Регулювання ручки на сторінці 497*.
8. Закріпіть кабель у нижній частині ручки хомутами. (Мал. 23)
9. Прикріпіть нижню частину кабелю до кріпильного кронштейна ручки за допомогою кабельної стяжки. Відріжте кінець кабельної стяжки, що стирчить. (Мал. 24)

**Зверніть увагу:** Переконайтеся, що кабель закріплено належним чином. Кабель, що бовтається, можна пошкодити під час установлення травозбірника. (Мал. 25)



## Регулювання ручки

1. Відпустіть нижні фіксувальні головки.
2. Пересуньте головки у нижню частину прорізів зліва та справа виробу. (Мал. 26)
3. Встановіть висоту ручки в одне з двох доступних положень.

4. Пересуньте головки вгору в напрямку ручки, доки вони не зупиняться та ви не почуєте клацання. (Мал. 27)
5. Надійно затягніть фіксуючі голівки.

## Експлуатація

### Вступ



**ПОПЕРЕДЖЕННЯ:** Перед експлуатацією виробу обов'язково прочитайте й усвідомте зміст розділу про заходи безпеки.

### Husqvarna Connect

Husqvarna Connect є безкоштовною програмою для мобільного пристрою. У програмі Husqvarna Connect доступна ціла низка розширених функцій для користування Husqvarna:

- розширена інформація про виріб;
- відомості про деталі й обслуговування виробу, а також довідкова інформація.

### Щоб почати користуватися Husqvarna Connect

1. Завантажте програму Husqvarna Connect на свій мобільний пристрій.
2. Зареєструйтеся в програмі Husqvarna Connect.
3. Виконайте кроки з реєстрації в програмі Husqvarna Connect, щоб під'єднати та зареєструвати виріб.

### Установлення виробу в положення для експлуатування

1. Переконайтеся, що нижні фіксувальні головки не затягнуті. Дивіться розділ *Регулювання ручки на сторінці 497*.
2. Розкладіть ручку у вертикальне положення. (Мал. 22)
3. Пересуньте фіксувальні головки вгору в напрямку ручки, доки вони не зупиняться й ви не почуєте клацання. (Мал. 27)
4. Надійно затягніть фіксувальні голівки.



**ПОПЕРЕДЖЕННЯ:** Не використовуйте виріб, якщо ручка не складена повністю та не встановлена в одне з відповідних положень висоти. Дивіться розділ *Регулювання ручки на сторінці 497*.

### Налаштування висоти різання

1. Для збільшення висоти різання потягніть важіль регулювання висоти різання назад.
2. Для зменшення висоти різання потягніть важіль регулювання висоти різання вперед. (Мал. 28)



**УВАГА:** Не встановлюйте занадто низьку висоту різання. Леза можуть зачепити землю, якщо поверхня газону буде нерівною.

### Акумулятор



**ПОПЕРЕДЖЕННЯ:** Перед використанням акумулятора обов'язково прочитайте й усвідомте зміст розділу про заходи безпеки. Також необхідно прочитати й усвідомити зміст посібника користувача для акумулятора та зарядного пристрою.

Дотримуйтеся вимог щодо температури навколишнього середовища для акумулятора й зарядного пристрою.

	Температура навколишнього середовища
Використання акумулятора	5–40 °C
Зарядження акумулятора	5–40 °C

### Стан акумулятора

На дисплеї відображаються поточний стан заряду акумулятора та можливі проблеми під час його роботи. Щоб дізнатися рівень заряду акумулятора, натисніть кнопку індикатора стану акумулятора. У разі виникнення будь-якої помилки на дисплеї акумулятора з'являється попереджувальний символ. Дивіться розділ *Акумулятор на сторінці 502*.

(Мал. 29)

Світлодіодні індикатори	Стан акумулятора
Горять усі світлодіодні індикатори	Акумулятор заряджений повністю (76–100 %)
Горять світлодіодні індикатори 1, 2 та 3	Акумулятор заряджено на 51–75 %.
Горять світлодіодні індикатори 1 та 2	Акумулятор заряджено на 6–50 %.
Горить світлодіодний індикатор 1	Акумулятор заряджено на 6–25 %.
Блимає світлодіод 1	Акумулятор заряджено на 0–5 %

## Зарядка акумулятора

Перед першим використанням акумулятор слід зарядити. Акумулятор постачається зарядженим лише на 30 % ємності.

**Зверніть увагу:** Зарядний пристрій слід під'єднувати лише до джерел електроживлення з напругою та частотою, вказаними на табличці з паспортними даними.

Акумулятор не заряджається, якщо його температура перевищує 50°C. Перед початком заряджання зарядний пристрій зменшує температуру акумулятора.

1. Під'єднайте один кінець шнура живлення зарядного пристрою до його роз'єму.
2. Під'єднайте інший кінець шнура живлення зарядного пристрою до електричної розетки із заземленням. Світлодіод зарядного пристрою блимне один раз зеленим кольором. (Мал. 30)
3. Встановіть акумулятор у зарядний пристрій. Якщо акумулятор підключено правильно, на зарядному пристрої загоряється зелений індикатор. (Мал. 31)
4. Якщо загоряються всі світлодіодні індикатори, це означає, що акумулятор повністю заряджений. Тривалість заряджання акумулятора не повинна перевищувати 24 години.
5. Щоб від'єднати зарядний пристрій із розетки, тримайтеся тільки за штепсель, не тягніть за шнур.
6. Вийміть акумулятор із зарядного пристрою.

## Запуск виробу

1. Відкрийте кришку акумуляторного відсіку.
2. Вставте заряджений акумулятор в один із тримачів акумулятора. За необхідності тривалішого використання вставте другий заряджений акумулятор в інший тримач акумулятора.

3. Поверніть ключ безпеки в положення «1». (Мал. 32)
4. Залишайтеся позаду виробу.
5. Відпустіть обмежувач запуску. (Мал. 18)
6. Перемістіть ручку зупинення двигуна в напрямку рукоятки. (Мал. 33)

## Підключення приводу до коліс (LC 251iS)

- Штовхніть привідну скобу в напрямку рукоятки. (Мал. 34)
- У разі наближенні до перешкоди відпустіть привідну скобу, щоб розчепити привід.
- Перш ніж рухати виріб у зворотному напрямку, розчепіть привід і штовхніть виріб уперед приблизно на 10 см.

## Використання функції Save™

Виріб оснащений функцією збереження заряду акумулятора (Save™), що дозволяє подовжити час використання.

- Для ввімкнення функції встановіть перемикач Save™ у положення «1». (Мал. 35)
- Для вимкнення функції встановіть перемикач Save™ у положення «0».

**Зверніть увагу:** Функція Save™ вимикається автоматично, якщо через стан поверхні потрібна більша потужність. Коли стан поверхні дозволяє, функція Save™ знову вмикається автоматично.

## Функція підвищеної потужності

Якщо виріб використовується для зрізання довгої чи вологої трави, двигун автоматично збільшує оберти. Коли необхідність у підвищеній потужності зникає, двигун повертається до роботи в стандартному режимі.

## Стопоріння двигуна

Під час роботи лезо та двигун можуть тимчасово зупинитися, якщо під кожухом леза є засмічення на кшталт скупчень трави. Якщо це сталося й ви втримуєте ручку гальма двигуна в натиснутому положенні, виріб здійснить автоматичний перезапуск. Якщо виріб не перезапустився за 5–10 секунд, може знадобитися почистити дно кожуха леза. Дивіться розділ *Чищення виробу на сторінці 500*.



**ПОПЕРЕДЖЕННЯ:** Якщо двигун зупиняється, виріб здійснить спробу повторного автоматичного запуску протягом 5–10 секунд. Перш ніж перевіряти кожух леза, зачекайте щонайменше 15 секунд.



**ПОПЕРЕДЖЕННЯ:** Перед перевіркою кожуха леза відпустіть ручку гальма двигуна, переведіть ключ безпеки в положення «0», вийміть акумулятор і зачекайте щонайменше 5 секунд. Існує ризик того, що після усунення засмічення виріб раптово запуститься та травмує оператора.

## Зупинення виробу



**ПОПЕРЕДЖЕННЯ:** Залишаючи виріб без нагляду, повертайте ключ безпеки в положення «0».

1. Щоб зупинити двигун, відпустіть ручку зупинення двигуна. (Мал. 36)

**Зверніть увагу:** Для LC 251iS. Щоб зупинити привод коліс, необхідно відпустити приводну скобу.

2. Відкрийте кришку акумуляторного відсіку й поверніть ключ безпеки в положення «0». (Мал. 37)
3. Щоб вийняти акумулятор, натисніть дві кнопки фіксатора й витягніть його. (Мал. 38)
4. Якщо рівень заряду акумулятора низький, зарядіть його. Щоб дізнатися більше, див. *Зарядка акумулятора на сторінці 498.*

## Використання виробу з травозбірником



**ПОПЕРЕДЖЕННЯ:** Не використовуйте виріб без встановленого травозбірника або без закритої задньої кришки. 3-під косарки можуть відлітати різноманітні предмети й травмувати оператора.

1. Підніміть задню кришку. (Мал. 39)
2. Установіть травозбірник на кріпильну скобу.
3. Відпустіть задню кришку, щоб вона опинилася зверху рамки мішка для трави. (Мал. 40)

## Переналаштування виробу в режим бічного викидання

1. Підніміть задню кришку й витягніть мішок для трави, якщо його встановлено.

2. Закрийте задню кришку та переконайтеся, що вона щільно закриває виріб.
3. Підніміть фіксатор викиду. (Мал. 41)
4. Відкрийте бокову кришку й установіть викидний дефлектор на опорні штифти. (Мал. 42)
5. Дайте боковій кришці зафіксуватися навпроти викидного дефлектора. Перед початком експлуатації виробу переконайтеся, що викидний дефлектор для викидання трави вбік надійно зафіксовано на місці.

## Спорожнення травозбірника



**УВАГА:** Піднімайте травозбірник під час його переміщення для запобігання зносу.

1. Підніміть травозбірник за ручки на рамці.
2. Під час спорожнення травозбірника тримайтеся за ручки на рамі та ручки мішка. (Мал. 43)

## Забезпечення ефективної роботи

- Завжди користуйтеся гострим лезом. Тупе лезо ріже нерівно, а трава на поверхні розрізу жовтіє. Крім того, гостре лезо споживає менше енергії за тупе.
- Не скошуйте більше  $\frac{1}{3}$  довжини трави. На початку зрізання трави встановіть найбільшу висоту зрізання. Оцініть результат і зменште висоту зрізання на потрібну вам. Якщо трава дуже довга, ведіть газонокосарку повільно та в разі необхідності виконайте скошування двічі.
- Косіть щоразу в різних напрямках, щоб на газоні не було смуг.
- Підніміть задню кришку й вийміть травозбірник.
- Зніміть заглушку та лезо для мульчування, якщо вони встановлені.
- Перед використанням виробу закрийте задню кришку. Під час експлуатації виробу зрізана трава викидається під задньою кришкою.
- Тримайте кожух леза в чистоті. Скупчення трави й бруду на внутрішньому боці кожуха леза може призвести до зниження ефективності скошування. Див. *Чищення виробу на сторінці 500.*

# ТЕХНІЧНЕ ОБСЛУГОВУВАННЯ

## Вступ



**ПОПЕРЕДЖЕННЯ:** Перед виконанням робіт із технічного обслуговування обов'язково прочитайте й усвідомте зміст розділу про заходи безпеки.

Для всіх робіт з обслуговування та ремонту необхідна спеціальна підготовка. Ми гарантуємо доступність послуг із професійного ремонту та обслуговування.

Для отримання більш детальної інформації див. [www.husqvarna.com](http://www.husqvarna.com).

## Графік технічного обслуговування

Інтервали технічного обслуговування зазначено з урахуванням щоденного використання виробу. Інтервали змінюються для іншої частоти використання виробу.

Вказівки щодо технічного обслуговування елементів, позначених зірочкою (\*), дивіться в розділі *Безпека на сторінці 490*.

	Перед кожним використанням	Щомісяця	Кожного сезону
Загальна перевірка	X		
Очищення виробу	X		
Перевірка обмежувача запуску*	X		
Переконайтеся, що захисні пристрої виробу є справними*	X		
Перевірка різального обладнання	X		
Перевірка кожуха леза*	X		
Перевірка ручки зупинення двигуна*	X		
Перевірка акумулятора на наявність пошкоджень	X		
Перевірка рівня заряду акумулятора	X		
Перевірка справності кнопки фіксатора на акумуляторі та надійності утримання акумулятора у виробі	X		
Перевірка заряджального пристрою на наявність пошкоджень і правильність роботи.		X	
Перевірка з'єднань між акумулятором і виробом. Перевірка з'єднань між акумулятором і заряджальним пристроєм.			X

## Процедура загальної перевірки

- Переконайтеся, що всі гайки й гвинти на виробі затягнуті.
- Переконайтеся, що кабелі встановлені так, щоб вони не пошкодилися.

## Чищення виробу

- Для очищення пластмасових деталей використовуйте суху чисту тканину.
- Не користуйтеся водою для очищення виробу. Вода може потрапити в акумулятор чи двигун та призвести до короткого замикання або пошкодження виробу.

- Для чищення виробу не використовуйте миючий апарат високого тиску.
- Заборонено лити воду безпосередньо на двигун.
- Прибирайте листя, траву та бруд за допомогою щітки.

## Чищення акумулятора й заряджального пристрою



**ПОПЕРЕДЖЕННЯ:** Заборонено мити батарею чи заряджальний пристрій водою.



**ПОПЕРЕДЖЕННЯ:** Для очищення акумулятора не треба використовувати будь-які хімічні речовини.

- Перш ніж уставити акумулятор у заряджальний пристрій, переконайтеся, що вони обидва чисті й сухі.
- Чистити контакти акумулятора треба стисненим повітрям або за допомогою м'якої сухої ганчірки.
- Чистити поверхню акумулятора й заряджального пристрою треба за допомогою м'якої сухої ганчірки.

## Перевірка різального обладнання



**ПОПЕРЕДЖЕННЯ:** Щоб запобігти випадковому ввімкненню виробу, поверніть ключ безпеки в положення «0», вийміть акумуляторну батарею та почекайте принаймні 5 секунд.



**ПОПЕРЕДЖЕННЯ:** Під час технічного обслуговування різального обладнання використовуйте захисні рукавиці. Лезо дуже гостре, ним можна легко порізатися.

1. Перевірте різальне обладнання на наявність пошкоджень або тріщин. Обов'язково замінійте пошкоджене різальне обладнання.
2. Огляньте лезо на предмет пошкоджень або затуплення.

**Зверніть увагу:** Після гостріння леза необхідно відрегулювати його баланс. Гостріння, заміну та балансування леза необхідно проводити в центрі обслуговування. У разі потрапляння на перешкоду, що призвела до зупинки двигуна, замініть пошкоджене лезо. Спеціалісти центру обслуговування мають провести оцінювання стану леза та надати консультацію щодо необхідності його гостріння або заміни.

## Заміна ножа

Дивіться розділ *Технічні дані на сторінці 505* для визначення правильного типу леза.



**ПОПЕРЕДЖЕННЯ:** Заблокуйте лезо дерев'яним брусом, щоб уникнути

травмування пальців під час його заміни. Лезо може рухатися, навіть коли двигун вимкнено, і це може призвести до застрягання пальців між лезом і нерухожими деталями.

1. Зафіксуйте лезо дерев'яним брусом. (Мал. 44)
2. Вийміть болт леза, шайби й лезо. (Мал. 45)
3. Перевірте опору леза й болт на наявність пошкоджень.
4. Перевірте вал двигуна на наявність згинань.
5. Під час установлення нового леза спрямовуйте розміщені під кутом кінці в напрямку кожуха леза. (Мал. 46)
6. Переконайтеся, що лезо перебуває на одному рівні з центром вала двигуна.
7. Зафіксуйте лезо дерев'яним бруском. Установіть шайби та затягніть болт із крутним моментом 23 – 28 Н·м. (Мал. 47) (Мал. 45)
8. Прокрутіть лезо рукою й переконайтеся в тому, що воно вільно обертається.



## ПОПЕРЕДЖЕННЯ:

Використовуйте міцні робочі рукавиці. Лезо дуже гостре, ним можна легко порізатися.

9. Запустіть виріб, щоб перевірити роботу леза. У разі неправильного встановлення леза у виробі буде спостерігатися вібрація або результат скошування буде незадовільним.

## Перевірка викидного дефлектора для викидання трави вбік

Викидний дефлектор для викидання трави вбік прикріплено до отвору виробу для викидання вбік. Він зменшує ризик потрапляння в оператора предметів, що вилітають із виробу.

1. Переконайтеся, що дефлектор для викидання трави вбік не пошкоджено.
2. Перевірте дефлектор для викидання трави вбік. Переконайтеся у відсутності дефектів, наприклад тріщин або зламаних пружин, що призводять до закриття дверей.
3. Якщо пружини або дефлектор для викидання трави вбік пошкоджені, замініть їх.

## Усунення несправностей

### Акумулятор

Світлодіоди на акумуляторі	Причина	Вирішення
Блимає зелений світлодіод.	Низька напруга акумулятора.	Зарядіть акумулятор. Дивіться розділ <i>Зарядка акумулятора на сторінці 498</i> .
Блимає індикатор помилки акумулятора.	Акумулятор надто холодний або надто гарячий для використання.	Дайте акумулятору охолонути або віднесіть його в приміщення, щоб підігріти. Коли температура акумулятора досягне прийнятних значень, його можна буде знову використовувати. Використовуйте акумулятор виробу лише за температури навколишнього середовища від 5 °С до 40 °С.
	Акумулятор розряджений.	Зарядіть акумулятор. Дивіться розділ <i>Зарядка акумулятора на сторінці 498</i> .
Вмикається світлодіодний індикатор помилки акумулятора.	Постійна помилка акумулятора.	Зверніться до дилера з обслуговування Husqvarna.

### Зарядний пристрій

Світлодіодний індикатор на заряджальному пристрої	Причина	Вирішення
Блимає або вмикається світлодіодний індикатор помилки.	Зарядний пристрій надто холодний або надто гарячий для використання.	Дайте зарядному пристрою охолонути або віднесіть його в приміщення, щоб підігріти. Коли температура зарядного пристрою досягне прийнятних значень, його можна буде знову використовувати. Використовуйте зарядний пристрій за температури навколишнього середовища від 5 °С до 40 °С.
	Інші помилки.	Зверніться до дилера з обслуговування Husqvarna.

### Газонокосарка

Індикатор попередження (світлодіод помилки) розташований під кришкою акумуляторного відсіку.

Несправність	Світлодіодний індикатор помилки (кількість спалахів)	Причина	Вирішення
Світлодіодний індикатор помилки блимає. Виріб працює неправильно.	3	Лезо заблоковане.	Щоб запобігти випадковому запуску двигуна, поверніть ключ безпеки в положення «0». Вийміть акумулятор і зачекайте щонайменше 5 секунд. Видаліть можливі перешкоди й переконайтеся, що лезо може вільно обертатися. Якщо усунути проблему не вдасться, зверніться до місцевого дилера з обслуговування Husqvarna.
	5	Частота обертання двигуна занадто падає, і він зупиняється.	Збільште висоту різання. Дивіться розділ <i>Налаштування висоти різання на сторінці 497</i> .
	6 <sup>109</sup>	Колеса або коробку передач заблоковано.	Щоб запобігти випадковому запуску двигуна, поверніть ключ безпеки в положення «0». Вийміть акумулятор і зачекайте щонайменше 5 секунд. Усуньте можливі перешкоди й переконайтеся, що колеса можуть вільно обертатися. Якщо усунути проблему не вдасться, зверніться до місцевого дилера з обслуговування Husqvarna.
	10	Елементи керування двигуном занадто нагрілися.	Зупиніть двигун і почекайте, доки він охолоне.
Світлодіодний індикатор помилки блимає. Виріб зупиняється.	Не блимає	Несправність роз'єму акумулятора.	Огляньте роз'єм акумулятора.
	3	Перевантаження двигуна.	Збільште висоту різання. Дивіться розділ <i>Налаштування висоти різання на сторінці 497</i> .
	8	Занизький рівень заряду акумулятора.	Зарядіть акумулятор. Дивіться розділ <i>Зарядка акумулятора на сторінці 498</i> .
	9	Помилка акумулятора або відсутність сигналу від нього.	Правильно вставте акумулятор у виріб і перевірте його роз'єм. Якщо світлодіодний індикатор на акумуляторі продовжує блимати. Дивіться розділ <i>Акумулятор на сторінці 502</i> .
	15	Неправильна процедура запуску. Задіяно ручку зупинення двигуна перед його запуском.	Відпустіть ручку зупинення двигуна й зачекайте приблизно 5 секунд. Знову натисніть ручку зупинення двигуна, щоб запустити виріб.
Інші помилки.	У разі появи інших помилок поверніть ключ безпеки в положення «0», вийміть акумулятор і зверніться до місцевого дилера з обслуговування Husqvarna.		

<sup>109</sup> LC 251iS

## Вступ



**ПОПЕРЕДЖЕННЯ:** Щоб запобігти випадковому ввімкненню виробу під час транспортування та зберігання, поверніть ключ безпеки в положення «0», вийміть акумулятор і зачекайте принаймні 5 секунд.

- Зберігайте акумулятор за температури навколишнього середовища від 5 °C до 25 °C у захищеному від прямих сонячних променів місці.
- Зберігайте зарядний пристрій акумулятора за температури навколишнього середовища від 5 °C до 45 °C у захищеному від прямих сонячних променів місці.
- Перед тривалим зберіганням акумуляторної батареї переконайтеся, що рівень її заряду становить 30–50 %.
- Зберігайте виріб, акумулятор та зарядний пристрій у закритому приміщенні, куди не зможуть отримати доступ діти та особи без належної підготовки.
- Почистьте виріб і впевніться, що травозбірник порожній.
- Виконуйте роботи з технічного обслуговування, які описані в цьому посібнику користувача. Див. *ТЕХНІЧНЕ ОБСЛУГОВУВАННЯ* на сторінці 500.
- Перед тривалим зберіганням виробу виконайте його повне технічне обслуговування.

## Установлення виробу в положення для транспортування

1. Відпустіть нижні фіксувальні головки.
2. Пересуньте фіксувальні головки в нижню частину прорізів зліва й справа виробу. (Мал. 26)
3. Складіть ручку вперед. (Мал. 48)

## Транспортування

- До літій-іонних акумуляторів, що йдуть у комплекті, застосовується законодавство щодо небезпечних товарів.
- Під час транспортування цивільним транспортом слід дотримуватися спеціальних вимог, що зазначені на пакуванні та наклейках.
- У разі підготовки виробу до транспортування переконайтеся, що ви дотримуетесь законодавства щодо небезпечних матеріалів. Крім того, можуть застосовуватися місцеві норми.
- Перед перевезенням виробу слід завжди виймати акумуляторну батарею.
- Заклейте з'єднувачі акумулятора стрічкою та переконайтеся, що під час транспортування він буде надійно зафіксований.
- Під час транспортування закріплюйте виріб.

## Зберігання

- Перед зберіганням виробу дайте йому охолонти.
- Перед зберіганням виробу слід завжди виймати акумулятор.
- Задля уникнення нещасних випадків переконайтеся, що під час зберігання акумулятор не під'єднаний до виробу.
- Зберігайте зарядний пристрій у сухому місці в закритому приміщенні.
- Зберігайте акумулятор та зарядний пристрій у сухому місці, захищеному від вологи та холоду.
- Під час зберігання від'єднуйте акумулятор від зарядного пристрою.
- Заборонено зберігати акумулятор у місці, де можуть утворюватися статичні заряди. Не зберігайте акумулятор у металевій коробці.
- Зберігайте виріб за температури навколишнього середовища від –10 °C до 40 °C.

## Утилізація

Символи на виробі або його упаковці вказують на те, що його не слід утилізувати разом з побутовими відходами. Утилізацію цього виробу слід здійснювати на спеціалізованому підприємстві з переробки відходів електричного й електронного обладнання.

Належна утилізація виробу допоможе запобігти потенційному негативному впливу на стан навколишнього середовища та здоров'я людей, який може стати наслідком некоректної обробки відходів. Докладну інформацію про утилізацію цього виробу можна отримати в органах місцевого самоврядування, місцевих службах переробки відходів або в магазині, де було придбано цей пристрій.

(Мал. 49)



## Технічні дані

### Технічні характеристики

	LC 251i	LC 251iS
<b>Різальний двигун</b>		
Тип двигуна	Двигун постійного струму (без щіток) 36 В	Двигун постійного струму (без щіток) 36 В
Частота обертання двигуна – SavE, об. на хв	2600/хв	2600/хв
Частота обертання двигуна – номінальна, об. на хв	3000/хв	3000/хв
Частота обертання двигуна – збільшена потужність, об. на хв	3500/хв	3500/хв
Вихідна потужність двигуна – максимальна, кВт	1,4	1,4
Вихідна потужність двигуна – номінальна, кВт	0,9	0,9
<b>Приводний двигун</b>		
Вихідна потужність двигуна – номінальна, кВт	Не застосовується	0,4
Швидкість самохідного руху, км/ч	Не застосовується	4,0
Рівні швидкості	Не застосовується	1
<b>Маса</b>		
Маса без мішка (без акумулятора), кг	25,5	27
Маса з мішком (з урахуванням BLi30, 2 шт.), кг	31,5	33
<b>Акумулятор</b>		
Тип акумулятора	Серія Husqvarna	Серія Husqvarna
<b>Ресурс акумулятора</b>		
Тривалість роботи від акумулятора, у хвилинах, (на холостому ході) з активованою функцією SavE, з одним акумулятором Husqvarna ємністю 7,5 А·год (BLi30).	58	51
Тривалість роботи від акумулятора, у хвилинах, (на холостому ході) у стандартному режимі роботи, з одним акумулятором Husqvarna ємністю 7,5 А·год (BLi30).	42	38
<b>Випромінювання шуму <sup>110</sup></b>		
Рівень звукової потужності, дБ (А)	96	96
Гарантований рівень звукової потужності, L <sub>WA</sub> дБ(А)	98	98
<b>Рівні звуку <sup>111</sup></b>		

<sup>110</sup> Випромінювання шуму в середовище, виміряне як звукова потужність (L<sub>WA</sub>), відповідає директиві ЄС 2000/14/ЄС.

<sup>111</sup> Заявлені дані про рівень шумового тиску мають похибку (К), яка становить 1,5 дБ (А).

	LC 251i	LC 251iS
Рівень звукового тиску у вусі оператора, дБ(А)	85	85
<b>Рівні вібрації<sup>112</sup></b>		
Ручка, м/с <sup>2</sup>	0,7	0,7
<b>Різальне обладнання</b>		
Висота зрізання, мм	25–75	25–75
Ширина зрізання, мм	510	510
Стандартне лезо	Система збирання 5928704-01	Система збирання 5928704-01
Ємність травозбірника, літрів	65	65

Схвалені акумулятори	Тип	Ємність батареї, ампер-години	Напруга, В	Маса, фунти / кг
BLi30	Літій-іонний	7,5	36	4,2 / 1,9
40-B140	Літій-іонний	4,0	36	2,6 / 1,2

Схвалені зарядні пристрої для вказаних акумуляторів, BLi	Вхідна напруга, В	Частота, Гц	Потужність, Вт
40-C80	100-240	50–60	68,8
QC250	100–240	50–60	250

<sup>112</sup> Заявлені дані про рівень вібрації мають похибку (К), яка становить 1,5 м/с<sup>2</sup>. Зазначене загальне значення рівня вібрації виміряно відповідно до додатку І стандарту EN 62841-4-3, його можна використовувати для порівняння однієї машини з іншою, а також для попереднього оцінювання впливу вібрації на оператора.

# Декларація відповідності

## Декларація відповідності ЄС

Ми, компанія **Husqvarna AB**, SE-561 82 Huskvarna, Швеція, тел.: +46-36-146500, заявляємо під свою виключну відповідальність, що представлений виріб:

<b>Опис</b>	Газонокосарка
<b>Бренд</b>	Husqvarna
<b>Тип / модель</b>	LC 251i, LC 251iS
<b>Ідентифікація</b>	Серійні номери за 2023 рік і пізніше

повністю відповідає таким директивам і нормам ЄС:

<b>Норма</b>	<b>Опис</b>
2006/42/EC	«Про механічне обладнання»
2014/30/EU	«Про електромагнітну сумісність»
2000/14/EC	«Про виділення шуму в навколишнє середовище»
2011/65/EU	«Про обмеження використання деяких небезпечних речовин в електричному й електронному обладнанні»

і що до нього застосовуються вказані далі узгоджені стандарти та/або технічні специфікації: EN 62841-1:2015/A11:2022, EN IEC 62841-4-3:2021/A11:2021, EN IEC 55014-1:2021, EN IEC 55014-2:2021, EN IEC 63000:2018

Уповноважений орган: Компанія 0404, SMP Svensk Maskinprovning AB, Box 4053, SE-904 03 Umeå, Sweden підтвердила відповідність директиві ради ЄС 2000/14/EC, процедура оцінки відповідності: Додаток VI.

Відомості стосовно випромінювання шуму дивіться в розділі *Технічні дані на сторінці 505*.

Huskvarna, 2023-12-11



Клас Лосдал (Claes Losdal), директор із питань розвитку / продукції для садівництва, Husqvarna AB

Відповідальний за технічну документацію





FR

Cet appareil,  
ses cordons,  
et batterie  
se recyclent

À DÉPOSER  
EN MAGASIN

OU

À DÉPOSER  
EN DÉCHÈTERIE

Points de collecte sur [www.quefairedemesdechets.fr](http://www.quefairedemesdechets.fr)  
Privilégiez la réparation ou le don de votre appareil !

# Husqvarna®

[www.husqvarna.com](http://www.husqvarna.com)

Original instructions  
Оригинални инструкции  
Původní pokyny  
Originale instruktioner  
Originalanweisungen  
Αρχικές οδηγίες  
Instrucciones originales  
Originaaljuhend  
Alkuperäiset ohjeet  
Instructions d'origine

Originalne upute  
Eredeti útmutatás  
Istruzioni originali  
取扱説明書原本

Originalios instrukcijos  
Lietošanas pamācība  
Originele instructies  
Originale instruksjoner  
Oryginalne instrukcje  
Instruções originais  
Instruções iniciais  
Оригинальные инструкции  
Põlvodné pokyny  
Izvirna navodila  
Originalna uputstva  
Bruksanvisning i original  
Orijinal talimatlar  
Оригинальні інструкції



1143681-38



2023-11-03

## **ОФИЦИАЛЬНЫЙ ДИЛЕР В УКРАИНЕ:**

[storgom.ua](https://storgom.ua)

### **ГРАФИК РАБОТЫ:**

Пн. – Пт.: с 8:30 по 18:30

Сб.: с 09:00 по 16:00

Вс.: с 10:00 по 16:00

### **КОНТАКТЫ:**

+38 (044) 360-46-77

+38 (066) 77-395-77

+38 (097) 77-236-77

+38 (093) 360-46-77

Детальное описание товара:

<https://storgom.ua/product/husqvarna-208113.html>

Другие товары: <https://storgom.ua/benzinovyе-gazonokosilki.html>