

DEWALT®

XR®

English (original instructions)	2
--	---

Русский (<i>перевод с оригинала инструкции</i>)	6
---	---

Українська (<i>переклад з оригінальної інструкції</i>)	13
--	----

Fig. A

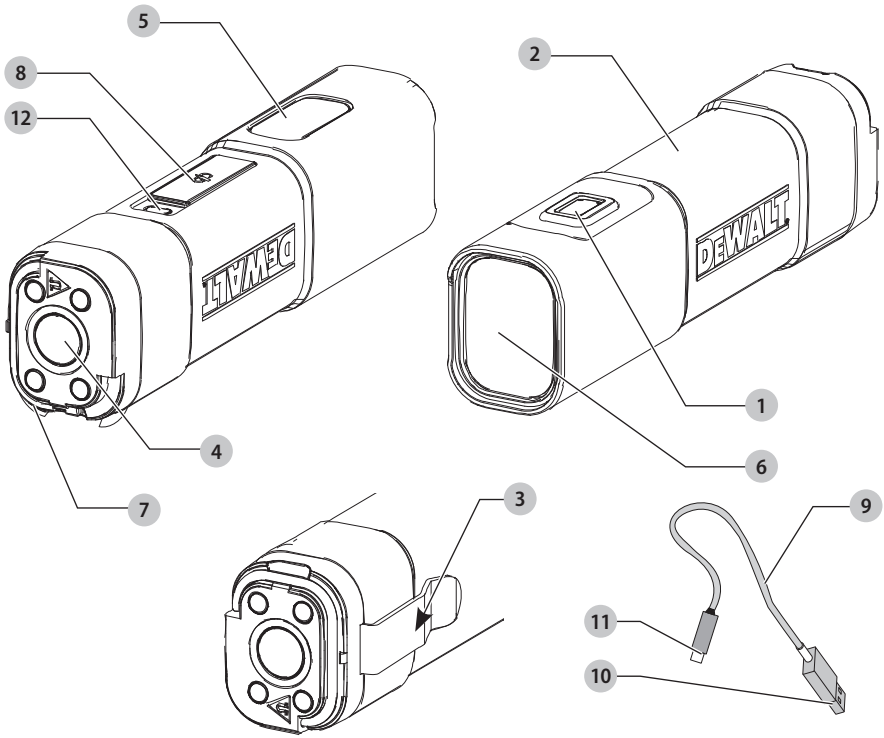


Fig. B

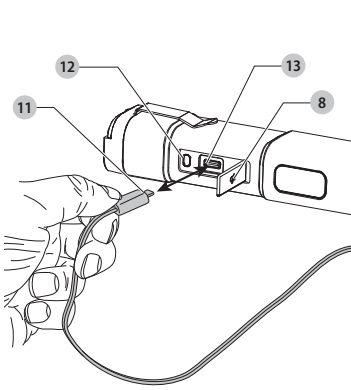


Fig. C

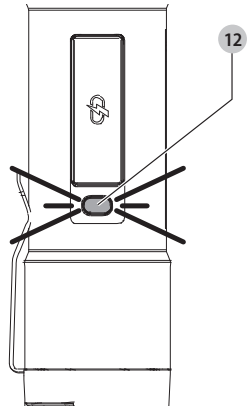
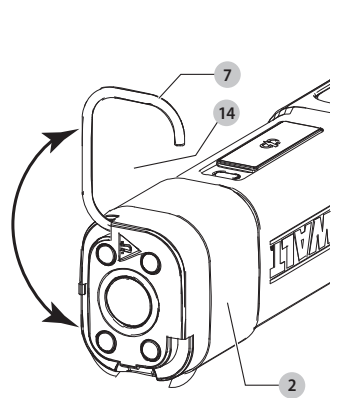


Fig. D



RECHARGEABLE LED FLASHLIGHT

DCL183

Congratulations!

You have chosen a DEWALT product. Years of experience, thorough product development and innovation make DEWALT one of the most reliable partners for professional power tool users.

Technical Data

		DCL183
Voltage	V _{oc}	3.6
Type		1
Lumens		
Spot light LED	lm	Low - 250 High - 1000
Side light LED	lm	400
Light Beam Angle		
Spot light LED	degrees	15
Side light LED	degrees	90
Run Time When Fully Charged		
Spot light LED	hours	Low - 6.5 High - 2.5
Side light LED	hours	6.5



WARNING: To reduce the risk of injury, read the instruction manual.

Definitions: Safety Guidelines

The definitions below describe the level of severity for each signal word. Please read the manual and pay attention to these symbols.



DANGER: Indicates an imminently hazardous situation which, if not avoided, **will** result in **death or serious injury**.



WARNING: Indicates a potentially hazardous situation which, if not avoided, **could** result in **death or serious injury**.



CAUTION: Indicates a potentially hazardous situation which, if not avoided, **may** result in **minor or moderate injury**.

NOTICE: Indicates a practice **not related to personal injury** which, if not avoided, **may** result in **property damage**.



DENOTES RISK OF ELECTRIC SHOCK.



DENOTES RISK OF FIRE.

SAFETY INSTRUCTIONS

When using an electrical light, basic precautions should always be followed, including the following:



WARNING: Do not attempt to modify or repair the light.



WARNING: Do not charge the battery at ambient temperatures below 4 °C (40 °F) or above 40 °C (104 °F). Follow all charging instructions and do not charge the battery outside of the temperature range specified in the instructions. Charging improperly or at temperatures outside of the specified range may damage the battery and increase risk of fire.

- **Shock Hazard.** To protect against risk of electrical shock, do not put charging base in water or other liquid.
- **Do not allow to be used as a toy.** Close attention is necessary when used near children.
- **Do not use if damaged.** If light is not working as it should, has been dropped, damaged, left outdoors, or dropped into water, return it to a service center.
- **Do not incinerate the light even if it is severely damaged.** The batteries can explode in a fire.
- **Do not pull or carry by charging cord, use charging cord as a handle, close a door on charging cord, or pull charging cord around sharp edges or corners.**
- **Keep charging cord away from heated surfaces.**
- **Do not allow the cord to hang over the edge of a table or counter or touch hot surfaces.** The unit should be placed or mounted away from sinks and hot surfaces.
- **Do not unplug by pulling on charging cord.** To unplug, grasp the plug, not the cord.
- **Do not handle charging cord, including charging plug with wet hands.**
- **Do not charge the unit outdoors.**
- **Leaks from battery cells can occur under extreme conditions.** If the liquid, which is a 20-35% solution of potassium hydroxide, gets on the skin (1) wash quickly with soap and water or (2) neutralize with a mild acid such as lemon juice or vinegar. If the liquid gets into the eyes, flush them immediately with clean water for a minimum of 10 minutes. Seek medical attention.
- **The light source of this luminaire is not replaceable; when the light source reaches its end of life the whole luminaire shall be replaced.**

Additional Safety Warnings

- This light is intended for professional, commercial or industrial use.
- Do not use a battery or light that is damaged or modified. Damaged or modified batteries may exhibit unpredictable behavior resulting in fire, explosion or risk of injury.
- Do not expose a battery to fire or excessive temperature. Exposure to fire or temperature above 130 °C (266 °F) may cause explosion.
- Do not use magnet for overhead mounting.
- The luminaire should be powered by certified power supply with SELV output (constant voltage 5 Vdc).

SAVE THESE INSTRUCTIONS

Specific Safety Rules for Lights

! **WARNING:** Do not place the light in a position which may cause anyone to intentionally or unintentionally stare into the light. Serious eye injury could result.

! **WARNING:** Fire hazard. Do not operate light or charger near flammable liquids or in gaseous or explosive atmospheres. Internal sparks may ignite fumes causing personal injury.

IMPORTANT SAFETY INSTRUCTIONS

! **WARNING:** When using the light, basic precautions should always be followed, including the following:

- To reduce the risk of injury, close supervision is necessary when a light is used near children.
- To reduce the risk of electrical shock, do not put light in water or other liquid. Do not place or store light where it can fall or be pulled into a tub or sink.
- Turn the light off when not in use.
- Do not operate any light after it malfunctions or is dropped or damaged in any manner.
- This light is intended for indoor use only.

Additional Safety Rules for Lights

- Do not submerge hand held light in any liquid.
- Do not wash light or battery with water or allow water to get inside light or battery.
- Do not operate without lens cover assembly attached.

Package Contents

The package contains:

- 1 LED light
- 1 Type C USB cable
- 1 Instruction manual
- Check for damage to the lamp, parts or accessories which may have occurred during transport.
- Take the time to thoroughly read and understand this manual prior to operation.

Markings on Lamp

The following pictograms are shown on the lamp:



Read instruction manual before use.



European certification



Class 3 luminaire appliance



Waste electrical and electronic equipment:
Separate Collection.



Keep clear of magnets.



Magnetic hazard can disturb pacemaker operation and result in serious injury or death.



Hot surface

Description (Fig. A)



WARNING: Never modify the area light. Damage or personal injury could result.

- Multi function button
- Housing
- Belt clip
- Magnet
- Side LED
- Spot light LED
- Hang hook
- USB charging port cover
- USB charging cable
- USB charger plug
- USB charging plug
- Charge indicator LED

Intended Use

Your DeWALT DCL183 has been designed for professional lighting applications.

DO NOT use under wet conditions or in the presence of flammable liquids or gases.

DO NOT let children come into contact with the lamp. Supervision is required when inexperienced operators use this lamp.

- Young children and the infirm.** This product is not intended for use by young children or infirm persons without supervision.
- This product is not intended for use by persons (including children) suffering from diminished physical, sensory or mental abilities; lack of experience, knowledge or skills unless they are supervised by a person responsible for their safety. Children should never be left alone with this product.
- This product contains a spot light LED and side light LED light source with a class D energy efficiency.

BATTERIES

The product is not fully charged out of the carton. Before using the product, read the safety instructions below and then follow the charging procedures outlined.

NOTE: If the product is unused for approximately 90 days, fully charge the battery to help prolong the life of the battery.

Important Safety Instructions for All Integral Battery Charging



WARNING: Read all safety warnings, instructions, and cautionary markings for the battery, charging cable and product. Failure to follow the warnings and instructions may result in electric shock, fire and/or serious injury.



WARNING: Only charge product using a certified power adapter with SELV output (constant voltage 5Vdc, 3A maximum) that is compliant with applicable

country regulations and international/regional safety standards. Using adapters that do not meet applicable safety standards could result in injury.

- **Only use the charging cable supplied by the manufacturer for charging.**
- **The provided charging cable is not intended for any uses other than charging DEWALT rechargeable tools with charging ports. Charging other types of tools may cause their batteries to overheat and burst, resulting in personal injury, property damage, fire, electric shock or electrocution.**
- **DO NOT expose charging cable to water, rain or snow.**
- **Pull by the plugs rather than the cord when disconnecting the charging cable. This will reduce the risk of damage to the plugs and cord.**
- **Make sure that the cord is located so that it will not be stepped on, tripped over or otherwise subjected to damage or stress.**
- **DO NOT use a charging cable with a damaged cord or plugs. Have them replaced immediately.**
- **Foreign materials of a conductive nature, such as, but not limited to, grinding dust, metal chips, steel wool, aluminum foil or any buildup of metallic particles should be kept away from the charging plugs and port.**
- **Always unplug the charging cable from the power supply when there is no tool attached to it.**

Charging Procedure (Fig. A, B)

1. Pull the USB charging port cover **8** away from the light.
2. Insert the USB charging plug **11** into the charging port **13**.
3. Plug the USB charger plug **10** into any USB charging port (such as on a computer or wall adapter).
NOTE: Charging takes 1 to 4 hours depending on power supply rating.
4. The color of the charge indicator LED **12** will be either red, yellow or green and remain continuously ON while charging.
5. Charging is complete when the color of the charge indicator LED **12** is green or turns off.
6. The battery can be left charging or the charging cable can be disconnected.

Hot/Cold Delay

When the light detects that the battery is too hot or too cold, it automatically starts a hot/cold delay, suspending charging until the battery has reached an appropriate temperature. The light then automatically switches to charging mode. This feature ensures maximum battery life.

1. A cold battery may charge at a slower rate than a warm battery.
2. The hot/cold delay will be indicated by the charge indicator LED **12** flashing red and yellow.
3. Once the battery has reached an appropriate temperature, the charge indicator LED **12** will show the color of the current battery capacity, indicating that the light has resumed the charging procedure.

Important Charging Notes

1. The light may become warm to the touch while charging. This is a normal condition, and does not indicate a problem. To facilitate the cooling of the light after use, avoid placing the light in a warm environment such as in a metal shed or an uninsulated trailer.
2. If the light does not charge properly, take the light and charging cable to your local service center.
3. You may charge a partially used battery whenever you desire with no adverse effect on the light.

Over Temperature Protection (Fig. A)

When over temperature protection is activated, the charge indicator LED **12** will flash red and green. The unit cannot be used during the over temperature protection cycle.


State of Charge Indicator (Fig. A)

The DCL183 is equipped with a state of charge indicator. The charge indicator LED **12** is used to display the current level of charge in the battery during use and during charging. It does not indicate tool functionality and is subject to variation based on product components, temperature and end-user application.

Checking State of Charge (Fig. C)

- When the LED light is ON, the charge indicator LED **12** will illuminate green, yellow or red indicating the percent of charge in the battery:
 - **GREEN:** ≥50%
 - **YELLOW:** >25% to >50%
 - **RED:** ≤25%
- If less than 3%, light and indicator will flash two times every 45 seconds until out of power.
- If the color of the charge indicator LED **12** is red or does not illuminate, charge the battery.

OPERATION

 **CAUTION: Do not stare into the LEDs. Serious eye injury could result.**

Multi Function Button (Fig. A)

The spot light LED **6** two brightness settings, low and high. The side LED **5** has one brightness setting.

Low battery indication. If less than 3%, the activated LED and charge indicator LED will flash two times every 45 seconds until out of power.

NOTE: If the light remains on for more than five seconds, pressing the multi function button **1** again will result in turning off the selected LED.

NOTE: With the light activated, a long press of the multi function button **1** will result in turning off the selected LED.

1. Press the multi function button **1** once to activate the spot light LED **6** high setting.
2. Press the multi function button **1** a second time to activate the spot light LED **6** low setting.
3. Press the multi function button **1** a third time to activate the side LED **5**.

4. Press the multi function button **1** a fourth time to turn off the side LED **5**.

Magnet (Fig. A)

CAUTION: When the LED light hangs by the magnet, do not shake the LED light or the object from which it hangs. Do not hang the work LED light overhead or from anything that is not secure. Personal injury or property damage may occur.

CAUTION: Only use the magnet for hanging the LED light. The magnet is not intended to support additional weight. Do not attach or hang anything additional to the LED light or risk of breakage may occur.

1. The DCL183 has a magnet **4** built into the bottom of the light.
2. The magnet **4** is intended for catching small metal parts such as screws and bolts or to hold the light in place on solid metal surfaces.

Hang Hook (Fig. A, D)

CAUTION: When the LED light hangs by the hang hook, do not shake the LED light or the object from which it hangs. Do not hang the LED light overhead or from any electrical wires or anything that is not secure. Personal injury or property damage may occur.

CAUTION: Only use the hang hook for hanging the LED light. The hang hook is not intended to support additional weight. Do not attach or hang anything additional to the LED light or risk of breakage may occur.

CAUTION: Do not use the hang hook to reach with or to support your weight in any situation.

The built in hang hook **7** can be attached to anchored hoses, pipes, tubes or cables in the space you are working in.

1. To access the hang hook **7**, rotate the hang hook **7** away from the housing **2** until the hang hook opening **14** is exposed.
2. Place the hose, pipe, tube or cable in your work space into the hang hook.
NOTE: Ensure the LED light housing is fully secured and will not slide off or along the anchored hose, pipe, tube or cable before proceeding.

3. To remove the hang hook **7** from the anchored hose, pipe, tube or cable, grasp the hang hook **7** and slide the anchored hose, pipe, tube or cable from the hang hook opening **14**.
4. Secure the hang hook **7** into place onto the housing **2**.

MAINTENANCE

Your DeWALT product has been designed to operate over a long period of time with a minimum of maintenance. Continuous satisfactory operation depends upon proper care and regular cleaning.



Cleaning

WARNING: Never use solvents or other harsh chemicals for cleaning the non-metallic parts of the lamp. These chemicals may weaken the materials used in these parts. Use a cloth dampened only with water and mild soap. Never let any liquid get inside the lamp; never immerse any part of the lamp into a liquid.

Accessories

WARNING: Since accessories, other than those offered by DeWALT, have not been tested with this product, use of such accessories with this product could be hazardous. To reduce the risk of injury, only DeWALT recommended accessories should be used with this product.

There are no accessories for this product.

Protecting the Environment



Separate collection. Products marked with this symbol comply with the European Directive 2012/19/EU and must not be disposed of with normal household waste. Products contain materials that can be recovered or recycled reducing the demand for raw materials. Please recycle electrical products according to local provisions. Further information is available at www.2helpU.com.

ПЕРЕЗАРЯЖАЕМЫЙ СВЕТОДИОДНЫЙ ФОНАРИК

DCL183

Поздравляем!

Вы приобрели изделие DeWALT. DeWALT product. Многолетний опыт, тщательная разработка изделий и инновации делают компанию DeWALT одним из самых надежных партнеров для пользователей профессиональных электроинструментов.

DeWALT one of the most reliable partners for professional power tool users.

Технические характеристики

DCL183		
Напряжение	В <small>пост. тока</small>	3,6
Тип		1
Люмен		
Точечный светодиодный фонарь	лм	Низкая — 250
		Высокая — 1000
Боковой светодиодный фонарь	лм	400
Угол луча		
Точечный светодиодный фонарь	градусы	15
Боковой светодиодный фонарь	градусы	90
Время работы при полной зарядке		
Точечный светодиодный фонарь	часы	Низкая — 6,5
		Высокая — 2,5
Боковой светодиодный фонарь	часы	6,5



ВНИМАНИЕ: Во избежание риска получения травм ознакомьтесь с инструкцией.

Обозначения: правила техники безопасности

Ниже описывается уровень опасности, обозначаемый каждым из предупреждений. Прочитайте руководство и обратите внимание на данные символы.



ОПАСНО: Обозначает опасную ситуацию, которая неизбежно приведет к серьезной травме или смертельному исходу, в случае несоблюдения соответствующих мер безопасности.



ВНИМАНИЕ: Указывает на потенциально опасную ситуацию, которая, в случае несоблюдения соответствующих мер безопасности, может привести к серьезной травме или смертельному исходу.



ПРЕДУПРЕЖДЕНИЕ: Указывает на потенциально опасную ситуацию, которая, в случае несоблюдения соответствующих мер безопасности может стать причиной травм **средней или легкой степени тяжести**.

ПОЯСНЕНИЕ: Указывает на практики, использование которых не связано с получением травмы, но если ими пренебречь, могут привести к порче имущества.



УКАЗЫВАЕТ НА РИСК ПОРАЖЕНИЯ ЭЛЕКТРИЧЕСКИМ ТОКОМ.



УКАЗЫВАЕТ НА РИСК ВОЗГОРАНИЯ.

ПРАВИЛА ТЕХНИКИ БЕЗОПАСНОСТИ

При использовании фонаря соблюдайте основные меры предосторожности, включая следующие:



ОСТОРОЖНО! Не видоизменяйте и не ремонтируйте фонарь самостоятельно.



ОСТОРОЖНО! Не заряжайте батарею при температуре окружающей среды ниже 4 °C (40 °F) или выше 40 °C (104 °F). Следуйте всем инструкциям по зарядке и не заряжайте батарею вне температурного диапазона, указанного в инструкции. Неправильная зарядка или зарядка вне указанного температурного диапазона может привести к повреждению батареи и увеличению риска возгорания.

- **Опасность поражения электрическим током.** Во избежание риска поражения электрическим током, не помещайте зарядное устройство в воду или другую жидкость.
- **Не разрешайте детям играть с устройством.** Будьте предельно внимательны при работе рядом с детьми.
- **Не используйте в случае повреждения.** Если фонарь не работает как нужно или он упал, поврежден, был оставлен на улице или упал в воду, обратитесь в сервисный центр.
- **Не сжигайте фонарь, даже если он серьезно поврежден.** При попадании в огонь батареи могут взорваться.
- **Не тяните и не переносите устройство за зарядный кабель, не используйте кабель в качестве ручки, следите за тем, чтобы кабель не попал в закрывающуюся дверь или зацепился за острые края мебели или углы.**
- **Держите зарядный кабель подальше от горячих поверхностей.**
- **Следите за тем, чтобы кабель не свешивался с края стола или верстака, а также не касался горячих поверхностей.** Устройство следует размещать или монтировать вдали от раковин и горячих поверхностей.
- **Не тяните за зарядный кабель, чтобы отключить устройство от сети питания.** Чтобы извлечь вилку из розетки, беритесь за вилку, но не тяните кабель.



- **Не беритесь за зарядный шнур мокрыми руками, отключая штекер зарядного устройства.**
- **Не заряжайте устройство на улице.**
- **В экстремальных условиях могут произойти утечка электролита из элементов батареи.**
Если жидкость, которая представляет собой 20–35 % раствор гидроксида калия, попадет на кожу (1) быстро промойте это место водой с мылом или (2) нейтрализуйте слабой кислотой, например, лимонным соком или уксусом. При попадании жидкости в глаза немедленно промойте их чистой водой в течение как минимум 10 минут. Обратитесь за медицинской помощью.
- **Световой источник фонаря не подлежит замене; по окончании срока службы светового источника сам фонарь должен быть заменен на новый.**

Дополнительные правила техники безопасности


- a) **Фонарь предназначен для профессионального, коммерческого или промышленного использования.**
- b) **Не используйте поврежденные или измененные батареи или фонари.** Поврежденные или измененные аккумуляторные батареи могут работать непредсказуемо, что может привести к возгоранию, взрыву или риску получения травм.
- c) **Не подвергайте батарею воздействию огня или высокой температуры.** Открытый огонь или воздействие высокой температуры выше 130 °C (266 °F) может привести к взрыву.
- d) **Не используйте магнит для подвешивания над головой.**
- e) **Фонарь должен питаться от сертифицированного источника питания с выходом SELV (напряжение 5 В пост. тока).**

СОХРАНИТЕ НАСТОЯЩЕЕ РУКОВОДСТВО

Отдельные правила техники безопасности для фонарей

-  **ОСТОРОЖНО! Не устанавливайте фонарь в такое положение, при котором кто-либо может намеренно или случайно смотреть прямо на свет.** Это может привести к серьезным травмам глаз.
-  **ОСТОРОЖНО! Огнеопасно.** Не используйте фонарь или зарядное устройство возле горючих жидкостей или в загазованной или взрывоопасной среде. Внутренние искры могут привести к воспламенению паров и травме.

ВАЖНЫЕ ПРАВИЛА ТЕХНИКИ БЕЗОПАСНОСТИ

-  **ОСТОРОЖНО!** При использовании фонаря соблюдайте основные меры предосторожности, включая следующие.

- a) **Для снижения риска получения травмы необходим строгий контроль, если рядом с фонарем во время использования находятся дети.**
- b) **Для снижения риска поражения электрическим током, не помещайте фонарь в воду или другую жидкость.** Не кладите и не храните фонарь в таких местах, откуда он может упасть, соскользнуть в емкость с жидкостью, а также где он может быть затоплен.
- c) **Выключайте фонарь, когда вы им не пользуетесь.**
- d) **Не включайте фонарь, если он вышел из строя, упал или был каким-либо образом поврежден.**
- e) **Фонарь предназначен только для использования внутри помещения.**

Дополнительные правила техники безопасности для фонарей

- Не погружайте фонарь в воду и другие жидкости.
- Не мойте фонарь или батарею водой и не допускайте, чтобы вода проникала внутрь фонаря или батареи.
- Не работайте без установленной крышки объектива.

Комплект поставки

В комплект входят:

- 1 Светодиодный фонарь
 - 1 USB-кабель типа C
 - 1 Руководство по эксплуатации
- Проверьте фонарь, детали и дополнительные принадлежности на предмет повреждений, которые могли произойти во время транспортировки.
 - Перед эксплуатацией внимательно прочтите данное руководство.

Обозначения на фонаре

На фонарь нанесены следующие обозначения:

-  Перед началом работы прочтите руководство по эксплуатации.
-  Европейский сертификат
-  Устройство класса 3, фонарь
-  Отходы электрического и электронного оборудования: раздельная утилизация.
-  Держите подальше от магнитов.
-  Опасность воздействия магнита может нарушить работу кардиостимулятора и привести к серьезным травмам или смерти.



Горячая поверхность

Описание (рис. А)

! **ОСТОРОЖНО!** Никогда не модифицируйте освещение рабочей зоны. Это может привести к повреждению или травмам.

- 1 Многофункциональная кнопка
- 2 Корпус
- 3 Зажим для крепления к поясному ремню
- 4 Магнит
- 5 Боковой светодиодный фонарь
- 6 Точечный светодиодный фонарь
- 7 Подвесной крюк
- 8 Крышка разъема зарядки USB
- 9 Зарядный кабель USB
- 10 Штекер зарядного устройства USB
- 11 Зарядный штекер USB
- 12 Светодиодный индикатор зарядки

Назначение

Ваше устройство DEWALT DCL183 предназначено для профессиональной подсветки рабочего места.

НЕ ИСПОЛЬЗУЙТЕ в условиях повышенной влажности или поблизости от легковоспламеняющихся жидкостей или газов.

НЕ РАЗРЕШАЙТЕ детям прикасаться к фонарю.

Использование фонаря неопытными пользователями должно происходить под контролем опытного лица.

- **Малолетние дети и люди с ограниченными физическими возможностями.** Данное изделие не предназначено для использования маленькими детьми или людьми с ограниченными физическими возможностями, если они не находятся под присмотром лица, отвечающего за их безопасность.
- Данное изделие не предназначено для использования лицами (включая детей) с ограниченными физическими, психическими и умственными возможностями, не имеющими опыта, знаний или навыков работы с ним, если они не находятся под наблюдением лица, ответственного за их безопасность. Никогда не оставляйте детей с этим изделием без присмотра.
- Данное изделие оснащено точечным светодиодным источником света и боковым светодиодным источником света с энергоэффективностью класса D.

БАТАРЕИ

При покупке аккумуляторная батарея изделия заряжена не полностью. Перед использованием изделия внимательно прочитайте правила техники безопасности и следуйте им при зарядке аккумулятора.

ПРИМЕЧАНИЕ. Если изделие не использовалось в течение примерно 90 дней, полностью зарядите его аккумуляторную батарею, чтобы продлить срок службы.

Важные правила техники безопасности для всех инструментов со встроенными зарядными батареями

! **ОСТОРОЖНО!** Прочтите все предупреждения, инструкции и предупредительные надписи для батареи, зарядного кабеля и изделия. Несоблюдение правил и инструкций может привести к поражению электрическим током, возгоранию и/или тяжелым травмам.

! **ОСТОРОЖНО!** Заряжайте изделие только с помощью сертифицированного адаптера питания с выходом SELV (напряжение 5 В пост. тока, макс. 3 А), соответствующего действующим в стране нормам и международным/региональным стандартам безопасности. Использование адаптеров, не соответствующих применимым стандартам безопасности, может привести к травмам.

- Для зарядки используйте только зарядный кабель, поставляемый производителем.
- Входящий в комплект поставки кабель не предназначен для каких-либо целей, кроме зарядки DEWALT аккумуляторных инструментов DEWALT через разъемы зарядки. Зарядка других типов инструментов может привести к перегреву и взрыву аккумуляторных батарей, что может стать причиной травм, материального ущерба, возгорания или поражения электрическим током вплоть до смертельного исхода.
- **НЕ ПОДВЕРГАЙТЕ** зарядный кабель воздействию воды, снега или дождя.
- **Отсоединяя зарядный кабель, тяните за штекеры, а не за кабель.** Это снизит риск повреждения штекеров и кабеля.
- **Убедитесь, что кабель расположен так, чтобы на него нельзя было наступить, споткнуться об него, повредить иным способом или натянуть.**
- **НЕ ИСПОЛЬЗУЙТЕ** зарядный кабель, если он или штекер повреждены. Немедленно замените.
- **Не допускайте попадания на зарядные штекеры и зарядный разъем таких токопроводящих материалов, как илфировальная пыль, металлическая стружка, стальные волокна, алюминиевая фольга или другие металлические частицы и пр.**
- **Всегда отключайте зарядный кабель от источника питания, если к нему не подсоединен инструмент.**

Процедура зарядки (рис. А, В)

1. Потяните крышку порта зарядки USB **8** в сторону от фонаря.
2. Вставьте зарядный штекер USB **11** в разъем зарядки **13**.
3. Вставьте штекер зарядного устройства USB **10** в любой разъем зарядки USB (например, в компьютере или в стене).

ПРИМЕЧАНИЕ. Зарядка занимает от 1 до 4 часов в зависимости от номинала источника питания.

- Цвет светодиодного индикатора зарядки **12** во время зарядки будет постоянно гореть либо красным, либо желтым, либо зеленым.
- Зарядка завершена, если светодиодный индикатор зарядки **12** горит зеленым или погас.
- Батарею можно оставить на зарядке или отсоединить зарядный кабель.

Температурная задержка

При слишком низкой или слишком высокой температуре батареи, фонарь автоматически переходит в режим температурной задержки; при этом зарядка не начинается до тех пор, пока батарея не достигнет нужной температуры. После того, как нужный уровень температуры будет достигнут, фонарь автоматически перейдет в режим зарядки. Данная функция обеспечивает максимальный срок эксплуатации аккумуляторной батареи.

- Зарядка холодной батареи занимает больше времени, чем теплой.
- Температурная задержка будет обозначена светодиодным индикатором зарядки **12**, попеременно мигающим красным и желтым светом.
- Как только температура аккумуляторной батареи станет достаточной, светодиодный индикатор зарядки **12** цветом укажет текущую емкость батареи и возобновление процедуры зарядки.

Важные замечания по зарядке

- Во время зарядки фонарь может нагреваться. Это нормально и не является неисправностью. Для охлаждения фонаря после использования не оставляйте его в среде с высокой температурой воздуха, например, под металлическим навесом или в неизолированном прицепе.
- Если фонарь не заряжается должным образом, отнесите его и зарядный кабель в ближайший сервисный центр.
- Частично разряженную аккумуляторную батарею фонаря можно зарядить в любое время без какого-либо ущерба для нее.

Защита от перегрева (рис. А)

Если активирована защита от перегрева, светодиодный индикатор зарядки **12** будет мигать красным и зеленым. Устройством нельзя пользоваться, когда активирована защита от перегрева.

Индикатор зарядки (рис. А)

На DCL183 есть индикатор зарядки. Светодиодный индикатор зарядки **12** можно использовать для отображения текущего уровня заряда аккумуляторной батареи во время работы и во время зарядки. Он не является индикатором работоспособности инструмента и его показания могут меняться в зависимости от компонентов продукта, температуры и области применения.

Проверка состояния зарядки (рис. С)

- Когда светодиодный индикатор включен, светодиодный индикатор зарядки **12** горит зеленым, желтым или красным в соответствии с зарядом батареи:
 - **ЗЕЛЕНЫЙ:** $\geq 50\%$
 - **ЖЕЛТЫЙ:** от $>25\%$ до $>50\%$
 - **КРАСНЫЙ:** $\leq 25\%$
- Если заряда менее 3 %, то светодиодный индикатор зарядки мигает по два раза каждые 45 секунд, пока заряд не закончится совсем.
- Если светодиодный индикатор зарядки **12** горит красным или не горит совсем, зарядите батарею.

ЭКСПЛУАТАЦИЯ



ВНИМАНИЕ! Не направляйте светодиодный луч в глаза. Это может привести к серьезным травмам глаз.

Многофункциональная кнопка (рис. А)

Точечный светодиодный фонарь **6** имеет две настройки яркости: низкую и высокую. Боковой светодиодный фонарь **5** имеет одну настройку яркости.

Индикатор низкого заряда батареи. Если заряда менее 3 %, то светодиодный индикатор зарядки мигает по два раза каждые 45 секунд, пока заряд не закончится совсем.

ПРИМЕЧАНИЕ. Если фонарь горит более пяти секунд, нажмите многофункциональную кнопку **1** еще раз, и выбранный фонарь погаснет.

ПРИМЕЧАНИЕ. Нажатие и удержание многофункциональной кнопки **1**, когда фонарь горит, приводит к выключению выбранного фонаря.

- Нажмите многофункциональную кнопку **1** один раз, чтобы включить точечный светодиодный фонарь **6** с высокой яркостью.
- Нажмите многофункциональную кнопку **1** второй раз, чтобы включить точечный светодиодный фонарь **6** с низкой яркостью.
- Нажмите многофункциональную кнопку **1** третий раз, чтобы включить боковой светодиодный фонарь **5**.
- Нажмите многофункциональную кнопку **1** четвертый раз, чтобы выключить боковой светодиодный фонарь **5**.

Магнит (рис. А)



ВНИМАНИЕ! При подвешивании фонаря на магните, не трясите светодиодный фонарь и предмет, на котором он висит. Не вешайте фонарь под потолком или на ненадежно закрепленные объекты. В противном случае, это может привести к травме или порче имущества.



ВНИМАНИЕ! Используйте магнит только для подвешивания светодиодного фонаря. Магнит не предназначен для удерживания дополнительного веса. Не прикрепляйте и не подвешивайте какие-либо дополнительные предметы на фонарь, так как он может сломаться.

- В нижней части DCL183 встроен магнит **4**.

- Магнит **4** предназначен для захвата мелких металлических деталей, например, винтов и болтов, или прикрепления фонаря к ровным металлическим поверхностям.

Подвесной крюк (рис. A, D)



ВНИМАНИЕ! При подвешивании фонаря на крюк не трясите светодиодный фонарь и предмет, на котором он висит. Не вешайте фонарь на электропровода или другие ненадежно закрепленные объекты. В противном случае, это может привести к травме или порче имущества.



ВНИМАНИЕ! Используйте подвесной крюк только для подвешивания светодиодного фонаря. Подвесные крючки не предназначены для удерживания дополнительного веса. Не прикрепляйте и не подвешивайте какие-либо дополнительные предметы на фонарь, так как он может сломаться.



ВНИМАНИЕ! Не используйте подвесной крюк, чтобы дотянуться до чего-либо или для поддержки собственного веса.

Встроенный подвесной крюк **7** можно прикреплять к шлангам, трубам или кабелям, протянутым в рабочей зоне.

- Чтобы получить доступ к подвесному крючку **7**, отворачивайте подвесной крюк **7** от корпуса **2**, пока отверстие крючка **14** не откроется.
- Подвесьте крюк на шланг, трубу или кабель, расположенные в вашем рабочем пространстве.
ПРИМЕЧАНИЕ. Перед началом работы убедитесь, что корпус фонаря хорошо закреплен и не соскользнет со шланга, трубы или кабеля.
- Чтобы снять подвесной крюк **7** со шланга, трубы или кабеля, возьмитесь за подвесной крюк **7** и снимите его с шланга, трубы или кабеля **14**.
- Закрепите подвесной крюк **7** на корпусе **2**.

ТЕХНИЧЕСКОЕ ОБСЛУЖИВАНИЕ

Ваше изделие DEWALT имеет длительный срок эксплуатации и требует минимальных затрат на техническое обслуживание. Для длительной безотказной работы необходимо обеспечить правильный уход и регулярную очистку.



Чистка



ОСТОРОЖНО! Никогда не пользуйтесь растворителями или другими сильнейшими химическими веществами для чистки неметаллических частей фонаря. Эти химикаты могут повредить структуру материала, используемого для производства таких деталей. Используйте ткань, смоченную в мягком мыльном растворе. Не допускайте попадания жидкости внутрь фонаря; никогда не погружайте никакие из деталей фонаря в жидкость.

Дополнительные принадлежности



ОСТОРОЖНО! Так как принадлежности производителей помимо DEWALT не проходили испытания на совместимость с данным изделием, использование таких принадлежностей может представлять опасность. Во избежание травм, используйте только рекомендуемые DEWALT принадлежности с данным изделием.

Для этого изделия нет дополнительных принадлежностей.

Защита окружающей среды



Раздельная утилизация. Изделия, отмеченные этим символом, соответствуют Европейской директиве 2012/19/EU и не должны утилизироваться вместе с обычными бытовыми отходами. Изделия и аккумуляторные батареи содержат материалы, которые могут быть извлечены или переработаны, снижая потребность в исходном сырье. Пожалуйста, утилизируйте электрические изделия и аккумуляторные батареи в соответствии с местными нормами. Дополнительная информация доступна по адресу www.2helpU.com.



Приложение к руководству по эксплуатации электрооборудования для определения месяца производства по номеру текущей календарной недели года

Электрооборудование торговых марок "Dewalt", "Stanley", "Stanley FatMAX", "BLACK+DECKER".

Директивы 2014/30/EU ЕВРОПЕЙСКОГО ПАРЛАМЕНТА И СОВЕТА от 26 февраля 2014 г. "О гармонизации законодательства Государств-членов ЕС в области электромагнитной совместимости", 2006/42/ЕС ЕВРОПЕЙСКОГО ПАРЛАМЕНТА И СОВЕТА от 17 мая 2006 г. "О машинах и оборудовании"; 2014/35/EU ЕВРОПЕЙСКОГО ПАРЛАМЕНТА И СОВЕТА от 26 февраля 2014 г. "О гармонизации законодательства государств-членов в области размещения на рынке электрооборудования, предназначенного для использования в определенных пределах напряжения". Серийный выпуск.

ТОВАР СЕРТИФИЦИРОВАН

Орган по сертификации "РОСТЕСТ- Москва", Адрес: 119049, г. Москва, улица Житная, д. 14, стр. 1; 117418, Москва, Нахимовский просп., 31 (фактический), Телефон: (499) 1292311, (495) 6682893, факс: (495) 6682893, E-mail: office@rostest.ru

Изготовитель: Изготовитель: Блэк энд Деккер Холдингс ГмбХ, Германия, 65510, Идштайн, ул. Блэк энд Деккер, 40, тел. +496126212790.

Уполномоченное изготовителем юр.лицо:

ООО "Стэтли Блэк энд Деккер", 117485, город Москва, улица Обручева, дом 30/1, строение 2
Телефон: + 7 (495) 258-3981, факс: + 7 (495) 258-3984, E-mail: inbox@dewalt.com

Сведения о импортере указаны в сопроводительной документации и/или на упаковке

Хранение.

Необходимо хранить в сухом месте, вдали от источников повышенных температур и воздействия солнечных лучей. При хранении необходимо избегать резкого перепада температур. Хранение без упаковки не допускается

Срок службы.

Срок службы изделия составляет 5 лет. Не рекомендуется к эксплуатации по истечении 5 лет хранения с даты изготовления без предварительной проверки.

Дата изготовления (код даты) указана на корпусе инструмента. Код даты, который также включает год изготовления, отштампован на поверхности корпуса изделия.

Пример:

2014 46 XX, где 2014 –год изготовления, 46–неделя изготовления. Определить месяц изготовления по указанной неделе изготовления можно согласно приведенной ниже таблице.

Транспортировка.

Категорически не допускается падение и любые механические воздействия на упаковку при транспортировке.

При разгрузке/погрузке не допускается использование любого вида техники, работающей по принципу зажима упаковки.

Перечень критических отказов, возможные ошибочные действия персонала.

Не допускается эксплуатация изделия:

- При появлении дыма из корпуса изделия
- При поврежденном и/или оголенном сетевом кабеле
- при повреждении корпуса изделия, защитного кожуха, рукоятки
- при попадании жидкости в корпус
- при возникновении сильной вибрации
- при возникновении сильного искрения внутри корпуса

Критерии предельных состояний.

- При поврежденном и/или оголенном сетевом кабеле
- при повреждении корпуса изделия

Месяц	Январь	Февраль	Март	Апрель	Май	Июнь	Июль	Август	Сентябрь	Октябрь	Ноябрь	Декабрь	Год производства
Неделя	1	5	9	14	18	23	27	31	36	40	44	49	2018
	2	6	10	15	19	24	28	32	37	41	45	50	
	3	7	11	16	20	25	29	33	38	42	46	51	
	4	8	12	17	21	26	30	34	39	43	47	52	
			13		22			35			48		
Неделя	1	6	10	14	18	23	27	31	36	40	45	49	2019
	2	7	11	15	19	24	28	32	37	41	46	50	
	3	8	12	16	20	25	29	33	38	42	47	51	
	4	9	13	17	21	26	30	34	39	43	48	52	
	5				22			35		44			
Неделя	1	6	10	14	19	23	27	32	36	40	45	49	2020
	2	7	11	15	20	24	28	33	37	41	46	50	
	3	8	12	16	21	25	29	34	38	42	47	51	
	4	9	13	17	22	26	30	35	39	43	48	52	
	5				18		31			44			
Неделя	2	6	10	14	19	23	27	32	36	41	45	49	2021
	3	7	11	15	20	24	28	33	37	42	46	50	
	4	8	12	16	21	25	29	34	38	43	47	51	
	5	9	13	17	22	26	30	35	39	44	48	52	
					18		31		40			1	
Неделя	2	6	10	15	19	23	28	32	36	41	45	49	2022
	3	7	11	16	20	24	29	33	37	42	46	50	
	4	8	12	17	21	25	30	34	38	43	47	51	
	5	9	13	18	22	26	31	35	39	44	48	52	
				14		27			40			1	



ГАРАНТИЙНЫЙ ТАЛОН



1. Поздравляем Вас с покупкой высококачественного изделия DEWALT и выражаем признательность за Ваш выбор.
2. При покупке изделия требуйте проверки его комплектности и исправности в Вашем присутствии, инструкцию по эксплуатации и заполненный Гарантийный талон на русском языке. В гарантийном талоне должны быть внесены: модель, дата продажи, серийный номер, дата производства инструмента; а также название, печать и подпись торговой организации. При отсутствии у Вас правильно заполненного Гарантийного талона, а также несоответствия указанных в нем данных, мы будем вынуждены отклонить Ваши претензии по качеству данного изделия.
3. Во избежание недоразумений, убедительно просим Вас перед началом работы с изделием внимательно ознакомиться с инструкцией по его эксплуатации. Правовой основой настоящих гарантийных условий является действующее Законодательство. Гарантийный срок на данное изделие составляет 36 месяцев и исчисляется со дня продажи. В случае устранения недостатков изделия, гарантийный срок продлевается на период его нахождения в ремонте. Срок службы изделия составляет 5 лет со дня продажи.
4. В случае возникновения каких-либо проблем в процессе эксплуатации изделия рекомендуем Вам обращаться только к уполномоченные сервисные центры DEWALT, адреса и телефоны которых Вы сможете найти на сайте www.2helpU.com или узнать в магазине. Наши сервисные станции - это не только квалифицированный ремонт, но и широкий ассортимент запчастей и принадлежностей.
5. Производитель рекомендует проводить периодическую проверку и техническое обслуживание изделия в уполномоченных сервисных центрах.
6. Наши гарантийные обязательства распространяются только на неисправности, выявленные в течение гарантийного срока и вызванные дефектами производства и / или материалов.
7. Гарантийные условия не распространяются на неисправности изделия, возникшие в результате:
 - 7.1. Несоблюдения пользователем предписаний инструкции по эксплуатации изделия, применения изделия не по назначению, неправильном хранении, использования принадлежностей, расходных материалов и запчастей, не предусмотренных производителем.
 - 7.2. Механического повреждения (сколы, трещины и разрушения) внутренних и внешних деталей изделия, основных и вспомогательных рукояток, сетевого электрического кабеля, вызванного внешним ударным или любым иным воздействием.
 - 7.3. Попадания в вентиляционные отверстия и проникновение внутрь изделия посторонних предметов, материалов или веществ, не входящих отходами, сопровождающими применение изделия по назначению, такими как: стружка, опилки, песок, и пр.
 - 7.4. Воздействия на изделие неблагоприятных атмосферных и иных внешних факторов, таких как дождь, снег, повышенная влажность, нагрев, агрессивные среды, несоответствие параметров питающей электросети, указанных на инструменте.
 - 7.5. Стихийного бедствия. Повреждение или утрата изделия, связанное с непредвиденными бедствиями, стихийными явлениями, в том числе вследствие действия непреодолимой силы (пожар, молния, потоп и другие природные явления), а также вследствие перепадов напряжения в электросети и других причин, которые находятся вне контроля производителя.
8. Гарантийные условия не распространяются:
 - 8.1. На инструменты, подвергавшиеся вскрытию, ремонту или модификации вне уполномоченного сервисного центра.
 - 8.2. На детали и узлы, имеющие следы естественного износа, такие как: приводные ремни и колеса, угольные щетки, смазка, подшипники, зубчатое зацепление редукторов, резиновые уплотнения, сальники, направляющие ролики, муфты сцепления, бойки, толкатели, стволы, и т.п.
 - 8.3. На сменные и расходные части: цанги, зажимные гайки и фланцы, фильтры, ножи, шлифовальные подошвы, цепи, звездочки, пильные шины, защитные кожухи, пилки, абразивы, пильные и абразивные диски, фрезы, сверла, буры и т.п.
 - 8.4. На неисправности, возникшие в результате перегрузки инструмента (как механической, так и электрической), повлекшей выход из строя одновременно двух и более деталей и узлов, таких как ротора и статора, обеих обмоток статора, ведомой и ведущей шестерни редуктора или других узлов и деталей. К безусловным признакам перегрузки изделия относятся, помимо прочего: появление цветов побежалости, деформация или оплавление деталей и узлов изделия, потемнение или обугливание изоляции проводов электродвигателя под воздействием высокой температуры.

Товар получен в исправном состоянии, без видимых повреждений, в полной комплектации, проверен в моем присутствии, претензий по качеству товара не имею. С условиями гарантийного обслуживания ознакомлен и согласен.

Ф. И. О. и подпись покупателя _____

Уважаемые клиенты, наша сеть авторизованных сервисных центров постоянно расширяется. Актуальную информацию об обслуживании в интересующем вас городе вы можете узнать на сайте

www.2helpU.com

АКУМУЛЯТОРНИЙ СВІТЛОДІОДНИЙ ЛІХТАРИК

DCL183

Вітаємо вас!

Ви обрали інструмент виробництва компанії DeWALT. Ретельна розробка продукції, багаторічний досвід фірми у виробництві інструментів, різні вдосконалення, все це зробило інструменти DeWALT одними із найнадійніших помічників для тих, хто використовує електричні інструменти у своїй професії.

Технічні дані

DCL183		
Напруга	В. пост. струму	3,6
Тип		1
Люмен		
Світлодіод спрямованого світла	лм	Низьк. – 250 Висок. – 1000
Боковий світлодіодний ліхтар	лм	400
Кут нахилу світлового променя		
Світлодіод спрямованого світла	градуси	15
Боковий світлодіодний ліхтар	градуси	90
Час роботи при повному заряді		
Світлодіод спрямованого світла	годин	Низьк. – 6,5 Висок. – 2,5
Боковий світлодіодний ліхтар	годин	6,5



ПОПЕРЕДЖЕННЯ: Уважно прочитайте керівництво з експлуатації для зменшення ризику отримання травм.

Позначення: інструкції з техніки безпеки

Умовні позначення, наведені нижче, описують рівень важливості кожної попереджувальної вказівки. Прочитайте керівництво з експлуатації та зверніть увагу на символи, наведені нижче.



НЕБЕЗПЕЧНО: Вказує на безпосередню загрозу, яка, якщо її не уникнути, призведе до смерті або серйозної травми.



ПОПЕРЕДЖЕННЯ: Вказує на потенційну загрозу, ігнорування якої може призвести до смерті або серйозної травми.



УВАГА: Вказує на потенційну загрозу, ігнорування якої може призвести до травми легкої або середньої тяжкості.

ПРИМІТКА: Вказує на ситуацію, не пов'язану з особою травмою, ігнорування цієї ситуації може призвести до пошкодження майна.



ВКАЗУЄ НА РИЗИК УРАЖЕННЯ ЕЛЕКТРИЧНИМ СТРУМОМ.



ВКАЗУЄ НА РИЗИК ВИНИКНЕННЯ ПОЖЕЖІ.

ІНСТРУКЦІЇ З ТЕХНІКИ БЕЗПЕКИ

При використанні електричного ліхтаря обов'язково дотримуйтесь основних запобіжних заходів, включаючи наступні:



ПОПЕРЕДЖЕННЯ. Не намагайтесь самостійно модифікувати або відремонтувати ліхтар.



ПОПЕРЕДЖЕННЯ. Не заряджайте акумулятор при температурі навколишнього середовища нижче 4 °C (40 °F) або вище 40 °C (104 °F).

Дотримуйтесь усіх інструкцій щодо заряджання та не заряджайте акумулятор поза межами вказаного температурного діапазону. Неналежне заряджання або заряджання поза межами вказаного температурного діапазону може пошкодити акумулятор та підвищити ризик пожежі.

- **Небезпека ураження електричним струмом.** Щоб запобігти ризику ураження електричним струмом, не кладіть зарядні пристрої у воду або іншу рідину.
- **Не допускайте використання в якості іграшки.** При використанні пристрою поруч із дітьми необхідно проявляти підвищену увагу.
- **Не використовуйте пошкоджений пристрій.** Якщо ліхтар не працює належним чином або якщо він впав, пошкоджений, був залишений на вулиці або впав у воду, зверніться до сервісного центру.
- **Не спалюйте ліхтар, навіть якщо він сильно пошкоджений.** Акумулятори можуть вибухнути у вогні.
- **Не тягніть її не переносьте пристрій за зарядний кабель, не використовуйте зарядний кабель в якості ручки, стежте за тим, щоб він не потрапив під двері при закритті та не зачепився за гострі краї або кути.**
- **Тримайте зарядний кабель подалі від гарячих поверхонь.**
- **Слідкуйте за тим, щоб кабель не звисав з краю столу або прилавка, а також не торкався гарячих поверхонь.** Пристрій слід розміщувати або монтувати подалі від раковин та гарячих поверхонь.
- **Не відключайте пристрій від джерела живлення, потягнувши за зарядний кабель.** Для відключення тягніть за штекер, а не за сам кабель.
- **Не торкайтесь зарядного кабелю та штекера для підключення зарядного пристрою мокрими руками.**
- **Не заряджайте пристрій на вулиці.**
- **Експлуатація в екстремальних умовах може призвести до протікання акумуляторної батареї.** У разі потрапляння на шкіру цієї рідини, яка є 20-35% розчином гідроксиду калію, (1) негайно змийте її водою з милом або (2) нейтралізуйте м'якою кислотою, наприклад, лимонним соком або оцтом. У разі потрапляння цієї рідини в очі промивайте очі чистою водою щонайменше упродовж 10 хвилин. Зверніться за медичною допомогою.

- Джерело світла цього освітлювального пристрою є незмінним; коли термін служби джерела світла закінчується, всю лампу слід замінити.

Додаткові попередження з техніки безпеки

- Цей ліхтар призначено для професійного, комерційного або промислового використання.
- Не використовуйте пошкоджений або модифікований акумулятор чи ліхтар. Пошкоджені або модифіковані акумулятори можуть поводити себе непередбачуваним чином, призводячи до пожежі, вибуху або тілесним ушкодженням.
- Не піддавайте акумулятор впливу вогню та надмірних температур. Вплив вогню або температури вище 130 °C (266 °F) може спричинити вибух.
- Не використовуйте магніт для навісного кріплення.
- Для живлення освітлювального пристрою слід використовувати сертифіковане джерело живлення з виходом SELV (постійна напруга 5 В пост. струму).

ЗБЕРІГАЙТЕ ЦІ ІНСТРУКЦІЇ

Спеціальні правила безпеки для ліхтарів



ПОПЕРЕДЖЕННЯ. Не ставте ліхтар в таке положення, при якому хтось може навмисно або ненавмисно подивитися прямо у ліхтар. Це може призвести до серйозного пошкодження очей.



ПОПЕРЕДЖЕННЯ. небезпека виникнення пожежі. Не використовуйте ліхтар або зарядний пристрій біля вогнєнебезпечних рідин, при наявності газів в повітрі або у вибухонебезпечній атмосфері. Внутрішні іскри можуть запалити випаровування і спричинити травми.

ВАЖЛИВІ ІНСТРУКЦІЇ З ТЕХНІКИ БЕЗПЕКИ



ПОПЕРЕДЖЕННЯ. При використанні ліхтаря обов'язково дотримуйтесь основних запобіжних заходів, включаючи наступні:

- Щоб зменшити ризик отримання травми, слід уважно стежити за використанням ліхтаря поруч із дітьми.
- Щоб уникнути ураження електричним струмом, не кладіть ліхтар у воду або іншу рідину. Не ставте і не зберігайте ліхтар там, де він може впасти або якийсь потрапити до ванни або раковини.
- Якщо ліхтар не використовується, вимкніть його.
- Не вмикайте ліхтар, якщо він несправний, впаав або був пошкоджений будь-яким чином.
- Цей ліхтар призначений тільки для використання в приміщенні.

Додаткові правила техніки безпеки для ліхтарів

- Не занурюйте портативний ліхтар у будь-яку рідину.
- Не мийте ліхтар та акумулятор водою та уникайте потрапляння води всередину ліхтаря або акумулятора.
- Не використовуйте ліхтар без встановленого об'єктива.

Комплект поставки

Комплект містить:

- Світлодіодний ліхтар
 - USB-кабель типу C
 - Посібник з експлуатації
- Переверніть лампу, деталі та приладдя на пошкодження, що могли виникнути під час транспортування.
 - Перед використанням уважно прочитайте та повністю зрозумійте цей посібник.

Маркування на лампі

На лампі є такі піктограми:



Прочитайте інструкції цього посібника перед використанням.



Європейська сертифікація



Освітлювальний пристрій класу 3



Утилізація електричного та електронного обладнання: Окреме збирання.



Тримайтеся подалі від магнітів.



Магніт може порушити роботу кардіостимулятора і призвести до серйозної травми або смерті.



Гаряча поверхня

Опис (Рис. А)



ПОПЕРЕДЖЕННЯ. За жодних обставин не модифікуйте ліхтар для освітлення робочої зони. Це може призвести до його пошкодження або тілесних ушкоджень.

- Багатофункціональна кнопка
- Корпус
- Затискач для ремня
- Магніт
- Боковий світлодіод
- Світлодіод спрямованого світла
- Гачок для підвішування
- Заглушка USB-порту для заряджання

- 9 Зарядний USB-кабель
- 10 Штекер для заряджання через USB-пристрій
- 11 Штекер для підключення зарядного USB-пристрою
- 12 Світлодіодний індикатор стану заряду

Сфера застосування

Цей пристрій DeWALT DCL183 призначений для використання у якості професійного освітлювального пристрою.

НЕ ВИКОРИСТОВУЙТЕ за умов підвищеної вологості або в присутності легкозаймистих рідин та газів.

НЕ ДОЗВОЛЯЙТЕ дітям торкатися ліхтаря. Використання цього ліхтаря недовідченими операторами потребує нагляду.

- **Діти та люди з обмеженими можливостями.** Цей пристрій не призначений для експлуатації дітьми та особами з обмеженими розумовими та фізичними можливостями без стороннього контролю.
- Цей пристрій не призначений для використання особами (включаючи дітей) зі зниженими фізичними, сенсорними або розумовими можливостями або особами, яким бракує досвіду або знань за винятком випадків, коли такі особи працюють під наглядом особи, яка несе відповідальність за їх безпеку. Не можна залишати дітей наодинці з цим пристроєм.
- Цей пристрій містить світлодіод спрямованого світла і боковий світлодіод, джерело світла з енергоефективністю класу D.

АКУМУЛЯТОРИ

Акумулятор нового пристрою заряджений не повністю.

Перед використанням пристрою прочитайте всі нижче наведені інструкції з техніки безпеки, а потім виконайте всі вказані пункти процедури заряджання.

ПРИМІТКА. Якщо пристрій не використовується упродовж приблизно 90 днів, слід повністю зарядити акумулятор, щоб подовжити термін його служби.

Важливі інструкції з техніки безпеки для заряджання всіх вбудованих акумуляторів



ПОПЕРЕДЖЕННЯ. Ознайомтеся з усіма попередженнями, інструкціями з техніки безпеки та попереджувальними маркуваннями для акумулятора, зарядного кабелю та виробу. Невиконання наведених попереджень та інструкцій може призвести до ураження електричним струмом, пожежі та/або серйозних травм.



ПОПЕРЕДЖЕННЯ. Заряджайте пристрій лише за допомогою сертифікованого джерела живлення з виходом SELV (постійна напруга 5 В пост. струму, сила струму не більше 3 А), який відповідає чинним внутрішньодержавним нормам, а також міжнародним/регіональним стандартам безпеки. Використання адаптерів, які не відповідають застосовним стандартам безпеки, може призвести до травм.

- Для заряджання використовуйте лише зарядний кабель, що постачається виробником.
- Зарядний кабель, що входить до комплекту постачання, не призначений для будь-якого іншого використання, окрім заряджання акумуляторних інструментів DeWALT з наявними портами для заряджання. Заряджання інструментів інших типів може призвести до перегрівання та розриву їх акумуляторів, що спричинить травмування, пошкодження майна, пожежу, серйозне або навіть смертельне ураження електричним струмом.
- **НЕ ПІДДАВАЙТЕ** зарядний кабель впливу дощу або снігу.
- Під час від'єднання зарядного кабелю від джерела живлення тягніть за штекер, а не за сам кабель. Це зменшить ризик пошкодження штекера та кабелю.
- **Переконайтесь, що кабель розміщений так, щоб на нього не наступали, не ходили по ньому та не надавали його іншим фізичним впливам.**
- **НЕ використовуйте пошкоджений зарядний кабель або штекери.** негайно замініть їх.
- **Сторонні предмети, що проводять струм, наприклад, шліфувальний пил, металева стружка, металева мочалка, алюмінієва фольга або будь-які металеві деталі необхідно тримати подалі від зарядного штекера і порту.**
- **Завжди від'єднуйте зарядний кабель від джерела живлення, якщо інструмент не підключений до нього.**

Процедура заряджання (рис. А, В)

1. Зніміть заглушку USB-порту для заряджання **8** з ліхтаря.
 2. Вставте штекер для заряджання через USB-пристрій **11** в порт для заряджання **13**.
 3. Вставте штекер для заряджання через USB-пристрій **10** у будь-який USB-порт для заряджання (наприклад, в комп'ютері або настінному адаптері).
- ПРИМІТКА.** Час заряджання становить від 1 до 4 годин, залежно від номінальної потужності джерела живлення.
4. Світлодіодний індикатор стану заряду **12** має червоний, жовтий або зелений коліри залишається постійно увімкнений у процесі заряджання.
 5. Процес заряджання завершено, якщо світлодіодний індикатор стану заряду **12** світиться зеленим або вимкнувся.
 6. Акумулятор можна залишити на зарядці або від'єднати зарядний кабель.

Затримка через надмірно високу/ низьку температуру акумулятора

Якщо ліхтар визначає, що акумулятор є надмірно гарячим або холодним, він автоматично вмикає режим температурної затримки, припиняючи процес заряджання, доки акумулятор не досягне відповідної температури. Після досягнення прийнятної температури ліхтар автоматично перемикається в режим заряджання акумулятора. Ця функція забезпечує максимальний термін служби акумулятора.

1. Холодний акумулятор може заряджатися повільніше порівняно з теплим акумулятором.
2. Про затримку через надмірно високу/низьку температуру акумулятора свідчить блимання світлодіодного індикатора стану заряду **12**, червоним та жовтим.
3. Після досягнення акумулятором відповідної температури світлодіодний індикатор стану заряду **12** загориться кольором відповідно до поточного стану заряду, вказуючи на те, що пристрій відновив процес заряджання.

Важливі примітки щодо зарядки

1. В процесі заряджання ліхтар може бути теплим на дотик. Це є нормою, і не є показником проблеми. Щоб швидше охолодити ліхтар після використання, не поміщайте його у тепле місце, наприклад у металевий гараж або трейлер без теплоізоляції.
2. Якщо ліхтар не заряджається належним чином, віднесіть його та зарядний кабель у місцевий сервісний центр.
3. Частково розряджений акумулятор можна заряджати в будь-який час без шкоди для ліхтаря.

Механізм захисту від перегрівання (рис. А)

У разі активації механізму захисту від перегрівання світлодіодний індикатор стану заряду **12** блиматиме червоним або зеленим. Пристрій не можна використовувати під час спрацювання механізму захисту від перегрівання.

Індикатор стану заряду (рис. А)

Цей DCL183 оснащено індикатором стану заряду. Світлодіодний індикатор стану заряду **12** використовується для відображення поточного рівня заряду акумулятора під час його роботи та заряджання. Він не показує функціональність інструмента, а його показники можуть змінюватись відповідно до комплектності інструмента, температури та способу застосування.

Перевірка стану заряду (рис. С)

- Коли світлодіодний ліхтар увімкнено, світлодіодний індикатор стану заряду **12** світиться зеленим, жовтим або червоним, відображаючи поточний рівень заряду акумулятора:
 - **ЗЕЛЕНИЙ:** $\geq 50\%$
 - **ЖОВТИЙ:** $>25\% \rightarrow 50\%$
 - **ЧЕРВОНИЙ:** $\leq 25\%$
- Якщо залишиться менше 3% заряду, ліхтар та індикатор блиматимуть двічі кожні 45 секунд, доки не вимкнеться живлення.
- Якщо світлодіодний індикатор стану заряду **12** світиться червоним або не світиться взагалі, зарядіть акумулятор.

РЕЖИМ РОБОТИ

- ⚠ **ОБЕРЕЖНО!** Не дивіться на світлодіоди. Це може призвести до серйозного пошкодження очей.

Багатофункціональна кнопка (рис. А)

Світлодіод спрямованого світла **6** має два налаштування яскравості: низька та висока. Боковий світлодіод **5** має одну яскравість.

Індикатор низького рівня заряду акумулятора Якщо залишиться менше 3% заряду, активований світлодіод і світлодіодний індикатор стану заряду блиматимуть двічі кожні 45 секунд, доки не вимкнеться живлення.

ПРИМІТКА. Якщо ліхтар залишається увімкненим довше п'яти секунд, повторне натискання багатофункціональної кнопки **1** вимкне вибраний світлодіод.

ПРИМІТКА. Якщо ліхтар увімкнений, тривале натискання багатофункціональної кнопки **1** вимкне вибраний світлодіод.

1. Натисніть багатофункціональну кнопку **1** один раз, щоб активувати високий рівень яскравості світлодіода спрямованого світла **6**.
2. Натисніть багатофункціональну кнопку **1** вдруге, щоб активувати низький рівень яскравості світлодіода спрямованого світла **6**.
3. Натисніть багатофункціональну кнопку **1** втретє, щоб вимкнути світлодіод **5**.
4. Натисніть багатофункціональну кнопку **1** четверте, щоб вимкнути боковий світлодіод **5**.

Магніт (рис. А)

⚠ **ОБЕРЕЖНО!** Якщо світлодіодний ліхтар висить на магніті, не трусіть ані ліхтар, ані предмет, на якому він висить. Не вішайте увімкнений світлодіодний ліхтар на будь-які незакріплені предмети. Це може стати причиною пошкодження майна або травм.

⚠ **ОБЕРЕЖНО!** Магніт має використовуватися виключно для підвішування світлодіодного ліхтаря. Магніт не призначений для утримання додаткової ваги. Не прикріплюйте та не вішайте нічого додаткового до світлодіодного ліхтаря, щоб уникнути ризику поломки.

1. DCL183 має магніт, **4** вбудований в нижню частину ліхтаря.
2. Магніт **4** призначений для захоплення дрібних металевих деталей на кшталт гвинтів та болтів, а також для утримання ліхтаря на твердих металевих поверхнях.

Гачок для підвішування (рис. А, D)

⚠ **ОБЕРЕЖНО!** Якщо світлодіодний ліхтар висить на магнітах, не трусіть ані світлодіодний ліхтар, ані предмет, на якому він висить. Не вішайте світлодіодний ліхтар на будь-які електричні дроти або на незакріплені предмети. Це може стати причиною пошкодження майна або травм.

⚠ **ОБЕРЕЖНО!** Гачок для підвішування має використовуватися виключно для підвішування світлодіодного ліхтаря. Гачок для підвішування не призначений для утримання додаткової ваги. Не прикріплюйте та не вішайте нічого додаткового

до світлодіодного ліхтаря, щоб уникнути ризику поломки.



ОБЕРЕЖНО! Ні в якому разі не використовуйте гачки для підвішування, щоб до чогось дотягнутися або щоб підтримувати власну вагу.

Вбудований гачок для підвішування 7 можна прикріпити до зафіксованих шлангів, патрубків, трубок або кабелів у робочій зоні.

1. Щоб отримати доступ до гачка для підвішування 7, поверніть його 7 у напрямку від корпусу 2 до відкриття отвору гачка 14 для підвішування.

2. Розмістіть шланг, патрубок, трубку або кабель у робочій зоні на гачок для підвішування.

ПРИМІТКА. Перед початком роботи переконайтеся, що корпус світлодіодного ліхтаря надійно закріплений і не зісковзує з зафіксованого шланга, патрубка, трубки або кабелю.

3. Щоб зняти гачок для підвішування 7 з зафіксованого шланга, патрубка, трубки або кабелю, схопіть гачок 7 і витягніть зафіксований шланг, патрубок, трубку або кабель з отвору гачка для підвішування 14.

4. Зафіксуйте гачок для підвішування 7 на місці на корпусі 2.

ТЕХНІЧНЕ ОБСЛУГОВУВАННЯ

Цей пристрій DEWALT призначений для роботи упродовж тривалого часу з мінімальним обслуговуванням. Довга задовільна робота пристрою залежить від його належного обслуговування та регулярного очищення.



Очищення



ПОПЕРЕДЖЕННЯ. Ніколи не використовуйте розчинники та інші агресивні хімічні засоби для очищення неметалевих деталей ліхтаря. Такі хімічні речовини можуть нанести шкоду матеріалам, що використовуються в цих деталях. Використовуйте вологу тканину, змочену лише водою з м'яким милом. Уникайте потрапляння рідини всередину ліхтаря та ніколи не занурюйте деталі ліхтаря в рідину.

Приладдя



ПОПЕРЕДЖЕННЯ. Оскільки приладдя, не вказане виробником DEWALT, не перевірялося з цим пристроєм, його використання з інструментом може бути небезпечним. Щоб знизити ризик отримання травми, DEWALT приладдя з цим пристроєм, щоб знизити ризик отримання травми.

Цей пристрій постачається без додаткового приладдя.

Захист навколишнього середовища



Роздільний збір. Пристрої з таким маркуванням відповідають вимогам Європейської Директиви 2012/19/EU і не підлягають утилізації разом зі звичайними побутовими відходами. Пристрої містять матеріали, які можна відновити й переробити, що зменшить потребу в сировині. Будь ласка, віддавайте електричні пристрої на переробку відповідно до місцевих постанов. Більш детальну інформацію можна отримати на сайті www.2helpU.com.



060

Виробник:

"Stanley Black & Decker Deutschland GmbH" Black-&-Decker Str.40, D-65510 Idstein, Німеччина

DEWALT

ГАРАНТІЙНИЙ ТАЛОН

**3 РОКИ
ГАРАНТІЇ**

1. Вітаємо Вас з покупкою високоякісного виробу DEWALT і висловлюємо вдячність за Ваш вибір.
2. При покупці виробу вимагайте перевірки його комплекстності і справності у Вашій присутності, інструкцію з експлуатації та заповнений гарантійний талон українською мовою. В гарантійному талоні повинні бути внесені: модель, дата продажу, серійний номер, дата виробництва інструменту, назва, печатка і підпис торгової організації. За відсутності у Вас правильно заповненого гарантійного талону, а також при невідповідності зазначених у ньому даних ми будемо змушені відхилити Ваші претензії щодо якості даного виробу.
3. Щоб уникнути непорозумінь, переконливо просимо Вас перед початком роботи з виробом уважно ознайомитися з інструкцією з його експлуатації. Правовою основою справних гарантійних умов є чинне Законодавство. Гарантійний термін на даний виріб складає 36 місяці і обчислюється з дня продажу. У разі усунення недоліків виробу, гарантійний строк продовжується на період його перебування в ремонті. Термін служби виробу становить 5 років з дня продажу.
4. У разі виникнення будь-яких проблем у процесі експлуатації виробу рекомендуємо Вам звертатися тільки в уповноважені сервісні центри DEWALT, адреси та телефони яких Ви зможете знайти в гарантійному талоні, на сайті www.2helpU.com або дізнатися в магазині. Наші сервісні станції - це не тільки кваліфікований ремонт, але і широкий асортимент запчастин і аксесуарів.
5. Виробник рекомендує проводити періодичну перевірку і технічне обслуговування виробу в уповноважених сервісних центрах.
6. Наші гарантійні зобов'язання поширюються тільки на несправності, виявлені протягом гарантійного терміну і викликані дефектами виробництва та \ або матеріалів.
7. Гарантійні умови не поширюються на несправності виробу, що виникли в результаті:
 - 7.1. Недотримання користувачем приписів інструкції з експлуатації виробу, застосування виробу не за призначенням, неправильного зберігання, використання приладдя, витратних матеріалів і запчастин, що не передбачені виробником.
 - 7.2. Механічного пошкодження (відколи, тріщини і руйнування) внутрішніх і зовнішніх деталей виробу, основних і допоміжних рукояток, мережевого кабелю, що викликані зовнішнім ударним або будь-яким іншим впливом
 - 7.3. Потраплення у вентиляційні отвори та проникнення всередину виробу сторонніх предметів, матеріалів або речовин, що не є відходами, які супроводжують застосування виробу за призначенням, такими як: стружка, тирса, пісок, та ін.
 - 7.4. Впливу на виріб несприятливих атмосферних і інших зовнішніх факторів, таких як дощ, сніг, підвищена вологість, нагрівання, агресивне середовище, невідповідність параметрів електромережі, що зазначені на інструменті.
 - 7.5. Стихійного лиха. Пошкодження або втрати виробу, що пов'язані з непереборними лихами, стихійними явищами, у тому числі внаслідок дії непереборної сили (пожежа, блискавка, потоп і інші природні явища), а також внаслідок перепадів напруги в електромережі та іншими причинами, які знаходяться поза контролем виробника.
8. Гарантійні умови не поширюються:
 - 8.1. На інструменти, що піддавалися розкриттю, ремонту або модифікації поза уповноваженим сервісним центром.
 - 8.2. На деталі, вузли та матеріали, що мають сліди природного зносу, такі як: приводні ремені і колеса, вугільні щітки, мастило, підшипники, зубчасті зчеплення редукторів, гумові ущільнення, сальники, направляючі ролики, муфти, вижимачі, бойки, штовхачі, стовпи тощо.
 - 8.3. На змінні частини: патрони, цанги, затискні гайки і фланці, фільтри, ножі, шліфувальні підшви, ланцюги, зірочки, пильні шини, захисні кожухи, пилки, абразиви, пильні і абразивні диски, фрези, свердла, бури тощо
 - 8.4. На несправності, що виникли в результаті перевантаження інструменту (як механічного, так і електричного), що спричинили вихід з ладу одночасно двох і більше деталей і вузлів, таких як: ротора і статора, обох обмоток статора, веденої і ведучої шестерень редуктора або інших вузлів і деталей. До безумовних ознак перевантаження виробу відносяться, крім інших: поява кольорів мінливості, деформація або оплвлення деталей і вузлів виробу, потемніння або обуглювання ізоляції проводів електродвигуна під впливом високої температури.

Товар отриманий в справному стані, без видимих ушкоджень, в повній комплектації, перевірений у моїй присутності, претензій щодо якості товару не маю. З умовами гарантійного обслуговування ознайомлений і згоден.

П. І. Б. та підпис власника _____

Шановні клієнти, наша мережа авторизованих сервісних центрів постійно розширюється. Актуальну інформацію про обслуговування в місті, що цікавить вас, ви можете дізнатися на сайті

www.2helpU.com

Редакція ВК/12-12-2018

Інформація про інструмент

Найменування інструменту	
Модель	
Найменування продавця	
Дата продажу	

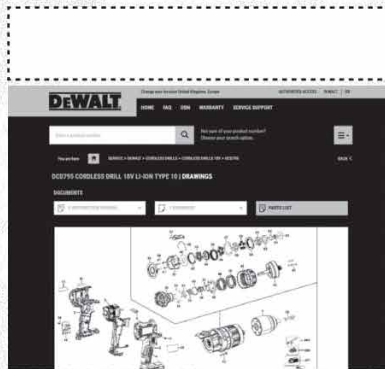
М.П.
Продавця

Серійний номер/Дата виробництва

Інструмент	
Зарядний пристрій	
Акумулятор 1	
Акумулятор 2	

На сайті www.2helpU.com доступні наступні функції:

- Список авторизованих сервісних центрів
- Зручний пошук найближчого сервісного центру
- Керівництво з експлуатації
- Технічні характеристики
- Список деталей і запасних частин
- Схема складання інструменту



**Також дану інформацію ви можете отримати, зателефонувавши за номером:
0 (800) 211 521 в Україні**

ВІДМІТКА ПРО ПРОВЕДЕННЯ СЕРВІСНОГО ОБСЛУГОВУВАННЯ

№1	№2	№3	№4
№ замовлення	№ замовлення	№ замовлення	№ замовлення
Дата прийому	Дата прийому	Дата прийому	Дата прийому
Дата ремонту	Дата ремонту	Дата ремонту	Дата ремонту
Печатка і підпис сервісного центру	Печатка і підпис сервісного центру	Печатка і підпис сервісного центру	Печатка і підпис сервісного центру

ОФИЦИАЛЬНЫЙ ДИЛЕР В УКРАИНЕ:

storgom.ua

ГРАФИК РАБОТЫ:

Пн. – Пт.: с 8:30 по 18:30

Сб.: с 09:00 по 16:00

Вс.: с 10:00 по 16:00

КОНТАКТЫ:

+38 (044) 360-46-77

+38 (066) 77-395-77

+38 (097) 77-236-77

+38 (093) 360-46-77

Детальное описание товара:

<https://storgom.ua/product/dewalt-207459.html>

Другие товары: <https://storgom.ua/stroitelnye-fonari.html>