

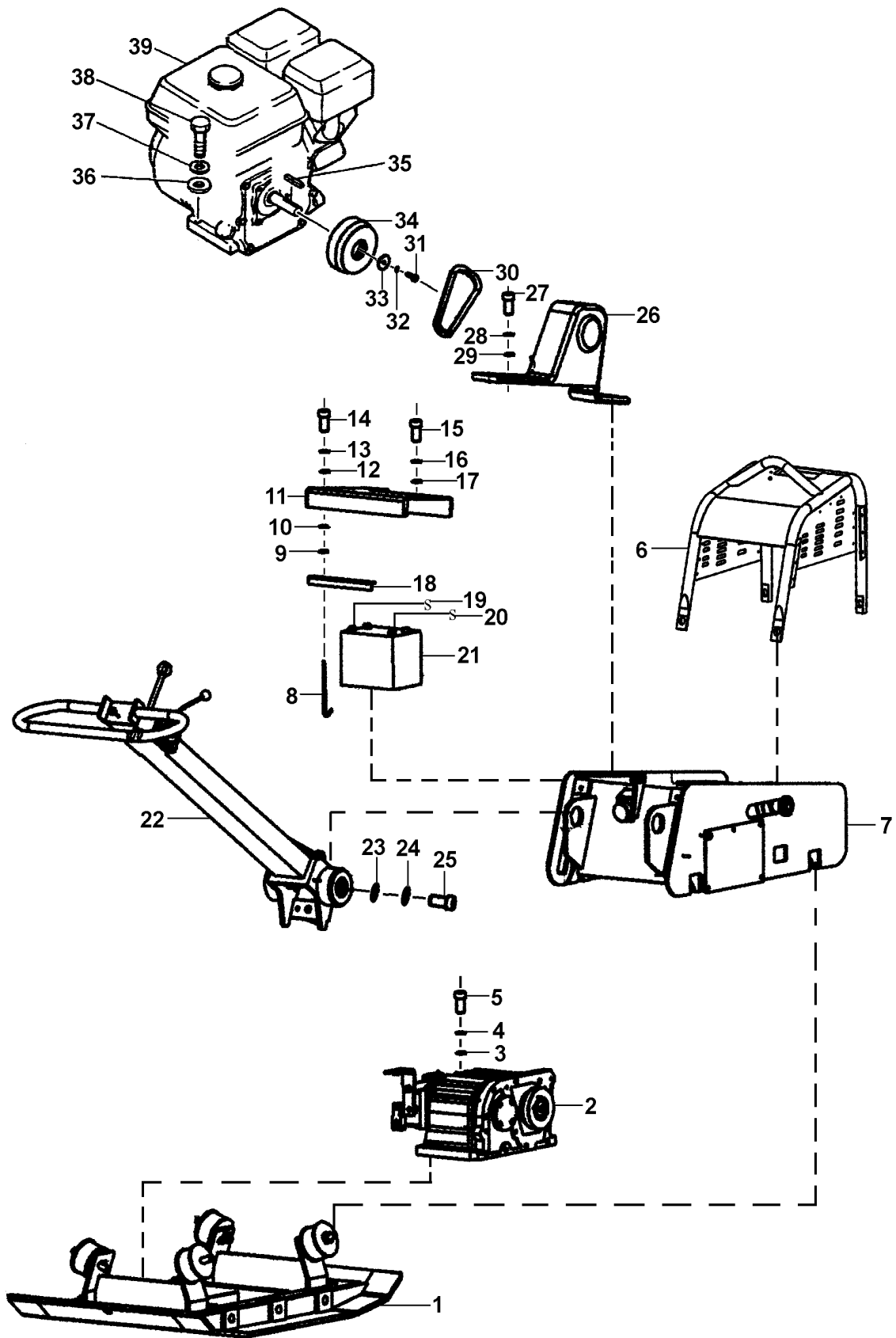


MASALTA®



PARTS MANUAL REVERSIBLE PLATE COMPACTOR MS330

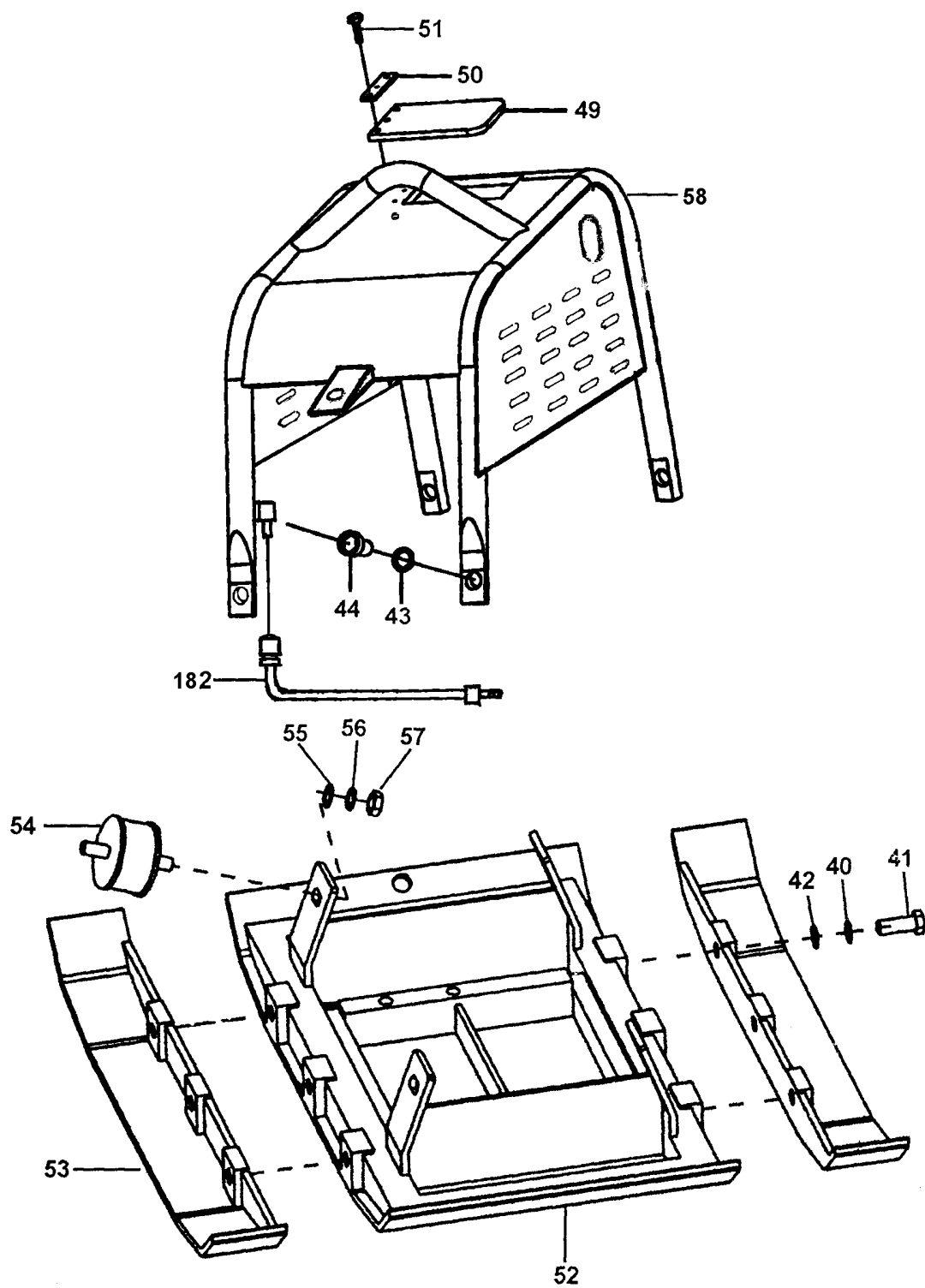




MS330 PARTS LIST 1

MS330 PARTS LIST 1

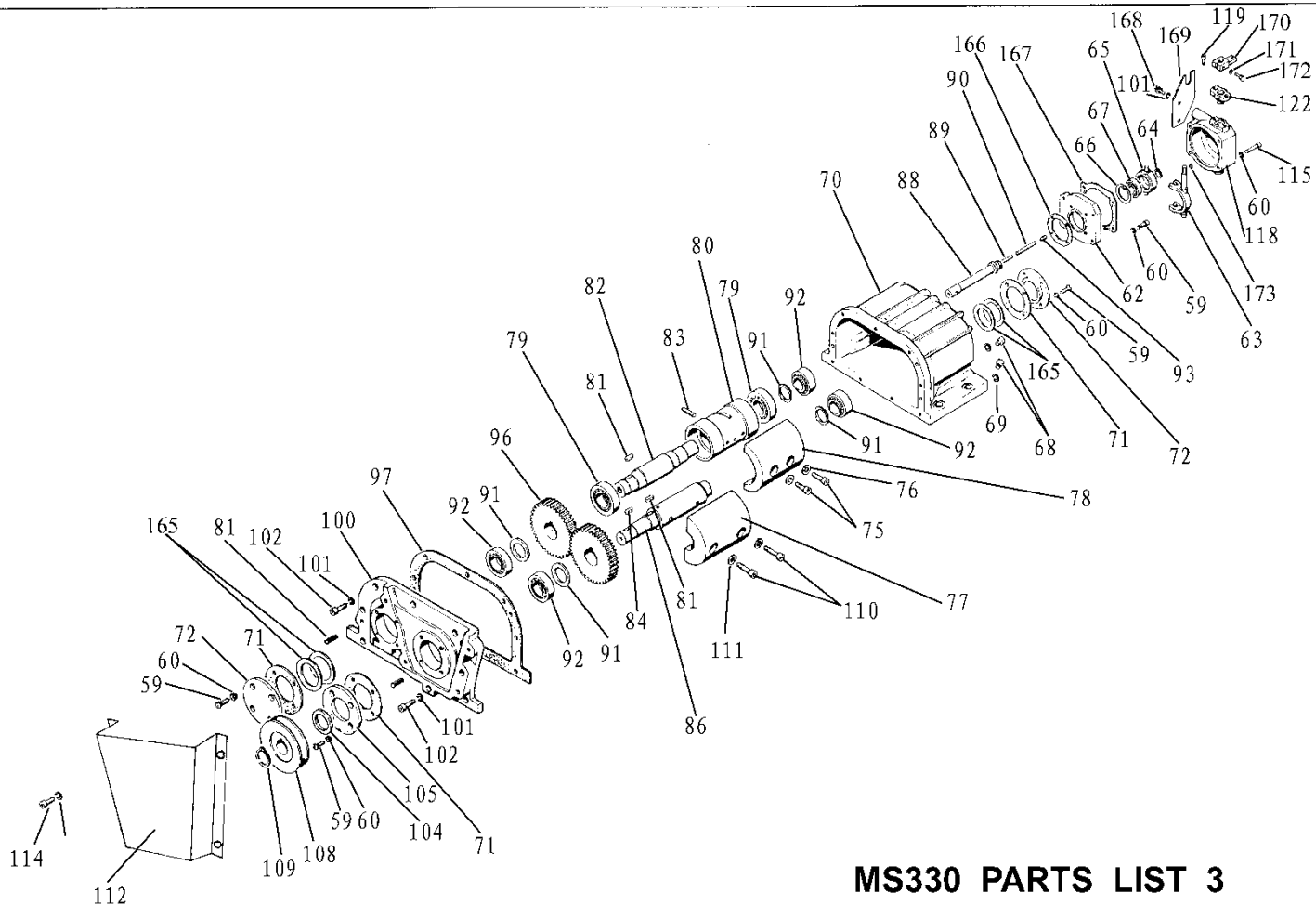
| ITEM NO | PART NO | DESCRIPTION | QTY |
|---------|---------------|-------------------------------------|-----|
| 1 | H330100000 | BASE PLATE ASSEMBLY | 1 |
| 2 | H330200000 | VIBRATION BOX | 1 |
| 3 | T97.1-18 | WASHER 18 | 4 |
| 4 | T94.1-18 | SPRING WASHER 18 | 4 |
| 5 | T5781-M18X55 | BOLT M18X55 | 4 |
| 6 | H330600000-A | PROTECTION FRAME ASSEMBLY | 1 |
| 7 | H330300000 | ENGINE MOUNTING PLATE ASSEMBLY | 1 |
| 8 | T6185.1-M6 | BOLT M6 | 2 |
| 9 | T97.1-6 | WASHER 6 | 2 |
| 10 | T94.1-6 | NUT M6 | 2 |
| 11 | H330400001 | PROTECTION GUARD | 1 |
| 12 | T97.1-10 | WASHER 10 | 4 |
| 13 | T94.1-10 | SPRING WASHER 10 | 4 |
| 14 | T5781-M10X100 | BOLT M10X100 | 4 |
| 15 | T5781-M8X30 | BOLT M8X30 | 3 |
| 16 | T94.1-8 | SPRING WASHER 8 | 3 |
| 17 | T97.1-8 | WASHER 8 | 3 |
| 18 | H330400002 | ANGLE PLATE | 1 |
| 19 | H330400003 | WIRE (L) | 1 |
| 20 | H330400004 | WIRE (R) | 1 |
| 21 | H330400005 | BATTERY | 1 |
| 22 | H330500000-A | HANDLE ASSEMBLY | 1 |
| 23 | T97.1-16 | WASHER 16 | 2 |
| 24 | T94.1-16 | SPRING WASHER 16 | 2 |
| 25 | T5781-M16X55 | BOLT M16X55 | 2 |
| 26 | H330700001 | V-BELT GUARD | 1 |
| 27 | T5781-M10X30 | BOLT M10X30 | 2 |
| 28 | T94.1-10 | SPRING WASHER 10 | 2 |
| 29 | T97.1-10 | WASHER 10 | 2 |
| 30 | H330700002-1 | V-BELT FOR DIESEL ENGINE | 1 |
| | H330700002-2 | V-BELT FOR PETROL ENGINE | 1 |
| 31 | H330800001-1 | SCREW M10X1.25X25 FOR DIESEL ENGINE | 1 |
| | H330800001-2 | SCREW 7/16-20 FOR PETROL ENGINE | 1 |
| 32 | H330800002-1 | SPRING WASHER 10 FOR DIESEL ENGINE | 1 |
| | H330800002-2 | SPRING WASHER 12 FOR PETROL ENGINE | 1 |
| 33 | H330800003-1 | WASHER 10 FOR DIESEL ENGINE | 1 |
| | H330800003-2 | WASHER 12 FOR PETROL ENGINE | 1 |
| 34 | H330800004-1 | ENGINE PULLEY FOR DIESEL | 1 |
| | H330800004-2 | ENGINE PULLEY FOR CHINESE | 1 |
| | H330800004-3 | ENGINE PULLEY FOR ROBIN | 1 |
| | H330800004-4 | ENGINE PULLEY FOR HONDA | 1 |
| 35 | H330800005-1 | KEY B6X40 GB1096 FOR DIESEL ENGINE | 1 |
| | H330800005-2 | KEY 1/4X1 1/2 FOR PETROL ENGINE | 1 |
| 36 | T97.1-10 | WASHER 10 | 8 |
| 37 | T94.1-10 | SPRING WASHER 10 | 4 |
| 38 | T5781-M10X50 | BOLT M10X50 | 4 |
| 39 | H330900000-1 | DIESEL ENGINE | 1 |
| | H330900000-2 | CHINESE ENGINE | 1 |
| | H330900000-3 | ROBIN ENGINE | 1 |
| | H330900000-4 | HONDA ENGINE | 1 |



MS330 PARTS LIST 2

MS330 PARTS LIST 2

| ITEM NO | PART NO | DESCRIPTION | QTY |
|---------|--------------|------------------|-----|
| 40 | T94.1-20 | SPRING WASHER 20 | 6 |
| 41 | T5781-M20X55 | BOLT M20X55 | 6 |
| 42 | T97.1-20 | WASHER 20 | 6 |
| 43 | T94.1-12 | SPRING WASHER 12 | 4 |
| 44 | T70.1-M12X40 | BOLT M12X40 | 4 |
| 49 | H330600002 | RUBBER PLATE | 1 |
| 50 | H330600003 | FIXING PLATE | 1 |
| 51 | T5781-M8X30 | BOLT M8X30 | 3 |
| 52 | H330100001 | BASE PLATE | 1 |
| 53 | H330100002 | EXTENSION PLATE | 2 |
| 54 | H330100003 | VIBRATION DAMPER | 4 |
| 55 | T97.1-16 | WASHER 16 | 8 |
| 56 | T94.1-16 | SPRING WASHER 16 | 8 |
| 57 | T6185.1-M16 | NUT M16 | 8 |
| 58 | H330600004-A | PROTECTION FRAME | 1 |
| 182 | H330600005 | OIL DRAIN PIPE | 1 |



MS330 PARTS LIST 3

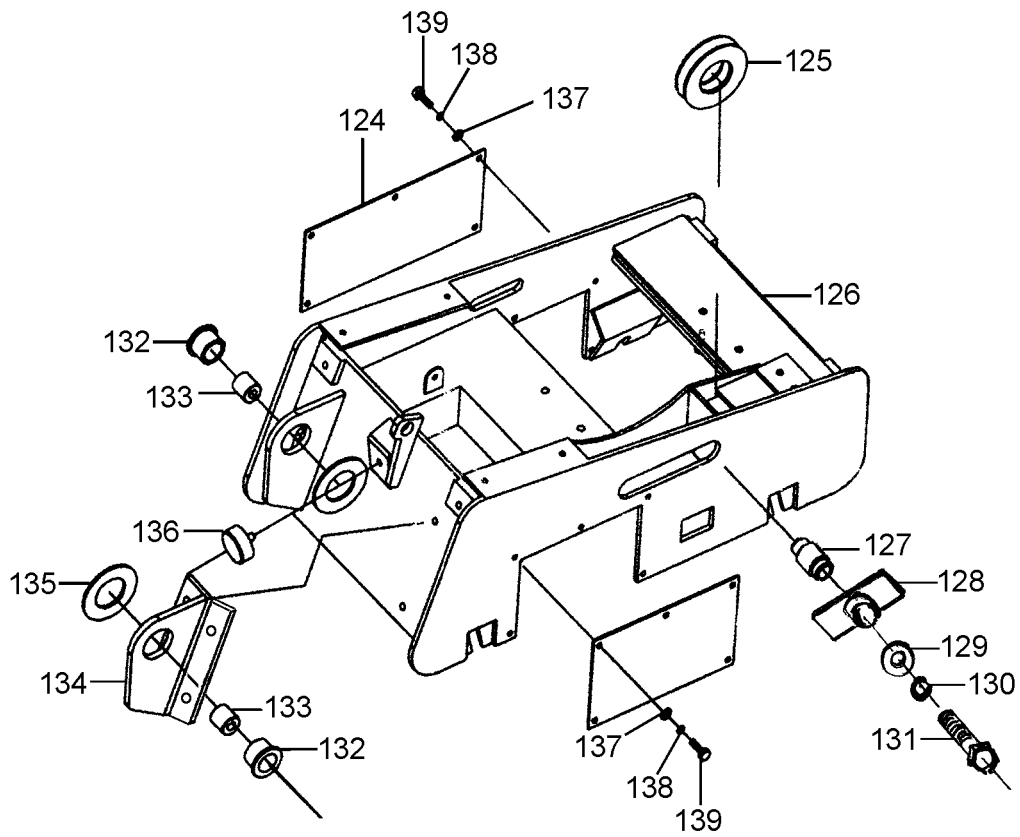
MS330 PARTS LIST 3

| ITEM NO | PART NO | DESCRIPTION | QTY |
|---------|---------------|----------------------|-----|
| 59 | T70.1-M8X25 | BOLT M8X25 | 16 |
| 60 | T94.1-8 | SPRING WASHER 8 | 24 |
| 62 | H330200001 | PLATE | 1 |
| 63 | H330200002 | SHITER SPINDLE | 1 |
| 64 | T894.1-20 | RETAINING RING 20 | 1 |
| 65 | H330200003 | BEARING HOUSING | 1 |
| 66 | T893.1-47 | RETAINING RING 47 | 1 |
| 67 | T276-204 | BEARING 204 | 1 |
| 68 | T5781-M14X1.5 | BOLT M14X1.5 | 4 |
| 69 | T97.1-14 | WASHER 14 | 4 |
| 70 | H330200004 | EXCITER BOX | 1 |
| 71 | H330200005 | COVER GASKET | 4 |
| 72 | H330200006 | BEARING COVER | 1 |
| 75 | T5781-M12X25 | BOLT M12X25 | 3 |
| 76 | T94.1-12 | SPRING WASHER 12 | 2 |
| 77 | H330200008 | UNBALANCE WEIGHT | 1 |
| 78 | H330200007 | UNBALANCE WEIGHT | 1 |
| 79 | TSL183008A-C3 | BEARING SL183008A-C3 | 2 |
| 80 | H330200009 | ROTARY COVER | 1 |
| 81 | T1096-A8X25 | KEY 8X25 | 2 |
| 82 | H330200010 | SPINDLE | 1 |
| 83 | H330200011 | PIN | 1 |
| 84 | T1096-A8X25 | KEY 8X25 | 1 |
| 86 | H330200012 | PULLEY SHAFT | 1 |
| 88 | H330200013 | SPINDLE | 1 |
| 89 | H330200014 | PIN 6.5X60 | 1 |
| 90 | H330200015 | PIN 6.5X60 | 4 |
| 91 | H330200016 | WASHER | 4 |
| 92 | T283-32206 | BEARING 32206 | 1 |
| 93 | T77-M8X20 | SCREW M8X20 | 1 |

(TO BE CONTINUED)

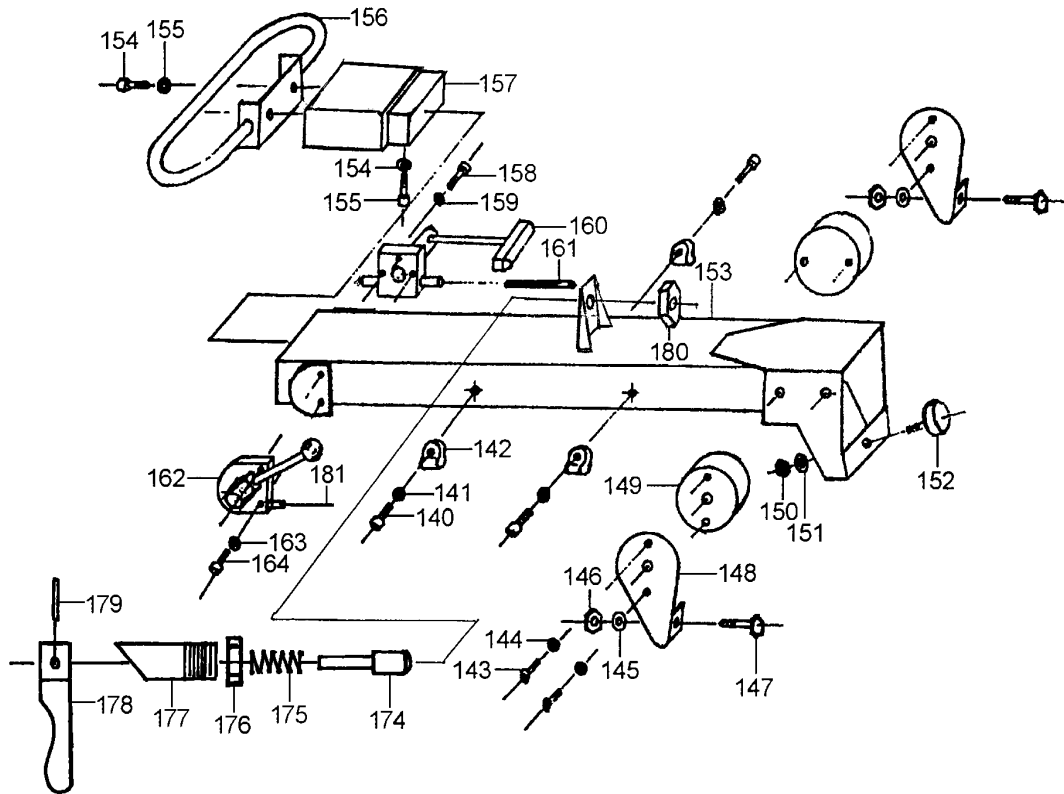
MS330 PARTS LIST 3

| ITEM NO | PART NO | DESCRIPTION | QTY |
|---------|----------------|-------------------------|-----|
| 96 | H330200018 | GEAR | 2 |
| 97 | H330200019 | SPACER | 1 |
| 100 | H330200021 | BOX COVER | 1 |
| 101 | T94.1-10 | SPRING WASHER 10 | 11 |
| 102 | T5781-M10X30 | BOLT M10X30 | 9 |
| 104 | T13871-FB30X50 | OIL SEAL FB30X50 | 2 |
| 105 | H330200023 | BEARING COVER | 1 |
| 108 | H330200024 | PULLEY | 1 |
| 109 | T894.1-28 | RETAINING RING 28 | 1 |
| 110 | T70.1-M12X40 | BOLT M12X40 | 2 |
| 111 | T94.1-12 | SPRING WASHER 12 | 2 |
| 112 | H330200025 | BELT GUARD | 1 |
| 114 | T70.1-M8X16 | BOLT M8X16 | 4 |
| 115 | T5781-M8X60 | BOLT M8X60 | 4 |
| 116 | T94.1-8 | SPRING WASHER 8 | 4 |
| 117 | T97.1-8 | WASHER 8 | 4 |
| 118 | H330200026 | DIRECTION HOUSING | 1 |
| 119 | T5781-M8X16 | BOLT M8X16 | 2 |
| 120 | T97.1-8 | WASHER 8 | 2 |
| 121 | T94.1-8 | SPRING WASHER 8 | 2 |
| 122 | H330200027 | SELF-LUBRICATED BEARING | 1 |
| 165 | H330200028 | SHIM | 4 |
| 166 | H330200029 | SEAL | 1 |
| 167 | H330200030 | SEAL | 1 |
| 168 | T5781-M10X25 | BOLT M10X25 | 2 |
| 169 | H330200031 | SHIFTER PLATE | 1 |
| 170 | H330200032 | SHIFTER ARM | 1 |
| 171 | T94.1-6 | SPRING WASHER 6 | 1 |
| 172 | T5781-M6X30 | BOLT M6X30 | 1 |
| 173 | H330200033 | FORK KEY | 1 |



MS330 PARTS LIST 4

| ITEM NO | PART NO | DESCRIPTION | QTY |
|---------|--------------|-----------------------|-----|
| 124 | H330300001 | OVERING PLATE | 2 |
| 125 | H330300002 | ADJUSTING PULLEY | 1 |
| 126 | H330300003 | ENGINE MOUNTING PLATE | 1 |
| 127 | H330300004 | COLLAR | 1 |
| 128 | H330300005 | ASSEMBLING PLATE | 1 |
| 129 | T97.1-16 | WASHER 8 | 1 |
| 130 | T94.1-16 | SPRING WASHER 8 | 1 |
| 131 | T5781-M16X55 | BOLT M16X55 | 1 |
| 132 | H330300006 | NYLON COLLAR | 2 |
| 133 | H330300007 | STEEL RING | 2 |
| 134 | H330300008 | SUPPORTING PLATE | 1 |
| 135 | H330300009 | NYLON WASHER | 2 |
| 136 | H330300010 | RUBBER MOUNT | 1 |
| 137 | T97.1-8 | WASHER 8 | 10 |
| 138 | T94.1-8 | SPRING WASHER 8 | 10 |
| 139 | T5781-M8X20 | BOLT M8X20 | 10 |



MS330 PARTS LIST 5

| ITEM NO | PART NO | DESCRIPTION | QTY |
|---------|--------------|--------------------|-----|
| 140 | T5781-M8X20 | BOLT M8X20 | 1 |
| 141 | T94.1-8 | SPRING WASHER 8 | 1 |
| 142 | H330500001 | CLIP | 3 |
| 143 | T703-M8X20 | SCREW M8X20 | 4 |
| 144 | T861.1-8 | WASHER 8 | 2 |
| 145 | T97.1-10 | WASHER 10 | 4 |
| 146 | T6185.1-10 | NUT M10 | 2 |
| 147 | T5781-M10X30 | SCREW M10X30 | 2 |
| 148 | H330500002 | STOP PLATE | 2 |
| 149 | H330500003 | RUBBER MONUT | 2 |
| 150 | T5781-M10X25 | BOLT M10X25 | 1 |
| 151 | T94.1-10 | SPRING WASHER 10 | 1 |
| 152 | H330500004 | VIBRATION DAMPER | 1 |
| 153 | H330500005-A | HANDLE | 1 |
| 154 | T94.1-10 | SPRING WASHER 10 | 4 |
| 155 | T5781-M10X25 | BOLT M10X25 | 4 |
| 156 | H330500006 | HANDLE | 1 |
| 157 | H330500007 | ASSEMBLING CAST | 1 |
| 158 | T5781-M6X50 | BOLT M6X50 | 3 |
| 159 | T94.1-6 | SPRING WASHER 6 | 3 |
| 160 | H330500008 | TRAVEL LEVER | 1 |
| 161 | H330500009 | CABLE | 1 |
| 162 | H330500010-A | THROTTLE LEVER | 1 |
| 163 | T94.1-6 | SPRING WASHER 6 | 2 |
| 164 | T5781-M6X35 | BOLT M6X35 | 2 |
| 174 | H330500011 | PIN | 1 |
| 175 | H330500012 | SPRING | 1 |
| 176 | H330500013 | NUT | 2 |
| 177 | H330500014 | SCREW ROD | 1 |
| 178 | H330500015 | PULLING HANDLE | 1 |
| 179 | H330500016 | KEY | 1 |
| 180 | H330500017 | NUT | 1 |
| 181 | H330500018 | THROTTLE WIRE ASSY | 1 |



Distributed By



MASALTA ENGINEERING CO., LTD

Add: Weisi Road, Baohe Industrial Estate, Hefei, China
Tel: 86-551-4846600, 4846601 Fax: 86-551-4846616
E-mail: sales@masalta.com.cn, masalta@mail.hf.ah.cn,
[Http://www.masalta.com.cn](http://www.masalta.com.cn)

ОФИЦИАЛЬНЫЙ ДИЛЕР В УКРАИНЕ:

storgom.ua

ГРАФИК РАБОТЫ:

Пн. – Пт.: с 8:30 по 18:30

Сб.: с 09:00 по 16:00

Вс.: с 10:00 по 16:00

КОНТАКТЫ:

+38 (044) 360-46-77

+38 (066) 77-395-77

+38 (097) 77-236-77

+38 (093) 360-46-77

Детальное описание товара: <https://storgom.ua/product/vibroplita-reversivnaia-masalta-ms330-4.html>

Другие товары: <https://storgom.ua/vibroplity.html>