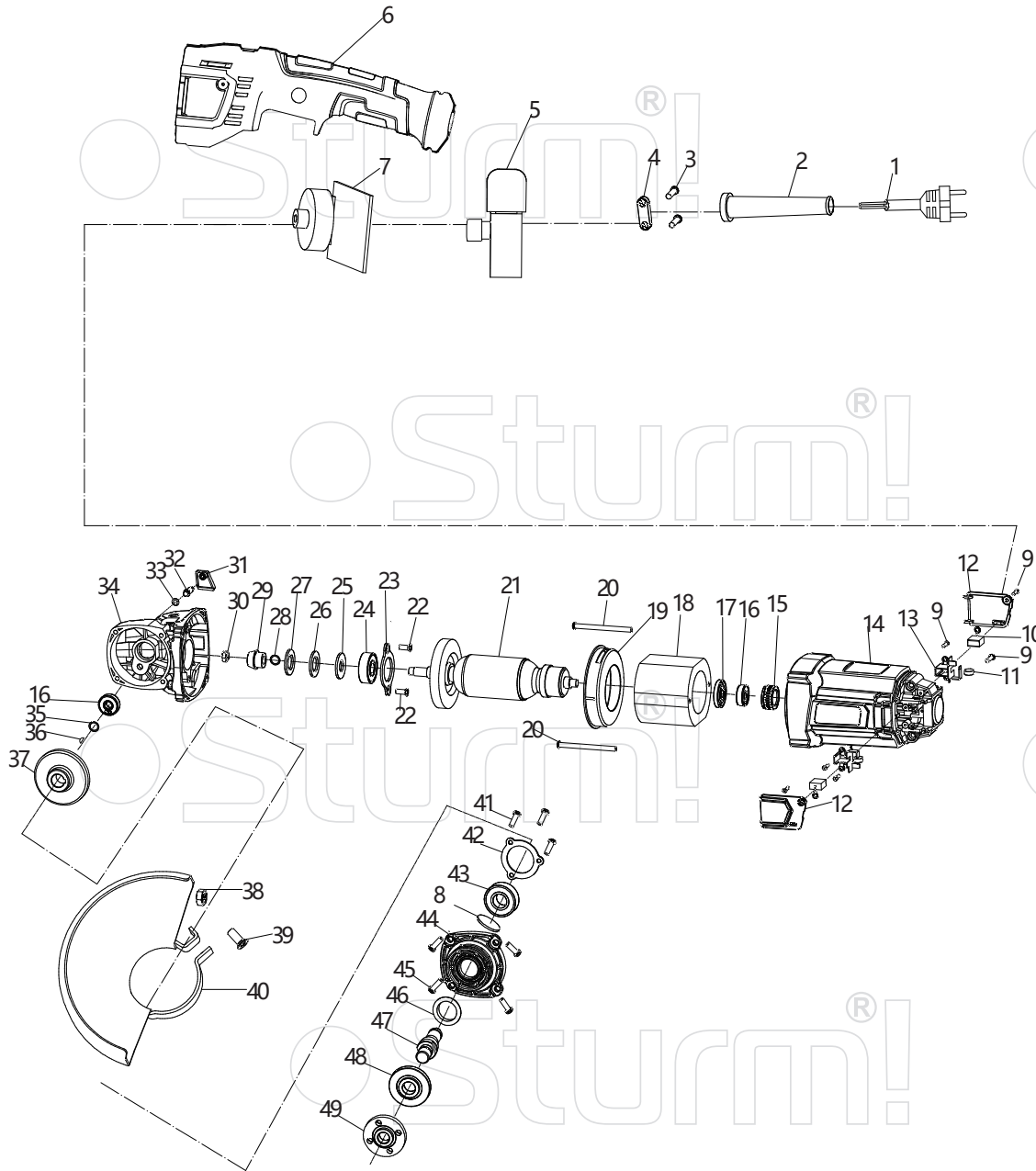


AG9018PE



NO.	DESCRIPTION	NO.	DESCRIPTION
1	CABLE	28	O-RING
2	CABLE SLEEVE	29	PINION
3	TAPPING SCREW	30	NUT
4	CABLE PRESS BOARD	31	LOCKING BUTTON
5	SWITCH	32	LOCKING PIN
6	HANDLE	33	O-RING
7	CONSTANT POWER PCB	34	HOUSING
8	O-RING	35	CIRCLIP
9	TAPPING SCREW	36	KEY
10	CARBON BRUSH	37	GEAR
11	COIL SPRING	38	NUT
12	BRUSH HOLDER COVER	39	SCREW
13	BRUSH HOLDER	40	GUARD
14	HOUSING	41	SCREW
15	BEARING COVER	42	PRESS BAORD
16	BEARING 608RS	43	BEARING 6202RS
17	ANTI-DUST COVER	44	FRONT COVER
18	STATOR	45	SCREW
19	WIND GUIDE	46	ANTI-DUST COVER
20	TAPPING SCREW	47	SPINDLE
21	ROTOR	48	DOWN FLANGE
22	SCREW	49	UPPER FLANGE
23	PRESS BAORD		
24	BEARING 6201RS		
25	WOOL WASHER		
26	WASHER		
27	WASHER		

ОФИЦИАЛЬНЫЙ ДИЛЕР В УКРАИНЕ:

storgom.ua

ГРАФИК РАБОТЫ:

Пн. – Пт.: с 8:30 по 18:30

Сб.: с 09:00 по 16:00

Вс.: с 10:00 по 16:00

КОНТАКТЫ:

+38 (044) 360-46-77

+38 (066) 77-395-77

+38 (097) 77-236-77

+38 (093) 360-46-77

Детальное описание товара: <https://storgom.ua/product/sturm-182007.html>

Другие товары: <https://storgom.ua/akkumulyatornyye-bolgarki.html>