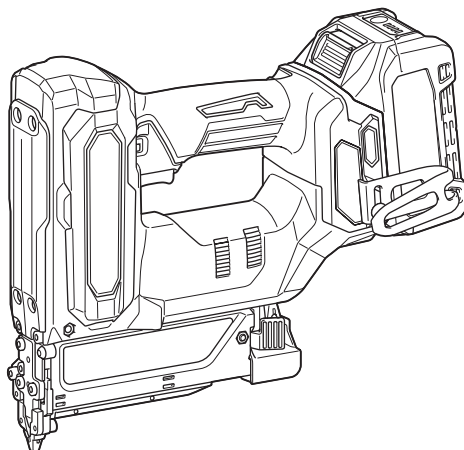




<b>EN</b>	<b>Cordless Pin Nailer</b>	<b>INSTRUCTION MANUAL</b>	<b>5</b>
<b>SV</b>	<b>Batteridreven stiftpistol</b>	<b>BRUKSANVISNING</b>	<b>12</b>
<b>NO</b>	<b>Batteridrevet spikerpistol</b>	<b>BRUKSANVISNING</b>	<b>19</b>
<b>FI</b>	<b>Akkukäyttöinen Naulain</b>	<b>KÄYTTÖOHJE</b>	<b>26</b>
<b>DA</b>	<b>Akku-stiftepistol</b>	<b>BRUGSANVISNING</b>	<b>33</b>
<b>LV</b>	<b>Akumulatora naglotājs</b>	<b>LIETOŠANAS INSTRUKCIJA</b>	<b>40</b>
<b>LT</b>	<b>Akumuliatorinė vinių kalė</b>	<b>NAUDOJIMO INSTRUKCIJA</b>	<b>47</b>
<b>ET</b>	<b>Akupinnaelapüss</b>	<b>KASUTUSJUHEND</b>	<b>54</b>
<b>RU</b>	<b>Аккумуляторный Скобосшиватель</b>	<b>РУКОВОДСТВО ПО ЭКСПЛУАТАЦИИ</b>	<b>61</b>

**PT001G**



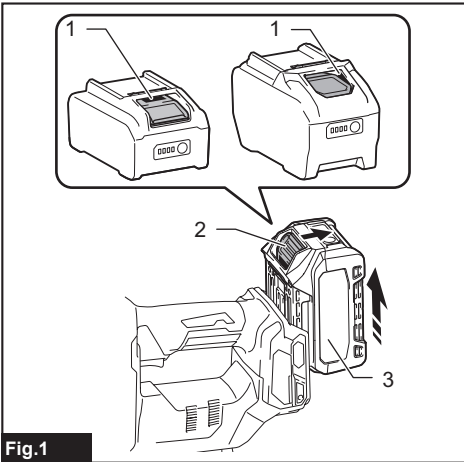


Fig.1

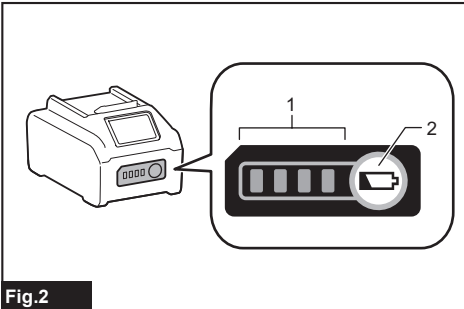


Fig.2

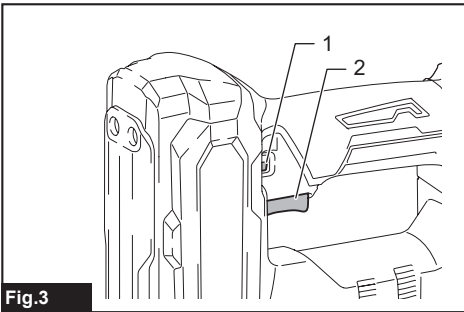


Fig.3

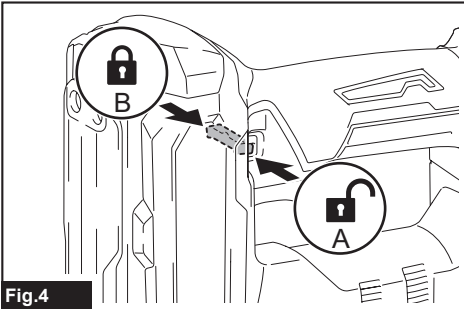


Fig.4

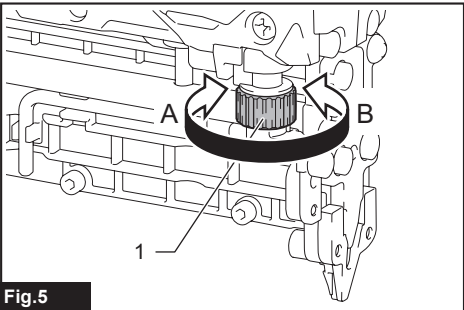


Fig.5

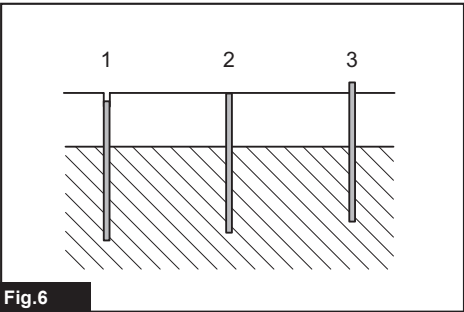


Fig.6

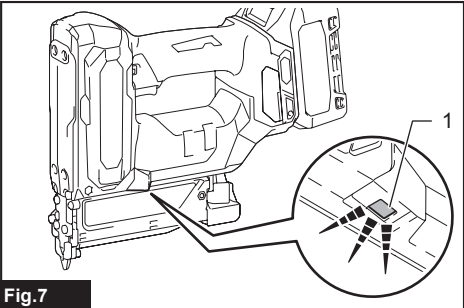


Fig.7

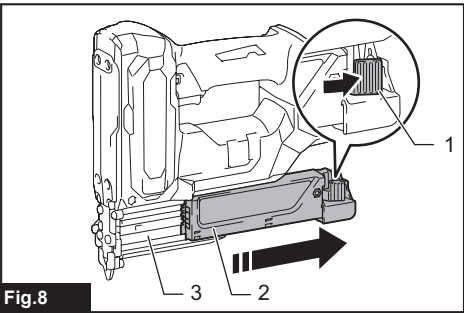


Fig.8

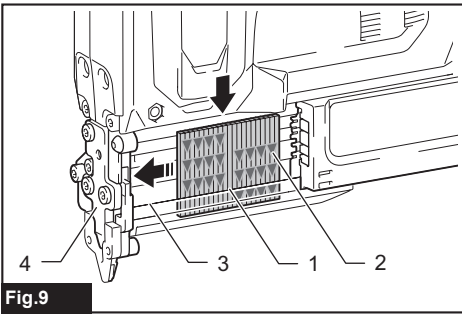


Fig.9

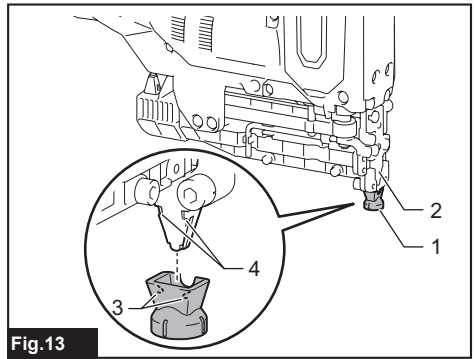


Fig.13

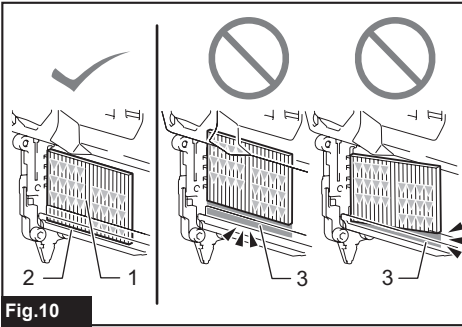


Fig.10

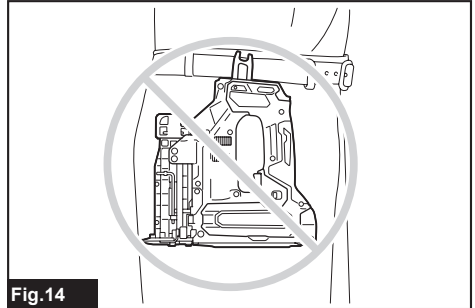


Fig.14

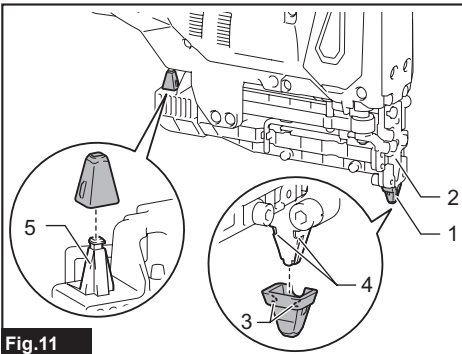


Fig.11

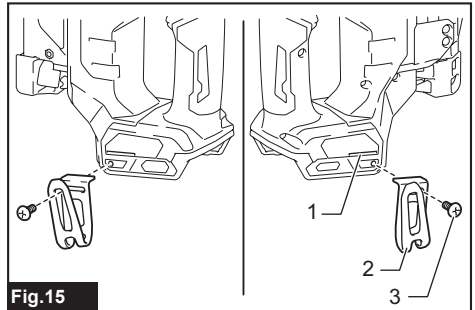


Fig.15

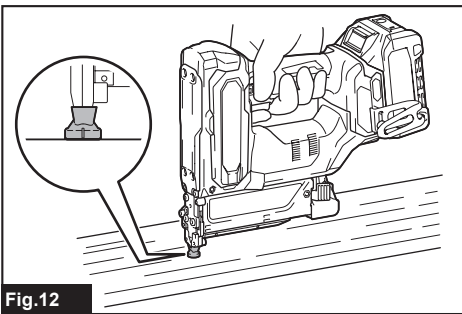


Fig.12

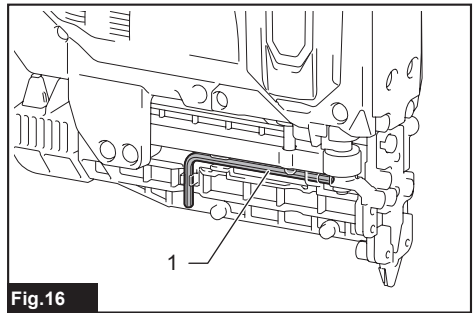


Fig.16

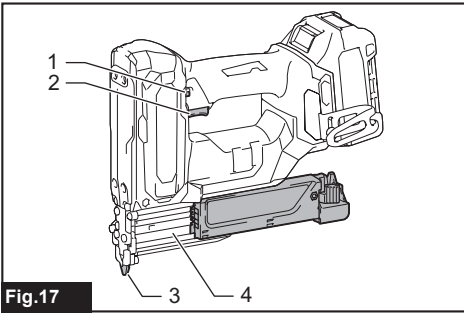


Fig.17

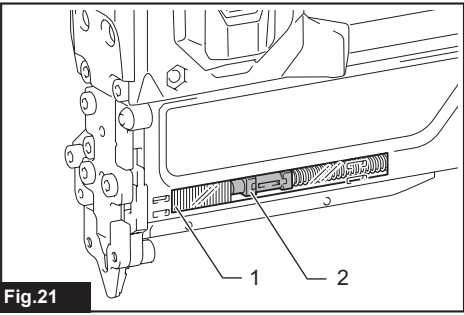


Fig.21

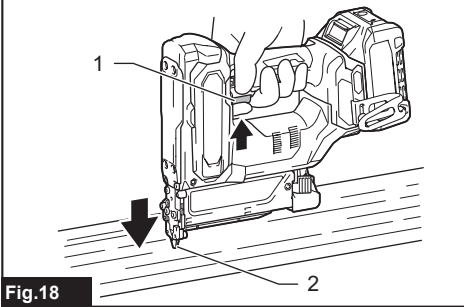


Fig.18

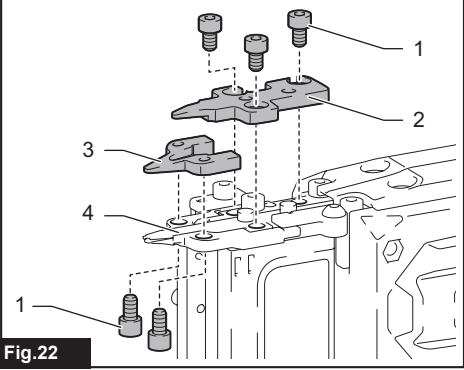


Fig.22

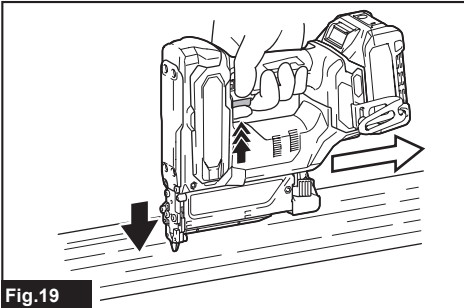


Fig.19

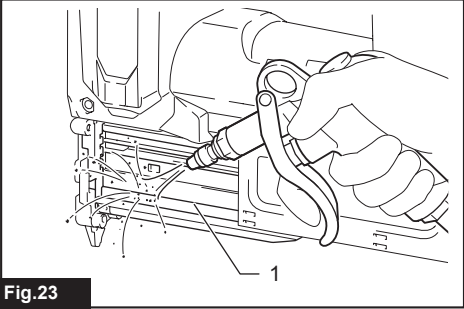


Fig.23

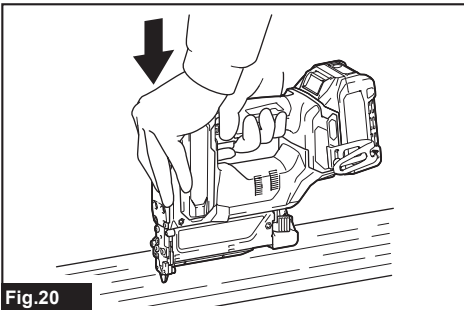


Fig.20



## SPECIFICATIONS

Model:	PT001G
Pin nail size	ø0.6 mm x 15, 18, 25, 30, 35 mm
Pin nail magazine capacity	100 pcs.
Dimensions with BL4025, without hook (L x W x H)	265 mm x 86 mm x 226 mm
Rated voltage	D.C. 36 V - 40 V max
Net weight	2.4 - 3.0 kg

- Due to our continuing program of research and development, the specifications herein are subject to change without notice.
- Specifications and battery cartridge may differ from country to country.
- The weight may differ depending on the attachment(s), including the battery cartridge. The lightest and heaviest combinations, according to EPTA-Procedure 01/2014, are shown in the table.

### Applicable battery cartridge and charger

Battery cartridge	BL4020* / BL4025* / BL4040 / BL4050F *: Recommended battery
Charger	DC40RA / DC40RB / DC40RC

- Some of the battery cartridges and chargers listed above may not be available depending on your region of residence.

**⚠ WARNING:** Only use the battery cartridges and chargers listed above. Use of any other battery cartridges and chargers may cause injury and/or fire.

### Intended use

The tool is intended for pressing pin nails into construction materials such as timbers.

### Noise

The typical A-weighted noise level determined according to EN60745-2-16:

Sound pressure level ( $L_{pA}$ ) : 79 dB(A)

Uncertainty (K) : 3 dB(A)

The noise level under working may exceed 80 dB (A).

**NOTE:** The declared noise emission value(s) has been measured in accordance with a standard test method and may be used for comparing one tool with another.

**NOTE:** The declared noise emission value(s) may also be used in a preliminary assessment of exposure.

**⚠ WARNING:** Wear ear protection.

**⚠ WARNING:** The noise emission during actual use of the power tool can differ from the declared value(s) depending on the ways in which the tool is used especially what kind of workpiece is processed.

**⚠ WARNING:** Be sure to identify safety measures to protect the operator that are based on an estimation of exposure in the actual conditions of use (taking account of all parts of the operating cycle such as the times when the tool is switched off and when it is running idle in addition to the trigger time).

### Vibration

The vibration total value determined according to EN60745-2-16:

Vibration emission ( $a_h$ ) : 2.5 m/s<sup>2</sup> or less

Uncertainty (K) : 1.5 m/s<sup>2</sup>

**NOTE:** The declared vibration total value(s) has been measured in accordance with a standard test method and may be used for comparing one tool with another.

**NOTE:** The declared vibration total value(s) may also be used in a preliminary assessment of exposure.

**⚠ WARNING:** The vibration emission during actual use of the power tool can differ from the declared value(s) depending on the ways in which the tool is used especially what kind of workpiece is processed.

**⚠ WARNING:** Be sure to identify safety measures to protect the operator that are based on an estimation of exposure in the actual conditions of use (taking account of all parts of the operating cycle such as the times when the tool is switched off and when it is running idle in addition to the trigger time).

### EC Declaration of Conformity

*For European countries only*

The EC declaration of conformity is included as Annex A to this instruction manual.

# SAFETY WARNINGS

## General power tool safety warnings

**⚠️WARNING:** Read all safety warnings, instructions, illustrations and specifications provided with this power tool. Failure to follow all instructions listed below may result in electric shock, fire and/or serious injury.

## Save all warnings and instructions for future reference.

The term "power tool" in the warnings refers to your mains-operated (corded) power tool or battery-operated (cordless) power tool.

## Cordless nailer safety warnings

1. **Always assume that the tool contains fasteners.** Careless handling of the nailer can result in unexpected firing of fasteners and personal injury.
2. **Do not point the tool towards yourself or anyone nearby.** Unexpected triggering will discharge the fastener causing an injury.
3. **Do not actuate the tool unless the tool is placed firmly against the workpiece.** If the tool is not in contact with the workpiece, the fastener may be deflected away from your target.
4. **Disconnect the tool from the power source when the fastener jams in the tool.** While removing a jammed fastener, the nailer may be accidentally activated if it is plugged in.
5. **Use caution while removing a jammed fastener.** The mechanism may be under compression and the fastener may be forcefully discharged while attempting to free a jammed condition.
6. **Do not use this nailer for fastening electrical cables.** It is not designed for electric cable installation and may damage the insulation of electric cables thereby causing electric shock or fire hazards.
7. **Keep hands and feet away from the ejection port area.**
8. **Follow instruction for lubricating and changing accessories.**
9. **Always remove the battery cartridge before loading the fasteners, adjustment, inspection, maintenance or after operation is over.**
10. **Make sure no one is nearby before operation. Never attempt to drive fasteners from both the inside and outside of wall at the same time.** Fasteners may rip through and/or fly off, presenting a grave danger.
11. **Watch your footing and maintain your balance with the tool. Make sure there is no one below when working in high locations.**
12. **Never use fastener driving tools marked with the symbol "Do not use on scaffoldings, ladders" for specific application for example:**
  - when changing one driving location to another involves the use of scaffoldings, stairs, ladders, or ladder alike constructions, e.g. roof laths;
  - closing boxes or crates;
  - fitting transportation safety systems e.g. on vehicles and wagons.

13. **Check walls, ceilings, floors, roofing and the like carefully to avoid possible electrical shock, gas leakage, explosions, etc. caused by stapling into live wires, conduits or gas pipes.**
14. **Use only fasteners specified in this manual. The use of any other fasteners may cause malfunction of the tool.**
15. **Do not tamper with the tool or attempt to use it for other than driving fasteners.**
16. **Do not operate the tool without fasteners. It shortens the service life of the tool.**
17. **Stop driving operations immediately if you notice something wrong or out of the ordinary with the tool.**
18. **Never fasten into any materials which may allow the fastener to puncture and fly through as a projectile.**
19. **Never actuate the switch trigger and contact element at the same time until you are prepared to fasten workpieces. Allow the workpiece to depress the contact element. Never defeat its purpose by securing the contact element back or by depressing it by hand.**
20. **Never tamper with the contact element. Check the contact element frequently for proper operations.**
21. **Always remove fasteners from the tool when not in use.**

## SAVE THESE INSTRUCTIONS.

**⚠️WARNING:** DO NOT let comfort or familiarity with product (gained from repeated use) replace strict adherence to safety rules for the subject product. MISUSE or failure to follow the safety rules stated in this instruction manual may cause serious personal injury.

## Important safety instructions for battery cartridge

1. **Before using battery cartridge, read all instructions and cautionary markings on (1) battery charger, (2) battery, and (3) product using battery.**
2. **Do not disassemble or tamper with the battery cartridge.** It may result in a fire, excessive heat, or explosion.
3. **If operating time has become excessively shorter, stop operating immediately.** It may result in a risk of overheating, possible burns and even an explosion.
4. **If electrolyte gets into your eyes, rinse them out with clear water and seek medical attention right away.** It may result in loss of your eyesight.
5. **Do not short the battery cartridge:**
  - (1) **Do not touch the terminals with any conductive material.**
  - (2) **Avoid storing battery cartridge in a container with other metal objects such as nails, coins, etc.**
  - (3) **Do not expose battery cartridge to water or rain.**

A battery short can cause a large current flow, overheating, possible burns and even a breakdown.

6. Do not store and use the tool and battery cartridge in locations where the temperature may reach or exceed 50 °C (122 °F).
7. Do not incinerate the battery cartridge even if it is severely damaged or is completely worn out. The battery cartridge can explode in a fire.
8. Do not nail, cut, crush, throw, drop the battery cartridge, or hit against a hard object to the battery cartridge. Such conduct may result in a fire, excessive heat, or explosion.
9. Do not use a damaged battery.
10. The contained lithium-ion batteries are subject to the Dangerous Goods Legislation requirements.  
For commercial transports e.g. by third parties, forwarding agents, special requirement on packaging and labeling must be observed.  
For preparation of the item being shipped, consulting an expert for hazardous material is required.  
Please also observe possibly more detailed national regulations.  
Tape or mask off open contacts and pack up the battery in such a manner that it cannot move around in the packaging.
11. When disposing the battery cartridge, remove it from the tool and dispose of it in a safe place. Follow your local regulations relating to disposal of battery.
12. Use the batteries only with the products specified by Makita. Installing the batteries to non-compliant products may result in a fire, excessive heat, explosion, or leak of electrolyte.
13. If the tool is not used for a long period of time, the battery must be removed from the tool.
14. During and after use, the battery cartridge may take on heat which can cause burns or low temperature burns. Pay attention to the handling of hot battery cartridges.
15. Do not touch the terminal of the tool immediately after use as it may get hot enough to cause burns.
16. Do not allow chips, dust, or soil stuck into the terminals, holes, and grooves of the battery cartridge. It may cause heating, catching fire, burst and malfunction of the tool or battery cartridge, resulting in burns or personal injury.
17. Unless the tool supports the use near high-voltage electrical power lines, do not use the battery cartridge near a high-voltage electrical power lines. It may result in a malfunction or breakdown of the tool or battery cartridge.
18. Keep the battery away from children.

## SAVE THESE INSTRUCTIONS.

**CAUTION:** Only use genuine Makita batteries. Use of non-genuine Makita batteries, or batteries that have been altered, may result in the battery bursting causing fires, personal injury and damage. It will also void the Makita warranty for the Makita tool and charger.

## Tips for maintaining maximum battery life

1. Charge the battery cartridge before completely discharged. Always stop tool operation and charge the battery cartridge when you notice less tool power.
2. Never recharge a fully charged battery cartridge. Overcharging shortens the battery service life.
3. Charge the battery cartridge with room temperature at 10 °C - 40 °C (50 °F - 104 °F). Let a hot battery cartridge cool down before charging it.
4. When not using the battery cartridge, remove it from the tool or the charger.
5. Charge the battery cartridge if you do not use it for a long period (more than six months).

## FUNCTIONAL DESCRIPTION

**CAUTION:** Always be sure that the tool is switched off and the battery cartridge is removed before adjusting or checking function on the tool.

## Installing or removing battery cartridge

**CAUTION:** Always switch off the tool before installing or removing of the battery cartridge.

**CAUTION:** Hold the tool and the battery cartridge firmly when installing or removing battery cartridge. Failure to hold the tool and the battery cartridge firmly may cause them to slip off your hands and result in damage to the tool and battery cartridge and a personal injury.

► Fig. 1: 1. Red indicator 2. Button 3. Battery cartridge

To remove the battery cartridge, slide it from the tool while sliding the button on the front of the cartridge.

To install the battery cartridge, align the tongue on the battery cartridge with the groove in the housing and slip it into place. Insert it all the way until it locks in place with a little click. If you can see the red indicator as shown in the figure, it is not locked completely.

**CAUTION:** Always install the battery cartridge fully until the red indicator cannot be seen. If not, it may accidentally fall out of the tool, causing injury to you or someone around you.

**CAUTION:** Do not install the battery cartridge forcibly. If the cartridge does not slide in easily, it is not being inserted correctly.

## Tool / battery protection system

The tool is equipped with a tool/battery protection system. This system automatically cuts off power to the motor to extend tool and battery life. The tool will automatically stop during operation if the tool or battery is placed under one of the following conditions:

### Overload protection

When the tool/battery is operated in a manner that causes it to draw an abnormally high current, the tool automatically stops. In this situation, turn the tool off and stop the application that caused the tool to become overloaded. Then turn the tool on to restart.

### Overheat protection

When the tool/battery is overheated, the tool stops automatically. In this situation, let the tool/battery cool before turning the tool on again.

### Overdischarge protection

When the battery capacity is not enough, the tool stops automatically. In this case, remove the battery from the tool and charge the battery.

### Protections against other causes

Protection system is also designed for other causes that could damage the tool and allows the tool to stop automatically. Take all the following steps to clear the causes, when the tool has been brought to a temporary halt or stop in operation.

1. Turn the tool off, and then turn it on again to restart.
2. Charge the battery(ies) or replace it/them with recharged battery(ies).
3. Let the tool and battery(ies) cool down.

If no improvement can be found by restoring protection system, then contact your local Makita Service Center.

## Indicating the remaining battery capacity

Press the check button on the battery cartridge to indicate the remaining battery capacity. The indicator lamps light up for a few seconds.

► Fig.2: 1. Indicator lamps 2. Check button

Indicator lamps			Remaining capacity
Lighted	Off	Blinking	
			75% to 100%
			50% to 75%
			25% to 50%
			0% to 25%
			Charge the battery.
			The battery may have malfunctioned.

**NOTE:** Depending on the conditions of use and the ambient temperature, the indication may differ slightly from the actual capacity.

**NOTE:** The first (far left) indicator lamp will blink when the battery protection system works.

## Trigger-lock button

**CAUTION:** Before installing the battery cartridge into the tool, always check to see that the switch trigger actuates properly and returns to the "OFF" position when released.

**CAUTION:** When not operating the tool, depress the trigger-lock button from B side to lock the switch trigger in the OFF position.

► Fig.3: 1. Trigger-lock button 2. Switch trigger

► Fig.4

To prevent the switch trigger from accidentally pulled, the trigger-lock button is provided.

To pull the switch trigger, depress the trigger-lock button from A side. After use, always press in the trigger-lock button from B side.

## Adjusting the depth of pin-nailing

**WARNING:** Always make sure that your fingers are not placed on the switch trigger or the contact element and the battery cartridge is removed before adjusting the depth of nailing.

Depth of pin-nailing can be adjusted by turning the adjuster on the tool. A pin nail drives deeper as you turn the adjuster in the A direction shown in the figure, and shallower in the B direction, within a range of up to 1.5 mm.

► Fig.5: 1. Adjuster

► Fig.6: 1. Too deep 2. Right depth 3. Too shallow

## Lighting up the lamp

**CAUTION:** Do not look in the light or see the source of light directly.

Pull the switch trigger or actuate the contact element to light up the lamp. The lamp remains lit for up to 60 seconds while pulling the switch trigger or actuating the contact element. The lamp goes out approximately 10 seconds after releasing the switch trigger and the contact element.

► Fig.7: 1. Lamp

**NOTICE:** Use a dry cloth to wipe the dirt off the lens of the lamp. Be careful not to scratch the lens of lamp, or it may lower the illumination.

**NOTICE:** The tool may not fire pin nails after the battery becomes low on power even while the lamp remains lit. In this case, charge the battery cartridge.

**NOTICE:** When the tool is overheated, the lamp flashes. In this case, release the switch trigger and contact element, and then cool down the tool/battery before operating again.

**NOTICE:** The lamp starts blinking if the pin nailer detects an error during driving pin nails. In this case, bring the pin nailer to a Factory Service Center.

## ASSEMBLY

**⚠ CAUTION:** Always make sure that your fingers are not placed on the switch trigger or the contact element and the battery cartridge is removed before carrying out any work on the pin nailer.

### Loading and unloading pin nails

**⚠ CAUTION:** Always make sure that your fingers are not placed on the trigger and the battery cartridge is removed before loading pin nails.

Unintentional firing may cause personal injuries and property damage.

**⚠ CAUTION:** Avoid slamming the slide door of the magazine open and shut while pin nails are loaded in the magazine. Accidentally dropping pin nails especially when working in high places may cause personal injuries.

1. Press the lock lever and open the slide door of the magazine.

► **Fig.8:** 1. Lock lever 2. Slide door 3. Magazine

2. Set a pin nail strip with dotted triangles pointing downwards, aligning the tips of pin nails with the guide grooves at the bottom of the magazine. Make sure the nail tips touch the bottom of the magazine, and then gently slide the pin nail strip towards the driver guide.

► **Fig.9:** 1. Pin nails 2. Dotted triangle 3. Guide grooves 4. Driver guide

► **Fig.10:** 1. Pin nails 2. Bottom of magazine 3. Clearances

**NOTICE:** Make sure the tips of pin nails to be placed firmly on the bottom of the magazine. Any clearances around the tips of pin nails may cause jamming and damages to the tool.

**NOTICE:** Load pin nails in the correct direction. Loading in wrong direction may cause premature wear and tear of the driver and damage to the other parts.

**NOTICE:** Do not use deformed pin nail strips. Use pin nails specified in this manual. Using pin nails other than those specified may cause nail jamming and breakage of the tool.

**NOTICE:** Avoid loading nail strips of fewer pin nails, especially when using pin nails in short lengths. It may cause jamming and damages to the tool.

**NOTICE:** Do not load nail strips of different lengths or multiple nail strips of fewer pin nails at one time. It otherwise may cause jamming and damages to the tool.

3. Return the slide door to the original position and lock it in place with the lock lever.

**NOTICE:** Close the slide door gently. Applying excessive force may cause deformation to the pin nails, and the side door may not return to the original position.

To remove the pin nails, press the lock lever and slide the slide door open. Take out the pin nails from the magazine.

## Nose adapter

**⚠ CAUTION:** Always make sure that your fingers are not placed on the switch trigger or the contact element and the battery cartridge is removed before installing the nose adapter.

When firing pin nails on the material with easily-marred surfaces, use the nose adapter.

Place the nose adapter over the contact top of the driver guide so the guide projections inside the nose adapter well fit into the guide notches in the driver guide.

You can store the nose adapter in the holder at the back end of the magazine to keep it from being lost.

► **Fig.11:** 1. Nose adapter 2. Driver guide 3. Guide projections 4. Guide notches 5. Holder

## Nose adapter for driving on flat surfaces

### Optional accessory

Use the optional nose adapter designed for fastening operation on flat and even surfaces. It protects the soft surfaces of workpiece against marks and scratches to be made by round pointed contact tops.

► **Fig.12**

Place the optional nose adapter over the contact top of the driver guide so the guide projections inside the nose adapter well fit into the guide notches in the driver guide.

► **Fig.13:** 1. Optional nose adapter 2. Driver guide 3. Guide projections 4. Guide notches

## Hook

**⚠ CAUTION:** When installing the hook, always secure it with the screw firmly. If not, the hook may come off from the tool and result in the personal injury.

**⚠ CAUTION:** Use the hanging/mounting parts for their intended purposes only. Using for unintended purpose may cause accident or personal injury.

**⚠ CAUTION:** Do not hang the hook from the waist belt. Dropping the pin nailer, which is caused by the hook accidentally coming out of place, may cause unintentional firing and result in personal injuries.

► **Fig.14**

The hook is convenient for temporarily hanging the tool. This can be installed on either side of the tool.

To install the hook, insert it into a groove in the tool housing on either side and then secure it with a screw. To remove, loosen the screw and then take it out.

► **Fig.15:** 1. Groove 2. Hook 3. Screw

## Hex wrench storage

When not in use, store the hex wrench as shown in the figure to keep it from being lost.

► **Fig.16:** 1. Hex wrench

# OPERATION

## Testing the safety system

**⚠ WARNING:** Make sure all safety systems are in working order before operation. Failure to do so may cause personal injuries.

- **Fig.17:** 1. Trigger-lock button 2. Switch trigger  
3. Contact element 4. Magazine

Test safety systems as follows for possible fault before operation.

1. Unload pin nails from the tool and keep the magazine opened.
2. Install the battery cartridge and release the trigger lock.
3. Pull the switch trigger without touching the contact element against the material.
4. Touch the contact element against the material without pulling the switch trigger.

If the tool operates in the case of 3 or 4 above, the safety systems are faulty. Stop using the tool immediately and ask your local service center.

## Driving pin nails

**⚠ WARNING:** Do not use this pin nailer for fastening electrical cables. It is not designed for electric cable installation and may damage the insulation of electric cables thereby causing electric shock or fire hazards.

**⚠ WARNING:** Continue to place the contact element firmly on the material until the pin nail is driven completely. Unintentional firing may cause personal injuries.

**⚠ CAUTION:** Hold the tool firmly during operation.

**⚠ CAUTION:** Do not use the tool beyond the continuous operating time allowed. It otherwise may cause damages to the tool resulting in personal injury.

**NOTICE:** The tool will not restart fastening after five seconds no switch operation while the contact element is placed on the workpiece. Pull the contact element free from the workpiece and reposition it in place to restart fastening.

1. Release the trigger lock.
2. Place flat the contact element on the material.
3. Pull the switch trigger fully to drive a pin nail.
4. To drive the next nail, release your finger from the switch trigger once, and then repeat the step 2 and 3 above.

- **Fig.18:** 1. Switch trigger 2. Contact element

You can also drive the pin nails when dragging the tool to the next area with the contact element pressed against the material and pulling the switch trigger.

- **Fig.19**

If the head of the pin nail remains above the workpiece surface, drive the pin nail while holding the pin nailer head firmly against the workpiece.

- **Fig.20**

**NOTE:** If the head of the pin nail still remains above the workpiece even you hold the pin nailer head, the material may not be suitable for the pin nailer. Continuing to use the pin nailer on such material may result in a damage to the driver of the pin nailer and/or pin nailer jamming.

## Anti dry fire mechanism

**⚠ WARNING:** Always make sure that your fingers are not placed on the switch trigger or the contact element and the battery cartridge is removed before loading the pin nails.

When the numbers of remaining pin nails in the magazine are between 0 - 3 pieces, the switch trigger can no longer be pulled. At this time, insert a new strip of pin nails in the magazine and the switch trigger can be pulled again.

**NOTE:** When firing a different length of pin nails shortly after the anti dry fire mechanism has worked, insert a new strip of pin nails into the magazine and fire away all the prior pin nails that have remained on junk material.

## Checking remaining pin nails

You can check the amount of remaining pin nails through the sight window.

The red indicator moves towards the firing opening as the amount of remaining nails becomes smaller.

- **Fig.21:** 1. Sight window 2. Indicator

## Removing jammed pin nails

**⚠ WARNING:** Always make sure that the trigger is released, and the battery cartridge and pin nails are removed before removing jammed pin nails.

**⚠ CAUTION:** Do not remove the jammed pin nails with bare hands. The pin nails may jump out of the magazine and cause an injury.

1. Remove all the pin nails left in the magazine.
2. Unscrew the three hex bolts on the driver guide cover using the hex wrench.
3. Remove the jammed pin nails from the nail guide grooves in the driver guide.

- **Fig.22:** 1. Hex bolt 2. Driver guide cover 3. Contact top cover 4. Driver guide

**NOTE:** If you find difficult to remove the jammed pin nails, untighten the two hex bolts on the contact top cover using the hex wrench and then take the jammed pin nails out of the driver guide.

4. Set the covers back in place and secure them over the driver guide with the hex bolts.

**NOTICE:** After clearing jams, always make sure that the covers on the driver guide have been reassembled correctly. If the driver guide functions improperly, reassemble them with the hex bolts.

# MAINTENANCE

**⚠ CAUTION:** Always be sure that the tool is switched off and the battery cartridge is removed before attempting to perform inspection or maintenance.

**NOTICE:** Never use gasoline, benzine, thinner, alcohol or the like. Discoloration, deformation or cracks may result.

To maintain product SAFETY and RELIABILITY, repairs, any other maintenance or adjustment should be performed by Makita Authorized or Factory Service Centers, always using Makita replacement parts.

## Cleaning magazine

Clean the inside of the magazine at regular intervals. Blow or wipe off any dirt, dust, wood chips, and nail glue accumulated in the guide grooves.

► Fig.23: 1. Guide grooves

**NOTICE:** Dirt and dust in the guide grooves may affect the pin nails feeding resulting in occasional dry firing.

# OPTIONAL ACCESSORIES

**⚠ CAUTION:** These accessories or attachments are recommended for use with your Makita tool specified in this manual. The use of any other accessories or attachments might present a risk of injury to persons. Only use accessory or attachment for its stated purpose.

If you need any assistance for more details regarding these accessories, ask your local Makita Service Center.

- Pin nails
- Safety goggles
- Nose adapter (for fastening on flat surfaces)
- Makita genuine battery and charger

**NOTE:** Some items in the list may be included in the tool package as standard accessories. They may differ from country to country.



## SPECIFIKATIONER

Modell:	PT001G
Stiftstorlek	ø0,6 mm x 15, 18, 25, 30, 35 mm
Kapacitet stiftmagasin	100 st.
Dimensioner med BL4025, utan krok (L x B x H)	265 mm x 86 mm x 226 mm
Märkspänning	36 V - 40 V likström max
Nettovikt	2,4 - 3,0 kg

- På grund av vårt pågående program för forskning och utveckling kan dessa specifikationer ändras utan föregående meddelande.
- Specifikationer och batterikasset kan variera mellan olika länder.
- Vikten kan variera beroende på tillbehören, inklusive batterikasset. Den lättaste och den tyngsta kombinationen enligt EPTA-procedur 01/2014 visas i tabellen.

### Tillgänglig batterikasset och laddare

Batterikasset	BL4020* / BL4025* / BL4040 / BL4050F * : Rekommenderat batteri
Laddare	DC40RA / DC40RB / DC40RC

- Vissa av batterikasseterna och laddarna på listan ovan kanske inte finns tillgängliga i din region.

**⚠ VARNING: Använd endast batterikassetter och laddare från listan ovan.** Användning av andra batterikassetter och laddare kan orsaka personskada och/eller brand.

### Avsedd användning

Maskinen är avsedd för att trycka stift i byggnadsmaterial som t.ex. virke.

### Buller

Den normala bullernivån för A-belastning är bestämd enligt EN60745-2-16:

Ljudtrycksnivå ( $L_{pA}$ ): 79 dB (A)

Måttolerans (K): 3 dB (A)

Bullernivån vid arbete kan överstiga 80 dB (A).

**OBS:** Det deklarerade bullervärdet har uppmätts i enlighet med standardtestmetoden och kan användas för jämförandet av en maskin med en annan.

**OBS:** Det deklarerade bulleremissionsvärdet kan också användas i en preliminär bedömning av exponering för vibration.

**⚠ VARNING: Använd hörselskydd.**

**⚠ VARNING: Bulleremissionen under faktisk användning av maskinen kan skilja sig från det deklarerade värdet, beroende på hur maskinen används och särskilt vilken typ av arbetsstycke som behandlas.**

**⚠ VARNING: Var noga med att identifiera säkerhetsåtgärder för att skydda användaren, vilka är grundade på en uppskattning av graden av exponering för vibrationer under de faktiska användningsförhållandena, (ta, förutom avtryckartiden, med alla delar av användarcykeln i beräkningen, som till exempel tiden då maskinen är avstängd och när den går på tomgång).**

### Vibration

Det totala vibrationsvärdet är bestämt enligt EN60745-2-16:

Vibrationsemission ( $a_h$ ): 2,5 m/s<sup>2</sup> eller lägre  
Måttolerans (K): 1,5 m/s<sup>2</sup>

**OBS:** Det deklarerade totala vibrationsvärdet har uppmätts i enlighet med standardtestmetoden och kan användas för jämförandet av en maskin med en annan.

**OBS:** Det deklarerade totala vibrationsvärdet kan också användas i en preliminär bedömning av exponering för vibration.

**⚠ VARNING: Vibrationsemissionen under faktisk användning av maskinen kan skilja sig från det deklarerade värdet, beroende på hur maskinen används och särskilt vilken typ av arbetsstycke som behandlas.**

**⚠ VARNING: Var noga med att identifiera säkerhetsåtgärder för att skydda användaren, vilka är grundade på en uppskattning av graden av exponering för vibrationer under de faktiska användningsförhållandena, (ta, förutom avtryckartiden, med alla delar av användarcykeln i beräkningen, som till exempel tiden då maskinen är avstängd och när den går på tomgång).**

### EG-försäkran om överensstämmelse

Gäller endast inom EU

EG-försäkran om överensstämmelse inkluderas som bilaga A till denna bruksanvisning.



# SÄKERHETSVARNINGAR

## Allmänna säkerhetsvarningar för maskiner

**⚠ VARNING:** Läs alla säkerhetsvarningar, anvisningar, illustrationer och specifikationer som medföljer det här maskinen. Underlåtenhet att följa instruktionerna kan leda till elstötar, brand och/eller allvarliga personskador.

## Spara alla varningar och instruktioner för framtida referens.

Termen "maskin" som anges i varningarna hänvisar till din eldrivna maskin (sladdansluten) eller batteridrivna maskin (sladdlös).

## Säkerhetsvarningar för batteridrivna stiftspistol

1. **Förutsätt alltid att verktyget är laddat.** Oaktsam hantering av stiftspistolen kan orsaka oavsiktlig avfyrning av stift, vilket kan leda till personskada.
2. **Rikta inte verktyget mot dig själv eller mot någon i din närhet.** Oavsiktlig avfyrning skjuter ut en klammer, vilket kan orsaka skada.
3. **Aktivera inte verktyget utan att det hålls stadigt mot arbetsstycket.** Om verktyget inte är i kontakt med arbetsstycket kan klammern flyga i riktning från målet.
4. **Koppla från verktygets strömkälla när en klammer fastnar i verktyget.** När ett stift tas bort kan stiftspistolen oavsiktligt aktiveras om maskinen är ansluten till strömkällan.
5. **lakta försiktighet när du tar bort en klammer som har fastnat.** Mekanismen kan vara under tryck och klammern kan genom forcering avfyras medan du försöker att ta bort den som fastnat.
6. **Använd inte den här stiftspistolen för att fästa elkablar.** Den är inte konstruerad för fastsättning av elkablar och kan skada isoleringen på elkablarna, vilket i sin tur kan leda till elektrisk stöt eller brand.
7. **Se till att dina händer och fötter inte är i riskzonen.**
8. **Följ instruktionerna för smörjning och byte av tillbehör.**
9. **Ta alltid ut batterikassetten före påfyllning av klamrar, justering, inspektion, underhåll eller efter att arbetet har slutförts.**
10. **Se till att ingen är i närheten innan du påbörjar arbetet.** Försök aldrig att häfta från insidan och utsidan av en vägg på samma gång. Klamrar kan skjutas igenom och/eller flyga iväg och orsaka allvarlig fara.
11. **Se till att alltid ha ordentligt fötäste och god balans när du använder verktyget.** Se till att ingen står under dig när du arbetar på hög höjd.
12. **Använd aldrig skruvautomater märkta med symbolen "Använd inte på stegar, ställningar" för arbetsuppgifter av följande typ:**
  - om du under arbetets gång måste använda byggnadsställning, trappa, stege eller liknande, t. ex. takläkt;
  - igenskruvning av lådor;
  - montering av transportsäkringar, till exempel på fordon och vagnar.

13. **Kontrollera väggar, golv, inner- och yttertak o. dyl. noggrant för att inte råka häfta i el- eller gasledningar och orsaka elstötar, gasläckage, explosioner osv.**
14. **Använd endast klamrar som specificeras i denna bruksanvisning. Andra typer av klamrar kan medföra att verktyget inte fungerar på avsett sätt.**
15. **Mixtra inte med verktyget och försök inte att använda det för annat än att häfta fast klamrar.**
16. **Använd inte verktyget utan klamrar. Det förkortar verktygets livslängd.**
17. **Avbryt arbetet omedelbart om du misstänker att något är fel eller onormalt med verktyget.**
18. **Häfta aldrig i material där klammern kan punktera materialet och flyga igenom som en projektil.**
19. **Aktivera aldrig avtryckaren och kontaktelelementet samtidigt om du inte är beredd att mata in stift i arbetsstycket. Låt arbetsstycket trycka ner kontaktelelementet. Sätt aldrig kontaktelelementet ur funktion genom att fästa det bakåt eller trycka in det för hand.**
20. **Mixtra aldrig med kontaktelelementet. Kontrollera regelbundet att kontaktelelementet fungerar som det ska.**
21. **Ta alltid bort stift från maskinen när den inte används.**

## SPARA DESSA ANVISNINGAR.

**⚠ VARNING:** GLÖM INTE att också fortsättningsvis strikt följa säkerhetsanvisningarna för maskinen även efter att du blivit van att använda den. Vid FELAKTIG HANTERING av maskinen eller om inte säkerhetsanvisningarna i denna bruksanvisning följs kan följden bli allvariga personskador.

## Viktiga säkerhetsanvisningar för batterikassetten

1. **Innan batterikassetten används ska alla instruktioner och varningsmärken på (1) batteriladdaren, (2) batteriet och (3) produkten läsas.**
2. **Montera inte isär eller mixtra med batterikassetten. Det kan leda till brand, överdriven värme eller explosion.**
3. **Om drifttiden blivit avsevärt kortare ska användningen avbrytas omedelbart. Det kan uppstå överhettning, brännskador och t o m en explosion.**
4. **Om du får elektrolyt i ögonen ska de sköljas med rent vatten och läkare uppsöks omedelbart. Det finns risk för att synen förloras.**
5. **Kortslut inte batterikassetten.**
  - (1) **Rör inte vid polerna med något strömförande material.**
  - (2) **Undvik att förvara batterikassetten tillsammans med andra metallobjekt som t.ex. spikar, mynt o.s.v.**
  - (3) **Skydda batteriet mot vatten och regn. En batterikortslutning kan orsaka ett stort strömflöde, överhettning, brand och maskinhaveri.**

6. **Förvara och använd inte verktyget och batterikassetten på platser där temperaturen kan nå eller överstiga 50 °C.**
7. **Bränn inte upp batterikassetten även om den är svårt skadad eller helt utsliten. Batterikassetten kan explodera i öppen eld.**
8. **Spika inte i, krossa, kasta, tappa eller slå batterikassetten mot hårda föremål.** Dylika handlingar kan leda till brand, överdriven värme eller explosion.
9. **Använd inte ett skadat batteri.**
10. **De medföljande litiumjonbatterierna är föremål för kraven i gällande lagstiftning för farligt gods.**  
För kommersiella transporter (av t.ex. tredje parter som speditorsfirmor) måste de särskilda transportkrav som anges på emballaget och etiketter iakttagas.  
För att förbereda den produkt som ska avsändas krävs att du konsulterar en expert på riskmaterial. Var också uppmärksam på att det i ditt land kan finnas ytterligare föreskrifter att följa.  
Tejpa över eller maskera blottade kontakter och packa batteriet på sådant sätt att det inte kan röra sig fritt i förpackningen.
11. **När batterikassetten ska kasseras måste den tas bort från maskinen och kasseras på ett säkert sätt. Följ lokala föreskrifter beträffande avfallshantering av batteriet.**
12. **Använd endast batterierna med de produkter som specificerats av Makita.** Att använda batterierna med ej godkända produkter kan leda till brand, överdriven värme, explosion eller utläckande elektrolyt.
13. **Om maskinen inte används under en lång tid måste batteriet tas bort från maskinen.**
14. **Under och efter användning kan batterikassetten bli het vilket kan orsaka brännskador eller lättare brännskador. Var uppmärksam på hur du hanterar varma batterikassetter.**
15. **Vidrör inte verktygets kontakter direkt efter användning eftersom de kan bli heta och orsaka brännskador.**
16. **Låt inte flisor, damm eller smuts fastna i kontaktarna, i hål eller spår i batterikassetten.** Det kan leda till att verktyget eller batterikassetten värms upp, fattar eld, går sönder eller inte fungerar som de ska, vilket kan orsaka brännskador eller personskador.
17. **Såvida inte verktyget stöder arbeten i närheten av högspänningsledningar får batterikassetten inte användas i närheten av en högspänningsledning.** Det kan leda till att verktyget eller batterikassetten går sönder eller inte fungerar korrekt.
18. **Förvara batteriet utom räckhåll för barn.**

## SPARA DESSA ANVISNINGAR.

**⚠FÖRSIKTIGT:** Använda endast äkta Makita-batterier. Användning av oäkta Makita-batterier eller batterier som har manipulerats kan leda till person- och utrustningsskador eller till att batteriet fattar eld. Det upphäver också Makitas garanti för verktyget och laddaren.

## Tips för att uppnå batteriets maximala livslängd

1. Ladda batterikassetten innan den är helt urladdad. Stanna alltid maskinen och ladda batterikassetten när du märker att maskinen blir svagare.
2. Ladda aldrig en fulladdad batterikasset. Överladdning förkortar batteriets livslängd.
3. Ladda batterikassetten vid en rumstemperatur på 10 °C - 40 °C. Låt en varm batterikasset svalna innan den laddas.
4. När batterikassetten inte används ska den tas bort från verktyget eller laddaren.
5. Ladda batterikassetten om du inte har använt den på länge (mer än sex månader).

## FUNKTIONSBSKRIVNING

**⚠FÖRSIKTIGT:** Se alltid till att maskinen är avstängd och batterikassetten borttagen innan du justerar maskinen eller kontrollerar dess funktioner.

## Montera eller demontera batterikassetten

**⚠FÖRSIKTIGT:** Stäng alltid av maskinen innan du monterar eller tar bort batterikassetten.

**⚠FÖRSIKTIGT:** Håll stadigt i maskinen och batterikassetten när du monterar eller tar bort batterikassetten. I annat fall kan det leda till att de glider ur dina händer och orsakar skada på maskinen och batterikassetten samt personskada.

► Fig. 1: 1. Röd indikator 2. Knapp 3. Batterikasset

Ta bort batterikassetten genom att skjuta ner knappen på kassetten framsida samtidigt som du drar ut batterikassetten.

Sätt i batterikassetten genom att rikta in tungan på batterikassetten mot spåret i höljet och skjut den på plats. Tryck in batterikassetten ordentligt tills den låser fast med ett klick. Om du kan se den röda indikatorn som bilden visar är den inte låst ordentligt.

**⚠FÖRSIKTIGT:** Sätt alltid i batterikassetten helt tills den röda indikatorn inte längre syns. I annat fall kan den oväntat falla ur verktyget och skada dig eller någon annan.

**⚠FÖRSIKTIGT:** Montera inte batterikassetten med våld. Om kassetten inte lätt glider på plats är den felinsatt.

## Skyddssystem för maskinen/batteriet

Verktyget är utrustat med ett skyddssystem för verktyget/batteriet. Detta system bryter automatiskt strömmen till motorn för att förlänga verktygets och batteriets livslängd. Verktyget stoppar automatiskt under användningen om verktyget eller batteriet hamnar i en av följande situationer:

## Överbelastningsskydd

Om verktyget/batteriet används på ett sätt som gör att det drar onormalt mycket ström stoppar verktyget automatiskt. Om detta sker stänger du av verktyget och upphör med det arbete som gjorde att det överbelastades. Starta därefter upp verktyget igen.

## Överhettningsskydd

När verktyget/batteriet överhettas stoppas verktyget automatiskt. I sådant fall ska du låta verktyget/batteriet svalna innan du startar verktyget igen.

## Överurladdningsskydd

När batteriets kapacitet är otillräcklig stoppar maskinen automatiskt. I sådant fall ska batteriet tas ur maskinen och laddas.

## Skydd mot andra orsaker

Skyddssystemet är också utvecklat för att hantera andra orsaker som skulle kunna skada verktyget och tillåter verktyget att stanna automatiskt. Ta följande steg för att åtgärda felet när verktyget stannat temporärt eller helt.

1. Stäng av verktyget och starta sedan upp den igen för att starta om.
2. Laddning av batteriet/batterierna och ersätt det/dem med laddade batteri(er).
3. Låt verktyget och batteri(erna) svalna.

Om ingen förbättring kan hittas genom att återställa skyddssystemet, kontakta ditt lokala Makita Service Center.

## Indikerar kvarvarande batterikapacitet

Tryck på kontrollknappen på batterikassetten för att se kvarvarande batterikapacitet. Indikatorlamporna lyser i ett par sekunder.

► Fig.2: 1. Indikatorlampor 2. Kontrollknapp

Indikatorlampor			Kvarvarande kapacitet
Upplyst	Av	Blinkar	
			75% till 100%
			50% till 75%
			25% till 50%
			0% till 25%
			Ladda batteriet.
			Batteriet kan ha skadats.

**OBS:** Beroende på användningsförhållanden och den omgivande temperaturen kan indikationen skilja sig lätt från den faktiska batterikapaciteten.

**OBS:** Den första (längst till vänster) indikatorlamporna kommer att blinka när batteriskyddssystemet fungerar.

## Startspärr

**⚠ FÖRSIKTIGT:** Innan du sätter i batterikassetten i maskinen ska du kontrollera att avtryckaren fungerar och återgår till läget "OFF" när du släpper den.

**⚠ FÖRSIKTIGT:** När verktyget inte används ska startspärren vara intryckt från sidan B för att låsa avtryckaren i det avstängda läget OFF.

► Fig.3: 1. Startspärr 2. Avtryckare

► Fig.4

Startspärren förhindrar att verktyget startas oavsiktligt. Tryck in startspärren från sidan A för att kunna trycka in avtryckaren.

Tryck alltid in startspärren från sidan B efter användning.

## Inställning av stiftdjupet

**⚠ WARNING:** Kontrollera alltid att dina fingrar inte är placerade på avtryckaren eller på kontaktelelementet och att batterikassetten är borttagen innan du justerar stiftdjupet.

Stiftdjupet kan ställas in genom att man vrider på justeringsratten på verktyget. Stiftet drivs djupare in när du vrider justeringsratten i riktning A som visas i bilden, och grundare i riktning B, inom ett område på upp till 1,5 mm.

► Fig.5: 1. Justeringsratt

► Fig.6: 1. För djupt 2. Rätt djup 3. För grunt

## Tända lampan

**⚠ FÖRSIKTIGT:** Titta inte in i ljuset eller direkt i ljuskällan.

Tryck in avtryckaren eller aktivera kontaktelelementet för att tända lampan. Lampan fortsätter att lysa i 60 sekunder så länge du håller avtryckaren intryckt eller så länge kontaktelelementet är aktiverat. Lampan slocknar ungefär 10 sekunder efter att du har släppt avtryckaren och kontaktelelementet.

► Fig.7: 1. Lampa

**OBSERVERA:** Använd en torr trasa för att torka bort smuts från lampglasat. Var försiktig så att inte lampglasat repas eftersom ljuset då kan bli svagare.

**OBSERVERA:** Verktyget kanske inte kan skjuta in stift om batterikapaciteten blir låg även om lampan fortfarande lyser. Ladda i så fall batteriet.

**OBSERVERA:** Lampan blinkar när verktyget är överhettat. Släpp i så fall avtryckaren och kontaktelelementet och låt sedan verktyget/batteriet svalna före fortsatt användning.

**OBSERVERA:** Om stiftpistolen detekterar ett fel vid stiftning börjar lampan att blinka. Om så är fallet, ta med stiftpistolen till ett servicecenter.

## MONTERING

**⚠ FÖRSIKTIGT:** Kontrollera alltid att dina fingrar inte är placerade på avtryckaren eller på kontaktelementet och att batterikassetten är borttagen innan du utför något arbete på stiftpistolen.

### Ladda och ta bort stift

**⚠ FÖRSIKTIGT:** Se till att du inte håller fingrarna på avtryckaren och att batterikassetten är borttagen innan du laddar stift. Oavsiktlig avfyrning kan leda till personskada och egendomsskada.

**⚠ FÖRSIKTIGT:** Undvik att skjuta upp eller stänga skjutluckan till magasinet när det finns stift laddade i magasinet. Om du tappar stift, särskilt vid arbete på hög höjd, kan det orsaka personskador.

1. Tryck på spärren och öppna magasinets skjutlucka.

► **Fig.8:** 1. Låsspärr 2. Skjutlucka 3. Magasin

2. Placera ett stiftband med de tryckta trianglarna vända nedåt och rikta in stiftspetsarna mot styrspåren i magasinets botten. Se till att stiftspetsarna vidrör magasinets botten och skjut sedan stiftbandet försiktigt mot matarstyrningen.

► **Fig.9:** 1. Stift 2. Tryckt triangel 3. Styrspår 4. Matarstyrning

► **Fig.10:** 1. Stift 2. Magasinets botten 3. Mellanrum

**OBSERVERA:** Se till att stiftspetsarna placeras ordentligt på magasinets botten. Eventuella mellanrum runt stiftspetsarna kan göra att de fastnar och att verktyget skadas.

**OBSERVERA:** Ladda stiften i rätt riktning. Om de laddas åt fel håll kan det orsaka förtidigt slitage på matningen och skada på andra delar.

**OBSERVERA:** Använd inte deformerade stiftband. Använd endast stift som specificeras i denna bruksanvisning. Om du använder andra stift än de som anges kan det medföra att stift fastnar och att verktyget går sönder.

**OBSERVERA:** Undvik att ladda stiftband med färre stift, särskilt vid användning av korta stift. Det kan göra att de fastnar och att verktyget skadas.

**OBSERVERA:** Ladda inte stiftband med olika längder eller flera stiftband med färre stift åt gången. Det kan göra att de fastnar och att verktyget skadas.

3. För tillbaka skjutluckan till dess ursprungliga läge och lås fast den med låsspaken.

**OBSERVERA:** Stäng skjutluckan ordentligt. Överdriven kraft kan deformera stiften och göra att skjutluckan kanske inte återgår till sitt ursprungliga läge.

Ta bort stift genom att trycka på låsspaken och skjuta upp skjutluckan. Ta ur stiften från magasinet.

## Nosadapter

**⚠ FÖRSIKTIGT:** Kontrollera alltid att dina fingrar inte är placerade på avtryckaren eller på kontaktelementet och att batterikassetten är borttagen innan du installerar nosadaptern.

När stift avfyras på material med ömtåliga ytor ska nosadaptern användas.

Placera nosadaptern över kontakttoppen på matarstyrningen så att de utskjutande styrningarna inuti nosadaptern passar ordentligt in i styrskårorna på matarstyrningen.

Du kan förvara nosadaptern i hållaren på magasinets baksida för att alltid ha den till hands.

► **Fig.11:** 1. Nosadapter 2. Matarstyrning 3. Utskjutande styrningar 4. Styrskåror 5. Hållare

## Nosadapter för stiftning på plana ytor

### Valfritt tillbehör

Använd nosadaptern (valfritt tillbehör) utformad för stiftning på plana och jämna ytor. Den skyddar arbetsskyddets mjuka yta mot märken och repor från de runda, spetsiga kontakttopparna.

► **Fig.12**

Placera nosadaptern (valfritt tillbehör) över kontakttoppen på matarstyrningen så att de utskjutande styrningarna inuti nosadaptern passar ordentligt in i styrskårorna på matarstyrningen.

► **Fig.13:** 1. Nosadapter (valfritt tillbehör) 2. Matarstyrning 3. Utskjutande styrningar 4. Styrskåror

## Krok

**⚠ FÖRSIKTIGT:** När kroken monteras skall alltid skruven dras åt ordentligt. Om inte kan kroken lossa från maskinen och leda till personskada.

**⚠ FÖRSIKTIGT:** Använd endast upphängnings/ monteringsdelar för dess avsedda ändamål.

Användning för ej avsedd användning kan leda till olycka eller personskada.

**⚠ FÖRSIKTIGT:** Häng inte kroken i midjebältet. Om du tappar stiftpistolen, på grund av att kroken av misstag lossar från sin plats, kan den oavsiktligen avfyras och orsaka personskada.

► **Fig.14**

Kroken kan användas när du vill hänga upp verktyget temporärt. Den kan monteras på båda sidorna av verktyget.

Du monterar kroken genom att sätta in den i ett spår i verktygshuset på endera sida och dra fast den med en skruv. Ta bort kroken genom att skruva loss skruven.

► **Fig.15:** 1. Spår 2. Krok 3. Skruv

## Förvaring av insexnyckel

Förvara insexnyckeln enligt figuren när den inte används, så att du alltid har den till hands.

► **Fig.16:** 1. Insexnyckel

# ANVÄNDNING

## Testa säkerhetssystemet

**⚠ VARNING:** Kontrollera alltid att alla säkerhetsanordningar fungerar innan du använder verktyget. I annat fall kan personskador uppstå.

- Fig.17: 1. Startspärr 2. Avtryckare  
3. Kontaktelement 4. Magasin

Testa säkerhetssystemen enligt följande för att märka eventuella fel före användning.

1. Töm verktyget på stift och håll magasinet öppet.
2. Montera batterikassetten och släpp avtryckarspärr.
3. Tryck in avtryckaren utan att kontaktelementet vidrör materialet.
4. Låt kontaktelementet nudda materialet utan att trycka in avtryckaren.

I händelse av att verktyget startar när du genomför punkt 3 eller 4 ovan är det fel på säkerhetssystemet. Avbryt omedelbart användningen av verktyget och kontakta ditt lokala servicecenter.

## Skjuta stift

**⚠ VARNING:** Använd inte den här stiftpistolens för att fästa elkablar. Den är inte konstruerad för installation av elkablar och kan skada isoleringen på elkablarna, vilket i sin tur kan leda till elektrisk stöt eller brand.

**⚠ VARNING:** Fortsätt hålla kontaktelementet stadigt mot materialet tills stiftet är ordentligt intryckt. Oavsiktlig avfyrning kan leda till personskada.

**⚠ FÖRSIKTIGT:** Håll verktyget stadigt under användningen.

**⚠ FÖRSIKTIGT:** Använd inte verktyget kontinuerligt under en längre tid än tillåtet. Det kan orsaka skador på verktyget som kan leda till personskada.

**OBSERVERA:** Verktyget startar inte om fästningen om avtryckaren inte trycks in under 5 sekunder om kontaktelementet är placerat på arbetsstycket. Dra bort kontaktelementet från arbetsstycket och sätt det på plats igen för att starta om fästningen.

1. Släpp avtryckarspärr.
  2. Placera kontaktelementet platt mot materialet.
  3. Tryck in avtryckaren helt för att driva in ett stift.
  4. För att skjuta nästa spik tar du bort fingret från avtryckaren och upprepar därefter steg 2 och 3 ovan.
- Fig.18: 1. Avtryckare 2. Kontaktelement

Du kan även skjuta in stiften genom att dra verktyget till nästa punkt med kontaktelementet tryckt emot materialet och aktivera avtryckaren.

► Fig.19

Om huvudet på utmatade stift sticker upp ovanför arbetsstyckets yta driver du i stiftet samtidigt som du håller stiftpistolens huvud stadigt mot arbetsstycket.

► Fig.20

**OBS:** Om huvudet på stiftet fortfarande sticker upp ovanför arbetsstyckets yta, även om du håller stiftpistolens huvud, kanske materialet inte är lämpligt för stiftpistolens. Fortsatt användning av stiftpistolens på dylikt material kan leda till skada på stiftpistolens drivenhet och/eller stiftstopp.

## Tomgångspärr

**⚠ VARNING:** Kontrollera alltid att dina fingrar inte är placerade på avtryckaren eller på kontaktelementet och att batterikassetten är borttagen innan du laddar stiften.

Avtryckaren kan inte tryckas in när det endast finns mellan 0 - 3 stift kvar i magasinet. Sätt i så fall i ett nytt stiftband i magasinet och avtryckaren kan sedan tryckas in igen.

**OBS:** När en annan stiftlängd avfyras kort efter det att tomgångskörningen aktiverats, sätter du i ett nytt stiftband i magasinet och avfyrar alla de stift som var kvar sedan tidigare på kasserat material.

## Kontrollera återstående stift

Du kan kontrollera återstående antal stift genom siktfönstret.

Den röda indikatorn flyttas mot skjutöppningen allt eftersom antalet återstående spikar minskar.

► Fig.21: 1. Magasinfönster 2. Indikator

## Borttagning av stift som fastnat

**⚠ VARNING:** Kontrollera alltid att du släppt avtryckaren, och att batterikassetten och stiften i magasinet har tagits bort innan du tar bort stift som har fastnat.

**⚠ FÖRSIKTIGT:** Rör inte vid stift som fastnat med bara händer. Stiften kan hoppa ut ur magasinet och orsaka skada.

1. Ta bort alla återstående stift i magasinet.
  2. Skruva ur de tre insexskruvarna på skyddet för matarstyrningen med insexnyckeln.
  3. Ta bort stiften som sitter fast från stiftstyrspärr i matarstyrningen.
- Fig.22: 1. Insexskruv 2. Skydd för matarstyrning  
3. Skydd för kontakttopp 4. Matarstyrning

**OBS:** Om det är svårt att ta bort stiften som fastnat lossar du de två insexskruvarna på skyddet för kontakttoppen med insexnyckeln och tar sedan ur stiften som sitter fast från matarstyrningen.

4. Sätt tillbaka skydden och fäst dem över matarstyrningen med insexskruvarna.

**OBSERVERA:** Kontrollera alltid att skydden på matarstyrningen har monterats korrekt efter det att stiftstopp har åtgärdats. Om matarstyrningen inte fungerar korrekt, monterar du om dem med insexskruvarna.

## UNDERHÅLL

**⚠ FÖRSIKTIGT:** Se alltid till att maskinen är avstängd och batterikassetten borttagen innan inspektion eller underhåll utförs.

**OBSERVERA:** Använd inte bensin, förtunningsmedel, alkohol eller liknande. Missfärgning, deformation eller sprickor kan uppstå.

För att upprätthålla produktens SÄKERHET och TILLFÖRLITLIGHET bör allt underhålls- och justeringsarbete utföras av ett auktoriserat Makita servicecenter och med reservdelar från Makita.

### Rengöra magasinet

Rengör insidan av magasinet med jämna mellanrum. Blås eller torka bort smuts, damm, flis och spiklim som samlats i styrspåren.

► Fig.23: 1. Styrspår

**OBSERVERA:** Smuts och damm i styrspåren kan påverka stiftmatningen och leda till tillfällig tomgångskörning.

## VALFRIA TILLBEHÖR

**⚠ FÖRSIKTIGT:** Följande tillbehör eller tillsatser rekommenderas för användning med den Makita-maskin som denna bruksanvisning avser. Om andra tillbehör eller tillsatser används kan det uppstå risk för personskador. Använd endast tillbehören eller tillsatserna för de syften de är avsedda för.

Kontakta ditt lokala Makita servicecenter om du behöver ytterligare information om dessa tillbehör.

- Stift
- Skyddsglasögon
- Nosadapter (för fästning på plana ytor)
- Makitas originalbatteri och -laddare

**OBS:** Några av tillbehören i listan kan vara inkluderade i maskinpaketet som standardtillbehör. De kan variera mellan olika länder.

## TEKNISKE DATA

<b>Modell:</b>	<b>PT001G</b>
Spikerstørrelse	ø0,6 mm × 15, 18, 25, 30, 35 mm
Kapasitet for spikermagasin	100 stk.
Dimensjoner med BL4025, uten krok (L x B x H)	265 mm x 86 mm x 226 mm
Nominell spenning	DC 36 V - 40 V maks
Nettovekt	2,4 - 3,0 kg

- På grunn av vårt kontinuerlige forsknings- og utviklingsprogram kan spesifikasjonene som oppgis i dette dokumentet endres uten varsel.
- Spesifikasjoner og batteriinnsett kan variere fra land til land.
- Vekten kan variere avhengig av tilbehøret/tilbehørene, inkludert batteriet. Den letteste og tyngste kombinasjonen, i henhold til EPTA-prosedyre 01/2014, vises i tabellen.

### Passende batteri og lader

Batteriinnsett	BL4020* / BL4025* / BL4040 / BL4050F * : Anbefalt batteri
Lader	DC40RA / DC40RB / DC40RC

- Noen av batteriene og laderne som er opplistet ovenfor er kanskje ikke tilgjengelige, avhengig av hvor du bor.

**⚠ADVARSEL:** Bruk kun de batteriene og laderne som er opplistet ovenfor. Bruk av andre batterier og ladere kan føre til personskader og/eller brann.

### Riktig bruk

Verktøyet er beregnet på å skyte spiker inn i bygningmaterier, som tømmer.

### Støy

Typisk A-vektet lydtryknivå er bestemt i henhold til EN60745-2-16:

Lydtryknivå ( $L_{pA}$ ) : 79 dB (A)

Usikkerhet (K): 3 dB (A)

Støynivået under arbeid kan overskride 80 dB (A).

**MERK:** Den/de oppgitte verdien(e) for genererte vibrasjoner har blitt målt i henhold til standard testmetoder, og kan bli brukt til å sammenligne ett verktøy med et annet.

**MERK:** Den/de angitte verdien(e) for de genererte vibrasjonene kan også brukes til en foreløpig vurdering av eksponeringen.

**⚠ADVARSEL:** Bruk hørselsvern.

**⚠ADVARSEL:** De genererte vibrasjonene ved faktisk bruk av elektroverktøyet kan avvike fra den/de angitte vibrasjonsverdien(e), avhengig av hvordan verktøyet brukes.

**⚠ADVARSEL:** Sørg for å identifisere vernetiltak for å beskytte operatøren, som er basert på et estimat av eksponeringen under de faktiske bruksforholdene (idet det tas hensyn til alle deler av driftssyklusen, dvs. hvor lenge verktøyet er slått av, hvor lenge det går på tomgang og hvor lenge startbryteren faktisk holdes trykket).

### Vibrasjoner

Totalverdiene for vibrasjon er bestemt i henhold til EN60745-2-16:

Genererte vibrasjoner ( $a_n$ ) : 2,5 m/s<sup>2</sup> eller mindre

Usikkerhet (K): 1,5 m/s<sup>2</sup>

**MERK:** Den/de oppgitte verdien(e) for totalt genererte vibrasjoner har blitt målt i henhold til standard testmetoder, og kan bli brukt til å sammenligne ett verktøy med et annet.

**MERK:** Den/de angitte verdien(e) for totalt genererte vibrasjoner kan også brukes til en foreløpig vurdering av eksponeringen.

**⚠ADVARSEL:** De genererte vibrasjonene ved faktisk bruk av elektroverktøyet kan avvike fra den/de angitte vibrasjonsverdien(e), avhengig av hvordan verktøyet brukes og spesielt i forhold til arbeidsstykket som blir behandlet.

**⚠ADVARSEL:** Sørg for å identifisere vernetiltak for å beskytte operatøren, som er basert på et estimat av eksponeringen under de faktiske bruksforholdene (idet det tas hensyn til alle deler av driftssyklusen, dvs. hvor lenge verktøyet er slått av, hvor lenge det går på tomgang og hvor lenge startbryteren faktisk holdes trykket).

### EFs samsvarserklæring

*Gjelder kun for land i Europa*

EFs samsvarserklæring er lagt til som vedlegg A i denne bruksanvisningen.



# SIKKERHETSADVARSEL

## Generelle advarsler angående sikkerhet for elektroverktøy

**⚠ADVARSEL:** Les alle sikkerhetsadvarsler, instruksjoner, illustrasjoner og spesifikasjoner som følger med dette elektroverktøyet. Hvis ikke alle instruksjonene nedenfor følges, kan det forekomme elektrisk støt, brann og/eller alvorlig skade.

## Oppbevar alle advarsler og instruksjoner for senere bruk.

Uttrykket «elektrisk verktøy» i advarslene refererer både til elektriske verktøy (med ledning) tilkoblet strømmenettet, og batteridrevne verktøy (uten ledning).

## Sikkerhetsanvisninger for batteridrevet spikerpistol

- Gå alltid ut fra at verktøyet inneholder spiker.** Uforsiktig håndtering av spikerpistolen kan føre til uventet avfiring av spiker og medføre personskaade.
- Ikke rett maskinen mot deg selv eller andre i nærheten.** Uventet avfiring vil skyte ut stiftene og forårsake helseskader.
- Ikke sett i gang verktøyet med mindre det er plassert godt mot arbeidsemnet.** Hvis maskinen ikke har kontakt med arbeidsemnet, kan stiftene riko-sjettene fra målet.
- Koble strømkilden fra verktøyet dersom spikeren kjører seg fast i verktøyet.** Når du fjerner en fastkjørt spiker, kan spikerpistolen aktiveres utilsiktet hvis strømkilden er koblet til.
- Vær forsiktig når du fjerner en fastkjørt stift.** Mekanismen kan være under trykk, noe som kan føre til at den fastkjørte stiftene blir skutt ut mens du forsøker å fjerne den.
- Ikke bruk denne spikerpistolen til å feste elektriske kabler.** Den er ikke utformet for montering av elektriske kabler, og kan skade de elektriske kablernes isolasjon, noe som igjen kan føre til elektrisk støt eller utgjøre en brannfare.
- Hold hender og føtter unna utkasteråpningen.**
- Følg instruksjonene for smøring og skifting av tilbehør.**
- Fjern alltid batteriet før du legger i stiftene og justerer, inspiserer eller vedlikeholder verktøyet, eller etter at du er ferdig med å bruke det.**
- Pass på at ingen er i nærheten før du begynner å bruke verktøyet.** Forsøk aldri å skyte stifter både fra innsiden og utsiden av veggen på én gang. Stiftene kan gå gjennom og/eller riko-sjettene, og utgjøre en alvorlig helsefare.
- Se hvor du går og hold balansen med verktøyet.** Forviss deg om at ingen står under deg når du jobber høyt over bakken.
- Bruk aldri trykkluftdrevne verktøy med symbolet "Må ikke brukes på stillas eller stiger" til visse formål, for eksempel:**
  - når du forflytter deg fra et arbeidssted til et annet, og dette krever at du bruker stillas, trapper, stiger eller stige-lignende konstruksjoner, f.eks. taklekker,
  - når du lukker bokser eller kasser,
  - når du fester transportsikrings-systemer, f.eks. på biler eller vogner.

- Kontroller vegger, tak, gulv osv. grundig før å unngå mulige elektriske støt, gasslekkasjer, eksplosjoner osv. som kan forårsakes av å skyte stifter inn i strømførende ledninger, rør eller gassledninger.**
- Bruk kun stiftene som er angitt i denne håndboken.** Hvis det brukes andre stifter, kan verktøyet slutte å fungere som det skal.
- Ikke tukle med maskinen eller prøv å bruke den til noe annet enn å skyte stifter.**
- Ikke bruk maskinen uten stifter.** Det forkorter maskinens levetid.
- Hvis du merker at noe er galt eller uvanlig med verktøyet, må du slutte å stifte umiddelbart.**
- Skyt aldri stifter inn i materialer som stifter kan stikke hull på og fly igjennom som et prosjektill.**
- Klem aldri på avtrekkeren og kontakteleme-tet samtidig før du er klar til å feste arbeidsemner.** La arbeids-emnet trykke ned kontakteleme-tet. Du må aldri sette sikringen ut av funksjon ved å låse kontakteleme-tet tilbake eller holde det nede med hånden.
- Tukle aldri med kontakteleme-tet.** Du må kontrollere kontakteleme-tet regelmessig for å forsikre deg om at det virker slik det skal.
- Spiker skal alltid tas ut av spikerpistolen når den ikke er i bruk.**

## TA VARE PÅ DISSE INSTRUKSENE.

**⚠ADVARSEL:** IKKE LA hensynet til hva som er "behagelig" eller det faktum at du kjenner produktet godt (etter mange gangers bruk) gjøre deg mindre oppmerksom på sikkerhetsreglene for bruken av det aktuelle produktet. Ved MISBRUK eller hvis ikke sikkerhetsreglene i denne bruks-anvisningen følges, kan det oppstå alvorlig personskaade.

## Viktige sikkerhetsanvisninger for batteriinn-sats

- Før du begynner å bruke batteriet, må du lese alle anvisninger og forsiktighetsregler på (1) batteriladeren, (2) batteriet og (3) det produktet batteriet skal brukes i.**
- Ikke demonter eller tukle batteriet.** Det kan føre til brann, overoppheting eller eksplosjon.
- Hvis driftstiden er blitt vesentlig kortere, må du omgående slutte å bruke maskinen.** Hvis ikke kan resultatet bli overoppheting, mulige forbrenninger eller til og med en eksplosjon.
- Hvis du får elektrolytt i øynene, må du skylle dem med store mengder rennende vann og oppsøke lege med én gang.** Denne typen uhell kan føre til varig blindhet.
- Ikke korts-lutt batteriet:**
  - (1) De kan være ekstremt varme og du kan brenne deg.
  - (2) Ikke lagre batteriet i samme beholder som andre metallgjenstander, som for eksempel spiker, mynter osv.
  - (3) Ikke la batteriet komme i kontakt med vann eller regn.



En kortslutning av batteriet kan føre til et kraftig strømstøt, overoppvarming, mulige forbrenninger og til og med til at batteriet går i stykker.

- Ikke oppbevar og bruk verktøyet og batteriet på steder hvor temperaturen kan komme opp eller overskride 50 °C.
- Ikke sett fyr på batteriet, ikke engang om det er sterkt skadet eller helt utslitt. Batteriet kan eksplodere hvis det begynner å brenne.
- Du må ikke spikre, skjære, klemme, kaste eller miste batteriet, og heller ikke slå en hard gjenstand mot batteriet. En slik oppførsel kan føre til brann, overoppheting eller eksplosjon.
- Ikke bruk batterier som er skadet.
- Lithium-ion-batteriene som medfølger er gjenstand for krav om spesialavfall.

For kommersiell transport, f.eks av tredjeparter eller spediteører, må spesielle krav om pakking og merking følges.

Før varen blir sendt, må du forhøre deg med en ekspert på farlig materiale. Ta også hensyn til muligheten for mer detaljerte nasjonale bestemmelser.

Bruk teip eller maskeringsteip for å skjule åpne kontakter og pakk inn batteriet på en slik måte at den ikke kan bevege seg rundt i emballasjen.

- Når du kasserer batteriinnsetsen, må du ta den ut av verktøyet og avhende den på et sikkert sted. Følg lokale bestemmelser for avhengig av batterier.
- Bruk batteriene kun med produkter spesifisert av Makita. Montere batteriene i produkter som ikke er konforme kan føre til brann, overheting eller elektrolyttlekkasje.
- Hvis verktøyet ikke skal brukes over en lengre periode, må batteriet tas ut av verktøyet.
- Under og etter bruk kan batteriet bli varmt og før til brannskader. Vær forsiktig med håndteringen av varme batterier.
- Ikke berører terminalen på verktøyet rett etter bruk, da den kan bli varm og forårsake brannskader.
- Ikke la spon, støv eller jord sette seg fast i terminalene, hullene og sporene i batteriet. Det kan føre til at batteriet eller verktøyet blir overopphetet, begynner å brenne, sprekker eller ikke fungerer som det skal, og forårsake brannskader eller personskade.
- Med mindre verktøyet støtter bruk nær en høyspent strømlinje, skal ikke batteriet brukes nær en høyspent strømlinje. Det kan føre til en funksjonsfeil eller at verktøyet eller batteriet slutter å fungere.
- Oppbevar batteriet utilgjengelig for barn.

## TA VARE PÅ DISSE INSTRUKSENE.

**⚠FORSIKTIG:** Bruk kun originale Makita-batterier. Bruk av batterier som har endret seg, eller som ikke er originale Makita-batterier, kan føre til at batteriet sprekker og forårsaker brann, personskader og andre skader. Det vil også ugyldiggjøre garantien for Makita-verktøyet og -laderen.

## Tips for å opprettholde maksimal batterilevetid

- Lad batteriinnsetsen før den er helt utladet. Stopp alltid driften av verktøyet og lad batteriinnsetsen når du merker at effekten reduseres.
- Lad aldri en batteriinnsets som er fulladet. Overopplading forkorter batteriets levetid.
- Lad batteriet i romtemperatur ved 10 °C - 40 °C. Et varmt batteri må kjøles ned før lading.
- Når batteriet ikke er bruk, skal det tas ut av verktøyet eller laderen.
- Lad batteriet hvis det ikke har vært brukt på en lang stund (over seks måneder).

## FUNKSJONSBESKRIVELSE

**⚠FORSIKTIG:** Forviss deg alltid om at maskinen er slått av og batteriet tatt ut før du justerer maskinen eller kontrollerer dens mekaniske funksjoner.

## Sette inn eller ta ut batteri

**⚠FORSIKTIG:** Slå alltid av verktøyet før du setter inn eller fjerner batteriet.

**⚠FORSIKTIG:** Hold verktøyet og batteripatronen i et fast grep når du monterer eller fjerner batteripatronen. Hvis du ikke holder verktøyet og batteripatronen godt fast, kan du miste grepet, og dette kan føre til skader på verktøyet og batteripatronen samt personskader.

► **Fig.1:** 1. Rød indikator 2. Knapp 3. Batteriinnsets

For å ta ut batteriet må du skyve på knappen foran på batteriet og trekke det ut.

Når du skal sette inn batteriet, må du plassere tungen på batteriet på linje med sporet i huset og skyve batteriet på plass. Skyv det helt inn til det går i ingrep med et lite klikk. Hvis du kan se den røde indikatoren som vist i figuren, er det ikke helt låst.

**⚠FORSIKTIG:** Batteriet må alltid settes helt inn, så langt at den røde indikatoren ikke lenger er synlig. Hvis dette ikke gjøres, kan batteriet falle ut av verktøyet og skade deg eller andre som oppholder seg i nærheten.

**⚠FORSIKTIG:** Ikke bruk makt når du setter i batteriet. Hvis batteriet ikke glir lett inn, er det fordi det ikke settes inn på riktig måte.

## Batterivernsystem for verktøy/batteri

Verktøyet er utstyrt med et batterivernsystem for verktøy/batteri. Dette systemet kutter automatisk strømmen til motoren for å forlenge verktøyet og batteriets levetid. Verktøyet stopper automatisk under drift hvis verktøyet eller batteriet utsettes for en av følgende tilstander:

## Overlastsikring

Når verktøyet/batteriet brukes på en måte som gjør at det bruker unormalt mye strøm, stopper verktøyet automatisk. I denne situasjonen må du slå av verktøyet og stanse bruken som forårsaket at verktøyet ble overbelastet. Slå deretter verktøyet på for å starte det igjen.

## Overopphetingsvern

Når verktøyet/batteriet er overopphetet, stopper verktøyet automatisk. I dette tilfellet må du la verktøyet/batteriet avkjøles før du starter verktøyet på nytt.

## Overutladningsvern

Når det blir batterikapasiteten er utilstrekkelig, stopper verktøyet automatisk. I så fall fjerner du batteriet fra verktøyet og lader det.

## Vern mot andre årsaker

Vernesystemet er også laget for beskyttelse mot andre ting som kan skade verktøyet og gjøre at det stanser automatisk. Ta alle de følgende forholdsreglene for å fjerne årsakene til at verktøyet har stanset midlertidig mens det er i drift.











1. Skru av verktøyet, og så skruv du verktøyet på igjen for å starte på nytt.
2. Lad opp batteriet/ene eller skift det/dem ut med oppladde batteri(er).
3. La både verktøyet og batteriet/ene kjøle seg ned.

Hvis det ikke blir noen forbedring ved at vernesystemet gjenoprettes, ta kontakt med det lokale Makita servicesenteret.

## Indikere gjenværende batterikapasitet

Trykk på sjekk-knappen på batteriet for vise gjenværende batterikapasitet. Indikatorlampene lyser i et par sekunder.

► Fig.2: 1. Indikatorlamper 2. Kontrollknapp

Indikatorlamper			Gjenværende batterinivå
Tent	Av	Blinker	
			
			75 % til 100 %
			50 % til 75 %
			25 % til 50 %
			0 % til 25 %
			Lad batteriet.
			Batteriet kan ha en feil.
			

**MERK:** Det angitte nivået kan avvike noe fra den faktiske kapasiteten alt etter bruksforholdene og den omgivende temperaturen.

**MERK:** Den første (helt til venstre) indikatorlampen vil blinke når batterivernsystemet fungerer.

## Låseknapp

**⚠FORSIKTIG:** Før du setter batteriet inn i maskinen, må du alltid kontrollere at startbryteren aktiverer maskinen på riktig måte og går tilbake til «AV»-stilling når den slippes.

**⚠FORSIKTIG:** Når du ikke skal bruke maskinen lenger, trykker du inn låseknappen fra side B for å låse startbryteren i stillingen AV.

► Fig.3: 1. Låseknapp 2. Startbryter

► Fig.4

Maskinen er utstyrt med en låseknapp, som hindrer at startbryteren trykkes inn ved en feiltakelse.

For å trykke inn startbryteren, må du trykke ned låseknappen fra side A.

Trykk alltid inn låseknappen fra side B når du er ferdig med å bruke maskinen.

## Justere spikringsdybden

**⚠ADVARSEL:** Forviss deg alltid om at fingrene dine ikke befinner seg på avtrekkeren eller kontaktelelementet, og at batteriet er tatt ut før du justerer spikringsdybden.

Spikringsdybden kan justeres ved å dreie justeringshjulet på verktøyet. En spiker går dypere inn når du dreier justeringshjulet i retning A som vist i figuren, og grunnere i retning B, innenfor et område på opptil 1,5 mm.

► Fig.5: 1. Justeringshjul

► Fig.6: 1. For dypt 2. Riktig dybde 3. For grunt

## Tenne lampen

**⚠FORSIKTIG:** Ikke se inn i lyset eller se direkte på lyskilden.

Trykk på startbryteren eller aktiver kontaktelelementet for å tenne lampen. Lampen fortsetter å lyse i opptil 60 sekunder så lenge du drar i startbryteren eller aktiverer kontaktelelementet. Lampen slukkes omtrent 10 sekunder etter at startbryteren og kontaktelelementet er sluppet.

► Fig.7: 1. Lampe

**OBS:** Bruk en tørr klut til å tørke støv osv. av lampelinsen. Vær forsiktig så det ikke blir riper i lampelinsen, da dette kan redusere lysstyrken.

**OBS:** Verktøyet vil kanskje ikke avfyre spikere når batteriet er svakt, selv om lampen fortsatt lyser. I så fall må du lade batteriet.

**OBS:** Hvis verktøyet blir overopphetet, blinker lampen. I dette tilfellet må du slippe startbryteren og kontaktelelementet, og deretter kjøle ned verktøyet/batteriet før du bruker det igjen.

**OBS:** Lampen begynner å blinke hvis spikerpistolen oppdager en feil når spikeren avfyres. I dette tilfellet må spikerpistolen leveres til fabrikkens servicesenter.

# MONTERING

**⚠FORSIKTIG:** Forviss deg alltid om at fingrene dine ikke befinner seg på avtrekkeren eller kontaktelementet, og at batteriet er tatt ut før du utfører noe arbeid på spikerpistolen.

## Sette i og ta ut spikere

**⚠FORSIKTIG:** Forviss deg alltid om at fingrene dine ikke befinner seg på avtrekkeren og at batteriet er tatt ut før du setter i spikrer. Utilsiktet avfyring kan forårsake personskader og materielle skader.

**⚠FORSIKTIG:** Unngå å slå skyvedøren på magasinet åpen og igjen mens det er spikere i magasinet. Hvis du utilsiktet mister spikere, spesielt når du jobber i høyden, kan dette forårsake personskader.

1. Trykk på låsehendelen og åpne skyvedøren på magasinet.

► **Fig.8:** 1. Sperrespak 2. Skyvedør 3. Magasin

2. Sett et spikerbånd med prikkete trekanten vendt nedover, og rett inn spikerspissene med føringssporene på bunnen av magasinet. Pass på at spikerspissene berører bunnen av magasinet, og skyv spikerbåndet forsiktig mot stempelføringen.

► **Fig.9:** 1. Spikrer 2. Prirket trekant 3. Føringsspor 4. Stempelføring

► **Fig.10:** 1. Spikrer 2. Magasinbunn 3. Klaringer

**OBS:** Påse at spikerspissene blir godt plassert på bunnen av magasinet. Eventuelle klaringer rundt spikerspissene kan føre til fastkiling og skade på verktøyet.

**OBS:** Sett inn spikrene i riktig retning. Hvis du setter dem inn i feil retning, kan stampelet bli slitt ut etter kort tid og andre deler kan bli skadet.

**OBS:** Ikke bruk spikerbånd som er deformert. Bruk spikere som er angitt i denne bruksanvisningen. Hvis det brukes andre spikrer enn de som er angitt, kan det føre til at spikrene kiler seg fast og knekker i verktøyet.

**OBS:** Unngå å sette inn spikerbånd med færre spikrer, spesielt når det brukes spikrer med korte lengder. Det kan føre til fastkiling og skade på verktøyet.

**OBS:** Ikke sett inn spikerbånd med ulike lengder eller flere spikerbånd med få spikrer på samme tid. Ellers kan det forekomme fastkiling og skade på verktøyet.

3. Sett skyvedøren tilbake i opprinnelig posisjon, og lås den på plass med låsehendelen.

**OBS:** Lukk skyvedøren forsiktig. Hvis du bruker for mye kraft, kan spikrene bli deformerte og skyvedøren går kanskje ikke tilbake i opprinnelig posisjon.

Når spikrene skal tas ut, trykker du på låsehendelen og skyver skyvedøren åpen. Ta ut spikrene fra magasinet.

# Frontadapter

**⚠FORSIKTIG:** Forviss deg alltid om at fingrene dine ikke befinner seg på avtrekkeren eller kontaktelementet, og at batteriet er tatt ut før du installerer frontadapteren.

Når du skal spikre på et materiale med ømfintlig overflate, må du bruke frontadapteren.

Sett frontadapteren over kontakttoppen på stempelføringen slik at føringsfrempringene inne i frontadapteren passer i føringssporene i stempelføringen.

Når frontadapteren ikke er i bruk, kan den oppbevares i holderen ved bakre ende av magasinet, så den ikke mistes.

► **Fig.11:** 1. Frontadapter 2. Stempelføring 3. Føringsfremspring 4. Føringsspor 5. Holder

## Frontadapter for spikring på flate underlag

### Valgfritt tilbehør

Bruk den valgfrie frontadapteren som er laget for festing på flate og jevne underlag. Den beskytter myke overflater på arbeidsstykket mot merker og skraper som dannes av kontakttopper med avrundet spiss.

► **Fig.12**

Sett den valgfrie frontadapteren over kontakttoppen på stempelføringen slik at føringsfrempringene inne i frontadapteren passer i føringssporene i stempelføringen.

► **Fig.13:** 1. Valgfri frontadapter 2. Stempelføring 3. Føringsfremspring 4. Føringsspor

# Krok

**⚠FORSIKTIG:** Når du monterer kroken, må du stramme skruen godt. Hvis ikke kan kroken løsne fra verktøyet og forårsake personskade.

**⚠FORSIKTIG:** Opphengs-/monteringsdelene skal kun brukes til det de er beregnet på. Annen bruk enn det de er beregnet på, kan føre til en ulykke eller personskader.

**⚠FORSIKTIG:** Ikke heng kroken i verktøybeltet. Hvis du mister spikerpistolen fordi kroken glir ut av beltet ved et uhell, kan den avfyrer utilsiktet og forårsake personskader.

► **Fig.14**

Kroken er praktisk å henge verktøyet i over kortere tid. Den kan monteres på begge sider av verktøyet.

For å montere kroken, må du sette den inn i sporet på en av sidene av verktøyhuset og feste den med en skrue. Ta den av igjen ved å løsne skruen.

► **Fig.15:** 1. Spor 2. Krok 3. Skrue

## Oppbevaring av sekskantnøkkel

Når sekskantnøkkelen ikke er i bruk, må du oppbevare den som vist i figuren, slik at du ikke mister den.

► **Fig.16:** 1. Sekskantnøkkel

# BRUK

## Testing av sikkerhetssystemet

**⚠ ADVARSEL:** Pass på at alle sikkerhetssystemene fungerer som de skal før du tar verktøyet i bruk. Hvis ikke, kan det resultere i helseskader.

- Fig.17: 1. Låseknapp 2. Startbryter  
3. Kontaktelement 4. Magasin

Test sikkerhetssystemer på følgende måte med tanke på mulige feil før bruk.

1. Ta spikrene ut av verktøyet og hold magasinet åpent.
2. Installer batteriet, og frigjør avtrekkerlåsen.
3. Dra i startbryteren uten å berøre arbeidsstykket med kontaktelementet.
4. Berør arbeidsstykket med kontaktelementet uten å dra i startbryteren.

Hvis verktøyet starter i tilfelle 3 eller 4 ovenfor, er sikkerhetssystemene defekte. Avslutt bruken av verktøyet umiddelbart, og ta kontakt med nærmeste serviceverksted.

## Spikre

**⚠ ADVARSEL:** Ikke bruk denne spikerpistolen til å feste elektriske kabler. Den er ikke utformet for montering av elektriske kabler, og kan skade de elektriske kablernes isolasjon, noe som igjen kan føre til elektrisk støt eller utgjøre en brannfare.

**⚠ ADVARSEL:** Fortsett å presse kontaktelementet bestemt mot materialet til spikeren er drevet helt inn. Utilsiktet avfyring kan forårsake personskader.

**⚠ FORSIKTIG:** Hold godt tak i verktøyet under bruk.

**⚠ FORSIKTIG:** Ikke bruk verktøyet utover den tillatte sammenhengende brukstiden. Ellers kan verktøyet bli skadet og forårsake personskade.

**OBS:** Verktøyet vil ikke begynne festing på fem sekunder uten bryterbetjening så lenge kontaktelementet er plassert på arbeidsstykket. Ta kontaktelementet av arbeidsstykket og plasser det på nytt for å begynne festingen igjen.

1. Frigjør avtrekkerlåsen.
2. Sett kontaktelementet flatt på arbeidsemnet.
3. Trykk avtrekkeren helt inn for å skyte ut en spiker.
4. Når du skal skyte ut neste spiker, frigjør du fingeren fra startbryteren én gang, og deretter gjentar du trinn 2 og 3 ovenfor.

► Fig.18: 1. Avtrekkerlås 2. Kontaktelement

Du kan også skyte inn spikrene mens du drar verktøyet til neste område med kontaktelementet presset mot materialet, og du drar i avtrekkerlåsen.

► Fig.19

Når hodet til en avfyrt spiker står opp fra overflaten av arbeidsstykket, må du skyte inn spikeren mens du holder spikerpistolhodet godt mot arbeidsstykket.

► Fig.20

**MERK:** Hvis hodet til en avfyrt spiker står opp fra arbeidsstykket, selv om spikerpistolhodet holdes i et fast grep, kan det hende materialet ikke egner seg for spikerpistolen. Hvis du fortsetter å bruke spikerpistolen på et slikt materiale, kan det føre til skade på stempelet i spikerpistolen og/eller at spikrene setter seg fast.

## Avfyringssperre ved tomt magasin

**⚠ ADVARSEL:** Forviss deg alltid om at fingrene dine ikke befinner seg på avtrekkeren eller kontaktelementet og at batteriet er tatt ut før du legger spiker i spikerpistolen.

Når antall gjenværende spikere i magasinet er mellom 0 og 3 stk., kan ikke avtrekkeren lenger trykkes. Da må du legge inn et nytt spikerbånd i magasinet. Deretter kan du trykke inn avtrekkeren igjen.

**MERK:** Når du skal spikre med en annen spikerlengde like etter at avfyringssperren ved tomt magasin er aktivert, må du legge et nytt spikerbånd inn i magasinet og bruke de gjenværende spikrene i den gamle lengden på materialrester.

## Kontrollere gjenværende spikere

Du kan kontrollere mengden gjenværende spikere gjennom siktvinduet.

Den røde indikatoren beveger seg mot utskytingsåpningen etter hvert som spikermengden reduseres.

► Fig.21: 1. Siktvindu 2. Indikator

## Fjerne spikere som har kilt seg fast

**⚠ ADVARSEL:** Pass alltid på at avtrekkeren er sluppet og batteriet og spikere fjernet før du fjerner fastsittende spikere.

**⚠ FORSIKTIG:** Ikke fjern fastkjørte spikrene med bare hendene. Spikrene kan bli skutt ut av magasinet og forårsake personskade.

1. Fjern alle spikrene som er igjen i magasinet.
2. Bruk sekskantnøkkelen til å skru ut de tre sekskantskruene som holder stempelføringsdekslet på plass.

3. Fjern de fastkilte spikrene fra spikerføringsssporene i stempelføringen.

► Fig.22: 1. Sekskantskrue 2. Stempelføringsdeksel  
3. Kontakttoppdeksel 4. Stempelføring

**MERK:** Hvis det er vanskelig å fjerne de fastkilte spikrene, kan du bruke sekskantnøkkelen til å løse de to sekskantskruene på kontakttoppdekslet og deretter ta ut de fastkilte spikrene fra stempelføringen.

4. Sett dekslene tilbake på plass og sikre dem over stempelføringen med sekskantskruene.

**OBS:** Etter at fastkilingen er klarert må du alltid passe på at dekslene på stempelføringen settes sammen korrekt. Hvis ikke stempelføringen fungerer som den skal, setter du den sammen igjen med sekskantskruene.

## VEDLIKEHOLD

**⚠FORSIKTIG:** Forviss deg alltid om at maskinen er slått av og batteriet tatt ut før du foretar inspeksjon eller vedlikehold.

**OBS:** Aldri bruk gasolin, bensin, tynner alkohol eller lignende. Det kan føre til misfarging, deformering eller sprekkdannelse.

For å opprettholde produktets SIKKERHET og PÅLITELIGHET, må reparasjoner, vedlikehold og justeringer utføres av autoriserte Makita servicesentre eller fabrikkservicesentre, og det må alltid brukes reservedeler fra Makita.

## Rengjøre magasinet

Rengjør innsiden av magasinet med jevne mellomrom. Blås bort eller tørk av all smuss, støv, treflisser og spikertilim som har samlet seg i føringssporene.

► **Fig.23:** 1. Føringsspor

**OBS:** Smuss og støv i føringssporene kan ha innvirkning på spikertilførselen, noe som fører til tilfeldig tomavfyring.

## VALGFRITT TILBEHØR

**⚠FORSIKTIG:** Det anbefales at du bruker dette tilbehøret eller verktøyet sammen med den Makita-maskinen som er spesifisert i denne håndboken. Bruk av annet tilbehør eller verktøy kan forårsake personskader. Tilbehør og verktøy må kun brukes til det formålet det er beregnet på.

Ta kontakt med ditt lokale Makita-servicesenter hvis du trenger mer informasjon om dette tilbehøret.

- Spikrer
- Vernebriller
- Frontadapter (for spikring på flate underlag)
- Makita originalbatteri og lader

**MERK:** Enkelte elementer i listen kan være inkludert som standardtilbehør i verktøypakken. Elementene kan variere fra land til land.

## TEKNISET TIEDOT

Malli:	PT001G
Naulan koko	ø0,6 mm x 15, 18, 25, 30, 35 mm
Naulamakasiinin kapasiteetti	100 kpl
Mitat BL4025:n kanssa ja ilman koukkua (P x L x K)	265 mm x 86 mm x 226 mm
Nimellisjännite	DC 36 V – 40 V maks.
Nettopaino	2,4–3,0 kg

- Jatkuvasta tutkimus- ja kehitystyöstämme johtuen esitetyt tekniset tiedot saattavat muuttua ilman erillistä ilmoitusta.
- Tekniset tiedot ja akkupaketti voivat vaihdella maittain.
- Paino voi olla erilainen lisävarusteista sekä akusta johtuen. EPTA-menettelytavan 01/2014 mukaisesti, taulukossa on kuvattu kevyin ja painavin laiteyhdistelmä.

### Käytettävä akkupaketti ja laturi

Akkupaketti	BL4020* / BL4025* / BL4040 / BL4050F *: Suositeltu akku
Laturi	DC40RA / DC40RB / DC40RC

- Tiettyjä yläpuolella kuvattuja akkuja ja latureita ei ehkä ole saatavana asuinalueestasi johtuen.

**VAROITUS:** Käytä vain edellä eriteltyjä akkupaketteja ja latureita. Muiden akkupakettien ja laturien käyttäminen voi aiheuttaa loukkaantumisen ja/tai tulipalon.

### Käyttötarkoitus

Työkalu on tarkoitettu laukaisemaan nauloja rakennusmateriaaleihin, kuten esimerkiksi puutavaraan.

### Melutaso

Tyypillinen A-painotettu melutaso määräytyy standardin EN60745-2-16 mukaan:

Äänenpainetaso ( $L_{pA}$ ): 79 dB (A)

Virhemarginaali (K): 3 dB (A)

Työskentelyn aikana melutaso voi ylittää 80 dB (A).

**HUOMAA:** Ilmoitetut melutasoarvot on mitattu standarditestausten mukaisesti ja niiden avulla voidaan vertailla työkaluja keskenään.

**HUOMAA:** Ilmoitettuja melutasoarvoja voidaan käyttää myös altistumisen alustavaan arviointiin.

**VAROITUS:** Käytä kuulosuojaimia.

**VAROITUS:** Sähkötyökalun käytön aikana mitattu melutasoarvo voi poiketa ilmoitetuista arvoista laitteen käyttötavan ja erityisesti käsiteltävän työkappaleen mukaan.

**VAROITUS:** Selvitä käyttäjän suojaamiseksi tarvittavat varoimet todellisissa käyttöolosuhteissa tapahtuvan arvioitun altistumisen mukaisesti (ottaen huomioon käyttöjakso kokonaisuuudessaan, myös jaksot, joiden aikana laite on sammutettuna tai käy tyhjäkäynnillä).

### Tärinä

Standardin EN60745-2-16 mukaan määräytyvä tärinäarvo:

Tärinäpäästö ( $a_h$ ): 2,5 m/s<sup>2</sup> tai alhaisempi

Virhemarginaali (K): 1,5 m/s<sup>2</sup>

**HUOMAA:** Ilmoitetut kokonaistärinäarvot on mitattu standarditestausten mukaisesti ja niiden avulla voidaan vertailla työkaluja keskenään.

**HUOMAA:** Ilmoitettuja kokonaistärinäarvoja voidaan käyttää myös altistumisen alustavaan arviointiin.

**VAROITUS:** Sähkötyökalun käytön aikana mitattu todellinen tärinäpäästöarvo voi poiketa ilmoitetuista arvoista laitteen käyttötavan ja erityisesti käsiteltävän työkappaleen mukaan.

**VAROITUS:** Selvitä käyttäjän suojaamiseksi tarvittavat varoimet todellisissa käyttöolosuhteissa tapahtuvan arvioitun altistumisen mukaisesti (ottaen huomioon käyttöjakso kokonaisuuudessaan, myös jaksot, joiden aikana laite on sammutettuna tai käy tyhjäkäynnillä).

### EY-vaatimustenmukaisuusvakuutus

*Koskee vain Euroopan maita*

EY-vaatimustenmukaisuusvakuutus on liitetty tähän käyttöoppaaseen.

# TURVAVAROITUKSET

## Sähkötyökalujen käyttöä koskevat yleiset varoitukset

**VAROITUS:** Tutustu kaikkiin tämän sähkötyökalun mukana toimitettuihin varoituksiin, ohjeisiin, kuviin ja teknisiin tietoihin. Seuraavassa lueteltujen ohjeiden noudattamatta jättäminen saattaa johtaa sähköiskuun, tulipaloon tai vakavaan vammautumiseen.

## Säilytä varoitukset ja ohjeet tulevaa käyttöä varten.

Varoituksissa käytettävällä termillä "sähkötyökalu" tarkoitetaan joko verkkovirtaa käyttävää (johdollista) työkalua tai akkukäyttöistä (johdotonta) työkalua.

## Akkukäyttöisen naulaimen turvallisuutta koskevat varoitukset

- Oleta aina, että työkalu on ladattu kiinnittimillä.** Huolimaton naulaimen käsittely voi aiheuttaa kiinnittimien odottamattoman laukaisun ja henkilövahingon.
- Älä suuntaa työkalua itseesi tai muita lähelläsi olevia päin.** Yllättävä liipaisimen painallus voi vapauttaa kiinnittimen ja aiheuttaa vammautumisen.
- Älä aktivoi työkalua, jollei työkalu ole tukevasti työkappaleita vasten.** Jos työkalu ei ole yhteydessä työkappaleeseen, kiinnitin voi poiketa aiotusta suunnasta.
- Katkaise työkalun virta, jos kiinnitin juuttuu työkalussa.** Naulain saattaa lauetta vahingossa, jos juuttunut kiinnitin yritetään irrottaa työkalun virran ollessa päällä.
- Ole varovainen jumittunutta kiinnintä poistaessasi.** Koneisto saattaa puristuksessa ja kiinnitin saattaa lauetta voimakkaasti, kun yrität vapauttaa jumittunutta tilaa.
- Älä käytä tätä naulainta sähköjohtojen kiinnittämiseen.** Työkalua ei ole tarkoitettu sähköjohtojen asentamiseen ja se voi vaurioittaa sähköjohtojen eristeitä aiheuttaen sähköiskun tai tulipalon.
- Pidä kädet ja jalat poissa poistoaukon tuntumasta.**
- Noudata voitelu- ja lisävarusteiden vaihto-ohjeita.**
- Irrota akku aina ennen kiinnittimien lisäämistä ja säätö-, tarkistus- tai huolto toimia ja kun lopetat työkalun käytön.**
- Varmista ennen käyttöä, ettei lähellä ole ketään. Älä koskaan yritä viedä läpi kiinnittimiä samaan aikaan seinän sisä- ja ulkopuolelta. Kiinnittimet voivat tunkeutua läpi ja/tai kimmot ja aiheuttaa vakavia vaaratilanteita.**
- Huolehdi jalansijasta ja säilytä tasapaino käsitellessäsi työkalua. Varmista, ettei kukaan ole alapuolella, kun työskentelet korkeissa paikoissa.**
- Älä koskaan käytä naulainta seuraavanlaisiin erityistiloihin, joissa on merkintä "Älä käytä telineillä, tikkailla", kuten esimerkiksi:**
  - jos käyttöpaikan vaihtaminen edellyttää telinien, portaiden, tikkaiden tai vastaavien rakennelmien, kuten kattorimoituksen käyttöä,
  - laatikoiden tai häkkien sulkeminen,
  - kuljetuskäyttöisten turvajärjestelmien kiinnittäminen esim. ajoneuvoihin tai vaunuihin.

- Tarkista seinät, katot, lattiat, kattorakenteet ja vastaavat huolella välttääksesi sähköjohtoon, kanavaan tai kaasuputkeen osuvan niittaamisen aiheuttaman sähköiskun, kaasuvuodon, räjähdysksen tms.**
- Käytä vain tässä ohjekirjassa ilmoitettuja kiinnittämiä.** Kaikkien muiden kiinnittimien käyttäminen voi aiheuttaa työkaluun toimintahäiriön.
- Älä tee työkaluun muutoksia äläkä yritä käyttää sitä muuhun kuin kiinnittimien kiinnittämiseen.**
- Älä käytä työkalua ilman kiinnittämiä. Se lyhentää työkalun palveluikää.**
- Lopeta käyttö välittömästi, jos havaitset työkalussa jotain vikaa tai tavallisesta poikkeavaa.**
- Älä koskaan niittaa materiaalia, jonka kiinnitin voi läpäistä ja jatkaa lentorataansa.**
- Älä koskaan käytä liipaisinta ja turvavipua samanaikaisesti, ennen kuin olet valmis työkappaleiden kiinnittämiseen. Anna työkappaleen puristua turvavipua vasten. Älä koskaan vähennä sen turvavaikutusta lukitsemalla turvavipu taka-asentoon tai painamalla sitä kädellä.**
- Älä koskaan peukaloi turvakytintä. Tarkista usein, että turvakytin toimii asianmukaisesti.**
- Poista aina kiinnittimet työkalusta, kun työkalu ei ole käytössä.**

## SÄILYTÄ NÄMÄ OHJEET.

**VAROITUS:** ÄLÄ anna työkalun helppokäyttöisyyden (toistuvan käytön aikaansaama) johtaa sinua väärään turvallisuuden tunteeseen niin, että laiminlyöt työkalun turvaohjeiden noudattamisen. **VÄÄRINKÄYTTÖ** tai tässä käyttöohjeessa ilmoitettujen turvamääräysten laiminlyönti voi aiheuttaa vakavia henkilövahinkoja.

## Akkupakettia koskevia tärkeitä turvaohjeita

- Ennen akun käyttöönottoa tutustu kaikkiin laturissa (1), akussa (2) ja akkukäyttöisessä tuotteessa (3) oleviin varoitusteksteihin.**
- Älä pura tai peukaloi imuria akkupakettia.** Se voi johtaa tulipaloon, ylikuumenemiseen tai räjähdyskseen.
- Jos akun toiminta-aika lyhenee merkittävästi, lopeta akun käyttö.** Seurauksena voi olla ylikuumeneminen, palovammoja tai jopa räjähdys.
- Jos akkunestettä pääsee silmiin, huuhtele puhtaalla vedellä ja hakeudu välittömästi lääkärin hoitoon. Akkuneste voi aiheuttaa näön menetyksen.**
- Älä oikosulje akkua.**
  - Älä koske akun napoihin millään sähköä johtavalla materiaalilla.**
  - Vältä akun oikosulkemista äläkä säilytä akkua yhdessä muiden metalliesineiden, kuten naulojen, kolikoiden ja niin edelleen kanssa.**
  - Älä aseta akkua alttiiksi vedelle tai sateelle.**



Oikosulku voi aiheuttaa virtapiikin, ylikuumentumista, palovammoja tai laitteen rikkoontumisen.

- Älä säilytä ja käytä työkalua ja akkupakettia paikassa, jossa lämpötila voi nousta 50 °C:een (122 °F) tai korkeammaksi.
- Älä hävitä akkua polttamalla, vaikka se olisi pahoin vaurioitunut tai täysin loppuun kulunut. Avotuli voi aiheuttaa akun räjähtämisen.
- Älä naulaa, leikkaa, purista, heitä tai pudota akkupakettia tai iske sitä kovia esineitä vasten. Tällaiset toimet voivat johtaa tulipaloon, ylikuumentumiseen tai räjähdykseen.
- Älä käytä viallista akkua.
- Sisältyviä litium-ioni-akkuja koskevat vaarallisten aineiden lainsäädännön vaatimukset. Esimerkiksi kolmansien osapuolten huolintaliikkeiden tulee kaupallisissa kuljetuksissa noudattaa pakkaamista ja merkintöjä koskevia erityisvaatimuksia. Lähetettävän tuotteen valmistelu edellyttää vaarallisten aineiden asiantuntijan neuvontaa. Huomioi myös mahdollisesti yksityiskohtaisemmat kansalliset määräykset  
Akun avoimet liittimet tulee suojata teipillä tai suojuksella ja pakkaaminen tulee tehdä niin, ettei akku voi liikkua pakkauksessa.
- Kun akkupaketti on hävitettävä, poista se laitteesta ja hävitä se turvallisesti. Hävitä akku paikallisten määräysten mukaisesti.
- Käytä akkuja vain Makitan ilmoittamien tuotteiden kanssa. Akkujen asentaminen yhteensopimattomiin tuotteisiin voi aiheuttaa tulipalon, liiallisen ylikuumentumisen, räjähdyksen tai akkunestevuotoja.
- Jos laitetta ei käytetä pitkään aikaan, akku on poistettava laitteesta.
- Akkupaketin lämpötila voi käytön aikana ja sen jälkeen nousta niin kuumaksi, että se voi aiheuttaa palovammoja tai lieviä palovammoja. Käsittele kuumia akkupaketteja huolellisesti.
- Älä kosketa työkalun liittintä välittömästi käytön jälkeen, sillä se voi olla riittävän kuuma aiheuttamaan palovammoja.
- Älä päästä lastuja, pölyä tai maata akkupaketin liittimiin, akkuihin ja uriin. Se voi johtaa työkalun tai akkupaketin lämpenemiseen, syttymiseen, purkautumiseen tai toimintahäiriöön, mikä voi aiheuttaa palovammoja tai vammoja.
- Ellei työkalu tue käyttöä korkeajännitelinjojen lähellä, älä käytä akkupakettia korkeajännitelinjojen lähellä. Se voi johtaa työkalun tai akkupaketin toimintahäiriöön tai rikkoutumiseen.
- Pidä akku poissa lasten ulottuvilta.

## SÄILYÄ NÄMÄ OHJEET.

**⚠HUOMIO:** Käytä vain alkuperäisiä Makita-akkuja. Muiden kuin aitojen Makita-akkujen, tai mahdollisesti muutettujen akkujen käyttö voi johtaa akun murtumiseen ja aiheuttaa tulipaloja, henkilö- ja omaisuusvahinkoja. Se mitätöi myös Makita-työkalun ja -laturin Makita-takuun.

## Vihjeitä akun käyttöön pidentämiseksi

- Lataa akku ennen kuin se purkautuu täysin. Lopeta aina työkalun käyttö ja lataa akku, jos huomaat työkalun tehon vähenevän.
- Älä koskaan lataa uudestaan täysin ladattua akkua. Ylilataaminen lyhentää akun käyttöikää.
- Lataa akku huoneen lämpötilassa välillä 10 °C - 40 °C. Anna kuuman akun jäähtyä ennen lataamista.
- Irrota akkupaketti työkalusta tai laturista, kun sitä ei käytetä.
- Lataa akkupaketti, jos et käytä sitä pitkään aikaan (yli kuusi kuukautta).

## TOIMINTOJEN KUVAUS

**⚠HUOMIO:** Varmista aina ennen säätöjä ja tarkastuksia, että työkalu on sammutettu ja akkupaketti irrotettu.

## Akun asentaminen tai irrottaminen

**⚠HUOMIO:** Sammuta työkalu aina ennen akun kiinnittämistä tai irrottamista.

**⚠HUOMIO:** Pidä työkalusta ja akusta tiukasti kiinni, kun irrotat tai kiinnität akkua. Jos akkupaketti tai työkalu putoaa, ne voivat vaurioitua tai aiheuttaa tapaturman.

► **Kuva1:** 1. Punainen ilmaisin 2. Painike 3. Akkupaketti

Irrota akku painamalla akun etupuolella olevaa painiketta ja vetämällä akku ulos työkalusta.

Akkupaketti asetetaan paikalleen sovitamalla akkupaketin kielekke rungon uraan ja työntämällä se sitten paikalleen. Työnnä se pohjaan asti niin, että kuulet sen napsahdavan paikoilleen. Jos näet kuvan mukaisen punaisen ilmaisimen, lukitus ei ole täysin pitävä.

**⚠HUOMIO:** Työnnä akkupaketti aina pohjaan asti, niin että punainen ilmaisin ei enää näy. Jos akkupaketti ei ole kunnolla paikallaan, se voi pudota työkalusta ja aiheuttaa vammoja joko sinulle tai sivullisille.

**⚠HUOMIO:** Älä käytä voimaa akun asennuksessa. Jos akku ei liu'u paikalleen helposti, se on väärässä asennossa.

## Työkalun/akun suojausjärjestelmä

Työkalu on varustettu työkalu/akun suojausjärjestelmällä. Tämä järjestelmä pidentää työkalun ja akun käyttöikää katkaisemalla automaattisesti moottorin virran. Työkalu pysähtyy automaattisesti kesken käytön, jos työkalussa tai akussa ilmenee jokin seuraavista tilanteista:

## Ylikuormitussuoja

Jos työkalua/akkua käytetään tavalla, joka aiheuttaa poikkeuksellisen suuren sähkökulutuksen, työkalu pysähtyy automaattisesti. Tässä tilanteessa sinun tulee katkaista työkalusta virta ja lopettaa ylikuormituksen aiheuttanut käyttö. Käynnistä työkalu uudelleen kytkemällä virta päälle.



## Ylikuumenemissuoja

Kun työkalu/akku ylikuunenee, työkalu pysähtyy automaattisesti. Anna silloin työkalun/akun jäähtyä, ennen kuin kytket työkaluun uudelleen virran.

## Ylipurkautumissuoja

Kun akun varaus on riittämätön, työkalu pysähtyy automaattisesti. Irrota silloin akku työkalusta ja lataa se.

## Suojaus muilta haitallisilta tapahtumilta

Suojausjärjestelmä on suunniteltu suojaamaan työkalu myös muilta tapahtumilta, jotka voisivat vahingoittaa työkalua, ja pysäyttämään työkalu automaattisesti tällaisissa tapauksissa. Kun työkalu tai sen toiminta on pysähtynyt tilapäisesti tai se on pysähtynyt, poista pysäytyksen syyt seuraavien vaiheiden mukaisesti.
















1. Käynnistä työkalu uudelleen sammuttamalla se ja kytkemällä se sitten uudelleen päälle.
2. Lataa akut tai vaihda ne ladattuihin akkuihin.
3. Anna työkalun ja akkujen jäähtyä.

Jos suojausjärjestelmän nollaaminen ei korjaa tilannetta, ota yhteys paikalliseen Makita-huoltoon.

## Akun jäljellä olevan varauksen ilmaisin

Painamalla tarkistuspainiketta saat näkyviin akun jäljellä olevan varauksen. Merkkivalot palavat muutaman sekunnin ajan.

► **Kuva2:** 1. Merkkivalot 2. Tarkistuspainike

Merkkivalot			Akussa jäljellä olevan varaus
 Palaa	 Pois päältä	 Viikkuu	
			75% - 100%
			50% - 75%
			25% - 50%
			0% - 25%
			Lataa akku.
 	 		Akussa on saattanut olla toimintahäiriö.

**HUOMAA:** Ilmoitettu varaustaso voi erota hieman todellisesta varaustasosta sen mukaan, millaisissa oloissa ja missä lämpötilassa laitetta käytetään.

**HUOMAA:** Ensimmäinen (vasemmanpuoleisin) merkkivalo viikkuu, kun akun suojausjärjestelmä on toiminnassa.

## Liipaisinlukkopainike

**▲HUOMIO:** Tarkista aina ennen akkupaketin asettamista työkaluun, että liipaisinkytkin kytketty oikein ja palaa ”OFF”-asentoon, kun se vapautetaan.

**▲HUOMIO:** Kun et käytä työkalua, lukitse liipaisinkytkin OFF-asentoon painamalla liipaisinlukkopainiketta B-puolelta.

► **Kuva3:** 1. Liipaisinlukkopainike 2. Liipaisinkytkin

► **Kuva4**

Laitteessa on liipaisinlukkopainike, joka estää liipaisinkytkimen painamisen vahingossa.

Vetääksesi kytkinlaukaisimesta, paina liipaisinlukkopainiketta A-puolelta.

Paina aina käytön jälkeen liipaisinlukkopainiketta B-puolelta.

## Naulaimen syvyydensäätö

**▲VAROITUS:** Varmista aina, ettei sormesi ole liipaisimen tai turvavivun päällä, sekä että akku on poistettu ennen naulaimen naulassyvyysnäköalaa säätöä.

Naulaussyvyvyyttä voi muuttaa kääntämällä työkalussa olevaa säädintä. Naula menee syvemmälle, kun säädintä käännetään kuvan suuntaan A, ja matalammalle, kun käännetään suuntaan B. Säätöalue on enintään 1,5 mm.

► **Kuva5:** 1. Säädin

► **Kuva6:** 1. Liian syvä 2. Oikea syvyys 3. Liian matala

## Lampun syyttäminen

**▲HUOMIO:** Älä katso suoraan lamppuun tai valonlähteeseen.

Lamppu syttyy, kun painat liipaisinkytkintä tai aktivoit turvakytkimen. Lamppu palaa enintään 60 sekuntia, kuin liipaisinkytkintä pidetään painettuna tai turvakytkin on aktivoituna. Lamppu sammuu noin 10 sekunnin kuluttua liipaisinkytkimen tai turvakytkimen vapauttamisesta.

► **Kuva7:** 1. Lamppu

**HUOMAUTUS:** Pyyhi lika pois linssistä kuivalla liinalla. Varo naarmuttamasta linssiä, ettei valoteho laske.

**HUOMAUTUS:** Työkalu ei ehkä iske nauloja akun varauksen vähennyttyä, vaikka lamppu palaisi edelleen. Tässä tapauksessa akkupakkaus on ladattava.

**HUOMAUTUS:** Jos työkalu on ylikuumentunut, lamppu viikkuu. Tässä tapauksessa pitää vapauttaa liipaisinkytkin ja turvakytkin ja antaa työkalun/akun jäähtyä ennen käytön jatkamista.

**HUOMAUTUS:** Lamppu alkaa viikkuu, jos naulain havaitsee naulaamisen aikana virheen. Tässä tapauksessa naulain pitää viedä valtuutettuun huoltoptiteeseen.

# KOKOONPANO

**▲HUOMIO:** Varmista aina, ettei sormesi ole liipaisimen tai turvavivun päällä, sekä että akku on poistettu ennen minkäänlaisen työn suorittamista naulaimella.

## Naulojen asettaminen ja poistaminen

**▲HUOMIO:** Varmista aina ennen naulojen asettamista, että sormesi eivät ole liipaisimella ja että akkupaketti on poistettu. Tahaton toiminta voi aiheuttaa henkilö- tai laitevahinkoja.

**▲HUOMIO:** Vältä makasiinin liukuoven paiskaamista auki ja kiinni, kun nauloja asetetaan makasiiniin. Naulojen tahaton pudottaminen erityisesti korkealla työskennellessä voi aiheuttaa henkilövahinkoja.

1. Paina lukitusvipua ja avaa makasiinin liukukansi.  
► **Kuva8:** 1. Lukitusvipu 2. Liukukansi 3. Makasiini
  2. Aseta naulanauha niin, että pisteelliset kolmiot osoittavat alaspäin ja naulojen kärjet ovat makasiinin pohjalla olevien ohjainurien kohdalla. Varmista, että naulojen kärjet koskettavat makasiinin pohjaa, ja työnnä sitten naulanauhaa varovasti käyttöön ohjainta kohti.  
► **Kuva9:** 1. Naulat 2. Pisteellinen kolmio 3. Ohjainurat 4. Käyttöön ohjain
- **Kuva10:** 1. Naulat 2. Makasiinin pohja 3. Väliit

**HUOMAUTUS:** Varmista, että naulojen kärjet ovat lujasti makasiinin pohjalla. Väliit naulojen kärkien ympärillä voivat aiheuttaa jumiutumisen ja vahingoittaa työkalua.

**HUOMAUTUS:** Aseta naulat oikeassa suunnassa. Väärässä suunnassa asettaminen voi aiheuttaa ohjaimen enneaikaista kulumista ja muiden osien vaurioitumista.

**HUOMAUTUS:** Älä käytä vääntyneitä naulanauhoja. Käytä tässä oppaassa määritettyjä nauloja.. Määryksistä poikkeavien naulojen käyttö voi johtaa naulan jumiutumiseen ja työkalun rikkoutumiseen.

**HUOMAUTUS:** Vältä vähän nauloja sisältävien naulanauhojen käyttöä varsinkin, jos naulat ovat lyhyitä. Se voi aiheuttaa jumiutumisen ja vahingoittaa työkalua.

**HUOMAUTUS:** Älä aseta eripituisia nauloja sisältäviä naulanauhoja tai useita lyhyitä naulanauhoja kerrallaan. Muu voi johtaa jumiutumiseen tai työkalun vahingoittumiseen.

3. Palauta liukuovi alkuasentoonsa ja lukitse se paikalleen lukitusvivulla.

**HUOMAUTUS:** Sulje liukuovi varovasti. Liiallinen voima voi aiheuttaa sen, että naulat vääntyvät eikä liukuovi palaa alkuasentoonsa.

Kun poistat naulat, paina lukitusvipua ja avaa liukuovi. Ota naulat makasiinista.

# Nokkasovitin

**▲HUOMIO:** Varmista aina, ettei sormesi ole liipaisimen tai käyttöön päällä, sekä että akku on poistettu ennen nokkasovittimen asentamista.

Kun naulojen kohteena on materiaali, jonka pinta vioituu helposti, käytä nokkasovittinta.

Aseta nokkasovitin käyttöön ohjaimen yläpinnalle niin, että nokkasovittimen sisällä olevat ohjainulokkeet sopivat käyttöön ohjaimen ohjainkoloihin.

Voit estää nokkasovittimen katoamisen säilyttämällä sitä makasiinin takaosassa olevassa pidikkeessä.

- **Kuva11:** 1. Nokkasovitin 2. Käyttöön ohjain 3. Ohjainulokkeet 4. Ohjainkolut 5. Pidike

## Nokkasovitin litteille pinnoille

### Valinnainen lisävaruste

Käytä valinnaista nokkasovittinta, joka on suunniteltu kiinnittämiseen litteillä ja tasaisilla pinnoilla. Se suojaa työkalulle pehmeitä pintoja pyöreän ja suipon esiin aiheuttamilta painaumuilta ja naarmuilta.

- **Kuva12**

Aseta valinnainen nokkasovitin käyttöön ohjaimen yläpinnalle niin, että nokkasovittimen sisällä olevat ohjainulokkeet sopivat käyttöön ohjaimen ohjainkoloihin.

- **Kuva13:** 1. Valinnainen nokkasovitin 2. Käyttöön ohjain 3. Ohjainulokkeet 4. Ohjainkolut

# Koukku

**▲HUOMIO:** Kun asennat koukun, kiristä se aina kiinni ruuvilla. Muutoin koukku voi irrota laitteesta ja aiheuttaa henkilövamman.

**▲HUOMIO:** Käytä ripustus-/kiinnitysosia vain niiden käyttötarkoituksen mukaisesti. Epätarkoituksenmukainen käyttö voi johtaa onnettomuuteen tai henkilövahinkoon.

**▲HUOMIO:** Älä ripusta koukkuja vyönauhasta. Naulaimen pudottaminen sen takia, että koukku siirtyy vahingossa paikaltaan, voi aiheuttaa tahattoman laukeamisen ja johtaa henkilövahinkoihin.

- **Kuva14**

Työkalu voidaan kätevästi ripustaa väliaikaisesti koukkuun. Tämä voidaan asentaa kummalle puolelle työkalua tahansa.

Asenna koukku työntämällä se työkalun rungon uraan jommallekummalle puolelle ja varmista kiinnitys ruuvilla. Voit irrottaa koukun löysäämällä ja irrottamalla ruuvin.

- **Kuva15:** 1. Ura 2. Koukku 3. Ruuvi

## Kuusioavaimen säilytys

Säilytä kuusioavainta kuvan osoittamassa paikassa sen katoamisen välttämiseksi.

- **Kuva16:** 1. Kuusioavain

# TYÖSKENTELY

## Turvajärjestelmän testaaminen

**VAROITUS:** Varmista ennen käyttöä, että kaikki turvajärjestelmät toimivat. Muuten seurauksena voi olla henkilövamma.

- **Kuva17:** 1. Liipaisinlukkopainike 2. Liipaisinkytkin 3. Turvakytkin 4. Makasiini

Testaa turvajärjestelmät mahdollisen häiriöiden varalta ennen käytön aloittamista.

1. Poista naulat työkalusta ja jätä makasiini auki.
2. Asenna akku ja vapauta liipaisinlukko.
3. Paina liipaisinkytkintä koskematta materiaalia turvakytkimellä.
4. Paina turvakytkin materiaalia vasten liipaisinkytkintä painamatta.

Jos työkalu toimii edellä kuvatuissa kohdissa 3 tai 4, turvajärjestelmät ovat vialliset. Lopeta työkalun käyttö ja ota yhteyttä paikalliseen huoltoedustajaan.

## Naulaaminen

**VAROITUS:** Älä käytä tätä naulainta sähköjohtojen kiinnittämiseen. Sitä ei ole suunniteltu sähköjohtojen asentamiseen, ja se voi vahingoittaa sähköjohtojen eristystä ja aiheuttaa siten sähköiskun tai tulipalon vaaran.

**VAROITUS:** Jatka pitämällä turvavipua tiukasti kiinni materiaalissa, kunnes naula uppoaa täysin materiaalin sisään. Tahaton laukaiseminen voi aiheuttaa henkilövahinkoja.

**HUOMIO:** Pidä työkalusta kiinni tukevasti käytön aikana.

**HUOMIO:** Älä käytä työkalua yli sallitun jatkuvan ajan. Muuten työkalu voi vaurioitua ja aiheuttaa henkilövahinkoja.

**HUOMAUTUS:** Työkalu ei jatka kiinnittämistä viiteen sekuntiin, kun turvakytkin koskettaa työkalua. Vedä turvakytkin irti työkalusta ja aseta se uudelleen, jotta voi jatkaa kiinnittämistä.

1. Vapauta liipaisinlukko.
  2. Aseta turvakytkin työkalua vasten.
  3. Laukaise naula vetämällä liipaisin pohjaan.
  4. Laukaise seuraava naula vapauttamalla sormesi liipaisimelta ja toistamalla tämän jälkeen vaiheet 2 ja 3.
- **Kuva18:** 1. Liipaisin 2. Turvavipu

Voit myös laukaista nauloja vetämällä työkalua seuraavaan kohtaan turvavipun ollessa painettuna materiaalia vasten ja käyttämällä liipaisinta.

► **Kuva19**

Jos työkalu ei laukaista naulan kärjet pysyvät pinnan yläpuolella, laukaise naula niin, että pidät samalla naulaimen päätä tukevasti työkalua vasten.

► **Kuva20**

**HUOMAA:** Jos naulan pää on edelleen työkalun yläpuolella, vaikka pitelet naulaimen päätä, materiaali ei ehkä sovi naulaimelle. Jos naulainta edelleen käytetään tällaisessa materiaalissa, naulaimen ohjain voi vaurioitua ja/tai naulain jumiuutua.

## Tyhjälaukaisun estomekanismi

**VAROITUS:** Varmista aina ennen naulojen asettamista, etteivät sormesi ole liipaisinkytkimellä tai turvakytkimellä ja että akkupakkaus on irrotettu.

Kun makasiinissa on jäljellä enää 0 - 3 naulaa, liipaisinkytkintä ei voi vetää. Aseta silloin makasiiniin uusi nauha nauloja, jotta liipaisinkytkintä voi taas vetää.

**HUOMAA:** Kun laukaiset eripituisia nauloja pian tyhjälaukaisun estomekanismin toimittua, aseta makasiiniin uusi nauha nauloja ja laukaise kaikki jäljellä olevat naulat hukkamateriaaliin.

## Jäljellä olevien naulojen tarkistaminen

Voit tarkistaa jäljellä olevien naulojen määrän täyhystinkunan kautta.

Punainen ilmaisin liikkuu laukaisuaukkoa kohti jäljellä olevien naulojen määrän pienentyessä.

► **Kuva21:** 1. Täyhystinkuna 2. Ilmaisin

## Jumiutuneiden naulojen poistaminen

**VAROITUS:** Varmista aina ennen jumiutuneiden naulojen poistamista, että liipaisin on vapautettu ja akkupaketti ja naulat poistettu.

**HUOMIO:** Älä poista jumiutuneita nauloja paljain käsin. Naulat voivat ponnahtaa makasiinista ja aiheuttaa vamman.

1. Poista kaikki makasiiniin jääneet naulat.
  2. Avaa käyttöä ohjaimen kannen kolme kuusiopulttia kuusioavaimella.
  3. Poista jumiutuneet naulat käyttöä ohjaimen nauhaohjaimen urista.
- **Kuva22:** 1. Kuusiopultti 2. Käyttöä ohjaimen kansi 3. Turvakytkimen yläkansi 4. Käyttöä ohjain

**HUOMAA:** Jos jumiutuneiden naulojen poistaminen tuntuu vaikealta, löysennä turvakytkimen kannen kaksi kuusiopulttia kuusioavaimella ja poista sitten jumiutuneet naulat käyttöä ohjaimesta.

4. Aseta kannet takaisin paikoilleen ja kiinnitä ne kuusiopulteilla käyttöä ohjaimen päälle.

**HUOMAUTUS:** Kun olet selvittänyt tukoksen, varmista aina, että käyttöä ohjaimen kannet on koottu oikein. Jos käyttöä ohjain toimii väärin, kokoa se uudelleen kuusiopulteilla.

# KUNNOSSAPITO

**⚠HUOMIO:** Varmista aina ennen tarkastusta tai huoltoa, että työkalu on sammutettu ja akku irrotettu.

**HUOMAUTUS:** Älä koskaan käytä bensiiniä, ohenteita, alkoholia tai tms. aineita. Muutoin pinta voi halkeilla tai sen värit ja muoto voivat muuttua. Muutoin laitteeseen voi tulla värjäytyimiä, muodon vääristymiä tai halkeamia.

Tuotteen TURVALLISUUDEN ja LUOTETTAVUUDEN takaamiseksi korjaukset, muut huoltotyöt ja säädöt on teetettävä Makitan valtuutetussa huoltopisteessä Makitan varaosia käyttäen.

## Makasiinin puhdistaminen

Puhdista makasiinin sisäpuoli säännöllisesti. Puhalla tai pyyhi ohjainuriin kertynyt lika, pöly, purut ja naulojen liima.

► **Kuva23:** 1. Ohjainurat

**HUOMAUTUS:** Ohjainuriin kertynyt lika ja pöly voivat häiritä naulojen syöttöä ja aiheuttaa silloin tällöin tyhjälaukaisuja.

# LISÄVARUSTEET

**⚠HUOMIO:** Seuraavia lisävarusteita tai laitteita suositellaan käytettäväksi tässä ohjeessa kuvatus Makita-työkalun kanssa. Muiden lisävarusteiden tai laitteiden käyttö voi aiheuttaa henkilövahinkoja. Käytä lisävarusteita ja -laitteita vain niiden käyttötarkoituksen mukaisesti.

Jos tarvitset apua tai yksityiskohtaisempia tietoja seuraavista lisävarusteista, ota yhteys paikalliseen Makitan huoltoon.

- Naulat
- Suojalasit
- Nokkasovitin (litteille pinnoille kiinnittämiseen)
- Aito Makitan akku ja laturi

**HUOMAA:** Jotkin luettelossa mainitut varusteet voivat sisältyä työkalun toimitukseen vakiovarusteina. Ne voivat vaihdella maittain.

## SPECIFIKATIONER

Model:	PT001G
Størrelse af stifter	ø0,6 mm x 15, 18, 25, 30, 35 mm
Kapacitet af stiftemagasin	100 stk.
Mål med BL4025, uden krog (L x B x H)	265 mm x 86 mm x 226 mm
Mærkespænding	D.C. Maks. 36 V - 40 V
Nettovægt	2,4 - 3,0 kg

- På grund af vores kontinuerlige forsknings- og udviklingsprogrammer kan hosstående specifikationer blive ændret uden varsel.
- Specifikationer og akku kan variere fra land til land.
- Vægten kan være anderledes afhængigt af tilbehøret, inklusive akkuen. Den letteste og tungeste kombination i henhold til EPTA-procedure 01/2014 er vist i tabellen.

## Anvendelig akku og oplader

Akku	BL4020* / BL4025* / BL4040 / BL4050F * : Anbefalet batteri
Oplader	DC40RA / DC40RB / DC40RC

- Nogle af de akkuer og opladere, der er angivet ovenfor, er muligvis ikke tilgængelige, afhængigt af hvilket område du bor i.

**⚠ ADVARSEL: Brug kun de akkuer og opladere, der er angivet ovenfor. Brug af andre akkuer og opladere kan medføre personskaade og/eller brand.**

## Tilsligtet anvendelse

Maskinen er beregnet til at trykke stifter ind i byggematerialer som f.eks. tømmer.

## Støj

Det typiske A-vægtede støjniveau bestemt i overensstemmelse med EN60745-2-16:

Lydtryksniveau ( $L_{pA}$ ): 79 dB (A)

Usikkerhed (K): 3 dB (A)

Støjniveauet under arbejdet kan overskride 80 dB (A).

**BEMÆRK:** De(n) angivne støjemissionsværdi(er) er målt i overensstemmelse med en standardtestmetode og kan anvendes til at sammenligne en maskine med en anden.

**BEMÆRK:** De(n) angivne støjemissionsværdi(er) kan også anvendes i en præliminær eksponeringsvurdering.

**⚠ ADVARSEL: Bær høreværn.**

**⚠ ADVARSEL:** Støjemissionen under den faktiske anvendelse af maskinen kan være forskellig fra de(n) angivne værdi(er), afhængigt af den måde hvorpå maskinen anvendes, især den type arbejdsemne der behandles.

**⚠ ADVARSEL:** Sørg for at identificere de sikkerhedsforskrifter til beskyttelse af operatøren, som er baseret på en vurdering af eksponering under de faktiske brugsforhold (med hensyntagen til alle dele i brugscyklussen, f.eks. de gange, hvor maskinen er slukket, og når den kører i tomgang i tilgift til afbrydertiden).

## Vibration

Den samlede vibrationsværdi bestemt i henhold til EN60745-2-16:

Vibrationsemission ( $a_h$ ): 2,5 m/s<sup>2</sup> eller mindre

Usikkerhed (K): 1,5 m/s<sup>2</sup>

**BEMÆRK:** De(n) angivne totalværdi(er) for vibration er målt i overensstemmelse med en standardtestmetode og kan anvendes til at sammenligne en maskine med en anden.

**BEMÆRK:** De(n) angivne totalværdi(er) for vibration kan også anvendes i en præliminær eksponeringsvurdering.

**⚠ ADVARSEL: Vibrationsemissionen under den faktiske anvendelse af maskinen kan være forskellig fra de(n) angivne værdi(er), afhængigt af den måde hvorpå maskinen anvendes, især den type arbejdsemne der behandles.**

**⚠ ADVARSEL:** Sørg for at identificere de sikkerhedsforskrifter til beskyttelse af operatøren, som er baseret på en vurdering af eksponering under de faktiske brugsforhold (med hensyntagen til alle dele i brugscyklussen, f.eks. de gange, hvor maskinen er slukket, og når den kører i tomgang i tilgift til afbrydertiden).

## EF-overensstemmelseserklæring

*Kun for lande i Europa*

EF-overensstemmelseserklæringen er inkluderet som Bilag A i denne brugsanvisning.

# SIKKERHEDSADVARSLER

## Almindelige sikkerhedsregler for el-værktøj

**⚠ ADVARSEL:** Læs alle de sikkerhedsadvarsler, instruktioner, illustrationer og specifikationer, der følger med denne maskine. Forsømmelse af at overholde alle nedenstående instruktioner kan medføre elektrisk stød, brand og/eller alvorlig personskade.

## Gem alle advarsler og instruktioner til fremtidig reference.

Ordet "el-værktøj" i advarselne henviser til det netforsyede (netledning) el-værktøj eller batteriforsyede (akku) el-værktøj.

## Sikkerhedsadvarsler for akku-stiftepistol

1. Gå altid ud fra, at maskinen indeholder fastgørelsesmidler. Uforsigtig håndtering af stiftepistolen kan medføre uventet affyring af fastgørelsesmidler og personskade.
2. Ret ikke maskinen mod dig selv eller andre i nærheden. Uventet udløsning vil affyre fastgørelsesmidlet og medføre personskade.
3. Aktiver ikke maskinen, medmindre maskinen er anbragt fast mod arbejdsområdet. Hvis maskinen ikke har kontakt med arbejdsområdet, kan fastgørelsesmidlet blive slynget væk fra målet.
4. Afbryd maskinen fra strømkilden, hvis fastgørelsesmidlet sætter sig fast i maskinen. Hvis stiftepistolen er tilsluttet, kan den blive aktiveret ved et uheld under fjernelsen af et fastklemt fastgørelsesmiddel.
5. Vær forsigtig ved fjernelse af et fastklemt fastgørelsesmiddel. Mekanismen kan være under tryk, og fastgørelsesmidlet kan blive udløst med stor kraft under forsøg på at afhjælpe en fastklemning.
6. Anvend ikke stiftepistoler til at fastgøre el-kabler. Den er ikke beregnet til installation af el-kabler og kan beskadige el-kablernes isolation og derved forårsage elektrisk stød og brandfare.
7. Hold hænder og fødder på god afstand af udsukkningsportens område.
8. Følg instruktionerne for smøring og udskiftning af tilbehør.
9. Tag altid akkuen ud før indsættelse af fastgørelsesmidler, justering, inspektion, vedligeholdelse, eller når du er færdig med brugen.
10. Sørg for, at der ikke er andre i nærheden, før du påbegynder brugen. Forsøg aldrig at indsætte fastgørelsesmidler fra både inder- og ydersiden af væggen på samme tid. Fastgørelsesmidler kan gå gennem og/eller flyve væk, hvilket kan være meget farligt.
11. Sørg for solidt fodfæste, og hold altid balancen med maskinen. Sørg for, at der ikke befinder sig nogen under dig, når du arbejder på højtliggende steder.

12. Anvend aldrig maskiner til idrivning af fastgørelsesmidler, der er mærket med symbolet "Må ikke anvendes på stilladser og stiger", til bestemte formål, f.eks.:
  - ved skift fra et arbejdssted til et andet, der involverer brug af stilladser, trapper, stiger eller stige-lignende konstruktioner som f.eks. taglægtter
  - lukning af kasser eller tremmekasser
  - montering af transportsikkerhedssystemer, f.eks. på biler og vogne.
13. Kontroller omhyggeligt vægge, lofter, gulve, tagmaterialer og lignende for at undgå risiko for elektrisk stød, udsivning af gas, eksplosioner osv. forårsaget af indfald af krampor i strømførende ledninger, ledningsrør eller gasrør.
14. Brug kun de i denne brugsvejledning specificerede fastgørelsesmidler. Brug af andre fastgørelsesmidler kan bevirke, at maskinen ikke fungerer korrekt.
15. Foretag ikke ændringer til maskinen, og forsøg ikke at bruge den til andre formål end at indsætte fastgørelsesmidler.
16. Anvend ikke maskinen uden fastgørelsesmidler. Det forkorter maskinens levetid.
17. Ophør øjeblikkeligt med arbejdet, hvis du registrerer, at noget er forkert eller virker usædvanligt ved maskinen.
18. Fastgør aldrig i materialer, hvor fastgørelsesmidlet kan slå hul og flyve igennem som et projektil.
19. Aktiver aldrig afbryderknappen og kontaktelelementet samtidig, før du er klar til at fastgøre arbejdsområdet. Lad arbejdsområdet trykke kontaktelelementet ned. Tilsidesæt aldrig kontaktelelementets formål ved at fastgøre det tilbage eller holde det nede med hånden.
20. Lav aldrig om på kontaktelelementet. Kontroller hyppigt, at kontaktelelementet fungerer korrekt.
21. Fjern altid fastgørelsesmidler fra maskinen, når den ikke er i brug.

## GEM DENNE BRUGSANVISNING.

**⚠ ADVARSEL:** LAD IKKE bekvemmelighed eller kendskab til produktet (opnået gennem gentagen brug) forhindre, at sikkerhedsforskrifterne for produktet nøje overholdes. MISBRUG eller forsømmelse af at følge de i denne brugsvejledning givne sikkerhedsforskrifter kan føre til, at De kommer alvorligt til skade.

## Vigtige sikkerhedsinstruktioner for akkuen

1. Læs alle instruktioner og advarselsmærkater på (1) akku-opladeren, (2) akkuen og (3) produktet, som anvender akku.
2. Adskil eller ændr ikke akkuen. Det kan muligvis resultere i en brand, overdreven varme eller eksplosion.
3. Hold straks op med anvendelsen, hvis brugstiden er blevet stærkt afkortet. Fortsat anvendelse kan resultere i risiko for overophedning, forbrændinger og endog eksplosion.
4. Hvis De har fået elektrolytvæske i øjnene, skal De straks skylle den ud med rent vand og derefter øjeblikkeligt søge lægehjælp. I modsat fald kan De miste synet.

5. Vær påpasselig med ikke at komme til at kortslutte akkuen:
  - (1) Rør ikke ved terminalerne med noget ledende materiale.
  - (2) Udgå at opbevare akkuen i en beholder sammen med andre genstande af metal, for eksempel søm, mønter og lignende.
  - (3) Udsæt ikke akkuen for vand eller regn. Kortslutning af akkuen kan forårsage en kraftig øgning af strømmen, overophedning, mulige forbrændinger og endog værktøjstop.
6. Opbevar og brug ikke maskinen og akkuen på steder, hvor temperaturen muligvis kan nå eller overstige 50 °C.
7. Lad være med at brænde akkuen, selv ikke i tilfælde, hvor den har lidt alvorlig skade eller er fuldstændig udtjent. Akkuen kan eksplodere, hvis man forsøger at brænde den.
8. Slå ikke søm i, skær ikke i, knus, kast, tab ikke akkuen og stød ikke akkuen mod en hård genstand. Sådant adfærd kan muligvis resultere i en brand, overdreven varme eller eksplosion.
9. Anvend ikke en beskadiget akku.
10. De indbyggede litium-ion-batterier er underlagt lovkrav vedrørende farligt gods. Ved kommerciel transport, f.eks. af tredjeparts transportselskaber, skal særlige krav til forpakning og mærkning overholdes. Ved forberedelse af udstyret til forsendelse skal du kontakte en ekspert i farligt gods. Overhold også eventuel mere detaljeret national lovgivning. Tape eller tildæk åbne kontakter, og pak batteriet på en måde, så det ikke kan flytte sig rundt i pakningen.
11. Når akkuen bortskaffes, skal du fjerne den fra maskinen og bortskaffe den på et sikkert sted. Følg de lokale love vedrørende bortskaffelsen af batterier.
12. Brug kun batterierne med de produkter, som Makita specificerer. Hvis batterierne installeres i ikke-kompatible produkter, kan det medføre brand, kraftig varme, eksplosion eller udsivning af elektrolyt.
13. Hvis maskinen ikke skal bruges i længere tid ad gangen, skal du fjerne batteriet fra maskinen.
14. Akkuen kan muligvis under og efter brug være varm, hvilket kan forårsage forbrændinger eller lavtemperaturforbrændinger. Vær påpasselig med håndtering af varme akkuer.
15. Rør ikke terminalen på maskinen straks efter brug, da den bliver varm nok til at forårsage forbrændinger.
16. Sørg for, at spåner, støv eller jord ikke sætter sig fast i akkuens terminaler, huller og riller. Det kan forårsage opvarmning, antændelse, sprængning og funktionsfejl i maskinen eller akkuen, hvilket kan medføre forbrændinger eller personskade.
17. Medmindre maskinen understøtter brugen i nærheden af elektriske højspændingsledninger, skal du ikke anvende akkuen i nærheden af elektriske højspændingsledninger. Det kan muligvis medføre funktionsfejl på eller nedbrud af maskinen eller akkuen.
18. Opbevar batteriet utilgængeligt for børn.

**⚠FORSIGTIG:** Brug kun originale batterier fra Makita. Brug af uoriginale Makita-batterier, eller batterier som er blevet ændret, kan muligvis medføre brud på batteriet, hvilket kan forårsage brand, personskade eller beskadigelse. Det ugyldiggør også Makita-garantien for Makita-maskinen og opladeren.

## Tips til opnåelse af maksimal akku-levetid

1. Oplad akkuen, inden den er helt afladet. Stop altid værktøjet, og oplad akkuen, hvis De bemærker, at værktøjeffekten er aftagende.
2. Genoplad aldrig en fuldt opladet akku. Overopladning vil forkorte akkuens levetid.
3. Oplad akkuen ved stuetemperatur ved 10 °C - 40 °C. Lad altid en varm akku få tid til at køle af, inden den oplades.
4. Når du ikke anvender akkuen, skal du fjerne den fra maskinen eller opladeren.
5. Oplad akkuen, hvis De ikke skal bruge den i længere tid (mere end seks måneder).

## FUNKTIONSBESKRIVELSE

**⚠FORSIGTIG:** Sørg altid for at maskinen er slukket, og at akkuen er taget ud, før der udføres justering eller kontrol af funktioner på maskinen.

## Isætning eller fjernelse af akkuen

**⚠FORSIGTIG:** Sluk altid for værktøjet, før De monterer eller fjerner akkuen.

**⚠FORSIGTIG:** Hold værktøjet og akkuen fast ved montering eller fjernelse af akkuen. Hvis De ikke holder værktøjet og akkuen fast, kan de glide ud af hænderne på Dem og forårsage beskadigelse af værktøjet og akkuen eller personskade.

► Fig. 1: 1. Rød indikator 2. Knap 3. Akku

Akkuen fjernes ved, at De trækker den ud af værktøjet, idet De skyder knappen på forsiden af akkuen i stilling.

For at montere akkuen skal du justere tungen på akkuen med rillen i huset og skubbe den på plads. Indsæt den hele vejen, indtil den låses på plads med et lille klik. Hvis du kan se den røde indikator, som vist i figuren, er den ikke helt låst.

**⚠FORSIGTIG:** Monter altid akkuen helt, indtil den røde indikator ikke længere er synlig. Hvis dette ikke gøres, kan den falde ud af værktøjet ved et uheld, hvorved De selv eller personer i nærheden kan komme til skade.

**⚠FORSIGTIG:** Brug ikke magt ved montering af akkuen. Hvis akkuen ikke glider på plads uden problemer, betyder det, at den ikke sættes i på korrekt vis.

**GEM DENNE BRUGSANVISNING.**



## Beskyttelsessystem til værktøj/batteri

Maskinen er udstyret med et beskyttelsessystem til maskinen/batteriet. Dette system afbryder automatisk strømmen til motoren for at forlænge maskinens og batteriets levetid. Maskinen stopper automatisk under brugen, hvis maskinen eller batteriet udsættes for et af følgende forhold:

### Overbelastningsbeskyttelse

Når maskinen/batteriet betjenes på en måde, der får den/det til at bruge unormalt meget strøm, stopper maskinen automatisk. I denne situation skal du slukke for maskinen og stoppe den anvendelse, der fik maskinen til at blive overbelastet. Tænd derefter maskinen for at starte igen.

### Beskyttelse mod overophedning

Hvis maskinen/batteriet er overophedet, stopper maskinen automatisk. Lad i så fald maskinen/batteriet køle ned, før der tændes for maskinen igen.

### Beskyttelse mod overafledning

Når batteriladningen er utilstrækkelig, stopper maskinen automatisk. Tag i så fald akkuen ud af maskinen, og oplad akkuen.

### Beskyttelse mod andre årsager

Beskyttelsessystemet er også designet til andre årsager, der kan beskadige maskinen og gøre det muligt for maskinen at stoppe automatisk. Træf alle følgende foranstaltninger for at fjerne årsagerne, når maskinen midlertidigt er blevet bragt til standsning eller stoppet i drift.

1. Sluk for maskinen, og tænd den igen for at genstarte.
2. Oplad batteriet/batterierne eller udskift det/dem med genopladet/genopladede batteri/batterier.
3. Lad maskinen og batteriet/batterierne køle af.

Hvis der ikke kan findes nogen forbedring ved at gendanne beskyttelsessystemet, skal det lokale Makita-servicecenter kontaktes.

## Indikation af den resterende batteriladning

Tryk på kontrolknappen på akkuen for at få vist den resterende batteriladning. Indikatorlampen lyser i nogle sekunder.

► **Fig.2:** 1. Indikatorlamper 2. Kontrolknop

Indikatorlamper			Resterende ladning
Tændt	Slukket	Blinker	
			75% til 100%
			50% til 75%
			25% til 50%
			0% til 25%
			Genoplad batteriet.
			Der er muligvis fejl i batteriet.

**BEMÆRK:** Afhængigt af brugsforholdene og den omgivende temperatur kan indikationen afvige en smule fra den faktiske ladning.

**BEMÆRK:** Den første indikatorlampe (længst mod venstre) vil blinke, når batteribeskyttelsessystemet aktiveres.

## Afbryderlåseknop

**▲FORSIGTIG:** Inden akkuen sættes i maskinen, bør De altid kontrollere, at afbryderknappen fungerer korrekt, og returnerer til "OFF"-positionen, når den slippes.

**▲FORSIGTIG:** Når maskinen ikke er i brug, skal du trykke på afbryderlåseknappen fra B-siden for at låse afbryderknappen fast i til-stillingen.

► **Fig.3:** 1. Afbryderlåseknop 2. Afbryderknop

► **Fig.4**

En afbryderlåseknop forhindrer, at der trykkes på afbryderknappen ved et uheld.

Tryk på afbryderlåseknappen fra A-siden for at trykke på afbryderknappen.

Tryk altid afbryderlåseknappen ind fra B-siden efter brug.

## Justering af dybden for idrivning af stifter

**▲ADVARSEL:** Sørg altid for, at du ikke har fingrene på afbryderknappen eller kontaktelelementet, og at akkuen er taget ud, før du justerer dybden for idrivning af stifter.

Dybden af idrivning af stifter kan justeres ved at dreje justeringsmekanismen på maskinen. En stift idrives dybere, når du drejer justeringsmekanismen i A-retningen, der er vist på figuren, og lavere i B-retningen, inden for et område på op til 1,5 mm.

► **Fig.5:** 1. Justeringsmekanisme

► **Fig.6:** 1. For dyb 2. Korrekt dybde 3. For lav

## Tænding af lampen

**▲FORSIGTIG:** Kig aldrig direkte på lyskilden. Lad ikke lyset falde i Deres øjne.

Tryk på afbryderknappen, eller aktiver kontaktelelementet for at tænde lampen. Lampen forbliver tændt i op til 60 sekunder, så længe der trykkes på afbryderknappen, eller kontaktelelementet er aktiveret. Lampen slukkes ca. 10 sekunder efter, at afbryderknappen og kontaktelelementet slippes.

► **Fig.7:** 1. Lampe

**BEMÆRKNING:** Brug en tør klud til at tørre snavset af lampens linse. Pas på ikke at ridse lampens linse, da dette muligvis kan dæmpe belysningen.

**BEMÆRKNING:** Maskinen kan muligvis ikke affyre stifter, når batteriet er ved at løbe tør for strøm, selvom lampen forbliver tændt. I så fald skal du oplade akkuen.

**BEMÆRKNING:** Når maskinen er overophedet, blinker lampen. I dette tilfælde skal du slippe afbryderknappen og kontaktelelementet, og derefter nedkøle maskinen/batteriet, før den/det anvendes igen.

**BEMÆRKNING:** Lampen begynder at blinke, hvis stiftepistolen registrerer en fejl under idrivningen af stifter. I så fald skal stiftepistolen afleveres hos et fabrikksservicecenter.



## SAMLING

**⚠️FORSIGTIG:** Sørg altid for, at du ikke har fingrene på afbryderknappen eller kontaktelelementet, og at akkuen er taget ud, før du udfører nogen form for arbejde på stiftepistolen.

### Isætning og fjernelse af stifter

**⚠️FORSIGTIG:** Sørg altid for, at fingrene ikke er placeret på afbryderen, og at akkuen afmonteres før isætning af stifter. Utilsliget affyring kan medføre personskaade og tingskaade.

**⚠️FORSIGTIG:** Undgå at smække magasinet skydelem åben og lukket, mens der isættes stifter i magasinet. Hvis du taber stifter ved et uheld, kan det medføre personskaade, især når der arbejdes på højtliggende steder.

1. Tryk på låsehåndtaget, og åbn skydelemmen til magasinet.  
▶ **Fig.8:** 1. Låsehåndtag 2. Skydelem 3. Magasin
2. Isæt et stiftbånd med stiplede trekantet pegende, mens du justerer spidserne af stifterne med styrerillerne i bunden af magasinet. Sørg for, at stiftspidserne berører bunden af magasinet, og skub derefter forsigtigt stiftbåndet mod drevguiden.  
▶ **Fig.9:** 1. Stifter 2. Stiplet trekant 3. Styreriller 4. Drevguide  
▶ **Fig.10:** 1. Stifter 2. Bunden af magasinet 3. Mellemrum

**BEMÆRKNING:** Sørg for, at spidserne på stifterne placeres fast på bunden af magasinet. Eventuelle mellemrum omkring spidserne på stifterne kan forårsage fastklemning og beskadigelse af maskinen.

**BEMÆRKNING:** Isæt stifter i den rigtige retning. Isætning i den forkerte retning kan forårsage for tidlig slitage af drevenheden og beskadigelse af de andre dele.

**BEMÆRKNING:** Undlad at bruge deformerede stiftbånd. Brug stifter, der er angivet i denne brugsanvisning. Brug af andre stifter end de angivne kan forårsage fastklemning af stifter og brud på maskinen.

**BEMÆRKNING:** Undgå isætning af stiftbånd med færre stifter, især når du bruger stifter i korte længder. Det kan forårsage fastklemning og beskadigelse af maskinen.

**BEMÆRKNING:** Undlad at isætte stiftbånd af forskellige længder eller flere stiftbånd med færre stifter på én gang. Ellers kan det forårsage fastklemning og beskadigelse af maskinen.

3. Sæt skydelemmen tilbage til den oprindelige position, og lås den på plads med låsehåndtaget.

**BEMÆRKNING:** Luk skydelemmen forsigtigt. Hvis der anvendes overdreven kraft, kan det medføre deformation af stifterne, og skydelemmen vender muligvis ikke tilbage til den oprindelige position.

Tryk på låsehåndtaget, og skub og åbn skydelemmen for at fjerne stifterne. Tag stifterne ud af magasinet.

## Spidsadapter

**⚠️FORSIGTIG:** Sørg altid for, at du ikke har fingrene på afbryderknappen eller kontaktelelementet, og at akkuen er taget ud, før du monterer spidsadapteren.

Brug spidsadapteren, når du affyrer stifter på materialet med skrøbelige overflader.

Placer spidsadapteren over drevguidens kontakttop, så styrefremspringene inde i spidsadapteren passer godt ind i styrhakkene i drevguiden.

Du kan opbevare spidsadapteren i holderen bag på magasinet for at forhindre, at den bliver væk.

- ▶ **Fig.11:** 1. Spidsadapter 2. Drevguide  
3. Styrfremspring 4. Styrhaker 5. Holder

### Spidsadapter til idrivning på flade overflader

#### Ekstraudstyr

Brug den valgfrie spidsadapter, der er designet til fastgørelse på flade og lige overflader. Den beskytter arbejdsdømmets bløde overflader mod mærker og ridser, der skal laves af runde spidse kontakttoppe.

- ▶ **Fig.12**

Placer den valgfri spidsadapter over drevguidens kontakttop, så styrefremspringene inde i spidsadapteren passer godt ind i styrhakkene i drevguiden.

- ▶ **Fig.13:** 1. Valgfri spidsadapter 2. Drevguide  
3. Styrfremspring 4. Styrhaker

## Krog

**⚠️FORSIGTIG:** Når kroger monteres, skal den altid fastgøres forsvarligt med skruen. Hvis det ikke er tilfældet kan kroger falde af maskinen og forårsage personskaade.

**⚠️FORSIGTIG:** Brug kun ophængnings-/monteringsdele til deres tilsigtede formål. Brug til utilsigtede formål kan medføre en ulykke eller alvorlig personskaade.

**⚠️FORSIGTIG:** Undlad at hænge kroger fra bæltet. Hvis du taber stiftepistolen, fordi kroger kommer ud af position ved et uheld, kan det medføre utilsigtet affyring og resultere i personskaade.

- ▶ **Fig.14**

Kroger er praktisk til midlertidig ophængning af maskinen. Den kan monteres i begge sider af maskinen. Kroger monteres ved at indsætte den i en rille i maskinhuset på en af siderne og derefter fastgøre den med en skrue. Den fjernes ved at løse skruen og tage den ud.

- ▶ **Fig.15:** 1. Rille 2. Krog 3. Skrue

### Opbevaring af unbrakonøgle

Når unbrakonøglen ikke bruges, skal du opbevare den som vist i figuren for at forhindre, at den bliver væk.

- ▶ **Fig.16:** 1. Unbrakonøgle

# ANVENDELSE

## Test af sikkerhedssystemet

**⚠ ADVARSEL:** Sørg for, at alle sikkerhedssystemer er i korrekt funktionsstand inden anvendelsen. Hvis du ikke gør dette, kan det medføre personskaade.

- Fig.17: 1. Afbryderlås 2. Afbryderknop  
3. Kontaktelement 4. Magasin

Test sikkerhedssystemer som følger for eventuelle fejl før brugen.

1. Fjern stifterne fra maskinen, og lad magasinet være åbent.
2. Indsæt akkuen, og frigør afbryderlåsen.
3. Tryk på afbryderknappen uden at berøre kontaktelementet mod materialet.
4. Tryk kontaktelementet mod materialet uden at trykke på afbryderknappen.

Hvis maskinen fungerer i tilfælde 3 eller 4 ovenfor, er der fejl i sikkerhedssystemerne. Hold øjeblikkeligt op med at bruge maskinen, og henvend dig til det lokale servicecenter.

## Idrivning af stifter

**⚠ ADVARSEL:** Undlad at bruge denne stiftepestol til fastgørelse af elektriske kabler. Den er ikke beregnet til elektrisk kabelinstallation og kan beskadige isoleringen på de elektriske kabler og derved forårsage elektrisk stød eller brandfare.

**⚠ ADVARSEL:** Forsæt med at sætte kontaktelementet fast mod materialet, indtil stiften er drevet helt ind. Utilslaget affyring kan forårsage personskaade.

**⚠ FORSIGTIG:** Hold godt fast i maskinen under betjening.

**⚠ FORSIGTIG:** Undlad at bruge maskinen ud over den tilladte kontinuerlige driftstid. Ellers kan det forårsage skader på maskinen med personskaade til følge.

**BEMÆRKNING:** Maskinen genstarter ikke fastgøring efter fem sekunder uden afbryderfunktion, mens kontaktelementet er placeret på arbejdsemnet. Træk kontaktelementet fri fra arbejdsemnet, og flyt det på plads for at genstarte fastgørelsen.

1. Slip afbryderlåsen.
  2. Placer kontaktelementet fladt mod materialet.
  3. Tryk afbryderknappen helt ind for at idrive en stift.
  4. For at idrive det næste søm skal du fjerne fingeren fra afbryderknappen én gang og derefter gentage trin 2 og 3 ovenfor.
- Fig.18: 1. Afbryderknop 2. Kontaktelement

Du kan også idrive stifter, mens du trækker maskinen til det næste område, ved at presse kontaktelementet mod materialet og trykke på afbryderknappen.

► Fig.19

Hvis hovedet på stiften forbliver over overfladen af arbejdsemnet, skal du indføre stiften, idet stiftepestolens hoved holdes fast mod arbejdsemnet.

► Fig.20

**BEMÆRK:** Hvis stiftepestolens hoved stadig forbliver over arbejdsemnet, selvom du holder stiftepestolens hoved, er materialet muligvis ikke egnet til stiften. Hvis du fortsætter med at bruge stiftepestolen på et sådant materiale, kan det medføre beskadigelse af stiftepestolens drevenhed og/eller fastklemning i stiftepestolen.

## Mekanisme til forhindring af affyring, når maskinen er tom

**⚠ ADVARSEL:** Sørg altid for, at fingrene ikke er placeret på afbryderknappen eller kontaktelementet, og at akkuen er afmonteret, før stifterne sættes i.

Når antallet af resterende stifter i magasinet er mellem 0-3 stykker, kan afbryderknappen ikke længere trykkes ned. På dette tidspunkt kan du indsætte et nyt bånd med stifter i magasinet, og afbryderknappen kan trykkes ned igen.

**BEMÆRK:** Når der affyres stifter af en anden længde kort efter, at mekanismen til forhindring af affyring, når maskinen er tom, har fungeret, skal du isætte et nyt stiftbånd i magasinet og affyre alle de tidligere stifter, der er tilbage, i affaldsmateriale.

## Kontrol af resterende stifter

Du kan kontrollere mængden af resterende stifter gennem kontrolvinduet.

Den røde indikator bevæger sig mod affyringsåbningen, da mængden af resterende stifter bliver mindre.

► Fig.21: 1. Kontrolvindue 2. Indikator

## Fjernelse af fastklemte stifter

**⚠ ADVARSEL:** Sørg altid for, at afbryderen er udløst, og at akkuen og stifterne er fjernet, før du fjerner de fastklemte stifter.

**⚠ FORSIGTIG:** Undlad at fjerne de fastklemte stifter med bare hænder. Stifterne kan hoppe ud af magasinet og forårsage personskaade.

1. Fjern alle de stifter, der er tilbage i magasinet.
  2. Skru de tre sekskantboltene på drevguidens dæksel af ved hjælp af unbrakonøglen.
  3. Afmonter de fastklemte stifter fra stiftstyrerillerne i drevguiden.
- Fig.22: 1. Sekskantbolt 2. Drevguidens dæksel  
3. Kontaktoppens dæksel 4. Drevguide

**BEMÆRK:** Hvis du har svært ved at fjerne de fastklemte stifter, skal du løse de to sekskantbolte på kontaktoppens dæksel ved hjælp af unbrakonøglen og derefter tage de fastklemte stifter ud af drevguiden.

4. Sæt dækslerne på plads igen, og fastgør dem over drevguiden med sekskantboltene.

**BEMÆRKNING:** Når du har fjernet fastklemninger, skal du altid sørge for, at dækslerne på drevguiden er blevet samlet korrekt igen. Hvis drevguiden fungerer forkert, skal du samle dem igen med sekskantboltene.

## VEDLIGEHOJDELSE

**▲FORSIGTIG:** Vær altid sikker på, at værktøjet er slukket, og at akkuen er taget ud, inden De begynder at udføre inspektion eller vedligeholdelse.

**BEMÆRKNING:** Anvend aldrig benzin, rensebenzin, fortynder, alkohol og lignende. Det kan medføre misfarvning, deformation eller revner.

For at opretholde produktets SIKKERHED og PÅLIDELIGHED må reparation, vedligeholdelse eller justering kun udføres af et autoriseret Makita servicecenter eller fabrikkervicecenter med anvendelse af Makita reservedele.

## Rengøring af magasinet

Rengør magasinets inderside med jævne mellemrum. Blæs eller aftør snavs, støv, træflis og sømlim, der er akkumuleret i styrerillerne.

► Fig.23: 1. Styreriller

**BEMÆRKNING:** Snavs og støv i styrerillerne kan påvirke stiftfremføringen af stifter, hvilket kan medføre lejlighedsvis tør affyring.

## EKSTRAUDSTYR

**▲FORSIGTIG:** Det følgende tilbehør og ekstraudstyr er anbefalet til brug med Deres Makita maskine, der er beskrevet i denne brugsanvisning. Anvendelse af andet tilbehør eller ekstraudstyr kan udgøre en risiko for personskaade. Anvend kun tilbehør og ekstraudstyr til det beskrevne formål.

Hvis De behøver hjælp ved valg af tilbehør eller ønsker yderligere informationer, bedes De kontakte Deres lokale Makita servicecenter.

- Stifter
- Sikkerhedsbriller
- Spidsadapter (til fastgørelse på flade overflader)
- Original Makita-akku og oplader

**BEMÆRK:** Nogle ting på denne liste kan være inkluderet i værktøjspakken som standardtilbehør. Det kan være forskellige fra land til land.

## SPECIFIKĀCIJAS

Modelis:	PT001G
Tapu izmērs	ø0,6 mm x 15, 18, 25, 30, 35 mm
Tapu aptveres ietilpība	100 gab
Izmēri ar BL4025, bez āķa (G x P x A)	265 mm x 86 mm x 226 mm
Nominālais spriegums	Līdzstrāva 36 V–40 V maks.
Tīrsvars	2,4–3,0 kg

- Nepārtrauktās izpētes un izstrādes programmas dēļ šeit uzrādītās specifikācijas var tikt mainītas bez brīdinājuma.
- Specifikācijas un akumulatora kasetne var atšķirties dažādās valstīs.
- Svārs var būt atšķirīgs atkarībā no papildierīces (–ēm), tostarp akumulatora kasetnes. Tabulā ir attēlota vieglākā un smagākā kombinācija atbilstoši EPTA procedūrai 01/2014.

### Piemērotā akumulatora kasetne un lādētājs

Akumulatora kasetne	BL4020* / BL4025* / BL4040 / BL4050F *: leteicamais akumulators
Lādētājs	DC40RA / DC40RB / DC40RC

- Daži no iepriekš norādītajiem lādētājiem un akumulatora kasetnēm var nebūt pieejami atkarībā no jūsu mītnes reģiona.

**▲BRĪDINĀJUMS:** Izmantojiet vienīgi iepriekš norādītās akumulatora kasetnes un lādētājus. Cita tipa akumulatora kasetņu un lādētāju izmantošana var radīt traumu un/vai aizdegšanās risku.

### Paredzētā lietošana

Šis darbarīks ir paredzēts tapu iespiešanai būvmateriālos, piemēram, kokmateriālā.

### Trokšņa līmenis

Tipiskais A svērtais trokšņa līmenis noteikts saskaņā ar EN60745-2-16:

Skaņas spiediena līmeni ( $L_{pA}$ ): 79 dB (A)  
Mainīgums (K): 3 dB (A)

Darbības laikā trokšņa līmenis var pārsniegt 80 dB (A).

**PIEZĪME:** Paziņotā trokšņa emisijas vērtība noteikta atbilstoši standarta pārbaudes metodei, un to var izmantot, lai salīdzinātu vienu darbarīku ar citu.

**PIEZĪME:** Paziņoto trokšņa emisijas vērtību arī var izmantot iedarbības sākotnējā novērtējumā.

**▲BRĪDINĀJUMS:** Lietojiet ausu aizsargus.

**▲BRĪDINĀJUMS:** Trokšņa emisija patiesos darba apstākļos var atšķirties no paziņotās vērtības atkarībā no darbarīka izmantošanas veida un jo īpaši atkarībā no apstrādājamā materiāla veida.

**▲BRĪDINĀJUMS:** Lai aizsargātu lietotāju, nosakiet drošības pasākumus, kas pamatoti ar iedarbību reālos darba apstākļos (ņemot vērā visus ekspluatācijas cikla posmus, piemēram, laiku, kamēr darbarīks ir izslēgts un kad darbojas tukšgaitā, kā arī palaides laiku).

### Vibrācija

Vibrācijas kopējā vērtība noteikta atbilstoši EN60745-2-16:

Vibrācijas izmēte ( $a_h$ ): 2,5 m/s<sup>2</sup> vai mazāk  
Mainīgums (K): 1,5 m/s<sup>2</sup>

**PIEZĪME:** Paziņotā kopējā vibrācijas vērtība noteikta atbilstoši standarta pārbaudes metodei, un to var izmantot, lai salīdzinātu vienu darbarīku ar citu.

**PIEZĪME:** Paziņoto kopējo vibrācijas vērtību arī var izmantot iedarbības sākotnējā novērtējumā.

**▲BRĪDINĀJUMS:** Vibrācijas emisija patiesos darba apstākļos var atšķirties no paziņotās vērtības atkarībā no darbarīka izmantošanas veida un jo īpaši atkarībā no apstrādājamā materiāla veida.

**▲BRĪDINĀJUMS:** Lai aizsargātu lietotāju, nosakiet drošības pasākumus, kas pamatoti ar iedarbību reālos darba apstākļos (ņemot vērā visus ekspluatācijas cikla posmus, piemēram, laiku, kamēr darbarīks ir izslēgts un kad darbojas tukšgaitā, kā arī palaides laiku).

### EK atbilstības deklarācija

*Tikai Eiropas valstīm*

EK atbilstības deklarācija šajā lietošanas rokasgrāmatā ir iekļauta kā A pielikums.

# DROŠĪBAS BRĪDINĀJUMI

## Vispārīgi elektrisko darbarīku drošības brīdinājumi

**▲BRĪDINĀJUMS:** Izlasiet visus drošības brīdinājumus, instrukcijas, apskatiet ilustrācijas un tehniskos datus, kas iekļauti mehanizētā darbarīka komplektācijā. Ja netiek ievēroti visi tālāk minētie noteikumi, var tikt izraisīta elektrotrauma, notikt aizdegšanās un/vai rasties smagas traumas.

## Glabājiet visus brīdinājumus un norādījumus, lai varētu tajos ieskatīties turpmāk.

Termins „elektrisks darbarīks” brīdinājumos attiecas uz tādu elektrisko darbarīku, ko darbina ar elektrību (ar vadu), vai tādu, ko darbina ar akumulatoru (bez vada).

## Drošības brīdinājumi bezvadu tapotāja lietošanai

1. Vienmēr uzskatiet, ka darbarīkā atrodas stiprinājumi. Neuzmanīga apiešanās ar tapotāju var izraisīt negaidītu stiprinājumu izšaušanu un cilvēku savainojumus.
2. Nevērsiet darbarīku pret sevi un pret citiem. Nejauša nospiešana izšaus stiprinājumu, radot traumu.
3. Neieslēdziet darbarīku, kamēr tas nav stingri piespiests apstrādājamam materiālam. Ja darbarīks nesaskaras ar apstrādājamo materiālu, stiprinājums var atlēkt no mērķa.
4. Atvienojiet darbarīku no strāvas avota, ja stiprinājums iesprūdis darbarīkā. Iesprūduša stiprinājuma izņemšanas laikā tapotājs var tikt netīši iedarbināts, ja tas ir pievienots elektroapgādes avotam.
5. Izņemot iesprūdušu stiprinājumu, rīkojieties piesardzīgi. Mehānisms var būt zem spiediena, un, mēģinot atbrīvot iesprūdušu stiprinājumu, stiprinājums var tikt ar spēku izgrūsts.
6. Neizmantojiet tapotāju elektrisko kabeļu piestiprināšanai. Tas nav paredzēts elektrisko kabeļu uzstādīšanai un var sabojāt elektrisko kabeļu izolāciju, radot elektriskās strāvas triecienu vai aizdegšanās risku.
7. Turiet rokas un kājas drošā attālumā no izvades atveres.
8. Ievērojiet norādījumus par eļļošanu un piederumu maiņu.
9. Pirms stiprinājumu ievietošanas, regulēšanas, pārbaudes, apkopes vai pēc darba veikšanas vienmēr izņemiet akumulatora kaseti.
10. Pirms darba sākuma pārliecinieties, ka tuvumā nav cilvēku. Nekad nedzeniet stiprinājumus vienlaikus gan sienas iekšpusē, gan ārpusē. Stiprinājumi var izkļūt cauri darba virsmai un/vai izlidot, radot nopietnu apdraudējumu.

11. Izmantojot šo darbarīku, ir svarīgi saglabāt līdzsvaru un stabilu pamatu zem kājām. Ja lietojat darbarīku augstumā, pārliecinieties, ka apakšā nav cilvēku.
12. Nekad neizmantojiet stiprinājumu darbarīkus, kas marķēti ar simbolu “Neizmantojiet uz sastatnēm, kāpnēm” šādos gadījumos:
  - ja, pārvietojoties no vienas vietas uz citu, ir jāizmanto sastatnes, trepes, kāpnes vai kāpnēm līdzīgas konstrukcijas, piemēram, jumta latus;
  - lai noslēgtu kastes vai režģus;
  - lai ierīkotu pārvadāšanas drošības sistēmas, piemēram, transportlīdzekļos vai vagonos.
13. Rūpīgi pārbaudiet sienas, griestus, grīdas un tamlīdzīgas vietas, lai novērstu elektrotraumu, gāzes noplūdes, sprādzienu un citu apdraudējumu iespējamību, ko var izraisīt zem sprieguma esošu vadu, cauruļvadu vai gāzes cauruļu aizķeršana ar skavu.
14. Izmantojiet tikai tādus stiprinājumus, kas norādīti šajā rokasgrāmatā. Citu stiprinājumu lietošana var izraisīt darbarīka nepareizu darbību.
15. Nekādā gadījumā nemēģiniet izjaukt darbarīku un neizmantojiet to citam nolūkam kā vien stiprinājumu iedzišanai.
16. Nelietojiet darbarīku bez stiprinājumiem. Tādējādi tiks saisināts darbarīka darbmužs.
17. Nekavējoties pārtrauciet skavu dzišanu, ja konstatējat, ka darbarīks nedarbojas pareizi.
18. Nekad nedzeniet stiprinājumus materiālos, kurus stiprinājums varētu caursist un izlidot tiem cauri kā šāviņš.
19. Nekad vienlaicīgi nespiediet slēdža mēlīti un saskares elementu, ja neesat gatavs nostiprināt apstrādājamo materiālu. Ļaujiet, lai saskares elements nospiežas pret materiālu. Nekad nemainiet saskares elementa paredzēto nolūku, nostiprinot to iespīestā stāvoklī vai spiežot ar roku.
20. Nekādā gadījumā nemēģiniet izjaukt saskares elementu. Regulāri pārbaudiet saskares elementa pareizu darbību.
21. Kad darbarīku neizmantojat, izņemiet no tā stiprinājumus.

## SAGLABĀJIET ŠOS NORĀDĪJUMUS.

**▲BRĪDINĀJUMS:** NEPIEĻAUJIET to, ka labu iemaņu vai izstrādājuma labas pārzināšanas (darbarīku atkārtoti ekspluatējot) rezultātā vairs stingri neievērojāt šī izstrādājuma drošības noteikumus. NEPAREIZI LIETOJOT darbarīku vai neievērojot šajā instrukciju rokasgrāmatā minētos drošības noteikumus, var tikt gūtas smagas traumas.

## Svarīgi drošības norādījumi par akumulatora kasetni

1. Pirms akumulatora lietošanas izlasiet visus norādījumus un brīdinājumus, kuri attiecas uz (1) akumulatora lādētāju, (2) akumulatoru un (3) ierīci, kurā tiek izmantots akumulators.
2. Akumulatora kasetni nedrīkst ne pārveidot, ne izjaukt. Citādi var tikt izraisīta aizdegšanās, pārmērīgs karstums vai sprādziens.
3. Ja akumulatora darbības laiks kļūva ievērojami īsāks, nekavējoties pārtrauciet to izmantot. Citādi, tas var izraisīt pārkarsējumu, uzliesmojumu vai pat sprādzienu.
4. Ja elektrolīts nonāk acīs, izskalojiet tās ar tīru ūdens un nekavējoties griezties pie ārsta. Tas var izraisīt redzes zaudēšanu.
5. Neradiet īssavienojumu akumulatora kasetnē:
  - (1) Nepieskarieties spaiļēm ar elektrību vadošiem materiāliem.
  - (2) Neuzglabājiet akumulatoru kasetni kopā ar citiem metāla priekšmetiem, tādiem kā naglas, monētas u. c.
  - (3) Nepakļaujiet akumulatora kasetni ūdens vai lietus iedarbībai.Akumulatora īssavienojums var radīt spēcīgu strāvas plūsmu, pārkaršanu, uzliesmojumu un pat sabojāt akumulatoru.
6. Neglabājiet un neizmantojiet darbarīku un akumulatora kasetni vietās, kur temperatūra var sasniegt vai pārsniegt 50 °C (122 °F).
7. Nededziniet akumulatora kasetni, pat ja tā ir stipri bojāta vai pilnībā noliegta. Akumulatora kasetne ugunī var eksplodēt.
8. Akumulatora kasetni nedrīkst naglot, griezt, saspīest, mest vai nomest, kā arī pa to nedrīkst sist ar cietu priekšmetu. Šādas darbības var izraisīt aizdegšanos, pārmērīgu karstumu vai sprādzienu.
9. Neizmantojiet bojātu akumulatoru.
10. Uz izmantotajiem lītija jonu akumulatoriem attiecas likumdošanas prasības par bīstamiem izstrādājumiem.

Komerציālā transportēšanā, ko veic, piemēram, trešās puses, transporta uzņēmumi, jāievēro uz iesaiņojuma un marķējuma norādītās īpašās prasības.

Lai izstrādājumu sagatavotu nosūtīšanai, jāsažinās ar bīstamo materiālu speciālistu. Ievērojiet arī citus attiecināmos valsts normatīvus.

Valējus kontaktus nosedziet ar līmlenti vai citādi pārklājiet, bet akumulatoru iesaiņojiet tā, lai sānī tas nevarētu izkustēties.
11. Lai utilizētu akumulatora kasetni, izņemiet to no darbarīka un likvidējiet drošā vietā. Ievērojiet vietējos noteikumus par akumulatora likvidēšanu.
12. Izmantojiet šos akumulatorus tikai ar izstrādājumiem, kurus norādījis Makita. Ievietojot šos akumulatorus nesaderīgos izstrādājumos, var rasties ugunsgrēks, pārmērīgs karstums, tie var uzsprāgt vai no tiem var iztect elektrolīts.

13. Ja darbarīks netiks lietots ilgu laiku, no tā jāizņem akumulators.
14. Lietošanas laikā vai pēc tās akumulatora kasetne var uzkrāt siltumu, kas var izraisīt apdegumus vai zemas temperatūras apdegumus. Ar karstu akumulatora kasetni apejieties rūpīgi.
15. Nepieskarieties darbarīka izvadam uzreiz pēc lietošanas, jo tas var būt sakarsis un izraisīt apdegumus.
16. Neļaujiet akumulatora kasetnes spaiļēs, atverēs un rievās uzkrāties skaidām, putekļiem vai netīrumiem. Tas var izraisīt sasilšanu, aizdegšanos, sprādzienu instrumenta vai akumulatora kasetnes nepareizu darbību, un lietotājs var gūt apdegumus vai ievainojumus.
17. Neizmantojiet akumulatora kasetni augstsprieguma līniju tuvumā, izņemot gadījumus, kad darbarīks ir piemērots lietošanai augstsprieguma līniju tuvumā. Citādi darbarīks vai akumulatora kasetne var sākt darboties nepareizi vai tikt sabojāti.
18. Glabājiet akumulatoru bērniem nepieejamā vietā.

## SAGLABĀJIET ŠOS NORĀDĪJUMUS.

**UZMANĪBU:** Lietojiet tikai oriģinālos Makita akumulatorus. Ja lietojat neoriģinālus Makita akumulatorus vai pārveidotus akumulatorus, tie var uzsprāgt un izraisīt aizdegšanos, traumas un materiālos zaudējumus. Tikas anulēta arī Makita darbarīka un lādētāja garantija.

## Ieteikumi akumulatora kalpošanas laika pagarināšanai

1. Uzlādējiet akumulatora kasetni, pirms tā ir pilnībā izlādējusies. Vienmēr, kad ievērojat, ka darbarīka darba jauda zudusi, apturiet darbarīku un uzlādējiet akumulatora kasetni.
2. Nekad neuzlādējiet pilnībā uzlādētu akumulatora kasetni. Pārmērīga uzlāde saīsina akumulatora kalpošanas laiku.
3. Uzlādējiet akumulatora kasetni istabas temperatūrā 10 °C - 40 °C. Karstai akumulatora kasetnei pirms uzlādes ļaujiet atdzist.
4. Kad akumulatora kasetne netiek izmantota, izņemiet to no darbarīka vai lādētāja.
5. Uzlādējiet lītija jonu akumulatora kasetni, ja to ilgstoši nelietosit (vairāk nekā sešus mēnešus).

# FUNKCIJU APRAKSTS

**⚠UZMANĪBU:** Pirms darbarīka regulēšanas vai tā darbības pārbaudes vienmēr pārliedzinieties, ka darbarīks ir izslēgts un akumulatora kasetne ir izņemta.

## Akumulatora kasetnes uzstādīšana un izņemšana

**⚠UZMANĪBU:** Vienmēr pirms akumulatora kasetnes uzstādīšanas vai noņemšanas izslēdziet darbarīku.

**⚠UZMANĪBU:** Uzstādot vai izņemot akumulatora kasetni, darbarīku un akumulatora kasetni turiet cieši. Ja darbarīku un akumulatora kasetni netur cieši, tie var izkrist no rokām un radīt bojājumus darbarīkam un akumulatora kasetnei, kā arī izraisīt ievainojumus.

- **Att. 1:** 1. Sarkanās krāsas indikators 2. Poga 3. Akumulatora kasetne

Lai izņemtu akumulatora kasetni, izvelciet to no darbarīka, pārbīdot kasetnes priekšpusē esošo pogu.

Lai uzstādītu akumulatora kasetni, salāgojiet akumulatora kasetnes mēlīti ar rievu ietvarā un iebīdīet to vietā. Ievietojiet to līdz galam, līdz tā ar klikšķi nofiksējas. Ja redzams attēlā parādītās sarkanās krāsas indikators, tas nozīmē, ka tas nav pilnīgi nofiksēts.

**⚠UZMANĪBU:** Vienmēr ievietojiet akumulatora kasetni tā, lai sarkanais indikators nebūtu redzams. Pretējā gadījumā tā var nejauši izkrist no darbarīka un izraisīt jums vai apkārtējiem traumas.

**⚠UZMANĪBU:** Neievietojiet akumulatora kasetni ar spēku. Ja kasetne neslīd ietvarā viegli, tā nav pareizi ielikta.

## Darbarīka/akumulatora aizsardzības sistēma

Darbarīkam ir darbarīka/akumulatora aizsardzības sistēma. Šī sistēma automātiski izslēdz strāvas padevi motoram, lai pagarinātu darbarīka un akumulatora darbību. Lietošanas laikā darbarīks automātiski pārstās darboties, ja darbarīku vai akumulatoru pakļaus kādam no šādiem apstākļiem.

### Aizsardzība pret pārslodzi

Ja darbarīku/akumulatoru lieto tā, ka tas patērē pārliedzīgu lielu strāvas daudzumu, darbarīks automātiski pārstāj darboties. Šādā gadījumā izslēdziet darbarīku un pārtrauciet darbību, kas izraisīja darbarīka pārslodzi. Pēc tam ieslēdziet darbarīku, lai atsāktu darbu.

### Aizsardzība pret pārkaršanu

Kad akumulators ir pārkaršis, darbarīks automātiski pārstāj darboties. Šādā gadījumā ļaujiet darbarīkam/akumulatoram atdzist pirms vēlreiz to ieslēgt.

## Aizsardzība pret akumulatora pārmērīgu izlādi

Ja akumulatora jaudas līmenis ir zems, darbarīks automātiski pārstāj darboties. Šajā gadījumā akumulatoru izņemiet no darbarīka un uzlādējiet.

## Aizsardzība pret citiem cēloņiem

Aizsardzības sistēma ir paredzēta arī pret citiem cēloņiem, kas varētu radīt darbarīka bojājumus, un nodrošina automātisku darbarīka apturēšanu. Ja darbarīka darbība ir īslaicīgi apstājusies vai tas pārstājis darboties, veiciet visas tālāk norādītās darbības, lai novērstu cēloņus.






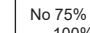


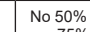


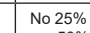


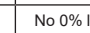

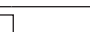
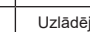

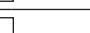
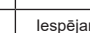


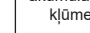
1. Izslēdziet un ieslēdziet darbarīku, lai to no jauna iedarbinātu.
2. Uzlādējiet akumulatoru(-s) vai nomainiet to(-s) ar uzlādētu(-iem) akumulatoru(-iem).
3. Ļaujiet darbarīkam un akumulatoram(-iem) atdzist.

Ja pēc aizsardzības sistēmas atjaunošanas nav uzlabojumu, sazinieties ar vietējo Makita tehnikās apkopes centru.

## Atlikušās akumulatora jaudas indikators

Nospiediet akumulatora kasetnes pārbaudes pogu, lai pārbaudītu akumulatora atlikušo uzlādes līmeni. Indikatori iedegsies uz dažām sekundēm.

- **Att. 2:** 1. Indikatora lampas 2. Pārbaudes poga

Indikatora lampas			Atlikusī jauda
			
			No 75% līdz 100%
			No 50% līdz 75%
			No 25% līdz 50%
			No 0% līdz 25%
			Uzlādējiet akumulatoru.
			Iespējama akumulatora kļūme.
			

**PIEZĪME:** Reālā jauda var nedaudz atšķirties no norādītās atkarībā no lietošanas apstākļiem un apkārtējās temperatūras.

**PIEZĪME:** Akumulatora aizsardzības sistēmas darbības laikā mirgo pirmais (kreisais malējais) indikators.



## Mēlītes bloķēšanas poga

**⚠UZMANĪBU:** Pirms akumulatora kasetnes uzstādīšanas darbarīkā vienmēr pārbaudiet, vai slēdža mēlīte darbojas pareizi un pēc atlaišanas atgriežas stāvoklī „OFF” (Izslēgts).

**⚠UZMANĪBU:** Ja darbarīku neizmantojat, vienmēr nospiediet mēlītes bloķēšanas pogu B pusē, lai bloķētu slēdža mēlīti stāvoklī OFF (Izslēgts).

► **Att.3:** 1. Mēlītes bloķēšanas poga 2. Slēdža mēlīte

► **Att.4**

Lai nepieļautu slēdža mēlītes nejaušu nospiešanu, darbarīkam ir mēlītes bloķēšanas poga.

Lai nospiestu slēdža mēlīti, nospiediet mēlītes bloķēšanas pogu A pusē.

Pēc lietošanas, vienmēr iespiediet mēlītes bloķēšanas pogu no B pusēs.

## Tapošanas dziļuma regulēšana

**⚠BRĪDINĀJUMS:** Vienmēr pirms tapošanas dziļuma regulēšanas pārliecinieties, ka jūsu pirksti neatrodas uz slēdža mēlītes vai saskares elementa un akumulatora kasetne ir izņemta.

Naglotājam var regulēt tapu naglošanas dziļumu, pagriežot regulētāju uz darbarīka. Tapa tiek iedzīta dziļāk, pagriežot regulatoru attēlā redzamajā A virzienā, un sekļāk – B virzienā, diapazonā līdz 1,5 mm.

► **Att.5:** 1. Regulētājs

► **Att.6:** 1. Pārāk dziļi 2. Pareizais dziļums 3. Pārāk sekli

## Lampas ieslēgšana

**⚠UZMANĪBU:** Neskatieties gaismā, neļaujiet tās avotam iespīdēt acīs.

Nospiediet slēdža mēlīti vai iedarbiniet saskares elementu, lai ieslēgtu lampu. Kamēr slēdža mēlīte nospiesta vai saskares elements iedarbināts, lampa deg līdz pat 60 sekundēm. Apmēram 10 sekundes pēc slēdža mēlītes atlaišanas un saskares elementa izslēgšanas lampa nodziest.

► **Att.7:** 1. Lampa

**IEVĒRĪBAI:** Ar sausu lupatiņu notīriet netīrumus no lampas lēcas. Izvairieties saskrāpēt lampas lēcu, jo tādējādi tiek samazināts apgaismojums.

**IEVĒRĪBAI:** Kad akumulatora enerģijas līmenis kļūst pārāk zems, darbarīks var nešaut tapas, pat ja lampa vēl deg. Šādā gadījumā uzlādējiet akumulatora kasetni.

**IEVĒRĪBAI:** Ja darbarīks ir pārkaršis, lampa mirgo. Šādā gadījumā atlaižiet slēdža mēlīti un kontakteleментu un pēc tam atdzesējiet darbarīku/akumulatoru pirms atkārtotas lietošanas.

**IEVĒRĪBAI:** Ja naglotājs tapu dziļšanas laikā konstatē kļūdu, lampa sāk mirgot. Šādā gadījumā nogādājiet naglotāju rūpnīcas apkopes centrā.

## MONTĀŽA

**⚠UZMANĪBU:** Pirms jebkādu darbību veikšanas ar tapotāju vienmēr pārliecinieties, ka jūsu pirksti neatrodas uz slēdža mēlītes vai saskares elementa un akumulatora kasetne ir izņemta.

## Tapu ievietošana un izņemšana

**⚠UZMANĪBU:** Pirms tapu ievietošanas vienmēr pārliecinieties, ka jūsu pirksti neatrodas uz mēlītes un ka akumulatora kasetne ir izņemta. Nejausa izšaušana var izraisīt traumas un materiālu zaudējumus.

**⚠UZMANĪBU:** Ievietojot tapas aptverē, necērtiet vaļā un ciet bīdāmo vāku. Nejausi krītošas tapas, īpaši strādājot augstu esošās vietās, var izraisīt miesas bojājumus.

1. Nospiediet fiksēšanas sviru un atveriet aptveres bīdāmo vāku.

► **Att.8:** 1. Fiksēšanas svira 2. Bīdāmais vāks 3. Aptvere

2. Ievietojiet tapu lenti ar punktotajiem trīsstūriem virzienā uz leju, nolīdzinot tapu galus ar fiksācijas rievām magazīnas apakšā. Uzstādiet naglu lenti tā, lai naglu uzgaļi pieskartos aptveres apakšdaļai un bīdītu naglu lenti dziļšanas vadotnes virzienā.

► **Att.9:** 1. Tapas 2. Punktotais trīsstūris 3. Fiksācijas rievās 4. Dziļšanas vadotne

► **Att.10:** 1. Tapas 2. Aptveres apakša 3. Atstarpes

**IEVĒRĪBAI:** Pārliecinieties, vai tapu gali ir novietoti cieši uz aptveres apakšas. Jebkādas atstarpes ap tapu galiem var izraisīt tapu iestrēgšanu un sabojāt darbarīku.

**IEVĒRĪBAI:** Ielādējiet tapas pareizajā virzienā. Ievietošana nepareizā virzienā var izraisīt uzgaļa pāragru nolietošanos un sabojāt citas detaļas.

**IEVĒRĪBAI:** Nelietojiet deformētas tapu lentes. Izmantojiet šajā rokasgrāmatā norādītās tapas. Šajā rokasgrāmatā nenorādītu tapu izmantošana var izraisīt tapu iestrēgšanu un sabojāt naglotāju.

**IEVĒRĪBAI:** Neievietojiet lentes ar mazāku tapu skaitu, īpaši tad, ja tiek izmantotas īsas tapas. Tas var izraisīt tapu iestrēgšanu un sabojāt naglotāju.

**IEVĒRĪBAI:** Vienlaikus neievietojiet dažāda garuma lentes vai vairākas lentes ar mazāku tapu skaitu. Citādi tas var izraisīt tapu iestrēgšanu un sabojāt naglotāju.

3. Virziet bīdāmo vāku sākotnējās pozīcijas virzienā un fiksējiet to ar fiksēšanas sviru.

**IEVĒRĪBAI:** Aizveriet bīdāmo vāku maigi. Pārmērīga spēka lietošana var izraisīt tapu deformāciju, un bīdāmais vāks var neatgriezties sākotnējā pozīcijā.

Lai izņemtu tapas, nospiediet fiksēšanas sviru un pārvirziet bīdāmo vāku. Izņemiet tapas no aptveres.

## Uzgaļa pāreja

**⚠UZMANĪBU:** Vienmēr pirms uzgaļa pārejas uzstādīšanas pārliecinieties, ka jūsu pirksti neatrodas uz slēdža mēlītes vai saskares elementa un akumulatora kasetne ir izņemta.

Šaujot tapas materiālā ar viegli sabojājamu virsmu, izmantojiet uzgaļa pāreju.

Uzlieciet uzgaļa pāreju uz dzīšanas vadotnes kontaktelemeņa tā, lai uzgaļa izvirkzījumi uzgaļa pārejā kārtīgi iegultos dzīšanas virzošajos ierobos.

Jūs varat glabāt uzgaļa pāreju turētājā, kas atrodas aptveres galā, lai pasargātu to no pazušanas.

- **Att.11:** 1. Uzgaļa pāreja 2. Dzīšanas vadotne  
3. Vadotnes izvirkzījumi 4. Virzošie ierobi  
5. Turētājs

## Uzgaļa pāreja dzīšanai līdzinās virsmās

### Papildpiederums

Izmantojiet uzgaļa pārejas papildpiederumu, kas konstruēts stiprināšanas operācijām uz plakanām un līdzinām virsmām. Tas pasargā mīkstas apstrādājamā materiāla virsmas no nospiedumiem un skrumbām, ko rada apaļie, smailie kontaktelementi.

- **Att.12**

Uzlieciet papildpiederuma uzgaļa pāreju uz dzīšanas vadotnes kontaktelemeņa tā, lai uzgaļa izvirkzījumi uzgaļa pārejā kārtīgi iegultos dzīšanas virzošajos ierobos.

- **Att.13:** 1. Papildpiederums - uzgaļa pāreja  
2. Dzīšanas vadotne 3. Vadotnes izvirkzījumi  
4. Virzošie ierobi

## Āķis

**⚠UZMANĪBU:** Uzstādot āķi, vienmēr cieši piestipriniet to ar skrūvi. Citādi āķis var atdalīties no darbarīka, izraisot traumu.

**⚠UZMANĪBU:** Piekaramās/stiprinājuma daļas izmantojiet tikai to paredzētajiem mērķiem.

Izmantojot citiem mērķiem, var radīt nelaimes gadījumu vai traumu.

**⚠UZMANĪBU:** Nekariniet āķi pie jostas. Ja āķis nejauši atvienojas un naglotājs nokrīt, naglas var nejauši izšauties un izraisīt traumas.

- **Att.14**

Āķis ir noderīgs darbarīka īslaicīgai uzkarināšanai. To var uzstādīt jebkurā darbarīka pusē.

Lai uzstādītu āķi, ievietojiet to rievā jebkurā darbarīka korpusa pusē, un tad ar skrūvi pieskrūvējiet. Lai to izņemtu, atlaidiet skrūvi un izņemiet.

- **Att.15:** 1. Rieva 2. Āķis 3. Skrūve

## Sešstūru uzgriežņu atslēgas glabāšana

Kad sešstūru uzgriežņu atslēga netiek lietota, glabājiet to, kā parādīts, lai atslēgu nepazaudētu.

- **Att.16:** 1. Sešstūru uzgriežņu atslēga

## EKSPLUATĀCIJA

### Drošības sistēmas pārbaude

**⚠BRĪDINĀJUMS:** Pirms darba sākšanas pārliecinieties, ka visas drošības sistēmas ir darba kārtībā. Pretējā gadījumā var rasties trauma.

- **Att.17:** 1. Mēlītes bloķēšanas poga 2. Slēdža mēlīte  
3. Saskares elements 4. Aptvere

Pirms darba sākšanas pārbaudiet, vai drošības sistēmās nav radušās kļūmes, izpildot tālākos norādījumus.

1. Izņemiet tapas no darbarīka un atstājiet aptveri atvērtu.
2. Ievietojiet akumulatora kasetni un atbrīvojiet mēlītes bloķēšanas ierīci.
3. Piespiediet slēdža mēlīti, saskares elementam nepieskaroties materiālam.
4. Pieskarieties saskares elementu materiālam, nenospiežot slēdža mēlīti.

Ja darbarīks darbojas gadījumos, kas minēti 3. vai 4. punktā, drošības sistēmās ir kļūmes. Nekavējoties pārtrauciet darbarīka lietošanu un sazinieties ar vietējo klientu apkalpošanas centru.

### Tapu iedzišana

**⚠BRĪDINĀJUMS:** Neizmantojiet naglotāju elektrisko kabeļu piestiprināšanai. Tas nav paredzēts elektrisko kabeļu uzstādīšanai un var sabojāt elektrisko kabeļu izolāciju, radot strāvas triecienu vai aizdegšanās risku.

**⚠BRĪDINĀJUMS:** Stingri turiet saskares elementu uz materiāla, līdz tapa ir pilnībā iedzīta. Nejauša izšaušana var radīt traumu.

**⚠UZMANĪBU:** Eksploatācijas laikā darbarīku turiet cieši.

**⚠UZMANĪBU:** Neizmantojiet darbarīku ilgāk par noteikto nepārtrauktas izmantošanas laiku. Citādi var rasties darbarīka bojājumi, kas var izraisīt traumas.

**IEVĒRĪBAI:** Darbarīks neatsāk stiprināšanu pēc tam, kad piecas sekundes nav darbināts slēdzis, kamēr kontaktelementi ir novietoti uz apstrādājamā materiāla. Pavelciet kontaktelementu nost no apstrādājamā materiāla un pēc tam atlieciet to atpakaļ, lai atsāktu stiprināšanu.

1. Atbrīvojiet mēlītes bloķēšanas ierīci.
  2. Novietojiet saskares elementu uz apstrādājamā materiāla.
  3. Nospiediet slēdža mēlīti līdz galam, lai iedzītu tapu.
  4. Lai iedzītu nākamo naglu, atlaidiet slēdža mēlīti un atkārtojiet iepriekš aprakstīto 2. un 3. darbību.
- **Att.18:** 1. Slēdža mēlīte 2. Saskares elements

Varat arī iedzīt tapas, ja velkat instrumentu līdz nākamajai darba zonai, turot saskares elementu piespiestu materiālam, un pavelkat slēdža mēlīti.

- **Att.19**

Ja tapas galva paliek virs darba materiāla virsmas, iedzeniet tapu, turot tapotāja galvu cieši piespiestu pie apstrādājamā materiāla.

- **Att.20**

**PIEZĪME:** Ja tapas galva joprojām atrodas virs apstrādājamā materiāla virsmas, kaut arī stingri turējāt naglotāja galvu, iespējams, materiāls nav piemērots izmantošanai ar naglotāju. Ja turpināsiet izmantot naglotāju šāda materiāla apstrādei, var tikt sabojāts naglotāja izgrūdējs un/vai iestrēgt tapas.

## Mehānisms, kas novērš lietošanu, kad beigušās skavas

**▲BRĪDINĀJUMS:** Pirms tapu ievietošanas naglotājā vienmēr pārliecinieties, ka pirksti neatrodas uz slēdža mēlītes vai ka kontaktelements un akumulatora kasetne ir izņemta.

Kad atlikušo tapu skaits aptverē ir no 0 līdz 3 gab., mēlīte vairs nevar atvilkt. Šajā brīdī ievietojiet aptverē jaunu lenti ar tapām, un slēdža mēlīti atkal varēs nospiegt.

**PIEZĪME:** Šaujot atšķirīga garuma tapas drīz pēc tam, kad nostrādājusi ierīce, kas novērš tukšas aptveres darbināšanu, ievietojiet aptverē jaunu lenti ar savienotām tapām un izšaujiet ārā visas atlikušās iepriekšējās tapas uz nederīga materiāla.

## Atlikušo tapu daudzuma pārbaude

Atlikušo tapu daudzumu var apskatīt skata lodziņā. Jo tuvāk sarkanās krāsas indikators pietuvojas izšaušanas atverei, jo mazāk naglu ir palicis.

► **Att.21:** 1. Skata lodziņš 2. Indikators

## Iesprūdušu tapu izņemšana

**▲BRĪDINĀJUMS:** Pirms iestrēgušu tapu izņemšanas vienmēr pārliecinieties, ka mēlīte ir atlaista un ka akumulatora kasetne un tapas ir izņemtas.

**▲UZMANĪBU:** Nemēģiniet izņemt iestrēgušas tapas ar kailām rokām. Tapas var izšauties no aptveres un radīt traumas.

1. Izņemiet visas aptverē palikušās tapas.
  2. Ar sešstūra atslēgu izskrūvējiet trīs seššķautņu bultskrūves no dzīšanas vadotnes pārsega.
  3. Izņemiet iestrēgušās tapas no naglu fiksācijas rievām dzīšanas vadotnē.
- **Att.22:** 1. Seššķautņu bultskrūve 2. Dzīšanas vadotnes pārsegs 3. Kontaktelementa pārsegs 4. Dzīšanas vadotne

**PIEZĪME:** Ja ir grūti izņemt iestrēgušās tapas, ar sešstūra atslēgu atskrūvējiet vēlīgāk divas seššķautņu skrūves kontaktelementa pārsegā un pēc tam izņemiet iestrēgušās tapas no dzīšanas vadotnes.

4. Atlieciet pārsegu atpakaļ un nostipriniet tos pie dzīšanas vadotnes ar seššķautņu bultskrūvēm.

**IEVĒRĪBAI:** Pēc sastrēgumu likvidēšanas vienmēr pārliecinieties, vai dzīšanas vadotnes pārsegi ir samontēti pareizi. Ja dzīšanas vadotne nedarbojas pareizi, samontējiet tos vēlreiz, izmantojot seššķautņu bultskrūves.

## APKOPE

**▲UZMANĪBU:** Pirms darbarīka pārbaudes vai apkopes vienmēr pārliecinieties, ka darbarīks ir izslēgts un akumulatora kasetne ir izņemta.

**IEVĒRĪBAI:** Nekad neizmantojiet gazoļīnu, benzīnu, atšķaidītāju, spirtu vai līdzīgus šķīdumus. Tas var radīt izbalēšanu, deformāciju vai plaisas.

Lai saglabātu izstrādājuma DROŠU un UZTICAMU darbību, remontdarbus, apkopi un regulēšanu uzticiet veikt tikai Makita pilnvarotam vai rūpnīcas apkopes centram, un vienmēr izmantojiet tikai Makita rezerves daļas.

## Aptveres tīrīšana

Regulāri tīriet aptveres iekšpusi. Izpūstiet vai izslaukiet visus fiksācijas rievās uzkrājušos netīrumus, putekļus, skaidas un naglu līmi.

► **Att.23:** 1. Fiksācijas rievās

**IEVĒRĪBAI:** Netīrumi un putekļi fiksācijas rievās var traucēt tapu padevi, kas laiku pa laikam var izraisīt izšaušanu pa tukšo.

## PAPILDU PIEDERUMI

**▲UZMANĪBU:** Šādi piederumi un papildierīces tiek ieteiktas lietošanai ar šajā rokasgrāmātā aprakstīto Makita darbarīku. Izmantojot citus piederumus vai papildierīces, var tikt radīta trauma gūšanas bīstamība. Piederumu vai papildierīci izmantojiet tikai paredzētajam mērķim.

Ja jums vajadzīga palīdzība vai precīzāka informācija par šiem piederumiem, vērsieties savā tuvākajā Makita apkopes centrā.

- Tapas
- Aizsargbrilles
- Uzgaļa pāreja (dzīšanai līdenās virsmās)
- Makita oriģinālais akumulators un lādētājs

**PIEZĪME:** Daži sarakstā norādītie izstrādājumi var būt iekļauti instrumenta komplektācijā kā standarta piederumi. Tie dažādās valstīs var būt atšķirīgi.

## SPECIFIKACIJOS

Modelis:	PT001G
Smeigės dydis	ø0,6 mm x 15, 18, 25, 30, 35 mm
Smeigių dėtuvės talpa	100 vnt.
Matmenys su BL4025, be kablo (l x P x A)	265 mm x 86 mm x 226 mm
Vardinė įtampa	Nuol. sr. maks. 36–40 V
Grynasis svoris	2,4–3,0 kg

- Atlikame tęsinius tyrimus ir nuolatos tobuliname savo gaminius, todėl čia pateikiamos specifikacijos gali būti keičiamos be įspėjimo.
- Įvairiose šalyse specifikacijos ir akumuliatoriaus kasetė gali skirtis.
- Svoris gali priklausyti nuo priedo (-ų), įskaitant akumuliatoriaus kasetę. Lengviausias ir sunkiausias deriniai pagal EPTA 2014 m. sausio mėn. procedūrą yra parodyti lentelėje.

### Tinkama akumuliatoriaus kasetė ir (arba) įkroviklis

Akumuliatoriaus kasetė	BL4020* / BL4025* / BL4040 / BL4050F *: rekomenduojamas akumuliatorius
Įkroviklis	DC40RA / DC40RB / DC40RC

- Atsižvelgiant į gyvenamosios vietos regioną, kai kurios pirmiau nurodytos akumuliatoriaus kasetės ir įkrovikliai gali būti neprieinami.

**⚠️ JSPĖJIMAS:** Naudokite tik akumuliatoriaus kasetes ir įkroviklius, kurie nurodyti anksčiau. Naudojant bet kurias kitas akumuliatoriaus kasetes ir įkroviklius, gali kilti sužeidimo ir gaisro pavojus.

### Numatytoji naudojimo paskirtis

Šis įrankis skirtas segtukams kalti į statybines medžiagas, pvz., rąstus.

### Triukšmas

Įprastas triukšmo A lygis, nustatytas pagal EN60745-2-16:

Garso slėgio lygis ( $L_{pA}$ ): 79 dB (A)

Paklaida (K): 3 dB (A)

Dirbant triukšmo lygis gali viršyti 80 dB (A).

**PASTABA:** Paskelbta (-os) triukšmo reikšmė (-ės) nustatyta (-os) pagal standartinį testavimo metodą ir ji galima naudoti vienam įrankiui palyginti su kitu.

**PASTABA:** Paskelbta (-os) triukšmo reikšmė (-ės) taip pat gali būti naudojama (-os) norint preliminariai įvertinti triukšmo poveikį.

**⚠️ JSPĖJIMAS:** Dėvėkite ausų apsaugą.

**⚠️ JSPĖJIMAS:** Faktiškai naudojant elektrinį įrankį, keliamo triukšmo dydis gali skirtis nuo paskelbtos (-ų) reikšmės (-ių), priklausomai nuo būdų, kuriais yra naudojamas šis įrankis, ir ypač nuo to, kokio tipo ruošinys apdirbamas.

**⚠️ JSPĖJIMAS:** Siekdami apsaugoti operatorių, būtinai įvertinkite saugos priemones, remdamiesi vibracijos poveikio įvertinimu esant faktinėms naudojimo sąlygoms (atsižvelgdami į visas darbo ciklo dalis, pavyzdžiui, ne tik kiek laiko įrankis veikia, bet ir kiek kartų jis yra išjungiamas bei kai jis veikia be apkrovų).

### Vibracija

Bendras vibracijos dydis, nustatytas pagal EN60745-2-16:

Vibracijos emisija ( $a_{hv}$ ): 2,5 m/s<sup>2</sup> arba mažiau

Paklaida (K): 1,5 m/s<sup>2</sup>

**PASTABA:** Paskelbta (-os) vibracijos bendroji (-osios) reikšmė (-ės) nustatyta (-os) pagal standartinį testavimo metodą ir ji galima naudoti vienam įrankiui palyginti su kitu.

**PASTABA:** Paskelbta (-os) vibracijos bendroji (-osios) reikšmė (-ės) taip pat gali būti naudojama (-os) norint preliminariai įvertinti vibracijos poveikį.

**⚠️ JSPĖJIMAS:** Faktiškai naudojant elektrinį įrankį, keliamos vibracijos dydis gali skirtis nuo paskelbtos (-ų) reikšmės (-ių), priklausomai nuo būdų, kuriais yra naudojamas šis įrankis, ir ypač nuo to, kokio tipo ruošinys apdirbamas.

**⚠️ JSPĖJIMAS:** Siekdami apsaugoti operatorių, būtinai įvertinkite saugos priemones, remdamiesi vibracijos poveikio įvertinimu esant faktinėms naudojimo sąlygoms (atsižvelgdami į visas darbo ciklo dalis, pavyzdžiui, ne tik kiek laiko įrankis veikia, bet ir kiek kartų jis yra išjungiamas bei kai jis veikia be apkrovų).

### EB atitikties deklaracija

**Tik Europos šalims**

EB atitikties deklaracija yra pridedama kaip šio instrukcijų vadovo A priedas.

# SAUGOS ĮSPĖJIMAI

## Bendrieji įspėjimai dirbant elektriniais įrankiais

**▲ ĮSPĖJIMAS:** Perskaitykite visus saugos įspėjimus, instrukcijas, iliustracijas ir techninius duomenis, pateiktus kartu su šiuo elektriniu įrankiu. Nesilaikant visų toliau išvardytų instrukcijų galima patirti elektros smūgį, gali kilti gaisras ir (arba) galima sunkiai susižaloti.

## Išsaugokite visus įspėjimus ir instrukcijas, kad galėtumėte jas peržiūrėti ateityje.

Terminas „elektrinis įrankis“ pateiktuose įspėjimuose reiškia į maitinimo tinklą jungiamą (laidinį) elektrinį įrankį arba akumulatoriaus maitinamą (belaidį) elektrinį įrankį.

## Saugos įspėjimai dėl belaidžio kaltuvo naudojimo

1. **Elkitės taip, tarsi įrankyje visada būtų tvirtinimo elementų.** Neatsargus darbas su kaltuvu gali baigtis netikėtu segtukų iššovimu ir kūno sužalojimais.
2. **Nenukreipkite įrankio į save ar kitus šalia esančius žmones.** Netikėtai paspaudus gaiduką, bus iššautas tvirtinimo elementas, o tai gali sukelti sužalojimų.
3. **Įrankį įjunkite tik tada, kai jis gerai prispaustas prie ruošinio.** Jei įrankis neličia ruošinio, tvirtinimo elementas gali nukrypti nuo taikinio.
4. **Atjunkite įrankį nuo maitinimo šaltinio, jei jame įstrigo tvirtinimo elementų.** Jei paliksite kaltuvą įjungtą, išimant įstrigusį segtuką, kaltuvas gali netikėtai iššauti.
5. **Išimdami įstrigusį tvirtinimo elementą, būkite labai atsargūs.** Mechanizmą gali veikti slėgis, o mėginant išimti įstrigusį tvirtinimo elementą, jis gali būti iššautas didele jėga.
6. **Nenaudokite šio kaltuvo elektros kabeliams tvirtinti.** Jis neskirtas elektros kabeliams montuoti ir gali pažeisti elektros kabelių izoliaciją, todėl kelia elektros smūgio arba gaisro pavojų.
7. **Rankas ir kojas laikykite kuo toliau nuo išstūmimo angos vietos.**
8. **Laikykites instrukcijoje pateiktų nurodymų dėl tepimo ir priedų keitimo.**
9. **Prieš dėdami tvirtinimo elementus, reguliuodami, tikrinami ar prižiūradami, taip pat baigę darbą, būtinai išimkite akumulatoriaus kasetę.**
10. **Prieš dirbdami, įsitinkinkite, ar šalia nėra pašaliniių asmenų.** Jokiū būdu nemėginkite vienu metu kalti tvirtinimo elementus ir iš vidinės, ir iš išorinės sienos pusii. Tvirtinimo elementai gali perlsti kiaurai ir (arba) išlėkti, sukeldami didelii pavojų.
11. **Dirbdami įrankiu, atkreipkite dėmesį į savo stovėseną ir pusiausvyrą.** Jei naudojate įrankį aukštai, įsitinkinkite, ar apačioje nėra žmonių.

12. **Jei ant tvirtinimo elementų įskirio įrankio yra simbolis „Nenaudokite ant pastolių, kopėčių“, nenaudokite jo tokiose vietose, pvz.:**
  - jei, pereinant iš vienos darbo vietos į kitą, reikia naudotis pastoliais, laipteliais, kopėčiomis arba panašiomis konstrukcijomis, pvz., stogo grebėstais;
  - dėžėms uždaryti;
  - transportavimo saugos sistemoms tvirtinti, pvz., transporto priemonėse ar vagonuose.
13. **Kruopščiai patikrinkite sienas, lubas, grindis, stogo dangą ir pan., kad išvengtumėte galimo elektros smūgio, dujų nuotėkio, sproginimo ir pan., kuriuos gali sukelti kabii įkalimas į veikiančius laidus, kanalus ar dujų vamzdzius.**
14. **Naudokite tik šioje instrukcijoje nurodytus tvirtinimo elementus.** Naudojant kitus tvirtinimo elementus, įrankis gali sugesti.
15. **Nekeiskite įrankio ir naudokite jį tik kabėms kalti.**
16. **Nenaudokite įrankio, kai jame nėra kabii. Tai sutrumpina įrankio eksploataavimo laiką.**
17. **Pastebėję įrankyje ką nors blogo ar neįprasto, tučtuojau nutraukite darbą.**
18. **Nekalkite į medžiagas, kurias kabės gali pradrurti kiaurai ir pralėkti kaip šoviniai.**
19. **Jokiu būdu nejunkite gaiduko ir kontaktinio elemento vienu metu, kol nesate pasirėngę kalti segtukų į ruošinius.** Kontaktinį elementą turi nuspausti ruošinys. Nekeiskite jo paskirties, užfiksuodami kontaktinį elementą į galinę padėtį arba nuspausdami jį ranka.
20. **Nekeiskite kontaktinio elemento.** Dažnai tikrinkite, ar kontaktinis elementas veikia tinkamai.
21. **Visada išimkite segtukus iš įrankio, jeigu jo nenaudojate.**

## SAUGOKITE ŠIAS INSTRUKCIJAS.

**▲ ĮSPĖJIMAS:** NELEISKITE, kad patogumas ir gaminio pažinimas (įgyjamas pakartotinai naudojant) susilpnintų griežtą saugos taisyklių, taikytinų šiam gaminiui, laikymąsi. Dėl NETINKAMO NAUDOJIMO arba saugos taisyklių, kurios pateiktos šioje instrukcijoje, nesilaikymo galima rimtai susižeisti.

## Svarbios saugos instrukcijos, taikomos akumulatoriaus kasetei

1. **Prieš naudodami akumulatoriaus kasetę, perskaitykite visas instrukcijas ir perspėjimus ant (1) akumulatorių įkroviklio, (2) akumulatorių ir (3) akumulatorių naudojančio gaminio.**
2. **Nearydite ir negadinkite akumulatoriaus kasetės.** Dėl to ji gali užsidegti, per daug įkaisti arba sprogti.
3. **Jei įrankio darbo laikas žymiai sutrumpėjo, nedelsdami nutraukite darbą su įrankiu.** Tai gali kelti perkaitimo, nudegimų ar net sproginimo pavojų.
4. **Jei elektrrolitas pateko į akis, plaukite jas tyru vandeniu ir nedelsdami kreipkitės į gydytoją.** Gali kilti regėjimo praradimo pavojus.

5. **Neužtrumpinkite akumulatoriaus kasetės:**

- (1) Nelieskite kontaktų degiomis medžiagomis.
- (2) Venkite laikyti akumulatoriaus kasetę kartu su kitais metaliniais daiktais, pavyzdžiui, vinimis, monetomis ir pan.
- (3) Saugokite akumulatoriaus kasetę nuo vandens ir lietaus.

Trumpasis jungimas akumulatoriuje gali sukelti stiprią srovę, perkaitimą, galimus nudegimus ar net akumulatoriaus gedimą.

6. Nelaikykite ir nenaudokite įrankio ir akumulatoriaus kasetės vietoje, kur temperatūra gali pasiekti ar viršyti 50 °C (122 °F).
7. Nedeginkite akumulatoriaus kasetės, net jei yra stipriai pažeista ar visiškai susidėvėjusi. Ugnyje akumulatoriaus kasetė gali sprogti.
8. Akumulatoriaus kasetės nekalkite, nepjausykite ir nemėtykite ir taip pat į ją netrankykite kietu daiktu. Taip elgiantis, ji gali užsidegti, per daug įkaisti arba sprogti.
9. Nenaudokite pažeisto akumulatoriaus.
10. Įdėtoms ličio jonų akumulatoriams taikomi Pavojingų prekių teisės akto reikalavimai. Komercinis transportas, pvz., trečiųjų šalių, prekių vežimo atstovų, turi laikytis specialaus reikalavimo ant pakuotės ir ženklavimo. Norėdami paruošti siųstiną prekę, pasitarkite su pavojingų medžiagų specialistu. Be to, laikykitės galimai išsamesnių nacionalinių reglamentų. Užklijuokite juosta arba padenkite atvirus kontaktus ir supakuokite akumuliatorių taip, kad ji pakuotėje nejudėtų.
11. Kai išmetate akumulatoriaus kasetę, išimkite ją iš įrankio ir išmeskite saugioje vietoje. Vadovaukitės vietos reglamentais dėl akumuliatorių išmetimo.
12. Baterijas naudokite tik su „Makita“ nurodytais gaminiais. Baterijas įdėjus į netinkamus gaminius gali kilti gaisras, gaminys pernelyg įkaisti, kilti sprogimas arba pratekėti elektrolitas.
13. Jei įrankis bus ilgą laiką nenaudojamas, akumuliatorių būtina išimti iš įrankio.
14. Darbo metu ir po akumulatoriaus kasetę gali būti įkaitusi ir dėl to nudeginti. Įmdami akumulatoriaus kasetes, būkite atsargūs.
15. Tuojau pat po naudojimo nelieskite įrankio gnybtų, nes jie gali būti įkaitę tiek, kad nudegins.
16. Neleiskite, kad į akumulatoriaus kasetės gnybtus, angas ir griovelius patektų drožlių, dulkių ar žemių. Jos gali sukelti kaitimą, užsidegti, sprogti ir sukelti įrankio ar akumulatoriaus kasetės gedimą, dėl ko galima nusidėginti ar susižaloti.
17. Jeigu įrankis nėra pritaikytas naudoti šalia aukštos įtampos elektros linijų, akumulatoriaus kasetės nenaudokite šalia aukštos įtampos elektros linijų. Dėl to gali sutrikti įrankio ar akumulatoriaus kasetės veikimas arba jie gali sugesti.
18. Laikykite akumuliatorių vaikams nepasiekiamoje vietoje.

## SAUGOKITE ŠIAS INSTRUKCIJAS.

**⚠ PERSPĖJIMAS:** Naudokite tik originalų „Makita“ akumuliatorių. Neoriginalaus „Makita“ arba pakeisto akumulatoriaus naudojimas gali nulemti gaisrą, asmens sužalojimą ir pažeidimą. Tai taip pat panaikina „Makita“ suteikiamą „Makita“ įrankio ir įkroviklio garantiją.

## Patarimai, ką daryti, kad akumulatorius veiktų kuo ilgiau

1. Pakraukite akumulatoriaus kasetę prieš jai visiškai išsikraunant. Visuomet nustokite naudoti įrankį ir pakraukite akumulatoriaus kasetę, kai pastebite, kad įrankio galia sumažėjo.
2. Niekada nekraukite iki galo įkrautos akumulatoriaus kasetės. Perkraunant trumpėja akumulatoriaus eksploatacijos laikas.
3. Akumulatoriaus kasetę kraukite esant kambario temperatūrai 10 - 40 °C. Prieš pradėdami krauti, leiskite įkautusiai akumulatoriaus kasetei atvėsti.
4. Kai akumulatoriaus kasetės nenaudojate, ją išimkite iš įrankio ar įkroviklio.
5. Įkraukite akumulatoriaus kasetę, jei jos nenaudojate ilgą laiką (ilgiau nei šešis mėnesius).

## VEIKIMO APRAŠYMAS

**⚠ PERSPĖJIMAS:** Prieš pradėdami reguliuoti arba tikrinti įrankio veikimą, visuomet būtinai išjunkite įrankį ir išimkite akumulatoriaus kasetę.

## Akumulatoriaus kasetės uždėjimas ir nuėmimas

**⚠ PERSPĖJIMAS:** Prieš įdėdami arba išimdami akumulatoriaus kasetę, visada išjunkite įrankį.

**⚠ PERSPĖJIMAS:** Įdėdami arba išimdami akumulatoriaus kasetę, tvirtai laikykite įrankį ir akumulatoriaus kasetę. Jeigu įrankį ir akumulatoriaus kasetę laikysite netvirtai, jie gali išslysti iš jūsų rankų, todėl įrankis ir akumulatoriaus kasetė gali būti sugadinti, o naudotojas sužalotas.

- **Pav.1:** 1. Raudonas sandariklis (indikatorius) 2. Mygtukas 3. Akumulatoriaus kasetė

Jei norite išimti akumulatoriaus kasetę, ištraukite ją iš įrankio, stumdami mygtuką, esantį kasetės priekyje.

Jei norite įdėti akumulatoriaus kasetę, ant akumulatoriaus kasetės esantį liežuvelį sutapdinkite su korpusu esančiu grioveliu ir įstumkite į jai skirtą vietą. Įstatykite iki pat galo, kad spragtelėdama užsifiksuotų. Jeigu matote raudoną sandariklį (indikatorių), kaip parodyta paveikslėlyje, ji nėra visiškai užfiksuota.

**⚠ PERSPĖJIMAS:** Akumulatoriaus kasetę visada įkiškite iki galo, kol nebematysite raudono sandariklio (indikatoriaus) Priešingu atveju ji gali atsitiktinai iškristi iš įrankio ir sužeisti jus arba aplinkinius.

**⚠ PERSPĖJIMAS:** Nekiškite akumulatoriaus kasetės įėga. Jeigu kasetė sunkiai lenda, ją kišate netinkamai.



## Įrankio / akumulatoriaus apsaugos sistema

Įrankyje įrengta įrankio / akumulatoriaus apsaugos sistema. Ši sistema automatiškai atjungia variklio mašinimą, kad įrankis ir akumulatorius ilgiau veiktų. Įrankis automatiškai išsijungs darbo metu esant vienai iš toliau nurodytų įrankio arba akumulatoriaus darbo sąlygų:

### Apsauga nuo perkrovo

Kai įrankis / akumulatorius naudojami taip, kad srovės stipris tampa pernelyg didelis, įrankis automatiškai sustoja. Tokiu atveju išjunkite įrankį ir nutraukite darbą, dėl kurio kilo įrankio perkrova. Tada vėl įjunkite įrankį.

### Apsauga nuo perkaitimo

Kai įrankis / akumulatorius perkaista, įrankis automatiškai išsijungia. Esant šiai situacijai, leiskite įrankiui / akumulatoriui atvėsti, prieš vėl jį jungdami.

### Apsauga nuo visiško išekvojimo

Kai akumulatoriaus įkrovo lygis nepakankamas, įrankis automatiškai išsijungia. Tokiu atveju ištraukite akumulatorių iš įrankio ir įkraukite jį.

### Apsauga nuo kitų sutrikimų

Apsaugos sistema taip pat apsaugo nuo kitų sutrikimų, galinčių pažeisti įrankį, todėl automatiškai jį išjungia. Įrankiu laikinai sustojus arba veikimo metu išsijungus, imkitės visų toliau nurodytų veiksmų ir pašalinkite sutrikimo priežastis.

1. Išjunkite įrankį, tada vėl įjunkite, kad paleistumėte iš naujo.
2. Įkraukite akumulatorių (-ius) arba jį (juos) pakeiskite įkrautu (-ais) akumulatoriumi (-iais).
3. Palaukite, kol įrankis ir akumulatorius (-iai) atvės.

Jei atstačius apsaugos sistemą veikimas nepagerėja, kreipkitės į vietos „Makita“ techninės priežiūros centrą.

## Likusias akumulatoriaus galios rodymas

Paspauskite akumulatoriaus kasėtės tikrinimo mygtuką, kad būtų rodoma likusi akumulatoriaus energija. Maždaug trims sekundėms užsidegs indikatorių lemputės.

► **Pav.2:** 1. Indikatorių lemputės 2. Tikrinimo mygtukas

Indikatorių lemputės			Likusi galia
Šviečia	Nešviečia	Blyksi	
■	□	▬	75 - 100 %
■	■	■	
■	■	□	50 - 75 %
■	□	□	25 - 50 %
■	□	□	0 - 25 %
▬	□	□	Įkraukite akumulatorių.
■	■	□	Galimai įvyko akumulatoriaus veikimo triktis.
□	□	■	

**PASTABA:** Rodmuo gali šiek tiek skirtis nuo faktinės energijos lygio – tai priklauso nuo naudojimo sąlygų ir aplinkos temperatūros.

**PASTABA:** Veikiant akumulatoriaus apsaugos sistemai ims mirksėti pirmoji (toliausiai kairėje) indikatoriaus lemputė.

## Gaiduko fiksavimo mygtukas

▲ **PERSPĖJIMAS:** Prieš montuodami akumulatoriaus kasėtį įrankyje, visuomet patikrinkite, ar gaidukas tinkamai veikia ir atleistas grįžta į išjungimo padėtį „OFF“.

▲ **PERSPĖJIMAS:** Kai įrankiu nedirbate, nuspauskite gaiduko fiksavimo mygtuką iš „B“ pusės, kad gaidukas užsifikuotų į IŠJUNGIMO (OFF) padėtį.

► **Pav.3:** 1. Gaiduko fiksavimo mygtukas 2. Gaidukas

► **Pav.4**

Norint, kad gaidukas nebūtų atsitiktinai nuspaustas, įrengtas gaiduko fiksavimo mygtukas.

Norėdami patraukti gaiduką, „A“ pusėje nuspauskite gaiduko fiksavimo mygtuką.

Pabaigę darbą, visada nuspauskite gaiduko fiksavimo mygtuką iš „B“ pusės.

## Segtukų kalimo gylio reguliavimas

▲ **ĮSPĖJIMAS:** Prieš reguliuodami vinių kalimo gylį, būtinai išitinkinkite, kad nelaikote pirštų ant gaiduko ar kontaktinio elemento, o akumulatoriaus kasėtį išimta.

Smeigių kalimo gylį galima reguliuoti sukant ant įrankio esančių reguliatorių. Smeiges įkalama giliau, sukant reguliatorių iliustracijoje parodyta A kryptimi, ir neįgalia - B kryptimi (iki 1,5 mm diapazone).

► **Pav.5:** 1. Reguliatorius

► **Pav.6:** 1. Per giliai 2. Tinkamas gylis 3. Nepakankamai giliai

## Lemputės uždegimas

▲ **PERSPĖJIMAS:** Nežiūrėkite tiesiai į šviesą arba šviesos šaltinį.

Patraukite gaiduką arba suaktyvinkite kontaktinį elementą, kad užsidegtų lemputė. Spaudžiant gaiduką arba laikant kontaktinį elementą suaktyvintą, lemputė nepertraukiamai šviečia iki 60 sekundžių. Atleidus gaiduką ir kontaktinį elementą, lemputė užgęsta maždaug po 10 sekundžių.

► **Pav.7:** 1. Lemputė

**PASTABA:** Purvą nuo lemos objektyvo nuvalykite sausu skudurėliu. Būkite atsargūs, kad nesubraižytumėte lemos objektyvo, nes pablogės apšvietimas.

**PASTABA:** Senkant akumulatoriui, įrankis gali nustoti šaudyti smeiges, net jei lemputė šviečia. Tokiu atveju įkraukite akumulatoriaus kasėtį.

**PASTABA:** Jei įrankis perkaista, lemputė pradeda mirksėti. Tokiu atveju atleiskite gaiduką ir kontaktinį elementą, o prieš naudodami vėl atvėsinkite įrankį / akumulatorių.

**PASTABA:** Jei kalant smeiges smeigiakalė aptinka klaidą, pradeda mirksėti lemputė. Tokiu atveju nugaubinkite smeigiakalę į gamyklinį priežiūros centrą.



## SURINKIMAS

**▲PERSPĖJIMAS:** Prieš atlikdami bet kokius darbus su segtukų kaltuvu, būtinai įsitikinkite, kad nelaikote pirštų ant gaiduko ar kontaktinio elemento, o akumulatoriaus kasėtė išimta.

## Smeigių įdėjimas ir išėmimas

**▲PERSPĖJIMAS:** Prieš dėdami smeiges, būtinai įsitikinkite, kad nelaikote pirštų ant gaiduko, o akumulatoriaus kasėtė yra išimta. Netikėtai iššovęs įrankis gali sužaloti ir sugadinti turta.

**▲PERSPĖJIMAS:** Kol dedate smeiges į dėtuvę, netrankykite jos slankiojo dangtelio į atidarymo (uždarymo) padėtį. Netyčia išmetus smeiges, ypač jei dirbama aukštai, galima ką nors sužaloti.

1. Paspauskite fiksavimo svirtį ir atidarykite dėtuvės slankųjį dangtelį.

► **Pav.8:** 1. Fiksavimo svirtelė 2. Slankiojančios durelės 3. Dėtuvė

2. Nustatykite smeigių juostą taip, kad taškiniai trikampiai būtų nukreipti žemyn, sulygiuodami smeigių galiukus su kreipiamaisiais grioveliais, esančiais dėtuvės apačioje. Užtikrinkite, kad smeigių galiukai liestų dėtuvės apačią, ir švelniai nustumkite smeigių juostą kalimo detalės kreiptuvo link.

► **Pav.9:** 1. Smeigės 2. Taškinis trikampis 3. Kreipiamieji grioveliai 4. Sukimo mechanizmo kreiptuvas

► **Pav.10:** 1. Smeigės 2. Dėtuvės apačia 3. Tarpai

**PASTABA:** Užtikrinkite, kad smeigių galiukai būtų priglausti prie dėtuvės apačios. Jei aplink galiukus liks bet kokių tarpų, gali atsirasti strigčių ir įrankis gali būti apgadintas.

**PASTABA:** Dėkite smeiges tinkama kryptimi. Sudėjus netinkama kryptimi, kalimo detalės kreiptuvas gali pirma laiko nusidėvėti ir gali būti apgadintos kitos dalys.

**PASTABA:** Nenaudokite deformuotų smeigių juostų. Naudokite tik šioje instrukcijoje nurodytas smeiges. Jei naudosite kitokias smeiges nei nurodyta, smeigės gali įstrigti, o įrankis - sugesti.

**PASTABA:** Nedėkite mažesnių smeigių juostų, ypač jei naudojate trumpas smeiges. Kitaip gali atsirasti strigčių ir būti apgadintas įrankis.

**PASTABA:** Nedėkite skirtingų ilgių smeigių juostų ir vienu metu nedėkite kelių smeigių juostų (kuriose yra po mažiau smeigių). Kitaip gali atsirasti strigčių ir būti apgadintas įrankis.

3. Sugražinkite slankųjį dangtelį į jo pradinę padėtį ir užfiksavus jį fiksavimo svirtimi.

**PASTABA:** Švelniai uždarykite slankųjį dangtelį. Jei pernelyg spausite, galite deformuoti smeiges ir slankusis dangtelis gali negrįžti į pradinę padėtį.

Norėdami išimti smeiges, paspauskite fiksavimo svirtį ir atidarykite slankųjį dangtelį. Išimkite smeiges iš dėtuvės.

## Priekio suderintuvas

**▲PERSPĖJIMAS:** Prieš montuodami priekio suderintuvą, būtinai įsitikinkite, kad nelaikote pirštų ant gaiduko ar kontaktinio elemento, o akumulatoriaus kasėtė išimta.

Kaldami smeiges į lengvai sugadinamus medžiagos paviršius, naudokite priekinės dalies adapterį. Sumontuokite priekinės dalies adapterį ant kalimo detalės kreiptuvo kontaktinio viršaus, kad kreiptuvo iškyšos priekinės dalies adapteryje įsistatytų į kalimo detalės kreiptuvo įrantas.

Priekinės dalies adapterį galite laikyti laikiklyje dėtuvės gale, kad jis nepasimestų.

► **Pav.11:** 1. Priekio suderintuvas 2. Sukimo mechanizmo kreiptuvas 3. Kreiptuvo iškyšos 4. Kreiptuvo įrantas 5. Laikiklis

## Priekinės dalies adapteris, skirtas kalti į plokščius paviršius

### Pasirinktinis priedas

Naudokite pasirinktinį priekinės dalies adapterį, suprojektuotą tvirtinimo prie plokščių ir lygių paviršių operacijoms vykdyti. Jis saugo minkštus ruošinio paviršius nuo žymų ir įbrėžimų, kuriuos gali palikti smailūs suapvalinti kontaktiniai paviršiai.

► **Pav.12**

Sumontuokite pasirinktinį priekinės dalies adapterį ant kalimo detalės kreiptuvo kontaktinio viršaus, kad kreiptuvo iškyšos priekinės dalies adapteryje įsistatytų į kalimo detalės kreiptuvo įrantas.

► **Pav.13:** 1. Pasirinktinis priekinės dalies adapteris 2. Kalimo detalės kreiptuvas 3. Kreiptuvo iškyšos 4. Kreiptuvo įrantas

## Kablys

**▲PERSPĖJIMAS:** Montuodami kabljį, visada jį tvirtai užveržkite varžtu. Antraip kablys gali nulėkti nuo įrankio ir sužaloti.

**▲PERSPĖJIMAS:** Naudokite pakabinamas / montuojamas dalis tik pagal jų paskirtį. Naudojant ne pagal paskirtį, gali įvykti nelaimingas atsitikimas arba galima susižaloti.

**▲PERSPĖJIMAS:** Nekabinkite kablo ant juosmens diržo. Kabliui netyčia pasislinkus, smeigiakalė gali nukristi, netyčia iššauti bei sužaloti.

► **Pav.14**

Kablys yra patogus, kai norite trumpam pakabinti įrankį. Jį galima uždėti bet kurioje įrankio pusėje. Norėdami sumontuoti kabljį, įkiškite jį į bet kurioje įrankio korpuso pusėje esantį griovelį, po to priveržkite jį varžtu. Norėdami kabljį nuimti, atsukite varžtą ir nuimkite jį.

► **Pav.15:** 1. Griovelis 2. Kablys 3. Varžtas

## Šešiabriaunio veržliarakčio laikymas

Nenaudojamą šešiabriaunį veržliarakčį laikykite taip, kaip parodyta paveikslėlyje, kad nepamestumėte.

► **Pav.16:** 1. Šešiakampis raktas

# NAUDOJIMAS

## Saugos sistemos patikra

**⚠️ JSPĖJIMAS:** Prieš pradėdami dirbti įsitinkite, ar visos saugos sistemos tinkamai veikia. Nesilaikydami šių nurodymų galite sunkiai susižeisti.

- **Pav.17:** 1. Gaiduko fiksavimo mygtukas  
2. Gaidukas 3. Kontaktinis elementas  
4. Dėtuvė

Prieš naudojimą išbandykite saugos sistemas, ar veikia tinkamai.

1. Išimkite smeiges iš įrankio. Dėtuvės neuždarykite.
2. Įdėkite akumulatoriaus kasetę ir atleiskite gaiduko fiksatorių.
3. Gaiduką patraukite nepriliedami kontaktinio elemento prie medžiagos.
4. Kontaktinį elementą prilieskite prie medžiagos tuomet, kai gaiduko netraukiate.

Jei įrankis veikia 3 ar 4 aprašytu atveju, saugos sistemos veikia netinkamai. Nedelsdami nustokite naudoti įrankį ir susisieki su vietiniu techninės priežiūros centru.

## Smeigių kalimas

**⚠️ JSPĖJIMAS:** Nenaudokite šios smeigiakalės elektros kabeliams tvirtinti. Ji neskirta elektros kabeliams montuoti ir gali pažeisti elektros kabelių izoliaciją, todėl kelia elektros šoko arba gaisro pavojų.

**⚠️ JSPĖJIMAS:** Toliau dėkite kontaktinį elementą ant medžiagos, kol segtukas nebus visiškai įkaltas. Netyčia iššovus, galimi kūno sužalojimai.

**⚠️ PERSPĖJIMAS:** Dirbdami tvirtai laikykite įrankį.

**⚠️ PERSPĖJIMAS:** Naudodami įrankį, neviršykite nepertraukiamo veikimo trukmės. Kitaip galite apgadinti įrankį ir susižaloti.

**PASTABA:** Pridėjus kontaktinį elementą prie ruošinio ir praėjus penkioms sekundėms be jungiklio paspaudimo, įrankis tvirtinimo detalių nekals. Norėdami tęsti tvirtinimą, pakelkite kontaktinį elementą nuo ruošinio ir vėl nustatykite vietoje.

1. Atleiskite gaiduko fiksatorių.
  2. Padėkite kontaktinį elementą ant medžiagos.
  3. Norėdami įkalti smeigę, iki galo nuspauskite gaiduką.
  4. Norėdami įkalti kitą vinį, vieną kartą atleiskite gaiduką ir pakartokite 2 bei 3 veiksmus.
- **Pav.18:** 1. Gaidukas 2. Kontaktinis elementas

Taip pat galite įkalti segtukus, perkeldami įrankį kitos srities link, kai kontaktinis elementas prispaustas prie medžiagos, ir patraukdami gaiduką.

► **Pav.19**

Jei segtuko galvutė iškilusi iš ruošinio paviršiaus, kalkite segtuką tvirtai prispaudę kaltuvo galvutę prie ruošinio.

► **Pav.20**

**PASTABA:** Jei smeigės galvutė lieka ruošinio paviršiuje, net jei laikote smeigiakalės galvutę, galbūt medžiaga netinka smeigiakalei. Jei toliau naudosite smeigiakalę tokiai medžiagai tvirtinti, galite apgadinti smeigiakalės kalimo detalę ir (arba) smeigiakalę gali užstrigti.

## Atjungimo mechanizmas

**⚠️ JSPĖJIMAS:** Prieš dėdami smeiges į įrankį, užtikrinkite, kad pirštai nebūtų laikomi ant gaiduko ar kontaktinio elemento, o akumulatoriaus kasetė būtų išimta.

Dėtuvėje likus 0-3 smeigėms, gaiduko paspausti nebepavyks. Įdėkite į dėtuvę naują smeigių juostą ir tada galėsite vėl spausti gaiduką.

**PASTABA:** Prireikus kalti kitokio ilgio smeiges netrukus po to, kai įsijungia atjungimo mechanizmas, į dėtuvę įdėkite naują smeigių juostą ir iššaukite visas ankstesnes smeiges į nereikalingą ruošinį.

## Likusių smeigių patikra

Likusių smeigių kiekį galite pamatyti pro stebėjimo langelį. Mažėjant likusių smeigių kiekiui, raudonas indikatorius juda kalimo kryptimi.

► **Pav.21:** 1. Stebėjimo langelis 2. Indikatorius

## Įstrigusią smeigių išėmimas

**⚠️ JSPĖJIMAS:** Prieš išimdami įstrigusias smeiges, būtinai atleiskite gaiduką ir išimkite akumulatoriaus kasetę bei smeiges.

**⚠️ PERSPĖJIMAS:** Neišiminkite įstrigusią smeigių plikomis rankomis. Smeigės gali iššokti iš dėtuvės ir sužaloti.

1. Išimkite visas dėtuvėje likusias smeiges.
2. Šešiakampiu raktu atsukite tris varžtus (su šešiakampiu lizdu galvutėje) nuo kalimo detalės kreiptuvo dangtelio.
3. Išimkite įstrigusias smeiges iš smeigių kreipiamųjų griovelių kalimo detalės kreiptuve.

► **Pav.22:** 1. Varžtas su šešiakampiu lizdu galvutėje  
2. Kalimo detalės kreiptuvo dangtelis  
3. Kontaktinio viršaus dangtelis 4. Kalimo detalės kreiptuvas

**PASTABA:** Jei įstrigusias smeiges ištraukti sunku, šešiakampiu raktu nuo kontaktinio viršaus dangtelio atsukite du varžtus (šešiakampiu lizdu galvutėje) ir išimkite įstrigusias smeiges iš kalimo detalės kreiptuvo.

4. Nustatykite dangtelius atgal ir prisukite juos ant kalimo detalės kreiptuvo varžtais šešiakampiu lizdu galvutėje.

**PASTABA:** Pašalinę strigtis, būtinai užtikrinkite, kad dangteliai būtų tinkamai prisukti prie kalimo detalės kreiptuvo. Jei kalimo detalės kreiptuvas veikia netinkamai, prisukite juos varžtais (šešiakampiu lizdu galvutėje) iš naujo.

# TECHINĖ PRIEŽIŪRA

**⚠ PERSPĖJIMAS:** Visuomet įsitikinkite, ar įrankis yra išjungtas ir akumuliatoriaus kasetė yra nuimta prieš atlikdami apžiūrą ir priežiūrą.

**PASTABA:** Niekada nenaudokite gazolino, benzino, tirpiklio, spirito arba panašių medžiagų. Gali atsirasti išblukimų, deformacijų arba įtrūkimų.

Kad gaminyt būtų SAUGUS ir PATIKIMAS, jį taisyti, apžiūrėti ar vykdyti bet kokią kitą priežiūrą ar derinimą turi įgaliotasis kompanijos „Makita“ techninės priežiūros centras; reikia naudoti tik kompanijos „Makita“ pagamintas atsargines dalis.

## Dėtuvės valymas

Reguliariai valykite dėtuvės vidų. Išpūskite arba nušluostykite visus nešvarumus, dulkes, skiedras ir smeigių klįjus, kurių gali būti kreipiamuosiuose grioveluose.

► **Pav.23:** 1. Kreipiamieji grioveliai

**PASTABA:** Kreipiamuosiuose grioveluose esantys nešvarumai ir dulkės gali paveikti smeigių tiekimą ir dėl to įrankis kartais gali iššauti tuščiai.

## PASIRENKAMI PRIEDAI

**⚠ PERSPĖJIMAS:** Šiuos papildomus priedus arba įtaisus rekomenduojama naudoti su šioje instrukcijoje nurodytu „Makita“ bendrovės įrankiu. Naudojant bet kokius kitus papildomus priedus arba įtaisus, gali kilti pavojus sužeisti žmones. Naudokite tik nurodytam tikslui skirtus papildomus priedus arba įtaisus.

Jeigu norite daugiau sužinoti apie tuos priedus, kreipkitės į artimiausią „Makita“ techninės priežiūros centrą.

- Smeigės
- Apsauginiai akiniai
- Priekinės dalies adapteris (skirtas kalti į plokščius paviršius)
- Originalus „Makita“ akumuliatorius ir įkroviklis

**PASTABA:** Kai kurie sąraše esantys priedai gali būti pateikti įrankio pakuotėje kaip standartiniai priedai. Jie įvairiose šalyse gali skirtis.

## TEHNILISED ANDMED

Mudel:	PT001G
Needi suurus	∅0,6 mm × 15, 18, 25, 30, 35 mm
Needisalve maht	100 tk
Mõõtmed koos BL4025-ga, ilma konksuta (L × W × H)	265 mm × 86 mm × 226 mm
Nimipinge	Alalisvool 36 V – 40 V max
Netokaal	2,4 – 3,0 kg

- Meie pideva uuringu- ja arendusprogrammi tõttu võidakse tehnilisi andmeid muuta ilma sellest ette teatamata.
- Tehnilised andmed ja akukassett võivad riigiti erineda.
- Kaal võib erineda olenevalt lisaseadistest, kaasa arvatud akukassetist. Kergeim ja raskeim kombinatsioon EPTA-protseduuri 01/2014 kohaselt on toodud tabelis.

### Sobiv akukassett ja laadija

Akukassett	BL4020* / BL4025* / BL4040 / BL4050F *: Soovituslik aku
Laadija	DC40RA / DC40RB / DC40RC

- Mõned eespool loetletud akukassetid ja -laadijad ei pruugi olla teie riigis saadaval.

**⚠ HOIATUS:** Kasutage ainult ülalpool loetletud akukassette ja laadureid. Muude akukassetide ja laadurite kasutamine võib tekitada vigastusi ja/või tulekahju.

### Kavandatud kasutus

Tööriist on ette nähtud neetide pressimiseks ehitusmaterjalil, nt puitu.

### Müra

Tüüpiline A-korrigeeritud müratase, määratud standardi EN60745-2-16 kohaselt:

Helirõhutase ( $L_{pA}$ ): 79 dB (A)

Määramatus (K): 3 dB (A)

Töötamisel võib müratase ületada 80 dB (A).

**MÄRKUS:** Deklareeritud müra väärtust (väärtuseid) on mõõdetud kooskõlas standardse katsemeetodiga ning seda võib kasutada ühe seadme võrdlemiseks teisega.

**MÄRKUS:** Deklareeritud müra väärtust (väärtuseid) võib kasutada ka mürataseme esmaseks hindamiseks.

**⚠ HOIATUS:** Kasutage kõrvakaitsmeid.

**⚠ HOIATUS:** Müratase võib elektritööriista tegelikkuses kasutamise ajal erineda deklareeritud väärtus(t)est olenevalt tööriista kasutusviisidest ja eriti töödeldavast toorikust.

**⚠ HOIATUS:** Rakendage operaatori kaitsmiseks kindlasti piisavaid ohutusabinõusid, mis põhinevad hinnangulisel müratasemel tegelikus tööolukorras (võttes arvesse tööperioodi kõiki osasid, näiteks korrad, kui seade lülitatakse välja ja seade töötab tühikäigul, lisaks tööajale).

### Vibratsioon

Vibratsioonitaseme koguväärtust vastavalt EN60745-2-16:

Vibratsiooniheide ( $a_h$ ): 2,5 m/s<sup>2</sup> või vähem

Määramatus (K): 1,5 m/s<sup>2</sup>

**MÄRKUS:** Deklareeritud vibratsiooni koguväärtust (-väärtuseid) on mõõdetud kooskõlas standardse katsemeetodiga ning seda võib kasutada ühe seadme võrdlemiseks teisega.

**MÄRKUS:** Deklareeritud vibratsiooni koguväärtust (-väärtuseid) võib kasutada ka mürataseme esmaseks hindamiseks.

**⚠ HOIATUS:** Vibratsioonitase võib elektritööriista tegelikkuses kasutamise ajal erineda deklareeritud väärtus(t)est olenevalt tööriista kasutusviisidest ja eriti töödeldavast toorikust.

**⚠ HOIATUS:** Rakendage operaatori kaitsmiseks kindlasti piisavaid ohutusabinõusid, mis põhinevad hinnangulisel müratasemel tegelikus tööolukorras (võttes arvesse tööperioodi kõiki osasid, näiteks korrad, kui seade lülitatakse välja ja seade töötab tühikäigul, lisaks tööajale).

### EÜ vastavusdeklaratsioon

*Ainult Euroopa riikide puhul*

EÜ vastavusdeklaratsioon sisaldub käesoleva juhendi Lisas A.

# OHUTUSHOIATUSED

## Üldised elektritööriistade ohutusohiatused

**⚠️HOIATUS:** Lugege läbi kõik selle elektritööriistaga kaasas olevad ohutusohiatused, juhised, joonised ja tehnilised andmed. Järgnevate juhiste eiramine võib põhjustada elektrilöögi, süttimise ja/või raske kehavigastuse.

## Hoidke edaspidisteks viideteks alles kõik hoiatused ja juhtnöörid.

Hoiatuses kasutatud termini „elektritööriist“ all peetakse silmas elektriga töötavaid (juhtmega) elektritööriistu või akuga töötavaid (juhtmata) elektritööriistu.

## Juhtmata needipüstoli ohutusjuhised

1. Arvestage alati sellega, et tööriistas võib olla kinnitusvahendeid. Needipüstoli ettevaatamatu käsitlemine võib põhjustada kinnitusvahendite ootamatu vallandumise ning kehavigastusi.
2. Ärge suunake tööriista enda või kellegi lähedalseisva poole. Ootamatu vallandumine tühjen-dab kinnitaja ning põhjustab kehavigastusi.
3. Ärge käivitage tööriista, kui see ei ole asetatud kindlalt vastu töödeldavat detaili. Kui tööriist ei ole töödeldava detailiga kontaktis, võib kinnitaja sihtmärgist kõrvale kalduda.
4. Juhul kui kinnitusvahend kiilub tööriistas kinni, eemaldage tööriist vooluallikast. Kui needipüstol on sisse lülitatud, võib see kinnikiilunud kinnitusvahendi eemaldamise ajal ootamatult käivituda.
5. Olge kinnikiilunud klambripüstoli eemaldamisel ettevaatlik. Mehhanism võib surve all olla ning jõuliselt tühjeneda, kui üritate ummistust eemaldada.
6. Ärge kasutage needipüstolit elektrikaablite kinnitamiseks. See ei ole mõeldud elektrikaablite paigaldamiseks, sest võib kahjustada elektrikaablite isolatsiooni, põhjustades seeläbi elektrilöögi- või tulekahjuohtu.
7. Hoidke käed ja jalad eemal kinnitusvahendi väljumisava piirkonnast.
8. Järgige õlitamist ja tarvikute vahetamist puudutavaid juhiseid.
9. Eemaldage akukassett alati enne kinnitusvahendite laadimist, tööriista reguleerimist, kontrollimist, hooldust või pärast töö lõpetamist.
10. Enne toimingute tegemist veenduge, et kedagi poleks läheduses. Ärge püüdke paigaldada kinnitusvahendeid ühel ajal nii seina sise- kui ka välisküljelt. Kinnitusvahendid võivad konstruktsioonist läbi tungida ja/või välja lennata, tekitades tõsise ohtu.

11. Jälgige oma jalgealust toetuspinda ja hoidke tööriistaga töötades tasakaalu. Kõrgustes töötades veenduge, et allpool ei viibiks inimesi.
12. Ärge kunagi kasutage kinnitusvahendite paigaldustööriistu, mis on tähistatud sümboliga „Mitte kasutada tellingutel, redelitel!“, teatud rakendustes, näiteks:
  - kui kinnitusvahendite paigaldamine on seotud asukoha muutmise-ga, mis nõuab tellin-gute, treppide, redelite või redelisarnaste konstruktsioonide, nt katuse roovlattide, kasutamist;
  - konteinerite või kastide sulgemiseks;
  - transportimisel kasutatavate turvasüs-teemide paigaldamiseks, nt sõidukitel ja kaubavagunitel.
13. Kontrollige hoolikalt seinu, lagesid, pöran-daid, katust ja muud sellesarnast, et vältida võimalikku elektrilööki, gaasileket, plahvatusi jne, mida võib põhjustada nimetatud konstruktsioonidesse paigaldatud voolu all olevate juhtmete, kaablikarbikute või gaasitorude tabamine klambritega.
14. Kasutage ainult kasutusjuhendis ette nähtud kinnitusvahendeid. Teistsuguste kinnitusvahendite kasutamine võib põhjustada tööriista talitlushäire.
15. Ärge muutke tööriista omavoliliselt ega püüdke seda kasutada muuks otstarbeks kui kinnitusvahendite paigaldamiseks.
16. Ärge kasutage tööriista ilma kinnitusvahendi-teta. See vähendab seadme tööiga.
17. Lõpetage klambrite paigaldamine viivitamatult, kui märkate tööriista juures midagi väärat või ebaharilikku.
18. Ärge kunagi paigaldage kinnitusvahendeid materjali, millest kinnitusvahend võib läbi lennata.
19. Ärge kunagi aktiveerige lüliti päästikut ja kontaktlementi samal ajal, enne kui olete töödeldavate detailide kinnitamiseks valmis. Laske töödeldaval detailil kontaktelement alla vajutada. Ärge takistage seda kunagi kontak-tlementi blokeerimisega tagant või seda käega surudes.
20. Ärge kunagi muutke kontaktelementi omavoliliselt. Kontrollige sageli kontaktelementi töökorras olekut.
21. Kui tööriista ei kasutata, eemaldage sellest alati kinnitusvahendid.

## HOIDKE JUHEND ALLES.

**⚠️HOIATUS:** ÄRGE UNUSTAGE järgida toote ohutusnõudeid mugavuse või toote (kordkasu-tamisega saavutatud) hea tundmise tõttu. VALE KASUTUS või kasutusjuhendi ohutuseeskirjade eiramine võib põhjustada tervisekahjustusi.

## Akukassetiga seotud olulised ohutusjuhised

1. Enne akukasseti kasutamist lugege (1) akulaadijat, (2) akul ja (3) seadmel olevad juhtnõidrid ja hoiatused läbi.
2. Ärge võtke akukassetti lahti ega muutke seda. See võib põhjustada tulekahju, liigset kuumust või plahvatuse.
3. Kui tööaeg järsult lüheneb, siis lõpetage kohe kasutamine. Edasise kasutamise tulemuseks võib olla ülekuumenemisoht, võimalikud põletused või isegi plahvatus.
4. Kui elektrolüüti satub silma, siis loputage silma puhta veega ja pöörduge koheselt arsti poole. Selline õnnetus võib põhjustada pimedaksjäämist.
5. Ärge tekitage akukassetis lühis:
  - (1) Ärge puutuge klemme elektrijuhtidega.
  - (2) Ärge hoidke akukassetti tööriistakastis koos metallesemetega, nagu naelad, mündid jne.
  - (3) Ärge tehke akukassetti märjaks ega jätke seda vihma kätte.Aku lühis võib põhjustada tugevat elektri-voolu, ülekuumenemist, põletusi ning ka seadet tõsiselt kahjustada.
6. Ärge hoidke ega kasutage tööriista ja akukassetti kohtades, kus temperatuur võib tõusta üle 50 °C (122 °F).
7. Ärge põletage akukassetti isegi siis, kui see on saanud tõsiselt vigastada või on täiesti kulu- nud. Akukassett võib tules plahvatada.
8. Ärge naelutage, löigake, muljuge, visake akukassetti ega laske sel kukkuda, samuti ärge lööge selle pihta kõva esemega. Selline tegevus võib põhjustada tulekahju, liigset kuumust või plahvatuse.
9. Ärge kasutage kahjustatud akut.
10. Sisalduvatele liitium-ioonakudele võivad kohalduda ohtlike kaupade õigusaktide nõu- ded.

Kaubanduslikul transportimisel, näiteks kolman- date poolte või transpordiettevõtete poolt, tuleb järgida pakendil ja siltidel toodud erinõudeid. Transportimiseks ettevalmistamisel on vajalik pidada nõu ohtliku materjali eksperdiga. Samuti tuleb järgida võimalike riiklike regulatsioonide üksikasjalikumaid nõudeid.

Katke teibiga või varjake avatud kontaktid ja pakendage aku selliselt, et see ei saaks pakendis liikuda.
11. Kasutuskõlbmatuks muutunud akukasseti kõrvaldamiseks eemaldage see tööriistast ja viige selleks ette nähtud kohta. Järgige kasu- tuskõlbmatuks muutunud aku kõrvaldamisel kohalikke eeskirju.
12. Kasutage akusid ainult Makita heaks kiidetud toodetega. Akude paigaldamine selleks mitte ettenähtud toodetele võib põhjustada süttimist, ülemäärast kuumust, plahvatamist või elektrolüüdi lekkimist.

13. Kui tööriista ei kasutata pika ajaperioodi jook- sul, tuleb aku tööriistast eemaldada.
14. Kasutamise ajal ja pärast kasutamist võib akukassett kuumeneda, mis võib põhjustada põletusi või madala temperatuuri põletusi. Olge kuuma akukasseti kandmisel ettevaatlik.
15. Ärge puudutage tööriista klemmi kohe pärast kasutamist, sest see võib olla kuum ja põhjus- tada põletusi.
16. Hoidke akukasseti klemmid, avad ja sooned tükikestest, tolmust ja mullast puhtad. See võib põhjustada tööriista või aku ülekuumenemist, süttimist, purunemist ja talitlushäireid, mis võib lõppeda põletuste või kehavigastustega.
17. Kui tööriist ei kannata kasutamist kõrgepingeliinide lähedal, ärge kasutage akukassetti kõrgepingeliinide lähedal. Muidu võib tööriist või akukassett puruneda või sellel tõrge tekkida.
18. Hoidke aku lastele kättesaamatult.

## HOIDKE JUHEND ALLES.

**⚠ETTEVAATUST:** Kasutage ainult Makita originaalakusid. Mitte Makita originaalakude või muudetud akude kasutamine võib põhjustada akude süttimise, kehavigastuse ja kahjustuse. Samuti muu- dab see kehtetuks Makita tööriista ja laadija Makita garantii.

## Vihjeid aku maksimaalse kasu- tusaja tagamise kohta

1. Laadige akukassetti enne selle täielikku tühjenemist. Kui märkate, et tööriist töötab väiksema võimsusega, peatage töö ja laadige akukassetti.
2. Ärge laadige täielikult laetud akukassetti. Ülelaadimine lühendab akude kasutusiga.
3. Laadige akukassetti toatemperatuuril 10 °C - 40 °C. Enne laadimist laske kuumenenud aku- kassetti maha jahtuda.
4. Kui te ei kasuta parajasti akukassetti, eemal- dage see tööriistast või laadurist.
5. Kui te ei kasuta akukassetti kauem kui kuus kuud, laadige see.

# FUNKTSIONAALNE KIRJELDUS

**⚠ETTEVAATUST:** Kandke alati hoolt selle eest, et tööriist oleks enne reguleerimist ja kontrollimist välja lülitatud ja akukassett eemaldatud.

## Akukasseti paigaldamine või eemaldamine

**⚠ETTEVAATUST:** Lülitage tööriist alati enne akukasseti paigaldamist või eemaldamist välja.

**⚠ETTEVAATUST:** Akukasseti paigaldamisel või eemaldamisel tuleb tööriista ja akukassetti kindlalt paigal hoida. Kui tööriista ja akukassetti ei hoita kindlalt paigal, võivad need käest libiseda ning kahjustada tööriista ja akukassetti või põhjustada kehavigastusi.

► **Joon.1:** 1. Punane näidik 2. Nupp 3. Akukassett

Akukasseti eemaldamiseks libistage see tööriista küljest lahti, vajutades kasseti esiküljel paiknevat nuppu alla.

Akukasseti paigaldamiseks joondage akukasseti keel korpuse soonega ja libistage kassett oma kohale. Sisestage see terveniisti, kuni see lukustub klõpsuga oma kohale. Kui näete joonisel näidatud punast näidikut, pole see täielikult lukustunud.

**⚠ETTEVAATUST:** Paigaldage akukassett alati täies ulatuses nii, et punast osa ei jääks näha. Muidu võib adapter juhuslikult tööriistast välja kukkuda ning põhjustada teile või läheduses viibivatele isikutele vigastusi.

**⚠ETTEVAATUST:** Ärge rakendage akukasseti paigaldamisel jõudu. Kui kassett ei lähe kergesti sisse, pole see õigesti paigaldatud.

## Tööriista/aku kaitsesüsteem

Tööriist on varustatud tööriista või aku kaitsesüsteemiga. Süsteem lülitab mootori automaatselt välja, et pikendada tööriista ja aku tööiga. Tööriist seiskub käitamise ajal automaatselt, kui tööriista või aku kohta kehtib üks järgmistest tingimustest.

## Ülekoormuskaitse

Kui tööriist/aku hakkab kasutamise käigus tarbima ebaharilikult palju voolu, seiskub tööriist automaatselt. Sellisel juhul lülitage tööriist välja ja lõpetage tööriista ülekoormuse põhjustanud töö. Pärast seda käivitage tööriist uuesti.

## Ülekuumenemiskaitse

Tööriista/aku ülekuumenemisel seiskub tööriist automaatselt. Sellises olukorras laske tööriistal/akul enne uuesti kasutamist jahtuda.

## Ülelaadimiskaitse

Kui aku laetuse tase ei ole piisav, seiskub tööriist automaatselt. Sellisel juhul eemaldage aku seadmest ja laadige täis.

## Kaitse muude põhjuste korral

Kaitsesüsteem on mõeldud ka muude põhjuste jaoks, mis võivad tööriista kahjustada, ja võimaldab tööriistal automaatselt seiskuda. Kui tööriist on ajutiselt peatatud või seiskunud, toimige põhjuste kõrvaldamiseks järgnevalt.
















1. Lülitage tööriist välja ja seejärel taaskäivitamiseks uuesti sisse.
2. Laadige akut (akusid) või asendage aku (akud).
3. Laske tööriistal ja akul (akudel) jahtuda.

Kui kaitsesüsteemi taastamisega ei õnnestu olukorda parandada, võtke ühendust kohaliku Makita hoolduskeskusega.

## Aku jääkmahutavuse näit

Akukasseti järelejäänud mahutavuse kontrollimiseks vajutage kontrollimise nuppu. Märgulambid süttivad mõneks sekundiks.

► **Joon.2:** 1. Märgulambid 2. Kontrollimise nupp

Märgulambid			Jääkmahutavus
 Pöleb	 Ei põle	 Viigub	
			75 - 100%
			50 - 75%
			25 - 50%
			0 - 25%
			Laadige akut.
			Akul võib olla tõrge.
			

**MÄRKUS:** Näidatud mahutavus võib veidi erineda tegelikust mahutavusest olenevalt kasutustingimustest ja ümbritseva keskkonna temperatuurist.

**MÄRKUS:** Esimene (taga vasakul asuv) märgutuli viigub, kui akukaitsesüsteem töötab.

## Päästikuluku nupp

**⚠ETTEVAATUST:** Kontrollige alati enne akukasseti tööriista külge paigaldamist, kas lüliti päästik funktsioneerib nõuetekohaselt ja liigub lahtilaskmisel tagasi väljalülitatud asendisse.

**⚠ETTEVAATUST:** Kui te tööriista parajasti ei kasuta, vajutage päästikuluku nuppu B-poolelt, et lukustada lüliti päästik väljalülitatud asendisse.

► **Joon.3:** 1. Päästikuluku nupp 2. Lüliti päästik

► **Joon.4**

Selleks et lüliti päästikut poleks võimalik juhuslikult vajutada, on tööriistal päästikuluku nupp. Lüliti päästiku vajutamiseks vajutage esmalt A-poolelt päästikuluku nuppu. Pärast kasutamist vajutage alati päästikuluku nuppu B-poolelt.



## Neetimissügavuse reguleerimine

**⚠ HOIATUS:** Enne needipüstoli neetimissügavuse reguleerimist veenduge alati, et teie sõrmed ei oleks lüliti päästikul ega kontaktelemendil ja akukassett oleks välja võetud.

Neetimissügavust saab reguleerida tööriistal oleva regulaatori keeramisega. Kui keerata regulaatorit joonisel näidatud suunas A, siseneb neet kuni 1,5 mm ulatuses sügavamale, suunas B kõrgemale.

► **Joon.5:** 1. Regulaator

► **Joon.6:** 1. Liiga sügav 2. Õige sügavus 3. Liiga madal

## Lambi süütamine

**⚠ ETTEVAATUST:** Ärge vaadake otse valgusse ega valgusalalikat.

Lambi süütamiseks vajutage lüliti päästikut või käivitage kontaktelelement. Lamp jääb põlema kuni 60 sekundiks, kuni vajutatakse lüliti päästikut või on käivitatud kontaktelelement. Lamp kustub umbes 10 sekundit pärast lüliti päästiku või kontaktelelementi vabastamist.

► **Joon.7:** 1. Lamp

**TÄHELEPANU:** Pühkige lamp kuiva lapiga puhaks. Olge seda tehes ettevaatlik, et lambi läätse mitte kriimustada, sest muidu võib valgustus väheneda.

**TÄHELEPANU:** Peaaegu tühja akuga tööriist võib neete mitte väljastada, isegi kui lamp endiselt põleb. Sellisel juhul laadige akukassetti.

**TÄHELEPANU:** Kui tööriist kuumeneb üle, hakkab lamp vilkuma. Sellisel juhul vabastage lüliti päästik ja kontaktelelement ning seejärel laske tööriistal/akul enne uuesti kasutamist maha jahtuda.

**TÄHELEPANU:** Kui needipüstol tuvastab needi sisselöömise ajal vea, hakkab lamp vilkuma. Sellisel juhul viige needipüstol tehase teeninduskeskusesse.

## KOKKUPANEK

**⚠ ETTEVAATUST:** Enne needipüstolil mingi töö tegemist veenduge alati, et teie sõrmed ei oleks lüliti päästikul ega kontaktelemendil ja akukassett oleks välja võetud.

## Neetide laadimine ja eemaldamine

**⚠ ETTEVAATUST:** Enne neetide laadimist veenduge alati, et teie sõrmed ei oleks päästikul ning et akukassett oleks eemaldatud. Kogemata laskmine võib tekitada kehavigastusi ja varakahju.

**⚠ ETTEVAATUST:** Neetide laadimisel salve vältige salve liugukse lahti- ja kinnilöömist. Neetide juhuslik mahakukkumine, eriti kõrgustes töötamisel, võib tekitada kehavigastusi.

1. Vajutage lukustushoovale ja avage salve liuguks.

► **Joon.8:** 1. Lukustushoob 2. Liuguks 3. Salv

2. Pange salvepõhja neediilint, täpiliselt kolmnurgad allpool, ja joondage neediotsad salvepõhjas olevate juhtsoontega. Jälgige, et neediotsad puudutaksid salvepõhja, ning seejärel lükake neediilinti õrnalt käiturijuhiku poole.

► **Joon.9:** 1. Needid 2. Täpiline kolmnurk  
3. Juhtsooned 4. Käituri juhik

► **Joon.10:** 1. Needid 2. Salvepõhi 3. Vahekaugused

**TÄHELEPANU:** Jälgige, et neediotsad oleksid kindlalt vastu salvepõhja. Neediotsade ümber olev vaba ruum võib põhjustada kinnikiilumist ja tööriista kahjustumist.

**TÄHELEPANU:** Laadige needid õigesti.

Valepidi laadimine võib põhjustada käituri enneaegset kulumist ja kahjustada teisi osi.

**TÄHELEPANU:** Ärge kasutage kõverdunud neediilinte. Kasutage ainult selles kasutusjuhendis kirjeldatud neete. Kirjeldatud erinevate neetide kasutamine võib põhjustada tööriista kinnikiilumist ja purunemist.

**TÄHELEPANU:** Vältige vähemate neetidega neediilintide laadimist, eriti kui kasutate lühemaid neete. See võib põhjustada tööriista kinnikiilumist ja kahjustumist.

**TÄHELEPANU:** Ärge laadige eri pikkusega neediilinte ega mitut vähemate neetidega linti korraga. Muidu võib see põhjustada tööriista kinnikiilumist ja kahjustumist.

3. Viige liuguks algasendisse tagasi ja lukustage lukustushoovaga kohale.

**TÄHELEPANU:** Sulgege liuguks õrnalt. Liigse jõu rakendamine võib neete deformeerida ning liuguks ei pruugi algasendis tagasi liikuda.

Neetide eemaldamiseks vajutage lukustushoovale ning lükake liuguks lahti. Võtke needid salvest välja.

## Otsaku adapter

**⚠ ETTEVAATUST:** Enne otsaku adapteri paigaldamist veenduge, et teie sõrmed ei oleks lüliti päästikul ega kontaktelemendil ja akukassett oleks välja võetud.

Kui sisestate neete kergesti kahjustuva pinnaga materjali sisse, kasutage otsakuadapterit.

Pange otsakuadapter käiturijuhiku kontaktotsale, nii et juhteendid otsakuadapteri sees läheksid käiturijuhikus olevatesse juhtsälkudesse.

Otsaku adapterit saate hoida salve tagaosas olevas hoidikus, et see kaduma ei läheks.

► **Joon.11:** 1. Otsaku adapter 2. Käituri juhik  
3. Juhteendid 4. Juhtsälgid 5. Hoidik

## Otsakuadapter tasasel pinnal kasutamiseks

### Lisatarvik

Kasutage lisavarustusse kuuluvat otsakuadapterit, mis on mõeldud tasasel ja ühtlasel pinnal kinnitamiseks. See kaabte töödeldava detaili pehmeid pindu jälgede ja kriimustuste eest, mida ümarad kontaktotsad tekitaksid.

► **Joon.12**

Pange lisavarustusse kuuluv otsakuadapter käituri-juhiku kontaktotsale, nii et juhteendid otsakuadapteri sees läheksid käiturijuhikuse olevatesse juhtsälkudesse.

► **Joon.13:** 1. Lisavarustusse kuuluv otsakuadapter 2. Käiturijuhik 3. Juhteendid 4. Juhtsälgud

## Konks

**⚠ETTEVAATUST:** Konksu paigaldamisel keerate kruvi alati tugevalt kinni. Muidu võib konks tööriistalt lahti tulla ja kehavigastusi põhjustada.

**⚠ETTEVAATUST:** Kasutage riputus-/kinnitussosi ainult ettenähtud otstarbel. Muul otstarbel kasutamine võib põhjustada õnnetuse või kehavigastusi.

**⚠ETTEVAATUST:** Ärge riputage konksu vööle. Needipüstoli mahapillamine konksu juhusliku liikumise tõttu võib põhjustada soovimatut neetimist ja kehavigastusi.

► **Joon.14**

Konksu abil saate tööriista ajutiselt kuhugi riputada. Selle võib paigaldada tööriista ükskõik kummale küljele. Konksu paigaldamiseks torgake see tööriista korpuse ükskõik kummal küljel olevasse õnarusse ja kinnitage kruviga. Eemaldamiseks lödvendage kruvi ja võtke see siis välja.

► **Joon.15:** 1. Soon 2. Konks 3. Kruvi

## Kuuskantvõtme hoidmine

Kui kuuskantvõtit ei kasutata, hoidke seda kaotamise vältimiseks joonisel näidatud viisil.

► **Joon.16:** 1. Kuuskantvõti

## TÖÖRIISTA KASUTAMINE

### Ohutussüsteemi testimine

**⚠HOIATUS:** Enne tööleasumist veenduge, et kõik ohutussüsteemid oleksid töökorras. Selle eiramisel võivad tagajärjeks olla kehavigastused.

► **Joon.17:** 1. Päästikuluku nupp 2. Lüliti päästik 3. Kontaktelement 4. Salv

Enne kasutamist kontrollige turvasüsteeme võimalike rikete osas järgmiselt.

1. Tühjendage tööriist neetidest ja jätke salv avatuks.
2. Paigaldage akukassett ja vabastage päästikulukk.
3. Vajutage lüliti päästikut, puudutamata kontaktelemeentiga vastu materjali.

4. Kontaktelemeendi võite asetada vastu materjali ilma lüliti päästikut vajutamata.

Kui eelkirjeldatud 3. või 4. juhtumi korral tööriist käivitub, on ohutussüsteem rikkis. Lõpetage kohe tööriista kasutamine ja pöörduge kohaliku hoolduskeskuse poole.

## Neetimine

**⚠HOIATUS:** Ärge kasutage needipüstolit elektrikaablite kinnitamiseks. See ei ole mõeldud elektrikaablite paigaldamiseks ning võib vigastada elektrikaablite isolatsiooni, põhjustades seeläbi elektrilöögi- või tulekahjuohu.

**⚠HOIATUS:** Hoidke kontaktelemeenti tugevalt vastu materjali, kuni neet on täielikult sisse löödud. Kogemata tulistamine võib põhjustada kehavigastusi.

**⚠ETTEVAATUST:** Hoidke tööriista töötamise ajal kindlalt.

**⚠ETTEVAATUST:** Ärge kasutage tööriista lubatud pidevast tööajast kauem. Muidu võib see kahjustada tööriista, mis omakorda võib tekitada kehavigastusi.

**TÄHELEPANU:** Tööriist ei alusta kinnitamist uuesti, kui kontaktelement on töödeldaval detailil, kuid viie sekundi jooksul ei ole lüliti kasutatud. Kinnitamise uuesti alustamiseks võtke kontaktelement töödeldavalt detaililt ära ja asetage tagasi.

1. Vabastage päästikulukk.
  2. Asetage kontaktelement vastu töödeldavat detaili.
  3. Needi sisestamiseks vajutage lüliti päästik lõpuni.
  4. Järgmise naela sisselöömiseks eemaldage sõrm korra lüliti päästikult ja korra seejärel ülalpool toodud samme 2 ja 3.
- **Joon.18:** 1. Lüliti päästik 2. Kontaktelement

Neete saate tulistada ka nii, et lohistate tööriista vastu materjali surutud kontaktelemeentiga järgmisse piirkonda ja vajutate lüliti päästikut.

► **Joon.19**

Kui needipea jääb töödeldava detaili peale, jätkake needi sisselöömist, hoides needipüstoli pead tugevalt vastu töödeldavat detaili.

► **Joon.20**

**MÄRKUS:** Kui needipea jääb töödeldava eseme pinnast kõrgemale isegi siis, kui hoiate needipüstoli pead, ei pruugi materjal olla needipüstoli jaoks sobiv. Sellisel materjalil needipüstoli kasutamise jätkamine võib põhjustada needipüstoli käituri kahjustumist ja/või needipüstoli kinnikiilumist.

## Tühilasuvastane mehhanism

**⚠️HOIATUS:** Enne needipüstoli laadimist veenduge alati, et teie sõrmed ei oleks lüliti päästikul ega kontaktelemendil ja et akukassett oleks välja võetud.

Kui salves on järel 0–3 neeti, ei saa enam lüliti päästikut vajutada. Sellisel juhul pange salve uus needilint ja lüliti päästikut saab taas vajutada.

**MÄRKUS:** Kui soovite kohe peale tühilasu vastase mehhanismi rakendumist kasutada eri pikkusega neete, pange salve uus needilint ja laske kõik vanad needid jääkmaterjali sisse.

## Järelejäänud neetide kontrollimine

Järelejäänud neetide arvu on võimalik kontrollida läbi vaateakna.

Järelejäänud neetide arvu vähenemisel liigub punane näidik väljalaskeava suunas.

► **Joon.21:** 1. Vaateaken 2. Näidik

## Kinnikiilunud neetide eemaldamine

**⚠️HOIATUS:** Enne kinnikiilunud neetide eemaldamist kontrollige alati, et päästik oleks vabastatud ning akukassett ja needid oleksid välja võetud.

**⚠️ETTEVAATUST:** Ärge eemaldage kinnikiilunud neete paljaste kätega. Needid võivad salvest välja hüpata ja vigastusi tekitada.

1. Eemaldage kõik salve jäänud needid.
2. Keerake kuuskantvõtme abil lahti käiturijuhiku kattel olevad kolm kuuskantpolti.
3. Eemaldage käiturijuhikus olevatest needi juhtsoontest sinna kinni kiilunud needid.

► **Joon.22:** 1. Kuuskantpolt 2. Käiturijuhiku kate  
3. Kontaktotsa kate 4. Käiturijuhik

**MÄRKUS:** Kui kinnikiilunud neetide eemaldamine on raske, keerake kuuskantvõtme abil lahti kontaktotsa kattel olevad kaks kuuskantpolti ja võtke seejärel kinnikiilunud needid käiturijuhikust välja.

4. Pange katted tagasi kohale ja kinnitage kuuskantpoltidega käiturijuhikule.

**TÄHELEPANU:** Pärast ummistuste eemaldamist jälgige alati, et käiturijuhiku katted pandaks uuesti õigesti kokku. Kui käiturijuhik ei tööta korralikult, pange need kuuskantpoltidega uuesti kokku.

## HOOLDUS

**⚠️ETTEVAATUST:** Enne kontrolli- või hooldustöimingute tegemist kandke alati hoolt selle eest, et tööriist oleks välja lülitatud ja akukassett korpuse küljest eemaldatud.

**TÄHELEPANU:** Ärge kunagi kasutage bensiini, vedeldit, alkoholi ega midagi muud sarnast. Selle tulemuseks võib olla luitumine, deformatsioon või pragunemine.

Toote OHUTUSE ja TÖÖKINDLUSE tagamiseks tuleb vajalikud remonttööd ning muud hooldus- ja reguleerimistööd lasta teha Makita volitatud teeninduskeskustes või tehase teeninduskeskustes. Alati tuleb kasutada Makita varuosi.

## Salve puhastamine

Puhastage salve sisemust regulaarselt. Puhuge või pühkige ära kogu juhtsoontesse kogunenud mustus, tolm, puidulaastud ja naelaliim.

► **Joon.23:** 1. Juhtsooned

**TÄHELEPANU:** Juhtsoontesse kogunenud mustus ja tolm võib kahjustada neetide etteandmist, mis võib omakorda põhjustada tühilaske.

## VALIKULISED TARVIKUD

**⚠️ETTEVAATUST:** Neid tarvikuid ja lisaseadiseid on soovitatav kasutada koos Makita tööriistaga, mille kasutamist selles kasutusjuhendis kirjeldatakse. Muude tarvikute ja lisaseadiste kasutamisega kaasneb vigastada saamise oht. Kasutage tarvikuid ja lisaseadiseid ainult otstarbekohaselt.

Saate vajaduse korral kohalikust Makita teeninduskeskusest lisateavet nende tarvikute kohta.

- Needid
- Kaitseprillid
- Otsakuadapter (tasastel pindadel kinnitamiseks)
- Makita algupärane aku ja laadija

**MÄRKUS:** Mõned nimekirjas loetletud tarvikud võivad kuuluda standardvarustusse ning need on lisatud tööriista pakendisse. Need võivad riigiti erineda.

## ТЕХНИЧЕСКИЕ ХАРАКТЕРИСТИКИ

Модель:	PT001G
Размер штыревого гвоздя	ø0,6 мм x 15, 18, 25, 30, 35 мм
Емкость магазина для штыревых гвоздей	100 шт.
Размеры с BL4025, без крюка (Д × Ш × В)	265 мм x 86 мм x 226 мм
Номинальное напряжение	36 В – 40 В пост. тока макс.
Масса нетто	2,4–3,0 кг

- Благодаря нашей постоянно действующей программе исследований и разработок указанные здесь технические характеристики могут быть изменены без предварительного уведомления.
- Технические характеристики и аккумуляторный блок могут отличаться в зависимости от страны.
- Масса может отличаться в зависимости от дополнительного оборудования. Обратите внимание, что блок аккумулятора также считается дополнительным оборудованием. В таблице представлены комбинации с наибольшим и наименьшим весом в соответствии с процедурой EPTA 01/2014.

### Подходящий блок аккумулятора и зарядное устройство

Блок аккумулятора	BL4020* / BL4025* / BL4040 / BL4050F *: рекомендуемый аккумулятор
Зарядное устройство	DC40RA / DC40RB / DC40RC

- В зависимости от региона проживания некоторые блоки аккумуляторов и зарядные устройства, перечисленные выше, могут быть недоступны.

**⚠ ОСТОРОЖНО:** Используйте только перечисленные выше блоки аккумуляторов и зарядные устройства. Использование других блоков аккумуляторов и зарядных устройств может привести к травме и/или пожару.

### Назначение

Данный инструмент предназначен для вбивания штыревых гвоздей в строительные материалы, например дерево.

### Шум

Типичный уровень взвешенного звукового давления (A), измеренный в соответствии с EN60745-2-16: Уровень звукового давления ( $L_{pA}$ ): 79 дБ (A)  
Погрешность (K): 3 дБ (A)

Уровень шума при выполнении работ может превышать 80 дБ (A).

**ПРИМЕЧАНИЕ:** Заявленное значение распространения шума измерено в соответствии со стандартной методикой испытаний и может быть использовано для сравнения инструментов.

**ПРИМЕЧАНИЕ:** Заявленное значение распространения шума можно также использовать для предварительных оценок воздействия.

**⚠ ОСТОРОЖНО:** Используйте средства защиты слуха.

**⚠ ОСТОРОЖНО:** Распространение шума во время фактического использования электроинструмента может отличаться от заявленного значения в зависимости от способа применения инструмента и в особенности от типа обрабатываемой детали.

**⚠ ОСТОРОЖНО:** Обязательно определите меры безопасности для защиты оператора, основанные на оценке воздействия в реальных условиях использования (с учетом всех этапов рабочего цикла, таких как выключение инструмента, работа без нагрузки и включение).

### Вибрация

Общее значение вибрации определено в соответствии с EN60745-2-16:  
Распространение вибрации ( $a_{h1}$ ): 2,5 м/с<sup>2</sup> или менее  
Погрешность (K): 1,5 м/с<sup>2</sup>

**ПРИМЕЧАНИЕ:** Заявленное общее значение распространения вибрации измерено в соответствии со стандартной методикой испытаний и может быть использовано для сравнения инструментов.

**ПРИМЕЧАНИЕ:** Заявленное общее значение распространения вибрации можно также использовать для предварительных оценок воздействия.

**⚠ОСТОРОЖНО:** Распространение вибрации во время фактического использования электроинструмента может отличаться от заявленного значения в зависимости от способа применения инструмента и в особенности от типа обрабатываемой детали.

**⚠ОСТОРОЖНО:** Обязательно определите меры безопасности для защиты оператора, основанные на оценке воздействия в реальных условиях использования (с учетом всех этапов рабочего цикла, таких как выключение инструмента, работа без нагрузки и включение).

## Декларация о соответствии ЕС

*Только для европейских стран*

Декларация о соответствии ЕС включена в руководство по эксплуатации (Приложение А).

## МЕРЫ БЕЗОПАСНОСТИ

### Общие рекомендации по технике безопасности для электроинструментов

**⚠ОСТОРОЖНО:** Ознакомьтесь со всеми представленными инструкциями по технике безопасности, указаниями, иллюстрациями и техническими характеристиками, прилагаемыми к данному электроинструменту. Несоблюдение каких-либо инструкций, указанных ниже, может привести к поражению электрическим током, пожару и/или серьезной травме.

### Сохраните брошюру с инструкциями и рекомендациями для дальнейшего использования.

Термин "электроинструмент" в предупреждениях относится ко всему инструменту, работающему от сети (с проводом) или на аккумуляторах (без провода).

### Правила техники безопасности при эксплуатации аккумуляторного гвоздезабивного пистолета

1. **Всегда предполагайте, что в инструмент заряжен крепеж.** Небрежное обращение со гвоздезабивным пистолетом может стать причиной внезапного выстрела крепежом и получения травмы.
2. **Не направляйте инструмент на себя или окружающих.** Случайное нажатие на триггерный переключатель приведет к выбросу крепежа и травме.

3. **Не нажимайте на переключатель, пока плотно не прижмете инструмент к обрабатываемой детали.** Если инструмент не соприкасается с обрабатываемой деталью, крепеж может уйти в сторону.
4. **При заклинивании крепежа отключите инструмент от источника питания.** В противном случае гвоздезабивной пистолет может случайно сработать во время извлечения крепежа.
5. **Соблюдайте осторожность при извлечении заклинившего крепежа.** Механизм может находиться под давлением, и при попытке извлечь заклинивший крепеж инструмент может сработать.
6. **Не используйте этот гвоздезабивной пистолет для закрепления электрических кабелей.** Он не предназначен для прокладки электрокабелей и может повредить их изоляцию, таким образом создавая опасность поражения электрическим током или возгорания.
7. **Не направляйте выходное отверстие на руки или ноги.**
8. **Следуйте инструкциям по смазке и замене принадлежностей.**
9. **Обязательно снимайте блок аккумулятора перед зарядкой крепежа, регулировкой, проверкой, техническим обслуживанием или после выполнения работ.**
10. **Перед началом работ убедитесь, что рядом нет людей.** Запрещено вбивать крепеж одновременно с внутренней и внешней стороны стенки. Крепеж может пройти сквозь деталь и/или отлететь, представляя смертельную опасность.
11. **Работая с инструментом, всегда следите за тем, чтобы ваше положение было устойчиво.** При использовании инструмента на высоте убедитесь в отсутствии людей внизу.
12. **Запрещается использовать инструменты для установки крепежа, отмеченные символом с надписью "Не использовать на лесах и лестницах", в следующих ситуациях:**
  - если для перехода с одного места проведения работ к другому требуется воспользоваться лесами, лестницами, стремянками и им подобными конструкциями, например обрешеткой крыши;
  - при закрытии коробок и ящиков;
  - для установки систем защиты на транспортных средствах, например автомобилях или автофургонах.
13. **Тщательно проверьте стены, потолок, полы, кровлю и т. д., чтобы не допустить поражения электрическим током, утечки газа, взрыва и т. д. вследствие прокалывания проводов, трубопроводов и газовых труб.**
14. **Используйте только тот крепеж, который указан в настоящем руководстве.** Использование другого крепежа может привести к поломке инструмента.
15. **Не меняйте конструкцию инструмента и не используйте его для каких-либо иных целей, кроме установки крепежа.**

16. Не пользуйтесь инструментом без крепежа. Это ведет к сокращению срока службы инструмента.
  17. Если заметите какие-либо неполадки в инструменте, немедленно прекратите работу.
  18. Запрещается вбивать крепеж в материал, который он может пробить и пролететь насквозь.
  19. Никогда одновременно не нажимайте на триггерный переключатель и не активируйте контактный элемент, пока не будете готовы приступить к работе. Используйте инструмент так, чтобы нажатие контактного элемента осуществлялось об обрабатываемую деталь. Никогда не блокируйте контактный элемент в заднем положении и не нажимайте на него рукой.
  20. Запрещено изменять конструкцию контактного элемента. Чтобы обеспечить надлежащую работоспособность инструмента, регулярно проверяйте контактный элемент.
  21. Если инструмент не используется, обязательно извлеките из него крепеж.
5. Не замыкайте контакты аккумуляторного блока между собой:
    - (1) Не прикасайтесь к контактам какими-либо токопроводящими предметами.
    - (2) Не храните аккумуляторный блок в контейнере вместе с другими металлическими предметами, такими как гвозди, монеты и т. п.
    - (3) Не допускайте попадания на аккумуляторный блок воды или дождя.
 Замыкание контактов аккумуляторного блока между собой может привести к возникновению большого тока, перегреву, возможным ожогам и даже поломке блока.
  6. Не храните и не используйте инструмент и аккумуляторный блок в местах, где температура может достигать или превышать 50 °C (122 °F).
  7. Не бросайте аккумуляторный блок в огонь, даже если он сильно поврежден или полностью вышел из строя. Аккумуляторный блок может взорваться под действием огня.
  8. Запрещено вбивать гвозди в блок аккумулятора, резать, ломать, бросать, ронять блок аккумулятора или ударять его твердым предметом. Это может привести к пожару, перегреву или взрыву.
  9. Не используйте поврежденный аккумуляторный блок.
  10. Входящие в комплект литий-ионные аккумуляторы должны эксплуатироваться в соответствии с требованиями законодательства об опасных товарах. При коммерческой транспортировке, например, третьей стороной или экспедитором, необходимо нанести на упаковку специальные предупреждения и маркировку.

## СОХРАНИТЕ ДАННЫЕ ИНСТРУКЦИИ.

**⚠ ОСТОРОЖНО:** НЕ ДОПУСКАЙТЕ, чтобы удобство или опыт эксплуатации данного устройства (полученный от многократного использования) доминировали над строгим соблюдением правил техники безопасности при обращении с этим устройством. **НЕПРАВИЛЬНОЕ ИСПОЛЬЗОВАНИЕ** инструмента или несоблюдение правил техники безопасности, указанных в данном руководстве, может привести к тяжелой травме.

### Важные правила техники безопасности для работы с аккумуляторным блоком

1. Перед использованием аккумуляторного блока прочитайте все инструкции и предупреждающие надписи на (1) зарядном устройстве, (2) аккумуляторном блоке и (3) инструменте, работающем от аккумуляторного блока.
  2. Не разбирайте блок аккумулятора и не меняйте его конструкцию. Это может привести к пожару, перегреву или взрыву.
  3. Если время работы аккумуляторного блока значительно сократилось, немедленно прекратите работу. В противном случае, может возникнуть перегрев блока, что приведет к ожогам и даже к взрыву.
  4. В случае попадания электролита в глаза промойте их обильным количеством чистой воды и немедленно обратитесь к врачу. Это может привести к потере зрения.
11. Для утилизации блока аккумулятора извлеките его из инструмента и утилизируйте безопасным способом. Выполняйте требования местного законодательства по утилизации аккумуляторного блока.
  12. Используйте аккумуляторы только с продукцией, указанной Makita. Установка аккумуляторов на продукцию, не соответствующую требованиям, может привести к пожару, перегреву, взрыву или утечке электролита.
  13. Если инструментом не будут пользоваться в течение длительного периода времени, извлеките аккумулятор из инструмента.
  14. Во время и после использования блок аккумулятора может нагреваться, что может стать причиной ожогов или низкотемпературных ожогов. Будьте осторожны при обращении с горячим блоком аккумулятора.



15. Не прикасайтесь к контактам инструмента сразу после использования, поскольку они могут быть достаточно горячими, чтобы вызвать ожоги.
16. Не допускайте налипания на контакты, отверстия и пазы блока аккумулятора опилок, пыли или земли. Это может стать причиной перегрева, возгорания, взрыва или неисправности инструмента или блока аккумулятора, что может привести к ожогам или травмам.
17. Если инструмент не рассчитан на использование вблизи высоковольтных линий электропередач, не используйте блок аккумулятора вблизи высоковольтных линий электропередач. Это может привести к неисправности, поломке инструмента или блока аккумулятора.
18. Храните аккумулятор в недоступном для детей месте.

## СОХРАНИТЕ ДАННЫЕ ИНСТРУКЦИИ.

**ВНИМАНИЕ:** Используйте только фирменные аккумуляторные батареи Makita.

Использование аккумуляторных батарей, не произведенных Makita, или батарей, которые были подвергнуты модификациям, может привести к взрыву аккумулятора, пожару, травмам и повреждению имущества. Это также автоматически аннулирует гарантию Makita на инструмент и зарядное устройство Makita.

## Советы по обеспечению максимального срока службы аккумулятора

1. Зарядите блок аккумуляторов перед его полной разрядкой. Обязательно прекратите работу с инструментом и зарядите блок аккумуляторов, если вы заметили снижение мощности инструмента.
2. Никогда не подзаряжайте полностью заряженный блок аккумуляторов. Перезарядка сокращает срок службы аккумулятора.
3. Заряжайте блок аккумуляторов при комнатной температуре в 10 - 40 °C (50 - 104 °F). Перед зарядкой горячего блока аккумуляторов дайте ему остыть.
4. Если блок аккумулятора не используется, извлеките его из инструмента или зарядного устройства.
5. Зарядите ионно-литиевый аккумуляторный блок, если вы не будете пользоваться инструментом длительное время (более шести месяцев).

## ОПИСАНИЕ РАБОТЫ

**ВНИМАНИЕ:** Перед регулировкой или проверкой функций инструмента обязательно убедитесь, что он выключен и его аккумуляторный блок снят.

## Установка или снятие блока аккумуляторов

**ВНИМАНИЕ:** Обязательно выключайте инструмент перед установкой и извлечением аккумуляторного блока.

**ВНИМАНИЕ:** При установке и извлечении аккумуляторного блока крепко удерживайте инструмент и аккумуляторный блок. Если не соблюдать это требование, они могут выскользнуть из рук, что приведет к повреждению инструмента, аккумуляторного блока и травмированию оператора.

► **Рис.1:** 1. Красный индикатор 2. Кнопка 3. Блок аккумулятора

Для снятия аккумуляторного блока нажмите кнопку на лицевой стороне и извлеките блок.

Для установки блока аккумулятора совместите выступ блока аккумулятора с пазом в корпусе и задвиньте его на место. Устанавливайте блок до упора, чтобы он зафиксировался с небольшим щелчком. Если вы видите красный индикатор, как показано на рисунке, он не зафиксирован полностью.

**ВНИМАНИЕ:** Обязательно устанавливайте блок аккумулятора до конца, чтобы красный индикатор не был виден. В противном случае блок аккумулятора может выпасть из инструмента и нанести травму вам или другим людям.

**ВНИМАНИЕ:** Не прилагайте чрезмерных усилий при установке аккумуляторного блока. Если блок не двигается свободно, значит он вставлен неправильно.

## Система защиты инструмента/аккумулятора

На инструменте предусмотрена система защиты инструмента/аккумулятора. Она автоматически отключает питание двигателя для продления срока службы инструмента и аккумулятора. Инструмент автоматически остановится во время работы в следующих случаях:

### Защита от перегрузки

Если при текущем режиме эксплуатации инструмента/аккумулятора возникает слишком большой ток, то инструмент автоматически останавливается. В этом случае выключите инструмент и прекратите работу, из-за которой произошла перегрузка инструмента. Затем включите инструмент для перезапуска.



## Защита от перегрева

При перегреве инструмента/аккумулятора инструмент останавливается автоматически. В этом случае дайте инструменту/аккумулятору остыть перед повторным включением.

## Защита от переразрядки

При истощении емкости аккумулятора инструмент автоматически останавливается. В этом случае извлеките аккумулятор из инструмента и зарядите его.

## Защита от других неполадок

Система защиты также обеспечивает защиту от других неполадок, способных повредить инструмент, и обеспечивает автоматическую остановку инструмента. В случае временной остановки или прекращения работы инструмента выполните все перечисленные ниже действия для устранения причины остановки.

















1. Выключите и снова включите инструмент для его перезапуска.
2. Зарядите аккумулятор(-ы) или замените его(их) заряженным(-и).
3. Дайте инструменту и аккумулятору(-ам) остыть.

Если после возврата системы защиты в исходное состояние ситуация не изменится, обратитесь в сервисный центр Makita.

## Индикация оставшегося заряда аккумулятора

Нажмите кнопку проверки на аккумуляторном блоке для проверки заряда. Индикаторы загорятся на несколько секунд.

► **Рис.2:** 1. Индикаторы 2. Кнопка проверки

Индикаторы			Уровень заряда
 Горит	 Выкл.	 Мигает	
			от 75 до 100%
			от 50 до 75%
			от 25 до 50%
			от 0 до 25%
			Зарядите аккумуляторную батарею.
 	 		Возможно, аккумуляторная батарея неисправна.

**ПРИМЕЧАНИЕ:** В зависимости от условий эксплуатации и температуры окружающего воздуха индикация может незначительно отличаться от фактического значения.

**ПРИМЕЧАНИЕ:** Первая (дальняя левая) индикаторная лампа будет мигать во время работы защитной системы аккумулятора.

## Кнопка блокировки триггерного переключателя

**▲ВНИМАНИЕ:** Перед установкой аккумуляторного блока в инструмент обязательно убедитесь, что его триггерный переключатель нормально работает и возвращается в положение "OFF" (ВЫКЛ) при отпускании.

**▲ВНИМАНИЕ:** Если инструмент не используется, нажмите на кнопку блокировки триггерного переключателя со стороны В для его блокирования в положении OFF (ВЫКЛ).

► **Рис.3:** 1. Кнопка блокировки триггерного переключателя 2. Триггерный переключатель

► **Рис.4**

Для предотвращения случайного нажатия на триггерный переключатель он оборудован кнопкой блокировки.

Чтобы активировать триггерный переключатель, нажмите на кнопку блокировки со стороны А. После использования всегда нажимайте на кнопку блокировки триггерного переключателя со стороны В.

## Регулировка глубины забивания крепежа

**▲ОСТОРОЖНО:** Прежде чем регулировать глубину забивания крепежа, всегда проверьте, чтобы пальцы не находились на триггерном переключателе или на контактном элементе, а также чтобы блок аккумулятора был извлечен.

Глубину забивания штифта можно регулировать поворотом регулятора инструмента. Крутите регулятор в сторону А или В, как показано на рисунке, для увеличения или уменьшения глубины забивания штыревого гвоздя соответственно; предельная глубина регулировки составляет 1,5 мм.

► **Рис.5:** 1. Регулятор

► **Рис.6:** 1. Чрезмерная глубина 2. Правильная глубина 3. Недостаточная глубина

## Включение лампы

**▲ВНИМАНИЕ:** Не смотрите непосредственно на свет или источник света.

Нажмите на триггерный переключатель или активируйте контактный элемент, чтобы включить лампу. Пока нажат триггерный переключатель или активен контактный элемент, лампа будет оставаться включенной до 60 секунд. Лампа гаснет приблизительно через 10 секунд после отпускания триггерного переключателя или контактного элемента.

► **Рис.7:** 1. Лампа

**ПРИМЕЧАНИЕ:** Для удаления пыли с линзы лампы используйте сухую ткань. Не допускайте возникновения царапин на линзе лампы, так как это приведет к снижению освещенности.

**ПРИМЕЧАНИЕ:** Инструмент может не выстреливать штыревые гвозди после падения мощности аккумулятора даже при горячей лампе. В этом случае зарядите блок аккумулятора.

**ПРИМЕЧАНИЕ:** При перегреве инструмента лампа начинает мигать. В этом случае отпустите триггерный переключатель и контактный элемент и дайте инструменту/аккумулятору остыть перед продолжением работы.

**ПРИМЕЧАНИЕ:** Если во время забивания штыревых гвоздей с помощью гвоздезабивного пистолета будет обнаружена ошибка, то лампа начнет мигать. В этом случае следует передать гвоздезабивной пистолет в сервисный центр предприятия.

## СБОРКА

**ВНИМАНИЕ:** Прежде чем выполнять какие-либо работы с гвоздезабивным пистолетом, всегда проверяйте, чтобы пальцы не находились на триггерном переключателе или на контактном элементе, а также чтобы блок аккумулятора был извлечен.

## Загрузка и разгрузка штыревых гвоздей

**ВНИМАНИЕ:** Прежде чем заряжать гвоздезабивной пистолет штыревыми гвоздями, уберите пальцы с триггерного переключателя и блока аккумулятора. Случайное срабатывание инструмента может стать причиной получения травм и повреждения имущества.

**ВНИМАНИЕ:** Избегайте хлопанья при открывании и закрывании сдвижной крышки магазина при наличии в нем загруженных штыревых гвоздей. Случайное выпадение штыревых гвоздей, особенно при работе на высоте, может привести к травмам.

1. Нажмите на рычаг и откройте сдвижную крышку магазина.  
► **Рис.8:** 1. Стопорный рычаг 2. Сдвижная крышка 3. Магазин
2. Установите обойму штыревых гвоздей мозаичными треугольниками вниз, совместив заостренные концы штыревых гвоздей с направляющими пазами в нижней части магазина. Убедитесь в том, что заостренные концы гвоздей касаются дна магазина, а затем осторожно сдвиньте обойму штыревых гвоздей в сторону направляющей воротки.  
► **Рис.9:** 1. Штыревые гвозди 2. Мозаичный треугольник 3. Направляющие пазы 4. Направляющая воротка  
► **Рис.10:** 1. Штыревые гвозди 2. Дно магазина 3. Зазоры

**ПРИМЕЧАНИЕ:** Убедитесь в том, что заостренные концы штыревых гвоздей устойчиво расположены на дне магазина. Любые зазоры вокруг заостренных концов штыревых гвоздей могут привести к их застреванию и повреждению инструмента.

**ПРИМЕЧАНИЕ:** Загружайте штыревые гвозди в правильном направлении. Загрузка гвоздей в неправильном направлении может привести к преждевременному износу воротки и повреждению других деталей.

**ПРИМЕЧАНИЕ:** Не используйте деформированные обоймы штыревых гвоздей. Используйте только те штыревые гвозди, которые указаны в настоящем руководстве. Использование штыревых гвоздей, отличающихся от указанных, может привести к застреванию гвоздей и поломке инструмента.

**ПРИМЕЧАНИЕ:** Не загружайте обоймы с меньшим количеством штыревых гвоздей, особенно при использовании штыревых гвоздей малой длины. Это может привести к застреванию гвоздей и повреждению инструмента.

**ПРИМЕЧАНИЕ:** Не загружайте обоймы с гвоздями разной длины или несколько обойм с меньшим количеством штыревых гвоздей одновременно. В противном случае возможно застревание гвоздей и повреждение инструмента.

3. Верните сдвижную крышку в исходное положение и зафиксируйте ее рычагом блокировки.

**ПРИМЕЧАНИЕ:** Осторожно закройте сдвижную крышку. Прилагая чрезмерное усилие, можно деформировать штыревые гвозди, и сдвижная крышка может не вернуться в исходное положение.

Для извлечения штыревых гвоздей нажмите рычаг блокировки и сдвиньте сдвижную крышку в сторону открывания. Извлеките штыревые гвозди из магазина.

## Адаптер головки

**ВНИМАНИЕ:** Прежде чем устанавливать адаптер головки, всегда проверяйте, чтобы пальцы не находились на триггерном переключателе или на контактном элементе, а также чтобы блок аккумулятора был извлечен.

- При забивании штыревых гвоздей в обрабатываемый материал с легко повреждаемой поверхностью используйте адаптер головки. Поместите адаптер головки поверх контактного элемента направляющей воротки, чтобы направляющие выступы, расположенные внутри адаптера головки, были плотно вставлены в направляющие пазы направляющей воротки. Адаптер головки можно хранить в держателе в задней части магазина, чтобы не потерять его.
- **Рис.11:** 1. Адаптер головки 2. Направляющая воротка 3. Направляющие выступы 4. Направляющие пазы 5. Держатель

## Адаптер головки для забивания на плоских поверхностях

### Дополнительная принадлежность

Используйте дополнительный адаптер головки, предназначенный для операции затяжки на плоских и ровных поверхностях. Он защищает мягкие поверхности обрабатываемой детали от следов и царапин, наносимых контактными элементами с закругленными концами.

► **Рис.12**

Поместите дополнительный адаптер головки поверх контактного элемента направляющей воротка, чтобы направляющие выступы, расположенные внутри адаптера головки, были плотно вставлены в направляющие пазы направляющей воротка.

► **Рис.13:** 1. Дополнительный адаптер головки 2. Направляющая воротка 3. Направляющие выступы 4. Направляющие пазы

## Крючок

**▲ВНИМАНИЕ:** При установке крючка надежно фиксируйте его винтом. В противном случае крючок может отсоединиться от инструмента, что может привести к травме.

**▲ВНИМАНИЕ:** Используйте детали для подвешивания и монтажа только по назначению. Использование этих деталей не по назначению может привести к несчастному случаю или травме.

**▲ВНИМАНИЕ:** Не цепляйте крючок на поясной ремень. Падение гвоздезабивного пистолета в случае внезапного отсоединения крючка может стать причиной случайного срабатывания и нанесения травм.

► **Рис.14**

Крючок удобен для временного подвешивания инструмента. Он может быть установлен с любой стороны инструмента.

Для установки крючка вставьте его в паз в корпусе инструмента с одной из сторон и закрепите при помощи винта. Чтобы снять крючок, необходимо сначала отвернуть винт.

► **Рис.15:** 1. Паз 2. Крючок 3. Винт

## Хранение шестигранного ключа

Когда шестигранный ключ не используется, храните его, как показано на рисунке, чтобы не потерять.

► **Рис.16:** 1. Шестигранный ключ

## ЭКСПЛУАТАЦИЯ

### Проверка системы защиты

**▲ОСТОРОЖНО:** Перед началом эксплуатации проверьте исправность всех систем защиты. Несоблюдение этого требования может стать причиной травмы.

► **Рис.17:** 1. Кнопка блокировки триггерного переключателя 2. Триггерный переключатель 3. Контактный элемент 4. Магазин

Всегда проверяйте исправность систем защиты, как описано ниже, прежде чем начинать работу.

1. Извлеките штыревые гвозди из инструмента и оставьте магазин открытым.
2. Установите блок аккумулятора и отключите блокировку триггерного переключателя.
3. Потяните триггерный переключатель, убедившись, что контактный элемент не соприкасается с материалом.
4. Нажмите на контактный элемент, чтобы он соприкоснулся с материалом, не нажимая при этом триггерный переключатель.

Если инструмент срабатывает при соблюдении условий 3 или 4, описанных выше, системы защиты неисправны. Немедленно прекратите эксплуатацию инструмента и обратитесь в местный сервисный центр.

### Забивание штыревых гвоздей

**▲ОСТОРОЖНО:** Не используйте этот гвоздезабивной пистолет для закрепления электрических кабелей. Он не предназначен для прокладки электрокабелей и может повредить их изоляцию, создавая таким образом опасность поражения электрическим током или возгорания.

**▲ОСТОРОЖНО:** Удерживайте контактный элемент на материале до полной установки штыревого гвоздя. Случайное срабатывание может привести к травмам.

**▲ВНИМАНИЕ:** Во время работы крепко удерживайте инструмент.

**▲ВНИМАНИЕ:** Строго соблюдайте требования в отношении максимального времени непрерывной работы инструмента. В противном случае возможно повреждение инструмента, которое может привести к получению травмы.

**ПРИМЕЧАНИЕ:** Инструмент не начнет повторно операцию затяжки после пяти секунд работы без переключений при нахождении контактного элемента на обрабатываемой детали. Для повторного запуска операции затяжки отведите контактный элемент от обрабатываемой детали и установите его обратно на свое место.

1. Отключение блокировки триггерного переключателя.
  2. Ровно разместите контактный элемент на поверхности материала.
  3. Нажмите на триггерный переключатель до упора, чтобы забить штыревой гвоздь.
  4. Чтобы забить следующий гвоздь, уберите палец с триггерного переключателя, а затем повторите шаги 2 и 3, указанные выше.
- **Рис.18:** 1. Триггерный переключатель  
2. Контактный элемент

Также штыревые гвозди можно забивать, перетаскивая инструмент на ближайшую область, при этом необходимо прижимать контактный элемент к материалу и нажать на триггерный переключатель.

► **Рис.19**

Если верх штыревого гвоздя остался над поверхностью материала, забейте штыревой гвоздь, крепко удерживая головку гвоздезабивного пистолета на обрабатываемом предмете.

► **Рис.20**

**ПРИМЕЧАНИЕ:** Если головка штыревого гвоздя все еще находится над обрабатываемой деталью, даже если вы удерживаете головку гвоздезабивного пистолета, материал может не подходить для данного гвоздезабивного пистолета. Использование гвоздезабивного пистолета на таком материале может привести к повреждению воротка пистолета и/или заклиниванию пистолета.

## Механизм предотвращения "холостого выстрела"

**▲ОСТОРОЖНО:** Перед загрузкой штыревых гвоздей обязательно проверяйте, чтобы пальцы не находились на триггерном переключателе или контактном элементе и чтобы блок аккумулятора был извлечен.

Когда в магазине остается от 0 до 3 штыревых гвоздей, триггерный переключатель не нажимается. В этом случае вставьте в магазин новую обойму штыревых гвоздей — после этого триггерный переключатель будет разблокирован.

**ПРИМЕЧАНИЕ:** При переходе на штыревые гвозди другой длины вскоре после срабатывания механизма защиты от "холостого выстрела", вставьте новую обойму штыревых гвоздей в магазин и выстрелите оставшиеся штыревые гвозди в ненужный материал.

## Проверка оставшихся штыревых гвоздей

Количество оставшихся штыревых гвоздей можно проверить с помощью смотрового окна. При уменьшении количества оставшихся гвоздей красный индикатор смещается в сторону выпускного отверстия.

► **Рис.21:** 1. Смотровое окно 2. Индикатор

## Извлечение застрявших штыревых гвоздей

**▲ОСТОРОЖНО:** Перед извлечением застрявших штыревых гвоздей убедитесь в том, что переключатель опущен, а блок аккумулятора и штыревые гвозди извлечены.

**▲ВНИМАНИЕ:** Не извлекайте застрявшие гвозди голыми руками. Штыревые гвозди могут выпасть из магазина и причинить травму.

1. Извлекайте все штыревые гвозди, оставленные в магазине.
  2. Выверните три болта с шестигранными головками из крышки направляющей воротка шестигранным ключом.
  3. Извлеките застрявшие штыревые гвозди из направляющих пазов в направляющей воротка.
- **Рис.22:** 1. Болт с шестигранной головкой  
2. Крышка направляющей воротка  
3. Крышка контактов 4. Направляющая воротка

**ПРИМЕЧАНИЕ:** При возникновении трудностей с извлечением застрявших штыревых гвоздей ослабьте два болта с шестигранными головками на крышке контактов при помощи шестигранного ключа, а затем извлеките застрявшие штыревые гвозди из направляющей воротка.

4. Установите крышки обратно на свои места и закрепите их поверх направляющей воротка болтами с шестигранными головками.

**ПРИМЕЧАНИЕ:** После устранения застревания необходимо правильно собрать крышки, расположенные поверх направляющей воротка. В случае неправильного функционирования направляющей воротка соберите их повторно с использованием болтов с шестигранными головками.

## ОБСЛУЖИВАНИЕ

**▲ВНИМАНИЕ:** Перед проведением проверки или работ по техобслуживанию всегда проверяйте, что инструмент выключен, а блок аккумулятора снят.

**ПРИМЕЧАНИЕ:** Запрещается использовать бензин, растворители, спирт и другие подобные жидкости. Это может привести к обесцвечиванию, деформации и трещинам.

Для обеспечения БЕЗОПАСНОСТИ и НАДЕЖНОСТИ оборудования ремонт, любое другое техобслуживание или регулировку необходимо производить в уполномоченных сервис-центрах Makita или сервис-центрах предприятия с использованием только сменных частей производства Makita.

## Очистка магазина

Очищайте внутреннюю полость магазина с регулярными интервалами. Сдувайте или стирайте всю грязь, пыль, древесную стружку и клей, скопившиеся в направляющих пазах.

► **Рис.23:** 1. Направляющие пазы

**ПРИМЕЧАНИЕ:** Грязь и пыль, скапливающиеся в направляющих пазах, могут препятствовать подаче штыревых гвоздей, приводя время от времени к "холостым выстрелам".

## ДОПОЛНИТЕЛЬНЫЕ ПРИНАДЛЕЖНОСТИ

**⚠ ВНИМАНИЕ:** Данные принадлежности или приспособления рекомендуются для использования с инструментом Makita, указанным в настоящем руководстве. Использование других принадлежностей или приспособлений может привести к получению травмы. Используйте принадлежность или приспособление только по указанному назначению.

Если вам необходимо содействие в получении дополнительной информации по этим принадлежностям, свяжитесь с вашим сервис-центром Makita.

- Штыревые гвозди
- Защитные очки
- Адаптер головки (для затяжки на плоских поверхностях)
- Оригинальный аккумулятор и зарядное устройство Makita

**ПРИМЕЧАНИЕ:** Некоторые элементы списка могут входить в комплект инструмента в качестве стандартных приспособлений. Они могут отличаться в зависимости от страны.







**Makita Europe N.V.** Jan-Baptist Vinkstraat 2,  
3070 Kortenberg, Belgium

**Makita Corporation** 3-11-8, Sumiyoshi-cho,  
Anjo, Aichi 446-8502 Japan

[www.makita.com](http://www.makita.com)

885942-982  
EN, SV, NO, FI, DA,  
LV, LT, ET, RU  
20211026

## **ОФИЦИАЛЬНЫЙ ДИЛЕР В УКРАИНЕ:**

[storgom.ua](http://storgom.ua)

### **ГРАФИК РАБОТЫ:**

Пн. – Пт.: с 8:30 по 18:30

Сб.: с 09:00 по 16:00

Вс.: с 10:00 по 16:00

### **КОНТАКТЫ:**

+38 (044) 360-46-77

+38 (066) 77-395-77

+38 (097) 77-236-77

+38 (093) 360-46-77

Детальное описание товара:

<https://storgom.ua/product/makita-168433.html>

Другие товары:

<https://storgom.ua/akkumulyatornye-gvozdezabivnye-pistolety.html>