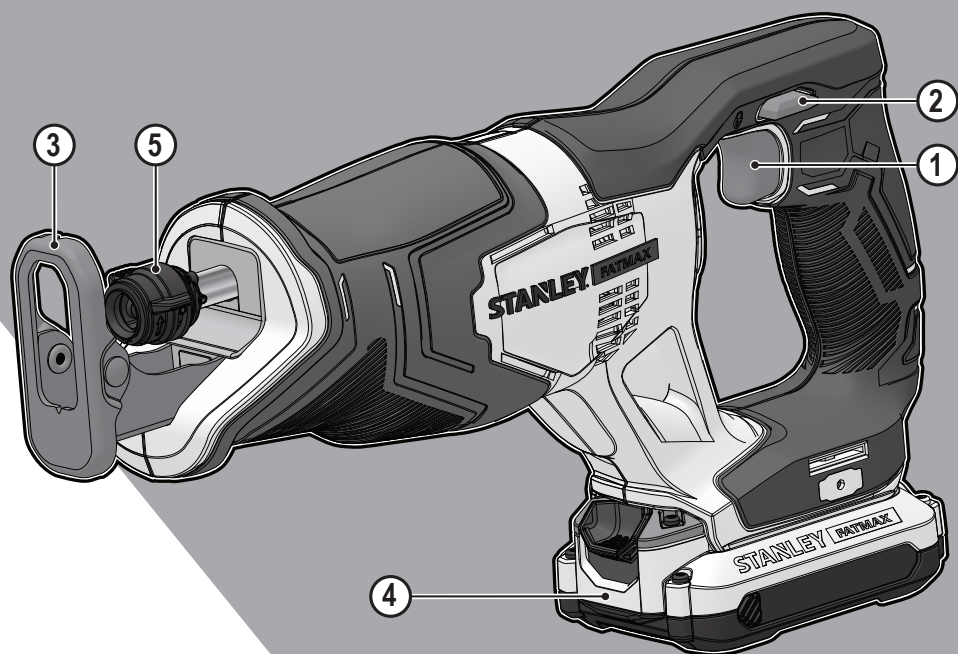


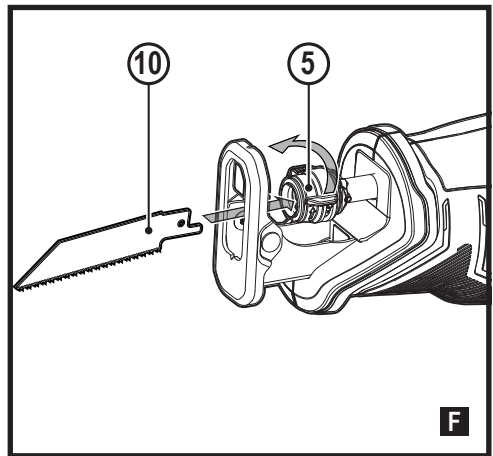
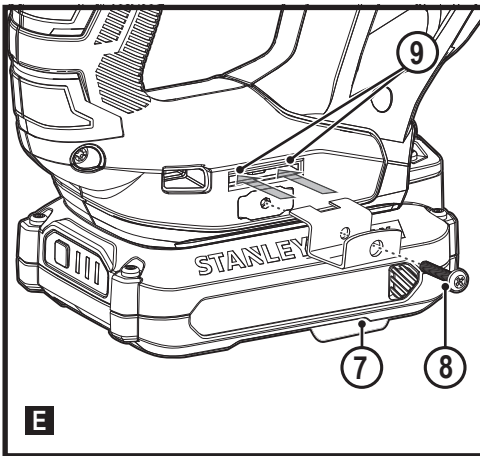
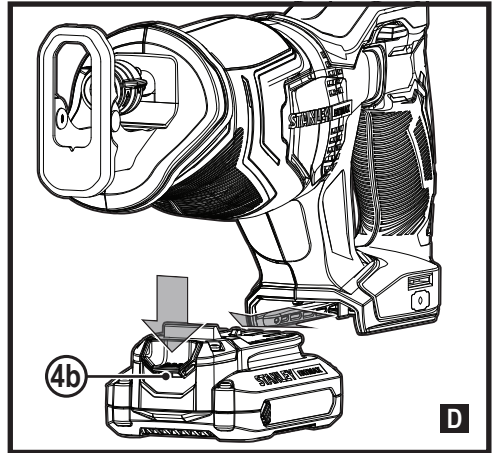
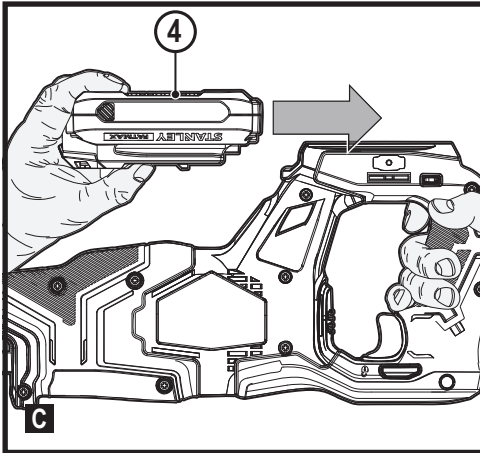
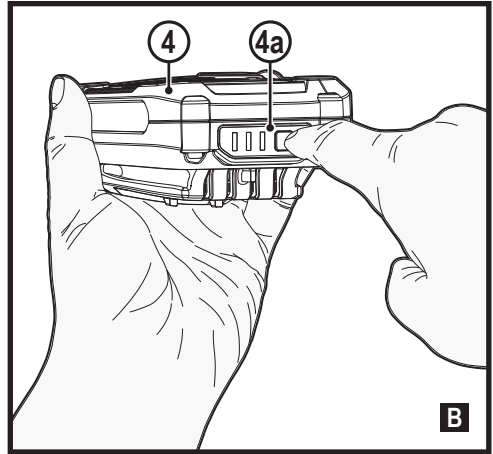
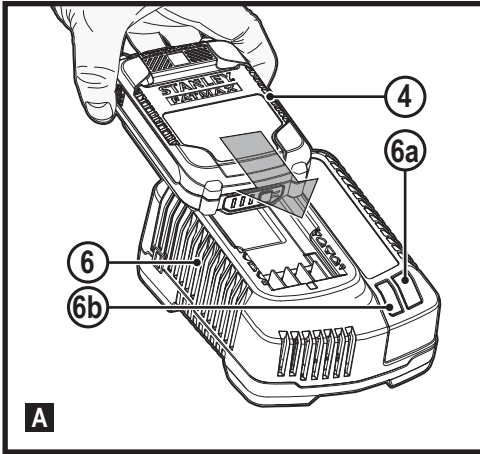
# STANLEY® FATMAX®

# V20 LITHIUM ION



[www.stanley.eu](http://www.stanley.eu)

SFMCS300



## Intended use

Your STANLEY FATMAX SFMCS300 hand-held saw has been designed for sawing wood, plastics and sheet metal. This tool is intended for professional and private, non professional users.

## Safety instructions

### General power tool safety warnings



**Warning! Read all safety warnings, instructions, illustrations and specifications provided with this power tool.** Failure to follow the warnings and instructions listed below may result in electric shock, fire and/or serious injury.

### Save all warnings and instructions for future reference.

The term "power tool" in all of the warnings listed below refers to your mains operated (corded) power tool or battery operated (cordless) power tool.

#### 1. Work area safety

- a. **Keep work area clean and well lit.** Cluttered or dark areas invite accidents.
- b. **Do not operate power tools in explosive atmospheres, such as in the presence of flammable liquids, gases or dust.** Power tools create sparks which may ignite the dust or fumes.
- c. **Keep children and bystanders away while operating a power tool.** Distractions can cause you to lose control.

#### 2. Electrical safety

- a. **Power tool plugs must match the outlet. Never modify the plug in any way.**  
**Do not use any adapter plugs with earthed (grounded) power tools.** Unmodified plugs and matching outlets will reduce risk of electric shock.
- b. **Avoid body contact with earthed or grounded surfaces such as pipes, radiators, ranges and refrigerators.** There is an increased risk of electric shock if your body is earthed or grounded.
- c. **Do not expose power tools to rain or wet conditions.** Water entering a power tool will increase the risk of electric shock.
- d. **Do not abuse the cord. Never use the cord for carrying, pulling or unplugging the power tool. Keep cord away from heat, oil, sharp edges or moving parts.** Damaged or entangled cords increase the risk of electric shock.
- e. **When operating a power tool outdoors, use an extension cord suitable for outdoor use.** Use of a cord suitable for outdoor use reduces the risk of electric shock.

- f. **If operating a power tool in a damp location is unavoidable, use a residual current device (RCD) protected supply.** Use of an RCD reduces the risk of electric shock.
3. **Personal safety**
    - a. **Stay alert, watch what you are doing and use common sense when operating a power tool.**  
**Do not use a power tool while you are tired or under the influence of drugs, alcohol or medication.** A moment of inattention while operating power tools may result in serious personal injury.
    - b. **Use personal protective equipment. Always wear eye protection.** Protective equipment such as dust mask, non-skid safety shoes, hard hat, or hearing protection used for appropriate conditions will reduce personal injuries.
    - c. **Prevent unintentional starting. Ensure the switch is in the off-position before connecting to power source and/or battery pack, picking up or carrying the tool.** Carrying power tools with your finger on the switch or energising power tools that have the switch on invites accidents.
    - d. **Remove any adjusting key or wrench before turning the power tool on.** A wrench or a key left attached to a rotating part of the power tool may result in personal injury.
    - e. **Do not overreach. Keep proper footing and balance at all times.** This enables better control of the power tool in unexpected situations.
    - f. **Dress properly. Do not wear loose clothing or jewellery. Keep your hair, clothing and gloves away from moving parts.** Loose clothes, jewellery or long hair can be caught in moving parts.
    - g. **If devices are provided for the connection of dust extraction and collection facilities, ensure these are connected and properly used.** Use of dust collection can reduce dust-related hazards.
    - h. **Do not let familiarity gained from frequent use of tools allow you to become complacent and ignore tool safety principles.** A careless action can cause severe injury within a fraction of a second.
  4. **Power tool use and care**
    - a. **Do not force the power tool. Use the correct power tool for your application.**  
The correct power tool will do the job better and safer at the rate for which it was designed.
    - b. **Do not use the power tool if the switch does not turn it on and off.** Any power tool that cannot be controlled with the switch is dangerous and must be repaired.

- c. **Disconnect the plug from the power source and/or the battery pack from the power tool before making any adjustments, changing accessories, or storing power tools.** Such preventive safety measures reduce the risk of starting the power tool accidentally.
- d. **Store idle power tools out of the reach of children and do not allow persons unfamiliar with the power tool or these instructions to operate the power tool.**

Power tools are dangerous in the hands of untrained users.

- e. **Maintain power tools and accessories. Check for misalignment or binding of moving parts, breakage of parts and any other condition that may affect the power tools operation. If damaged, have the power tool repaired before use.** Many accidents are caused by poorly maintained power tools.
- f. **Keep cutting tools sharp and clean.** Properly maintained cutting tools with sharp cutting edges are less likely to bind and are easier to control.
- g. **Use the power tool, accessories and tool bits etc. in accordance with these instructions, taking into account the working conditions and the work to be performed.**

Use of the power tool for operations different from those intended could result in a hazardous situation.

- h. **Keep handles and grasping surfaces dry, clean and free from oil and grease.** Slippery handles and grasping surfaces do not allow for safe handling and control of the tool in unexpected situations.

## 5. Battery tool use and care

- a. **Recharge only with the charger specified by the manufacturer.** A charger that is suitable for one type of battery pack may create a risk of fire when used with another battery pack.
- b. **Use power tools only with specifically designated battery packs.** Use of any other battery packs may create a risk of injury and fire.
- c. **When battery pack is not in use, keep it away from other metal objects, like paper clips, coins, keys, nails, screws, or other small metal objects, that can make a connection from one terminal to another.**  
Shorting the battery terminals together may cause burns or a fire.
- d. **Under abusive conditions, liquid may be ejected from the battery; avoid contact. If contact accidentally occurs, flush with water. If liquid contacts eyes, additionally seek medical help.** Liquid ejected from the battery may cause irritation or burns.

## 6. Service

- a. **Have your power tool serviced by a qualified repair person using only identical replacement parts.**

This will ensure that the safety of the power tool is maintained.

## Additional power tool safety warnings



**Warning! Warning!** Additional safety warnings for hand-held saws.

- ◆ **Hold power tool by insulated gripping surfaces, when performing an operation where the cutting accessory may contact hidden wiring.** Cutting accessory contacting a "live" wire may make exposed metal parts of the power tool "live" and could give the operator an electric shock.
- ◆ **Use clamps or another practical way to secure and support the workpiece to a stable platform.** Holding the work by hand or against your body leaves it unstable and may lead to loss of control.
- ◆ **Keep hands away from cutting area.** Never reach underneath the work piece any reason. Do not insert fingers or thumb into the vicinity of the reciprocating blade and blade clamp. Do not stabilize the saw by gripping the shoe.
- ◆ **Keep blades sharp.** Dull or damaged blades may cause the saw to swerve or stall under pressure. Always use the appropriate type of saw blade for the workpiece material and type of cut.
- ◆ **When cutting pipe or conduit, make sure that they are free from water, electrical wiring, etc.**
- ◆ **Do not touch the workpiece or the blade immediately after operating the tool.** They can become very hot.
- ◆ **Be aware of hidden hazards, before cutting into walls, floors or ceilings, check for the location of wiring and pipes.**
- ◆ **The blade will continue to move after releasing the switch.**  
Always switch the tool off and wait for the saw blade to come to a complete standstill before putting the tool down.

**Warning!** The vibration emission value during actual use of the power tool can differ from the declared value depending on the ways in which the tool is used. The vibration level may increase above the level stated.

- ◆ The intended use is described in this instruction manual. The use of any accessory or attachment or performance of any operation with this tool other than those recommended in this instruction manual may present a risk of personal injury and/or damage to property.

## Safety of others

- ◆ This appliance is not intended for use by persons (including children) with reduced physical, sensory or mental capabilities, or lack of experience and knowledge, unless they have been given supervision or instruction concerning use of the appliance by a person responsible for their safety.
- ◆ Children should be supervised to ensure that they do not play with the appliance.

## Vibration

The declared vibration emission values stated in the technical data and the declaration of conformity have been measured in accordance with a standard test method provided by EN 60745 and may be used for comparing one tool with another. The declared vibration emission value may also be used in a preliminary assessment of exposure.

**Warning!** The vibration emission value during actual use of the power tool can differ from the declared value depending on the ways in which the tool is used. The vibration level may increase above the level stated.

When assessing vibration exposure to determine safety measures required by 2002/44/EC to protect persons regularly using power tools in employment, an estimation of vibration exposure should consider, the actual conditions of use and the way the tool is used, including taking account of all parts of the operating cycle such as the times when the tool is switched off and when it is running idle in addition to the trigger time.

## Residual risks.

Additional residual risks may arise when using the tool which may not be included in the enclosed safety warnings. These risks can arise from misuse, prolonged use etc.

Even with the application of the relevant safety regulations and the implementation of safety devices, certain residual risks can not be avoided. These include:

- ◆ Injuries caused by touching any rotating/moving parts.
- ◆ Injuries caused when changing any parts, blades or accessories.
- ◆ Injuries caused by prolonged use of a tool. When using any tool for prolonged periods ensure you take regular breaks.
- ◆ Impairment of hearing.
- ◆ Health hazards caused by breathing dust developed when using your tool (example:- working with wood, especially oak, beech and MDF.)

## Labels on tool

The following pictograms are shown on the tool along with the date code:



**Warning!** To reduce the risk of injury, the user must read the instruction manual.

## Additional safety instructions for batteries and chargers

### Batteries

- ◆ Never attempt to open for any reason.
- ◆ Do not expose the battery to water.
- ◆ Do not store in locations where the temperature may exceed 40 °C.
- ◆ Charge only at ambient temperatures between 10 °C and 40 °C.
- ◆ Charge only using the charger provided with the tool.
- ◆ When disposing of batteries, follow the instructions given in the section "Protecting the environment".



Do not attempt to charge damaged batteries.

### Chargers

- ◆ Use your STANLEY FATMAX charger only to charge the battery in the tool with which it was supplied. Other batteries could burst, causing personal injury and damage.
- ◆ Never attempt to charge non-rechargeable batteries.
- ◆ Have defective cords replaced immediately.
- ◆ Do not expose the charger to water.
- ◆ Do not open the charger.
- ◆ Do not probe the charger.



The charger is intended for indoor use only.



Read the instruction manual before use.

### Electrical safety



Your charger is double insulated; therefore no earth wire is required. Always check that the mains voltage corresponds to the voltage on the rating plate. Never attempt to replace the charger unit with a regular mains plug.

- ◆ If the supply cord is damaged, it must be replaced by the manufacturer or an authorised STANLEY FATMAX Service Centre in order to avoid a hazard.

### Features

This tool includes some or all of the following features.

1. Variable speed switch
2. Lock-off button
3. Shoe

4. Battery
5. Blade clamp collar

**Use**

**Warning!** Let the tool work at its own pace.  
Do not overload.

**Charging the battery (Fig. A)**

The battery needs to be charged before first use and whenever it fails to produce sufficient power on jobs that were easily done before.

The battery may become warm while charging; this is normal and does not indicate a problem.







**Warning!** Do not charge the battery at ambient temperatures below 10 °C or above 40 °C. Recommended charging temperature: approx. 24 °C.

**Note: The charger will not charge a battery if the cell temperature is below approximately 10 °C or above 40 °C. The battery should be left in the charger and the charger will begin to charge automatically when the cell temperature warms up or cools down.**

**Note:** To ensure maximum performance and life of lithium-ion battery packs, charge the battery pack fully before first use.

- ◆ Plug the charger (6) into an appropriate outlet before inserting battery pack (4).
- ◆ The green charging light (6a) will blink continuously indicating that the charging process has started.
- ◆ The completion of charge will be indicated by the green charging light (6a) remaining ON continuously. The battery pack (4) is fully charged and may be removed and used at this time or left in the charger (6).
- ◆ Charge discharged batteries within 1 week. Battery life will be greatly diminished if stored in a discharged state.

**Charger LED Modes**

	<b>Charging:</b> Green LED Intermittent	
	<b>Fully Charged:</b> Green LED Solid	
	<b>Hot/Cold Pack Delay:</b> Green LED Intermittent Red LED Solid	

**Note:** The compatible charger(s) will not charge a faulty battery pack. The charger will indicate a faulty battery pack by refusing to light.

**Note:** This could also mean a problem with a charger. If the charger indicates a problem, take the charger and battery pack to be tested at an authorized service centre.

**Leaving the battery in the charger**

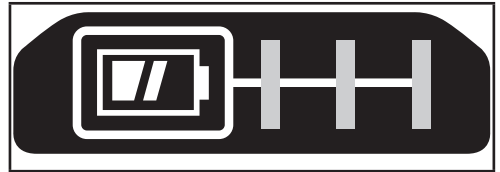
The charger and battery pack can be left connected with the LED glowing indefinitely. The charger will keep the battery pack fresh and fully charged.

**Hot/Cold Pack Delay**

When the charger detects a battery that is too hot or too cold, it automatically starts a Hot/Cold Pack Delay, the green LED (6a) will flash intermittently, while the red LED (6b) will remain on continuously, suspending charging until the battery has reached an appropriate temperature. The charger then automatically switches to the pack charging mode. This feature ensures maximum battery life.

**Battery state of charge indicator (Fig. B)**

The battery includes a state of charge indicator to quickly determine the extent of battery life as shown in figure B. By pressing the state of charge button (4a) you can easily view the charge remaining in the battery as illustrated in figure B.



**Installing and Removing the Battery Pack from the tool**

**Warning!** Make certain the lock-off button is engaged to prevent switch actuation before removing or installing battery.

**To install battery pack (Fig. C)**

- ◆ Insert battery pack firmly into tool until an audible click is heard as shown in figure C. Ensure battery pack is fully seated and fully latched into position.

**To remove battery pack (Fig. D)**

- ◆ Depress the battery release button (4b) as shown in figure D and pull battery pack out of tool.

**Storage hook (Optional extra) (Fig. E)**

**Warning!** To reduce the risk of serious personal injury, place the forward/reverse button in the lock-off position or turn tool off and disconnect battery pack before making any adjustments or removing/installing attachments or accessories.

An accidental start-up can cause injury.

**Warning!** To reduce the risk of serious personal injury, ensure the screw (8) holding the storage hook is secure.



**Note:** When attaching or replacing the storage hook (7), use only the screw (8) that is provided. Be sure to securely tighten the screw.

If the hook is not desired at all, it can be removed from the tool.

To move the storage hook, remove the screw (8) that holds the storage hook (7) in place.

**Note:** Various trackwall hooks and storage configurations are available.

Please visit our website [www.stanley.eu/3](http://www.stanley.eu/3) for further information.

## Assembly

**Warning!** Before assembly, remove the battery from the tool and make sure that the saw blade has stopped. Used saw blades may be hot.

### Fitting the saw blade (fig. F)

- ◆ Hold the tool away from the body
- ◆ Rotate the blade clamp collar (5) in the direction shown in figure F.
- ◆ Insert the shank of the blade (10) fully into the blade clamp collar (5).
- ◆ Release the blade clamp collar (5) to lock the blade into position

**Note:** The blade can be installed with the teeth up to assist in flush cutting.



### Removing the saw blade (fig. C)

**Warning!** Burn hazard: Do not touch the blade immediately after use. Contact with the blade may result in personal injury.

- ◆ Rotate the blade clamp collar (5) to the release position
- ◆ Remove blade (10)

### Lock-off button

The tool is equipped with a switch lock-off feature to prevent unintentional operation.

- ◆ To lock: push the lock-off button (2) to the locked position .
- ◆ To un-lock: push the lock-off button (2) to the un-locked position .

### Switching on and off

The variable speed on/off switch offers a choice of speeds for greatly improved cutting rates in various materials.

- ◆ To switch the tool on, squeeze the variable speed on/off switch (1).
- ◆ To switch the tool off, release the variable speed on/off switch (1).

### Sawing

- ◆ Always hold the tool with both hands.

- ◆ Let the blade run freely for a few seconds before starting the cut.
- ◆ Apply only a gentle pressure to the tool while performing the cut.
- ◆ If possible, work with the shoe (3) pressed against the workpiece. This will improve tool control and reduce tool vibration, as well as prevent the blade from being damaged.

### Hints for optimum use

#### Sawing wood

- ◆ Clamp the workpiece securely and remove all nails and metal objects.
- ◆ Holding the tool with both hands, work with the shoe (3) pressed against the workpiece.

#### Flush cutting

The compact design of the reciprocating saw motor housing and pivoting shoe permit close cutting to floors, corners and other difficult areas.

To maximize flush cutting capabilities:

- ◆ Insert the blade shaft into the blade clamp with the teeth of the blade facing up.
- ◆ Adjust the angle of the handle on the tool so you are as close to the work surface as possible.

#### Sawing metal

Be aware that sawing metal takes much more time than sawing wood.

- ◆ Use a saw blade suitable for sawing metal. Use a fine-tooth saw blade for ferrous metals and a coarser saw blade for non-ferrous metals.
- ◆ When cutting thin sheet metal, clamp a piece of scrap wood to the back surface of the workpiece and cut through this sandwich.
- ◆ Spread a film of oil along the intended line of cut.

#### Pocket cutting in wood

- ◆ Measure and mark the required pocket cut.
- ◆ Fit a saw blade suitable for pocket cutting.
- ◆ Rest the shoe (3) on the workpiece in such a position that the blade forms an appropriate angle for the pocket cut.
- ◆ Switch on the tool and slowly feed the blade into the workpiece. Make sure that the shoe (3) remains in contact with the workpiece at all times.

#### Cutting branches

Branches up to 25 mm in diameter can be cut with this tool.

**Warning!** Do not use the tool while in a tree, on a ladder or on any other unstable surface. Be aware of where the branch will fall.

- ◆ Cut downward and away from your body.
- ◆ Make the cut close to the main branch or tree body.

### Vertical cutting

The tool allows close cutting to corners and other difficult areas.

- ◆ Insert the shank of the saw blade into the blade holder with the teeth of the blade facing upward.
- ◆ Hold the tool with the shoe (3) facing downward so that you are as close to the work surface as possible.
- ◆ Cut forward and away from your body.

### Accessories

The performance of your tool depends on the accessory used. STANLEY FATMAX accessories are engineered to high quality standards and designed to enhance the performance of your tool. By using these accessories you will get the very best from your tool.

### Blades

The saw will accept a blade up to 30 cm long. Always use the shortest blade suitable for your project but long enough to keep the blade cutting through the material. Longer blades are more likely to be bent or damaged during use. During operation some longer blades may vibrate or shake if the saw is not kept in contact with the workpiece.

### Maintenance

Your STANLEY FATMAX tool has been designed to operate over a long period of time with a minimum of maintenance. Continuous satisfactory operation depends upon proper tool care and regular cleaning.

Your charger does not require any maintenance apart from regular cleaning.

**Warning!** Before performing any maintenance on the tool, remove the battery from the tool. Unplug the charger before cleaning it.

- ◆ Regularly clean the ventilation slots in your tool and charger using a soft brush or dry cloth.
- ◆ Regularly clean the motor housing using a damp cloth.
- ◆ Do not use any abrasive or solvent-based cleaner.
- ◆ Regularly open the chuck and tap it to remove any dust from the interior.

### Protecting the environment



Separate collection. Products and batteries marked with this symbol must not be disposed of with normal household waste.

Products and batteries contain materials that can be recovered or recycled reducing the demand for raw materials. Please recycle electrical products and batteries according to local provisions. Further information is available at [www.2helpU.com](http://www.2helpU.com)

### Technical data

		SFMC300
Input Voltage	V <sub>ac</sub>	18
No-load speed	Min.	0- 3000
Stroke length	mm	25
Weight	kg	2.05

Charger		SFMCB11	SC200 / SFMCB12	SFMCB14
Input Voltage	V <sub>ac</sub>	230	230	230
Output Voltage	V <sub>ac</sub>	18	18	18
Current	A	1.25	2	4

Battery		SFMCB201	SB202 / SFMCB202	SB204 / SFMCB204	SB206 / SFMCB206
Voltage	V <sub>ac</sub>	18	18	18	18
Capacity	Ah	1.5	2.0	4.0	6.0
Type		Li-Ion	Li-Ion	Li-Ion	Li-Ion

### EC declaration of conformity

MACHINERY DIRECTIVE



SFMC300 - Cordless hand held saw  
Stanley Europe declares that these products described under "technical data" are in compliance with:  
2006/42/EC, EN 60745-1, EN 60745-2-11.

These products also comply with Directive 2006/42/EC, 2014/30/EU and 2011/65/EU. For more information, please contact Black & Decker at the following address or refer to the back of the manual.

For more information, please contact STANLEY FATMAX at the following address or refer to the back of the manual. The undersigned is responsible for compilation of the technical file and makes this declaration on behalf of STANLEY FATMAX.





A.P. Smith  
Technical Director  
STANLEY FATMAX Europe, Egide Walschaertsstraat14-18,  
2800 Mechelen, Belgium  
04/06/2019

### **Guarantee**

STANLEY FATMAX is confident of the quality of its products and offers consumers a 12 month guarantee from the date of purchase. This guarantee is in addition to and in no way prejudices your statutory rights. The guarantee is valid within the territories of the Member States of the European Union and the European Free Trade Area.

To claim on the guarantee, the claim must be in accordance with STANLEY FATMAX Terms and Conditions and you will need to submit proof of purchase to the seller or an authorised repair agent. Terms and conditions of the STANLEY FATMAX 1 year guarantee and the location of your nearest authorised repair agent can be obtained on the Internet at [www.2helpU.com](http://www.2helpU.com), or by contacting your local STANLEY FATMAX office at the address indicated in this manual.

Please visit our website [www.stanley.eu/3](http://www.stanley.eu/3) to register your new STANLEY FATMAX product and receive updates on new products and special offers. agent in the STANLEY FATMAX catalogue or contact your local Stanley office at the address indicated in this manual. A list of authorised STANLEY FATMAX repair agents and full details of our after sales service is available on the internet at:  
[www.stanley.eu/3](http://www.stanley.eu/3)

## Назначение

Сабельная пила STANLEY FATMAX SFMCS300 предназначена для распила дерева, пластмассы и листового металла. Данный инструмент предназначен как для профессионального использования, так и бытового использования частными пользователями.

## Правила техники безопасности

### Общие правила безопасности при работе с электроинструментом



**Внимание! Прочитайте и просмотрите все предупреждения, инструкции, иллюстрации и спецификации по данному электроинструменту.** Несоблюдение представленных ниже предупреждений и инструкций может привести к поражению электрическим током, возгоранию и/или тяжелым травмам.

Сохраните все инструкции для последующего обращения к ним. Термин «электроинструмент» во всех приведенных ниже предупреждениях относится к питаемому от электросети (проводному) или от аккумуляторных батарей (беспроводному) электроинструменту.

1. **Безопасность на рабочем месте**
  - a. **Содержите рабочее место в чистоте и обеспечьте его хорошую освещенность.** Плохое освещение или беспорядок на рабочем месте может привести к несчастному случаю.
  - b. **Не используйте электроинструмент во взрывоопасной атмосфере, например, при наличии горючих жидкостей, газов или пыли.** Искры, которые появляются при работе электроинструмента, могут привести к воспламенению пыли или паров.
  - c. **Не разрешайте детям и посторонним лицам находиться рядом с вами при работе с электроинструментом.** Отвлекаясь от работы, вы можете потерять контроль над инструментом.
2. **Электробезопасность**
  - a. **Сетевые вилки электроинструмента должны соответствовать розеткам. Никогда не меняйте вилку инструмента. Запрещается использовать переходники к вилкам для электроинструментов с заземлением.** Использование оригинальных штепсельных вилок, соответствующих типу сетевой розетки, снижает риск поражения электрическим током.
  - b. **Следует избегать контакта с заземленными поверхностями, такими как трубы, радиаторы, батареи и холодильники.** Если вы будете заземлены, увеличивается риск поражения электрическим током.
  - c. **Не допускайте нахождения электроинструментов под дождем или в условиях повышенной влажности.** При попадании воды в электроинструмент, риск поражения электрическим током возрастает.
  - d. **Бережно обращайтесь с кабелем питания. Никогда не используйте кабель для переноски электроинструмента, не тяните за него, пытайтесь отключить инструмент от сети. Держите кабель подальше от источников тепла, масла, острых углов или движущихся предметов.** Поврежденный или запутанный кабель питания повышает риск поражения электрическим током.
  - e. **При работе с электроинструментом вне помещения необходимо пользоваться удлинительным кабелем, рассчитанным на эксплуатацию вне помещения.** Использование кабеля, предназначенного для применения на открытом воздухе, снижает риск поражения электрическим током.
  - f. **При необходимости эксплуатации электроинструмента в местах с повышенной влажностью используйте устройство защитного отключения (УЗО).** Использование УЗО снижает риск поражения электрическим током.
3. **Обеспечение индивидуальной безопасности**
  - a. **При работе с электроинструментом сохраняйте бдительность, следите за своими действиями и руководствуйтесь здравым смыслом. Запрещается работать с электроинструментом в состоянии усталости, наркотического, алкогольного опьянения или под воздействием лекарственных препаратов.** Невнимательность при работе с электроинструментом может привести к серьезным травмам.
  - b. **Используйте средства индивидуальной защиты. Всегда надевайте защитные очки.** Использование при работе таких средств защиты, как пылезащитная маска, обувь с нескользящей подошвой, каска и защитные наушники снижает риск травм.
  - c. **Примите меры для предотвращения случайного включения. Перед тем как подключить электроинструмент к сети и/или аккумуляторной батарее, возьмите инструмент или перенести его в другое место, убедитесь в том, что выключатель находится в положении «Выкл.».** Если при переноске электроинструмент остается подключен к

- сети, и при этом ваш палец находится на выключателе, это может привести к несчастному случаю.
- d. **Уберите все регулировочные или гаечные ключи перед включением электроинструмента.** Ключ, оставленный на вращающейся части электроинструмента, может привести к травме.
- e. **Не пытайтесь дотянуться до слишком удаленных поверхностей. Всегда твердо стойте на ногах, сохраняя равновесие.** Это позволит лучше контролировать электроинструмент в непредвиденных ситуациях.
- f. **Надевайте подходящую одежду. Не носите свободную одежду и ювелирные украшения.** Следите за тем, чтобы волосы и одежда не попадали под движущиеся детали. Возможно наматывание элементов одежды, ювелирных изделий и длинных волос на движущиеся детали.
- g. **При наличии устройств для подключения оборудования для удаления и сбора пыли необходимо обеспечить правильность их подключения и эксплуатации.** Использование устройства для пылеудаления снижает риски, связанные с пылью.
- h. **Не позволяйте хорошему знанию от частого использования инструментов стать причиной самонадеянности и игнорирования правил техники безопасности.** Небрежное действие может повлечь серьезные травмы за долю секунды.
4. **Эксплуатация электроинструмента и уход за ним**
- a. **Избегайте чрезмерной нагрузки электроинструмента. Используйте электроинструмент в соответствии с назначением.** Правильно подобранный электроинструмент выполнит работу более эффективно и безопасно при стандартной нагрузке.
- b. **Не используйте электроинструмент, если не работает его выключатель.** Любой электроинструмент, управляемый выключением и включением которого невозможно, опасен и подлежит ремонту.
- c. **Перед выполнением любой регулировки, заменой дополнительных принадлежностей или хранением электроинструмента отключите инструмент от сети или извлеките батарею из инструмента.** Такие превентивные меры безопасности снижают вероятность случайного включения электроинструмента.
- d. **Храните электроинструмент в недоступном для детей месте и не позволяйте работать с инструментом людям, не имеющим соответствующих навыков работы с такого рода инструментами.** Электроинструмент представляет опасность в руках неопытных пользователей.
- e. **Поддерживайте электроинструмент и насадки в исправном состоянии. Проверьте движущиеся детали на точность совмещения или заклинивание, наличие поломок или каких-либо других условий, которые могут повлиять на эксплуатацию электроинструмента. В случае обнаружения повреждений, прежде чем приступить к эксплуатации электроинструмента, его следует отремонтировать.** Большинство несчастных случаев происходит по причине отсутствия должного обслуживания электроинструмента.
- f. **Необходимо содержать режущий инструмент в остро заточенном и чистом состоянии.** Вероятность заклинивания инструмента, за которым следят должным образом и который хорошо заточен, значительно меньше, и работать с ним легче.
- g. **Используйте данный электроинструмент, а также дополнительные принадлежности и насадки в соответствии с данными инструкциями и с учетом условий и специфики работы.** Использование электроинструмента для работ, для которых он не предназначен, может привести к несчастным случаям.
- h. **Все рукоятки и поверхности захватывания должны быть сухими и без следов смазки.** Скользкие рукоятки и поверхности захватывания не позволяют обеспечить безопасность работы и управления инструментом в непредвиденных ситуациях.
5. **Использование инструментов с аккумуляторами и уход за ними**
- a. **Используйте для зарядки аккумуляторной батареи только указанное производителем зарядное устройство.** Использование зарядного устройства определенного типа для зарядки других батарей может привести к возгоранию.
- b. **Используйте для электроинструмента только батареи указанного типа.** Использование других аккумуляторных батарей может стать причиной травмы и пожара.
- c. **Избегайте попадания внутрь батареи скрепок, монет, ключей, гвоздей, болтов или других мелких металлических предметов, которые могут вызывать замыкание ее контактов.** Короткое замыкание контактов аккумуляторной батареи может привести к пожару или получению ожогов.
- d. **При повреждении батареи, из нее может вытечь электролит; избегайте контакта с ним. При случайном контакте с электролитом смойте его водой. При попадании электролита в глаза обратитесь за медицинской помощью.** Жидкость, находящаяся внутри батареи, может вызвать

раздражение или ожоги.

## 6. Сервисное обслуживание

- а. Обслуживание электроинструмента должно выполняться только квалифицированным техническим персоналом.** Это позволит обеспечить безопасность обслуживаемого электроинструмента.

### Дополнительные правила техники безопасности при работе с электроинструментом



**Внимание! Внимание!** Дополнительные инструкции по технике безопасности для ручных пил.

- ◆ **Удерживайте инструмент за изолированные поверхности захватывания при выполнении работ, во время которых имеется вероятность контакта инструмента со скрытой электропроводкой.** Если вы держитесь за металлические детали инструмента, то в случае перерезания находящегося под напряжением провода возможно поражение оператора электрическим током.
- ◆ **Используйте зажимы или другие уместные средства фиксации заготовки на стабильной опоре.** Если держать заготовку руками или с упором в собственное тело, то можно потерять контроль над инструментом или заготовкой.
- ◆ **Держите руки подальше от зоны разреза.** Никогда не наклоняйтесь над заготовкой. Не держите пальцы вблизи пильного полотна и его зажима. Не выравнивайте пилу, удерживая ее за основание.
- ◆ **Следите за остротой заточки пильных полотен.** Тупые или поврежденные полотна могут привести к тому, что пила отклонится или заклинит под давлением. Всегда используйте полотна соответствующего типа для разных рабочих деталей и вида распила.
- ◆ **При распиле трубы или трубопровода убедитесь в том, что в них нет воды, не проходит электропроводка и т. п.**
- ◆ **Не трогайте заготовку и полотно сразу после того как закончите работу.** Они могут сильно нагреваться.
- ◆ **Перед тем, как делать отверстия в стенах, полах или потолках, проверьте места прохождения проводки и трубопроводов.**
- ◆ **Полотно продолжает двигаться после того, как будет отпущен спусковой выключатель.** Всегда выключайте инструмент и подождите, пока пила полностью остановится перед тем, как положить инструмент.

**Внимание!** Значения вибрационного воздействия при работе с электроинструментом зависят от вида работ,

выполняемых данным инструментом, и могут отличаться от заявленных значений. Уровень вибрации может быть выше заявленного.

- ◆ Далее в руководстве приводятся виды работ, для которых предназначен данный инструмент. Использование любых принадлежностей или приспособлений, а также выполнение данным инструментом любых видов работ, не рекомендованных данным руководством по эксплуатации, может привести к несчастному случаю и/или повреждению личного имущества.

### Безопасность окружающих

- ◆ Данное устройство не предназначено для использования лицами (включая детей) с ограниченными физическими, сенсорными или ментальными возможностями, а также лицами без достаточного опыта и знаний, если только они не делают этого под руководством лица, имеющего соответствующий опыт и отвечающего за их безопасность.
- ◆ Дети должны находиться под присмотром, чтобы исключить возможность игр с инструментом.

### Вибрация

Заявленные значения вибрации указанные в технических спецификациях и заявлении о соответствии были измерены в соответствии с стандартным методом тестирования EN 60745 и могут быть использованы для сравнения инструментов. Заявленное значение эмиссии вибрации также может использоваться при предварительной оценке воздействия вибрации. **Внимание!** Значения вибрационного воздействия при работе с электроинструментом зависят от вида работ, выполняемых данным инструментом, и могут отличаться от заявленных значений. Уровень вибрации может быть выше заявленного.

При оценке уровня вибрации для определения меры безопасности, предусмотренного 2002/44/ЕС для защиты людей, регулярно пользующихся электроинструментом при работе, нужно принимать во внимание уровень вибрации, реальные условия использования и способ использования инструмента, а также учитывать все этапы цикла работы — когда инструмент выключается, когда он работает на холостом ходу, а также время переключения с одного режима на другой.

### Остаточные риски.

При работе с инструментом возможно возникновение дополнительных остаточных рисков, которые не вошли в описанные здесь правила техники безопасности. Это может произойти при неправильной эксплуатации или продолжительном использовании изделия и т. п.

Несмотря на соблюдение соответствующих инструкций по технике безопасности и использование предохранительных устройств, некоторые остаточные риски невозможно полностью исключить. К ним относятся:

- ◆ Травмы в результате касания вращающихся/движущихся частей.
- ◆ Травмы, которые могут произойти в результате смены деталей, лезвий или дополнительных принадлежностей.
- ◆ Травмы, связанные с продолжительным использованием инструмента. При использовании любого инструмента в течение продолжительного периода времени не забывайте делать перерывы.
- ◆ Ухудшение слуха.
- ◆ Ущерб здоровью в результате вдыхания пыли в процессе работы с инструментом (например, при обработке древесины, в особенности, дуба, бука и МДФ.)

### Условные обозначения на инструменте

Наравне с кодом даты на инструменте имеются следующие знаки:



**Внимание!** Во избежание риска получения травм, прочтите руководство по эксплуатации.

### Дополнительные правила техники безопасности при работе с аккумуляторными батареями и зарядными инструментами

#### Аккумуляторные батареи

- ◆ Никогда не пытайтесь разбирать аккумуляторные батареи.
- ◆ Не подвергайте аккумуляторные батареи воздействию воды.
- ◆ Не оставляйте батареи в местах, где температура превышает 40 °С.
- ◆ Заряжайте батареи только при температуре от 10 °С до 40 °С.
- ◆ Заряжайте аккумуляторные батареи только с зарядным устройством, которое прилагается к инструменту.
- ◆ При утилизации батарей следуйте инструкциям, указанным в разделе «Защита окружающей среды».



Не заряжайте поврежденные аккумуляторные батареи.

#### Зарядные устройства

- ◆ Используйте зарядное устройство STANLEY FATMAX только для зарядки аккумуляторной батареи того инструмента, с которым оно поставлялось.

Использование аккумуляторных батарей другого типа может привести к взрыву, травмам и повреждениям.

- ◆ Не пытайтесь заряжать одноразовые батареи.
- ◆ Немедленно заменяйте поврежденный кабель питания.
- ◆ Не подвергайте зарядное устройство воздействию воды.
- ◆ Не вскрывайте зарядное устройство.
- ◆ Не разбирайте зарядное устройство.



Зарядное устройство можно использовать только в помещении.



Перед началом работы прочтите руководство по эксплуатации.

### Электробезопасность



Ваше зарядное устройство имеет двойную изоляцию, поэтому не требует заземления. Необходимо обязательно убедиться в том, что напряжение источника питания соответствует указанному на паспортной табличке устройства. Никогда не пытайтесь заменить зарядное устройство на обычную сетевую вилку.

- ◆ При повреждении кабеля питания, во избежание рисков, замените его у производителя или в официальном сервисном STANLEY FATMAX.

### Составные части

Данный инструмент может содержать все или некоторые из перечисленных ниже составных частей.

1. Пусковой выключатель с регулировкой скорости
2. Кнопка блокировки пускового выключателя
3. Подошва
4. Аккумуляторная батарея
5. Зажимное кольцо держателя пильного полотна

### Эксплуатация

**Внимание!** Инструмент должен работать в обычном режиме. Избегайте перегрузок.

#### Зарядка аккумуляторной батареи (Рис. А)

Аккумуляторную батарею нужно заряжать перед первым использованием и каждый раз, когда заряда недостаточно для выполняемых работ.

Во время зарядки аккумуляторная батарея нагревается, это нормально и не означает неисправность.

**Внимание!** Не заряжайте батарею при температуре

окружающей среды ниже 10 °С или выше 40 °С.

Рекомендуемая температура при зарядке:

приблизительно 24 °С.

**Примечание:** Зарядное устройство не будет заряжать аккумуляторную батарею, если температура элемента аккумуляторной батареи ниже 10 °С или выше 40 °С.

**Аккумуляторную батарею следует оставить в зарядном устройстве. Зарядка начнется автоматически, когда температура элемента аккумуляторной батареи выровняется до нормальных значений.**

**Примечание:** Чтобы обеспечить максимальную производительность и срок службы ионно-литиевых батарей, перед первым использованием полностью зарядите их.

- ◆ Перед установкой аккумуляторной батареи (4) подключите зарядное устройство (6) к соответствующей розетке.
- ◆ Зеленый индикатор зарядки (6a) начнет мигать. Это означает, что процесс зарядки начался.
- ◆ По окончании зарядки, зеленый индикатор зарядки (6a) будет гореть непрерывно, не мигая. Теперь аккумуляторная батарея (4) полностью заряжена, и ее можно использовать или оставить в зарядном устройстве (6).
- ◆ Разрядившиеся батареи заряжайте не позже, чем через 1 неделю. Срок службы аккумуляторной батареи значительно уменьшается, если ее хранить в разряженном состоянии.

Режимы горения светодиодного индикатора зарядного устройства

	<b>Зарядка:</b> Мигающий зеленый светодиод	
	<b>Полностью заряжен:</b> Непрерывно горящий зеленый светодиод	
	<b>Температурная задержка:</b> Мигающий зеленый светодиод Непрерывно горящий красный светодиод	

**Примечание:** Зарядное(-ые) устройство(-а) не может(-гут) полностью зарядить неисправную аккумуляторную батарею. При неисправной аккумуляторной батарее, индикатор на зарядном устройстве не загорится.

**Примечание:** Также это может указывать на проблему с зарядным устройством. Если зарядное устройство

указывает на наличие проблемы, проверьте аккумуляторную батарею и зарядное устройство в авторизованном сервисном центре.

Хранение аккумуляторной батареи в зарядном устройстве

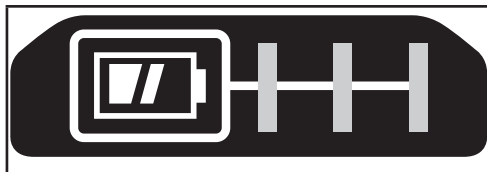
Аккумуляторную батарею можно оставлять в зарядном устройстве на неопределенное время, когда горит светодиод. Зарядное устройство будет поддерживать полную зарядку аккумуляторной батареи.

### Температурная задержка

При слишком низкой или слишком высокой температуре батареи, зарядное устройство автоматически переходит в режим температурной задержки: зеленый светодиод (6a) будет мигать, в то время как красный светодиод (6b) будет гореть постоянно; при этом зарядка не начинается до тех пор, пока батарея не достигнет нужной температуры. Как только нужная температура будет достигнута, устройство автоматически перейдет в режим зарядки. Данная функция обеспечивает максимальный срок эксплуатации аккумуляторной батареи.

### Индикатор заряда (Рис. В)

Аккумуляторная батарея включает в себя индикатор заряда, который позволяет быстро установить состояние заряда батареи, как показано на рис. В. Нажатие кнопки заряда (4a) позволяет легко посмотреть состояние оставшегося заряда батареи, как показано на рис. В.



### Установка и извлечение аккумуляторной батареи из инструмента

**Внимание!** Проверьте, нажата ли кнопка блокировки, чтобы исключить вероятность срабатывания пускового выключателя при извлечении или установке батареи.

### Установка батареи (Рис. С)

- ◆ Крепко вставьте аккумуляторную батарею в инструмент до щелчка, как показано на Рис. С. Убедитесь, что батарея полностью вошла и зафиксирована на месте.

### Извлечение батареи (Рис. D)

- ◆ Нажмите кнопку разблокирования аккумуляторного отсека (4b), как показано на Рис. D и извлеките аккумуляторную батарею из инструмента.



## Крюк для хранения (дополнительная принадлежность) (Рис. Е)

**Внимание!** Чтобы снизить риск получения серьезной травмы, устанавливайте переключатель изменения направления вращения в положение выключения или выключайте инструмент и отсоединяйте аккумуляторную батарею, прежде чем выполнять какую-либо регулировку или удалять/устанавливать какие-либо дополнительные приспособления или принадлежности.

Случайный запуск может привести к травме.

**Внимание!** Во избежание получения серьезной травмы убедитесь в том, что винт (8) крюка для хранения хорошо затянут.

**Примечание:** При креплении или смене крюка для хранения (7), используйте только входящий в комплектацию винт (8). Убедитесь в надежности закрепления винта.

Если крепление не нужно, его можно снять с инструмента. Чтобы передвинуть крюк для хранения (7), выкрутите удерживающий его винт (8).

**Примечание:** Доступны различные крюки для настенных направляющих и конфигураций хранения.

Дополнительную информацию см. на нашем веб-сайте по адресу [www.stanleytools.eu/3](http://www.stanleytools.eu/3).

## Сборка

**Внимание!** Перед сборкой снимите аккумуляторную батарею с инструмента и убедитесь, что пильное полотно остановлено. Полотно может сильно нагреваться после работы.

## Установка пильного полотна (Рис. F)

- ◆ Держите инструмент подальше от тела
- ◆ Поверните зажимное кольцо держателя полотна (5) в направлении, показанном на Рис. F.
- ◆ Полностью вставьте хвостовик полотна (10) в зажимное кольцо держателя полотна (5).
- ◆ Отпустите зажимное кольцо держателя полотна (5), чтобы закрепить полотно на месте

**Примечание:** Полотно можно установить зубцами вверх для резки заподлицо.



## Извлечение пильного полотна (Рис. С)

**Внимание!** Опасность ожога: Не прикасайтесь к полотну непосредственно после использования. Соприкосновение с полотном может привести к травме.

- ◆ Поверните зажимное кольцо держателя полотна (5) в положение разблокировки
- ◆ Извлеките полотно (10)

## Кнопка блокировки пускового выключателя

Инструмент оборудован кнопкой блокировки пускового выключателя для предотвращения случайного запуска.

- ◆ Чтобы заблокировать: передвиньте кнопку блокировки (2) в положение блокировки .
- ◆ Чтобы разблокировать: передвиньте кнопку блокировки (2) в положение разблокировки .

## Включение и выключение

Пусковой выключатель с регулировкой скорости позволяет работать с разными скоростями для наилучшего распила различных материалов.

- ◆ Чтобы включить инструмент, нажмите на пусковой выключатель с регулировкой скорости (1).
- ◆ Чтобы выключить инструмент, отпустите пусковой выключатель с регулировкой скорости (1).

## Пиление

- ◆ Всегда держите инструмент обеими руками.
- ◆ Прежде чем приступить к резке, дайте пиле поработать несколько секунд без нагрузки.
- ◆ Не применяйте чрезмерное давление к инструменту во время выполнения резки.
- ◆ По возможности, прижимайте подошву (3) к поверхности заготовки. Это улучшает управление инструментом и уменьшает вибрацию, а также предупреждает повреждение полотна.

## Советы по оптимальному использованию Распил дерева

- ◆ Надежно закрепите заготовку и удалите из нее все гвозди и другие металлические предметы.
- ◆ Выполняйте распил, удерживая пилу двумя руками. Подошву (3) при этом следует плотно прижимать к заготовке.

## Пиление заподлицо

Компактная конструкция электродвигателя пилы с возвратно-поступательным движением и отклоняющейся подошвой позволяет выполнять обрезку полов, углов и других труднодоступных участков.

Для повышения эффективности при пилении заподлицо:

- ◆ Вставьте хвостовик полотна в зажим полотна вверх зубьями вверх.
- ◆ Отрегулируйте угол рукоятки инструмента, чтобы пила была как можно ближе к рабочей поверхности.

## Пиление металла

Учитывайте, что распил металла занимает гораздо больше времени, чем распил древесины.

- ◆ Используйте пильное полотно, которое подходит для распила металла. Используйте полотно с мелкими зубьями для черных металлов и полотна с более крупными зубьями для цветных металлов.
- ◆ Для пиления тонколистового металла, прикрепите деревянную панель к обратной стороне заготовки и

выполняйте распил получившейся сэндвич-панели.

- ◆ Нанесите слой смазки вдоль линии разреза.

### Выпиливание пазов в дереве

- ◆ Измерьте и нанесите разметку для резки.
- ◆ Установите пильное полотно, подходящее для выпиливания пазов.
- ◆ Установите подошву пилы (3) на заготовку таким образом, чтобы полотно находилось под нужным углом для вырезания паза.
- ◆ Включите инструмент и медленно введите полотно в заготовку. Проследите за тем, чтобы подошва (3) все время опиралась на заготовку.

### Обрезание ветвей

Этим инструментом можно резать ветки диаметром до 25 мм.

**Внимание!** Не используйте этот инструмент, работая на дереве, на лестнице или на любой другой неустойчивой поверхности. Следите за тем, куда падают ветки.

- ◆ Режьте ветки в направлении вниз и от себя.
- ◆ Отрезайте ветки ближе к стволу или основной ветке.

### Вертикальный распил

Этот инструмент позволяет выполнять распилы около углов и других труднодоступных мест.

- ◆ Вставьте хвостовик пильного полотна в зажим полотна зубьями вверх.
- ◆ Держите инструмент подошвой (3) вниз, как можно ближе к рабочей поверхности.
- ◆ Режьте вперед и от себя.

### Дополнительные принадлежности

Производительность вашего инструмента напрямую зависит от используемых принадлежностей.

Дополнительные принадлежности STANLEY FATMAX разработаны по самым высоким стандартам и предназначены для улучшения характеристик работы инструмента. Используя эти принадлежности, вы достигнете наилучших результатов в работе.

### Пильные полотна

На пилу можно устанавливать пильные полотна длиной до 30 см. Всегда используйте самые короткие полотна, подходящие для конкретной задачи, но достаточно длинные для того, чтобы выполнять распил. Чем длиннее полотно, тем выше вероятность того, что оно погнется или повредится во время использования. Во время работы некоторые полотна могут вибрировать или дрожать, если пила не соприкасается с рабочей деталью.

### Техническое обслуживание

Ваш инструмент STANLEY FATMAX имеет длительный

срок эксплуатации и требует минимальных затрат на техобслуживание. Срок службы и надежность инструмента увеличивается при правильном уходе и регулярной чистке.

Зарядное устройство не требует никакого технического обслуживания кроме регулярной чистки.

**Внимание!** Перед выполнением любых работ по обслуживанию инструмента, извлекайте из него аккумуляторную батарею. Перед чисткой зарядного устройства отключите его от источника питания.

- ◆ Регулярно очищайте вентиляционные отверстия и зарядное устройство с помощью мягкой щетки или сухой тканевой салфетки.
- ◆ Регулярно очищайте корпус двигателя с помощью влажной салфетки.
- ◆ Не используйте никакие абразивные чистящие средства или средства на основе растворителей.
- ◆ Регулярно раскрывайте держатель насадок и очищайте его от грязи.

### Защита окружающей среды



Отдельная утилизация. Изделия и аккумуляторные батареи с данным символом на маркировке запрещается утилизировать с обычными бытовыми отходами.

Изделия и аккумуляторные батареи содержат материалы, которые могут быть извлечены или переработаны, снижая потребность в исходном сырье.

Пожалуйста, утилизируйте электрические изделия и аккумуляторные батареи в соответствии с местными нормами. Дополнительная информация доступна по адресу [www.2helpU.com](http://www.2helpU.com)

### Технические характеристики

		SFMC300	
Напряжение		18	
Скорость без нагрузки	Мин <sup>-1</sup>	0- 3000	
Длина хода	мм	25	
Вес	кг	2,05	

Зарядное устройство		SFMCB11	SC200 / SFMCB12	SFMCB14
Входное напряжение	$V_{\text{вход. ток}}$	230	230	230
Выходное напряжение	$V_{\text{вых. ток}}$	18	18	18
Ток	A	1,25	2	4

Аккумуляторная батарея		SFMCB201	SB202 / SFMCB202	SB204 / SFMCB204	SB206 / SFMCB206
Напряжение	V <sub>номинальное</sub>	18	18	18	18
Емкость	Ач	1,5	2,0	4,0	6,0
Тип		Ионно-литиевая	Ионно-литиевая	Ионно-литиевая	Ионно-литиевая

## Заявление о соответствии нормам ЕС

ДИРЕКТИВА ПО МЕХАНИЧЕСКОМУ ОБОРУДОВАНИЮ



SFMC300 – беспроводная ручная пила

Stanley Europe заявляет, что продукция, описанная в разделе «Технические характеристики» соответствует: 2006/42/ЕС, EN 60745-1, EN 60745-2-11.

Эти изделия также соответствуют Директивам 2006/42/

ЕС, 2014/30/EU и 2011/65/EU. За дополнительной информацией обращайтесь в компанию Black & Decker по адресу, указанному ниже или приведенному на задней стороне обложки руководства.

За дополнительной информацией обращайтесь в компанию STANLEY FATMAX по адресу, указанному ниже или приведенному на задней стороне обложки руководства.

Нижеподписавший несет ответственность за составление технической документации и составил данную декларацию по поручению компании STANLEY FATMAX.

А. П. Смит (A. P. Smith)  
Технический директор  
STANLEY FATMAX Europe, Egide Walschaertsstraat 14-18,  
2800 Mechelen, Belgium  
04.06.2019

Европейской зоне свободной торговли.

Чтобы подать заявку по гарантии, заявка должна соответствовать положениям и условиям STANLEY FATMAX, кроме того, вам потребуется предъявить продавцу или авторизованному специалисту по ремонту подтверждение покупки. Положения и условия гарантии STANLEY FATMAX на 1 год и местонахождение ближайшего авторизованного специалиста по ремонту можно узнать через Интернет по адресу [www.2helpU.com](http://www.2helpU.com), или связавшись с местным представительством STANLEY FATMAX по адресу, указанному в данном руководстве.

Посетите наш веб-сайт [www.stanley.eu/3](http://www.stanley.eu/3), чтобы зарегистрировать свое новое изделие STANLEY FATMAX и получать информацию о новинках и специальных предложениях. Найдите своего агента в каталоге STANLEY FATMAX или обратитесь в местный офис Stanley по адресу, указанному в этом руководстве. Список авторизованных сервисных центров STANLEY FATMAX и подробную информацию о послепродажном обслуживании и контактах можно найти на веб-сайте: [www.stanley.eu/3](http://www.stanley.eu/3)

Дополнительная информация:

Дату изготовления (код даты) указан на корпусе инструмента. Код даты, который так же включает год изготовления, отштампован на поверхности корпуса изделия. Пример: 2021 46 XX, где 2021 – год изготовления, 46-неделя изготовления, XX – код завода изготовителя.

ТОВАР СЕРТИФИЦИРОВАН. Орган по сертификации "РОСТЕСТ- Москва", Адрес: 119049, г. Москва, улица Житная, д. 14, стр. 1; 117418, Москва, Нахимовский просп., 31 (факт.). Тел.: (499) 1292311, (495) 6682893, E-mail: [office@rostest.ru](mailto:office@rostest.ru)

Изготовитель: Изготовитель: Блэк энд Деккер Холдинг ГмбХ, Германия, 65510, Идштгайн, ул. Блэк энд Деккер, 40, тел. +496126212790.

Уполномоченное изготовителем юр.лицо: ООО "Стэнли Блэк энд Деккер", 117485, город Москва, улица Обручева, дом 30/1, строение 2, Телефон: + 7 (495) 258-3981, факс: + 7 (495) 258-3984, E-mail: [inbox@dewalt.com](mailto:inbox@dewalt.com). Сведения о импортере указаны в сопроводительной документации и/или на упаковке.

## Гарантия

Компания STANLEY FATMAX с уверенностью в качестве своей продукции предлагает клиентам гарантию на 12 месяцев с момента покупки. Данная гарантия является дополнительной и ни в коей мере не направлена на ущемление ваших юридических прав. Гарантия действует на территории стран-участниц Европейского союза и в



## Приложение к руководству по эксплуатации электрооборудования для определения месяца производства по номеру текущей календарной недели года

Электрооборудование торговых марок "Dewalt", "Stanley", "Stanley FatMAX", "BLACK+DECKER".  
Директивы 2014/30/EU ЕВРОПЕЙСКОГО ПАРЛАМЕНТА И СОВЕТА от 26 февраля 2014 г. "О гармонизации законодательств Государств-членов ЕС в области электромагнитной совместимости", 2006/42/ЕС ЕВРОПЕЙСКОГО ПАРЛАМЕНТА И СОВЕТА от 17 мая 2006 г. "О машинах и оборудовании"; 2014/35/EU ЕВРОПЕЙСКОГО ПАРЛАМЕНТА И СОВЕТА от 26 февраля 2014 г. "О гармонизации законодательства государств-членов в области размещения на рынке электрооборудования, предназначенного для использования в определенных пределах напряжения". Серийный выпуск.

### ТОВАР СЕРТИФИЦИРОВАН

Орган по сертификации "РОСТЕСТ- Москва",  
Адрес: 119049, г. Москва, улица Житная, д. 14, стр. 1; 117418, Москва, Нахимовский просп., 31 (фактический),  
Телефон: (499) 1292311, (495) 6682893, Факс: (495) 6682893,  
E-mail: [office@rosteest.ru](mailto:office@rosteest.ru)  
Изготовитель: Изготовитель: Блэк энд Деккер Холдингс ГмБХ,  
Германия, 65510, Идштайн, ул. Блэк энд Деккер, 40,  
тел. +496126212790.

### Уполномоченное изготовителем юр.лицо:

ООО "Стэнли Блэк энд Деккер", 117485, город Москва, улица Обручева, дом 30/1, строение 2  
Телефон: + 7 (495) 258-3981, факс: + 7 (495) 258-3984,  
E-mail: [inbox@dewalt.com](mailto:inbox@dewalt.com)

Сведения о импортере указаны в сопроводительной документации и/или на упаковке

### Хранение.

Необходимо хранить в сухом месте, вдали от источников повышенных температур и воздействия солнечных лучей. При хранении необходимо избегать резкого перепада температур. Хранение без упаковки не допускается

### Срок службы.

Срок службы изделия составляет 5 лет. Не рекомендуется к эксплуатации по истечении 5 лет хранения с даты изготовления без предварительной проверки.

Дата изготовления (код даты) указана на корпусе инструмента/продукции.

Код даты, который также включает год изготовления, отштампован на поверхности корпуса изделия.

### Пример:

2014 46 XX, где 2014 –год изготовления, 46–неделя изготовления. Определить месяц изготовления по указанной неделе изготовления можно согласно приведенной ниже таблице.

### Транспортировка.

Категорически не допускается падение и любые механические воздействия на упаковку при транспортировке.

При разгрузке/погрузке не допускается использование любого вида техники, работающей по принципу зажима упаковки.

### Перечень критических отказов, возможные ошибочные действия персонала.

Не допускается эксплуатация изделия:

- При появлении дыма из корпуса изделия
- При поврежденном и/или оголенном сетевом кабеле
- При повреждении корпуса изделия, защитного кожуха, рукоятки
- При попадании жидкости в корпус
- При возникновении сильной вибрации
- При возникновении сильного искрения внутри корпуса

### Критерии предельных состояний.

- При поврежденном и/или оголенном сетевом кабеле
- При повреждении корпуса изделия

Месяц	Январь	Февраль	Март	Апрель	Май	Июнь	Июль	Август	Сентябрь	Октябрь	Ноябрь	Декабрь	Год производства
Неделя	1	5	9	14	18	23	27	31	36	40	44	49	2018
	2	6	10	15	19	24	28	32	37	41	45	50	
	3	7	11	16	20	25	29	33	38	42	46	51	
	4	8	12	17	21	26	30	34	39	43	47	52	
			13		22			35			48		
Неделя	1	6	10	14	18	23	27	31	36	40	45	49	2019
	2	7	11	15	19	24	28	32	37	41	46	50	
	3	8	12	16	20	25	29	33	38	42	47	51	
	4	9	13	17	21	26	30	34	39	43	48	52	
	5					22		35		44			
Неделя	1	6	10	14	19	23	27	32	36	40	45	49	2020
	2	7	11	15	20	24	28	33	37	41	46	50	
	3	8	12	16	21	25	29	34	38	42	47	51	
	4	9	13	17	22	26	30	35	39	43	48	52	
	5				18		31		44				
Неделя	2	6	10	14	19	23	27	32	36	41	45	49	2021
	3	7	11	15	20	24	28	33	37	42	46	50	
	4	8	12	16	21	25	29	34	38	43	47	51	
	5	9	13	17	22	26	30	35	39	44	48	52	
					18		31		40			1	
Неделя	2	6	10	15	19	23	28	32	36	41	45	49	2022
	3	7	11	16	20	24	29	33	37	42	46	50	
	4	8	12	17	21	25	30	34	38	43	47	51	
	5	9	13	18	22	26	31	35	39	44	48	52	
				14		27			40			1	

# STANLEY FATMAX®

**3 ГОДА ГАРАНТИИ**  
ТРЕБУЕТСЯ ОНЛАЙН РЕГИСТРАЦИЯ  
СТАНДАРТНАЯ ГАРАНТИЯ 1 ГОД  
Исключены услуги срочной и аварийной регистрации по телефону  
sfm.stanley.ru

## ГАРАНТИЙНЫЕ УСЛОВИЯ

### Уважаемый покупатель!

1. Подтверняем ВАС с покупкой высококачественного изделия STANLEY FATMAX и выражаем признательность за Ваш выбор.
2. При покупке изделия требуйте проверки его комплектности и исправности в Вашем присутствии. В комплекте с инструментом должен быть инструкция по эксплуатации и гарантийные условия производителя на русском языке. Сохраняйте на весь срок гарантии Ваш документ, удостоверяющий факт покупки изделия. Убедитесь, что в чеке указаны: фискальный номер чека, модель/наименование изделия, дата продажи и название торговой организации.
3. Во избежание недоразумений убедительно просим Вас перед началом работ с изделием внимательно ознакомиться с инструкцией по его эксплуатации. Первой основой настоящих гарантийных условий является действующее законодательство. Гарантийный срок на данное изделие составляет 12 месяцев\* и исчисляется со дня продажи. В случае устранения недостатков изделия гарантийный срок продлевается на период его нахождения в ремонте. Срок службы изделия составляет 5 лет со дня продажи.
4. В случае возникновения каких-либо проблем в процессе эксплуатации изделия рекомендуем Вам обратиться только в уполномоченные сервисные центры STANLEY FATMAX, адреса и телефоны которых Вы сможете найти на сайте [www.2helpU.com](http://www.2helpU.com) или узнать в магазине. Наши сервисные станции это не только квалифицированный ремонт, но и широкий ассортимент запчастей и принадлежностей.
5. Производитель рекомендует проводить периодическую проверку и техническое обслуживание изделия в уполномоченных сервисных центрах.
6. Наши гарантийные обязательства распространяются только на неисправности, выявленные в течение гарантийного срока и вызванные дефектами материалов или сборки изделия.
7. **Гарантийные условия не распространяются на неисправности изделия, возникшие в результате:**
  - 7.1. Несоблюдения пользователем предписаний инструкции по эксплуатации изделия, применения изделия не по назначению, небрежного хранения, использования принадлежностей, расходных материалов и запчастей, не предусмотренных производителем.
  - 7.2. Механического повреждения (сколы, трещины и нарушения) внутренних и внешних деталей изделия, основных и вспомогательных рукояток, сетевого электрического кабеля, вызванного внешним ударным или любым иным воздействием.
  - 7.3. Попадания в вентиляционные отверстия и проникновение внутрь



## ОБЯЗАТЕЛЬНО СОХРАНЯЙТЕ КАССОВЫЙ ЧЕК

изделия посторонних предметов, материалов или веществ, не являющихся отходами, сопровождающими применение изделия по назначению, такими как: стружка, опилки, песок, и пр.

7.4. Воздействию на изделие неблагоприятных атмосферных и иных внешних факторов, таких как дождь, снег, повышенная влажность, мороз, агрессивные среды, несоответствие параметров питающей электросети, указанных на инструменте.

7.5. Стихийного бедствия. Повреждение или разрушение изделия, связанное с непредвиденными бедствиями, стихийными явлениями, в том числе вследствие действия непреодолимой силы (пожар, молния, потоп и другие природные явления), также вследствие переноса напряжения в электросети и другими причинами, которые не входят в контроль производителя.

### 8. Гарантийные условия не распространяются:

- 8.1. На инструменты, подвергшиеся вскрытию, ремонту или модификации вне уполномоченного сервисного центра.
- 8.2. На детали и узлы, имеющие следы естественного износа, такие как: приводные ремни и колеса, угловые шестки, смески, подшипники, зубчатые шестерни редукторов, резиновые уплотнения, сальники, направляющие ролики, муфты сцепления, бойки, толкатели, стволы, и т.п.
- 8.3. На сменные и расходные части: цепи, цепные пилы и фрезы, фильтры, ножи, шлифовальные подошвы, цепи, звездочки, пыльные шины, защитные кожухи, пилю, борзивы, пыльные и борзивные диски, фрезы, сверла, буры и т.п.
- 8.4. На неисправности, возникшие в результате перегрузки инструмента (как механической, так и электрической), повлекшей выход из строя одновременно двух и более деталей и узлов, таких как ротор и статор обеих обмоток статора вращающейся вращающейся редуктор или других узлов и деталей. К безусловным признакам перегрузки изделия относятся, помимо прочего: появление цветов побежалости, деформация или оплавление деталей и узлов изделия, потемнение или обугливание изоляции проводов электродвигателя под воздействием высокой температуры.

### \* Зарегистрируйте ваш новый электроинструмент STANLEY FATMAX чтобы получить 3 года гарантии.

- требуется регистрация продукта в течение 4-х недель со дня покупки;
- для регистрации посетите наш сайт [sfm.stanley.ru](http://sfm.stanley.ru)



Горячая линия

**8-800-1000-876**

Актуальную информацию об обслуживании в интересующем вас городе вы можете узнать на сайте

**[service.stanley.ru](http://service.stanley.ru)**

- Список авторизованных сервисных центров
- Поиск ближайшего сервисного центра
- Руководство по эксплуатации
- Технические характеристики
- Список деталей и запасных частей
- Схема сборки инструмента

# ГАРАНТИЙНОЕ ОБСЛУЖИВАНИЕ

## С БЕСПЛАТНОЙ ДОСТАВКОЙ

Теперь вы можете сдать инструмент в сервис, даже если его нет в вашем городе.

Скачать/распечатать инструкцию с сайта

**service.stanley.ru**



### Отметки о проведении сервисного обслуживания

№1	№2	№3	№4
№ заказа	№ заказа	№ заказа	№ заказа
Дата поступления	Дата поступления	Дата поступления	Дата поступления
Дата ремонта	Дата ремонта	Дата ремонта	Дата ремонта
Печать и подпись сервисного центра	Печать и подпись сервисного центра	Печать и подпись сервисного центра	Печать и подпись сервисного центра



## ПОДАРОК ЗА ОТЗЫВ\*

- 1 Зарегистрируйся на **my.stanley.ru**
- 2 Напиши отзыв о покупке
- 3 Получи подарок на выбор\*\*



\*Акция проводится на территории Российской Федерации. Подробные условия акции указаны на **my.stanley.ru**

\*\* Подарок может отличаться от изображенного, актуальный перечень см. на **my.stanley.ru**



## Сфера застосування

Ваша ручна пила SFMCS300 виробництва компанії STANLEY FATMAX була розроблена для розпилювання деревини, пластмаси та металу. Цей пристрій призначений для професійного використання, а також для приватних непрофесійних користувачів.

## Інструкції з техніки безпеки

### Загальні правила безпеки для електричного інструмента



**Увага! Ознайомтеся з усіма попередженнями, інструкціями з техніки безпеки, зображеннями та специфікаціями, які поставляються з цим електричним інструментом.** Невиконання наведених нижче попереджень та інструкцій може призвести до ураження електричним струмом, пожежі та/або серйозних травм.

**Збережіть всі попередження та інструкції для використання в майбутньому.** Термін «електричний інструмент» в усіх попередженнях, перерахованих нижче, стосується використовуваних вами інструментів, що працюють від мережі енергоспоживання (з використанням електричного кабелю) або батарей (без кабелю).

#### 1. Безпека робочої зони

- a. **Тримайте робочу зону чистою та добре освітленою.** Невпорядковані й темні робочі зони збільшують імовірність нещасного випадку.
- b. **Не використовуйте електричні інструменти у вибухонебезпечній атмосфері, наприклад у присутності займих рідин, газів та пилу.** Електричні інструменти створюють іскри, що можуть запалити пил або випаровування.
- c. **Тримайте дітей та сторонніх подалі під час використання інструменту.** Відвернення уваги може призвести до втрати контролю.

#### 2. Електрична безпека

- a. **Вилка електричного інструмента має відповідати розетці. Ніколи жодним чином не змінюйте вилку. Не використовуйте адаптери з заземленими електричними інструментами.** Немодифіковані вилки та розетки, що відповідають їм, зменшують ризик ураження електричним струмом.
- b. **Уникайте контакту тіла із заземленими поверхнями, такими як труби, радіатори, плити та холодильники.** Якщо ваше тіло заземлене, збільшується ризик ураження електричним струмом.

- c. **Не залишайте електричні інструменти під дощем або за умов підвищеної вологості.** Вода, що потрапляє в електричний інструмент, підвищує ризик ураження електричним струмом.
- d. **Не використовуйте кабель живлення не за призначенням. Ніколи не переносьте, не тягніть та не відключайте електричний інструмент від розетки електроживлення за допомогою шнура.** Тримайте шнур подалі від високих температур, мастила, гострих предметів та рухомих деталей. Пошкоджені або перекручені шнури підвищують ризик ураження електричним струмом.
- e. **При використанні електричного інструменту на вулиці, використовуйте подовжувачий шнур, що підходить для використання на вулиці.** Використання шнура, що підходить для вулиці, знижує ризик ураження електричним струмом.
- f. **Якщо неможливо уникнути використання електричного інструменту за умов підвищеної вологості, використовуйте джерело електроживлення, захищене пристроєм залишкового струму (RCD).** Використання RCD знижує ризик ураження електричним струмом.

#### 3. Особиста безпека

- a. **Будьте в стані готовності, дивіться, що ви робите, та використовуйте загальний глузд, коли ви працюєте з електричним інструментом. Не використовуйте електричний інструмент, коли ви втомлені або знаходитесь під впливом наркотичних речовин, алкоголю або ліків.** Втрата уваги під час роботи з електричним інструментом може призвести до серйозних тілесних ушкоджень.
- b. **Використовуйте особисті засоби безпеки. Завжди використовуйте засоби захисту очей.** Засоби безпеки, такі як протипилова маска, нековзкі безпечні черевки, захисний шолом та засоби захисту слухового апарату, які використані для відповідних умов, зменшують імовірність особистих травм.
- c. **Уникайте випадкового запуску. Переконайтесь в тому, що перемикач знаходиться в позиції Вимк., перш ніж підключати інструмент до джерела електроживлення та/або акумулятора, переміщувати або переносити.** Якщо ви переносите інструмент, тримаючи палець на перемикачі, або підключаєте живлення з перемикачем в позиції Увімк., це може призвести до нещасного випадку.
- d. **Зніміть всі налаштувальні ключі або гайкові ключі перед вмиканням електричного інструмента.** Гайковий ключ, що залишився прикріпленим до якоїсь деталі електричного пристрою, що обертається, може призвести до травм.
- e. **Не намагайтесь дотягнутись і праякувати у**

незручному положенні. Завжди утримуйте правильну постановку ніг і рівновагу. Це дає вам змогу краще контролювати інструмент в непередбачуваних ситуаціях.

- f. **Вдягайте відповідний одяг. Не вдягайте вільний одяг або прикраси. Тримайте ваше волосся, одяг та рукавички подалі від рухомих деталей.** Вільний одяг, прикраси або довге волосся можуть зачепитися за рухомі деталі.
  - g. **Якщо передбачені пристрої для підключення до засобів виділення та збирання пилу, переконайтеся, що вони правильно підключені та використовуються.** Використання таких пристроїв зменшує ризик виникнення небезпечних ситуацій, що пов'язані з потраплянням пилу.
  - h. **Навіть якщо ви добре знаєте інструмент та часто його використовуєте, не розслабляйтесь і не забувайте про принципи техніки безпеки.** Необережні дії можуть за долю секунди призвести до важких тілесних ушкоджень.
4. Використання електричного інструмента та догляд за ним
- a. **Не застосовуйте надмірні зусилля під час роботи з інструментом. Використовуйте електричний інструмент, який відповідає завданню, що виконується.** Правильно обраний інструмент виконає завдання краще та безпечніше за умов, для яких він був розроблений.
  - b. **Не використовуйте інструмент, вмикач якого не вмикає та не вмикає його.** Будь-який електричний інструмент, який не може управлятися вмикачем, є небезпечним і має бути відремонтований.
  - c. **Відключіть вилку від джерела живлення та/або зніміть акумуляторний блок з електричного інструмента перед тим, як робити будь-які налаштування, змінювати додаткове обладнання чи зберігати електричні інструменти.** Ці профілактичні заходи зменшують ризик випадкового запуску електричного інструмента.
  - d. **Зберігайте вимкнені електричні інструменти подалі від дітей та не дозволяйте особам, що не знайомі з електричним інструментом або цими інструкціями, використовувати електричний інструмент.** Електричні інструменти є небезпечними, якщо вони використовуються некваліфікованими користувачами.
  - e. **Технічне обслуговування електричних інструментів та приладдя.** Перевіряйте несумісність або заїдання рухомих деталей, наявність ушкоджених частин та інших умов, що можуть впливати на роботу електричного інструмента. Якщо є пошкодження, відремонтуйте електричний інструмент перед використанням.

Багато нещасних випадків є результатом того, що інструмент не пройшов відповідного технічного обслуговування.

- f. **Тримайте ріжучі інструменти гострими та чистими.** Правильно доглянуті ріжучі інструменти з гострими ріжучими кромками мають меншу ймовірність заїдання, та ними легше керувати.
  - g. **Використовуйте електричний інструмент, приладдя та деталі інструмента тощо у відповідності до цих інструкцій, зважаючи на умови використання та роботу, яка має бути виконана.** Використання електричних інструментів не за призначенням може призвести до виникнення небезпечних ситуацій.
  - h. **Всі ручки та поверхні для тримання інструменту повинні бути сухими та без залишків мастила.** Слизькі ручки та поверхні для тримання не дають можливості безпечно працювати та контролювати інструмент у неочікуваних ситуаціях.
5. Використання та догляд за інструментом, що працює від батареї
- a. **Заряджайте інструмент лише за допомогою зарядного пристрою, що вказаний виробником.** Зарядний пристрій, що підходить до одного типу акумуляторів, може призвести до пожежі, коли використовується з іншим акумулятором.
  - b. **Використовуйте електричні інструменти лише зі спеціально розробленими комплектами батарей.** Використання інших акумуляторів може призвести до травм або пожежі.
  - c. **Коли акумулятори не використовуються, зберігайте їх подалі від металевих предметів, як скріпки, монети, ключі, цвяхи, гвинти або інші невеликі предмети, що можуть призвести до замикання двох контактів.** Коротке замикання клем акумулятора може призвести до вибуху або пожежі.
  - d. **За невідповідних умов використання рідина може витікати з батареї, уникайте контакту з цією рідиною.** Якщо контакт таки стався, промийте забруднену ділянку водою. Якщо рідина потрапила в очі, промийте водою та зверніться до лікаря. Рідина, що витікає з батареї, може призвести до подразнень та опіків.

## 6. Обслуговування

- a. **Надавайте ваш електричний інструмент для обслуговування кваліфікованим спеціалістом з ремонту та використовуйте тільки ідентичні замінні деталі.** Це забезпечить безпеку електричного пристрою.

## Додаткові правила безпеки для електричного інструмента



**Увага!** Увага! Додаткові застереження щодо використання ручних пилок.

- ◆ **Тримайте електричний інструмент за ізольовану поверхню для тримання під час виконання операцій, коли різальне приладдя може торкнутися схованої проводки.** При контакті ріжучих елементів з дротом під напругою може з'явитися напруга в металевих деталях інструмента, що може призвести до ураження оператора електричним струмом.
- ◆ **Використовуйте затискач або інший спосіб закріплення деталі, що оброблюється, на стабільній платформі.** Утримування деталі в руці та притискання до тіла робить її нестабільною та може призвести до втрати контролю.
- ◆ **Тримайте руки подалі від ріжучої поверхні.** Ніколи не підставляйте руки під заготовку. Не підносьте пальці до пильного полотна із зворотно-поступальним рухом та до фіксатора пильного полотна. Не намагайтесь зробити пилку більш стійкою, тримаючись за опорну пластину.
- ◆ **Пильні полотна мають бути гострими.** Затуплені або пошкоджені пильні полотна спричиняють відхилення пилки від прямої лінії та заїдання під навантаженням. Завжди використовуйте відповідні пильні полотна залежно від матеріалу заготовки й типу розрізу.
- ◆ **Під час розпилювання труб або трубопроводів переконайтесь, що в них немає води, електричних кабелів, тощо.**
- ◆ **Не торкайтесь заготовки та пильного полотна відразу після використання інструмента.** Вони можуть бути дуже гарячими.
- ◆ **Перед розпилюванням стін, підлоги та стелі пам'ятайте про приховану небезпеку, перевірте розташування кабелів та труб.**
- ◆ **Пильне полотно продовжує рухатись після відпускання перемикача.** Перед тим як покласти інструмент необхідно вимкнути його та зачекати, щоб пильне полотно повністю зупинилося.

**Увага!** Значення вібрації під час використання інструмента може відрізнятися від задекларованого в залежності від способів використання інструмента. Рівень вібрації може перевищувати вказані значення.

- ◆ Використання за призначенням описане в цьому керівництві з використання. Використання аксесуарів або приладдя, виконання будь-яких дій з інструментом, що суперечать рекомендаціям цієї інструкції, може становити небезпеку травмування людини та/або пошкодження майна.

## Безпека оточення

- ◆ Цей пристрій не призначений для використання особами (включаючи дітей) зі зниженими фізичними, сенсорними або розумовими можливостями, а також особами, яким бракує досвіду або знань, за винятком випадків, коли такі особи працюють під наглядом або отримали інструкції щодо використання пристрою від особи, яка несе відповідальність за їхню безпеку.
- ◆ Уважно слідкуйте за тим, щоб діти не гралися з пристроєм.

## Вібрація

Значення вібрації, вказані в технічних даних та в декларації про відповідність виміряні з дотриманням стандартних методів тестування, наданих в EN 60745, та їх можна використовувати для порівняння одного інструменту з іншим. Задекларовані значення вібрації можна також використовувати для попередньої оцінки впливу вібрації.

**Увага!** Значення вібрації під час використання інструмента може відрізнятися від задекларованого в залежності від способів використання інструмента. Рівень вібрації може перевищувати вказані значення.

Оцінюючи вплив вібрації для визначення заходів безпеки за вимогами 2002/44/ЕС, щоб захистити людей, які регулярно використовують інструменти в роботі, необхідно враховувати реальні умови та способи використання інструмента, у тому числі всі періоди робочого циклу, наприклад час, коли інструмент вимкнено та коли він працює в режимі холостого ходу, а також час, потрібний для запуску інструмента.

## Залишкові ризики.

Під час використання інструмента можуть виникнути додаткові залишкові ризики, які не внесені до попереджень щодо техніки безпеки в цьому посібнику. Ці ризики можуть виникнути як результат неправильного використання, тривалого використання тощо.

Незважаючи на виконання всіх відповідних правил техніки безпеки та використання захисних пристроїв, неможливо уникнути деяких залишкових ризиків. Сюди належать:

- ◆ Травми через контакт з деталями, що рухаються/обертаються.
- ◆ Травми під час заміни деталей, пильних полотен або аксесуарів.
- ◆ Травми через занадто тривале використання інструменту. Під час використання будь-якого інструменту протягом тривалого періоду часу не забувайте робити регулярні перерви.
- ◆ Порушення слуху.
- ◆ Небезпека для здоров'я через вдихання пилу, що утворюється під час використання інструменту

(наприклад, при роботі з деревом, особливо з дубом, буком та ДВП)

## Написи на інструменті

Наступні піктограми нанесено на інструмент разом з кодом дати:



**Увага!** Щоб зменшити ризик травм, користувач повинен прочитати посібник з експлуатації.

## Додаткові інструкції з техніки безпеки для батарей та зарядних пристроїв

### Батареї

- ◆ Ніколи не намагайтесь відкривати батарею.
- ◆ Не занурюйте батарею у воду.
- ◆ Не зберігайте у місцях, де температура може перевищувати 40 °C.
- ◆ Заряджайте лише за температури навколишнього середовища між 10 °C та 40 °C.
- ◆ Заряджайте лише за допомогою зарядного пристрою, що надається з інструментом.
- ◆ При утилізації батарей дотримуйтесь інструкцій, наведених у розділі «Захист навколишнього середовища».



Не заряджайте пошкоджені батареї.

### Зарядні пристрої

- ◆ Використовуйте зарядний пристрій STANLEY FATMAX для зарядки батарей лише того інструменту, з яким він був у комплекті. Інші батареї можуть вибухнути, спричинивши травми та пошкодження.
- ◆ Ніколи не намагайтесь заряджати батареї, що не підлягають зарядці.
- ◆ Негайно замінійте пошкоджений дріт живлення.
- ◆ Уникайте контакту зарядного пристрою з водою.
- ◆ Не відкривайте корпус зарядного пристрою.
- ◆ Не розбирайте зарядний пристрій.



Зарядний пристрій призначений лише для використання в приміщенні.



Прочитайте інструкції цього посібника перед використанням.

## Електрична безпека



Зарядний пристрій має подвійну ізоляцію, тому заземлення непотрібне. Завжди перевіряйте

відповідність джерела живлення напрузі, що вказана на табличці з паспортними даними. Ніколи не намагайтесь замінювати зарядний пристрій звичайним мережним штепселем.

- ◆ Якщо силовий кабель пошкоджений, його необхідно замінити у виробника або в офіційному сервісному центрі STANLEY FATMAX для уникнення небезпеки.

## Компоненти

Цей пристрій оснащено всіма або кількома з указаних нижче компонентів.

1. Перемикач змінної швидкості
2. Кнопка блокування
3. Опорна колодка
4. Батарея
5. Затискач пильних полотен

## Використання

**Увага!** Інструмент повинен працювати з рекомендованою швидкістю.

Не перевантажуйте його.

### Заряджання акумуляторної батареї (рис. А)

Необхідно зарядити батарею перед першим використанням, а також коли вона не може забезпечити достатню потужність для виконання завдань, які легко виконувались раніше.

Батарея може стати теплою під час зарядки; це нормально та не є показником проблеми.

**Увага!** Не заряджайте батарею за температури навколишнього середовища нижче 10 °C або вище 40 °C. Рекомендована температура зарядки: приблизно 24 °C.

**Примітка.** Зарядний пристрій не заряджає батарею, якщо її температура нижче приблизно 10 °C або вище 40 °C.

**Батарею потрібно залишити у зарядному пристрої, який автоматично почне її заряджати, коли температура батареї підніметься або зменшиться.**

**Примітка.** Щоб забезпечити максимальну продуктивність та тривалість роботи літій-іонного акумулятора, повністю зарядьте його перед першим використанням.

- ◆ Підключіть зарядний пристрій (6) до відповідної розетки перед встановленням акумулятора (4).
- ◆ Зелений індикатор зарядки (6а) буде блимати постійно, вказуючи на те, що процес зарядки розпочався.
- ◆ Після завершення зарядки зелений індикатор зарядки (6а) залишається постійно включеним. Це означає, що акумулятор (4) повністю заряджений та може бути вийнятий та використовуватися одразу або залишитися в зарядному (6) пристрої.
- ◆ Не тримайте батареї розрядженими більше 1 тижня.

Термін служби батареї значно зменшується, якщо вона зберігається у незарядженому стані.

Режими світлодіода зарядного пристрою

	<b>Заряджається:</b> Зелений світлодіод блимає	
	<b>Повністю заряджений:</b> Зелений світлодіод постійно горить	
	<b>Затримка через надмірно високу/низьку температуру батареї:</b> Зелений світлодіод блимає Червоний світлодіод постійно горить	

**Примітка.** Навіть сумісний зарядний пристрій не буде заряджати несправний акумулятор. Зарядний пристрій розпізнає несправну акумуляторну батарею та не ввімкне світловий індикатор.

**Примітка.** Це також може свідчити про проблему з зарядним пристроєм. Якщо виявлено проблему із зарядним пристроєм, віднесіть зарядний пристрій та акумулятор для перевірки в авторизований сервісний центр.

**Залишення батареї в зарядному пристрої**

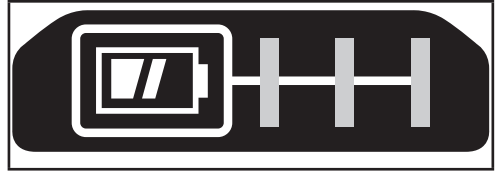
Батареї можна залишити в зарядному пристрої на необмежений час з індикатором, який працює. Зарядний пристрій буде підтримувати акумуляторну батарею у повністю зарядженому стані.

**Затримка через надмірно високу/низьку температуру батареї**

Якщо зарядний пристрій визначає, що батарея є занадто гарячою або занадто холодною, він автоматично вмикає режим температурної затримки, зелений світлодіодний індикатор (6a) буде періодично блимати, а червоний світлодіодний індикатор (6b) буде постійно горіти, припиняючи процес зарядки, доки батарея не досягне відповідної температури. Зарядний пристрій автоматично перемикається в режим зарядки батареї. Ця функція забезпечує максимальний термін служби батареї.

**Індикатор стану зарядки акумулятора (рис. В)**

Акумулятор містить індикатор стану зарядки для швидкого визначення заряду батареї, як показано на рисунку В. Натиснувши кнопку стану зарядки (4a), можна легко переглянути, скільки заряду залишилося в акумуляторі, як показано на рисунку В.



**Встановлення акумулятора в інструмент та його виймання з інструмента**

**Увага!** Перед встановленням та зніманням батареї переконайтесь, що інструмент заблокований, щоб уникнути його випадкового запуску.

**Встановлення акумуляторної батареї (рис. С)**

- ♦ Вставте акумулятор в інструмент до упору, щоб почути звук клацання, як показано на рисунку С. Переконайтесь, що акумулятор повністю вставлений і зафіксований в цьому положенні.

**Виймання акумуляторної батареї (рис. D)**

- ♦ Натисніть кнопку вивільнення батареї (4b), як показано на рисунку D, та витягніть її з пристрою.

**Гачок для ремня (додатковий аксесуар) (рис. E)**

**Увага!** Щоб знизити ризик серйозних травм, встановіть кнопку реверсу (вперед/назад) у положення блокування або вимкніть інструмент та відключіть акумулятор перед виконанням будь-яких налаштувань або зніманням/встановленням насадок або аксесуарів.

Випадковий запуск може призвести до тілесних ушкоджень.

**Увага!** Щоб знизити ризик отримання важких травм, переконайтесь у надійній фіксації гвинта (8), який утримує поясний гачок.

**Примітка.** Для встановлення або заміни поясного гачка (7) використовуйте лише гвинт (8), який йде в комплекті.

Переконайтесь, що гвинт надійно затягнутий.

Якщо гачок непотрібний взагалі, його можна зняти з інструмента.

Щоб переставити поясний гачок (7), викрутіть гвинт (8), який його кріпить.

**Примітка.** Можливі різні конфігурації зберігання і гачка для пересувного підвішування на стіну.

Відвідайте наш сайт [www.stanley.eu/3](http://www.stanley.eu/3) для подальшої інформації.

**Монтаж**

**Увага!** Перед збиранням від'єднайте батарею від інструмента та переконайтесь, що пильне полотно зупинилось. Пильні полотна, що використовувались, можуть бути гарячими.

## Встановлення пильного полотна (рис. F)

- ◆ Утримуйте інструмент на відстані від тіла
- ◆ Поверніть затискач пильних полотен (5) у напрямку, показаному на рис. F.
- ◆ Повністю вставте хвостовик пильного полотна (10) у затискач пильних полотен (5).
- ◆ Відпустіть затискач пильного полотна (5), щоб зафіксувати його на місці

**Примітка.** Полотно можна встановлювати зубцями догори для полегшення відрізання врівень.


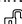
## Зняття пильного полотна (рис. С)

**Увага!** Ризик отримання опіку: Не торкайтесь полотна одразу після використання. Контакт з полотном може призвести до травм.

- ◆ Поверніть затискач пильного полотна (5) до положення відчеплення
- ◆ Зніміть полотно (10)

## Кнопка блокування

Інструмент оснащений функцією блокування у вимкненому положенні для запобігання непередбачуваному запуску.

- ◆ Для блокування: натисніть кнопку блокування (2) до положення блокування .
- ◆ Для розблокування: натисніть кнопку блокування (2) до положення розблокування .

## Увімкнення та вимкнення

Перемикач змінної швидкості дозволяє обирати різні швидкості для полегшення розпилювання в різних матеріалах.

- ◆ Для увімкнення інструмента натисніть перемикач змінної швидкості (1).
- ◆ Для вимкнення інструмента відпустіть перемикач змінної швидкості (1).

## Розпилювання

- ◆ Завжди тримайте інструмент обома руками.
- ◆ Полотно повинно спочатку просто попрацювати перед початком розпилювання.
- ◆ Застосовуйте лише м'який тиск на інструмент при розпилюванні.
- ◆ За можливості притискайте опору пилки (3) до поверхні заготовки. Це покращує контроль над інструментом та зменшує вібрацію, а також дозволяє запобігти пошкодженню пильного полотна.

## Підказки для оптимального використання

### Розпилювання дерева

- ◆ Надійно закріпіть заготовку та витягніть з неї всі цвяхи та інші металеві предмети.
- ◆ Утримуючи пилку двома руками, притисніть опору пилки (3) до заготовки.

## Розпилювання врівень

Компактний дизайн корпусу мотору пилки та поворотної опори дозволяють виконувати розрізи близько біля підлоги, кутів та в інших важкодоступних місцях.

Щоб збільшити можливості різання у площині руху пилки:

- ◆ Вставте основу пильного полотна в фіксатор так, щоб зубці були направлені догори.
- ◆ Відрегулюйте кут ручки інструмента так, щоб ви знаходились якомога ближче до оброблюваної поверхні.

## Розпилювання металу

Пам'ятайте, що розпилювання металу займає набагато більше часу, ніж розпилювання деревини.

- ◆ Використовуйте спеціальне пильне полотно для металу. Використовуйте пильне полотно з дрібними зубцями для чорних металів та з більшими зубцями — для кольорових металів.
- ◆ Під час розрізання листового металу прикріпіть шматочок дерева до задньої поверхні заготовки та виконуйте розпил цього «сендвіча».
- ◆ Нанесіть шар мастила вздовж передбачуваної лінії розрізу.

## Виконання гніздових розрізів в дереві

- ◆ Виміряйте та відмітьте необхідний гніздовий розріз.
- ◆ Встановіть пильне полотно, що підходить для виконання гніздових розрізів.
- ◆ Притисніть опору пилки (3) до заготовки таким чином, щоб полотно було під відповідним кутом для гніздового розрізу.
- ◆ Увімкніть інструмент та повільно введіть пильне полотно у заготовку. Слідкуйте за тим, щоб опора (3) весь час спиралася на заготовку.

## Обрізання гілок

Цим інструментом можна відрізати гілки до 25 мм в діаметрі.

**Увага!** Не використовуйте цей інструмент, знаходячись на дереві, на драбині або на іншій нестійкій поверхні. Слідкуйте за тим, куди може впасти гілка.

- ◆ Ріжте у напрямку донизу та від тіла.
- ◆ Робіть розріз близько до основної гілки або до стовбура дерева.

## Вертикальне різання

Інструментом можна робити розрізи близько до кутів та інших важкодоступних місць.

- ◆ Вставте хвостовик пильного полотна в тримач так, щоб зубці були направлені догори.
- ◆ Тримайте інструмент так, щоб опора (3) була направлена донизу, тобто знаходилась якомога ближче до робочої поверхні.



- ◆ Ріжте у напрямку вперед та від тіла.

## Приладдя

Продуктивність роботи інструмента залежить від приладдя, яке ви використовуєте.

Витратні матеріали виробництва компанії Stanley FATMAX розроблені з дотриманням високих стандартів якості та створені для підвищення ефективності використання вашого інструмента. Використовуючи це обладнання, ви отримаєте максимум ефективності від вашого інструменту.

## Пильні полотна

В пилку можна вставляти пильні полотна довжиною до 30 см. Завжди використовуйте якомога коротше пильне полотно, що підходить для виконання певного завдання, але достатньо довге для того, щоб воно могло розпилити певний матеріал. Більш довгі полотна частіше згинаються та пошкоджуються під час використання. Під час роботи довші полотна можуть сильніше вібрувати, якщо пилка не торкається заготовки.

## Технічне обслуговування

Ваш інструмент виробництва компанії STANLEY FATMAX призначений для роботи протягом тривалого часу з мінімальним обслуговуванням. Тривала задовільна робота приладу залежить від належного обслуговування приладу та регулярного його очищення.

Зарядний пристрій не вимагає технічного обслуговування, потрібно лише виконувати регулярне очищення.

**Увага!** Перед проведенням будь-яких робіт по технічному обслуговуванню необхідно вилучити батарею з інструмента. Витягніть зарядний пристрій з розетки перед очищенням.

- ◆ Регулярно очищуйте вентиляційні отвори інструменту та зарядного пристрою, використовуючи м'яку щітку або суху ганчірку.
- ◆ Регулярно очищайте корпус двигуна вологою ганчіркою.
- ◆ Не використовуйте абразивні очищувачі та засоби, що містять розчинники.
- ◆ Регулярно відкривайте затискний патрон та струшуйте його, щоб видалити пил з середини.

## Захист навколишнього середовища



Роздільний збір. Пристрої та батареї, позначені цим символом, не можна викидати зі звичайним побутовим сміттям.

Пристрої та батареї містять матеріали, які можна відновити та переробити, що зменшить потребу у сировині.

Будь ласка, віддавайте електричні інструменти та батареї на переробку відповідно до місцевих постанов. Більш детальну інформацію можна отримати на сайті [www.2helpU.com](http://www.2helpU.com)

## Технічні характеристики

		SFMC300
Вхідна напруга	$V_{\text{ном. струму}}$	18
Швидкість без навантаження	об/хв	0-3000
Довжина ходу	мм	25
Маса	кг	2,05

Зарядний пристрій		SFMCB11	SC200 / SFMCB12	SFMCB14
Вхідна напруга	$V_{\text{ном. струму}}$	230	230	230
Вихідна напруга	$V_{\text{ном. струму}}$	18	18	18
Струм	A	1,25	2	4

Батарея		SFMCB201	SB202 / SFMCB202	SB204 / SFMCB204	SB206 / SFMCB206
Напруга	$V_{\text{ном. струму}}$	18	18	18	18
Ємність	Ам-пер-го-дин	1,5	2,0	4,0	6,0
Тип		Літій-і-онна	Літій-і-онна	Літій-і-онна	Літій-і-онна

## Декларація про відповідність нормам ЄС

ДИРЕКТИВА ДЛЯ МЕХАНІЧНОГО ОБЛАДНАННЯ



SFMC300 – Акумуляторна ручна пила  
Компанія Stanley Europe заявляє, що продукти, описані у розділі «Технічні дані» відповідають вимогам: 2006/42/EC, EN 60745-1, EN 60745-2-11.

Ці вироби також відповідають Директиві 2006/42/EC, 2014/30/EU і 2011/65/EU. Для отримання додаткової інформації зверніться до компанії Black & Decker за наступною адресою або прочитайте інформацію на зворотній стороні цього посібника.

Для отримання додаткової інформації зверніться до компанії STANLEY FATMAX за наведеною нижче адресою або прочитайте інформацію на зворотному боці цього посібника.

Особа, яка підписалася нижче, несе відповідальність за упорядкування файлу технічних характеристик та робить цю заяву від компанії STANLEY FATMAX.



A.P. Smith

Технічний директор

STANLEY FATMAX Europe, Egide Walschaertsstraat14-18,  
2800 Мехелен, Бельгія  
04.06.2019

## Гарантія

Компанія STANLEY FATMAX впевнена в якості своєї продукції та пропонує споживачам гарантію тривалістю 12 місяців з дати покупки. Ця гарантія доповнює і жодним чином не обмежує ваші законні права. Ця гарантія є чинною на території країн-членів Європейського Союзу та в європейській зоні вільної торгівлі.

Позив за гарантією повинен відповідати умовам компанії Stanley FATMAX, при цьому вам необхідно буде надати доказ покупки продавцю або спеціалісту офіційного сервісного центру. Умови гарантії компанії STANLEY FATMAX на 1 рік та місцезнаходження найближчого сервісного центру можна дізнатися в інтернеті на сайті [www.2helpU.com](http://www.2helpU.com) або звернутися до місцевого представництва компанії STANLEY FATMAX за адресою, вказаною у цьому керівництві.

Відвідайте наш сайт [www.stanley.eu/3](http://www.stanley.eu/3), щоб зареєструвати свій новий продукт STANLEY FATMAX та отримувати інформацію про нові продукти та спеціальні пропозиції. Ви можете звернутися до місцевого представництва компанії STANLEY FATMAX за адресою, вказаною у цьому керівництві.

Список офіційних сервісних центрів компанії STANLEY FATMAX з усіма подробицями нашого післяпродажного обслуговування та контактною інформацією міститься в Інтернеті за адресою: [www.stanley.eu/3](http://www.stanley.eu/3)



Виробник:

"Stanley Black & Decker Deutschland  
GmbH" Black-&-Decker Str.40, D-65510  
Idstein, Німеччина

**STANLEY**  
**FATMAX**

ГАРАНТІЙНИЙ ТАЛОН

**3 РОКИ**  
**ГАРАНТІЇ**

- Вітаємо Вас з покупкою високоякісного виробу Stanley FATMAX і висловлюємо вдячність за Ваш вибір.
- При покупці виробу вимагайте перевірки його комплектності і справності у Вашій присутності, інструкцію з експлуатації та заповнений гарантійний талон українською мовою. В гарантійному талоні повинні бути внесені: модель, дата продажу, серійний номер, дата виробництва інструменту; назва, печатка і підпис торгової організації. За відсутності у Вас правильно заповненого гарантійного талону, а також при невідповідності зазначених у ньому даних ми будемо змушені відхилити Ваші претензії щодо якості даного виробу.
- Щоб уникнути непорозуміння, переконливо просимо Вас перед початком роботи з виробом уважно ознайомитися з інструкцією з його експлуатації. Правовою основою справжніх гарантійних умов є чинне Законодавство. Гарантійний термін на даний виріб складає 36 місяців і обчислюється з дня продажу. У разі усунення недоліків виробу, гарантійний строк продовжується на період його перебування в ремонті. Термін служби виробу становить 5 років з дня продажу.
- У разі виникнення будь-яких проблем у процесі експлуатації виробу рекомендуємо Вам звертатися тільки в уповноважені сервісні центри Stanley FATMAX, адреси та телефони яких Ви зможете знайти в гарантійному талоні, на сайті [www.2helpU.com](http://www.2helpU.com) або дізнатися в магазині. Наші сервісні станції - це не тільки кваліфікований ремонт, але і широкий асортимент запчастин і аксесуарів.
- Виробник рекомендує проводити періодичну перевірку і технічне обслуговування виробу в уповноважених сервісних центрах.
- Наші гарантійні зобов'язання поширюються тільки на несправності, виявлені протягом гарантійного терміну і викликані дефектами виробництва та \ або матеріалів.
- Гарантійні умови не поширюються на несправності виробу, що виникли в результаті:
  - Недотримання користувачем приписів інструкції з експлуатації виробу, застосування виробу не за призначенням, неправильного зберігання, використання приладдя, витратних матеріалів і запчастин, що не передбачені виробником.
  - Механічного пошкодження (відколю, тріщини і руйнування) внутрішніх і зовнішніх деталей виробу, основних і допоміжних рукояток, мережевого кабелю, що викликані зовнішнім ударним або будь-яким іншим впливом
  - Потраплення у вентиляційні отвори та проникнення всередину виробу сторонніх предметів, матеріалів або речовин, що не є відходами, які супроводжують застосування виробу за призначенням, такими як: стружка, тирса, пісок, та ін.
  - Впливу на виріб несприятливих атмосферних і інших зовнішніх факторів, таких як дощ, сніг, підвищена вологість, нагрівання, агресивні середовища, невідповідність параметрів електромережі, що зазначені на інструменті.
  - Стихійного лиха. Пошкодження або втрати виробу, що пов'язані з непередбаченими лихами, стихійними явищами, у тому числі внаслідок дії непереборної сили (пожежа, блискавка, потоп і інші природні явища), а також внаслідок перепадів напруги в електромережі та іншими причинами, які знаходяться поза контролем виробника.
- Гарантійні умови не поширюються:
  - На інструменти, що піддавались розкриттю, ремонту або модифікації поза уповноваженим сервісним центром.
  - На деталі, вузли та матеріали, що мають сліди природного зносу, такі як: приводні реміні і колеса, вугільні щітки, мастило, підшипники, зубчасті зчеплення редукторів, гумові ущільнення, сальники, направляючі ролики, муфти, вимикачі, бойки, штовхачі, стволи тощо.
  - На змінні частини: патрони, цанги, затискні гайки і фланці, фільтри, ножі, шліфувальні підшови, ланцюги, зірочки, пильні шини, захисні кошуки, пилки, абразиви, пильні і абразивні диски, фрези, свердла, бури тощо
  - На несправності, що виникли в результаті перевантаження інструменту (як механічного, так і електричного), що спричинили вихід з ладу одночасно двох і більше деталей і вузлів, таких як: ротора і статора, обох обмоток статора, веденої і ведучої шестерні редуктора або інших вузлів і деталей. До безумовних ознак перевантаження виробу відносяться, крім інших: поява кольорів мільниці, деформація або оплавлення деталей і вузлів виробу, потемніння або обуглювання ізоляції проводів електроприводу під впливом високої температури.

Товар отриманий в справному стані, без видимих ушкоджень, в повній комплектції, перевірений у моїй присутності, претензій щодо якості товару не маю. З умовами гарантійного обслуговування ознайомлений і згоден.

П. І. Б. та підпис власника \_\_\_\_\_

**Шановні клієнти, наша мережа авторизованих сервісних центрів постійно розширюється. Актуальну інформацію про обслуговування в місті, що цікавить вас, ви можете дізнатися на сайті**

**[www.2helpU.com](http://www.2helpU.com)**



Інформація про інструмент

Найменування інструменту	
Модель	
Найменування продавця	
Дата продажу	

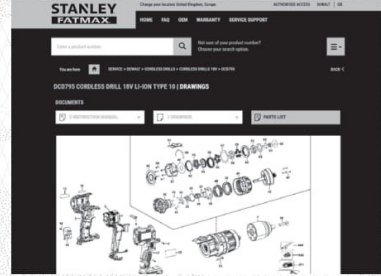
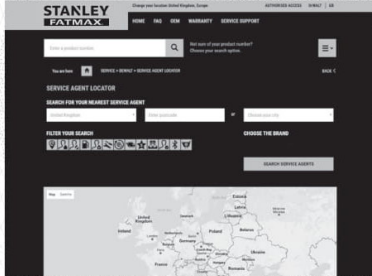
М.П.  
Продавця

Серійний номер/Дата виробництва

Інструмент	
Зарядний пристрій	
Акумулятор 1	
Акумулятор 2	

На сайті [www.2helpU.com](http://www.2helpU.com) доступні наступні функції:

- Список авторизованих сервісних центрів
- Зручний пошук найближчого сервісного центру
- Керівництво з експлуатації
- Технічні характеристики
- Список деталей і запасних частин
- Схема складання інструменту



Також дану інформацію ви можете отримати, зателефонувавши за номером:  
**0 (800) 211 521 в Україні**

ВІДІТКА ПРО ПРОВЕДЕННЯ СЕРВІСНОГО ОБСЛУГОВУВАННЯ

№1	№2	№3	№4
№ замовлення	№ замовлення	№ замовлення	№ замовлення
Дата прийому	Дата прийому	Дата прийому	Дата прийому
Дата ремонту	Дата ремонту	Дата ремонту	Дата ремонту
Печатка і підпис сервісного центру	Печатка і підпис сервісного центру	Печатка і підпис сервісного центру	Печатка і підпис сервісного центру





## **ОФИЦИАЛЬНЫЙ ДИЛЕР В УКРАИНЕ:**

[storgom.ua](http://storgom.ua)

### **ГРАФИК РАБОТЫ:**

Пн. – Пт.: с 8:30 по 18:30

Сб.: с 09:00 по 16:00

Вс.: с 10:00 по 16:00

### **КОНТАКТЫ:**

+38 (044) 360-46-77

+38 (066) 77-395-77

+38 (097) 77-236-77

+38 (093) 360-46-77

Детальное описание товара:

<https://storgom.ua/product/stanley-159291.html>

Другие товары:

<https://storgom.ua/akkumulyatornye-sabelnye-pily.html>