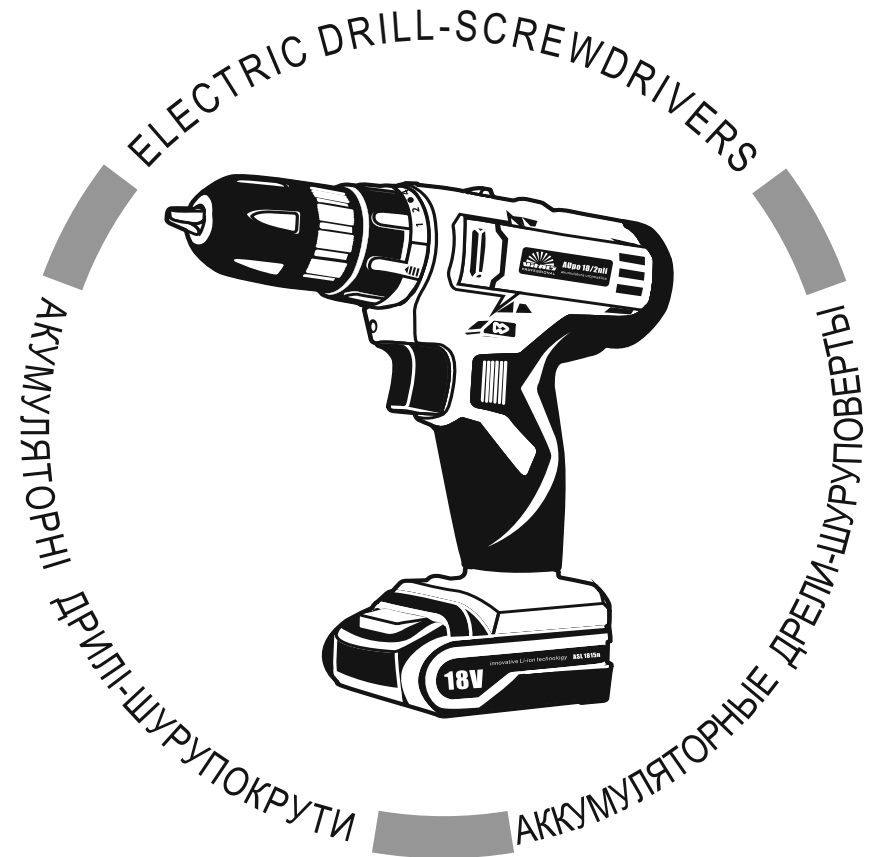


VITALS

MANUAL FOR TECHNICAL USE
ІНСТРУКЦІЯ З ЕКСПЛУАТАЦІЇ
РУКОВОДСТВО ПО ЭКСПЛУАТАЦИИ



WWW.VITALS.COM.UA



MODELS

МОДЕЛІ

МОДЕЛИ

AUpo 10/2nli • AUpo 14/2nli • AUpo 18/2nli

CONTENTS

ENGLISH

1. General description	6
2. Delivery keep	10
3. Technical characteristics	11
4. Safety	12
4.1.Important safety information	12
4.2.Safety operation	12
5. Operation	16
5.1.Getting started	16
5.2.Work	19
5.3.Charging	21
6. Maintenance	23
7. Handling and storage	24
8. Troubleshooting and their solution	25
9. Warranty	27

ЗМІСТ

УКРАЇНСЬКА

1. Загальний опис	32
2. Комплект поставки	36
3. Технічні характеристики	37
4. Вимоги безпеки	38
4.1.Важлива інформація щодо безпеки	38
4.2.Безпека експлуатації	38
5. Експлуатація	42
5.1.Підготовка до роботи	42
5.2.Робота	45
5.3.Зарядка акумуляторної батареї	47
6. Технічне обслуговування	49
7. Транспортування та зберігання	50
8. Можливі несправності та шляхи їх усунення	51
9. Гарантійні зобов'язання	53

СОДЕРЖАНИЕ

РУССКИЙ

1. Общее описание	58
2. Комплект поставки	62
3. Технические характеристики	63
4. Требования безопасности	64
4.1. Важная информация по безопасности	64
4.2. Безопасность эксплуатации	64
5. Эксплуатация	68
5.1. Подготовка к работе	68
5.2. Работа шуруповертом	71
5.3. Зарядка аккумуляторной батареи	73
6. Техническое обслуживание	75
7. Транспортировка и хранение	76
8. Возможные неисправности и пути их устранения	77
9. Гарантийные обязательства	79

DEAR CUSTOMER!

Thank you for purchasing a cordless drill TM "Vitals".

The TM technique "Vitals" developed by the European quality standards and using the latest technologies.

Improper use of drill - electric screwdrivers and unsafe practices that may result in damage or serious injury!

This manual contains all the necessary information on the safety at work with drill - electric screwdrivers. Carefully read the manual before using this product.

Please give other users the manual before they start to work with drill - electric screwdrivers. This manual would be stored for later use.

We are constantly working to improve its products and, therefore, reserve the right to make changes to the appearance, equipment and production technology, without changing the basic principles of management, without notice to the consumer. All possible changes will be directed to the improvement and development of the product.

KEY WORDS MEANING



WARNING!

Means potentially dangerous situations, which are to be avoided, otherwise can appear a danger for health or life.



ATTENTION!

Means potentially dangerous situations, which can lead to light injuries or damage of the mini power station.



NOTE!

Marks important additional information.

Electric Drill-Screwdrivers "Vitals Professional" **AUpo 10/2nli**, **AUpo 14/2nli**, **AUpo 18/2nli** (hereinafter - the screwdriver) comply with all safety requirements and are quite reliable in operation.

These products have a contemporary design, economical, reliable in operation, easy to use and maintain.

Screwdriver is a handheld power tool that is designed for screwing and unscrewing the fasteners (screws, bolts, screws, SCREW, dowels, screws and nuts), as well as drill bits for drilling holes having a cylindrical shank diameters up to 10 mm.

To work with fasteners (screws, bolts, screws, SCREW, dowel) to bits representing special interchangeable nozzles, one end of which is made in the form of a hexagonal shank, and the second is shaped tip screwdriver (standard or special). For screwing and unscrewing the bolts and nuts are special nozzles corresponding profile.

The principle of operation is as simple screwdriver: when you press articles "On / Off" (if unlocked keys) rotational movement of the rotor DC motor is betrayed by a planetary gear. Reducer performs mechanical transmission of torque to the spindle, which is fixed chuck screwdriver with a bat, or a drill attachment.

The main difference from the drill screwdriver - the presence of coupling, the torque controller. Clutch controller enables the user to a fastener with demanded effort, thereby avoiding disruption of sewing thread and splines. As soon as the fastener is tightened rotation of the chuck will stop the rotor of the motor will continue to rotate (ratchet is heard crackling).

Advantage of cordless drills is their mobility and independence from stationary power source, and there is no danger of electric shock.

The distinguishing features of models

- Metal planetary gear with high-quality metal gears.
- Two speed range.
- Infinitely variable spindle speed.
- Rubber-coated handle.
- Reliable electric key and "On / Off".
- Keyless chuck.

- High-quality lithium-ion energy intensive (Li-Ion) battery. Li-Ion batteries, unlike the Ni-Cd batteries have a low self-discharge, no memory effect, have high energy density and does not require maintenance.
- To fully charge the battery takes less than 1 hour.
- A highlight of the working area

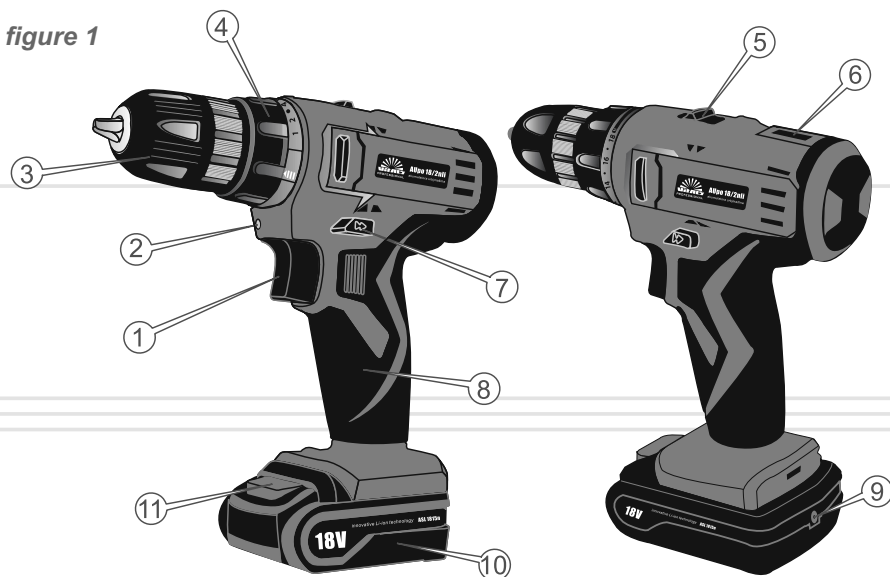
The source of the power screwdriver is a Li-Ion battery.

Description of the main components of the screwdriver is presented below.

Models: AUpo 10/2nli, AUpo 14/2nli, AUpo 18/2nli

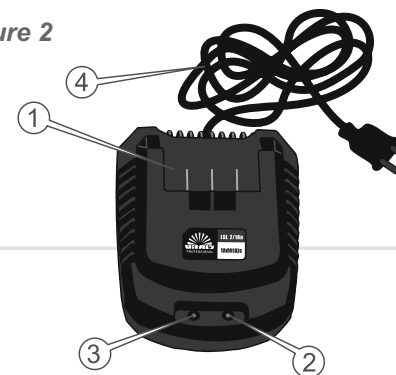
Charger

figure 1



1. The button "On / Off".
2. Backlight.
3. Keyless chuck.
4. Clutch-torque control with graduated scale.
5. The slider switch is a mechanical speed ranges.
6. The magnetic holder fasteners.
7. Switch the direction of rotation (reverse) of the spindle lock and key "On / Off".
8. Rubber-coated handle.
9. Electrical connector for connecting an alternative charger (supplied with the product are not included).
10. Battery.
11. Lock button battery.

figure 2



1. Mine charger.
2. The green indicator light.
3. Red indicator light.
4. The network cable.

2

DELIVERY KEEP

1. Screwdriver.
2. Battery.
3. Charger.
4. Case for transportation and storage.
5. Instruction manual.

**NOTE!**

The manufacturer reserves the right to make the look, design and delivery screwdriver minor changes that do not affect product performance.

3

TECHNICAL CHARACTERISTICS

MODEL	Aupo 10/2nli	Aupo 14/2nli	Aupo 18/2nli
Battery voltage, V	10,8	14,4	18,0
Battery capacity, Ah	1,5		
Idle speed, rev / min:	0 - 350/0 - 1350		
Maximum torque, Nm	25	26	27
Chuck, mm	10		
Maximum drilling diameter in mm:			
brick	8	10	10
metal	10	10	10
wood	25	32	38
Type of battery	Li-ion		
Charger:			
Battery charging time, hour	1		
Power consumption, W	45		
Keyless chuck	+		
Reverse	+		
Speed adjustment	+		
Screwdriver dimensions (WxDxH), mm	62 x 200 x 205	73 x 200 x 205	73 x 200 x 205
Case size (WxDxH), mm	85 x 265 x 295		
Weight of screwdriver with battery, kg	1,1	1,3	1,4
Gross weight in kg	2,5	2,7	2,8

4.1. IMPORTANT SAFETY INFORMATION

Before using the screwdriver carefully read the safety regulations and warnings given in this manual.

Most injuries during the operation of the product is the result of non-compliance with the provisions of the basic safety rules. Injuries can be avoided if strict safety precautions in advance and provide a potential danger.

Do not, under any circumstances, use a product in a manner or for purposes not specified in this manual.

Improper handling or operation of an untrained person can cause an accident.



CAUTION!

Do not let unprepared people to work with the product.

4.2. SAFETY OPERATION

1. DO NOT ALLOW PRODUCT FOR CHILDREN AND PERSONS WITH DISABILITIES.

2. BE FULLY CONCENTRATE ON WORK.

Do not get distracted while working screwdriver, as this could cause loss of control and cause injury of varying severity.

3. DO NOT START AND USE THE PRODUCT IN CASE OF ILLNESS, IN THE STATE OF FATIGUE, DRUGS OR ALCOHOL, OR UNDER THE INFLUENCE OF DRUGS POTENT DRUGS, REDUCES THE RATE OF REACTION AND ATTENTION.

4. FOLLOW INTEGRITY AND THE PRODUCT TO.

Do not start and use the product in the presence of damage to the insecure parts and components.

5. WEAR PROPER CLOTHING AND SHOES AT WORK PRODUCT.

Working screwdriver, wear tight clothes and fasten all the buttons. Wear shoes with non-slip soles. For eye protection against ingress of chips when drilling, wear special protective glasses. Hearing protection (in case such a need) take care of headphones. If user operations generate dust or particles of the material are separated, use a respirator.

6. DO NOT TOUCH THE ROTATING PARTS OF THE PRODUCT.

Do not bring your hands, fingers and other body parts moving parts screwdriver.

7. WHILE THE HARD TO HOLD THE DRIVER IN HAND.

8. WHEN WORKING AT HEIGHT USE LADDERS.

9. DO NOT FORCE THE MOTOR, ALTERNATING WORK AND REST.

10. AT DRILLING HOLES IN WALLS, CEILINGS AND FLOORS SURE THAT THERE IS NO HIDDEN POINT DRILL ELECTRIC WIRING.

11. WHEN DRILLING HOLES SECURE ITS INTO THE WORKPIECE IN A VISE OR IN THE CLAMP.

12. MAKE SURE THAT WHILE DRILLING METAL CHIPS MISSES THE VENTILATION OPENINGS PRODUCT.

13. WHILE NOT REMOVE HANDS SAWDUST, SHAVINGS, DUST AND DIRT.

14. DO NOT TOUCH THE BAT, CAP OR DRILL WHEN MOTOR SCREWDRIVERS, AND IMMEDIATELY AFTER DRILLING DETAILS - PLACES TO DRILLING AS PRESENT DANGER OF THERMAL BURNS.

15. DO NOT TIGHTEN THE FASTENERS IN MODE "DRILLING".

16. DO NOT FORCE THE TOOL SO THAT THE LOAD COULD NOT STOP THE MOTOR

17. USE ONLY IN THE GOOD WORKING BITS, BITS, BITS.

Do not use damaged or sharp bits, tools, drills, because it increases the likelihood of injury.

18. KEEP THEM WELL-LIT WORK SPACE.

Work screwdriver in the dark or in poor visibility conditions can lead to injury.

19. USE ONLY IN WELL-VENTILATED AREAS.

Do not use the product in environments with high gas content, as well as in areas where flammable materials are stored.

20. DO NOT OPERATE SCREW GUN IN RAIN OR SNOW.

Work screwdriver in the rain or snow can cause injury or damage to the product.

21. DO NOT LEAVE THE DRIVER, AND BATTERY CHARGER TO RAIN OR SNOW.**22. DO NOT OPEN THE PRODUCT AND BATTERY AND DO NOT EXPOSE SHOCKS AND MECHANICAL IMPACTS.****23. DO NOT SHORT CIRCUIT BATTERY SHORT: DO NOT TOUCH THE BATTERY TERMINAL IS A SUBJECT THAT IS CAPABLE OF CONDUCTING ELECTRICAL CURRENT.**

A short-circuit may lead to lower supply voltage, overheat the battery, obtaining thermal burns due to the sheer heat, and full battery to break.

24. DO NOT LEAVE THE BATTERY OF METAL OBJECTS (TOOL, FASTENERS, COINS, ETC.)**25. DO NOT COVER THE CHARGER WHILE CHARGING THE BATTERY.**

The charger is cooled by natural ventilation, and if the cover with the device while charging it to overheat and, therefore, fail.

26. DO NOT ATTEMPT TO REPAIR THE CHARGER.**WARNING!**

Follow the serviceability of the product. In case of failure, odor characteristic of burning insulation, heavy banging noise, sparks; you should immediately remove the product and contact the service center.

**NOTE!**

This guidance does not take into account all the cases that may occur in actual use the screwdriver. Therefore, when using the product should be guided by common sense, to observe utmost care and attention.

5 OPERATION

5.1. GETTING STARTED

1. Before starting work, inspect the screwdriver for integrity, good order and smooth running of moving parts of the product.
2. Lock down the "On / Off" by switching the direction of rotation of the spindle in the center position.
3. Install a charged battery and make sure the battery is properly secured in the housing screwdriver.
4. Insert the bit, tip or drill into the keyless chuck.
5. Tighten the chuck.



WARNING!

Make sure that the size of the bits match the size of the splines connecting material.



NOTE!

If possible, use quality screws, dowels, anchors head. Due to the ability of the self-centering mounting material for a high quality job.

5. Switch the direction of rotation until the desired direction of rotation of the spindle.
6. Turn the screwdriver by pressing the "On / Off" (by pressing the key with different strengths, you can change the speed of rotation of the rotor of the motor).
7. At idle for 10 seconds to vote performance products for high vibration, ambient noise and other defects in the work. If defects in the products are not identified, use of the product are allowed, otherwise, contact the service center.

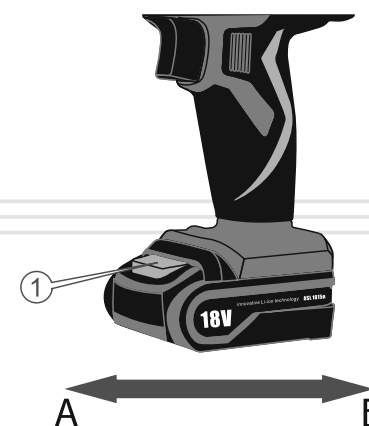
Spindle lock

To prevent accidental activation of the motor screwdriver and premature discharge of the battery, be blocked rotation of the spindle, which is recommended to be used in cases of prolonged pause in work, transport goods, etc

The lock is activated by setting the direction of rotation of the spindle in the center position.

Installation (removal) of the battery

figure 3



Before you install or remove the battery pack and turn the screwdriver set button switch the direction of rotation of the spindle in the center position (lock mode press the "On / Off").

To connect the battery (1) into the screw gun, align the tabs on the battery with the slots on the unit and with a little effort to move the battery in the direction of the arrow (B) (see figure 3) until it clicks. It is not recommended to excessive force when inserting the battery. If the battery pack is connected with labor, it means that either the installation steps performed incorrectly or in the groove of the object has fallen, for example - chips.

To remove the battery, gently press on the lock button battery (1) and, without releasing the button, with a little effort, pull the battery in the direction of arrow (A) (see Figure 3) to remove it from the housing screwdriver.

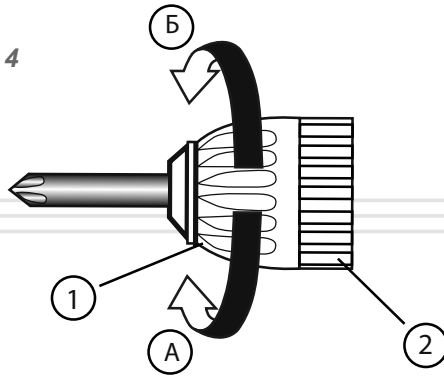
Installing and replacing bits, tools, drills



NOTE!

To prevent rotation of the spindle, while turning the clutch, hold the second hand cartridge housing (2) (see Figure 4).

figure 4



1. Lock down the "On / Off" by switching the direction of rotation of the spindle in the center position.

2. Turn the hand clutch (1) (see Figure 4) chuck counterclockwise (A) to open the jaws, if necessary, adjust the distance between the clutch cams according to the diameter of the shank drill bit or bits.

3. Insert the bit head, drill all the way into the chuck.

4. Turn the chuck sleeve clockwise (B).

5. Make sure the installation bits, tools, drill chuck.

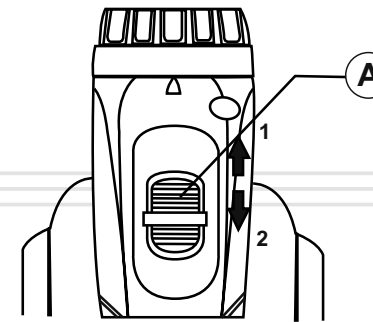
5.2. WORK

Adjusting the speed of the rotor of the motor

Use the key to the "On / Off", you can change the speed of rotation of the rotor of the motor. The speed of rotation depends on the degree of pressing a key: the more pressing the key, the higher the speed, and vice versa.

Mechanical switching speed ranges

figure 5



A slider switch mechanical speed ranges.

1. High speed.

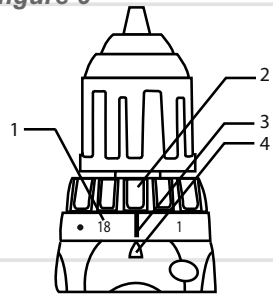
2. Low speed.

With the help of a mechanical switch can be set to one of two ranges of speeds gearbox screwdriver. Gear shifting is carried out by moving the slider to the mechanical switch (A) (see Figure 5) all the way to (1) (high speed: 0-1350 r / min), or all the way to (2) (low speed: 0 - 350 rev / min).

At low speed, it is recommended screw fasteners and the large-diameter drill holes in hard materials, and the second speed is recommended to perform fast serial drilling small holes in the soft material.

Torque control

figure 6



1. The graduated scale.
2. Clutch torque controller.
3. The mark "drill" on the scale.
4. The label pointer.

Torque setting allows you to change the fastening of mounting hardware (screws, screws, dowels, screws, nuts).

The fastening torque can be adjusted by turning the clutch controller within the 18 items. The required torque is selected by turning the adjustment ring to match the desired values on the scale with the index mark on the body of the screwdriver.

The tightening torque is minimal, if the pointer is aligned with the mark number 1, and is greatest when combined with a label figure 18.



NOTE!

The amount of torque depends on the type and hardness of the material, the availability of pre-drilled hole, the length of use of fasteners, as well as the requirements for fasteners.

Optimum torque is determined empirically, and adjusted if necessary in the process.

On the scale of the coupling, controller icon is "drill." Align the cursor with the icon, you can run an electric screwdriver in the "boring". This torque-limiting spindle will not.

WARNING!

Torque adjustment should be carried out only when the motor is switched off.

20

Changing the direction of rotation (reverse)

To screwdriver spindle rotates in the right direction (modes screwing and unscrewing), you must move the reversing switch to the left or right. When you move the switch to the left product, operate on a screwing, if you move the switch to the right - in the mode of loosening.



CAUTION!

Change the direction of rotation of the spindle can be only when the electric motor.

Backlight

When you press the "On / Off" (even if "On / Off" is invalid), the backlight, thereby providing additional illumination of the work area.

Rules of drilling

When drilling holes in the wood of the best results are achieved when using wood drill, equipped with a guide tip. The tip facilitates the drilling process, guiding the drill in the processed material.

When drilling holes in metal, in order to avoid slipping Center punch drill drilled location. Place the point of the bit in point and drill a hole. When drilling holes in the metal you can use a cutting fluid, or just water. Consist of materials such as brass and iron, are processed dry.

5.3. CHARGING

The order of charging:

1. Disconnect the battery from the product.
2. Connect the charger supplied with the product, to an AC voltage of 220 V, 50 Hz.
3. Install the battery charger into the mine.
4. When charging is complete, remove the battery from the charger and unplug the power cord from the power supply.

21

Indication charging and comment on them

- The red light is off, the green light is on: the battery is not connected (no load on the charger).
- The red LED on, green LED off: The battery is charging.
- The red light is off, the green light is on: the battery is fully charged.



NOTE!

The charging battery is about 1 hour.



WARNING!

It is forbidden to use chargers from other products.

If the battery is not charging:

1. Check if there is voltage in the power grid.
2. Check the terminals of the battery and charger, network cable and plug for damage.
3. Check that the battery pack secured in the mine charger.
4. If the battery will not charge, contact the service center.

Screwdrivers "Vitals Professional" AUpo 10/2nli, AUpo 14 // 2nli, AUpo 18 // 2nli equipped with modern electric motors, parts and parts that are designed to meet long-term, trouble-free operation.

However, it is important to regularly simple maintenance work described in this section of the manual.

CAUTION!

Before starting maintenance work switch off the electric motor products and disconnect the battery.

Complex maintenance screwdriver includes:

Inspection of equipment enclosures, parts and components, the battery and charger for mechanical and thermal damage;
cleaning of equipment enclosures, battery and charger from dirt and dust.

In the case of thermal and mechanical damage to the product, contact the service center.

Clean the cabinet with a soft cloth. We can not allow swarf, dust and dirt in the air vents of the product casing. If the outer case there are stubborn stains, remove them with a soft cloth that has been soaked in soapy water or in a special detergent.

In the process of cleaning the screwdriver is not recommended to use abrasive materials, various solvents, oily substances, ammonia water, gasoline, alcohol, which can damage the cabinet.



NOTE!

In case of difficulties with maintenance, products please contact a service center.

**NOTE!**

For transport and storage case, use the screwdriver included in the product package.

Transportation

Transportation screwdriver allowed by all modes of transport, ensuring the safety of the product, in accordance with the general rules of traffic.

Avoid moving the product by the chuck and the battery. When changing the workplace must be turned off and screwdriver to install reverse switch to the center position (lock button "On / Off").

When transporting goods over long distances need to disconnect the battery.

Storage products recommended in a ventilated room at a temperature of -15 ° C to +55 ° C and a relative humidity of 90%. +

In preparing the product for storage:

1. Disconnect the battery.
2. Remove dust and dirt from the outer portion of the screwdriver, battery and charger.
3. Grease a thin layer of engine oil all external metal parts of the product.
4. Place the screwdriver, battery, and charger in case.

WARNING!

Keep the product in the same room with flammable substances, acids, alkalis, fertilizers and other aggressive substances is prohibited.

Description Of the problem	Possible Cause	Ways to eliminate
The electric motor when you press the power key does not turn	The battery is discharged / defective	Charge / replace the battery
	There is no electrical connection to the supply line	Restore the contact or contact the service center
	Faulty electric motor, the key "On / Off"	Contact the service center
	Locked key "On / Off"	Move the switch in the spindle to the left or right
Motor strong spark	Motor winding is damaged, worn out carbon brushes	Contact the service center
Engine power is not enough, at work can be heard whistling (squeak)	the battery is low	Charge the battery
	Excessive pressure on the product during operation	Reduce the pressure
	Faulty clutch-torque control	Contact the service center
	Bit worn, cap, drill	Replace
Radial run-chuck	Loose tightening chuck	tighten
Do not reverse switches	Faulty reverse switch	Contact the service center
Not regulated motor revs	Faulty key "On / Off"	Contact the service center

DESCRIPTION OF THE PROBLEM	Possible Cause	Ways to eliminate
After switching off the motor continues to rotate items	Faulty key "On / Off"	Contact the service center
The motor is switched on for a split second and "go crazy"	Damaged or worn gear reducer	Contact the service center
You can not change the speed range	Faulty mechanical speed switch	Contact the service center
Wipe the product is hot	Increased load on the electric motor	Reduce the load (to cool off)
	Lack of lubricant in the gearbox	Contact the service center
	The electric motor is defective	Contact the service center
The battery is not charging	Unplug the charger	Turn on
	There is no electrical contact between the battery pack and charger	Restore the contact or contact the service center
	Faulty battery charger	Restore the contact or contact the service center
	Faulty battery	Replase

Warranty period screwdrivers «Vitals» **AUpo 10/2nli, AUpo 14/2nli, AUpo 18/2nli** is 1 (one) year specified in the warranty card date of retail sale.

During the warranty period, defective parts and components will be replaced, subject to all the requirements and guidelines for damage related to improper handling, storage and transportation of the product. For warranty service, contact your nearest authorized service center.

The consumer has the right to free warranty troubleshooting, identified and presented during the warranty period due to production and design factors.

Troubleshooting warranty is made by the repair or replacement of defective parts of the product to the certified service centers. Because of the complex structure repair can last more than two weeks. The cause of the fault and determine the terms of their elimination service personnel.

NOTE!

Product accepted for warranty only fully equipped, carefully cleaned of dirt and dust.

Warranty becomes valid in the following cases:

- Absence or unread warranty card.
- Improperly completed warranty card, it does not contain the date of the sale or seal (stamp) and signature of the seller, the serial number of the product.
- The presence of corrections or erasures in the warranty card.
- Complete or partial absence, unread serial number on the product, product serial number mismatch the number listed in the warranty card.
- Improper operation, in this manual, including the violation of rules of maintenance.
- Operation of defective or incomplete products, which caused its failure.
- Ingestion of product foreign substances or objects.
- The product has a significant mechanical or thermal damage, clear signs of careless handling, storage or transportation.

- Product has been used for other purposes.
- Made unauthorized repairs, tampering or attempted development of the product by the consumer or a third party.
- The fault is due to a natural disaster (fire, flood, hurricane, etc.).

Replaced under warranty parts and assemblies available to move the service center.

When the warranty on the warranty period increases the residence time of repair products. Counting the added period starts from the date of acceptance of the product warranty.

If for technical reasons, can not repair your product, service center gives the act, based on the user to decide on the organization of the supplier of the replacement product or refund.

After the warranty period service centers continue to perform maintenance and repair of the product, but at the expense of the consumer.

The warranty does not cover damage caused by natural wear and overloading of the product.

The warranty does not apply to the bat.

The warranty does not apply to the incompleteness of the product structure, which could be detected by its sale. All transportation costs is a consumer product.

Limited warranty is not a basis for other claims.

ШАНОВНИЙ КОРИСТУВАЧІ!

Дякуємо за придбання акумуляторного дрилі-шурупокрута ТМ "Vitals".

Техніка ТМ "Vitals" розробляється за європейськими стандартами якості та з використанням сучасних технологій.

Неправильна експлуатація акумуляторної дрилі-шурупокрута та недотримання заходів безпеки можуть призвести до пошкодження виробу або до серйозних травм!

Даний посібник містить всю необхідну інформацію щодо заходів безпеки при роботі з акумуляторним дрилем-шурупокрутом. Уважно ознайомтесь з керівництвом перед початком роботи з виробом.

Будь ласка, надайте іншим користувачам дане керівництво, перш ніж вони почнуть працювати з акумуляторним дрилем-шурупокрутом. Дане керівництво необхідно зберігати для подальшого використання.

Ми постійно працюємо над вдосконаленням своєї продукції і, у зв'язку з цим, залишаємо за собою право на внесення змін у зовнішній вигляд, оснащення і технологію виробництва, не змінюючи основних принципів управління, без повідомлення споживача. Всі можливі зміни будуть спрямовані тільки на покращення та модернізацію виробу.

Ми постійно працюємо над удосконаленням продукції і, у зв'язку з тим, залишаємо за собою право на внесення змін у зовнішньому вигляді, обладнанні та технології виробництва, не змінюючи основних принципів керування, без повідомлення користувача. Всі можливі зміни будуть спрямовані лише на покращення і модернізацію виробів.

ЗНАЧЕННЯ КЛЮЧОВИХ СЛІВ



ОБЕРЕЖНО!

Означає потенційно небезпечні ситуації, яких слід уникати, в противному разі може виникнути небезпека для життя або здоров'я.



УВАГА!

Означає потенційно небезпечні ситуації, які можуть призвести до легких травм або до поломки акумуляторного дрилля-шурупокрута.



ПРИМІТКА!

Позначає важливу додаткову інформацію.

Акумуляторні дрилі-шурупокрути "Vitals Professional" **AUpo 10/2nli**, **AUpo 14/2nli**, **AUpo 18/2nli** (далі за текстом – шурупокрут) виконані із дотриманням усіх вимог безпеки та досить надійні в процесі експлуатації.

Дані вироби мають сучасний дизайн, економічні, надійні в роботі, прості в обігу та обслуговуванні.

Шурупокрут являє собою ручний електричний інструмент, який призначений для закручування та відкручування кріпильних виробів (шурупів, гвинтів, саморізів, конфірматів, дюбелів, болтів і гайок), а також для свердління отворів свердлами, які мають циліндричний хвостовик діаметром до 10 мм.

Для роботи із кріпильними виробами (шурупи, гвинти, саморізи, конфірмати, дюбеля) використовуються біти, які представляють собою спеціальні змінні насадки, один кінець яких виконаний у вигляді шестигранного хвостовика, а другий має форму наконечника викрутки (стандартний або спеціальний). Для закручування та відкручування болтів і гайок застосовуються спеціальні насадки відповідного профілю.

Принцип дії шурупокрута максимально простий: при натисканні на клавішу виробу «Вкл/Викл» (при розблокованому стані клавіші) обертальний рух від ротора електродвигуна постійного струму передається на планетарний редуктор. Редуктор здійснює механічну передачу крутного моменту на шпindel, на якому закріплений патрон шурупокрута із бітою, насадкою або свердлом.

Основна відмінність шурупокрута від дрилі – наявність муфти-регулятора крутного моменту. Муфта-регулятор дозволяє закручувати кріпильний виріб із необхідним зусиллям, тим самим уникаючи сточування шліців і зриву різьби. Як тільки кріпильний виріб буде закручено, обертання затискного патрона призупиниться, при цьому ротор електродвигуна продовжить обертатися (чути тріск тріскачки).

Позитивною властивістю акумуляторних дрилів-шурупокрутів є їх мобільність і незалежність від стаціонарного джерела електроживлення, а також відсутність небезпеки ураження електричним струмом.

Відмінні особливості моделей:

- Металевий планетарний редуктор з якісними металевими шестернями.
- Два діапазони швидкості.
- Плавне регулювання швидкості обертання шпindelя.
- Прорезинена рукоятка.
- Надійний електродвигун і клавіша «Вкл/Викл».
- Швидкозатискний патрон.
- Якісна енергоємна літій-іонна (Li-Ion) акумуляторна батарея. Li-Ion акумулятори, на відміну від Ni-Cd акумуляторів, мають низький саморозряд, не мають ефекту пам'яті, наділені високою енергетичною щільністю та не потребують обслуговування.
- Для повної зарядки акумуляторної батареї потрібно менше 1 години.
- Наявність підсвідки робочої області.

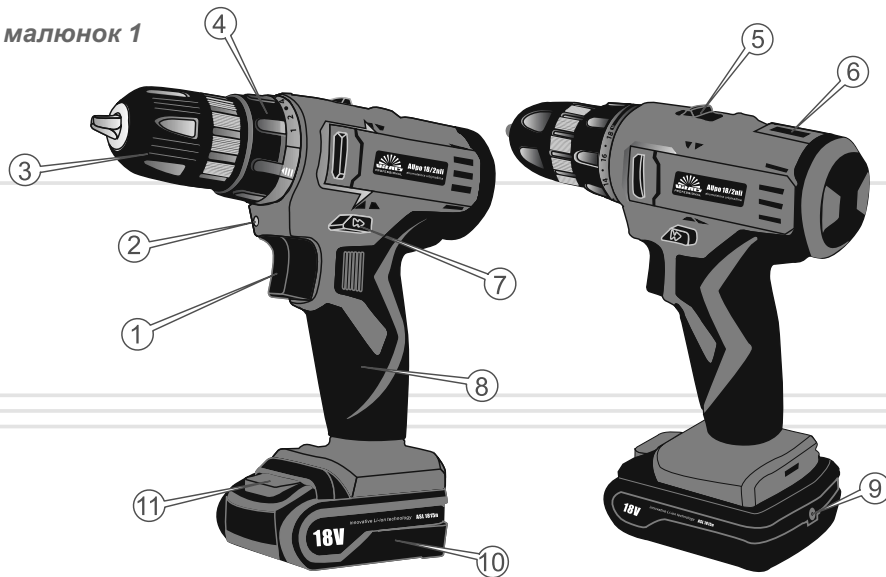
Джерелом електроживлення шурупокрута служить Li-Ion акумуляторна батарея.

Опис основних компонентів шурупокрута представлений нижче..

Моделі: AUpo 10/2nli, AUpo 14/2nli, AUpo 18/2nli

Зарядное устройство

малюнок 1



1. Кнопка «Вкл/Викл».
2. Підсвідка.
3. Швидкозатискний патрон.
4. Муфта-регулятор крутного моменту із градуйованою шкалою.
5. Повзунок механічного перемикача діапазонів швидкостей.
6. Магніт-тримач кріпильних виробів.
7. Перемикач напрямку обертання (реверс) шпинделя і блокування кнопки «Вкл/Викл».
8. Гумовані ручки.
9. Електричний роз'єм для під'єднання альтернативного зарядного пристрою (у комплект постачання виробу не входить).
10. Акумуляторна батарея.
11. Кнопка фіксації акумуляторної батареї.

малюнок 2



1. Шахта зарядного пристрою.
2. Світловий індикатор зеленого кольору.
3. Світловий індикатор червоного кольору.
4. Мережевий кабель.

1. Шурупокрут.
2. Акумуляторна батарея.
3. Зарядний пристрій.
4. Кейс для транспортування та зберігання.
5. Керівництво з експлуатації

**ПРИМІТКА!**

Завод-виробник залишає за собою право вносити у зовнішній вигляд, конструкцію та комплект поставки шурупокрута незначні зміни, які не впливають на роботу виробу.

МОДЕЛЬ	Ауро 10/2nli	Ауро 14/2nli	Ауро 18/2nli
Напруга акумулятора, В	10,8	14,4	18,0
Ємність акумулятора, Аг	1,5		
Швидкість холостого ходу, об/хв	0 - 350/0 - 1350		
Максимальний обертовий момент, Нм	25	26	27
Патрон, мм	10		
Максимальний діаметр свердління, мм:			
цегла	8	10	10
метал	10	10	10
дерево	25	32	38
Тип акумуляторної батареї	Li-ion		
Зарядний пристрій: час зарядки акумулятора, годинна	1		
потужність споживання, Вт	45		
Швидкозатискний патрон	+		
Реверс	+		
Регулювання швидкості	+		
Габарити шурупокрута (ШхДхВ), мм	62 x 200 x 205	73 x 200 x 205	73 x 200 x 205
Габарити кейса (ДхТхШ), мм	85 x 265 x 295		
Вага шурупокрута з акумуляторною батареєю, кг	1,1	1,3	1,4
Вага бруто, кг	2,5	2,7	2,8

4.1. ВАЖЛИВА ІНФОРМАЦІЯ З БЕЗПЕКИ

Перед початком роботи шурупокрутом уважно ознайомтесь із вимогами щодо техніки безпеки та попередженнями, викладеними в цьому керівництві.

Більшість травм під час експлуатації виробу виникає в результаті недотримання основних положень правил техніки безпеки. Травм можна уникнути, якщо суворо дотримуватися заходів безпеки та завчасно передбачити потенційну небезпеку.

Ні за яких обставин не використовуйте виріб способом або в цілях, не передбачених даним керівництвом.

Неправильна експлуатація виробу або експлуатація ненавченою людиною може призвести до нещасного випадку.

ОБЕРЕЖНО!

Забороняється експлуатація виробу людьми, які не підготовлені до роботи.

4.2. БЕЗПЕКА ЕКСПЛУАТАЦІЇ

1. НЕ ДОЗВОЛЯЮТЬ КОРИСТУВАТИСЯ ВИРОБОМ ДІТЯМ ТА ОСОБАМ З ОБМЕЖЕНИМИ МОЖЛИВОСТЯМИ.

2. БУДЬТЕ ПОВНІСТЮ СКОНЦЕНТРОВАНИ НА РОБОТІ.
Не відволікайтесь під час роботи шурупокрутом, так як це може призвести до втрати контролю та стати причиною отримання травм різного ступеню тяжкості.

3. НЕ ВКЛЮЧАЙТЕ ТА НЕ ПРАЦЮЙТЕ ВИРОБОМ У ВИПАДКУ ХВОРОБИ, У СТАНІ СТОМЛЕННЯ, НАРКОТИЧНОГО АБО АЛКОГОЛЬНОГО СП'ЯНИННЯ, А ТАКОЖ ПІД ВПЛИВОМ СИЛЬНОДІЮЧИХ ЛІКАРСЬКИХ ПРЕПАРАТІВ, ЯКІ ЗНИЖУЮТЬ ШВИДКІСТЬ РЕАКЦІЇ ТА УВАГУ.

4. СТЕЖТЕ ЗА ЦІЛІСНІСТЮ ТА СПРАВНІСТЮ ВИРОБУ.

Не вмикайте та не працюйте виробом при наявності пошкоджень, із ненадійно закріпленими частинами та деталями.

5. НАДЯГАЙТЕ ВІДПОВІДНИЙ ОДЯГ ТА ВЗУТТЯ ПРИ РОБОТІ ВИРОБОМ.

Працюючи шурупокрутом, завжди надягайте облягаючий одяг і застібніть всі ґудзики. Обувайте взуття із підшовою, яка не ковзає. Для захисту органів зору від попадання стружки при свердлінні, надягайте спеціальні захисні окуляри. Для захисту органів слуху (у разі такої необхідності) подбайте про навушники. Якщо в ході роботи утворюється пил або відокремлюються частинки матеріалу, який обробляється, використовуйте респіратор.

6. НЕ ДОТОРКУЙТЕСЬ ДО ДЕТАЛЕЙ ВИРОБУ, ЯКІ ОБЕРТАЮТЬСЯ.

Не підносьте руки, пальці та інші частини тіла до рухомих частин шурупокрута.

7. ПІД ЧАС РОБОТИ МІЦНО УТРИМУЙТЕ ШУРУПОКРУТ У РУЦІ.

8. ПРИ РОБОТІ НА ВИСОТІ ВИКОРИСТОВУЙТЕ ДРАБИНУ.

9. НЕ ПЕРЕВАНТАЖУЙТЕ ЕЛЕКТРОДВИГУН ШУРУПОКРУТА, ЧЕРГУЙТЕ РОБОТУ ІЗ ВІДПОЧИНКОМ.

10. ПРИ СВЕРДЛІННІ ОТВОРІВ У СТІНАХ, СТЕЛЯХ І ПІДЛОГАХ ПЕРЕКОНАЙТЕСЬ, ЩО В ТОЧЦІ СВЕРДЛІННЯ ВІДСУТНІЙ ПРИХОВАНИЙ ЕЛЕКТРИЧНИЙ ДРІТ.

11. ПРИ СВЕРДЛІННІ ОТВОРІВ У ЗАГОТІВЛЯХ, ЗАКРІПЛЮЙТЕ МАТЕРІАЛ, ЯКМИ ОБРОБЛЯЄТЬСЯ, В ЛЕЩАТАХ АБО СТРУБЦИНАХ.

12. СТЕЖТЕ ЗА ТИМ, ЩОБ ПІД ЧАС СВЕРДЛІННЯ МЕТАЛУ СТРУЖКА НЕ ПРОНИКАЛА ВСЕРЕДИНУ ВИРОБУ СКРІЗЬ ВЕНТИЛЯЦІЙНІ ОТВОРИ КОРПУСУ.

13. ПІД ЧАС РОБОТИ НЕ ВИДАЛЯЙТЕ РУКАМИ ТИРСУ, СТРУЖКУ, ПИЛ І БРУД.

14. НЕ ДОТОРКУЙТЕСЬ ДО БІТИ, НАСАДКИ АБО СВЕРДЛА ПІД ЧАС РОБОТИ ЕЛЕКТРОДВИГУНА ШУРУПОКРУТА, А ТАКОЖ БЕЗПОСЕРЕДНЬО ПІСЛЯ СВЕРДЛІННЯ ДЕТАЛІ – ДО МІСЦЯ СВЕРДЛІННЯ, ТОМУ ЩО ПРИСУТНЯ НЕБЕЗПЕКА ОТРИМАННЯ ТЕРМІЧНОГО ОПІКУ.

15. НЕ ЗАКРУЧУЙТЕ КРІПІЛЬНІ ВИРОБИ В РЕЖИМІ «СВЕРДЛІННЯ».

16. НЕ ПЕРЕВАНТАЖУЙТЕ ВИРІБ ТАКИМ ЧИНОМ, ЩОБ НАВАНТАЖЕННЯ НЕ ЗМОГЛО ЗУПИНИТИ РОБОТУ ЕЛЕКТРИЧНОГО ДВИГУНА.

17. ВИКОРИСТОВУЙТЕ У РОБОТІ ТІЛЬКИ СПРАВНІ БІТИ, НАСАДКИ, СВЕРДЛА.

Не використовуйте пошкоджені або тупі біти, насадки та свердла, оскільки при цьому підвищується ймовірність отримання травм.

18. ПОДБАЙТЕ ПРО ГАРНЕ ОСВІТЛЕННЯ РОБОЧОГО МІСЦЯ.

Робота шурупокрутом у темряві або в умовах недостатньої видимості може призвести до травми.

19. ПРАЦЮЙТЕ У ПРИМІЩЕННІ, ЯКЕ ДОБРЕ ПРОВІТРЮЄТЬСЯ.

Не працюйте виробом у приміщеннях з високим рівнем загазованості, а також у приміщеннях, в яких зберігаються легкозаймисті матеріали.

20. НЕ ПРАЦЮЙТЕ ШУРУПОКРУТОМ ПІД ЧАС ДОЩУ АБО СНІГУ.

Робота шурупокрутом під час дощу або снігу може призвести до травми або поломки виробу.

21. НЕ ЗАЛИШАЙТЕ ШУРУПОКРУТ, АКУМУЛЯТОРНІ БАТАРЕЇ ТА ЗАРЯДНИЙ ПРИСТРІЙ ПІД ДОЩЕМ АБО СНІГОМ.

22. НЕ РОЗБИРАЙТЕ ВИРІБ ТА АКУМУЛЯТОРНУ БАТАРЕЮ, А ТАКОЖ НЕ ПІДДАВАЙТЕ ЇХ УДАРАМ І МЕХАНІЧНОМУ ВПЛИВУ.

23. НЕ ЗАМИКАЙТЕ АКУМУЛЯТОР НАКОРОТКО: НЕ ДОТОРКУЙТЕСЬ ДО КЛЕМ АКУМУЛЯТОРА ПРЕДМЕТАМИ, ЯКІ ЗДАТНІ ПРОВОДИТИ ЕЛЕКТРИЧНИЙ СТРУМ.

Коротке замикання може призвести до зниження живлячої напруги, перегріву акумуляторної батареї, отриманню термічних опіків у результаті рясного тепловиділення, та повного виходу акумуляторної батареї із ладу.

24. НЕ ТРИМАЙТЕ АКУМУЛЯТОРНУ БАТАРЕЮ СЕРЕД МЕТАЛЕВИХ ПРЕДМЕТІВ (ІНСТРУМЕНТІВ, КРІПІЛЬНИХ ВИРОБІВ, МОНЕТ І Т.Д.)

25. НЕ НАКРИВАЙТЕ ЗАРЯДНИЙ ПРИСТРІЙ ПІД ЧАС ЗАРЯДКИ АКУМУЛЯТОРНОЇ БАТАРЕЇ.

Зарядний пристрій охолоджується природною вентиляцією, і якщо накрити пристрій під час зарядки, він може перегрітися та, як внаслідок цього, вийти із ладу.

26. НЕ НАМАГАЙТЕСЯ САМОСТІЙНО РЕМОНТУВАТИ ЗАРЯДНИЙ ПРИСТРІЙ.

**УВАГА!**

Слідкуйте за справністю виробу. У разі відмови в роботі, появи запаху, характерного для горілої ізоляції, сильного стуку, шуму, іскор, необхідно негайно відключити виріб і звернутися до сервісного центру.

**ПРИМІТКА!**

Дане керівництво не може врахувати всіх випадків, які можуть виникнути в реальних умовах експлуатації шурупокрута. Тому, при роботі виробом слід керуватися здоровим глуздом, дотримуватися граничної уваги та акуратності.

5.1. ПІДГОТОВКА ДО РОБОТИ

1. Перед початком роботи огляньте шурупокрут на предмет цілісності, справності та легкості ходу рухомих частин виробу.
2. Заблокуйте клавішу «Вкл/Викл», встановивши перемикач напрямку обертання шпинделя в центральне положення.
3. Під'єднайте до шурупокрута заряджену акумуляторну батарею та переконайтеся, що акумулятор надійно зафіксований в корпусі виробу.
4. Вставте біту, насадку або свердло в швидкозатискний патрон.
5. Затягніть патрон.

**УВАГА!**

Слідкуйте за тим, щоб розмір біти відповідав розмірам шлиців кріпильного матеріалу.

**ПРИМІТКА!**

По можливості використовуйте гвинти, саморізи, дюбелі із хрестоподібним шлицем. Завдяки здатності цих кріпильних матеріалів до самоцентрування забезпечується більш якісна робота.

6. Перемикачем напрямку обертання встановіть потрібний напрямок обертання шпинделя.

7. Увімкніть шурупокрут, натиснувши клавішу «Вкл/Викл» (натискуючи клавішу із різним зусиллям, можна змінювати швидкість обертання ротора електродвигуна).

8. У режимі холостого ходу протягом 10 секунд оцініть працездатність виробу на предмет підвищеної вібрації, сторонніх шумів та інших дефектів роботи. Якщо дефекти в роботі виробу не виявлені, експлуатація шурупокрута дозволяється, в іншому випадку зверніться до сервісного центру.

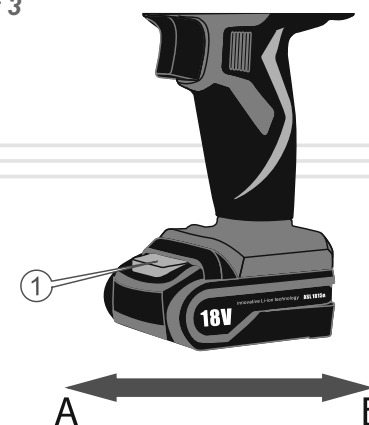
Блокування обертання шпинделя

Щоб запобігти випадковому включенню електродвигуна шурупокрута та передчасну розрядку акумуляторної батареї, передбачено блокування обертання шпинделя, яке рекомендується використовувати у випадках тривалої паузи в роботі, перенесення виробу і т.д.

Блокування включається шляхом установки перемикача напрямку обертання шпинделя в центральне положення.

Установка (зняття) акумуляторної батареї

малюнок 3



Перед встановленням або зняттям акумуляторної батареї завжди вимикайте шурупокрут і встановлюйте кнопку перемикача напрямку обертання шпинделя в центральне положення (режим блокування клавіші «Вкл/Викл»).

Для під'єднання акумуляторної батареї (1) до шурупокрута сумістіть виступи на акумуляторі із пазами на корпусі виробу та із невеликим зусиллям посуньте акумулятор у напрямку стрілки (Б) (див. малюнок 3) до появи характерного клацання. Не рекомендовано докладати надмірних зусиль при установці акумулятора. Якщо акумуляторна батарея під'єднується із зусиллям, то це означає те, що дії із встановлення виконуються неправильно, або в пази корпусу потрапив сторонній предмет, наприклад – стружка.

Щоб зняти акумуляторну батарею злегка натисніть на кнопку фіксації батареї (1) та, не відпускаючи кнопку, із невеликим зусиллям потягніть акумулятор у напрямку стрілки (А) (див. малюнок 3), щоб вийняти його із корпусу шурупокрута.

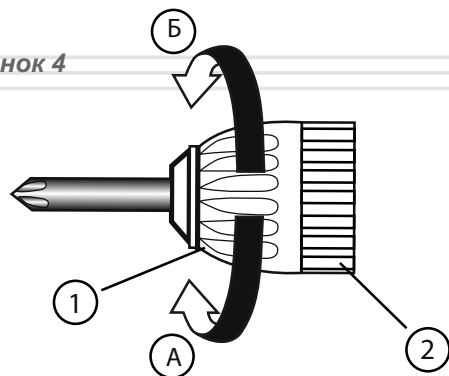
Установка та заміна біти, насадки, свердла



ПРИМІТКА!

Щоб виключити обертання шпинделя при повертанні муфти, утримуйте другою рукою корпус патрона (2) (див. малюнок 4).

малюнок 4



1. Заблокуйте кнопку «Вкл/Викл», встановивши перемикач напрямку обертання шпинделя в центральне положення.

2. Поверніть від руки муфту (1) (див. малюнок 4) швидкозатискного патрона проти ходу годинникової стрілки (А), щоб відкрити затискні кулачки, при необхідності відрегулюйте муфтою відстань між кулачками відповідно із діаметром хвостовика свердла або біти.

3. Вставте біту, насадку, свердло до упору в патрон.

4. Поверніть муфту швидкозатискного патрона по ходу годинникової стрілки (Б).

5. Переконайтеся в надійності установки біти, насадки, свердла в патрон.

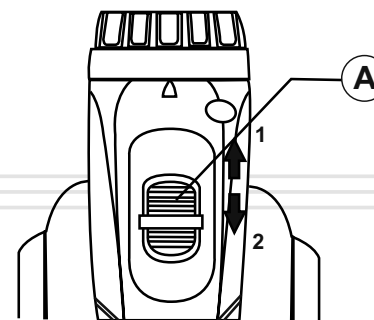
5.2. РОБОТА

Регулювання швидкості обертання ротора електродвигуна

За допомогою клавіші «Вкл/Викл» можна змінювати швидкість обертання ротора електродвигуна. Швидкість обертання залежить від ступеню натискання на клавішу: чим сильніше натискати на клавішу, тим вище буде швидкість обертання та навпаки.

Механічне перемикання діапазонів швидкостей

малюнок 5



А.Повзунок механічного перемикача діапазонів швидкостей.

1. Висока швидкість.

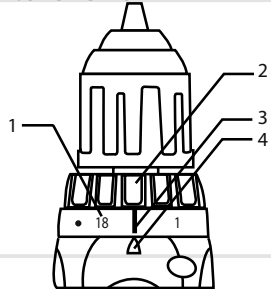
2. Низька швидкість.

За допомогою механічного перемикача можна встановити один із двох діапазонів швидкостей роботи редуктора шурупокрута. Перемикання передач здійснюється шляхом переміщення повзунка механічного перемикача (А) (див. малюнок 5) до упору в положення (1) (висока швидкість: 0-1350 об/хв), або до упору в положення (2) (низька швидкість: 0 - 350 об/хв).

На низькій швидкості рекомендується закручувати кріпильні вироби та свердлити отвори великого діаметру в твердих матеріалах, а на другій швидкості рекомендується здійснювати швидке серійне свердління невеликих отворів у м'якому матеріалі.

Регулювання крутного моменту

малюнок 6



1. Градуйована шкала.
2. Муфта-регулятор крутного моменту.
3. Відмітка «свердло» на шкалі.
4. Мітка покажчика.

Регулювання крутного моменту дозволяє змінити силу затягування кріпильних виробів (шурупів, саморізів, дюбелів, гвинтів, гайок).

Крутний момент затягування можна регулювати шляхом повороту муфти-регулятора в межах 18 позицій. Необхідний крутний момент вибирається шляхом обертання регульовального кільця до збігу потрібного значення на шкалі із міткою покажчика на корпусі шурупокрута.

Крутний момент затягування буде мінімальний, якщо із міткою покажчика поєднана цифра 1, та максимальна, коли із міткою поєднана цифра 18.



ПРИМІТКА!

Величина крутного моменту залежить від виду та твердості матеріалу, який обробляється, наявності попередньо просвердлених отворів, довжини кріпильних виробів, які використовуються, а також вимог, які пред'являються до кріпильних з'єднань.

Оптимальний крутний момент визначається дослідним шляхом і коригується за необхідності в процесі роботи.

На шкалі муфти-регулятора присутній значок «свердло». Поєднавши мітку покажчика з даними значком, можна працювати шурупокрутом у режимі «свердління». При цьому обмеження крутного моменту на шпинделі не буде.

УВАГА!

Регулювання крутного моменту слід проводити тільки при відключеному електродвигуні.

Зміна напрямку обертання шпинделя (реверс)

Для того щоб шпиндель шурупокрута обертався в потрібному напрямку (режими закручування та відкручування), необхідно перемістити перемикач напрямку обертання до упору вліво або вправо. При переміщенні перемикача вліво виріб працює в режимі закручування, при переміщенні перемикача вправо – в режимі відкручування.



ОБЕРЕЖНО!

Змінювати напрямок обертання шпинделя можна тільки після повної зупинки електродвигуна шурупокрута.

Підсвітка

При натисканні на клавішу «Вкл/Викл» (навіть якщо клавіша «Вкл/Викл» заблокована) включається підсвітка, завдяки чому забезпечується додаткове освітлення робочої області.

Правила свердління

При свердлінні отворів у деревині оптимальні результати досягаються, якщо використовується свердло по дереву, яке оснащено направляючим наконечником. Наконечник полегшує процес свердління, направляючи свердло в оброблюваному матеріалі.

При свердлінні отворів у металі, щоб уникнути прослизання свердла, накерніть матеріал, який обробляється, в місці свердління. Встановіть наконечник свердла в накернену точку та просвердліть отвір. Під час свердління отворів у металі можна використовувати спеціальну мастильно-охолоджуючу рідину або просто воду. Винятком є такі матеріали, як латунь і чавун, які обробляються насухо.

5.3. ЗАРЯДКА АКУМУЛЯТОРНИХ БАТАРЕЙ

Порядок зарядки акумулятора:

1. Від'єднайте акумуляторну батарею від виробу.
2. Підключіть зарядний пристрій, що входить в комплект поставки виробу, до мережі змінного струму напругою 220 Вольт, 50 Герц.

1. Встановіть акумуляторну батарею в шахту зарядного пристрою.
2. По закінченні зарядки вийміть акумулятор із зарядного пристрою та від'єднайте мережевий кабель від джерела електроживлення. **Й к ним**

Індикація показань зарядки та коментар до них

- Червоний індикатор вимкнено, зелений індикатор ввімкнено: акумулятор не підключений (відсутнє навантаження на зарядний пристрій).
- Червоний індикатор ввімкнено, зелений індикатор вимкнено: акумулятор заряджається.
- Червоний індикатор вимкнено, зелений індикатор ввімкнено: акумулятор повністю заряджений.



ПРИМІТКА!

Тривалість зарядки акумуляторної батареї становить приблизно 1 годину.



УВАГА!

Заборонено використовувати зарядні пристрої від інших виробів.

Якщо акумулятор більше не заряджається:

1. Перевірте, чи є напруга в електричній мережі.
2. Перевірте клеми акумуляторної батареї та зарядного пристрою, мережевий кабель і вилку на предмет пошкоджень.
3. Перевірте надійність закріплення акумуляторної батареї в шахті зарядного пристрою.
4. Якщо і після цього акумулятор більше не заряджається, зверніться до сервісного центру.



ОБЕРЕЖНО!

Перед початком робіт із технічного обслуговування виробу вимкніть електродвигун та від'єднайте акумуляторну батарею.

Комплекс робіт з технічного обслуговування шурупокрута включає:

- огляд корпусу виробу, частин і деталей, акумуляторної батареї та зарядного пристрою на наявність механічних і термічних ушкоджень;
- очищення корпусу виробу, акумулятора та зарядного пристрою від бруду і пилу.

У разі виявлення механічних і термічних пошкоджень виробу, необхідно звернутися до сервісного центру.

Очищати корпус необхідно м'якою серветкою. Не можна допускати попадання стружки, пилу та бруду у вентиляційні отвори корпусу виробу. Якщо на корпусі присутні складні плями, видаліть їх за допомогою м'якої серветки, яка попередньо змочена в мильному розчині або в спеціальному миючому засобі.

У процесі очищення шурупокрута не рекомендується використовувати абразивні матеріали, різні розчинники, речовини, які містять у собі масло, аміачну воду, бензин, спирт, які можуть зашкодити корпусу виробу.



ПРИМІТКА!

У разі виникнення труднощів при проведенні технічного обслуговування виробу слід звернутися за допомогою до сервісного центру.

**ПРИМІТКА!**

Для транспортування та зберігання шурупокрута використовуйте кейс, який входить до комплекту поставки виробу.

Транспортування

Транспортування шурупокрута допускається всіма видами транспорту, які забезпечують збереження виробу, відповідно до загальних правил перевезень.

Не рекомендовано переносити виріб за затискний патрон та акумуляторну батарею. При зміні робочого місця необхідно вимкнути шурупокрут і встановити перемикач реверсу в центральне положення (блокування клавіші «Вкл/Викл»).

При транспортуванні виробу на великі відстані необхідно від'єднувати акумуляторну батарею.

Зберігання

Зберігання виробу рекомендується в приміщенні, яке добре провітрюється, при температурі від -15°C до $+55^{\circ}\text{C}$ і відносній вологості повітря не більше 90%.

При підготовці виробу до зберігання:

1. Від'єднайте акумуляторну батарею.
2. Видаліть пил, бруд із зовнішньої частини корпусу шурупокрута, акумуляторної батареї та зарядного пристрою.
3. Змастіть тонким шаром машинного масла всі зовнішні металеві частини виробу.
4. Покладіть шурупокрут, акумуляторну батарею та зарядний пристрій у кейс.

УВАГА!

Зберігати виріб в одному приміщенні із горючими речовинами, кислотами, лугами, мінеральними добривами та іншими агресивними речовинами забороняється.

ОПИС НЕСПРАВНОСТІ	Можлива причина	Шляхи усунення
Електродвигун при натисканні на клавішу «Вкл/Викл» не обертається	Акумуляторна батарея розряджена/несправна	Зарядіть/замініть акумуляторну батарею
	Відсутній електричний контакт на лінії подачі електроживлення	Відновіть контакт або зверніться до сервісного центру
	Несправний електродвигун, клавіша «Вкл/Викл»	Зверніться до сервісного центру
	Заблокована клавіша «Вкл/Викл»	Перемістіть перемикач напрямку обертання шпінделя до упору праворуч або ліворуч
Електродвигун дуже іскрить	Пошкоджена обмотка електродвигуна, зношені вугільні щітки	Зверніться до сервісного центру
Потужності електричного двигуна недостатньо, при роботі чути свист (скрип)	Акумулятор розряджений	Зарядіть акумулятор
	Надмірний тиск на виріб у процесі роботи	Знизьте тиск на виріб
	Несправна муфта-регулятор крутного моменту	Зверніться до сервісного центру
	Зношені біта, насадка, свердло	Замініть
Радіальне биття затискного патрона	Ослаблена затяжка патрона	Затягніть
Не перемикається реверс	Несправна кнопка реверсу	Зверніться до сервісного центру
Не регулюються оберти електродвигуна	Несправна клавіша «Вкл/Викл»	Зверніться до сервісного центру

ОПИС НЕСПРАВНОСТІ	Можлива причина	Шляхи усунення
Після відключення виробу електродвигун продовжує обертатися	Несправна клавіша «Вкл/Викл»	Зверніться до сервісного центру
Електродвигун вмикається та одразу ж «клінить»	Пошкоджені або зношені шестерні редуктора	Зверніться до сервісного центру
Неможливо перемикнути діапазон швидкостей	Несправний механічний перемикач швидкості	Зверніться до сервісного центру
Корпус виробу дуже нагрівається	Велике навантаження на електродвигун	Знизьте навантаження (вимкніть виріб до повного охолодження)
	Недостатня кількість мастила в редукторі	Зверніться до сервісного центру
	Електродвигун несправний	Зверніться до сервісного центру
Акумулятор не заряджається	Відключений зарядний пристрій	Ввімкніть
	Відсутній електричний контакт між акумулятором і зарядним пристроєм	Відновіть контакт або зверніться до сервісного центру
	Несправний зарядний пристрій	Зверніться до сервісного центру
	Несправний акумулятор	Замініть

ГАРАНТІЙНІ ЗОБОВ'ЯЗАННЯ

Гарантійний термін експлуатації шурупокрутів "Vitals Professional" **AUPO 10/2nli, AUPO 14/2nli, AUPO 18/2nli** становить 1 (один) рік з зазначеної в гарантійному талоні дати роздрібного продажу.

Протягом гарантійного терміну несправні деталі й вузли будуть замінюватися за умови дотримання всіх вимог керівництва і відсутності пошкоджень, пов'язаних з неправильною експлуатацією, зберіганням і транспортуванням виробу. З питань гарантійного обслуговування звертайтеся в авторизований сервісний центр.

Споживач має право на безкоштовне гарантійне усунення несправностей, виявлених і пред'явлених в період гарантійного терміну та обумовлених виробничими та конструктивними факторами.

Гарантійне усунення несправностей виробляється шляхом ремонту або заміни несправних частин виробу в сертифікованих сервісних центрах. У зв'язку зі складністю конструкції ремонт може тривати більше двох тижнів. Причину виникнення несправностей і строки їх усунення визначають фахівці сервісного центру.



УВАГА!

Вироб приймається на гарантійне обслуговування тільки в повній комплектації, ретельно очищений від бруду і пилу.

Гарантійні зобов'язання втрачають свою силу в наступних випадках:

- Відсутність або дуже поганий стан (коли не видно тексту) гарантійного талона.
- Неправильне заповнення гарантійного талона, відсутність в ньому дати продажу або печатки (штампу) і підпису продавця, серійного номера виробу.
- Наявність виправлень або підчищень в гарантійному талоні.
- Повна або часткова відсутність серійного номера на виробі, невідповідність серійного номера виробу, номеру, вказаному в гарантійному талоні.

- Недотримання правил експлуатації, наведених у цьому посібнику, в тому числі порушення регламенту технічного обслуговування.
- Експлуатація несправного або некомплектного виробу, що стала причиною виходу його з ладу.
- Потрапляння всередину виробу сторонніх речовин або предметів.
- Вироб має значні механічні чи термічні ушкодження, явні сліди недбалості експлуатації, зберігання або транспортування.
- Вироб використовувався не за призначенням.
- Проводилися несанкціонований ремонт, розтин або спроба модернізації виробу споживачем або третіми особами.
- Несправність сталася в результаті стихійного лиха (пожежа, повінь, ураган і т. п.).

Замінені по гарантії деталі й вузли переходять у розпорядження сервісного центру.

При виконанні гарантійного ремонту гарантійний строк збільшується на час перебування виробу в ремонті. Відлік доданого терміну починається з дати приймання виробу в гарантійний ремонт.

У разі якщо з технічних причин ремонт виробу неможливий, сервісний центр видає відповідний акт, на підставі якого користувач самостійно вирішує питання з організацією-постачальником про заміну виробу або поверненні грошей.

Після закінчення гарантійного терміну сервісні центри продовжують здійснювати обслуговування та ремонт виробу, але вже за рахунок споживача.

Гарантійні зобов'язання не поширюються на несправності, які виникли внаслідок природного зносу або перевантаження виробу.

Гарантійні зобов'язання не поширюються на біту.

Гарантійні зобов'язання не поширюються на неповноту комплектації виробу, яка могла бути виявлена при його продажу. Усі витрати на транспортування виробу несе споживач.

Право на гарантійний ремонт не є підставою для інших претензій.

УВАЖАЕМЫЙ ПОКУПАТЕЛЬ!

Благодарим Вас за приобретение аккумуляторной дрели-шуруповерта ТМ "Vitals".

Техника ТМ "Vitals" разрабатываются по европейским стандартам качества и с использованием современных технологий.

Неправильная эксплуатация аккумуляторной дрели-шуруповерта и несоблюдение мер безопасности может привести к повреждению изделия или к серьезным травмам!

Данное руководство содержит всю необходимую информацию по мерам безопасности при работе с аккумуляторной дрелью-шуруповертом. Внимательно ознакомьтесь с руководством перед началом работы с изделием.

Пожалуйста, предоставьте другим пользователям данное руководство, прежде чем они начнут работать с аккумуляторной дрелью-шуруповертом. Данное руководство необходимо хранить для последующего его использования.

Мы постоянно работаем над усовершенствованием своей продукции и, в связи с этим, оставляем за собой право на внесение изменений во внешний вид, оснащение и технологию производства, не изменяя основных принципов управления, без уведомления потребителя. Все возможные изменения будут направлены только на улучшение и модернизацию изделия.

ЗНАЧЕНИЕ КЛЮЧЕВЫХ СЛОВ



ОСТОРОЖНО!

Обозначает потенциально опасные ситуации, которых следует избегать, в противном случае может возникнуть опасность для жизни и здоровья.



ВНИМАНИЕ!

Обозначает потенциально опасные ситуации, которые могут привести к легким травмам или к поломке аккумуляторной дрели-шуруповерта.



ПРИМЕЧАНИЕ!

Отмечает важную дополнительную информацию.

Аккумуляторные дрели-шуруповерты “Vitals Professional” **AUpo 10/2nli, AUpo 14/2nli, AUpo 18/2nli** (далее по тексту – шуруповерт) выполнены с соблюдением всех требований безопасности и достаточно надежны в процессе эксплуатации.

Данные изделия имеют современный дизайн, экономичны, надежны в работе, просты в обращении и обслуживании.

Шуруповерт представляет собой ручной электрический инструмент, который предназначен для завинчивания и отвинчивания крепежных изделий (шурупов, винтов, саморезов, конфирматов, дюбелей, болтов и гаек), а также для сверления отверстий сверлами, имеющими цилиндрический хвостовик, диаметром до 10 мм.

Для работы с крепежными изделиями (шурупы, винты, саморезы, конфирматы, дюбеля) используются биты, представляющие собой специальные сменные насадки, один конец которых выполнен в виде шестигранного хвостовика, а второй имеет форму наконечника отвертки (стандартный или специальный). Для завинчивания и отвинчивания болтов и гаек применяются специальные насадки соответствующего профиля.

Принцип действия шуруповерта максимально прост: при нажатии на клавишу изделия “Вкл/Выкл” (при разблокированном состоянии клавиши) вращательное движение от ротора электродвигателя постоянного тока передается на планетарный редуктор. Редуктор осуществляет механическую передачу крутящего момента на шпиндель, на котором закреплен зажимной патрон шуруповерта с битой, насадкой или сверлом.

Основное отличие шуруповерта от дрели – наличие муфты-регулятора крутящего момента. Муфта-регулятор позволяет закручивать крепежное изделие с требуемым усилием, тем самым избегая стачивания шлицов и срыва резьбы. Как только крепежное изделие будет закручено, вращение зажимного патрона приостановится, при этом ротор электродвигателя продолжит вращаться (слышен треск трещотки).

Положительным свойством аккумуляторных дрелей-шуруповертов является их мобильность и независимость от стационарного источника электропитания, а также отсутствие опасности поражения электрическим током.

Отличительные особенности моделей:

- Металлический планетарный редуктор с качественными металлическими шестернями.
- Два диапазона скорости.
- Плавная регулировка скорости вращения шпинделя.
- Прорезиненная рукоятка.
- Надежный электродвигатель и клавиша “Вкл/Выкл”.
- Быстрозажимной сверлильный патрон.
- Качественная энергоемкая литий-ионная (Li-Ion) аккумуляторная батарея. Li-Ion аккумуляторы, в отличие от Ni-Cd аккумуляторов, имеют низкий саморазряд, не имеют эффекта памяти, обладают высокой энергетической плотностью и не нуждаются в обслуживании.
- Для полной зарядки аккумуляторной батареи требуется менее 1 часа.
- Наличие подсветки рабочей области.

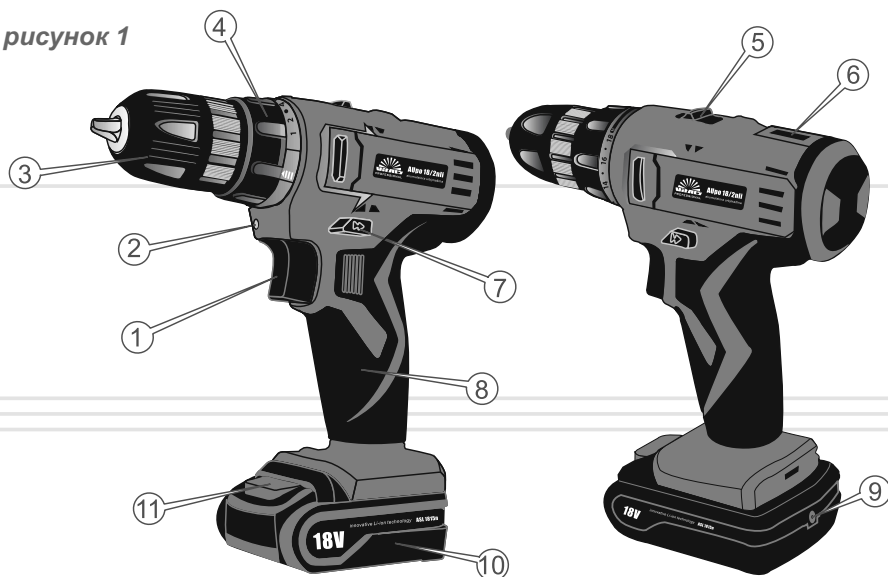
Источником электропитания шуруповерта служит Li-ion аккумуляторная батарея.

Описание основных компонентов шуруповерта представлено ниже.

Модели: AUpo 10/2nli, AUpo 14/2nli, AUpo 18/2nli

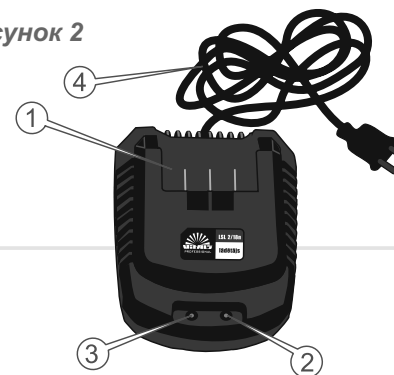
Зарядное устройство

рисунок 1



1. Клавиша “Вкл/Выкл”.
2. Подсветка.
3. Быстрозажимной патрон.
4. Муфта-регулятор крутящего момента с градуированной шкалой.
5. Ползунок механического переключателя диапазонов скоростей.
6. Магнит-держатель крепежных изделий.
7. Переключатель направления вращения (реверс) шпинделя и блокировки клавиши “Вкл/Выкл”.
8. Обрезиненная рукоятка.
9. Электрический разъем для подсоединения альтернативного зарядного устройства (в комплект поставки изделия не входит).
10. Аккумуляторная батарея.
11. Кнопка фиксации аккумуляторной батареи.

рисунок 2



1. Шахта зарядного устройства.
2. Световой индикатор зеленого цвета.
3. Световой индикатор красного цвета.
4. Сетевой кабель.

1. Шуруповерт.
2. Аккумуляторная батарея.
3. Зарядное устройство.
4. Кейс для транспортировки и хранения.
5. Руководство по эксплуатации.

**ПРИМЕЧАНИЕ!**

Завод-изготовитель оставляет за собой право вносить во внешний вид, конструкцию и комплект поставки шуруповерта незначительные изменения, не влияющие на работу изделия.

МОДЕЛЬ	Auro 10/2nli	Auro 14/2nli	Auro 18/2nli
Напряжение аккумулятора, В	10,8	14,4	18,0
Емкость аккумулятора, Ач	1,5		
Скорость холостого хода, об/мин	0 - 350/0 - 1350		
Максимальный крутящий момент, Нм	25	26	27
Патрон, мм	10		
Максимальный диаметр сверления, мм:			
- кирпич	8	10	10
- алюминий	10	10	10
- дерево	25	32	38
Тип аккумуляторной батареи	Li-ion		
Зарядное устройство: время зарядки аккумулятора, ч	1		
потребляемая мощность, Вт	45		
Быстрозажимной патрон	+		
Реверс	+		
Регулятор скорости	+		
Габариты шуруповерта (ДхТхШ), мм	62 x 200 x 205	73 x 200 x 205	73 x 200 x 205
Габариты кейса (ДхТхШ), мм	85 x 265 x 295		
Вес шуруповерта с аккумулятором, кг	1,1	1,3	1,4
Вес брутто, кг	2,5	2,7	2,8

4.1. ВАЖНАЯ ИНФОРМАЦИЯ ПО БЕЗОПАСНОСТИ

Перед началом работы с шуруповертом внимательно ознакомьтесь с требованиями по технике безопасности и предупреждениями, изложенными в данном руководстве.

Большинство травм во время эксплуатации изделия возникает в результате несоблюдения основных положений правил техники безопасности. Травм можно избежать, если строго соблюдать меры предосторожности и заблаговременно предусмотреть потенциальную опасность.

Ни при каких обстоятельствах не используйте изделие способом или в целях, не предусмотренных данным руководством.

Неправильная эксплуатация изделия или эксплуатация необученным человеком может привести к несчастному случаю.

ОСТОРОЖНО!

Запрещается эксплуатация изделия неподготовленными к работе людьми.

4.2. БЕЗОПАСНОСТЬ ЭКСПЛУАТАЦИИ

1. НЕ РАЗРЕШАЙТЕ ПОЛЬЗОВАТЬСЯ ИЗДЕЛИЕМ ДЕТЯМ И ЛИЦАМ С ОГРАНИЧЕННЫМИ ВОЗМОЖНОСТЯМИ.

2. БУДЬТЕ ПОЛНОСТЬЮ СКОНЦЕНТРИРОВАНЫ НА РАБОТЕ.

Не отвлекайтесь во время работы с шуруповертом, так как это может вызвать потерю контроля и стать причиной получения травм различной степени тяжести.

3. НЕ ВКЛЮЧАЙТЕ И НЕ ЭКСПЛУАТИРУЙТЕ ИЗДЕЛИЕ В СЛУЧАЕ БОЛЕЗНИ, В СОСТОЯНИИ УТОМЛЕНИЯ, НАРКОТИЧЕСКОГО ИЛИ АЛКОГОЛЬНОГО ОПЬЯНЕНИЯ, А ТАКЖЕ ПОД ВОЗДЕЙСТВИЕМ СИЛЬНОДЕЙСТВУЮЩИХ ЛЕКАРСТВЕННЫХ ПРЕПАРАТОВ, СНИЖАЮЩИХ СКОРОСТЬ РЕАКЦИИ И ВНИМАНИЕ.

4. СЛЕДИТЕ ЗА ЦЕЛОСТНОСТЬЮ И ИСПРАВНОСТЬЮ ИЗДЕЛИЯ.

Не включайте и не эксплуатируйте изделие при наличии повреждений, с ненадежно закрепленными частями и деталями.

5. НАДЕВАЙТЕ СООТВЕТСТВУЮЩУЮ ОДЕЖДУ И ОБУВЬ ПРИ РАБОТЕ С ИЗДЕЛИЕМ.

Работая с изделием, надевайте облегающую одежду и застегните все пуговицы. Надевайте обувь на нескользящей подошве. Для защиты органов зрения от попадания стружки при сверлении, надевайте специальные защитные очки. Для защиты органов слуха (в случае такой необходимости) позаботьтесь о наушниках. Если в ходе работы образуется пыль или отделяются частички обрабатываемого материала, используйте респиратор.

6. НЕ ДОТРАГИВАЙТЕСЬ ДО ВРАЩАЮЩИХСЯ ДЕТАЛЕЙ ИЗДЕЛИЯ.

Не подносите руки, пальцы и другие части тела к движущимся частям шуруповерта.

7. ВО ВРЕМЯ РАБОТЫ КРЕПКО УДЕРЖИВАЙТЕ ИЗДЕЛИЕ В РУКЕ.

8. ПРИ РАБОТЕ НА ВЫСОТЕ ИСПОЛЬЗУЙТЕ ЛЕСТНИЦУ-СТРЕМЯНКУ.

9. НЕ ПЕРЕГРУЖАЙТЕ ЭЛЕКТРОДВИГАТЕЛЬ, ЧЕРЕДУЙТЕ РАБОТУ С ОТДЫХОМ.

10. ПРИ СВЕРЛЕНИИ ОТВЕРСТИЙ В СТЕНАХ, ПОТОЛКАХ И ПОЛАХ УБЕДИТЕСЬ, ЧТО В ТОЧКЕ СВЕРЛЕНИЯ ОТСУТСТВУЕТ СКРЫТАЯ ЭЛЕКТРИЧЕСКАЯ ПРОВОДКА.

11. ПРИ СВЕРЛЕНИИ ОТВЕРСТИЙ В ЗАГОТОВКЕ ЗАКРЕПЛЯЙТЕ ЕЕ В ТИСКАХ ИЛИ В СТРУБЦИНЕ.

12. СЛЕДИТЕ ЗА ТЕМ, ЧТОБЫ ВО ВРЕМЯ СВЕРЛЕНИЯ МЕТАЛЛА СТРУЖКА НЕ ПОПАДАЛА В ВЕНТИЛЯЦИОННЫЕ ОТВЕРСТИЯ КОРПУСА ИЗДЕЛИЯ.

13. ВО ВРЕМЯ РАБОТЫ НЕ УДАЛЯЙТЕ РУКАМИ ОПИЛКИ, СТРУЖКУ, ПЫЛЬ И ГРЯЗЬ.

14. НЕ ПРИТРАГИВАЙТЕСЬ К БИТЕ ИЛИ СВЕРЛУ ПРИ ВКЛЮЧЕННОМ ЭЛЕКТРОДВИГАТЕЛЕ ШУРУПОВЕРТА, А ТАКЖЕ НЕПОСРЕДСТВЕННО ПОСЛЕ СВЕРЛЕНИЯ ДЕТАЛИ – ДО МЕСТА СВЕРЛЕНИЯ, ТАК КАК ЕСТЬ ОПАСНОСТЬ ПОЛУЧЕНИЯ ТЕРМИЧЕСКОГО ОЖОГА.

15. НЕ ЗАВИНЧИВАЙТЕ КРЕПЕЖНЫЕ ИЗДЕЛИЯ В РЕЖИМЕ «СВЕРЛЕНИЕ».

16. НЕ ПЕРЕГРУЖАЙТЕ ИНСТРУМЕНТ ТАКИМ ОБРАЗОМ, ЧТОБЫ НАГРУЗКА НЕ СМОГЛА ОСТАНОВИТЬ РАБОТУ ЭЛЕКТРОДВИГАТЕЛЯ.

17. ИСПОЛЬЗУЙТЕ В РАБОТЕ ТОЛЬКО ИСПРАВНЫЕ СВЕРЛА (БИТЫ).

Не работайте с поврежденными или затупившимися сверлами (битами), так как при этом повышается вероятность получения травм.

18. ПОЗАБОТЬТЕСЬ О ХОРОШЕМ ОСВЕЩЕНИИ РАБОЧЕГО МЕСТА. Работа шуруповертом в темноте или в условиях недостаточной видимости может привести к травме.

19. РАБОТАЙТЕ ТОЛЬКО В ХОРОШО ПРОВЕТРИВАЕМОМ ПОМЕЩЕНИИ.

Не работайте с изделием в помещениях с высоким уровнем загазованности, а также в помещениях, в которых хранятся легковоспламеняющиеся материалы.

20. НЕ РАБОТАЙТЕ С ШУРУПОВЕРТОМ В ДОЖДЬ ИЛИ СНЕГ. Работа с шуруповертом в дождь или снег может привести к травме или поломке изделия.

21. НЕ ОСТАВЛЯЙТЕ АККУМУЛЯТОР И ЗАРЯДНОЕ УСТРОЙСТВО ПОД ДОЖДЕМ ИЛИ СНЕГОМ.

22. НЕ ВСКРЫВАЙТЕ АККУМУЛЯТОР, НЕ ПОДВЕРГАЙТЕ ЕГО УДАРАМ И МЕХАНИЧЕСКИМ ВОЗДЕЙСТВИЯМ.

23. НЕ ЗАМЫКАЙТЕ АККУМУЛЯТОР НАКОРТОК: НЕ ПРИТРАГИВАЙТЕСЬ К КЛЕММАМ АККУМУЛЯТОРА ПРЕДМЕТАМИ, КОТОРЫЕ СПОСОБНЫ ПРОВОДИТЬ ЭЛЕКТРИЧЕСКИЙ ТОК.

Короткое замыкание может привести к снижению питающего напряжения, перегреву аккумуляторной батареи, получению термических ожогов в результате обильного тепловыделения, и полному выходу батареи из строя.

24. НЕ ХРАНИТЕ АККУМУЛЯТОР СРЕДИ МЕТАЛЛИЧЕСКИХ ПРЕДМЕТОВ (ИНСТРУМЕНТОВ, ГВОЗДЕЙ, МОНЕТ И Т.Д.)

25. НЕ НАКРЫВАЙТЕ ЗАРЯДНОЕ УСТРОЙСТВО ВО ВРЕМЯ ЗАРЯДКИ АККУМУЛЯТОРА.

Зарядное устройство охлаждается естественной вентиляцией, и если накрыть устройство во время зарядки, оно может перегреться и, как следствие этого, выйти из строя.

26. НЕ ПЫТАЙТЕСЬ САМОСТОЯТЕЛЬНО РЕМОНТИРОВАТЬ ЗАРЯДНОЕ УСТРОЙСТВО.

**ВНИМАНИЕ!**

Следите за исправностью шуруповерта. В случае отказа в работе, появления запаха, характерного для горелой изоляции, сильного стука, шума, искр, необходимо немедленно отключить изделие и обратиться в сервисный центр.

**ПРИМЕЧАНИЕ!**

Данное руководство не может учесть всех случаев, которые могут возникнуть в реальных условиях эксплуатации шуруповерта. Поэтому при работе изделием следует руководствоваться здравым смыслом, соблюдать предельное внимание и аккуратность.

5.1. ПОДГОТОВКА К РАБОТЕ

1. Перед началом работ осмотрите шуруповерт на предмет целостности, исправности и легкости хода подвижных частей изделия.
2. Заблокируйте клавишу “Вкл/Выкл”, установив переключатель направления вращения шпинделя в центральное положение.
3. Установите заряженную аккумуляторную батарею и убедитесь, что аккумулятор надежно зафиксирован в корпусе шуруповерта.
4. Вставьте биты, насадку или сверло в быстрозажимной патрон.
5. Затяните патрон.

ВНИМАНИЕ!

Следите за тем, чтобы размер биты соответствовал размерам шлицов крепежного материала.

ПРИМЕЧАНИЕ!

По возможности используйте винты, саморезы, дюбеля с крестообразным шлицем. Благодаря способности этих крепежных материалов к самоцентрированию обеспечивается более качественная работа.

6. Переключателем направления вращения установите нужное направление вращения шпинделя.
7. Включите шуруповерт, нажав клавишу “Вкл/Выкл” (нажимая клавишу с разным усилием, можно менять скорость вращения ротора электродвигателя).
8. В режиме холостого хода на протяжении 10 секунд оцените работоспособность изделия на предмет повышенной вибрации, посторонних шумов и прочих дефектов работы. Если дефекты в работе изделия не выявлены, эксплуатация изделия разрешается, в противном случае обратитесь в сервисный центр..

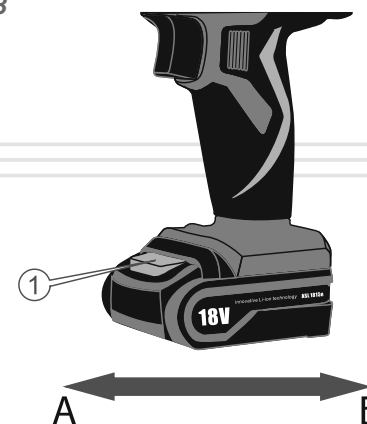
Блокировка вращения шпинделя

Чтобы предотвратить случайное включение электродвигателя шуруповерта и преждевременную разрядку аккумуляторной батареи, предусмотрена блокировка вращения шпинделя, которую рекомендуется использовать в случаях длительной паузы в работе, переносе изделия и т.д.

Блокировка включается путем установки переключателя направления вращения шпинделя в центральное положение.

Установка (снятие) аккумуляторной батареи

рисунки 3



Перед установкой или снятием аккумуляторной батареи всегда выключайте шуруповерт и устанавливайте кнопку переключателя направления вращения шпинделя в центральное положение (режим блокировки клавиши “Вкл/Выкл”).

Для подсоединения аккумуляторной батареи (1) к шуруповерту совместите выступы на аккумуляторе с пазами на корпусе изделия и с небольшим усилием подвиньте аккумулятор в направлении стрелки (Б) (см. рисунок 3) до появления характерного щелчка. Не рекомендуется прилагать чрезмерных усилий при установке аккумулятора. Если аккумуляторный блок подсоединяется с трудом, значит, либо действия по установке выполняются неправильно, либо в пазы корпуса попал посторонний предмет, например – стружка.

Чтобы снять аккумуляторную батарею слегка нажмите на кнопку фиксации батареи (1) и, не отпуская кнопку, с небольшим усилием потяните аккумулятор в направлении стрелки (А) (см. рисунок 3), чтобы вынуть его из корпуса шуруповерта.

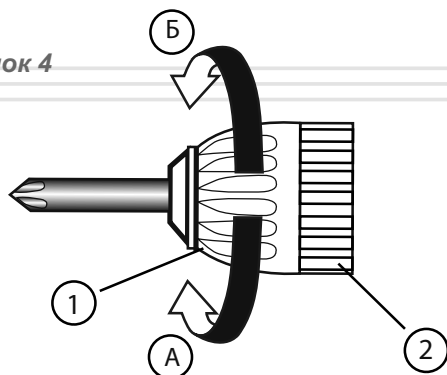
Установка и замена биты, насадки, сверла



ПРИМЕЧАНИЕ!

Чтобы исключить вращение шпинделя, при поворачивании муфты, удерживайте второй рукой корпус патрона (2) (см. рисунок 4).

рисунок 4



1. Заблокируйте клавишу “Вкл/Выкл”, установив переключатель направления вращения шпинделя в центральное положение.
2. Поверните от руки муфту (1) (см. рисунок 4) зажимного патрона против хода часовой стрелки (А), чтобы открыть зажимные кулачки, при необходимости отрегулируйте муфтой расстояние между кулачками в соответствии с диаметром хвостовика сверла или биты.
3. Вставьте биты, насадку, сверло до упора в зажимной патрон.
4. Поверните муфту зажимного патрона по ходу часовой стрелки (Б).
5. Убедитесь в надежности установки биты, насадки, сверла в зажимном патроне.

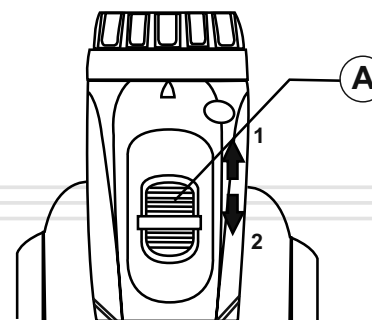
5.2. РАБОТА

Регулировка скорости вращения ротора электродвигателя

При помощи клавиши “Вкл/Выкл”, можно изменять скорость вращения ротора электродвигателя. Скорость вращения зависит от степени нажатия на клавишу: чем сильнее нажимать на клавишу, тем выше будет скорость вращения и наоборот.

Механическое переключение диапазонов скоростей

рисунок 5



А. Ползунок механического переключателя диапазонов скоростей.

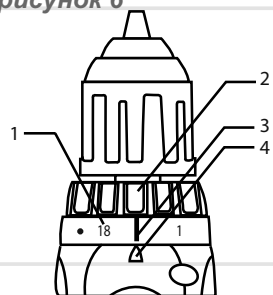
1. Высокая скорость.
2. Низкая скорость.

При помощи механического переключателя можно установить один из двух диапазонов скоростей работы редуктора шуруповерта. Переключение скоростей осуществляется путем перемещения ползунка механического переключателя (А) (см. рисунок 5) до упора в положение (1) (высокая скорость: 0-1350 об/мин), или до упора в положение (2) (низкая скорость: 0-350 об/мин).

На низкой скорости рекомендуется заворачивать крепежные изделия и сверлить отверстия большого диаметра в твердых материалах, а на второй скорости рекомендуется осуществлять быстрое серийное сверление небольших отверстий в мягком материале.

Регулировка крутящего момента

рисунок 6



1. Градуированная шкала.
2. Муфта-регулятор крутящего момента.
3. Отметка «сверло» на шкале.
4. Метка указателя.

Регулировка крутящего момента позволяет изменить силу затяжки крепежных изделий (шурупов, саморезов, дюбелей, винтов, гаек).

Крутящий момент затяжки можно регулировать путем поворота муфты-регулятора в пределах 18 позиций. Требуемый крутящий момент выбирается поворотом регулировочного кольца до совпадения нужного значения на шкале с меткой указателя на корпусе шуруповерта.

Крутящий момент затяжки будет минимален, если с меткой указателя совмещена цифра 1, и максимален, когда с меткой совмещена цифра 18.



ПРИМЕЧАНИЕ!

Величина крутящего момента зависит от вида и твердости обрабатываемого материала, наличия предварительно просверленного отверстия, длины используемых крепежных изделий, а также требований, предъявляемых к крепежным соединениям.

Оптимальный крутящий момент определяется опытным путем и корректируется по необходимости в процессе работы.

На шкале муфты-регулятора присутствует значок «сверло». Совместив метку указателя с данным значком, можно работать шуруповертом в режиме «сверление». При этом ограничения крутящего момента на шпинделе не будет.

ВНИМАНИЕ!

Регулировку крутящего момента следует проводить только при отключенном электродвигателе.

Изменение направления вращения шпинделя (реверс)

Для того чтобы шпиндель шуруповерта вращался в нужном направлении (режимы завинчивания и отвинчивания), необходимо переместить переключатель направления вращения до упора влево или вправо. При перемещении переключателя влево изделие работает в режиме завинчивания, при перемещении переключателя вправо – в режиме отвинчивания.



ОСТОРОЖНО!

Изменять направление вращения шпинделя можно только после полной остановки электродвигателя.

Подсветка

При нажатии на клавишу «Вкл/Выкл» (даже если клавиша «Вкл/Выкл» заблокирована) включается подсветка, благодаря чему обеспечивается дополнительное освещение рабочей области.

Правила сверления

При сверлении отверстий в древесине оптимальные результаты достигаются, если используется сверло по дереву, оснащенное направляющим наконечником. Наконечник облегчает процесс сверления, направляя сверло в обрабатываемом материале.

При сверлении отверстий в металле, во избежание проскальзывания сверла накерните просверливаемое место. Установите наконечник сверла в накерненную точку и просверлите отверстие. Во время сверления отверстий в металле можно использовать специальную смазочно-охлаждающую жидкость или просто воду. Исключением являются такие материалы, как латунь и чугун, которые обрабатываются всухую.

5.3. ЗАРЯДКА АККУМУЛЯТОРНОЙ БАТАРЕИ

Порядок зарядки аккумулятора:

1. Отсоедините аккумуляторную батарею от изделия.
2. Подключите зарядное устройство, входящее в комплект поставки изделия, к сети переменного тока напряжением 220 Вольт, 50 Герц.

3. Установите аккумуляторную батарею в шахту зарядного устройства.

4. По окончании зарядки извлеките аккумулятор из зарядного устройства и отсоедините сетевой шнур от источника электропитания.

Индикация показаний зарядки и комментарий к ним

- Красный индикатор отключен, зеленый индикатор включен: аккумулятор не подключен (отсутствует нагрузка на зарядное устройство).
- Красный индикатор включен, зеленый индикатор отключен: аккумулятор заряжается.
- Красный индикатор отключен, зеленый индикатор включен: аккумулятор полностью заряжен.



ПРИМЕЧАНИЕ!

Продолжительность зарядки аккумуляторной батареи составляет примерно 1 час.



ВНИМАНИЕ!

Запрещено использовать зарядные устройства от других изделий.

Если аккумулятор не заряжается:

1. Проверьте, имеется ли напряжение в электрической сети.
2. Проверьте клеммы аккумулятора и зарядного устройства, сетевые кабель и вилку на предмет повреждений.
3. Проверьте надежность закрепления аккумулятора в шахте зарядного устройства.
4. Если и после этого аккумулятор не заряжается, обратитесь в сервисный центр.



ОСТОРОЖНО!

Перед началом работ по техническому обслуживанию выключите электродвигатель изделия и отсоедините аккумуляторную батарею.

Комплекс работ по техническому обслуживанию шуруповерта включает:

- осмотр корпуса изделия, частей и деталей, аккумуляторной батареи и зарядного устройства на наличие механических и термических повреждений;
- очистку корпуса изделия, аккумулятора и зарядного устройства от грязи и пыли.

В случае обнаружения механических и термических повреждений изделия, необходимо обратиться в сервисный центр.

Очищать корпус необходимо мягкой салфеткой. Нельзя допускать попадания стружки, пыли и грязи в вентиляционные отверстия корпуса изделия. Если на корпусе присутствуют трудновыводимые пятна, удалите их при помощи мягкой салфетки, предварительно смоченной в мыльном растворе или специальном моющем средстве.

В процессе очистки шуруповерта не рекомендуется использовать абразивные материалы, различные растворители, маслосодержащие вещества, аммиачную воду, бензин, спирт, которые могут повредить корпус изделия.



ПРИМЕЧАНИЕ!

В случае возникновения трудностей при проведении технического обслуживания изделия следует обратиться за помощью в сервисный центр.



ПРИМЕЧАНИЕ!

Для транспортировки и хранения шуруповерта используйте кейс, входящий в комплект поставки изделия.

Транспортировка

Транспортировка шуруповерта допускается всеми видами транспорта, обеспечивающими сохранность изделия, в соответствии с общими правилами перевозок.

Не рекомендуется переносить изделие за зажимной патрон и аккумуляторную батарею. При смене рабочего места необходимо выключить шуруповерт и установить переключатель реверса в центральное положение (блокировка клавиши «Вкл/Выкл»).

При транспортировке изделия на большие расстояния необходимо отсоединять аккумуляторную батарею.

Хранение

Хранение изделия рекомендуется в проветриваемом помещении при температуре от -15°C до $+55^{\circ}\text{C}$ и относительной влажности воздуха не более 90%.

При подготовке изделия к хранению:

1. Отсоедините аккумуляторную батарею.
2. Удалите пыль, грязь с внешней части корпуса шуруповерта, аккумуляторной батареи и зарядного устройства.
3. Смажьте тонким слоем машинного масла все внешние металлические части изделия.
4. Уложите шуруповерт, аккумуляторную батарею и зарядное устройство в кейс.

ВНИМАНИЕ!

Хранить изделие в одном помещении с горючими веществами, кислотами, щелочами, минеральными удобрениями и другими агрессивными веществами запрещается.

ОПИСАНИЕ НЕИСПРАВНОСТИ	Возможная причина	Пути устранения
Электродвигатель при нажатии на клавишу «Вкл/Выкл» не вращается	Аккумуляторная батарея разряжена/неисправна	Зарядите/замените аккумуляторную батарею
	Отсутствует электрический контакт на линии подачи электропитания	Восстановите контакт или обратитесь в сервисный центр
	Неисправен электродвигатель, клавиша «Вкл/Выкл»	Обратитесь в сервисный центр
	Заблокирована клавиша «Вкл/Выкл»	Переместите переключатель направления вращения шпинделя до упора влево или вправо
Электродвигатель сильно искрит	Повреждена обмотка электродвигателя, изношены угольные щетки	Обратитесь в сервисный центр
Мощности электродвигателя недостаточно, при работе слышен свист (скрип)	Аккумулятор разряжен	Зарядите аккумулятор
	Чрезмерное давление на изделие в процессе работы	Снизьте давление
	Неисправна муфта-регулятор крутящего момента	Обратитесь в сервисный центр
	Изношены бита, насадка, сверло	Замените
Радиальное биение зажимного патрона	Ослаблена затяжка патрона	Затяните
Не переключается реверс	Неисправен переключатель реверса	Обратитесь в сервисный центр
Не регулируются обороты электродвигателя	Неисправна клавиша «Вкл/Выкл»	Обратитесь в сервисный центр

Гарантийный срок эксплуатации шуруповертов “Vitals Professional” **AUpo 10/2nli, AUpo 14/2nli, AUpo 18/2nli** составляет 1 (один) год с указанной в гарантийном талоне даты розничной продажи.

В течение гарантийного срока неисправные детали и узлы будут заменяться при условии соблюдения всех требований руководства и отсутствии повреждений, связанных с неправильной эксплуатацией, хранением и транспортировкой изделия. По вопросам гарантийного обслуживания обращайтесь в уполномоченный сервисный центр.

Потребитель имеет право на бесплатное гарантийное устранение неисправностей, выявленных и предъявленных в период гарантийного срока и обусловленных производственными и конструктивными факторами.

Гарантийное устранение неисправностей производится путем ремонта или замены неисправных частей изделия в сертифицированных сервисных центрах. В связи со сложностью конструкции ремонт может длиться более двух недель. Причину возникновения неисправностей и сроки их устранения определяют специалисты сервисного центра.

**ПРИМЕЧАНИЕ!**

Изделие принимается на гарантийное обслуживание только в полной комплектации, тщательно очищенное от грязи и пыли.

Гарантийные обязательства утрачивают свою силу в следующих случаях:

- Отсутствие или нечитаемость гарантийного талона.
- Неправильное заполнение гарантийного талона, отсутствие в нем даты продажи или печати (штампа) и подписи продавца, серийного номера изделия.
- Наличие исправлений или подчисток в гарантийном талоне.
- Полное или частичное отсутствие, нечитаемость серийного номера на изделие, несоответствие серийного номера изделия номеру, указанному в гарантийном талоне.

ОПИСАНИЕ НЕИСПРАВНОСТИ	Возможная причина	Пути устранения
После отключения изделия электродвигатель продолжает вращаться	Неисправна клавиша «Вкл/Выкл»	Обратитесь в сервисный центр
Электродвигатель включается на доли секунды и «клинит»	Повреждены или изношены шестерни редуктора	Обратитесь в сервисный центр
Невозможно переключить диапазон скоростей	Неисправен механический переключатель скорости	Обратитесь в сервисный центр
Корпус изделия сильно нагревается	Большая нагрузка на электродвигатель	Снизьте нагрузку (выключите до полного остывания)
	Недостаточное количество смазки в редукторе	Обратитесь в сервисный центр
	Электродвигатель неисправен	Обратитесь в сервисный центр
Аккумулятор не заряжается	Отключено зарядное устройство	Включите
	Отсутствует электрический контакт между аккумулятором и зарядным устройством	Восстановите контакт или обратитесь в сервисный центр
	Неисправно зарядное устройство	Обратитесь в сервисный центр
	Неисправен аккумулятор	Замените

- Несоблюдение правил эксплуатации, приведенных в данном руководстве, в том числе нарушение регламента технического обслуживания. Эксплуатация неисправного или некомплектного изделия, ставшая причиной выхода его из строя.
- Попадание внутрь изделия посторонних веществ или предметов.
- Изделие имеет значительные механические или термические повреждения, явные следы небрежной эксплуатации, хранения или транспортировки.
- Изделие использовалось не по назначению.
- Производились несанкционированный ремонт, вскрытие либо попытка модернизации изделия потребителем или третьими лицами.
- Неисправность произошла в результате стихийного бедствия (пожар, наводнение, ураган и т. п.).

Замененные по гарантии детали и узлы переходят в распоряжение сервисного центра.

При выполнении гарантийного ремонта гарантийный срок увеличивается на время пребывания изделия в ремонте. Отсчет добавленного срока начинается с даты приемки изделия в гарантийный ремонт.

В случае если по техническим причинам ремонт изделия невозможен, сервисный центр выдает соответствующий акт, на основании которого пользователь самостоятельно решает вопрос с организацией-поставщиком о замене изделия или возврате денег.

После окончания гарантийного срока сервисные центры продолжают осуществлять обслуживание и ремонт изделия, но уже за счет потребителя.

Гарантийные обязательства не распространяются на неисправности, возникшие вследствие естественного износа или перегрузки изделия.

Гарантийные обязательства не распространяются на комплектующие.

Гарантийные обязательства не распространяются на неполноту комплектации изделия, которая могла быть обнаружена при его продаже. Все расходы на транспортировку изделия несет потребитель.

Гарантийные обязательства не распространяются на неполноту комплектации изделия, которая могла быть обнаружена при его продаже. Все расходы на транспортировку изделия несет потребитель.

Право на гарантийный ремонт не является основанием для других претензий.



ГАРАНТІЙНИЙ ТАЛОН

Купуючи виріб, вимагайте перевірки його справності, комплектності і відсутності механічних пошкоджень, наявності відмітки дати продажу, штампа магазину та підпису продавця. Після продажу претензії щодо некомплектності і механічних пошкоджень не приймаються.

Виріб	
Модель	
Серійний номер	
Торговельна організація	
Адреса торговельної організації	
Вироб перевірів і продав	
Дата продажу	
Печатка або штамп торговельної організації	

Претензій до зовнішнього вигляду, справності та комплектності виробу не маю. З правилами користування та гарантійними умовами ознайомлений.

(Підпис покупця)



Виріб		
Модель		
Серійний номер		
Вилучено (дата):	Торговельна організація	
	Дата продажу	
Видано (дата):		
Майстер (ПІП та підпис)	Печатка або штамп сервісного центру	Печатка або штамп торговельної організації



Виріб		
Модель		
Серійний номер		
Вилучено (дата):	Торговельна організація	
	Дата продажу	
Видано (дата):		
Майстер (ПІП та підпис)	Печатка або штамп сервісного центру	Печатка або штамп торговельної організації



Виріб		
Модель		
Серійний номер		
Вилучено (дата):	Торговельна організація	
	Дата продажу	
Видано (дата):		
Майстер (ПІП та підпис)	Печатка або штамп сервісного центру	Печатка або штамп торговельної організації

ВІДРИВНИЙ ТАЛОН

ВІДРИВНИЙ ТАЛОН

ВІДРИВНИЙ ТАЛОН

ФОРМУЛЯР ГАРАНТІЙНИХ РОБІТ

Вироб після гарантійного ремонту отримав у робочому стані, без дефектів. Претензій не маю.

<input type="text"/>	<input type="text"/>	<input type="text"/>
Дата	П.І.П. покупця	Підпис покупця

Вироб після гарантійного ремонту отримав у робочому стані, без дефектів. Претензій не маю.

<input type="text"/>	<input type="text"/>	<input type="text"/>
Дата	П.І.П. покупця	Підпис покупця

Вироб після гарантійного ремонту отримав у робочому стані, без дефектів. Претензій не маю.

<input type="text"/>	<input type="text"/>	<input type="text"/>
Дата	П.І.П. покупця	Підпис покупця

№	Дата проведення ремонту		Опис ремонтних робіт та заміненних деталей	Прізвище майстра та печатка сервісного центру
	Початок	Закінчення		
<input type="text"/>	<input type="text"/>	<input type="text"/>		
<input type="text"/>	<input type="text"/>	<input type="text"/>		
<input type="text"/>	<input type="text"/>	<input type="text"/>		
<input type="text"/>	<input type="text"/>	<input type="text"/>		
<input type="text"/>	<input type="text"/>	<input type="text"/>		

ОФИЦИАЛЬНЫЙ ДИЛЕР В УКРАИНЕ:

storgom.ua

ГРАФИК РАБОТЫ:

Пн. – Пт.: с 8:30 по 18:30

Сб.: с 09:00 по 16:00

Вс.: с 10:00 по 16:00

КОНТАКТЫ:

+38 (044) 360-46-77

+38 (066) 77-395-77

+38 (097) 77-236-77

+38 (093) 360-46-77

Детальное описание товара: <https://storgom.ua/product/shurupovert-vitals-aupo-18-2nli.html>

Другие товары: <https://storgom.ua/akkumulyatornyye-shurupoverty.html>