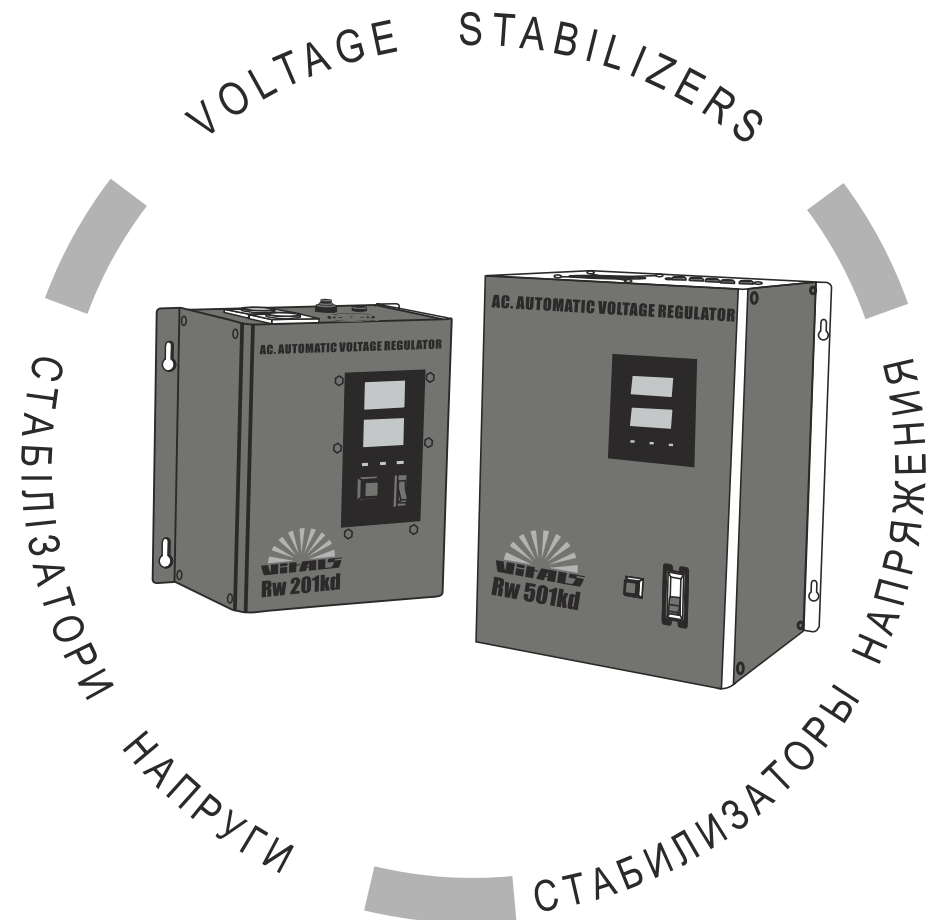


VITALS

MANUAL FOR TECHNICAL USE
КЕРІВНИЦТВО З ЕКСПЛУАТАЦІЇ
РУКОВОДСТВО ПО ЭКСПЛУАТАЦИИ



WWW.VITALS.COM.UA



MODELS	МОДЕЛІ	МОДЕЛИ	МОДЕЛИ
Rw 201kd	Rw 501kd	Rw 801kd	Rw 1002kd

CONTENTS

ENGLISH

1. General description
2. Technical data
3. Safety requirements
4. Operating
5. Maintenance, transportation and storage
6. Warranty

6
8
9
11
15
16

ЗМІСТ

УКРАЇНСЬКА

1. Загальний опис
2. Технічні характеристики
3. Вимоги безпеки
4. Експлуатація
5. Технічне обслуговування, транспортування та зберігання
6. Гарантійні зобов'язання

20
22
23
25
29
30

СОДЕРЖАНИЕ

РУССКИЙ

1. Общее описание
2. Технические характеристики
3. Требования безопасности
4. Эксплуатация
5. Техническое обслуживание, транспортировка и хранение
6. Гарантийные обязательства

34
36
37
39
43
44

DEAR CUSTOMER!

Thank you for buying the “Vitals” devices. They are designed and manufactured according to the latest technologies, so that the full compliance with modern quality standards ISO 9001 can be ensured.

The products of TM “Vitals” are made with modern technologies, that are providing reliable safe for a long time if exploitation rules and safety requirements were honoured.

The Automatic single-phase voltage stabilizers of relay type, models Rw 201kd, Rw 501kd, Rw 801kd and Rw 1002kd TM “Vitals” are by their construction and exploitation characteristics are corresponding such standards of Ukraine:

DSTU IEC 60335-1:2004, DSTU EN 61000-3-2:2004;
DSTU EN 61000-3-3:2004;
DSTU CISPR 14-1:2004, DSTU CISPR 14-2:2007.

This manual contains all the information about proper operation, maintenance and adjustments of the device, it also describes safety precautions, which are vital if you work with the device.

Read this manual attentively before using this device. Please provide other customers with this guidance to read before they start working with the device. Reliability and durability of the device is ensured not only by the quality of its production, but also by correct use of modes and service conditions.

Fulfill all the requirements written in this manual, it's a mandatory and necessary condition for safe operation of the device.

However, it's clear that this manual does not describe every situation which can occur while using the device. If you have a situation, which wasn't described in this manual, or if you need more information, contact the nearest “Vitals” service center.

Keep this manual, you can reread it if you have some questions about operation, storage, and transportation of the device.

“Vitals” continue to work on the improvement of its devices, that's why the company reserves the right to make slight changes, which don't affect the basic principles of operation, design and equipment of the device, the contents of this manual also can't be changed without the consumers knowing. All possible changes can be made only in order to improve and modernize the device.

KEY WORDS MEANING



WARNING!

Means potentially dangerous situations, which are to be avoided, otherwise can appear a danger for health or life.



ATTENTION!

Means potentially dangerous situations, which can lead to light injuries or damage of the product.



NOTE!

Marks important additional information.

GENERAL DESCRIPTION

The Automatic single-phase voltage stabilizers of relay type, models **Rw 201kd**, **Rw 501kd**, **Rw 801kd** and **Rw 1002kd** are designed in order to maintain a stable volt power supply. It helps to provide power quality and to protect various household appliances (computers, TVs, refrigerators, washing machines, automatic boilers, etc.) from high and low voltage, also it's used to avoid various noises and voltage spikes.

These models of stabilizers are designed for household use only, you can use it in apartments, houses and country houses.

Stabilizers provide:

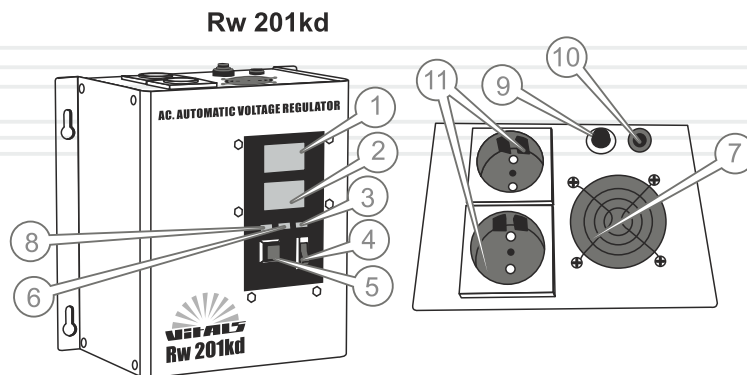
- full protection of electrical and electronic equipment for household and industrial use from a sudden voltage spikes;
- stable power supply for devices in cases of under or over-voltage power supply.
- the failure-free operation and proper work of electric equipment when the voltage supply is unstable.
- continuous input and output voltage grading;
- filtering of circuit interference and lack of distortion;
- automatic maintenance of the output voltage, the accuracy is high.

The set consists of: a stabilizer assembly, an instruction manual and a package.

Particular models: installation on the wal

To see the control and monitoring parts of a stabilizer, look at the figures 1, 2.

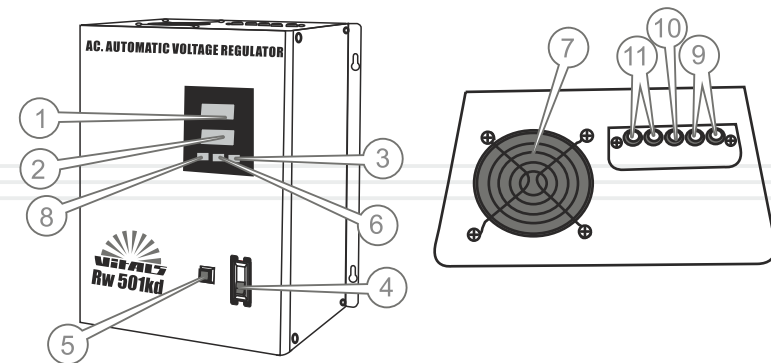
figure 1



1. Output digital voltmeter.
2. Input digital voltmeter.
3. LED of emergency shutdown «Unusual».
4. Power switch (on/off).
5. The «Delay/Undelay» button (180/6 sec).
6. LED of delay «Delaying».
7. Vents grille.
8. LED of power «Working».
9. Circuit breaker 8 A.
10. Input AC power cord 220 V.
11. Power outlets 220 V.

figure 2

Rw 501kd, Rw 801kd, Rw 1002kd*



1. Output digital voltmeter.
2. Input digital voltmeter.
3. LED of emergency shutdown «Unusual».
4. Power switch (on/off).
5. The «Delay/Undelay» button (180/6 sec).
6. LED of delay «Delaying».
7. Vents grille.
8. LED of power «Working».
9. Circuit breaker 8 A.
10. Input AC power cord 220 V.
11. Power outlets 220 V.

*Appearance and placing of control elements in models Rw 501kd, Rw 801kd, Rw 1002kd are similar.

2

TECHNICAL DATA

ENGLISH

MODEL		Rw 201kd	Rw 501kd	Rw 801kd	Rw 1002kd
Automatic voltage stabilizer	Input voltage, V	100-260			
	Output voltage, V	220±10%			
	Power, VA	2000	5000	8000	10000
	Efficiency, %	98			
	Operating temperature, °C	0-40			
	High voltage protection	+	+	+	+
	Low voltage protection	+	+	+	+
	Short circuit	+	+	+	+
	Overload protection	+	+	+	+
	Breaker	+	+	+	+
	Indication	Led-display			
	Dimensions, mm	187x285x230	230x370x290	440x340x270	440x340x270
Weight net, kg	4,88	8,8	17,2	19,4	



If you have any difficulties while choosing the power of a voltage regulator, contact a certified dealer of "VITALS".

8

3

SAFETY REQUIREMENTS

ENGLISH

Read the operational manual attentively before using a voltage regulator.

Before connecting a voltage regulator, inspect its exterior parts and make sure that:

- a voltage regulator hasn't any visible damages;
- the power supply fits the technical characteristics of the device;
- a voltage regulator is switched off: the network connection and disconnection can be made only when a voltage regulator is switched off;
- the connection plug of a voltage regulator fits a socket;
- the power cord and a plug are not damaged.

If you found any damage, contact your "VITALS" service centre or a qualified electrician.

**ATTENTION!**

A voltage regulator can be connected to a single-phase standard power outlet 2P + T only, which has grounding.

Don't use this model of a voltage regulator for commercial or industrial application.

**WARNING!**

It is strictly forbidden to connect a load which exceeds the allowed maximum to a voltage regulator, you can set fire!

**WARNING!**

When connecting a voltage regulator, follow general and specific safety requirements written for working with wiring.

9

ATTENTION!

Use a voltage regulator only for the purpose intended

Use a voltage regulator only with the grounding .

It's forbidden to use a voltage regulator in places with high humidity, in explosible buildings and in chemically active media, which can destroy metals and isolation.

It's forbidden to dismantle a voltage regulator and operate it with the removed housing.

It's forbidden to close the vents when a voltage regulator is switched on

To extend the life of the stabilizer keep it clean. Unplug a voltage regulator when you need to clean it. Don't allow water to damage a voltage regulator. Keep it away from water and dampness.

When you switch the device off and when you don't use it for a long time, disconnect the power cord from the outlet.

Keep a voltage regulator in a dry and airy place far from children.

WARNING!

Do not cover a voltage regulator with towels, blankets or covers. All above mentioned can reduce the efficiency of the ventilation system, it can cause overheating and disconnection of a voltage regulator.

Carefully remove the stabilizer from the packaging. Remove the foam seals and remove the plastic cover. Packaging save for its further use in the case of long-term storage.

Install the stabilizer on a wall.

Connect AC power cord to the "Input".

Connect the AC power cord of the stabilizer to the power outlet.

Turn on the stabilizer, by moving the power switch in the "ON" position, the indicator will light up "WORKING" and input voltmeter shows the voltage in the mains power supply (voltmeter shows the countdown of the delay time). After the end of the delay time of 6 or 180 seconds, the output voltmeter should display the value of the output voltage of 220 V. During the time of a delay indicator delay "DELAYING" flashing after you connect the output of the voltage - off.

Turn off stabilizer, translating the input breaker in "OFF" position. Connect the load to one of the output electrical outlets stabilizer. (only model Rw 201 kd). Connect the load to "Output" stabilizer (only models Rw 501kd, Rw 801kd, Rw 1002kd).

WARNING!

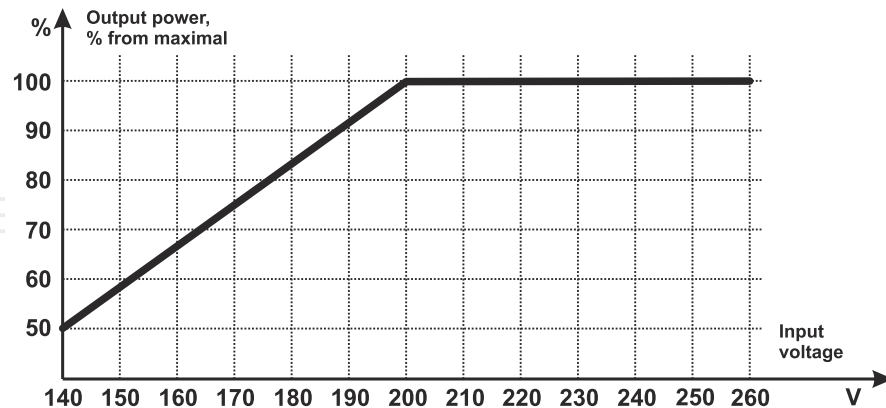
Before connecting consumers to the stabiliser make sure in their intact!

Turn on the stabilizer. The led inclusion in the key input switch in conjunction with the индицируемым value of the output voltage of 220 V indicating normal operation of the stabilizer.

**WARNING!**

Choosing load it is necessary to remember, that at reduction of the input voltage increases input current, respectively maximum-owned power output of the regulator. The schedule of dependence of admissible output power vs. input voltage is shown in the Fig. 3. It is necessary to strictly adhere to this dependence.

figure 3

**ATTENTION!**

In determining the actual load on the regulator should take into account the influence of reactive component by power consumers and values starting currents.

In determining the load stabilizer should take into account the total power consumption of all the consumers, connected to the stabiliser. Full power is the power consumption of electricity internally, it consists of active and reactive components. In the characteristics of instruments of active power is always stated in watts (W), full - in volt-amperes (VA). Full power (VA) active power (W) connected by a factor of $\cos \varphi$, which is also indicated in the characteristics of the consumers.

For consumers, that convert electricity into heat and light (incandescent lamps, heaters, cookers, irons, etc.), reactive component of the no. Reactive component is among consumers, which includes electric or induction coil (vacuum cleaners, refrigerators, electric meat grinder, kitchen combines, an electric drill, elektrorubanki, polishers, pumps, etc.). In this case, for the calculation of the full capacity of the need to value rated power divided into $\cos \varphi$. For example, if the nameplate capacity of the drill is 600 W, and the value of $\cos \varphi$ for her - 0,8, the full power drill will be $600/0,8=750$ W.

Besides it is necessary to take into account that many of the devices, for example - refrigerators, at the moment of start consuming significantly more power than in normal mode. In such cases, the value of the inrush current must also be specified in the instructions to the unit. Therefore, in cases when the load is the electric motor, which is the main consumer of this device (for example, submersible pump, fridge), to avoid overloading the stabilizer at the moment of switching on the device, you must have a three-time power reserve.

Proceeding from the above, it is recommended to load stabilizer with 20-25% of the stock from its maximum power: ensuring the "lenient" regime of work of the stabilizer can significantly increase its service life.

In the design of the stabilizer provides several types of protection of consumers of electric current: from a low voltage, high voltage, overload, and also provides an opportunity of choice functions on delay for 180 or 6 seconds.

In the case when the input voltage will be less than 100 or more than 260 volts, stabilizer performs automatic disconnection of consumers from the network. The luminous indicator «UNUSUAL» means that the input voltage is too low or too high and consumer is disconnected from the power supply.

At the return of the input voltage in the scope of permissible values of the stabilizer, after a delay in 180 or 6 seconds, connects consumers to the power supply network.

The duration of the delay is selected click the «Delay/Undelay». When you click on this button switches between modes «180-seconds delay» and «6-seconds delay».

In normal operation the display output voltmeter displays the output voltage of 220 V and the indicator «WORKING».



ATTENTION!

In case of full or partial release of stabilization congestion of the failure of the need to immediately cease its operation and ask for repair service center TM "Vitals".

In the design of a stabilizer, applying the most modern electronic components and used the latest technologies, thanks to which the regulator does not require regular servicing other than cleaning.

Before cleaning, disconnect the stabilizer from the electrical outlet and allow it to cool down.

With the help of vacuum cleaner to remove the dust from vents holes. Wipe the stabilizer the outside with a damp soft cloth. Do not use when cleaning sharp objects, to avoid damaging the protective coating. Do not use organic solvents, corrosive, chemical or abrasive substances.

The stabilizer is a rugged housing, ensuring reliable protection of electronic components. At the same time it is complicated electrical device that requires careful handling during transportation and appropriate storage conditions.

Stabilizers can be transported by all types of closed transport in accordance with the General rules of transportation. Available transportation conditions: ambient air temperature from -15 °C to +45 °C, relative air humidity up to 90%.

During transportation and handling package with preservative should not be subjected to sudden shocks and the impact of atmospheric precipitation. Distribution and securing of the shipping container Packed with stabilizer in vehicles should ensure a stable position and the lack of opportunities to move it during transportation.

If the stabilizer is not used for a long time, it must be kept in a dry ventilated room at temperatures from -15 °C to +45 °C and relative humidity not more than 90%, concealing from getting inside the dust and small debris. The presence in the air vapors of acids, alkalis and other aggressive admixtures not allowed.

If the unit has been stored at subzero temperature before using it should withstand temperatures from +5 °C to +40 °C for two hours to remove the possible condensate.

Warranty period of operation of automatic stabilizers of voltage models **Rw 201kd, Rs 501kd , Rw 801kd and Rw 1002kd** is 1 (one) year of the warranty date of retail sale.

The consumer has the right to free of charge warranty Troubleshooting identified and presented in the period of the warranty period and due to the production and structural factors.

Warranty Troubleshooting is made by means of repair or replacement of defective parts in certificated-skilled service centers. In connection with the complexity of the design, repair can last for longer than two weeks. The cause of the fault and terms of their elimination determine the specialists of the service center.

**WARNING!**

The product is accepted for warranty service only in the full scope, thoroughly cleaned from dust and dirt.

The warranty expire in the following cases:

- The absence or not readable the warranty coupon.
- Incorrect filling of the guarantee coupon, the absence in it of the date of sale or print (stamp and signature of the seller, the serial number of the product.
- The presence of corrections or erasures in the warranty card.
- Full or partial absence, not readable serial number on the product, the discrepancy serial number of the product number listed in the warranty card.
- Non-observance of rules the operation, listed in this manual, including the violation of the rules of technical maintenance.

- Operation of faulty or incomplete products, which became the cause product malfunction.
- Hit inside of a product of extraneous substances or objects.
- The reason of arising fault was the problems with electric power consumers connected to the stabiliser.
- The product has significant mechanical or thermal damage, some traces of the negligent operation, storage or transport.
- The product was used not for the designated purpose.
- Produced unauthorized repair, the opening of, or an attempt to modernize the consumer or the third parties.
- A fault occurred as a result of natural disasters (fire, flood, hurricane, etc.).

Replaced under warranty parts and units are transferred to the service center.

When performing a repair under warranty the warranty period may-the time of stay of the product in the repair. Countdown add period begins on the date of acceptance of the product during the warranty repair.

In a case if, for technical reasons, repair of the product is not possible, the service centre shall issue the act, on the basis of which the user resolves the issue with the supplier for replacement or refund.

After the end of the warranty period service centers continue to carry out the maintenance and repair of a product, but already at the expense of consumers.

Warranty coverage does not apply to defects arising as a result of natural wear or overload of the product.

Warranty coverage does not apply to the incompleteness of bundling of products, which could be discovered in case of its sale. All expenses for transportation of products of the consumer.

The right on warranty repair is not a basis for other claims.

ШАНОВНИЙ КОРИСТУВАЧІ!

Ми висловлюємо Вам свою вдячність за вибір продукції ТМ «Vitals». Вироби цієї марки розроблені та виготовлені за новітніми технологіями, що забезпечує повну відповідність сучасним стандартам якості ISO 9001.

Продукція ТМ «Vitals» виготовлена за сучасними технологіями, що забезпечують її надійну роботу протягом довгого часу за умови дотримання правил експлуатації і заходів безпеки.

Автоматичні однофазові стабілізатори напруги релейного типу моделей Rw 201kd, Rw 501kd, Rw 801kd та Rw 1002kd ТМ «Vitals» за своєю конструкцією та експлуатаційними характеристиками відповідає вимогам норматив-них документів України, а саме:
 ДСТУ ІЕС 60335-1:2004, ДСТУ EN 61000-3-2:2004;
 ДСТУ EN 61000-3-3:2004;
 ДСТУ CISPR 14-1:2004, ДСТУ CISPR 14-2:2007.

Дана інструкція містить всю інформацію про виріб, необхідну для його правильного використання, обслуговування і регулювання, а також про необхідні заходи безпеки під час роботи з виробом.

Уважно прочитайте дану інструкцію перед тим як використовувати виріб. Будь ласка, надайте її іншим користувачам для ознайомлення, перш ніж вони почнуть працювати з виробом. Надійність і довгостроковість роботи виробу забезпечується не тільки якістю виготовлення, але і правильним дотриманням режимів і умов експлуатації.

Виконання всіх вимог, викладених у цьому посібнику, є обов'язковою і необхідною умовою безпечної експлуатації виробу.

Проте слід розуміти, що керівництво не описує абсолютно всі можливі ситуації при застосуванні виробу. У разі виникнення ситуацій, не описаних у цьому посібнику, або при необхідності отримання додаткової інформації, звертайтеся в найближчий сервісний центр ТМ «Vitals».

Зберігайте посібник та звертайтеся до нього в разі виникнення питань щодо експлуатації, зберігання та транспортування виробу.

ТМ «Vitals» постійно працює над вдосконаленням своєї продукції і, у зв'язку з цим, залишає за собою право внісення змін, що не стосуються основних принципів управління, зовнішнього вигляду, конструкції і оснащення виробів, а також змісту даного керівництва без повідомлення споживачів. Всі можливі зміни будуть спрямовані тільки на поліпшення і модернізацію виробу.

ЗНАЧЕННЯ КЛЮЧОВИХ СЛІВ



ОБЕРЕЖНО!

Означає потенційно небезпечні ситуації, яких слід уникати, в іншому випадку можуть опинитися під загрозою життя або здоров'я.



УВАГА!

Означає потенційно небезпечні ситуації, які можуть призвести до легких травм або псування виробу.



ПРИМІТКА!

Позначає важливу додаткову інформацію.

Автоматичні однофазові стабілізатори напруги релейного типу моделей **Rw 201kd**, **Rw 501kd**, **Rw 801kd** та **Rw 1002kd** призначені для підтримки стабільно заданого рівня напруги мережі електроживлення з метою забезпечення якісного електроживлення та захисту різного побутового обладнання (комп'ютерів, телевізорів, холодильників, пральних машин, автоматики опалювальних котлів і т.п.) від підвищеної і низької напруги, а також для захисту від різних перешкод і різких стрибків напруги, які можуть статися в мережі.

Дані моделі стабілізаторів розроблені виключно для побутових цілей і призначені для використання в житлових приміщеннях - квартирах, будинках, дачах.

Стабілізатори функціонально забезпечують:

- захист електроприладів та електрообладнання побутового і промислового призначення від раптової зміни напруги електромережі;
- стабільне електроживлення обладнання в умовах тривалої за часом високої або низької напруги електромережі;
- можливість безвідмовної і правильної роботи електрообладнання в умовах нестабільної напруги електромережі;
- безперервний контроль напруги на вході та виході;
- автоматичне підтримання вихідної напруги з високою точністю.

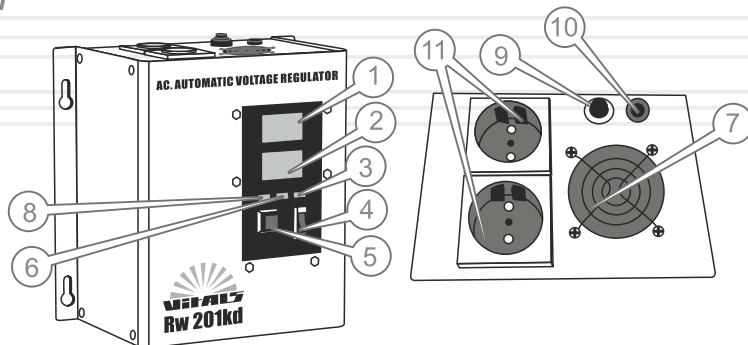
В комплект поставки стабілізатора входять: стабілізатор в зборі, керівництво з експлуатації, упаковка.

Особливістю даних моделей є те, що вони закріплюються на стіні.

Органи управління стабілізатором та контролю за його роботою показано на малюнках 1,2.

малюнок 1

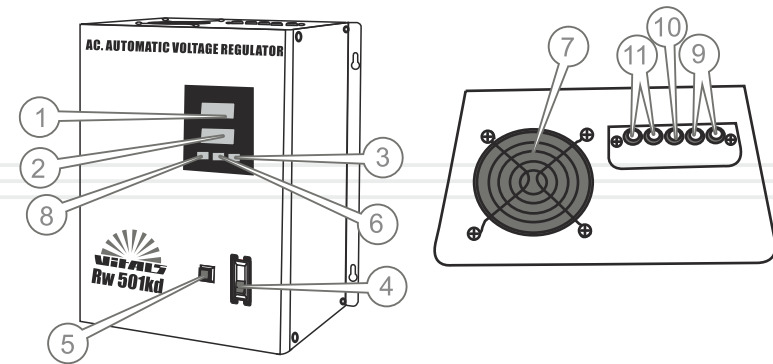
Rw 201kd



1. Цифровий вольтметр вхідної напруги.
2. Цифровий вольтметр вихідної напруги.
3. Світлодіодний індикатор аварійного відключення.
4. Мережевий вимикач (Вкл./Викл.).
5. Кнопка вмикання/вимикання затримки «180/6 сек».
6. Світлодіодний індикатор затримки.
7. Вентиляційна решітка.
8. Світлодіодний індикатор стану мережі.
9. Автоматичний запобіжник 8 А.
10. Роз'єм вхідної напруги 220 В.
11. Електророзетки вихідної напруги 220 В.

малюнок 2

Rw 501kd, Rw 801kd, Rw 1002kd*



1. Цифровий вольтметр вхідної напруги.
2. Цифровий вольтметр вихідної напруги.
3. Світлодіодний індикатор аварійного відключення.
4. Автоматичний мережевий вимикач (Вкл./Викл.).
5. Кнопка вмикання/вимикання затримки «180/6 сек».
6. Світлодіодний індикатор затримки.
7. Вентиляційна решітка.
8. Світлодіодний індикатор стану мережі.
9. Роз'єм вхідної напруги 220 В.
10. Роз'єм «земля».
11. Роз'єм вихідної напруги 220 В.

*Зовнішній вигляд та розташування елементів управління моделей **Rw 501kd**, **Rw 801kd**, **Rw 1002kd** – ідентичні.

МОДЕЛЬ		Rw 201kd	Rw 501kd	Rw 801kd	Rw 1002kd
Автоматичний стабілізатор напруги	Рівень вхідної напруги, В	100-260			
	Рівень вихідної напруги, В	220±10%			
	Потужність, ВА	2000	5000	8000	10000
	Коефіцієнт корисної дії, %	98			
	Робоча температура, °С	0-40			
	Захист від високої напруги	+	+	+	+
	Захист від низької напруги	+	+	+	+
	Захист від короткого замикання	+	+	+	+
	Захист від перевантаження	+	+	+	+
	Автоматичний запобіжник	+	+	+	+
	Індикація	Led-дисплей			
	Габаритні розміри, мм	187x285x230	230x370x290	440x340x270	440x340x270
Вага нетто, кг	4,88	8,8	17,2	19,4	



При виникненні труднощів щодо вибору потужності стабілізатора звертайтеся до сертифікованих дилерів ТМ "VITALS".

Перед початком експлуатації уважно ознайомтеся з даним керівництвом.

Перед ввімкненням стабілізатора в мережу проведіть зовнішній огляд і переконайтеся в тому, що:

- стабілізатор не має явних пошкоджень;
- напруга електромережі відповідає технічним даним виробу;
- стабілізатор знаходиться у вимкненому стані: підключення до мережі і відключення від неї відбувається тільки коли стабілізатор вимкнений;
- вилка підключення стабілізатора до електромережі відповідає штепсельній розетці;
- шнур електроживлення і вилка не пошкоджені.

У разі виявлення несправності зверніться у сервісний центр ТМ "VITALS" або до кваліфікованого фахівця-електрика.

УВАГА!



Підключати стабілізатор можна тільки до однофазної електророзетки стандарту 2P+T, що має заземлення.

Не використовуйте дані моделі стабілізаторів для виконання промислових або виробничих завдань.

ОБЕРЕЖНО!



Категорично забороняється підключати до стабілізатора навантаження, що перевищує максимально допустиме, так як це може призвести до займання!

ОБЕРЕЖНО!



При підключенні стабілізатора необхідно суворо дотримуватися загальних та спеціальних вимог техніки безпеки для роботи з електропроводкою.

**УВАГА!**

Забороняється використовувати стабілізатор не за призначенням.

Забороняється використовувати стабілізатор без заземлення.

Забороняється використовувати стабілізатор у приміщеннях з підвищеною вологістю, у вибухонебезпечних приміщеннях і в приміщеннях з хімічно активною середовищем, що руйнує метали та ізоляцію.

Забороняється самостійно розбирати стабілізатор і експлуатувати його зі знятим корпусом.

Забороняється закривати вентиляційні отвори при роботі стабілізатора.

Для збільшення терміну служби стабілізатора тримайте його в чистоті. Під час проведення очищення від'єднуйте шнур живлення від електророзетки. Не допускайте попадання води всередину стабілізатора. Захищайте виріб від дощу і вологи.

По закінченні роботи і при тривалих перервах у роботі від'єднуйте шнур живлення від електророзетки.

Зберігайте стабілізатор в сухому добре провітрюваному приміщенні, в недоступному для дітей місці.

**ОБЕРЕЖНО!**

Не накривайте стабілізатор під час роботи серветками, чохлами або кожухами, не ставте його близько до стіни або інших приладів, так як може різко погіршитися ефективність системи вентиляції, що призведе до перегріву і відключення стабілізатора.

Акуратно вийміть стабілізатор з упаковки. Видаліть пінопластові ущільнювачі і зніміть поліетиленовий чохол. Упаковку збережіть для її подальшого використання у випадку тривалого зберігання.

Надійно закріпіть стабілізатор на стіні.

Приєднайте до роз'єму вхідної напруги 220 В мережевий кабель із силовою вилкою. Підключіть мережевий кабель стабілізатора до розетки електроживлення.

Вімкніть стабілізатор, перевівши мережевий вимикач у положення «Вкл.», при цьому почне світитися індикатор стану мережі, і вольтметр вхідної напруги відобразить напругу в мережі електроживлення (показується зворотний відлік часу затримки). Після закінчення затримки включення на 6 або 180 секунд, вольтметр вихідної напруги повинен відобразити значення вихідної напруги 220 В. Протягом часу затримки індикатор затримки буде блимати, після підключення вихідної напруги — погасне.

Вимкніть стабілізатор, перевівши мережевий вимикач у положення «Викл.». Підключіть навантаження до електророзетки вихідної напруги 220 В (модель Rw 201kd) або до роз'єму вихідної напруги 220 В (моделі Rw 501kd, Rw 801kd та Rw 1002kd).

**ОБЕРЕЖНО!**

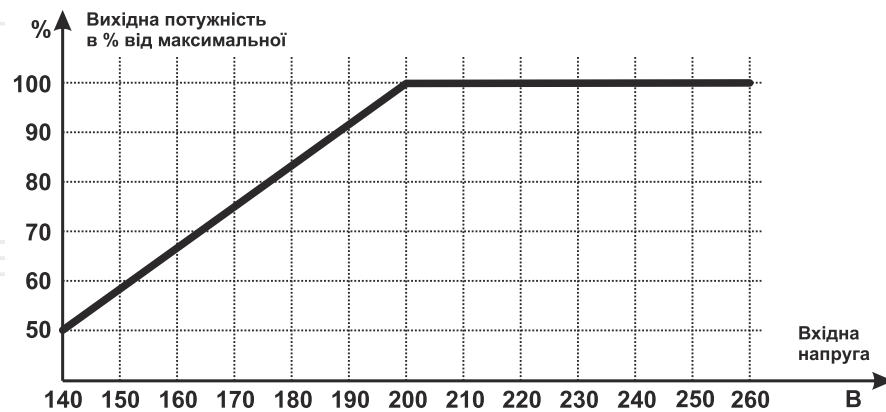
Перед підключенням до стабілізатора споживачів переконайтеся в тому, що вони справно працюють!

Увімкніть стабілізатор. Світлодіодний індикатор стану мережі в поєднанні зі значенням вихідної напруги 220 В свідчать про нормальну роботу стабілізатора.

**УВАГА!**

Обираючи навантаження необхідно пам'ятати, що при зменшенні вхідної напруги збільшується вхідний струм, відповідно зменшується максимальна вихідна потужність стабілізатора. Графік залежності допустимої вихідної потужності від вхідної напруги наведено на малюнку 3. Необхідно чітко дотримуватися цієї залежності.

малюнок 3

**УВАГА!**

При визначенні реального навантаження на стабілізатор необхідно враховувати вплив реактивної складової потужності споживачів і значення пускових струмів.

При визначенні навантаження стабілізатора необхідно враховувати повну споживану потужність всіх споживачів, підключених до стабілізатора. Повна потужність - це вся потужність, споживана електроприладом, вона складається з активної і реактивної складових. У характеристиці приладів активна потужність завжди вказується у ватах (Вт), повна - у вольт-амперах (ВА). Повна потужність (ВА) і активна потужність (Вт) пов'язані між собою коефіцієнтом $\cos \phi$, який також вказується в характеристиках споживачів.

У споживачів, що перетворюють електроенергію в тепло і світло (лампи розжарювання, обігрівачі, електроплити, праски і т. п.), реактивної складової немає. Реактивна складова є у споживачів, до складу яких входять електродвигуни або індукційні котушки (пилососи, холодильники, електромясорубки, кухонні комбайни, електродрилі, електрорубанки, шліфмашинки, насоси і т. п.). У цьому випадку для розрахунку повної потужності необхідно значення паспортної потужності розділити на $\cos \phi$. Наприклад, якщо паспортна потужність електродрилі становить 600 Вт, а значення $\cos \phi$ для неї - 0,8, то повна потужність дрিলі складе $600/0,8=750$ Вт.

Крім того, необхідно враховувати, що багато пристроїв, наприклад - холодильники, у момент пуску споживають значно більшу потужність, ніж у штатному режимі. У таких випадках значення пускового струму також має бути зазначено в інструкції до даного приладу. Тому у випадках, коли до складу навантаження входить електродвигун, який є основним споживачем у даному пристрої (наприклад, погрузний насос, холодильник), щоб уникнути перевантаження стабілізатора в момент включення пристрою необхідно мати триразовий запас потужності.

Виходячи з вищезазначеного, рекомендується навантажувати стабілізатор з 20-25% запасом його максимальної потужності. Забезпечивши «щадний» режим роботи стабілізатора можна значно збільшити термін його служби.

У конструкції стабілізатора передбачено декілька видів захисту споживачів електричного струму: від низької напруги, від високої напруги, від перевантаження, а також передбачена можливість вибору функції затримки включення на 180 або на 6 секунд.

У разі, якщо вхідна напруга стане менше 100 або більше 260 вольт, стабілізатор виконує автоматичне відключення споживача від мережі. Якщо індикатор аварійного відключення світиться, це означає, що вхідна напруга занадто низька або дуже висока і споживач відключений від електроживлення.

При поверненні вхідної напруги у рамки допустимих значень стабілізатор, після затримки в 180 або 6 секунд, підключає споживачів до мережі електроживлення.

Тривалість затримки включення вибирається кнопкою вмикання і вимикання затримки. При натисканні на цю кнопку відбувається перемикання між режимами «180-секундна затримка» і «6-секундна затримка».

У режимі нормальної роботи на дисплеї вольтметра вихідної напруги відображається вихідна напруга 220 В і світиться індикатор стану мережі.



УВАГА!

В разі повного або часткового виходу стабілізатора з ладу необхідно негайно припинити його експлуатацію та звернутися в сервісний центр ТМ «Vitals» щодо ремонту.

ТЕХНІЧНЕ ОБСЛУГОВУВАННЯ, ТРАНСПОРТУВАННЯ ТА ЗБЕРІГАННЯ

У конструкції стабілізатора застосовані найсучасніші електронні компоненти й використані новітні технології, завдяки яким стабілізатор не вимагає проведення регулярного сервісного обслуговування, за винятком очищення.

Перед чищенням вимкніть стабілізатор від електромережі і дайте йому охолонути.

За допомогою пилососа видаліть пил з повітрязабірних отворів. Протріть стабілізатор зовні вологою м'якою тканиною. Не користуйтеся при очищенні гострими предметами, щоб не пошкодити захисне покриття. Не використовуйте органічні розчинники, агресивні хімічні або абразивні речовини.

Стабілізатор має міцний корпус, що забезпечує надійний захист електронних компонентів. В той же час це складний електротехнічний пристрій, що вимагає обережного поводження при транспортуванні та відповідних умов зберігання.

Стабілізатори можуть транспортуватися всіма видами закритого транспорту згідно із загальними правилами перевезень. Допустимі умови транспортування: температура повітря від $-15\text{ }^{\circ}\text{C}$ до $+45\text{ }^{\circ}\text{C}$, відносна вологість повітря до 90%.

Під час транспортування і погрузочно-розвантажувальних робіт упаковка зі стабілізатором не повинна піддаватися різким ударам і впливу атмосферних опадів. Розміщення та кріплення транспортної тари з упакованим стабілізатором в транспортних засобах повинні забезпечувати стійке положення і відсутність можливості її переміщення під час транспортування.

Якщо стабілізатор не використовується тривалий час, його необхідно зберігати в сухому провітрюваному приміщенні при температурі від $-15\text{ }^{\circ}\text{C}$ до $+45\text{ }^{\circ}\text{C}$ і відносній вологості не більше 90%, накривши від попадання всередину пилу і дрібного сміття. Наявність в повітрі пар кислот, лугів та інших агресивних домішок не допускається.

Якщо апарат зберігався при мінусовій температурі, перед використанням він повинен вистояти при температурі від $+5\text{ }^{\circ}\text{C}$ до $+40\text{ }^{\circ}\text{C}$ протягом двох годин для видалення можливого конденсату.

Гарантійний термін експлуатації автоматичних стабілізаторів напруги релейного типу моделі **Rw 201kd, Rw 501kd, Rw 801kd** та **Rw 1002kd** становить 1 (один) рік з зазначеної в гарантійному талоні дати роздрібного продажу.

Споживач має право на безкоштовне гарантійне усунення несправностей, виявлених і пред'явлених в період гарантійного терміну і обумовлених виробничими і конструктивними факторами.

Гарантійне усунення несправностей проводиться шляхом ремонту або заміни пошкоджених частин агрегату в сертифікованих сервісних центрах. У зв'язку зі складністю конструкції, ремонт може тривати більше двох тижнів. Причину виникнення несправностей і терміни їх усунення визначають фахівці сервісного центру.

**УВАГА!**

Виріб приймається на гарантійне обслуговування тільки в повній комплектності, ретельно очищений від пилу і бруду.

Гарантійні зобов'язання втрачають свою силу у наступних випадках:

- Відсутність або нечитабельність гарантійного талона.
- Неправильне заповнення гарантійного талона, відсутність в ньому дати продажу або печатки (штампа) і підписи продавця, серійного номера виробу.
- Наявність виправлень або підчисток в гарантійному талоні.
- Повна або часткова відсутність, нечитабельність серійного номеру на виробі, невідповідність серійного номеру виробу номеру, вказаному у гарантійному талоні.
- Недотримання правил експлуатації, наведених у даній інструкції, у тому числі порушення регламенту технічного обслуговування.
- Експлуатація несправного або некомплектного виробу, що стала причиною виходу виробу з ладу.
- Попадання всередину апарату сторонніх речовин або предметів.

- Виріб має значні механічні або термічні пошкодження, явні сліди недбалих експлуатації, зберігання або транспортування.
- Виріб використовувався не за призначенням.
- Вироблялися несанкціонований ремонт, розтин або спроба модернізації виробу споживачем або третіми особами.
- Несправність виникла в результаті стихійного лиха (пожежа, повінь, ураган і т. п.).

Замінені по гарантії деталі й вузли переходять у розпорядження сервісного центру.

При виконанні гарантійного ремонту, гарантійний термін збільшується на час перебування товару в ремонті. Відлік доданого терміну починається з дати приймання виробу в гарантійний ремонт.

У разі, якщо з технічних причин ремонт виробу неможливий, сервісний центр видає відповідний акт, на підставі якого користувач самостійно вирішує питання з організацією-постачальником про заміну виробу або повернення грошей.

Після закінчення гарантійного терміну сервісні центри продовжують здійснювати обслуговування та ремонт виробу, але вже за рахунок споживача.

Гарантійні зобов'язання не поширюються на несправності, які виникли внаслідок природного зношення або перевантаження виробу.

Гарантійні зобов'язання не поширюються на неповноту комплектації виробу, яка могла бути виявлена при його продажу. Всі витрати на транспортування виробу несе споживач.

Право на гарантійний ремонт не є підставою для інших претензій.

УВАЖАЕМЫЙ ПОКУПАТЕЛЬ!

Мы выражаем Вам свою благодарность за выбор продукции ТМ «Vitals». Изделия этой марки разработаны и изготовлены по новейшим технологиям, обеспечивающим полное соответствие современным стандартам качества и ISO 9001.

Продукция ТМ «Vitals» изготовлена по современным технологиям, обеспечивающим ее надежную работу в течение долгого времени при условии соблюдения правил эксплуатации и мер предосторожности.

Автоматические однофазные релейные стабилизаторы напряжения моделей Rw 201kd, Rw 501kd, Rw 801kd и Rw 1002kd ТМ «Vitals» по своей конструкции и эксплуатационным характеристикам соответствуют требованиям нормативных документов Украины, а именно:

ДСТУ ІЕС 60335-1:2004, ДСТУ EN 61000-3-2:2004;

ДСТУ EN 61000-3-3:2004;

ДСТУ CISPR 14-1:2004, ДСТУ CISPR 14-2:2007.

Данное руководство содержит всю информацию об изделии, необходимую для его правильного использования, обслуживания и регулировки, а так же о необходимых мерах безопасности при работе с изделием.

Внимательно изучите данное руководство перед началом использования изделия. Пожалуйста, предоставьте это руководство другим пользователям для ознакомления, прежде чем они начнут работать с изделием. Надежность и долговечность работы изделия обеспечивается не только качеством его изготовления, но и правильным соблюдением режимов и условий эксплуатации.

Выполнение всех требований, изложенных в настоящем руководстве, является обязательным и необходимым условием безопасной эксплуатации изделия.

Однако следует понимать, что руководство не описывает абсолютно все ситуации, возможные при применении изделия. В случае возникновения ситуаций, не описанных в данном руководстве, или при необходимости получения дополнительной информации, обратитесь в ближайший сервисный центр ТМ «Vitals».

Бережно храните данное руководство и обращайтесь к нему в случае возникновения вопросов по эксплуатации, хранению и транспортировке изделия.

ТМ «Vitals» постоянно работает над усовершенствованием своей продукции и, в связи с этим, оставляет за собой право на внесение изменений, не затрагивающих основные принципы управления, как во внешний вид, конструкцию и оснащение изделия, так и в содержание данного руководства без уведомления потребителей. Все возможные изменения будут направлены только на улучшение и модернизацию изделия.

ЗНАЧЕНИЕ КЛЮЧЕВЫХ СЛОВ



ОСТОРОЖНО!

Обозначает потенциально опасные ситуации, которых следует избегать, в противном случае может возникнуть опасность для жизни и здоровья.



ВНИМАНИЕ!

Обозначает потенциально опасные ситуации, которые могут привести к легким травмам или к поломке изделия.



ПРИМЕЧАНИЕ!

Отмечает важную дополнительную информацию.

Автоматические однофазные релейные стабилизаторы напряжения моделей **Rw 201kd**, **Rw 501kd**, **Rw 801kd** и **Rw 1002kd** предназначены для поддержания стабильно заданного уровня напряжения сети электропитания с целью обеспечения качественного электропитания и защиты различного бытового оборудования (компьютеров, телевизоров, холодильников, стиральных машин, автоматики отопительных котлов и т.п.) от повышенного и пониженного напряжения, а также для защиты от разных помех и резких скачков напряжения, которые могут случиться в сети.

Данные модели стабилизаторов разработаны исключительно для бытовых целей и предназначены для использования в жилых помещениях - квартирах, домах, на дачах.

Стабилизаторы функционально обеспечивают:

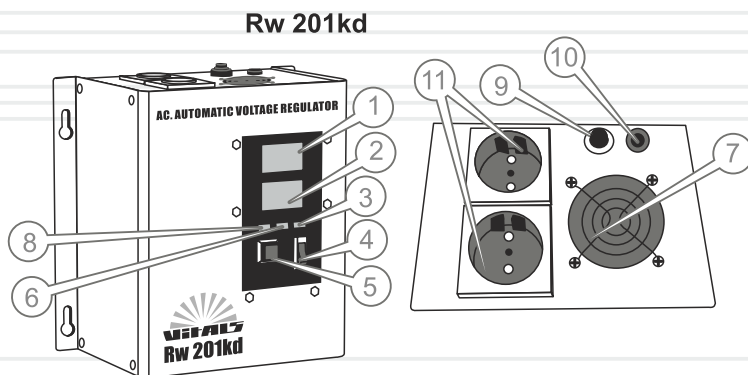
- защиту электроприборов и электрооборудования бытового и промышленного назначения от внезапного изменения напряжения электросети;
- стабильное электропитание оборудования в условиях продолжительного по времени заниженного или завышенного напряжения электросети;
- возможность безотказной и правильной работы электрооборудования в условиях нестабильного напряжения электросети;
- непрерывный контроль напряжения на входе и выходе;
- автоматическое поддержание выходного напряжения с высокой точностью.

В комплект поставки стабилизатора входят: стабилизатор в сборе, руководство по эксплуатации, упаковка.

Особенностью моделей является то, что они монтируются на стену.

Органы управления стабилизатором и контроля за его работой показаны на рисунках 1,2.

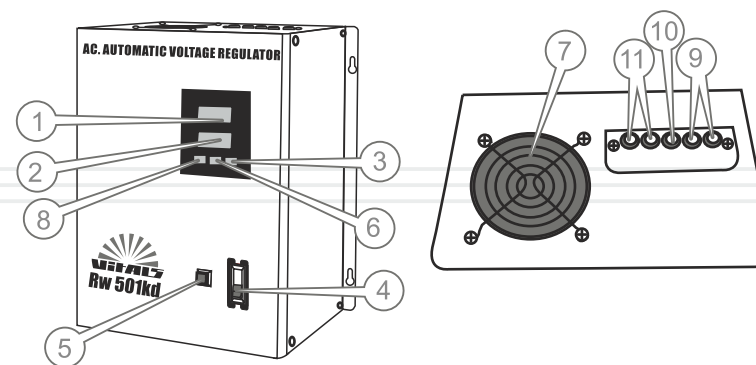
рисунок 1



1. Цифровой вольтметр входного напряжения.
2. Цифровой вольтметр выходного напряжения.
3. Светодиодный индикатор аварийного отключения.
4. Сетевой выключатель (Вкл./Выкл.).
5. Кнопка включения/выключения задержки «180/6 сек».
6. Светодиодный индикатор задержки.
7. Вентиляционная решетка.
8. Светодиодный индикатор состояния сети.
9. Автоматический предохранитель 8 А.
10. Разъём входного напряжения 220 В.
11. Электророзетки выходного напряжения 220 В.

рисунок 2

Rw 501kd, Rw 801kd, Rw 1002kd*



1. Цифровой вольтметр входного напряжения.
2. Цифровой вольтметр выходного напряжения.
3. Светодиодный индикатор аварийного отключения.
4. Автоматический сетевой выключатель (Вкл./Выкл.).
5. Кнопка включения/выключения задержки «180/6 сек».
6. Светодиодный индикатор задержки.
7. Вентиляционная решетка.
8. Светодиодный индикатор состояния сети.
9. Разъём входного напряжения 220 В.
10. Разъём «земля»
11. Разъём выходного напряжения 220 В.

*Внешний вид и расположение элементов управления моделей Rw 501kd, Rw 801kd, Rw 1002kd – идентичные.

МОДЕЛЬ		Rw 201kd	Rw 501kd	Rw 801kd	Rw 1002kd
Автоматический стабилизатор напряжения	Входное напряжение, В	100-260			
	Выходное напряжение, В	220±10%			
	Максимальная мощность, ВА	2000	5000	8000	10000
	Коэффициент полезного действия, %	98			
	Рабочая температура, °С	0-40			
	Защита от высокого напряжения	+	+	+	+
	Защита от низкого напряжения	+	+	+	+
	Автоматический предохранитель	+	+	+	+
	Защита от перегрузки	+	+	+	+
	Защита от короткого замыкания	+	+	+	+
	Индикация	Led-дисплей			
	Габаритные размеры, мм	187x285x230	230x370x290	440x340x270	440x340x270
Вес нетто, кг	4,88	8,8	17,2	19,4	



При возникновении трудностей с выбором мощности стабилизатора обращайтесь к сертифицированным дилерам ТМ «VITALS».

Перед началом эксплуатации внимательно ознакомьтесь с данным руководством.

Перед включением стабилизатора в сеть произведите внешний осмотр и убедитесь в том, что:

- стабилизатор не имеет видимых повреждений;
- напряжение электросети соответствует техническим данным изделия;
- стабилизатор находится в выключенном состоянии: подключение к сети и отключение от нее производятся только при выключенном стабилизаторе;
- вилка подключения стабилизатора к электросети соответствует штепсельной розетке;
- шнур электропитания и вилка не повреждены.

В случае обнаружения неисправности обратитесь в сервисный центр ТМ «Vitals» или к квалифицированному специалисту-электрику.

ВНИМАНИЕ!

Подключать стабилизатор можно только к однофазной электророзетке стандарта 2P+T, имеющей заземление.

Не используйте данную модель стабилизатора для выполнения промышленных или производственных задач.

ОСТОРОЖНО!

Категорически запрещается подключать к стабилизатору нагрузку, превышающую максимально допустимую, так как это может привести к возгоранию!

ОСТОРОЖНО!

При подключении стабилизатора необходимо строго соблюдать общие и специальные требования техники безопасности для работы с электропроводкой.

ВНИМАНИЕ!

Запрещается использовать стабилизатор не по назначению.

Запрещается подключать стабилизатор к розетке без заземления.

Запрещается использовать стабилизатор в помещениях с повышенной влажностью, во взрывоопасных помещениях и в помещениях с химически активной средой, разрушающей металлы и изоляцию.

Запрещается самостоятельно разбирать стабилизатор и эксплуатировать его со снятым корпусом.

Запрещается закрывать вентиляционные отверстия при работе стабилизатора

Для увеличения срока службы стабилизатора содержите его в чистоте. Во время проведения очистки отсоединяйте шнур электропитания от электророзетки. Не допускайте попадания воды внутрь стабилизатора. Защищайте изделие от воздействия дождя и сырости.

По окончании работы и при длительных перерывах в работе отсоединяйте шнур электропитания от электророзетки.

Храните стабилизатор в сухом хорошо проветриваемом помещении, в недоступном для детей месте.

ОСТОРОЖНО!

Не накрывайте стабилизатор во время работы салфетками, чехлами или кожухами, так как при этом резко ухудшается эффективность системы вентиляции, что приводит к перегреву и отключению стабилизатора.

Аккуратно извлеките стабилизатор из упаковки. Удалите пенопластовые уплотнители и снимите полиэтиленовый чехол. Упаковку сохраните для её дальнейшего использования в случае длительного хранения.

Надёжно закрепите стабилизатор на стене. Подсоедините к разъёму входного напряжения кабель с силовой вилкой.

Подключите сетевой шнур стабилизатора к розетке электропитания.

Включите стабилизатор, переведя сетевой выключатель в положение «Вкл», при этом начнет светиться индикатор состояния сети и входной вольтметр покажет напряжение в сети электропитания (отображается обратный отсчет времени задержки). После окончания задержки включения 6 или 180 секунд, вольтметр выходного напряжения должен отобразить значение выходного напряжения 220 В. В течение времени задержки индикатор задержки мигает, после подключения выходного напряжения — гаснет.

Выключите стабилизатор, переведя сетевой выключатель в положение «Выкл». Подключите нагрузку к электророзетке выходного напряжения 220 В (модель Rw 201kd) или к разъёму выходного напряжения 220 В (модели Rw 501kd, Rw 801kd, Rw 1002kd).

ОСТОРОЖНО!

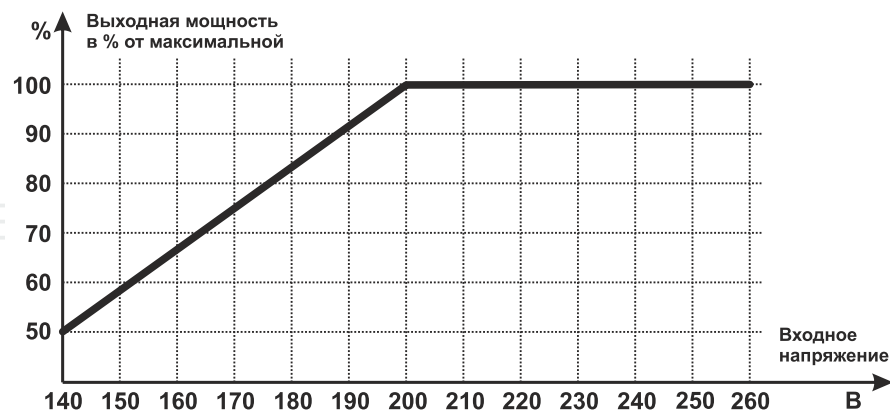
Перед подключением к стабилизатору потребителей убедитесь в их исправности!

Включите стабилизатор. Светодиодный индикатор состояния сети в сочетании с индицируемым значением выходного напряжения 220 В свидетельствует о нормальной работе стабилизатора.

**ВНИМАНИЕ!**

Выбирая нагрузку необходимо помнить, что при уменьшении входного напряжения увеличивается входной ток, соответственно уменьшается максимальная выходная мощность стабилизатора. График зависимости допустимой выходной мощности от входного напряжения приведен на рис. 3. Необходимо строго придерживаться данной зависимости.

рисунки 3

**ВНИМАНИЕ!**

При определении реальной нагрузки на стабилизатор необходимо учитывать влияние реактивной составляющей мощности потребителей и значения пусковых токов.

При определении нагрузки стабилизатора необходимо учитывать полную потребляемую мощность всех потребителей, подключенных к стабилизатору. Полная мощность — это вся мощность, потребляемая электроприбором, она состоит из активной и реактивной составляющих. В характеристиках приборов активная мощность всегда указывается в ваттах (Вт), полная — в вольт-амперах (ВА). Полная мощность (ВА) и активная мощность (Вт) связаны между собой коэффициентом $\cos \phi$, который также указывается в характеристиках потребителей.

У потребителей, преобразующих электроэнергию в тепло и свет (лампы накаливания, обогреватели, электроплиты, утюги и т. п.), реактивной составляющей нет. Реактивная составляющая есть у потребителей, в состав которых входят электродвигатели или индукционные катушки (пылесосы, холодильники, электромясорубки, кухонные комбайны, электродрели, электрорубанки, шлифмашинки, насосы и т. п.). В этом случае для расчета полной мощности необходимо значение паспортной мощности разделить на $\cos \phi$. Например, если паспортная мощность электродрели составляет 600 Вт, а значение $\cos \phi$ для неё — 0,8, то полная мощность дрели составит $600/0,8=750$ Вт.

Кроме того необходимо учитывать, что многие устройства, например — холодильники, в момент пуска потребляют значительно большую мощность, чем в штатном режиме. В таких случаях значение пускового тока также должно быть указано в инструкции к данному прибору. Поэтому в случаях, когда в состав нагрузки входит электродвигатель, который является основным потребителем в данном устройстве (например, погружной насос, холодильник), во избежание перегрузки стабилизатора в момент включения устройства необходимо иметь трехкратный запас мощности.

Исходя из вышеперечисленного, рекомендуется нагружать стабилизатор с 20-25% запасом от его максимальной мощности: обеспечив "щадящий" режим работы стабилизатора можно значительно увеличить срок его службы.

В конструкции стабилизатора предусмотрено несколько видов защиты потребителей электрического тока: от низкого напряжения, от высокого напряжения, от перегрузки, а также предусмотрена возможность выбора функции задержки включения на 180 или на 6 секунд.

В случае если входное напряжение станет меньше 100 или больше 260 вольт, стабилизатор выполняет автоматическое отключение потребителя от сети. Светящийся индикатор аварийного отключения означает, что входное напряжение слишком низкое или слишком высокое и потребитель отключен от электропитания.

При возвращении входного напряжения в рамки допустимых значений стабилизатор, после задержки в 180 или 6 секунд, подключает потребителей к сети электропитания.

Длительность задержки включения выбирается кнопкой включения/отключения задержки. При нажатии на эту кнопку происходит переключение между режимами «180-секундная задержка» и «6-секундная задержка».

В режиме нормальной работы на дисплее выходного вольтметра отображается выходное напряжение 220 В и светится индикатор состояния электросети.

**ВНИМАНИЕ!**

В случае полного или частичного выхода стабилизатора из строя необходимо немедленно прекратить его эксплуатацию и обратиться для ремонта в сервисный центр ТМ «Vitals».

В конструкции стабилизатора применены самые современные электронные компоненты и использованы новейшие технологии, благодаря которым стабилизатор не требует проведения регулярного сервисного обслуживания, за исключением очистки.

Перед очисткой отключите стабилизатор от электросети и дайте ему остыть.

С помощью пылесоса удалите скопившуюся пыль из воздухозаборных отверстий. Протрите стабилизатор снаружи влажной мягкой тканью. Не пользуйтесь при очистке острыми предметами, чтобы не повредить защитное покрытие. Не используйте органические растворители, агрессивные, химические или абразивные вещества.

Стабилизатор имеет прочный корпус, обеспечивающий надежную защиту электронных компонентов. В то же время это сложное электротехническое устройство, требующее аккуратного обращения при транспортировке и соответствующих условий хранения.

Стабилизаторы могут транспортироваться всеми видами закрытого транспорта в соответствии с общими правилами перевозок. Допустимые условия транспортирования: температура окружающего воздуха от -15 °С до +45 °С, относительная влажность воздуха до 90%.

Во время транспортировки и погрузочно-разгрузочных работ упаковка со стабилизатором не должна подвергаться резким ударам и воздействию атмосферных осадков. Размещение и крепление транспортной тары с упакованным стабилизатором в транспортных средствах должны обеспечивать устойчивое положение и отсутствие возможности ее перемещения во время транспортировки.

Если стабилизатор не используется продолжительное время, его необходимо хранить в сухом проветриваемом помещении при температуре от -15 °С до +45 °С и относительной влажности не более 90%, укрыв от попадания внутрь пыли и мелкого мусора. Наличие в воздухе паров кислот, щелочей и других агрессивных примесей не допускается.

Если аппарат хранился при отрицательной температуре, перед использованием он должен выстояться при температуре от +5 °С до +40 °С в течение двух часов для удаления возможного конденсата.

Гарантийный срок эксплуатации автоматических стабилизаторов напряжения релейного типа моделей **Rw 201kd**, **Rw 501kd**, **Rw 801kd** и **Rw 1002kd** составляет 1 (один) год с указанной в гарантийном талоне даты розничной продажи.

Потребитель имеет право на бесплатное гарантийное устранение неисправностей, выявленных и предъявленных в период гарантийного срока и обусловленных производственными и конструктивными факторами.

Гарантийное устранение неисправностей производится путем ремонта или замены неисправных частей изделия в сертифицированных сервисных центрах. В связи со сложностью конструкции ремонт может длиться более двух недель. Причину возникновения неисправностей и сроки их устранения определяют специалисты сервисного центра.

ВНИМАНИЕ!

Изделие принимается на гарантийное обслуживание только в полной комплектности, тщательно очищенное от пыли и грязи.

Гарантийные обязательства утрачивают свою силу в следующих случаях:

- Отсутствие или нечитаемость гарантийного талона.
- Неправильное заполнение гарантийного талона, отсутствие в нем даты продажи или печати (штампа) и подписи продавца, серийного номера изделия.
- Наличие исправлений или подчисток в гарантийном талоне.
- Полное или частичное отсутствие, нечитаемость серийного номера на изделии, несоответствие серийного номера изделия номеру, указанному в гарантийном талоне.
- Несоблюдение правил эксплуатации, приведенных в данном руководстве, в том числе нарушение регламента технического обслуживания.

- Эксплуатация неисправного или некомплектного изделия, ставшая причиной выхода изделия из строя.
- Попадание внутрь изделия посторонних веществ или предметов.
- Причиной возникшей неисправности стали проблемы с потребителями электроэнергии, подключенными к стабилизатору.
- Изделие имеет значительные механические или термические повреждения, явные следы небрежных эксплуатации, хранения или транспортировки.
- Изделие использовалось не по назначению.
- Производились несанкционированный ремонт, вскрытие либо попытка модернизации изделия потребителем или третьими лицами.
- Неисправность произошла в результате стихийного бедствия (пожар, наводнение, ураган и т. п.).

Замененные по гарантии детали и узлы переходят в распоряжение сервисного центра.

При выполнении гарантийного ремонта гарантийный срок увеличивается на время пребывания изделия в ремонте. Отсчет добавленного срока начинается с даты приемки изделия в гарантийный ремонт.

В случае если по техническим причинам ремонт изделия невозможен, сервисный центр выдает соответствующий акт, на основании которого пользователь самостоятельно решает вопрос с организацией-поставщиком о замене изделия или возврате денег.

После окончания гарантийного срока сервисные центры продолжают осуществлять обслуживание и ремонт изделия, но уже за счет потребителя.

Гарантийные обязательства не распространяются на неисправности, возникшие вследствие естественного износа или перегрузки изделия.

Гарантийные обязательства не распространяются на неполноту комплектации изделия, которая могла быть обнаружена при его продаже. Все расходы на транспортировку изделия несет потребитель.

Право на гарантийный ремонт не является основанием для других претензий.



ГАРАНТІЙНИЙ ТАЛОН

Купуючи виріб, вимагайте перевірки його справності, комплектності і відсутності механічних пошкоджень, наявності відмітки дати продажу, штампа магазину та підпису продавця. Після продажу претензії щодо некомплектності і механічних пошкоджень не приймаються.

Виріб	
Модель	
Серійний номер	
Торгівельна організація	
Адреса торгівельної організації	
Виріб перевірів і продав	
Дата продажу	
Печатка або штамп торгівельної організації	

Претензій до зовнішнього вигляду, справності та комплектності виробу не маю. З правилами користування та гарантійними умовами ознайомлений.

(Підпис покупця)



Виріб		
Модель		
Серійний номер		
Вилучено (дата):	Торгівельна організація	
	Дата продажу	
Видано (дата):		
Майстер (ПІП та підпис)	Печатка або штамп сервісного центру	Печатка або штамп торгівельної організації



Виріб		
Модель		
Серійний номер		
Вилучено (дата):	Торгівельна організація	
	Дата продажу	
Видано (дата):		
Майстер (ПІП та підпис)	Печатка або штамп сервісного центру	Печатка або штамп торгівельної організації



Виріб		
Модель		
Серійний номер		
Вилучено (дата):	Торгівельна організація	
	Дата продажу	
Видано (дата):		
Майстер (ПІП та підпис)	Печатка або штамп сервісного центру	Печатка або штамп торгівельної організації

ВІДРИВНИЙ ТАЛОН

ВІДРИВНИЙ ТАЛОН

ВІДРИВНИЙ ТАЛОН

ФОРМУЛЯР ГАРАНТІЙНИХ РОБІТ

Виріб після гарантійного ремонту отримав у робочому стані, без дефектів. Претензій не маю.

Дата	П.І.П. покупця	Підпис покупця

Виріб після гарантійного ремонту отримав у робочому стані, без дефектів. Претензій не маю.

Дата	П.І.П. покупця	Підпис покупця

Виріб після гарантійного ремонту отримав у робочому стані, без дефектів. Претензій не маю.

Дата	П.І.П. покупця	Підпис покупця

№	Дата проведення ремонту		Опис ремонтних робіт та замієних деталей	Прізвище майстра та печатка сервісного центру
	Початок	Закінчення		

ОФИЦИАЛЬНЫЙ ДИЛЕР В УКРАИНЕ:

storgom.ua

ГРАФИК РАБОТЫ:

Пн. – Пт.: с 8:30 по 18:30

Сб.: с 09:00 по 16:00

Вс.: с 10:00 по 16:00

КОНТАКТЫ:

+38 (044) 360-46-77

+38 (066) 77-395-77

+38 (097) 77-236-77

+38 (093) 360-46-77

Детальное описание товара: <https://storgom.ua/product/stabilizator-napriazheniia-vitals-rw-201kd.html>

Другие товары: <https://storgom.ua/stabilizatory.html>