

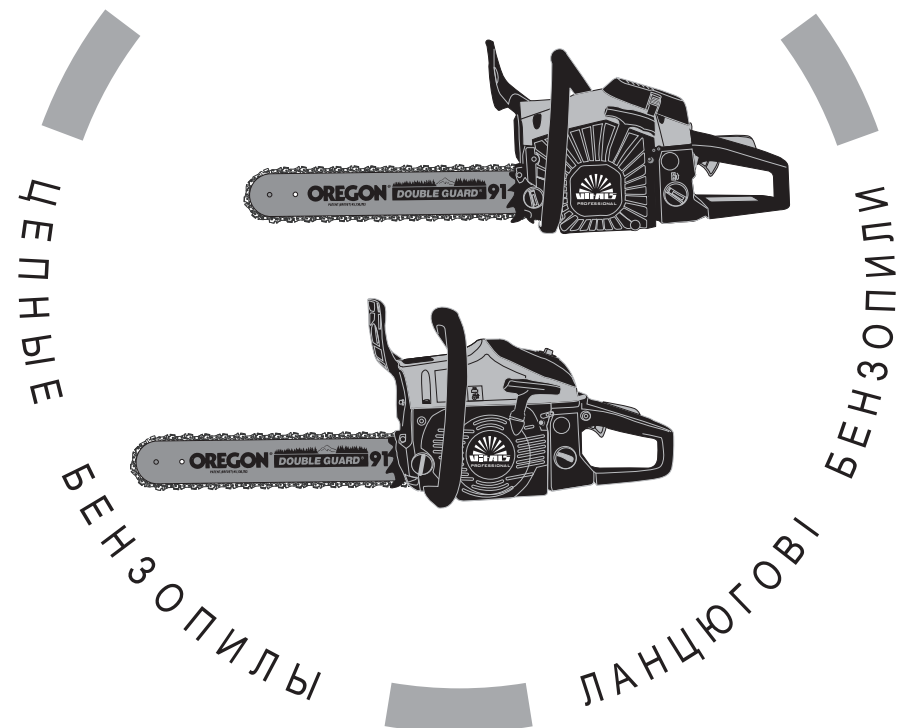
VITALS

MANUAL FOR TECHNICAL USE
КЕРІВНИЦТВО З ЕКСПЛУАТАЦІЇ
РУКОВОДСТВО ПО ЕКСПЛУАТАЦИИ



WWW.VITALS.COM.UA

CHAIN SAWS



MODELS

BKZ 4620r

МОДЕЛІ

BKZ 5022r

МОДЕЛИ

BKZ 5022rm

CONTENTS

ENGLISH

1. General Description	6
2. Delivery kit	10
3. Technical characteristics	11
4. Safety	12
4.1. Important Safety Information	12
4.2. Safety of operation	13
4.3. The use of personal protective equipment	16
4.4. Risk of output and "kickback"	17
5. Operation	19
5.1. Application	19
5.2. Getting Started	19
5.3. Chain saw Work	35
6. Maintenance	43
7. Transportation and storage	54
8. Troubleshooting and their solutions	56
9. Warranty	60

ЗМІСТ

УКРАЇНСЬКА

1. Загальний опис	64
2. Комплект поставки	68
3. Технічні характеристики	69
4. Вимоги безпеки	70
4.1. Важлива інформація з безпеки	70
4.2. Безпека експлуатації	71
4.3. Застосування індивідуального захисного спорядження	74
4.4. Небезпека віддачі та "зворотного удару"	75
5. Експлуатація	77
5.1. Застосування	77
5.2. Підготовка до роботи	77
5.3. Робота бензопилою	93
6. Технічне обслуговування	101
7. Транспортування та зберігання	112
8. Можливі несправності та шляхи їх усунення	114
9. Гарантійні зобов'язання	118

СОДЕРЖАНИЕ

РУССКИЙ

1. Общее описание	122
2. Комплект поставки	126
3. Технические характеристики	127
4. Требования безопасности	128
4.1. Важная информация по безопасности	128
4.2. Безопасность эксплуатации	129
4.3. Применение индивидуального защитного снаряжения	132
4.4. Опасность отдачи и "обратного удара"	133
5. Эксплуатация	135
5.1. Применение	135
5.2. Подготовка к работе	135
5.3. Работа бензопилой	151
6. Техническое обслуживание	159
7. Транспортировка и хранение	170
8. Возможные неисправности и пути их устранения	172
9. Гарантийные обязательства	176

DEAR BUYER!

Thank you for purchasing a chain saw TM "Vitals".

The TM technique "Vitals" developed by European standards and the use of modern technology.

Improper use of the chain saw and unsafe practices that may result in damage or serious injury!

This manual contains all the necessary information on safety and handling the chain saw. Carefully read the manual before using the product.

Please provide the other users of this manual, before they begin to use the product. This manual must be stored for later use.

We are constantly working to improve its products and, therefore, reserve the right to make changes in the appearance, equipment and production technology, without changing the basic principles of management, without notice to the consumer. All possible changes will be directed at improving and upgrading the product.

ENGLISH

THE KEYWORD VALUE



CAUTION!

Indicates a potentially hazardous situation that should be avoided, otherwise there is a danger to life and health.



WARNING!

Indicates a potentially hazardous situation that may result in minor injury or damage to the product.



NOTE!

The important additional information.

ENGLISH

GENERAL DESCRIPTION

Chain saws Vitals Professional **BKZ 4620r**, **BKZ 5022r** and **BKZ 5022rm** designed for fast cutting of fresh, dry and wet wood of different thicknesses and configurations, particle boards, firewood logs of small and medium diameter.

Through the use of modern design and technology, models of chain saws "Vitals Professional" exhibit optimum performance of the engine, and are durable and wear-resistant parts and major components.

By design, chainsaws are simple, classic arrangements - a chain driven by an internal combustion engine. Easy device chainsaw is a factor of reliability, providing its up to the toughest conditions.

In addition, chain saws Vitals Professional BKZ 4620r, BKZ 5022r and BKZ 5022rm (hereinafter - the chainsaw) have a number of other advantages, which include:

- chrome-plated cylinder. Long life cylinder engine is achieved by increasing the wear resistance of the friction pair piston ring - cylinder;
- fuel pump "primer". To facilitate starting the engine chainsaw provided "primer" by which provided preliminary pumping fuel into the carburetor. Thus, the starting of the motor chainsaw is much faster, especially in the cold season;
- starter cover is made of magnesium alloy (only for BKZ 5022rm) for longer life;
- easy start: the force applied by the operator at the time of starting the engine is reduced by 30%. Easy start system is an additional spring, which is passed through the rotary motion of the ratchet recoil starter on the flywheel chainsaw. When pulling the starter cord, a spring is compressed to a certain point and then sharply turning actuates the crankshaft. There is no need to pull the starter, you just gently pull the cord;
- high quality bar and chain from the famous TM "Oregon";
- crankcase is made of magnesium alloy;
- chain tension slide;
- choke with automatic opening: when you press the throttle lever choke valve opens automatically;
- high performance air filter paper type (only for BKZ 5022rm);
- high speed chain: ensuring high productivity chainsaw;

- adjustable oil pump. The amount of oil is supplied to the circuit depends on the pre manually adjust the oil pump. Oil from the oil reservoir flows into the oil pump, and then supplied through the oil passage in the groove and the tire chain;
- advanced anti-vibration system. The engine is mounted on the housing chainsaw special damping elements;
- effective emergency brake circuit. In case of return or "kickback" chain brake works very fast rotation of the chain at the same time immediately cease;
- reinforced recoil starter - metal cams on the ratchet wheel (only for BKZ 5022rm), or strong plastic cams on the ratchet wheel (only for BKZ 4620r, BKZ 5022r);
- quickly removable air filter cover (only for BKZ 5022rm).

Description of the main components of the chainsaw is presented below.

figure 1a

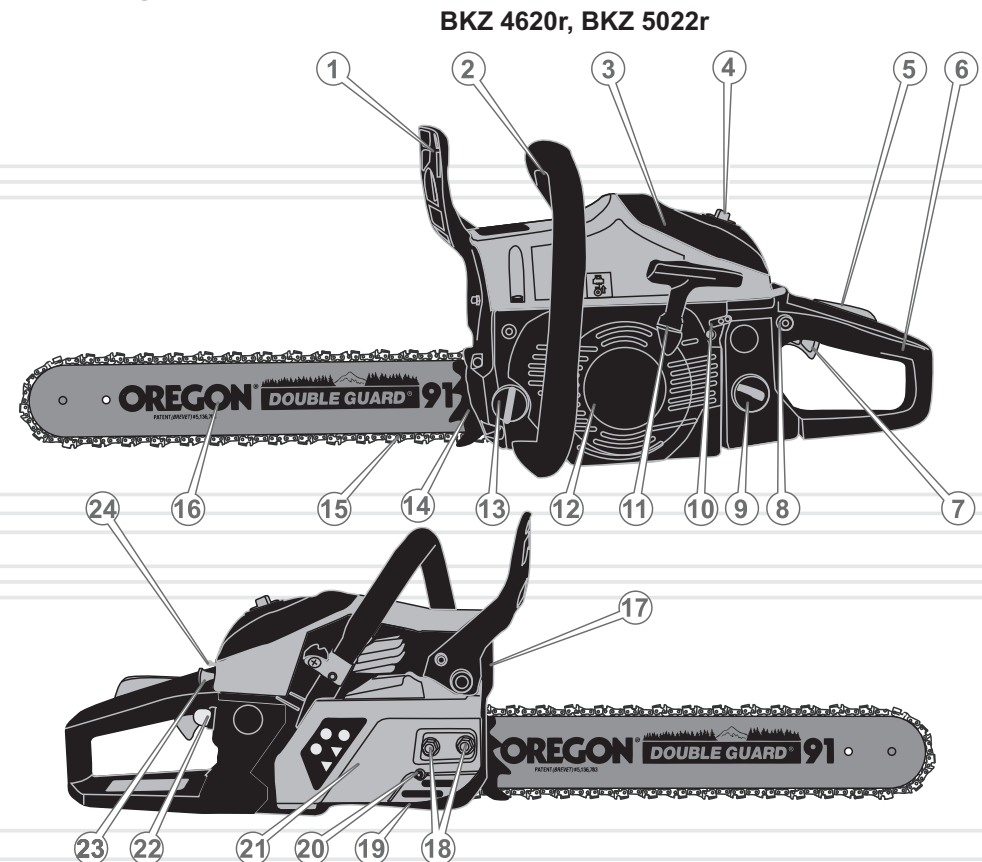
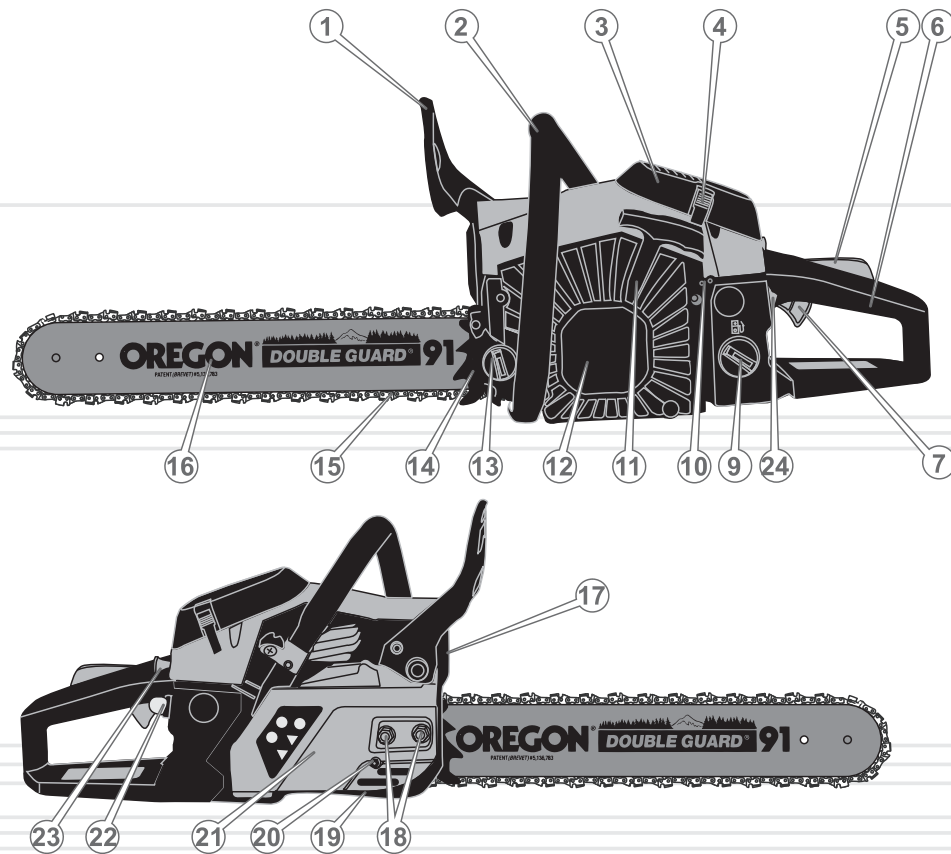


figure 1b

BKZ 5022rm



1. Safety brake control circuit with a protective shield.
2. Front handle.
3. Air filter cover.
4. The air filter cover lock.
5. Key lock to prevent accidental start.
6. Rear handle with a protective shield.
7. The throttle lever.
8. The throttle lever lock.
9. Stopper holes for pouring fuel mixture.
10. Carburetor adjustment screws.
11. The handle for manual starter.
12. Protective finger guard.
13. Plug the oil fill.
14. Spiked bumper.
15. Chain.
16. Sheen.
17. Silencer.
18. Mounting nuts tires.
19. The chain catcher.
20. Adjusting the chain tensioning screw.
21. Cover mounting tires.
22. Primer.
23. Handle Choke.
24. Switch "On/Off".

2

DELIVERY KIT

1. Chainsaw.
2. Sheen.
3. Chain.
4. Spiked bumper.
5. Food container for the fuel mixture.
6. Funnel.
7. T-wrench 13x19 mm (the combination of plug wrench and screwdriver)
8. Allen key 3 mm
9. 4 mm Allen key
10. Screwdriver.
11. File
12. Mesh filter for refueling.
13. Instruction manual.
14. Packing.

**NOTE!**

The manufacturer reserves the right to make the look, design and delivery chain saw minor changes that do not affect product performance.

3

TECHNICAL CHARACTERISTICS

MODEL	BKZ 4620r	BKZ 5022r	BKZ 5022rm
Engine type	gasoline two-stroke single-cylinder air-cooled		
Fuel type	mixture of gasoline with oil for two-stroke engines 25:1		
Volume of cylinder, cub. cm	46	50	50
Power, kW / h.p.	2,0 / 2,7	2,2 / 3,0	2,2 / 3,0
The maximum frequency, rev/min	11000	11000	11000
Idlespeed, rev/min	3000	3000	3000
Chainspeed, m/s	21,0	21,0	21,0
While the brake circuit, s	0,12	0,12	0,12
Engine starting system	recoil starter		
Transmission	automatic centrifugal clutch		
Oil feed	with automatic adjustment		
The volume of the fuel tank, ml.	550	550	650
Oil Tank, ml.	260	260	260
Bar length, inches	18	18	20
Chain pitch, inches	3/8	3/8	0,325
The sound pressure level, dB	114	114	110
Bar and chain, brand name	Oregon [®]		
Anti-vibration system	+	+	+
Side chain tension	+	+	+
Chrome plated cylinder	+	+	+
Easy start	+	+	+
Primer	+	+	+
Air filter	polypropylene		paper
Air choke with automatic opening	+	+	+
Dimensions (LxWxH), mm	480x260x280	480x260x280	480x260x300
Shain saw weight, kg	5,93	5,93	7,23
Gross weight, kg	7,60	7,60	8,90

4.1. IMPORTANT SAFETY INFORMATION

Before you begin, please read chainsaw safety regulations and warnings given in this manual.

Most of the accidents during the operation of the product is the result of non-compliance with the provisions of the basic safety rules. Accidents can be avoided if strict safety precautions in advance and provide a potential danger.

Do not, under any circumstances, use a product in a manner or for purposes not specified in this manual.

Improper handling or operation of an untrained person can damage property, cause injury or death.

The main hazards when working chain saw

- Bounce when cutting wood chips and branches.
- The exhaust gases.
- Rotating chain.
- Giving and "kickback."

CAUTION!

To avoid injury or fire when using chainsaws, obey all instructions in this manual, safety.

4.2. SAFETY OF OPERATION

1. DO NOT ALLOW PRODUCT FOR CHILDREN AND PERSONS WITH DISABILITIES.
2. DO NOT TRUST THE CHAINSAW YOUNG PEOPLE UNDER 18 YEARS, EXCEPT FOR OVER 16 YEARS OF STUDENTS STUDYING THE WORK OF THE CHAINSAW UNDER CLOSE SUPERVISION OF AN INSTRUCTOR.
3. DO NOT LEAVE UNATTENDED EQUIPMENT INCLUDED.
4. DO NOT START AND USE THE PRODUCT IN CASE OF ILLNESS, IN THE STATE OF FATIGUE, DRUGS OR ALCOHOL, OR UNDER THE INFLUENCE OF DRUGS POTENT DRUGS, REDUCES THE RATE OF REACTION AND ATTENTION.
5. DO NOT WORK WITHOUT PRIOR TRAINING.
6. FOLLOW INTEGRITY AND THE PRODUCT TO.
Do not start and use the product in the presence of damage to the insecure parts and components.
7. CHAINSAW USE ONLY AS A FULLY STOCKED.
All components of the envisaged design and safety elements must be in regular places.
8. NEVER ALLOW STRANGERS ANIMAL AND WORK PLACE.
9. DO NOT OPEN THE PRODUCT AND DO NOT COVER IT.
10. EVERY TIME BEFORE CHECKING THE OIL LEVEL IN THE TANK, AND PERFORMANCE OF ITS APPLICATION. IF NECESSARY, ADD OIL OR CLEAN FEED HIS CHANNELS.
11. MAINTAIN EMERGENCY BRAKE CIRCUIT.
12. REGULARLY CHECK THE CONDITION AND TENSION OF THE CHAIN. IF NECESSARY, ADJUST THE CHAIN TENSION.

**WARNING!**

For safe and efficient operation is very important to set the chain on the guide rail and the bus itself securely in the housing and adjust the tension of the saw chain.

13. WHILE FILLING AND USE CHAINSAW NOT EXPOSE AND FUEL OIL ON THE GROUND AND IN DRAINAGE.
After refueling, tighten the fuel and oil tanks, check for leaks. In case of leakage of fuel or oil to eliminate disadvantage engine start, since it can cause fire. If fuel or oil spilled on the product, wipe it dry.
14. DO NOT REFILL THE FUEL IF THE ENGINE IS STARTED.
15. WHEN NOT USING, DRAIN THE FUEL.

**WARNING!**

Take great care when handling fuel, lubricants, gasoline fumes are dangerous to health. Remember that careless handling of gasoline could cause a fire. Do not refuel the fuel in the room.

16. BEFORE STARTING THE ENGINE CHAINSAW MAKE SURE THAT THE BUS IS MOUNTED SECURELY AND CONTACT WITH OTHER OBJECTS.
17. REFRAIN FROM CHAINSAW WORK ALONE.

18. DO NOT OPERATE IN CLOSE PROXIMITY (LESS THAN 5 METERS) ON THE LOCATION OF HIGHLY FLAMMABLE MATERIALS.
19. KEEP AWAY FROM CHAINSAW FLAMMABLE MATERIALS.
20. DO NOT WORK CHAINSAW IN RAIN AND SNOW, STRONG WIND, IN LOW VISIBILITY CONDITIONS.
Do not wash the product and do not pour water on it. If the chainsaw somehow gets wet, wipe it dry with a body. If water gets inside the casing, unplug the product. Do not attempt to open the product - contact the service center.
21. BEFORE FELLING TREES, MAKE SURE THAT THE TREE IN FALL NOT CAUSE INJURY TO YOU AND OTHERS PERSONS, ANIMALS, NOT DAMAGE THE OTHER TREES.
22. SURE PROVIDES FOR A WORKPLACE HEALTH STAFFED WITH FIRST AID BOX FIRST AID.
23. DURING WORK HARD TO HOLD THE CHAINSAW IN BOTH HANDS DO NOT ATTEMPT TO CUT, KEEP THE CHAINSAW WITH ONE HAND.
24. IN THE EVENT THAT OCCURRED DURING THE TOUCH OF CHAIN WITH METAL, STONE AND OTHER SOLID FOREIGN OBJECTS, STOP THE ENGINE IMMEDIATELY AND INSPECT THE BAR AND CHAIN.
25. DURING OPERATION, THE VENTILATION HOLES ON THE HOUSING CHAINSAW WERE NOT CLOSED OR CLOGGED CHIPS AND DIRT, OTHERWISE IT CAN LEAD TO PREMATURE PRODUCT FAILURE.
26. DO NOT USE A CHAINSAW FOR CUTTING SHEET METAL, PLASTICS, AND OTHER NON-MATERIAL.

27. AVOID CUTTING BUSHES, BECAUSE SMALL BRANCHES CAN BE GRABBED BY THE CHAIN AND THROWN BACK AT YOU - RISK OF INJURY.

28. DO NOT OPERATE A BLUNT CHAINSAW CHAIN, AS THIS INCREASED LIKELIHOOD OF INJURY.

29. IN CASE OF ANY DEVIATIONS IN THE NORMAL OPERATION CHAINSAW, STOP THE ENGINE IMMEDIATELY, FIND THE FAULT.

30. OVERDRIVEN AND ALLOW THE ENGINE CHAIN SAWS, ALTERNATING WORK AND REST.

31. DURING TRANSPORT CHAINSAW WEAR PROTECTIVE COVER FOR BUS.

32. CLEANING THE SURFACE CHAINSAW DIRT OR SAWDUST IMMEDIATELY AFTER WORK. ARM PRODUCTS MUST BE KEPT DRY AND CLEAN, WITHOUT THE PRESENCE OF OIL STAIN ON IT.

33. MAINTENANCE AND STORAGE CHAINSAW MADE ONLY PURSUANT TO THE REQUIREMENTS OF THIS OPERATION MANUAL.

4.3. The use of personal protective equipment

Clothing operator shall be made of durable material that provides reliable protection. It should not hamper the movements, but at the same time fit snugly to the body to avoid the possibility of it falling into the moving parts of the chain saw, or cling to the tree (see Figure 2).

Do not wear loose clothing for work, a shirt with sleeves or with wide sleeves, scarf, tie, as well as objects of decoration, for example, chains and bracelets.

Always wear face and eye protection (vented mask, glasses) and ear (ear plugs, headphones).

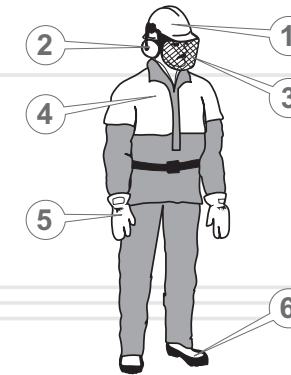
Wear safety boots or sturdy shoes with non-slip soles and closed-toe.

To protect your hands, use tight-slip gloves or mittens.

Always wear a tight hat, and carrying out tree felling and pruning, take care of a special protective helmet.

Clothing and protective equipment operator

figure 2



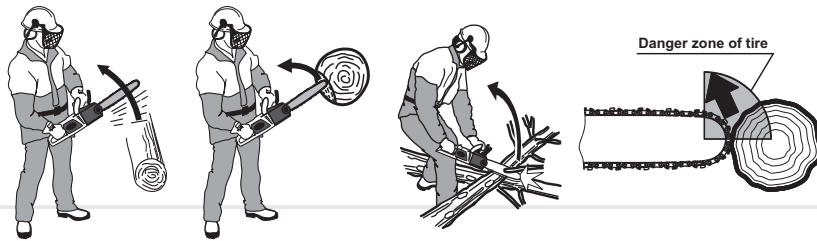
1. Hard hat or helmet.
2. Headphones.
3. Face shield.
4. Protective clothing.
5. Gloves or mittens.
6. Robust closed shoes.

4.4. Risk of output and "kickback"

Returns - a sharp movement of the housing chainsaw to the operator terminal in the cut at the top of the sock tires or chains (see Figure 3).

"Blowback" - a sudden and rapid movement of the chainsaw back-up to the operator that occurs when a bus hit a sock running saws for solid wood or on any solid object - made of stone or metal.

figure 3



WARNING!

Maintain emergency brake circuit.



To avoid injury or damage to the product from the impact and the "kickback":

- Follow recommendations for tree felling and bucking avoid clamping the tire cut.
- Do not start the chainsaw when the chain is in contact with something.
- Avoid accidental contact with the tire sock tree trunks and branches.
- If, in the course of the chain was contacted with stones, metal and other hard foreign objects, stop the engine immediately and, examine the tires and chains.
- While working, always keep in sight of the bus operating the saw, especially the bar nose.
- The tire is solid wood chainsaw to hold only when the engine is running, the engine already clocked up to maximum speed.
- Holes toe tires do only if you are well trained in this business.
- When replacing worn components chainsaw (tire chain), use only genuine parts and recommended.

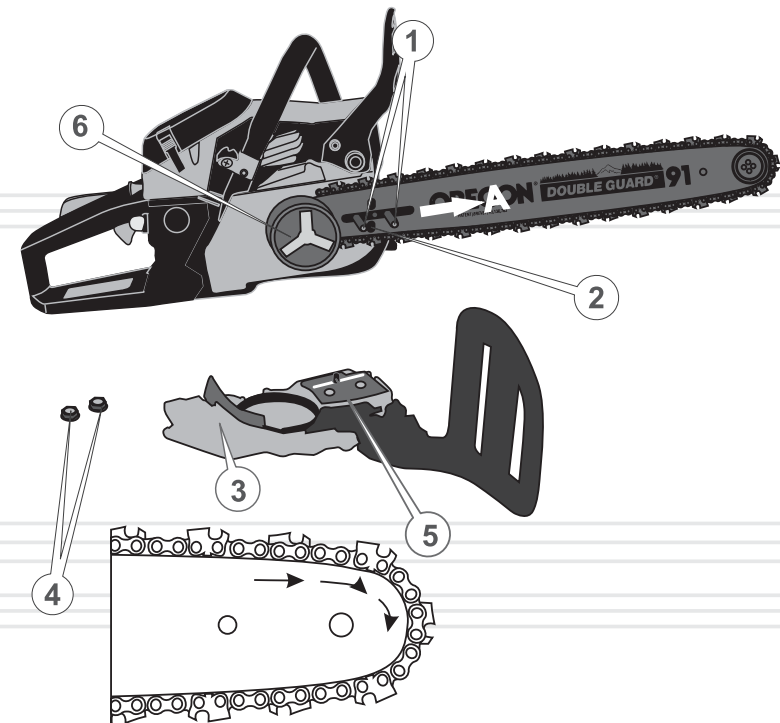
5.1. APPLICATION

Chainsaw is indispensable during the execution of various joinery, carpentry and gardening at any level of complexity.

5.2. GETTING STARTED

Assembling the product

figure 4



1. Remove from the box chainsaw and all its components.
2. Place the chain saw on a flat surface.

3. Set on the housing front spike bumper 14 (see Figure 1) and secure it with two screws.
4. Place the chain over the drive sprocket located on the clutch (6). Note the correct direction of movement of the chain, as shown in Figure 4.
5. Put the tire on the guide pins (1) (a long groove) (see Figure 4).
6. Insert into the groove on the shank chain. This operation start with the upper branch of the tire.
7. Enter chain in engagement with a driven sprocket disposed on the tire wear.
8. Shortly move the bus in the direction of arrow (A) (see Figure 4), the chain is a little stretched.
9. Put the lid mounting tires (3) in such a way that the chain tensioner pin (5) is exactly the same as the tension hole tire (2) (see Figure 4).
10. Tighten the two nuts (4) without tightening them (see Figure 4).
11. Tension the chain. Stretch chain as long as it does not lie down tightly to the bottom of the tire.
12. Securely tighten the mounting nuts of the mounting tires.
13. Check the chain tension.
14. Check that the chain brake by locking it by pressing the emergency brake lever in the direction of tire chains. The chain should not slip on the bus back or forward.

**WARNING!**

Edges of the cutting links in the chain is sharp enough. To avoid injury, the installation is carried out in a chain of dense protective gloves.

Control before starting the engine**CAUTION!**

For safety, always stop the engine before performing any of the actions in this guide. All actions are performed only when the engine is cold.

1. Inspect the product and make sure there is no mechanical damage to the hull chainsaw bar and chain.
2. Check for loose tires.
3. Check the chain tension.
4. Check the fuel mixture and the fuel oil, where necessary to fill the norm.
5. Check the chain lubrication system.
6. Check that the chain brake.

The greatest influence on the durability and efficiency of the saw sets (tires, chains, leading and following stars) chainsaws have such factors include timely and proper chain sharpened teeth, the correct chain tension and lubrication mechanism serviceable job chain.

Checking the chain tension**NOTE!**

In the operation of chain saws from heating or cooling can be lengthened or shortened, so you should periodically check and adjust the chain tension.

If the chain is pulled tight, they are:

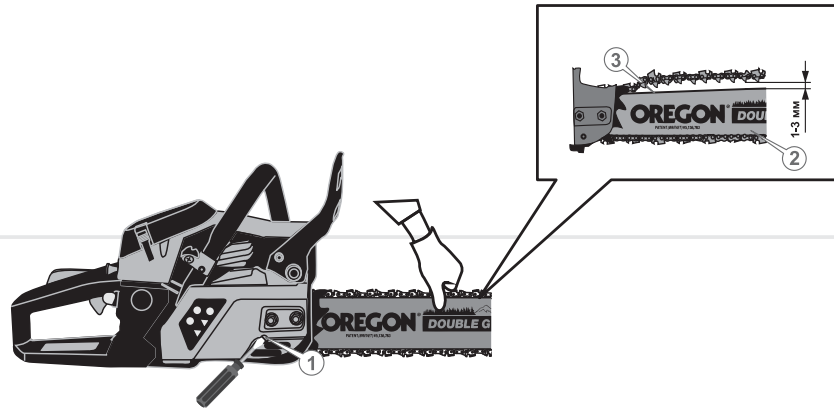
- creating additional friction, which leads to overheating and irreversible thermal deformation of the tire;
- causes accelerated tire wear, drive and driven sprockets and bearings;
- leads to overheating of the motor overload;
- increases fuel consumption.

If the chain is stretched slightly, they are:

- leads to a devastating shock-dynamic loads during engine start and during the operation of the product;
- significantly increases the risk of kickback and "kickback";
- can cause slippage with tire chains and as a consequence, its breakage, jamming of the drive sprocket and injury to the operator;
- causes accelerated tire wear, drive and driven sprockets and bearings.

Procedure for checking the chain tension

figure 5



1. Stop the engine.
2. Carefully grasp the upper branch of the chain in the middle of the bus, or a little closer to her toe and pull the chain on the tire with a force of 1.5-2 kg.
3. Measure the distance between the chain guide (3) and rail (2). The gap should be in the range of 1-3 mm, and the circuit itself should be easy to move by hand along the groove tires.
4. If the gap is more or less than this figure - Adjust the chain tension.

Upon completion of the test chain tension slightly loosen the chain tension. Otherwise, the circuit cools taut, causing excessive mechanical stress on the tire as well as master and slave sprocket.

If you put a new chain on the tire, after the pre-tension adjustment, start the engine and let the chainsaw to work for 3-5 minutes, and then finally adjust the chain tension.

Adjust the chain tension

1. Stop the engine.
2. Slightly loosen the mounting tires - with the key turn the two nuts that secure the lid counterclockwise one turn. If the clearance between the chain guide and the bus does not meet the terms of 1-3 mm and rotate the screwdriver chain tension adjustment screw (1) in the direction of the arrow "A" or "B" (see Figure 5) to loosen or tighten the chain. By turning the screw (1) anti-clockwise - the chain is weakened (A) while turning the adjusting screw (1) clockwise (B) - the chain is tensioned. By rotating the screw pin chain tension is moved along the slot in the lid of the pressure, dragging the bus, which in turn causes the chain tension.
3. By adjusting the chain tension, make sure the chain is free to move in the groove of the tire and correctly engaged with the teeth of the driven sprocket. This gently pull chain by hand, by moving it over the bus in both directions.



NOTE!

If the circuit does not move into the recess or seizes tires, which means that it is highly tensioned. Adjust, up until the chain will not move freely in the groove tires and correctly engaged with the teeth of the driven sprocket, and at the same time, the chain will not sag.

4. Securely tighten the caps key lock nuts securing the tire.
5. Check the chain tension, for which:
 - Start the engine and run the engine at high speed to a normal warm-up circuit;
 - Stop the engine and re-check the distance between the chain guide and the bus;
 - If the clearance between the chain guide and the bus does not meet the terms of 1-3 mm, repeat the adjustment procedure.

**CAUTION!**

The teeth of the chain have sharp edges, so if you check the chain tension and tension adjustment is necessary to use protective gloves or mittens, which are made of thick material.

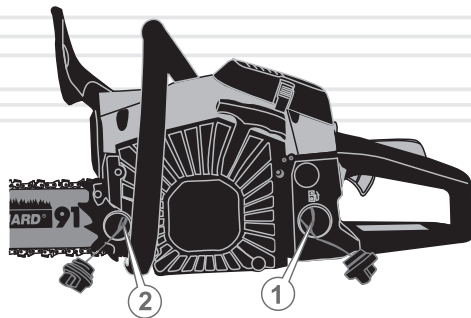
If you plan to operate a chainsaw in the cold season, the slightly loosen the chain.

The high temperature tends to lengthen the chain (begins to sag), which may lead to slippage of the tire chain. Upon completion of the chainsaw bit, loosen the chain tension. Otherwise, when the cooling circuit will be stretched, leading to excessive mechanical stress on the tire, chain and drive sprocket driven.

Fueling**WARNING!**

Chainsaw comes with no fuel in the tank!
Never fill the fuel tank with fresh gasoline. Use a mixture of gasoline with two-stroke oil in the ratio of 25:1.

figure 6



1. Stop the engine.
2. Prepare the fuel mixture, using a special container that came with the package. At first pour gasoline into the tank, and then the oil. Mix well.
3. Thoroughly clean (!) Area around the fuel cap and the fuel tank cap itself from contamination to prevent the ingress of chips, particles of dust and dirt inside the tank.
4. Remove the plug (1) the fuel filler.
5. Fill the fuel tank 550 ml (models BKZ 4620r, BKZ 5022r) or 650 ml (model BKZ 5022rm) of fuel mixture (use a funnel to avoid spilling fuel).
6. Tighten the fuel cap fuel tank.
7. If the fuel mixture spilled on the body chainsaws, wipe dry.

In order not to bring down the chainsaw engine:

- Do not fill the fuel tank, clean gasoline. Since there is no chain saw engine lubrication system, all of its internal parts are lubricated with oil from the fuel mix.
- Do not use gasohol - risk of engine damage rubber seals.
- Do not use oil for four-stroke engines - the potential for contamination of the channel exit exhaust, spark plugs, piston rings ceasing.
- If possible, prepares the fuel mixture and pour it into the fuel tank just before the chainsaw work. Storage fuel mixture over 10 days can lead to unsuitable for further use of the fuel.

**NOTE!**

To prepare the fuel mixture is recommended to use gasoline with octane rating of 92.

Oil filling

**WARNING!**

Chainsaw without oil in the oil tank!
Chainsaw operation without the presence of oil in the oil tank, or if the oil level in the tank is insufficient, is strictly forbidden. When you operate a chainsaw tire, sprockets and the chain will not be greased regularly, the effectiveness of the product will go down, and the life of the tire, chains and sprockets significantly reduced.

In operation, the chainsaw, always make sure there is oil in the oil tank, and the serviceability of its submission.

Before using chainsaws fill the oil tank 260 ml of a special oil for chain saws.

Chainsaws Vitals Professional BKZ 4620r, BKZ 5022r and BKZ 5022rm equipped with an adjustable oil pump - while the engine is on the chain and bar served a necessary portion of the oil. With increasing engine speed increases oil flow. Before you start a chainsaw necessarily adjust the oil flow (see "Adjustment of the oil pump").

The order of filling oil in the tank:

1. Stop the engine.
2. Thoroughly clean the area around the oil tank and the tank cap of dirt to prevent the ingress of chips, particles of dust and dirt inside the tank.
3. Remove the fuel cap Oil tank (2) (see Figure 6).
4. Using a funnel to avoid spilling oil on the chain saw body or on the ground, pour the oil in the oil tank. If oil is spilled on the body or the chainsaw on the ground, wipe dry.
5. Tighten the fuel cap the oil tank.

**WARNING!**

Do not fill the oil tank chainsaw lost their properties of oil and oil is not designed for the lubrication of the saw chain.

**NOTE!**

If the chainsaw is not used for a long period of time or to be transported product, be sure to drain the oil from the oil tank.

Check of oil supply

figure 7



1. Start engine and for 1 minute hold at a height bar nose 15-20 cm above the surface of any light, for example, spread out over a paper sheet or on timber.
2. If the surface there are traces of oil, then the chain lubrication system is working.

**WARNING!**

If the oil is not supplied to the circuit for 1 minute, we recommend to stop the engine. Otherwise, the circuit may be damaged.

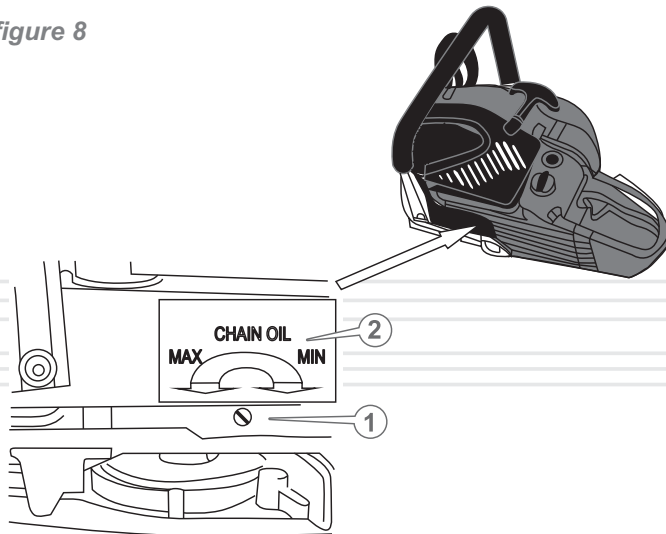
- If traces of oil are observed, stop the engine, remove the tire from the chain, adjust the oil pump, clean the oil port and an oil hole in the tire. Run the motor without the tire with a chain and make sure that the oil supply system arrives. Only then install the tire with a chain on a chainsaw.

**WARNING!**

If the conduct of the procedure does not resolve the problem, contact a service center.

Adjustment of the oil pump

figure 8



- Insert a screwdriver into the slot of the stem (1) oil pump.

**NOTE!**

Slot rod oil pump (1) is located on the bottom of the saw.

- Adjust the flow of oil on the chain according to the sign (2), as marked on the bottom of the saw.
- Turn the valve stem (1) anti-clockwise towards "MAX" - oil supply increased by rotating the stem (1) clockwise towards "MIN" - oil supply decreases.

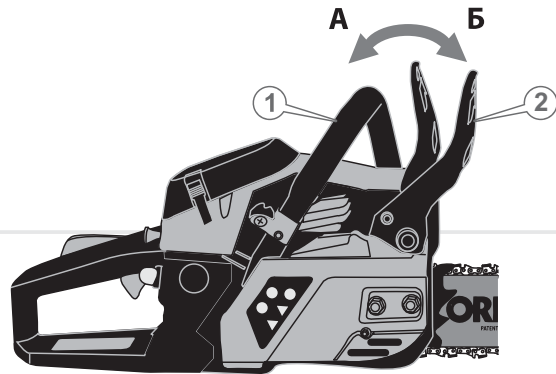
**NOTE!**

The quantity of oil fed to an oil pump circuit is dependent on engine speed the higher the speed, the more oil is supplied to the circuit and vice versa.

Checking the emergency brake circuit**CAUTION!**

The chain brake is designed to stop the chain for an instant impact or "kickback." The chain brake is blocked from lock-in-hand.
Operate a chainsaw with defective brake circuit is prohibited.

figure 9



The chain brake is disinhibited (unlocked - chain can rotate) when his arm is in the cocked position (A) - the lever (2) pull towards the front of the handle (1) (see Figure 9).

Chain brake inhibited (blocked - the chain is stopped) when the lever (2) is in the on position (B). In this position, the lever you can not turn the chain (see Figure 9).

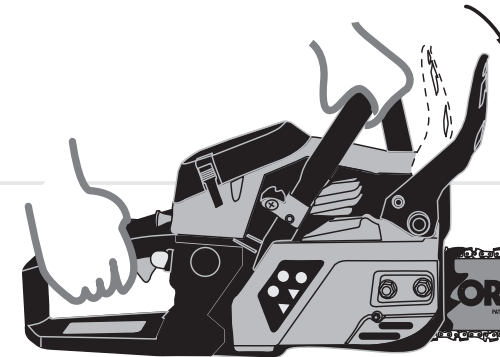
**CAUTION!**

The brake lever is fixed in both positions. In that case, if the lever can not be moved to any of the provisions or strong resistance is felt - to use a chainsaw is prohibited.

Verify the operation of the emergency brake circuit should be carried out immediately prior to the operation of the saw.

The order of test if the emergency brake circuit:

figure 10



1. Place the chain saw on a flat surface. Make sure the tire chain is not touching any other object.
2. Start the engine.
3. Click on the throttle.
4. Lock the chain brake, holding his hand fore grip clicking on the wrist of his left hand safety brake chain in the direction of the arrow (see Figure 10). Movement of the chain with the right to stop.

**NOTE!**

If the brake chain rotates, contact the service center.

5. Release the throttle lever.
6. Stop the engine.

Starting and stopping the engine



CAUTION!

To avoid injury to start the engine chainsaw is only necessary when the brake circuit.

Starting the engine at temperatures above +5 °C

1. Fill the fuel tank fuel mixture.
2. Fill the oil tank oil used to lubricate the chain.
3. Turn the chain brake.

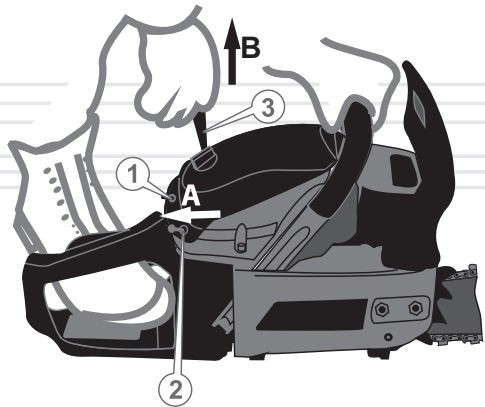


WARNING!

To prevent failure of the clutch centrifugal clutch and chain brake mechanism does not allow the engine revving chainsaw while the brake circuit.

4. Place the ignition switch (1) to the upper position "I" (see Figure 11).
5. Make sure the tire is not touching any other object.
6. Place the chain saw on a flat surface. Hold a product as shown in Figure 11.

figure 11



7. Pump the fuel to the carburetor, using the manual fuel pump "primer". To do this, click on the cap 4-6 times "primer" (22) until it appears fuel (see Figure 1).
8. Pull the handle all the way Choke (2) in the direction of arrow (A) (see Figure 11). In this case, close the choke valve.
9. Operate the starter motor: first gently pull the starter handle (3) (see Figure 11) in the direction of the arrow (B) until you feel resistance. Sensing resistance, return the handle to the original position, and then abruptly pull the starter handle. Repeat this process 2-3 times until the engine starts to "catch." Once the engine will "catch", stop the process of starting the engine chainsaw and immediately open the choke by turning the valve to its original position.



WARNING!

When you press the throttle lever choke valve opens automatically.

10. Again, pull the starter grip to start the engine. Once the engine is running chainsaw, starter handle slowly return to starting position.



WARNING!

Pull the starter handle to be very careful not to pull the starter cord.

11. Warm up the engine for 1-3 minutes (depending on ambient temperature) until the engine begins to work on the stable idle.
12. Unlock the chain brake.

Features of the engine chain saws in the cold (winter) time

Please be aware that the ambient temperature is below +5 °C to start the engine chainsaw becomes more difficult.

1. Starting the engine in cold weather (winter) being implemented at higher speeds.
2. Engine start-up is carried out only when the brake is off the chain.
3. Warm up the engine for 3-5 minutes (depending on ambient temperature) until the engine begins to work on the stable idle.

The order of the engine stop

1. Release the throttle lever.
2. Allow the engine to idle for 1-3 minutes.
3. Place the ignition switch (1) in the lower position "0" (STOP) (see Figure 11).

Engine Break

New or recently renovated chainsaw engine must be run for 5 hours. Engine Break-in can be performed at the disconnected bus with a chain. Throughout the period running engine must be running at idling speed specified in paragraph 3 of this manual. During the run-in or run the engine at higher speeds and loads, as the correctness of the durability of the running of the engine.



WARNING!

If deviations are detected in the engine, stop it immediately, find out cause of the problem and take steps to eliminate them.

5.3. Chain saw work



WARNING!

Before proceeding directly to the work of a chainsaw, carefully read this manual. Initially Practice - Cut the small tree or branch.

Sawing wood

If the chain is sharpened, the process of cutting should take place without much effort.



CAUTION!

Remember that a falling tree can seriously damage anything that will meet on the way.

There is a way to make the cut trees fall down to where you need it.

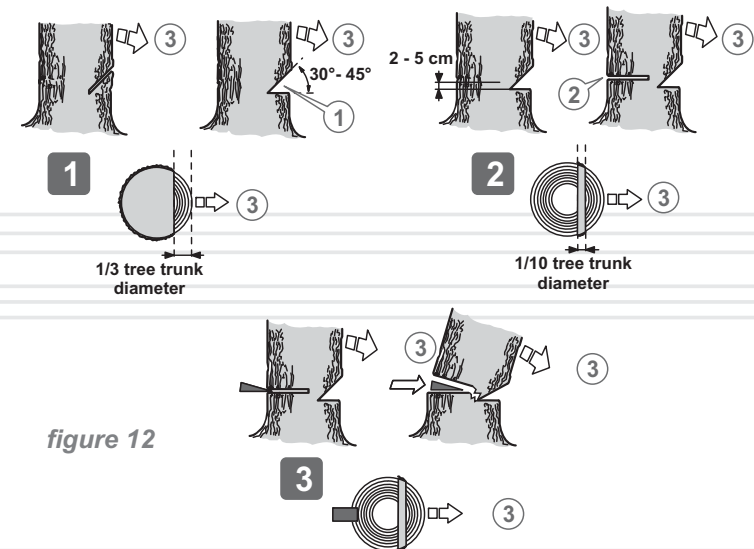
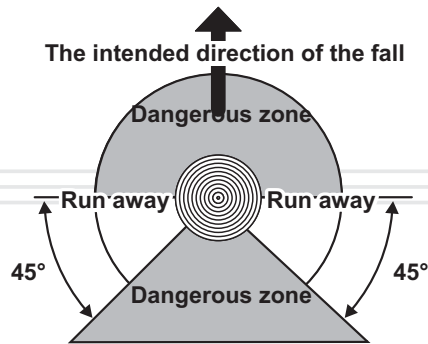


figure 12

The sequence of operation

1. Clear the area around the tree.
2. Determine the direction in which to cut down the tree to fall, taking into account the wind direction, the location of the branches on the tree, convenience, after felling the tree.
3. Take a stable stance, sitting so that the chainsaw was not able to cause injury to you or bump into an obstacle.
4. Prepare the way of waste, which must be diametrically opposite to that of the fall of the cut tree (see Figure 13).

figure 13



5. Start the engine.
6. Start sawing wood on the side (3), which has to fall (see Figure 12). Make propyl wedge (1) at an angle of 30-45 degrees, the depth of which is approximately equal to 1/3 the thickness of the barrel. The felling cut (2) to make the opposite side of the wedge cut by placing the spike bumper chainsaw to the trunk 2.5-5 cm above the lower edge of the wedge cut. Complete sawing when to cut the inside edge of the wedge will remain somewhere tenth the diameter of the trunk.
7. When making the felling cut, do not try to saw through the trunk to the wedge-shaped cut. Part of the trunk, the rest not sawn, will serve pin by falling trees, directing it to the desired direction. When the tree starts to fall, stop the engine chainsaw, put the product on the ground and immediately move away to a scheduled safe area.



CAUTION!

When the tree starts to fall, get away from the trunk of at least 3 meters in order to avoid, in the case of a rebound in the trunk stump.



NOTE!

To cut the tree trunk to the engine at full throttle while slowly sinking bus chainsaw in the trunk of the tree.

8. Using special harvester accessories, fell a tree in a pre-planned direction.

Bucking

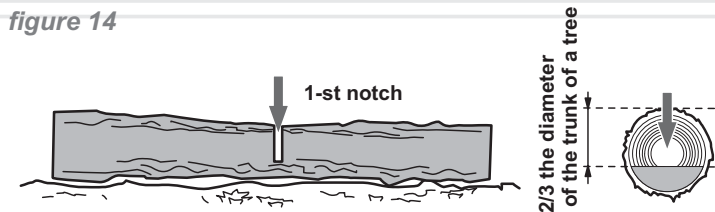
Bucking - a cross-sawing a fallen tree or log into pieces.

The basic rules that apply in the bucking

- Place the timber on the support (using goats);
- when sawing logs on the slope position yourself always on the highest part of the slope;
- When sawing never stand on a log.

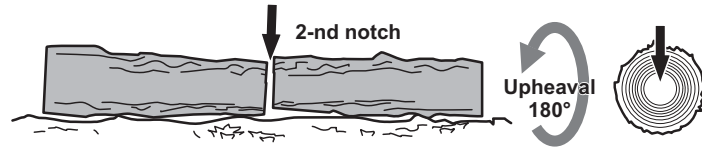
Sawing logs without placing the poles

figure 14



1. Make the first cut down to 2/3 the diameter of the trunk of a tree (see Figure 14).

figure 15



2. Turn the log and cut (2) it from the opposite side (see Figure 15).

Sawing logs with underplayed supports (see Figure 16)

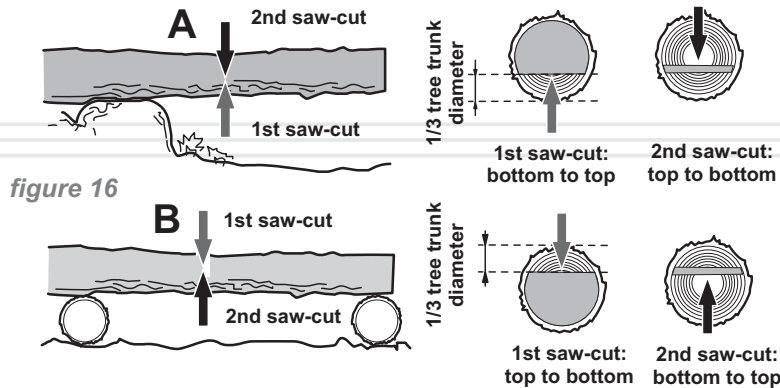


figure 16

1. Make cuts logs in the "A". Make the first cut from the bottom up (1) 1/3 of the log and finish the cut from the top down.
2. If the timber has two points of support at the edges of the support and are positioned correctly in relation to the center of gravity, the first cut (area "B") to make downward (a third the diameter of the log), and the second propyl-upward (toward the first).



NOTE!

If you make a cut on the wrong side, there will be a pinched tires in the wood.

If, however, a tire jammed and can not pull out without applying significant effort, in any case, do not pull a chainsaw and do not try to pull out. Stop the operation of the product, drive pin in the cut to reveal it, and then gently pull out the bus.

Sawing logs using goat

figure 17



When cutting logs are best used as a stop goats. Make sure when cutting logs securely in place (see Figure 17).

Make the first cut from the bottom up to 1/3 of the log and finish the cut from the top down. Gently slide the timber and repeat cutting.

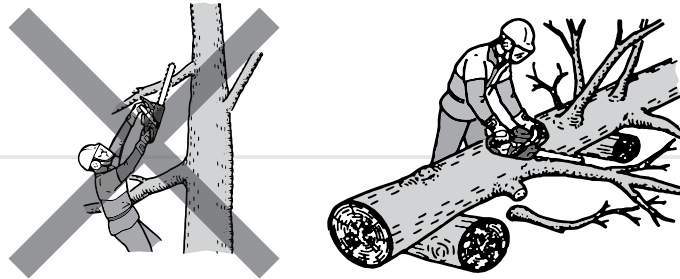
Pruning branches and twigs



CAUTION!

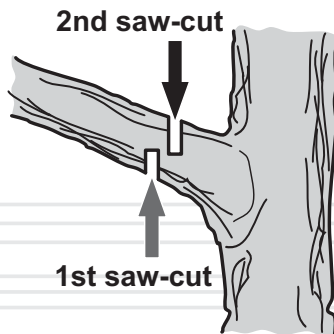
During sawing not keep a chainsaw at arm's length, and placed vertically or overhead (see Figure 18). Be careful that you do not toe the tire touched a tree trunk and branches nearby.

figure 18



The sequence of pruning and knots with a tree standing

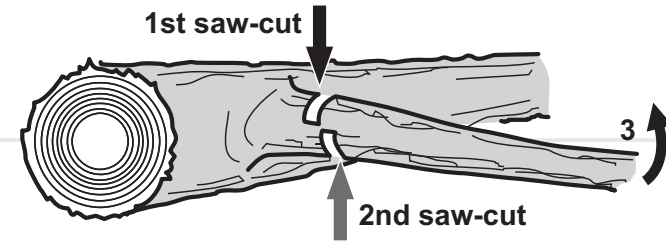
figure 19



1. Make the first cut from the bottom (1).
2. A second incision is made with opposite side (2). Make sure that the sawed branch or branch did not fall on you.

The process of pruning twigs and branches from a fallen tree is very similar to the process of bucking.

figure 20



The process of pruning twigs and branches from a fallen tree is very similar to the process of bucking.

1. Determine the direction of the bend to saw off the branch (3).
2. Make a small incision is made above (1).
3. A second incision is made with opposite side (2).

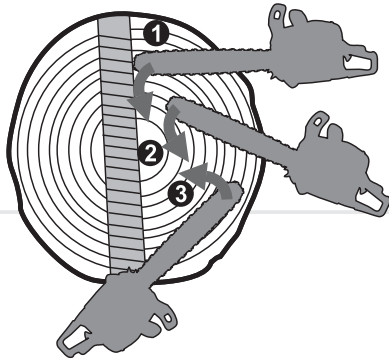


CAUTION!

Do not saw off the branch on which you are relying. Make sure sawed branch is not under load. The branches, which are based on a tree, drank themselves last.

Sawing logs using the dog's chainsaw

figure 21



For quick and efficient cutting of logs, use spiked bumper chainsaw.

1. Securely abut dog's chainsaw to the log.
2. Saw logs, plunging the saw timber rotation method, using stress as an additional lever.

**CAUTION!**

To avoid injury, any maintenance work must be performed at a standstill and the engine is cold. Remove the cap from the spark plug to prevent accidental starting.

Chainsaws Vitals Professional BKZ 4620r, BKZ 5022r and BKZ 5022rm are reliable products that are designed with all the modern engineering technology. Fulfilling all the recommendations Manuals, timely performing maintenance, you will ensure reliable operation over many years.

To ensure reliable operation of the product for a long period of use and storage of necessary time to carry out maintenance.

Use only original spare parts TM «Vitals». The use of non-original spare parts can cause damage to the product.

The following types of maintenance

- visual inspection;
- Maintenance.

Control examination should be carried out before and after the use of chainsaws or transportation. When the control examination should test the reliability of fastening of all parts that are not damaged body products, tires, chains, controls a network cable.

Chainsaw maintenance should be carried out according to the rules (see Table 1).

table 1

Maintenance schedule chainsaw

TYPE OF SERVICE / RECOMMENDED TERMS		Everytime	Every 25-hours or month	Every 50 hours or 3 months	Every 100 hours or 1 year
Chainsaw in general	cleaning	●			
Connections and fasteners	lift	●			
Sprocket	cleaning	●			
	check	●			
Bus	cleaning	●			
	grease	●			
	change of position			●	
Chain	check	●			
	sharpened teeth	if necessary			
	replacement	if necessary			
Channel oil supply on the body of the saw	cleaning	●			
Air filter	check	●			
	cleaning*		●		
	replacement*				●
Spark plug	check		●		
	gap adjustment			●	
	replacement				●

TYPE OF SERVICE / RECOMMENDED TERMS		Everytime	Every 25-hours or month	Every 50 hours or 3 months	Every 100 hours or 1 year
Carburettor	adjustment	if necessary			
Butter for greasing the chain	leak testing	●			
	filling	●			
Oiltank	flushing		●		
Oilfilter	flushing*		●		
	replacement*				●
Oilline	replacement	once every 3 years			
Fuel	leak Testing	●			
	filling	●			
Fueltank	flushing		●		
Fuelfilter	flushing*		●		
	replacement*				●
Fuelline	replacement	once every 3 years			
Chainbrake	check	●			
Shock Absorbers	check operability	●			
Silencer	check	●			
	decoking			●	

* Excessive contamination performed more frequently. Replacement must be performed at a service center.

After each use, chain saws

- make an external inspection of malfunctions and damage, sagging fuel and oil detection - eliminate the causes of malfunctions;
- Check and tighten all fasteners products;
- remove the body chainsaw cylinder cooling fins of the engine, tires and chains dust, dirt, oil and sawdust;
- Clean the ventilation holes;
- Check the edges of the tire for wear. If there are burrs, remove them using a needle file;
- Clean and lubricate oil intended for the lubrication of the chain, the driving and driven sprockets;
- Check the cleanliness of the air filter and if necessary, clean it;
- Clean the oil supply passage, oil hole.

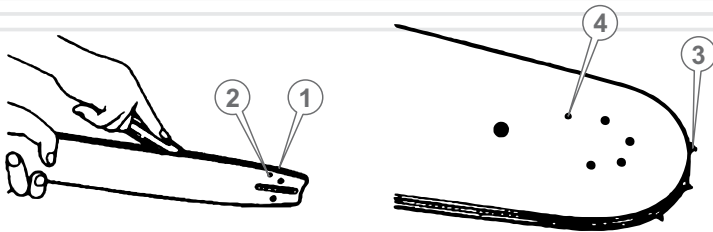
In case of excessive pollution chainsaw parts and components, for example - resin, wipe with a special cleaning solution. Bar and chain service the basis and to place them for 15 minutes in a container of cleaning solution. After that the bar and chain with clean water and treat with anti-corrosion spray.

To ensure more even wear on the top and bottom of the tire, turns it over 25 hours every product.

The greatest influence on the durability and performance tires, chain and sprocket chain saws have three factors - the correct and timely sharpened teeth chain, the chain tension is correct and orderly function of the mechanism of chain lubrication.

Service bus and driven sprocket

figure 22



1. Remove dust and dirt from the gutter tires, oil holes and driven sprocket (see Figure 22).
2. Make sure that the oil holes are clean.
3. Lubricate the tire groove, driven sprocket, and oil hole oil intended for the lubrication of the chain.

Service sprocket

1. Remove dust and dirt from the drive sprocket.
2. Check the drive sprocket for wear, dents and cracks.
3. If damage or excessive wear of sprocket teeth, replace the drive sprocket.



WARNING!

Do not put a new chain on a damaged, worn sprocket, or a worn chain on a new sprocket.

Service Chain

An indication of the need to change the chain or teeth grinding circuit is the appearance of small chips. In addition, work dull chain leads to excessive pressure on the tool operator and can lead to jamming of a timber chain that dramatically increases the probability of breakage of the drive sprocket and leads to abnormal overheating blade.

Proper chain sharpening teeth can only be done with the help of special tools and templates that correspond to this type of chain and must be purchased separately. For the steps to sharpen the teeth in the user Grinding to a template or in the literature.

In operation, the wear and the chain is stretched, which in turn leads to deterioration of the relevant driving and driven Stars. Installation of a new chain to the worn sprocket causes the mismatch that step is rapid and intensive wear of the chain and sprockets. Experience shows that it is appropriate to have a 3-4 chain and sequentially (for example - in a day or two) to change them to regular wear occurred throughout saw sets of chains, tires and sprockets.

Air filter service (only for BKZ 4620r, BKZ 5022r)

1. Remove the air filter cover lock.
2. Remove the air filter cover.
3. Remove the air filter by carefully sliding it to the studs.
4. Remove the filter gasket.
5. Carefully separate the hands of the air filter into two halves.
6. Gently remove dust and dirt from the filter elements without damaging them (knock on a hard surface and blow air filter elements), rinse in petrol and dry thoroughly.
7. Reassemble and install it on a regular place.

Paper type air filter service (only for BKZ 5022rm)

1. Remove the air filter cover lock.
2. Remove the air filter cover.
3. Carefully remove the paper element of the planting hole on the carburetor.
4. Gently remove dust and dirt from the filter element without damaging it (tap on a hard surface and blow air).
5. Reassemble and install it on a regular place.

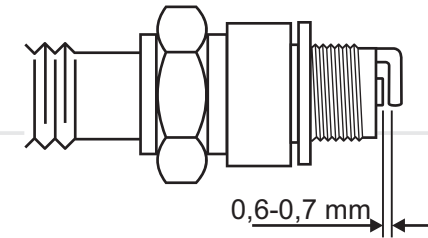


NOTE!

The filter elements must be blown from the inside outward. To prevent damage to the filter elements should be blown with compressed air, low pressure (1.5 - 2 atm.)

Checking the condition of the spark plug and its replacement

figure 23



WARNING!

For proper operation of the engine the spark plug should be uncontaminated, the gap between the electrodes should be 0.60 - 0.70 mm.

1. Disconnect the cap from the spark plug.
2. Remove dirt from the spark plug and cap.
3. Remove the spark plug wrench spark plug, inspect it. If the spark plug electrodes are worn out or damaged, replace the spark plug.
4. Using a special probe, measure the electrode gap (if necessary, set the gap 0.60 - 0.70 mm, carefully bending the side electrode) (see Figure 23).
5. Gently tighten the spark plug.
6. Firmly put a cap on the spark plug.

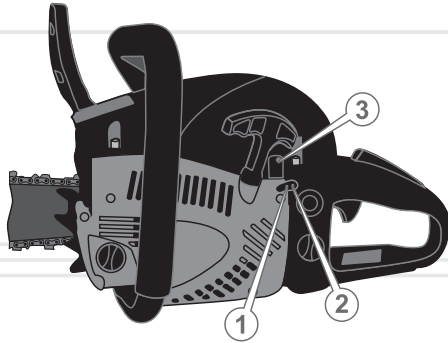
Adjusting the carburetor

Chainsaw carburetor is adjusted at the factory during the test product. This adjustment should be maintained throughout the period of the engine break-chainsaws (within 5 hours). After the break-in to fine-adjust the carburetor.

**WARNING!**

It is possible that during the initial start-up the engine chain saws, as well as during engine break-in may need to fine tune the carburetor.

figure 24



1. The adjusting screw «L» - the fuel supply.
2. The adjusting screw "H" - the air supply.
3. The adjusting screw "T" - the regulator of idling.

1. Stop the engine.
2. Turn the adjustment screws «L» and the "H" clockwise until it stops. Do not use force when rotating propellers.
3. Slowly turn the adjusting screw «L» counterclockwise to $1,5 \pm 0,25$ turns.
4. Slowly turn the adjusting screw "H" is anticlockwise to $1 \pm 0,25$ turns.

**NOTE!**

When the adjusting screws «L» and «H» regulated optimum ratio in the fuel mixture of fuel and air.

Adjusting the screw «L» for too lean mixture leads to impair starting chainsaw and set the engine speed.

Adjusting the screw «H» for too lean mixture results in a reduction in engine power saws, they set speed and possible engine damage.

Adjustment screws «L» and «H» on too rich a mixture leads to impair starting chainsaw and reduce engine operating speed.

5. Start the engine and warm it up for 2-5 minutes.

**NOTE!**

Evaluate the work of the engine. If the carburetor comes enriched with a mixture of exhaust fumes will go abundant. If the carburetor goes lean mixture, the engine will be unstable.

6. Release the throttle lever. Slowly turn the adjusting screw «L» on an hour as long as the motor does not reach full speed. The chain will rotate.
7. Slowly turn the adjusting screw "T" counterclockwise until the chain stops (the engine speed will be gradually reduced.) Once the chain stops tighten screw "T" in the same direction at 3-4 turns to choose the optimal idle speed.
8. To maximize the power of the engine, slowly turn the adjusting screw "H" counter-clockwise 1-2 turns.

**NOTE!**

To achieve such speed that saw no stall, but the chain is not moving.

9. With the throttle lever set the maximum engine speed. Ensure a smooth transition from the engine idle speed to a maximum speed mode.

**WARNING!**

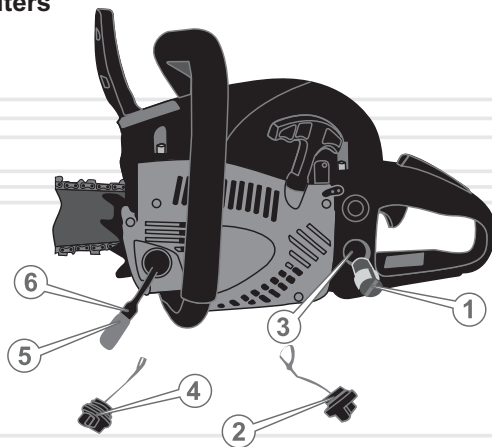
Do not install the engine speed than specified in paragraph 3 of this manual, as it will lead to engine damage.

**NOTE!**

Carburetor adjustment is desirable to perform a specialized service center or a qualified technician.

Service fuel and oil filters

figure 25



52

Fuel Filter Service

1. Remove the cover (2), and gently pull it out of the fuel tank.
2. Using a wire loop, carefully remove the fuel filter (1) from the fuel tank.
3. Carefully disconnect the fuel line from the fuel filter (3).
4. Clean the fuel filter in gasoline with a soft brush.
5. Clean the fuel tank with gasoline.
6. Connect the fuel filter to the fuel line and gently place the fuel tank.
7. Securely tighten the fuel tank cap.

The oil filter Service

1. Remove the cover (4), and gently pull it out of the oil tank.
2. Using a wire loop, gently remove the oil filter (5) out of the oil tank.
3. Carefully remove the oil filter from the oil line (6).
4. Wash the oil filter in gasoline, kerosene or white spirit, using a soft brush.
5. Wash the oil tank with kerosene or mineral spirits.
6. Connect the oil filter to the oil line and gently place into the oil tank.
7. Firmly tighten the cover of the oil tank.

**WARNING!**

When excessive contamination of the fuel (oil) of the filter, and if it is damaged, you should immediately replace the fuel (oil) filter.

It is forbidden to operate a chainsaw for contaminated or damaged fuel (oil) filter.

53

**CAUTION!**

Do not move or transport the product with a running engine.

**WARNING!**

Keep the product in the same room with flammable substances, acids, alkalis, fertilizers and other aggressive substances is prohibited.

Transportation

The product can be transported by all modes of transport, ensuring the safety of the product, in accordance with the general rules of traffic.

During loading and unloading and transport of the product should not be subjected to shock or rain.

Stowage and securing the chainsaw in vehicles should ensure a stable position the product and its lack of movement during transport.

When transporting goods over long distances remove the tire and put it on the cover.

Take care not to damage the chainsaw during transport. Do not place heavy objects on top.

Wrap the handle of the product should be, at the same bus heading back.

Never carry the product by the bus. When changing the workplace, stop the engine and set the chainsaw on the brake, to avoid accidental starting.

When changing the workplace and stop the engine, install the product on the brake.

Acceptable transportation chainsaw: ambient temperature from -15 ° C to +55 ° C, relative humidity up to 90%.

Storage

If the product is not used for a long time (more than 2 months), it must be stored in a ventilated room at a temperature of -15 °C to +55 °C and a relative humidity of 90%, having covered by the product off the dust and small debris.

The presence of vapors of acids, alkalis and other aggressive substances is prohibited. Keep out of reach of children chainsaw.

Chainsaw before making the long-term storage should be conserved.

While preparing the product for storage

1. Stop the engine.
2. Drain the fuel mixture of the oil from the tanks.
3. Remove accumulated over time, oil, dirt and debris from the outside of the chassis and tire products.
4. Lubricate with engine oil all metal parts of the product.
5. Tighten all bolts, screws and nuts.
6. Close the chain and bar cover.
7. Disconnect the cap from the spark plug, remove the dirt from the spark plug and cap. Remove the spark plug wrench spark plug and pour into the working chamber of cylinder 2 cm³ of oil for two-stroke engines.
8. A few times gently pull the starter handle. Engine piston group and cylinder liner are lubricated with oil, thus protected from the risk of corrosion.

Utilization

Do not throw away the chainsaw in a container with household waste! After serving his sentence chainsaw accessories and packaging should give up on recycling and disposal.

For information on recycling, please contact the local administration.



TROUBLESHOOTING AND THEIR SOLUTION

ENGLISH

DESCRIPTION OF FAILURE	Possible cause	Ways to eliminate
Engine does not start	No fuel in the fuel tank	Filling the fuel in the fuel tank
	Contaminated fuel, the availability of water in fuel mixture	changing the fuel
	Dirty, filled with fuel or spark plug faulty	Cleaning, dry or replace spark
	Fuel not getting to carburetor	Contact the Service Center
	Flooded with inappropriate requirements of fuel mixture	Changing the fuel mixture
	On/Off Switch ignition in stop position (off)	Turn on the ignition
	Carburetor not adjusted	Adjust
	Contaminated/deteriorated fuel filter	Cleaning/replace
	Choke the carburetor is in the wrong position	Place the choke in the correct position according to paragraph 5.2. This guide
Engine failure	Contact the Service Center	
Lack of power	Carburetor not adjusted	Adjust

DESCRIPTION OF FAILURE	Possible cause	Ways to eliminate
Lack of power	Contaminated fuel	Changing fuel
	Dirty air filter	Cleaning the air filter
	Spark plug completed its resource	Replace spark plug
	Flooded with inappropriate requirements of fuel mixture	Replace the fuel mixture
	Closed choke carburetor	Open the choke
The chain does not starts	The chain brake is turned on	Turn Off
	Chain will draw	Slacken the chain tension
	Chain jammed	Looking for the cause, eliminate
	The tyre is worn out	Replace
	Centrifugal clutch is failed	Contact the Service Center
	Defective chain brake	Contact the Service Center
	Worn out the leading asterisk	Replace

ENGLISH

DESCRIPTION OF FAILURE	Possible cause	Ways to eliminate
No oil supply to the tire and chain	There is no oil in the oil tank	Pour oil into the oil tank
	Contaminated oil feed	Cleaning
	Not adjusted oil delivery	Adjust
	Dirty holes on the bus	Cleaning
	Dirty/worn oil filter	Cleaning/replace
	Oil pump is out of order	Contact the Service Center
The chain heats up	Chain will draw	Slacken the chain tension
	The chain is weakened	Pulling the chain
	The chain is worn out	Replace
	The tyre is worn out	Replace
	Filled with inappropriate requirements of oil	Replace
	There is no oil delivery	Checking the oil in the oil tank, refill up to standards
	No oil supply (oil pump is out of order)	Contact the Service Center
	No oil supply (oil return pipe is dirty or the oil filter)	Cleaning

DESCRIPTION OF FAILURE	Possible cause	Ways to eliminate
Low efficiency products	Reduce the tension of the chain	Adjust
	Put the chain on the bus in reverse direction	Checking that the chain
	The chain not sharp	Sharpen or replace the chain
Increased vibration	Weakened by mounting tires	Tighten mounting tires
	Worn out shock absorbers	Contact the Service Center
	Carburetor not adjusted	Adjust

The warranty period of chain saws Vitals Professional **BKZ 4620r**, **BKZ 5022r** and **BKZ 5022rm** is the eighteen (18) months of the date of the warranty card retail sales.

During the warranty period, defective parts and components will be replaced, subject to all the requirements of the Manual of operation and no damage related to improper operation, storage and transportation of products. For warranty service, contact an authorized service center.

The consumer has the right to free warranty troubleshooting, identified and presented during the warranty period due to production and design factors.

Warranty Troubleshooting performed by repair or replacement of defective parts of the product to the certified service centers. The cause of the fault and determine the terms of their elimination service personnel.

WARNING!

The product is accepted for warranty service only fully equipped, carefully cleaned of dirt and dust.

The warranty becomes invalid in the following cases:

- No warranty card or unreadable.
- Improperly completed warranty card, it does not contain the date of the sale or seal (stamp) and signature of the seller, the serial number of the product.
- Have corrections or erasures in the warranty card.
- Complete or partial absence, unreadable serial number on the product, the mismatch serial number of the product number on the warranty card.
- Failure to comply with the rules of operation listed in this guide, including the violation of the service schedule.
- Operation of the defective or incomplete products, which caused its failure.
- Ingestion of foreign substances or articles of items.
- The cause of the fault was of poor quality or inadequate requirements management fuel mixture.
- The product has high mechanical and thermal damage, obvious signs of careless handling, storage or transportation.
- The product used for other purposes.

- Produced unauthorized repair, opening or attempt to upgrade the product by the consumer or a third party.
- The fault is due to a natural disaster (fire, flood, hurricane, etc.).

Replaced under warranty parts and assemblies become the order of service center.

When making warranty repairs the warranty period extended by the time of stay in the repair products. Counting the added period starts from the date of acceptance of the product in warranty repairs.

If for technical reasons can not be repair of the product, the service center provides the act under which the user himself decides on the organization of the supplier to replace the product or refund.

After the expiration of the warranty service centers continue to perform maintenance and repair of the product, but at the expense of the consumer.

The warranty does not cover failures due to normal wear or overloading of the product.

The warranty does not cover component: a tire chain, spark plug, filters, etc.

The warranty does not extend to the incompleteness of the product structure, which could be detected when it is sold. All the costs of transporting the product is a consumer.

The right to a warranty repair is not a basis for other claims.

ШАНОВНИЙ ПОКУПЕЦЬ!

Дякуємо Вам за придбання ланцюгової бензопили ТМ "Vitals".

Техніка ТМ "Vitals" розробляється за європейськими стандартами якості та з використанням сучасних технологій.

Неправильна експлуатація ланцюгової бензопили та недотримання заходів безпеки може призвести до пошкодження виробу або до серйозних травм!

Дане керівництво містить всю необхідну інформацію щодо заходів безпеки при роботі ланцюговою бензопилою. Уважно ознайомтесь із керівництвом перед початком експлуатації виробу.

Будь ласка, надайте іншим користувачам дане керівництво, перш ніж вони почнуть експлуатацію виробу. Дане керівництво необхідно зберігати для подальшого його використання.

Ми постійно працюємо над удосконаленням своєї продукції та, в зв'язку з цим, залишаємо за собою право на внесення змін у зовнішній вигляд, оснащення та технологію виробництва, не змінюючи основних принципів управління, без повідомлення споживача. Всі можливі зміни будуть спрямовані тільки на покращення та модернізацію виробу.

ЗНАЧЕННЯ КЛЮЧОВИХ СЛІВ



ОБЕРЕЖНО!

Позначає потенційно небезпечні ситуації, яких слід уникати, в іншому випадку може виникнути небезпека для життя та здоров'я.



УВАГА!

Позначає потенційно небезпечні ситуації, які можуть призвести до легких травм або до поломки виробу.



ПРИМІТКА!

Відзначає важливу додаткову інформацію.

ЗАГАЛЬНИЙ ОПИС

Ланцюгові бензопили Vitals Professional **BKZ 4620r**, **BKZ 5022r** і **BKZ 5022rm** призначені для швидкого розпилювання свіжої, сухої та мокрої деревини різної товщини та конфігурації, деревостружкових плит, заготовлі дров із колод малого та середнього діаметру.

Завдяки використанню сучасних розробок і технологій, моделі ланцюгових бензопил "Vitals Professional" наділені оптимальними робочими характеристиками роботи двигуна, а також відрізняються довговічністю та зносостійкістю основних частин і деталей.

По своїй конструкції бензопили відносяться до простих класичних механізмів – ланцюг приводиться в дію двигуном внутрішнього згоряння. Простота пристрою бензопили є чинником надійності, що забезпечує її безвідмовну роботу в тяжких умовах.

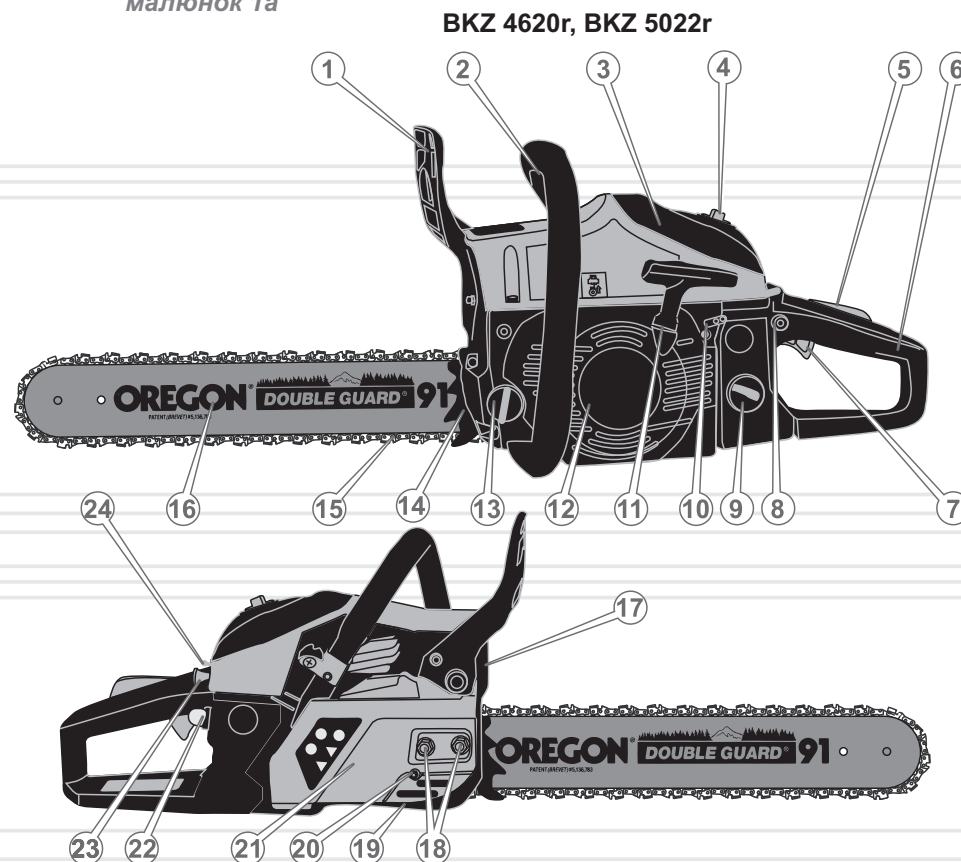
Крім цього, ланцюгові бензопили Vitals Professional BKZ 4620r, BKZ 5022r і BKZ 5022rm (далі за текстом - бензопила) мають ряд інших переваг, до числа яких входять:

- хромований циліндр. Тривалий термін служби циліндра двигуна досягається завдяки збільшенню зносостійкості пари, що треться, поршневі кільця - циліндр;
- паливopідкачуючий насос «праймер». Для полегшення запуску двигуна бензопили передбачений «праймер», за допомогою якого забезпечується попередня підкачка палива в карбюратор. Таким чином, пуск двигуна бензопили здійснюється набагато швидше, особливо в холодну пору року;
- кришка стартера виконана з магнієвого сплаву (тільки модель BKZ 5022 rm) – для збільшення терміну служби;
- легкий старт: зусилля, яке прикладається оператором під час запуску двигуна, знижено на 30%. Система легкого старту представляє собою додаткову пружину, за допомогою якої передається обертальний рух від храповика ручного стартера на маховик двигуна бензопили. При витягуванні шнура стартера, пружина стискається до певного моменту, а потім, різко розвернувшись, приводить у дію колінчастий вал двигуна. При цьому немає необхідності смикати стартер, достатньо лише плавно витягнути шнур;
- високоякісна шина та ланцюг від всесвітньо відомої ТМ "Oregon";
- картер двигуна виконаний із магнієвого сплаву;
- бічний натяг ланцюга;
- повітряна заслінка з автоматичним відкриттям: при натисканні на важіль дроселя повітряна заслінка карбюратора відкривається автоматично;
- високоефективний повітряний фільтр паперового типу (тільки для моделі BKZ 5022rm);

- висока швидкість ланцюга: забезпечується висока продуктивність роботи бензопили;
- регульований масляний насос. Кількість масла, що подається на ланцюг, залежить від попереднього ручного регулювання масляного насосу. Масло з масляного бачку надходить в масляний насос, після чого через масляний канал надходить у паз шини та на ланцюг;
- сучасна антивібраційна система. Двигун у корпусі бензопили встановлений на спеціальних демпфуючих елементах;
- ефективне гальмо ланцюга. У разі віддачі або «зворотного удару» гальмо ланцюга спрацьовує дуже швидко, обертання ланцюга при цьому негайно припиниться;
- підвищена зносостійкість ручного стартера металеві (модель BKZ 5022rm) кулачки на храповому колесі, кулачки на храповому колесі із міцного пластика (BKZ 4620r, BKZ 5022r).
- Швидкоз'ємна кришка повітряного фільтра (модель BKZ 5022rm)

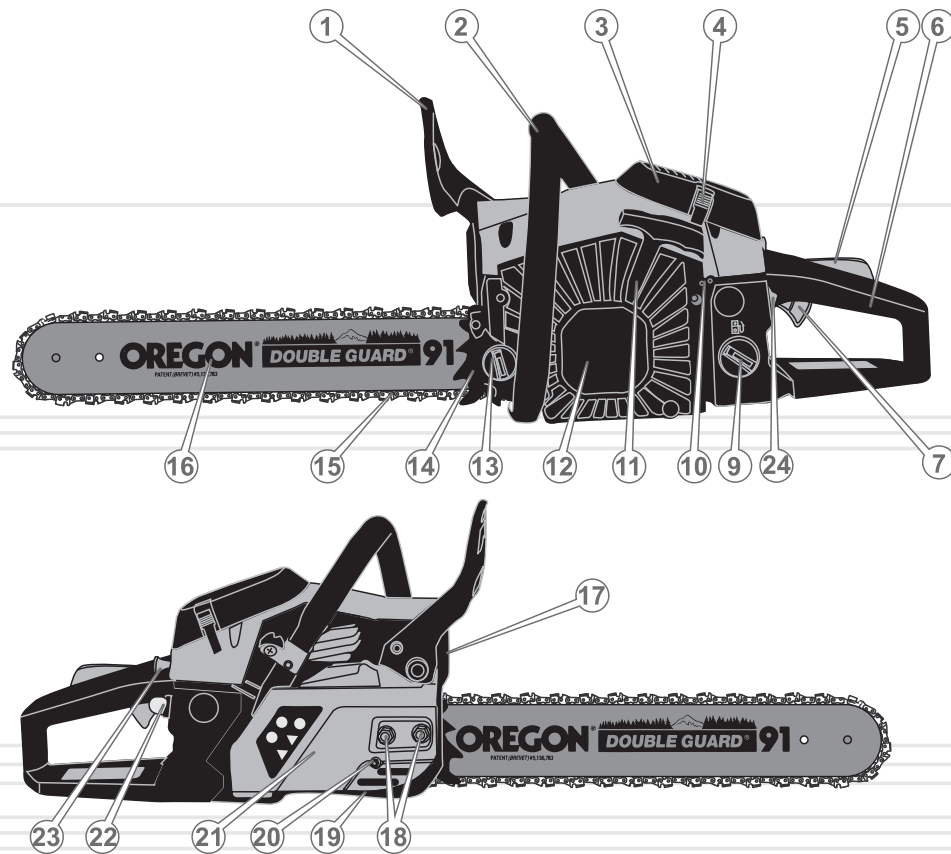
Опис основних компонентів бензопили представлено нижче.

малюнок 1а



малюнок 16

BKZ 5022rm



1. Важіль аварійного гальма.
2. Передня рукоятка.
3. Кришка повітряного фільтру.
4. Фіксатор кришки повітряного фільтру.
5. Кнопка блокування від випадкового включення.
6. Задня рукоятка з захисним щитком.
7. Важіль дроселя.
8. Фіксатор важелю дроселя.
9. Пробка отвору для заливання паливної суміші.
10. Гвинти регулювання карбюратора.
11. Рукоятка ручного стартера.
12. Захисний кожух стартера.
13. Пробка отвору для заливання масла.
14. Зубчастий упор.
15. Ланцюг.
16. Шина.
17. Глушник.
18. Гайки кріплення шини.
19. Уловлювач ланцюга.
20. Регулювальний гвинт натягу ланцюга.
21. Кришка кріплення шини.
22. Праймер.
23. Ручка повітряної заслінки карбюратора.
24. Вимикач запалювання.

1. Бензопила.
2. Шина.
3. Ланцюг.
4. Зубчастий упор.
5. Ємність для приготування паливної суміші.
6. Воронка.
7. Т-подібний ключ 13x19 мм (комбінація свічкового ключа та викрутки).
8. Шестигранний ключ 3 мм.
9. Шестигранний ключ 4 мм.
10. Викрутка.
11. Напиллок.
12. Сітка-фільтр для заправки палива.
13. Керівництво з експлуатації.
14. Упаковка.

**ПРИМІТКА!**

Завод-виробник залишає за собою право вносити в зовнішній вигляд, конструкцію та комплект поставки бензопили незначні зміни, які не впливають на роботу виробу.

МОДЕЛЬ	BKZ 4620r	BKZ 5022r	BKZ 5022rm
Тип двигуна	бензиновий двотактний одноциліндровий повітряного охолодження		
Тип палива	суміш бензину з маслом для двотактних двигунів 25:1		
Робочий об'єм циліндру, куб.см	46	50	50
Потужність, кВт/к.с.	2,0 / 2,7	2,2 / 3,0	2,2 / 3,0
Максимальна частота, об/хв	11000	11000	11000
Швидкість холостого ходу, об/хв	3000	3000	3000
Швидкість ланцюга, м/с	21,0	21,0	21,0
Час спрацювання гальма ланцюга, с	0,12	0,12	0,12
Система запуску двигуна	ручний стартер		
Трансмісія	автоматична відцентрова муфта зчеплення		
Подача масла	автоматична з регулюванням		
Об'єм паливного баку, мл	550	550	650
Об'єм масляного баку, мл	260	260	260
Довжина шини, дюйм	18	18	20
Крок ланцюга, дюйм	3/8	3/8	0,325
Рівень звукового тиску, дБ	114	114	110
Шина та ланцюг, бренд	Oregon [®]		
Антивібраційна система	+	+	+
Бічний натяг ланцюга	+	+	+
Циліндр з хромовим покриттям	+	+	+
Легкий старт	+	+	+
Праймер	+	+	+
Фільтруючий елемент повітряного фільтру	поліпропиленовий		паперовий
Повітряна заслінка з автоматичним відключенням	+	+	+
Габаритні розміри упаковки (ДхШхВ), мм	480x260x280	480x260x280	480x260x300
Вага бензопили, кг	5,93	5,93	7,23
Вага брутто, кг	7,60	7,60	8,90

4.1. ВАЖЛИВА ІНФОРМАЦІЯ З БЕЗПЕКИ

Перед початком роботи бензопилою уважно ознайомтеся з вимогами щодо техніки безпеки та попередженнями, викладеними в цьому керівництві.

Більшість нещасних випадків під час експлуатації виробу виникає в результаті недотримання основних положень правил техніки безпеки. Нещасних випадків можна уникнути, якщо суворо дотримуватися заходів безпеки та завчасно передбачити потенційну небезпеку.

Ні за яких обставин не використовуйте виріб способом або в цілях, не передбачених даним керівництвом.

Неправильна експлуатація виробу або експлуатація ненавченою людиною може завдати шкоди майну, призвести до нещасного випадку або смерті.

Основні небезпечні фактори при роботі бензопилою:

- Тріски та гілки, які відскакують під час пиляння.
- Вихлопні гази.
- Ланцюг, що обертається.
- Віддача та «зворотний удар».

**ОБЕРЕЖНО!**

Щоб уникнути отримання травм і виникнення пожежі при експлуатації бензопили, виконуйте зазначені в даному керівництві правила техніки безпеки.

4.2. БЕЗПЕКА ЕКСПЛУАТАЦІЇ

1. НЕ ДОЗВОЛЯЙТЕ КОРИСТУВАТИСЯ ВИРОБОМ ДІТЯМ ТА ОСОБАМ З ОБМЕЖЕНИМИ МОЖЛИВОСТЯМИ.
2. НЕ ДОВІРЯЙТЕ БЕНЗОПИЛУ ПІДЛІТКАМ МОЛОДШЕ 18 РОКІВ, ЗА ВИНЯТКОМ УЧНІВ СТАРШЕ 16 РОКІВ, ЯКІ НАВЧАЮТЬСЯ РОБОТІ БЕНЗОПИЛОЮ ПІД ПИЛЬНИМ НАГЛЯДОМ ІНСТРУКТОРІВ.
3. НЕ ЗАЛИШАЙТЕ ВИРІБ УВІМКНЕНИМ БЕЗ НАГЛЯДУ.
4. НЕ ВКЛЮЧАЙТЕ І НЕ ПРАЦЮЙТЕ ВИРОБОМ У ВИПАДКУ ХВОРОБИ, В СТАНІ СТОМЛЕННЯ, НАРКОТИЧНОГО АБО АЛКОГОЛЬНОГО СП'ЯНИННЯ, А ТАКОЖ ПІД ВПЛИВОМ СИЛЬНОДІЮЧИХ ЛІКАРСЬКИХ ПРЕПАРАТІВ, ЯКІ ЗНИЖУЮТЬ ШВИДКІСТЬ РЕАКЦІЇ ТА УВАГУ.
5. НЕ ПРИСТУПАЙТЕ ДО РОБОТИ БЕЗ ПОПЕРЕДНЬОГО ТРЕНУВАННЯ.
6. СТЕЖТЕ ЗА ЦІЛІСНІСТЮ ТА СПРАВНІСТЮ ВИРОБУ.
Не заводьте двигун та не працюйте виробом при наявності пошкоджень, із ненадійно закріпленими частинами і деталями.
7. ЗАСТОСОВУЙТЕ БЕНЗОПИЛУ ЛИШЕ ТІЛЬКИ ТОДІ, КОЛИ ВОНА ПОВНІСТЮ УКОМПЛЕКТОВАНА.
Усі передбачені конструкцією складові та захисні елементи повинні бути на штатних місцях.
8. НЕ ДОПУСКАЙТЕ, ЩОБ У ЗОНІ ПРОВЕДЕННЯ РОБІТ БУЛИ ПРИСУТНІ СТОРОННІ ЛЮДИ ТА ТВАРИНИ.
9. НЕ РОЗКРИВАЙТЕ ВИРІБ І НЕ НАКРИВАЙТЕ ЙОГО.
10. КОЖЕН РАЗ ПЕРЕД ПОЧАТКОМ РОБОТИ БЕНЗОПИЛОЮ ПЕРЕВІРЯЙТЕ РІВЕНЬ МАСЛА В БАЧКУ ТА ПРАЦЕЗДАТНІСТЬ СИСТЕМИ ЙОГО ПОДАЧІ. ПРИ НЕОБХІДНОСТІ ДОДАЙТЕ МАСЛО АБО ПРОЧИСТІТЬ КАНАЛИ ЙОГО ПОДАЧІ.
11. РЕГУЛЯРНО ПЕРЕВІРЯЙТЕ СПРАВНІСТЬ АВАРІЙНОГО ГАЛЬМА ЛАНЦЮГА.

12. РЕГУЛЯРНО ПЕРЕВІРЯЙТЕ СТАН І НАТЯГ ЛАНЦЮГА. ПРИ НЕОБХІДНОСТІ ВІДРЕГУЛЮЙТЕ НАТЯГ ЛАНЦЮГА.



УВАГА!

Для безпечної та ефективної роботи дуже важливо правильно встановити ланцюг на направляючій шині, а саму шину надійно закріпити в корпусі бензопили та відрегулювати натяг ланцюга.

13. ПІД ЧАС ЗАПРАВКИ ТА ЕКСПЛУАТАЦІЇ БЕНЗОПИЛИ НЕ ДОПУСКАЙТЕ ПРОЛИВАННЯ ПАЛИВА ТА МАСЛА НА ЗЕМЛЮ, А ТАКОЖ ПОПАДАННЯ ЇХ В СТОКИ ВОДИ.

Після заправки щільно закрутіть кришку паливного та масляного баків, перевірте, чи немає протікання. У разі витіку палива або масла, усуньте недолік до запуску двигуна, так як це може призвести до пожежі. Якщо паливо або масло пролилися на виріб, витріть насухо.

14. НЕ ЗАПРАВЛЯЙТЕ ПАЛЬНИМ, ЯКЩО ДВИГУН ЗАПУЩЕНИЙ.

15. ЯКЩО ВИРІБ НЕ ВИКОРИСТОВУЄТЬСЯ, ЗЛИЙТЕ ПАЛИВО.



УВАГА!

Будьте дуже уважні при поводженні з паливно-мастильними матеріалами, пари бензину дуже небезпечні для здоров'я. Пам'ятайте, що недбале поводження з бензином може викликати пожежу. Забороняється заправляти пальне в приміщенні.

16. ПЕРЕД ЗАПУСКОМ ДВИГУНА БЕНЗОПИЛИ ПЕРЕКОНАЙТЕСЬ У ТОМУ, ЩО ШИНА НАДІЙНО ЗАКРІПЛЕНА ТА НЕ ТОРКАЄТЬСЯ СТОРОННІХ ПРЕДМЕТІВ.

17. УТРИМАЙТЕСЬ ВІД РОБОТИ БЕНЗОПИЛОЮ ПООДИНЦІ.

18. НЕ ПРАЦЮЙТЕ ДУЖЕ БЛИЗЬКО (МЕНШЕ 5 МЕТРІВ) ВІД МІСЦЕЗНАХОДЖЕННЯ ЛЕГКОЗАЙМИСТИХ МАТЕРІАЛІВ.

19. НЕ РОЗМІЩУЙТЕ ПОРУЧ ІЗ БЕНЗОПИЛОЮ ЛЕГКОЗАЙМИСТІ МАТЕРІАЛИ.

20. НЕ ПРАЦЮЙТЕ БЕНЗОПИЛОЮ ПІД ЧАС ДОЩУ ТА СНІГУ, ПРИ СИЛЬНОМУ ВІТРІ, В УМОВАХ ОБМЕЖЕНОЇ ВИДИМОСТІ.

Не мийте виріб і не лийте на нього воду. Якщо бензопила якимось чином намочла, насухо витріть корпус. В тому випадку, якщо вода потрапила всередину корпусу, негайно зупиніть двигун. Не намагайтеся самі розкрити виріб – зверніться до сервісного центру.

21. ПЕРЕД ПОЧАТКОМ ВАЛКИ ДЕРЕВА ПЕРЕКОНАЙТЕСЬ У ТОМУ, ЩО ДЕРЕВО ПРИ ПАДІННІ НЕ ЗАВДАСТЬ ТРАВМУ ВАМ ТА ОТОЧУЮЧИМ ЛЮДЯМ, ТВАРИНАМ, НЕ ПОШКОДИТЬ ІНШІ ДЕРЕВА.

22. ОБОВ'ЯЗКОВО ПОПІКЛУЙТЕСЬ ПРО НАЯВНІСТЬ НА РОБОЧОМУ МІСЦІ УКОМПЛЕКТОВАНОЇ МЕДИЧНОЇ АПТЕЧКИ ДЛЯ НАДАННЯ В РАЗІ ПОТРЕБИ ПЕРШОЇ МЕДИЧНОЇ ДОПОМОГИ.

23. У ПРОЦЕСІ РОБОТИ МІЦНО УТРИМУЙТЕ БЕНЗОПИЛУ ОБОМА РУКАМИ, НІКОЛИ НЕ НАМАГАЙТЕСЯ ПИЛЯТИ, ТРИМАЮЧИ БЕНЗОПИЛУ ОДНІЄЮ РУКОЮ.

24. У ВИПАДКУ, ЯКЩО В ПРОЦЕСІ РОБОТИ СТАЛОСЯ ЗІТКНЕННІ ЛАНЦЮГА З МЕТАЛОМ, КАМІННЯМ ТА ІНШИМИ ТВЕРДИМИ СТОРОННІМИ ПРЕДМЕТАМИ, НЕГАЙНО ЗУПИНІТЬ ДВИГУН І ПРОВЕДІТЬ ОГЛЯД ШИНИ І ЛАНЦЮГА.

25. ПІД ЧАС РОБОТИ СЛІДКУЙТЕ, ЩОБ ВЕНТИЛЯЦІЙНІ ОТВОРИ НА КОРПУСІ БЕНЗОПИЛИ НЕ БУЛИ ЗАКРИТІ АБО ЗАБИТІ СТРУЖКОЮ ТА БРУДОМ, ІНАКШЕ ЦЕ МОЖЕ ПРИЗВЕСТИ ДО ПЕРЕДЧАСНОГО ВИХОДУ ВИРОБУ З ЛАДУ.

26. НІ В ЯКОМУ РАЗІ НЕ ВИКОРИСТОВУЙТЕ БЕНЗОПИЛУ ДЛЯ РОЗПИЛЮВАННЯ ЛИСТОВОГО МЕТАЛУ, ПЛАСТМАСИ ТА ІНШИХ НЕДЕРЕВНИХ МАТЕРІАЛІВ.

27. НАМАГАТЕСЬ УНИКАТИ ПИЛЯННЯ ЧАГАРНИКІВ, ОСКІЛЬКИ ДРІБНІ ГІЛКИ МОЖУТЬ БУТИ ЗАХОПЛЕНІ ЛАНЦЮГОМ І ВІДКИНУТІ В ВАШУ СТОРОНУ – НЕБЕЗПЕКА ОТРИМАННЯ ТРАВМИ.
28. НЕ ПРАЦЮЙТЕ БЕНЗОПИЛОЮ З ТУПИМ ЛАНЦЮГОМ, ТАК ЯК ПРИ ЦЬОМУ ПІДВИЩЕНА ЙМОВІРНІСТЬ ОТРИМАННЯ ТРАВМИ.
29. У ВИПАДКУ ВИНИКНЕННЯ БУДЬ-ЯКИХ ВІДХИЛЕНЬ У НОРМАЛЬНІЙ РОБОТІ БЕНЗОПИЛИ, НЕГАЙНО ЗУПИНІТЬ ДВИГУН, З'ЯСУЙТЕ ПРИЧИНУ ТА УСУНЬТЕ НЕДОЛІК.
30. НЕ ПЕРЕВАНТАЖУЙТЕ ТА НЕ ПЕРЕГРІВАЙТЕ ДВИГУН БЕНЗОПИЛИ, ЧЕРГУЙТЕ РОБОТУ ІЗ ВІДПОЧИНКОМ.
21. ПІД ЧАС ТРАНСПОРТУВАННЯ БЕНЗОПИЛИ НАДЯГАЙТЕ НА ШИНУ ЗАХИСНИЙ ЧОХОЛ (ЗАХИСНИЙ ЧОХОЛ НЕОБХІДНО ПРИДБАТИ ДОДАТКОВО).
32. ОЧИЩУЙТЕ ПОВЕРХНЮ БЕНЗОПИЛИ ВІД БРУДУ АБО ТИРСИ ВІДРАЗУ ПІСЛЯ ЗАКІНЧЕННЯ РОБОТИ. РУКОЯТКА ВИРОБУ ПОВИННА ЗАВЖДИ ПЕРЕБУВАТИ В СУХОМУ ТА ЧИСТОМУ ВИГЛЯДІ, БЕЗ ПРИСУТНОСТІ НА НІЙ ПЛЯМ МАСЛА.
33. ТЕХНІЧНЕ ОБСЛУГОВУВАННЯ ТА ЗБЕРІГАННЯ БЕНЗОПИЛИ ЗДІЙСНЮЙТЕ ТІЛЬКИ ВІДПОВІДНО ДО ВИМОГ ЦЬОГО КЕРІВНИЦТВА З ЕКСПЛУАТАЦІЇ.

4.3. ЗАСТОСУВАННЯ ІНДИВІДУАЛЬНОГО ЗАХИСНОГО СПОРЯДЖЕННЯ

Одяг оператора повинен бути виготовлений із міцного матеріалу, що забезпечує надійний захист. Одяг не повинен утрудняти рухів, але в той же час щільно прилягати до тіла, щоб уникнути можливості потрапляння його в рухомі частини бензопили або зачепитися за дерево (див. малюнок 2).

Не надягайте для роботи вільний одяг, сорочку з манжетами або з широкими рукавами, шарф, краватку, а також предмети прикраси, наприклад, ланцюжки, браслети.

Завжди використовуйте засоби захисту обличчя та очей (вентилюючу маску, окуляри), а також органів слуху (беруші, навушники).

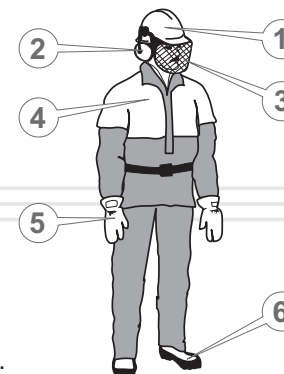
Одягайте міцні захисні чоботи або черевики з закритим носком, а також із підошвою, яка не ковзає.

Для захисту рук використовуйте щільні нековзні рукавички або рукавиці.

Обов'язково надягайте щільний головний убір, а здійснюючи валку дерев і обрізання гілок, подбайте про спеціальну захисну каску.

Одяг та засоби захисту оператора

малюнок 2



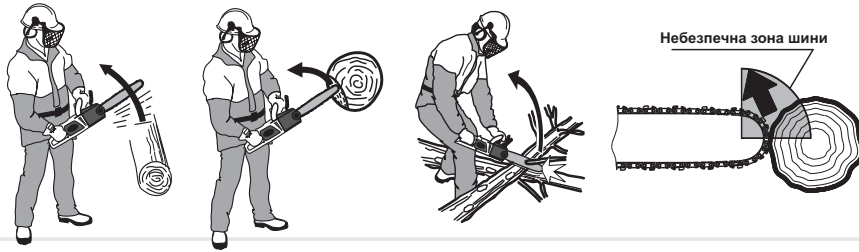
1. Каска або шолом.
2. Навушники.
3. Захисна маска.
4. Захисний одяг.
5. Рукавиці.
6. Міцне закрите взуття.

4.4. НЕБЕЗПЕКА ВІДДАЧІ ТА "ЗВОРОТНОГО УДАРУ"

Віддача – це різке переміщення корпусу бензопили в бік оператора при затиску в розпилі верхньої частини ланцюга або носка шини (див. малюнок 3).

«Зворотний удар» - це різке та швидке переміщення бензопили назад-вгору, в бік оператора, що відбувається при попаданні носка шини працюючої бензопили на масив деревини або на сторонній твердий предмет – з каменю або металу.

малюнок 3

**УВАГА!**

Регулярно перевіряйте справність аварійного гальма ланцюга.



Щоб уникнути травмування або поломки виробу від віддачі та «зворотного удару»:

- Дотримуйтесь рекомендацій із валки дерев і розкрязування, щоб уникнути затиску шини в розпилі.
- Не заводьте двигун бензопили, коли ланцюг знаходиться в зіткненні з яким-небудь предметом.
- Не допускайте випадкового дотику носка шини зі стовбурами дерев і гілками.
- У разі, якщо в процесі роботи відбулося зіткнення ланцюга з камінням, металом та іншими твердими сторонніми предметами, негайно зупиніть двигун і проведіть огляд шини та ланцюга.
- У процесі роботи завжди тримайте в полі зору шину працюючої бензопили, особливо носок шини.
- Шину бензопили до масиву деревини підносьте тільки при запущеному двигуні, коли двигун вже розігнався до максимальних обертів.
- Наскрізні отвори носком шини робіть тільки в тому випадку, якщо Ви добре навчені цій справі.
- При заміні зношених елементів бензопили (шина, ланцюг), використовуйте тільки оригінальні та рекомендовані комплектуючі.

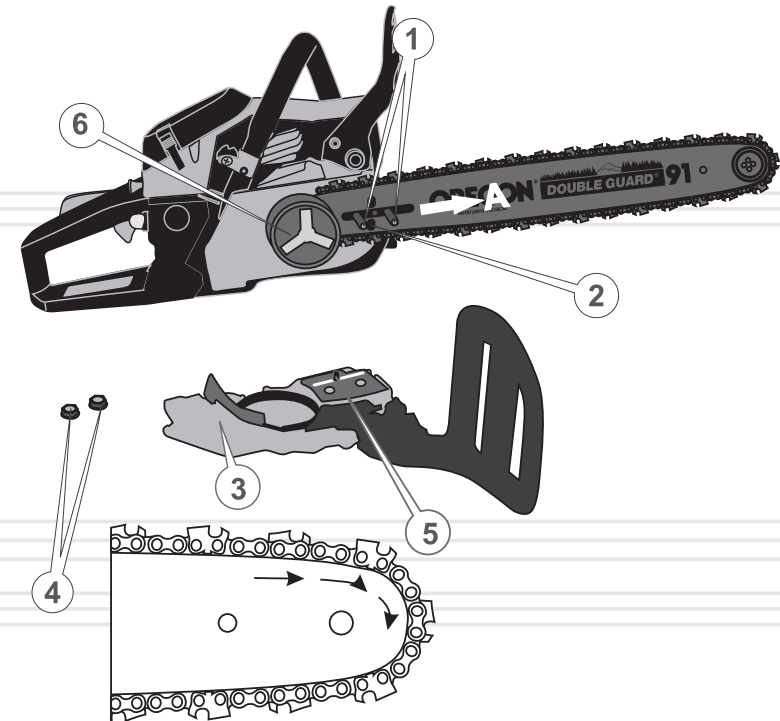
5.1. ЗАСТОСУВАННЯ

Бензопила є незамінним помічником під час виконання різних столярних, теслярських і садових робіт будь-якого рівня складності.

5.2. ПІДГОТОВКА ДО РОБОТИ

Збірка виробу

малюнок 4



1. Дістаньте з пакувальної коробки бензопилу та всі її складові.
2. Встановіть бензопилу на рівній поверхні.

3. Встановіть на передній частині корпусу зубчастий упор (14) (див. малюнок 1) і зафіксуйте його двома гвинтами.
4. Одягніть ланцюг на ведучу зірочку, розташовану на муфті зчеплення (6). Зверніть увагу на правильний напрямок руху ланцюга, як показано на малюнку 4.
5. Одягніть шину на напрямні шпильки (1) (довгим пазом) (див. малюнок 4).
6. Вставте в паз шини хвостовики ланцюга. Проведення цієї операції почніть із верхньої гілки шини.
7. Введіть ланцюг у зачеплення з веденою зірочкою, яка розташована на носку шини.
8. Трішки подвиньте шину в напрямку стрілки (А) (див. малюнок 4), щоб ланцюг злегка напнувся.
9. Одягніть кришку кріплення шини (3) таким чином, щоб штифт регулятора ланцюга (5) точно збігався з натяжним отвором шини (2) (див. малюнок 4).
10. Закрутіть дві гайки (4), не затягуючи їх (див. малюнок 4).
11. Натягніть ланцюг. Натягуйте ланцюг до тих пір, поки він щільно не приляже до нижньої частини шини.
12. Надійно затягніть кріпильні гайки кришки кріплення шини.
13. Перевірте натяг ланцюга.
14. Перевірте справність гальма ланцюга, заблокувавши його натисканням на важіль аварійного гальма ланцюга в бік шини. Ланцюг при цьому не повинен ковзати по шині ні назад, ні вперед.

УВАГА!

Кромки ріжучих ланок ланцюга досить гострі. Щоб уникнути травм, установку ланцюга здійснюйте в щільних захисних рукавицях.

Контроль перед запуском двигуна**ОБЕРЕЖНО!**

В цілях безпеки завжди зупиняйте двигун перед проведенням будь-яких із зазначених у цьому керівництві дій. Всі дії виконуйте тільки при холодному двигуні.

1. Огляньте виріб і переконайтесь у відсутності механічних пошкоджень корпусу бензопили, шини та ланцюга.
2. Перевірте надійність кріплення шини.
3. Перевірте натяг ланцюга.
4. Перевірте рівень паливної суміші та масла в бачках, у разі необхідності долийте до норми.
5. Перевірте систему змащення ланцюга.
6. Перевірте справність гальма ланцюга.

Найбільший вплив на довговічність і ефективність роботи пильної гарнітури (шини, ланцюга, ведучої та веденої зірочок) бензопили мають такі фактори: своєчасна та правильна заточка зубців ланцюга, правильний натяг ланцюга, а також справна робота механізму змащення ланцюга.

Перевірка натягу ланцюга**ПРИМІТКА!**

У процесі експлуатації бензопили ланцюг від нагріву або охолодження може подовжуватися або скорочуватися, тому необхідно періодично перевіряти та регулювати натяг ланцюга.

Якщо ланцюг сильно натягнутий, це:

- створює додаткове тертя, що призводить до перегріву та до необоротної теплової деформації шини;
- викликає прискорений знос шини, ведучої та веденої зірочок, а також підшипників;
- призводить до перегріву двигуна від перевантаження;
- викликає підвищену витрату палива.

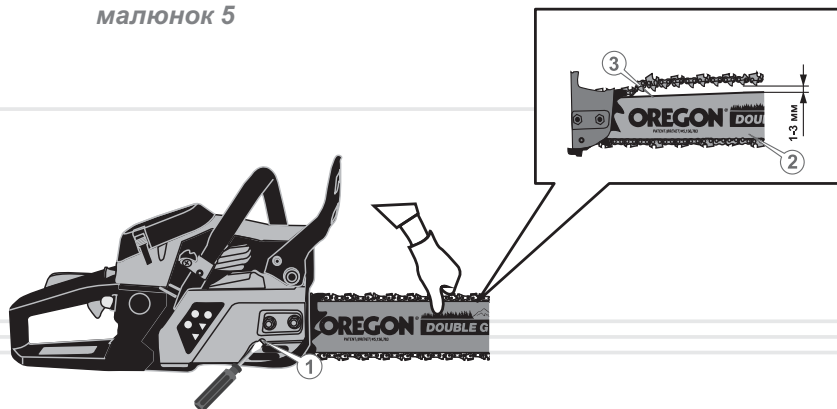
Якщо ланцюг слабо натягнутий, це:

- призводить до появи руйнівних ударно-динамічних навантажень при запуску двигуна і в процесі роботи виробу;
- значно збільшує небезпеку віддачі та «зворотного удару»;

- може призвести до зісковзування ланцюга з шини і, як наслідок, до його обриву, заклинювання ведучої зірочки і отримання травм оператором;
- викликає прискорений знос шини, ведучої та веденої зірочок, а також підшипників.

Порядок перевірки натягу ланцюга

малюнок 5



1. Зупиніть двигун.
2. Акуратно візьміться за верхню гілку ланцюга в середині шини або трохи ближче до її носку та відтягніть ланцюг від шини із зусиллям 1,5-2 кг.
3. Виміряйте величину зазору між направляючою ланцюга (3) та шиною (2). Зазор повинен бути в межах 1-3 мм, а сам ланцюг повинен легко переміщуватися від руки вздовж пазу шини.
4. Якщо зазор більше або менше даного показника – відрегулюйте натяг ланцюга.

По завершенні процедури перевірки натягу ланцюга трохи ослабте натяг ланцюга. В іншому випадку ланцюг при охолодженні натягнеться, що призведе до надмірних механічних навантажень на шину, а також ведучу та ведену зірочки.

Якщо Ви наділи на шину новий ланцюг, то після попереднього регулювання натягу запустіть двигун і дайте бензопилі попрацювати протягом 3-5 хвилин, а потім остаточно відкоригуйте натяг ланцюга.

Регулювання натягу ланцюга

1. Зупиніть двигун.
2. Злегка послабте кришку кріплення шини – за допомогою ключа поверніть дві кріпильні гайки, що фіксують кришку, проти ходу годинникової стрілки на один оберт. Якщо зазор між направляючою ланцюга та шиною не відповідає показнику 1-3 мм, плавно поверніть викруткою регульовальний гвинт натягу ланцюга (1) в напрямку стрілки «А» або «Б» (див. малюнок 5), щоб послабити або натягнути ланцюг. При обертанні регульовального гвинта (1) проти ходу годинникової стрілки – ланцюг послаблюється (А), при обертанні регульовального гвинта (1) по ходу годинникової стрілки (Б) – ланцюг натягується. При обертанні гвинта штифт натягу ланцюга переміщається по пазу в притискній кришці, захоплюючи за собою шину, що в свою чергу викликає натяг ланцюга.
3. Виконавши регулювання натягу ланцюга, переконайтеся, що ланцюг вільно рухається в пазу шини та правильно зчіплюється із зубцями веденої зірочки. Для цього акуратно потягніть ланцюг від руки, переміщуючи його по шині в обох напрямках.



ПРИМІТКА!

Якщо ланцюг не рухається в пазу шини або заїдає, це означає, що він сильно натягнутий. Здійсніть регулювання до тих пір, поки ланцюг буде вільно рухатися в пазу шини та правильно зчіплюється із зубцями веденої зірочки, та в той же час ланцюг не буде провисати.

4. Надійно затягніть ключем кріпильні гайки кришки кріплення шини.
5. Перевірте правильність натягу ланцюга, для чого:
 - запустіть двигун і дайте попрацювати двигуну на підвищених обертах до нормального розігріву ланцюга;
 - зупиніть двигун і знову перевірте величину зазору між направляючою ланцюга та шиною;
 - якщо зазор між направляючою ланцюга та шиною не відповідає показнику 1-3 мм, повторіть процедуру регулювання.

**ОБЕРЕЖНО!**

Зубці ланцюга мають гострі країки, тому при перевірці натягу ланцюга та регулюванні його натягу необхідно користуватися захисними рукавичками або рукавицями, які виготовлені зі щільного матеріалу.

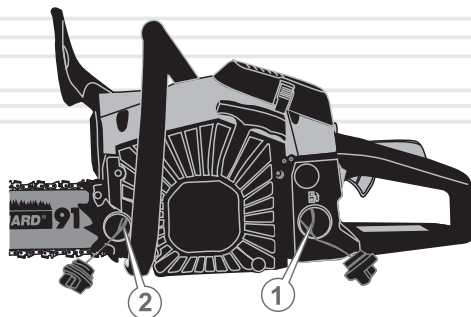
Якщо Ви плануєте працювати бензопилою в холодну пору року, то трохи ослабте ланцюг.

Під впливом високої температури ланцюг має властивість подовжуватися (починає провисати), що може призвести до зісковзування ланцюга із шини. По завершенні роботи бензопилою трохи ослабте натяг ланцюга. В іншому випадку при охолодженні ланцюг натягнеться, що призведе до надмірних механічних навантажень на шину, ланцюг, ведену та ведучу зірочки.

Заправка паливом**УВАГА!**

Бензопила поставляється без палива в бачку! Ніколи не заливajte в паливний бачок чистий бензин. Використовуйте суміш бензину з маслом для двотактних двигунів у співвідношенні 25:1.

малюнок 6



1. Зупиніть двигун.
2. Підготуйте паливну суміш, використовуючи спеціальну ємність, яка входить в комплект поставки виробу. Спочатку налейте в ємність бензин, а потім масло. Добре перемішайте.
3. Ретельно очистіть (!) поверхню навколо пробки заливної горловини паливного баку і саму пробку від забруднень, щоб не допустити потрапляння тирси, частинок пилу та бруду всередину баку.
4. Відкрутіть пробку (1) заливної горловини паливного баку.
5. Налийте в паливний бак 550 мл (моделі BKZ 4620r, BKZ 5022r) або 650 мл (модель BKZ 5022gm) паливної суміші (використовуйте лійку, щоб не пролити паливо).
6. Щільно закрутіть пробку заливної горловини паливного баку.
7. Якщо паливна суміш пролилася на корпус бензопили, витріть насухо.

Щоб не вивести двигун бензопили з ладу:

- Не заливайте в паливний бак чистий бензин. Так як у бензопилі відсутня система змащування двигуна, всі його внутрішні частини змащуються маслом зі складу паливної суміші.
- Не використовуйте бензоспирт – небезпека пошкодження гумових ущільнень двигуна.
- Не використовуйте масло для чотиритактних двигунів – вірогідність забруднення каналу виходу вихлопних газів, свічки запалювання, западання поршневих кілець.
- По можливості готуйте паливну суміш і заливайте її в паливний бак безпосередньо перед роботою бензопилою. Зберігання паливної суміші більше 10 діб може призвести до непридатності подальшого використання палива.

**ПРИМІТКА!**

Для приготування паливної суміші рекомендується використовувати бензин з октановим числом не нижче 92.

Заправка маслом



УВАГА!

Бензопила поставляється без масла в масляному бачку! Експлуатація бензопили без наявності масла в масляному баці, або якщо рівень масла в баку недостатній, категорично заборонено. Якщо при роботі бензопилою шина, зірочки та ланцюг не будуть регулярно змащуватися, то ефективність виробу понизиться, а термін служби шини, ланцюга і зірочок істотно скоротиться.

У процесі роботи бензопили завжди стежте за наявністю масла в масляному баку, а також за справністю системи його подачі.

Перед використанням бензопили залийте в масляний бак 260 мл спеціального масла, яке призначене для змащення ланцюгів бензопил.

Бензопили Vitals Professional BKZ 4620r, BKZ 5022r і BKZ 5022rm забезпечені регульованим масляним насосом – під час роботи двигуна на ланцюг і шину подається необхідна порція масла. Із збільшенням обертів двигуна збільшується подача масла. Перед початком роботи бензопилою обов'язково відрегулюйте подачу масла (див. «Регулювання масляного насосу»).

Порядок заправки масла в бак:

1. Зупиніть двигун.
2. Ретельно очистіть поверхню навколо масляного баку та кришку баку від забруднень, щоб не допустити потрапляння тирси, частинок пилу та бруду всередину баку.
3. Відкрутіть пробку заливної горловини масляного баку (2) (див. малюнок 6).
4. Використовуючи лійку, щоб не пролити масло на корпус бензопили або на землю, залийте масло в масляний бак. Якщо масло пролилося на корпус бензопили – витріть насухо.
5. Щільно закрутіть пробку заливної горловини масляного баку.



УВАГА!

Забороняється заливати в масляний бак бензопили масло, яке втратило свої властивості, а також масло, не призначене для змащування ланцюга бензопили.



ПРИМІТКА!

Якщо бензопила не використовується протягом тривалого часу або планується транспортування виробу, то обов'язково злийте масло з масляного баку.

Перевірка справності системи подачі масла

малюнок 7



1. Запустіть двигун і протягом 1 хвилини утримуйте носок шини на висоті 15-20 см над будь-якою світлою поверхнею, наприклад, над розстеленим аркушем паперу або над деревиною.
2. Якщо на поверхні з'явилися сліди масла, то це означає, що система змащування ланцюга справна.

**УВАГА!**

Якщо масло на ланцюг не подається протягом 1 хвилини, дуже рекомендуємо зупинити двигун. В іншому випадку ланцюг може вийти з ладу.

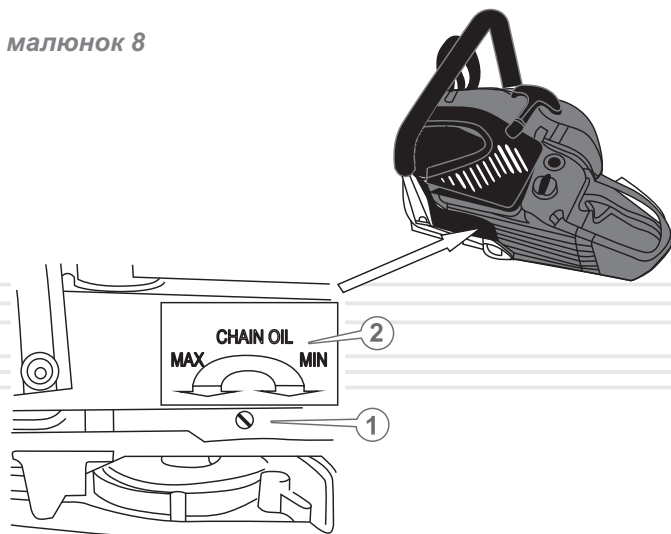
3. Якщо сліди масла не спостерігаються, зупиніть двигун, зніміть шину з ланцюгом, відрегулюйте масляний насос, прочистіть масляний канал і масляні отвори в шині. Запустіть двигун при знятій шині з ланцюгом і переконайтеся, що масло із системи подачі надходить. Тільки після цього встановіть шину з ланцюгом на бензопилу.

**УВАГА!**

Якщо проведення даної процедури не допомагає усунути проблему, зверніться до сервісного центру.

Регулювання масляного насосу (див. малюнок 8)

малюнок 8



1. Вставте викрутку в шліц штоку (1) масляного насосу.

**ПРИМІТКА!**

Шліц штоку масляного насосу (1) розташований на донній частині бензопили.

2. Відрегулюйте подачу масла на ланцюг згідно із вказівником (2), який промаркований на донній частині бензопили.
3. Обертаючи шток (1) проти ходу годинникової стрілки в напрямку позначки «MAX» – подача масла збільшується, обертаючи шток (1) по ходу годинникової стрілки в напрямку позначки «MIN» – подача масла зменшується.

**ПРИМІТКА!**

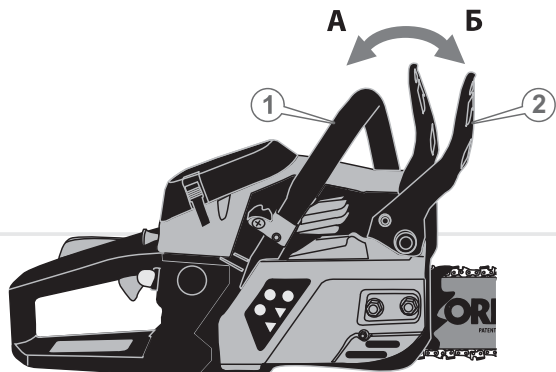
Кількість масла, що подається на ланцюг масляним насосом, залежить від частоти обертів двигуна: чим вище обороти, тим більше масла надходить на ланцюг і навпаки.

Перевірка аварійного гальма ланцюга

**ОБЕРЕЖНО!**

Гальмо ланцюга призначене для моментальної зупинки ланцюга при віддачі або «зворотному ударі». Гальмо ланцюга блокується від упору об руку. Працювати бензопилою при несправному гальмі ланцюга забороняється.

малюнок 9



Гальмо ланцюга розторможено (розблоковано – ланцюг може обертатися), коли його важіль знаходиться в зведеному положенні (А) – важіль (2) потягнутий у бік передньої рукоятки (1) (див. малюнок 9).

Гальмо ланцюга загальмоване (заблоковане – рух ланцюга зупинено), коли важіль (2) знаходиться у включеному положенні (Б). У цьому положенні важеля Ви не зможете повернути ланцюг (див. малюнок 9).

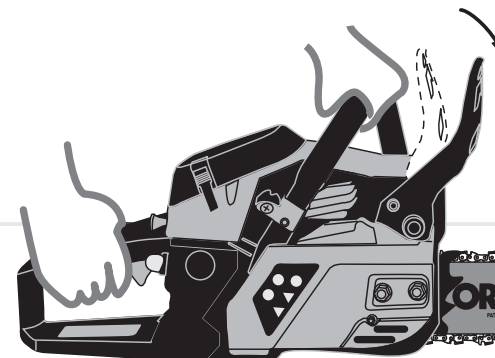
**ОБЕРЕЖНО!**

Гальмівний важіль фіксується в обох положеннях. У тому випадку, якщо важіль не можна перемістити ні в одне з положень або відчувається сильний опір – використовувати бензопилу заборонено.

Перевірку роботи аварійного гальма ланцюга слід здійснювати безпосередньо перед початком експлуатації бензопили.

Порядок перевірки справності аварійного гальма ланцюга:

малюнок 10



1. Покладіть бензопилу на рівній поверхні. Переконайтеся, що шина з ланцюгом не стикається з якими-небудь предметами.
2. Запустіть двигун.
3. Натисніть на важіль дроселя.
4. Заблокуйте гальмо ланцюга, не відпускаючи рукою передню рукоятку натисніть зап'ястям лівої руки на важіль аварійного гальма ланцюга в напрямку стрілки (див. малюнок 10). Рух ланцюга при цьому відразу ж повинен припинитися.

**ПРИМІТКА!**

Якщо при включеному гальмі ланцюг продовжує обертатися, зверніться до сервісного центру.

5. Відпустіть важіль дроселя.
6. Зупиніть двигун.

Запуск і зупинка двигуна

**ОБЕРЕЖНО!**

Щоб уникнути отримання травм, запускати двигун бензопили необхідно лише при включеному гальмі ланцюга.

Порядок запуску двигуна при температурі навколишнього повітря вище +5 °С

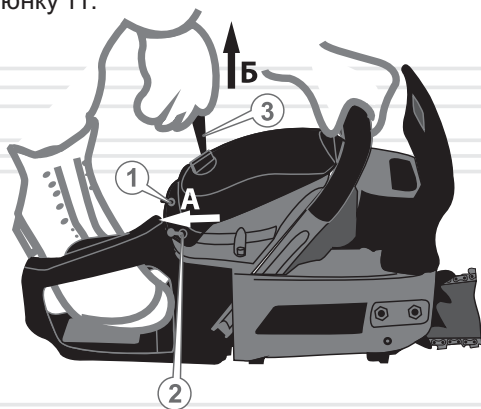
1. Залийте в паливний бак паливну суміш.
2. Залийте в масляний бак масло, призначене для змащування ланцюга.
3. Увімкніть гальмо ланцюга.

**УВАГА!**

Щоб уникнути виходу з ладу муфти відцентрового зчеплення та механізму гальма ланцюга не допускайте роботу двигуна бензопили на підвищених оборотах при включеному гальмі ланцюга.

4. Встановіть вимикач запалювання (1) у верхнє положення «I» (див. малюнок 11).
5. Переконайтеся, що шина не стикається з якими-небудь предметами.
6. Встановіть бензопилу на рівній поверхні. Утримуйте виріб, як показано на малюнку 11.

малюнок 11



7. Закачайте паливо в карбюратор, використовуючи ручний паливний насос "праймер". Для цього натисніть 4-6 разів на ковпачок «праймера» (22), поки в ньому не з'явиться паливо (див. малюнок 1).
8. Потягніть до упору ручку повітряної заслінки карбюратора (2) в напрямку стрілки (А) (див. малюнок 11). При цьому закриється повітряна заслінка карбюратора.
9. Приведіть у дію стартер двигуна: спочатку обережно потягніть на себе рукоятку стартера (3) (див. малюнок 11) в напрямку стрілки (Б), поки не відчуєте опір. Відчувши опір, поверніть рукоятку у вихідне положення, а потім різко потягніть на себе рукоятку стартера. Виконайте дану процедуру 2-3 рази, поки двигун не почне «схоплювати». Як тільки двигун почне «схоплювати», зупиніть процес запуску двигуна бензопили та одразу ж відкрийте повітряну заслінку карбюратора, встановивши ручку заслінки у вихідне положення.

**УВАГА!**

При натисканні на важіль дроселя повітряна заслінка карбюратора відкривається автоматично.

10. Знову потягніть на себе рукоятку стартера для запуску двигуна. Після того, як двигун бензопили буде запущений, повільно поверніть рукоятку стартера у вихідне положення.

**УВАГА!**

Тягнути рукоятку стартера слід вкрай обережно, щоб не висмикнути шнур стартера.

11. Прогрійте двигун протягом 1-3 хвилин (залежно від температури навколишнього повітря), поки двигун не стане працювати на стійких холостих обертах.
12. Розблокуйте гальмо ланцюга.

Особливості запуску двигуна бензопили в холодний (зимовий) період року

Необхідно враховувати, що при температурі навколишнього повітря нижче +5 °C запустити двигун бензопили стає важче.

1. Запуск двигуна в холодний (зимовий) період року здійснюйте на підвищених обертах.
2. Запуск двигуна здійснюйте тільки при вимкненому гальмі ланцюга.
3. Прогрійте двигун протягом 3-5 хвилин (залежно від температури навколишнього повітря), поки двигун не стане працювати на стійких холостих обертах.

Порядок зупинки двигуна

1. Відпустіть важіль дроселя.
2. Дайте двигуну попрацювати на холостих обертах протягом 1-3 хвилин.
3. Встановіть вимикач запалювання (1) в нижнє положення «0» (STOP) (див. малюнок 11).

Обкатка двигуна

Новий або нещодавно відремонтований двигун бензопили повинен пройти обкатку протягом 5 годин. Обкатку двигуна можна здійснювати при від'єднаній шині з ланцюгом. Протягом усього періоду обкатки двигун повинен працювати на холостих обертах, зазначених у пункті 3 даного керівництва. Під час обкатки не допускайте роботу двигуна на підвищених оборотах і з навантаженням, тому що від правильності обкатки залежить довговічність роботи двигуна.



УВАГА!

При виявленні відхилень у роботі двигуна, негайно зупиніть його, з'ясуйте причини несправності та прийміть заходи щодо їх усунення.

5.3. РОБОТА БЕНЗОПИЛОЮ



УВАГА!

Перш ніж приступити безпосередньо до роботи бензопилою, уважно ознайомтесь із даними керівництвом. Спочатку попрактикуйтесь – розпиляйте невелике дерево або гілки.

Пиляння деревини

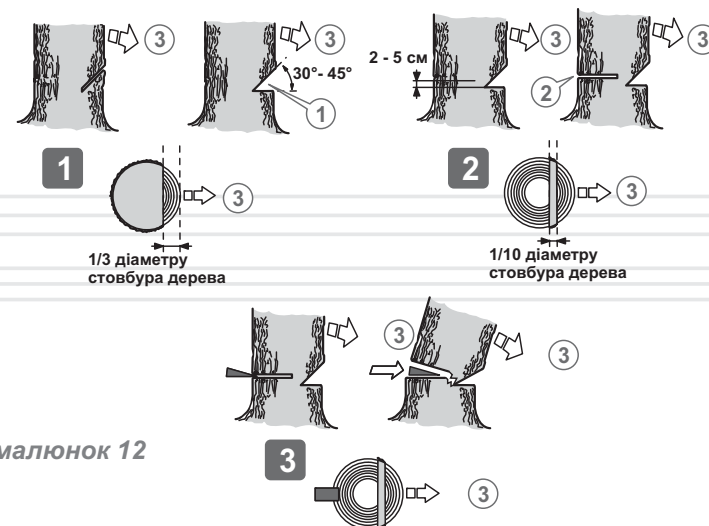
Якщо ланцюг заточений, процес пиляння повинен відбуватися без особливих зусиль.



УВАГА!

Пам'ятайте, що падаюче дерево може завдати серйозне пошкодження всьому тому, що зустрінеться на його шляху.

Існує спосіб змусити спіяне дерево впасти туди, куди необхідно саме Вам.

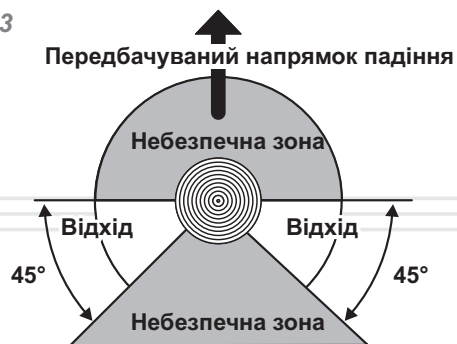


малюнок 12

Послідовність роботи

1. Розчистіть зону навколо дерева.
2. Визначте напрям, в якому буде падати спиляне дерево, з урахуванням напрямку вітру, розташування гілок на дереві, зручності роботи після того, як дерево буде спиляне.
3. Прийміть стійку позу, розташувались так, щоб бензопила не змогла нанести травму Вам або наткнутися на яку-небудь перешкоду.
4. Підготуйте шлях відходу, який повинен бути спланований з урахуванням напрямку падіння спиляного дерева (див. малюнок 13).

малюнок 13



5. Запустіть двигун.
6. Почніть пиляти дерево з того боку (3), куди воно має впасти (див. малюнок 12). Зробіть клиновидний розпил (1) під кутом 30-45 градусів, глибина якого приблизно дорівнює 1/3 від товщини стовбуру. Валочний розпил (2) зробіть з протилежного боку від клиновидного розпилу, помістивши зубчастий упор бензопили на стовбур на 2,5-5 см вище нижнього краю клиновидного розпилу. Завершіть розпилювання тоді, коли до внутрішнього краю клиновидного розпилу залишиться десь 1/10 діаметра стовбуру.
7. Коли робите валочний розпил, не намагайтеся пропиляти стовбур наскрізь до клиновидного розпилу. Частина стовбуру, що залишилася розпиленою, виступатиме штирем при падінні дерева, направляючи його в необхідну сторону. Коли дерево почне падати, зупиніть двигун бензопили, укладіть виріб на землю та негайно відійдіть у заздалегідь намічену безпечну зону.

ОБЕРЕЖНО!

Коли дерево почне падати, відійдіть від стовбуру як мінімум на 3 м, щоб ухилитися, в разі відскоку стовбуру через пень.

ПРИМІТКА!

Пиляти стовбур дерева необхідно на максимальних обертах двигуна, при цьому повільно занурюючи шину бензопили в стовбур дерева.

8. Використовуючи спеціальні валочні пристосування, поваліть дерево в заздалегідь спланованому напрямку.

Розкрязування

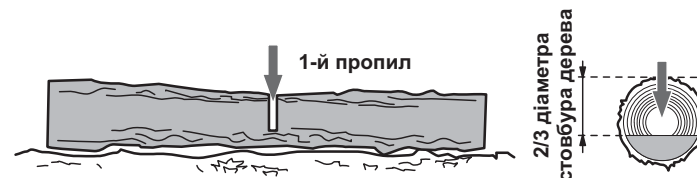
Розкрязування – це поперечне розпилювання поваленого дерева або колоди на частини.

Основні правила, які застосовуються в процесі розкрязування:

- укладіть колоду на опори (використовуйте козли);
- при розпилюванні колоди на схилі розташуйтеся завжди на високій частині схилу;
- при розпилюванні ніколи не ставайте на колоду.

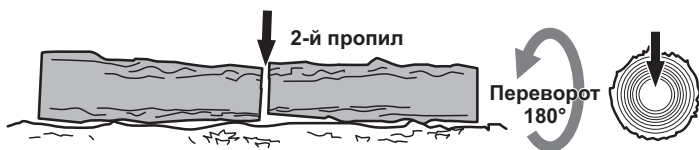
Розпилювання колоди без підкладання опор

малюнок 14



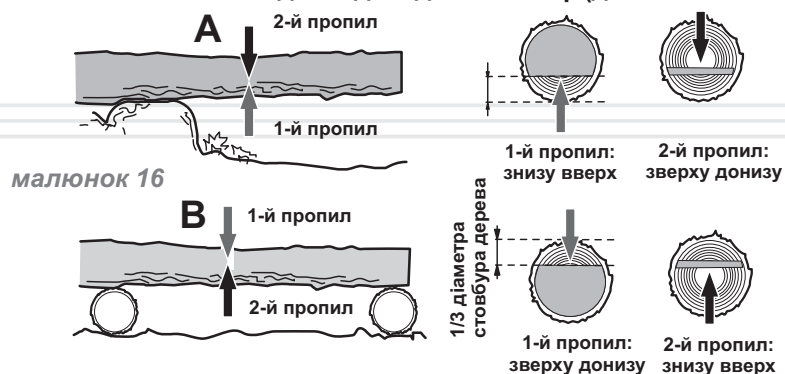
1. Перший розпил зробіть зверху вниз на 2/3 діаметра стовбуру дерева (див. малюнок 14).

малюнок 15



2. Переверніть колоду і розпиляєте (2) її з протилежного боку (див. малюнок 15).

Розпилювання колоди з підкладанням опор (див. малюнок 16)



малюнок 16

1. Зробіть розпили колоди в області «А». Перший розпил зробіть знизу вгору (1) на 1/3 товщини колоди та закінчіть розпилювання зверху вниз.
2. Якщо в колоди є дві точки опори по краях, та опори правильно розташовані в співвідношенні з центром тяжіння, то перший розпил (область «В») зробіть зверху вниз (на третину діаметра колоди), а другий розпил – знизу вгору (назустріч першому).



ПРИМІТКА!

Якщо зробити розпил із неправильною боку, то відбудеться защемлення шини в деревині.

Якщо все-таки шину затиснуло та її неможливо витягнути без прикладання значних зусиль, то ні в якому разі не смикайте бензопилу та не намагайтесь її виривати. Зупиніть роботу виробу, забийте штир у розпил, щоб відчинити його, а потім акуратно витягніть шину.

Розпилювання колоди з використанням козел

малюнок 17



При розпилюванні колод краще всього використовувати козли як упор. Переконайтеся, що під час пиляння, колода надійно закріплена (див. малюнок 17).

Перший розпил зробіть знизу вгору на 1/3 товщини колоди та закінчіть розпилювання зверху вниз. Акуратно посуньте колоду та повторіть процедуру розпилювання.

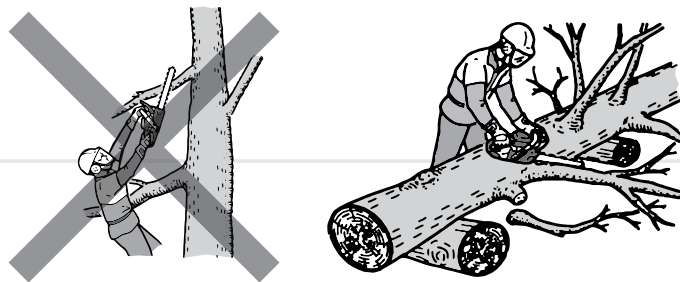
Обрізка гілок і сучків



ОБЕРЕЖНО!

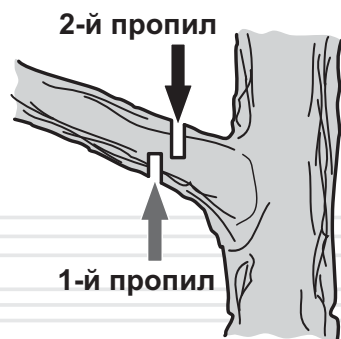
Під час пиляння не тримайте бензопилу на витягнутих руках, а також розташованою вертикально або над головою (див. малюнок 18). Будьте уважні, щоб носок шини не торкнувся стовбуру дерева та сусідніх гілок.

малюнок 18



Послідовність обрізки гілок і сучків зі стоячого дерева

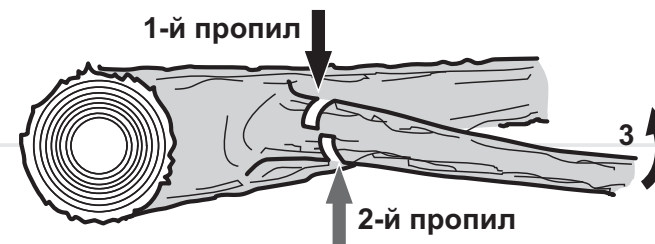
малюнок 19



1. Перший надріз зробіть знизу (1).
2. Другий надріз зробіть із протилежного боку (2). Слідкуйте за тим, щоб спляна гілка або дрючок не впали на Вас.

Послідовність обрізки гілок і сучків із поваленого дерева

малюнок 20



Процес обрізки сучків і гілок з поваленого дерева дуже нагадує процес розкряжування.

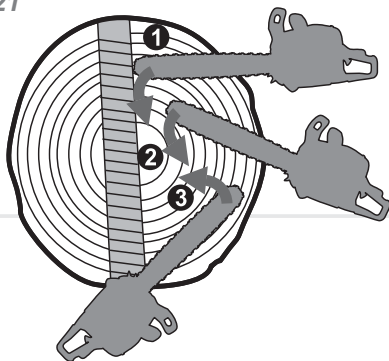
1. Визначте напрям вигину гілки (3), яку Ви плануєте відпилити.
2. Зробіть невеликий надріз зверху (1).
3. Другий надріз зробіть із протилежного боку (2).

**ОБЕРЕЖНО!**

Переконайтеся, чи не відпилите гілку, на яку Ви спираєтесь.
Переконайтеся, що гілка, яку Ви плануєте відпилити, не перебуває під навантаженням. Гілки, на які спираєтесь дерево, спляйте в останню чергу.

Розпилювання колоди із використанням зубчастого упору бензопили

малюнок 21



Для швидкого та ефективного розпилювання колоди використовуйте зубчастий упор бензопили.

1. Надійно упріться зубчастим упором бензопили в колоду.
2. Розпиляєте колоду, занурюючи пилку в деревину методом обертання, використовуючи упор як додатковий важіль.

ОБЕРЕЖНО!



Щоб уникнути отримання травм, будь-які роботи з технічного обслуговування необхідно виконувати лише тоді, коли двигун зупинено та він повністю охолонув. Зніміть ковпачок зі свічки запалювання для запобігання випадкового запуску двигуна.

Бензопили Vitals Professional BKZ 4620r, BKZ 5022r і BKZ 5022rm являються надійними виробами, які розроблені з урахуванням усіх сучасних інженерних технологій. Виконуючи всі рекомендації Керівництва з експлуатації, своєчасно здійснюючи технічне обслуговування, Ви забезпечите надійну роботу виробу протягом багатьох років.

Для забезпечення надійної роботи виробу протягом тривалого періоду експлуатації та зберігання, необхідно своєчасно проводити технічне обслуговування.

Використовуйте тільки оригінальні запасні частини ТМ «Vitals». Використання неоригінальних запасних частин може призвести до псування виробу.

Передбачені наступні види технічного обслуговування

- контрольний огляд;
- технічне обслуговування.

Контрольний огляд необхідно проводити до та після використання бензопили або її транспортування. При контрольному огляді слід перевірити надійність кріплення всіх частин і деталей, відсутність пошкоджень корпусу виробу, шини, ланцюга, елементів управління, мережевого кабелю.

Технічне обслуговування бензопили необхідно проводити згідно регламенту (див. таблицю 1).

таблиця 1

Регламент технічного обслуговування бензопили

ТИП ОБСЛУГОВУВАННЯ/ РЕКОМЕНДОВАНІ ТЕРМІНИ		Кожний раз	Кожні 25 годин роботи або місяць	Кожні 50 годин роботи або 3 місяці	Кожні 100 годин роботи або 1 рік
Бензопила вцілому	очищення	●			
З'єднання та кріплення	підтяжка	●			
Ведуча зірочка	очищення	●			
	перевірка	●			
Шина	очищення	●			
	змащування	●			
	зміна положення			●	
Ланцюг	перевірка	●			
	заточування зубців	при необхідності			
	заміна	при необхідності			
Канал подачі масла на корпусі бензопили	очищення	●			
Повітряний фільтр	перевірка	●			
	очищення*		●		
	заміна*				●
Свічка запалю- вання	перевірка		●		
	регулюван- ня зазору			●	
	заміна				●

ТИП ОБСЛУГОВУВАННЯ/ РЕКОМЕНДОВАНІ ТЕРМІНИ		Кожний раз	Кожні 25 годин роботи або місяць	Кожні 50 годин роботи або 3 місяці	Кожні 100 годин роботи або 1 рік
Карбюратор	регулювання	при необхідності			
Масло для змащування ланцюга	перевірка витоку	●			
	заправка	●			
Масляний бак	промивання		●		
Масляний фільтр	промивання*		●		
	заміна*				●
Масло- провід	заміна	один раз в 3 роки*			
Паливо	перевірка витоку	●			
	заправка	●			
Паливний бак	промивання		●		
Паливний фільтр	промивання*		●		
	заміна*				●
Паливо- провід	заміна	один раз в 3 роки*			
Гальмо ланцюга	перевірка	●			
Аморти- затори	перевірка працездат- ності	●			
Глушник	перевірка	●			
	видалення нагару			●	

*При надмірному забрудненні виконувати частіше. Заміна проводиться в сервісному центрі.

Після кожного використання бензопили

- здійсніть зовнішній огляд на предмет виявлення несправностей і пошкоджень, патьоків палива та масла, при виявленні – усуньте причини несправностей;
- перевірте та при необхідності підтягніть всі кріпильні елементи виробу;
- видаліть із корпусу бензопили, охолоджуючих ребер циліндра двигуна, шини та ланцюга пил, бруд, масло і тирсу;
- очистіть вентиляційні отвори на корпусі;
- перевірте ребра шини на предмет зносу. Якщо є задирки, видаліть їх, використовуючи надфіль;
- очистіть і змастіть маслом, призначеним для змащування ланцюга, ведучу та ведену зірочки;
- перевірте чистоту повітряного фільтру та, якщо це необхідно, очистіть його;
- очистіть канал подачі масла, масляні отвори.

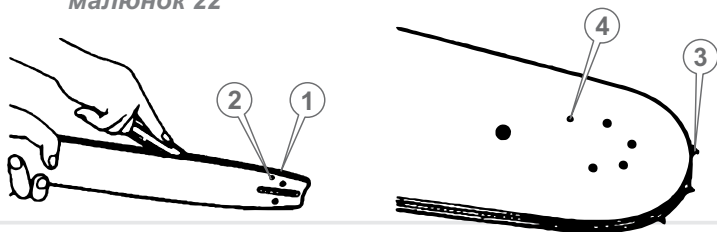
У разі надмірного забруднення частин і деталей бензопили, наприклад - смолою, протріть спеціальним розчином для чищення. Шину та ланцюг обслуговуйте окремо, для чого помістіть їх на 15 хвилин у посудину з розчином для чищення. Після цього шину, а також ланцюг промийте чистою водою та обробіть антикорозійним аерозолем.

Для забезпечення рівномірного зносу верхньої та нижньої сторін шини, перевертайте її через кожні 25 годин роботи виробу.

Найбільший вплив на довговічність і ефективність роботи шини, ланцюга та зірочок бензопили надають три фактори – правильна та своєчасна заточка зубців ланцюга, правильний натяг ланцюга та справна робота механізму змащення ланцюга.

Обслуговування шини та веденої зірочки

малюнок 22



1. Видаліть тирсу та бруд із жолобу шини, масляних отворів і веденої зірочки (див. малюнок 22).
2. Переконайтеся, що масляні отвори прочищені.
3. Змастіть жолоб шини, ведену зірочку та масляні отвори маслом, призначеним для змащування ланцюга.

Обслуговування ведучої зірочки

1. Видаліть тирсу та бруд із ведучої зірочки.
2. Перевірте ведучу зірочку на предмет зношеності, наявність вм'ятин і тріщин.
3. За наявності пошкоджень або при надмірному зносі зубців зірочки, необхідно замінити ведучу зірочку.

УВАГА!

Не надягайте новий ланцюг на пошкоджену, зношену ведучу зірочку або зношений ланцюг на нову зірочку.

Обслуговування ланцюга

Ознакою необхідності зміни ланцюга або заточування зубців ланцюга є поява дрібної стружки. Крім цього, робота тупим ланцюгом призводить до надмірного тиску оператора на інструмент і може призвести до заклинювання такого ланцюга в деревині, що різко збільшує вірогідність поломки ведучої зірочки та веде до аварійного перегріву бензопили.

Правильну заточку зубців ланцюга можна виконати тільки за допомогою спеціальних шаблонів, а також інструментів, які відповідають даному типу ланцюга та купуються окремо. Опис дій із заточування зубів наводиться в керівництві до заточувального шаблону або в спеціальній літературі.

У процесі роботи ланцюг зношується та розтягується, що в свою чергу призводить до відповідного зносу ведучої та веденої зірочок. Установка нового ланцюга на зношені зірочки призводить до того, що через невідповідність кроку відбувається прискорений інтенсивний знос як ланцюга, так і зірочок. Практика показує, що доцільно мати 3-4 ланцюги і послідовно (наприклад – через день або два) міняти їх, щоб відбувався рівномірний знос всієї пильної гарнітури: ланцюгів, шини та зірочок.

Обслуговування повітряного фільтра (тільки для моделей BKZ 4620r, BKZ 5022rm)

1. Відкрутіть фіксатор кришки повітряного фільтра.
2. Зніміть кришку повітряного фільтра.
3. Вийміть повітряний фільтр, акуратно знявши його зі шпильки.
4. Вийміть з фільтра ущільнювальну прокладку.
5. Акуратно руками розділіть повітряний фільтр на дві половинки.
6. Акуратно видаліть пил і бруд із фільтруючих елементів, не пошкодивши їх (постукайте по твердій поверхні та продуйте повітрям фільтруючі елементи), промийте в бензині та ретельно висушіть.
7. Зберіть фільтр і встановіть його на штатне місце.

Обслуговування повітряного фільтра паперового типу (тільки для моделі BKZ 5022rm)

1. Відстебніть фіксатори кришки повітряного фільтра.
2. Зніміть кришку повітряного фільтра.
3. Акуратно витягніть паперовий фільтруючий елемент з посадкового отвору на карбюраторі.
2. Акуратно видаліть пил і бруд з фільтруючого елементу, не пошкодивши його (постукайте по твердій поверхні і продіть повітрям).
3. Зберіть фільтр і встановіть його на штатне місце.

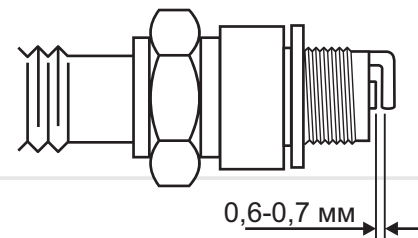


ПРИМІТКА!

Фільтруючі елементи необхідно продувати зсередини назовні. Щоб не пошкодити фільтруючі елементи необхідно продувати їх стисненим повітрям низького тиску (1,5 - 2 атм.)

Перевірка стану свічки запалювання і її заміна

малюнок 23



УВАГА!

Для правильної роботи двигуна на свічці запалювання не повинно бути забруднень, зазор між електродами повинен складати 0,60 - 0,70 мм.



1. Від'єднайте ковпачок від свічки запалювання.
2. Видаліть бруд зі свічки та ковпачка.
3. Відкрутіть свічковим ключем свічку запалювання, огляньте її. Якщо свічка пошкоджена або зношені електроди, замініть свічку.
4. Використовуючи спеціальний щуп, виміряйте зазор між електродами свічки (якщо необхідно, виставте зазор 0,60 - 0,70 мм, обережно підгинаючи бічний електрод) (див. малюнок 23).
5. Акуратно закрутіть свічку запалювання.
6. Щільно надіньте ковпачок на свічку запалювання.

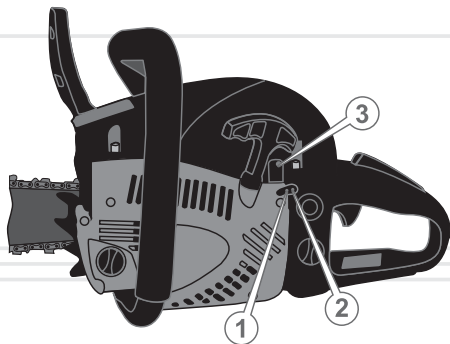
Регулювання карбюратора

Карбюратор бензопили відрегульований на заводі-виробнику при випробуванні виробу. Таке регулювання карбюратора повинно зберігатися протягом усього періоду обкатки двигуна бензопили (в межах 5 годин роботи). Після обкатки двигуна необхідно провести точне регулювання карбюратора.

**УВАГА!**

Не виключено, що під час першого запуску двигуна бензопили, а також у процесі обкатки двигуна може знадобитися точна настройка карбюратора.

малюнок 24



1. Регулювальний гвинт «L» – подача палива.
2. Регулювальний гвинт «H» – подача повітря.
3. Регулювальний гвинт «T» – регулятор холостого ходу.

1. Зупиніть двигун.
2. Поверніть регулювальні гвинти «L» і «H» по ходу годинникової стрілки до упору. Не прикладайте зусиль при обертанні гвинтів.
3. Повільно поверніть регулювальний гвинт «L» проти ходу годинникової стрілки на $1,5 \pm 0,25$ оберти.
4. Повільно поверніть регулювальний гвинт «H» проти ходу годинникової стрілки на $1 \pm 0,25$ оберти.

**ПРИМІТКА!**

За допомогою регулювальних гвинтів «L» і «H» регулюється оптимальне співвідношення в паливній суміші палива та повітря.

Регулювання гвинтом «L» на занадто збіднену суміш призводить до утрудненого запуску двигуна бензопили та набору двигуном обертів.

Регулювання гвинтом «H» на занадто збіднену суміш призводить до зниження потужності двигуна бензопили, набору їм обертів і можливого виходу двигуна з ладу.

Регулювання гвинтами «L» і «H» на занадто збагачену суміш призводить до затрудженого запуску двигуна бензопили та зниження робочих обертів двигуна.

5. Запустіть двигун і прогрійте його протягом 2-5 хвилин.

**ПРИМІТКА!**

Оцініть роботу двигуна. Якщо в карбюратор надходить збагачена суміш, із глушника буде йти рясний дим. Якщо в карбюратор надходить збіднена суміш, двигун буде працювати нестабільно.

6. Відпустіть важіль дроселя. Повільно повертайте регулювальний гвинт «L» по ходу годинникової до тих пір, поки двигун не набере максимальні оберти. Ланцюг при цьому буде обертатися.
7. Повільно повертайте регулювальний гвинт «T» проти ходу годинникової стрілки, поки ланцюг не зупиниться (при цьому оберти двигуна будуть поступово зменшуватися). Після того як ланцюг зупиниться, докрутіть гвинт «T» в тому ж напрямку на 3 - 4 оберти, щоб вибрати оптимальні оберти холостого ходу.
8. Щоб надати максимальної потужності двигуну, повільно повертайте регулювальний гвинт «H» проти ходу годинникової на 1 - 2 оберти.

**ПРИМІТКА!**

Домогтися потрібно таких обертів, щоб бензопила не глохнула, але ж і ланцюг при цьому не рухався.

9. За допомогою важелю дроселя встановіть максимальні оберти двигуна. Переконайтеся в плавності переходу двигуна від режиму холостого ходу до режиму максимальних обертів.

**УВАГА!**

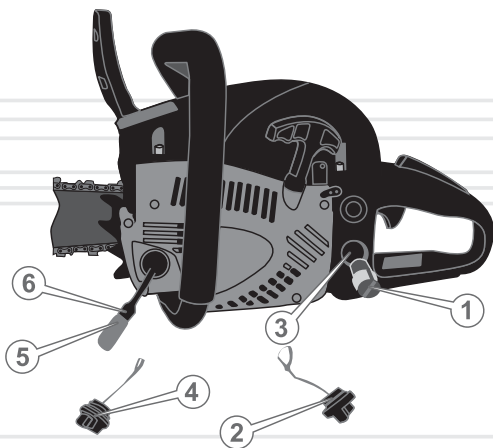
Забороняється встановлювати частоту обертів двигуна, відмінну від зазначеної в пункті 3 даного керівництва, так як це призведе до виходу двигуна з ладу.

**ПРИМІТКА!**

Регулювання карбюратора бажано здійснювати в спеціалізованому сервісному центрі або в кваліфікованих фахівців.

Обслуговування паливного та масляного фільтрів

малюнок 25



110

Обслуговування паливного фільтра

1. Відкрутіть кришку (2) та обережно вийміть її з паливного баку.
2. Використовуючи дротяну петлю, обережно висуньте паливний фільтр (1) із паливного баку.
3. Акуратно від'єднайте паливний фільтр від паливопроводу (3).
2. Промийте паливний фільтр у бензині за допомогою м'якої щітки.
3. Помийте паливний бак бензином.
4. Під'єднайте паливний фільтр до паливопроводу та акуратно помістіть в паливний бак.
5. Надійно закрутіть кришку паливного баку.

Обслуговування масляного фільтра

1. Відкрутіть кришку (4) та обережно вийміть її з масляного баку.
2. Використовуючи дротяну петлю, обережно висуньте масляний фільтр (5) із масляного баку.
3. Акуратно від'єднайте масляний фільтр від маслопроводу (6).
4. Промийте масляний фільтр у бензині, гасі або уайтспіриті, використовуючи м'яку щітку.
5. Помийте масляний бак гасом або уайтспіритом.
6. Під'єднайте масляний фільтр до мастилопроводу та акуратно помістіть у масляний бак.
7. Надійно закрутіть кришку масляного баку.

**УВАГА!**

При надмірному забрудненні паливного (масляного) фільтра, а також при його пошкодженні, необхідно негайно замінити паливний (масляний) фільтр. Заборонено працювати бензопилою при забрудненому або пошкодженому паливному (масляному) фільтрі.

111

ТРАНСПОРТУВАННЯ ТА ЗБЕРІГАННЯ



ОБЕРЕЖНО!

Не переносьте та не транспортуйте виріб із заведеним двигуном.



УВАГА!

Зберігати виріб в одному приміщенні з горючими речовинами, кислотами, лугами, мінеральними добривами та іншими агресивними речовинами забороняється.

Транспортування

Виріб може транспортуватися всіма видами транспорту, які забезпечують збереження виробу, відповідно до загальних правил перевезень.

Під час вантажно-розвантажувальних робіт та транспортування виріб не повинен піддаватися ударам і впливу атмосферних опадів.

Розміщення та кріплення бензопили в транспортних засобах повинні забезпечувати стійке положення виробу та відсутність можливості його переміщення під час транспортування.

При транспортуванні виробу на великі відстані від'єднайте шину та надіньте на неї чохол.

Подбайте про те, щоб не пошкодити бензопилу під час транспортування. Не розміщуйте на виробі важкі предмети.

Переносити виріб необхідно за ручку, шину при цьому направивши назад.

Ніколи не переносьте виріб за шину. При зміні робочого місця зупиніть двигун і встановіть бензопилу на гальмо, щоб не відбулося випадкового запуску двигуна.

При зміні робочого місця зупиніть двигун і встановіть виріб на гальмо.

Допустимі умови транспортування бензопили: температура навколишнього повітря від -15°C до $+55^{\circ}\text{C}$, відносна вологість повітря до 90%.

Зберігання

Якщо виріб не використовується тривалий час (більше 2 місяців), його необхідно зберігати в приміщенні, яке добре провітрюється, при температурі від -15°C до $+55^{\circ}\text{C}$ та відносній вологості не більше 90%, укривши від попадання на виріб пилу, а також дрібного сміття.

Наявність у повітрі парів кислот, лугів та інших агресивних домішок не допускається. Зберігайте бензопилу поза досяжністю дітьми.

Бензопила перед постановкою на тривале зберігання повинна бути законсервована.

При підготовці виробу до зберігання

1. Зупиніть двигун.
2. Злийте паливну суміш і масло з бачків.
3. Видаліть накопичене з часом масло, бруд і сміття із зовнішньої частини корпусу та шини виробу.
4. Змастіть машинним маслом всі металеві частини виробу.
5. Затягніть всі болти, гвинти та гайки.
6. Закрийте ланцюг і шину чохлам.
7. Від'єднайте ковпачок від свічки запалювання, видаліть бруд зі свічки та ковпачка. Відкрутіть свічковим ключем свічку запалювання та налейте в робочу камеру циліндру 2 куб.см масла, призначеного для двотактних двигунів.
8. Кілька разів обережно потягніть на себе рукоятку стартера. Поршнева група двигуна та гільза циліндру будуть змащені маслом, тим самим захищені від можливої «розії».

Утилізація

Не викидайте бензопилу в контейнер із побутовими відходами! Бензопила, яка відслужила свій термін використання, а також її оснащення та упаковка повинні здаватися на утилізацію та переробку.

Інформацію про утилізацію Ви можете отримати в місцевій адміністрації.



МОЖЛИВІ НЕСПРАВНОСТІ ТА ШЛЯХИ ЇХ УСУНЕННЯ

УКРАЇНСЬКА

ОПИС ЗБОЮ	Можлива причина	Шляхи усунення
Двигун не запускається	Відсутнє паливо в паливному бачку	Заправте паливо в паливний бачок
	Забруднене паливо, наявність води в паливній суміші	Замініть паливо
	Забруднена, залита паливом або несправна свічка запалювання	Почистіть, висушіть або замініть свічку
	Паливо не надходить до карбюратора	Зверніться до сервісного центру
	Залита невідповідна вимогам керівництва паливна суміш	Замініть паливну суміш
	Вимикач запалювання в положенні «СТОП» (вимкнено)	Увімкніть запалювання
	Не відрегульований карбюратор	Відрегулюйте
	Забруднений/зношений паливний фільтр	Почистіть/замініть
	Повітряна заслінка карбюратора знаходиться в неправильному положенні	Встановіть повітряну заслінку в правильне положення згідно п.5.2. даного керівництва
	Двигун вийшов з ладу	Зверніться до сервісного центру
Недостатня потужність	Не відрегульований карбюратор	Відрегулюйте

114

ОПИС ЗБОЮ

Можлива причина

Шляхи усунення

Недостатня потужність	Забруднено паливо	Замініть паливо
	Забруднений повітряний фільтр	Почистіть повітряний фільтр
	Свічка запалювання відпрацювала свій ресурс	Замініть свічку запалювання
	Залита невідповідна вимогам керівництва паливна суміш	Замініть паливну суміш
	Закрита повітряна заслінка карбюратора	Відкрийте повітряну заслінку
Ланцюг не рухається	Включене гальмо ланцюга	Вимкніть
	Ланцюг дуже сильно натягнутий	Послабте натяг ланцюга
	Ланцюг заклинило	З'ясуйте причину, усуньте недолік
	Шина зношена	Замініть
	Відцентрове зчеплення вийшло з ладу	Зверніться до сервісного центру
	Несправне гальмо ланцюга	Зверніться до сервісного центру
	Зношена ведуча зірочка	Замініть

УКРАЇНСЬКА

115

ОПИС ЗБОЮ	Можлива причина	Шляхи усунення
Немає подачі масла на шину та ланцюг	Відсутнє масло в масляному бачку	Залийте масло в масляний бачок
	Забруднений масляний канал	Прочистіть
	Не відрегульована подача масла	Відрегулюйте
	Забруднені отвори на шині	Прочистіть
	Забруднений/зношений масляний фільтр	Прочистіть/замініть
	Маслонасос вийшов із ладу	Зверніться до сервісного центру
Ланцюг нагрівається	Ланцюг дуже сильно натягнутий	Послабте натяг ланцюга
	Ланцюг ослаблений	Натягніть ланцюг
	Ланцюг зношений	Замініть
	Шина зношена	Замініть
	Залите невідповідне вимогам керівництва масло	Замініть
	Відсутня подача масла	Перевірте наявність масла в масляному баку, долийте до норми
	Немає подачі масла (масляний насос вийшов із ладу)	Зверніться до сервісного центру
Немає подачі масла (забруднений маслопровід або масляний фільтр)	Прочистіть	

ОПИС ЗБОЮ	Можлива причина	Шляхи усунення
Низька ефективність роботи виробу	Ослаблений натяг ланцюга	Відрегулюйте
	Ланцюг надітий на шину в зворотному напрямку	Перевірте правильність установки ланцюга
	Ланцюг затуплений	Заточіть ланцюг або замініть
Підвищена вібрація	Ослаблене кріплення шини	Підтягніть кріплення шини
	Зношені амортизатори	Зверніться до сервісного центру
	Не відрегульований карбюратор	Відрегулюйте

Гарантійний термін експлуатації виробів Vitals Professional **BKZ 4620r, BKZ 5022r та BKZ 5022rm** становить 18 (вісімнадцять) місяців із зазначеної в гарантійному талоні дати роздрібного продажу.

Споживач має право на безкоштовне гарантійне усунення несправностей, виявлених і пред'явлених у період гарантійного терміну і обумовлених виробничими і конструктивними факторами.

Гарантійне усунення несправностей проводиться шляхом ремонту або заміни пошкоджених частин агрегату в сертифікованих сервісних центрах. У зв'язку зі складністю конструкції ремонт може тривати більше двох тижнів. Причину виникнення несправностей і терміни їх усунення визначають фахівці сервісного центру.

УВАГА!

Виріб приймається на гарантійне обслуговування тільки в повній комплектності, ретельно очищений від пилу і бруду.



Гарантійні зобов'язання втрачають своє значення у наступних випадках:

- Відсутність або нечитабельність гарантійного талону.
- Неправильне заповнення гарантійного талону, відсутність у ньому дати продажу або печатки (штампу) і підпису продавця, серійного номеру виробу.
- Наявність виправлень або підчисток у гарантійному талоні.
- Повна або часткова відсутність, нечитабельність серійного номеру на виробі, невідповідність серійного номеру виробу номеру, вказаному в гарантійному талоні.
- Недотримання правил експлуатації, наведених у керівництві з експлуатації.
- Експлуатація несправного або некомплектного виробу, що стала причиною виходу виробу з ладу.
- Попадання всередину пристрою сторонніх речовин або предметів.
- Причиною несправності, що виникла, стало застосування нестандартних або неякісних витратних і комплектуючих матеріалів.
- Виріб має значні механічні або термічні ушкодження, явні сліди недбалих експлуатації, зберігання або транспортування.

- Виріб використовувався не за призначенням.
- Здійснювалися несанкціонований ремонт, розкриття або спроба модернізації виробу споживачем або третіми особами.
- Несправність виникла в результаті стихійного лиха (пожежа, повінь, ураган і т. п.).

Замінені по гарантії деталі та вузли переходять у розпорядження сервісного центру.

При здійсненні гарантійного ремонту гарантійний термін збільшується на час перебування товару в ремонті. Відлік доданого терміну починається з дати приймання виробу в гарантійний ремонт.

У разі, якщо з технічних причин ремонт виробу неможливий, сервісний центр видає відповідний акт, на підставі якого користувач самостійно вирішує питання з організацією-постачальником про заміну виробу або повернення грошей.

Після закінчення гарантійного терміну сервісні центри продовжують здійснювати обслуговування та ремонт виробу, але вже за рахунок споживача.

Гарантійні зобов'язання не поширюються на несправності, які виникли внаслідок природного зношення або перевантаження виробу.

Гарантійні зобов'язання не поширюються на комплектуючі: шину, ланцюг, свічку запалювання, фільтри і т.д.

Гарантійні зобов'язання не поширюються на неповноту комплектації виробу, яка могла бути виявлена при його продажу. Всі витрати на транспортування виробу несе споживач.

Право на гарантійний ремонт не є підставою для інших претензій.

УВАЖАЕМЫЙ ПОКУПАТЕЛЬ!

Благодарим Вас за приобретение цепной бензопилы ТМ “Vitals”.

Техника ТМ “Vitals” разрабатывается по европейским стандартам качества и с использованием современных технологий.

Неправильная эксплуатация цепной бензопилы и несоблюдение мер безопасности может привести к повреждению изделия или к серьезным травмам!

Данное руководство содержит всю необходимую информацию по мерам безопасности при работе цепной бензопилой. Внимательно ознакомьтесь с руководством перед началом эксплуатации изделия.

Пожалуйста, предоставьте другим пользователям данное руководство, прежде чем они начнут эксплуатацию изделия. Данное руководство необходимо хранить для последующего его использования.

Мы постоянно работаем над усовершенствованием своей продукции и, в связи с этим, оставляем за собой право на внесение изменений во внешний вид, оснащение и технологию производства, не изменяя основных принципов управления, без уведомления потребителя. Все возможные изменения будут направлены только на улучшение и модернизацию изделия.

ЗНАЧЕНИЕ КЛЮЧЕВЫХ СЛОВ



ОСТОРОЖНО!

Обозначает потенциально опасные ситуации, которых следует избегать, в противном случае может возникнуть опасность для жизни и здоровья.



ВНИМАНИЕ!

Обозначает потенциально опасные ситуации, которые могут привести к легким травмам или к поломке изделия.



ПРИМЕЧАНИЕ!

Отмечает важную дополнительную информацию.

Цепные бензопилы Vitals Professional **BKZ 4620r**, **BKZ 5022r** и **BKZ 5022rm** предназначены для быстрой распиловки свежей, сухой и мокрой древесины различной толщины и конфигурации, древесностружечных плит, заготовки дров из бревен малого и среднего диаметра.

Благодаря использованию современных разработок и технологий, модели цепных бензопил «Vitals Professional» обладают оптимальными рабочими характеристиками работы двигателя, а также отличаются долговечностью и износостойкостью основных частей и деталей.

По своей конструкции бензопилы относятся к простым классическим механизмам – цепь приводится в действие двигателем внутреннего сгорания. Простота устройства бензопилы является фактором надежности, обеспечивающим ее безотказную работу в тяжелейших условиях.

Помимо этого, цепные бензопилы Vitals Professional BKZ 4620r, BKZ 5022r и BKZ 5022rm (далее по тексту – бензопила) обладают рядом других достоинств, в число которых входят:

- хромированный цилиндр. Продолжительный срок службы цилиндра двигателя достигается благодаря увеличению износостойкости трущейся пары поршневые кольца - цилиндр;
- топливоподкачивающий насос «праймер». Для облегчения пуска двигателя бензопилы предусмотрен «праймер», при помощи которого обеспечивается предварительная подкачка топлива в карбюратор. Таким образом, пуск двигателя бензопилы осуществляется гораздо быстрее, особенно в холодное время года;
- крышка стартера выполнена из магниевого сплава (только модель BKZ 5022rm) – для увеличения срока службы;
- легкий старт: усилие, прилагаемое оператором во время пуска двигателя, снижено на 30%. Система легкого старта представляет собой дополнительную пружину, посредством которой передается вращательное движение от храповика ручного стартера на маховик двигателя бензопилы. При вытягивании шнура стартера, пружина сжимается до определенного момента и затем, резко развернувшись, приводит в действие коленчатый вал двигателя. При этом нет необходимости дергать стартер, достаточно лишь плавно вытянуть шнур;
- высококачественные шина и цепь от всемирно известной ТМ «Oregon»;
- картер двигателя выполнен из магниевого сплава;
- боковое натяжение цепи;
- воздушная заслонка с автоматическим открытием: при нажатии на рычаг дросселя воздушная заслонка карбюратора открывается автоматически;

- высокоэффективный воздушный фильтр бумажного типа (только для модели BKZ 5022rm);
- высокая скорость цепи: обеспечивается высокая производительность работы бензопилы;
- регулируемый масляный насос. Количество масла, подающегося на цепь, зависит от предварительной ручной регулировки маслоснасоса. Масло из масляного бачка поступает в масляный насос, после чего через масляный канал поступает в паз шины и на цепь;
- современная антивибрационная система. Двигатель в корпусе бензопилы установлен на специальных демпфирующих элементах;
- эффективный тормоз цепи. В случае отдачи или «обратного удара» тормоз цепи срабатывает очень быстро, вращение цепи при этом немедленно прекратится;
- повышенная износостойкость ручного стартера – кулачки на храповом колесе в модели BKZ 5022rm выполнены из стали, а в моделях BKZ 4620r и BKZ 5022r – из прочного пластика;
- быстросъемная крышка воздушного фильтра (только для модели BKZ 5022 rm).

Описание основных компонентов бензопилы представлено ниже.

рисунок 1а

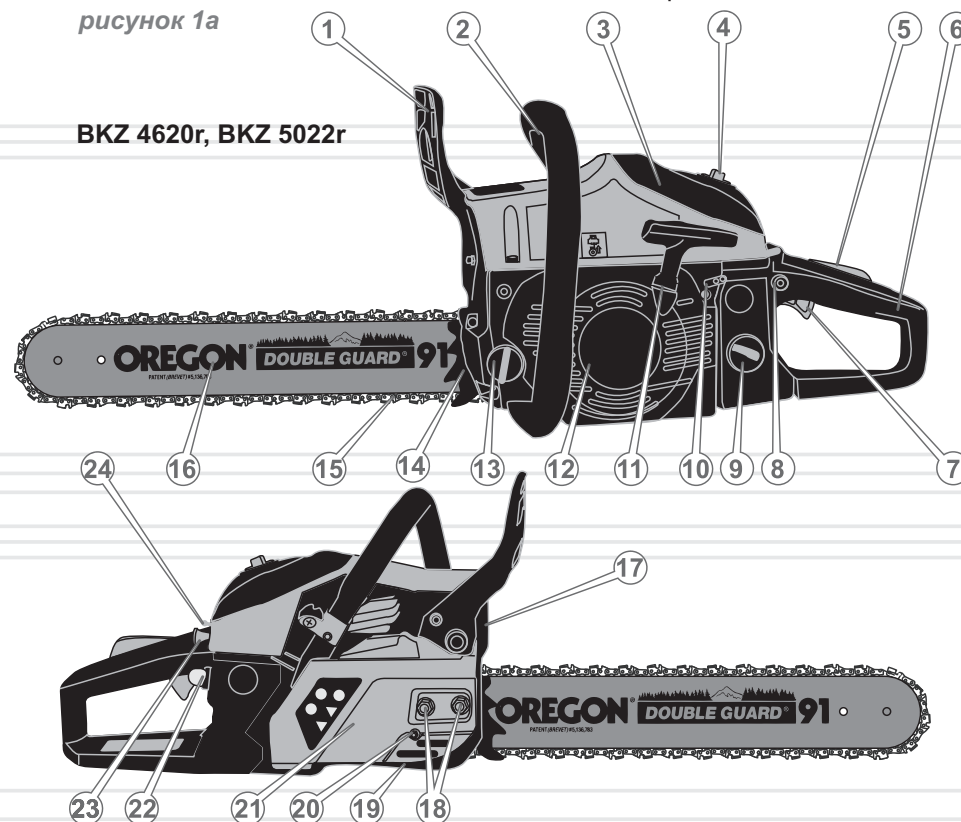
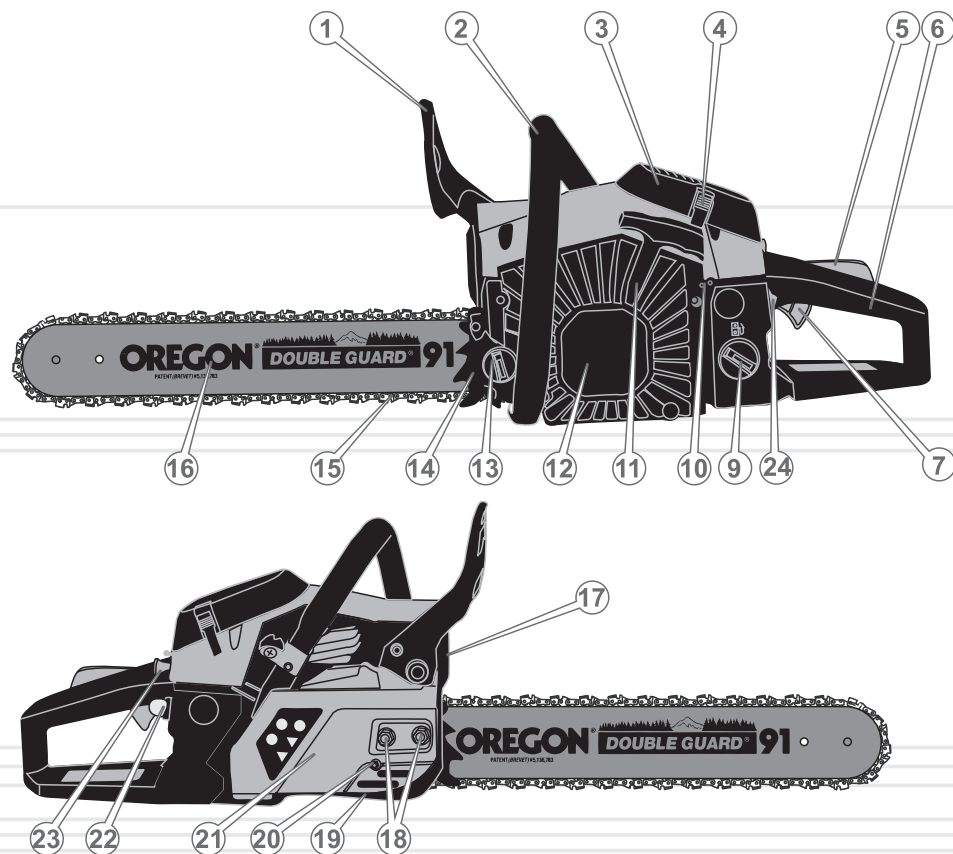


рисунок 16

BKZ 5022rm



1. Рычаг аварийного тормоза цепи с защитным экраном.
2. Передняя рукоятка.
3. Крышка воздушного фильтра.
4. Фиксатор рычага крышки воздушного фильтра.
5. Клавиша блокировки от случайного включения.
6. Задняя рукоятка с защитным щитком.
7. Рычаг дросселя.
8. Фиксатор рычага дросселя.
9. Пробка отверстия для заливки топливной смеси.
10. Винты регулировки карбюратора.
11. Рукоятка ручного стартера.
12. Защитный кожух стартера.
13. Пробка отверстия для заливки масла.
14. Зубчатый упор.
15. Цепь.
16. Шина.
17. Глушитель.
18. Гайки крепления шины.
19. Уловитель цепи.
20. Регулировочный винт натяжения цепи.
21. Крышка крепления шины.
22. Праймер.
23. Ручка воздушной заслонки карбюратора.
24. Выключатель зажигания.

1. Бензопила.
2. Шина.
3. Цепь.
4. Зубчатый упор.
5. Емкость для приготовления топливной смеси.
6. Воронка.
7. Т-образный ключ 13x19 мм (комбинация свечного ключа и отвертки).
8. Шестигранный ключ 3 мм.
9. Шестигранный ключ 4 мм.
10. Отвертка.
11. Напильник.
12. Сетка-фильтр для заправки топлива.
13. Руководство по эксплуатации.
14. Упаковка.

**ПРИМЕЧАНИЕ!**

Завод-изготовитель оставляет за собой право вносить во внешний вид, конструкцию и комплект поставки бензопилы незначительные изменения, не влияющие на работу изделия.

МОДЕЛЬ	BKZ 4620r	BKZ 5022r	BKZ 5022rm
Тип двигателя	бензиновый двухтактный одноцилиндровый воздушного охлаждения		
Тип топлива	смесь бензина с маслом для двухтактных двигателей 25:1		
Рабочий объем цилиндра, куб.см	46	50	50
Мощность, кВт/л.с.	2,0 / 2,7	2,2 / 3,0	2,2 / 3,0
Максимальная частота, об/мин	11000	11000	11000
Скорость холостого хода, об/мин	3000	3000	3000
Скорость цепи, м/с	21,0	21,0	21,0
Время срабатывания тормоза цепи, с	0,12	0,12	0,12
Система запуска двигателя	ручной стартер		
Трансмиссия	автоматическая центробежная муфта сцепления		
Подача масла	автоматическая с регулировкой		
Объем топливного бака, мл	550	550	650
Объем масляного бака, мл	260	260	260
Длина шины, дюйм	18	18	20
Шаг цепи, дюйм	3/8	3/8	0,325
Уровень звукового давления, дБ	114	114	110
Шина и цепь, бренд	Oregon [®]		
Антивибрационная система	+	+	+
Боковое натяжение цепи	+	+	+
Цилиндр с хромовым покрытием	+	+	+
Лёгкий старт	+	+	+
Праймер	+	+	+
Фильтрующий элемент воздушного фильтра	полипропиленовый		бумажный
Воздушная заслонка с автоматическим отключением	+	+	+
Габаритные размеры (ДхШхВ), мм	480x260x280	480x260x280	480x260x300
Вес бензопилы, кг	5,93	5,93	7,23
Вес брутто, кг	7,60	7,60	8,90

4.1. ВАЖНАЯ ИНФОРМАЦИЯ ПО БЕЗОПАСНОСТИ

Перед началом работы бензопилой внимательно ознакомьтесь с требованиями по технике безопасности и предупреждениями, изложенными в данном руководстве.

Большинство несчастных случаев во время эксплуатации изделия возникает в результате несоблюдения основных положений правил техники безопасности. Несчастных случаев можно избежать, если строго соблюдать меры предосторожности и заблаговременно предусмотреть потенциальную опасность.

Ни при каких обстоятельствах не используйте изделие способом или в целях, не предусмотренных данным руководством.

Неправильная эксплуатация изделия или эксплуатация необученным человеком может нанести вред имуществу, привести к несчастному случаю или смерти.

Основные опасные факторы при работе бензопилой

- Отскакивающие во время пиления щепки и ветви.
- Выхлопные газы.
- Вращающаяся цепь.
- Отдача и «обратный удар».

ОСТОРОЖНО!

Во избежание получения травм и возникновения пожара при эксплуатации бензопилы, строго соблюдайте изложенные в данном Руководстве правила техники безопасности.

4.2. БЕЗОПАСНОСТЬ ЭКСПЛУАТАЦИИ

1. НЕ РАЗРЕШАЙТЕ ПОЛЬЗОВАТЬСЯ ИЗДЕЛИЕМ ДЕТЯМ И ЛИЦАМ С ОГРАНИЧЕННЫМИ ВОЗМОЖНОСТЯМИ.
2. НЕ ДОВЕРЯЙТЕ БЕНЗОПИЛУ ПОДРОСТКАМ МОЛОЖЕ 18 ЛЕТ, ЗА ИСКЛЮЧЕНИЕМ УЧЕНИКОВ СТАРШЕ 16 ЛЕТ, ОБУЧАЮЩИХСЯ РАБОТЕ БЕНЗОПИЛОЙ ПОД ПРИСТАЛЬНЫМ ПРИСМОТРОМ ИНСТРУКТОРОВ.
3. НЕ ОСТАВЛЯЙТЕ ИЗДЕЛИЕ ВКЛЮЧЕННЫМ БЕЗ ПРИСМОТРА.
4. НЕ ВКЛЮЧАЙТЕ И НЕ ЭКСПЛУАТИРУЙТЕ ИЗДЕЛИЕ В СЛУЧАЕ БОЛЕЗНИ, В СОСТОЯНИИ УТОМЛЕНИЯ, НАРКОТИЧЕСКОГО ИЛИ АЛКОГОЛЬНОГО ОПЬЯНЕНИЯ, А ТАКЖЕ ПОД ВОЗДЕЙСТВИЕМ СИЛЬНОДЕЙСТВУЮЩИХ ЛЕКАРСТВЕННЫХ ПРЕПАРАТОВ, СНИЖАЮЩИХ СКОРОСТЬ РЕАКЦИИ И ВНИМАНИЕ.
5. НЕ ПРИСТУПАЙТЕ К РАБОТЕ БЕЗ ПРЕДВАРИТЕЛЬНОЙ ТРЕНИРОВКИ.
6. СЛЕДИТЕ ЗА ЦЕЛОСТНОСТЬЮ И ИСПРАВНОСТЬЮ ИЗДЕЛИЯ. Не включайте и не эксплуатируйте изделие при наличии повреждений, с ненадежно закрепленными частями и деталями.
7. ПРИМЕНЯЙТЕ БЕНЗОПИЛУ ТОЛЬКО В ПОЛНОСТЬЮ УКОМПЛЕКТОВАННОМ ВИДЕ. Все предусмотренные конструкцией составляющие и защитные элементы должны быть на штатных местах.
8. НЕ ДОПУСКАЙТЕ ПРИСУТСТВИЯ ПОСТОРОННИХ ЛЮДЕЙ И ЖИВОТНЫХ В ЗОНЕ ПРОВЕДЕНИЯ РАБОТ.
9. НЕ ВСКРЫВАЙТЕ ИЗДЕЛИЕ И НЕ НАКРЫВАЙТЕ ЕГО.
10. КАЖДЫЙ РАЗ ПЕРЕД НАЧАЛОМ РАБОТЫ ПРОВЕРЯЙТЕ УРОВЕНЬ МАСЛА В БАЧКЕ И РАБОТОСПОСОБНОСТЬ СИСТЕМЫ ЕГО ПОДАЧИ. ПРИ НЕОБХОДИМОСТИ ДОБАВЬТЕ МАСЛА ИЛИ ПРОЧИСТИТЕ КАНАЛЫ ЕГО ПОДАЧИ.
11. РЕГУЛЯРНО ПРОВЕРЯЙТЕ ИСПРАВНОСТЬ АВАРИЙНОГО ТОРМОЗА ЦЕПИ.

11. РЕГУЛЯРНО ПРОВЕРЯЙТЕ ИСПРАВНОСТЬ АВАРИЙНОГО ТОРМОЗА ЦЕПИ.

12. РЕГУЛЯРНО ПРОВЕРЯЙТЕ СОСТОЯНИЕ И НАТЯЖЕНИЕ ЦЕПИ. ПРИ НЕОБХОДИМОСТИ ОТРЕГУЛИРУЙТЕ НАТЯЖЕНИЕ ЦЕПИ.



ВНИМАНИЕ!

Для безопасной и эффективной работы очень важно правильно установить цепь на направляющей шине, а саму шину надежно закрепить в корпусе пилы и отрегулировать натяжение цепи.

13. ВО ВРЕМЯ ЗАПРАВКИ И ЭКСПЛУАТАЦИИ БЕНЗОПИЛЫ НЕ ДОПУСКАЙТЕ ПОПАДАНИЯ ТОПЛИВА И МАСЛА НА ЗЕМЛЮ И В СТОКИ ВОДЫ.

После заправки плотно закрутите крышку топливного и масляного баков, проверьте, нет ли протечки. В случае утечки топлива или масла устраните недостаток до запуска двигателя, так как это может привести к пожару. Если топливо или масло пролилось на изделие, вытрите насухо.

14. НЕ ЗАПРАВЛЯЙТЕ ТОПЛИВО, ЕСЛИ ДВИГАТЕЛЬ ЗАПУЩЕН.

15. ЕСЛИ ИЗДЕЛИЕ НЕ ИСПОЛЬЗУЕТСЯ, СЛЕЙТЕ ТОПЛИВО.



ВНИМАНИЕ!

Соблюдайте максимальную осторожность при обращении с горюче-смазочными материалами, пары бензина очень опасны для здоровья. Помните, что небрежное обращение с бензином может вызвать пожар. Запрещается заправлять пилу топливом в помещении.

16. ПЕРЕД ЗАПУСКОМ ДВИГАТЕЛЯ БЕНЗОПИЛЫ УБЕДИТЕСЬ В ТОМ, ЧТО ШИНА НАДЕЖНО ЗАКРЕПЛЕНА И НЕ СОПРИКАСАЕТСЯ С ПОСТОРОННИМИ ПРЕДМЕТАМИ.

17. ВОЗДЕРЖИТЕСЬ ОТ РАБОТЫ БЕНЗОПИЛОЙ В ОДИНОЧКУ.

18. НЕ РАБОТАЙТЕ В НЕПОСРЕДСТВЕННОЙ БЛИЗОСТИ (МЕНЕЕ 5 МЕТРОВ) ОТ МЕСТОНАХОЖДЕНИЯ ЛЕГКОВОСПЛАМЕНЯЮЩИХСЯ МАТЕРИАЛОВ.

19. НЕ РАЗМЕЩАЙТЕ РЯДОМ С БЕНЗОПИЛОЙ ЛЕГКОВОСПЛАМЕНЯЮЩИЕСЯ МАТЕРИАЛЫ.

20. НЕ РАБОТАЙТЕ БЕНЗОПИЛОЙ В ДОЖДЬ И СНЕГ, ПРИ СИЛЬНОМ ВЕТРЕ, В УСЛОВИЯХ ОГРАНИЧЕННОЙ ВИДИМОСТИ.

Не мойте изделие и не лейте на него воду. Если бензопила каким-то образом намочена, насухо вытрите корпус. Если вода попала внутрь корпуса, немедленно отключите изделие. Не пытайтесь сами вскрывать изделие – обратитесь в сервисный центр.

21. ПЕРЕД НАЧАЛОМ ВАЛКИ ДЕРЕВА УБЕДИТЕСЬ В ТОМ, ЧТО ДЕРЕВО ПРИ ПАДЕНИИ НЕ НАНЕСЕТ ТРАВМУ ВАМ И ОКРУЖАЮЩИМ ЛЮДЯМ, ЖИВОТНЫМ, НЕ ПОВРЕДИТ ДРУГИЕ ДЕРЕВЬЯ.

22. ОБЯЗАТЕЛЬНО ПРЕДУСМОТРИТЕ НАЛИЧИЕ НА РАБОЧЕМ МЕСТЕ УКОМПЛЕКТОВАННОЙ МЕДИЦИНСКОЙ АПТЕЧКИ ДЛЯ ОКАЗАНИЯ ПЕРВОЙ МЕДИЦИНСКОЙ ПОМОЩИ.

23. В ПРОЦЕССЕ РАБОТЫ КРЕПКО УДЕРЖИВАЙТЕ БЕНЗОПИЛУ В ОБЕИХ РУКАХ, НИКОГДА НЕ ПЫТАЙТЕСЬ ПИЛИТЬ, ДЕРЖА БЕНЗОПИЛУ ОДНОЙ РУКОЙ.

24. В СЛУЧАЕ ЕСЛИ В ПРОЦЕССЕ РАБОТЫ ПРОИЗОШЛО СОПРИКОСНОВЕНИЕ ЦЕПИ С МЕТАЛЛОМ, КАМНЯМИ И ДРУГИМИ ТВЕРДЫМИ ПОСТОРОННИМИ ПРЕДМЕТАМИ, НЕМЕДЛЕННО ОСТАНОВИТЕ ДВИГАТЕЛЬ И ПРОВЕДИТЕ ОСМОТР ШИНЫ И ЦЕПИ.

25. ВО ВРЕМЯ РАБОТЫ СЛЕДИТЕ, ЧТОБЫ ВЕНТИЛЯЦИОННЫЕ ОТВЕРСТИЯ НА КОРПУСЕ БЕНЗОПИЛЫ НЕ БЫЛИ ЗАКРЫТЫ ИЛИ ЗАБИТЫ СТРУЖКОЙ И ГРЯЗЬЮ, В ПРОТИВНОМ СЛУЧАЕ ЭТО МОЖЕТ ПРИВЕСТИ К ПРЕЖДЕВРЕМЕННОМУ ВЫХОДУ ИЗДЕЛИЯ ИЗ СТРОЯ.

26. НИ В КОЕМ СЛУЧАЕ НЕ ИСПОЛЬЗУЙТЕ БЕНЗОПИЛУ ДЛЯ РАСПИЛИВАНИЯ ЛИСТОВОГО МЕТАЛЛА, ПЛАСТМАССЫ И ПРОЧИХ НЕДРЕВЕСНЫХ МАТЕРИАЛОВ.

27. НЕ РАБОТАЙТЕ БЕНЗОПИЛОЙ С ЗАТУПИВШЕЙСЯ ЦЕПЬЮ, ТАК КАК ПРИ ЭТОМ ПОВЫШАЕТСЯ ВЕРОЯТНОСТЬ ПОЛУЧЕНИЯ ТРАВМЫ.

28. В СЛУЧАЕ ВОЗНИКНОВЕНИЯ КАКИХ-ЛИБО ОТКЛОНЕНИЙ В НОРМАЛЬНОЙ РАБОТЕ БЕНЗОПИЛЫ, НЕМЕДЛЕННО ОСТАНОВИТЕ ДВИГАТЕЛЬ, ВЫЯСНИТЕ И УСТРАНИТЕ ПРИЧИНУ.

29. НЕ ПЕРЕГРУЖАЙТЕ И НЕ ПЕРЕГРЕВАЙТЕ ДВИГАТЕЛЬ БЕНЗОПИЛЫ, ЧЕРЕДУЙТЕ РАБОТУ С ОТДЫХОМ.

30. ВО ВРЕМЯ ТРАНСПОРТИРОВКИ БЕНЗОПИЛЫ НАДЕВАЙТЕ НА ШИНУ ЗАЩИТНЫЙ ЧЕХОЛ.

31. ОЧИЩАЙТЕ ПОВЕРХНОСТИ БЕНЗОПИЛЫ ОТ ГРЯЗИ ИЛИ ОПИЛОК СРАЗУ ЖЕ ПО ОКОНЧАНИИ РАБОТЫ. РУКОЯТКА ИЗДЕЛИЯ ДОЛЖНА ВСЕГДА СОДЕРЖАТЬСЯ В СУХОМ И ЧИСТОМ ВИДЕ, БЕЗ ПРИСУТСТВИЯ НА НЕЙ ПЯТЕН МАСЛА.

32. ТЕХОБСЛУЖИВАНИЕ И ХРАНЕНИЕ БЕНЗОПИЛЫ ОСУЩЕСТВЛЯЙТЕ ТОЛЬКО В СООТВЕТСТВИИ С ТРЕБОВАНИЯМИ ДАННОГО РУКОВОДСТВА ПО ЭКСПЛУАТАЦИИ.

4.3. ПРИМЕНЕНИЕ ИНДИВИДУАЛЬНОГО ЗАЩИТНОГО СНАРЯЖЕНИЯ

Одежда оператора должна быть изготовлена из прочного материала, обеспечивающего надежную защиту. Она не должна стеснять движений, но в то же время плотно прилегать к телу, чтобы избежать возможности ее попадания в движущиеся части бензопилы или зацепиться за дерево (см. рисунок 2).

Не надевайте для работы свободную одежду, рубашку с манжетами или с широкими рукавами, шарф, галстук, а также предметы украшения, к примеру, цепочки, браслеты.

Всегда используйте средства защиты лица и глаз (вентилируемую маску, очки), а также органов слуха (беруши, наушники).

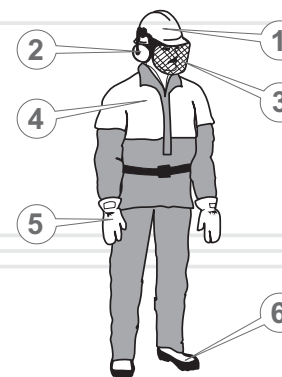
Надевайте прочные защитные сапоги или ботинки с нескользящей подошвой и с закрытым носком.

Для защиты рук используйте плотные нескользящие перчатки или рукавицы.

Обязательно надевайте плотный головной убор, а осуществляя валку деревьев и обрезание ветвей, позаботьтесь о специальной защитной каске.

Одежда и средства защиты оператора

рисунок 2



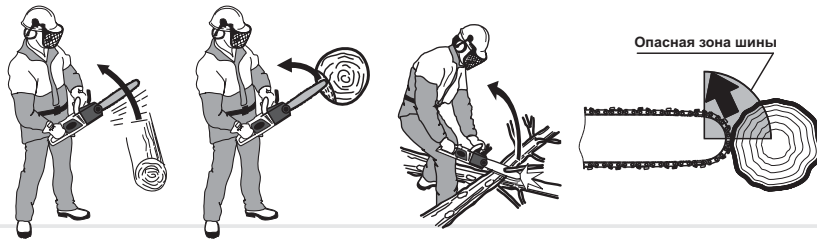
1. Каска или шлем.
2. Наушники.
3. Защитная маска.
4. Защитная одежда.
5. Перчатки или рукавицы.
6. Прочная закрытая обувь.

4.4. ОПАСНОСТЬ ОТДАЧИ И "ОБРАТНОГО УДАРА"

Отдача – это резкое перемещение корпуса бензопилы в сторону оператора при зажиме в распиле верхней части цепи или носка шины (см. рисунок 3).

«Обратный удар» – это резкое и быстрое перемещение бензопилы назад-вверх, в сторону оператора, происходящее при попадании носка шины работающей пилы на массив древесины либо на посторонний твердый предмет – из камня или металла.

рисунок 3

**ВНИМАНИЕ!**

Регулярно проверяйте исправность аварийного тормоза цепи.



Чтобы избежать травмирования или поломки изделия от отдачи и «обратного удара»:

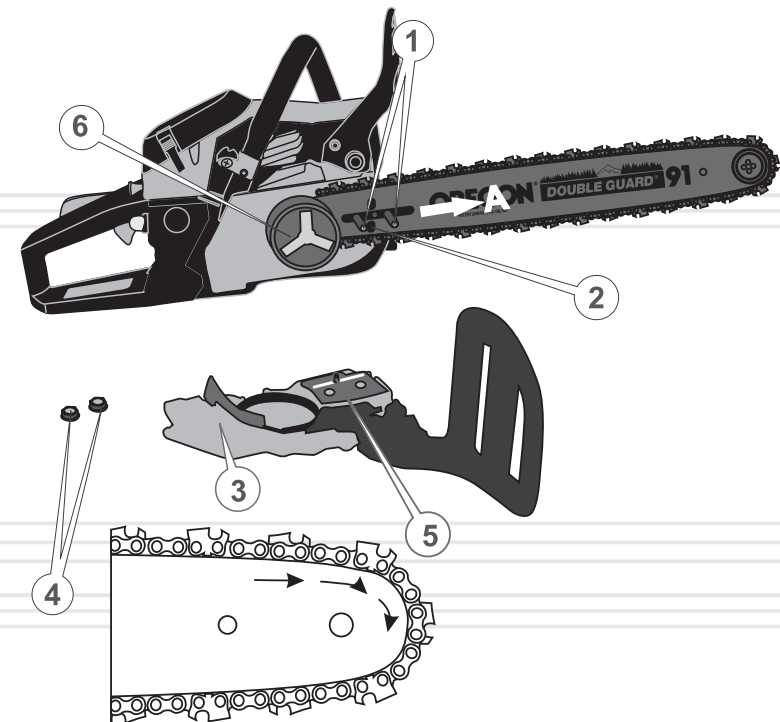
- Следуйте рекомендациям по валке деревьев и раскряжевке во избежание зажима шины в распиле.
- Не запускайте двигатель бензопилы, когда цепь находится в соприкосновении с каким-либо предметом.
- Не допускайте случайного соприкосновения носка шины со стволами деревьев и ветками.
- В случае если в процессе работы произошло соприкосновение цепи с камнями, металлом и другими твердыми посторонними предметами, немедленно остановите двигатель и проведите осмотр шины и цепи.
- В процессе работы всегда держите в поле зрения шину работающей пилы, особенно носок шины.
- Шину бензопилы к массиву древесины подносите только при запущенном двигателе, когда двигатель уже разогнался до максимальных оборотов.
- Сквозные отверстия носком шины делайте только в том случае, если вы хорошо обучены этому делу.
- При замене износившихся элементов бензопилы (шина, цепь), используйте только оригинальные и рекомендованные комплектующие.

5.1. ПРИМЕНЕНИЕ

Бензопила является незаменимым помощником во время выполнения различных столярных, плотницких и садовых работ любого уровня сложности.

5.2. ПОДГОТОВКА К РАБОТЕ

Сборка изделия



1. Достаньте из упаковочной коробки бензопилу и все ее составляющие.
2. Установите бензопилу на ровной поверхности.

3. Установите на передней части корпуса зубчатый упор 14 (см. рисунок 1) и зафиксируйте его двумя винтами.
4. Наденьте цепь на ведущую звездочку, расположенную на муфте сцепления (6). Обратите внимание на правильное направление движения цепи, как показано на рисунке 4.
5. Наденьте шину на направляющие шпильки (1) (длинным пазом) (см. рисунок 4).
6. Вставьте в паз шины хвостовики цепи. Проведение этой операции начните с верхней ветви шины.
7. Введите цепь в зацепление с ведомой звездочкой, расположенной на носке шины.
8. Немного сдвиньте шину в направлении стрелки (А) (см. рисунок 4), чтобы цепь слегка натянулась.
9. Наденьте крышку крепления шины (3) таким образом, чтобы штифт натяжителя цепи (5) точно совпадал с натяжным отверстием шины (2) (см. рисунок 4).
10. Закрутите две гайки (4), не затягивая их (см. рисунок 4).
11. Натяните цепь. Натягивайте цепь до тех пор, пока она плотно не приляжет к нижней части шины.
12. Надежно затяните крепежные гайки крышки крепления шины.
13. Проверьте натяжение цепи.
14. Проверьте исправность тормоза цепи, заблокировав его нажатием на рычаг аварийного тормоза цепи в сторону шины. Цепь при этом не должна скользить по шине ни назад, ни вперед.

**ВНИМАНИЕ!**

Кромки режущих звеньев цепи достаточно острые. Чтобы избежать травм, установку цепи осуществляйте в плотных защитных рукавицах.

Контроль перед запуском двигателя**ОСТОРОЖНО!**

В целях безопасности всегда останавливайте двигатель перед проведением любой из указанных в данном руководстве действий. Все действия выполняйте только при холодном двигателе.

1. Осмотрите изделие и убедитесь в отсутствии механических повреждений корпуса бензопилы, шины и цепи.
2. Проверьте надежность крепления шины.
3. Проверьте натяжение цепи.
4. Проверьте уровень топливной смеси и масла в баках, в случае необходимости долейте до нормы.
5. Проверьте систему смазки цепи.
6. Проверьте исправность тормоза цепи.

Наибольшее влияние на долговечность и эффективность работы пильной гарнитуры (шины, цепи, ведущей и ведомой звездочек) бензопилы оказывают такие факторы: своевременная и правильная заточка зубьев цепи, правильное натяжение цепи, а также исправная работа механизма смазки цепи.

Проверка натяжения цепи**ПРИМЕЧАНИЕ!**

В процессе эксплуатации бензопилы цепь от нагрева или остывания может удлиняться или укорачиваться, поэтому необходимо периодически проверять и регулировать натяжение цепи.

Если цепь сильно натянута, это:

- создает дополнительное трение, что приводит к перегреву и к необратимой тепловой деформации шины;
- вызывает ускоренный износ шины, ведущей и ведомой звездочек, а также подшипников;
- приводит к перегреву двигателя от перегрузки;
- вызывает повышенный расход топлива.

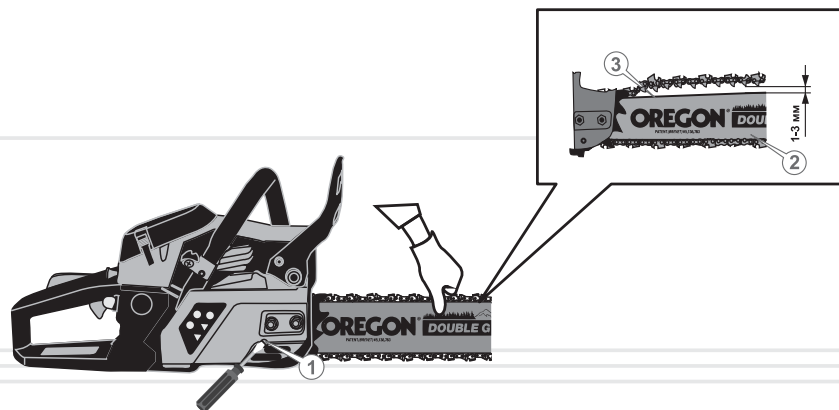
Если цепь слабо натянута, это:

- приводит к появлению разрушительных ударно-динамических нагрузок при запуске двигателя и в процессе работы изделия;
- значительно увеличивает опасность отдачи и «обратного удара»;
- может привести к соскальзыванию цепи с шины и, как следствие, к ее обрыву, заклиниванию ведущей звездочки и получению травм оператором;

- вызывает ускоренный износ шины, ведущей и ведомой звездочек, а также подшипников.

Порядок проверки натяжения цепи

рисунок 5



1. Остановите двигатель.
2. Аккуратно возьмитесь за верхнюю ветвь цепи в середине шины или чуть ближе к ее носку и оттяните цепь от шины с усилием 1,5-2 кг.
3. Измерьте величину зазора между направляющей цепи (3) и шиной (2). Зазор должен быть в пределах 1-3 мм, а сама цепь должна легко перемещаться от руки вдоль паза шины.
4. Если зазор больше или меньше данного показателя – отрегулируйте натяжение цепи.

По завершении процедуры проверки натяжения цепи немного ослабьте натяжение цепи. В противном случае цепь при остывании натянется, что приведет к чрезмерным механическим нагрузкам на шину, а также ведущую и ведомую звездочки.

Если Вы надели на шину новую цепь, то после предварительной регулировки натяжения запустите двигатель и дайте бензопиле поработать на протяжении 3-5 минут, а затем окончательно откорректируйте натяжение цепи.

Регулировка натяжения цепи

1. Остановите двигатель.
2. Слегка ослабьте крышку крепления шины – при помощи ключа поверните две крепежные гайки, фиксирующие крышку, против хода часовой стрелки на один оборот. Если зазор между направляющей цепи и шиной не соответствует показателю 1-3 мм, плавно поверните отверткой регулировочный винт натяжения цепи (1) в направлении стрелки «А» или «Б» (см. рисунок 5), чтобы ослабить или натянуть цепь. При вращении регулировочного винта (1) против хода часовой стрелки – цепь ослабляется (А), при вращении регулировочного винта (1) по ходу часовой стрелки (Б) – цепь натягивается. При вращении винта штифт натяжения цепи перемещается по пазу в прижимной крышке, увлекая за собой шину, что в свою очередь вызывает натяжение цепи.
3. Выполнив регулировку натяжения цепи, убедитесь, что цепь свободно движется в пазе шины и правильно сцепляется с зубьями ведомой звездочки. Для этого аккуратно потяните цепь от руки, перемещая ее по шине в обоих направлениях.



ПРИМЕЧАНИЕ!

Если цепь не движется в пазе шины или заедает, это означает, что она сильно натянута. Осуществляйте регулировку до тех пор, пока цепь не будет свободно двигаться в пазе шины и правильно сцепляется с зубьями ведомой звездочки, и в то же время цепь не будет провисать.

4. Надежно затяните ключом крепежные гайки крышки крепления шины.
5. Проверьте правильность натяжения цепи, для чего:
 - запустите двигатель и дайте поработать двигателю на повышенных оборотах до нормального разогрева цепи;
 - остановите двигатель и вновь проверьте величину зазора между направляющей цепи и шиной;
 - если зазор между направляющей цепи и шиной не соответствует показателю 1-3 мм, повторите процедуру регулировки.

**ОСТОРОЖНО!**

Зубья цепи имеют острые кромки, поэтому при проверке натяжения цепи и регулировке натяжения необходимо пользоваться защитными перчатками или рукавицами, которые изготовлены из плотного материала.

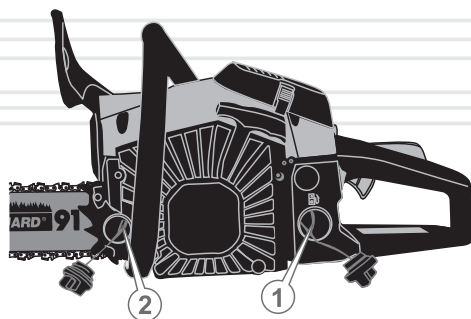
Если Вы планируете работать бензопилой в холодное время года, то немного ослабьте цепь.

Под воздействием высокой температуры цепь имеет свойство удлиняться (начинает провисать), что может привести к соскальзыванию цепи с шины. По завершении работы бензопилой немного ослабьте натяжение цепи. В противном случае при остывании цепь натянется, что приведет к чрезмерным механическим нагрузкам на шину, цепь, ведомую и ведущую звездочки.

Заправка топливом**ВНИМАНИЕ!**

Бензопила поставляется без топлива в бачке!
Никогда не заливаете в топливный бак чистый бензин. Используйте смесь бензина с маслом для двухтактных двигателей в соотношении 25:1.

рисунок 6



1. Остановите двигатель.
2. Подготовьте топливную смесь, используя специальную емкость, прилагаемую в комплекте поставки. Вначале налейте в емкость бензин, а затем масло. Хорошо перемешайте.
3. Тщательно очистите (!) поверхность вокруг пробки заливной горловины топливного бака и саму пробку от загрязнений, чтобы не допустить попадания опилок, частиц пыли и грязи вовнутрь бака.
4. Открутите пробку (1) заливной горловины топливного бака.
5. Налейте в топливный бак 550 мл (модели BKZ 4620r и BKZ 5022r), 650 мл (модель BKZ 5022gm) топливной смеси (используйте лейку, чтобы не пролить топливо).
6. Плотно закрутите пробку заливной горловины топливного бака.
7. Если топливная смесь пролилась на корпус бензопилы, вытрите насухо.

Чтобы не вывести двигатель бензопилы из строя:

- Не заливайте в топливный бак чистый бензин. Так как в бензопиле отсутствует система смазки двигателя, все его внутренние части смазываются маслом из состава топливной смеси.
- Не используйте бензолспирт – опасность повреждения резиновых уплотнений двигателя.
- Не используйте масло для четырехтактных двигателей – вероятность загрязнения канала выхода выхлопных газов, свечи зажигания, западания поршневых колец.
- По возможности приготавливайте топливную смесь и заливаете ее в топливный бак непосредственно перед работой бензопилой. Хранение топливной смеси более 10 суток может привести к непригодности дальнейшего использования топлива.

**ПРИМЕЧАНИЕ!**

Для приготовления топливной смеси рекомендуется использовать бензин с октановым числом не ниже 92.

Заправка маслом



ВНИМАНИЕ!

Бензопила поставляется без масла в масляном баке! Эксплуатация бензопилы без наличия масла в масляном баке или если уровень масла в баке недостаточный, категорически запрещена. Если при работе бензопилой шина, звездочки и цепь не будут регулярно смазываться, то эффективность изделия понизится, а срок службы шины, цепи и звездочек существенно сократится.

В процессе работы бензопилы всегда следите за наличием масла в масляном баке, а также за исправностью системы его подачи.

Перед использованием бензопилы залейте в масляный бак 260 мл специального масла, предназначенное для смазывания пильных цепей.

Бензопилы Vitals Professional BKZ 4620r, BKZ 5022r и BKZ 5022rm снабжены регулируемым масляным насосом – во время работы двигателя на цепь и шину подается необходимая порция масла. С увеличением оборотов двигателя увеличивается подача масла. Перед началом работы бензопилой обязательно отрегулируйте подачу масла (см. «Регулировка масляного насоса»).

Порядок заправки масла в бак:

1. Остановите двигатель.
2. Тщательно очистите поверхность вокруг масляного бака и крышку бака от загрязнений, чтобы не допустить попадания опилок, частиц пыли и грязи вовнутрь бака.
3. Открутите пробку заливной горловины масляного бака (2) (см. рисунок 6).
4. Используя лейку, чтобы не пролить масло на корпус бензопилы или на землю, залейте масло в масляный бак. Если масло пролилось на корпус бензопилы – вытрите насухо.
5. Плотнo закрутите пробку заливной горловины масляного бака.



ВНИМАНИЕ!

Запрещается заливать в масляный бак бензопилы утратившее свои свойства масло, а также масло, не предназначенное для смазывания цепи пилы.



ПРИМЕЧАНИЕ!

Если бензопила не используется на протяжении длительного периода времени или предстоит транспортировка изделия, то обязательно слейте масло из масляного бака.

Проверка исправности системы подачи масла

рисунок 7



1. Запустите двигатель и на протяжении 1 минуты удерживайте носок шины на высоте 15-20 см над любой светлой поверхностью, к примеру, над расстеленным листом бумаги или над древесиной.
2. Если на поверхности появились следы масла, значит, система смазки цепи исправна.

**ВНИМАНИЕ!**

Если масло на цепь не подается на протяжении 1 минуты, настоятельно рекомендуем остановить двигатель. В противном случае цепь может выйти из строя.

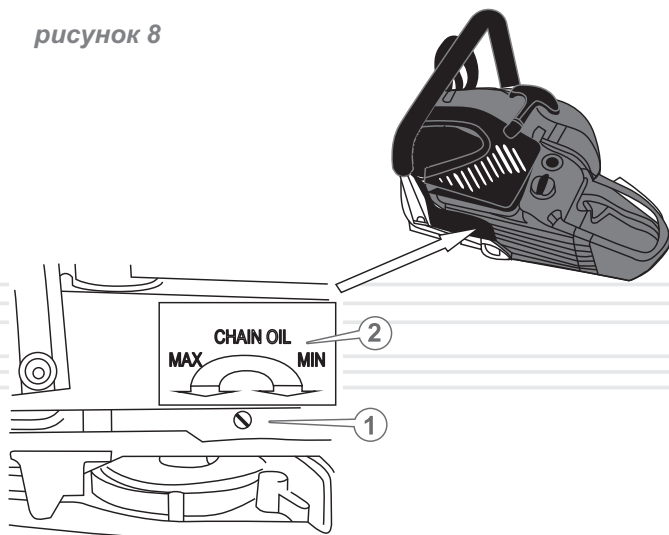
- Если следы масла не наблюдаются, остановите двигатель, снимите шину с цепью, отрегулируйте маслонасос, прочистите масляный канал и масляное отверстие в шине. Запустите двигатель при снятой шине с цепью и убедитесь, что масло из системы подачи поступает. Только после этого установите шину с цепью на бензопилу.

**ВНИМАНИЕ!**

Если проведение данной процедуры не помогает устранить проблему, обратитесь в сервисный центр.

Регулировка масляного насоса

рисунок 8



- Вставьте отвертку в шлиц штока (1) масляного насоса.

**ПРИМЕЧАНИЕ!**

Шлиц штока масляного насоса (1) расположен на донной части бензопилы.

- Отрегулируйте подачу масла на цепь согласно указателю (2), промаркированному на донной части бензопилы.
- Вращая шток (1) против хода часовой стрелки в направлении отметки «MAX» – подача масла увеличивается, вращая шток (1) по ходу часовой стрелки в направлении отметки «MIN» – подача масла уменьшается.

**ПРИМЕЧАНИЕ!**

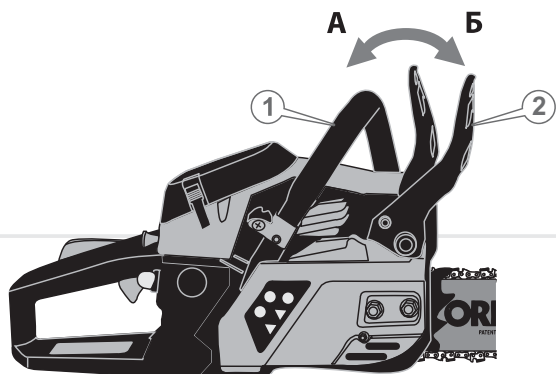
Количество масла, подающегося на цепь масляным насосом, зависит от частоты оборотов двигателя: чем выше обороты, тем больше масла поступает на цепь и наоборот.

Проверка аварийного тормоза цепи

**ОСТОРОЖНО!**

Тормоз цепи предназначен для моментальной остановки цепи при отдаче или «обратном ударе». Тормоз цепи блокируется от упора об руку. Работать бензопилой при неисправном тормозе цепи запрещается.

рисунок 9



Тормоз цепи расторможен (разблокирован – цепь может вращаться), когда его рычаг находится во взведенном положении (А) – рычаг (2) потянут в сторону передней рукоятки (1) (см. рисунок 9).

Тормоз цепи заторможен (заблокирован – цепь остановлена), когда рычаг (2) находится во включенном положении (Б). В этом положении рычага Вы не сможете повернуть цепь (см. рисунок 9).

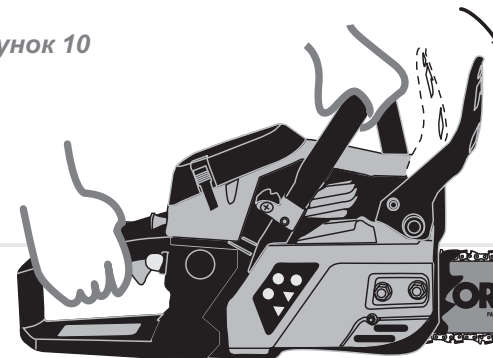
**ОСТОРОЖНО!**

Тормозной рычаг фиксируется в обоих положениях. В том случае, если рычаг нельзя переместить ни в одно из положений или ощущается сильное сопротивление – использовать бензопилу запрещено.

Проверку работы аварийного тормоза цепи следует осуществлять непосредственно перед началом эксплуатации бензопилы.

Порядок проверки исправности аварийного тормоза цепи:

рисунок 10



1. Положите бензопилу на ровной поверхности. Убедитесь, что шина с цепью не соприкасается с какими-либо предметами.
2. Запустите двигатель.
3. Нажмите на рычаг дросселя.
4. Заблокируйте тормоз цепи, не отпуская рукой переднюю рукоятку нажав запястьем левой руки на рычаг аварийного тормоза цепи в направлении стрелки (см. рисунок 10). Движение цепи при этом сразу же должно прекратиться.

**ПРИМЕЧАНИЕ!**

Если при включенном тормозе цепь продолжает вращаться, обратитесь в сервисный центр.

5. Отпустите рычаг дросселя.
6. Остановите двигатель.

Запуск и остановка двигателя

ОСТОРОЖНО!

Во избежание получения травм запускать двигатель бензопилы необходимо только при включенном тормозе цепи.



Порядок запуска двигателя при температуре окружающего воздуха выше +5 °С

1. Залейте в топливный бак топливную смесь.
2. Залейте в масляный бак масло, предназначенное для смазки цепи.
3. Включите тормоз цепи.

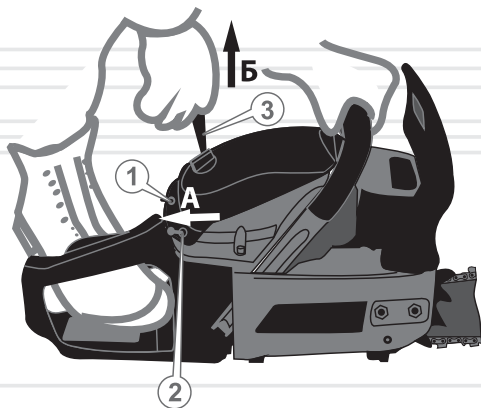
ВНИМАНИЕ!

Во избежание выхода из строя муфты центробежного сцепления и механизма тормоза цепи не допускайте работу двигателя бензопилы на повышенных оборотах при включенном тормозе цепи.



4. Установите выключатель зажигания (1) в верхнее положение «I» (см. рисунок 11).
5. Убедитесь, что шина не соприкасается с какими-либо предметами.
6. Установите бензопилу на ровной поверхности. Удерживайте изделие, как показано на рисунке 11.

рисунок 11



148

7. Закачайте топливо в карбюратор, используя ручной топливный насос «праймер». Для этого нажмите 4-6 раз на колпачок «праймера» (22), пока в нем не появится топливо (см. рисунок 1).
8. Потяните до упора ручку воздушной заслонки карбюратора (2) в направлении стрелки (А) (см. рисунок 11). При этом закроется воздушная заслонка карбюратора.
9. Приведите в действие стартер двигателя: вначале осторожно потяните на себя рукоятку стартера (3) (см. рисунок 11) в направлении стрелки (Б), пока не ощутите сопротивление. Ощувив сопротивление, верните рукоятку в исходное положение, а затем резко потяните на себя рукоятку стартера. Проведите данную процедуру 2-3 раза, пока двигатель не начнет «схватывать». Как только двигатель начнет «схватывать», остановите процесс запуска двигателя бензопилы и сразу же откройте воздушную заслонку карбюратора, установив ручку заслонки в исходное положение.

ВНИМАНИЕ!

При нажатии на рычаг дросселя воздушная заслонка карбюратора открывается автоматически.



10. Опять потяните на себя рукоятку стартера для запуска двигателя. После того, как двигатель бензопилы будет запущен, медленно верните рукоятку стартера в исходное положение.

ВНИМАНИЕ!

Тянуть рукоятку стартера следует предельно осторожно, чтобы не выдернуть шнур стартера.



11. Прогрейте двигатель на протяжении 1-3 минут (в зависимости от температуры окружающего воздуха), пока двигатель не станет работать на устойчивых холостых оборотах.
12. Разблокируйте тормоз цепи.

149

Особенности запуска двигателя бензопилы в холодное (зимнее) время

Необходимо учитывать, что при температуре окружающего воздуха ниже +5 °С запустить двигатель бензопилы становится труднее.

1. Запуск двигателя в холодное (зимнее) время осуществляйте на повышенных оборотах.
2. Пуск двигателя осуществляйте только при выключенном тормозе цепи.
3. Прогрейте двигатель на протяжении 3-5 минут (в зависимости от температуры окружающего воздуха), пока двигатель не станет работать на устойчивых холостых оборотах.

Порядок остановки двигателя

1. Отпустите рычаг дросселя.
2. Дайте двигателю поработать на холостых оборотах на протяжении 1-3 минут.
3. Установите выключатель зажигания (1) в нижнее положение «0» (STOP) (см. рисунок 11).

Обкатка двигателя

Новый или недавно отремонтированный двигатель бензопилы должен пройти обкатку в течение 5 часов. Обкатку двигателя можно осуществлять при отсоединенной шине с цепью. На протяжении всего периода обкатки двигатель должен работать на холостых оборотах, указанных в пункте 3 данного руководства. Во время обкатки не допускайте работы двигателя на повышенных оборотах и с нагрузкой, так как от правильности обкатки зависит долговечность работы двигателя.



ВНИМАНИЕ!

При обнаружении отклонений в работе двигателя, немедленно остановите его, выясните причины неисправности и примите меры по их устранению.

5.3. РАБОТА БЕНЗОПИЛОЙ



ВНИМАНИЕ!

Прежде чем приступить непосредственно к работе бензопилой, внимательно ознакомьтесь с данным руководством. Вначале попрактикуйтесь – распилите небольшое дерево или ветки.

Пиление древесины

Если цепь заточена, процесс пиления должен происходить без особых усилий.



ВНИМАНИЕ!

Помните, что падающее дерево может нанести серьезное повреждение всему, что встретится на его пути.

Существует способ заставить спиливаемое дерево упасть туда, куда необходимо именно Вам.

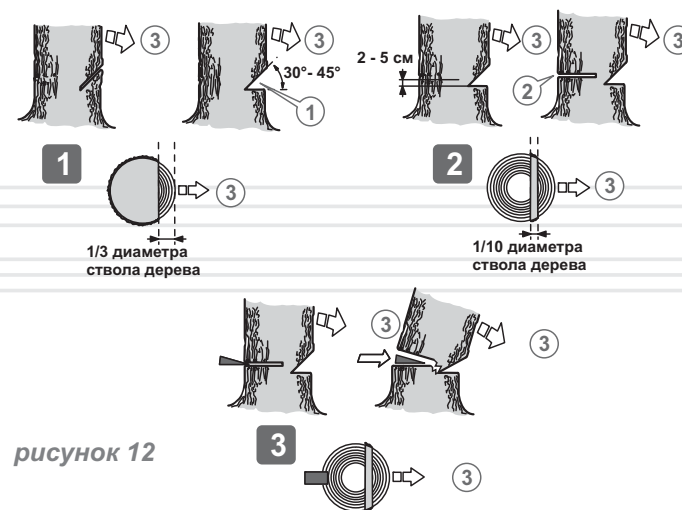
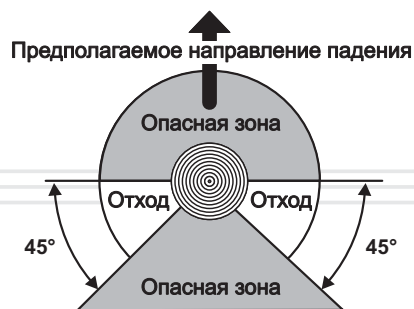


рисунок 12

Последовательность работы

1. Расчистите зону вокруг дерева.
2. Определите направление, в котором будет падать спиленное дерево, с учетом направления ветра, расположения веток на дереве, удобства работы после повала дерева.
3. Примите устойчивую позу, расположившись так, чтобы бензопила не смогла нанести травму Вам или наткнуться на какое-либо препятствие.
4. Подготовьте путь отхода, который должен быть спланирован с учетом направления падения спиленного дерева (см. рисунок 13).

рисунок 13



5. Запустите двигатель.
6. Начните пилить дерево с той стороны (3), куда оно должно упасть (см. рисунок 12). Сделайте клиновидный пропил (1) под углом 30-45 градусов, глубина которого примерно равна 1/3 от толщины ствола. Валочный распил (2) сделайте с противоположной стороны от клиновидного пропила, поместив зубчатый упор бензопилы на ствол на 2,5-5 см выше нижнего края клиновидного пропила. Завершите пиление тогда, когда до внутреннего края клиновидного пропила останется где-то 1/10 диаметра ствола.
7. Когда делаете валочный распил, не пытайтесь пропилить ствол насквозь до клиновидного пропила. Часть ствола, оставшаяся не пропиленной, будет выступать штырем при падении дерева, направляя его в необходимую сторону. Когда дерево начнет падать, остановите двигатель бензопилы, уложите изделие на землю и немедленно отойдите в заранее намеченную безопасную зону.

**ОСТОРОЖНО!**

Когда дерево начнет падать, отойдите от ствола как минимум на 3 м, чтобы уклониться, в случае отскока ствола через пень.

**ПРИМЕЧАНИЕ!**

Пилить ствол дерева необходимо на максимальных оборотах двигателя, при этом медленно погружая шину бензопилы в ствол дерева.

8. Используя специальные валочные приспособления, повалите дерево в заранее спланированном направлении.

Раскряжевка

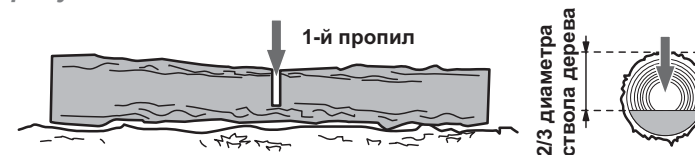
Раскряжевка – это поперечное распиливание поваленного дерева или бревна на части.

Основные правила, которые применяются в процессе раскряжевки:

- уложите бревно на опоры (используйте козлы);
- при распиливании бревна на склоне располагайтесь всегда на высокой части склона;
- при распиливании никогда не становитесь на бревно.

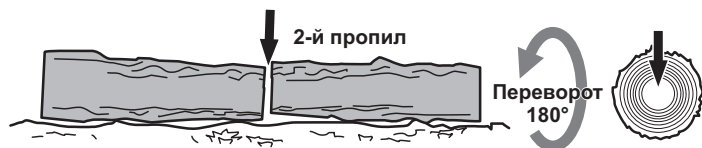
Распиливание бревна без подкладывания опор.

рисунок 14



1. Первый пропил сделайте сверху вниз на 2/3 диаметра ствола дерева (см. рисунок 14).

рисунок 15



2. Переверните бревно и распилите (2) его с противоположной стороны (см. рисунок 15).

Распиливание бревна с подкладыванием опор (см. рисунок 16)

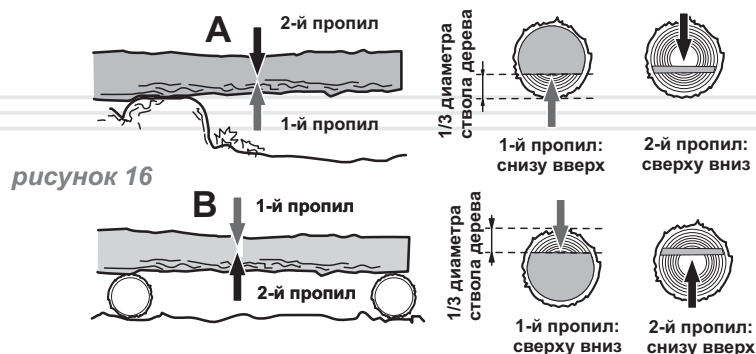


рисунок 16

1. Сделайте пропилы бревна в области «А». Первый пропил сделайте снизу вверх (1) на 1/3 толщины бревна и закончите пиление сверху вниз.
2. Если у бревна имеются две точки опоры по краям и опоры правильно расположены в соотношении с центром тяжести, то первый пропил (область «В») сделайте сверху вниз (на треть диаметра бревна), а второй пропил – снизу вверх (навстречу первому).



ПРИМЕЧАНИЕ!

Если сделать распил с неправильной стороны, то произойдет защемление шины в древесине.

Если все-таки шину защемило и ее невозможно вытащить без прикладывания значительных усилий, то ни в коем случае не дергайте бензопилу и не пытайтесь ее вырывать. Остановите работу изделия, забейте штырь в пропил, чтобы приоткрыть его, а затем аккуратно вытащите шину.

Распиливание бревна с использованием козел

рисунок 17



При распиливании бревен лучше всего использовать козлы в качестве упора. Убедитесь, что во время пиления бревно надежно закреплено (см. рисунок 17).

Первый распил сделайте снизу вверх на 1/3 толщины бревна и закончите пиление сверху вниз. Аккуратно подвиньте бревно и повторите процедуру пиления.

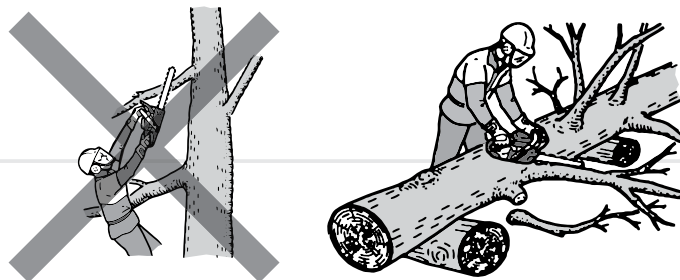
Обрезка ветвей и сучков



ОСТОРОЖНО!

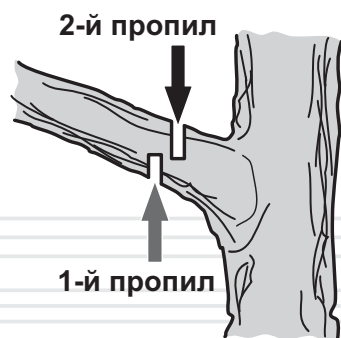
Во время пиления не держите бензопилу на вытянутых руках, а также расположенной вертикально или над головой (см. рисунок 18). Будьте внимательны, чтобы носок шины не коснулся ствола дерева и соседних веток.

рисунок 18



Последовательность обрезки ветвей и сучков со стоящего дерева

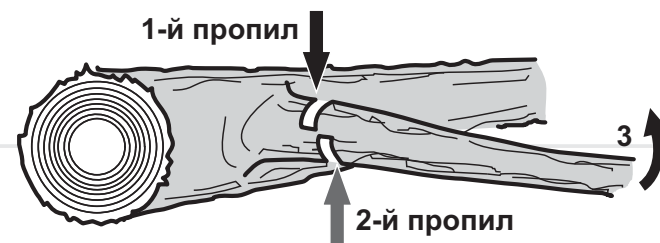
рисунок 19



1. Первый надрез сделайте снизу (1).
2. Второй надрез сделайте с противоположной стороны (2). Следите за тем, чтобы спиленная ветвь или сук не упали на Вас.

Последовательность обрезки ветвей и сучков с поваленного дерева

рисунок 20



Процесс обрезки сучков и ветвей с поваленного дерева очень напоминает процесс раскряжевки.

1. Определите направление изгиба отпиливаемой ветви (3).
2. Сделайте небольшой надрез сверху (1).
3. Второй надрез сделайте с противоположной стороны (2).

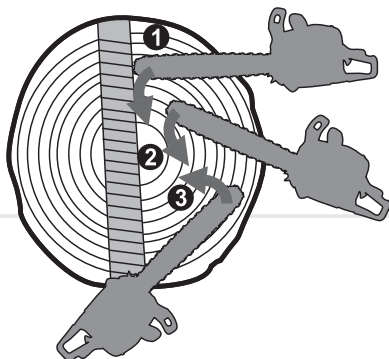


ОСТОРОЖНО!

Не отпиливайте ветку, на которую Вы опираетесь. Убедитесь, что спиливаемая ветвь не находится под нагрузкой. Ветви, на которые опирается дерево, спилите в последнюю очередь.

Распиливание бревна с использованием зубчатого упора
бензопилы

рисунок 21



Для быстрого и эффективного распиливания бревна используйте зубчатый упор бензопилы.

1. Надежно упритесь зубчатым упором бензопилы в бревно.
2. Распилите бревно, погружая пилу в древесину методом вращения, используя упор как дополнительный рычаг.

**ОСТОРОЖНО!**

Во избежание получения травм, любые работы по техническому обслуживанию необходимо выполнять при остановленном и остывшем двигателе. Снимите колпачок со свечи зажигания для предотвращения случайного запуска двигателя.

Бензопилы Vitals Professional BKZ 4620r, BKZ 5022r и BKZ 5022rm представляют собой надежные изделия, которые разработаны с учетом всех современных инженерных технологий. Выполняя все рекомендации Руководства по эксплуатации, своевременно осуществляя техническое обслуживание, Вы обеспечите надежную работу изделия на протяжении многих лет.

Для обеспечения надежной работы изделия в течение длительного периода эксплуатации и хранения необходимо своевременно проводить техническое обслуживание.

Используйте только оригинальные запасные части ТМ «Vitals». Использование неоригинальных запасных частей может привести к порче изделия.

Предусмотрены следующие виды технического обслуживания

- контрольный осмотр;
- техническое обслуживание.

Контрольный осмотр необходимо проводить до и после использования бензопилы или ее транспортировки. При контрольном осмотре следует проверить надежность крепления всех частей и деталей, отсутствие повреждений корпуса изделия, шины, цепи, элементов управления, сетевого кабеля.

Техническое обслуживание бензопилы необходимо проводить согласно регламента (см. таблицу 1).

таблица 1

Регламент технического обслуживания бензопилы

ТИП ОБСЛУЖИВАНИЯ / РЕКОМЕНДУЕМЫЕ СРОКИ		Каждый раз	Каждые 25 часов работы или месяц	Каждые 50 часов работы или 3 месяца	Каждые 100 часов работы или 1 год
Бензопила в целом	очистка	●			
	Соединения и крепеж	●			
Ведущая звездочка	очистка	●			
	проверка	●			
Шина	очистка	●			
	смазка	●			
	смена положения			●	
Цепь	проверка	●			
	заточка зубьев	при необходимости			
	замена	при необходимости			
Канал подачи масла на корпусе пилы	очистка	●			
Воздушный фильтр	проверка	●			
	очистка*		●		
	замена*				●
Свеча зажигания	проверка		●		
	регулировка зазора			●	
	замена				●

ТИП ОБСЛУЖИВАНИЯ / РЕКОМЕНДУЕМЫЕ СРОКИ		Каждый раз	Каждые 25 часов работы или месяц	Каждые 50 часов работы или 3 месяца	Каждые 100 часов работы или 1 год
Карбюратор	регулировка	при необходимости			
Масло для смазывания цепи	проверка утечки	●			
	заправка	●			
Масляный бак	промывка		●		
Масляный фильтр	промывка*		●		
	замена*				●
Маслопровод	замена	один раз в 3 года*			
Топливо	проверка утечки	●			
	заправка	●			
Топливный бак	промывка		●		
Топливный фильтр	промывка*		●		
	замена*				●
Топливопровод	замена	один раз в 3 года*			
Тормоз цепи	проверка	●			
Амортизаторы	проверка работоспособности	●			
Глушитель	проверка	●			
	удаление нагара			●	

*При чрезмерном загрязнении выполнять чаще. Замена проводится в сервисном центре.

После каждого использования бензопилы

- выполните внешний осмотр на предмет обнаружения неисправностей и повреждений, потеков топлива и масла, при обнаружении – устраните причины неисправностей;
- проверьте и при необходимости подтяните все крепежные элементы изделия;
- удалите с корпуса бензопилы, охлаждающих ребер цилиндра двигателя, шины и цепи пыль, грязь, масло и опилки;
- очистите вентиляционные отверстия на корпусе;
- проверьте ребра шины на предмет износа. Если имеются заусеницы, удалите их, используя надфиль;
- очистите и смажьте маслом, предназначенным для смазывания цепи, ведущую и ведомую звездочки;
- проверьте чистоту воздушного фильтра и, если необходимо, очистите его;
- очистите канал подачи масла, масляные отверстия.

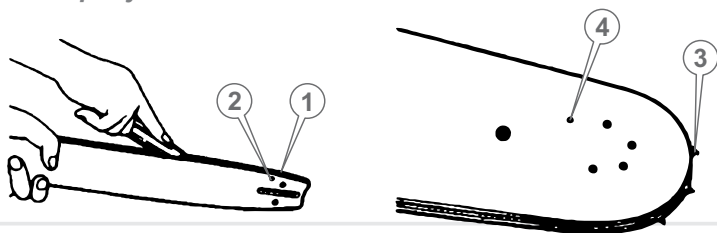
В случае чрезмерного загрязнения частей и деталей бензопилы, к примеру – смолой, протрите специальным чистящим раствором. Шину и цепь обслужите отдельно, для чего поместите их на 15 минут в сосуд с чистящим раствором. После этого шину и цепь промойте чистой водой и обработайте антикоррозийным аэрозолем.

Для обеспечения равномерного износа верхней и нижней стороны шины, переворачивайте ее через каждые 25 часов работы изделия.

Наибольшее влияние на долговечность и эффективность работы шины, цепи и звездочек бензопилы оказывают три фактора – правильная и своевременная заточка зубьев цепи, правильное натяжение цепи и исправная работа механизма смазки цепи.

Обслуживание шины и ведомой звездочки

рисунок 22



162

1. Удалите опилки и грязь из желоба шины, масляных отверстий и ведомой звездочки (см. рисунок 22).
2. Убедитесь, что масляные отверстия прочищены.
3. Смажьте желоб шины, ведомую звездочку, и масляные отверстия маслом, предназначенным для смазывания цепи.

Обслуживание ведущей звездочки

1. Удалите опилки и грязь с ведущей звездочки.
2. Проверьте ведущую звездочку на предмет изношенности, наличие вмятин и трещин.
3. При наличии повреждений или при чрезмерном износе зубьев звездочки, необходимо заменить ведущую звездочку.



ВНИМАНИЕ!

Не надевайте новую цепь на поврежденную, изношенную ведущую звездочку или изношенную цепь на новую звездочку.

Обслуживание цепи

Признаком необходимости смены цепи или заточки зубьев цепи является появление мелкой стружки. Помимо этого, работа тупой цепью приводит к чрезмерному давлению оператора на инструмент и может привести к заклиниванию такой цепи в древесине, что резко увеличивает вероятность поломки ведущей звездочки и ведет к аварийному перегреву пилы.

Правильную заточку зубьев цепи можно выполнить только с помощью специальных шаблонов и инструментов, которые соответствуют данному типу цепи и приобретаются отдельно. Описание действий по заточке зубьев приводится в инструкции к заточному шаблону или в специальной литературе.

В процессе работы цепь изнашивается и растягивается, что в свою очередь приводит к соответствующему износу ведущей и ведомой звездочек. Установка новой цепи на изношенные звездочки приводит к тому, что из-за несоответствия шага происходит ускоренный интенсивный износ и цепи, и звездочек. Практика показывает, что целесообразно иметь 3-4 цепи и последовательно (например – через день или два) менять их, чтобы происходил равномерный износ всей пильной гарнитуры: цепей, шины и звездочек.

163

Обслуживание воздушного фильтра (только для моделей BKZ 4620r, BKZ 5022r)

1. Открутите фиксатор крышки воздушного фильтра.
2. Снимите крышку воздушного фильтра.
3. Извлеките воздушный фильтр, аккуратно сняв его со шпильки.
4. Извлеките из фильтра уплотнительную прокладку.
5. Аккуратно руками разделите воздушный фильтр на две половинки.
6. Аккуратно удалите пыль и грязь с фильтрующих элементов, не повредив их (постучите по твердой поверхности и продуйте воздухом фильтрующие элементы), промойте в бензине и тщательно высушите.
7. Соберите фильтр и установите его на штатное место.

Обслуживание воздушного фильтра бумажного типа (только для модели BKZ 5022gm)

1. Открутите фиксаторы крышки воздушного фильтра.
2. Снимите крышку воздушного фильтра.
3. Аккуратно извлеките бумажный фильтрующий элемент из посадочного отверстия на карбюраторе.
4. Аккуратно удалите пыль и грязь с фильтрующего элемента, не повредив его (постучите по твердой поверхности и продуйте воздухом).
5. Соберите фильтр и установите его на штатное место.

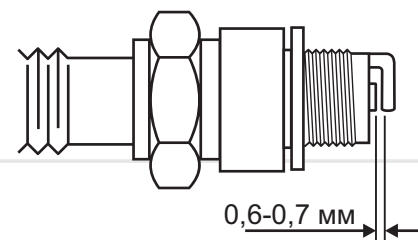


ПРИМЕЧАНИЕ!

Фильтрующие элементы необходимо продувать изнутри наружу. Чтобы не повредить фильтрующие элементы необходимо продувать их сжатым воздухом низкого давления (1,5 - 2 атм.)

Проверка состояния свечи зажигания и ее замена

рисунок 23



ВНИМАНИЕ!

Для правильной работы двигателя на свече зажигания не должно быть загрязнений, зазор между электродами должен быть 0,60 - 0,70 мм.

1. Отсоедините колпачок от свечи зажигания.
2. Удалите грязь со свечи и колпачка.
3. Открутите свечным ключом свечу зажигания, осмотрите ее. Если свеча повреждена или изношены электроды, замените свечу.
4. Используя специальный щуп, измерьте зазор между электродами свечи (если необходимо, выставьте зазор 0,60 – 0,70 мм, осторожно подгибая боковой электрод) (см. рисунок 23).
5. Аккуратно закрутите свечу зажигания.
6. Плотно наденьте колпачок на свечу зажигания.

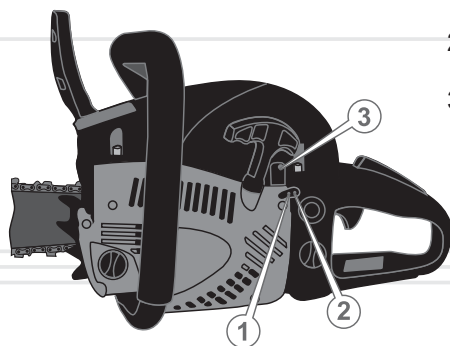
Регулировка карбюратора

Карбюратор бензопилы отрегулирован на заводе-изготовителе при испытании изделия. Такая регулировка карбюратора должна сохраняться на протяжении всего периода обкатки двигателя бензопилы (в пределах 5 часов работы). После обкатки двигателя необходимо выполнить точную регулировку карбюратора.

**ВНИМАНИЕ!**

Не исключено, что во время первого пуска двигателя бензопилы, а также в процессе обкатки двигателя может потребоваться точная настройка карбюратора.

рисунок 24



1. Регулировочный винт «L» – подача топлива.
2. Регулировочный винт «H» – подача воздуха.
3. Регулировочный винт «T» – регулятор холостого хода.

1. Остановите двигатель.
2. Поверните регулировочные винты «L» и «H» по ходу часовой стрелки до упора. Не прикладывайте усилий при вращении винтов.
3. Медленно поверните регулировочный винт «L» против хода часовой стрелки на $1,5 \pm 0,25$ оборота.
4. Медленно поверните регулировочный винт «H» против хода часовой стрелки на $1 \pm 0,25$ оборота.

**ПРИМЕЧАНИЕ!**

При помощи регулировочных винтов «L» и «H» регулируется оптимальное соотношение в топливной смеси топлива и воздуха.

Регулировка винтом «L» на слишком обедненную смесь приводит к затрудненному пуску двигателя бензопилы и набору двигателем оборотов.

Регулировка винтом «H» на слишком обедненную смесь приводит к снижению мощности двигателя бензопилы, набору им оборотов и возможному выходу двигателя из строя.

Регулировка винтами «L» и «H» на слишком обогащенную смесь приводит к затрудненному пуску двигателя бензопилы и снижению рабочих оборотов двигателя.

5. Запустите двигатель и прогрейте его в течение 2-5 минут.

**ПРИМЕЧАНИЕ!**

Оцените работу двигателя. Если в карбюратор поступает обогащенная смесь, из глушителя будет идти обильный дым. Если в карбюратор поступает обедненная смесь, двигатель будет работать неустойчиво.

6. Отпустите рычаг дросселя. Медленно поворачивайте регулировочный винт «L» по ходу часовой до тех пор, пока двигатель не наберет максимальные обороты. Цепь при этом будет вращаться.
7. Медленно поворачивайте регулировочный винт «T» против хода часовой стрелки, пока цепь не остановится (при этом обороты двигателя будут постепенно уменьшаться). После того как цепь остановится, докрутите винт «T» в том же направлении на 3-4 оборота, чтобы выбрать оптимальные обороты холостого хода.
8. Чтобы добиться максимальной мощности двигателя, медленно поворачивайте регулировочный винт «H» против хода часовой на 1-2 оборота.

**ПРИМЕЧАНИЕ!**

Добиться нужно таких оборотов, чтобы пила не глохла, но и цепь при этом не двигалась.

9. При помощи рычага дросселя установите максимальные обороты двигателя. Убедитесь в плавности перехода двигателя от режима холостого хода к режиму максимальных оборотов.

**ВНИМАНИЕ!**

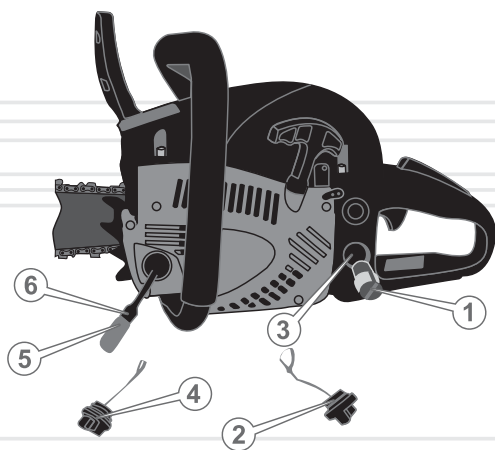
Запрещается устанавливать частоту оборотов двигателя, отличную от указанной в пункте 3 данного руководства, так как это приведет к выходу двигателя из строя.

**ПРИМЕЧАНИЕ!**

Регулировку карбюратора желательно осуществлять в специализированном сервисном центре или у квалифицированных специалистов.

Обслуживание топливного и масляного фильтров

рисунок 25



168

Обслуживание топливного фильтра

1. Открутите крышку (2) и аккуратно извлеките ее из топливного бака.
2. Используя проволочную петлю, аккуратно извлеките топливный фильтр (1) из топливного бака.
3. Аккуратно отсоедините топливный фильтр от топливопровода (3).
4. Промойте топливный фильтр в бензине при помощи мягкой щетки.
5. Помойте топливный бак бензином.
6. Подсоедините топливный фильтр к топливопроводу и аккуратно поместите в топливный бак.
7. Надежно закрутите крышку топливного бака.

Обслуживание масляного фильтра

1. Открутите крышку (4) и аккуратно извлеките ее из масляного бака.
2. Используя проволочную петлю, аккуратно извлеките масляный фильтр (5) из масляного бака.
3. Аккуратно отсоедините масляный фильтр от маслопровода (6).
4. Промойте масляный фильтр в бензине, керосине или уайтспирите, используя мягкую щетку.
5. Помойте масляный бак керосином или уайтспиритом.
6. Подсоедините масляный фильтр к маслопроводу и аккуратно поместите в масляный бак.
7. Надежно закрутите крышку масляного бака.

**ВНИМАНИЕ!**

При чрезмерном загрязнении топливного (масляного) фильтра, а также при его повреждении, необходимо немедленно заменить топливный (масляный) фильтр. Запрещено работать бензопилой при загрязненном или поврежденном топливном (масляном) фильтре.

169

ОСТОРОЖНО!

Не переносите и не транспортируйте изделие с запущенным двигателем.

ВНИМАНИЕ!

Хранить изделие в одном помещении с горючими веществами, кислотами, щелочами, минеральными удобрениями и другими агрессивными веществами запрещается.

Транспортировка

Изделие может транспортироваться всеми видами транспорта, обеспечивающими сохранность изделия, в соответствии с общими правилами перевозок.

Во время погрузочно-разгрузочных работ и транспортировки изделие не должно подвергаться ударам и воздействию атмосферных осадков.

Размещение и крепление бензопилы в транспортных средствах должны обеспечивать устойчивое положение изделия и отсутствие возможности его перемещения во время транспортировки.

При транспортировке изделия на большие расстояния отсоедините шину и наденьте на нее чехол.

Позаботьтесь о том, чтобы не повредить бензопилу во время транспортировки. Не помещайте на изделие тяжелые предметы.

Переносить изделие необходимо за ручку, шину при этом направив назад.

Никогда не переносите изделие за шину. При смене рабочего места остановите двигатель и установите бензопилу на тормоз, чтобы не произошло случайного запуска двигателя.

При смене рабочего места остановите двигатель и установите изделие на тормоз.

Допустимые условия транспортировки бензопилы: температура окружающего воздуха от $-15\text{ }^{\circ}\text{C}$ до $+55\text{ }^{\circ}\text{C}$, относительная влажность воздуха до 90%.

Хранение

Если изделие не используется продолжительное время (более 2 месяцев), его необходимо хранить в проветриваемом помещении при температуре от $-15\text{ }^{\circ}\text{C}$ до $+55\text{ }^{\circ}\text{C}$ и относительной влажности не более 90%, укрыв от попадания на изделие пыли и мелкого мусора.

Наличие в воздухе паров кислот, щелочей и других агрессивных примесей не допускается. Храните бензопилу вне досягаемости детьми.

Бензопила перед постановкой на длительное хранение должна быть законсервирована.

При подготовке изделия к хранению

1. Остановите двигатель.
2. Слейте топливную смесь и масло из бачков.
3. Удалите накопленное со временем масло, грязь и мусор с внешней части корпуса и шины изделия.
4. Смажьте машинным маслом все металлические части изделия.
5. Затяните все болты, винты и гайки.
6. Закройте цепь и шину чехлом.
7. Отсоедините колпачок от свечи зажигания, удалите грязь со свечи и колпачка. Открутите свечным ключом свечу зажигания, и налейте в рабочую камеру цилиндра 2 куб.см масла, предназначенного для двухтактных двигателей.
8. Несколько раз осторожно потяните на себя рукоятку стартера. Поршневая группа двигателя и гильза цилиндра будут смазаны маслом, тем самым защищены от возможной коррозии.

Утилизация

Не выбрасывайте бензопилу в контейнер с бытовыми отходами! Отслужившая свой срок бензопила, оснастка и упаковка должны сдаваться на утилизацию и переработку.

Информацию об утилизации Вы можете получить в местной администрации.



ВОЗМОЖНЫЕ НЕИСПРАВНОСТИ И ПУТИ ИХ УСТРАНЕНИЯ

РУССКИЙ

ОПИСАНИЕ НЕИСПРАВНОСТИ	Возможная причина	Пути устранения
Двигатель не запускается	Отсутствует топливо в топливном бачке	Заправьте топливо в топливный бачок
	Загрязненное топливо, наличие воды в топливной смеси	Замените топливо
	Загрязнена, залита топливом или неисправна свеча зажигания	Очистите, высушите или замените свечу
	Топливо не поступает в карбюратор	Обратитесь в сервисный центр
	Залита несоответствующая требованиям руководства топливная смесь	Замените топливную смесь
	Выключатель зажигания в положении «СТОП» (выкл.)	Включите зажигание
	Не отрегулирован карбюратор	Отрегулируйте
	Загрязнен/изношен топливный фильтр	Очистите/замените
	Воздушная заслонка карбюратора находится в неправильном положении	Установите воздушную заслонку в правильное положение согласно п.5.2. данного руководства
	Двигатель вышел из строя	Обратитесь в сервисный центр
Недостаточная мощность	Не отрегулирован карбюратор	Отрегулируйте

ОПИСАНИЕ НЕИСПРАВНОСТИ	Возможная причина	Пути устранения
Недостаточная мощность	Загрязнено топливо	Замените топливо
	Загрязнен воздушный фильтр	Очистите воздушный фильтр
	Свеча зажигания отработала свой ресурс	Замените свечу зажигания
	Залита несоответствующая требованиям руководства топливная смесь	Замените топливную смесь
	Закрыта воздушная заслонка карбюратора	Откройте воздушную заслонку
Цепь не приводится в движение	Включен тормоз цепи	Выключите
	Цепь перетянута	Ослабьте натяжение цепи
	Цепь заклинена	Выясните причину, устраните
	Шина изношена	Замените
	Центробежное сцепление вышло из строя	Обратитесь в сервисный центр
	Неисправен тормоз цепи	Обратитесь в сервисный центр
	Изношена ведущая звездочка	Замените

РУССКИЙ

ОПИСАНИЕ НЕИСПРАВНОСТИ	Возможная причина	Пути устранения
Нет подачи масла на шину и цепь	Отсутствует масло в масляном бачке	Залейте масло в масляный бачок
	Загрязнен масляный канал	Прочистите
	Не отрегулирована подача масла	Отрегулируйте
	Загрязнены отверстия на шине	Прочистите
	Загрязнен/изношен масляный фильтр	Очистите/замените
	Маслонасос вышел из строя	Обратитесь в сервисный центр
Цепь нагревается	Цепь перетянута	Ослабьте натяжение цепи
	Цепь ослаблена	Натяните цепь
	Цепь изношена	Замените
	Шина изношена	Замените
	Залито несоответствующее требованиям руководства масло	Замените
	Отсутствует подача масла	Проверьте наличие масла в масляном баке, долейте до нормы
	Нет подачи масла (маслонасос вышел из строя)	Обратитесь в сервисный центр
	Нет подачи масла (загрязнен маслопровод или масляный фильтр)	Очистите

ОПИСАНИЕ НЕИСПРАВНОСТИ	Возможная причина	Пути устранения
Низкая эффективность работы изделия	Ослаблено натяжение цепи	Отрегулируйте
	Цепь надета на шину в обратном направлении	Проверьте правильность установки цепи
	Цепь затуплена	Заточите цепь или замените
Повышенная вибрация	Ослаблено крепление шины	Подтяните крепление шины
	Изношены амортизаторы	Обратитесь в сервисный центр
	Не отрегулирован карбюратор	Отрегулируйте

Гарантийный срок эксплуатации цепных бензопил Vitals Professional BKZ 4620r, BKZ 5022r и BKZ 5022rm составляет 18 (восемнадцать) месяцев с указанной в гарантийном талоне даты розничной продажи.

В течение гарантийного срока неисправные детали и узлы будут заменяться при условии соблюдения всех требований Руководства по эксплуатации и отсутствии повреждений, связанных с неправильной эксплуатацией, хранением и транспортированием изделия. По вопросам гарантийного обслуживания обращайтесь в уполномоченный сервисный центр.

Потребитель имеет право на бесплатное гарантийное устранение неисправностей, выявленных и предъявленных в период гарантийного срока и обусловленных производственными и конструктивными факторами.

Гарантийное устранение неисправностей производится путем ремонта или замены неисправных частей изделия в сертифицированных сервисных центрах. Причину возникновения неисправностей и сроки их устранения определяют специалисты сервисного центра.

ВНИМАНИЕ!

Изделие принимается на гарантийное обслуживание только в полной комплектации, тщательно очищенное от грязи и пыли.

Гарантийные обязательства утрачивают свою силу в следующих случаях:

- Отсутствие или нечитаемость гарантийного талона.
- Неправильное заполнение гарантийного талона, отсутствие в нем даты продажи или печати (штампа) и подписи продавца, серийного номера изделия.
- Наличие исправлений или подчисток в гарантийном талоне.
- Полное или частичное отсутствие, нечитаемость серийного номера на изделие, несоответствие серийного номера изделия номеру, указанному в гарантийном талоне.
- Несоблюдение правил эксплуатации, приведенных в данном руководстве, в том числе нарушение регламента технического обслуживания.

- Несоблюдение правил эксплуатации, приведенных в данном руководстве, в том числе нарушение регламента технического обслуживания.
- Эксплуатация неисправного или некомплектного изделия, ставшая причиной выхода его из строя.
- Попадание внутрь изделия посторонних веществ или предметов.
- Причиной возникшей неисправности стала некачественная или несоответствующая требованиям руководства топливная смесь.
- Изделие имеет значительные механические или термические повреждения, явные следы небрежных эксплуатации, хранения или транспортировки.
- Изделие использовалось не по назначению.
- Производились несанкционированный ремонт, вскрытие либо попытка модернизации изделия потребителем или третьими лицами.
- Неисправность произошла в результате стихийного бедствия (пожар, наводнение, ураган и т. п.).

Замененные по гарантии детали и узлы переходят в распоряжение сервисного центра.

При выполнении гарантийного ремонта гарантийный срок увеличивается на время пребывания изделия в ремонте. Отсчет добавленного срока начинается с даты приемки изделия в гарантийный ремонт.

В случае если по техническим причинам ремонт изделия невозможен, сервисный центр выдает соответствующий акт, на основании которого пользователь самостоятельно решает вопрос с организацией-поставщиком о замене изделия или возврате денег.

После окончания гарантийного срока сервисные центры продолжают осуществлять обслуживание и ремонт изделия, но уже за счет потребителя.

Гарантийные обязательства не распространяются на неисправности, возникшие вследствие естественного износа или перегрузки изделия.

Гарантийные обязательства не распространяются на комплектующие: шину, цепь, свечу зажигания, фильтры и т.п.

Гарантийные обязательства не распространяются на неполноту комплектации изделия, которая могла быть обнаружена при его продаже. Все расходы на транспортировку изделия несет потребитель.

Право на гарантийный ремонт не является основанием для других претензий.



ГАРАНТІЙНИЙ ТАЛОН

Купуючи виріб, вимагайте перевірки його справності, комплектності і відсутності механічних пошкоджень, наявності відмітки дати продажу, штампа магазину та підпису продавця. Після продажу претензії щодо некомплектності і механічних пошкоджень не приймаються.

Виріб

Модель

Серійний номер

Торгівельна організація

Адреса торгівельної організації

Виріб перевірів і продав

Дата продажу

Печатка або штамп торгівельної організації

Претензій до зовнішнього вигляду, справності та комплектності виробу не маю. З правилами користування та гарантійними умовами ознайомлений.

(Підпис покупця)



Виріб

Модель

Серійний номер

Вилучено (дата):

Торгівельна організація

Дата продажу

Видано (дата):

Майстер
(ПІП та підпис)

Печатка або штамп
сервісного центру

Печатка або штамп
торгівельної організації



Виріб

Модель

Серійний номер

Вилучено (дата):

Торгівельна організація

Дата продажу

Видано (дата):

Майстер
(ПІП та підпис)

Печатка або штамп
сервісного центру

Печатка або штамп
торгівельної організації



Виріб

Модель

Серійний номер

Вилучено (дата):

Торгівельна організація

Дата продажу

Видано (дата):

Майстер
(ПІП та підпис)

Печатка або штамп
сервісного центру

Печатка або штамп
торгівельної організації

ВІДРИВНИЙ ТАЛОН

ВІДРИВНИЙ ТАЛОН

ВІДРИВНИЙ ТАЛОН

ФОРМУЛЯР ГАРАНТІЙНИХ РОБІТ

Виріб після гарантійного ремонту отримав у робочому стані,
без дефектів. Претензій не маю.

<input type="text"/>	<input type="text"/>	<input type="text"/>
Дата	П.І.П. покупця	Підпис покупця

Виріб після гарантійного ремонту отримав у робочому стані,
без дефектів. Претензій не маю.

<input type="text"/>	<input type="text"/>	<input type="text"/>
Дата	П.І.П. покупця	Підпис покупця

Виріб після гарантійного ремонту отримав у робочому стані,
без дефектів. Претензій не маю.

<input type="text"/>	<input type="text"/>	<input type="text"/>
Дата	П.І.П. покупця	Підпис покупця

№	Дата проведення ремонту		Опис ремонтних робіт та заміненних деталей	Прізвище майстра та печатка сервісного центру
	Початок	Закінчення		
<input type="text"/>	<input type="text"/>	<input type="text"/>		
<input type="text"/>	<input type="text"/>	<input type="text"/>		
<input type="text"/>	<input type="text"/>	<input type="text"/>		
<input type="text"/>	<input type="text"/>	<input type="text"/>		
<input type="text"/>	<input type="text"/>	<input type="text"/>		

ОФИЦИАЛЬНЫЙ ДИЛЕР В УКРАИНЕ:

storgom.ua

ГРАФИК РАБОТЫ:

Пн. – Пт.: с 8:30 по 18:30

Сб.: с 09:00 по 16:00

Вс.: с 10:00 по 16:00

КОНТАКТЫ:

+38 (044) 360-46-77

+38 (066) 77-395-77

+38 (097) 77-236-77

+38 (093) 360-46-77

Детальное описание товара: <https://storgom.ua/product/benzopila-vitals-bkz-5022r.html>

Другие товары: <https://storgom.ua/benzopily.html>