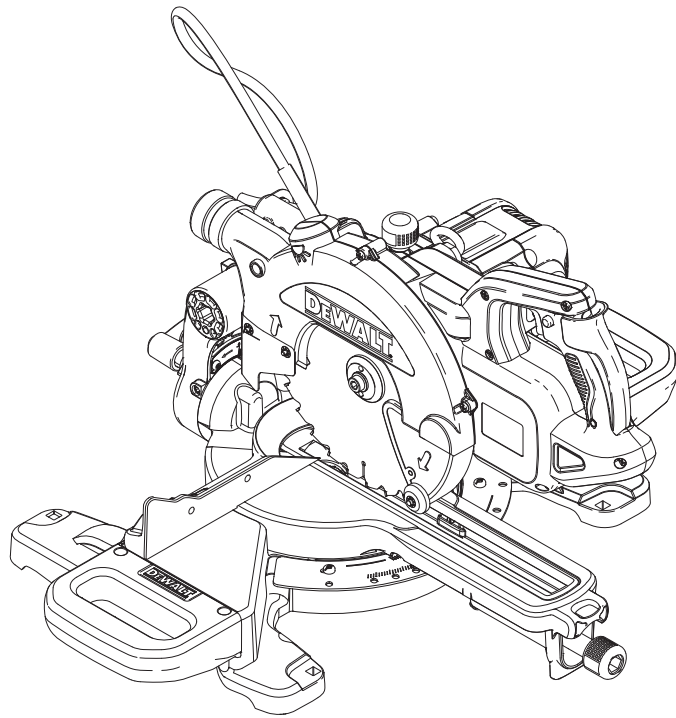


# DEWALT®

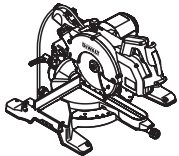
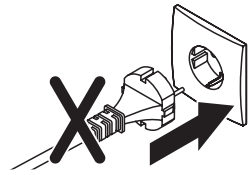
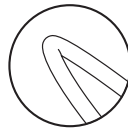
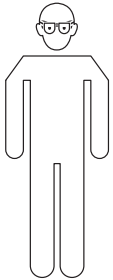
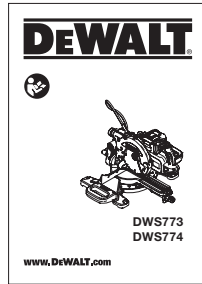
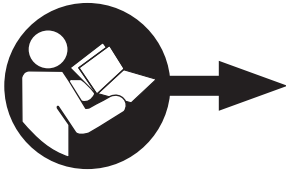


**DWS773**  
**DWS774**

**WWW.DEWALT.COM**



	.....	3		.....	16
	.....	4		.....	18
	.....	5		.....	21
	.....	6		.....	22
	.....	7	English (original instructions)	.....	22
	.....	8	Українська (переклад з оригінальної інструкції)	.....	29
	.....	11			
	.....	13			

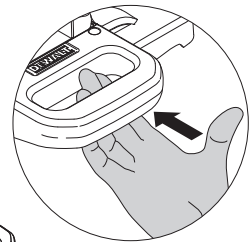
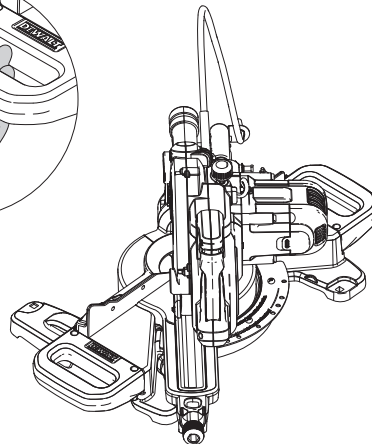
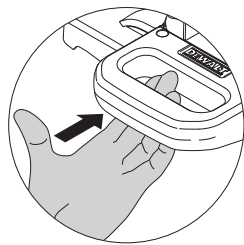
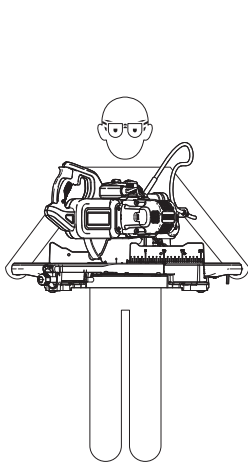
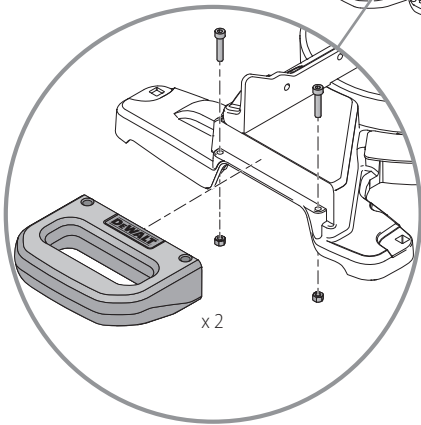
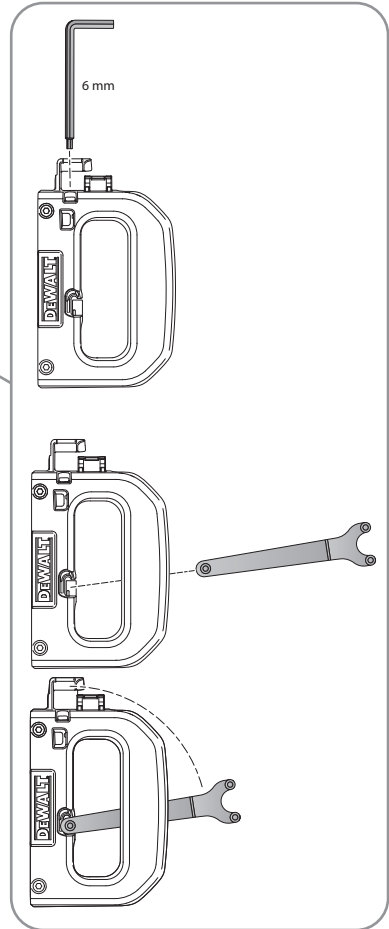
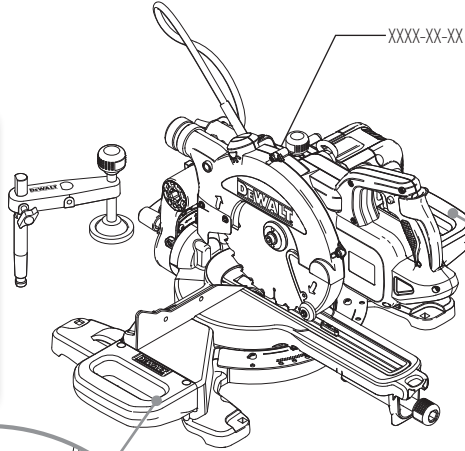
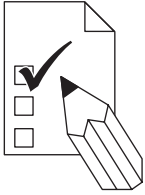


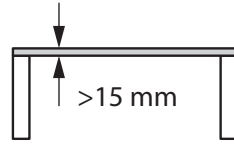
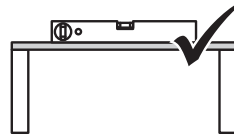
250 - 300 Lux



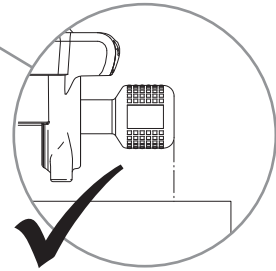
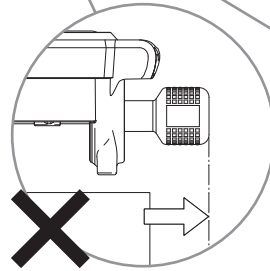
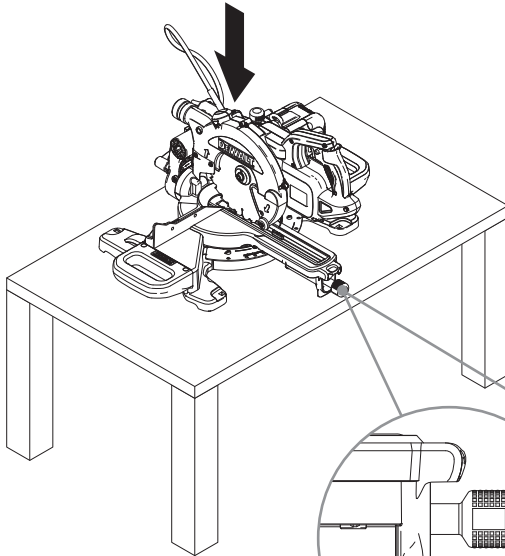
→ **DeWALT**



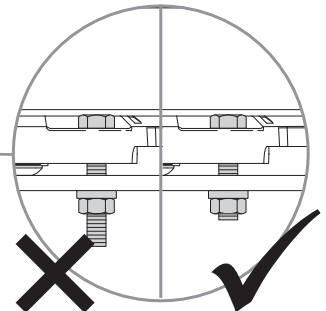
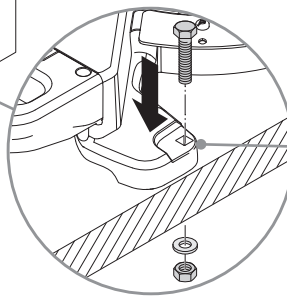
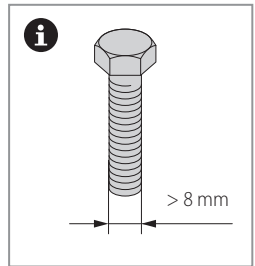
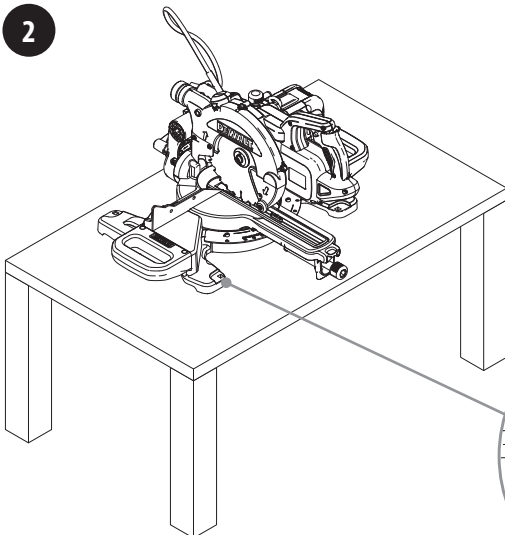


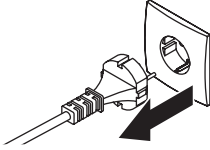


1

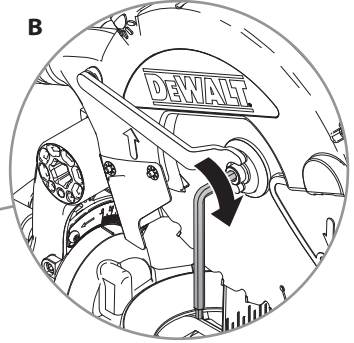
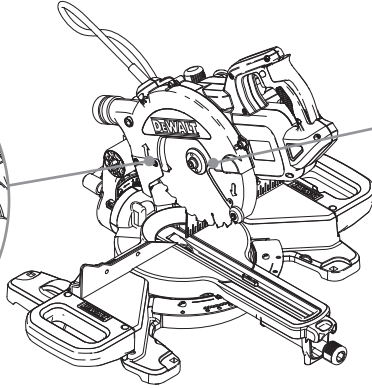
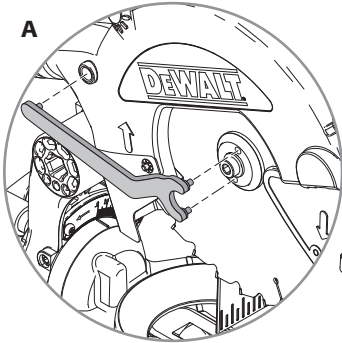


2

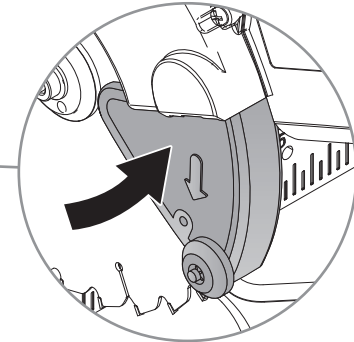
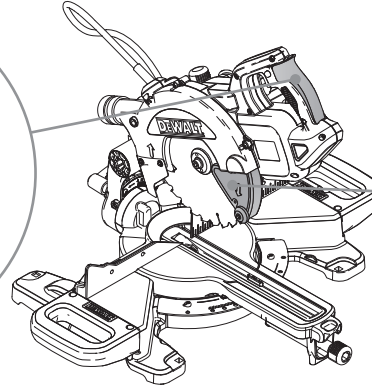
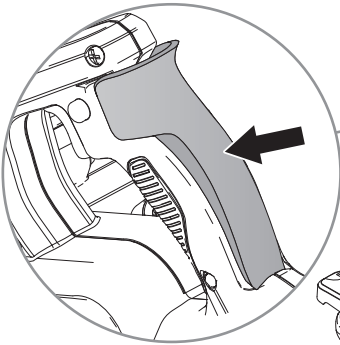




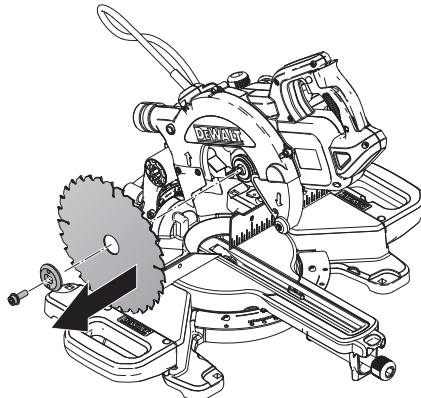
1

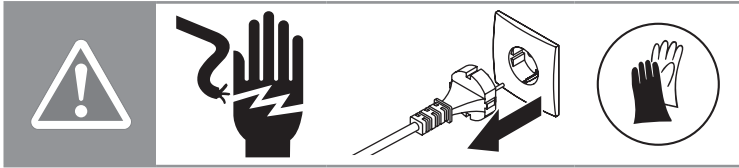


2

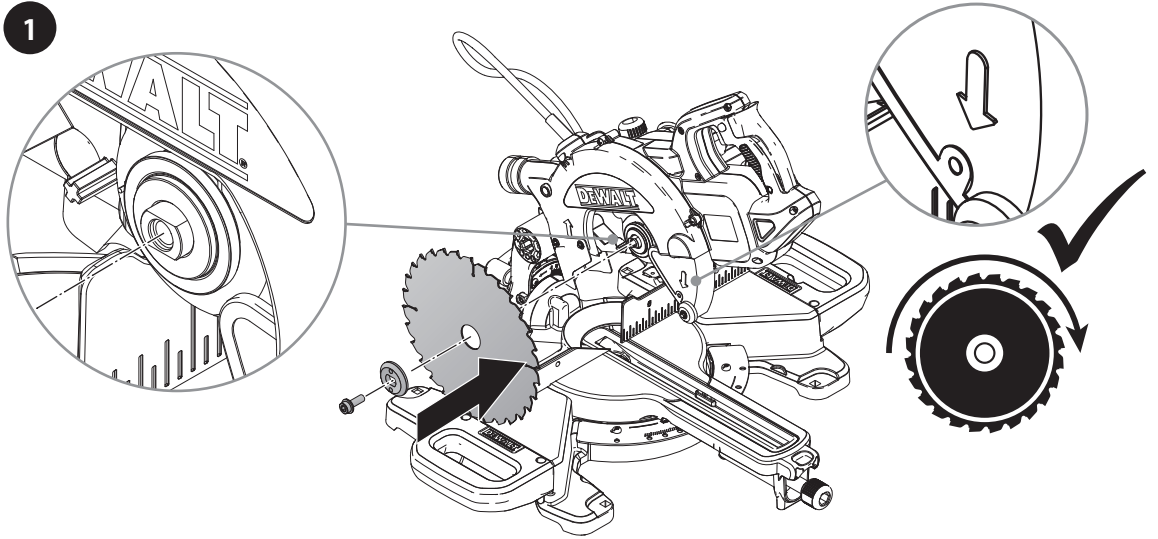


3

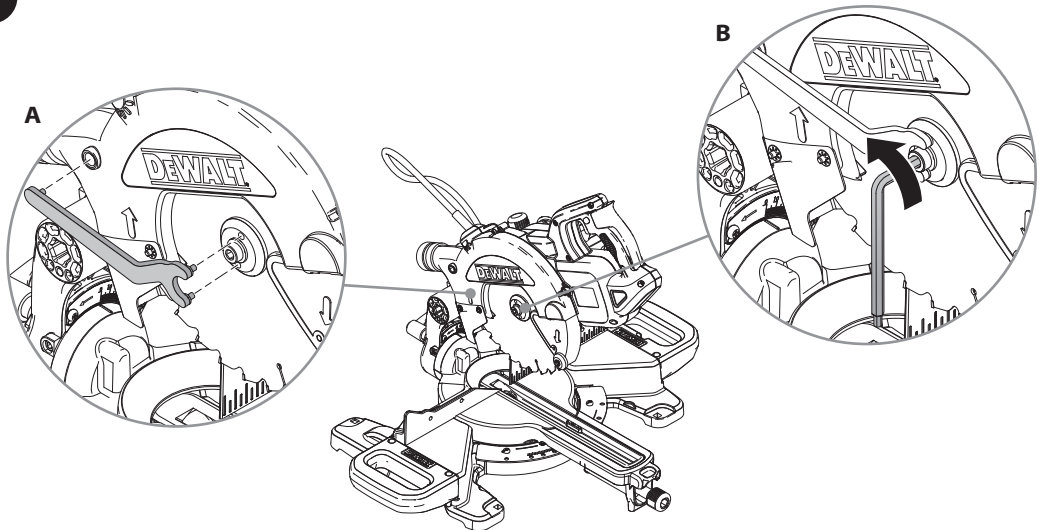




1

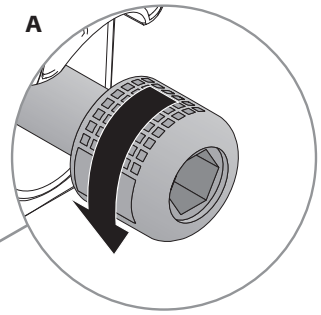
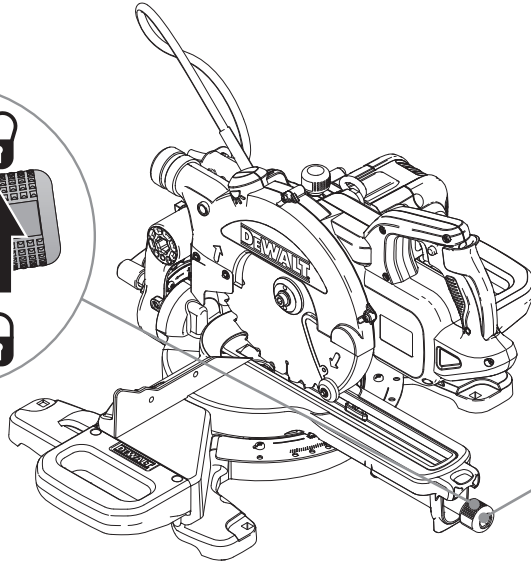
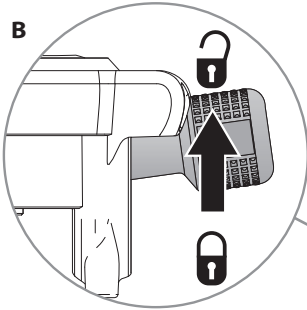


2

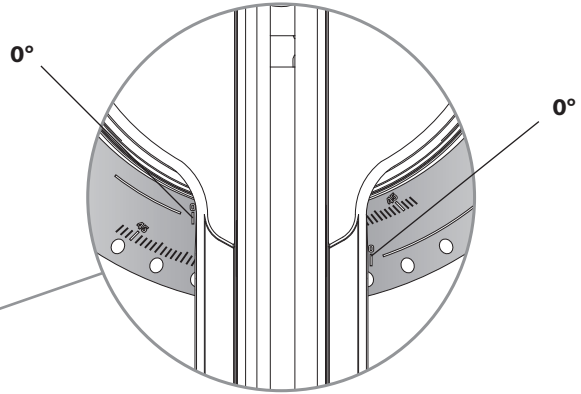
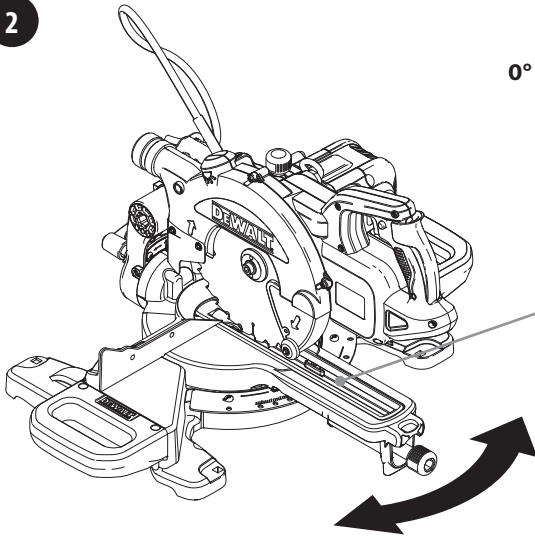




1



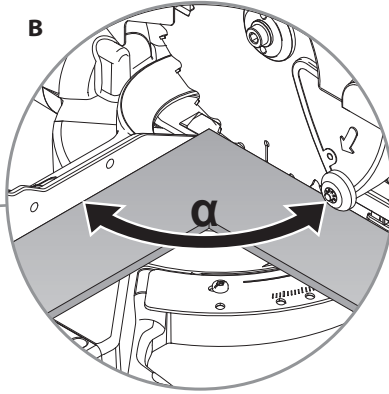
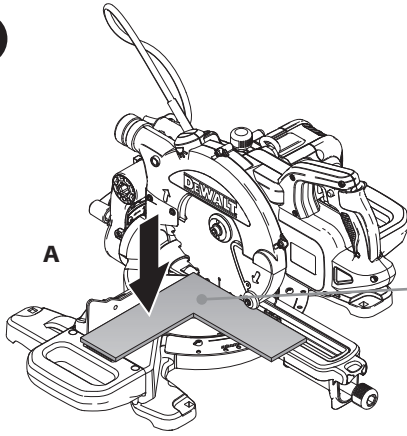
2





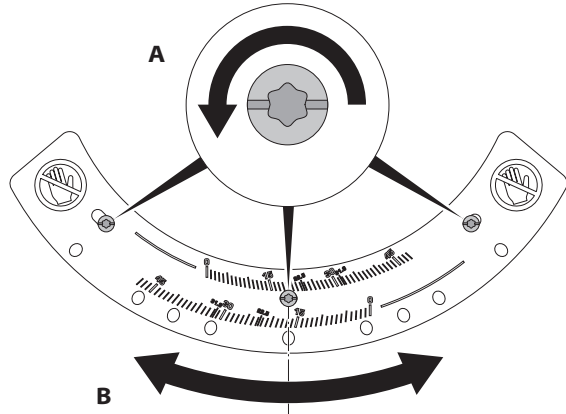


3



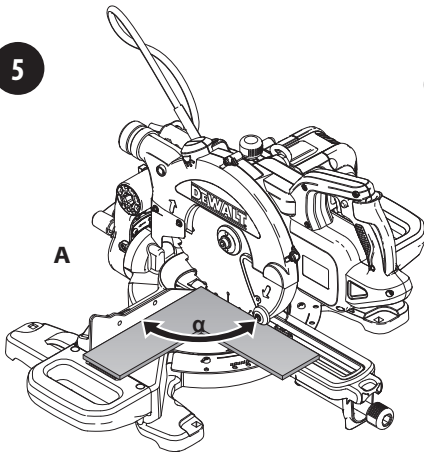
4

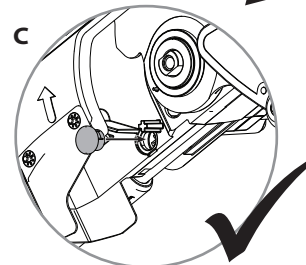
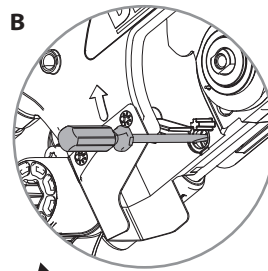
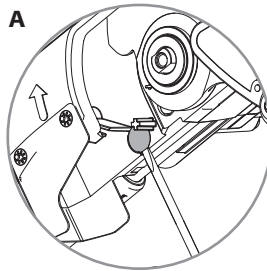
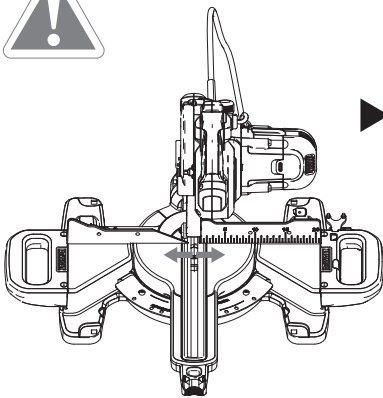
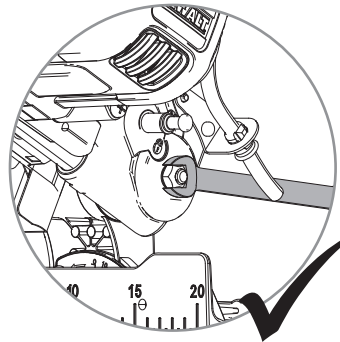
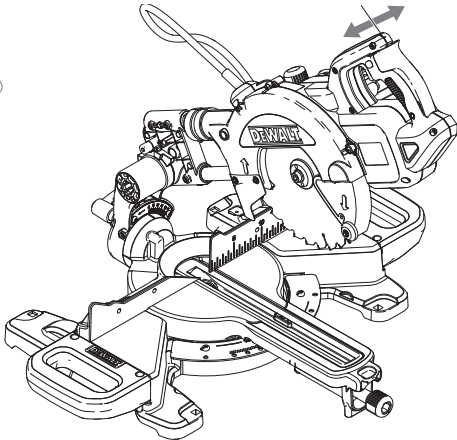
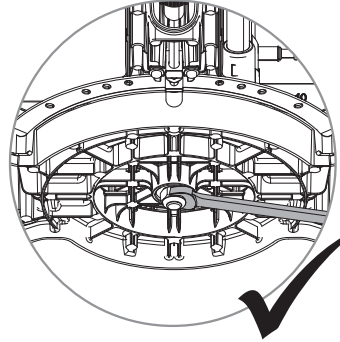
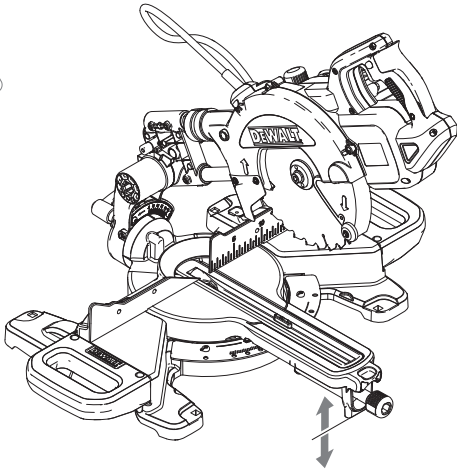
$\alpha \neq 90^\circ$  →



5

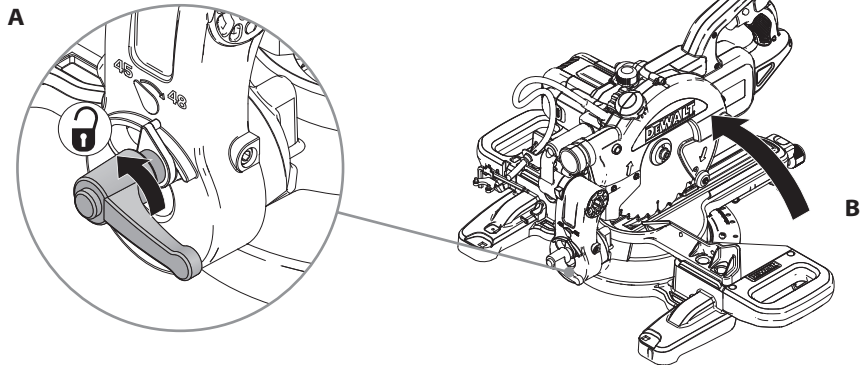
$\alpha = 90^\circ$  →



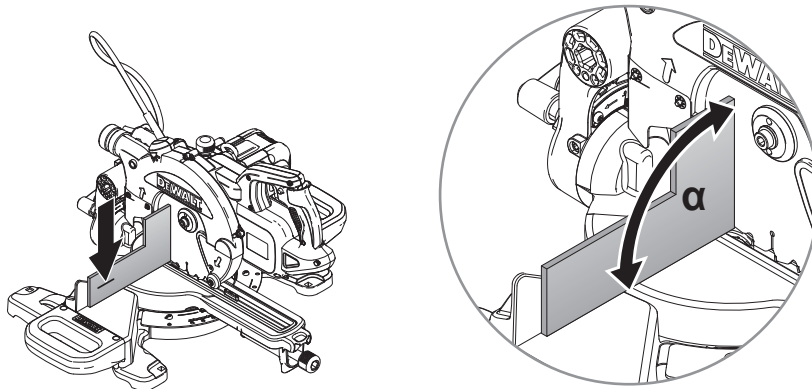




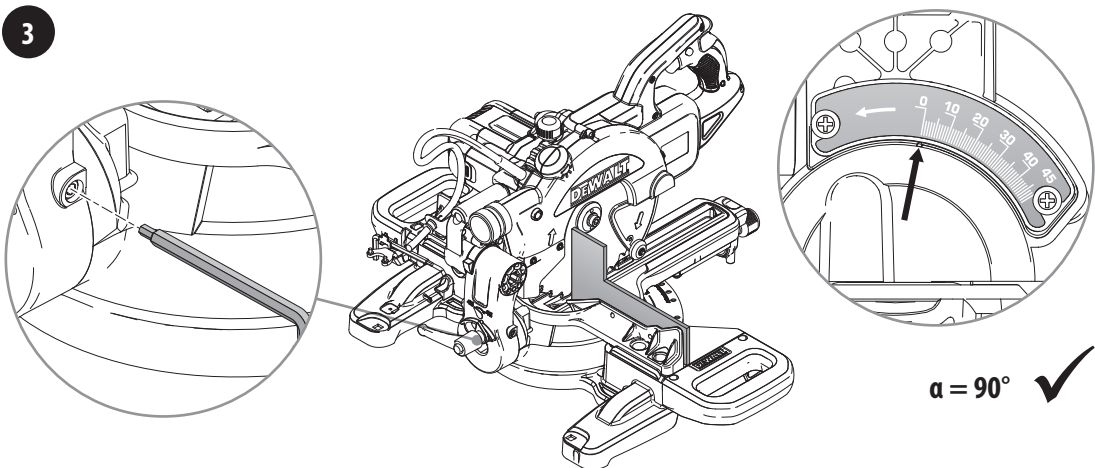
1



2



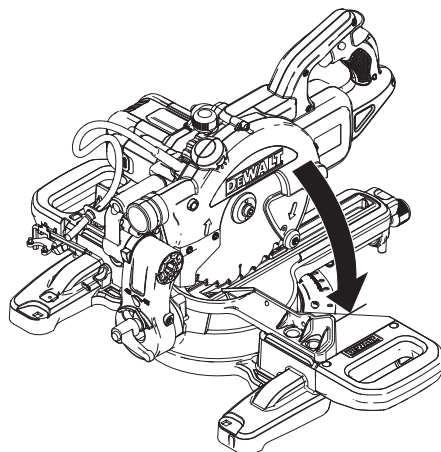
3



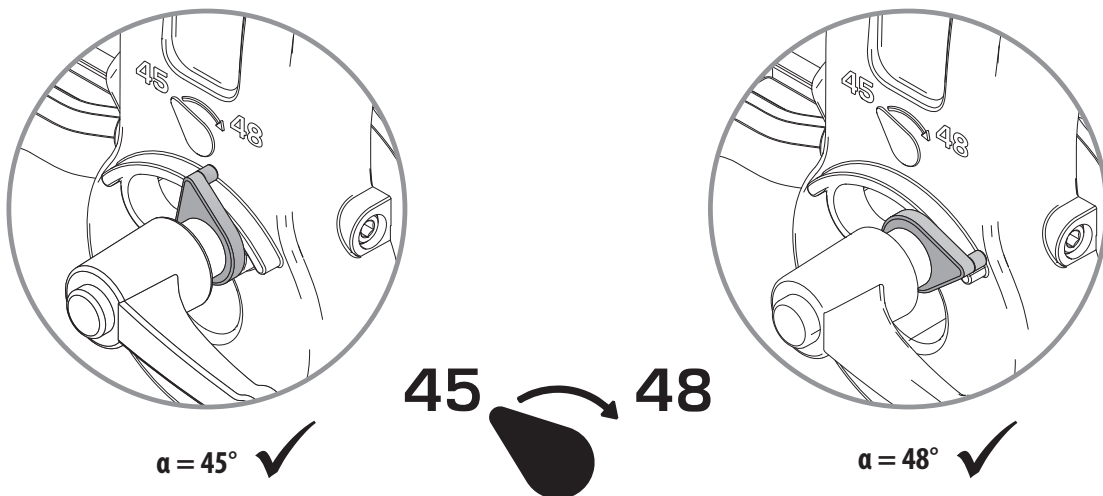
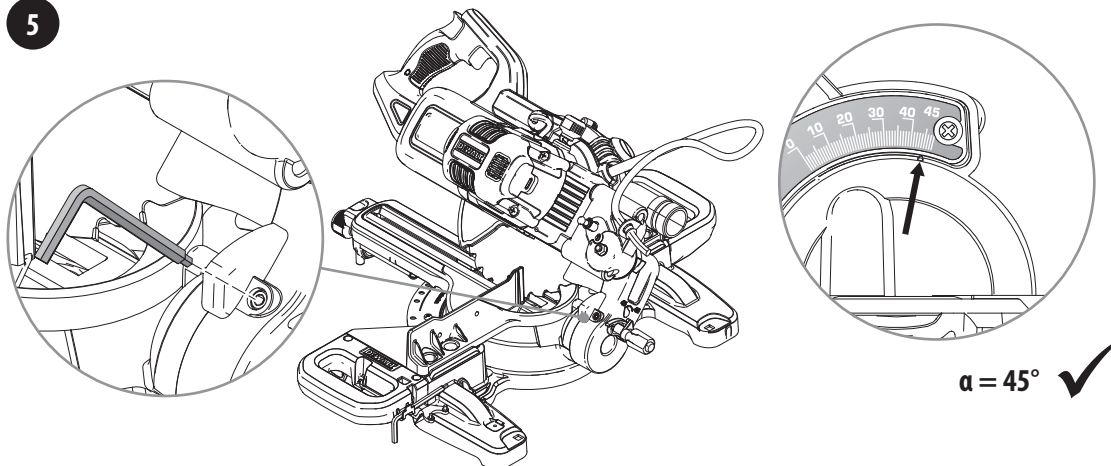
45°



4

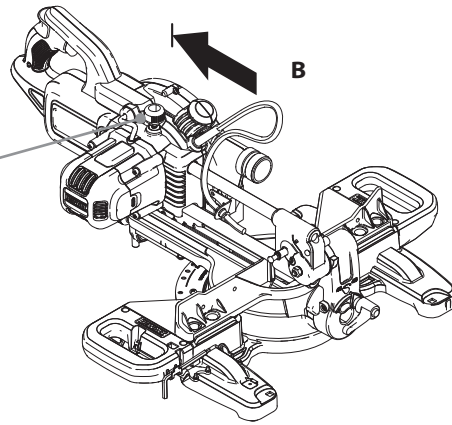
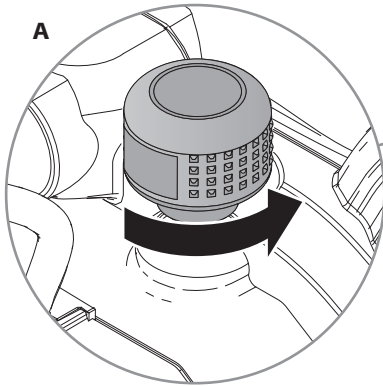


5

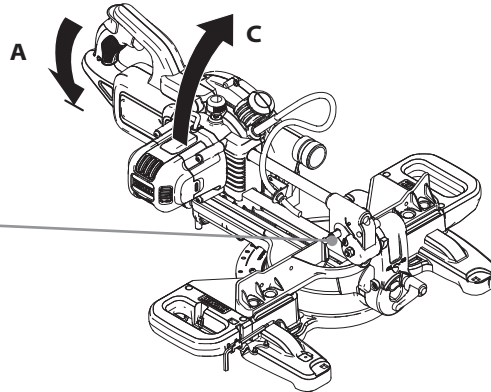
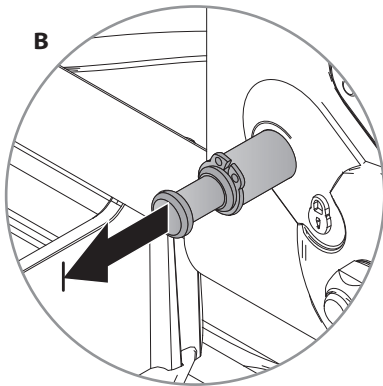




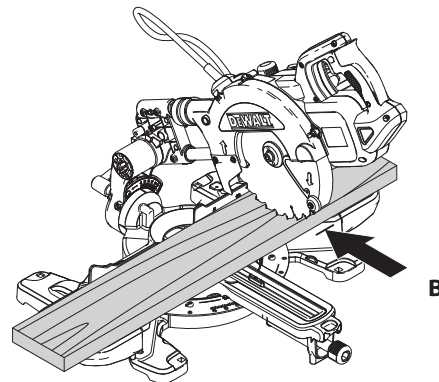
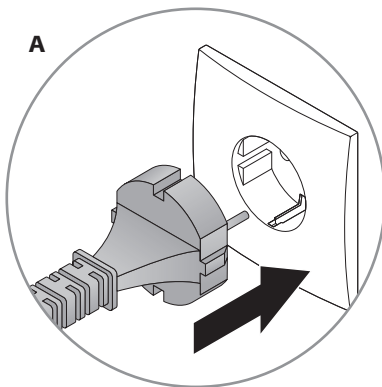
1

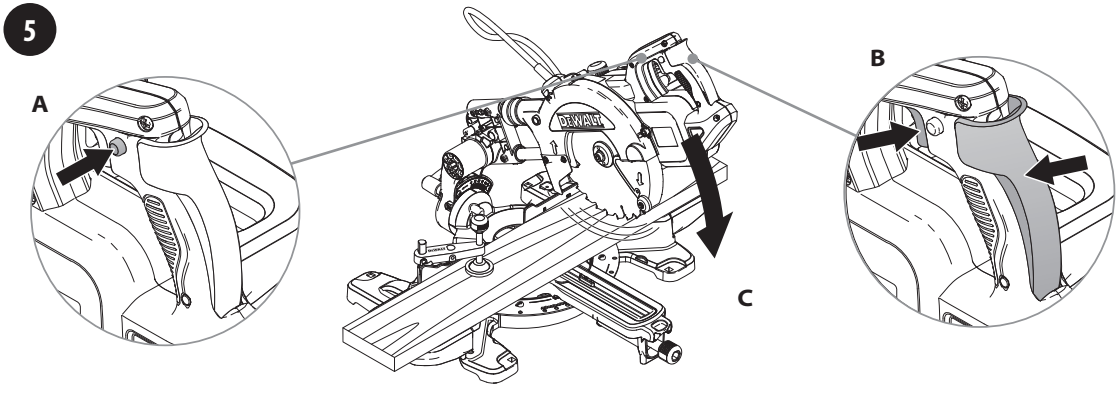
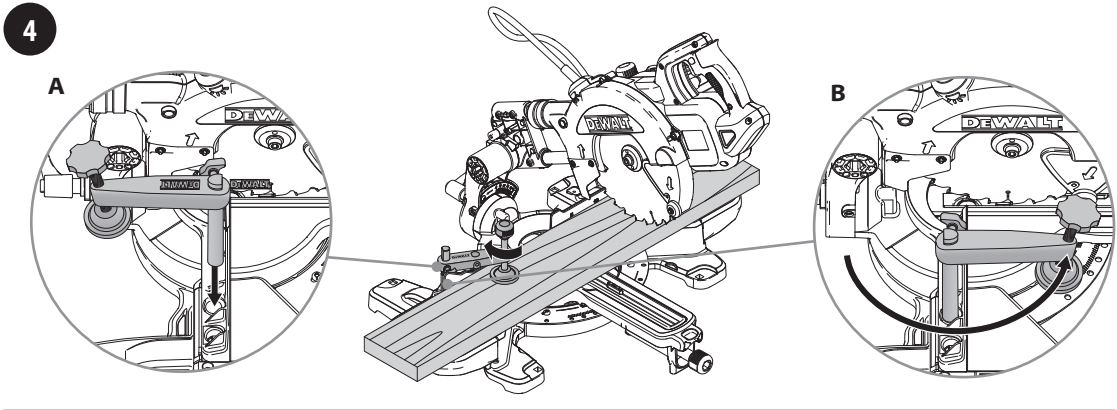
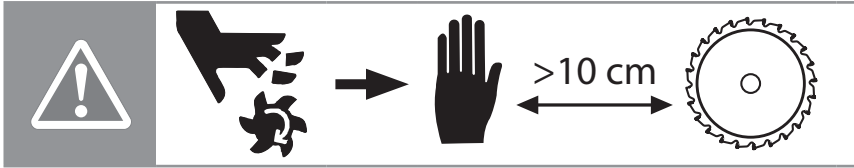


2

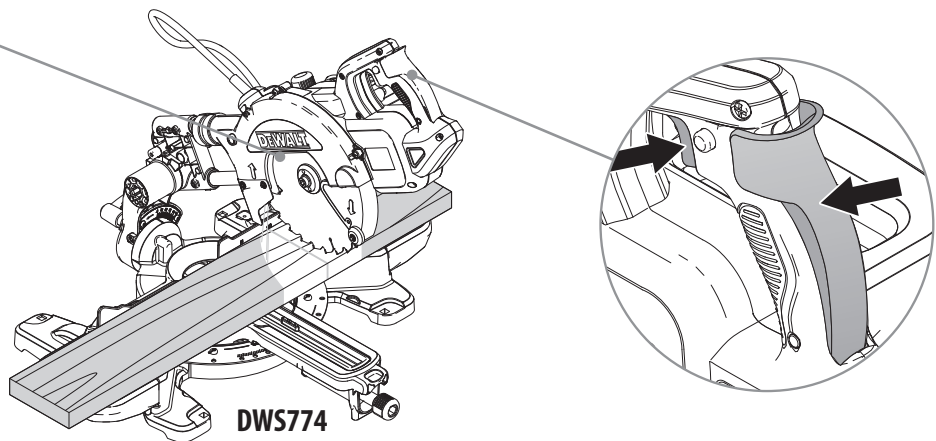


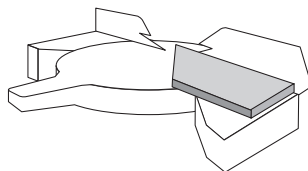
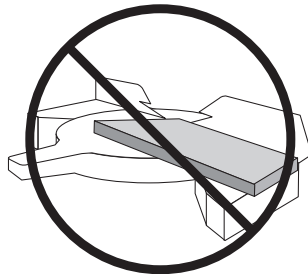
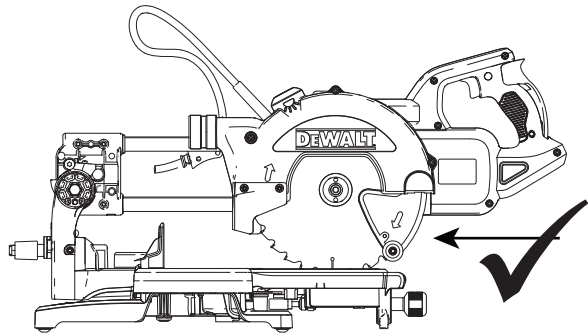
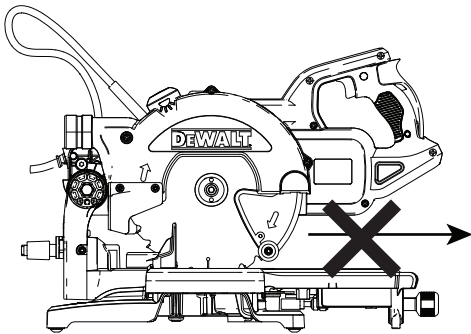
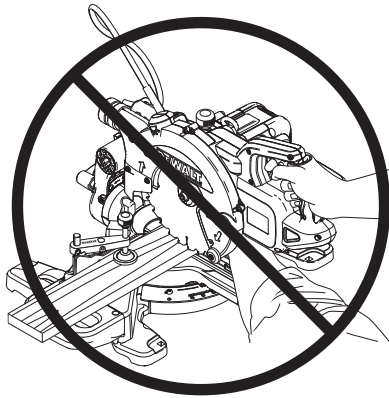
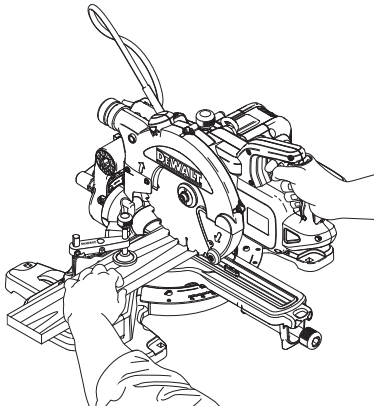
3





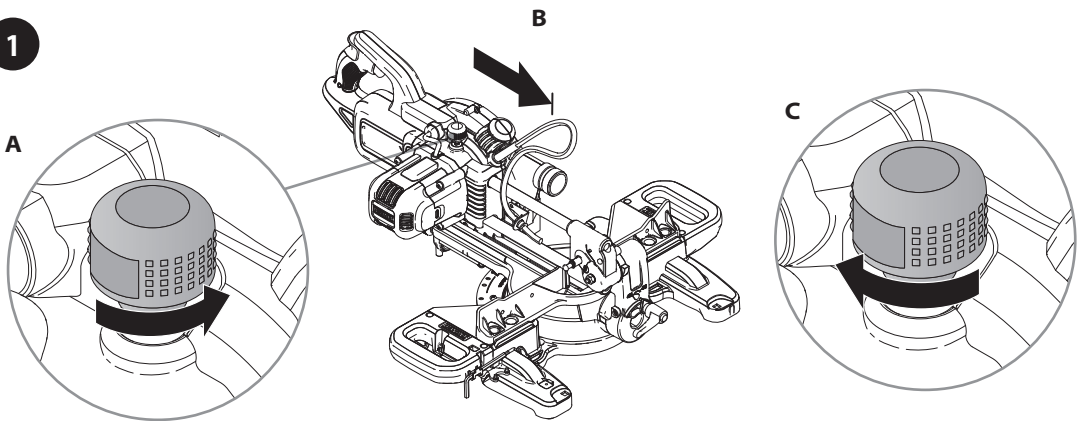
XPS



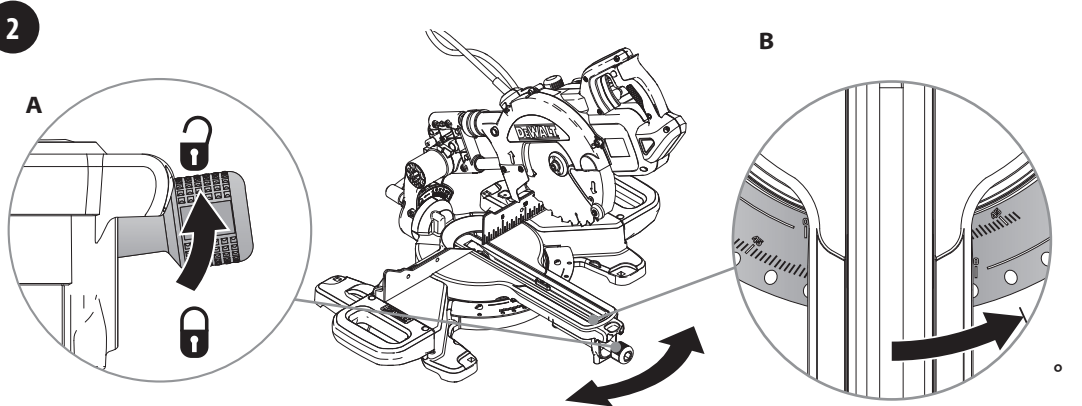




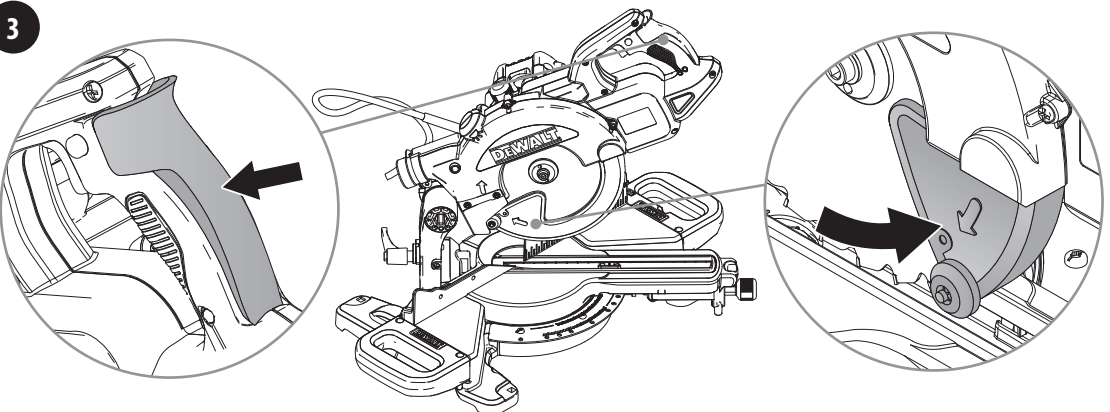
1



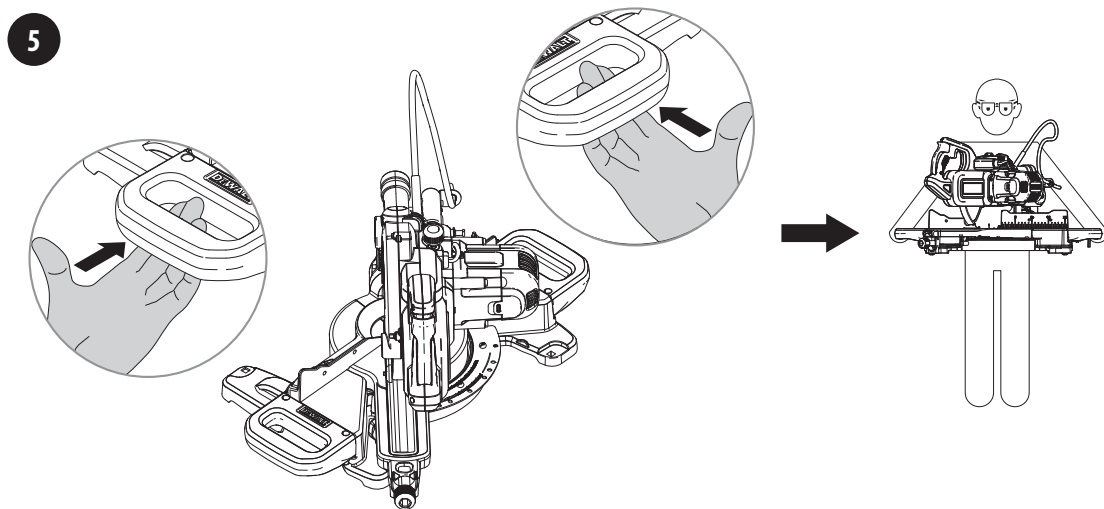
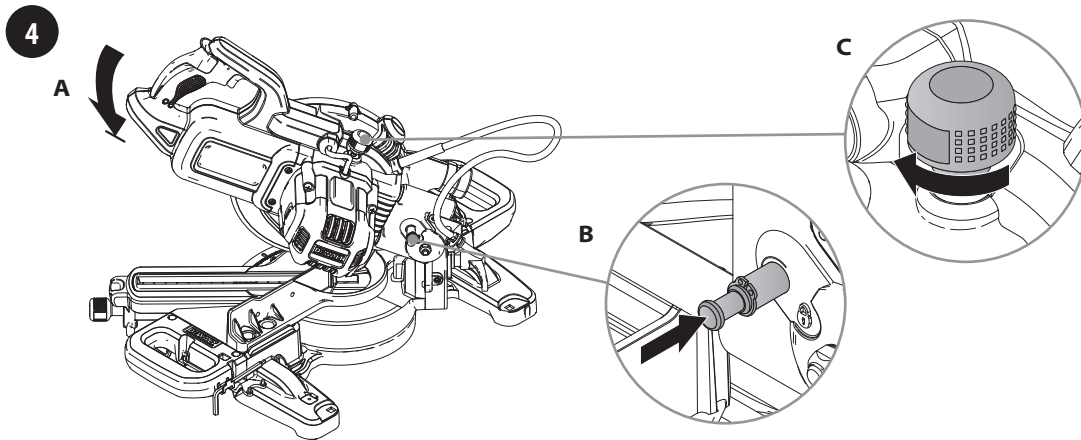
2



3

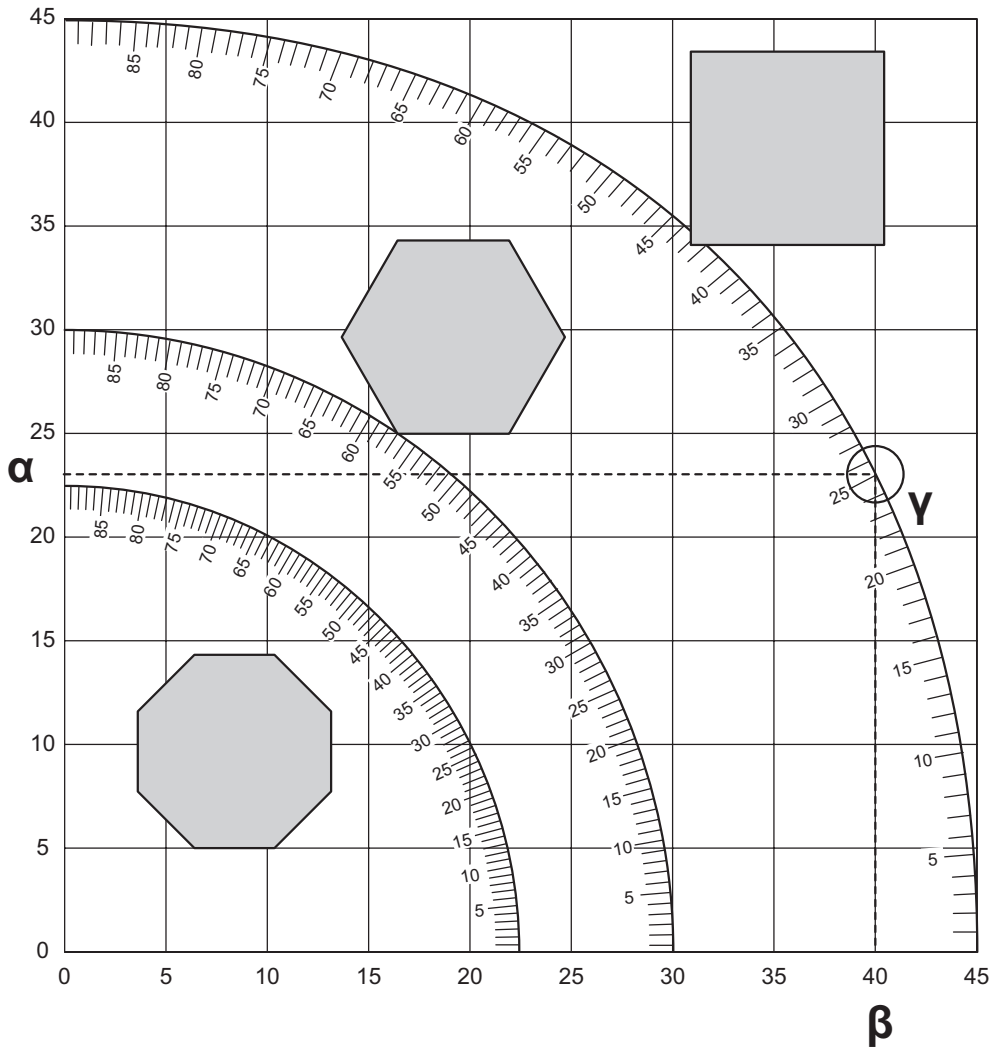
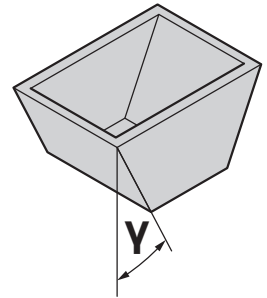
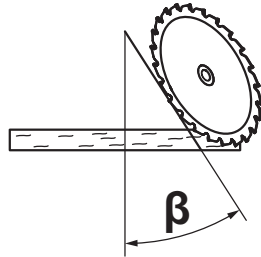
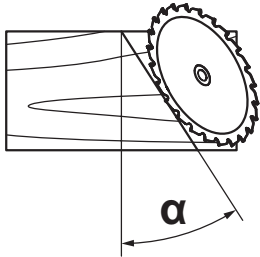


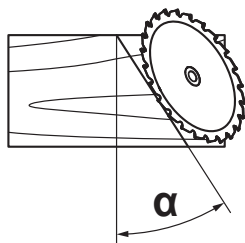




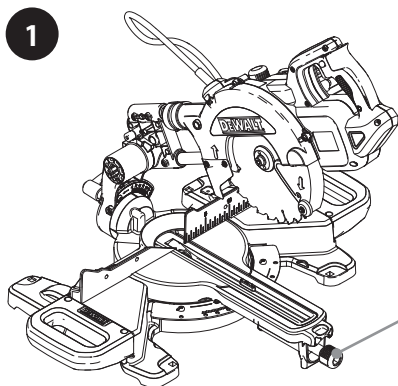


**i**

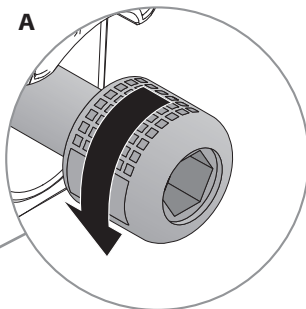




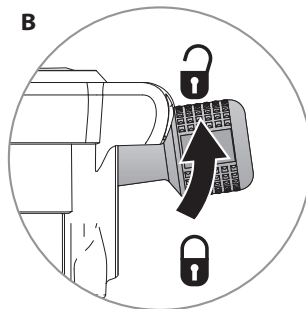
1



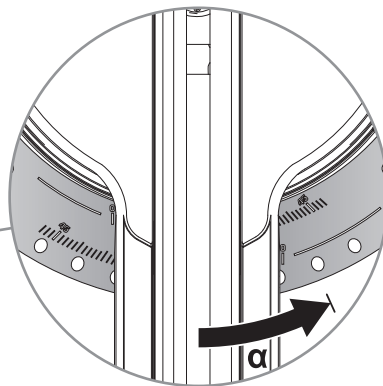
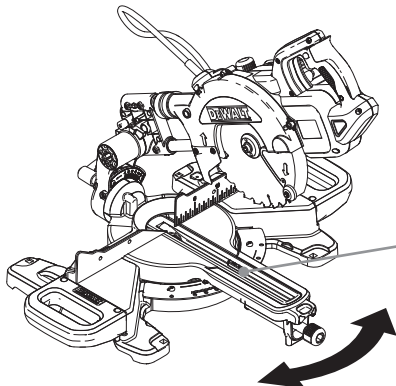
A



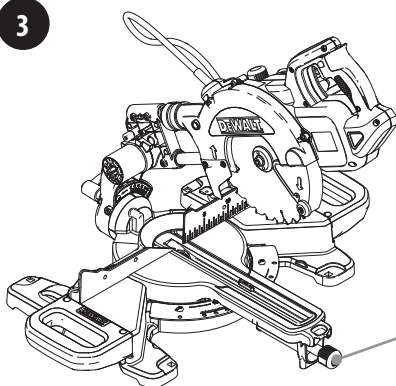
B



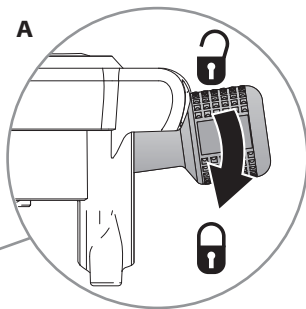
2



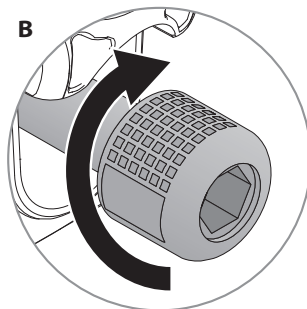
3

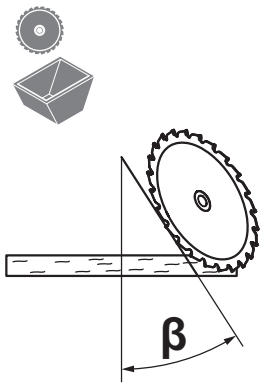


A

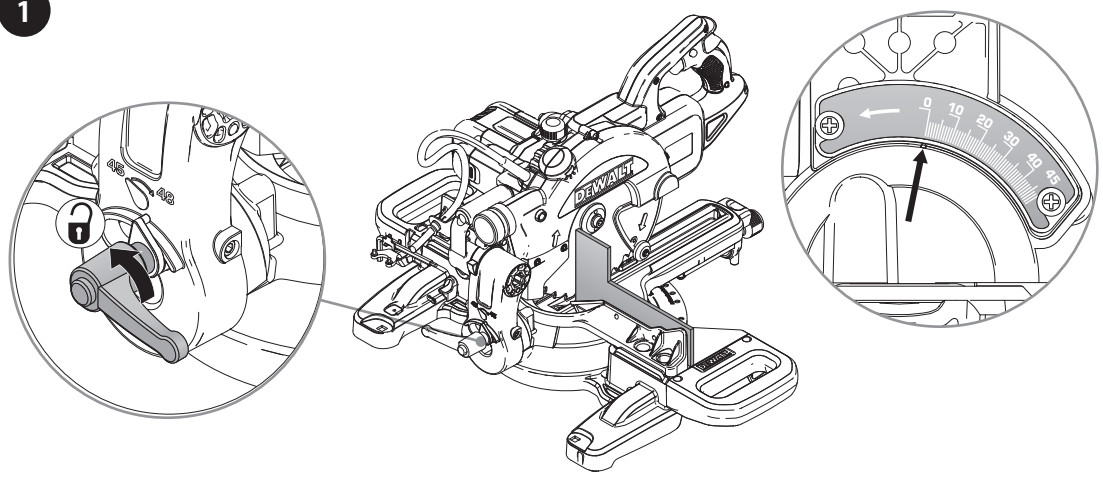


B

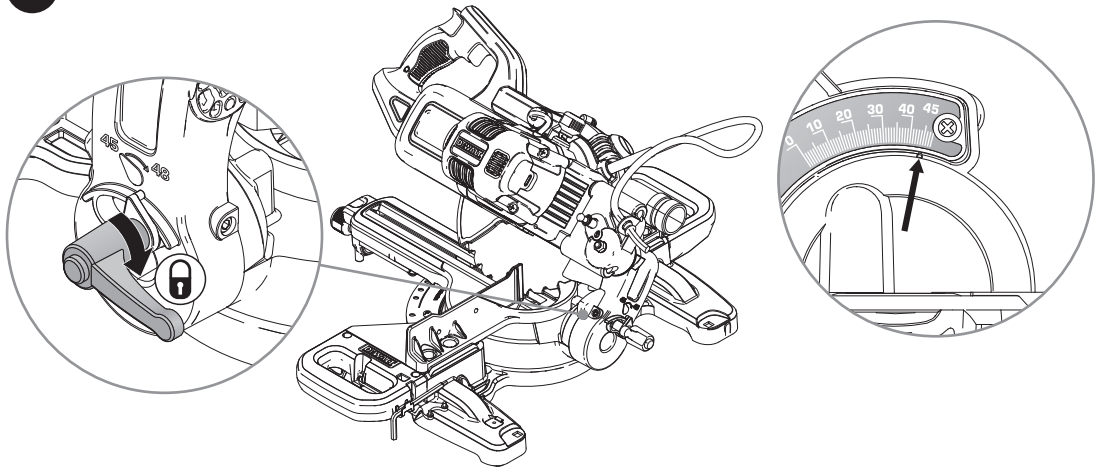


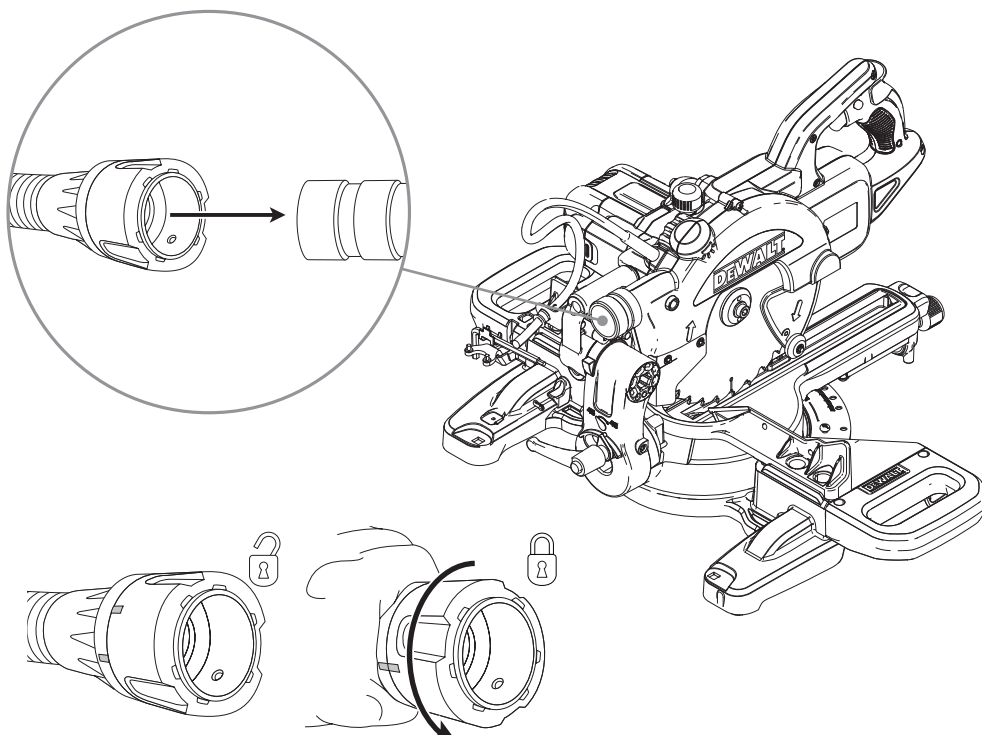


1



2







ENGLISH

# CROSS CUT MITRE SAW

## DWS773, DWS774

### TECHNICAL DATA

		DWS773	DWS774
Voltage:			
Europe	V	230	230
U.K. & Ireland	V	230/115	230/115
Fuses:			
Europe 230 V	A	10 (mains)	10 (mains)
U.K. & Ireland 230 V	A	13 (in plugs)	13 (in plugs)
U.K. & Ireland 115 V	A	16 (mains)	16 (mains)
Type		1	1
Power input	W	1300	1400
Blade diameter	mm	216	216
Blade bore	mm	30	30
Blade speed, max.	min <sup>-1</sup>	4600/4500	4600/4500
Mitre positions, max.	left	48°	48°
	right	48°	48°
Bevel position, max.	left	48°	48°
	bevel	45°	45°
Compound mitre	bevel	45°	45°
	mitre	45°	45°
Capacities:			
cross-cut 90° (max height)	mm	70 x 20	70 x 20
cross-cut 90°	mm	60 x 250	60 x 250
mitre 45°	mm	60 x 170	60 x 170
mitre 48°	mm	60 x 160	60 x 160
bevel 45°	mm	48 x 250	48 x 250
bevel 48°	mm	45 x 250	45 x 250
Overall dimensions(with table extensions)	mm	625 x 425 x 355	625 x 425 x 355
Dimensions(without table extensions)	mm	445 x 425 x 355	445 x 425 x 355
XPS		No	Yes
Weight	kg	11.5	11.5
Noise values and/or vibration values (triax vector sum) according to EN62841:			
L <sub>PA</sub> (sound pressure)	dB(A)	92	92
L <sub>WA</sub> (acoustic power)	dB(A)	98	98
K (acoustic power uncertainty)	dB(A)	0,3	0,3

The vibration and/or noise emission level given in this information sheet has been measured in accordance with a standardised test given in EN62841 and may be used to compare one tool with another. It may be used for a preliminary assessment of exposure.



**WARNING:** The declared vibration and/or noise emission level represents the main applications of the tool. However if the tool is used for different applications, with different accessories or poorly maintained, the vibration and/or noise emission may differ. This may significantly increase the exposure level over the total working period.

An estimation of the level of exposure to vibration and/or noise should also take into account the times when the tool is switched off or when it is running but not actually doing the job. This may significantly reduce the exposure level over the total working period. Identify additional safety measures to protect the operator from the effects of vibration and/or noise such as: maintain the tool

and the accessories, keep the hands warm (relevant for vibration), organisation of work patterns.

### Electrical Power Source

This device is intended for the connection to a power supply system with maximum permissible system impedance Z<sub>max</sub> of 0,39 Ohm at the interface point (power service box) of user's supply.

The user has to ensure that this device is connected only to a power system which fulfils the requirement above. If necessary, the user can ask the public power supply company for the system impedance at the interface point.

### EC-Declaration of Conformity



In accordance with Machinery Directive 2006/42/EC

Product: Cross-cut Mitre Saw

Types: DWS773, DWS774

DEWALT declares that these products described under Technical Data are in compliance with the harmonized standards: EN62841-1:2015 and EN62841-3-9:2015 + A11:2017. These products also comply with Directive 2014/30/EU and 2011/65/EC.

For more information, please contact DEWALT at the following address or refer to the back of the manual.

The undersigned is responsible for compilation of the technical file and makes this declaration on behalf of DEWALT.

Markus Rompel  
Vice President of Engineering, PTE-Europe  
DEWALT, Richard-Klinger-Straße 11,  
D-65510, Idstein, Germany

02.09.2019

### GENERAL SAFETY NOTES



Read the safety manual carefully before use in order to ensure a safe and proper operation of the device. Retain the instruction manual until the product is disposed of.

### Intended Use

The Cross-Cut Mitre Saw has to be used in accordance with the specifications of this safety manual and the operational manual. Mitre Saws are not "toys" and require prudent, responsible and careful handling.

The Mitre Saw has been designed for professional cutting wood, wood products and plastics. It performs the sawing operations of cross-cutting, bevelling and mitring easily, accurately and safely.

The Mitre Saw is designed for use with a nominal blade diameter 216 mm carbide tip blade.

Responsibilities of the employer, for example:

- Complying with the deadlines for periodic inspections as well as ordering repair measures to be performed by an authorized DEWALT repair agent.
- Safe storage of the Mitre Saw out of reach of children.
- Provisioning and ensuring the usage of protective equipment, see chapter 1.3 "Personal Protective Equipment".

The Mitre Saw may only be used by persons over 18 years of age or apprentices/trainees over 16 years of age (while in the presence of



a responsible supervisor) who are not under the influence of fatigue, alcohol, medication or drugs.

Misapplications, misuse or “fooling around” may cause lethal injuries and serious property damage.

For example:

- Overriding of safety mechanisms
- Cutting tree limbs or logs
- Cutting steel or other hard material
- Cutting light alloy, especially magnesium

Modifications to the device, additions to the device or conversions as well as maintenance operations and repairs performed by yourself can impair the safety, reliability and proper functioning of the device to a significant extent and void any warranty claims.

DWS774: A failure of XPS, has no effect on the intended operation.

### Product code

The product code, which also includes the year of manufacture, is printed into the housing. (See page 4.)

Example:  
2019 XX XX  
Year of Manufacture

### Definitions: Safety Guidelines

The definitions below describe the level of severity for each signal word. Please read the manual and pay attention to these symbols.



**DANGER:** Indicates an imminently hazardous situation which, if not avoided, **will** result in **death or serious injury**.



**WARNING:** Indicates a potentially hazardous situation which, if not avoided, **could** result in **death or serious injury**.



**CAUTION:** Indicates a potentially hazardous situation which, if not avoided, **may** result in **minor or moderate injury**.

**NOTICE:** Indicates a practice **not related to personal injury** which, if not avoided, **may** result in **property damage**.



Denotes risk of electric shock.



Denotes risk of fire.

### General Power Tool Safety Warnings



**WARNING:** Read all safety warnings and all instructions.

Failure to follow the warnings and instructions may result in electric shock, fire and/or serious injury.

#### SAVE ALL WARNINGS AND INSTRUCTIONS FOR FUTURE REFERENCE

The term “power tool” in the warnings refers to your mains-operated (corded) power tool or battery-operated (cordless) power tool.

#### 1) Work area safety

- a) **Keep work area clean and well lit.** Cluttered or dark areas invite accidents.
- b) **Do not operate power tools in explosive atmospheres, such as in the presence of flammable liquids, gases or dust.** Power tools create sparks which may ignite the dust or fumes.
- c) **Keep children and bystanders away while operating a power tool.** Distractions can cause you to lose control.

#### 2) Electrical safety

- a) **Power tool plugs must match the outlet. Never modify the plug in any way. Do not use any adapter plugs with earthed**

**(grounded) power tools.** Unmodified plugs and matching outlets will reduce risk of electric shock.

- b) **Avoid body contact with earthed or grounded surfaces such as pipes, radiators, ranges and refrigerators.** There is an increased risk of electric shock if your body is earthed or grounded.
- c) **Do not expose power tools to rain or wet conditions.** Water entering a power tool will increase the risk of electric shock.
- d) **Do not abuse the cord. Never use the cord for carrying, pulling or unplugging the power tool. Keep cord away from heat, oil, sharp edges or moving parts.** Damaged or entangled cords increase the risk of electric shock.
- e) **When operating a power tool outdoors, use an extension cord suitable for outdoor use.** Use of a cord suitable for outdoor use reduces the risk of electric shock.
- f) **If operating a power tool in a damp location is unavoidable, use a residual current device (RCD) protected supply.** Use of an RCD reduces the risk of electric shock.

#### 3) Personal safety

- a) **Stay alert, watch what you are doing and use common sense when operating a power tool. Do not use a power tool while you are tired or under the influence of drugs, alcohol or medication.** A moment of inattention while operating power tools may result in serious personal injury.
- b) **Use personal protective equipment. Always wear eye protection.** Protective equipment such as dust mask, non-skid safety shoes, hard hat, or hearing protection used for appropriate conditions will reduce personal injuries.
- c) **Prevent unintentional starting. Ensure the switch is in the off position before connecting to power source and/or battery pack, picking up or carrying the tool.** Carrying power tools with your finger on the switch or energising power tools that have the switch on invites accidents.
- d) **Remove any adjusting key or wrench before turning the power tool on.** A wrench or a key left attached to a rotating part of the power tool may result in personal injury.
- e) **Do not overreach. Keep proper footing and balance at all times.** This enables better control of the power tool in unexpected situations.
- f) **Dress properly. Do not wear loose clothing or jewellery. Keep your hair, clothing and gloves away from moving parts.** Loose clothes, jewellery or long hair can be caught in moving parts.
- g) **If devices are provided for the connection of dust extraction and collection facilities, ensure these are connected and properly used.** Use of dust collection can reduce dust-related hazards.
- h) **Do not let familiarity gained from frequent use of tools allow you to become complacent and ignore tool safety principles.** A careless action can cause severe injury within a fraction of a second.

#### 4) Power tool use and care

- a) **Do not force the power tool. Use the correct power tool for your application.** The correct power tool will do the job better and safer at the rate for which it was designed.
- b) **Do not use the power tool if the switch does not turn it on and off.** Any power tool that cannot be controlled with the switch is dangerous and must be repaired.



- c) **Disconnect the plug from the power source and/or the battery pack from the power tool before making any adjustments, changing accessories, or storing power tools.** Such preventive safety measures reduce the risk of starting the power tool accidentally.
- d) **Store idle power tools out of the reach of children and do not allow persons unfamiliar with the power tool or these instructions to operate the power tool.** Power tools are dangerous in the hands of untrained users.
- e) **Maintain power tools. Check for misalignment or binding of moving parts, breakage of parts and any other condition that may affect the power tool's operation. If damaged, have the power tool repaired before use.** Many accidents are caused by poorly maintained power tools.
- f) **Keep cutting tools sharp and clean.** Properly maintained cutting tools with sharp cutting edges are less likely to bind and are easier to control.
- g) **Use the power tool, accessories and tool bits etc., in accordance with these instructions taking into account the working conditions and the work to be performed.** Use of the power tool for operations different from those intended could result in a hazardous situation.
- h) **Keep handles and grasping surfaces dry, clean and free from oil and grease.** Slippery handles and grasping surfaces do not allow for safe handling and control of the tool in unexpected situations.

## 5) Service

- a) **Have your power tool serviced by a qualified repair person using only identical replacement parts.** This will ensure that the safety of the power tool is maintained.

## Safety Rules for Mitre Saws

- a) **Mitre saws are intended to cut wood or wood-like products, they cannot be used with abrasive cut-off wheels for cutting ferrous material such as bars, rods, studs, etc.** Abrasive dust causes moving parts such as the lower guard to jam. Sparks from abrasive cutting will burn the lower guard, the kerf insert and other plastic parts.
- b) **Use clamps to support the workpiece whenever possible. If supporting the workpiece by hand, you must always keep your hand at least 100 mm from either side of the saw blade.** Do not use this saw to cut pieces that are too small to be securely clamped or held by hand. If your hand is placed too close to the saw blade, there is an increased risk of injury from blade contact.
- c) **The workpiece must be stationary and clamped or held against both the fence and the table.** Do not feed the workpiece into the blade or cut "freehand" in any way. Unrestrained or moving workpieces could be thrown at high speeds, causing injury.
- d) **Push the saw through the workpiece. Do not pull the saw through the workpiece.** To make a cut, raise the saw head and pull it out over the workpiece without cutting, start the motor, press the saw head down and push the saw through the workpiece. Cutting on the pull stroke is likely to cause the saw blade to climb on top of the workpiece and violently throw the blade assembly towards the operator.
- e) **Never cross your hand over the intended line of cutting either in front or behind the saw blade.** Supporting the workpiece "cross handed" i.e. holding the workpiece to the right of the saw blade with your left hand or vice versa is very dangerous.
- f) **Do not reach behind the fence with either hand closer than 100 mm from either side of the saw blade, to remove wood scraps, or for any other reason while the blade is spinning.** The proximity of the spinning saw blade to your hand may not be obvious and you may be seriously injured.
- g) **Inspect your workpiece before cutting. If the workpiece is bowed or warped, clamp it with the outside bowed face toward the fence.** Always make certain that there is no gap between the workpiece, fence and table along the line of the cut. Bent or warped workpieces can twist or shift and may cause binding on the spinning saw blade while cutting. There should be no nails or foreign objects in the workpiece.
- h) **Do not use the saw until the table is clear of all tools, wood scraps, etc., except for the workpiece.** Small debris or loose pieces of wood or other objects that contact the revolving blade can be thrown with high speed.
- i) **Cut only one workpiece at a time. Stacked multiple workpieces cannot be adequately clamped or braced and may bind on the blade or shift during cutting.**
- j) **Ensure the mitre saw is mounted or placed on a level, firm work surface before use.** A level and firm work surface reduces the risk of the mitre saw becoming unstable.
- k) **Plan your work. Every time you change the bevel or mitre angle setting, make sure the adjustable fence is set correctly to support the workpiece and will not interfere with the blade or the guarding system.** Without turning the tool "ON" and with no workpiece on the table, move the saw blade through a complete simulated cut to assure there will be no interference or danger of cutting the fence.
- l) **Provide adequate support such as table extensions, saw horses, etc. for a workpiece that is wider or longer than the table top.** Workpieces longer or wider than the mitre saw table can tip if not securely supported. If the cut-off piece or workpiece tips, it can lift the lower guard or be thrown by the spinning blade.
- m) **Do not use another person as a substitute for a table extension or as additional support.** Unstable support for the workpiece can cause the blade to bind or the workpiece to shift during the cutting operation pulling you and the helper into the spinning blade.
- n) **The cut-off piece must not be jammed or pressed by any means against the spinning saw blade.** If confined, i.e. using length stops, the cut-off piece could get wedged against the blade and thrown violently.
- o) **Always use a clamp or a fixture designed to properly support round material such as rods or tubing.** Rods have a tendency to roll while being cut, causing the blade to "bite" and pull the work with your hand into the blade.
- p) **Let the blade reach full speed before contacting the workpiece.** This will reduce the risk of the workpiece being thrown.
- q) **If the workpiece or blade becomes jammed, turn the mitre saw off. Wait for all moving parts to stop and disconnect the plug from the power source and/or remove the battery pack.** Then work to free the jammed material. Continued sawing with a jammed workpiece could cause loss of control or damage to the mitre saw.
- r) **After finishing the cut, release the switch, hold the saw head down and wait for the blade to stop before removing the cut-off piece.** Reaching with your hand near the coasting blade is dangerous.





- s) **Hold the handle firmly when making an incomplete cut or when releasing the switch before the saw head is completely in the down position.** The braking action of the saw may cause the saw head to be suddenly pulled downward, causing a risk of injury.

## Additional Safety Rules for Mitre Saws

- Do not use the saw to cut other materials than those recommended by the manufacturer.
- Do not operate the machine without guards in position, or if guards do not function or are not maintained properly.
- Select the correct blade for the material to be cut.
- Use correctly sharpened saw blades.
- Make sure that the blade rotates in the correct direction.
- USE ONLY CROSSCUT SAW BLADES recommended for mitre saws. Do not use carbide tipped blades with hook angles in excess of 7 degrees. Do not use blades with deep gullets. These can deflect and contact the guard, and can cause damage to the machine and/or serious injury.
- Never attempt to stop a machine in motion rapidly by jamming a tool or other means against the blade; serious accidents can occur.
- Before using any accessory consult the instruction manual. The improper use of an accessory can cause damage.
- Ensure that the saw blade is mounted correctly before use.
- Do not use blades of larger or smaller diameter than recommended. For the proper blade rating refer to the **technical data**. Use only the blades specified in this manual, complying with EN 847-1.
- Do not use HIGH SPEED STEEL blades.
- Do not use cracked or damaged saw blades.
- Do not use any abrasive or diamond discs.
- Use only saw blades where the marked speed is at least equal to the speed marked on the saw.
- Do not wedge anything against the fan to hold the motor shaft.
- Never raise the blade guard manually unless the saw is switched off. The guard can be raised by hand when installing or removing saw blades or for inspection of the saw.
- Check periodically that the motor air slots are clean and free of chips.
- Please be aware of the following factors influencing exposure to noise:
  - use saw blades designed to reduce the emitted noise;
  - use only well sharpened saw blades;
- Machine maintenance shall be conducted periodically;
- In case of an accident or machine failure, immediately turn the machine off and disconnect machine from the power source.
- Report the failure and mark the machine in suitable form to prevent other people from using the defective machine.
- When sawing plastic melting of the material is to be avoided.

## Personal Protective Equipment

Loose clothes, jewellery, noise and similar hazards may present a danger to persons. Persons that will be using the device and have to reside in the vicinity of the device, must wear suitable personal protective equipment.



Protective clothing protects the skin against mechanical effects, e.g. cuts



Safety boots protect the feet against falling objects and the entry of protruding nails



Safety gloves protect the hands against mechanical effects, e.g. cuts



Marked on tool: Safety goggles: protects the eyes against flying objects, such as splinters and dust



Marked on tool: Ear protection: protects the ears against excessive noise



Marked on tool: Wear a dust respirator.



Young children and the infirm. This machine is not intended for use by young children or infirm persons without supervision.

## Warning Signs and Labels

The device may only be used if all safety labels on the Mitre Saw are both complete and legible.



The safety alert symbol is used to alert you to potential physical injury hazards. Obey all safety messages that follow this symbol to avoid possible injury or death.



Read the manual before using the device.



Risk of electrical hazard



Examples of cable damages



Do not connect the power cable with the power supply.



Danger of cuts



Keep your hand at least 100 mm from either side of the saw blade



This product must not be disposed of with normal household waste



Keep away from children



Do not use the tool in damp or wet conditions



Do not use solvents or other harsh chemicals for cleaning



The Mitre Saw requires no additional lubrication



Well lighting of work area (250 - 300 Lux)



While using the worklight do not stare at the light. Serious eye injury could result



Marked on Tool: Carrying points



**DeWALT**

Repair by DeWALT or by an authorized DeWALT repair agent

## OPERATIONAL SAFETY NOTES



**WARNING:** Mitre Saws can cause serious injuries if improperly handled.

## Electrical Safety

The Mitre Saw is double insulated in accordance with EN62841; therefore no earth wire is required.

- The electric motor has been designed for one voltage only. Always check that the power supply corresponds to the voltage on the rating plate.
- Do not expose the tool to rain. Do not use the tool in damp or wet conditions.
- Avoid body contact with earthed surfaces (e.g., pipes, radiators, cookers and refrigerators).
- Outdoor use: Electric safety can be improved by inserting an isolating transformer or a (FI) earth-leakage circuit-breaker.



**WARNING:** Do not abuse the power cable.

- Never yank the power cable to disconnect it from the socket.
- Keep the power cable away from heat, oil and sharp edges.

## Extension cables

- If an extension cable is required, use an approved 3-core extension cable suitable for the power input of this tool (see Technical Data). The minimum conductor size is 1.5 mm<sup>2</sup>; the maximum length is 30 m.
- When using a cable reel, always unwind the cable completely.
- Before use: check the extension cable and replace if damaged.
- When the tool is used outdoors, use only extension cables intended for outdoor use and marked accordingly.

## Mains Plug and Cord Replacement

In case of cord or plug replacement the tool must only be repaired by an authorized service agent or by qualified electrician.

The following cords are mandatory:

DWS773, DWS774: 230V	H05RN-F, 2 x 1.0 mm <sup>2</sup>
DWS773, DWS774: 115V	H05RR-F, 2 x 1.5 mm <sup>2</sup>

## Mains plug replacement (UK & Ireland only)

If a new mains plug needs to be fitted:

- No connection is to be made to the earth terminal.
- Connect the brown lead to the live terminal in the plug.
- Connect the blue lead to the neutral terminal.
- Safely dispose of the old plug.
- Fitting a mains plug to 115 V Units: The plug fitted should be comply with BS EN 60309 (BS4343), 16 Amps, earthing contact position 4h.

## TASKS RELATED WARNINGS

### Unpacking, Transport, Storage

#### Unpacking



#### NOTICE:

- Check for damage to the tool, parts or accessories which may have occurred during transport.
- Check the content for completeness.

#### Transport



**CAUTION:** Improper transport can cause bruises.

- Do not carry the tool with a finger on the switch. Be sure that the tool is in the "off" position.
- Do not use guards to lift or transport the mitre saw.

#### Storage

**NOTICE:** The mitre saw must be stored in a dry place and locked up securely, out of reach of children.

## Bench Mounting



## Ergonomic requirements

Ensure the tool is placed to satisfy your ergonomic conditions in terms of table height and stability. The machine site shall be chosen so that the operator has a good overview and enough free surrounding space around the machine that allows handling of the workpiece without any restrictions.

## Adjustments and Replacements



The Mitre Saw was accurately adjusted at the factory. Due to shipping and handling or any other reason a readjustment can be required.



- WARNING:** Electrical shock can cause serious injuries or death
- Before work: Disconnect the power cable from the power supply.

#### NOTICE:

- Ensure that the arm is securely fixed when performing bevel cuts.
- Check that the blade does not touch the table at the rear of the slot or at the front of the rotating arm at 90° vertical and 45° bevel positions.
- If the saw blade is worn, replace it with a new sharp blade.
- Check the technical data of the new blade: Use 216 mm saw blades with 30 mm arbor holes to obtain the desired cutting capacities.
- Replace the kerf plate when worn. If the kerf plate becomes worn or damaged take saw to an authorised service centre.

## Operating



### General

- Use the optional roller tables for large and long pieces of wood.
- Use the optional dust extraction.
- Never use your saw without the kerf plate.

### Before use

- Check for damage to the tool and the power cable. Take care that the power supply cord is not placed in the cutting area
- Check the upper blade guard, movable lower blade guard as well as the dust extraction tube to determine that it will operate properly.
- Check the lower blade guard, it is designed to close quickly when the lever is released. If it does not close within 1 second, have the saw serviced by an authorized DeWALT repair agent.
- Ensure that chips, dust or workpiece particle cannot lead to blockage of one of the functions.
- In case of workpiece fragments jammed between saw blade and guards disconnect the tool from the power supply. Remove the jammed parts and reassembling the saw blade.
- Allow the blade to cut freely. Do not force.
- Always make dry runs (without power) before finish cuts so that you can check the path of the blade.
- Allow the motor to reach full speed before cutting.
- Make sure all locking knobs and clamp handles are tight.

- WARNING: Improper use can cause serious harm.**
- Be sure that the tool is in the "off" position before plugging in.
  - Do not let persons, especially children, not involved in the work, touch the tool or the extension cord and keep them away from the work area.

### Body and hand position

- Never place your hands closer than 100 mm from the blade.
- Never cross your hands.
- As you move the saw arm left and right, follow it and stand slightly to the side of the saw blade.

### Cutting

- Always let the blade come to a full stop before raising the arm. If small fibres of wood still split out at the rear of the workpiece, stick a piece of masking tape on the wood where the cut will be made. Saw through the tape and carefully remove tape when finished.

- Hold the workpiece tightly to the table and the fence when cutting. Keep your hands in position until the switch has been released and the blade has completely stopped.
- When mitring the end of a piece of wood with a small off-cut, position the wood to ensure that the off-cut is to the side of the blade with the greater angle to the fence, i.e.:
  - left mitre, off-cut to the right
  - right mitre, off-cut to the left

### After use

- Disconnect the power cable from the power supply.
- Store the Mitre Saw in a dry place and locked up securely, out of reach of children.

## Dust Extraction



- WARNING:** Risk of dust inhalation. To reduce the risk of personal injury **ALWAYS** wear approved dust mask.

- WARNING:** ALWAYS use a vacuum extractor designed in compliance with the applicable directives regarding dust emission when sawing wood.

- Certain dusts, such as oak or beech dust, are considered as carcinogenic.
- Observe the relevant regulations in your country for the materials to be worked.

### NOTICE:

- Connect the saw to a dust collection device when sawing wood. Always consider factors which influence exposure of dust such as:
  - good ventilation of the working place;
  - sharpness of the saw blade;
  - correct adjustment of the saw blade,
  - Push the saw through the workpiece. Do not pull the saw through the workpiece.

## Cleaning and Maintenance

The mitre saw has been designed to operate over a long period of time with a minimum of maintenance. Continuous satisfactory operation depends upon proper tool care and regular cleaning.

- WARNING:** Electrical shock can cause serious injuries or death.
- Before cleaning: Disconnect the power cable from the power supply.

### NOTICE:

- Use a cloth dampened only with water and mild soap.
- Never let any liquid get inside the tool; never immerse any part of the tool into a liquid.
- The guide grooves can become clogged with sawdust. Use suitable dust extraction or some low pressure air to clear the guide grooves.
- Disconnect the machine from the mains before carrying out any maintenance work or when changing the blade.
- Never perform any cleaning or maintenance work when the machine is still running and the head is not in the rest position.



## Disposal

### Protecting the environment!



Separate collection. Products and batteries marked with this symbol must not be disposed of with normal household waste.

Products and batteries contain materials that can be recovered or recycled reducing the demand for raw materials. Please recycle electrical products and batteries according to local provisions. Further information is available at [www.2helpU.com](http://www.2helpU.com).



# ТОРЦЮВАЛЬНА ПИЛКА ДЛЯ ВІДРІЗАННЯ ПІД КУТОМ DWS773, DWS774

## ТЕХНІЧНІ ХАРАКТЕРИСТИКИ

		DWS773	DWS774
Напруга:			
Європа	V	230	230
Велика Британія та Ірландія	V	230/115	230/115
Запобіжники			
Європа 230 В	A	10 (силова мережа)	10 (силова мережа)
Велика Британія та Ірландія 230 В	A	13 (вмонтований у вилку)	13 (вмонтований у вилку)
Велика Британія та Ірландія 115 В	A	16 (силова мережа)	16 (силова мережа)
Тип		1	1
Вхідна потужність	Вт	1300	1400
Діаметр пильного диска	мм	216	216
Діаметр отвору диска	мм	30	30
Швидкість пильного диска, макс.	хв. <sup>-1</sup>	4600/4500	4600/4500
Положення різання під кутом, макс.	вліво	48°	48°
	вправо	48°	48°
Положення кута нахилу, макс.	вліво	48°	48°
	кут	45°	45°
	нахилу	45°	45°
Комбіноване різання під кутом	різнання під кутом		
Граничні параметри:			
поперечний розріз під кутом 90° (макс. підвищення)	мм	70 x 20	70 x 20
поперечний розріз під кутом 90°	мм	60 x 250	60 x 250
кут скосу 45°	мм	60 x 170	60 x 170
кут скосу 48°	мм	60 x 160	60 x 160
кут нахилу 45°	мм	48 x 250	48 x 250
кут нахилу 48°	мм	45 x 250	45 x 250
Габаритні розміри (з висувним столом)	мм	625 x 425 x 355	625 x 425 x 355
Розміри (без висувного столу)	мм	445 x 425 x 355	445 x 425 x 355
XPS		Ні	Так
Маса	кг	11,5	11,5

Значення рівня шуму та вібрації (триаксильна векторна сума) відповідно до стандарту EN62841:

$L_{pa}$ (звуковий тиск)	дБ(A)	92	92
$L_{wa}$ (звукова потужність)	дБ(A)	98	98
K (похибка акустичної потужності)	дБ(A)	0,3	0,3

Значення вібрації та/або шуму, наведене в цьому документі, було виміряне згідно зі стандартизованим тестом, викладеним в стандарті EN62841, та може використовуватись для порівняння інструментів. Це значення вібрації можна також використовувати для попередньої оцінки впливу вібрації.



**УВАГА!** Заявлене значення вібрації та/або шуму відповідає вимогам цільового використання інструмента. Однак якщо інструмент використовується для виконання інших завдань,

або з іншими витратними матеріалами/насадками, або не обслуговується належним чином, значення вібрації та/або шуму може відхилитися. Це може значно збільшити рівень впливу протягом усього періоду роботи.

Оцінка рівня впливу вібрації та/або шуму має враховувати час, протягом якого інструмент є вимкненим, а також час, протягом якого він є ввімкненим, але не використовується. Це може значно зменшити рівень впливу протягом усього періоду роботи.

Визначення додаткових заходів безпеки для захисту оператора від впливу вібрації та/або шуму: технічне обслуговування інструмента та приладдя, утримання рук у теплі (має значення для вібрації), організація режиму роботи.

### Джерело живлення

Даний інструмент призначений для підключення до системи подачі живлення з максимальним допустимим опором  $Z_{max} = 0,39 \text{ Ом}$  в точці доступу користувача (блок живлення).

Користувач повинен переконатися, що цей пристрій підключений до системи живлення, яка задовольняє перераховані вище умови. При потребі у незалежній точці підключення користувач може звернутися до послуг компанії, що забезпечує комунальну систему енергоспоживання.

### Декларація про відповідність ЄС



Відповідно до Директиви про машини та устаткування 2006/42/ЄС

Продукт: Торцювальна пила для відрізання під кутом

Тип: DWS773, DWS774

Компанія DEWALT заявляє, що продукція, наведена у розділі Технічні дані, відповідає вимогам гармонізованих стандартів: EN62841-1:2015 та EN62841-3-9:2015 + A11:2017. Ці продукти також відповідають Директиві 2014/30/EU і 2011/65/EC.

Для отримання додаткової інформації, будь ласка, зверніться до компанії DEWALT за адресою, вказаною нижче, або прочитайте інформацію на зворотній стороні цього посібника.

Нижчепідписаний несе відповідальність за упорядкування файлу технічних характеристик та робить цю заяву від імені DEWALT.

Маркус Ромпель (Markus Rompel)  
технічний директор, PTE-Euro  
DEWALT, Richard-Klinger-Straße 11,  
D-65510, Idstein, Німеччина  
02.09.2019

### ЗАГАЛЬНІ ПОПЕРЕДЖЕННЯ З ТЕХНІКИ БЕЗПЕКИ



Перед використанням уважно прочитайте посібник з безпеки, щоб забезпечити безпечну і належну роботу пристрою. Зберігайте інструкцію з експлуатації до утилізації пристрою.

### Сфера застосування

Торцювальну пилку для відрізання під кутом потрібно використовувати відповідно до специфікацій цього посібника з безпеки та посібника з експлуатації. Торцювальна пила не є



«іграшкою» і потребує обережного, відповідального та обережного поводження.

Торцювальна пила призначена для професійного розпилювання деревини, виробів з дерева та пластмас. За допомогою цієї пилки можна легко, точно і безпечно виконувати поперечне різання, різання з нахилом та різання під кутом.

Ця пила розроблена для використання з пильним диском номінального діаметру 216 мм із твердосплавними напайками.

Обов'язки роботодавця, наприклад:

- Дотримання термінів проведення періодичних перевірок, а також замовлення ремонтних заходів, які повинен виконувати уповноважений ремонтний агент компанії DeWALT.
- Безпечне зберігання торцювальної пилки в недоступному для дітей місці.
- Безпечення та гарантія виконання використання захисних засобів, див. у розділі 1.3 «Засоби індивідуального захисту».

Пилкою можуть користуватися лише особи старші 18 років або учні/стажери старші 16 років (але в присутності відповідального керівника), які не перебувають під впливом втоми, алкоголю, ліків або наркотиків.

Неправильне застосування, неправильне використання або «дуркування» можуть спричинити смертельну травму та серйозну шкоду майну.

Наприклад:

- Блокування роботи механізмів безпеки
- Різання кінцівок дерева або колод
- Різання сталі або іншого твердого матеріалу
- Різання легких сплавів, особливо магнієвих сплавів

Модифікації пристрою, підключення додаткових елементів до пристрою або перетворення, а також проведені вами власні операції та ремонти можуть значною мірою погіршити безпеку, надійність та належне функціонування пристрою та позбавити будь-яких гарантійних претензій.

DWS774: Відмова XPS не впливає на передбачуване використання.

## Код продукту

Код продукту, що включає також рік виробництва, наноситься на корпус. (Див. сторінку 4.)

Приклад:  
2019 XX XX

Рік виробництва

## Позначення: Інструкції з техніки безпеки

Умовні позначення, наведені нижче, описують рівень важливості кожної попереджувальної вказівки. Прочитайте керівництво з експлуатації та зверніть увагу на символи, наведені нижче.



**НЕБЕЗПЕЧНО!** Вказує на безпосередню загрозу, ігнорування якої **приведе до смерті або серйозної травми.**



**УВАГА!** Вказує на потенційну загрозу, яка, якщо її не уникнути, **може привести до смерті або серйозної травми.**



**ОБЕРЕЖНО!** Вказує на потенційну загрозу, яка, якщо її не уникнути, **може привести до травми незначної або середньої важкості.**

**ПРИМІТКА.** Вказує на ситуацію, **не пов'язану з особистою травмою, ігнорування цієї ситуації може привести до пошкодження майна.**



Вказує на ризик ураження електричним струмом.



Вказує на ризик виникнення пожежі.

## Загальні правила безпеки при експлуатації електричного інструмента



**УВАГА! Прочитайте всі попередження та інструкції.**

Невиконання наведених попереджень та інструкцій може призвести до ураження електричним струмом, пожежі та/або серйозних травм.

## ЗБЕРЕЖІТЬ УСІ ПОПЕРЕДЖЕННЯ ТА ІНСТРУКЦІЇ ДЛЯ ВИКОРИСТАННЯ В МАЙБУТНЬОМУ

Термін «електричний інструмент» в усіх попередженнях стосується використовуваних вами інструментів, що живляться від мережі енергопостачання (з електричним кабелем) або від акумуляторів (без кабелю).

### 1) Безпека робочої зони

- Робоча зона завжди має бути чистою та добре освітленою.** Захаращена або темна робоча зона призводить до нещасних випадків.
- Не використовуйте електричні інструменти у вибухонебезпечній атмосфері, наприклад поруч із вогненебезпечними рідинами, газами та пилом.** Електричні інструменти створюють іскри, що можуть запалити пил або пару.
- Тримайте дітей та сторонніх подалі під час використання інструмента.** Відвернення уваги може призвести до втрати контролю.

### 2) Електрична безпека

- Вилка електричного інструмента повинна відповідати розетці. Ніколи жодним чином не змінюйте вилку.** Не використовуйте адаптери з заземленими електричними інструментами. Немодифіковані вилки та розетки, що підходять до них, зменшують ризик ураження електричним струмом.
- Уникайте контакту тіла з заземленими поверхнями, такими як труби, радіатори, плити та холодильники.** Якщо ваше тіло заземлене, збільшується ризик ураження електричним струмом.
- Не залишайте електричні інструменти під дощем або в умовах підвищеної вологості.** Вода, що потрапляє в електричний інструмент, підвищує ризик ураження електричним струмом.
- Не використовуйте кабель живлення не за призначенням. Ніколи не переносьте, не тяніть та не відключайте електричний інструмент від розетки живлення за допомогою шнура. Тримайте шнур подалі від високих температур, мастила, гострих предметів та рухомих деталей.** Пошкоджені або перекручені шнури підвищують ризик ураження електричним струмом.
- При використанні електричного інструмента на вулиці, використовуйте подовжувальний шнур, що підходить для використання на вулиці.** Використання шнура, що призначений для використання поза приміщенням, знижує ризик ураження електричним струмом.
- Якщо неможливо уникнути використання електричного інструмента в умовах підвищеної вологості, використовуйте живлення, захищене**



пристроєм залишкового струму (RCD). Використання RCD знижує ризик ураження електричним струмом.

### 3) Особиста безпека

- a) **Будьте в стані готовності, дивіться, що ви робите, та будьте розсудливі, працюючи з електричним інструментом. Не використовуйте електричний інструмент, коли ви втомлені або знаходитесь під впливом наркотичних речовин, алкоголю або ліків.** Втрата уваги під час роботи з електричним інструментами може призвести до серйозних травм.
- b) **Використовуйте особисті засоби безпеки. Завжди використовуйте засоби захисту очей.** Засоби безпеки, такі як протипилова маска, нековзкі безпечні черевики, захисний шолом та засоби захисту слухового апарату, використані для відповідних умов, зменшують імовірність особистих травм.
- c) **Уникайте випадкового запуску. Переконайтеся в тому, що вимикач знаходиться в позиції Вимк. перед підключенням до джерела живлення та/або акумулятора, переміщенням або перенесенням пристрою.** Може статися нещасний випадок, коли ви переносите інструмент, тримаючи палець на вимикачі, або підключаєте живлення до вимикача в позиції Увімк.
- d) **Зніміть усі ключі для регулювання або гайкові ключі, перш ніж вмикати електричний інструмент.** Гайковий ключ, що залишився прикріпленим до якоїсь деталі електричного пристрою, що обертається, може призвести до травм.
- e) **Не прикладайте надмірних зусиль. Завжди утримуйте правильну постановку ніг і рівновагу.** Це дає вам змогу краще контролювати інструмент в неочікуваних ситуаціях.
- f) **Одягайтеся відповідним чином. Не вдягайте вільний одяг або прикраси. Тримайте ваше волосся, одяг та рукавички подаль від рухомих деталей.** Вільний одяг, прикраси або довге волосся можуть зачепитися за рухомі деталі.
- g) **Якщо передбачені пристрої для підключення до засобів виділення та збирання пилу, переконайтеся, що вони правильно підключені та використовуються.** Використання таких пристроїв зменшує ризик виникнення небезпечних ситуацій, що пов'язані з потраплянням пилу.
- h) **Навіть якщо ви добре знаєте інструмент та частото його використовуйте, не розслабляйтесь та не забувайте про принципи техніки безпеки.** Необережні дії можуть за долю секунди призвести до важких тілесних ушкоджень.

### 4) Використання електричного інструмента та догляд за ним

- a) **Не прикладайте надмірних зусиль під час роботи з інструментом.** Використовуйте електричний інструмент, який відповідає завданню, що виконується. Правильно обраний інструмент виконає завдання краще та безпечніше за умов, для яких він був розроблений.
- b) **Не використовуйте інструмент, якщо його неможливо вимкнути та вимкнути за допомогою вимикача.** Будь-який електричний інструмент, яким неможливо

керувати за допомогою вимикача, є небезпечним і має бути відремонтований.

- c) **Відключіть вилку від джерела живлення перед тим, як робити будь-які налаштування, зміни додаткового обладнання чи зберігати інструмент.** Ці профілактичні заходи зменшують ризик випадкового запуску електричного інструмента.
- d) **Зберігайте вимкнені електричні інструменти в недоступному для дітей місці та не дозволяйте особам, що не знайомі з електричним інструментом або цими інструкціями, використовувати електричний інструмент.** Електричні інструменти є небезпечними, якщо вони використовуються некваліфікованими користувачами.
- e) **Технічне обслуговування електричних інструментів. Перевіряйте на відсутність вирівнювання або заїдання рухомих деталей, ушкоджених частин та інших умов, що можуть впливати на роботу електричного інструмента.** Якщо є пошкодження, відремонтуйте електричний інструмент перед використанням. Нещасні випадки часто є результатом того, що інструмент не пройшов відповідного технічного обслуговування.
- f) **Різальні інструменти мають бути гострими та чистими.** Правильно доглянуті різальні інструменти з гострими різальними кромками мають меншу імовірність заїдання, та ними легше керувати.
- g) **Використовуйте електричний інструмент, додаткові інструменти та деталі інструмента тощо відповідно до цих інструкцій та цього типу електричних інструментів, зважаючи на умови використання та роботу, яка має бути виконана.** Використання електричних інструментів не за призначенням може призвести до виникнення небезпечних ситуацій.
- h) **Всі ручки та поверхні для тримання інструмента мають бути сухими, без залишків мастила.** Слизькі ручки та поверхні для тримання не дозволяють безпечно працювати та контролювати інструмент у неочікуваних ситуаціях.

### 5) Обслуговування

- a) **Надавайте ваш електричний інструмент для обслуговування кваліфікованим спеціалістом з ремонту та використовуйте тільки ідентичні замінні деталі.** Це забезпечить безпеку електричного пристрою, що обслуговується.

### Правила безпеки при роботі з торцювальними пилками

- a) **Торцювальні пилки призначені для різання деревини або деревоподібних виробів, їх не можна використовувати з абразивними відрізними дисками для різання чорних матеріалів, таких як бруски, прутки, шпильки тощо.** Абразивний пил призводить до заклинювання рухомих деталей, таких як нижній кожух. Іскри від абразивного різання можуть спалити нижній кожух, вставку для прорізу та інші пластикові деталі.
- b) **Використовуйте затискачі для надійної фіксації заготовки, коли це можливо.** Якщо заготовка утримується рукою, завжди тримайте руку на відстані якнайменше 100 мм по обидва боки від



- пильного диска.** Не використовуйте цю пилку для різання занадто маленьких деталей, які неможливо надійно затиснути або тримати вручну. Якщо рука знаходиться занадто близько до пильного диска, виникає підвищений ризик травмування в результаті контакту з ним.
- c) **Заготовку слід нерухомо затискати або утримувати на напрямній та на столі.** Забороняється подавати заготовку на диск або розрізати з «вільними руками». Заготовки, що не утримуються або рухаються, можуть бути викинуті з високою швидкістю, що може спричинити травму.
- d) **Прощтовхніть пилку через заготовку. Не тягніть пилку через заготовку.** Щоб виконати різання, підійміть ріжучу голівку і витягніть її над заготовкою без різання, запустіть двигун, натисніть на ріжучу голівку і прощтовхніть пилку через заготовку. Різка на хід пилки може призвести до того, що пильний диск залізе на заготовку і різко перекине вузол пилки в бік оператора.
- e) **Ніколи не перетинайте рукою лінію розпилу ані спереду, ані ззаду пильного диска.** Утримання заготовки «навхрест», тобто утримання заготовки праворуч від пильного диска лівою рукою або навпаки є дуже небезпечним.
- f) **Під час обертання пильного диска не наближайтеся до напрямної жодної рукою ближче, ніж на 100 мм по обидва боки пильного диска, щоб видалити тирсу або з будь-якої іншої причини.** Близькість пильного диска під час обертання до руки може бути неочевидною і призвести до серйозних травм.
- g) **Перед виконанням різання огляньте заготовку. Якщо заготовка зігнута або викривлена, затисніть її зовнішньої зігнутою стороною до напрямної.** Завжди стежте за тим, щоб між заготовкою, напрямною і столом не було зазору по лінії розрізу. Винуті або викривлені заготовки можуть скручуватися або зміщуватися і при різанні можуть стати причиною заїдання на пильному диску, що обертається. В заготовці не повинно бути цвяхів або сторонніх предметів.
- h) **Не використовуйте пилку, поки не очистите стіл від усіх інструментів, тирси тощо, окрім заготовки.** Невеликі уламки, вільні шматки дерева або інші предмети, що потрапляють на диск, що обертається, можуть бути викинуті з високою швидкістю.
- i) **Розпилуйте одну заготовку за раз. Неможливо належним чином затиснути або закріпити кілька покладених в штабель заготовок, вони можуть зачепитися за диск або зрушитися під час різання.**
- j) **Перед використанням переконайтеся, що торцювальна пилка змонтована або встановлена на рівній та міцній робочій поверхні.** Рівна і міцна робоча поверхня знижує ризик нестійкості торцювальної пилки.
- k) **Плануйте свою роботу. Кожного разу, коли ви змінюєте кут нахилу або скосу, переконайтеся, що регульована напрямна встановлена правильно для утримання заготовки, і не заважатиме диску та системі захисних елементів.** Не включаючи інструмент і без заготовки на столі зробіть повну імітацію різання пильним диском, щоб перекопатися у відсутності перешкод або небезпеки порізів напрямної.
- l) **Для заготовки, ширина або довжина якої більше, ніж стіл, забезпечте відповідну опору, таку як висувні столи, пильні козли тощо.** Заготовки, які довше або ширше, ніж стіл для торцювальної пилки, можуть перекидатися, якщо не забезпечена надійна опора. Якщо відрізана частина або заготовка перекидається, вона може підняти нижній кожух або бути викинута пильним диском під час обертання.
- m) **Забороняється використовувати іншу особу замість висувного стола або в якості додаткової опори.** Нестабільна опора заготовки може призвести до заїдання диска або зміщення заготовки під час операції різання, втягуючи вас і помічника до диска, що обертається.
- n) **Забороняється притискати відрізану частину до пильного диска, що обертається, або затискати її будь-яким способом.** При обмеженні, тобто при використанні обмежувачів довжини, відрізана частина може заклинюватися на лезі і бути відкинута із силою.
- o) **Завжди використовуйте затискач або кріплення, призначене для правильного утримання круглих матеріалів, таких як стрижні або труби.** Стрижні мають схильність котитися під час різання, що призводить до того, що диск «кусається» і затягує до себе вашу руку.
- p) **Дайте диску досягти повної швидкості перед контактом із заготовкою.** Це зменшить ризик викидання заготовки.
- q) **Якщо заготовку або диск заклинило, вимкніть пилку. Зачекайте, доки всі рухомі частини зупиняться і від'єднайте штекер від джерела живлення та/або вийміть акумуляторну батарею.** Потім звільніть матеріал, що застряг. Продовження різання із затиснутою заготовкою може призвести до втрати контролю або пошкодження торцювальної пилки.
- r) **Після завершення різання відпустіть перемикач, тримайте ріжучу голівку вниз і дочекайтеся зупинки пильного диска перед витяганням відрізаної частини.** Небезпечно дотикатися рукою до диска, який рухається за інерцією.
- s) **При неповному розпилі або при відпусканні перемикача міцно тримайтеся за ручку увесь час до повного досягнення ріжучою голівкою нижнього положення.** Гальмування пилки може призвести до раптового втягування ріжучої головки донизу, що може спричинити травму.

## Додаткові правила безпеки при роботі з торцювальними пилками

- Не використовуйте пилку для розпилюванні матеріалів, не рекомендованих виробником.
- Не використовуйте пристрій без захисних кожухів, або, якщо вони не функціонують відповідним чином, або якщо вони встановлені невірно.
- Виберіть диск, що підходить для різання матеріалу.
- Використовуйте вірно загострені пильні диски.
- Переконайтеся, що пильний диск обертається у потрібному напрямку.
- ВИКОРИСТОВУЙТЕ ТОРЦЮВАЛЬНІ ПИЛЬНІ ДИСКИ ТІЛЬКИ рекомендовані для торцювальних пилок. Для отримання найкращих результатів не використовуйте диски з





твердосплавними кінчиками із переднім кутом, що перевищує 7 градусів. Не використовуйте диски з глибокими жолобами. Вони можуть відхилитися та зачепити кожу, що може призвести до пошкодження машини та/або серйозних травм.

- Ніколи не зупиняйте рух двигуна інструменту, будь-яким чином протидіючи вільному обертанню диску, це може призвести до серйозної травми.
- Перед використанням будь-якого приладдя, вивчіть відповідне керівництво з експлуатації. Невірне використання приладдя може призвести до пошкодження інструменту.
- Перед використанням переконайтесь, що пильний диск встановлено вірно.
- Не використовуйте пильні диски більшого або меншого діаметру, ніж рекомендовано. Зверніться до технічних даних, щоб дізнатися, який диск вам потрібен. Використовуйте лише диски, що вказані в цьому посібнику та відповідають стандарту EN 847-1.
- Не використовуйте пильні диски зі швидкорізальної сталі (HIGH SPEED STEEL HSS).
- Не використовуйте тріснути та пошкожені пильні полотна.
- Ніколи не використовуйте абразивні або алмазні диски.
- Переконайтеся, що швидкість, зазначена на пильному диску, як мінімум дорівнює швидкості, зазначеній на пилці.
- Ніколи нічого не вставляйте між лопатками вентилятора, щоб зупинити вал двигуна.
- Ніколи не піднімайте кожу вручну, якщо пилка не вимкнена. Кожу можна підняти вручну для встановлення чи заміни дисків або для огляду пилки.
- Періодично оглядайте вентиляційні отвори двигуна, вони повинні бути чистими і без тирсу.
- Будь ласка, пам'ятайте про наступні фактори, що впливають на інтенсивність шуму:
  - використовуйте пильні диски, розроблені для зменшення рівня шуму;
  - використовуйте тільки добре заточені пильні диски;
- необхідно періодично виконувати технічне обслуговування інструменту;
- у випадку аварії або неполадки пристрою негайно вимкніть його та відключіть від мережі живлення.
- Заявіть про неполадку та помітьте пристрій відповідним чином, щоб інші люди не використовували пошкоджений інструмент.
- При пилянні слід уникати плавлення матеріалу із пластмаси.

## Засоби індивідуального захисту

Вільний одяг, ювелірні прикраси, шум та подібні фактори можуть становити небезпеку для людей. Особи, які користуватимуться пристроєм та мають знаходитися поблизу пристрою, повинні носити відповідні засоби індивідуального захисту.



Захисний одяг захищає шкіру від механічних впливів, наприклад надрізів.



Захисні черевики захищають ступні від предметів, що падають, і проникнення виступаючих цвяхів



Захисні рукавички захищають шкіру від механічних впливів, наприклад надрізів.



Мітки на інструменті: Захисні окуляри: захищають очі від літаючих предметів, таких як осколки та пил



Мітки на інструменті: Захист органів слуху: захищає вуха від надмірного шуму



Мітки на інструменті: Використовуйте респіратор від пилу.



Діти та хворі люди. Цей пристрій не призначений для використання молодими та хворими людьми без нагляду.

## Попереджувальні знаки та мітки

Застосовуйте пристрій лише в тому випадку, якщо всі мітки безпеки на торцювальній пилці є повними та розбірливими.



Символ попередження безпеки використовується для попередження про можливі небезпеки виникнення фізичних травм. Дотримуйтесь всіх повідомлень про безпеку, які слідує за цим символом, щоб уникнути можливих травм чи загибелі.



Уважно прочитайте посібник з експлуатації перед використанням пристрою.



Ризик електричної небезпеки



Приклади пошкодження кабелю



Не підключайте кабель живлення до мережі живлення.



Небезпека порізів



Тримайте руку якнайменше на 100 мм від будь-якої сторони пильного диску



Даний виріб не можна викидати разом зі звичайним побутовим сміттям



Тримайте виріб подалі від дітей



Не використовуйте інструмент в умовах підвищеної вологості



Не використовуйте для чищення розчинники або інші агресивні хімікати



Торцювальна пила не вимагає додаткового змащування



250 – 300 Lux

Належне освітлення робочої зони (250 - 300 люкс)



Під час використання робочого світла не дивіться на світло. Це може призвести до серйозних травм очей



Мітки на інструменті: Точки перенесення



Ремонт у компанії DeWALT або авторизованим агентом з ремонту компанії DeWALT

## ПОПЕРЕДЖЕННЯ З ТЕХНІКИ БЕЗПЕКИ ПІД ЧАС ЕКСПЛУАТАЦІЇ

**УВАГА:** Під час неналежного використання торцювальна пила може призвести до серйозного травмування.

### Електрична безпека

Торцювальна пила має подвійну ізоляцію відповідно до стандарту EN62841, тому заземлення не є необхідним.

- Електричний двигун розроблений для роботи лише з одним значенням напруги. Завжди перевіряйте відповідність джерела живлення напруги, яка зазначена на таблиці з паспортними даними.
- Не залишайте інструмент під дощем. Не використовуйте інструмент в умовах підвищеної вологості.
- Уникайте контакту тіла з заземленими поверхнями (наприклад, труби, радіатори, плити та холодильники).
- Використання за межами приміщення: Електричну безпеку можна покращити, якщо встановити трансформатор або вимикач витоку на землю (FI).

**УВАГА!** Використовуйте кабель живлення належним чином.

- Ніколи не тягніть за кабель живлення, щоб витягнути вилку з розетки.
- Оберегайте кабель живлення від контакту з джерелами тепла, потрапляння жиру та контакту з гострими предметами.

### Подовжувальні кабелі

- Якщо необхідний подовжувач, використовуйте рекомендований 3-жильний подовжувачий шнур, що підходить для споживаної потужності інструменту (див. Технічні характеристики). Мінімальний розмір провідника становить 1,5 мм<sup>2</sup>; максимальна довжина – 30 м.
- При використанні кабельного барабану завжди витягуйте весь кабель.

- Перед використанням: перевірте подовжувачий кабель та замініть його у разі пошкодження.
- При використанні інструменту поза приміщенням використовуйте подовжувачий кабель, призначений для зовнішнього застосування із відповідним маркуванням.

### Заміна штепсельної вилки та шнура

У випадку необхідності заміни кабелю живлення або вилки інструмент необхідно віднести для ремонту в офіційний сервісний центр або до кваліфікованого спеціаліста.

Нижче вказані шнури є обов'язковими для використання:

DWS773, DWS774: 230В	H05RN-F, 2 x 1,0 мм <sup>2</sup>
DWS773, DWS774: 115В	H05RR-F, 2 x 1,5 мм <sup>2</sup>

### Заміна штепсельної вилки (тільки для Великобританії та Ірландії)

Якщо потрібно встановити нову вилку, виконайте кілька дій.

- Жоден провідник не має бути підключений до клеми заземлення.
- Приєднайте коричневий провідник до активного виходу вилки.
- Приєднайте блакитний провідник до нейтрального виходу.
- Зніміть стару вилку та утилізуйте її, дотримуючись правил техніки безпеки.
- Пристосування штепсельної вилки до виробів із напругою 115 В: Встановлена штепсельна вилка повинна відповідати вимогам стандарту BS EN 60309 (BS4343), 16 ампер, положення контактного заземлення 4h.

## ЗАСТЕРЕЖЕННЯ ПІД ЧАС ВИКОНАННЯ СПЕЦІАЛЬНИХ ЗАДАЧ

### Розпакування, транспортування, зберігання

#### Розпакування



#### ПРИМІТКА.

- Перевірте інструмент, деталі та приладдя на пошкодження, що могли виникнути під час транспортування.
- Перевірте вміст на повноту.

#### Транспортування



**ОБЕРЕЖНО!** Неналежне транспортування може викликати синці.

- Не переносьте інструмент, тримаючи палець на вимикачі. Переконайтеся, що вимикач інструменту знаходиться в положенні Вимк.
- Не використовуйте кожу для підйому або транспортування торцювальної пилки.

#### Зберігання

**ПРИМІТКА.** Коли торцювальна пила не використовується, її необхідно зберігати в сухому, надійно замкненому та недоступному для дітей місці.



## Монтування платформи



### Ергономічні вимоги

Переконайтесь, що інструмент встановлений за ергономічних умов з точки зору висоти столу та стійкості. Місце розташування пристрою повинно бути таким, щоб оператор мав добрий огляд та достатньо вільного місця навколо пристрою, щоб можна було працювати без обмежень.

### Налаштування та заміна



Торцювальна пилка була точно налаштована на заводі. Через доставку та перевезення або будь-яку іншу причину може знадобитися переналаштування.

**УВАГА!** Електричний удар може спричинити серйозні травми або призвести до загибелі

- Перед роботою: Від'єднайте кабель живлення від мережі живлення.

### ПРИМІТКА.

- Переконайтесь, що важіль фіксації кута нахилу надійно зафіксований.
- Переконайтесь, що пильний диск не торкається столу заду гнізда або спереду обертового важеля у вертикальному положенні 90° та кутах нахилу 45°.
- Якщо пильний диск зношений, замініть його новим диском.
- Перевірте технічні характеристики нового диску: Завжди використовуйте пильні диски діаметром 216 мм з посадочним отвором діаметром 30 мм для отримання бажаного розрізу.
- Після зносу накладки із прорізом для диска замініть її. Якщо накладка із прорізом зношена або пошкоджена, віднесіть пилку до уповноваженого сервісного центру.

## Експлуатація



### Загальні положення

- Використовуйте додаткові роликіві столи для великих і довгих заготовок із дерева.
- Використовуйте додаткову систему видалення пилу
- Ніколи не використовуйте пилку без накладки із прорізом.

### Перед використанням

- Перевірте наявність пошкоджень інструменту та силового кабелю. Слідкуйте за тим, щоб шнур живлення не знаходився в області різання.
- Перед використанням уважно обстежте верхній кожух та рухомий нижній кожух диска, а також трубу видалення пилу, щоб переконатися в тому, що пилка буде працювати коректно.
- Перевірте нижній кожух диска, бо він розроблений для швидкого закриття при відпусканні важеля. Якщо він не закривається

протягом 1 секунди, віднесіть пилку на обслуговування авторизованому агенту з ремонту DEWALT.

- Переконайтесь, що стружки, пил та частинки заготовки не призведуть до погіршення роботи пилки.
- Якщо фрагменти заготовки потрапляють між пильним диском та захисним кожухом, відключіть пристрій від мережі живлення. Видаліть фрагменти та знов встановіть пильний диск.
- Дозвольте пильному диску вільно різати. Не прикладайте силу.
- Завжди виконуйте імітацію різання (без живлення) перед початком розрізу, щоб побачити шлях пильного диска.
- Не починайте роботу, доки двигун не набере обертів.
- Переконайтесь, що всі поворотні рукоятки та фіксатори затягнені.

**УВАГА!** Неналежне використання може завдати серйозної шкоди.

- Перед підключенням до мережі живлення переконайтесь, що інструмент знаходиться в положенні «Вимкн».
- Не дозволяйте стороннім особам, що не працюють, та особливо дітям підходити до робочої зони та торкатися електричних шнурів.

### Положення тіла та рук

- Не розташовуйте руки ближче ніж 100 мм від пильного полотна.
- Не схрещуйте руки.
- При пересуванні пилки вліво та вправо стежте за нею та стійте трошки в стороні від пильного диску.

### Різання

- Перед тим як підняти ріжучу голівку, завжди давайте диску повністю зупинитися. Якщо відколюються маленькі тріски із задньої сторони розрізу, можна приклеїти в місці пропили смужку клейкої стрічки. Ріжте разом зі стрічкою, потім обережно зніміть стрічку.
- Добре притискайте заготовку до столу та напрямної при розрізанні. Утримуйте руки в тому ж положенні до відпускання перемикача та повної зупинки пильного диску.
- При різанні під кутом кінця дерев'яної заготовки з невеликим обрізком, розташуйте дерев'яну заготовку так, щоб невеличкий обрізок заготовки знаходився збоку від пильного диску з більшим кутом по відношенню до направляючої; тобто:
  - при лівому скосі – обрізок справа
  - при правому скосі – зліва

### Після використання

- Від'єднайте кабель живлення від мережі живлення.
- Зберігайте торцювальну пилку в сухому, надійно замкнутому та недоступному для дітей місці.

## Видалення пилу



**УВАГА!** Ризик вдихання пилу. Для зниження ризику отримання травм **ЗАВЖДИ** використовуйте схвалену пилозахисну маску.

**УВАГА: ЗАВЖДИ** використовуйте пиლოსос, розроблений згідно з відповідними директивами щодо викиду пилу при розрізанні деревини.



- Деякі типи пилу, наприклад, дубовий чи буковий пил, вважаються канцерогенними.
- При роботі з матеріалами дотримуйтеся правил, що діють у вашій країні.

#### **ПРИМІТКА.**

- Підключіть пилку до пристрою видалення пилу при розпилюванні деревини. Завжди враховуйте фактори, які впливають на утворення пилу, як:
  - належна вентиляція робочого місця;
  - гострота пильного диску;
  - належне регулювання пильно диску,
  - Проштовхніть пилку через заготовку. Не тягніть пилку через заготовку.

## **Очищення і технічне обслуговування**

Торцювальна пилка призначена для роботи протягом довгого часу з мінімальним обслуговуванням. Довга задовільна робота приладу залежить від належного обслуговування приладу та регулярного його очищення.



**УВАГА!** Ураження електричним струмом може спричинити серйозні травми або призвести до загибелі.

- Перед очищенням: Від'єднайте кабель живлення від мережі живлення.

#### **ПРИМІТКА.**

- Використовуйте вологу тканину, змочену лише водою з м'яким милом.
- Не дозволяйте рідині потрапляти всередину інструмента та ніколи не занурюйте деталі інструмента в рідину.
- Канавка напрямної може забруднитися пилом. Для очищення направляючих канавок використовуйте відповідну систему пиловідведення або стиснене повітря.
- Перед виконанням будь-яких робіт із обслуговування інструменту або заміни диску, відключіть силовий кабель від мережі.
- Ніколи не виконуйте роботи з очищення робочих частин або з обслуговування на пристрої, що працює, і коли пильна голівка знаходиться в робочому стані.

## **Утилізація**

### **Захист навколишнього середовища!**



Роздільний збір. Пристрої та батареї, позначені цим символом, не можна викидати зі звичайним побутовим сміттям.

Пристрої та батареї містять матеріали, які можна відновити та переробити, що зменшить потребу у сировині. Будь ласка, віддавайте електричні інструменти та батареї на переробку відповідно до місцевих постанов. Більш детальну інформацію можна отримати на сайті [www.2helpU.com](http://www.2helpU.com).



Виробник:  
"Stanley Black & Decker Deutschland  
GmbH" Black-&-Decker Str.40, D-65510  
Idstein, Німеччина











## **ОФИЦИАЛЬНЫЙ ДИЛЕР В УКРАИНЕ:**

[storgom.ua](http://storgom.ua)

## **ГРАФИК РАБОТЫ:**

Пн. – Пт.: с 8:30 по 18:30

Сб.: с 09:00 по 16:00

Вс.: с 10:00 по 16:00

## **КОНТАКТЫ:**

+38 (044) 360-46-77

+38 (066) 77-395-77

+38 (097) 77-236-77

+38 (093) 360-46-77

Детальное описание товара:

<https://storgom.ua/product/torcovochnaya-pila-dewalt-dws774.html>

Другие товары: <https://storgom.ua/setevye-torcovochnye-pily.html>