

AEG



CLG330

GB	Original instructions	1
D	Originalbetriebsanleitung	14
F	Notice originale	27
I	Istruzioni originali	40
E	Manual original	53
P	Manual original	66
NL	Oorspronkelijke gebruiksaanwijzing	79
DK	Original brugsanvisning	92
N	Original bruksanvisning	105
S	Bruksanvisning i original	118
FIN	Alkuperäiset ohjeet	131
GR	Πρωτότυπο οδηγιών χρήσης	144
TR	Orijinal işletme talimatı	157
CZ	Původním návodem k používání	170
SK	Pôvodný návod na použitie	183
PL	Instrukcja oryginalną	196
HU	Eredeti használati utasítás	209
SLO	Izvirna navodila	222
HR	Originalne pogonske upute	235
LV	Instrukcijām oriģinālvalodā	248
LT	Originali instrukcija	261
EST	Algupärane kasutusjuhend	274
RUS	Оригинальное руководство по эксплуатации	287
BG	Оригинално ръководство за експлоатация	300
RO	Instructiuni de folosire originale	313
MK	Оригинален прирачник за работа	326
UKR	Оригінал інструкції з експлуатації	339
AR	التعليمات الأصلية	364

CONTENTS

Important safety instructions.....	1
Maintenance.....	2
Technical data.....	2
Specific conditions of use.....	2
Overview.....	3
Low battery indication.....	4
Change batteries.....	4
Adjustable legs.....	5
Magnetic wall mount & green target plate.....	5
Working in self-leveling mode.....	6
Working in manual mode.....	7
Plumb function.....	8
Pulse mode function.....	8
Accuracy check.....	9

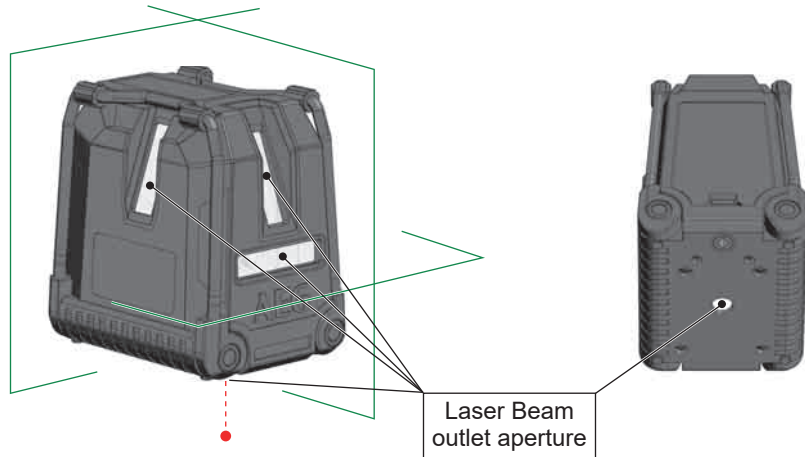
IMPORTANT SAFETY INSTRUCTIONS



CAUTION! WARNING! DANGER!

Do not use the product before you have studied the Safety instructions and the User Manual.

Laser Classification



WARNING:

It is a Class 2 laser product in accordance with EN60825-1:2014 .



WARNING:

Avoid direct eye exposure. The laser beam can cause severe eye damage and/or blindness.

Do not stare into the laser beam or direct it towards other people unnecessarily.

Caution! The laser emitting product may be behind you in some applications. Be careful when facing the product.

WARNING:

Do not operate the laser around children or allow children to operate the laser.

The reflective surface could reflect the beam back at the operator or other persons.

WARNING: Use of controls, adjustments, or the performance of procedures other than those specified in the manual may result in hazardous radiation exposure.

When the laser is brought into a warm environment from very cold conditions, or vice versa, allow it to come to the surrounding temperature before use.

Always store the cross laser indoors, avoid substantial knocks, continuous vibration or extreme temperatures.

Always keep the tool away from dust, liquids and high humidity. These may damage internal components or affect accuracy.

If laser radiation hits your eye, you must close your eyes and immediately turn your head away from the beam.

Do not position the laser beam so that it unintentionally blinds you or others.

Do not look into a laser beam using magnifying optical devices such as binoculars or a telescope, as this will increase the level of eye injury.

If you use laser goggles to enhance the visibility of the laser beam, please notice that they will not protect your eyes against laser radiation.

Do not remove or deface warning labels on the laser level.

Do not disassemble the laser level, laser radiation can cause serious eye injury.

When not in use, turn off the power, engage the pendulum lock and place the laser in its carrying pouch.

Make sure the pendulum lock mechanism is engaged before transporting the laser.

Note: If the pendulum lock mechanism is not engaged before transportation, internal mechanical damage may occur.

Do not use aggressive cleaning agents or solutions. Use only a clean, soft cloth for cleaning.

Avoid heavy impact to or dropping of the laser. The accuracy of the laser should be checked before use if it has been dropped or subjected to other mechanical stresses.

Any repair required on this laser product should be performed only by authorised service personnel.

Do not operate the product in explosion hazardous areas or in aggressive environments.

If the laser level is not in use for a long period of time, remove the batteries from the battery compartment. This will prevent batteries from leaking and corrosion damage.



Flat batteries must not be disposed of with household waste. Care for the environment and take them to the collection points provided in accordance with national or local regulations. The laser must not be disposed with household waste. Dispose of the product appropriately in accordance with the national regulations in force in your country. Adhere to the national and country specific regulations. Please contact your local authority or your dealer for how to dispose of batteries properly.



European Conformity Mark

MAINTENANCE

Wipe the aperture lens and the body of the cross laser with a clean soft cloth. Do not use solvents.

Although the cross laser is dust and dirt resistant to a certain degree, do not store in dusty places as long term exposure may damage internal moving parts.

If the cross laser is exposed to water, dry the laser level before returning it to the carrying case to prevent corrosion damage.

TECHNICAL DATA

Laser Class	2												
Self-Leveling Range	± 3°												
Self-Leveling Time	3 - <5s												
Battery technology	LR6 Alkaline AA battery												
Voltage DC	3 x 1.5 V ---												
Power input	0.35 A												
Protection class (water and dust protection)	IP54												
Functions	horizontal, 2x vertical, cross line, plumb function												
Pulse Mode	Frequency 10 kHz												
Projections	3 lines green, 1 point red												
Laser beams output pattern	Horizontal beam forward, vertical beam forward, side vertical beam and plumb dot. Horizontal and forward vertical cross beams and plumb dot. Horizontal beam. Forward vertical beam and plumb dot. Forward and side vertical beams and plumb dot. (the plumb down point is only working in self-leveling mode and not in manual mode).												
Operating time	6 hrs												
Tripod mount	1/4" thread												
Suitable detector	for standard green multiline lasers												
Laser Line	<table border="0"> <tr> <td>Width</td> <td>2.5 mm ± 0.5 mm / 5 m</td> </tr> <tr> <td>Wavelength</td> <td>λ 520 ± 10 nm Laser Class II</td> </tr> <tr> <td>Accuracy</td> <td>± 0.2 mm/m</td> </tr> <tr> <td>Fan angle</td> <td>> 120°</td> </tr> <tr> <td>Colour</td> <td>green</td> </tr> <tr> <td>Working Range</td> <td>30 m (with detector 50 m)</td> </tr> </table>	Width	2.5 mm ± 0.5 mm / 5 m	Wavelength	λ 520 ± 10 nm Laser Class II	Accuracy	± 0.2 mm/m	Fan angle	> 120°	Colour	green	Working Range	30 m (with detector 50 m)
Width	2.5 mm ± 0.5 mm / 5 m												
Wavelength	λ 520 ± 10 nm Laser Class II												
Accuracy	± 0.2 mm/m												
Fan angle	> 120°												
Colour	green												
Working Range	30 m (with detector 50 m)												

Laser plumb	<table border="0"> <tr> <td>Laser point wavelength</td> <td>635 ± 5 nm Laser Class II</td> </tr> <tr> <td>Laser point max. power</td> <td>< 1 mW</td> </tr> <tr> <td>Plumb accuracy</td> <td>± 0.6 mm / 1 m</td> </tr> <tr> <td>Laser point colour</td> <td>red</td> </tr> <tr> <td>Working Range</td> <td>5 m</td> </tr> </table>	Laser point wavelength	635 ± 5 nm Laser Class II	Laser point max. power	< 1 mW	Plumb accuracy	± 0.6 mm / 1 m	Laser point colour	red	Working Range	5 m
Laser point wavelength	635 ± 5 nm Laser Class II										
Laser point max. power	< 1 mW										
Plumb accuracy	± 0.6 mm / 1 m										
Laser point colour	red										
Working Range	5 m										
Recommended ambient operating temperature	-10°C - +45 °C										
Storage Temperature	-20°C - +60 °C										
Dimensions	106 mm x 88 mm x 105 mm										
Weight (incl. Battery)	710 g										

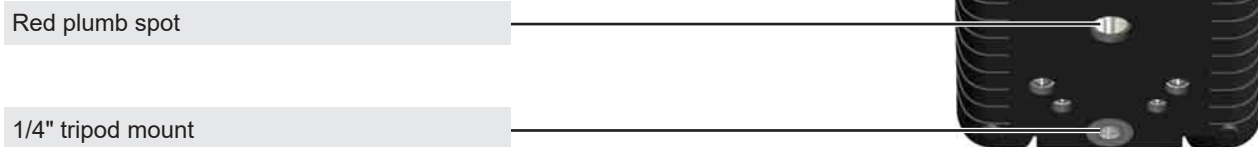
SPECIFIC CONDITIONS OF USE

The laser is innovatively designed for a very broad range of professional jobs, including:

- Aligning tiles, marble, cabinets, borders, moldings and trimmings
- Marking layout for doors, windows, rails, stairs, fences, gates, decks and pergolas installation.
- Transferring reference point for light installations, vents, transfer of heights, levelling perimeter walls, wall studs, setting out tracks on floors and all other professional use.
- It is intended for determining and checking horizontal and vertical lines.

Do not use this product in any other way as stated for normal use.

OVERVIEW



Keypad



Manual mode LED indicator

Manual mode button

Switch on or off the manual mode

Beam selector LED indicator (continuous light)

Low battery LED indicator (flashing light)

Beam selector button

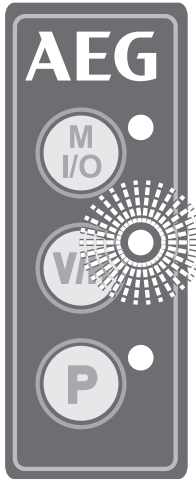
Choose between Vertical beam forward, side Vertical beam, Horizontal beam forward or a combination of this beams.

Pulse mode LED indicator

Pulse mode button

For outdoor work under direct sunlight, or bright conditions and for extended indoor ranges of up to 50 m, use the pulse mode with a 10 kHz detector.

LOW BATTERY INDICATION



When the voltage is low, the brightness of the laser is reduced and the low battery indication (green LED near the "V/H" button) flashes at a frequency once every 0.5 seconds.

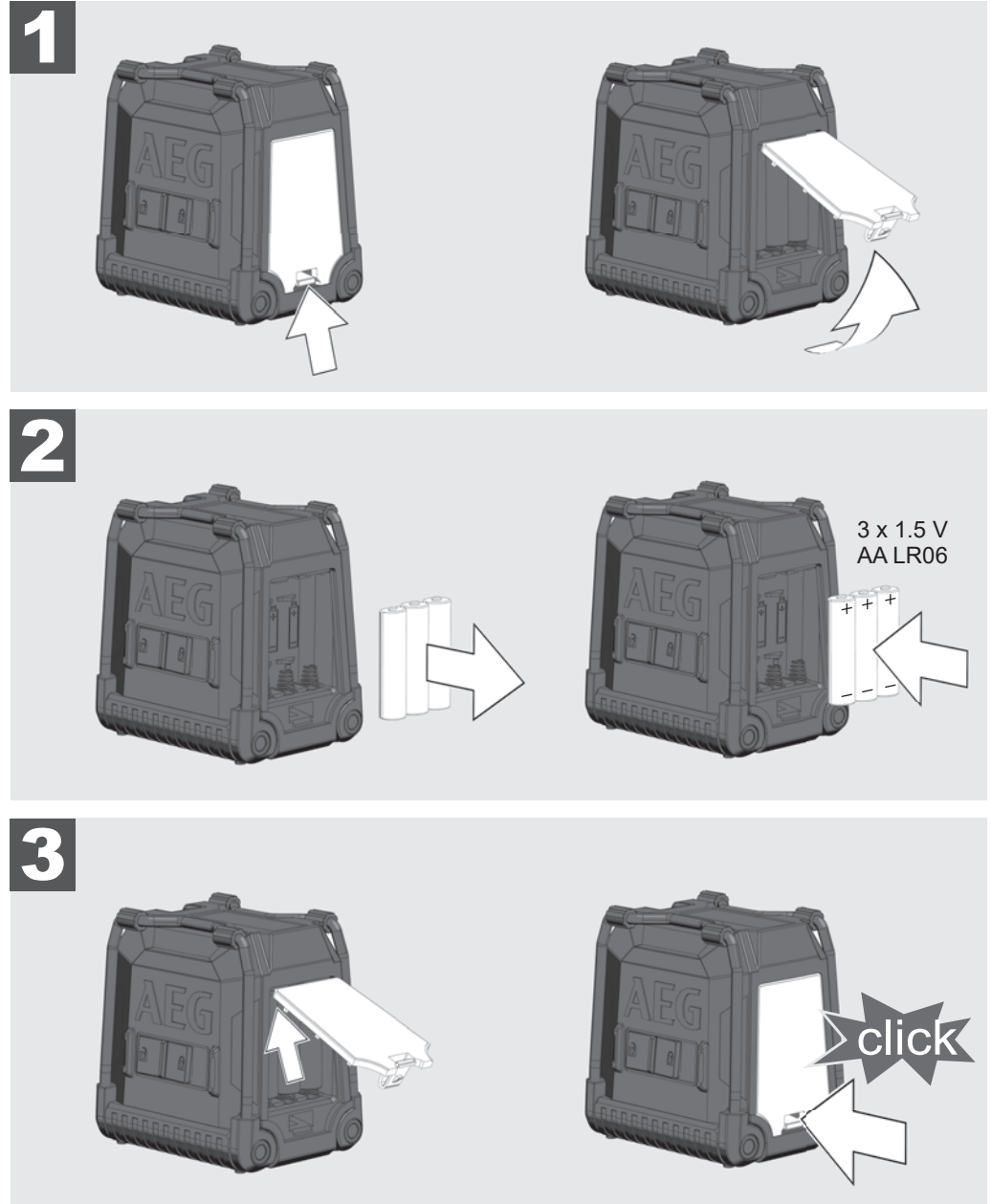
From now on it is still possible to continue the work.

It automatically shuts down when the voltage is too low.

CHANGE BATTERIES

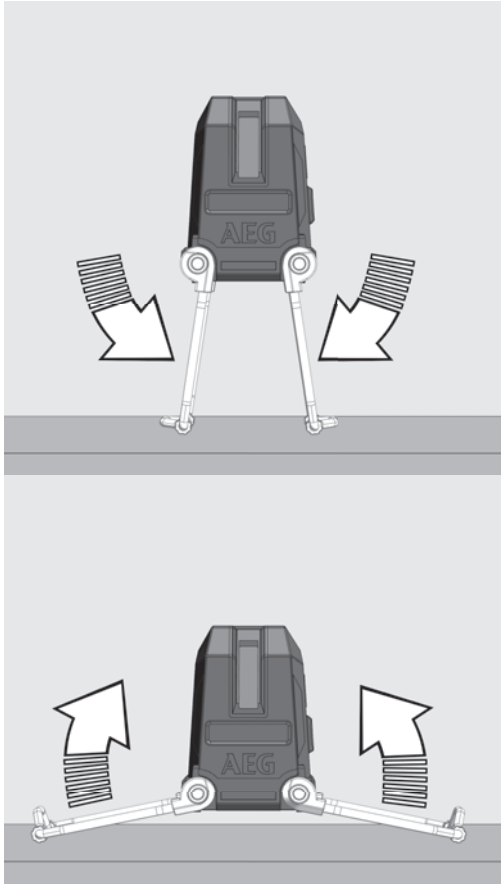
Change the batteries when the laser beams begin to dim.

If the cross laser is not in use for a long period of time, remove the batteries from the battery compartment. This will prevent batteries from leaking and corrosion damage.

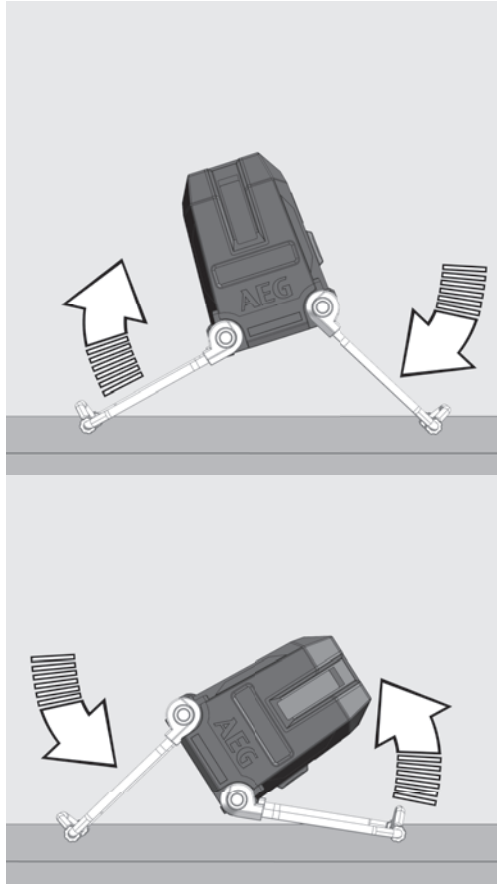


ADJUSTABLE LEGS

Use the adjustable legs to adjust the height of the horizontal beam

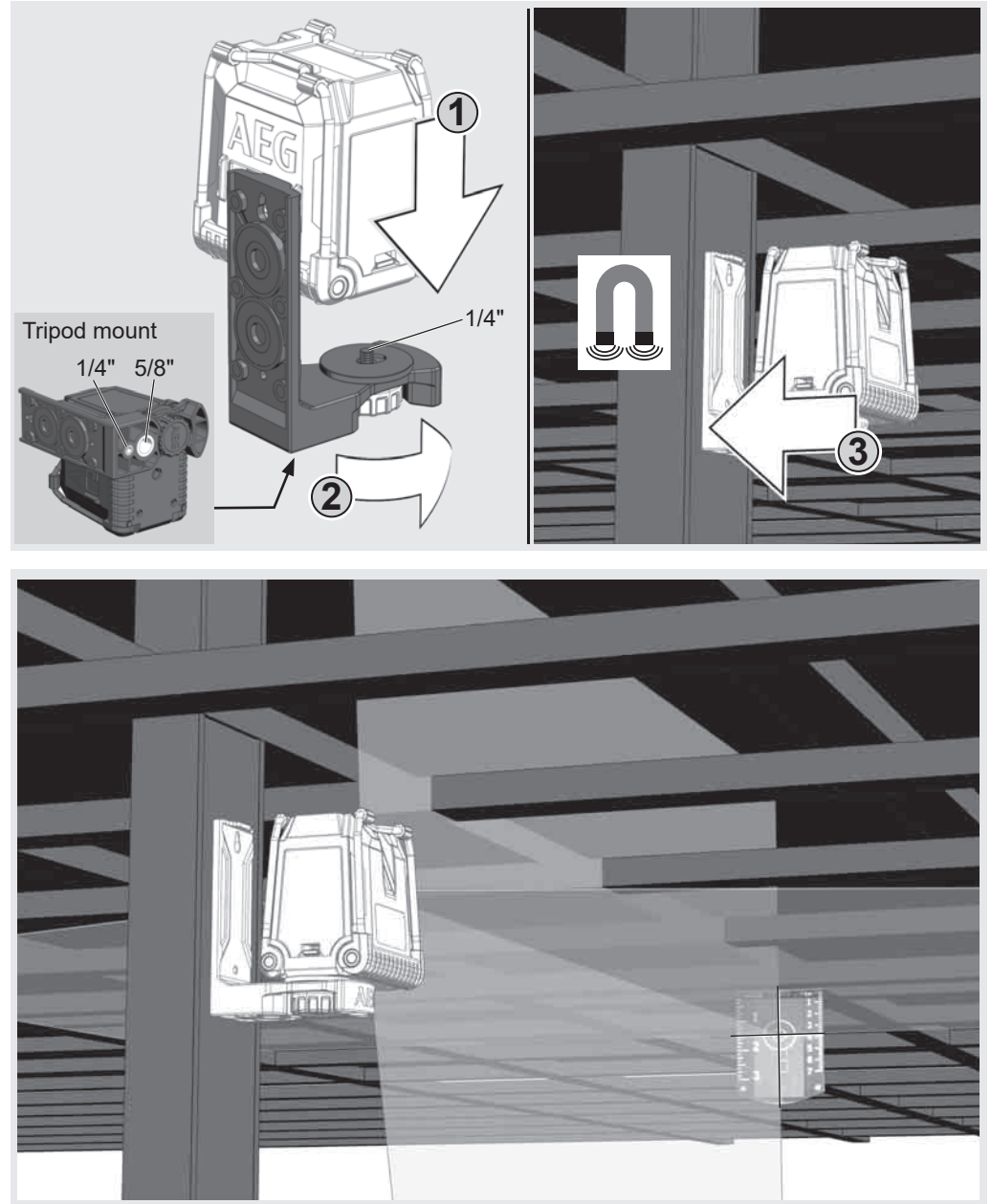


Use the adjustable legs to tilt the cross laser to set any slope required



MAGNETIC WALL MOUNT & GREEN TARGET PLATE

Use the magnetic wall mount to fix the laser to a wall or metallic structures or similar.
Use the green target plate to improve visibility of the laser beam in unfavourable conditions and at greater distances.

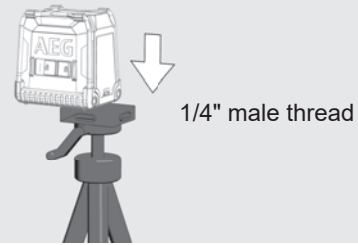


WORKING IN SELF-LEVELING MODE


In self-leveling mode the cross laser will level itself in a $\pm 3^\circ$ range and can project a horizontal beam, two vertical beams or all 3 beams simultaneously.

1

Place the cross laser on a solid flat vibration free surface or on a tripod.



2

Slide the locking switch to the ON  position.

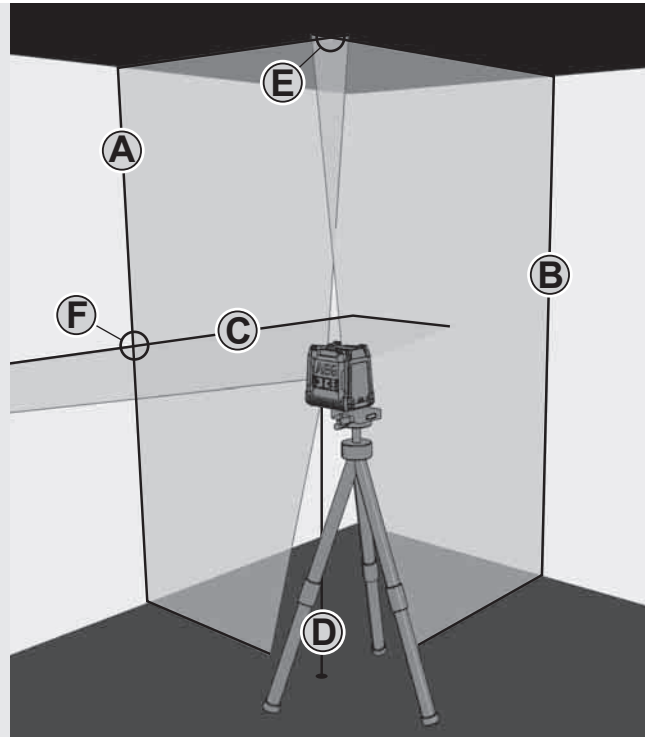


3

The cross laser will generate 3 laser beams.

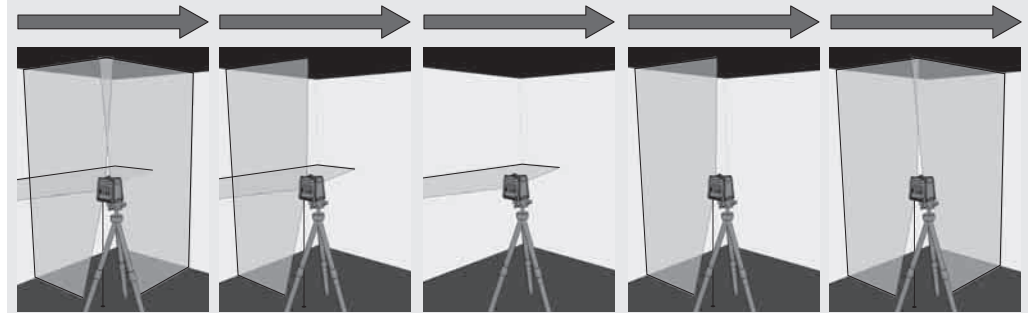
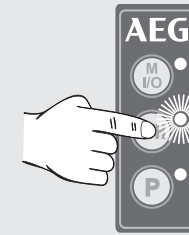
- (A) vertical beam forward
- (B) side vertical beam
- (C) horizontal beam forward
- (D) Laser point (plumb)

The cross laser will generate upwardcross beams (E) and forward cross (F) beams when all beams are activated.



4

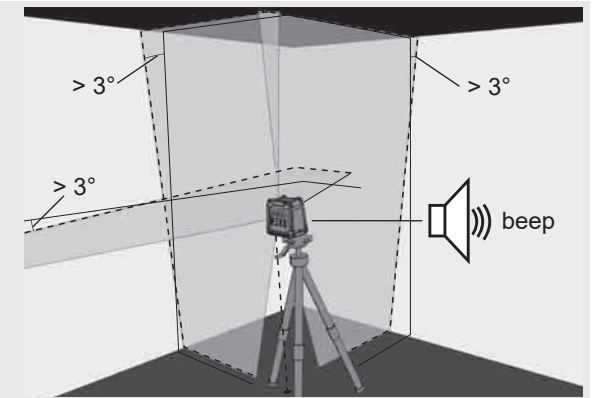
Choose the beams that you want to work with by pressing the V/H beam button




5

If the initial level of the cross laser is beyond $\pm 3^\circ$ and the self-leveling mode is activated, the laser beams will flash — — — — and a beeping alarm will be heard.

In this case reposition the cross laser.



6

Before moving the cross laser, slide the locking switch the OFF  position. This will lock the pendulum and protect your cross laser.

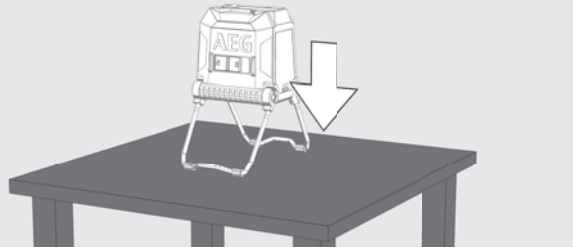


WORKING IN MANUAL MODE

In manual mode the cross lasers self-leveling mechanism is disabled and the laser lines can be set at any slope required.

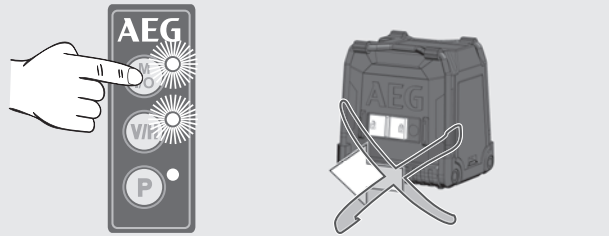
1

Place the cross laser on a solid flat vibration free surface or on a tripod.



2

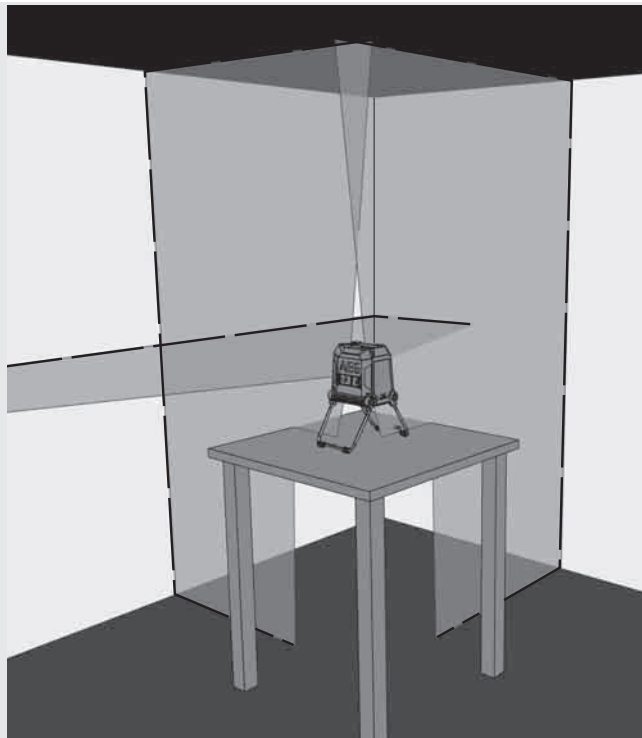
Press the manual mode button (do not slide the locking switch!). The red LED next to it will light up.



3

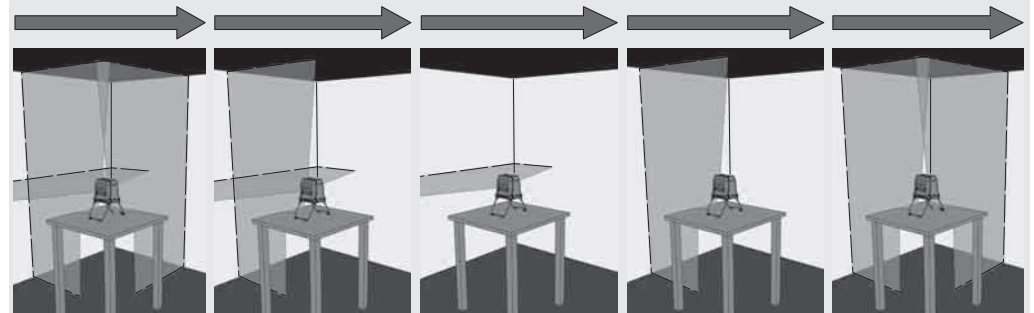
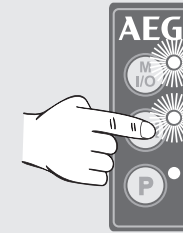
Same as in the self-leveling mode, the cross laser will generate 3 laser beams, but the laser beams are interrupted every 3 seconds.

3 sec. 3 sec. 3 sec.



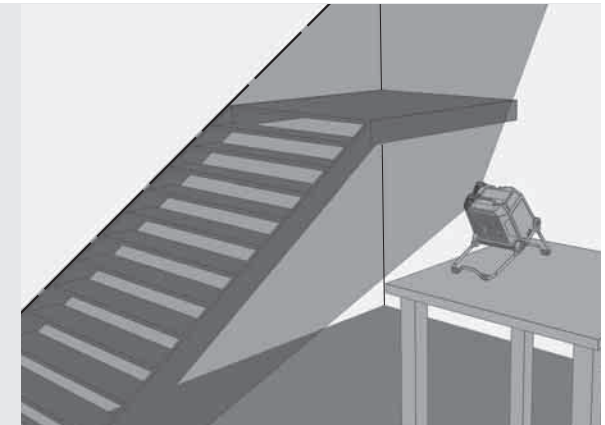
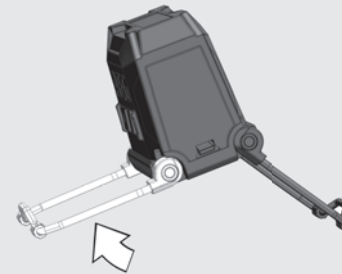
4

Choose the beams that you want to work with by pressing the V/H beam button.




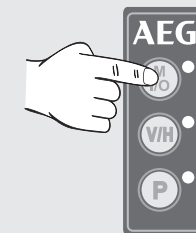
5

Tilt the laser using the adjustable folding legs and adjust to the desired angle and height.



6

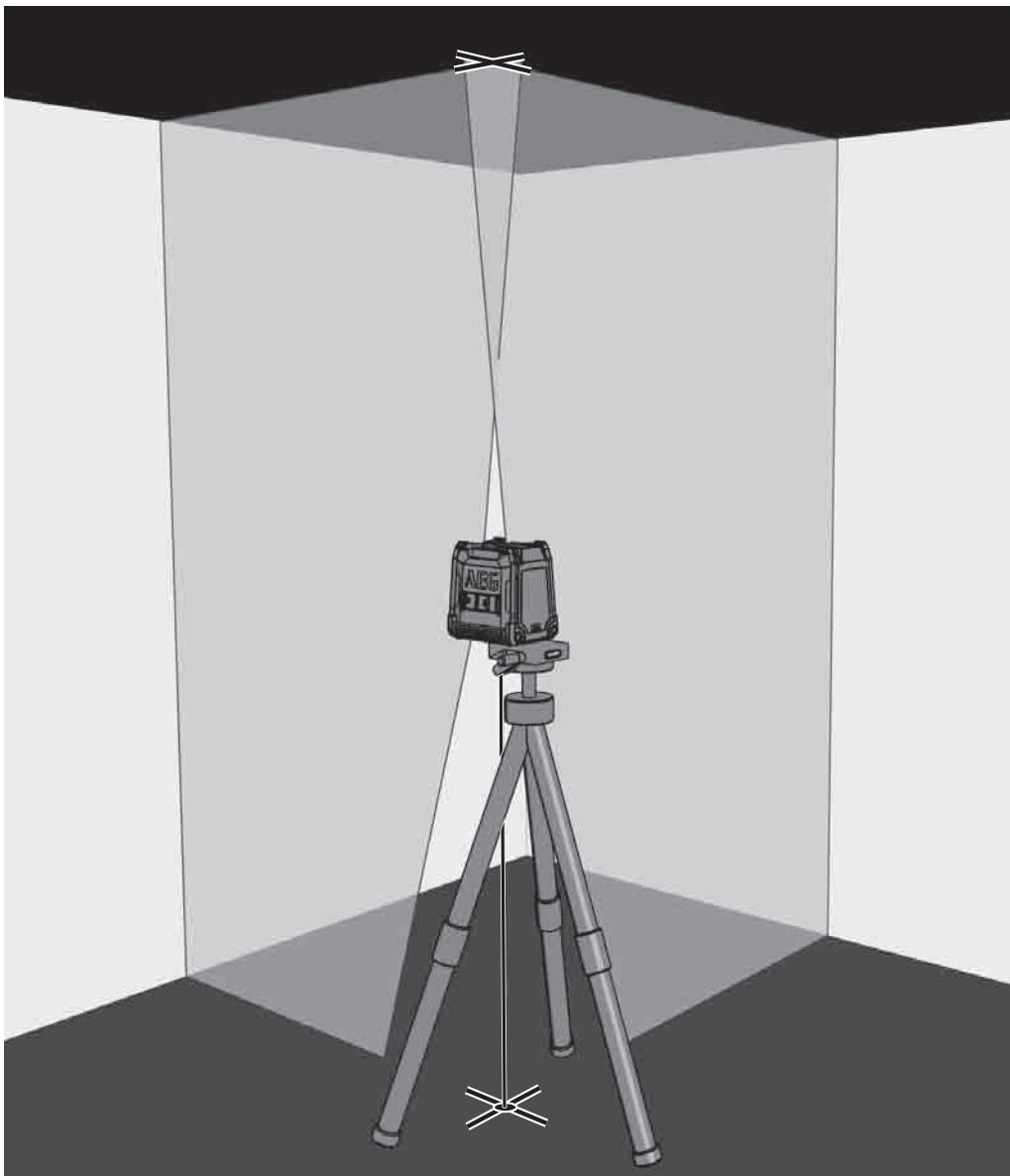
To turn the Manual mode off, press again the Manual button. It is possible to switch directly to the self-leveling mode by sliding the locking switch to ON  position.



PLUMB FUNCTION

With the plumb function, a point on the floor can be projected perpendicularly to the ceiling. The point of reference from the floor is aligned to the intersection of the cross line on the ceiling.

Use the plumb function e.g. to transfer reference point for light installation, vents, transfer of heights.



PULSE MODE FUNCTION

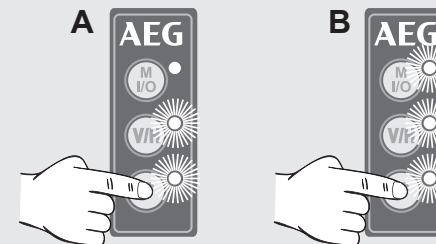
For outdoor work under direct sunlight, or bright conditions and for extended indoor ranges of up to 50 meters / 164 feet, use the pulse mode with a detector.

A detector is not included and must be purchased separately.

When the Pulse Mode is activated the laser beams will flash at a very high frequency (invisible to the human eye) this will allow the detector to locate the laser beams.

1

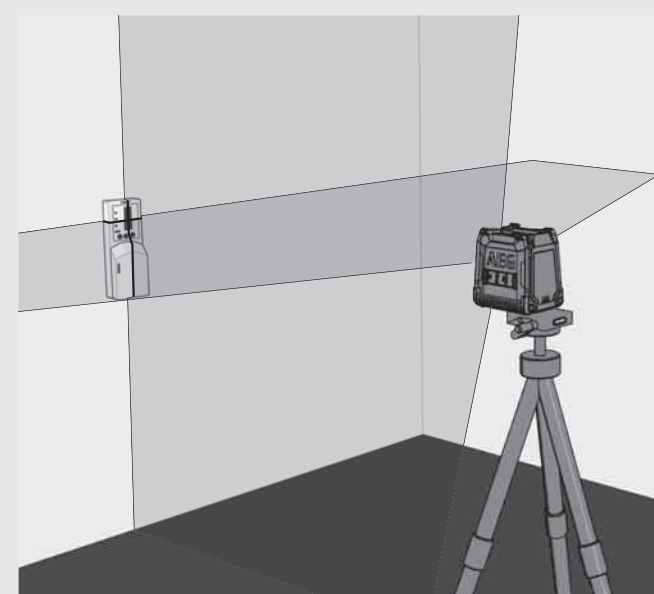
The pulse mode can be activated in self-leveling mode (A) or manual mode (B). Press the P button, the green LED next to it will light up.



2

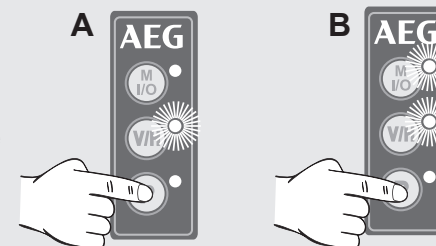
When the Pulse Mode is switched on, the visibility of the laser beams are reduced a little bit.

For information on how to operate the detector, please refer to the operating instructions for the detector.



3

To switch off the Pulse Mode press the P button again and the green LED near it will turn off.



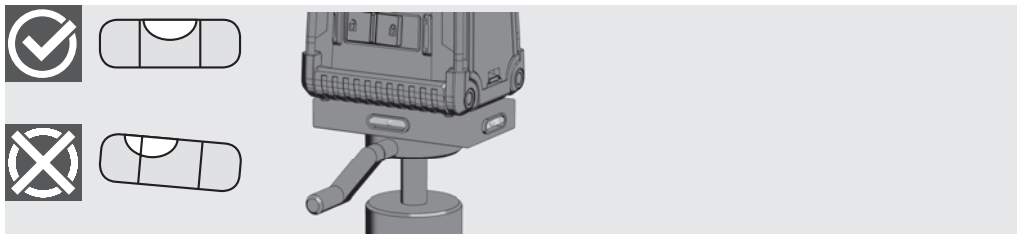
ACCURACY CHECK

This cross laser left the factory fully calibrated. AEG recommends the user to check the accuracy of the laser periodically, especially if the unit falls or is mishandled.

If the maximum deviation of the laser is exceeded in one of the accuracy checks, please contact one of our AEG service agents (see our list of guarantee/service addresses).

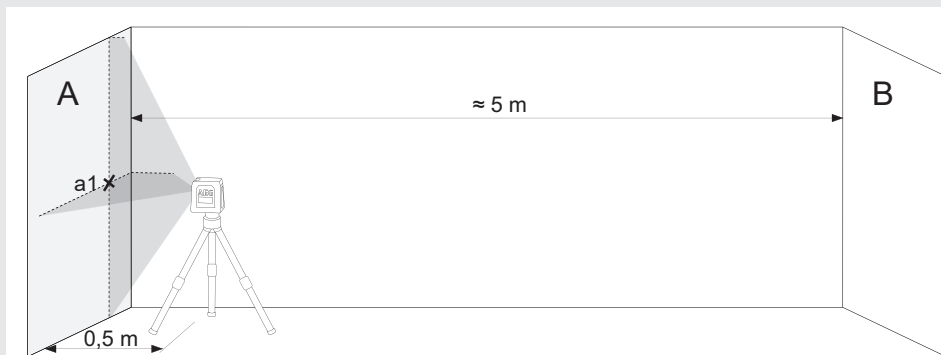
1. Checking the height accuracy of the horizontal beam.
2. Checking the leveling accuracy of the horizontal beam.
3. Checking the leveling accuracy of the vertical beam.
4. Checking the 90° accuracy between the 2 vertical beams.
5. Checking the plumb accuracy.

Before checking the laser accuracy, after mounting the laser on the tripod, check the leveling of the tripod.



1 CHECKING THE HEIGHT ACCURACY OF THE HORIZONTAL BEAM (UP AND DOWN DEVIATION)

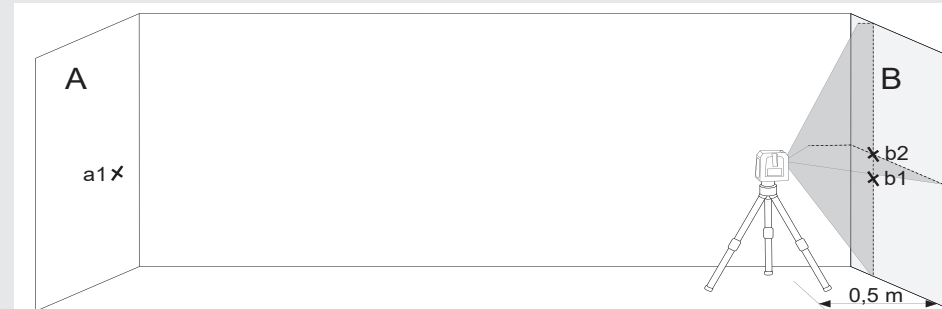
1. Set up the laser on a tripod or on a flat surface between two walls A and B, approximately 5 meters apart.
2. Position the laser level approximately 0.5 meter from wall A.
3. Switch ON the self-leveling mode and press the button to project the horizontal and the vertical cross beams towards wall A.
4. Mark the center of the cross beams on the wall as a1.



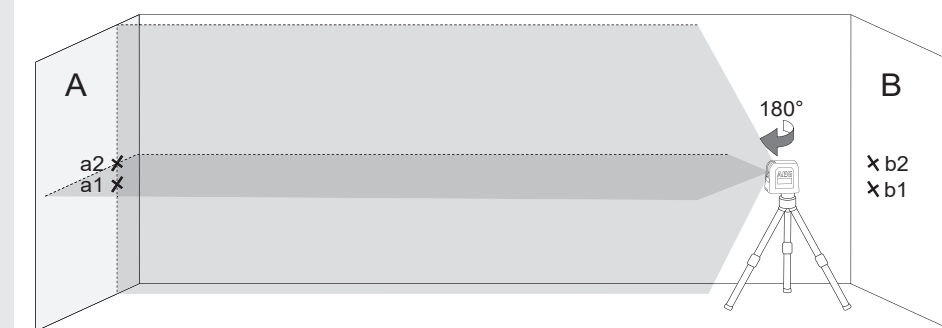
5. Turn the laser 180° towards wall B and mark the center of the cross beams as b1 on the wall.



6. Move the laser level towards wall B and position it approximately 0.5 meter from wall B.
7. Mark on wall B the center of the cross beams as b2.



8. Turn the laser 180° towards wall A, and mark on the wall the center of the cross beams as a2.



9. Measure the distances:

$$\Delta a = |a2 - a1|$$

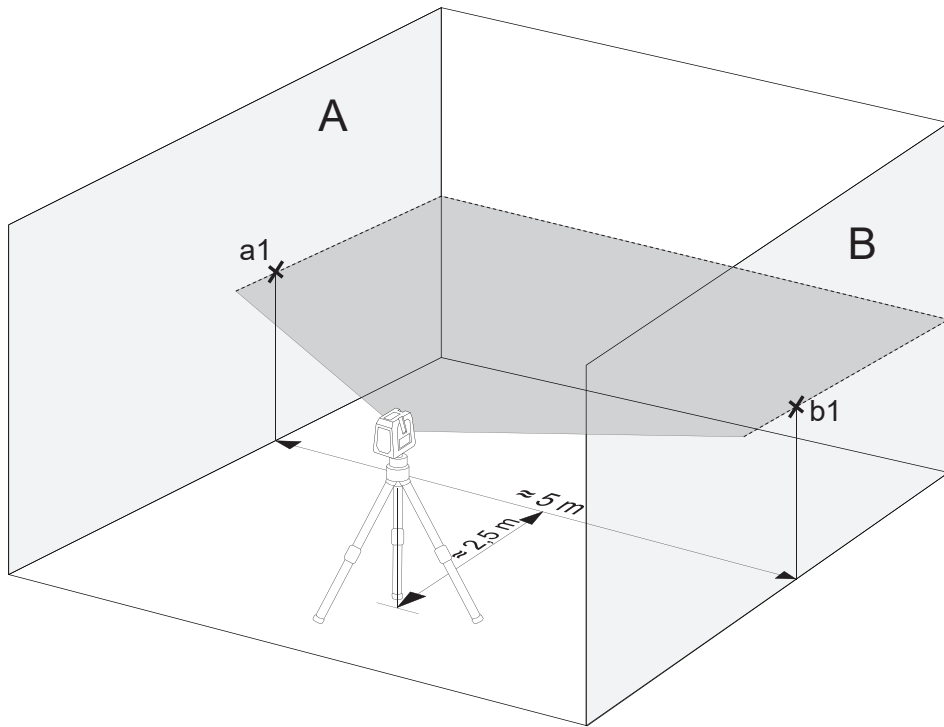
$$\Delta b = |b1 - b2|$$

10. The difference $|\Delta a - \Delta b|$ should be no more than 2 mm.

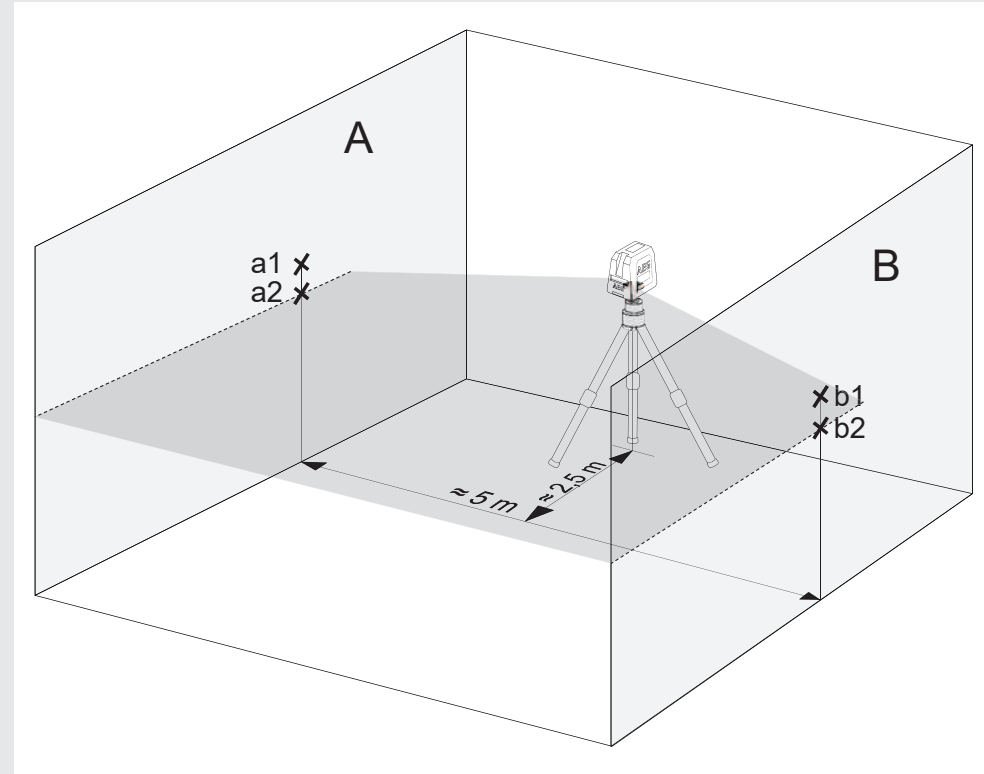
2 CHECKING THE LEVEL ACCURACY OF THE HORIZONTAL BEAM (SIDE TO SIDE INCLINATION)

For this check, a free surface of approx. 5 x 5 meters is required.

1. Set up the laser on a tripod or on a solid surface between two walls A and B, approximately 5 meters apart.
2. Position the laser level approximately 2.5 meters from the center of the room.
3. Switch ON the self-leveling mode and press the button to project the horizontal line towards wall A and B.
4. Mark the center of the laser line point a1 on wall A and point b1 on wall B.



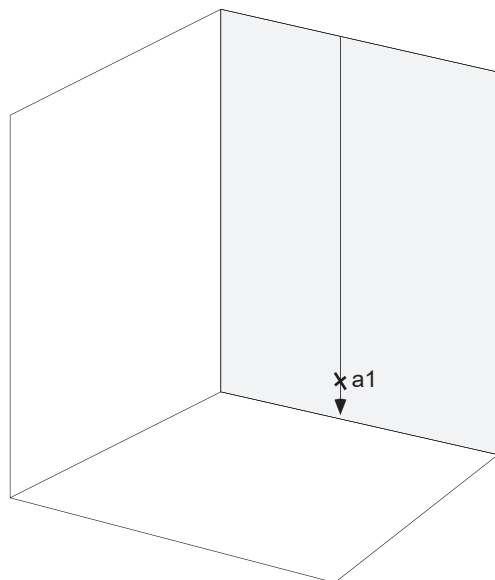
5. Move the laser level approximately 5 meters away and turn the laser 180° towards wall A and B.
6. Mark the center of the laser line point a2 on wall A and point b2 on wall B.



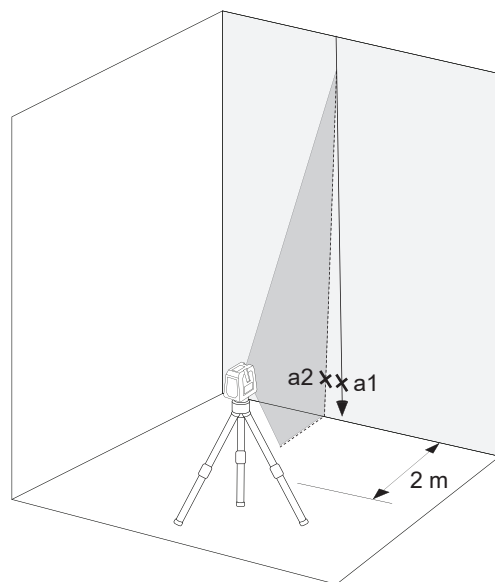
7. Measure the distances:
 $\Delta a = |a2 - a1|$
 $\Delta b = |b1 - b2|$
8. The difference $|\Delta a - \Delta b|$ should be no more than 2 mm.

3 CHECKING THE LEVEL ACCURACY OF THE VERTICAL BEAM

1. Hang an approximately 4 m plumb line on a wall.
2. After the plumb line has settled, mark point a1 on the wall, behind the plumb line, near the plumb cone.



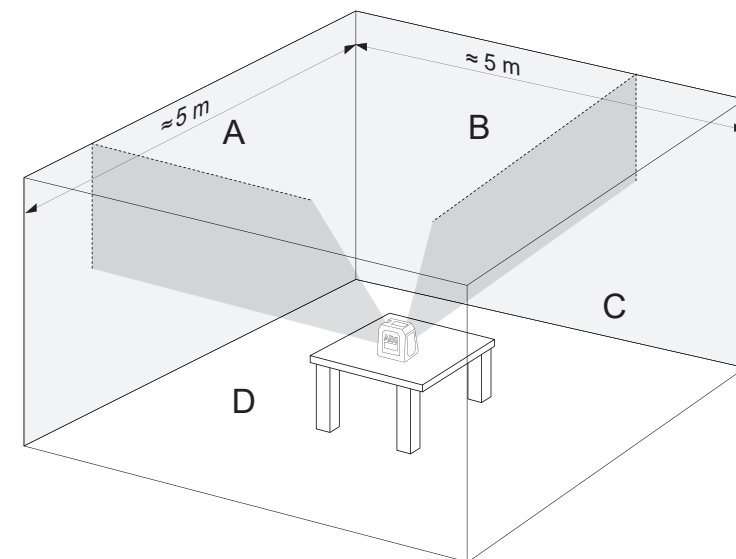
3. Set up the cross laser on a tripod or on a flat surface in front of the wall at a distance of approximately 2 m.
4. Switch ON the self-leveling mode, and press the button to project the vertical beam towards the plumb line.
5. Turn the cross laser so that the vertical beam will merge with the plumb line below the hanging point.
6. Mark point a2 on the wall, in the middle of the vertical beam at the same height as a1.
7. The distance between a1 and a2, should be no more than 1 mm.



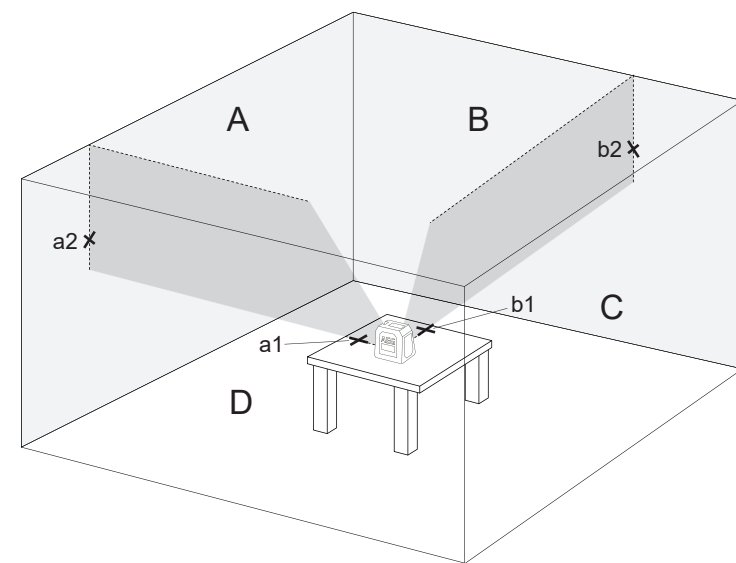
4 CHECKING 90° ACCURACY BETWEEN THE 2 VERTICAL BEAMS

This procedure requires a room of at least 5x5 meters with 4 walls.

1. Set up the cross laser on a table or on the floor in the middle of the room.
2. Switch ON the self-leveling mode, and press the V/H button 4 times to project the forward and the side vertical beams

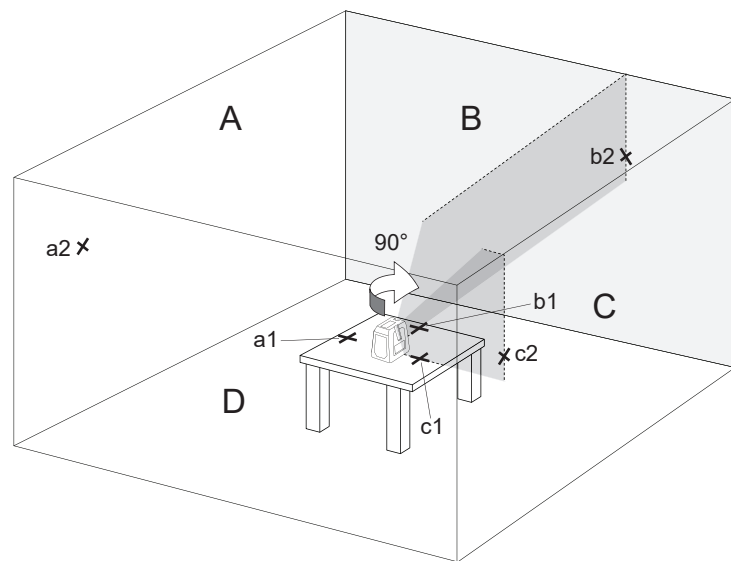


3. Mark the center of the forward vertical beam at 2 locations. point a1 on the table near the cross laser, and point a2 on wall A.
4. Mark the center of the side vertical beam at 2 locations. point b1 on the table near the cross laser, and point b2 on wall B.

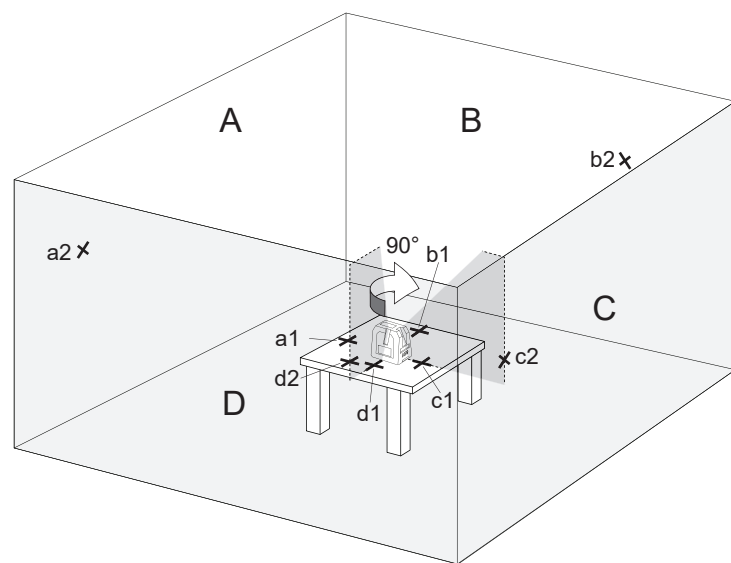


CHECKING 90° ACCURACY BETWEEN THE 2 VERTICAL BEAMS

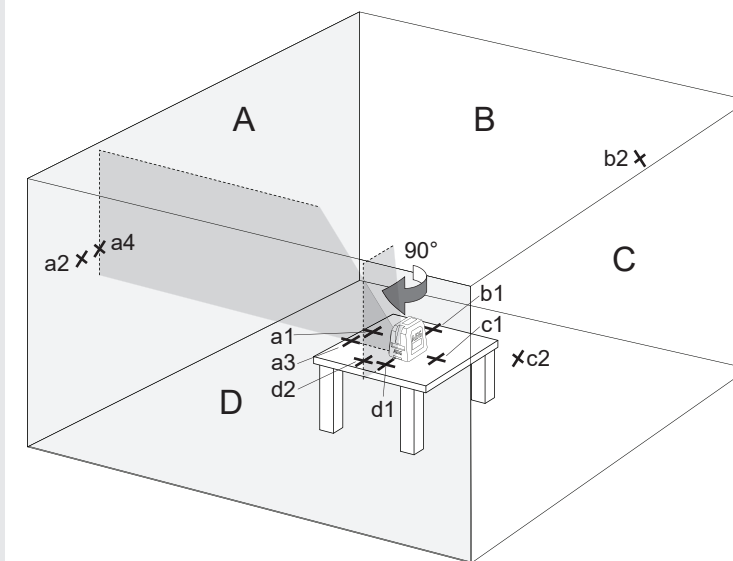
5. Rotate the cross laser clockwise so that the forward laser beam passes through marks b1 on the table, and b2 on wall B.
6. Mark the center of the side vertical beam at 2 locations. Point c1 on the table near the cross laser, and point c2 on wall C.



7. Rotate the cross laser clockwise so that the forward laser beam passes through marks c1 on the table, and c2 on wall C.
8. Mark the center of the side vertical beam at 2 locations. Point d1 on the table near the cross laser, and point d2 on wall D.



9. Rotate the cross laser clockwise so that the forward laser beam passes through marks d1 on the table, and d2 on wall D.
10. Mark the center of the side vertical beam at 2 locations. Point a3 on the table near point a1, and point a4 on wall A near point a2.



11. Measure the distances:

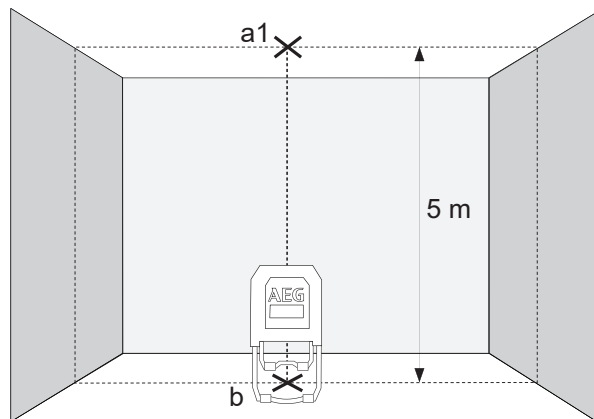
$\Delta 1 =$ from a1 to a3
 $\Delta 2 =$ from a2 to a4

12. The difference $\Delta 2 - \Delta 1$ should be no more than 4 mm.

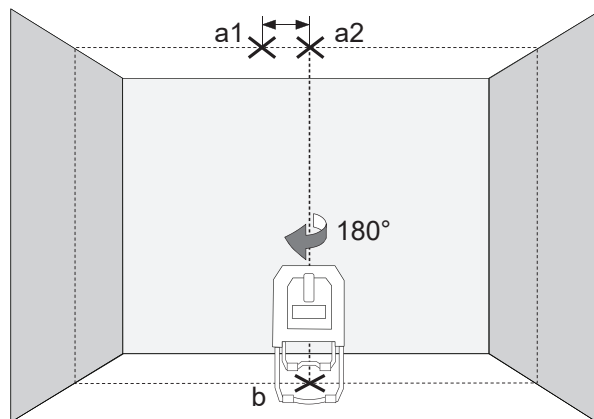
5 CHECKING PLUMB ACCURACY

This procedure requires a room of with approx. 5m distance between floor and ceiling.

1. Open the folding legs of the laser and place it on the floor.
2. Switch ON the self-leveling mode and press the push button to project the vertical cross beams on the ceiling and the plumb down on the floor.
3. Mark the center of the upper cross beam on the ceiling as point a1 (see the illustration).
4. Mark the center of the plumb dot on the floor as point b.



5. Rotate the laser level 180°, position it so that the center of the plumb dot is on the point b, which has already been marked, and allow it to level.
6. Mark the center of the upper cross beam on the ceiling as point a2.
7. The distance between points a1 and a2 marked on the ceiling is an indication of the actual deviation of the laser level from the ideal plumb line. If the measuring distance is 5m, the maximum permissible deviation is:
 $5m \times (\pm 0.6mm/m) \times 2 = \pm 6mm$.
8. The distance between a1 and a2, should not be more than 6 mm.



INHALTSVERZEICHNIS

Wichtige Sicherheitshinweise	1
Wartung	2
Technische Daten	2
Bestimmungsgemäße Verwendung	2
Übersicht	3
Anzeige Batterie schwach	4
Batterien wechseln	4
Verstellbare Füße	5
Magnetische Wandhalterung und grüne Zieltafel	5
Arbeiten im Selbstnivelliermodus	6
Arbeiten im manuellen Modus	7
Auslotfunktion	8
Pulsmodusfunktion	8
Genauigkeit überprüfen	9

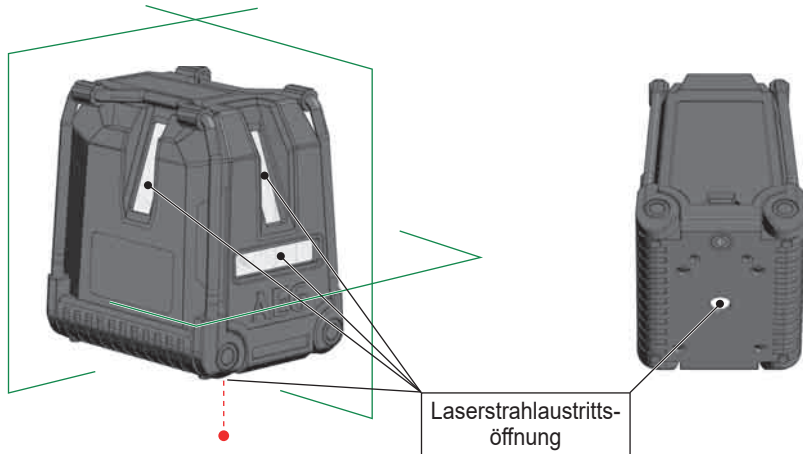
WICHTIGE SICHERHEITSHINWEISE



ACHTUNG! WARNUNG! GEFAHR!

Nehmen Sie das Produkt erst in Gebrauch, wenn Sie die Sicherheitshinweise und die Gebrauchsanweisung auf der beiliegenden CD gelesen haben.

Laserklassifizierung



WARNUNG:

Das Produkt entspricht der Laserklasse 2 gemäß EN60825-1:2014 .



Warnung:

Die Augen nicht direkt dem Laserstrahl aussetzen. Der Laserstrahl kann schwerwiegende Augenschäden und/oder Erblinden verursachen.

Nicht direkt in den Laserstrahl blicken und den Strahl nicht unnötigerweise auf andere Personen richten.

Vorsicht! Bei einigen Anwendungen kann sich das laseremittierende Gerät hinter Ihnen befinden. Wenden Sie sich in diesem Fall vorsichtig um.

Betreiben Sie den Laser nicht in Gegenwart von Kindern und erlauben Sie ihnen auf keinen Fall, den Laser zu benutzen.

Achtung! Eine reflektierende Oberfläche kann den Laserstrahl zurück an den Bediener oder andere Personen reflektieren.

Warnung: Die Verwendung von Steuerelementen, Einstellungen oder die Durchführung von anderen als den im Handbuch festgelegten Verfahren kann zu gefährlicher Strahlenbelastung führen.

Wird der Laser von einer sehr kalten in eine warme Umgebung (oder umgekehrt) gebracht, muss es vor Gebrauch die Umgebungstemperatur erreichen.

Den Laser nicht im Freien aufbewahren und vor Schlägen, dauerhaften Vibrationen und extremen Temperaturen schützen.

Den Laser vor Staub, Nässe und hoher Luftfeuchtigkeit schützen. Andernfalls können innere Bauteile beschädigt oder die Genauigkeit beeinflusst werden.

Falls Laserstrahlung ins Auge trifft, die Augen schließen und den Kopf sofort aus dem Strahl wegdrehen.

Achten Sie darauf, den Laserstrahl so zu positionieren, dass Sie selbst oder andere Personen davon nicht geblendet werden.

Nicht mit optischen Vergrößerungsgeräten, wie Ferngläsern oder Teleskopen, in den Laserstrahl blicken. Andernfalls erhöht sich die Gefahr von schwerwiegenden Augenschäden.

Beachten Sie, dass Lasersichtbrillen zum besseren Erkennen der Laserlinien dienen, die Augen jedoch nicht vor Laserstrahlung schützen.

Warnschilder auf dem Lasergerät dürfen nicht entfernt oder unkenntlich gemacht werden.

Den Laser nicht auseinanderbauen. Laserstrahlung kann schwere Augenverletzungen verursachen.

Vor dem Transport des Lasers sicherstellen, dass die Pendelarretierung eingerastet ist.

Hinweis: Bei nicht eingerasteter Pendelarretierung kann es während des Transports zu Beschädigungen im Inneren des Geräts kommen.


Keine aggressiven Reinigungsmittel oder Lösungsmittel verwenden. Nur mit einem sauberen, weichen Tuch reinigen.

Den Laser vor heftigen Stößen und Stürzen schützen. Nach einem Sturz oder starken mechanischen Einwirkungen ist die Genauigkeit des Geräts vor Gebrauch zu überprüfen.

Erforderliche Reparaturen an diesem Lasergerät dürfen nur von autorisiertem Fachpersonal durchgeführt werden.

Das Produkt darf nicht in einer explosionsgefährdeten oder aggressiven Umgebung eingesetzt werden.

Vor längerem Nichtgebrauch des Geräts die Batterien aus dem Batteriefach entnehmen. So lassen sich das Auslaufen der Batterien und damit verbundene Korrosionsschäden vermeiden.

 Leere Batterien dürfen nicht über den Hausmüll entsorgt werden. Gebrauchte Batterien zur umweltgerechten Entsorgung gemäß nationaler oder lokaler Vorschriften an den dafür vorgesehenen Sammelstellen abgeben. Das Gerät darf nicht im Hausmüll entsorgt werden. Gerät sachgemäß entsorgen. Länderspezifische Entsorgungsvorschriften befolgen. Wenden Sie sich an die örtliche Behörde oder Ihren Händler, um Auskunft über die Entsorgung zu erhalten.



WARTUNG

Das Objektiv und das Gehäuse des Lasers mit einem weichen, sauberen Tuch reinigen. Keine Lösungsmittel verwenden.

Auch wenn das Gerät bis zu einem gewissen Grad staub- und schmutzbeständig ist, sollte es nicht längerfristig an einem staubigen Ort aufbewahrt werden, da andernfalls innenliegende bewegliche Teile beschädigt werden können.

Sollte der Laser nass werden, ist es vor dem Einsetzen in den Tragekoffer zu trocknen, damit keine Rostschäden entstehen.

TECHNISCHE DATEN

Laserklasse	2
Selbstnivellierungsbereich	$\pm 3^\circ$
Selbstnivellierungsdauer	3–5 s
Batterietyp	LR6 Alkalibatterie vom Typ AA
Spannung DC	3 × 1,5 V
Leistungsaufnahme	0,35 A
Schutzart (Spritzwasser und Staub)	IP54
Funktionen	horizontale Linie, 2 vertikale Linien, Kreuzlinien, Auslotfunktion
Pulsmodus	Frequenz 10 kHz
Projektionen	3 grüne Linien, 1 roter Punkt
Laserlinienausgabemuster	Horizontale Linie nach vorne, vertikale Linie nach vorne, vertikale Linie zur Seite und Lotpunkt. Horizontale und vertikale Kreuzlinien nach vorne und Lotpunkt. Horizontale Linie. Vertikale Linie nach vorne und Lotpunkt. Vertikale Linien nach vorne und zur Seite und Lotpunkt. (Die Anzeige des Lotpunkts nach unten funktioniert nur im Selbstnivelliermodus, nicht im manuellen Betrieb.)
Betriebszeit	6 Stunden
Stativgewinde	1/4"
Geeigneter Detektor	für standardmäßige grüne Mehrfachlinienlaser
Laserlinie	
Breite	2,5 mm $\pm 0,5$ mm / 5 m
Wellenlänge	λ 520 ± 10 nm Laserklasse II
Genauigkeit	$\pm 0,2$ mm/m
Öffnungswinkel	> 120°
Farbe	grün
Reichweite	30 m (mit Detektor 50 m)

Lotpunkt	
Wellenlänge Laserpunkt	635 ± 5 nm Laserklasse II
Max. Leistung Laserpunkt	< 1 mW
Lotgenauigkeit	$\pm 0,6$ mm / 1 m
Laserpunktfarbe	rot
Reichweite	5 m
Empfohlene Betriebstemperatur	-10 °C bis +45 °C
Lagertemperatur	-20 °C bis +60 °C
Abmessungen	106 mm × 88 mm × 105 mm
Gewicht (inkl. Batterien)	710 g

BESTIMMUNGSGEMÄSSE VERWENDUNG

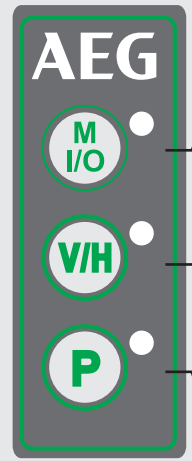
Dieser innovative Laser ist für einen breiten professionellen Anwendungsbereich ausgelegt, wie z. B.:

- Ausrichten von Fliesen, Marmor, Schränken, Bordüren, Formteilen und Besätzen
- Markieren der Grundlinien für den Einbau von Türen, Fenstern, Schienen, Treppen, Zäunen, Toren, Veranden und Pergolen.
- Übertragen von Referenzpunkten für Beleuchtungs- und Belüftungsinstallationen, Übertragen von Höhen, Nivellieren von Umfassungs- und Ständerwänden, Verlegen von Schienen auf Böden sowie sonstige professionelle Arbeiten.
- Für die Bestimmung und Prüfung von horizontalen und vertikalen Linien.

Dieses Produkt darf nur wie angegeben bestimmungsgemäß verwendet werden.



Bedienfeld

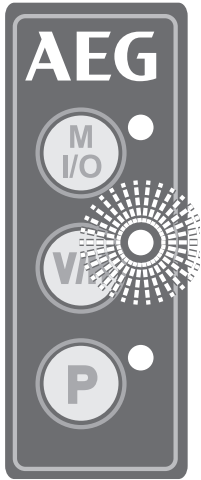


LED-Anzeige manueller Modus
Taste manueller Modus
 Zum Ein- und Ausschalten des manuellen Modus

LED-Anzeige Laserlinie auswählen (Dauerlicht)
LED-Anzeige Batterie schwach (Blinklicht)
Wahltaste Laserlinie
 Auswahl zwischen **V**ertikale Linie nach vorne, **V**ertikale Linie zur Seite, **H**orizontale Linie nach vorne oder einer Kombination aus diesen Linien.

LED-Anzeige Pulsmodus
Taste Pulsmodus
 Für Außenarbeiten bei direkter Sonneneinstrahlung oder hellen Lichtverhältnissen sowie für Innenanwendungen mit einer Reichweite bis 50 m den Pulsmodus mit einem 10-kHz-Detektor verwenden.

ANZEIGE BATTERIE SCHWACH



Bei niedrigem Batterieladezustand verringert sich die Leuchtkraft des Lasers und die entsprechende Anzeige (grüne LED neben der Taste V/H) beginnt mit einer Frequenz von 0,5 Sekunden zu blinken.

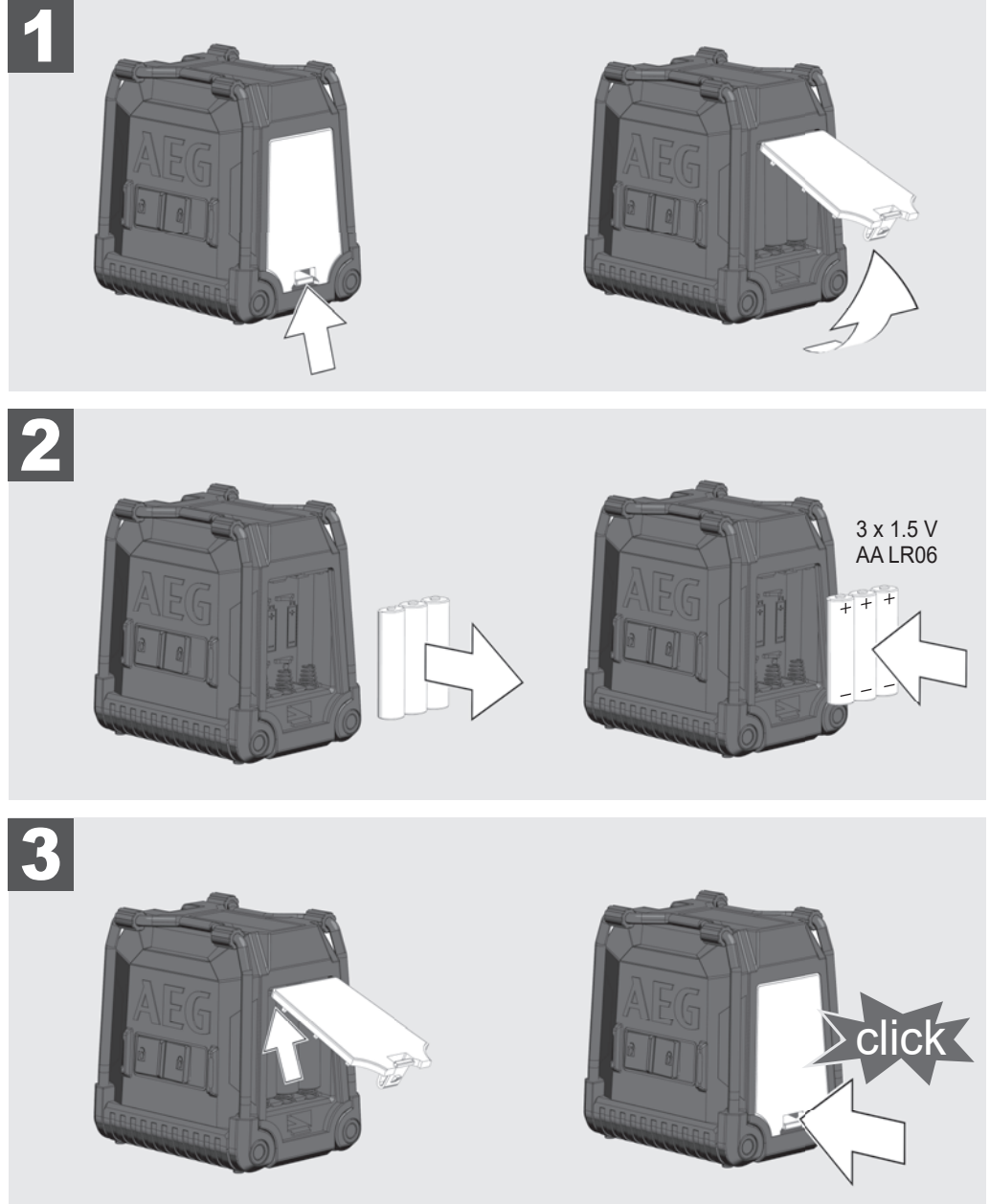
Das Weiterarbeiten ist dennoch möglich.

Wenn die Batterien zu schwach werden, schaltet das Gerät automatisch ab.

BATTERIEN WECHSELN

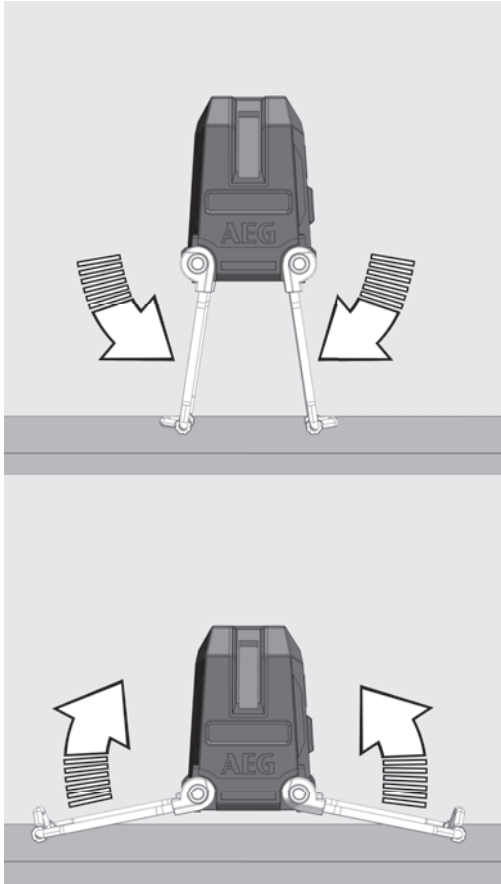
Die Batterien wechseln, wenn der Laserstrahl schwächer wird.

Vor längerem Nichtgebrauch des Lasers die Batterien aus dem Batteriefach entnehmen. So lassen sich das Auslaufen der Batterien und damit verbundene Korrosionsschäden vermeiden.

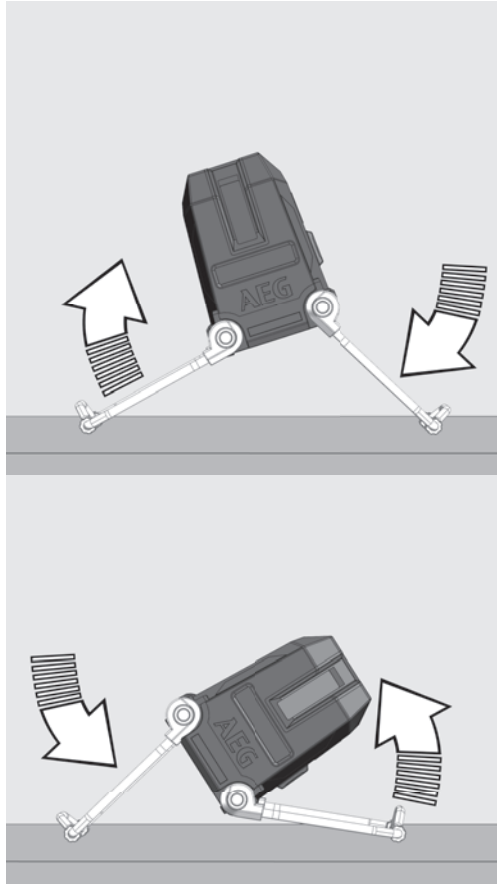


VERSTELLBARE FÜSSE

Mit den verstellbaren Beinen die Höhe der horizontalen Linie einstellen.

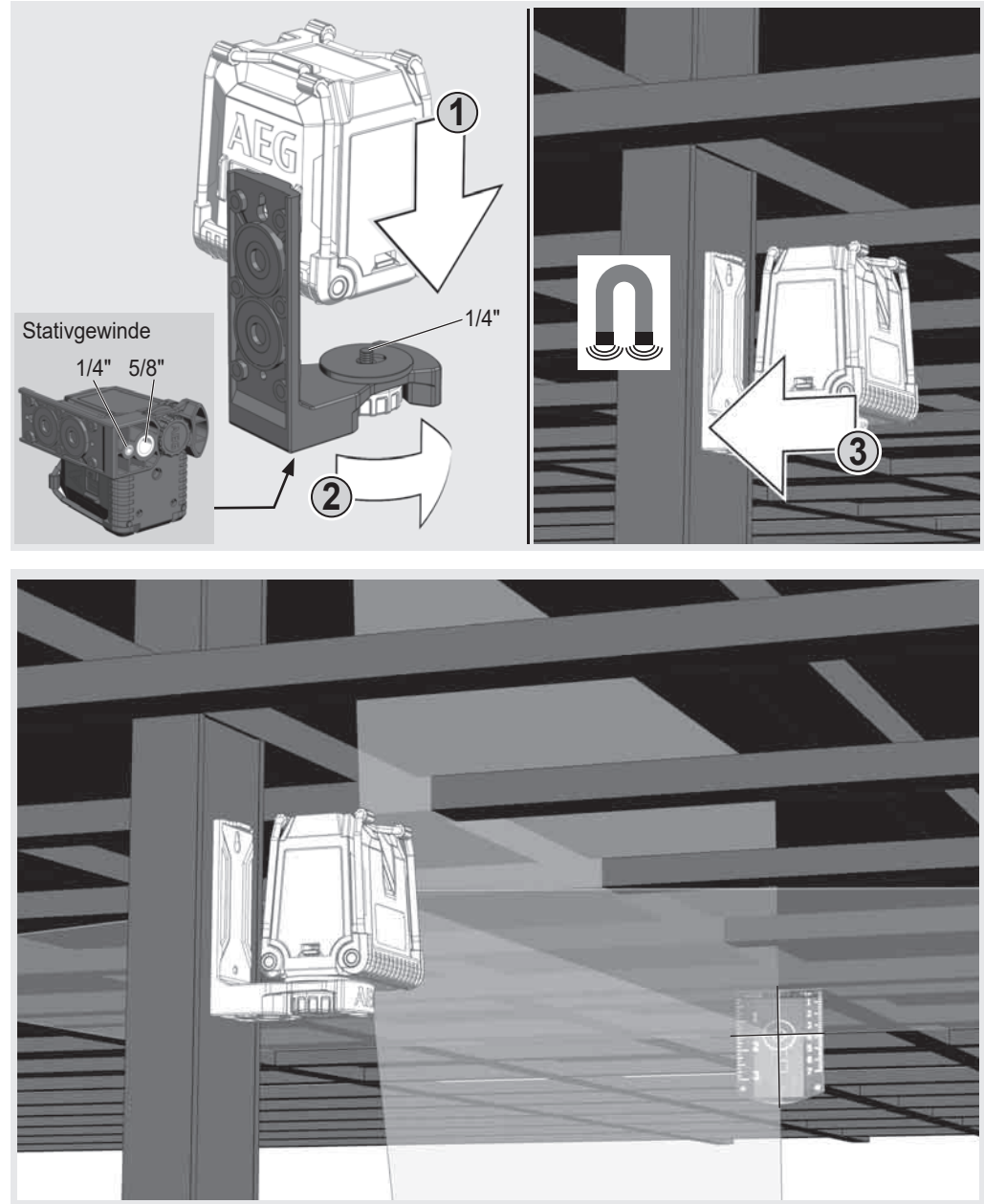


Mit den verstellbaren Beinen die Neigung des Lasers einstellen.



MAGNETISCHE WANDHALTERUNG UND GRÜNE ZIELTAFEL

Mit der magnetischen Halterung lässt sich der Laser an Wänden, Metallstrukturen o. ä. befestigen. Die grüne Zieltafel verbessert die Sichtbarkeit des Laserstrahls bei ungünstigen Bedingungen und größeren Entfernungen.



ARBEITEN IM SELBSTNIVELLIERMODUS


Im Selbstnivelliermodus richtet sich der Laser selbst in einem Bereich von $\pm 3^\circ$ aus. Es werden eine horizontale Linie, zwei vertikale Linien oder alle 3 Linien gleichzeitig projiziert.

1

Den Laser auf einen festen, ebenen und vibrationsfreien Untergrund stellen oder auf dem Stativ montieren.



2

Den Verriegelungsschalter auf ON  schieben.

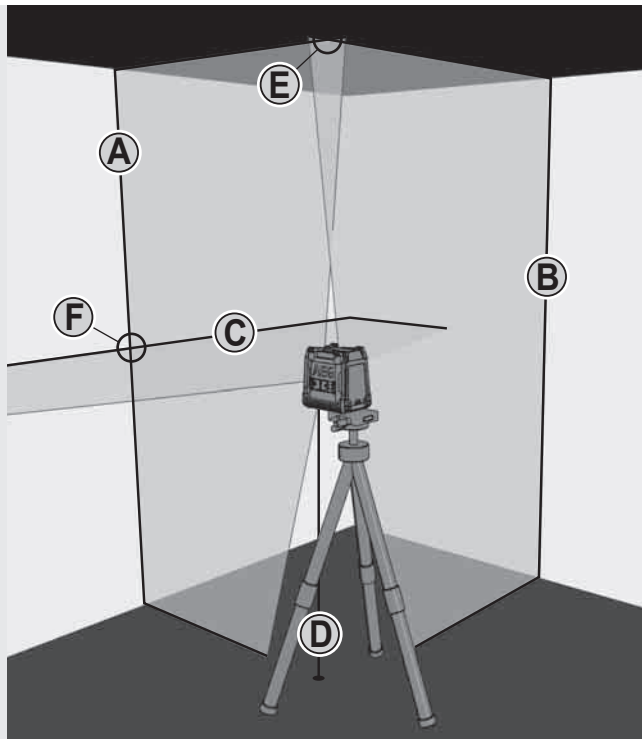


3

Der Laser erzeugt 3 Laserlinien.

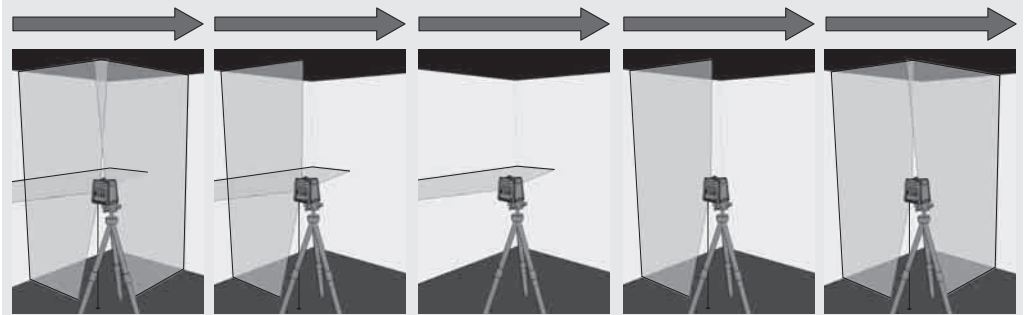
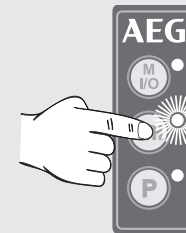
- (A) Vertikale Linie nach vorne
- (B) Vertikale Linie zur Seite
- (C) Horizontale Linie nach vorne
- (D) Laserpunkt (Lotlinie)

Wenn alle Linien aktiviert sind, erzeugt der Laser Kreuzlinien nach oben (E) und nach vorne (F).



4

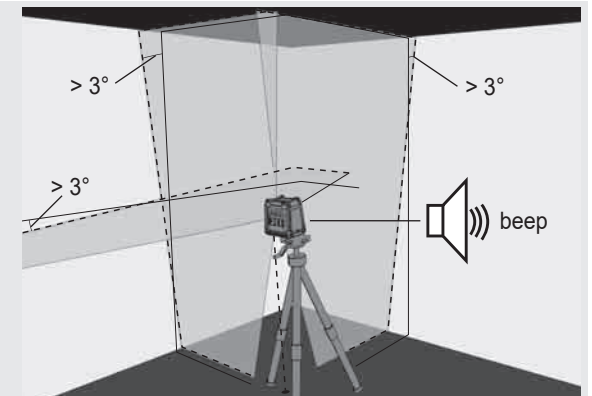
Die Taste V/H drücken, um die Linien auszuwählen, mit denen Sie arbeiten möchten.



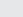
5

Wenn der Laser bei aktivierter Selbstnivellierung zu Anfang nicht auf $\pm 3^\circ$ ausgerichtet ist, blinken die Laserlinien - - - und es ertönt ein Signalton.

In diesem Fall den Laser neu positionieren.



6

Vor dem Umsetzen des Geräts die Verriegelungstaste auf OFF  stellen. Dadurch wird das Pendel arretiert und der Laser geschützt.

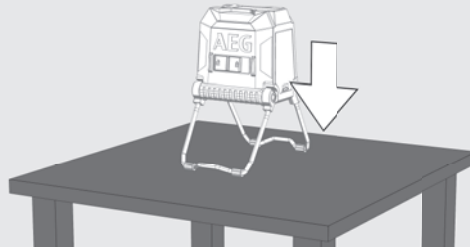


ARBEITEN IM MANUELLEN MODUS

Im manuellen Modus ist die Selbstnivellierfunktion deaktiviert und der Laser kann auf jede beliebige Neigung der Laserlinien eingestellt werden.

1

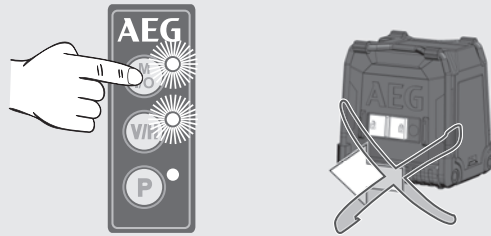
Den Laser auf einen festen, ebenen und vibrationsfreien Untergrund stellen oder auf einem Stativ montieren.



2

Die Taste für den manuellen Modus drücken (ohne den Verriegelungsschalter zu verschieben!).

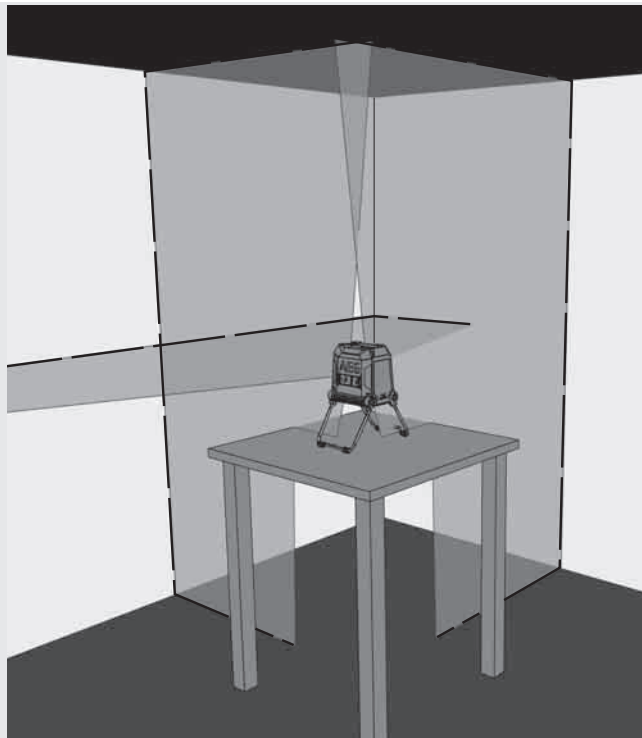
Die rote LED neben der Taste leuchtet.



3

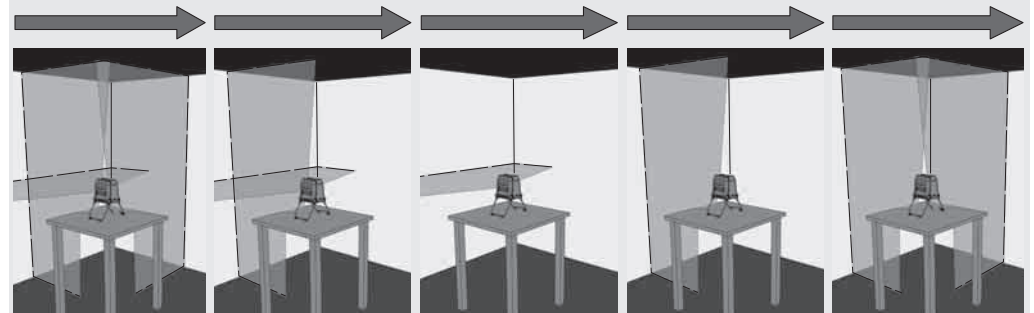
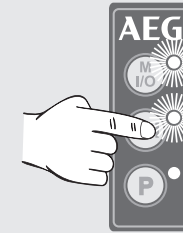
Wie im Selbstnivelliermodus erzeugt der Laser 3 Laserlinien, die jedoch im Abstand von 3 Sekunden blinken.

3 Sek. 3 Sek. 3 Sek.



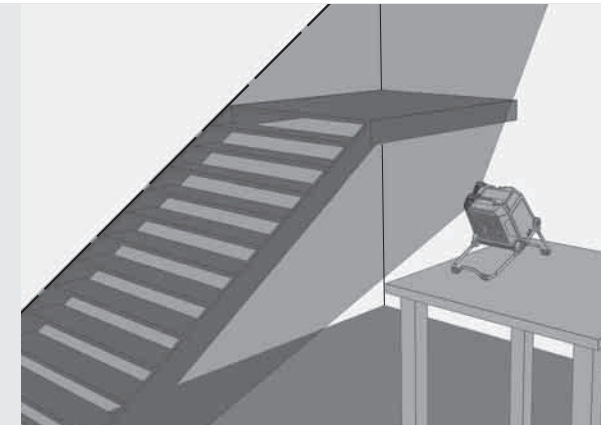
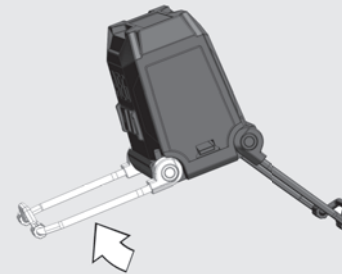
4

Die Taste V/H drücken, um die Linien auszuwählen, mit denen Sie arbeiten möchten.



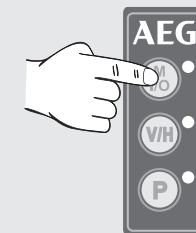
5

Den Laser mithilfe der Beine auf die gewünschte Höhe und Neigung einstellen.



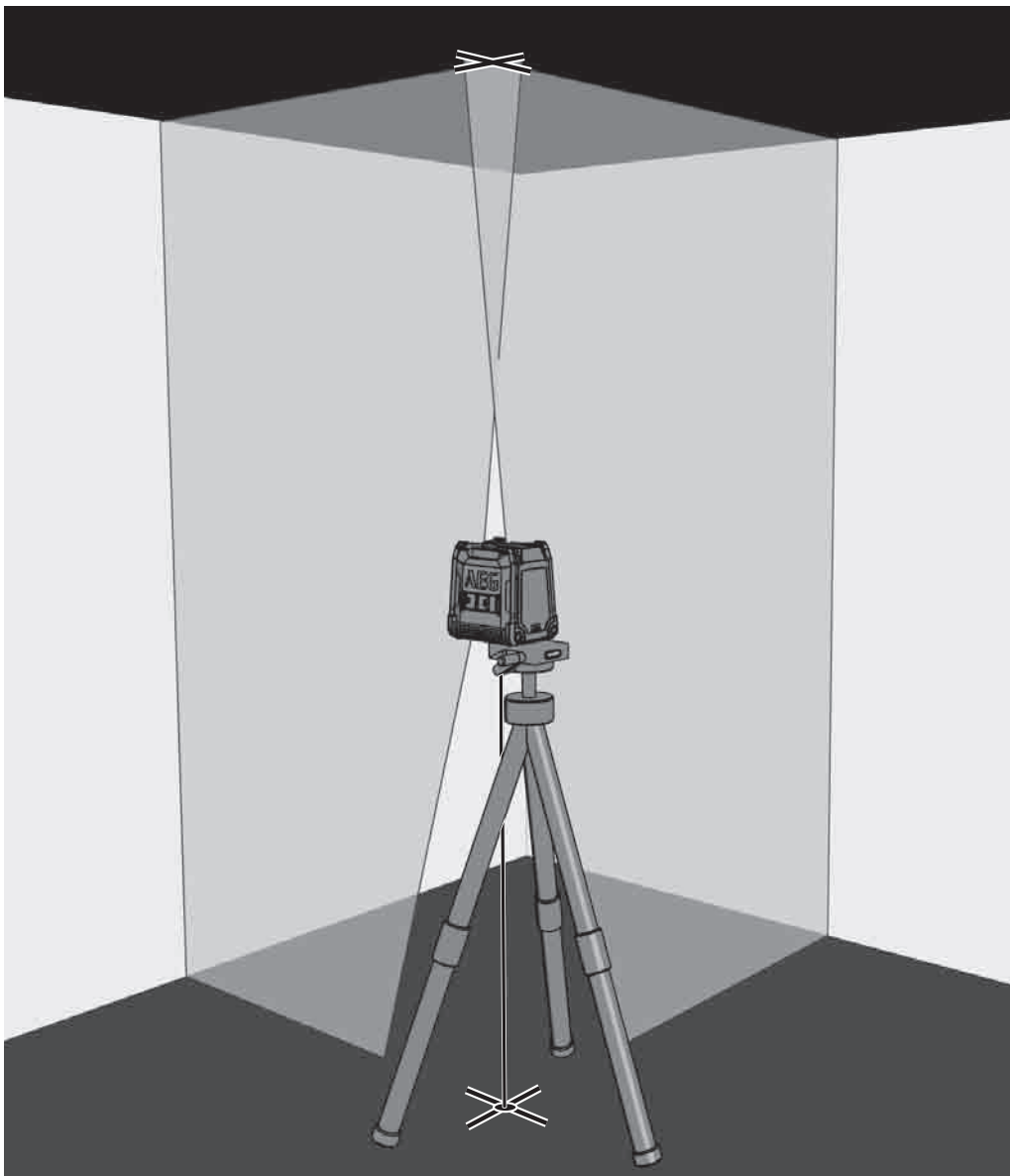
6

Um den manuellen Modus zu beenden, die Taste für den manuellen Modus erneut drücken. Um direkt in den Selbstnivelliermodus zu wechseln, den Verriegelungsschalter auf ON stellen.



AUSLOTFUNKTION

Mit der Lotfunktion lässt sich ein Punkt auf dem Boden lotrecht an die Decke projizieren. Der Referenzpunkt am Boden wird zum Schnittpunkt der Kreuzlinien an der Decke ausgerichtet. Die Lotfunktion dient beispielsweise zur Übertragung eines Referenzpunkts für die Beleuchtungs- und Lüftungsinstallation oder zur Übertragung von Höhen.



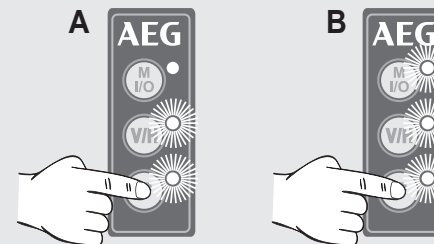
PULSMODUSFUNKTION

Für Außenarbeiten bei direkter Sonneneinstrahlung oder hellen Lichtverhältnissen sowie für Innenanwendungen mit einer Reichweite bis 50 Meter den Pulsmodus mit einem Detektor verwenden. Der Detektor ist nicht im Lieferumfang enthalten und muss separat erworben werden. Bei aktiviertem Pulsmodus blinken die Laserlinien mit sehr hoher (für das menschliche Auge unsichtbarer) Frequenz, damit der Detektor die Laserlinien lokalisieren kann.

1

Der Pulsmodus kann sowohl im Selbstnivelliermodus (A) als auch im manuellen Modus (B) aktiviert werden.

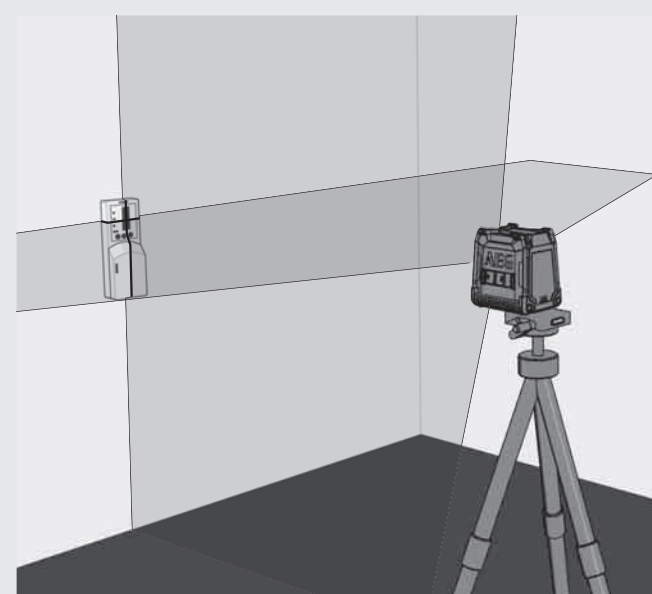
Die Taste P drücken. Die grüne LED neben der Taste leuchtet.



2

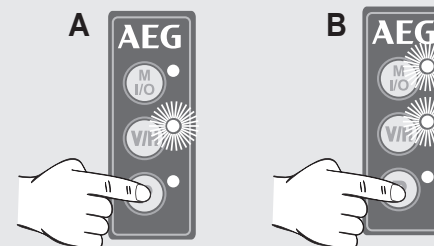
Nach dem Aktivieren des Pulsmodus nimmt die Sichtbarkeit der Laserlinien ein wenig ab.

Ausführliche Informationen zur Verwendung des Detektor finden Sie in der Bedienungsanleitung des Detektors.



3

Die Taste P erneut drücken, um den Pulsmodus auszuschalten. Die grüne LED neben der Taste geht aus.



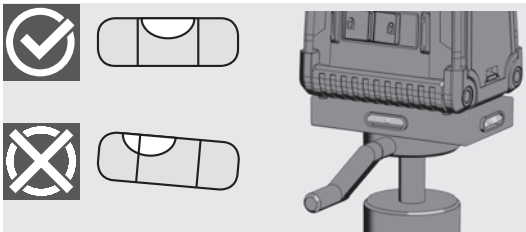
GENAUIGKEIT ÜBERPRÜFEN

Der Laser wird ab Werk vollständig kalibriert. AEG empfiehlt, die Genauigkeit des Lasers regelmäßig zu überprüfen, vor allem nach einem Sturz oder infolge von Fehlbedienungen.

Wird die maximale Abweichung bei einer Überprüfung der Genauigkeit überschritten, wenden Sie sich bitte an eines unserer AEG-Servicecenter (siehe Liste mit den Garantiebedingungen und Servicecenteradressen).

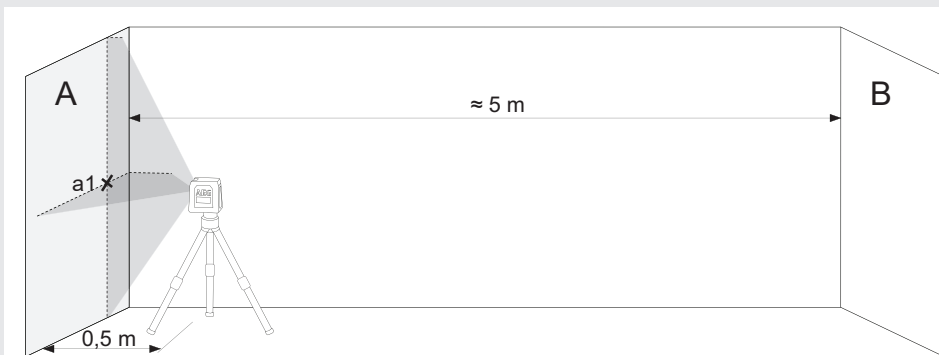
1. Höhengenaugigkeit der horizontalen Linie überprüfen.
2. Nivelliergenauigkeit der horizontalen Linie überprüfen.
3. Nivelliergenauigkeit der vertikalen Linie überprüfen.
4. Rechtwinkligkeit zwischen 2 vertikalen Linien überprüfen.
5. Lotgenauigkeit überprüfen.

Vor dem Überprüfen der Genauigkeit des auf dem Stativ montierten Lasers die Nivellierung des Stativs kontrollieren.



1 HÖHGENAUIGKEIT DER HORIZONTALEN LINIE ÜBERPRÜFEN (ABWEICHUNG NACH OBEN UND UNTEN)

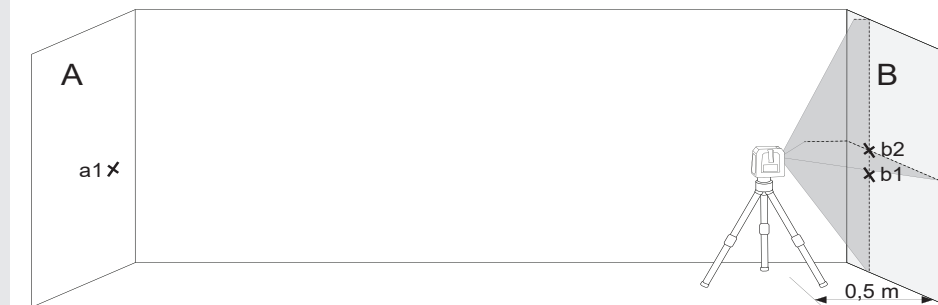
1. Den Laser auf einem Stativ oder einem ebenen Untergrund zwischen zwei ca. 5 m voneinander entfernten Wänden A und B aufstellen.
2. Den Laser ca. 0,5 m von Wand A entfernt positionieren.
3. Den Selbstnivelliermodus einschalten und die Taste drücken, um die horizontale und vertikale Linie auf Wand A zu projizieren.
4. Den Schnittpunkt der beiden Linien als Punkt a1 auf Wand A markieren.



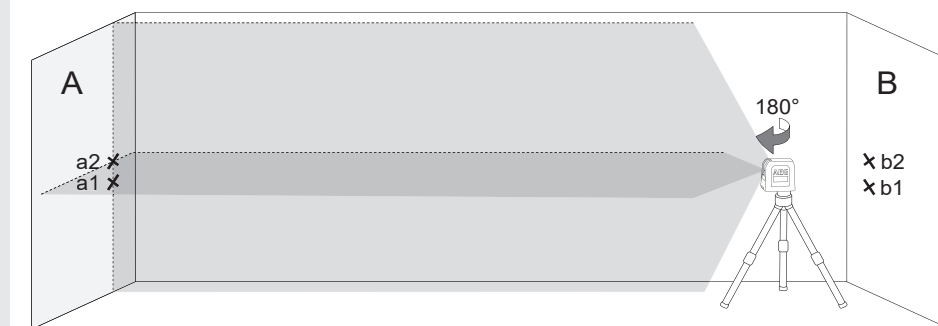
5. Den Laser um 180° in Richtung Wand B drehen und den Schnittpunkt der beiden Linien als b1 auf Wand B markieren.



6. Den Laser ca. 0,5 m von Wand B entfernt aufstellen.
7. Den Schnittpunkt der beiden Linien als b2 auf Wand B markieren.



8. Den Laser um 180° in Richtung Wand A drehen und den Schnittpunkt der beiden Linien als a2 auf Wand A markieren.



9. Die Abstände messen:

$$\Delta a = |a2 - a1|$$

$$\Delta b = |b1 - b2|$$

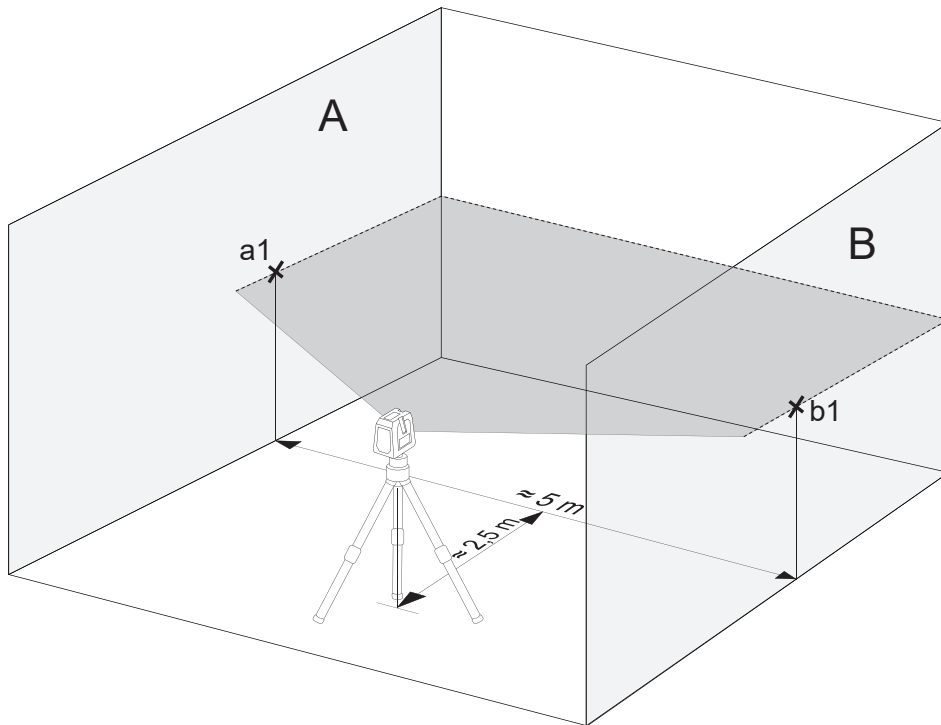
10. Die Differenz $|\Delta a - \Delta b|$ darf nicht mehr als 2 mm betragen.

2

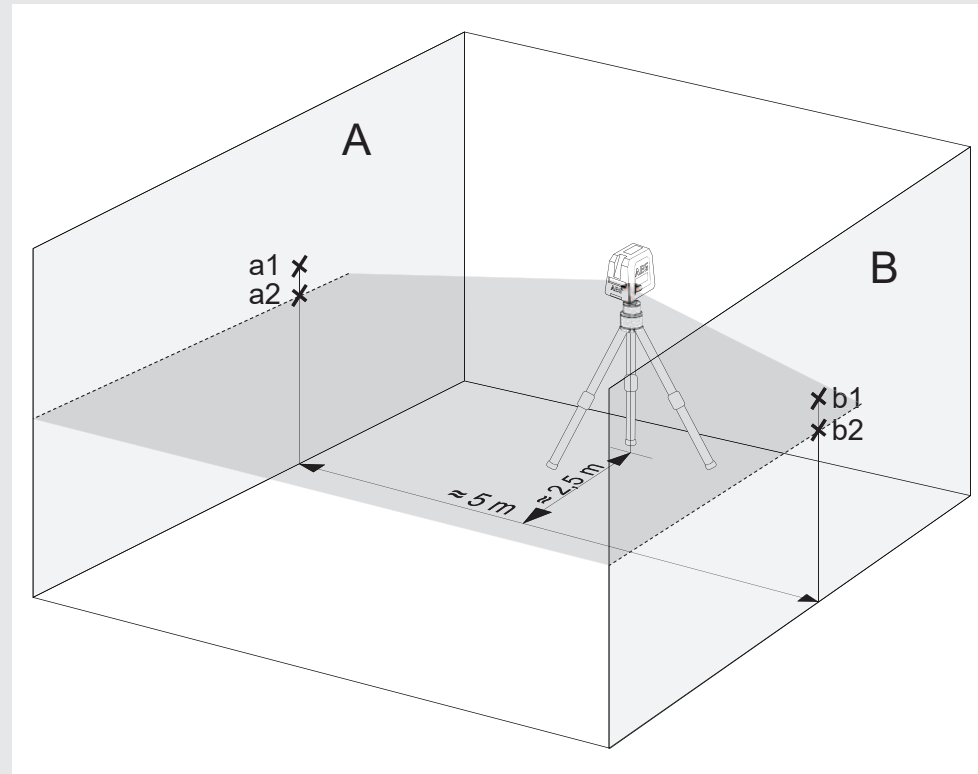
NIVELLIERGENAUIGKEIT DER HORIZONTALEN LINIE ÜBERPRÜFEN (ABWEICHUNG VON EINER SEITE ZUR ANDEREN)

Für diese Prüfung ist eine freie Fläche von ca. 5 × 5 m erforderlich.

1. Den Laser auf einem Stativ oder einem festen Untergrund zwischen zwei ca. 5 m voneinander entfernten Wänden A und B aufstellen.
2. Den Laser ca. 2,5 m von der Raummitte entfernt aufstellen.
3. Den Selbstnivelliermodus einschalten und die Taste drücken, um die horizontale Linie auf die Wände A und B zu projizieren.
4. Den Mittelpunkt der Laserlinie auf Wand A mit a1 und auf Wand B mit b1 markieren.



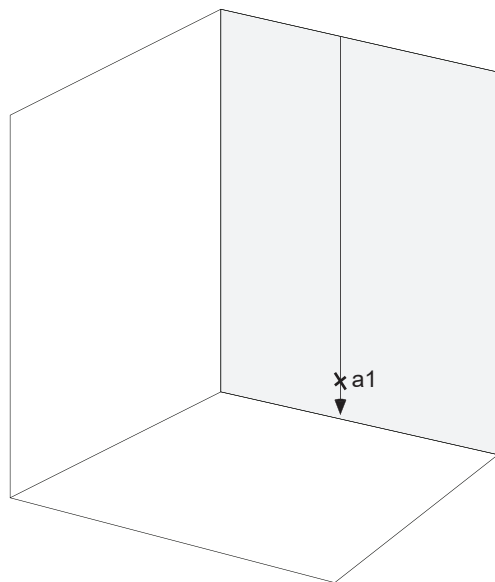
5. Den Laser um ca. 5 m versetzen und um 180° drehen und die horizontale Linie erneut auf die Wände A und B projizieren.
6. Den Mittelpunkt der Laserlinie auf Wand A mit a2 und auf Wand B mit b2 markieren.



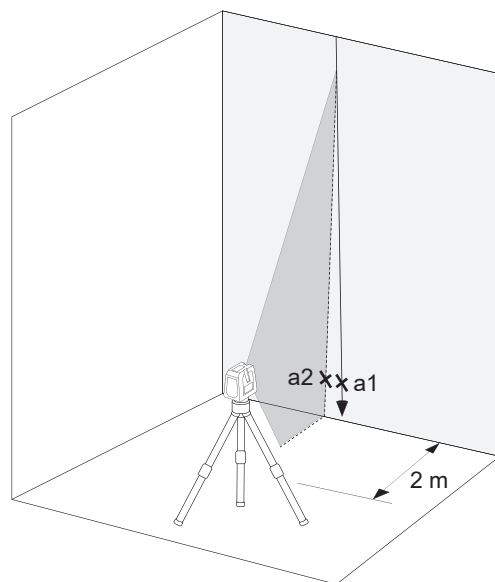
7. Die Abstände messen:
 $\Delta a = |a2 - a1|$
 $\Delta b = |b1 - b2|$
8. Die Differenz $|\Delta a - \Delta b|$ darf nicht mehr als 2 mm betragen.

3 NIVELLIERGENAUIGKEIT DER VERTIKALEN LINIE ÜBERPRÜFEN

1. Eine ca. 4 m lange Lotschnur an einer Wand aufhängen.
2. Nachdem sich das Senkblei ausgependelt hat, den Punkt a1 oberhalb des Bleikegels auf der Wand markieren.



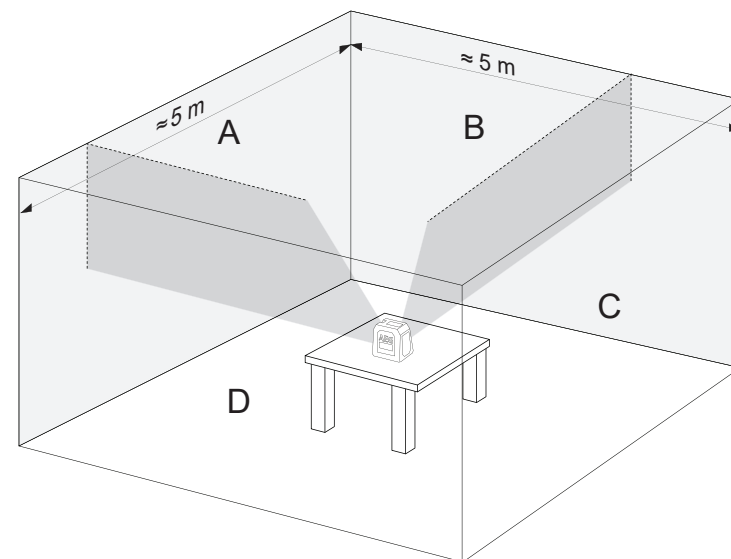
3. Den Laser auf einem Stativ oder einem ebenen Untergrund in ca. 2 m Entfernung von der Wand aufstellen.
4. Den Selbstnivelliermodus einschalten und die Taste drücken, um die vertikale Linie auf die Lotschnur zu projizieren.
5. Den Laser so drehen, dass die vertikale Linie mit der Aufhängung der Lotschnur übereinstimmt.
6. Den Punkt a2 in der Mitte der vertikalen Linie auf derselben Höhe wie a1 auf der Wand markieren.
7. Der Abstand zwischen a1 und a2 darf nicht größer als 1 mm sein.



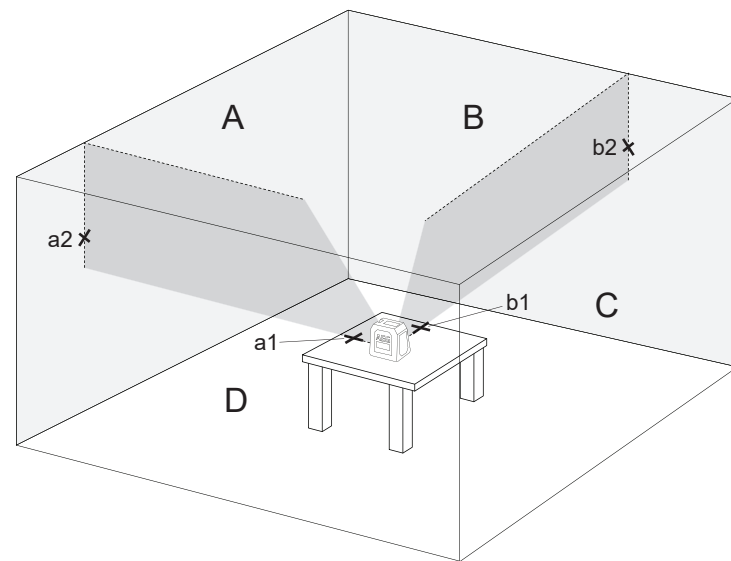
4 RECHTWINKLIGKEIT ZWISCHEN 2 VERTIKALEN LINIEN ÜBERPRÜFEN

Für diese Prüfung ist ein Raum mit 4 Wänden und einer Grundfläche von mindestens 5 x 5 m erforderlich.

1. Den Laser auf einem Tisch oder auf dem Boden in der Mitte des Raumes aufstellen.
2. Den Selbstnivelliermodus einschalten und die Taste V/H 4x drücken, um die vertikalen Linien nach vorne und zur Seite zu projizieren.

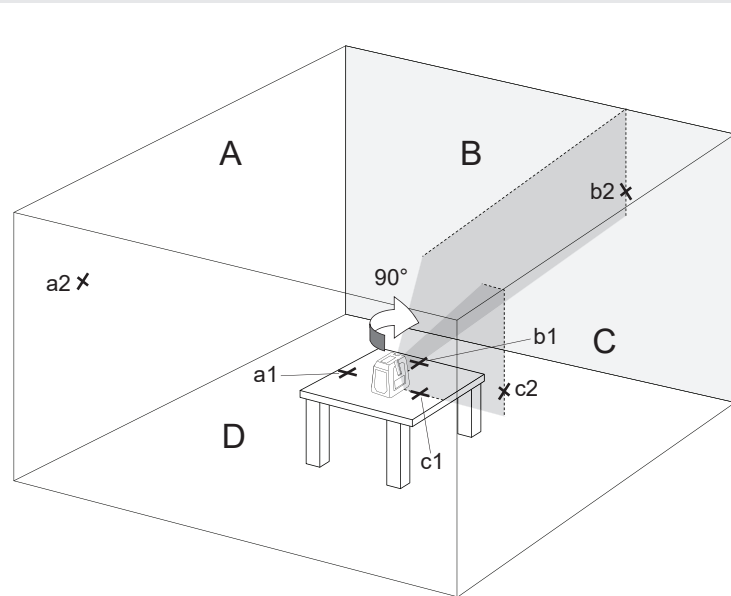


3. Die Mitte der nach vorne projizierten vertikalen Linie an 2 Stellen markieren: Punkt a1 auf dem Tisch nahe des Lasers und Punkt a2 auf Wand A.
4. Die Mitte der zur Seite projizierten vertikalen Linie an 2 Stellen markieren: Punkt b1 auf dem Tisch nahe des Lasers und Punkt b2 auf Wand B.

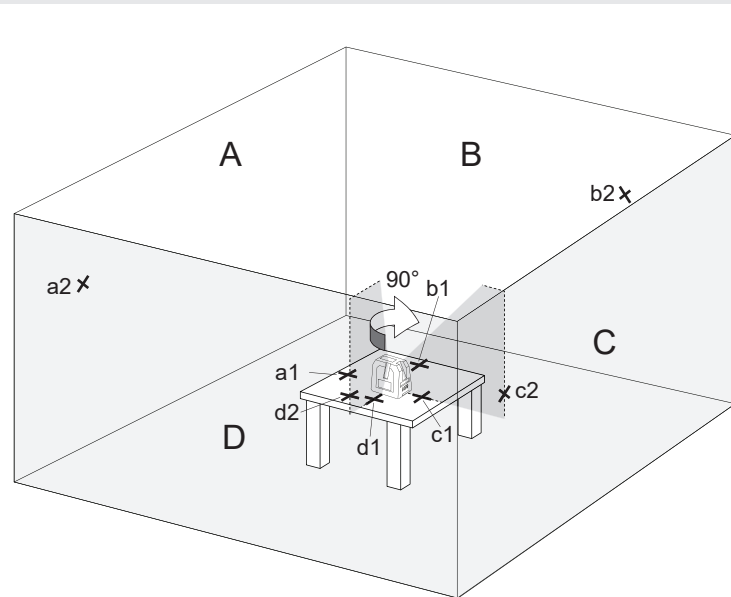


RECHTWINKLIGKEIT ZWISCHEN 2 VERTIKALEN LINIEN ÜBERPRÜFEN

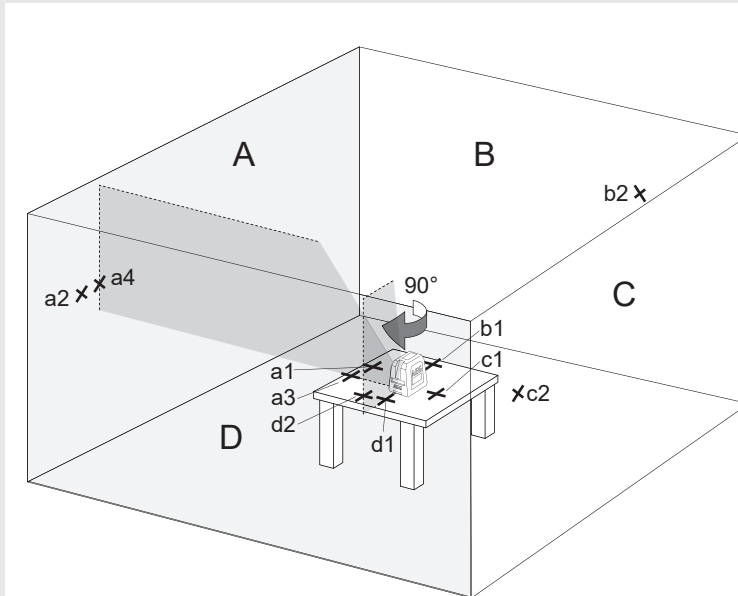
- Den Laser um 90° im Uhrzeigersinn drehen, so dass die nach vorne gerichtete Laserlinie die Markierungen b1 auf dem Tisch und b2 an Wand B trifft.
- Die Mitte der zur Seite projizierten vertikalen Linie an 2 Stellen markieren: Punkt c1 auf dem Tisch nahe des Lasers und Punkt c2 auf Wand C.



- Den Laser um 90° im Uhrzeigersinn drehen, so dass die nach vorne gerichtete Laserlinie die Markierungen c1 auf dem Tisch und c2 an Wand C trifft.
- Die Mitte der zur Seite projizierten vertikalen Linie an 2 Stellen markieren: Punkt d1 auf dem Tisch nahe des Lasers und Punkt d2 auf Wand D.



- Den Laser um 90° im Uhrzeigersinn drehen, so dass die nach vorne gerichtete Laserlinie die Markierungen d1 auf dem Tisch und d2 an Wand D trifft.
- Die Mitte der zur Seite projizierten vertikalen Linie an 2 Stellen markieren: Punkt a3 auf dem Tisch nahe Punkt a1 und Punkt a4 auf Wand A nahe Punkt a2.

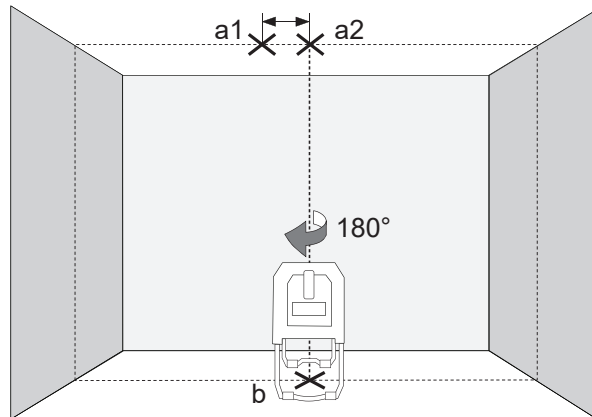
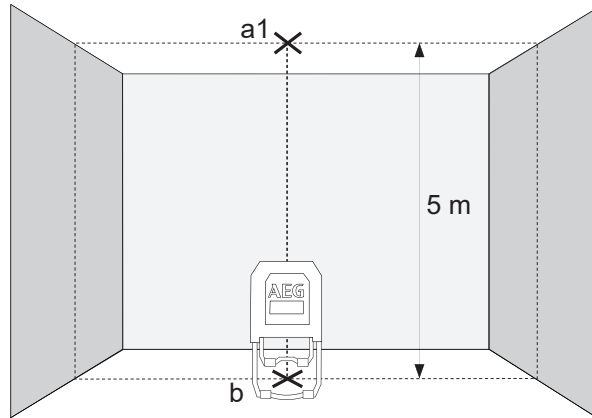


- Die Abstände messen:
 $\Delta 1$ = von a1 nach a3
 $\Delta 2$ = von a2 nach a4
- Die Differenz $\Delta 2 - \Delta 1$ darf nicht mehr als 4 mm betragen.

5 LOTGENAUIGKEIT ÜBERPRÜFEN

Für diese Prüfung ist ein Raum mit einer Deckenhöhe von ca. 5 m erforderlich.

1. Die Beine des Lasers ausklappen und das Gerät auf den Boden stellen.
2. Den Selbstnivelliermodus einschalten und die Taste drücken, um die vertikalen Kreuzlinien an die Decke und den Lotpunkt auf den Boden zu projizieren.
3. Die Mitte der nach oben gerichteten Kreuzlinie als Punkt a1 an der Decke markieren (siehe Abbildung).
4. Den Mittelpunkt des Lotpunkts als Punkt b auf dem Boden markieren.
5. Den Laser um 180° drehen und so positionieren, dass der Mittelpunkt des Lotpunkts auf den bereits markierten Punkt b fällt und warten, bis sich das Gerät nivelliert hat.
6. Die Mitte der nach oben gerichteten Kreuzlinie als Punkt a2 an der Decke markieren.
7. Der Abstand zwischen den Punkten a1 und a2 an der Decke gibt an, wie stark die Laserlinie von der idealen Lotrechten abweicht.
8. Bei einer Messstrecke von 5 m beträgt die maximal zulässige Abweichung:
 $5 \text{ m} \times (\pm 0,6 \text{ mm/m}) \times 2 = \pm 6 \text{ mm}$.
9. Der Abstand zwischen a1 und a2 darf nicht größer als 6 mm sein.



CONTENU

Consignes de sécurité importantes	1
Entretien	2
Caractéristiques techniques	2
Utilisation conforme aux prescriptions	2
Vue globale	3
Affichage Batterie faible	4
Remplacer les piles	4
Pieds réglables	5
Support mural magnétique et plaque cible verte	5
Travailler en mode d'autonivellement	6
Travailler en mode manuel	7
Fonction d'aplomb	8
Fonction Mode d'impulsion	8
Vérifier la précision	9

CONSIGNES DE SÉCURITÉ IMPORTANTES



ATTENTION! AVERTISSEMENT! DANGER!

N'utilisez pas ce produit avant d'avoir lu les consignes de sécurité et le manuel de l'utilisateur chargés sur le CD joint.

Classement laser



AVERTISSEMENT :

Ce produit fait partie de la classe laser 2 au sens de la norme EN60825-1:2014.



Avvertissement :

Ne dirigez pas le rayon laser directement dans les yeux. Le rayon laser peut provoquer de graves lésions oculaires et/ou la cécité.

Ne regardez pas directement dans le rayon laser et ne le pointez pas inutilement vers d'autres personnes.

Attention ! Pour certaines applications, le dispositif à émission laser peut se trouver derrière vous. Dans ce cas, tournez-vous avec précaution.

Avvertissement :

N'utilisez pas le laser à proximité d'enfants et ne permettez pas à des enfants de faire fonctionner le laser.

Attention ! Des surfaces réfléchissantes pourraient réfléchir le rayon laser sur l'opérateur ou sur des autres personnes.

Avvertissement : L'utilisation d'éléments de contrôle, de sélections ou l'exécution de procédures différentes de celles établies par le guide pourra comporter une dangereuse exposition aux rayons.

Si le laser est déplacé d'un environnement très froid à un environnement chaud (ou inversement), attendez qu'il est atteint la température ambiante avant de l'utiliser.

Ne stockez pas le laser à l'extérieur et protégez-le des chocs, des vibrations permanentes et des températures extrêmes.

Protéger le dispositif de mesure laser contre les poussières, les liquides et la haute humidité de l'air. Les facteurs susdits pourraient endommager gravement les composants internes ou influencer négativement sa précision.

Si le rayon laser vous atteint, fermez yeux et détournez immédiatement la tête.

Veillez à positionner le rayon laser de manière à ce qu'il n'éblouisse personne.

Ne regardez pas dans le rayon laser avec des appareils de grossissement optique, tels que des jumelles ou des télescopes. En effet, cela augmente le risque de lésions oculaires graves.

Veillez noter que les lunettes laser sont conçues pour vous aider à voir les lignes laser, mais ne protègent pas vos yeux du rayonnement laser.

Les panneaux d'avertissement sur l'appareil laser ne doivent pas être enlevés ou rendus illisibles.

Ne démontez pas le laser. Le rayonnement laser peut causer des blessures oculaires graves.

Avant de transporter le laser, assurez-vous que le mécanisme de verrouillage du pendule est enclenché.

Remarque : Si le mécanisme de verrouillage du pendule n'est pas enclenché, des dommages peuvent se produire à l'intérieur de l'appareil pendant le transport.

Ne pas utiliser des détergents agressifs ou des solvants. Nettoyer uniquement avec un chiffon propre et doux.

Protégez le laser contre les chocs et les chutes violentes. Après une chute ou un fort impact mécanique, vérifiez la précision de l'appareil avant de l'utiliser.

Les réparations éventuellement nécessaires sur le dispositif au laser sont à effectuer exclusivement par du personnel spécialisé autorisé !

N'utilisez pas le produit dans des zones à risque d'explosion ou dans des environnements agressifs.

En cas de non-utilisation de l'appareil pendant une période prolongée, retirez les piles du compartiment à piles. Cela permet d'éviter que les piles ne fuient et les dommages de corrosion qui en découlent.



Ne pas jeter les batteries déchargées avec les ordures ménagères. Les amener à un point de collecte prévu à cet effet pour une élimination conforme aux prescriptions environnementales nationales ou locales. Ne pas jeter le produit avec les ordures ménagères. Éliminer le produit conformément aux prescriptions nationales en vigueur dans le pays d'utilisation. Suivre les règles de recyclage en vigueur sur le plan national, spécifiques au produit. Contactez les autorités locales ou le détaillant pour avoir des renseignements concernant la mise à la ferraille.



Marque de conformité européenne

ENTRETIEN

Nettoyez la lentille et le boîtier du laser avec un chiffon doux et propre. N'utilisez pas de solvants.

Même si le laser résiste dans une certaine mesure à la poussière et à la saleté, il convient de ne pas le stocker dans un endroit poussiéreux pendant une longue période, car cela pourrait endommager les pièces mobiles internes.

Si le laser est mouillé, séchez-le avant de le mettre dans la mallette de transport afin d'éviter tout dégât occasionné par la rouille.

CARACTÉRISTIQUES TECHNIQUES

Classe de laser	2
Plage d'autonivellement	±3°
Durée d'autonivellement	3–5 s
Type de batterie	Pile alcaline LR6 de type AA
Tension CC	3 × 1,5 V
Puissance absorbée	0,35 A
Indice de protection (protection contre les projections d'eau et la poussière)	IP54
Fonctions	ligne horizontale, 2 lignes verticales, lignes transversales, fonction d'aplomb
Mode d'impulsion	Fréquence 10 kHz
Projections	3 lignes vertes, 1 point rouge
Modèle de sortie de ligne laser	Ligne horizontale vers l'avant, ligne verticale vers l'avant, ligne verticale sur un côté et point d'aplomb. Lignes transversales horizontales et verticales vers l'avant et point d'aplomb. Ligne horizontale. Ligne verticale vers l'avant et point d'aplomb. Lignes verticale vers l'avant et sur le côté et point d'aplomb. (L'affichage du point d'aplomb vers le bas fonctionne uniquement en mode d'autonivellement, pas en mode manuel.)
Durée de fonctionnement	6 heures
Filetage pour trépied	1/4"
Détecteur adapté	pour les lasers multilignes verts standard
Ligne du laser	
Largeur	2,5 mm ±0,5 mm / 5 m
Longueur d'onde	λ 520 ±10 nm Classe de laser II
Précision	±0,2 mm/m
Angle d'ouverture	> 120°
Couleur	vert
Portée	30 m (avec détecteur 50 m)

Point d'aplomb	
Longueur d'onde du point laser	635 ±5 nm Classe de laser II
Puissance max. du point laser	< 1 mW
Précision de l'aplomb	±0,6 mm / 1 m
Couleur du point laser	rouge
Portée	5 m
Température de fonctionnement recommandée	-10 °C à +45 °C
Température de stockage	-20 °C à +60 °C
Dimensions	106 mm × 88 mm × 105 mm
Poids (avec piles)	710 g

UTILISATION CONFORME AUX PRESCRIPTIONS

Ce laser innovant est conçu pour un large éventail d'applications professionnelles, dont :

- L'alignement des carreaux, des plaques de marbre, des armoires, des bordures, des moulures et des garnitures.
- Le marquage des lignes de base pour l'installation de portes, fenêtres, rails, escaliers, clôtures, portails, vérandas et pergolas.
- Le transfert de points de référence pour les installations d'éclairage et de ventilation, le transfert de hauteurs, la mise à niveau des murs extérieurs et des murs à montants, la pose de rails sur les sols, et d'autres travaux professionnels.
- Il est conçu pour déterminer et contrôler les lignes horizontales et verticales.



Ce produit ne doit être utilisé que dans le cadre de l'utilisation conforme décrite.

Stabilisateurs en caoutchouc

Pieds réglables

Fenêtre de la ligne laser verticale vers l'avant

Fenêtre de la ligne laser horizontale

ON  / OFF  Interrupteur de verrouillage



Panneau de commande



Témoin lumineux Mode manuel

Touche Mode manuel

Pour activer et désactiver le mode manuel

Témoin lumineux Sélection de la ligne laser
(allumé en continu)

Témoin lumineux Batterie faible (clignotant)

Touche de sélection Ligne laser

Sélection entre ligne Verticale vers l'avant, ligne Verticale sur le côté, ligne Horizontale vers l'avant ou bien une combinaison de ces lignes.

Témoin lumineux Mode d'impulsion

Touche Mode d'impulsion

Pour le travail à l'extérieur en plein soleil ou dans des conditions de forte luminosité, et pour les applications intérieures avec une portée allant jusqu'à 50 m, utilisez le mode d'impulsion avec un détecteur de 10 kHz.

Fenêtre de rayon laser vertical sur le côté

Couvercle du compartiment à piles

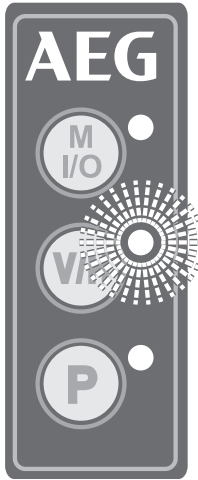


Point d'aplomb rouge

Filetage 1/4" pour trépied



AFFICHAGE BATTERIE FAIBLE



Lorsque la batterie est faible, la luminosité du laser diminue et l'indicateur correspondant (LED verte à côté de la touche V/H) se met à clignoter à une fréquence de 0,5 seconde.

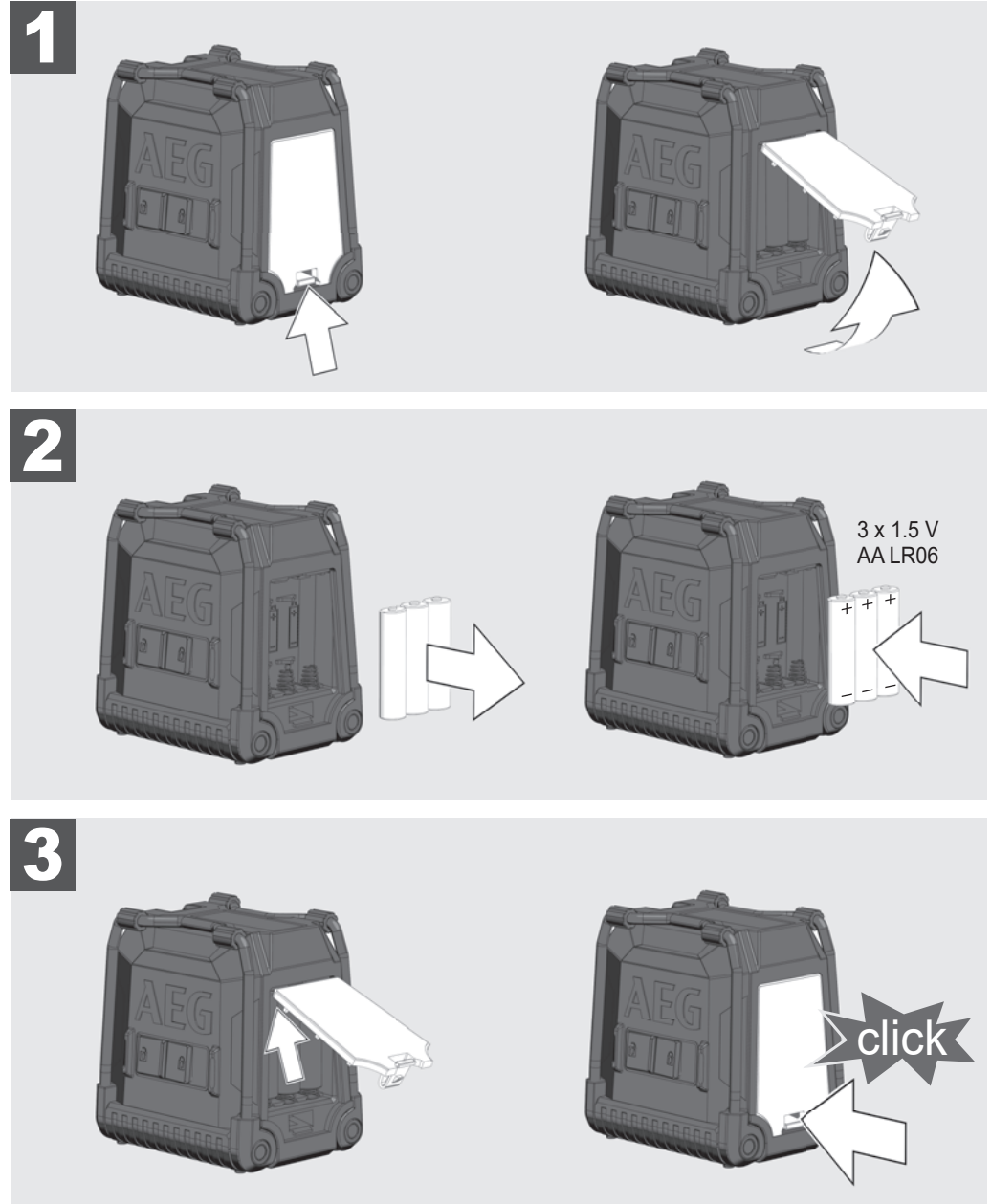
Toutefois, il est possible de continuer à travailler.

Lorsque les piles deviennent trop faibles, l'appareil s'éteint automatiquement.

REPLACER LES PILES

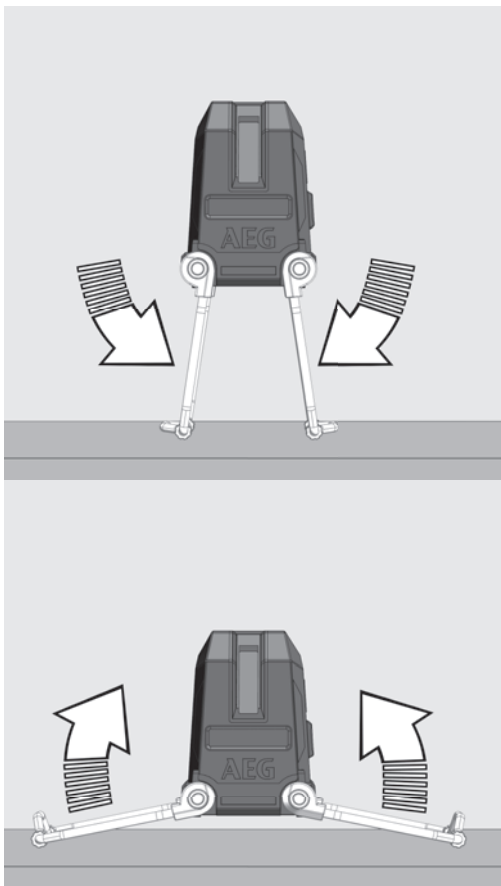
Changez les piles lorsque le rayon laser devient plus faible.

En cas de non-utilisation du laser pendant une période prolongée, retirez les piles du compartiment à piles. Cela permet d'éviter que les piles ne fuient et les dommages de corrosion qui en découlent.

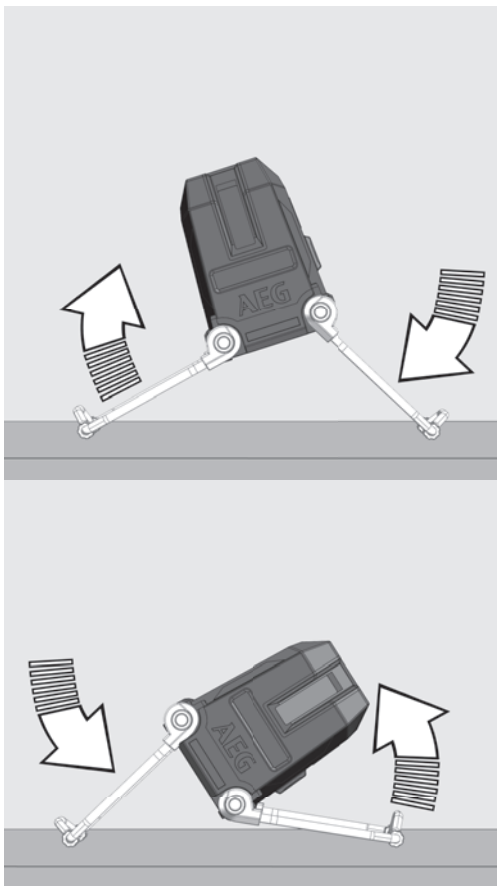


PIEDS RÉGLABLES

Utilisez les pieds réglables pour ajuster la hauteur de la ligne horizontale.



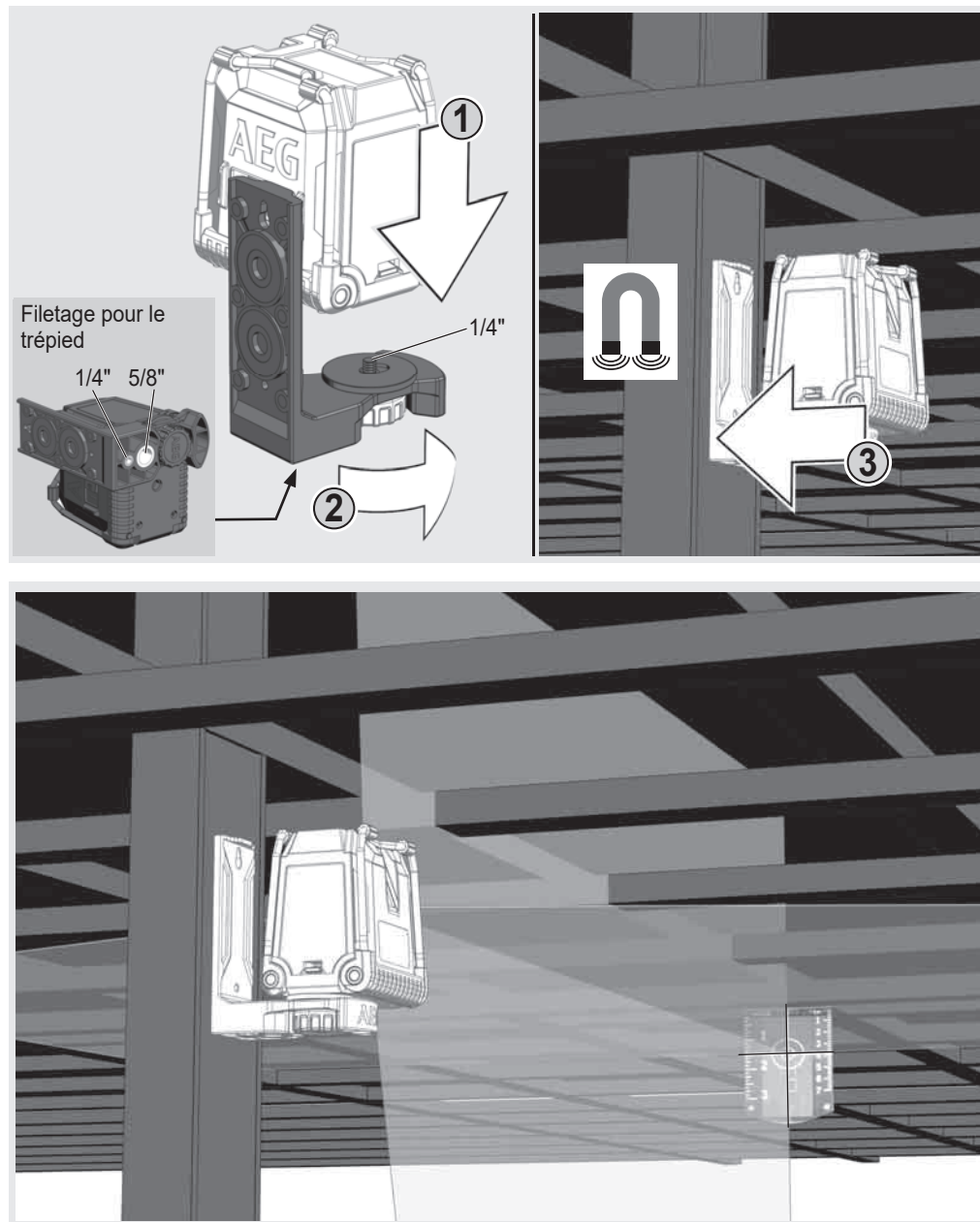
Utilisez les pieds réglables pour régler l'inclinaison du laser.



SUPPORT MURAL MAGNÉTIQUE ET PLAQUE CIBLE VERTE

Le support magnétique permet de fixer le laser aux murs, aux structures métalliques, etc.

La plaque cible verte améliore la visibilité du rayon laser dans des conditions défavorables et à des distances plus importantes.

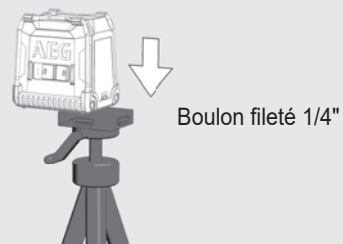


TRAVAILLER EN MODE D'AUTONIVELLEMENT


En mode d'autonivellement, le laser s'aligne dans une plage de $\pm 3^\circ$. Une ligne horizontale, deux lignes verticales ou les 3 lignes sont projetées simultanément.

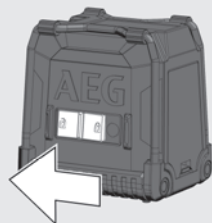
1

Placez le laser sur une surface solide, plane et sans vibrations ou montez-le sur un trépied.



2

Faites glisser l'interrupteur de verrouillage sur ON .

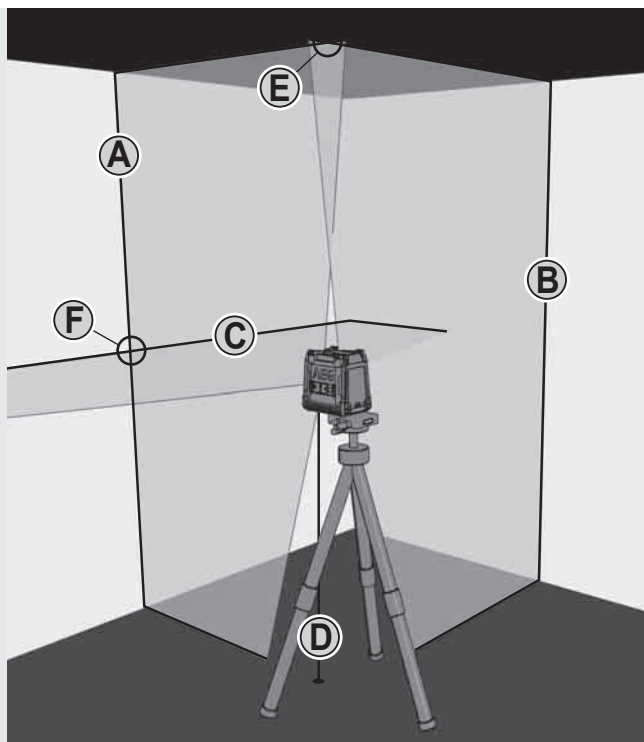


3

Le laser génère 3 lignes laser.

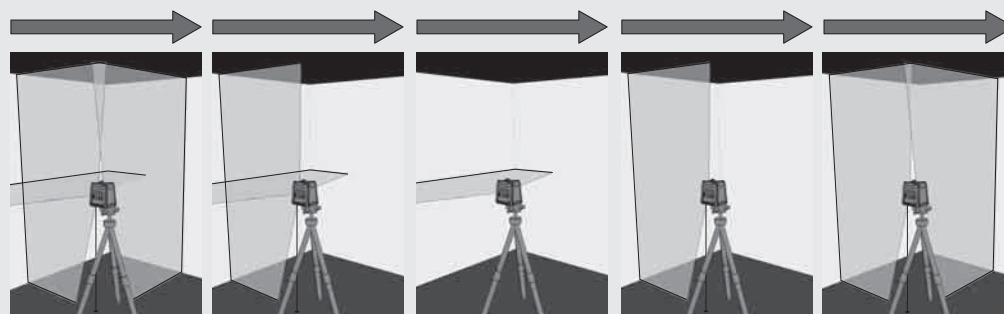
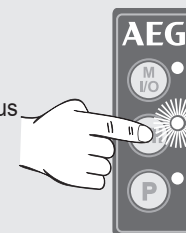
- (A) Ligne verticale vers l'avant
- (B) Ligne verticale sur le côté
- (C) Ligne horizontale vers l'avant
- (D) Point laser (point d'aplomb)

Lorsque toutes les lignes sont activées, le laser génère des lignes transversales vers le haut (E) et vers l'avant (F).



4

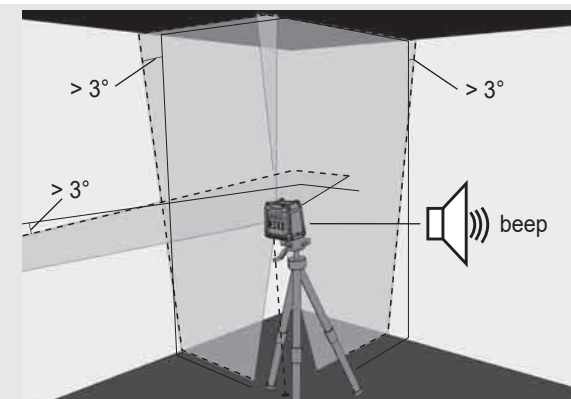
Appuyez sur la touche V/H pour sélectionner les lignes avec lesquelles vous voulez travailler.




5

Si le laser n'est pas initialement aligné à $\pm 3^\circ$ lorsque l'autonivellement est activé, les lignes laser clignotent - - - - et un signal sonore retentit.

Dans ce cas, repositionnez le laser.



6

Avant de déplacer l'appareil, réglez le bouton de verrouillage sur OFF . Cela permettra de verrouiller le pendule et de protéger le laser.

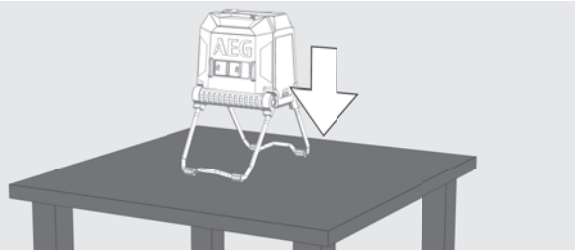


TRAVAILLER EN MODE MANUEL

En mode manuel, la fonction d'autonivellement est désactivée et il est possible d'ajuster le laser à n'importe quelle inclinaison des lignes laser.

1

Placez le laser sur une surface solide, plane et sans vibrations ou montez-le sur un trépied.



2

Appuyez sur le bouton pour le mode manuel (sans pousser l'interrupteur de verrouillage !)

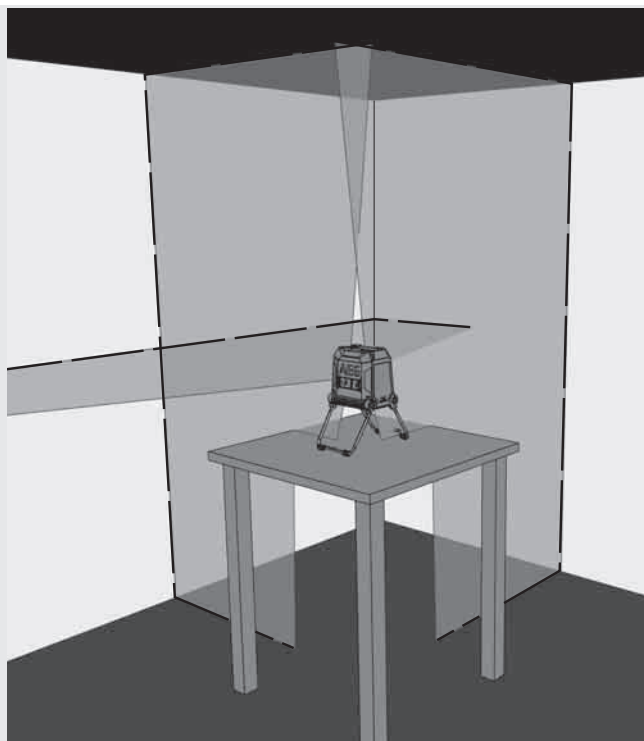
Le témoin lumineux rouge à côté de la touche s'allume.



3

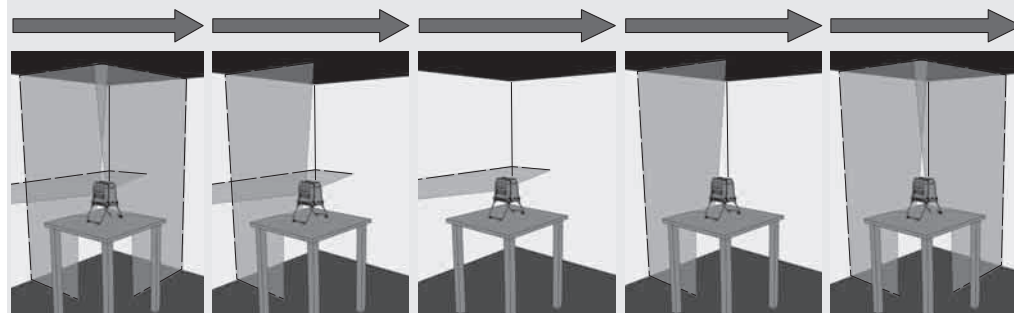
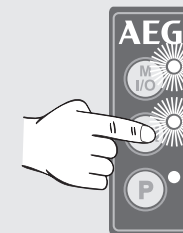
Comme en mode d'autonivellement, le laser génère 3 lignes laser, mais celles-ci clignotent à intervalles de 3 secondes.

3 sec 3 sec 3 sec



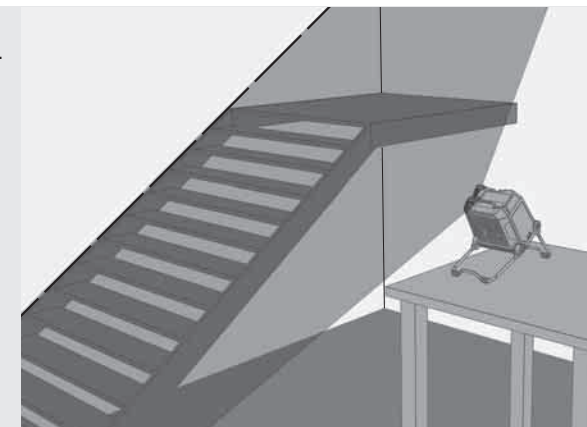
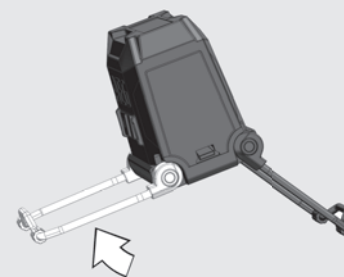
4

Appuyez sur la touche V/H pour sélectionner les lignes avec lesquelles vous voulez travailler.




5

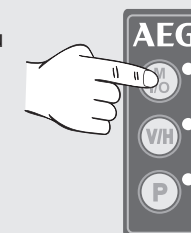
À l'aide du pied, ajustez le laser à la hauteur et à l'inclinaison souhaitées.



6

Pour quitter le mode manuel, appuyez à nouveau sur la touche du mode manuel.

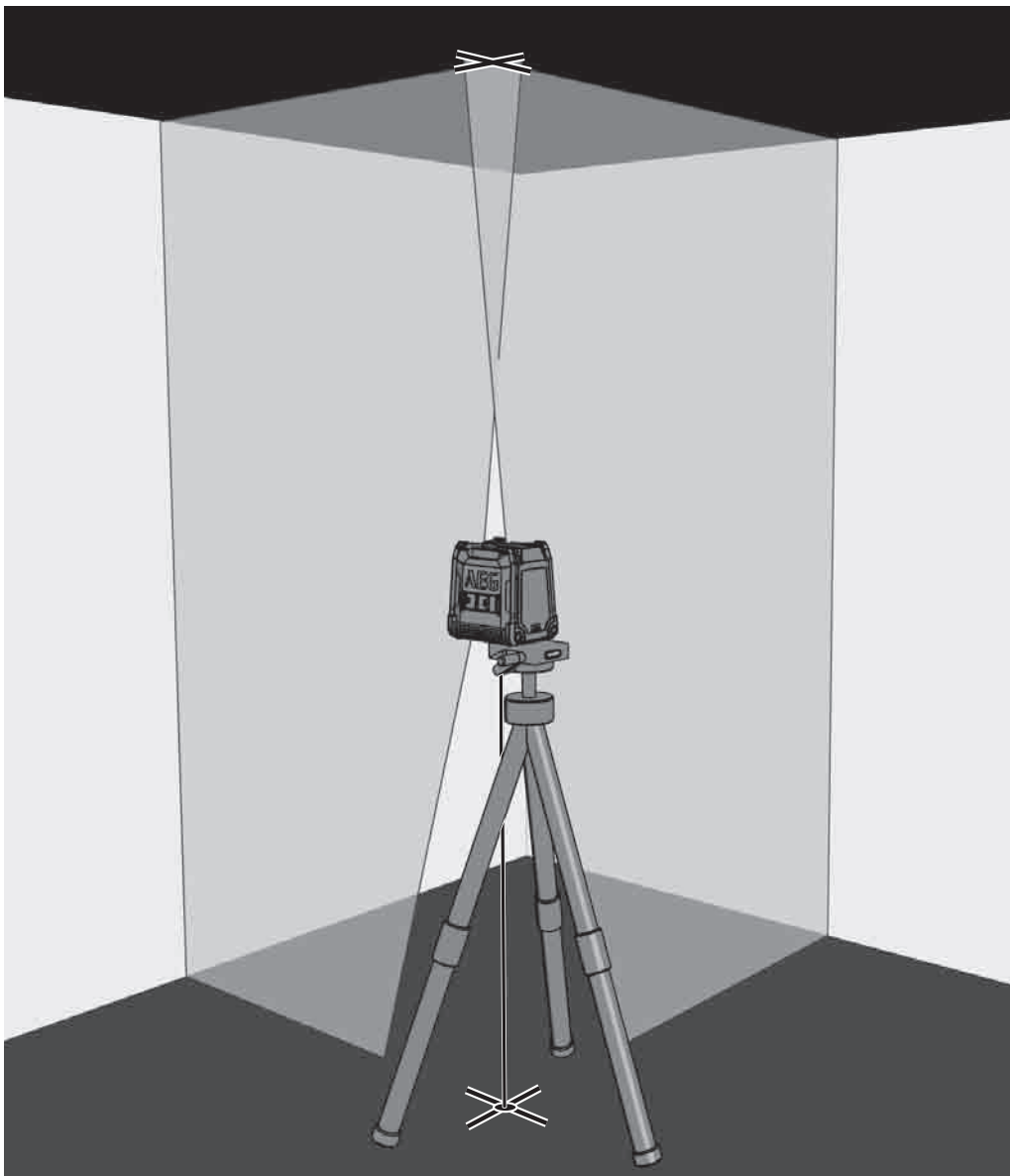
Pour passer directement en mode d'autonivellement, mettez l'interrupteur de verrouillage sur ON .



FONCTION D'APLOMB

La fonction d'aplomb permet de projeter un point du sol perpendiculairement au plafond. Le point de référence au sol est aligné avec l'intersection des lignes transversales au plafond.

La fonction d'aplomb est utilisée, par exemple, pour transférer un point de référence pour les installations d'éclairage et de ventilation ou pour transférer des hauteurs.



FONCTION MODE D'IMPULSION

Pour le travail à l'extérieur en plein soleil ou dans des conditions de forte luminosité, et pour les applications intérieures avec une portée allant jusqu'à 50 m, utilisez le mode d'impulsion avec un détecteur.

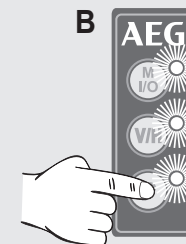
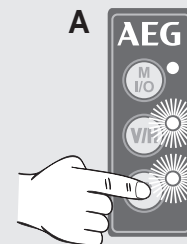
Le détecteur n'est pas inclus dans la livraison et doit être commandé séparément.

Lorsque le mode d'impulsion est activé, les lignes laser clignotent à une très haute fréquence (invisible à l'œil humain) pour permettre au détecteur de les localiser.

1

Le mode d'impulsion peut être activé à la fois en mode d'autonivellement (A) et en mode manuel (B).

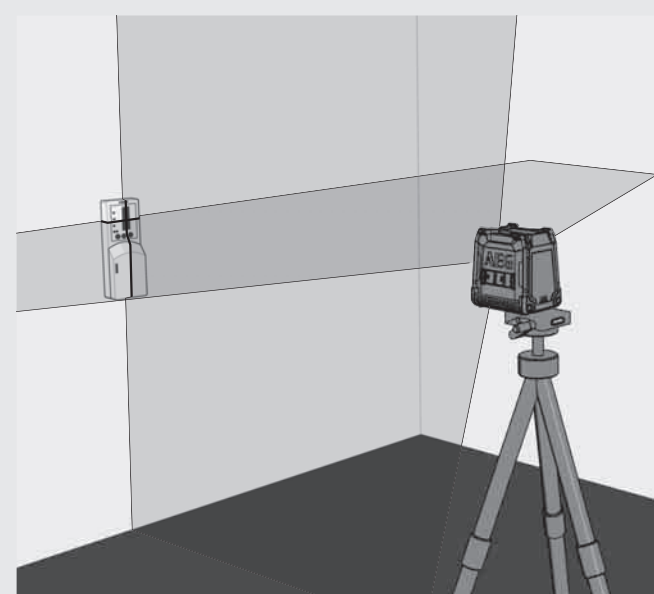
Appuyez sur la touche P. Le témoin lumineux vert à côté de la touche s'allume.



2

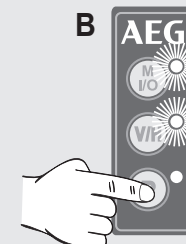
Après avoir activé le mode d'impulsion, la visibilité des lignes laser diminue un peu.

Pour obtenir des informations détaillées sur le mode d'utilisation du détecteur, consultez le mode d'emploi du détecteur.



3

Appuyez de nouveau sur la touche P pour éteindre le mode d'impulsion. Le témoin lumineux vert à côté de la touche s'éteint.



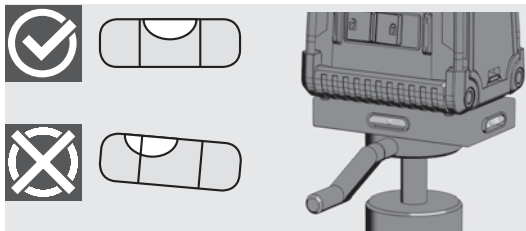
VÉRIFIER LA PRÉCISION

Le laser est entièrement calibré à l'usine. AEG recommande de vérifier régulièrement la précision du laser, en particulier après une chute ou suite à des erreurs de fonctionnement.

Si l'écart maximal est dépassé lors de la vérification de la précision, veuillez contacter l'un de nos centres de service AEG (voir la liste incluant les conditions de garantie et les adresses des centres de service).

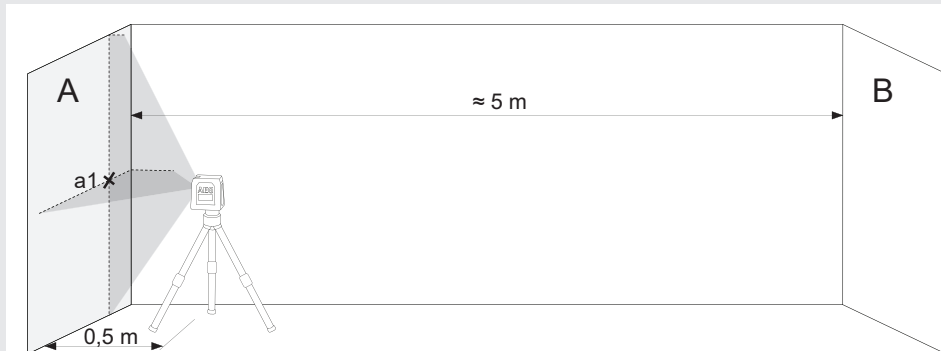
1. Vérifiez la précision de la hauteur de la ligne horizontale.
2. Vérifiez la précision de nivellement de la ligne horizontale.
3. Vérifiez la précision de nivellement de la ligne verticale.
4. Vérifiez la perpendicularité entre 2 lignes verticales.
5. Vérifier la précision de l'aplomb.

Avant de vérifier la précision du laser monté sur le trépied, vérifiez la mise à niveau du trépied



1 VÉRIFIEZ LA PRÉCISION DE LA HAUTEUR DE LA LIGNE HORIZONTALE (DÉVIATION VERS LE HAUT ET VERS LE BAS)

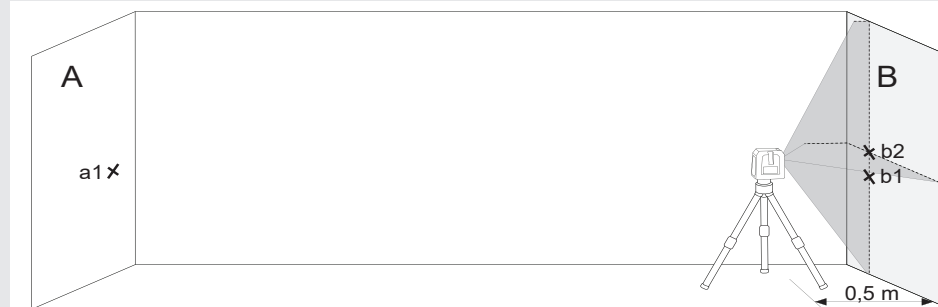
1. Placez le laser sur un trépied ou sur une surface plane entre deux murs A et B séparés d'environ 5 m.
2. Positionnez le laser à environ 0,5 m du mur A.
3. Activez le mode d'autonivellement et appuyez sur la touche pour projeter les lignes horizontale et verticale sur le mur A.
4. Marquez l'intersection des deux lignes comme le point a1 sur le mur A.



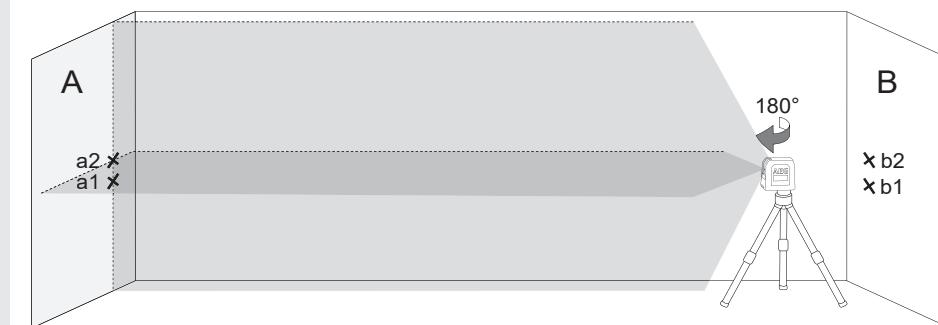
5. Tournez le laser de 180° en direction du mur B et marquez l'intersection des deux lignes comme le point b1 sur le mur B.



6. Placez le laser à environ 0,5 m du mur B.
7. Marquez l'intersection des deux lignes comme le point b2 sur le mur B.



8. Tournez le laser de 180° en direction du mur A et marquez l'intersection des deux lignes comme le point a2 sur le mur A.



9. Mesurez les distances :

$$\Delta a = |a2 - a1|$$

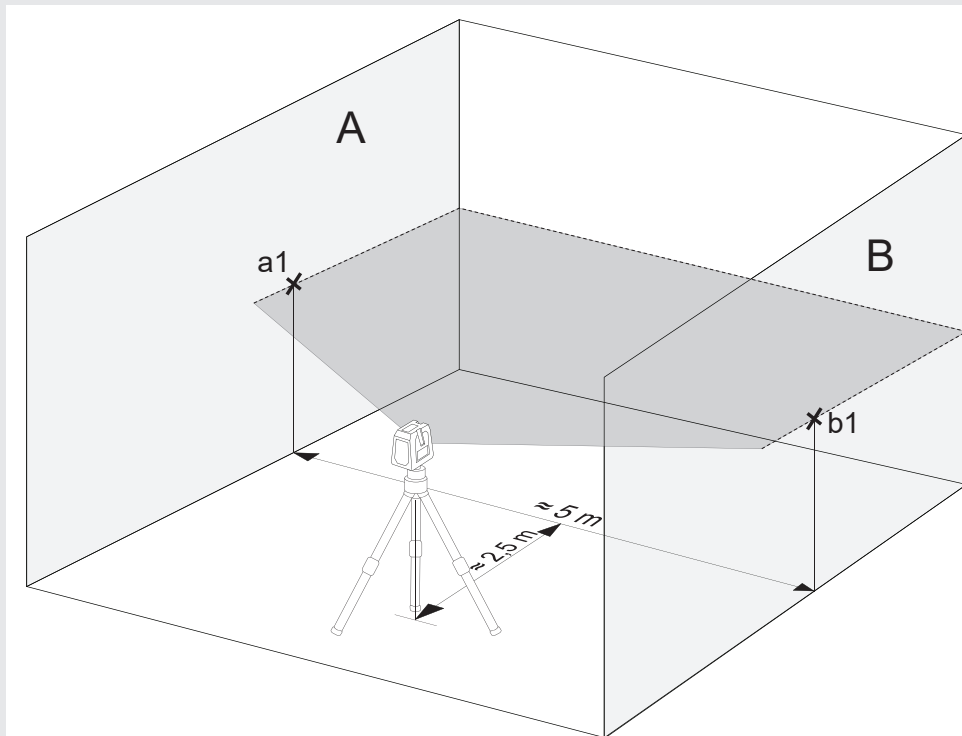
$$\Delta b = |b1 - b2|$$

10. La différence $|\Delta a - \Delta b|$ ne doit pas dépasser 2 mm.

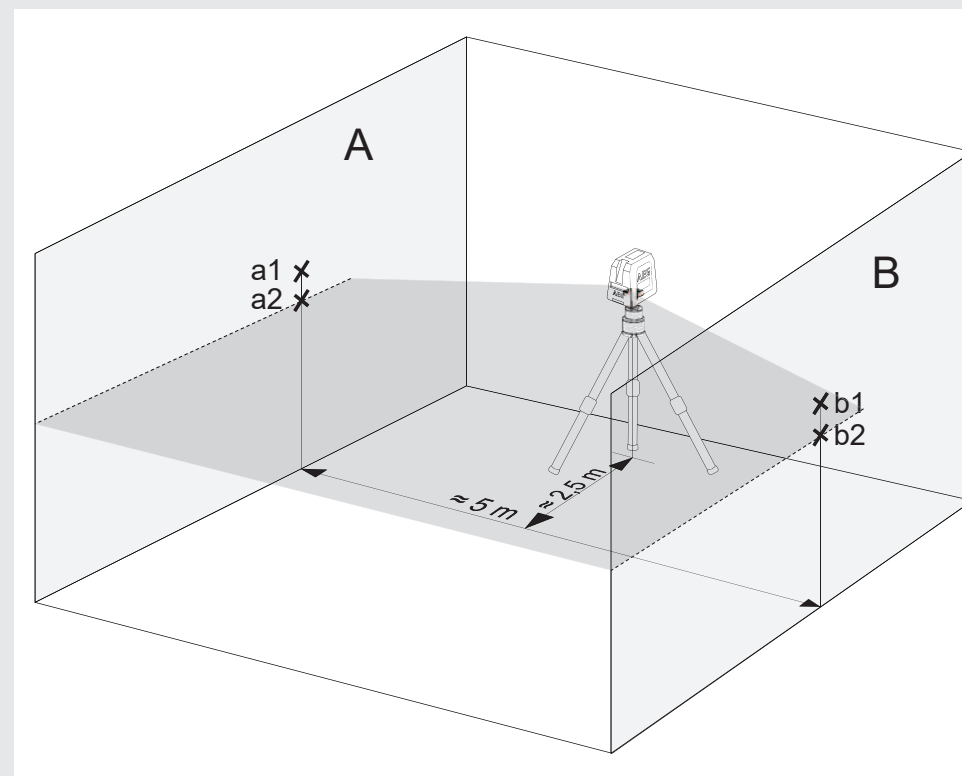
2 VÉRIFIER LA PRÉCISION DE NIVELLEMENT DE LA LIGNE HORIZONTALE. (ÉCART D'UN CÔTÉ À L'AUTRE)

Pour cette vérification, une zone libre d'environ 5 × 5 m est nécessaire.

1. Placez le laser sur un trépied ou sur une surface solide entre deux murs A et B séparés d'environ 5 m.
2. Placez le laser à environ 2,5 m au centre de la pièce.
3. Activez le mode d'autonivellement et appuyez sur la touche pour projeter la ligne horizontale sur les murs A et B.
4. Marquez le centre de la ligne laser d'un point a1 sur le mur A et d'un point b1 sur le mur B.



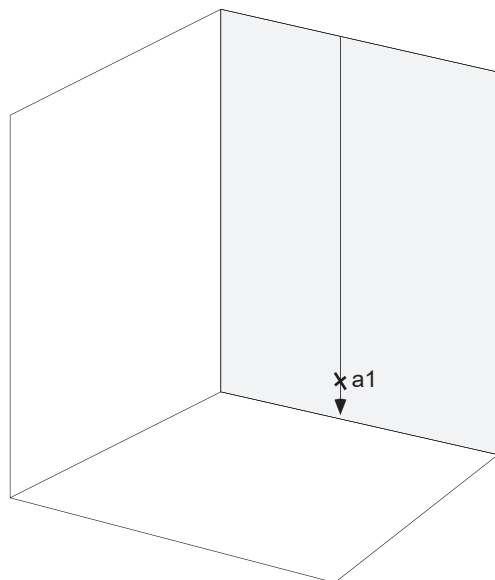
5. Déplacez le laser d'environ 5 m et faites-le pivoter de 180°, puis projetez à nouveau la ligne horizontale sur les murs A et B.
6. Marquez le centre de la ligne laser d'un point a2 sur le mur A et d'un point b2 sur le mur B.



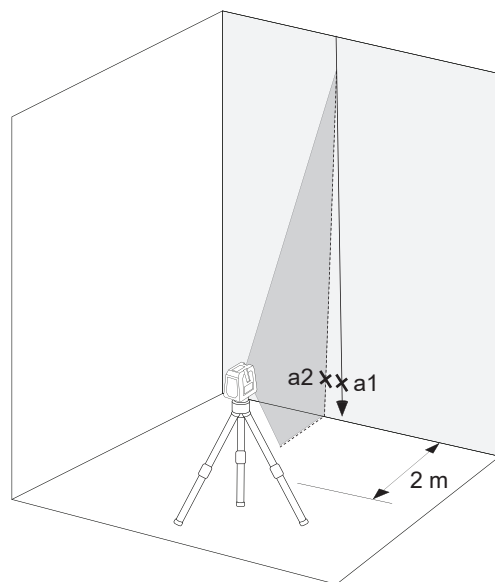
7. Mesurez les distances :
 $\Delta a = |a2 - a1|$
 $\Delta b = |b1 - b2|$
8. La différence $|\Delta a - \Delta b|$ ne doit pas dépasser 2 mm.

3 VÉRIFIER LA PRÉCISION DE NIVELLEMENT DE LA LIGNE VERTICALE

1. Accrochez un fil à plomb d'environ 4 m de long à un mur.
2. Une fois le fil à plomb posé, marquez le point a1 au-dessus du cône de plomb sur le mur.



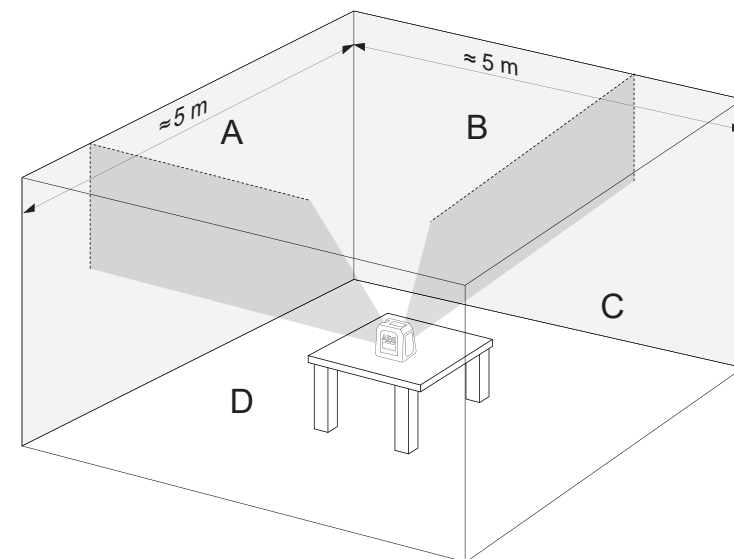
3. Placez le laser sur un trépied ou sur une surface plane à une distance d'environ 2 m du mur.
4. Activez le mode d'autonivellement et appuyez sur la touche pour projeter la ligne verticale sur le fil à plomb.
5. Faites tourner le laser de manière à ce que la ligne verticale corresponde à la suspension du fil à plomb.
6. Marquez le point a2 au milieu de la ligne verticale à la même hauteur que le point a1 sur le mur.
7. La distance entre a1 et a2 ne doit pas dépasser 1 mm.



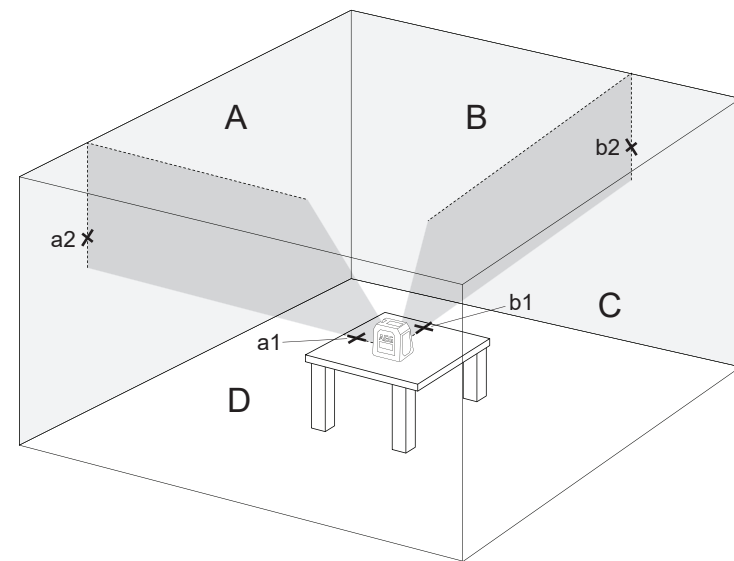
4 VÉRIFIER LA PERPENDICULARITÉ ENTRE 2 LIGNES VERTICALES

Pour cette vérification, une pièce de 4 murs et d'une surface au sol d'au moins 5 x 5 m est requise.

1. Placez le laser au milieu de la pièce, sur une table ou sur le sol.
2. Activez le mode d'autonivellement et appuyez 4 fois sur la touche V/H pour projeter les lignes verticales vers l'avant et sur le côté.

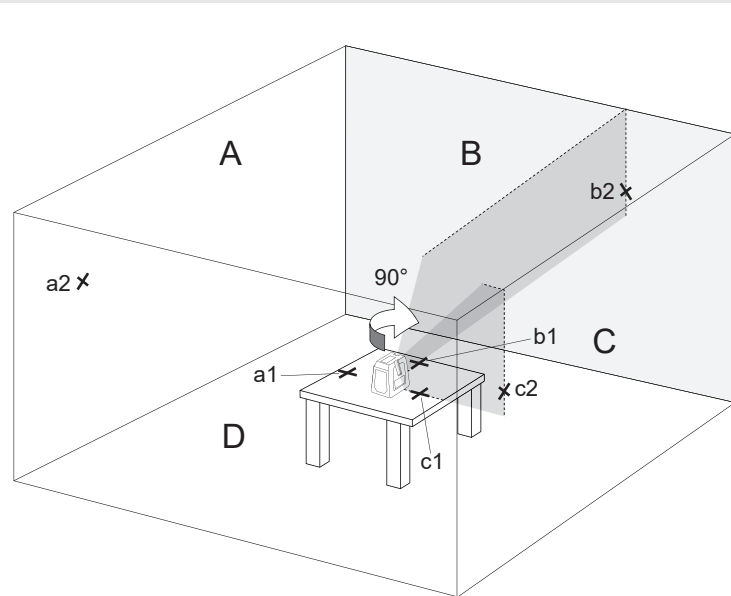


3. Marquez le centre de la ligne verticale projetée vers l'avant à 2 endroits : le point a1 sur la table près du laser et le point a2 sur le mur A.
4. Marquez le centre de la ligne verticale projetée sur le côté à 2 endroits : le point b1 sur la table près du laser et le point b2 sur le mur B.



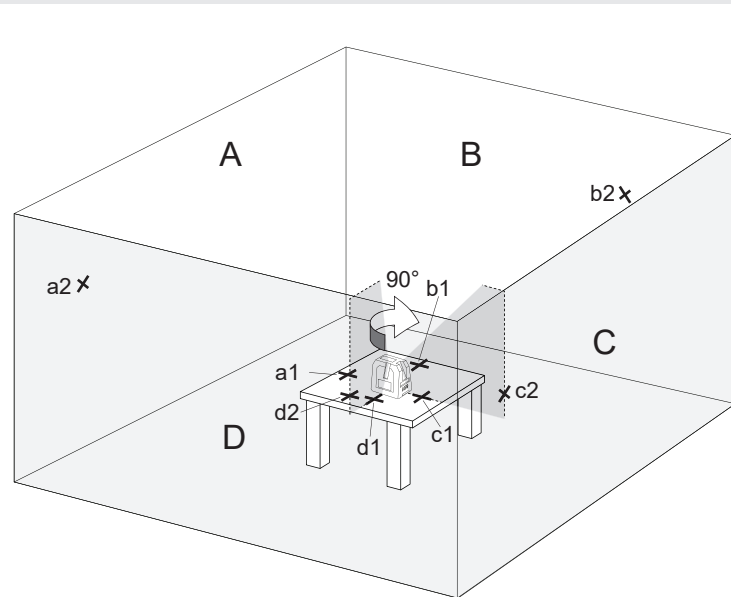
VÉRIFIER LA PERPENDICULARITÉ ENTRE 2 LIGNES VERTICALES

5. Faites pivoter le laser de 90° dans le sens des aiguilles d'une montre, de sorte que la ligne laser avant touche les points b1 et b2 qui se trouvent respectivement sur la table et sur le mur B.



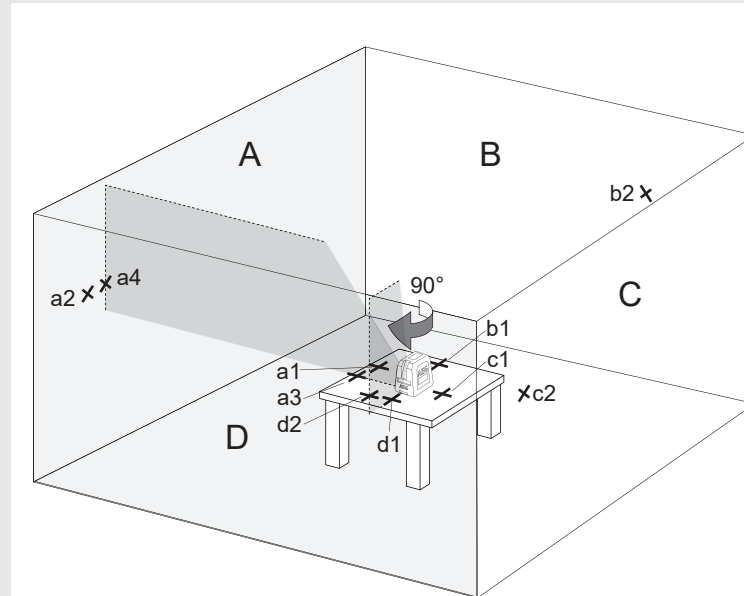
6. Marquez le centre de la ligne verticale projetée sur le côté à 2 endroits : le point c1 sur la table près du laser et le point c2 sur le mur C.

7. Faites pivoter le laser de 90° dans le sens des aiguilles d'une montre, de sorte que la ligne laser avant touche les points c1 et c2 qui se trouvent respectivement sur la table et sur le mur C.



8. Marquez le centre de la ligne verticale projetée sur le côté à 2 endroits : le point d1 sur la table près du laser et le point d2 sur le mur D.

9. Faites pivoter le laser de 90° dans le sens des aiguilles d'une montre, de sorte que la ligne laser avant touche les points d1 et d2 qui se trouvent respectivement sur la table et sur le mur D.



10. Marquez le centre de la ligne verticale projetée sur le côté à 2 endroits : le point a3 sur la table près du point a1 et le point a4 sur le mur A près du point a2.

11. Mesurez les distances :

$\Delta 1$ = de a1 à a3

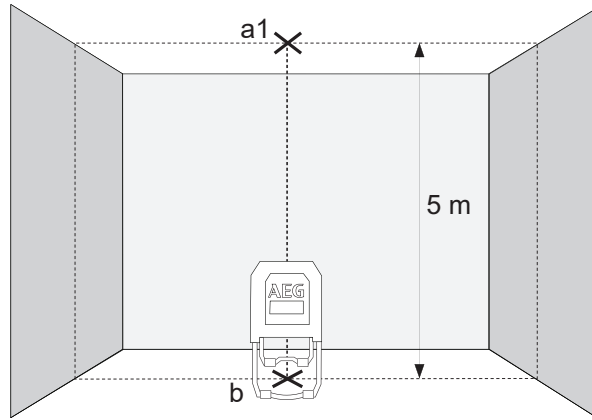
$\Delta 2$ = de a2 à a4

12. La différence $\Delta 2 - \Delta 1$ ne doit pas dépasser 4 mm.

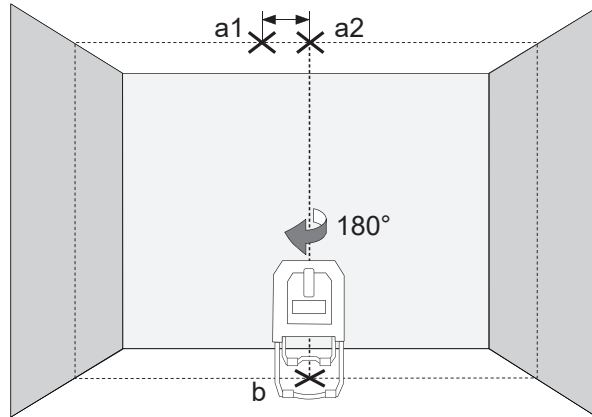
5 VÉRIFIER LA PRÉCISION DE L'APLOMB

Pour cette vérification, une pièce ayant une hauteur de plafond d'au moins 5 m est requise.

1. Dépliez les pieds du laser et placez l'appareil sur le sol.
2. Activez le mode d'autonivellement et appuyez sur la touche pour projeter les lignes verticales transversales au plafond et le point d'aplomb au sol.
3. Marquez le centre de la ligne transversale ascendante comme point a1 sur le plafond (voir figure).
4. Marquez le centre du point d'aplomb comme point b sur le sol.



5. Faites pivoter le laser de 180° et positionnez-le de manière à ce que le centre du point d'aplomb tombe sur le point b déjà marqué et attendez que l'appareil se soit mis à niveau.
6. Marquez le centre de la ligne transversale ascendante comme point a2 sur le plafond.
7. La distance entre les points a1 et a2 du plafond indique l'écart de la ligne laser par rapport à la perpendiculaire idéale. Pour une distance de mesure de 5 m, l'écart maximal admissible est de :
 $5 \text{ m} \times (\pm 0,6 \text{ mm/m}) \times 2 = \pm 6 \text{ mm}$.
8. La distance entre a1 et a2 ne doit pas dépasser 6 mm.



INDICE

Importanti istruzioni di sicurezza	1
Manutenzione	2
Dati tecnici	2
Utilizzo conforme alla destinazione d'uso	2
Panoramica	3
Indicatore di batteria scarica	4
Sostituire le batterie	4
Supporti regolabili	5
Supporto magnetico a parete e piastra di destinazione verde	5
Lavorare in modalità autolivellante	6
Lavorare in modalità manuale	7
Funzione punto a piombo	8
Funzione modalità a impulsi	8
Controllare la precisione	9

IMPORTANTI ISTRUZIONI DI SICUREZZA



ATTENZIONE! AVVERTENZA! PERICOLO!

Non usare il prodotto prima di avere studiato le Istruzioni di sicurezza e il Manuale d'uso sul CD in allegato.

Classifica laser



AVVERTENZA:

Si tratta di un prodotto laser di classe 2 conforme a EN60825-1:2014 .



Avvertenza:

Non esporre gli occhi direttamente al raggio laser. Il raggio laser può causare gravi danni agli occhi e/o cecità.

Non guardare direttamente nel raggio laser e non puntare il raggio verso altre persone senza che ciò sia necessario.

Attenzione! In alcune applicazioni, il dispositivo di emissione laser può trovarsi dietro l'utilizzatore. In questo caso voltarsi con cautela.

Avvertenza:

Non azionare il laser intorno a bambini o permettere a bambini di azionare the laser.

Attenzione! Superfici riflettenti potrebbero fare riflettere il raggio laser sull'operatore o su altre persone.

Avvertenza: L'uso di elementi di controllo, di impostazioni oppure l'esecuzione di procedimenti diversi da quelli stabiliti nel manuale può comportare una pericolosa esposizione ai raggi.

Se il laser viene spostato da un ambiente molto freddo a uno caldo (o viceversa), deve raggiungere la temperatura ambiente prima dell'uso.

Non conservare il laser all'aperto e proteggerlo da urti, vibrazioni prolungate e temperature estreme.

Proteggere il dispositivo di misura a laser da polveri, liquidi ed elevata umidità dell'aria. I suddetti fattori potrebbero danneggiare gravemente i componenti interni o influenzare negativamente la precisione.

Se il raggio laser dovesse colpire l'occhio, chiudere gli occhi e allontanare immediatamente la testa dal raggio ruotandola.

Fare attenzione a posizionare il raggio laser in modo che l'utilizzatore o altre persone non ne siano abbagliati.

Non guardare nel raggio laser con ingranditori ottici, come binocoli o telescopi. Altrimenti aumenterebbe il rischio di gravi danni agli occhi.

Si prega di tenere presente che gli occhiali laser servono per aiutare a vedere le linee laser, ma non proteggono gli occhi dalle radiazioni laser.

I segnali di avvertimento sul dispositivo laser non devono essere rimossi o resi illeggibili.

Non smontare il laser. Le radiazioni laser possono causare gravi lesioni agli occhi.

Prima di trasportare il laser, assicurarsi che il blocco del pendolo sia inserito.

Avvertenza: Se il blocco del pendolo non è inserito, durante il trasporto possono verificarsi danni all'interno del dispositivo.


Non usare detergenti aggressivi o solventi. Pulire soltanto con un panno pulito, morbido.


Proteggere il laser da urti violenti e cadute. Dopo una caduta o un forte impatto meccanico, controllare la precisione del dispositivo prima dell'uso.

Le riparazioni eventualmente necessarie sul dispositivo a laser devono essere eseguite esclusivamente da personale specializzato autorizzato!

Non azionare il prodotto in aree a rischio di esplosione o in ambienti aggressivi.

Rimuovere le batterie dal vano batterie prima di un prolungato periodo di non utilizzo del dispositivo. In questo modo si evita la fuoriuscita di liquido dalle batterie e i conseguenti danni da corrosione.

 Non smaltire le batterie scariche assieme ai rifiuti domestici. Al fine di garantire il rispetto dell'ambiente smaltirle presso i punti di raccolta esistenti secondo quanto previsto dalle disposizioni nazionali o locali. Non smaltire il prodotto assieme ai rifiuti domestici. Altire il prodotto correttamente, nel rispetto delle normative vigenti nel paese d'uso. Attenersi alle norme nazionali e locali vigenti in materia. Contattare le autorità locali o il rivenditore per ottenere informazioni sullo smaltimento.

 Marchio di conformità europea

MANUTENZIONE

Pulire l'obiettivo e l'alloggiamento del laser con un panno morbido e pulito. Non utilizzare solventi.

Anche se il laser è in una certa misura resistente alla polvere e alla sporcizia, non dovrebbe essere conservato in un luogo polveroso per lunghi periodi di tempo, in quanto diversamente le parti interne mobili potrebbero essere danneggiate.

Se il laser si bagna, deve essere asciugato prima di essere riposto nella valigetta di trasporto per evitare danni da ruggine.

DATI TECNICI

Laser classe	2
Range di autolivellamento	$\pm 3^\circ$
Durata dell'autolivellamento	3-5 s
Tipo di batteria	Batteria alcalina LR6 tipo AA
Tensione CC	3 x 1,5 V
Assorbimento di potenza	0,35 A
Classe di protezione (spruzzi d'acqua e polvere)	IP54
Funzioni	linea orizzontale, 2 linee verticali, linee a croce, funzione punto a piombo
Modalità a impulsi	frequenza 10 kHz
Proiezioni	3 linee verdi, 1 punto rosso
Schema delle linee laser in uscita	Linea orizzontale verso avanti, linea verticale verso avanti, linea verticale verso il lato e punto a piombo. Linee a croce orizzontali e verticali verso avanti e punto a piombo. Linea orizzontale. Linea verticale verso avanti e punto a piombo. Linee verticali verso avanti e verso il lato, oltre al punto a piombo. (La visualizzazione del punto a piombo verso il basso funziona solo in modalità autolivellante, non in modalità manuale)
Tempo di funzionamento	6 ore
Filettatura del treppiede	1/4"
Rilevatore adatto	per laser multilinea verde standard
Linea laser	
Larghezza	2,5 mm \pm 0,5 mm / 5 m
Lunghezza d'onda	λ 520 \pm 10 nm laser classe II
Precisione	\pm 0,2 mm/m
Angolo di apertura	> 120°
Colore	verde
Portata	30 m (con rivelatore 50 m)

Punto a piombo	
Lunghezza d'onda punto laser	635 \pm 5 nm laser classe II
Potenza max. punto laser	< 1 mW
Precisione del punto a piombo	\pm 0,6 mm / 1 m
Colore del punto laser	rosso
Portata	5 m
Temperatura d'esercizio raccomandata	da -10 °C a +45 °C
Temperatura di immagazzinaggio	da -20°C a +60°C
Dimensioni	106 mm x 88 mm x 105 mm
Peso (con batterie)	710 g

UTILIZZO CONFORME ALLA DESTINAZIONE D'USO

Questo innovativo laser è stato progettato per una vasta gamma di applicazioni professionali, come ad esempio:

- allineamento di piastrelle, lastre di marmo, armadi, bordi, modanature e guarnizioni
- marcatura delle linee di base per l'installazione di porte, finestre, binari, scale, recinzioni, cancelli, verande e pergolati.
- trasferimento di punti di riferimento per impianti di illuminazione e ventilazione, trasferimento di altezze, livellamento di pareti perimetrali e di pareti divisorie in cartongesso, posa di binari a pavimento e altri lavori professionali.
- determinazione e verifica di linee orizzontali e verticali.



Questo prodotto deve essere utilizzato solo per la destinazione d'uso, come specificato.

Stabilizzatori in gomma

Supporti regolabili

Finestra linea laser verticale verso avanti

Finestra linea laser orizzontale

ON  / OFF  Interruttore di interblocco



Pannello di comando



Indicatore LED Modalità manuale

Tasto Modalità manuale

Per attivare e disattivare la modalità manuale

Indicatore LED Selezione linea laser (luce continua)

Indicatore LED Batteria scarica (luce lampeggiante)

Tasto di selezione Linea laser

Selezione tra Linea Verticale verso avanti, Linea Verticale verso il lato, Linea Horizzontale verso avanti o una combinazione di queste linee.

Indicatore LED Modalità a impulsi

Tasto Modalità a impulsi

Per lavori in esterni in condizioni di luce diretta del sole o di luce intensa e per applicazioni in interni con una portata fino a 50 m, utilizzare la modalità a impulsi con un rilevatore a 10 kHz.

Finestra linea laser verticale verso il lato

Coperchio del vano batteria

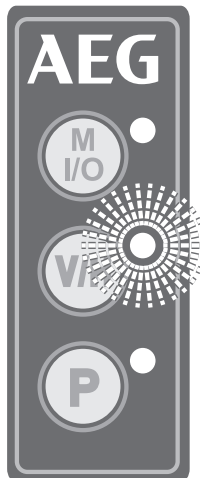


Punto a piombo rosso

Filettatura treppiede 1/4"



INDICATORE DI BATTERIA SCARICA



Quando la batteria è scarica, la luminosità del laser diminuisce e l'indicatore corrispondente (LED verde accanto al tasto V/H) inizia a lampeggiare alla frequenza di 0,5 secondi.

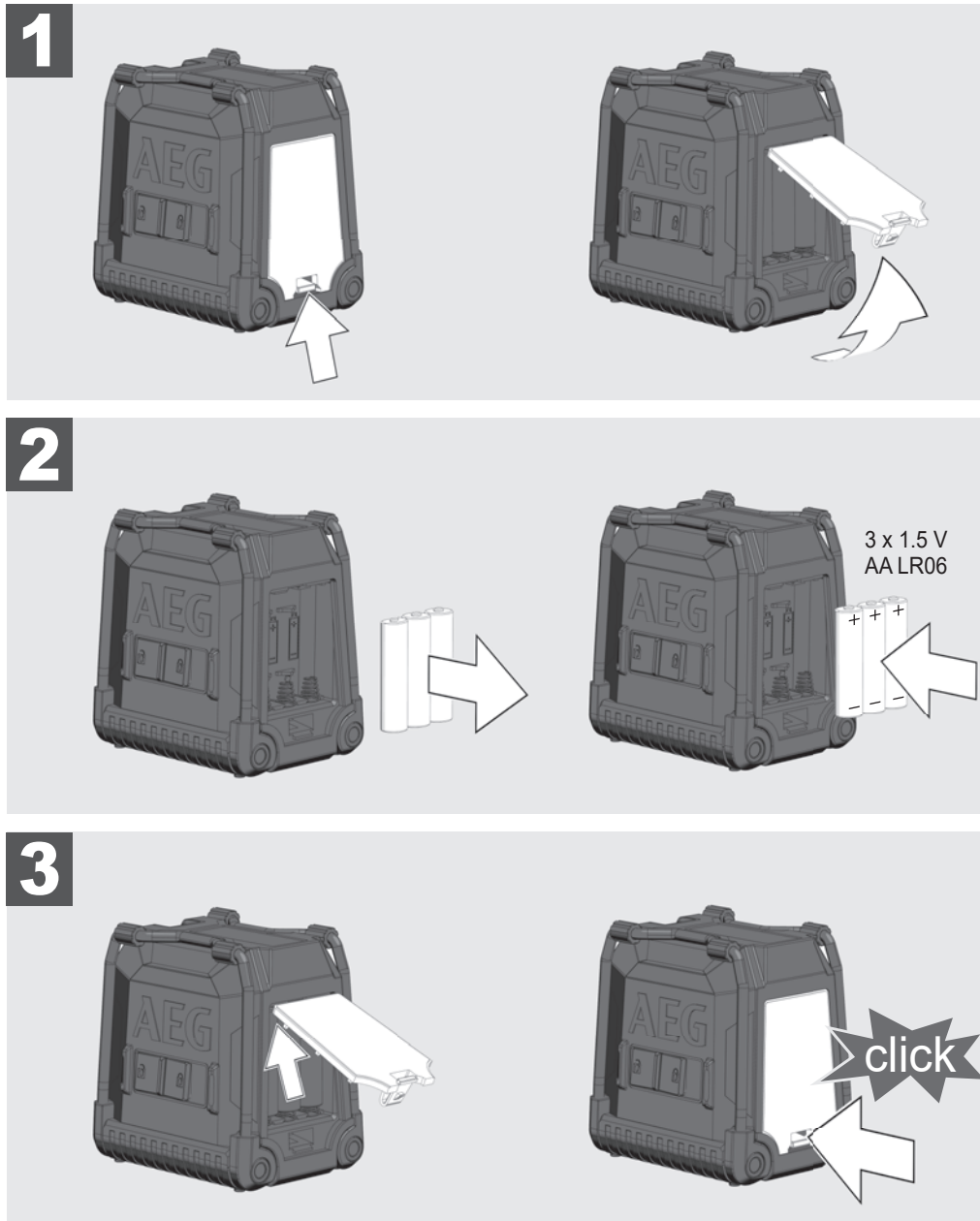
È ancora possibile continuare a lavorare.

Se le batterie si scaricano troppo, il dispositivo si spegne automaticamente.

SOSTITUIRE LE BATTERIE

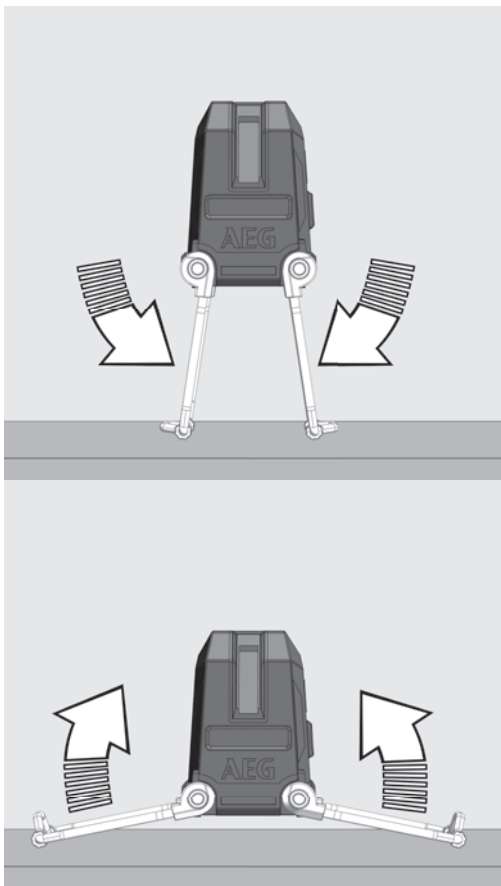
Sostituire le batterie quando il raggio laser si indebolisce.

Rimuovere le batterie dal vano batterie prima di un prolungato periodo di non utilizzo del laser. In questo modo si evita la fuoriuscita di liquido dalle batterie e i conseguenti danni da corrosione.

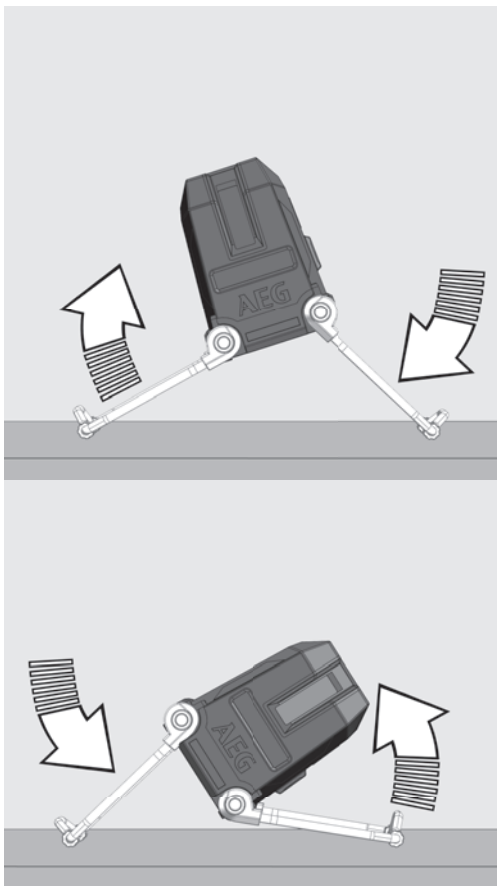


SUPPORTI REGOLABILI

Utilizzare i supporti regolabili per impostare l'altezza della linea orizzontale.

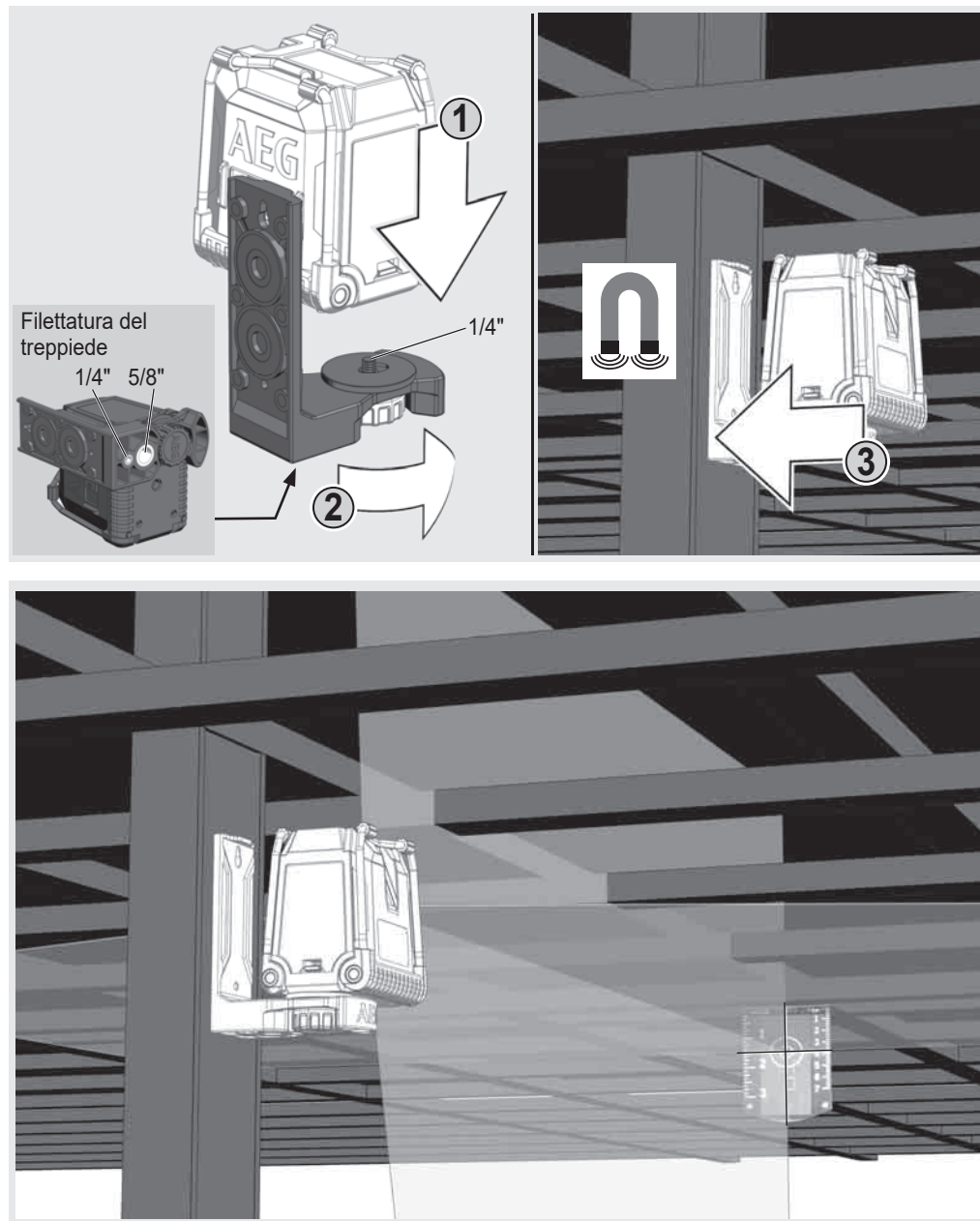


Utilizzare i supporti regolabili per impostare l'inclinazione del laser.



SUPPORTO MAGNETICO A PARETE E PIASTRA DI DESTINAZIONE VERDE

Con il supporto magnetico il laser può essere montato su pareti, strutture metalliche o simili superfici. La piastra di destinazione verde migliora la visibilità del raggio laser in condizioni sfavorevoli e a distanze maggiori.



LAVORARE IN MODALITÀ AUTOLIVELLANTE


In modalità autolivellante, il laser si allinea autonomamente entro un range di $\pm 3^\circ$. Vengono proiettate una linea orizzontale, due linee verticali o tutte e 3 le linee contemporaneamente.

1

Posizionare il laser su una superficie solida, piana e priva di vibrazioni o montarlo su un treppiede.



2

Impostare l'interruttore di interblocco su ON .

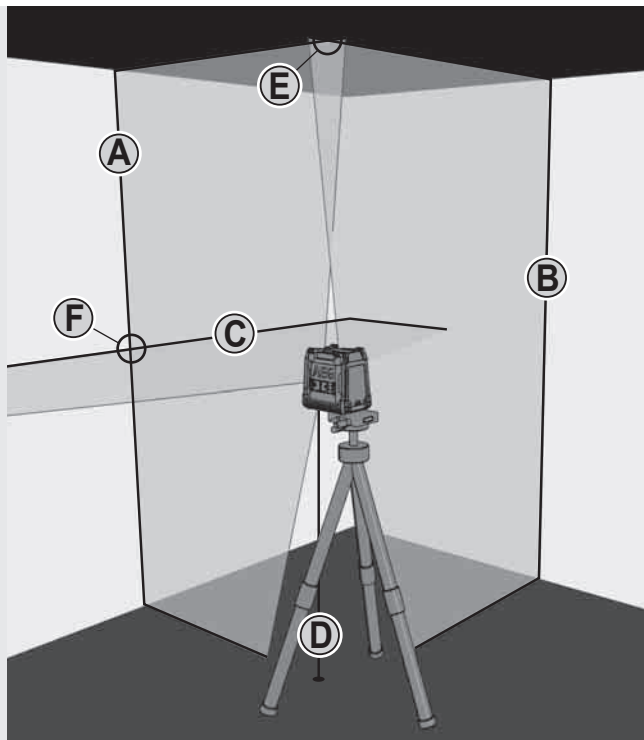


3

Il laser genera 3 linee laser.

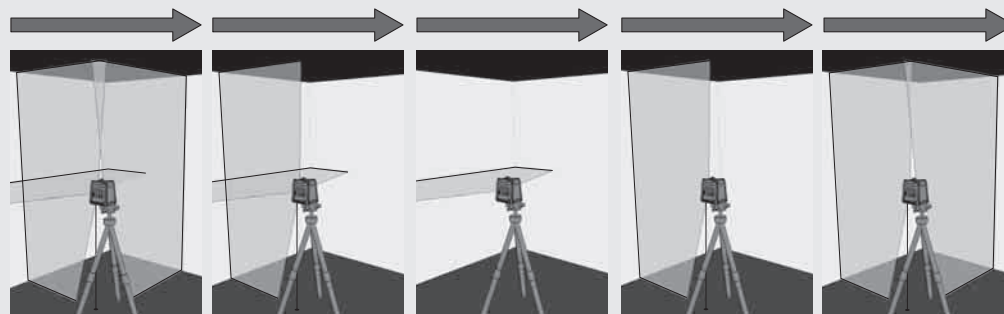
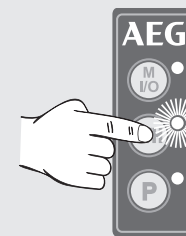
- (A) Linea verticale verso avanti
- (B) Linea verticale verso il lato
- (C) Linea orizzontale verso avanti
- (D) Punto laser (punto a piombo)

Quando tutte le linee sono attivate, il laser genera linee a croce verso l'alto (E) e verso avanti (F).



4

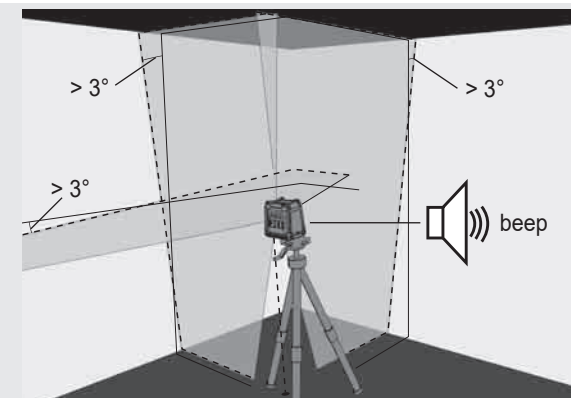
Premere il tasto V/H per selezionare le linee con cui si intende lavorare.




5

Se il laser non è inizialmente allineato a $\pm 3^\circ$ quando l'autolivellamento è attivato, le linee laser - - - lampeggiano e viene emesso un segnale acustico.

In questo caso, riposizionare il laser.



6

Prima di spostare il dispositivo, impostare il tasto di interblocco su OFF . In questo modo si blocca il pendolo per proteggere il laser.

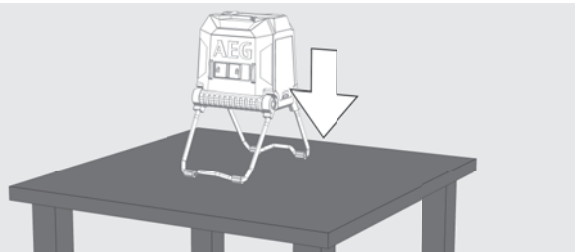


LAVORARE IN MODALITÀ MANUALE

In modalità manuale, la funzione di autolivellamento è disattivata e il laser può essere regolato su qualsiasi inclinazione delle linee laser.

1

Posizionare il laser su una superficie solida, piana e priva di vibrazioni o montarlo su un treppiede.



2

Premere il tasto per la modalità manuale (senza spostare l'interruttore di interblocco!)

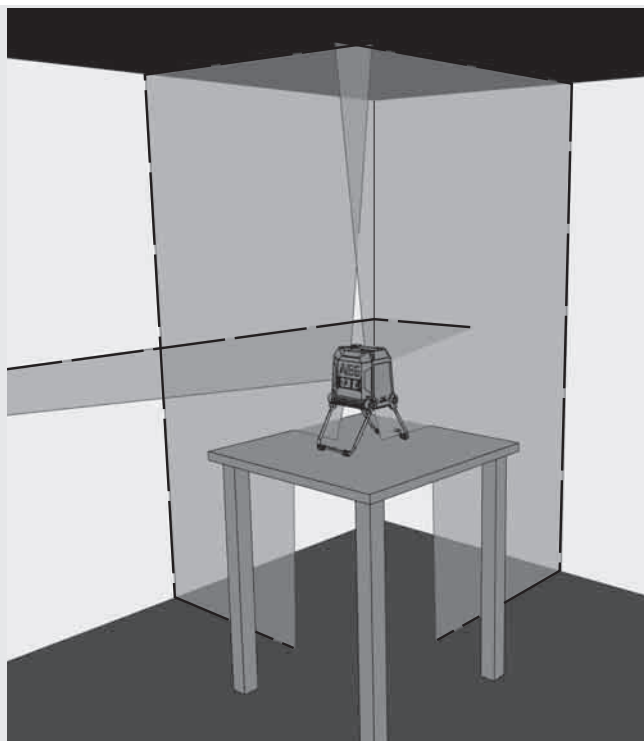
Il LED rosso accanto al tasto si accende.



3

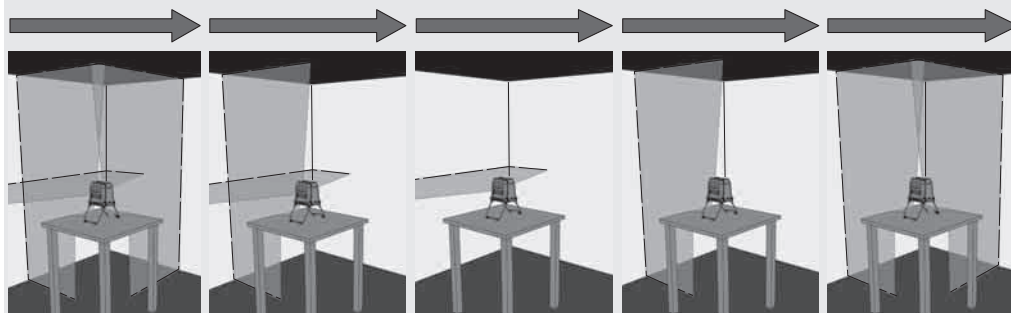
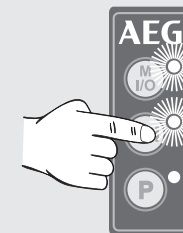
Come in modalità autolivellante, il laser genera 3 linee laser, le quali in questo caso lampeggiano a intervalli di 3 secondi.

3 sec. 3 sec. 3 sec.



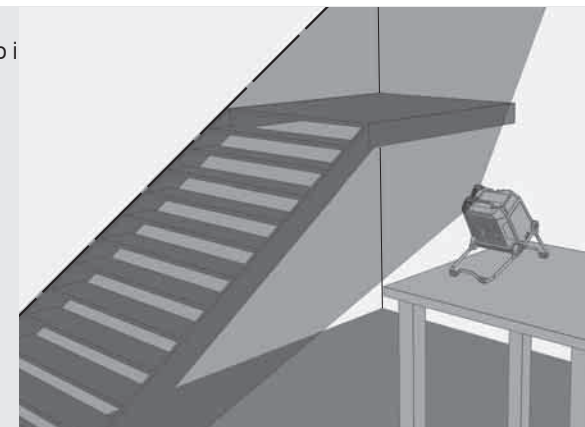
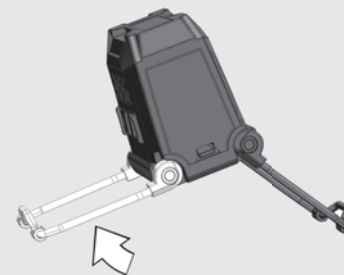
4

Premere il tasto V/H per selezionare le linee con cui si intende lavorare.




5

Regolare il laser all'altezza e all'inclinazione desiderata utilizzando i supporti.



6

Per uscire dalla modalità manuale, premere nuovamente il tasto della modalità manuale.

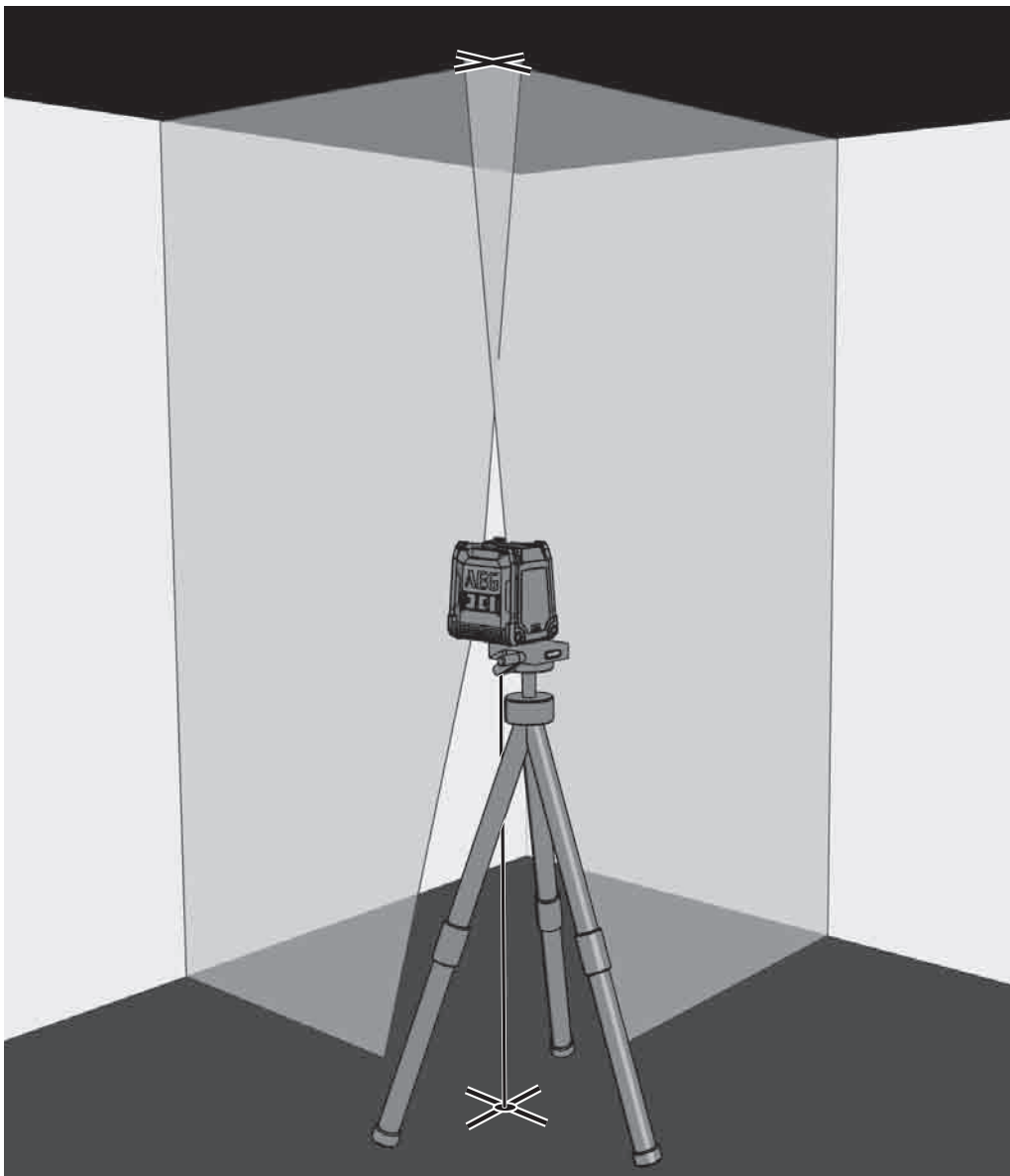
Per passare direttamente alla modalità autolivellante, impostare l'interruttore di interblocco su ON .



FUNZIONE PUNTO A PIOMBO

Con la funzione punto a piombo, è possibile proiettare un punto definito sul pavimento in posizione perpendicolare al soffitto. Il punto di riferimento sul pavimento viene trasferito come punto di intersezione delle linee a croce sul soffitto.

La funzione punto a piombo viene utilizzata, ad esempio, per trasferire un punto di riferimento per impianti di illuminazione e ventilazione o per trasferire altezze.



FUNZIONE MODALITÀ A IMPULSI

Per lavori in esterni in condizioni di luce diretta del sole o di luce intensa e per applicazioni in interni con una portata fino a 50 metri, utilizzare la modalità a impulsi con un rivelatore.

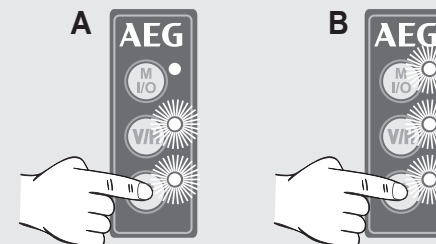
Il rivelatore non è incluso nella fornitura e deve essere acquistato separatamente.

Quando è attivata la modalità a impulsi, le linee laser lampeggiano ad una frequenza molto alta (invisibile all'occhio umano) per consentire al rivelatore di localizzare le linee laser.

1

La modalità a impulsi può essere attivata sia in modalità autolivellante (A) che in modalità manuale (B).

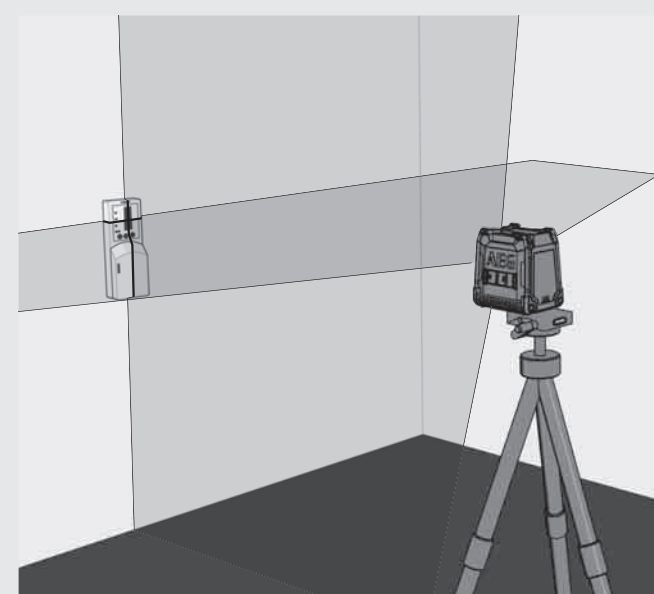
Premere il tasto P. Il LED verde accanto al tasto si accende.



2

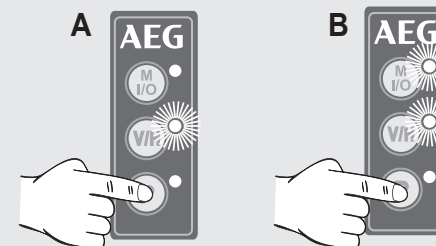
Dopo aver attivato la modalità a impulsi la visibilità delle linee laser diminuisce leggermente.

Per informazioni dettagliate su come utilizzare il rivelatore, consultare il manuale d'uso del rivelatore.



3

Premere nuovamente il tasto P per disattivare la modalità a impulsi. Il LED verde accanto al tasto si spegne.



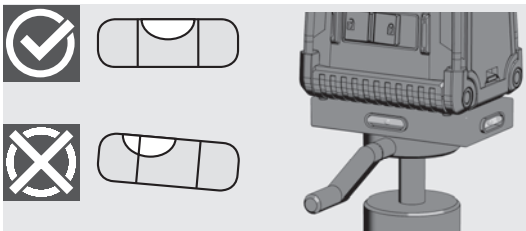
CONTROLLARE LA PRECISIONE

Il laser esce dalla fabbrica già completamente calibrato. AEG raccomanda di controllare regolarmente la precisione del laser, soprattutto dopo una caduta o in seguito a errori di utilizzo.

Se la deviazione massima viene superata durante la verifica della precisione, si prega di contattare uno dei nostri centri di assistenza AEG (vedere le condizioni di garanzia e l'elenco degli indirizzi dei centri di assistenza).

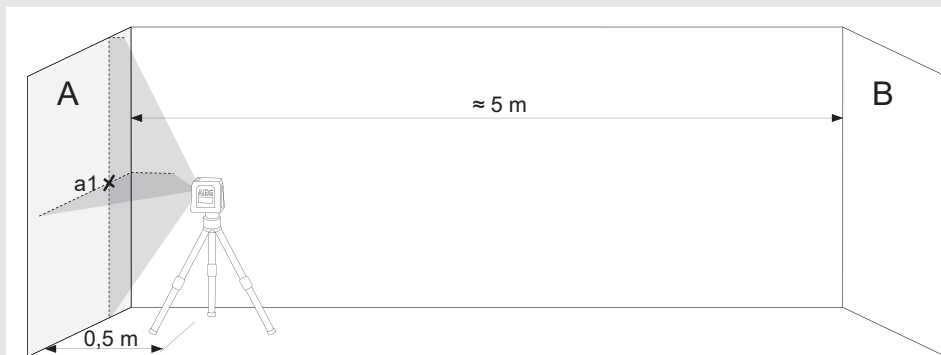
1. Controllare la precisione dell'altezza della linea orizzontale.
2. Controllare la precisione di livellamento della linea orizzontale.
3. Controllare la precisione di livellamento della linea verticale.
4. Controllare l'ortogonalità tra 2 linee verticali.
5. Controllare la precisione del punto a piombo.

Prima di verificare la precisione del laser montato sul treppiede, controllare il livellamento del treppiede.



1 CONTROLLARE LA PRECISIONE DELL'ALTEZZA DELLA LINEA ORIZZONTALE (DEVIAZIONE VERSO L'ALTO E VERSO IL BASSO)

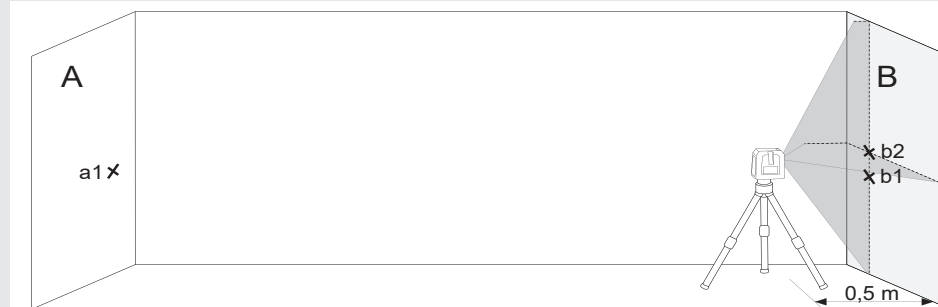
1. Posizionare il laser su un treppiede o su una superficie piana tra due pareti A e B distanti circa 5 m l'una dall'altra.
2. Posizionare il laser a circa 0,5 m dalla parete A.
3. Attivare la modalità autolivellante e premere il tasto per proiettare la linea orizzontale e verticale sulla parete A.
4. Segnare l'intersezione delle due linee come punto a1 sulla parete A.



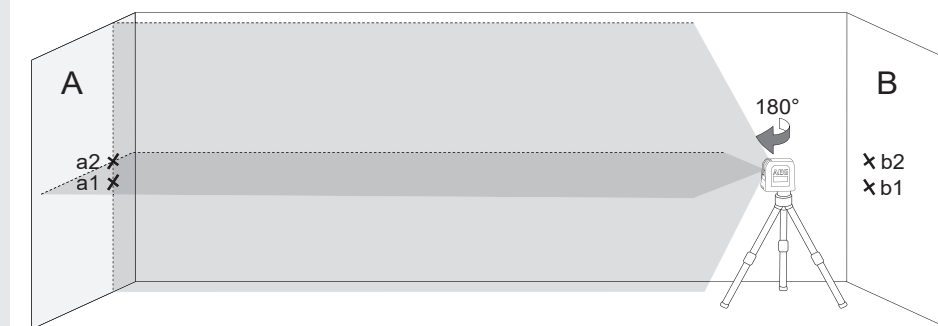
5. Ruotare il laser di 180° verso la parete B e segnare l'intersezione delle due linee come b1 sulla parete B.



6. Posizionare il laser a ca. 0,5 m dalla parete B.
7. Segnare l'intersezione delle due linee come b2 sulla parete B.



8. Ruotare il laser di 180° in direzione della parete A e segnare l'intersezione delle due linee come a2 sulla parete A.



9. Misurare le distanze:

$$\Delta a = |a2 - a1|$$

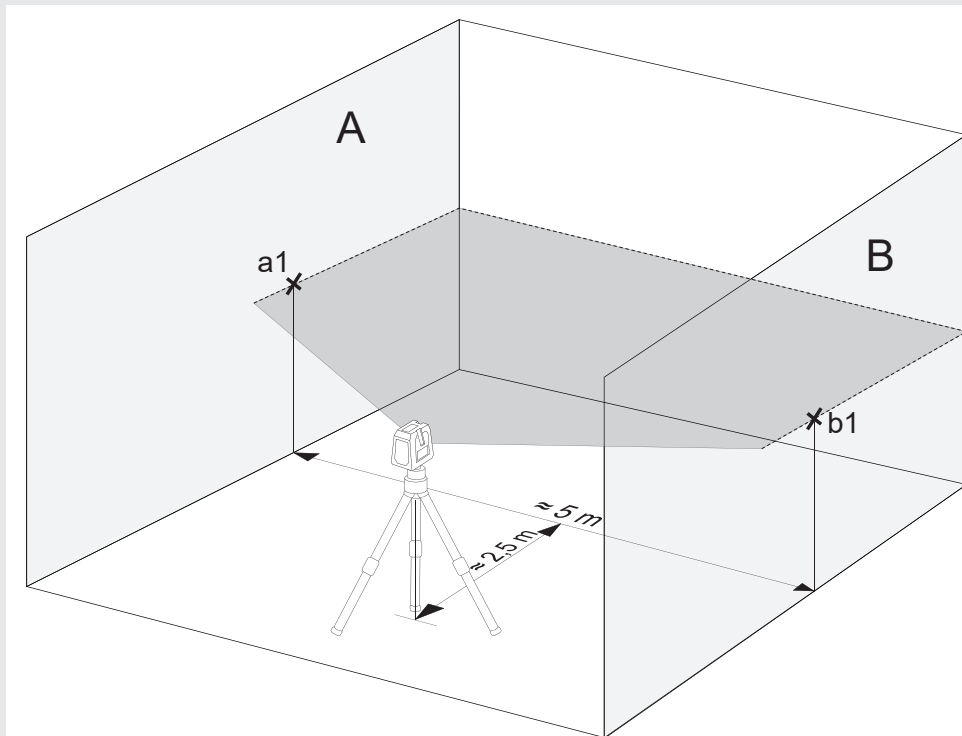
$$\Delta b = |b1 - b2|$$

10. La differenza $|\Delta a - \Delta b|$ non deve essere superiore a 2 mm.

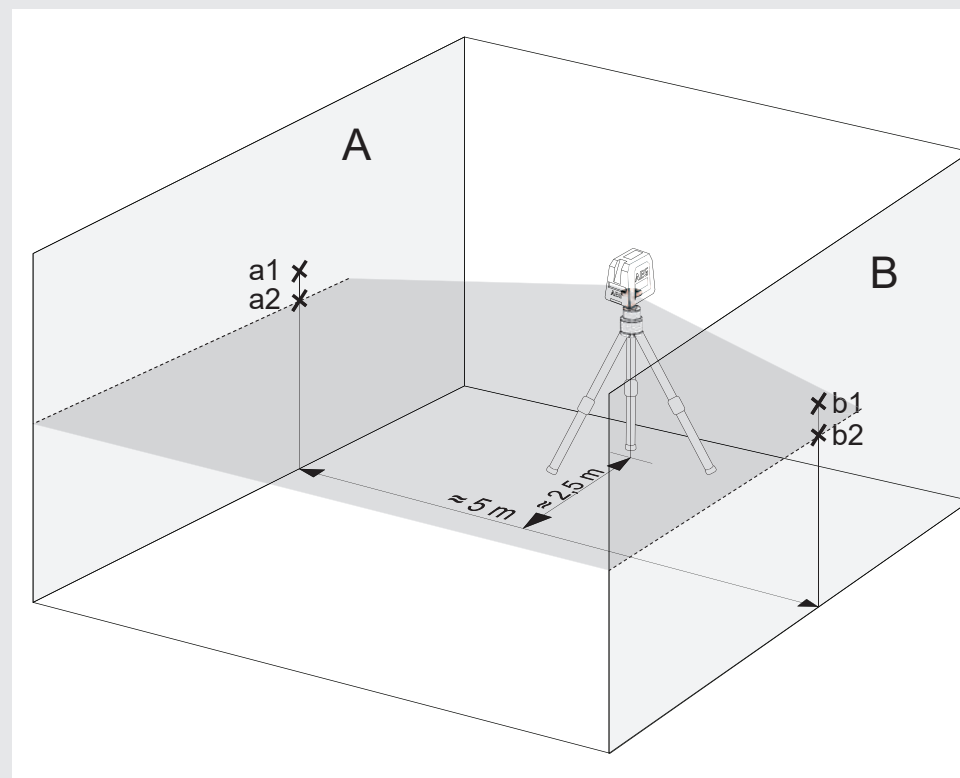
2 CONTROLLARE LA PRECISIONE DI LIVELLAMENTO DELLA LINEA ORIZZONTALE (DEVIAZIONE DA UN LATO ALL'ALTRO)

Per questa verifica è necessaria un'area libera di circa 5 × 5 m.

1. Posizionare il laser su un treppiede o su una superficie solida tra due pareti A e B distanti circa 5 m l'una dall'altra.
2. Posizionare il laser a ca. 2,5 m dal centro della stanza.
3. Attivare la modalità autolivellante e premere il tasto per proiettare la linea orizzontale sulle pareti A e B.
4. Segnare il centro della linea laser sulla parete A con a1 e sulla parete B con b1.



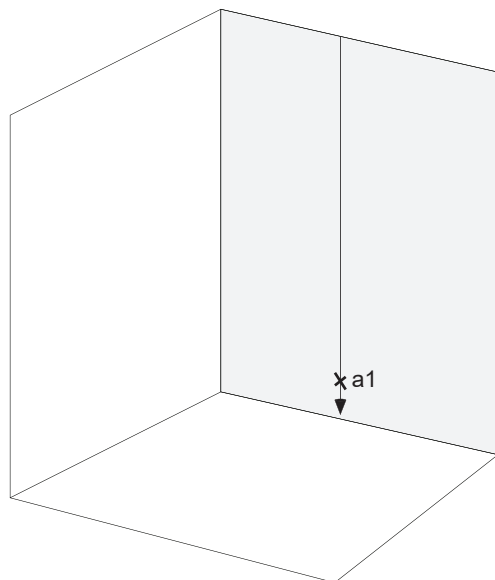
5. Spostare il laser di circa 5 m e ruotarlo di 180° e proiettare nuovamente la linea orizzontale sulle pareti A e B.
6. Segnare il centro della linea laser sulla parete A con a2 e sulla parete B con b2.



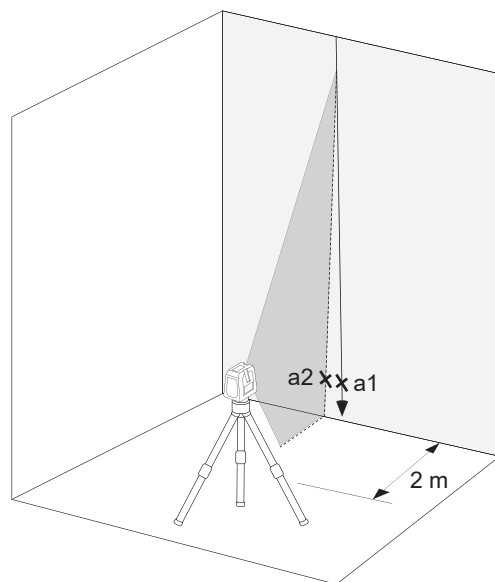
7. Misurare le distanze:
 $\Delta a = |a2 - a1|$
 $\Delta b = |b1 - b2|$
8. La differenza $|\Delta a - \Delta b|$ non deve essere superiore a 2 mm.

3 CONTROLLARE LA PRECISIONE DI LIVELLAMENTO DELLA LINEA VERTICALE

1. Appendere un filo a piombo di circa 4 m di lunghezza su una parete.
2. Dopo che il filo a piombo si è assestato, segnare il punto a1 sopra il cono di piombo sulla parete.



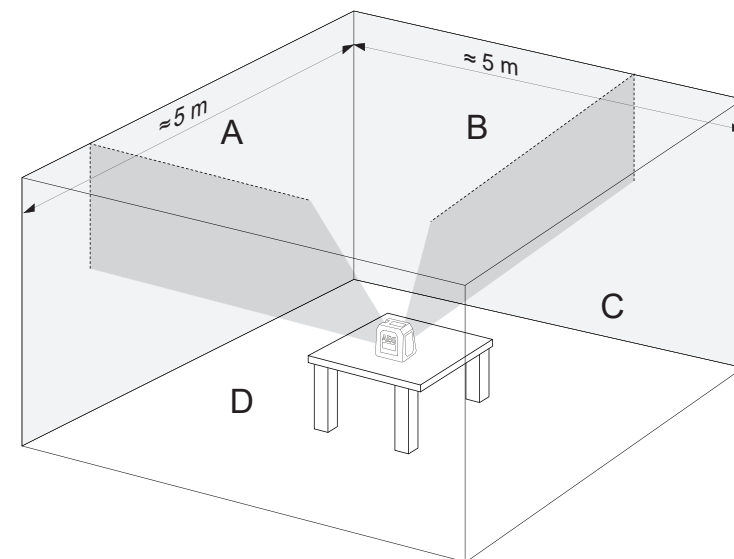
3. Montare il laser su un treppiede o su una superficie piana a ca. 2 m di distanza dalla parete.
4. Attivare la modalità autolivellante e premere il tasto per proiettare la linea verticale sul filo a piombo.
5. Ruotare il laser in modo che la linea verticale coincida con la sospensione del filo a piombo.
6. Segnare sulla parete il punto a2 al centro della linea verticale alla stessa altezza di a1.
7. La distanza tra a1 e a2 non deve essere superiore a 1 mm.



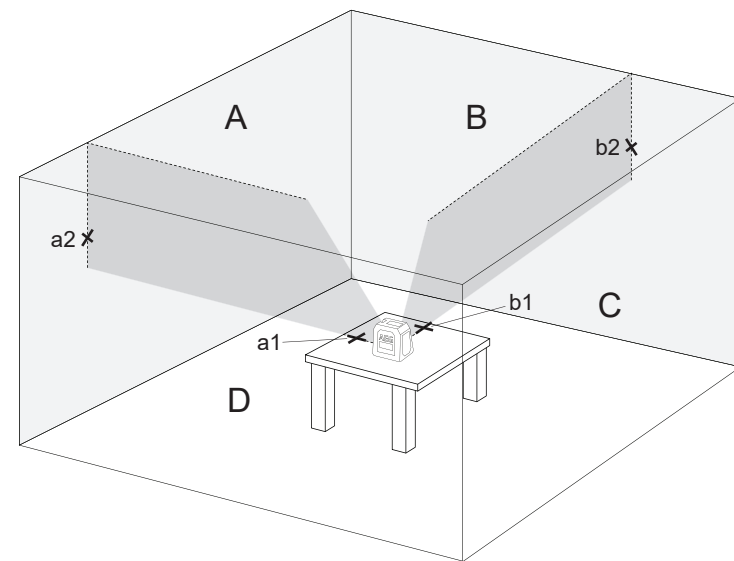
4 CONTROLLARE L'ORTOGONALITÀ TRA 2 LINEE VERTICALI

Per questa verifica è necessaria una stanza con 4 pareti e una superficie di almeno 5 x 5 m.

1. Posizionare il laser su un tavolo o sul pavimento al centro della stanza.
2. Attivare la modalità autolivellante e premere 4 volte il tasto V/H per proiettare le linee verticali verso avanti e verso il lato.

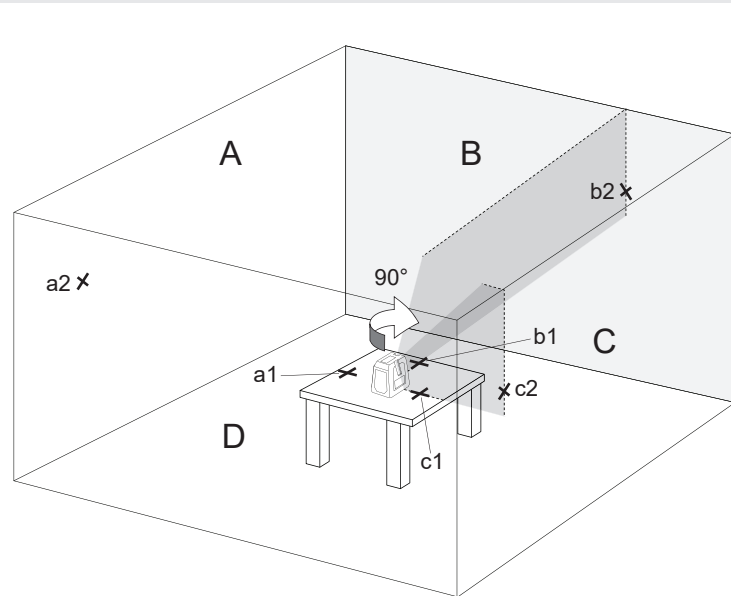


3. Segnare in 2 punti il centro della linea verticale proiettata verso avanti: il punto a1 sul tavolo vicino al laser e il punto a2 sulla parete A.
4. Segnare in 2 punti il centro della linea verticale proiettata verso il lato: il punto b1 sul tavolo vicino al laser e il punto b2 sulla parete B.

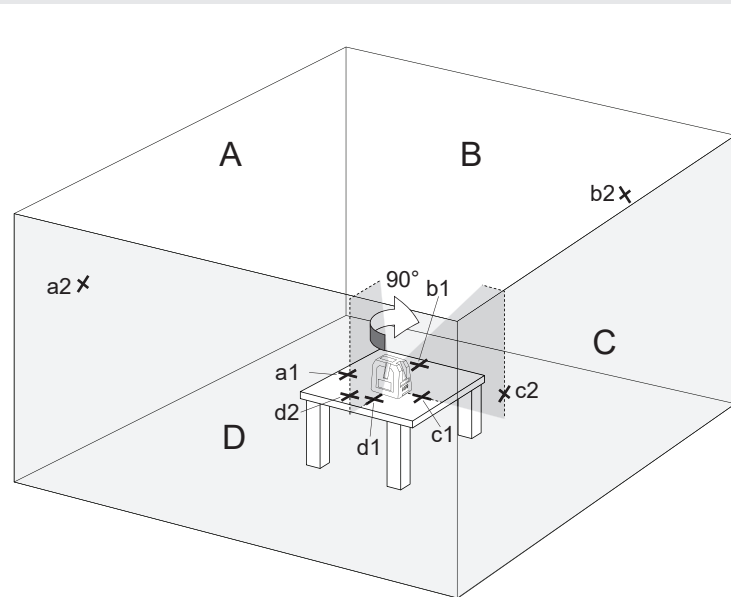


CONTROLLARE L'ORTOGONALITÀ TRA 2 LINEE VERTICALI

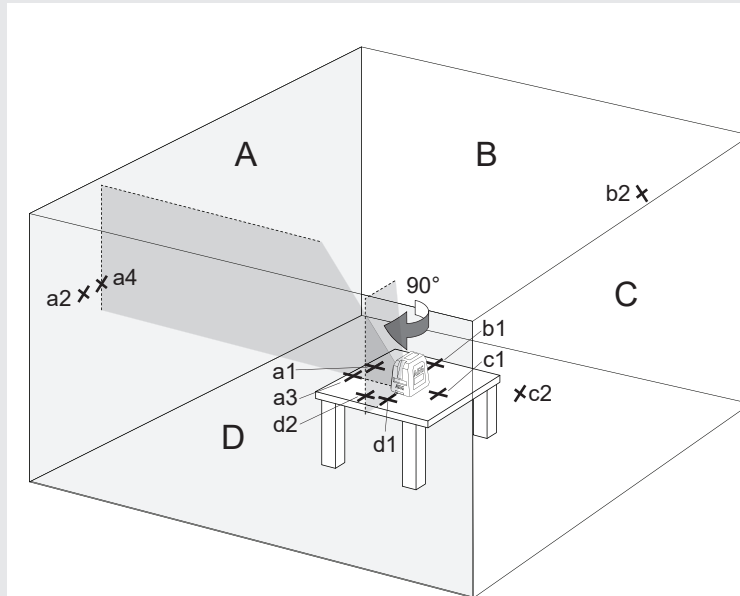
5. Ruotare il laser in senso orario di 90° in modo che la linea laser diretta in avanti colpisca i segni b1 sul tavolo e b2 sulla parete B.
6. Segnare in 2 punti il centro della linea verticale proiettata verso il lato: il punto c1 sul tavolo vicino al laser e il punto c2 sulla parete C.



7. Ruotare il laser in senso orario di 90° in modo che la linea laser diretta in avanti colpisca i segni c1 sul tavolo e c2 sulla parete C.
8. Segnare in 2 punti il centro della linea verticale proiettata verso il lato: il punto d1 sul tavolo vicino al laser e il punto d2 sulla parete D.



9. Ruotare il laser in senso orario di 90° in modo che la linea laser diretta in avanti colpisca i segni d1 sul tavolo e d2 sulla parete D.
10. Segnare in 2 punti il centro della linea verticale proiettata verso il lato: il punto a3 sul tavolo vicino al punto a1 e il punto a4 sulla parete A vicino al punto a2.

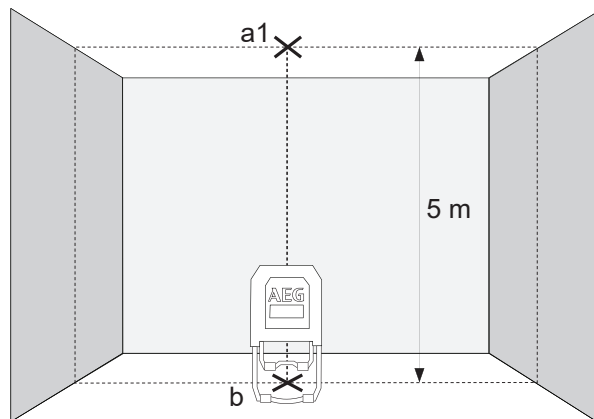


11. Misurare le distanze:
 $\Delta 1 =$ da a1 a a3
 $\Delta 2 =$ da a2 a a4
12. La differenza $\Delta 2 - \Delta 1$ non deve essere superiore a 4 mm.

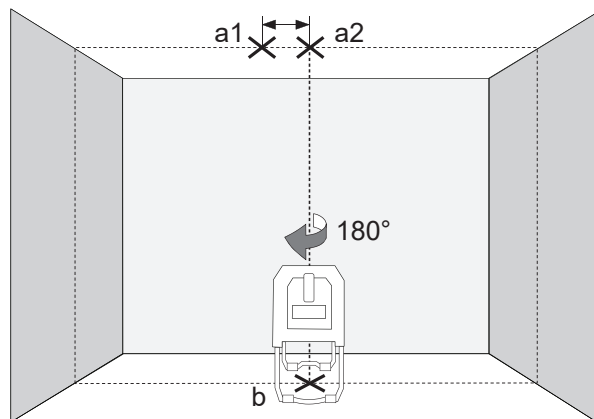
5 CONTROLLARE LA PRECISIONE DEL PUNTO DI PIOMBO

Per questa verifica è necessaria una stanza con il soffitto alto ca. 5 m.

1. Aprire i supporti del laser e posizionare il dispositivo sul pavimento.
2. Attivare la modalità autolivellante e premere il tasto per proiettare le linee a croce verticali sul soffitto e il punto di piombo sul pavimento.
3. Segnare il centro della linea a croce diretta verso l'alto come punto a1 sul soffitto (vedi figura).
4. Segnare il centro del punto a piombo come punto b sul pavimento.



5. Ruotare il laser di 180° e posizionarlo in modo che il centro del punto a piombo coincida con il punto b già segnato e attendere che il dispositivo si sia livellato.
6. Segnare il centro della linea a croce diretta verso l'alto come punto a2 sul soffitto.
7. La distanza tra i punti a1 e a2 sul soffitto indica quanto la linea laser si discosta dalla linea perpendicolare ideale. Per una distanza di misura di 5 m la deviazione massima consentita è:
 $5 \text{ m} \times (\pm 0,6 \text{ mm/m}) \times 2 = \pm 6 \text{ mm}$.
8. La distanza tra a1 e a2 non deve essere superiore a 6 mm.



ÍNDICE DE CONTENIDOS

Instrucciones de seguridad importantes.....	1
Mantenimiento.....	2
Datos técnicos.....	2
Uso previsto.....	2
Vista general.....	3
Indicador de batería baja.....	4
Cambio de baterías.....	4
Patatas de soporte ajustables.....	5
Soporte de pared magnético y tablilla de puntería verde.....	5
Trabajando en el modo de autonivelación.....	6
Trabajando en el modo manual.....	7
Función de plomada.....	8
Función de modo de impulso.....	8
Comprobación de la precisión.....	9

INSTRUCCIONES DE SEGURIDAD IMPORTANTES



¡ATENCIÓN! ¡ADVERTENCIA! ¡PELIGRO!

Lea detenidamente las Instrucciones de seguridad y el Manual de empleo que se encuentran en el CD adjunto antes de empezar a trabajar con el producto.

Clasificación de láser



ADVERTENCIA:

El producto corresponde a la Clase de láser 2 según la norma EN60825-1:2014.



Advertencia:

No exponer los ojos directamente al rayo láser. El rayo láser puede provocar lesiones oculares graves y/o ceguera.

No mirar directamente hacia el rayo láser y no apuntar con el rayo a otras personas innecesariamente.

¡Cuidado! Es posible que en algunas aplicaciones el dispositivo emisor de láser se encuentre detrás de usted. Si es así, gírese con cuidado.

Advertencia:

No haga funcionar el láser en presencia de niños ni les permita utilizar el láser.

¡Atención! Una superficie reflectante podría dirigir el rayo láser de vuelta hacia el operador o hacia otra persona.

Advertencia: El empleo de elementos de control, ajustes u operaciones diferentes a las especificadas en el manual podrían derivar en la exposición a una radiación peligrosa.

Si se transfiere el láser de un entorno muy frío a otro caliente (o al contrario), este ha de alcanzar la temperatura ambiente antes de ser utilizado.

No almacenar el láser al aire libre y protegerlo contra golpes, vibraciones permanentes y temperaturas extremas.

Proteger el aparato de medición por láser siempre contra polvo, humedad y alta humedad del aire. Esto puede destruir los componentes internos o influir en la exactitud.

Si una radiación láser le llega a un ojo, cierre los ojos y gire inmediatamente la cabeza fuera del alcance del rayo.

Asegúrese de posicionar el rayo láser de forma que no le deslumbre ni a usted ni a otras personas.

No mirar hacia el rayo láser con dispositivos ópticos de aumento, tales como prismáticos o telescopios. De lo contrario aumenta el riesgo de lesiones oculares graves.

Tenga en cuenta que las gafas de visión láser sirven para reconocer mejor las líneas láser, pero que no protegen los ojos contra la radiación láser.

No se deben retirar ni hacer ininteligibles las señales de advertencia colocadas sobre el dispositivo láser.

No desmontar el láser. La radiación láser puede provocar lesiones oculares graves.

Antes del transporte del láser, asegúrese de que el mecanismo de cierre pendular ha quedado bien enclavado.

Nota: Si el mecanismo de cierre pendular no está bien enclavado se pueden producir daños en el interior del aparato durante el transporte.

No utilice detergentes o disolventes agresivos. Limpiar solamente con un paño limpio y blando.

Proteger el láser contra golpes fuertes y caídas. Después de una caída o de fuertes acciones mecánicas se ha de comprobar la precisión del aparato antes de usarlo.

Las reparaciones necesarias en este aparato láser deben ser realizadas únicamente por personal especializado y autorizado.

No utilizar el producto en áreas con una atmósfera potencialmente explosiva o volátil.

Extraer las baterías del compartimento de baterías antes de un largo periodo sin uso del aparato. De esta forma se evita la descarga de las baterías y los daños por corrosión que ello conlleva.



Las pilas vacías no deben eliminarse con la basura doméstica. Cuide el medio ambiente y llévalas a los puntos de recogida disponibles de conformidad con las regulaciones nacionales y locales. No desechar el producto con la basura doméstica. Desechar el producto correctamente. Cumplir con las normas de desecho específicas del país. Respetar la normativa específica nacional y local. Póngase en contacto con la autoridad local competente o con la tienda en la que adquirió el producto para obtener información acerca de la eliminación correcta.



Marcado de conformidad europeo

MANTENIMIENTO

Limpiar el objetivo y la carcasa del láser con un paño suave y limpio. No utilizar ningún disolvente.

Aunque hasta cierta medida el láser es resistente al polvo y a la suciedad, no debería ser almacenado durante mucho tiempo en un lugar con polvo, dado que, de lo contrario, se pueden dañar las partes móviles de su interior.

Si se moja el láser es necesario dejar que se seque dentro de su maleta de transporte antes de volver a usarlo a fin de que no se produzcan daños por oxidación.

DATOS TÉCNICOS

Clase de láser	2
Rango de autonivelación	±3°
Duración de autonivelación	3–5 s
Tipo de batería	Batería alcalina LR6 del tipo AA
Tensión CC	3 × 1,5 V
Consumo de potencia	0,35 A
Grado de protección (salpicaduras de agua y polvo)	IP54
Funciones	línea horizontal, 2 líneas verticales, líneas cruzadas, función de plomada
Modo de impulso	Frecuencia 10 kHz
Proyecciones	3 líneas verdes, 1 punto rojo
Patrón de emisión de las líneas láser	Línea horizontal hacia adelante, línea vertical hacia adelante, línea vertical hacia el lado y punto de plomada. Líneas cruzadas horizontales y verticales hacia adelante y punto de plomada. Línea horizontal. Línea vertical hacia adelante y punto de plomada. Líneas verticales hacia adelante y hacia el lado y punto de plomada. (El indicador del punto de plomada hacia abajo solo funciona en el modo de autonivelación, no en el modo operativo manual).
Tiempo de servicio	6 horas
Rosca de montaje de trípode	1/4"
Detector diseñado	para láseres estándar multilínea de luz verde
Línea láser	
Anchura	2,5 mm ±0,5 mm / 5 m
Longitud de onda	λ 520 ±10 nm Clase de láser II
Precisión	±0,2 mm/m
Ángulo de apertura	> 120°
Color	verde
Alcance de láser	30 m (con detector 50 m)

Punto de plomada	
Longitud de onda de punto láser	635 ±5 nm Clase de láser II
Potencia máx. de punto láser	< 1 mW
Precisión de plomada	±0,6 mm / 1 m
Color de punto láser	rojo
Alcance de láser	5 m
Temperatura de servicio recomendada	De -10 °C a +45 °C
Temperatura de almacenamiento	De -20 °C a +60 °C
Dimensiones	106 mm × 88 mm × 105 mm
Peso (incl. baterías)	710 g

USO PREVISTO

Este innovador láser ha sido diseñado para un amplio ámbito de aplicación profesional, como, por ejemplo:

- Alineamiento de baldosas, placas de mármol, armarios, ribetes, piezas moldeadas y ornamentos.
- Marcado de las líneas básicas para el montaje de puertas, ventanas, rieles, escaleras, cercas, portales, verandas y pérgolas.
- Transferencia de puntos de referencia para instalaciones de iluminación y ventilación, transferencia de cotas de altura, nivelación de muros perimetrales y tabiques, colocación de rieles en el suelo, así como otros trabajos profesionales.
- Para la definición y control de líneas horizontales y verticales.

No utilice este producto para ninguna otra aplicación que no sea su uso previsto.



VISTA GENERAL

Estabilizadores de goma

Patas de soporte ajustables

Ventana línea láser vertical hacia adelante

Ventana línea láser horizontal

ENCENDIDO  / APAGADO  Interruptor de bloqueo

Ventana rayo láser vertical hacia el lado

Tapa del compartimento de baterías

Punto de plomada rojo

Rosca de montaje de trípode de 1/4"



Panel de control



Indicador LED de modo manual

Botón de modo manual

Para activar o desactivar el modo manual

Indicador LED de selección de línea láser (luz continua)

Indicador LED de batería baja (luz intermitente)

Botón de selección de línea láser

Selección entre línea Vertical hacia adelante, línea Vertical hacia el lado, línea Horizontal hacia adelante o una combinación de estas líneas.

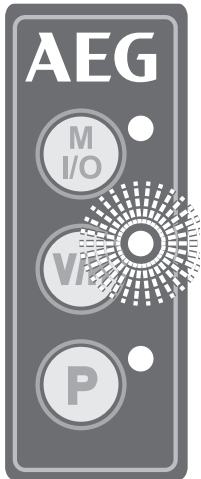
Indicador LED de modo de impulso

Botón de modo de impulso

Para trabajos en exteriores con radiación solar directa o condiciones de luz clara, así como para aplicaciones en interiores con un alcance de láser de 50 m, utilizar el modo de impulso con un detector de 10 kHz.



INDICADOR DE BATERÍA BAJA



Si el nivel de carga de las baterías es bajo, la potencia lumínica del láser se reduce y el indicador correspondiente (LED verde junto al botón V/H) comienza a parpadear con una frecuencia de 0,5 segundos.

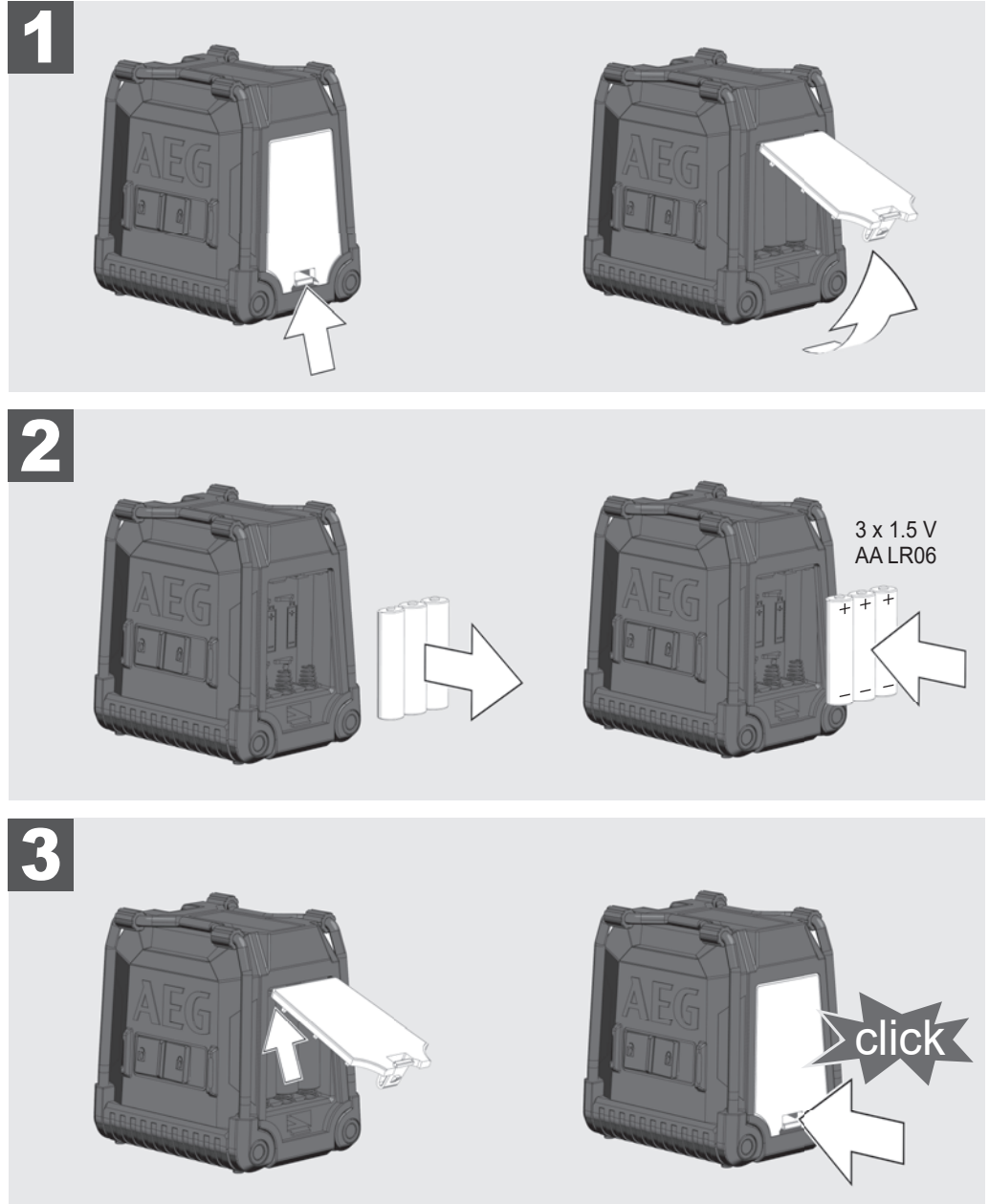
Sin embargo, se puede seguir trabajando.

Cuando las baterías están muy bajas, el aparato se apaga automáticamente.

CAMBIO DE BATERÍAS

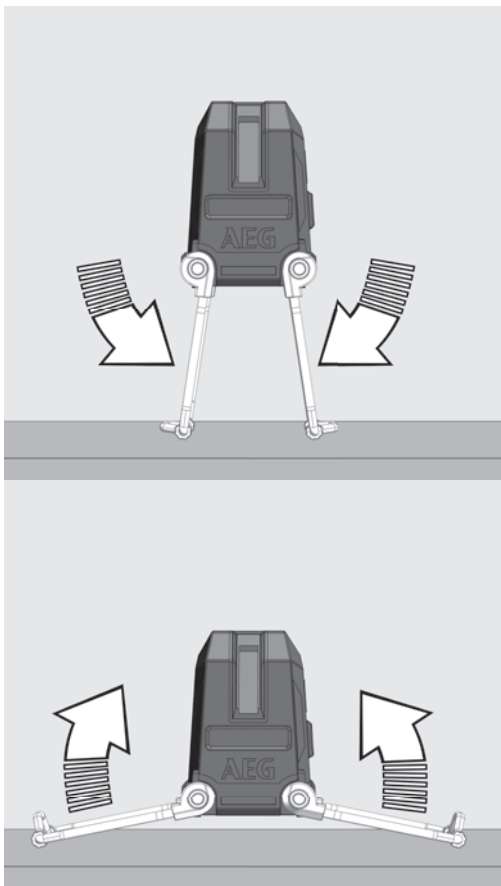
Cambiar las baterías cuando el rayo láser se hace más débil.

Extraer las baterías del compartimento de baterías antes de un largo periodo sin uso del láser. De esta forma se evita la descarga de las baterías y los daños por corrosión que ello conlleva.

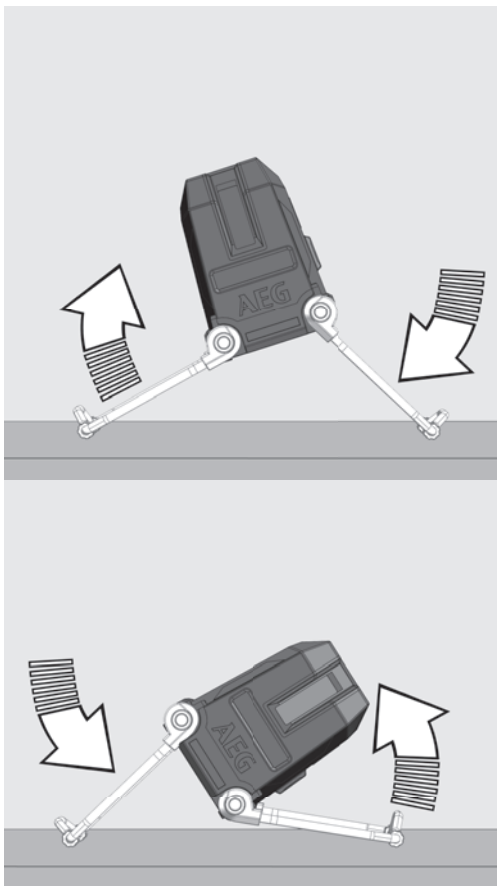


PATAS DE SOPORTE AJUSTABLES

Ajustar la altura de la línea horizontal con las patas de soporte ajustables.

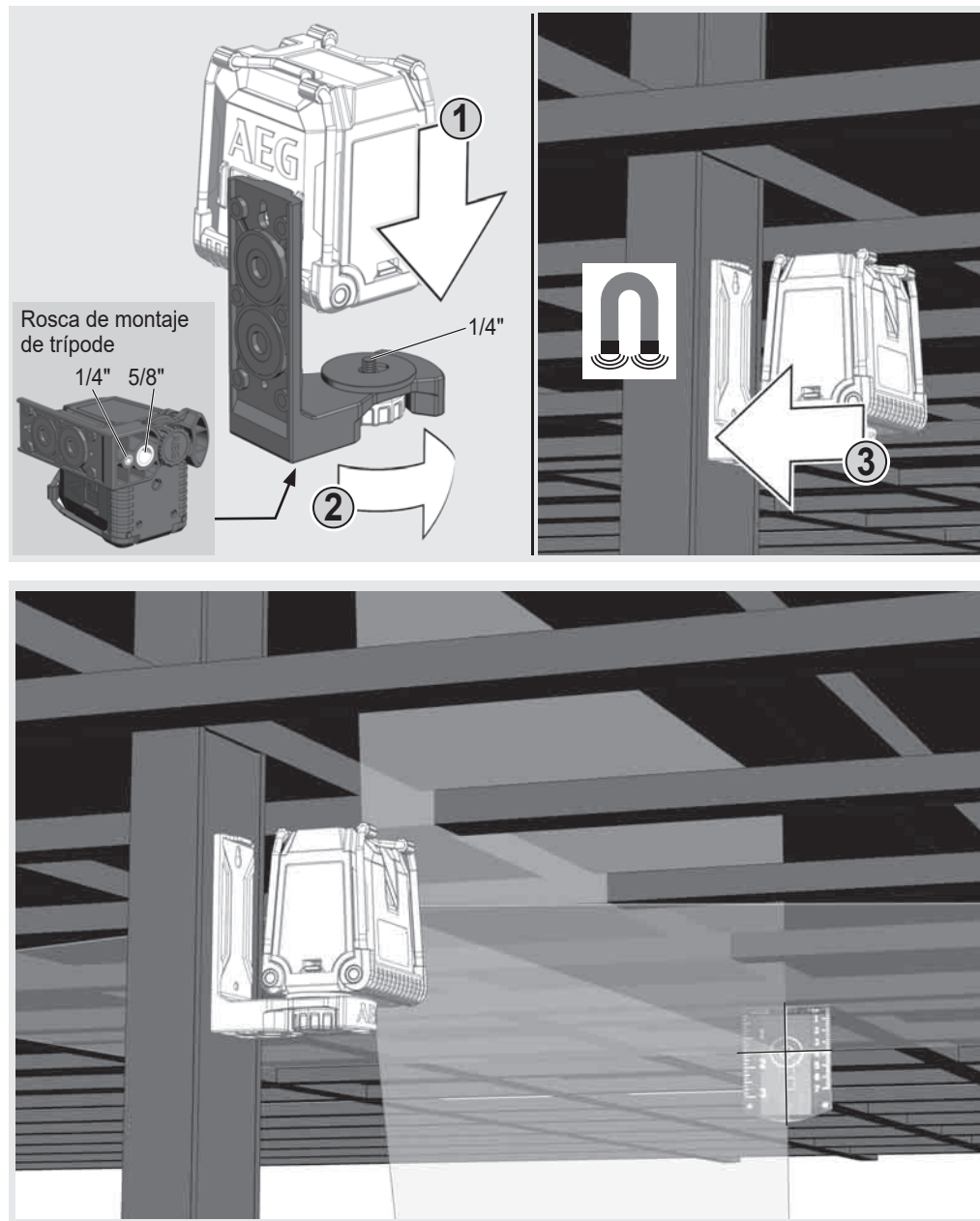


Ajustar la inclinación del láser con las patas de soporte ajustables.



SOPORTE DE PARED MAGNÉTICO Y TABLILLA DE PUNTERÍA VERDE

Con el soporte magnético es posible fijar el láser, entre otros, en paredes y estructuras metálicas. La tablilla de puntería verde mejora la visibilidad del rayo láser en condiciones desfavorables y a grandes distancias.



TRABAJANDO EN EL MODO DE AUTONIVELACIÓN

En el modo de autonivelación, el láser se alinea a sí mismo en un rango de $\pm 3^\circ$. Se proyectan simultáneamente una línea horizontal, dos líneas verticales o las 3 líneas.

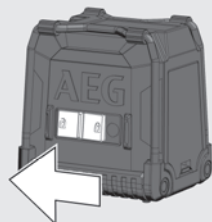
1

Colocar el láser sobre una base firme, plana y sin vibraciones, o bien móntelo sobre un trípode.



2

Poner el interruptor de bloqueo en la posición de ENCENDIDO .

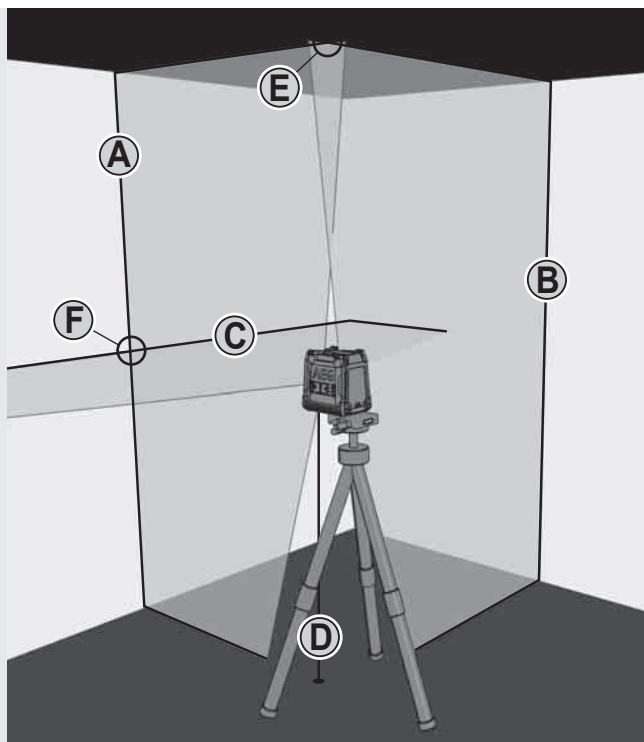


3

El láser genera 3 líneas láser.

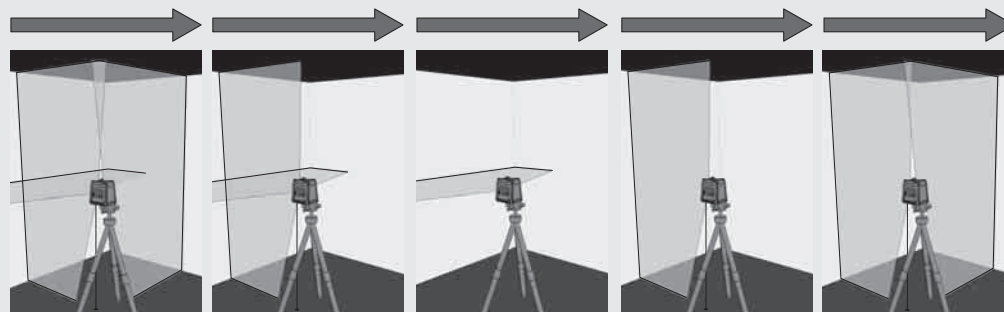
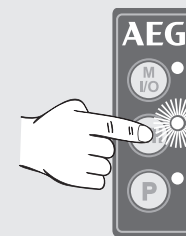
- (A) Línea vertical hacia adelante
- (B) Línea vertical hacia el lado
- (C) Línea horizontal hacia adelante
- (D) Punto láser (línea de plomada)

Cuando todas las líneas están activadas, el láser genera líneas cruzadas hacia arriba (E) y hacia adelante (F).



4

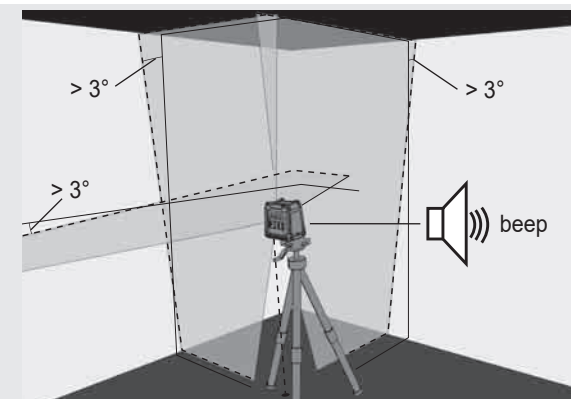
Pulsar el botón V/H para seleccionar las líneas con las que desea trabajar.




5

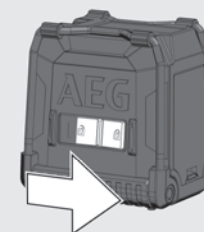
Si al principio y con la autonivelación activada, el láser no está alineado a $\pm 3^\circ$, las líneas láser parpadean - - - - y se oye una señal acústica.

Si esto ocurre, vuelva a posicionar el láser.



6

Antes de mover el aparato, poner el botón de bloqueo en la posición de APAGADO . De esta forma se produce el cierre del mecanismo pendular, protegiendo así el láser.

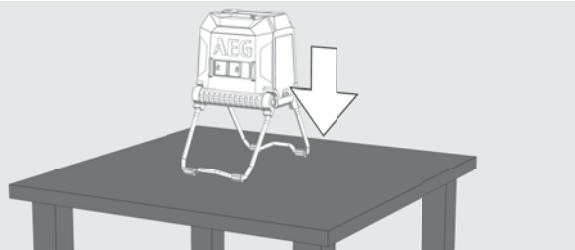


TRABAJANDO EN EL MODO MANUAL

En el modo manual, la función de autonivelación se encuentra desactivada y se puede ajustar el láser a cualquier inclinación de las líneas láser.

1

Colocar el láser sobre una base firme, plana y sin vibraciones, o bien móntelo sobre un trípode.



2

Pulsar el botón para el modo manual (¡sin desplazar el interruptor de bloqueo!).

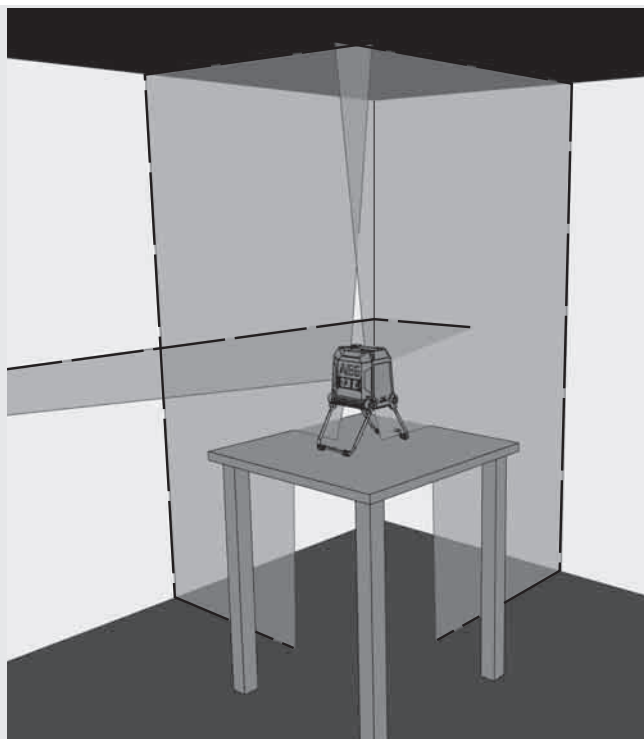
El LED rojo situado junto al botón se ilumina.



3

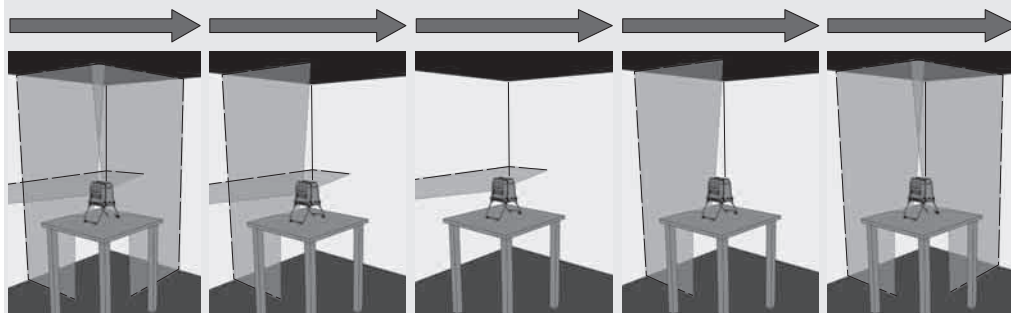
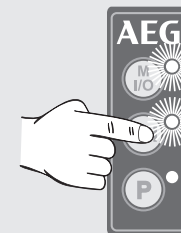
Al igual que en el modo de autonivelación, el láser genera 3 líneas láser que, sin embargo, parpadean cada 3 segundos.

3 seg. 3 seg. 3 seg.



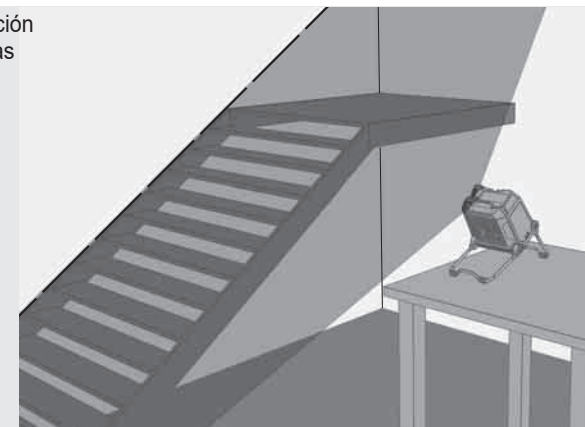
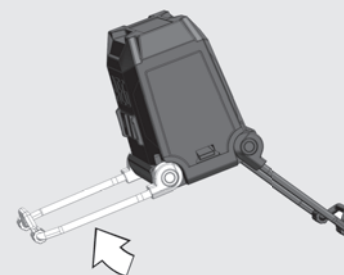
4

Pulsar el botón V/H para seleccionar las líneas con las que desea trabajar.




5

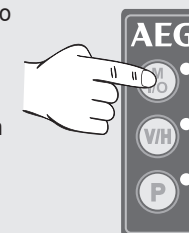
Ajustar el láser en la altura e inclinación deseadas sirviéndose para ello de las patas de soporte.



6

Volver a pulsar el botón para el modo manual para finalizar dicho modo.

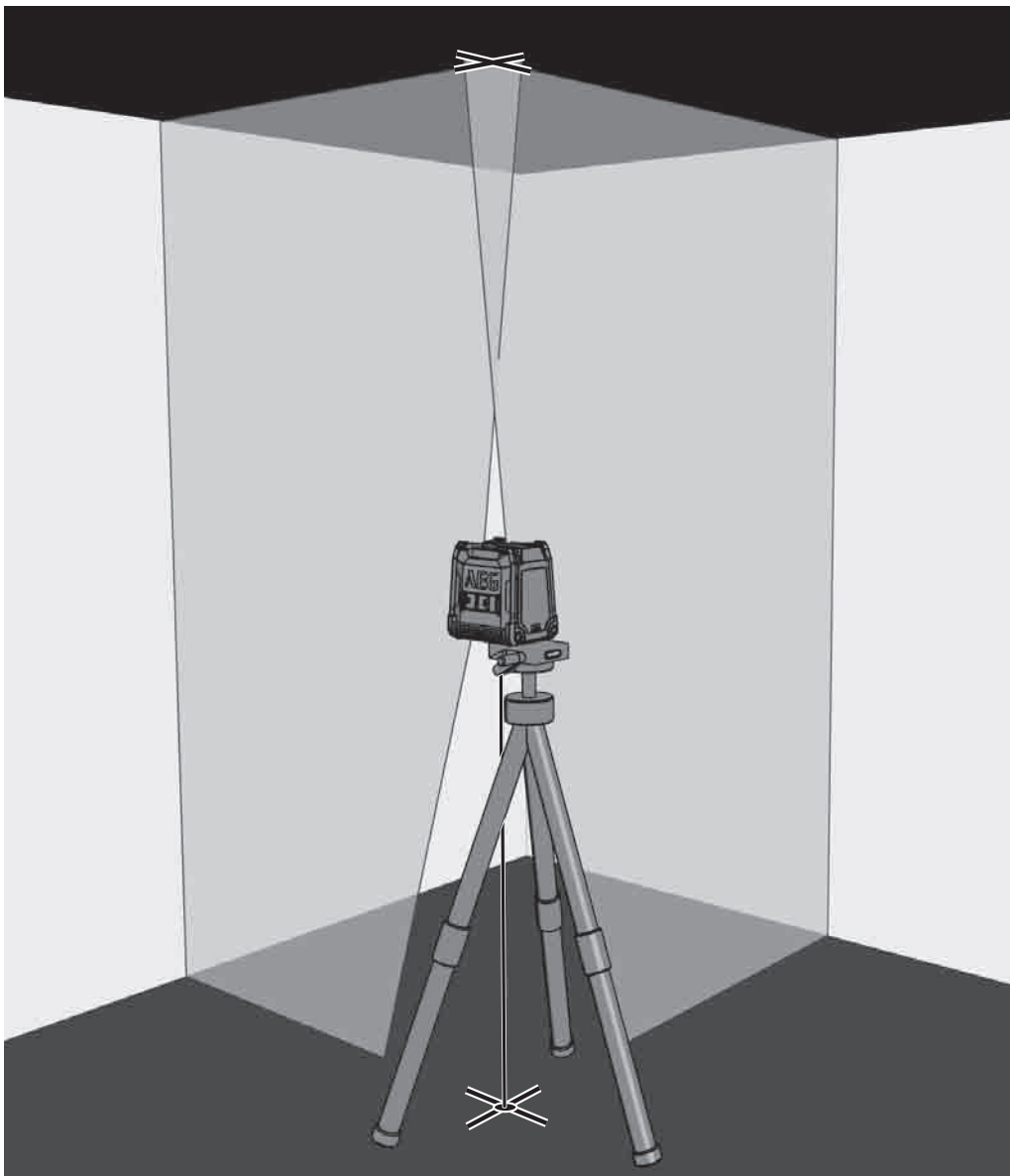
Para cambiar directamente al modo de autonivelación, poner el interruptor de bloqueo en la posición ENCENDIDO .



FUNCIÓN DE PLOMADA

Con la función de plomada se puede proyectar un punto del suelo sobre el techo con la plomada correcta. El punto de referencia del suelo se alinea con el punto de intersección de las líneas cruzadas sobre el techo.

La función de plomada sirve, por ejemplo, para transferir un punto de referencia para la instalación de iluminación y ventilación o para transferir cotas de altura.



FUNCIÓN DE MODO DE IMPULSO

Para trabajos en exteriores con radiación solar directa o condiciones de luz clara, así como para aplicaciones en interiores con un alcance de láser de 50 metros, utilizar el modo de impulso con un detector.

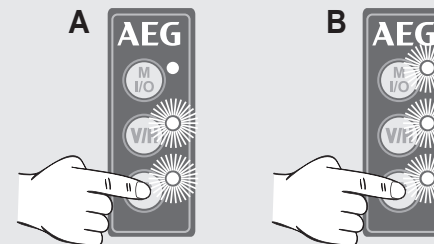
El detector no se incluye en el suministro y se debe adquirir por separado.

Si el modo de impulso está activado, las líneas láser parpadean con una frecuencia muy elevada (invisible al ojo humano) para que el detector pueda localizar las líneas láser.

1

Se puede activar el modo de impulso tanto en el modo de autonivelación (A) como en el modo manual (B).

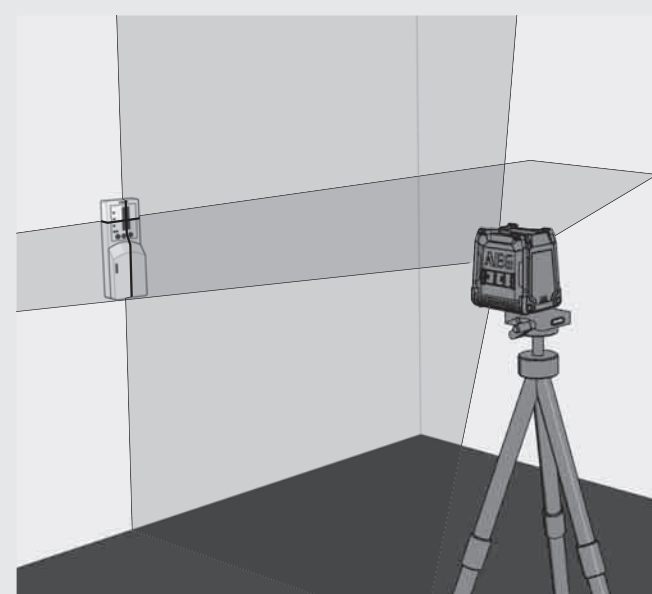
Pulsar el botón P. El LED verde situado junto al botón se ilumina.



2

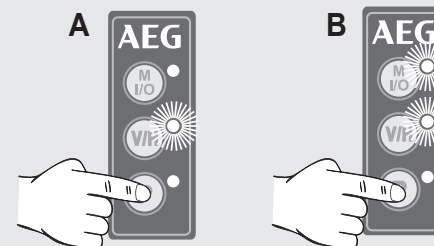
Tras activar el modo de impulso, la visibilidad de las líneas láser se reduce ligeramente.

Encontrará información más detallada sobre la utilización del detector en el manual de uso del detector.



3

Volver a pulsar el botón P si se desea desconectar el modo de impulso. El LED verde situado junto al botón se apaga.



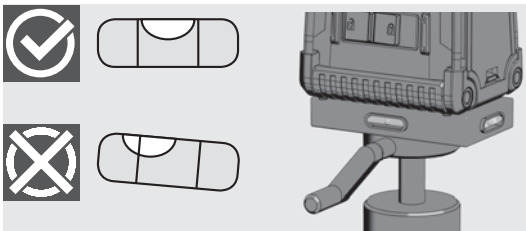
COMPROBACIÓN DE LA PRECISIÓN

El láser se entrega de fábrica completamente calibrado. AEG recomienda comprobar la precisión del láser periódicamente, sobre todo después de una caída o tras algún manejo incorrecto.

Si al comprobar la precisión constata que se supera la desviación máxima, diríjase a uno de nuestros centros de servicio técnico de AEG (vea la lista con las condiciones de la garantía y las direcciones de los centros de servicio técnico).

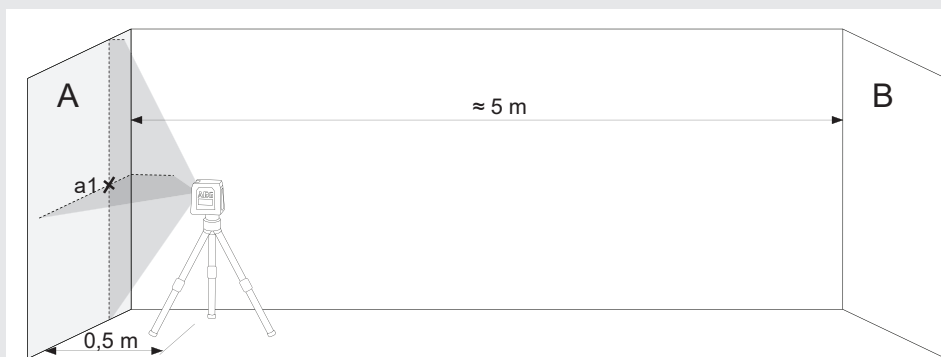
1. Comprobar la precisión de altura de la línea horizontal.
2. Comprobar la precisión de nivelación de la línea horizontal.
3. Comprobar la precisión de nivelación de la línea vertical.
4. Comprobar la perpendicularidad entre 2 líneas verticales.
5. Comprobación de la precisión de plomada.

Antes de comprobar la precisión del láser montado sobre el trípode, controlar la nivelación del trípode.



1 COMPROBACIÓN DE LA PRECISIÓN DE ALTURA DE LA LÍNEA HORIZONTAL (DESVIACIÓN HACIA ARRIBA Y HACIA ABAJO)

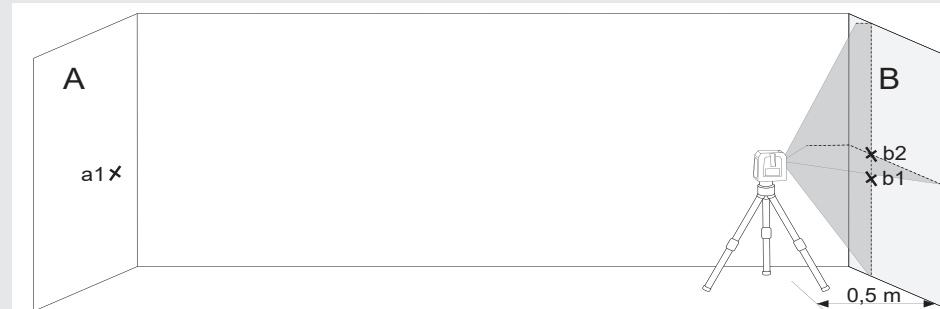
1. Colocar el láser sobre un trípode o una base plana entre dos paredes A y B con aprox. 5 m de separación entre sí.
2. Posicionar el láser a una distancia de aprox. 0,5 m de la pared A.
3. Activar el modo de autonivelación y pulsar el botón para proyectar la línea horizontal y vertical sobre la pared A.
4. Marcar el punto de intersección de ambas líneas como punto a1 sobre la pared A.



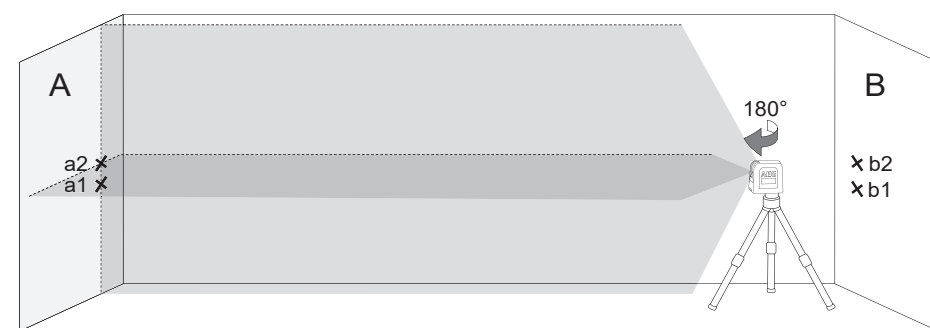
5. Girar el láser en 180° en dirección a la pared B y marcar el punto de intersección de ambas líneas como b1 sobre la pared B.



6. Colocar el láser a una distancia de aprox. 0,5 m de la pared B.
7. Marcar el punto de intersección de ambas líneas como b2 sobre la pared B.



8. Girar el láser en 180° en dirección a la pared A y marcar el punto de intersección de ambas líneas como a2 sobre la pared A.



9. Medir las distancias:

$$\Delta a = |a2 - a1|$$

$$\Delta b = |b1 - b2|$$

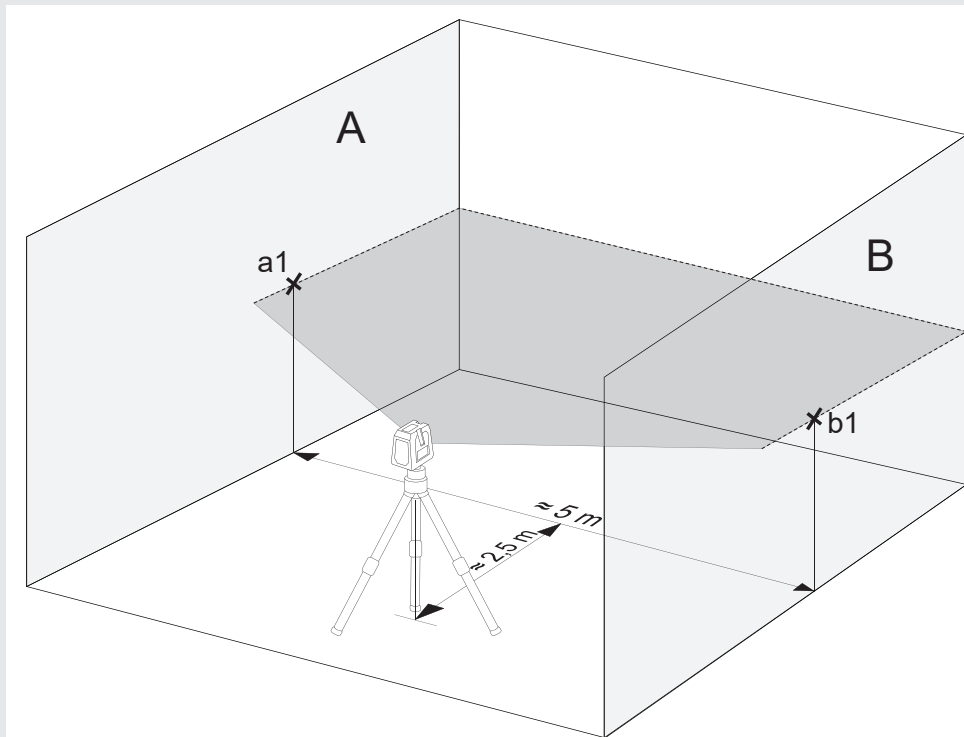
10. La diferencia $|\Delta a - \Delta b|$ no puede ser de más de 2 mm.

2

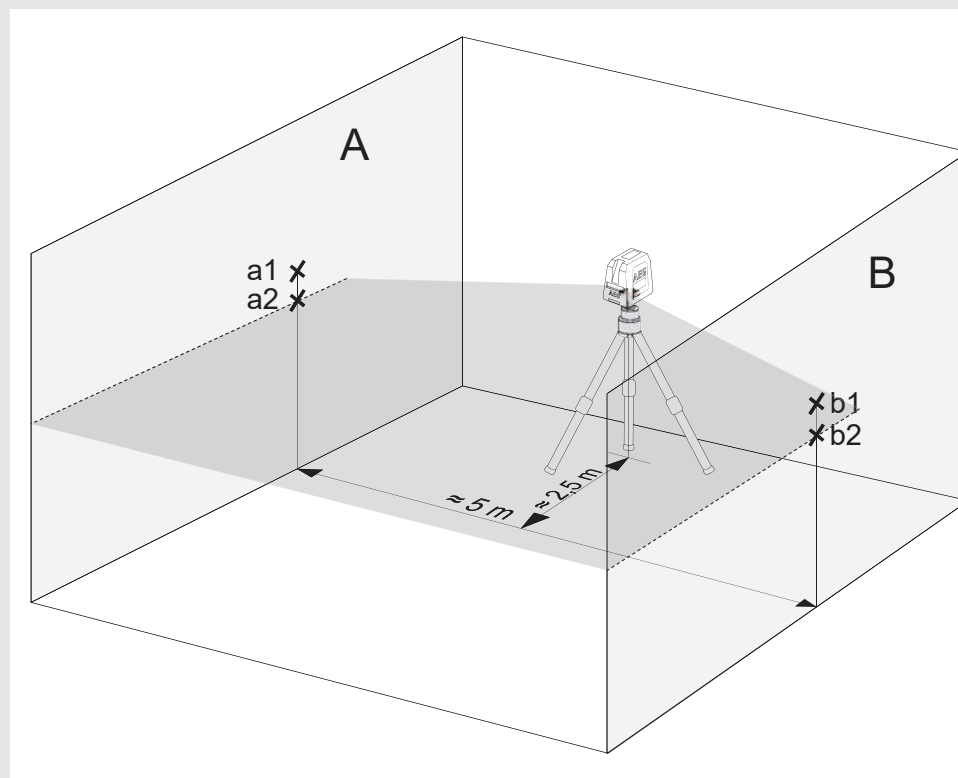
COMPROBACIÓN DE LA PRECISIÓN DE NIVELACIÓN DE LA LÍNEA HORIZONTAL (DESVIACIÓN DE UN LADO RESPECTO DEL OTRO)

Para realizar esta comprobación es necesario contar con una superficie libre de aprox. 5 x 5 m.

1. Colocar el láser sobre un trípode o una base firme entre dos paredes A y B con aprox. 5 m de separación entre sí.
2. Colocar el láser a una distancia de aprox. 2,5 m del centro de la sala.
3. Activar el modo de autonivelación y pulsar el botón para proyectar la línea horizontal sobre las paredes A y B.
4. Marcar el punto central de la línea láser sobre la pared A con a1 y sobre la pared B con b1.



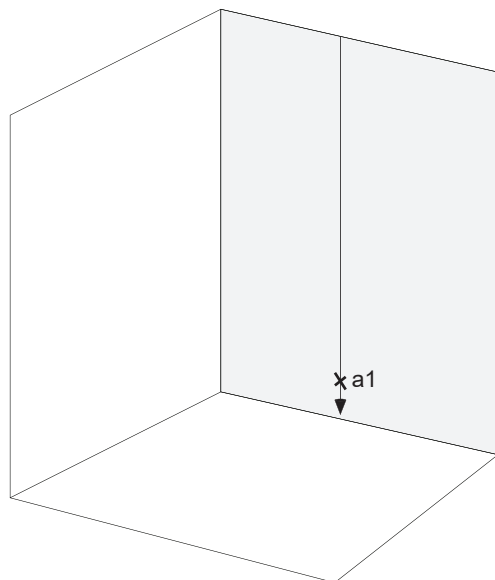
5. Desplazar el láser en aprox. 5 m, girarlo en 180° y volver a proyectar la línea horizontal sobre las paredes A y B.
6. Marcar el punto central de la línea láser sobre la pared A con a2 y sobre la pared B con b2.



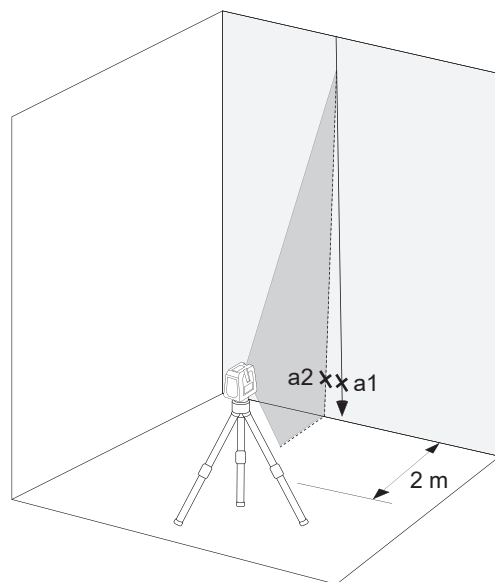
7. Medir las distancias:
 $\Delta a = |a2 - a1|$
 $\Delta b = |b1 - b2|$
8. La diferencia $|\Delta a - \Delta b|$ no puede ser de más de 2 mm.

3 COMPROBACIÓN DE LA PRECISIÓN DE NIVELACIÓN DE LA LÍNEA VERTICAL

1. Colgar en la pared un cordel de plomada de aprox. 4 m de longitud.
2. Después de que la bola de plomo haya dejado de balancearse, marcar el punto a1 sobre la pared por encima de la plomada cónica.



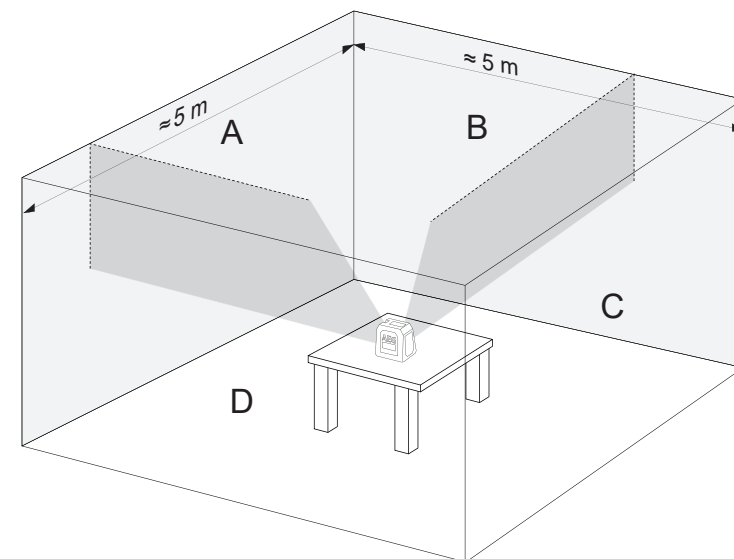
3. Colocar el láser sobre un trípode o una base plana a una distancia de aprox. 2 m de la pared.
4. Activar el modo de autonivelación y pulsar el botón para proyectar la línea vertical sobre el cordel de plomada.
5. Girar el láser de forma que la línea vertical coincida con la suspensión del cordel de plomada.
6. Marcar el punto a2 en el centro de la línea vertical proyectada sobre la pared a la misma altura que a1.
7. La distancia entre a1 y a2 no puede ser superior a 1 mm.



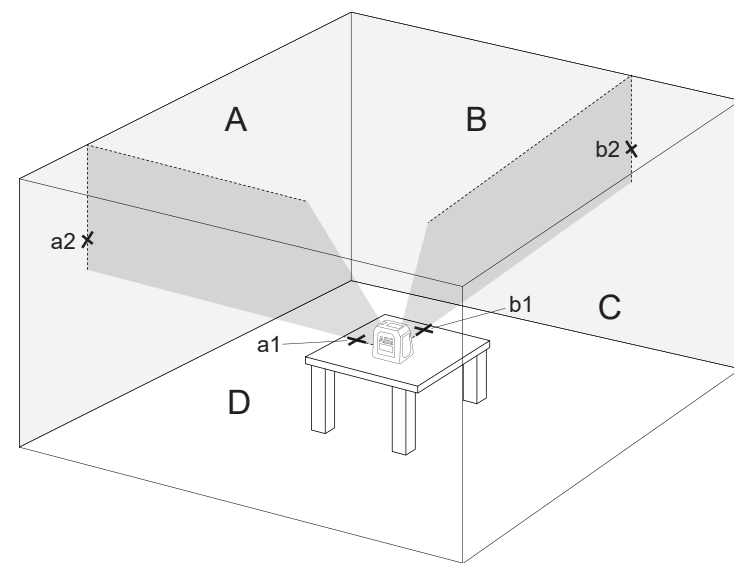
4 COMPROBACIÓN DE LA PERPENDICULARIDAD ENTRE 2 LÍNEAS VERTICALES

Para esta comprobación se requiere de una sala con 4 paredes y una superficie de suelo de al menos 5 x 5 m.

1. Colocar el láser sobre una mesa o sobre el suelo en el centro de la sala.
2. Activar el modo de autonivelación y pulsar el botón V/H 4 veces para proyectar las líneas verticales hacia adelante y hacia el lado.

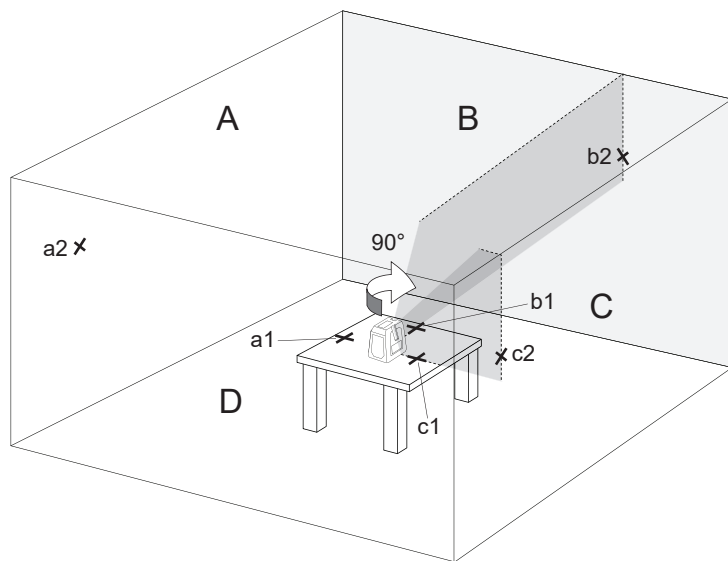


3. Marcar el centro de la línea vertical proyectada hacia adelante en 2 posiciones: El punto a1 sobre la mesa situada cerca del láser y el punto a2 sobre la pared A.
4. Marcar el centro de la línea vertical proyectada hacia el lado en 2 posiciones: El punto b1 sobre la mesa situada cerca del láser y el punto b2 sobre la pared B.

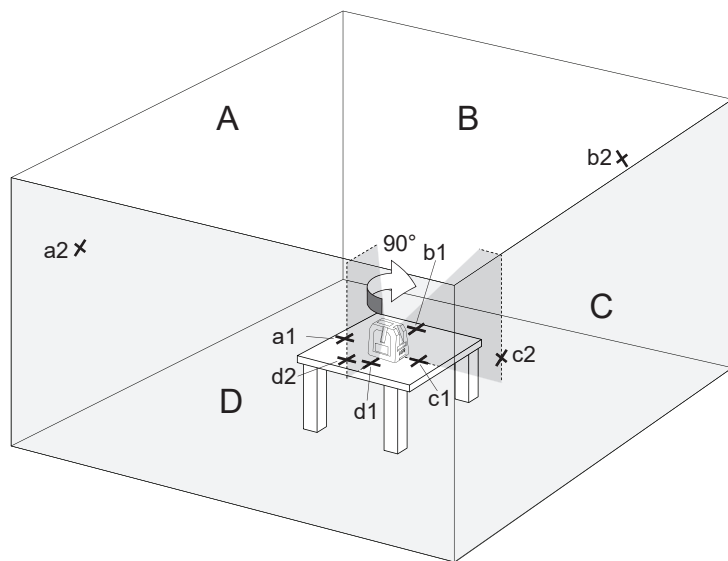


COMPROBACIÓN DE LA PERPENDICULARIDAD ENTRE 2 LÍNEAS VERTICALES

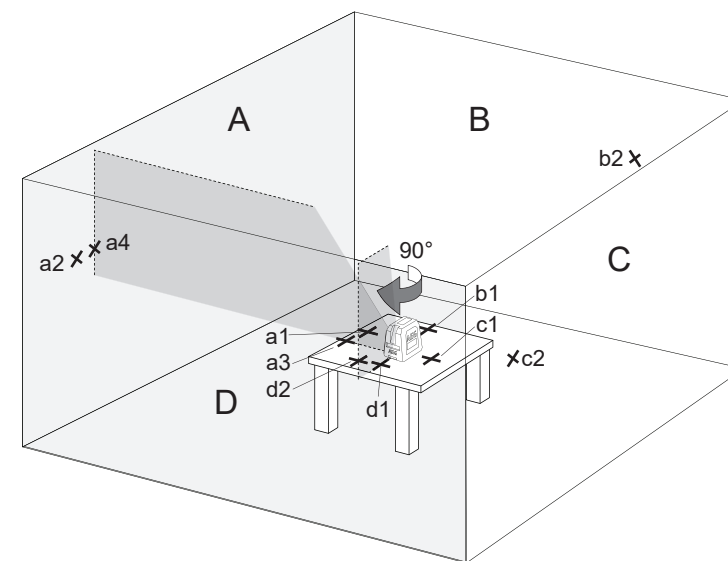
- Girar el láser en 90° en sentido horario de forma que la línea láser dirigida hacia adelante se corresponda con las marcas b1 sobre la mesa y b2 sobre la pared B.
- Marcar el centro de la línea vertical proyectada hacia el lado en 2 posiciones: El punto c1 sobre la mesa situada cerca del láser y el punto c2 sobre la pared C.



- Girar el láser en 90° en sentido horario de forma que la línea láser orientada hacia adelante se corresponda con las marcas c1 sobre la mesa y c2 sobre la pared C.
- Marcar el centro de la línea vertical proyectada hacia el lado en 2 posiciones: El punto d1 sobre la mesa situada cerca del láser y el punto d2 sobre la pared D.



- Girar el láser en 90° en sentido horario de forma que la línea láser orientada hacia adelante se corresponda con las marcas d1 sobre la mesa y d2 sobre la pared D.
- Marcar el centro de la línea vertical proyectada hacia el lado en 2 posiciones: El punto a3 sobre la mesa situada cerca del punto a1 y el punto a4 sobre la pared A cerca del punto a2.

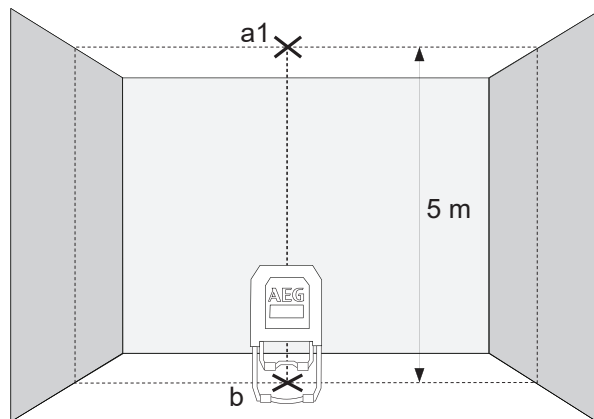


- Medir las distancias:
 $\Delta 1$ = de a1 hacia a3
 $\Delta 2$ = de a2 hacia a4
- La diferencia $\Delta 2 - \Delta 1$ no puede ser de más de 4 mm.

5 COMPROBACIÓN DE LA PRECISIÓN DE PLOMADA

Para esta comprobación se requiere de una sala con una altura de techo de aprox. 5 m.

1. Desplegar las patas de soporte del láser y colocar el aparato sobre el suelo.
2. Activar el modo de autonivelación y pulsar el botón para proyectar las líneas cruzadas verticales sobre el techo y el punto de plomada sobre el suelo.
3. Marcar el centro de la línea cruzada dirigida hacia arriba como punto a1 sobre el techo (véase la ilustración).
4. Marcar el punto central del punto de plomada como punto b sobre el suelo.



5. Girar el láser en 180° y posicionarlo de forma que el punto central del punto de plomada se corresponda con el punto b ya marcado y esperar hasta que el aparato se haya nivelado.

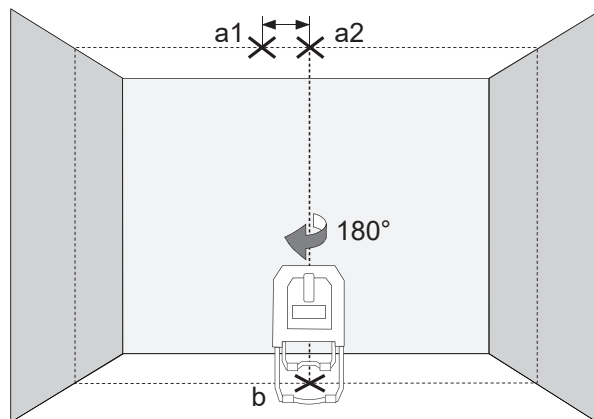
6. Marcar el centro de la línea cruzada dirigida hacia arriba como punto a2 sobre el techo.

7. La distancia entre a1 y a2 sobre la pared indica hasta qué punto se desvía la línea láser de la plomada ideal.

En un tramo de medición de 5 m, la desviación máxima permitida es la siguiente:

$$5 \text{ m} \times (\pm 0,6 \text{ mm/m}) \times 2 = \pm 6 \text{ mm.}$$

8. La distancia entre a1 y a2 no puede ser superior a 6 mm.



CONTEÚDO

Instruções de Segurança Importantes.....	1
Manutenção.....	2
Características técnicas.....	2
Utilização conforme a destinação.....	2
Visão geral.....	3
Indicador pilha fraca.....	4
Troca das pilhas.....	4
Pernas ajustáveis.....	5
Suporte de parede magnético e placa-alvo verde.....	5
Trabalhar no modo de autonivelamento.....	6
Trabalhar no modo manual.....	7
Função de prumo.....	8
Função de modo de pulso.....	8
Verificação da precisão.....	9

INSTRUÇÕES DE SEGURANÇA IMPORTANTES



ATENÇÃO! PERIGO!

Não utilizar o produto, antes de ler atentamente as Instruções de Segurança e o Manual de Operação incluídos no CD-ROM fornecido com o produto.

Classificação do laser



ATENÇÃO:

Produto laser de Classe 2, de acordo com a Norma EN60825-1:2014.



Aviso:

Não exponha os olhos diretamente ao raio laser. O raio laser pode causar lesões oculares graves e/ou cegueira.

Não olhe diretamente no raio laser e não aponte o raio desnecessariamente na direção de terceiros.

Cuidado! Em algumas aplicações o dispositivo que emite raios laser pode encontrar-se atrás de você. Neste caso, vire cuidadosamente.

Aviso:

Não opere o laser perto de crianças nem permita que crianças operem o laser.

Atenção! Uma superfície reflectora pode reflectar o raio laser ao operador ou a terceiros.

Aviso: A utilização de elementos de controlo, ajustes ou a execução de processos não determinados no manual pode levar a uma exposição à radiação perigosa.

Se o laser for levado dum ambiente muito frio para um ambiente quente (ou vice-versa), ele deve alcançar a temperatura ambiente antes da utilização.

Não guarde o laser ao ar frio e proteja-o contra choques, vibrações duradouras e temperaturas extremas.

Proteja o medidor a laser contra pó, humidade e alta humidade do ar. Isto poderia destruir componentes internos ou influenciar a precisão.

Se os raios laser chegarem nos olhos, feche os olhos e vire a cabeça imediatamente para fora do raio.

Observe que o raio laser seja posicionado de forma que você ou terceiros não sejam encadeados.

Não olhe no raio laser com ampliadores como binóculos ou telescópios. Caso contrário, o perigo de lesões oculares grave aumentará.

Observe que os óculos de laser se destinam a reconhecer melhor as linhas de laser mas não protegem os olhos contra a radiação laser.

As placas de aviso nos dispositivos laser não devem ser removidas ou feitas ilegíveis.

Não desmonte o laser. A radiação laser pode causar lesões oculares graves.

Antes do transporte do laser, assegure-se de que o bloqueio pendular esteja encaixado.

Nota: Se o bloqueio pendular não estiver encaixado, o interior do dispositivo poderá ser danificado durante o transporte.


Não use detergentes ou solventes agressivos. Só limpe com um pano limpo e macio.


Proteja o laser contra choques fortes e quedas. Depois de uma queda ou de efeitos mecânicos a precisão do dispositivo deve ser verificada antes da utilização.

Reparações necessárias neste aparelho de laser só devem ser executadas pelo pessoal especializado e autorizado.

Não utilizar o produto em áreas com risco de explosão ou ambientes agressivos.

Se o dispositivo não for usado durante um período prolongado, as pilhas devem ser retiradas do compartimento das pilhas. Assim, o vazamento das pilhas e danos de corrosão podem ser evitados.

 As pilhas esgotadas não devem ser descartadas juntamente com os resíduos domésticos. Proteger o ambiente e descartar as pilhas nos pontos de recolha ("Pilhões") da sua área de residência. O instrumento não deve ser descartado juntamente com os resíduos domésticos. Eliminar o instrumento de acordo com os regulamentos aplicáveis em vigor. Respeitar os regulamentos nacionais específicos do país. Contacte a sua autoridade local ou o seu vendedor para informações relativas à eliminação.

 Marca de Conformidade Europeia

MANUTENÇÃO

Limpe a objetiva e a caixa do laser com um pano macio e limpo. Não use solventes.

Embora o laser seja resistente ao pó e à sujeira até um determinado grau, ele não deve ser armazenado duradouramente num lugar poeirento para evitar que peças móveis no interior sejam danificadas.

Se o laser ficar molhado, ele deverá ser secado antes de colocá-lo na mala para evitar danos de corrosão.

CARACTERÍSTICAS TÉCNICAS

Classe de laser	2
Intervalo de autonivelamento	$\pm 3^\circ$
Duração do autonivelamento	3–5 s
Tipo de pilha	LR6 pilha alcalina do tipo AA
Tensão DC	3 × 1,5 V
Consumo de energia	0,35 A
Tipo de proteção (salpicos de água e pó)	IP54
Funções	Linha horizontal, 2 linhas verticais, linhas perpendiculares, função de prumo
Modo de pulso	Frequência 10 kHz
Projeçõest	3 linhas verdes, 1 ponto vermelho
Padrão de emissão das linhas laser	Linha horizontal para a frente, linha vertical para a frente, linha vertical para o lado e ponto de prumo. Linhas perpendiculares horizontais e verticais para a frente e ponto de prumo. Linha horizontal. Linha vertical para a frente e ponto de prumo. Linhas verticais para a frente e o lado e ponto de prumo. (A indicação do ponto de prumo para baixo só funciona no modo de autonivelamento, não na operação manual.)
Tempo de operação	6 horas
Rosca do tripé	1/4"
Detetor adequado	para lasers multilinhas verdes padrão
Linha laser	
Largura	2,5 mm $\pm 0,5$ mm / 5 m
Comprimento de onda	λ 520 ± 10 nm classe de laser II
Precisão	$\pm 0,2$ mm/m
Ângulo de abertura	> 120°
Cor	verde
Alcance	30 m (com detetor 50 m)

Ponto do prumo	
Comprimento de onda ponto de laser	635 ± 5 nm classe de laser II
Potência máx. ponto de laser	< 1 mW
Precisão do prumo	$\pm 0,6$ mm / 1 m
Cor do ponto de laser	vermelho
Alcance	5 m
Temperatura de serviço recomendada	-10 °C a +45 °C
Temperatura de armazenamento	-20 °C a +60 °C
Dimensões	106 mm × 88 mm × 105 mm
Peso (incl. pilhas)	710 g

UTILIZAÇÃO CONFORME A DESTINAÇÃO

Este laser inovador foi projetado para um amplo campo de aplicação profissional como, p. ex.:

- Alinhamento de ladrilhos, placas de mármore, armários, bordas, peças moldadas e ornamentos.
- Marcação das linhas de referência para a instalação de portas, janelas, carris, escadas, cercas, portões, varandas e pérgulas.
- Transferência de pontos de referência para instalações de iluminação e ventilação, transferência de altitudes, nivelamento de paredes exteriores e painéis, fixação de carris em pisos e outros trabalhos profissionais.
- Para a determinação e a verificação de linhas horizontais e verticais.



Este produto só deve ser usado conforme a destinação, como indicado.

Estabilizadores de borracha

Pernas ajustáveis

Janela linha laser vertical para a frente

Janela linha laser horizontal

ON  / OFF  Interruptor de bloqueio



Painel de comando



Indicador LED modo manual

Tecla modo manual
Para ligar e desligar o modo manual

Indicador LED selecionar a linha laser (luz permanente)

Indicador LED pilha fraca (luz piscante)

Tecla de seleção linha laser
Seleção entre linha Vertical para a frente, linha Vertical para o lado, linha Horizontal para a frente ou uma combinação destas linhas.

Indicador LED modo de pulso

Tecla modo de pulso
Para trabalhos no exterior com luz solar direta ou condições de luz clara e aplicações no interior com um alcance de até 50 m use o modo de pulso com um detetor 10-KHz.

Janela raio laser vertical para o lado

Cobertura do compartimento da pilha

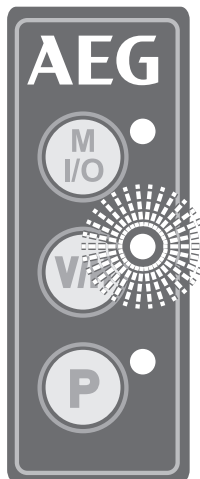


Ponto de prumo vermelho

1/4" rosca do tripé



INDICADOR PILHA FRACA



Em caso de baixa carga da pilha a luminosidade do laser é reduzida e o indicador correspondente (LED verde ao lado da tecla V/H) começa a piscar com uma frequência de 0,5 segundos.

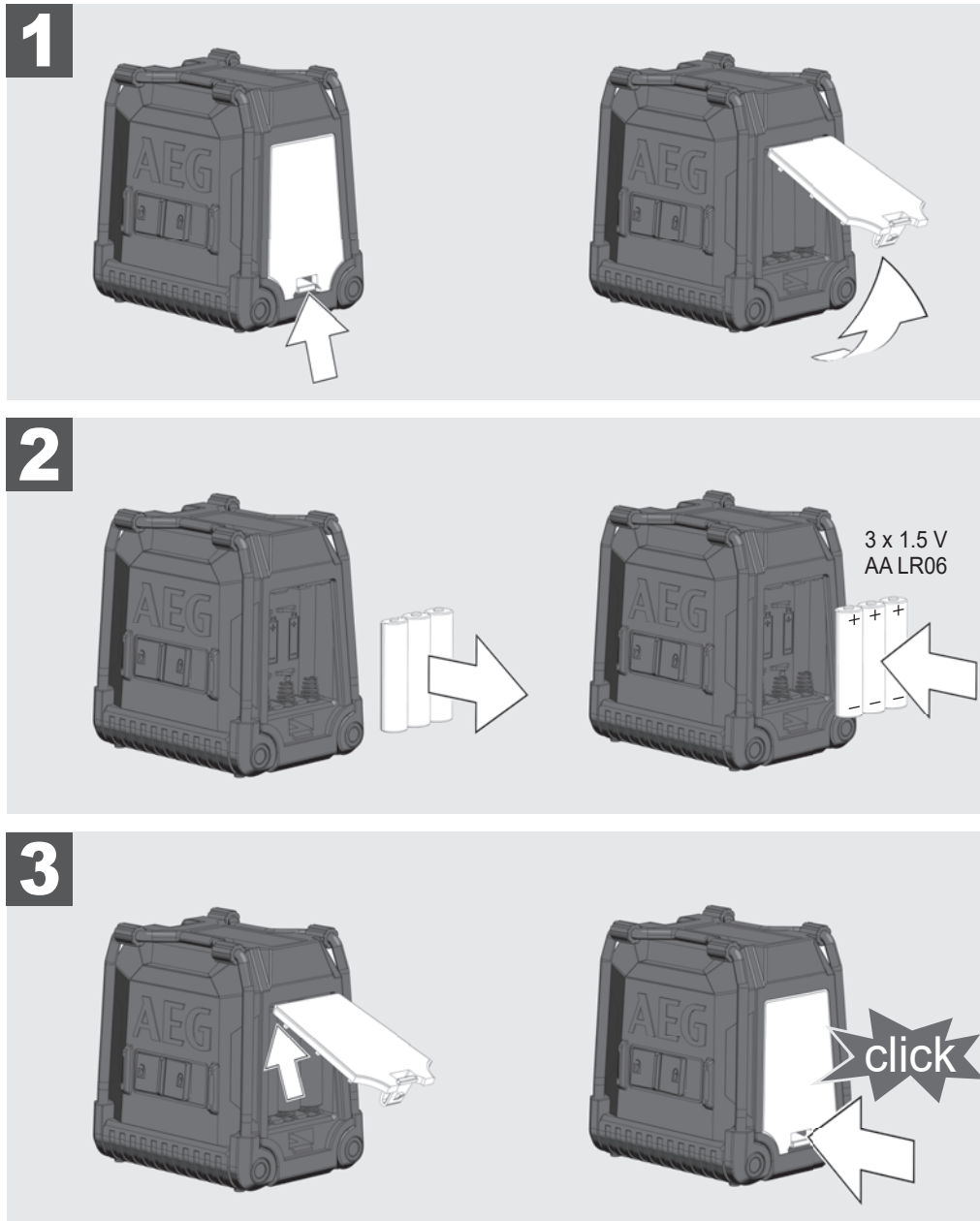
Mesmo assim, é possível continuar a trabalhar.

Quando as pilhas ficarem fracas demais, o dispositivo desliga-se automaticamente.

TROCA DAS PILHAS

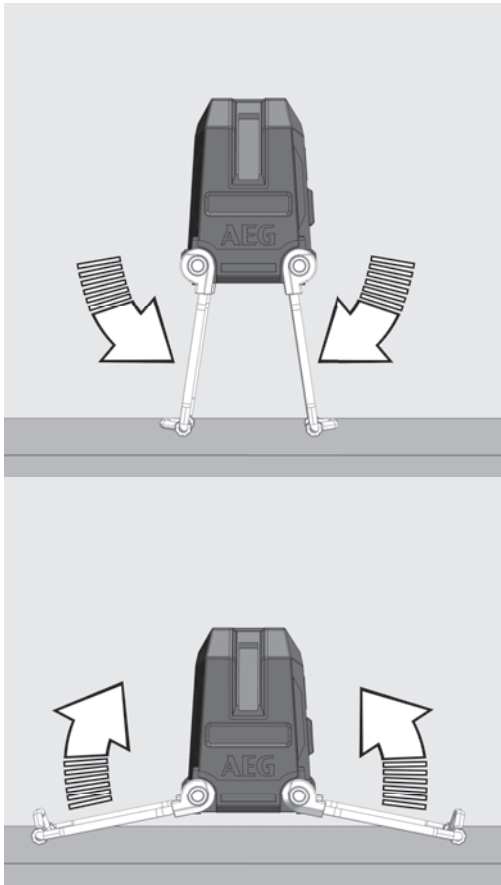
Troque as pilhas quando o raio laser ficar fraco.

Se o dispositivo não for usado durante um período prolongado, as pilhas devem ser retiradas do compartimento das pilhas. Assim, o vazamento das pilhas e danos de corrosão podem ser evitados.

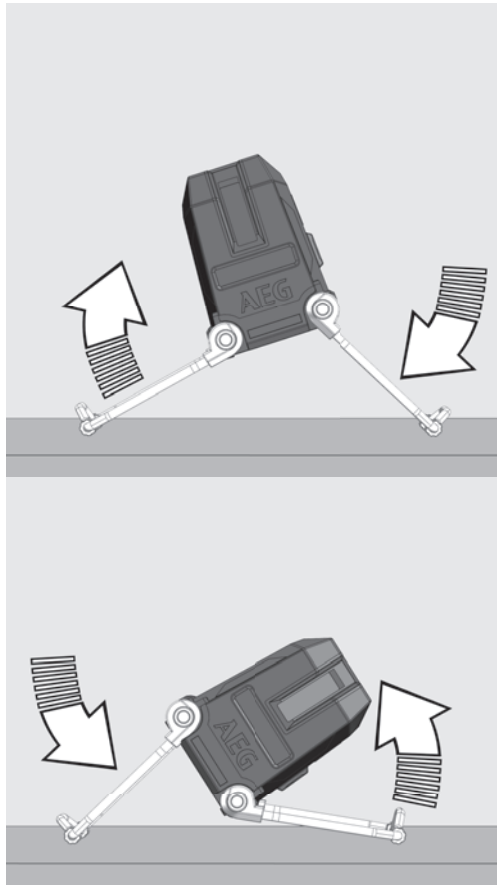


PERNAS AJUSTÁVEIS

Ajuste a altura da linha horizontal com as pernas ajustáveis.

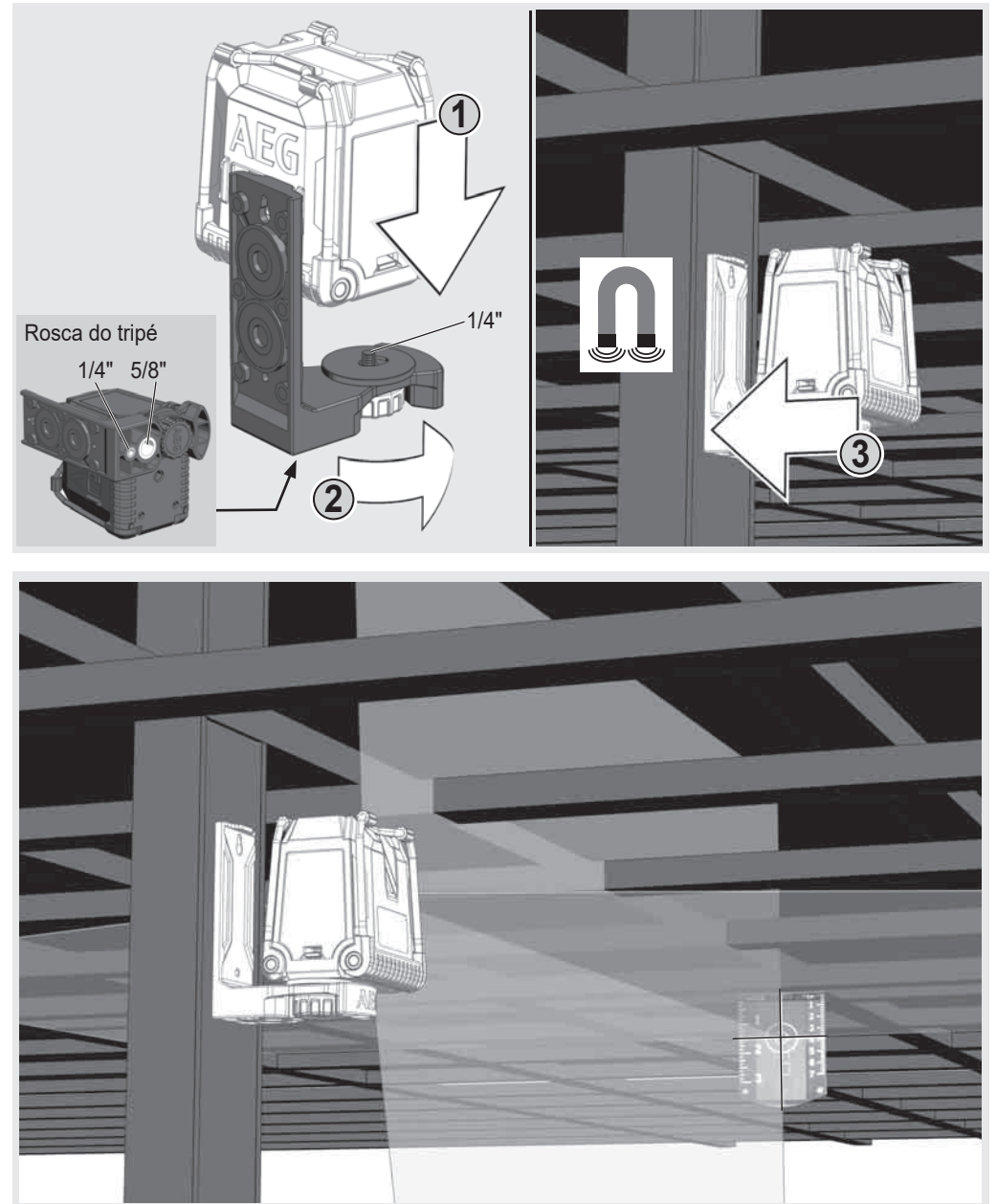


Ajuste a inclinação do laser com as pernas ajustáveis.



SUPORE DE PAREDE MAGNÉTICO E PLACA-ALVO VERDE

Com o suporte magnético o laser pode ser fixado em paredes, estruturas metálicas, etc..
A placa-alvo verde melhora a visibilidade do raio laser em caso de condições desfavoráveis e distâncias maiores.



TRABALHAR NO MODO DE AUTONIVELAMENTO


No modo de autonivelamento o laser alinha-se automaticamente numa área de $\pm 3^\circ$. Uma linha horizontal, duas linhas verticais ou todas as 3 linhas são projetadas ao mesmo tempo.

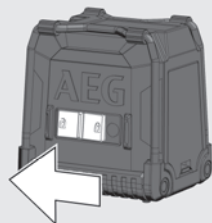
1

Coloque o laser numa superfície sólida, plana e livre de vibrações ou monte-o num tripé.



2

Coloque o interruptor de bloqueio em ON .

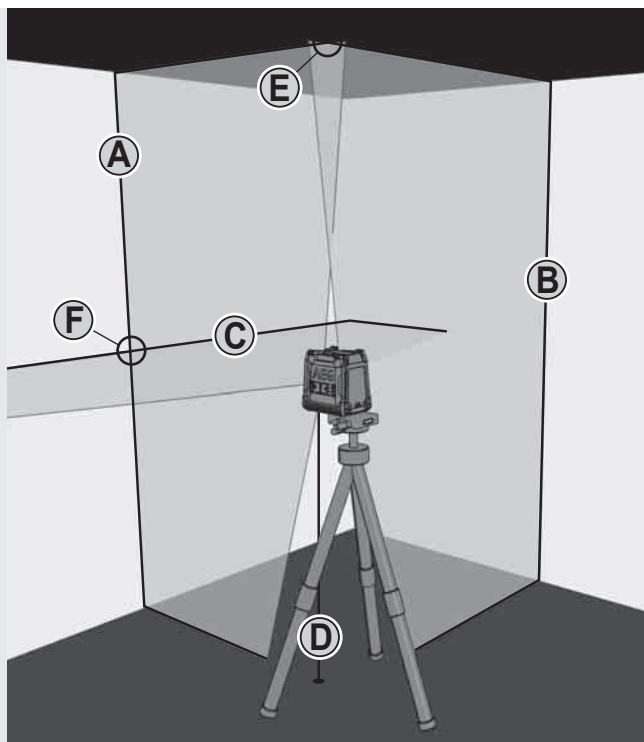


3

O laser emite 3 linhas laser.

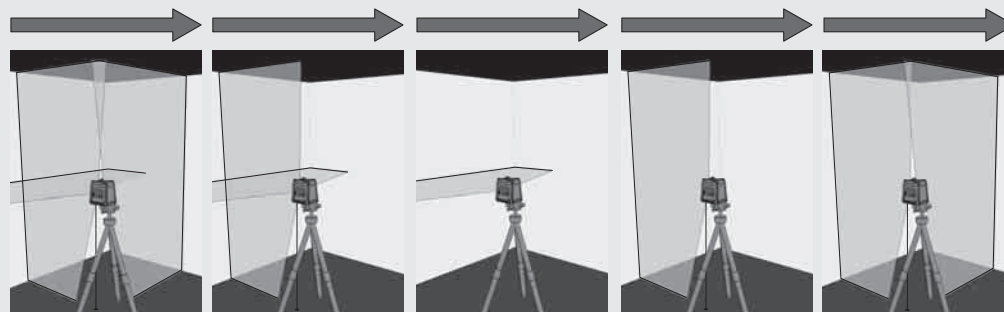
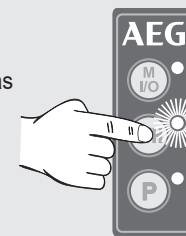
- (A) Linha vertical para a frente
- (B) Linha vertical para o lado
- (C) Linha horizontal para a frente
- (D) Ponto laser (linha de prumo)

Quando todas as linhas estiverem ativadas, o laser emitirá linhas perpendiculares para cima (E) e para a frente (F).



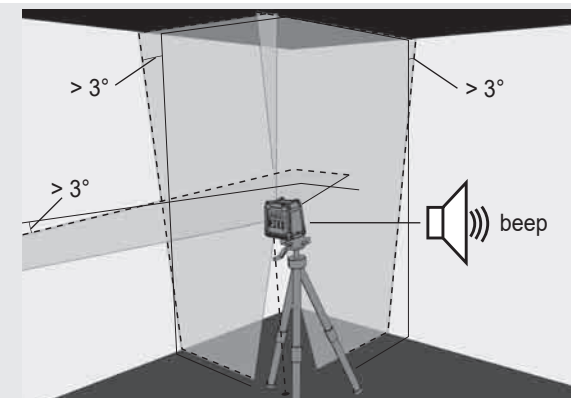
4

Prima a tecla V/H para selecionar as linhas com as quais deseja trabalhar.




5

Se, com o autonivelamento ativado, o laser não estiver alinhado a $\pm 3^\circ$ desde o início, as linhas laser piscarão — — — e um sinal sonoro será emitido. Neste caso, posicione o laser novamente.



6

Antes de deslocar o dispositivo, coloque o interruptor de bloqueio em OFF . Assim, o pêndulo é fixado e o laser é protegido.

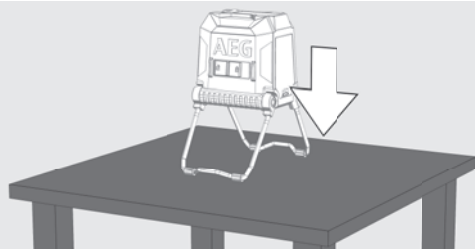


TRABALHAR NO MODO MANUAL

No modo manual a função de autonivelamento está desativada e o laser pode ser ajustado a qualquer inclinação das linhas laser desejada.

1

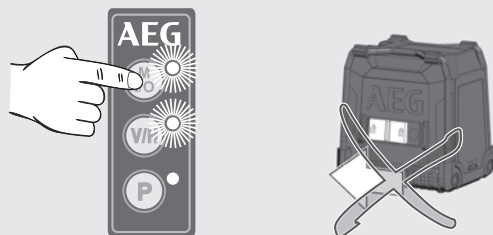
Coloque o laser numa superfície sólida, plana e livre de vibrações ou monte-o num tripé.



2

Prima a tecla para o modo manual (sem deslocar o interruptor de bloqueio!).

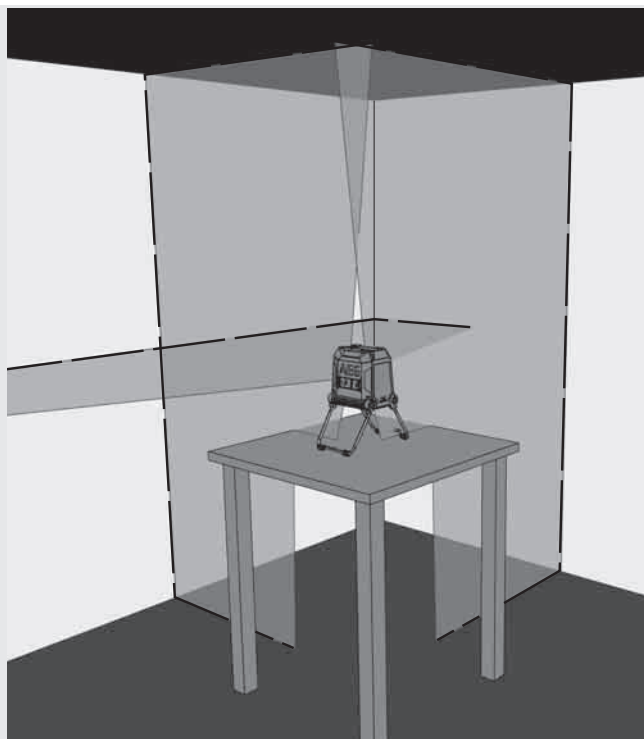
O LED vermelho ao lado da tecla acende-se.



3

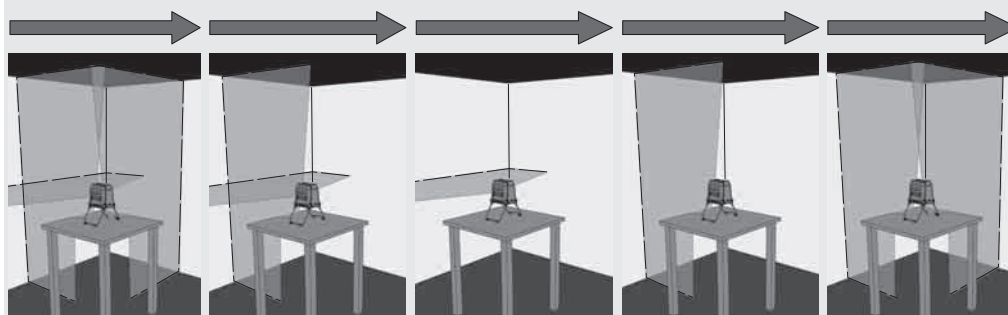
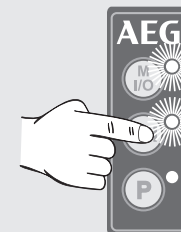
Como no modo de autonivelamento o laser emite 3 linhas laser, mas elas piscam no intervalo de 3 segundos.

3 seg. 3 seg. 3 seg.



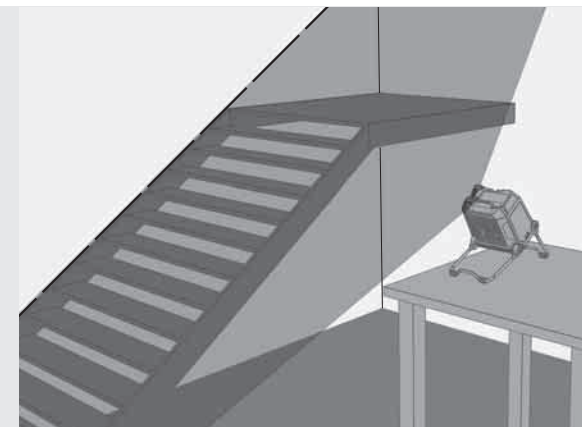
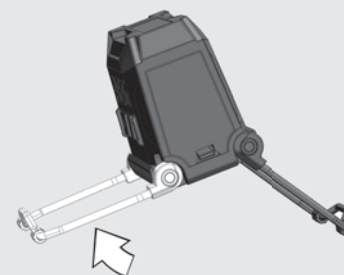
4

Prima a tecla V/H para seleccionar as linhas com as quais deseja trabalhar.




5

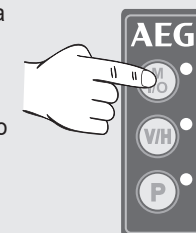
Ajuste o laser à altura e à inclinação desejada através das pernas.



6

Para terminar o modo manual, prima novamente a tecla para o modo manual.

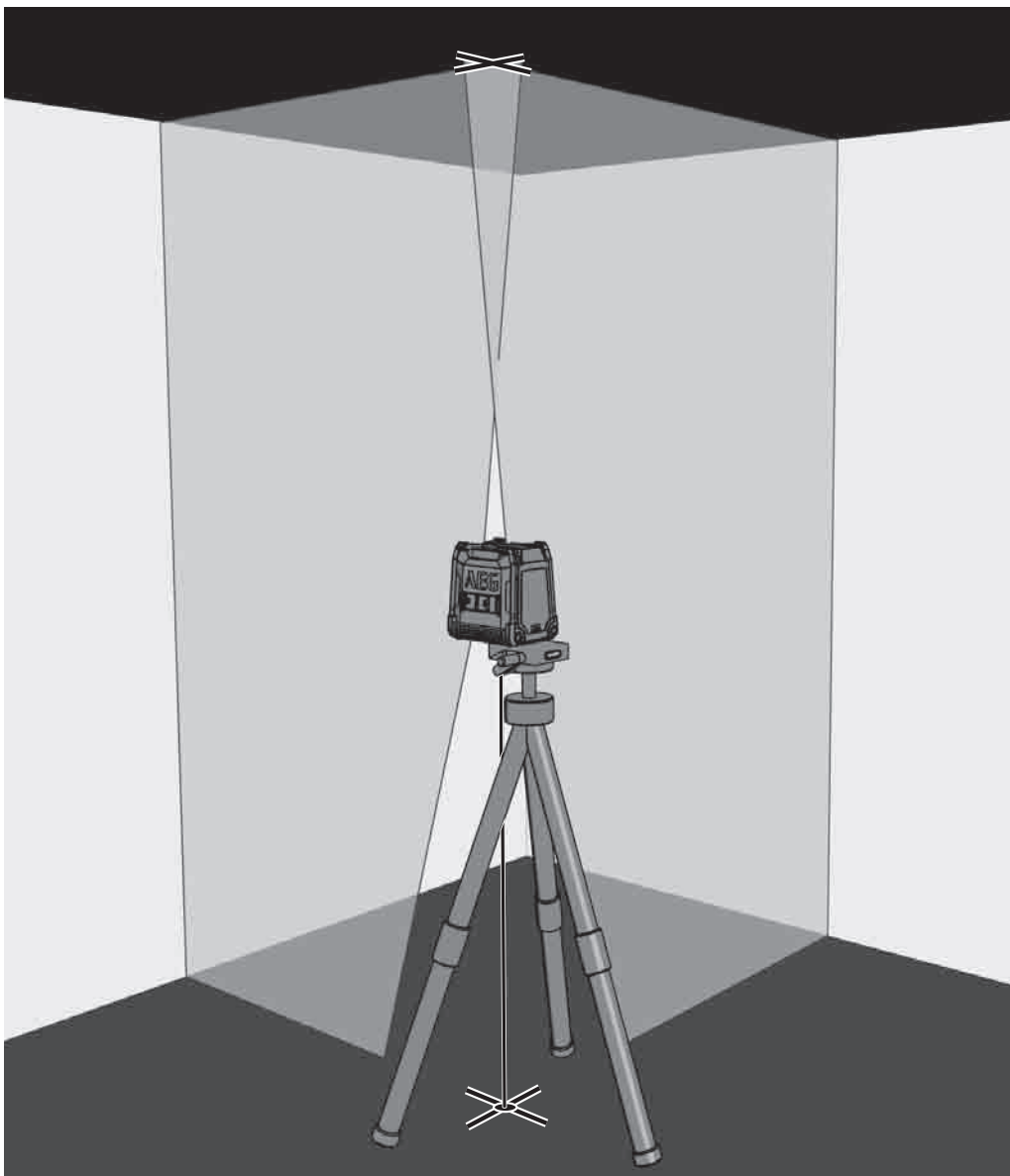
Para voltar automaticamente ao modo de autonivelamento, coloque o interruptor de bloqueio em ON .



FUNÇÃO DE PRUMO

Com a função de prumo um ponto pode ser projetado verticalmente no teto. O ponto de referência no piso é alinhado ao ponto de intersecção das linhas perpendiculares no teto.

A função de prumo destina-se, por exemplo, a transferir um ponto de referência para a instalação da iluminação ou da ventilação ou para transferir as altitudes.



FUNÇÃO DE MODO DE PULSO

Para trabalhos no exterior com luz solar direta ou condições de luz clara e aplicações no interior com um alcance de até 50 m use o modo de pulso com um detetor.

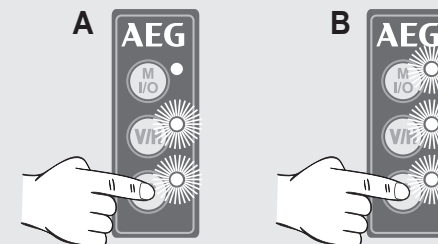
O detetor não está incluído no volume de fornecimento e deve ser comprado separadamente.

Quando o modo de pulso estiver ativado, as linhas laser piscam com uma frequência muito grande (invisível para o olho humano) para que o detetor possa localizar as linhas laser.

1

O modo de pulso pode ser ativado no modo de autonivelamento (A) e no modo manual (B).

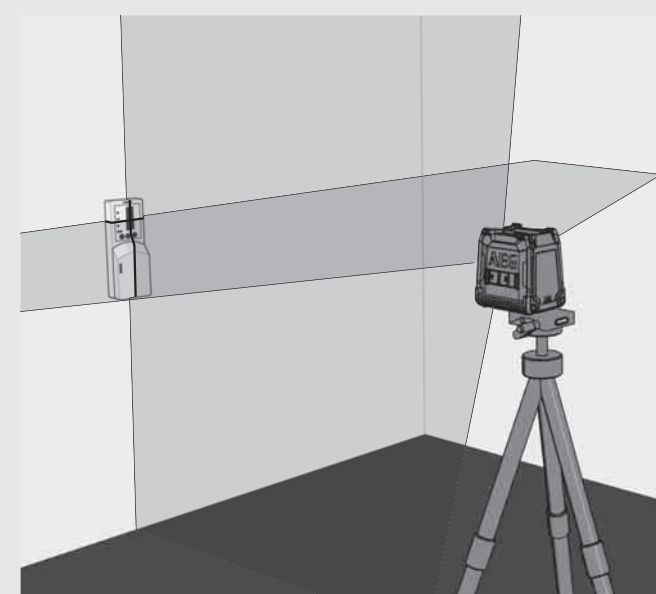
Prima a tecla P. O LED verde ao lado da tecla acende-se.



2

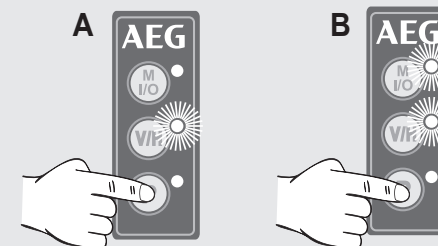
Depois da ativação do modo de pulso a visibilidade das linhas laser é um pouco reduzida.

Informações detalhadas sobre a utilização do detetor constam no manual de instruções para o detetor.



3

Prima a tecla P novamente para desligar o modo de pulso. O LED verde ao lado da tecla apaga-se.



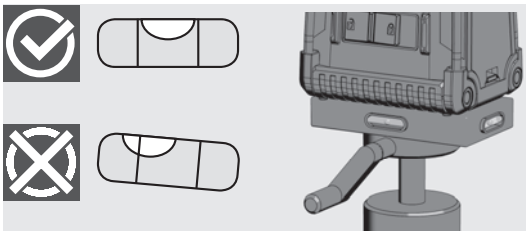
VERIFICAÇÃO DA PRECISÃO

O laser é completamente calibrado na fábrica. A AEG recomenda verificar periodicamente a precisão do laser, particularmente após uma queda ou em caso de erros de operação.

Se a divergência máxima for excedida na verificação da precisão, por favor, contate um dos nossos centros de assistência da AEG (veja a lista com as condições de garantia e os endereços dos centros de assistência).

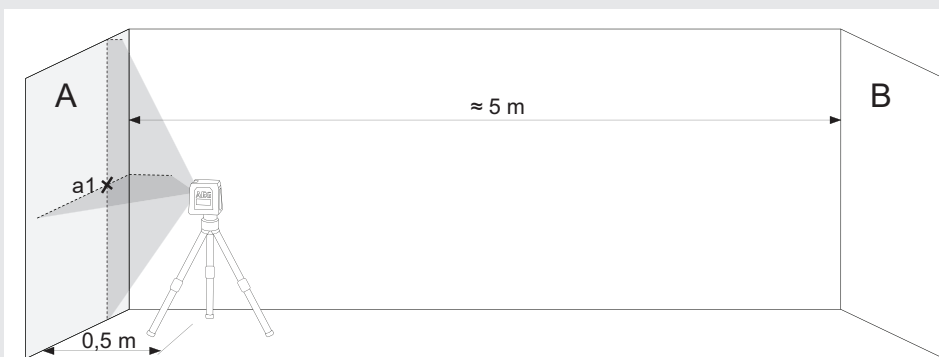
1. Verifique a precisão da altura das linhas horizontais.
2. Verifique a precisão de nivelamento da linha horizontal.
3. Verifique a precisão da linha vertical.
4. Verifique a perpendicularidade entre 2 linhas verticais.
5. Verifique a precisão do prumo.

Antes de verificar a precisão do laser montado no tripé, verifique o nivelamento do tripé.

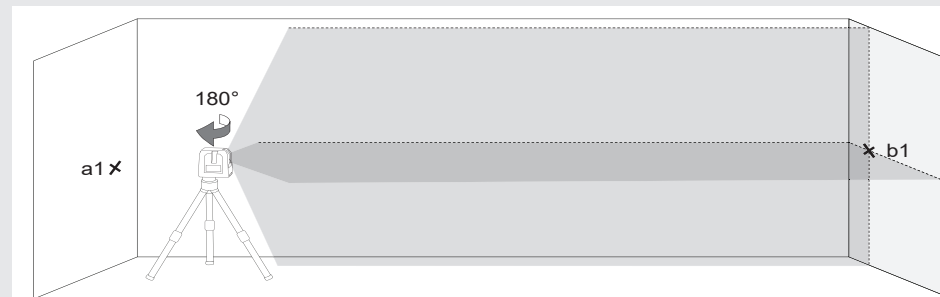


1 VERIFICAÇÃO DA PRECISÃO DA ALTURA DA LINHA HORIZONTAL (DIVERGÊNCIA PARA CIMA E PARA BAIXO)

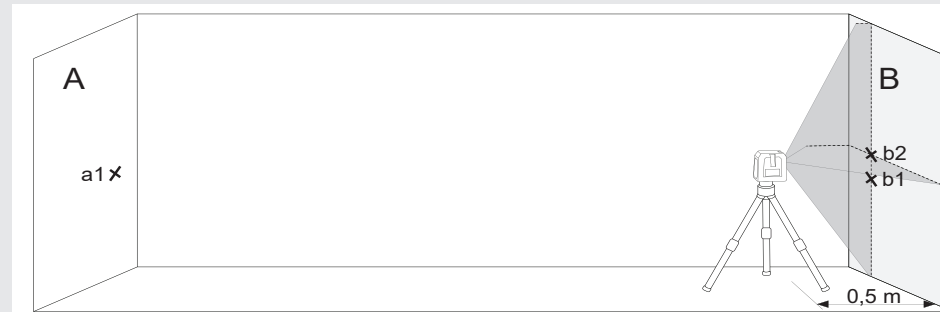
1. Coloque o laser num tripé numa superfície plana e entre duas paredes A e B com uma distância de aprox. 5 m, uma da outra.
2. Posicione o laser a uma distância de aprox. 0,5 m da parede A.
3. Ligue o modo de autonivelamento e prima a tecla para projetar a linha horizontal e vertical na parede A.
4. Marque o ponto de intersecção das duas linhas como ponto a1 na parede A.



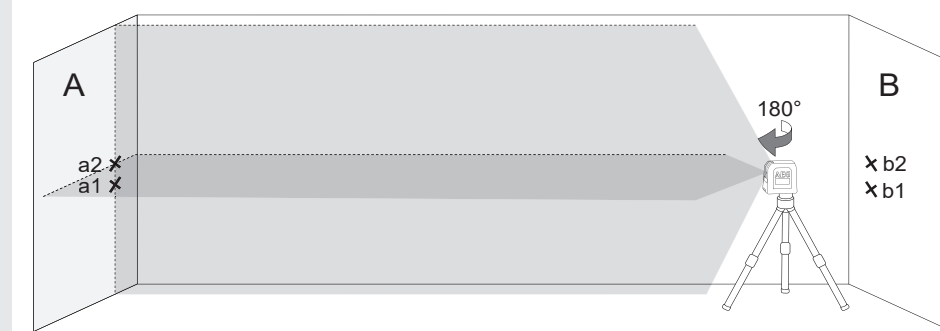
5. Gire o laser 180° na direção da parede B e marque o ponto de intersecção como b1 na parede B.



6. Coloque o laser numa distância de aprox. 0,5 m da parede B.
7. Marque o ponto de intersecção das duas linhas como b2 na parede B.



8. Gire o laser 180° na direção da parede A e marque o ponto de intersecção das duas linhas como a2 na parede A.



9. Meça as distâncias:

$$\Delta a = |a2 - a1|$$

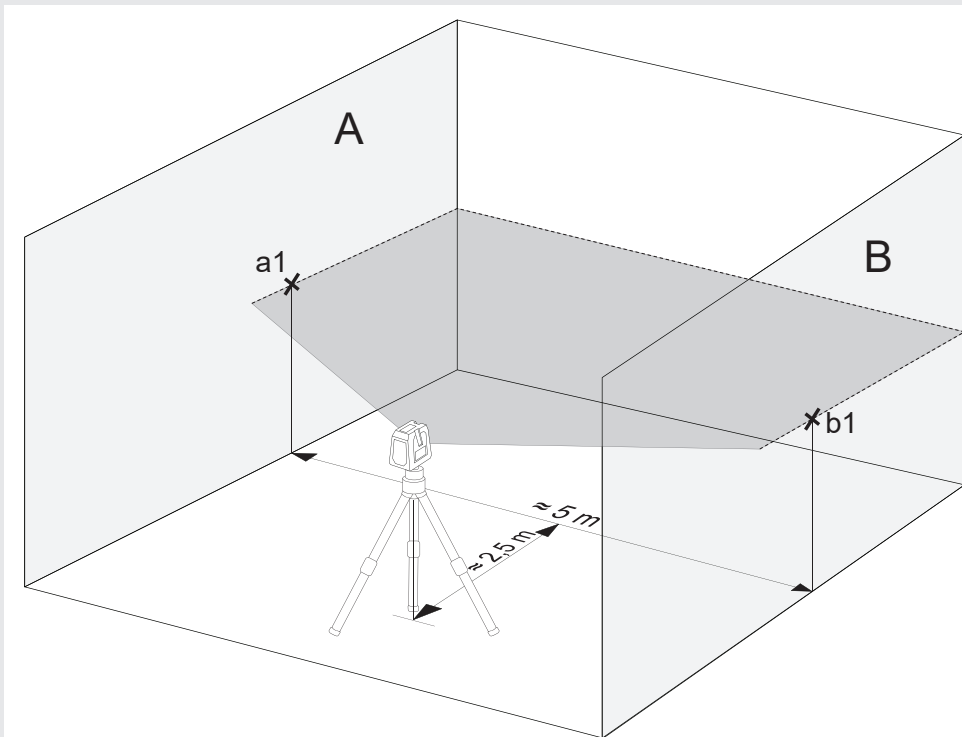
$$\Delta b = |b1 - b2|$$

10. A diferença $|\Delta a - \Delta b|$ não deve ser maior que 2 mm.

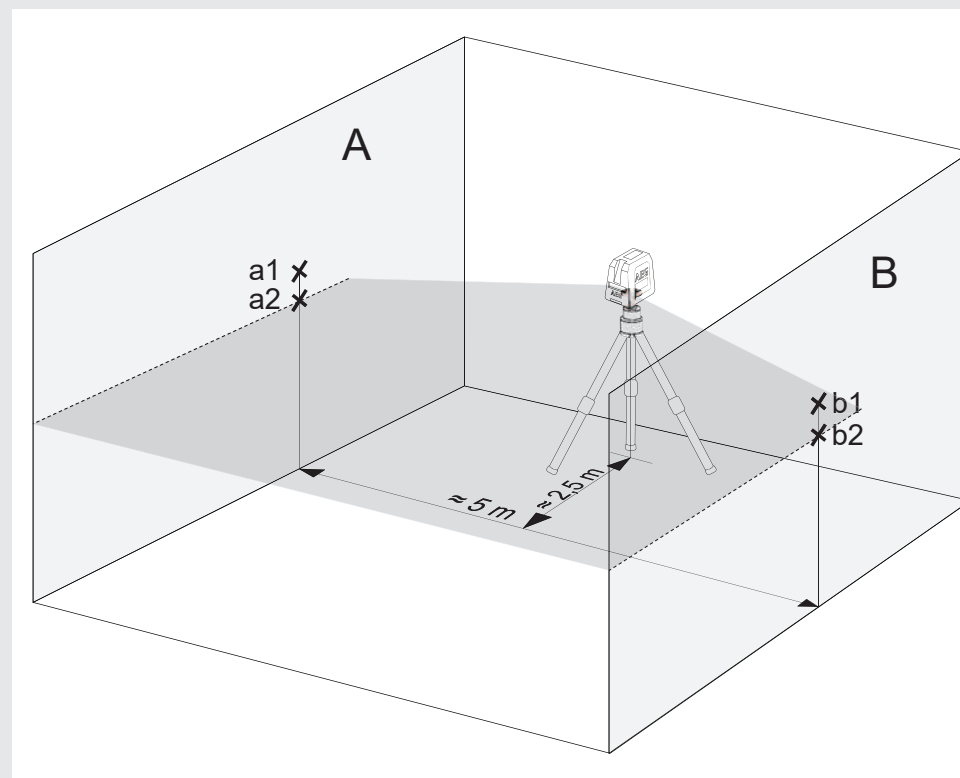
2 VERIFICAÇÃO DA PRECISÃO DO NIVELAMENTO DA LINHA HORIZONTAL (DIFERENÇA DUM LADO PARA OUTRO)

Uma área livre de aprox. 5 × 5 m é necessária para este teste.

1. Coloque o laser num tripé ou numa superfície plana entre duas paredes A e B com uma distância de aprox. 5 m, uma da outra.
2. Coloque o laser numa distância de aprox. 2,5 m do centro da divisão.
3. Ligue o modo de autonivelamento e prima a tecla para projetar a linha horizontal nas paredes A e B.
4. Marque o ponto central da linha laser na parede A com a1 e na parede B com b1.



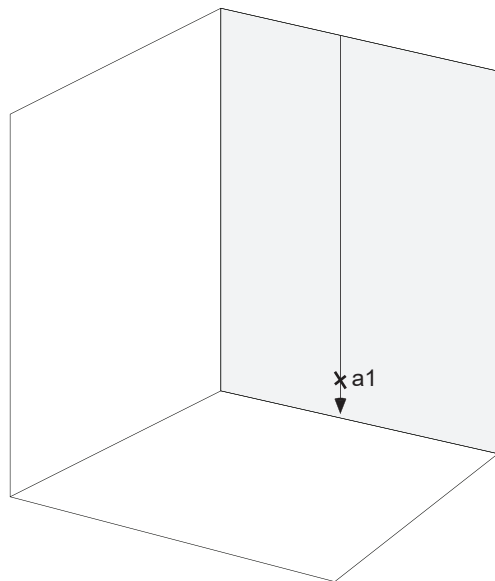
5. Desloque o laser por aprox. 5 m e gire-o 180° e projete novamente a linha horizontal nas paredes A e B.
6. Marque o ponto central da linha laser na parede A com a2 e na parede B com b2.



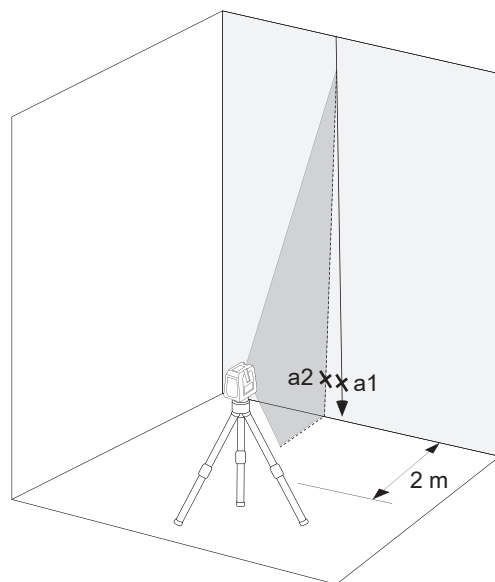
7. Meça as distâncias:
 $\Delta a = |a2 - a1|$
 $\Delta b = |b1 - b2|$
8. A diferença $|\Delta a - \Delta b|$ não deve ser maior que 2 mm.

3 VERIFICAÇÃO DA PRECISÃO DE NIVELAMENTO DA LINHA VERTICAL

1. Pendure uma linha de prumo de aprox. 4 m numa parede.
2. Depois do prumo parar de oscilar, marque o ponto a1 acima do cone de chumbo na parede.



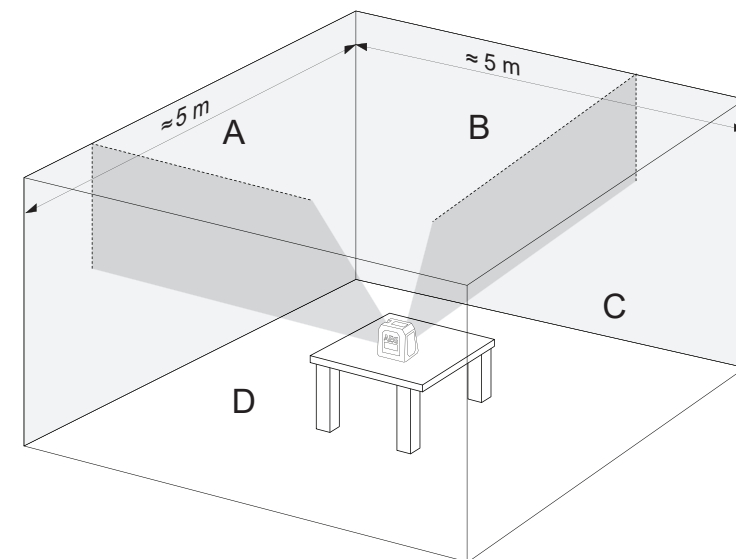
3. Coloque o laser num tripé ou numa superfície plana numa distância de aprox. 2 m da parede.
4. Ligue o modo de autonivelamento e prima a tecla para projetar a linha vertical na linha de prumo.
5. Gire o laser para que a linha vertical corresponda com a suspensão da linha de prumo.
6. Marque o ponto a2 no centro da linha vertical na mesma altura como a1 na parede.
7. A distância entre a1 e a2 não deve ser maior que 1 mm.



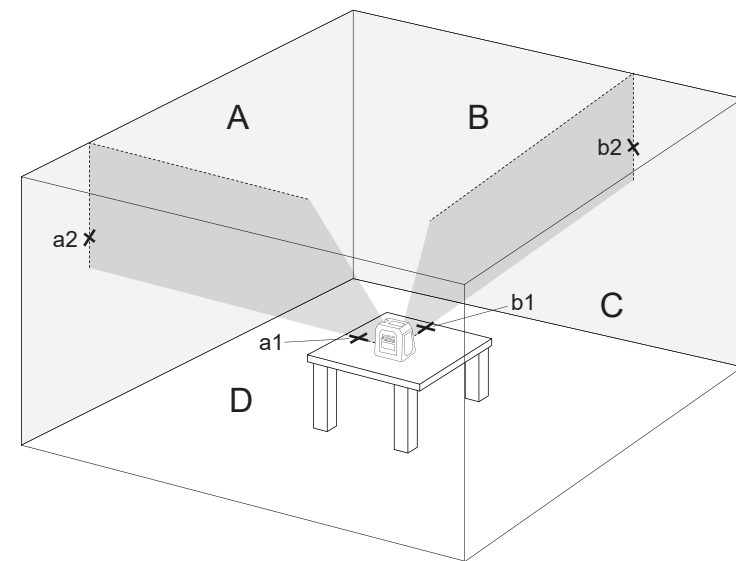
4 VERIFICAÇÃO DA PERPENDICULARIDADE ENTRE 2 LINHAS VERTICAIS

Para esta verificação é necessária uma sala com 4 paredes e uma superfície de base de pelo menos 5 x 5 m.

1. Coloque o laser numa mesa ou no piso no centro da sala.
2. Ligue o modo de autonivelamento e prima a tecla V/H 4 x para projetar as linhas verticais para a frente e para o lado.

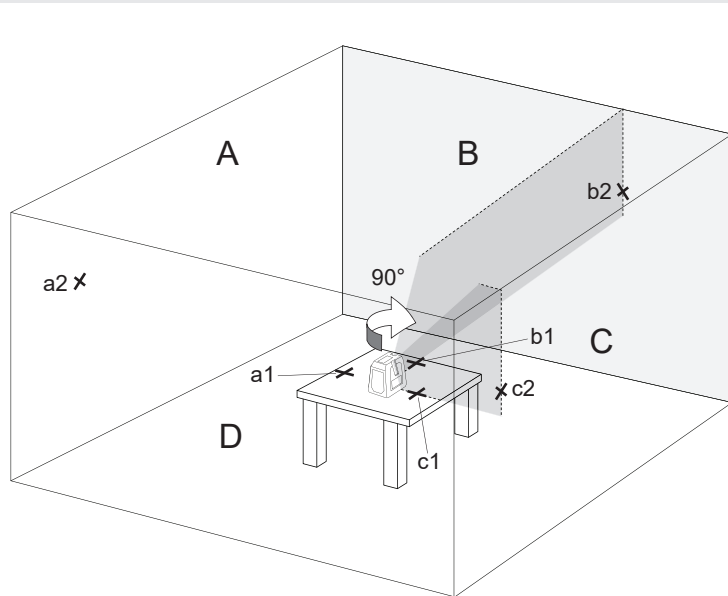


3. Marque o centro da linha vertical projetada para frente em 2 pontos: ponto a1 na mesa na proximidade do laser e ponto a2 na parede A.
4. Marque o centro da linha vertical projetada para o lado em 2 pontos: ponto b1 na mesa na proximidade do laser e ponto b2 na parede B.

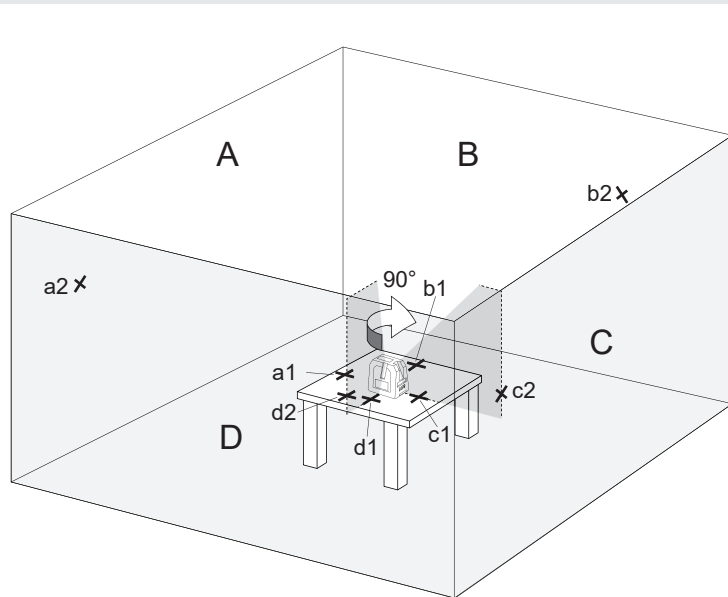


VERIFICAÇÃO DA PERPENDICULARIDADE ENTRE 2 LINHAS VERTICAIS

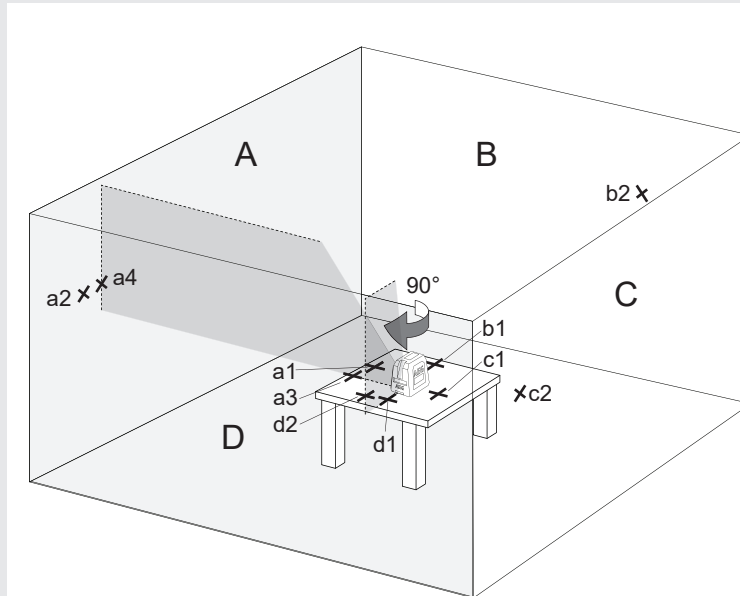
5. Gire o laser 90° no sentido dos ponteiros do relógio, de forma que a linha laser que mostra para a frente alcance as marcas b1 na mesa e b2 na parede B.
6. Marque o centro da linha vertical projetada para o lado em 2 pontos: ponto c1 na mesa na proximidade do laser e ponto c2 na parede C.



7. Gire o laser 90° no sentido dos ponteiros do relógio, de forma que a linha laser que mostra para a frente alcance as marcas c1 na mesa e c2 na parede C.
8. Marque o centro da linha vertical projetada para o lado em 2 pontos 2: ponto d1 na mesa na proximidade do laser e ponto d2 na parede D.



9. Gire o laser 90° no sentido dos ponteiros do relógio, de forma que a linha laser que mostra para a frente alcance as marcas d1 na mesa e d2 na parede D.
10. Marque o centro da linha vertical projetada para o lado em 2 pontos: ponto a3 na mesa na proximidade do ponto a1 e ponto a4 na parede A na proximidade do ponto a2.

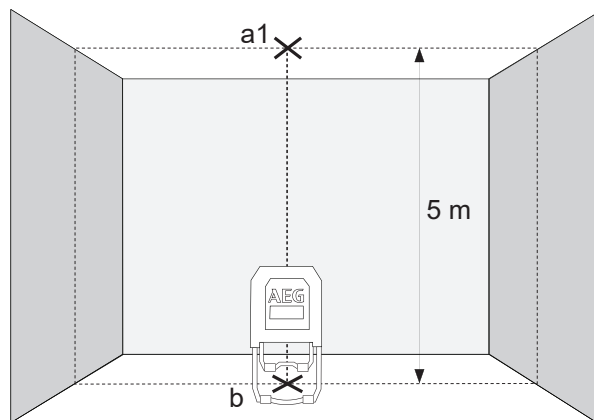


11. Meça as distâncias:
 $\Delta 1$ = de a1 a a3
 $\Delta 2$ = de a2 a a4
12. A diferença $\Delta 2 - \Delta 1$ não deve ser maior que 4 mm.

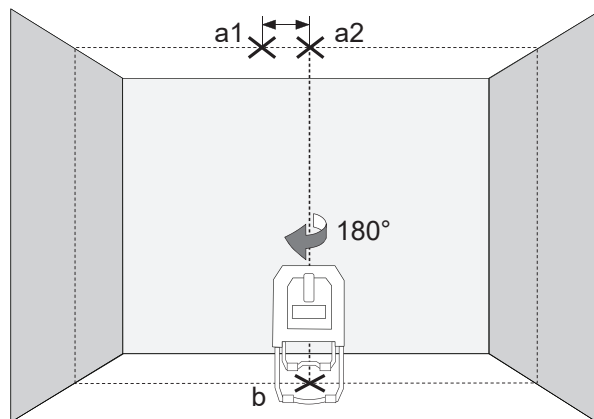
5 VERIFICAÇÃO DA PRECISÃO DO PRUMO

Para esta verificação é necessária uma sala com uma altura do teto de aprox. 5 m.

1. Desdobre as pernas do laser e coloque o dispositivo no piso.
2. Ligue o modo de autonivelamento e prima a tecla para projetar as linhas perpendiculares verticais no teto e o ponto de prumo no piso.
3. Marque o centro da linha perpendicular que mostra para cima como ponto a1 no teto (veja a figura).
4. Marque o ponto central do ponto de prumo como ponto b no piso.



5. Gire o 180° e posicione-o, de forma que o ponto central do ponto de prumo alcance o ponto b já marcado e aguarde o nivelamento do dispositivo.
6. Marque o centro da linha perpendicular que mostra para cima como ponto a2 no teto.
7. A distância entre os pontos a1 e a2 no teto indica a divergência da linha laser do eixo vertical ideal. Com um percurso de medição de 5 m a divergência máxima admissível é:
 $5 \text{ m} \times (\pm 0,6 \text{ mm/m}) \times 2 = \pm 6 \text{ mm}$.
8. A distância entre a1 e a2 não deve ser maior que 6 mm.



INHOUD

Belangrijke Veiligheidsvoorschriften.....	1
Onderhoud.....	2
Technische gegevens.....	2
Beoogd gebruik.....	2
Overzicht.....	3
Indicator batterij zwak.....	4
Batterijen vervangen.....	4
Verstelbare poten.....	5
Magnetische wandhouder en groene richtplaat.....	5
Werkzaamheden in de zelfnivelleringsmodus.....	6
Werken in de handmatige modus.....	7
Loodfunctie.....	8
Pulsmodusfunctie.....	8
Nauwkeurigheid controleren.....	9

BELANGRIJKE VEILIGHEIDSVOORSCHRIFTEN



OPGELET! WAARSCHUWING! GEVAAR!

Gebruik dit product niet voordat u de veiligheidsinstructies en de gebruiksaanwijzing op de bijgevoegde CD hebt bestudeerd.

Laserclassificatie



WAARSCHUWING:

Het is een Klasse 2 laserproduct in overeenstemming met EN60825-1:2014.



Waarschuwing!

Stel de ogen niet direct bloot aan de laserstraal. De laserstraal kan ernstig oogletsel en/of blindheid veroorzaken.

Kijk niet direct in de laserstraal en richt de straal niet onnodig op andere personen.

Voorzichtig! Bij bepaalde toepassingen kan het laseremitterende toestel zich achter u bevinden. Draai u in dergelijke gevallen voorzichtig om.

Waarschuwing!

Gebruik de laser niet in de buurt van kinderen en laat kinderen de straal niet bedienen.

Opgelet! Een reflecterend oppervlak zou de laserstraal terug naar de bediener of een andere persoon kunnen reflecteren.

Waarschuwing! Het gebruik van stuelelementen of instellingen of de uitvoering van andere dan in de handleiding voorgeschreven processen kan leiden tot een gevaarlijke stralingsbelasting.

Als de laser vanuit een zeer koude naar een warme omgeving (of omgekeerd) wordt gebracht, moet hij de omgevingstemperatuur hebben bereikt voordat hij mag worden gebruikt.

Bewaar de laser niet in de openlucht en bescherm hem tegen stoten, voortdurende trillingen en extreme temperaturen.

Bescherm het lasermeettoestel tegen stof, natheid en te hoge luchtvochtigheid. Deze factoren zouden inwendige onderdelen onherstelbaar kunnen beschadigen of de nauwkeurigheid negatief kunnen beïnvloeden.

Als de laserstraal uw oog raakt, sluit u uw ogen en draait u uw hoofd onmiddellijk uit de laserstraal.

Richt de laserstraal zodanig dat noch uzelf noch andere personen door de laserstraal worden verblind.

Kijk niet met optische vergrotingsapparaten, zoals verrekijkers of telescopen, in de laserstraal. In het andere geval dreigt gevaar voor ernstig oogletsel.

Houd er rekening mee dat laserbrillen bedoeld zijn voor de betere herkenning van de laserlijnen, maar geen bescherming bieden tegen de laserstraling.

Waarschuwbordjes op het lasertoestel mogen niet verwijderd of onleesbaar gemaakt worden.

Demonteer de laser niet. Laserstraling kan ernstig oogletsel veroorzaken.

Waarborg vóór het transport van de laser dat de pendelarrêtering vastgeklikt is.

Opmerking: wanneer de pendelarrêtering niet is vastgeklikt, kan het inwendige van het toestel tijdens het transport beschadigd raken.


Gebruik geen agressieve reinigingsmiddelen of oplosmiddelen. Reinig het toestel uitsluitend met een schone, zachte doek.


Bescherm de laser tegen stoten en vallen. Na een val of sterke mechanische inwerkingen moet de nauwkeurigheid van het toestel vóór het verdere gebruik worden gecontroleerd.

Vereiste reparaties aan dit laserapparaat mogen alleen worden uitgevoerd door geautoriseerd vakpersoneel.

Gebruik het instrument niet in ruimten met explosiegevaar of in een agressieve omgeving.

Verwijder de batterijen uit het batterijvakje als u het toestel gedurende een langere tijd niet gebruikt. Zo kan lekkage van de batterijen en daarmee gepaard gaande corrosieschade worden vermeden.

 Lege batterijen mogen niet bij het huisvuil worden weggegooid. Denk aan het milieu en lever ze in bij de beschikbare inzamelpunten in overeenstemming met nationale en lokale regels. Het product mag niet bij het huisvuil worden weggegooid. Het product moet in overeenstemming met de nationale regelgeving van uw land worden verwijderd. Houdt u aan de nationale en landspecifieke regelgeving. Neem voor informatie over de afvoer contact op met uw gemeente of vakhandelaar.

 Europees symbool van overeenstemming

ONDERHOUD

Reinig het objectief en de behuizing van de laser met een zachte, schone doek. Gebruik geen oplosmiddelen.

Ook al is de laser tot een bepaalde mate stof- en vuilbestendig, toch mag hij niet gedurende een langere tijd op een stoffige plaats worden bewaard omdat hierdoor inwendige onderdelen beschadigd kunnen raken.

Als de laser nat geworden is, dient hij afgedroogd te worden voordat hij in de draagkoffer wordt teruggeplaatst, zodat geen corrosieschade kan ontstaan.

TECHNISCHE GEGEVENS

Laserklasse	2
Zelfnivelleringsbereik	±3°
Zelfnivelleringsduur	3–5 s
Batterijtype	LR6 alkalibatterij van het type AA
Spanning DC	3 × 1,5 V
Opgenomen vermogen	0,35 A
Beschermingsklasse (spatwater en stof)	tIP54
Functies	horizontale lijn, 2 verticale lijnen, kruislijnen, loodfunctie
Pulsmodus	frequentie 10 kHz
Projecties	3 groene laserlijnen, 1 rode punt
Mogelijke laserlijnen	Horizontale lijn naar voren, verticale lijn naar voren, verticale lijn naar opzij en loodpunt. Horizontale en verticale kruislijnen naar voren en loodpunt. Horizontale lijn. Verticale lijn naar voren en loodpunt. Verticale lijnen naar voren en naar opzij en loodpunt. (De weergave van de loodpunt naar beneden functioneert alleen in de zelfnivelleringsmodus, niet in de handmatige modus.)
Bedrijfsduur	6 uur
Schroefdraad statief	1/4"
Geschikte detector	voor standaard groene multilijnlasers
Laserlijn	
Breedte	2,5 mm ±0,5 mm / 5 m
Golflengte	λ 520 ±10 nm laserklasse II
Nauwkeurigheid	±0,2 mm/m
Openingshoek	> 120°
Kleur	groen
Reikwijdte	30 m (met detector 50 m)

Loodpunt	
Golflengte laserpunt	635 ±5 nm laserklasse II
Max. vermogen laserpunt	< 1 mW
Loodnauwkeurigheid	±0,6 mm / 1 m
Kleur van de laserpunt	rood
Reikwijdte	5 m
Aanbevolen bedrijfstemperatuur	-10 °C tot +45 °C
Opslagtemperatuur	-20 °C tot +60 °C
Afmetingen	106 mm × 88 mm × 105 mm
Gewicht (incl. batterijen)	710 g

BEOOGD GEBRUIK

De innovatie laser is ontworpen voor een breed, professioneel toepassingsgebied, zoals bijv.:

- uitlijning van tegels, marmerplaten, kasten, sierranden, vormdelen en betimmeringen
- Markeren van de hoofdlijnen voor de inbouw van deuren, ramen, rails, trappen, hekken, poorten, veranda's, pergola's.
- Overdragen van referentiepunten voor verlichtings- en ventilatie-installaties, overdragen van hoogten, nivelleren van buitenmuren en regelwerk, leggen van rails op vloeren en andere professionele werkzaamheden.
- Voor de bepaling en controle van horizontale en verticale lijnen.



Gebruik dit product alleen in overeenstemming met het beoogde gebruik.

Rubberen stabilisatoren

Verstelbare poten

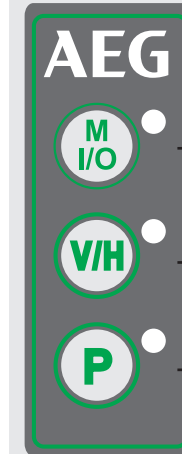
Venster verticale laserlijn naar voren

Venster horizontale laserlijn

ON  / OFF  vergrendelingschakelaar



Bedieningspaneel



Led-indicator handmatige modus

Toets handmatige modus

Voor het in- en uitschakelen van de handmatige modus

Led-indicator laserlijn kiezen (continulicht)

Led-indicator batterij zwak (knipperlicht)

Keuzetoets laserlijn

Keuze uit Verticale lijn naar voren, Verticale lijn naar opzij, Horizontale lijn naar voren of een combinatie uit deze lijnen.

Led-indicator pulsmodus

Toets pulsmodus

Gebruik de pulsmodus met een 10kHz-detector voor werkzaamheden in de openlucht bij direct zonlicht of heldere lichtomstandigheden en voor binnentoepassingen met een reikwijdte van 50 m.

Venster verticale laserstraal naar opzij

Batterijvakdeksel

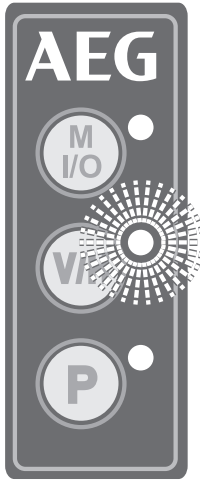


Rode loodpunt

1/4" schroefdraad statief



INDICATOR BATTERIJ ZWAK



Bij een geringe batterijlading vermindert de lichtsterkte van de laser en de dienovereenkomstige indicator (groene led naast de toets V/H) begint te knipperen met een interval van 0,5 sec.

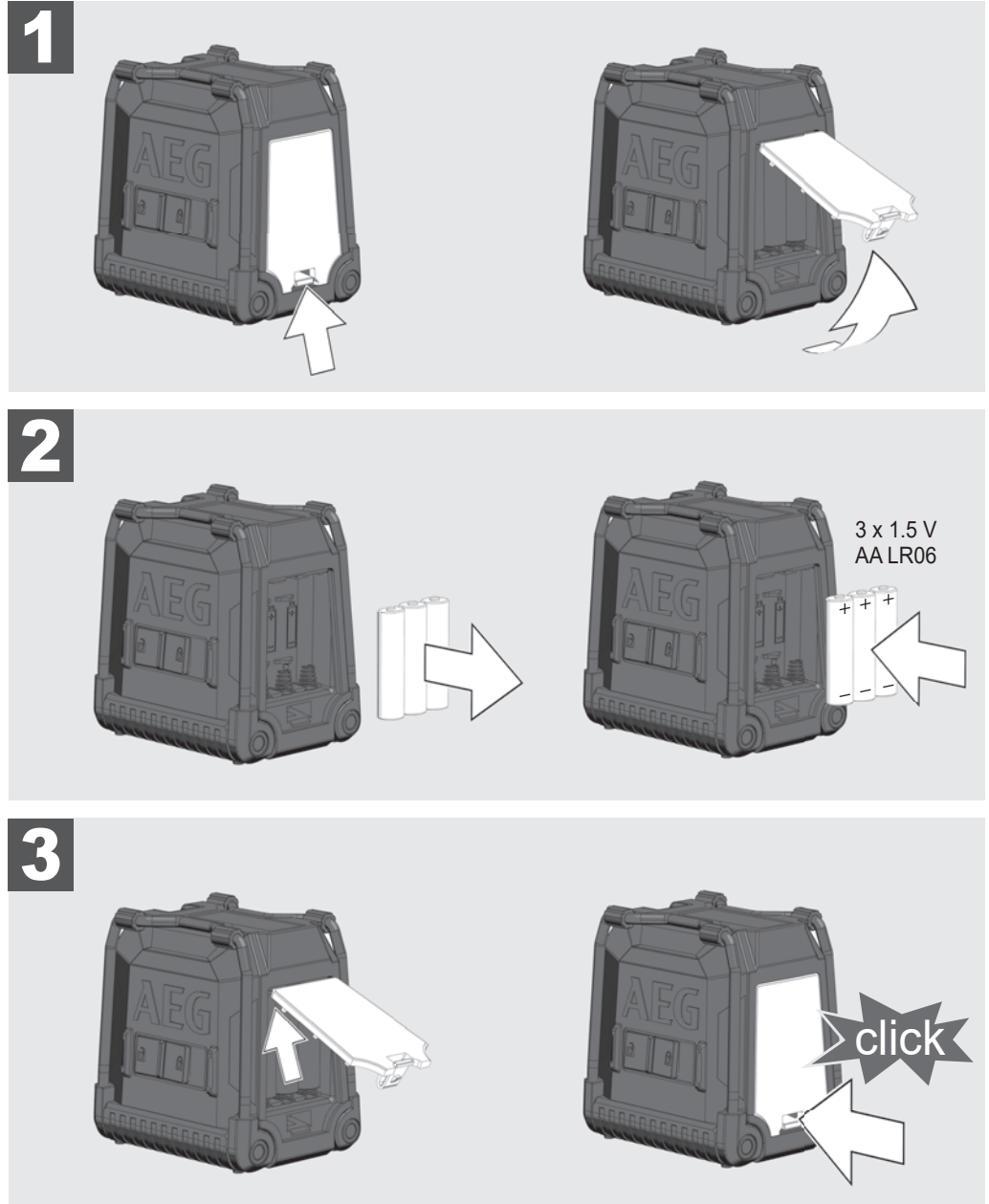
Het is dan nog mogelijk om door te werken.

Als de batterijen te zwak worden, schakelt het toestel automatisch uit.

BATTERIJEN VERVANGEN

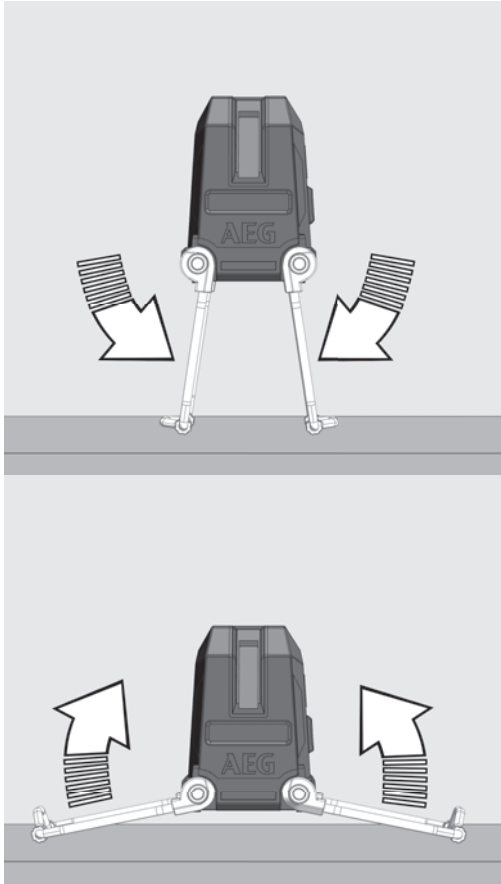
Vervang de batterijen als de laserstraal zwakker wordt.

Verwijder de batterijen uit het batterijvakje als u de laser gedurende een langere tijd niet gebruikt. Zo kan lekkage van de batterijen en daarmee gepaard gaande corrosieschade worden vermeden.

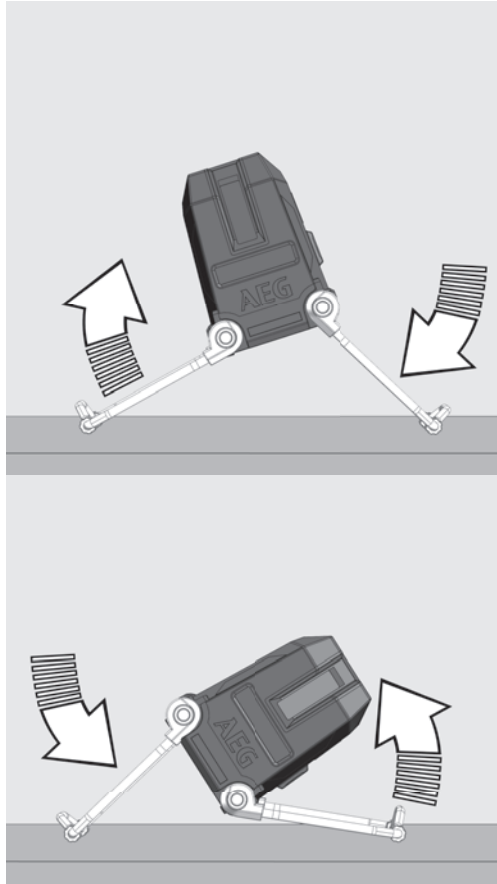


VERSTELBARE POTEN

Stel de hoogte van de horizontale lijn in met behulp van de verstelbare poten.

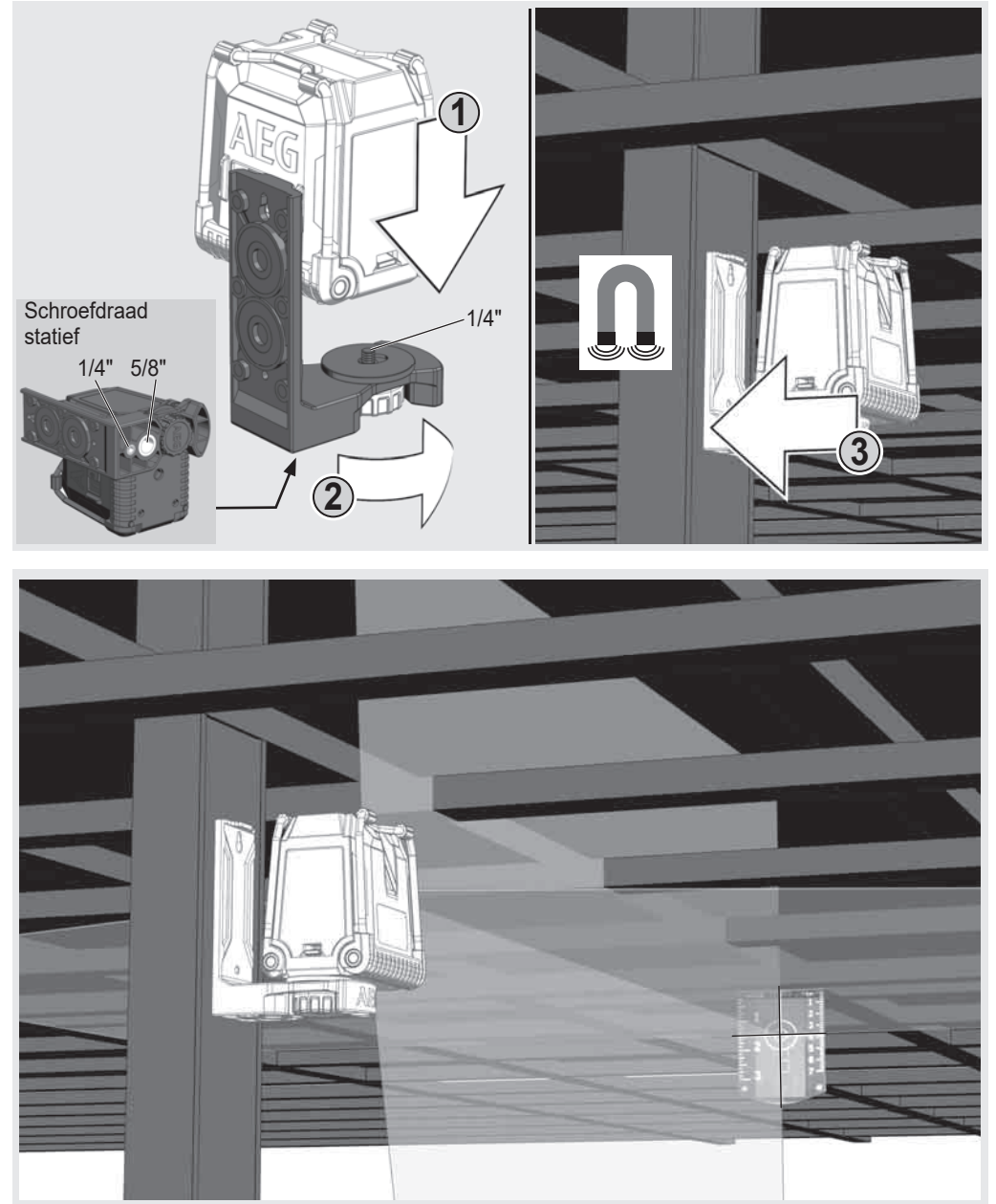


Stel de hoek van de laser in met behulp van de verstelbare poten.



MAGNETISCHE WANDHOUDER EN GROENE RICHTPLAAT

Met de magnetische houder kan de laser op wanden, metalen structuren e.d. worden bevestigd. De groene richtplaat verbetert de zichtbaarheid van de laserstraal bij ongunstige omstandigheden en op grotere afstanden.



WERKZAAMHEDEN IN DE ZELFNIVELLERINGSMODUS


In de zelfnivelleringsmodus lijnt de laser zich zelfstandig uit in een bereik van $\pm 3^\circ$. Hier worden een horizontale laserlijn, twee verticale laserlijnen of alle 3 laserlijnen tegelijkertijd geprojecteerd.

1

Plaats de laser op een vaste, vlakke en trillingsvrije ondergrond of monteer hem op een statief.



2

Schuif de vergrendelingsschakelaar naar ON .

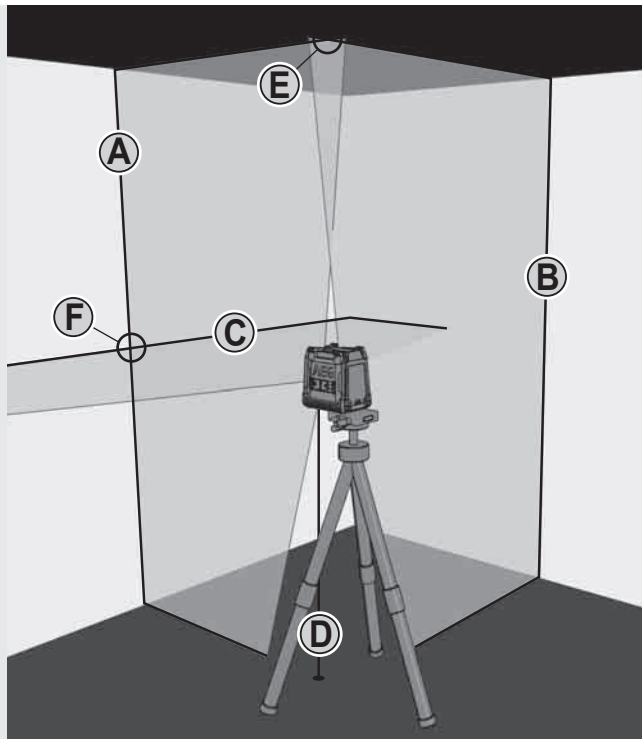


3

De laser genereert 3 laserlijnen.

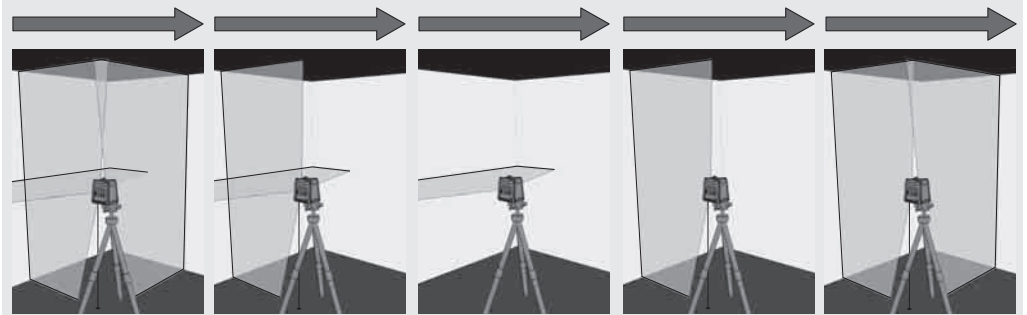
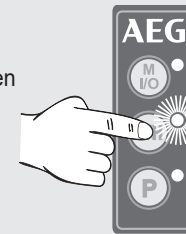
- (A) Verticale lijn naar voren
- (B) Verticale lijn naar opzij
- (C) Horizontale lijn naar voren
- (D) Laserpunt (loodlijn)

Als alle laserlijnen geactiveerd zijn, genereert de laser kruislijnen naar boven (E) en naar voren (F).



4

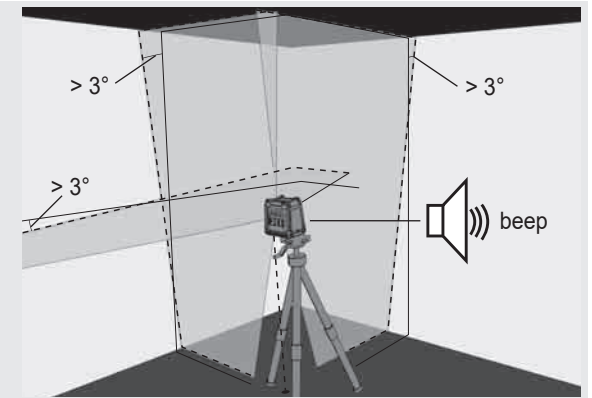
Druk op de toets V/H om de lijnen te kiezen waarmee u wilt werken.




5

Als de laser bij een actieve zelfnivellerung in het begin niet op $\pm 3^\circ$ is uitgelijnd, knipperen de laserlijnen - - - - en klinkt een signaalgeluid.

Positioneer de laser in dat geval opnieuw.



6

Zet de vergrendelingstoets op OFF  voordat u het apparaat omzet. Daardoor wordt de pendel gearrêteerd en de laser beschermd.

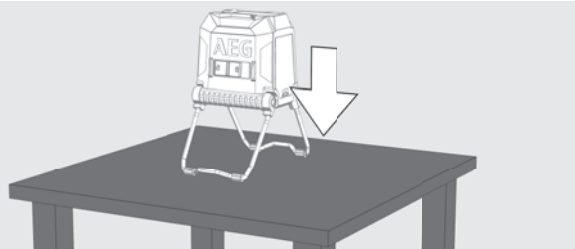


WERKEN IN DE HANDMATIGE MODUS

In de handmatige modus is de zelfnivelleringsfunctie gedeactiveerd en kan de laser in elke willekeurige hoek van de laserlijnen worden ingesteld.

1

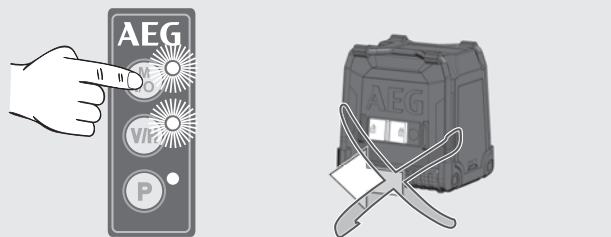
Plaats de laser op een vaste, vlakke en trillingsvrije ondergrond of monteer hem op een statief.



2

Druk op de toets voor de handmatige modus (zonder de vergrendelingstoets te verschuiven!).

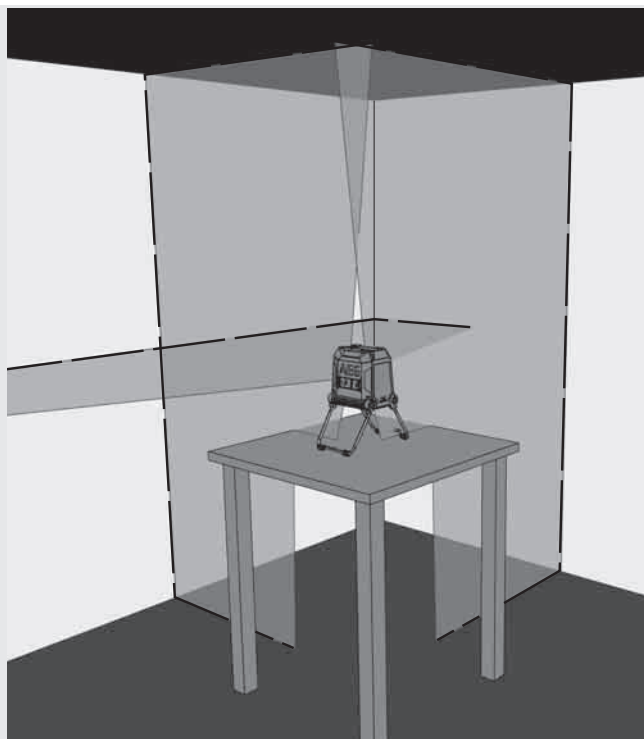
De rode led naast de toets brandt.



3

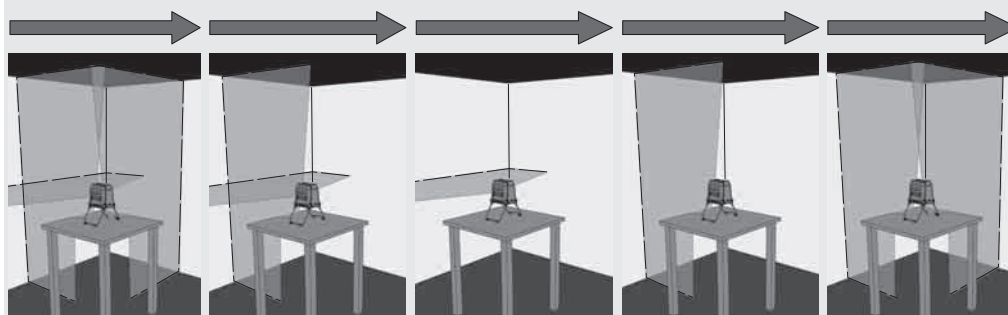
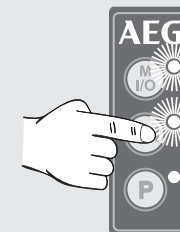
Net als in de zelfnivelleringsmodus genereert de laser 3 laserlijnen die echter om de 3 seconden onderbroken worden.

3 sec. 3 sec. 3 sec.



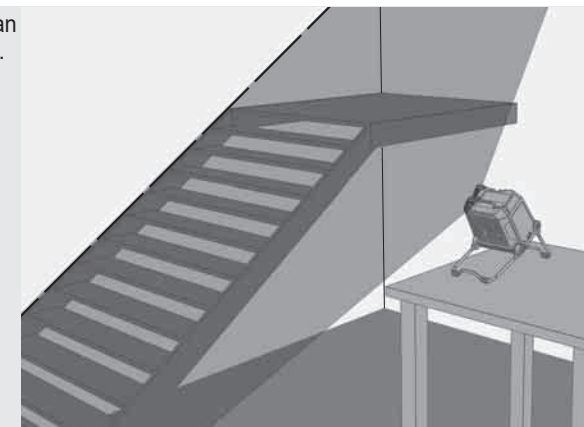
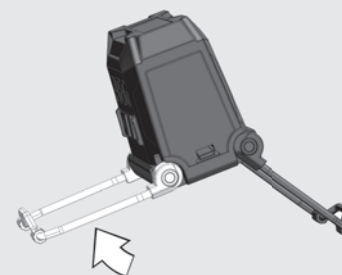
4

Druk op de toets V/H om de lijnen te kiezen waarmee u wilt werken.

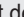


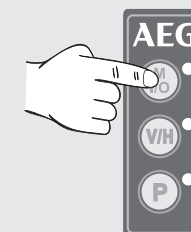
5

Stel de gewenste hoogte en hoek van de laser in met behulp van de poten.



6

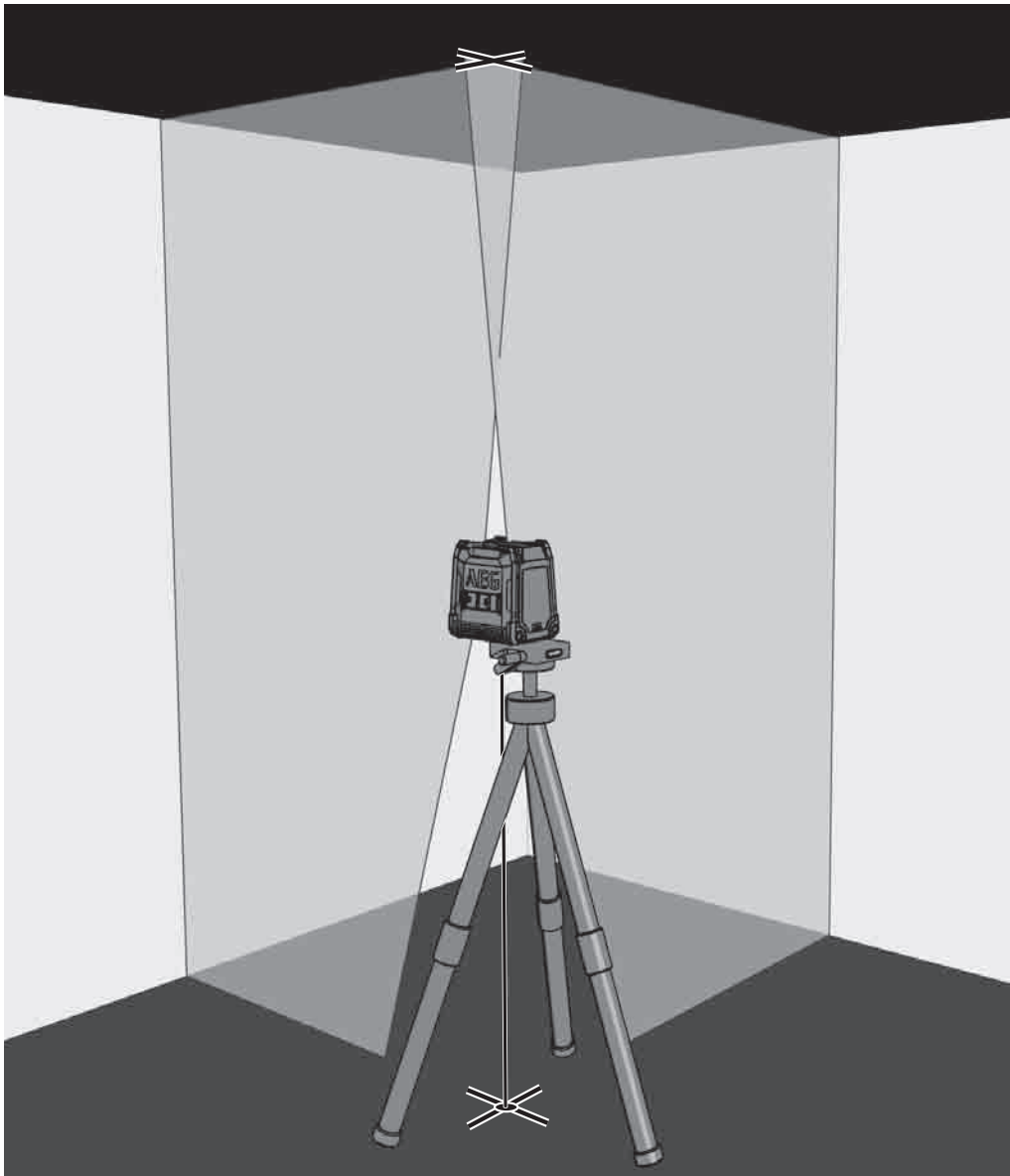
Druk opnieuw op de toets voor de handmatige modus om de handmatige modus te beëindigen. Zet de vergrendelingsschakelaar op ON  om direct naar de zelfnivelleringsmodus te schakelen.



LOODFUNCTIE

Met de loodfunctie kan een punt op de vloer loodrecht naar het plafond worden geprojecteerd. Het referentiepunt op de vloer wordt uitgelijnd aan het snijpunt van de kruislijnen op het plafond.

De loodfunctie is bijvoorbeeld bedoeld voor de overdracht van een referentiepunt voor de verlichtings- en ventilatie-installatie of om hoogten over te dragen.



PULSMODUSFUNCTIE

Gebruik de pulsmodus met een detector voor werkzaamheden in de openlucht bij direct zonlicht of heldere lichtomstandigheden en voor binnentoepassingen met een reikwijdte van 50 meter.

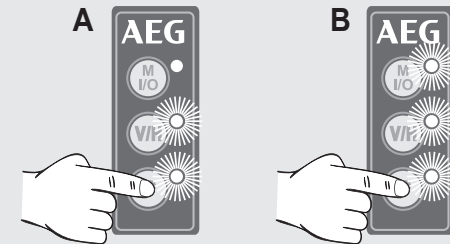
De detector is niet bij de levering inbegrepen en moet apart worden besteld.

Bij een geactiveerde pulsmodus knipperen de laserlijnen met een zeer hoge (voor het menselijke oog onzichtbare) frequentie, zodat de detector de laserlijnen kan lokaliseren.

1

De pulsmodus kan zowel in de zelfnivelleringsmodus (A) als in de handmatige modus (B) worden geactiveerd.

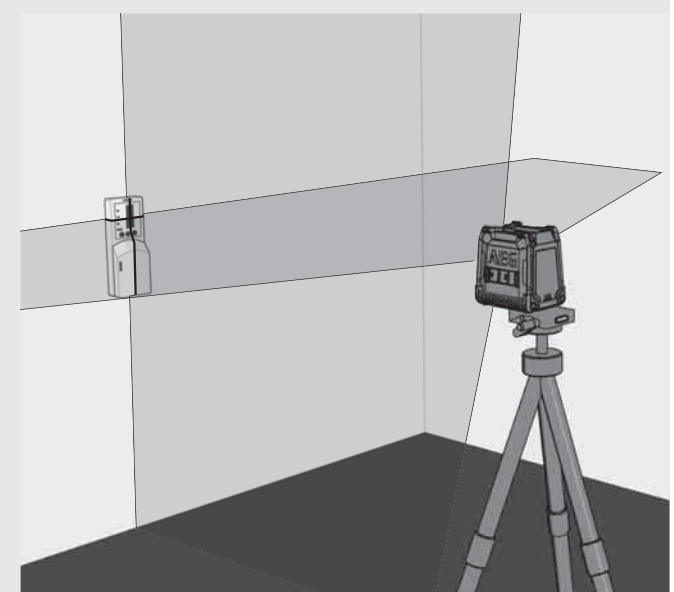
Druk op de toets P. De groene led naast de toets brandt.



2

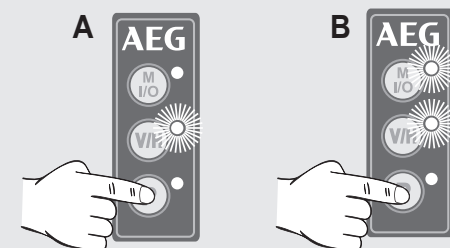
Na het activeren van de pulsmodus neemt de zichtbaarheid van de laserlijnen een beetje af.

Voor gedetailleerde informatie over het gebruik van de detector verwijzen wij naar de betreffende handleiding.



3

Druk opnieuw op de toets P om de pulsmodus uit te schakelen. De groene led naast de toets dooft.



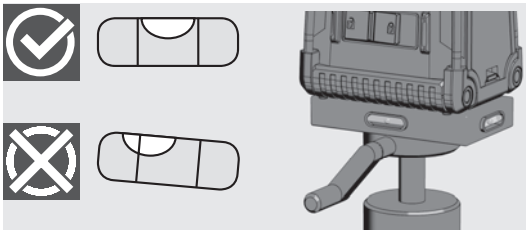
NAUWKEURIGHEID CONTROLEREN

De laser is af fabriek volledig gekalibreerd. AEG adviseert, de nauwkeurigheid van de laser regelmatig te controleren, vooral na een val of een verkeerde bediening.

Neem contact op met een van onze AEG-servicecenters (zie lijst met garantievoorwaarden en servicecenteradressen) als tijdens een controle de maximale afwijking van de nauwkeurigheid wordt overschreden.

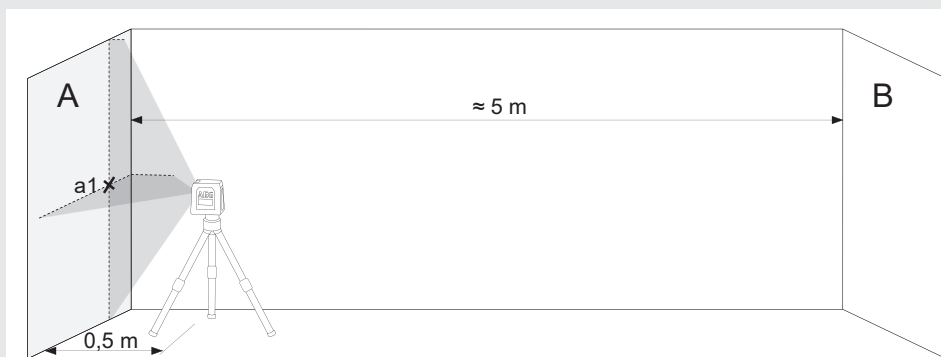
1. Hoogtenauwkeurigheid van de horizontale laserlijn controleren.
2. Nivelleernauwkeurigheid van de horizontale laserlijn controleren.
3. Nivelleernauwkeurigheid van de verticale laserlijn controleren.
4. Rechte hoek tussen 2 verticale laserlijnen controleren.
5. Loodnauwkeurigheid controleren.

Controleer de nivellering van het statief voordat u de nauwkeurigheid van de op het statief gemonteerde laser controleert.



1 HOOGTENAUWKEURIGHEID VAN DE HORIZONTALE LASERLIJN CONTROLEREN (AFWIJING NAAR BOVEN EN BENEDEN)

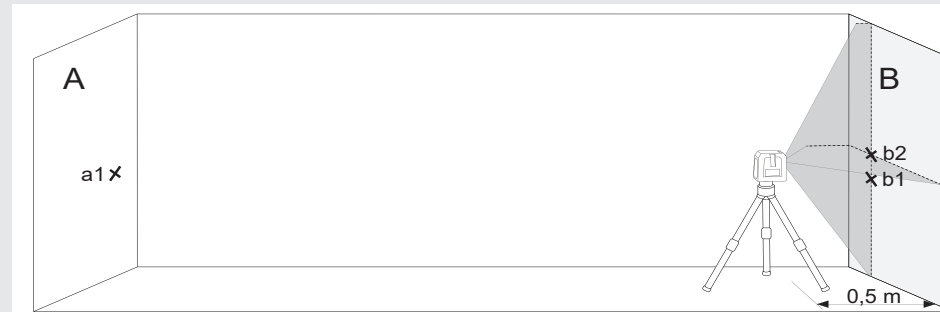
1. Plaats de laser op een statief of een vlakke ondergrond tussen twee 5 m van elkaar verwijderde wanden A en B.
2. Positioneer de laser op ca. 0,5 m afstand van wand A.
3. Schakel de zelfnivelleringsmodus in en druk op de toets om de horizontale en verticale laserlijnen op wand A te projecteren.
4. Markeer het snijpunt van de beide lijnen op wand A als punt a1.



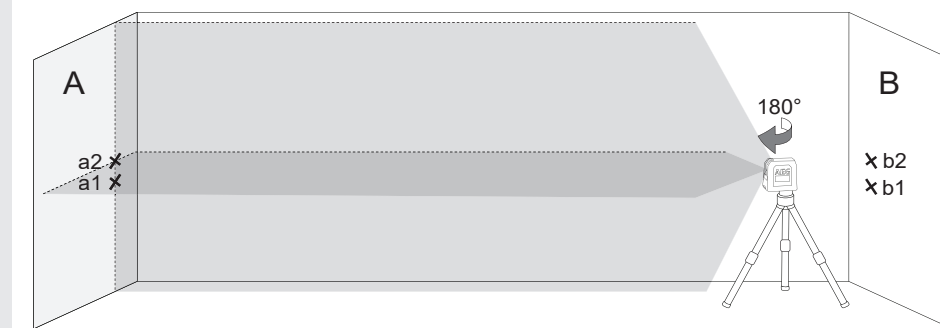
5. Draai de laser 180° in richting wand B en markeer het snijpunt van de beide lijnen op wand B als b1.



6. Positioneer de laser op ca. 0,5 m van wand B.
7. Markeer het snijpunt van de beide lijnen op wand B als punt b2.



8. Draai de laser 180° in richting wand A en markeer het snijpunt van de beide lijnen op wand A als a2.



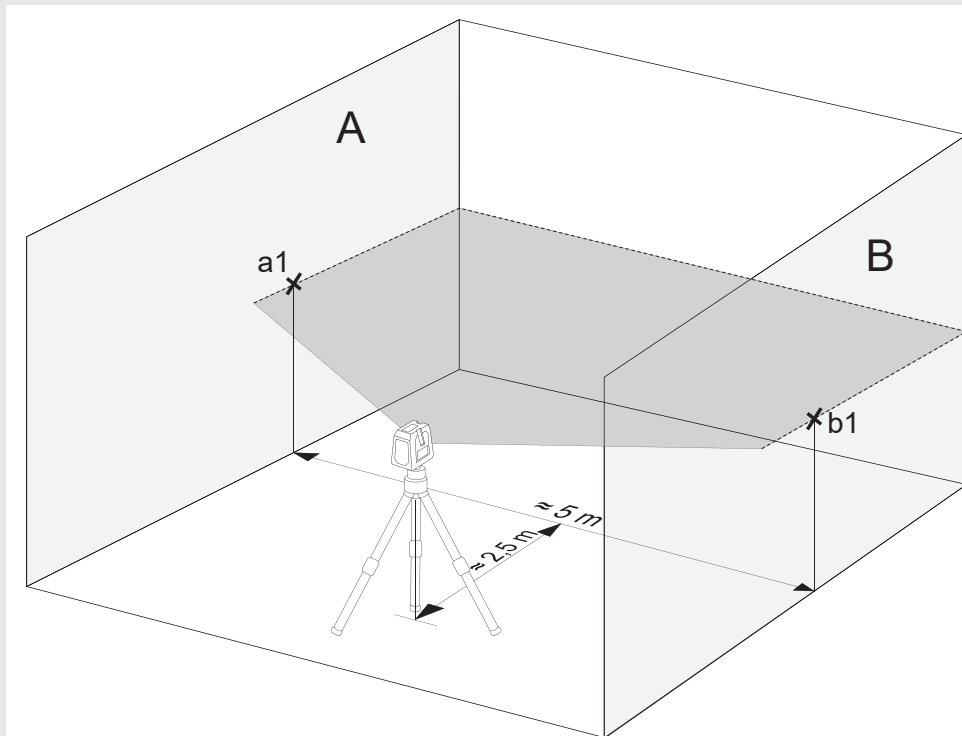
9. Meet de afstanden:
 $\Delta a = |a2 - a1|$
 $\Delta b = |b1 - b2|$
10. Het verschil $|\Delta a - \Delta b|$ mag niet meer dan 2 mm bedragen.

2

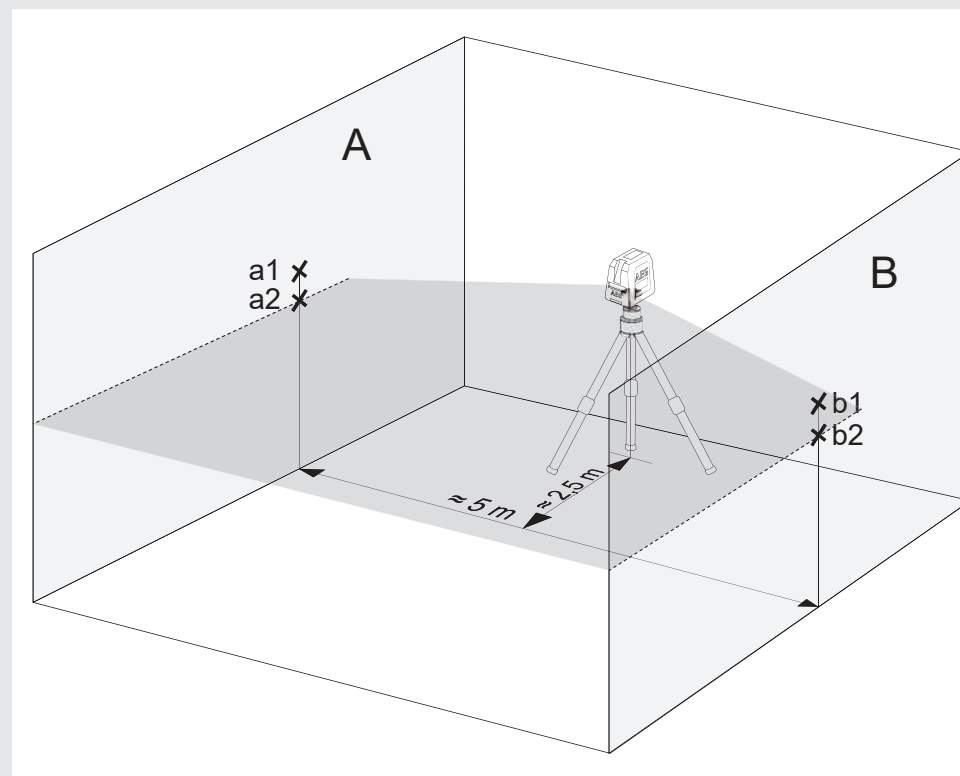
NIVELLEERNAUWKEURIGHEID VAN DE HORIZONTALE LASERLIJN CONTROLEREN (AFWIJKING VAN DE ENE NAAR DE ANDERE ZIJDE)

Voor deze controle is een vrij oppervlak van ca. 5 x 5 m vereist.

1. Plaats de laser op een statief of een vaste ondergrond tussen twee 5 m van elkaar verwijderde wanden A en B.
2. Positioneer de laser op ca. 2,5 m afstand van het midden van de ruimte.
3. Schakel de zelfnivelleringsmodus in en druk op de toets om de horizontale laserlijn op de wanden A en B te projecteren.
4. Markeer het middelpunt van de laserlijn op wand A met a1 en op wand B met b1.



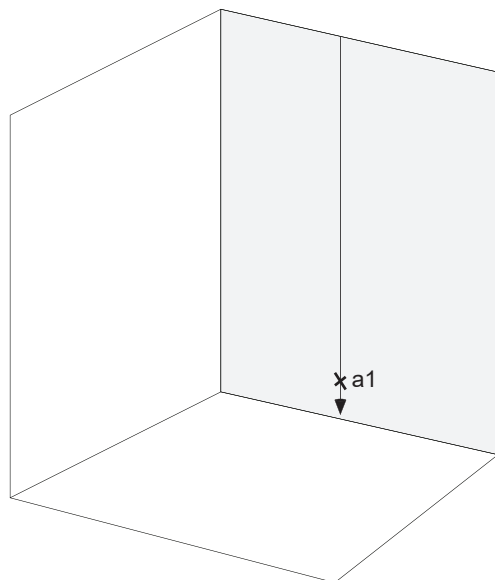
5. Verplaats de laser ca. 5 m, draai hem 180° en projecteer de horizontale laserlijn opnieuw op de wanden A en B.
6. Markeer het middelpunt van de laserlijn op wand A met a2 en op wand B met b2.



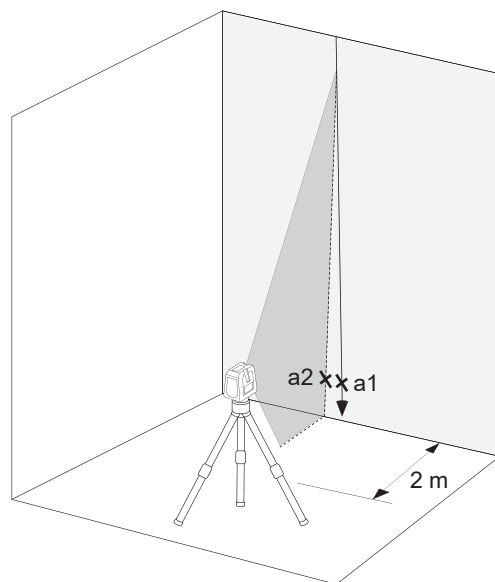
7. Meet de afstanden:
 $\Delta a = |a2 - a1|$
 $\Delta b = |b1 - b2|$
8. Het verschil $|\Delta a - \Delta b|$ mag niet meer dan 2 mm bedragen.

3 NIVELLEERNAUWKEURIGHEID VAN DE VERTICALE LASERLIJN CONTROLEREN

1. Hang een ca. 4 m lange loodlijn op aan een wand.
2. Markeer punt a1 boven het lood op de wand, zodra het lood stil hangt.



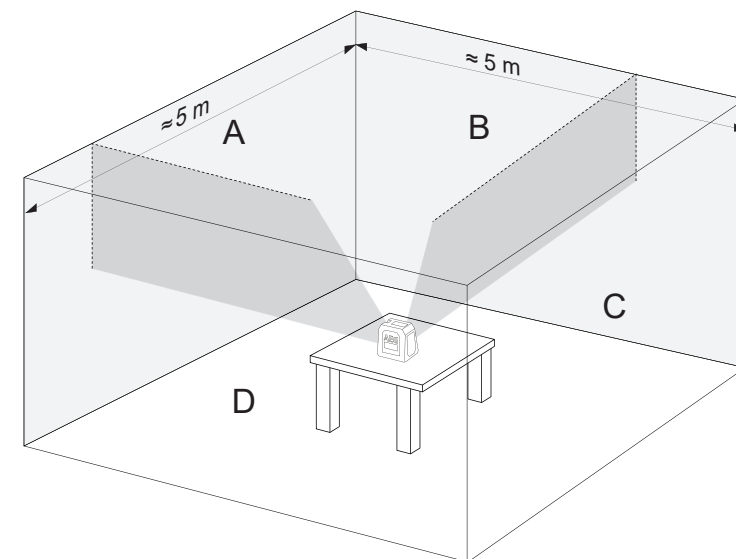
3. Plaats de laser op een statief of een vlakke ondergrond op ca. 2 m afstand van de wand.
4. Schakel de zelfnivelleringsmodus in en druk op de toets om de verticale laserlijn op het loodsnoer te projecteren.
5. Draai de laser zodanig dat de verticale lijn met de ophanging van het loodsnoer overeenstemt.
6. Markeer punt a2 in het midden van de verticale lijn op dezelfde hoogte als a1 op de wand.
7. De afstand tussen a1 en a2 mag niet groter zijn dan 1 mm.



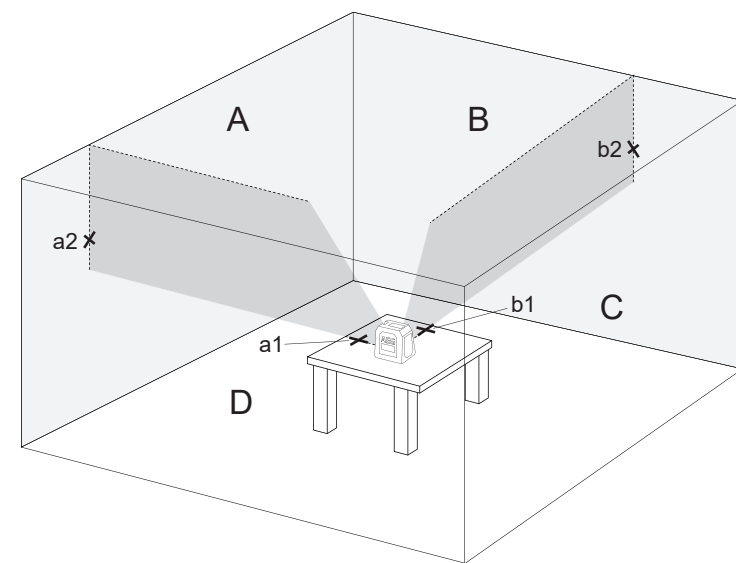
4 RECHTE HOEK TUSSEN 2 VERTICALE LASERLIJNEN CONTROLEREN

Voor deze controle is een ruimte met 4 wanden en een oppervlak van minimaal 5 x 5 m vereist.

1. Plaats de laser op een tafel of op de vloer in het midden van de ruimte.
2. Schakel de zelfnivelleringsmodus in en druk 4 x op de toets V/H om de verticale laserlijnen naar voren en naar opzij te projecteren.

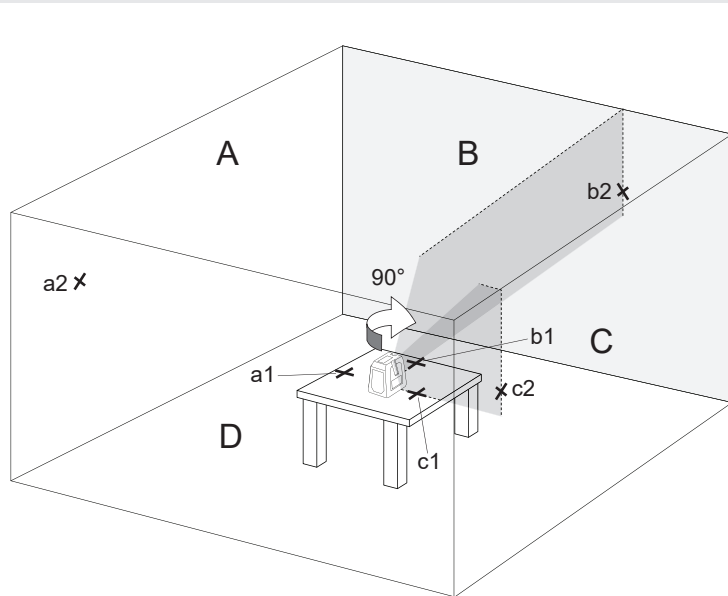


3. Markeer het midden van de naar voren geprojecteerde verticale laserlijn op 2 plaatsen: punt a1 op de tafel in de buurt van de laser en punt a2 op wand A.
4. Markeer het midden van de naar opzij geprojecteerde verticale laserlijn op 2 plaatsen: punt b1 op de tafel in de buurt van de laser en punt b2 op wand B.

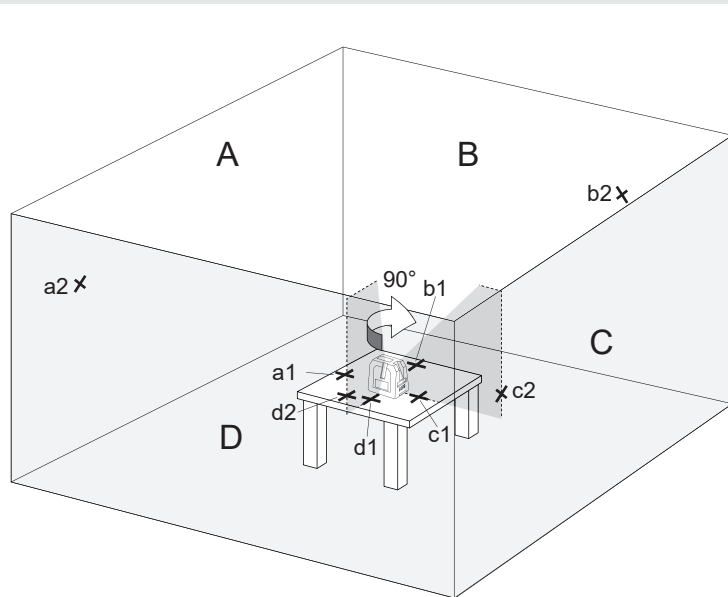


RECHTE HOEK TUSSEN 2 VERTICALE LASERLIJNEN CONTROLEREN

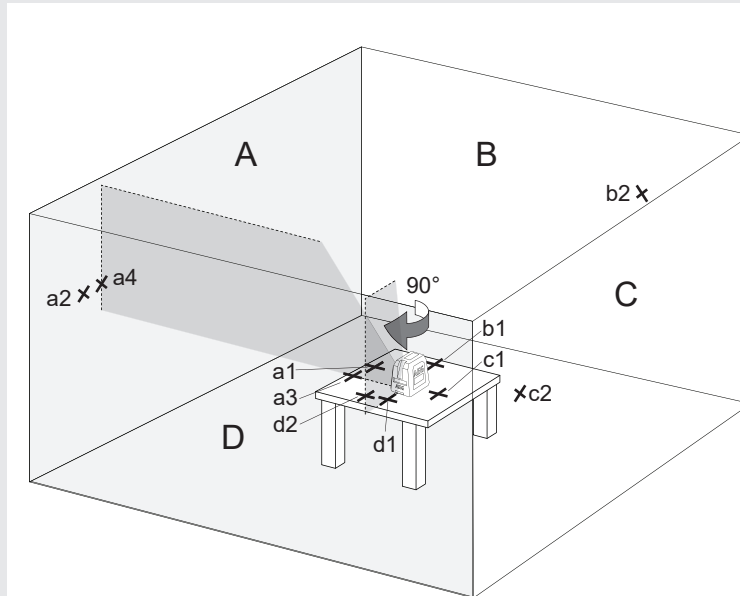
5. Draai de laser 90° met de klok mee, zodat de naar voren gerichte laserlijn de markeringen b1 op de tafel en b2 op wand B raakt.
6. Markeer het midden van de naar opzij geprojecteerde verticale laserlijn op 2 plaatsen: punt c1 op de tafel in de buurt van de laser en punt c2 op wand C.



7. Draai de laser 90° met de klok mee, zodat de naar voren gerichte laserlijn de markeringen c1 op de tafel en c2 op wand C raakt.
8. Markeer het midden van de naar opzij geprojecteerde verticale laserlijn op 2 plaatsen: punt d1 op de tafel in de buurt van de laser en punt d2 op wand D.



9. Draai de laser 90° met de klok mee, zodat de naar voren gerichte laserlijn de markeringen d1 op de tafel en d2 op wand D raakt.
10. Markeer het midden van de naar opzij geprojecteerde verticale laserlijn op 2 plaatsen: punt a3 op de tafel in de buurt van punt a1 en punt a4 op wand A in de buurt van punt a2.

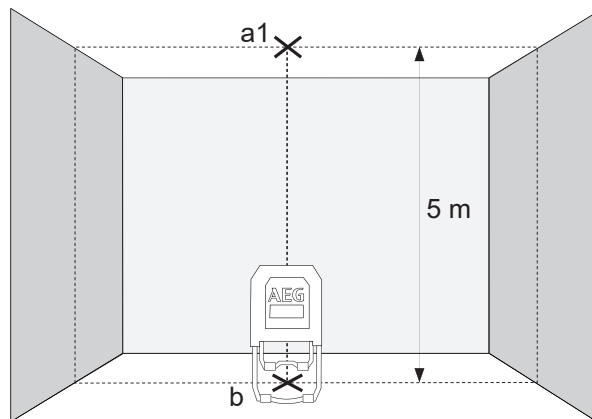


11. Meet de afstanden:
 $\Delta 1$ = van a1 naar a3
 $\Delta 2$ = van a2 naar a4
12. Het verschil $\Delta 2 - \Delta 1$ mag niet meer dan 4 mm bedragen.

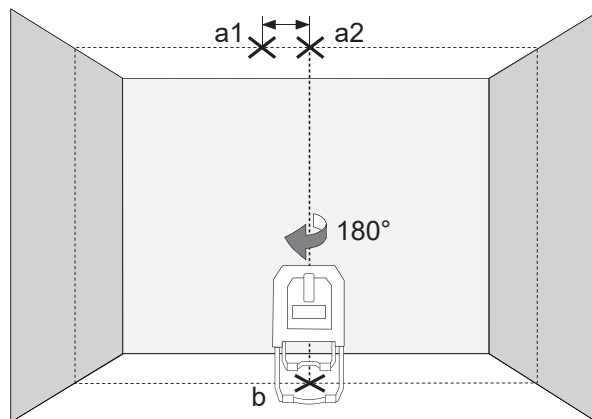
5 LOODNAUWKEURIGHEID CONTROLEREN

Voor deze controle is een ruimte met een plafondhoogte van ca. 5 m vereist.

1. Klap de poten van de laser uit en plaats het toestel op de vloer.
2. Schakel de zelfnivelleringsmodus in en druk op de toets om de verticale kruislijnen op het plafond en het loodpunt op de vloer te projecteren.
3. Markeer het midden van de naar boven gerichte kruislijn als punt a1 op het plafond (zie afbeelding).
4. Markeer het loodpunt als punt b op de vloer.



5. Draai de laser 180° en positioneer hem zodanig dat het middelpunt van het loodpunt op het reeds gemarkeerde punt b valt en wacht totdat het toestel klaar is met de zelfnivellering.
6. Markeer het midden van de naar boven gerichte kruislijn als punt a2 op het plafond.
7. De afstand tussen de punten a1 en a2 op het plafond geeft aan hoe ver de laserlijn van de ideale loodlijn afwijkt.
Bij een meetafstand van 5 m bedraagt de maximaal geoorloofde afwijking:
 $5 \text{ m} \times (\pm 0,6 \text{ mm/m}) \times 2 = \pm 6 \text{ mm}$.
8. De afstand tussen a1 en a2 mag niet groter zijn dan 6 mm.



INDHOLD

Vigtige sikkerheds- instruktioner.....	1
Vedligeholdelse	2
Tekniske data.....	2
Tilsluttet anvendelse	2
Oversigt.....	3
Visning Svagt batteri.....	4
Udskiftning af batterier.....	4
Indstillelige ben.....	5
Magnetisk vægholder og grøn måltavle	5
Arbejde i selvsnivelleringsmodus	6
Arbejde i manuel modus.....	7
Lodfunktion	8
Impulsmodusfunktion.....	8
Kontrol af nøjagtigheden	9

VIGTIGE SIKKERHEDS- INSTRUKTIONER



VIGTIGT! ADVARSEL! FARE!

Brug ikke produktet før du har læst sikkerhedsinstruktionerne og brugervejledningen på vedlagte CD.

Laserklassificering



ADVARSEL:

Det er et Klasse 2 laserprodukt i overensstemmelse med EN60825-1:2014 .



Advarsel:

Øjnene må ikke udsættes direkte for laserstrålen. Laserstrålen kan føre til alvorlige øjenskader og/eller blindhed.

Se aldrig direkte ind i laserstrålen og ret ikke strålen unødvendigt imod andre personer.

Forsigtig! Ved nogle anvendelser kan det laseremitterende apparat befinde sig bagved dig. Vær i så fald forsigtig, når du vender dig.

Advarsel:

Brug ikke laseren nær børn, og tillad ikke børn at bruge den.

OBS!! En reflekterende overflade kunne reflektere laserstrålen tilbage til brugeren eller andre personer.

Advarsel: Anvendelse af andre styreelementer, indstillinger eller procedurer end angivet her i manualen kan føre til farlig strålebelastning.

Se aldrig direkte ind i laserstrålen og ret ikke strålen unødvendigt imod andre personer.

Forsigtig! Ved nogle anvendelser kan det laseremitterende apparat befinde sig bagved dig. Vær i så fald forsigtig, når du vender dig.

Beskyt laserafstandsmåleren mod støv, fugtighed og høj luftfugtighed. Dette kan ødelægge indvendige komponenter eller påvirke nøjagtigheden.

Se aldrig direkte ind i laserstrålen og ret ikke strålen unødvendigt imod andre personer.

Forsigtig! Ved nogle anvendelser kan det laseremitterende apparat befinde sig bagved dig. Vær i så fald forsigtig, når du vender dig.

Se aldrig direkte ind i laserstrålen og ret ikke strålen unødvendigt imod andre personer.

Forsigtig! Ved nogle anvendelser kan det laseremitterende apparat befinde sig bagved dig. Vær i så fald forsigtig, når du vender dig.

Se aldrig direkte ind i laserstrålen og ret ikke strålen unødvendigt imod andre personer.

Forsigtig! Ved nogle anvendelser kan det laseremitterende apparat befinde sig bagved dig. Vær i så fald forsigtig, når du vender dig.

Se aldrig direkte ind i laserstrålen og ret ikke strålen unødvendigt imod andre personer.

Forsigtig! Ved nogle anvendelser kan det laseremitterende apparat befinde sig bagved dig. Vær i så fald forsigtig, når du vender dig.


Brug ikke aggressive rengøringsmidler eller opløsningsmidler. Rengør kun instrumentet med en ren, blød klud.


Beskyt laseren mod kraftige stød og mod at falde ned. Efter et fald eller stærke mekaniske påvirkninger skal apparatets nøjagtighed kontrolleres inden brug.

Nødvendige reparationer på dette laserapparat skal udføres af autoriserede fagfolk.

Brug ikke produktet i områder med eksplosions-fare eller under barske forhold.

Hvis apparatet ikke skal være i brug i længere tid, skal batterierne tages ud af batterirummet. Således kan man forhindre, at batterierne løber ud, og de dermed forbundne korrosionsskader.

 Brugte batterier må ikke smides ud med husholdningsaffaldet. Skån miljøet og tag dem til opsamlingsstederne i overensstemmelse med nationale eller lokale regler. Produktet må ikke smides ud med husholdningsaffaldet. Smid produktet ud i overensstemmelse med de gældende nationale regler i dit land. Følg de nationale og landespecifikke regler. Henvend dig til de lokale myndigheder eller din forhandler for at få oplysning om bortskaffelsen.

 Europæisk konformitetsmærke

VEDLIGEHOELDELSE

Laserens objektiv og kabinet rengøres med en blød, ren klud. Brug aldrig opløsningsmidler.

Selvom laseren til en vis grad er støv- og smudsbestandig, må den ikke opbevares på et støvet sted i længere tid, da de indvendigt liggende bevægelige dele ellers kan blive beskadiget.

Skulle laseren blive våd, skal den tørres, inden den indsættes i bærekufferten, så der ikke opstår rustskader.

TEKNISKE DATA

Laserklasse	2
Selvnivelleringsområde	±3°
Selvnivelleringsvarighed	3–5 s
Batteritype	LR6 alkalibatteri af type AA
Spænding DC	3 × 1,5 V
Optaget effekt	0,35 A
Kapslingsklasse (stænkvand og støv)	IP54
Funktioner	horisontal linje, 2 vertikale linjer, krydslinjer, lodfunktion
Impulsmodus	Frequens 10 kHz
Projektioner	3 grønne linjer, 1 rødt punkt
Laserlinjeoutputmønster	Horisontal linje frem, vertikal linje frem, vertikal linje til siden og lodpunkt. Horizontale og vertikale krydslinjer frem og lodpunkt. Horisontal linje. Vertikal linje frem og lodpunkt. Vertikale linjer frem og til siden og lodpunkt. (Visningen af lodpunktet nedad fungerer kun i selvnivelleringsmodus, ikke i manuel drift.)
Driftstid	6 timer
Stativets gevind	1/4"
Egnet detektor	til standardmæssig grøn flerdobbelt linjelaser
Laserlinje	
Bredde	2,5 mm ±0,5 mm / 5 m
Bølgelængde	λ 520 ±10 nm laserklasse II
Nøjagtighed	±0,2 mm/m
Åbningsvinkel	> 120°
Farve	grøn
Rækkevidde	30 m (med detektor 50 m)

Lodpunkt		
	Bølgelængde laserpunkt	635 ±5 nm laserklasse II
	Maks. effekt laserpunkt	< 1 mW
	Lodnøjagtighed	±0,6 mm / 1 m
	Laserpunktfarve	rød
	Rækkevidde	5 m
Anbefalet driftstemperatur		-10 °C til +45 °C
Opbevaringstemperatur		-20 °C til +60 °C
Mål		106 mm × 88 mm × 105 mm
Vægt (inkl. batterier)		710 g

TILSIGTET ANVENDELSE

Denne innovative laser er beregnet til et stort professionelt anvendelsesområde, f.eks.:

- Tilretning af fliser, marmorplader, skabe, bordurer, formdele og kanter
- Markering af grundlinjerne til indbygning af døre, vinduer, skinner, trapper, hegn, porte, verandaer og pergolaer.
- Overføring af referencepunkter til belysnings- og ventilationsinstallationer, overføring af højder, nivellering af indramnings- og standervægge, forlægning af skinner på gulve samt andet professionelt arbejde.
- Til at fastlægge og kontrollere horisontale og vertikale linjer.

Dette produkt må kun bruges i overensstemmelse med det angivne formål.

Gummistabilisatorer

Indstillelige ben

Vindue vertikal laserlinje fremad

Vindue horisontal laserlinje

ON  / OFF  Låsekontakt



Vindue vertikal laserstråle til siden

Batterirummets låg

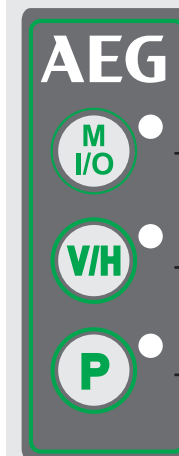


Rødt lodpunkt

1/4" stativgevind



Betjeningsfelt



LED-visning manuel modus

Tast manuel modus

Til at tænde og slukke for den manuelle modus

LED-visning Vælg laserlinje (konstant lys)

LED-visning Svagt batteri (blinklys)

Valgtast laserlinje

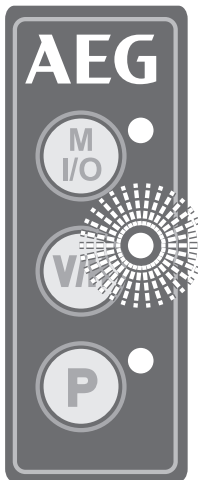
Valg mellem Vertikal linje frem, Vertikal linje til siden, Horisontal linje frem eller en kombination af disse linjer.

LED-visning Impulsmodus

Tast impulsmodus

Brug impulsmodus en 10-kHz-detektor til udendørs arbejde ved direkte solindstråling eller lyse lysforhold samt til indendørs brug med en rækkevidde op til 50 m.

VISNING SVAGT BATTERI



Ved lav batteriopladningstilstand reduceres laserens lyskraft, og den tilsvarende visning (grøn LED ved siden af tasten V/H) begynder at blinke med en frekvens på 0,5 sekunder.

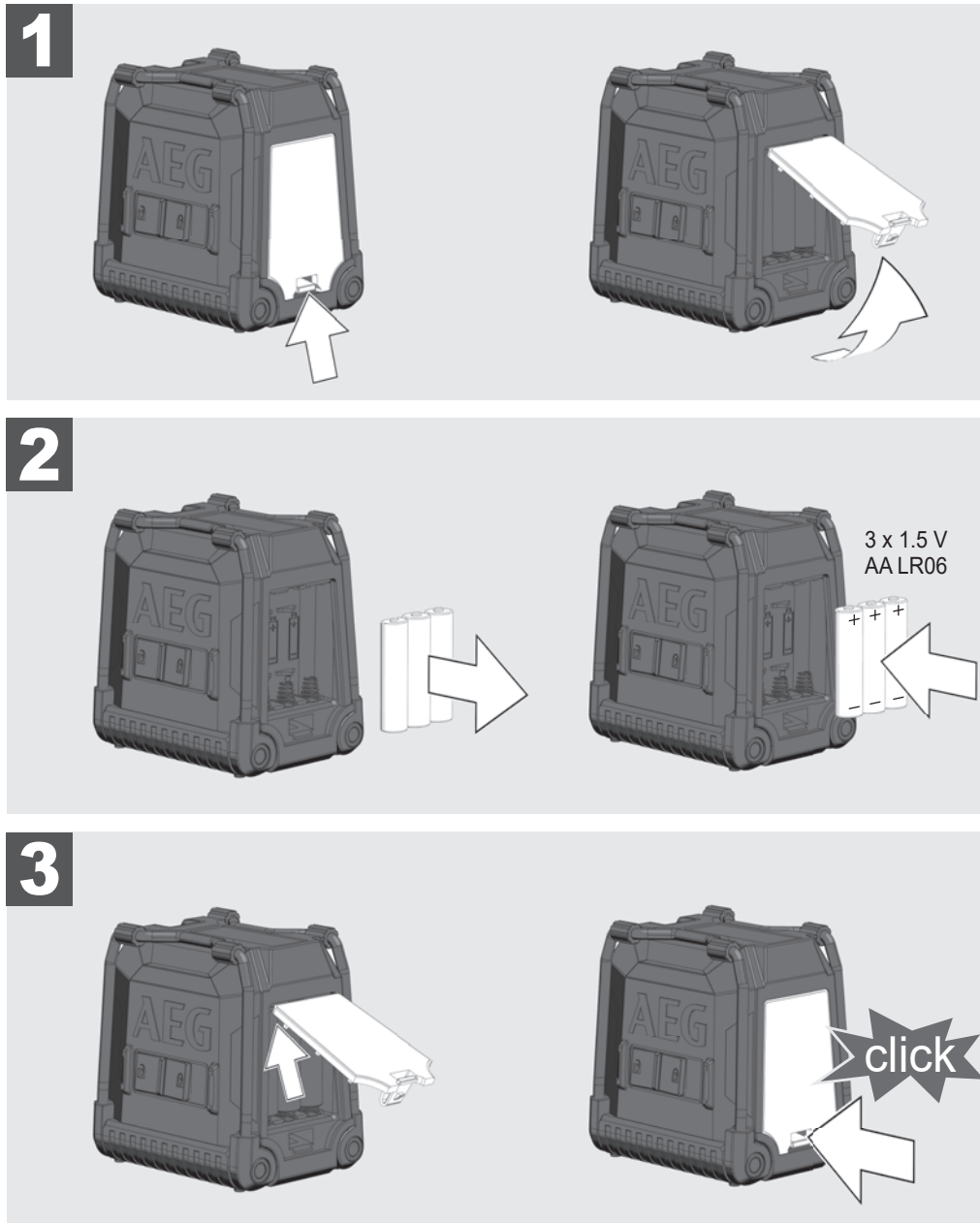
Det er alligevel muligt at fortsætte arbejdet.

Når batterierne bliver for svage, slukker apparatet automatisk.

UDSKIFTNING AF BATTERIER

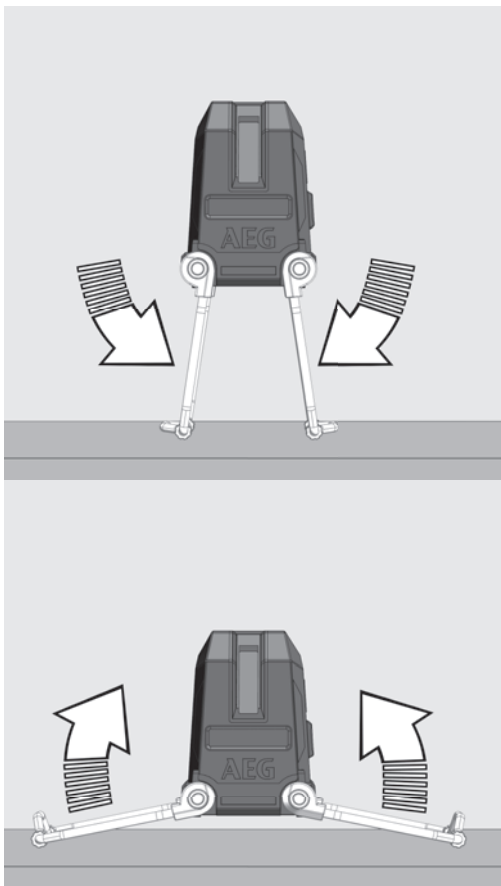
Udskift batterierne, når laserstrålen bliver svagere.

Hvis laseren ikke skal være i brug i længere tid, skal batterierne tages ud af batterirummet. Således kan man forhindre, at batterierne løber ud, og de dermed forbundne korrosionsskader.

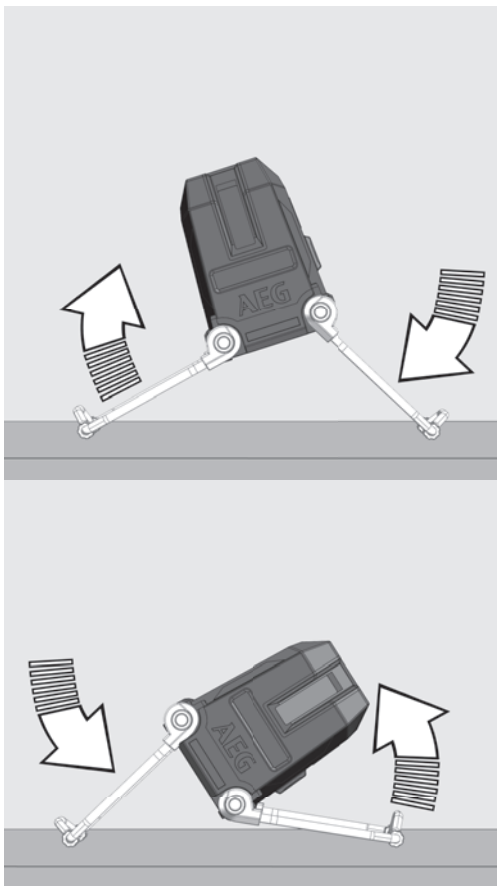


INDSTILLELIGE BEN

Den horisontale linjes højde indstilles med de indstillelige ben.

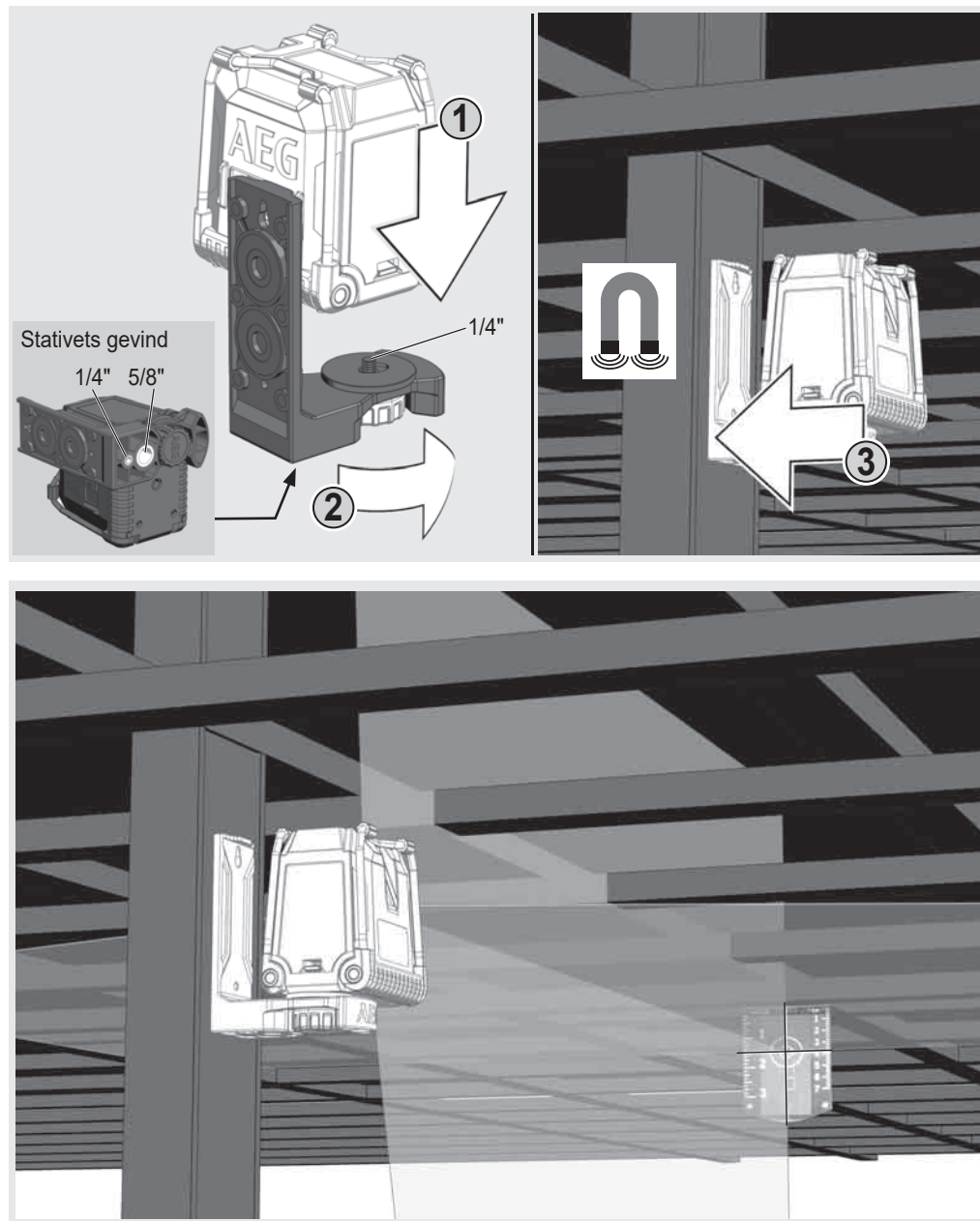


Laserens hældning indstilles med de indstillelige ben.



MAGNETISK VÆGHOLDER OG GRØN MÅLTAVLE

Laseren kan fastgøres på vægge, metalstrukturer o.lign. med den magnetiske holder.
Den grønne måltavle forbedrer laserens synlighed ved dårlige betingelser og større afstande.



ARBEJDE I SELVNIVELLERINGSMODUS

I selvsnivelleringsmodus tilretter laseren sig af sig selv inden for et område på $\pm 3^\circ$. Der projiceres en horisontal linje, to vertikale linjer eller alle 3 linjer samtidigt.

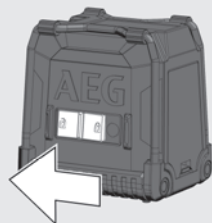
1

Montér laseren på en solid, plan og vibrationsfri undergrund eller på et stativ.



2

Stil låsekontakten på ON .

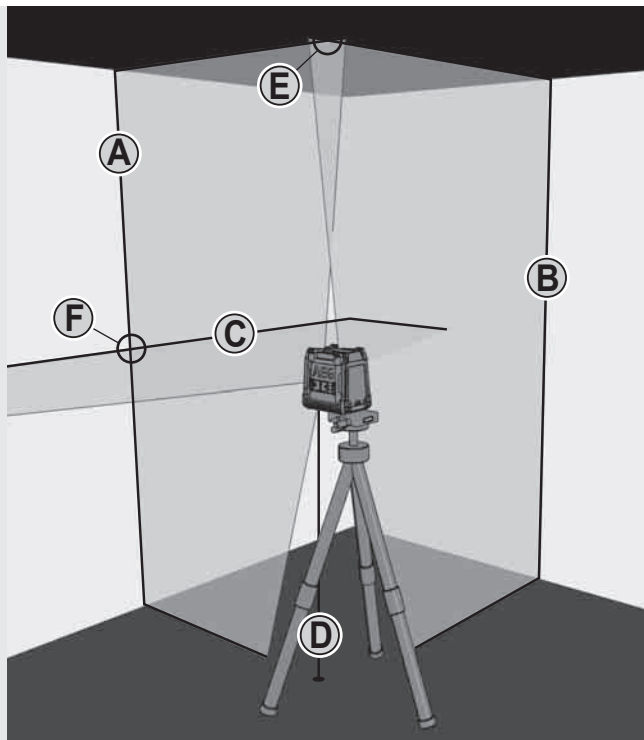


3

Laseren genererer 3 laserlinjer.

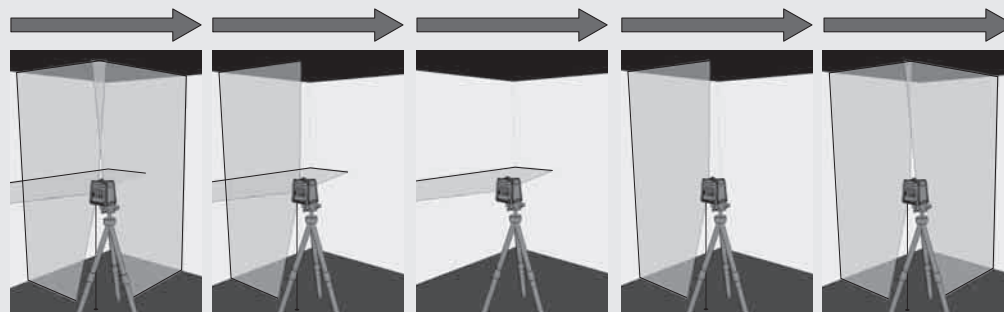
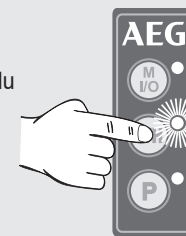
- (A) Vertikal linje fremad
- (B) Vertikal linje til siden
- (C) Horisontal linje fremad
- (D) Laserpunkt (lodlinje)

Hvis alle linjer er aktiveret, genererer laseren krydslinjer opad (E) og frem (F).



4

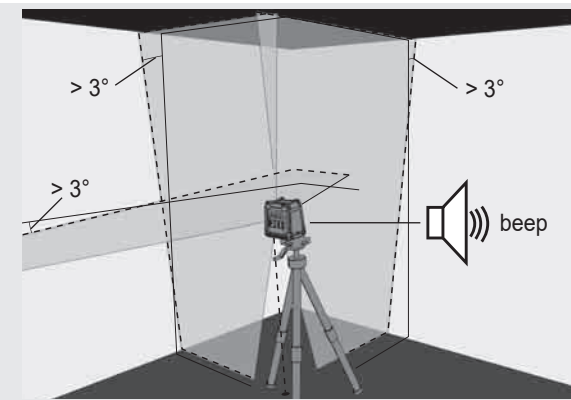
Tryk på tasten V/H for at vælge de linjer, du vil arbejde med.




5

Hvis laseren med aktiveret selvsnivelling i begyndelsen ikke er tilrettet på $\pm 3^\circ$, blinker laserlinjerne - - - -, og der lyder et akustisk signal.

I så fald skal laseren positioneres igen.



6

Inden apparatet flyttes, stilles låsetasten på OFF . Derved låses pendulet, og laseren er beskyttet.

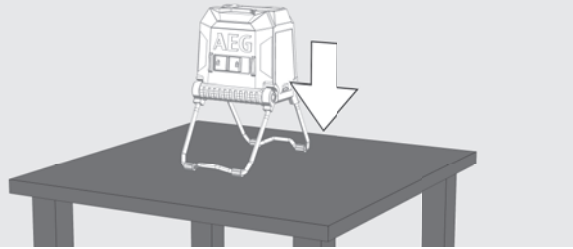


ARBEJDE I MANUEL MODUS

I manuel modus er selvnivelleringsfunktionen deaktiveret, og laseren kan indstilles til en vilkårlig hældning af laserlinjerne.

1

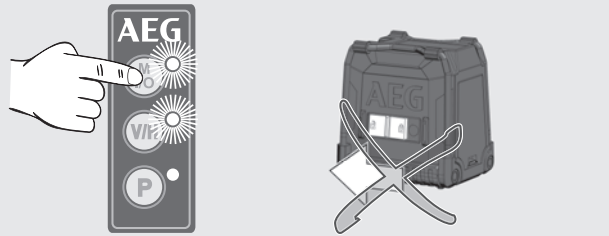
Montér laseren på en solid, plan og vibrationsfri undergrund eller på et stativ.



2

Tryk på tasten for den manuelle modus (uden at forskyde låsekontakten!).

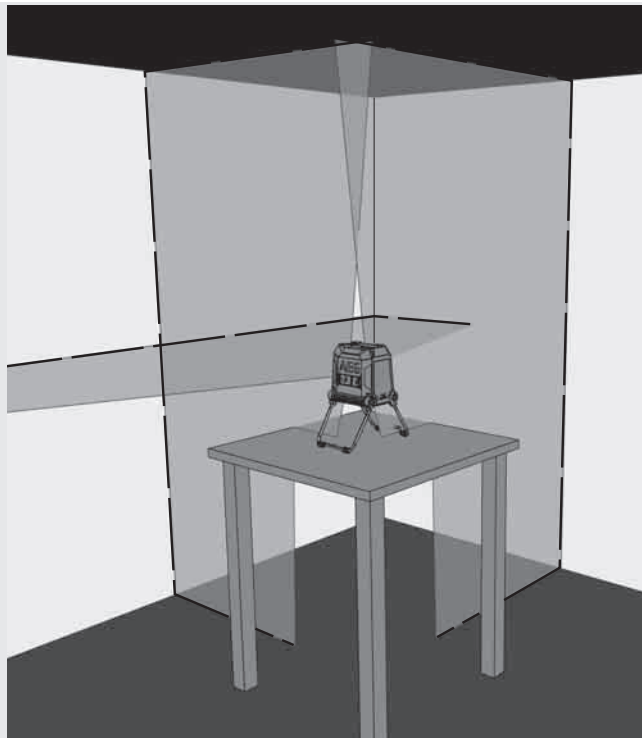
Den røde LED ved siden af tasten lyser.



3

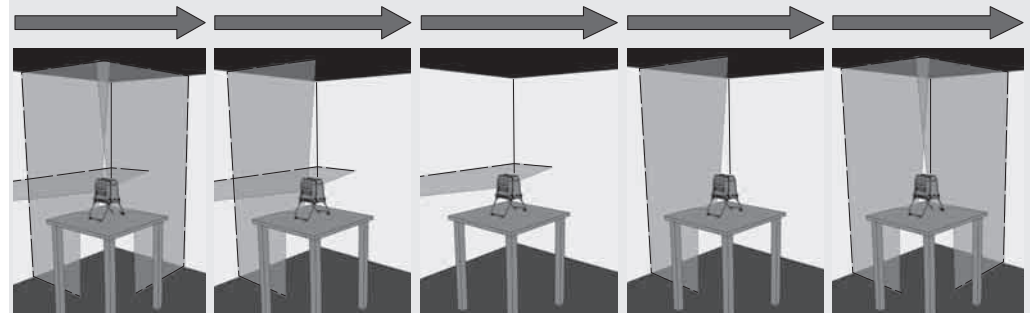
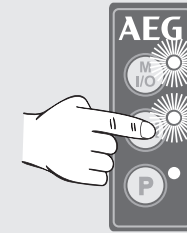
Som i selvnivelleringsmodus genererer laseren 3 laserlinjer, som blinker med 3 sekunders mellemrum.

3 sek. 3 sek. 3 sek.



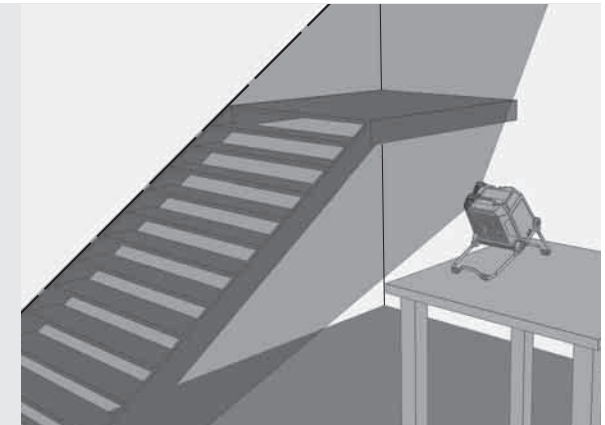
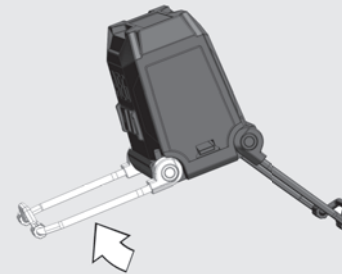
4

Tryk på tasten V/H for at vælge de linjer, du vil arbejde med.




5

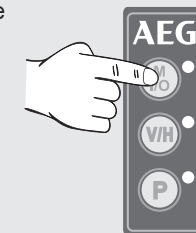
Indstil laserens ønskede højde og hældning ved hjælp af benene.



6

Tryk igen på tasten for den manuelle modus for at afslutte den manuelle modus.

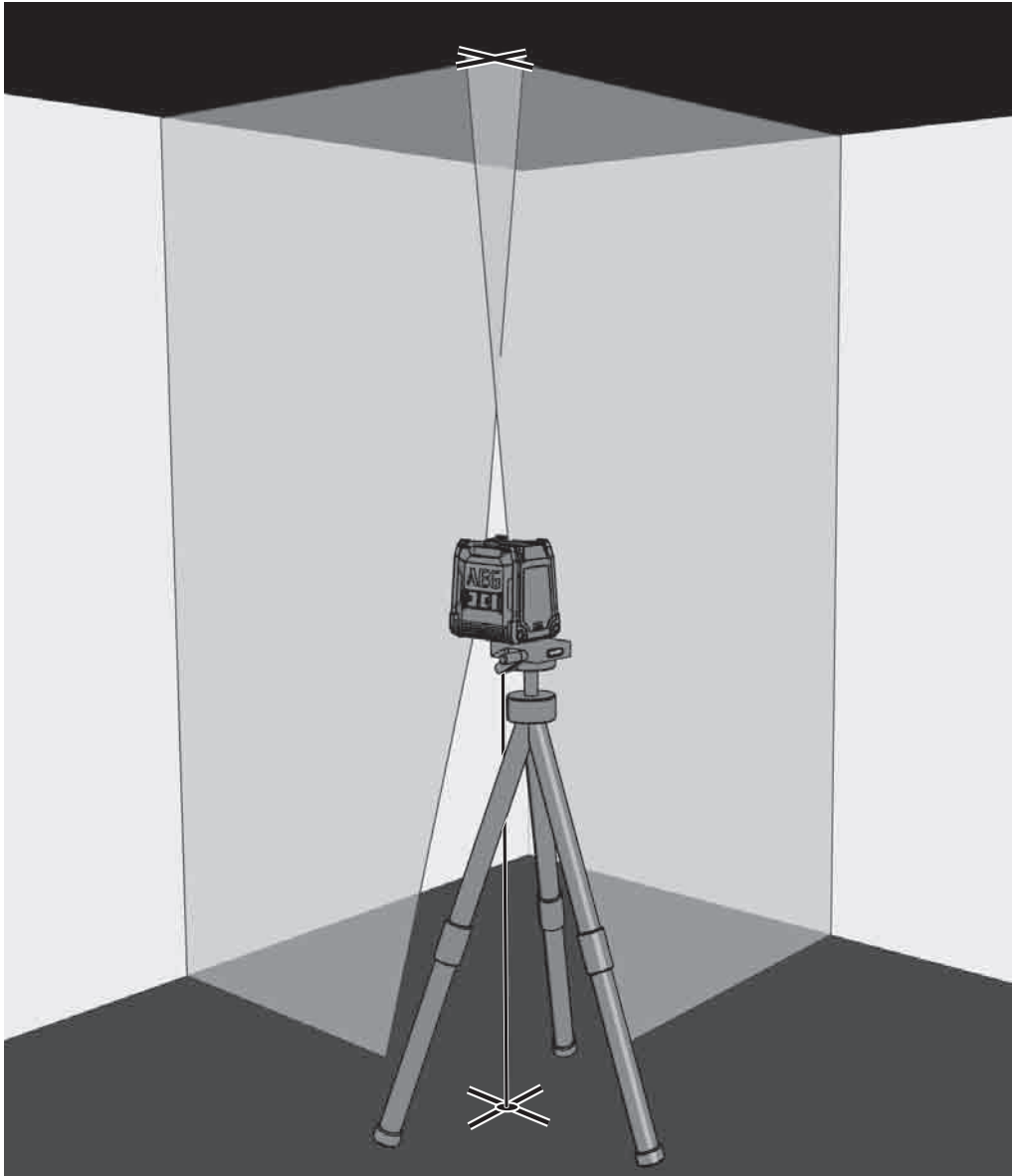
For at skifte direkte til selvnivelleringsmodus stilles låsekontakten på ON .



LODFUNKTION

Med lodfunktionen kan et punkt på gulvet projiceres lodret op på loftet. Referencepunktet på gulvet bliver tilrettet på loftet som skæringspunkt for krydslinjerne.

Lodfunktionen tjener for eksempel til at overføre et referencepunkt for belysnings- og ventilationsinstallation eller til at overføre højder.



IMPULSMODUSFUNKTION

Brug impulsmodus med en detektor til udendørs arbejde ved direkte solindstråling eller lyse lysforhold samt til indendørs brug med en rækkevidde op til 50 m.

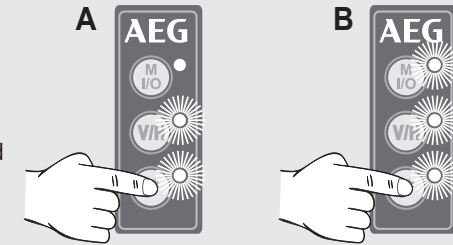
Detektoren er ikke inkluderet i leveringsomfanget, den skal købes separat.

Med aktiveret impulsmodus blinker laserlinjerne med meget høj frekvens (usynlig for det menneskelige øje), så detektoren kan lokalisere laserlinjerne.

1

Impulsmodus kan aktiveres både i selvsnivelleringsmodus (A) og i manuel modus (B).

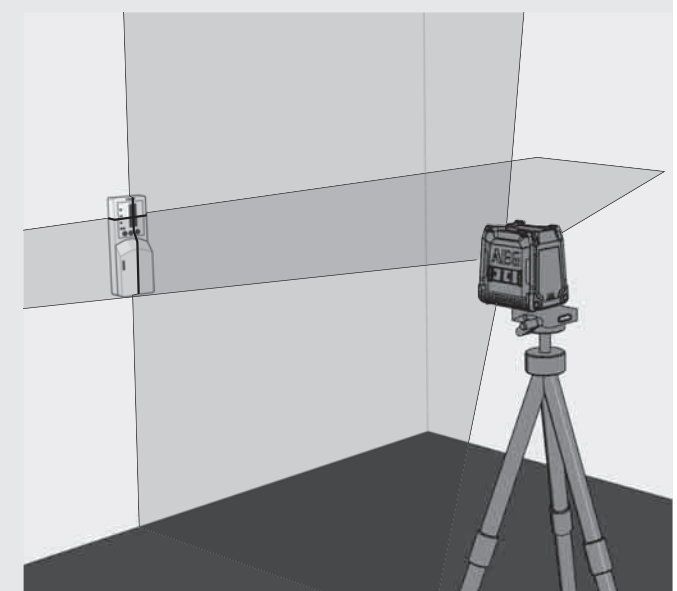
Tryk på tast P. Den grønne LED ved siden af tasten lyser.



2

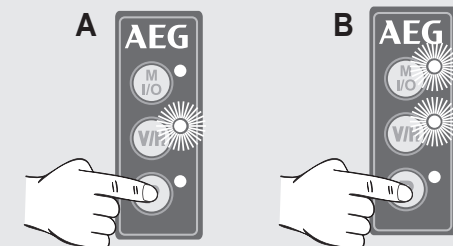
Når impulsmodus er blevet aktiveret, aftager laserlinjernes synlighed en smule.

Udførlige oplysninger om brugen af detektoren findes i betjeningsvejledningen til detektoren.



3

Tryk igen på tasten P for at slå impulsmodus fra. Den grønne LED ved siden af tasten går ud.



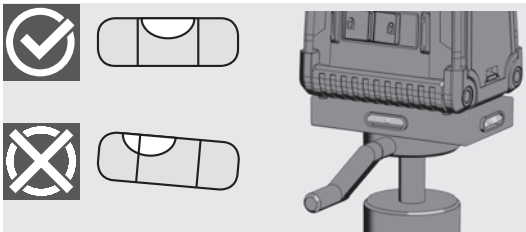
KONTROL AF NØJAGTIGHEDEN

Laseren kalibreres fuldstændigt fra fabrikken side. AEG anbefaler regelmæssigt at kontrollere laserens nøjagtighed, især efter et fald eller efter fejlbetjening.

Hvis den maksimale afvigelse bliver overskredet ved en kontrol af nøjagtigheden, bedes du kontakte et af vores AEG-servicecentre (se listen med garanti betingelser og servicecenteradresser).

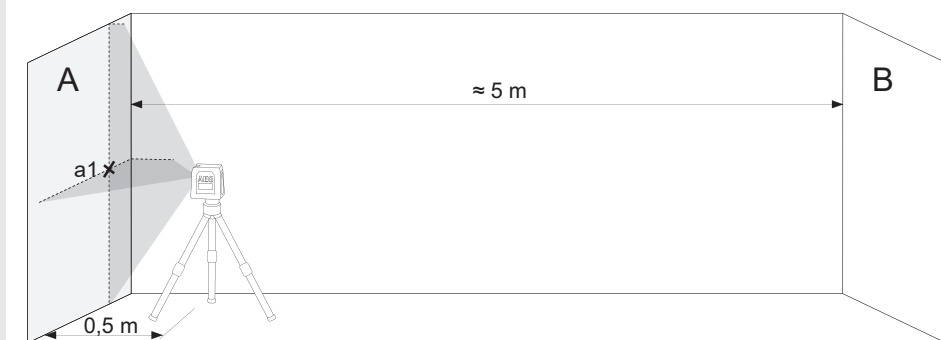
1. Kontrol af den horisontale linjes nøjagtighed.
2. Kontrol af den horisontale linjes nivelleringsnøjagtighed.
3. Kontrol af den vertikale linjes nivelleringsnøjagtighed.
4. Kontrol af den rette vinkel mellem 2 vertikale linjer.
5. Kontrol af lodnøjagtigheden.

Inden kontrollen af nøjagtigheden for laseren, som er monteret på stativet, kontrolleres stativets nivellering.



1 KONTROL AF DEN HORIZONTAL LINJES NØJAGTIGHED (AFVIGELSE OPAD OG NEDAD)

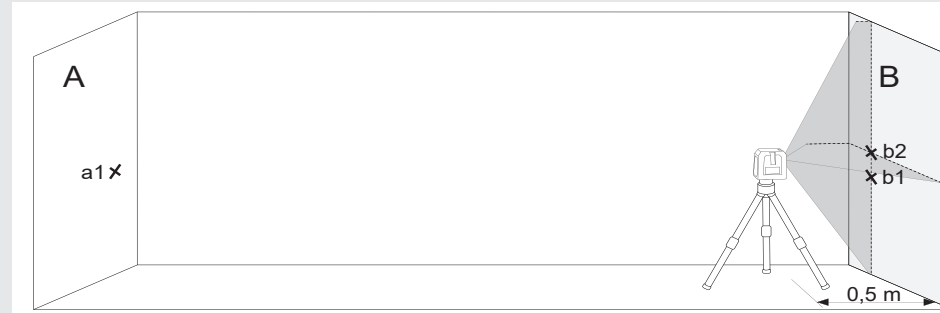
1. Laseren opstilles på et stativ eller en plan undergrund mellem to vægge A og B med ca. 5 m afstand.
2. Laseren placeres ca. 0,5 m fra væg A.
3. Tænd for selvnivelleringsmodus og tryk på tasten for at projicere den horisontale og den vertikale linje på væg A.
4. Markér de to linjers skæringspunkt som punkt a1 på væg A.



5. Drej laseren 180° i retning af væg B og markér de to linjers skæringspunkt som b1 på væg B.



6. Opstil laseren ca. 0,5 m fra væg B.
7. Markér de to linjers skæringspunkt som b1 på væg B.



8. Drej laseren 180° i retning af væg A og markér de to linjers skæringspunkt som a2 på væg A.

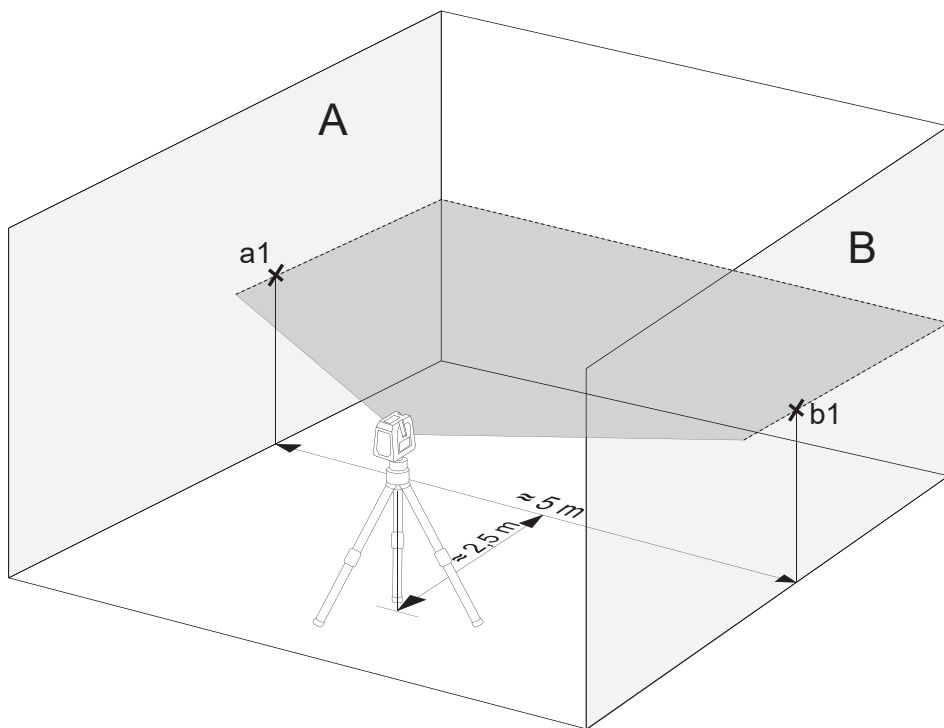


9. Mål afstandene:
 $\Delta a = |a2 - a1|$
 $\Delta b = |b1 - b2|$
10. Forskellen $|\Delta a - \Delta b|$ må ikke være større end 2 mm.

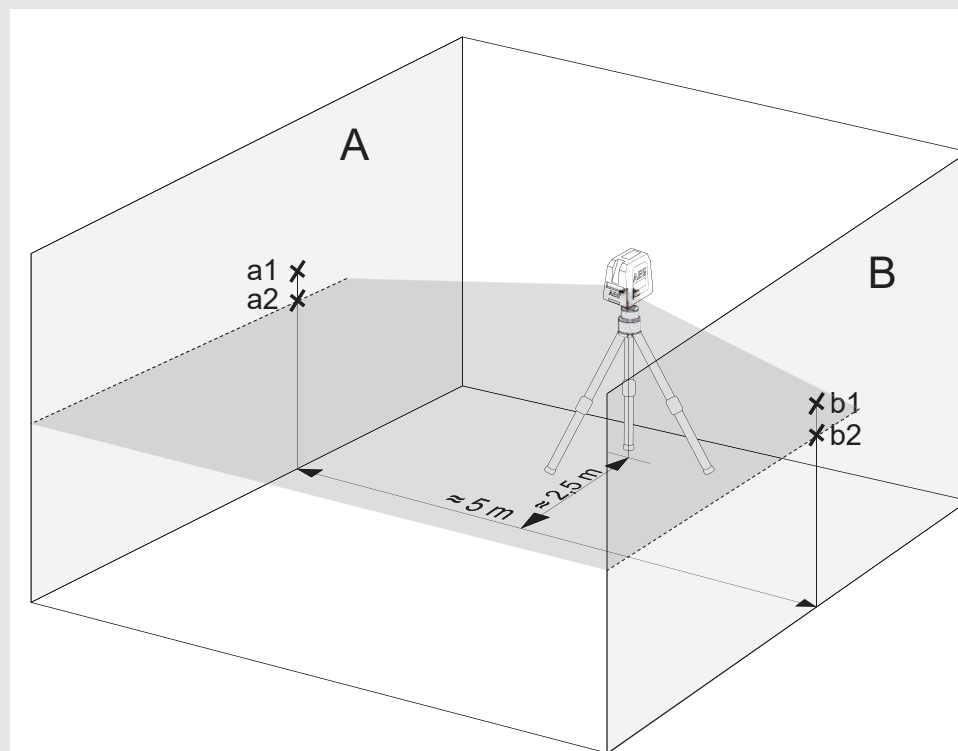
2 KONTROL AF DEN HORIZONTAL LINJES NIVELLERINGSNØJAGTIGHED (AFVIGELSE FRA DEN ENE SIDE TIL DEN ANDEN)

Til denne kontrol kræves et frit areal på ca. 5 × 5 m.

1. Laseren opstilles på et stativ eller en solid undergrund mellem to vægge A og B med ca. 5 m afstand.
2. Opstil laseren ca. 2,5 m fra rummets midte.
3. Tænd for selvnivelleringsmodus og tryk på tasten for at projicere den horisontale linje på væggene A og B.
4. Laserens midtpunkt på væg A markeres med a1 og på væg med b1.



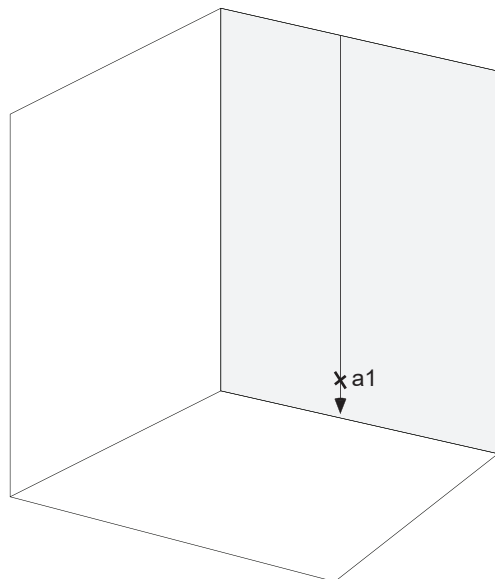
5. Laseren flyttes ca. 5 m og drejes 180°, og den horisontale linje på projiceres igen på væggene A og B.
6. Laserens midtpunkt på væg A markeres med a2 og på væg med b2.



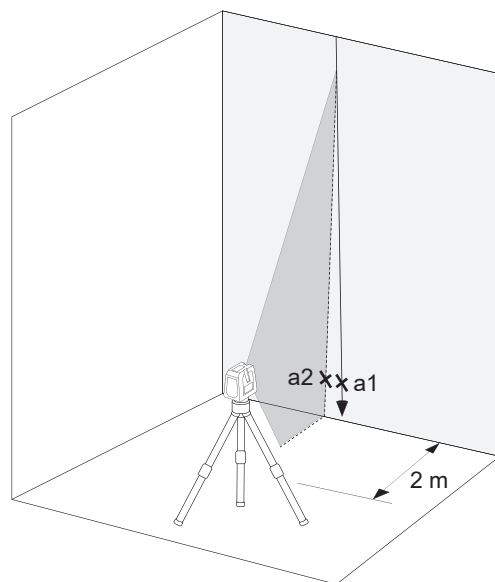
7. Mål afstandene:
 $\Delta a = |a2 - a1|$
 $\Delta b = |b1 - b2|$
8. Forskellen $|\Delta a - \Delta b|$ må ikke være større end 2 mm.

3 KONTROL AF DEN VERTIKALE LINJES NIVELLERINGSNØJAGTIGHED

1. Hæng en ca. 4 m lang lodsnor op på en væg.
2. Når blylodet er holdt op med at pendulere, markeres punkt a1 over blykeglen på væggen.



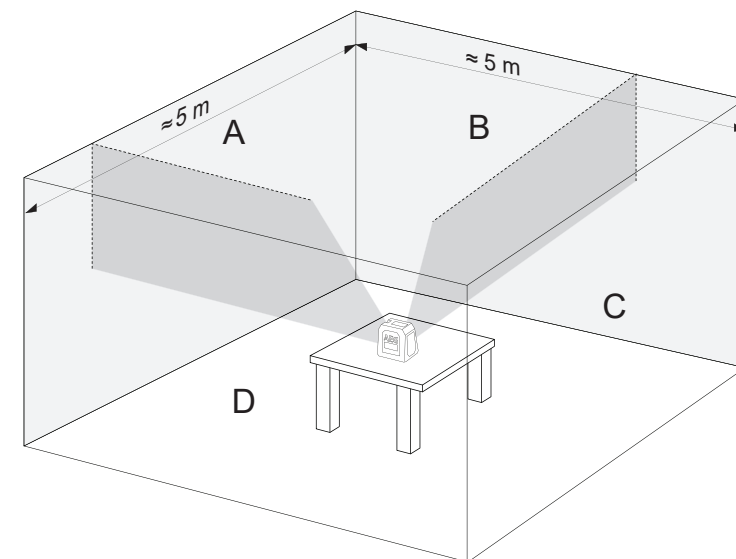
3. Opstil laseren på et stativ eller en plan undergrund med ca. 2 m afstand til væggen.
4. Tænd for selvnivelleringsmodus og tryk på tasten for at projicere den vertikale linje på lodsnoeren.
5. Drej laseren, så den vertikale linje stemmer overens med lodsnores ophængning.
6. Markér punkt a2 i midten af den vertikale linje på samme højde som a1 på væggen.
7. Afstanden mellem a1 og a2 må ikke være større end 1 mm.



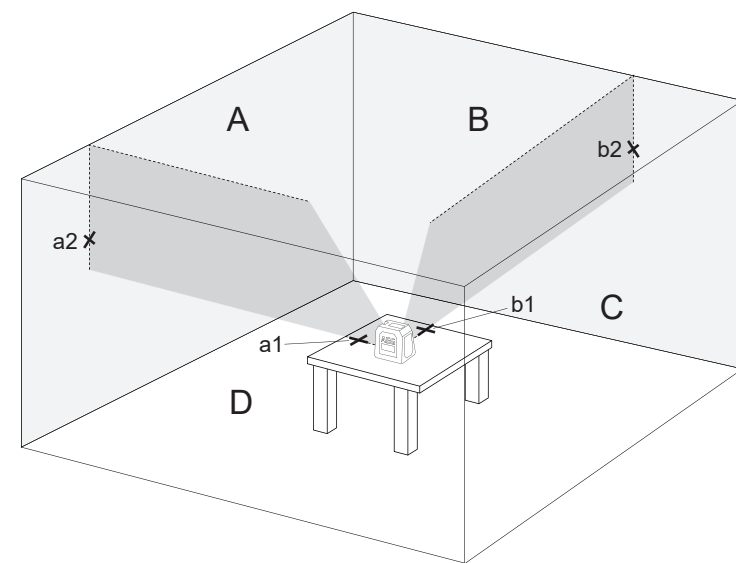
4 KONTROL AF DEN RETTE VINKEL MELLE 2 VERTIKALE LINJER.

Til denne kontrol kræves et rum med 4 vægge og et grundareal på mindst 5 x 5 m.

1. Opstil laseren på et bord eller på gulvet i midten af rummet.
2. Tænd for selvnivelleringsmodus og tryk på tasten V/H 4 x for at projicere de vertikale linjer fremad og til siden.



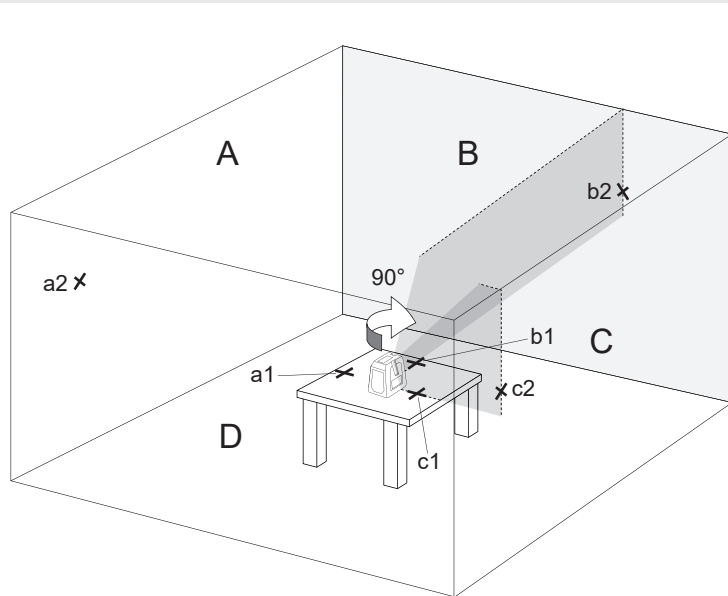
3. Midten af den fremad projicerede vertikale linje markeres på 2 steder: Punkt a1 på bordet i nærheden af laseren og punkt a2 på væg A.
4. Midten af den til siden projicerede vertikale linje markeres på 2 steder: Punkt b1 på bordet i nærheden af laseren og punkt b2 på væg B.



KONTROL AF DEN RETTE VINKEL MELLEM 2 VERTIKALE LINJER

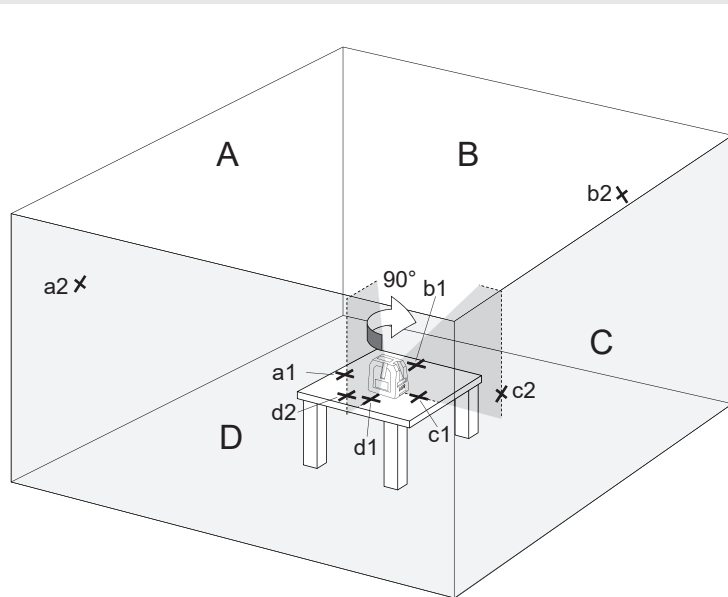
5. Laseren drejes 90° med uret, så den fremad rettede laserlinje rammer markeringerne b1 på bordet og b2 på væg B.

6. Midten af den til siden projicerede vertikale linje markeres på 2 steder: Punkt c1 på bordet i nærheden af laseren og punkt c2 på væg C.



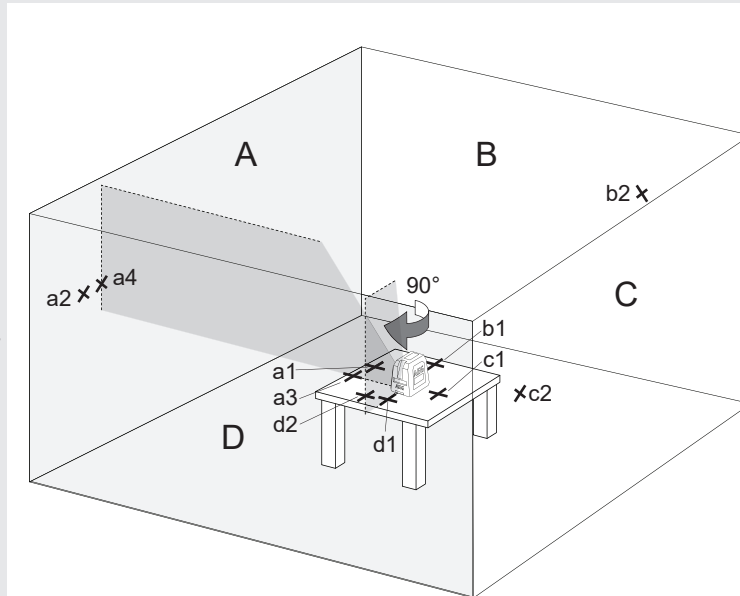
7. Laseren drejes 90° med uret, så den fremad rettede laserlinje rammer markeringerne c1 på bordet og c2 på væg C.

8. Midten af den til siden projicerede vertikale linje markeres på 2 steder: Punkt d1 på bordet i nærheden af laseren og punkt d2 på væg D.



9. Laseren drejes 90° med uret, så den fremad rettede laserlinje rammer markeringerne d1 på bordet og d2 på væg D.

10. Midten af den til siden projicerede vertikale linje markeres på 2 steder: Punkt a3 på bordet i nærheden af punkt a1 og punkt a4 på væggen i nærheden af punkt a2.



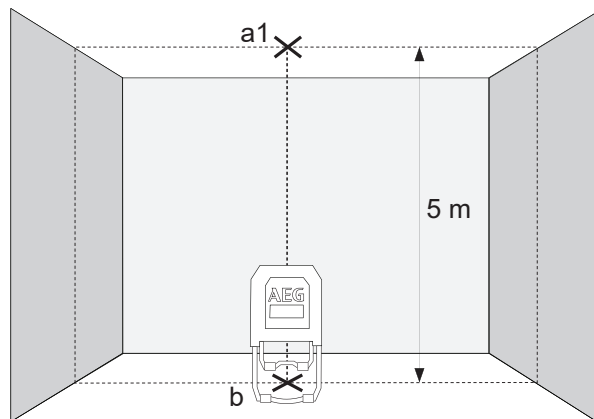
11. Mål afstandene:
 $\Delta 1$ = fra a1 til a3
 $\Delta 2$ = fra a2 til a4

12. Forskellen $\Delta 2 - \Delta 1$ må ikke være større end 4 mm.

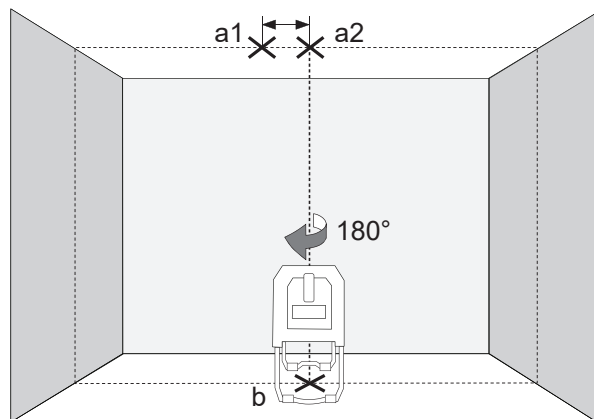
5 KONTROL AF LODNØJAGTIGHEDEN

Til denne kontrol kræves et rum med en loftshøjde på ca. 5 m.

1. Klap laserens ben ud og stil apparatet på gulvet.
2. Tænd for selvnivelleringsmodus og tryk på tasten for at projicere de vertikale krydslinjer på loftet og lodpunktet på gulvet.
3. Markér midten af den opad rettede krydslinje på loftet som punkt a1 (se illustration).
4. Markér lodpunktets midtpunkt på gulvet som punkt b.



5. Drej laseren 180° og placér den således, at lodpunktets midtpunkt rammer det allerede markerede punkt b, og vent, indtil apparatet er blevet nivelleret.
6. Markér midten af den opad rettede krydslinje på loftet som punkt a2.
7. Afstanden mellem punkterne a1 og a2 på loftet viser, hvor meget laserlinjen afviger fra den ideelle lodrette linje.
Ved en målestrækning på 5 m er den maksimalt tilladte afvigelse:
 $5 \text{ m} \times (\pm 0,6 \text{ mm/m}) \times 2 = \pm 6 \text{ mm}$.
8. Afstanden mellem a1 og a2 må ikke være større end 6 mm.



INNHOOLD

Viktige sikkerhetsinstruksjer	1
Vedlikehold	2
Tekniske data	2
Tiltent bruk	2
Oversikt	3
Visning svakt batteri	4
Skifte batterier	4
Justerbare ben	5
Magnetisk veggholder og grønn måltavle	5
Arbeider i selvnivelleringsmodus	6
Arbeid i manuell modus	7
Loddfunksjon	8
Pulsmodusfunksjon	8
Kontroll av nøyaktigheten	9

VIKTIGE SIKKERHETSINSTRUKSER



OBS! ADVARSEL! FARE!

Ikke bruk produktet før du har studert sikkerhetsinstruksene og brukerhåndboken på vedlagte CD.

Laserklassifisering



ADVARSEL:

Dette er et Class 2 laserprodukt i henhold til EN60825-1:2014 .



Advarsel:

Ikke utsett øynene direkte for laserstrålen. Laserstrålen kan forårsake alvorlige øyenskader og/eller blindhet.

Ikke se direkte inn i laserstrålen, og ikke rett strålen unødvendig på andre personer.

Forsiktig! Ved noen bruksmåter kan apparatet som stråler ut laserstråler befinne seg bak deg. I dette tilfellet må du snu deg forsiktig.

Advarsel:

Laseren må ikke brukes i nærheten av barn, og de må aldri få lov til å bruke den.

OBS! En reflekterende overflate kan sende laserstrålen tilbake til bruker eller reflektere andre personen.

Advarsel: Bruk av styreelement, innstillinger eller gjennomføring av andre fremgangsmåter enn de som er fastlagt i håndboken kan føre til farlig strålebelastning.

Dersom laseren fraktes fra svært kalde til varme omgivelser (eller omvendt), må den oppnå omgivelsestemperaturen før den tas i bruk.

Laseren skal ikke oppbevares utendørs, og den må beskyttes mot slag, varige vibrasjoner og ekstreme temperaturer.

Lasermåleapparatet skal beskyttes mot støv, væte og høy luftfuktighet. Dette kan skade de indre delene og ha innflytelse på nøyaktigheten.

Dersom laserstrålen treffer øynene, må du lukke øynene og dreie hodet ut av strålen øyeblikkelig.

Pass på at du posisjonerer laserstrålen slik at hverken du selv eller andre personer blir blendet av den.

Ikke se inn i laserstrålen med optiske forstørrelsesinstrumenter som kikkerter eller teleskoper. Hvis dette ikke overholdes, øker faren for alvorlige øyenskader.

Vær klar over at lasersikkerhetsbriller brukes for å se laserlinjene bedre, men de beskytter ikke mot laserstrålingen.

Varselskilt på laserinstrumentet må ikke fjernes eller gjøres uleselige.

Laseren må ikke plukkes fra hverandre. Laserstrålingen kan forårsake alvorlige øyenskader.

Før transporten av laseren må du sikre at pendellåsen har smekket i lås.

Merk: Dersom pendellåsen ikke har smekket i lås, kan det oppstå skader innvendig i instrumentet under transporten.


Ikke bruk aggressive rensedmidler eller løsemiddel. Skal rengjøres bare med en ren myk klut.


Beskytt laseren mot sterke støt og fall. Dersom instrumentet faller ned eller har vært utsatt for sterke mekaniske innvirkninger, må dets nøyaktighet kontrolleres før bruk.


Nødvendige reparasjoner på dette laser-apparatet skal kun gjøres av autorisert fagpersonale.

Ikke bruk instrumentet i eksplosjonsfarlige områder eller i aggressive miljøer.

Dersom instrumentet ikke skal brukes over lengre tid, må batteriene tas ut av batterirommet. På denne måten forhindres det at batteriene lekker, noe som igjen kan føre til korrosjonsskader.

 Brukte batterier må ikke kastes i husholdningsavfallet. Vern om miljøet og send dem til oppsamlingsstasjoner som er beregnet til dette i henhold til nasjonale eller lokale forskrifter.

 Produktet må ikke kastes i husholdningsavfallet. Utstyret må kasseres på forsvarlig måte i samsvar med gjeldende nasjonale forskrifter. Følg nasjonale og landsspesifikke bestemmelser.

 Europeisk samsvarsmerke

VEDLIKEHOLD

Rengjør objektivet og huset til laseren med en myk, ren klut. Ikke bruk løsemidler.

Selv om laseren til en viss grad er resistent mot støv og smuss, bør den ikke oppbevares på et støvete sted over lengre tid, da dett kan føre til at innvendige bevegelige deler kan bli skadet.

Dersom laseren skulle bli våt, må den tørkes før den settes inn i bærekofferten, slik at det ikke oppstår rustskader.

TEKNISKE DATA

Laserklasse	2
Selvnivelleringsområde	±3°
Selvnivelleringsvarighet	3–5 s
Batteritype	LR6 alkalibatteri av type AA
Spenning DC	3 × 1,5 V
Inngangsstrøm	0,35 A
Beskyttelsesklasse (vannsprit og støv)	IP54
Funksjoner	horisontal linje, 2 vertikale linjer, krysslinjer, loddfunksjon
Pulsmodus	Frekvens 10 kHz
Projeksjoner	3 grønne linjer, 1 rødt punkt
Laserlinjenes utgangskonfigurasjon	Horisontal linje forover, vertikal linje forover, vertikal linje mot siden og loddpunkt. Horisontale og vertikale krysslinjer forover og loddpunkt. Horisontal linje. Vertikal linje forover og loddpunkt. Vertikale linjer forover og mot siden og loddpunkt. (Visningen av loddpunktet nedover fungerer bare i selvnivelleringsmodus, men ikke i manuell modus.)
Driftstid	6 timer
Stativgjenger	1/4"
Egnet detektor	for standard grønne flerlinjelasere
Laserlinje	
Bredde	2,5 mm ±0,5 mm / 5 m
Bølgelengde	λ 520 ±10 nm laserklasse II
Nøyaktighet	±0,2 mm/m
Åpningsvinkel	> 120°
Farge	grønn
Rekkevidde	30 m (med detektor 50 m)

Loddpunkt		
Bølgelengde laserpunkt	635 ±5 nm laserklasse II	
Maks. effekt laserpunkt	< 1 mW	
Loddnøyaktighet	±0,6 mm / 1 m	
Laserpunktfarge	rød	
Rekkevidde	5 m	
Anbefalt driftstemperatur		-10 °C til +45 °C
Oppbevaringstemperatur		-20 °C til +60 °C
Mål		106 mm × 88 mm × 105 mm
Vekt (inkl. batterier)		710 g

TILTENKT BRUK

Denne innovative laseren er utlagt for et stort profesjonelt bruksområde, som eksempelvis:

- Posisjonering og tilpasning av fliser, marmorplater,, skap, kantinger, formdelere og besetninger
- Markering av grunnlinjen til innsetting av dører, vinduer, skinner, trapper, gjerder, porter, verandaer og pergolaer.
- Overføring av referansepunkter for belynings- og ventilasjonsinstallasjoner, overføring av høyder, nivellering av yttermurer og veggstolper, legging av skinner på bakken samt andre profesjonelle arbeider.
- For å bestemme og kontrollere horisontale og vertikale linjer.

Dette produktet må bare brukes til tiltenkt formål, slik det er angitt.

Gummistabilisatorer

Justerbare ben

Vindu vertikal laserlinje forover

Vindu horisontal laserlinje

ON  / OFF  Låsebryter



Betjeningsfelt

AEG

M
I/O

V/H

P

LED-display manuell modus

Knapp manuell modus

Til inn- og utkobling av manuell modus

Velge LED-display laserlinje (permanent lys)
LED-display batteri svakt (blinkende lys)

Valgbryter laserlinje

Valg mellom Vertikal linje forover, Vertikal linje mot siden, Horisontal linje fremover eller en kombinasjon av disse linjene.

LED-display pulsmodus

Knapp pulsmodus

For utendørs arbeider ved direkte solstråler eller i sterkt lys samt for arbeider innendørs med en rekkevidde på inntil 50 m, skal pulsmodus brukes med en 10-kHz-detektor.

Vindu vertikal laserstråle mot siden

Lokk til batterirom

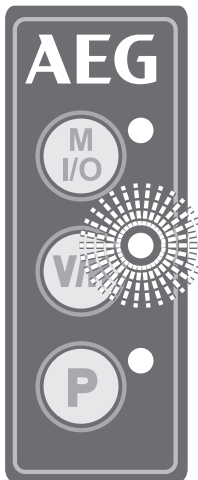


Rødt loddpunkt

1/4" Stativgjenger



VISNING SVAKT BATTERI



Dersom batteriets lade nivå er lavt, reduseres laserens lysstyrke, og den tilsvarende visningen (grønn LED ved siden av knappen V/H) begynner å blinke med en frekvens på 0,5 sekunder.

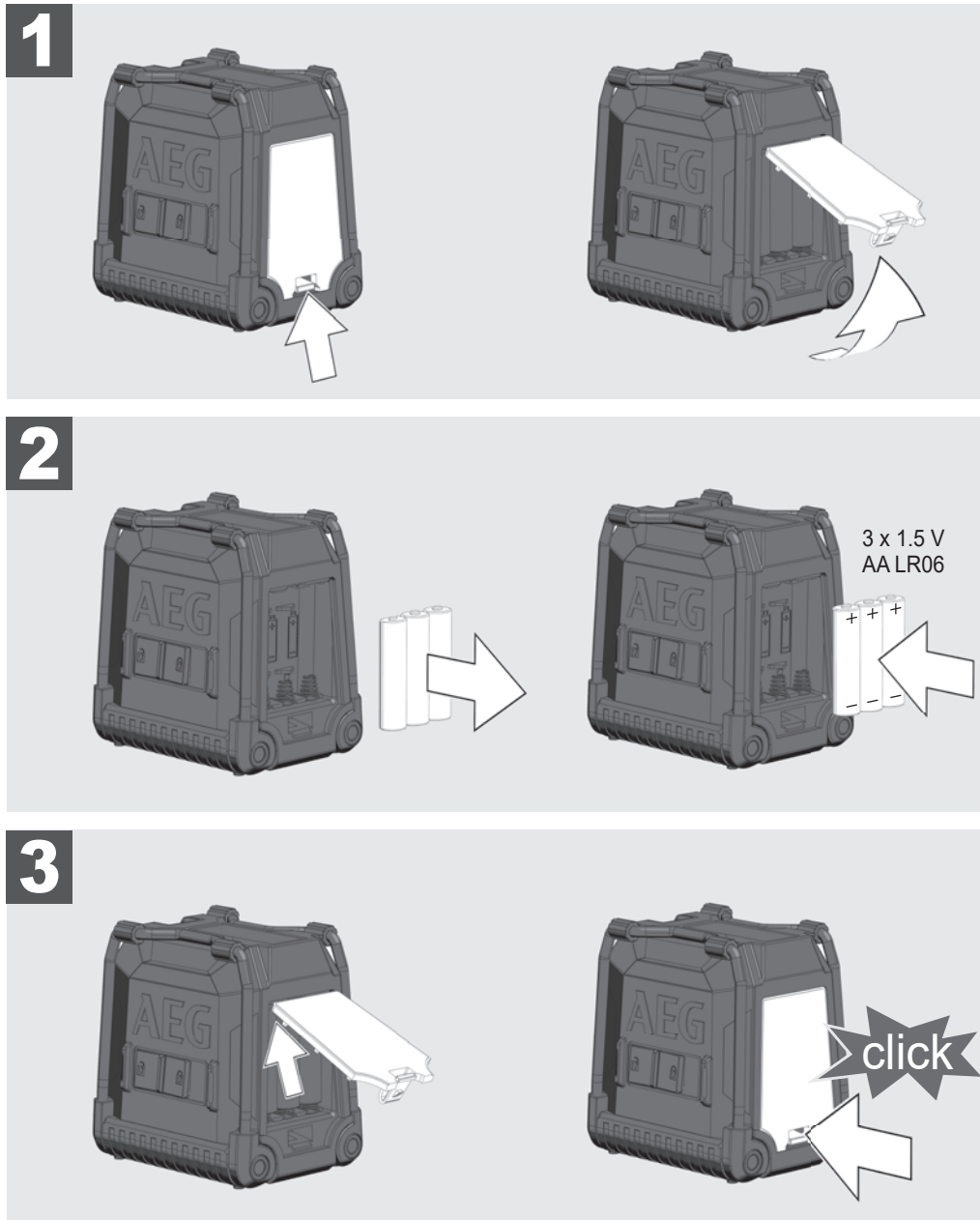
Det er allikevel fortsatt mulig å arbeide videre.

Når batteriene blir for svake, slår instrumentet seg automatisk av.

SKIFTE BATTERIER

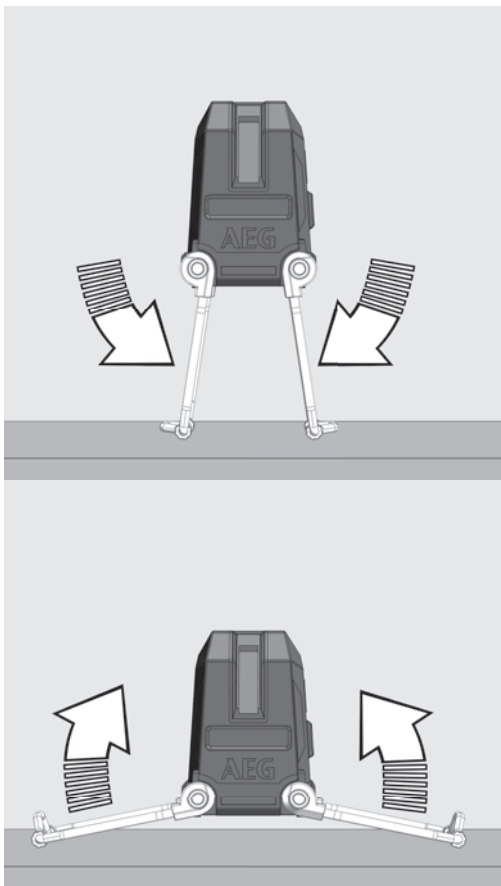
Skift batteriene dersom laserstrålen blir svakere.

Dersom laseren ikke skal brukes over lengre tid, må batteriene tas ut av batterirommet. På denne måten forhindres det at batteriene lekker, noe som igjen kan føre til korrosjonsskader.

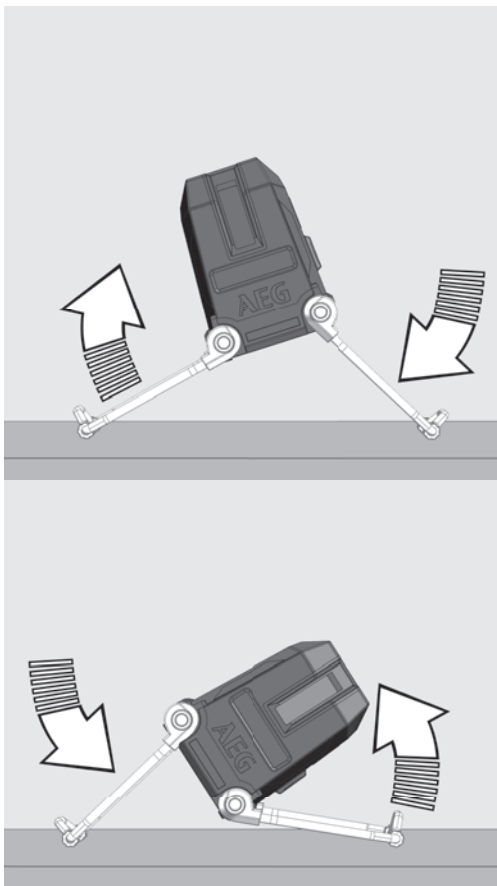


JUSTERBARE BEN

Still inn den horisontale linjen med de justerbare bena.

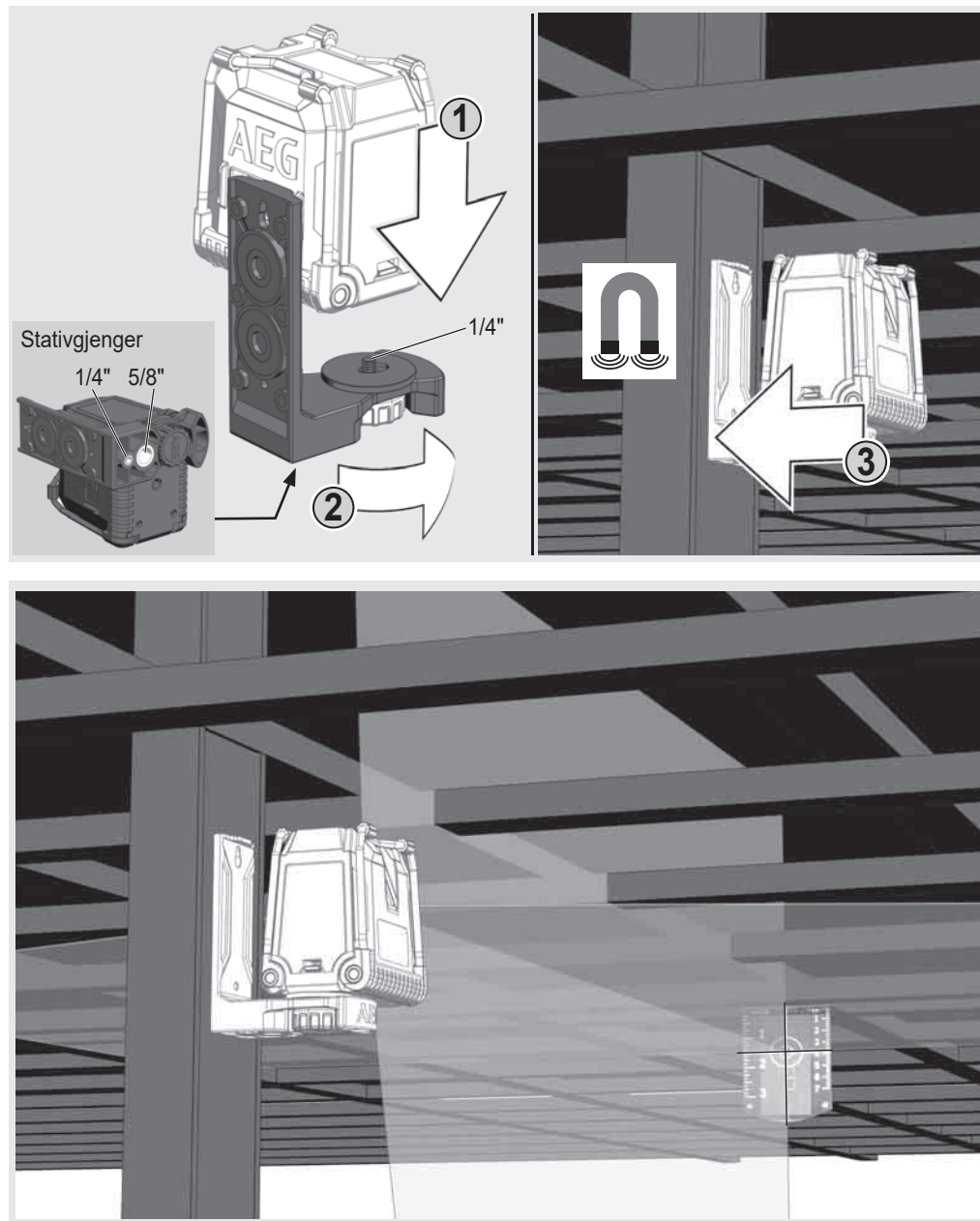


Still inn laserens helling med de justerbare bena.



MAGNETISK VEGGHOLDER OG GRØNN MÅLTAVLE

Med den magnetiske holderen kan man feste laseren til vegger, metallstrukturer o.l. Den grønne måltavlen forbedrer laserstrålens synlighet ved ugunstige betingelser og større avstander.



ARBEIDER I SELVIVELLERINGSMODUS

I selvnivelleringsmodus posisjonerer laseren seg selv innen et område på $\pm 3^\circ$. En horisontal linje, to vertikale linjer eller alle 3 linjene projiseres samtidig.

1

Still laseren på et fast, jevnt og vibrasjonsfritt underlag, eller monter den på et stativ.



2

Skyv låsebryteren på ON .

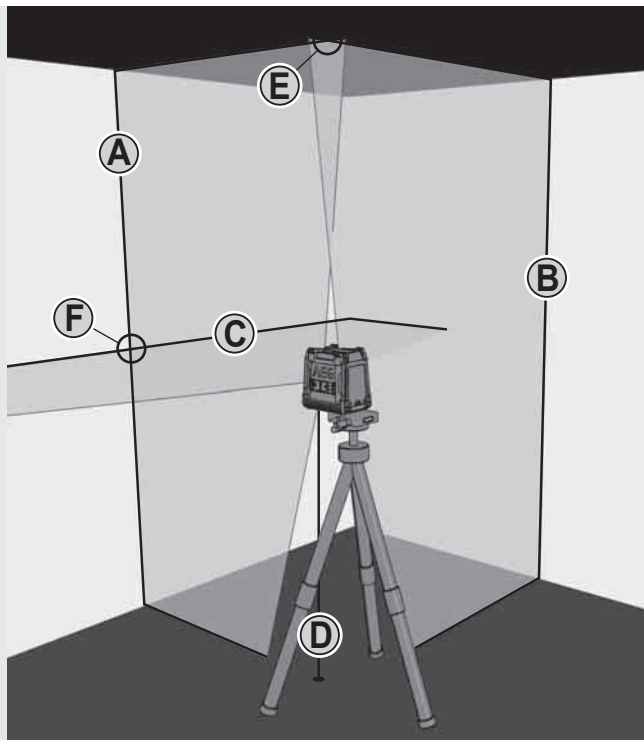


3

Laseren genererer 3 laserlinjer.

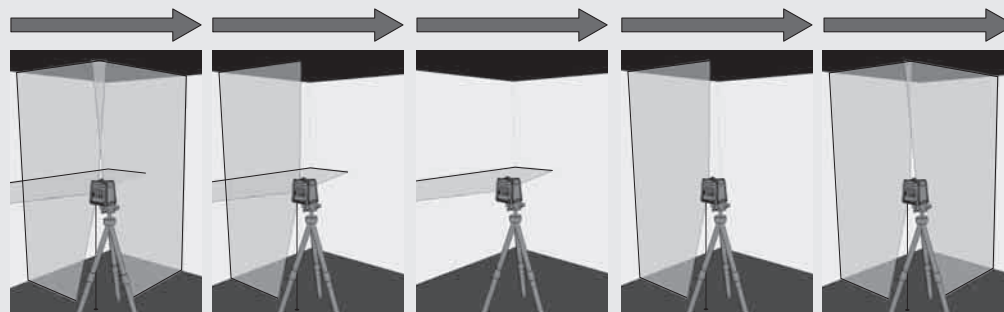
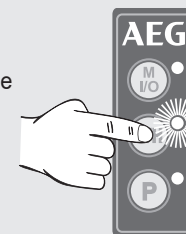
- (A) Vertikal linje forover
- (B) Vertikal linje mot siden
- (A) Horisontal linje forover
- (D) Laserpunkt (loddlinje)

Når alle linjene er aktivert, genererer laseren kryssligner oppover (E) og forover (f).



4

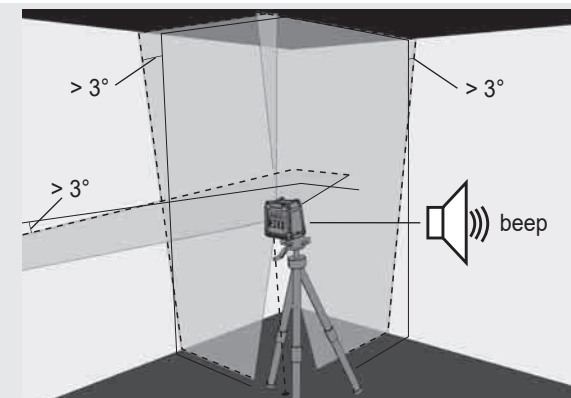
Trykk på V/H knappen for å velge ut linjene som du ønsker å arbeide med.




5

Dersom laseren til å begynne med ikke er rettet inn på $\pm 3^\circ$ når selvnivelleringen er aktivert, blinker laserlinjene - - - -, og det lyder en signaltone.

I dette tilfellet må laseren posisjonerer på nytt.



6

Før instrumentet flyttes, må låseknappen stilles på OFF . På denne måten låses pendelen fast, og laseren beskyttes.

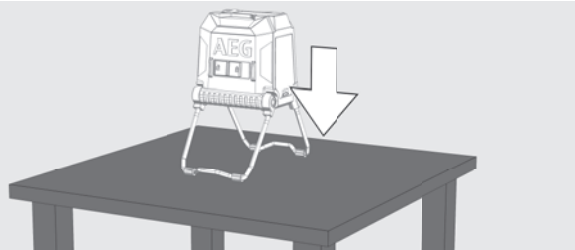


ARBEID I MANUELL MODUS

I manuell modus er selvnivelleringsfunksjonen deaktivert, og laseren kan innstilles på enhver helling for laserlinjene.

1

Still laseren på et fast, jevnt og vibrasjonsfritt underlag, eller monter den på et stativ.



2

Trykk på knappen for manuell modus (uten å forskyve låsebryteren!).

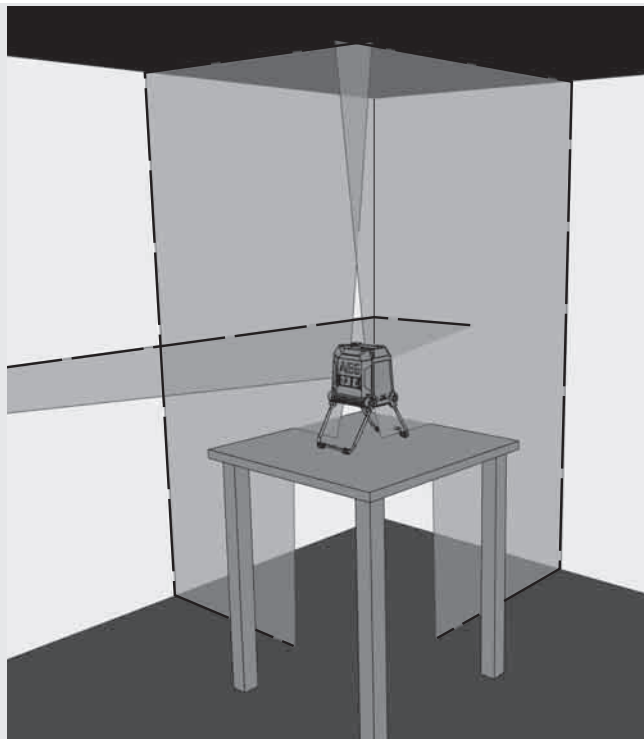
Den røde LED-en ved siden av knappen lyser.



3

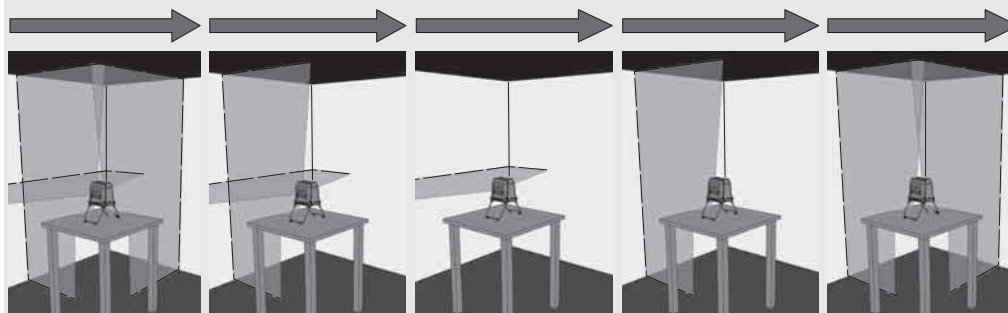
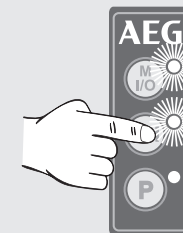
Som i selvnivelleringsmodus genererer laseren 3 laserlinjer, som imidlertid blinker i en avstand på 3 sekunder.

3 sek. 3 Sek. 3 sek.



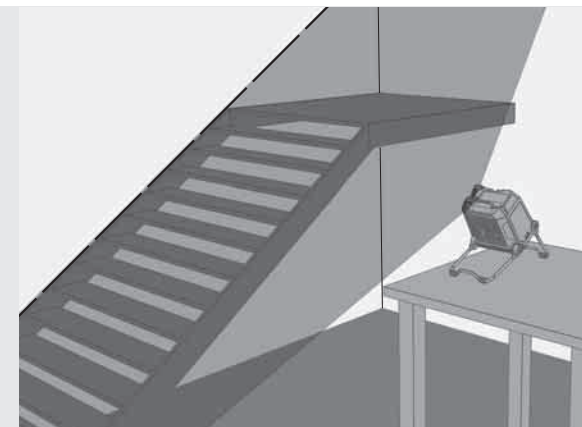
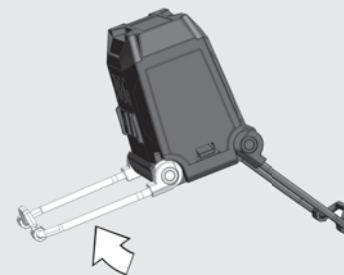
4

Trykk på V/H knappen for å velge ut linjene som du ønsker å arbeide med.




5

Still inn laseren på ønsket høyde og helling ved hjelp av bena.



6

For å avslutte manuell modus, trykk på knappen for manuell modus igjen.

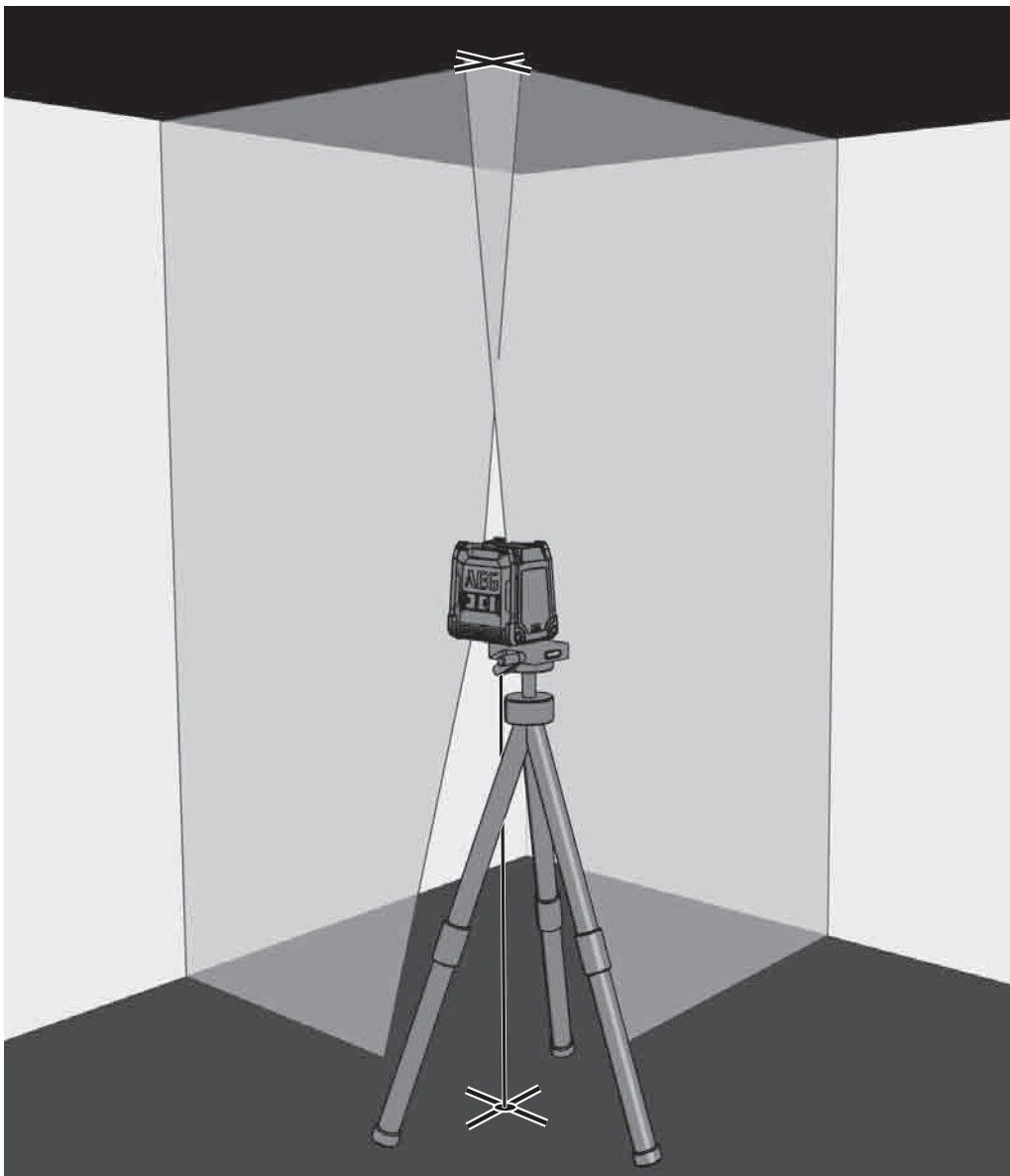
For å skifte direkte over til selvnivelleringsmodus, still låsebryteren på ON .



LODDFUNKSJON

Med loddfunksjonen kan man projisere et punkt på gulvet direkte på taket. Referansepunktet på gulvet blir tilpasset til snittpunktet for krysslinjene på taket.

Loddfunksjonen brukes eksempelvis til overføring av et referansepunkt for belynings- og ventilasjonsinstallasjonen eller til overføring av høyder.



PULSMODUSFUNKSJON

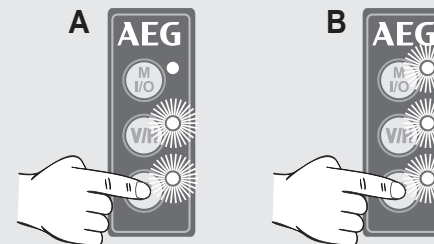
For utendørs arbeider i direkte sollys eller i sterke lysforhold samt for arbeider innendørs med en rekkevidde på inntil 50 meter, skal pulsmodus brukes med en detektor.

Detektoren er ikke med i leveringsomfanget og må kjøpes inn separat.

Når pulsmodus er aktivert, blinker laserlinjene med svært høy frekvens (usynlig for menneskeøyet), slik at detektoren kan lokalisere laserlinjene.

1

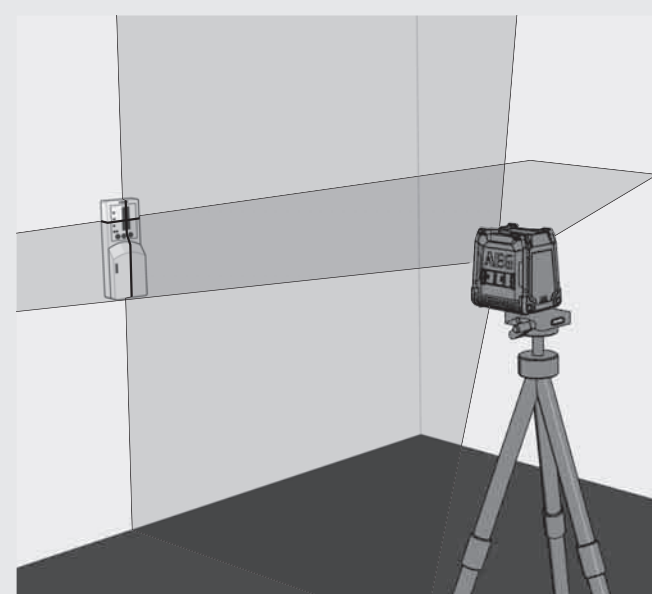
Pulsmodus kan aktiveres både i selvnivelleringsmodus (A) som i manuell modus (B).
Trykk på P knappen. Den grønne LED-en ved siden av knappen lyser.



2

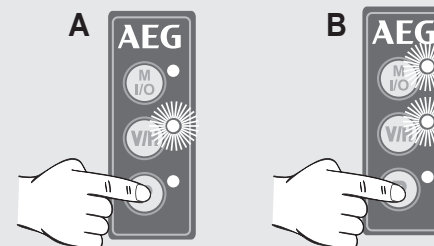
Etter at pulsmodus har blitt aktivert, reduseres laserlinjenes synlighet noe.

Utførlig informasjon som gjelder bruken av detektoren, finner du i instruksjonsboken for detektoren.



3

Trykk på P knappen igjen for å slå av pulsmodus. Den grønne LED-en ved siden av knappen slukker.



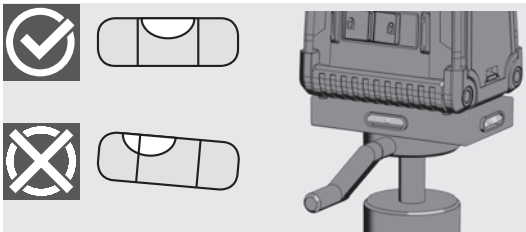
KONTROLL AV NØYAKTIGHETEN

Laseren er fullstendig kalibrert før den forlater fabrikk. AEG anbefaler å kontrollere laserens nøyaktighet regelmessig, fremfor alt dersom den har falt ned eller etter feilbetjening.

Dersom det maksimale avviket overskrides ved en kontroll av nøyaktigheten, må du henvende deg til et av våre AEG-servicesentere (se liste med garantibetingelsene og adressene til servicesentrene).

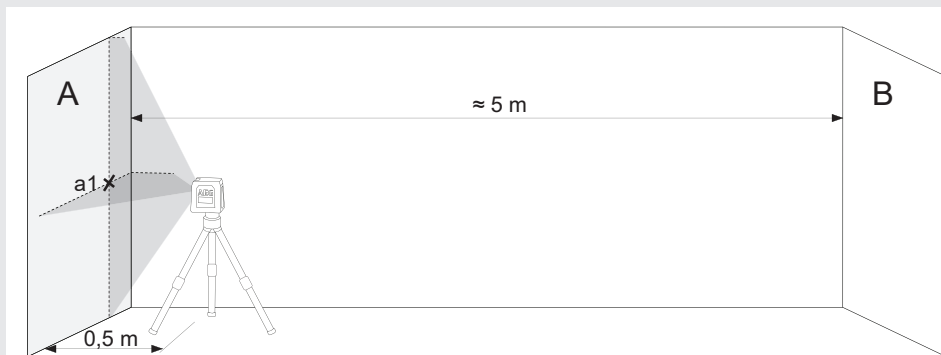
1. Kontroller den horisontale linjens høydenøyaktighet.
2. Kontroller den horisontale linjens nivelleringsnøyaktighet.
3. Kontroller den vertikale linjens nivelleringsnøyaktighet.
4. Kontroller at vinkelen mellom 2 vertikale linjer er rett.
5. Kontroller loddets nøyaktighet.

Før nøyaktigheten til laseren som er montert på stativet kontrolleres, må nivelleringen av stativet kontrolleres.



1 KONTROLL AV DEN HORIZONTAL LINJENS HØYDENØYAKTIGHET (AVVIK OPPOVER OG NEDOVER)

1. Still opp laseren på et stativ eller et jevnt underlag mellom to vegger A og B i ca. 5 m avstand fra hverandre.
2. Posisjoner laseren ca. 0,5 m fra vegg A.
3. Aktiver selvnivelleringsmodus og trykk på knappen for å projisere den horisontale og vertikale linjen på vegg A.
4. marker snittpunktet for de to linjene som punkt a1 på vegg A.



5. Drei laseren 180° i retning av vegg B og marker snittpunktet for de to linjene som b1 på vegg B.



6. Still opp laseren ca. 0,5 m fra vegg B.
7. Marker snittpunktet for de to linjene som punkt b2 på vegg B.



8. Drei laseren 180° i retning av vegg A og marker snittpunktet for de to linjene som a2 på vegg A



9. Mål avstandene:

$$\Delta a = |a2 - a1|$$

$$\Delta b = |b1 - b2|$$

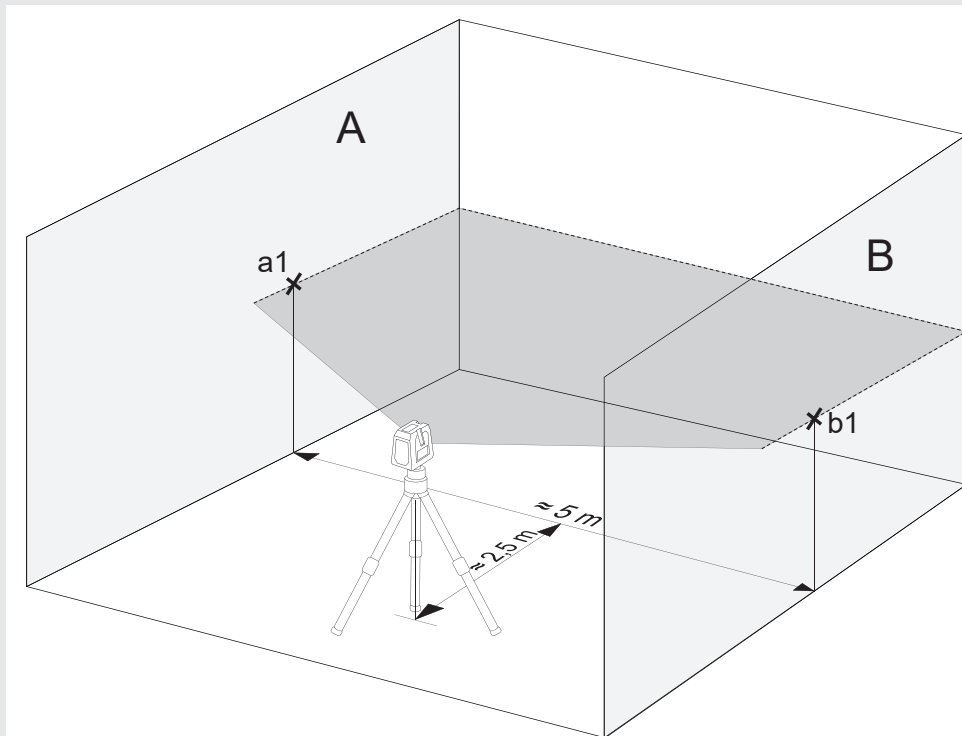
10. Die Differansen $|\Delta a - \Delta b|$ må ikke være større enn 2 mm.

2

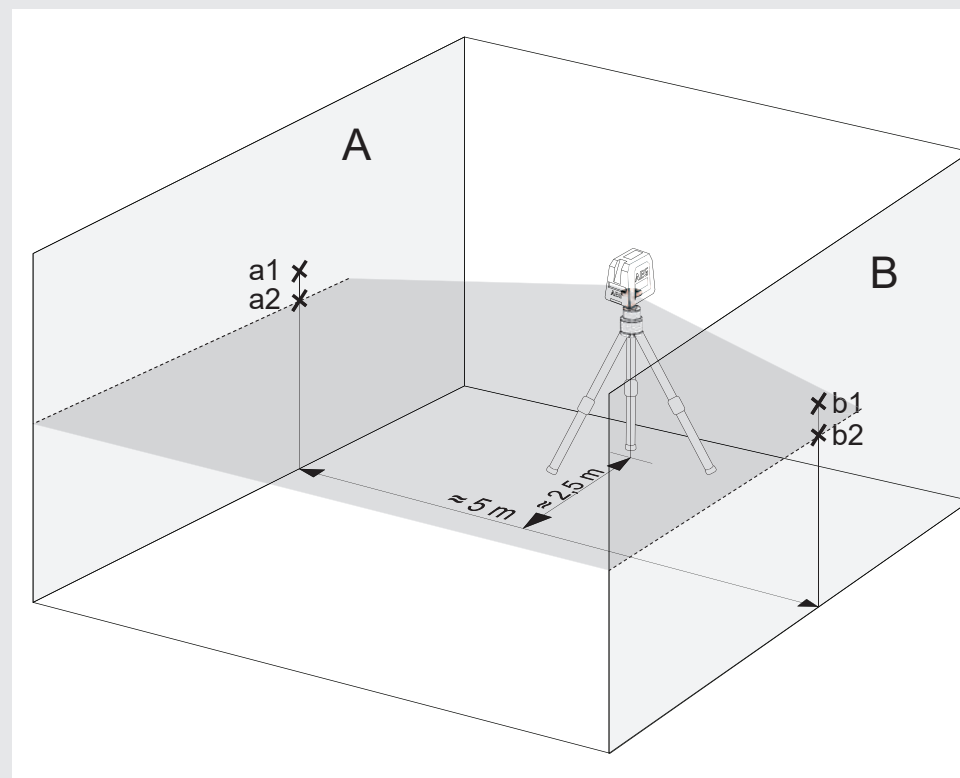
KONTROLLER DEN HORIZONTAL LINJENS NIVELLERINGSNØYAKTIGHET (AVVIK FRA DEN ENE SIDEN TIL DEN ANDRE)

Til denne kontrollen behøves det en fri flate på ca. 5 × 5 m.

1. Still opp laseren på et stativ eller et fast underlag mellom to vegger A og B i ca. 5 m avstand fra hverandre.
2. Still opp laseren ca. 2,5 m fra midten av rommet.
3. Aktiver selvnivelleringsmodus og trykk på knappen for å projisere den horisontale linjen på veggene A og B.
4. Marker laserlinjens midtpunkt på vegg A med a1 og på vegg B med b1.



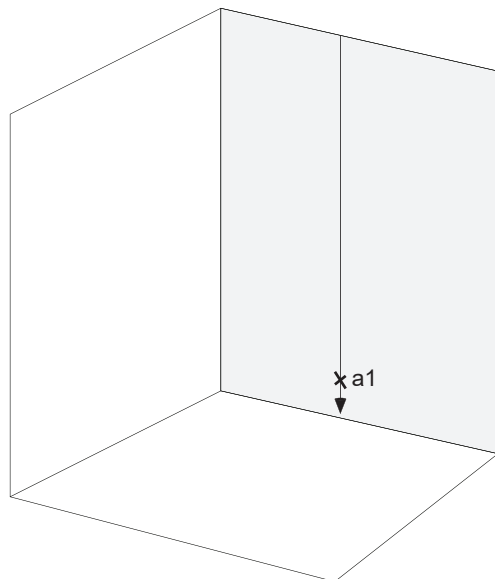
5. Flytt laseren ca. 5 m og dreii den samtidig 180°, og projiser den horisontale linjen på veggene A og B igjen.
6. Marker laserlinjens midtpunkt på vegg A med a2 og på vegg B med b2.



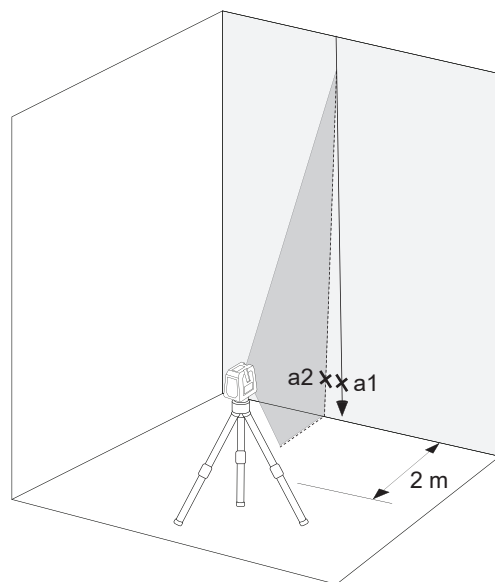
7. Mål avstandene:
 $\Delta a = |a2 - a1|$
 $\Delta b = |b1 - b2|$
8. Die Differansen $|\Delta a - \Delta b|$ må ikke være større enn 2 mm.

3 KONTROLLER DEN VERTIKALE LINJENS NIVELLERINGSNØYAKTIGHET.

1. Heng opp en ca. 4 m lang loddsnor på en vegg.
2. Etter at blyloddet har pendlet seg ferdig, marker punktet a1 på veggen over blykjeglen.



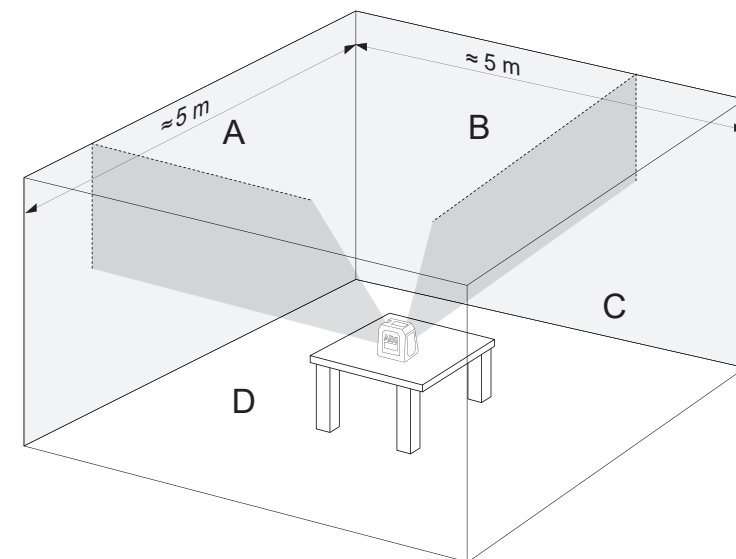
3. Still opp laseren på et stativ eller et jevnt underlag mellom to vegger A og B i ca. 2 m avstand fra veggen.
4. Aktiver selvnivelleringsmodus og trykk på knappen for å projisere den vertikale linjen på loddsnoren.
5. Drei laseren slik at den vertikale linjen stemmer overens med opphenget til loddsnoren.
6. Marker punktet a2 i midten av den vertikale linjen i samme høyde som a1 på veggen.
7. Avstanden mellom a1 og a2 må ikke være større enn 1 mm.



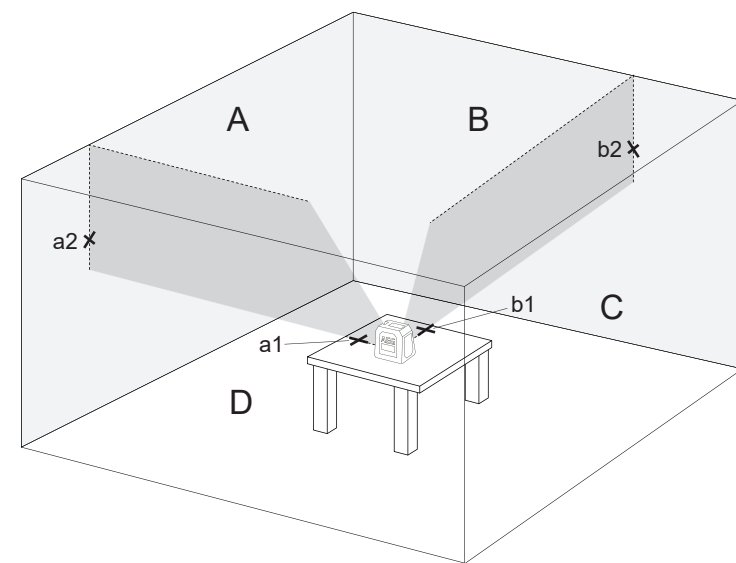
4 KONTROLL AV AT VINKELEN MELLOM 2 VERTIKALE LINJER ER RETT

Til denne kontrollen er det nødvendig med et rom med 4 vegger og en grunnflate på minst 5 x 5 m.

1. Still laseren på et bord eller på gulvet i midten av rommet.
2. Aktiver selvnivelleringsmodus og trykk på knappen F/H 4 ganger for å projisere de vertikale linjene forover og mot siden.

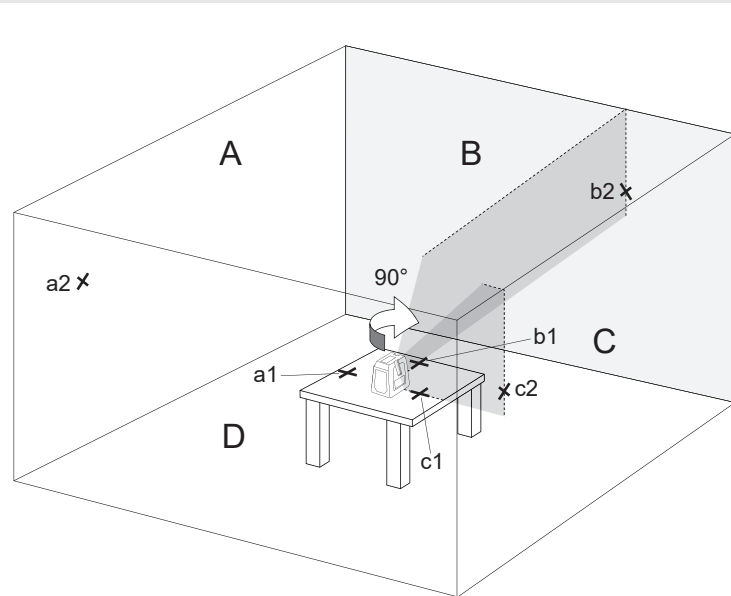


3. Marker midten av linjen som er projisert forover på 2 steder: Punkt a1 på bordet nær laseren og punkt a2 på vegg A.
4. Marker midten av linjen som er projisert mot siden på 2 steder: Punkt b1 på bordet nær laseren og punkt b2 på vegg B.

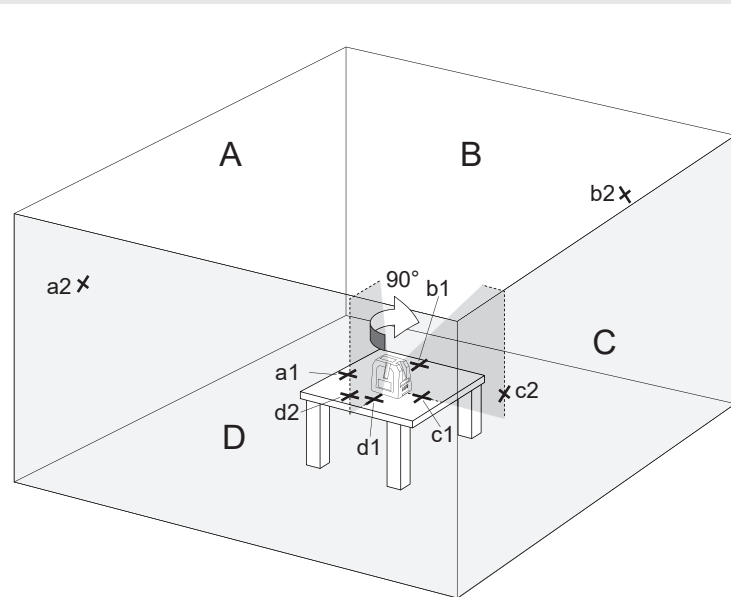


KONTROLL AV AT VINKELN MELLOM 2 VERTIKALE LINJER ER RETT.

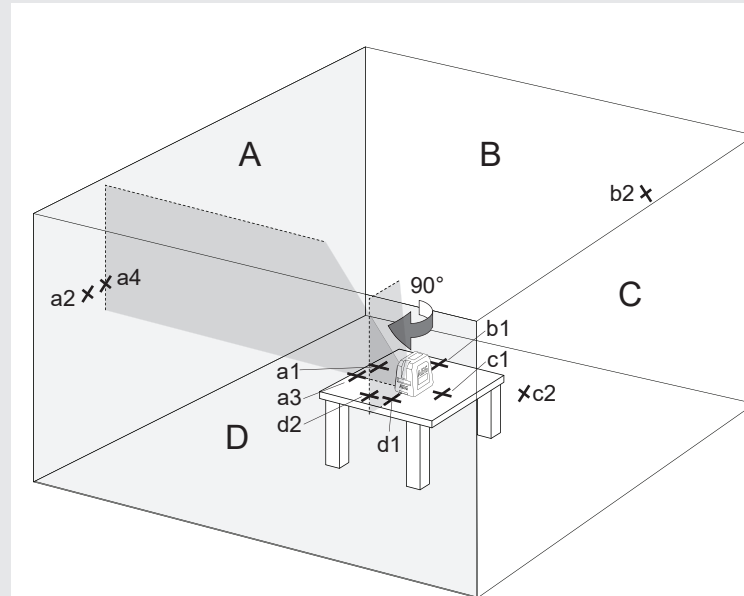
5. Drei laseren 90° medurs, slik at laserlinjen som er rettet forover treffer markeringene b1 på bordet og b2 på vegg B.
6. Marker midten av linjen som er projisert mot siden på 2 steder: Punkt c1 på bordet nær laseren og punkt c2 på vegg C.



7. Drei laseren 90° medurs, slik at laserlinjen som er rettet forover treffer markeringene c1 på bordet og c2 på vegg C.
8. Marker midten av linjen som er projisert mot siden på 2 steder: Punkt d1 på bordet nær laseren og punkt d2 på vegg D.



9. Drei laseren 90° medurs, slik at laserlinjen som er rettet forover treffer markeringene d1 på bordet og d2 på vegg D.
10. Marker midten av linjen som er projisert mot siden på 2 steder: Punkt a3 på bordet nær punkt a1 og punkt a4 på vegg A nær punkt a2.

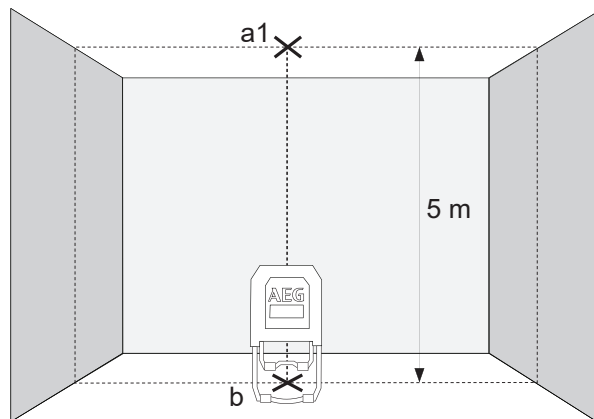


11. Mål avstandene:
 $\Delta 1$ = fra a1 til a3
 $\Delta 2$ = fra a2 til a4
12. Differansen $|\Delta 2 - \Delta 1|$ må ikke være større enn 4 mm.

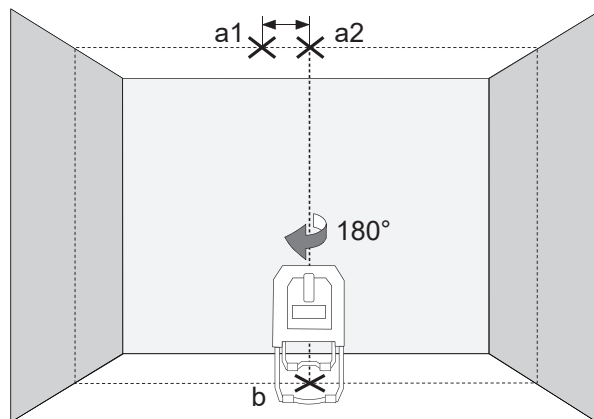
5 KONTROLLER LODDETS NØYAKTIGHET

Til denne kontrollen er det nødvendig med et rom med en takhøyde på ca. 5 m.

1. Slå ut laserbena og still instrumentet på gulvet.
2. Aktiver selvnivelleringsmodus og trykk på knappen for å projisere de vertikale krysslinjene på taket og loddpunktet på gulvet.
3. Marker midten av krysslinsen som er rettet oppover som punkt a1 på taket (se illustrasjonen).
4. Marker loddpunktets midtpunkt som punkt b på gulvet.



5. Drei laseren 180° og posisjon den slik at loddpunktets midtpunkt faller på det allerede markerte punkt be og vent inntil instrumentet har nivellert seg.
6. Marker midten av krysslinsen som er rettet oppover som punkt a2 på taket.
7. Avstanden mellom punktene a1 og a2 på taket angir hvor mye laserlinjen avviker fra ideell loddrett linje. Ved en målestrekning på 5 m er maksimalt tillatt avvik: $5 \text{ m} \times (\pm 0,6 \text{ mm/m}) \times 2 = \pm 6 \text{ mm}$.
8. Avstanden mellom a1 og a2 må ikke være større enn 6 mm.



INNEHÅLL

Viktiga säkerhetsföreskrifter	1
Skötsel	2
Tekniska data	2
Avsedd användning	2
Översikt	3
Indikering svagt batteri	4
Byta batterier	4
Ställbara ben	5
Magnetisk vägghållare och grön måltavla	5
Arbeta i självnivelleringsläge	6
Arbeta i manuellt läge	7
Lodfunktion	8
Pulslägesfunktion	8
Kontrollera noggrannhet	9

VIKTIGA SÄKERHETSFÖRESKRIFTER



OBSERVERA! VARNING! FARA!

Använd inte denna produkt utan att läsa säkerhetsföreskrifter och handbok på bifogad CD.

Laserklassificering



VARNING:

Produkten motsvarar klass 2 enligt: EN60825-1:2014 .



Varning:

Utsätt inte ögonen direkt för laserstrålen. Laserstrålen kan orsaka allvarliga ögonskador och/eller blindhet.

Titta inte direkt in i laserstrålen och rikta inte strålen mot andra personer i onödan.

Observera! Vid vissa typer av användning kan det laseremitterande instrumentet finnas bakom dig. Var i så fall försiktig när du vänder dig om.

Varning:

Använd inte lasern i närheten av barn och låt inte barn använda lasern.

Varning! En reflekterande yta kan kasta tillbaka laserstrålen till användaren eller andra personer.

Varning: Användning av manöverkomponenter och inställningar eller andra förfaranden resp. metoder som inte nämns i manualen kan orsaka farlig strålbekstrålning.

Om lasern förs från en varm omgivning till en kall omgivning (eller tvärt om), måste den anpassa sig till den nya omgivningstemperaturen innan den används.

Förvara inte lasern utomhus och skydda den mot slag, konstant vibration och extrema temperaturer.

Skydda lasermätinstrumentet mot damm, fukt och hög luftfuktighet. Detta kan förstöra komponenter inne i instrumentet påverka noggrannheten.

Om laserstrålningen hamnar i ögonen, slut ögonen och vänd omedelbart bort huvudet från strålen.

Se till att du placerar laserstrålen så att inte du själv eller andra personer kan bländas av den.

Titta inte in i laserstrålen med förstöringsapparater, som kikare eller teleskop. Detta kan leda till ökad risk för allvarliga ögonskador.

Observera att laserglasögon är till för att bättre kunna se laserlinjerna men de skyddar inte ögonen mot laserstrålning.

Varnings skyltar på laserinstrumentet får inte tas bort eller göras oläsliga.

Demontera inte lasern. Laserstrålning kan orsaka allvarliga ögonskador.

Säkerställ innan lasern transporteras att pendelspärren är fasthakad.

OBS: Om pendelspärren inte är fasthakad kan under transporten skador uppstå inuti instrumentet.

Använd inga aggressiva rengöringsmedel eller lösningsmedel. Rengör endast med en ren, fuktig trasa.

Skydda lasern mot hårda stötar och fall. Efter ett fall eller kraftig mekanisk påverkan ska instrumentets noggrannhet kontrolleras innan det används.

Om denna laser-apparat behöver repareras så får endast auktoriserad fackpersonal utföra reparationen.

Använd inte produkten i aggressiv eller explosiv miljö.

Ta ut batterierna ur batterifacket innan längre perioder då instrumentet inte används. På så sätt kan det undvikas att batterierna läcker och orsakar korrosionsskador.

ömma batterier får inte avfallshandteras som hushållsopor. Tänk på miljön och lämna in batterierna till närmaste återvinningsstation enligt gällande miljölagstiftning. Instrumentet får inte avfallshandteras som hushållsopor. Se till att instrumentet skrotas på ett ådant sätt att nationella regler efterlevs. Följ nationella och landsspecifika regler. Kontakta de lokala myndigheterna eller återförsäljaren om du har frågor som gäller avfallshandtering.



Europeiskt konformitetsmärke

SKÖTSEL

Torka av laserns objektiv och hus med en mjuk, ren trasa. Använd inga lösningsmedel.

Även om lasern till viss mån är damm- och smutstålig bör den inte förvaras på en dammig plats under längre tid eftersom detta kan leda till att inre, rörliga delar skadas.

Om lasern skulle bli blöt ska de torkas innan den läggs ner i väskan så att inga rostskador uppstår.

TEKNISKA DATA

Laserklass	2
Självnivelleringsområde	±3°
Självnivelleringstid	3–5 s
Batterityp	LR6 alkalibatteri av typ AA
Spänning DC	3 × 1,5 V
Strömförbrukning	0,35 A
Skyddsklass (stänkvatten och damm)	IP54
Funktioner	horisontell linje, 2 vertikala linjer, korslinjer, lodfunktion
Pulsläge	Frekvens 10 kHz
Projektioner	3 gröna linjer, 1 röd punkt
Laserlinjemönster	Horisontell linje framåt, vertikallinje framåt, vertikal linje åt sidan och lodpunkt. Horisontella och vertikala korslinjer framåt och lodpunkt. Horisontell linje. Vertikal linje framåt och lodpunkt. Vertikala linjer framåt och åt sidan och lodpunkt. (Visningen av lodpunkten nedåt fungerar bara i självnivelleringsläget, inte vid manuell drift.)
Drifttid	6 timmar
Stativgänga	1/4"
Lämplig detektor	för standardmässig grön multipellinjelas
Laserlinje	Bredd 2,5 mm ±0,5 mm/5 m Våglängd λ 520 ±10 nm Laserklass II Noggrannhet ±0,2 mm/m Öppningsvinkel > 120° Färg grön Räckvidd 30 m (med detektor 50 m)

Lodpunkt	Våglängd laserpunkt 635 ±5 nm laserklass II Max. effekt laserpunkt < 1 mW Lodnoggrannhet ±0,6 mm/1 m Laserpunktfärg rot Räckvidd 5 m
Rekommenderad drifttemperatur	-10 °C till +45 °C
Lagertemperatur	-20 °C till +60 °C
Mått	106 mm × 88 mm × 105 mm
Vikt (inkl. batterier)	710 g

AVSEDD ANVÄNDNING

Den här innovativa lasern är konstruerad för ett brett professionellt användningsområde, som t.ex.

- inriktning av kakel, marmorplattor, skåp, bårder, formdelar och kantband
- markering av baslinjer för montering av dörrar, fönster, skenor, trappor, staket, portar, verandor och pergolor
- överföring av referenspunkter för belysnings- och ventilationsinstallationer, överföring av höjder, nivellering av yttreväggar och reglade väggar, installation av skenor på golv liksom för övriga professionella arbeten.
- För bestämning och kontroll av horisontella och vertikala linjer.

Denna produkt får endast användas på det sätt som beskrivs under avsedd användning.

Gummistabilisatorer

Ställbara ben

Fönster vertikal laserlinje framåt

Fönster horisontal laserlinje

ON  / OFF  Spärrbrytare



Manöverpanel

AEG

M
I/O

V/H

P

LED-indikering manuellt läge

Knapp manuellt läge

För att slå på och stänga av manuellt läge

LED-indikering val av laserlinje (lyser konstant)

LED-indikering svagt batteri (blinker)

Väljarknapp laserlinje

Val mellan Vertikal linje framåt, Vertikal linje åt sidan, Horisontell linje framåt eller en kombination av dessa linjer.

LED-indikering pulsläge

Knapp pulsläge

För arbeten utomhus vid direkt solstrålning eller ljusa ljusförhållande samt för användningar inomhus med en räckvidd på upp till 50 m ska pulsläget användas med en 10-kHz detektor.

Fönster vertikal laserstål åt sidan

Lock till batterifack

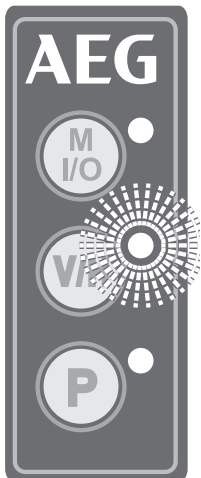


Röd lodpunkt

1/4" stativgänga



INDIKERING SVAGT BATTERI



Vid låg batterinivå minskar laserns belysningskraft och indikeringen (grön lysdiod bredvid knappen V/H) börjar blinka med en frekvens på 0,5 sekunder.

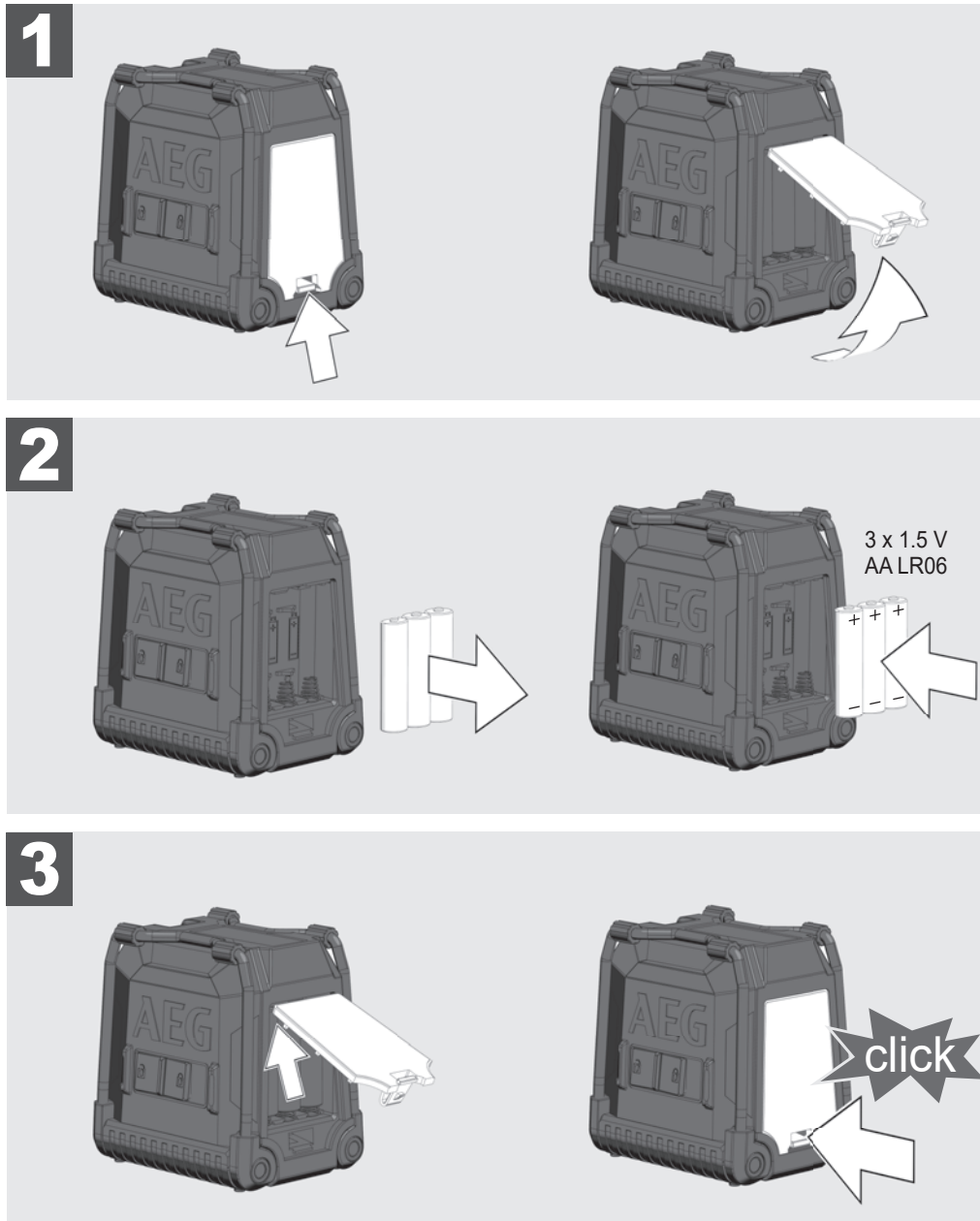
Det är dock möjligt att fortsätta arbetet.

Om batterierna blir för svaga stängs instrumentet av automatiskt.

BYTA BATTERIER

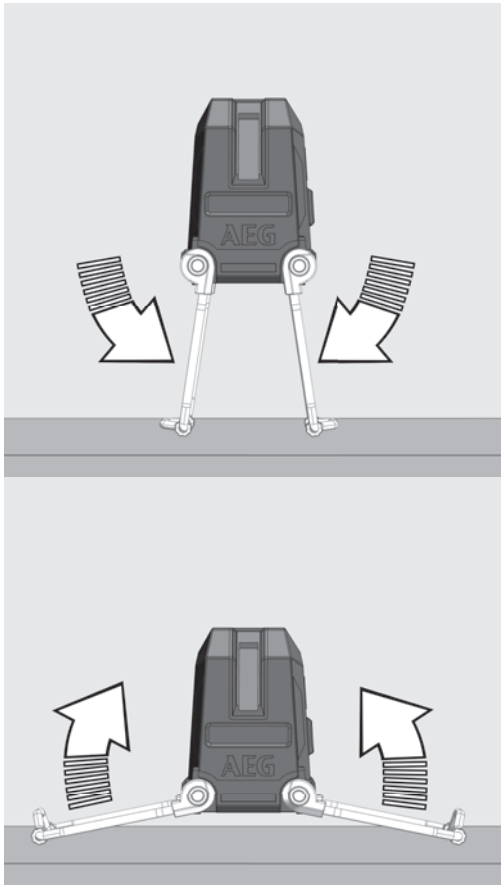
Byt batterierna om laserstrålen blir svagare.

Ta ut batterierna ur batterifacket innan längre perioder då lasern inte används. På så sätt kan det undvikas att batterierna läcker och orsakar korrosionsskador.

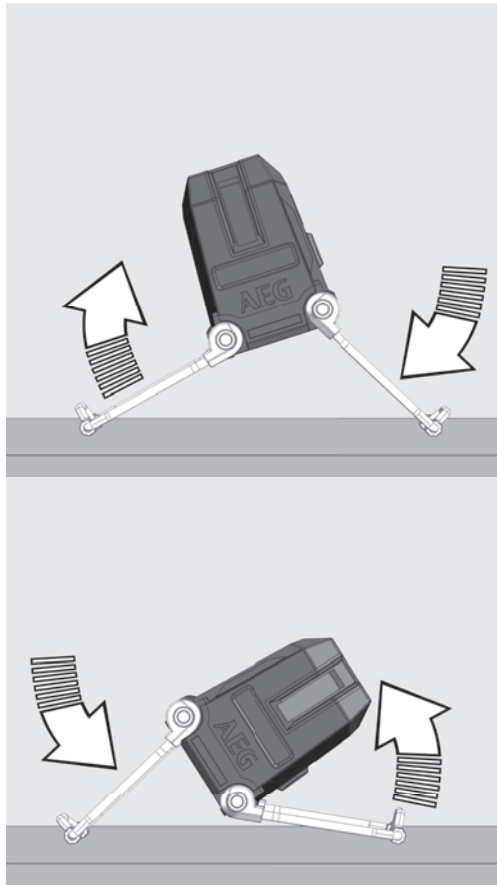


STÄLLBARA BEN

Ställ in den horisontella linjes höjd med de ställbara benen.

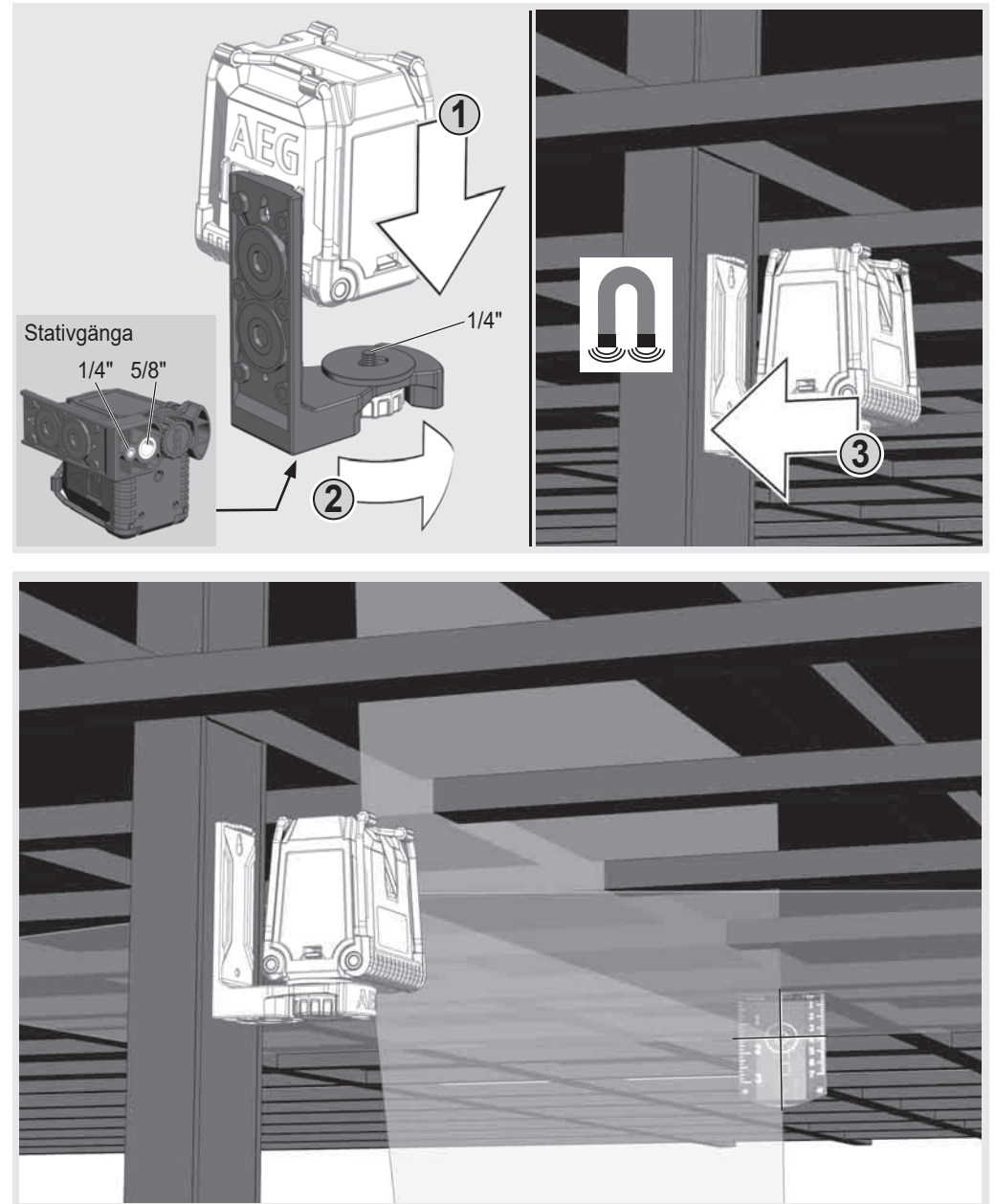


Ställ in laserns lutning med de ställbara benen.



MAGNETISK VÄGGHÅLLARE OCH GRÖN MÅLTAVLA

Med den magnetiska hållaren kan lasern fästas på väggar, metallstrukturer eller liknande. Den gröna måltavlan förbättrar laserstrålens synlighet vid ogynnsamma förhållanden och större avstånd.



ARBETA I SJÄLVNIVELLERINGSLÄGE

I självnivelleringsläget riktar lasern in sig själv i ett område på $\pm 3^\circ$. En horisontell linje, två vertikala linjer eller alla 3 linjer projiceras samtidigt.

1

Ställ lasern på ett fast, jämnt och vibrationsfritt underlag eller montera den på ett stativ.



2

Skjut spärribrytaren till ON .

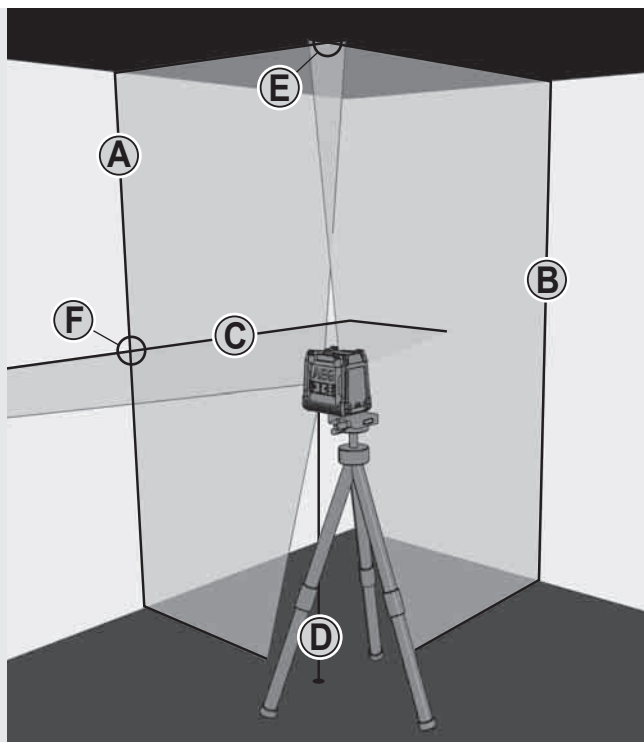


3

Lasern skapar 3 laserlinjer.

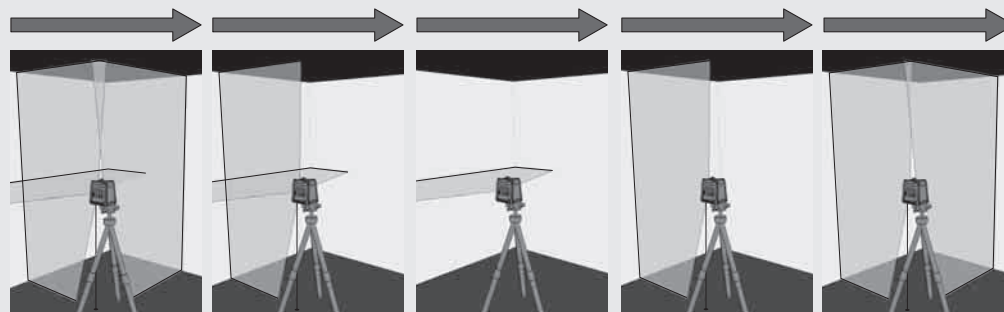
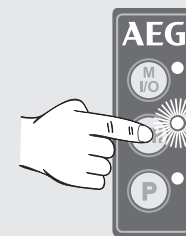
- (A) Vertikal linje framåt
- (B) Vertikal linje åt sidan
- (C) Horisontell linje framåt
- (D) Laserpunkt (lodlinje)

När alla linjer är arkiverade skapar lasern korslinjer uppåt (E) och framåt (F).



4

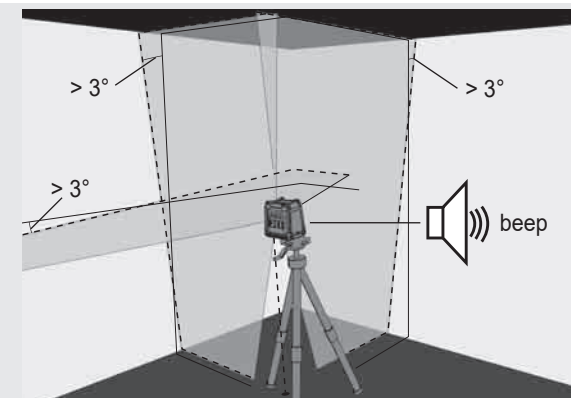
Tryck på knappen V/H för att välja med vilken linje du vill arbeta.




5

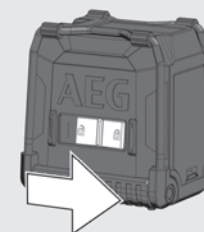
Om lasern med aktiverad självnivellering i början inte är inriktad på $\pm 3^\circ$ blinkar laserlinjerna - - - - och en signalton ljuder.

Positioner i så fall om lasern.



6

Ställ innan instrumentet flyttas om spärribrytaren till OFF . På så sätt spärras pendeln och lasern skyddas.

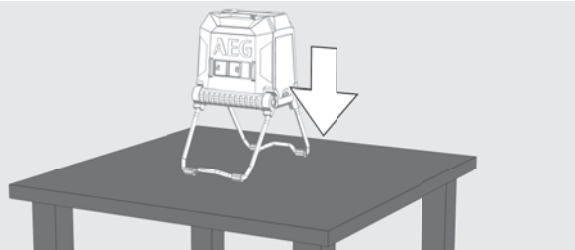


ARBETA I MANUELLT LÄGE

I manuellt läge är självnivelleringen avaktiverad och laser kan ställas in till valfri lutning hos laserlinjerna.

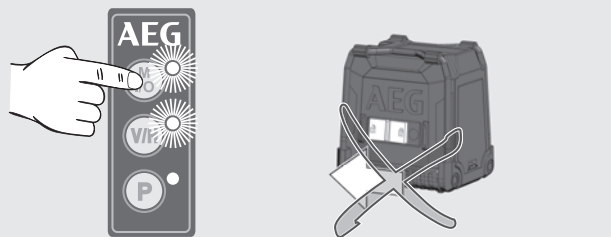
1

Ställ lasern på ett fast, jämnt och vibrationsfritt underlag eller montera den på ett stativ.



2

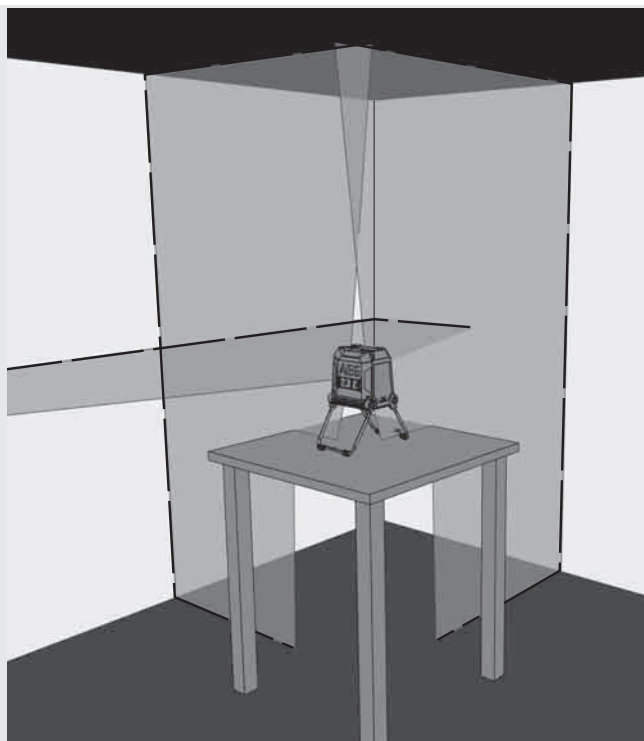
Tryck på knappen för manuellt läge (utan att förskjuta spärribrytaren!). Den röda lysdioden bredvid knappen tänds.



3

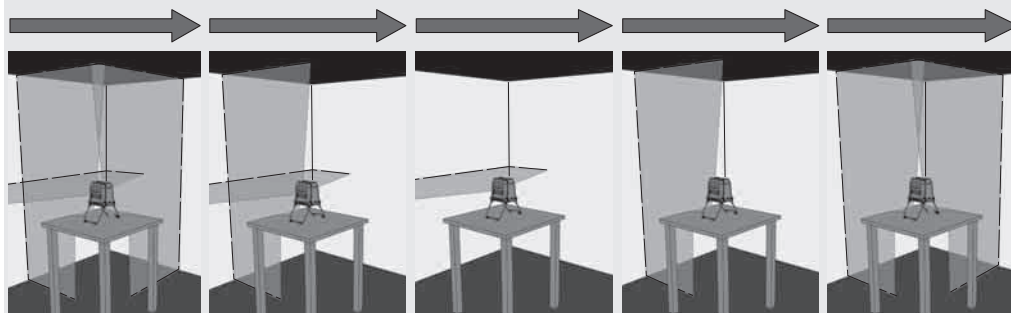
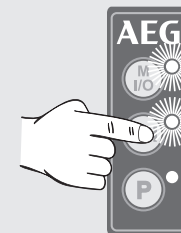
Liksom vid självnivelleringsläget skapar lasern 3 laserlinjer som dock blinkar med intervall på 3 sekunder.

3 sek. 3 sek. 3 sek.



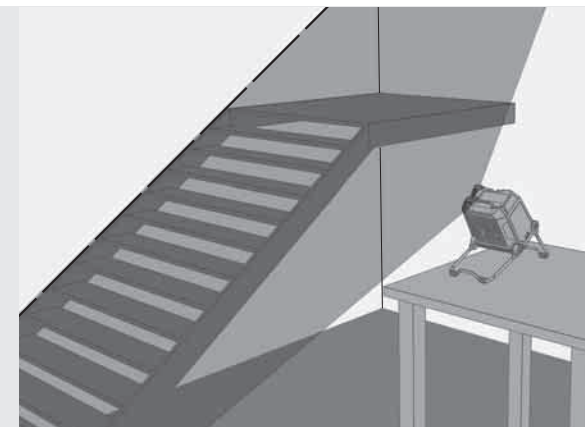
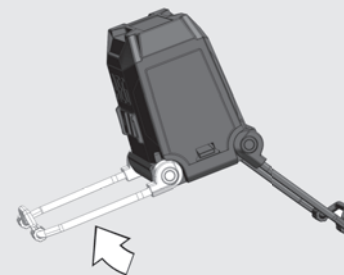
4

Tryck på knappen V/H för att välja med vilken linje du vill arbeta.




5

Ställ in lasern till önskad höjd och lutning med hjälp av benen.



6

För att avsluta det manuella läget, tryck en gång till på knappen för manuellt läge.

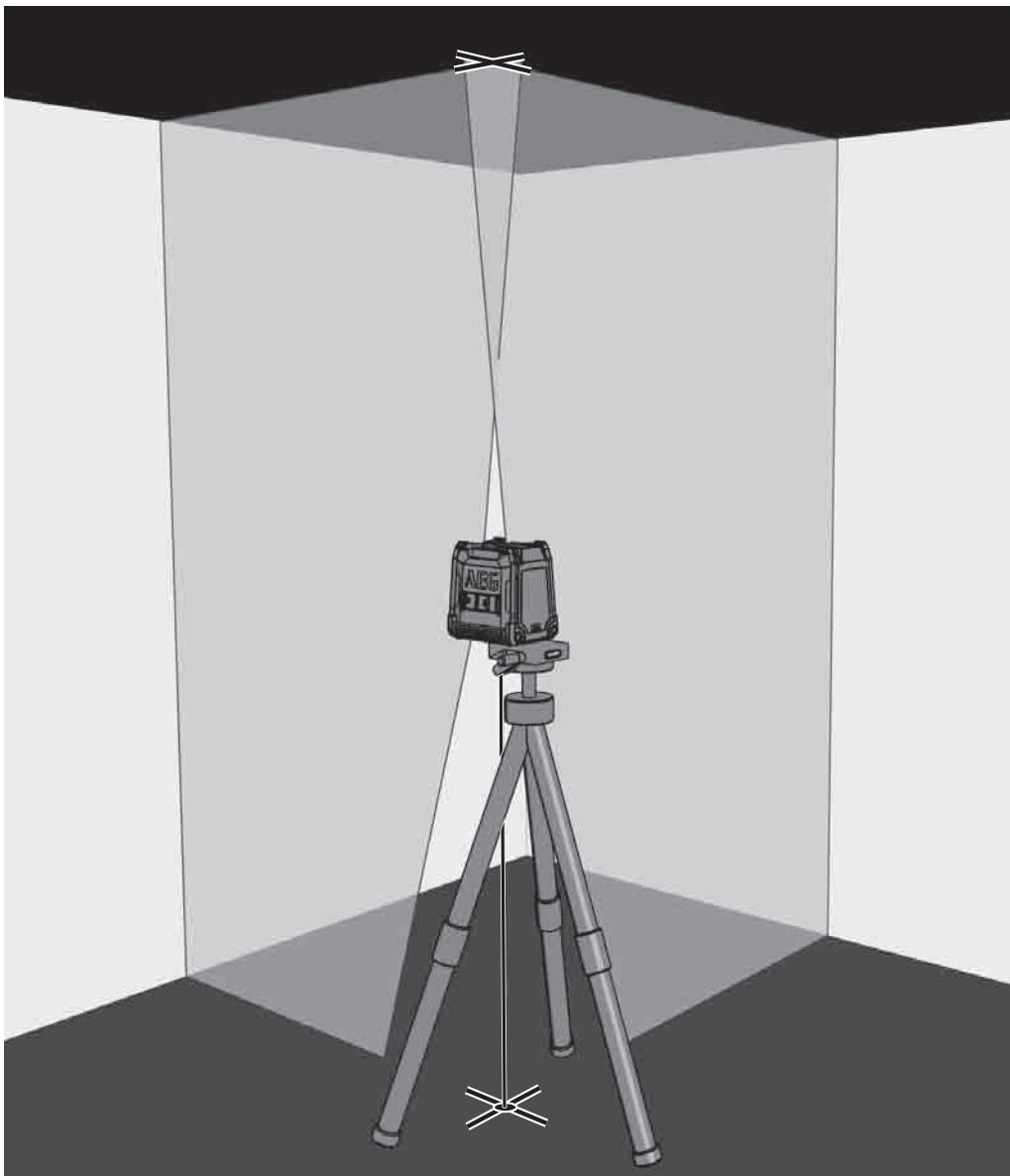
För att gå direkt till självnivelleringsläget, ställ spärribrytaren på ON .



LODFUNKTION

Med lodfunktionen kan en punkt projiceras lodrätt mot innertaket. Referenspunkten på golvet riktas in mot korslinjernas skärningspunkt på innertaket.

Lodfunktionen används exempelvis för att föra över en referenspunkt för belysnings- och ventilationsinstallationen eller för överföring av höjder.



PULSLÄGESFUNKTION

För arbeten utomhus vid direkt solstrålning eller ljusa ljusförhållande samt för användningar inomhus med en räckvidd på upp till 50 meter ska pulsläget användas med en detektor.

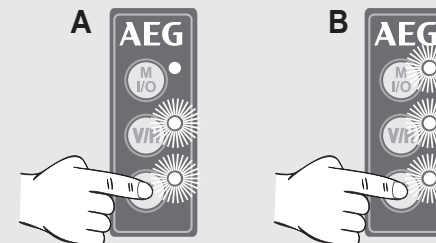
Detektorn ingår inte i leveransen utan måste köpas separat.

Vid aktiverat pulsläge blinkar laserlinjerna med mycket hög frekvens (osynlig för det mänskliga ögat) så att detektorer kan lokalisera laserlinjerna.

1

Pulsläget kan aktiveras både i självnivelleringsläget (A) och i det manuella läget (B).

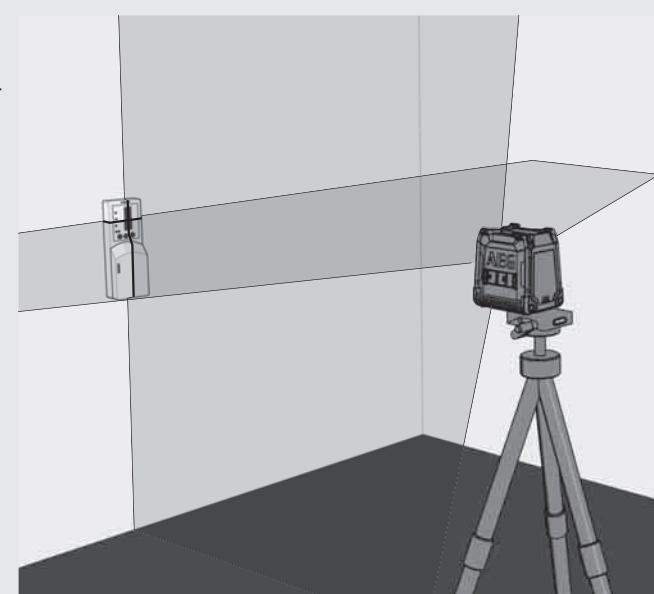
Tryck på knappen P. Den gröna lysdioden bredvid knappen tänds.



2

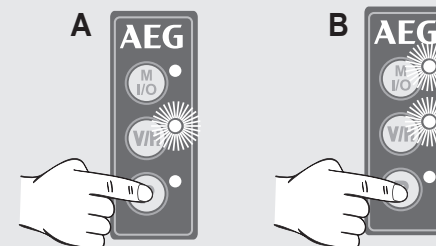
Efter aktivering av pulsläget minskar laserlinjernas synlighet något.

Utförlig information om användning av detektorn hittar du i detektorns bruksanvisning.



3

Tryck på knappen P igen för att stänga av pulsläget. Den gröna lysdioden bredvid knappen slocknar.



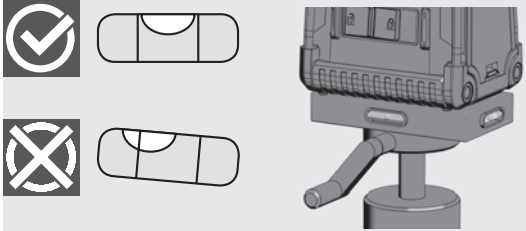
KONTROLLERA NOGGRANNHET

Lasern kalibreras komplett på fabriken. AEG rekommenderar att laserns noggrannhet kontrolleras regelbundet, framförallt efter ett fall eller efter felaktig användning.

Om den maximala avvikelserna överskrider vid en kontroll av noggrannheten, kontakta ett av våra AEG-servicecenter (se lista med garantivillkoren och adresser till servicecenter).

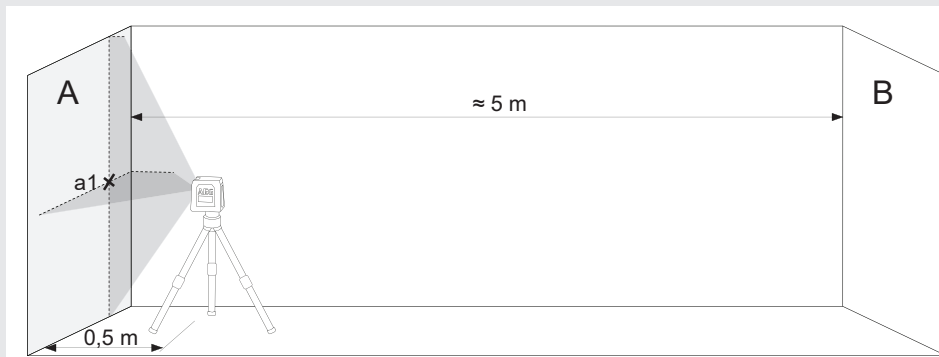
1. Kontrollera den horisontella linjens höjdnoggrannhet.
2. Kontrollera den horisontella linjens nivelleringsnoggrannhet.
3. Kontrollera den vertikala linjens nivelleringsnoggrannhet.
4. Kontrollera rätvinkligheten mellan 2 vertikala linjer.
5. Kontrollera lodnoggrannhet.

Innan noggrannheten hos den på stativet monterad lasern kontrolleras, kontrollera först stativets nivellering.

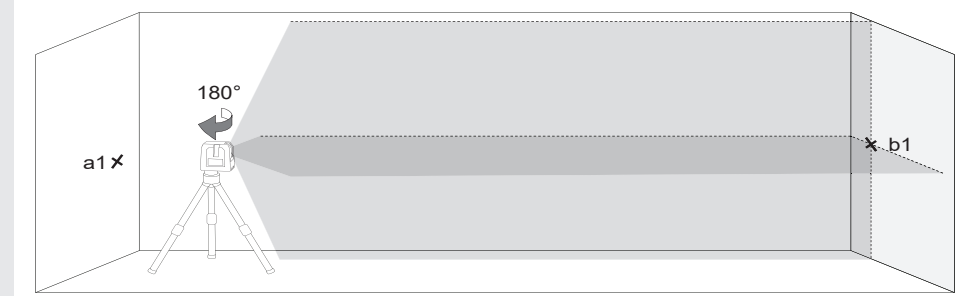


1 KONTROLLERA DEN HORIZONTELLA LINJENS HÖJDNOGGRANNHET (AVVIKELSE UPPÅT OCH NEDÅT)

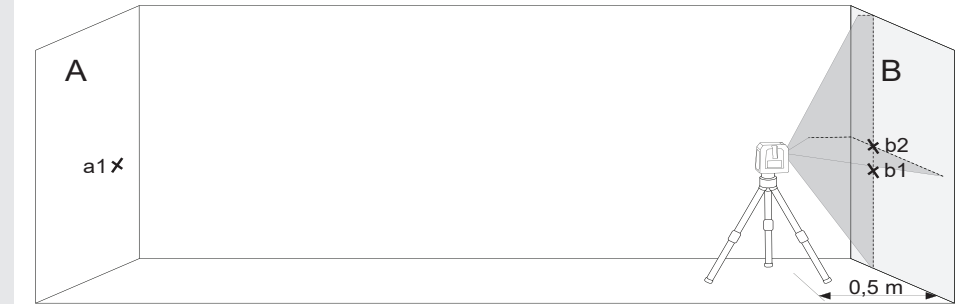
1. Ställ upp lasern på ett stativ eller på ett jämnt underlag mellan två ca 5 m från varandra avlägsna väggar A och B.
2. Placera lasern ca 0,5 m från vägg A.
3. Slå på självnivelleringsläget och tryck på knappen för att projicera den horisontella och den vertikala linjen på vägg A.
4. Markera skärningspunkten mellan de båda linjerna som punkt a1 på vägg A.



5. Vrid lasern 180° i riktning mot vägg B och markera skärningspunkten mellan de båda linjerna som b1 på vägg B.



6. Ställ upp lasern ca 0,5 m från vägg B.
7. Markera skärningspunkten mellan de båda linjerna som b2 på vägg B.



8. Vrid lasern 180° i riktning mot vägg A markera skärningspunkten mellan de båda linjerna som a2 på vägg A.



9. Mät avstånden:

$$\Delta a = |a2 - a1|$$

$$\Delta b = |b1 - b2|$$

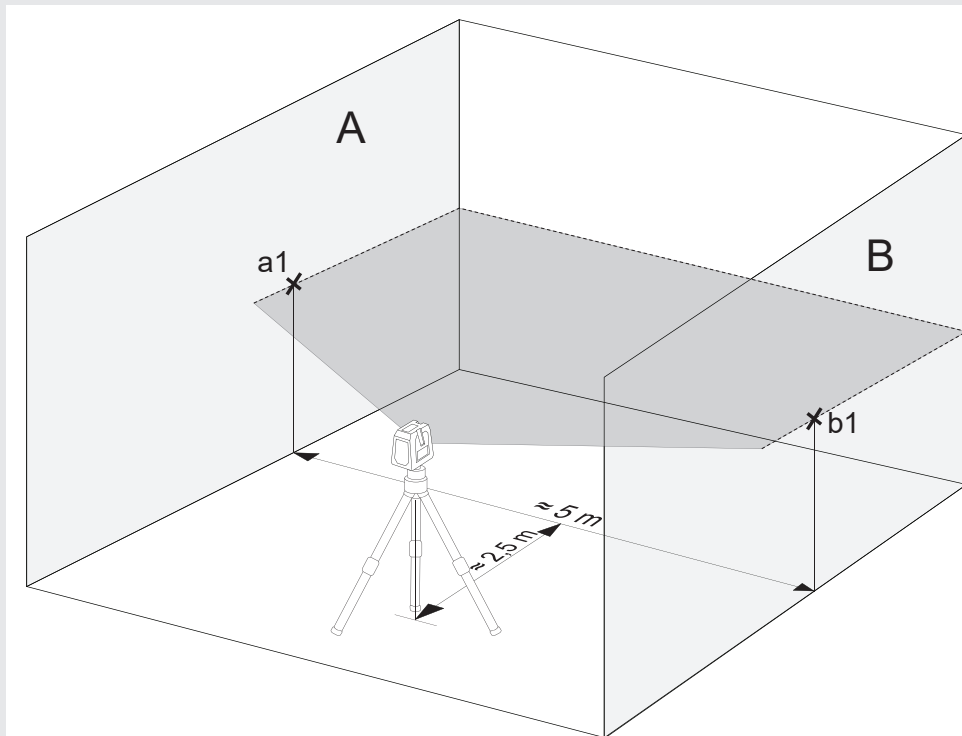
10. Differensen $|\Delta a - \Delta b|$ får inte vara större än 2 mm.

2

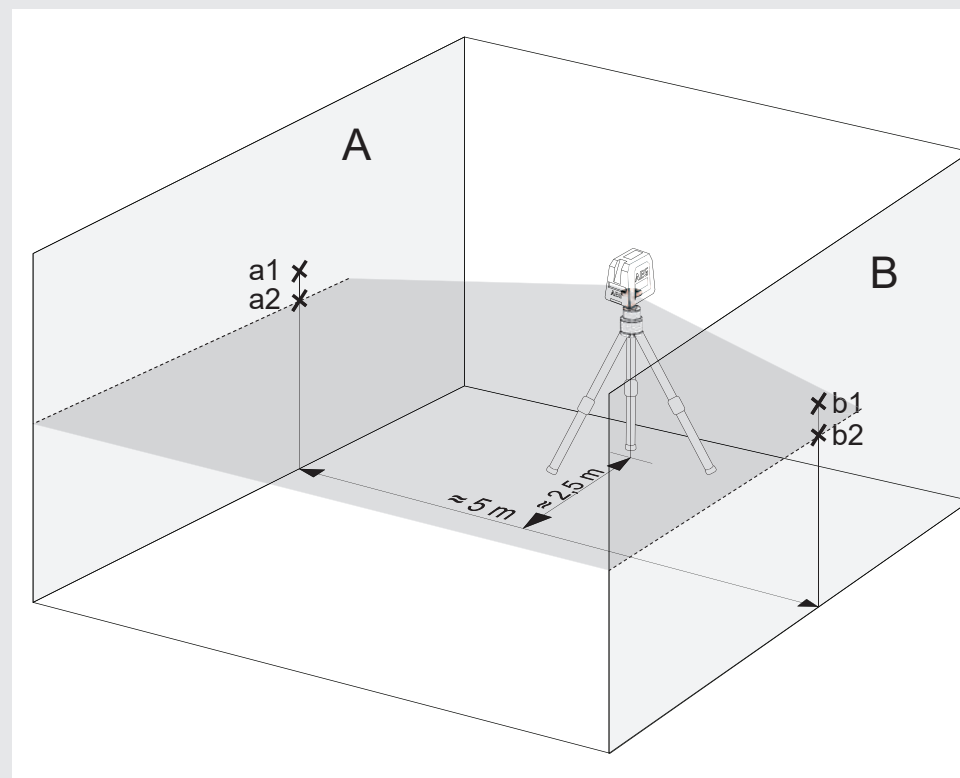
KONTROLLERA DEN HORISONTELLA LINJENS NIVELLERINGSNOGGRANNHET (AVVIKELSE FRÅN EN SIDA TILL DEN ANDRA)

För den här kontrollen behövs en fri yta på ca 5 × 5 m.

1. Ställ upp lasern på ett stativ eller på ett fast underlag mellan två ca 5 m från varandra avlägsna väggar A och B.
2. Ställ upp lasern ca 2,5 m från rummets mitt.
3. Slå på självnivelleringsläget och tryck på knappen för att projicera den horisontella linjen på väggarna A och B.
4. Markera laserlinjens mittpunkt på vägg A med a1 och på vägg B med b1.



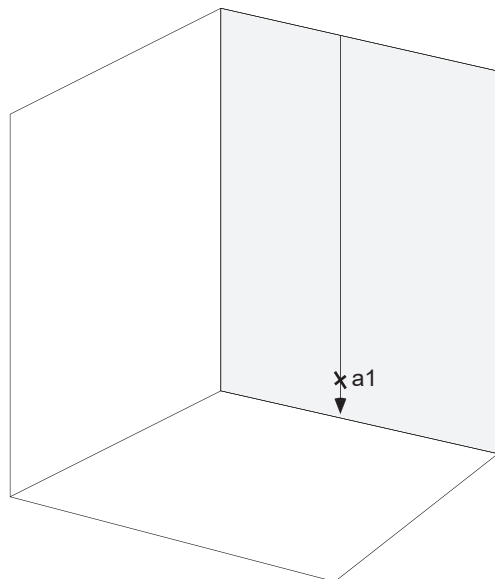
5. Förflytta lasern ca 5 m och vrid den 180° och projicera på nytt den horisontella linjen på väggarna A och B.
6. Markera laserlinjens mittpunkt på vägg A med a2 och på vägg B med b2.



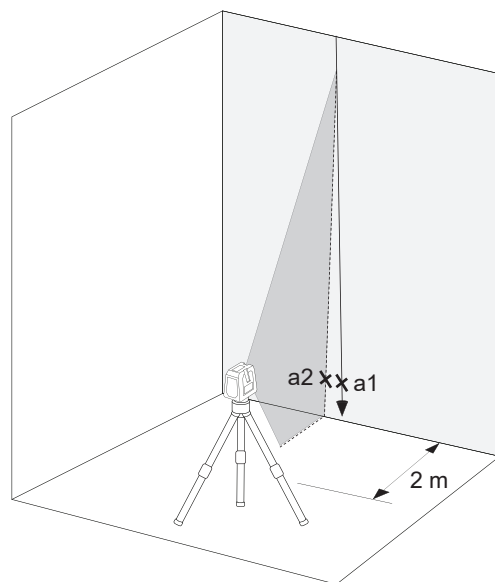
7. Mät avstånden:
 $\Delta a = |a2 - a1|$
 $\Delta b = |b1 - b2|$
8. Differensen $|\Delta a - \Delta b|$ får inte vara större än 2 mm.

3 KONTROLLERA DEN VERTIKALA LINJENS NIVELLERINGSNOGGRANNHET.

1. Häng upp ett ca 4 m långt lodsnöre vid en vägg.
2. Efter att sänklodet har slutat pendla, markera punkten a1 på väggen ovanför sänklodet.



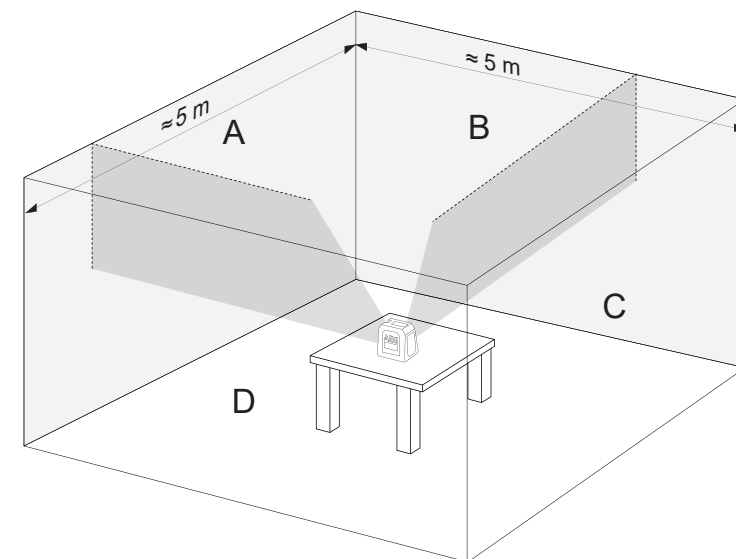
3. Ställ upp lasern på ett stativ eller på ett jämnt på ca 2 m avstånd från väggen.
4. Slå på självnivelleringsläget och tryck på knappen för att projicera den vertikala linjen på lodsnöret.
5. Vrid lasern så att den vertikala linjen överensstämmer med lodsnörets upphängning.
6. Markera punkt a2 i mitten på den vertikala linjen på samma höjd som a1 på väggen.
7. Avståndet mellan a1 och a2 får inte vara större än 1 mm.



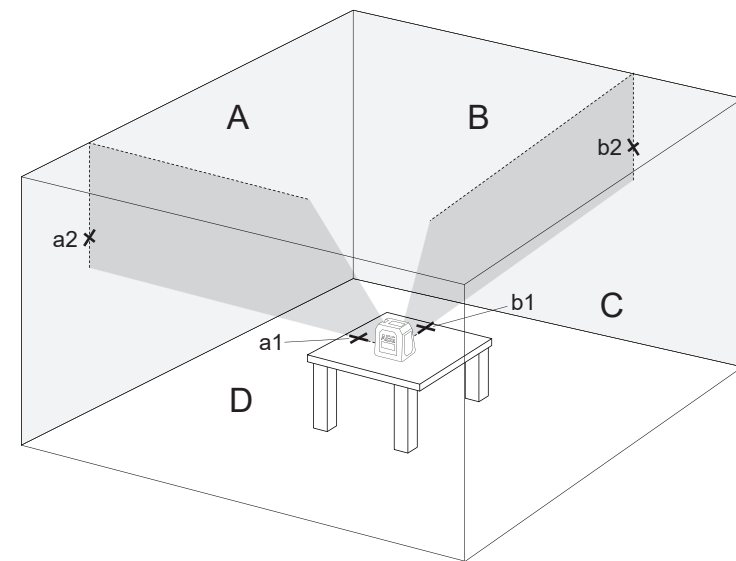
4 KONTROLLERA RÄTVINKLIGHETEN MELLAN 2 VERTIKALA LINJER

För den här kontrollen krävs ett rum med 4 väggar och en yta på minst 5 x 5 m.

1. Ställ upp lasern på ett bord eller på golvet i rummets mitt.
2. Slå på självnivelleringsläget och tryck på knappen V/H 4 gånger för att projicera de vertikala linjerna framåt och åt sidan.

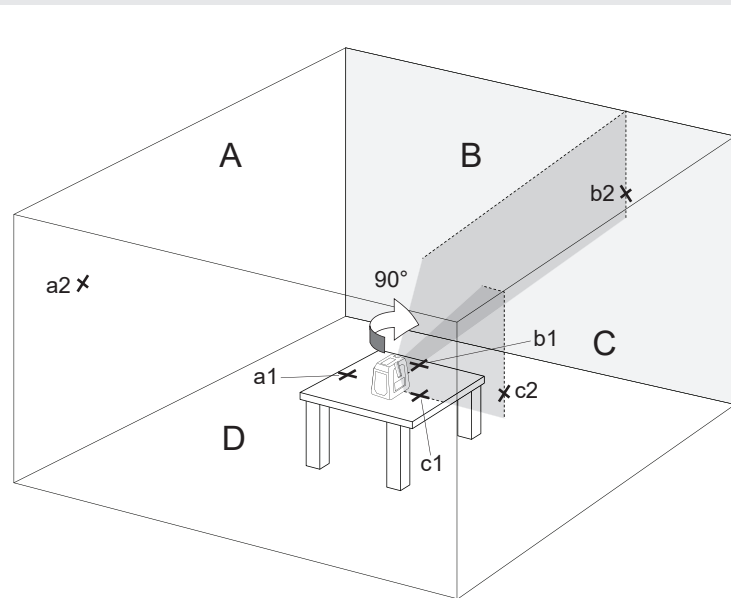


3. Markera mitten på den i riktning framåt projicerade linjen vid 2 ställen: Punkt a1 på bordet nära lasern och punkt a2 på väggen A.
4. Markera mitten på den i riktning åt sidan projicerade linjen vid 2 ställen: Punkt b1 på bordet nära lasern och punkt b2 på väggen B.

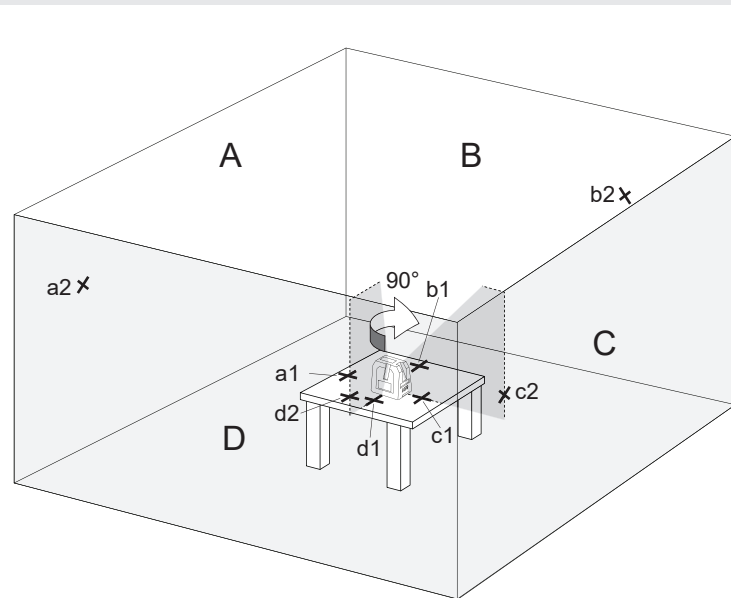


KONTROLLERA RÄTVINKLIGHETEN MELLAN 2 VERTIKALA LINJER

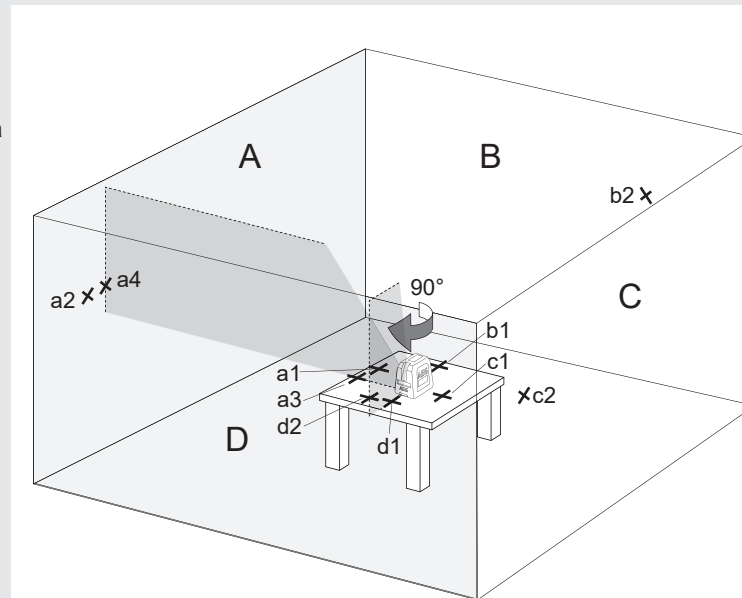
5. Vrid lasern 90° medurs så att laserlinjen som är riktad framåt träffar markeringarna b1 på bordet och b2 på vägg B.
6. Markera mitten på den i riktning åt sidan projicerade linjen vid 2 ställen: Punkt c1 på bordet nära lasern och punkt c2 på väggen C.



7. Vrid lasern 90° medurs så att laserlinjen som är riktad framåt träffar markeringarna c1 på bordet och c2 på vägg C.
8. Markera mitten på den i riktning åt sidan projicerade linjen vid 2 ställen: Punkt d1 på bordet nära lasern och punkt d2 på väggen D.



9. Vrid lasern 90° medurs så att laserlinjen som är riktad framåt träffar markeringarna d1 på bordet och d2 på vägg D.
10. Markera mitten på den i riktning åt sidan projicerade linjen vid 2 ställen: Punkt a3 på bordet nära punkt a1 och punkt a4 på väggen A nära punkt a2.

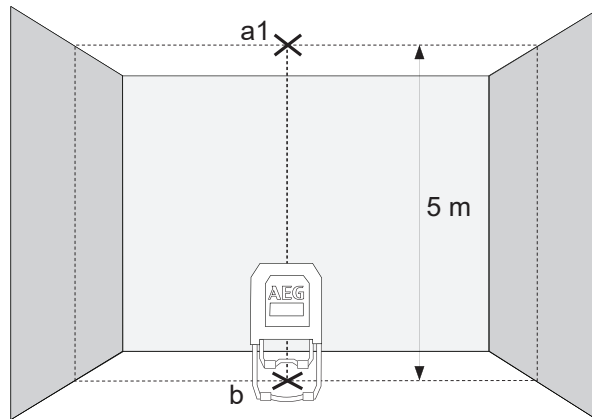


11. Mät avstånden:
 $\Delta 1$ = från a1 till a3
 $\Delta 2$ = från a2 till a4
12. Differensen $\Delta 2 - \Delta 1$ får inte vara större än 4 mm.

5 KONTROLLERA LODNOGGRANNHET

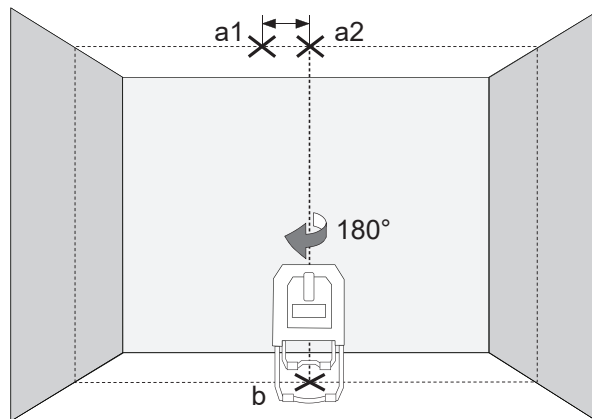
För den här kontrollen krävs ett rum med en takhöjd på minst ca 5 m.

1. Fäll ut laserns ben och ställ upp instrumentet på golvet.
2. Slå på självnivelleringsläget och tryck på knappen för att projicera de vertikala korslinjerna på innertaket och projicera lodpunkten på golvet.
3. Markera mitten på den uppåt riktade korslinjen som punkt a1 på innertaket (se bild).
4. Markera lodpunktens mittpunkt som punkt b på golvet.



5. Vrid lasern 180° och placera den så att lodpunktens mittpunkt faller på den redan markerade punkten b och vänta tills instrumentet har nivellerats.

6. Markera mitten på den uppåt riktade korslinjen som punkt a2 på innertaket.
7. Avståndet mellan punkterna a1 och a2 på innertaket visar hur kraftigt laserlinjen avviker från den ideala lodlinjen.
Med en mätsträcka på 5 m är den maximalt tillåtna avvikelsen:
 $5 \text{ m} \times (\pm 0,6 \text{ mm/m}) \times 2 = \pm 6 \text{ mm}$.
8. Avståndet mellan a1 och a2 får inte vara större än 6 mm.



SISÄLTÖ

Tärkeitä turvallisuusohjeita	1
Huolto	2
Tekniset arvot	2
Määräysten mukainen käyttö	2
Kokonaiskuva	3
Ilmoitus paristo heikko	4
Paristojen vaihto	4
Säädettävät jalat	5
Magneettinen seinäpidike ja vihreä kohdetaulu	5
Työskentely itsevaaituskäyttötavalla	6
Työskentely manuaalikäyttötavalla	7
Luotitoiminto	8
Sykekäyttötapa toiminto	8
Tarkkuuden tarkastaminen	9

TÄRKEITÄ TURVALLISUUSOHJEITA



HUOMIO! VAROITUS! VAARA!

Älä käytä tuotetta ennen kuin olet tutkinut Turvallisuusohjeet ja Käyttäjän käsikirjan oheiselta CD-levyltä.

Laserluokka



VAROITUS:

Se on Luokan 2 laser-tuote normin EN60825-1:2014 mukaan.



Varoitus:

Älä kohdista lasersädettä suoraan silmiin. Lasersäde voi aiheuttaa vaikeita silmävammoja ja/tai sokeutumisen.

Älä katso suoraan lasersäteeseen äläkä suuntaa sädettä tarpeettomasti muihin henkilöihin.

Varo! Joissakin sovelluksissa laserin tuottava laite voi olla takanasi. Siinä tapauksessa ole varovainen kääntyessäsi.

Varoitus:

Älä käytä laseria lasten lähetyvillä tai anna lasten käyttää laseria.

Huomio! Heijastava pinta saattaisi heijastaa lasersäteen takaisin käyttäjään tai muihin henkilöihin.

Varoitus: Ohjauslaitteiden, säätöjen tai muiden kuin käsikirjassa määritettyjen prosessien suorittaminen voi altistaa vaaralliselle säteilylle.

Jos laser tuodaan hyvin kylmästä ympäristöstä lämpimään (tai päinvastoin), niin sen täytyy sopeutua ympäristön lämpötilaan ennen käyttöä.

Älä säilytä laseria ulkosalla ja suoja se töytäisilyltä, jatkuvalta värinältä ja äärimmäisiltä lämpötiloilta.

Suoja laserimittaria pölyltä, kosteudelta ja suurelta ilmankosteudelta. Se saattaa tuhota laitteen sisäiset osat tai vaikuttaa sen tarkkuuteen.

Jos lasersäde osuu silmiin, sulje silmät ja käännä pää heti säteestä pois päin.

Huolehdi siitä, että lasersäde sijoitetaan niin, ettei se häikäise sinua itseäsi tai muita henkilöitä.

Älä katso lasersäteeseen optisilla suurennuslaitteilla, kuten kiikareilla tai kaukoputkilla. Vakavien silmävammojen vaara pahenee tästä.

Huomioi, että lasersilmälasit auttavat havaitsemaan laserviivat paremmin, mutta eivät suojele silmiä lasersäteiltä.

Laserlaitteeseen olevia varoituskilpiä ei saa poistaa tai niiden luettavuutta heikentää.

Älä pura laseria osiin. Lasersäteily voi aiheuttaa vakavia silmävammoja.

Ennen laserin kuljettamista varmista, että heilurin lukitus on napsahtanut kiinni.

Viite: Jos heilurin lukitus ei ole napsahtanut kiinni, niin laitteen sisäosat voivat vaurioitua kuljetuksen aikana.


Älä käytä mitään syövyttäviä puhdistusaineita tai liuotteita. Puhdista laite vain puhtaalla, pehmeällä rievulla.


Suojaa laseria voimakkailta töytäisilyltä ja putoamisilta. Putoamisen tai voimakkaan mekaanisen iskun jälkeen laitteen tarkkuus tulee tutkia ennen sen käyttöä.

Vain valtuutettu ammattihenkilöstö saa suorittaa tämän laserlaitteen tarvittavat korjaustyöt.

Älä käytä tuotetta räjähdysvaarallisilla alueilla tai aggressiivisissa ympäristöissä.

Jos laitetta ei käytetä pitempään, ota paristot pois paristolokerosta. Näin estät paristojen vuotamisen ja siitä aiheutuvat korrosiovauriot.

 yhyä paristoja ei saa hävittää talousjätteen mukana. Huolehdi ympäristöstä ja vie ne kansallisten ja paikallisten säännösten mukaisesti järjestettyihin keräyspisteisiin. Tuotetta ei saa hävittää kotitalousjätteen mukana. Hävitä laite asianmukaisesti maassasi voimassa olevien säästöjen mukaisesti. Noudata kansallisia ja maakohtaisia määräyksiä. Ota yhteyttä paikallisiin viranomaisiin tai kauppiaseesi saadaksesi tietoa hävittämisestä.

 Euroopan säännönmukaisuusmerkki

HUOLTO

Puhdista laserin objektiivi ja kotelo pehmeällä, puhtaalla rievulla. Älä käytä liuotteita.

Vaikka laser kestääkkin pölyä ja likaa tietyssä määrin, niin sitä ei tule säilyttää pidempään pölyisessä paikassa, koska muuten sen liikkuvat sisäosat voivat vahingoittua.

Mikäli laser kastuu, niin se tulee kuivata ennen sen asettamista kantolaukkuun, jotta vältetään ruostevauriot.

TEKNISET ARVOT

Laserluokka	2
Itsevaaitusalue	±3°
Itsevaaituksen kesto	3–5 s
Paristotyyppi	LR6-alkaliparisto tyyppi AA
Jännite tasavirta	3 × 1,5 V
Tehonotto	0,35 A
Suojauslaji (roiskevesi ja pöly)	IP54
Toiminnot	Vaakasuora viiva, 2 pystysuoraa viivaa, ristiviivat, luotitoiminto
Sykekäyttö	Taajuus 10 kHz
Heijastukset	3 vihreää viivaa, 1 punainen piste
Laserviivojen antokuvio	Vaakasuora viiva eteen, pystysuora viiva eteen, pystysuora viiva sivulle ja luotipiste. Vaakasuorat ja pystysuorat ristiviivat eteen ja luotipiste. Vaakasuora viiva. Pystysuora viiva eteen ja luotipiste. Pystysuorat viivat eteen ja sivulle ja luotipiste. (Luotipisteen näyttö alaspäin toimii vain itsevaaituskäytössä, ei manuaalisessa käytössä.)
Käyttöaika	6 tuntia
Jalustan kierteet	1/4"
Sopiva havaintsin	vakiomalliselle vihreälle moniviivalaserille
Laserviiva	
Leveys	2,5 mm ±0,5 mm / 5 m
Aallonpituus	λ 520 ±10 nm laserluokka II
Tarkkuus	±0,2 mm/m
Aukeamiskulma	> 120°
Väri	vihreä
Kantomatka	30 m (havaintsimella 50 m)

Luotipiste	Laserpisteen aallonpituus Laserpisteen enimmäisteho Luotitarkkuus Laserpisteen väri Kantomatka	635 ±5 nm laserluokka II < 1 mW ±0,6 mm / 1 m punainen 5 m
Suosittelun käyttölämpötila		-10 °C ... +45 °C
Säilytyslämpötila		-20 °C ... +60 °C
Ulottuvuudet		106 mm × 88 mm × 105 mm
Paino (paristojen kera)		710 g

MÄÄRÄYSTEN MUKAINEN KÄYTTÖ

Tämä innovatiivinen laserlaite on suunniteltu laajaa ammattikäyttöaluetta varten, kuten esim.:

- laattojen, marmorilevyjen, kaappien, reunusten, muutokappaleiden ja koristeiden kohdistus
- perusviivojen merkintä ovien, ikkunoiden, kiskojen, portaiden, aitojen, porttien, kuistien ja terassien rakentamista varten.
- viitepisteiden välitys valaisu- ja ilmastointiasennuksia varten, korkeuksien välitys, aitaus- ja siirtoseinien vaaitus, kiskojen lasku lattioihin sekä muut ammattimaiset työt.
- vaakasuorien ja pystysuorien viivojen määrittämistä ja tarkastusta varten.

Tätä tuotetta saa käyttää vain ohjeiden mukaiseen käyttötarkoitukseen.

Kumivakauttimet

Säädettävät jalat

Ikkuna pystysuora laserviiva eteenpäin

Ikkuna vaakasuora laserviiva

ON  / OFF  Lukituskatkaisin



Ikkuna pystysuora laserviiva sivulle

Paristolokeron kansi

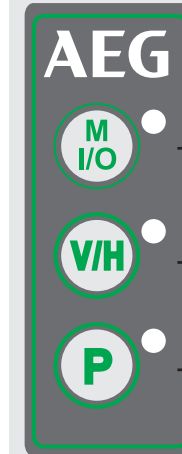


Punainen luotipiste

1/4" jalustakierteet



Käyttöpaneeli



Manuaalikäytön LED-näyttö

Manuaalikäytön näppäin

Manuaalisen käytön päälle- ja poiskytkentää varten

LED-näyttö laserviivan valinta (jatkuva valo)

LED-näyttö paristo heikko (vilkkuväli)

Laserviivan valintanäppäin

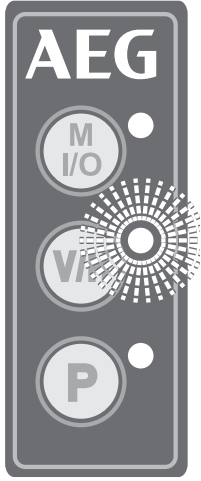
Valittavana **V** pystysuora viiva eteenpäin, **V** pystysuora viiva sivulle, **H** vaakasuora viiva eteen tai näiden viivojen yhdistelmä.

Sykäyskäytön LED-näyttö

Sykäyskäytön näppäin

Käytetään ulkona työskennellessä välittömässä auringonpaisteessa tai kirkkaissa valaistusolosuhteissa sekä sisäkäytössä enintään 50 m:n kantomatalla 10-kHz-havaintimen kera.

ILMOITUS PARISTO HEIKKO



Pariston lataustilan heikentyessä laserin valovoima heikkenee ja vastaava ilmoitus (vihreä LED V/H-näppäimen vieressä) alkaa vilkkua 0,5 sekunnin taajuudella.

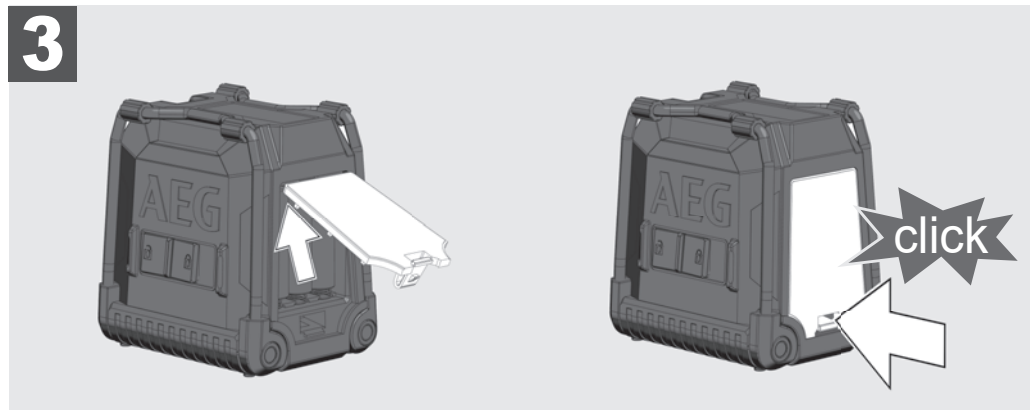
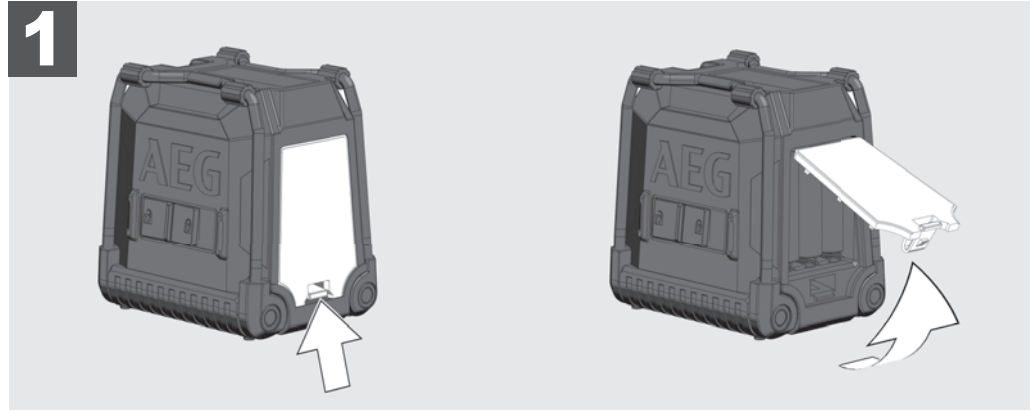
Työskentelyä voi silti jatkaa.

Kun paristot ovat liian heikot, niin laite sammuu automaattisesti.

PARISTOJEN VAIHTO

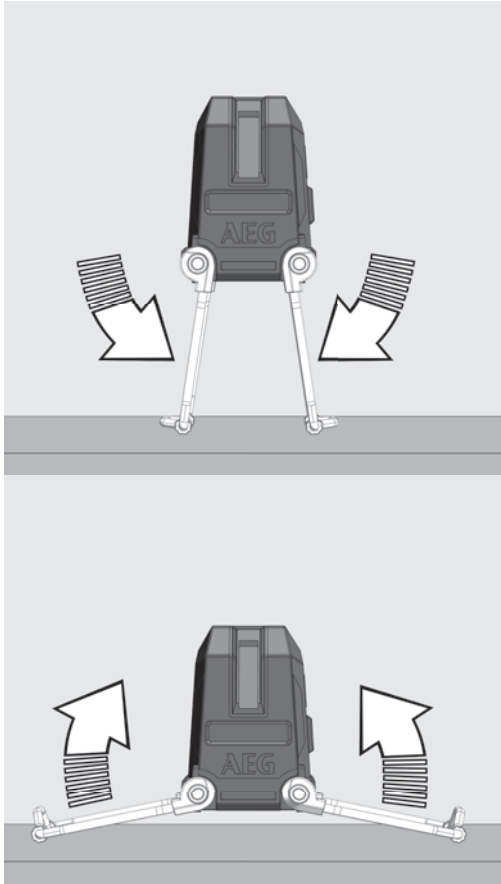
Vaihda paristot, kun lasersäde heikkenee.

Jos laseria ei käytetä pitempään, ota paristot pois paristolokerosta. Näin estät paristojen vuotamisen ja siitä aiheutuvat korroosiovauriot.

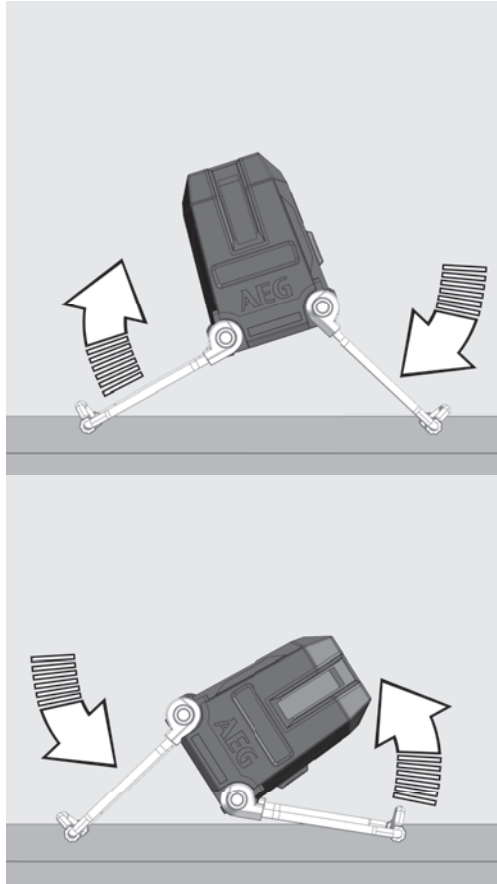


SÄÄDETTÄVÄT JALAT

Säädä vaakasuoran viivan korkeus säädettävillä jaloilla.



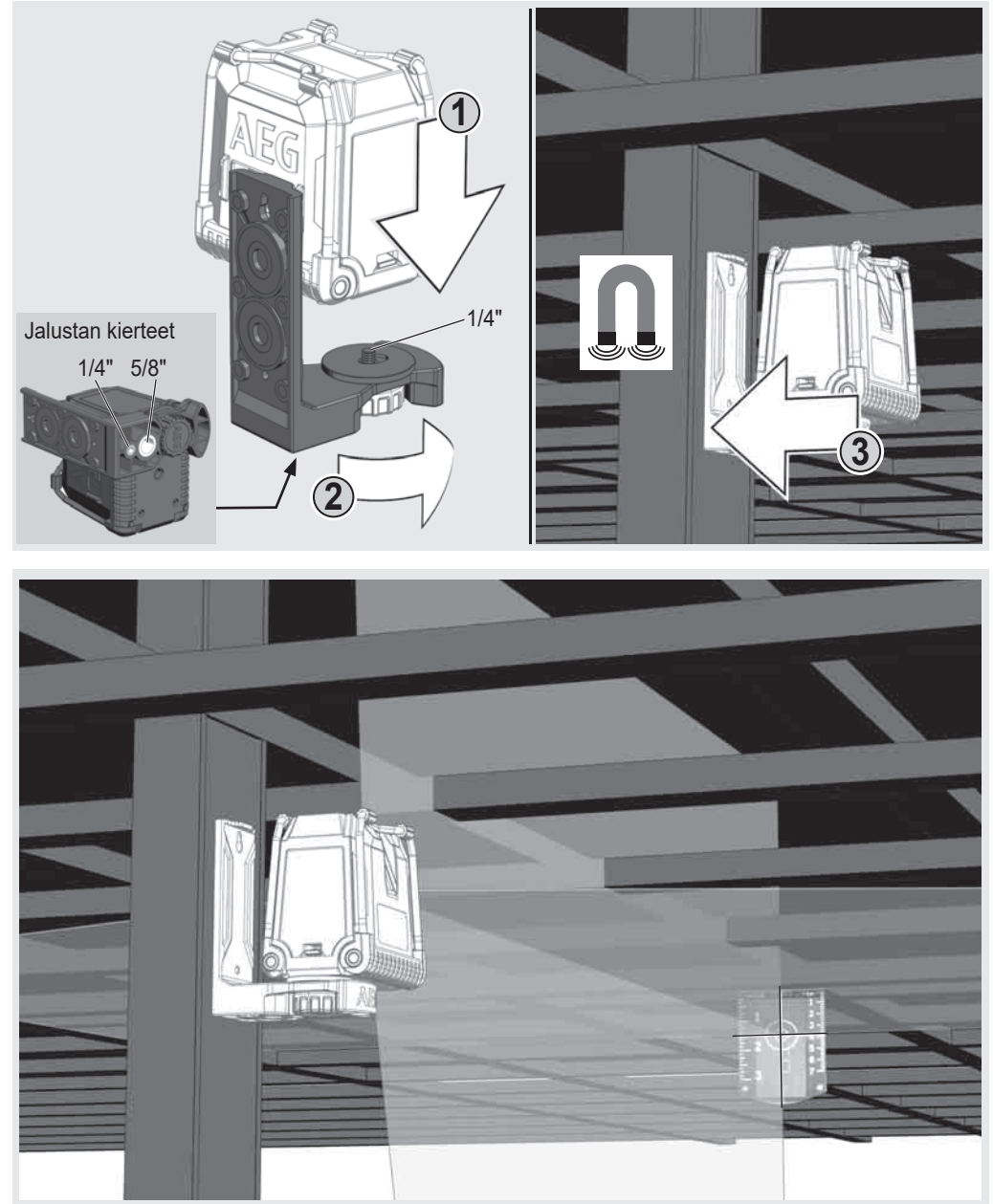
Säädä laserin kallistus säädettävillä jaloilla.



MAGNEETTINEN SEINÄPIDIKE JA VIHREÄ KOHDETAULU

Magneettisella pidikkeellä laserin voi kiinnittää seinille, metallirakenteille tms.

Vihreä kohdetaulu parantaa laserviivan näkyvyyttä epäsuotuisissa olosuhteissa ja suuremmilla etäisyyksillä.



TYÖSKENTELY ITSEVAAITUSKÄYTTÖAVALLA


Itsevaaituskäyttötavassa laser vaaittaa itsensä itse alueella $\pm 3^\circ$. Voidaan heijastaa yksi vaakasuora viiva, kaksi pystysuoraa viivaa tai kaikki 3 viivaa samanaikaisesti.

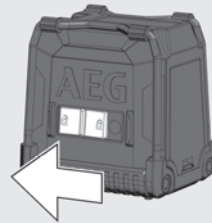
1

Aseta laserlaite tukevalle, tasaiselle, tärisemättömälle pohjalle tai asenna se jalustalle.



2

Työnnä lukituskatkaisin asentoon ON .

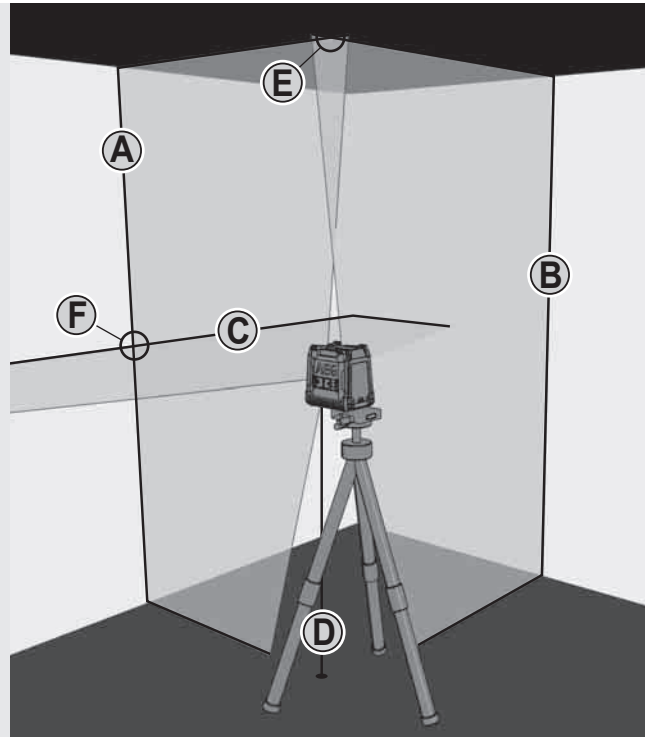


3

Laser luo 3 laserviivaa.

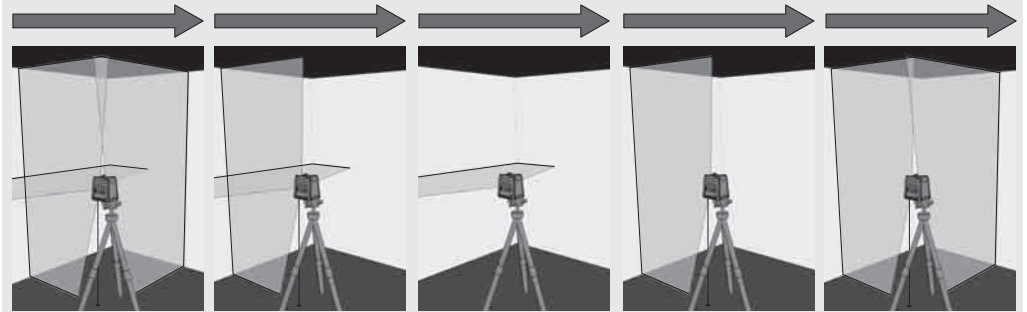
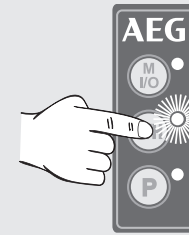
- (A) Pystysuora viiva eteen
- (B) Pystysuora viiva sivulle
- (C) Vaakasuora viiva eteen
- (D) Laserpiste (luotiviiva)

Kun kaikki viivat on toimennettu, niin laser luo ristiviivat ylös (E) ja eteenpäin (F).



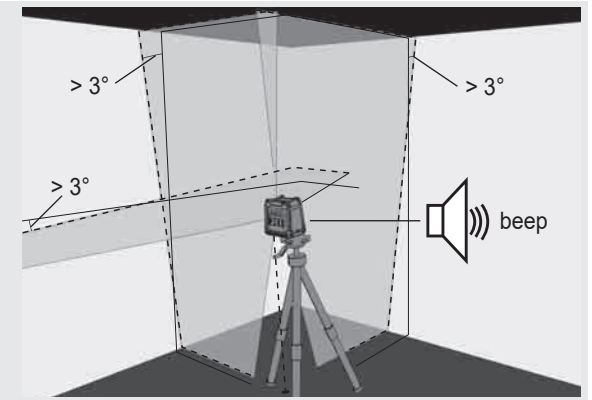
4

Paina V/H-näppäintä valitaksesi ne viivat, joita haluat käyttää.




5

Jos laserlaite ei aluksi kohdistu $\pm 3^\circ$ asentoon itsevaaituksen ollessa toimennettuna, niin laserviivat - - - vilkkuvat ja kuuluu piippausääni. Tässä tapauksessa aseta laser uudelleen paikalleen.



6

Ennen laitteen siirtämistä työnnä lukituskatkaisin asentoon OFF . Näin lukitset heilurin ja laser on suojattu.

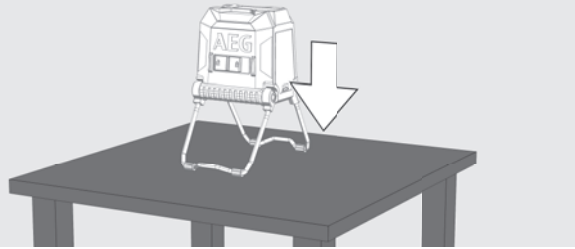


TYÖSKENTELY MANUAALIKÄYTTÖTAVALLA

Manuaalikäyttötavassa itsevaaitustoiminto on kytketty pois ja laserlaite voidaan säätää mihin tahansa haluttuun laserviivojen kallistuskulmaan.

1

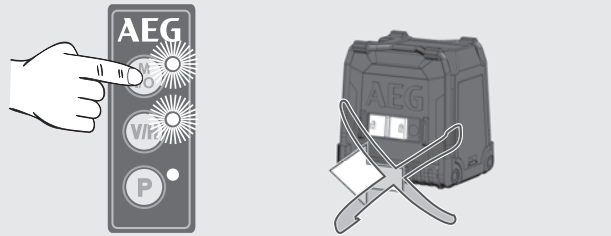
Aseta laserlaite tukevalle, tasaiselle, tärisemättömälle pohjalle tai asenna se jalustalle.



2

Paina manuaalikäyttötavan näppäintä (älä työnä lukituskatkaisinta!).

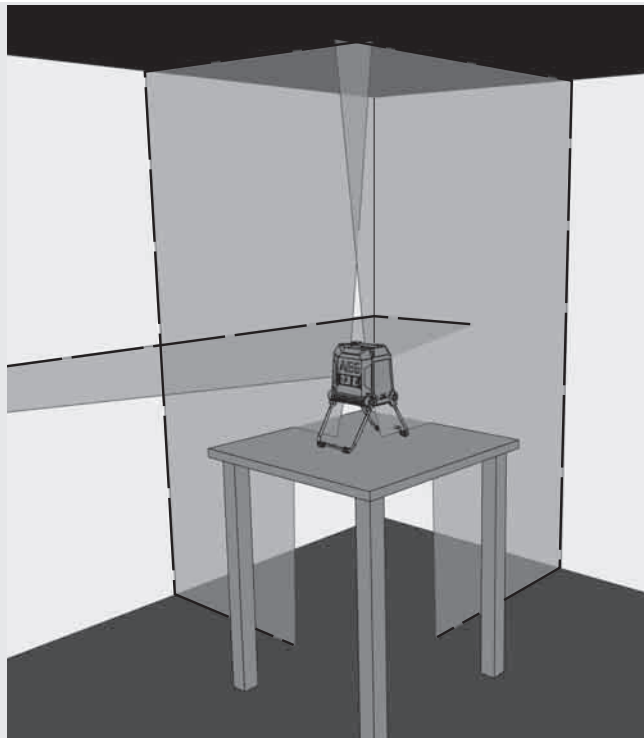
Näppäimen vieressä oleva punainen LED syttyy.



3

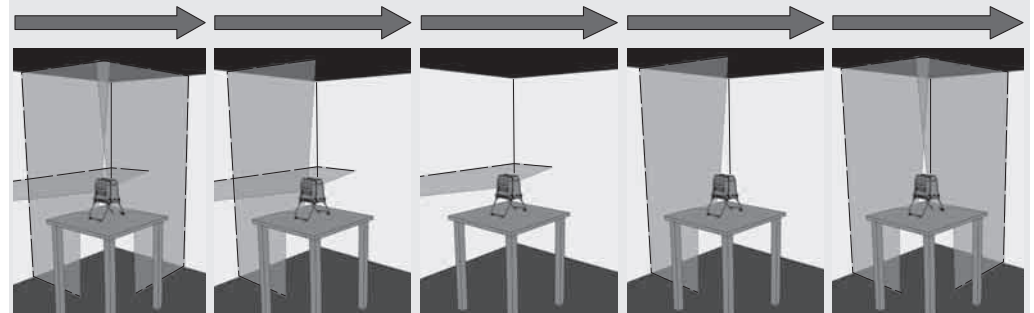
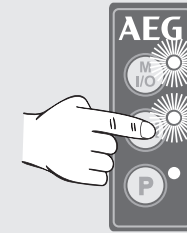
Laserlaite luo 3 laserviivaa kuten itsevaaituskäyttötavalla, mutta ne vilkkuvat 3 sekunnin välein.

3 sek. 3 sek. 3 sek.



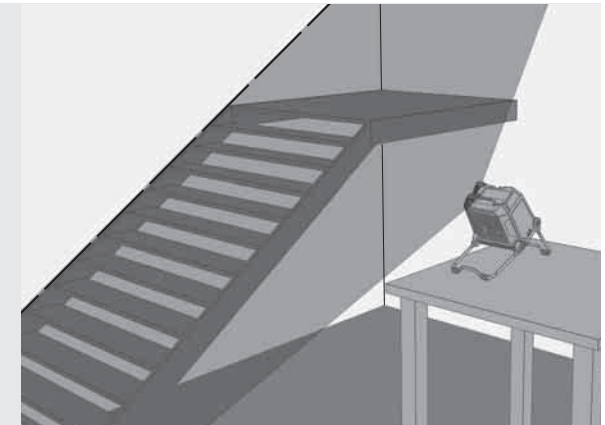
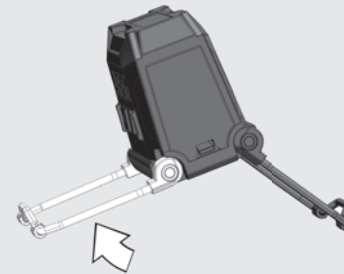
4

Paina V/H-näppäintä valitaksesi ne viivat, joita haluat käyttää.




5

Säädä laser jalkojen avulla halutulle korkeudelle ja kallistuskulmaan.



6

Lopeta manuaalikäyttötapa painamalla manuaalikäyttötavan näppäintä vielä kerran.

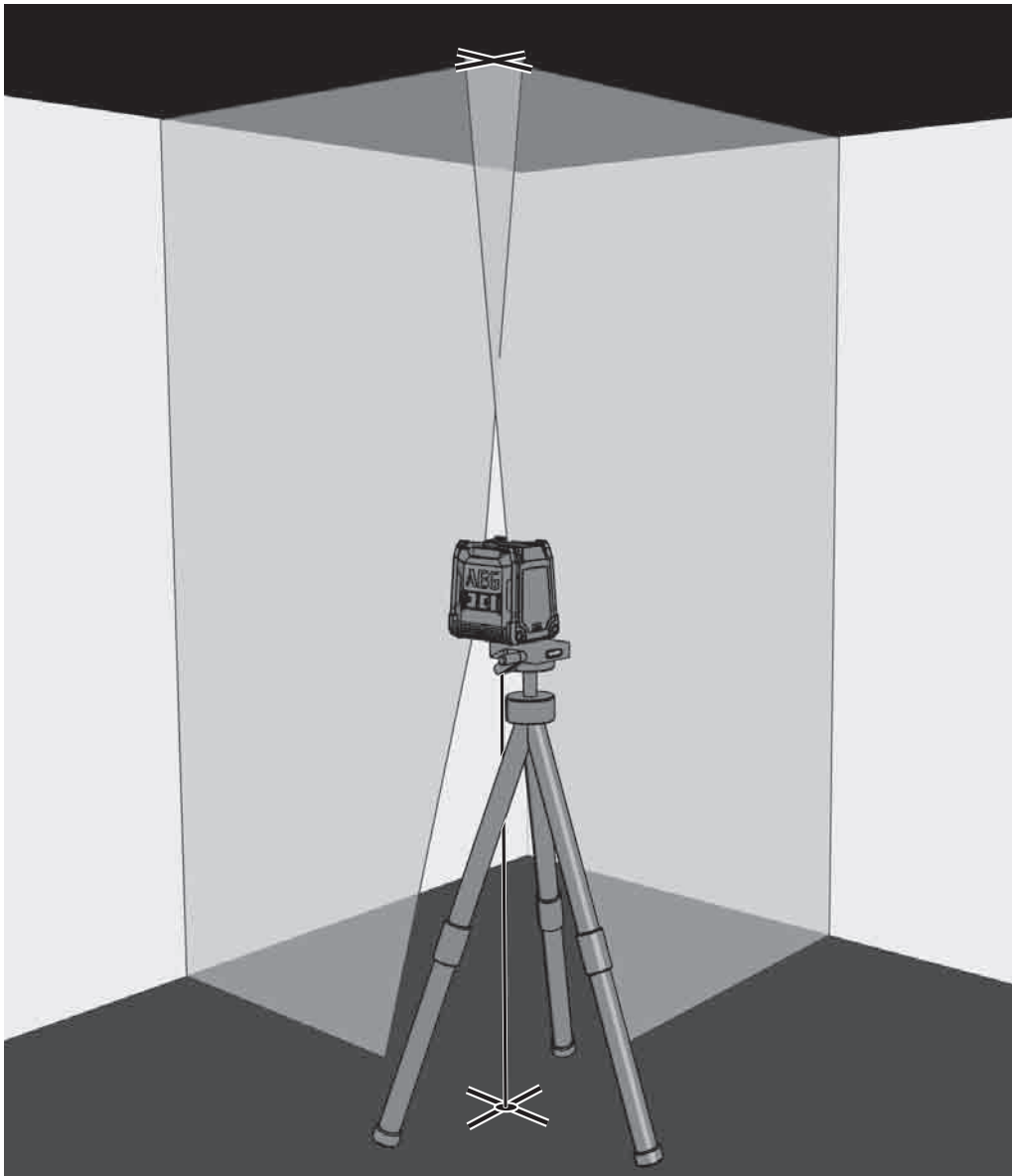
Jos haluat vaihtaa suoraan itsevaaituskäyttötapaan, siirrä lukituskatkaisin asentoon ON .



LUOTITOIMINTO

Luotitoiminnolla voidaan heijastaa lattiassa oleva piste luotisuoraan kattoon. Lattian viitepiste kohdistetaan katossa olevien ristiviivojen leikkauskohdalle.

Luotitoimintoa käytetään esimerkiksi valaistus- ja ilmastointiasennusten viitepisteen välittämiseksi tai välittämään korkeuksia.



SYKEKÄYTTÖTAPATOIMINTO

Käytetään ulkotöissä välittömässä auringonpaisteessa tai kirkkaissa valaistusolosuhteissa sekä sisäkäytössä enintään 50 m:n kantomatkalla havaitsimen kera.

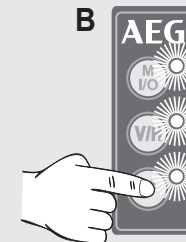
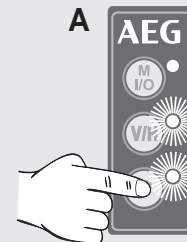
Havaitsin ei sisälly toimitukseen, vaan se täytyy hankkia erikseen.

Kun sykekäyttötapa on toimennettu, niin laserviivat vilkkuvat erittäin suurella (ihmissilmälle näkymättömällä) taajuudella, jotta havaitsin voi paikallistaa laserviivat.

1

Sykekäyttötapa voidaan toimentaa sekä itsevaaituskäytössä (A) että myös manuaalikäytössä (B).

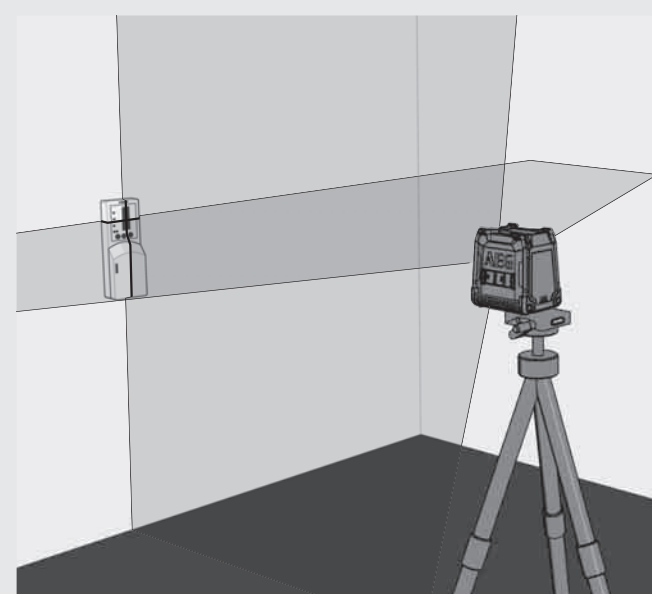
Paina P-näppäintä. Näppäimen vieressä oleva vihreä LED syttyy.



2

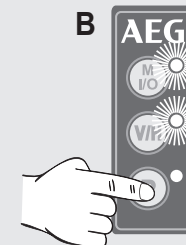
Sykekäyttötavan toimennuksen jälkeen laserviivojen näkyvyys heikkenee hieman.

Tarkemmat tiedot havaitsimen käytöstä voit lukea havaitsimen käyttöohjeesta.



3

Paina P-näppäintä uudelleen, kun haluat sammuttaa sykekäytön. Näppäimen vieressä oleva vihreä LED sammuu.



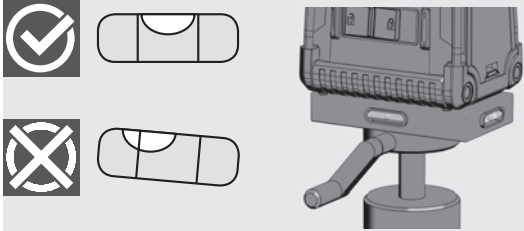
TARKKUUDEN TARKASTAMINEN

Laserlaite kalibroidaan tehtaalta kokonaan. AEG suosittelee laserin tarkkuuden tarkastamista säännöllisin väliajoin, erityisesti putoamisen tai virheellisen käytön jälkeen.

Jos suurin sallittu poikkeama ylitetään tarkkuuden tarkastuksessa, pyydämme kääntymään jonkin AEG-palvelupisteemme puoleen (katso takuuehtojen ja palvelupisteiden osoitteiden luettelo).

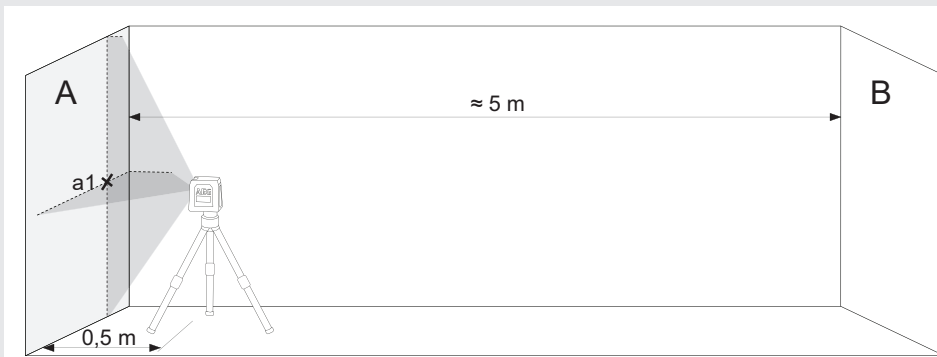
1. Tarkasta vaakasuoran viivan korkeustarkkuus.
2. Tarkasta vaakasuoran viivan vaaitustarkkuus.
3. Tarkasta pystysuoran viivan vaaitustarkkuus.
4. Tarkasta 2 pystysuoran viivan välinen suorakulmaisuus.
5. Tarkasta luotitoiminnon tarkkuus.

Ennen tarkkuuden tarkastamista laserlaitteen ollessa asennettuna jalustalle tulee tarkastaa jalustan vaaitus.

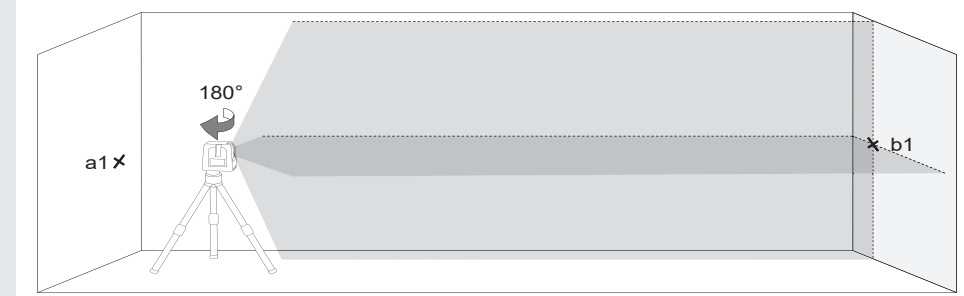


1 VAAKASUORAN VIIVAN KORKEUSTARKKUUDEN TARKASTUS (POIKKEAMA YLÖS JA ALAS)

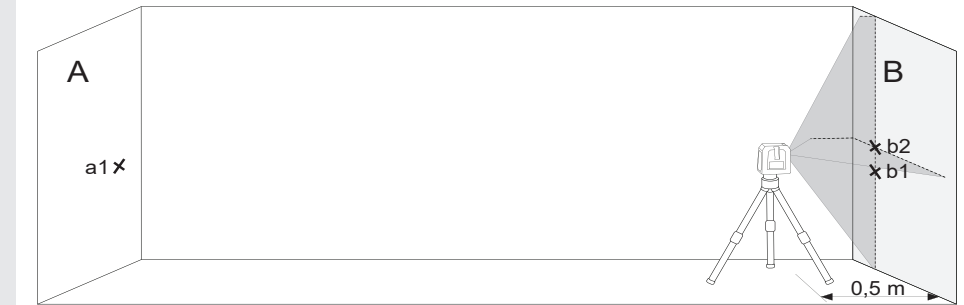
1. Sijoita laserlaite jalustalle tai tasaiselle pohjalle kahden toisistaan noin 5 m:n päässä olevan seinän A ja B väliin.
2. Asenna laser n. 0,5 m:n päähän seinästä A.
3. Kytke itsevaaituskäyttötapa päälle ja paina näppäintä, jotta seinälle A heijastetaan vaakasuora ja pystysuora viiva.
4. Merkitse molempien viivojen leikkauspiste seinään A pisteinä a1.



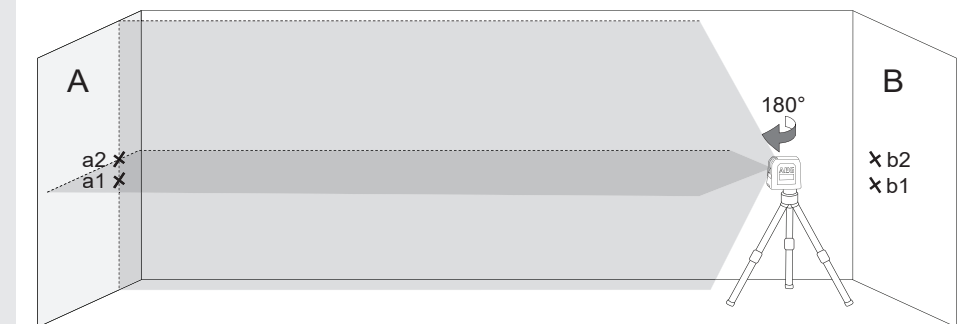
5. Käännä laserlaitetta 180° seinään B päin ja merkitse molempien viivojen leikkauspiste seinään B pisteinä b1.



6. Asenna laser n. 0,5 m:n päähän seinästä B.
7. Merkitse molempien viivojen leikkauspiste seinään B pisteinä b1.



8. Käännä laserlaitetta 180° seinään A päin ja merkitse molempien viivojen leikkauspiste seinään A pisteinä a2.



9. Välimatkojen mittaus:

$$\Delta a = |a2 - a1|$$

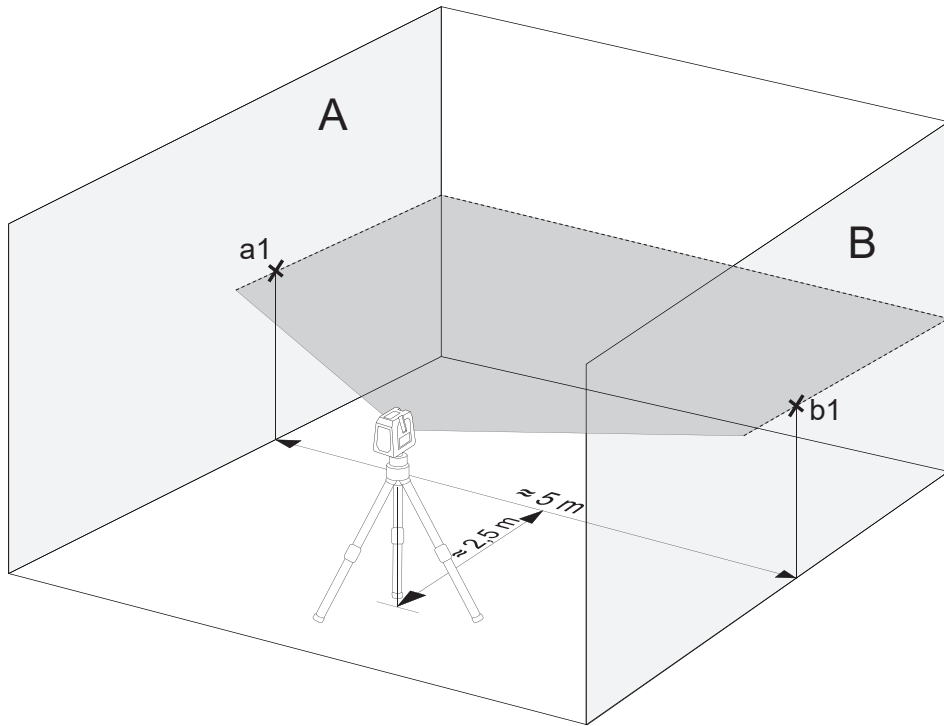
$$\Delta b = |b1 - b2|$$

10. Erotus $|\Delta a - \Delta b|$ ei saa olla suurempi kuin 2 mm.

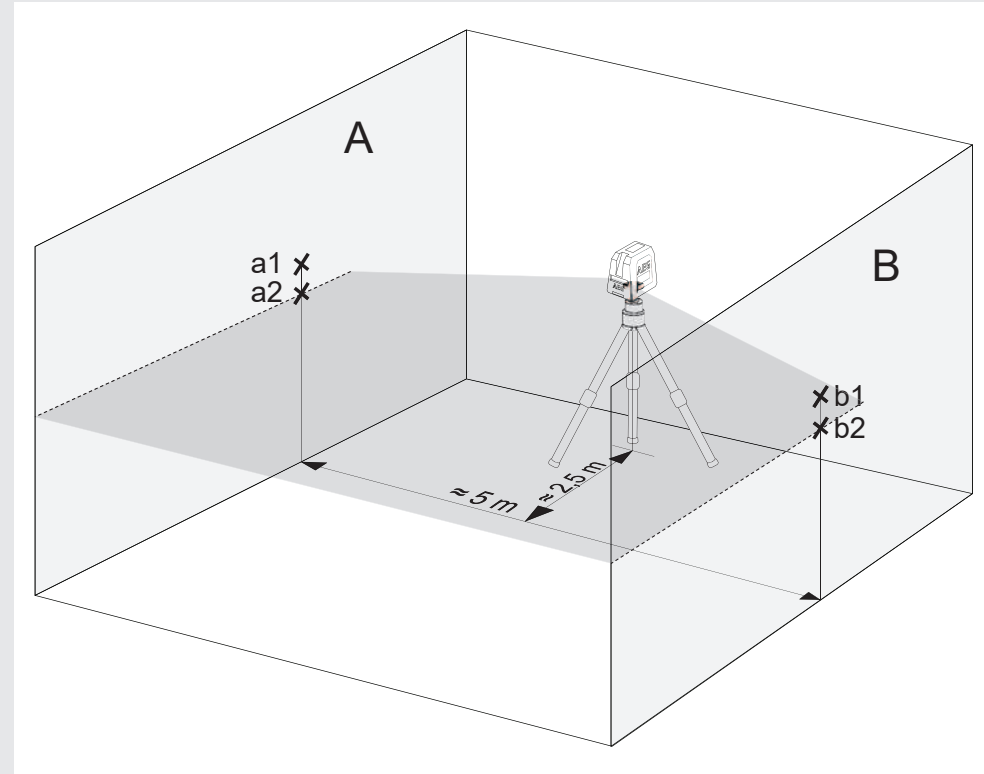
2 VAAKASUORAN VIIVAN VAAITUSTARKKUUDEN TARKASTUS (POIKKEAMA YHDELTÄ SIVULTA TOISELLE)

Tätä tarkastusta varten tarvitaan tyhjä alue kooltaan n. 5 x 5 m.

1. Sijoita laserlaite jalustalle tai kiinteälle pohjalle kahden toisistaan noin 5 m:n päässä olevan seinän A ja B väliin.
2. Asenna laser n. 2,5 m:n päähän tilan keskikohdasta.
3. Kytke itsevaaituskäyttötapa päälle ja paina näppäintä, jotta seinille A ja B heijastetaan vaakasuora viiva.
4. Merkitse laserviivan keskikohta seinään A pisteinä a1 ja a2 ja seinään B pisteinä b1.



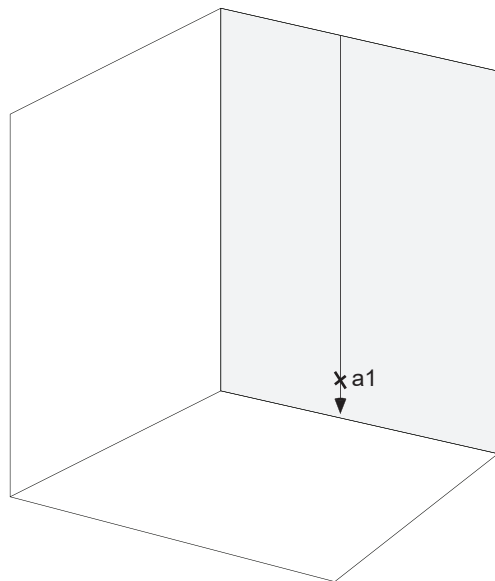
5. Siirrä laserlaitetta n. 5 m:n verran ja käännä se 180° ja heijasta vaakasuora viiva uudelleen seinille A ja B.
6. Merkitse laserviivan keskikohta seinään A pisteinä a2 ja seinään B pisteinä b2.



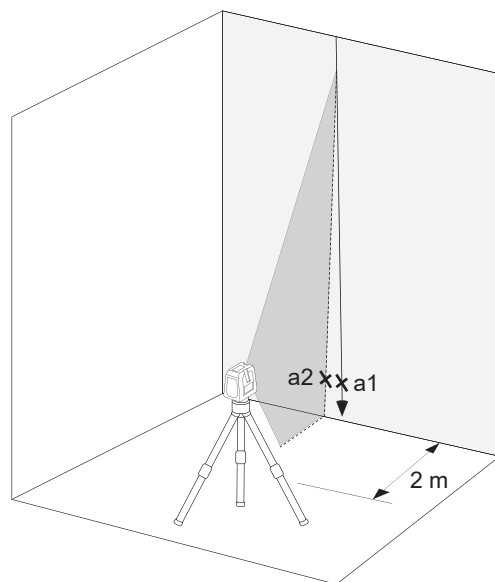
7. Välimatkojen mittaaminen:
 $\Delta a = |a2 - a1|$
 $\Delta b = |b1 - b2|$
8. Erotus $|\Delta a - \Delta b|$ ei saa olla suurempi kuin 2 mm.

3 PYSTYSUORAN VIIVAN VAAITUSTARKKUUDEN TARKASTUS

1. Ripusta n. 4 m:n mittainen luotinuora yhdelle seinälle.
2. Kun luodin heilahtelu on päättynyt, merkitse piste a1 lyijyluodin yläpuolelle seinään.



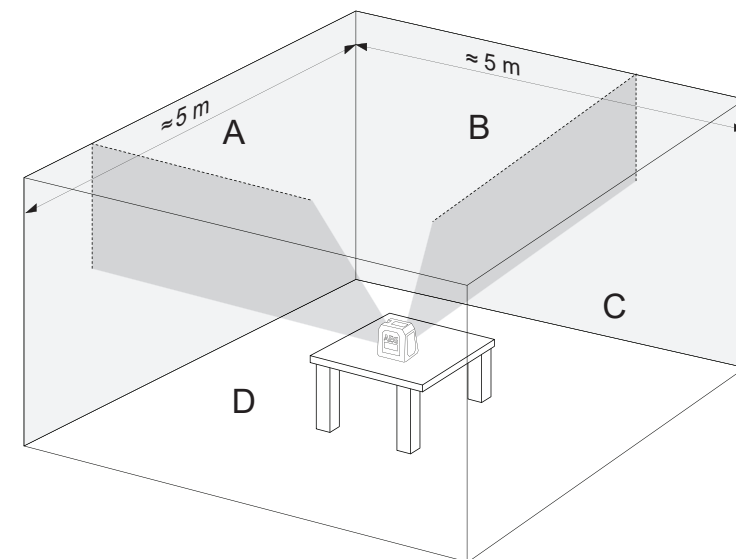
3. Sijoita laserlaite jalustalle tai tasaiselle pohjalle n. 2 m:n päähän seinästä.
4. Kytke itsevaaituskäyttötapa päälle ja paina näppäintä, jotta luotinuoralle heijastetaan pystysuora viiva.
5. Käänä laseria niin, että pystysuora viiva on samalla kohdalla kuin luotinuoran ripustus.
6. Merkitse piste a2 seinään pystysuoran viivan keskikohdalle samalle korkeudelle kuin a1.
7. Pisteiden a1 ja a2 välimatka ei saa olla suurempi kuin 1 mm.



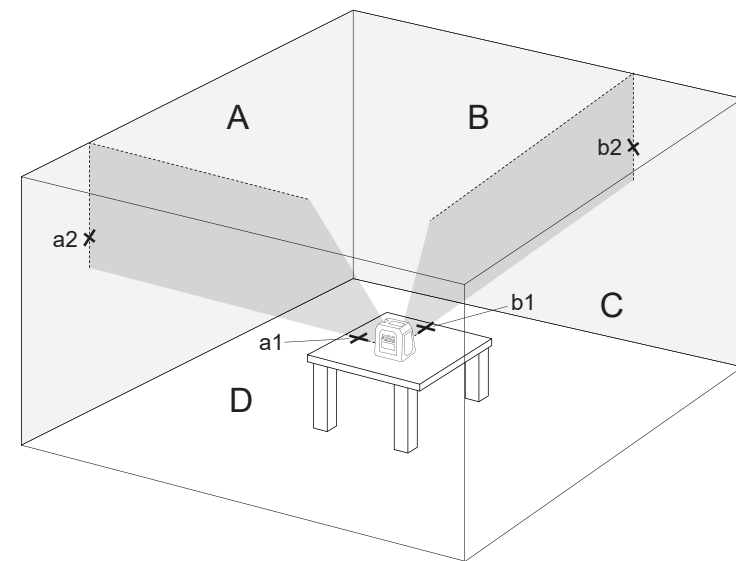
4 2 PYSTYSUORAN VIIVAN VÄLISEN SUORAKULMAISUUDEN TARKASTUS

Tätä tarkastusta varten tarvitaan huone, jossa on 4 seinää ja jonka pohjapinta-ala on vähintään 5 x 5 m.

1. Aseta laser pöydälle tai lattialle huoneen keskelle.
2. Kytke itsevaaituskäyttötapa päälle ja paina V/H-näppäintä 4 kertaa, jotta heijastetaan pystysuorat viivat eteen ja sivulle.



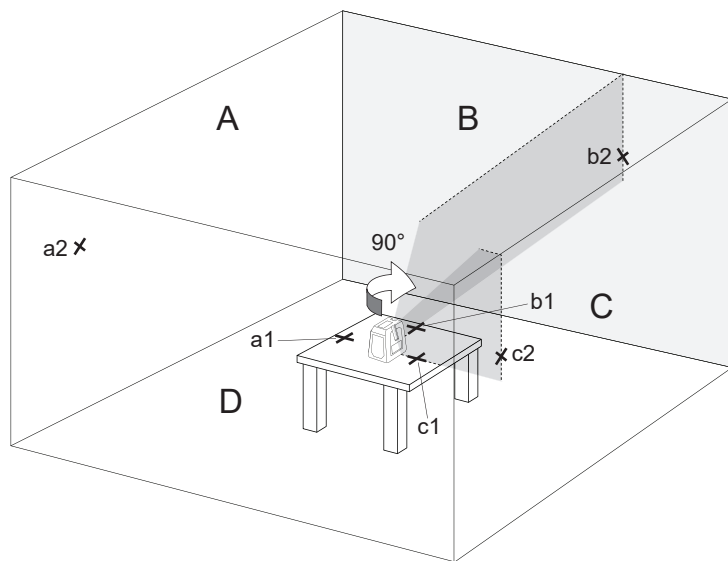
3. Merkitse eteen heijastetun pystysuoran viivan keskikohta 2 paikkaan: piste a1 pöydälle laserin lähelle ja piste a2 seinään A.
4. Merkitse sivulle heijastetun pystysuoran viivan keskikohta 2 paikkaan: piste b1 pöydälle laserin lähelle ja piste b2 seinään B.



PYSTYSUORAN VIIVAN VÄLISEN SUORAKULMAISUUDEN TARKASTUS

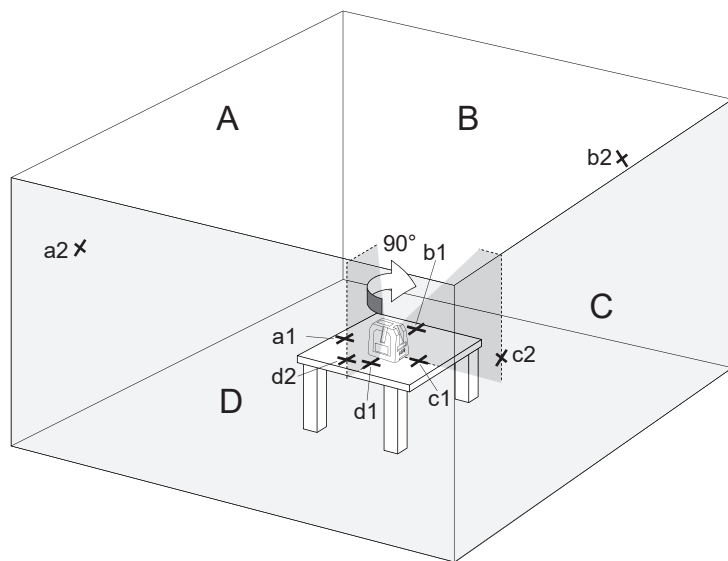
5. Käännä laserlaitetta 90° myötäpäivään, niin että eteen suunnattu laserviiva tapaa merkinnät b1 pöydässä ja b2 seinässä B.

6. Merkitse sivulle heijastetun pystysuoran viivan keskikohta 2 paikkaan: piste c1 pöydälle laserin lähelle ja piste c2 seinään C.



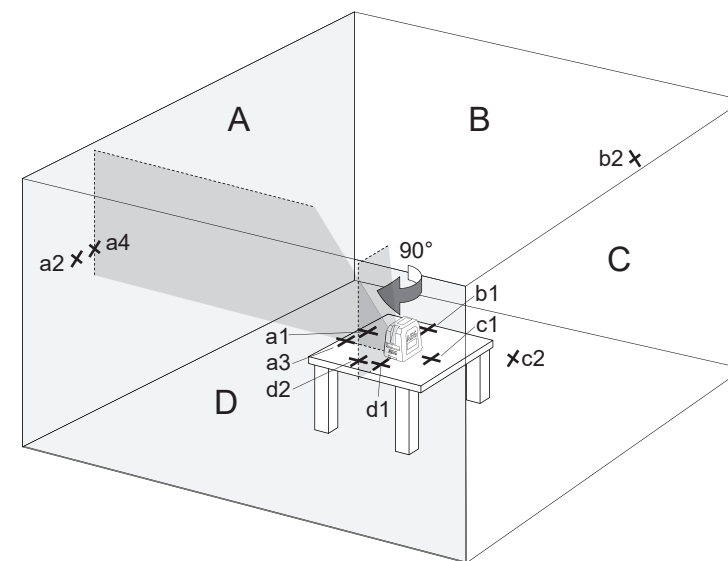
7. Käännä laserlaitetta 90° myötäpäivään, niin että eteen suunnattu laserviiva tapaa merkinnät c1 pöydässä ja c2 seinässä C.

8. Merkitse sivulle heijastetun pystysuoran viivan keskikohta 2 paikkaan: piste d1 pöydälle laserin lähelle ja piste d2 seinään D.



9. Käännä laserlaitetta 90° myötäpäivään, niin että eteen suunnattu laserviiva tapaa merkinnät d1 pöydässä ja d2 seinässä D.

10. Merkitse sivulle heijastetun pystysuoran viivan keskikohta 2 paikkaan: piste a3 pöytään lähelle pistettä a1 ja piste a4 seinään A lähelle pistettä a2.



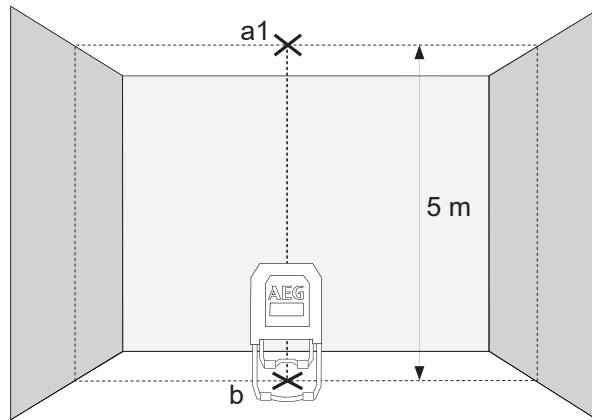
11. Välimatkojen mittaus:
 $\Delta 1$ = pisteestä a1 pisteeseen a3
 $\Delta 2$ = pisteestä a2 pisteeseen a4

12. Erotus $\Delta 2 - \Delta 1$ ei saa olla suurempi kuin 4 mm.

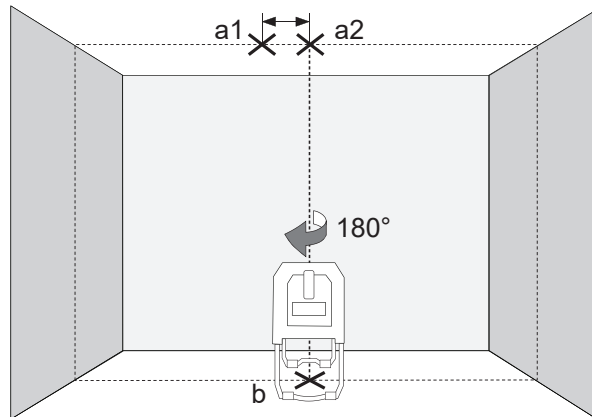
5 LUOTITOIMINNON TARKKUUDEN TARKASTUS

Tätä tarkastusta varten tarvitaan huone, jonka katto on n. 5 m:n korkeudella.

1. Käännä laserlaitteen jalat auki ja aseta laite lattialle.
2. Kytke itsevaaituskäyttötapa päälle ja paina näppäintä, jotta kattoon heijastetaan pystysuorat ristiviivat ja lattiaan luotipiste.
3. Merkitse ylös suunnatun ristiviivan keskikohta kattoon pisteenä a1 (katso kuva).
4. Merkitse luotipisteen keskikohta lattiaan pisteenä b.



5. Käännä laser 180° ja sijoita se niin, että luotipisteen keskikohta osuu jo merkittyyn pisteeseen b, ja odota, kunnes laite on vaaitettu.
6. Merkitse ylös suunnatun ristiviivan keskikohta kattoon pisteenä a2.
7. Pisteiden a1 ja a2 välimatka ilmoittaa, miten suuresti laserviiva poikkeaa ihanteellisesta luotisuorasta.
5 m:n mittausmatkalla suurin sallittu poikkeama on:
 $5 \text{ m} \times (\pm 0,6 \text{ mm/m}) \times 2 = \pm 6 \text{ mm}$.
8. Pisteiden a1 ja a2 välimatka ei saa olla suurempi kuin 6 mm.



ΠΕΡΙΕΧΟΜΕΝΟ

Σημαντικές οδηγίες ασφαλείας	1
Συντήρηση	2
Τεχνικά στοιχεία	2
Προβλεπόμενη χρήση	2
Συνοπτική εικόνα	3
Ένδειξη ασθενούς μπαταρίας	4
Αλλαγή μπαταριών	4
Ρυθμιζόμενα σκέλη	5
Μαγνητικό στήριγμα τοίχου και πράσινη πλάκα στόχου	5
Εργασία στη λειτουργία αυτοχρωσταθμής	6
Εργασία στη χειροκίνητη λειτουργία	7
Λειτουργία αλφαδιού	8
Λειτουργία παλμού	8
Έλεγχος ακρίβειας	9

ΣΗΜΑΝΤΙΚΕΣ ΟΔΗΓΙΕΣ ΑΣΦΑΛΕΙΑΣ



ΠΡΟΣΟΧΗ! ΠΡΟΕΙΔΟΠΟΙΗΣΗ! ΚΙΝΔΥΝΟΣ!

Μη χρησιμοποιήσετε το προϊόν χωρίς πρώτα να διαβάσετε τις Οδηγίες ασφαλείας και το Εγχειρίδιο χρήσης στο συνοδευτικό CD.

Κατηγορία Laser



ΠΡΟΕΙΔΟΠΟΙΗΣΗ:

Πρόκειται για ένα προϊόν λέιζερ Κλάσης 2 σύμφωνα με το πρότυπο EN60825-1:2014 .



Προειδοποίηση:

Μην εκθέτετε τα μάτια σας άμεσα στην ακτίνα του λέιζερ. Η ακτίνα του λέιζερ μπορεί να προκαλέσει σοβαρές οφθαλμικές βλάβες ή/και τύφλωση.

Μην κοιτάζετε άμεσα προς την ακτίνα του λέιζερ και μην στρέψετε την ακτίνα άσκοπα προς άλλα άτομα.

Προσοχή! Σε ορισμένες εφαρμογές μπορεί να βρίσκεται η συσκευή εκπομπής λέιζερ πίσω σας. Σ' αυτή την περίπτωση να στρέψετε το βλέμμα σας προσεκτικά.

Προειδοποίηση:

Μη χρησιμοποιείτε το λέιζερ κοντά σε παιδιά και μην αφήνετε παιδιά να το χρησιμοποιούν.

Προσοχή! Η ακτίνα laser μπορεί να αντανακλασθεί πάνω σε μια ανακλώσα επιφάνεια πίσω στον χειριστή ή σε άλλα πρόσωπα.

Προσοχή: Η χρήση στοιχείων ελέγχου και ρυθμίσεως ή η εκτέλεση διεργασιών άλλων από αυτές που ορίζονται στο εγχειρίδιο χρήσης μπορεί να οδηγήσουν σε επικίνδυνη έκθεση σε ακτινοβολία.

Εάν μεταφερθεί το λέιζερ από ένα πολύ κρύο σε ένα ζεστό περιβάλλον (ή αντίστροφα), τότε πρέπει αυτό να αποκτήσει τη θερμοκρασία περιβάλλοντος πριν από τη χρήση.

Μη διαφυλάσσετε το λέιζερ στο ύπαιθρο και να το προστατεύετε από κρούσεις, συνεχείς δονήσεις και ακραίες θερμοκρασίες.

Προφυλάξτε την συσκευή μέτρησης αποστάσεως με ακτίνα laser από σκόνη, υγρασία και υψηλή ατμοσφαιρική υγρασία. Κάτι τέτοιο μπορεί να καταστρέψει εξαρτήματα στο εσωτερικό της ή να επηρεάσει την ακρίβεια μέτρησης.

Σε περίπτωση που η δέσμη του λέιζερ πετύχει το μάτι, κλείστε τα μάτια σας και στρέψτε αμέσως το κεφάλι σας μακριά από την ακτίνα.

Προσέχετε να τίθεται η ακτίνα του λέιζερ έτσι, ώστε να μη θαμπώνεστε εσείς ή να θαμπώνονται άλλα άτομα απ' αυτή.

Μην κοιτάζετε απευθείας προς την ακτίνα λέιζερ με οπτικές, μεγεθυντικές συσκευές, όπως διόπτρες ή τηλεσκόπια. Διαφορετικά αυξάνεται ο κίνδυνος σοβαρών, οφθαλμικών βλαβών.

Λαμβάνετε υπόψη σας, ότι τα γυαλιά παρατήρησης του λέιζερ βοηθούν μεν στη διάκριση των γραμμών λέιζερ, αλλά δεν προστατεύουν τα μάτια από τη δέσμη του λέιζερ.

Οι προειδοποιητικές πινακίδες πάνω στη συσκευή λέιζερ δεν επιτρέπεται να απομακρύνονται ή να καθίστανται μη αναγνώσιμες.

Μην αποσυναρμολογείτε το λέιζερ. Η δέσμη του λέιζερ μπορεί να προκαλέσει σοβαρούς τραυματισμούς των οφθαλμών.

Πριν από τη μεταφορά να ελέγχετε αν έχει εμπλακεί η μανδάλωση του εκκρεμούς.

Υπόδειξη: Σε περίπτωση μη εμπλοκής τής μανδάλωσης εκκρεμούς θα μπορούσαν κατά τη μεταφορά να προκληθούν ζημιές στο εσωτερικό τής συσκευής.

Μην χρησιμοποιείτε δραστικά απορρυπαντικά ή διαλυτικά. Καθαρίστε την συσκευή μόνο με ένα καθαρό και μαλακό πανί.

Να προστατεύετε το λέιζερ από σφοδρές προσκρούσεις και πτώσεις. Μετά από μίαν πτώση ή έντονες μηχανικές επιδράσεις πρέπει να ελέγχεται η ακρίβεια της συσκευής πριν από τη χρήση.

Απαιτούμενες εργασίες επισκευής στην συσκευή laser επιτρέπεται να διενεργούνται μόνο από εξουσιοδοτημένο ειδικευμένο προσωπικό.

Μη χρησιμοποιείτε το προϊόν σε περιοχές που ενέχουν κίνδυνο έκρηξης ή σε επιθετικά περιβάλλοντα.

Σε περίπτωση που δεν θα χρησιμοποιηθεί η συσκευή μακρόχρονα, να αφαιρούνται οι μπαταρίες από την υποδοχή τής συστοιχίας. Έτσι αποτρέπεται η εκροή υγρών μπαταρίας και οι συνδεόμενες μ' αυτή ζημιές από διάβρωση.



Οι άδεις μπαταρίες δεν πρέπει να απορρίπτονται μαζί με τα οικιακά απορρίμματα. Φροντίστε το περιβάλλον και μεταφέρετέ τις σε σημεία αποκομιδής σύμφωνα με τους εθνικές ή τοπικές κανονισμούς. Το προϊόν δεν πρέπει να απορρίπτεται μαζί με τα οικιακά απορρίμματα. Φροντίστε για την κατάλληλη απόρριψη του προϊόντος σύμφωνα με τις εθνικές διατάξεις που ισχύουν στη χώρα σας. Τηρείτε τις εθνικές διατάξεις διάθεσης απορριμμάτων.

Απευθυνθείτε στις τοπικές δημόσιες υπηρεσίες ή στον έμπορο για να πληροφορηθείτε σχετικά με την απόρριψη.



Ευρωπαϊκό σήμα πιστότητας

ΣΥΝΤΗΡΗΣΗ

Να καθαρίζετε τον αντικειμενικό φακό και το περίβλημα του λέιζερ μ' ένα καθαρό, μαλακό πανί. Μη χρησιμοποιείτε διαλύτες.

Παρ' ότι δεν επηρεάζεται το λέιζερ από σκόνη και ρύπους, μέχρι έναν ορισμένο βαθμό, δεν θα έπρεπε να το διαφυλάσσετε σ' ένα σκονισμένο χώρο, διαφορετικά θα μπορούσαν να υποστούν ζημιά κινητά εξαρτήματα στο εσωτερικό τής συσκευής.

Εάν βραχεί το λέιζερ, τότε να το στεγνώνετε πριν την τοποθέτηση στη θήκη μεταφοράς, ώστε να μην προκύπτουν φθορές λόγω σκουριάς.

ΤΕΧΝΙΚΑ ΣΤΟΙΧΕΙΑ

Κατηγορία λέιζερ	2
Περιοχή αυτοχωροστάθμησης	±3°
Διάρκεια αυτοχωροστάθμησης	3–5 s
Τύπος μπαταρίας	Αλκαλική μπαταρία LR6 τύπου AA
Τάση DC	3 × 1,5 V
Κατανάλωση ισχύος	0,35 A
Είδος προστασίας (σκόνη και πιπίλισμα)	IP54
Λειτουργίες	οριζόντια γραμμή, 2 κάθετες γραμμές, σταυρωτές γραμμές, λειτουργία αλφαδιού
Λειτουργία παλμού	Συχνότητα 10 kHz
Προβολές	3 πράσινες γραμμές, 1 κόκκινη κουκίδα
Πρότυπο εξαγόμενης γραμμής λέιζερ	Οριζόντια γραμμή προς τα εμπρός, κάθετη γραμμή προς τα εμπρός, κάθετη γραμμή πλαγίως κι αλφαδιά. Οριζόντιες και κάθετες, σταυρωτές γραμμές προς τα εμπρός κι αλφαδιά. Οριζόντια γραμμή. Κάθετη γραμμή προς τα εμπρός κι αλφαδιά Κάθετες γραμμές προς τα εμπρός και πλαγίως κι αλφαδιά. (Η ένδειξη αλφαδιάς προς τα κάτω λειτουργεί μόνο κατά την αυτοχωροστάθμηση, όχι στη χειροκίνητη λειτουργία.)
Χρόνος λειτουργίας	6 ώρες
Σπείρωμα τριπόδου	1/4"
Κατάλληλος ανιχνευτής	για τυποποιημένα πράσινα λέιζερ πολλαπλών γραμμών
Γραμμή λέιζερ	
Πλάτος	2,5 χιλ. ±0,5 χιλ. / 5 μ
Μήκος κυμάτων	λ 520 ±10 nm κατηγορία λέιζερ II
Ακρίβεια	±0,2 χιλ./μ
Γωνία ανοίγματος	> 120°
Χρώμα	πράσινο
Εμβέλεια	30 μ (με ανιχνευτή 50 μ)

Αλφαδιά	
Μήκος κυμάτων κουκίδας λέιζερ	635 ±5 nm κατηγορία λέιζερ II
Μέγ. ισχύς κουκίδας λέιζερ	< 1 mW
Ακρίβεια αλφαδιού	±0,6 χιλ. / 1 μ
Χρώμα κουκίδας λέιζερ	κόκκινο
Εμβέλεια	5 μ
Συνιστώμενη θερμοκρασία λειτουργίας	-10 °C έως +45 °C
Θερμοκρασία αποθήκευσης	-20 °C έως +60 °C
Διαστάσεις	106 χιλ. × 88 χιλ. × 105 χιλ.
Βάρος (συμπ. μπαταριών)	710 γρ.

ΠΡΟΒΛΕΠΟΜΕΝΗ ΧΡΗΣΗ

Αυτό το καινοτομικό λέιζερ έχει σχεδιαστεί για έναν ευρύ, επαγγελματικό τομέα εφαρμογών, όπως π.χ.:

- ευθυγράμμιση πλακακιών, μαρμάρινων πλακών, ντουλαπών, μπορντούρων, χυτευμένων υλικών και ειδών διακόσμησης
- σημάδεμα γραμμών βάσης για την τοποθέτηση θυρών, παραθύρων, σιδηροτροχιών, σκαλοπατιών, περιφράξεων, πυλών, βεραντών και περγκολών.
- μεταβίβαση σημείων αναφοράς για εγκαταστάσεις φωτισμού και εξαερισμού, μεταβίβαση ύψους, χωροστάθμηση τοίχων ερμαριού και διαχωριστικών, τοποθέτηση σιδηροτροχιών στο δάπεδο, καθώς επίσης λοιπές επαγγελματικές εργασίες.
- Για τον καθορισμό και έλεγχο οριζόντιων και κάθετων γραμμών.



Αυτό το προϊόν επιτρέπεται να χρησιμοποιείται μόνο για την προβλεπόμενη χρήση που αναφέρεται.

Ελαστικοί σταθεροποιητές

Ρυθμιζόμενα σκέλη

Παράθυρο κάθετης γραμμής λέιζερ προς τα εμπρός

Παράθυρο οριζόντιας γραμμής λέιζερ

ON  / OFF  Διακόπτης μανδάλωσης



Πίνακας ελέγχου

AEG

M
I/O

V/H

P

Ένδειξη LED χειροκίνητης λειτουργίας

Πλήκτρο χειροκίνητης λειτουργίας
Για την ενεργοποίηση και απενεργοποίηση της χειροκίνητης λειτουργίας

Ένδειξη LED επιλογής γραμμής λέιζερ (συνεχές φως)
Ένδειξη LED ασθενούς μπαταρίας (αναλάμπουσα λυχνία)

Κομβίο επιλογής γραμμής λέιζερ
Επιλογή ανάμεσα σε **Κ**άθετη γραμμή προς τα εμπρός (**V**), **Κ**άθετη γραμμή πλάγιως (**V**), **Ο**ριζόντια γραμμή προς τα εμπρός ή ένα συνδυασμό αυτών των γραμμών.

Ένδειξη LED λειτουργίας παλμού

Πλήκτρο λειτουργίας παλμού
Για εξωτερικές εργασίες υπό άμεση ηλιακή ακτινοβολία ή φωτεινές συνθήκες φωτισμού, καθώς επίσης για εσωτερικές εφαρμογές με μίαν εμβέλεια έως 50 μ να χρησιμοποιείτε τη λειτουργία παλμού μ' έναν ανιχνευτή 10-kHz.

Παράθυρο κάθετης ακτίνας λέιζερ πλάγιως

Κάλυμμα θήκης μπαταρίας

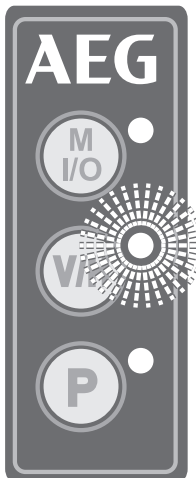


Κόκκινη αλφαδιά

Σπείρωμα τριπόδου 1/4"



ΕΝΔΕΙΞΗ ΑΣΘΕΝΟΥΣ ΜΠΑΤΑΡΙΑΣ



Σε περίπτωση χαμηλού επιπέδου φόρτισης μπαταρίας μειώνεται η φωτεινότητα του λέιζερ και αρχίζει να αναβοσβήνει η αντίστοιχη ένδειξη (πράσινη LED δίπλα στο πλήκτρο V/H) με μια συχνότητα 0,5 δευτερολέπτου.

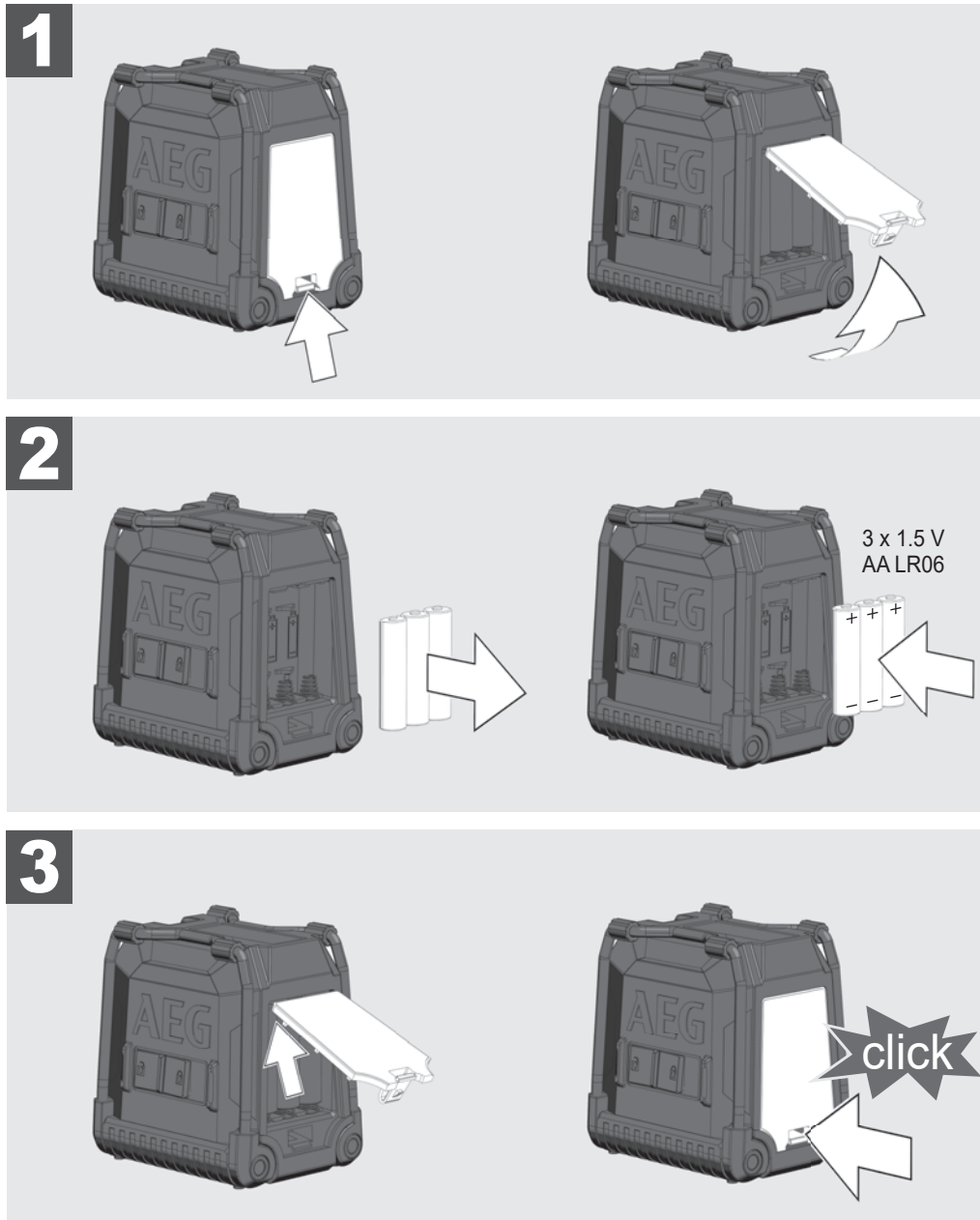
Μπορείτε όμως να συνεχίσετε την εργασία.

Εάν εξασθενίσουν οι μπαταρίες πολύ, τότε απενεργοποιείται η συσκευή αυτόματα.

ΑΛΛΑΓΗ ΜΠΑΤΑΡΙΩΝ

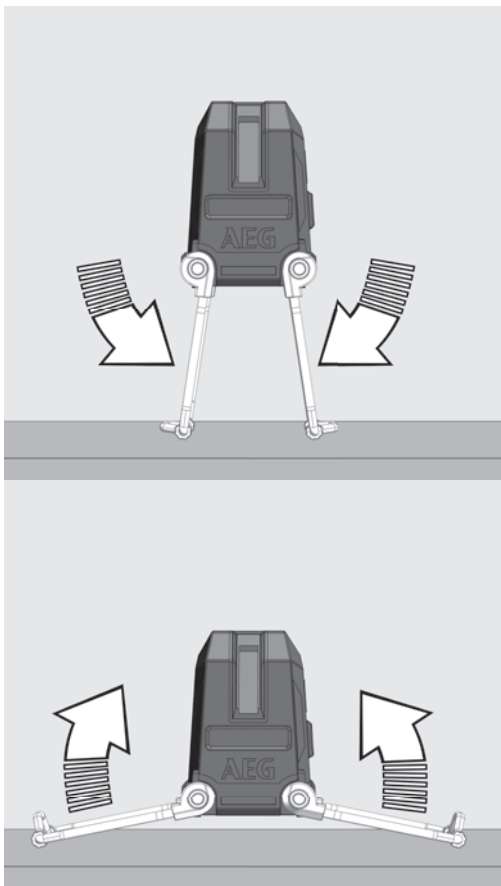
Αλλάξτε τις μπαταρίες, όταν εξασθενίσει η ακτίνα του λέιζερ.

Σε περίπτωση που δεν θα χρησιμοποιηθεί το λέιζερ μακρόχρονα, να αφαιρούνται οι μπαταρίες από την υποδοχή τής συστοιχίας. Έτσι αποτρέπεται η εκροή υγρών μπαταρίας και οι συνδεόμενες μ' αυτή ζημιές από διάβρωση.

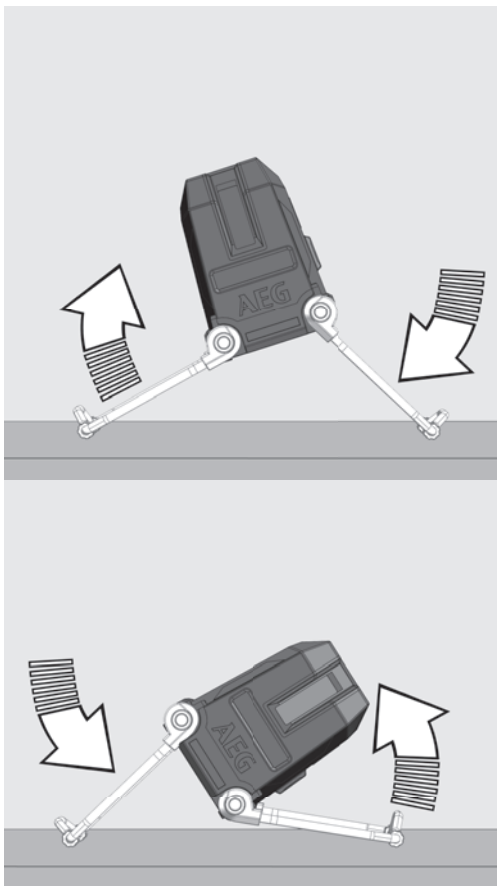


ΡΥΘΜΙΖΟΜΕΝΑ ΣΚΕΛΗ

Με τα ρυθμιζόμενα σκέλη προσαρμόζετε το ύψος της οριζόντιας γραμμής.

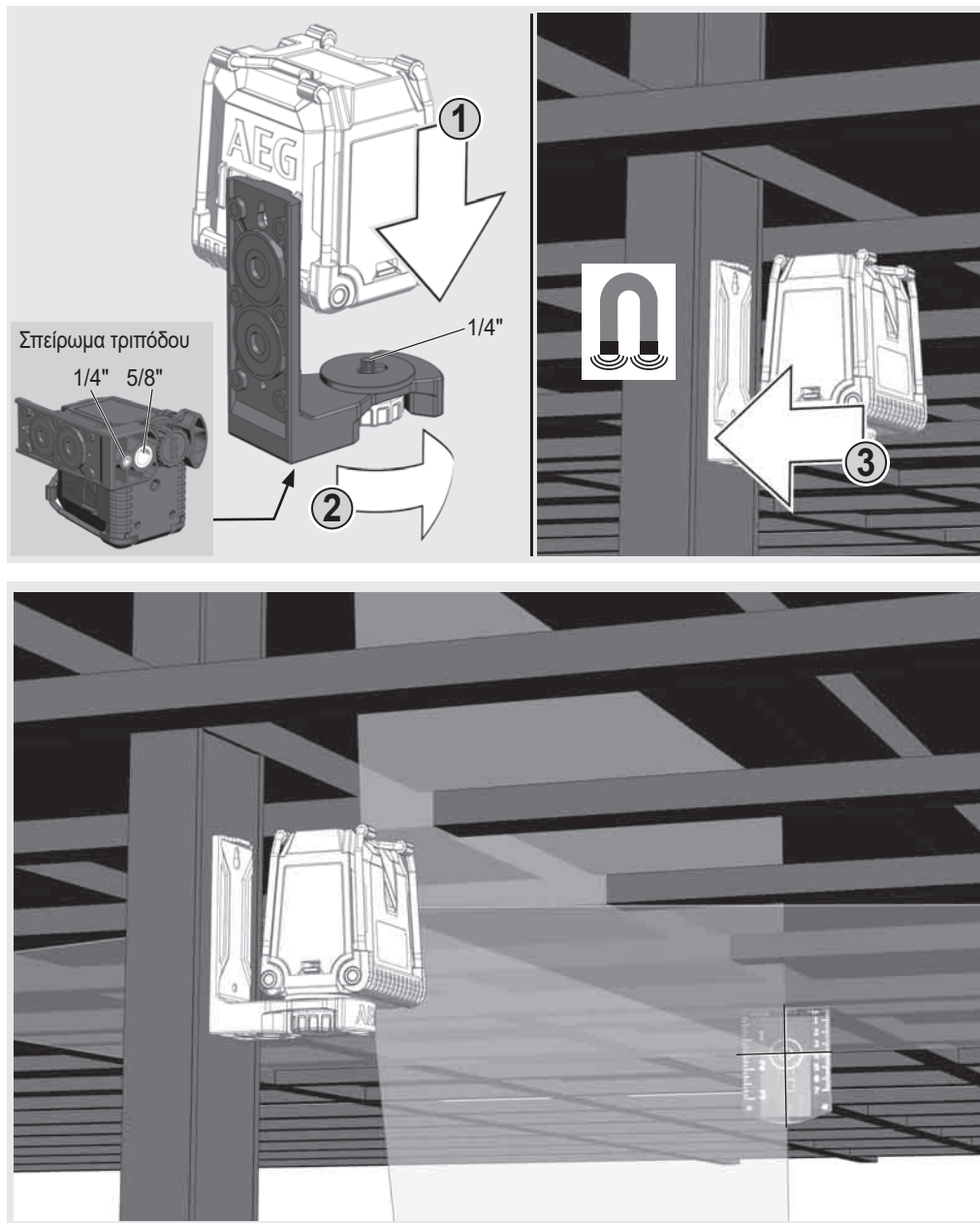


Με τα ρυθμιζόμενα σκέλη προσαρμόζετε την κλίση του λέιζερ.



ΜΑΓΝΗΤΙΚΟ ΣΤΗΡΙΓΜΑ ΤΟΙΧΟΥ ΚΑΙ ΠΡΑΣΙΝΗ ΠΛΑΚΑ ΣΤΟΧΟΥ

Με το μαγνητικό στήριγμα μπορεί να στερεώνεται το λέιζερ σε τοίχους, μεταλλικές κατασκευές κτλ. Η πράσινη πλάκα στόχου βελτιώνει την εμφάνιση της ακτίνας του λέιζερ σε περίπτωση δυσμενών συνθηκών και μεγάλων αποστάσεων.



ΕΡΓΑΣΙΑ ΣΤΗ ΛΕΙΤΟΥΡΓΙΑ ΑΥΤΟΧΩΡΟΣΤΑΘΜΗΣΗΣ


Στη λειτουργία αυτοχωροστάθμησης ευθυγραμμίζεται το λέιζερ μόνο του σε μίαν περιοχή $\pm 3^\circ$. Εμφανίζονται μια οριζόντια γραμμή, δύο κάθετες γραμμές ή και οι 3 γραμμές συγχρόνως.

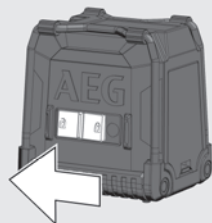
1

Τοποθετήστε το λέιζερ σ' ένα σταθερό, επίπεδο και ελεύθερο από δονήσεις υπέδαφος ή πάνω σ' ένα τρίποδο.



2

Ωθήστε το διακόπτη μανδάλωσης στο ON .

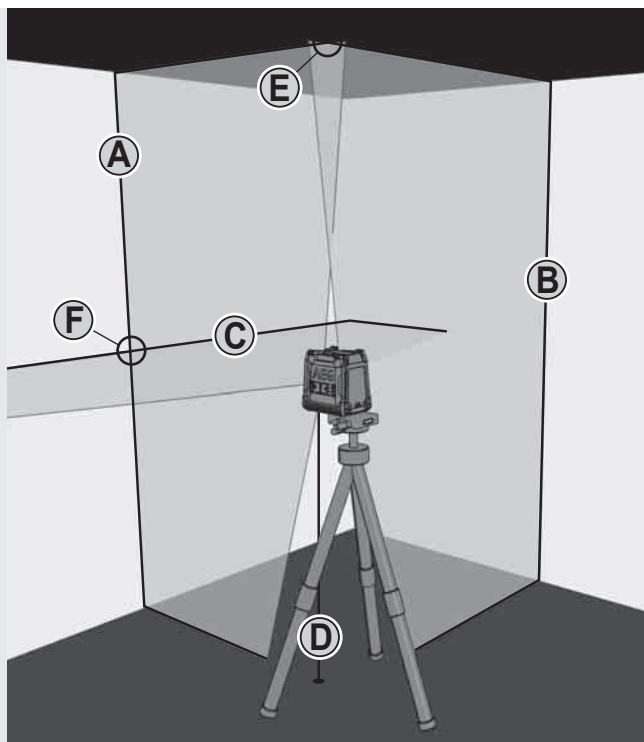


3

Το λέιζερ δημιουργεί 3 γραμμές λέιζερ.

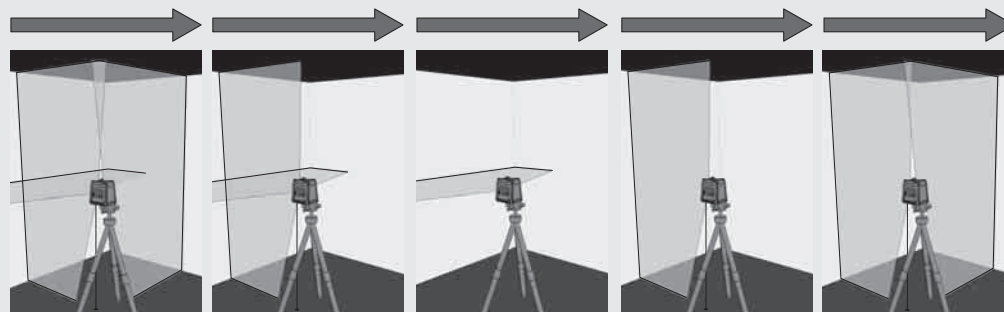
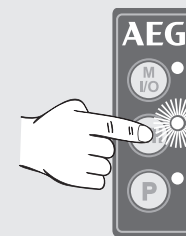
- (A) Κάθετη γραμμή προς τα εμπρός
- (B) Κάθετη γραμμή πλαγίως
- (C) Οριζόντια γραμμή προς τα εμπρός
- (D) Κουκίδα λέιζερ (γραμμή αλφαδιού)

Εάν ενεργοποιούνται όλες οι γραμμές, τότε δημιουργεί το λέιζερ σταυρωτές γραμμές προς τα πάνω (E) και προς τα εμπρός (F).



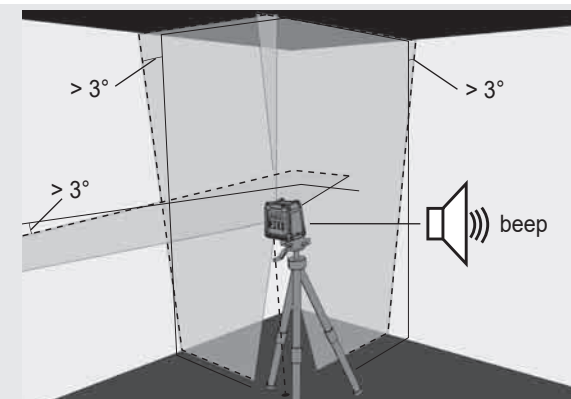
4

Πιέστε το πλήκτρο V/H, για να επιλέξετε τις γραμμές, με τις οποίες θέλετε να εργαστείτε.




5

Εάν δεν ευθυγραμμιστεί το λέιζερ με ενεργοποιημένη αυτοχωροστάθμηση στις $\pm 3^\circ$, τότε αναλαμβάνουν οι γραμμές λέιζερ - - - - και αντηχεί ένα ηχητικό σήμα. Σ' αυτή την περίπτωση τοποθετήστε το λέιζερ εκ νέου.



6

Πριν τη μετάθεση της συσκευής θέστε το πλήκτρο μανδάλωσης στο OFF . Κατ' αυτό τον τρόπο ασφαρίζεται το εκκενρές και προστατεύεται το λέιζερ.

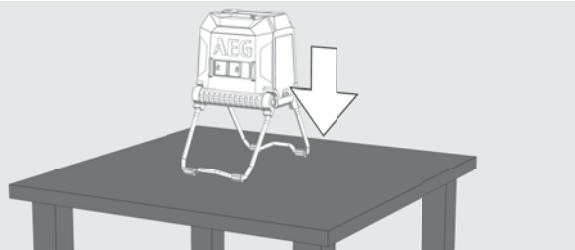


ΕΡΓΑΣΙΑ ΣΤΗ ΧΕΙΡΟΚΙΝΗΤΗ ΛΕΙΤΟΥΡΓΙΑ

Στη χειροκίνητη λειτουργία είναι η αυτοχωροστάθμιση απεργοποιημένη και μπορεί να ρυθμίζεται το λέιζερ σ' οποιαδήποτε κλίση τής γραμμής λέιζερ.

1

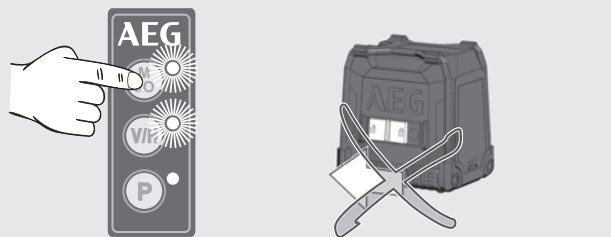
Τοποθετήστε το λέιζερ σ' ένα σταθερό, επίπεδο και ελεύθερο από δονήσεις υπέδαφος ή πάνω σ' ένα τρίποδο.



2

Πιέστε το πλήκτρο για τη χειροκίνητη λειτουργία (δίχως μετάθεση του διακόπτη μανδάλωσης!).

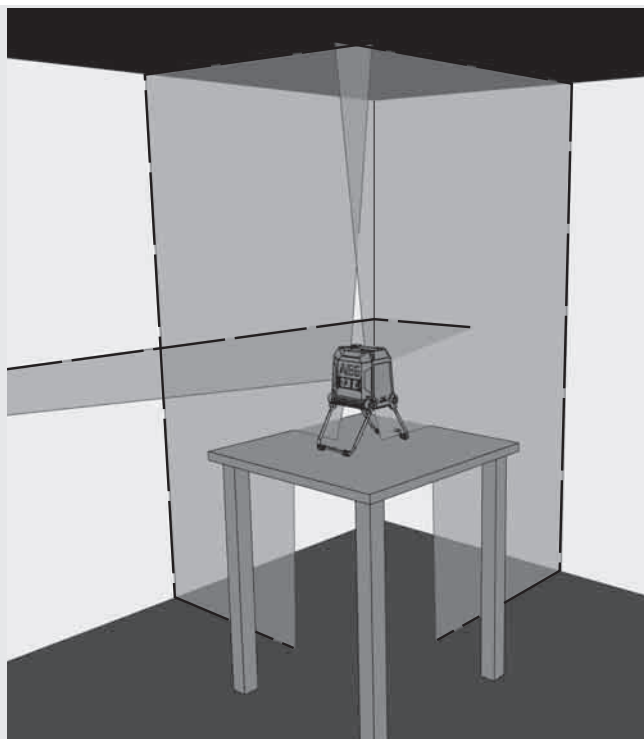
Η κόκκινη LED δίπλα στο πλήκτρο φωτίζει.



3

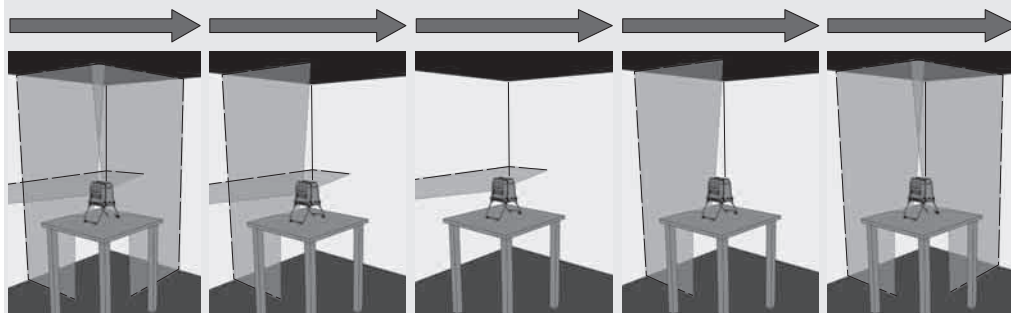
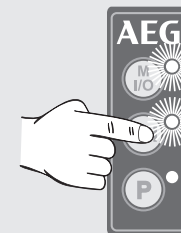
Όπως και στη λειτουργία αυτοχωροστάθμισης δημιουργεί το λέιζερ 3 γραμμές, οι οποίες όμως αναβοσβήνουν σε διαστήματα 3 δευτερολέπτων.

3 δευτ. 3 δευτ. 3 δευτ.



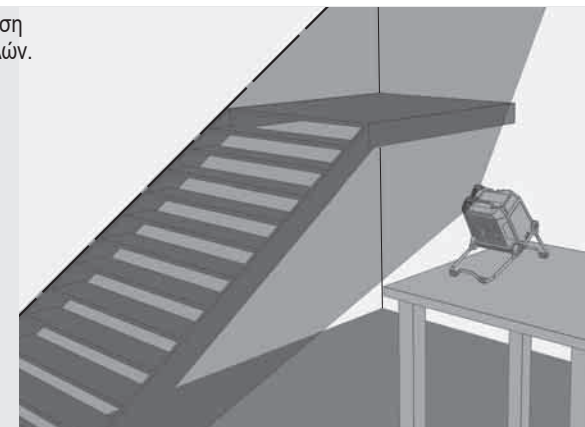
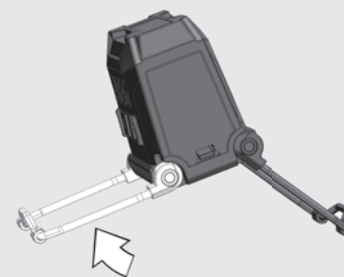
4

Πιέστε το πλήκτρο V/H, για να επιλέξετε τις γραμμές, με τις οποίες θέλετε να εργαστείτε.



5

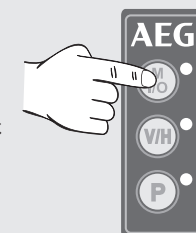
Ρυθμίστε το λέιζερ στο ύψος και την κλίση που επιθυμείτε, με τη βοήθεια των σκελών.



6

Για να τερματίσετε τη χειροκίνητη λειτουργία, πιέζετε το πλήκτρο για τη χειροκίνητη λειτουργία εκ νέου.

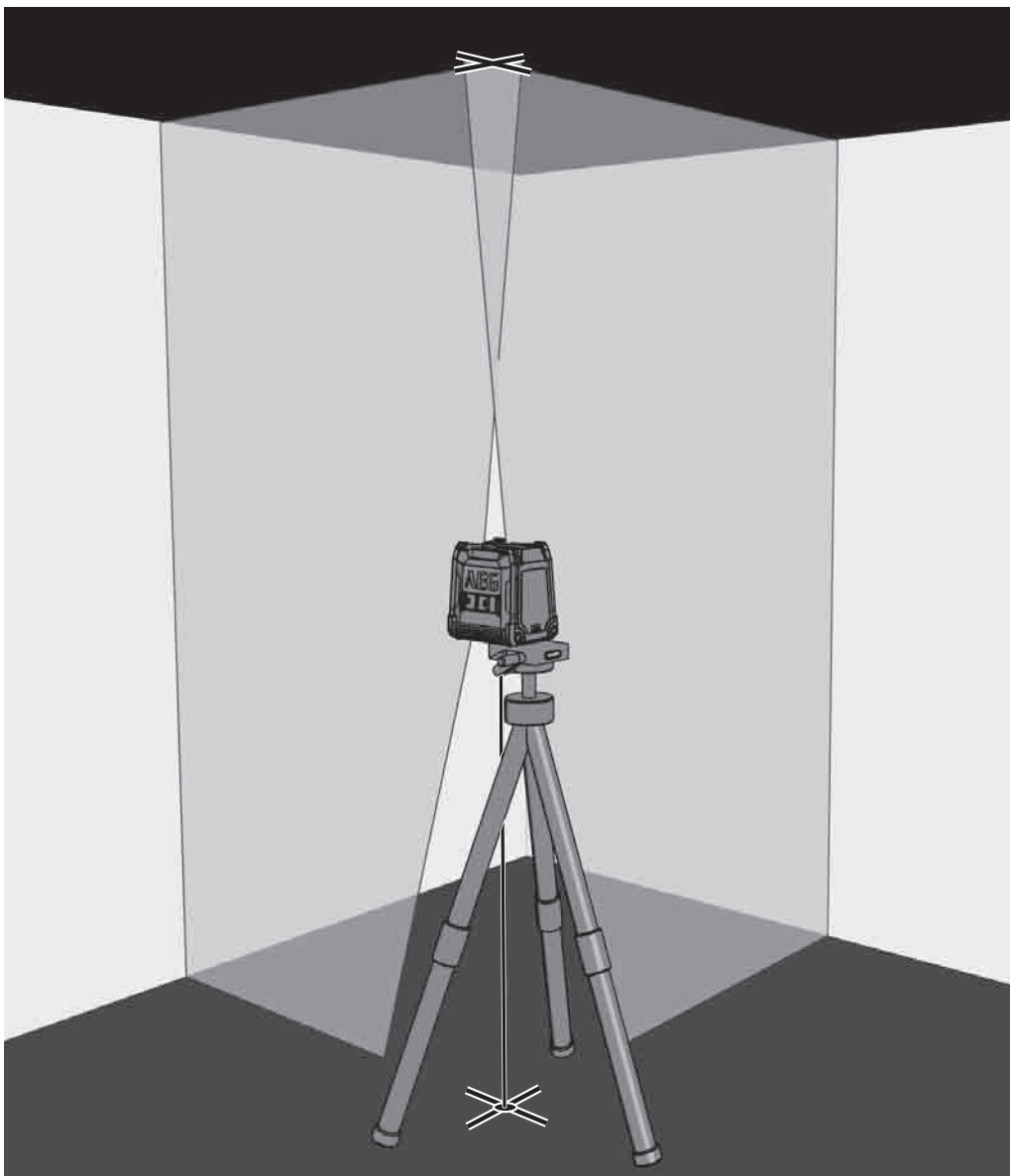
Για να μεταβείτε στη λειτουργία αυτοχωροστάθμισης απευθείας, θέτετε το διακόπτη μανδάλωσης στο ON.



ΛΕΙΤΟΥΡΓΙΑ ΑΛΦΑΔΙΟΥ

Με τη λειτουργία αλφαδιού μπορεί να εμφανίζεται ένα σημείο στο δάπεδο κάθετα προς την οροφή. Το σημείο αναφοράς στο δάπεδο ευθυγραμμίζεται στο σημείο τομής των σταυρωτών γραμμών στην οροφή.

Η λειτουργία αλφαδιού χρησιμεύει για παράδειγμα στη μεταβίβαση ενός σημείου αναφοράς για την εγκατάσταση φωτισμού και εξαερισμού ή την μεταβίβαση των υψών.



ΛΕΙΤΟΥΡΓΙΑ ΠΑΛΜΟΥ

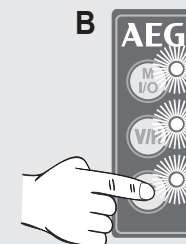
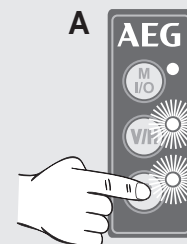
Για εξωτερικές εργασίες υπό άμεση ηλιακή ακτινοβολία ή φωτεινές συνθήκες φωτισμού, καθώς επίσης για εσωτερικές εφαρμογές με μian εμβέλεια έως 50 μέτρα να χρησιμοποιείτε τη λειτουργία παλμού μ' έναν ανιχνευτή. Ο ανιχνευτής δεν περιέχεται στον παραδοτέο εξοπλισμό και πρέπει να αγοράζεται ξεχωριστά.

Σε ενεργοποιημένη λειτουργία παλμού αναλάμπουν οι γραμμές λέιζερ με πολύ υψηλή (για το ανθρώπινο μάτι αόρατη) συχνότητα, για να μπορεί ο ανιχνευτής να εντοπίζει τις γραμμές λέιζερ.

1

Η λειτουργία παλμού μπορεί να ενεργοποιείται τόσο στη λειτουργία αυτοχωροστάθμησης (A) όσο και στη χειροκίνητη λειτουργία (B).

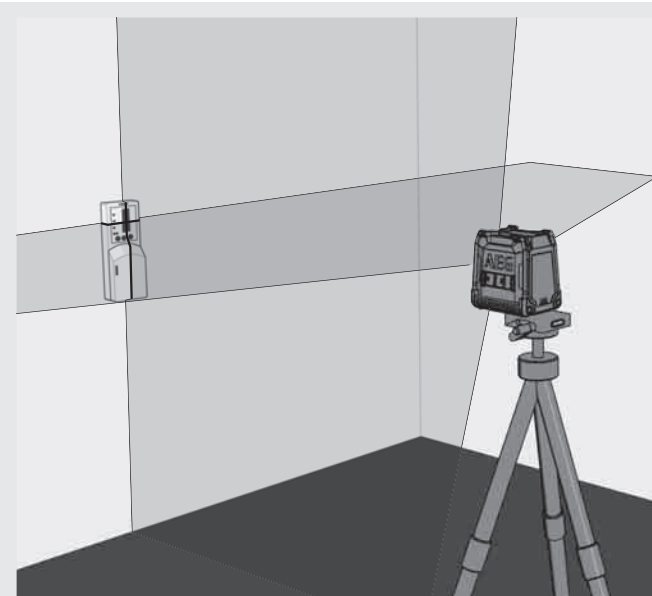
Πιέστε το πλήκτρο P. Η πράσινη LED δίπλα στο πλήκτρο φωτίζει.



2

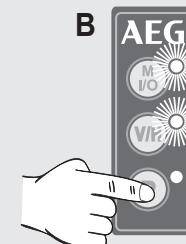
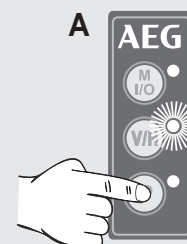
Μετά την ενεργοποίηση της λειτουργίας παλμού μειώνεται λίγο η εμφάνιση των γραμμών λέιζερ.

Λεπτομερείς πληροφορίες για τη χρήση του ανιχνευτή θα βρείτε στις οδηγίες χρήσεως για τον ανιχνευτή.



3

Για να απενεργοποιήσετε τη λειτουργία παλμού, πιέζετε το πλήκτρο P εκ νέου. Η πράσινη LED δίπλα στο πλήκτρο σβήνει.



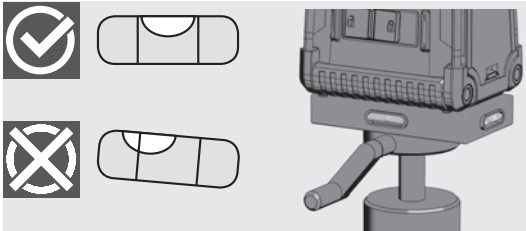
ΕΛΕΓΧΟΣ ΑΚΡΙΒΕΙΑΣ

Το λέιζερ βαθμονομείται πλήρως στο εργοστάσιο. Η AEG συνιστά τον τακτικό έλεγχο της ακρίβειας του λέιζερ, προπαντός μετά από μια πτώση ή εξαιτίας εσφαλμένης χρήσης.

Εάν σ' έναν έλεγχο της ακρίβειας ξεπερνιέται η μέγιστη απόκλιση, τότε να απευθύνεστε σ' ένα από τα κέντρα παροχής υπηρεσιών της AEG (βλέπε τον κατάλογο με τους όρους εγγύησης και τις διευθύνσεις των κέντρων παροχής υπηρεσιών).

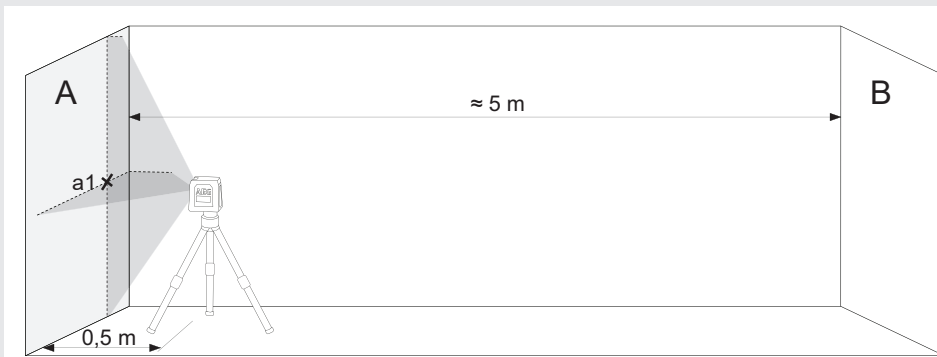
1. Ελέγξτε την ακρίβεια ύψους της οριζόντιας γραμμής.
2. Ελέγξτε την ακρίβεια χωροστάθμησης της οριζόντιας γραμμής.
3. Ελέγξτε την ακρίβεια χωροστάθμησης της κάθετης γραμμής.
4. Ελέγξτε την ορθογωνιότητα μεταξύ 2 κάθετων γραμμών.
5. Ελέγξτε την ακρίβεια αλφαδιού.

Πριν τον έλεγχο της ακρίβειας του τοποθετημένου σε τρίποδο λέιζερ εξετάζετε τη χωροστάθμηση του τριπόδου.

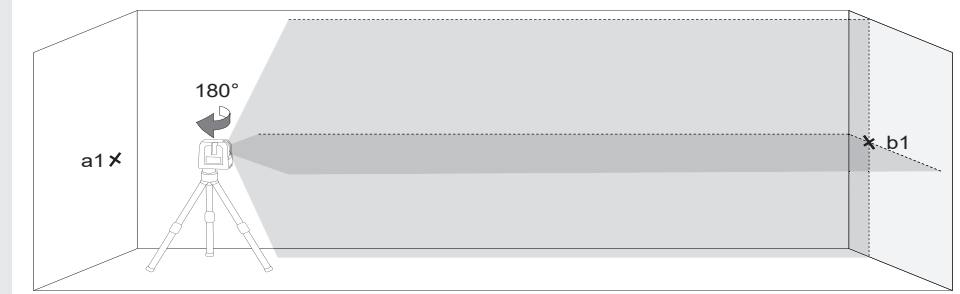


1 ΕΛΕΓΞΤΕ ΤΗΝ ΑΚΡΙΒΕΙΑ ΥΨΟΥΣ ΤΗΣ ΟΡΙΖΟΝΤΙΑΣ ΓΡΑΜΜΗΣ (ΑΠΟΚΛΙΣΗ ΠΡΟΣ ΤΑ ΠΑΝΩ ΚΑΙ ΚΑΤΩ)

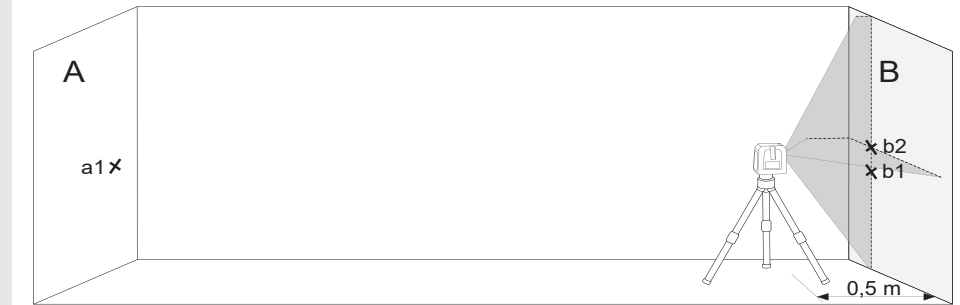
1. Τοποθετήστε το λέιζερ πάνω σ' ένα τρίποδο ή ένα επίπεδο υπέδαφος ανάμεσα σε δύο τοίχους A και B με απόσταση 5 μέτρων μεταξύ αυτών.
2. Τοποθετήστε το λέιζερ σε απόσταση 0,5 μέτρου από τον τοίχο A.
3. Ενεργοποιήστε τη λειτουργία αυτοχωροστάθμησης και πιάστε το πλήκτρο, για να προβάλλετε την οριζόντια και κάθετη γραμμή στον τοίχο A.
4. Σημαδέψτε το σημείο τομής των δύο γραμμών ως σημείο α1 στον τοίχο A.



5. Στρέψτε το λέιζερ κατά 180° προς την κατεύθυνση του τοίχου B και σημαδέψτε το σημείο τομής των δύο γραμμών ως β1 στον τοίχο B.



6. Τοποθετήστε το λέιζερ σε απόσταση 0,5 μέτρου περ. από τον τοίχο B.
7. Σημαδέψτε το σημείο τομής των δύο γραμμών ως σημείο β2 στον τοίχο B.



8. Στρέψτε το λέιζερ κατά 180° προς την κατεύθυνση του τοίχου A και σημαδέψτε το σημείο τομής των δύο γραμμών ως α2 στον τοίχο A.



9. Μετρήστε την απόσταση:

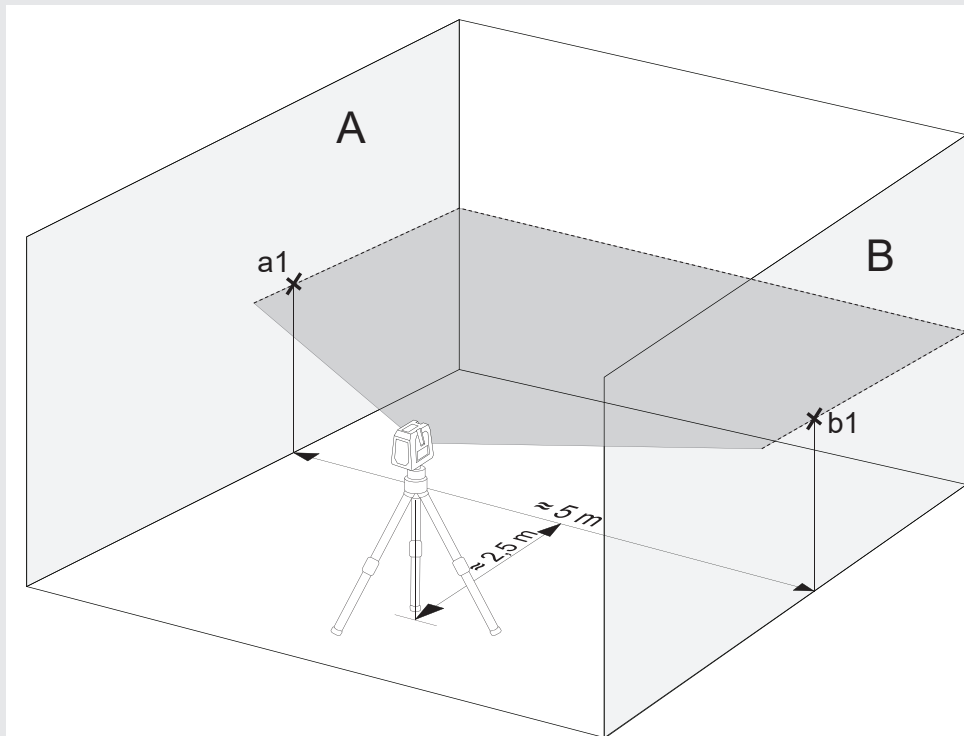
$$\Delta\alpha = |\alpha 2 - \alpha 1|$$

$$\Delta\beta = |\beta 1 - \beta 2|$$

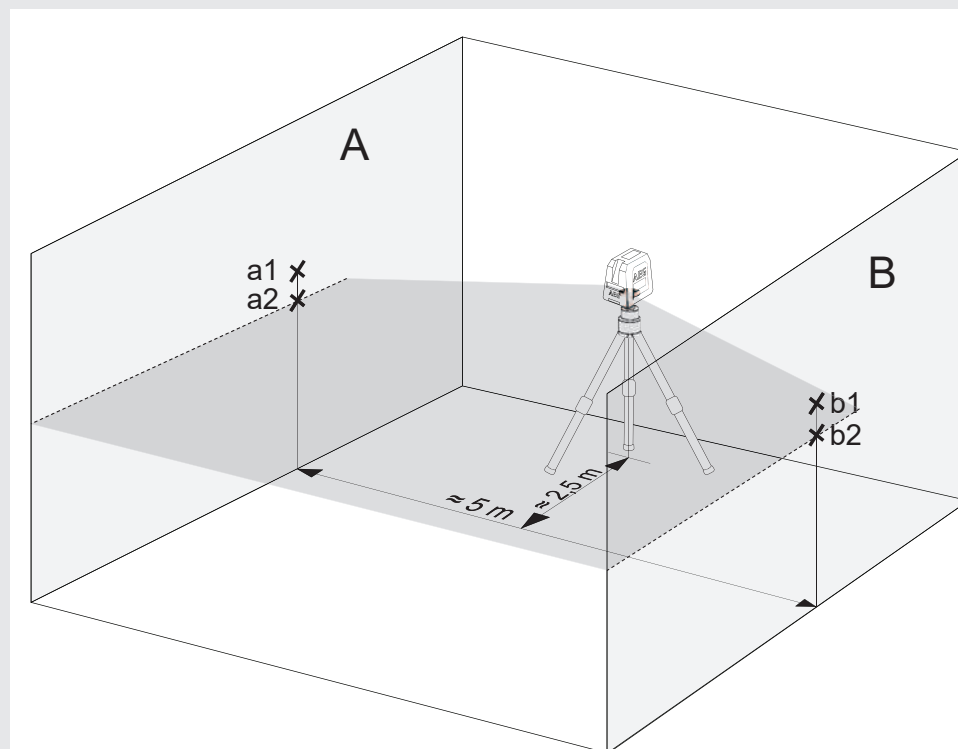
10. Η διαφορά $|\Delta\alpha - \Delta\beta|$ δεν επιτρέπεται να υπερβαίνει τα 2 χιλ.

Γι' αυτό τον έλεγχο απαιτείται μια ελεύθερη επιφάνεια εμβαδού 5×5 μέτρων περ.

1. Τοποθετήστε το λέιζερ πάνω σ' ένα τρίποδο ή ένα σταθερό υπέδαφος ανάμεσα σε δύο τοίχους A και B με απόσταση 5 μέτρων μεταξύ αυτών.
2. Τοποθετήστε το λέιζερ σε απόσταση 2,5 μέτρου περ. από το κέντρο του χώρου.
3. Ενεργοποιήστε τη λειτουργία αυτοχωροστάθμησης και πιέστε το πλήκτρο, για να προβάλλετε την οριζόντια γραμμή στους τοίχους A και B.
4. Σημαδέψτε το επίκεντρο της γραμμής λέιζερ στον τοίχο A με α_1 και στον τοίχο B με β_1 .



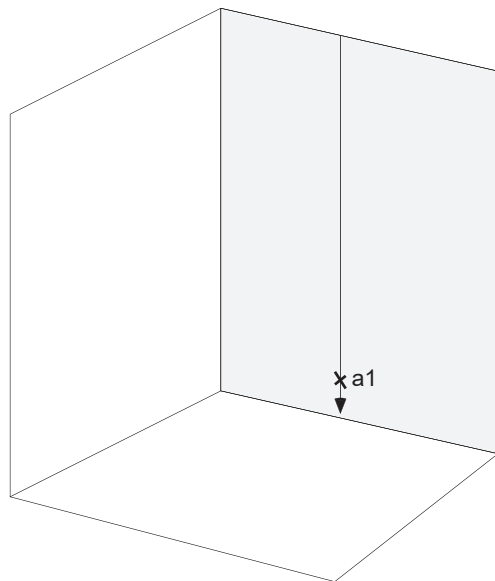
5. Μετατοπίστε το λέιζερ 5 μέτρα περ., στρέψτε το κατά 180° και προβάλετε πάλι την οριζόντια γραμμή στους τοίχους A και B.
6. Σημαδέψτε το επίκεντρο της γραμμής λέιζερ στον τοίχο A με α_2 και στον τοίχο B με β_2 .



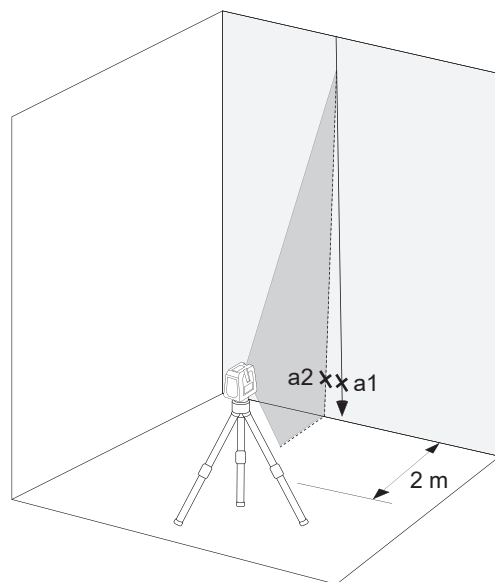
7. Μετρήστε την απόσταση:
 $\Delta\alpha = |\alpha_2 - \alpha_1|$
 $\Delta\beta = |\beta_1 - \beta_2|$
8. Η διαφορά $|\Delta\alpha - \Delta\beta|$ δεν επιτρέπεται να υπερβαίνει τα 2 χιλ.

3 ΕΛΕΓΞΤΕ ΤΗΝ ΑΚΡΙΒΕΙΑ ΧΩΡΟΣΤΑΘΜΗΣΗΣ ΤΗΣ ΚΑΘΕΤΗΣ ΓΡΑΜΜΗΣ

1. Κρεμάστε στον τοίχο ένα νήμα στάθμης μήκους 4 μέτρων περ.
2. Αφού σταματήσει να μετακινείται το βαρίδι στάθμης, σημαδεύετε στον τοίχο το σημείο α1 πάνω από τον κώνο βαριδιού.



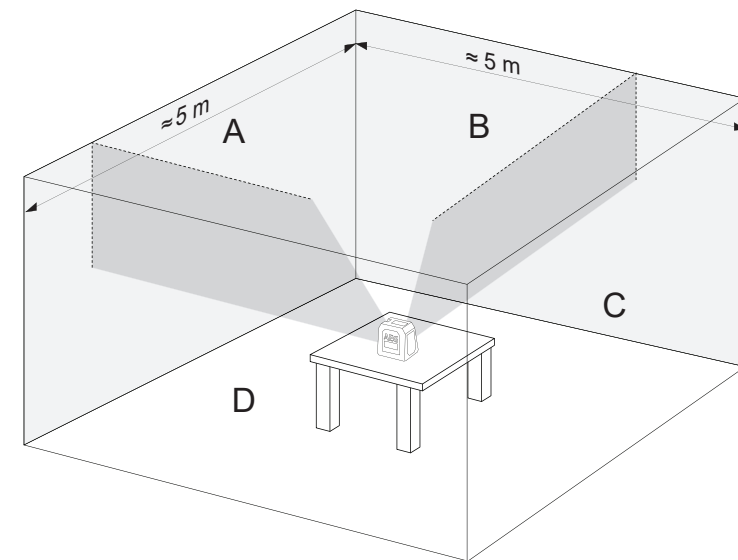
3. Τοποθετήστε το λέιζερ πάνω σ' ένα τρίποδο ή ένα επίπεδο υπέδαφος σε απόσταση 2 μέτρων περ. από τον τοίχο.
4. Ενεργοποιήστε τη λειτουργία αυτοχωροστάθμησης και πιάστε το πλήκτρο, για να προβάλλετε την κάθετη γραμμή στο νήμα στάθμης.
5. Στρέψτε το λέιζερ έτσι, ώστε να συμφωνεί η κάθετη γραμμή με την ανάρτηση του νήματος στάθμης.
6. Σημαδεύστε το σημείο α2 στο κέντρο της κάθετης γραμμής και στο ύψος του α1 επί του τοίχου.
7. Η απόσταση μεταξύ α1 και α2 δεν επιτρέπεται να υπερβαίνει το 1 χιλ.



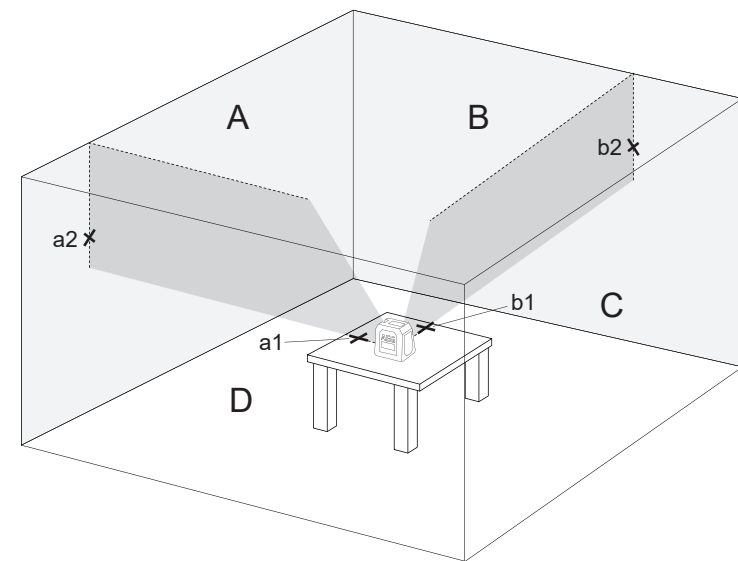
4 ΕΛΕΓΞΤΕ ΤΗΝ ΟΡΘΟΓΩΝΙΟΤΗΤΑ ΜΕΤΑΞΥ 2 ΚΑΘΕΤΩΝ ΓΡΑΜΜΩΝ

Γ' αυτό τον έλεγχο απαιτείται ένας χώρος με 4 τοίχους και ένα εμβαδόν τουλάχιστον 5 x 5 μέτρων.

1. Τοποθετήστε το λέιζερ πάνω σ' ένα τραπέζι ή το δάπεδο στο κέντρο του χώρου.
2. Ενεργοποιήστε τη λειτουργία αυτοχωροστάθμησης και πιάστε 4 φορές το πλήκτρο V/H, για να προβάλλετε τις κάθετες γραμμές προς τα εμπρός και πλαγίως.

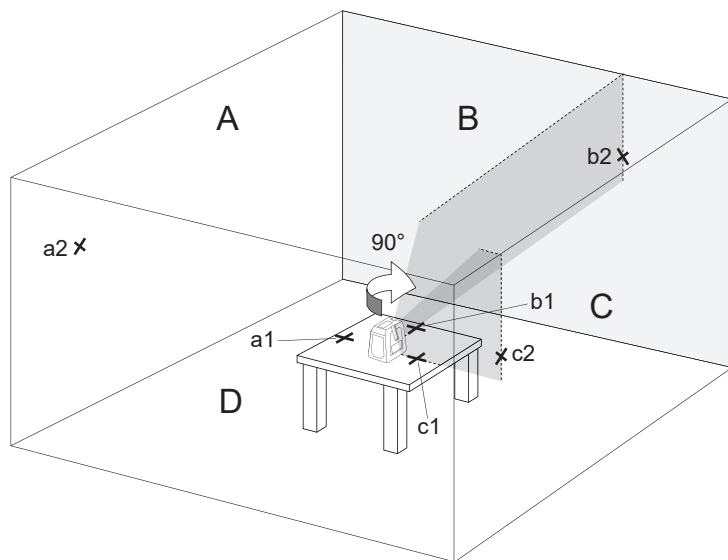


3. Σημαδεύστε το κέντρο της εμφανιζόμενης, κάθετης γραμμής προς τα εμπρός σε 2 σημεία: σημείο α1 στο τραπέζι κοντά στο λέιζερ και σημείο α2 στον τοίχο A.
4. Σημαδεύστε το κέντρο της εμφανιζόμενης, κάθετης γραμμής πλαγίως σε 2 σημεία: σημείο β1 στο τραπέζι κοντά στο λέιζερ και σημείο β2 στον τοίχο B.

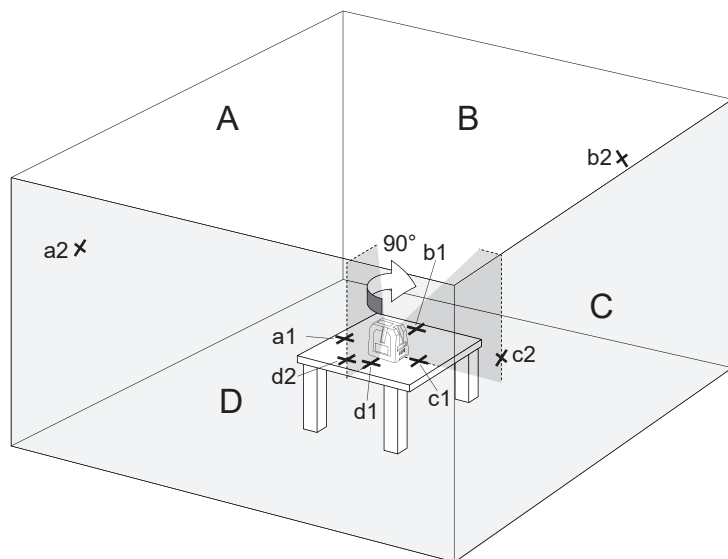


ΕΛΕΓΞΤΕ ΤΗΝ ΟΡΘΟΓΩΝΙΟΤΗΤΑ ΜΕΤΑΞΥ 2 ΚΑΘΕΤΩΝ ΓΡΑΜΜΩΝ

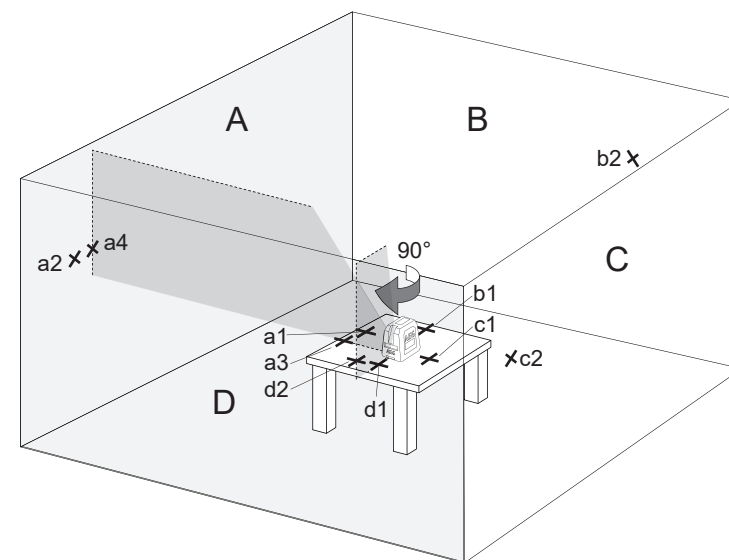
5. Στρέψτε το λέιζερ κατά 90° δεξιόστροφα, έτσι ώστε να συναντά η προσανατολισμένη προς τα εμπρός γραμμή λέιζερ τις σημειοθετήσεις β1 πάνω στο τραπέζι και β2 στον τοίχο Β.
6. Σημαδέψτε το κέντρο της εμφανιζόμενης, κάθετης γραμμής πλαγίως σε 2 σημεία: σημείο γ1 στο τραπέζι κοντά στο λέιζερ και σημείο γ2 στον τοίχο Γ.



7. Στρέψτε το λέιζερ κατά 90° δεξιόστροφα, έτσι ώστε να συναντά η προσανατολισμένη προς τα εμπρός γραμμή λέιζερ τις σημειοθετήσεις γ1 πάνω στο τραπέζι και γ2 στον τοίχο Γ.
8. Σημαδέψτε το κέντρο της εμφανιζόμενης, κάθετης γραμμής πλαγίως σε 2 σημεία: σημείο δ1 στο τραπέζι κοντά στο λέιζερ και σημείο δ2 στον τοίχο Δ.



9. Στρέψτε το λέιζερ κατά 90° δεξιόστροφα, έτσι ώστε να συναντά η προσανατολισμένη προς τα εμπρός γραμμή λέιζερ τις σημειοθετήσεις δ1 πάνω στο τραπέζι και δ2 στον τοίχο Δ.
10. Σημαδέψτε το κέντρο της εμφανιζόμενης, κάθετης γραμμής πλαγίως σε 2 σημεία: σημείο α3 στο τραπέζι κοντά στο σημείο α1 και σημείο α4 στον τοίχο Α κοντά στο σημείο α2.

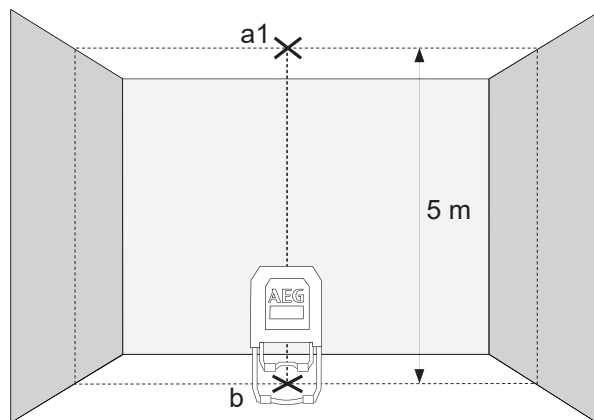


11. Μετρήστε τις αποστάσεις:
 $\Delta 1$ = από α1 προς α3
 $\Delta 2$ = από α2 προς α4
12. Η διαφορά $\Delta 2 - \Delta 1$ δεν επιτρέπεται να υπερβαίνει τα 4 χιλ.

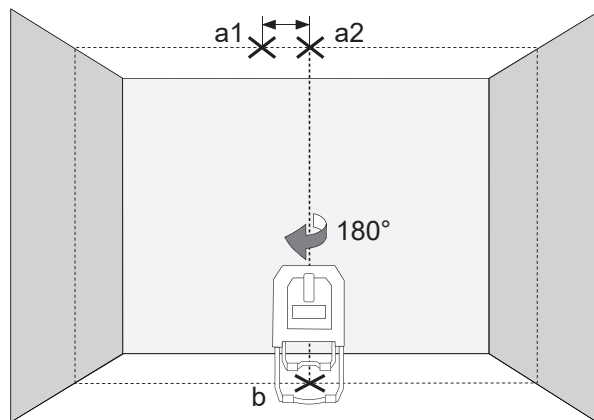
5 ΕΛΕΓΞΤΕ ΤΗΝ ΑΚΡΙΒΕΙΑ ΑΛΦΑΔΙΑΣ

Γι' αυτό τον έλεγχο απαιτείται ένας χώρος με ύψος οροφής 5 μέτρων περ.

1. Προσαρμόστε τα σκέλη του λέιζερ και τοποθετήστε τη συσκευή στο δάπεδο.
2. Ενεργοποιήστε τη λειτουργία αυτοχωροστάθμησης και πιέστε το πλήκτρο, για να προβάλτε τις κάθετες σταυρωτές γραμμές στην οροφή και την αλφαδιά στο δάπεδο.
3. Σημαδέψτε το κέντρο της προσανατολισμένης προς τα πάνω, σταυρωτής γραμμής ως σημείο α1 στην οροφή (βλέπε απεικόνιση).
4. Σημαδέψτε το επίκεντρο της αλφαδιάς ως σημείο β στο δάπεδο.



5. Στρέψτε το λέιζερ κατά 180°, τοποθετώντας το έτσι, ώστε να συμπίπτει το επίκεντρο της αλφαδιάς με το ήδη μαρκαρισμένο σημείο β και περιμένετε μέχρι να χωροσταθμηθεί η συσκευή.
6. Σημαδέψτε το κέντρο της προσανατολισμένης προς τα πάνω, σταυρωτής γραμμής ως σημείο α2 στην οροφή.
7. Η απόσταση μεταξύ των σημείων α1 και α2 στην οροφή δηλώνει την απόκλιση της γραμμής λέιζερ από την ιδανική κατακόρυφο. Σε μια μετρημένη απόσταση 5 μέτρων ανέρχεται η μέγιστη, επιτρεπτή απόκλιση σε:
 $5 \mu \times (\pm 0,6 \text{ χιλ.}/\mu) \times 2 = \pm 6 \text{ χιλ.}$
8. Η απόσταση μεταξύ α1 και α2 δεν επιτρέπεται να υπερβαίνει τα 6 χιλ.



İÇİNDEKİLER

Önemli Emniyet Talimatnamesi	1
Bakım.....	2
Teknik veriler.....	2
Amacına uygun kullanım	2
Genel bakış	3
Pil zayıf göstergesi	4
Pillerin değiştirilmesi.....	4
Ayarlı ayaklar.....	5
Manyetik duvar askısı ve yeşil renkli hedef plakası.....	5
Otomatik hizalama modunda çalışma	6
Manüel modda çalışma	7
Şakül fonksiyonu	8
Puls modu fonksiyonu	8
Hassaslığın kontrol edilmesi.....	9

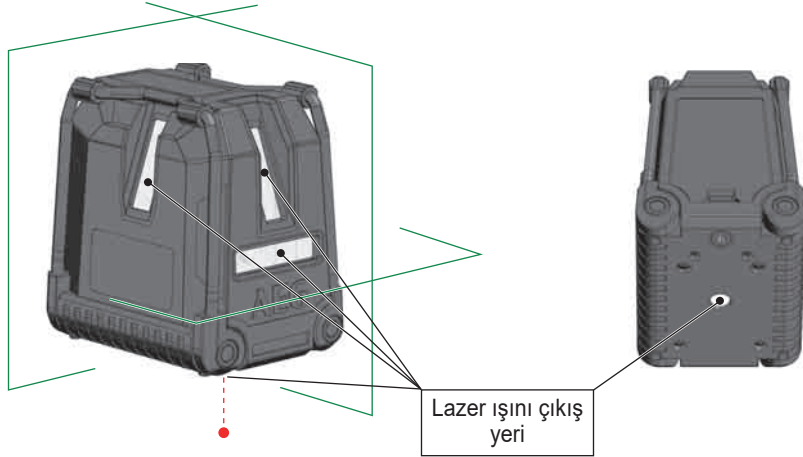
ÖNEMLİ EMNİYET TALİMATNAMESİ



DİKKAT! UYARI! TEHLİKE!

Ürünle birlikte verilen CD'deki Emniyet talimatnamesini ve Kullanma kılavuzunu okumadan önce ürünü kullanmayın.

Lazer Sınıfı



İKAZ:

Bu ürün, EN60825-1:2014 standardına göre, Sınıf 2 lazer kategorisine girer.



İkaz:

Doğrudan lazer ışınına bakmaktan kaçınınız. Lazer ışını göze ciddi zarar verebilir ve/veya körlüğe sebep olabilir.

Doğrudan lazer ışınına bakmayınız ve ışını gereksiz yere başka kişiler yöneltmeyiniz.

Dikkat! Bazı uygulamalarda lazer yayan cihaz arkanızda bulunabilir. Bu durumda arkanızı dikkatlice dönünüz.

İkaz:

Lazeri çocukların yanında çalıştırmayın veya çocukların lazeri çalıştırmasına izin vermeyin.

Dikkat! Yansıma yapan bir yüzey lazer ışını kullanıcıya veya başka kişilere geri yansıtabilir.

Uyarı: Kumanda elemanlarının kullanılması, el kitabında tespit edilmiş yöntemlerden farklı yöntemlerin veya ayarların uygulanması tehlikeli ışınların oluşmasına neden olabilir.

Lazer çok soğuk bir ortamdan sıcak bir ortama getirildiğinde (veya tersi), kullanılmadan önce ortam sıcaklığına gelmesi beklenmelidir.

Lazeri açık havada muhafaza etmeyiniz ve darbelerden, sürekli titreşimlerden ve aşırı sıcaklıklardan koruyunuz.

Aleti daima toz, sıvılar ve yüksek nem koşullarından uzakta tutunuz. Bunlar, iç bileşenlere zarar verebilir veya doğruluk hassasiyetini etkileyebilir.

Lazer ışını gözünüze isabet ettiğinde, gözlerinizi kapatın ve başınızı hemen ışıktan çeviriniz.

Lazer ışını, kendinizin veya başka kişilerin gözüne gelmeyecek şekilde konumlandırınız.

Dümbün veya teleskop gibi optik büyüteçlerle lazer ışını içine bakmayınız. Aksi halde gözler ciddi şekilde zarar verme tehlikesi artmaktadır.

Lazer gözlüklerinin lazer çizgilerinin daha iyi görülmesini sağladıklarına, ancak gözleri lazer ışınına karşı koruma sağlamadıklarına dikkat ediniz.

Lazer cihazı üzerindeki uyarı etiketleri çıkartılmamalı veya okunaksız hale getirilmemelidir.

Lazeri demonte etmeyiniz. Lazer ışını ciddi göz yaralanmalarına neden olabilir.

Lazeri taşımadan önce, sarkaç kilidinin kilitli olmasından emin olunuz.

Not: Sarkaç kilidi kilitli olmadığında cihazın iç kısmında zararlar meydana gelebilir.


Aşındırıcı temizlik maddeleri veya çözeltilerini kullanmayınız. Temizlik için yalnızca temiz, yumuşak bir bez kullanınız.

Lazeri aşırı darbeler ve düşmeye karşı koruyunuz. Düşükten veya aşırı mekanik etkilerden sonra kullanmadan önce cihazın hassaslığını kontrol ediniz.


Bu lazer cihazında gerekli olan tamirler sadece yetkili servis personeli tarafından yapılabilir.

Agresif veya patlayıcı ortamlarda çalıştırmayın.

Cihazı uzun süre kullanmadığınızda pil bölmesindeki pilleri çıkartınız. Bununla pillerin akması ve buna bağlı olarak korozyon zararları önlenir.

 Bitmiş piller, evsel atıkla birlikte elden çıkarılmamalıdır. Çevreye karşı gereken özeni göstererek, bitmiş pilleri ulusal ya da yerel yönetmeliklere uygun olarak temin edilen atık toplama merkezlerine bırakın. Ürün, evsel atıkla birlikte elden çıkarılmamalıdır. Ürünü ülkenizde yürürlükte bulunan ulusal yönetmeliklere uygun olarak elden çıkarın. Ulusal ve spesifik yönetmeliklere göre hareket edin.

Elden çıkarılmalarıyla ilgili bilgiler almak için mahalli makama veya satıcınıza başvurun.

 Avrupa uyumluluk işareti

BAKIM

Lazerin merceğini yumuşak, temiz bir bezle temizleyiniz. Çözeltiler kullanmayınız.

Lazerin belirli bir dereceye kadar toz ve kirlenmelere dayanıklı olmasına rağmen uzun süre tozlu bir ortamda muhafaza edilmemelidir, çünkü aksi halde içinde bulunan hareketli parçalar hasar görebilir.

Lazerin ıslanması durumunda, taşıma çantası içine yerleştirilmeden önce paslanmasını önlemek için kurutulmalıdır.

TEKNİK VERİLER

Lazer sınıfı	2
Otomatik hizalama aralığı	±3°
Otomatik hizalama süresi	3–5 s
Pil tipi	LR6 Alkaline pil AA tipi
Volta j DC	3 × 1,5 V
Güç girişi	0,35 A
Koruma türü (sıçrayan su ve toz)	IP54
Fonksiyonlar	yatay çizgi, 2 dikey çizgi, çapraz çizgiler, şakül fonksiyonu
Puls modu	Frekans 10 kHz
Projeksiyon	3 yeşil çizgi, 1 kırmızı nokta
Lazer çizgi türleri	Öne yatay çizgi, öne dikey çizgi, yana dikey çizgi ve şakül noktası. Öne yatay ve dikey çapraz çizgileri ve şakül noktası. Yatay çizgi. Öne dikey çizgi ve şakül noktası. Öne ve yana dikey çizgi ve şakül noktası. (Şakül noktasının aşağı bakması sadece otomatik hizalama modunda gösterilir, manüel işletimde gösterilmez.)
İşletim süresi	6 saat
Tripod dişlisi	1/4"
Uygun detektör	standard çoklu yeşil çizgi lazerleri için
Lazer çizgisi	Genişlik 2,5 mm ±0,5 mm / 5 m Dalga uzunluğu λ 520 ±10 nm Lazer Sınıfı II Hassaslık ±0,2 mm/m Açılma açısı > 120° Rengi yeşil Ölçme mesafesi 30 m (dedektörlü 50 m)

Şakül noktası	Dalga uzunluğu lazer noktası 635 ±5 nm Lazer Sınıfı II Lazer noktası max. güç < 1 mW Şakül hassaslığı ±0,6 mm / 1 m Lazer noktası rengi kırmızı Ölçme mesafesi 5 m
Tavsiye edilen işletim sıcaklığı	-10 °C ile +45 °C arası
Muhafaza etme sıcaklığı	-20 °C ile +60 °C arası
Ebatları	106 mm × 88 mm × 105 mm
Ağırlık (piller dahil)	710 g

AMACINA UYGUN KULLANIM

Bu yenilikçi lazer geniş bir profesyonel uygulama alanı için tasarlanmıştır, örn.:

- Fayans, mermer karo, dolap, bordür, kalıp ve süslemelerin hizalanması
- Kapı, pencere, ray, merdiven, çit, giriş kapıları, verandalar ve çardakların montajı için temel çizgisinin işaretlenmesi
- Aydınlatma ve havalandırma tesisatlarının referans noktalarının işaretlenmesi, yüksekliklerin aktarılması, çevreleme ve profil bölme duvarların hizalanması, zeminlere ray döşeme ve benzer profesyonel işler için.
- Yatay ve dikey çizgilerin tespit edilmesi ve kontrol edilmesi için.

Bu ürün sadece belirtilmiş olan amacına uygun olarak kullanılabilir.

GENEL BAKIŞ

Lastik stabilizatörler

Ayarlı ayaklar

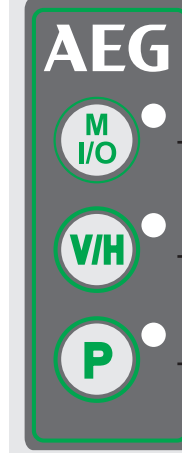
Öne dikey lazer çizgisi penceresi

Yatay lazer çizgisi penceresi

ON  / OFF  Kilitleme şalteri



Kumanda alanı



Manüel mod LED göstergesi

Manüel mod tuşu

Manüel modu başlatmak ve sonlandırmak için

Lazer çizgisini seçme LED göstergesi (sürekli yanan ışık)

Pil zayıf LED göstergesi (yanıp sönen ışık)

Lazer çizgisi seçme tuşu

Öne doğru dikey çizgi **V**, yana doğru dikey çizgi **V**, öne doğru yatay çizgi **H** veya bu çizgilerin kombinasyonunu seçme.

Puls modu LED göstergesi

Puls modu tuşu

Doğrudan güneş ışığı altında açık arazide veya aydınlık ortamlarda yapılan çalışmalarda ve de 50 metreye kadar iç meknlardaki uygulamalarda puls modunu bir 10 kHz dedektör ile birlikte kullanınız.

Yana doğru dikey lazer ışını penceresi

Pil bölmesi kapağı

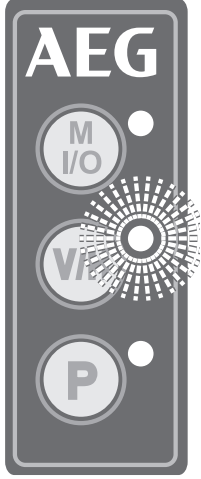


Kırmızı şakül noktası

1/4" Tripoid dişlisi



PİL ZAYIF GÖSTERGESİ



Pilin şarjı zayıfladığında lazerin aydınlatma gücü azalır ve ilgili göstere (V/H tuşu yanındaki yeşil LED) 0,5 saniye frekansla yanıp sönmeye başlar.

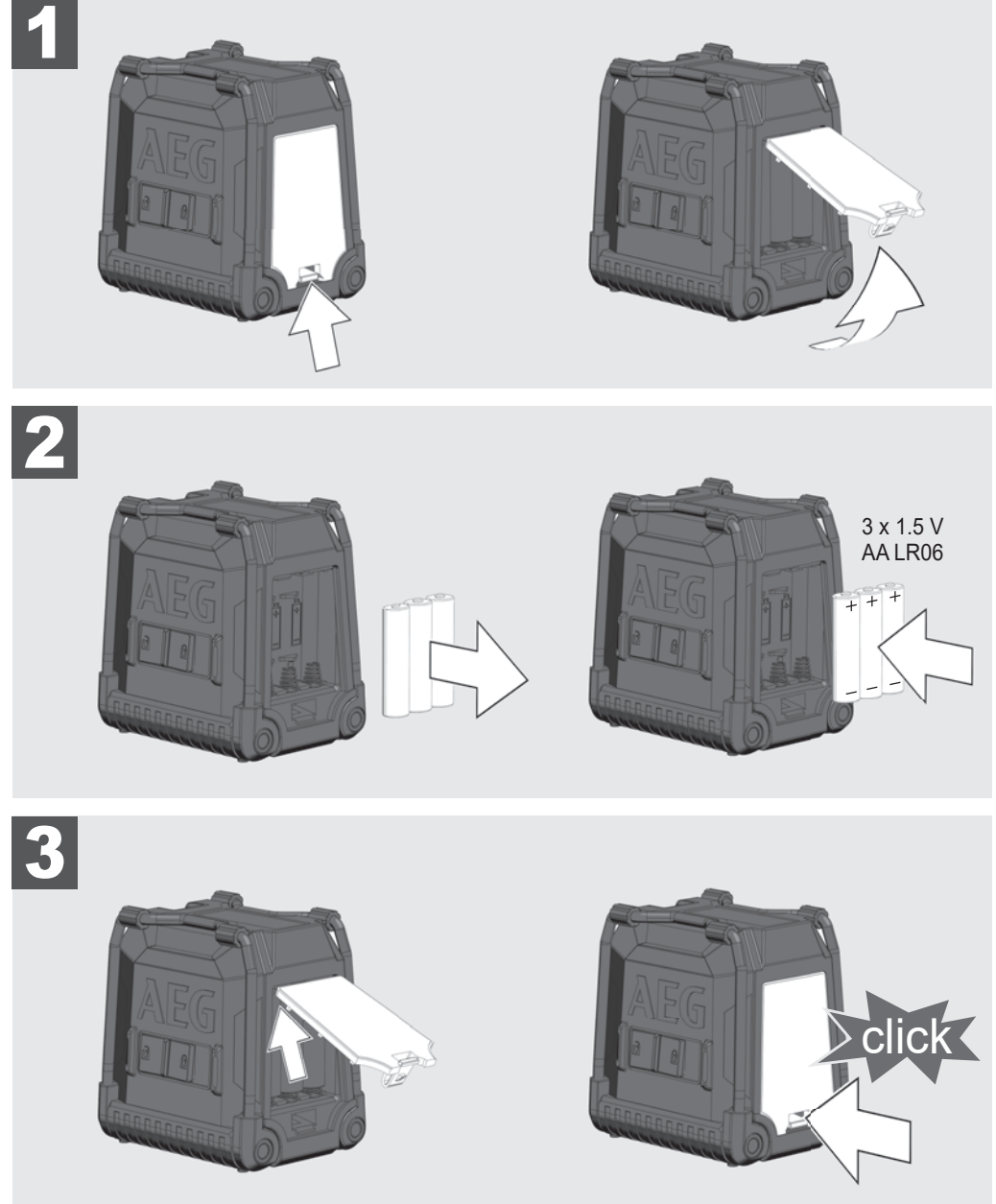
Ancak buna rağmen çalışmaya devam edilebilir.

Piller fazla zayıfladığında cihaz otomatik olarak kapanır.

PİLLERİN DEĞİŞTİRİLMESİ

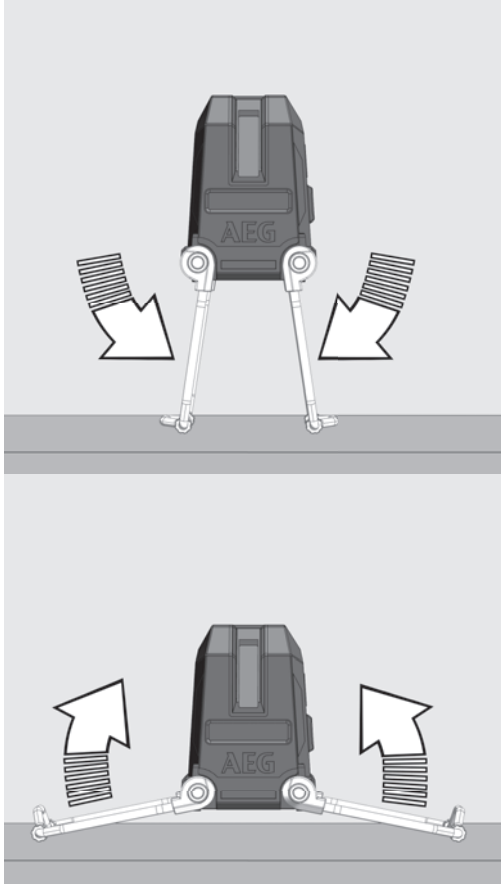
Lazer ışını zayıfladığında pilleri değiştiriniz.

Lazeri uzun süre kullanmadığınızda pil bölmesindeki pilleri çıkartınız. Bununla pillerin akması ve buna bağlı olarak korozyon zararları önenebilir.

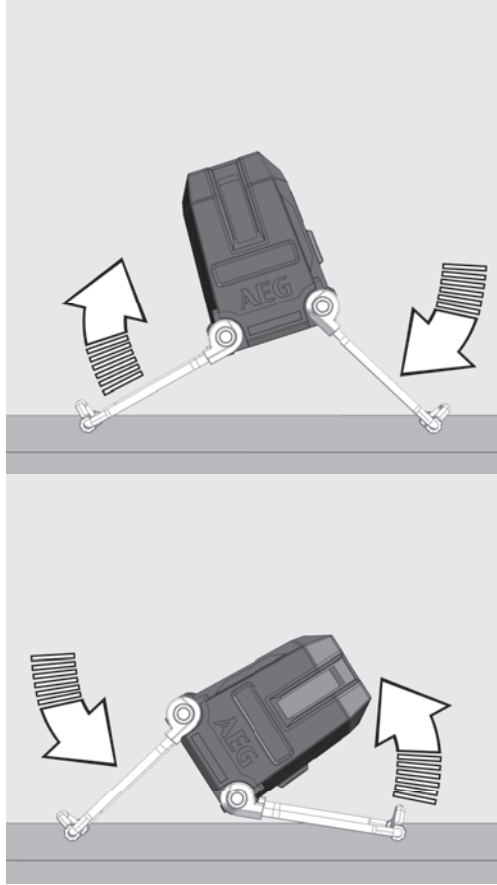


AYARLI AYAKLAR

Ayarlı ayaklarla yatay çizginin yüksekliğini ayarlayınız.



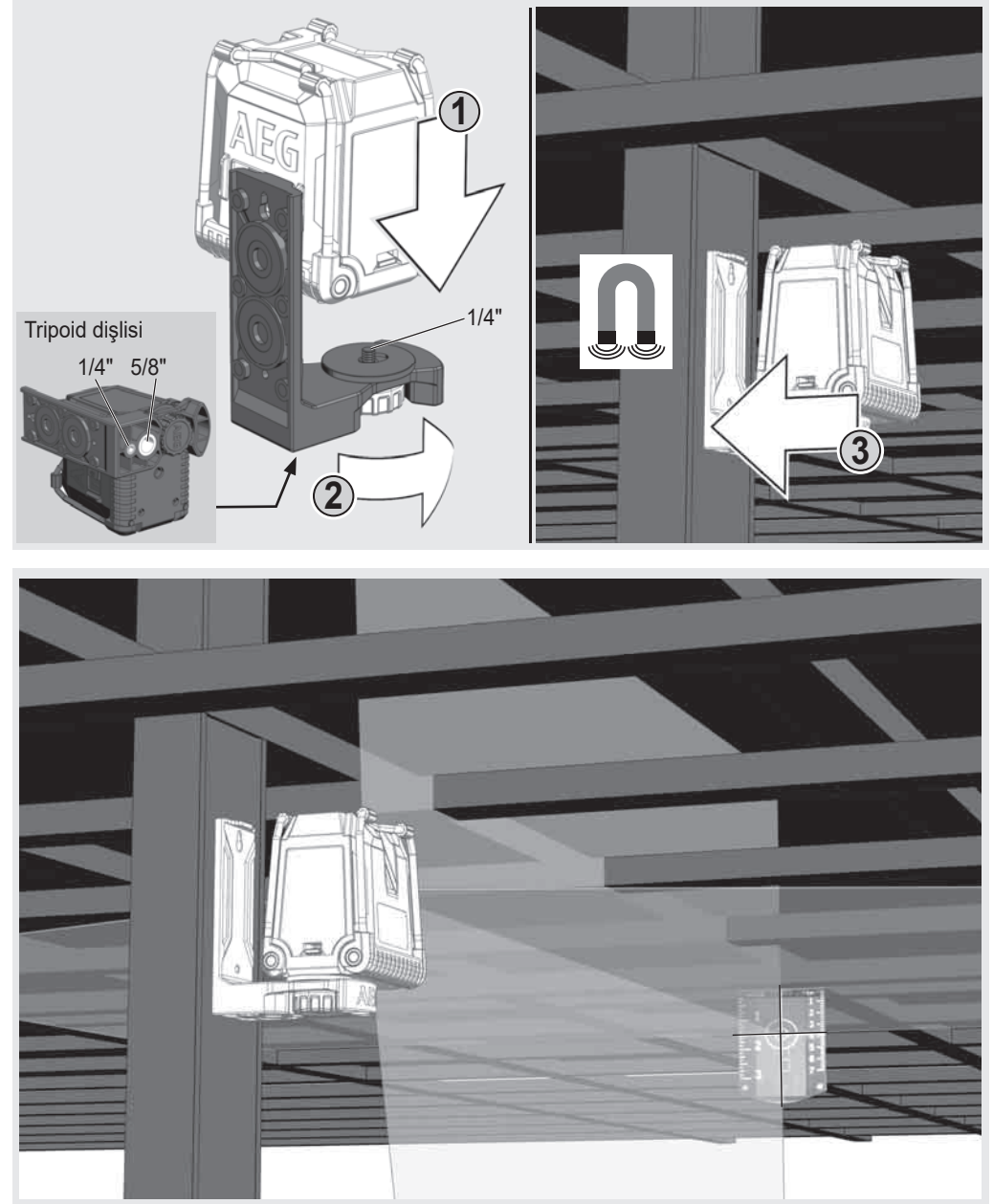
Ayarlı ayaklarla lazerin eğimini ayarlayınız.



MANYETİK DUVAR ASKISI VE YEŞİL RENKLİ HEDEF PLAKASI

Manyetik askıyla lazer duvarlara, metal yapılara vb. tutturulabilir.

Yeşil renkli hedef plakası elverişsiz ortam şartlarında ve büyük mesafelerde lazer ışınının daha iyi görülmesini sağlamaktadır.



OTOMATİK HIZALAMA MODUNDA ÇALIŞMA

Otomatik hizalama modunda lazer kendiliğinden $\pm 3^\circ$ 'lik bir aralıkta ayarlanmaktadır. Bir yatay çizgi, iki dikey çizgi veya 3 çizginin üçü de aynı anda yansıtılır.


1

Lazeri sağlam, düz ve titreşim yapmayan bir zemin üzerine yerleştiriniz veya bir tripoid üzerine monte ediniz.



1/4" Dişli saplaması

2

Kilitleme şalterini ON  konumuna getiriniz.

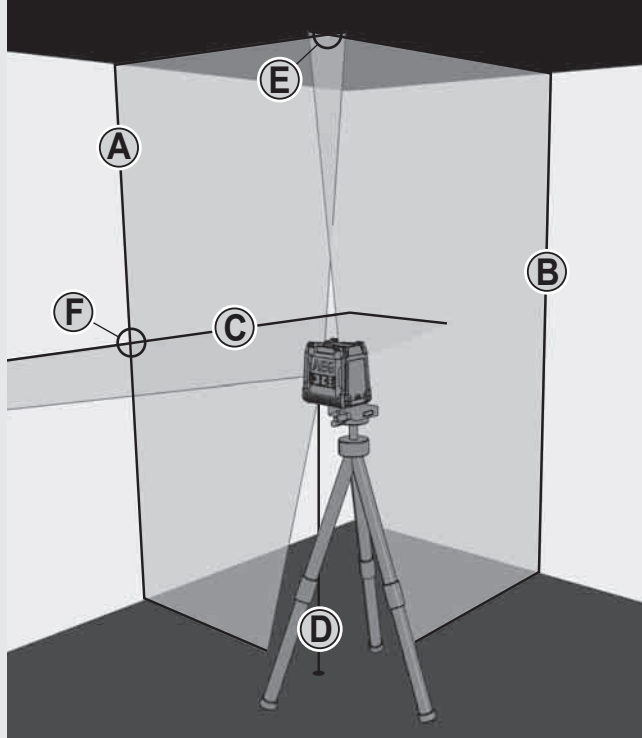


3

Lazer 3 lazer çizgisi oluşturmaktadır.

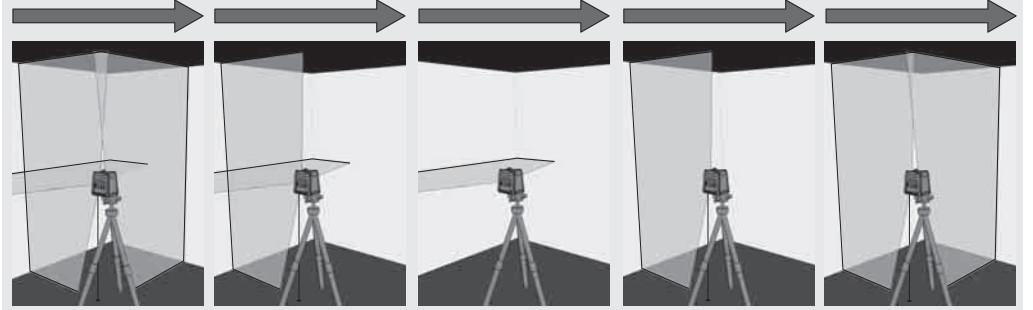
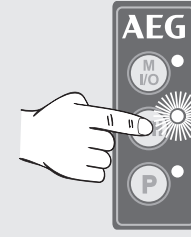
- (A) Öne dikey çizgi
- (B) Yana dikey çizgi
- (C) Öne yatay çizgi
- (D) Lazer noktası (şakül çizgisi)

Bütün çizgiler etkinleştirildiğinde lazer yukarı (E) ve öne (F) çapraz çizgiler oluşturmaktadır.



4

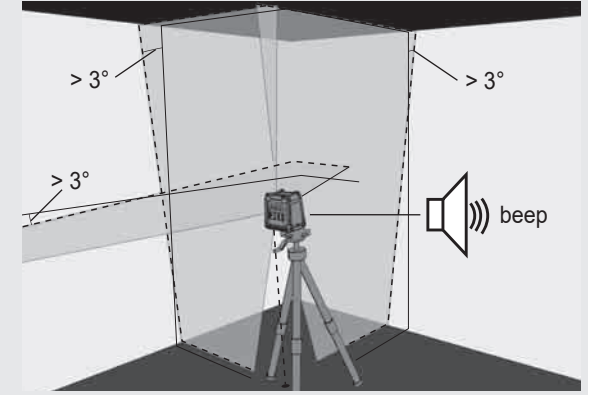
Çalışmak istediğiniz çizgileri seçmek için V/H tuşuna basınız.




5

Lazer otomatik hizalama etkin olduğunda başlangıçta $\pm 3^\circ$ 'ye hizalanmadığında lazer çizgileri - - - yanıp söner ve bir sinyal sesi duyulur.

Bu durumda lazeri yeniden pozisyona getiriniz.



6

Cihazı başka yere yerleştirmeden önce kilitleme tuşunu OFF  konumuna getiriniz. Bununla sarkaç kilitlenir ve lazer korunur.

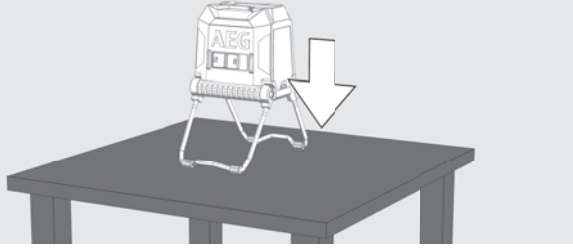


MANÜEL MODDA ÇALIŞMA

Manüel modda otomatik hizalama devre dışıdır ve lazerin lazer çizgileri istenilen eğime ayarlanabilir.

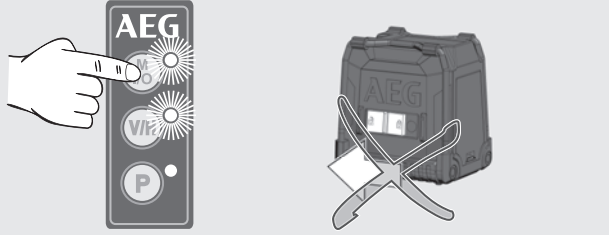
1

Lazeri sağlam, düz ve titreşim yapmayan bir zemin üzerine yerleştiriniz veya bir tripoid üzerine monte ediniz.



2

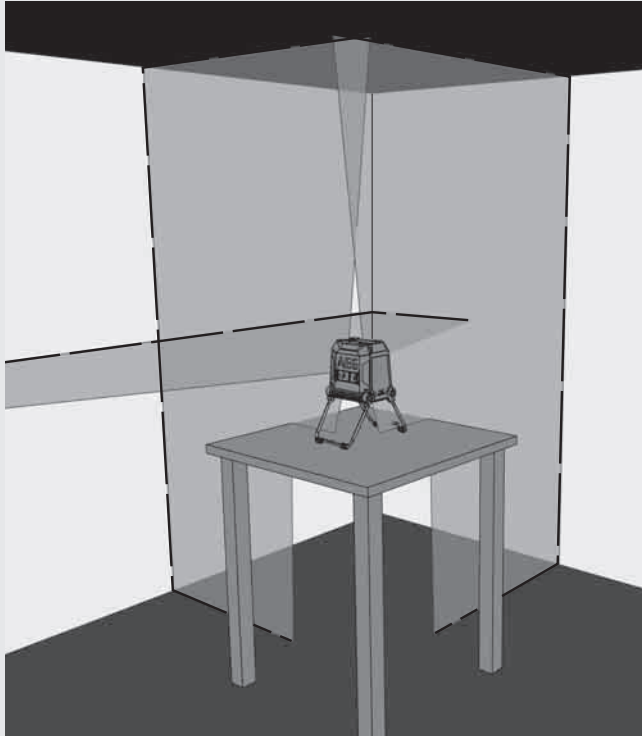
Manüel mod tuşuna basınız (kilitleme şalterini kaydırmadan!). Tuşun yanındaki kırmızı LED yanmaktadır.



3

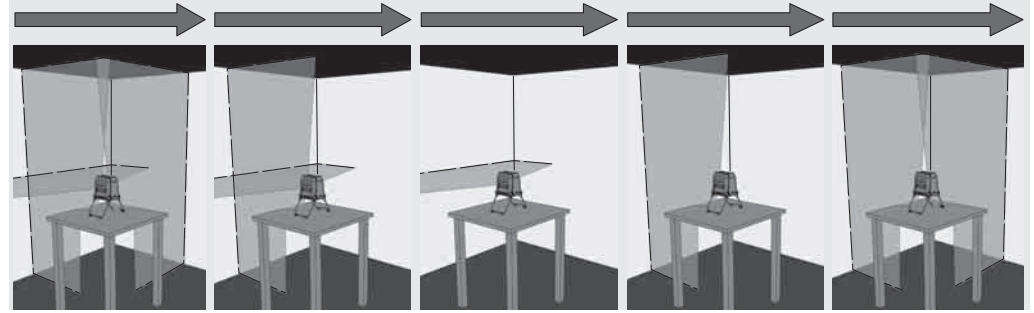
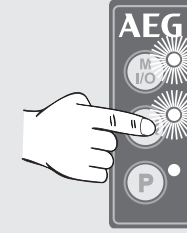
Lazer, otomatik hizalama modunda olduğu gibi 3 lazer çizgisi oluşturmaktadır, ancak bunlar 3 saniyelik aralıklarda yanıp sönmektedir.

3 san. 3 san. 3 san.



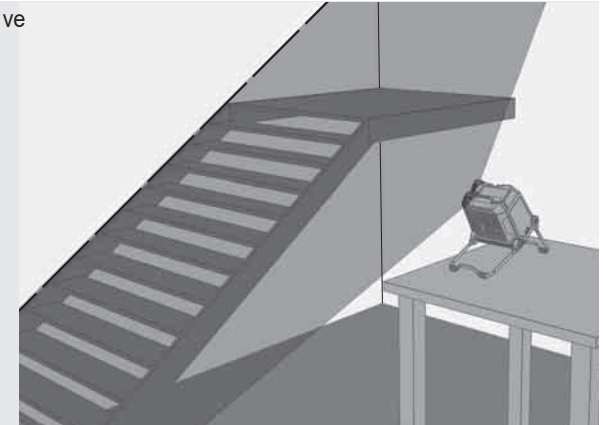
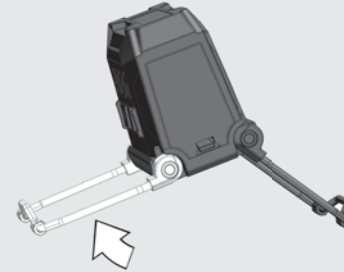
4

Çalışmak istediğiniz çizgileri seçmek için V/H tuşuna basınız.



5

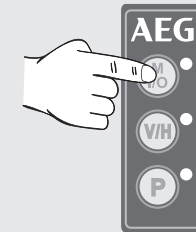
Lazeri ayaklarla istenilen yüksekliğe ve eğime ayarlayınız.



6

Manüel modu sonlandırmak için manüel mod tuşuna tekrar basınız.

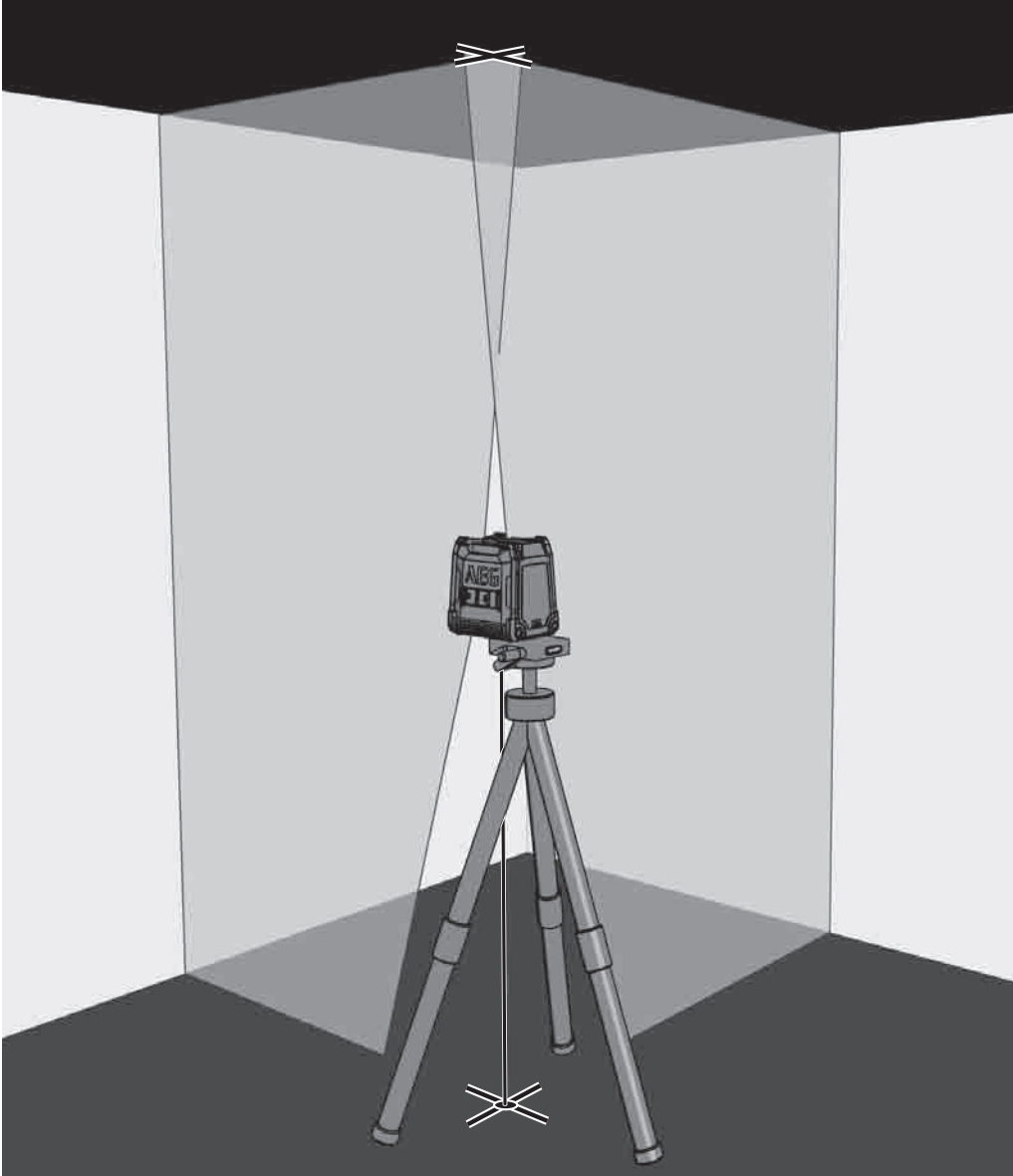
Doğrudan otomatik hizalama moduna geçmek için kilitleme şalterini ON konumuna getiriniz.



ŞAKÜL FONKSİYONU

Şakül fonksiyonu ile zeminden tavana dikey bir nokta yansıtılabilir. Zemindeki referans noktası tavadaki çapraz çizgilerin kesiştiği noktaya getirilir.

Şakül fonksiyonu örneğin aydınlatma ve havalandırma tesisatı için bir referans noktasının veya yüksekliklerin aktarılması için kullanılır.



PULS MODU FONKSİYONU

Doğrudan güneş ışığı altında açık arazide veya aydınlık ortamlarda yapılan çalışmalarda ve de 50 metreye kadar iç mekanlardaki uygulamalarda puls modunu bir dedektör ile birlikte kullanınız.

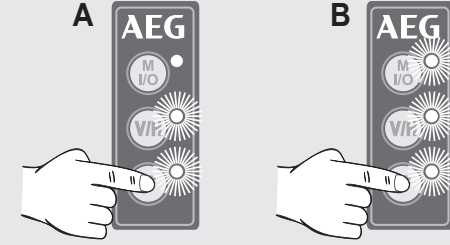
Dedektör teslimat kapsamına dahil değildir ve ayrı olarak satın alınması gerekmektedir.

Puls modu etkin olduğunda lazer çizgileri, dedektörün lazer çizgilerinin yerini bulabilmesi için çok yüksek bir frekansla (insan gözünün göremediği hızda) yanıp sönmektedir.

1

Puls modu hem otomatik hizalama modunda (A) hem de manuel modda (B) etkinleştirilebilir.

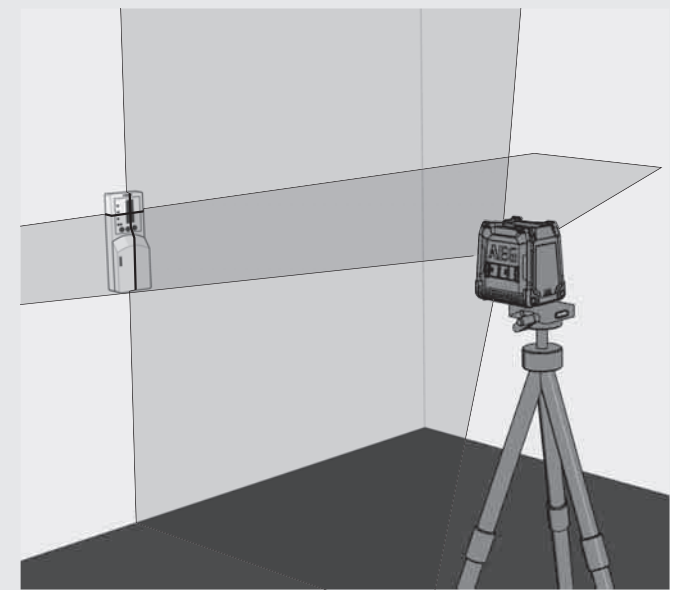
P tuşuna basınız. Tuşunun yanındaki yeşil LED yanmaktadır.



2

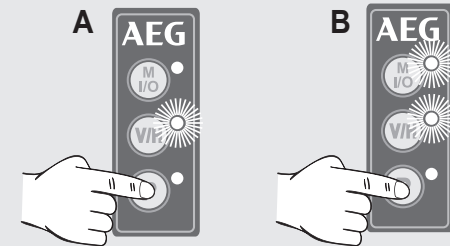
Puls modu etkinleştirildikten sonra lazer çizgileri biraz daha az belirgin şekilde görülür.

Dedektörün kullanılmasıyla ilgili ayrıntılı bilgileri dedektörün kullanma kılavuzu içinde bulabilirsiniz.



3

Puls modunu sonlandırmak için P tuşuna tekrar basınız. Tuşunun yanındaki yeşil LED sönmektedir.



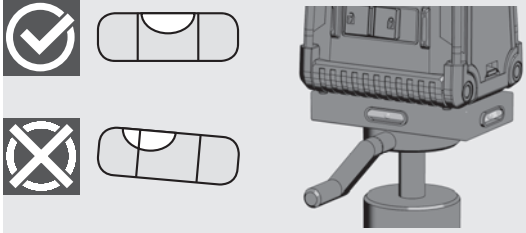
HASSASLIĞIN KONTROL EDİLMESİ

Lazerin hassas ayarı fabrikada tamamiyle yapılmıştır. AEG, lazerin hassaslığının düzenli aralıklarda, özellikle cihaz yere düştükten sonra veya hatalı kullanıldıktan kontrol edilmesini tavsiye etmektedir.

Hassaslığın kontrol edilmesi sırasında maksimum sapma aşıldığında, lütfen AEG servis merkezlerimizden birine (bkz. garanti şartları ve servis merkezi adreslerini içeren liste) başvurunuz.

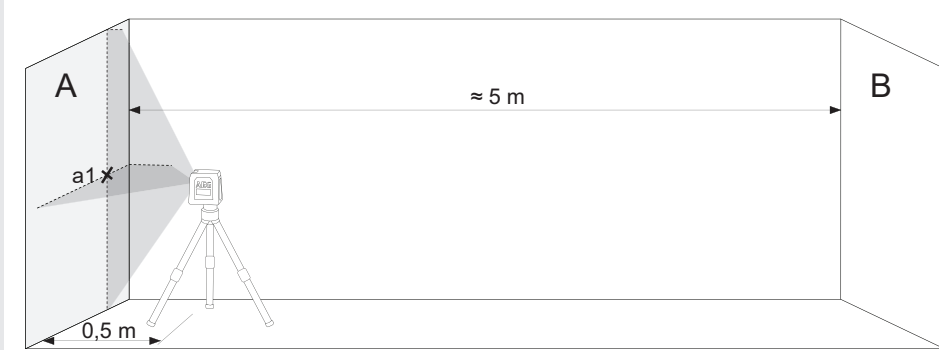
1. Yatay çizginin yükseklik hassaslığının kontrol edilmesi.
2. Yatay çizginin hizalama hassaslığının kontrol edilmesi.
3. Dikey çizginin hizalama hassaslığının kontrol edilmesi.
4. 2 dikey çizgi arasındaki dikliğin kontrol edilmesi.
5. Şakül hassaslığının kontrol edilmesi.

Tripoid üzerine monte edilmiş lazerin hassaslığını kontrol etmeden önce tripoidin dengesini kontrol ediniz.

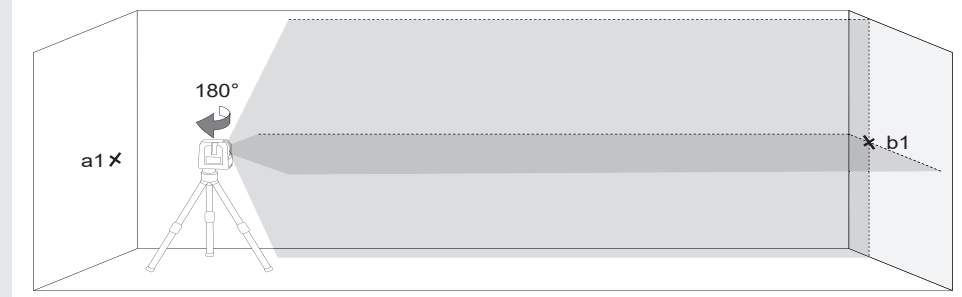


1 YATAY ÇIZGININ YÜKSEKLİK HASSASLIĞININ KONTROL EDİLMESİ (YUKARI VE AŞAĞI DOĞRU SAPMA)

1. Lazeri bir tripoid üzerinde veya düz bir zemine birbirinden yakl. 5 m olan iki duvar A ve B arasına kurunuz.
2. Lazeri A duvarından yakl. 0,5 m mesafeye yerleştiriniz.
3. Otomatik hizalama modunu devreye alınız ve yatay ve dikey çizgiyi A duvarına yansıtmak için tuşa basınız.
4. İki çizginin kesiştiği noktayı A duvarına a1 noktası olarak işaretleyiniz.



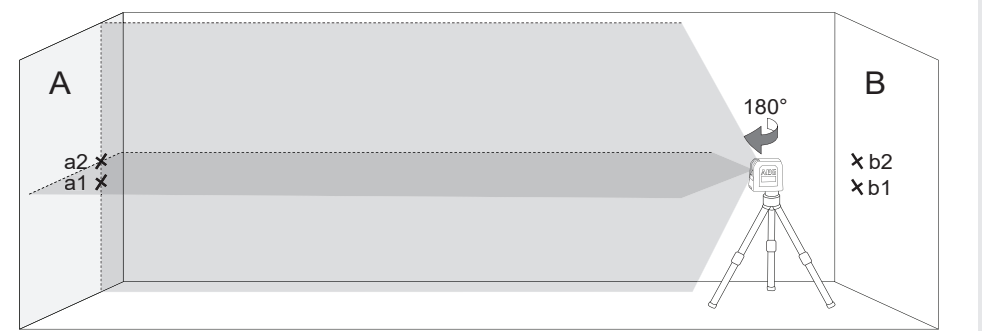
5. Lazeri B duvarına doğru 180° derece çeviriniz ve iki çizginin kesiştiği noktayı B duvarına b1 olarak işaretleyiniz.



6. Lazeri B duvarından yakl. 0,5 m mesafeye kurunuz.
7. İki çizginin kesiştiği noktayı B duvarına b2 noktası olarak işaretleyiniz.



8. Lazeri A duvarına doğru 180° derece çeviriniz ve iki çizginin kesiştiği noktayı A duvarına a2 olarak işaretleyiniz.



9. Mesafeleri ölçünüz:

$$\Delta a = |a2 - a1|$$

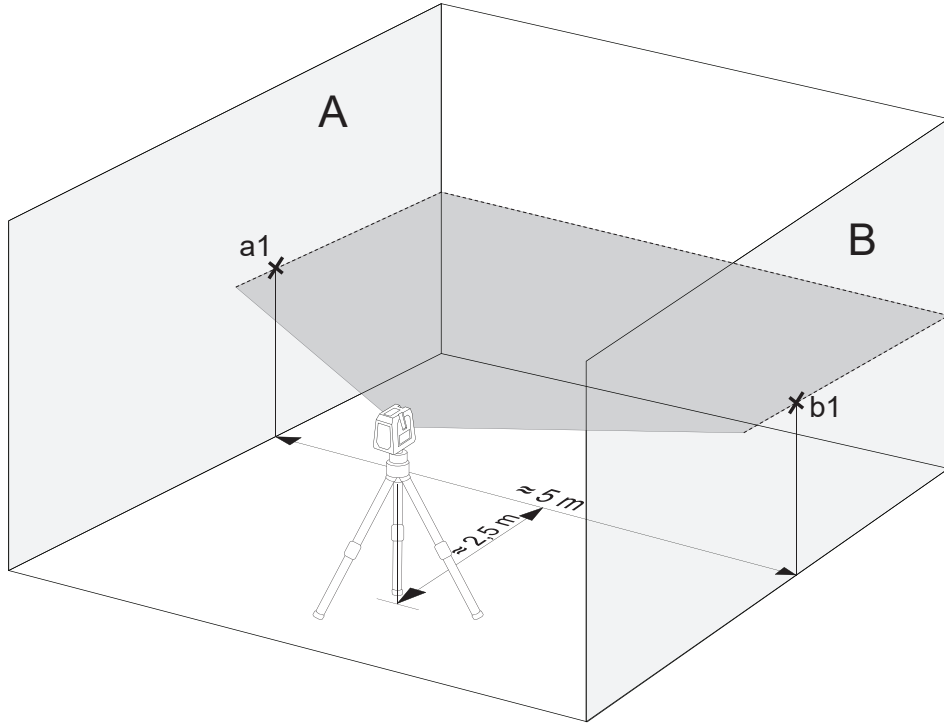
$$\Delta b = |b1 - b2|$$

10. $|\Delta a - \Delta b|$ arasındaki fark 2 mm üzerinde olmamalıdır.

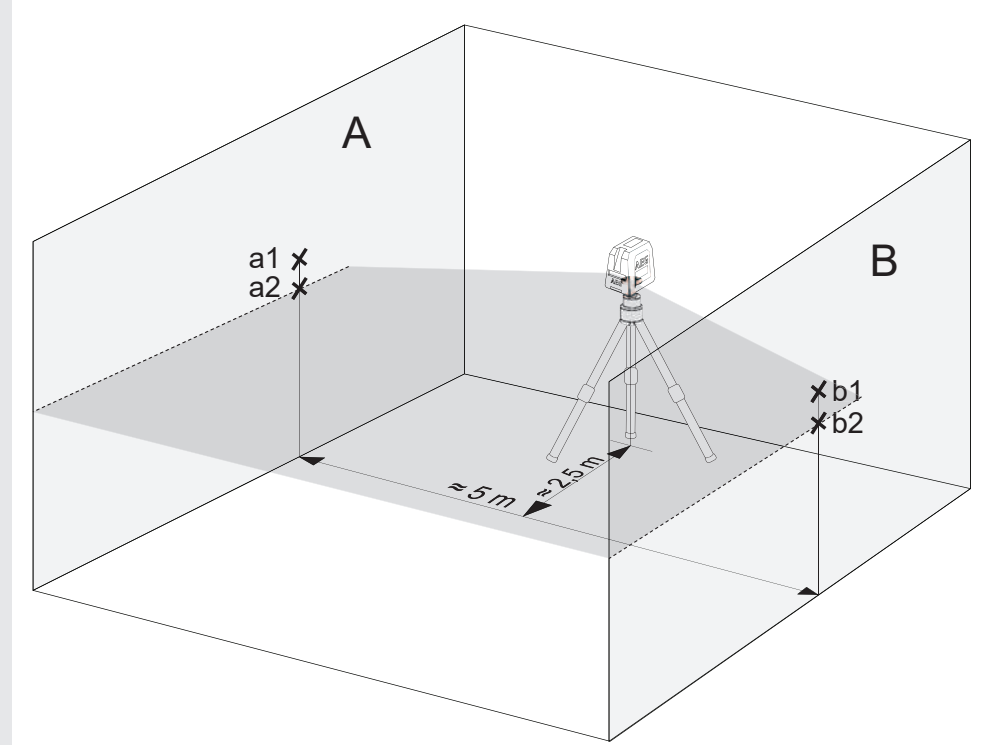
2 YATAY ÇIZGININ HIZALAMA HASSASLIĞININ KONTROL EDİLMESİ (BİR TARAFTAN DİĞER TARAFTA SAPMA)

Bu kontrol için yakl. 5 × 5 m boş alan gerekmektedir.

1. Lazeri bir triopid üzerinde veya sağlam bir zemine birbirinden yakl. 5 m olan iki duvar A ve B arasında kurunuz.
2. Lazeri odanın ortasından yakl. 2,5 m uzağa kurunuz.
3. Otomatik hizalama modunu devreye alınız ve yatay çizgiyi A ve B duvarına yansıtmak için tuşa basınız.
4. Lazer çizginin orta noktasını A duvarına a1 ve B duvarına b1 olarak işaretleyiniz.



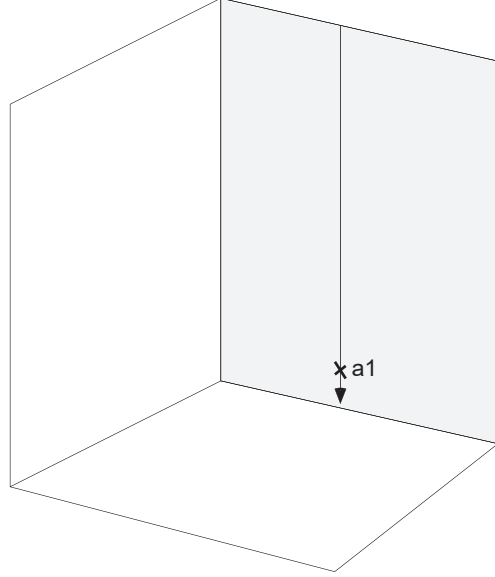
5. Lazerin yerini yakl. 5 m değiştiriniz ve 180° çeviriniz ve yatay çizgiyi tekrar A ve B duvarlarına yansıtınız.
6. Lazer çizginin orta noktasını A duvarına a2 ve B duvarına b2 olarak işaretleyiniz.



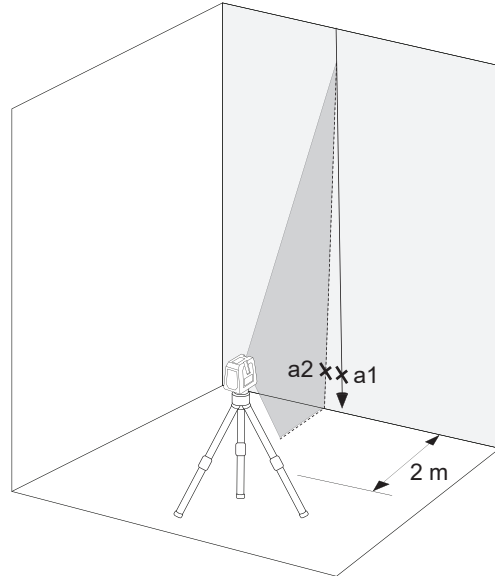
7. Mesafeleri ölçünüz:
 $\Delta a = |a2 - a1|$
 $\Delta b = |b1 - b2|$
8. $|\Delta a - \Delta b|$ arasındaki fark 2 mm üzerinde olmamalıdır.

3 DIKEY ÇIZGININ HIZALAMA HASSASLIĞININ KONTROL EDİLMESİ

1. Bir duvara yakl. 5 m uzunluğu olan bir şakül ipi asınız.
2. Kurşun ağırlığının salınması durduktan sonra a1 noktasını konik kurşunun üst kısmında duvara işaretleyiniz.



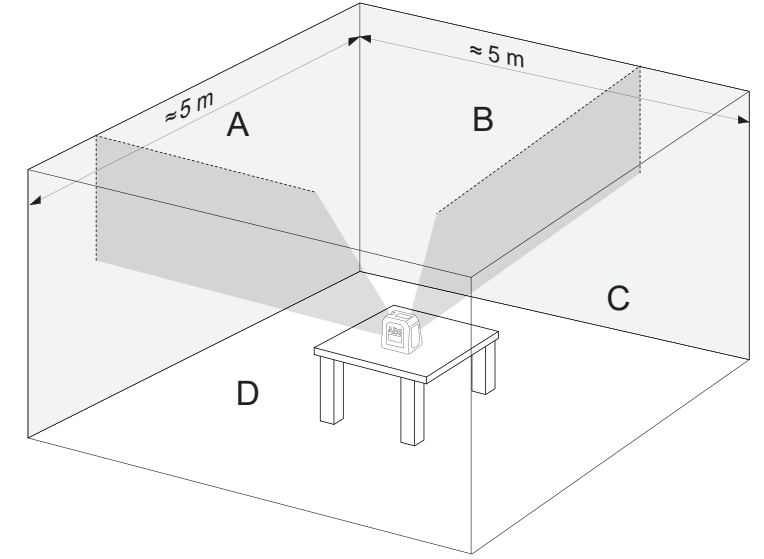
3. Lazeri bir tripod üzerinde veya düz bir zemine duvardan yakl. 2 m mesafeye kurunuz.
4. Otomatik hizalama modunu devreye alınız ve dikey çizgiyi şakül ipi üzerine yansıtmak için tuşa basınız.
5. Lazeri dikey L çizgisi asılı şakül ipi ile üst üste gelecek şekilde çeviriniz.
6. a2 noktasını dikey çizginin ortasında a1'in yüksekliğinde olacak şekilde duvara işaretleyiniz.
7. a1 ile a2 arasındaki mesafe 1 mm'den büyük olmamalıdır.



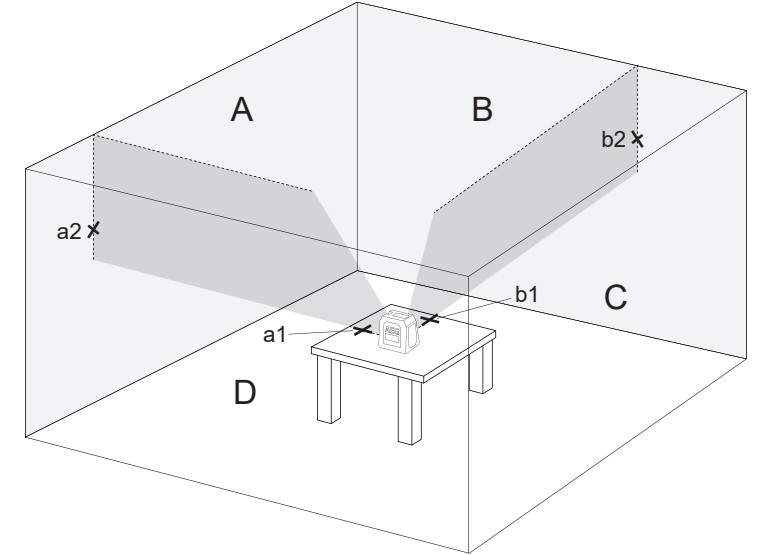
4 2 DIKEY ÇIZGI ARASINDAKİ DIKLIĞIN KONTROL EDİLMESİ

Bu kontrol için 4 duvarı ve en az 5 x 5 m taban alanı olan bir oda gerekmektedir.

1. Lazeri odanın ortasındaki bir masa veya zemin üzerine yerleştiriniz.
2. Otomatik hizalama modunu çalıştırınız ve dikey çizgileri öne ve yana doğru yansıtmak için V/H tuşuna 4 defa basınız.

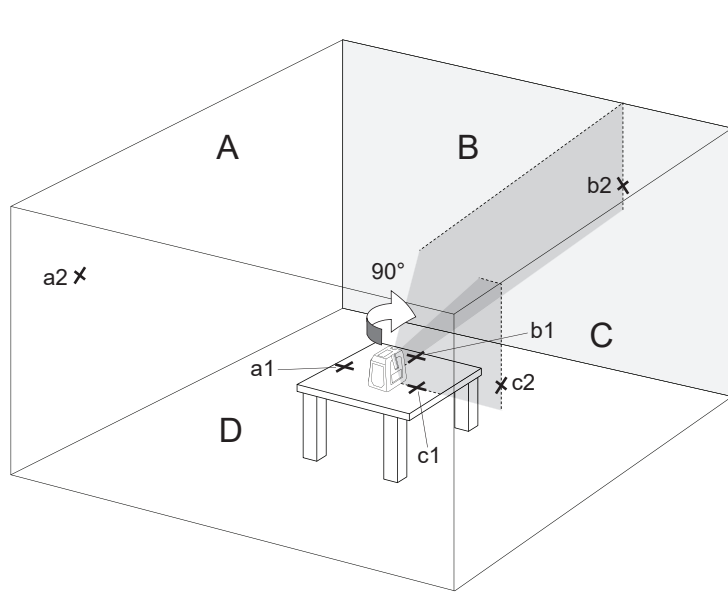


3. Öne yansıtılan dikey çizginin ortasını 2 noktada işaretleyiniz: a1 noktasını lazerin yakınında masaya ve a2 noktasını A duvarına.
4. Yana yansıtılan dikey çizginin ortasını 2 noktada işaretleyiniz: b1 noktasını lazerin yakınında masaya ve b2 noktasını B duvarına.

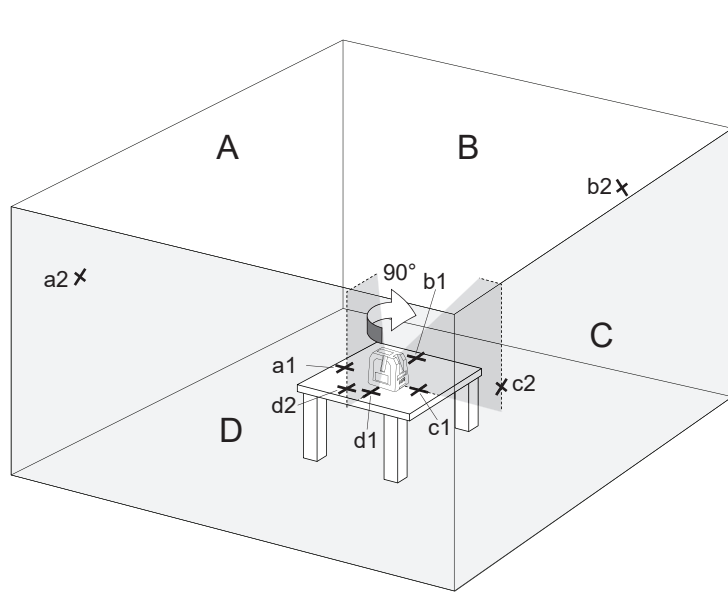


2 DIKEY ÇIZGI ARASINDAKİ DIKLIĞIN KONTROL EDİLMESİ

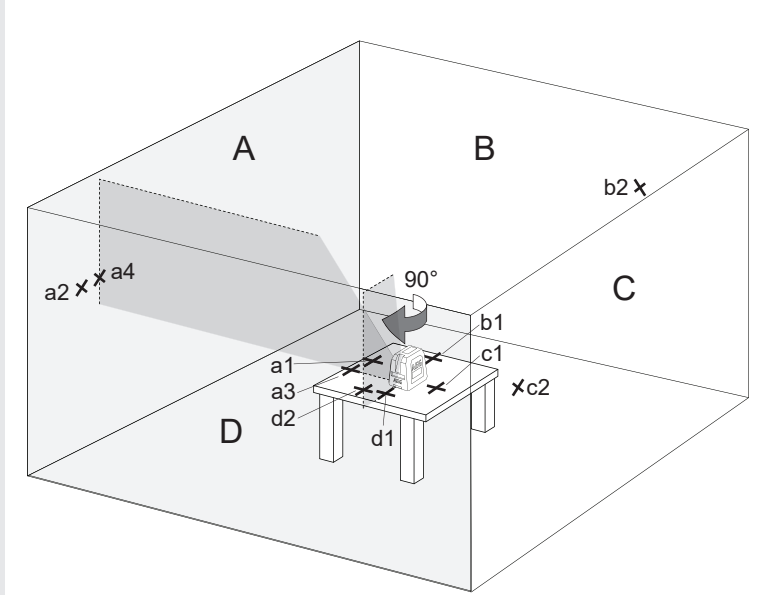
- Öne yönltilen lazer çizgisi masadaki b1 işaretine ve B duvarındaki b2 işaretine isabet edecek şekilde saat yönünde 90° çeviriniz.
- Yana yansıtılan dikey çizginin ortasını 2 noktada işaretleyiniz: c1 noktasını lazerin yakınında masaya ve c2 noktasını C duvarına.



- Öne yönltilen lazer çizgisi masadaki c1 işaretine ve C duvarındaki c2 işaretine isabet edecek şekilde saat yönünde 90° çeviriniz.
- Yana yansıtılan dikey çizginin ortasını 2 noktada işaretleyiniz: d1 noktasını lazerin yakınında masaya ve d2 noktasını D duvarına.



- Öne yönltilen lazer çizgisi masadaki d1 işaretine ve D duvarındaki d2 işaretine isabet edecek şekilde saat yönünde 90° çeviriniz.
- Yana yansıtılan dikey çizginin ortasını 2 noktada işaretleyiniz: a3 noktasını a1 noktasının yakınında masaya ve a4 noktasını A duvarında a2 noktası yakınında.

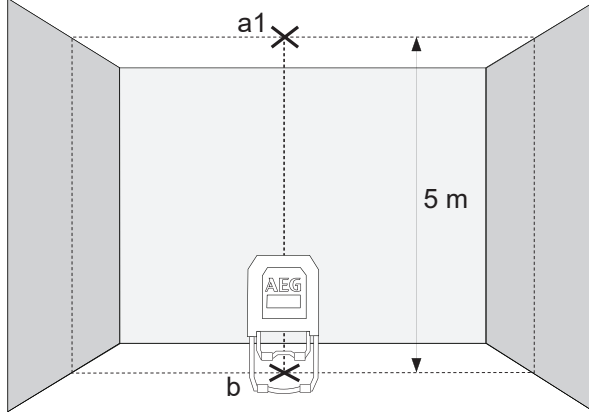


- Mesafeleri ölçünüz:
 $\Delta 1 = a1'den a3'e$
 $\Delta 2 = a2'den a4'e$
- $\Delta 2 - \Delta 1$ arasındaki fark 4 mm üzerinde olmamalıdır.

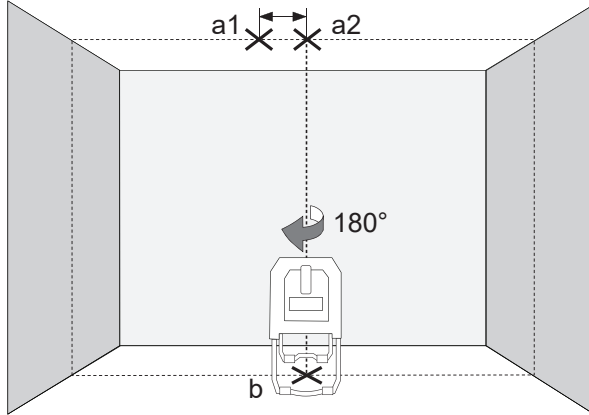
5 ŞAKÜL HASSASLIĞININ KONTROL EDİLMESİ

Bu kontrol için yakl. 5 m tavan yüksekliği olan bir oda gerekmektedir.

1. Lazerin ayaklarını açınız ve cihazı yere koyunuz.
2. Otomatik hizalama modunu devreye alınız ve dikey çapraz çizgileri tavana ve şakül noktasını yere yansıtmak için tuşa basınız.
3. Yukarı yönlendirilen çapraz çizginin ortasını a1 noktası olarak tavana işaretleyiniz (bkz. şekil).
4. Şakül noktasının orta noktasını b noktası olarak zemine işaretleyiniz.



5. Lazeri, şakül noktasının orta noktası işaretlenmiş olan b noktası üzerine düşecek şekilde 180° çeviriniz ve pozisyona getiriniz ve cihaz hizalanana kadar bekleyiniz.
6. Yukarı yönlendirilen çapraz çizginin ortasını a2 noktası olarak tavana işaretleyiniz.
7. Tavandaki a1 ve a2 noktaları arasındaki mesafe, lazer çizgisinin ideal şakül dikeyinden ne kadar çok saptığını göstermektedir.
5 m ölçme mesafesinde mümkün olan maksimum sapma:
 $5 \text{ m} \times (\pm 0,6 \text{ mm/m}) \times 2 = \pm 6 \text{ mm}$.
8. a1 ile a2 arasındaki mesafe 6 mm'den büyük olmamalıdır.



OBSAH

Důležité bezpečnostní pokyny.....	1
Údržba	2
Technická data	2
Použití v souladu s účelem.....	2
Přehled	3
Indikátor slabé baterie	4
Výměna baterií	4
Nastavitelné nožky	5
Magnetický držák na stěnu a zelená cílová tabulka	5
Práce v režimu samonivelace.....	6
Práce v manuálním režimu.....	7
Funkce kolmice.....	8
Funkce pulzního režimu	8
Kontrola přesnosti.....	9

DŮLEŽITÉ BEZPEČNOSTNÍ POKYNY



POZOR! VAROVÁNÍ! NEBEZPEČÍ!

Než začnete výrobek používat, prostudujte si bezpečnostní pokyny a návod k obsluze na přiloženém CD.

Klasifikace laseru



UPOZORNĚNÍ:

Jedná se o laserový výrobek třídy 2 podle normy EN60825-1:2014 .



UPOZORNĚNÍ:

Oči nevystavujte přímo působení laserového paprsku. Laserový paprsek může způsobit závažné poškození očí a/nebo oslepnutí.

Nedívejte se přímo do laserového paprsku a paprskem nikdy zbytečně nemiřte přímo na jiné osoby.

Opatrně! Při některých způsobech použití se může zařízení emitující laser nacházet za vámi. V takovém případě se otáčejte opatrně.

UPOZORNĚNÍ:

Neprovozuje laser v blízkosti dětí ani nedovolte dětem laser obsluhovat.

Pozor! Reflexní povrch by mohl laserový paprsek odrazit zpět na obsluhu nebo jiné osoby.

Výstraha: Použití ovládacích prvků, nastavení nebo zrealizování jiných postupů než bylo stanoveno v příručce, může vést k nebezpečnému ozáření.

Když se laser přemísť z velmi studeného prostředí do teplého prostředí (nebo naopak), musí před použitím dosáhnout teplotu okolního prostředí.

Laser neuskładňujte venku a chraňte jej před úderu, trvalými vibracemi a extrémními teplotami.

Laserový měřicí přístroj chraňte před prachem, mokřým prostředím a vysokou vzdušnou vlhkostí. Tyto vlivy mohou zničit vnitřní součástky nebo ovlivnit přesnost měření.

Pokud laserové záření zasáhne oko, oči zavřete a hlavu okamžitě odvráťte od paprsku.

Dbejte na to, aby byl laserový paprsek umístěn tak, aby nemohl oslepit ani vás, ani jiné osoby.

Do laserového paprsku se nedívejte pomocí optických zvětšovacích zařízení, jako jsou dalekohledy nebo teleskopy. V opačném případě se zvýší nebezpečí závažného poškození očí.

Nezapomeňte, že brýle na zviditelnění laserového paprsku slouží na lepší rozpoznání laserových čar, oči však před laserovým zářením nechrání.

Výstražné štítky na laserovém přístroji se nesmějí odstraňovat nebo znehodnocovat.

Laser nerozebírejte. Laserové záření může způsobit vážné zranění očí.

Před přepravou laseru zajistěte, aby bylo výkyvné blokovací zařízení zajištěné.

Upozornění: Pokud výkyvné blokovací zařízení není zajištěné, může během přepravy dojít k poškozením uvnitř přístroje.

Nepoužívejte žádné agresivní čisticí prostředky nebo rozpouštědla. Čistěte jen čistým měkkým hadříkem.

Laser chraňte před prudkými nárazy a pády. Po pádu nebo silných mechanických vlivech se před použitím musí zkontrolovat přesnost přístroje.

Potřebné opravy na tomto laserovém přístroji smí realizovat jen autorizovaný odborný personál.

Nepoužívejte výrobek v prostorách s nebezpečím výbuchu nebo v agresivním prostředí.

Pokud přístroj nebudete delší dobu používat, z přihrádky na baterie vyjměte ven baterie. Tím můžete zabránit vytečení baterií a vzniku škod způsobených korozí.



Vybité baterie nesmí být likvidovány jako komunální odpad. Pečujte o životní prostředí a baterie odevzdejte na sběrných místech ustanovených v souladu s národními nebo místními předpisy.

Výrobek nevhazujte do komunálního odpadu. Výrobek patřičně zlikvidujte v souladu s národními předpisy platnými ve vaší zemi. Dodržujte národní předpisy a doporučení. Ohledně získání informací o likvidaci se obraťte na místní úřady nebo na vašeho prodejce.



Značka shody v Evropě

UDRŽBA

Objektiv a kryt laseru čistěte čistým měkkým hadříkem. Nepoužívejte žádná rozpouštědla.

I když je laser do určité míry odolný vůči prachu a nečistotám, neměl by se dlouhodoběji uskláňovat na prašném místě, nebo v opačném případě by se mohly poškodit jeho vnitřní pohyblivé části.

Pokud by se laser zamokřil, musí se před použitím vysušit v přenosném kuffíku, aby nemohly vzniknout žádné škody způsobené korozí.

TECHNICKÁ DATA

Třída laseru	2
Oblast samonivelace	±3°
Doba samonivelace	3–5 s
Typ baterie	LR6 alkalická baterie typu AA
Napětí DC	3 × 1,5 V
Příkon	0,35 A
Druh ochrany (stříkající voda a prach)	IP54
Funkce	horizontální čára, 2 vertikální čáry, čáry kříže, funkce kolmice
Režim plus	Frekvence 10 kHz
Promítání	3 zelené čáry, 1 červený bod
Schéma výstupu laserových čar	Horizontální čára směrem dopředu, vertikální čára směrem dopředu, vertikální čára směrem ke straně a bod kolmice. Horizontální a vertikální čáry kříže směrem dopředu a bod kolmice. Horizontální čára. Vertikální čára směrem dopředu a bod kolmice. Vertikální čáry směrem dopředu a ke straně a bod kolmice. (Zobrazení bodu kolmice směrem dolů funguje jen v režimu samonivelace, ne v manuálním režimu.)
Provozní čas	6 hodin
Závit stojanu	1/4"
Vhodný detektor	pro standardní zelené multifunkční liniové lasery
Laserová čára	Šířka 2,5 mm ±0,5 mm/5 m Vlnová délka λ 520 ±10 nm třída laseru II Přesnost ±0,2 mm/m Úhel otevření > 120° Barva zelená Dosah 30 m (s detektorem 50 m)

Bod kolmice	Vlnová délka laserového bodu 635 ±5 nm třída laseru II Max. výkon laserového bodu < 1 mW Přesnost kolmice ±0,6 mm/1 m Barva laserového bodu červená Dosah 5 m
Doporučená provozní teplota	-10 °C až +45 °C
Teplota pro skladování	-20 °C až +60 °C
Rozměry	106 mm × 88 mm × 105 mm
Hmotnost (vč. baterií)	710 g

POUŽITÍ V SOULADU S ÚČELEM

Tento inovativní laser je dimenzovaný pro širokou profesionální oblast použití, jako např.:

- Vyrovnání obkladů, mramorových desek, skříněk, lemů, výlisků a obrub
- Vyznačení základních linií zabudování dveří, oken, lišt, schodů, plotů, bran, verand a pergol.
- Přenesení referenčních bodů při instalaci osvětlení a ventilace, přenesení výšek, nivelace obvodových stěn a stěn podstavce, přeložení lišt na podlahách a jiné profesionální práce.
- Na stanovení a prověření horizontálních a vertikálních čar.

Tento produkt se smí používat jen v souladu s uvedeným účelem použití.

Gumové stabilizátory

Nastavitelné nožky

Okno na vertikální laserovou čáru směrem dopředu

Okno na horizontální laserovou čáru

ON  / OFF  blokovací spínač



Zóna obsluhy



LED indikátor manuálního režimu

Tlačítko manuálního režimu

Na zapnutí a vypnutí manuálního režimu

LED indikátor zvolené laserové čáry (stálé světlo)

LED indikátor slabé baterie (blikající světlo)

Voličový spínač laserové čáry

Výběr mezi Vertikální čárou směrem dopředu, Vertikální čárou směrem ke straně, Horizontální čárou směrem dopředu nebo kombinace z těchto čar.

LED indikátor pulzního režimu

Tlačítko pulzního režimu

Na venkovní práce při přímém slunečním záření nebo při dobrých světelných poměrech a při použití v interiérech s dosahem do 50 m používejte pulzní režim s detektorem 10 kHz.

Okno na vertikální laserovou čáru ke straně

Kryt přihrádky na baterie

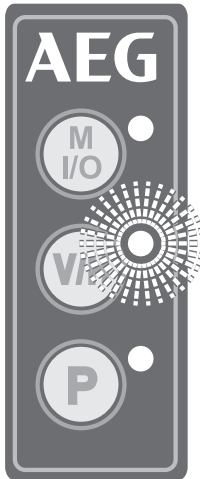


Červený bod kolmice

1/4" závit stojanu



INDIKÁTOR SLABÉ BATERIE



Při nízkém stavu nabití baterie se zredukuje intenzita laseru a příslušný indikátor (zelená LED dioda vedle tlačítka V/H) začne blikat s frekvencí 0,5 sekundy.

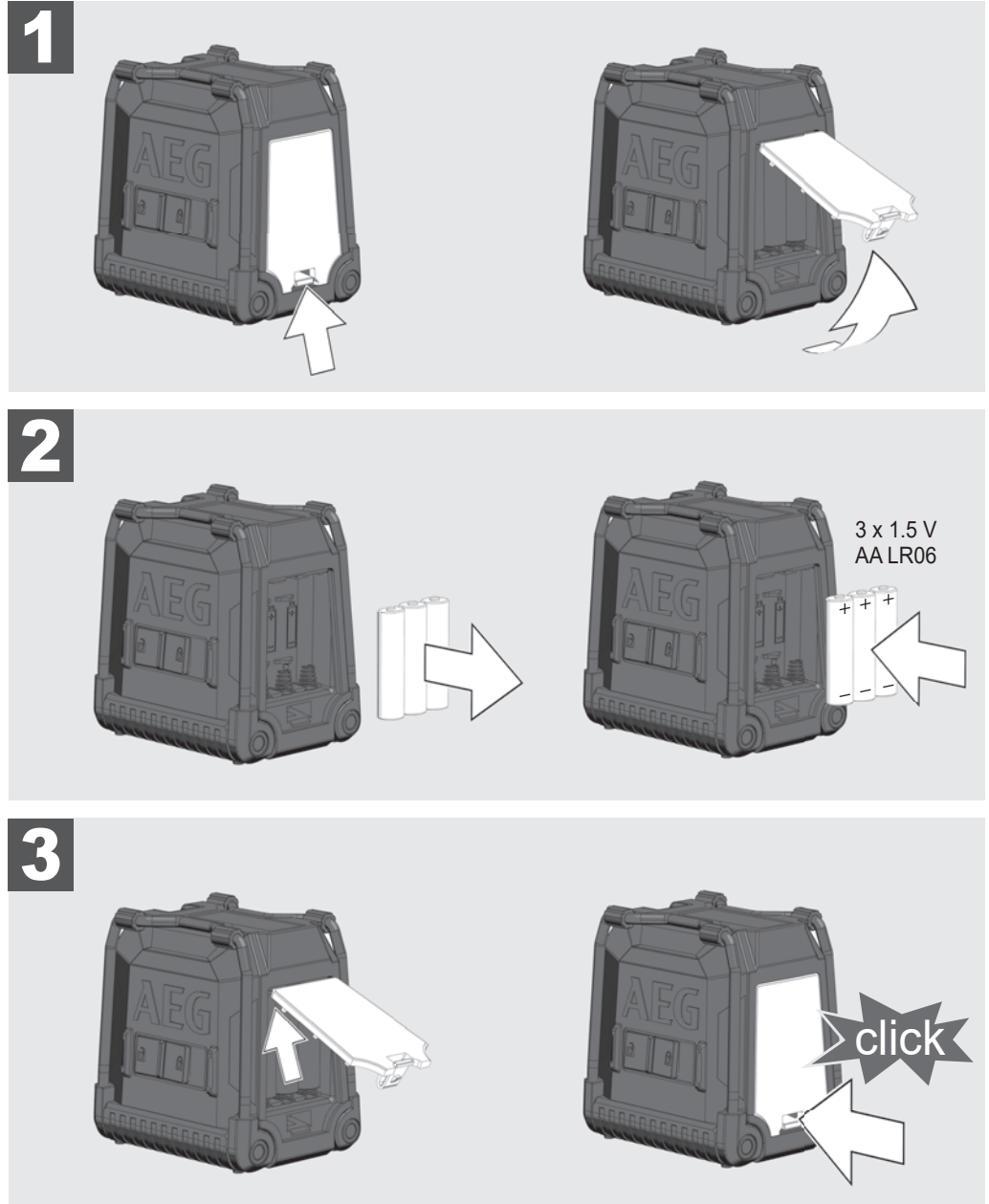
Pokračování v práci je však možné.

Když jsou baterie příliš slabé, přístroj se automaticky vypne.

VÝMĚNA BATERIÍ

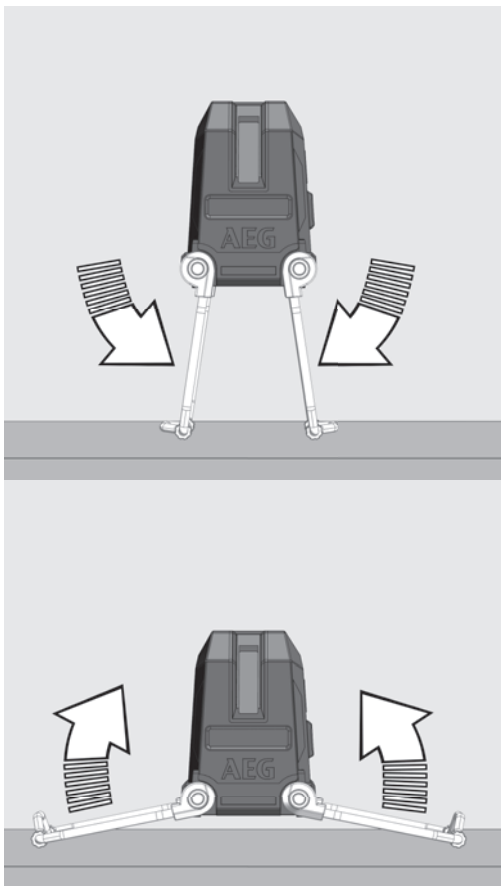
Baterie vyměňte, když laserový paprsek zeslábné.

Pokud přístroj nebudete delší dobu používat, z přihrádky na baterie vyjměte ven baterie. Tím můžete zabránit vytečení baterií a vzniku škod způsobených korozi.

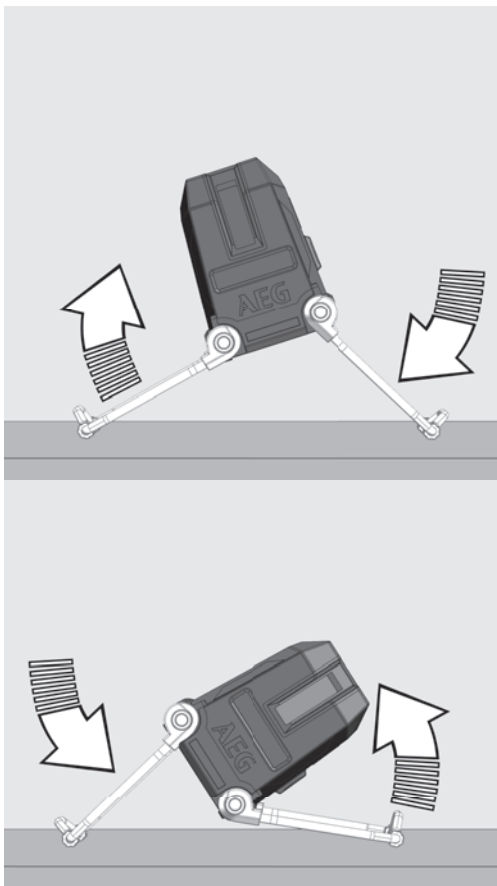


NASTAVITELNÉ NOŽKY

Pomocí nastavitelných nožek nastavíte výšku horizontální čáry.



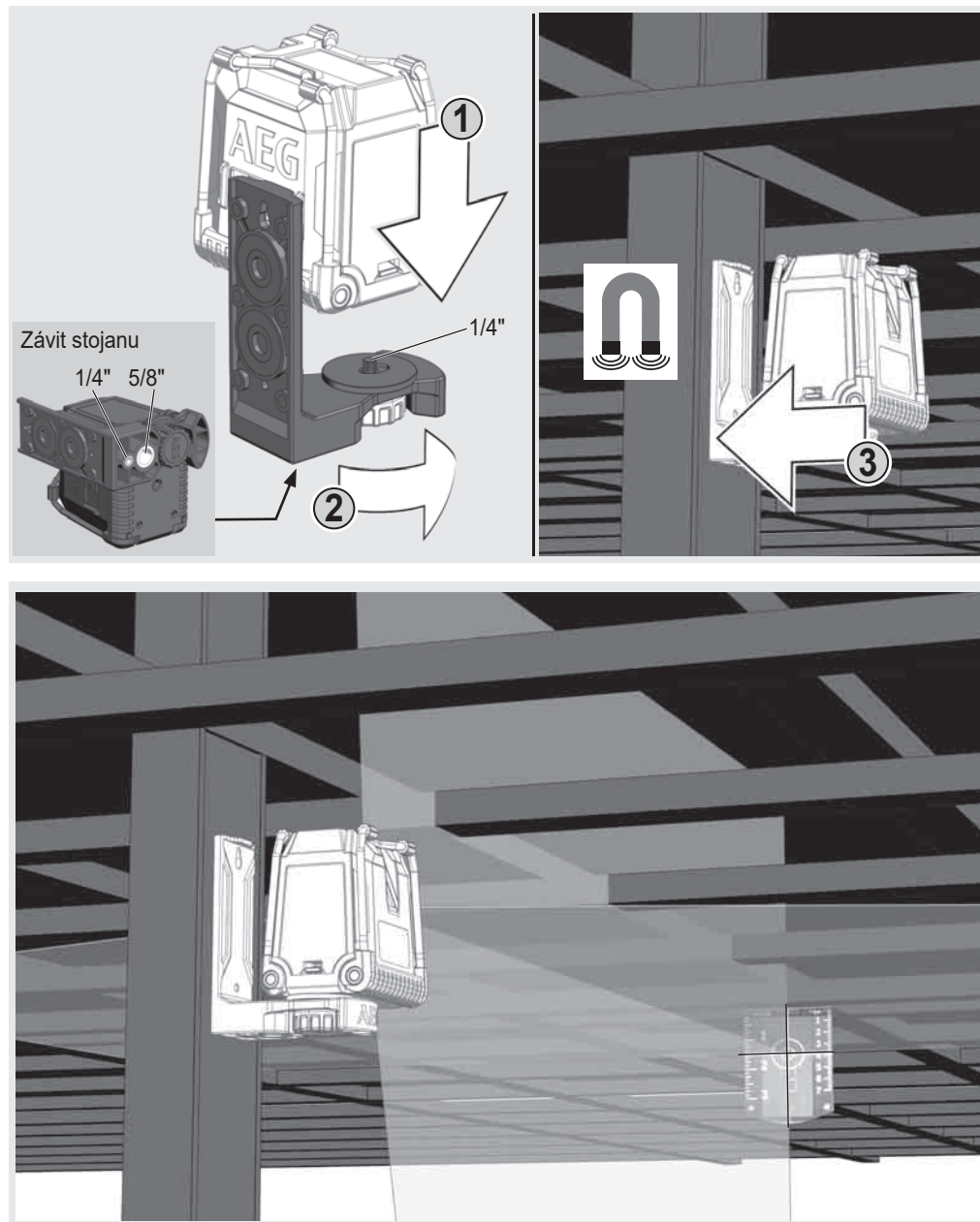
Pomocí nastavitelných nožek nastavíte sklon laseru.



MAGNETICKÝ DRŽÁK NA STĚNU A ZELENÁ CÍLOVÁ TABULKA

Pomocí magnetického držáku se dá laser připevnit na stěny, kovové struktury apod.

Zelená cílová tabulka zlepšuje viditelnost laserového paprsku při nepříznivých podmínkách a větších vzdálenostech.



PRÁCE V REŽIMU SAMONIVELACE


V režimu samonivelace se laser vyrovná sám v rozsahu $\pm 3^\circ$. Promítá se jedna horizontální čára, dvě vertikální čáry nebo všechny 3 čáry současně.

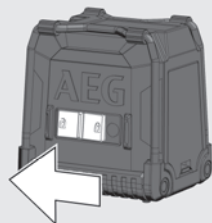
1

Laser postavte na pevný, rovný podklad bez vibrací nebo ho namontujte na stojan.



2

Blokovací spínač přesuňte do polohy ON .

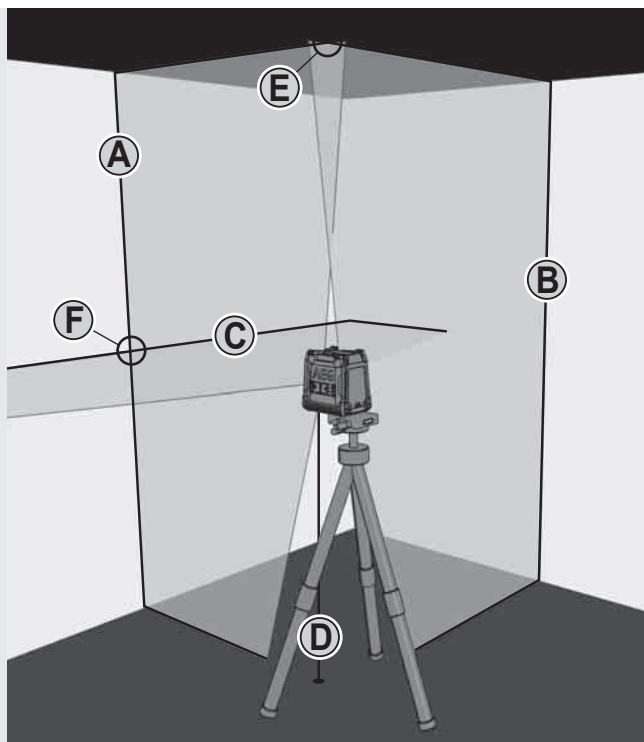


3

Laser vytváří 3 laserové čáry.

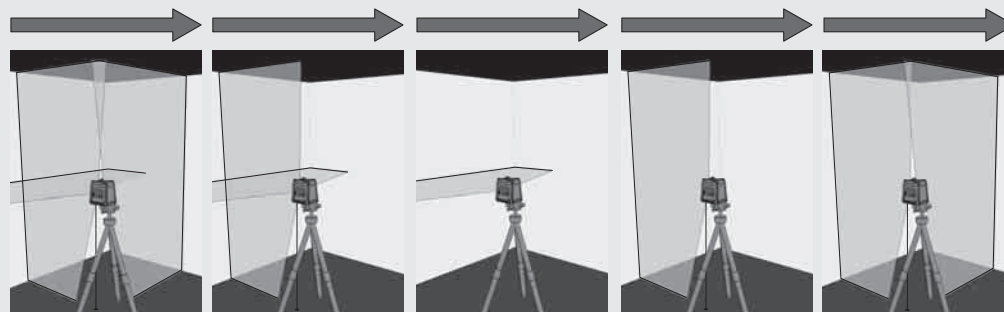
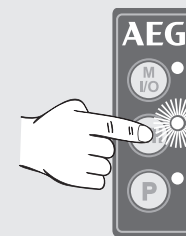
- (A) Vertikální čára směrem dopředu
- (B) Vertikální čára směrem ke straně
- (C) Horizontální čára směrem dopředu
- (D) Laserový bod (čára kolmice)

Když jsou aktivované všechny čáry, laser vytvoří čáry kříže směrem nahoru (E) a směrem dopředu (F).



4

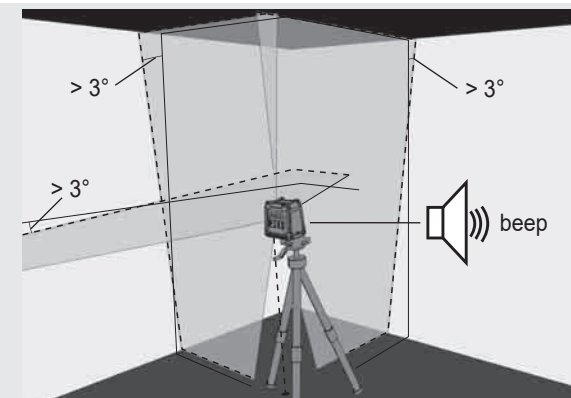
Stiskněte tlačítko V/H, abyste si mohli vybrat čáru, se kterou chcete pracovat.




5

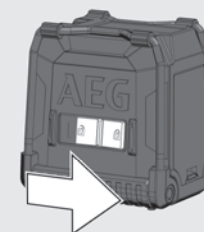
Když se laser při aktivovaném režimu samonivelace na začátku nevyrovná na $\pm 3^\circ$, laserové čáry - - - - blikají a zazní signalizační tón.

V takovém případě musíte laser znovu umístit.



6

Před přemístěním přístroje přesuňte blokovací tlačítko do polohy OFF . Díky tomu se zaaretuje kyvadlo a laser je chráněn.

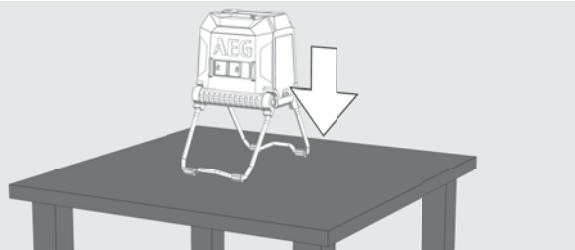


PRÁCE V MANUÁLNÍM REŽIMU

V manuálním režimu je funkce samonivelace deaktivovaná a laser se dá nastavit na libovolný sklon laserových čar.

1

Laser postavte na pevný, rovný podklad bez vibrací nebo jej namontujte na stojan.



2

Stiskněte tlačítko manuálního režimu (bez potřeby přesunutí blokovacího spínače!).

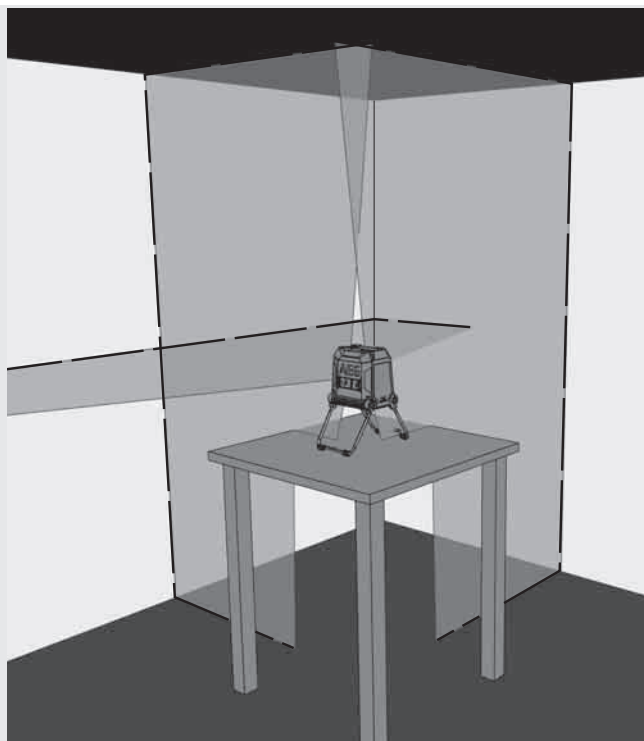
Svíí červená LED dioda vedle tlačítka.



3

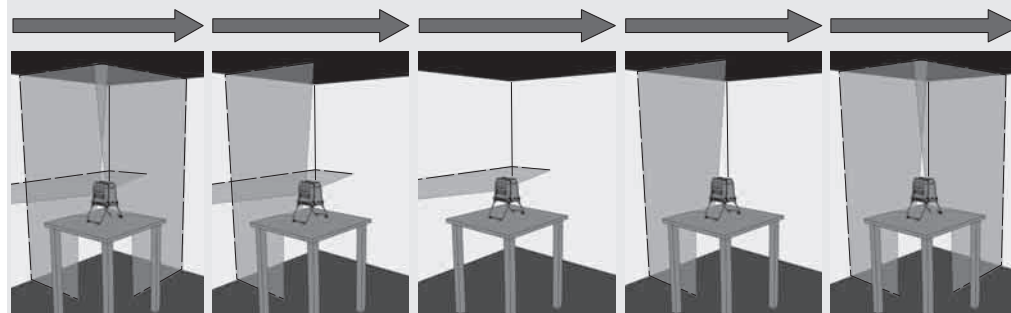
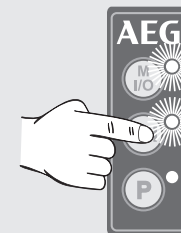
Tak, jako v režimu samonivelace, vytváří laser 3 laserové čáry, které v intervalu 3 sekund blikají.

3 sek. 3 sek. 3 sek.



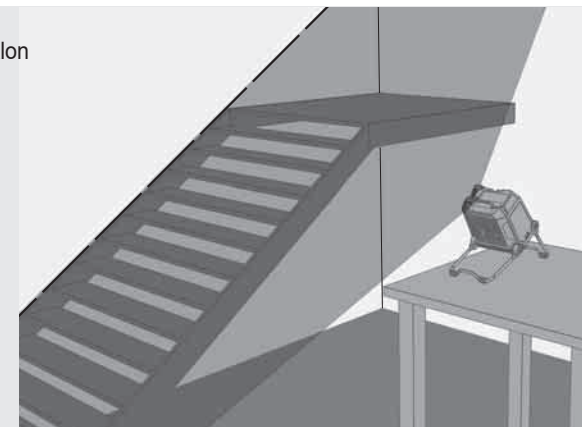
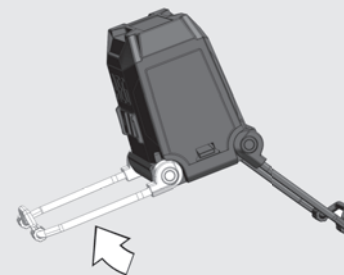
4

Stiskněte tlačítko V/H, abyste mohli vybrat čáru, se kterou chcete pracovat.




5

Pomocí nožek se dá nastavit požadovaná výška a požadovaný sklon laseru.



6

Pro ukončení manuálního režimu opětovně stiskněte tlačítko pro manuální režim.

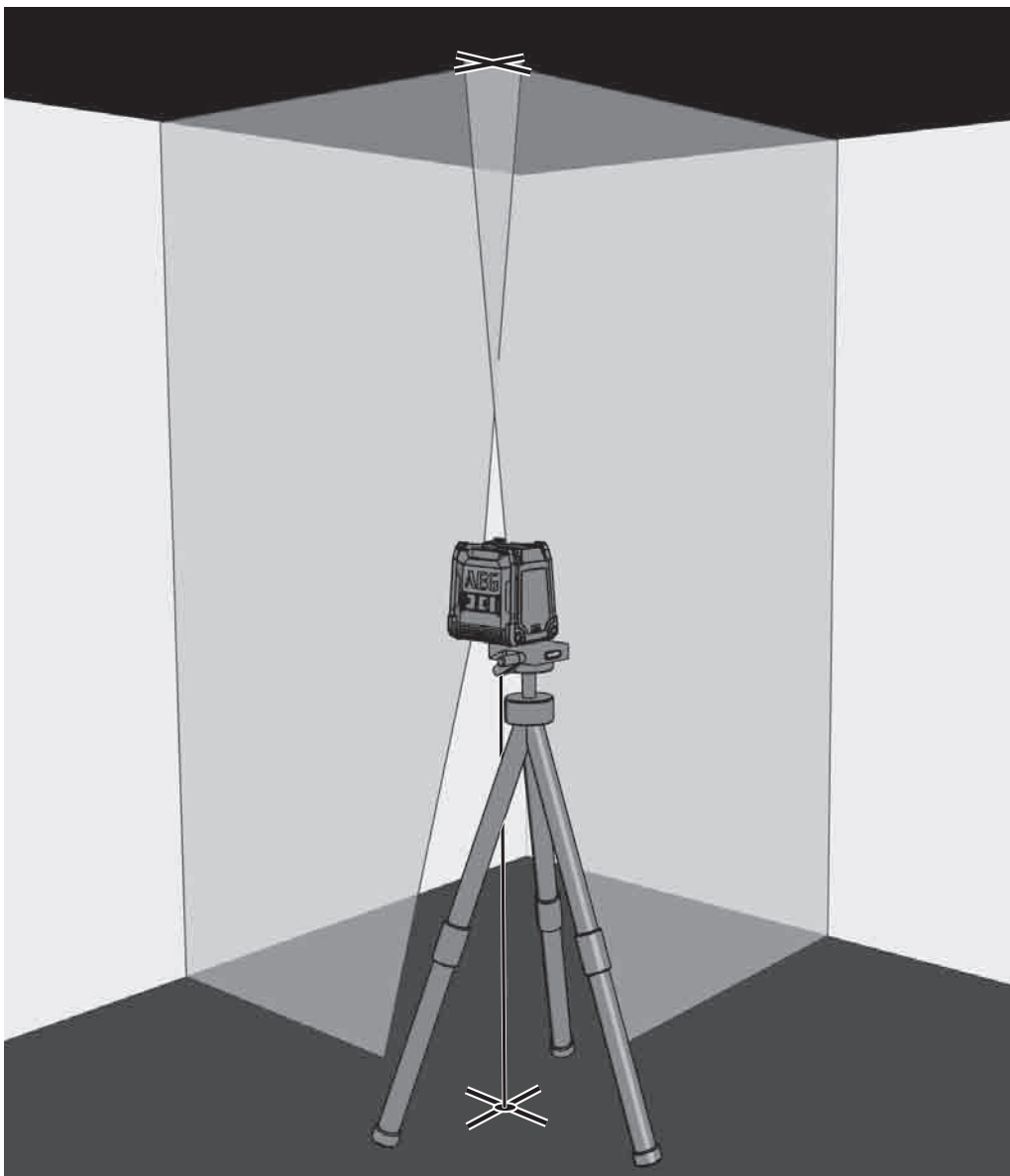
Kvůli přímému přechodu do režimu samonivelace přešuněte blokovací spínač do polohy ON .



FUNKCE KOLMICE

Pomocí funkce kolmice se dá bod na podlaze kolmo promítnout na strop. Referenční bod na podlaze se vyrovná k průsečíku čar kříže na stropě.

Funkce kolmice slouží např. na přenesení referenčního bodu při instalaci osvětlení a ventilace nebo na přenesení výšek.



FUNKCE PULZNÍHO REŽIMU

Na venkovní práce při přímém slunečním záření nebo při dobrých světelných poměrech a při použití v interiérech s dosahem 50 metrů používejte pulzní režim s detektorem.

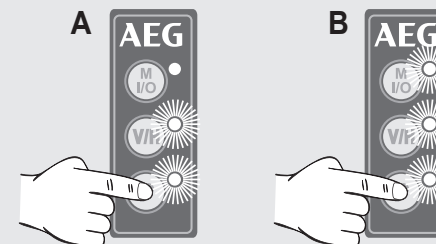
Detektor není součástí dodávky a musí se zakoupit zvlášť.

Při aktivovaném pulzním režimu blikají laserové čáry s velmi vysokou (pro lidské oko nepostřehnutelnou) frekvencí, aby detektor mohl lokalizovat laserové čáry.

1

Pulzní režim se může aktivovat nejen v režimu samonivelace (A), ale i v manuálním režimu (B).

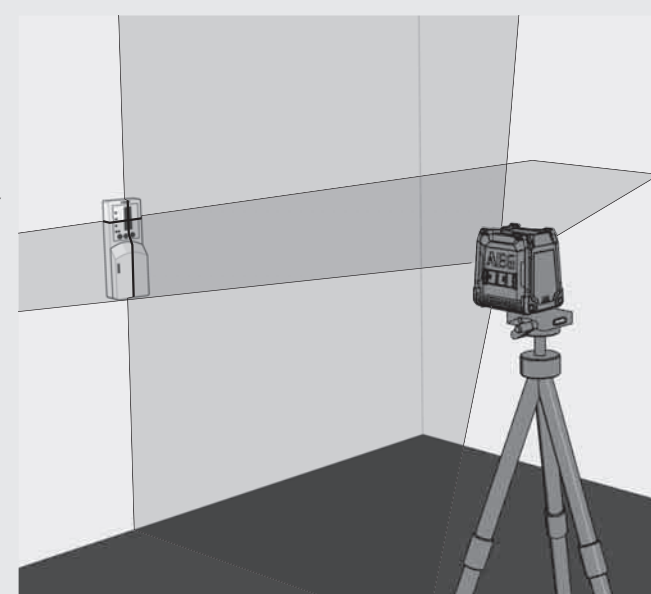
Stiskněte tlačítko P. Svítí zelená LED dioda vedle tlačítka.



2

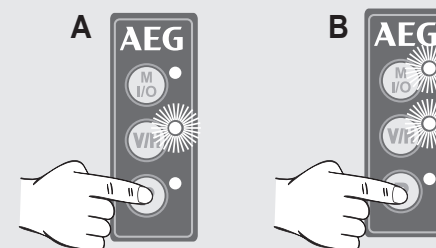
Po aktivování pulzního režimu se trochu sníží viditelnost laserových čar.

Podrobné informace o použití detektoru najdete v návodu k použití detektoru.



3

Opět stiskněte tlačítko P, abyste pulzní režim vypnuli. Zelená LED dioda vedle tlačítka zhasne.



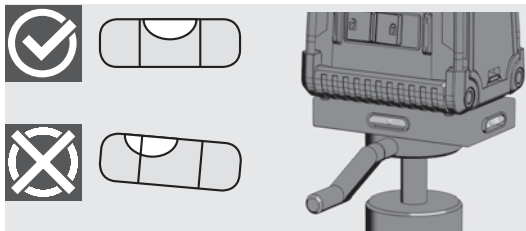
KONTROLA PŘESNOSTI

Laser je kalibrovaný výrobcem. AEG doporučuje přesnost laseru pravidelně prověřovat, především však po pádu nebo v důsledku chybné obsluhy.

Při překročení maximální odchylky při kontrole přesnosti se obraťte na naše servisní středisko spol. AEG (viz seznam se záručními podmínkami a adresami servisních středisek).

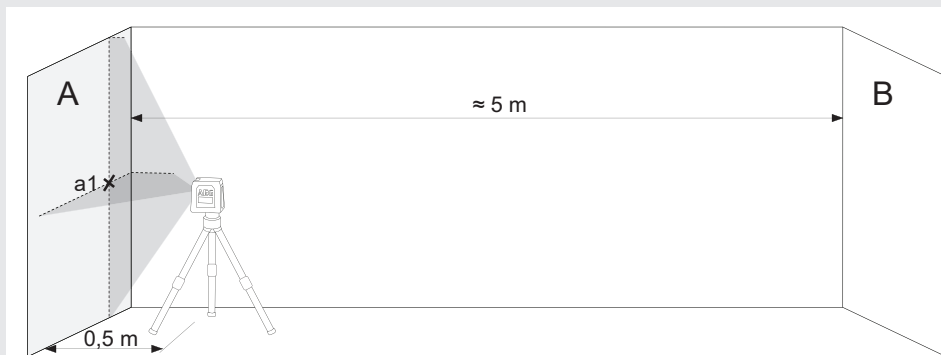
1. Prověřte přesnost výšky horizontální čáry.
2. Prověřte přesnost nivelace horizontální čáry.
3. Prověřte přesnost nivelace vertikální čáry.
4. Prověřte pravoúhlost mezi 2 vertikálními čarami.
5. Prověřte přesnost kolmice.

Před prověřením přesnosti laseru namontovaného na stojanu zkontrolujte nivelaci stojanu.



1 PROVĚŘENÍ PŘESNOSTI VÝŠKY HORIZONTÁLNÍ ČÁRY (ODCHYLKA SMĚREM NAHORU A DOLŮ)

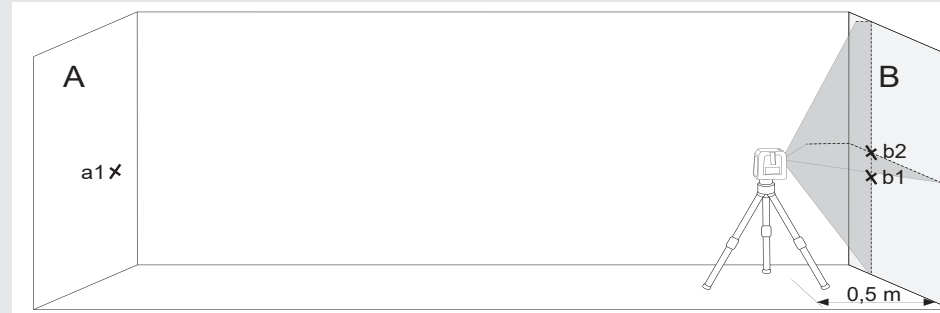
1. Laser nainstalujte na stojan nebo na rovný podklad mezi dvěma stěnami A a B, které jsou od sebe vzdálené asi 5 m.
2. Laser umístěte přibl. 0,5 m od stěny A.
3. Zapněte režim samonivelace a stiskněte tlačítko, aby se horizontální a vertikální čára promítla na stěnu A.
4. Průsečík dvou čar si na stěně A označte jako bod a1.



5. Laser otočte o 180° směrem ke stěně B a průsečík dvou čar označte na stěně B jako bod b1.



6. Laser umístěte přibl. 0,5 m od stěny B.
7. Průsečík dvou čar označte na stěně B jako bod b2.



8. Laser otočte o 180° směrem ke stěně A a průsečík dvou čar označte na stěně A jako bod a2



9. Změřte vzdálenosti:

$$\Delta a = |a2 - a1|$$

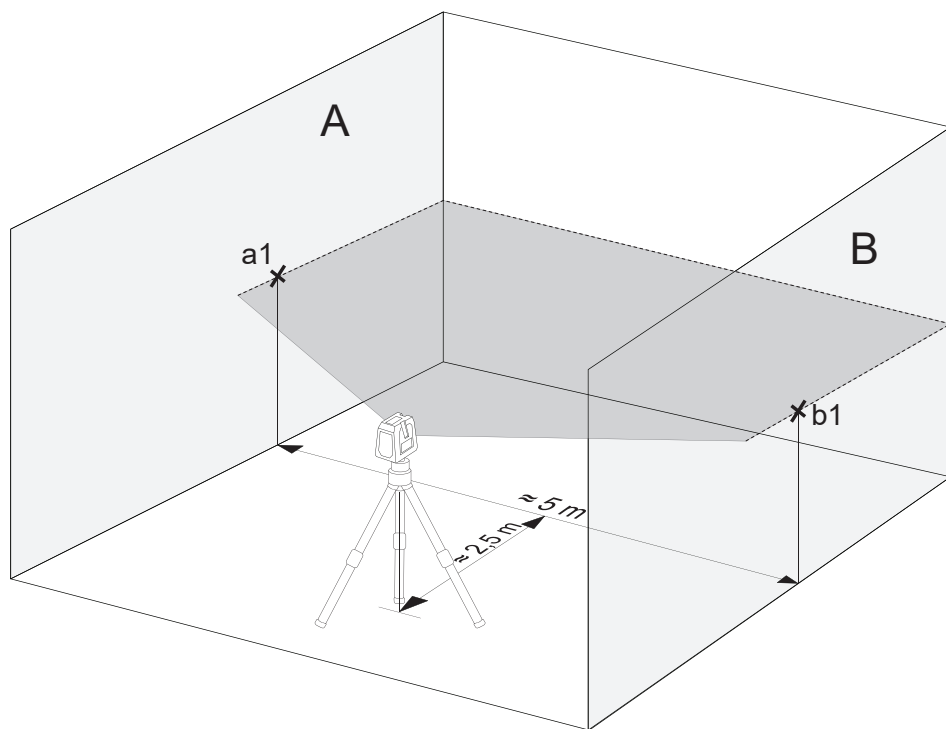
$$\Delta b = |b1 - b2|$$

10. Rozdíl $|\Delta a - \Delta b|$ nesmí být větší než 2 mm.

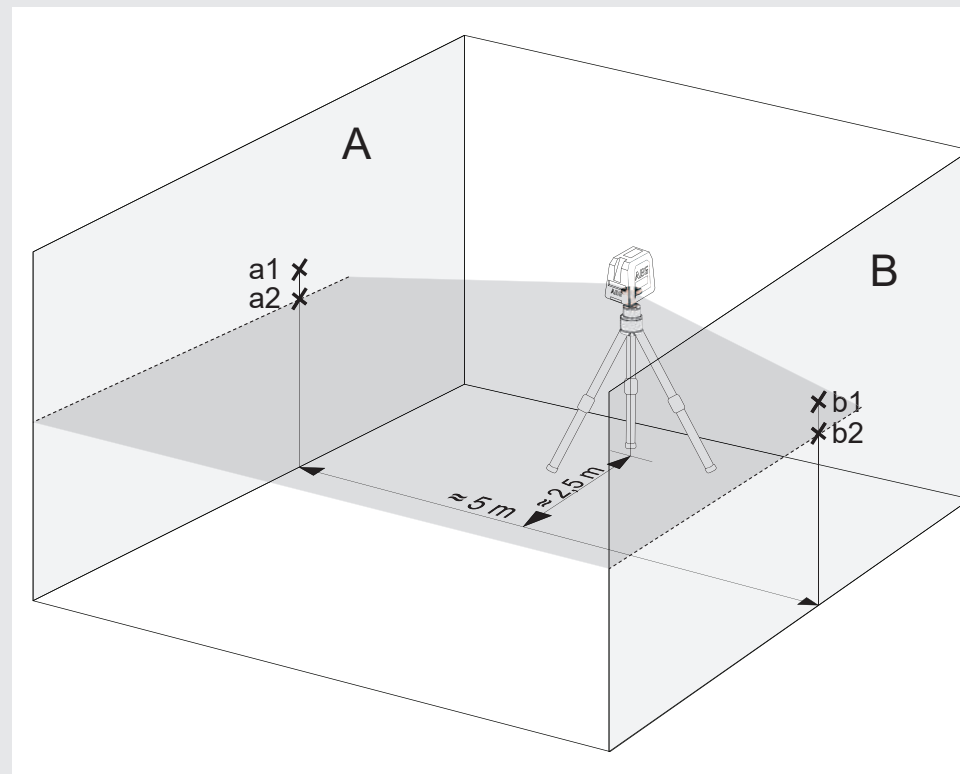
2 PROVĚŘENÍ PŘESNOSTI NIVELACE HORIZONTÁLNÍ ČÁRY (ODCHYLKA OD JEDNÉ STRANY KE DRUHÉ)

Na tuto kontrolu budete potřebovat volnou plochu o rozměrech asi 5 × 5 m.

1. Laser nainstalujte na stojan nebo na pevný podklad mezi dvěma stěnami A a B, které jsou od sebe vzdálené asi 5 m.
2. Laser umístěte přibl. 2,5 m od středu místnosti.
3. Zapněte režim samonivelace a stiskněte tlačítko, aby se horizontální čára promítla na stěny A a B.
4. Střed laserové čáry na stěně A si označte pomocí bodu a1 a na stěně B pomocí bodu b1.



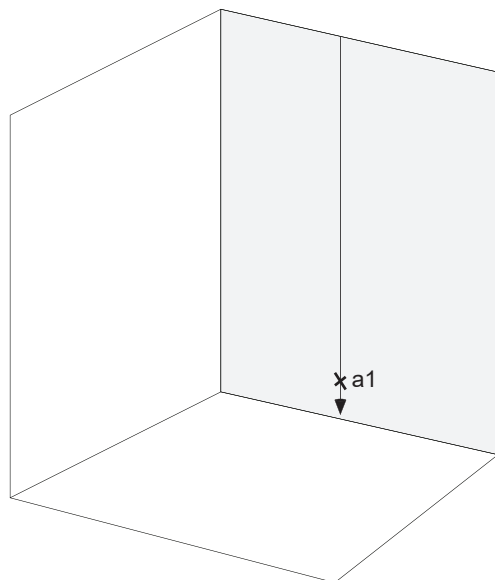
5. Laser přemístěte přibl. o 5 m a otočte o 180° a horizontální čáru opět promítněte na stěny A a B.
6. Střed laserové čáry na stěně A si označte pomocí bodu a2 a na stěně B pomocí bodu b2.



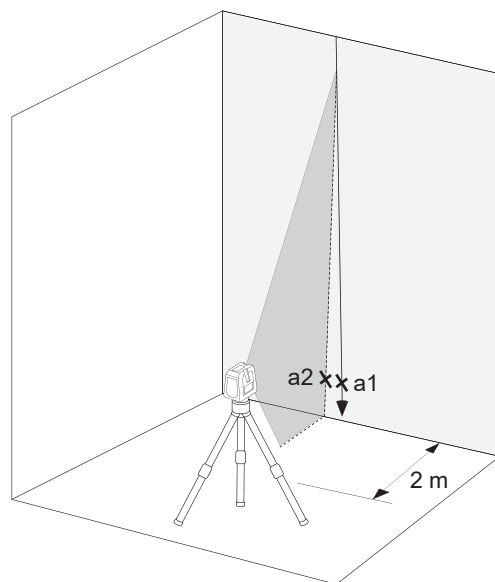
7. Změřte vzdálenosti:
 $\Delta a = |a2 - a1|$
 $\Delta b = |b1 - b2|$
8. Rozdíl $|\Delta a - \Delta b|$ nesmí být větší než 2 mm.

3 PROVĚŘENÍ PŘESNOSTI NIVELACE VERTIKÁLNÍ ČÁRY

1. Na jednu stěnu zavěste asi 4 m dlouhou šňůru olovnice.
2. Když se olovnice přestane kývat, na stěně si označte bod a1 nad kuželem olovnice.



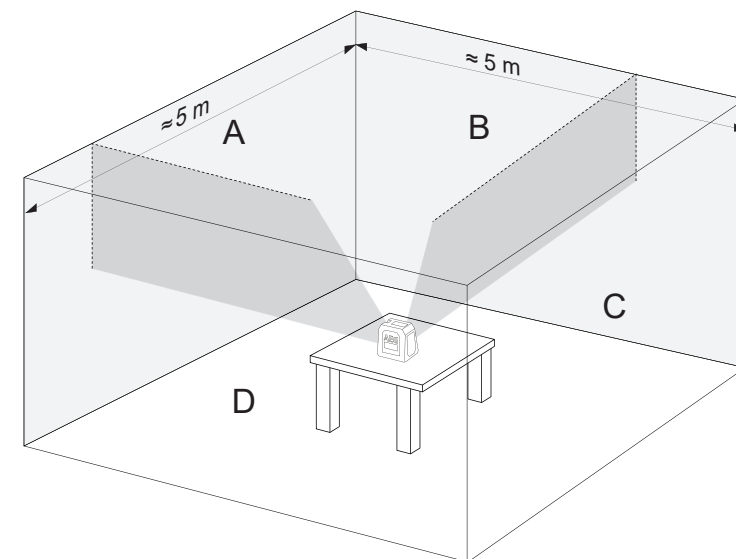
3. Laser nainstalujte na stojan nebo na rovný podklad ve vzdálenosti přibližně 2 m od stěny.
4. Zapněte režim samonivelace a stiskněte tlačítko, aby se vertikální čára promítla na šňůru olovnice.
5. Laser otočte tak, aby byla vertikální čára v souladu se zavěšenou šňůrou olovnice.
6. Bod a2 ve středu vertikální čáry si označte ve stejné výšce jako bod a1 na stěně.
7. Rozdíl mezi bodem a1 a bodem a2 nesmí být větší než 1 mm.



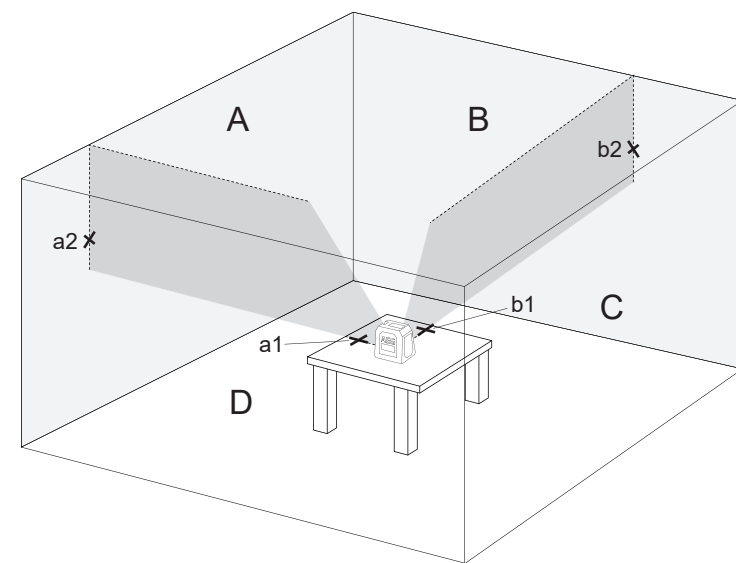
4 PROVĚŘENÍ PRAVOÚHLOSTI MEZI 2 VERTIKÁLNÍMI ČARAMI

Na tuto kontrolu budete potřebovat místnost se 4 stěnami a s půdorysem o rozměrech minimálně 5 × 5 m.

1. Laser nainstalujte na stůl nebo na podlahu ve středu místnosti.
2. Zapněte režim samonivelace a 4 × stiskněte tlačítko V/H, aby se vertikální čára promítla směrem dopředu a ke straně.

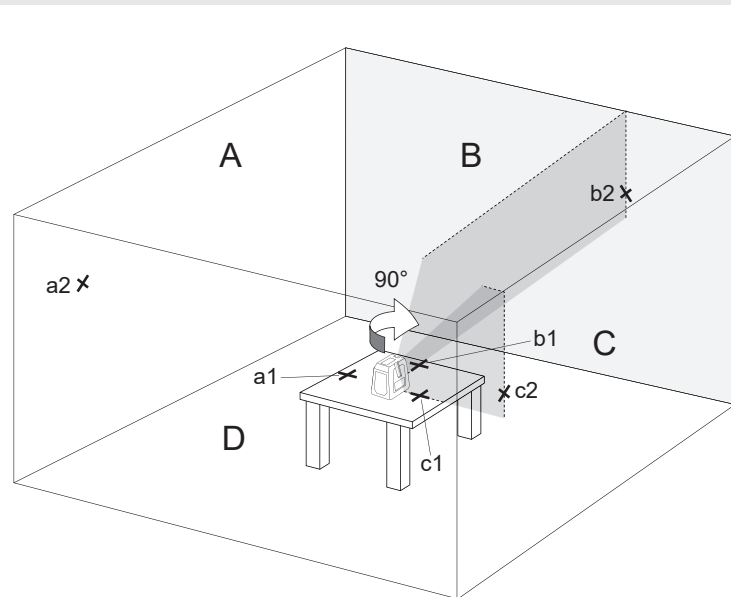


3. Střed vertikální čáry promítané směrem dopředu si označte na 2 místech: bod a1 na stole v blízkosti laseru a bod a2 na stěně A.
4. Střed vertikální čáry promítané směrem ke straně si označte na 2 místech: bod b1 na stole v blízkosti laseru a bod b2 na stěně B.

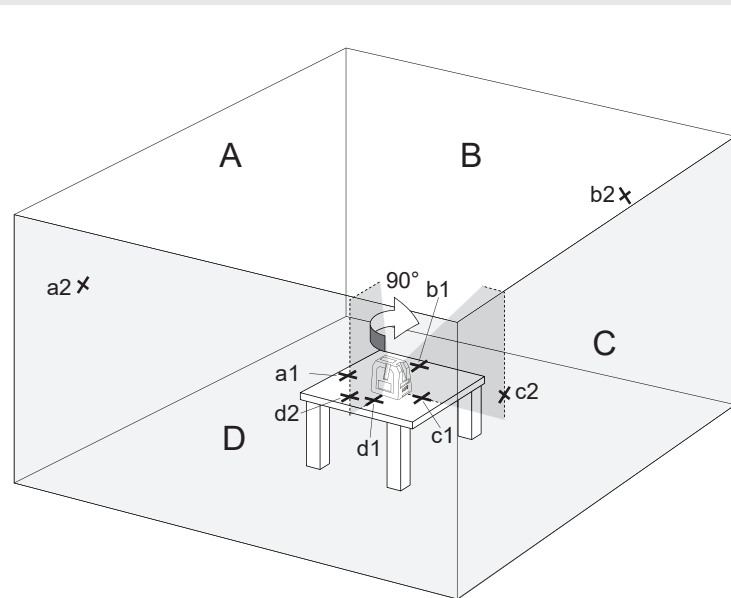


PROVĚŘENÍ PRAVOÚHLosti MEZI 2 VERTIKÁLNÍMI ČARAMI

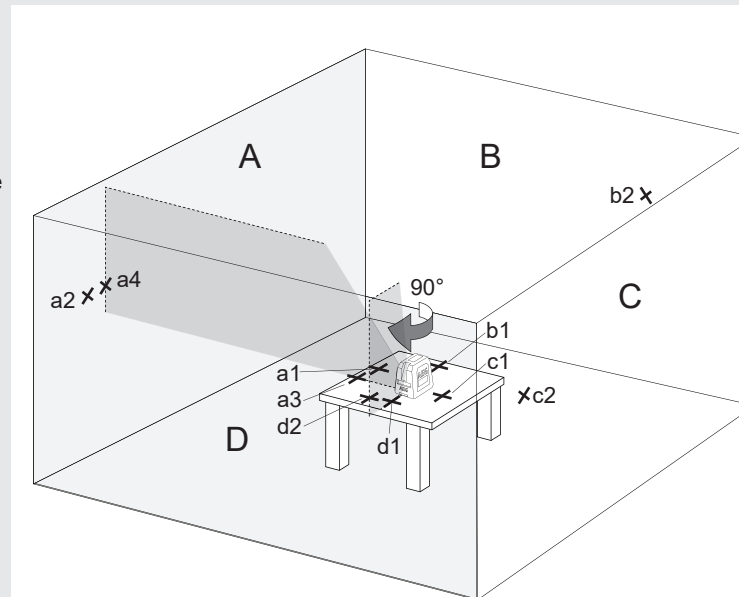
5. Laser otočte ve směru hodinových ručiček o 90° tak, aby laserová čára nasměrovaná dopředu zasáhla označení b1 na stole a označení b2 na stěně B.
6. Střed vertikální čáry promítané směrem ke straně si označte na 2 místech: bod c1 na stole v blízkosti laseru a bod c2 na stěně C.



7. Laser otočte po směru hodinových ručiček o 90° tak, aby laserová čára nasměrovaná dopředu zasáhla označení c1 na stole a označení c2 na stěně C.
8. Střed vertikální čáry promítané směrem ke straně si označte na 2 místech: bod d1 na stole v blízkosti laseru a bod d2 na stěně D.



9. Laser otočte po směru hodinových ručiček o 90° tak, aby laserová čára nasměrovaná dopředu zasáhla označení d1 na stole a označení d2 na stěně D.
10. Střed vertikální čáry promítané směrem ke straně si označte na 2 místech: bod a3 na stole v blízkosti bodu a1 a bod a4 na stěně A v blízkosti bodu a2.

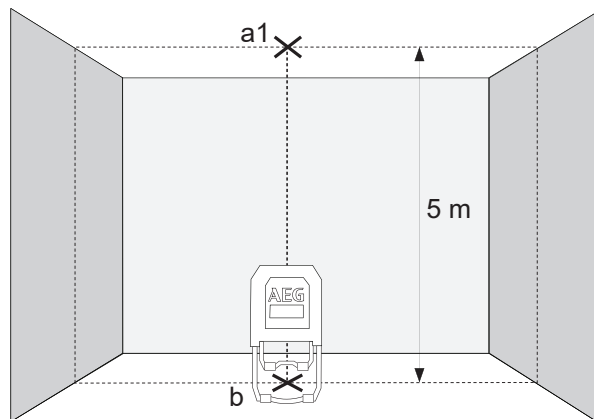


11. Změřte vzdálenosti:
 $\Delta 1 = \text{od } a1 \text{ k } a3$
 $\Delta 2 = \text{od } a2 \text{ k } a4$
12. Rozdíl $\Delta 2 - \Delta 1$ nesmí být větší než 4 mm.

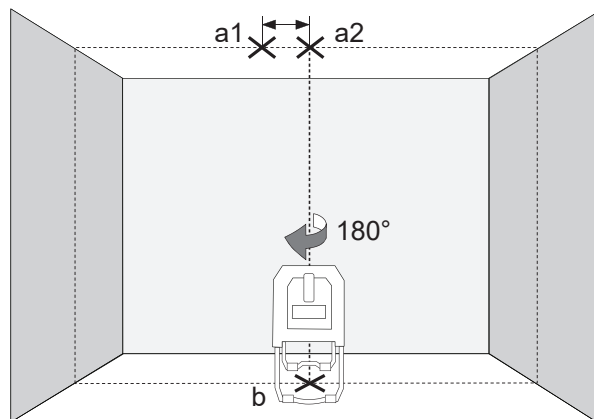
5 PROVĚŘENÍ PŘESNOSTI KOLMICE

Na tuto kontrolu budete potřebovat místnost s výškou stropu asi 5 m.

1. Nožky laseru vyklopte a přístroj umístíte na podlahu.
2. Zapněte režim samonivelace a stiskněte tlačítko, aby se čáry kříže promítly na stropě a bod kolmice se promítl na podlaze.
3. Střed čáry kříže nasměrované nahoru si označte jako bod a1 na stropě (viz obrázek).
4. Střed bodu kolmice si označte na podlaze jako bod b.



5. Laser otočte o 180° a umístíte jej tak, aby střed bodu kolmice dopadal na už vyznačený bod b a potom počkejte, dokud se přístroj niveluje.
6. Střed čáry kříže nasměrované nahoru si označte jako bod a2 na stropě.
7. Vzdálenost mezi body a1 a a2 na stropě uvádí, jak výrazně se laserová čára odlišuje od ideální svislice.
Při měřené dráze s délkou 5 m je maximální přípustná odchylka:
 $5 \text{ m} \times (\pm 0,6 \text{ mm/m}) \times 2 = \pm 6 \text{ mm}$.
8. Vzdálenost mezi bodem a1 a a2 nesmí být větší než 6 mm.



OBSAH

Dôležité bezpečnostné pokyny.....	1
Údržba.....	2
Technické údaje.....	2
Použitie v súlade s účelom.....	2
Prehľad.....	3
Indikátor slabej batérie.....	4
Výmena batérií.....	4
Prestaviteľné nožičky.....	5
Magnetický držiak na stenu a zelená cieľová tabuľka.....	5
Práca v režime samonivelácie.....	6
Práca v manuálnom režime.....	7
Funkcia kolmice.....	8
Funkcia pulzného režimu.....	8
Kontrola presnosti.....	9

DÔLEŽITÉ BEZPEČNOSTNÉ POKYNY



POZOR! VÝSTRAHA! NEBEZPEČENSTVO!

Výrobok používajte až po preštudovaní bezpečnostných pokynov a návodu na používanie na priloženom CD.

Klasifikácia lasera



VÝSTRAHA:

Toto zariadenie je laserový výrobok triedy 2 v súlade s normou EN60825-1:2014 .



Výstraha:

Oči nevystavujte priamo pôsobeniu laserového lúča. Laserový lúč môže spôsobiť závažné poškodenia očí a/alebo oslepnutie.

Nepozerajte sa priamo do laserového lúča a lúčom nikdy zbytočne nemierte priamo na iné osoby.

Opatrne! Pri niektorých používaniach sa môže zariadenie emitujúce laser nachádzať za vami. V takomto prípade sa otáčajte opatrne.

Výstraha:

Neprevádzkujte laser v blízkosti detí ani nedovoľte deťom laser obsluhovať.

Pozor! Reflexný povrch by mohol laserový lúč odraziť späť na obsluhu alebo iné osoby.

Výstraha: Použitie ovládacích prvkov, nastavení alebo zrealizovanie iných postupov, ako bolo stanovené v príručke, môže viesť k nebezpečnému ožiareniu.

Keď sa laser premiestni z veľmi studeného prostredia do teplého prostredia (alebo naopak), musí pred použitím dosiahnuť teplotu okolitého prostredia.

Laser neuskladňujte vonku a chráňte ho pred údermi, trvalými vibráciami a extrémnymi teplotami.

Laserový merací prístroj chráňte pred prachom, mokrým prostredím a vysokou vzdušnou vlhkosťou. Tieto vplyvy môžu zničiť vnútorné súčiastky alebo ovplyvniť presnosť merania.

Ak laserové žiarenie zasiahne oko, oči zatvorte a hlavu okamžite odvráťte od lúča.

Dbajte na to, aby bol laserový lúč umiestnený tak, aby nemohol oslepiť ani vás, ani iné osoby.

Do laserového lúča sa nepozerajte pomocou optických zväčšovacích zariadení, akými sú ďalekohľady alebo teleskopy. V opačnom prípade sa zvýši nebezpečenstvo závažných poškodení očí.

Nezabudnite, že okuliare na zviditeľnenie laserového lúča slúžia na lepšie rozpoznanie laserových čiar, oči však pred laserovým žiarením nechránia.

Výstražné štítky na laserovom prístroji sa nesmú odstraňovať alebo znehodnocovať.

Laser nerozoberajte. Laserové žiarenie môže spôsobiť vážne zranenia očí.

Pred prepravou lasera zabezpečte, aby bolo výkyvné blokovacie zariadenie zapadnuté.

Upozornenie: Ak výkyvné blokovacie zariadenie nie je zapadnuté, môže počas prepravy dôjsť k poškodeniam vo vnútri prístroja.

Nepoužívajte žiadne agresívne čistiace prostriedky alebo rozpúšťadlá. Čistite len čistou mäkkou handričkou.

Laser chráňte pred prudkými nárazmi a pádmi. Po páde alebo silných mechanických vplyvoch sa pred použitím musí skontrolovať presnosť prístroja.

Potrebné opravy na tomto laserovom prístroji smie realizovať len autorizovaný odborný personál.

Výrobok nepoužívajte v oblastiach s nebezpečenstvom výbuchu alebo v agresívnom prostredí.

Ak prístroj nebudete dlhšie používať, z priehradky na batérie vyberte von batérie. Tým môžete zabrániť vytečeniu batérií a vzniku škôd spôsobených koróziou.



Vybité batérie sa nesmú likvidovať s domovým odpadom. Dbajte o životné prostredie a odneste ich na zberné miesta, ktoré sú vybavené v súlade s vnútroštátnymi a miestnymi predpismi. Výrobok sa nesmie likvidovať s domovým odpadom. Výrobok likvidujte náležite v súlade s vnútroštátnymi predpismi vo svojej krajine. Dodržiavajte národné a lokálne predpisy. Kvôli získaniu informácií o likvidácii sa obráťte na miestne úrady alebo na vášho predajcu.



Značka zhody v Európe

UDRZBA

Objektív a kryt lasera čistite čistou mäkkou handričkou. Nepoužívajte žiadne rozpúšťadlá.

Aj keď je laser do určitej miery odolný voči prachu a nečistotám, nemal by sa dlhodobejšie uskladňovať na prašnom mieste, lebo v opačnom prípade by sa mohli poškodiť jeho vnútorné pohyblivé časti.

Ak by sa laser zamokril, musí sa pred použitím vysušiť v prenosnom kufříku, aby nemohli vzniknúť žiadne škody spôsobené hrdzou.

TECHNICKÉ ÚDAJE

Trieda lasera	2
Oblasť samonivelácie	±3°
Doba samonivelácie	3–5 s
Typ batérie	LR6 alkalická batéria typu AA
Napätie DC	3 × 1,5 V
Príkon	0,35 A
Druh ochrany (striekajúca voda a prach)	IP54
Funkcie	horizontálna čiara, 2 vertikálne čiary, čiary kríža, funkcia kolmice
Režim plus	Frekvencia 10 kHz
Premietanie	3 zelené čiary, 1 červený bod
Schéma výstupu laserových čiar	Horizontálna čiara smerom dopredu, vertikálna čiara smerom dopredu, vertikálna čiara smerom nabok a bod kolmice. Horizontálne a vertikálne čiary kríža smerom dopredu a bod kolmice. Horizontálna čiara. Vertikálna čiara smerom dopredu a bod kolmice. Vertikálne čiary smerom dopredu a nabok a bod kolmice. (Zobrazenie bodu kolmice smerom nadol funguje len v režime samonivelácie, nie v manuálnom režime.)
Prevádzkový čas	6 hodín
Závit stojana	1/4"
Vhodný detektor	pre štandardné zelené multifunkčné líniové lasery
Laserová čiara	Šírka 2,5 mm ±0,5 mm/5 m Vlnová dĺžka λ 520 ±10 nm trieda lasera II Presnosť ±0,2 mm/m Uhol otvorenia > 120° Farba zelená Dosah 30 m (s detektorom 50 m)

Bod kolmice	Vlnová dĺžka laserového bodu 635 ±5 nm trieda lasera II Max. výkon laserového bodu < 1 mW Presnosť kolmice ±0,6 mm/1 m Farba laserového bodu červená Dosah 5 m
Odporúčaná prevádzková teplota	-10 °C až +45 °C
Teplota pre skladovanie	-20 °C až +60 °C
Rozmery	106 mm × 88 mm × 105 mm
Hmotnosť (vrát. batérií)	710 g

POUŽITIE V SÚLADE S ÚČELOM

Tento inovatívny laser je dimenzovaný pre širokú profesionálnu oblasť použitia, ako napr.:

- Vyrovnávanie obkladov, mramorových dosiek, skriniek, lemov, výliskov a obrúb
- Vyznačenie základných línií zabudovania dverí, okien, líšt, schodov, plotov, brán, veránd a pergol.
- Prenesenie referenčných bodov pri inštalácii osvetlenia a ventilácie, prenesenie výšok, nivelácie obvodových stien a stien podstavca, preloženie líšt na podlahách a iné profesionálne práce.
- Na stanovenie a preverenie horizontálnych a vertikálnych čiar.

Tento produkt sa smie používať len v súlade s uvedeným účelom použitia.

Gumové stabilizátory

Prestaviteľné nožičky

Okno na vertikálnu laserovú čiaru smerom dopredu

Okno na horizontálnu laserovú čiaru

ON  / OFF  blokovací spínač



Zóna obsluhy

AEG

M
I/O

V/H

P

LED indikátor manuálneho režimu

Tlačidlo manuálneho režimu

Na zapnutie a vypnutie manuálneho režimu

LED indikátor zvolenej laserovej čiary (stále svetlo)

LED indikátor slabej batérie (blikajúce svetlo)

Voličový spínač laserovej čiary

Výber spomedzi Vertikálnej čiary smerom dopredu, Vertikálnej čiary smerom nabok, Horizontálnej čiary smerom dopredu alebo kombinácie z týchto čiar.

LED indikátor pulzného režimu

Tlačidlo pulzného režimu

Na vonkajšie práce pri priamom slnečnom žiarení alebo pri dobrých svetelných pomeroch a pri použití v interiéroch s dosahom do 50 m používajte pulzný režim s detektorom 10 kHz.

Okno na vertikálnu laserovú čiaru smerom nabok

Kryt priehradky na batérie

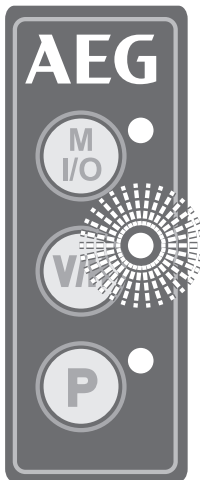


Červený bod kolmice

1/4" závit stojana



INDIKÁTOR SLABEJ BATÉRIE



Pri nízkom stave nabitia batérie sa zredukuje intenzita lasera a príslušný indikátor (zelená LED dióda vedľa tlačidla V/H) začne blikať s frekvenciou 0,5 sekundy.

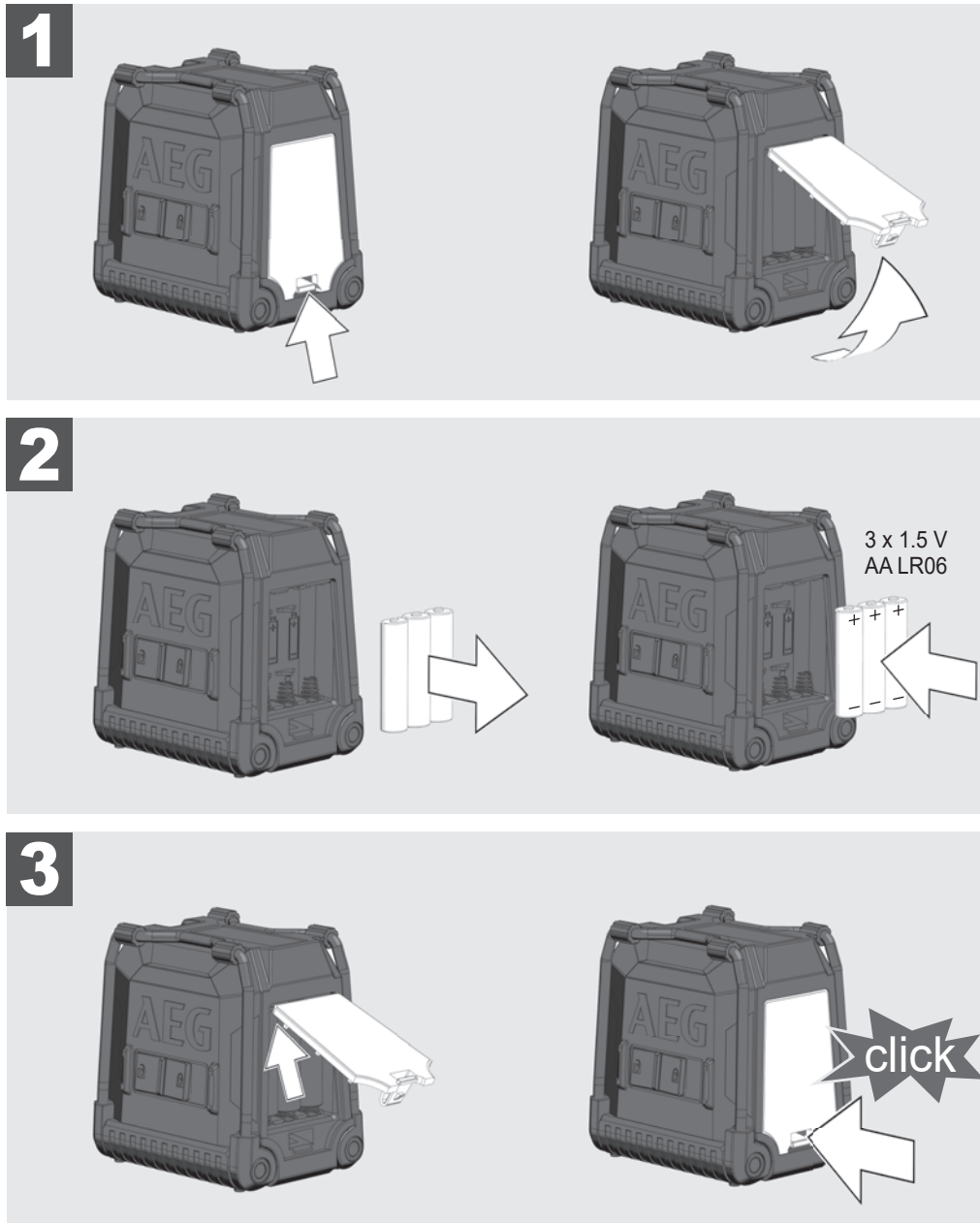
Pokračovanie v práci je však možné.

Keď sú batérie príliš slabé, prístroj sa automaticky vypne.

VÝMENA BATÉRII

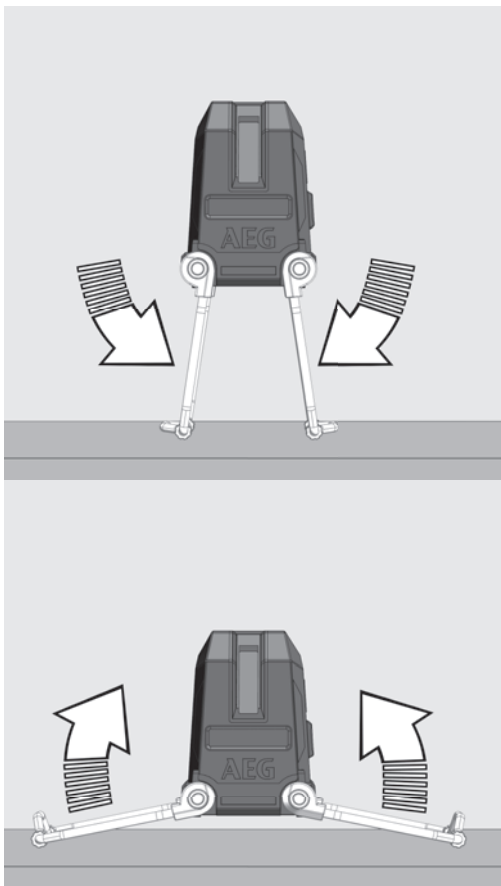
Batérie vymeňte, keď laserový lúč zoslabne.

Ak prístroj nebudete dlhšie používať, z priehradky na batérie vyberte von batérie. Tým môžete zabrániť vytečeniu batérií a vzniku škôd spôsobených koróziou.

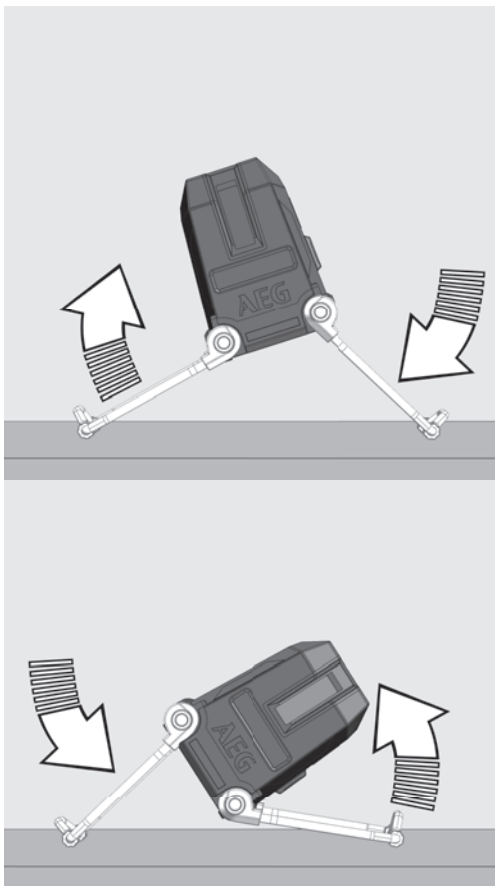


PRESTAVITELNÉ NOŽIČKY

Pomocou prestaviteľných nožičiek nastavíte výšku horizontálnej čiary.

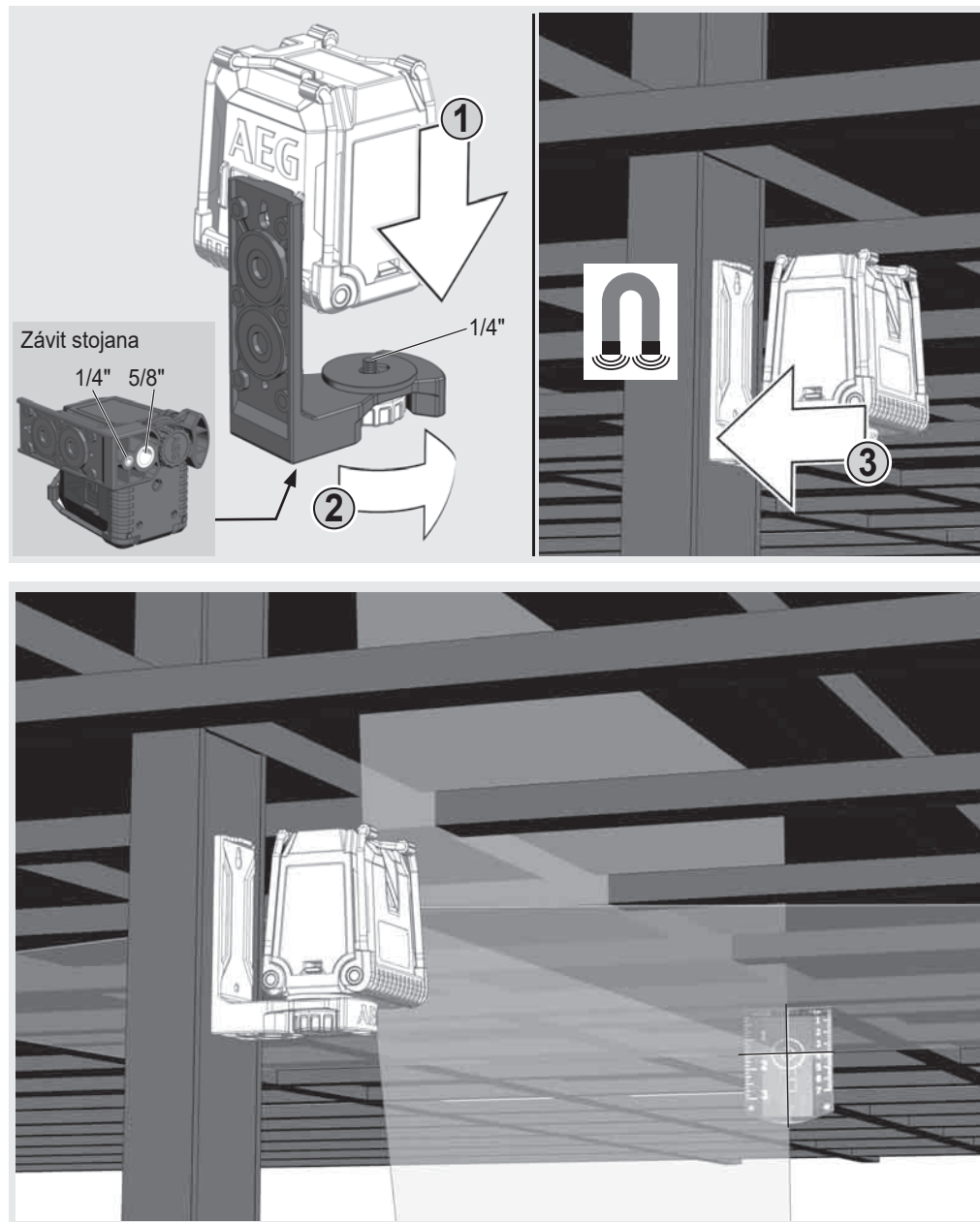


Pomocou prestaviteľných nožičiek nastavíte sklon lasera.



MAGNETICKÝ DRŽIAK NA STENU A ZELENÁ CIEĽOVÁ TABUĽKA

Pomocou magnetického držača sa dá laser pripevniť na steny, kovové štruktúry a pod. Zelená cieľová tabuľka zlepšuje viditeľnosť laserového lúča pri nepriaznivých podmienkach a väčších vzdialenostiach.



PRÁCE V REŽIME SAMONIVELÁCIE


V režime samonivelácie sa laser vyrovná sám v rozsahu $\pm 3^\circ$. Premietajú sa jedna horizontálna čiara, dve vertikálne čiary alebo všetky 3 čiary súčasne.

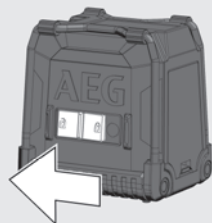
1

Laser postavte na pevný, rovný podklad bez vibrácií alebo ho namontujte na stojan.



2

Blokovací spínač presuňte do polohy ON .

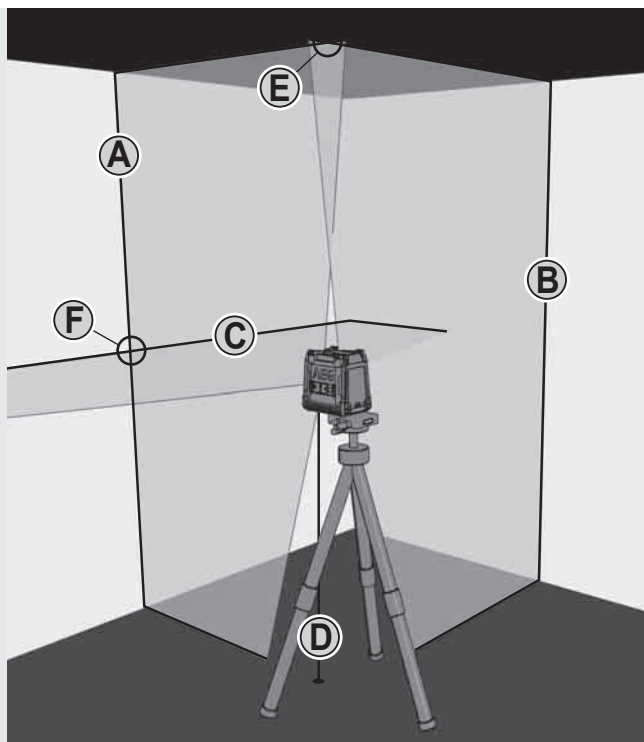


3

Laser vytvára 3 laserové čiary.

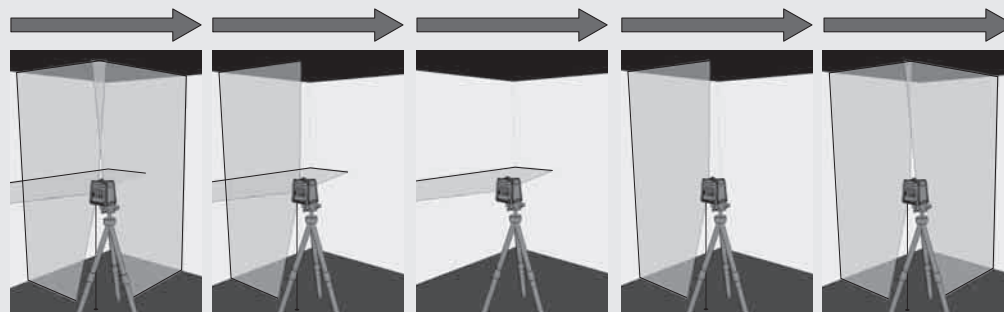
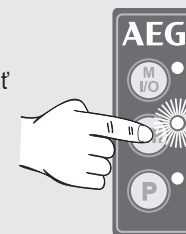
- (A) Vertikálna čiara smerom dopredu
- (B) Vertikálna čiara smerom nabok
- (C) Horizontálna čiara smerom dopredu
- (D) Laserový bod (čiara kolmice)

Keď sú aktivované všetky čiary, laser vytvorí čiary kríža smerom nahor (E) a smerom dopredu (F).



4

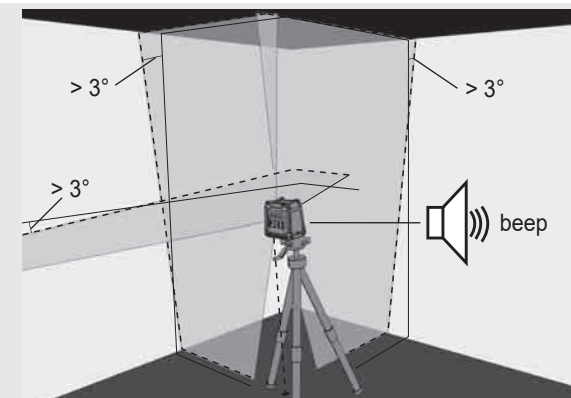
Stlačte tlačidlo V/H, aby ste si mohli vybrať čiaru, s ktorou chcete pracovať.




5

Keď sa laser pri aktivovanom režime samonivelácie na začiatku nevyrovná na $\pm 3^\circ$, laserové čiary - - - - blikajú a zaznie signalizačný tón.

V takomto prípade musíte laser znovu umiestniť.



6

Pred premiestnením prístroja presuňte blokovací tlačidlo do polohy OFF . Vďaka tomu sa zaaretuje kyvadlo a laser je chránený.

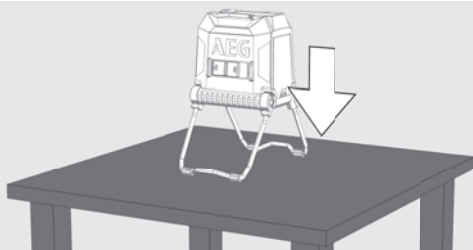


PRÁCA V MANUÁLNOM REŽIME

V manuálnom režime je funkcia samonivelácie deaktivovaná a laser sa dá nastaviť na ľubovoľný sklon laserových čiar.

1

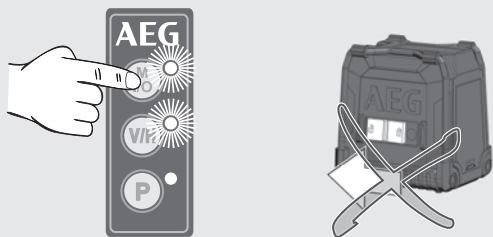
Laser postavte na pevný, rovný podklad bez vibrácií alebo ho namontujte na stojan.



2

Stlačte tlačidlo manuálneho režimu (bez potreby presunutia blokovacieho spínača!).

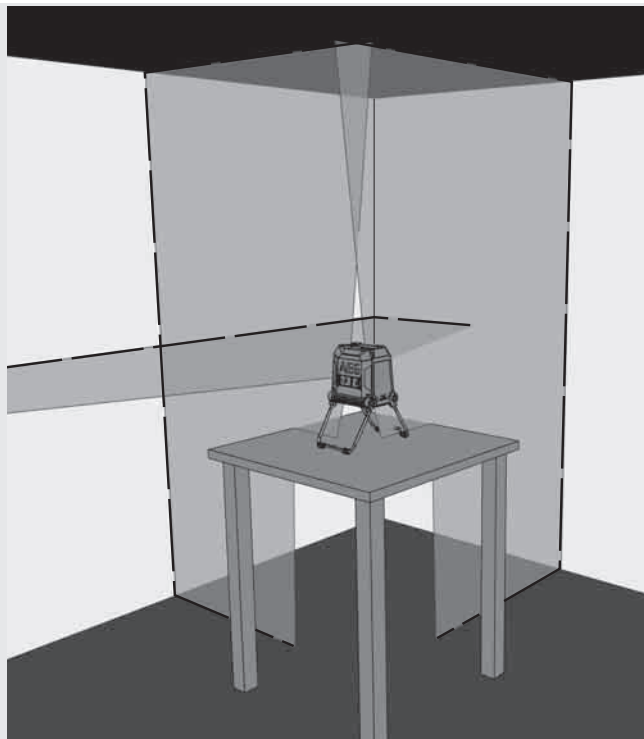
Svieti červená LED dióda vedľa tlačidla.



3

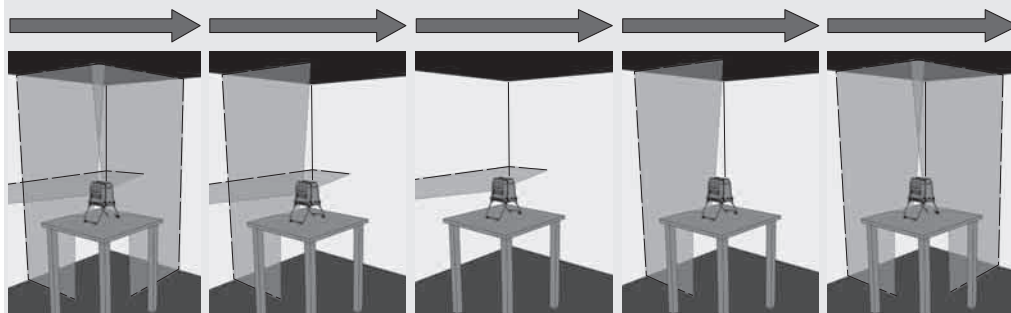
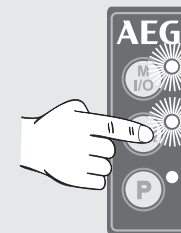
Tak, ako v režime samonivelácie, vytvára laser 3 laserové čiar, ktoré v intervale 3 sekúnd blikajú.

3 sek. 3 sek. 3 sek.



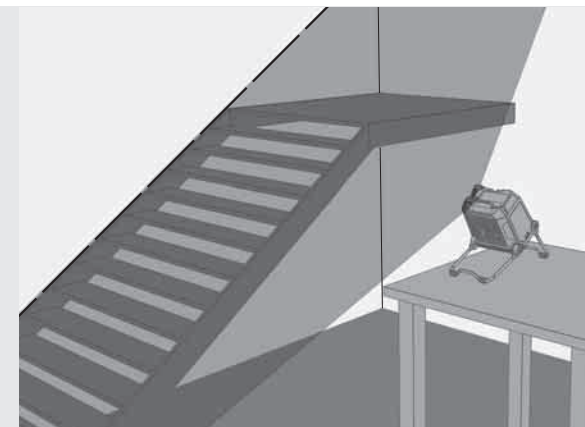
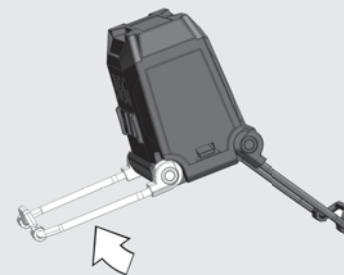
4

Stlačte tlačidlo V/H, aby ste si mohli vybrať čiaru, s ktorou chcete pracovať.



5

Pomocou nožičiek sa dá nastaviť želaná výška a požadovaný sklon lasera.



6

Na ukončenie manuálneho režimu opätovne stlačte tlačidlo pre manuálny režim.

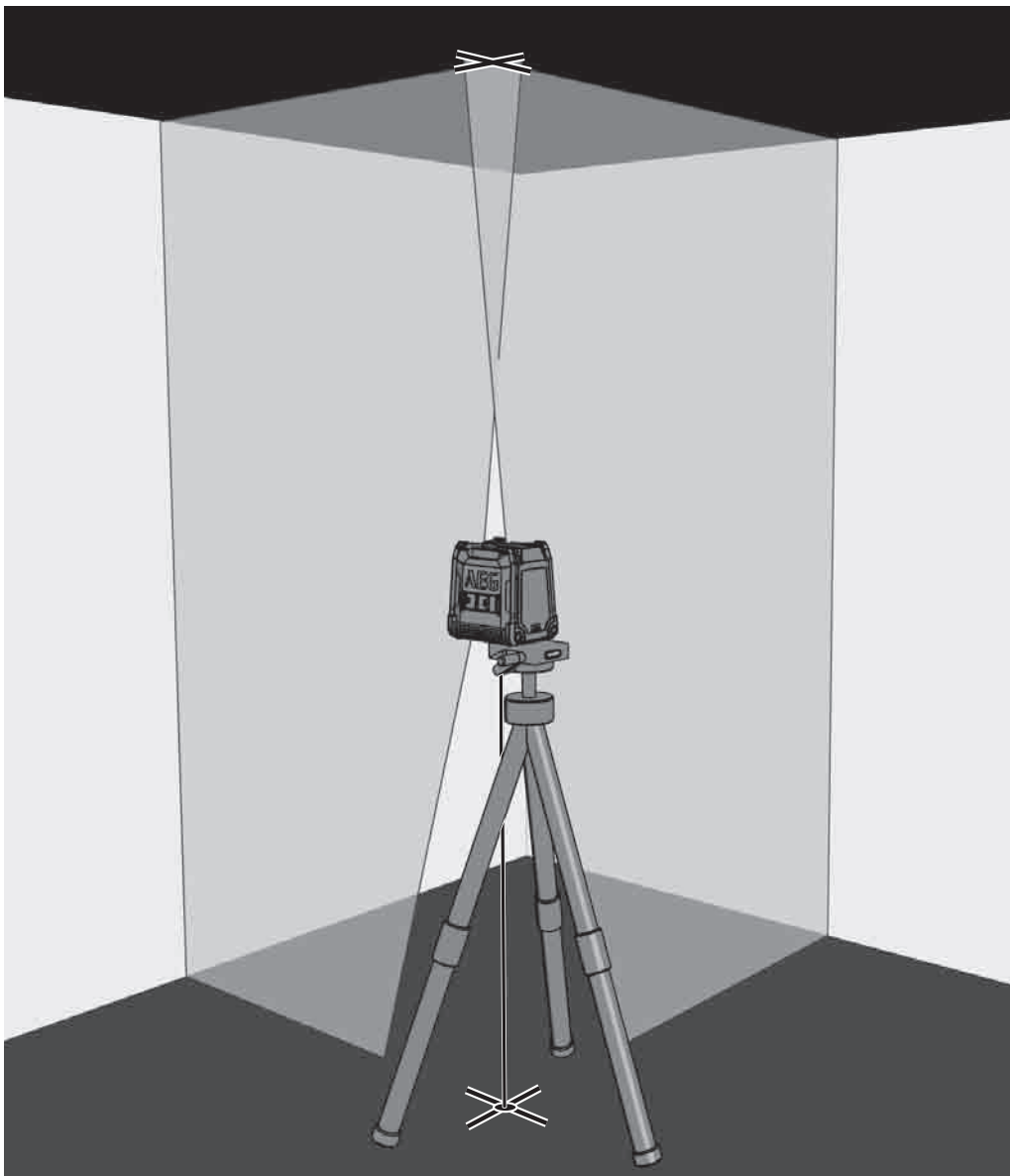
Kvôli priamemu prechodu do režimu samonivelácie presuňte blokovací spínač do polohy ON.



FUNKCIA KOLMICE

Pomocou funkcie kolmice sa dá bod na podlahe kolmo premietnuť na strop. Referenčný bod na podlahe sa vyrovná k priesečníku čiar kríža na strope.

Funkcia kolmice slúži napr. na prenesenie referenčného bodu pri inštalácii osvetlenia a ventilácie alebo na prenesenie výšok.



FUNKCIA PULZNÉHO REŽIMU

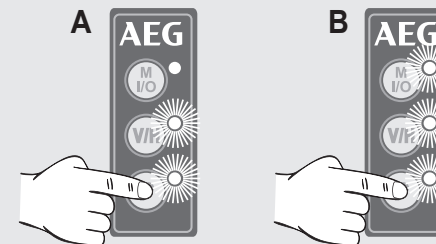
Na vonkajšie práce pri priamom slnečnom žiarení alebo pri dobrých svetelných pomeroch a pri použití v interiéroch s dosahom 50 metrov používajte pulzný režim s detektorom.

Detektor nie je súčasťou dodávky a musí sa zakúpiť osobitne.

Pri aktivovanom pulznom režime blikajú laserové čiary s veľmi vysokou (pre ľudské oko nepostrehnuteľnou) frekvenciou, aby detektor mohol lokalizovať laserové čiary.

1

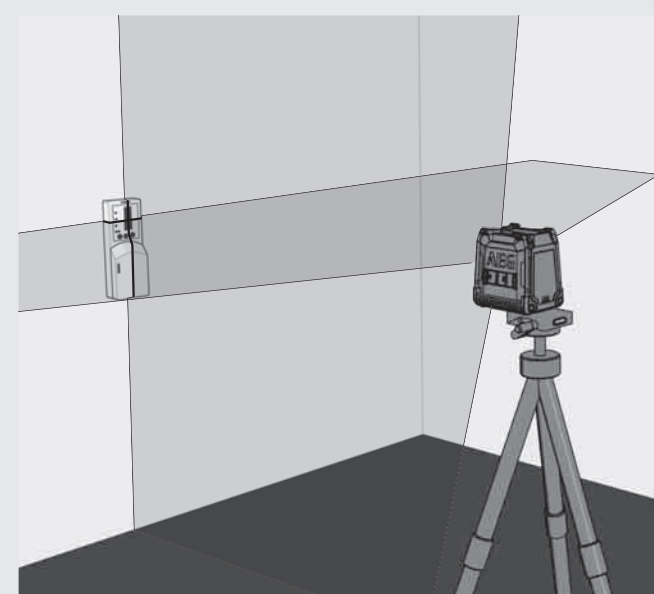
Pulzný režim sa môže aktivovať nielen v režime samonivelácie (A), ale aj v manuálnom režime (B). Stlačte tlačidlo P. Svieti zelená LED dióda vedľa tlačidla.



2

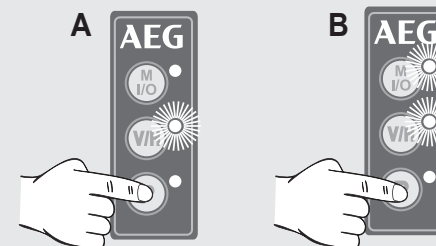
Po aktivovaní pulzného režimu sa trochu zníži viditeľnosť laserových čiar.

Podrobné informácie o použití detektora nájdete v návode na použitie detektora.



3

Opäť stlačte tlačidlo P, aby ste pulzný režim vypli. Zelená LED dióda vedľa tlačidla zhasne.



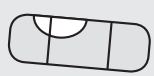
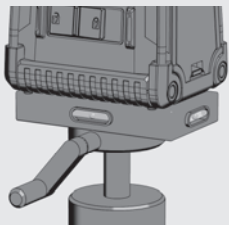
KONTROLA PRESNOSTI

Laser je kalibrovaný výrobcom. AEG odporúča presnosť lasera pravidelne preverovať, predovšetkým však po páde alebo v dôsledku chybného obsluhy.

Pri prekročení maximálnej odchýlky pri kontrole presnosti sa obráťte na naše servisné stredisko spol. AEG (pozri zoznam so záručnými podmienkami a adresami servisných stredísk).

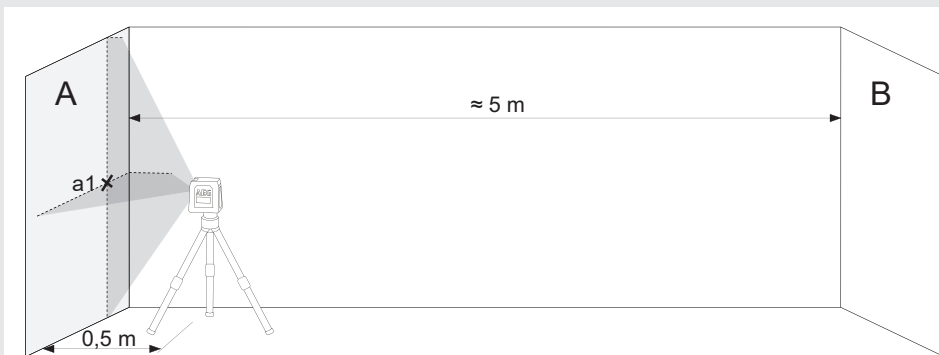
1. Preverte presnosť výšky horizontálnej čiary.
2. Preverte presnosť nivelácie horizontálnej čiary.
3. Preverte presnosť nivelácie vertikálnej čiary.
4. Preverte pravouhlosť medzi 2 vertikálnymi čiarami.
5. Preverte presnosť kolmice.

Pred prevereníím presnosti lasera namontovaného na stojane skontrolujte niveláciu stojana.



1 PREVERENIE PRESNOSTI VÝŠKY HORIZONTÁLNEJ ČIARY (ODCHÝLKA SMEROM NAHOR A NADOL)

1. Laser nainštalujte na stojan alebo na rovný podklad medzi dvomi stenami A a B, ktoré sú od seba vzdialené asi 5 m.
2. Laser umiestnite pribl. 0,5 m od steny A.
3. Zapnite režim samonivelácie a stlačte tlačidlo, aby sa horizontálna a vertikálna čiara premietli na stenu A.
4. Priesečník dvoch čiar si na stene A označte ako bod a1.



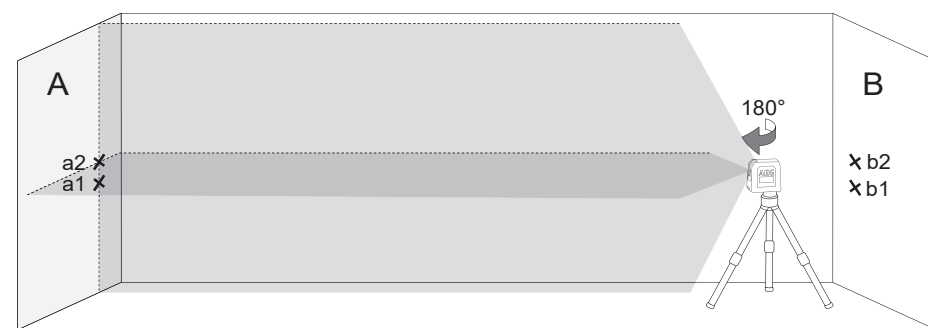
5. Laser otočte o 180° smerom k stene B a priesečník dvoch čiar označte na stene B ako bod b1.



6. Laser umiestnite pribl. 0,5 m od steny B.
7. Priesečník dvoch čiar označte na stene B ako bod b2.



8. Laser otočte o 180° smerom k stene A a priesečník dvoch čiar označte na stene A ako bod a2.

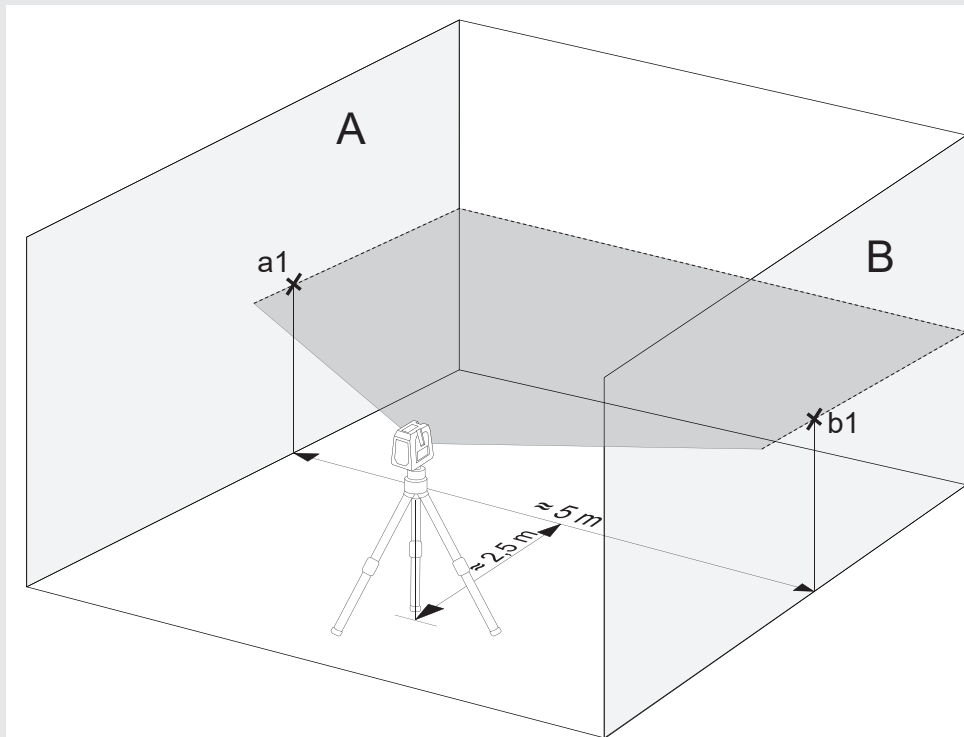


9. Zmerajte vzdialenosti:
 $\Delta a = |a2 - a1|$
 $\Delta b = |b1 - b2|$
10. Rozdiel $|\Delta a - \Delta b|$ nesmie byť väčší ako 2 mm.

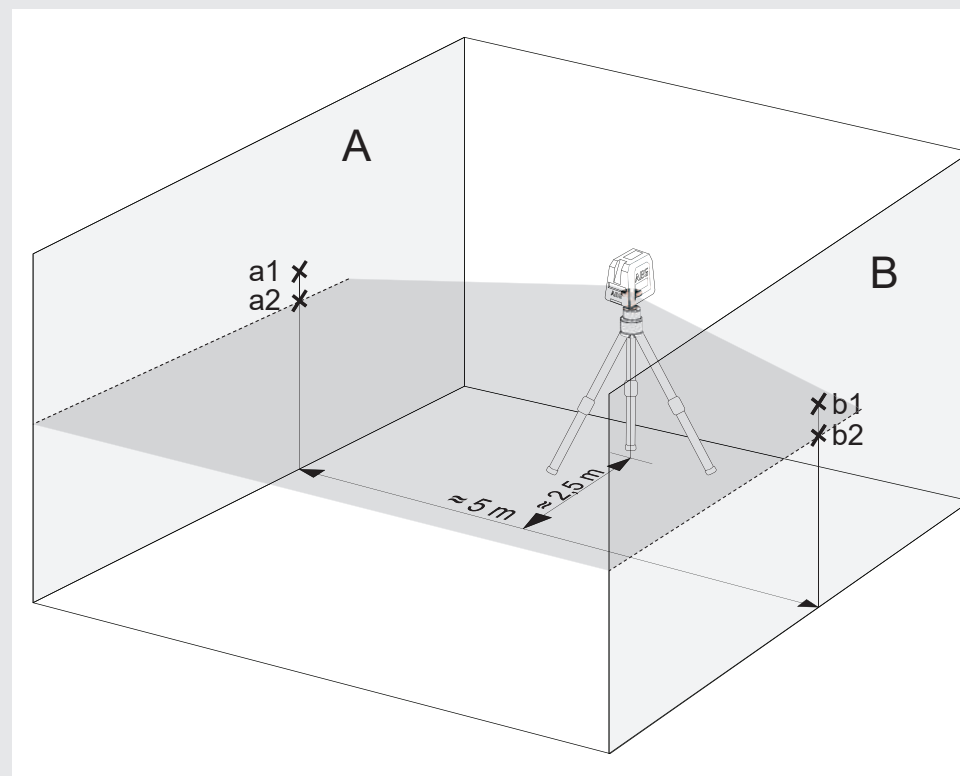
2 PREVERENIE PRESNOSTI NIVELÁCIE HORIZONTÁLNEJ ČIARY (ODCHÝLKA OD JEDNEJ STRANY K DRUHEJ)

Na túto kontrolu budete potrebovať voľnú plochu s veľkosťou asi 5 × 5 m.

1. Laser nainštalujte na stojan alebo na pevný podklad medzi dvomi stenami A a B, ktoré sú od seba vzdialené asi 5 m.
2. Laser umiestnite pribl. 2,5 m od stredu miestnosti.
3. Zapnite režim samonivelácie a stlačte tlačidlo, aby sa horizontálna čiara premietla na steny A a B.
4. Stred laserovej čiary na stene A si označte pomocou bodu a1 a na stene B pomocou bodu b1.



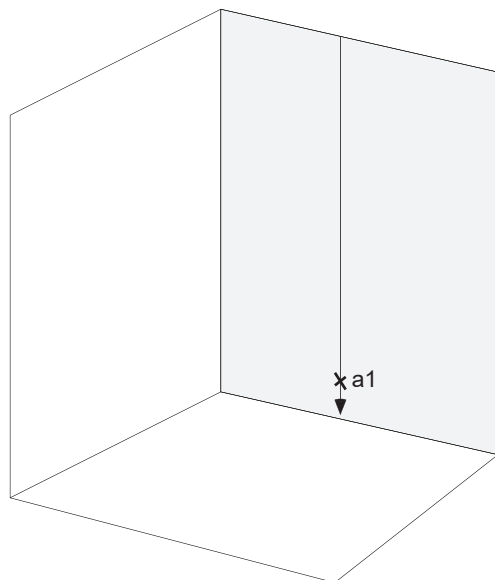
5. Laser premiestnite pribl. o 5 m a otočte o 180° a horizontálnu čiaru opäť premietnite na steny A a B.
6. Stred laserovej čiary na stene A si označte pomocou bodu a2 a na stene B pomocou bodu b2.



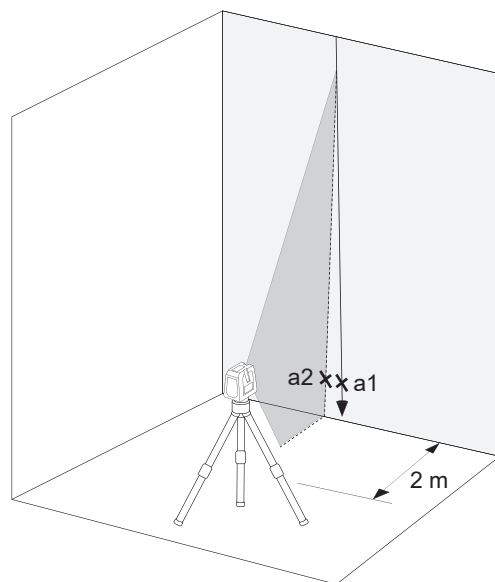
7. Zmerajte vzdialenosti:
 $\Delta a = |a2 - a1|$
 $\Delta b = |b1 - b2|$
8. Rozdiel $|\Delta a - \Delta b|$ nesmie byť väčší ako 2 mm.

3 PREVERENIE PRESNOSTI NIVELÁCIE VERTIKÁLNEJ ČIARY

1. Na jednu stenu zaveste asi 4 m dlhú šnúru olovnice.
2. Keď sa olovnica prestane kývať, na stene si označte bod a1 nad kužeľom olovnice.



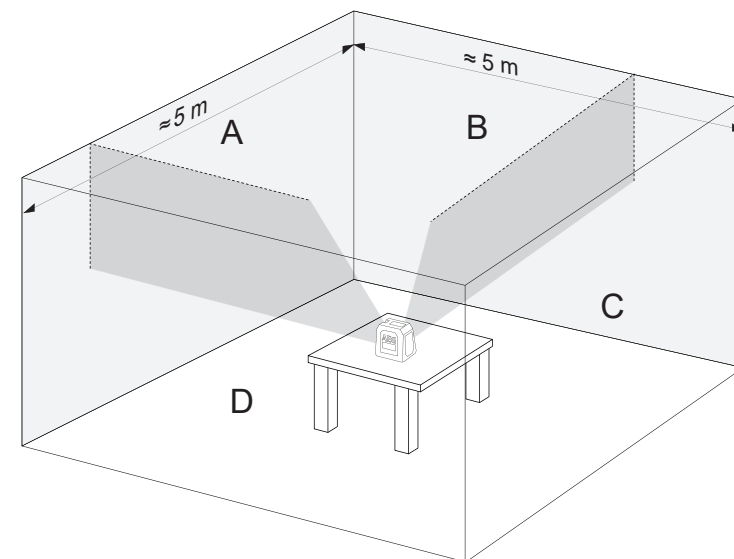
3. Laser nainštalujte na stojan alebo na rovný podklad vo vzdialenosti pribl. 2 m od steny.
4. Zapnite režim samonivelácie a stlačte tlačidlo, aby sa vertikálna čiara premietla na šnúru olovnice.
5. Laser otočte tak, aby bola vertikálna čiara v súlade so zavesenou šnúrou olovnice.
6. Bod a2 v strede vertikálnej čiary si označte v tej istej výške ako bod a1 na stene.
7. Rozdiel medzi bodom a1 a bodom a2 nesmie byť väčší ako 1 mm.



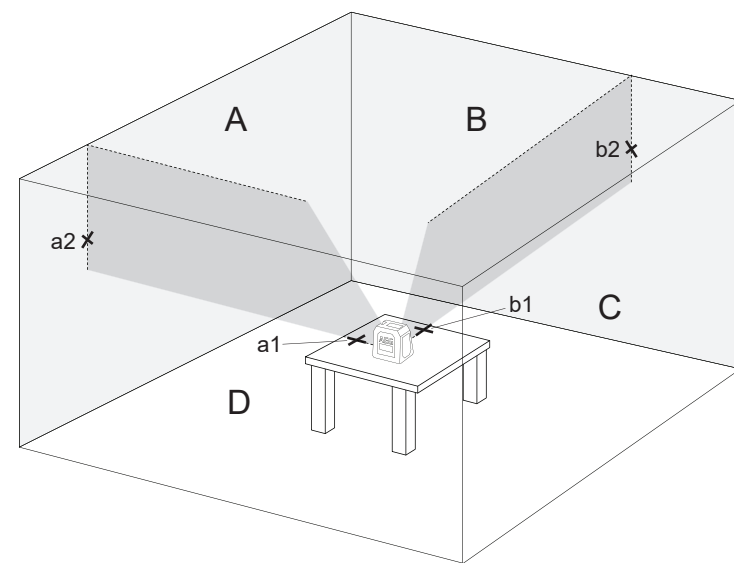
4 PREVERENIE PRAVOUHLOSTI MEDZI 2 VERTIKÁLNYMI ČIARAMI

Na túto kontrolu budete potrebovať miestnosť so 4 stenami a s pôdorysom s veľkosťou minimálne 5 × 5 m.

1. Laser nainštalujte na stôl alebo na podlahu v strede miestnosti.
2. Zapnite režim samonivelácie a 4 x stlačte tlačidlo V/H, aby sa vertikálne čiary premietli smerom dopredu a nabok.

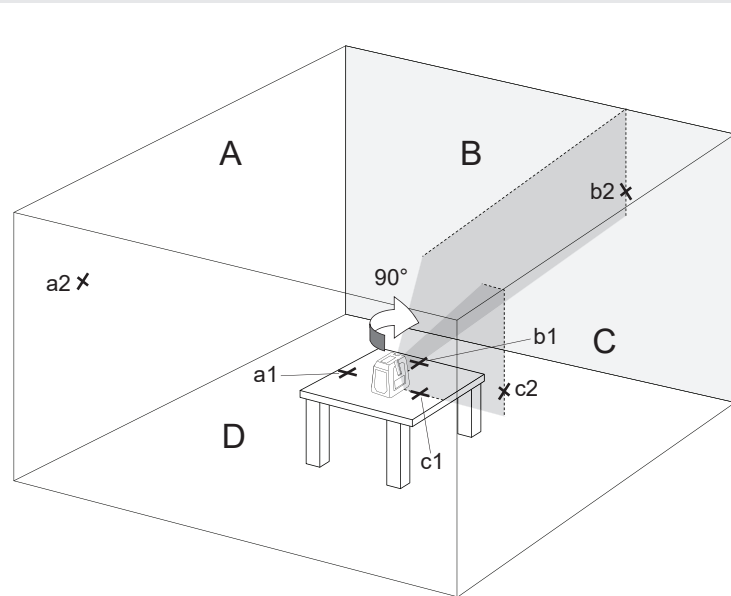


3. Stred vertikálnej čiary premietanej smerom dopredu si označte na 2 miestach: bod a1 na stole v blízkosti lasera a bod a2 na stene A.
4. Stred vertikálnej čiary premietanej smerom nabok si označte na 2 miestach: bod b1 na stole v blízkosti lasera a bod b2 na stene B.

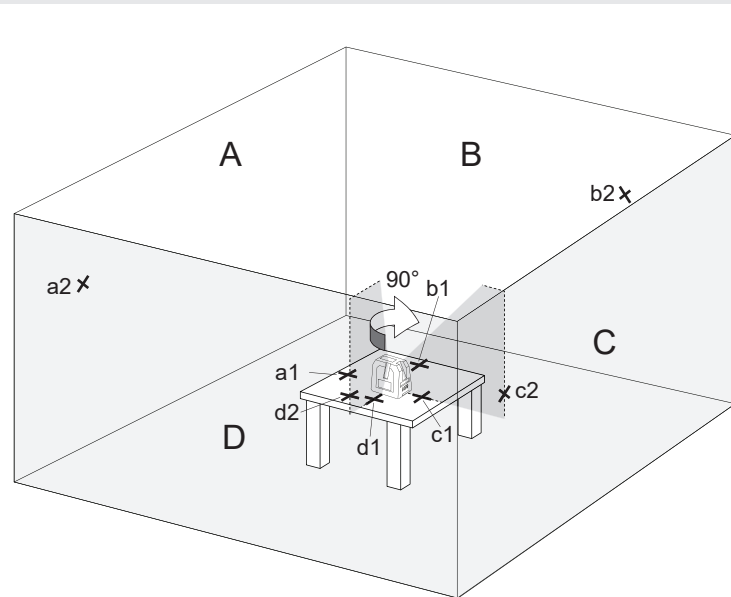


PREVERENIE PRAVOUHLOSTI MEDZI 2 VERTIKÁLNYMI ČIARAMI

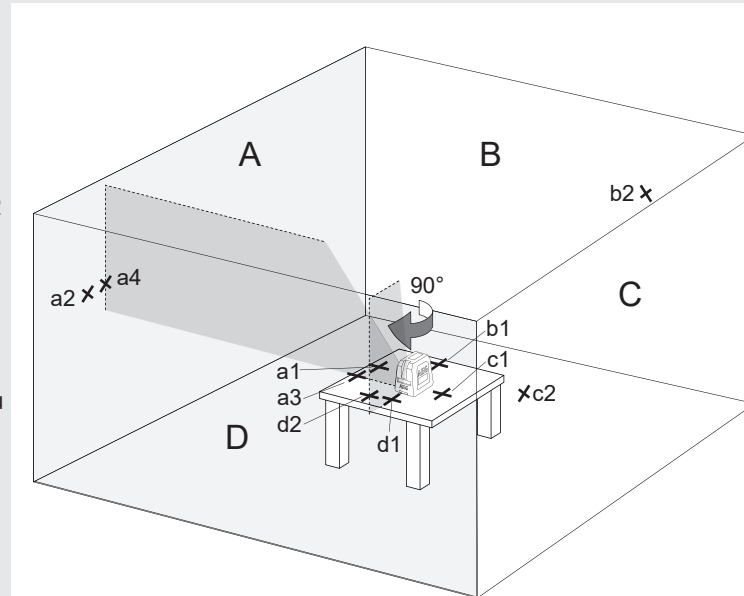
5. Laser otočte v smere hodinových ručičiek o 90° tak, aby laserová čiara nasmerovaná dopredu zasiahla označenie b1 na stole a označenie b2 na stene B.
6. Stred vertikálnej čiary premietanej smerom nabok si označte na 2 miestach: bod c1 na stole v blízkosti lasera a bod c2 na stene C.



7. Laser otočte v smere hodinových ručičiek o 90° tak, aby laserová čiara nasmerovaná dopredu zasiahla označenie c1 na stole a označenie c2 na stene C.
8. Stred vertikálnej čiary premietanej smerom nabok si označte na 2 miestach: bod d1 na stole v blízkosti lasera a bod d2 na stene D.



9. Laser otočte v smere hodinových ručičiek o 90° tak, aby laserová čiara nasmerovaná dopredu zasiahla označenie d1 na stole a označenie d2 na stene D.
10. Stred vertikálnej čiary premietanej smerom nabok si označte na 2 miestach: bod a3 na stole v blízkosti bodu a1 a bod a4 na stene A v blízkosti bodu a2.

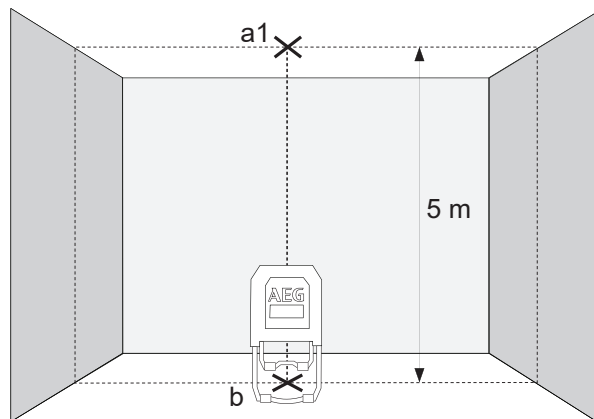


11. Zmerajte vzdialenosti:
 $\Delta 1$ = od a1 k a3
 $\Delta 2$ = od a2 k a4
12. Rozdiel $\Delta 2 - \Delta 1$ nesmie byť väčší ako 4 mm.

5 PREVERENIE PRESNOSTI KOLMICE

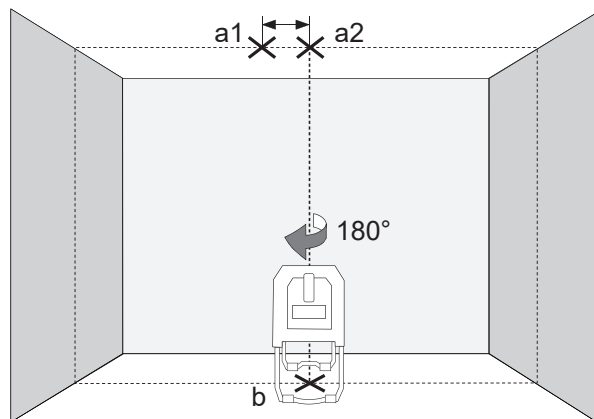
Na túto kontrolu budete potrebovať miestnosť s výškou stropu asi 5 m.

1. Nožičky lasera vyklepte a prístroj umiestnite na podlahu.
2. Zapnite režim samonivelácie a stlačte tlačidlo, aby sa čiary kríža premietli na strope a bod kolmice sa premietol na podlahe.
3. Stred čiary kríža nasmerovanej nahor si označte ako bod a1 na strope (pozri obrázok).
4. Stred bodu kolmice si označte na podlahe ako bod b.



5. Laser otočte o 180° a umiestnite ho tak, aby stred bodu kolmice dopadal na už vyznačený bod b a potom počkajte, kým sa prístroj niveluje.

6. Stred čiary kríža nasmerovanej nahor si označte ako bod a2 na strope.
7. Vzdialenosť medzi bodmi a1 a a2 na strope uvádza, ako výrazne sa laserová čiara odlišuje od ideálnej zvislice.
Pri meranej dráhe s dĺžkou 5 m je maximálna prípustná odchýlka:
 $5 \text{ m} \times (\pm 0,6 \text{ mm/m}) \times 2 = \pm 6 \text{ mm}$.
8. Vzdialenosť medzi bodom a1 a a2 nesmie byť väčšia ako 6 mm.



SPIS TREŚCI

Ważne wskazówki bezpieczeństwa.....	1
Utrzymanie i Konserwacja.....	2
Dane techniczne.....	2
Użytkowanie zgodne z przeznaczeniem	2
Przegląd	3
Wskaźnik niskiego poziomu baterii.....	4
Wymiana baterii.....	4
Regulowane nogi.....	5
Magnetyczny uchwyt ścienny i zielona tarcza celownicza	5
Praca w trybie samoczynnego poziomowania.....	6
Praca w trybie ręcznym	7
Funkcja pionu	8
Funkcja trybu pulsacyjnego	8
Kontrola dokładności	9

WAŻNE WSKAZÓWKI BEZPIECZENSTWA



UWAGA! OSTRZEŻENIE NIEBEZPIECZEŃSTWO!

Urządzenia nie wolno używać przed zapoznaniem się z treścią procedur bezpieczeństwa oraz instrukcji obsługi znajdującej się na dołączonej płycie CD.

Klasyfikacja lasera



OSTRZEŻENIE:

Urządzenie emituje laser klasy 2 w zgodności z normą EN60825-1:2014 .



Ostrzeżenie:

Nie należy narażać oczu bezpośrednio na działanie wiązki laserowej. Wiązka laserowa może spowodować poważne uszkodzenia oczu i/lub ślepotę.

Nie patrzeć bezpośrednio w wiązkę lasera i nie kierować jej niepotrzebnie na inne osoby.

Ostrożnie! W przypadku niektórych zastosowań urządzenie emitujące laser może znajdować się za użytkownikiem. Należy wówczas obracać się ostrożnie.

Ostrzeżenie:

Nie używać lasera przy dzieciach ani nie pozwalać dzieciom obsługiwać lasera.

Uwaga! Powierzchnia odbijająca promienie mogłaby spowodować odbicie promienia lasera z powrotem ku osobie obsługującej urządzenie lub ku innym osobom.

Ostrzeżenie: Zastosowanie elementów sterujących, nastaw lub przeprowadzenie innych procedur niż zostały ustalone w podręczniku może prowadzić do niebezpiecznej dawki napromieniowania.

Jeśli laser zostanie przeniesiony z bardzo zimnego do ciepłego otoczenia (lub odwrotnie), wówczas przed użyciem musi osiągnąć temperaturę otoczenia.

Nie należy przechowywać lasera na zewnątrz; chronić laser przed wstrząsami, długotrwałymi wibracjami i skrajnymi temperaturami.

Miernik laserowy należy chronić przed zapyleniem, wilgocią i wysoką wilgotnością powietrza. Może to powodować uszkodzenie wewnętrznych elementów lub mieć niekorzystny wpływ na dokładność.

Jeśli promieniowanie laserowe trafi w oko, należy natychmiast zamknąć oczy i odwrócić głowę od wiązki.

Należy ustawić wiązkę laserową w taki sposób, aby nie oślepiła ona ani użytkownika, ani innych osób.

Nie należy patrzeć w wiązkę lasera za pomocą powiększalników optycznych, takich jak lornetki czy teleskopy: prowadzi to do zwiększenia ryzyka wystąpienia poważnych uszkodzeń oczu.

Należy pamiętać, że mimo iż gogle laserowe zostały zaprojektowane tak, aby ułatwiać widzenie linii laserowych, nie chronią one oczu przed promieniowaniem laserowym.

Nie należy usuwać ani zamazywać znaków ostrzegawczych umieszczonych na urządzeniu laserowym.

Nie należy demontować lasera. Promieniowanie laserowe może powodować poważne obrażenia oczu.

Przed transportem lasera należy upewnić się, że blokada wahadła jest włączona.

Wskazówka: Jeśli blokada wahadła nie jest włączona, wówczas może dojść do uszkodzeń wewnątrz urządzenia podczas transportu.

Nie należy używać żadnych agresywnych środków czyszczących lub rozpuszczalników. Czyścić tylko czystą, miękką ściereczką.

Chronić laser przed gwałtownymi wstrząsami i upadkami. Po upadku lub silnym oddziaływaniu mechanicznym, przed użyciem należy sprawdzić dokładność urządzenia.

Niezbędne naprawy urządzenia laserowego mogą być wykonywane wyłącznie przez autoryzowany personel specjalistyczny.

Urządzenia nie wolno używać w środowisku zagrożonym wybuchem lub w miejscu działania substancji żrących.

Jeżeli laser nie będzie używany przez dłuższy czas, wówczas należy wyjąć baterie z komory baterii. Pomoże to zapobiec wyciekom z baterii i związanym z tym uszkodzeniom spowodowanym korozją.



Nie wyrzucać wyczerpanych baterii wraz z odpadami domowymi. Dla zapewnienia ochrony środowiska należy zanieść je do punktu zbiórki elektroodpadów zgodnie z przepisami krajowymi lub lokalnymi. Nie wyrzucać lasera wraz z odpadami domowymi. Produkt należy utylizować zgodnie z przepisami obowiązującymi w kraju użytkowania. Przestrzegać obowiązujących przepisów krajowych. Aby uzyskać informacje dot. usuwania zużytych baterii do odpadów należy skontaktować się z lokalnymi władzami albo ze sprzedawcą.



Europejski Certyfikat Zgodności

UTRZYMANIE I KONSERWACJA

Obiektów i obudowę lasera należy czyścić miękką, czystą ściereczką. Nie należy używać rozpuszczalników.

Mimo że laser jest do pewnego stopnia odporny na kurz i zabrudzenia, nie powinien być długo przechowywany w zapyłonym miejscu, ponieważ w przeciwnym razie może dojść do uszkodzenia wewnętrznych ruchomych części.

W przypadku zamknięcia lasera przed umieszczeniem w walizce należy go wysuszyć, aby zapobiec uszkodzeniom spowodowanym rdzą.

DANE TECHNICZNE

Klasa lasera	2
Zakres samoczynnego poziomowania	±3°
Czas samoczynnego poziomowania	3-5 s
Typ baterii	LR6 AA typ baterii alkalicznej
Napięcie DC	3 × 1,5 V
Pobór mocy	0,35 A
Klasa ochrony (woda rozpryskowa i pył)	IP54
Funkcje	linia pozioma, 2 linie pionowe, linie krzyżowe, funkcja pionu
Tryb pulsujący	Częstotliwość 10 kHz
Projekcje	3 zielone linie, 1 czerwona kropka
Wzorzec wyjściowy linii lasera	Linia pozioma do przodu, linia pionowa do przodu, linia pionowa do punktu bocznego i prostopadłego. Poziome i pionowe linie krzyżowe do przodu i punktu prostopadłego. Linia pozioma. Linia pionowa do przodu i do punktu prostopadłego. Linie pionowe do przodu i do punktu bocznego i prostopadłego. (Wyświetlacz punktu partii w dół działa tylko w trybie samoczynnej niwelacji, nie w trybie ręcznym).
Czas pracy	6 godzin
gwint statywu	1/4"
Odpowiedni detektor	dla standardowych zielonych laserów wieloliniowych
Linia laserowa	Szerokość 2,5 mm ±0,5 mm / 5 m Długość fali λ 520 ±10 nm Laser klasy II Dokładność ±0,2 mm/m Kąt otwarcia > 120° Kolor zielony Zasięg 30 m (z czujką 50 m)

Punkt pionu	
Długość fali punktu laserowego	635 ±5 nm Laser klasy II
Maks. moc punktu laserowego	< 1 mW
Dokładność pionu	±0,6 mm / 1 m
Barwa punktu lasera	czerwony
Zasięg	5 m
Zalecana temperatura pracy	od -10°C do +45°C
Temperatura przechowywania	od -20°C do +60°C
Wymiary	106 mm × 88 mm × 105 mm
Waga (łącznie z bateriami)	710 g

UŻYTKOWANIE ZGODNE Z PRZEZNACZENIEM

Ten innowacyjny laser jest przeznaczony do szerokiego zakresu profesjonalnych zastosowań, takich jak np.:

- Wyrównanie płytek, płyt marmurowych, szafek, obramowań, listew i lamówek
- Wytyczanie linii podstawowych dla potrzeb montażu drzwi, okien, szyn, schodów, ogrodzeń, bram, werand i pergoli.
- Przenoszenie punktów odniesienia dla instalacji oświetleniowych i wentylacyjnych, przenoszenie wysokości, poziomowanie ścianek obudowujących i działowych, układanie szyn na podłogach i inne prace profesjonalne.
- Do wytyczania i weryfikacji linii poziomych i pionowych.



Produkt ten należy stosować wyłącznie zgodnie z przeznaczeniem.

Stabilizatory gumowe

Regulowane nogi

Okno pionowa linia laserowa do przodu

Okno pozioma linia laserowa

ON  / OFF  Przelącznik blokady



Okno pionowa wiązka laserowa na bok

Pokrywa komory baterii

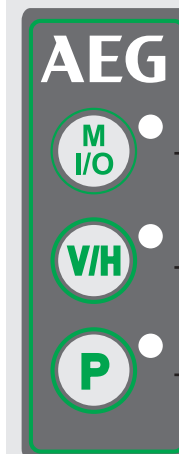


Czerwony punkt pionu

1/4" gwint statywu



Panel sterowania



Wskaźnik LED trybu ręcznego

Przycisk trybu ręcznego

Włączanie i wyłączanie trybu ręcznego

Wskaźnik LED Wybór linii laserowej (światło ciągle)

Wskaźnik LED Niski poziom naładowania baterii (światło migające)

Przycisk wyboru linii laserowej

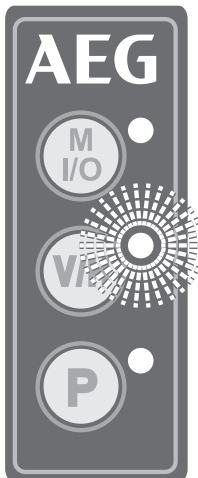
Umożliwia wybranie linii pionowej do przodu (**V**), linii pionowej do boku (**V**), linii poziomej do przodu (**H**) lub kombinacji tych linii.

Wskaźnik LED Tryb pulsacyjny

Przycisk trybu pulsacyjnego

Do prac wykonywanych na zewnątrz przy bezpośrednim nasłonecznieniu bądź w jasnym świetle oraz do zastosowań wewnętrznych o zasięgu do 50 m należy używać trybu pulsacyjnego z detektorem 10 kHz.

WSKAŹNIK NISKIEGO POZIOMU BATERII



Gdy poziom naładowania baterii jest niski, zmniejsza się jasność lasera, a odpowiedni wskaźnik (zielona dioda LED obok przycisku V/H) zaczyna migać z częstotliwością 0,5 sekundy.

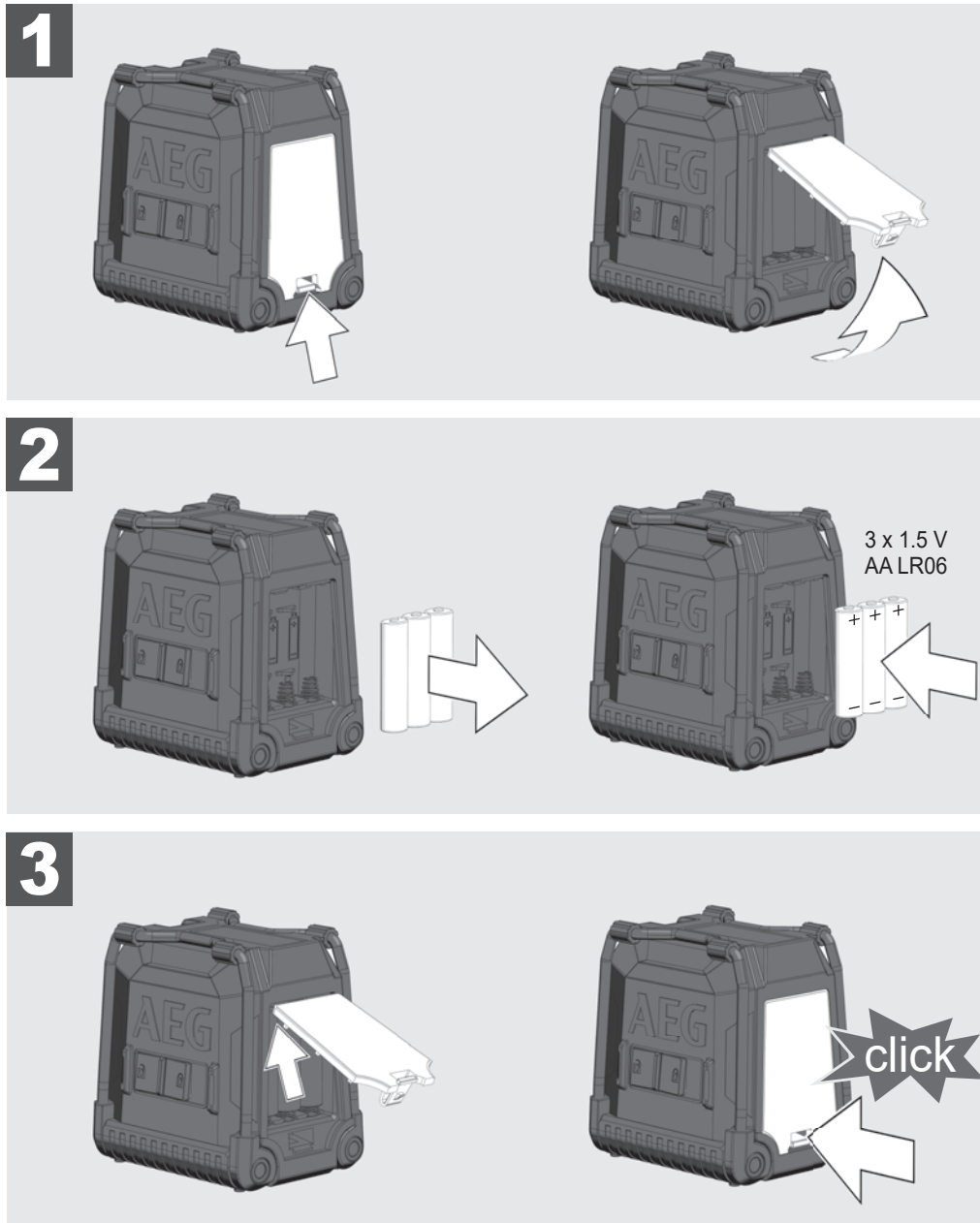
Nadal możliwe jest jednak kontynuowanie pracy.

Jeśli poziom naładowania baterii będzie zbyt niski, urządzenie wyłączy się automatycznie.

WYMIANA BATERII

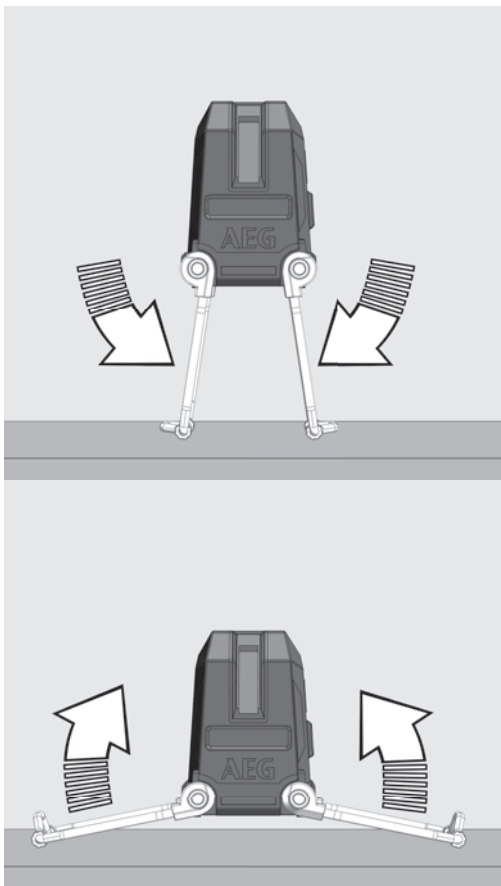
Baterie należy wymienić, gdy wiązka lasera osłabnie.

Jeżeli laser nie będzie używany przez dłuższy czas, wówczas należy wyjąć baterie z komory baterii. Pomoże to zapobiec wyciekom z baterii i związanym z tym uszkodzeniom spowodowanym korozją.

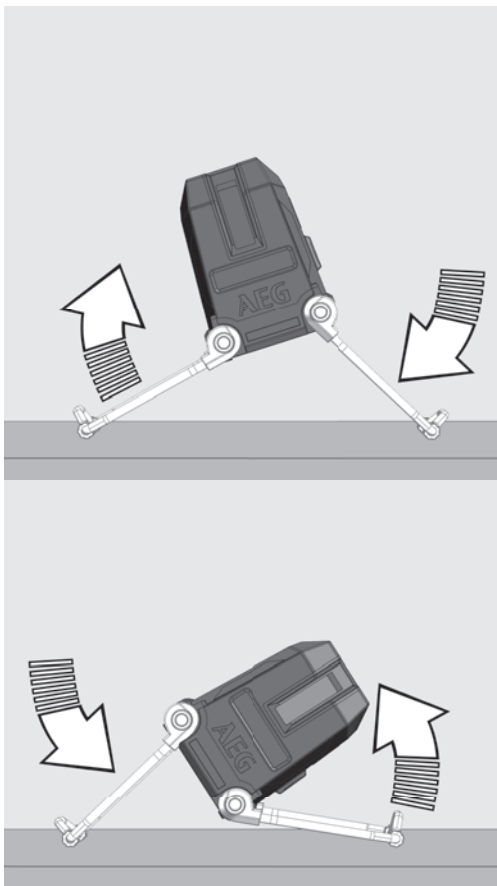


REGULOWANE NOGI

Użyj regulowanych nóg do ustawienia wysokości linii poziomej.

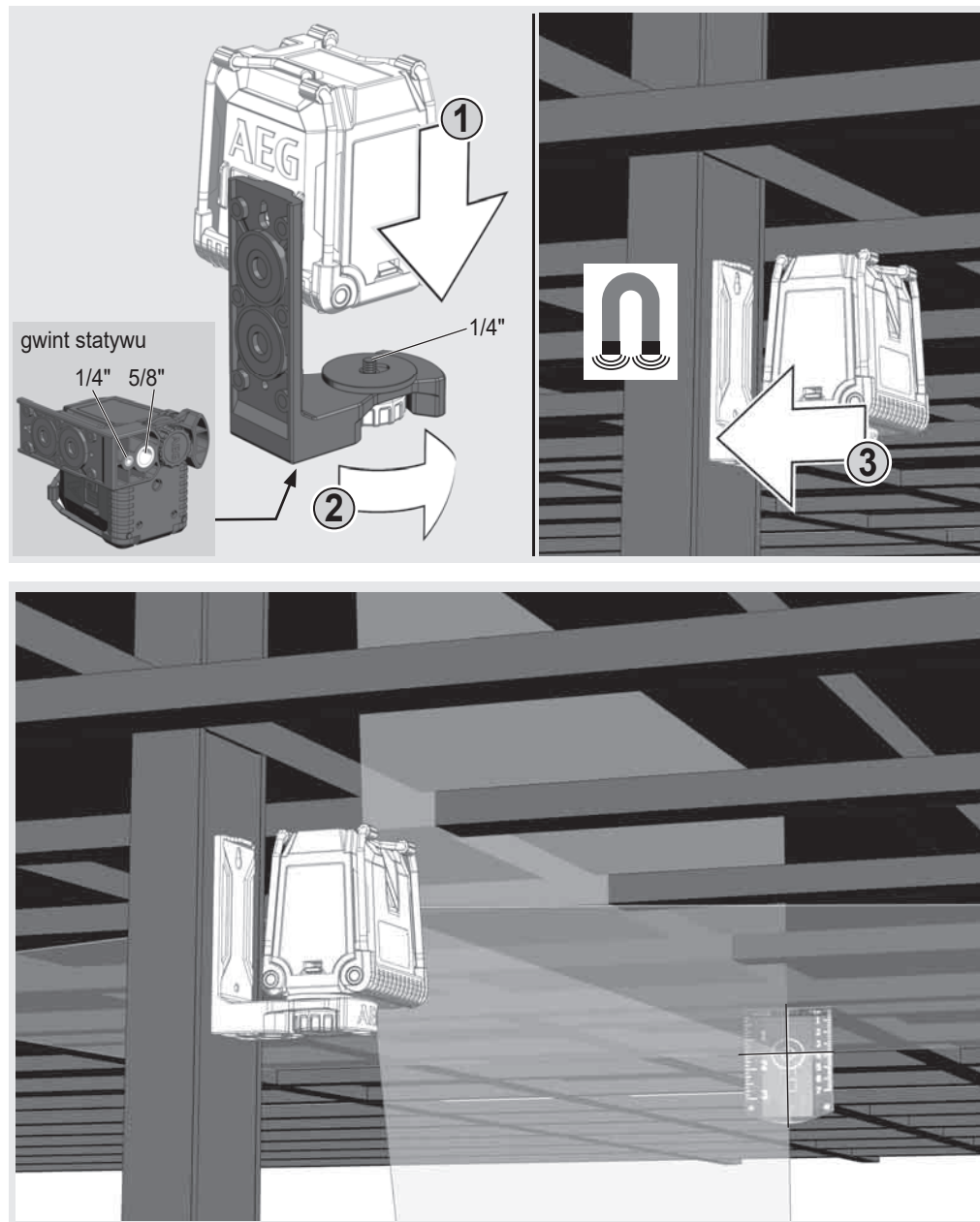


Użyj regulowanych nóg do regulacji nachylenia lasera.



MAGNETYCZNY UCHWYT ŚCIENNY I ZIELONA TARCZA CELOWNICZA

Przy pomocy oprawy magnetycznej laser może być mocowany do ścian, konstrukcji metalowych itp. Zielona tarcza celownicza poprawia widoczność wiązki lasera w niekorzystnych warunkach i przy większych odległościach.



PRACA W TRYBIE SAMOCZYNNEGO POZIOMOWANIA


W trybie samoczynnego poziomowania laser poziomuje się w zakresie $\pm 3^\circ$. Wyświetlane są: jedna linia pozioma, dwie linie pionowe albo wszystkie 3 linie jednocześnie.

1

Umieścić laser na stabilnej, równej i wolnej od drgań powierzchni lub zamocować go na statywie.



2

Przesuń przełącznik blokady na pozycję ON .

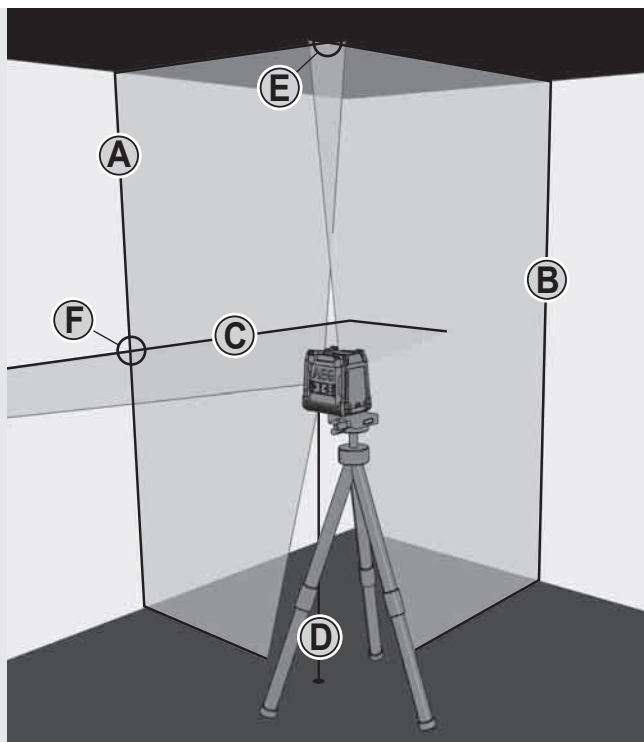


3

Laser generuje 3 linie laserowe.

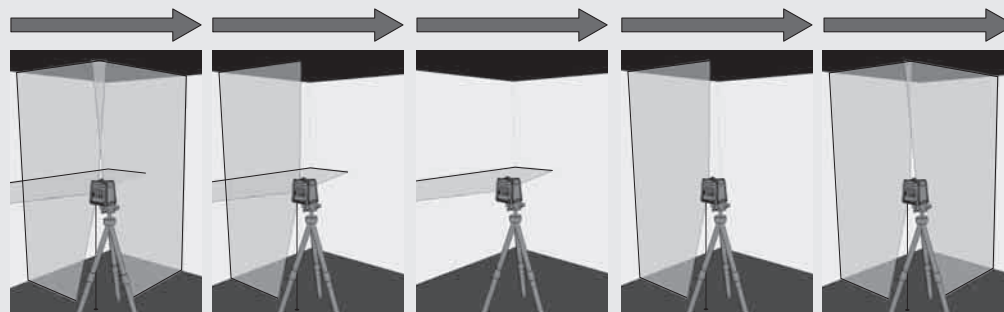
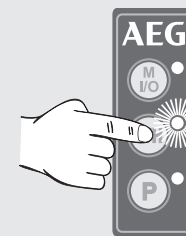
- (A) Linia pionowa do przodu
- (B) Linia pionowa do boku
- (C) Pozioma linia do przodu
- (D) Punkt lasera (pion)

Gdy wszystkie linie są aktywowane, laser generuje linie krzyżowe w górę (E) i do przodu (F).



4

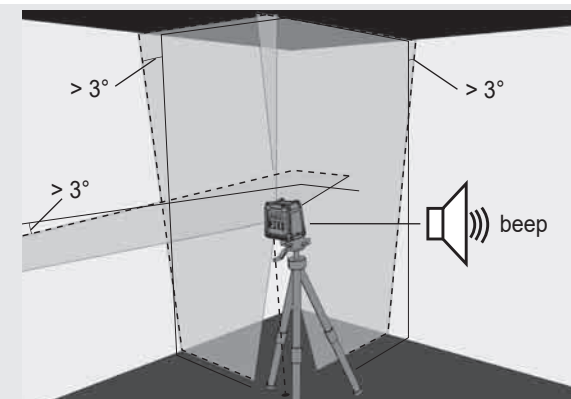
Naciśnij przycisk V/H, aby wybrać linie, z którymi chcesz pracować.




5

Jeśli po włączeniu samoczynnego poziomowania laser nie zostanie wstępnie wyrównany do $\pm 3^\circ$, linie lasera - - - - będą migać i rozlegnie się sygnał dźwiękowy.

Należy wówczas ustawić laser ponownie.



6

Przed przeniesieniem urządzenia należy ustawić przycisk blokady w pozycji OFF . Spowoduje to zablokowanie wahadła i ochroni laser.

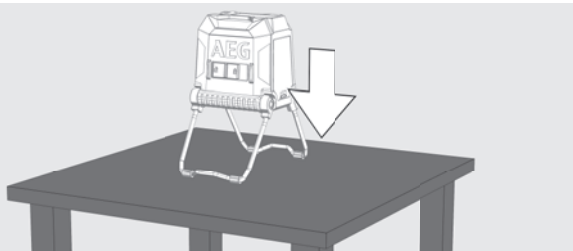


PRACA W TRYBIE RĘCZNYM

W trybie ręcznym funkcja samoczynnego poziomowania jest wyłączona i laser może być ustawiony na dowolne nachylenie linii laserowych.

1

Umieścić laser na stabilnej, równej i wolnej od drgań powierzchni lub zamocować go na statywie.



2

Naciśnąć przycisk do trybu ręcznego (bez przesuwania przełącznika blokady!).

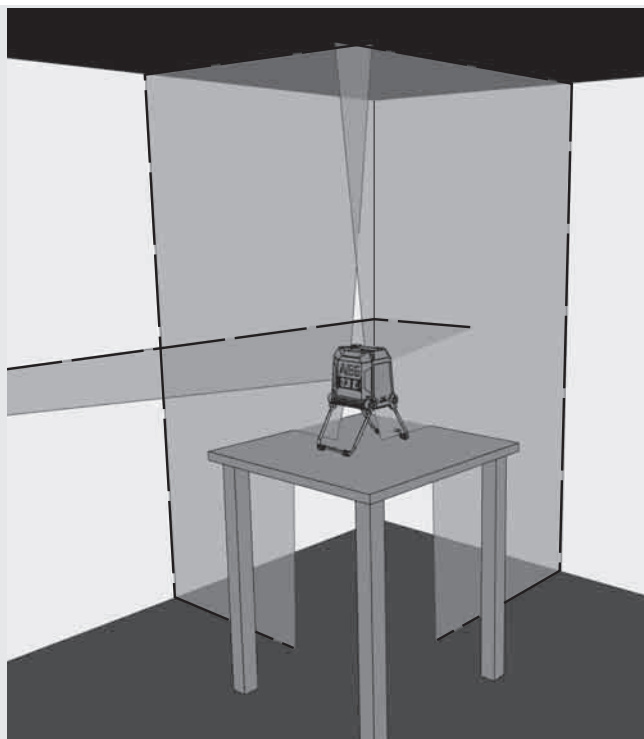
Zapali się czerwona dioda LED obok przycisku.



3

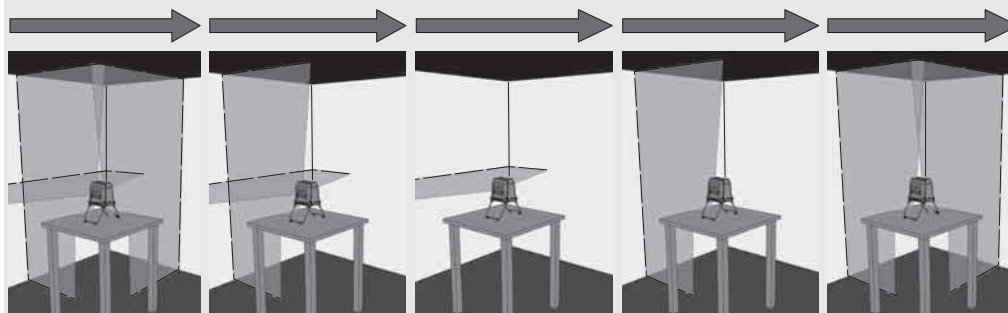
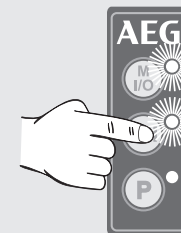
Podobnie jak w trybie samoczynnego poziomowania, laser generuje 3 linie laserowe, jednak w tym przypadku migają one co 3 sekundy.

3 s 3 s 3 s



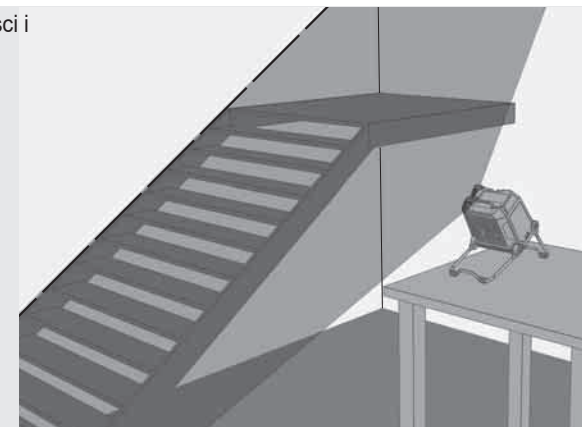
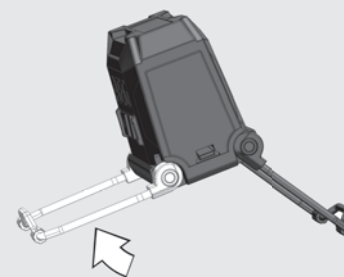
4

Naciśnij przycisk V/H, aby wybrać linie, z którymi chcesz pracować.




5

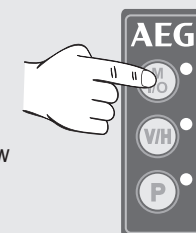
Wyreguluj laser do żądanej wysokości i nachylenia za pomocą nóg.



6

Aby wyjść z trybu ręcznego, należy ponownie naciśnąć przycisk trybu ręcznego.

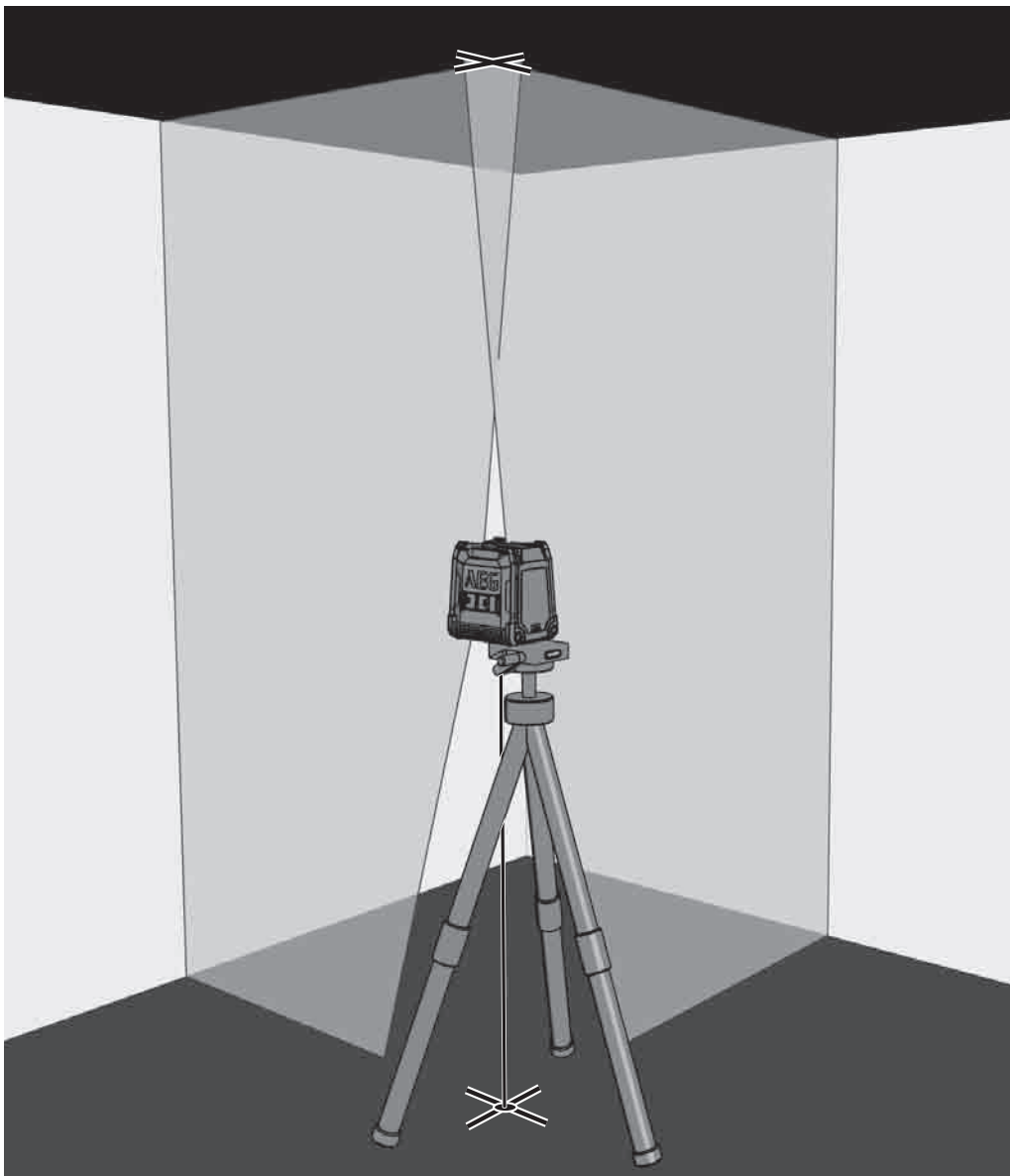
Aby przejść bezpośrednio do trybu samoczynnego poziomowania, należy ustawić przełącznik blokady w pozycji ON .



FUNKCJA PIONU

Przy pomocy funkcji pionu możliwe jest rzutowanie punktu na podłogę prostopadle do sufitu. Punkt odniesienia na podłodze jest wyrównywany do punktu przecięcia linii krzyżowych na suficie.

Funkcję pionu wykorzystuje się na przykład do przenoszenia punktu odniesienia dla instalacji oświetleniowych i wentylacyjnych lub do przenoszenia wysokości.



FUNKCJA TRYBU PULSACYJNEGO

Do pracy na zewnątrz w warunkach bezpośredniego nasłonecznienia lub jasnego światła oraz do zastosowań wewnętrznych o zasięgu do 50 metrów należy stosować tryb pulsacyjny z detektorem.

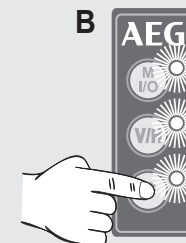
Detektor nie jest dołączony do zestawu i należy go zakupić oddzielnie.

Po włączeniu trybu pulsacyjnego linie lasera migają z bardzo dużą (niewidoczną dla ludzkiego oka) częstotliwością, by umożliwić detektorowi ich zlokalizowanie.

1

Tryb pulsacyjny można aktywować zarówno w trybie samoczynnego poziomowania (A), jak i w trybie ręcznym (B).

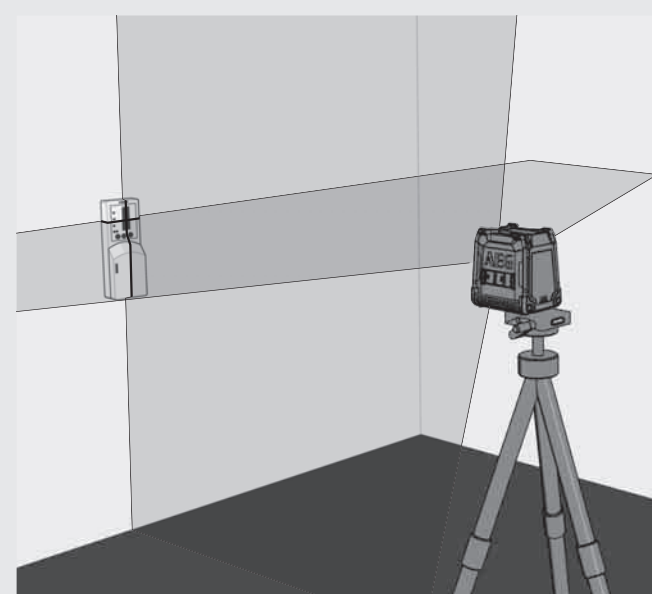
Naciśnij przycisk P: zaświeci się zielona dioda LED obok przycisku.



2

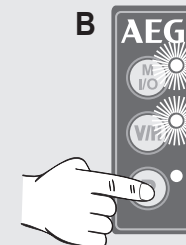
Po włączeniu trybu pulsacyjnego widoczność linii lasera nieco się zmniejsza.

Szczegółowe informacje na temat obsługi detektora znajdują się w instrukcji obsługi detektora.



3

Naciśnij ponownie przycisk P, aby wyłączyć tryb pulsacyjny. Zielona dioda LED obok przycisku zgaśnie.



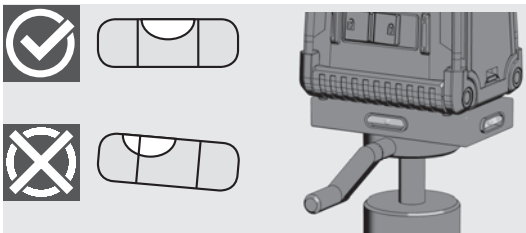
KONTROLA DOKŁADNOŚCI

Laser jest całkowicie skalibrowany fabrycznie. AEG zaleca regularne sprawdzanie dokładności lasera, szczególnie po upadku lub w przypadku błędów w obsłudze.

W przypadku przekroczenia maksymalnego odchylenia podczas sprawdzania dokładności, prosimy o kontakt z jednym z naszych centrów serwisowych AEG (patrz lista z warunkami gwarancji i adresami centrów serwisowych).

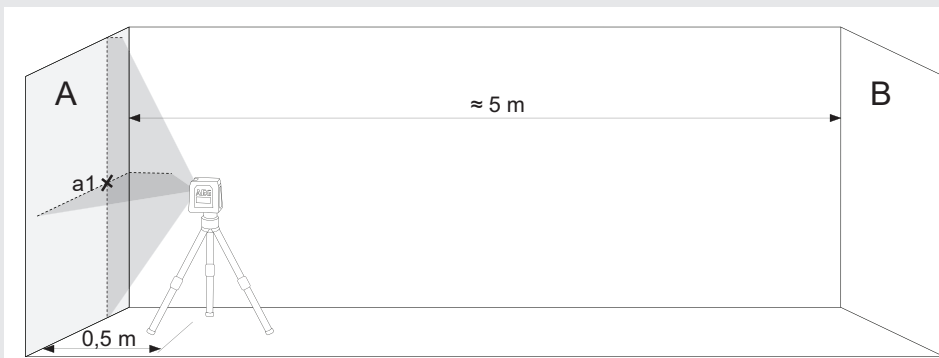
1. Sprawdzanie dokładności wysokości linii poziomej.
2. Sprawdzanie dokładności poziomowania linii poziomej.
3. Sprawdzanie dokładności poziomowania linii pionowej.
4. Sprawdzanie prostokątności 2 pionowych linii.
5. Sprawdzanie dokładności pionu.

Przed sprawdzeniem dokładności lasera zamontowanego na statywie należy sprawdzić poziom statywu.



1 SPRAWDZANIE DOKŁADNOŚCI WYSOKOŚCI LINII POZIOMEJ (ODCHYLENIE W GÓRĘ I W DÓŁ)

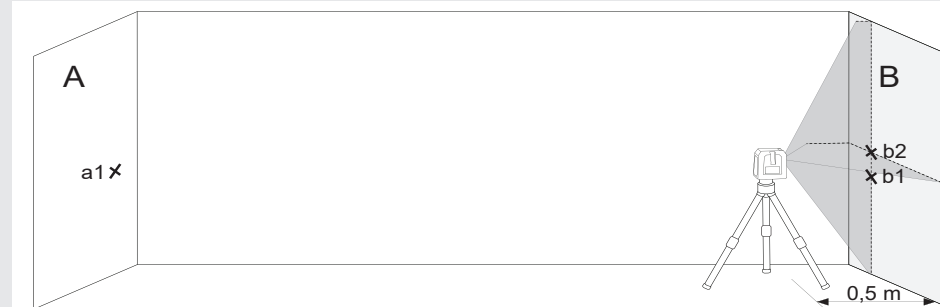
1. Umieścić laser na statywie lub na płaskiej powierzchni pomiędzy dwiema ścianami A i B, oddalonymi od siebie o ok. 5 m.
2. Ustawić laser w odległości ok. 0,5 m od ściany A.
3. Włączyć tryb samoczynnego poziomowania i nacisnąć przycisk, aby wyświetlić linię poziomą i pionową na ścianie A.
4. Zaznaczyć punkt przecięcia dwóch linii jako punkt a1 na ścianie A.



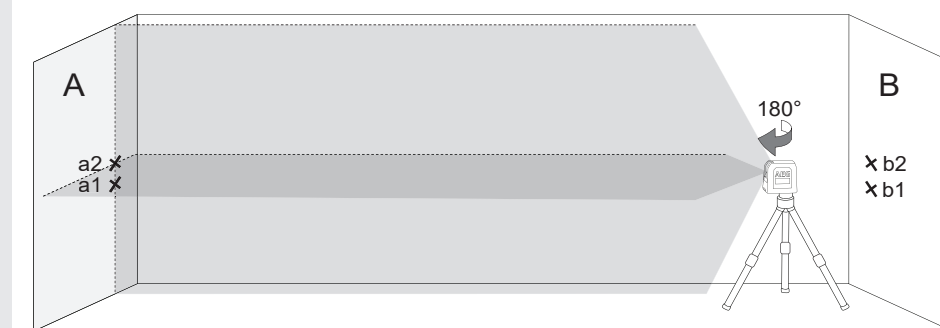
5. Obrócić laser o 180° w kierunku ściany B oraz zaznaczyć punkt przecięcia dwóch linii jako b1 na ścianie B.



6. Umieścić laser w odległości ok. 0,5 m od ściany B.
7. Zaznaczyć punkt przecięcia dwóch linii jako b2 na ścianie B.



8. Obrócić laser o 180° w kierunku ściany A i zaznaczyć na ścianie A punkt przecięcia dwóch linii jako a2.

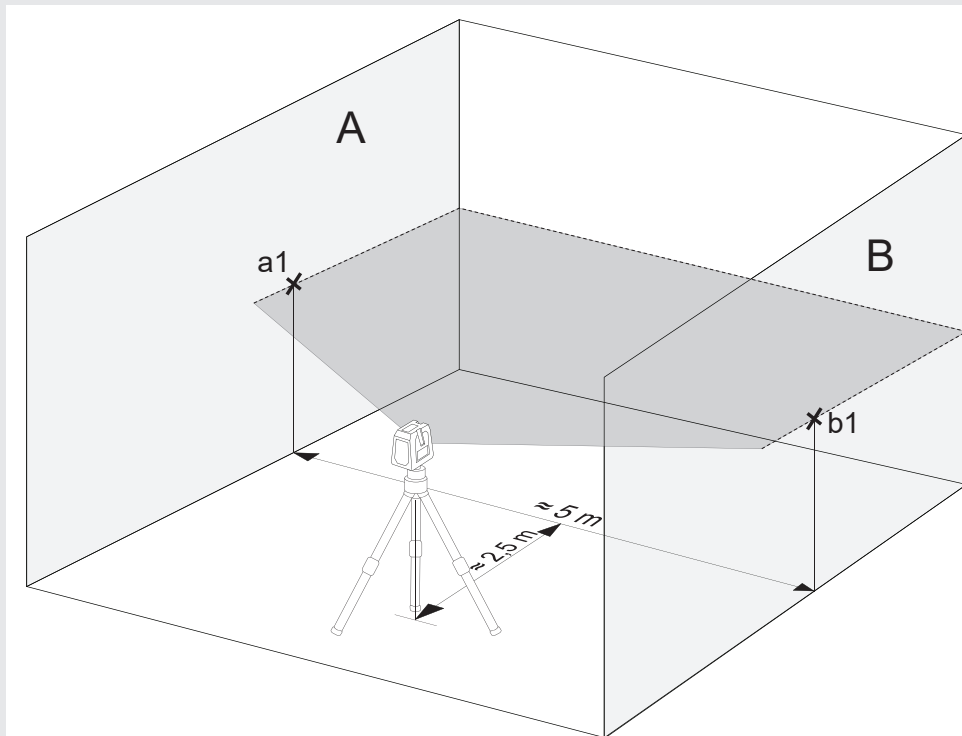


9. Zmierzyć odległości:
 $\Delta a = |a2 - a1|$
 $\Delta b = |b1 - b2|$
10. Różnica $|\Delta a - \Delta b|$ nie może przekraczać 2 mm.

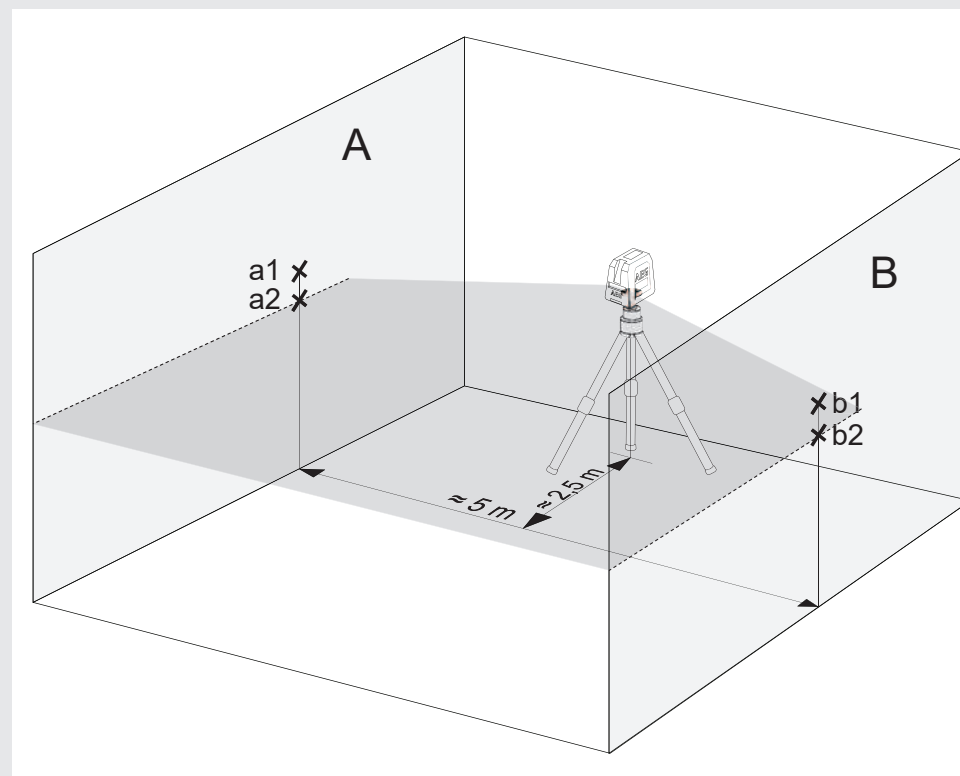
2 SPRAWDZANIE DOKŁADNOŚCI POZIOMOWANIA LINII POZIOMEJ (ODCHYLENIE Z JEDNEJ STRONY NA DRUGĄ)

Do sprawdzenia wymagana jest wolna przestrzeń o wymiarach około 5×5 m.

1. Umieścić laser na statywie lub na stabilnej powierzchni pomiędzy dwiema ścianami A i B, oddalonymi od siebie o ok. 5 m.
2. Umieścić laser w odległości około 2,5 m od środka pomieszczenia.
3. Włączyć tryb samoczynnego poziomowania i nacisnąć przycisk, aby wyświetlić linię poziomą na ścianach A i B.
4. Oznaczyć środek linii lasera na ścianie A jako a1, a na ścianie B jako b1.



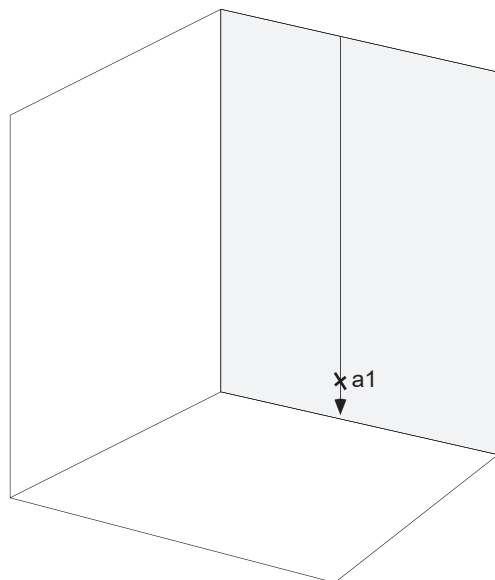
5. Przesunąć laser o ok. 5 m i obrócić go o 180° , a następnie zrzutować ponownie linię poziomą na ściany A i B.
6. Oznaczyć środek linii lasera na ścianie A jako a2, a na ścianie B jako b2.



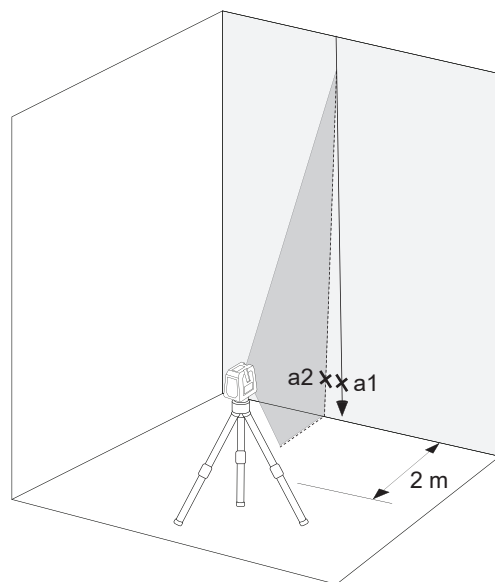
7. Zmierzyć odległości:
 $\Delta a = |a2 - a1|$
 $\Delta b = |b1 - b2|$
8. Różnica $|\Delta a - \Delta b|$ nie może przekraczać 2 mm.

3 SPRAWDZANIE DOKŁADNOŚCI POZIOMOWANIA LINII PIONOWEJ

1. Zawiesić pion o długości ok. 4 m na ścianie.
2. Po ustabilizowaniu się ciężarka należy zaznaczyć na ścianie punkt a1 powyżej wierzchołka ciężarka.



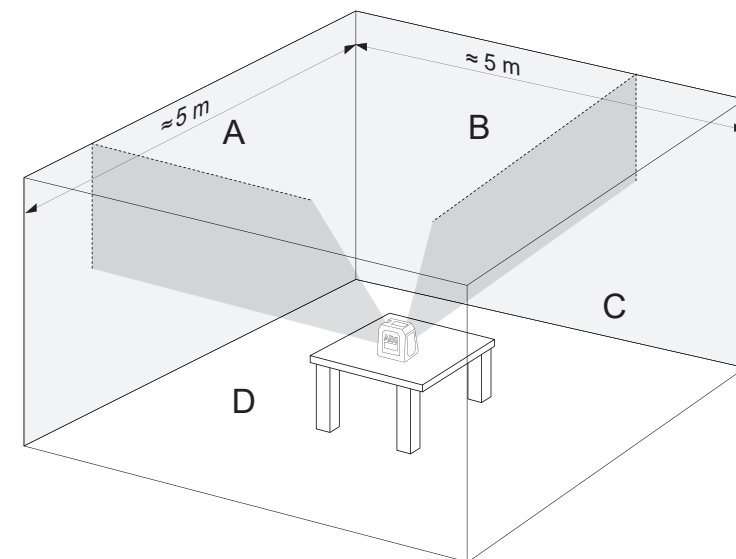
3. Umieścić laser na statywie lub na równej powierzchni w odległości ok. 2 m od ściany.
4. Włączyć tryb samoczynnego poziomowania i nacisnąć przycisk w celu projekcji linii pionowej na pion.
5. Obrócić laser w taki sposób, aby linia pionowa pokrywała się z zawieszeniem pionu.
6. Zaznaczyć punkt a2 na środku pionowej linii na tej samej wysokości co a1 na ścianie.
7. Odległość między a1 i a2 nie może być większa niż 1 mm.



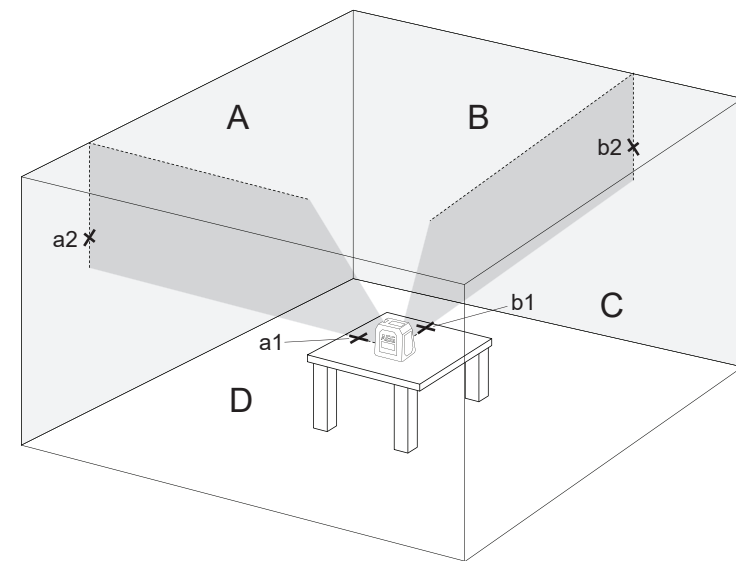
4 SPRAWDZANIE PROSTOPADŁOŚCI 2 PIONOWYCH LINII

Do sprawdzenia wymagane jest pomieszczenie o 4 ścianach i powierzchni podłogi o wymiarach co najmniej 5 x 5 m.

1. Umieścić laser na stole lub na podłodze na środku pomieszczenia.
2. Włączyć tryb samoczynnego poziomowania i nacisnąć przycisk V/H 4 razy, aby wyświetlić linie pionowe do przodu i na boki.

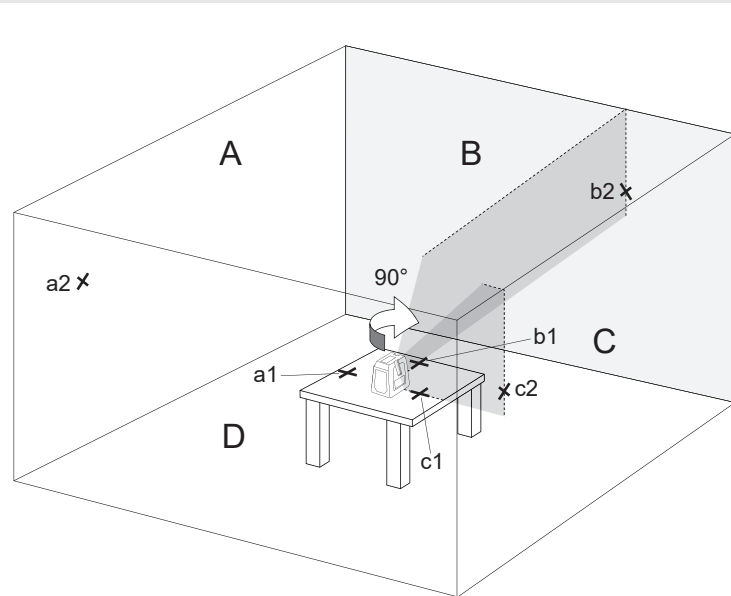


3. Zaznaczyć w 2 miejscach środek linii pionowej rzutowanej na bok: punkt a1 na stole w pobliżu lasera i punkt a2 na ścianie A.
4. Zaznaczyć w 2 miejscach środek linii pionowej rzutowanej na bok: punkt b1 na stole w pobliżu lasera i punkt b2 na ścianie B.

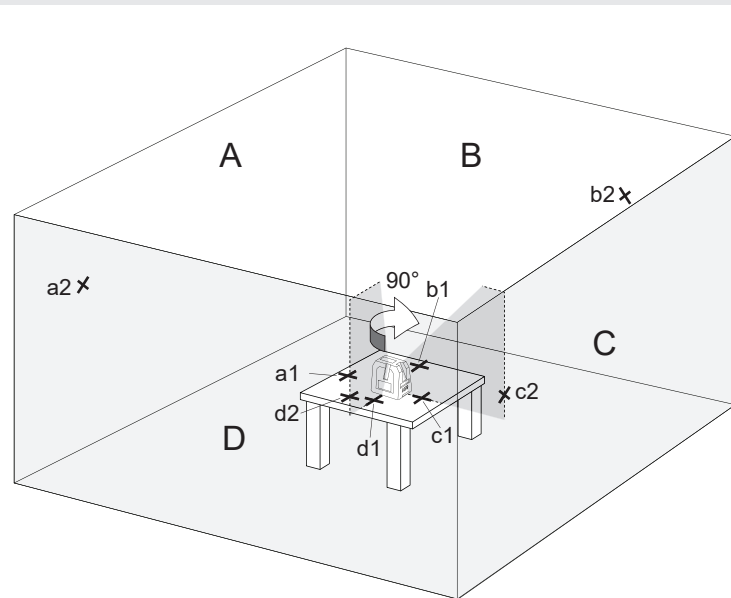


SPRAWDZANIE PROSTOPADŁOŚCI POMIĘDZY 2 PIONOWYMI LINIAMI

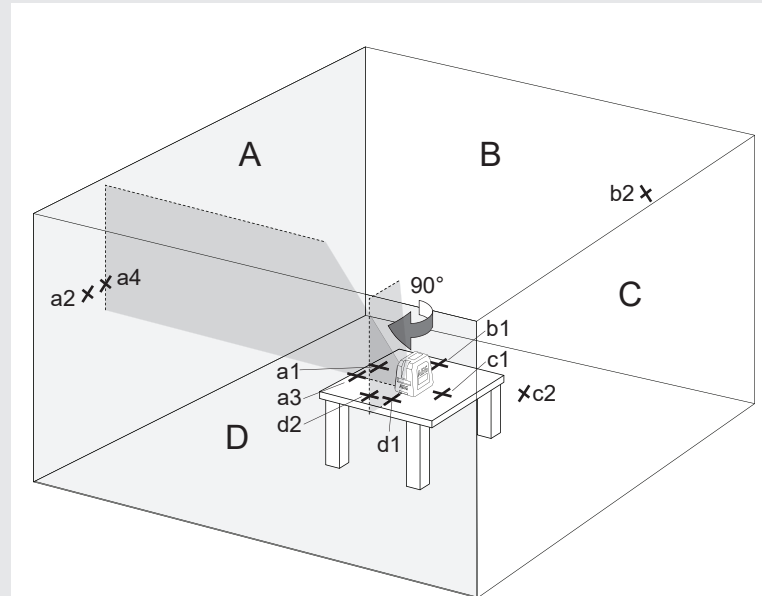
- Obrócić laser w prawo o 90° zgodnie z ruchem wskazówek zegara, tak aby skierowana ku przodowi linia lasera trafiła w znaczniki b1 na stole i b2 na ścianie B.
- Zaznaczyć w 2 miejscach środek linii pionowej rzutowanej na bok: Zaznaczyć w 2 miejscach środek rzutowanej na bok linii pionowej: punkt c1 na stole w pobliżu lasera i punkt c2 na ścianie C.



- Obrócić laser zgodnie z ruchem wskazówek zegara w prawo o 90° , tak aby skierowana w przód linia lasera trafiła w znaczniki c1 na stole i c2 na ścianie C.
- Zaznaczyć w 2 miejscach środek linii pionowej rzutowanej na bok: Zaznaczyć w 2 miejscach środek rzutowanej na bok linii pionowej: punkt d1 na stole w pobliżu lasera i punkt d2 na ścianie D.



- Obrócić laser zgodnie z ruchem wskazówek zegara w prawo o 90° , tak aby skierowana w przód linia lasera trafiła w znaczniki d1 na stole i d2 na ścianie D.
- Zaznaczyć w 2 miejscach środek linii pionowej rzutowanej na bok: Zaznaczyć w 2 miejscach środek rzutowanej na bok linii pionowej: punkt a3 na stole obok punktu a1 i punkt a4 na ścianie A obok punktu a2.

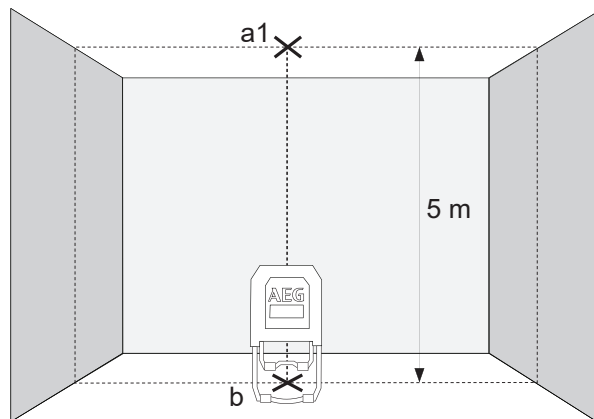


- Zmierzyć odległości:
 $\Delta 1 =$ od a1 do a3
 $\Delta 2 =$ od a2 do a4
- Różnica $\Delta 2 - \Delta 1$ nie może być większa niż 4 mm.

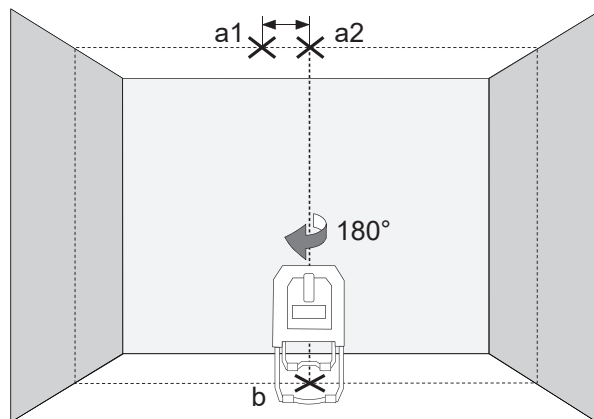
5 KONTROLA DOKŁADNOŚCI PIONU

Do przeprowadzenia tego testu wymagane jest pomieszczenie o wysokości stropu ok. 5 m.

1. Rozłożyć nogi lasera i postawić urządzenie na podłodze.
2. Włączyć tryb samoczynnego poziomowania i nacisnąć przycisk, aby wyświetlić pionowe linie krzyżowe na suficie i linię pionu na podłodze.
3. Zaznaczyć środek skierowanej ku górze linii krzyżowej jako punkt a1 na suficie (patrz rysunek).
4. Zaznaczyć środek linii pionu jako punkt b na podłożu.



5. Obrócić laser o 180° i ustawić go tak, aby środek pionu padał na zaznaczony wcześniej punkt b oraz poczekać, aż urządzenie zostanie wypoziomowane.
6. Zaznaczyć środek skierowanej ku górze linii krzyżowej jako punkt a2 na suficie.
7. Odległość pomiędzy punktami a1 i a2 na suficie wskazuje, na ile linia laserowa odchyła się od idealnego pionu. Dla odległości pomiarowej 5 m maksymalne dopuszczalne odchylenie wynosi:
 $5\text{ m} \times (\pm 0,6\text{ mm/m}) \times 2 = \pm 6\text{ mm}$.
8. Odległość między a1 i a2 nie może być większa niż 6 mm.



TARTALOM

Fontos biztonsági előírások.....	1
Karbantartás.....	2
Műszaki adatok.....	2
Rendeltetésszerű használat.....	2
Áttekintés.....	3
Merülő elem kijelző.....	4
Az elemek cseréje.....	4
Állítható lábak.....	5
Mágneses fali tartó és zöld céltábla.....	5
A lézer használata önszintező üzemmódban.....	6
A lézer használata manuális üzemmódban.....	7
Függőző funkció.....	8
Pulzáló üzemmód funkció.....	8
A pontosság ellenőrzése.....	9

FONTOS BIZTONSÁGI ELŐÍRÁSOK



FIGYELEM! FIGYELMEZTETÉS! VESZÉLY!

A termék használata előtt tanulmányozza a mellékelt CD-n található Biztonsági előírásokat és Használati útmutatót.

Lézer osztályozás



FIGYELMEZTETÉS:

Ez a 2. lézerosztályú termék megfelel az EN60825-1:2014 előírásainak.



Figyelmeztetés:

A szemeket tilos a lézersugár közvetlen hatásának kiténni. A lézersugár súlyos szemkárosodást és/vagy vaktságot okozhat.

Tilos közvetlenül a lézersugárba nézni, és szükségtelenül nem szabad más személyekre irányítani.

Vigyázat! Néhány alkalmazásnál a lézert kibocsátó készülék Ön mögött lehet. Ilyen esetben óvatosan forduljon meg.

Figyelmeztetés:

Ne használja a lézert gyerekek közelében és gyerekeknek ne engedje a lézer működtetését.

Figyelem! Visszaverő felületekről visszaverődhet a lézersugár a kezelőre vagy más személyekre.

Figyelmeztetés: A kézikönyvben meghatározottól eltérő vezérlőelemek és beállítások használata, vagy attól eltérő eljárások végrehajtása veszélyes sugárterhelést okozhat.

Ha a lézert nagyon hidegből meleg környezetbe (vagy fordítva) viszik, akkor használat előtt el kell érnie a környezeti hőmérsékletet.

A lézert nem szabad a szabadban tárolni, és óvni kell ütésektől, tartós rázkódástól és a szélsőséges hőmérsékletektől.

A lézeres mérőműszert védeni kell portól, nedvességtől és magas páratartalomtól. Az ilyen körülmények tönkretelhetik a belső alkatrészeket, vagy befolyásolhatják a pontosságot.

Ha a szemet lézersugárzás éri, akkor a szemet be kell csukni és a fejet azonnal el kell fordítani a sugár útjából.

Ügyeljen arra, hogy a lézersugarat úgy pozicionálja, hogy az ne vakítsa el Önt vagy más személyeket.

Tilos a lézersugárba optikai nagyítóeszközökkel, például távcsővel vagy teleszkóppal belenézni. Ellenkező esetben megnő a súlyos szemkárosodások veszélye.

Vegye figyelembe, hogy a lézerszemüveg a lézervonalak jobb felismerésére szolgál, azonban nem védi a szemet a lézersugárzástól.

A lézerkészüléken lévő figyelmeztető táblákat nem szabad eltávolítani vagy felismerhetetlenné tenni.

Ne szerelje szét a lézert. A lézersugárzás súlyos szemsérüléseket okozhat.

A lézer szállítása előtt biztosítsa, hogy az ingarögzítő rögzítve legyen.

Megjegyzés: Ha az ingarögzítő nincs rögzítve, akkor szállítás közben a készülék belseje megsérülhet.

Ne használjon agresszív tisztítószeret vagy oldószereket. A tisztítást csak tiszta, puha kendővel végezze.

A lézert óvni kell az erős ütésektől és zuhanásoktól. Ha a készülék leesett vagy erős mechanikus behatás érte, akkor használat előtt ellenőrizni kell a készülék pontosságát.

A lézeres eszközön szükséges javításokat csak felhatalmazott szakember végezhet.

A terméket tilos robbanásveszélyes vagy agresszív környezetben használni.

Ha a készüléket hosszabb ideig nem használják, akkor az elemeket ki kell venni az elemtartó rekeszből. Így elkerülhető az elemek kifolyása és az ehhez kapcsolódó korróziós károk.



A lemerült elemeket nem szabad a háztartási hulladékkal együtt ártalmatlanítani. Az elhasznált elemeket környezetkímélő ártalmatlanítás céljából a nemzeti vagy helyi előírások szerint az arra kijelölt gyűjtőhelyeken kell leadni. A készüléket nem szabad a háztartási hulladékkal együtt ártalmatlanítani. A készülék ártalmatlanítását szakszerűen kell végezni. Be kell tartani az ártalmatlanításra vonatkozó országspecifikus előírásokat. Az ártalmatlanításra vonatkozó információkért forduljon a helyi hatósághoz vagy kereskedőjéhez.



Európai megfelelőségi jelölés

KARBANTARTÁS

A lézer objektívét és a burkolatot puha, tiszta kendővel tisztítsa. Ne használjon oldószert.

Még ha a lézer bizonyos fokig ellen is áll a pornak és a szennyeződéseknek, nem ajánlott hosszabb ideig poros helyen tárolni, mivel ellenkező esetben a belső mozgó részek megsérülhetnek.

Ha a lézer nedves lesz, akkor a hordkofferbe helyezés előtt meg kell szárítani, hogy ne alakuljanak ki korrózió miatti károsodások.

MŰSZAKI ADATOK

Lézerosztály	2
Önszintezési tartomány	±3°
Önszintezési idő	3–5 mp
Elemtípus	AA-típusú LR6 alkáli elem
DC feszültség	3 × 1,5 V
Teljesítményfelvétel	0,35 A
Védettségi fokozat (fröccsenő víz és por ellen)	IP54
Funkciók	vízszintes vonal, 2 függőleges vonal, keresztvonalak, függőző funkció
Pulzáló üzemmód	10 kHz-es frekvencia
Vetítés	3 zöld vonal, 1 piros pont
Lézervonal-kibocsátási minta	Vízszintes vonal előre, függőleges vonal előre, függőleges vonal oldalra és függőzőpont. Vízszintes és függőleges keresztvonalak előre és függőzőpont. Vízszintes vonal. Függőleges vonal előre és függőzőpont. Függőleges vonalak előre és oldalt és függőzőpont. (A függőzőpont kijelzése lefelé csak önszintező módban működik, manuális üzemmódban nem.)
Üzemidő	6 óra
Állványmenet	1/4"
Megfelelő detektor	standard zöld többvonalas lézerhez
Lézervonal	
Szélesség	2,5 mm ±0,5 mm / 5 m
Hullámhossz	λ 520 ±10 nm, II-es lézerosztály
Pontosság	±0,2 mm/m
Nyílásszög	> 120°
Szín	zöld
Hatótáv	30 m (detektorral 50 m)

Függőzőpont	Lézerpont hullámhossz Lézerpont max. teljesítmény Függőző pontosság Lézerpont színe Hatótáv	635 ±5 nm, II-es lézerosztály < 1 mW ±0,6 mm / 1 m piros 5 m
Ajánlott üzemi hőmérséklet		-10 °C - +45 °C
Tárolási hőmérséklet		-20 °C - +60 °C
Méreték		106 mm × 88 mm × 105 mm
Súly (elemekkel)		710 g

RENDELTESSZERŰ HASZNÁLAT

A jelen innovatív lézer széles körű, professzionális felhasználásra készült, pl.:

- csempék, márványlapok, szekrények, bordűrök, idomelemek és szegélyek beállítása.
- alapvonalak kijelölése ajtók, ablakok, sínek, lépcsők, kerítések, kapuk, verandák és pergolák beépítéséhez.
- referenciapontok átvitele világítás- és szellőzésszereléshez, magasságok átvitele, határoló- és oszlopfalak szintezése, sínek fektetése padlózatokra, valamint professzionális munkák.
- Vízszintes és függőleges vonalak meghatározásához és ellenőrzéséhez.



A terméket csak a megadottak szerint, rendeltetésszerűen szabad használni.

Gumi stabilizátorok

Állítható lábak

Függőleges lézervonal ablak előre

Vízszintes lézervonal ablak

ON  / OFF  reteszelőkapcsoló



Kezelőmező

AEG

M
I/O

V/H

P

Manuális üzemmód LED kijelző

Manuális üzemmód gomb

A manuális üzemmód be- és kikapcsolásához

Lézervonal kiválasztása LED kijelző (folyamatos fény)

Merülő elem LED kijelző (villogó fény)

Lézervonal választógomb

Választás a Vertikális (függőleges) lézervonal előre, a Vertikális vonal oldalra, a Horizontális (vízszintes) vonal előre vagy e vonalak kombinációja között.

Pulzáló üzemmód LED kijelző

Pulzáló üzemmód gomb

Közvetlen napsugárzásnál vagy világos fényviszonyoknál végzett kültéri munkákhoz, valamint legfeljebb 50 m hatótávolságot igénylő beltéri alkalmazásokhoz a pulzáló üzemmódot kell használni 10 kHz-es detektorral.

Függőleges lézerek ablak oldalra

Elemtartó rekesz fedél

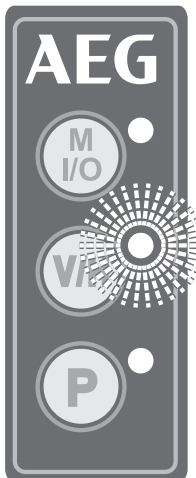


Piros függőzőpont

1/4"-os állványmenet



MERÜLŐ ELEM KIJELZŐ



Az elem alacsony töltöttségi szintjénél csökken a lézer fényereje, és a megfelelő kijelző (zöld LED a V/H gomb mellett) 0,5 másodperces frekvenciával villogni kezd.

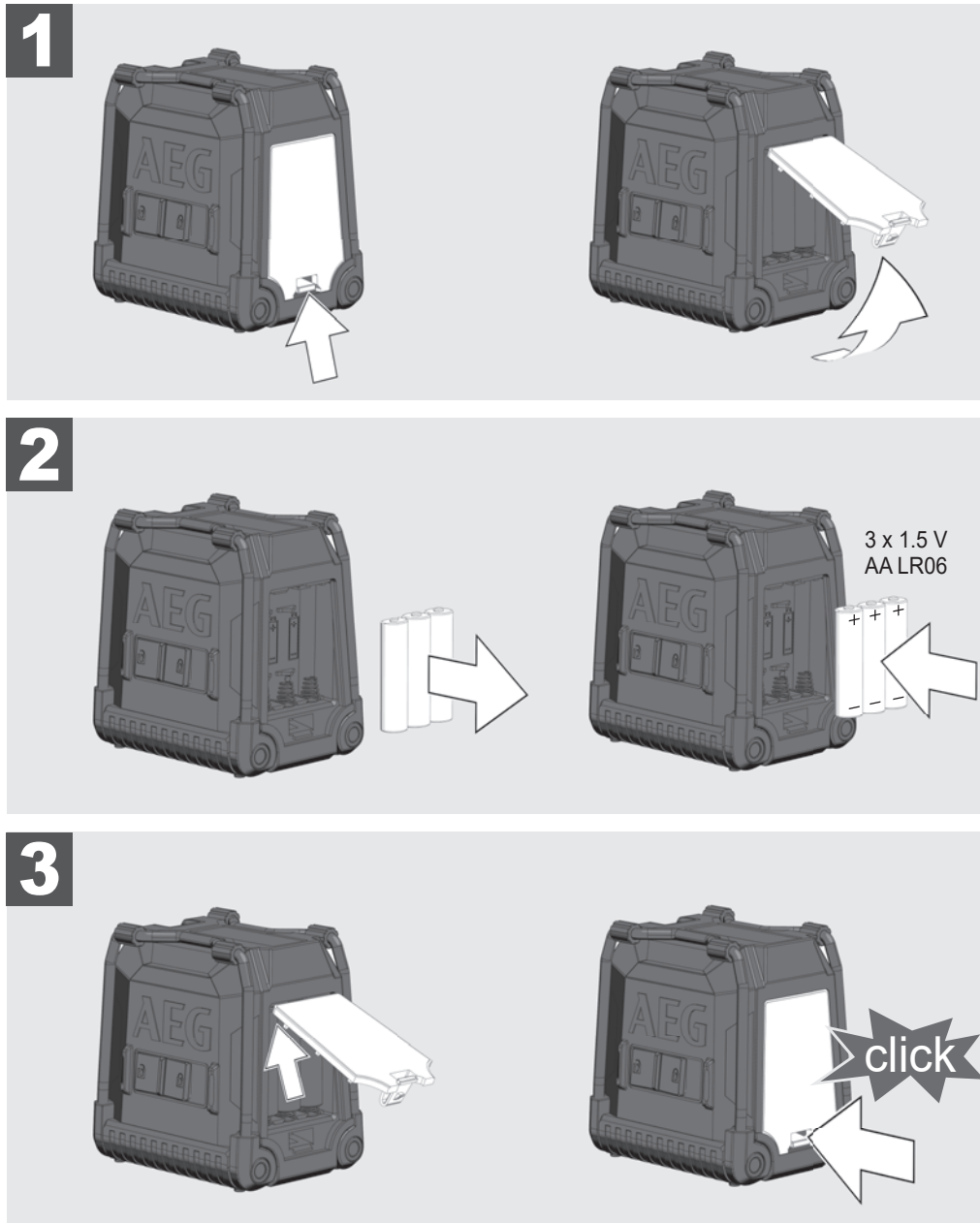
A munkát azonban folytatni lehet.

Ha az elemek túlságosan lemerülnek, akkor a készülék automatikusan lekapcsol.

AZ ELEMEK CSERÉJE

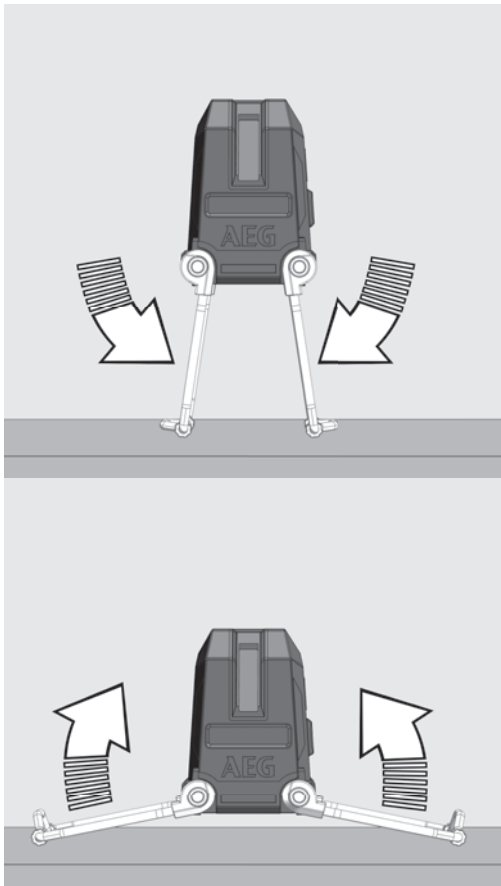
Cserélje ki az elemeket, ha a lézersugár gyengül.

Ha a lézert hosszabb ideig nem használják, akkor az elemeket ki kell venni az elemtartó rekeszből. Így elkerülhető az elemek kifolyása és az ehhez kapcsolódó korróziós károk.

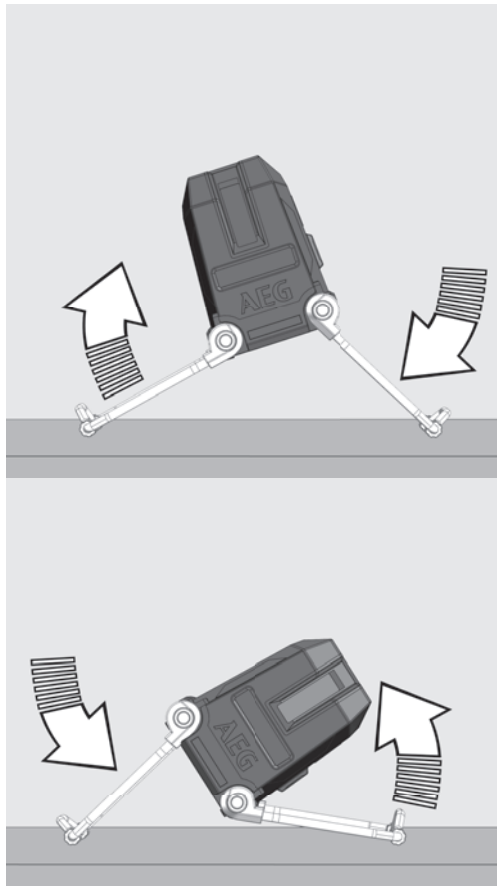


ÁLLÍTHATÓ LÁBAK

Állítsa be az állítható lábakkal a vízszintes vonal magasságát.



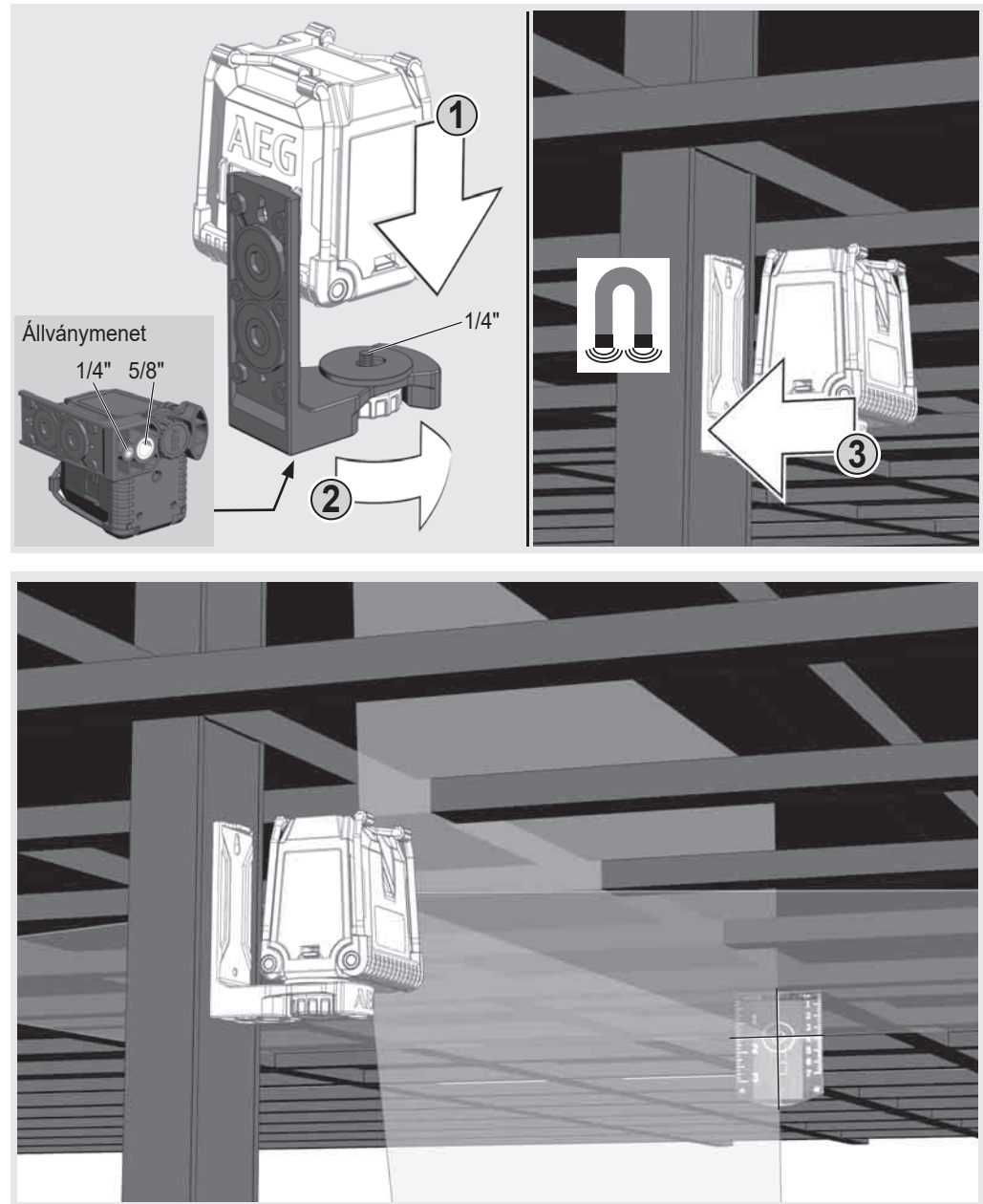
Állítsa be az állítható lábakkal a lézer dőlését.



MÁGNESES FALI TARTÓ ÉS ZÖLD CÉLTÁBLA

A mágneses tartóval a lézer falakra, fémszerkezetekre vagy hasonlókra rögzíthető.

A zöld céltábla javítja a lézersugár láthatóságát kedvezőtlen feltételeknél és nagyobb távolságoknál.

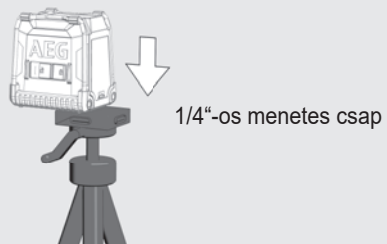


A LÉZER HASZNÁLATA ÖNSZINTEZŐ ÜZEMMÓDBAN


Önszintező üzemmódban a lézer $\pm 3^\circ$ -os tartományban saját magát beállítja. Egyszerre egy vízszintes vonal, két függőleges vonal vagy mind a 3 vonal egyszerre vetítődik.

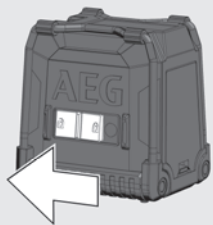
1

Állítsa a lézert szilárd, sík és rázkódásmentes aljzatra, vagy szerelje állványra.



2

Tolja a reteszelőkapcsolót ON  állásba.

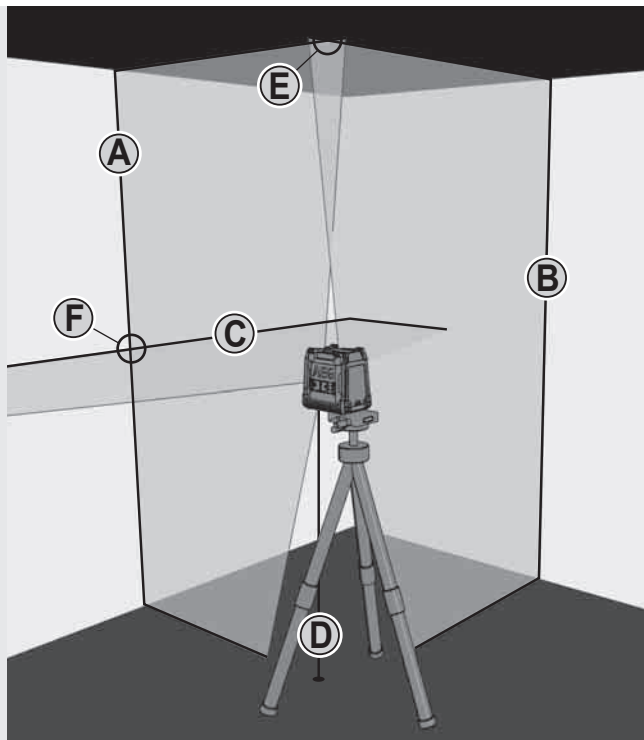


3

A lézer 3 lézervonalat generál.

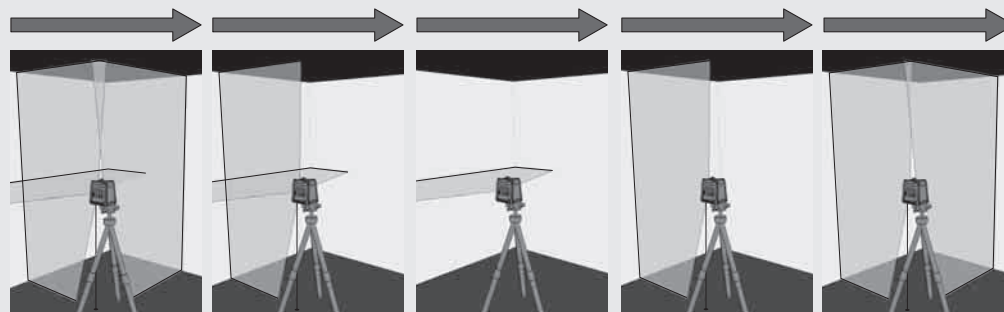
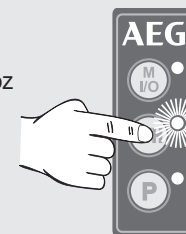
- (A) Függőleges vonal előre
- (B) Függőleges vonal oldalra
- (C) Vízszintes vonal előre
- (D) Lézerpont (függőzövonal)

Ha minden vonal aktiválva van, akkor a lézer keresztvonalakat hoz létre felfelé (E) és előre (F).



4

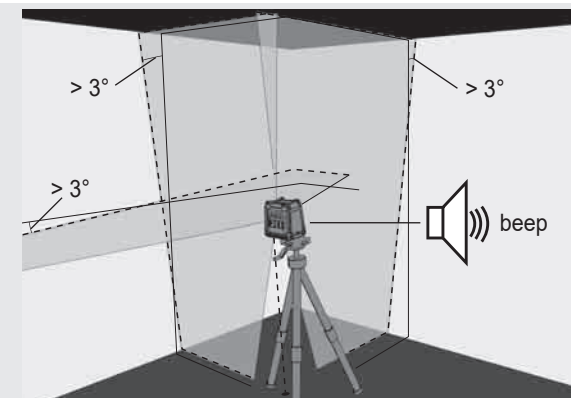
A használni kívánt vonalak kiválasztásához nyomja meg a V/H gombot.




5

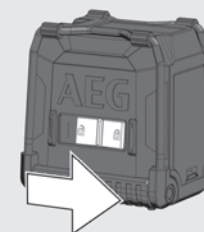
Ha a lézer bekapcsolt önszintezéskor kezdetben nem $\pm 3^\circ$ -ra van beállítva, akkor villognak a lézervonalak — — — — és jelzőhang hangzik fel.

Ilyen esetben a lézert újra kell pozicionálni.



6

A készülék áthelyezése előtt állítsa a reteszelőgombot OFF  állásba. Ezáltal rögzül az inga, és a lézer védve van.

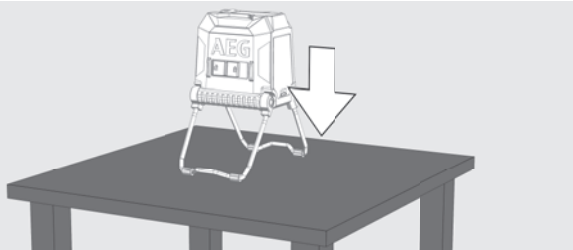


A LÉZER HASZNÁLATA MANUÁLIS ÜZEMMÓDBAN

Manuális üzemmódban az önszintező funkció ki van kapcsolva, és a lézer a lézervonalak bármely tetszőleges dőlésére beállítható.

1

Állítsa a lézert szilárd, sík és rázkódásmentes aljzatra, vagy szerelje állványra.



2

Nyomja meg a manuális üzemmód gombját (a reteszelőkapcsoló eltávolítása nélkül!).

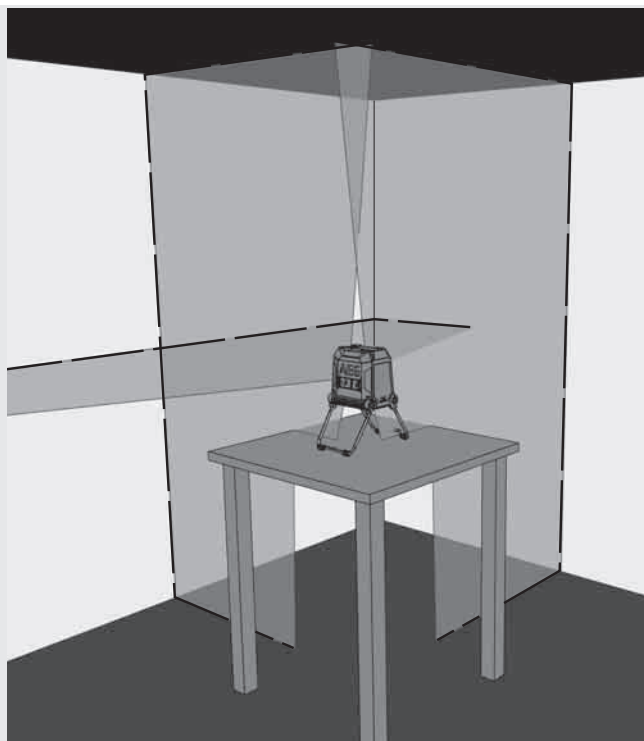
A gomb melletti piros LED világít.



3

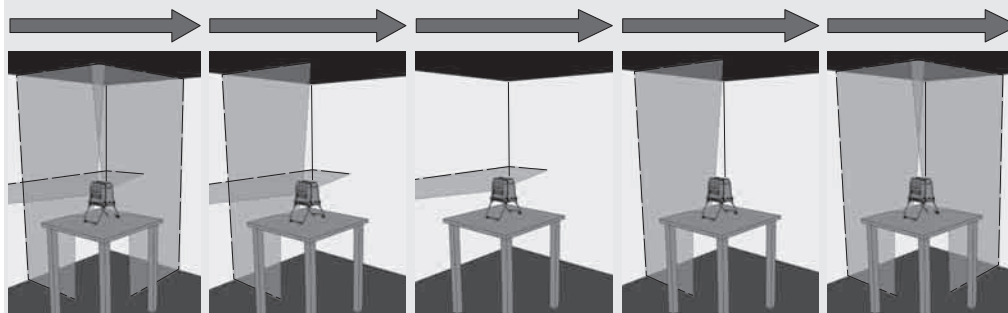
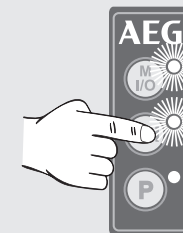
Úgy, mint önszintező üzemmódban, a lézer 3 lézervonalat generál, melyek azonban 3 másodperces időközönként villognak.

3 mp 3 mp 3 mp



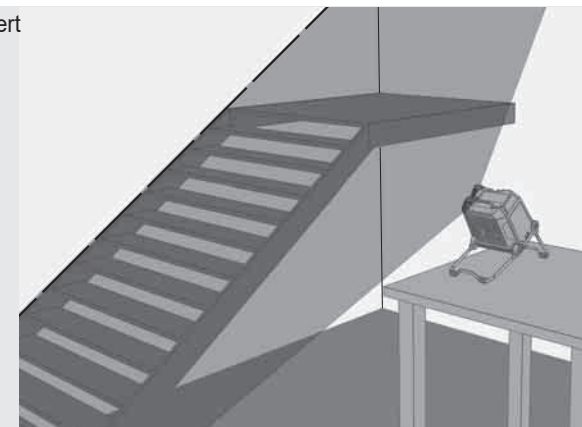
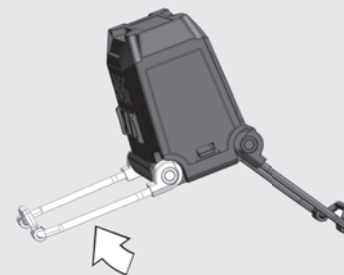
4

A használni kívánt vonalak kiválasztásához nyomja meg a V/H gombot.



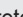
5

A lábak segítségével állítsa be a lézert a kívánt magasságra és dőlésre.



6

A manuális üzemmód befejezéséhez nyomja meg újból a manuális üzemmód gombját.

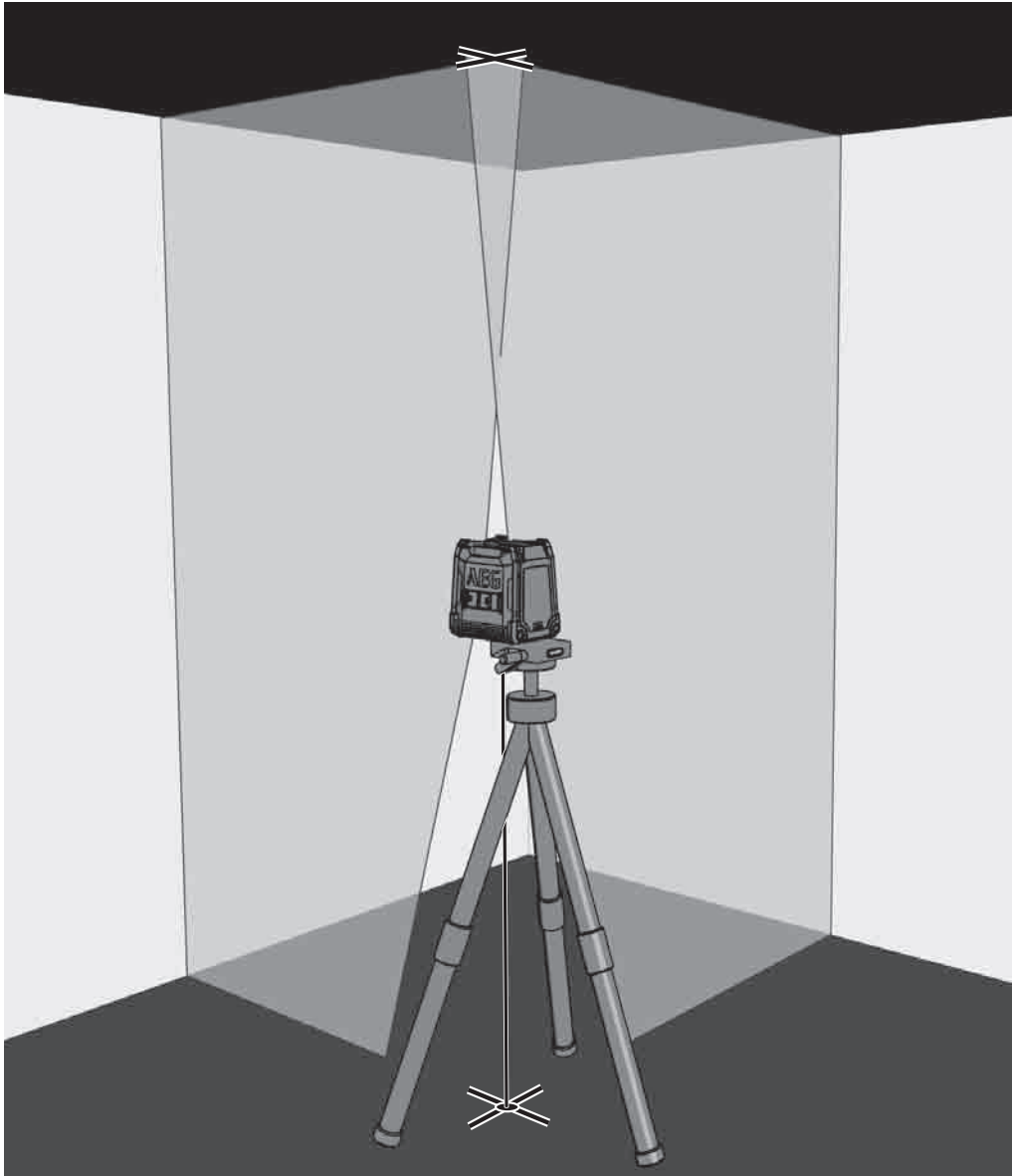
Közvetlenül az önszintező üzemmódra váltáshoz állítsa a reteszelőkapcsolót ON  állásba.



FÜGGŐZŐ FUNKCIÓ

A függőző funkcióval egy a padlón lévő pont vetíthető merőlegesen a mennyezetre. A padlón lévő referenciapont a mennyezetre vetített keresztvonalak metszéspontjához lesz beállítva.

A függőző funkció például egy referenciapont átvitelére szolgál a világítás- és szellőzőszereléshez, vagy magasságok átvitelére.



PULZÁLÓ ÜZEMMÓD FUNKCIÓ

Közvetlen napsugárzásnál vagy világos fényviszonyoknál végzett kültéri munkákhoz, valamint legfeljebb 50 m hatótávolságot igénylő beltéri alkalmazásokhoz a pulzáló üzemmódot kell használni detektorral.

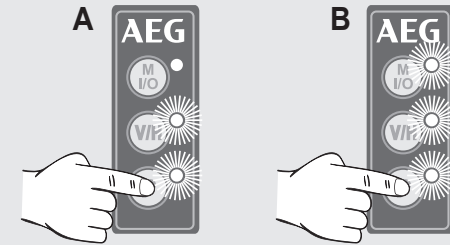
A detektor nem része a szállítási terjedelemnek és azt külön kell beszerezni.

Aktivált pulzáló üzemmódnál a lézervonalak nagyon magas (az emberi szem számára láthatatlan) frekvenciával villognak, hogy a detektor lokalizálni tudja a lézervonalakat.

1

A pulzáló üzemmód önszintező üzemmódban (A) és manuális üzemmódban (B) egyaránt aktiválható.

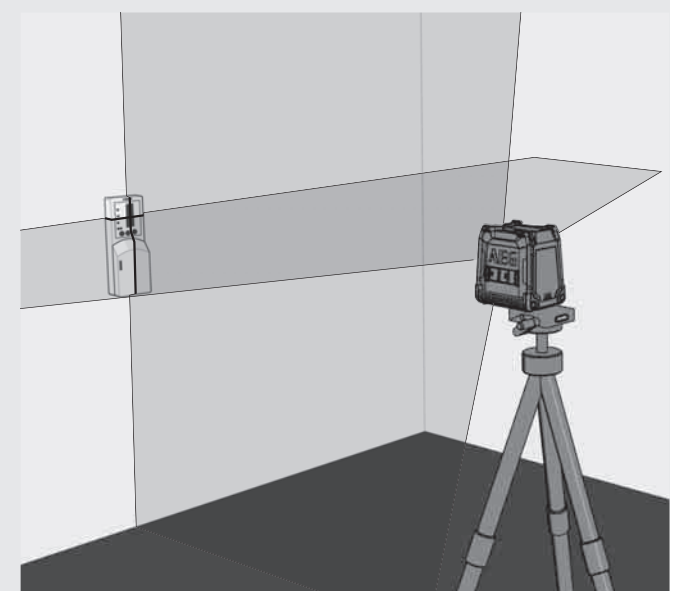
Nyomja meg a P gombot. A gomb melletti zöld LED világít.



2

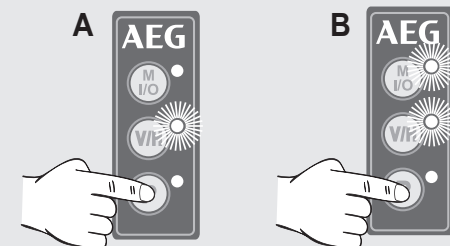
A pulzáló üzemmód aktiválását követően egy kicsit csökken a lézervonalak láthatósága.

A detektor használatára vonatkozó részletes információk a detektor kezelési útmutatójában találhatóak.



3

A pulzáló üzemmód kikapcsolásához nyomja meg újból a P gombot. A gomb melletti zöld LED kialszik.



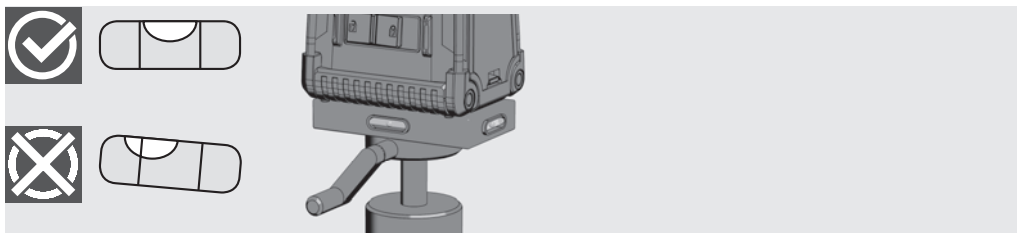
A PONTOSSÁG ELLENŐRZÉSE

A lézer gyárilag teljesen kalibrálásra kerül. Az AEG azt javasolja, hogy rendszeresen ellenőrizzék a lézer pontosságát, mindenekelőtt ha készülék előzőleg leesett vagy kezelési hibák után.

Ha a pontosság ellenőrzésekor a maximális eltérés túllépésre kerül, kérjük, forduljon egyik AEG szervizközpontunkhoz (lásd a garanciafeltételeket és a szervizközpontok címét tartalmazó listát).

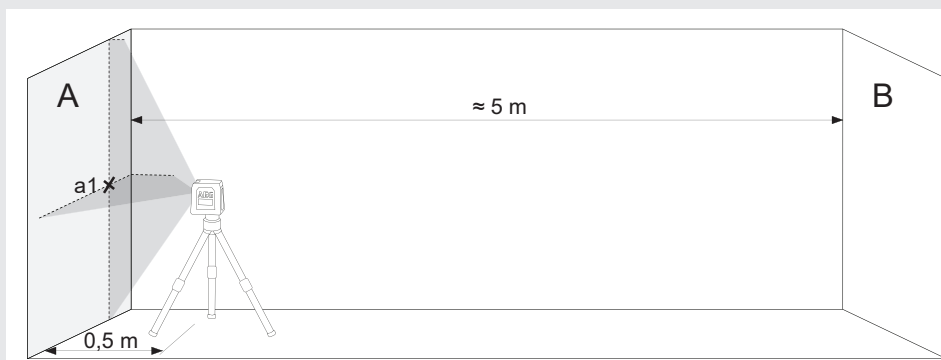
1. A vízszintes vonal magassági pontosságának ellenőrzése.
2. A vízszintes vonal szintezési pontosságának ellenőrzése.
3. A függőleges vonal szintezési pontosságának ellenőrzése.
4. A derékszögűség ellenőrzése 2 függőleges vonal között.
5. A függőzési pontosság ellenőrzése

Az állványra szerelt lézer pontosságának vizsgálata előtt ellenőrizze az állvány szintezését.



1 A VÍZSZINTES VONAL MAGASSÁGI PONTOSSÁGÁNAK ELLENŐRZÉSE (ELTÉRÉS FELFELÉ ÉS LEFELÉ)

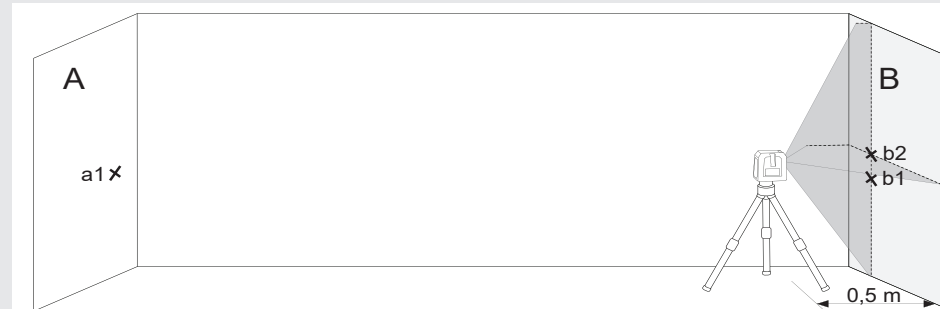
1. Állítsa fel a lézert egy állványon vagy sík aljzaton két, egymástól kb. 5 m távolságban lévő A és B fal között.
2. A lézert kb. 0,5 m-rel az A faltól helyezze el.
3. A vízszintes és a függőleges vonal A falra vetítéséhez kapcsolja be az önszintező üzemmódot és nyomja meg a gombot.
4. A két vonal metszéspontját a1 pontként jelölje fel az A falra.



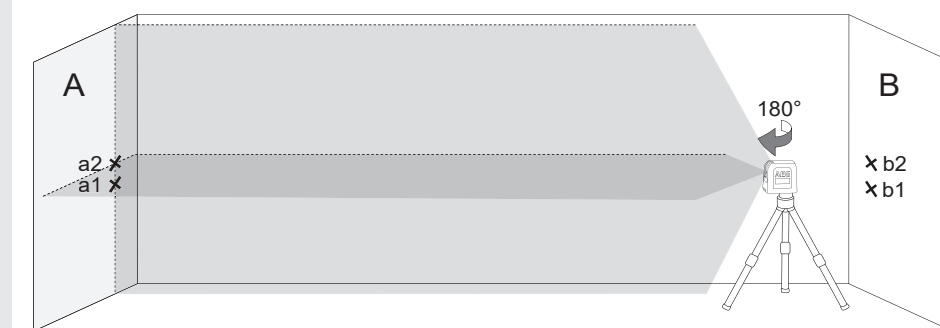
5. Fordítsa el a lézert 180°-kal a B fal irányába, és b1 pontként jelölje fel a két vonal metszéspontját a B falra.



6. A lézert kb. 0,5 m-rel a B faltól állítsa fel.
7. A két vonal metszéspontját b2 pontként jelölje fel a B falra.



8. Fordítsa el a lézert 180°-kal az A fal irányába, és a2 pontként jelölje fel a két vonal metszéspontját az A falra.



9. Mérje meg a következő távolságokat:

$$\Delta a = |a2 - a1|$$

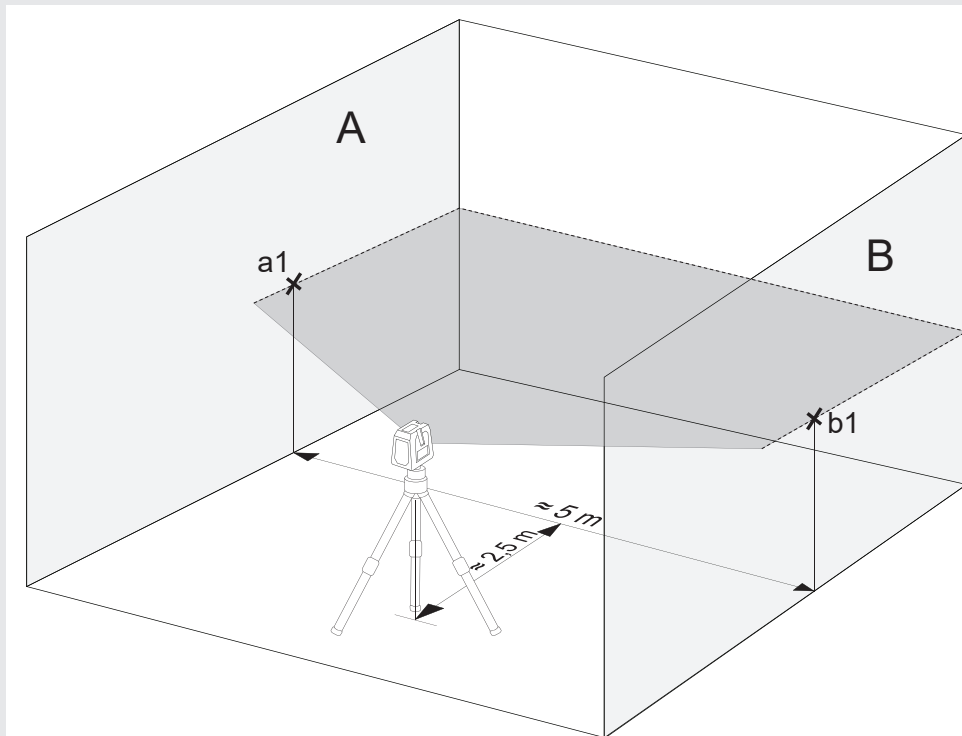
$$\Delta b = |b1 - b2|$$

10. A $|\Delta a - \Delta b|$ különbség nem lehet több 2 mm-nél.

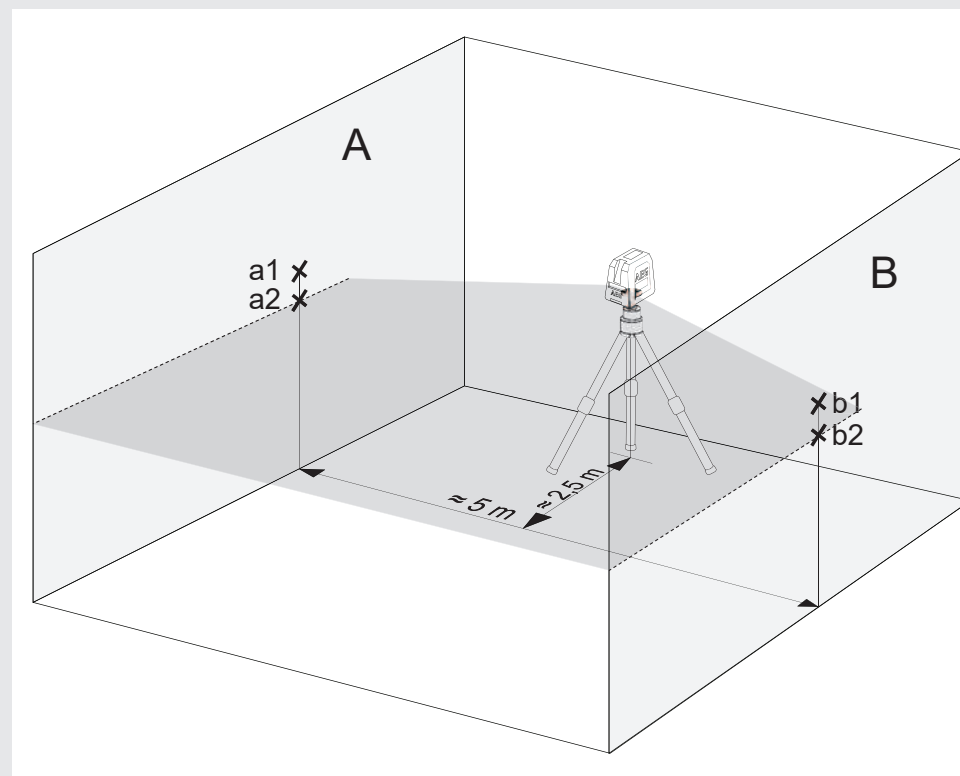
2 A VÍZSZINTES VONAL SZINTEZÉSI PONTOSSÁGÁNAK ELLENŐRZÉSE (AZ EGYIK OLDAL ELTÉRÉSE A MÁSIKHOZ KÉPEST)

Ehhez a vizsgálathoz kb. 5 × 5 m-es szabad felület szükséges.

1. Állítsa fel a lézert egy állványon vagy szilárd aljzaton két, egymástól kb. 5 m távolságban lévő A és B fal között.
2. A lézert a helyiség középpontjától kb. 2,5 m távolságban állítsa fel.
3. A vízszintes vonal A és B falra vetítéséhez kapcsolja be az önszintező üzemmódot és nyomja meg a gombot.
4. A lézervonal középpontját a1-gyel jelölje fel az A falra, b1-gyel pedig a B-re.



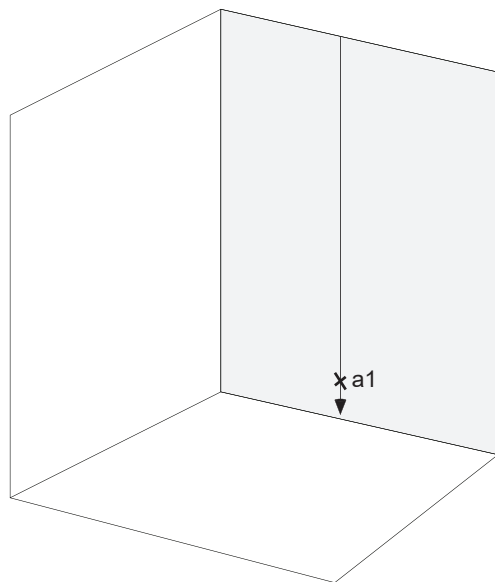
5. Helyezze át a lézert kb. 5 m-rel és forgassa el 180°-kal, majd vetítse a vízszintes vonalat újból az A és a B falra.
6. A lézervonal középpontját a2-vel jelölje fel az A falra, b2-vel pedig a B-re.



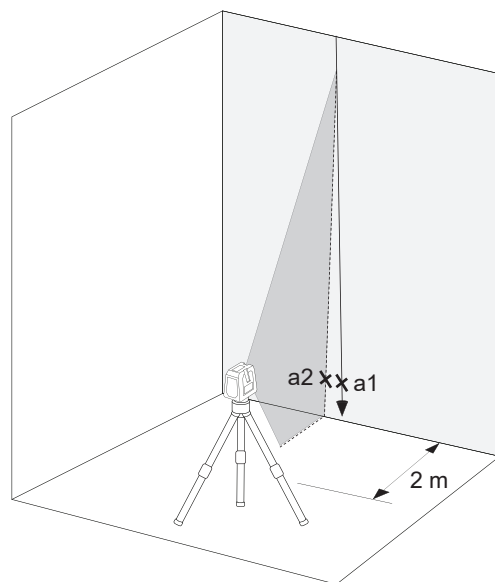
7. Mérje meg a következő távolságokat:
 $\Delta a = |a2 - a1|$
 $\Delta b = |b1 - b2|$
8. A $|\Delta a - \Delta b|$ különbség nem lehet több 2 mm-nél.

3 A FÜGGŐLEGES VONAL SZINTEZÉSI PONTOSSÁGÁNAK ELLENŐRZÉSE.

1. Egy falra akasszon fel egy kb. 4 m hosszú függőszinórt.
2. Miután a függőön kilengése megszűnt, jelölje fel az a1 pontot az ólomkúp felett a falra.



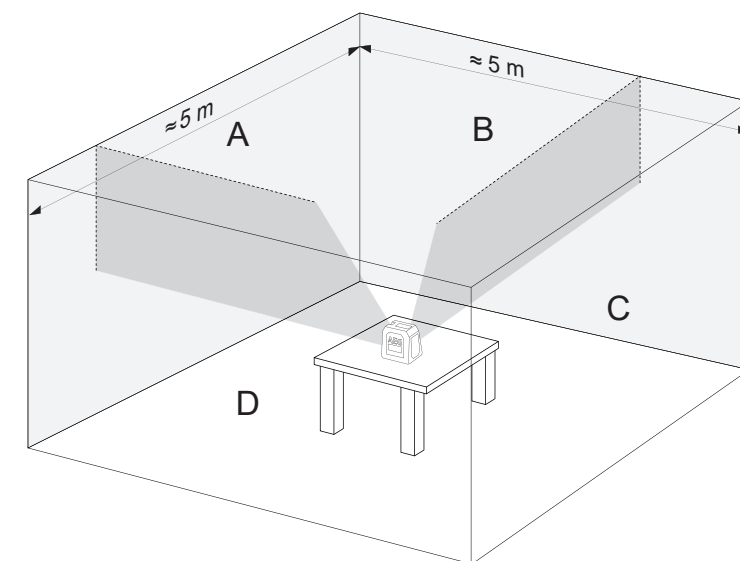
3. Állítsa fel a lézert egy állványon vagy sík aljzaton a faltól kb. 2 m távolságban.
4. A függőleges vonal függőszinórra vetítéséhez kapcsolja be az önszintező üzemmódot és nyomja meg a gombot.
5. Forgassa a lézert úgy, hogy a függőleges vonal egyezzen a függőszinórral.
6. Jelölje fel az a2 pontot a függőleges vonal közepére a falon lévő a1 ponttal azonos magasságban.
7. Az a1 és az a2 távolsága nem lehet nagyobb 1 mm-nél.



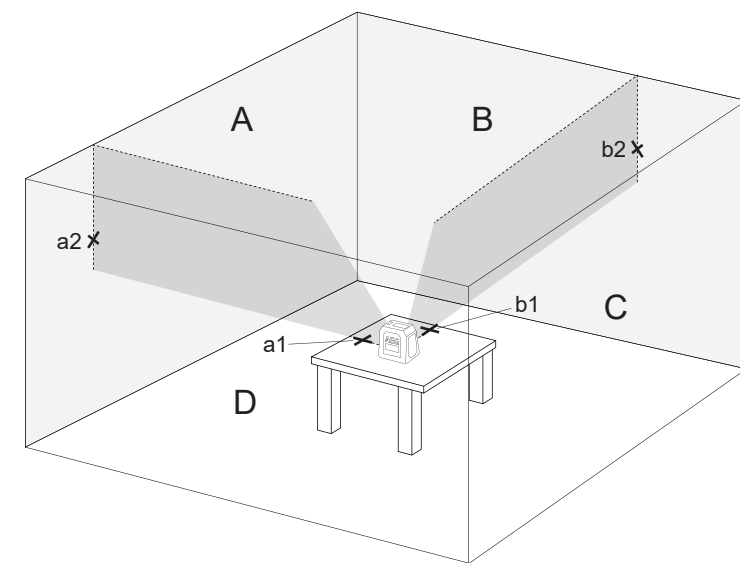
4 A DERÉKSZÖGŰSÉG ELLENŐRZÉSE 2 FÜGGŐLEGES VONAL KÖZÖTT

Ehhez a vizsgálathoz egy 4 fallal és legalább 5×5 m alapterülettel rendelkező helyiség szükséges.

1. Állítsa fel a lézert egy asztalon vagy a padlón a helyiség közepén.
2. Kapcsolja be az önszintező üzemmódot és nyomja meg 4 x a V/H gombot a függőleges vonalak előre és oldalra vetítéséhez.

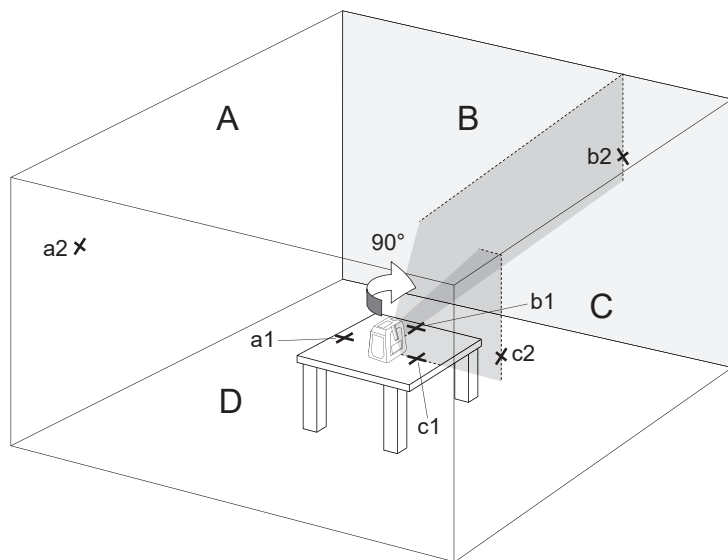


3. Jelölje fel az előre vetített függőleges vonalakat 2 helyen: Az a1 pontot az asztalra a lézerhez közel, az a2 pontot pedig az A falra.
4. Jelölje fel az oldalra vetített függőleges vonalakat 2 helyen: A b1 pontot az asztalra a lézerhez közel, a b2 pontot pedig a B falra.

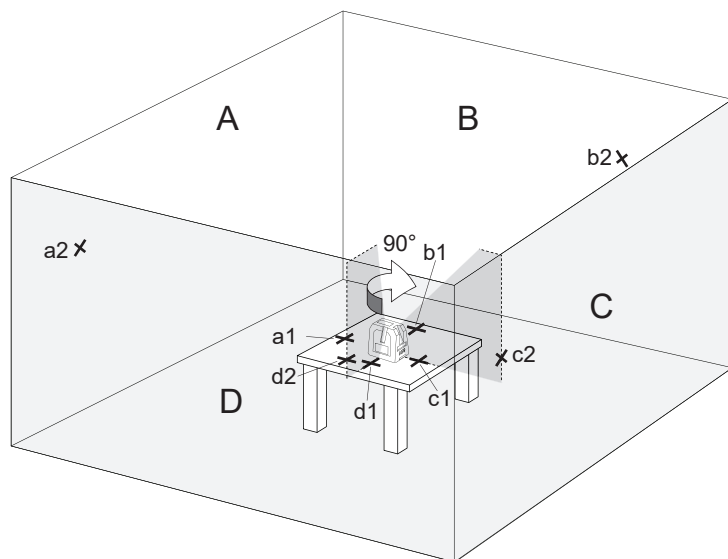


A DERÉKSZÖGŰSÉG ELLENŐRZÉSE 2 FÜGGŐLEGES VONAL KÖZÖTT

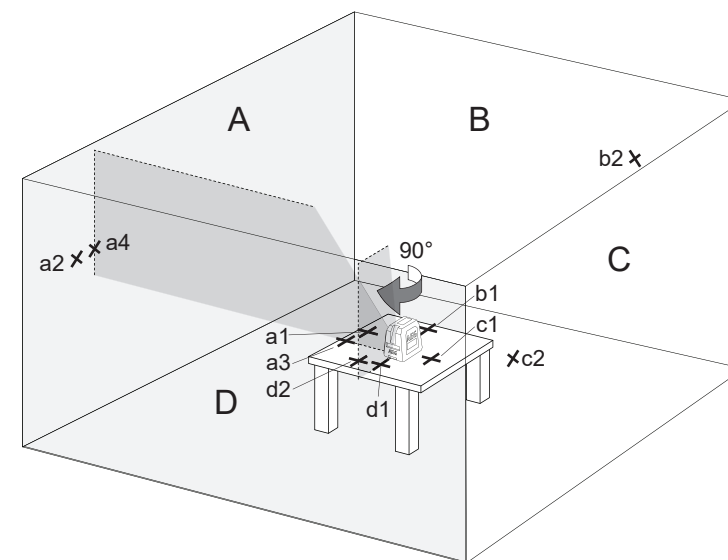
- Forgassa el a lézert 90°-kal az óramutató járásával egyező irányban úgy, hogy az előre irányuló lézervonal érje a b1 jelölést az asztalon és a b2-t a B falon.
- Jelölje fel az oldalra vetített függőleges vonalakat 2 helyen: A c1 pontot az asztalra a lézerhez közel, a c2 pontot pedig a C falra.



- Forgassa el a lézert 90°-kal az óramutató járásával egyező irányban úgy, hogy az előre irányuló lézervonal érje a c1 jelölést az asztalon és a c2-t a C falon.
- Jelölje fel az oldalra vetített függőleges vonalakat 2 helyen: A d1 pontot az asztalra a lézerhez közel, a d2 pontot pedig a D falra.



- Forgassa el a lézert 90°-kal az óramutató járásával egyező irányban úgy, hogy az előre irányuló lézervonal érje a d1 jelölést az asztalon és a d2-t a D falon.
- Jelölje fel az oldalra vetített függőleges vonalakat 2 helyen: Az a3 pontot az asztalra az a1 ponthoz közel, az a4 pontot az A falra az a2-höz közel.



- Mérje meg a következő távolságokat:

$\Delta 1 = a1 - b1$

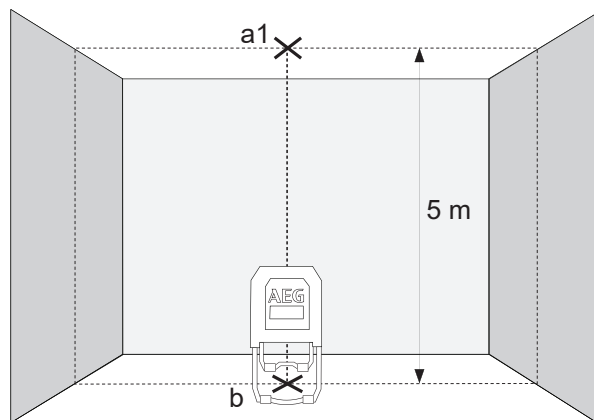
$\Delta 2 = a2 - b2$

- A $\Delta 2 - \Delta 1$ különbség nem lehet több 4 mm-nél.

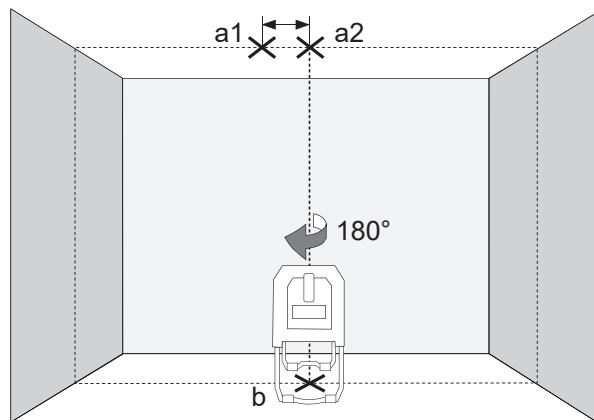
5 A FÜGGŐZÉSI PONTOSSÁG ELLENŐRZÉSE

Ehhez a vizsgálathoz egy kb. 5 m mennyezetmagasságú helyiség szükséges.

1. Hajtsa ki mindkét lézert, és állítsa fel a készüléket a padlón.
2. A függőleges keresztvonalak mennyezetre, valamint a függőzőpont padlóra vetítéséhez kapcsolja be az önszintező üzemmódot és nyomja meg a gombot.
3. A felfelé irányuló keresztvonal középpontját a1 pontként jelölje fel a mennyezetre (lásd az ábrát).
4. Jelölje fel a függőzőpont középpontját b pontként a padlóra.



5. Forgassa el a lézert 180°-kal és pozicionálja úgy, hogy a függőzőpont középpontja a már feljelölt b pontra essen és várja meg, hogy a készülék elvégezze az önszintezést.
6. A felfelé irányuló keresztvonal középpontját a2 pontként jelölje fel a mennyezetre.
7. A mennyezetre feljelölt a1 és a2 pont közötti távolság azt adja meg, hogy a lézervonal mennyivel tér el az ideális merőlegestől. 5 m mért szakasz esetén a maximális megengedett eltérés értéke:
 $5 \text{ m} \times (\pm 0,6 \text{ mm/m}) \times 2 = \pm 6 \text{ mm}$.
8. Az a1 és az a2 távolsága nem lehet nagyobb 6 mm-nél.



VSEBINA

Pomembna varnostna navodila	1
Vzdrževanje	2
Tehnični podatki	2
Predvidena uporaba	2
Pregled	3
Prikaz Baterija skoraj prazna	4
Menjava baterij	4
Nastavljive noge	5
Magnetno stensko držalo in zelena ciljna plošča	5
Dela v načinu samodejnega niveliranja	6
Dela v ročnem načinu	7
Pokončna funkcija	8
Funkcija impulznega načina	8
Preverjanje natančnosti	9

POMEMBNA VARNOSTNA NAVODILA



POZOR! OPOZORILO! NEVARNO!

Izdelka ne uporabljajte preden ne preučite varnostnih navodil in uporabniškega priročnika na priloženi zgoščenki.

Klasifikacija laserja



OPOZORILO:

To je laserski proizvod razreda 2 v skladu s EN60825-1:2014 .



Opozorilo:

Oči ne izpostavljajte neposredno laserskemu žarku. Laserski žarek lahko povzroči zelo hude poškodbe oči in/ali oslepitev.

Ne glejte neposredno v laserski žarek in žarka po nepotrebem ne usmerjajte na druge osebe.

Pozor! Pri nekaterih uporabah je lahko naprava, ki oddaja žarek izza vas. V tem primeru se previdno obrnite.

Opozorilo:

Laserja ne uporabljajte v prisotnosti otrok in le-tem ne dovolite upravljanja z laserjem.

Pozor! Odsevna površina lahko laserski žarek zrcali nazaj k upravljalcu ali v druge osebe.

Opozorilo: Uporaba krmilnih elementov, nastavitvev ali izvedba drugačnih postopkov od določenih, ki so opisani v priročniku, lahko privede do nevarnih obremenitev z žarčenjem.

Če laser prenesete iz zelo mrzlega okolja v toplo okolje (ali obratno), mora pred uporabo doseči temperaturo okolice.

Laserja ne shranjujete na prostem ter ga zaščitite pred udarci, trajnimi vibracijami in ekstremnimi temperaturami.

Lasersko merilno napravo zaščitite pred prahom, mokroto in visoko zračno vlažnostjo. Le ti lahko uničijo notrenje komponente ali vplivajo na natančnost.

Če laserski žarek zaide v oko, zaprite očesa in glavo takoj obrnite stran od žarka.

Pazite, da laserski žarek namestite tako, da ne oslepite sebe ali drugih oseb.

Ne glejte v laserski žarek s povečevalnimi napravami, kot so daljnogledi ali teleskopi. V nasprotnem primeru se poveča nevarnost težkih poškodb oči.

Upoštevajte, da očala za laser služijo boljši prepoznavnosti laserskih črt, vendar očes ne zaščitijo pred laserskim žarkom.

Opozorilnih nalepk na laserju ni dovoljeno odstraniti ali jih narediti neprepoznavne.

Laser ne razstavljajte. Laserski žarek lahko povzroči hude poškodbe oči.

Pred transportom laserja se prepričajte, da je aretirni mehanizem nihala pritrjen.

Opomba: Če aretirni mehanizem nihala ni pritrjen, se lahko med transportom pride do poškodb v notranjosti naprave.

Ne uporabljajte agresivnih čistilnih sredstev ali redčil. Čistite zgolj s čisto, mehko krpo.

Zaščitite laser pred močnimi udarci in padci. Po padcu ali močnih mehanskih učinkovanjih je treba pred uporabo preveriti natančnost naprave.

Potrebna popravila sme na laserski napravi izvajati zgolj strokovno osebje.

Izdelka ne uporabljajte v eksplozivnih nevarnih področjih ali v agresivnih okoljih.

Če naprave ne boste uporabljali dlje časa, je treba baterije vzeti iz predala za baterije. Tako preprečite iztekanje baterij in s tem povezane poškodbe zaradi korozije.



Ploskih baterij ne smete zavreči skupaj z gospodinjskimi odpadki. Skrbite za okolje in izdelek odnesite na zbiralne točke, ki so na voljo v skladu z državnimi ali lokalnimi uredbami. Izdelka ne smete zavreči skupaj z gospodinjskimi odpadki. Izdelek primerno zavržite, v skladu z veljavnimi državnimi uredbami vaše države. Upoštevajte nacionalne in državne predpise posamezne države.

Za informacije glede odstranjevanja se obrnite na krajevni urad ali vašega trgovca.



Evropska oznaka za združljivost

VZDRŽEVANJE

Objektiv in ohišje laserja očistite z mehko in čisto krpo. Ne uporabljajte topil!

Čeprav je laser do določene stopnje odporen na prah in umazanijo, ga ne shranjujte dolgoročno na prašnem mestu, ker se lahko sicer poškodujejo notranji premični deli.

Če se laser zmoči, se mora osušiti pred vstavitvijo v kovčku za prenašanje, da ne nastanejo škode zaradi rje.

TEHNIČNI PODATKI

Razred laserja	2
Območja samodejnega niveliranja	±3°
Trajanje samodejnega niveliranja	3 – 5 s
Tip baterije	LR6 alkalna baterija tipa AA
Napetost enosmernega toka	3 × 1,5 V
Poraba energije	0,35 A
Vrsta zaščite (brizgana voda in prah)	IP54
Funkcije	vodoravna črta, 2 navpični črti, križne črte, pokončna funkcija
Impulzni način	Frekvenca 10 kHz
Projekcije	3 zelene črte, 1 rdeča pika
Vzorec izdaje laserske črte	Vodoravna črta naprej, navpična črta naprej, navpična črta vstran in navpična točka. Vodoravne in navpične križne črte naprej in navpična točka. Vodoravna črta. Navpična črta naprej in navpična točka. Navpične črte naprej in vstran ter navpična točka. (Prikaz navpične točke navzdol deluje samo v načinu samodejnega niveliranja, ne v ročnem načinu delovanja.)
Čas uporabe	6 ur
Navoj stativa	1/4"
Primeren detektor	za serijske zelene laserje z večkratnimi črtami
Laserska črta	Širina 2,5 mm ± 0,5 mm/5 m Dolžina vala λ 520 ± 10 nm razred laserja II Natančnost ±0,2 mm/m Kot odpiranja > 120° Barva zelena Doseg 30 m (z detektorjem 50 m)

Navpična točka	Dolžina vala laserske točke 635 ± 5 nm razred laserja II Najv. moč laserske točke < 1 mW Natančnost navpičnosti ±0,6 mm/1 m Barva laserske točke rdeča Doseg 5 m
Priporočena delovna temperatura	od -10 °C do +45 °C
Temperatura skladiščenja	od -20 °C do +60 °C
Mere	106 mm × 88 mm × 105 mm
Teža (vključno z baterijami)	710 g

PREDVIDENA UPORABA

Ta inovativni laser je zasnovan za široko profesionalno področje uporabe, kot npr.:

- izravnavo ploščic, marmornih plošč, omar, bordur, obdelovancev in obrob
- Označite osnovne črte za vgradnjo vrat, oken, vodil, stopnic, ograj, vhodnih vrat, verand in pergol.
- Prenos referenčnih točk za namestitve osvetlitve in prezračevanja, prenos višin, niveliranje obodnih in predelnih sten, polaganje vodil na tla in druga profesionalna dela.
- Za določanje in preverjanje vodoravnih in navpičnih črt.



Ta izdelek je dovoljeno uporabljati samo za predviden namen.

Gumijasti stabilizatorji

Nastavljive noge

Okno, navpična laserska črta naprej

Okno, vodoravna laserska črta

VKLOP  / IZKLOP  Stikalo za zaklepanje



Upravljalno polje

AEG

M
I/O

V/H

P

Prikaz LED lučke Ročni način

Tipka Ročni način

Za vklop in izklop ročnega načina

Prikaz LED lučke Izbira laserske črte (trajna svetloba)

Prikaz LED lučke Baterija skoraj prazna (utripajoča svetloba)

Izbirna tipka Laserska črta

Izbira med navpično črto naprej (V), navpično črto vstran (V), vodoravno črto naprej (H) ali kombinacijo teh črt.

Prikaz LED lučke Impulzni način

Tipka Impulzni način

Za dela na prostem pri neposredni sončni svetlobi ali svetlih svetlobnih razmerah in uporabe v notranjih prostorih z dosegom do 50 m uporabite impulzni način z 10 kHz detektorjem.

Okno, navpičen laserski žarek vstran

Pokrov predala za baterije

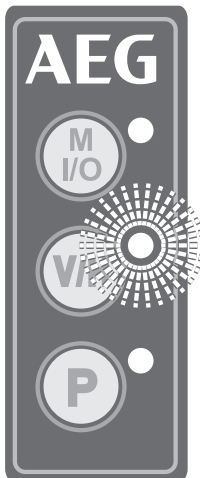


Rdeča navpična točka

1/4" navoj stativa



PRIKAZ BATERIJA SKORAJ PRAZNA



Pri nizkem stanju napoljenosti baterije se zmanjša svetilna moč laserja in ustrezen prikaz (zelena LED lučka ob tipki V/H) začne utripati vsake 0,5 sekunde.

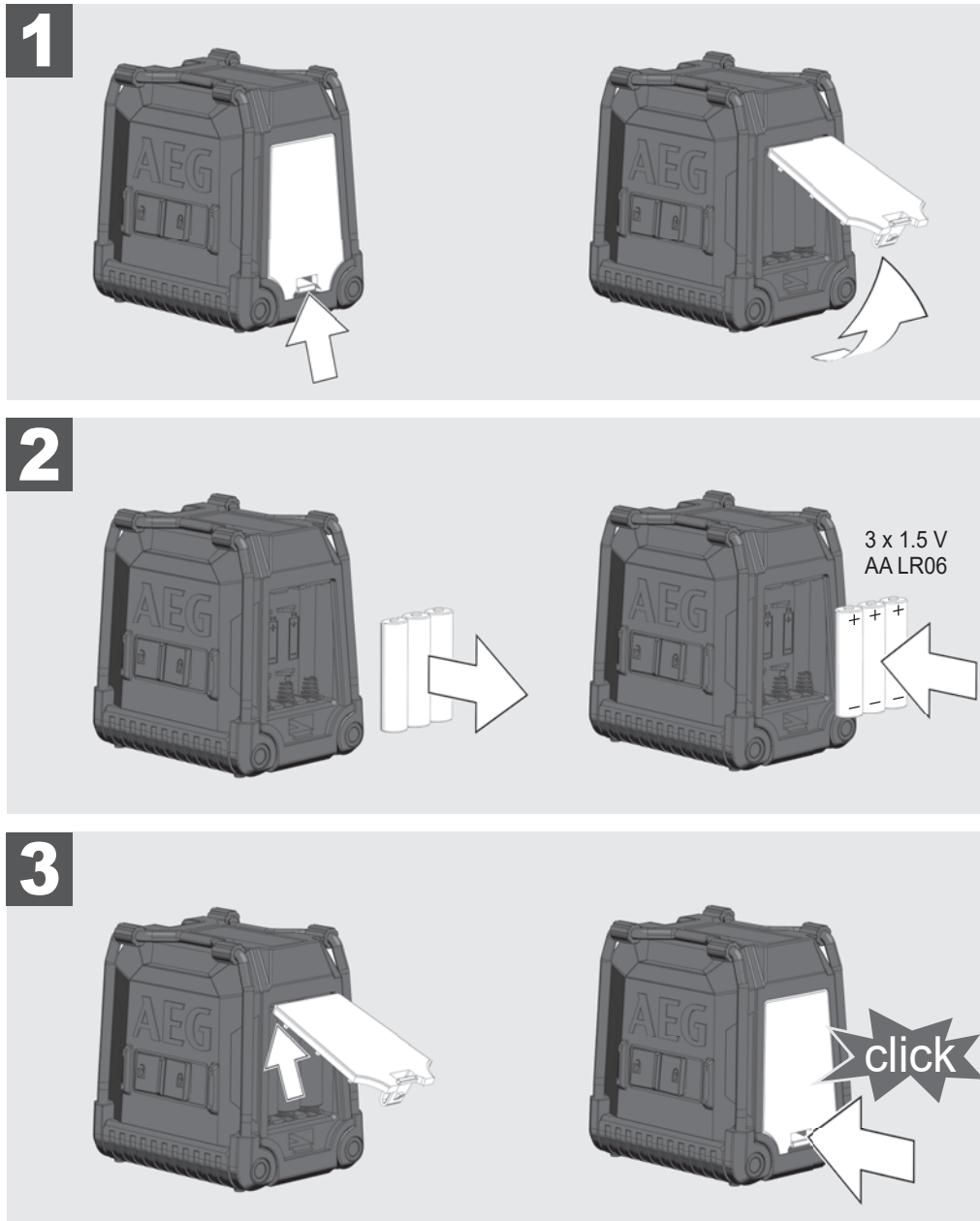
Nadaljnje delo je kljub temu omogočeno.

Če se baterije preveč izpraznijo, se naprava samodejno izklopi.

MENJAVA BATERIJ

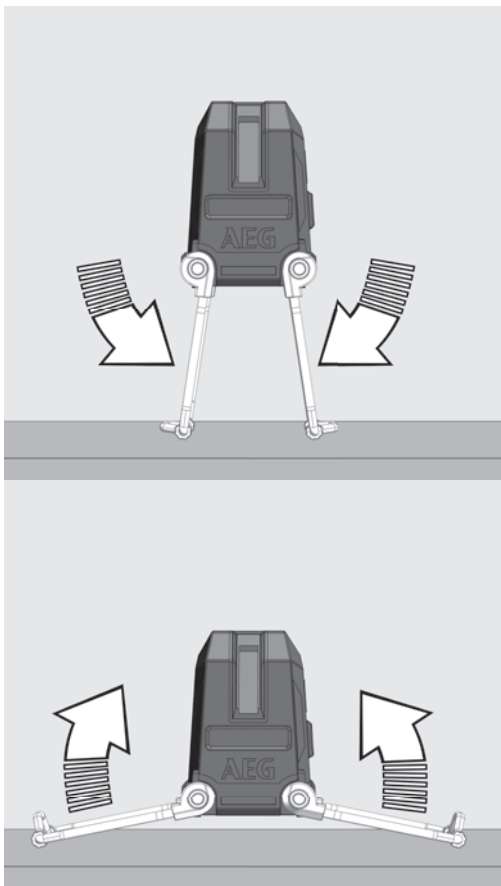
Zamenjajte baterije, ko laserski žarek postane šibkejši.

Če laserja ne boste uporabljali dlje časa, je treba baterije vzeti iz predala za baterije. Tako preprečite iztekanje baterij in s tem povezane poškodbe zaradi korozije.

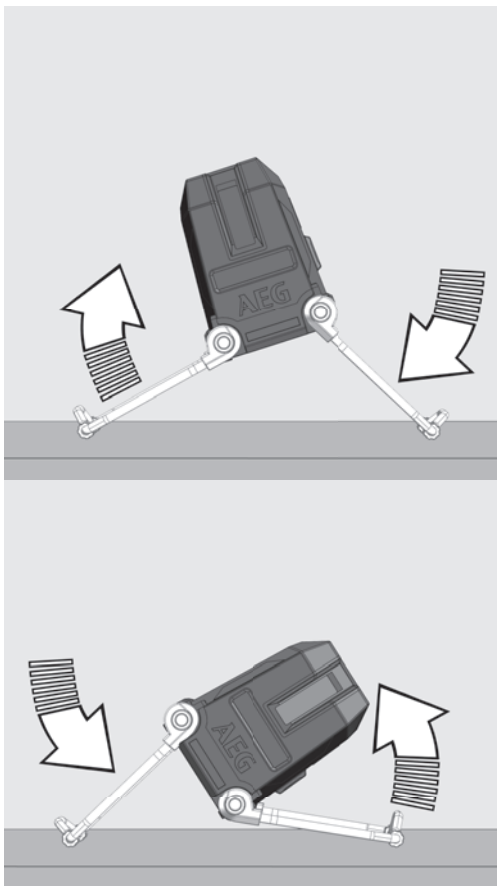


NASTAVLJIVE NOGE

Z nastavljivimi nogami nastavite višino vodoravne črte.

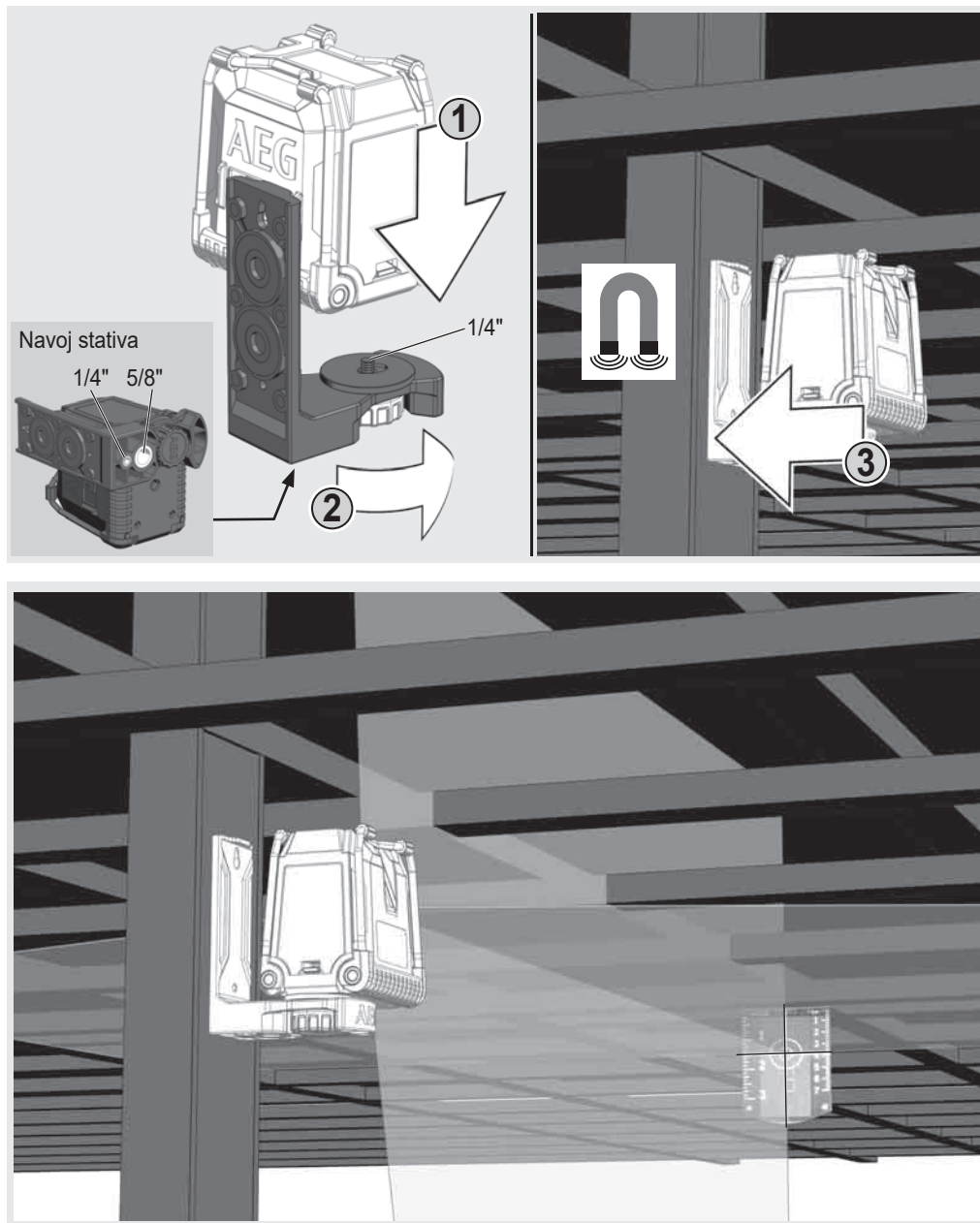


Z nastavljivimi nogami nastavite nagib laserja.



MAGNETNO STENSKO DRŽALO IN ZELENA CILJNA PLOŠČA

Z magnetnim držalom lahko laser pritrdate na stene, kovinske strukture ali podobno. Zelena ciljna plošča izboljša vidnost laserskega žarka pri neugodnih pogojih in velikih oddaljenostih.



DELA V NAČINU SAMODEJNEGA NIVELIRANJA

V načinu samodejnega niveliranja se laser v območju ± 3 izravna samodejno. Projicirajo se vodoravna črta, dve navpični črti ali istočasno sve tri črte.

1

Laser postavite na trdo, ravno podlago brez tresljajev ali ga namestite na stativ.



2

Stikalo za zaklepanje potisnite v položaj VKLOP .

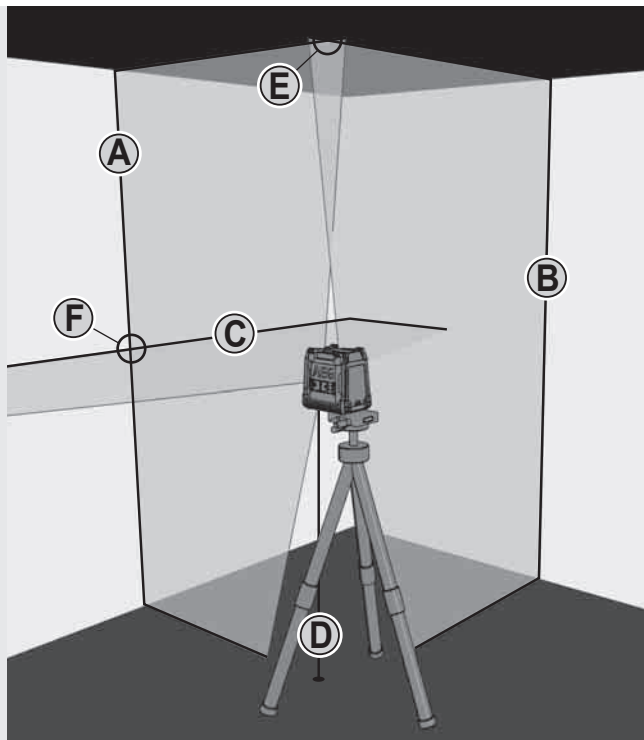


3

Laser ustvari 3 laserske črte.

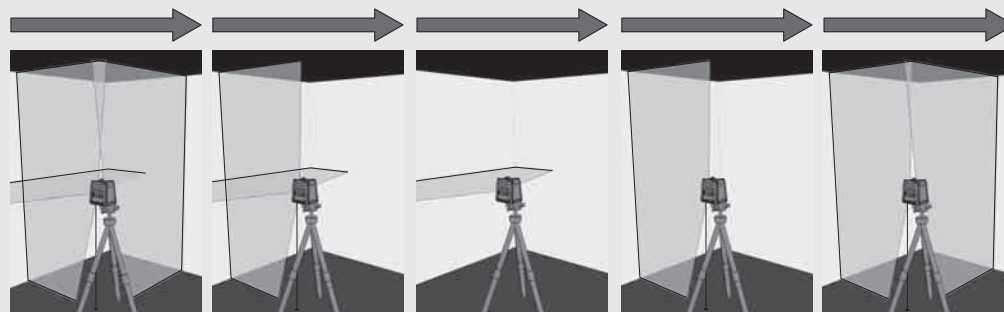
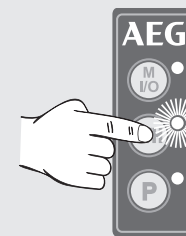
- (A) Navpična črta naprej
- (B) Navpična črta vstran
- (A) Vodoravna črta naprej
- (D) Laserska točka (navpična točka)

Ko so aktivirane vse črte, laser ustvarja križne črte navzgor (E) in naprej (F).



4

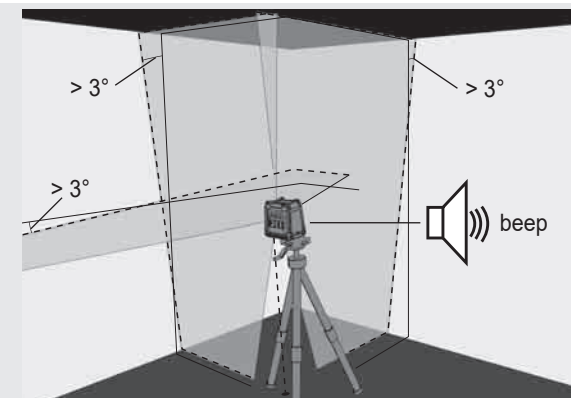
Pritisnite tipko V/H, da izberete črte, s katerimi želite delati.




5

Če laser pri aktiviranem samodejnem niveliranju na začetku ni izravnano na $\pm 3^\circ$, laserske črte utripajo — — — — in zasliši se opozorilni zvok.

V tem primeru laser ponovno namestite v določen položaj.



6

Pred prestavitvijo naprave postavite stikalo za zaklepanje v položaj IZKLOP . S tem se nihalo aretira in laser zaščiti.

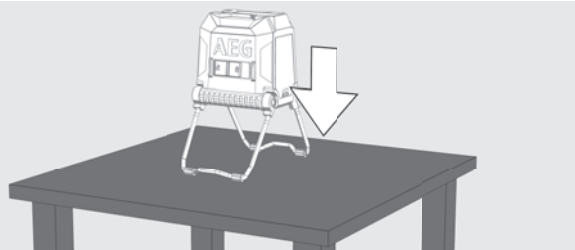


DELA V ROČNEM NAČINU

V ročnem načinu je samodejno niveliranje deaktivirano in laser lahko nastavite na vsak poljuben nagib laserskih črt.

1

Laser postavite na trdo, ravno podlago brez tresljajev ali ga namestite na stativ.



2

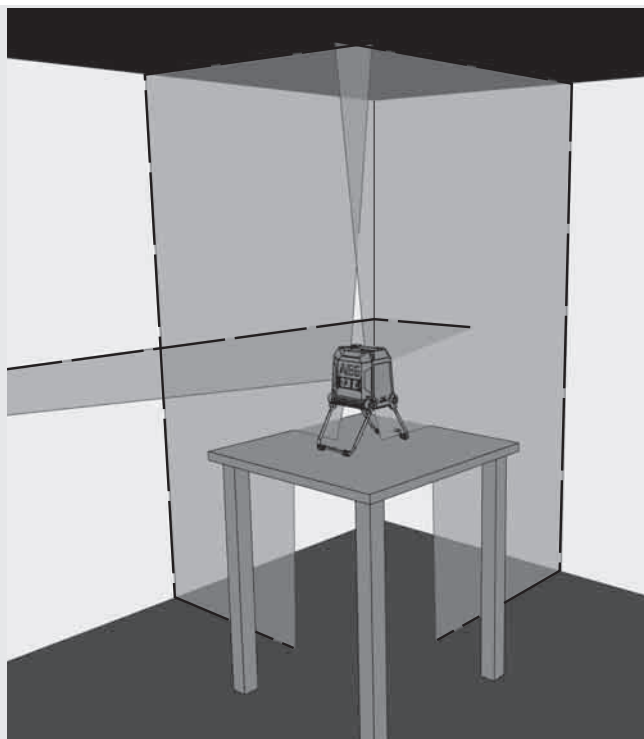
Pritisnite tipko za ročni način (ne da bi premaknili stikalo za zaklepanje!). Rdeča LED lučka ob tipki sveti.



3

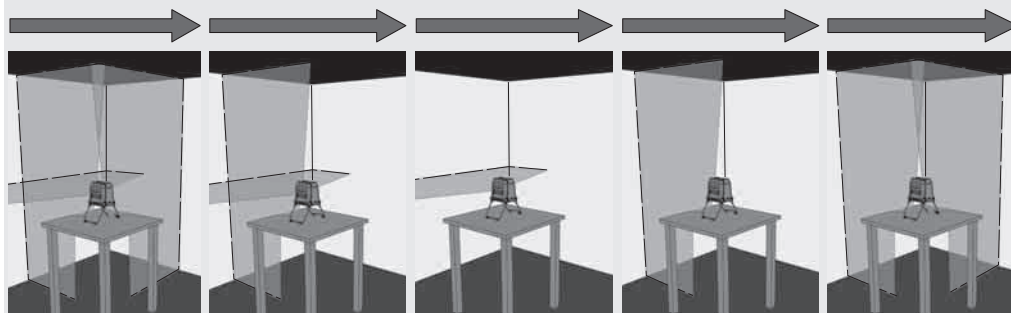
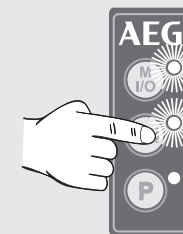
Laser enako kot pri načinu samodejnega niveliranja ustvari 3 laserske črte, ki pa utripajo v razmaku od 3 sekund.

3 s 3 s 3 s



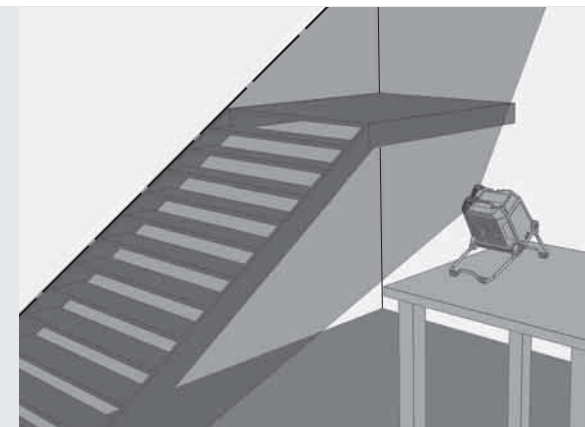
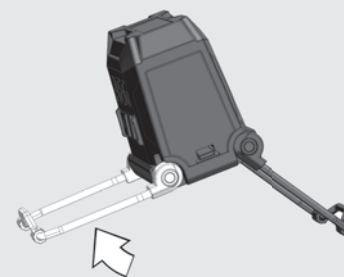
4

Pritisnite tipko V/H, da izberete črte, s katerimi želite delati.




5

Laser z nogami nastavite na želeno višino in nagib.



6

Za izhod iz ročnega načina ponovno pritisnite tipko za ročni način.

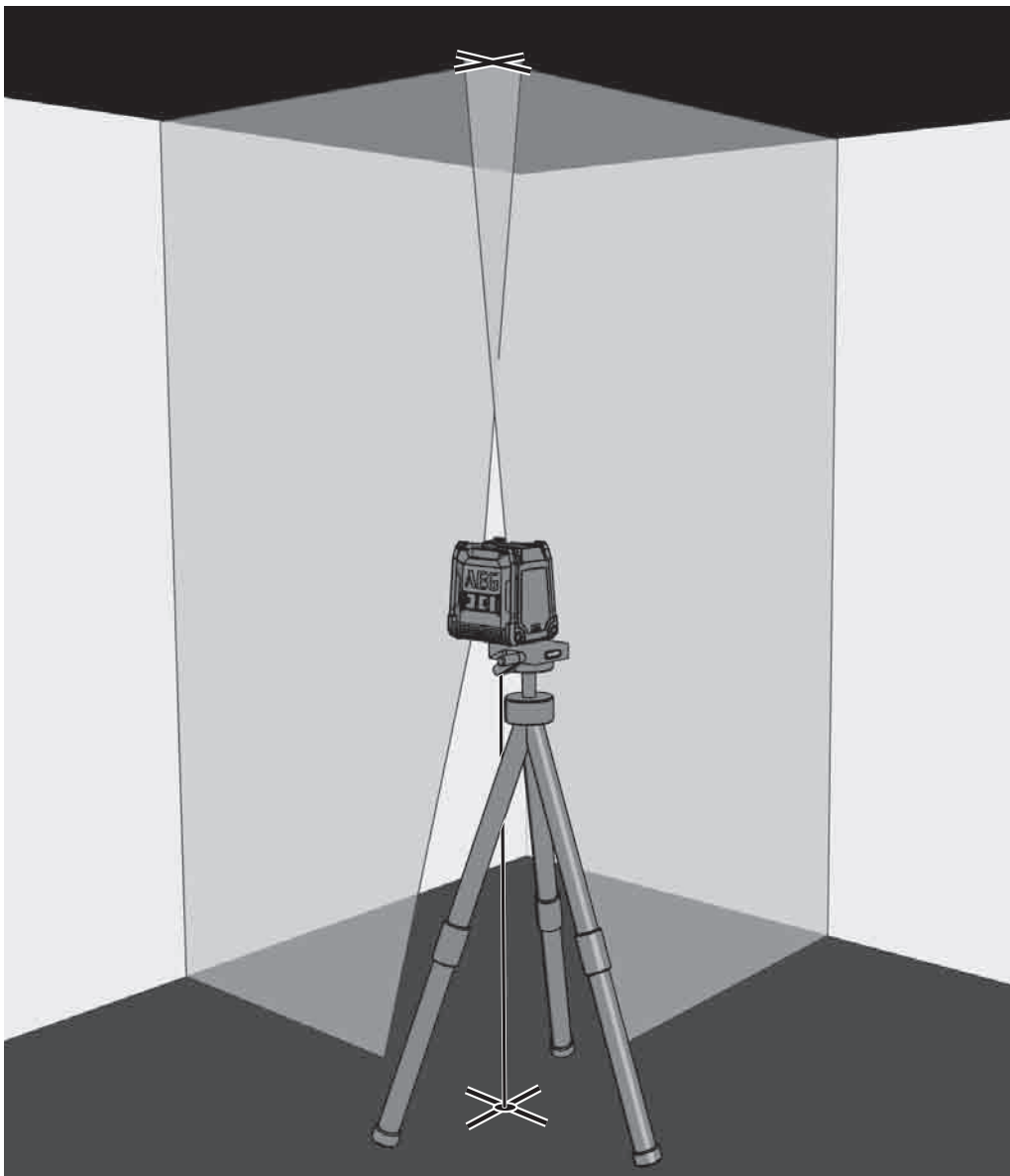
Za neposreden pomik v način samodejnega niveliranja namestite stikalo za zaklepanje v položaj VKLOP .



POKONČNA FUNKCIJA

S pokončno funkcijo je mogoče točko na tleh projicirati navpično na strop. Referenčna točka na tleh bo kot presečišče križnih črt izravnana na stropu.

Pokončna funkcija se uporablja na primer za prenos referenčne točke za namestitev osvetlitve in prezračevanja ali prenos višin.



FUNKCIJA IMPULZNEGA NAČINA

Za dela na prostem pri neposredni sončni svetlobi ali svetlih svetlobnih razmerah in uporabe v notranjih prostorih z dosegom do 50 m uporabite impulzni način z detektorjem.

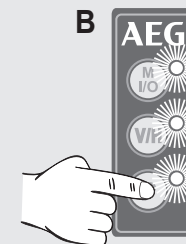
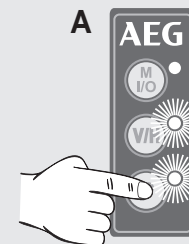
Detektor ni priložen in ga je treba pridobiti ločeno.

Pri aktiviranem impulznem načinu utripajo laserske črte z zelo visoko (človeškemu očesu nevidno) frekvenco, da je mogoče z detektorjem lokalizirati laserske črte.

1

Impulzni način je mogoče aktivirati v načinu za samodejno niveliranje (A) in ročnem načinu (B).

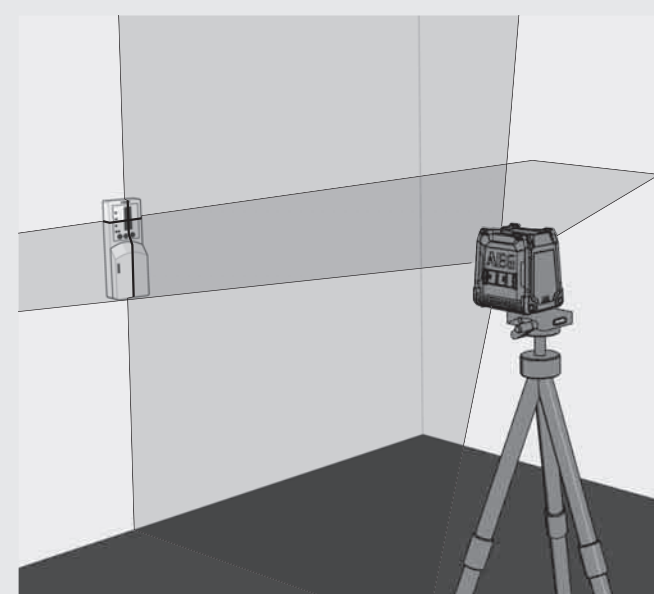
Pritisnite tipko P. Zelena LED lučka ob tipki sveti.



2

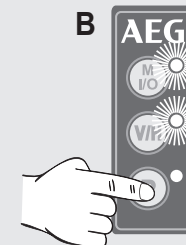
Po aktiviranju impulznega načina se nekoliko poslabša vidnost laserskih črt.

Izčrpne informacije o uporabi detektorja najdete v navodilih za uporabo detektorja.



3

Ponovno pritisnite tipko P, da izklopite impulzni način. Zelena LED lučka ob tipki ugasne.



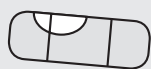
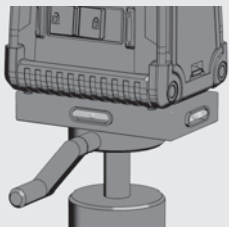
PREVERJANJE NATANČNOSTI

Laser se tovarniško popolnoma umeri. AEG priporoča, da redno preverjate natančnost laserja, predvsem po padcu ali zaradi nepravilne uporabe.

Če je največje odstopanje pri preverjanju natančnosti prekoračeno, se obrnite na enega od naših servisnih centrov AEG (glejte seznam z garancijskimi pogoji in naslovi servisnih centrov).

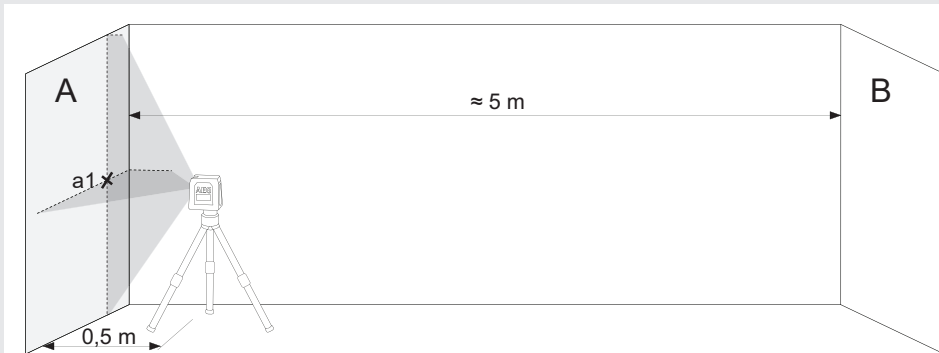
1. Preverite natančnost višine vodoravne črte.
2. Preverite natančnost niveliranja vodoravne črte.
3. Preverite natančnost niveliranja navpične črte.
4. Preverite pravokotnost med 2 navpičnima črtama.
5. Preverite natančnost navpičnosti.

Pred preverjanjem natančnosti laserja, nameščenega na stativu, preverite niveliranje stativa.



1 PREVERJANJE NATANČNOSTI VIŠINE VODORAVNE ČRTE (ODSTOPANJE NAVZGOR IN NAVZDOL)

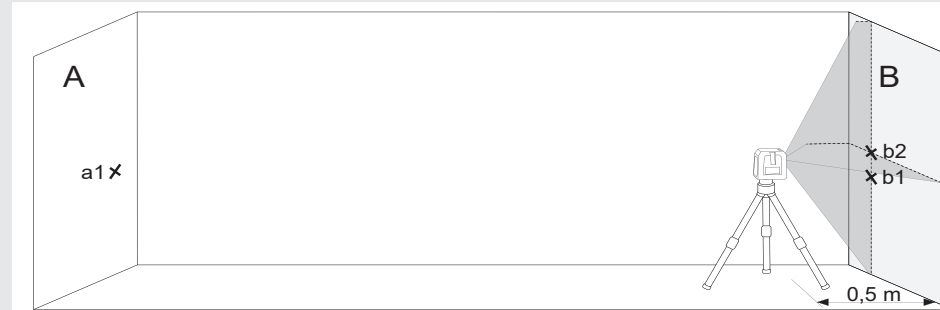
1. Postavite laser na stativ ali na ravno podlago med dvema pribl. 5 m oddaljenima stenama A in B.
2. Laser namestite pribl. 0,5 m stran od stene A.
3. Vključite način samodejnega niveliranja in pritisnite tipko, da vodoravno in navpično črto projicirate na steno A.
4. Presečišče obeh točk označite kot točko a1 na steni A.



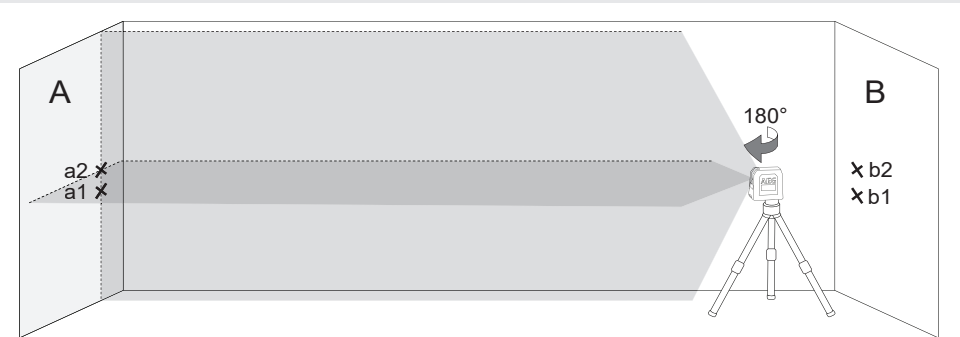
5. Laser obrnite za 180° v smer stene B in presečišče obeh črt označite kot b1 na steni B.



6. Laser namestite pribl. 0,5 m stran od stene B.
7. Presečišče obeh točk označite kot b2 na steni B.



8. Laser obrnite za 180° v smer stene A in presečišče obeh črt označite kot a2 na steni A

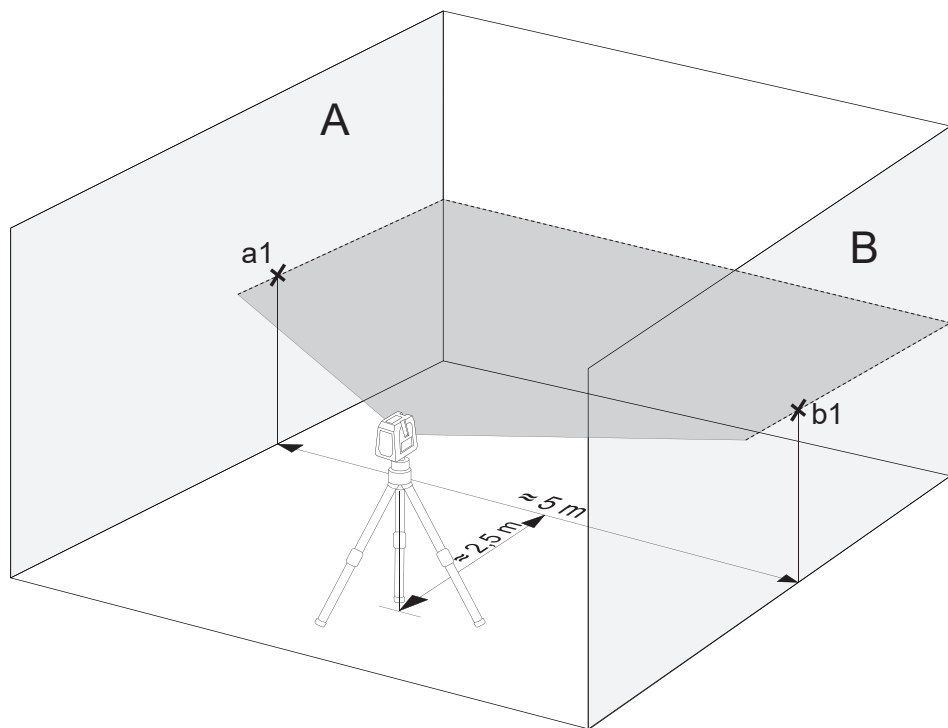


9. Izmerite razmike: $\Delta a = |a2 - a1|$
 $\Delta b = |b1 - b2|$
10. Razlika $|\Delta a - \Delta b|$ ne sme biti večja od 2 mm.

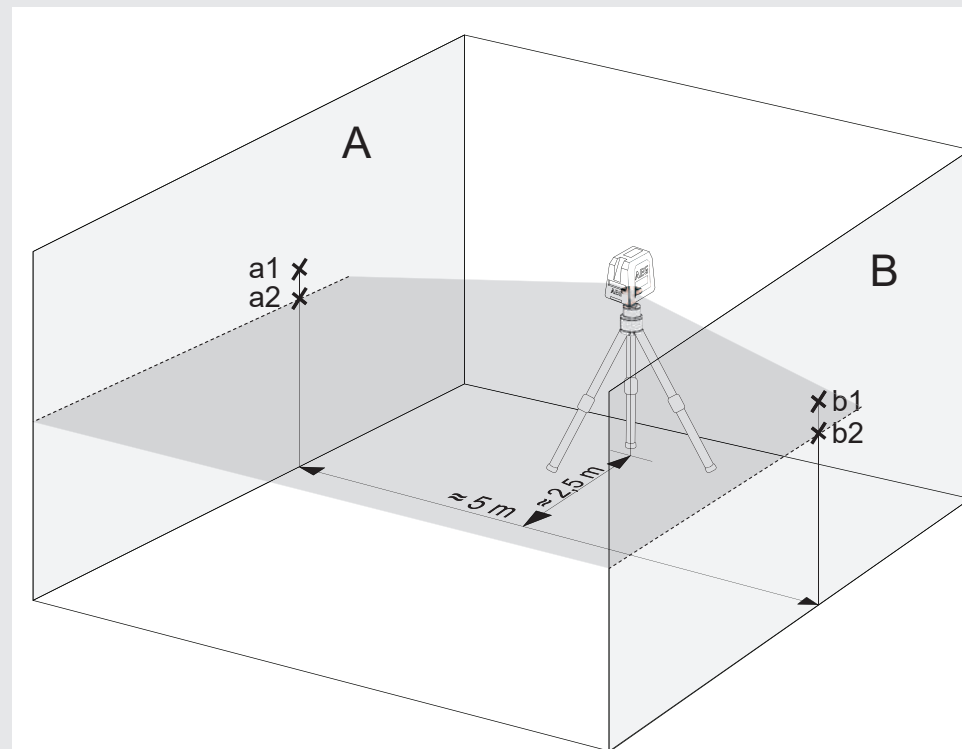
2 PREVERJANJE NATANČNOSTI NIVELIRANJA VODORAVNE ČRTE. (ODSTOPANJE OD ENE STRANI PROTI DRUGI)

Za preverjanje je potrebna prosta površina pribl. 5×5 m.

1. Postavite laser na stativ ali na trdno podlago med dvema pribl. 5 m oddaljenima stenama A in B.
2. Laser postavite pribl. 2,5 m stran od sredine prostora.
3. Vključite način samodejnega niveliranja in pritisnite tipko, da vodoravno črto projicirate na stene A in B.
4. Sredinsko točko laserske črte na steni A označite z a1 in steni B z b1.



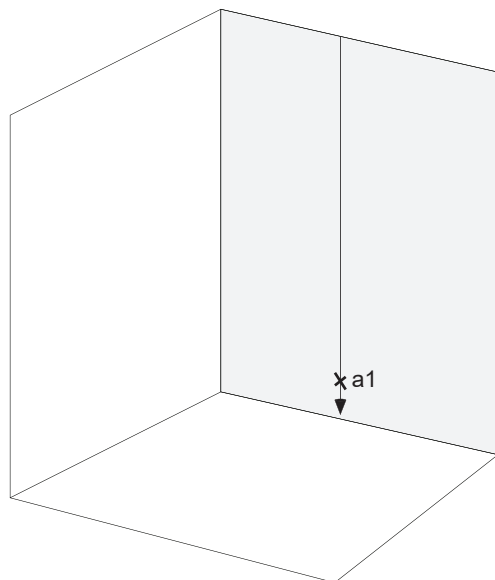
5. Prestavite laser za pribl. 5 m in ga obrnite za 180° ter vodoravno črto ponovno projicirajte na stene A in B.
6. Sredinsko točko laserske črte na steni A označite z a2 in steni B z b2.



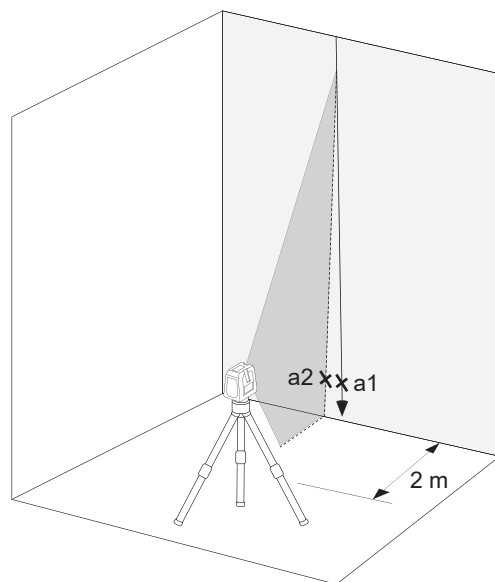
7. Izmerite razmike: $\Delta a = |a2 - a1|$
 $\Delta b = |b1 - b2|$
8. Razlika $|\Delta a - \Delta b|$ ne sme biti večja od 2 mm.

3 PREVERJANJE NATANČNOSTI NIVELIRANJA NAVPIČNE ČRTE

1. Na steno obesite grezilo z pribl. 4 m dolgo vrvico.
2. Ko se utež, viseča na vrvici, umiri, označite točko a1 nad utežo na steni.



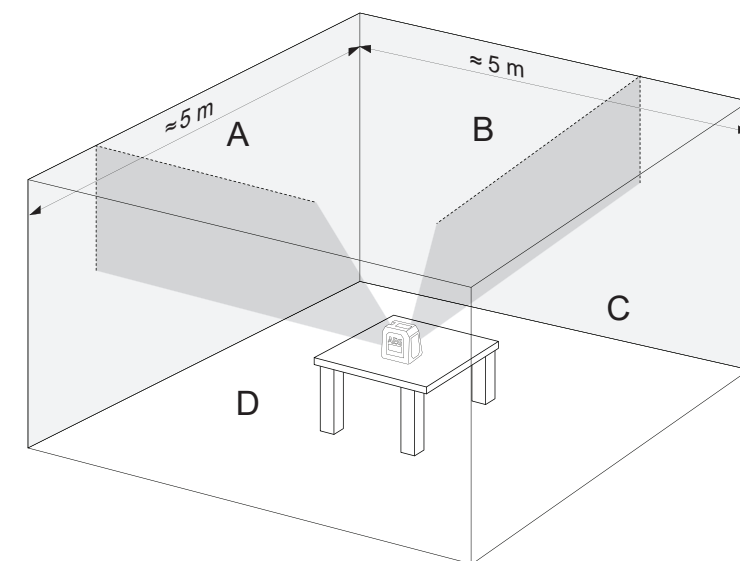
3. Postavite laser na stativ ali na ravno podlago pribl. 2 m stran od stene.
4. Vključite način samodejnega niveliranja in pritisnite tipko, da navpično črto projicirate na vrvico grezila.
5. Laser obrnite tako, da se navpična črta ujema z vpetjem vrvice grezila.
6. Označite točko a2 na sredini navpične črte na isti višini kot a1 na steni.
7. Razdalja med a1 in a2 ne sme biti večja od 1 mm.



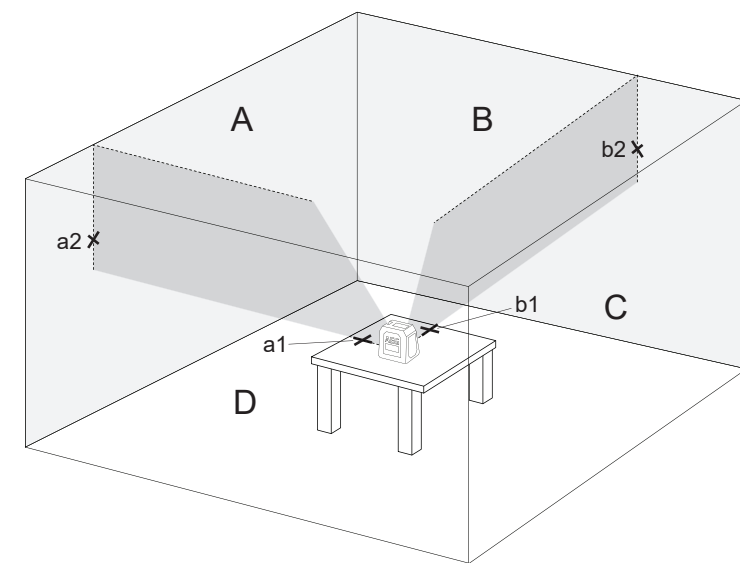
4 PREVERITE PRAVOKOTNOST MED 2 NAVPIČNIMA ČRTAMA

Za to preverjanje je potreben prostor s 4 stenami in osnovno površino najmanj 5 x 5 m.

1. Postavite laser na mizo ali tla na sredini prostora.
2. Vključite način samodejnega niveliranja in štirikrat pritisnite tipko V/H, da navpične črte projicirate naprej in vstran.



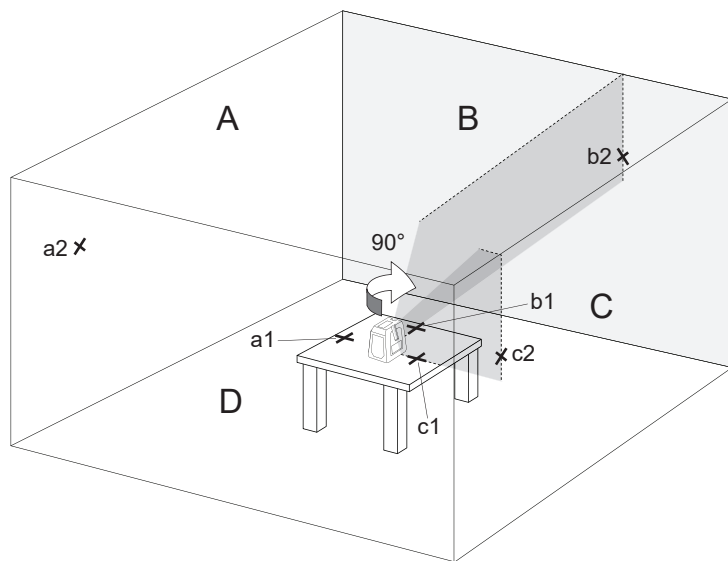
3. Sredino v smeri naprej projicirane navpične črte označite na dveh mestih: točka a1 na mizi v bližini laserja in točka a2 na steni A.
4. Sredino v smeri vstran projicirane navpične črte označite na dveh mestih: točka b1 na mizi v bližini laserja in točka b2 na steni B.



PREVERJANJE PRAVOKOTNOSTI MED 2 NAVPIČNIMA ČRTAMA

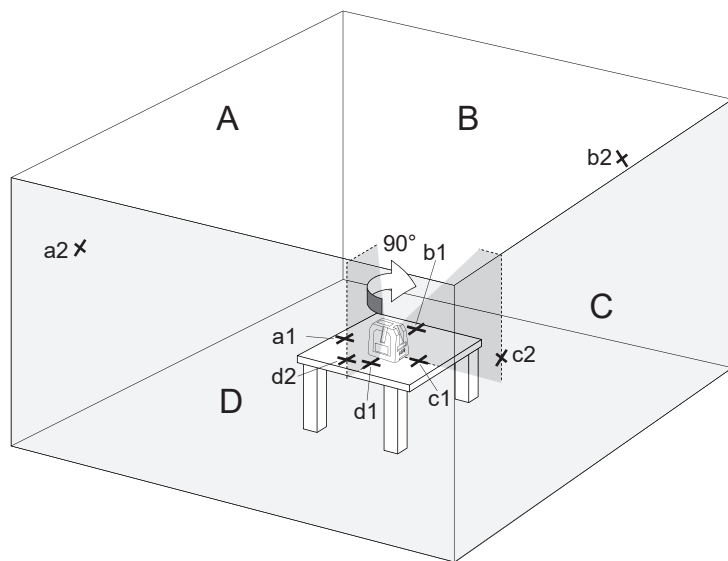
5. Laser obrnite za 90° v smeri urnega kazalca tako, da se naprej usmerjena laserska črta dotakne oznake b1 na mizi in b2 na steni B.

6. Sredino v smeri vstran projicirane navpične črte označite na dveh mestih: točka c1 na mizi v bližini laserja in točka c2 na steni C.



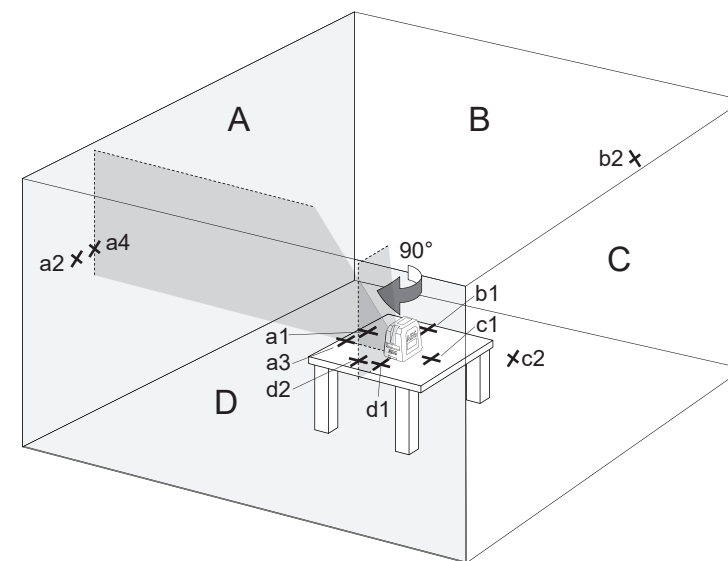
7. Laser obrnite za 90° v smeri urnega kazalca tako, da se naprej usmerjena laserska črta dotakne oznake c1 na mizi in c2 na steni C.

8. Sredino v smeri vstran projicirane navpične črte označite na dveh mestih: točka d1 na mizi v bližini laserja in točka d2 na steni D.



9. Laser obrnite za 90° v smeri urnega kazalca tako, da se naprej usmerjena laserska črta dotakne oznake d1 na mizi in d2 na steni D.

10. Sredino v smeri vstran projicirane navpične črte označite na dveh mestih: točka a3 na mizi v bližini točk a1 in a4 na steni A v bližini točke a2.



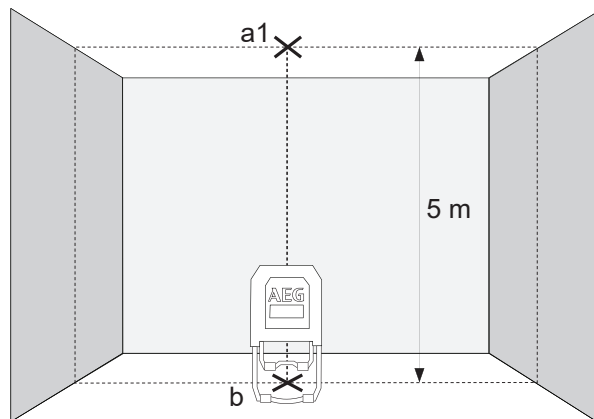
11. Izmerite razmike:
 $\Delta 1 = z \text{ a1 proti a3}$
 $\Delta 2 = z \text{ a2 proti a4}$

12. Razlika $\Delta 2 - \Delta 1$ ne sme biti večja od 4 mm.

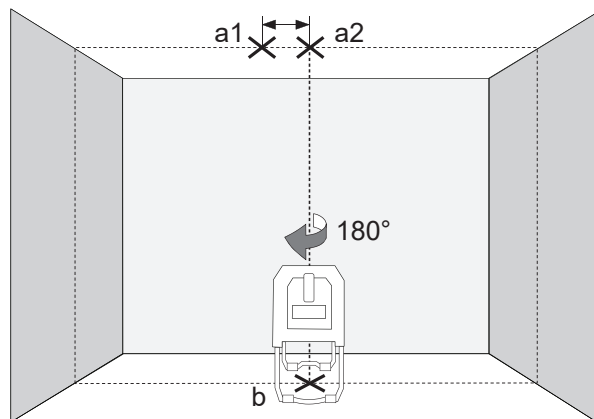
5 PREVERJANJE NATANČNOSTI NAVPIČNOSTI

Za to preverjanje je potreben prostor z višino stropa pribl. 5 m.

1. Razklopite noge laserja in postavite napravo na tla.
2. Vključite način samodejnega niveliranja in pritisnite tipko, da projicirate navpične križne črte na strop in navpično točko na tla.
3. Sredino navzgor usmerjene križne črte označite kot točko a1 na stropu (glejte sliko).
4. Sredinsko točko navpične točke označite kot točko b na tleh.



5. Obrnite laser za 180° in ga namestite tako, da sredinska točka navpične točke pade na že označeno točko b in počakajte, da se naprava izravna.
6. Sredino navzgor usmerjene križne črte označite kot točko a2 na stropu.
7. Razdalja med točkama a1 in a2 na stropu navede, kako močno laserska črta odstopa od idealne navpičnice.
Pri merilni dolžini 5 m največje dovoljene odstopanje znaša:
 $5 \text{ m} \times (\pm 0,6 \text{ mm/m}) \times 2 = \pm 6 \text{ mm}$.
8. Razdalja med a1 in a2 ne sme biti večja od 6 mm.



SADRŽAJ

Važne upute o sigurnosti	1
Održavanje	2
Tehnički podaci	2
Pravilna primjena	2
Pregled	3
Prikaz slaba baterija	4
Promjena baterija	4
Premjeste noge	5
Magnetski zidni držač i zelena ciljna ploča	5
Radovi u modusu samoniveliranja	6
Rad u ručnom modusu	7
Funkcija okomice	8
Funkcija modusa pulsa	8
Provjera točnosti	9

VAŽNE UPUTE O SIGURNOSTI



PAŽNJA! UPOZORENIE! OPASNOST!

Ne koristite proizvod prije nego što proučite upute o sigurnosti te korisnički priručnik na priloženom CD-u.

Klasifikacija lasera



UPOZORENJE:

Ovo je laserski proizvod klase 2 u skladu s EN60825-1:2014 .



Upozorenje:

Oči ne direktno izlagati laserskim zrakama. Laserske zrake mogu prouzročiti teška oštećenja očiju i/ili osljepljenje.

Ne direktno gledati u lasersku zraku i zraku ne nepotrebno usmjeravati na druge osobe.

Oprez! Kod ponekih primjena se aparat koji emitira laser može nalaziti iza Vas. U tome slučaju se oprezno okrenite.

Upozorenje:

Ne koristite laser u blizini djece i ne dopuštajte djeci da koriste laser.

Pažnja! Jedna reflektirajuća površina bi lasersku zraku mogla reflektirati nazad na poslužioaca i druge osobe.

Upozorenje: Uporaba upravljačkih elemenata, namještanja ili izvođenje drugih postupaka od onih koji su utvrđeni u priručniku mogu dovesti do opasnih opterećenja zračenjem.

Kada se laser prenese iz jedne hladne sredine u jednu toplu sredinu (ili obrnuto), mora se prije uporabe postići temperatura okoline.

Laser ne koristiti na vanjskom području i štiti ga od udaraca, trajnih vibracija i ekstremnih temperatura.

Laserski mjerni instrument štiti od prašine, vlage i visoke vlage zraka. To može uništiti unutarnje elemente i utjecati na točnost.

Ako laserski zrak pogodi oko, oči zatvoriti a glavu odmah okrenuti od pravca zraka.

Pazite na to da se laserski zrak pozicionira tako, da Vie osobno ili druge osobe njime ne budu zablještene.

U lasersku zraku ne gledati s optičkim povećalima kao što su dalekozori ili teleskopi. Time se povećava opasnost od teških oštećenja očiju.

Imajte na umu, da naočale za lasere služe za bolje prepoznavanje laserske linije, ali ne štite oči od laserskog zračenja.

Pločice upozorenja na laserskom aparatu se ne smije odstraniti ili učiniti nečitkima.

Laser ne rastavljati. Lasersko zračenje može prouzročiti teške ozljede očiju.

Prije transporta lasera uvjeriti se, da je klatno aretiranje uskočeno.

Napomena: Kod neuskočenog klatnog aretiranja može za vrijeme transporta doći do oštećenja u unutarnjosti aparata.


Nemojte koristiti nikakva agresivna sredstva za čišćenje ili otapala. Čistiti samo jedno čistom mekom krpom.

Laser čuvati protiv jakih udaraca i padova. Nakon jednog pada ili jakog mehaničkog djelovanja se mora prije uporabe provjeriti točnost aparata.


Potrebne povrpavke na ovom laserskom uređaju smije izvoditi samo autorizirano stručno osoblje.

Proizvodom ne upravljajte u područjima u kojima postoji opasnost od eksplozije ili u agresivnim okolinama.

Prije duže neuporabe aparata izvaditi baterije iz baterijskog pretinca. Tako se izbjegava curenje iz baterija a tako i time povezana korozivna oštećenja.

 Prazne baterije se ne smiju odstraniti skupa sa kućnim smećem. Rabljene baterije dati na zbrinjavanje odgovarajuće okolici prema nacionalnim ili lokalnim propisima na predviđena mjesta skupljanja. Aparat se ne smije zbrinuti sa kućnim smećem. Aparat zbrinuti na stručan način.

Poštivati propise zbrinjavanja specifične za dotičnu državu. Obratite se mjesnim vlastims ili trgovcu u svezi informatcija o zbrinjavanju.

 Europski znak suglasnosti

ODRŽAVANJE

Objektiv i kućište lasera čistiti jednom mekom i čistom krpom. Ne koristiti nikakva otapala.

Iako je laser do jednog određenog stupnja otporan na prašinu i prljavštinu, ovaj se ne smije čuvati duže vremena na nekom prašnjavom mjestu, jer bi inače time unutarnji pokretni dijelovi mogli biti oštećeni.

Postane li laser mokar, mora se prije uporabe osušiti u kovčegu za nošenje, kako ne bi nastale štete korozijom.

TEHNIČKI PODACI

Klasa lasera	2
Područje samoniveliranja	±3°
Trajanje samoniveliranja	3–5 s
Tip baterije	LR6 alkalne baterije tipa AA
Napon DC	3 × 1,5 V
Primanje snage	0,35 A
Vrsta zaštite (štrcajuća voda i prašina)	IP54
Funkcije	vodoravna linija, 2 okomite linije, križna linije, funkcija okomice
Pulsni modus	Frekvencija 10 kHz
Projekcije	3 zelene linije, 1 crvena točka
Izlazni uzorak laserske linije	Vodoravna linija prema naprijed, okomita linija prema naprijed, okomita linija postranično i točka okomice. Vodoravne i okomite križne linije prema naprijed i točka okomice. Vodoravna linija. Okomita linija prema naprijed i točka okomice. Okomite linije prema naprijed i postranino i točka okomice. (Prikaz točke okomice nadalje funkcionira samo u modusu samoniveliranja, ne u ručnom pogonu.)
Vrijeme rada	6 sati
Navoj stalka	1/4"
Prikladni detektor	za standardne zelene višestruke linijske lasere
Laserska linija	Širina 2,5 mm ±0,5 mm / 5 m Dužina vala λ 520 ±10 nm laserska klasa II Točnost ±0,2 mm/m Kut otvora > 120° Boja zelena Doseg 30 m (s detektorom 50 m)

Točka okomice	Dužina vala laserske točke 635 ±5 nm laserska klasa II Max.snaga laserske točke < 1 mW Točnost okomice ±0,6 mm / 1 m Boja laserske točke crvena Doseg 5 m
Preporučena radna temperatura	-10 °C do +45 °C
Temperatura skladištenja	-20 °C do +60 °C
Mjere	106 mm × 88 mm × 105 mm
Težina (sa baterijama)	710 g

PRAVILNA PRIMJENA

Ovaj inovativni laser je izrađen za jedno široko profesionalno područje primjene kao npr.:

- Uravnavanje pločica, mramorskih ploča, ormara, bordura, fazonskih dijelova i rubova
- Markiranje osnovnih linija za ugradnju vrata, prozora, šina, stepenica, ograda, kapija, veranda i pergola.
- Prenošnje referentnih točaka i instalacija rasvjete i ventilacije, prenošenje visokih, niveliranih i vanjskih i kostura zidova, polaganja šina na podove kao i ostali profesionalni radovi.
- Za određivanja i provjeru vodoravnih i okomitih linija.



Ovaj proizvod se smije koristiti samo u određene svrhe, kao što je navedeno.

Gumeni stabilizatori

Namjesteve noge

Prozor okomita laserska linija prema naprijed

Prozor vodoravna laserska linija

ON  / OFF  sklopka za blokiranje



Polje posluživanja

AEG

M
I/O

V/H

P

LED-prikaz ručni modus

Tipka manualni modus

Za uključenje i isključenje ručnog modusa

LED-prikaz odabir laserske linije (trajno svjetlo)

LED-Prikaz slaba baterija (treptavo svjetlo)

Tipka biranja laserske linije

Izbor između okomite linije prema naprijed (**V**), okomite postranične linije (**V**), vodoravne linije (**H**) prema naprijed ili jedne kombinacije od ovih linija.

LED-prikaz modus pulsa

Tipka modusa pulsa

Za vanjske radove kod direktnog zračenja sunca ili pod svjetlim uvjetima svjetlosti kao i kod unutarnje uporabe s jednim dosegom do 50 m uporabiti modus pulsa s jednim 10-kHz-detektorom.

Prozor okomiti laserski zrak postranično

Poklopac pretinca za baterije

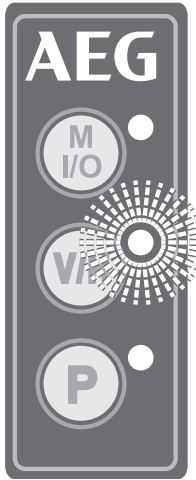


Crvena točka okomice

1/4" navoj stalka



PRIKAZ SLABA BATERIJA



Kod niskog nivoa punjenja baterije se smanjuje snaga svjetlosti lasera, odgovarajući prikaz (zelena LED pored tipke V/H) počinje treperiti s frekvencijom od 0,5 sekunda.

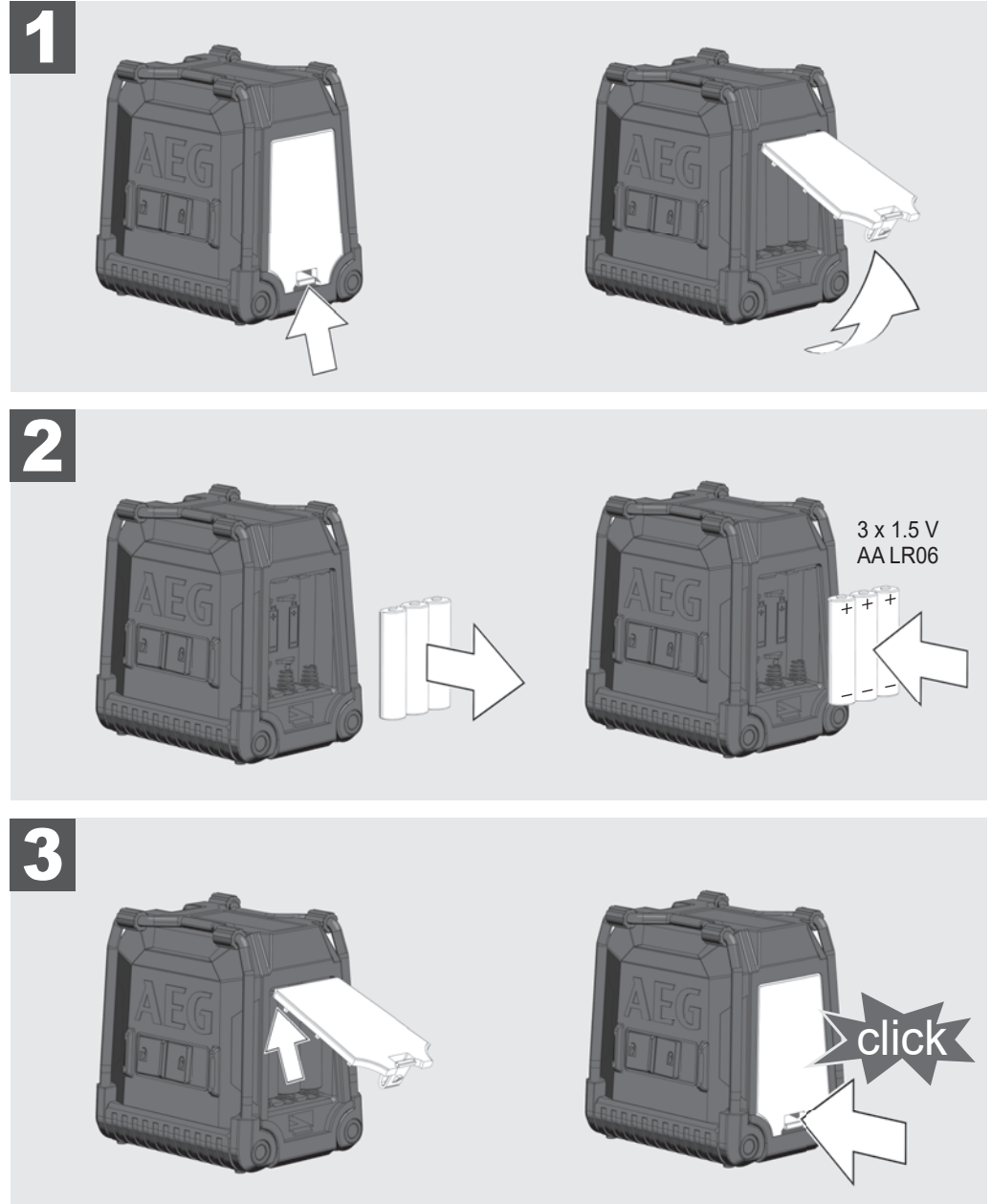
Nastavak rada je ipak moguć.

Kada baterije postanu preslabe, aparat se automatski isključuje.

PROMJENA BATERIJA

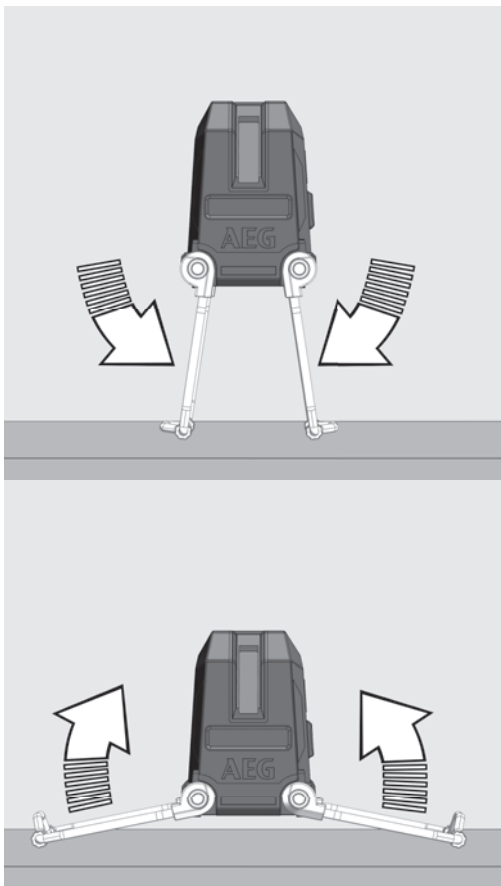
Baterije promijeniti kada laserska zraka postane slabija.

Prije duže neupotrebe lasera, baterije izvaditi iz baterijskog pretinca. Tako se izbjegava curenje baterije i time povezana korozivna oštećenja.

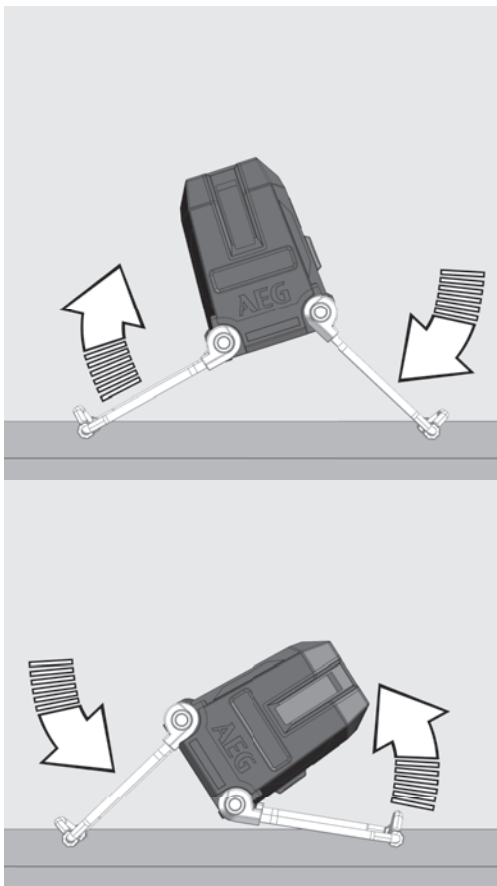


PREMJESTIVE NOGE

Sa premjesticim nogama podesiti visinu vodoravne linije.

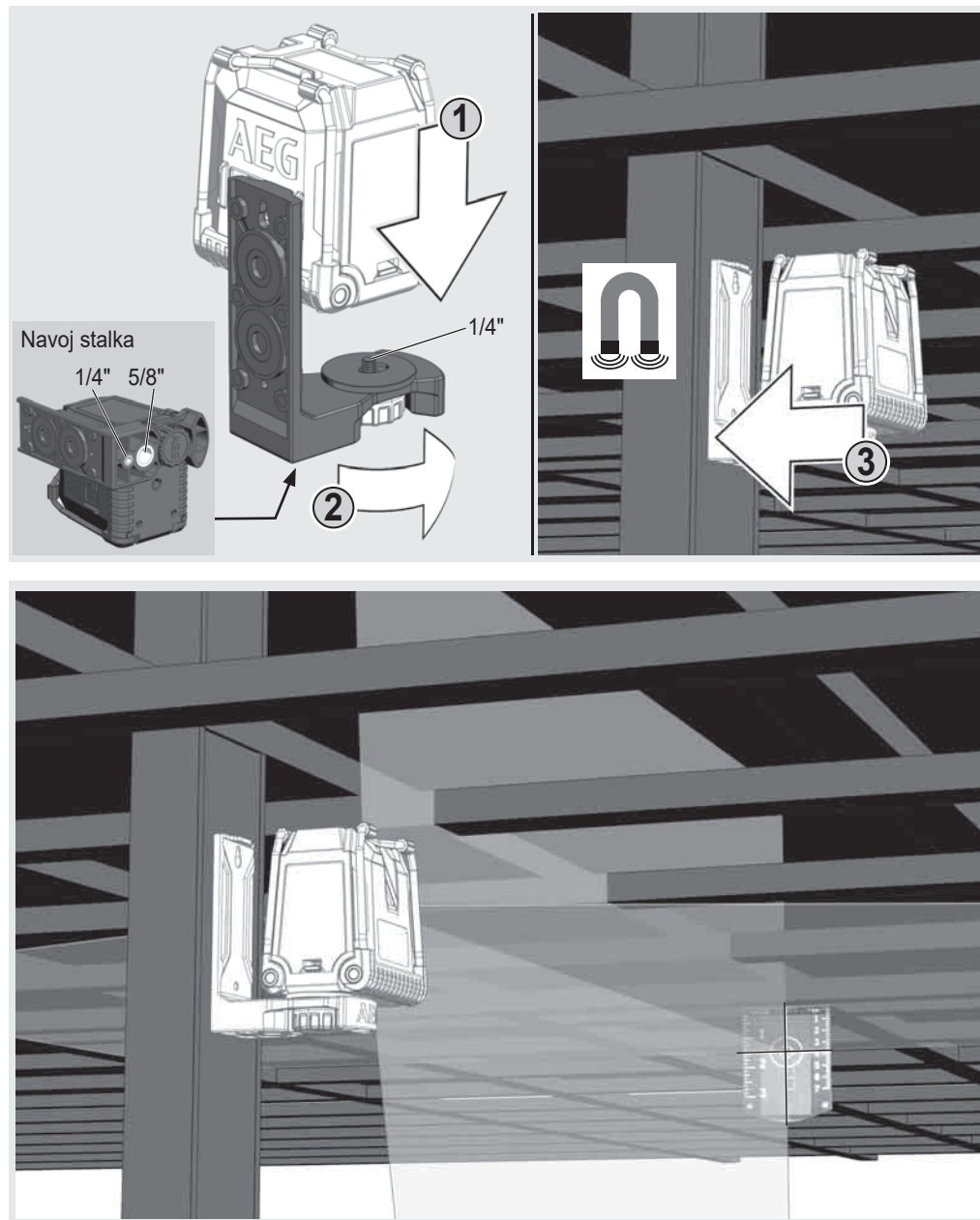


Sa premjesticim nogama podesiti nagib lasera.



MAGNETSKI ZIDNI DRŽAČ I ZELENA CILJNA PLOČA

S magnetskim držaljkama se laser može pričvrstiti na zidovima, metalnim strukturama i sl.. Zelena ciljna tabla poboljšava vidljivost laserske zrake pod nepovoljnim uvjetima i na većim udaljenostima.



RADOVI U MODUSU SAMONIVELIRANJA

U modusu samoniveliranja se laser centrirá sam na području od $\pm 3^\circ$. Projicira se jedna vodoravna linija, dvije okomite linije ili sve 3 linije istovremeno.

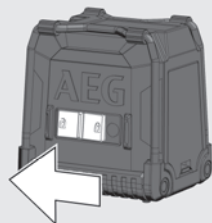
1

Laser postaviti na jednu čvrstu, ravnu podlogu bez vibracija ili montirati na jedan stalak.



2

Sklopku blokiranja postaviti na ON

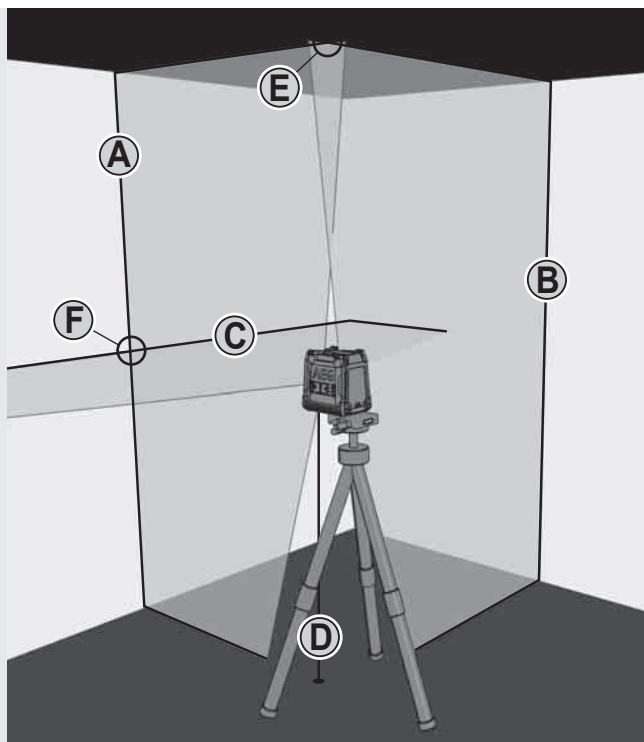


3

Laser proizvodi 3 laserske linije.

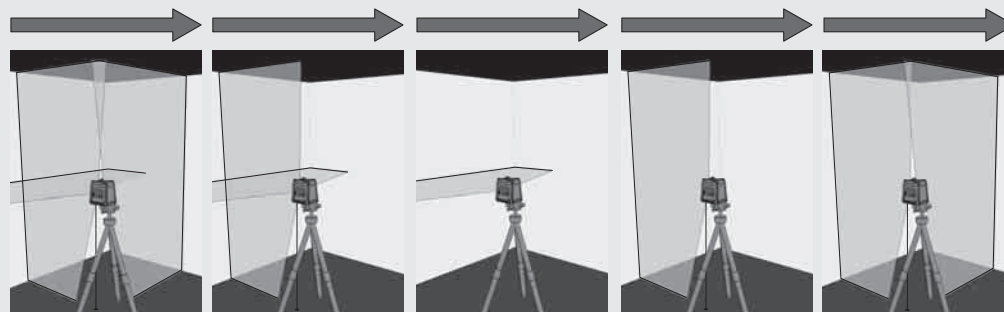
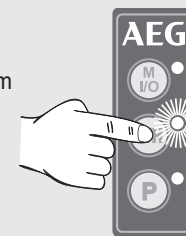
- (A) Okomita linija prema naprijed
- (B) Okomita linija postranično
- (C) Vodoravna linija prema naprijed
- (D) Laserska točka (linija okomice)

Kada su aktivirane sve linije, laser proizvodi križne linije prema gore (E) i prema naprijed (F).



4

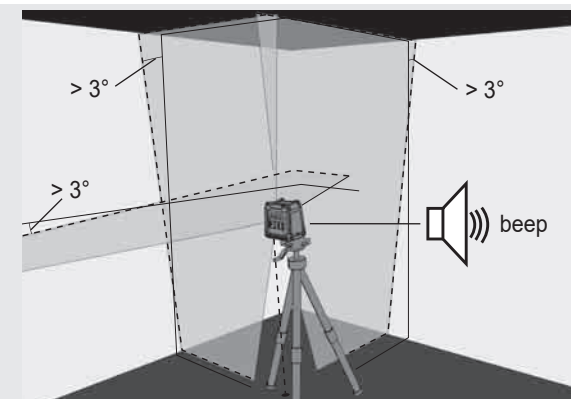
Pritisnuti tipku V/H za biranje linije, s kojom želite raditi.



5

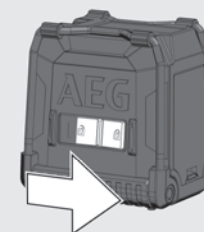
Kada laser kod aktiviranog samoniveliranja na početku nije usmjeren na $\pm 3^\circ$, trepere laserske linije - - - - i zazvuči jedan signalni ton.

U tome slučaju laser ponovno pozicionirati.



6

Prije pretvaranje aparata tipku blokiranja postaviti na OFF . Time se klatno aretira i laser je zaštićen.

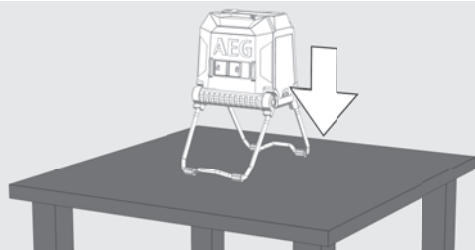


RAD U RUČNOM MODUSU

U ručnom modusu je funkcija samoniveliranja deaktivirana i laser se može podesiti na bilo koji nagib laserskih linija.

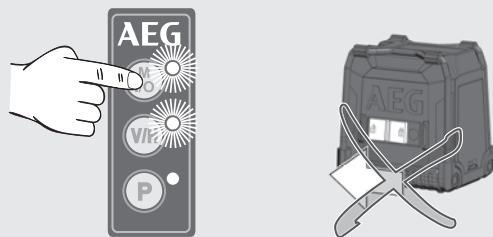
1

Laser postaviti na jednu čvrstu, ravnu podlogu bez vibracija ili montirati na jedan stalak.



2

Pritisnuti tipku za ručni modus (bez premještanja sklopke blokiranja!). Crveni LED pored tipke svijetli.



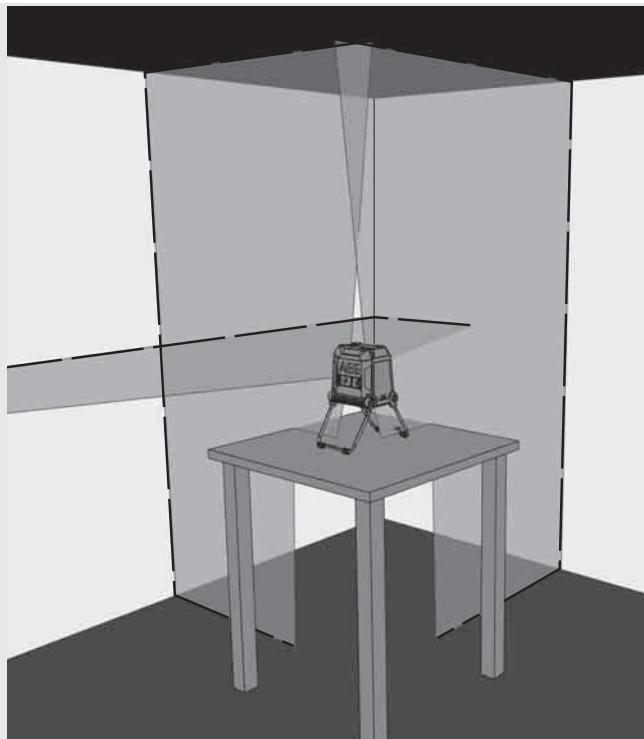
3

Kao i u samonivelirajućem modusu, laser proizvodi 3 laserske linije, koje trepere u razmaku od 3 sekunde.

3 Sek.

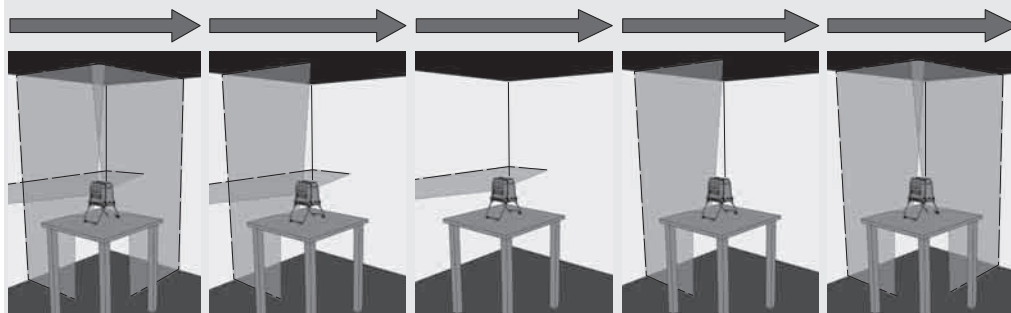
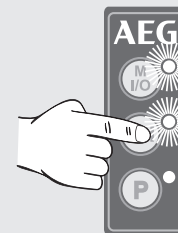
3 Sek.

3 Sek.



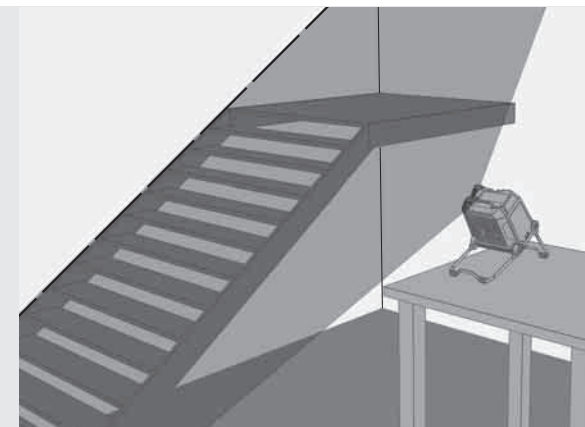
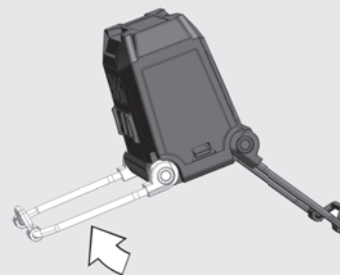
4

Pritisnuti tipku V/H za odabir linija s kojima želite raditi.




5

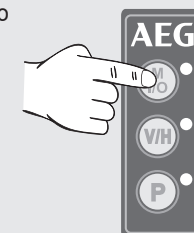
Laser uz pomoć nogu podesiti na poželjnu visinu i nagib.



6

Za svršetak ručnog modusa ponovno pritisnuti tipku za ručni modus.

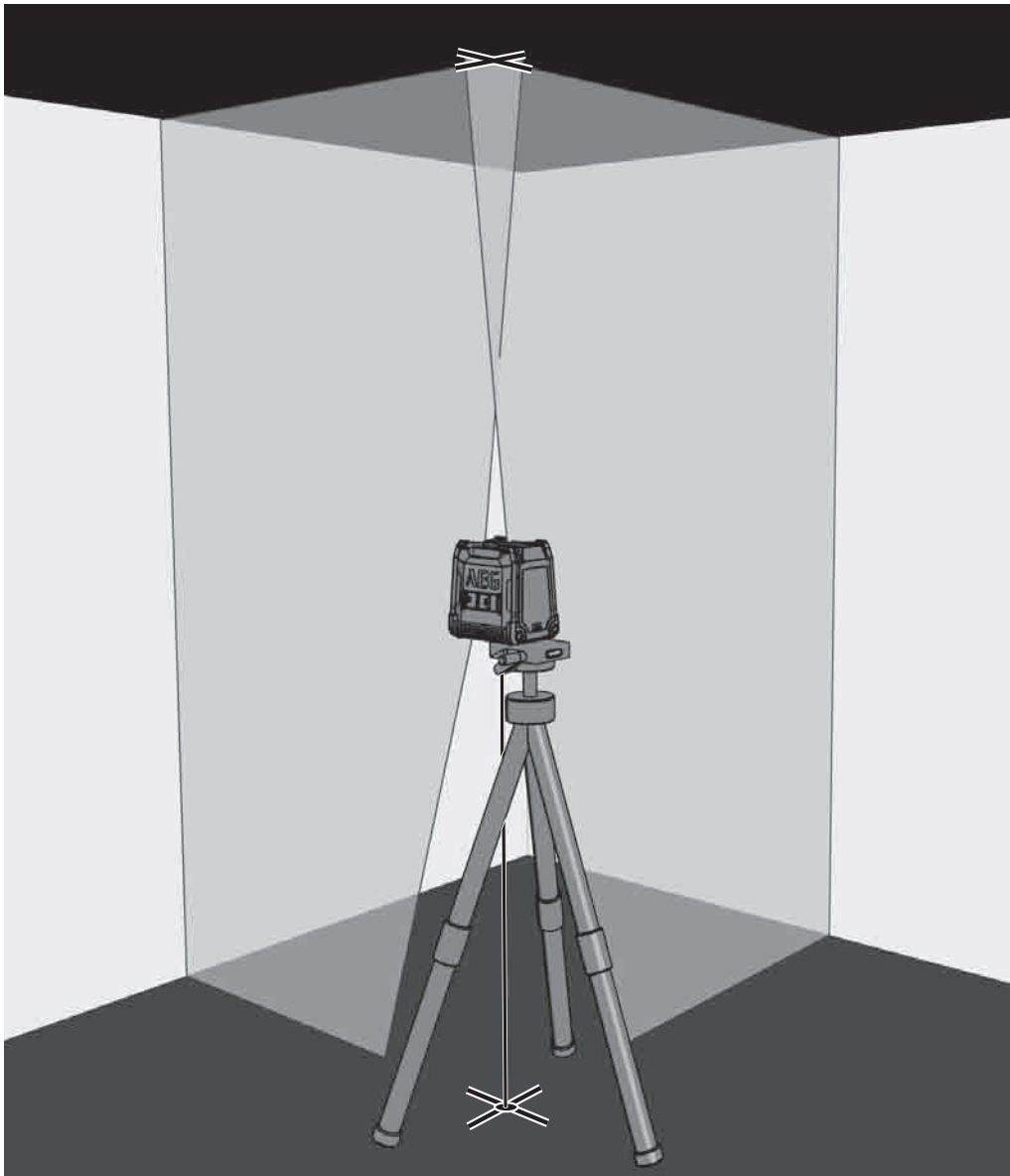
Da bi se direktno prešlo na samonivelirajući modus, sklopku blokiranja postaviti na ON .



FUNKCIJA OKOMICE

Sa funkcijom okomice se može projicirati jedna točka na podu okomito na stropu. Referentna točka na podu se usmjerava na sjecište križnih linija na stropu.

Funkcija okomice služi primjerice za prijenos jedne referentne točke za instalaciju rasvjete i ventilacije ili za prijenos visina.



FUNKCIJA MODUSA PULSA

Kod vanjskih radova s direktnim sunčevima zrakama ili kod svjetlih prilika svjetlosti kao i unutarnjih primjena s jednim dosegom do 50 metara modus pulsa primijeniti s jednim detektorom.

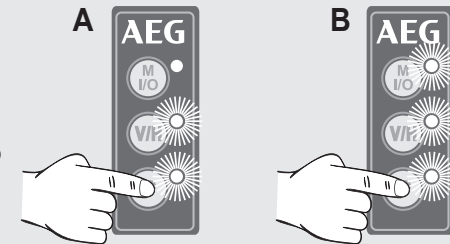
Detektor nije sadržan u opsegu isporuke i mora se kupiti posebno.

Kod aktiviranog modusa pulsa laserske linije trepere s vrlo visokom frekvencijom (nevidljivo za ljudsko oko), kako bi detektor mogao lokalizirati laserske linije.

1

Modus pulsa se može kako u samonivelirajućem modusu (A) tako i u ručno modusu (B) aktivirati.

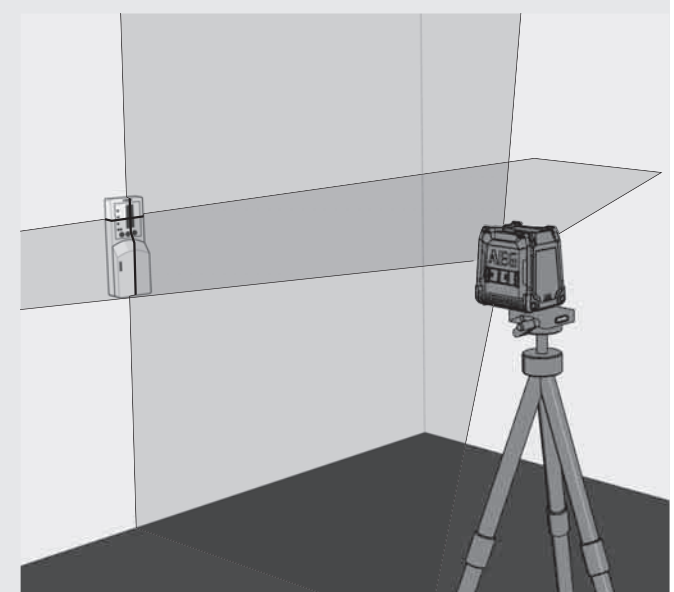
Pritisnuti tipku P. Zeleno LED svjetlo pored tipke svijetli.



2

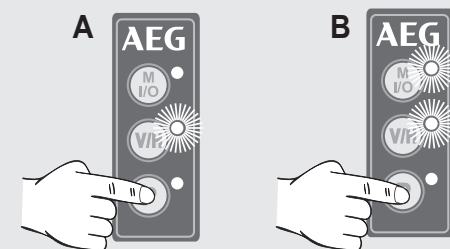
Nakon aktiviranja modusa pulsa vidljivost laserskih linija malo slabi.

Detaljne informacije za primjenu detektora ćete naći u uputi za posluživanja za detektor.



3

Tipku P ponovno pritisnuti, kako bi se modus pulsa isključio. Zeleni LED pored tipke se gasi.



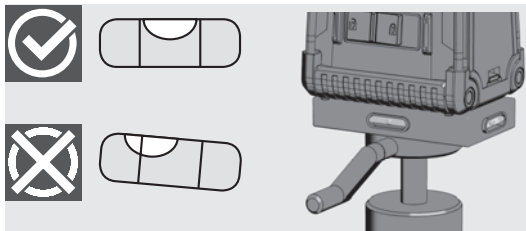
PROVJERA TOČNOSTI

Laser je tvornički potpuno kalibriran. AEG preporučuje, točnost lasera redovno provjeravati, prije svega poslije nekog pada ili usljed pogrešnih rukovanja.

Ako se maksimalno odstupanje kod jedne provjere točnosti prekorači, obratite se jednom od naših AEG-servisnih centara (vidi listu uvjeta garancije i adresa servisnih centara).

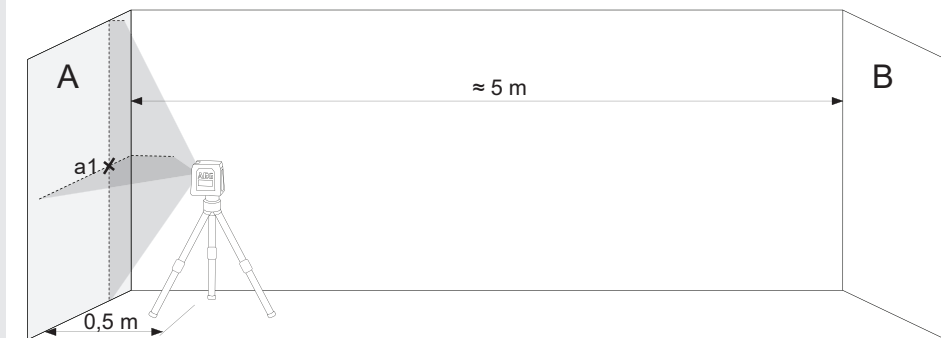
1. Provjeriti visinu točnosti vodoravne linije.
2. Provjeriti točnosti niveliranja vodoravne linije.
3. Provjeriti točnost niveliranja okomite linije.
4. Provjeriti pravokutnost između 2 okomite linije.
5. Provjeriti točnost okomice.

Prije provjere točnosti lasera montiranog na stalku, kontrolirati niveliranja stalka.



1 VISINSKU TOČNOST VODORAVNE LINIJE PROVJERITI (ODSTUPANJE GORE I DOLJE)

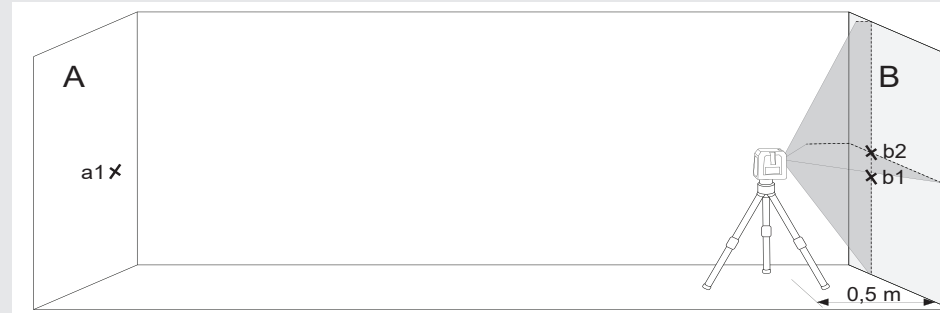
1. Laser postaviti na jedan stalak ili na jednu ravnu podlogu između dva oko 5 m jedan od drugoga udaljenih zidova A i B.
2. Laser pozicionirati cca. 0,5 m udaljeno od zida A.
3. Uključiti samonivelirajući modus i pritisnuti tipku, kako bi se vodoravna i okomita linija projicirale na zidu A.
4. Sjecište obiju linija markirati kao točku a1 na zidu A.



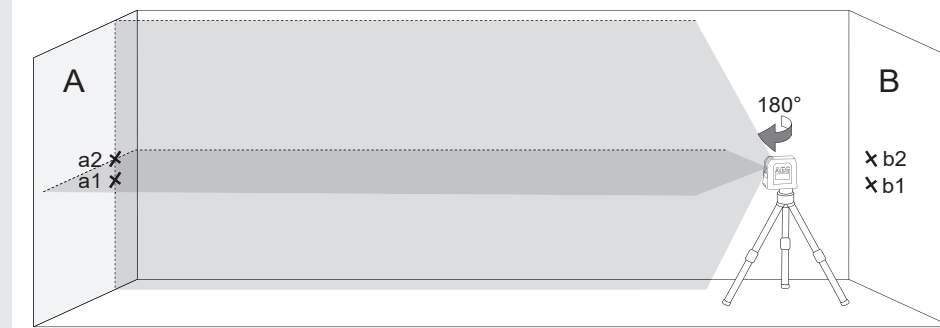
5. Laser okrenuti za 180° u smjeru zida B i sjecište obiju linija markirati kao b1 na zidu B.



6. Laser postaviti cca. 0,5 m udaljeno od zida B.
7. Sjecište obiju linija markirati kao b2 na zidu B.



8. Laser okrenuti za 180° u smjeru zida A i sjecište obiju linija markirati kao a2 na zidu A



9. Mjerenje razmaka:

$$\Delta a = |a2 - a1|$$

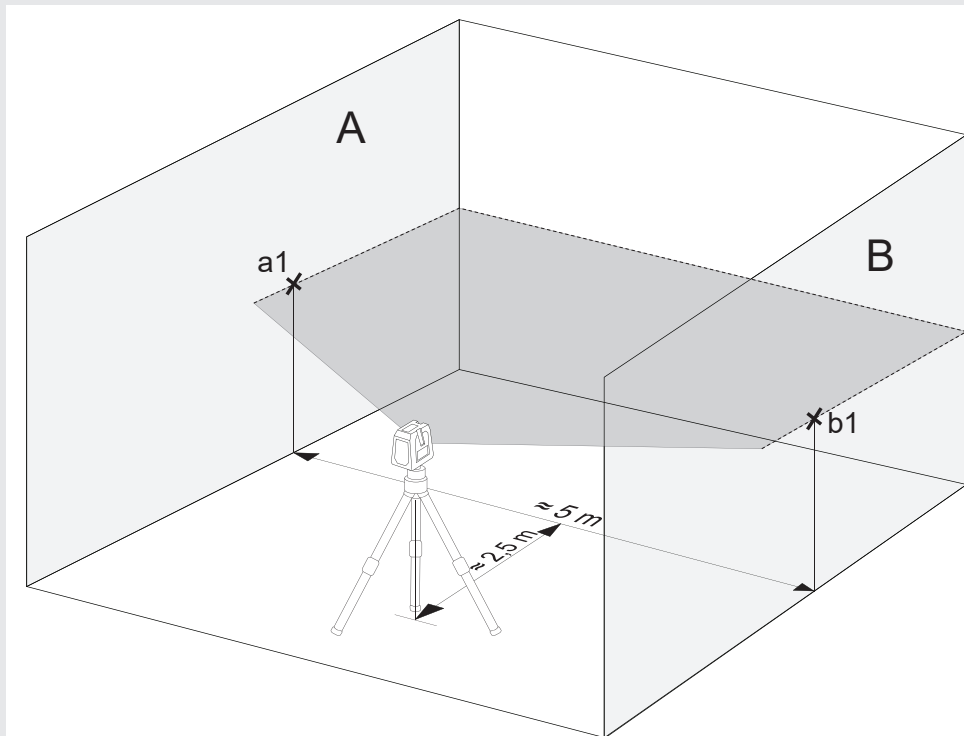
$$\Delta b = |b1 - b2|$$

10. Diferencija $|\Delta a - \Delta b|$ ne smije iznositi više od 2 mm.

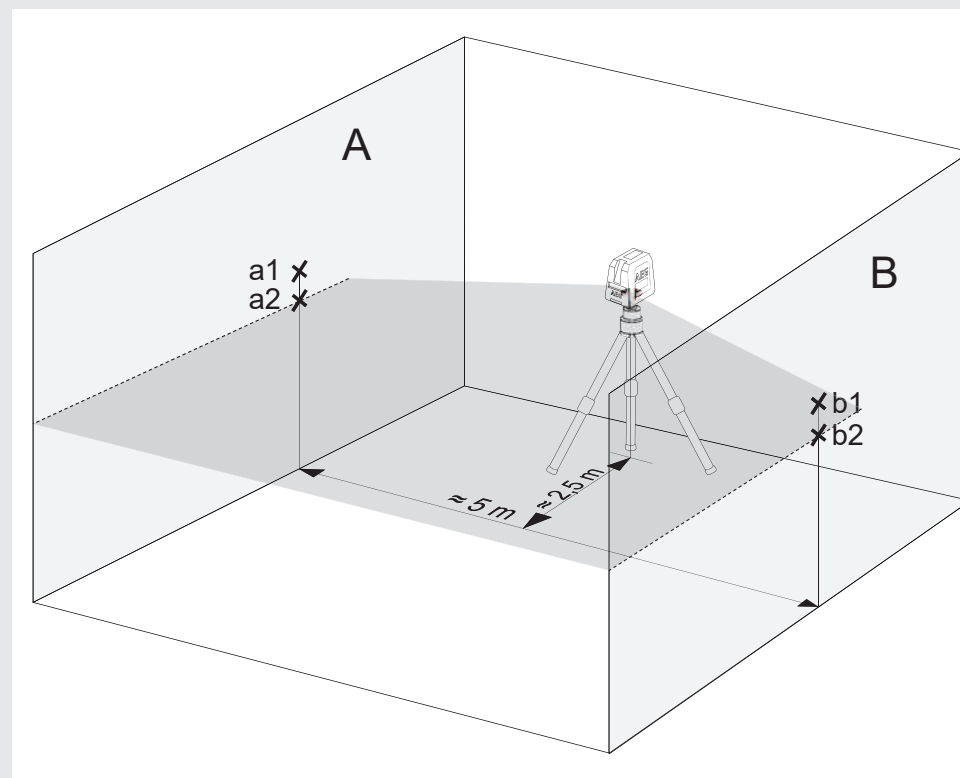
2 PROVJERITI TOČNOST NIVELIRANJA VODORAVNE LINIJE (ODSTUPANJE OD JEDNE STRANE PREMA DRUGOJ)

Za ovu provjeru je potrebna jedna slobodna površina od cca. 5×5 m.

1. Laser na jednom stalku postaviti na čvrstu podlogu između dva zida A i B, udaljena jedan od drugog cca. 5 m.
2. Laser postaviti na cca. 2,5 m udaljenosti od sredine prostorije.
3. Samonivelirajući modus uključiti i pritisnuti tipku, kako bi se vodoravna linija projicirala na zidovima A i B.
4. Središte laserske linije markirati na zidu A kao a1 i na zidu B kao b1.



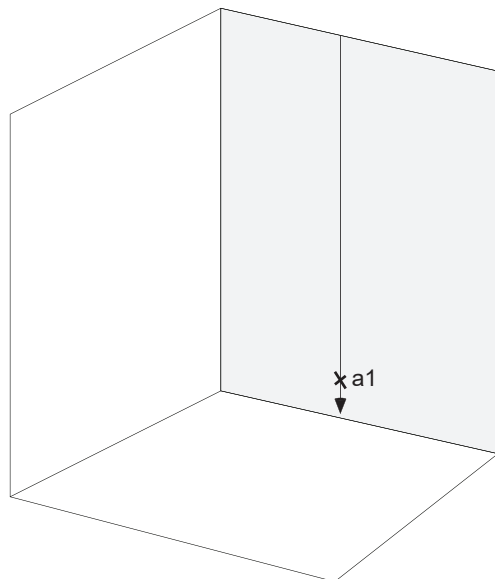
5. Laser pomaknite za cca. 5 m i okrenite za 180° , kako bi vodoravnu liniju ponovno projicirali na zidove A i B.
6. Središte laserske linije markirati na zidu A kao a2 i na zidu B kao b2.



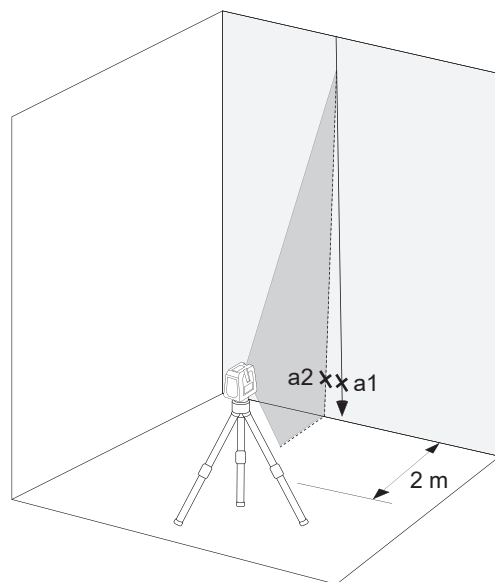
7. Mjerenje razmaka:
 $\Delta a = |a2 - a1|$
 $\Delta b = |b1 - b2|$
8. Diferencija $|\Delta a - \Delta b|$ ne smije iznositi više od 2 mm.

3 TOČNOST NIVELIRANJA OKOMITE LINIJE PROVJERITI

1. Jednu cca. 4m dugu vrpcu viska objesiti na zid.
2. Nakon što se visak smirio, markirati točku a1 iznad olovnog stošca na zidu.



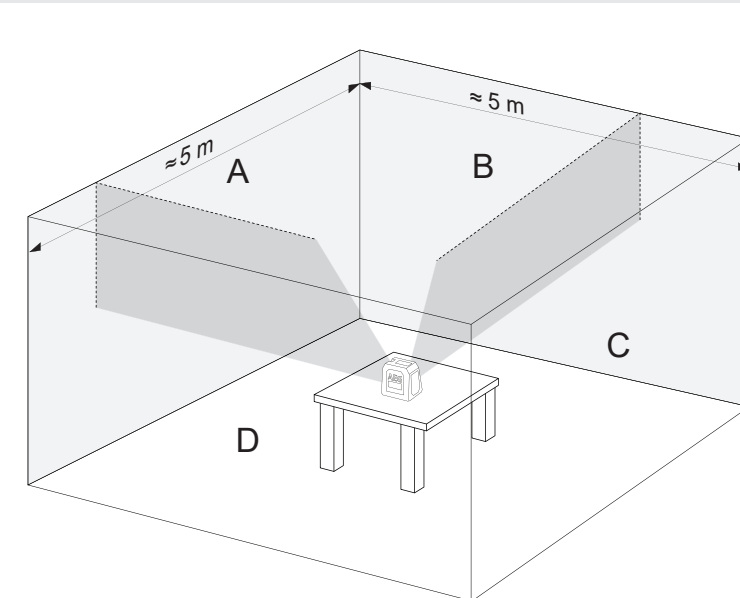
3. Laser postaviti na jedan stalak ili na jednu ravnu podlogu na cca. 2 m udaljenosti od zidu.
4. Uključiti samonivelirajući modus i pritisnuti tipku, kako bi se na vrpce viska projicirala okomita linija.
5. Vrpcu viska okrenuti tako, da se okomita linija podudara sa vješanjem vrpce viska.
6. Točku a2 na sredini okomite linije markirati na istoj visini kao a1 na zidu.
7. Razmak između a1 i a2 ne smije biti veći od 1 mm.



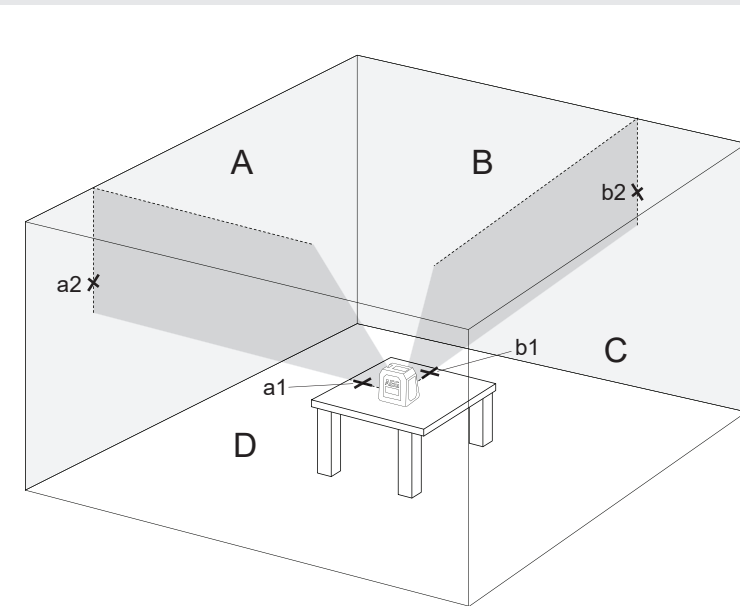
4 PRAVOKUTNOST IZMEĐU 2 OKOMITE LINIJE PROVJERITI

Za ovu provjeru je potrebna jedna prostorija s 4 zida i jednom površinom poda od najmanje 5 x 5 m.

1. Laser postaviti na jedan stol ili na pod na sredini prostorije.
2. Samonivelirajući modus uključiti i tipku V/H pritisnuti 4 x, da bi se okomite linije projicirale prema naprijed i postranično.

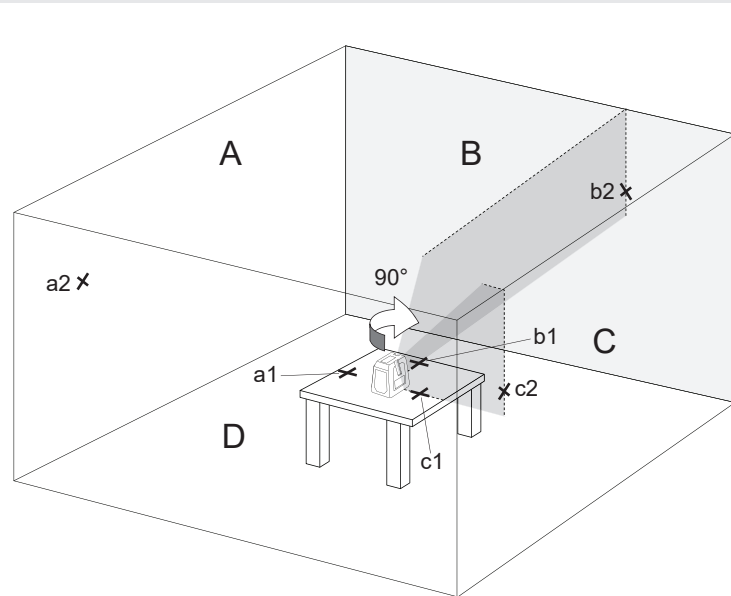


3. Sredinu prema naprijed projicirane okomite linije markirati na 2 mjesta: Točku a1 na stolu blizu lasera a točku a2 na zidu A.
4. Sredinu postranično projicirane okomite linije markirati na 2 mjesta: Točku b1 na stolu blizu lasera a točku b2 na zidu B.

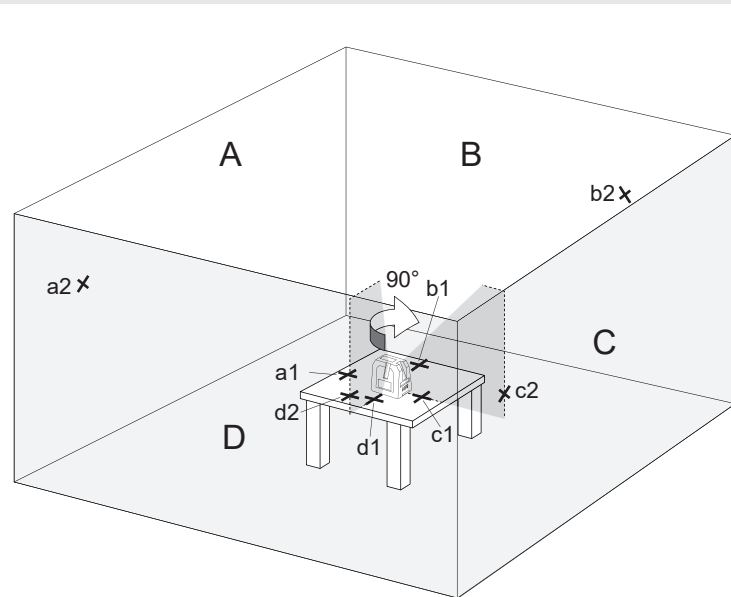


PRAVOKUTNOST IZMEĐU 2 OKOMITE LINIJE PROVJERITI

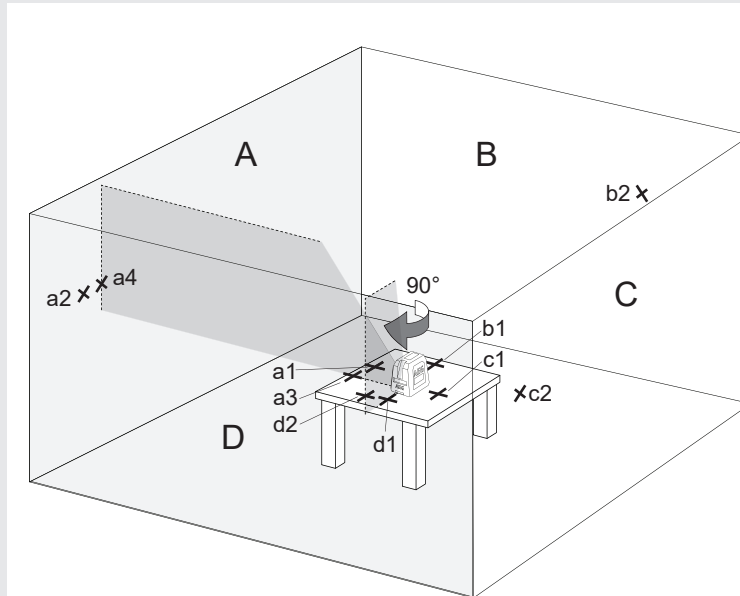
5. Laser za 90° okrenuti u smjeru kazaljke sata, tako da prema naprijed usmjerena laserska linija pogodi markiranje b1 na stolu i b2 na zidu B.
6. Sredinu postranično projicirane okomite linije markirati na 2 mjesta: Točku c1 na stolu blizu lasera a a točku c2 na zidu C.



7. Laser okrenuti za 90° u smjeru kazaljke sata, tako da ona prema naprijed usmjerena laserska linija pogodi markiranje c1 na stolu i c2 na zidu.
8. Sredinu postranično projicirane okomite linije markirati na 2 mjesta: Točku d1 na stolu blizu lasera a a točku d2 na zidu D.



9. Laser okrenuti u smjeru kazaljke sata za 90° , tako da prema naprijed usmjerena laserska linija pogodi markiranje d1 na stolu i d2 na zidu D.
10. Sredinu postranično projicirane okomite linije markirati na 2 mjesta: Točku a3 na stolu blizu točke a1 a točku a4 na zidu A blizu točke a2.

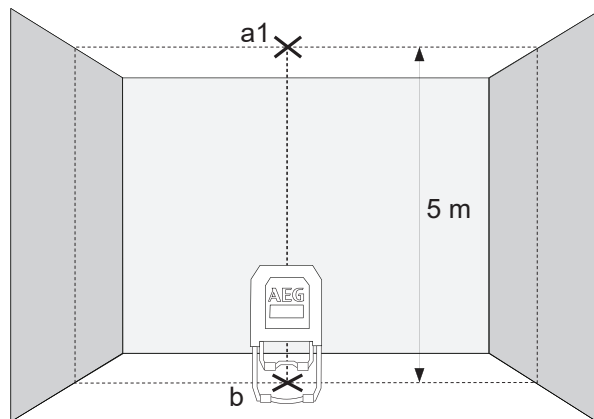


11. Mjerenje razmaka:
 $\Delta 1$ = od a1 na a3
 $\Delta 2$ = od a2 na a4
12. Diferencija $\Delta 2 - \Delta 1$ ne smije iznositi više od 4 mm.

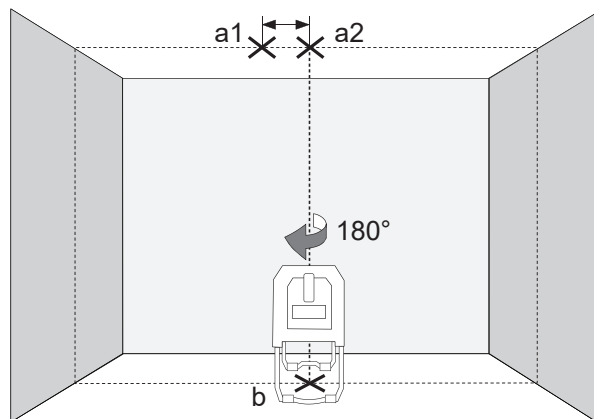
5 PROVJERA TOČNOSTI OKOMICE

Za ovu provjeru je potrebna jedna prostorija visine stropa od cca. 5 m.

1. Noge lasera rasklopiti i aparat postaviti na pod.
2. Uključiti samonivelirajući modus i pritisnuti tipku, tako da se okomite križne linije projiciraju na stropu a točka okomice na podu.
3. Sredine prema gore usmjerene križne linije markirati kao točku a1 na stropu (vidi sliku).
4. Središte točke okomice markirati na podu kao točku b.



5. Laser okrenuti za 180° i tako pozicionirati, da središte okomice pada na već markiranu točku b i sačekati da se aparat niverlira.
6. Sredinu prema gore usmjerene križene linije markirati na stropu kao točku a2.



7. Razmak između točaka a1 i a2 na stropu prikazuje, u koji mjeri laserska linija odstupa od idealne okomice.
Kod jedne mjerne dionice od 5 m maksimalno dozvoljeno odstupanje iznosi:
 $5 \text{ m} \times (\pm 0,6 \text{ mm/m}) \times 2 = \pm 6 \text{ mm}$.
8. Razmak između a1 i a2 ne smije biti veći od 6 mm.

SATURS

SVARĪGI DROŠĪBAS NOTEIKUMI.....	1
Apkope	2
Tehniskie dati.....	2
Paredzētā izmantošana.....	2
Pārskats.....	3
Nepietiekama bateriju lādiņa indikators.....	4
Bateriju nomaīņa.....	4
Pāriestatāmas kājas	5
Magnētiskais sienas stiprinājums un zaļā mērķa plāksne.....	5
Darbs autonomajā līmeņošanas režīmā.....	6
Darbs manuālā režīmā	7
Atsvara funkcija	8
Pulsa režīma funkcija	8
Precizitātes pārbaude.....	9

SVARĪGI DROŠĪBAS NOTEIKUMI



UZMANĪBU! BĪSTAMI!

Pirms šī produkta lietošanas uzmanīgi izlasiet drošības instrukcijas un lietošanas rokasgrāmatu.

Lāzera klasifikācija



BRĪDINĀJUMS:

Tas ir 2. klases lāzera produkts saskaņā ar EN60825-1:2014 .



Brīdinājums:

Neskatieties ar acīm tieši lāzera starā. Lāzera stars var izraisīt nopietnus acu savainojumus un/vai aklumu.

Neskatieties tieši lāzera starā un bez nepieciešamības nepāvērsiet lāzera staru pret citām personām.

Uzmanīgi! Dažos lietošanas gadījumos lāzera staru izstarojošā iekārta var atrasties aiz jums. Šādā gadījumā apgriezieties uzmanīgi.

Brīdinājums:

Nestrādājiet ar lāzeru bērnu tuvumā un neļaujiet bērniem strādāt ar lāzeru.

Uzmanību! Atstarojoša virsma var atstarot lāzera ierīces staru uz citām ierīcēm vai cilvēkiem.

Brīdinājums: Vadības elementu, iestatījumu rezultātā, vai veicot cita veida darbības, kas nav paredzētas rokasgrāmatā, var rasties bīstams radiācijas piesārņojums.

Ja lāzers no ļoti aukstas apkārtējās vides tiek ienests siltā vidē (vai otrādi), tad pirms lietošanas tam jāsasniedz apkārtējās vides temperatūra.

Neuzglabājiet lāzeru ārpusē telpām un sargājiet to no triecieniem, ilgstošas vibrācijas un paaugstinātām temperatūrām.

Nepakļaut lāzera mērierīci putekļiem, mitrumam un augsta relatīvā gaisa mitruma ietekmei. Šie faktori var nodarīt bojājumus ierīces iekšienē, līdz ar to var tikt ietekmēta mērījumu precizitāte.

Ja lāzera starojums nonāk acīs, aizveriet tās un nekavējoties pagrieziet galvu prom no stara virziena.

Pievērsiet uzmanību: lāzera staru novietojiet tā, lai tas neapžilbinātu jūs vai citas personas.

Neskatieties lāzera starā ar optiskajām palielinājuma ierīcēm, piemēram, tālskatiem vai teleskopiem. Pretējā gadījumā palielinās nopietnu acu savainojumu draudi.

Ņemiet vērā, ka lāzera redzamības brilles uzlabo lāzera līniju redzamību, taču neaizsargā acis no lāzera starojuma.

Lāzerierīces brīdinājuma uzlīmes nedrīkst noņemt vai padarīt nesalasāmas.

Neizjauciet lāzeru. Lāzera starojums var radīt nopietnus acu bojājumus.

Pirms lāzera transportēšanas pārliecinieties, ka ir nofiksēts svārsta fiksators.

Norādījums: ja svārsta fiksators nav nostiprināts, tad transportēšanas laikā iespējami bojājumi ierīces iekšpusē.



Tīrīšanai neizmantojiet agresīvus tīrīšanas līdzekļus vai šķīdinātājus. Tīrīt tikai ar tīru, mīkstu lupatiņu.


Sargājiet lāzeru no spēcīgiem triecieniem un kritieniem. Pēc kritiena vai spēcīgas mehāniskās iedarbības pirms lietošanas jāveic ierīces precizitātes pārbaude.

Nepieciešamos lāzera ierīces remontdarbus var veikt tikai apmācīti darbinieki.

Nelietojiet to sprādzienbīstamās vietās vai agresīvā vidē.

Paredzot ilgāku ierīces dīkstāvi, izņemiet baterijas no bateriju nodalījuma. Šādi var novērst bateriju iztecēšanu un ar to saistītos korozijas bojājumus.

 ukšās baterijas nedrīkst izmest sadzīves atkritumu tvertnē. Rūpējieties par vidi un aizvediet tās uz speciālajiem savākšanas punktiem, kas ir izveidoti saskaņā ar nacionālo vai vietējo likumdošanu.
 Ierīci nedrīkst izmest sadzīves atkritumu tvertnē. Izvietojiet produktu atbilstoši spēkā esošajiem nacionālajiem noteikumiem. Stingri ievērojiet valsts un vietējos specifiskos noteikumus. Par ierīces nodošanu pārstrādei, sazinieties ar tuvāko veikalvu vai savu izplatītāju.

 Eiropas atbilstības zīme

APKOPE

Lāzera objektīvu un korpusu tīriet ar mīkstu, tīru drānu. Nelietojiet šķīdinātājus.

Lāzers līdz noteiktai pakāpei ir noturīgs pret putekļiem un netīrumiem, taču to nav ieteicams ilglaicīgi uzglabāt putekļainā vietā, jo citādi ir iespējami iekšējo kustīgo detaļu bojājumi.

Ja lāzers kļūst mitrs, to pirms ievietošanas pārnēsāšanas koferī jānožāvē, lai nerastos rūsas bojājumi.

TEHNISKIE DATI

Lāzera klase	2
Autonomās līmeņošanas intervāls	±3°
Autonomās līmeņošanas ilgums	3-5 s
Baterijas tips	LR6 AA tipa sārma baterija
Spriegums DC	3 × 1,5 V
Jaudas patēriņš	0,35 A
Aizsardzības pakāpe (šķakatas un putekļi)	IP54
Funkcijas	horizontāla līnija, 2 vertikālas līnijas, krustotas līnijas, atsvara funkcija
Pulsa režīms	Frekvence 10 kHz
Projekcijas	3 zaļas līnijas, 1 sarkans punkts
Lāzera līniju attēlojuma paraugs	Horizontāla līnija uz priekšu, vertikāla līnija uz priekšu, vertikāla līnija uz sāniem un atsvara punkts. Horizontālas un vertikālas līnijas uz priekšu un atsvara punkts. Horizontāla līnija. Vertikāla līnija uz priekšu un atsvara punkts. Vertikālas līnijas uz priekšu, uz sāniem un atsvara punkts. (Atsvara punkta attēlojums lejup darbojas tikai autonomās līmeņošanas režīmā un nedarbojas manuālā ekspluatācijas režīmā.)
Ekspluatācijas laiks	6 stundas
Statīva vītne	1/4"
Piemērots detektors	standarta zaļajam daudzlīniju lāzeram
Lāzera līnija	
Platums	2,5 mm ±0,5 mm/5 m
Vilņa garums	λ 520 ±10 nm, II lāzera klase
Precizitāte	±0,2 mm/m
Atvēruma leņķis	> 120°
Krāsa	zaļa
Attālums	30 m (50 m ar detektoru)

Atsvara punkts	
Lāzera punkta vilņa garums	635 ±5 nm, II lāzera klase
Maks. lāzera punkta jauda	< 1 mW
Punkta precizitāte	±0,6 mm/1 m
Lāzera punkta krāsa	sarkana
Redzamība	5 m
Ieteicamā ekspluatācijas temperatūra	-10 °C līdz +45 °C
Glabāšanas temperatūra	-20 °C līdz +60 °C
Platums	106 mm × 88 mm × 105 mm
Svars (iesk. baterijas)	710 g

PAREDZĒTĀ IZMANTOŠANA

Šis inovatīvais lāzers ir paredzēts plašam profesionālajam pielietojumam, piemēram:

- flīžu, marmora plākšņu, skapju, apmaļu, veidgabalu un malu noregulēšanai;
- durvju, logu, sliežu, trepju, žogu, vārtu, verandu un pergolu montāžas pamatlīniju marķēšanai;
- apgaismojuma un ventilācijas instalāciju atsaucē punktu pārnesei, augstuma vērtību pārnesei, korpusa un statīva sienu līmeņošanai, sliežu montāžai uz grīdas, u.c. profesionāliem darbiem;
- horizontālo un vertikālo līniju noteikšanai un pārbaudei.

Šo izstrādājumu atļauts lietot tikai atbilstoši norādēm.

Gumijas stabilizatori

Pāriestatāmas kājas

Priekšpusē vertikālās lāzerlīnijas atvere

Horizontālās lāzerlīnijas atvere

ON  / OFF  fiksējamais slēdzis



Sānu vertikālās lāzerlīnijas

Bateriju nodalījuma vāks

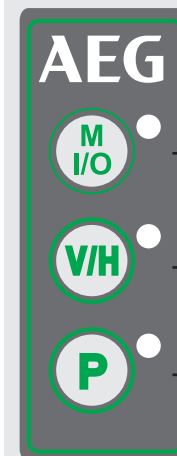


Sarkans atsvara punkts

1/4" statīva vītne



Vadības panelis



Manuālā režīma LED indikators

Manuālā režīma taustiņš

Manuālā režīma ieslēgšanai un izslēgšanai

Lāzera līnijas izvēles LED indikators (spīd nepārtraukti)

Nepietiekama bateriju lādiņa LED indikators (mirgo)

Lāzera līnijas izvēles taustiņš

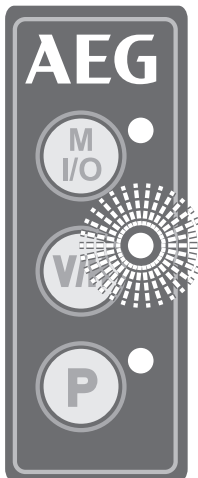
Vertikālā līnija uz priekšu, Vertikālā līnija uz sāniem, Horizontālā līnija uz priekšu vai šo līniju kombinācija.

Pulsa režīma LED indikators

Pulsa režīma taustiņš

Darbiem ārpus telpām tieša saules starojuma gadījumā vai intensīvas gaismas apstākļos, kā arī izmantošanai iekštelpās attālumā līdz 50 m pulsa režīmu lietojiet ar 10 kHz detektoru.

NEPIETIEKAMA BATERIJU LĀDIŅA INDIKATORS



Zema baterijas uzlādes līmeņa gadījumā samazinās lāzera spīdēšanas intensitāte un attiecīgais indikators (zaļā LED blakus taustiņam V/H) sāk mirgot ar 0,5 sekunžu frekvenci.

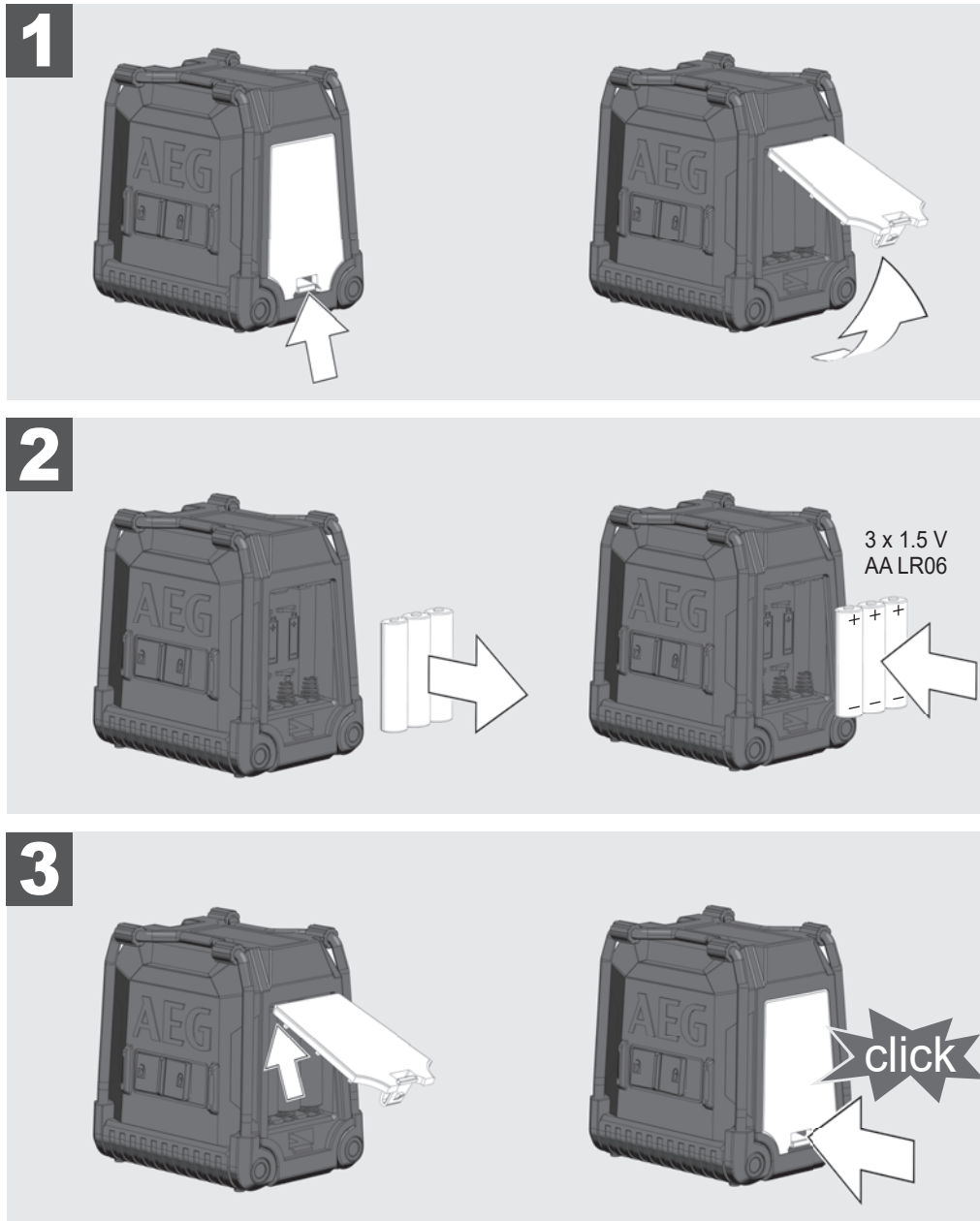
Šajā brīdī darbu vēl var turpināt.

Ja bateriju lādiņš ir pārāk vājš, ierīce automātiski izslēdzas.

BATERIJU NOMAĪNA

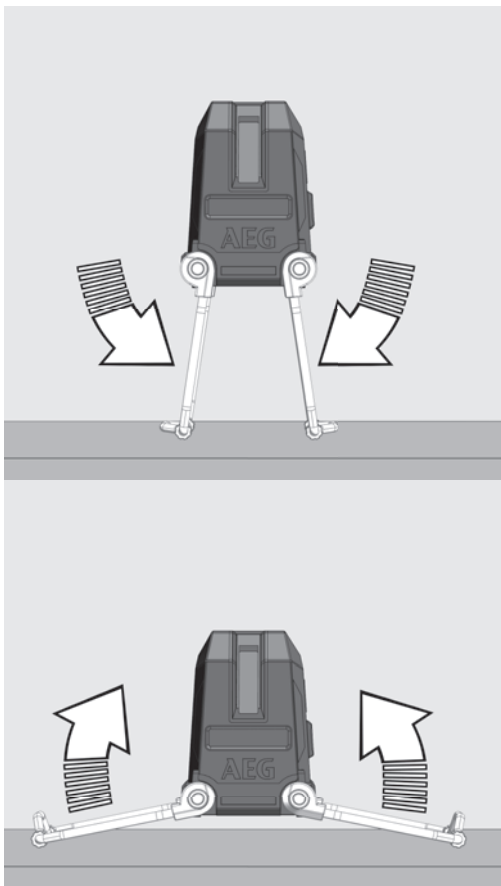
Nomainiet baterijas, ja lāzera stars kļūst vājāks.

Paredzot ilgāku lāzera dīkstāvi, izņemiet baterijas no bateriju nodalījuma. Šādi var novērst bateriju iztecēšanu un ar to saistītos korozijas bojājumus.

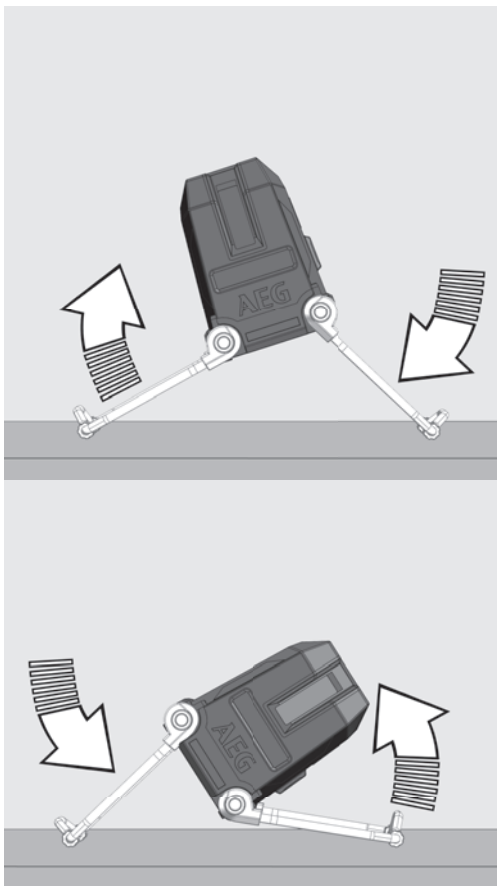


PĀRIESTATĀMAS KĀJAS

Iestatiet horizontālo līniju augstumu ar pāriestatāmajām kājām.



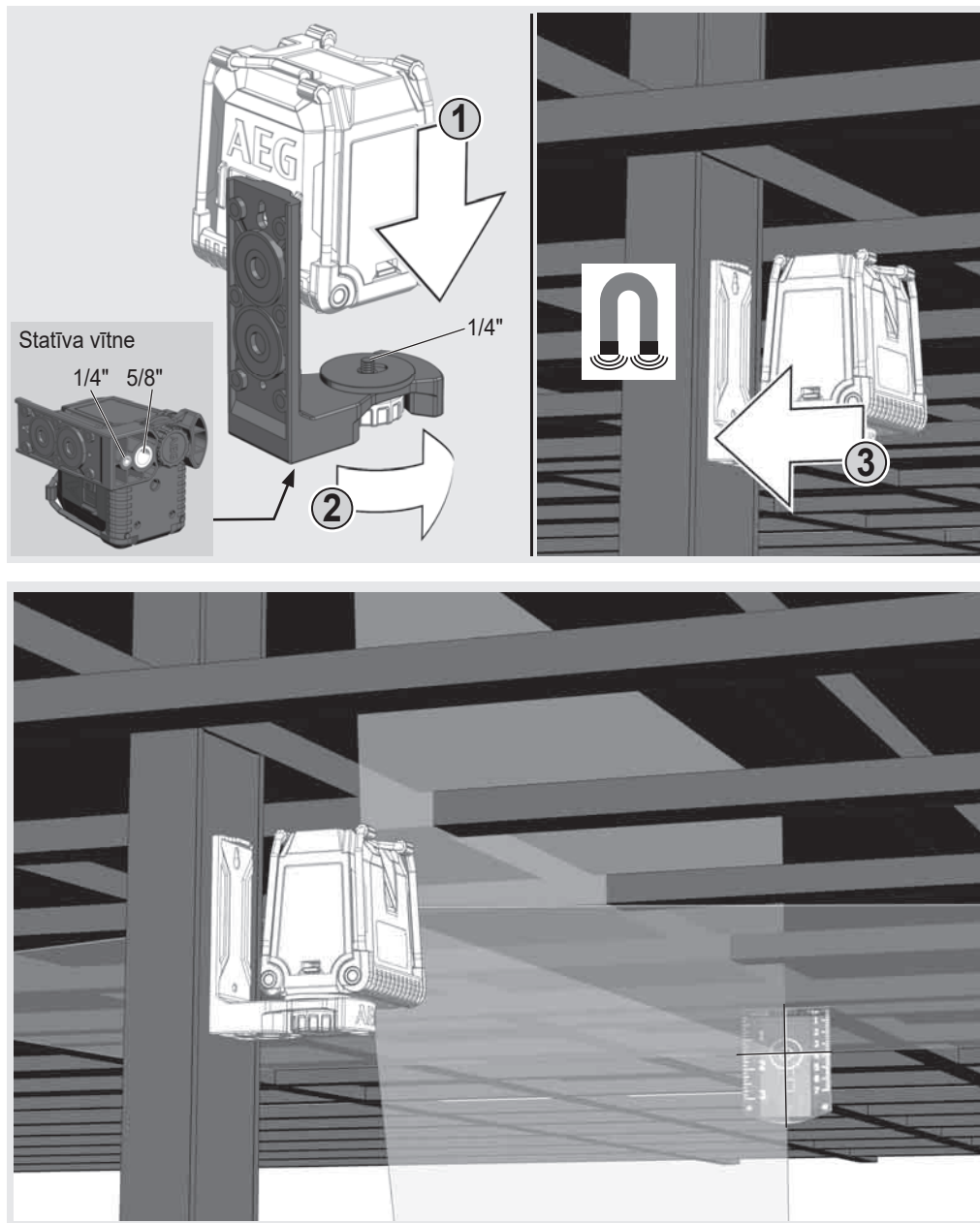
Iestatiet lāzera slīpumu ar pāriestatāmajām kājām.



MAGNĒTISKAIS SIENAS STIPRIŅĀJUMS UN ZAĻĀ MĒRĶA PLĀKSNE

Lāzeru ar magnētisko stiprinājumu var piestiprināt sienām, metāla struktūrām u.tml.

Zaļā mērķa plāksne uzlabo lāzera stara redzamību apgrūtinātos apstākļos un lielākā attālumā.



DARBS AUTONOMAJĀ LĪMEŅOŠANAS REŽĪMĀ

Autonomajā līmeņošanas režīmā lāzers veic pašnolīmeņošanu $\pm 3^\circ$ intervālā. Vienlaikus tiek attēlota viena horizontāla līnija, divas vertikālas līnijas vai visas 3 līnijas.

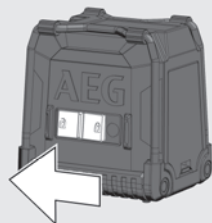
1

Novietojiet lāzeru uz līdzenas un nevibrējošas pamatnes vai uzmontējiet uz statīva.



2

Pārvietojiet nofiksējamo slēdzi pozīcijā ON.

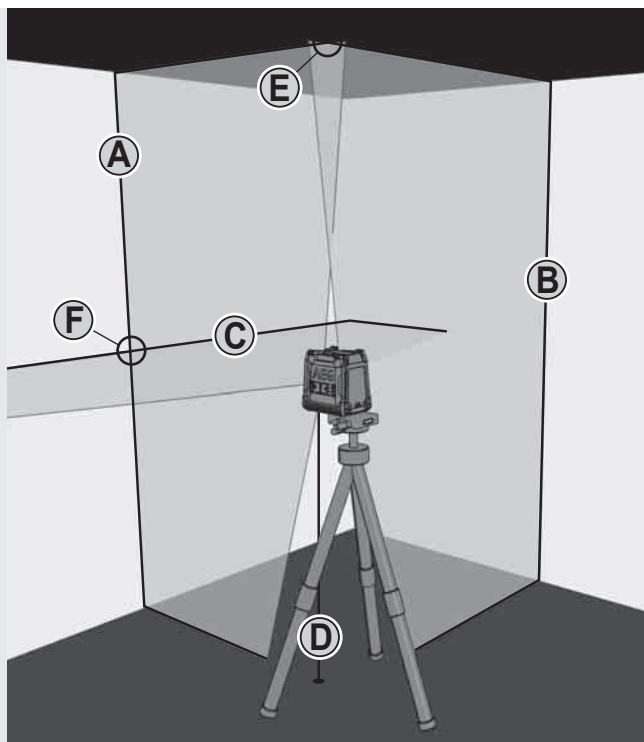


3

Lāzers attēlo 3 lāzera līnijas.

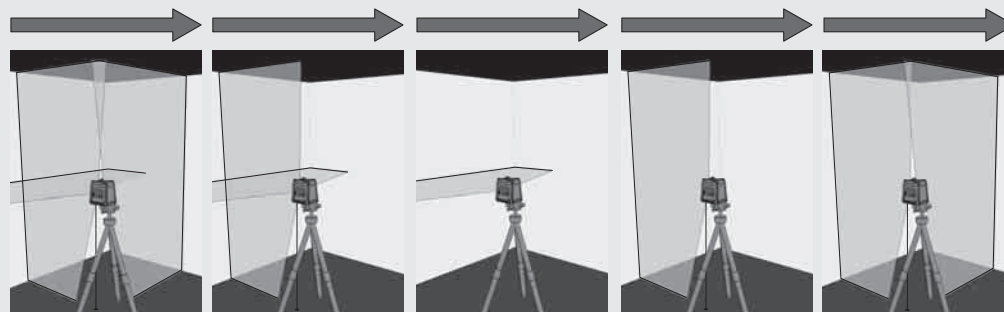
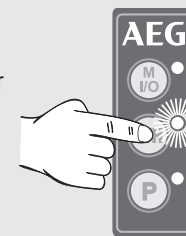
- (A) Vertikāla līnija uz priekšu
- (B) Vertikāla līnija uz sāniem
- (A) Horizontāla līnija uz priekšu
- (D) Lāzera punkts (atsvara līnija)

Ja visas līnijas ir aktivizētas, lāzers veido krusteniskas līnijas uz augšu (E) un uz priekšu (F).



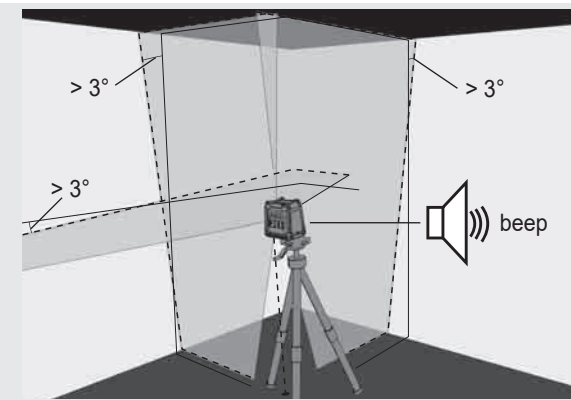
4

Spiediet taustiņu V/H, lai atlasītu līnijas, ar kurām vēlaties strādāt.



5

Ja lāzers ar aktivizētu autonomo līmeņošanu sākumā nav noregulēts $\pm 3^\circ$ intervālā, tad lāzera līnijas — — — — mirgo un atskan signāls. Šādā gadījumā novietojiet lāzeru no jauna.



6

Pirms ierīces pārvietošanas pārslēdziet nofiksējamo taustiņu uz OFF. Tas nofiksē svārstīšanos un nodrošina lāzera aizsardzību.

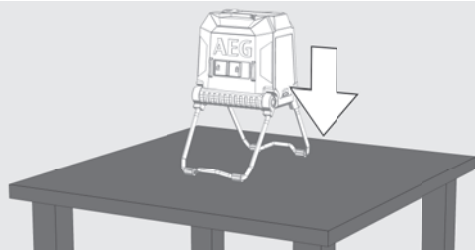


DARBS MANUĀLĀ REŽĪMĀ

Manuālā režīmā autonomās līmeņošanas funkcija ir deaktivizēta un lāzeru var iestatīt brīvi izvēlētā slīpumā.

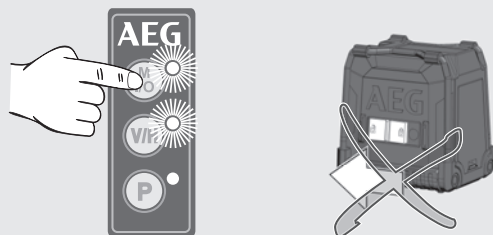
1

Novietojiet lāzeru uz līdzenas un nevibrējošas pamatnes vai uzmontējiet uz stātīva.



2

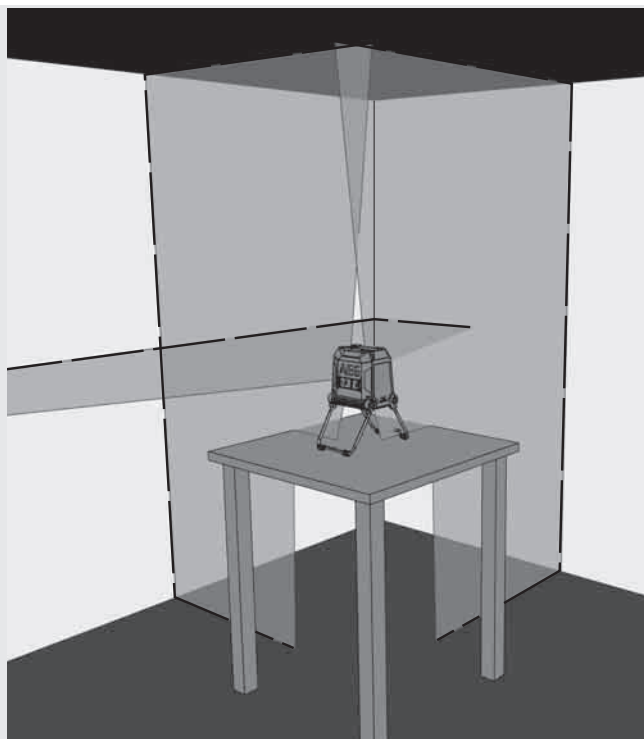
Nospiediet manuālā režīma taustiņu (nepārvietojot nofiksējamo slēdzi!). Spīd sarkanā LED blakus taustiņam.



3

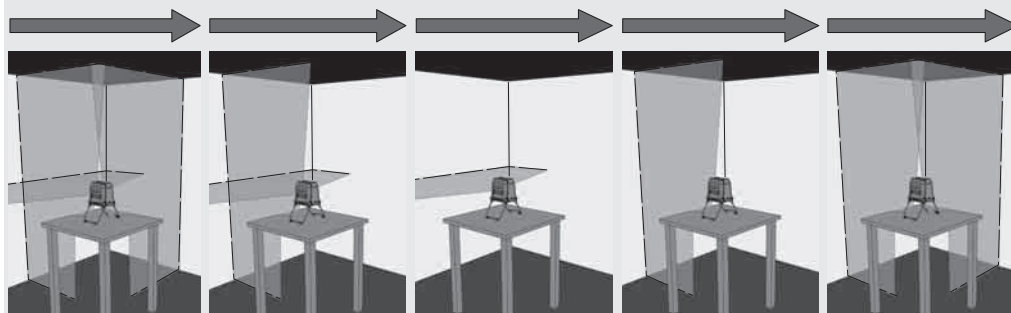
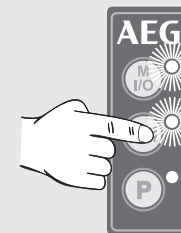
Lāzers līdzīgi kā autonomās līmeņošanas režīmā attēlo 3 lāzera līnijas, kas mirgo ar 3 sekunžu intervālu.

3 sek. 3 sek. 3 sek.



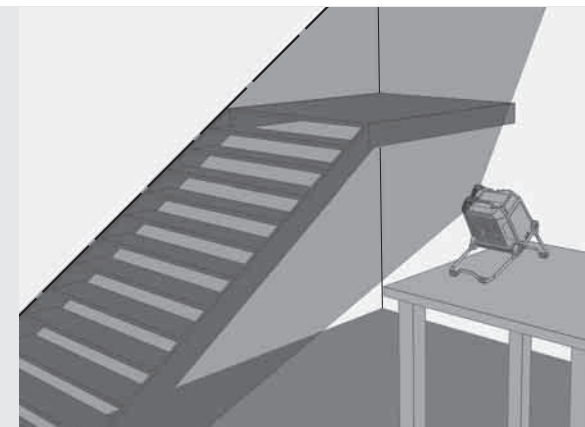
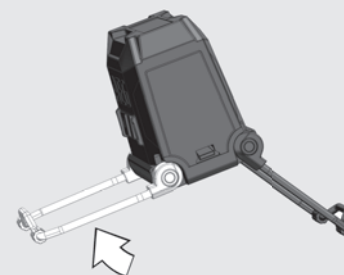
4

Spiediet taustiņu V/H, lai atlasītu līnijas, ar kurām vēlaties strādāt.



5

Ar lāzera kājām iestatiet vēlamo augstumu un slīpumu.



6

Lai izietu no manuālā režīma, atkārtoti nospiediet manuālā režīma taustiņu.

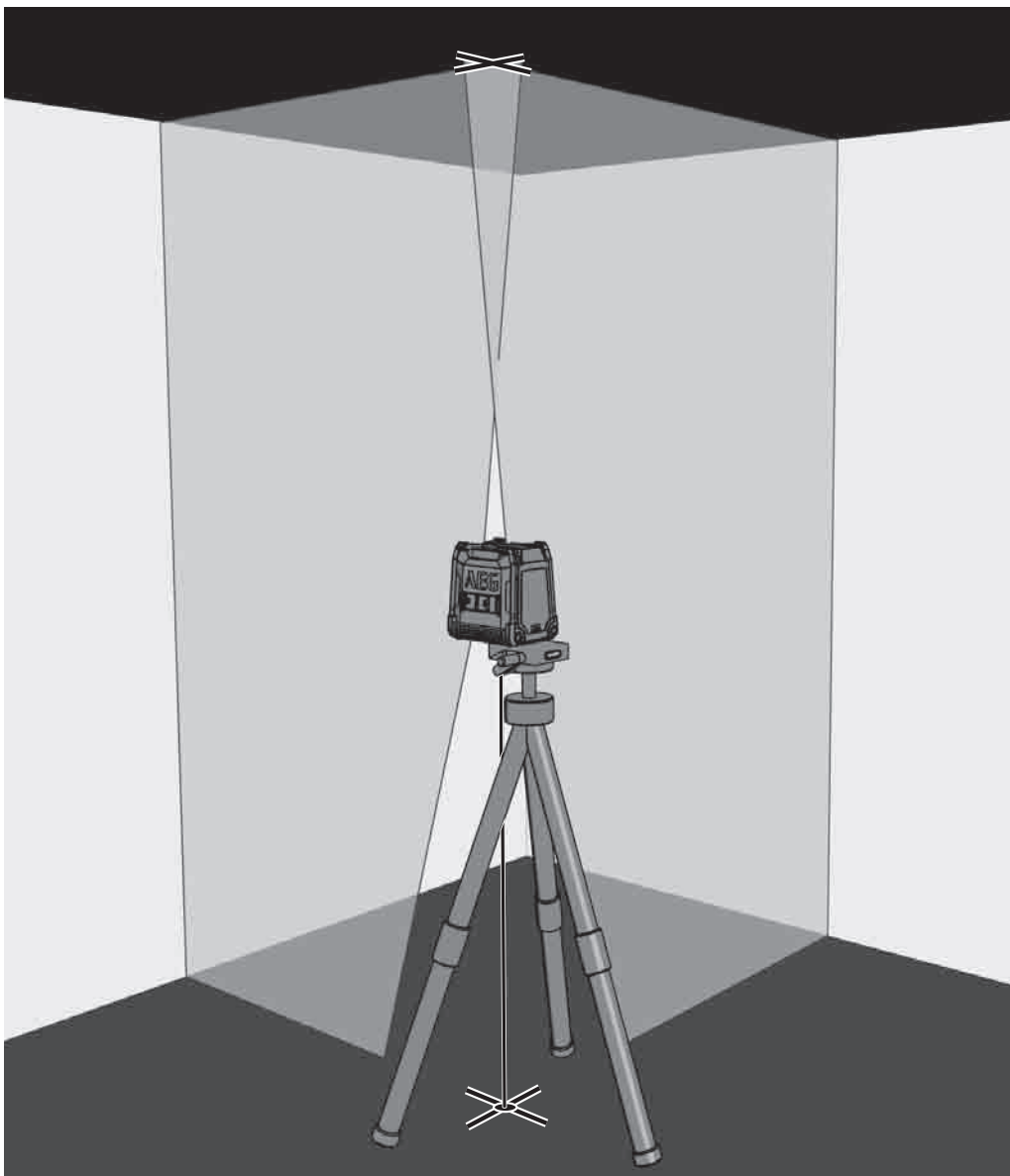
Lai uzreiz aktivizētu autonomās līmeņošanas režīmu, pārvietojiet nofiksējamo slēdzi pozīcijā ON.



ATSVARA FUNKCIJA

Ar atsvara funkciju uz grīdas atzīmēto punktu var precīzi attēlot uz griestiem. Grīdas atsauces punkts atrodas uz griestiem attēloto līniju krustpunktā.

Atsvara funkciju lieto, piemēram, lai pārnestu apgaismojuma un ventilācijas instalācijas punkta kā arī augstuma pārnesi.



PULSA REŽĪMA FUNKCIJA

Darbiem tieša saules starojuma gadījumā vai intensīvas gaismas apstākļos, kā arī izmantošanai iekštelpās attālumā līdz 50 m pulsa režīmu lietojiet ar detektoru.

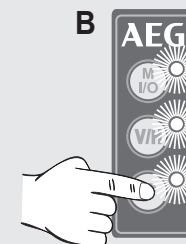
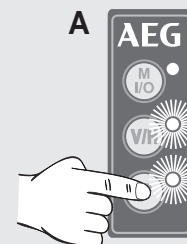
Detektors nav iekļauts piegādes komplektā un to jāiegādājas atsevišķi.

Aktivizēta pulsa režīma gadījumā lāzera līnijas mirgo ar ļoti augstu (cilvēka acij neredzamu) frekvenci, lai detektors tās varētu uztvert.

1

Pulsa režīmu var aktivizēt gan autonomās līmeņošanas režīmā (A) gan arī manuālā režīmā (B).

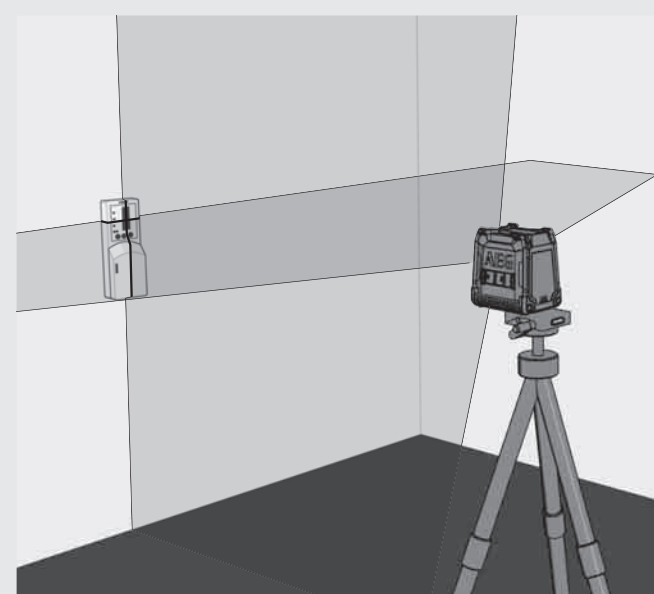
Nospiediet taustiņu P. Spīd zaļā LED blakus taustiņam.



2

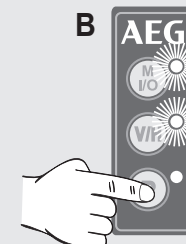
Pēc pulsa režīma aktivizācijas lāzera līniju redzamība nedaudz samazinās.

Plašāku informāciju par detektora lietošanu skatiet tā lietošanas pamācībā.



3

Atkārtoti nospiediet taustiņu P, lai izslēgtu pulsa režīmu. Zaļā LED blakus taustiņam nodziest.



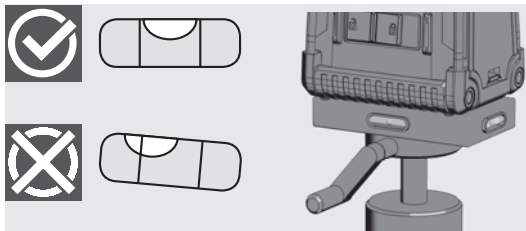
PRECIZITĀTES PĀRBAUDE

Lāzers ir pilnībā nokalibrēts rūpnīcā. AEG iesaka regulāri veikt lāzera precizitātes pārbaudi, jo īpaši pēc kritiena vai nepareizas apkalpošanas.

Ja precizitātes pārbaudes laikā tiek pārsniegta maksimālā nobīde, lūdzu, griezties kādā no mūsu AEG servisa centriem (skatiet sarakstu ar garantijas nosacījumiem un servisa centru adresēm).

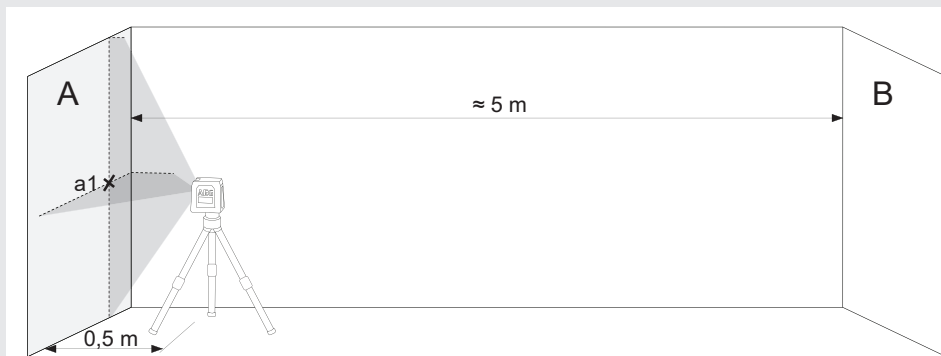
1. Pārbaudiet horizontālās līnijas augstuma precizitāti.
2. Pārbaudiet horizontālās līnijas nolīmeņojuma precizitāti.
3. Pārbaudiet vertikālās līnijas nolīmeņojuma precizitāti.
4. Pārbaudiet taisna leņķa precizitāti starp 2 vertikālām līnijām.
5. Pārbaudiet atsvara punkta precizitāti.

Pirms veikt uz statīva uzmontēta lāzera precizitāti, pārbaudiet statīva līmeni.



1 PĀRBAUDE – HORIZONTĀLĀS LĪNIJAS AUGSTUMA PRECIZITĀTE (NOVIRZE AUGŠUP UN LEJUP)

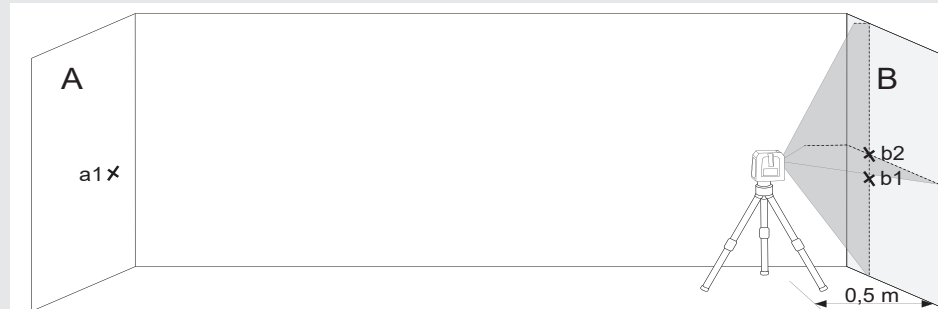
1. Novietojiet lāzeru uz statīva vai līdzenas pamatnes starp divām apm. 5 m savstarpēji attālinātām sienām A un B.
2. Novietojiet lāzeru apm. 0,5 m attālu no sienas A.
3. Ieslēdziet autonomās līmeņošanas režīmu un nospiediet taustiņu, lai uz sienas A projicētu horizontālo un vertikālo līniju.
4. Atzīmējiet abu līniju krustpunktu uz sienas A kā punktu a1.



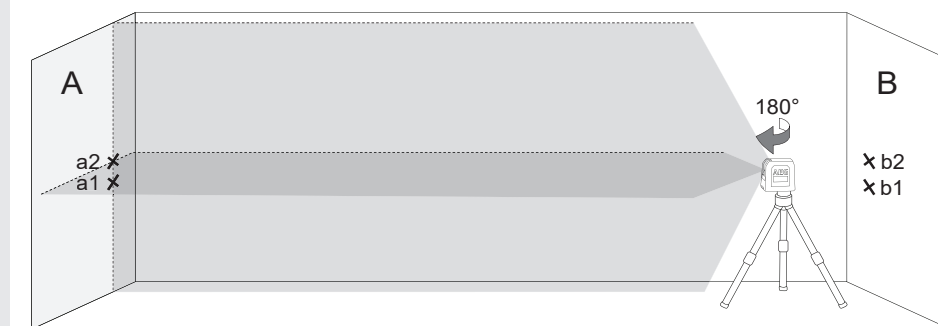
5. Pagrieziet lāzeru par 180° sienas B virzienā un atzīmējiet abu līniju krustpunktu uz sienas B kā punktu b1.



6. Novietojiet lāzeru apm. 0,5 m attālu no sienas B.
7. Atzīmējiet abu līniju krustpunktu uz sienas B kā b2.



8. Pagrieziet lāzeru par 180° sienas A virzienā un atzīmējiet abu līniju krustpunktu uz sienas A kā punktu a2.



9. Izmēriet attālumus:

$$\Delta a = |a2 - a1|$$

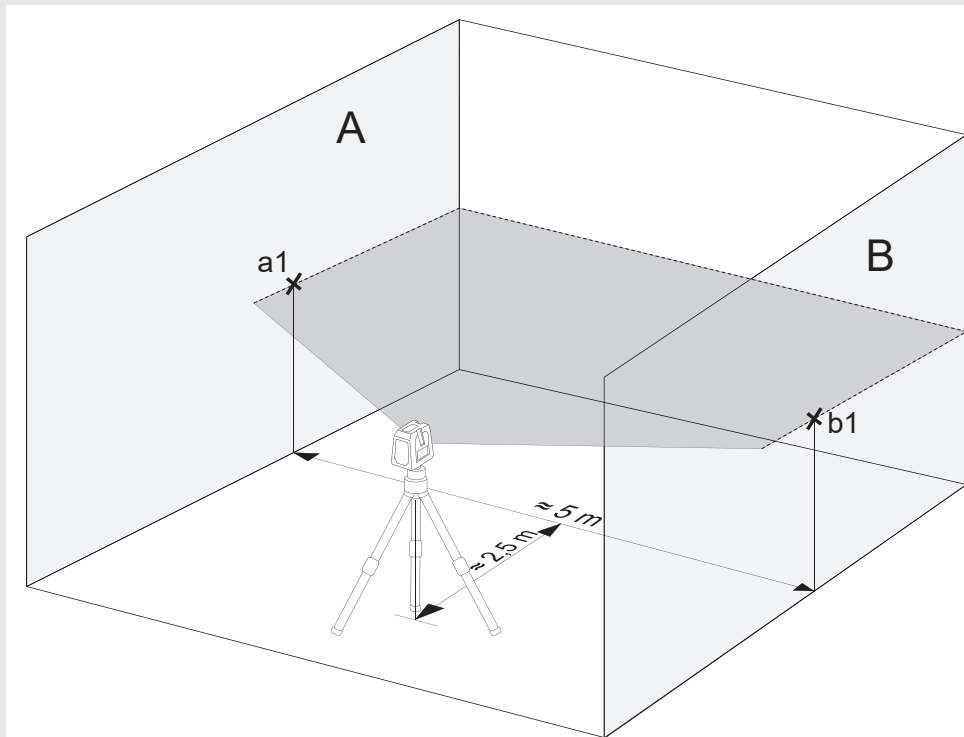
$$\Delta b = |b1 - b2|$$

10. Starpība $|\Delta a - \Delta b|$ nedrīkst pārsniegt 2 mm.

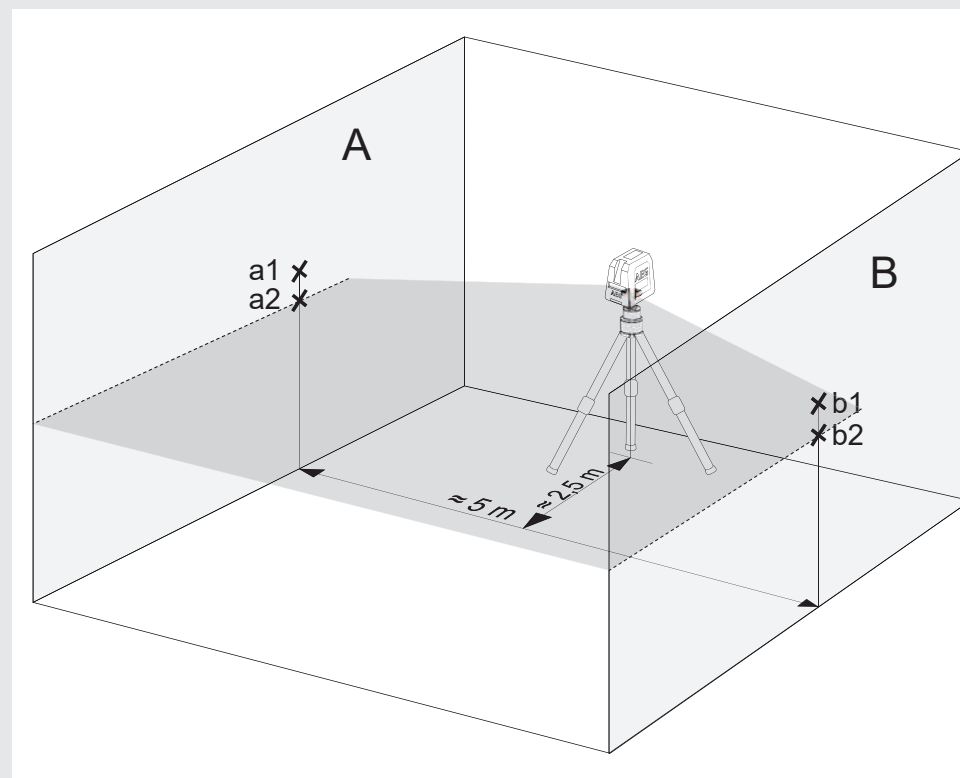
2 PĀRBAUDE – HORIZONTĀLĀS LĪNIJAS NOLĪMEŅUMA PRECIZITĀTE (VIENAS PUSES NOBĪDE ATTIECĪBĀ PRET OTRU)

Šai pārbaudei nepieciešama apm. 5 × 5 m virsma.

1. Novietojiet lāzeru uz statīva vai cietas pamatnes starp divām apm. 5 m savstarpēji attālinātām sienām A un B.
2. Novietojiet lāzeru apm. 2,5 m attālumā no telpas vidus.
3. Ieslēdziet autonomās līmeņošanas režīmu un nospiediet taustiņu, lai uz sienām A un B projicētu horizontālu līniju.
4. Atzīmējiet lāzera līnijas viduspunktu uz sienas ar a1 un uz sienas B ar b1.



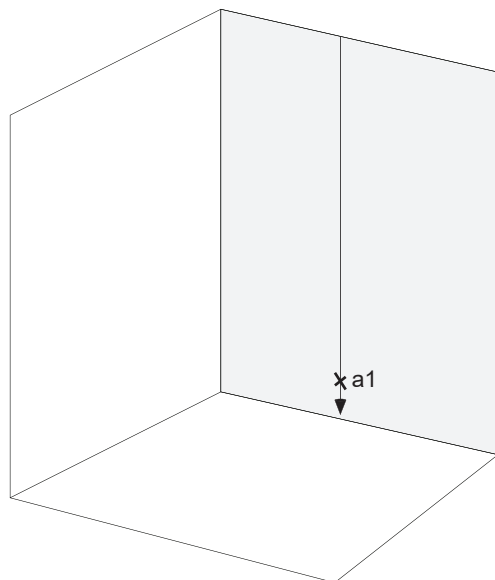
5. Pārvietojiet lāzeru par apm. 5 m, pagrieziet par 180° un atkārtoti projicējiet horizontālo līniju uz sienām A un B.
6. Atzīmējiet lāzera līnijas viduspunktu uz sienas ar a2 un uz sienas B ar b2.



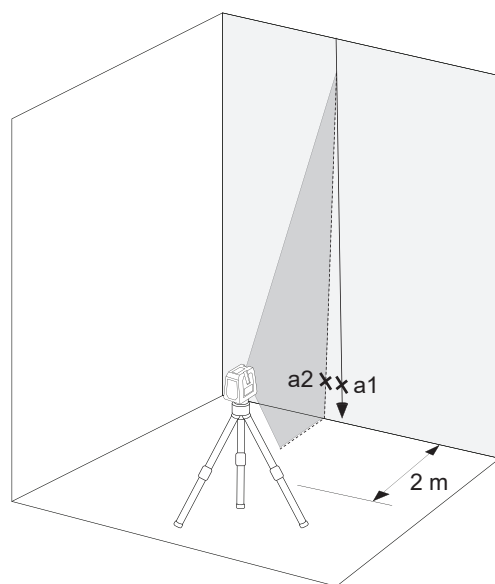
7. Izmēriet attālumus:
 $\Delta a = |a2 - a1|$
 $\Delta b = |b1 - b2|$
8. Starpība $|\Delta a - \Delta b|$ nedrīkst pārsniegt 2 mm.

3 PĀRBAUDE – VERTIKĀLĀS LĪNIJAS NOLĪMĒJUMS

1. Piekariet pie vienas sienas apm. 4 m garu atsvaru.
2. Brīdī, kad atsvars ir apstājies, atzīmējiet uz sienas un virs atsvara punktu a1.



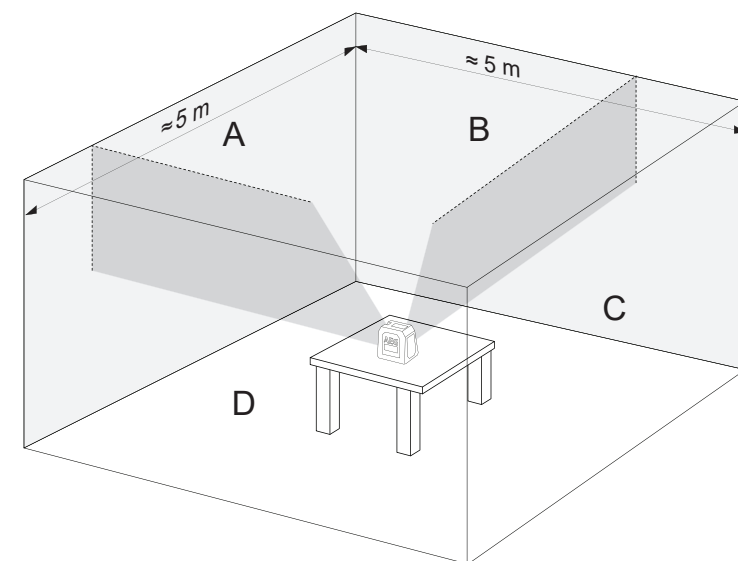
3. Novietojiet lāzeru uz statīva vai līdzenas pamatnes apm. 2 m attālu no sienas.
4. Ieslēdziet autonomās līmeņošanas režīmu un nospiediet taustiņu, lai uz atsvara auklas projicētu vertikālo līniju.
5. Pagrieziet lāzeru tā, lai vertikālā līnija atbilst iekārtajai atsvara auklai.
6. Atzīmējiet punktu a2 uz sienas vertikālās līnijas vidusdaļā punkta a1 augstumā.
7. Attālums starp a1 un a2 nedrīkst pārsniegt 1 mm.



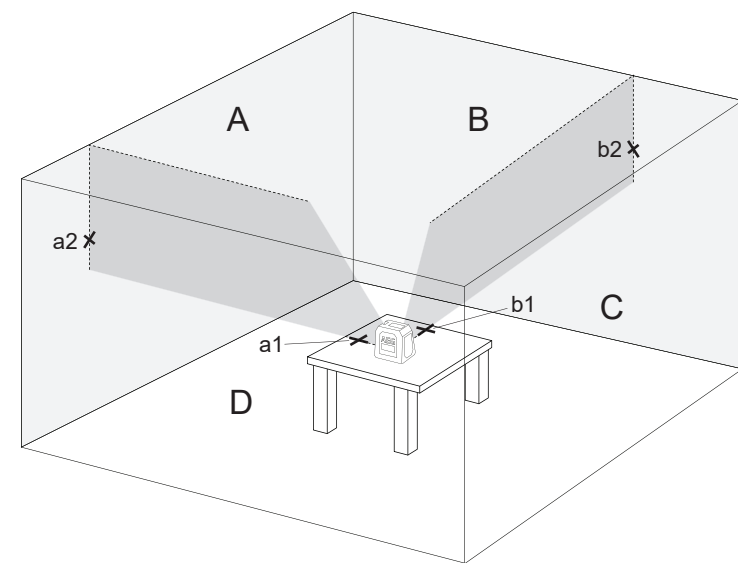
4 PĀRBAUDE – TAISNA LEŅĶA PRECIZITĀTE STARP 2 VERTIKĀLĀM LĪNIJĀM

Šai pārbaudei nepieciešama telpa ar 4 sienām un vismaz 5 x 5 m liela pamatne.

1. Novietojiet lāzeru uz galda vai grīdas telpas vidū.
2. Ieslēdziet autonomās līmeņošanas režīmu un 4 x nospiediet taustiņu V/H, lai uz priekšu un uz sāniem projicētu vertikālas līnijas.



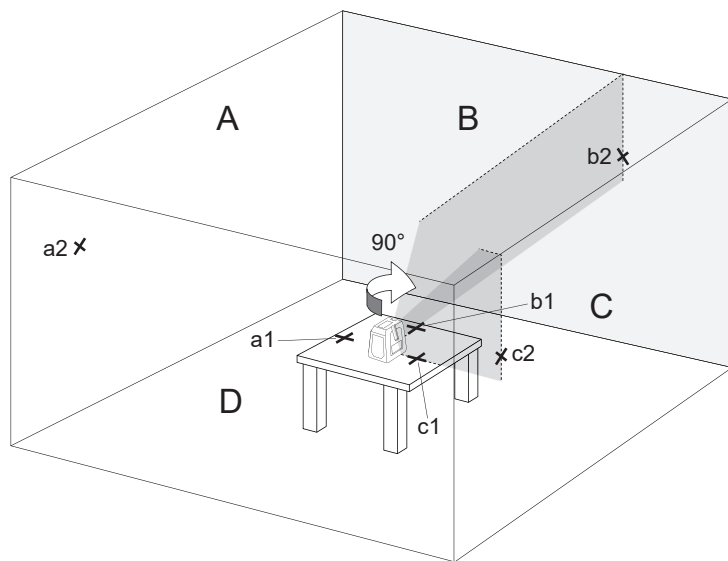
3. Atzīmējiet uz priekšu projicētās vertikālās līnijas vidusdaļu 2 vietās: punktu a1 uz galda lāzera tuvumā un punktu a2 uz sienas A.
4. Atzīmējiet uz sāniem projicētās vertikālās līnijas vidusdaļu 2 vietās: punktu b1 uz galda lāzera tuvumā un punktu b2 uz sienas B.



PĀRBAUDE – TAISNA LEŅĶA PRECIZITĀTE STARP 2 VERTIKĀLĀM LĪNIJĀM

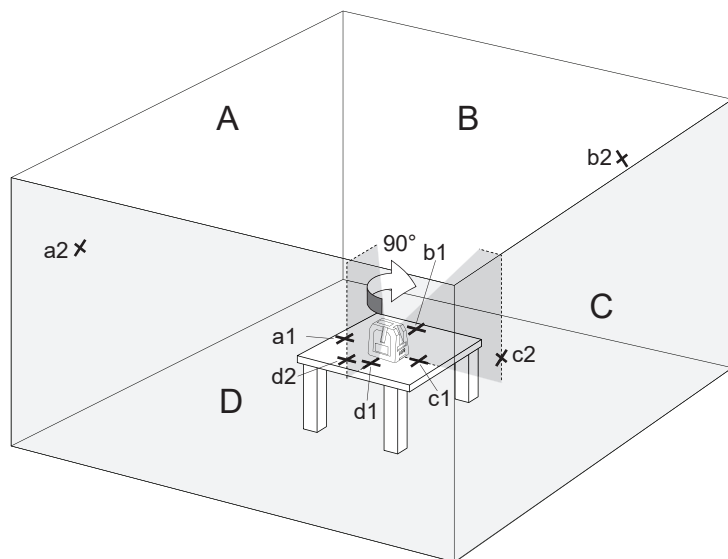
5. Pagrieziet lāzeru par 90° pulksteņa rādītāju virzienā, lai uz priekšu pavērstā lāzera līnija atbilstu marķējumiem b1 uz galda un b2 uz sienas B.

6. Atzīmējiet uz sāniem projicētās vertikālās līnijas vidusdaļu 2 vietās: punktu c1 uz galda lāzera tuvumā un punktu c2 uz sienas C.



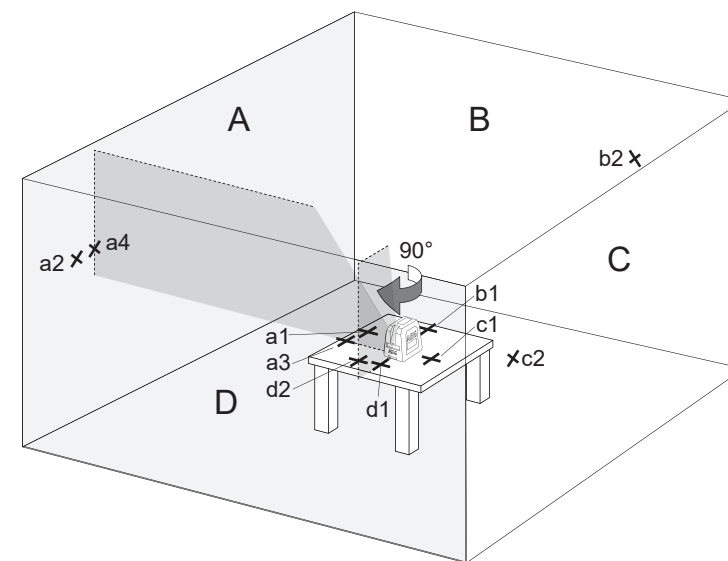
7. Pagrieziet lāzeru par 90° pulksteņa rādītāju virzienā, lai uz priekšu pavērstā lāzera līnija atbilstu marķējumiem c1 uz galda un c2 uz sienas C.

8. Atzīmējiet uz sāniem projicētās vertikālās līnijas vidusdaļu 2 vietās: punktu d1 uz galda lāzera tuvumā un punktu d2 uz sienas D.



9. Pagrieziet lāzeru par 90° pulksteņa rādītāju virzienā, lai uz priekšu pavērstā lāzera līnija atbilstu marķējumiem d1 uz galda un d2 uz sienas D.

10. Atzīmējiet uz sāniem projicētās vertikālās līnijas vidusdaļu 2 vietās: punktu a3 uz galda punkta a1 un punkta a2 tuvumā un punktu a4 uz sienas A punkta a2 tuvumā.



11. Izmēriet attālumus:

$\Delta 1$ = no a1 līdz a3

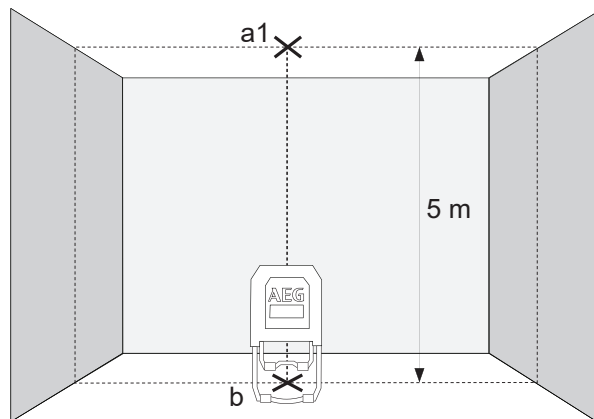
$\Delta 2$ = no a2 līdz a4

12. Starpība $\Delta 2 - \Delta 1$ nedrīkst pārsniegt 4 mm.

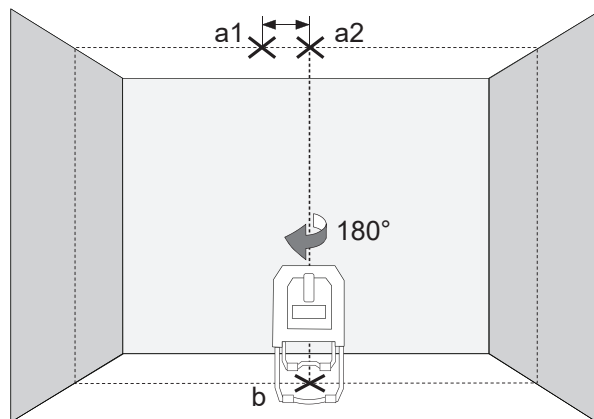
5 PĀRBAUDE – ATSVARA PUNKTA PRECIZĪTĀTE

Šai pārbaudei nepieciešama telpa ar vismaz 5 m augstiem griestiem.

1. Atvāziet lāzera kājas un novietojiet ierīci uz grīdas.
2. Ieslēdziet autonomās līmeņošanas režīmu un nospiediet taustiņu, lai uz griestiem projicētu vertikālās krusteniskās līnijas un uz grīdas – atsvara punktu.
3. Atzīmējiet griestos augšup vērstās krusteniskās līnijas centru kā punktu a1 (skat. attēlu).
4. Atzīmējiet atsvara punkta centru kā punktu b uz grīdas.



5. Pagrieziet lāzeru par 180° un novietojiet tā, lai atsvara punkta centrs atbilstu jau atzīmētajam punktam b un gaidiet, līdz iekārta ir nolīmeņojusies.
6. Atzīmējiet griestos augšup vērstās krusteniskās līnijas centru kā punktu a2.
7. Griestu attālums starp punktiem a1 un a2 norāda lāzera līnijas nobīdi no ideālās atsvara pozīcijas.
5 m mērījuma attāluma gadījumā maksimālā pieļaujamā nobīde:
 $5 \text{ m} \times (\pm 0,6 \text{ mm/m}) \times 2 = \pm 6 \text{ mm}$.
8. Attālums starp a1 un a2 nedrīkst pārsniegt 6 mm.



TURINYS

Svarbios saugumo instrukcijos.....	1
Techninis Aptarnavimas.....	2
Techniniai duomenys.....	2
Naudojimas pagal paskirtį.....	2
Apžvalga.....	3
Silpstančios baterijos rodmuo.....	4
Baterijų keitimas.....	4
Reguliuojamosios kojelės.....	5
Magnetinis sienos laikiklis ir žalia taikinio plokštelė.....	5
Darbas automatinio niveliavimo režimu.....	6
Darbas rankiniu režimu.....	7
Svambalo funkcija.....	8
Impulsinio režimo funkcija.....	8
Tikslumo tikrinimas.....	9

SVARBIOS SAUGUMO INSTRUKCIJOS



DĖMESIO! ĮSPĖJIMAS! PAVOJUS!

Nenaudokite produkto, jei neperskai- tėte saugumo instrukcijų ir vartotojui skirto eksploatacijos vadovo, pridė- tame kompaktiniame diske.

Lazerio klasifikavimas



ĮSPĖJIMAS:

Tai 2-osios klasės lazerinis produktas, kuriam taikomi EN60825-1:2014 saugumo reikalavimai.



Įspėjimas:

nežiūrėkite tiesiai į lazerio spindulį. Lazerio spindulys gali sukelti sunkius akių sužeidimus ir (arba) apakimą.

Nežiūrėkite tiesiai į lazerio spindulį ir be reikalo nenukreipkite jo į kitus asmenis.

Atsargiai! Kai kuriais atvejais už jūsų gali būti lazerinių spinduliuojančių prietaisų. Tokiu atveju atsargiai apsisukite.

Įspėjimas:

Nenaudokite lazerio šalia vaikų, neleiskite vaikams naudoti lazerio.

Dėmesio! Atspindintis paviršius gali nukreipti lazerio spindulį atgal į vartotoją arba kitus asmenis.

Įspėjimas. Kitokių nei vadove nustatytų valdymo elementų, nustatymų naudojimas ar procesų taikymas gali sukelti pavojingą apšvitą.

Jei lazerinį nivelyrą pernešate iš labai šaltos aplinkos į šiltą (arba atvirkščiai), prietaisas turi pasiekti aplinkos temperatūrą.

Lazerinio nivelyro nelaikykite lauke ir saugokite jį nuo smūgių, nuolatinių vibracijų ir ekstremalių temperatūrų.

Lazerinį matavimo prietaisą saugokite nuo dulkių, drėgmės ir didelės oro drėgmės. Tai gali pažeisti vidines konstrukcines dalis arba turėti įtakos matavimų netikslumui.

Jei lazerio spindulys nukreiptas į akį, užsimerkite ir tuoj pat nusisukite nuo spindulio.

Lazerio spindulį nukreipkite taip, kad jis neakintų jūsų paties arba kitų asmenų.

Į lazerio spindulį nežiūrėkite naudodamiesi optiniais padidinimo prietaisais, pvz., binokliais arba teleskopais. Priešingu atveju gresia sunkūs regos pažeidimai.

Atminkite, kad lazerio spindulio matymo akiniai padeda geriau matyti lazerio liniją, bet neapsaugo akių nuo lazerio spinduliuotės.

Draudžiama nuo lazerinio nivelyro nuimti arba padaryti nematomais įspėjamuosius ženklus.

Lazerinio nivelyro neardykite. Lazerio spinduliuotė gali sukelti stiprius regos sužeidimus.

Prieš gabendami lazerinį nivelyrą įsitikinkite, kad užfiksuotas švytuoklinis fiksavimo įrenginys.

Pastaba: jei švytuoklinis fiksavimo įrenginys neužfiksuotas, gali būti sugadinta vidinė prietaiso konstrukcija.

Nenaudokite agresyvių valiklių ar tirpiklių. Valykite tik švaria, minkšta šluoste.

Lazerinį nivelyrą saugokite nuo stiprių smūgių ir kritimo. Nukritus arba įvykus stipriems mechaniniams poveikiams, prieš naudodami patikrinkite prietaiso tikslumą.

Būtinus šio lazerinio prietaiso remonto darbus gali atlikti tik įgaliotas kvalifikuotas personalas.

Neekspluatuokite produkto sprogioje ar agresyvioje aplinkoje.

Jei ketinate prietaiso nenaudoti ilgiau, iš baterijų skyriaus išimkite baterijas. Taip apsisausosite nuo baterijų ištekėjimo ir dėl to patiriamos korozijos žalos.



Išsikrovusias baterijas draudžiama išmesti su buitinėmis atliekomis. Rūpinkitės aplinka ir nuneškite jas į surinkimo punktą, vadovaudamiesi valstybiniais arba vietiniais nuostatais. Produktą draudžiama išmesti su buitinėmis atliekomis. Produktą utilizuokite vadovaudamiesi šalyje galiojančiais nuostatais. Laikykites valstybinių ir regioninių nuostatų. Jei norite gauti detalesnę informaciją apie utilizavimą, kreipkitės į vietos įstaigą arba į savo prekybos atstovą.



Europos atitikties ženklas

TECHNINIS APYRAŠYMAS

Lazerinio nivelyro objektyvą ir korpusą valykite tik minkšta, sausa šluoste. Nenaudokite tirpiklių.

Nepaisant to, kad lazerinis nivelyras yra atsparus dulkešms ir ganėtinai atsparus užterštumui, neturėtumėte jo ilgai laikyti dulkeštoje aplinkoje, nes taip gali būti sugadintos viduje esančios judančios dalys.

Jeigu lazerinį nivelyrą įsiskverbė drėgmė, prieš įdėdami jį į nešiojamąjį dėklą pirmiausiai išdžiovinkite, kad išvengtumėte rūdžių sukeltos žalos.

TECHNINIAI DUOMENYS

Lazerio klasė	2
Automatinio niveliavimo diapazonas	±3°
Automatinio niveliavimo trukmė	3–5 s
Baterijos tipas	LR6 šarminė AA tipo baterija
Įtampa DC	3 × 1,5 V
Energijos sąnaudos	0,35 A
Apsaugos klasė (vandens pūslai ir dulkešs)	IP54
Funkcijos	horizontali linija, 2 vertikalios linijos, kryžminės linijos, svambalo funkcija
Impulsinis režimas	10 kHz dažniu
Projekcijos	3 žalios linijos, 1 raudonas taškas
Lazerio linijos išėjimo schema	Horizontali linija į priekį, vertikali linija į priekį, vertikali linija į šoną ir svambalo taškas. Horizontalios ir vertikalios kryžminės linijos į priekį ir svambalo taškas. Horizontali linija. Vertikali linija į priekį ir svambalo taškas. Vertikalios linijos į priekį bei šoną ir svambalo taškas. (Svambalo taškas žemyn rodomas tik automatinio niveliavimo, bet ne rankiniu režimu.)
Veikimo trukmė	6 valandos
Trikojo sriegis	1/4"
Pritaikytas detektorius	įprastiems žalios spalvos kelių linijų lazeriniams nivelyrams
Lazerio linija	
Plotis	2,5 mm ±0,5 mm / 5 m
Bangos ilgis	λ 520 ±10 nm II lazerių klasė
Tikslumas	±0,2 mm/m
Aprėpties kampas	> 120°
Spalva	žalia
Veikimo nuotolis	30 m (su detektoriumi 50 m)

Svambalo taškas	
Lazerio taško bangos ilgis	635 ±5 nm II lazerių klasė
Maks. lazerio taško galia	< 1 mW
Svambalo tikslumas	±0,6 mm / 1 m
Lazerio taško spalva	raudona
Veikimo nuotolis	5 m
Rekomenduojama eksploataavimo temperatūra	nuo -10 °C iki +45 °C
Saugojimo temperatūra	nuo -20 °C iki +60 °C
Matmenys	106 mm × 88 mm × 105 mm
Svoris (su baterijomis)	710 g

NAUDOJIMAS PAGAL PASKIRTĮ

Šis naujoviškas profesionalų lazerinis nivelyras skirtas plačiai naudoti profesionalams:

- plytelėms, marmurinėms plokštėms, spintelėms, apvadams, profiliams ir apdailoms lygiuoti
- Pagrindinėms linijoms žymėti montuojant duris, langus, turėklus, laiptus, tvoras, vartus, verandas ir pavėsines.
- Apšvietimo ir vėdinimo įrenginių atskaitos taškams perkelti, aukščiams perkelti, išorinėms ir karkasinėms sienoms niveliuoti, bėgiams montuoti ant grindų ir kitiems profesionalų atliekamiems darbams.
- Skirtas nustatyti ir tikrinti horizontalias ir vertikalias linijas.



Šį gaminį leidžiama naudoti tik pagal paskirtį.

Guminiai stabilizatoriai

Reguliuojamosios kojelės

Vertikalios lazerio linijos į priekį langas

Horizontalios lazerio linijos langas

ON  / OFF  blokavimo jungiklis



Vertikalios lazerio linijos į šoną langas

Baterijų skyriaus dangtelis



Raudonas svambalo taškas

1/4" trikojo sriegis



Valdymo pultas



Rankinio režimo šviesos diodo rodmuo

Rankinio režimo mygtukas

Rankiniam režimui įjungti ir išjungti

Pasirinkti lazerio linijos šviesadiodį rodmenį (nuolatinė šviesa)

Pasirinkti lazerio linijos šviesadiodį rodmenį (mirksinti šviesa)

Lazerio linijos pasirinkimo mygtukas

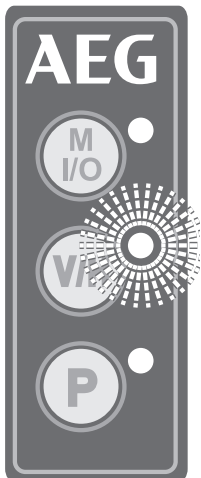
Pasirinkti iš: Vertikali linija į priekį, Vertikali linija į šoną, Horizontali linija į priekį arba šių linijų derinys.

Impulsinio režimo šviesos diodo rodmuo

Impulsinio režimo mygtukas

Darbams lauke, kai šviečia saulė arba labai stipriai apšviesta aplinka bei darbams vidaus patalpose, kai reikalingas iki 50 m veikimo nuotolis, naudoti impulsinį režimą su 10 kHz detektoriumi.

SILPSTANČIOS BATERIJOS RODMUO



Kai baterija pradeda silpti, susilpnėja lazerio šviesa, ir 0,5 sekundės dažniu pradeda mirksėti atitinkamas rodmuo (žalias šviesos diodas prie V/H mygtuko).

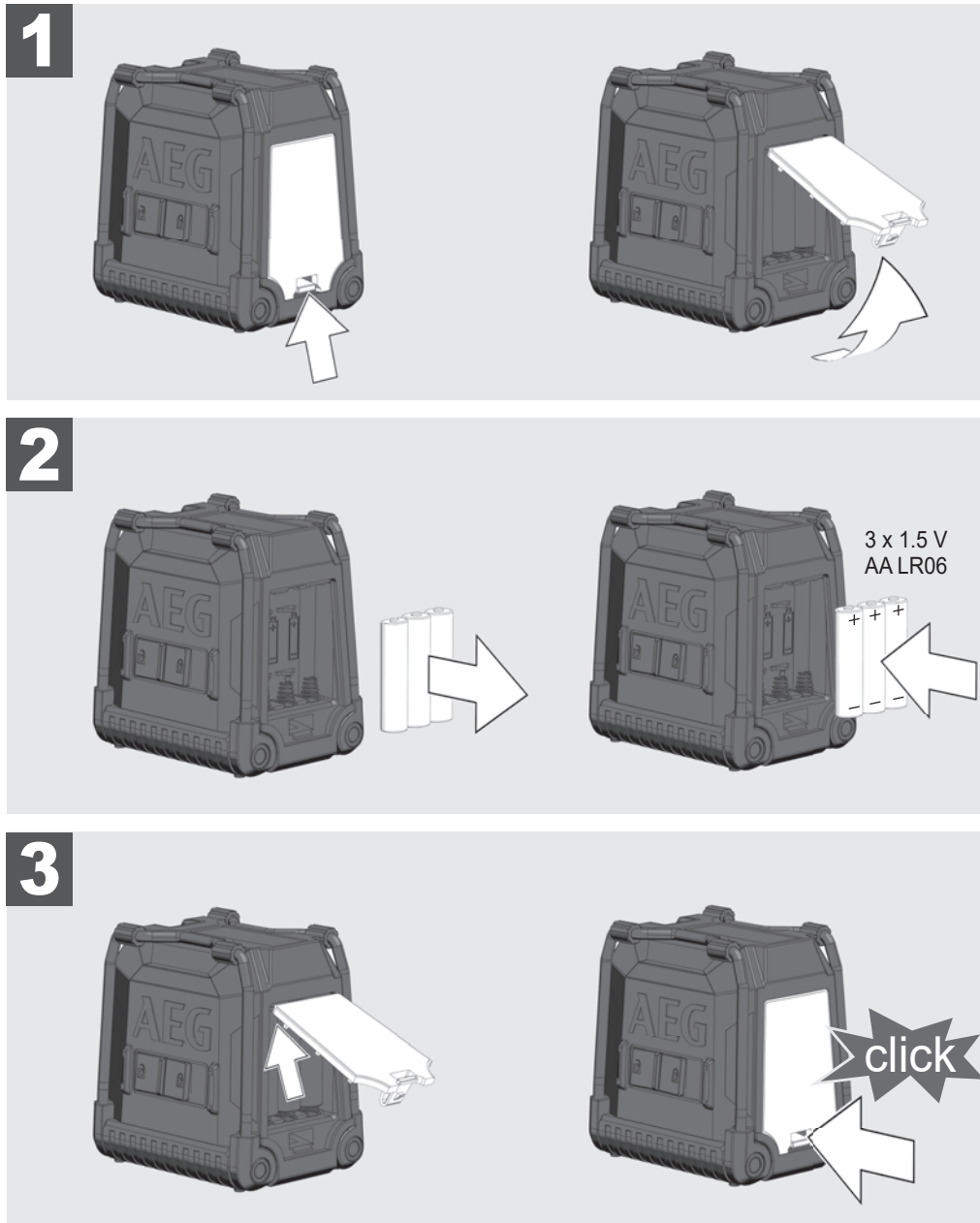
Tačiau galite dirbti toliau.

Kai baterija visiškai nusilpsta, prietaisas automatiškai išsijungia.

BATERIJŲ KEITIMAS

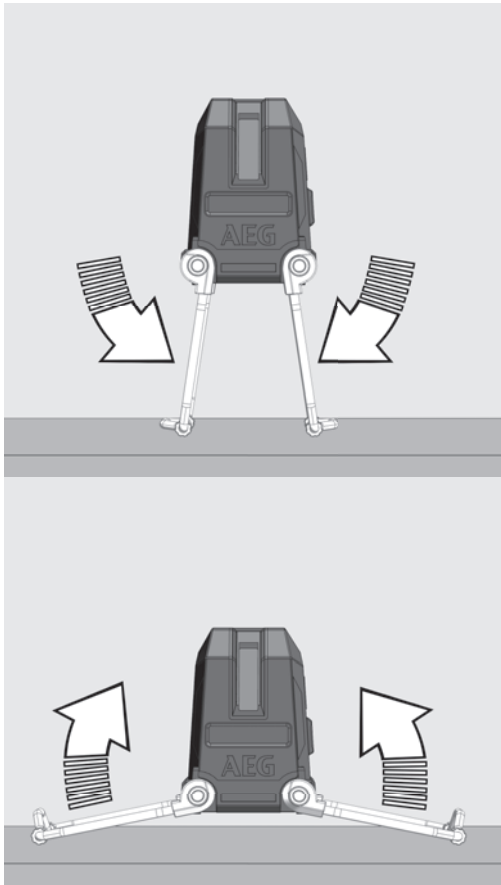
Baterijas keiskite tuomet, kai lazerio spindulys tampa silpnesnis.

Jei ketinate ilgiau nenaudoti lazerinio nivelyro, iš baterijų skyriaus išimkite baterijas. Taip apsaugosite nuo baterijų ištekėjimo ir su tuo susijusios korozijos padarytos žalos.

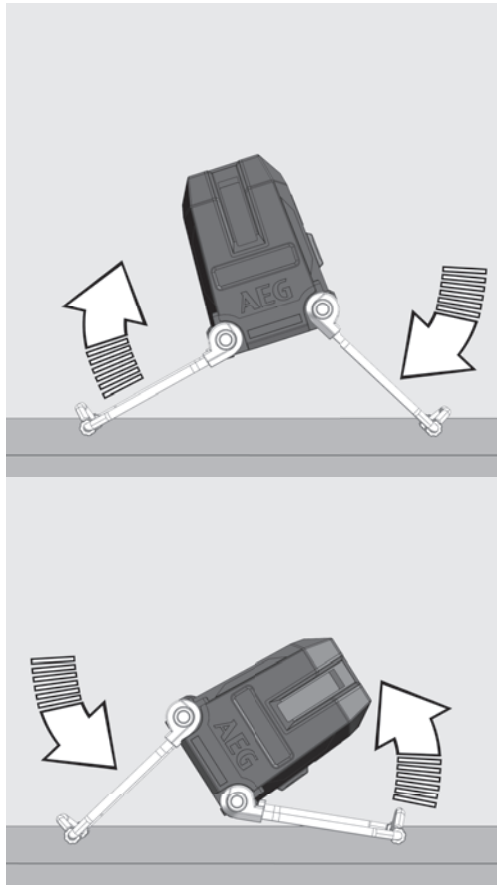


REGULIUOJAMOSIOS KOJELĖS

Reguliuojamomis kojelėmis galite nustatyti horizontalios linijos aukštį.

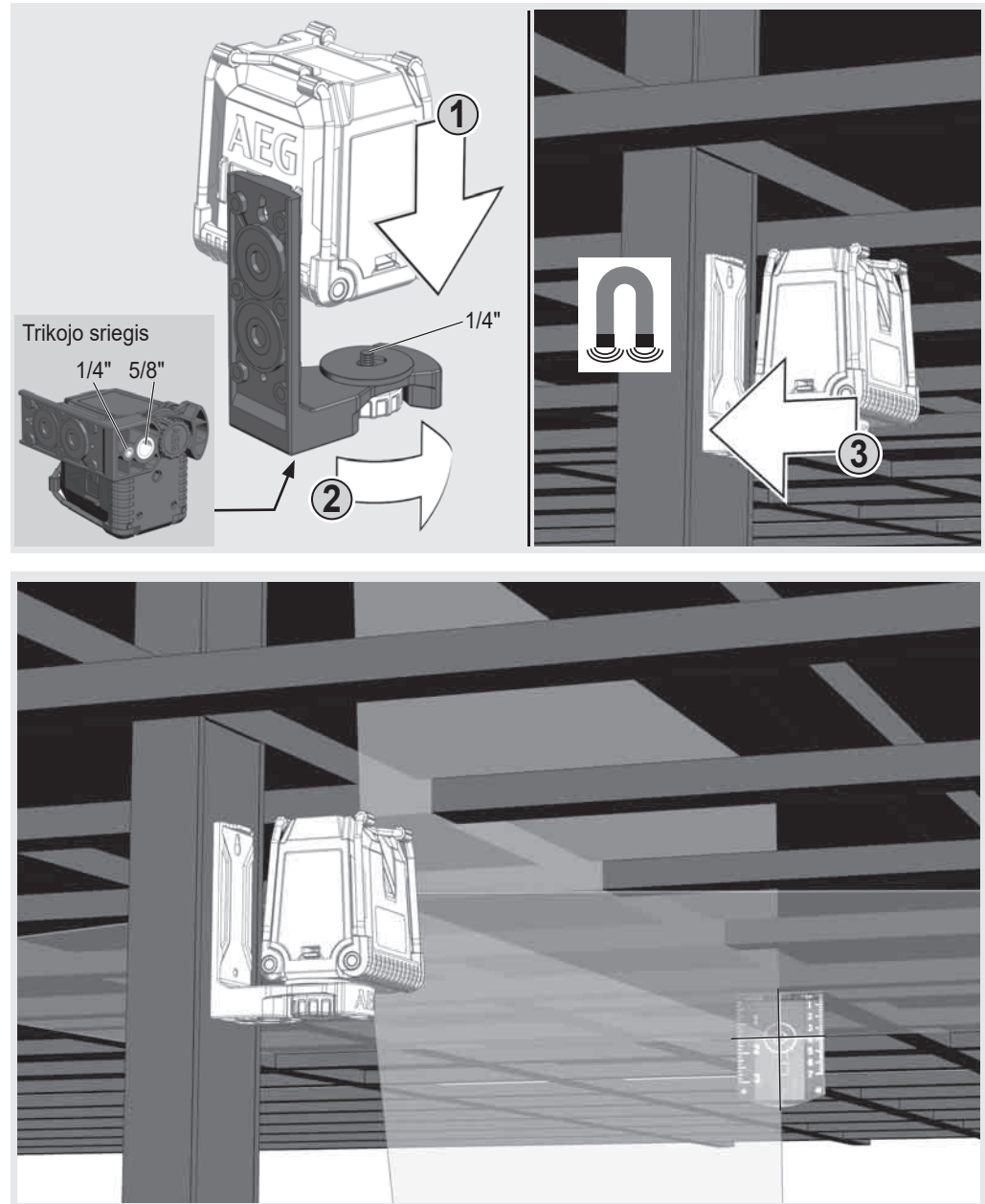


Naudodami reguliuojamasias kojeles galite nustatyti lazerinio nivelyro posvirį.



MAGNETINIS SIENOS LAIKIKLIS IR ŽALIA TAIKINIO PLOKŠTELĖ

Magnetinis laikiklis leidžia lazerinį nivelyrą pritvirtinti prie sienų, metalinių konstrukcijų ir kt. Žalia taikinio plokštė pagerina lazerio spindulio matomumą, esant nepalankioms sąlygoms ir didesniems atstumams.



DARBAS AUTOMATINIO NIVELIAVIMO REŽIMU


Automatinio niveliavimo režimu lazerinis nivelyras automatiškai išsilygina $\pm 3^\circ$ diapazone. Projektuojama horizontali linija, dvi vertikalios linijos arba visos 3 linijos vienu metu.

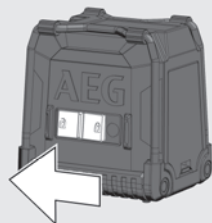
1

Lazerinį nivelyrą pastatykite ant tvirto, lygaus ir nevibruojančio pagrindo arba ant trikojo.



2

Blokavimo jungiklį pastumkite į padėtį ON .

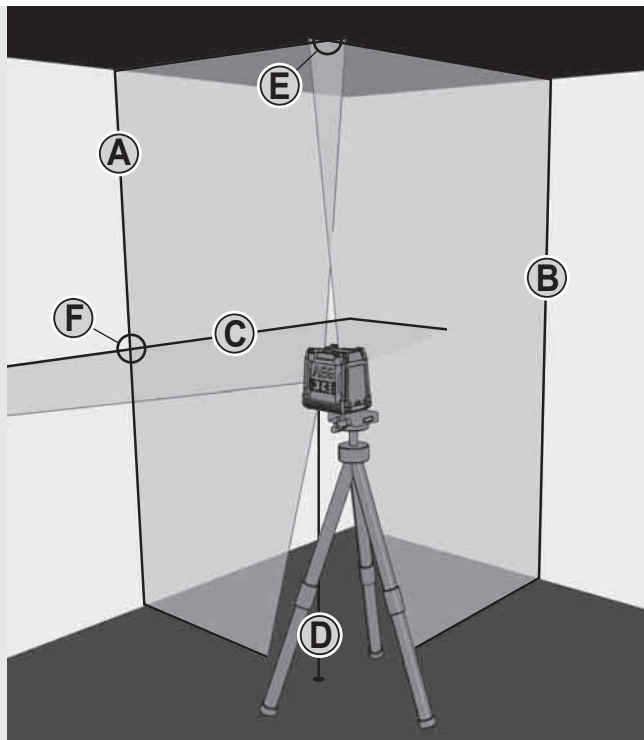


3

Lazerinis nivelyras sukuria 3 lazerio linijas.

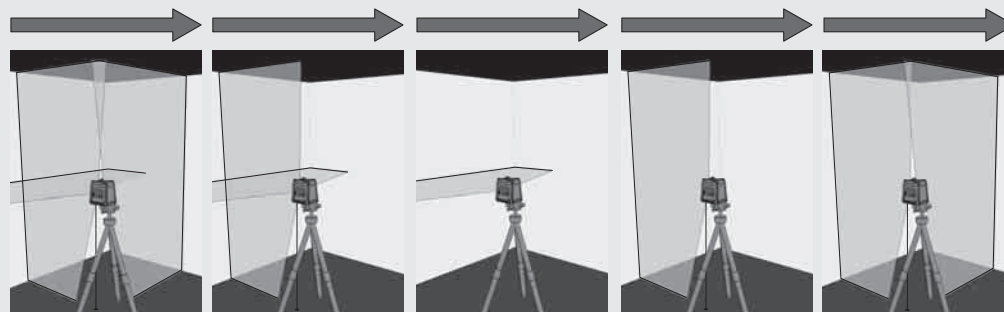
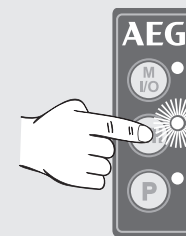
- (A) Vertikali linija į priekį
- (B) Vertikali linija į šoną
- (C) Horizontali linija į priekį
- (D) Lazerio taškas (svambalo linija)

Kai visos linijos aktyvios, lazerinis nivelyras sukuria kryžmines linijas į viršų (E) ir į priekį (F).



4

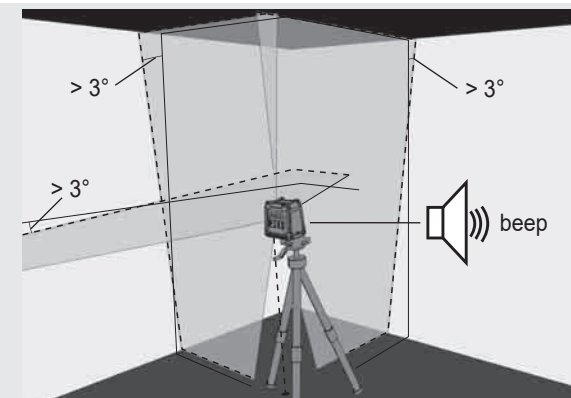
Paspauskite V/H mygtuką, kad pasirinktumėte linijas, su kuriomis pageidaujate dirbti.



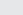
5

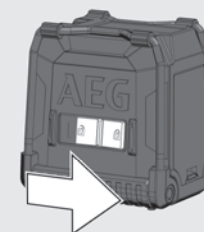
Jei lazerinis nivelyras įjungus automatinį niveliavimą iš pradžių nenustatytas $\pm 3^\circ$, mirksi lazerio linijos — — — — ir suskamba signalas.

Tokiu atveju, lazerinį nivelyrą pastatykite iš naujo.



6

Perstatydami prietaisą blokavimo jungiklį nustatykite į padėtį OFF . Taip bus užfiksuota švytuoklė ir apsaugomas lazerinis nivelyras.

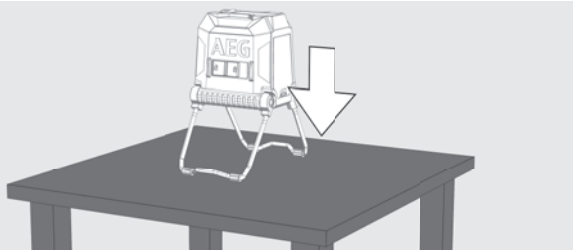


DARBAS RANKINIŲ REŽIMU

Dirbant rankiniu režimu, automatinis niveliavimas išjungtas, o lazerio linijos gali būti nustatytos bet kokių posvyrių.

1

Lazerinį nivelyrą pastatykite ant tvirto, lygaus ir nevibruojančio pagrindo arba ant trikojo.



2

Paspauskite rankinio režimo mygtuką (blokavimo jungiklio neperjunkite!).

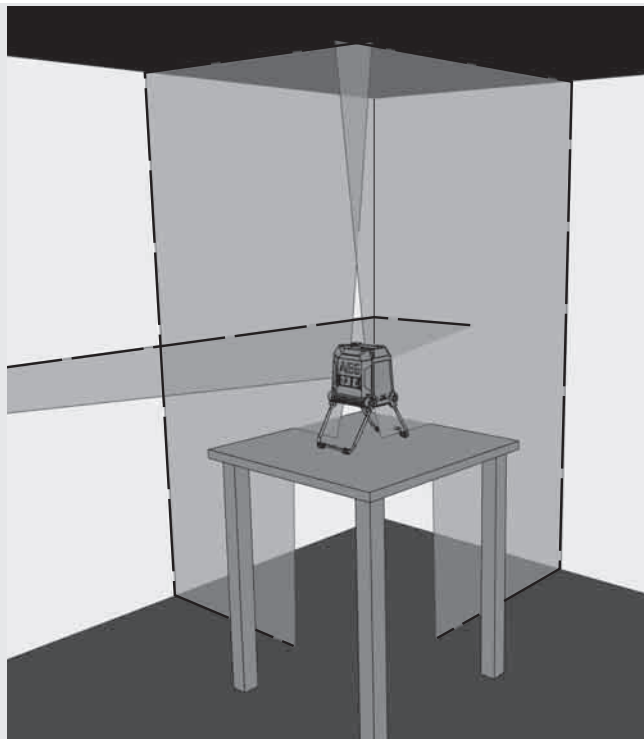
Prie mygtuko šviečia raudonos spalvos šviesos diodai.



3

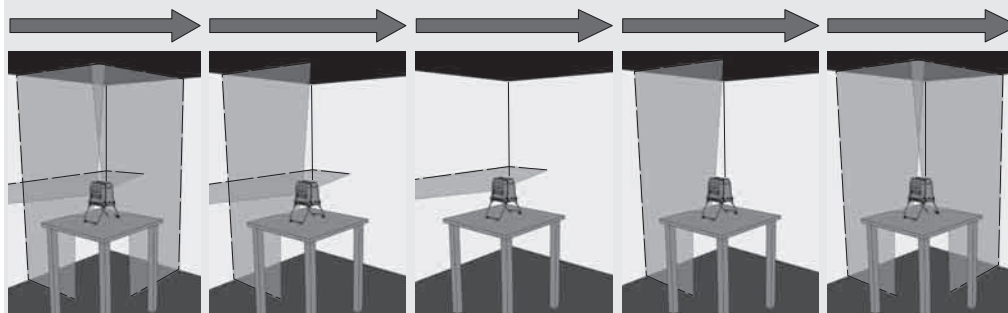
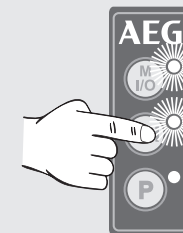
Kaip ir automatinio niveliavimo režimu, lazeris sukuria 3 lazerio linijas, kurios mirksi kas 3 sekundes.

3 sek. 3 sek. 3 sek.



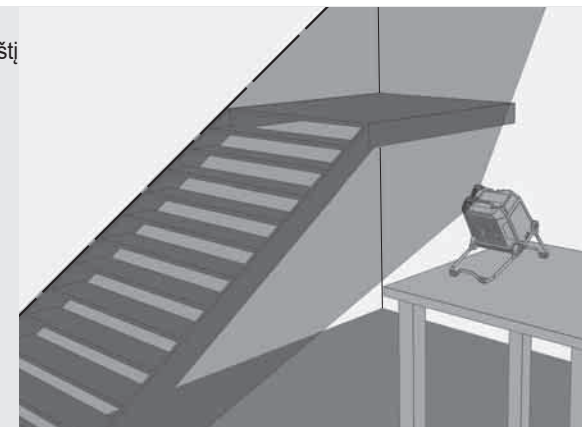
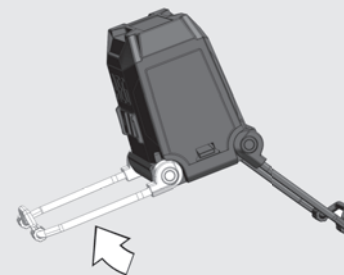
4

Paspauskite V/H mygtuką, kad pasirinktumėte linijas, su kuriomis pageidaujate dirbti.



5

Naudodami kojeles nustatykite pageidaujama lazerinio nivelyro aukštį ir posvirį.



6

Kad užbaigtumėte rankinį režimą, vėl paspauskite rankinio režimo mygtuką.

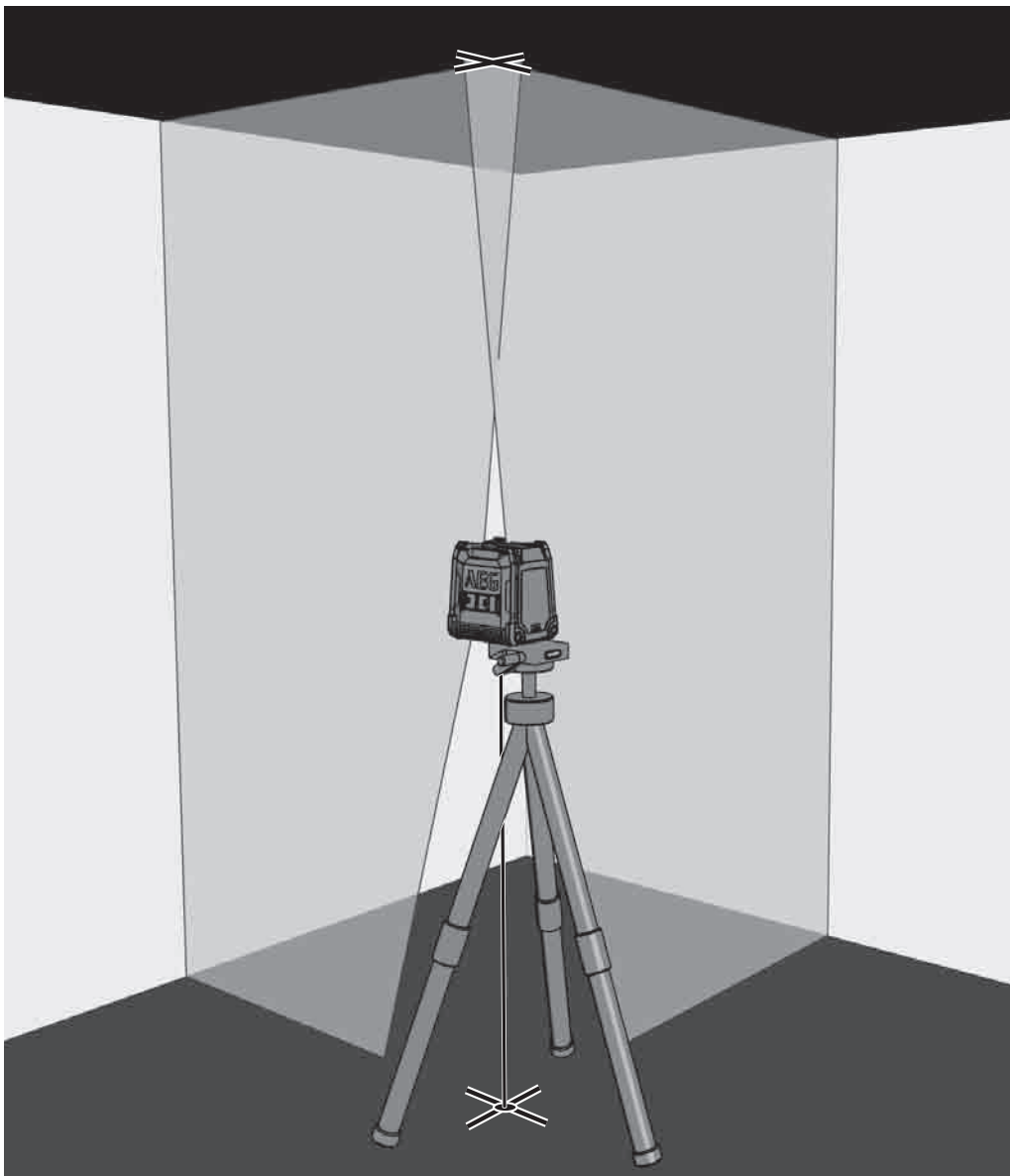
Kad perjungtumėte į automatinio niveliavimo režimą, blokavimo jungiklį nustatykite į ON padėtį.



SVAMBALO FUNKCIJA

Naudodami svambalo funkciją galite suprojektuoti svambalo tašką tarp grindų ir lubų. Atskaitos taškas ant grindų nukreipiamas į kryžminių linijų susikirtimo tašką ant lubų.

Svambalo funkcija naudinga tuomet, kai pavyzdžiui, reikia sukurti atskaitos tašką apšvietimo ar ventiliacijos įrengimui arba nustatyti aukščius.



IMPULSINIO REŽIMO FUNKCIJA

Darbams lauke, kai šviečia saulė arba labai stipriai apšviesta aplinka bei darbams vidaus patalpose, kai reikalingas 50 m veikimo nuotolis, naudoti impulsinį režimą su detektoriumi.

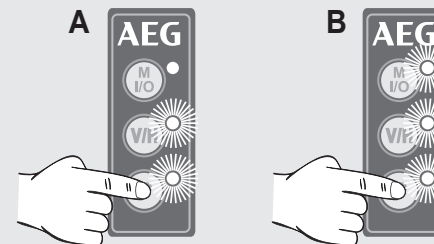
Detektoriaus komplekte nėra, jį turite įsigyti atskirai.

Įjungus impulsinį režimą, lazerio linijos mirksi labai aukštu (žmogaus akiai nepastebimu) dažniu, kad detektorius galėtų nustatyti linijas.

1

Impulsinį režimą galima įjungti automatinio niveliavimo režimu (A) ir rankiniu režimu (B).

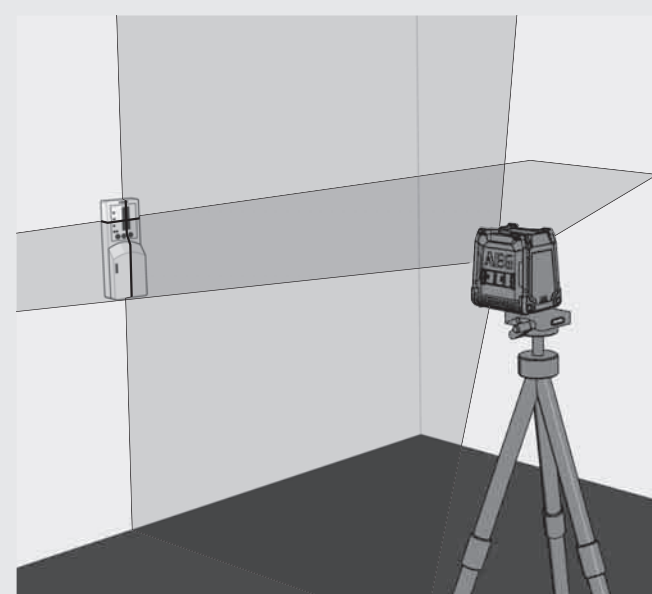
Paspauskite P mygtuką. Prie mygtuko šviečia žali šviesos diodai.



2

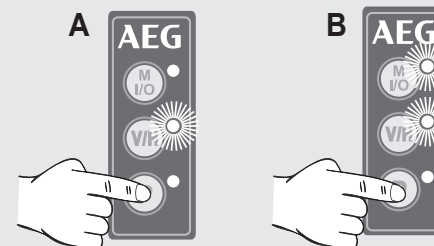
Įjungus impulsinį režimą, šiek tiek išryškėja lazerio linijos.

Daugiau informacijos apie detektoriaus naudojimą rasite detektoriaus naudojimo instrukcijoje.



3

Dar kartą paspauskite mygtuką P, kad išjungtumėte impulsinį režimą. Prie mygtuko esantys žali šviesos diodai išsijungia.



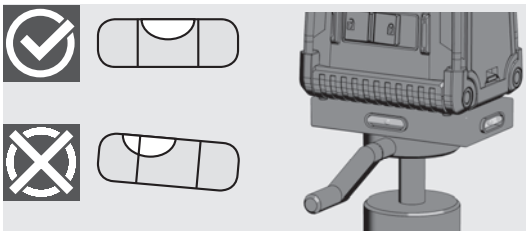
TIKSLUMO TIKRINIMAS

Lazeris sukalibruotas gamykloje. AEG rekomenduoja reguliariai tikrinti lazerinio nivelyro tikslumą, ypač jam nukritus arba jeigu jis buvo netinkamai naudotas.

Jei tikrinant tikslumą viršijamas didžiausias leistinas nuokrypis, kreipkitės į mūsų AEG klientų aptarnavimo tarnybą (žr. sąrašą su garantinio aptarnavimo sąlygomis ir klientų aptarnavimo tarnybų adresais).

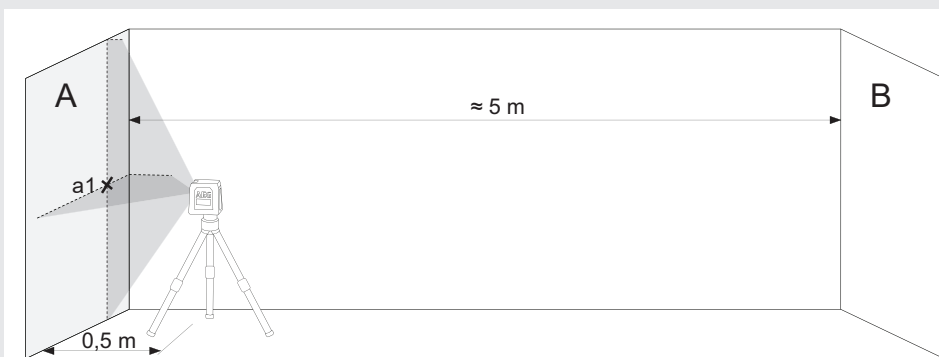
1. Patikrinkite horizontalios linijos aukščio tikslumą.
2. Patikrinkite horizontalios linijos niveliavimą.
3. Patikrinkite vertikalios linijos niveliavimą.
4. Patikrinkite statumą tarp 2 vertikalių linijų.
5. Patikrinkite svambalo tikslumą.

Prieš tikrindami ant trikojo sumontuoto lazerinio nivelyro tikslumą, patikrinkite trikojo niveliavimą.



1 HORIZONTALIOS LINIJOS AUKŠČIO TIKSLUMO PATIKRA (NUOKRYPIS Į VIRŠŲ IR Į APAČIĄ)

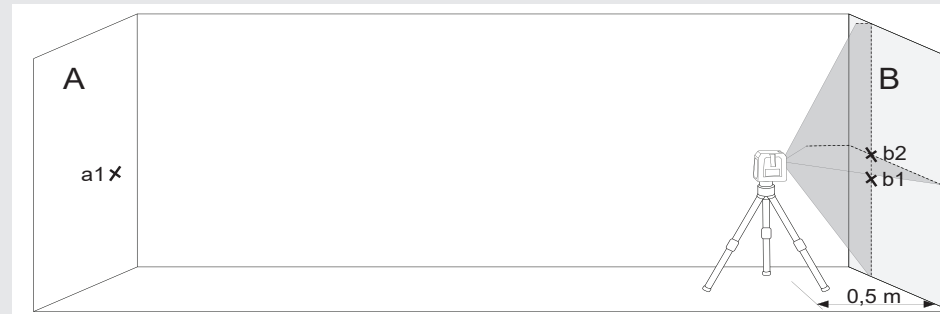
1. Lazerinį nivelyrą pastatykite ant trikojo arba lygaus pagrindo tarp dviejų maždaug 5 m viena nuo kitos nutolusių A ir B sienų.
2. Lazerinį nivelyrą pastatykite maždaug 0,5 m atstumu nuo sienos A.
3. Įjunkite automatinio niveliavimo režimą ir paspauskite mygtuką, kad ant sienos A būtų suprojektuotos horizontalios ir vertikalios linijos.
4. Ant sienos A pažymėkite abiejų linijų susikirtimo tašką a1.



5. Lazerinį nivelyrą pasukite 180° kampu į sieną B ir ant jos pažymėkite abiejų linijų susikirtimo tašką b1.



6. Lazerinį nivelyrą pastatykite maždaug 0,5 m atstumu nuo sienos B.
7. Ant sienos B pažymėkite abiejų linijų susikirtimo tašką b2.



8. Lazerinį nivelyrą pasukite 180° kampu į sieną A ir ant jos pažymėkite abiejų linijų susikirtimo tašką a2.



9. Išmatuokite atstumus:

$$\Delta a = |a2 - a1|$$

$$\Delta b = |b1 - b2|$$

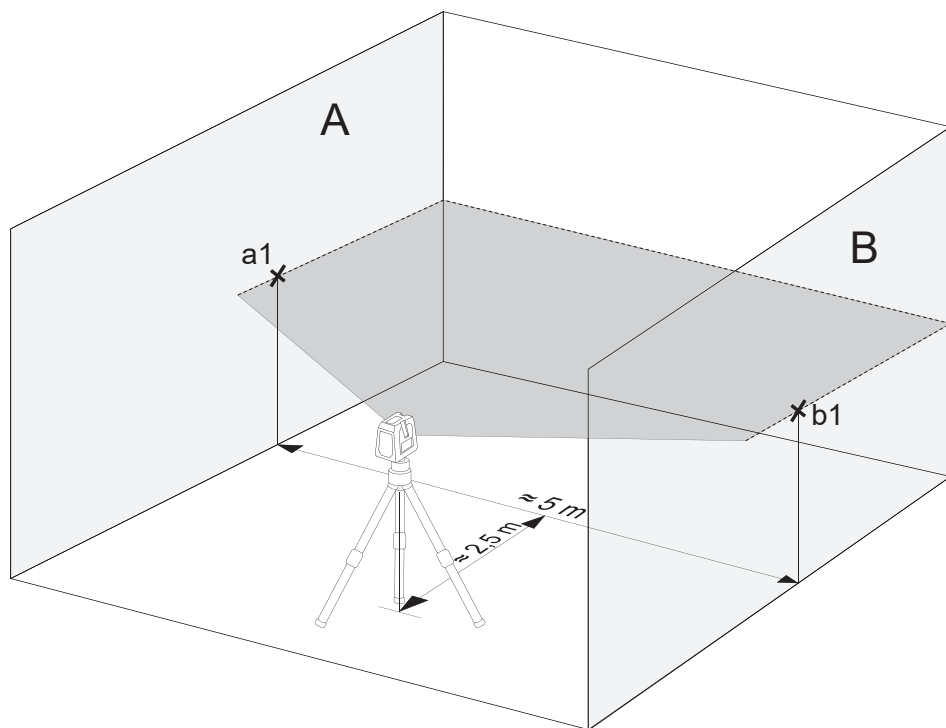
10. Skirtumas $|\Delta a - \Delta b|$ negali būti didesnis nei 2 mm.

2

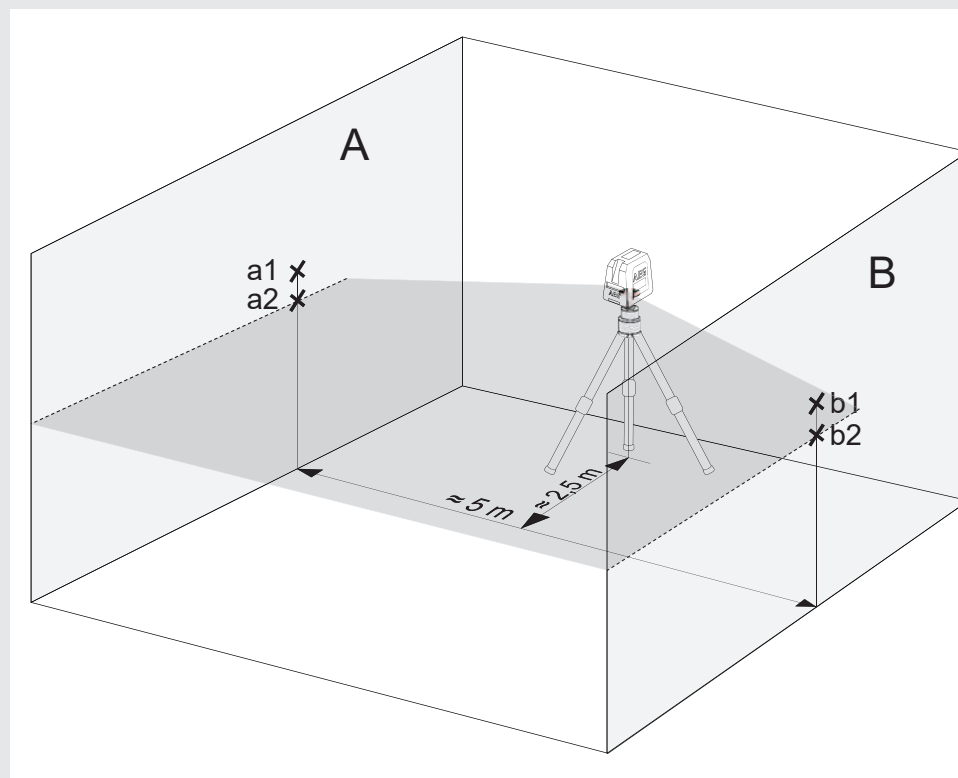
HORIZONTALIOS LINIJOS NIVELIAVIMO TIKSLUMO PATIKRA (SKIRTUMAS NUO VIENO IKI KITO ŠONO)

Tokiai patikrai reikalingas maždaug 5 × 5 m plotas.

1. Lazerį pastatykite ant trikojo arba tvirto pagrindo tarp dviejų maždaug 5 m viena nuo kitos nutolusių A ir B sienų.
2. Lazerį pastatykite maždaug 2,5 m atstumu nuo patalpos centro.
3. Įjunkite automatinio niveliavimo režimą ir paspauskite mygtuką, kad ant A ir B sienos būtų suprojektuota horizontali linija.
4. Ant sienos A pažymėkite lazerio linijos centrą a1, o ant sienos B pažymėkite b1.



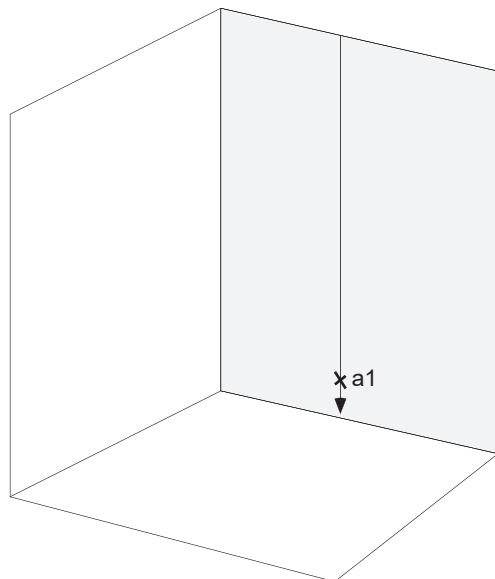
5. Lazerinį nivelyrą perkeltite maždaug 5 m, pasukite 180° kampu ir iš naujo suprojektuokite horizontalią liniją ant A ir B sienų.
6. Ant sienos A pažymėkite lazerio linijos centrą a2, o ant sienos B pažymėkite b2.



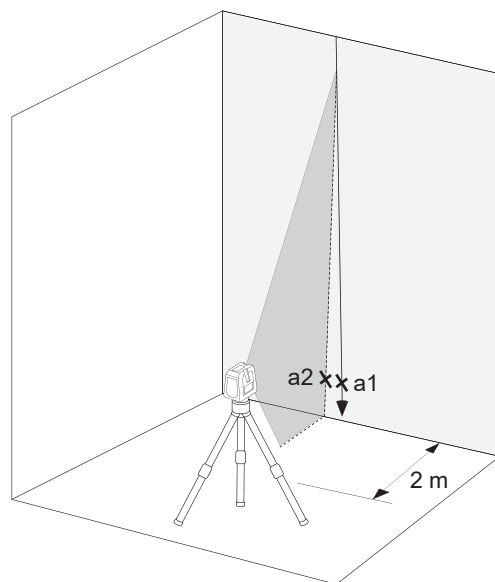
7. Išmatuokite atstumus:
 $\Delta a = |a2 - a1|$
 $\Delta b = |b1 - b2|$
8. Skirtumas $|\Delta a - \Delta b|$ negali būti didesnis nei 2 mm.

3 VERTIKALIOS LINIJOS NIVELIAVIMO TIKSLUMO PATIKRA

1. Prie sienos pakabinkite maždaug 4 m ilgio svambalo virvę.
2. Kai svambalas sustoja, virš svambalo rutulio ant sienos pažymėkite tašką a1.



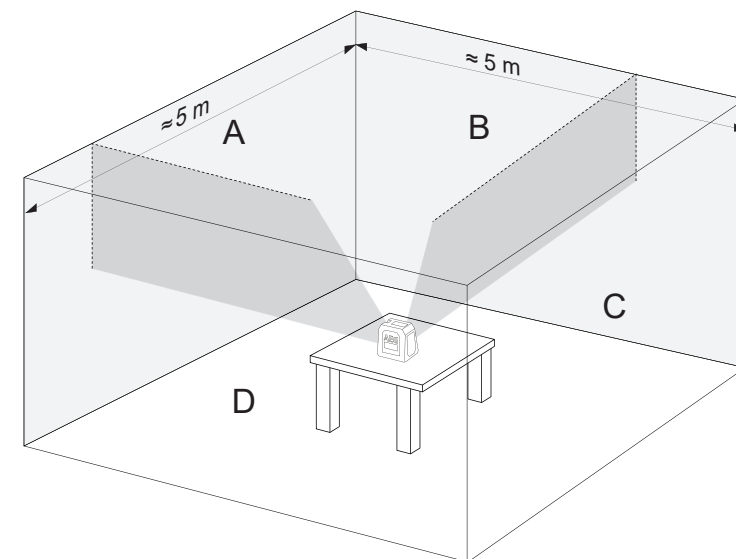
3. Lazerinį nivelyrą pastatykite ant trikojo arba lygaus pagrindo tarp dviejų maždaug 2 m viena nuo kitos nutolusių sienų.
4. Įjunkite automatinio niveliavimo režimą ir paspauskite mygtuką, kad būtų suprojektuota vertikali linija ant svambalo linijos.
5. Lazerinį nivelyrą pasukite taip, kad vertikali linija sutaptų su pakabinta svambalo virve.
6. Ant sienos, tame pačiame aukštyje kaip a1, pažymėkite tašką a2 vertikali linijos centre.
7. Atstumas tarp a1 ir a2 negali būti didesnis nei 1 mm.



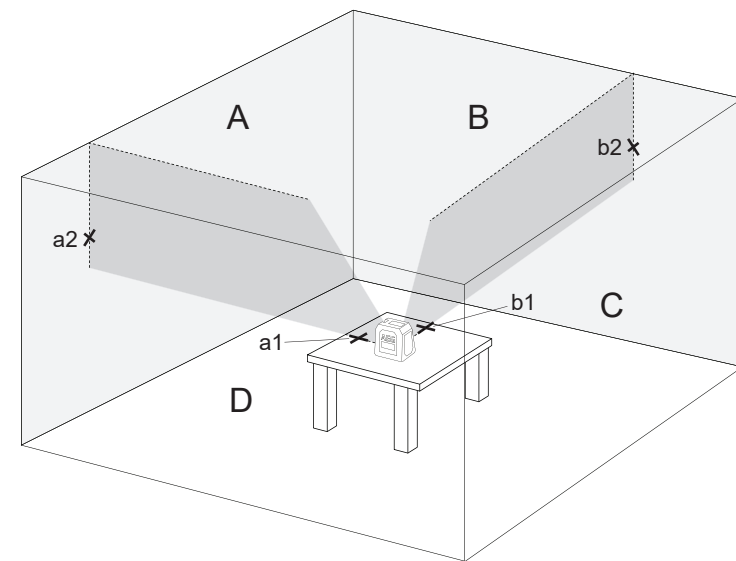
4 PATIKRINKITE STATUMĄ TARP 2 VERTIKALIŲ LINIJŲ

Šiai patikrai reikalinga patalpa su 4 sienomis ir mažiausiai 5 x 5 m plotu.

1. Lazerinį nivelyrą pastatykite patalpos centre ant stalo arba grindų.
2. Įjunkite automatinio niveliavimo režimą ir 4 kartus paspauskite V/H mygtuką, kad suprojektuotumėte vertikalią liniją į priekį ir į šoną.



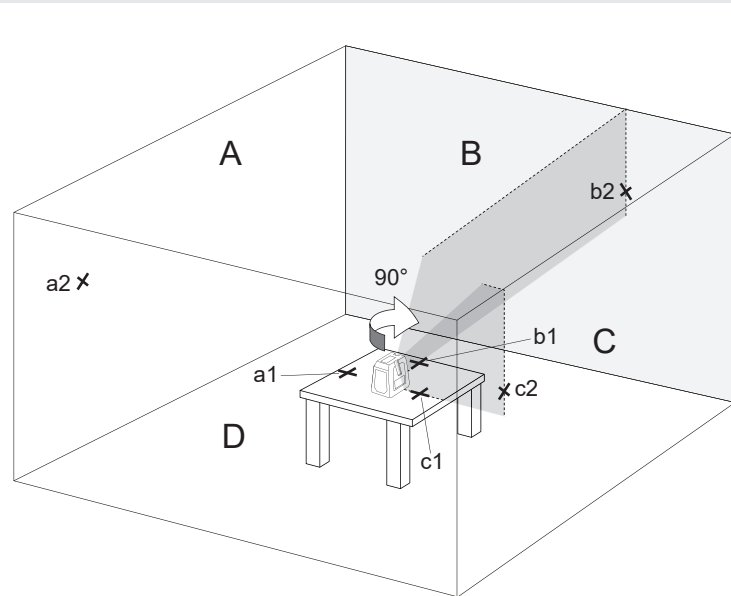
3. Pažymėkite suprojektuotos vertikali linijos į priekį centrą 2 vietose: tašką a1 ant stalo prie lazerio ir tašką a2 ant A sienos.
4. Pažymėkite suprojektuotos vertikali linijos į šoną centrą 2 vietose: tašką b1 ant stalo prie lazerio ir tašką b2 ant sienos B.



STATUMO TARP 2 VERTIKALIŲ LINIJŲ PATIKRA

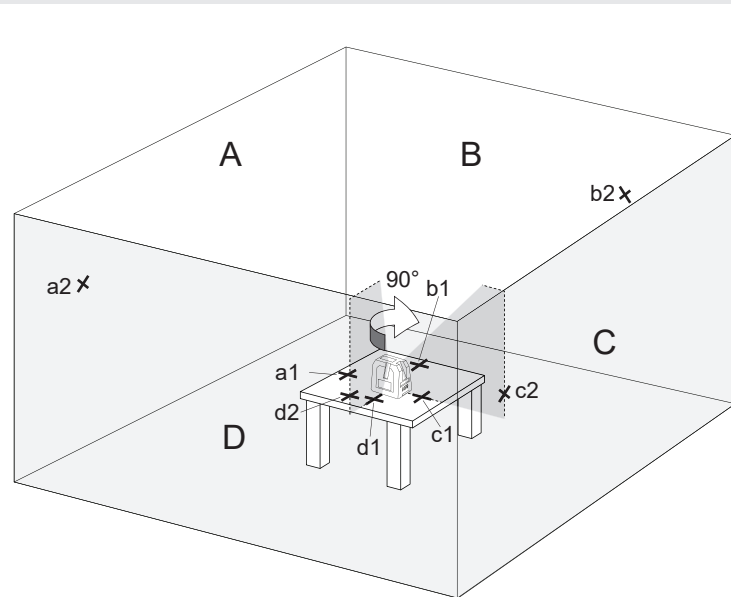
5. Lazerinį nivelyrą pasukite 90° kampu pagal laikrodžio rodyklę taip, kad į priekį nukreipta lazerio linija liestų b1 žymą ant stalo ir b2 žymą ant sienos B.

6. Pažymėkite suprojektuotos vertikalios linijos į šoną centrą 2 vietose: tašką c1 ant stalo prie lazerio ir tašką c2 ant sienos C.



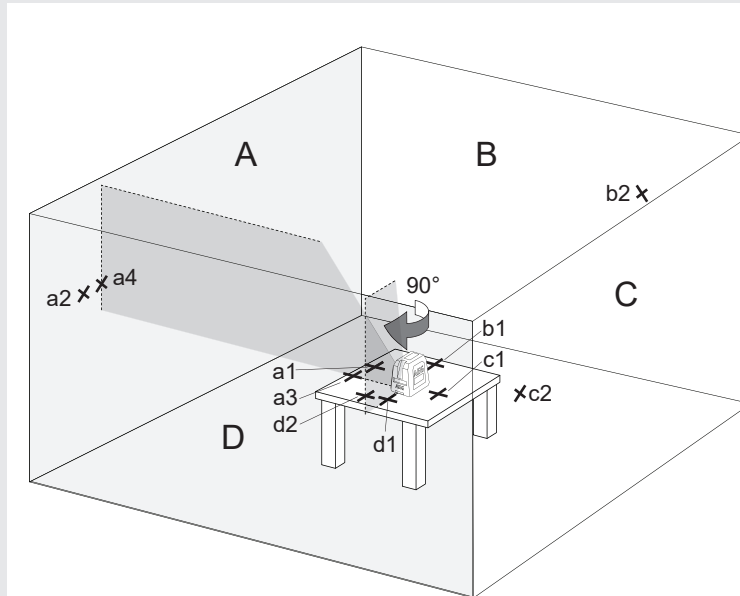
7. Lazerinį nivelyrą pasukite 90° kampu pagal laikrodžio rodyklę taip, kad į priekį nukreipta lazerio linija liestų c1 žymą ant stalo ir c2 žymą ant sienos C.

8. Pažymėkite suprojektuotos vertikalios linijos į šoną centrą 2 vietose: tašką d1 ant stalo prie lazerio ir tašką d2 ant sienos D.



9. Lazerinį nivelyrą pasukite 90° kampu pagal laikrodžio rodyklę taip, kad į priekį nukreipta lazerio linija liestų d1 žymą ant stalo ir d2 žymą ant sienos D.

10. Pažymėkite suprojektuotos vertikalios linijos į šoną centrą 2 vietose: tašką a3 ant stalo prie taško a1 ir a4 ant A sienos prie a2 taško.



11. Išmatuokite atstumus:

$\Delta 1$ = nuo a1 į a3

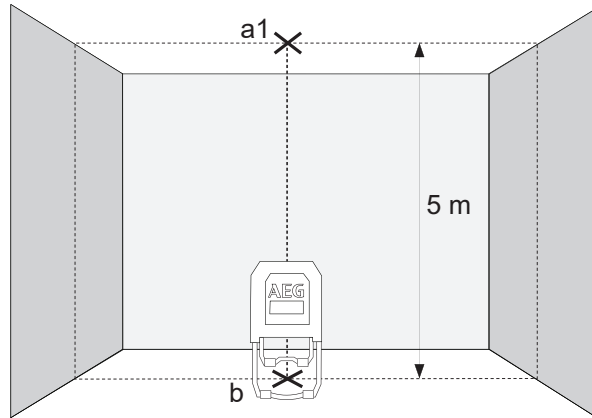
$\Delta 2$ = nuo a2 į a4

12. Gautas $\Delta 2 - \Delta 1$ skirtumas negali būti didesnis nei 4 mm.

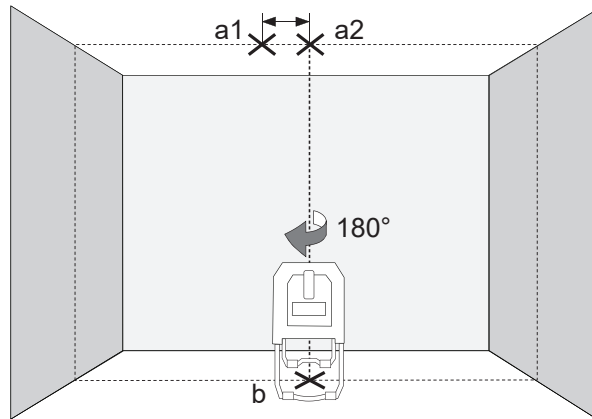
5 SVAMBALO TIKSLUMO PATIKRA

Šiai patikrai reikalinga patalpa, kurios lubų aukštis yra maždaug 5 m.

1. Atlenkite lazerinio nivelyro kojeles ir prietaisą pastatykite ant grindų.
2. Įjunkite automatinio niveliavimo režimą ir paspauskite mygtuką, kad būtų suprojektuotos vertikalios kryžminės linijos ant lubų ir svambalo taškas ant grindų.
3. Į viršų nukreiptos kryžminės linijos centrą pažymėkite a1 tašku ant lubų (žr. pav.).
4. Svambalo taško centrą pažymėkite ant grindų tašku b.



5. Lazerinį nivelyrą pasukite 180° kampu ir padėkite taip, kad svambalo taško centras sutaptų su jau pažymėtu b tašku ir palaukite, kol prietaisas išsilygins.
6. Į viršų nukreiptos kryžminės linijos centrą pažymėkite a2 tašku ant lubų.
7. Atstumas tarp a1 ir a2 taškų ant lubų parodo, kiek lazerio linija nukrypusi nuo idealios vertikaliosios linijos. Kai matuojamas ilgesnis nei 5 m atstumas, galimas didžiausias nuokrypis:
 $5 \text{ m} \times (\pm 0,6 \text{ mm/m}) \times 2 = \pm 6 \text{ mm}$.
8. Atstumas tarp a1 ir a2 negali būti didesnis nei 6 mm.



SISUKORD

Olulised ohutusjuhised	1
Hooldus	2
Tehnilised andmed.....	2
Kasutusotstarve.....	2
Ülevaade	3
Näidik - patarei nõrk	4
Vahetage patareisid.....	4
Reguleeritavad jalad.....	5
Magnetiga seinakinnitus ja roheline sihttahvel	5
Töötamine iseloodimisrežiimis.....	6
Töötamine käsirežiimis.....	7
Loodimisfunktsioon.....	8
Impulssrežiimi funktsioon	8
Täpsuse kontrollimine.....	9

OLULISED OHUTUSJUHISED



ETTEVAATUST! TÄHELEPANU! OHUD!

Ärge kasutage toodet enne, kui olete lugenud kaasasoleval CD'l olevaid Ohutusjuhiseid ja Kasutusjuhendit.

Laseri klassifikatsioon



HOIATUS:

Tegemist on 2. klassi lasertootega, mis vastab dokumendile EN60825-1:2014.



Hoiatus!

Ärge vaadake otse laserikiirde. Laserikiir võib põhjustada raskeid silmavigastusi ja/või pimedaks jäämist.

Ärge vaadake otse laserikiirde ega suunake kiirt asjatult teiste isikute peale.

Ettevaatust! Mõnede tööde ajal võib laserseade olla teie taga. Sellisel juhul olge ümber pöörates ettevaatlik!

Hoiatus!

Ärge käsitsege laserit laste läheduses, ärge laske lapsi laseriga mängida.

Tähelepanu! Peegeldav pind võib laserkiirt operaatori või teiste inimeste suunas tagasi peegeldada.

Hoiatus: Juhtelementide kasutamine, seadete muutmine või muude kui käsiraamatus määratud meetodite kasutamine võib ohtlikku kiirguskoormust põhjustada.

Kui laser tuuakse väga külmast keskkonnast väga sooja keskkonda (või vastupidi), peab see enne kasutuselevõttu ümbritseva temperatuuriga kohanema.

Laserit ei tohi hoida väliskeskkonnas. Seda tuleb kaitsta löökide, pidevate vibratsioonide ja suurte temperatuurikõikumiste eest.

Kaitske lasermõõteseadet tolmu, märja ja kõrge õhuniiskuse eest. See võib sisemisi koostedetaile rikkuda või täpsust mõjutada.

Kui laserikiir on suunatud silma, tuleb silmad sulgeda ja pea otsekohe kiirest eemale keerata.

Jälgige laserikiire suunamisel, et Teie ise ega teised isikud ei saaks sellest pimestatud.

Ärge vaadake laserikiirt optiliste suurendusvahenditega, nagu nt luubid või teleskoobid. Vastasel juhul suurendab see ohtu raskete silmavigastuste tekkeks.

Pange tähele, et laserikaitseprillid parandavad laserikiire nähtavust, kuid ei kaitse silmi laserikiirguse eest.

Laserseadmel olevaid hoiatussilte ei tohi eemaldada ega muuta arusaamatuks.

Laserit ei tohi koost lahti võtta. Laserikiirgus võib põhjustada raskeid silmavigastusi.

Enne laseri transporti veenduge, et pendellukk on lukus.

Märkus! Kui pendellukk pole lukus, võib seadme sisemus transportimise ajal kahjustada saada.


Ärge kasutage agressiivseid puhastusvahendeid ega lahusteid. Puhastage ainult puhta, pehme lapiga.


Kaitske laserit tugevate löökide või kukkumise eest. Pärast kukkumist või tugevaid mehaanilisi mõjutusi kontrollige enne kasutamist seadme täpsust.

Antud laserseadmel tohib nõutavaid remonditöid teostada üksnes volitatud erialapersonal.

Ärge kasutage toodet plahvatusohtlikes kohtades ega agressiivses keskkonnas.

Võtke patareisid enne seadme pikaajalisemat hoiustamist patareipesast välja. Nii väldite patareide tühjenemist ja sellega seotud korrosioonikahjustuste teket.

 ühjasid patareisid ei tohi visata majapidamisjäätmete hulka. Säätke keskkonda ja viige need kogumispunktidest, nagu on sätestatud riiklikes ja kohalikes eeskirjades. Seadet ei tohi visata majapidamisjäätmete hulka. Kõrvaldage toode kasutusel riigis kehtivate eeskirjade järgi. Täitke vastavaid kohalikke ja riiklikke eeskirju. Pöörduge kohaliku ameti või edasimüüja poole, et utiliseerimise kohta teavet saada.

 Euroopa vastavusmärk

HOOLDUS

Puhastage laseri objektiv ja korpus pehme puhta lapiga. Ärge kasutage keemilist lahustit.

Isegi siis, kui laser on teatud piirini tolmu ja määrdumise vastu kaitstud, ei tohiks seda pikemat aega tolmuses kohas hoida, sest see võib kahjustada sisemisi liikuvaid osi.

Kui laser peaks märjaks saama, tuleb see roostekahjustuste tekkimise vältimiseks enne kandekohvrise panekut kuivatada.

TEHNILISED ANDMED

Laseri klass	2
Iseloodimise vahemik	±3°
Iseloodimise aeg	3–5 s
Patarei tüüp	LR6 AA-tüüpi leelispatarei
Pinge DC	3 × 1,5 V
Energiatarve	0,35 A
Kaitseklass (veepritsmes ja tolm)	IP54
Funktsioonid	horisontaalne joon, 2 vertikaalset joont, ristuvad jooned, loodimisfunktsioon
Impulssrežiim	Sagedus 10 kHz
Projektsioonid	3 rohelist joont, 1 punane punkt
Laserikiire väljundmuster	Horisontaalne joon ette, vertikaalne joon ette, vertikaalne joon küljele ja loodimispunkt. Horisontaalne ja vertikaalne ristuv joon ette ja loodimispunkt. Horisontaalne joon. Vertikaalne joon ette ja loodimispunkt. Vertikaalsed jooned ette ja küljele ning loodimispunkt. (Loodimispunkti näidik allapoole töötab ainult iseloodimisrežiimis; käsirežiimis see ei tööta.)
Töötamisaeg	6 tundi
Statiivi keere	1/4"
Sobiv detektor	standardsele mitme joonega laserile
Laserikiir	Laius 2,5 mm ± 0,5 mm / 5 m Lainepikkus λ 520 ± 10 nm laseri klass II Täpsus ± 0,2 mm/m Nähtavusnurk > 120° Värvus roheline Ulatus 30 m (detektoriga 50 m)

Loodimispunkt	Lainepikkus, laseripunkt 635 ± 5 nm laseri klass II Laseripunkti max võimsus < 1 mW Loodimistäpsus ± 0,6 mm / 1 m Laseripunkti värvus rot Ulatus 5 m
Soovituslik töötemperatuur	-10 °C kuni + 45 °C
Hoiustamistemperatuur	-20 °C kuni +60 °C
Mõõtmed	106 mm × 88 mm × 105 mm
Kaal (koos patareidega)	710 g

KASUTUSOTSTARVE

See uuenduslik laser on mõeldud laialdaseks professionaalseks kasutuseks, nagu nt:

- plaatide, marmorplaatide, piirete, bordüüride, profiilide ja veeriste joondamine;
- põhijoonte märkimine uste, akende, liistude, treppide, tarade, väravate, verandade ja pergolate ehitamisel;
- võrdluspunktide ülekandmine valgustus- ja ventilatsioonipaigaldiste puhul, kõrguste ülekandmine, piirdeseinte ja karkassvaheseinte loodimisel, põrandaliistude paigaldamisel, samuti muude professionaalsete tööde tegemisel;
- horisontaalsete ja vertikaalsete joonte määramiseks ja kontrollimiseks.



Seda toodet võib kasutada üksnes kirjeldatud otstarbel.

Kummistabilisaatorid

Reguleeritavad jalad

Ettepoole ulatuva laserikiire aken

Horisontaalse laserikiire aken

SEES  / VÄLJAS  lukustuslüüti



Külgmise vertikaalse laserikiire aken

Patareipesa kaas



Punane loodimispunkt

1/4" statiivühenduse keere



Juhtpaneel

AEG

M
I/O

V/H

P

Käsirežiimi LED-näidik

Käsirežiimi nupp

Käsirežiimi sisse- ja väljalülitamiseks

LED-näidik laserikiire valimiseks (tuli põleb pidevalt)

LED-näidik - patarei nõrk (tuli vilgub)

Laserikiire valikunupp

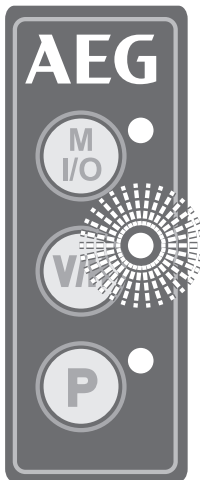
Valik: Vertikaalne joon ette, Vertikaalne joon küljele, Horisontaalne joon ette või nende joonte kombinatsioon.

Impulssrežiimi LED-näidik

Impulssrežiimi nupp

Kasutage 10 kHz detektoriga impulssrežiimi otsese päikesevalguse või eredate valgustingimuste, samuti kuni 50 m ulatusega sisekasutuse korral.

NÄIDIK - PATAREI NÕRK



Kui patarei hakkab tühjaks saama, väheneb laseri valgustugevus ja vastav näidik (roheline LED nupu V/H kõrval) hakkab 0,5-sekundilise vahega vilkuma.

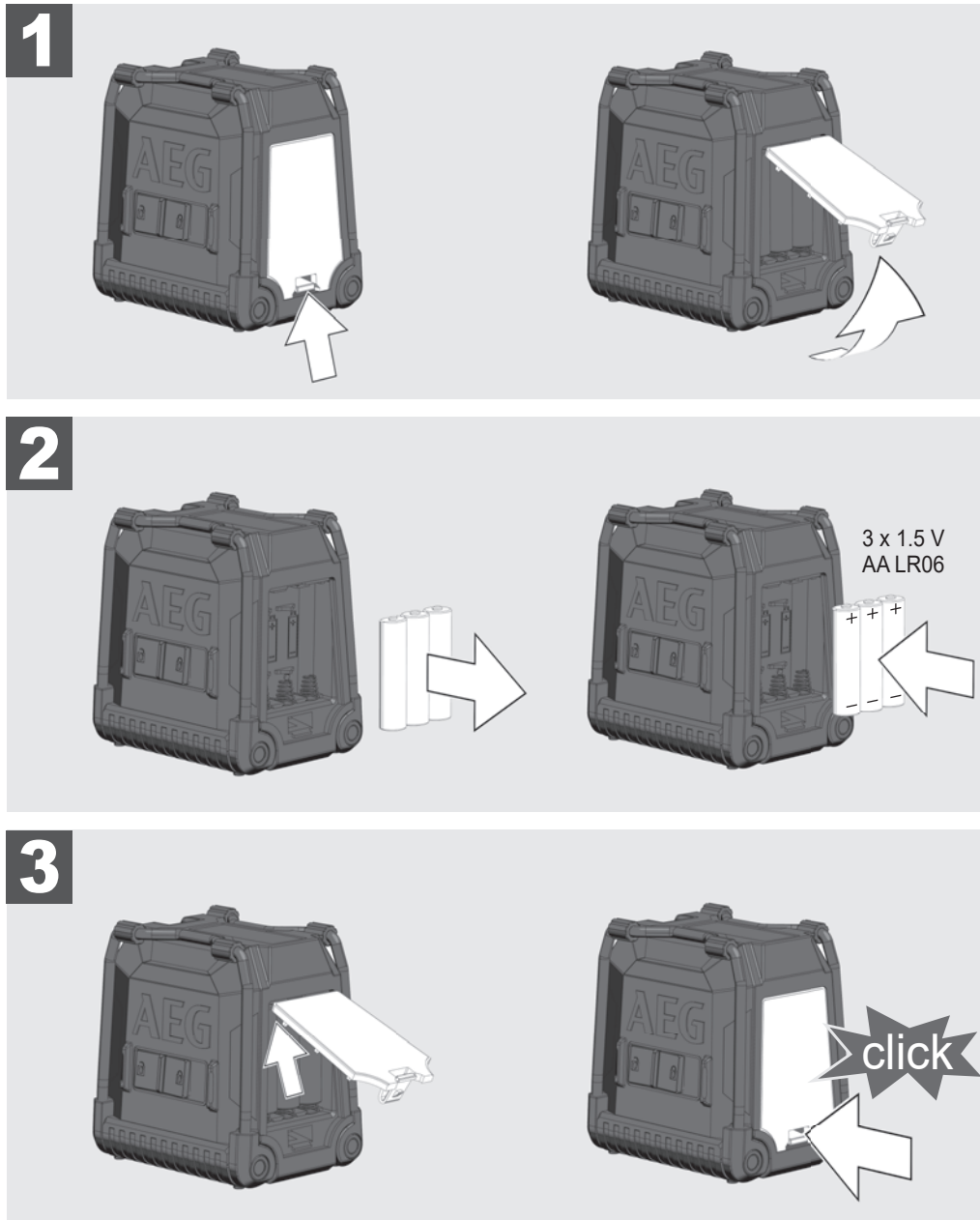
Tööd saab siiski jätkata.

Kui patareid on liiga tühjad, lülitub seade automaatselt välja.

VAHETAGE PATAREISID

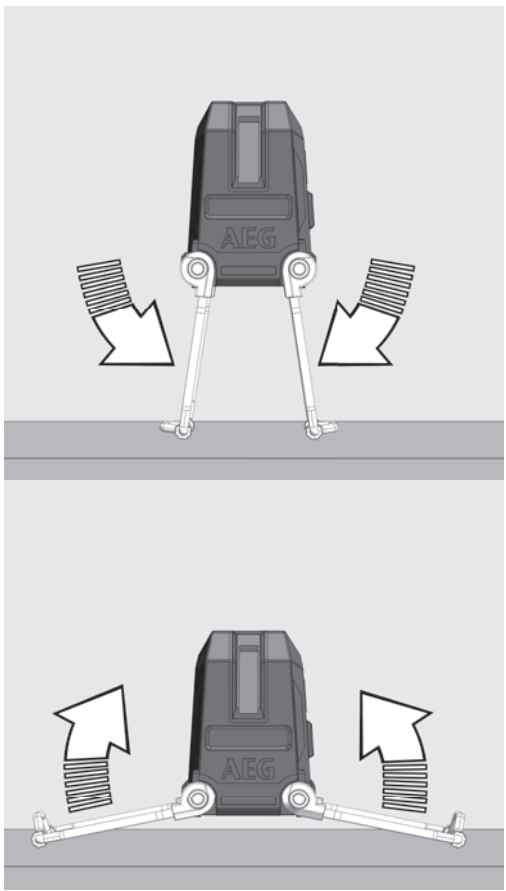
Kui laserikiir muutub nõrgemaks, vahetage patareid.

Võtke patareid enne laseri pikaajalisemat hoiustamist patareipesast välja. Nii vältite patareide tühjenemist ja sellega seotud korrosioonikahjustuste teket.

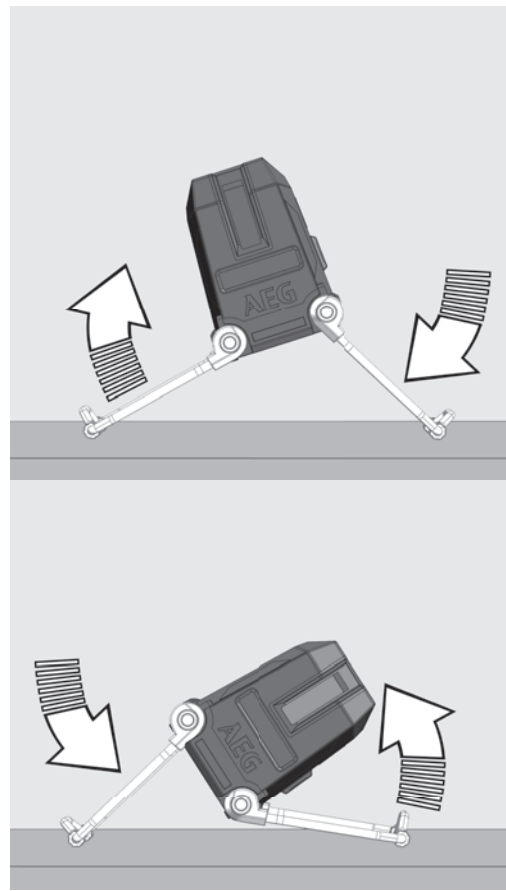


REGULEERITAVAD JALAD

Seadistage horisontaalse joone kõrgus reguleeritavate jalgade abil.

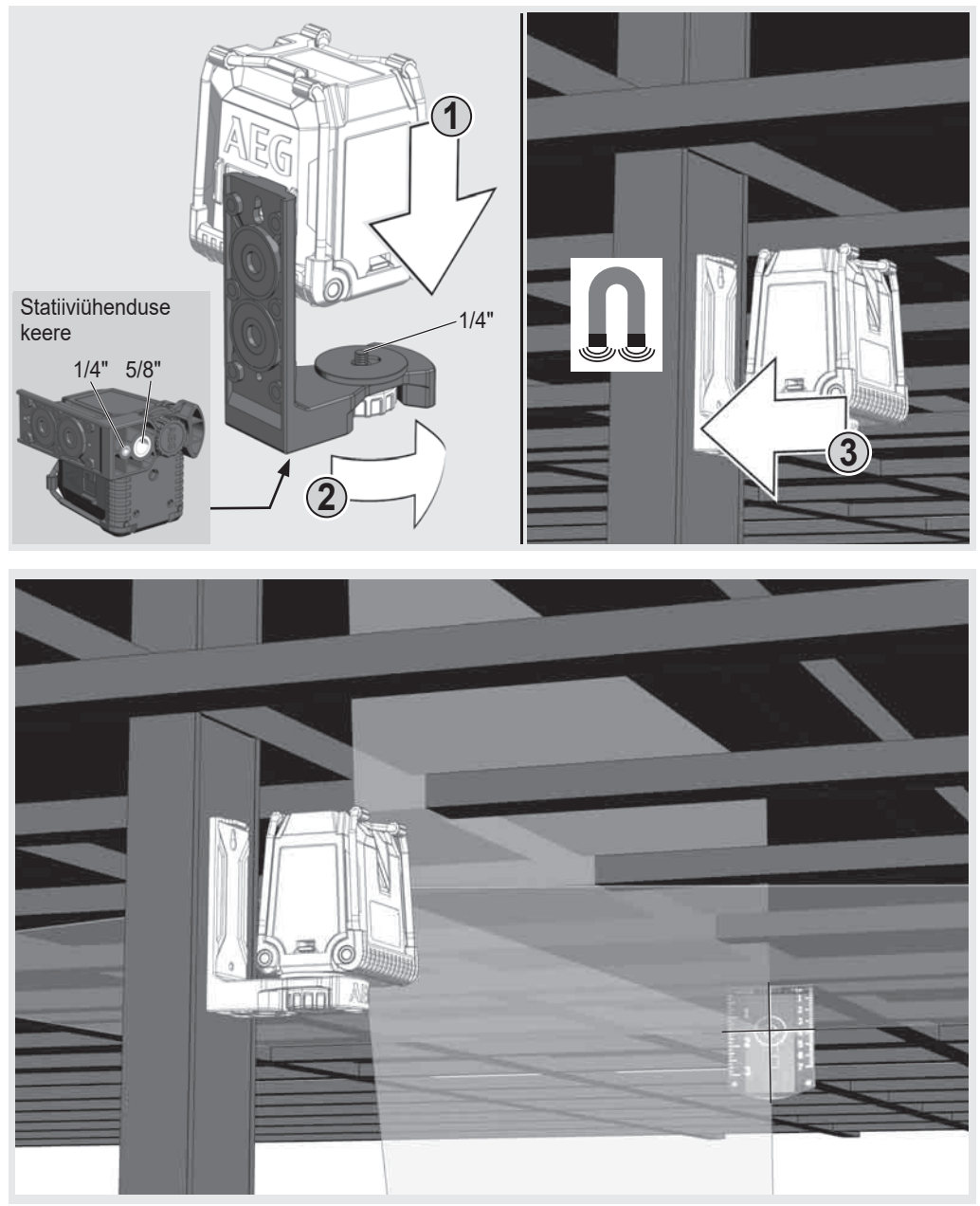


Seadistage laseri kalle reguleeritavate jalgade abil.



MAGNETIGA SEINAKINNITUS JA ROHELINE SIHTTAHVEL

Magnetiga kinnituse abil saab laseri kinnitada seina, metallkonstruktsioonide vms külge. Roheline sihttahvel parendab laserikiire nähtavust ebasoodsates tingimustes ja suurte kauguste puhul.



TÖÖTAMINE ISELOODIMISREŽIIMIS


Iseloodimisrežiimis loodib laser ise vahemikus $\pm 3^\circ$. Horisontaalne joon, kaks vertikaalset joont või kõik kolm joont projitseeritakse samaaegselt.

1

Monteerige laser kõvale, tasasele ja mittevibreerivale aluspinnale või statiivi külge.



2

Lükake lukustuslüli asendisse SEES .

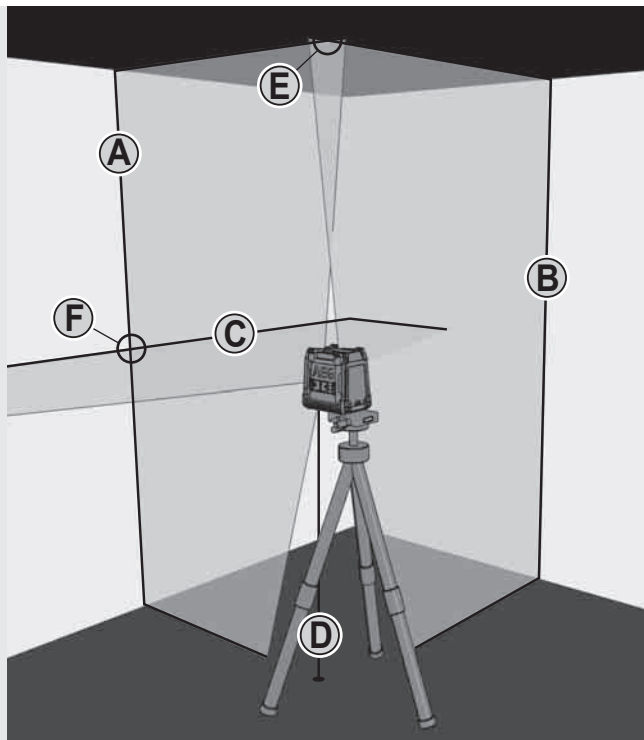


3

Laser tekitab kolm laserikiirt.

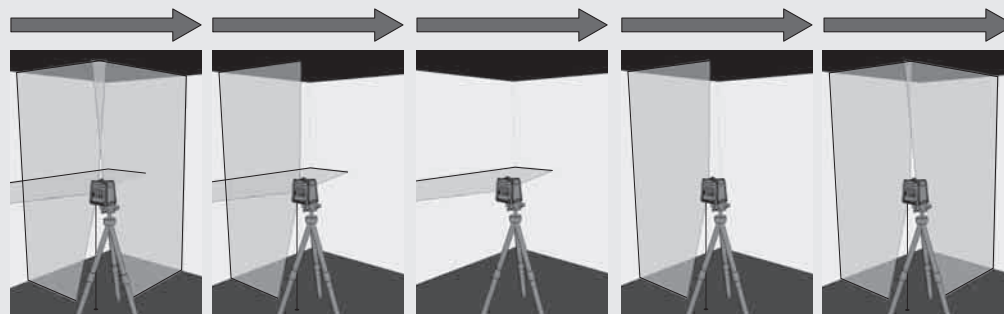
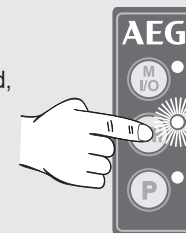
- (A) Vertikaalne joon ettepoole
- (B) Vertikaalne joon küljele
- (C) Horisontaalne joon ettepoole
- (D) Laseripunkt (loodimisjoon)

Kui kõik jooned on aktiveeritud, tekitab laser ristjooned üles (E) ja ette (F).



4

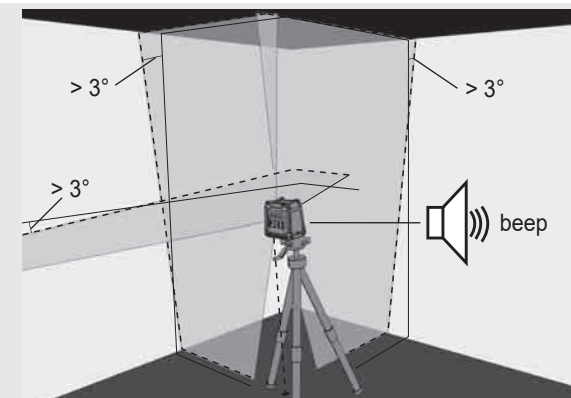
Vajutage nuppu V/H, et valida välja jooned, millega soovite töötada.




5

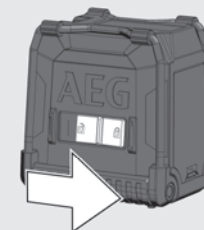
Kui laser pole aktiveeritud iseloodimise alguseks $\pm 3^\circ$ joondatud, siis laserikiired vilguvad - - - - ja kostub häiresignaali.

Sellisel juhul positioneerige laser uuesti.



6

Enne seadme ümberpaigutamist lükake lukustusnupp asendisse VÄLJAS . See lukustab pendli, kaitstes seeläbi laserit.

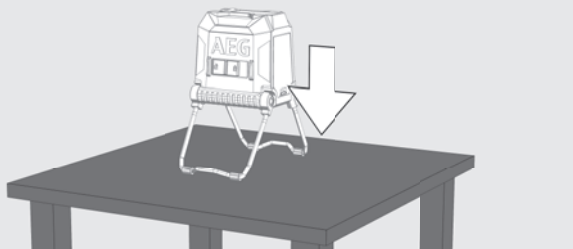


TÖÖTAMINE KÄSIREŽIIMIS

Iseloodimisfunktsioon on käsirežiimis inaktiveeritud ja laser saab laserikiiri seadistada soovitud kaldele.

1

Monteerige laser kõvale, tasasele ja mittevibreerivale aluspinnale või statiivi külge.



2

Vajutage käsirežiimi nuppu (ilma lukustuslülitit nihutamata!).

Nupu kõrval asuv punane LED süttib.



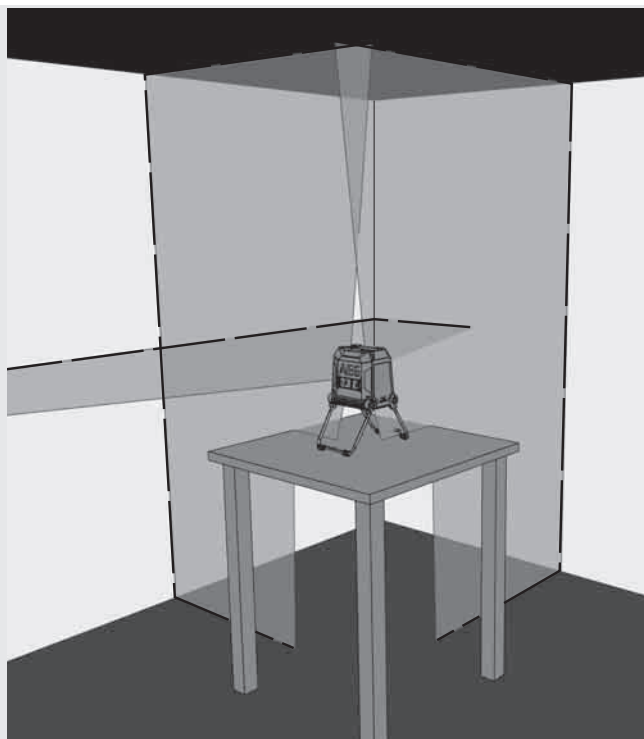
3

Sarnaselt iseloodimisrežiimile tekitab laser kolm laserikiirt, mis vilguvad 3-sekundilise vahega.

3 sek

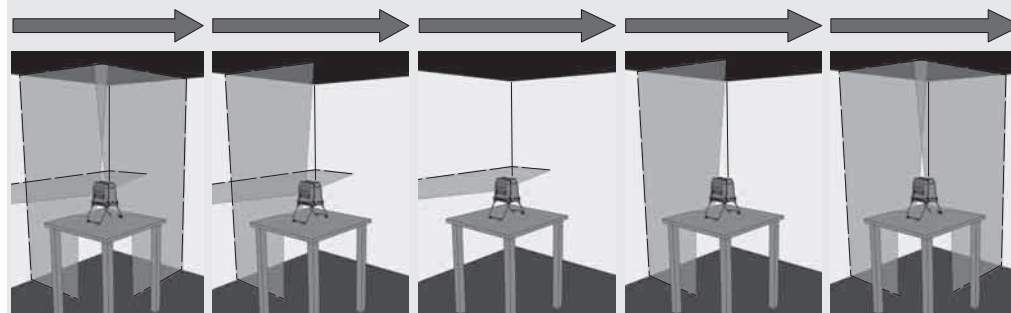
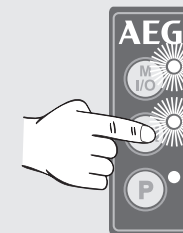
3 sek

3 sek



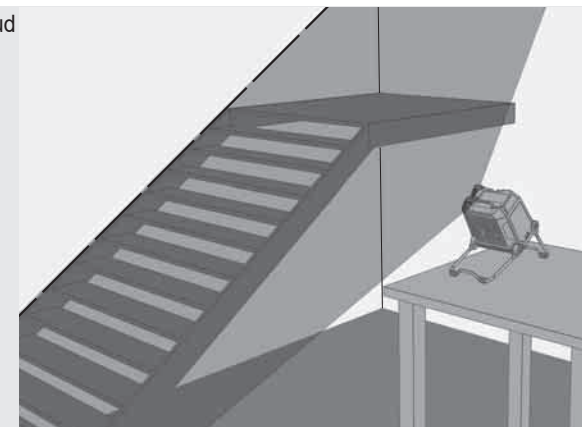
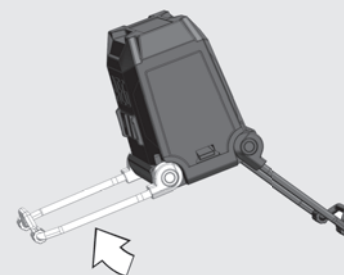
4

Vajutage nuppu V/H, et valida välja jooned, millega soovite töötada.



5

Seadistage laser jalgade abil soovitud kõrgusele ja kaldele.



6

Käsirežiimi lõpetamiseks vajutage uuesti käsirežiimi nuppu.

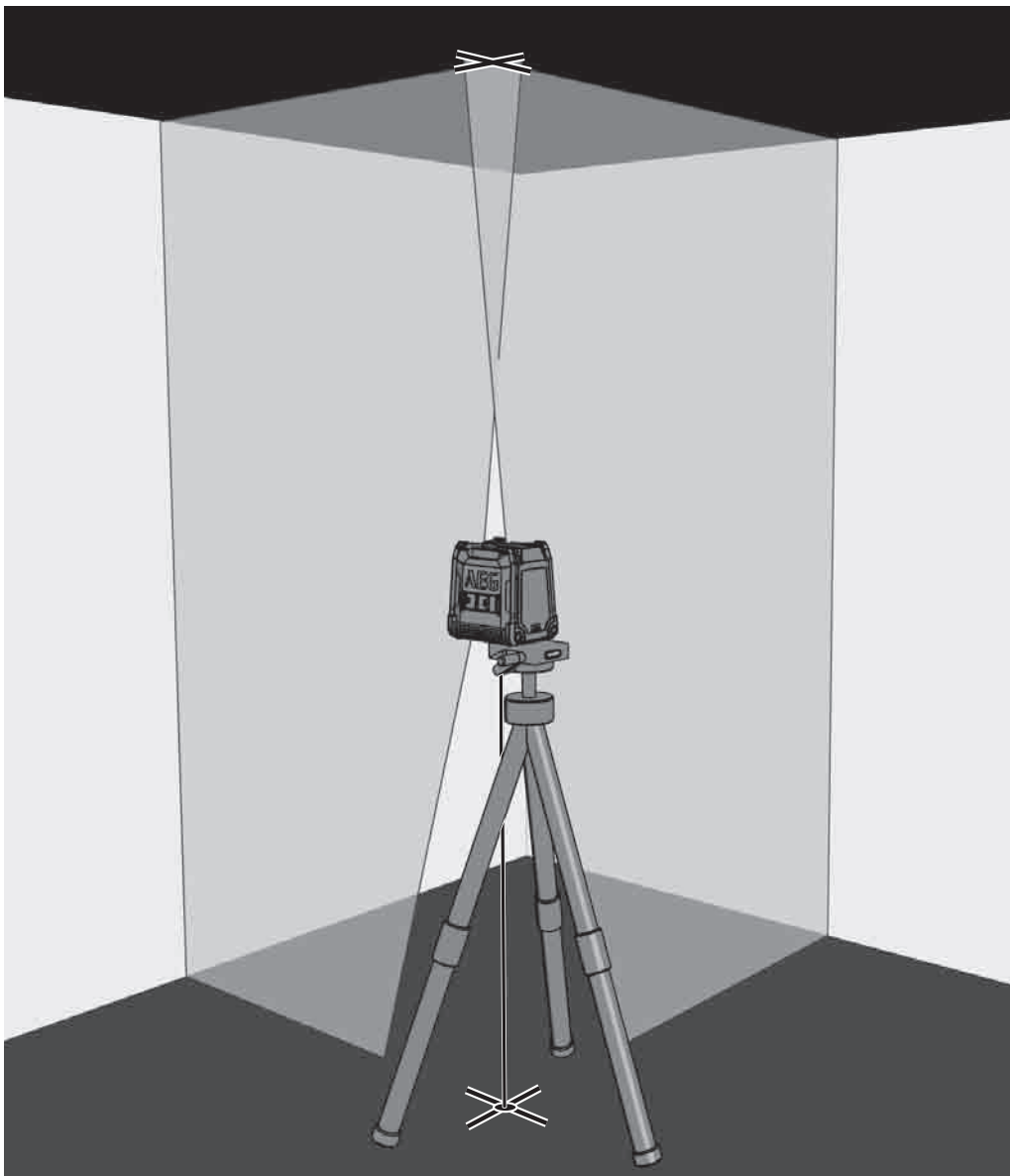
Otse loodimisrežiimi minekuks lülitage lukustuslülitit asendisse ON.



LOODIMISFUNKTSIOON

Loodimisfunktsiooniga saab mingit punkti pörandal projitseerida lakke püstloodis. Võrdluspunkt pörandal joondatakse ristjoonte lõikepunktiks laes.

Loodimisfunktsiooni ülesanne on näiteks valgustus- ja ventilatsioonipaigaldise võrdluspunkti ülekandmine või kõrguste ülekandmine.



IMPULSSREŽIIMI FUNKTSIOON

Kasutage detektoriga impulssrežiimi otsese päikesevalgusega või eredate valgustingimustega välitööde korral, samuti kuni 50 m ulatusega sisekasutuse korral.

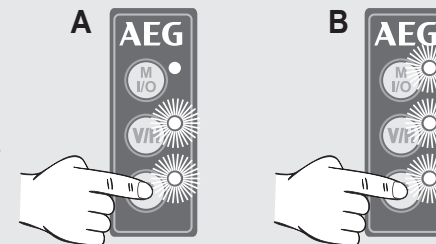
Tarne ei sisalda detektorit. See tuleb tellida eraldi.

Kui impulssrežiim on aktiveeritud, on laserikiirte vilkumine sage (inimese silmale nähtamatult), et detektor saaks laserikiired lokaliseerida.

1

Impulssrežiimi saab aktiveerida nii iseloodimisrežiimis (A) kui ka käsirežiimis (B).

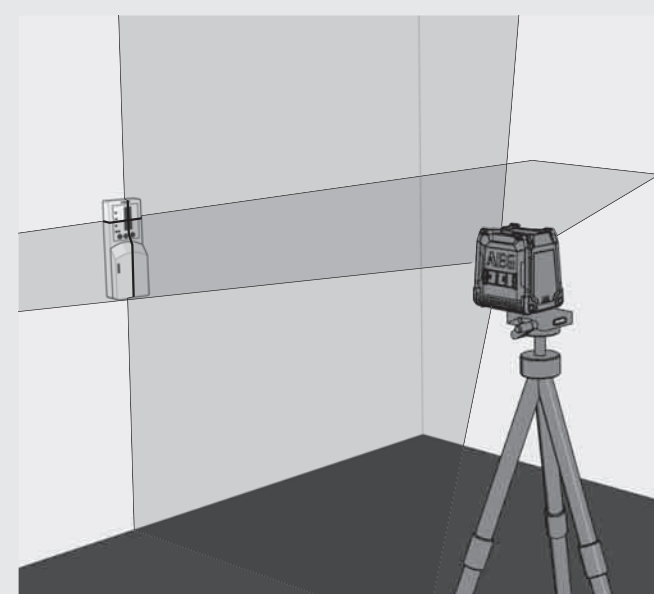
Vajutage nuppu P. Nupu kõrval asuv roheline LED süttib.



2

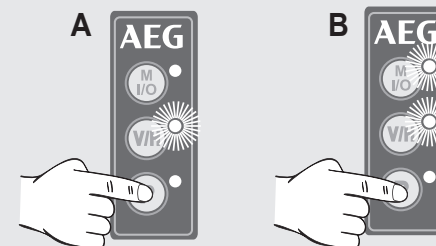
Pärast impulssrežiimi aktiveerimist väheneb pisut laserikiirte nähtavus.

Täpsemat teavet detektori kasutamise kohta leiate detektori kasutusjuhendist.



3

Impulssrežiimi väljalülitamiseks vajutage uuesti nuppu P. Nupu kõrval asuv roheline LED kustub.



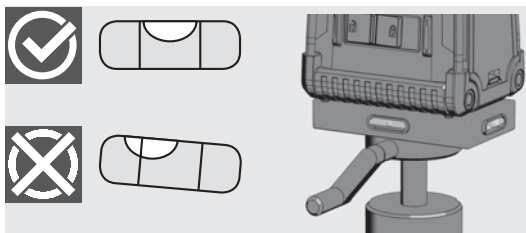
TÄPSUSE KONTROLLIMINE

Laser kalibreeritakse tehases täielikult. AEG soovib kontrollida laseri täpsust regulaarselt; eelkõige pärast kukkumist või valesti kasutamist.

Kui täpsuse kontrollimisel ületatakse maksimaalset kõrvalekallet, pöörduge palun mõne meie AEG teeninduspunkti poole (selleks tutvuge garantiitingimuste ja teeninduspunktide aadressidega loendiga).

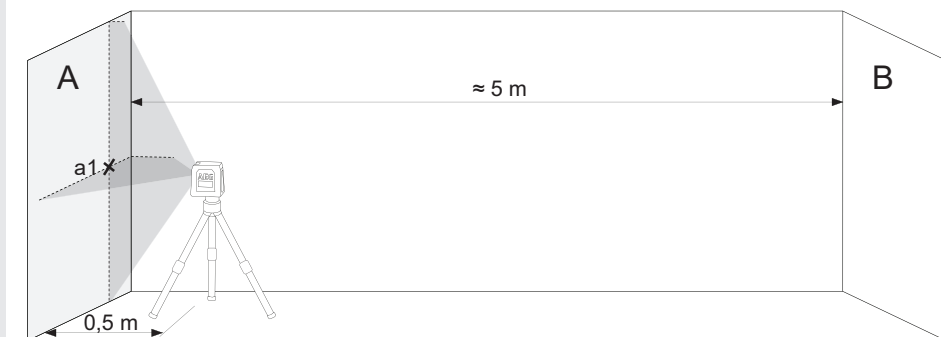
1. Kontrollige horisontaalse joone kõrguse täpsust.
2. Kontrollige horisontaalse joone loodimise täpsust.
3. Kontrollige vertikaalse joone loodimise täpsust.
4. Kontrollige kahe vertikaalse joone püstloodsust.
5. Kontrollige loodimistäpsust.

Enne statiivi külge monteeritud laseri täpsuse kontrollimist veenduge, et statiiv oleks loodis.



1 KONTROLLIGE HORIZONTAALSE JOONE KÕRGUSE TÄPSUST (KÕRVALEKALLE ÜLES JA ALLA)

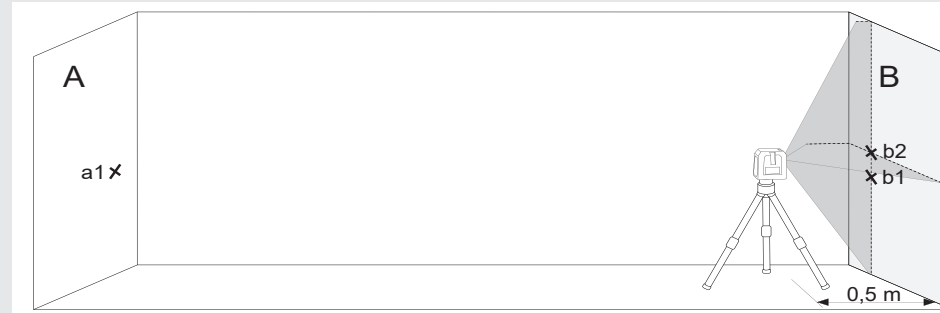
1. Paigutage laser statiivil või tasasel aluspinnal kahe teineteisest umbes 5 m kauguse oleva seinale A ja B vahele.
2. Asetage laser seinast umbes 0,5 m kaugusele.
3. Lülitage iseloodimisrežiim sisse ja vajutage nuppu, et projitseerida horisontaalne ja vertikaalne joon seinale A.
4. Märkige mõlema joone lõikumispunkt a1 seinale A.



5. Pöörake laserit 180° seinale B suunas ja märkige mõlema joone lõikumispunkt b1 seinale B.



6. Asetage laser seinast B umbes 0,5 m kaugusele.
7. Märkige mõlema joone lõikumispunkt b2 seinale B.



8. Pöörake laserit 180° seinale A suunas ja märkige mõlema joone lõikumispunkt a2 seinale A



9. Kauguste mõõtmine:

$$\Delta a = |a2 - a1|$$

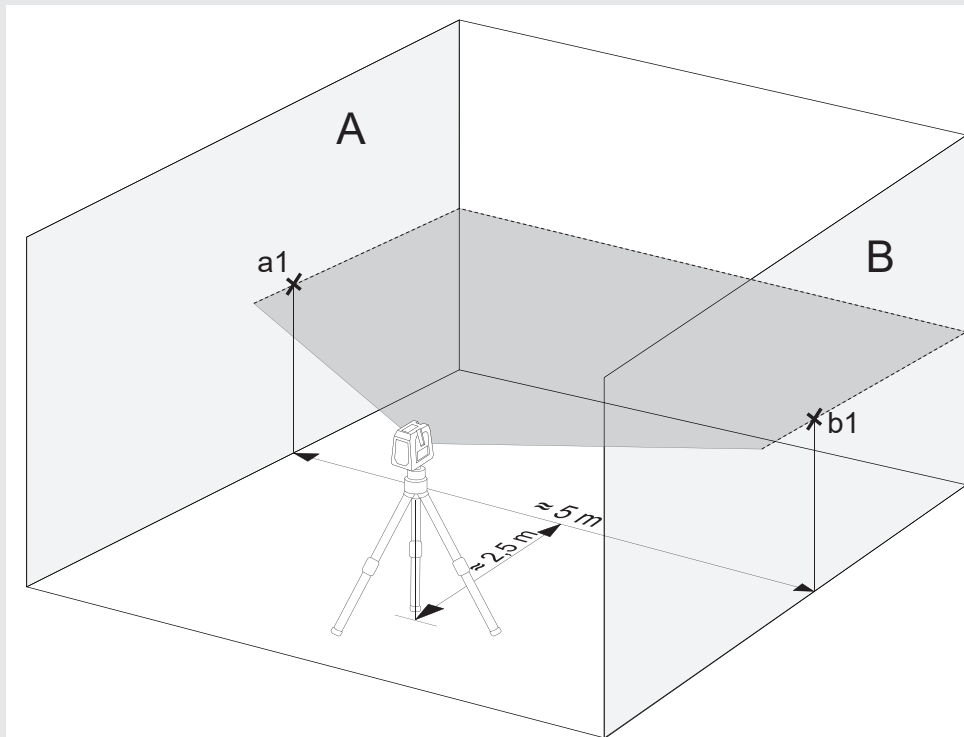
$$\Delta b = |b1 - b2|$$

10. Erinevus $|\Delta a - \Delta b|$ ei tohi olla suurem kui 2 mm.

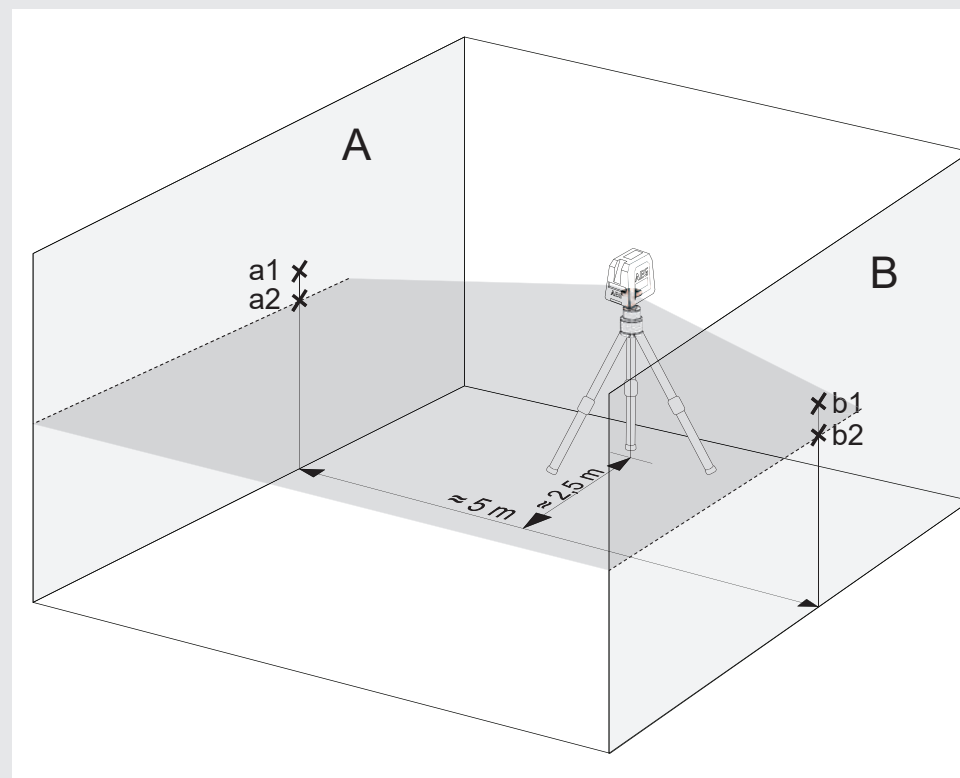
2 KONTROLLIGE HORIZONTAALSE JOONE LOODIMISE TÄPSUST (KÕRVALEKALLE ÜHEST OTSAST TEISE)

Selle kontrolli jaoks on vajalik umbes 5 × 5 m vaba pind.

1. Paigutage laser statiivil või tugeval aluspinnal kahe teineteisest umbes 5 m kauguse oleva seinale A ja B vahele.
2. Asetage laser ruumi keskpunktist umbes 2,5 m kaugusele.
3. Lülitage iseloodimisrežiim sisse ja vajutage nuppu, et projitseerida seinale A ja B horisontaalne joon.
4. Märkige laserikiire keskpunkt seinale A märgistusega a1 ja seinale B märgistusega b1.



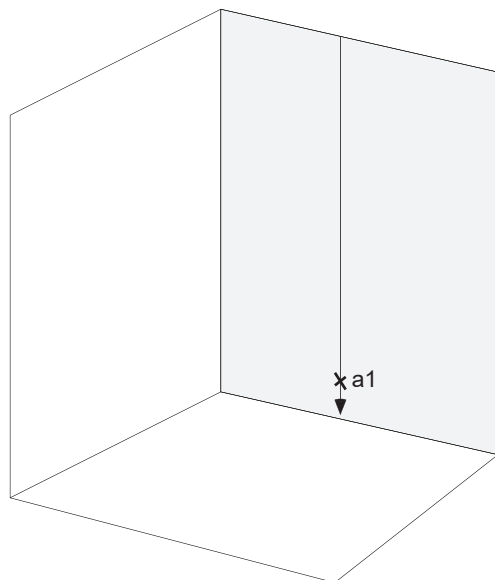
5. Paigutage laser umbes 5 m ulatuses ümber ja pöörake 180° võrra ning projitseerige horisontaalne joon uuesti seinale A ja B.
6. Märkige laserikiire keskpunkt seinale A märgistusega a2 ja seinale B märgistusega b2.



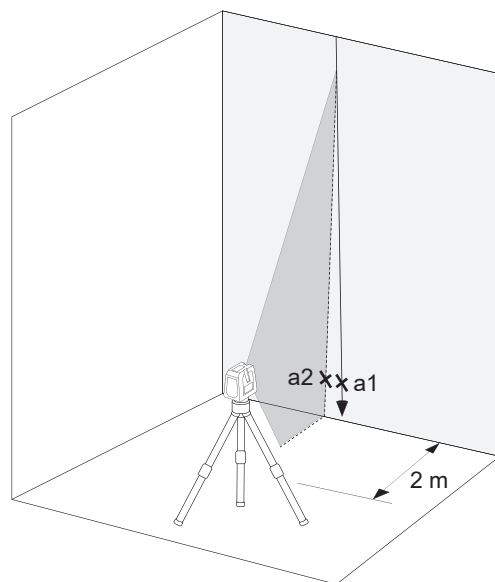
7. Kauguste mõõtmine:
 $\Delta a = |a2 - a1|$
 $\Delta b = |b1 - b2|$
8. Erinevus $|\Delta a - \Delta b|$ ei tohi olla suurem kui 2 mm.

3 VERTIKAALSE JOONE LOODIMISE TÄPSUSE KONTROLLIMINE

1. Riputage seinale umbes 4 m pikkune loodimisnööri.
2. Kui loodi ots on lõpetanud kõikumise, märkige punkt a1 seinale tinakoonusest ülespoole.



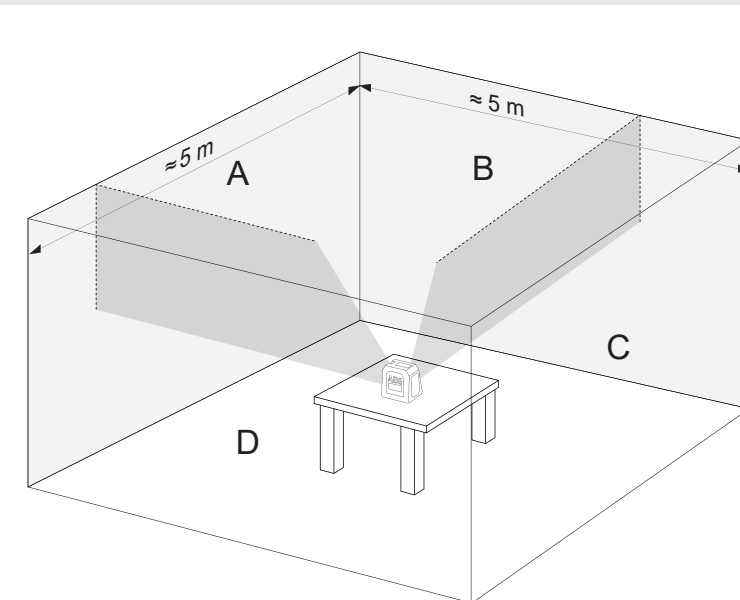
3. Paigutage laser statiivil või tasasel aluspinnal umbes 2 m kaugusele seinast.
4. Lülitage iseloodimisrežiim sisse ja vajutage nuppu, et projitseerida loodimisnööri vertikaalne joon.
5. Pöörake laserit nii, vertikaalne joon on kooskõlas rippuva loodimisnööri.
6. Märkige vertikaalse joone keskel olev punkt a2 samale kõrgusele seinal oleva punktiga a1.
7. Punktide a1 ja a2 vahel olev erinevus ei tohi ületada 1 mm.



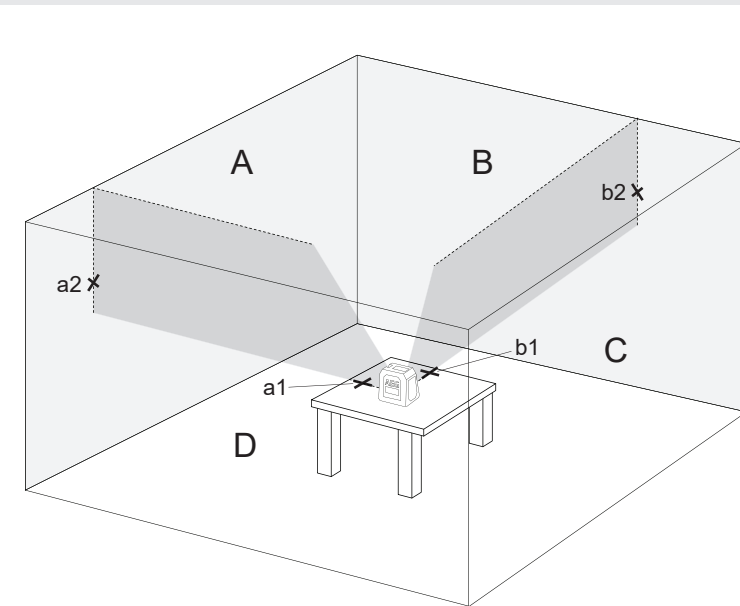
4 KAHE VERTIKAALSE JOONE PÜSTLOODSUSE KONTROLLIMINE

Selle kontrolli jaoks on vajalik nelja seinaga ruum ja vähemalt 5 x 5 m aluspind.

1. Asetage laual või põrandal olev laser ruumi keskele.
2. Lülitage iseloodimisrežiim sisse ja vajutage nuppu V/H 4 x, et projitseerida vertikaalsed jooned ette ja taha.

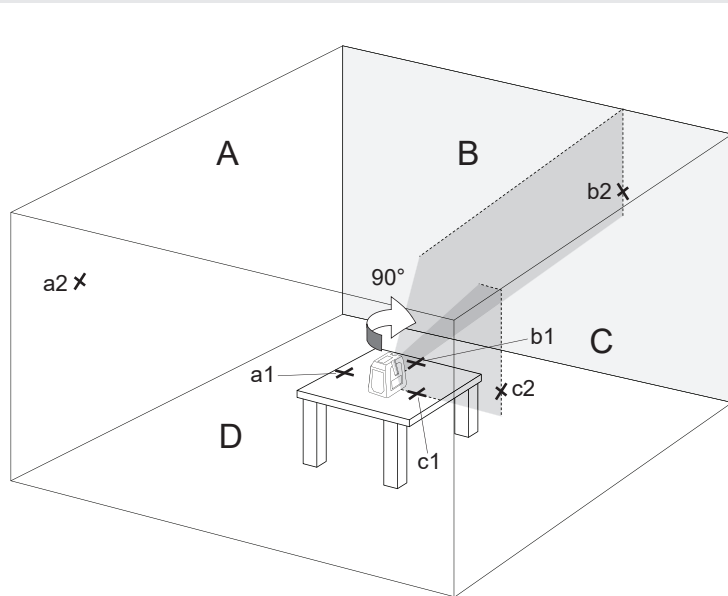


3. Märkige ettepoole projitseeritava vertikaalse joone keskpunkt kahte kohta: punkt a1 laseri lähedale lauale ja punkt a2 seinale A.
4. Märkige küljele projitseeritava vertikaalse joone keskpunkt kahte kohta: punkt b1 laseri lähedale lauale ja punkt b2 seinale B.

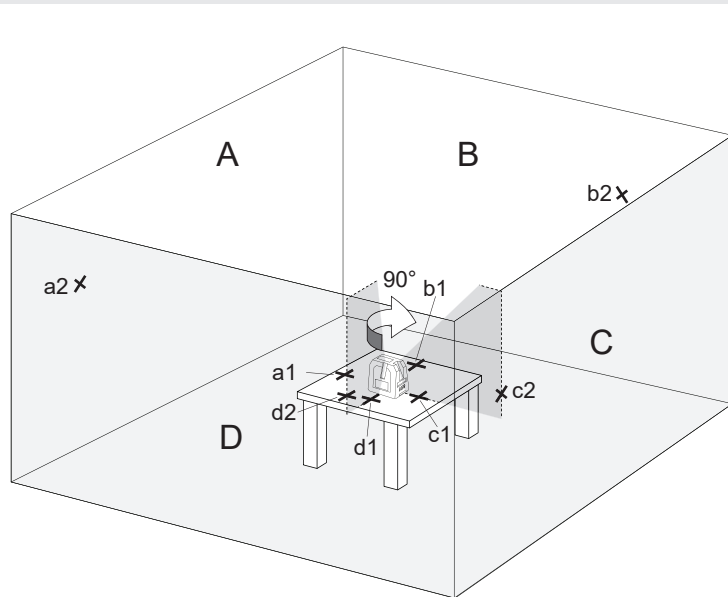


KAHE VERTIKAALSE JOONE VAHELISE PÜSTLOODSUSE KONTROLLIMINE

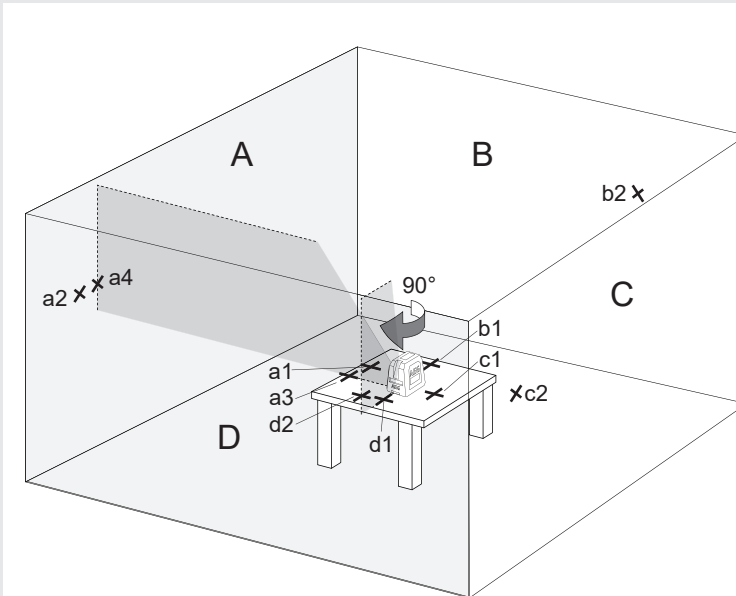
- Pöörake laserit 90° võrra päripäeva selliselt, et ettepoole suunatud laserikiir kattuks laual oleva märgistusega b1 ja seinal B oleva märgistusega b2.
- Märkige küljele projitseeritava vertikaalse joone keskpunkt kahte kohta: punkt c1 laseri lähedale lauale ja punkt c2 seinale C.



- Pöörake laserit 90° võrra päripäeva selliselt, et ettepoole suunatud laserikiir kattuks laual oleva märgistusega c1 ja seinal C oleva märgistusega c2.
- Märkige küljele projitseeritava vertikaalse joone keskpunkt kahte kohta: punkt d1 laseri lähedale lauale ja punkt d2 seinale D.



- Pöörake laserit 90° võrra päripäeva selliselt, et ettepoole suunatud laserikiir kattuks laual oleva märgistusega d1 ja seinal D oleva märgistusega d2.
- Märkige küljele projitseeritava vertikaalse joone keskpunkt kahte kohta: punkt a3 punkti a1 lähedale lauale ja punkt a4 punkti a2 lähedale seinale A.

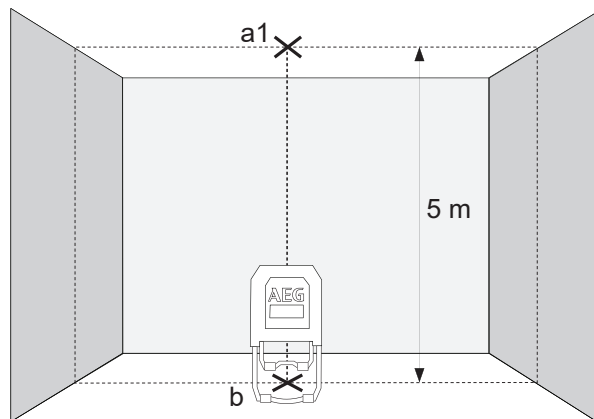


- Kauguste mõõtmine:
 $\Delta 1$ = punktist a1 punkti a3
 $\Delta 2$ = punktist a2 punkti a4
- Erinevus $\Delta 2 - \Delta 1$ ei tohi olla suurem kui 4 mm.

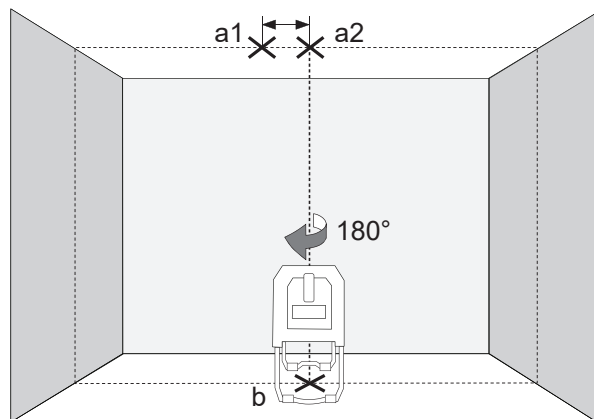
5 LOODIMISTÄPSUSE KONTROLLIMINE

Selle kontrolli jaoks peab ruumi lae kõrgus olema umbes 5 m.

1. Klappige laseri jalad lahti ja asetage seade põrandale.
2. Lülitage iseloodimisrežiim sisse ja vajutage nuppu, et projitseerida lakke vertikaalsed ristuvad jooned ja põrandale loodimispunkt.
3. Märkige lakke punkt a1, milleks on üles suunatud ristjoone keskpunkt (vt joonist).
4. Märkige põrandale loodimispunkti keskpunkt b.



5. Pöörake laserit 180° võrra ja positsioneerige selliselt, et loodimispunkti keskpunkt langeks kokku juba märgitud punktiga b ja oodake, kuni seade on isenivelleerunud.
6. Märkige lakke punkt a2, milleks on üles suunatud ristjoone keskpunkt.
7. Punktide a1 ja a2 vaheline kaugus näitab, kui suur on laserikiire kõrvalekalle ideaalsest püstloodsusest.
5 m mõõteraja korral on suurim lubatud kõrvalekalle:
 $5 \text{ m} \times (\pm 0,6 \text{ mm/m}) \times 2 = \pm 6 \text{ mm}$.
8. Punktide a1 ja a2 vahel olev erinevus ei tohi ületada 6 mm.



ОГЛАВЛЕНИЕ

Важные инструкции по технике безопасности.....	1
Обслуживание.....	2
Технические данные.....	2
Использование по назначению.....	2
Обзор.....	3
Индикатор низкого заряда батареи.....	4
Замена батареек.....	4
Регулируемые ножки.....	5
Магнитный настенный кронштейн и зеленая визирная марка.....	5
Работа в режиме автоматического нивелирования.....	6
Работа в ручном режиме.....	7
Функция отвеса.....	8
Функция импульсного режима.....	8
Проверка точности.....	9

ВАЖНЫЕ ИНСТРУКЦИИ ПО ТЕХНИКЕ БЕЗОПАСНОСТИ



ВНИМАНИЕ! ПРЕДУПРЕЖДЕНИЕ! ОПАСНОСТЬ!

Перед использованием продукции внимательно ознакомьтесь с инструкциями по технике безопасности и руководством пользователя, которые прилагаются на CD.

Классификация лазера



ВНИМАНИЕ!

Данное устройство является лазерным изделием класса 2 и соответствует EN60825-1:2014.



Предупреждение:

Не направлять лазерный луч напрямую в глаза. Лазерный луч может вызвать серьезное поражение органов зрения и/или ослепление.

Не смотреть напрямую в лазерный луч и не направлять его без необходимости на других людей.

Осторожно! В некоторых ситуациях применения прибор лазерного излучения может находиться позади вас. В этом случае поворачивайтесь осторожно.

Предупреждение:

Не работайте с лазером вблизи детей и не позволяйте детям эксплуатировать лазерное устройство.

Внимание! Лазерный луч может отражаться от определенных поверхностей и попадать на оператора или других людей.

Предупреждение: Использование элементов управления и настроек или выполнение процессов, отличных от предписанных в руководстве, могут приводить к опасной дозе облучения.

При переносе лазерного нивелира из очень холодной в теплую окружающую среду (или наоборот) перед использованием необходимо подождать, пока он достигнет температуры окружающей среды.

Не хранить лазерный нивелир под открытым небом; беречь от осадков, длительной вибрации и экстремальных температур.

Защищать лазерный измерительный прибор от пыли, влаги и высокой влажности воздуха. Они могут повредить внутренние компоненты или повлиять на точность.

При попадании лазерного излучения в глаза закрыть глаза и немедленно отвернуть голову от луча.

Следить за тем, чтобы лазерный луч размещался таким образом, чтобы он не ослепил вас или других людей.

Не смотреть в лазерный луч через оптические увеличительные приборы, такие как бинокль или телескоп. В противном случае возрастает опасность серьезного поражения органов зрения.

Учтите, что очки для улучшения видения лазерных лучей служат для повышения эффективности распознавания лазерных линий, однако не защищают глаза от лазерного излучения.

Запрещается снимать предупредительные таблички с лазерного прибора или маскировать их.

Запрещается разбирать лазерный нивелир. Лазерное излучение может вызывать серьезные поражения органов зрения.

Перед транспортировкой лазерного нивелира убедиться, что фиксатор маятникового компенсатора защелкнут.

Указание: При незащелкнутом фиксаторе маятникового компенсатора во время транспортировки могут повредиться внутренние части прибора.


Запрещается использовать агрессивные чистящие средства или растворители. Очищать только с помощью чистой мягкой салфетки.

Беречь лазерный нивелир от сильных ударов и падений. После падения или сильного механического воздействия необходимо проверить точность прибора перед использованием.


Необходимые ремонтные работы на этом лазерном приборе разрешается выполнять только авторизованному квалифицированному персоналу.

Эксплуатировать устройство в опасных зонах или в агрессивных средах запрещается.

Перед длительным простоем прибора извлечь батарейки из отсека для батареек. Это позволит избежать вытекания батареек и соответствующей коррозии.

 Использованные батарейки не подлежат утилизации с бытовыми отходами. Позаботиться об окружающей среде, сдать их на сборный пункт, организованный в соответствии с государственными или местными нормами. Изделие не подлежит утилизации с бытовыми отходами. Утилизировать изделие надлежащим образом в соответствии с государственными нормами, действующими в вашей стране.

Придерживаться национальных или местных нормативов. За информацией по утилизации обращайтесь в местные органы или к вашему дилеру.

 Европейский знак соответствия

ОБСЛУЖИВАНИЕ

Очищать объектив и корпус лазерного нивелира с помощью мягкой чистой салфетки. Не использовать растворители.

Несмотря на то, что лазерный нивелир обладает определенной стойкостью к пыли и грязи, не следует его хранить в запыленном месте в течение длительного времени, поскольку это может привести к повреждению внутренних подвижных деталей.

Если на лазерный нивелир попала влага, перед использованием высушить его в футляре для переноски во избежание повреждений от ржавчины.

ТЕХНИЧЕСКИЕ ДАННЫЕ

Класс лазера	2
Диапазон автоматического нивелирования	$\pm 3^\circ$
Продолжительность автоматического нивелирования	3–5 с
Тип батареек	Алкалиновая батарейка LR6 типа AA
Напряжение пост. тока	3 × 1,5 В
Потребляемая мощность	0,35 А
Тип защиты (брызги воды и пыль)	IP54
Функции	горизонтальная линия, 2 вертикальных линии, перекрещивающиеся линии, функция отвеса
Импульсный режим	Частота 10 кГц
Проекции	3 зеленые линии, 1 красная точка
Шаблон проецирования лазерных линий	Горизонтальная линия вперед, вертикальная линия вперед, вертикальная линия вбок и точка отвеса. Горизонтальная и вертикальная перекрещивающиеся линии вперед и точка отвеса. Горизонтальная линия. Вертикальная линия вперед и точка отвеса. Вертикальные линии вперед и вбок и точка отвеса. (Индикация точки отвеса вниз функционирует только в режиме автоматического нивелирования, но не в ручном режиме)
Время работы	6 часов
Резьба штатива	1/4"
Подходящий детектор	для стандартных лазерных нивелиров с несколькими зелеными лазерными линиями
Лазерная линия	Ширина 2,5 мм $\pm 0,5$ мм / 5 м Длина волны λ 520 ± 10 нм класс лазера II Точность $\pm 0,2$ мм/м Угол открывания $> 120^\circ$

Цвет	зеленый
Дальность действия	30 м (с детектором 50 м)
Точка отвеса	Длина волны лазерной точки 635 ± 5 нм класс лазера II Макс. мощность лазерной точки < 1 мВт Точность отвеса $\pm 0,6$ мм / 1 м Цвет лазерной точки красный Дальность действия 5 м
Рекомендуемая рабочая температура	от -10°C до $+45^\circ\text{C}$
Температура хранения	от -20°C до $+60^\circ\text{C}$
Габариты	106 мм × 88 мм × 105 мм
Вес (включая батарейки)	710 г

ИСПОЛЬЗОВАНИЕ ПО НАЗНАЧЕНИЮ

Этот инновационный лазерный нивелир предназначен для эксплуатации в широком спектре профессиональных областей применения, в том числе для:

- выравнивания керамической плитки, мраморных плит, шкафов, бордюров, фасонных деталей и элементов облицовки;
- нанесения направляющих линий при монтаже дверей, окон, рельсов, лестниц, заборов, веранд или пергол;
- переноса контрольных точек для осветительной и вентиляционной аппаратуры, переноса отметок по высоте, выравнивания наружных и каркасных стен, укладки рельсов на землю, а также для прочих профессиональных работ;
- для определения и проверки горизонтальных и вертикальных линий.



Это изделие допускается эксплуатировать только по указанному назначению.

Резиновые стабилизаторы

Регулируемые ножки

Окошко вертикальной лазерной линии вперед

Окошко горизонтальной лазерной линии

ВКЛ  / ВЫКЛ  блокировочный выключатель



Панель управления



Светодиодный индикатор ручного режима

Кнопка ручного режима

Для включения и выключения ручного режима

Светодиодный индикатор выбора линии
(постоянный свет)

Светодиодный индикатор низкого заряда
батарейки (мигающий свет)

Кнопка выбора лазерной линии

Выбор между вертикальной линией вперед (V), вертикальной линией вбок (H), горизонтальной линией вперед (H) или выбор комбинации этих линий.

Светодиодный индикатор импульсного режима

Кнопка импульсного режима

Для наружных работ при прямом солнечном излучении или ярком свете, а также для работ внутри помещения с дальностью действия до 50 м используется импульсный режим с детектором 10 кГц.

Окошко вертикального лазерного луча вбок

Крышка отсека для батареек

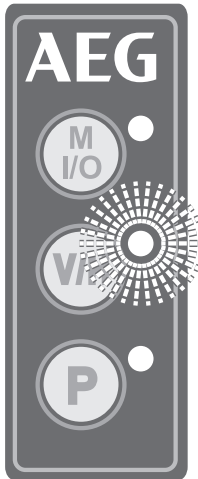


Красная точка отвеса

1/4" резьба штатива



ИНДИКАТОР НИЗКОГО ЗАРЯДА БАТАРЕЙКИ



При низком уровне заряда батареек мощность светового излучения лазерного нивелира уменьшается и соответствующий индикатор (зеленый светодиод рядом с кнопкой V/H) начинает мигать с частотой 0,5 секунд.

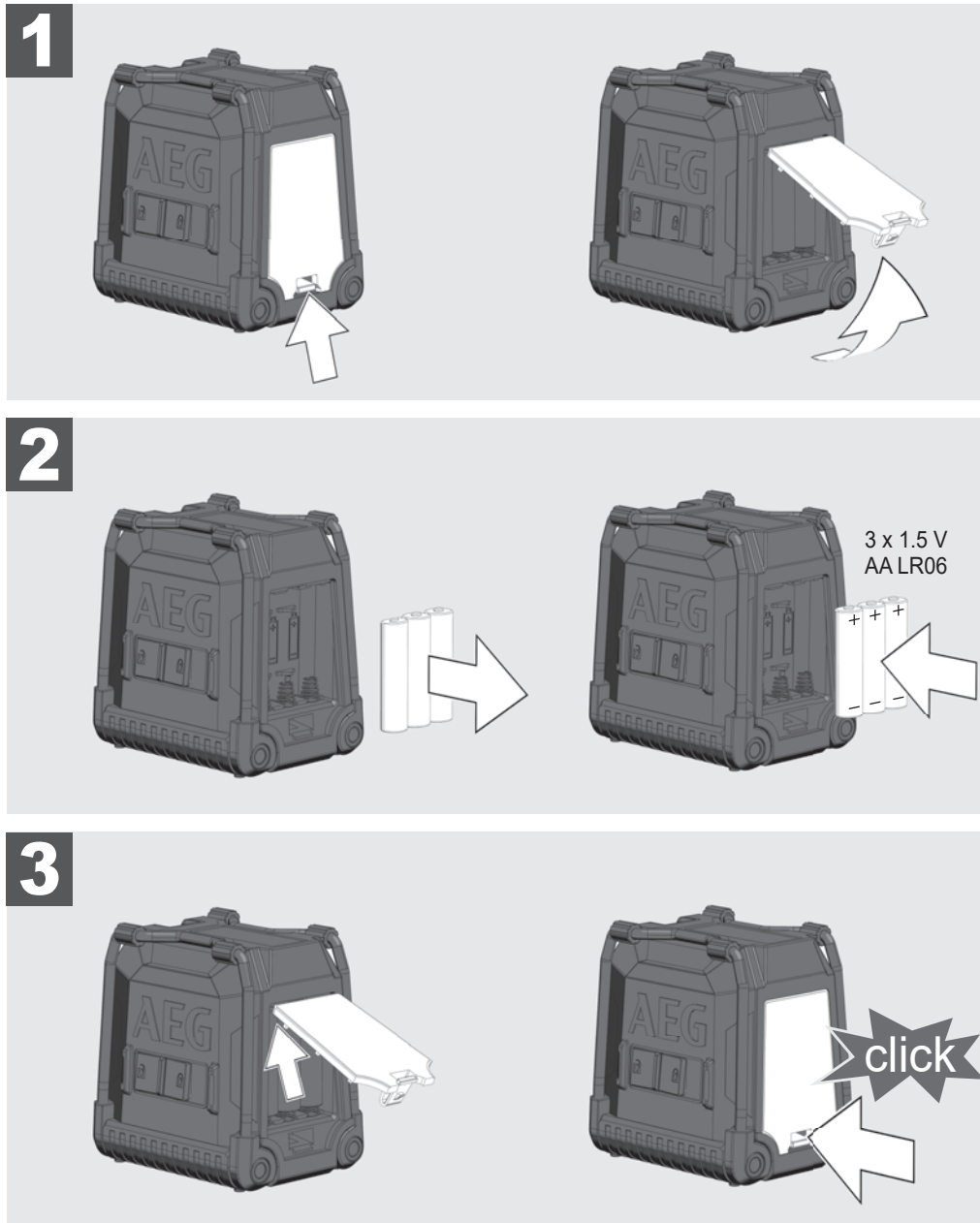
При этом можно продолжать работу.

Когда заряд батареек очень низкий, прибор автоматически выключается.

ЗАМЕНА БАТАРЕЕК

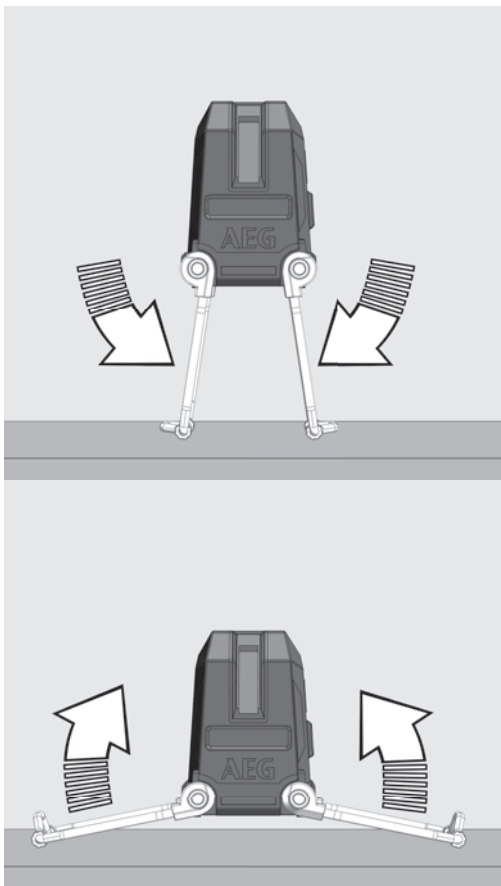
Заменить батарейки при ослаблении лазерного луча.

Перед длительным простоем лазерного нивелира извлечь батарейки из отсека для батареек. Это позволит избежать вытекания батареек и соответствующей коррозии.

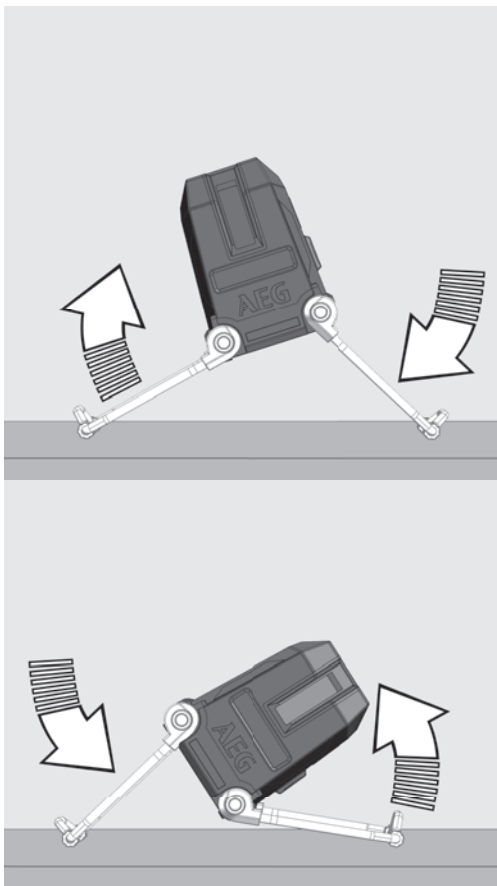


РЕГУЛИРУЕМЫЕ НОЖКИ

Настроить высоту горизонтальной линии с помощью регулируемых ножек.

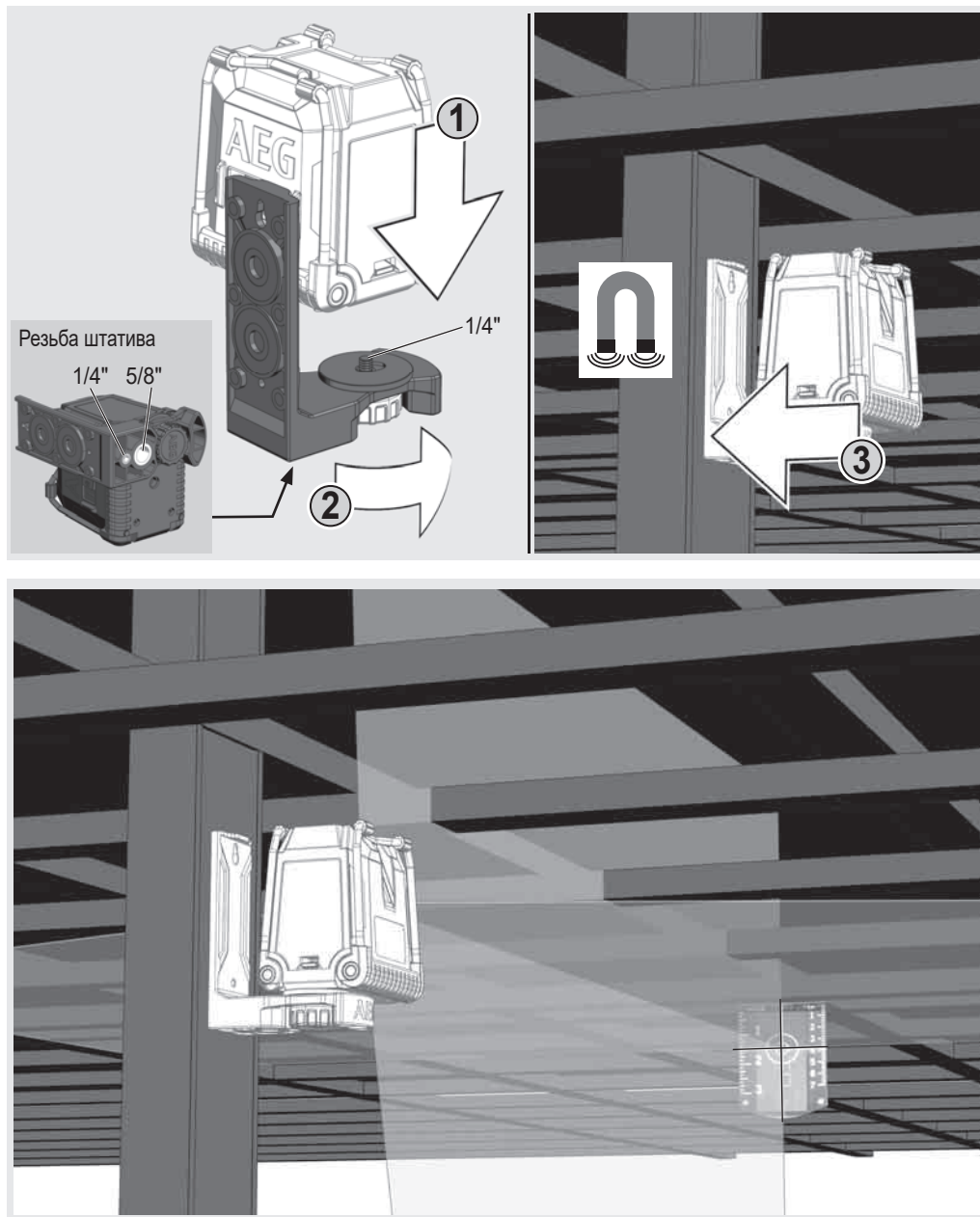


Настроить угол наклона лазерного нивелира с помощью регулируемых ножек.



МАГНИТНЫЙ НАСТЕННЫЙ КРОНШТЕЙН И ЗЕЛЕНАЯ ВИЗИРНАЯ МАРКА

С помощью магнитного кронштейна лазерный нивелир можно крепить к стенам, металлическим конструкциям и пр. Зеленая визирная марка улучшает видимость лазерного луча в неблагоприятных условиях и более длинных расстояниях.



РАБОТА В РЕЖИМЕ АВТОМАТИЧЕСКОГО НИВЕЛИРОВАНИЯ

В режиме автоматического нивелирования лазерный нивелир автоматически выравнивается в диапазоне $\pm 3^\circ$. Проецируются горизонтальная линия, две вертикальные линии или все 3 линии одновременно.


1

Установить лазерный нивелир на прочное, ровное и защищенное от вибраций основание или на штатив.



1/4" болт с резьбой

2

Сдвинуть блокировочный выключатель в положение ВКЛ .

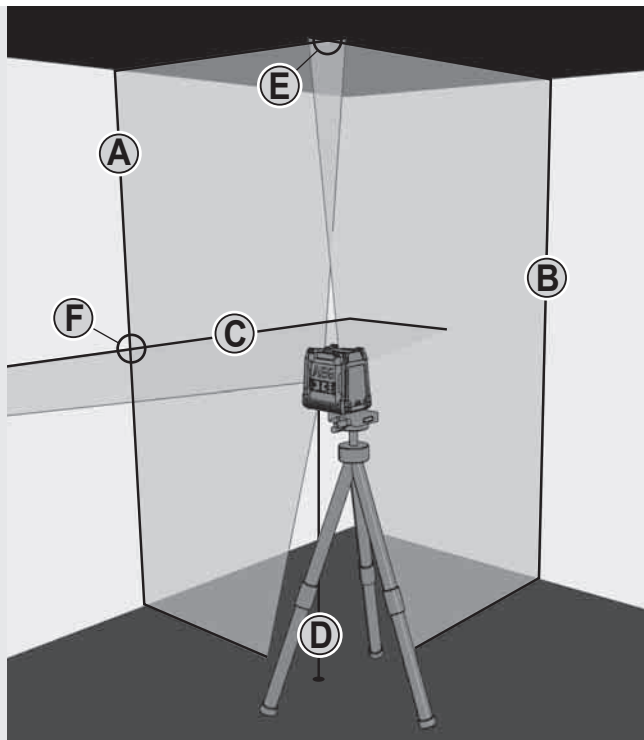


3

Лазерный нивелир генерирует 3 лазерные линии.

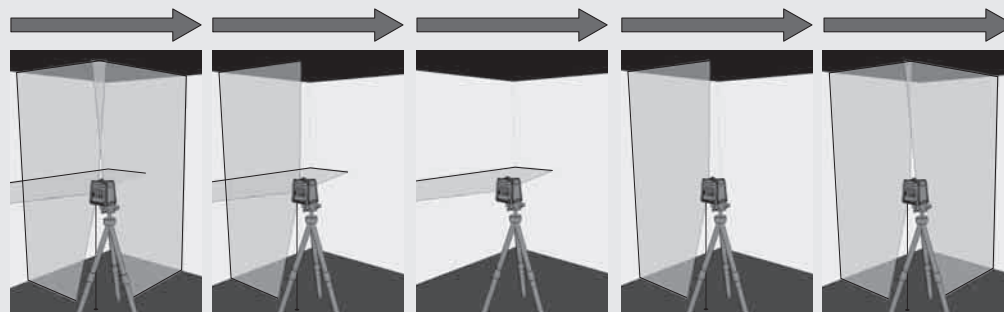
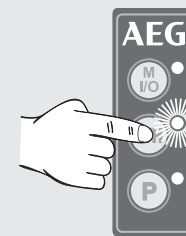
- (A) Вертикальная линия вперед
- (B) Вертикальная линия вбок
- (C) Горизонтальная линия вперед
- (D) Лазерная точка (линия отвеса)

Если активированы все линии, лазерный нивелир генерирует перекрещивающиеся линии вверх (E) и вперед (F).



4

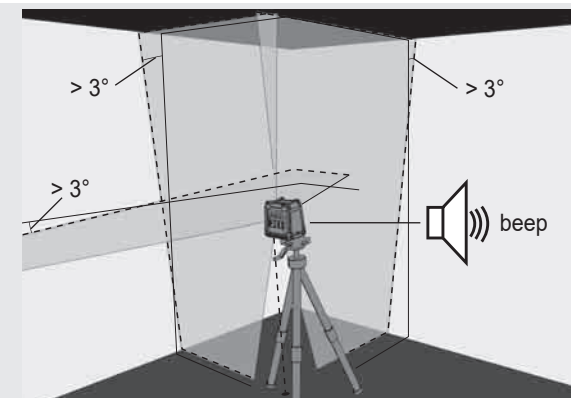
Нажмите на кнопку V/H для выбора линий, с которыми вы хотите работать.




5

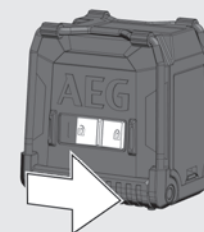
Если при активированном автоматическом нивелировании лазерный нивелир сначала не выровнен до $\pm 3^\circ$, лазерные линии мигают — — — —, и раздается звуковой сигнал.

В этом случае следует заново отрегулировать положение лазерного нивелира.



6

Перед перемещением прибора перевести блокировочный выключатель в положение ВЫКЛ . Это блокирует маятниковый компенсатор и защищает лазерный нивелир.

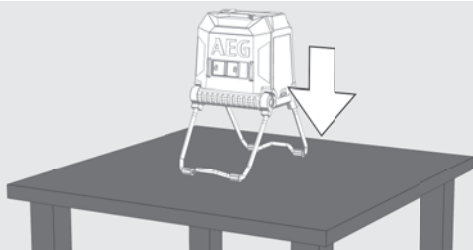


РАБОТА В РУЧНОМ РЕЖИМЕ

В ручном режиме функция автоматического нивелирования деактивирована, и лазерный нивелир можно устанавливать под любым углом лазерных линий.

1

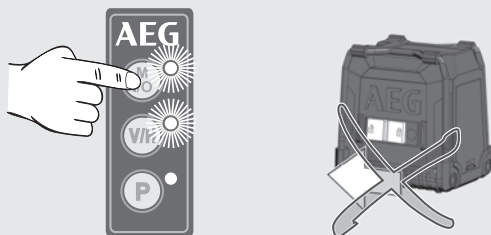
Установить лазерный нивелир на прочное, ровное и защищенное от вибраций основание или на штатив.



2

Нажать кнопку ручного режима (без смещения блокировочного выключателя!).

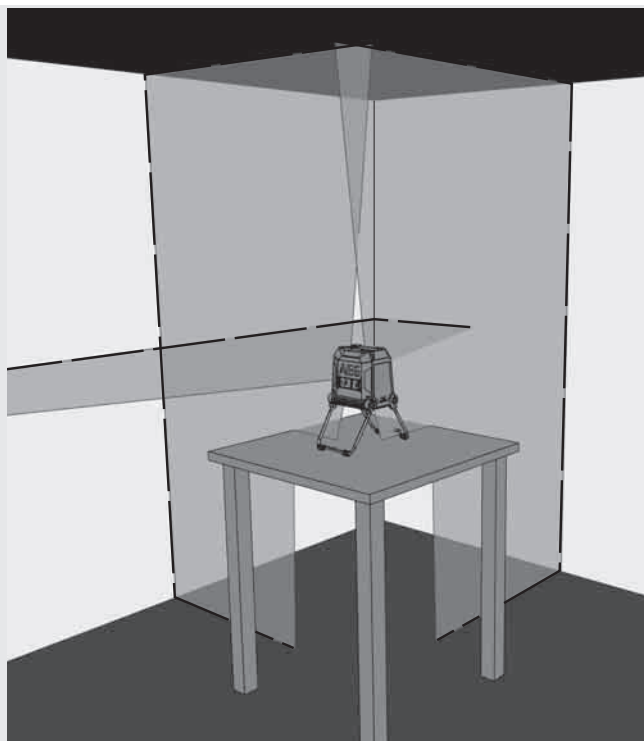
Красный светодиод рядом с кнопкой загорается.



3

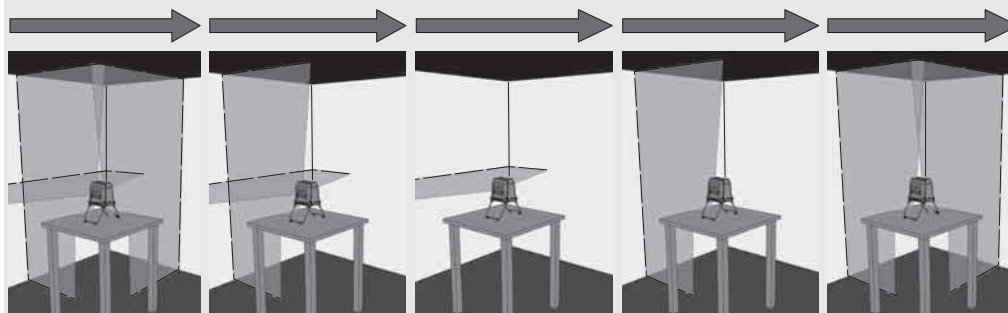
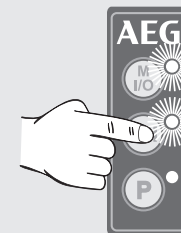
Как и в режиме автоматического нивелирования, лазерный нивелир генерирует 3 лазерные линии, которые, тем не менее, мигают с частотой 3 секунд.

3 сек. 3 сек. 3 сек.



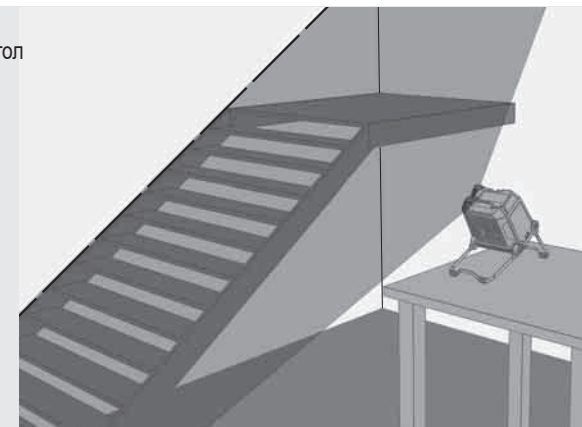
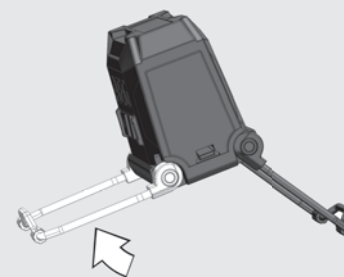
4

Нажмите на кнопку V/H для выбора линий, с которыми вы хотите работать.




5

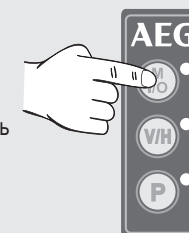
Отрегулировать лазерный нивелир с помощью ножек на нужную высоту и угол наклона.



6

Для завершения ручного режима нажать кнопку ручного режима.

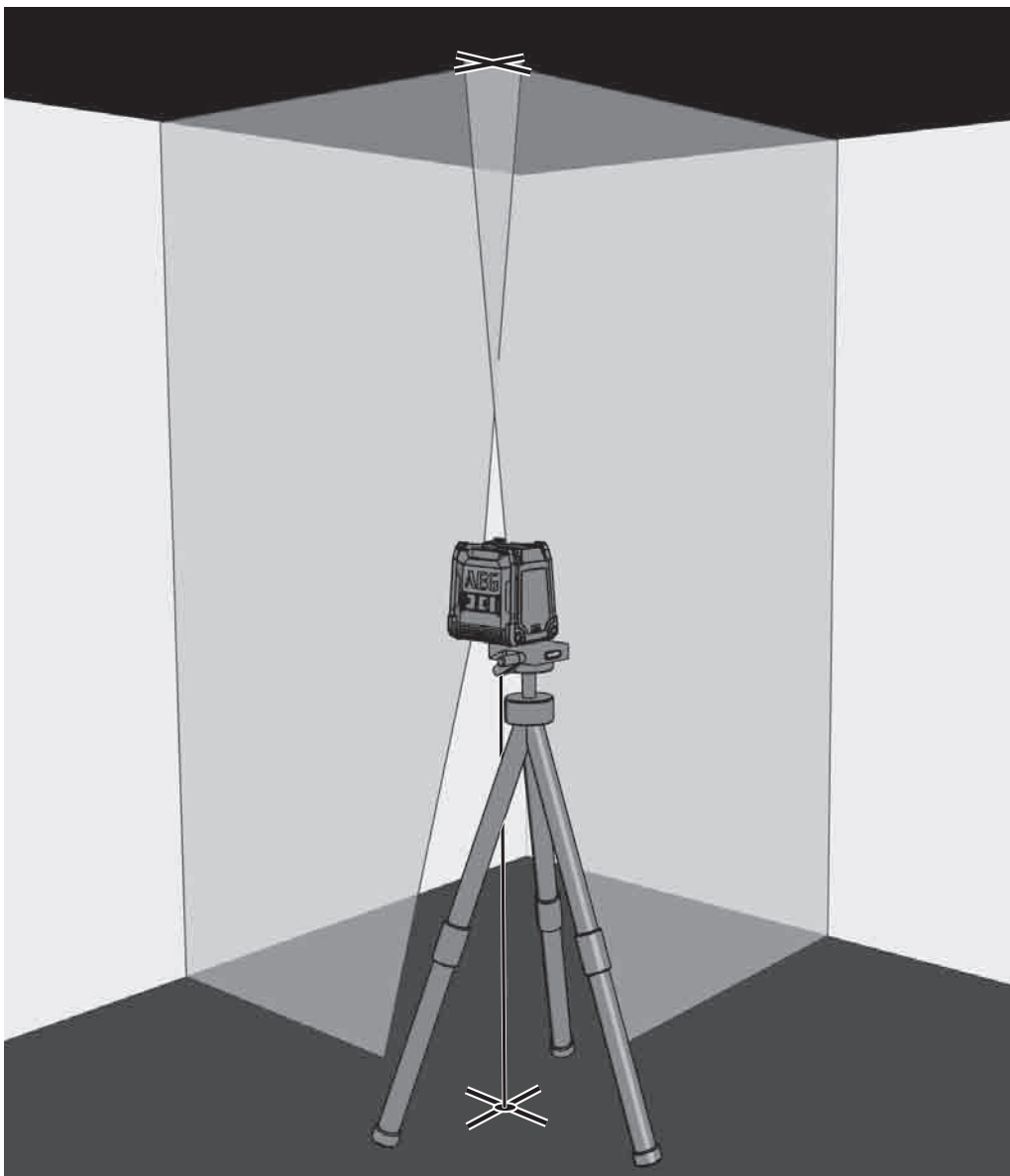
Для прямого перехода в режим автоматического нивелирования поставить блокировочный выключатель в положение ВКЛ .



ФУНКЦИЯ ОТВЕСА

Функция отвеса позволяет проецировать точку на полу вертикально к потолку. Контрольная точка на полу выравнивается относительно точки пересечения перекрещивающихся линий на потолке.

Функция отвеса служит, к примеру, для передачи контрольной точки для осветительной и вентиляционной аппаратуры или для переноса отметок по высоте.



ФУНКЦИЯ ИМПУЛЬСНОГО РЕЖИМА

Для наружных работ при прямом солнечном излучении или ярком свете, а также для работ внутри помещения с дальностью действия до 50 м используется импульсный режим с детектором.

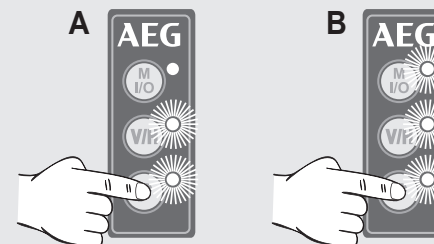
Детектор не входит в комплект поставки и приобретается отдельно.

При активном импульсном режиме лазерные линии мигают с очень высокой частотой (невидимой человеческому глазу), чтобы детектор смог локализовать лазерные линии.

1

Импульсный режим можно активировать как в режиме автоматического нивелирования (А), так и в ручном режиме (В).

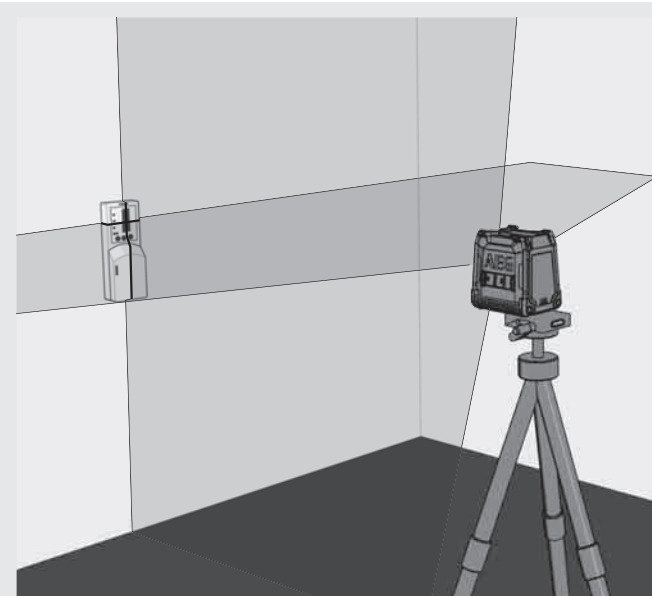
Нажать на кнопку Р. Зеленый светодиод рядом с кнопкой загорается.



2

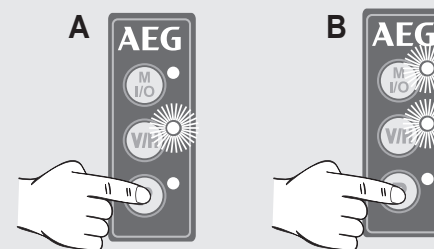
После активации импульсного режима видимость лазерных линий немного уменьшается.

Подробную информацию об использовании детектора см. в руководстве по эксплуатации детектора.



3

Вновь нажать на кнопку Р, чтобы выключить импульсный режим. Зеленый светодиод рядом с кнопкой гаснет.



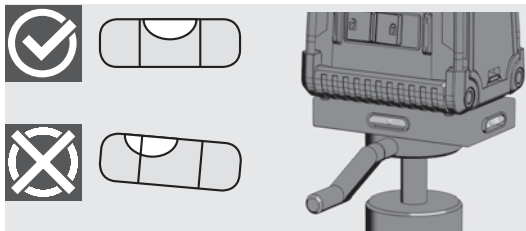
ПРОВЕРКА ТОЧНОСТИ

Лазерный нивелир полностью откалиброван на заводе. Компания AEG рекомендует регулярно проверять точность лазерного нивелира, прежде всего после падения или неправильной эксплуатации.

При превышении максимального отклонения при проверке точности обратитесь в один из сервисных центров AEG (см. список с гарантийными условиями и адресами сервисного центра).

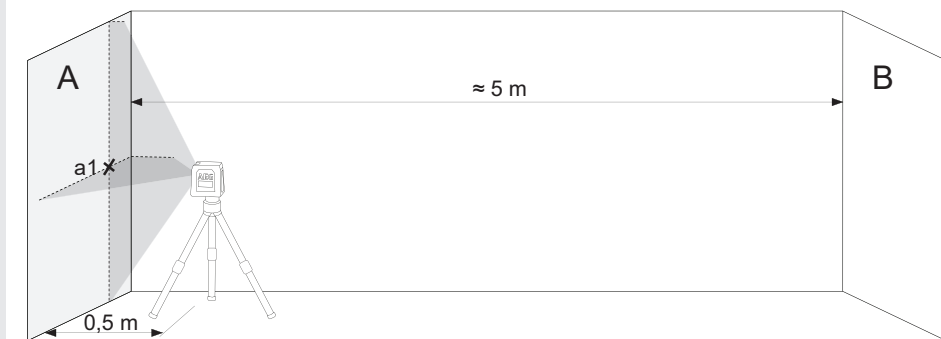
1. Проверка точности горизонтальной линии по высоте.
2. Проверка точности выравнивания горизонтальной линии.
3. Проверка точности выравнивания вертикальной линии.
4. Проверка перпендикулярности между 2 вертикальными линиями.
5. Проверка точности линии отвеса.

Перед проверкой точности установленного на штатив лазерного нивелира проконтролировать выравнивание штатива.



1 ПРОВЕРКА ТОЧНОСТИ ГОРИЗОНТАЛЬНОЙ ЛИНИИ ПО ВЫСОТЕ (ОТКЛОНЕНИЕ ВВЕРХ И ВНИЗ)

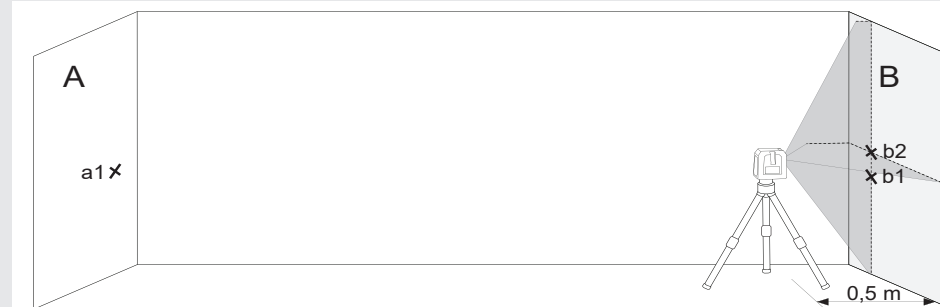
1. Установить лазерный нивелир на штатив или на ровное основание между двумя стенами A и B, удаленными друг от друга примерно на 5 м.
2. Установить лазерный нивелир на расстоянии ок. 0,5 м от стены A.
3. Включить режим автоматического нивелирования и нажать кнопку для проецирования горизонтальной и вертикальной линии на стене A.
4. Отметить точку пересечения обеих линий как точку a1 на стене A.



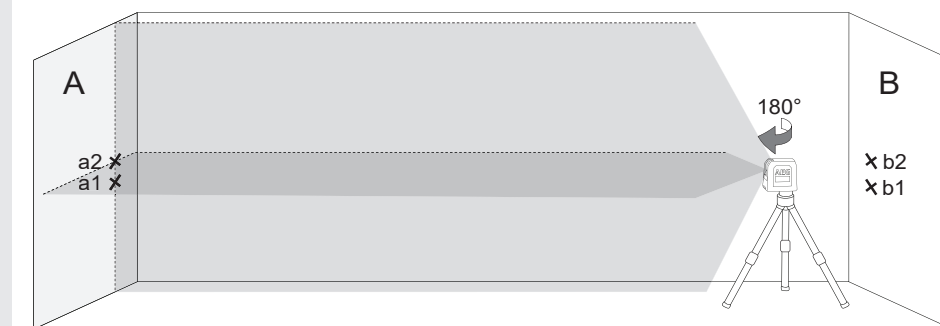
5. Повернуть лазерный нивелир на 180° в направлении стены B и отметить точку пересечения обеих линий как точку b1 на стене B.



6. Установить лазерный нивелир на расстоянии ок. 0,5 м от стены B.
7. Отметить точку пересечения обеих линий как точку b2 на стене B.



8. Повернуть лазерный нивелир на 180° в направлении стены A и отметить точку пересечения обеих линий как точку a2 на стене A.

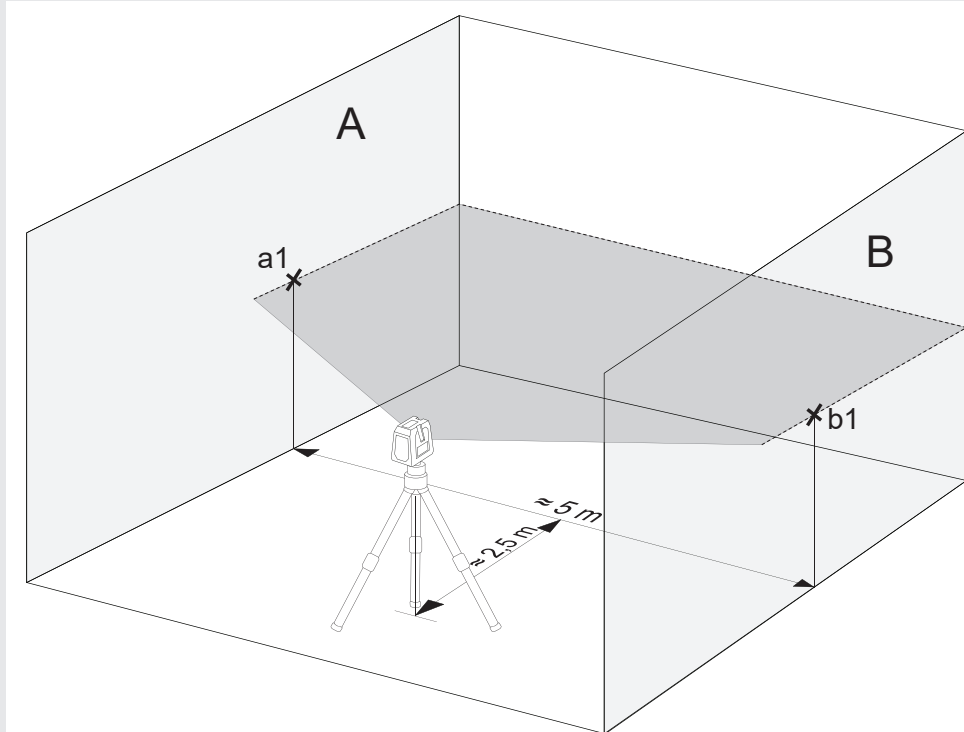


9. Измерить расстояния:
 $\Delta a = |a2 - a1|$
 $\Delta b = |b1 - b2|$
10. Разница $|\Delta a - \Delta b|$ не должна превышать 2 мм.

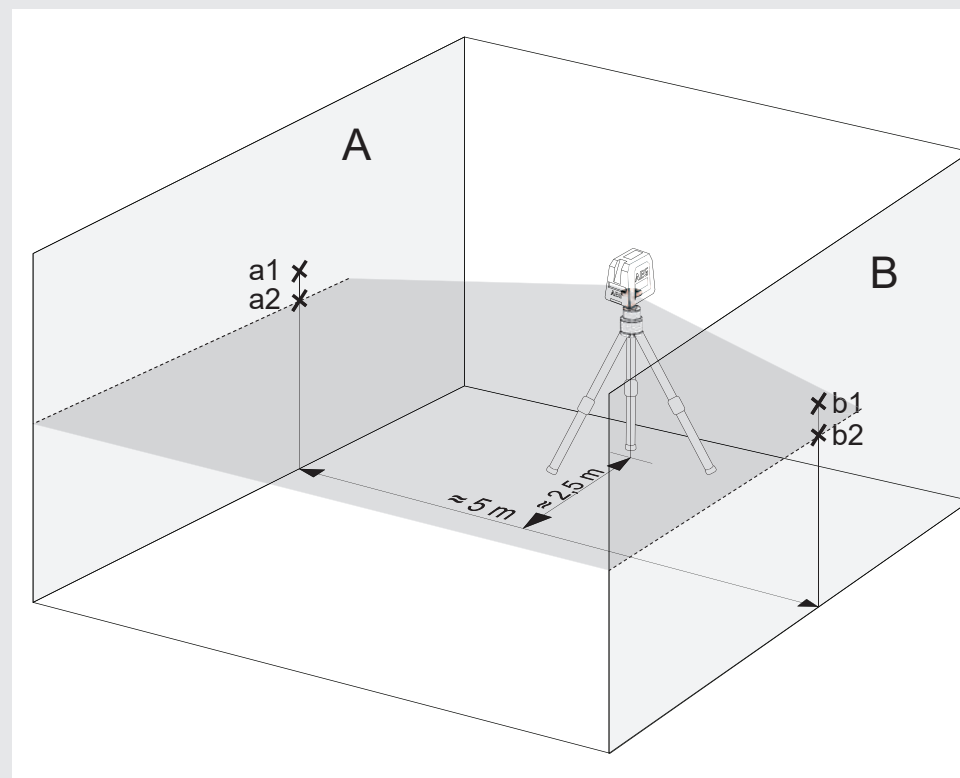
2 ПРОВЕРКА ТОЧНОСТИ ВЫРАВНИВАНИЯ ГОРИЗОНТАЛЬНОЙ ЛИНИИ (ОТКЛОНЕНИЕ ОДНОЙ СТОРОНЫ ОТ ДРУГОЙ)

Для этой проверки требуется свободное пространство площадью ок. 5×5 м.

1. Установить лазерный нивелир на штатив или на твердое основание между двумя стенами А и В, удаленными друг от друга примерно на 5 м.
2. Установить лазерный нивелир на расстоянии ок. 2,5 м от центра помещения.
3. Включить режим автоматического нивелирования и нажать кнопку для проецирования горизонтальной линии на стенах А и В.
4. Отметить центр лазерной линии на стене А как а1 и на стене В как b1.



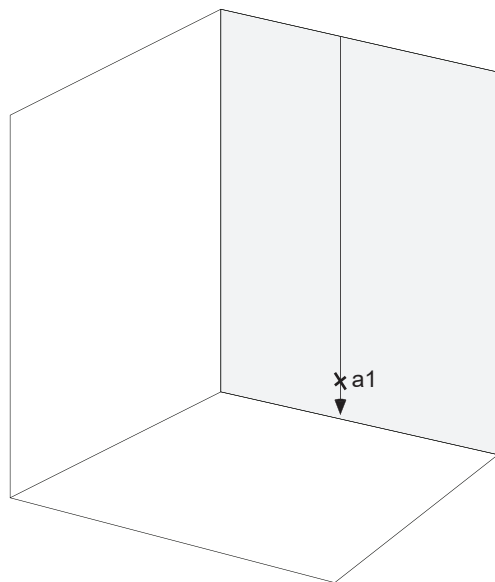
5. Сместить лазерный нивелир примерно на 5 м, повернуть на 180° и заново спроецировать горизонтальную линию на стены А и В.
6. Отметить центр лазерной линии на стене А как а2 и на стене В как b2.



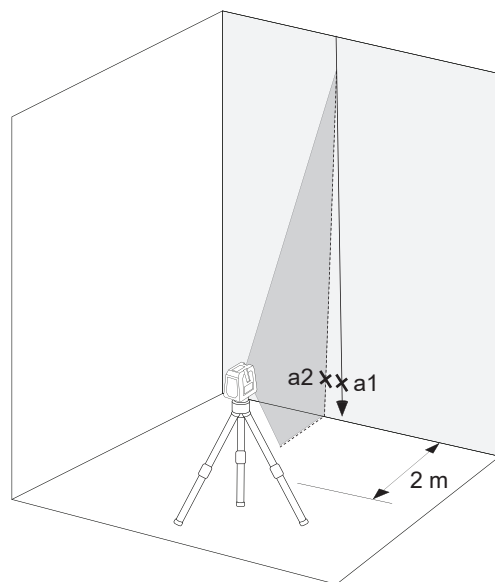
7. Измерить расстояния:
 $\Delta a = |a2 - a1|$
 $\Delta b = |b1 - b2|$
8. Разница $|\Delta a - \Delta b|$ не должна превышать 2 мм.

3 ПРОВЕРКА ТОЧНОСТИ ВЫРАВНИВАНИЯ ВЕРТИКАЛЬНОЙ ЛИНИИ

1. Повесить на стену отвес длиной ок. 4 м.
2. После того как грузик отвеса остановится, отметить на стене точку a_1 над конусом грузика.



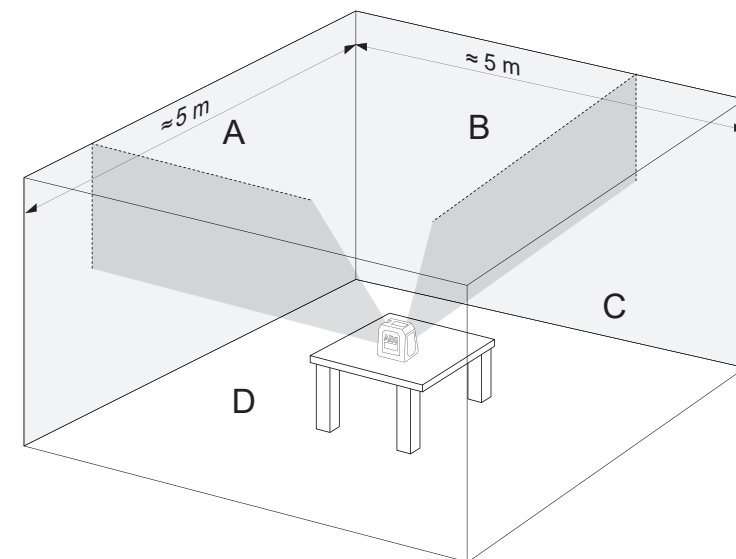
3. Установить лазерный нивелир на штативе или на ровном основании на расстоянии ок. 2 м от стены.
4. Включить режим автоматического нивелирования и нажать кнопку для проецирования вертикальной линии на отвес.
5. Повернуть лазерный нивелир таким образом, чтобы вертикальная линия совпала с подвешенным отвесом.
6. Отметить на стене точку a_2 в центре вертикальной линии на той же высоте, что и a_1 .
7. Расстояние между a_1 и a_2 не должно превышать 1 мм.



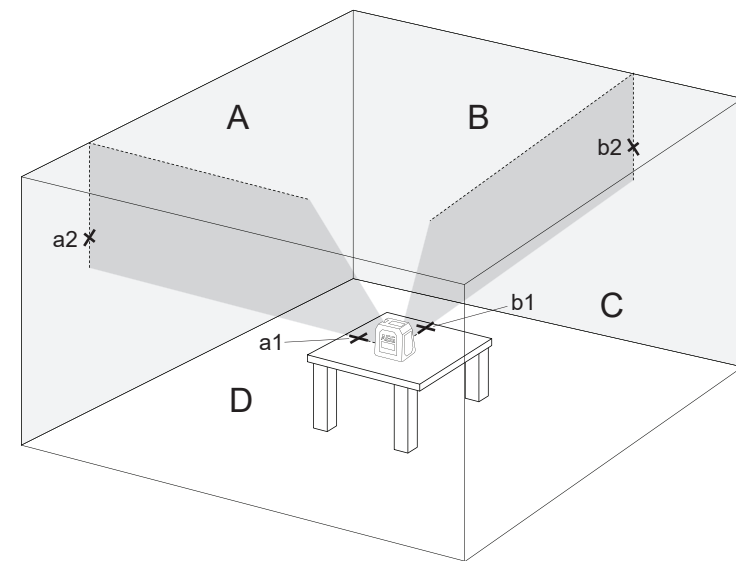
4 ПРОВЕРКА ПЕРПЕНДИКУЛЯРНОСТИ МЕЖДУ 2 ВЕРТИКАЛЬНЫМИ ЛИНИЯМИ

Для этой проверки требуется помещение с 4 стенами площадью не менее 5×5 м.

1. Установить лазерный нивелир на стол или на пол в центре помещения.
2. Включить режим автоматического нивелирования и нажать 4 раза кнопку V/H для проецирования вертикальных линий вперед и вбок.

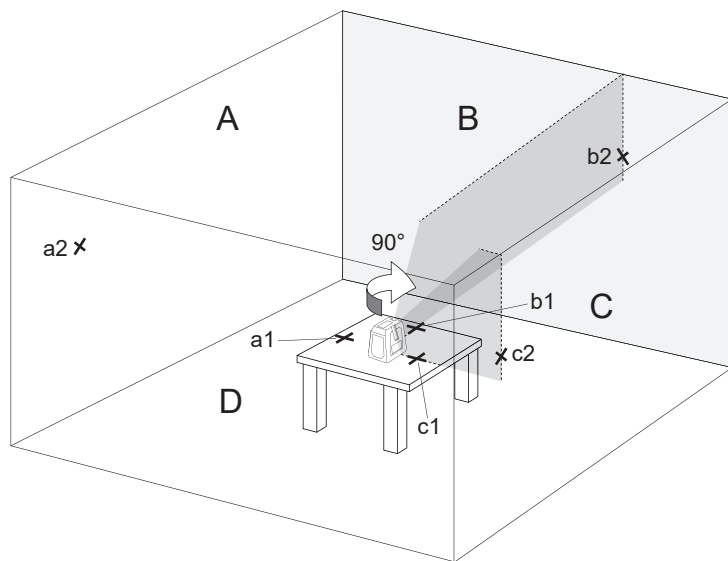


3. Отметить центр спроецированной вперед вертикальной линии в двух местах: точка a_1 на столе рядом с лазерным нивелиром и точка a_2 на стене A.
4. Отметить центр спроецированной вбок вертикальной линии в двух местах: точка b_1 на столе рядом с лазерным нивелиром и точка b_2 на стене B.

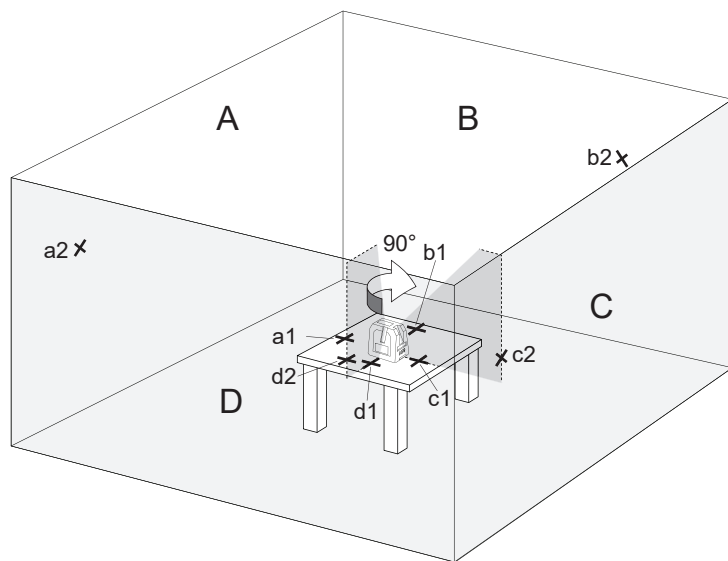


ПРОВЕРКА ПЕРПЕНДИКУЛЯРНОСТИ МЕЖДУ 2 ВЕРТИКАЛЬНЫМИ ЛИНИЯМИ

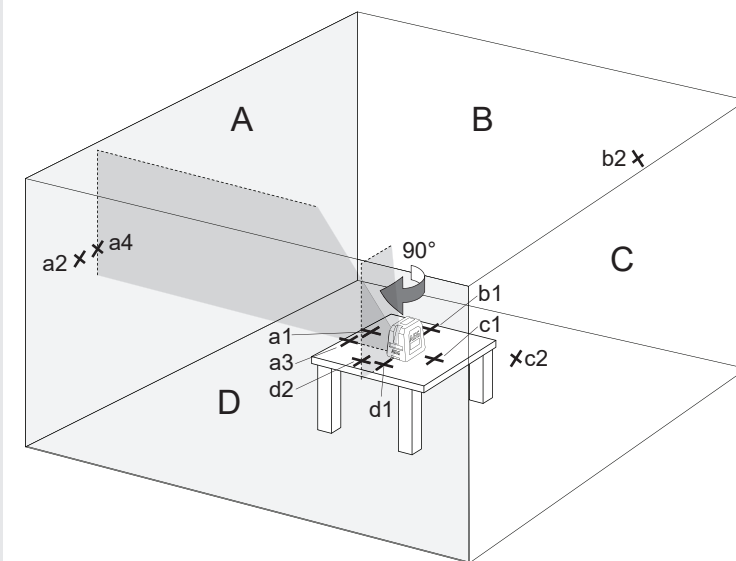
5. Повернуть лазерный нивелир по часовой стрелке на 90° таким образом, чтобы направленная вперед лазерная линия совпала с отметками b_1 на столе и b_2 на стене В.
6. Отметить центр спроецированной вбок вертикальной линии в двух местах: точка c_1 на столе рядом с лазерным нивелиром и точка c_2 на стене С.



7. Повернуть лазерный нивелир по часовой стрелке на 90° таким образом, чтобы направленная вперед лазерная линия совпала с отметками c_1 на столе и c_2 на стене С.
8. Отметить центр спроецированной вбок вертикальной линии в двух местах: точка d_1 на столе рядом с лазерным нивелиром и точка d_2 на стене D.



9. Повернуть лазерный нивелир по часовой стрелке на 90° таким образом, чтобы направленная вперед лазерная линия совпала с отметками d_1 на столе и d_2 на стене D.
10. Отметить центр спроецированной вбок вертикальной линии в двух местах: точка a_3 на столе рядом с точкой a_1 и точка a_4 на стене А рядом с точкой a_2 .

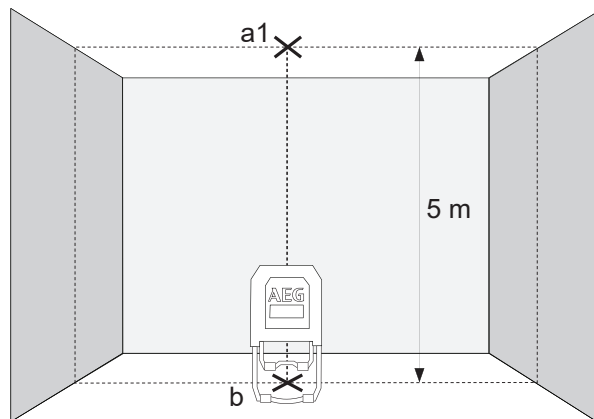


11. Измерить расстояния:
 $\Delta 1$ = от a_1 до a_3
 $\Delta 2$ = от a_2 до a_4
12. Разница $\Delta 2 - \Delta 1$ не должна превышать 4 мм.

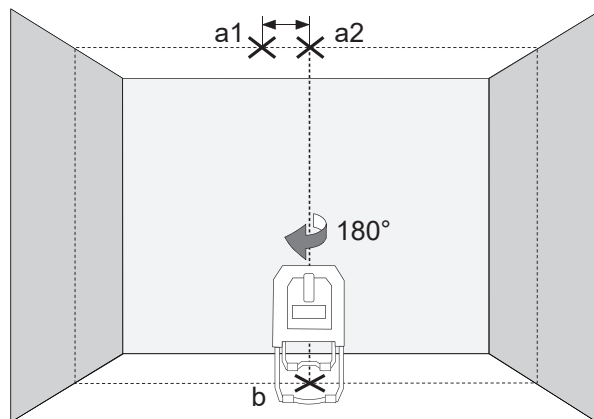
5 ПРОВЕРКА ТОЧНОСТИ ЛИНИИ ОТВЕСА

Для этой проверки требуется помещение с высотой потолка ок. 5 м.

1. Выдвинуть ножки лазерного нивелира и установить прибор на полу.
2. Включить режим автоматического нивелирования и нажать на кнопку для проецирования вертикальных перекрещивающихся линий на потолке и точки отвеса на полу.
3. Отметить на потолке центр направленной вверх перекрещивающейся линии как точку a1 (см. рисунок).
4. Отметить на полу центр точки отвеса как точку b.



5. Повернуть лазерный нивелир на 180° и поместить его таким образом, чтобы центр точки отвеса попал на уже отмеченную точку b, и дождаться выравнивания прибора.
6. Отметить на потолке центр направленной вверх перекрещивающейся линии как точку a2.
7. Расстояние между точками a1 и a2 на потолке указывает, насколько лазерная линия отклоняется от идеальной отвесной вертикали. При измерительном отрезке 5 м максимальное допустимое отклонение составляет:
 $5 \text{ м} \times (\pm 0,6 \text{ мм/м}) \times 2 = \pm 6 \text{ мм}$.
8. Расстояние между a1 и a2 не должно превышать 6 мм.



СЪДЪРЖАНИЕ

Важни инструкции за безопасност	1
Поддръжка.....	2
Технически данни	2
Употреба по предназначение.....	2
Преглед.....	3
Индикация за слаба батерия	4
Сменете батериите.....	4
Регулираци се крака	5
Магнитен стенен държач и зелена целева плочка.....	5
Работа в режим на самонивелиране.....	6
Работа в ръчен режим.....	7
Функция за спускане на отвес.....	8
Функция за пулсов режим	8
Проверка на точността	9

ВАЖНИ ИНСТРУКЦИИ ЗА БЕЗОПАСНОСТ



ВНИМАНИЕ! ПРЕДУПРЕЖДЕНИЕ! ОПАСНОСТ

Не използвайте продукта преди да сте прочули Инструкциите за безопасност и Наръчника на потре- бителя, приложени на компакт диска.

Класификация на лазера



ПРЕДУПРЕЖДЕНИЕ:

Това е лазерен продукт Клас 2, съгласно EN60825-1:2014 .



Предупреждение:

Не излагайте очите директно на лазерния лъч. Лазерният лъч може да предизвика тежки увреждания на очите и/или ослепяване.

Не гледайте директно към лазерния лъч и не насочвайте лазерния лъч без необходимост към други хора.

Бъдете предпазливи! При някои приложения лазерното излъчващо устройство може да се намира зад Вас. В такъв случай се обръщайте внимателно.

Предупреждение:

Не работете с лазера, когато наоколо има деца и не позволявайте на деца да работят с лазера.

Внимание! Рефлектиращи повърхности могат да рефлектират лазерния лъч обратно към оператора или към други лица.

Предупреждение: използването на управляващи устройства и на настройки или изпълнението на процедури, които не отговарят на описаниите в наръчника, може да доведе до опасно излагане на радиация.

Ако лазерът се премести от много студена в топла среда (или обратно), преди използване той трябва да достигне околната температура.

Не съхранявайте лазера на открито и го пазете от удари, продължителни вибрации и екстремни температури.

Предпазвайте лазерния уред за измерване от прах, вода и висока влажност на въздуха. Такива могат да унищожат вътрешни компоненти или да повлияят на точността на измерване.

Ако лазерното излъчване попадне в окото, затворете очи и веднага завъртете глава извън обхвата на лъча.

Старайте се да позиционирате лазерния лъч така, че той да не заслепява Вас самите или други хора.

Не гледайте в лазерния лъч с оптични увеличаващи устройства като бинокли или телескопи. В противен случай опасността от тежки увреждания на очите се увеличава.

Обърнете внимание, че очилата за работа с лазер служат за по-добро разпознаване на лазерните линии, но не предпазват от лазерното излъчване.

Предупредителните табелки на лазерното устройство не трябва да се отстраняват или да се заличават.

Не разглобявайте лазера. Лазерното излъчване може да причини тежки наранявания на очите.

Преди транспортиране на лазера се уверете, че заключващият механизъм е фиксиран.

Указание: При нефиксиран заключващ механизъм по време на транспортирането може да се стигне до повреда във вътрешността на устройството.


Не използвайте агресивни почистващи препарати или разтворители. Почиствайте само с чиста, мека кърпа.

Пазете лазера от силни удари и падане. След падане или силни механични въздействия трябва да се провери точността на устройството.


Необходими ремонти на този лазерен уред трябва да бъдат извършвани само от оторизиран сервизен персонал.

Не работете с продукта в опасни участъци или във враждебна среда.

Преди по-продължително извездане на устройството от употреба извадете батериите от отделението за батерии. Така могат да се предотвратят изтичането на батериите и свързаните с него корозионни щети.

 Изтощени батерии не трябва да се изхвърлят заедно с битови отпадъци. Грижете се за околната среда и ги давайте в пунктове за събиране, съгласно националното и местно законодателство. Продуктът не трябва да се изхвърля заедно с битови отпадъци.

Изхвърляйте продукта по начин, който е в съответствие с валидните за вашата страна националните разпоредби в тази връзка. Спазвайте специфичното национално и местно законодателство. Обърнете се към местните власти или към Вашия търговец за повече информация относно изхвърлянето.

 Европейски знак за съответствие

ПОДДРЪЖКА

Почиствайте обектива и корпуса на лазера с мека, чиста кърпа. Не използвайте разтворители.

Дори когато лазерът до известна степен е устойчив на въздействието на прах и замърсявания, той не трябва да се съхранява продължително на прашно място, тъй като в противен случай вътрешните подвижни части могат да се повредят.

Ако лазерът се намокри, преди поставянето му в преносимия куфар той трябва да изсъхне, за да не възникнат корозионни щети.

ТЕХНИЧЕСКИ ДАННИ

Клас на лазера	2
Диапазон на самонивелиране	±3°
Време за самонивелиране	3–5 сек
Тип батерия	LR6 алкална батерия от тип AA
Напрежение DC	3 × 1,5 V
Консумирана мощност	0,35 A
Вид защита (водни пръски и прах)	IP54
Функции	Хоризонтална линия, 2 вертикални линии, кръстосани линии, функция за спускане на отвес
Пулсов режим	Честота 10 kHz
Проекции	3 зелени линии, 1 червена точка
Модел на изходните лазерни линии	Хоризонтална линия напред, вертикална линия напред, вертикална линия настрани и точка на отвес. Хоризонтални и вертикални кръстосани линии напред и точка на отвес. Хоризонтална линия. Вертикални линии напред и точка на отвес. Вертикални линии напред и настрани и точка на отвес. (Индикацията на точката на отвес надолу функционира само в режим на самонивелиране, не в ръчен режим.)
Време на експлоатация	6 часа
Резба на статива	1/4"
Подходящ детектор	за стандартни зелени многолинейни лазери
Лазерна линия	
Ширина	2,5 mm ±0,5 mm / 5 m
Дължина на вълната	λ 520 ±10 nm Клас на лазера II
Точност	±0,2 mm/m
Ъгъл на отваряне	> 120°
Цвят	зелен
Обхват	30 m (с детектор 50 m)

Точка на отвес	Дължина на вълната Макс. мощност лазерна точка Точност на отвеса Цвят на лазерната точка Обхват	635 ±5 nm Клас на лазера II < 1 mW ±0,6 mm / 1 m червен 5 m
Препоръчителна работна температура		-10 °C до +45 °C
Температура на съхранение		-20 °C до +60 °C
Размери		106 mm × 88 mm × 105 mm
Тегло (вкл. батерии)		710 g

УПОТРЕБА ПО ПРЕДНАЗНАЧЕНИЕ

Този иновативен лазер е конструиран за широк професионален спектър на приложение като напр.:

- Подравняване на плочки, мраморни плочи, шкафове, бордюри, профили и обшивки
- Маркиране на основни линии за вграждане на врати, прозорци, релси, стълби, огради, портали, веранди и беседки.
- Прехвърляне на референтни точки за осветителни и вентилационни инсталации, прехвърляне на височини, нивелиране на ограждащи и каркасни стени, полагане на релси по подове, както и други професионални работи.
- За определяне и проверка на хоризонтални и вертикални линии.



Този продукт може да се използва по предназначение само както е посочено.

Гумени стабилизатори

Регулиращи се крака

Прозорец вертикална лазерна линия напред

Прозорец хоризонтална лазерна линия

ON  / OFF  заключващ превключвател



Поле за управление



LED индикатор ръчен режим

Бутон ръчен режим
За включване и изключване на ръчния режим

LED индикация избирание на лазерна линия
(постоянна светлина)

LED индикация за слаба батерия (мигаща светлина)

Бутон за избор лазерна линия
Избор между Вертикална линия напред (V), Вертикална линия настрани (V), Хоризонтална линия напред (H) или комбинация от тези линии.

LED индикация пулсов режим

Бутон пулсов режим
За работи на открито при пряка слънчева светлина или ярка осветеност, както и за приложения на закрито с обсег до 50 m използвайте пулсовия режим с 10-kHz детектор.

Прозорец вертикален лазерен лъч настрани

Капак на отделението за батерии

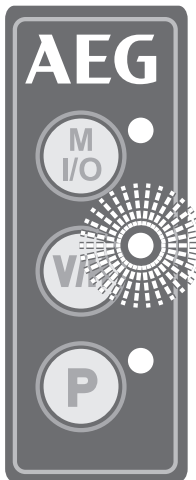


Червена точка на отвес

1/4" резба на статива



ИНДИКАЦИЯ ЗА СЛАБА БАТЕРИЯ



При ниско ниво на заряда на батерията силата на осветяване на лазера намалява и съответната индикация (зелен LED до бутона V/H) започва да мига с честота от 0,5 секунди.

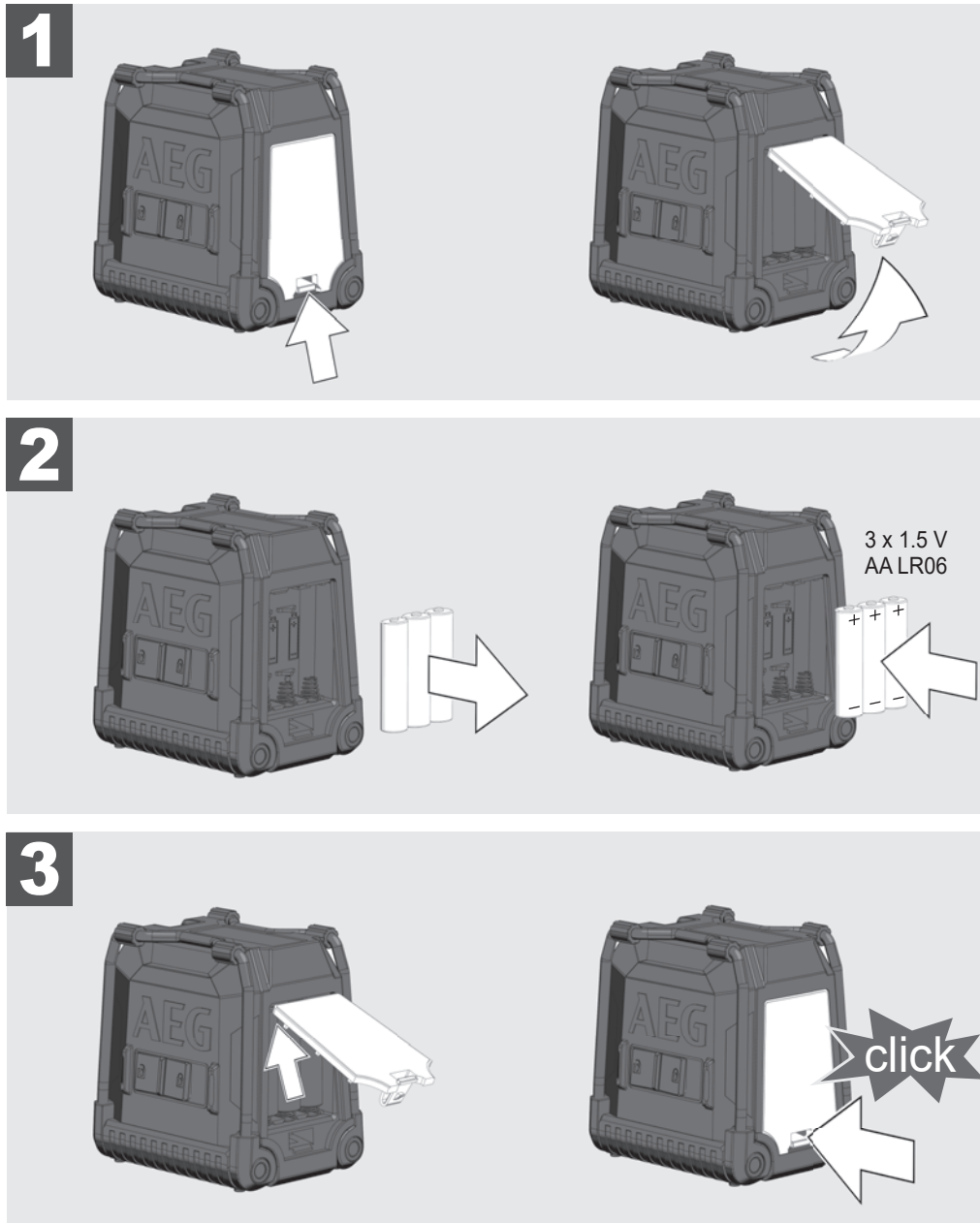
Въпреки това е възможно продължаване на работата.

Когато батериите станат прекалено слаби, устройството автоматично се изключва.

СМЕНЕТЕ БАТЕРИИТЕ

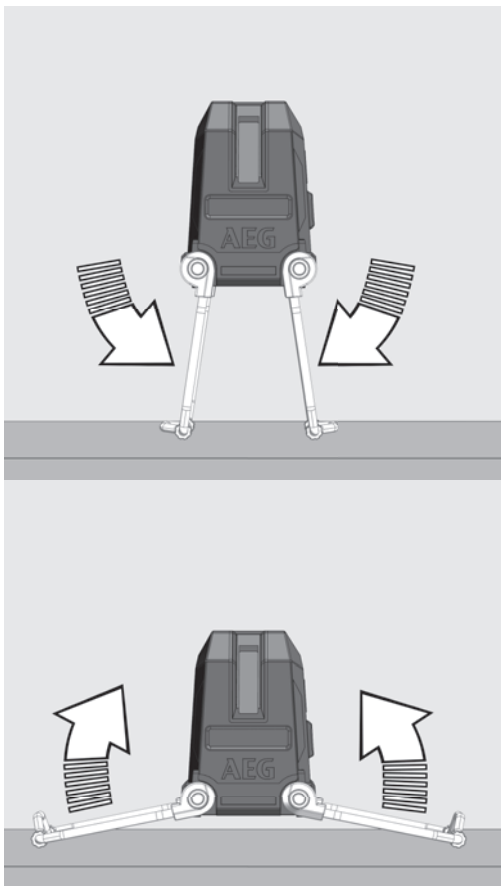
Сменете батериите, когато лазерният лъч стане по-слаб.

Преди по-продължително извеждане на лазера от употреба извадете батериите от отделението за батерии. Така могат да се предотвратят изтичането на батериите и свързаните с него корозионни щети.

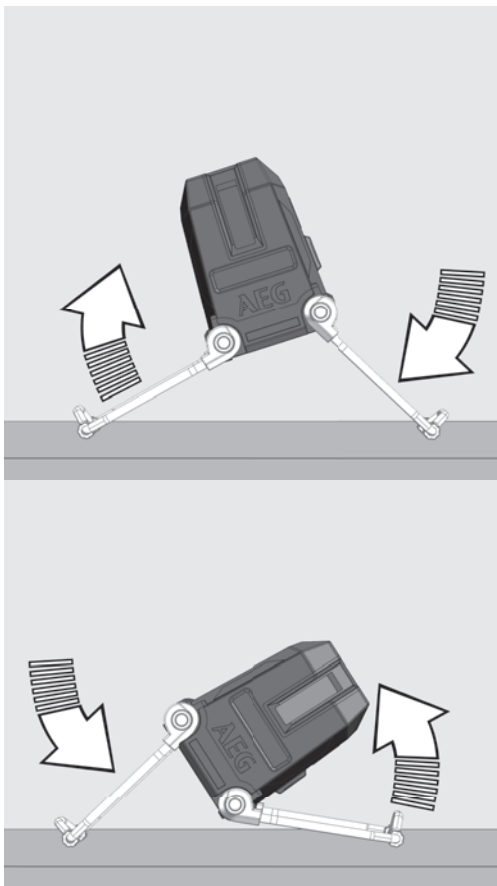


РЕГУЛИРАЩИ СЕ КРАКА

С регулиращите се крака настройте височината на хоризонталната линия.

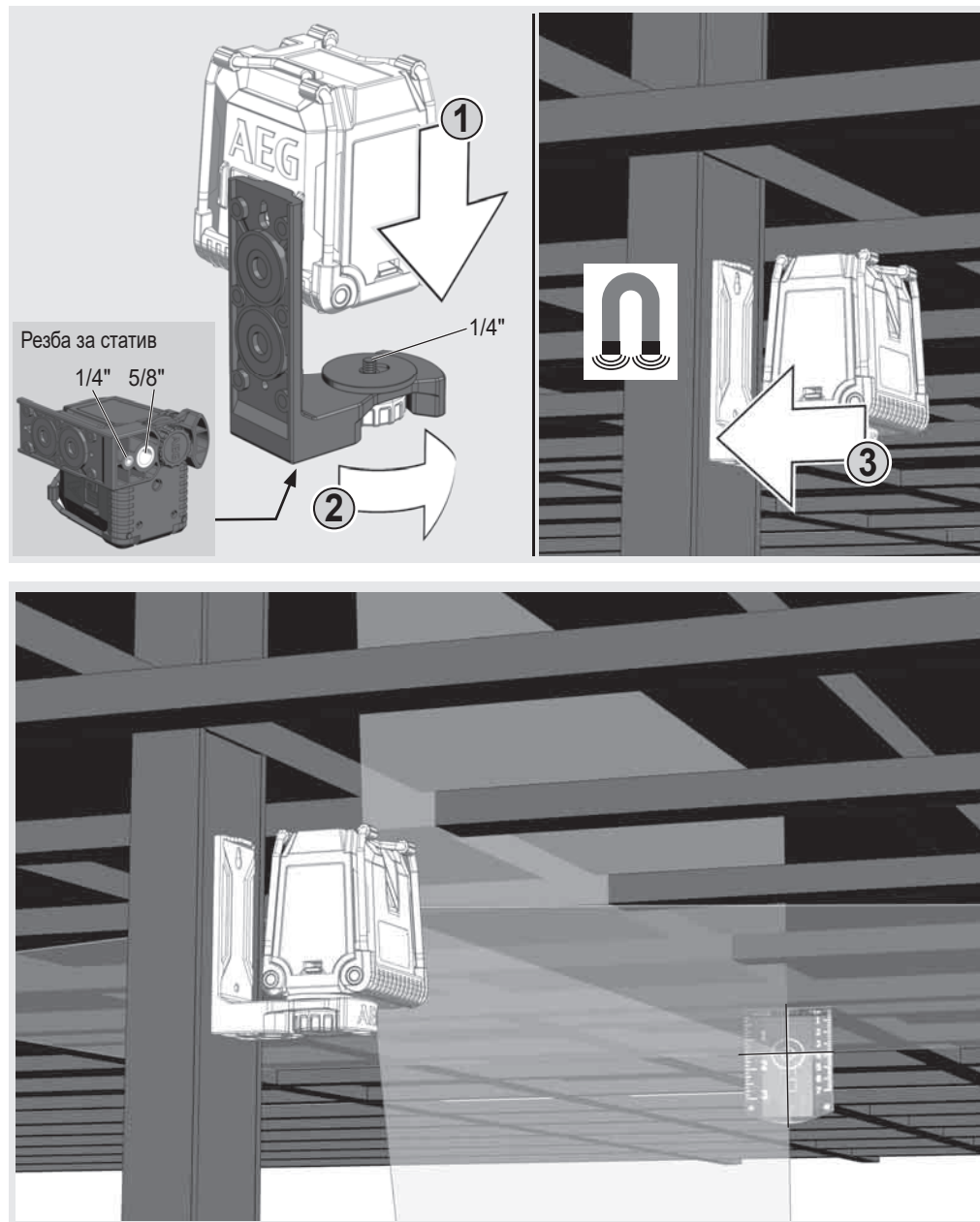


С регулиращите се крака настройте наклона на хоризонталната линия.



МАГНИТЕН СТЕНЕН ДЪРЖАЧ И ЗЕЛЕНА ЦЕЛЕВА ПЛОЧКА

С магнитния държач лазерът може да се закрепва към стени, метални структури или др. подобни. Зелената целева плочка подобрява видимостта на лазерния лъч при неблагоприятни условия и по-големи разстояния.



РАБОТА В РЕЖИМ НА САМОНИВЕЛИРАНЕ

В режим на самонивелиране лазерът се насочва самостоятелно в диапазон от $\pm 3^\circ$. Проектират се хоризонтална линия, две вертикални линии или всичките 3 линии.

1

Поставете лазера върху здрава, равна основа без вибрации или го монтирайте върху статив.



2

Преместете заключващия превключвател на ON с плъгане.

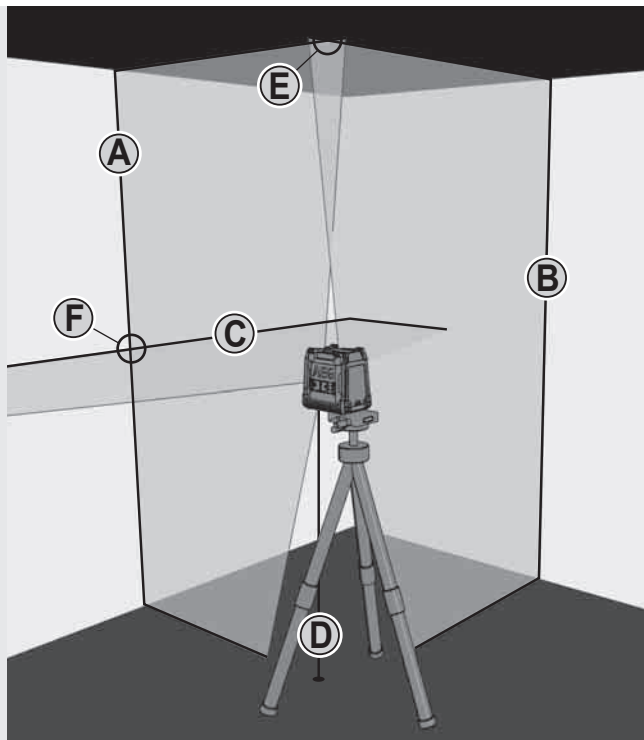


3

Лазерът създава 3 лазерни линии.

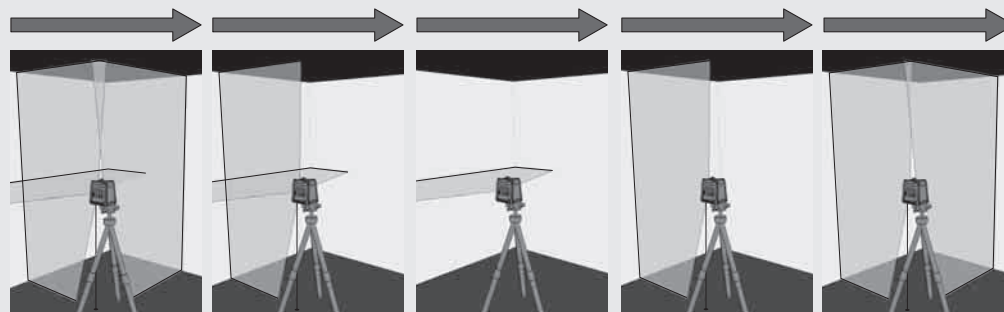
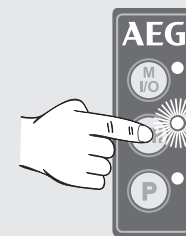
- (A) Вертикална линия напред
- (B) Вертикална линия настрани
- (C) Хоризонтална линия напред
- (D) Лазерна точка (линия на отвеса)

Когато всички линии са активирани, лазерът създава кръстосани линии нагоре (E) и напред (F).



4

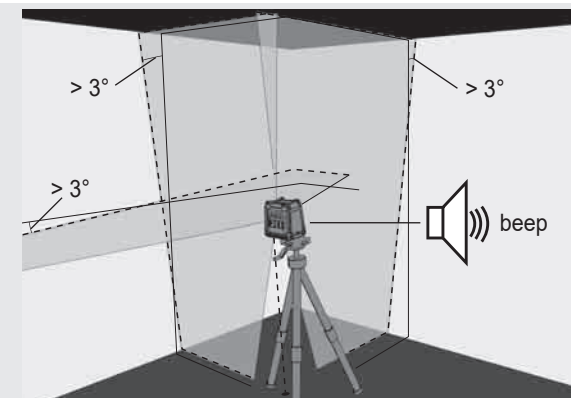
Натиснете бутона V/H, за да изберете линиите, с които желаете да работите.



5

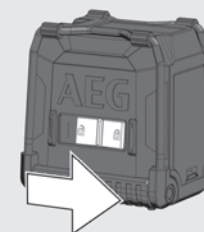
Когато при активирано самонивелиране лазерът в началото не е насочен на $\pm 3^\circ$, лазерните линии — — — мигат и прозвучава звуков сигнал.

В такъв случай позиционирайте лазера наново.



6

Преди преместване на устройството поставете заключващия бутон на OFF с плъгане. По този начин махалото се фиксира и лазерът е защитен.

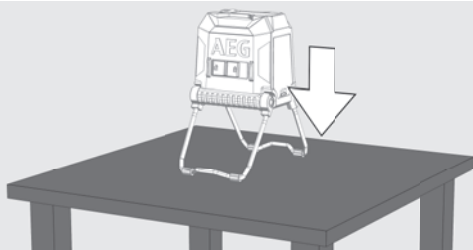


РАБОТА В РЪЧЕН РЕЖИМ

В ръчен режим функцията за самонивелиране е деактивирана и лазерът може да се настрои на всякакъв произволен наклон.

1

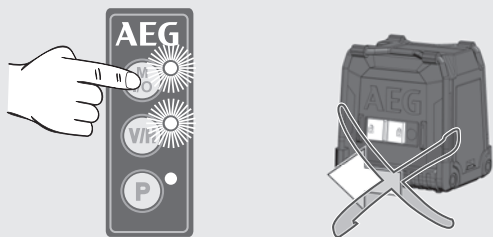
Поставете лазера върху здрава, равна основа без вибрации или го монтирайте върху статив.



2

Натиснете бутона за ръчен режим (без да премествате заключващия превключвател!)

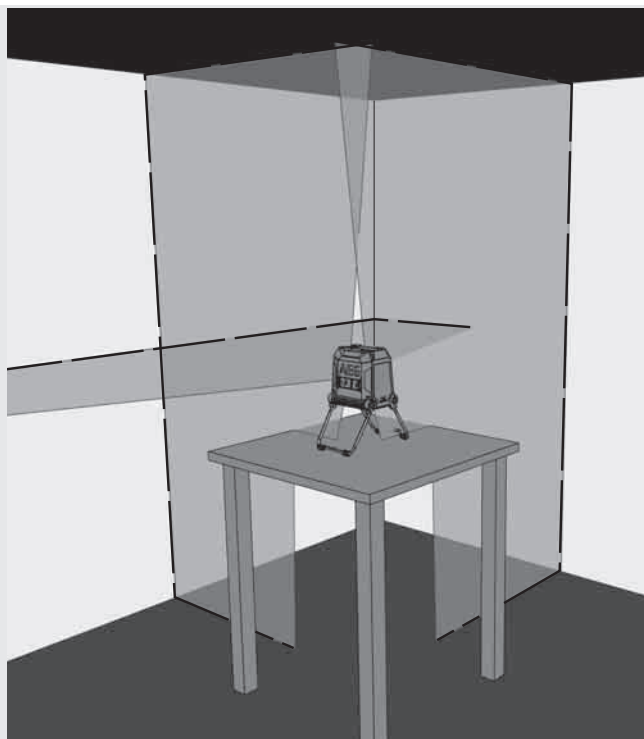
Червеният LED до бутона свети.



3

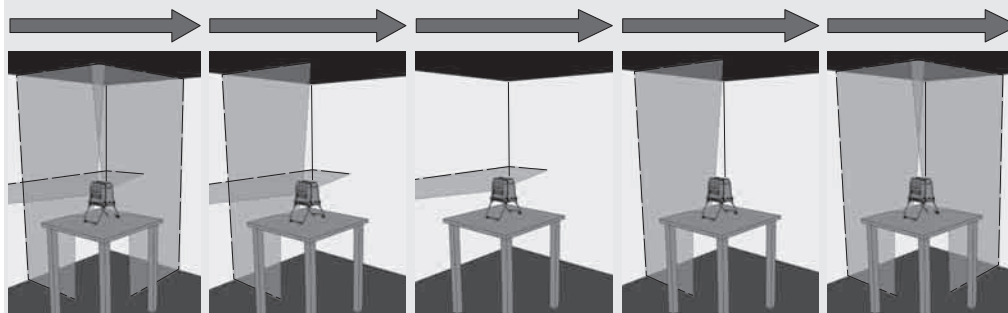
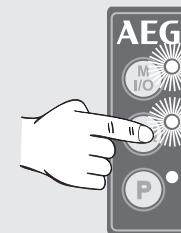
Както в режима за самонивелиране лазерът създава 3 лазерни линии, които въпреки това светят в интервал от 3 секунди.

3 сек. 3 сек. 3 сек.



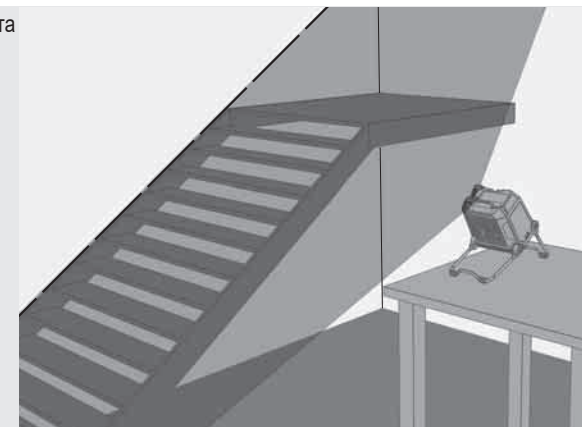
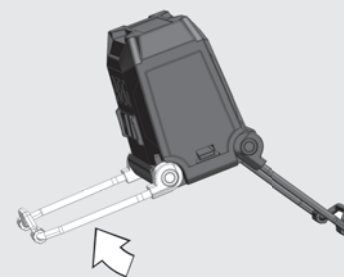
4

Натиснете бутона V/H, за да изберете линиите, с които желаете да работите.




5

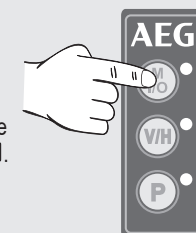
Настройте лазера с помощта на краката на желаните височина и наклон.



6

За да завършите ръчния режим, натиснете отново бутона за ръчен режим.

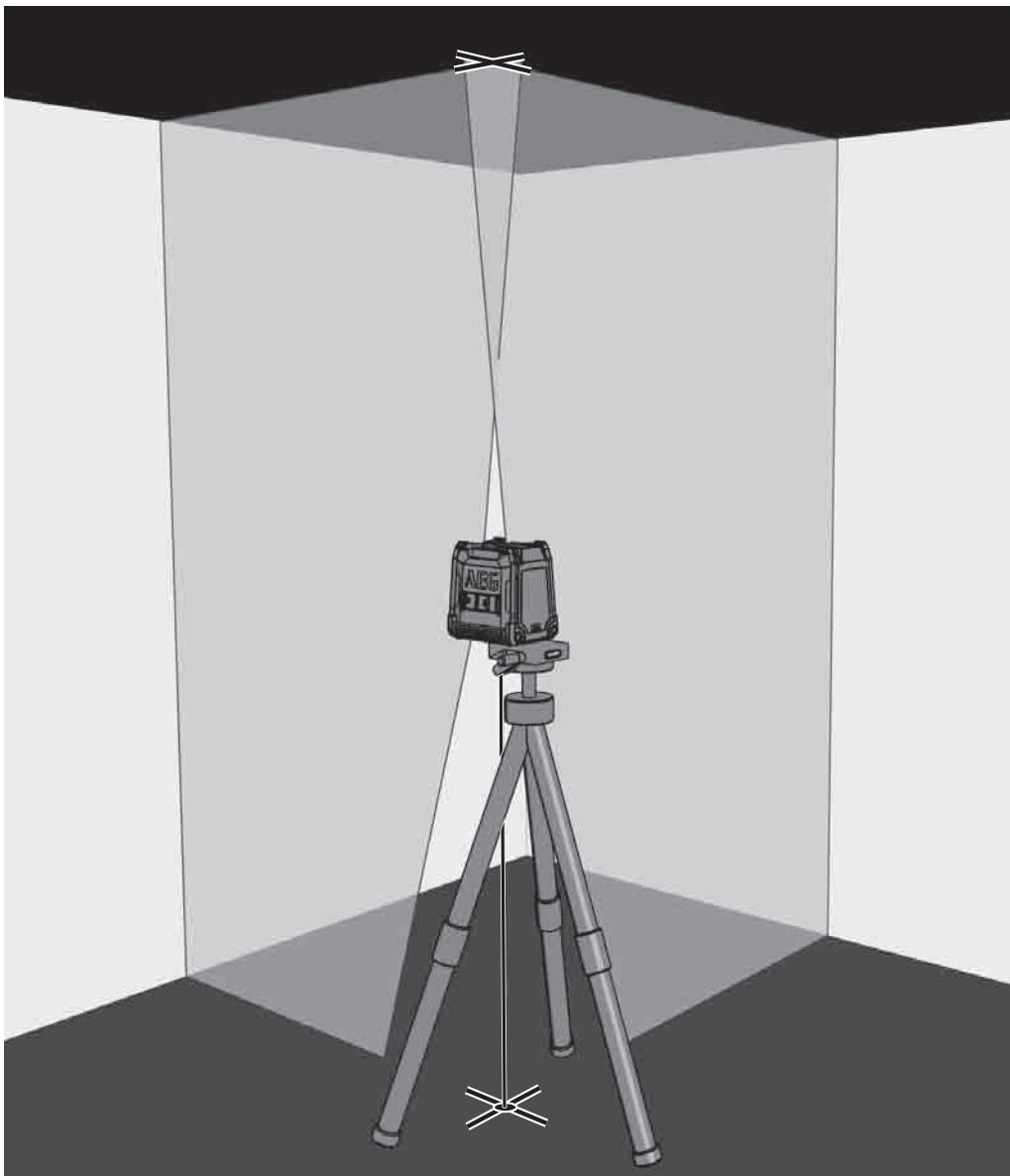
За да превключите директно към режим на самонивелиране, преместете заключващия превключвател на ON .



ФУНКЦИЯ ЗА СПУСКАНЕ НА ОТВЕС

С функцията за спускане на отвес точка от пода може да се прожектира вертикално към тавана. Референтната точка на пода се насочва към точката на пресичане на кръстосаните линии на тавана.

Функцията за спускане на отвес служи например за прехвърляне на референтна точка за осветителна и вентилационна инсталация или за прехвърляне на височини.



ФУНКЦИЯ ЗА ПУЛСОВ РЕЖИМ

За работи на открито при пряка слънчева светлина или ярка осветеност, както и за приложения на закрито с обсег до 50 m използвайте пулсовия режим с детектор.

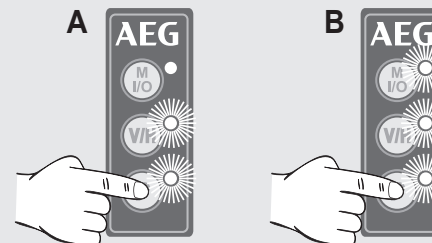
Детекторът не е включен в обхвата на доставката и трябва да бъде закупен отделно.

При активиран пулсов режим лазерните линии мигат с много висока (почти невидима за човешкото око) честота, за да може детекторът да локализира лазерните линии.

1

Пулсовият режим може да се активира както в режим на самонивелиране (A), така и в ръчен режим (B).

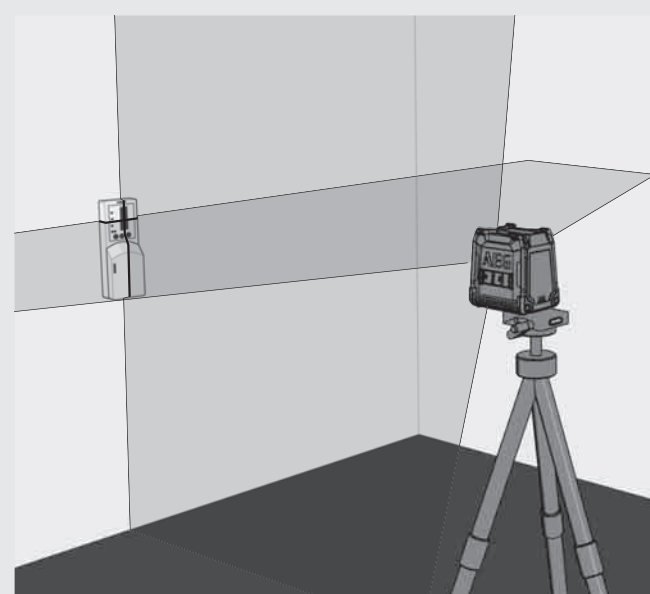
Натиснете бутона P. Зеленият LED до бутона свети.



2

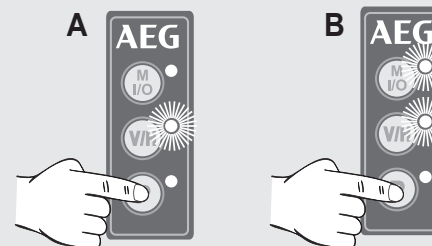
След активирането на пулсовия режим видимостта на лазерните линии леко намалява.

Подробна информация за използването на детектора ще намерите в ръководството за експлоатация на детектора.



3

Натиснете отново бутона P, за да изключите пулсовия режим. Зеленият LED до бутона изгасва.



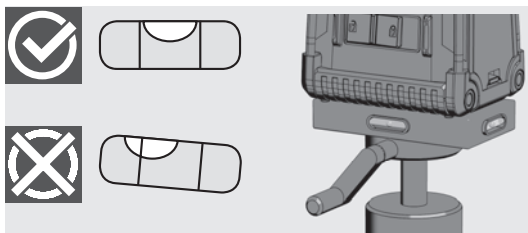
ПРОВЕРКА НА ТОЧНОСТТА

Лазерът фабрично се калибрира напълно. AEG препоръчва точността на лазера да се проверява редовно, най-вече след падане или вследствие на неправилна употреба.

Ако при проверката на точността максималното отклонение бъде надвишено, моля, обърнете се към сервизния център на AEG (вижте списъка с гаранционните условия и адресите на сервизните центрове).

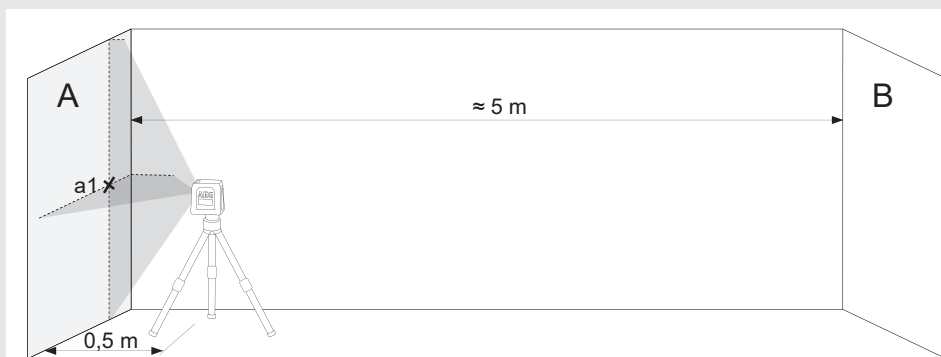
1. Проверка на точността на височината на хоризонталната линия.
2. Проверка на точността на нивелиране на хоризонталната линия.
3. Проверка на точността на нивелиране на вертикалната линия.
4. Проверка на перпендикулярността между 2 вертикални линии.
5. Проверка на точността на отвеса.

Преди проверката на точността на монтирания върху статива лазер контролирайте нивелирането на статива.



1 ПРОВЕРКА НА ТОЧНОСТТА НА ВИСОЧИНАТА НА ХОРИЗОНТАЛНАТА ЛИНИЯ (ОТКЛОНЕНИЕ НАГОРЕ И НАДОЛУ)

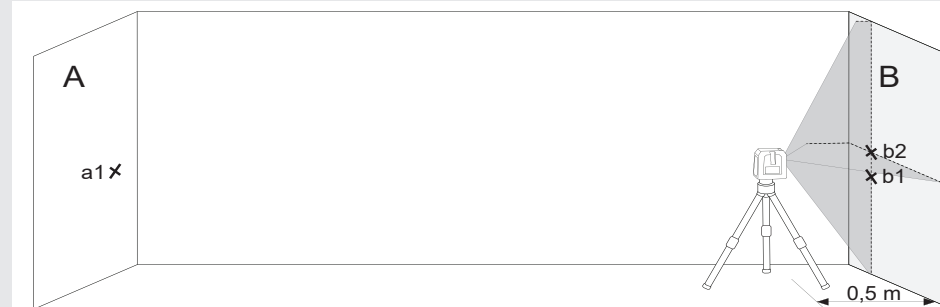
1. Поставете лазера върху статив или равна основа между две стени А и В с разстояние между тях прилб. 5 m.
2. Позиционирайте лазера на разстояние прилб. 0,5 m от стена А.
3. Включете режима на самонивелиране и натиснете бутона, за да прожектирате хоризонталната и вертикалната линия на стена А.
4. Маркирайте пресечната точка на двете линии като точка a1 върху стена А.



5. Завъртете лазера на 180° в посока стена В и маркирайте пресечната точка на двете линии като b1 върху стена В.



6. Поставете лазера на разстояние прилб. 0,5 m от стена В.
7. Маркирайте пресечната точка на двете линии като b2 върху стена В.



8. Завъртете лазера на 180° в посока стена А и маркирайте пресечната точка на двете линии като a2 върху стена А.

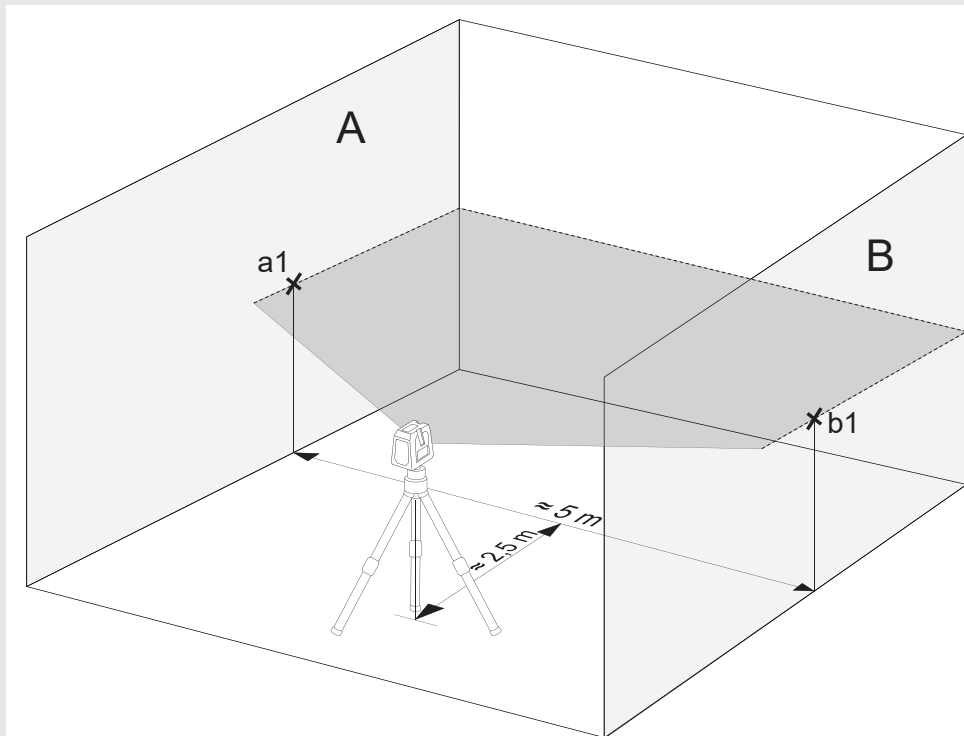


9. Измерете разстоянията:
 $\Delta a = |a2 - a1|$
 $\Delta b = |b1 - b2|$
10. Разликата $|\Delta a - \Delta b|$ не трябва да бъде повече от 2 mm.

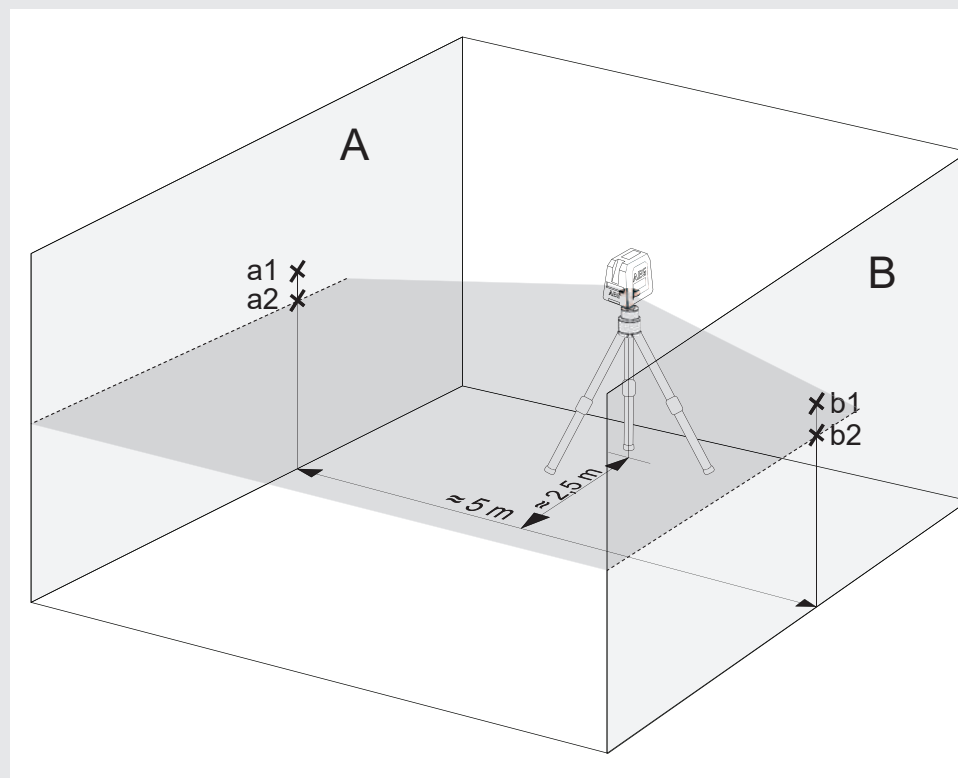
2 ПРОВЕРКА НА ТОЧНОСТТА НА НИВЕЛИРАНЕ НА ХОРИЗОНТАЛНАТА ЛИНИЯ (ОТКЛОНЕНИЕ ОТ ЕДНАТА СТРАНА ДО ДРУГАТА)

За тази проверка е необходима свободна площ от прил. 5 × 5 m.

1. Поставете лазера върху статив или стабилна основа между две стени А и В с разстояние между тях прил. 5 m.
2. Поставете лазера на разстояние прил. 2,5 m от центъра на помещението.
3. Включете режима на самонивелиране и натиснете бутона, за да прожектирате хоризонталната линия върху стени А и В.
4. Маркирайте средата на лазерната линия върху стена А с a1, а върху стена В с b1.



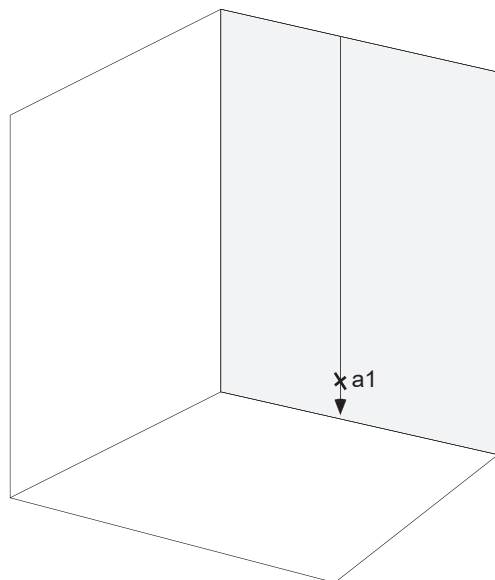
5. Преместете лазера на прил. 5 m, завъртете го на 180° и отново прожектирайте линията върху стените А и В.
6. Маркирайте средата на лазерната линия върху стена А с a2, а върху стена В с b2.



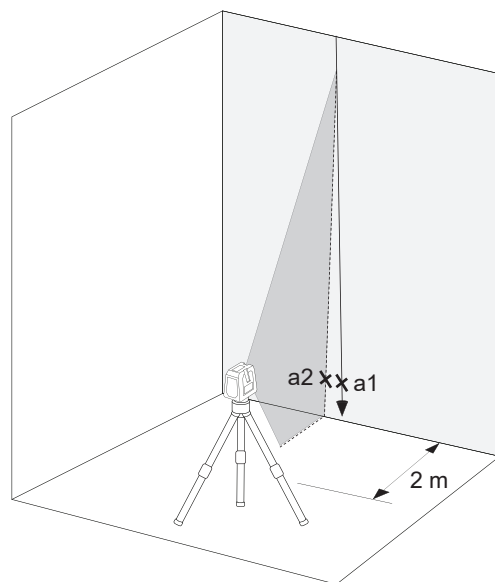
7. Измерете разстоянията:
 $\Delta a = |a2 - a1|$
 $\Delta b = |b1 - b2|$
8. Разликата $|\Delta a - \Delta b|$ не трябва да бъде повече от 2 mm.

3 ПРОВЕРКА НА ТОЧНОСТТА НА НИВЕЛИРАНЕ НА ВЕРТИКАЛНАТА ЛИНИЯ

1. Окачете на една от стените отвесен шнур с пригл. дължина 4 m.
2. След като тежестта на отвеса се е успокоила, маркирайте точка a1 над оловния конус върху стената.



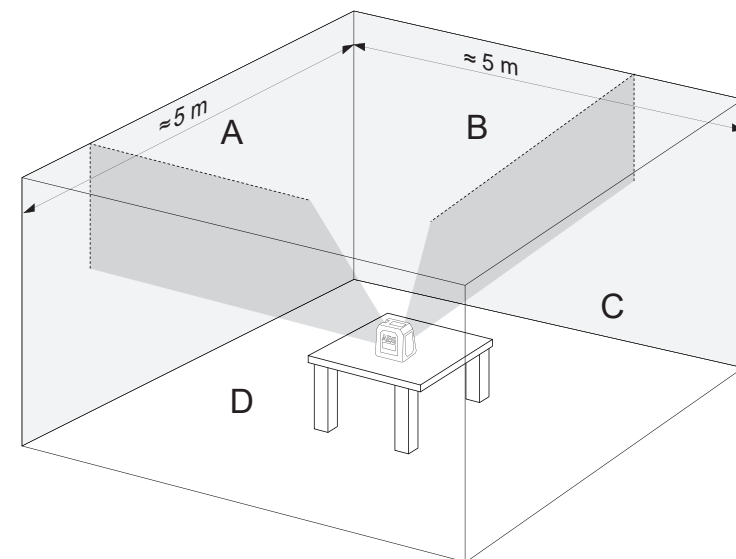
3. Поставете лазера върху статив или равна основа на разстояние пригл. 2 m от стената.
4. Включете режима на самонивелиране и натиснете бутона за да прожектирате вертикалната линия върху отвесния шнур.
5. Завъртете лазера така, че вертикалната линия да съответства на окачването на отвесния шнур.
6. Маркирайте точка a2 в средата на вертикалната линия на същата височина като a1 върху стената.
7. Разстоянието между a1 и a2 не трябва да е по-голямо от 1 mm.



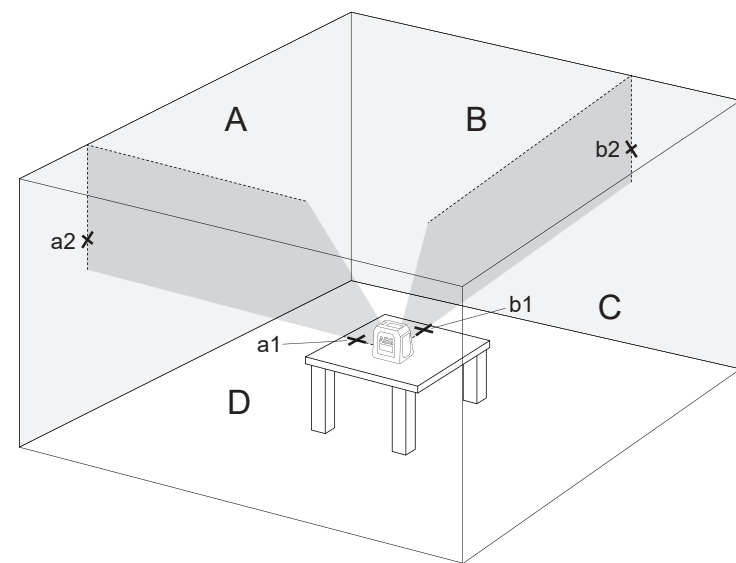
4 ПРОВЕРКА НА ПЕРПЕНДИКУЛАРНОСТТА МЕЖДУ 2 ВЕРТИКАЛНИ ЛИНИИ

За тази проверка е необходимо помещение с 4 стени и подова площ от най-малко 5 x 5 m.

1. Поставете лазера върху маса или върху пода в средата на помещението.
2. Включете в режим на самонивелиране и натиснете бутона V/H 4 пъти, за да прожектирате вертикалните линии напред и настрани.

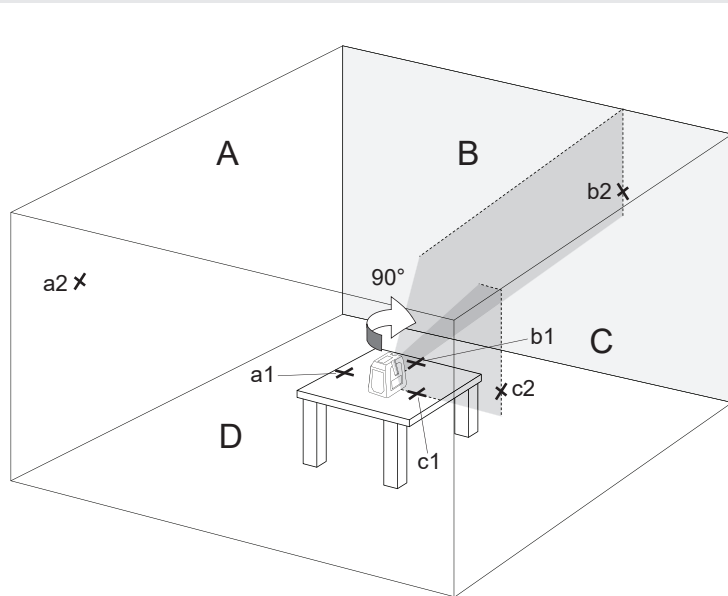


3. Маркирайте средата на прожектираната напред вертикална линия на 2 места: точка a1 върху масата близо до лазера и точка a2 върху стена A.
4. Маркирайте средата на прожектираната настрани вертикална линия на 2 места: точка b1 върху масата близо до лазера и точка b2 върху стена B.

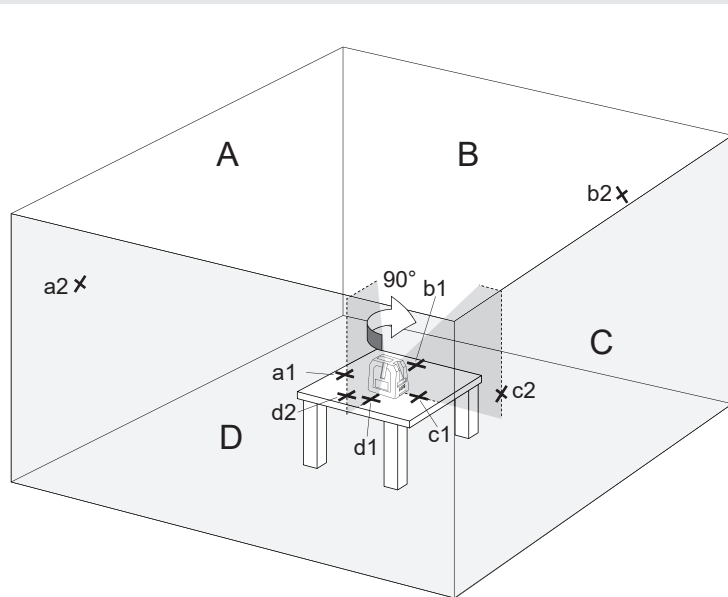


ПРОВЕРКА НА ПЕРПЕНДИКУЛЯРНОСТТА МЕЖДУ 2 ВЕРТИКАЛНИ ЛИНИИ

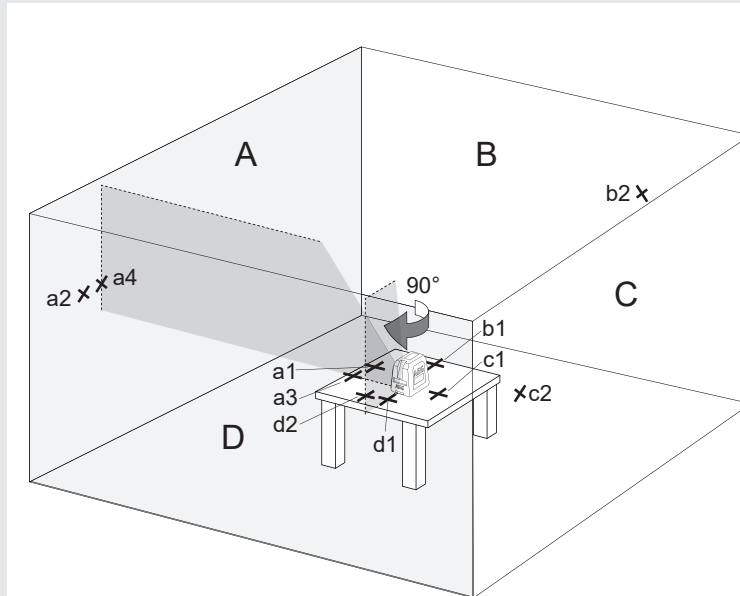
- Завъртете лазера на 90° по посока на часовниковата стрелка така, че насочената напред лазерна линия да попада в маркировките b1 върху масата и b2 на стената B.
- Маркирайте средата на прожектираната настрани вертикална линия на 2 места: точка c1 върху масата близо до лазера и точка c2 върху стена C.



- Завъртете лазера на 90° по посока на часовниковата стрелка така, че насочената напред лазерна линия да попада в маркировките c1 върху масата и c2 на стената C.
- Маркирайте средата на прожектираната настрани вертикална линия на 2 места: точка d1 върху масата близо до лазера и точка d2 върху стена D.



- Завъртете лазера на 90° по посока на часовниковата стрелка така, че насочената напред лазерна линия да попада в маркировките d1 върху масата и d2 на стената D.
- Маркирайте средата на прожектираната настрани вертикална линия на 2 места: точка a3 върху масата близо до точка a1 и точка a4 върху стена A близо до точка a2.

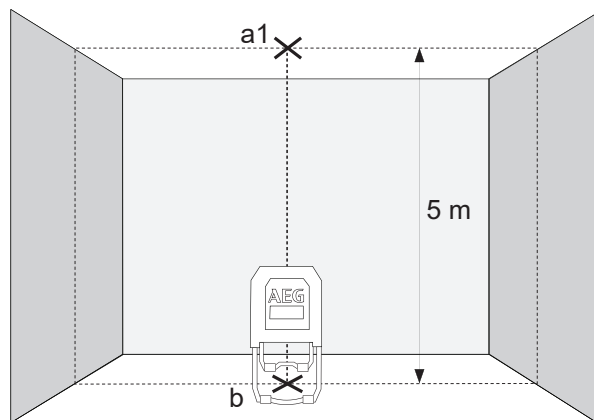


- Измерете разстоянията:
 $\Delta 1$ = от a1 до a3
 $\Delta 2$ = от a2 до a4
- Разликата $\Delta 2 - \Delta 1$ не трябва да бъде повече от 4 mm.

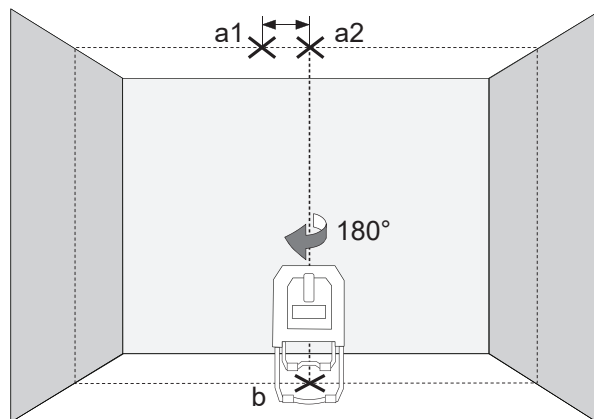
5 ПРОВЕРКА НА ТОЧНОСТТА НА ОТВЕСА

За тази проверка е необходимо помещение с височина на тавана от пригл. 5 m.

1. Разгънете краката на лазера и поставете устройството на пода.
2. Включете режима на самонивелиране и натиснете бутона, за да прожектирате кръстосаните линии на тавана и точката на отвес върху пода.
3. Маркирайте средата на насочената нагоре кръстосана линия като точка a1 на тавана (виж изображението).
4. Маркирайте центъра на точката на отвес като точка b върху пода.



5. Завъртете лазера на 180°, позиционирайте го така, че центърът на точката на отвеса да съвпада с вече маркираната точка b и изчакайте, докато устройството се нивелира.
6. Маркирайте средата на насочената нагоре кръстосана линия като точка a2 на тавана.
7. Разстоянието между точките a1 и a2 на тавана показва в каква степен лазерната линия се отклонява от идеалната права на отвеса. При измерена отсечка от 5 m максимално допустимото отклонение е:
 $5 \text{ m} \times (\pm 0,6 \text{ mm/m}) \times 2 = \pm 6 \text{ mm}$.
8. Разстоянието между a1 и a2 не трябва да е по-голямо от 6 mm.



CUPRINS

Importante instrucțiuni de securitate.....	1
Întreținere	2
Date tehnice	2
Condiții de utilizare specifice	2
Prezentare generală.....	3
Indicarea nivelului redus al bateriei	4
Schimbarea bateriilor.....	4
Picioare reglabile	5
Montură magnetică pentru perete și placă țintă verde	5
Lucrul în modul nivelare automată	6
Lucrul în modul manual	7
Funcția fir cu plumb	8
Modul de funcționare cu impulsuri.....	8
Verificarea preciziei	9

IMPORTANTE INSTRUCȚIUNI DE SECURITATE



PERICOL! AVERTIZARE! ATENȚIE!

Nu utilizați produsul înainte de a fi studiat instrucțiunile de protecție și Manualul de utilizare din CD-ul anexat.

Clasificare laser



AVERTISMENT:

Acest produs corespunde normelor de securitate pentru lasere de Categoria 2 EN60825-1:2014 .



Avvertisment:

A se evita expunerea directă a ochilor. Fasciculul laser poate cauza vătămarea gravă a ochilor și/sau orbire.

A nu se privi în fasciculul laser și a nu se dirija inutil fasciculul către alte persoane.

Atenție! Produsul care emite fascicul laser se poate afla în spatele dvs. în unele aplicații. Procedați cu atenție când vă întoarceți cu fața spre produs.

Avvertisment:

Nu operați laserul în jurul copiilor și nici nu le permiteți să îl utilizeze.

Atenție! Este posibil ca suprafețe reflectante să redirecționeze fasciculul laser înapoi la operator sau către alte persoane.

Avvertizare: Utilizarea de elemente de comandă, reglaje sau efectuarea de alte procedee decât cele stabilite, pot duce la o expunere la radiații periculoasă.

Când aparatul cu laser este transferat între medii cu diferențe mari de temperatură, lăsați aparatul să ajungă la temperatura ambiantă înainte de utilizare.

Depozitați întotdeauna aparatul cu laser în interior, evitați șocurile mecanice, vibrațiile continue și temperaturile extreme.

Aparatul de măsurat cu laser se va proteja împotriva prafului, umezelii și umidității ridicate din aer. Acestea pot deteriora componentele din interior sau influența precizia.

Dacă radiația laser ajunge în ochi, trebuie să închideți imediat ochii și să întoarceți capul de la fascicul.

A nu se poziționa fasciculul laser astfel încât acesta să vă orbească sau să orbească alte persoane.

A nu se privi în fasciculul laser cu dispozitive optice de mărire precum binoclurile sau telescoapele, deoarece această acțiune va crește gravitatea vătămării ochilor.

Dacă se utilizează ochelari speciali pentru amplificarea vizibilității fasciculului laser, de reținut că aceștia nu vor proteja ochii contra radiației laser.

A nu se detașa sau deteriora etichetele de avertizare de pe nivelul cu laser.

A nu se dezassemblea nivelul cu laser, radiația laser poate cauza vătămarea gravă a ochilor.

Asigurați-vă că mecanismul de blocare cu pendul este cuplat înainte de transportarea aparatului cu laser.

Notă: Dacă mecanismul de blocare cu pendul nu este cuplat înainte de transportare, se pot produce deteriorări mecanice interne.


Nu folosiți agenți de curățire agresivi și nici solvenți. Se curăță doar cu o cârpă curată și moale.

Evitați impacturile dure sau căderea aparatului cu laser. Precizia aparatului cu laser trebuie verificată înainte de utilizare dacă acesta a căzut sau a fost supus altor solicitări mecanice.


Efectuarea de reparații la acest aparat cu laser este permisă numai persoanelor de specialitate autorizate.

Nu folosiți produsul în zone cu risc de explozie sau în medii agresive.

Dacă aparatul cu laser nu este utilizat o perioadă îndelungată, scoateți bateriile din compartimentul pentru baterii. Această acțiune va preveni scurgerile de electrolit și deteriorările provocate prin coroziune.

 Bateriile consumate nu trebuie aruncate împreună cu deșeurile menajere. Aveți grijă de medii înconjurător și duceți-le la punctele de colectare, în conformitate cu reglementările naționale și locale. Produsul nu trebuie aruncat împreună cu deșeurile menajere.

Aruncați produsul în mod corespunzător, în conformitate cu reglementările naționale în vigoare în țara dvs. Respectați reglementările specifice de la nivel național și local. Adresați-vă autorităților locale sau comerciantului care v-a vândut aparatul pentru informații privind salubritatea.

 Marcă de conformitate europeană

INTREȚINERE

Ștergeți obiectivul și carcasa aparatului cu laser cu o lavetă textilă moale și curată. A nu se utiliza solvenți.

Deși aparatul cu laser este rezistent la praf și murdărie într-o anumită măsură, a nu se depozita în locuri expuse prafului, deoarece expunerea pe termen lung poate deteriora componentele mobile interne.

Dacă aparatul cu laser este expus apei, uscați nivela cu laser înainte de a o reintroduce în cutia de transport pentru a preveni deteriorarea prin coroziune.

DATE TEHNICE

Clasă laser	2
Unghi de nivelare automată	± 3°
Timp de nivelare automată	3 - <5s
Tehnologie baterii	baterie AA alcalină LR6
Tensiune CC	3 x 1,5 V
Curent consumat	0,35 A
Clasă de protecție (contra apei și prafului)	IP54
Funcții	fascicul orizontal, 2x fascicule verticale, încrucișare, fir cu plumb
Mod impulsuri	frecvență 10 kHz
Proiecții	3 linii verzi, 1 punct roșu
Șablon fascicul laser	Fascicul orizontal înainte, fascicul vertical înainte, fascicul vertical lateral și punct fir cu plumb. Fascicule încrucișate orizontale și verticale înainte și punct fir cu plumb. Fascicul orizontal. Fascicul vertical înainte și punct de fir cu plumb. Fascicule verticale înainte și lateral și punct fir cu plumb. (punctul fir cu plumb în jos funcționează doar în modul nivelare automată și nu în modul manual).
Timp de funcționare	6 h
Montură tripod	filet 1/4"
Detector adecvat	pentru aparate cu mai multe fascicule verzi standard
Fascicul laser	
Lățime	2,5 mm ± 0,5 mm / 5 m
Lungime de undă	λ 520 ± 10 nm laser clasa II
Precizie	± 0,2 mm/m
Unghi de baleiaj	> 120°
Culoare	verde
Rază de acțiune	30 m (cu detector 50 m)

Fir cu plumb laser	
Lungime de undă punct laser	635 ± 5 nm laser clasa II
Putere max. punct laser	< 1 mW
Precizie fir cu plumb	± 0,6 mm / 1 m
Culoare punct laser	roșu
Rază de acțiune	5 m
Temperatură ambientă de lucru recomandată	-10 °C - +45 °C
Temperatură de depozitare	-20 °C - +60 °C
Dimensiuni	106 mm x 88 mm x 105 mm
Greutate (incl. baterie)	710 g

CONDIȚII DE UTILIZARE SPECIFICE

Aparatul cu laser este proiectat inovator pentru o gamă foarte largă de activități profesionale, inclusiv:

- Alinierea de plăci, dale de marmură, dulapuri, chenare, simeze și armături
- Marcarea de amplasamente pentru instalarea de uși, ferestre, balustrade, scări, garduri, porți, platforme și pergole.
- Transferarea punctului de referință pentru instalații ușoare, deschideri de ventilație, transferarea înălțimilor, nivelarea pereților perimetrali, a montanților de pereți, dispunerea șinelor pe podele și toate celelalte utilizări profesionale.
- Este destinat stabilirii și verificării liniilor orizontale și verticale.

A nu se utiliza acest produs în niciun alt mod decât cel declarat normal.



PREZENTARE GENERALĂ

Manșon stabilizator din cauciuc

Picioare reglabile

Fereaștră pentru fascicul laser vertical înainte

Fereaștră pentru fascicul laser orizontal

Comutator de blocare PORNIT  / OPRIT 

Fereaștră pentru fascicul laser vertical lateral

Capac baterie

Punct fir de plumb roșu

Montură tripod 1/4"



Tastatură



Indicator led mod manual

Buton mod manual

Pornește sau oprește modul manual

Indicator led selector fascicul (lumină continuă)

Indicator led nivel redus baterie (lumină intermitentă)

Buton selector fascicul

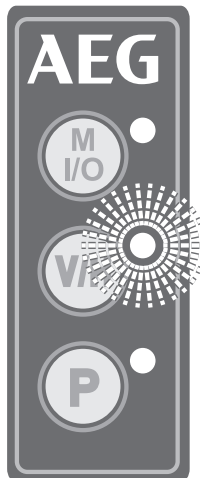
Selectați între fascicul vertical înainte (V), fascicul vertical lateral (L), fascicul orizontal înainte (H) sau o combinație a acestor fascicule.

Indicator led mod impulsuri

Buton mod impulsuri

Pentru lucru în exterior sub lumină solară directă sau în condiții de luminozitate ridicată sau pentru distanțe mari în interior de până la 50 m, utilizați modul cu impulsuri cu un detector de 10 kHz.

INDICAREA NIVELULUI REDUS AL BATERIEI



Când tensiunea este redusă, luminozitatea laserului este redusă și indicatorul de nivel redus al bateriei (ledul verde de lângă butonul „V/H”) clipește la fiecare 0,5 secunde.

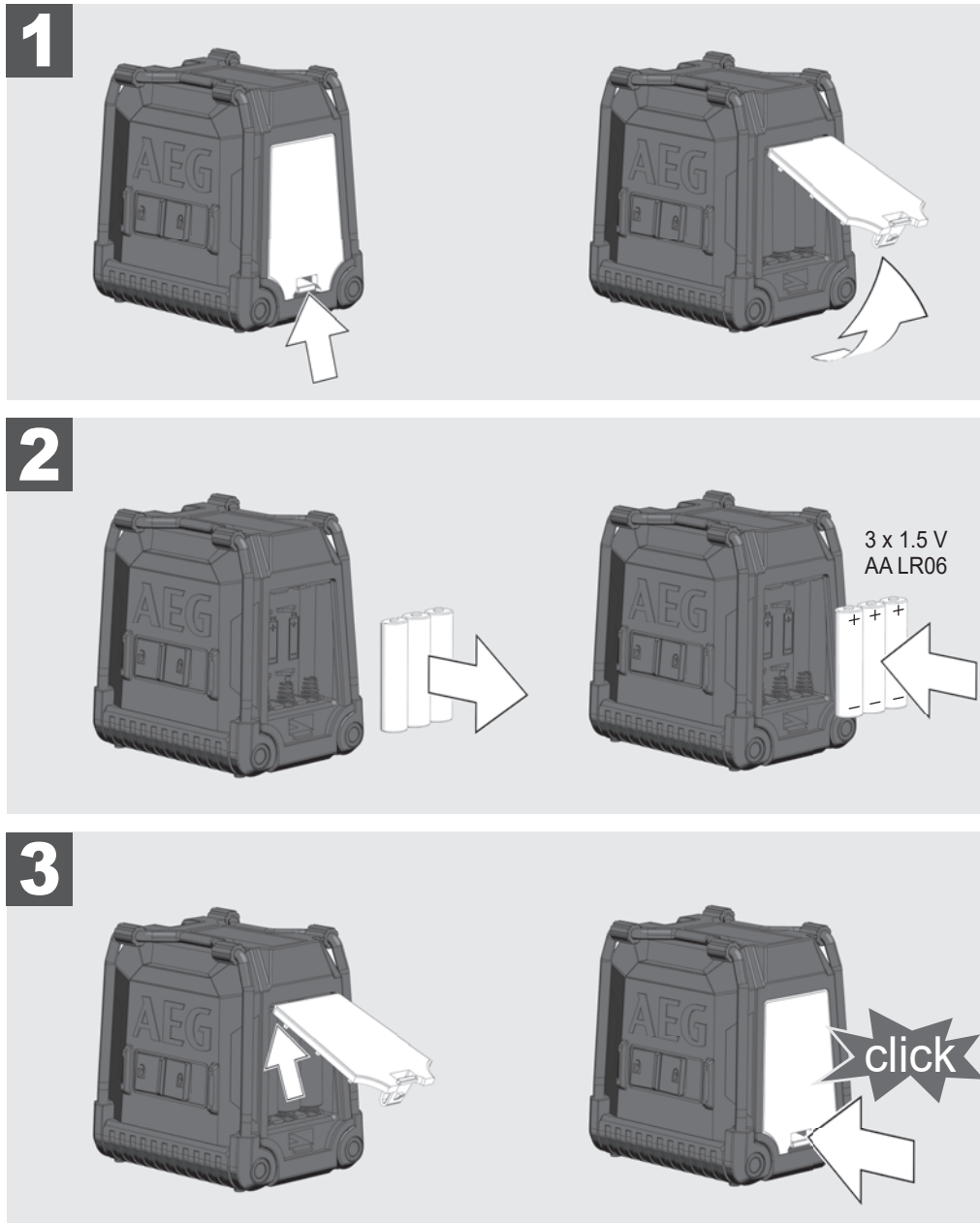
Din acest moment se mai poate continua lucrul.

Aparatul se oprește automat când tensiunea este prea redusă.

SCHIMBAREA BATERIILOR

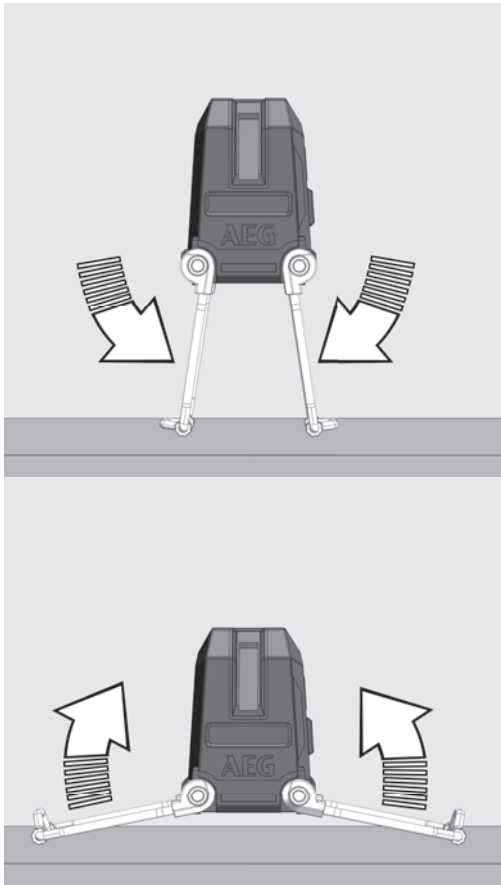
Schimbați bateriile când fasciculul laser începe să-și piardă luminozitatea.

Dacă aparatul cu laser nu este utilizat o perioadă îndelungată, scoateți bateriile din compartimentul pentru baterii. Această acțiune va preveni scurgerile de electrolit și deteriorările provocate prin coroziune.

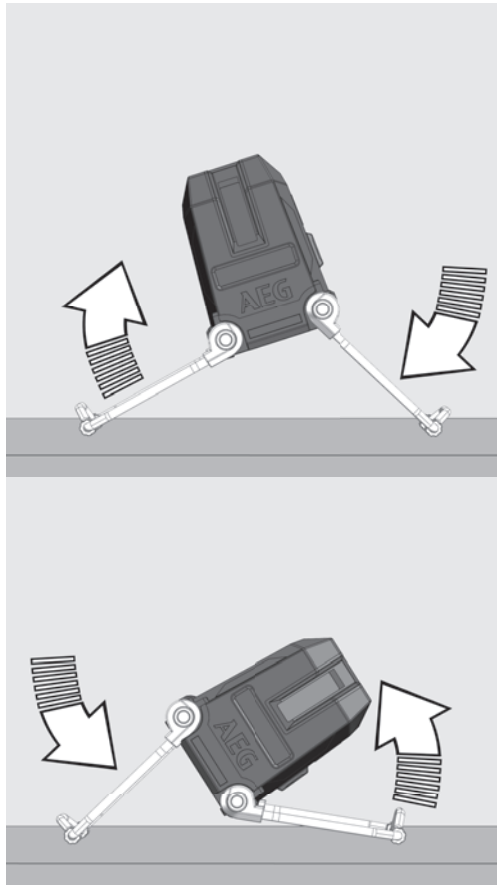


PICIOARE REGLABILE

Utilizați picioarele reglabile pentru a regla înălțimea fascicului orizontal

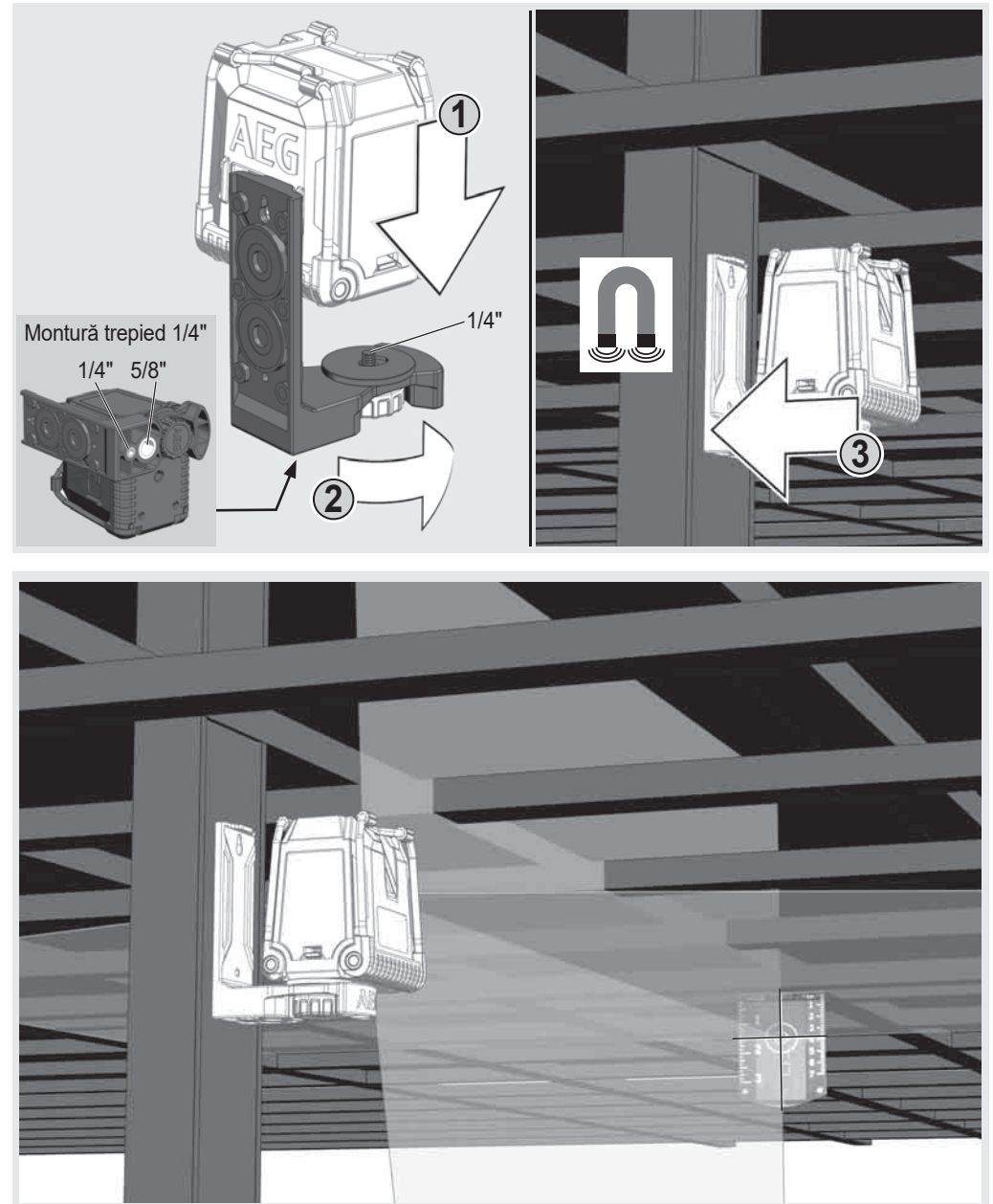


Utilizați picioarele reglabile pentru a înclina aparatul cu laser în vederea stabilirii declivității dorite



MONTURĂ MAGNETICĂ PENTRU PERETE ȘI PLACĂ ȚINTĂ VERDE

Utilizați montura magnetică pentru perete pentru a fixa aparatul laser pe un perete, pe structuri metalice sau similare. Utilizați placa țintă verde pentru a îmbunătăți vizibilitatea fascicului laser în condiții nefavorabile și la distanțe mai mari.



LUCRUL ÎN MODUL NIVELARE AUTOMATĂ

În modul nivelare automată, aparatul laser se va alinia automat într-un unghi de $\pm 3^\circ$ și poate proiecta un fascicul orizontal, două fascicule verticale sau toate 3 fasciculele simultan.

1

Plasați aparatul laser pe o suprafață solidă plată lipsită de vibrații sau pe un trepied.



2

Glisați comutatorul de blocare în poziția PORȚIT .

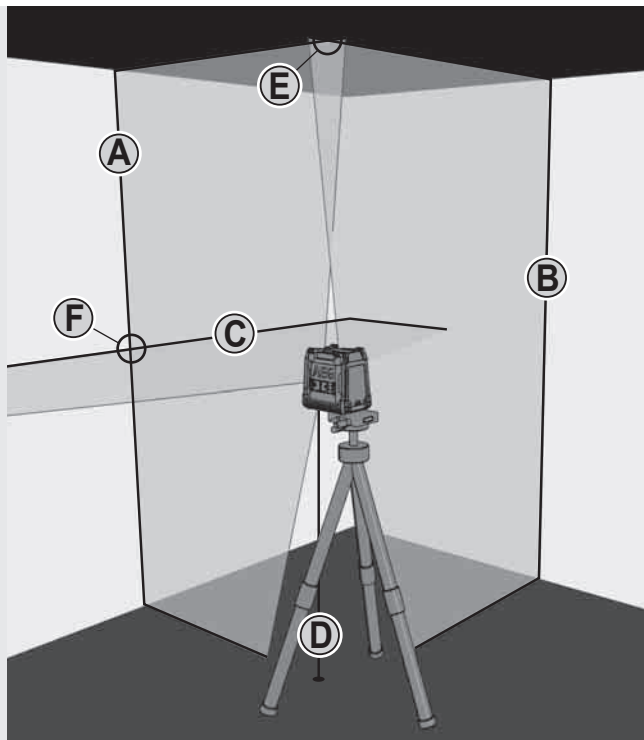


3

Aparatul cu laser va genera 3 fascicule laser.

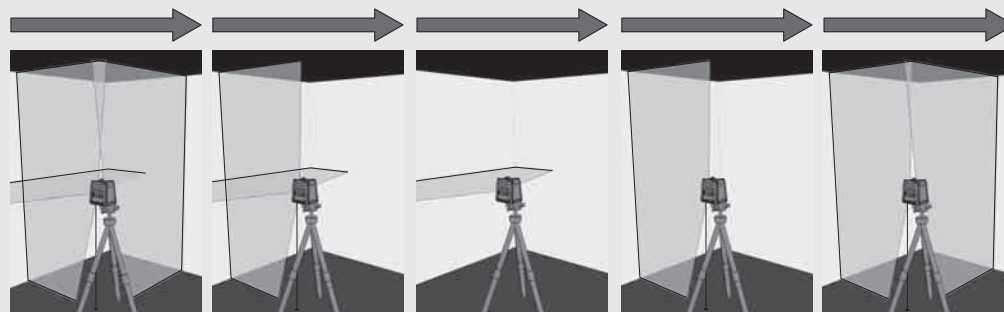
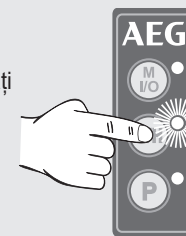
- (A) fascicul vertical înainte
- (B) fascicul vertical lateral
- (C) fascicul orizontal înainte
- (D) Punct laser (fir de plumb)

Aparatul laser va genera fascicule încrucișate în sus (E) fascicule încrucișate înainte (F) când sunt activate toate fasciculele.



4

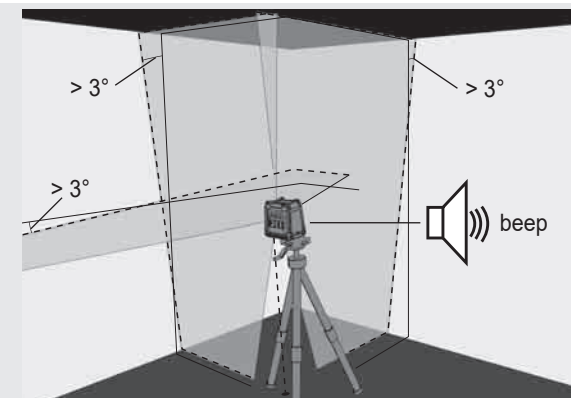
Selecțiți fasciculele cu care doriți să lucrați prin apăsarea butonului V/H.




5

Dacă nivelul inițial al laserului depășește $\pm 3^\circ$ și este activat modul nivelare automată, fasciculele laser vor clipi — — — și se va genera o alarmă sonoră.

În acest caz, re poziționați aparatul cu laser.



6

Înainte de a muta aparatul laser, glisați comutatorul de blocare în poziția OPRIT . Această acțiune va bloca pendulul și va proteja aparatul laser.

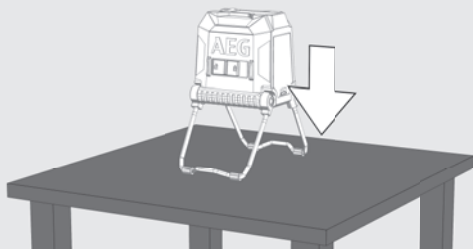


LUCRUL ÎN MODUL MANUAL

În modul manual, mecanismul de nivelare automată al aparatului cu laser este dezactivat și liniile laser pot fi setate la orice declivitate dorită.

1

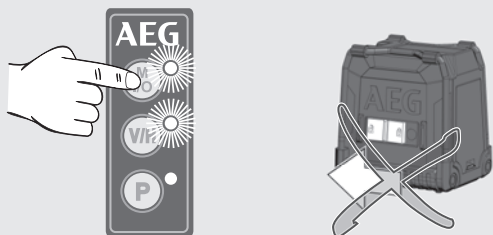
Plasați aparatul laser pe o suprafață solidă plată lipsită de vibrații sau pe un trepied.



2

Apăsați pe butonul pentru modul manual (nu glisați comutatorul de blocare!).

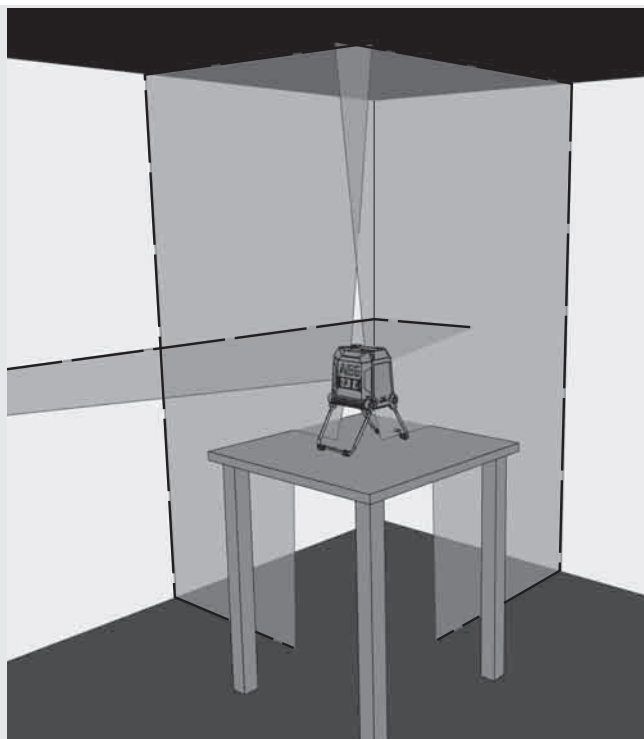
Ledul roșu de lângă acesta se va aprinde.



3

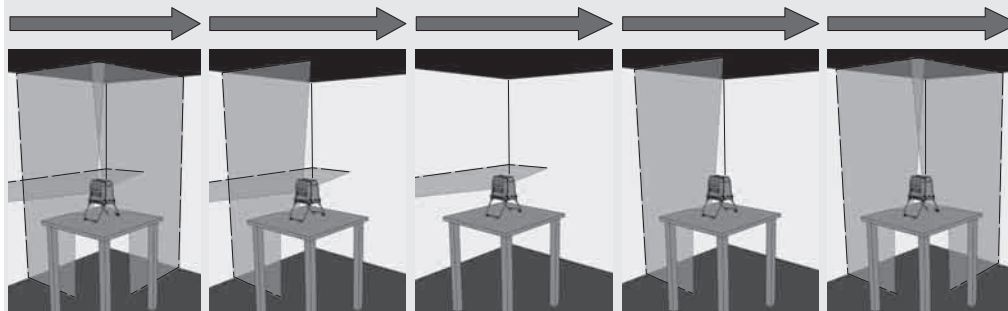
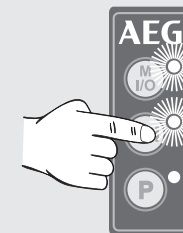
Ca și în modul nivelare automată, aparatul laser va genera 3 fascicule laser, dar acestea sunt întrerupte la fiecare 3 secunde.

3 s 3 s 3 s



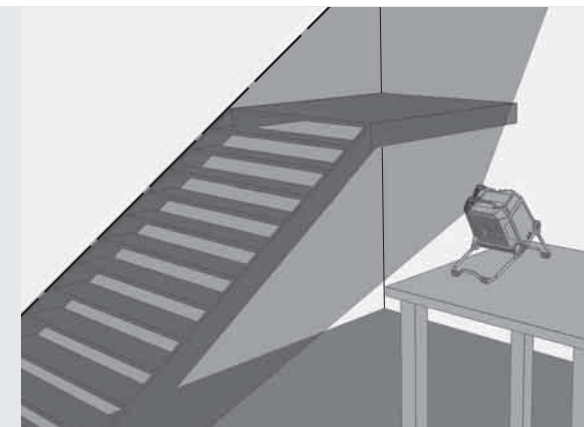
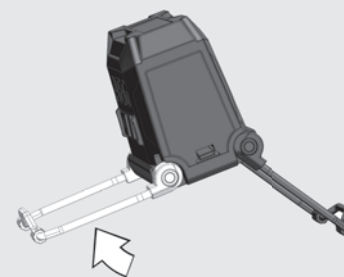
4

Selecționați fasciculele cu care doriți să lucrați prin apăsarea butonului V/H.




5

Înclinați aparatul laser cu picioarele pliante reglabile și reglați unghiul și înălțimea dorită.



6

Pentru a opri modul manual, apăsați din nou pe butonul pentru modul manual.

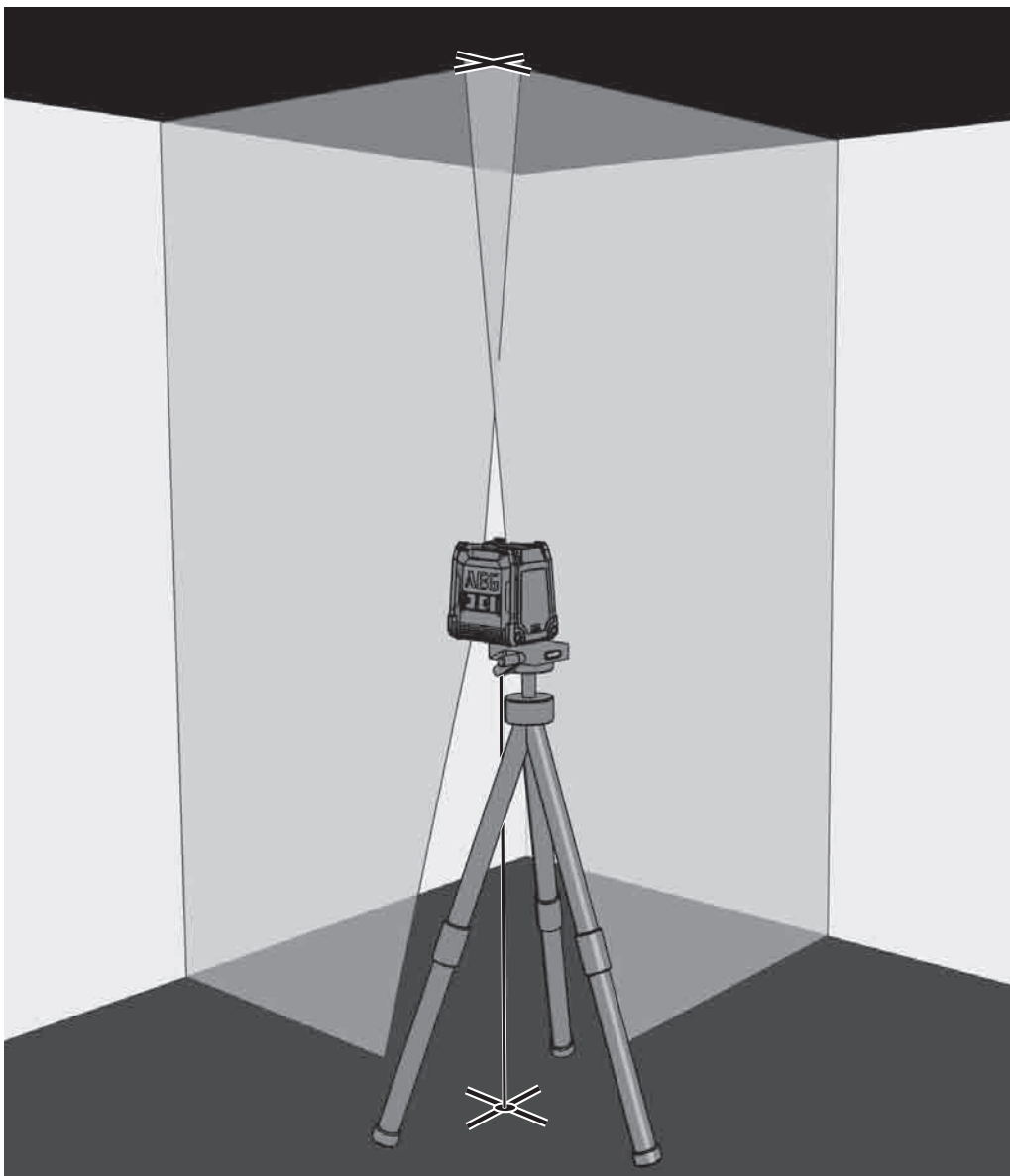
Este posibilă comutarea directă în modul nivelare automată prin glisarea comutatorului de blocare în poziția PORNIT .



FUNCȚIA FIR CU PLUMB

Cu funcția fir cu plumb, se poate proiecta un punct pe podea perpendicular cu plafonul. Punctul de referință de pe podea este aliniat cu intersecția liniilor transversale de pe plafon.

Utilizați funcția fir cu plumb, de exemplu, pentru a transfera punctul de referință pentru instalarea de corpuri de iluminat, deschideri de ventilație, și transferarea de înălțimi.



MODUL DE FUNCȚIONARE CU IMPULSURI

Pentru lucru în exterior sub lumină solară directă sau în condiții de luminozitate ridicată sau pentru distanțe mari în interior de până la 50 de metri / 164 de picioare, utilizați modul cu impulsuri cu un detector.

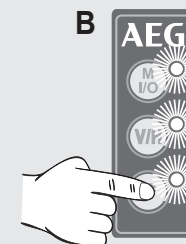
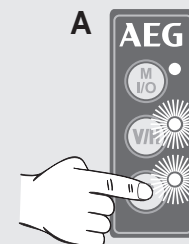
Detectorul nu este inclus și trebuie achiziționat separat.

Când este activat modul cu impulsuri, fasciculele laser clipeșc la frecvență foarte ridicată (imperceptibilă ochiului uman) care permite localizarea fasciculelor de către detector.

1

Modul cu impulsuri poate fi activat în modul nivelare automată (A) sau în modul manual (B).

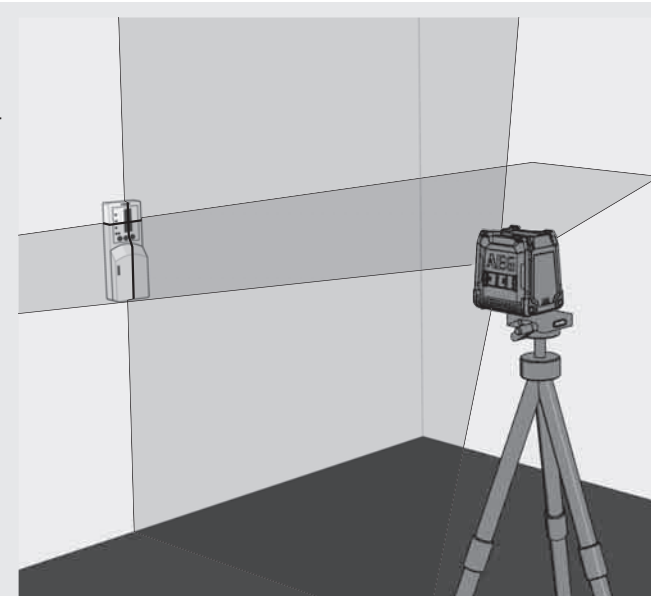
Apăsați butonul P, ledul verde de lângă acesta se va aprinde.



2

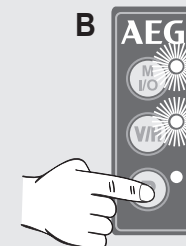
Când modul cu impulsuri este activat, vizibilitatea fasciculelor laser este ușor redusă.

Pentru informații despre cum se utilizează detectorul, consultați instrucțiunile de utilizare aferente detectorului.



3

Pentru a dezactiva modul cu impulsuri, apăsați din nou butonul P și ledul verde de lângă acesta se va stinge.



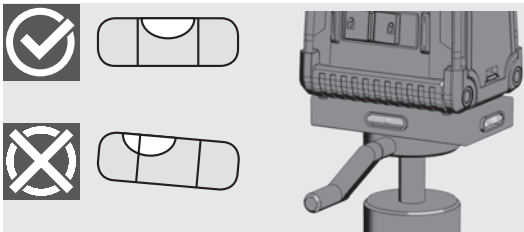
VERIFICAREA PRECIZIEI

Acest aparat cu laser a fost calibrat complet în fabrică. AEG recomandă utilizatorului să verifice periodic precizia aparatului cu laser, în special în cazul căderii sau al manevrării incorecte a aparatului.

Dacă se depășește abaterea maximă a aparatului cu laser la o verificare a preciziei, contactați una din agențiile de servicii AEG (a se vedea lista noastră de adrese pentru servicii/garanție).

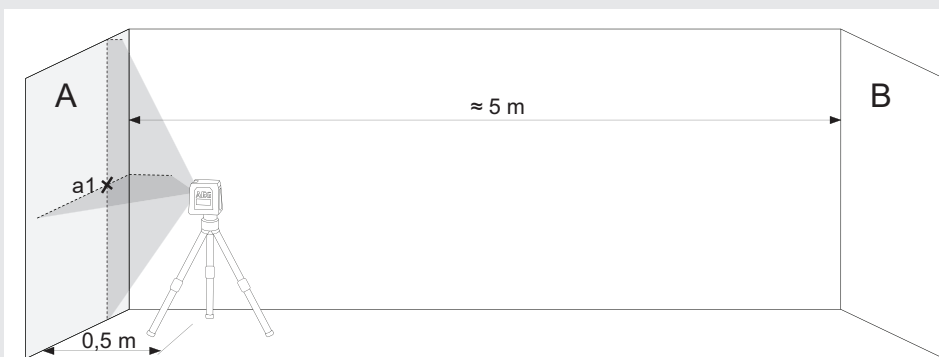
1. Verificarea preciziei înălțimii fascicului orizontal.
2. Verificarea preciziei nivelării fascicului orizontal.
3. Verificarea preciziei nivelării fascicului vertical.
4. Verificarea preciziei unghiului de 90° dintre cele 2 fascicule verticale.
5. Verificarea preciziei firului cu plumb.

Înainte de a verifica precizia aparatului cu laser, după montarea acestuia pe trepied, verificați nivelarea trepiedului.



1 VERIFICAREA PRECIZIEI ÎNĂLȚIMII FASCICULULUI ORIZONTAL (ABATEREA ÎN SUS ȘI ÎN JOS)

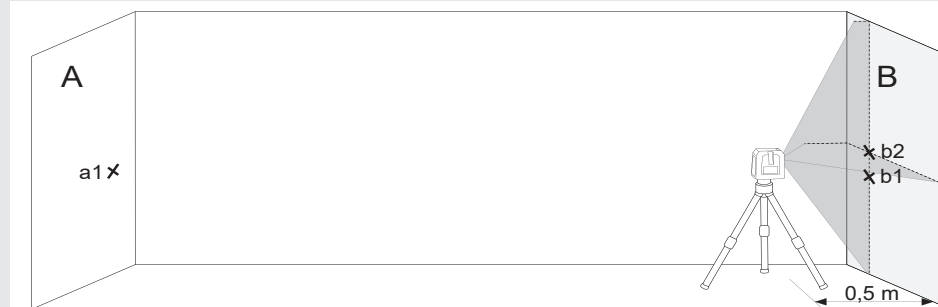
1. Poziționați aparatul cu laser pe un trepied sau pe o suprafață plană între doi pereți A și B, având o distanță de aproximativ 5 metri între ei.
2. Poziționați nivela cu laser la aproximativ 0,5 metri de peretele A.
3. Porniți modul nivelare automată și apăsați pe buton pentru proiectarea fasciculelor orizontal și vertical încrucișate spre peretele A.
4. Marcați punctul de intersecție pe perete drept a1.



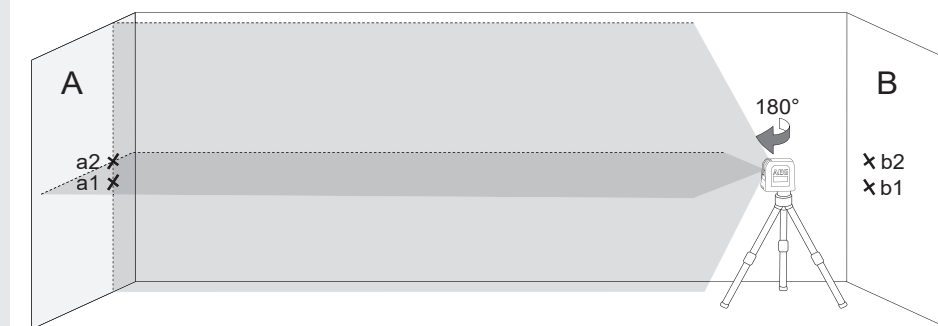
5. Rotiți aparatul cu laser la 180° spre peretele B și marcați punctul de intersecție a fasciculelor pe perete drept b1.



6. Mutați nivela cu laser spre peretele B și poziționați-o la aproximativ 0,5 metri de peretele B.
7. Marcați punctul de intersecție a fasciculelor pe peretele B drept b2.



8. Rotiți aparatul cu laser la 180° spre peretele A și marcați punctul de intersecție a fasciculelor pe perete drept a2.



9. Măsurăți distanțele:

$$\Delta a = |a2 - a1|$$

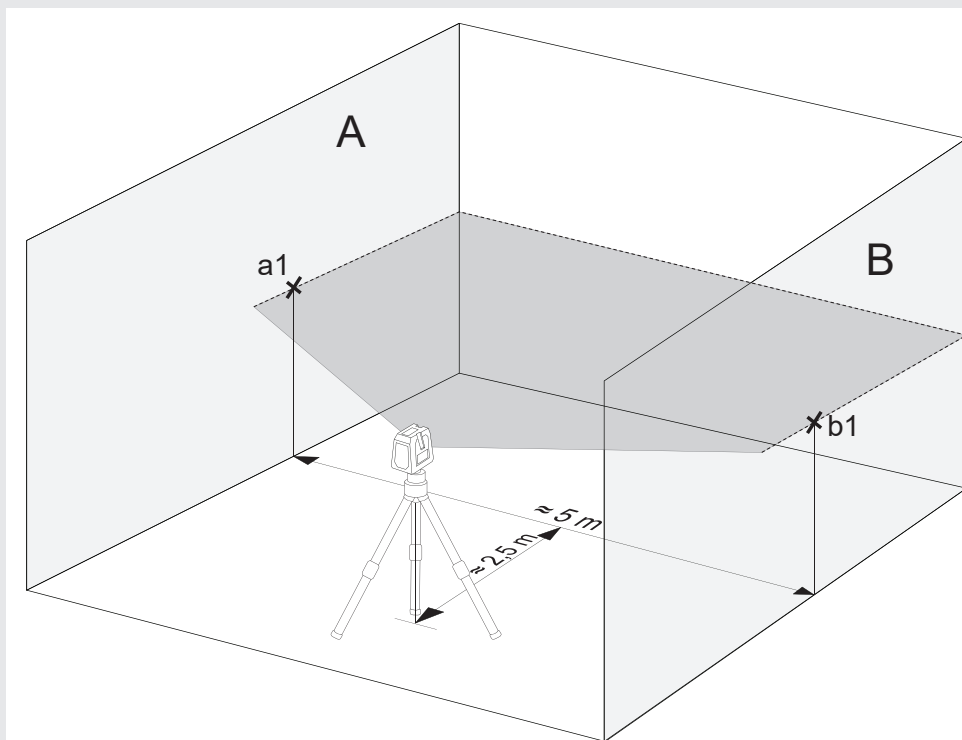
$$\Delta b = |b1 - b2|$$

10. Diferența $|\Delta a - \Delta b|$ nu trebuie să depășească 2 mm.

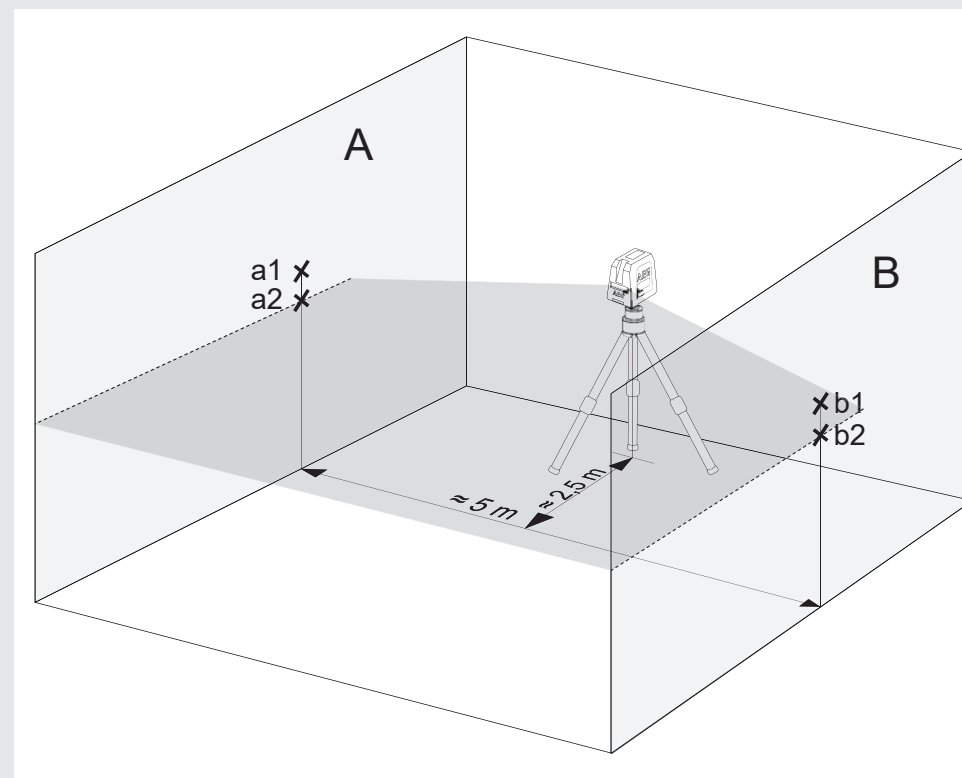
2 VERIFICAREA PRECIZIEI NIVELĂRII FASCICULULUI ORIZONTAL (ABATEREA ÎN LATERAL)

Pentru această verificare este necesară o suprafață de aproximativ 5 x 5 metri.

1. Poziționați aparatul cu laser pe un tripied sau pe o suprafață fermă între doi pereți A și B, având o distanță de aproximativ 5 metri între ei.
2. Poziționați nivela cu laser la aproximativ 2,5 metri de centrul încăperii.
3. Porniți modul nivelare automată și apăsați pe buton pentru proiectarea fascicului orizontal spre pereții A și B.
4. Marcați punctul de intersecție a fascicului laser cu linia mediană verticală a peretelui A drept a1 și cu linia mediană verticală a peretelui B drept b1.



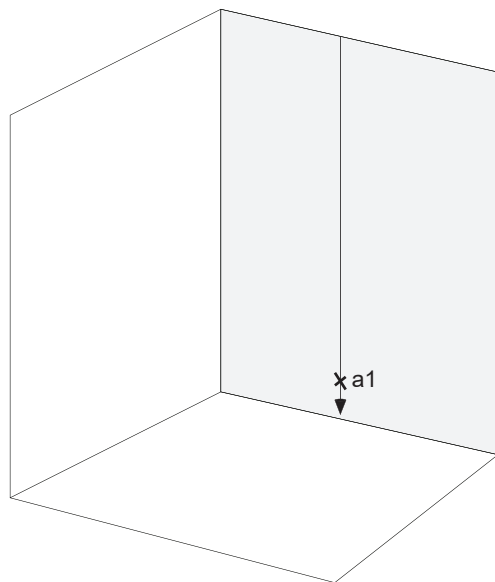
5. Mutați nivela cu laser la aproximativ 5 metri distanță și rotiți aparatul la 180° spre pereții A și B.
6. Marcați punctul de intersecție a fascicului laser cu linia mediană verticală a peretelui A drept a2 și cu linia mediană verticală a peretelui B drept b2.



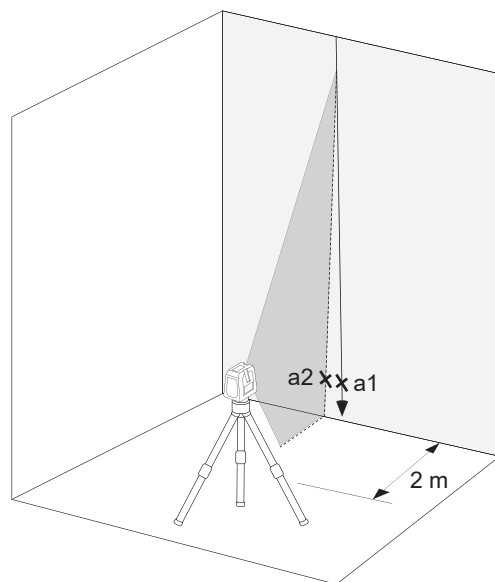
7. Măsurați distanțele:
 $\Delta a = |a2 - a1|$
 $\Delta b = |b1 - b2|$
8. Diferența $|\Delta a - \Delta b|$ nu trebuie să depășească 2 mm.

3 VERIFICAREA PRECIZIEI NIVELĂRII FASCICULULUI VERTICAL

1. Atârnați un fir cu plumb de aproximativ 4 m pe un perete.
2. După stabilizarea firului cu plumb, marcați punctul a1 pe perete în spatele firului cu plumb, în apropierea conului din plumb.



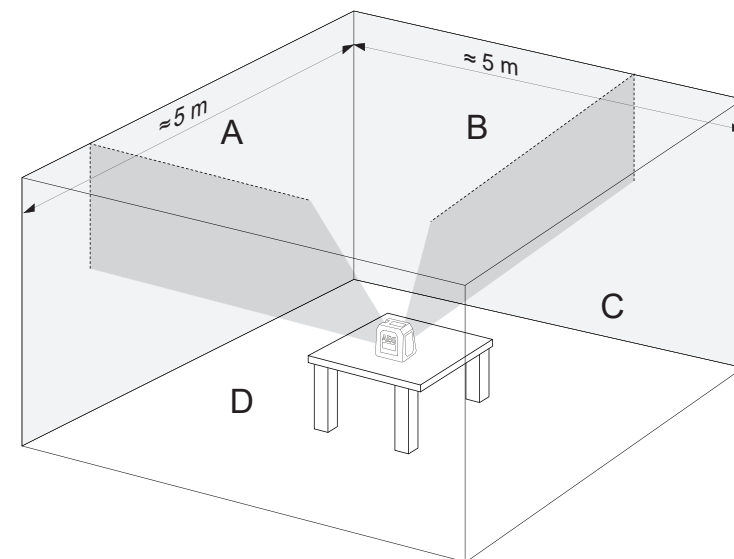
3. Poziționați aparatul cu laser pe un trepied sau pe o suprafață plană în fața peretelui la o distanță de aproximativ 2 m.
4. Porniți modul nivelare automată și apăsați pe buton pentru proiectarea fascicului vertical spre firul de plumb.
5. Rotiți aparatul cu laser astfel încât fasciculul vertical să coincidă cu firul de plumb sub punctul de atârnare.
6. Marcați punctul a2 pe perete în mijlocul fascicului vertical la aceeași înălțime cu punctul a1.
7. Distanța dintre punctele a1 și a2 nu trebuie să depășească 1 mm.



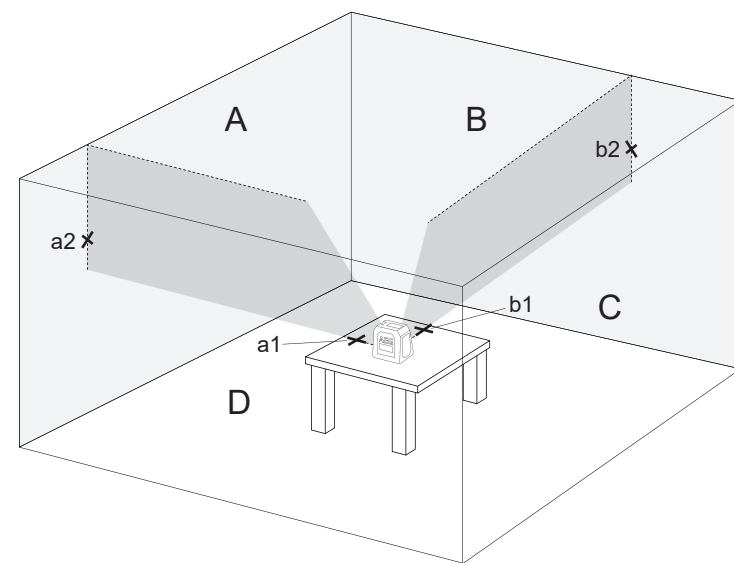
4 VERIFICAREA PRECIZIEI UNGHIIULUI DE 90° DINTRE CELE 2 FASCICULE VERTICALE

Această procedură necesită o încăpere cu suprafața de cel puțin 5 x 5 metri și 4 pereți.

1. Poziționați aparatul cu laser pe o masă sau pe podea în mijlocul încăperii.
2. Porniți modul nivelare automată și apăsați pe butonul V/H de 4 ori pentru a proiecta fasciculele verticale înainte și lateral

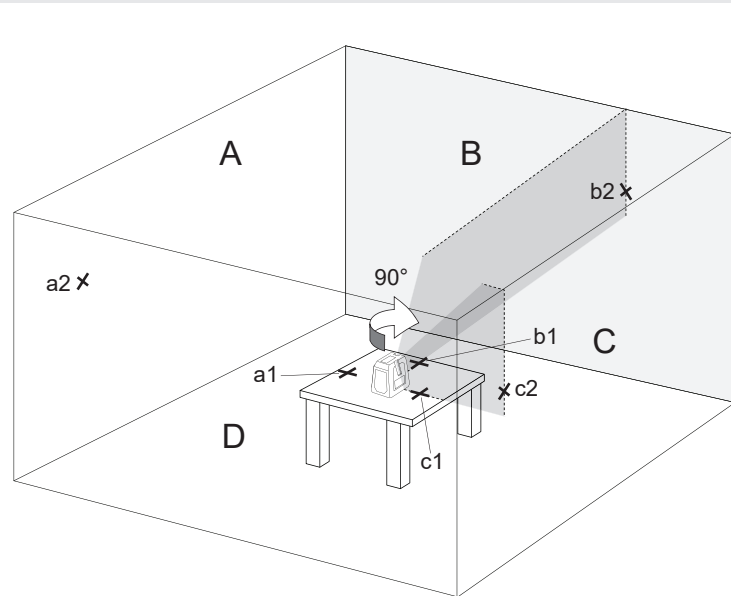


3. Marcați centrul fascicului vertical înainte în 2 locuri: punctul a1 pe masă lângă aparatul cu laser și punctul a2 pe peretele A.
4. Marcați centrul fascicului vertical lateral în 2 locuri: punctul b1 pe masă lângă aparatul cu laser și punctul b2 pe peretele B.



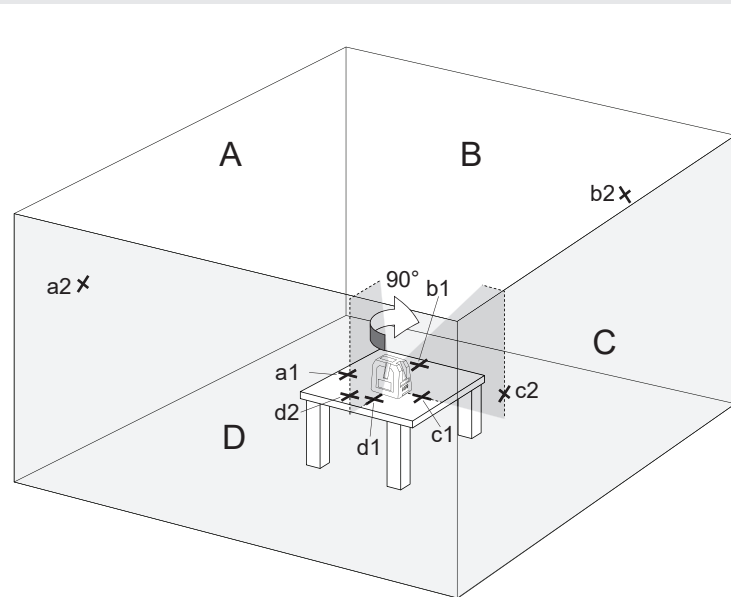
VERIFICAREA PRECIZIEI UNGHIULUI DE 90° DINTRE CELE 2 FASCICULE VERTICALE

5. Rotiți aparatul cu laser la 90° în sens orar astfel încât fasciculul laser înainte să treacă prin marcajele b1 de pe masă și b2 de pe peretele B.



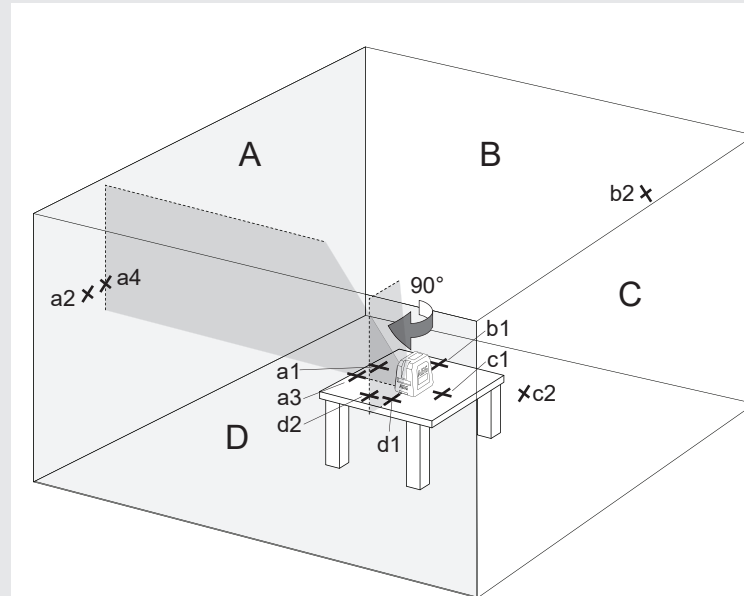
6. Marcați centrul fasciculului vertical lateral în 2 locuri: punctul c1 pe masă lângă aparatul cu laser și punctul c2 pe peretele C.

7. Rotiți aparatul cu laser la 90° în sens orar astfel încât fasciculul laser înainte să treacă prin marcajele c1 de pe masă și c2 de pe peretele C.



8. Marcați centrul fasciculului vertical lateral în 2 locuri: punctul d1 pe masă lângă aparatul cu laser și punctul d2 pe peretele D.

9. Rotiți aparatul cu laser la 90° în sens orar astfel încât fasciculul laser înainte să treacă prin marcajele d1 de pe masă și d2 de pe peretele D.



10. Marcați centrul fasciculului vertical lateral în 2 locuri: punctul a3 pe masă lângă punctul a1 și punctul a4 pe peretele A lângă punctul a2.

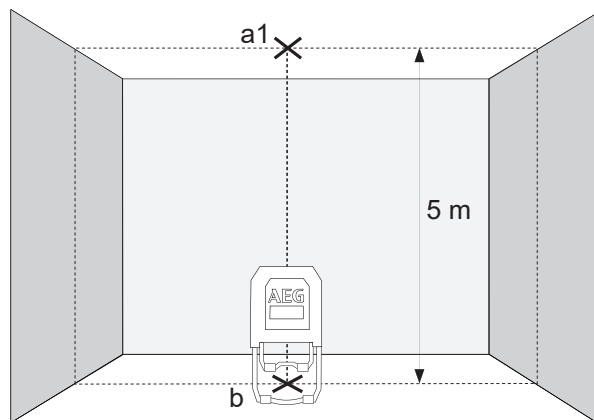
11. Măsurați distanțele:
 $\Delta 1$ = între a1 și a3
 $\Delta 2$ = între a2 și a4

12. Diferența $\Delta 2 - \Delta 1$ nu trebuie să depășească 4 mm.

5 VERIFICAREA PRECIZIEI FIRULUI CU PLUMB

Această procedură necesită o cameră cu o distanță de aproximativ 5 m între podea și plafon.

1. Deschideți picioarele pliante ale aparatului cu laser și plasați aparatul pe podea.
2. Porniți modul nivelare automată și apăsați pe buton pentru proiectarea fasciculelor verticale încrucișate pe plafon și a punctului fir de plumb pe podea.
3. Marcați punctul de intersecție a fasciculelor încrucișate pe plafon drept a1 (a se vedea ilustrația).
4. Marcați punctul fir de plumb pe podea drept b.



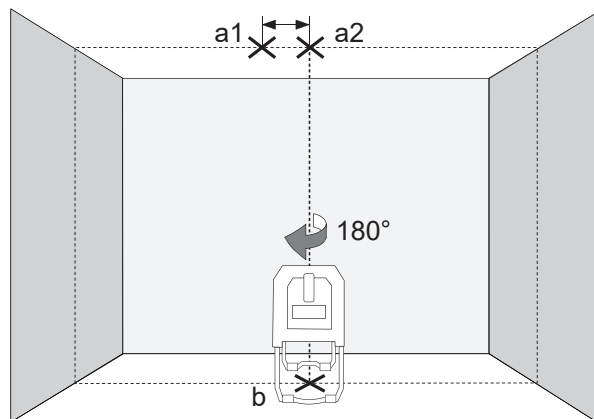
5. Rotiți nivela cu laser la 180°, poziționați-o astfel încât punctul fir de plumb să coincidă cu punctul b marcat deja și lăsați-o să se alinieze.

6. Marcați centrul de intersecție a fasciculelor încrucișate pe plafon drept a2.

7. Distanța dintre punctele a1 și a2 marcate pe plafon reprezintă indicația abaterii actuale a nivelei laser de la linia ideală a firului cu plumb.

Dacă distanța de măsurare este 5 m, abaterea maximă permisibilă este:
 $5 \text{ m} \times (+/- 0,6 \text{ mm/m}) \times 2 = +/- 6 \text{ mm}$.

8. Distanța dintre punctele a1 și a2 nu trebuie să depășească 6 mm.



СОДРЖИНА

Важни напомени за безбедност.....	1
Одржување.....	2
Технички податоци.....	2
Наменета употреба.....	2
Преглед.....	3
Индикатор за слаба батерија.....	4
Замена на батерија.....	4
Приспособливи ногарки.....	5
Магнетен држач за сид и зелена целна плоча.....	5
Работа во режим на самонивелирање.....	6
Работа во рачен режим.....	7
Функција за исправена положба.....	8
Функција за пулсирачки режим.....	8
Проверка на прецизноста.....	9

ВАЖНИ НАПОМЕНИ ЗА БЕЗБЕДНОСТ



ВНИМАНИЕ! ПРЕДУПРЕДУВАЊЕ! ОПАСНОСТ!

Почнете да го употребувате производот дури откако ќе ги прочитате напомените за безбедност и упатството за употреба на приложеното ЦД.

Класификација на ласерите



ПРЕДУПРЕДУВАЊЕ:

Производот одговара на ласерската класа 2 според EN60825-1:2014.



Предупредување:

Никогаш не изложувајте ги очите директно на ласерот. Ласерскиот зрак може да предизвика тешки повреди на очите и/или слепило.

Не гледајте директно во ласерскиот зрак и не насочувајте го ласерот непотребно кон останатите лица.

Внимание! Во одредени ситуации, уредот што емитува ласерски зрак може да е поставен позади вас. Во таков случај, вртете се внимателно.

Предупредување:

Немојте да работите со ласерскиот зрак во близина на деца или, пак, да им дозволувате на децата да го чепкаат ласерот.

Внимание! Рефлектирачка површина би можела да го врати ласерскиот зрак назад до корисникот или до други лица.

Предупредување: Употребата на елементите за управување, подесувањата или извршување на други постапки од тие кои што се утврдени во прирачникот може да доведе до опасно зрачно оптоварување.

Ако ласерот се префрли од многу ладна во топла средина (или обратно), тој мора да ја достигне температура на околината пред да се користи.

Не чувајте го ласерот надвор и заштитете го од удари, постојани вибрации и екстремни температури.

Ласерскиот мерен апарат заштитете го од прав, влага и висока влажност на воздухот. Таквите услови можат да ги уништат внатрешните делови на апаратот или пак да извршат влијание врз прецизноста.

Ако ласерскиот зрак е насочен кон очите, затворете ги очите и веднаш свртете ја главата од патеката на зракот.

Погрижете се да го позиционирате ласерскиот зрак така што вие или другите луѓе не сте заслепени од тоа.

Не гледајте во ласерскиот зрак со лупа, двоглед или телескоп. Во спротивно, постои голема опасност од тешки повреди на очите.

Имајте предвид дека ласерските очила коишто служат за подобро препознавање на ласерски линии не ги штитат очите од ласерските зраци.

Не смее да се отстрануваат или да се прават нечитливи предупредувачките налепници од ласерскиот уред.

Не расклопувајте го ласерот. Ласерските зраци може да предизвикаат тешки повреди на очите.

Пред да го транспортирате ласерот, осигурете се дека механизмот за заклучување на нишалото е заклучен.

Совет: Ако не е заклучен механизмот за заклучување на нишалото, за време на транспорт внатрешноста на уредот може да се оштети.

Не употребувајте агресивни средства за чистење или средства за растворање. Чистете исклучиво со чиста, мека крпа.

Заштитете го ласерскиот уред од насилни удари или падови. По пад или силно механичко влијание, треба да се провери прецизноста на уредот пред употреба.

Потребните поправки на овој ласерски апарат смеат да се изведуваат само од страна на авторизиран стручен персонал.

Производот не смее да се примени во околина во која што постои опасност од експлозии или е агресивна сама по себе.

При подолго некористење, извадете ги батериите од одделот за батерии. На тој начин се избегнува протекување на батериите и корозија.



Празни батерии не смеат да се фрлаат заедно со домашниот отпад. Потрошени батерии заради целта на нивно отстранување, а притоа запазувајќи ја околината во склад со националните и локалните прописи, се предаваат на за таа намена предвидените собирни места. Апаратот не смее да се фрли во домашниот отпад. Апаратот мора стручно да се отстрани. Притоа обратете внимание на прописите за фрлање кои што се однесуваат на конкретната земја. Обратете се до местните служби или до Вашиот продавач за да добиете информации во врска со фрлањето на овој отпад.



Европска ознака за сообразност

ОДРЖУВАЊЕ

Објективот и куќиштето на ласерот се бришат со мека и чиста крпа. Не употребувајте растворувачи.

Дури и ако ласерот е отпорен на прав и нечистотии до одреден степен, не треба да се чува на правливо место долго време, во спротивно внатрешните подвижни делови може да се оштетат.

Ако ласерот се намокри, мора да го исушите пред да го ставите во куферот за носење за да не дојде до оштетување од корозија.

ТЕХНИЧКИ ПОДАТОЦИ

Ласерска класа	2
Опсег на самонивелирање	±3°
Времетраење на самонивелирање	3-5 сек.
Тип на батерија	LR6 алкална батерија од тип AA
Директна струја	3 × 1,5 V
Потрошувачка на енергија	0,35 A
Класа на заштита (заштита од прскање на вода и прав)	IP54
Функции	хоризонтална линија, 2 вертикални линии, пресечни линии, функција за исправена положба
Пулсирачки режим	Фреквенција 10 kHz
Проекции	3 зелени линии, 1 црвена точка
Излезна шема на ласерските линии	Хоризонтална линија напред, вертикална линија напред, вертикална линија настрана и вертикална точка. Хоризонтални и вертикални пресечни линии напред и вертикална точка. Хоризонтална линија. Вертикална линија напред и вертикална точка. Вертикални линии напред и настрана и вертикална точка. (Приказот на вертикалната точка надолу функционира само во самонивелирачки режим, не во рачна работа.)
Време на работа	6 часа
Навој на стативот	1/4"
Одговарачки детектор	за стандардни зелени повеќелинискни ласери
Ласерска линија	
Ширина	2,5 mm ±0,5 mm / 5 m
Бранова должина	λ 520 ±10 nm ласерска класа II
Прецизност	±0,2 mm/m
Агол на отворање	> 120°
Боја	зелена
Работен опсег	30 m (со детектор 50 m)

Вертикална точка	
Бранова должина на ласерска точка	635 ±5 nm ласерска класа II
Макс. моќност на ласерска точка	< 1 mW
Прецизност на вертикалната положба	±0,6 mm / 1 m
Боја на ласерската точка	црвена
Работен опсег	5 m
Препорачана работна температура	од -10°C до +45°C
Температура на складирање	од -20°C до +60°C
Димензии	106 mm × 88 mm × 105 mm
Тежина (вкл. батерии)	710 g

НАМЕНЕТА УПОТРЕБА

Овој иновативен ласер е дизајниран за широко професионално подрачје на примена, како на пример:

- Порамнување на плочки, мермерни плочи, креденци, бордури, калапи и декорации
- Означување на основни линии за монтажа на врати, прозорци, шини, скалила, огради, порти, веранди и настрешници.
- Пренесување на референтни точки за монтажа на осветлување и вентилација, пренос на висини, нивелирање на околни и поделбени сидови, поставување шини на под, како и други професионални задачи.
- Утврдување и проверка на хоризонтални и вертикални линии.



Овој производ смее да се користи само како што е наведено.

Гумени стабилизатори

Приспособливи ногарки

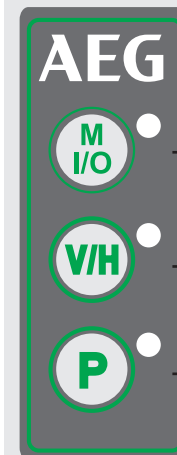
Прозорец за вертикална ласерска линија напред

Прозорец за хоризонтална ласерска линија

ВКЛУЧЕН  / ИСКЛУЧЕН  Прекинувач за заклучување



Контролен панел



LED-индикатор за рачен режим

Копче за рачен режим

За вклучување и исклучување на рачниот режим

LED-индикатор за избор на ласерска линија
(непрекинато светење)

LED-индикатор за слаба батерија (трепкање)

Копче за избор на ласерска линија

Избор помеѓу вертикална линија напред (V), вертикална линија настрана (V), хоризонтална линија напред (H) или комбинација од овие линии.

LED-индикатор за пулсирачки режим

Копче за пулсирачки режим

Употребете го пулсирачкиот режим со детектор од 10 kHz за работа на отворено на директна сончева светлина или во многу осветлени услови, како и за примена во затворен простор со работен опсег до 50 m.

Прозорец за вертикална ласерска линија настрана

Капак на одделот за батерии

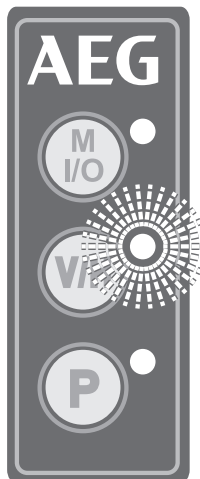


Црвена вертикална точка

1/4" навој на стативот



ИНДИКАТОР ЗА СЛАБА БАТЕРИЈА



Ако батеријата е испразнета, јасноста на ласерскиот зрак се намалува и соодветниот индикатор (зелена LED-сијаличка покрај копчето V/H) започнува да трепка во интервал од 0,5 секунди.

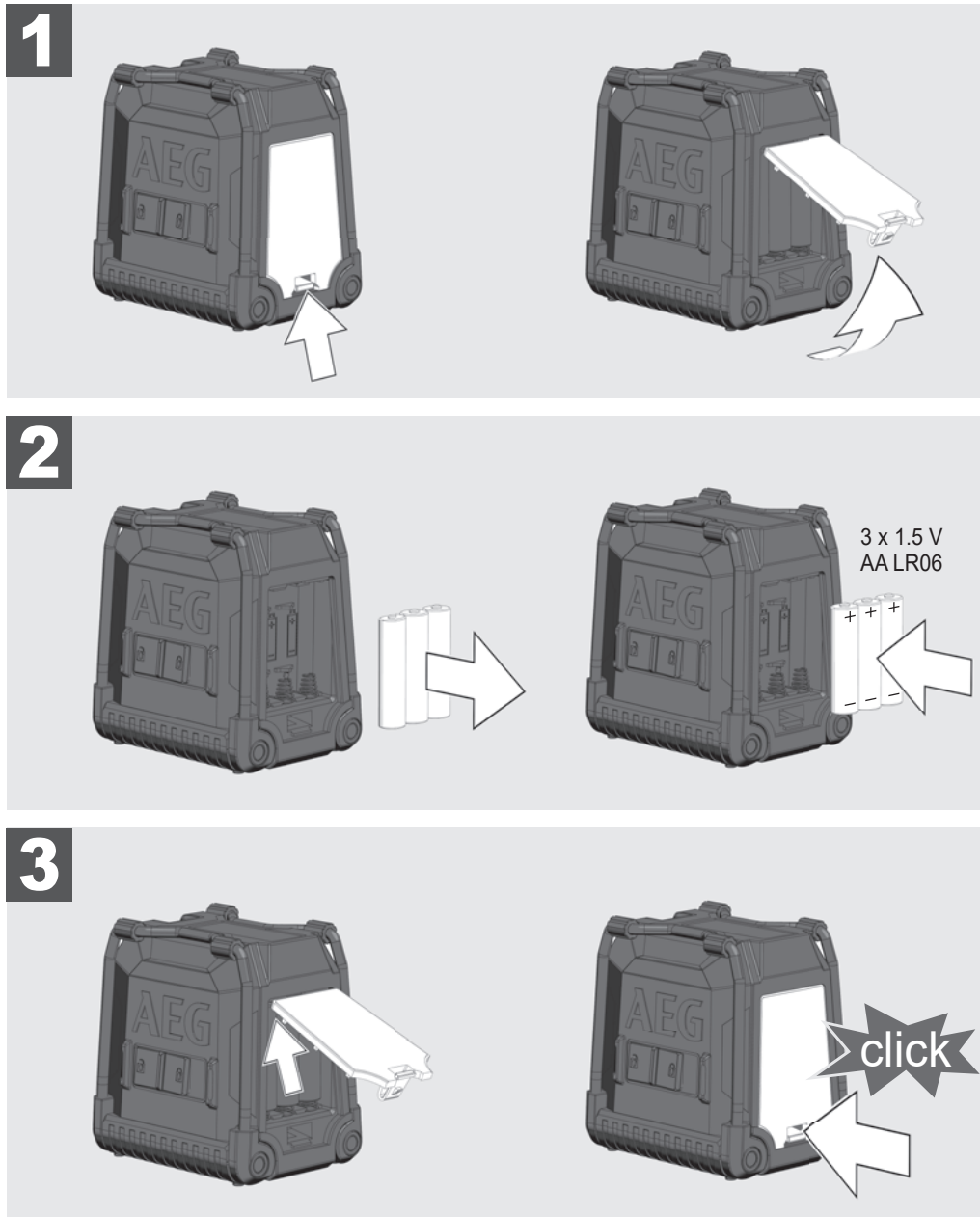
Натамошната работа сè уште е можна.

Кога батеријата е премногу празна, уредот автоматски се исклучува.

ЗАМЕНА НА БАТЕРИЈА

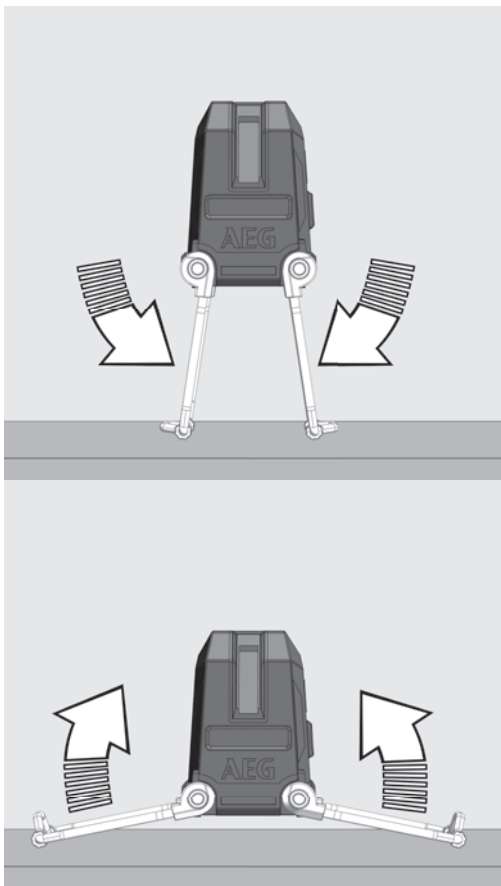
Заменете ја батеријата кога ласерскиот зрак е преслаб.

При подолго некористење на ласерот, извадете ги батериите од одделот за батерии. На тој начин се избегнува протекување на батериите и корозија.

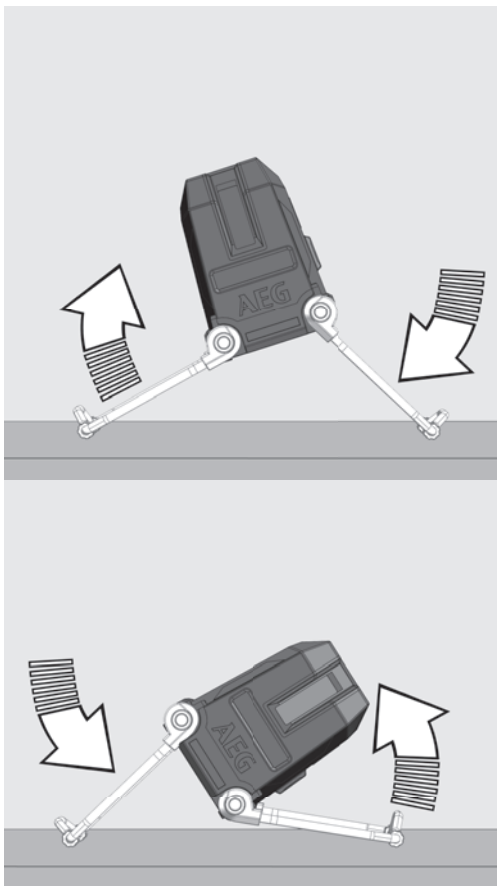


ПРИСПОСОБЛИВИ НОГАРКИ

Со приспособливите ногарки може да се приспособи висината на хоризонталните линии.

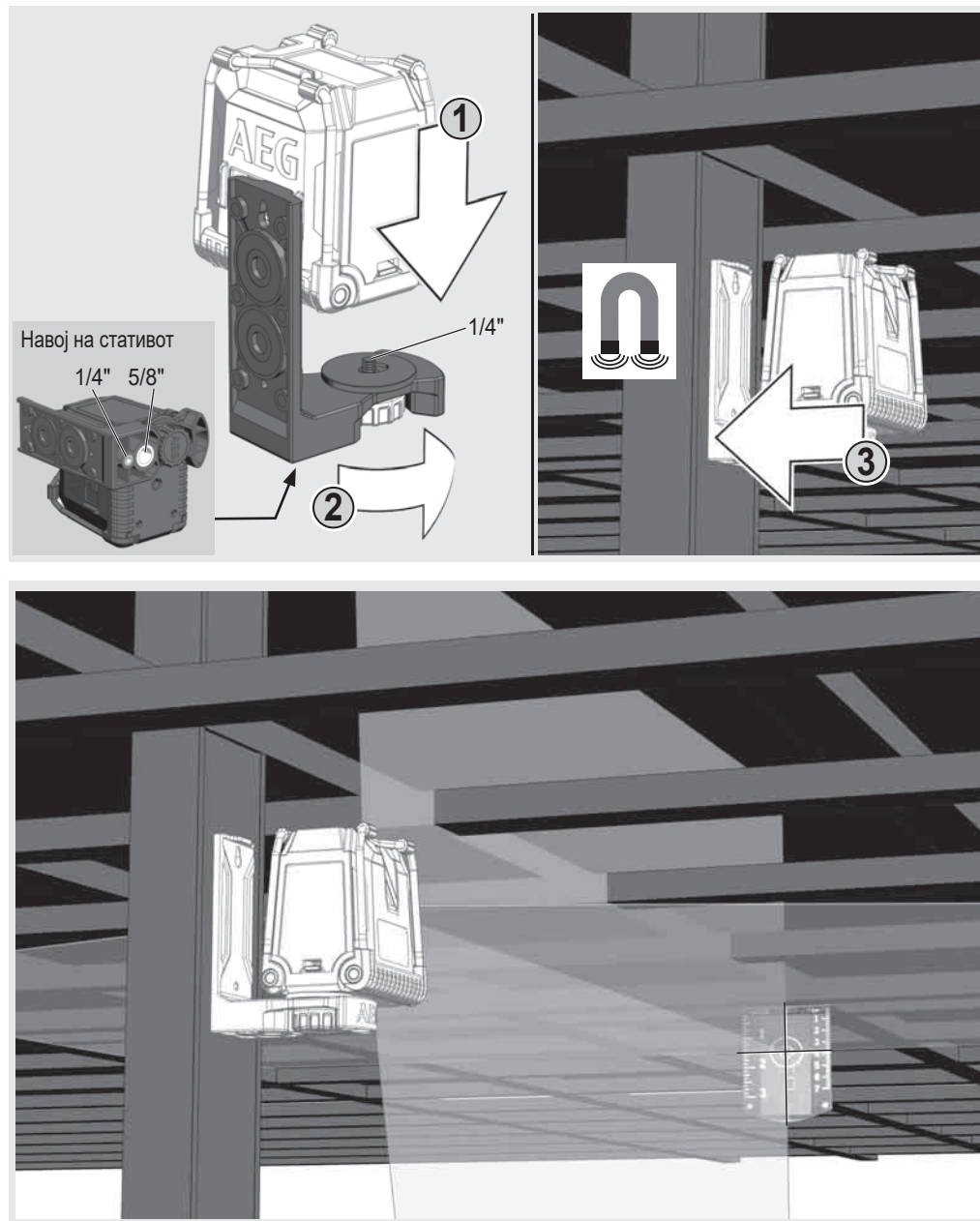


Со приспособливите ногарки може да се приспособи накусувањето на лазерот.



МАГНЕТЕН ДРЖАЧ ЗА СИД И ЗЕЛЕНА ЦЕЛНА ПЛОЧА

Со магнетниот држач за сид може да се прицврсти лазерот на сидови, метални структури итн. Зелената целна плоча ја подобрува видливоста на лазерскиот зрак при неповолни услови и големи растојанија.



РАБОТА ВО РЕЖИМ НА САМОНИВЕЛИРАЊЕ


Во режимот за самонивелирање, ласерот самиот се порамнува во опсег од $\pm 3^\circ$. Истовремено се проектира хоризонтална линија, две вертикални линии или истовремено сите 3 линии.

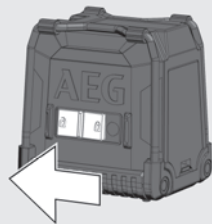
1

Поставете го ласерот на цврста и рамна подлога без вибрации, или пак монтирајте го на статив.



2

Лизнете го прекинувачот за заклучување на **ВКЛУЧЕН** .

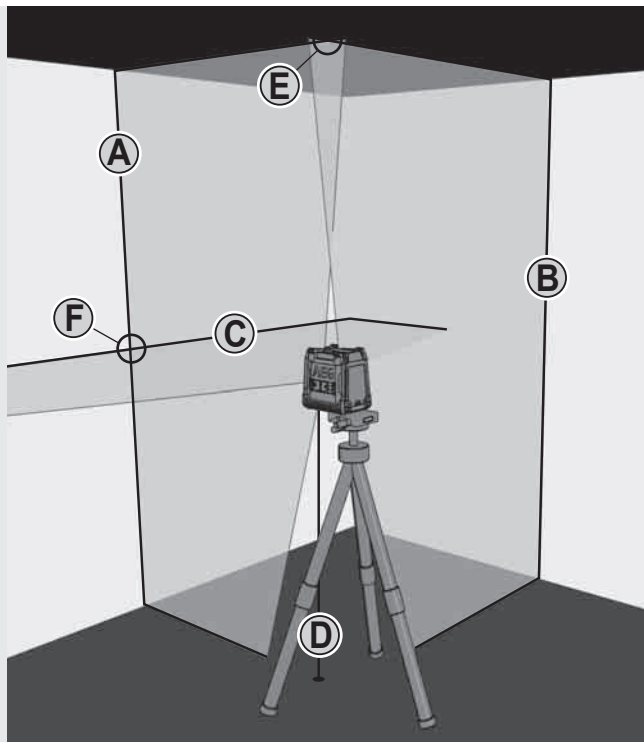


3

Ласерот генерира 3 ласерски линии.

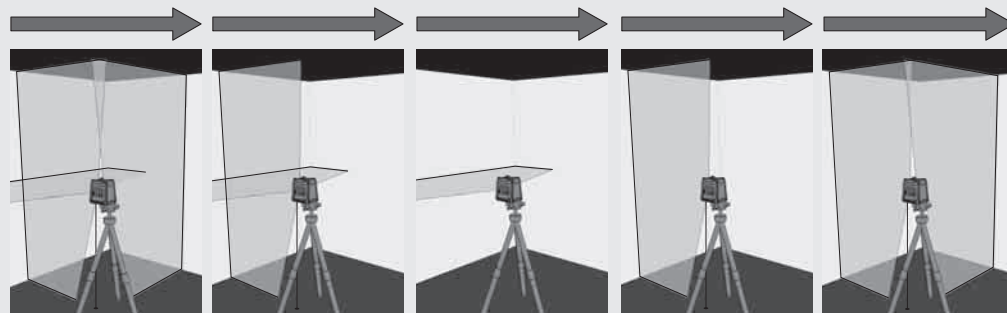
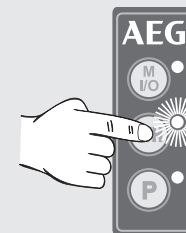
- (A) Вертикална линија напред
- (B) Вертикална линија настрана
- (C) Хоризонтална линија напред
- (D) Ласерска точка (вертикална линија)

Кога се активирани сите линии, ласерот генерира пресечни линии нагоре (E) и напред (F).



4

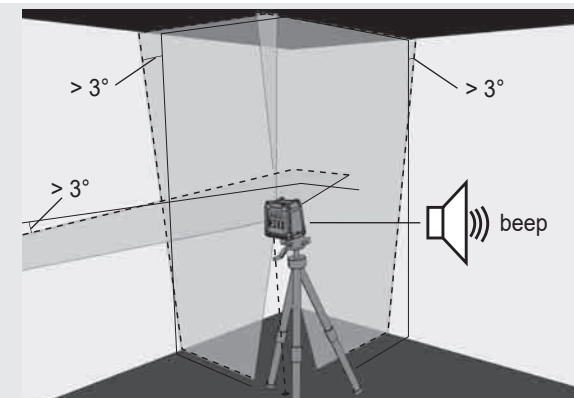
Притиснете го копчето V/H за да се изберат линиите со коишто сакате да работите.




5

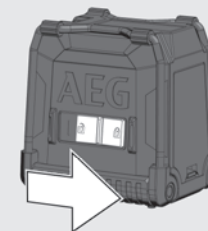
Ако ласерот првично не е порамнет на $\pm 3^\circ$ додека е активирано самонивелирањето, трепкаат ласерските линии - - - - и се огласува звучен сигнал.

Во таков случај, повторно позиционирајте го ласерот.



6

Пред преместување на уредот, поставете го копчето за заклучување на **ИСКЛУЧЕНО** . Ова го заклучува нишалото на место и ласерот е заштитен.

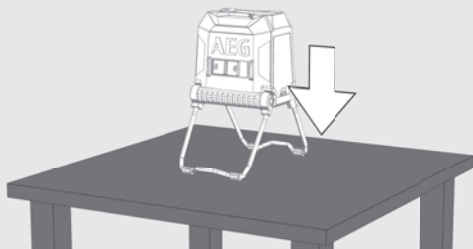


РАБОТА ВО РАЧЕН РЕЖИМ

Самонивелирачката функција се деактивира во рачниот режим и ласерот може да се приспособи на какво било накосување на ласерските линии.

1

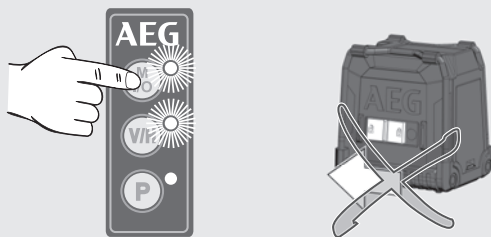
Поставете го ласерот на цврста и рамна подлога без вибрации, или пак монтирајте го на статив.



2

Притиснете го копчето за рачен режим (без да го поместувате прекинувачот за заклучување!).

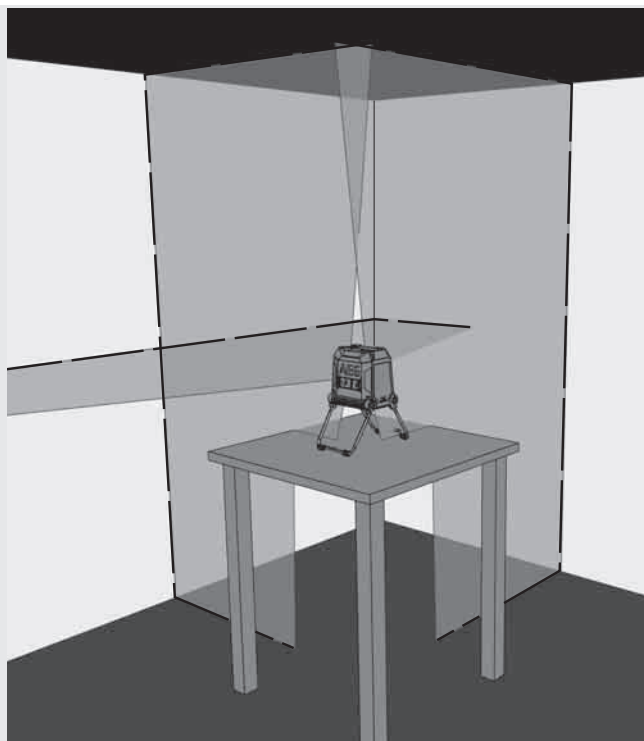
Засветува црвената LED-сијаличка покрај копчето.



3

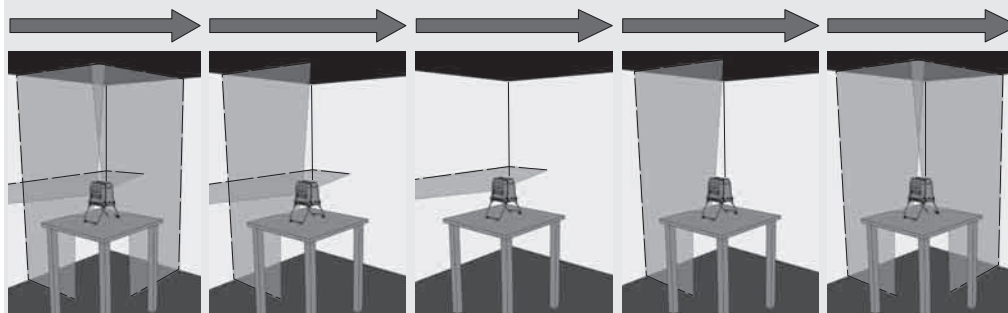
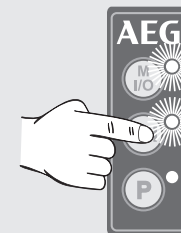
Како во самонивелирачкиот режим, ласерот генерира 3 ласерски линии, но тие трепкаат на секои 3 секунди.

3 сек. 3 сек. 3 сек.



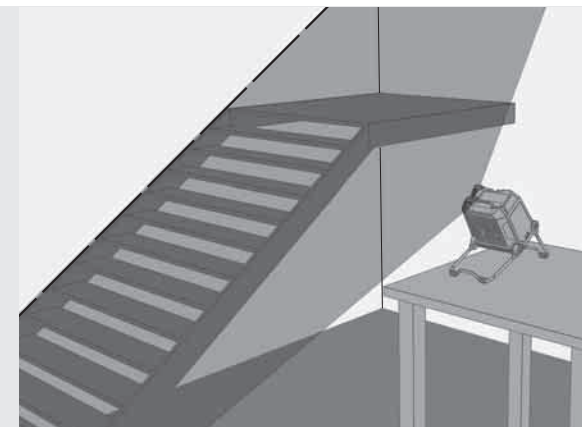
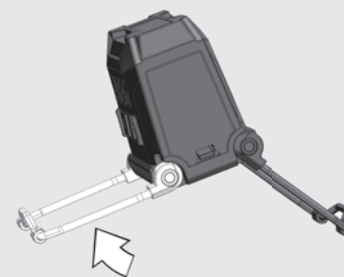
4

Притиснете го копчето V/H за да се избераат линиите со коишто сакате да работите.




5

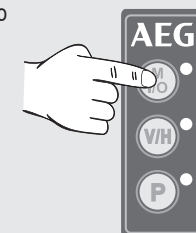
Употребете ги ногарките за приспособување на ласерот на посакуваната висина и накосување.



6

За да заврши рачниот режим, повторно притиснете го копчето за рачниот режим.

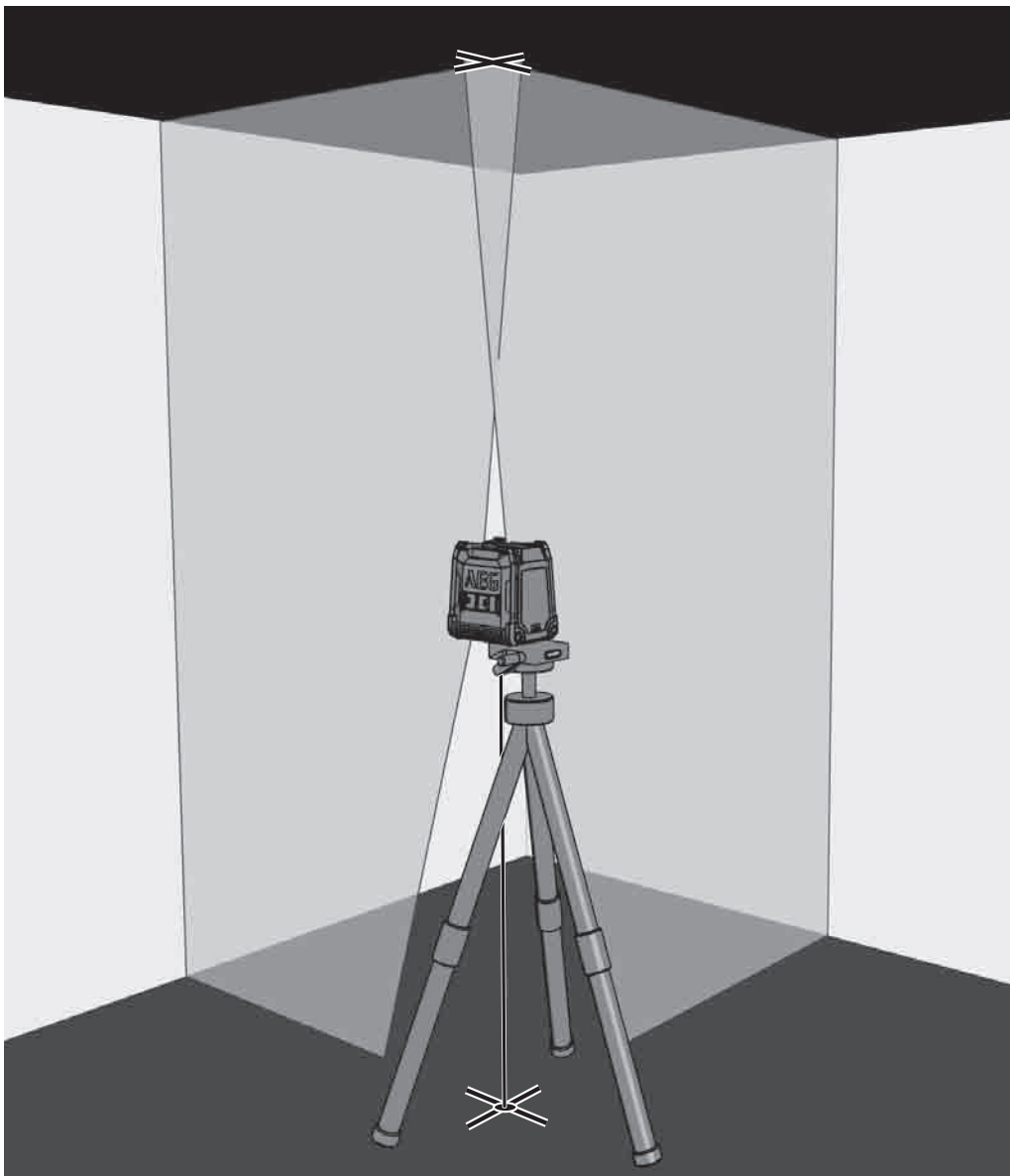
За директно менување во самонивелирачкиот режим, поставете го прекинувачот за заклучување на ВКЛУЧЕН .



ФУНКЦИЈА ЗА ИСПРАВЕНА ПОЛОЖБА

Со функцијата за исправена положба, се проектира точка на подот вертикално во однос на плафонот. Референтната точка на подот е порамнета со пресекот на пресечните линии на плафонот.

Функцијата за исправена положба служи на пример за пренос на референтна точка наменета за монтажа на осветлување и вентилација, или за пренос на висини.



ФУНКЦИЈА ЗА ПУЛСИРАЧКИ РЕЖИМ

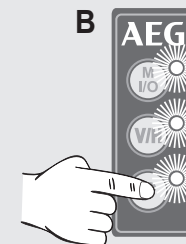
Употребете го пулсирачкиот режим со детектор за работа на отворено на директна сончева светлина или во многу осветлени услови, како и за примена во затворен простор со работен опсег до 50 метри.

Детекторот не се содржи во испораката и мора да се нарача одделно.

При активиран пулсирачки режим, трепкаат ласерските линии со многу висока фреквенција (невидливи за човечкото око), така што детекторот може да ги локализира ласерските линии.

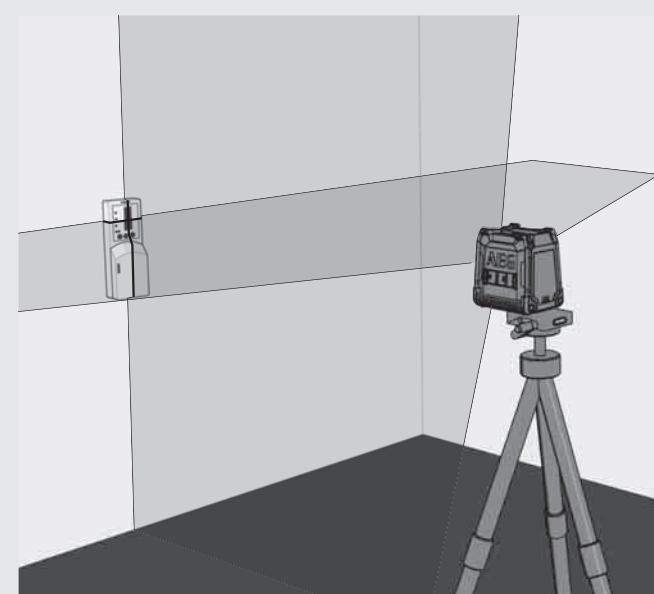
1

Пулсирачкиот режим може да се активира како во самонивелирачки режим (A) така и во рачен режим (B). Притиснете го копчето P. Засветува зелената LED-сијаличка покрај копчето.



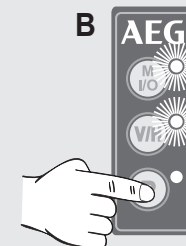
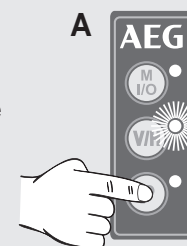
2

По активирањето на пулсирачкиот режим, видливоста на ласерските линии се намалува малку. Информации како се користи детекторот може да пронајдете во упатствата за ракување на детекторот.



3

Повторно притиснете го копчето P за да се исклучи пулсирачкиот режим. Се исклучува зелената LED сијаличка покрај копчето.



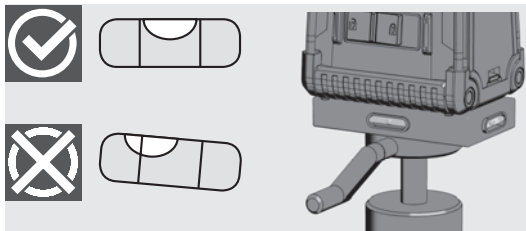
ПРОВЕРКА НА ПРЕЦИЗНОСТА

Ласерот е целосно калибриран фабрички. AEG препорачува редовно да се проверува прецизноста на ласерот, пред сè по секој пад или во ситуации кога е ракуван неправилно.

Ако е надминато максималното отстапување при проверката на прецизноста, обратете се во сервисен центар на AEG (видете го списокот со гарантни услови и адреси на сервисни центри).

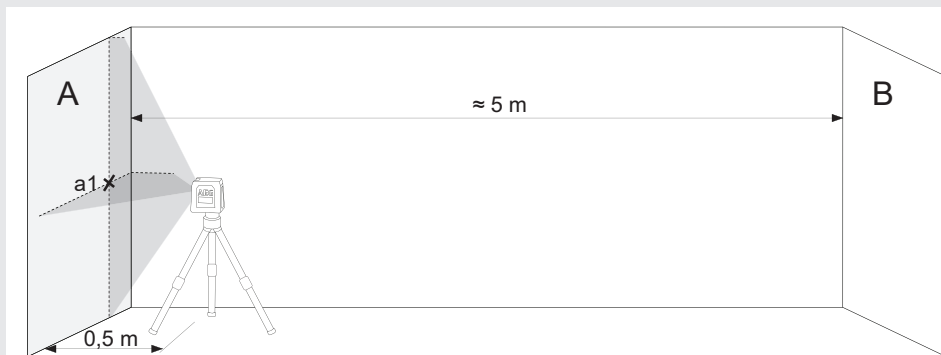
1. Проверка на прецизноста за висина на хоризонталната линија.
2. Проверка на прецизноста за нивелирање на хоризонталната линија.
3. Проверка на прецизноста за нивелирање на вертикалната линија.
4. Проверка на правиот агол меѓу 2 вертикални линии.
5. Проверка на прецизноста на вертикалната положба.

Пред секоја проверка на прецизноста на ласерот монтиран на статив, проверете го нивелирањето на стативот.



1 ПРОВЕРКА НА ПРЕЦИЗНОСТА ЗА ВИСИНА НА ХОРИЗОНТАЛНАТА ЛИНИЈА (ОТСТАПУВАЊЕ НАГОРЕ И НАДОЛУ)

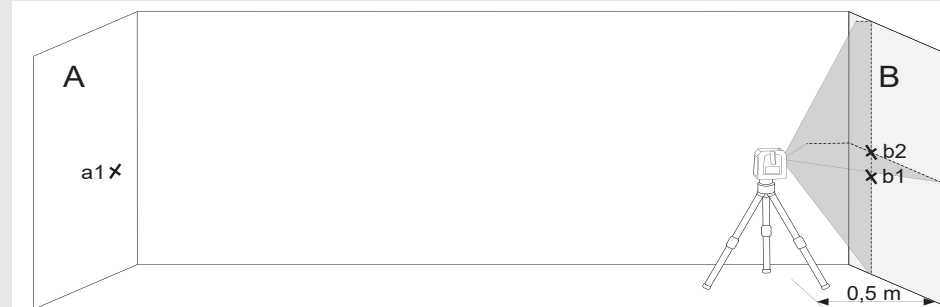
1. Поставете го ласерот на статив или на рамна подлога меѓу два зида А и В, приближно раздалечени 5 m еден од друг.
2. Поставете го ласерот на растојание приближно 0,5 m од ѕид А.
3. Вклучете го самонивелирачкиот режим и притиснете го копчето за да се проектира хоризонталната и вертикалната линија на ѕид А.
4. Означете ја пресечната точка на двете линии на ѕид А како точка a1.



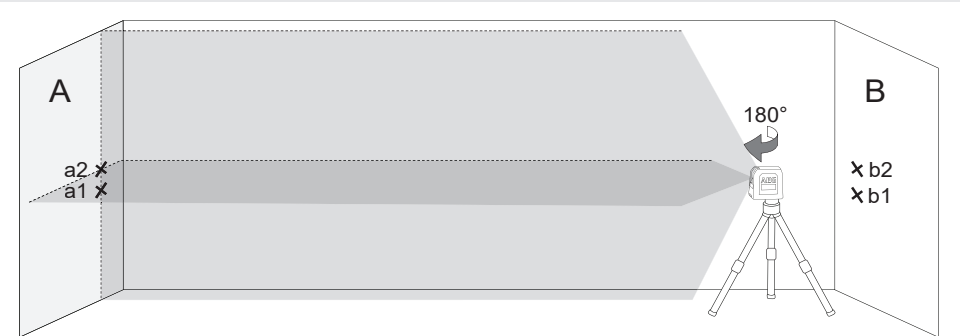
5. Свртете го ласерот за 180° во насока на ѕид В и означете ја пресечната точка на двете линии на ѕид В како b1.



6. Поставете го ласерот на растојание приближно 0,5 m од ѕид В.
7. Означете ја пресечната точка на двете линии на ѕид В како точка b2.



8. Свртете го ласерот за 180° во насока на ѕид А и означете ја пресечната точка на двете линии на ѕид А како a2.



9. Измерете ги растојанијата:

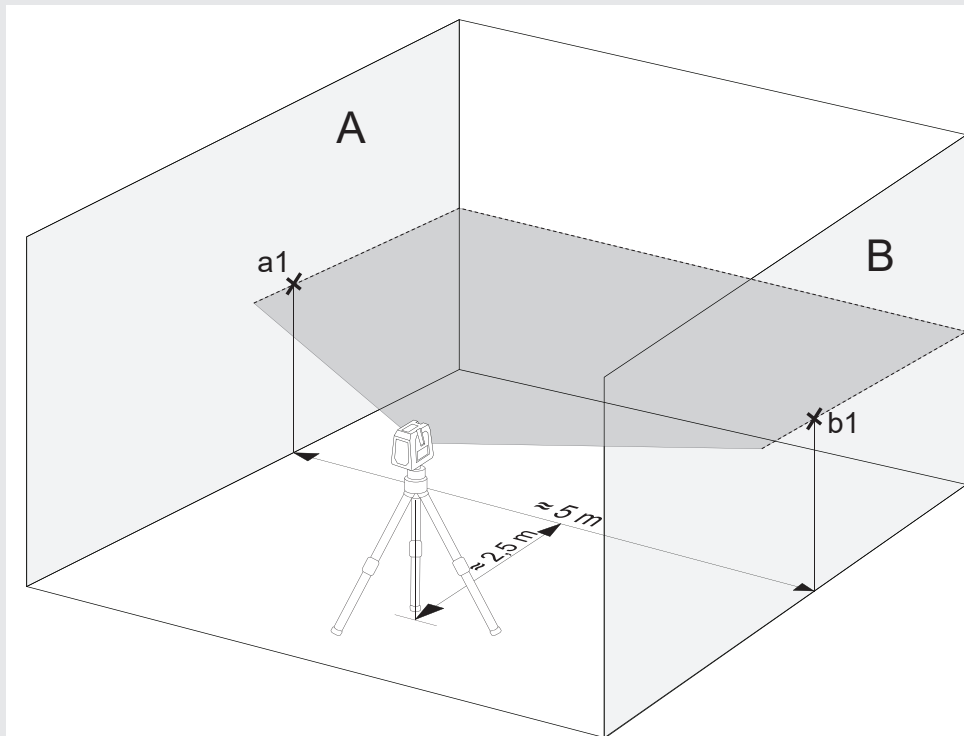
$$\Delta a = |a2 - a1|$$

$$\Delta b = |b1 - b2|$$

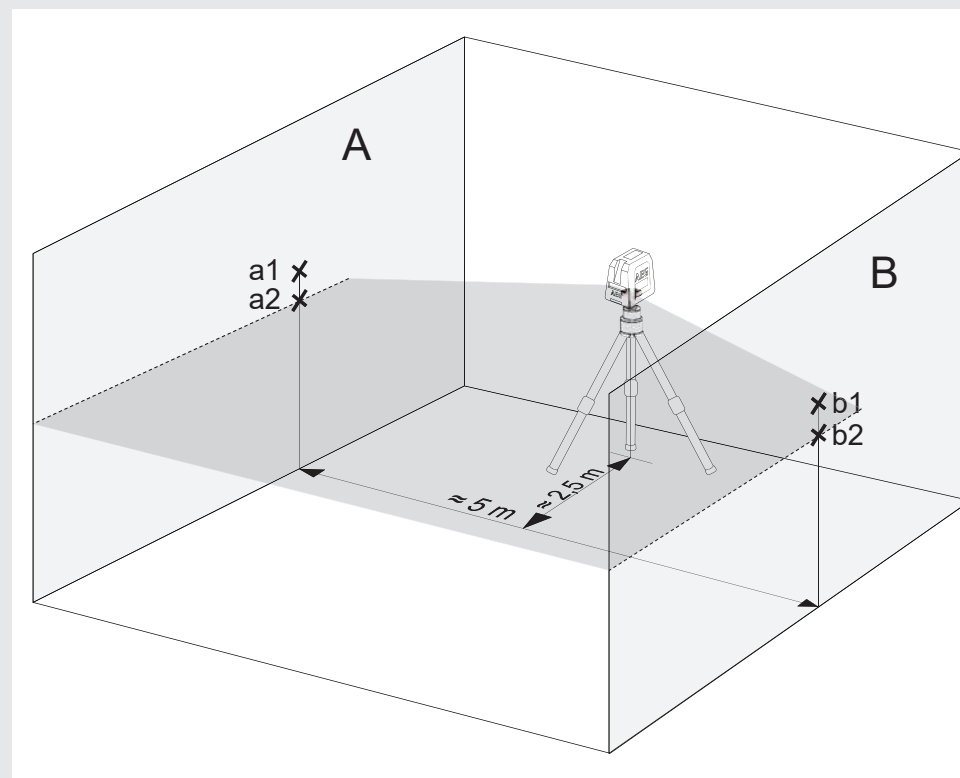
10. Разликата $|\Delta a - \Delta b|$ не смее да биде поголема од 2 mm.

За оваа проверка е потребна слободна површина од приближно 5×5 m.

1. Поставете го ласерот на статив или на цврста подлога меѓу два зида А и В, приближно раздалечени 5 m еден од друг.
2. Поставете го ласерот приближно на 2,5 m од средината на просторијата.
3. Вклучете го самонивелирачкиот режим и притиснете го копчето за да се проектира хоризонталната линија на ѕидовите А и В.
4. Означете ја средишната точка на ласерската линија на ѕид А со a_1 и ѕид В со b_1 .



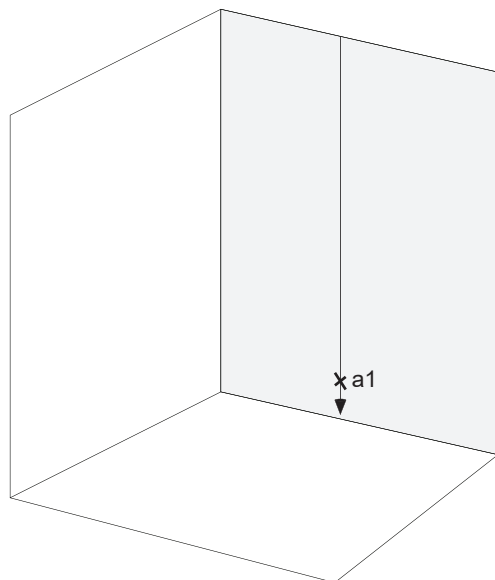
5. Поместете го ласерот приближно 5 m и свртете го за 180° , а хоризонталната линија повторно проектирајте ја на ѕидовите А и В.
6. Означете ја средишната точка на ласерската линија на ѕид А со a_2 и ѕид В со b_2 .



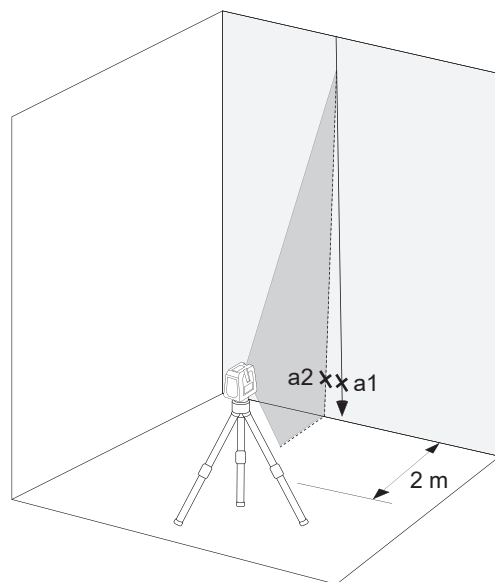
7. Измерете ги растојанијата:
 $\Delta a = |a_2 - a_1|$
 $\Delta b = |b_1 - b_2|$
8. Разликата $|\Delta a - \Delta b|$ не смее да биде поголема од 2 mm.

3 ПРОВЕРКА НА ПРЕЦИЗНОСТА ЗА НИВЕЛИРАЊЕ НА ВЕРТИКАЛНАТА ЛИНИЈА

1. Закачете на сид приближно 4 m долго јаже со приврзан висок.
2. Откако високот ќе се стабилизира, означете ја на сидот точката a1 над високот.



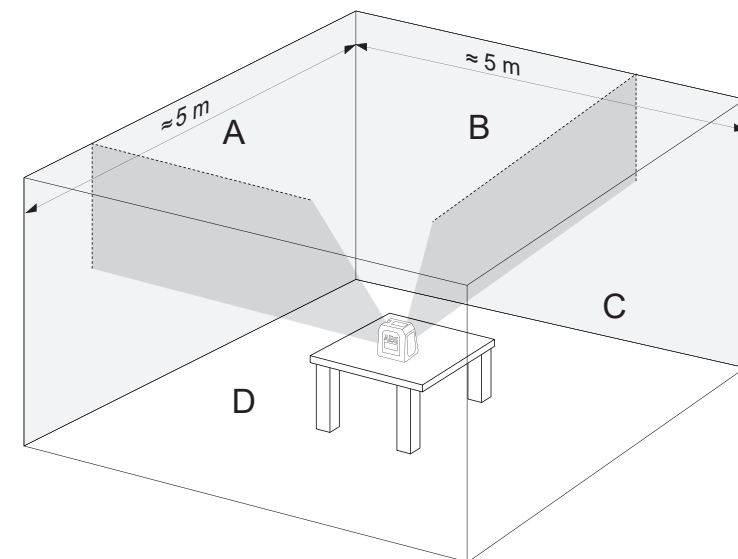
3. Поставете го ласерот на статив или на рамна подлога на оддалеченост приближно 2 m од сидот.
4. Вклучете го самонивелирачкиот режим и притиснете го копчето за да се проектира вертикалната линија врз линијата на јаже со висок.
5. Вртете го ласерот додека вертикална линија не се совпадне со прикачувањето на јаже со висок.
6. Означете ја точката a2 во средината на вертикалната линија на иста висина како a1 на сидот.
7. Растојанието меѓу a1 и a2 не смее да биде поголемо до 1 mm.



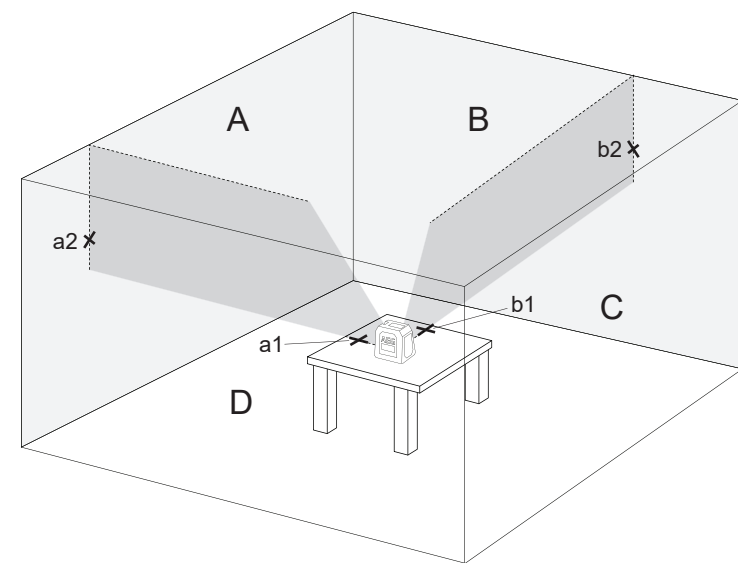
4 ПРОВЕРКА НА ПРАВИОТ АГОЛ МЕЃУ 2 ВЕРТИКАЛНИ ЛИНИИ

За оваа проверка е потребна просторија со 4 зида и површина на подот од најмалку 5 x 5 m.

1. Поставете го ласерот на маса или на подот во средината на просторијата.
2. Вклучете го самонивелирачкиот режим и притиснете го копчето V/N 4 пати за да се проектираат вертикални линии напред и настрана.

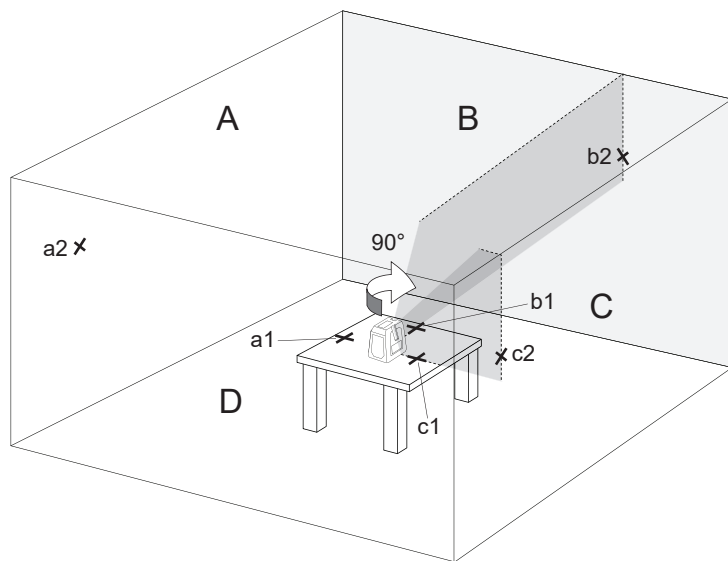


3. Означете ја на 2 места средината на проектираната напред вертикална линија: Точка a1 на масата во близина на ласерот и точката a2 на сидот A.
4. Означете ја на 2 места средината на проектираната настрана вертикална линија: Точка b1 на масата во близина на ласерот и точката b2 на сидот B.

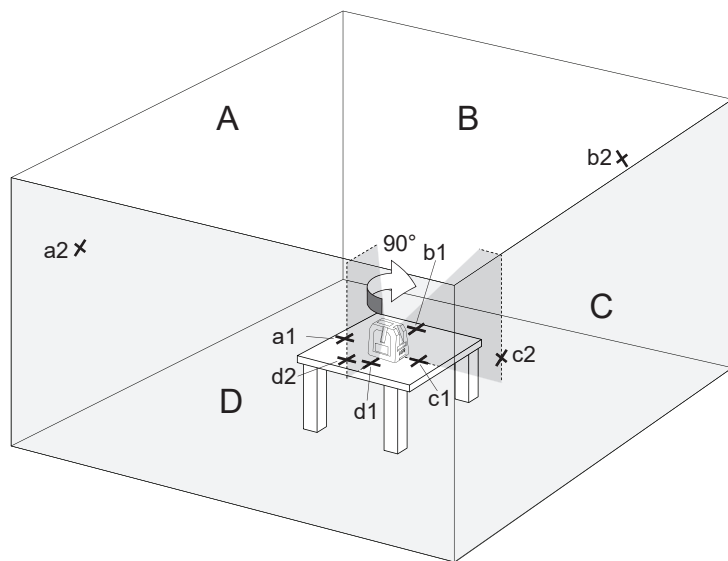


ПРОВЕРКА НА ПРАВИОТ АГОЛ МЕЃУ 2 ВЕРТИКАЛНИ ЛИНИИ

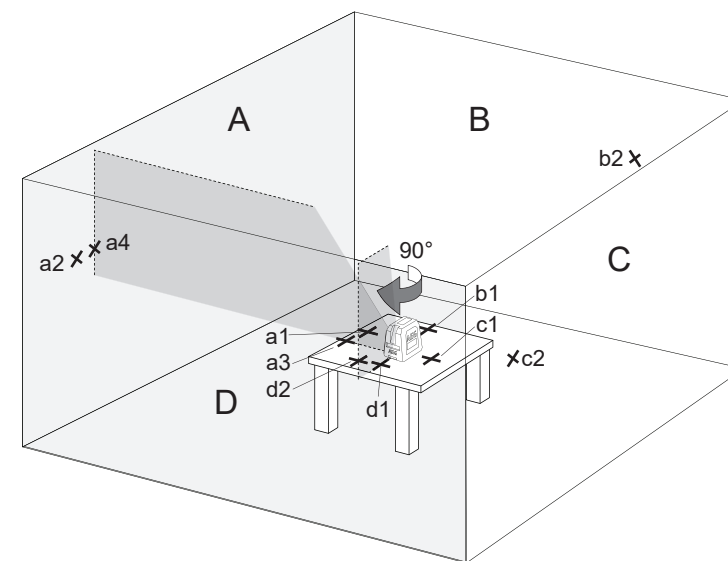
- Свртете го ласерот за 90° во насока на часовникот, така што ласерската линија насочена напред да дојде врз ознаките $b1$ на масата и $b2$ на ѕидот В.
- Означете ја на 2 места средината на проектираната настрана вертикална линија: Точка $c1$ на масата во близина на ласерот и точката $c2$ на ѕидот С.



- Свртете го ласерот за 90° во насока на часовникот, така што ласерската линија насочена напред да дојде врз ознаките $c1$ на масата и $c2$ на ѕидот С.
- Означете ја на 2 места средината на проектираната настрана вертикална линија: Точка $d1$ на масата во близина на ласерот и точката $d2$ на ѕидот D.



- Свртете го ласерот за 90° во насока на часовникот, така што ласерската линија насочена напред да дојде врз ознаките $d1$ на масата и $d2$ на ѕидот D.
- Означете ја на 2 места средината на проектираната настрана вертикална линија: Точка $a3$ на масичката во близина на точката $a1$ и точката $a4$ на ѕидот А во близина на точката $a2$.

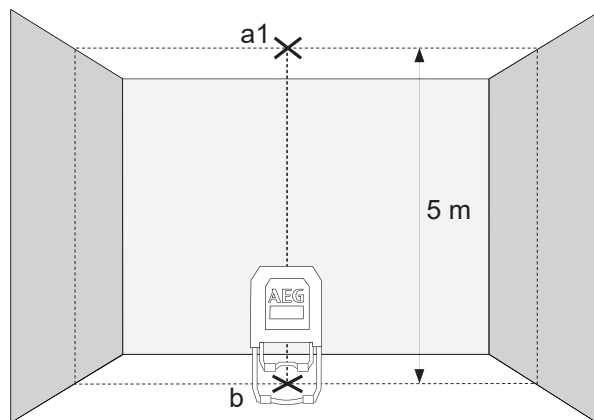


- Измерете ги растојанијата:
 $\Delta 1$ = од $a1$ до $a3$
 $\Delta 2$ = од $a2$ до $a4$
- Разликата $\Delta 2 - \Delta 1$ не смее да биде поголема од 4 mm.

5 ПРОВЕРКА НА ПРЕЦИЗНОСТА НА ВЕРТИКАЛНАТА ПОЛОЖБА

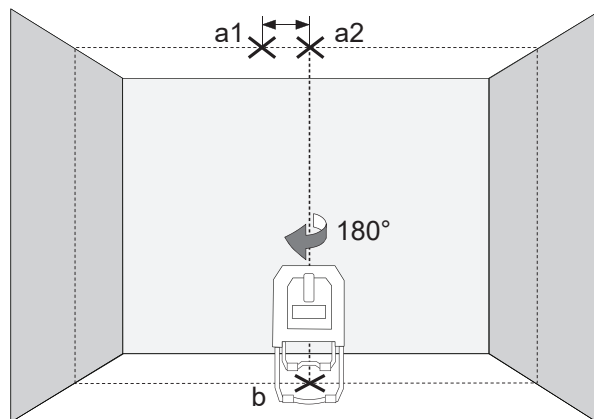
За оваа проверка е потребна просторија со плафон со висина од приближно 5 m.

1. Расклопете ги ногарките на лазерот и поставете го уредот на подот.
2. Вклучете го самонивелирачкиот режим и притиснете го копчето за вертикалните пресечни линии да се проектираат на плафонот и вертикалната точка да се проектира на подот.
3. Означете ја средината на пресечната линија насочена кон горе како точка a1 на плафонот (видете ја илустрацијата).
4. Означете ја средишната вертикална точка како точка b на подот.



5. Свртете го лазерот за 180° и позиционирајте го така што средишната вертикална точка падне на веќе обележаната точка b и почекајте додека уредот не се нивелира.

6. Означете ја средината на пресечната линија насочена кон горе како точка a2 на плафонот.
7. Растојанието меѓу точките a1 и a2 на плафонот укажува на отстапувањето на лазерската линија од идеалната вертикална линија.
Ако мерното растојание е 5 m, максималното дозволено отстапување изнесува:
 $5 \text{ m} \times (\pm 0,6 \text{ mm/m}) \times 2 = \pm 6 \text{ mm}$.
8. Растојанието меѓу a1 и a2 не смее да биде поголемо до 6 mm.



ЗМІСТ

Важливі вказівки з техніки безпеки	1
Обслуговування	2
Технічні характеристики	2
Використання за призначенням	2
Огляд	3
Індикатор низького заряду батареї	4
Заміна батарей	4
Регульовані ніжки	5
Магнітний настінний кронштейн та зелена візирна марка	5
Робота в режимі автоматичного нівелювання	6
Робота в ручному режимі	7
Функція схилу	8
Функція імпульсного режиму	8
Перевірка точності	9

ВАЖЛИВІ ВКАЗІВКИ З ТЕХНІКИ БЕЗПЕКИ



УВАГА! ПОПЕРЕДЖЕННЯ! НЕБЕЗПЕЧНО!

Вводити виріб в експлуатацію тільки після ознайомлення з вказівками з техніки безпеки та правилами користування на CD, що додається до приладу.

Класифікація лазера



ПОПЕРЕДЖЕННЯ:

Виріб відповідає класу лазера 2 згідно з EN60825-1:2014.



Попередження:

Не спрямовувати промінь лазера в очі. Лазерний промінь може привести до серйозного пошкодження очей та/або сліпоті.

Не дивитися в промінь лазера та не спрямовувати його без необхідності на інших осіб.

Обережно! В деяких сферах застосування лазерний пристрій може бути встановлений позаду вас. У цьому випадку слід обертатися обережно.

Попередження:

Не працюйте з лазером поблизу дітей і не дозволяйте дітям експлуатувати лазерний пристрій.

Увага! Відбиваюча поверхня може відбивати промінь лазера назад до оператора або до іншої особи.

Попередження: Використання інших елементів управління, налаштувань або виконання інших процесів, ніж ті, що описані в інструкції, може призводити до небезпечної дії променів.

Якщо лазерний вимірювальний пристрій перенести з теплої приміщення в холодне (або навпаки), то перед використанням слід почекати, доки він не адаптується до температури навколишнього середовища.

Не зберігати лазерний нівелір на відкритому повітрі та захищати від ударів, тривалих вібрацій та екстремальних температур.

Захищати лазерний вимірювальний пристрій від пилу, вологи та високої вологості повітря. Вони можуть пошкодити внутрішні деталі або знизити точність вимірювання.

Якщо лазерне випромінювання потрапить в око, щільно закрити очі та негайно відвести голову від променя.

Зверніть увагу, що лазерний промінь слід розташувати таким чином, щоб ви самі або інші люди не були засліплені їм.

Не дивитися в струмінь лазера через оптичні допоміжні засоби, такі як бінокль чи телескопи. В іншому випадку збільшується ризик серйозного пошкодження очей.

Зверніть увагу, що окуляри для поліпшення бачення лазерних променів, призначені для кращого розпізнавання лазерних ліній, але вони не захищають очі від лазерного випромінювання.

Попереджувальні таблички на лазерному пристрої не повинні бути видалені або замасковані.

Не розбирати лазерний нівелір. Лазерний промінь може спричинити серйозні пошкодження очей.

Перед транспортуванням лазерного нівеліра перевірити, що фіксатор маятникового компенсатора защепнутий.

Вказівка: Якщо фіксатор маятникового компенсатора не защепнутий, це може привести до пошкодження всередині пристрою під час транспортування.

Не використовувати агресивні засоби для чищення або розчинники. Чистити тільки чистою м'якою серветкою.

Захищати лазерний нівелір від сильних ударів і падінь. Після падіння або сильного механічного впливу необхідно перевірити точність пристрою перед використанням.

Виконувати необхідний ремонт цього лазерного приладу може тільки авторизований кваліфікований персонал.

Виріб не можна використовувати в вибухонебезпечному або агресивному середовищі.

Перед тривалим простоем пристрою витягти батареї з відсіку для батарей. Це дозволить уникнути витоків батарей та пов'язаних з ним корозійних пошкоджень.



Розрядженні батареї не можна утилізувати з побутовими відходами. Відпрацьовані батареї згідно з національними або місцевими приписами необхідно здати для утилізації, безпечної для довкілля, в передбачені для цього приймальні пункти. Пристрій не можна утилізувати з побутовими відходами.

Пристрій необхідно утилізувати належним чином. Необхідно дотримуватись положень щодо утилізації, які враховують специфіку певної країни. Зверніться до місцевого адміністративного органу або до свого дилера для отримання інформації щодо утилізації.



Європейський знак відповідності

ОБСЛУГОВУВАННЯ

Чистити об'єкти та корпус лазерного нівеліра тільки чистою м'якою серветкою. Не використовувати розчинники.

Навіть якщо лазерний нівелір має певну стійкість до пилу та бруду, не слід зберігати його в запиленому місці протягом тривалого часу, оскільки це може привести до пошкодження внутрішніх рухомих деталей.

Якщо на лазерний нівелір потрапила волога, перед використанням висушити його в футлярі для перенесення, щоб уникнути пошкоджень від іржі.

ТЕХНІЧНІ ХАРАКТЕРИСТИКИ

Клас лазера	2
Діапазон автоматичного нівелювання	±3°
Тривалість автоматичного нівелювання	3-5 сек
Тип батареї	LR6 лужна батарея типу AA
Напруга пост. струму	3 × 1,5 В
Споживана потужність	0,35 А
Ступінь захисту (бризки води та пил)	IP54
Функції	горизонтальна лінія, 2 вертикальних лінії, перехресні лінії, функція схилу
Імпульсний режим	частота 10 кГц
Проекції	3 зелені лінії, 1 червона точка
Шаблон проектування лазерних ліній	горизонтальна лінія вперед, вертикальна лінія вперед, вертикальна лінія вбік і точка схилу. горизонтальна і вертикальна перехресні лінії вперед і точка схилу. Горизонтальна лінія. Вертикальна лінія вперед і точка схилу. Вертикальні лінії вперед і вбік та точка схилу. (Індикація точки схилу вниз функціонує тільки в режимі автоматичного нівелювання, але не в ручному режимі).
Час роботи	6 годин
Різьблення штатива	1/4"
Відповідний детектор	для стандартних лазерних нівелірів з декількома зеленими лазерними лініями
Лінія лазера	
Ширина	2,5 мм±0,5 мм / 5 м
Довжина хвилі	λ 520 ±10 нм клас лазера II
Точність	±0,2 мм/м
Кут відкривання	> 120°
Колір	зелений
Зона досяжності	30 м (з детектором 50 м)

Точка схилу	
Довжина хвилі лазерної точки	635 ±5 нм клас лазера II
Макс. потужність лазерної точки	< 1 мВт
Точність схилу	±0,6 мм / 1 м
Колір лазерної точки	червоний
Зона досяжності	5 м
Рекомендована робоча температура	від -10 °С до +45 °С
Температура зберігання	від -20 °С до +60 °С
Розміри	106 мм × 88 мм × 105 мм
Вага (включно з батареями)	710 г

ВИКОРИСТАННЯ ЗА ПРИЗНАЧЕННЯМ

Цей інноваційний лазерний нівелір призначений для експлуатації в широкому спектрі професійних областей застосування, в тому числі для:

- вирівнювання керамічної плитки, мармурових плит, шаф, бордюрів, фасонних деталей і елементів облицювання;
- нанесення контурів напрямних ліній при монтажі дверей, вікон, рейок, сходів, парканів, веранд або пергол;
- перенесення контрольних точок для освітлювальної та вентиляційної апаратури, перенесення відміток по висоті, вирівнювання зовнішніх і каркасних стін, укладання рейок на землю, а також для інших професійних робіт;
- для визначення та перевірки горизонтальних і вертикальних ліній.

Цей виріб можна використовувати тільки за призначенням так, як вказано в цьому документі.

Гумові стабілізатори

Регульовані ніжки

Віконце вертикальної лазерної лінії вперед

Віконце горизонтальної лазерної лінії

УВІМКН.  / ВИМКН.  блокувальний вимикач



Панель керування



Світлодіодний індикатор ручного режиму

Кнопка ручного режиму

Для увімкнення і вимкнення ручного режиму

Світлодіодний індикатор вибору лінії (постійне світло)

Світлодіодний індикатор низького заряду батареї (блимаюче світло)

Кнопка вибору лазерної лінії

Вибір між вертикальною лінією вперед (V), вертикальною лінією вбік (H), горизонтальною лінією вперед (P) або вибір комбінації цих ліній.

Світлодіодний індикатор імпульсного режиму

Кнопка імпульсного режиму

Для зовнішніх робіт при прямому сонячному випромінюванні або яскравому світлі, а також для робіт всередині приміщення з дальністю дії до 50 м використовується імпульсний режим з детектором 10 кгц.

Віконце вертикального лазерного променя вбік

Кришка відсіку для батареї

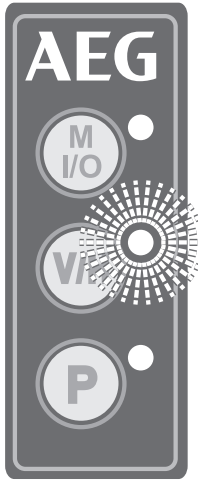


Червона точка схилю

1/4" різьблення штатива



ІНДИКАТОР НИЗЬКОГО ЗАРЯДУ БАТАРЕЇ



При низькому рівні заряду батареї потужність світлового випромінювання лазерного нівеліра зменшується і відповідний індикатор (зелений світлодіод поруч з кнопкою V/H) починає блимати з частотою 0,5 секунд.

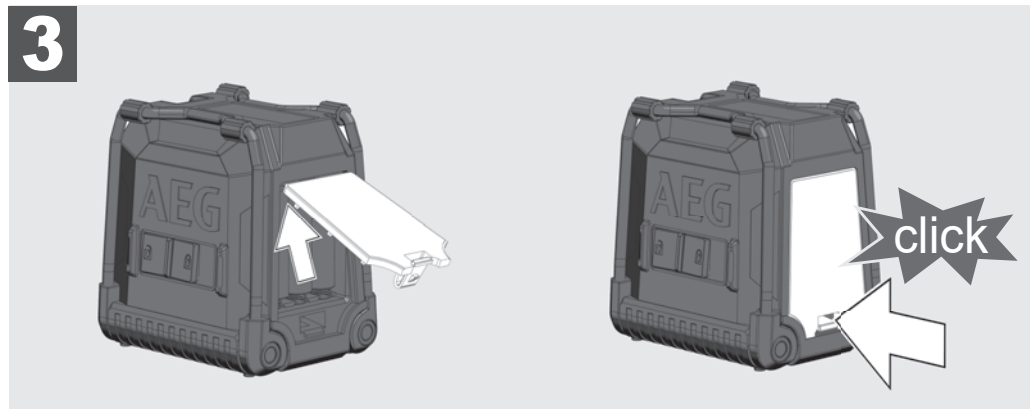
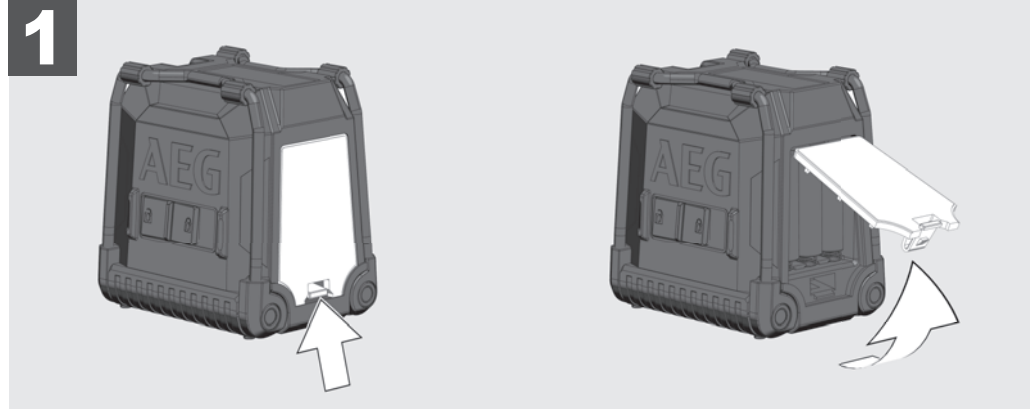
При цьому можна продовжувати роботу.

Коли заряд батареї дуже низький, пристрій автоматично вимикається.

ЗАМІНА БАТАРЕЇ

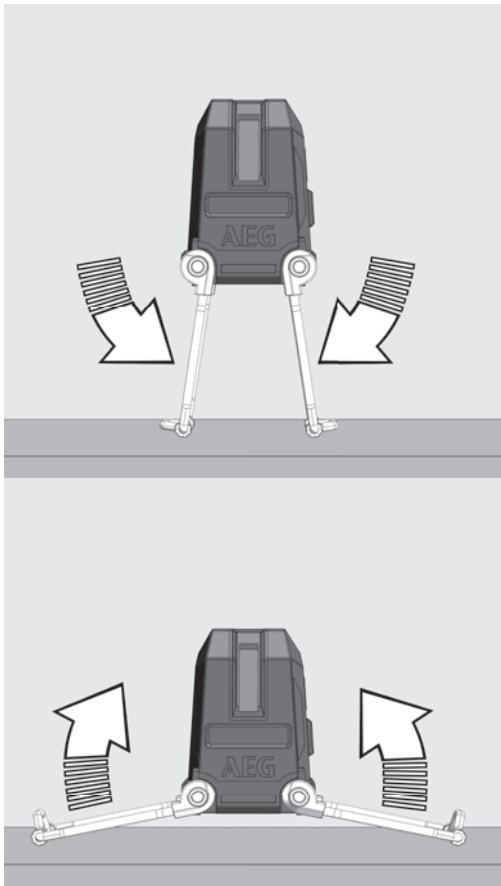
Замінити батареї при ослабленні лазерного променя.

Перед тривалим простоем лазерного нівеліра витягти батареї з відсіку для батареї. Це дозволить уникнути витоків батарей та пов'язаних з ним корозійних пошкоджень.

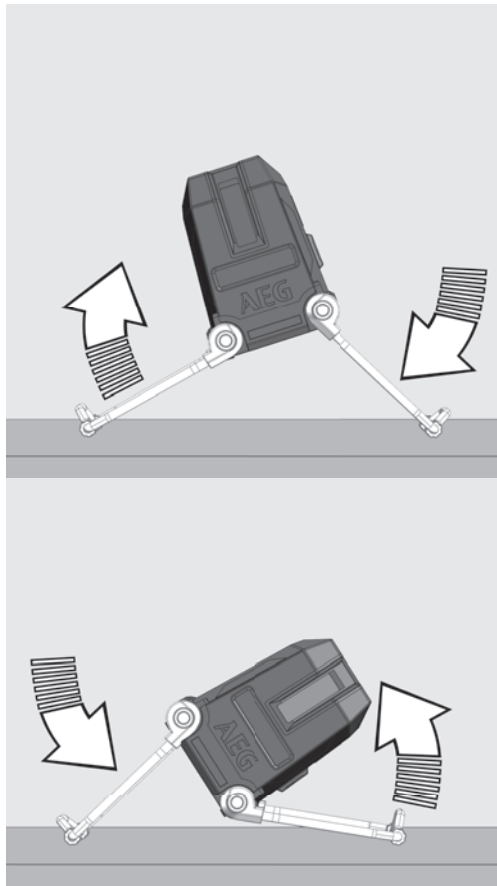


РЕГУЛЬОВАНІ НІЖКИ

Налаштувати висоту горизонтальної лінії за допомогою регульованих ніжок.

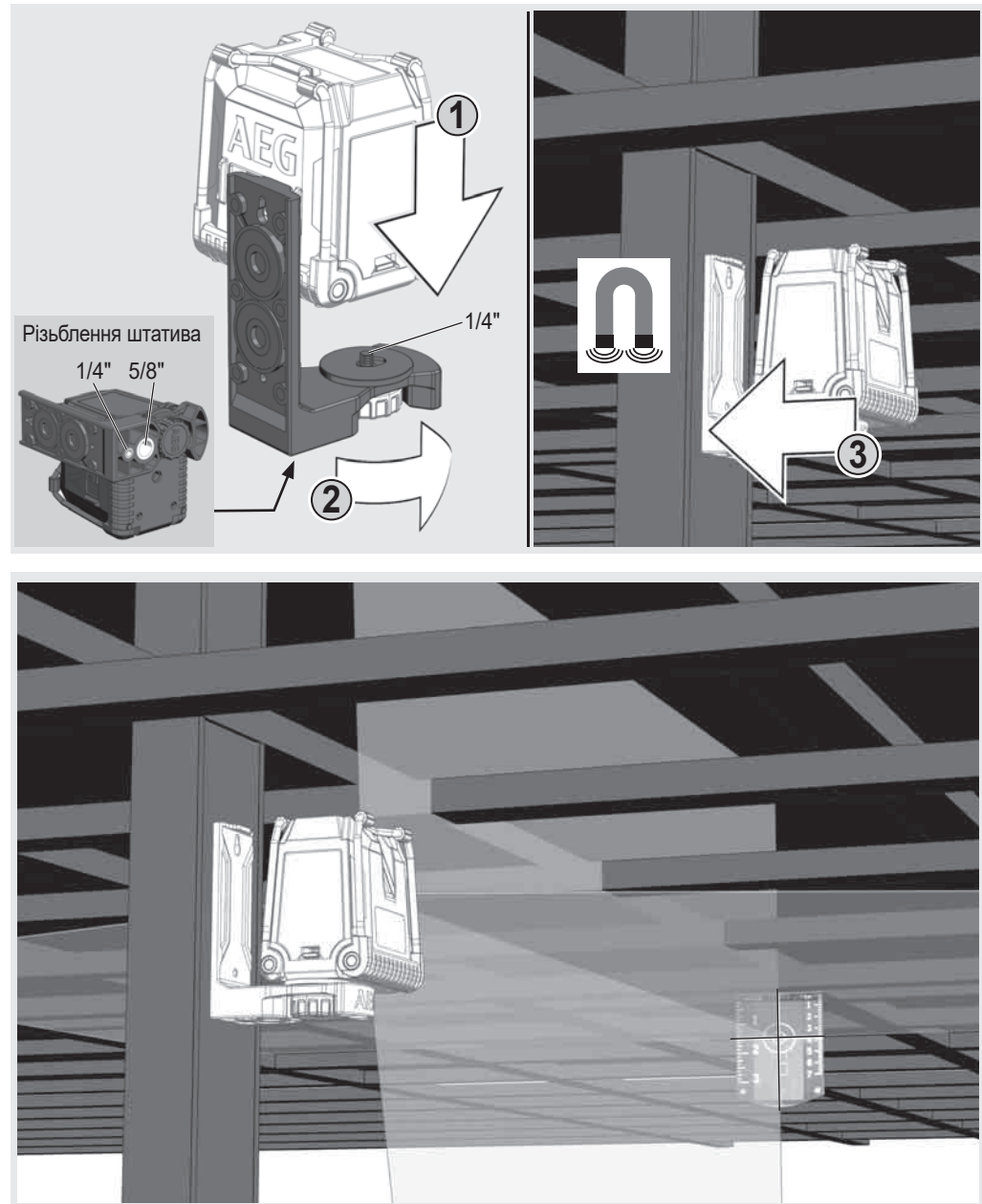


Налаштувати кут нахилу лазерного нівеліра за допомогою регульованих ніжок.



МАГНІТНИЙ НАСТІННИЙ КРОНШТЕЙН ТА ЗЕЛЕНА ВІЗИРНА МАРКА

За допомогою магнітного кронштейна лазерний нівелір можна кріпити до стін, металевих конструкцій та інш. Зелена візирна марка покращує видимість лазерного променя при несприятливих умовах та на великих відстанях.



РОБОТА В РЕЖИМІ АВТОМАТИЧНОГО НІВЕЛЮВАННЯ

В режимі автоматичного нівелювання лазерний нівелір автоматично вирівнюється в діапазоні $\pm 3^\circ$. Проектуються горизонтальна лінія, дві вертикальні лінії або всі 3 лінії одночасно.

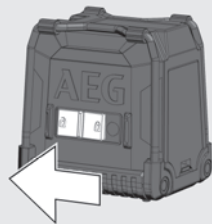
1

Встановити лазерний нівелір на рівну і захищену від вібрацій поверхню або на штатив.



2

Зрушити блокувальний вимикач в положення УВІМКН.

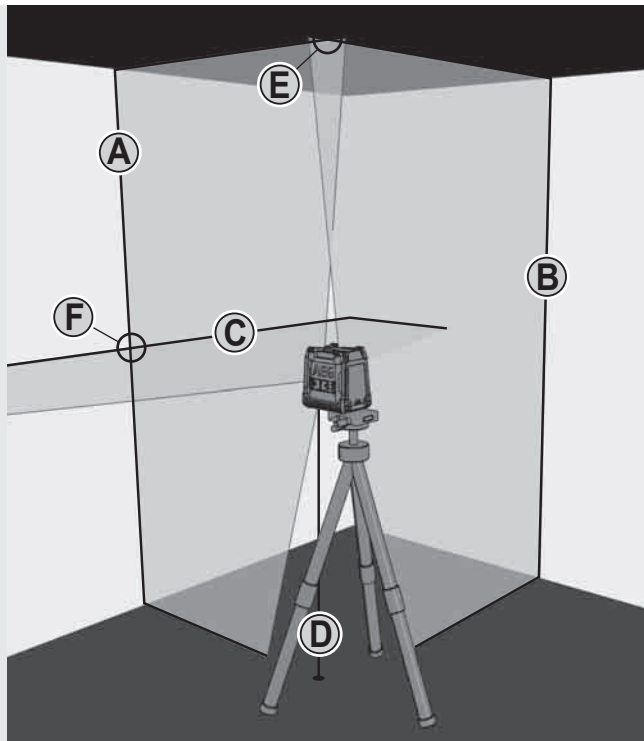


3

Лазерний нівелір генерує 3 лазерні лінії.

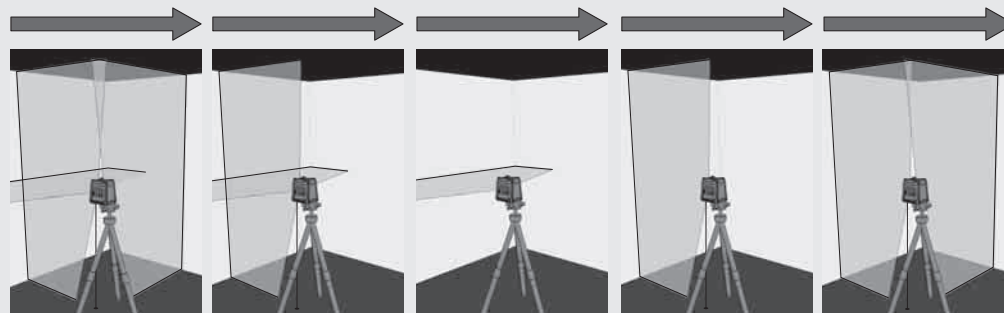
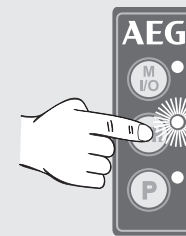
- (A) вертикальна лінія вперед
- (B) вертикальна лінії вбік
- (C) горизонтальна лінія вперед
- (D) лазерна точки (лінія схилу)

Якщо активовані всі лінії, лазерний нівелір генерує перехрещені лінії вгору (E) і вперед (F).



4

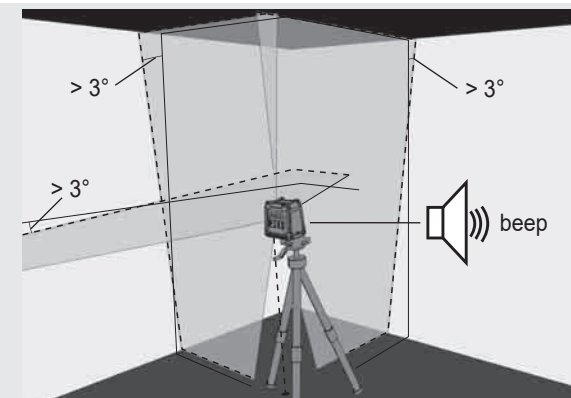
Натиснути кнопку V/H для вибору ліній, з якими ви хочете працювати.



5

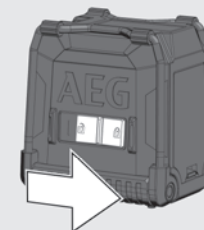
Якщо при активованому автоматичному нівелюванні лазерний нівелір спочатку не вирівняно до $\pm 3^\circ$, лазерні лінії блимають — — — —, та лунає звуковий сигнал.

В цьому випадку слід знову відрегулювати положення лазерного нівеліра.



6

Перш ніж переміщувати пристрій, встановити блокувальний вимикач в положення ВІМКН. Це блокує маятниковий компенсатор та захищає лазерний нівелір.

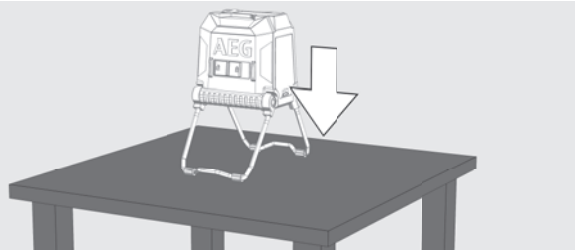


РОБОТА В РУЧНОМУ РЕЖИМІ

В ручному режимі функція автоматичного нівелювання деактивована, і лазерний нівелір можна встановлювати під будь-яким кутом лазерних ліній.

1

Встановити лазерний нівелір на рівну і захищену від вібрацій поверхню або на штатив.



2

Натиснути кнопку ручного режиму (без зміщення блокувального вимикача!).

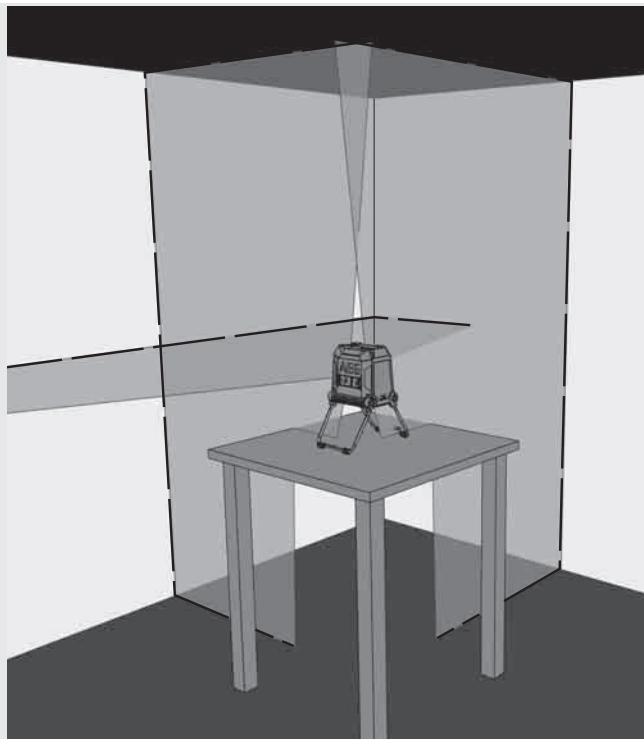
Червоний світлодіод поруч з кнопкою загоряється.



3

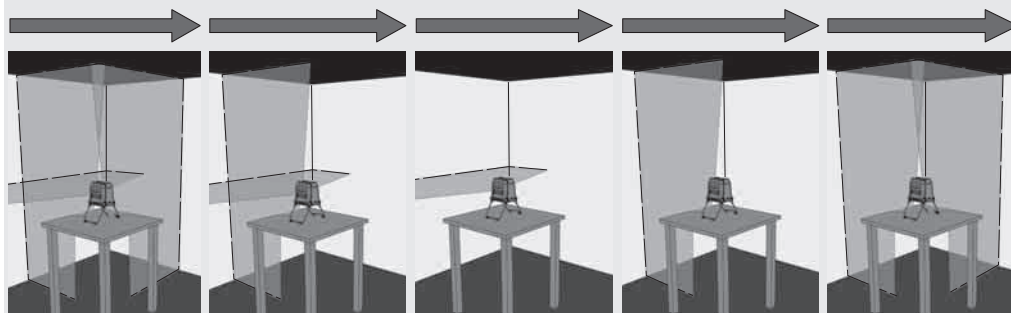
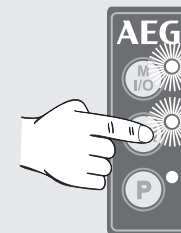
Як і в режимі автоматичного нівелювання, лазерний нівелір генерує 3 лазерні лінії, які, тим не менш, блимають з частотою 3 секунд.

3 сек. 3 сек. 3 сек.



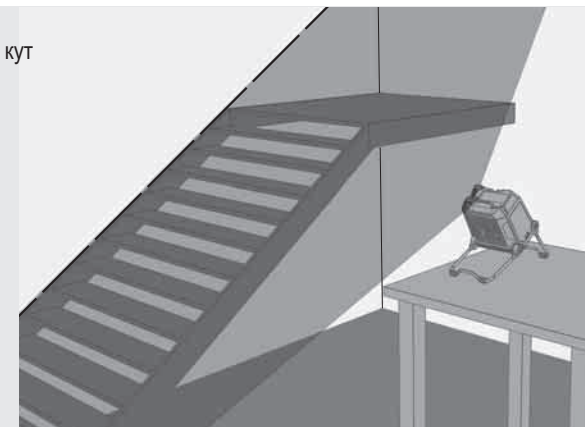
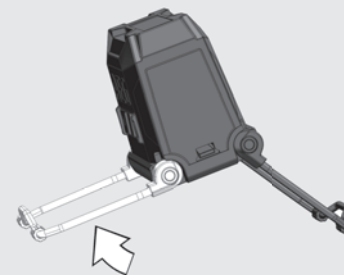
4

Натиснути кнопку V/H для вибору ліній, з якими ви хочете працювати.




5

Відрегулювати лазерний нівелір за допомогою ніжок на потрібну висоту і кут нахилу.



6

Для завершення ручного режиму натиснути кнопку ручного режиму.

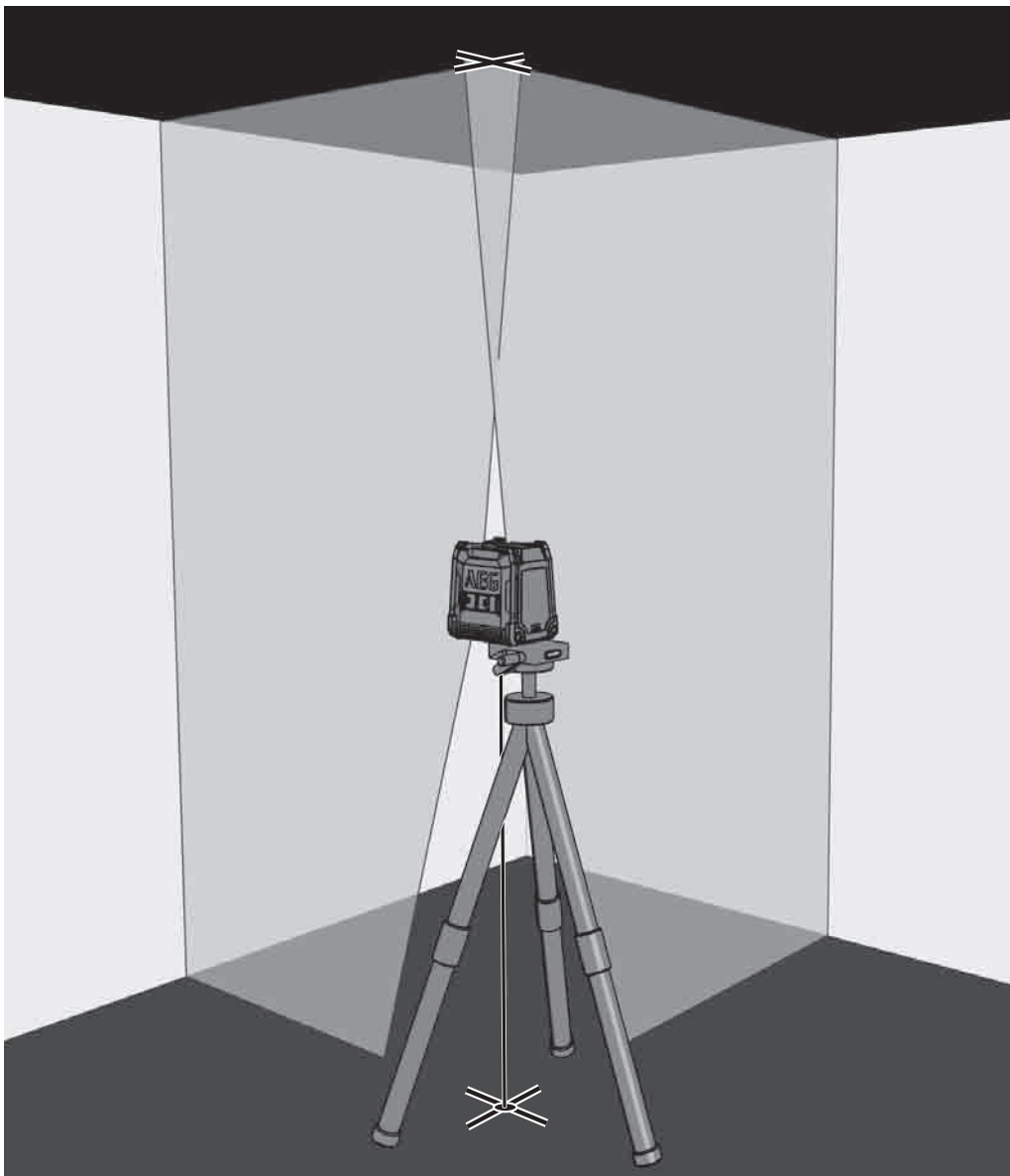
Для прямого переходу в режим автоматичного нівелювання поставити блокувальний вимикач в положення УВІМКН .



ФУНКЦІЯ СХИЛУ

Функція схилу дозволяє проектувати точку на підлозі вертикально до стелі. Контрольна точка на підлозі вирівнюється відносно точки перетину перехрещених ліній на стелі.

Функція схилу служить, наприклад, для передачі контрольної точки для освітлювальної та вентиляційної апаратури або для перенесення відміток по висоті.



ФУНКЦІЯ ІМПУЛЬСНОГО РЕЖИМУ

Для зовнішніх робіт при прямому сонячному випромінюванні або яскравому світлі, а також для робіт всередині приміщення з дальністю дії до 50 м використовується імпульсний режим з детектором.

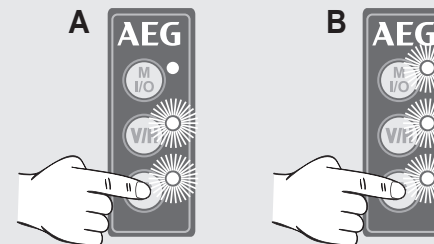
Детектор не входить в комплект поставки і купується окремо.

При активному імпульсному режимі лазерні лінії блимають з дуже високою частотою (невидимою людському оку), щоб детектор зміг локалізувати лазерні лінії.

1

Імпульсний режим можна активувати як в режимі автоматичного нівелювання (А), так і в ручному режимі (В).

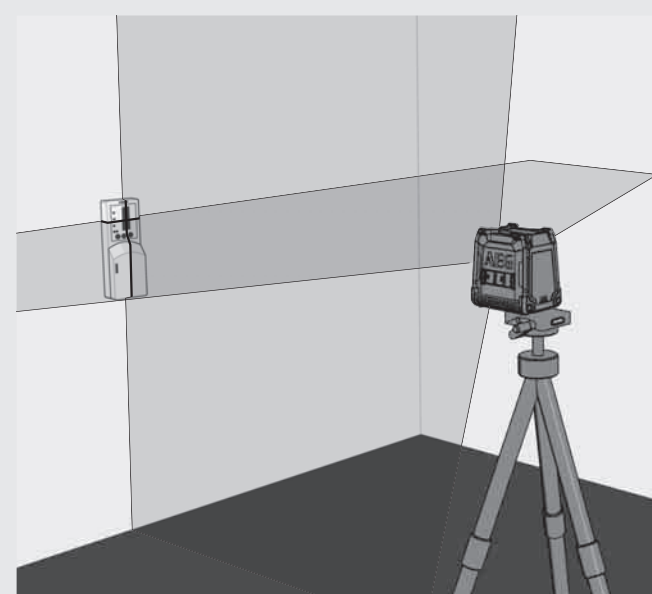
Натиснути кнопку Р. Зелений світлодіод поруч з кнопкою загоряється.



2

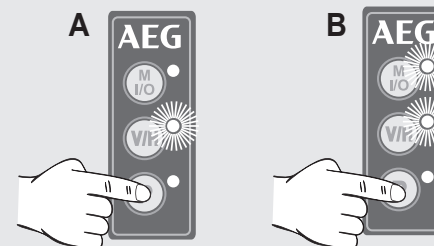
Після активації імпульсного режиму видимість лазерних ліній трохи зменшується.

Докладну інформацію про використання детектора див. у посібнику з експлуатації детектора.



3

Знову натиснути кнопку Р, щоб вимкнути імпульсний режим. Зелений світлодіод поруч з кнопкою гасне.



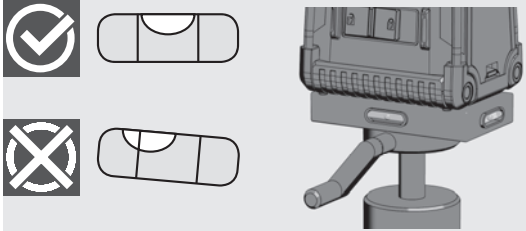
ПЕРЕВІРКА ТОЧНОСТІ

Лазерний нівелір повністю відкалібрований на заводі. Компанія AEG рекомендує регулярно перевіряти точність лазерного нівеліра, перш за все після падіння або неправильної експлуатації.

При перевищенні максимального відхилення при перевірці точності зверніться в один з сервісних центрів AEG (див. список з гарантійними умовами та адресами Сервісного центру).

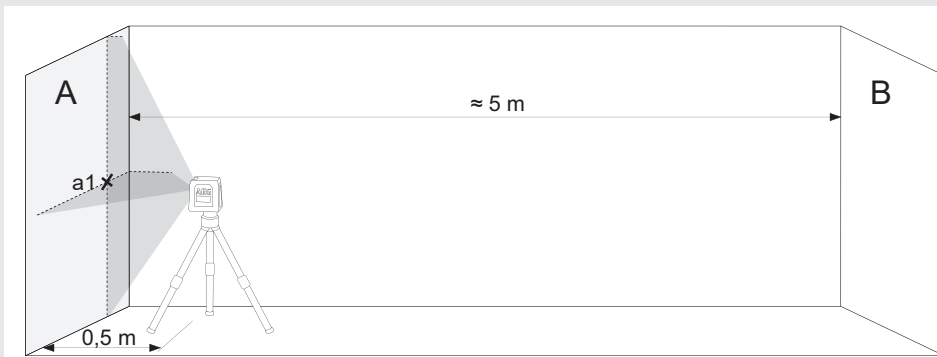
1. Перевірка точності горизонтальної лінії по висоті.
2. Перевірка точності вирівнювання горизонтальної лінії.
3. Перевірка точності вирівнювання вертикальної лінії.
4. Перевірка перпендикулярності між 2 вертикальними лініями.
5. Перевірка точності лінії схилу.

Перед перевіркою точності встановленого на штатив лазерного нівеліра проконтролювати вирівнювання штатива.

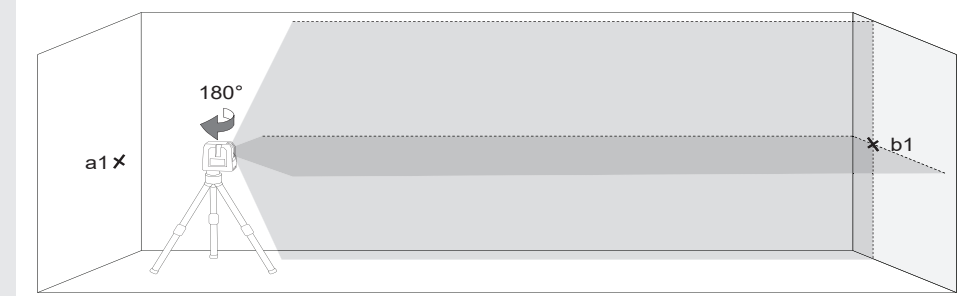


1 ПЕРЕВІРКА ТОЧНОСТІ ГОРИЗОНТАЛЬНОЇ ЛІНІЇ ПО ВИСОТІ (ВІДХИЛЕННЯ ВГОРУ І ВНИЗ)

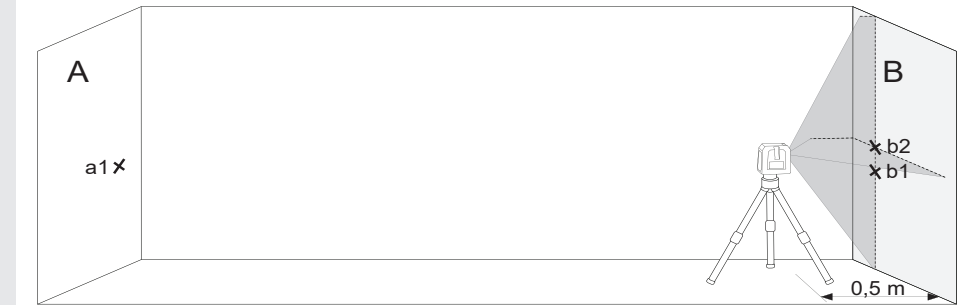
1. Встановити лазерний нівелір на штатив або на рівну поверхню між двома стінами А і В, віддаленими одна від одної приблизно на 5 м.
2. Встановити лазерний нівелір на відстані ОК. 0,5 м від стіни А.
3. Включити режим автоматичного нівелювання та натиснути кнопку для проектування горизонтальної і вертикальної лінії на стіні.
4. Позначити точку перетину обох ліній як точку a1 на стіні А.



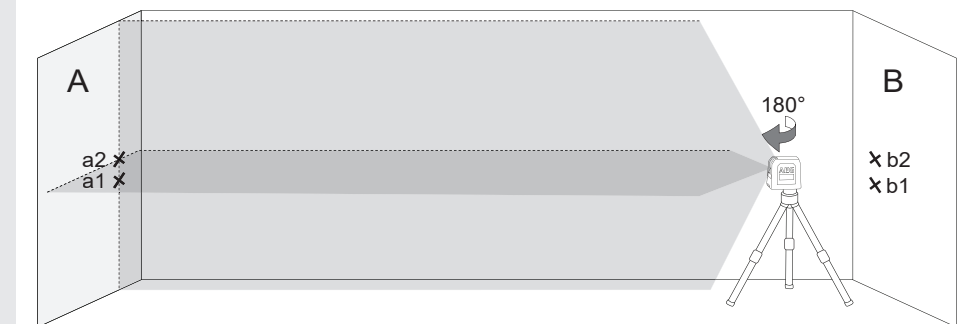
5. Повернути лазерний нівелір на 180° в напрямку стіни В та відзначити точку перетину обох ліній як точку b1 на стіні В.



6. Встановити лазерний нівелір на відстані ОК. 0,5 м від стіни В.
7. Позначити точку перетину обох ліній як точку b2 на стіні В.



8. Повернути лазерний нівелір на 180° в напрямку стіни А та відзначити точку перетину обох ліній як точку a2 на стіні А.

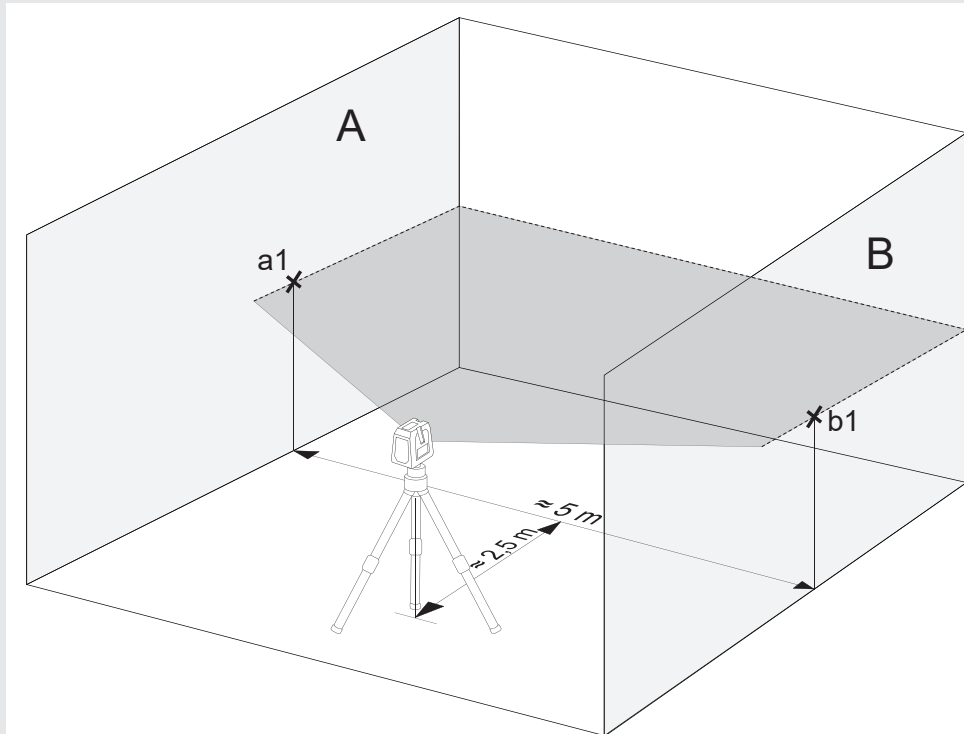


9. Виміряти відстані:
 $\Delta a = |a2 - a1|$
 $\Delta b = |b1 - b2|$
10. Різниця $|\Delta a - \Delta b|$ не повинна перевищувати 2 мм.

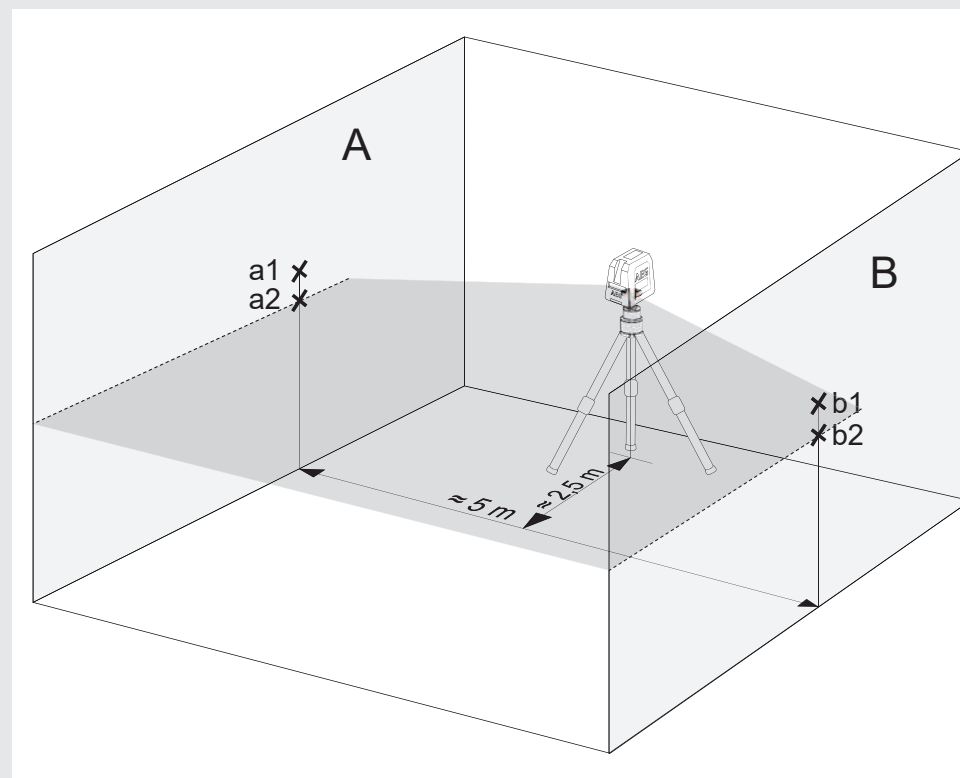
2 ПЕРЕВІРКА ТОЧНОСТІ ВИРІВНЮВАННЯ ГОРИЗОНТАЛЬНОЇ ЛІНІЇ (ВІДХИЛЕННЯ ОДНІЄЇ СТОРОНИ ВІД ІНШОЇ)

Для цієї перевірки потрібен вільний простір площею ОК. 5×5 м.

1. Встановити лазерний нівелір на штатив або на тверду поверхню між двома стінами А і В, віддаленими одна від одної приблизно на 5 м.
2. Встановити лазерний нівелір на відстані близько 2,5 м від центру приміщення.
3. Включити режим автоматичного нівелювання та натиснути кнопку для проєктування горизонтальної лінії на стінах А і В.
4. Позначити центр лазерної лінії на стіні А як а1 і на стіні В як b1.



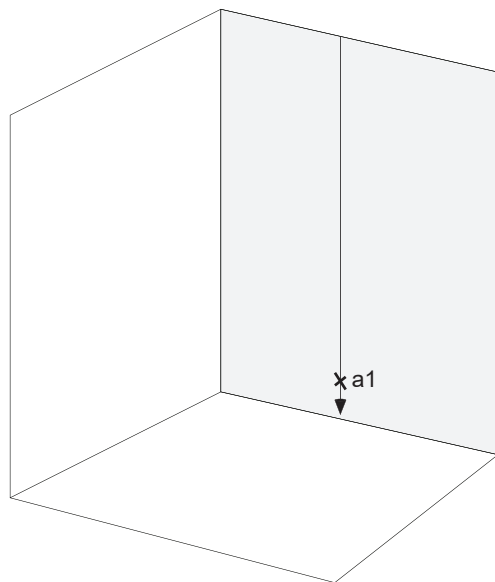
5. Змістити лазерний нівелір приблизно на 5 м, повернути на 180° і знову спроектувати горизонтальну лінію на стіни А і В.
6. Позначити центр лазерної лінії на стіні А як а2 і на стіні В як b2.



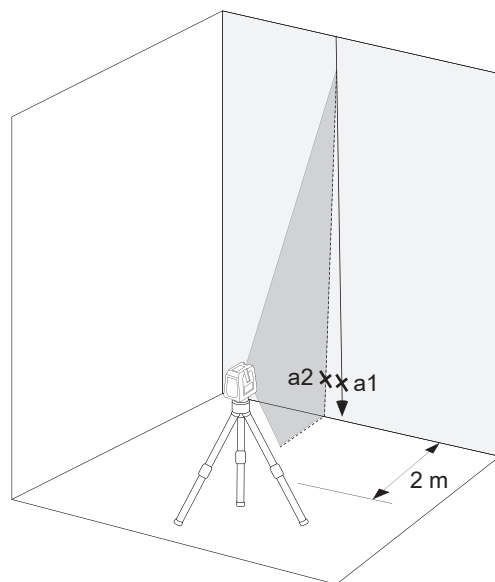
7. Виміряти відстані:
 $\Delta a = |a2 - a1|$
 $\Delta b = |b1 - b2|$
8. Різниця $|\Delta a - \Delta b|$ не повинна перевищувати 2 мм.

3 ПЕРЕВІРКА ТОЧНОСТІ ВИРІВНЮВАННЯ ВЕРТИКАЛЬНОЇ ЛІНІЇ

1. Повісити на стіну схил довжиною близько 4 м.
2. Після того як тягарець схилу зупиниться, відзначити на стіні точку a_1 над конусом тягарця.



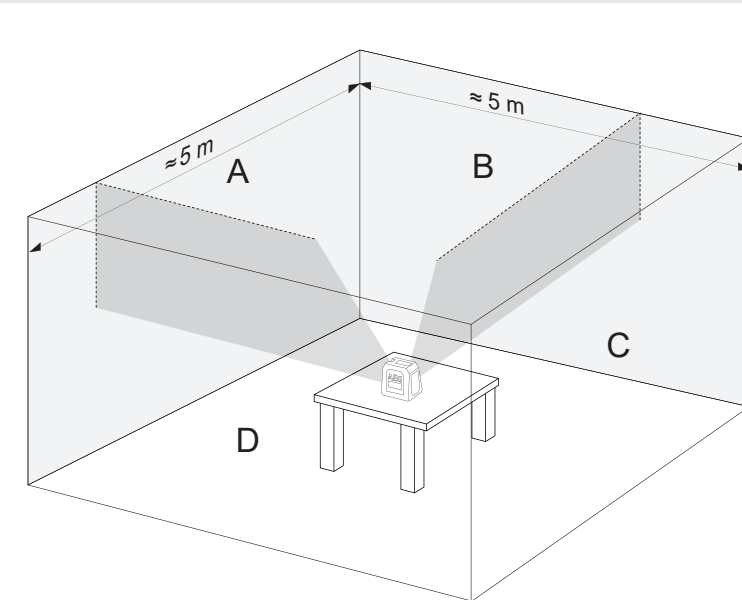
3. Встановити лазерний нівелір на штатив або на рівну поверхню на відстані близько 2 м від стіни.
4. Увімкнути режим автоматичного нівелювання та натиснути кнопку для проектування вертикальної лінії на схил.
5. Повернути лазерний нівелір таким чином, щоб вертикальна лінія збігалася з підвішеним схилом.
6. Позначте на стіні точку a_2 у центрі вертикальної лінії на тій же висоті, що і a_1 .
7. Відстань між a_1 і a_2 не повинна перевищувати 1 мм.



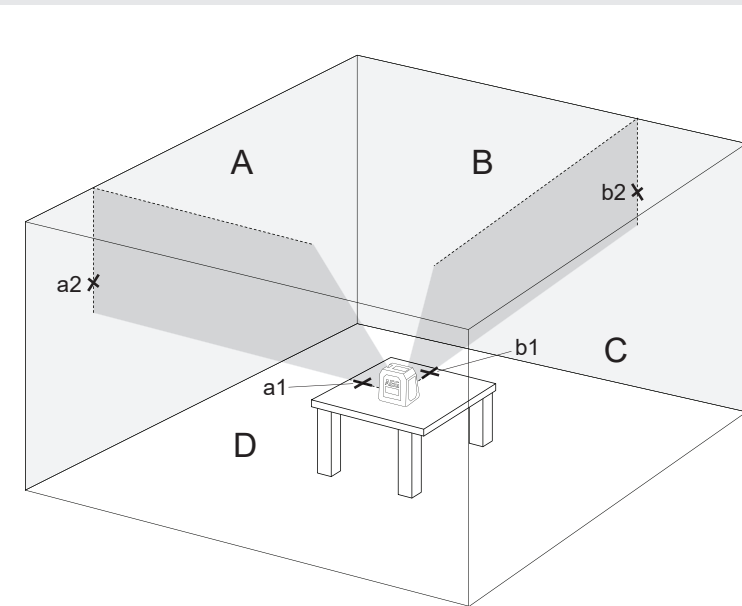
4 ПЕРЕВІРКА ПЕРПЕНДИКУЛЯРНОСТІ МІЖ 2 ВЕРТИКАЛЬНИМИ ЛІНІЯМИ

Для цієї перевірки потрібно приміщення з 4 стінами площею не менше 5×5 м.

1. Встановити лазерний нівелір на стіл або на підлогу в центрі приміщення.
2. Увімкнути режим автоматичного нівелювання і натиснути 4 рази кнопку V/H для проектування вертикальних ліній вперед і вбік.

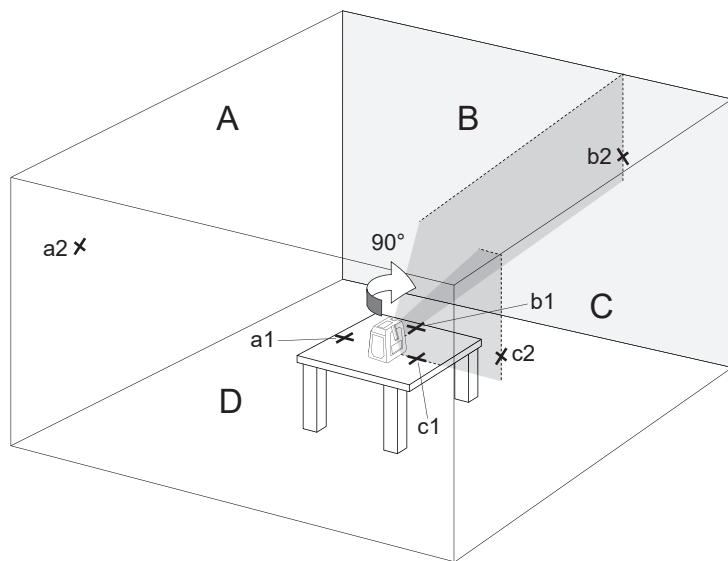


3. Відзначити центр спроектованої вперед вертикальної лінії в двох місцях: точка a_1 на столі поруч із лазерним нівеліром та точка a_2 на стіні A.
4. Відзначити центр спроектованої вбік вертикальної лінії в двох місцях: точка b_1 на столі поруч із лазерним нівеліром та точка b_2 на стіні B.

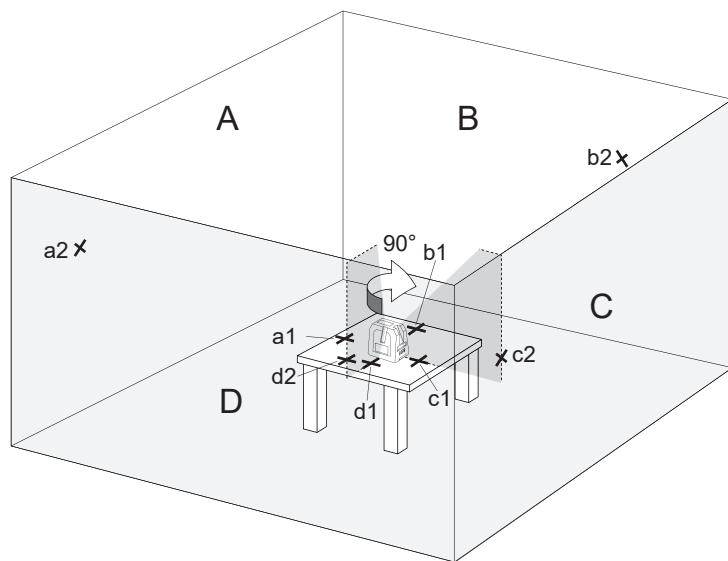


ПЕРЕВІРКА ПЕРПЕНДИКУЛЯРНOSTІ МІЖ 2 ВЕРТИКАЛЬНИМИ ЛІНІЯМИ

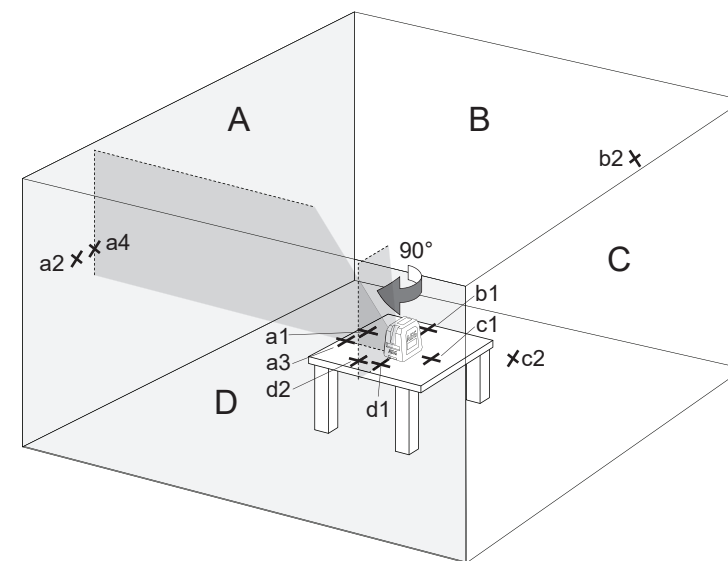
5. Повернути лазерний нівелір за годинниковою стрілкою на 90° таким чином, щоб спрямована вперед лазерна лінія збігалася з відмітками b_1 на столі та b_2 на стіні B.
6. Відзначити центр спроектованої вбік вертикальної лінії в двох місцях: точка c_1 на столі поруч з лазерним нівеліром і точка c_2 на стіні C.



7. Повернути лазерний нівелір за годинниковою стрілкою на 90° таким чином, щоб спрямована вперед лазерна лінія збігалася з відмітками c_1 на столі та c_2 на стіні C.
8. Відзначити центр спроектованої вбік вертикальної лінії в двох місцях: точка d_1 на столі поруч з лазерним нівеліром та точка d_2 на стіні D.



9. Повернути лазерний нівелір за годинниковою стрілкою на 90° таким чином, щоб спрямована вперед лазерна лінія збігалася з відмітками d_1 на столі та d_2 на стіні D.
10. Відзначити центр спроектованої вбік вертикальної лінії в двох місцях: точка a_3 на столі поруч з точкою a_1 та точка a_4 на стіні A поруч з точкою a_2 .

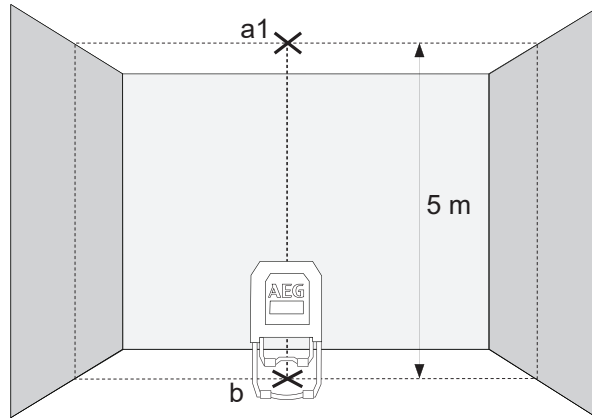


11. Виміряти відстані:
 $\Delta 1$ = від a_1 до a_3
 $\Delta 2$ = від a_2 до a_4
12. Різниця $\Delta 2 - \Delta 1$ не повинна перевищувати 4 мм.

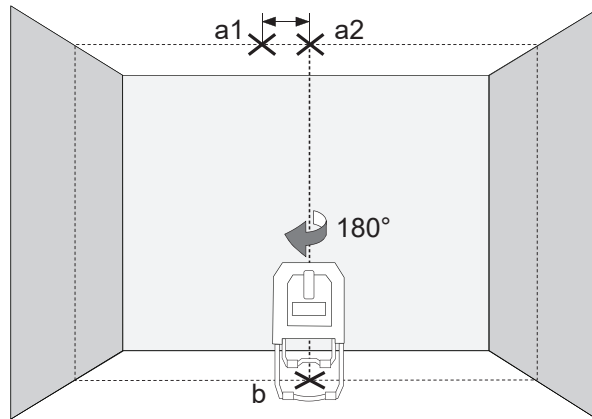
5 ПЕРЕВІРКА ТОЧНОСТІ ЛІНІЇ СХИЛУ

Для цієї перевірки потрібно приміщення з висотою стелі прибіл. 5 м.

1. Висунути ніжки лазерного нівеліра та встановити пристрій на підлозі.
2. Увімкнути режим автоматичного нівелювання та натиснути кнопку для проєктування вертикальних перехрещених ліній на стелі і точки схилу на підлозі.
3. Відзначити на стелі центр спрямованої наверх перехрещеної лінії як точку a1 (див. малюнок).
4. Позначити на підлозі центр точки схилу як точку b.

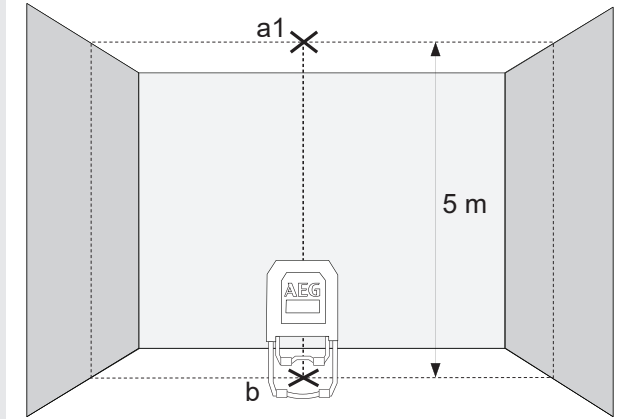


5. Повернути лазерний нівелір на 180° та помістити його таким чином, щоб центр точки схилу потрапив на вже зазначену точку b, і дочекатися вирівнювання пристрою.
6. Відзначити на стелі центр спрямованої вгору перехрещеної лінії як точку a2.
7. Відстань між точками a1 та a2 на стелі вказує, наскільки лазерна лінія відхиляється від ідеальної прямовисної вертикалі. При вимірювальному відрізку 5 м максимально допустиме відхилення становить: $5 \text{ м} \times (\pm 0,6 \text{ мм/м}) \times 2 = \pm 6 \text{ мм}$.
8. Відстань між a1 та a2 не повинна перевищувати 6 мм.

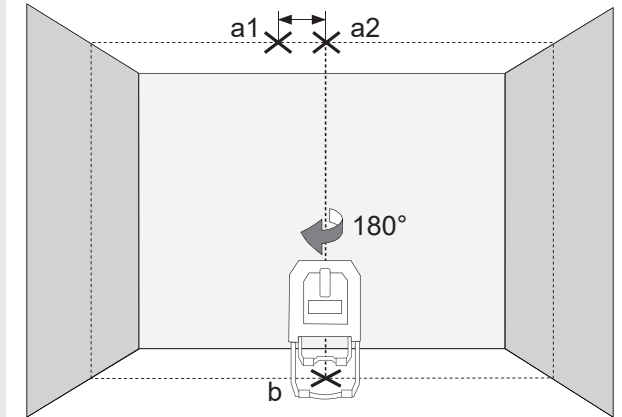


من أجل إجراء هذا الفحص يلزم توافر غرفة بسقف يرتفع تقريباً 5 م.

1. قم بطي أرجل جهاز الليزر وضع الجهاز على الأرض.
2. قم بتشغيل وضع التسوية الذاتي واضغط على الزر، لكي تعرض خط التقاطع الرأسي على السقف ونقطة التعامد على الأرض.
3. ضع علامة على منتصف خط التقاطع الموجه إلى أعلى على أنه نقطة أ1 على السقف (أنظر الصورة).
4. ضع علامة على نقطة منتصف نقطة التعامد على أنها نقطة ب على الأرض.

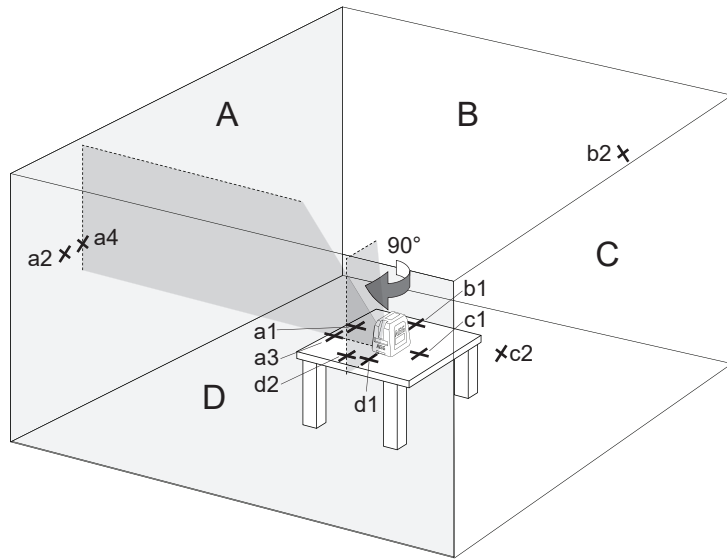


5. قم بتدوير جهاز الليزر بمعدل 180 درجة وضعه بحيث تقع نقطة منتصف نقطة التعامد على النقطة ب المحددة سابقاً وانتظر حتى يقوم الجهاز بتعديل مستواه.
6. ضع علامة على منتصف خط التقاطع الموجه إلى أعلى على أنه نقطة أ2 على السقف.
7. المسافة بين النقاط أ1 وأ2 على السقف تشير إلى للشاقول. أي حد ينحرف خط الليزر عن الاتجاه المثالي للشاقول. في حالة مسافة القياس 5 م يبلغ أقصى انحراف مسموح به: $5 \times (0,6 \pm) \text{ مم} = 6 \pm \text{ مم}$
8. لا يجوز أن تكون المسافة بين أ1 و أ2 أكبر من 6 مم.



9. قم بتدوير جهاز الليزر بمعدل 90 درجة في اتجاه عقرب الساعة، حتى أن يقع خط الليزر الموجه إلى الأمام على العلامات د1 على المنضدة و د2 على الحائط د.

10. ضع علامة على منتصف الخط الرأسي المنتج إلى الجانب في موضعين: نقطة أ3 على المنضدة بالقرب من النقطة أ1 ونقطة أ4 على الحائط أ2.



11. قم بقياس مسافات التباعد:

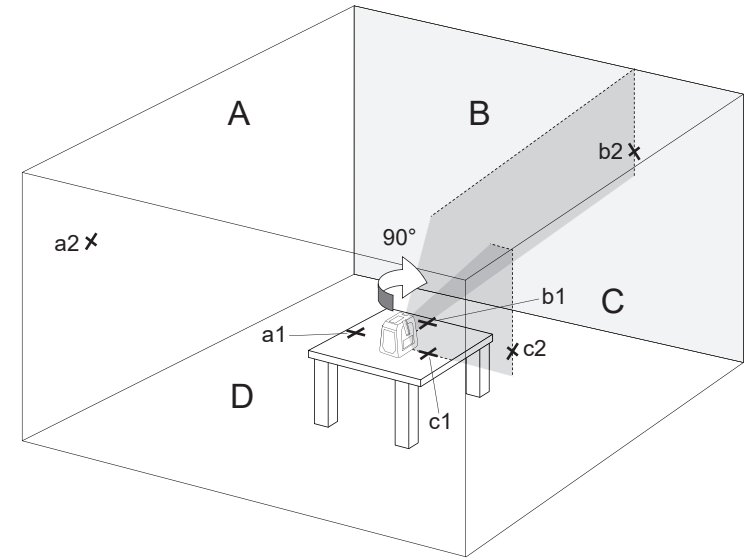
$$1\Delta = \text{من أ1 إلى أ3}$$

$$2\Delta = \text{من أ1 إلى أ4}$$

12. لا يجوز أن يبلغ الفرق $2\Delta - 1\Delta$ أكثر من 4 مم.

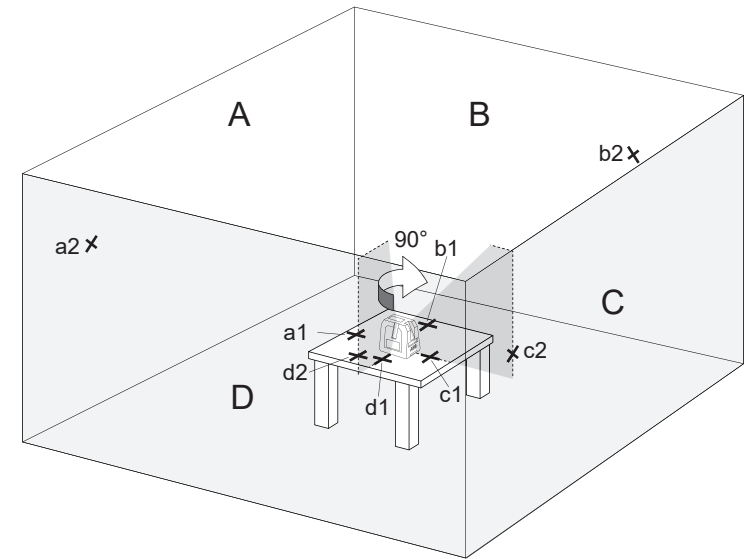
5. قم بتدوير جهاز الليزر بمعدل 90 درجة في اتجاه عقرب الساعة، حتى يقع خط الليزر الموجه إلى الأمام على العلامات ب1 على المنضدة وب2 على الحائط ب.

6. ضع علامة على منتصف الخط الرأسي المنتج إلى الجانب في موضعين: نقطة ث1 على المنضدة بالقرب من جهاز الليزر والنقطة ث2 على الحائط ث.

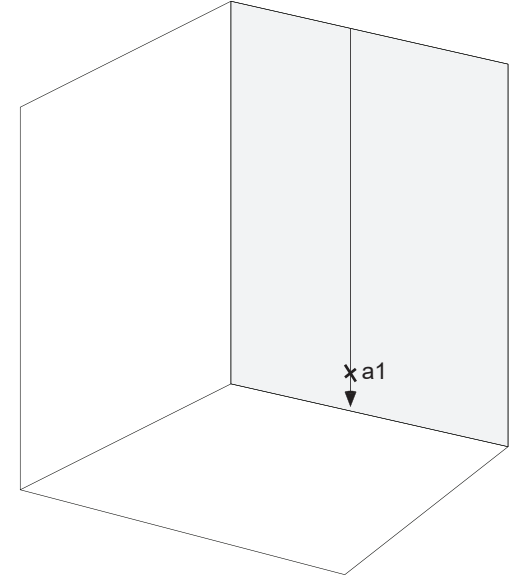


7. قم بتدوير جهاز الليزر بمعدل 90 درجة في اتجاه عقرب الساعة، حتى أن يقع خط الليزر الموجه إلى الأمام على العلامات ث1 على المنضدة و ث2 على الحائط ث.

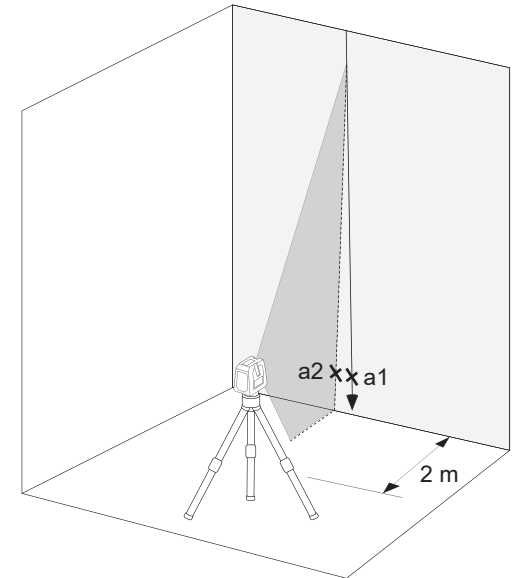
8. ضع علامة على منتصف الخط الرأسي المنتج إلى الجانب في موضعين: نقطة د1 على المنضدة بالقرب من جهاز الليزر والنقطة د2 على الحائط د.



1. قم بتعليق خيط تعامد طوله تقريباً 4 م على حائط.
2. بعد أن يتوقف الشاقول عن التارجح، ضع علامة النقطة 1أ فوق القمع الرصاصي على الحائط.

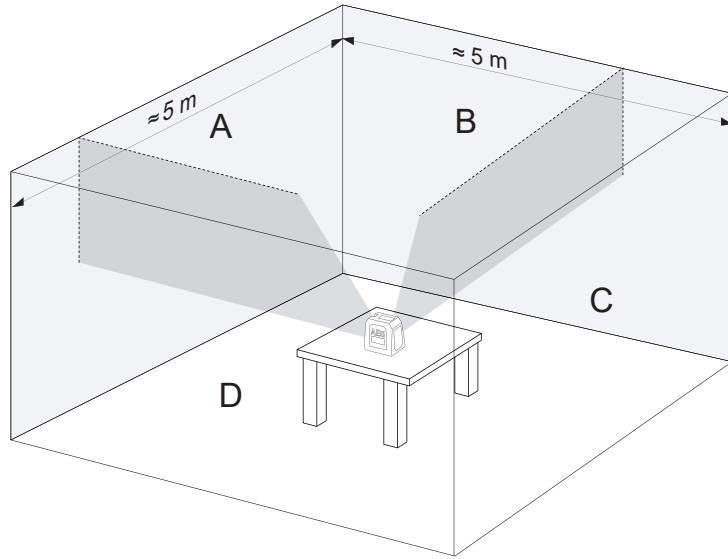


3. ضع جهاز الليزر على حامل أو أرضية مستوية على مسافة تبعد 2 متر من الحائط.
4. قم بتشغيل وضع التسوية الذاتي واضغط على الزر، لكي تعرض الخط الرأسي على خيط الشاقول.
5. قم بتدوير جهاز الليزر حتى ينطبق الخط الرأسي مع تعليق خيط الشاقول.
6. ضع علامة النقطة 2أ في منتصف الخط الرأسي على الحائط عند نفس الارتفاع مثل 1أ.
7. لا يجوز أن تكون المسافة بين 1أ و 2أ أكبر من 1 مم.

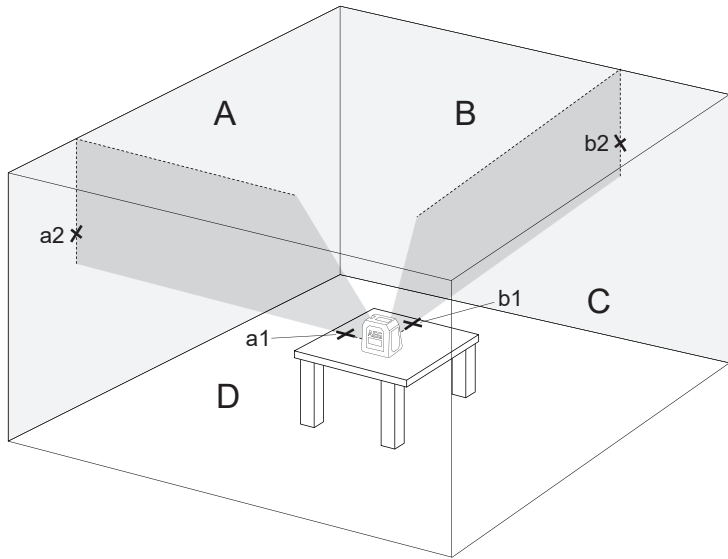


من أجل إجراء هذا الفحص يلزم توافر غرفة بها 4 حوائط ومساحة تبلغ على الأقل 5 × 5 م.

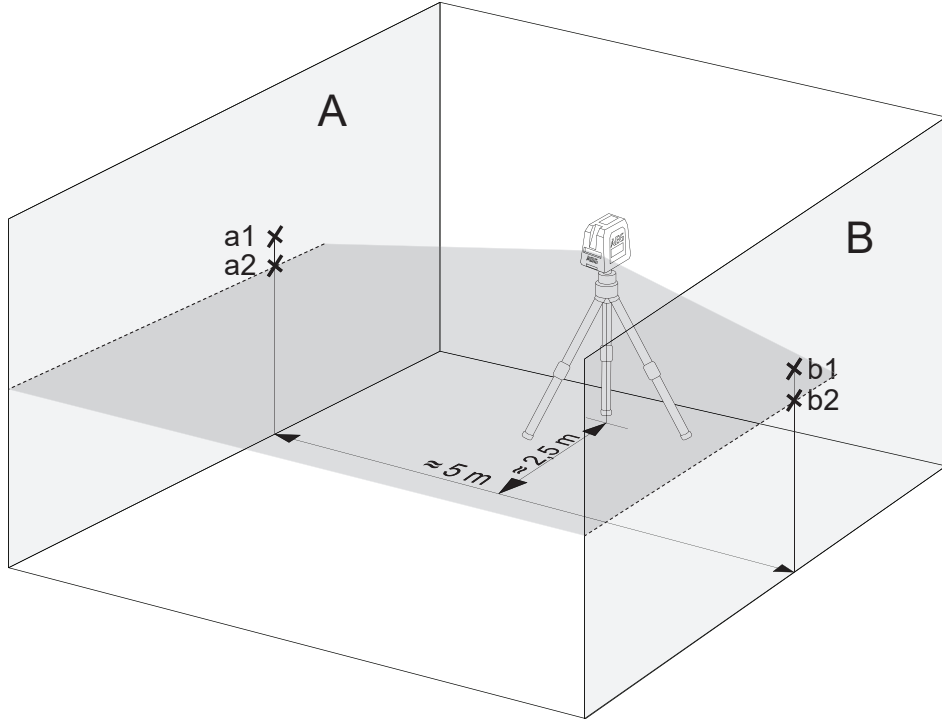
1. ضع جهاز الليزر على منضدة أو على الأرض في منتصف الغرفة.
2. قم بتشغيل وضع التعديل الذاتي للمستوى واضغط على الزر V/H وذلك لـ 4 مرات، لكي تعرض الخط الرأسي إلى الأمام وعلى الجانب.



3. ضع علامة على منتصف الخط الرأسي المنتج إلى الأمام في موضعين: نقطة 1أ على المنضدة بالقرب من جهاز الليزر والنقطة 2أ على الحائط أ.
4. ضع علامة على منتصف الخط الرأسي المنتج إلى الجانب في موضعين: نقطة ب1 على المنضدة بالقرب من جهاز الليزر والنقطة ب2 على الحائط ب.



5. أنقل جهاز الليزر بمسافة 5 متر وتدويره بمعدل 180 درجة واعرض الخط الأفقي مرة أخرى على الحائط أ والحائط ب.
6. ضع علامة على نقطة منتصف خط الليزر على الحائط أ على أنها 1 وعلى الحائط ب على أنها ب2.



7. قم بقياس مسافات التباعد:

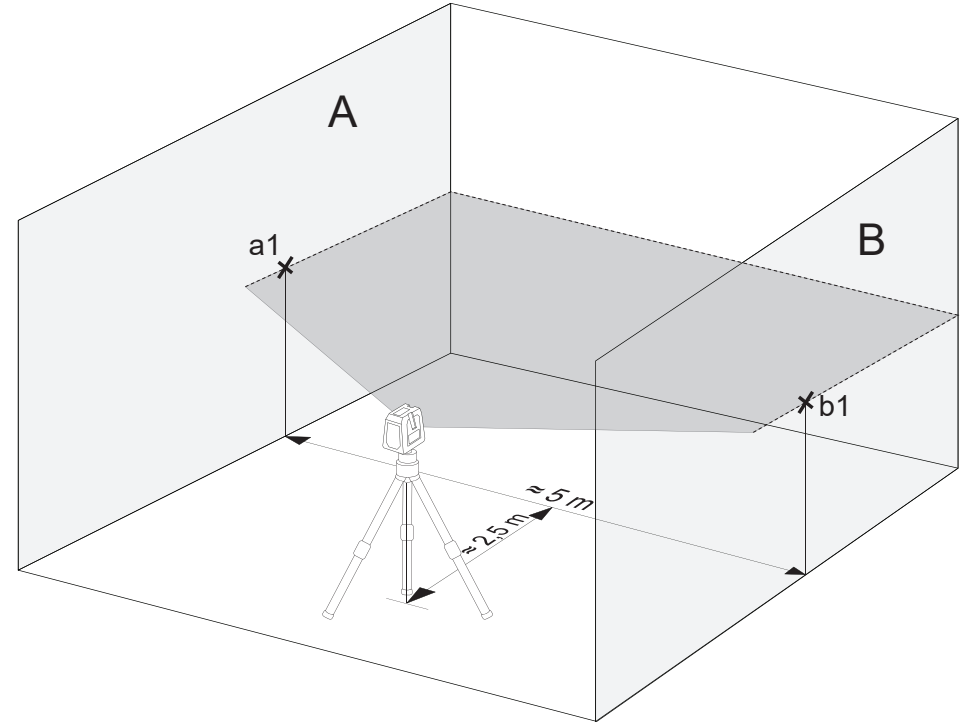
$$|1 - 2| = \Delta A$$

$$|2 - 1| = \Delta B$$

8. لا يجوز أن يبع الفرق $|\Delta A - \Delta B|$ أكثر من 2 مم.

لإجراء هذا الفحص يلزم توافر مساحة فارغة تبلغ حوالي 5 × 5 م.

1. ضع جهاز الليزر على حامل أو أرضية صلبة بين حائطين حائط أ وحائط ب يبعدان عن بعضهما البعض بمسافة 5 م.
2. ضع جهاز الليزر بحيث يبعد عن منتصف الغرفة مسافة تبلغ حوالي 2,5 م.
3. قم بتشغيل وضع التسوية الذاتي واضغط على الزر، لكي تعرض الخط الأفقي والرأسي على الحائط ب.
4. ضع على علامة على نقطة منتصف خط الليزر على الحائط أ على أنها 1 وعلى الحائط ب على أنها ب1.

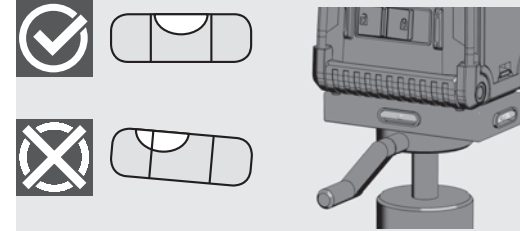


جهاز الليزر يأتي من المصنع بعد معايرته تماماً. شركة AEG تتصح بفحص دقة جهاز الليزر بشكل منتظم، وخاصة بعد السقوط أو في أعقاب الاستخدامات الخاطئة.

إذا تم تعدي أقصى قدر من التفاوت في حالة فحص الدقة، يرجى التوجه إلى أحد مراكز خدمة AEG التابعة لنا (أنظر القوائم الخاصة بشروط الضمان وعناوين مراكز الخدمة).

1. أفحص دقة ارتفاعات الخط الأفقي.
2. أفحص دقة تسوية الخط الأفقي.
3. أفحص دقة تسوية الخط الرأسي.
4. أفحص الزاوية العمودية بين خطين رأسيين.
5. أفحص دقة التعامد

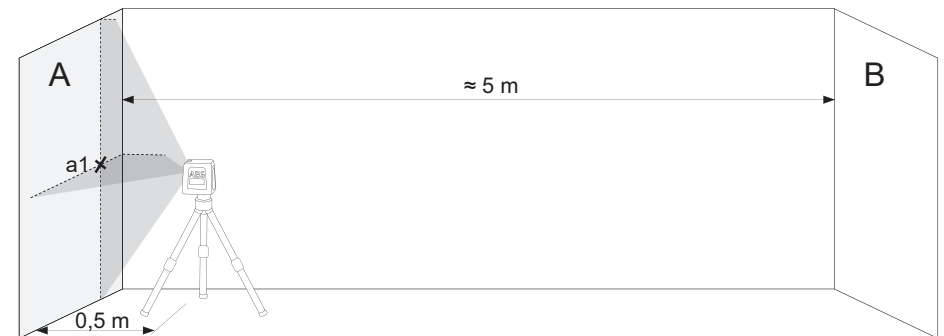
قبل فحص دقة جهاز الليزر المثبت على الحامل تحقق من تعديل مستوى الحامل.



1

أفحص دقة ارتفاع الخط الأفقي (التفاوت إلى أعلى وإلى أسفل)

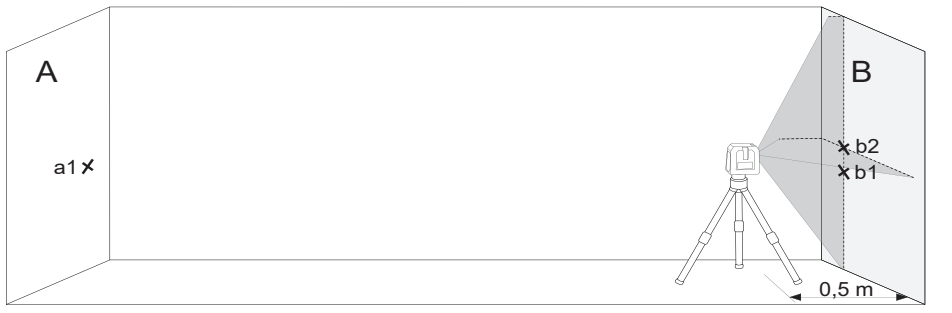
1. ضع جهاز الليزر على حامل أو أرضية مستوية بين حائطين حائط أ وحائط ب يبعدان عن بعضهما البعض بمسافة 5 م.
2. ضع جهاز الليزر بحيث يبعد عن الحائط أ مسافة تبلغ حوالي 0,5 م.
3. قم بتشغيل وضع التسوية الذاتي واضغط على الزر، لكي تعرض الخط الأفقي والرأسي على الحائط أ.
4. ضع علامة على نقطة تقاطع الخطين على الحائط أ على النقطة 1أ.



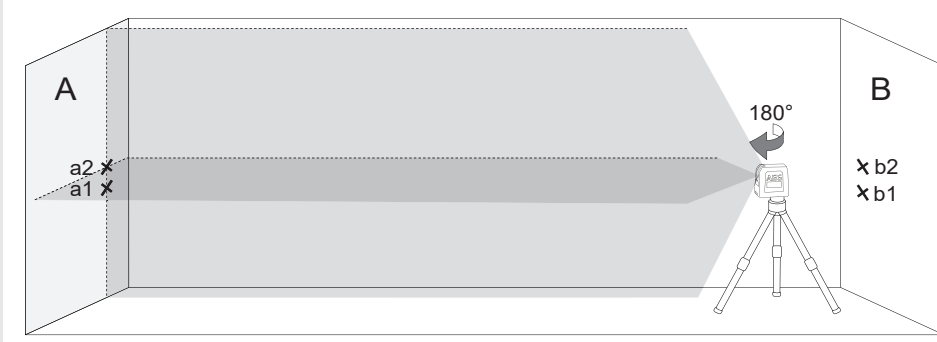
5. قم بلف جهاز الليزر بزاوية 180 درجة في اتجاه الحائط ب وضع علامة على نقطة تقاطع الخطين على الحائط ب على أنها نقطة ب1.



6. ضع جهاز الليزر بحيث يبعد عن الحائط ب مسافة تبلغ حوالي 0,5 م.
7. ضع علامة على نقطة تقاطع الخطين على الحائط ب على أنها النقطة ب2.



8. قم بلف جهاز الليزر بزاوية 180 درجة في اتجاه الحائط أ وضع علامة على نقطة تقاطع الخطين على الحائط أ على أنها نقطة 2أ.



9. قم بقياس مسافات التباعد:

$$|1أ - 2أ| = \Delta أ$$

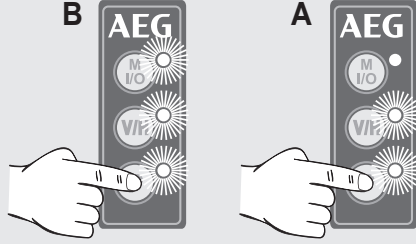
$$|1ب - 2ب| = \Delta ب$$

10. لا يجوز أن يبع الفرق $|\Delta أ - \Delta ب|$ أكثر من 2 مم.

بخاصية التعماد يمكن عرض نقطة على الأرض بشكل متعامد على السقف. نقطة المراجعة على الأرض سوف تكون نقطة تقاطع الخطوط المتقاطعة على السقف.
تخدم خاصية التعماد على سبيل المثال نقل نقطة مراجعة لتركيب الإضاءة والتهوية أو لنقل الارتفاعات.

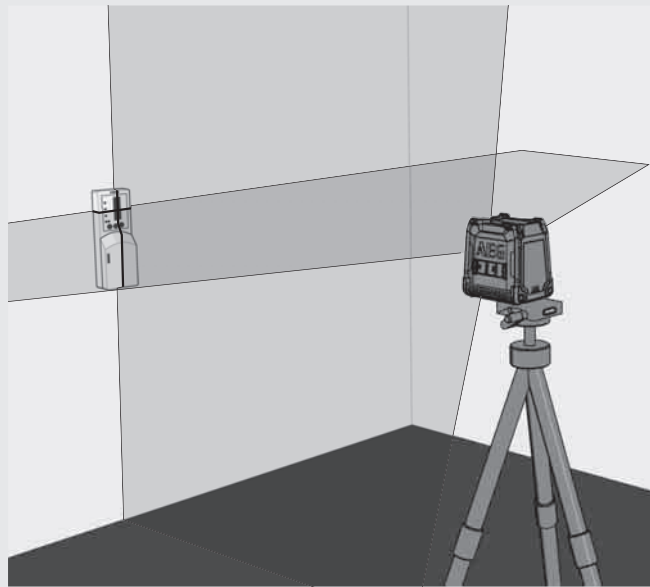
للعمل في الخارج في حالة أشعة الشمس المباشرة أو ظروف الإضاءة الساطعة وكذلك للاستخدامات الداخلية مع مسافة وصول حتى 50 متر استخدم وضع النبض مع كاشف.
عبوة التوريد لا تشمل على الكاشف ويجب شراؤه منفصلاً.
في حالة عمل وضع النبض سوف تومض خطوط الليزر بتردد عالي جداً (غير مرئي للعين البشرية)، لكي يستطيع الكاشف تحديد مكان خطوط الليزر.

1



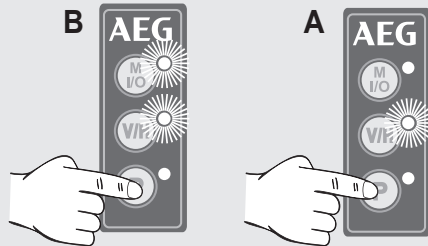
يمكن تشغيل وضع النبض سواء في وضع التسوية الذاتي (أ) أو في الوضع اليدوي (ب).
أضغظ على الزر P. سوف تضيئ لمبة LED الخضراء التي بجانب الزر.

2

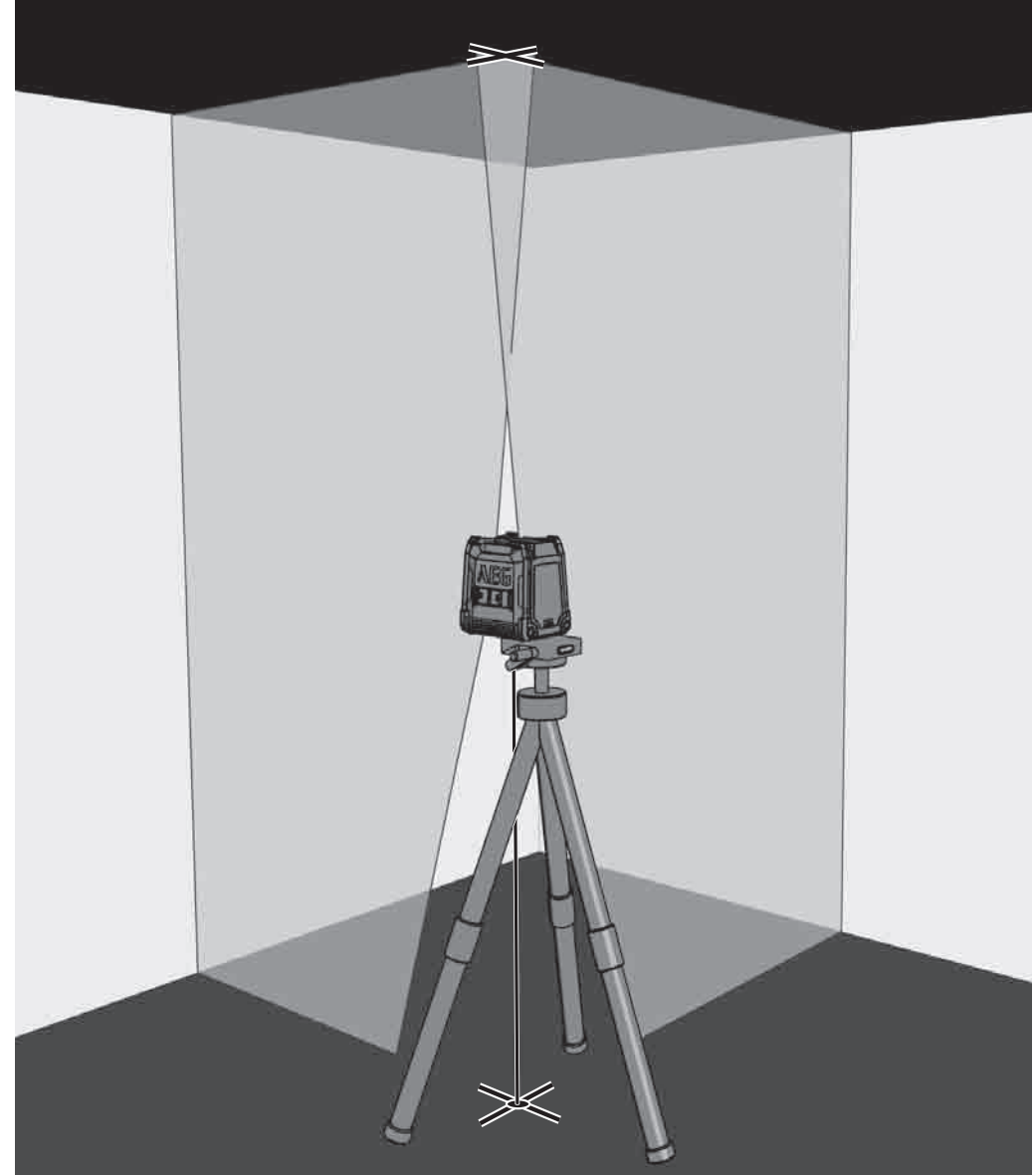


بعد تشغيل وضع النبض تقل روية خطوط الليزر قليلاً.
المعلومات التفصيلية الخاصة باستخدام الكاشف تجدونها في دليل استخدام الكاشف.

3



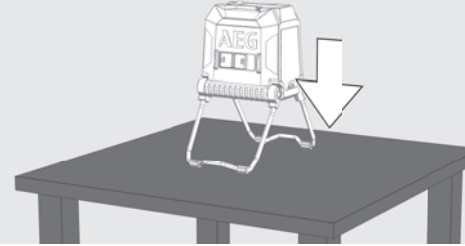
أضغظ الزر P مرة أخرى، لكي توقف عمل وضع النبض. سوف تتلاشى إضاءة لمبة LED الخضراء التي بجانب الزر.



في الوضع اليدوي تكون خاصية التعديل الذاتي للمستوى معطلة ويمكن ضبط جهاز الليزر بأي ميل لخطوط الليزر مرغوب فيه.

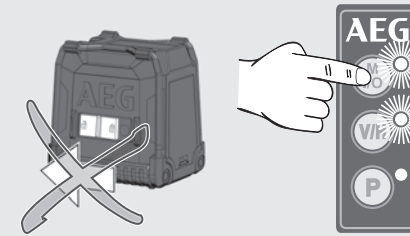
1

ضع جهاز الليزر على أرضية صلبة مستوية وخالية من الاهتزازات أو قم بتركيبه على حامل.



2

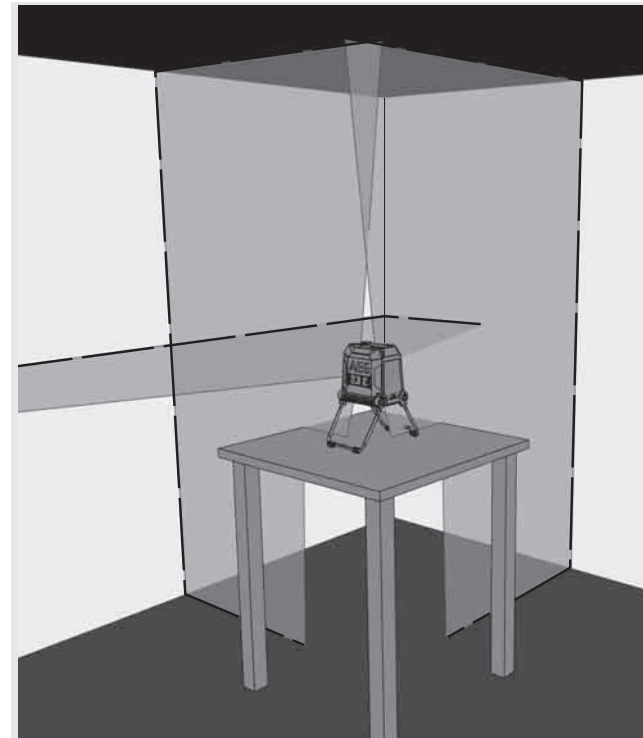
أضغظ الزر المخصص للوضع اليدوي (دون أن تزيح زر التعشيق!).
سوف تضيئ لمبة LED الحمراء التي بجانب الزر.



3

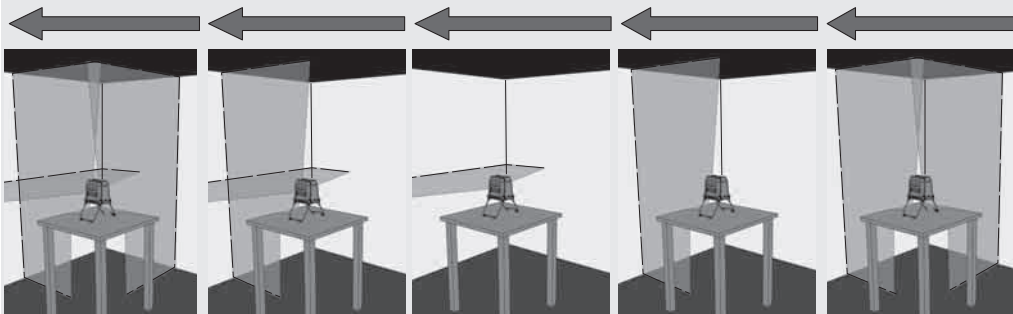
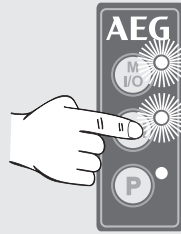
وكما هو الحال في وضع التعديل الذاتي للمستوى سوف يصدر جهاز الليزر 3 خطوط ليزر، ولكنها سوف تومض بمعدل كل 3 ثواني.

3 ثواني 3 ثواني 3 ثواني



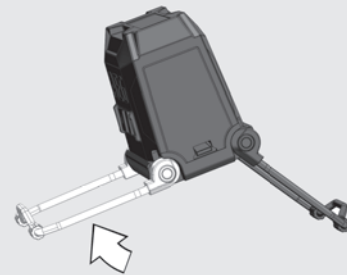
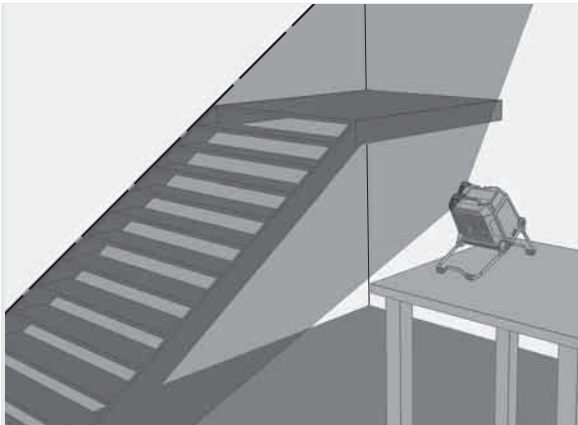
4

اضغظ الزر V/H، لاختيار الخطوط التي ترغب في العمل بها.



5

اضبط جهاز الليزر بمساعدة الأرجل على الارتفاع والميل المرغوب فيهما.



6

لكي تنهي الوضع اليدوي، أضغظ على الزر المخصص للوضع اليدوي مرة أخرى.
لانتقال مباشرة إلى وضع التعديل الذاتي للمستوى، ضع زر التعشيق على ON.



في وضع التعديل الذاتي للمستوى يُعدل جهاز الليزر نفسه في مجال يبلغ ± 3 درجات. سوف يتم عرض خط أفقي وخطين رأسيين أو تظهر جميع الخطوط الـ 3 في نفس الوقت.

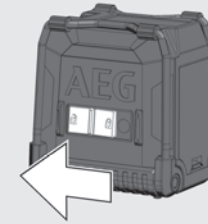
1



مسامير قلاوظ 1/4 بوصة

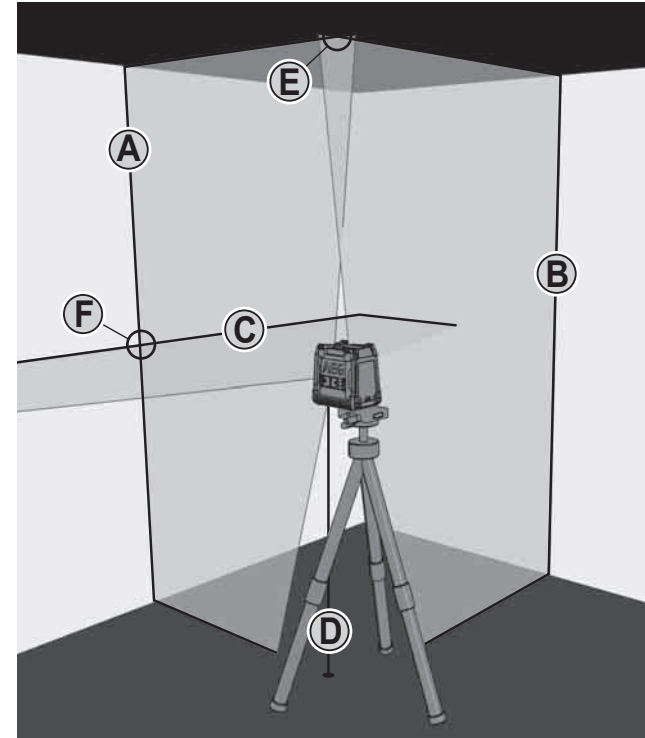
ضع جهاز الليزر على أرضية صلبة مستوية وخالية من الاهتزازات أو قم بتركيبه على حامل.

2



قم بإزاحة زر التشغيل إلى ON.

3

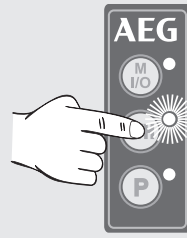


جهاز الليزر سوف ينتج 3 خطوط ليزر

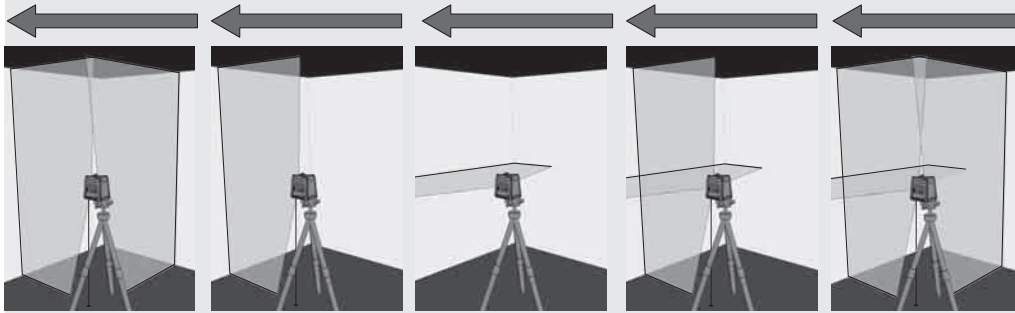
- (أ) خط رأسي للأمام
- (ب) خط أفقي للجانب
- (ج) خط أفقي للأمام
- (د) نقطة الليزر (خط التعامد)

إذا كان قد تم تنشيط عمل جميع الخطوط، سوف يصدر جهاز الليزر خطوط تقاطع إلى أعلى (E) وإلى الأمام (F).

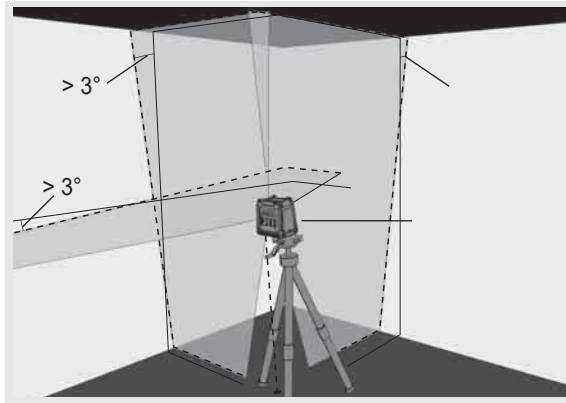
4



اضغط الزر V/H، لاختيار الخطوط التي ترغب في العمل بها.



5



إذا كان جهاز الليزر ليس موجه على ± 3 درجة في حالة عمل التسوية الذاتية، فسوف تومض خطوط الليزر - - - - وسوف تصدر إشارة صوتية. في هذه الحالة يجب وضع الليزر في موضع جديد.

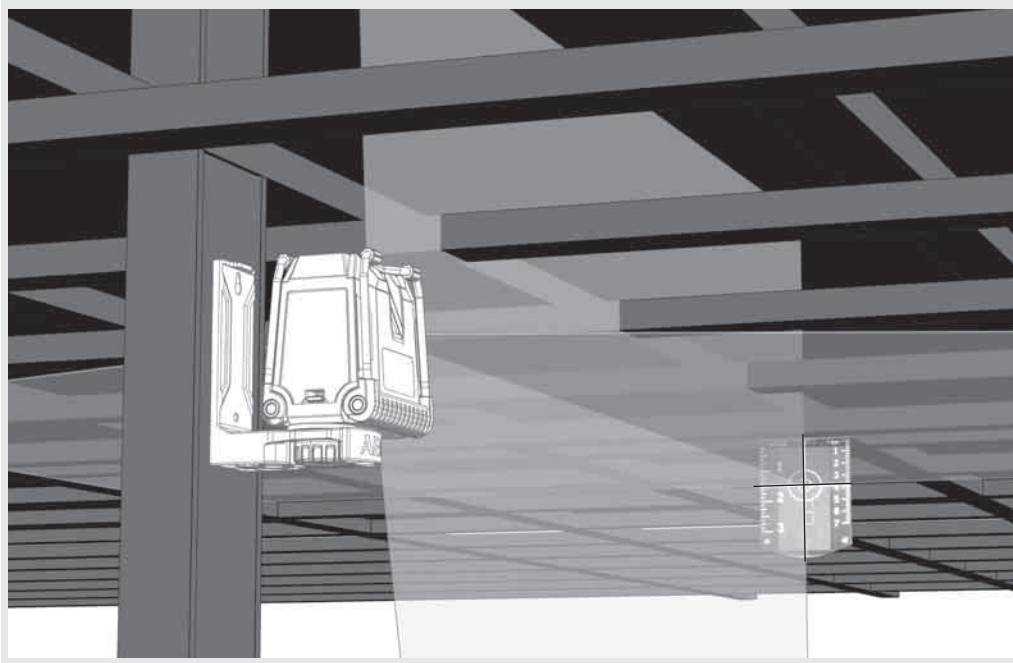
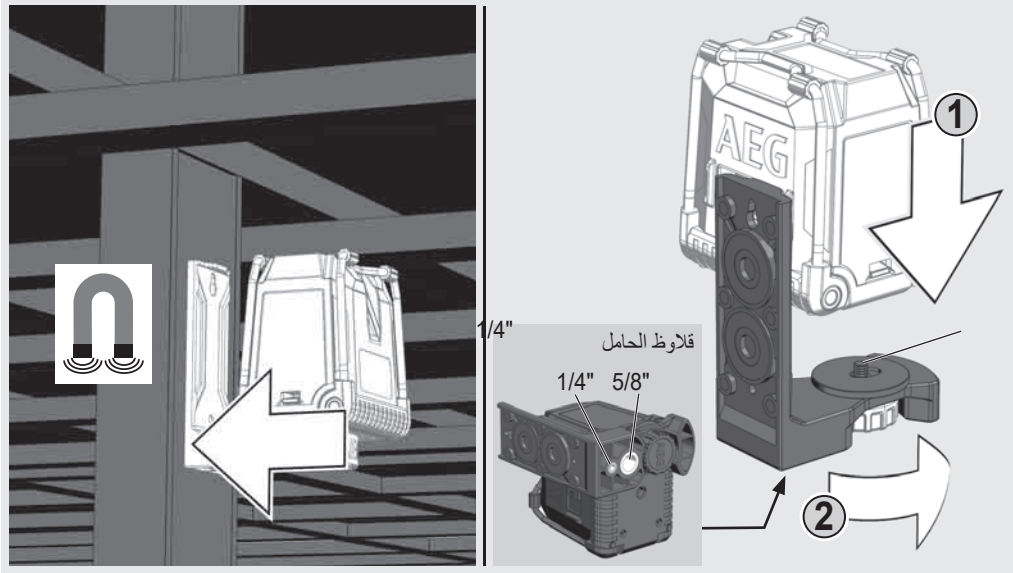
6



قبل نقل الجهاز من موضعه ضع زر التشغيل على OFF من خلال ذلك سيتم تثبيت البندول وحماية جهاز الليزر.

حامل مغناطيسي للحائط ولوحة تحديد الهدف خضراء

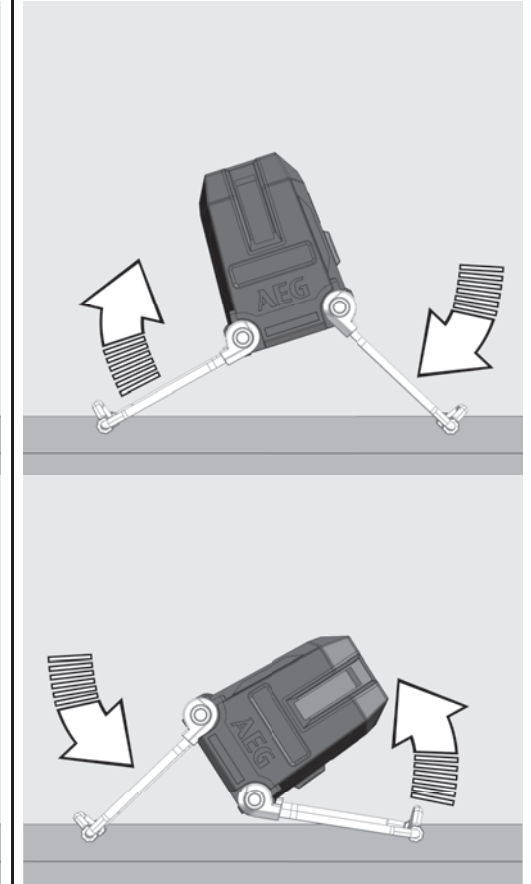
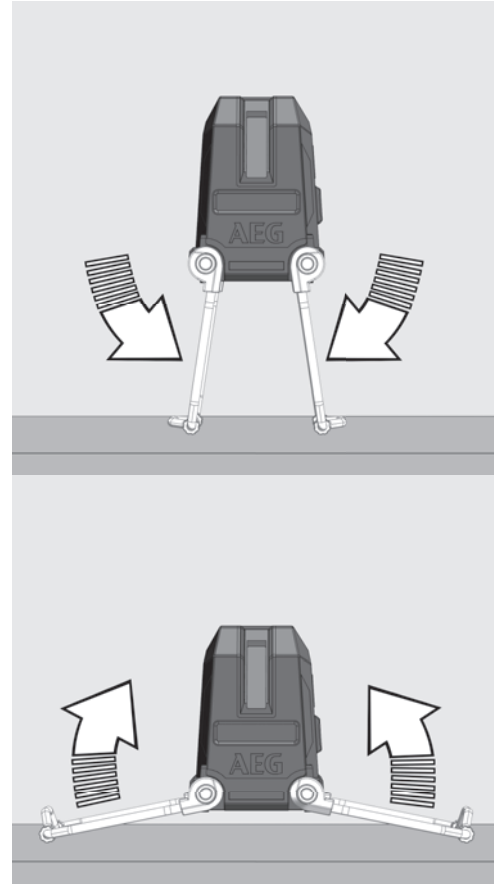
بالحام المغناطيسي يمكن تثبيت جهاز الليزر على الحوائط والهيكل المعدنية أو ما يشابهها.
لوحة تحديد الهدف الخضراء تحسن من رؤية شعاع الليزر في حالة الظروف الغير المناسبة والمسافات البعيدة.



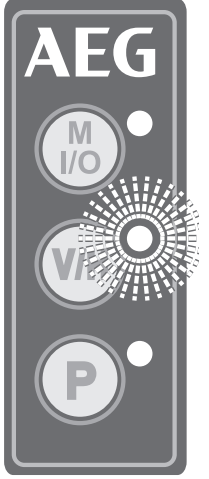
أرجل قابلة للتعديل

أضبط ارتفاع الخط الأفقي بالأرجل القابلة للتعديل.

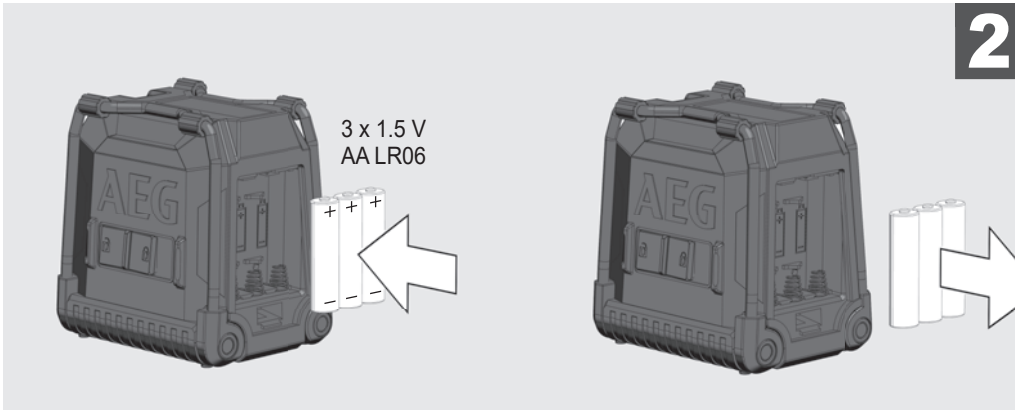
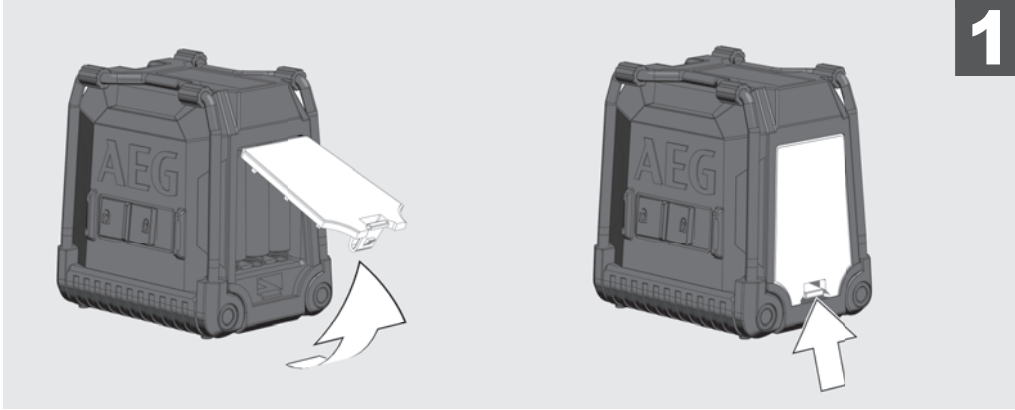
أضبط معدل ميل جهاز الليزر بالأرجل القابلة للتعديل.



في حالة البطاريات المنخفضة الشحنة تقل قوة إضاءة جهاز الليزر والإشارة المطابقة (لمبة LED الخضراء، إلى جانب الزر V/H) تبتدئ في الوميض بتردد يبلغ 0,5 ثانية.
إلا أن مواصلة العمل لا يزال ممكناً.
إذا أصبحت البطاريات ضعيفة، يتوقف الجهاز عن العمل تلقائياً.



استبدل البطاريات، إذا أصبح شعاع الليزر أضعف.
عند عدم استخدام جهاز الليزر لفترة طويلة يجب نزع البطاريات من علبة البطاريات. على هذا النحو يمكن تجنب سيلان سوائل من البطاريات وتجنب أضرار الصدا المصاحبة لها.



لوحة التشغيل



إشارة LED للوضع اليدوي
زر الوضع اليدوي
بتشغيل وإيقاف الوضع اليدوي

اختار إشارة LED المختصة بخط الليزر (ضوء مستمر)
إشارة LED البطارية ضعيفة (وميض صوتي)
زر الاختيار خط الليزر
الاختيار ما بين خط رأسي إلى الأمام أو خط رأسي للجانب أو خط أفقي
للأمام أو مزيج من هذه الخطوط.

إشارة LED الوضع بالنبض
زر وضع النبض
للعمل في الخارج في حالة أشعة الشمس المباشرة أو ظروف الإضاءة
الساطعة وكذلك للاستخدامات الداخلية مع مسافة وصول حتى 50 م
استخدم وضع النبض مع 10 كيلو هرتز.



مثبتات كوتشوك

أرجل قابلة للتعديل

نافذة خط الليزر الراسي للأمام

نافذ خط الليزر الافقي

زر التشغيل ON / OFF



نافذ شعاع الليزر الراسي للجانب

غطاء علبة البطاريات



نقطة تعامد حمراء

قلاوظ حامل 1/4 بوصة

نظف العدسة والعلبة الخارجية لجهاز الليزر بفضة ناعمة نظيفة. لا تستخدم مواد مذيبة. أيضاً وإن كان جهاز الليزر مقاوم حتى درجة معينة للأتربة والتلوث، فلا ينبغي حفظه لفترة طويلة في مكان به أتربة، خلافاً لذلك قد تصاب الأجزاء الداخلية المتحركة بأضرار. إذا حدث بلل لجهاز الليزر، فيجب تجفيفه قبل وضعه في حقيبة الحمل، لكي لا ينشأ به أضرار صداً.

البيانات الفنية

فئة الليزر	2
مجال التعديل الذاتي للمستوى	±3°
فترة التعديل الذاتي للمستوى	ثانية 3-5
طراز البطارية	AA بطاريات قلووية من طراز LR6
الجهد DC	فولت 3 × 1,5
استهلاك الطاقة	أمبير 0,35
نوع الحماية (ضد رزاز الماء والأتربة)	P54
الوظائف	خط أفقي، 2 خط رأسي، خطوط تقاطع، خاصية التعامد
نظام إضافي	التردد 10 كيلو هرتز
العرض	خطوط خضراء، نقطة واحدة حمراء 3
نموذج إصدار خطوط الليزر	خط أفقي للأمام، خط رأسي للأمام، خط رأسي للجانب وإلى نقطة التعامد. خطوط تقاطع أفقية ورأسية للأمام وإلى نقطة التعامد. خط أفقي. خط رأسي للأمام وإلى نقطة التعامد. خطوط رأسية للأمام وللجانب ولنقطة التعامد. (إشارة نقطة التعامد إلى أسفل تعمل فقط في وضع التعديل الذاتي للمستوى، وليس في التشغيل اليدوي.)
زمن التشغيل	ساعات 6
قلاوظ الحامل	بوصة 1/4
الكاشف المناسب	ليزر متعدد الخطوط الأخضر المعياري
خط الليزر	مم ±0,5 / م 5 / م 2,5
العرض	م/م ±2,0
طول الموجات	II لامدا 520 ±10 نيوتن متر مستوى الليزر
الدقة	م/م ±2,0

زاوية الفتح	زاوية 120 >
اللون	اخضر
مسافة الوصول	م (بالكاشف 50 م 30
نقطة التعامد	II نيوتن متر مستوى الليزر ±5 635
طول موجات نقطة الليزر	ميغا واط 1 >
أقصى قدرة لنقطة الليزر	مم / م 1 ±0,6
دقة التعامد	حمراء
لون نقطة الليزر	م 5
مجال الوصول	درجة مئوية حتى +45 درجة مئوية -10
درجة حرارة التشغيل المنصوح بها	درجة مئوية حتى +60 درجة مئوية -20
درجة حرارة التخزين	مم × مم 88 × مم 105 × مم 106
المقاسات	غم 710
الوزن (بما فيها البطاريات)	

الاستخدام تبعاً للتعليمات

إن جهاز الليزر المبتكر هذا مصمم من أجل مجال واسع من الاستخدامات المتخصصة، مثل:

- التبليل بالبلاط والأواح الرخام والخزانات والحواف وأجزاء الأشكال والزر كشة
 - تحديد الخطوط الأساسية لتركيب الأبواب والنوافذ والقضبان ودرجات السلم والأسوار والبوابات والشرفات والبرغولات.
 - نقل نقاط المراجعة لتركيب مواد الإضاءة والتهوية، نقل الارتفاعات، تسوية الحوائط المحيطة وحوائط الحوامل، تركيب القضبان على الأرض وكذلك الأعمال المهنية المتخصصة الأخرى.
 - لتحديد واختبار الخطوط الأفقية والرأسية.
- لا يجوز استخدام هذا المنتج إلا تبعاً للتعليمات المذكورة فقط.

1	تعليمات سلامة مهمة
2	الصيانة
2	البيانات الفنية
2	الاستخدام تبعاً للتعليمات
3	نظرة عامة
4	إشارة البطارية ضعيفة
4	استبدال البطاريات
5	أرجل قابلة للتعديل
5	حامل مغناطيسي للحائط ولوحة تحديد الهدف خضراء
6	العمل في وضع التعديل الذاتي للمستوى
7	العمل في الوضع اليدوي
8	خاصية التعامد
8	خاصية وضع النبض
9	فحص الدقة

تعليمات سلامة مهمة



تنبيه! تحذير! خطر!

لا تستخدم المنتج قبل قراءة تعليمات السلامة ودليل المستخدم على القرص المضغوط المرفق.

تصنيف الليزر



تحذير:

يندرج الليزر المستخدم تحت الفئة 2 وفقاً للمواصفة EN60825-1:2014.



تحذير:

لا تعرض العيون مباشرة لشعاع الليزر. شعاع الليزر يمكن أن يتسبب في أضرار حادة بالعيون و/أو يؤدي إلى العمى.

لا تنظر مباشرة في شعاع الليزر ولا توجه الشعاع بلا داع على أشخاص آخرين.

احترس! في بعض الاستخدامات قد يتواجد الجهاز المشع لليزر خلفك. في هذه الحالة قم بالاستدارة بحذر.

تحذير:

لا تقم بتشغيل الليزر حول الأطفال أو تسمح لهم بتشغيله.

قد يعكس السطح العاكس الأشعة إلى مشغل الجهاز أو أشخاص آخرين.

تحذير: إن استخدام أجهزة تحكم أو إجراء عمليات ضبط أو تطبيق إجراءات غير المحددة في كتيب التعليمات قد ينتج عنه التعرض لإشعاعات خطيرة.

إذا تم نقل جهاز الليزر من وسط بارد جداً إلى وسط دافئ (أو العكس)، فيجب أن يصل الجهاز إلى درجة حرارة الوسط قبل الاستعمال.

يحظر حفظ الليزر في الخلاء ويجب حمايته من الصدمات والاهتزازات الدائمة ودرجات الحرارة المرتفعة أو المنخفضة جداً.

احتفظ بالجهاز بعيداً عن الغبار والسوائل والرطوبة المرتفعة. إذ قد يؤدي ذلك إلى تلف الأجزاء الداخلية أو يؤثر في دقة الجهاز.

إذا وقع شعاع الليزر على العين، أغلق العيون وقم بإدارة الرأس على الفور بعيداً عن الشعاع.

أحرص على أن يتم وضع الليزر بحيث لا يحدث الشعاع اضطراب في الرؤية لديك أو لدى أشخاص آخرين.

لا تنظر في شعاع الليزر باستخدام أجهزة تكبير بصرية مثل المناظير المكبرة أو التلسكوبات. خلافاً لذلك يزداد خطر إصابة العيون بأضرار حادة.

يجب مراعاة، أن الغرض من نظارات رؤية الليزر هو التعرف بشكل أفضل على خطوط الليزر، وليس حماية العيون من أشعة الليزر.

لا يجوز إزالة لوحات التحذير الملصقة على جهاز الليزر أو تشويهها.

لا تقوم بفك أجزاء جهاز الليزر. أشعة الليزر يمكن أن تؤدي إلى إصابات حادة في العيون.

تحقق قبل نقل جهاز الليزر، أن بندول التثبيت مُعشق في مكانه.

ملحوظة: في حالة بندول التثبيت الغير مُعشق في مكانه قد تحدث أضرار أثناء النقل في داخل الجهاز.

لا تستخدم مواد أو سوائل التنظيف القوية. استخدم فقط قطعة قماش نظيفة وناعمة لتنظيف الجهاز.

احفظ جهاز الليزر من الصدمات الشديدة والسقوط. بعد السقوط أو التأثيرات الميكانيكية الشديدة يجب فحص دقة الجهاز قبل الاستعمال.

أي إصلاحات بجهاز الليزر يجب ألا يقوم بها سوى موظفي الخدمة المعتمدين.

لا تقم بتشغيل الجهاز في مناطق معرضة لحدوث انفجارات أو في ظروف التشغيل الصعبة.

عند عدم استخدام الجهاز لفترة طويلة يجب نزع البطاريات من علب البطاريات. على هذا النحو يمكن تجنب سيلان سوائل من البطاريات وتجنب

أضرار الصدا المصاحبة لها.

يجب عدم التخلص من البطاريات الفارغة مع المخلفات المنزلية. وحرصاً على سلامة البيئة يجب نقل هذه البطاريات إلى نقاط التجميع المشار إليها وفقاً للوائح الوطنية أو المحلية. يجب عدم التخلص من الجهاز مع المخلفات المنزلية. تخلص من الجهاز بطريقة ملائمة وفقاً للوائح الوطنية المعمول بها في بلدك. يجب الالتزام بالوائح الوطنية والخاصة المعمول بها في البلد. يرجى الاتصال بالسلطات المحلية أو الوكيل لمعرفة الطريقة الملائمة للتخلص من البطاريات.

علامة التوافق الأوروبية CE

ОФИЦИАЛЬНЫЙ ДИЛЕР В УКРАИНЕ:

storgom.ua

ГРАФИК РАБОТЫ:

Пн. – Пт.: с 8:30 по 18:30

Сб.: с 09:00 по 16:00

Вс.: с 10:00 по 16:00

КОНТАКТЫ:

+38 (044) 360-46-77

+38 (066) 77-395-77

+38 (097) 77-236-77

+38 (093) 360-46-77

Детальное описание товара: <https://storgom.ua/product/lazernyy-nivelir-aeg-clg330-k-4935472255.html>

Другие товары: <https://storgom.ua/niveliry.html>