

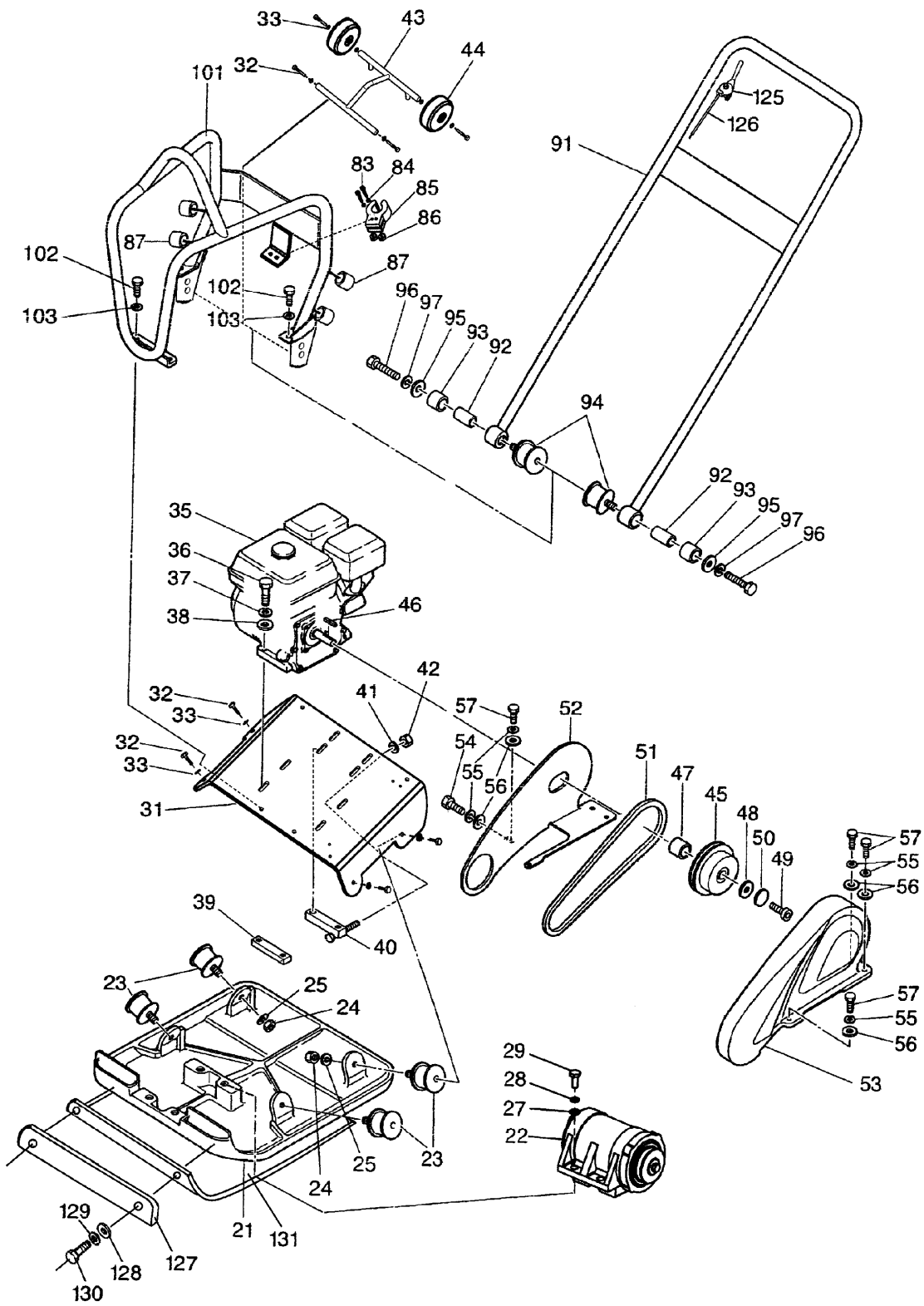


MASALTA



PARTS MANUAL PLATE COMPACTOR MS90





MS90 PARTS LIST 1

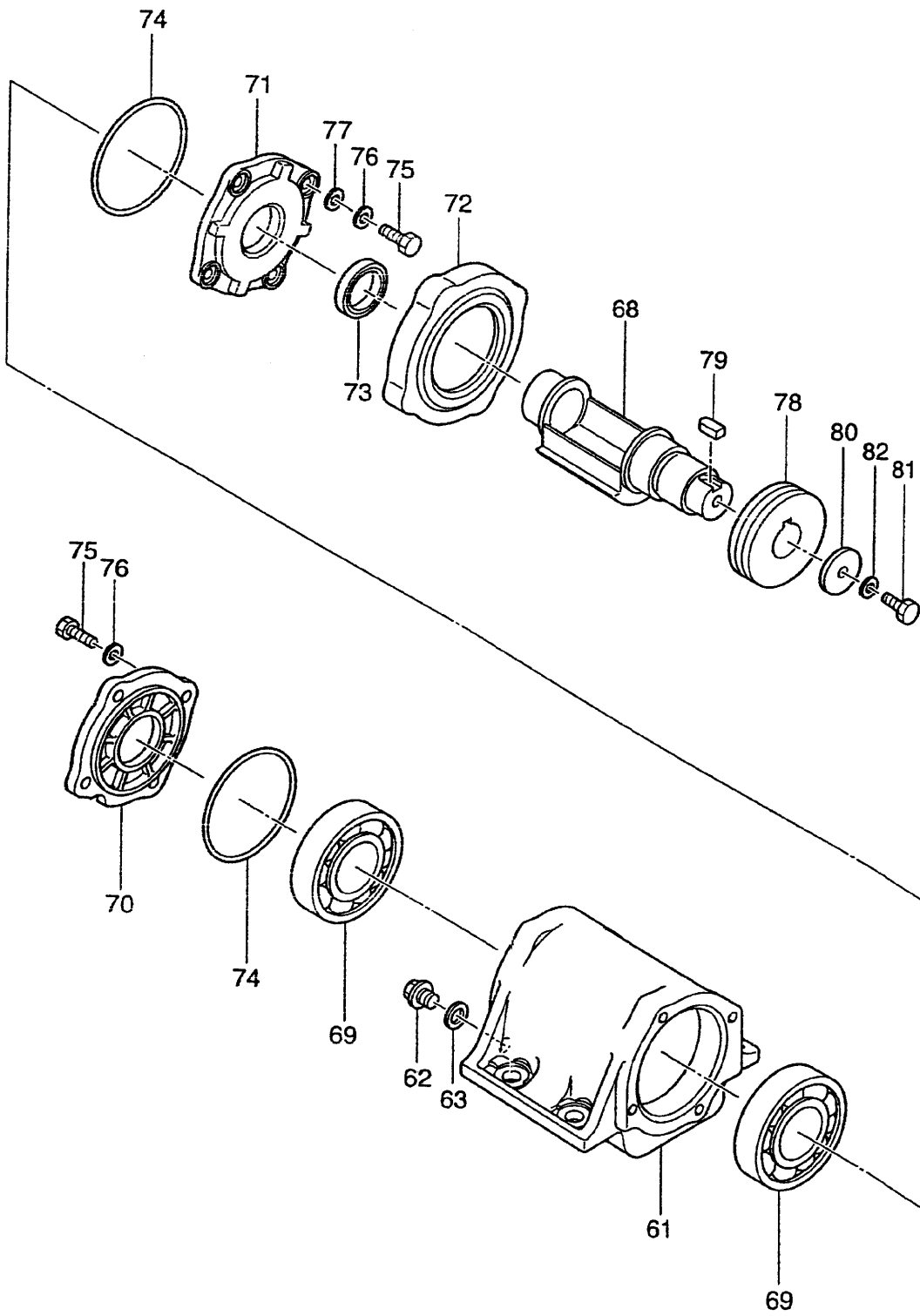
MS90 PARTS LIST 1

| ITEM NO. | PART NO. | DESCRIPTION | QTY |
|----------|-----------|-----------------------------|-----|
| 21 | 153001 | BASE PLATE | 1 |
| 22 | 154000 | VIBRATOR ASSY. | 1 |
| 23 | 153002 | SHOCK ABSORBER | 4 |
| 24 | 017010 | NUT M10 - GB170 | 4 |
| 25 | 093010 | SPRING WASHER 10 - GB93 | 4 |
| 26 | 095010 | WASHER | 4 |
| 27 | 095016 | WASHER 16 - GB93 | 4 |
| 28 | 093016 | SPRING WASHER 16 - GB93 | 4 |
| 29 | 057016 | BOLT M16 X 40 - GB5783 - 86 | 4 |
| 31 | 153003 | ENGINE MOUNTING PLATE | 1 |
| 32 | 057010-30 | BOLT M10 X 30 - GB5783 | 4 |
| 33 | 093010 | SPRING WASHER 10 - GB93 | 4 |
| 35 | 151000-1 | CHINESE DIESEL ENGINE | 1 |
| | 151000-2 | CHINESE PETROL ENGINE | 1 |
| | 151000-3 | ROBIN ENGINE | 1 |
| | 151000-4 | HONDA ENGINE | 1 |
| 36 | 057008-50 | BOLT M8 X 50 - GB5783 | 4 |
| 37 | 093008 | SPRING WASHER 8 - GB93 | 4 |
| 38 | 095008 | WASHER 8 - GB95 | 4 |
| 39 | 153007 | ENGINE NUT (I) | 1 |
| 40 | 153006 | ENGINE NUT (II) | 1 |
| 41 | 095006 | WASHER 8 - GB95 | 1 |
| 42 | 088006 | LOCK NUT M8 - GB889 | 1 |
| 43 | 155001 | WHEEL SHAFT (OPTIONAL) | 1 |
| 44 | 155002 | WHEEL (OPTIONAL) | 2 |
| 45 | 152000 | CLUTCH PULLEY ASSY | 1 |
| 46 | 010005 | KEY C5 X 35 | 1 |
| 47 | 152005 | CLUTCH WASHER | 1 |
| 48 | 093008 | SPRING WASHER 8 - GB93 | 1 |
| 49 | 057008-25 | BOLT M8 X 25 - GB5783 | 1 |
| 50 | 093008 | SPRING WASHER 8 - GB93 | 1 |

(TO BE CONTINUED)

MS90 PARTS LIST 1

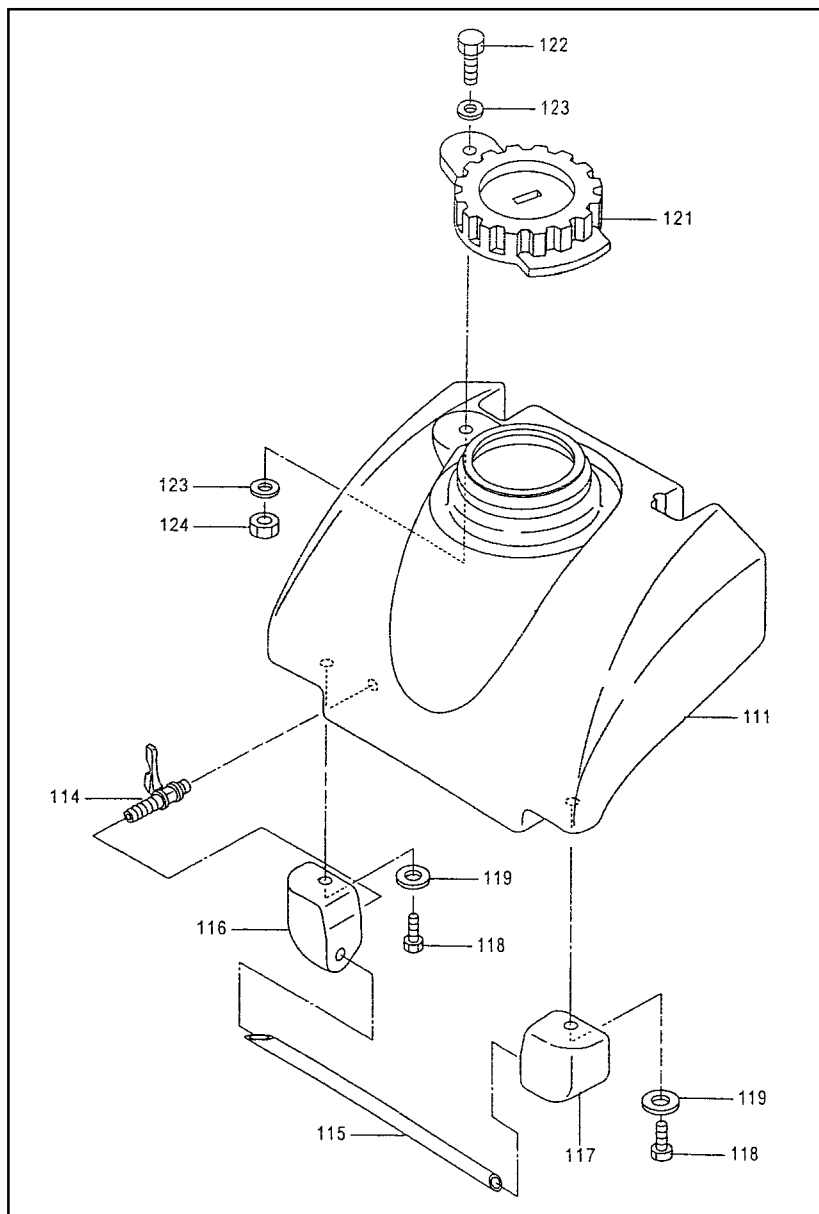
| ITEM NO. | PART NO. | DESCRIPTION | QTY |
|----------|-----------|-----------------------------------|-----|
| 51 | 011544-1 | V-BELT FOR DIESEL ENGINE | 1 |
| | 011544-2 | V-BELT FOR PETROL ENGINE | 1 |
| 52 | 153004 | INSIDE BELT COVER | 1 |
| 53 | 153005-1 | BELT COVER FOR DIESEL ENGINE | 1 |
| | 153005-2 | BELT COVER FOR PETROL ENGINE | 1 |
| 54 | 057008-20 | BOLT M8 X 20 - GB5783 | 1 |
| 55 | 093008 | SPRING WASHER 8 - GB93 | 5 |
| 56 | 095008 | WASHER 8 - GB95 | 5 |
| 57 | 057008-25 | BOLT M8 X 25 - GB5783 | 4 |
| 83 | 057006 | BOLT M6 X 30 (OPTIONAL) | 2 |
| 84 | 095006 | WASHER 6 (OPTIONAL) | 2 |
| 85 | 105001 | RUBBER CLIP (OPTIONAL) | 1 |
| 86 | 061006 | NUT M6 (OPTIONAL) | 2 |
| 87 | 155003 | RUBBER COLLAR | 4 |
| 91 | 156004 | HANDLE | 1 |
| 92 | 156003 | COLLAR | 2 |
| 93 | 156002 | RUBBER | 2 |
| 94 | 156005 | RUBBER MOUNT | 2 |
| 95 | 096012 | WASHER 12 - GB96 | 2 |
| 96 | 057012 | BOLT M12 X 65 - GB5780 | 2 |
| 97 | 093012 | SPRING WASHER 12 - GB93 | 2 |
| 101 | 155000 | GUARD HOOK | 1 |
| 102 | 057010-25 | BOLT M10 X 25 - GB5783 | 4 |
| 103 | 093010 | SPRING WASHER 10 - GB93 | 4 |
| 125 | A2004001 | THROTTLE CONTROL LEVER (OPTIONAL) | 1 |
| 126 | 156006-1 | THROTTLE CONTROL WIRE (OPTIONAL) | 1 |
| 127 | 2001002-2 | FIX STRIP (OPTIONAL) | 1 |
| 128 | 0097017 | WASHER 10-GB97 (OPTIONAL) | 2 |
| 129 | 0093010 | SPRING WASHER 10-GB93 (OPTIONAL) | 2 |
| 130 | 0057810 | BOLT M10X45-GB5783 (OPTIONAL) | 2 |
| 131 | 2001001-2 | RUBBER MAT (OPTIONAL) | 1 |



MS90 PARTS LIST 2

MS90 PARTS LIST 2

| ITEM NO. | PART NO. | DESCRIPTION | QTY |
|----------|-----------|--------------------------|-----|
| 61 | 154009 | VIBRATING CASE | 1 |
| 62 | 154002 | PLUG SCREW | 1 |
| 63 | 154001 | PACKING PIECE | 1 |
| 68 | 154007 | ECCENTRIC ROTATOR | 1 |
| 69 | 027011 | BEARING 6211 - GB276 | 2 |
| 70 | 154008 | CASE COVER (R) | 1 |
| 71 | 154006 | CASE COVER (L) | 1 |
| 72 | 154005 | PROTECTIVE COVER | 1 |
| 73 | 098035 | OIL SEAL 35 X 8 - GB9877 | 1 |
| 74 | 034100 | O-RING 100 - GB3452.1 | 2 |
| 75 | 057008-25 | BOLT M8 X 25 - GB5783 | 8 |
| 76 | 093008 | SPRING WASHER 8 - GB93 | 8 |
| 77 | 095008 | WASHER 8 - GB95 | 8 |
| 78 | 154004 | PULLEY | 1 |
| 79 | 010008 | KEY C8 - GB1096 | 1 |
| 80 | 154003 | PULLEY WASHER | 1 |
| 81 | 057010-25 | BOLT M10 X 25-GB5783 | 1 |
| 82 | 093010 | SPRING WASHER10-GB93 | 1 |



MS90 PARTS LIST 3

| ITEM NO. | PART NO. | DESCRIPTION | QTY |
|----------|-----------|------------------------|-----|
| 111 | 157001 | WATER TANK | 1 |
| 114 | 157007 | COCK | 1 |
| 115 | 157004 | SPRINKLING PIPE | 1 |
| 116 | 157003 | PIPE HOLDER (L) | 1 |
| 117 | 157005 | PIPE HOLDER (R) | 1 |
| 118 | 057008-30 | BOLT M8 X 30 - GB5783 | 2 |
| 119 | 095008 | WASHER8-GB95 | 5 |
| 121 | 157002 | CAP WATER TANK | 1 |
| 122 | 057010-30 | BOLT M10 X 30 - GB5783 | 1 |
| 123 | 095010 | WASHER10 - GB95 | 2 |
| 124 | 017010 | NYLON NUT M10 - GB170 | 1 |
| 132 | 157000 | WATER TANK ASSY. | 1 |



Distributed By



MASALTA ENGINEERING CO., LTD

Add: Weisi Road, Baohe Industrial Estate, Hefei, China
Tel: 86-551-4846600, 4846601 Fax: 86-551-4846616
E-mail: sales@masalta.com.cn, masalta@mail.hf.ah.cn,
[Http://www.masalta.com.cn](http://www.masalta.com.cn)

ОФИЦИАЛЬНЫЙ ДИЛЕР В УКРАИНЕ:

storgom.ua

ГРАФИК РАБОТЫ:

Пн. – Пт.: с 8:30 по 18:30

Сб.: с 09:00 по 16:00

Вс.: с 10:00 по 16:00

КОНТАКТЫ:

+38 (044) 360-46-77

+38 (066) 77-395-77

+38 (097) 77-236-77

+38 (093) 360-46-77

Детальное описание товара: <https://storgom.ua/product/vibroplita-masalta-ms90-4.html>

Другие товары: <https://storgom.ua/vibroplity.html>